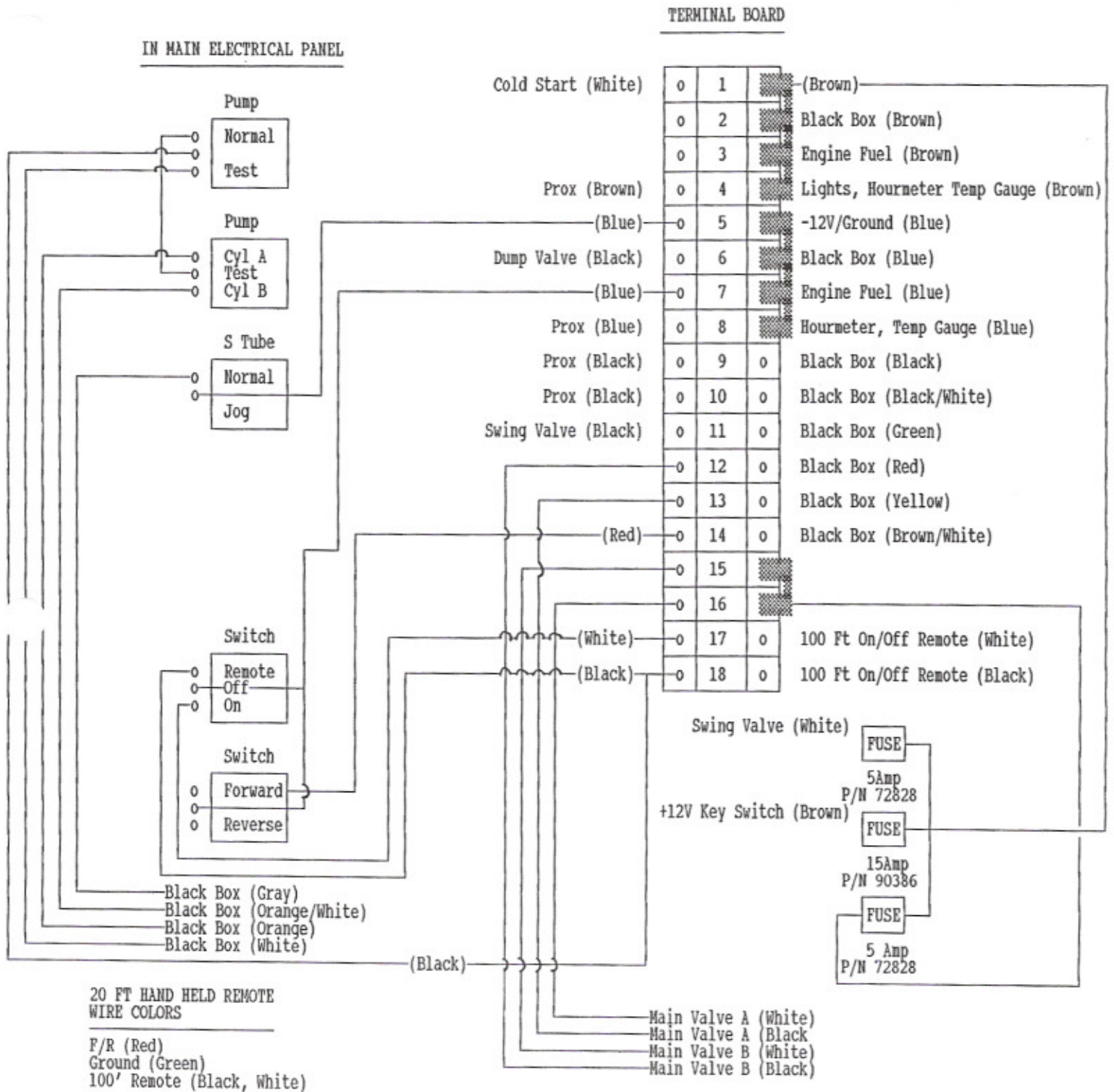


HYDRAULIC SCHEMATIC - REED M20

**REED MODEL M40 & M20 CONCRETE PUMP (DIESEL)
ELECTRICAL CONTROL PANEL (12 VOLT DIAGRAM) REVISED 5/6/95**



M20

EL-M20
5-24-93/JS

