



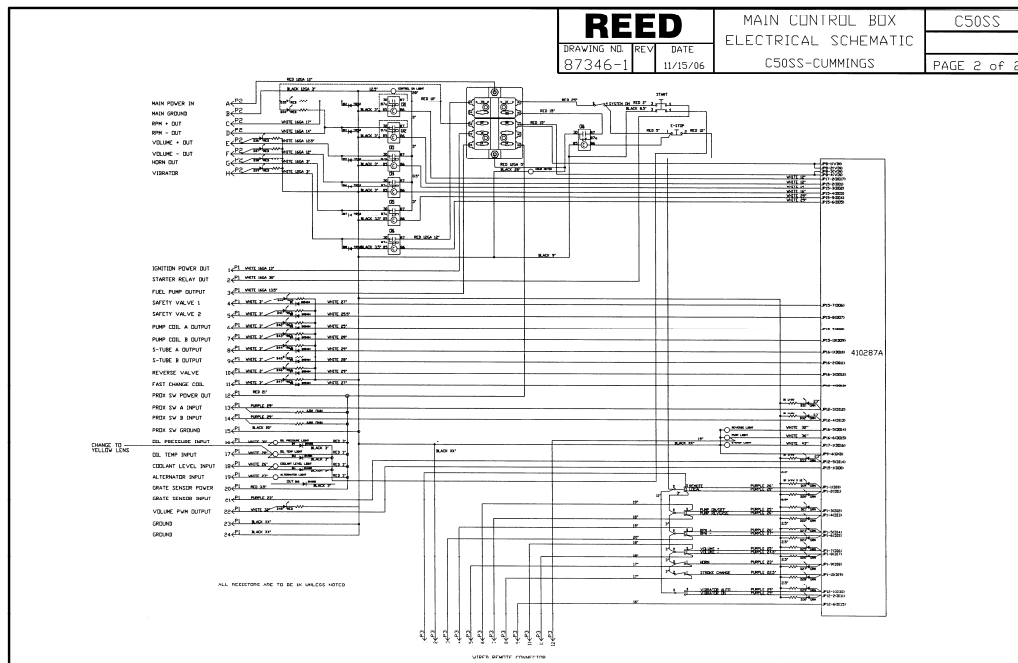
TRAILER MOUNTED PUMP 01 MODEL C50S SCHEMATICS SECTION

**C50S
SCMTC**

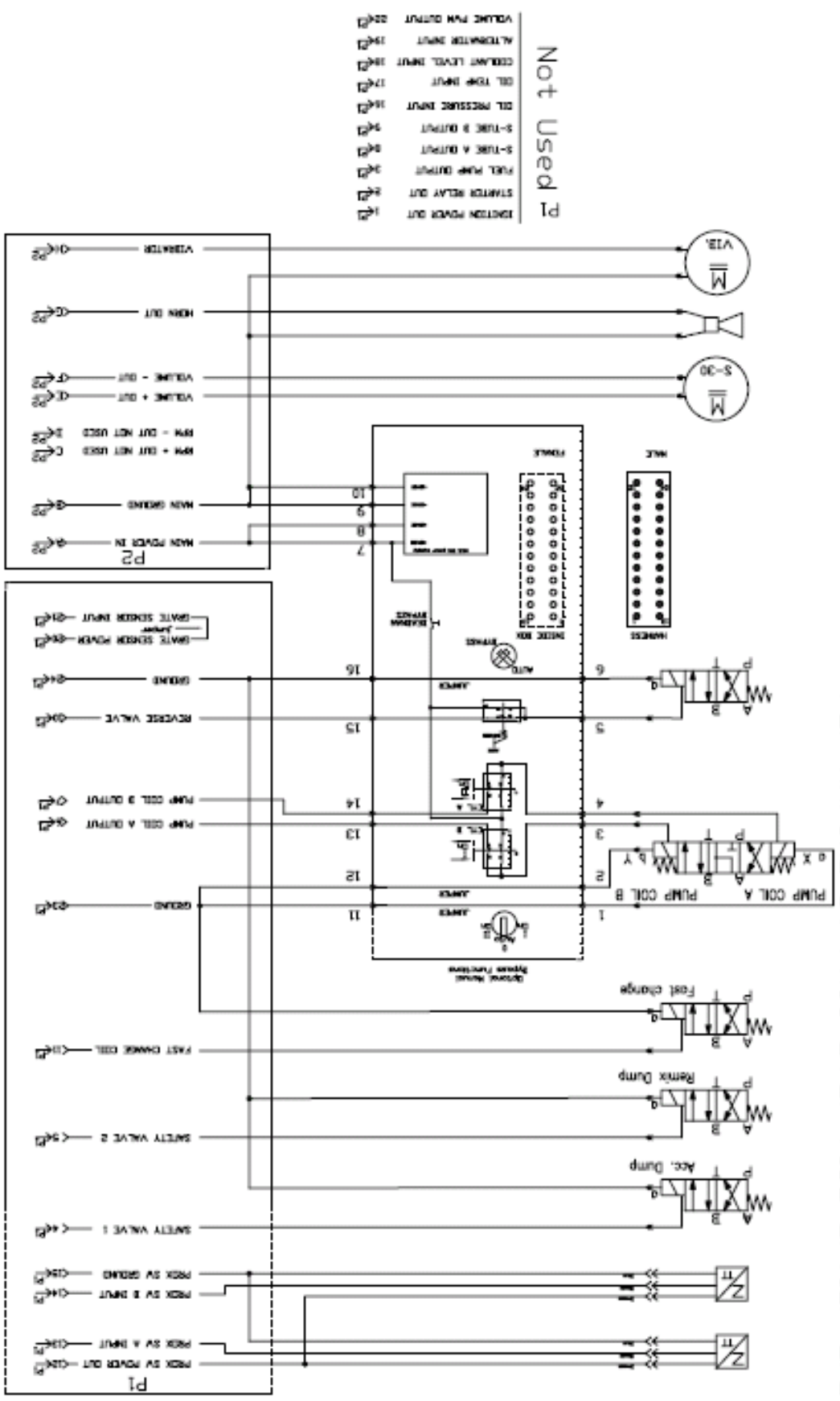
FIGURE 00
PAGE 00

**REED TRAILER MOUNTED CONCRETE PUMP 01 MODEL C50S
SCHEMATICS SECTION CONTAINS THE FOLLOWING FIGURES:**

- FIGURE 00** TABLE OF CONTENTS
- FIGURE 01** PN 86532 TRAILER ELECTRICAL HARNESS
- FIGURE 02** PN 87341 WIRING SCHEMATIC FOR 87452 HARNESS
- FIGURE 03** PN 87346 MAIN CONTROL DATA & SCHEMATIC
- FIGURE 04** PN 87347 PENDANT CONTROL BOX DATA
- FIGURE 05** PN 87425 MAIN CONTROL BOX SCHEMATIC
- FIGURE 06** PN 87426 HYDRAULIC SCHEMATIC
- FIGURE 07** PN 87452 WIRING HARNESS HYDRAULIC CYCLING



(FOR MANUAL BY-PASS OVER-RIDE OPTION ONLY)

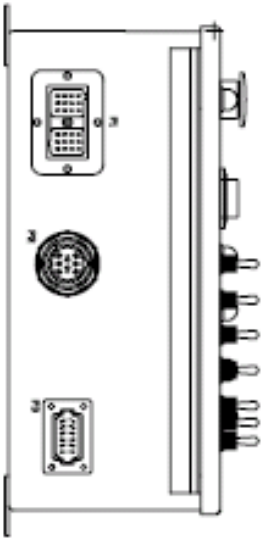
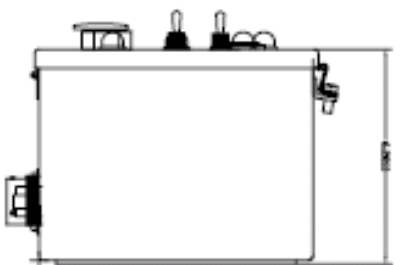
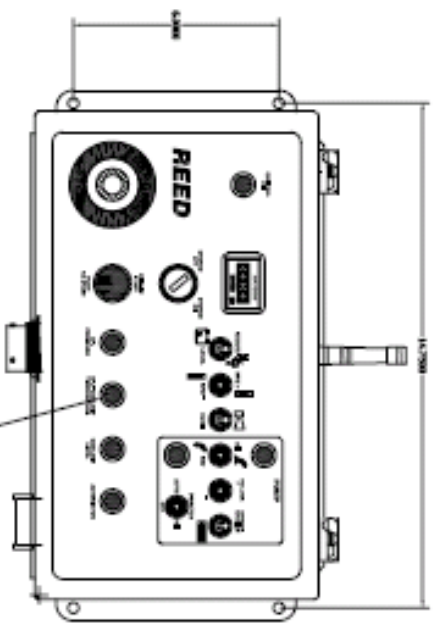
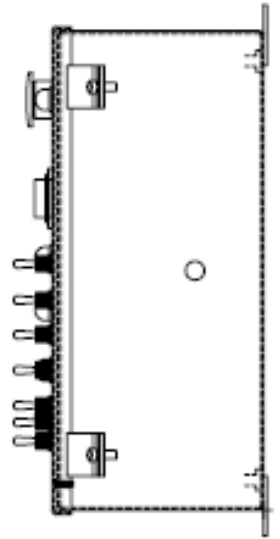


Not Used P1

- 1 ft IGNITION POWER OUT
- 2 ft STARTER RELAY OUT
- 2 ft FUEL PUMP OUTPUT
- 2 ft 5-TUNE A OUTPUT
- 2 ft 5-TUNE B OUTPUT
- 16 ft DL PRESSURE INPUT
- 17 ft DL TOP INPUT
- 18 ft CELMAT LEVEL INPUT
- 19 ft ALTERNATOR INPUT
- 20 ft VOLUME FAN OUTPUT

DRAWING NO.	REV	DATE
87346		9/2/05

C50S-DEUTZ



SPECIAL NOTE:
YELLOW LENS USED FOR CLEARANCE DESIGN ONLY HERE



CONNECTOR P1 24 PIN DETECTOR REED-DEUTZ



CONNECTOR P2 12 PIN DETECTOR REED-DEUTZ



CONNECTOR P3 12 PIN DETECTOR REED-DEUTZ

VENDOR: KAR-TECH
VENDOR PN: 41-030-2-A-2 (REV A)
ELECTRICAL SCHEMATIC-REED PN 87425

P1 = 20C12-24PA - MOST INPUT AND OUTPUT FUNCTIONS
P2 = 1024-12-28PN - POWER AND GROUND INPUT PLUS HIGH CURRENT OUTPUTS (VIBRATOR, SPN, VOLLAND)
P3 = 5104-12PA - VIBRO REQUEST FORWARD CONNECTION
P4 CONNECTION MADE BY CUSTOMER
ALL CONNECTIONS USE STANDARD DETECTOR REED-DEUTZ
DETACT P4 VIBRO USES STANDARD VIBRO DETECT

CONNECTOR P1, 24 PIN DEUTSCH 38C12-24PA

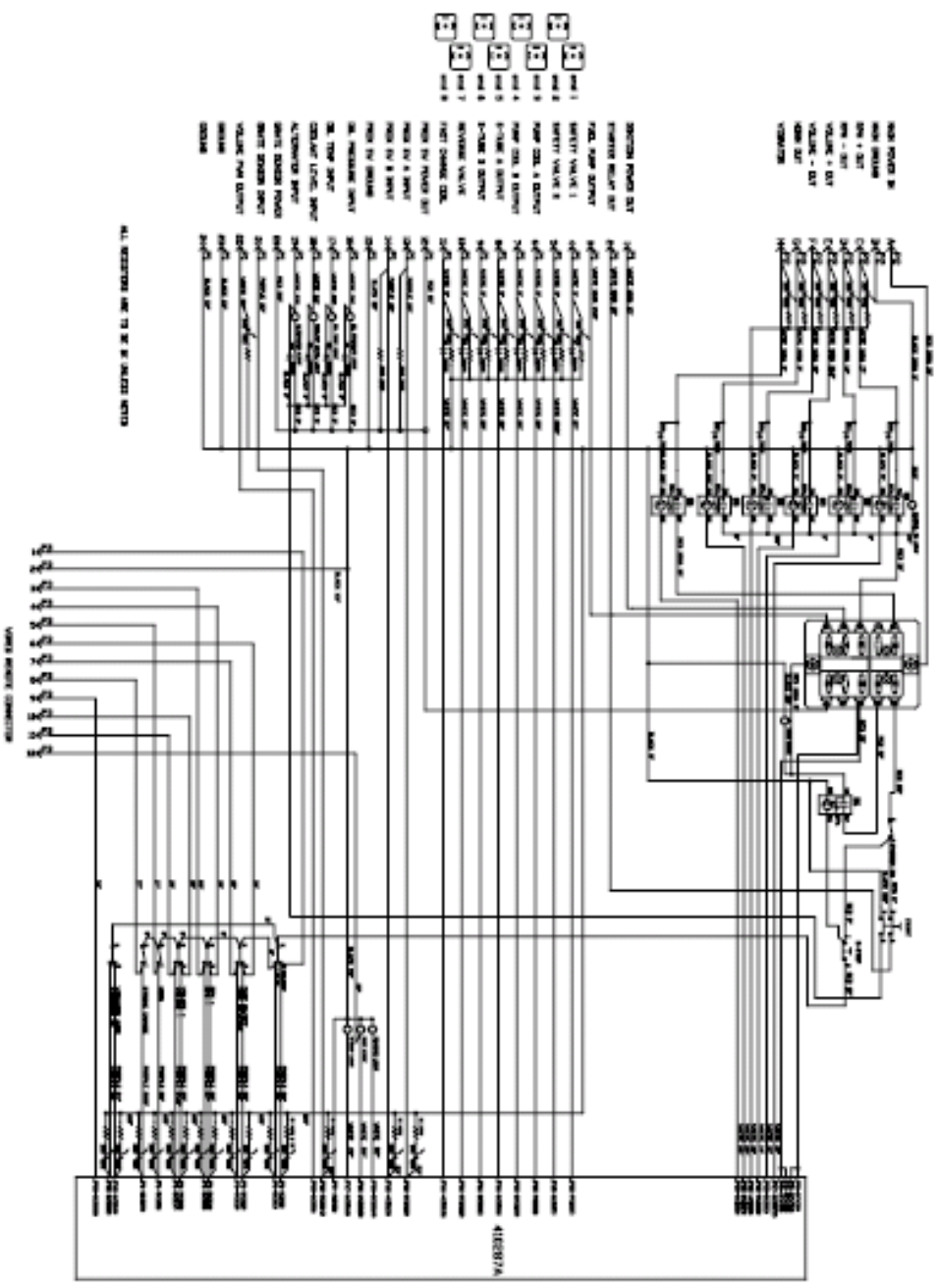
PIN#	DESCRIPTION
1	IGNITION POWER OUT
2	STARTER RELAY OUT
3	FUEL PUMP OUTPUT
4	SAFETY STOP 1 OUTPUT
5	SAFETY STOP 2 OUTPUT
6	SAFETY STOP 3 OUTPUT
7	SAFETY STOP 4 OUTPUT
8	SAFETY STOP 5 OUTPUT
9	5-TIME A OUTPUT
10	REVERSE VALVE
11	FAST CHANGE COIL
12	PRIM SV A INPUT
13	PRIM SV B INPUT
14	PRIM SV C INPUT
15	TRIP SENSITIVE INPUT
16	DELEANT LEVEL INPUT
17	ALTERNATOR INPUT
18	CRANK SENSER POWER
19	CRANK SENSER INPUT
20	VOLUME PWR OUTPUT
21	VOLUME PWR OUTPUT
22	VOLUME PWR OUTPUT
23	GROUND
24	GROUND

CONNECTOR P2, 8 PIN DEUTSCH HD24-10-08PN

PIN#	DESCRIPTION
A	BATTERY POWER G2 V100
B	RPM + OUTPUT
C	RPM - OUTPUT
D	VOLUME + OUTPUT
E	VOLUME - OUTPUT
F	HORN OUTPUT
G	VIBRATOR
H	VIBRATOR

CONNECTOR I2, PIN DEUTSCH DT06-12SA

PIN#	DESCRIPTION
1	IGNITION POWER
2	INDICATOR LIGHT- GROUND
3	ENGINE RPM INCREASE OUTPUT
4	ENGINE RPM INCREASE OUTPUT
5	HORN OUTPUT
6	PUMP ON OUTPUT
7	PUMP REVERSE OUTPUT
8	PUMP STROKE CHANGE OUTPUT
9	REVERSE POWER RETURN
10	VOLUME + OUTPUT
11	VOLUME - OUTPUT
12	PUMP ON INDICATOR LIGHT



ALL DIMENSIONS ARE IN INCH UNLESS NOTED

418287A

REED

PENDANT CONTROL BOX

C50S

DRAWING NO. REV DATE

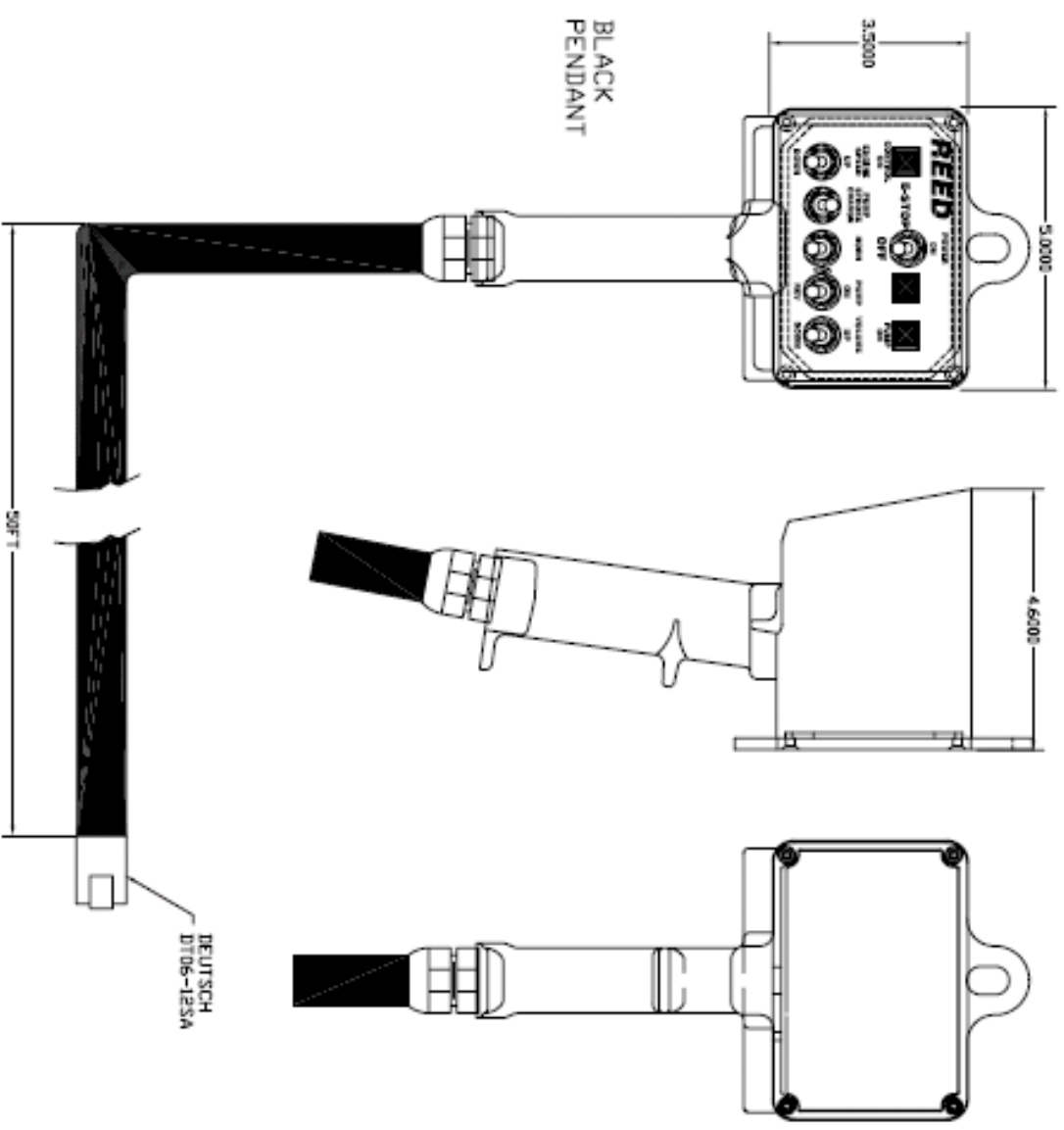
87347

9/2/05

TECHNICAL DATA

C50S

PAGE 1 OF 1



VENDOR: KAR-TECH
VENDOR PN: 41-030-3-A-2

CONNECTOR: 12 PIN DEUTSCH DT06-12SA

PIN	DESCRIPTION
1	REMOTE POWER
2	INDICATOR LIGHT GROUND
3	ENGINE RPM INCREASE OUTPUT
4	ENGINE RPM DECREASE OUTPUT
5	HEHN OUTPUT
6	PUMP ON OUTPUT
7	PUMP REVERSE OUTPUT
8	PUMP STROKE CHANGE OUTPUT
9	REMOTE POWER RETURN
10	VOLUME + OUTPUT
11	VOLUME - OUTPUT
12	PUMP ON INDICATOR LIGHT

REED

125CC REXROTH
HYDRAULIC SCHEMATIC

C50S

DRAWING NO. REV. DATE
87426 7/13/05

C50S

PAGE 1 of 1

Letter	Size	Letter	Pressure	Pump
a	1/4	MP	0-20bar	Charge
b	3/8	MP1	30bar	N/A
c	1/2	IP	30bar	Charge
d	3/4	IP	30bar	Charge
e	1	SI	0-20bar	Charge
f	1 1/4	SI	0-20bar	Charge
g	1 1/2	SI	0-20bar	Charge

