



B70D-E-V07

PARTS

13822 Oaks Avenue
Chino, CA 91710
reedpumps.com
(909) 287 - 2100

PARTS.....	3
PUMPING TRAIN ASSEMBLY	3
S TUBE ASSEMBLY	5
5" OUTLET ASSEMBLY ASSEMBLY	5
5" OUTLET SEAL KIT INSTALLATION	6
WEAR PLATE ASSEMBLY	7
7" PISTON CUP ASSEMBLY	8
DRIVE CYLINDER ASSEMBLY	9
DUAL SHIFT BELL CRANK ASSEMBLY	10
DUAL SHIFT CYLINDER ASSEMBLY	11
DUAL SHIFT ASSEMBLY.....	12
HOPPER.....	13
AGITATOR ASSEMBLY	13
SAFETY GRATE	15
GRATE ASSEMBLY	16
CLEAN OUT DOOR ASSEMBLY	17
POWER TRAIN	18
ELECTRIC MOTOR.....	18
ELECTRIC MOTOR COUPLING	19
HYDRAULIC PUMP, GEAR BOX.....	20
FITTINGS.....	21
HYDRAULIC TANK ASSEMBLY	22
MANIFOLDS.....	24
DRIVE CYLINDER CIRCUIT MANIFOLD ASSEMBLY	24
S-TUBE CIRCUIT MANIFOLD ASSEMBLY	26
ACCUMULATOR ASSEMBLY	28
ELECTRICAL GROUP.....	29
BATTERY.....	29
PROXIMITY SWITCHES	30
TAIL LIGHTS.....	32
WIRING HARNESS	33
CONTROLS.....	34
CONTROL BOX.....	34
FUSES, BLACK BOXES	35
CONNECTORS.....	36
MAIN ELECTRIC PANEL BOX	37
CONTACT BLOCKS.....	38
POWER SUPPLY	39
MOTOR CIRCUIT BREAKER	40
CONTACTOR / MOTOR OVERLOAD.....	41
CIRCUIT BREAKERS / FUSES / RELAYS	42
TRANSFORMERS	43
12V OUTPUT TERMINALS.....	44
PENDANT 50 FT CABLE REMOTE	45
FRAME INSTALLATION	46



B70D-E-V07

PARTS

13822 Oaks Avenue
Chino, CA 91710
reedpumps.com
(909) 287 - 2100

FRAME, TIRES, JACK, AND TOW EYE	46
9000LB AXLE MOUNTING ASSEMBLY	47
HOOD AND COVERS.....	48
HYDRAULIC OIL COOLER	49
FENDERS AND OUTRIGGERS	50
OPTIONS	51
LUBE BLOCK	51
AUTOLUBE PUMP (PLASTIC TUBING)	52
HYDRAULIC OUTRIGGER GROUP	54
3 SPOOL CONTROL VALVE	55
ELECTRIC HYDRAULIC OUTRIGGER.....	57
ELECTRIC HYDRAULIC OUTRIGGER CONTROLS	58
AGITATOR GROUP	59
1 SPOOL AGITATOR VALVE	60
COUGAR VIBRATOR	62
RADIO REMOTE KIT (REMTRON).....	63
ALUMINUM WHEEL AND TIRE	64
HYDRAULIC SURGE BRAKES	65
HYDRAULIC SURGE BRAKE (2 INCH BALL)	66
HYDRAULIC SURGE BRAKES (3 INCH EYE).....	67
LIFTING EYE KIT	68
WATER PUMP	69
CARBIDE WEAR PLATE	72



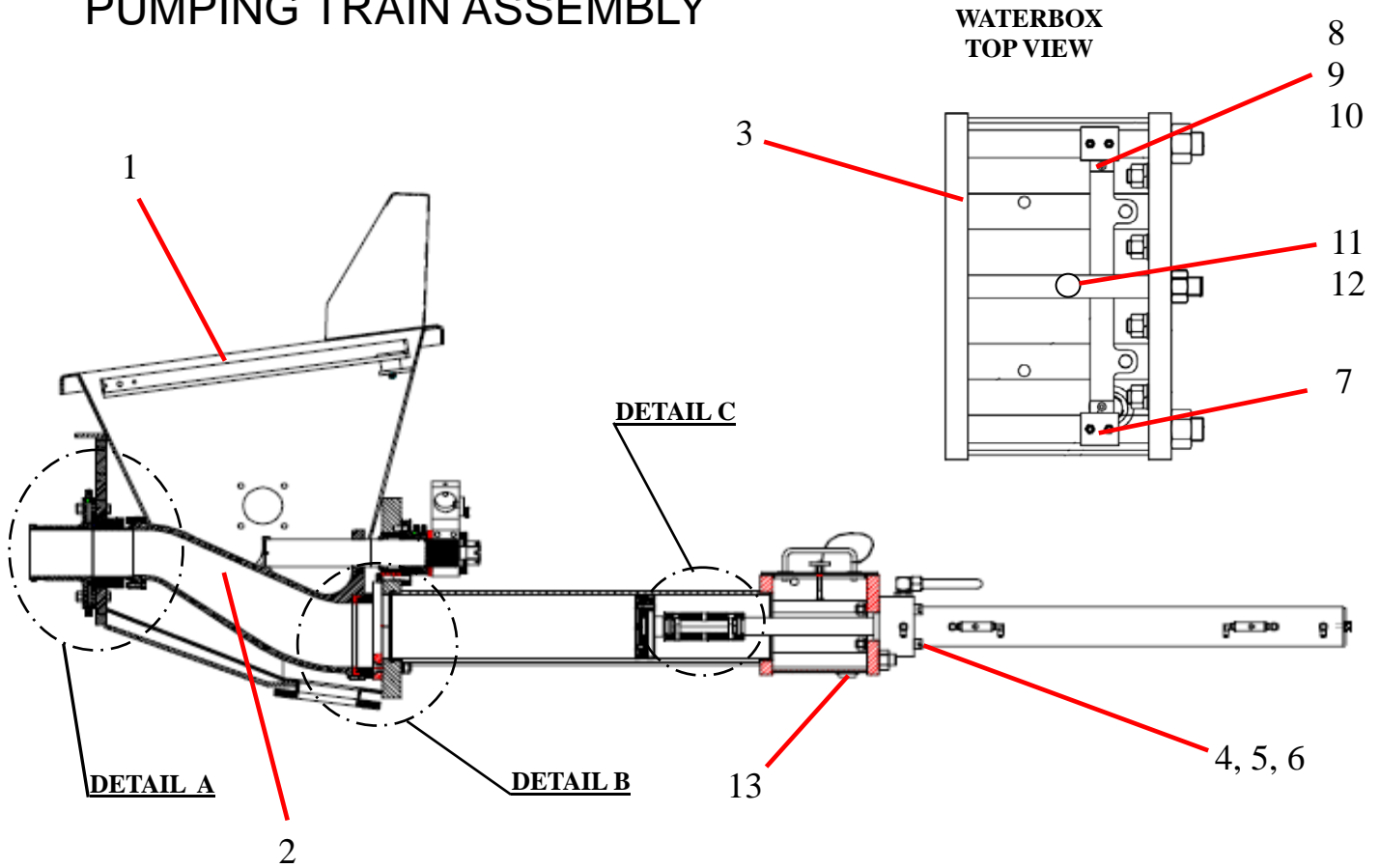
B70D-E-V07

PARTS

13822 Oaks Avenue
Chino, CA 91710
reedpumps.com
(909) 287 - 2100

PARTS

PUMPING TRAIN ASSEMBLY



ID #	PART #	PART DESCRIPTION	QUANTITY	
	88039	SINGLE SHIFT PUMPING TRAIN ASSEMBLY	1	EA
1	85840A	HOPPER WELDMENT, 7" STD SAFETY SWITCH	1	EA
2	86986	S TUBE WLD, 7X5	1	EA
3	85984	FLUSH BOX WELDMENT, 7 IN	1	EA
4		SHCS 3/4 - 10X5" GR 8	8	EA
5		HEX NUT, 3/4 - 10	12	EA
6		LOCK WASHER 3/4"	13	EA
7	86006	BRACKET, PROX SWITCH	1	EA
8	86752	HHCS, 1/4 - 20X3/4" GR 8	6	EA
9		LOCK WASHER, 1/4"	2	EA
10		FLAT WASHER, 1/4"	2	EA
11	86665	STUD, 3/8-16X3" LONG	1	EA
12	80072	LOCKWASHER-3/8"	1	EA
13	10282	PLUGS-PIPE GALV 1"	1	EA

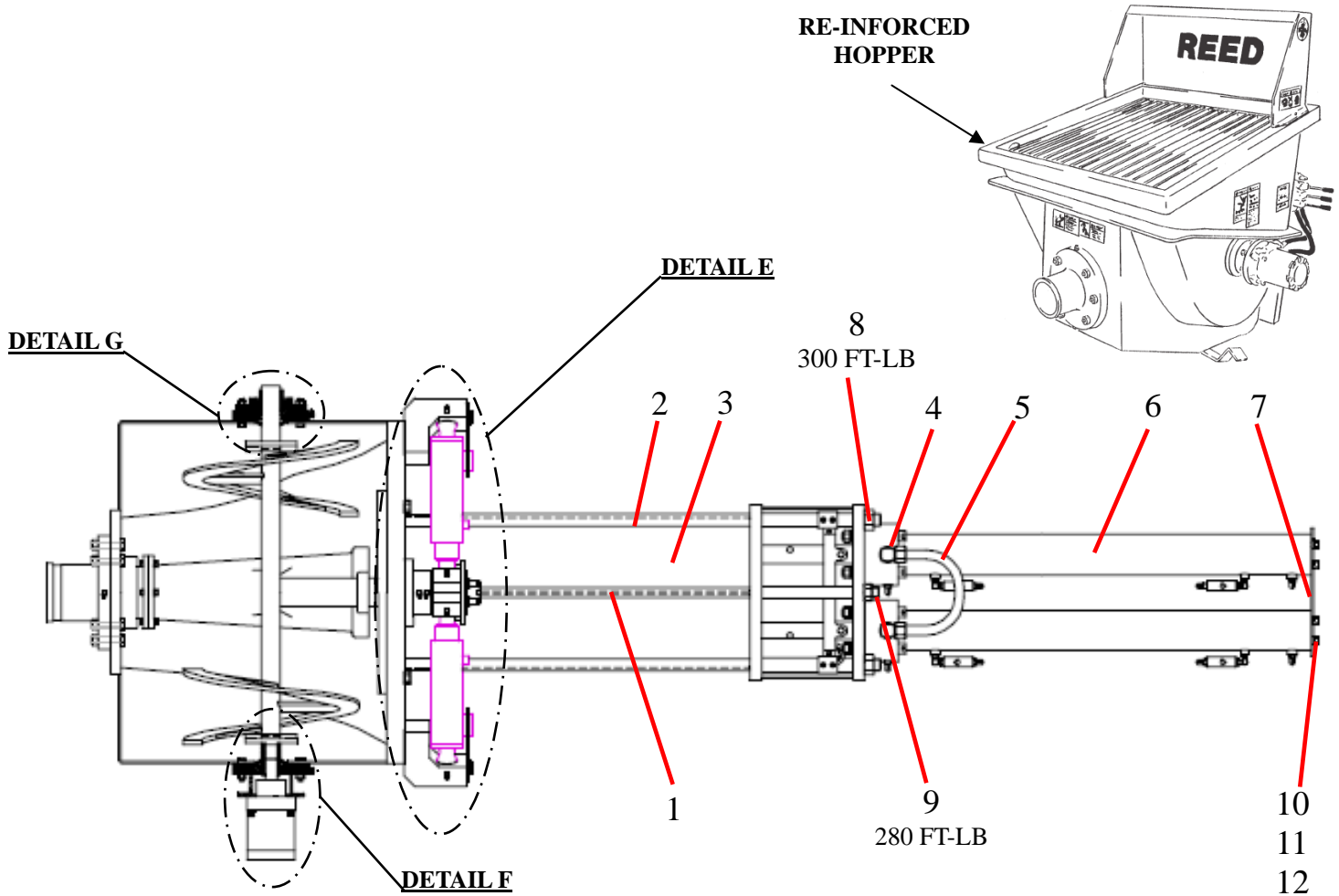


B70D-E-V07

PARTS

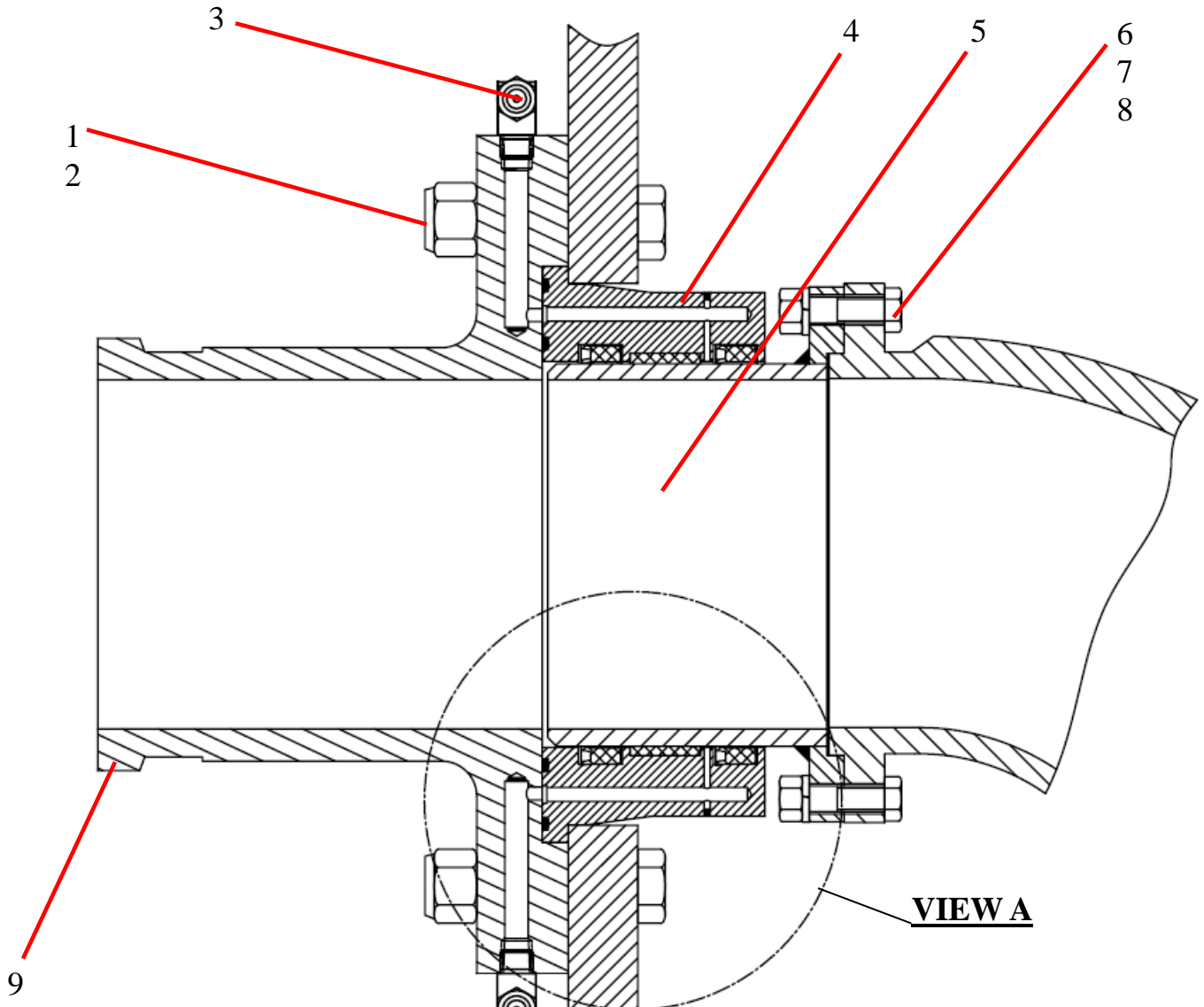
13822 Oaks Avenue
Chino, CA 91710
reedpumps.com
(909) 287 - 2100

PUMPING TRAIN ASSEMBLY CONTINUED



ID #	PART #	PART DESCRIPTION	QUANTITY	
1	86047	TIE ROD, 1" X 51½"	2	EA
2	86046	TIE ROD, 1¼" X 51½"	4	EA
3	86045	CONCRETE CYLINDER, 7 X 36	2	EA
4		ELBOW, MB – MJ-16-16	2	EA
5	85427	TUBE, HYD, LOOP LINE	1	EA
6	86223	DRIVE CYLINDER -3.50 X 2.00 X 35.75	2	EA
7	86544	END PLATE - DRIVE CYLINDER- PAINTED	1	EA
8		HEX, NUT 1 ¼" -12	4	EA
9		HEX NUT, 1" -12	2	EA
10		HHCS, 1/2 -13X1 ¼" GR 8	4	EA
11		WASHER, 1/2	4	EA
12		LOCK WASHER, ½"	6	EA

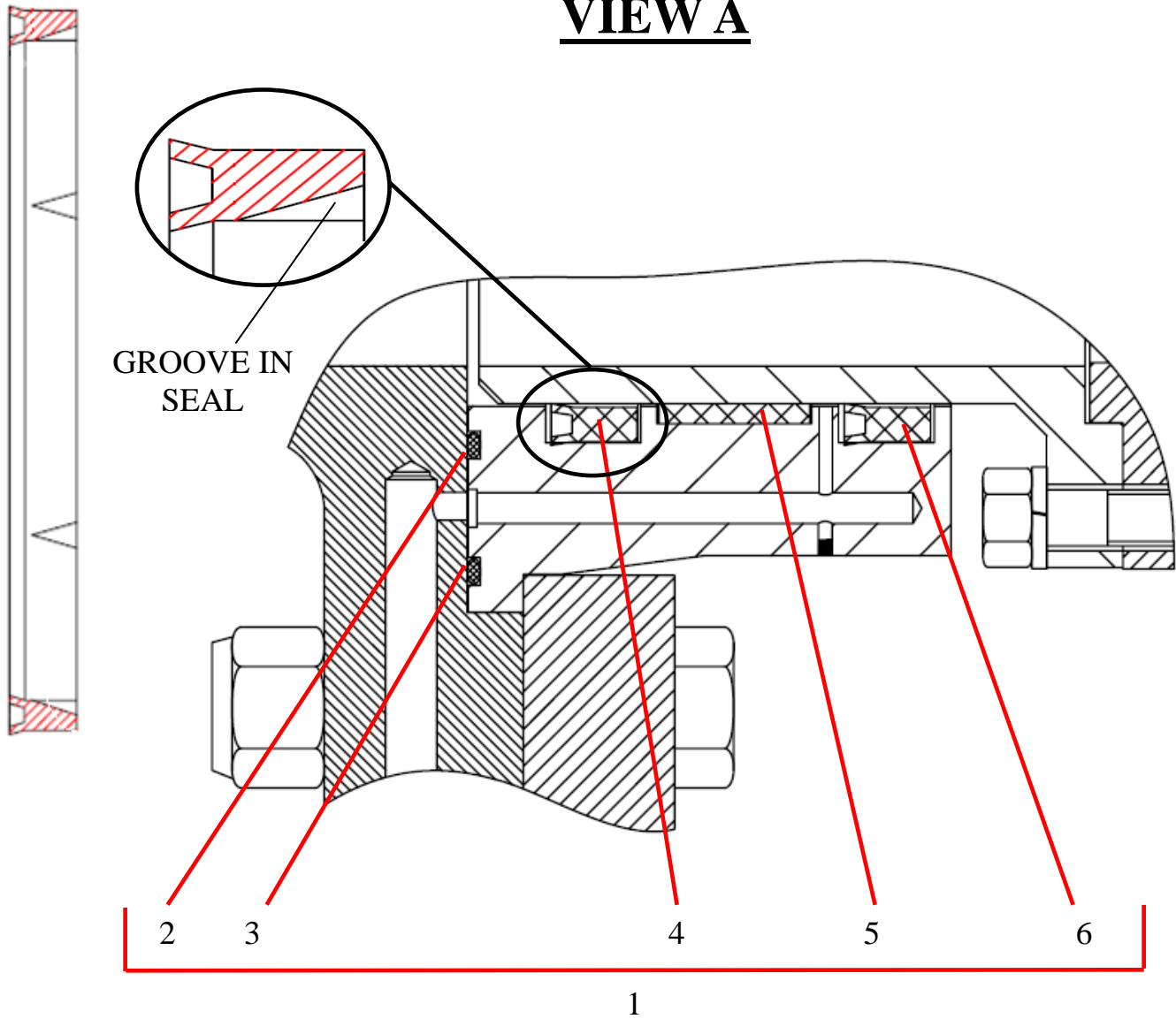
S TUBE ASSEMBLY
5" OUTLET ASSEMBLY ASSEMBLY
DETAIL A



ID #	PART #	PART DESCRIPTION	QUANTITY	
	86321	OUTLET ASSEMBLY	1	EA
1		HHCS, 5/8 – 18X3" ¼ " GR 8	6	EA
2		LOCK NUT, 5/8 -18	6	EA
3		GREASE FITTING, 1/8" NPT 90°	2	EA
4	72309	OUTLET SEAL HOUSING	1	EA
5	70042	CHROMED OUTLET	1	EA
6		HHCS, 3/8 – 16X1 ½" GR 8	6	EA
7		HEX NUT, 3/8" - 16	6	EA
8		LOCK WASHER, 3/8"	6	EA
9	72482	OUTLET, 5" (1-PIECE)	1	EA

5" OUTLET SEAL KIT INSTALLATION

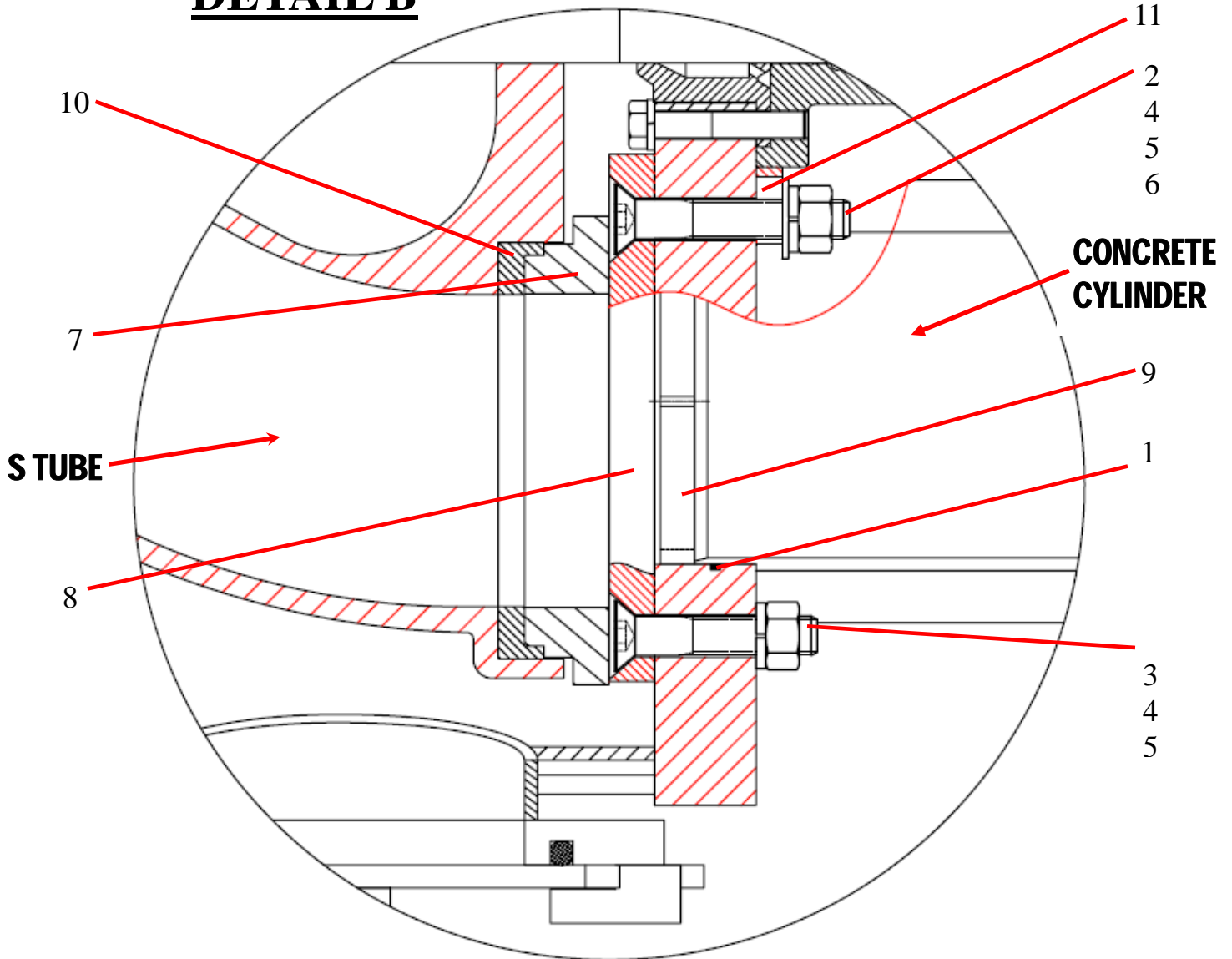
VIEW A



ID #	PART #	PART DESCRIPTION	QUANTITY	
1	79895	SEAL KIT	1	EA
2	77762	O-RING-#257 BUNA 90	1	EA
3	77761	O-RING-#264 BUNA 90	1	EA
4	86504	SEAL-MODIFIED- 5 IN OUTLET	1	EA
5	77763	GUIDE BAND - 5.75 OD X 1.00W	1	EA
6	77765	LIP SEAL-5.50 ID X 6.00 OD X .56 D	1	EA

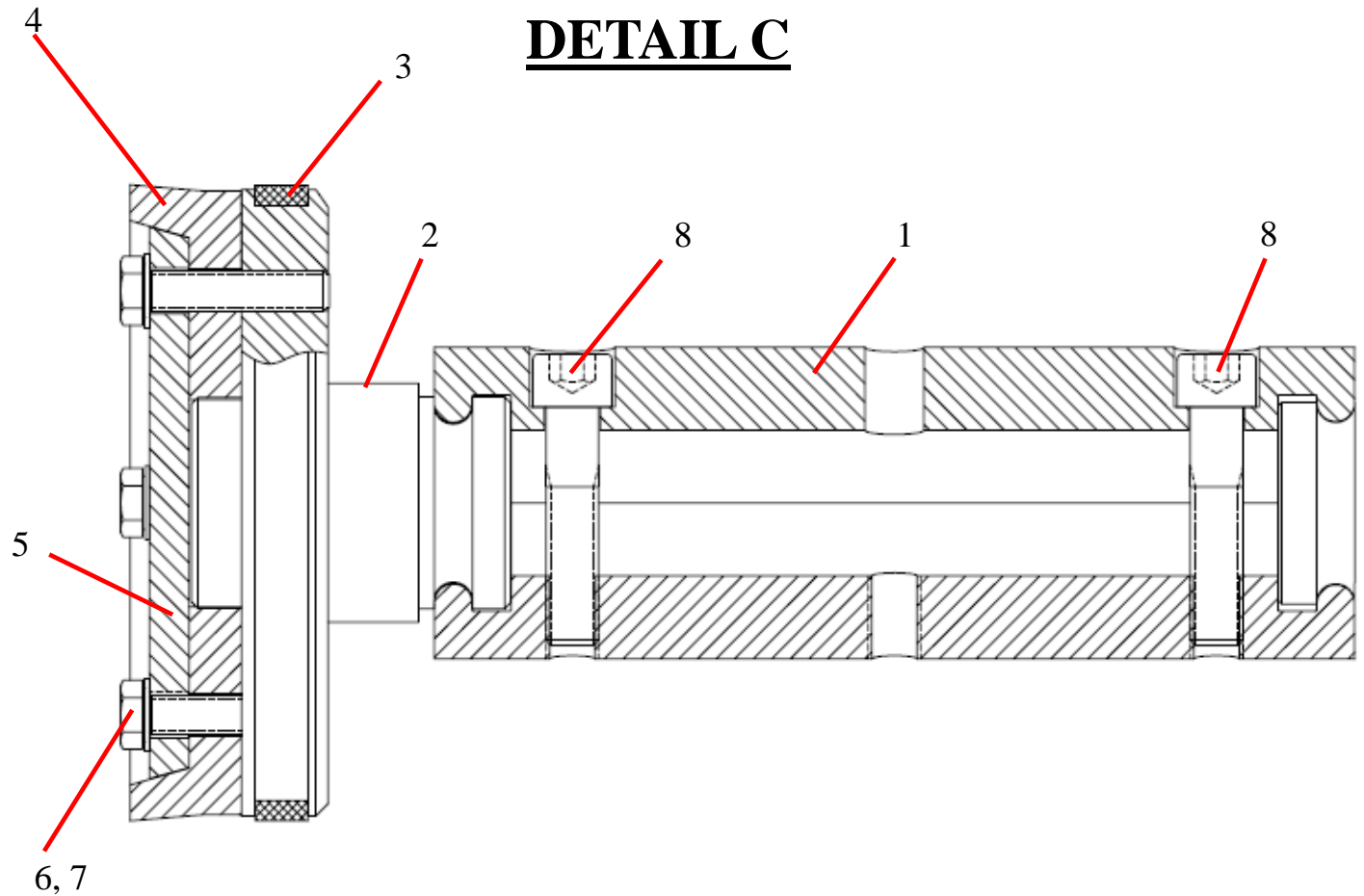
WEAR PLATE ASSEMBLY

DETAIL B



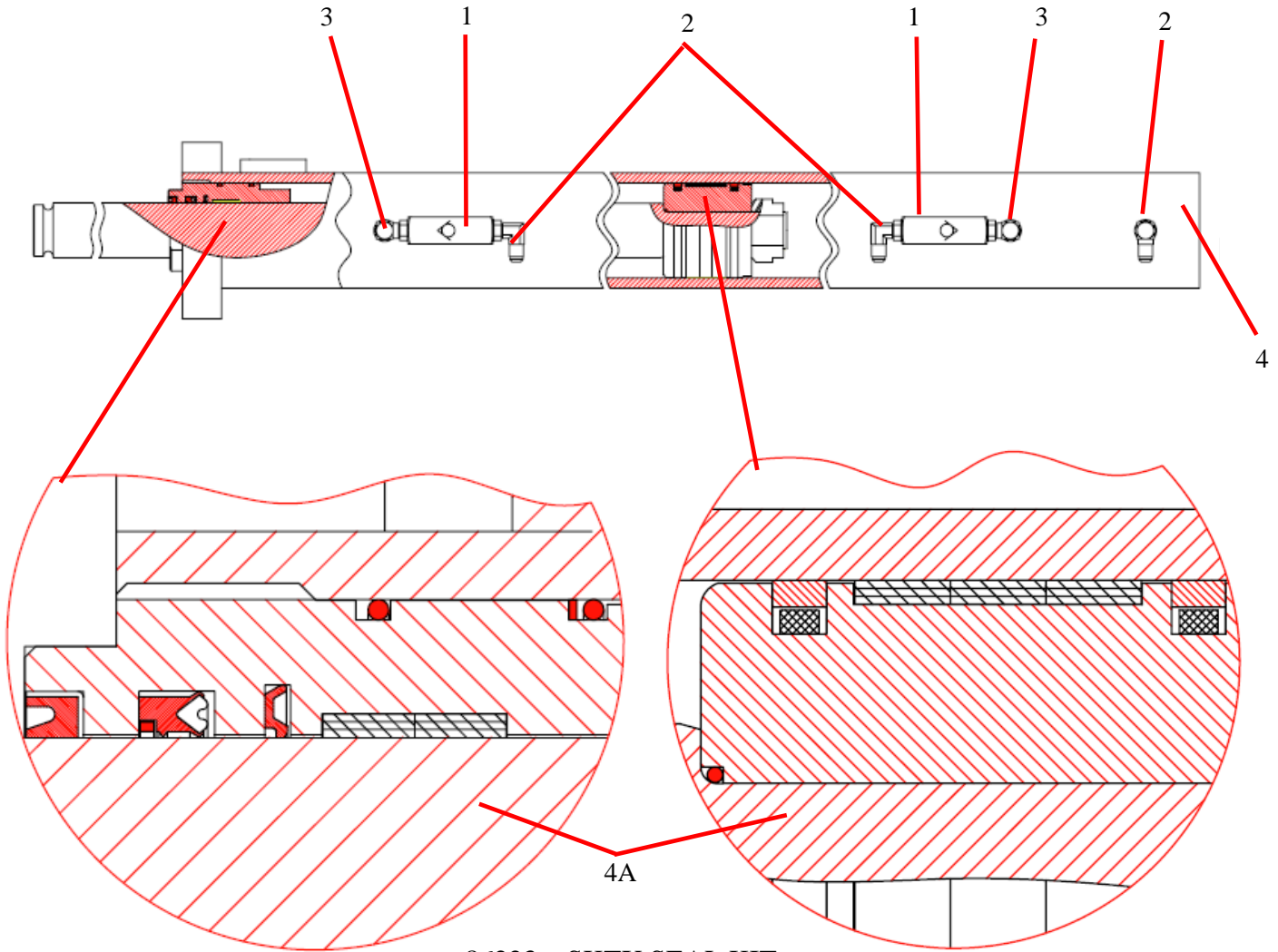
ID #	PART #	PART DESCRIPTION	QUANTITY	
1	86037	O-RING, #264 BUENA 70	2	EA
2		FHCS, 3/4" - 10X 4 1/2" GR 8	1	EA
3		FHCS, 3/4" - 10X 3 1/2" GR 8	3	EA
4		HEX NUT, 3/4" - 10	4	EA
5		LOCK WASHER, 3/4"	4	EA
6		FLATWASHER, 3/4"	4	EA
7	85975	WEAR RING, SINGLE LIP 7"	1	EA
8	85970	WEAR PLATE, 7"	1	EA
9	85977	CHIP RING, 7"	2	EA
10	85974	SEAL, SINGLE LIP, 7"	1	EA
11	86502	LOCATOR RING - FLANGE BEARING	1	EA

7" PISTON CUP ASSEMBLY



ID #	PART #	PART DESCRIPTION	QUANTITY	
1	86101	PISTON COUPLING, 8.06 LONG	1	EA
2	77055	PISTON-CONC. ADAPTER 7"	1	EA
3	77056	WEAR RING(GUIDE BAND) 7"	1	EA
4	70504	PISTON CUP, 7 IN	1	EA
5	70505	PISTON PLATE 7 INCH	1	EA
6		HHCS, 3/8 - 16X1" GR 8	4	EA
7		LOCK WASHER 3/8	4	EA
8		SHCS 1/2 - 13 X 2 1/4"	2	EA

DRIVE CYLINDER ASSEMBLY



86223 – SKTX SEAL KIT
ASSEMBLY

ID #	PART #	PART DESCRIPTION	QUANTITY	
1	78961	CHECK VALVE-5K PSI O-RING	2	EA
2	86748	FITTING-MB-MJ90-6-6	3	EA
3		ELBOW, MB-MB90-6-6	2	EA
4	86223A	HYDRAIC CYLINDER 3.50 X 2.00 X 35.75 (JARP)	1	EA
4A	86223A-SK	SEAL KIT	1	EA



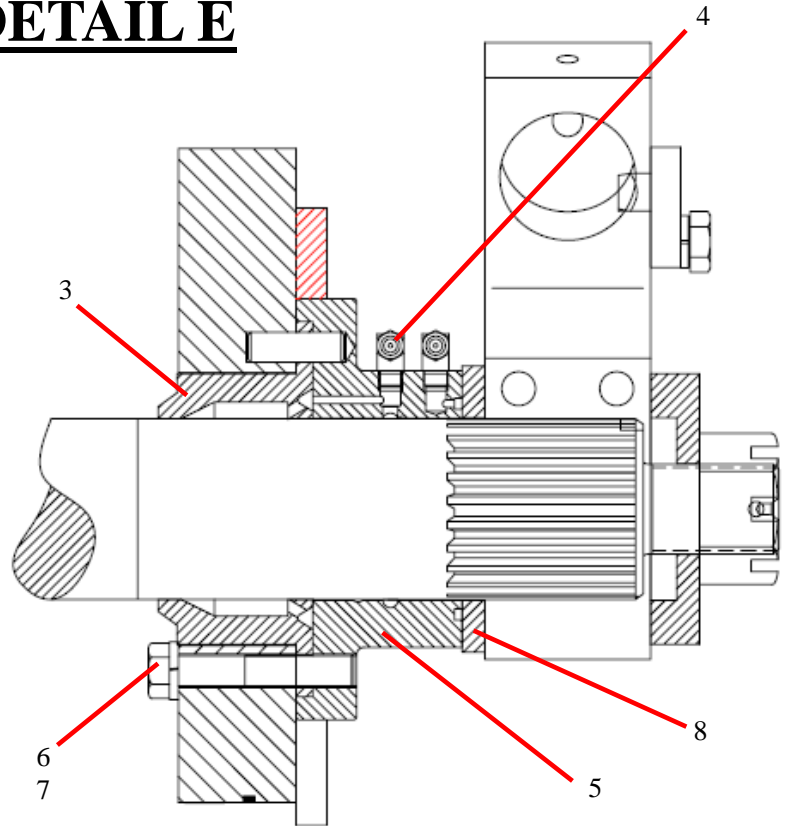
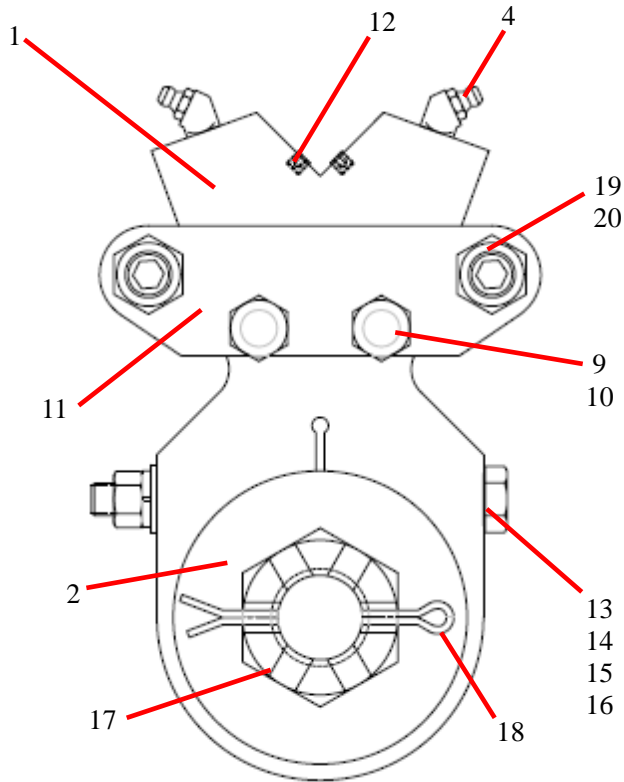
B70D-E-V07

PARTS

13822 Oaks Avenue
Chino, CA 91710
reedpumps.com
(909) 287 - 2100

DUAL SHIFT BELL CRANK ASSEMBLY

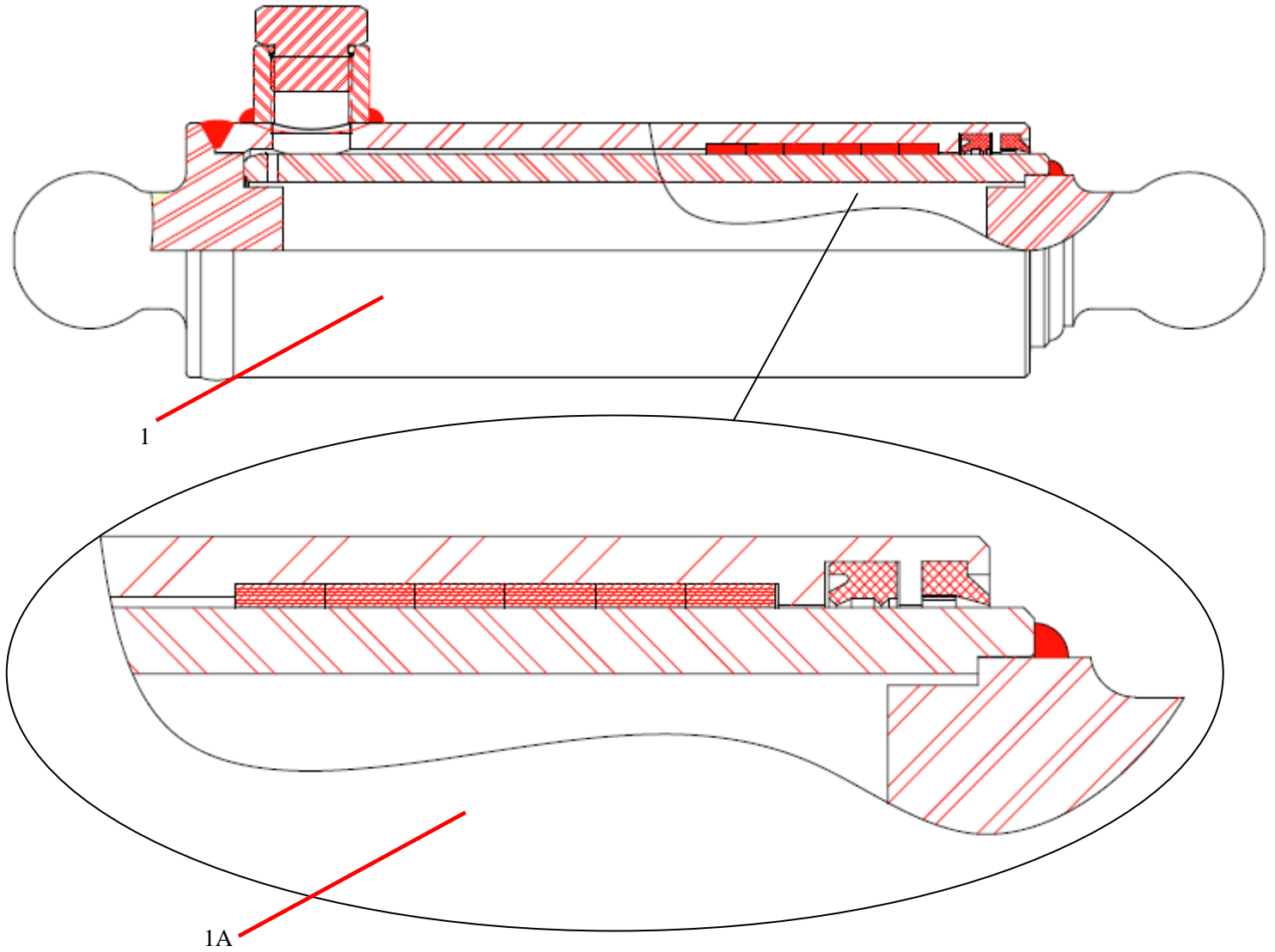
DETAIL E



ID #	PART #	PART DESCRIPTION	QUANTITY	
	86320	S-TUBE SHIFT GROUP, DUAL		
1	85956	BELL CRANK, 3" SPLINE, DUAL	1	EA
2	86985	SPACER, S-TUBE NUT	1	EA
3	85962	SEAL, FLANGE BEARING	1	EA
4		GREASE FITTING, 1/8" NPT	4	EA
5	85133	FLANGED BEARING	1	EA
6		HHCS, 9/16 - 12X3" GR 8	4	EA
7		LOCK WASHER, 9/16"	4	EA
8	85294	THRUST WASHER, S -TUBE	1	EA
9		HHCS, 1/2-13X1 1/4" GR 8	2	EA
10		LOCKWASHER, 1/2"	2	EA
11	86282	RETAINER - SHIFT CYLINDER	1	EA
12		PIPE PLUG 1/4" NPT	2	EA
13		HHCS, 1/2-13X6 1/4" GR 8	2	EA
14		FLAT WASHER 1/2"	4	EA
15		LOCK WASHER 1/2"	2	EA
16		HEX NUT, 1/2"-13	2	EA
17	87012	NUT 2" -12 CASTLE GRADE 5	2	EA
18		COTTER PIN, 1/4X4"	1	EA
19	86283	SET SCREW-5/8-11X2.00" CUP POINT	1	EA
20	80005	NUT HEX-5/8-11 UNC USS RH THREAD	1	EA

DUAL SHIFT CYLINDER ASSEMBLY

DETAIL E



ID #	PART #	PART DESCRIPTION	QUANTITY	
1	86220A	SWING RAM 2.5 X 5.75 STROKE	1	EA
1A	86220A-SK	SEAL KIT	1	EA



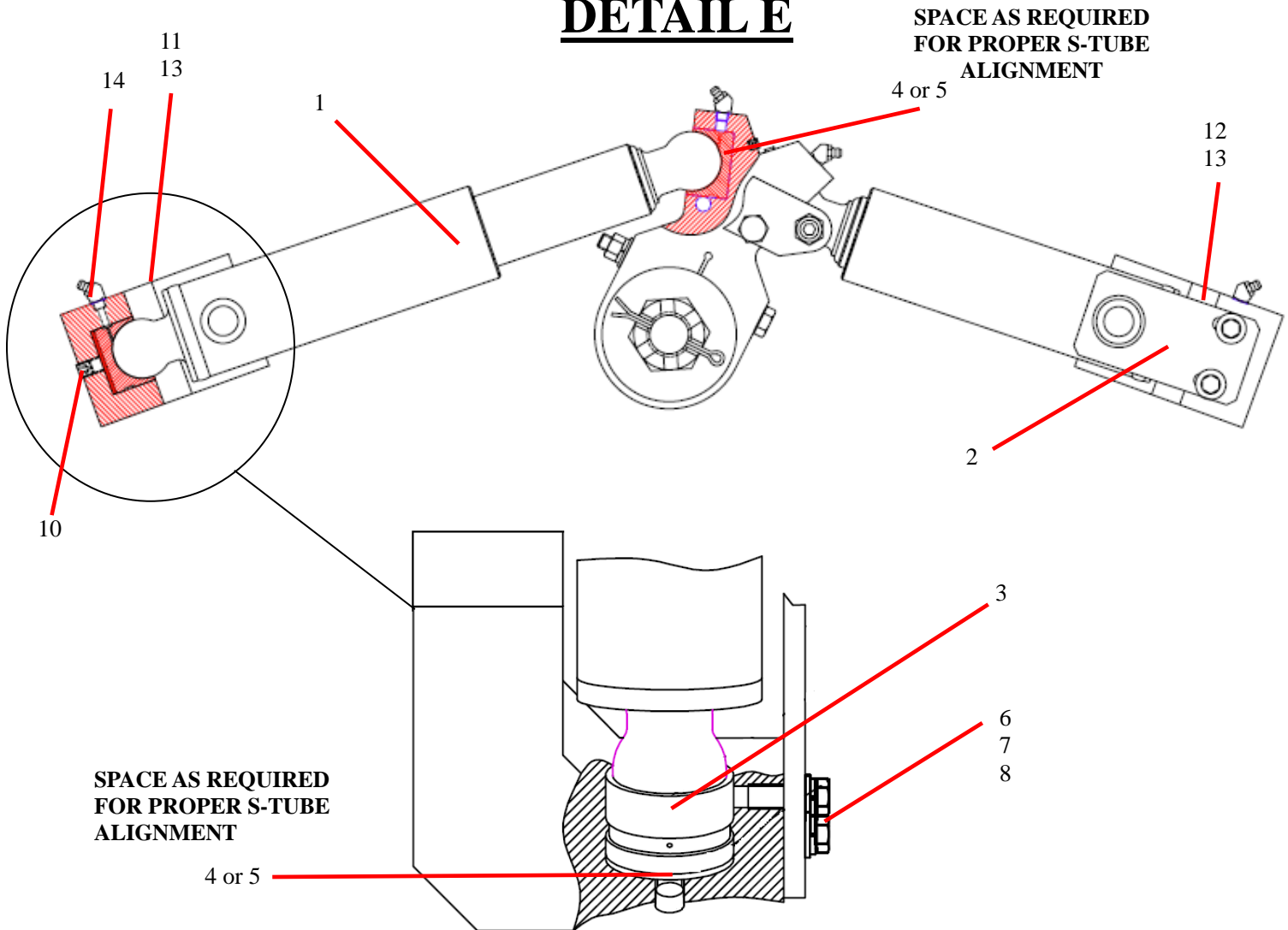
B70D-E-V07

PARTS

13822 Oaks Avenue
Chino, CA 91710
reedpumps.com
(909) 287 - 2100

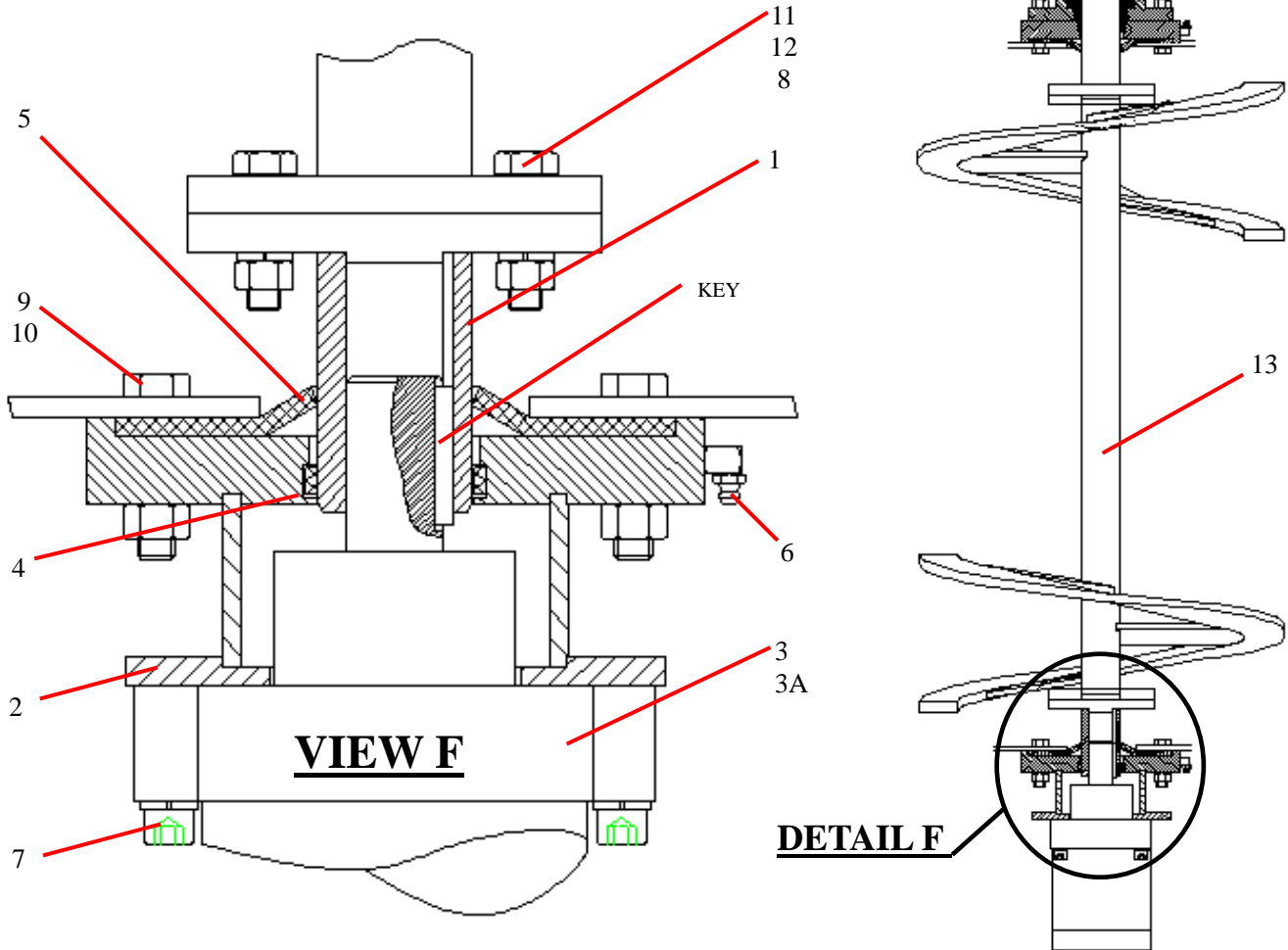
DUAL SHIFT ASSEMBLY

DETAIL E



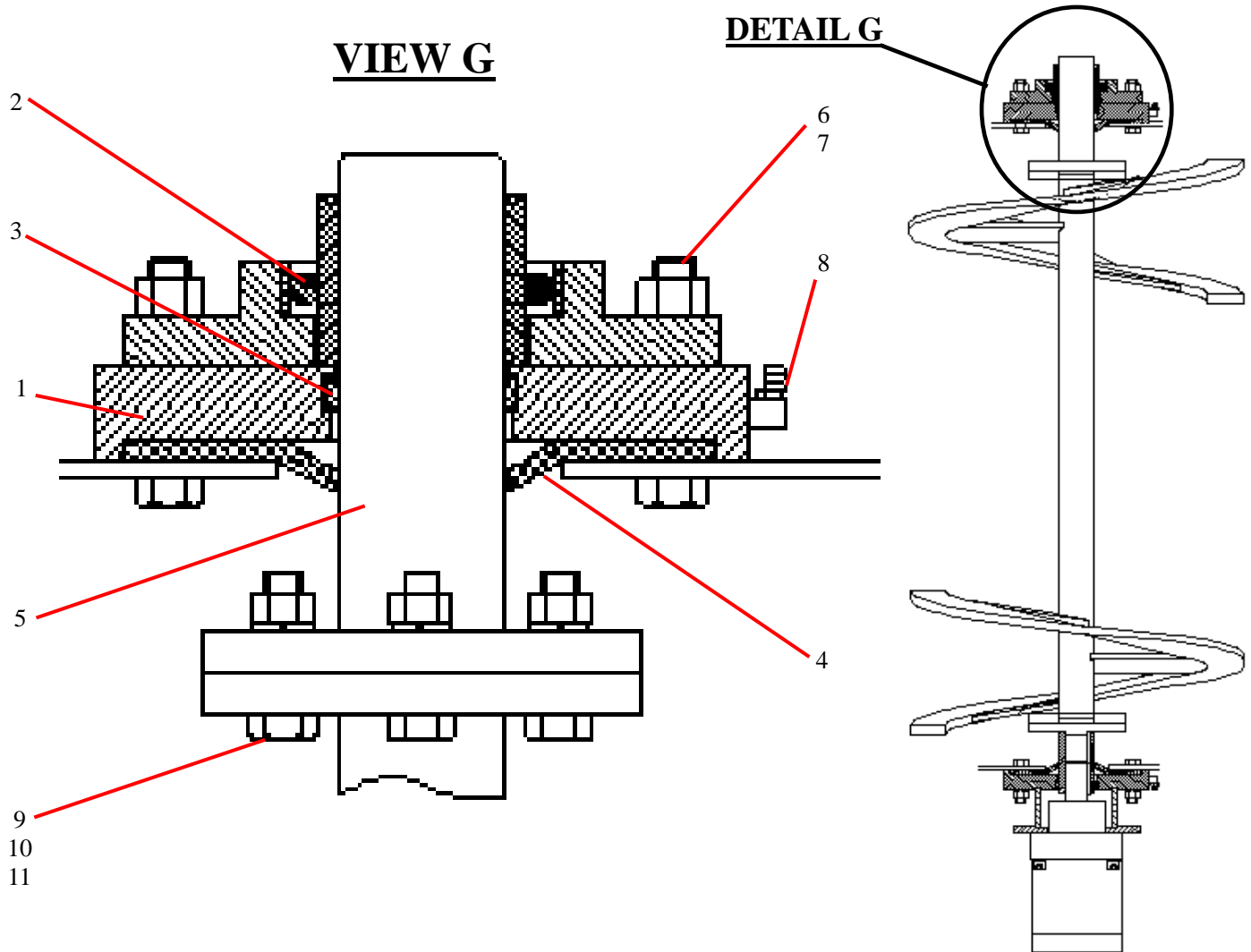
ID #	PART #	PART DESCRIPTION	QUANTITY	
1	86220A	SWING RAM – 2.5X5.75 STROKE	2	EA
2	86441	RETAINER, SWING RAM	2	EA
3	76798	BALL SOCKET, 1018 STEEL	4	EA
4	75501	SPACER 1/8"	A/R	EA
5	75502	SPACER 1/16"	A/R	EA
6		HHCS, 3/8-24X1 1/4" GR8	4	EA
7		WASHER, 3/8"	4	EA
8		LOCK WASHER, 3/8"	4	EA
10	86283	SETSCREW – 5/8 -11X2.00 CUP	2	EA
11	85941	HOUSING,RH SWING RAM	1	EA
12	85942	HOUSING, LH SWING RAM	1	EA
13	86052	DOWEL PIN, 1/2" DIA X 2"	4	EA
14		GREASE FITTING, 1/8" NPT	2	EA

HOPPER AGITATOR ASSEMBLY



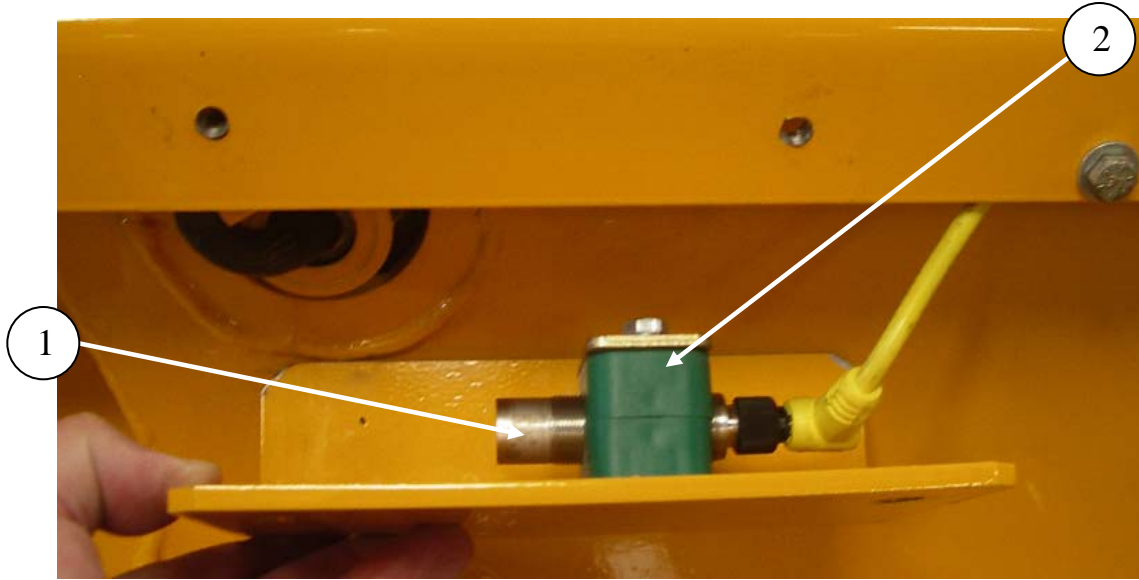
ID #	PART #	PART DESCRIPTION	QUANTITY	
	86323	AGITATOR ASSEMBLY	1	EA
1	86062	DRIVE SHAFT, AGITATOR	1	EA
2	86070	FLANGE WELDMENT, AGITATOR MOTOR	1	EA
3	85809	HYD MOTOR, 45.6 CID, 1.25" SHAFT	1	EA
3A	85809SK	SEAL KIT	1	EA
4	86074	POLYSEAL, 2.00 ID X 2.50 OD X .375	1	EA
5	77512	SEAL-AUGER (BEARING SIDE)	2	EA
6		GREASE FITTING, 1/8" NPT 90°	1	EA
7		SHCS, 1/2"-13 X 2 1/4" GR8	4	EA
8		LOCKWASHER 1/2"	7	EA
9		HHCS, 1/2" - 13 X 2 1/4" GR8	4	EA
10		LOCKNUT, 1/2" -13	4	EA
11		HHCS, 1/2" - 13 X 1 3/4" GR8	3	EA
12		HEX NUT, 1/2" X 13	3	EA
13	86087	AGITATOR, WELMENT	1	EA

AGITATOR ASSEMBLY CONTINUED



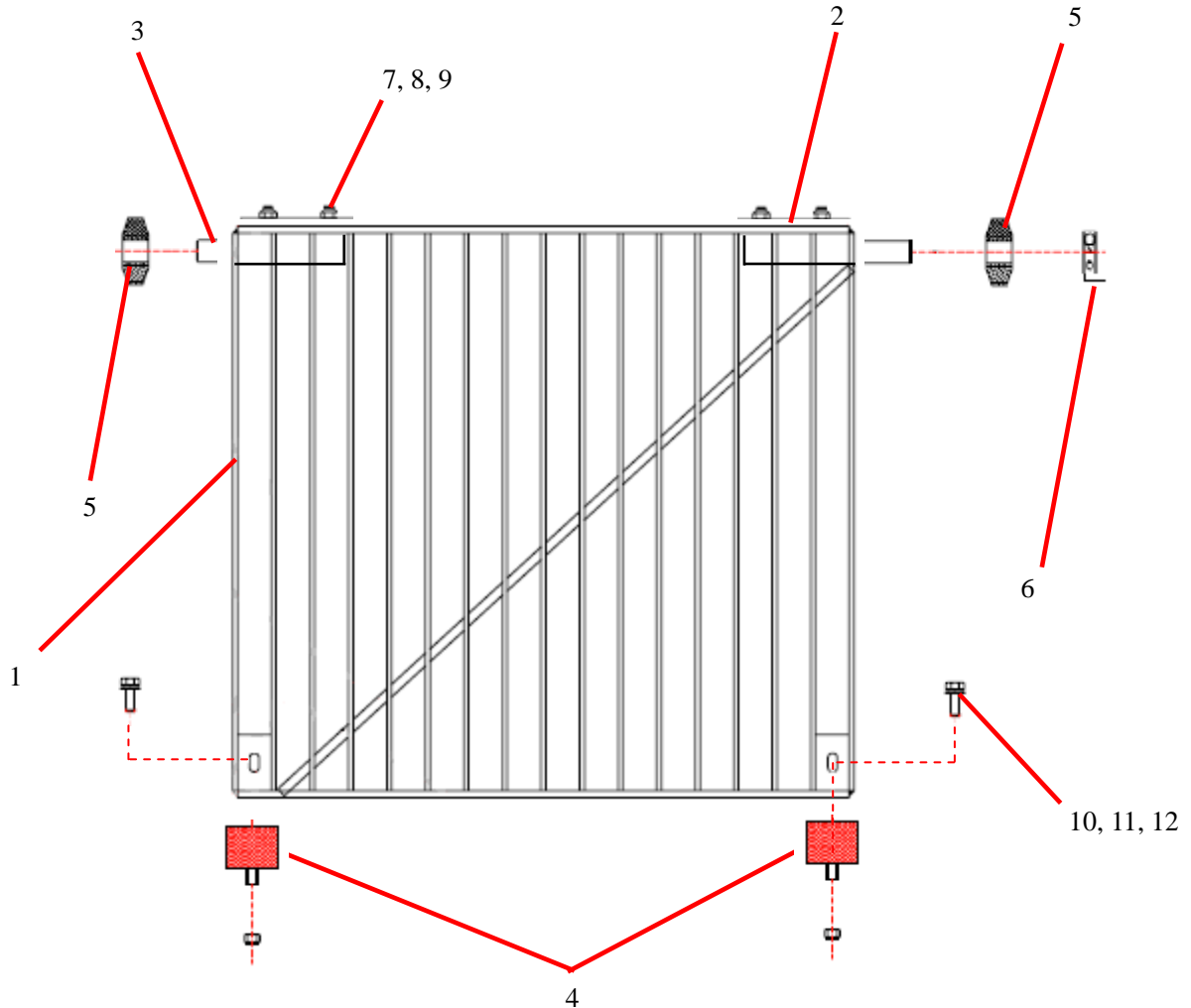
ID #	PART #	PART DESCRIPTION	QUANTITY	
1	86069	FLANGE, AGITATOR BEARING	1	EA
2	86067	FLANGE BEARING	1	EA
3	86074	POLYSEAL, 2.00 ID X 2.50 OD	1	EA
4	77512	SEAL-AUGER, AGITATOR	1	EA
5	86066	IDLER SHAFT, AGITATOR	1	EA
6		HHCS, 1/2"-13X3" GR8	4	EA
7		LOCKNUT, 1/2"-13	4	EA
8		GREASE FITTING, 1/8" NPT 90°	1	EA
9		HHCS, 1/2"-13X13/4" GR 8	3	EA
10		HEX NUT, 1/2"-13	3	EA
11		LOCK NUT 1/2"-13	3	EA

SAFETY GRATE



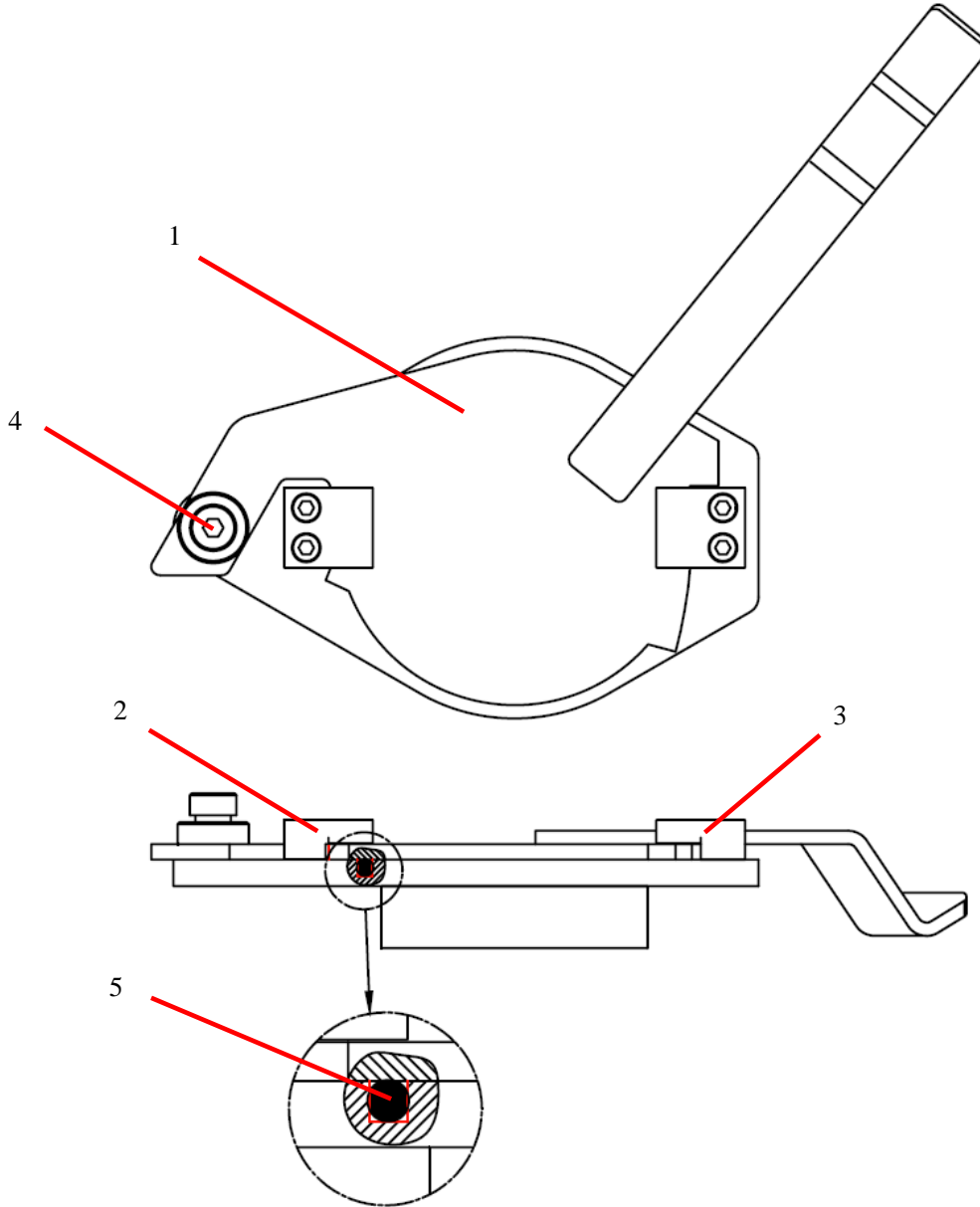
ID #	PART #	PART DESCRIPTION	QUANTITY	
1	87369	PROXIMITY SENSOR PNP HOPPER GRATE	1	EA
2	801902-006	CLAMP,18MM TUBE CLAMP SET	1	EA
3	88211	COVER WELD PROX SWITCH HARSH MIX HOPPER	1	EA

GRATE ASSEMBLY



ID #	PART #	PART DESCRIPTION	QUANTITY	
1	87958	GRATE WELDMENT,	1	EA
2	87956	PIN WELDMENT LONG,	1	EA
3	87957	PIN WELDMENT SHORT,	1	EA
4	86083	BUMPER, HOPPER GRATE	2	EA
5	W102490	RUBBER BUFFER 65X22.5X26	2	EA
6	87769	COLLAR SHAFT, 7/8" DIA	1	EA
7		3/8"-16 X 1 1/4" HEX BOLT	4	EA
8		3/8 FLAT WASHER	8	EA
9		3/8-16 LOCK NUT	4	EA
10		3/8"-16 X 1" HEX BOLT	2	EA
11		3/8" FLAT WASHER	2	EA
12		3/8" LOCK WASHER	2	EA

CLEAN OUT DOOR ASSEMBLY

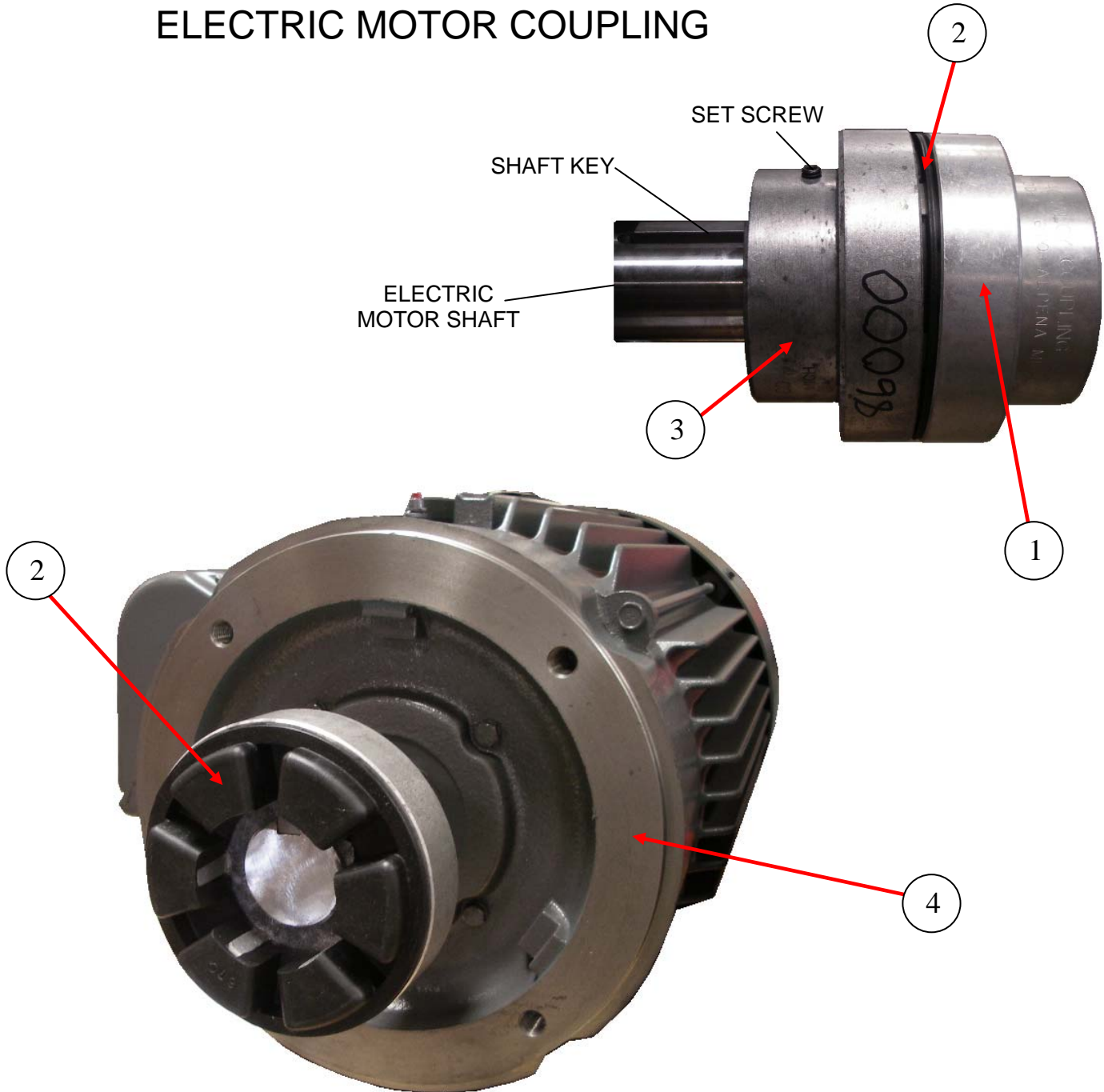


ID #	PART #	PART DESCRIPTION	QUANTITY	
1	86988	DOOR WELDMENT, CLEAN OUT	1	EA
2	86559	BLOCK, CLEAN OUT DOOR, LH	1	EA
3	86560	BLOCK, CLEAN OUT DOOR, RH	1	EA
4	86922	SHOULDER SCREW 1" DIA-1 1/4"	1	EA
5	W102908A	O-RING CORD, HOPPER DOOR	2.21	FT

**POWER TRAIN
ELECTRIC MOTOR**

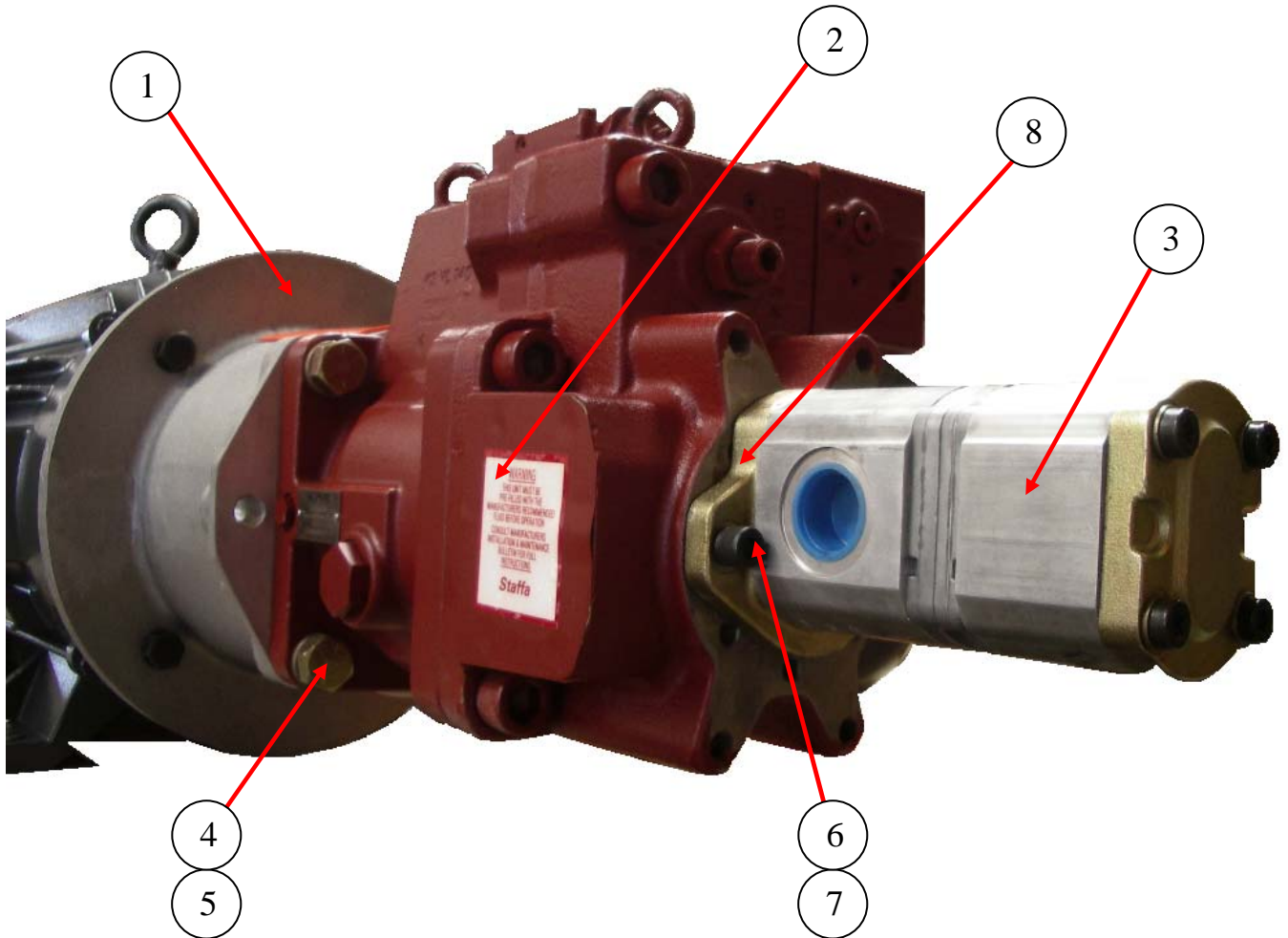
ID #	PART #	PART DESCRIPTION	QUANTITY	
	88242-1	POWER TRAIN ASSY B SER 75HP/60HZ/460V	REF	
1	85994	MOTOR, 75HP, 460V, 60HZ, 3PH, BALDOR	1	EA
2	87390	MOTOR MOUNT, FRAME 365TC	2	EA

POWER TRAIN CONTINUE ELECTRIC MOTOR COUPLING



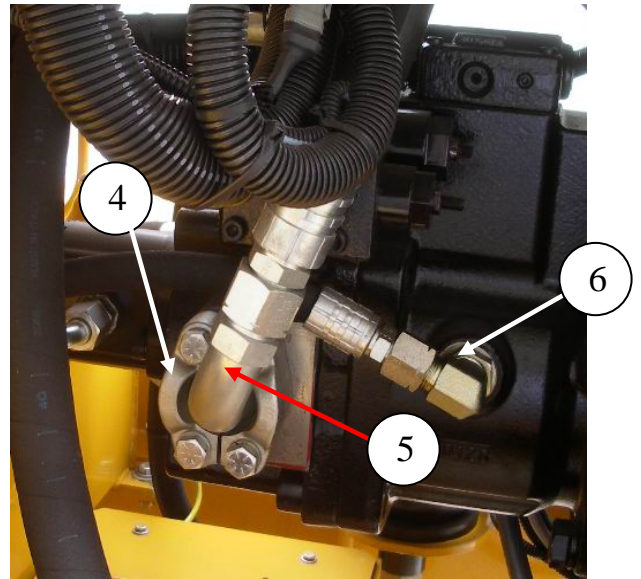
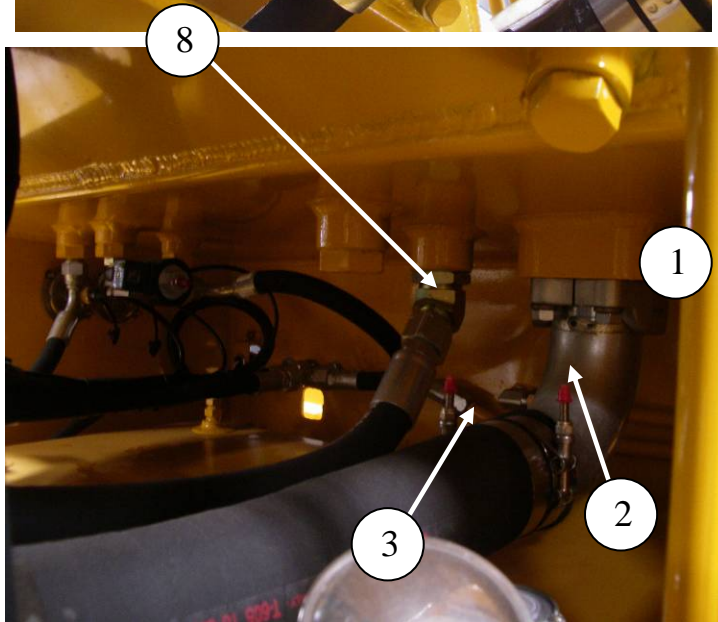
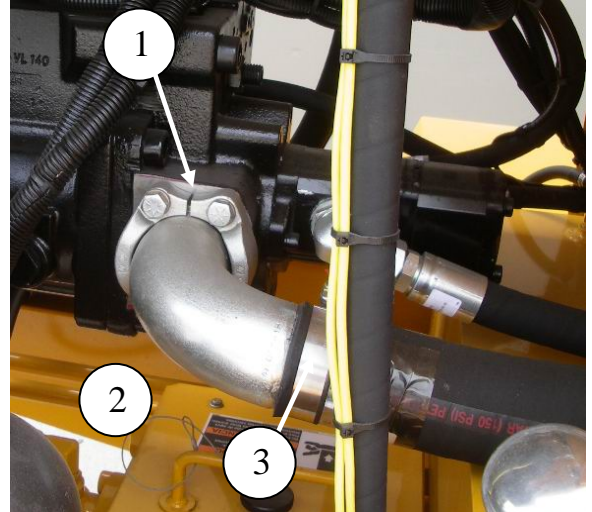
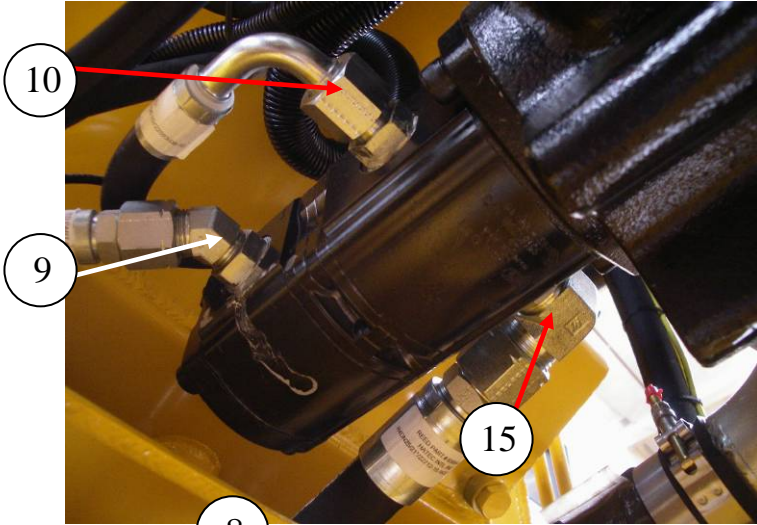
ID #	PART #	PART DESCRIPTION	QUANTITY	
1	88028	COUPLING HALF, FOR 13 TEETH 8/16 SAE-D	1	EA
2	86002	COUPLING SPIDER, L190-NBR (USE P/N 87041)	1	EA
3	72446	COUPLING HALF, 2 3/8" BORE	1	EA
4	85994	MOTOR, 75HP, 460V, 60HZ, 3PH, BALDOR	REF	EA

POWER TRAIN CONTINUE HYDRAULIC PUMP, GEAR BOX



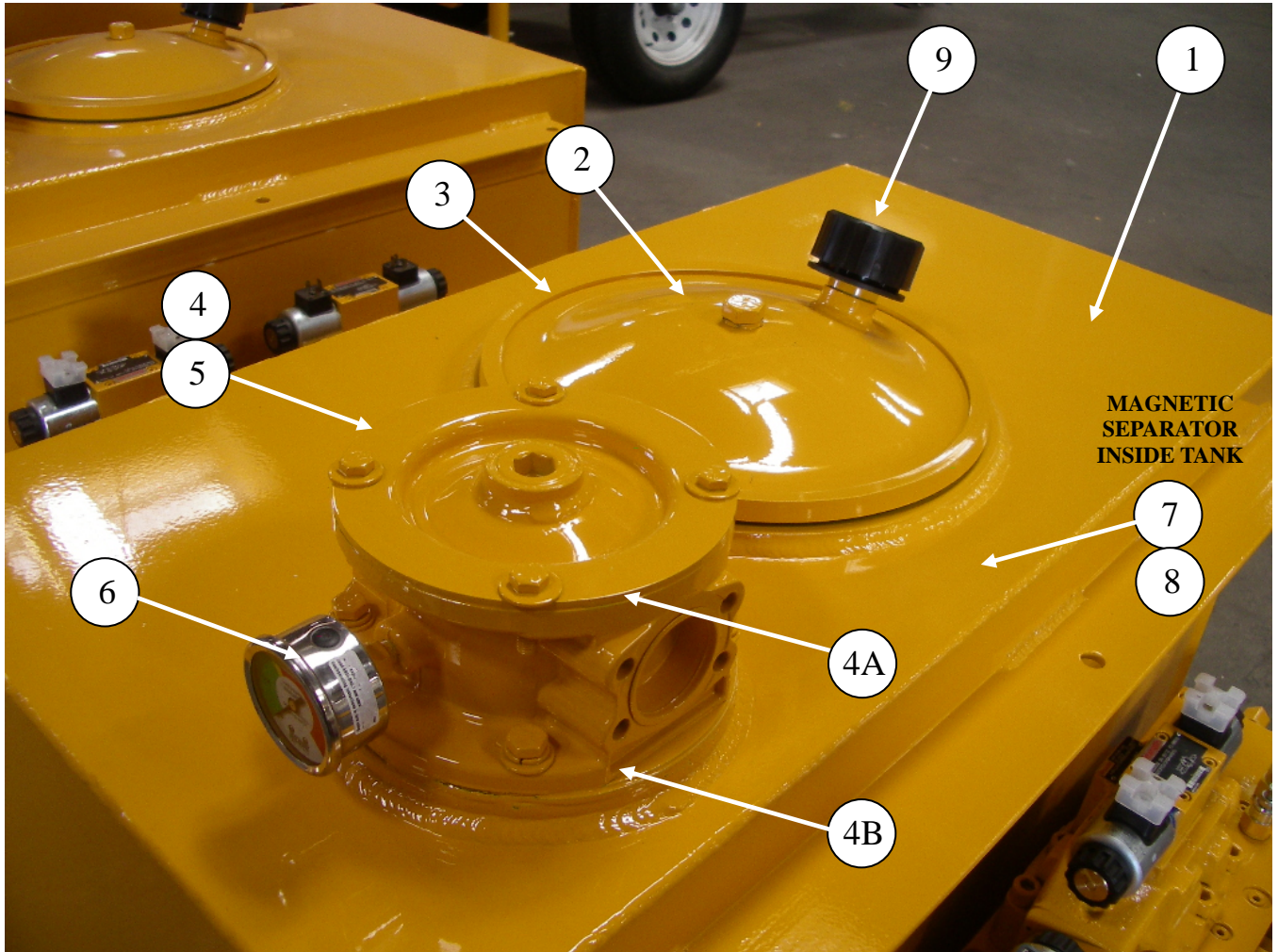
ID #	PART #	PART DESCRIPTION	QUANTITY	
1	88240	PUMP ADAPTER- FRAME 326TC X SAE	1	EA
2	87723	PUMP, 140CC, KAWASAKI	1	EA
3	87571-1	GEAR PUMP, 23/11.3 CC RH, A-PAD SPL	1	EA
4		3/4-2" BOLT	4	EA
5		3/4 LOCK WASHER	4	EA
6		M10 X 30 SHCS	2	EA
7		10MM HI COLLAR LOCK WASHER	2	EA
8	88174	O-RING	1	EA

FITTINGS



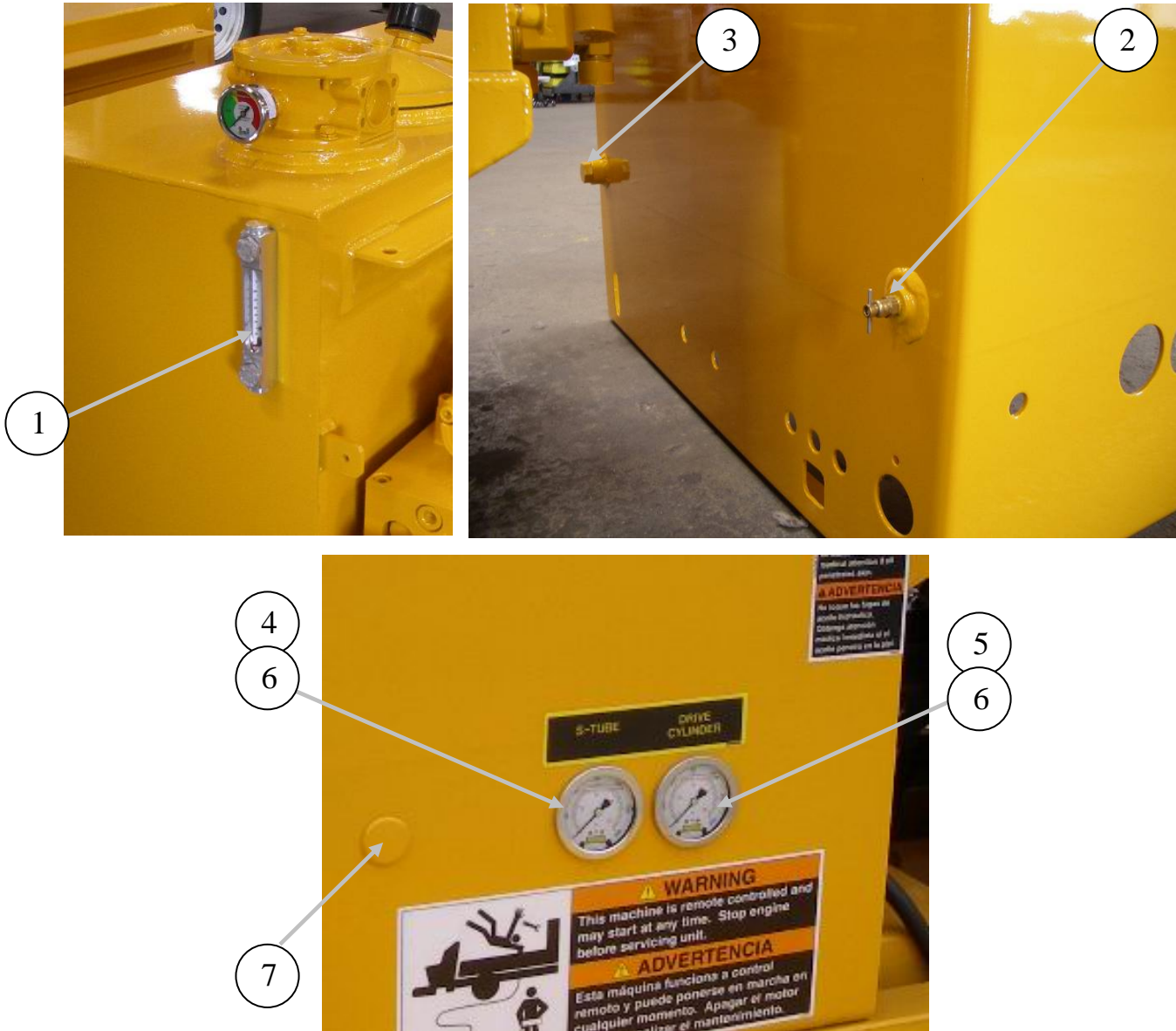
ID #	PART #	PART DESCRIPTION	QUANTITY	
1	86264-007	SPLIT FLANGE-CODE 61- 40 SAE	2	EA
2	86911-009	STEM, 2 ½" 90 DEG, 40GL-40FL90	1	EA
3	79803	CLAMP - T-BOLT - 3.00 DIA	4	EA
4	86265-003	SPLIT FLANGE-CODE 62- 20 SAE	2	EA
5	86912-006	FLANGE, FLH6K-MJ90-20-16	1	EA
6		ADAPTOR, MB-MJ-90-12-10	1	EA
7	86728-023	ADAPTOR, MB-MJ-20-16	1	EA
8	87754-020	ELBOW, MB-MJ45-20-16	1	EA
9		MB-MJ-45-10	1	EA
10	86900-017	MB-MJ0-10-10	1	EA

HYDRAULIC TANK ASSEMBLY



ID #	PART #	PART DESCRIPTION	QUANTITY	
	85361	HYD TANK ASSY B-SERIES	1	EA
1	85102	HYDRAULIC TANK WELDMENT, B-SERIES	1	EA
2	85529	ENDCOVER KIT, 12 IN W/DRAIN	1	EA
3	85867	GASKET- END COVER 12"	1	EA
4	85282	FILTER, RETURN, TANK MOUNTED	1	EA
4A	BW10241	SEAL KIT FOR 85282 FILTER RETURN	1	EA
4B	85282-G	GASKET-CORK	1	EA
5	85283	FILTER ELEMENT, PN 85282 FILTER	1	EA
6	85575	GAUGE, PN 85282 RETURN FILTER	1	EA
7	79247	MAGNETIC SEPERATOR 1 ¼ " NPT	1	EA
8	800230	MAGNETIC SEPARATOR,3"NPT	1	EA
9	85537	FILLER BREATHER, 3/4 NPT	1	EA

HYDRAULIC TANK ASSEMBLY CONTINUED



ID #	PART #	PART DESCRIPTION	QUANTITY	
1	74509	GAUGE-SIGHT/TEMPERATURE	1	EA
2	801025	DRAIN COCK, 1/4 NPT	1	EA
3	BG-12	3/4" SAE PLUG	1	EA
4	70366	PRESSURE GAUGE, 3000 PSI/BAR	1	EA
5	74562	PRESSURE GAUGE, 6000 PSI/BAR	1	EA
6	78594	MINICHECK GAUGE ADAPTOR, 1/4 NPT	2	EA
7		HOFFMAN PLUG	1	A/R

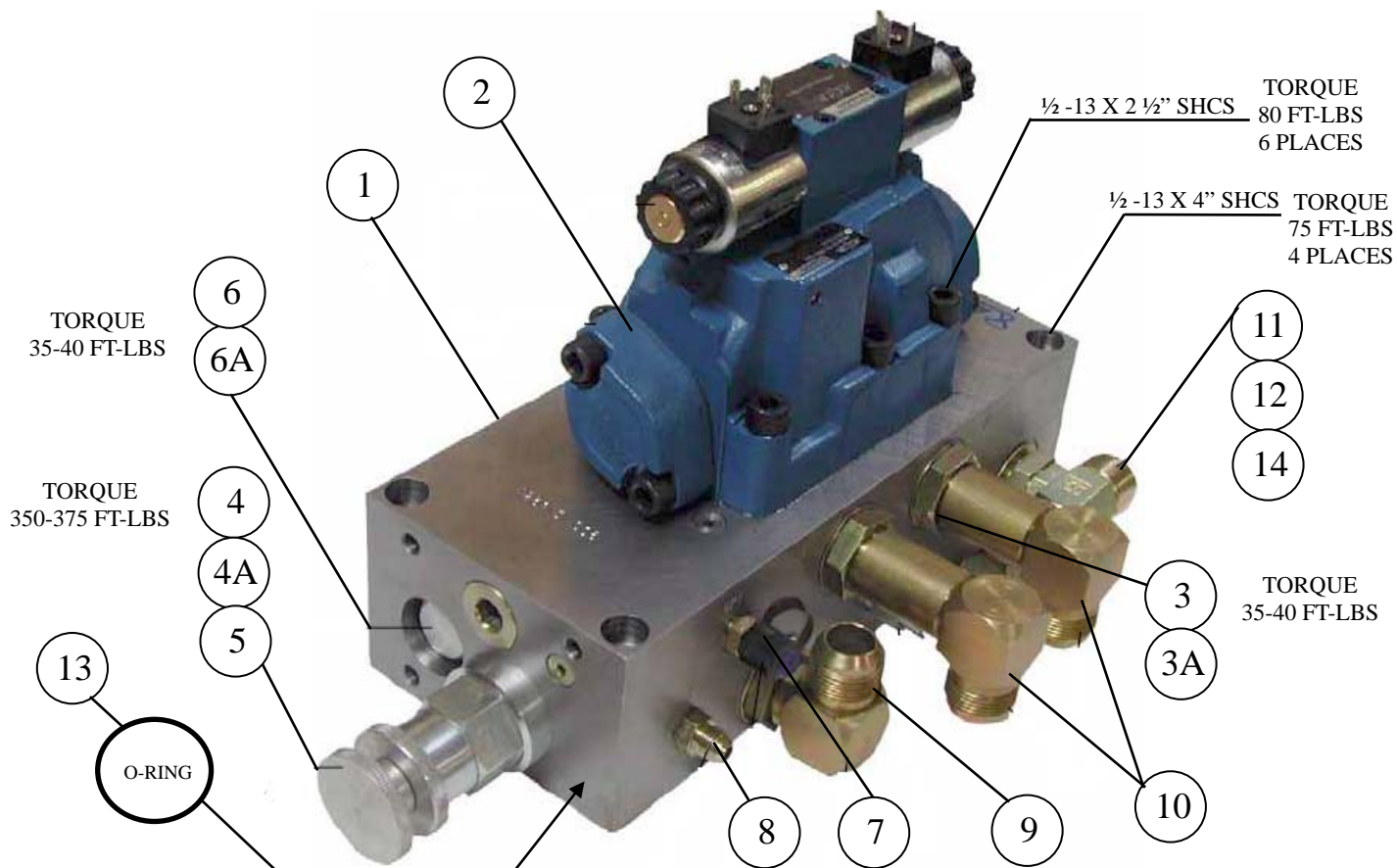


B70D-E-V07

PARTS

13822 Oaks Avenue
Chino, CA 91710
reedpumps.com

MANIFOLDS DRIVE CYLINDER CIRCUIT MANIFOLD ASSEMBLY



ID #	PART #	PART DESCRIPTION	QUANTITY	
	85248	MANIFOLD, CYLINDER CIRCUIT ASSEMBLY	1	EA
1	86820	MANIFOLD, MACHINED CYLINDER CIRCUIT	1	EA
2	85689	SOLENOID VALVE, DRIVE CYLINDER	1	EA
3	85696	RELIEF VALVE CARTRIDGE	1	EA
3A	85696-SK	SEAL KIT		
4	85697	FLOW CONTROL CARTRIDGE	1	EA
4A	85697-SK	SEAL KIT		
5	86947	KNOB KIT, ALUMINUM	1	EA
6	85698	CHECK VALVE CARTRIDGE	1	EA
6A	85698-SK	SEAL KIT		
7	78593	MINICHECK ADAPTOR, SAE 4	1	EA
8	86900-002	ADAPTOR, MB-MJ-4-6	1	EA
9	86728-023	ELBOW, MB-MJ45-16-16	1	EA
10	86904-012	ELBOW, MB-MJ90LL-16-16	2	EA
11	86945-001	TEE, MJ-MB-MJT-16	1	EA
12	86905-016	ELBOW, MJ-FJX90-16-16	1	EA
13	86946	O-RING #230 BUNA 90DUR	1	EA
14	86948-001	REDUCER, JIC MJ-FJ-10-16	1	EA

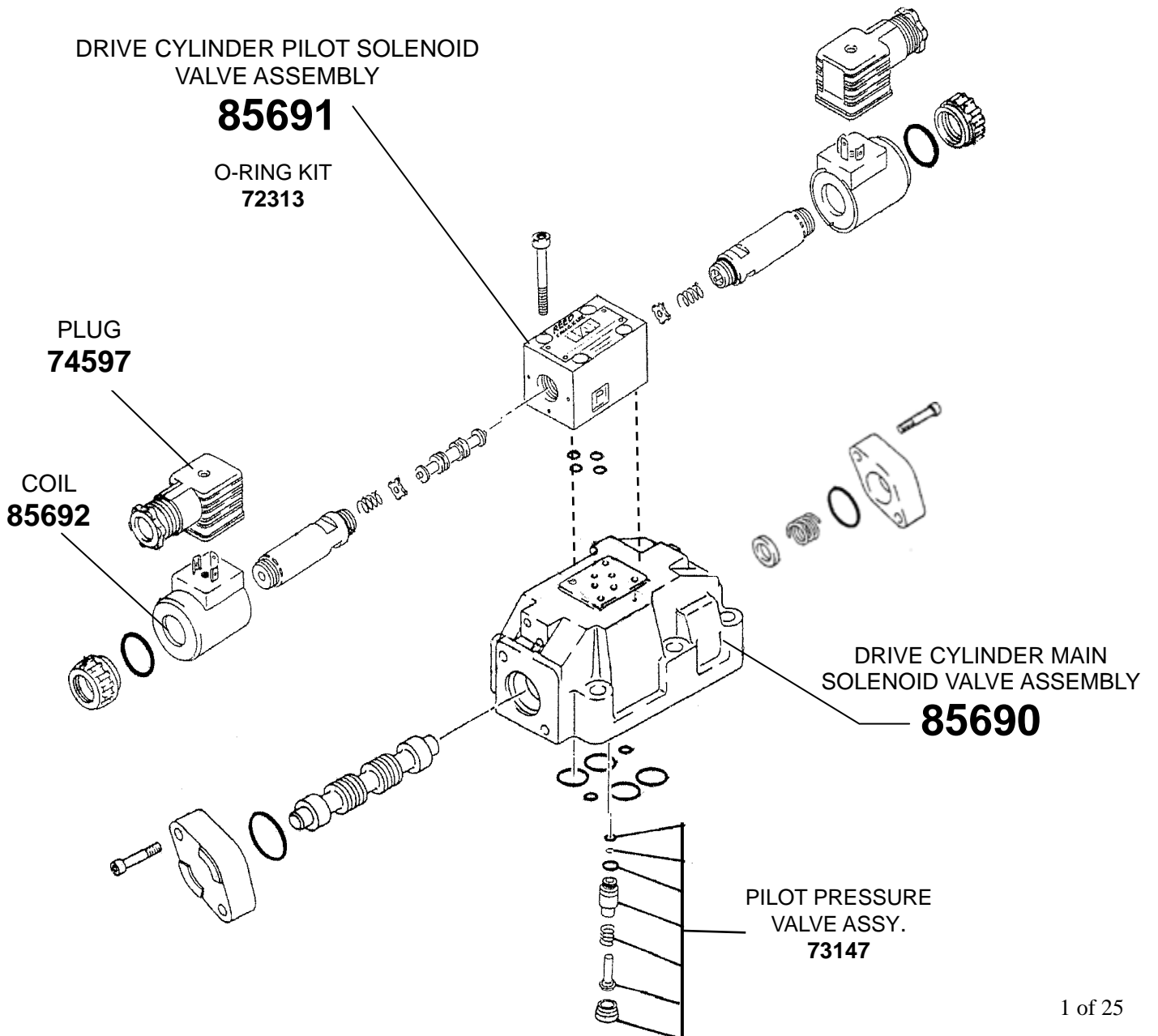
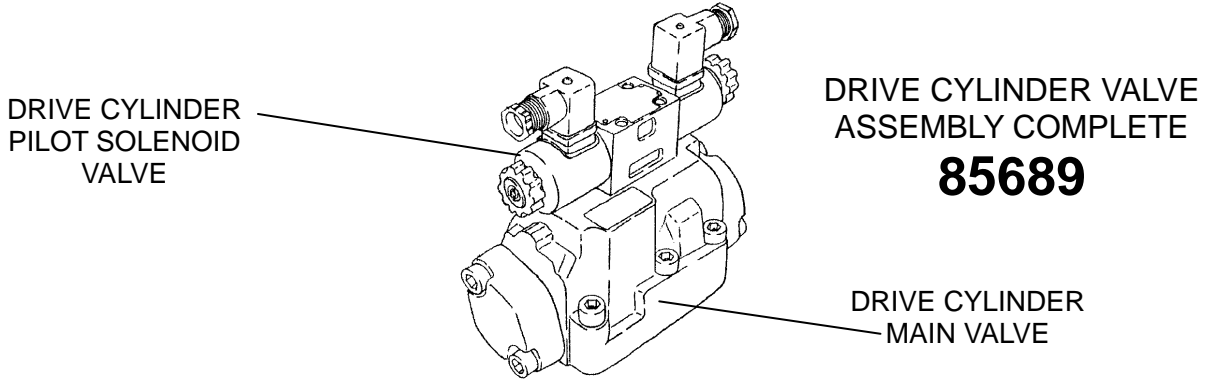


B70D-E-V07

PARTS

13822 Oaks Avenue
Chino, CA 91710
reedpumps.com

DRIVE CYLINDER CIRCUIT MANIFOLD ASSEMBLY CONT.



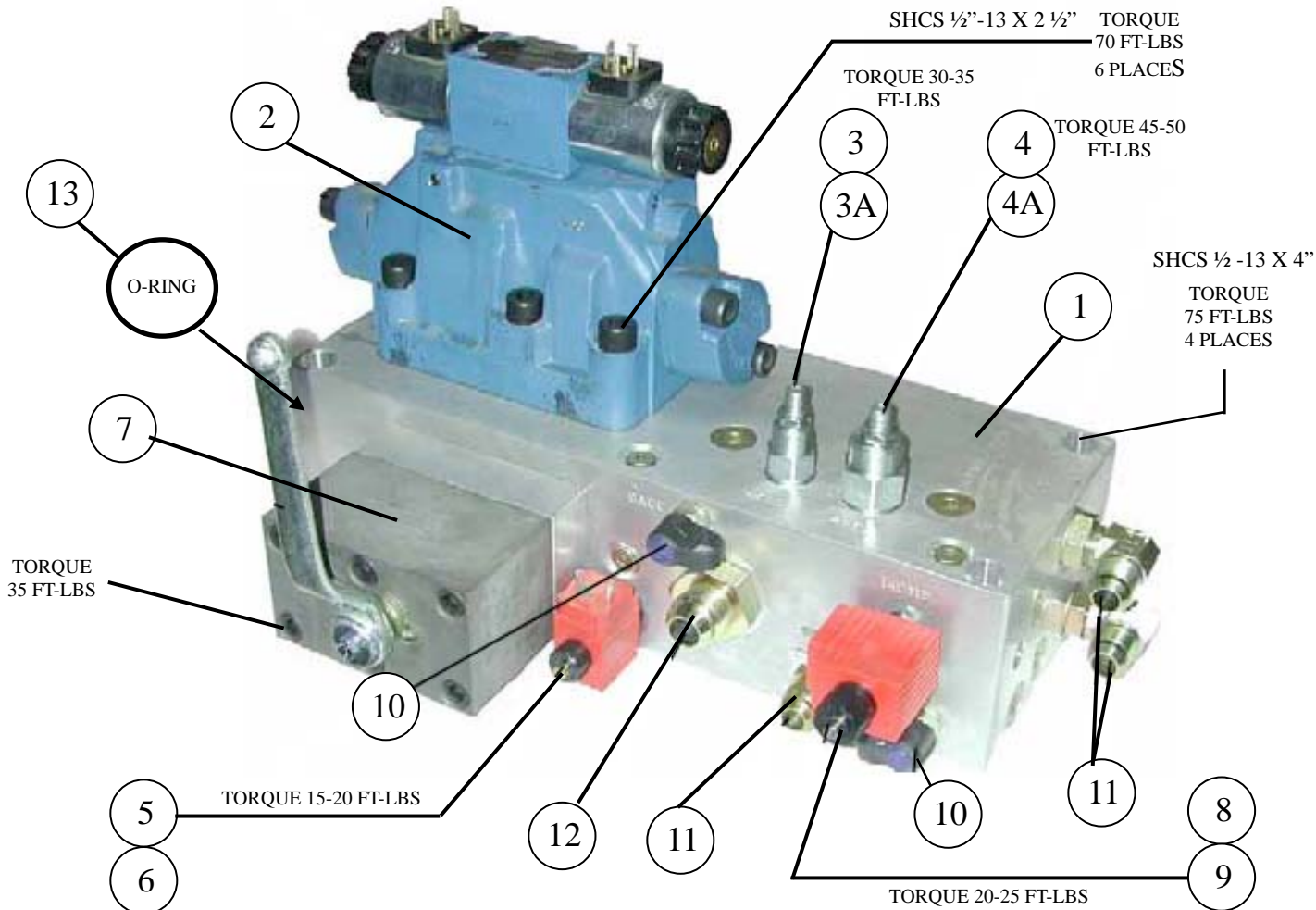


B70D-E-V07

PARTS

13822 Oaks Avenue
Chino, CA 91710
reedpumps.com

S-TUBE CIRCUIT MANIFOLD ASSEMBLY



ID #	PART #	PART DESCRIPTION	QUANTITY	
	85249	MANIFOLD, S-TUBE CIRCUIT ASSEMBLY		
1	86821	MANIFOLD, MACHINED S-TUBE CIRCUIT	1	EA
2	85693	SOLENOID VALVE, S-TUBE SHIFT	1	EA
3	85704	UNLOADER VALVE CARTRIDGE, (QCDB)	1	EA
3A	85704-SK	SEAL KIT		
4	85703	RELIEF VALVE CARTRIDGE, (RVEA)	1	EA
4A	85703-SK	SEAL KIT		
5	87246	SOLENOID VALVE CARTRIDGE, (12CHS)	1	EA
6	87247	COIL, 12VDC,	1	EA
7	85705	BALL VALVE,	1	EA
8	87248	SOLENOID VALVE CARTRIDGE, (14CHS)	1	EA
9	87249	COIL, 12V DC FOR PN-87248	1	EA
10	78593	MINICHECK ADAPTOR, SAE	2	EA
11	86728-014	ELBOW, MB-MJ90-10-10	2	EA
12	86900-027	ADAPTOR, MB-MJ-16-12	1	EA
13	86946	O-RING #230 BUNA 90DUR	1	EA

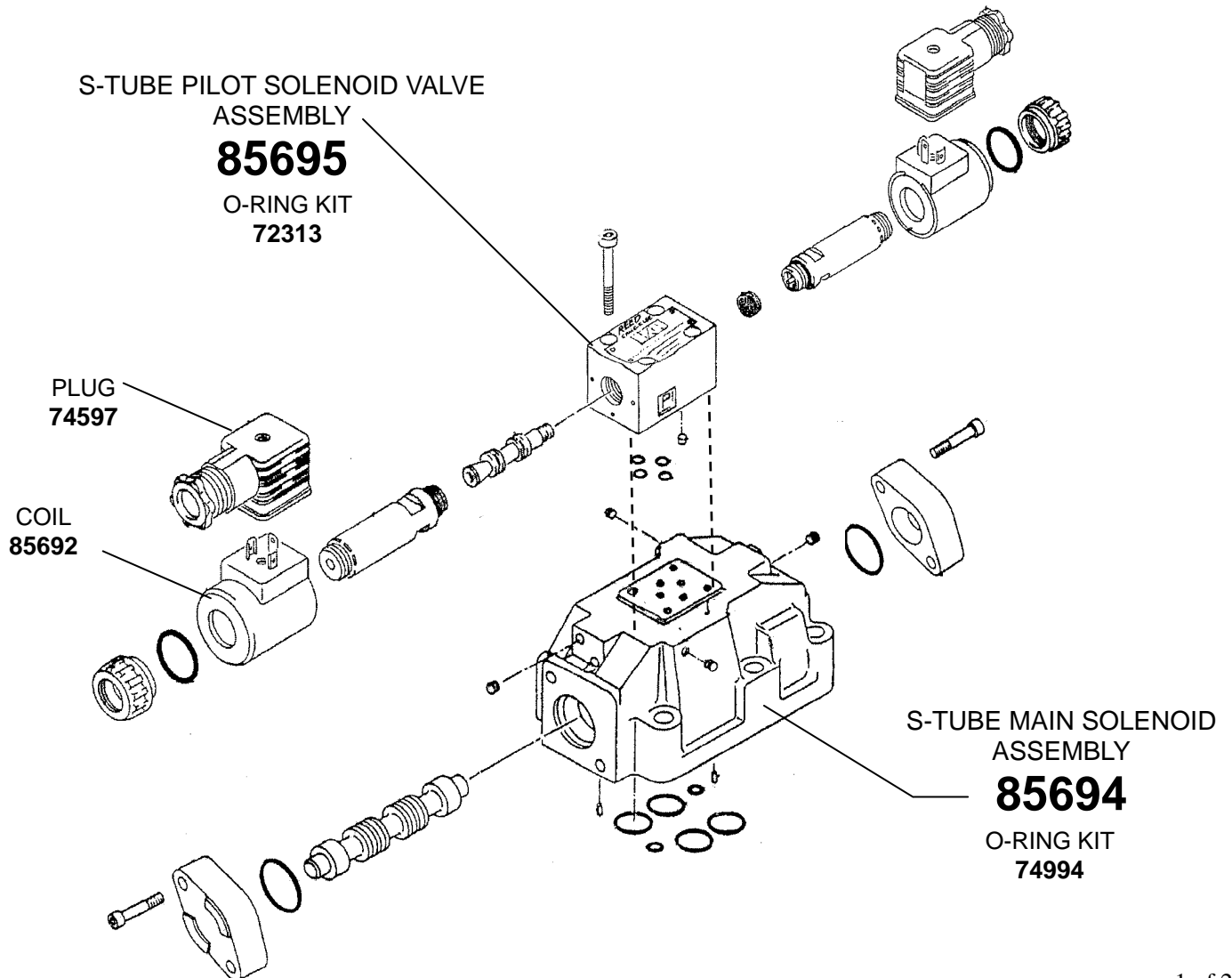
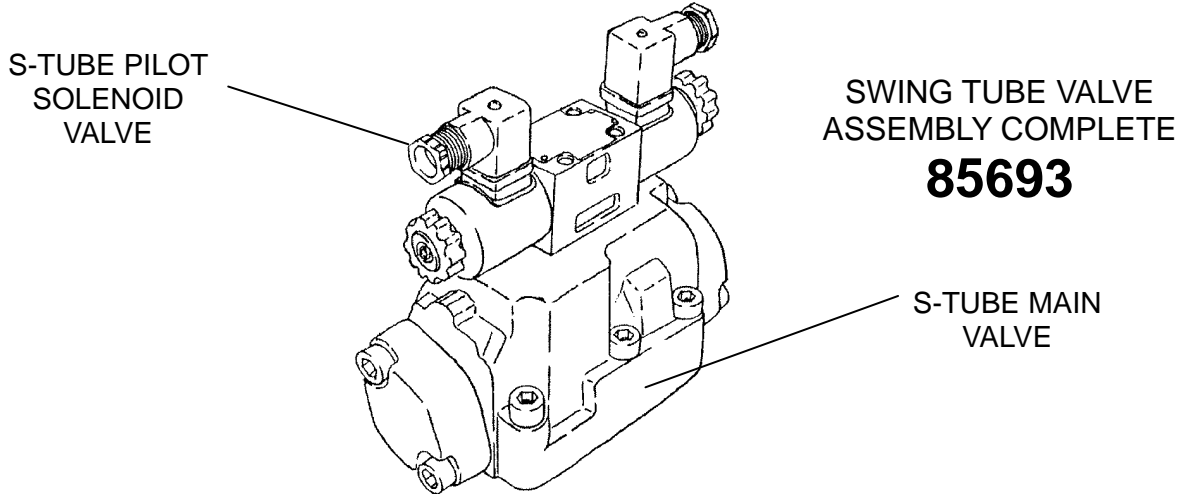


B70D-E-V07

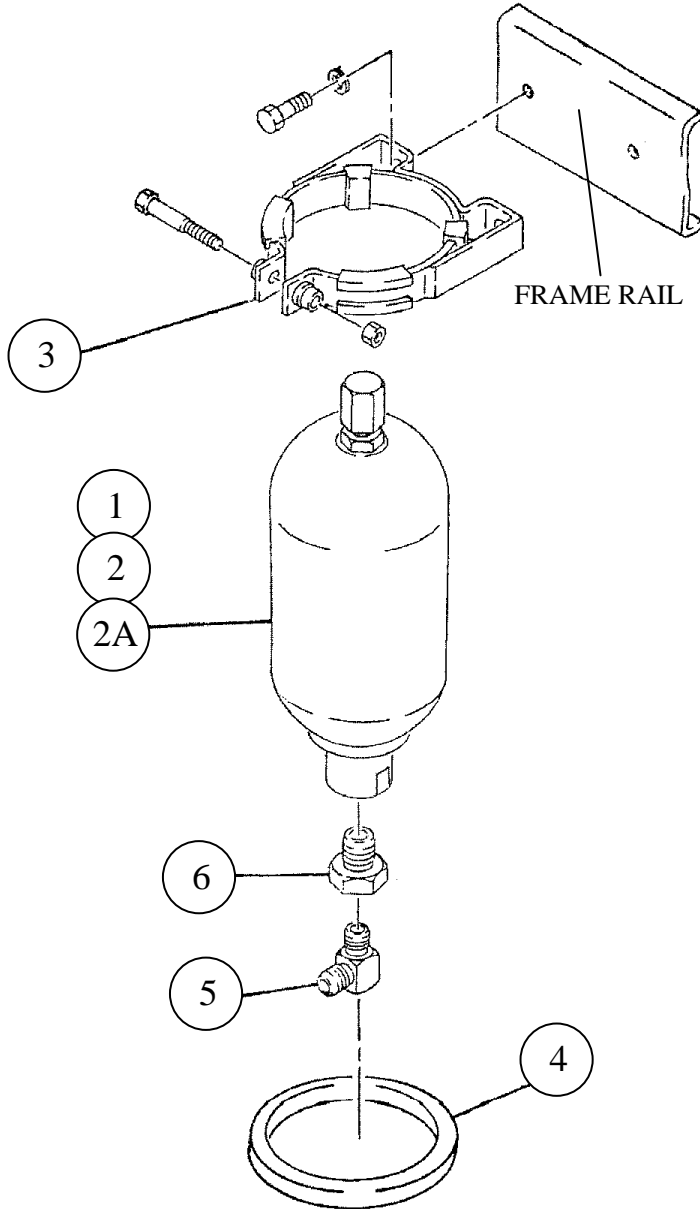
PARTS

13822 Oaks Avenue
Chino, CA 91710
reedpumps.com

S-TUBE CIRCUIT MANIFOLD ASSEMBLY CONT.

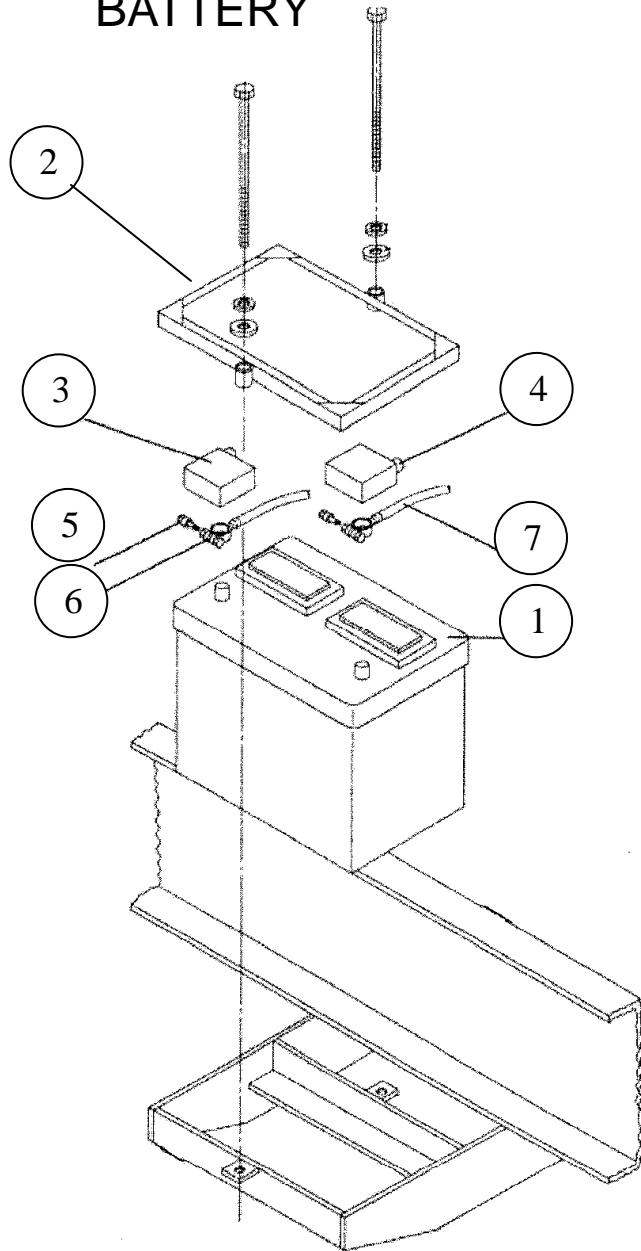


ACCUMULATOR ASSEMBLY



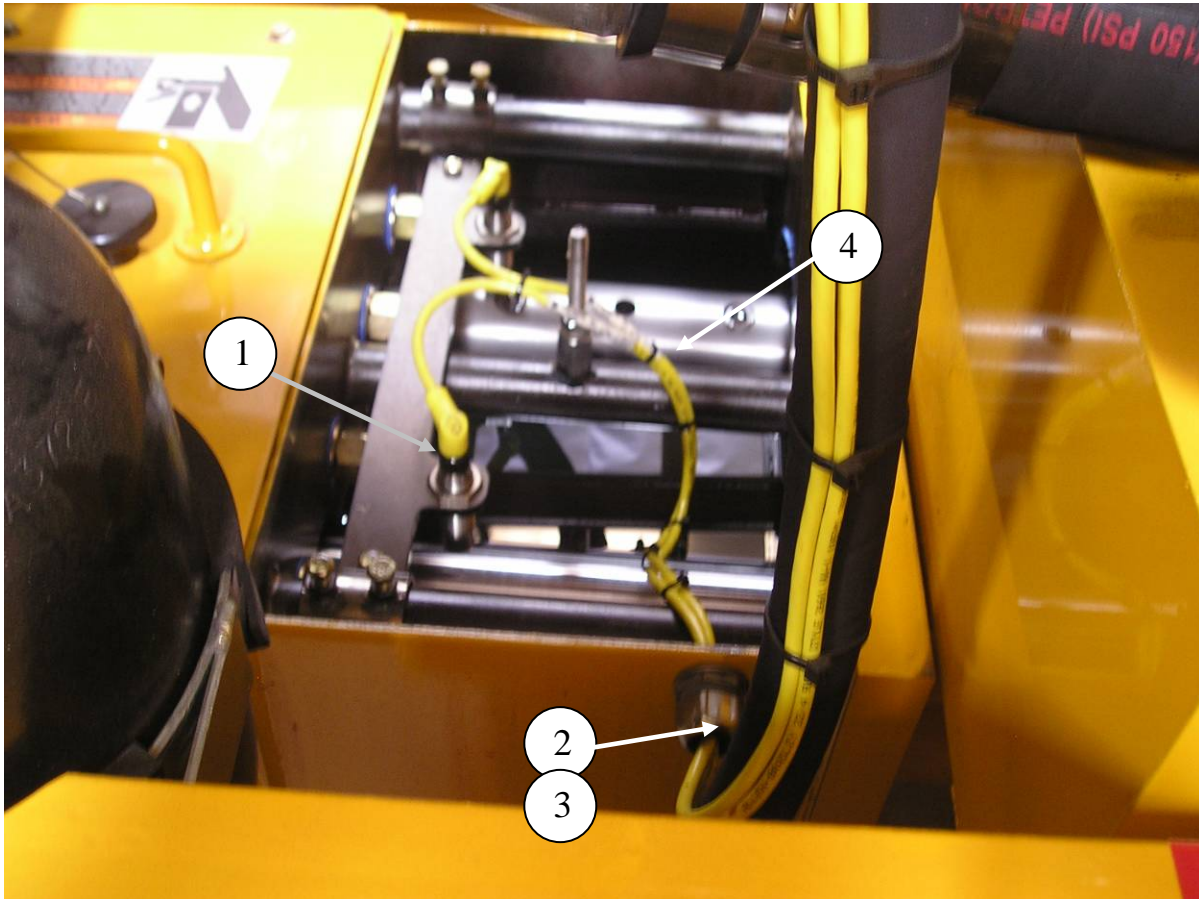
ID #	PART #	PART DESCRIPTION	QUANTITY	
1	74515	ACCUMULATOR-1 GAL 3000PSI	1	EA
2	74516	BLADDER, 1 GAL.	1	EA
2A	85812	BLADDER SEAL KIT	1	EA
3	73171	ACCUMULATOR BKT.W/CLOSING HARDWARE	1	EA
4	801028	GROMMET, ACCUMULATOR	1	EA
5	86728-019	ELBOW, MB-MJ90-12-12	1	EA
6	86920-20	REDUCER MB-FB-20-12	1	EA

ELECTRICAL GROUP BATTERY

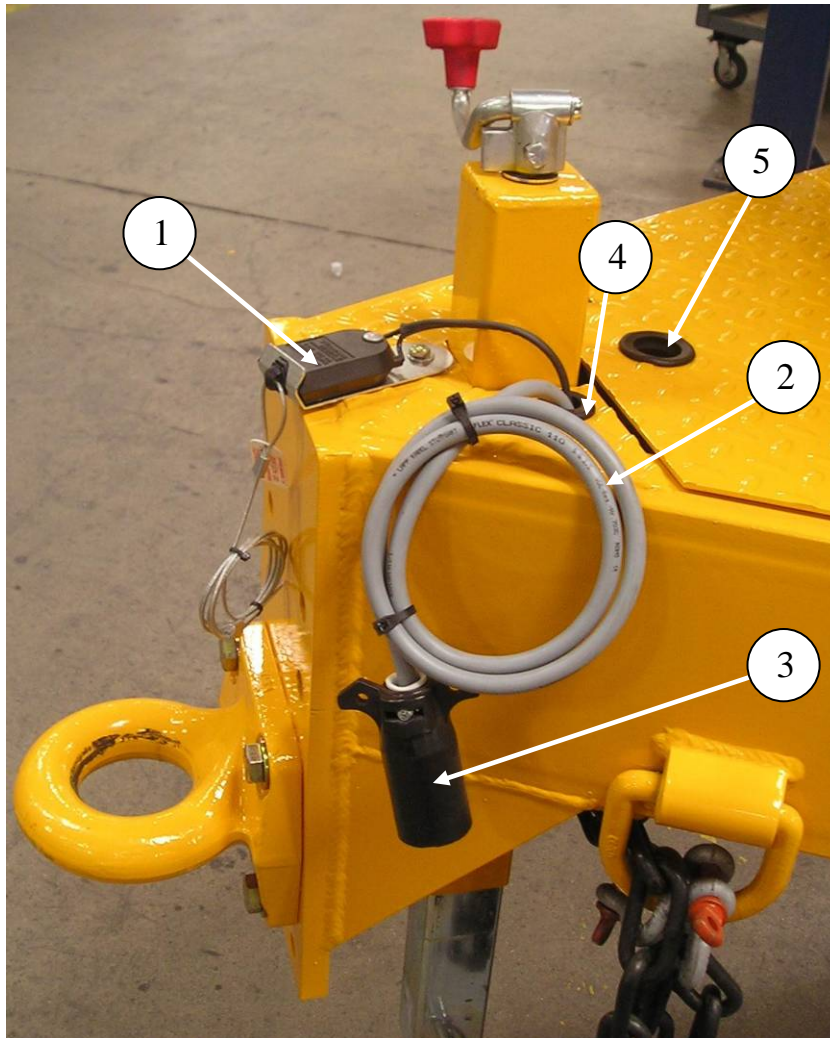


ID #	PART #	PART DESCRIPTION	QUANTITY	
	87930	ELECTRICAL GROUP B SER 2008 CUMMINS	1	EA
1	77075	BATTERY-12V 1000 CCA31	1	EA
2	72945	BATTERY HOLD DOWN	1	EA
3	87221	INSULATOR, RIGHT ELBOW-RED	1	EA
4	87222	INSULATOR, LEFT ELBOW-BLACK	1	EA
5	87223	EXTENDER, TOP TERMINAL BOLT	2	EA
6	87732	CABLE-43" BATTERY-RED 2/0	1	EA
7	87733	CABLE-37" BATTERY-BLACK 2/0	1	EA

PROXIMITY SWITCHES

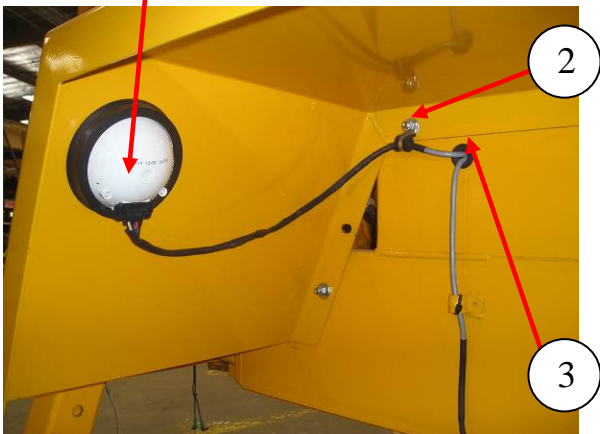


ID #	PART #	PART DESCRIPTION	QUANTITY	
1	77998	PROXIMITY SENSOR NPN FLUSH BOX MOUT	2	EA
2	10522	STRAIN RELIEF	1	EA
3	10528	NUT-1/2" BONDING TYPE LOCK	1	EA
4	77990	CABLE, PROXIMITY SWITCH, 5M	2	EA

TRAILER HARNESS AND BREAKAWAY

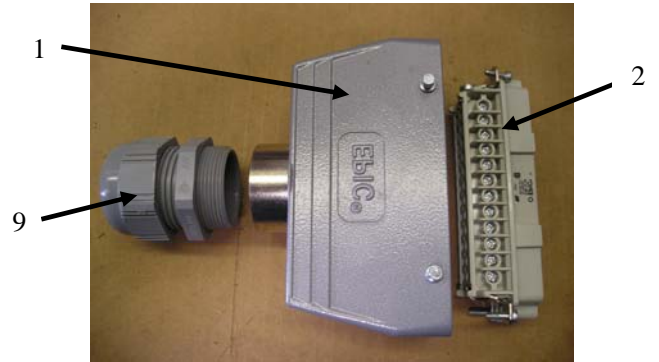
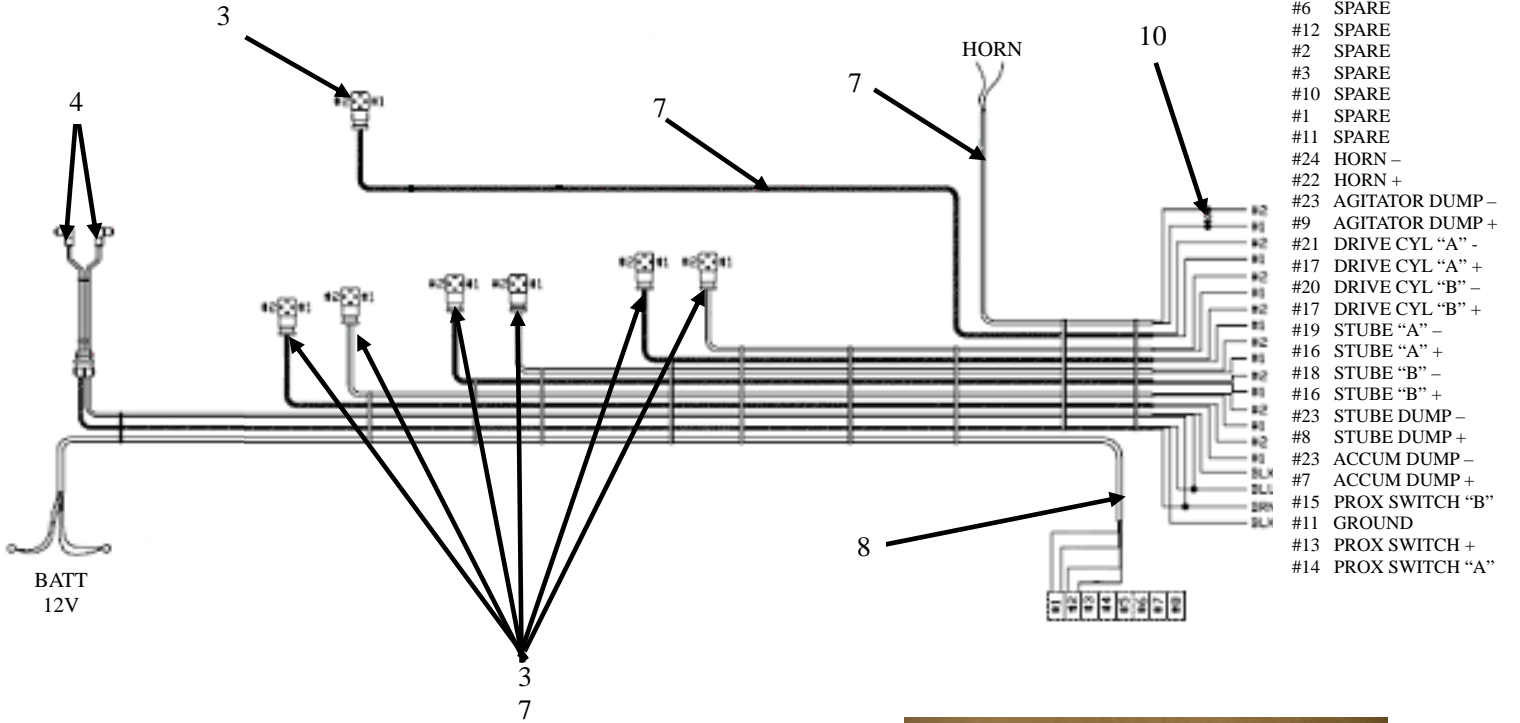
ID #	PART #	PART DESCRIPTION	QUANTITY	
1	77705	BREAK-AWAY KIT	1	EA
2	86533	TRAILER HARNESS- B-SERIES	1	EA
3	86579	TRAILER PLUG 7C FLAT PI	1	EA
4	72949	GROMMET	1	EA
5	72813	GROMMET	1	EA

TAIL LIGHTS



ID #	PART #	PART DESCRIPTION	QUANTITY	
1	72948	TAIL LIGHT	2	EA
2	87665	LOOM CLAMP 7/8"	2	EA
3	72949	GROMMET	2	EA

WIRING HARNESS



ID #	PART #	PART DESCRIPTION	QUANTITY	
	86018	WIRING HARNESS	1	EA
1	800424	CONN. HOOD-PIN,24P,PG29 TOP	1	EA
2	78695	CONN.INSERT, 24P, MALE, 16A	1	EA
3	74597	PLUG, VALVE COIL	7	EA
4	77990	CABLE, PROXIMITY SWITCH, 5M	2	EA
5	10522	STRAIN RELIEF	1	EA
6	10528	NUT-1/2" BONDING TYPE LOCK	1	EA
7	85618	CABLE,16AWG-2C, PVC-GRY	26.417	FT
8	85617	CABLE, 14AWG-4C, PVC-GRY	18	FT
9	801479	CORD GRIP, PG-29	1	EA
10	77640	DIODE, IN4003	1	EA

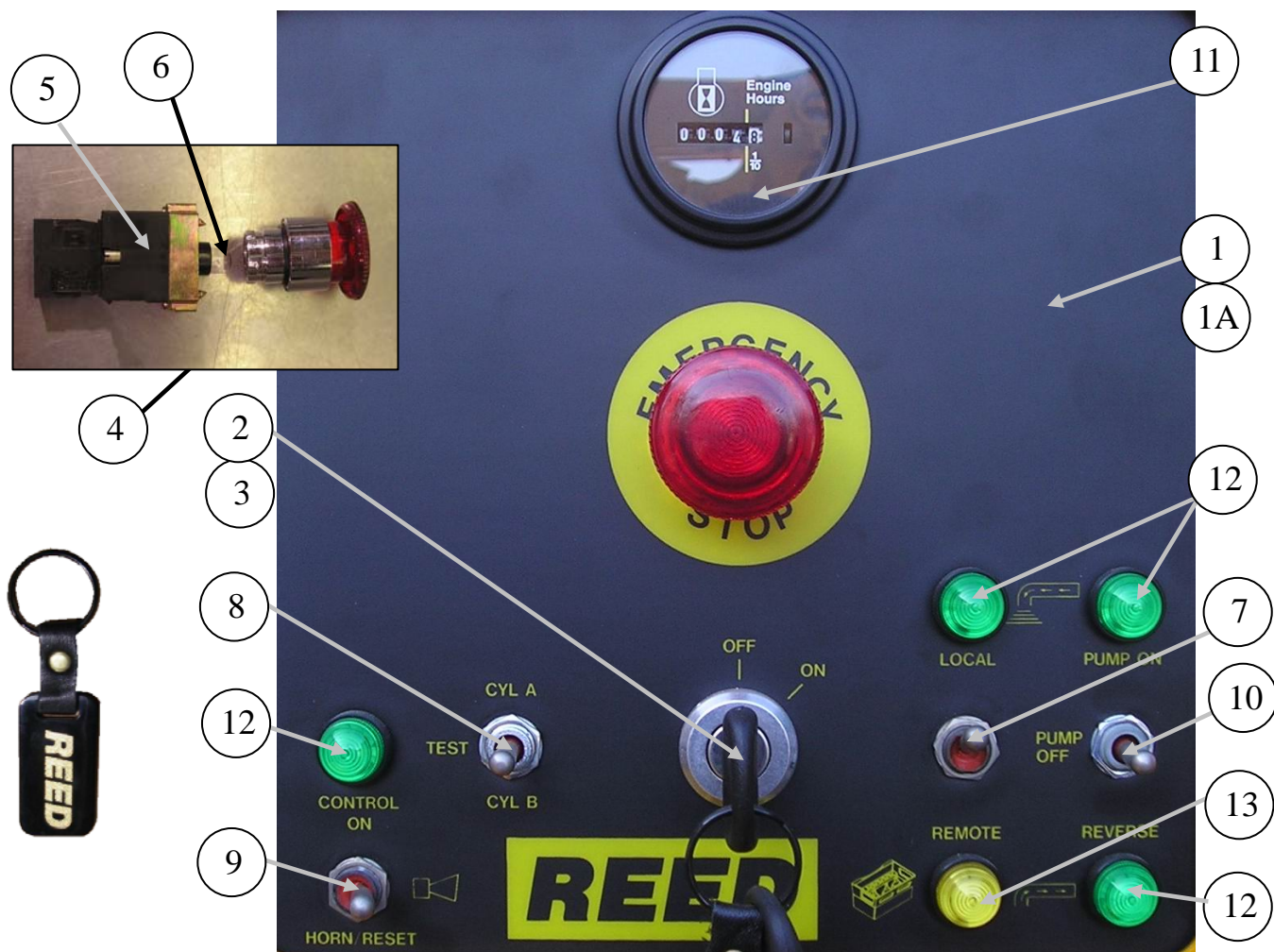


B70D-E-V07

PARTS

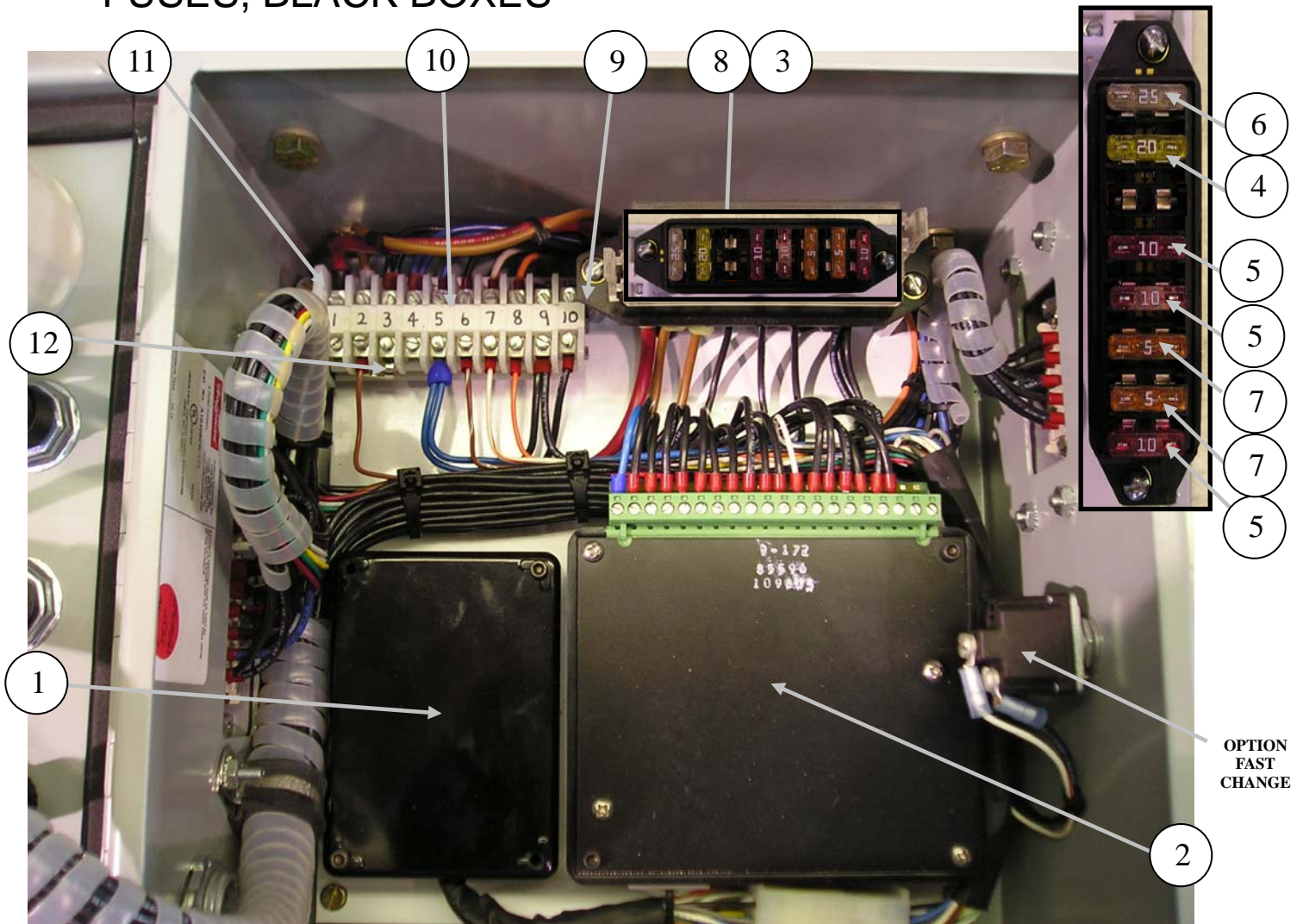
13822 Oaks Avenue
Chino, CA 91710
reedpumps.com

CONTROLS CONTROL BOX



ID #	PART #	PART DESCRIPTION	QUANTITY	
	87984	CONTROL BOX, B SER-ASSEMBLY	1	EA
1	73771-P	PANEL BOX , 8X8 FOE 73771 BOX (MACHINED)	1	EA
1A	86021	DECAL, CONTROL BOX B-10E-SHEA	1	EA
2	71155	IGNITION ,KEY (ONLY)	2	EA
3	71154	IGNITION SWITCH - DEUTZ	1	EA
4	85342	OPERATOR, E-STOP, LIGHTED	1	EA
5	85343	CONTACT BLOCK, LIGHTED,	1	EA
6	85344	BULB, E-STOP, 12VDC	1	EA
7	78563	SWITCH, TOGGLE, ON/OFF/ON, 12 TERM	1	EA
8	85346	SWITCH, TOGGLE, MOM/ON/MOM, 6 TERM	1	EA
9	85347	SWITCH, TOGGLE, OFF/MOM, 2 TERM	1	EA
10	72003	SWITCH, TOGGLE, ON/OFF/ON, 6 TERM	1	EA
11	74240	METER-ENGINE HOURS	1	EA
12	85355	LIGHT, PILOT, GREEN	4	EA
13	85356	LIGHT, PILOT, YELLOW	1	EA

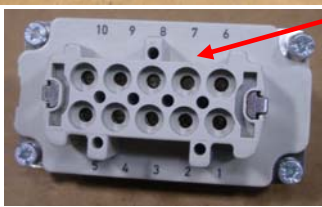
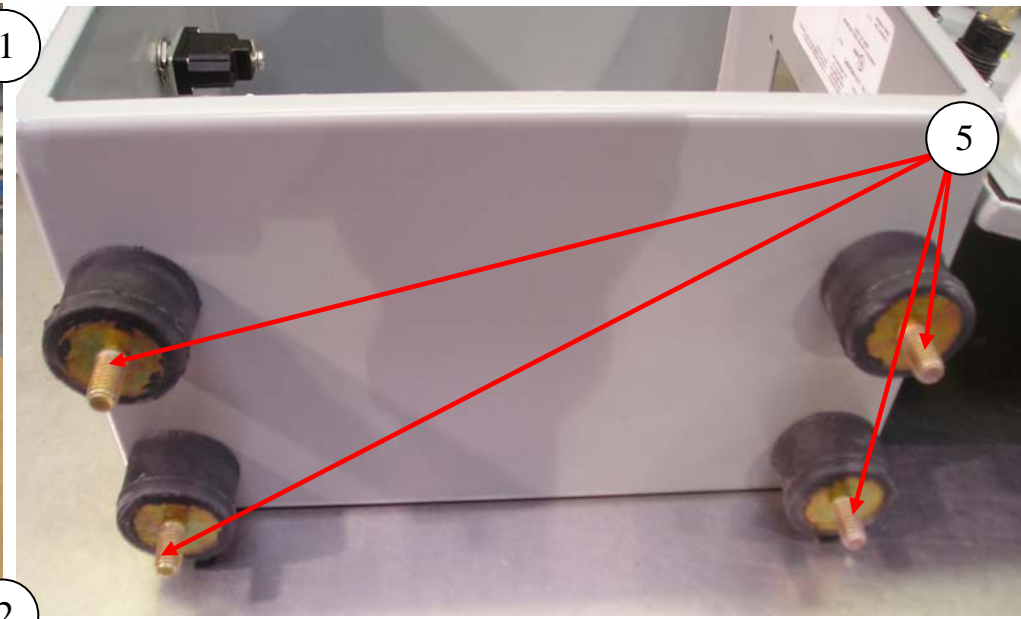
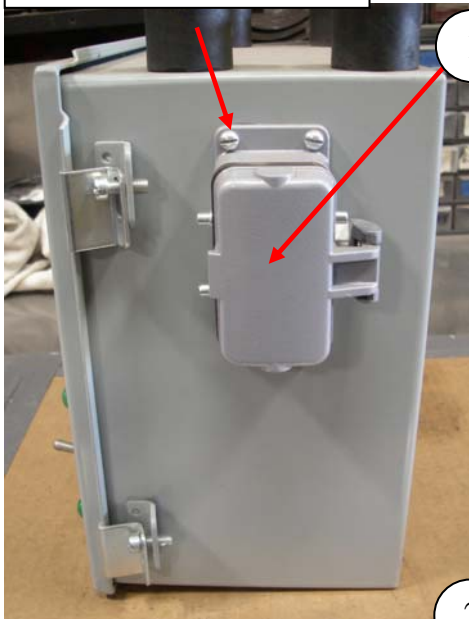
FUSES, BLACK BOXES



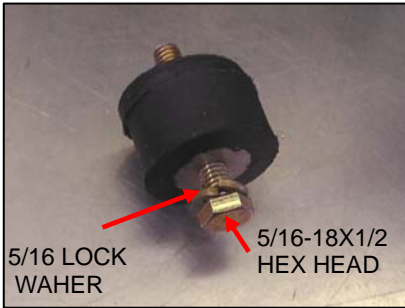
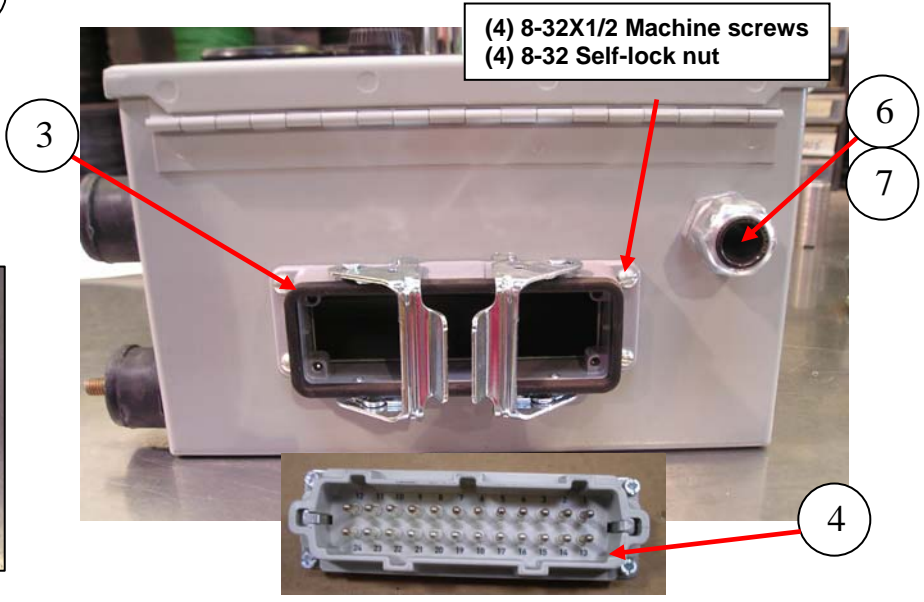
ID #	PART #	PART DESCRIPTION	QUANTITY	
1	85334	BLACK BOX, PUMP CONTROL, 9-165	1	EA
2	85596	BLACK BOX, E-STOP LOGIC, 9-172	1	EA
3	85354	FUSE BLOCK, 8 WAY	1	EA
4	800448	FUSE, 20A ATO	1	EA
5	800449	FUSE, 10A ATO	3	EA
6	800447	FUSE, 25A ATO	3	EA
7	90392	FUSE, 5 ATO	2	EA
8	85419	STAND OFF, 8-32 X 1 1/2"	2	EA
9	72821	ALLEN BRADLEY RAIL	.333	FT
10	72820	ALLEN BRADLEY TERMINALS	8	EA
11	75654	END BARRIER	1	EA
12	72824	ALLEN BRADLY JUMPER	2	EA

CONNECTORS

(4) 8-32X1/2 Machine screws
(4) 8-32 Self-lock nut

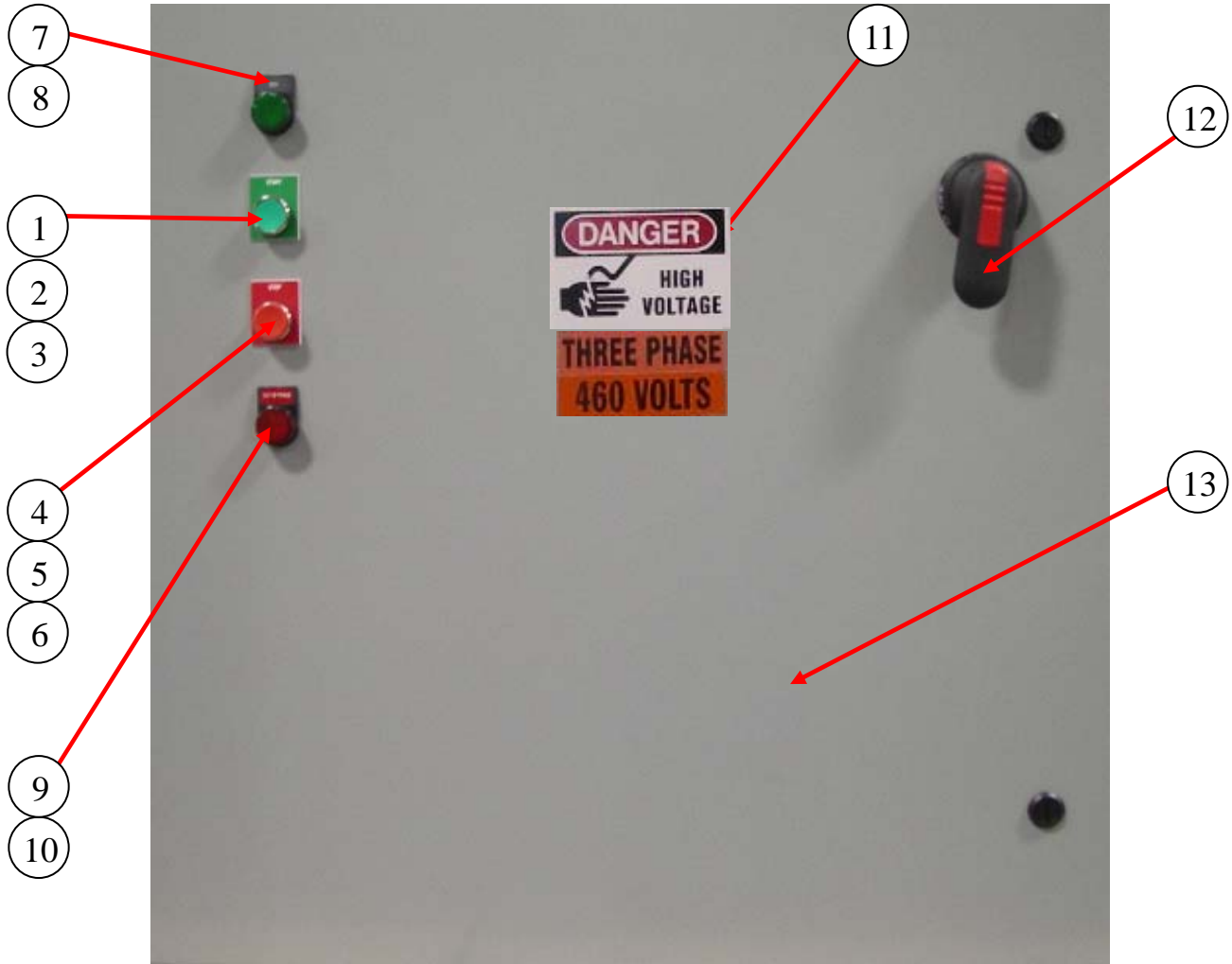


(4) 8-32X1/2 Machine screws
(4) 8-32 Self-lock nut



ID #	PART #	PART DESCRIPTION	QUANTITY	
1	79965	CONN. BASE-PIN, 10P	1	EA
2	79963	CONN, INSERT, 10P FEM, 16A	1	EA
3	78697	CONN, BASE-LATCH, 24P	1	EA
4	78696	CONN, INSERT, 24P FEM, 16A	1	EA
5	73748	BUMPER	4	EA
6	10523	STRAIN RELIEF	1	EA
7	10528	NUT- 1/2" BONDING TYPE LOCK	1	EA

MAIN ELECTRIC PANEL BOX 460V/60HZ/3PH



ID #	PART #	PART DESCRIPTION	QUANTITY	
	85997-10	PANEL BOX ASSY 460V/60/HZ/3PH	REF	
1	88065	LEGEND PLATE START	1	EA
2	88060	PUSHBUTTON (GREEN)	1	EA
3	88062	CONTACT BLOCK N. O.	1	EA
4	88064	LEGEND PLATE STOP	1	EA
5	88061	PUSHBUTTON (RED)	1	EA
6	88063	CONTACT BLOCK N.C.	1	EA
7	88148	LED INDICATING LIGHT, (GREEN)	1	EA
8	88148-1	LABLE PLATE (RUN)	1	EA
9	88149	LED INDICATING LIGHT, (RED)	1	EA
10	88149-1	LABLE PLATE (OUT OF PHASE)	1	EA
11	74306	HIGH VOLTAGE DECAL	1	EA
12	88047	HANDLE FOR 88070 CIRCUIT BREAKER	1	EA
13	88044	ENCLOSURE 30-30-12" NEMA-4	1	EA



B70D-E-V07

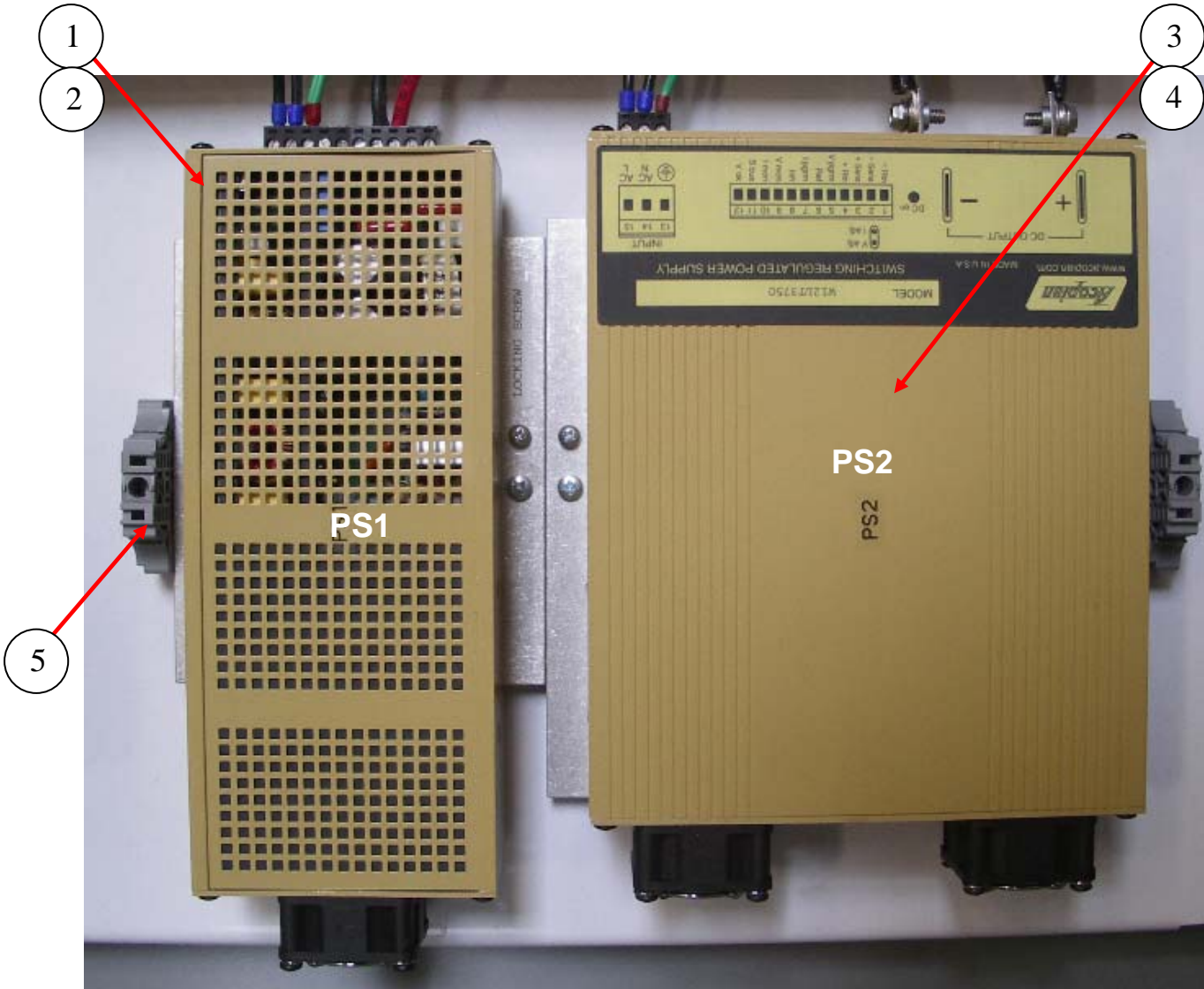
PARTS

13822 Oaks Avenue
Chino, CA 91710
reedpumps.com

CONTACT BLOCKS

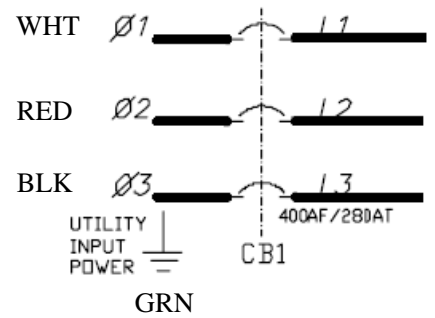
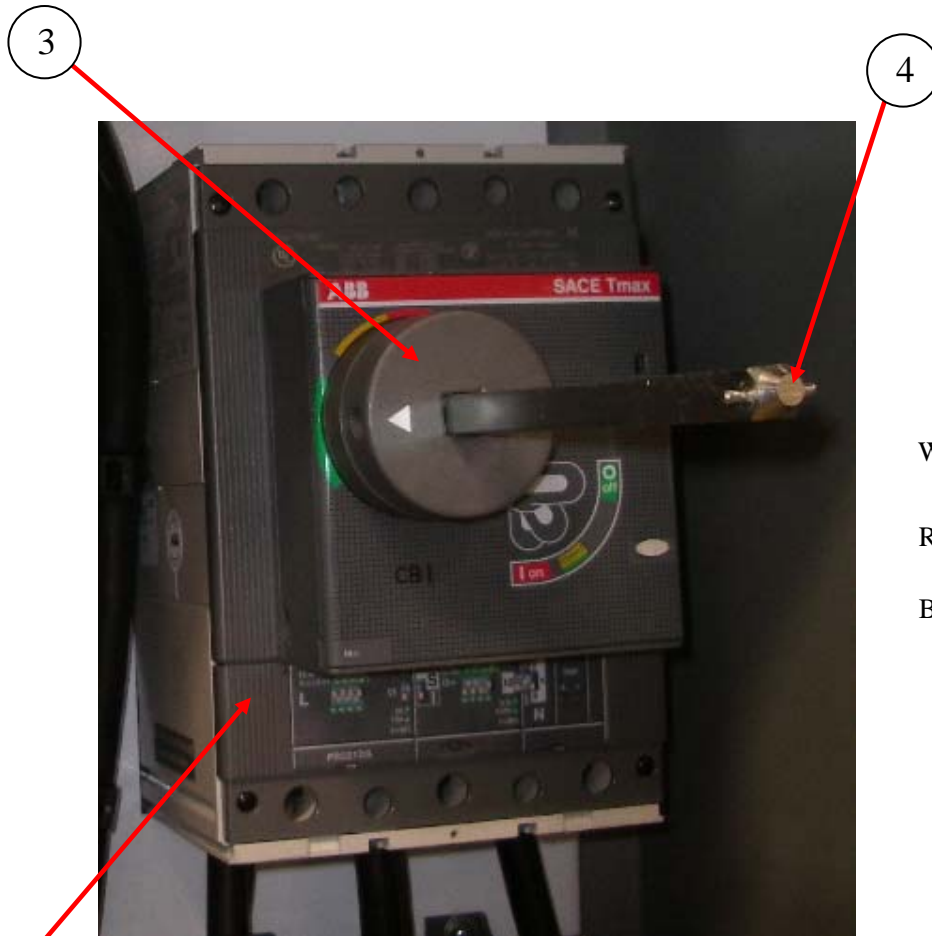


POWER SUPPLY



ID #	PART #	PART DESCRIPTION	QUANTITY	
1	88059-1	POWER SUPPLY 12VDC 12 AMP ACOPIAN (PS1)	1	EA
2	88059-1DR	DIN RAIL KIT FOR 88059-1	1	EA
3	88059-2	POWER SUPPLY 12VDC 35 AMP ACOPIAN (PS2)	1	EA
4	88059-2DR	DIN RAIL KIT FOR 88059-2	1	EA
5	88082	GRAY END SECTION	2	EA

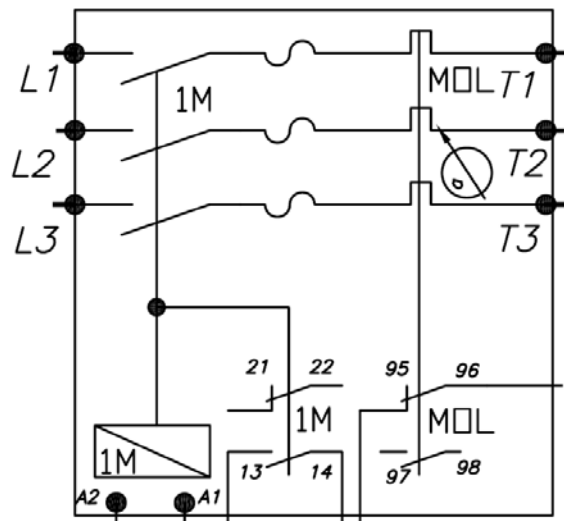
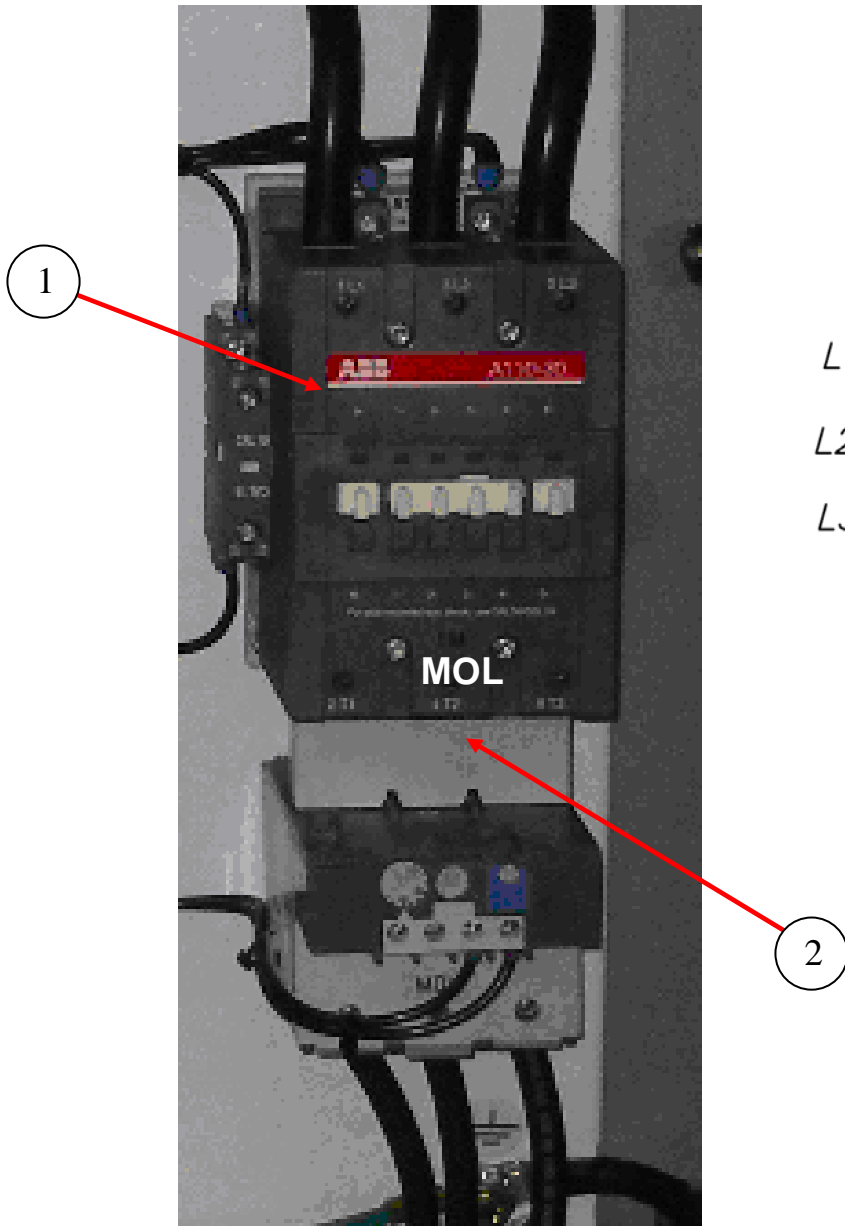
MOTOR CIRCUIT BREAKER



- 1
- 2

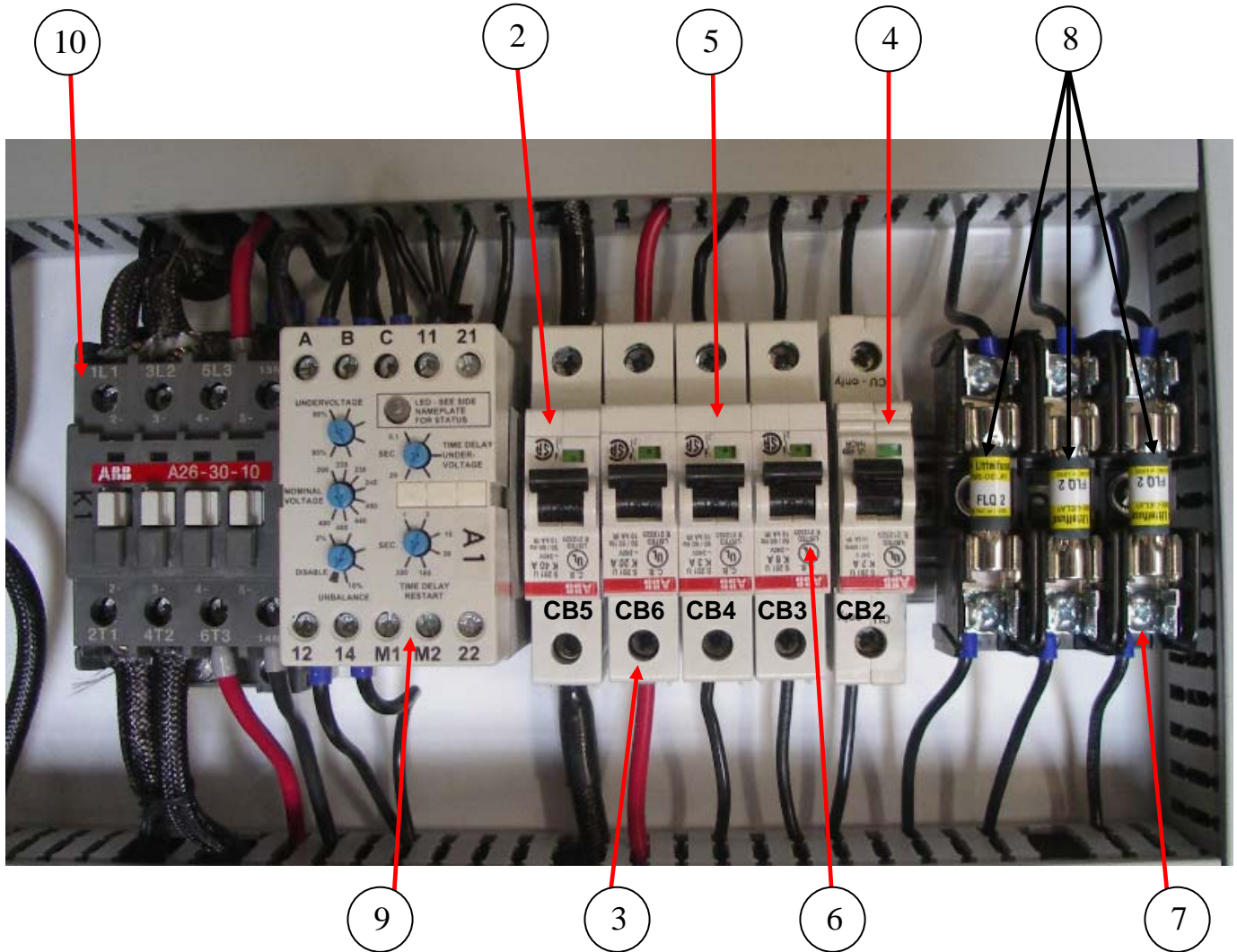
ID #	PART #	PART DESCRIPTION	QUANTITY	
1	88367	CIRCUIT BREAKER 150 AMP 3 POLE LS/IU (CB1)	1	EA
2	88102-1	LUG KIT	1	EA
3	88048	MECHANISM FOR CIRCUIT BREAKER	1	EA
4	88049	SHAFT FOR 88047 HANDLE	1	EA

CONTACTOR / MOTOR OVERLOAD



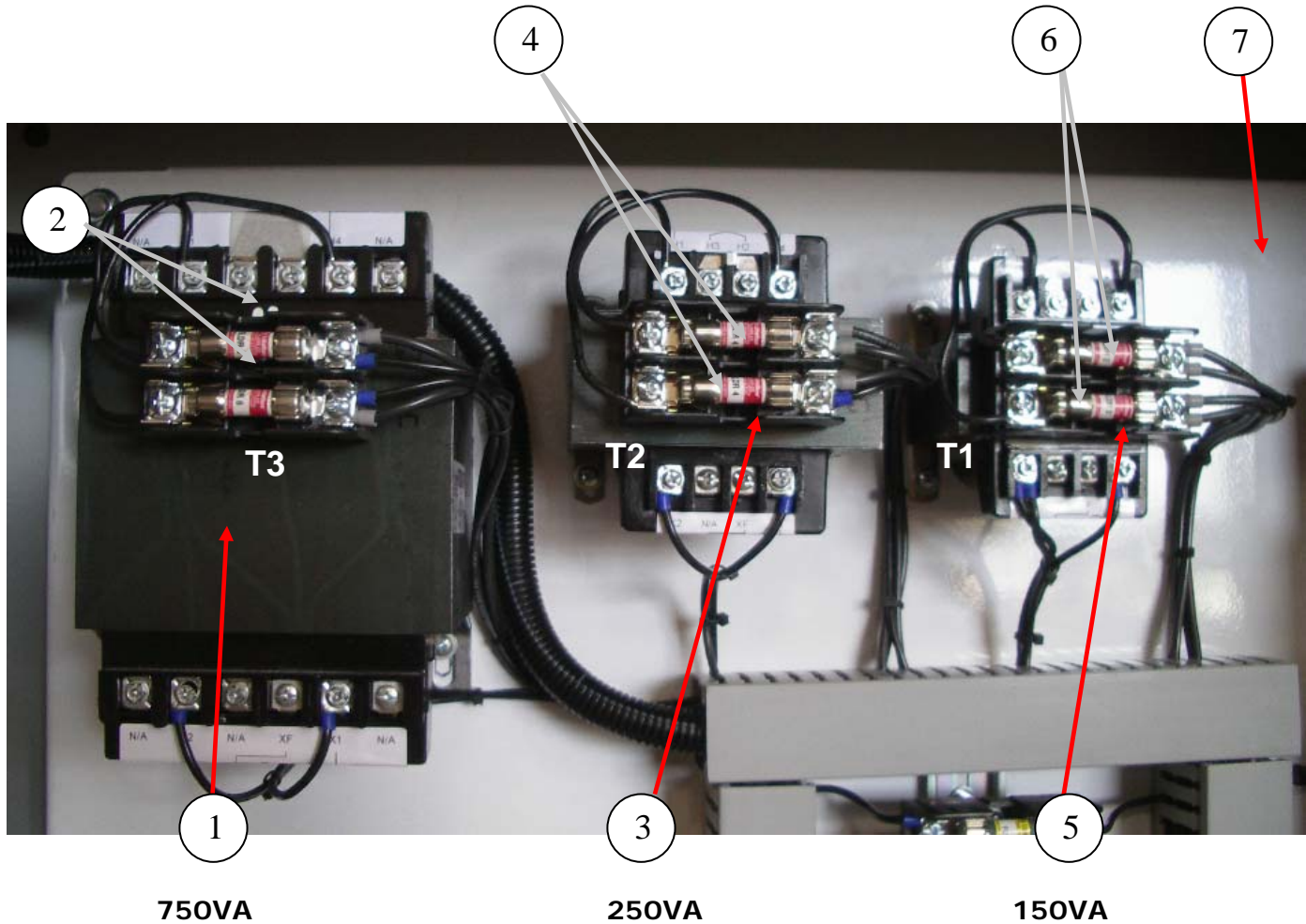
ID #	PART #	PART DESCRIPTION	QUANTITY	
1	88099	CONTACTOR (1M)	1	EA
2	88100-1	MOTOR OVERLOAD RELAY (MOL)	1	EA

CIRCUIT BREAKERS / FUSES / RELAYS



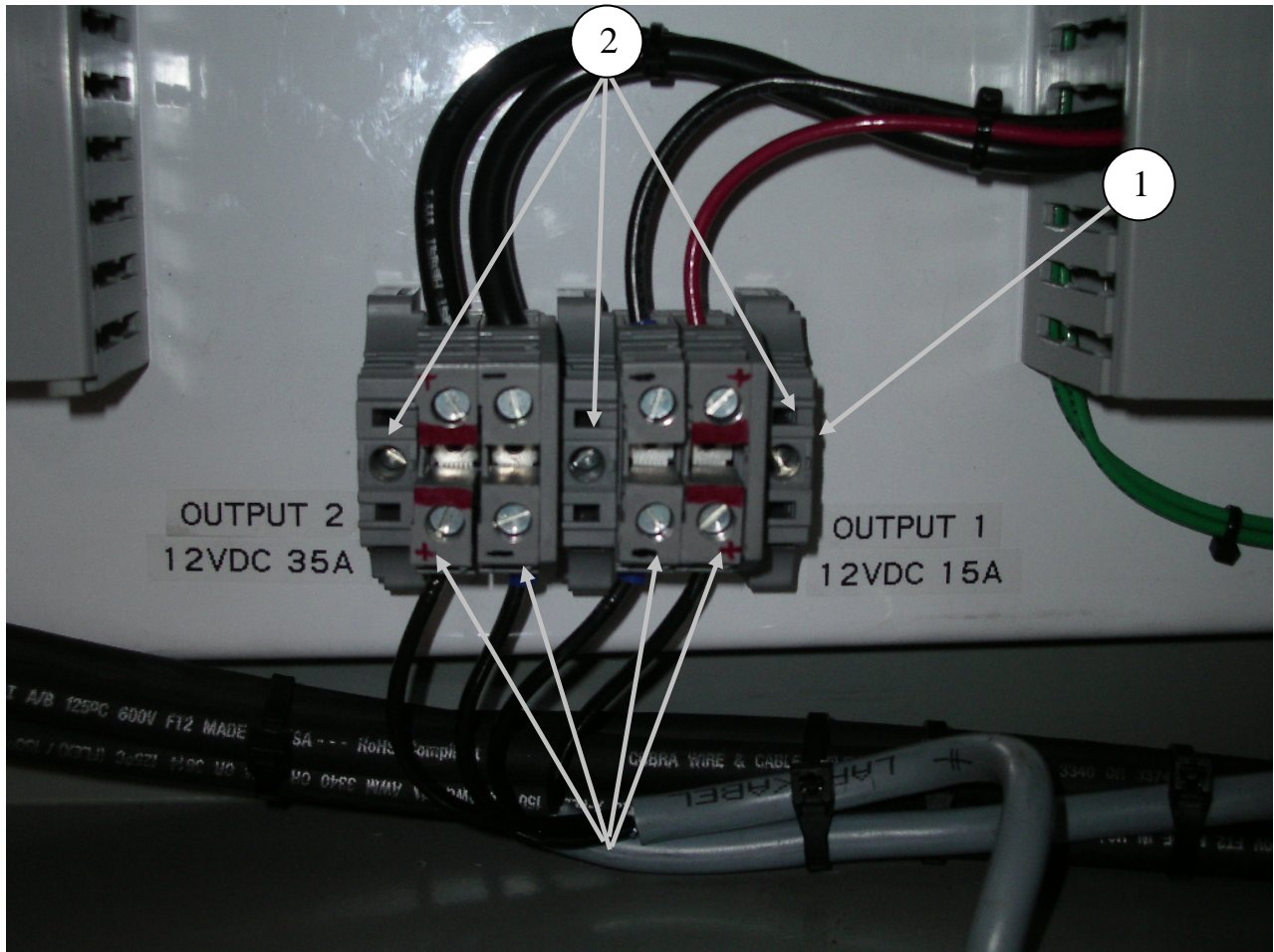
ID #	PART #	PART DESCRIPTION	QUANTITY	
1	88067	CONTACTOR-CONTROL, 3 POL N/O 120V 28 AMP (K4)	1	EA
2	88058-1	CIRCUIT BREAKER, 40 AMP (CB5)	1	EA
3	88058	CIRCUIT BREAKER, 20 AMP (CB6)	1	EA
4	88176	CIRCUIT BREAKER, 8 AMP (CB2)	1	EA
5	88055	CIRCUIT BREAKER, 2 AMP (CB4)	1	EA
6	88086	CIRCUIT BREAKER, 3 AMP (CB3)	1	EA
7	88068	FUSE BLOCK	1	EA
8	88069	FUSE 2 AMP (FLQ 2)	3	EA
9	88066	RELAY REVERSE PHASE MONITOR (A1)	1	EA
10	88067	CONTACTOR-CONTROL, 3 POL N/O 120V 28 AMP(K1)	1	EA

TRANSFORMERS



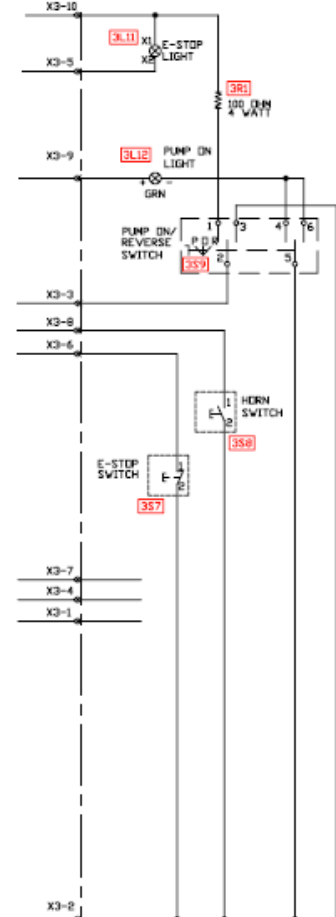
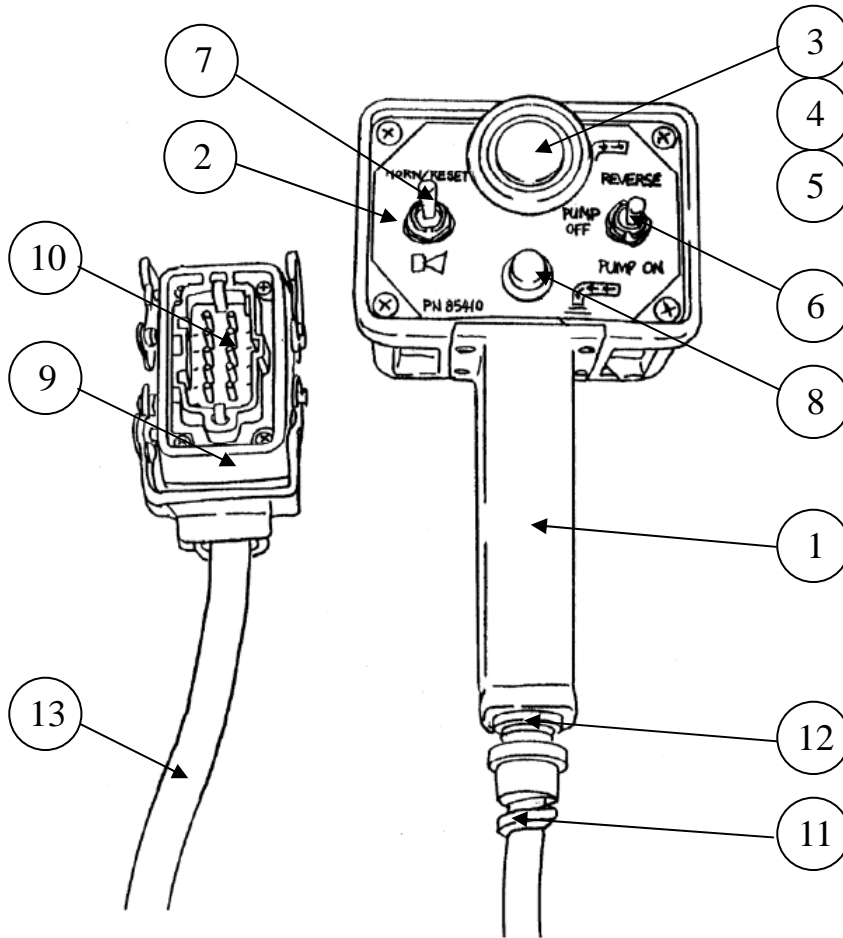
ID #	PART #	PART DESCRIPTION	QUANTITY	
1	88177	TRANSFORMER 750V 230/460V-120V (T3)	1	EA
	88053	FUSE BLOCK KIT		
2	88175	FUSE 6 AMP (KLDR 6)	2	EA
3	88076	TRANSFORMER 250V 230/460V-120V (T2)	1	EA
	88053	FUSE BLOCK KIT		
4	88368	FUSE 3 AMP (KLDR 3)	2	EA
5	88087	TRANSFORMER 150V 230/460V-120V (T1)	1	EA
	88053	FUSE BLOCK KIT		
6	88054	FUSE 2 AMP (KLDR 2)	2	EA
7	88045	PANEL FOR 88044 ENCLOSED	1	EA

12V OUTPUT TERMINALS



ID #	PART #	PART DESCRIPTION	QUANTITY	
1	88059-2DR	DIN RAIL KIT FOR 88059-2	1	EA
2	88082	GRAY END SECTION	3	EA
3	88081	TERMINAL DIN RAIL GREY	4	EA

PENDANT 50 FT CABLE REMOTE



ID #	PART #	PART DESCRIPTION	QUANTITY	
	85359	REMOTE CONTROL ASSY B-SERIES -50 FT		EA
1	71999	ENCLOSURE, REMOTE CONTROL	1	EA
2	85410	DECAL, REMOTE CONTROL, B-SERIES	1	EA
3	85342	OPERATOR, E-STOP, LIGHTED	1	EA
4	85343	CONTACT BLOCK, LIGHTED, 1NC	1	EA
5	85344	BULB, E-STOP, 12VDC	1	EA
6	72003	SWITCH, TOGGLE, ON/OFF/ON, 6 TERM	1	EA
7	85347	SWITCH, TOGGLE, OFF/MOM, 2 TERM	1	EA
8	85355	LIGHT, PILOT, GREEN	1	EA
9	79966	CONN. HOOD-LATCH, 10P, PG16 SIDE	1	EA
10	79964	CONN. INSERT, 10P MALE, 16P	1	EA
11	86133	STRAIN RELIEF, SPIRAL, PG-11	1	EA
12	86145	REDUCER, PG16 TO PG11	1	EA
13	85620	CABLE, 18AWG-10C PVC-GRY	50	FT
14	72777	RESISTOR-GREEN 100 OHM	1	EA

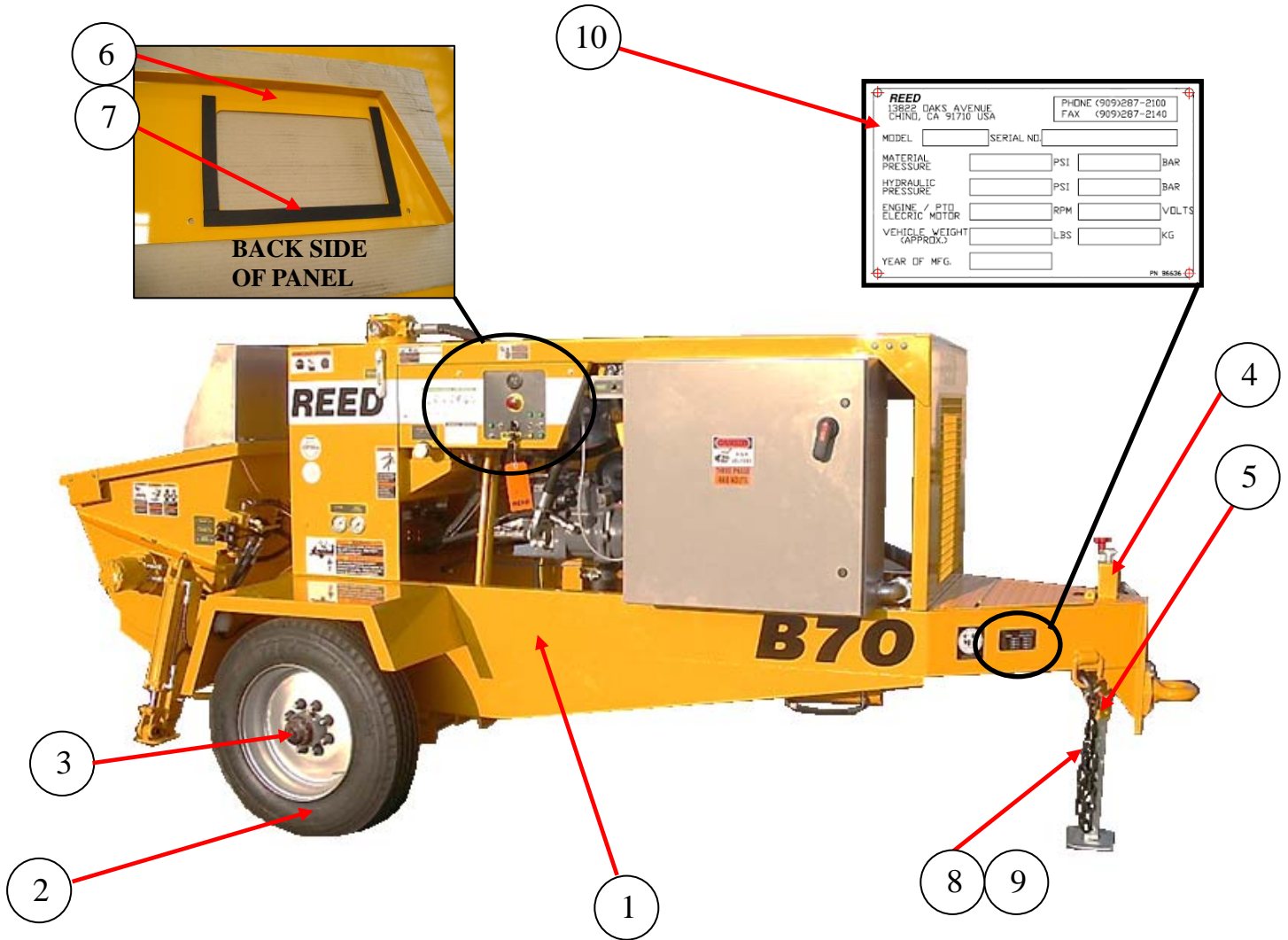


B70D-E-V07

PARTS

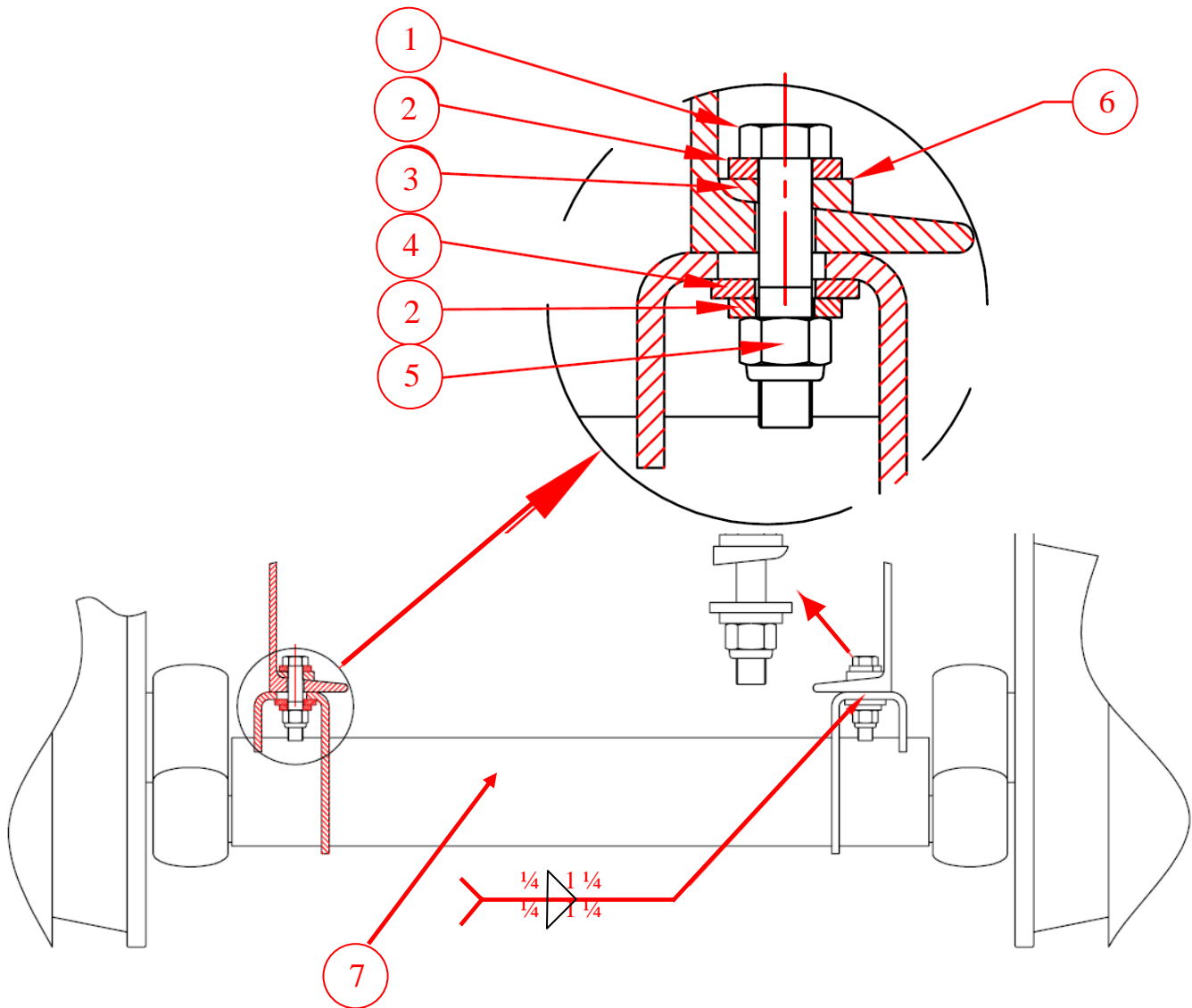
13822 Oaks Avenue
Chino, CA 91710
reedpumps.com

FRAME INSTALLATION FRAME, TIRES, JACK, AND TOW EYE



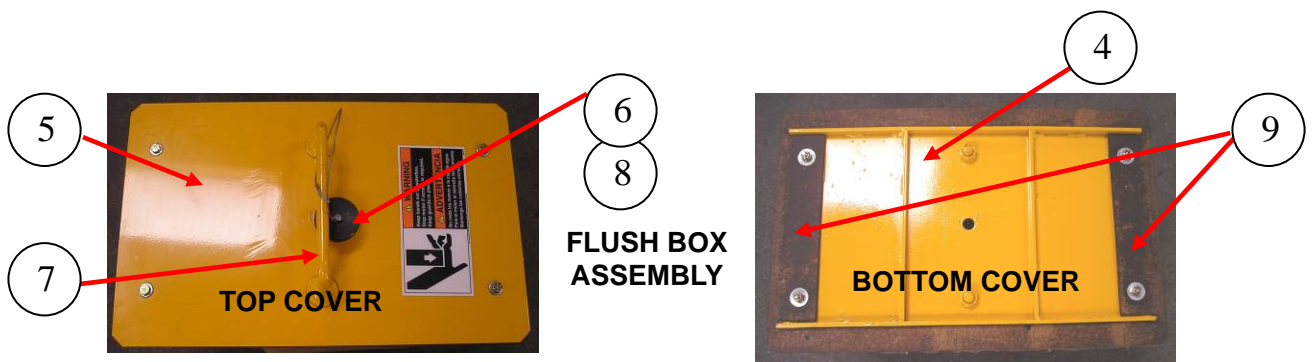
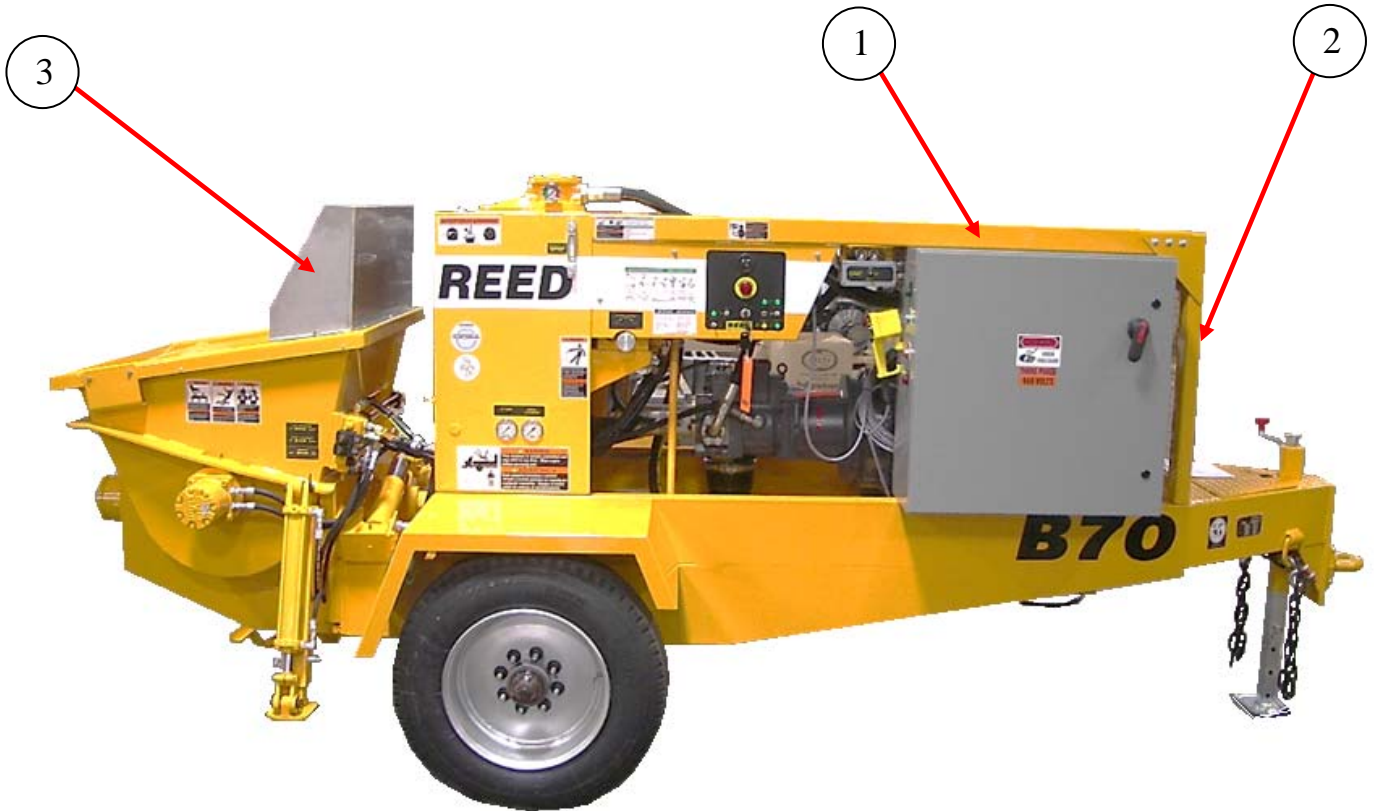
ID #	PART #	PART DESCRIPTION	QUANTITY	
	88443-1	FRAME ASSY B SER, 75 HP MOTOR 9000 LB AXLE	1	EA
1	88442	FRAME WELDMENT B SER, 75 HP MOTOR	1	EA
2	86923	TIRE & WHEEL ASSY -215/75R17.5 H	2	EA
3	88033	OIL CAP KIT(QUALITY)	2	EA
4	85527	JACK WELDMENT	1	EA
5	87037	DRAW BAR	1	EA
6	88446	COVER CONTROL BOX, PAINTED	1	EA
7	13257	WEATHERSTRIP, RUBBER, 5/32 X 1	30	IN
8	86730	CHAIN-3/8 PROOF COIL GR 70 PHOSPATE	5.5	FT
9	87085	SHACKLE ANCHOR, SCREW PIN, 1/2 6600	4	EA
10	86636	SERIAL NUMBER PLATE (BLANK)	1	EA

9000LB AXLE MOUNTING ASSEMBLY



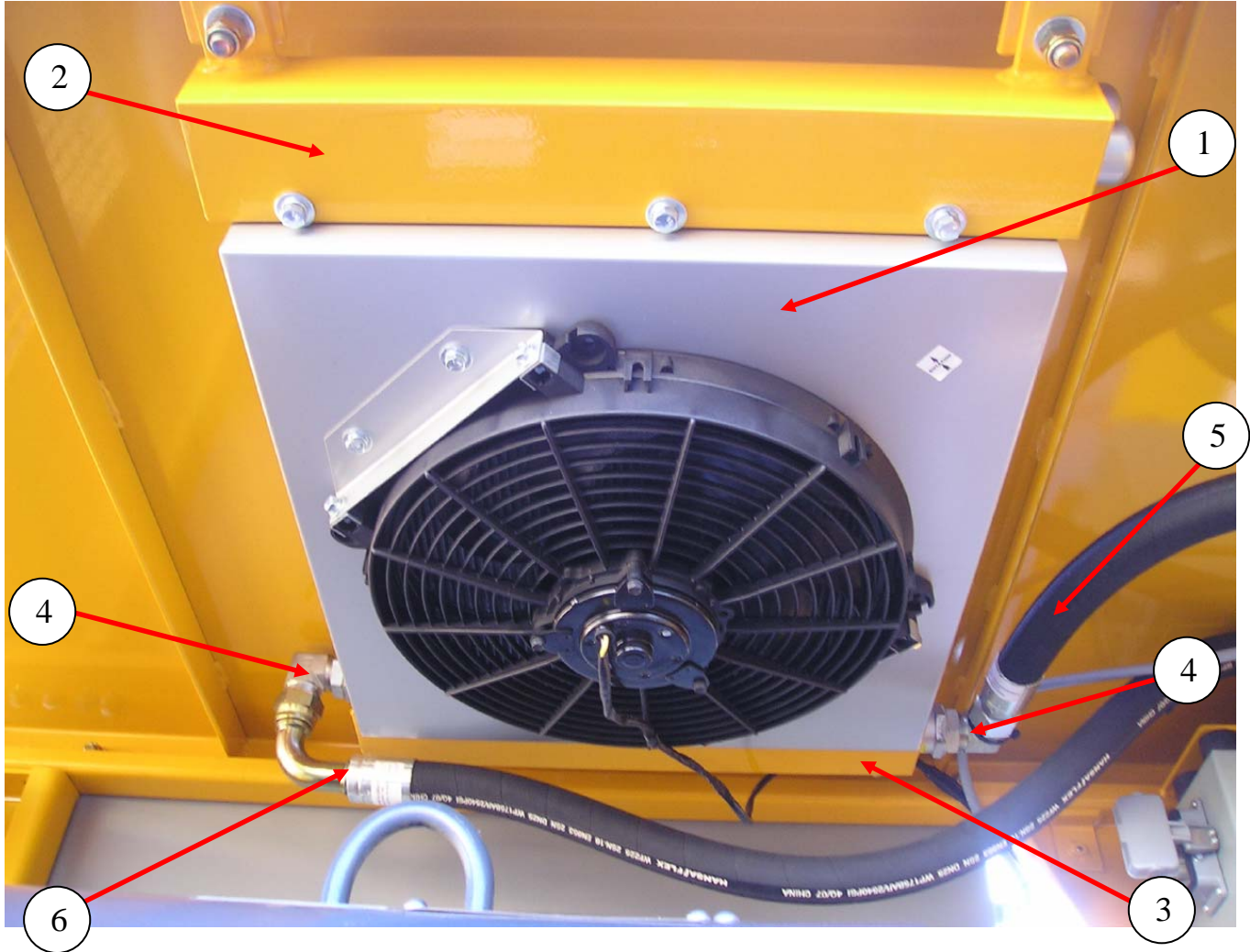
ID #	PART #	PART DESCRIPTION	QUANTITY	
	87542	AXLE MOUNTING HARDWARE KIT	1	EA
1		1/2" -20 X 2.5 HHCS GR8	4	EA
2		1/2" SAE WASHER	8	EA
3		1/2" USE WASHER	4	EA
4		1/2" SAE WASHER	4	EA
5		1/2" - 20 LOCK NUT	4	EA
6		1/2" BEVELED WASHER	4	EA
7	86924	AXLE, TORSION, 9000 LB	1	EA

HOOD AND COVERS



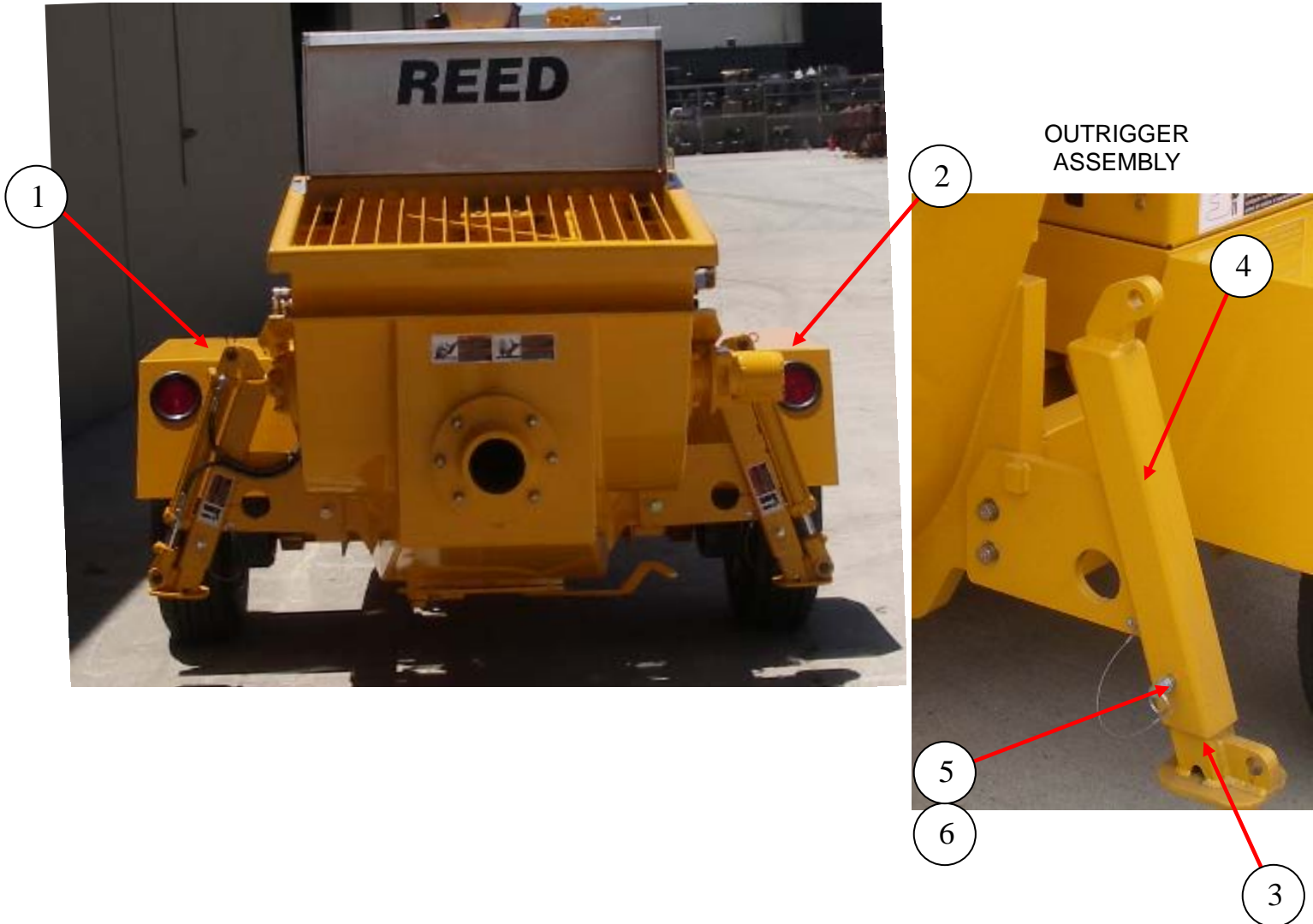
ID #	PART #	PART DESCRIPTION	QUANTITY	
1	87400	COVER TOP, B-SER ELECTRIC	1	EA
2	88446	COVER FRONT WELD, B SER ELECTRIC	1	EA
3	86084	SPLASH GUARD, B & C SERIES	1	
4	86106	COVER ASSY, FLUSH BOX	1	EA
5	86010	COVER WELDMENT, FLUSH BOX	1	EA
6	86105	KNOB	1	EA
7	79056	HANDLE	1	EA
8	800418	LANYARD, Q/R PIN	1	EA
9	87755	GASKET, FOR FLUSH BOX LID	1	EA

HYDRAULIC OIL COOLER



ID #	PART #	PART DESCRIPTION	QUANTITY	
1	79433	HYD. OIL COOLER-ELECTRIC 12 VDC	1	EA
2	79496	BKT. -WELD. NON-OP SIDE B20	1	EA
3	79497	BKT.-WELD. OP SIDE B20	1	EA
4	86728-023	ELBOW, MB-MJ90-16-16	2	EA
5	85654-005	HOSE, 16M2T-16FJX-16FJX-37.00	1	EA
6	85654-006	HOSE, 16M2T-16FJX-16FJX90S-60.00	1	EA

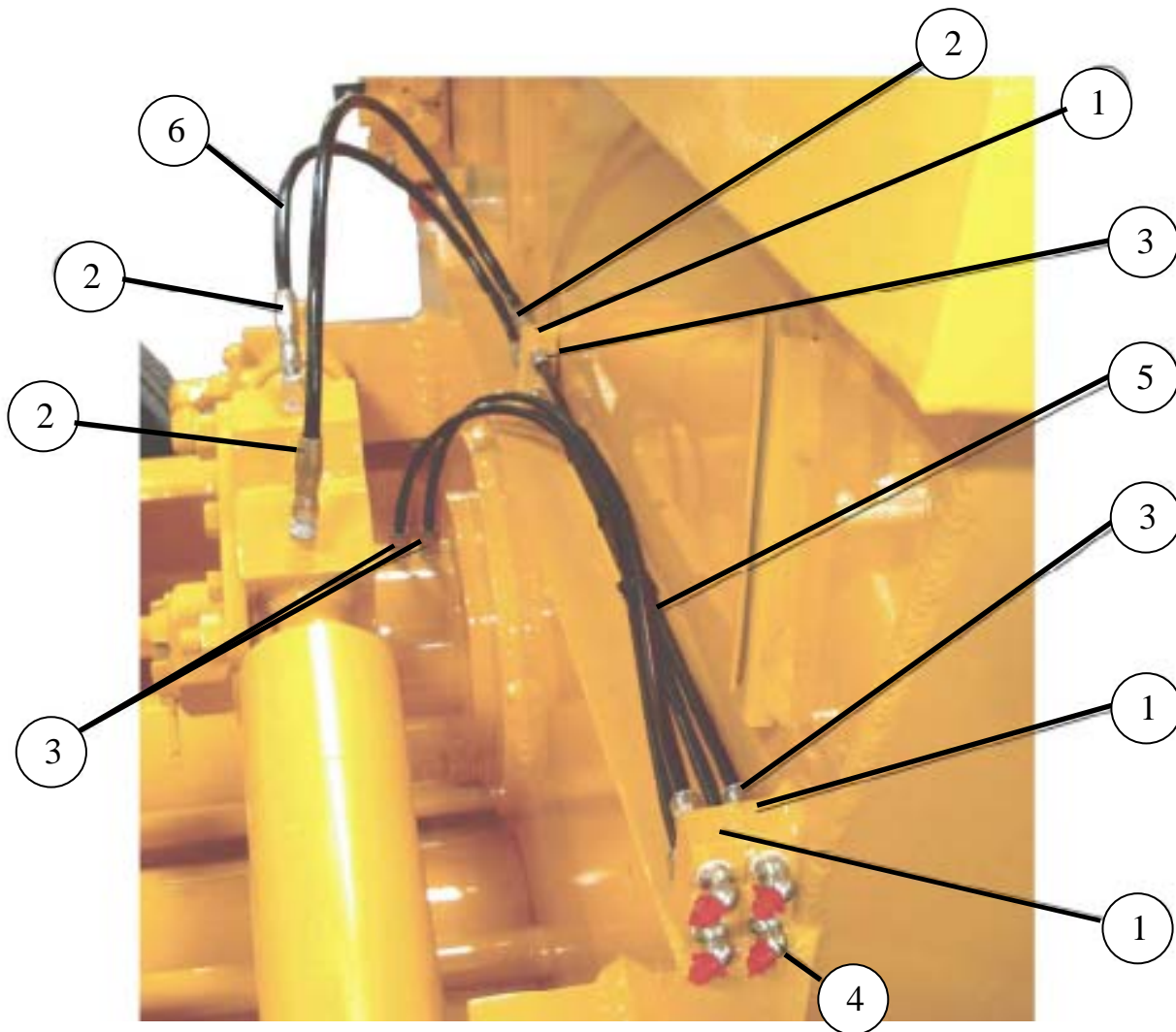
FENDERS AND OUTRIGGERS



ID #	PART #	PART DESCRIPTION	QUANTITY	
1	86959	FENDER, RH, B SERIES PAINTED	1	EA
2	86960	FENDER, LH, B SERIES PAINTED	1	EA
3	86553	OUTRIGGER WELDMNT, INNER-PAINTED	2	EA
4	86557	OUTERTUBE, O/R B & C - PAINTED	2	EA
5	85595	PIN, Q/R, 5/8 DIA X 3 1/2 L	2	EA
6	800418	LANYARD, Q/R PIN	2	EA

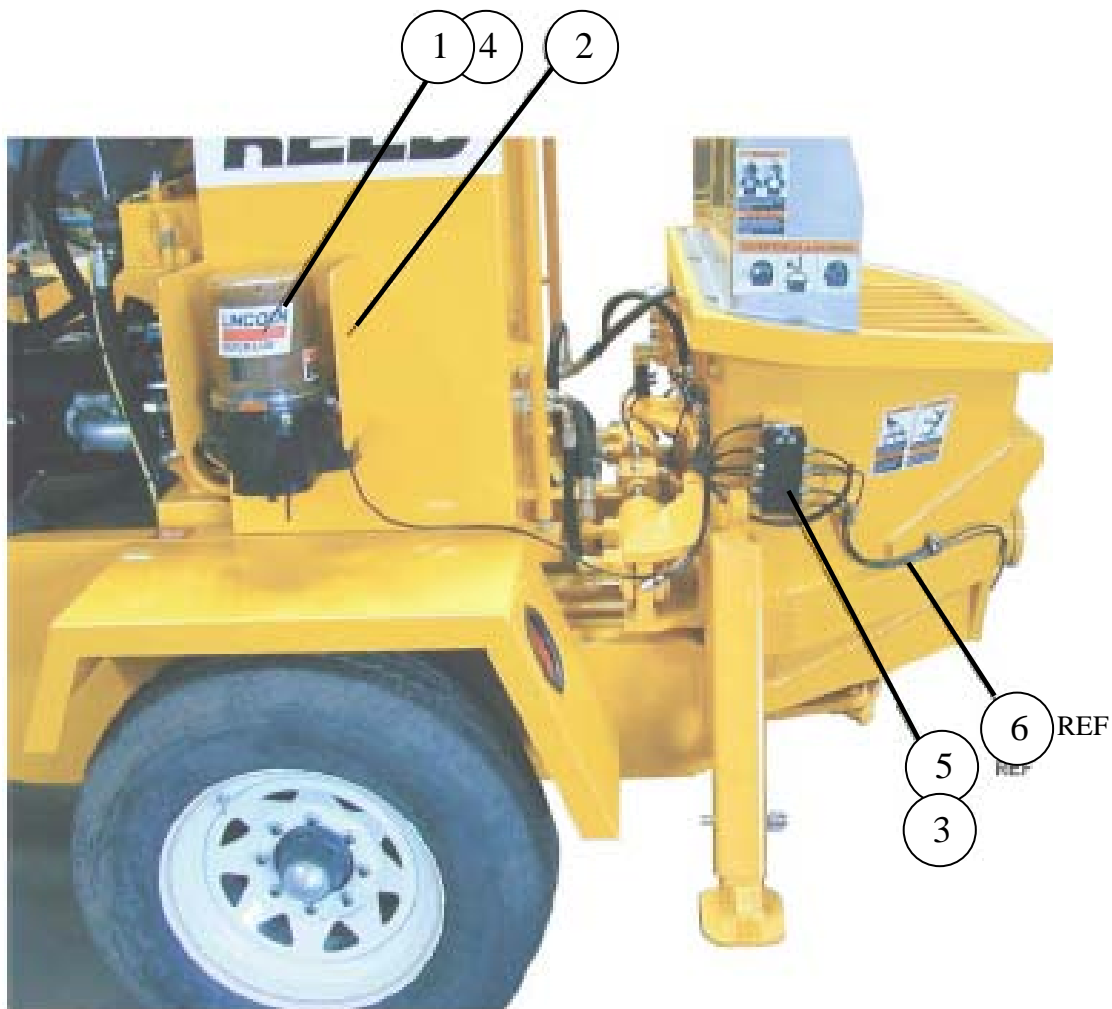
OPTIONS

LUBE BLOCK



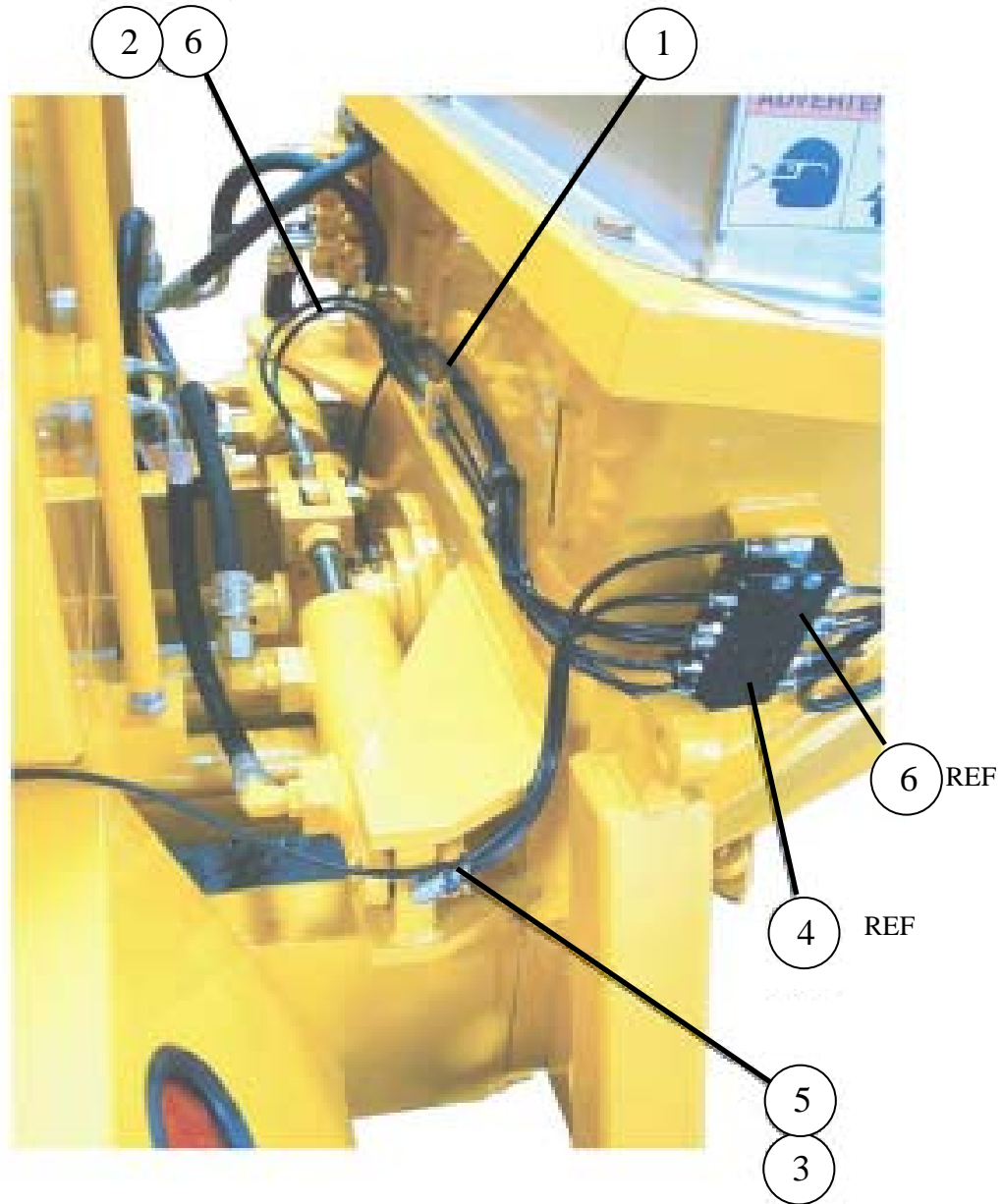
ID #	PART #	PART DESCRIPTION	QUANTITY	
	87539	ASSEMBLY, CENTRALIZED LUBE BLOCK	1	EA
1	87437	BLOCK	3	EA
2	87628	HOSE, COUPLING	4	EA
3	87629	FITTING, HOSE	8	EA
4		FITTING, GREASE	4	EA
5		HOSE, PLASTIC- 1/4 " O.D. TUBING	A/R	
6		HOSE, PLASTIC 5/16" O.D. TUBING	A/R	

OPTIONS
AUTOLUBE PUMP (PLASTIC TUBING)



ID #	PART #	PART DESCRIPTION	QUANTITY	
	87476	ASSEMBLY, AUTO LUBE 12V PLASTIC TUBE	1	EA
1	87193	LUBE PUMP ASSY (PLACTIC TUBING)	1	EA
2	87257	GUARD	1	EA
3	87475	BRACKET, LUBE BLOCK MOUNT	1	EA
4		VALVE, PRESSURE RELIEF	1	EA
5		BLOCK, DIVIDER VALVE -18 OUTLET	1	EA
6		HOSE, PLASTIC- ¼" O.D.	A/R	

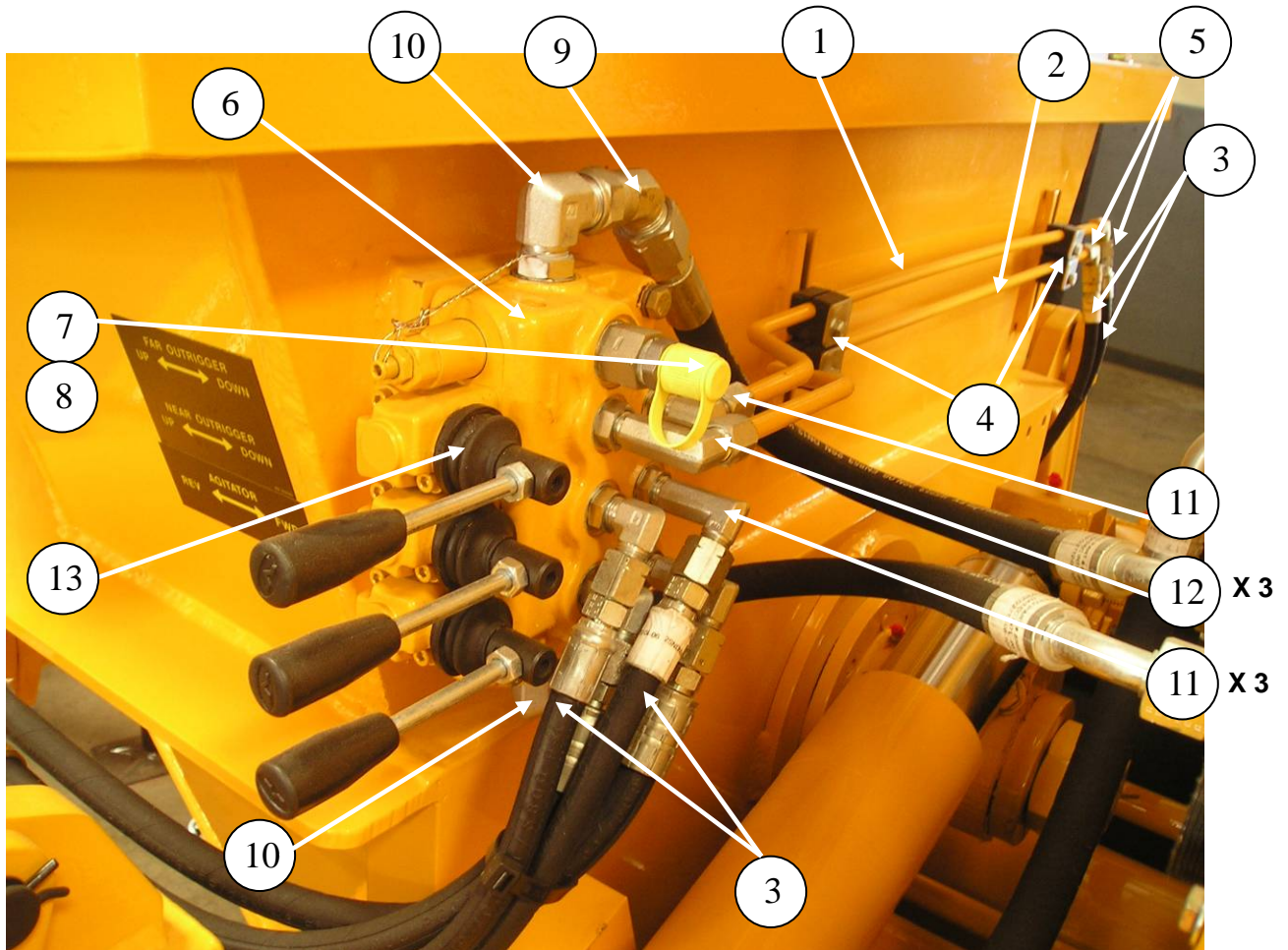
OPTIONS
AUTOLUBE PUMP (PLASTIC TUBING) CONTINUED



ID #	PART #	PART DESCRIPTION	QUANTITY	
1	87437	BLOCK	1	EA
2	87628	HOSE COUPLING	4	EA
3	87629	FITTING, HOSE	22	EA
4		BLOCK, DIVIDER VALVE -18 OUTLET	REF	EA
5		HOSE, PLASTIC- 1/4" O.D.	A/R	
6		HOSE, PLASTIC-5/16" O.D.	A/R	

OPTIONS

HYDRAULIC OUTRIGGER GROUP

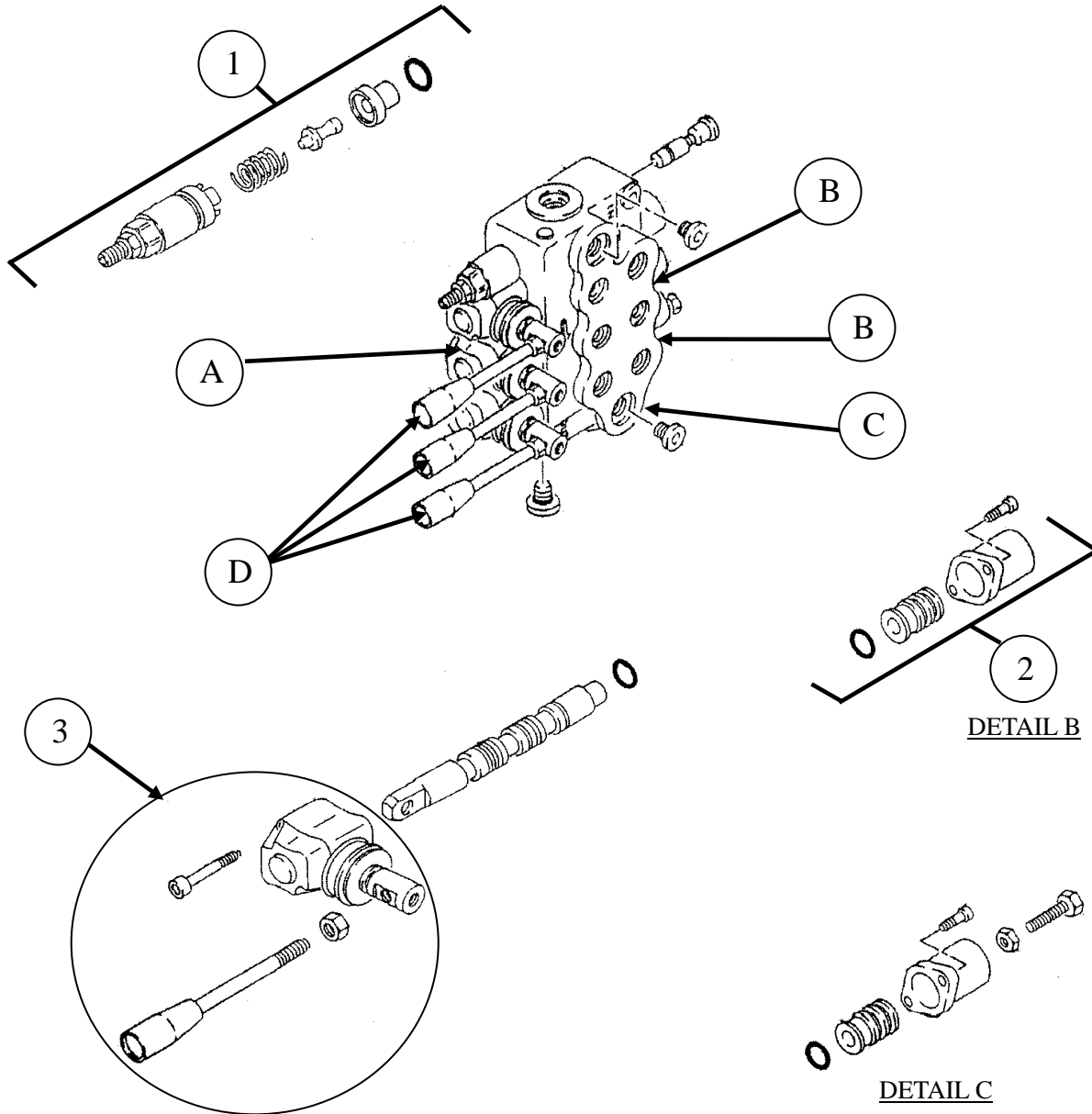


ID #	PART #	PART DESCRIPTION	QUANTITY	
	86334	HYD OUTRIGGER GROUP	REF	
1	85685	TUBE, HYD, OUTRIGGER - PAINTED	1	EA
2	85686	TUBE, HYD, OUTRIGGER - PAINTED	1	EA
3	85659-010	HOSE, 4M2T-6FJX-6FJX-33.00	4	EA
4	801902-020	TUBE CLAMP – 3/8 IN – HALF	4	EA
5		MJ-MJ90-6-6	2	EA
6	74471	VALVE, MAUNAL-3 SPOOL	1	EA
7	800083	FITTING, MINI CHECK (PORT)	1	EA
8	86750	ADAPTER, MB-FB-8-6	1	EA
9	86749	FITTING, MJ-FJX45-10-10	1	EA
10	86746	FITTING, 90° MB-MJ-90-8-10	2	EA
11	86748	FITTING, 90° MB-MJ90-6-6	3	EA
12	86747	FITTING, 90° MB-MJ90LL-6-6	3	EA
13	74471-B	BOOT, COVER	3	EA

OPTIONS

3 SPOOL CONTROL VALVE

DETAIL A



ID #	PART #	PART DESCRIPTION	QUANTITY	
1	85706	RELIEF, CARTRIDGE	1	EA
2	74469	DETENT KIT, #11 WALVOIL VALVE	A/R	EA
3	74471-020	VALVE ACTUATOR FOR 74471, 74585, 74584 VALVES	A/R	EA

OPTIONS

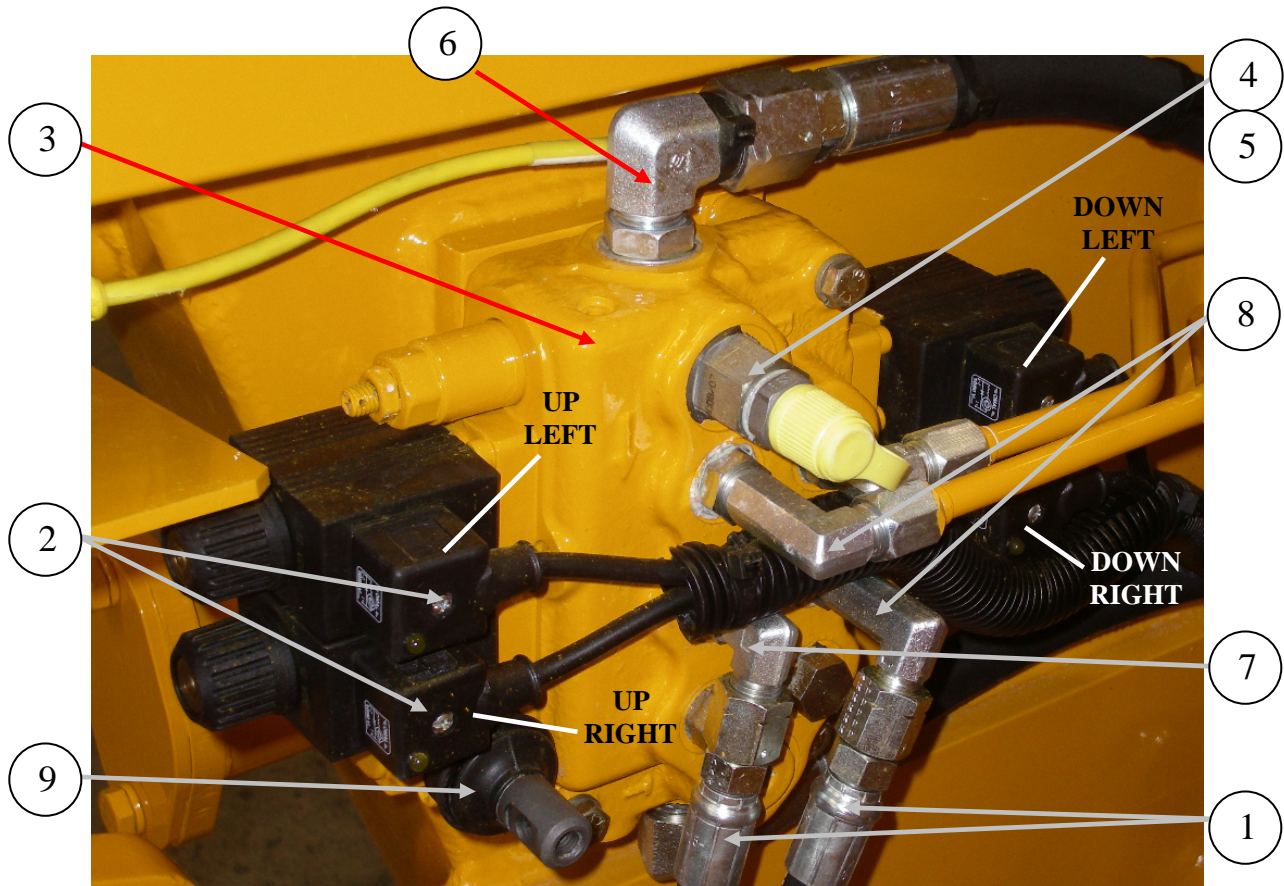
HYDRAULIC OUTRIGGER GROUP



ID #	PART #	PART DESCRIPTION	QUANTITY	
1	86574	HYD CYL – 2.00 BORE X 12.00 STR – PAINTED	2	EA
2	85659-010	HOSE, 4M2T-6FJX-6FJX-33.00	REF	EA
3	86728-008	FITTING, 90° MB-MJ90-8-6	4	EA

OPTIONS

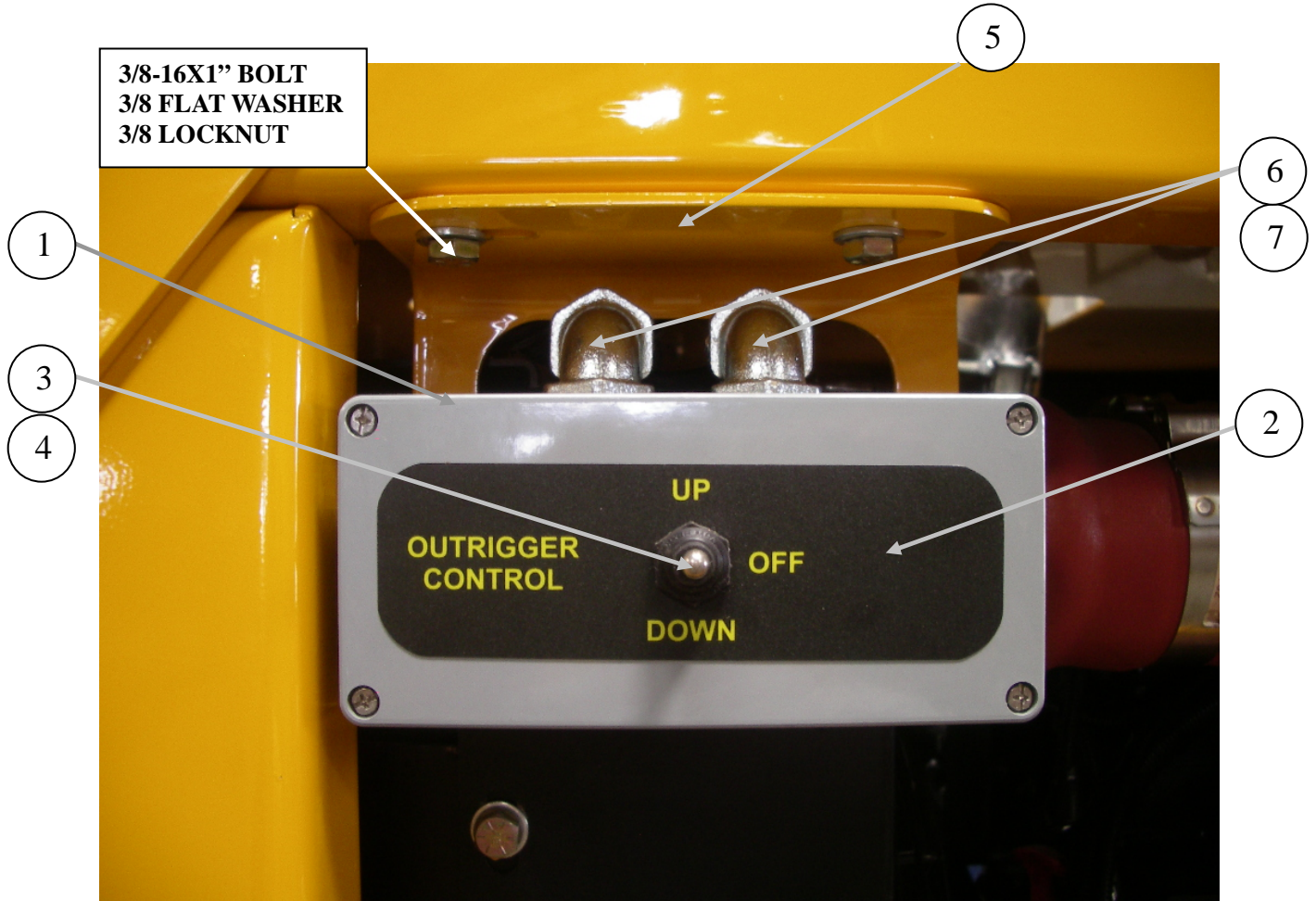
ELECTRIC HYDRAULIC OUTRIGGER



ID #	PART #	PART DESCRIPTION	QUANTITY	
	88041-O	HYD OUTRIGGER ASSEMBLY, REMOTE	REF	EA
1	85659-010	HOSE, 4M2T-6FX-6JX-33.00	2	EA
2	87540	CABLE SOLENIOD VALVE, WITH DIN PLUG	4	EA
3	88026	VALVE, 3SPOOL, 2EA. VDC SPOOL	1	EA
4	800083	FITTING, MINI CHECK (PORT)	1	EA
5	86750	ADAPTER, MB-FB-8-6	1	EA
6	86749	FITTING, MJ-FJX45-10-10	1	EA
7	86748	FITTING, 90° MB-MJ90-6-6	3	EA
8	86747	FITTING.90° MB-MJ90LL-6-6	3	EA
9	74471-B	BOOT, COVER	3	EA

OPTIONS

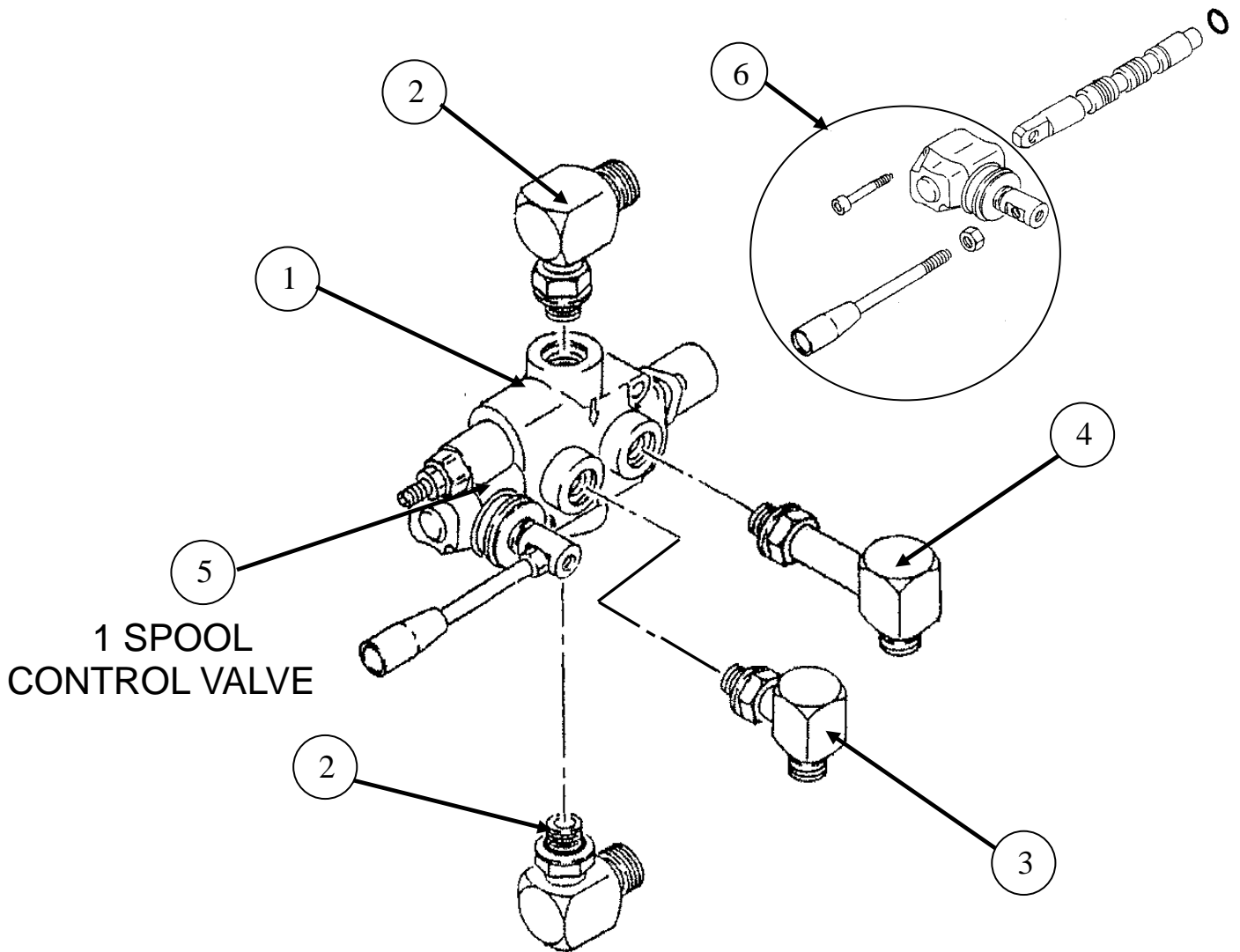
ELECTRIC HYDRAULIC OUTRIGGER CONTROLS



ID #	PART #	PART DESCRIPTION	QUANTITY	
1	801206	ENCLOSURE 6X3X3, FIBERGLASS	2	EA
2	88163	DECAL OUTRIGGER UP/DOWN	2	EA
3	BW10205	SWITCH, 3 POSITION MOM/SPDT	2	EA
4	BW10361	SW, SEALING BOOT	2	EA
5	88164-A	BRACKET OUTRIGGER CONTROL MOUNT	2	EA
6	73531	90° STRAIN RELIEF	4	EA
7	10528	NUT 1/2", BONDING TYPE LOCK	4	EA

OPTIONS

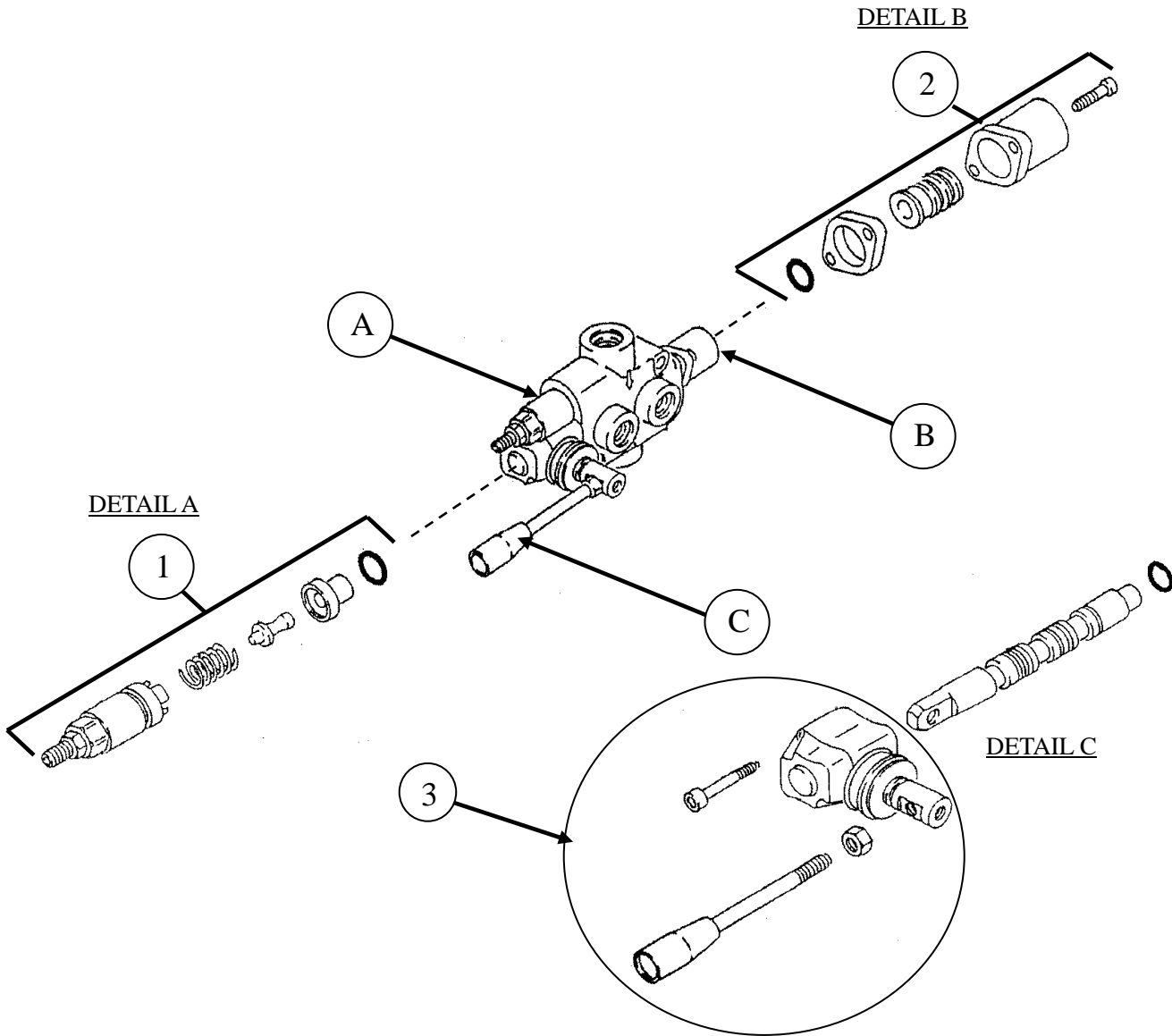
AGITATOR GROUP



ID #	PART #	PART DESCRIPTION	QUANTITY	
1	74584	VALVE, MAUNAL-1 SPOOL	1	EA
2	86746	FITTING, 90° MB-MJ-90-8-10	2	EA
3	86748	FITTING, 90° MB-MJ90-6-6	1	EA
4	86747	FITTING, 90° MB-MJ90LL-6-6	3	EA
5	74471-B	BOOT, COVER	1	EA
6	74471-020	VALVE ACTUATOR FOR 74471, 74585, 74584 VALVES	A/R	EA

OPTIONS

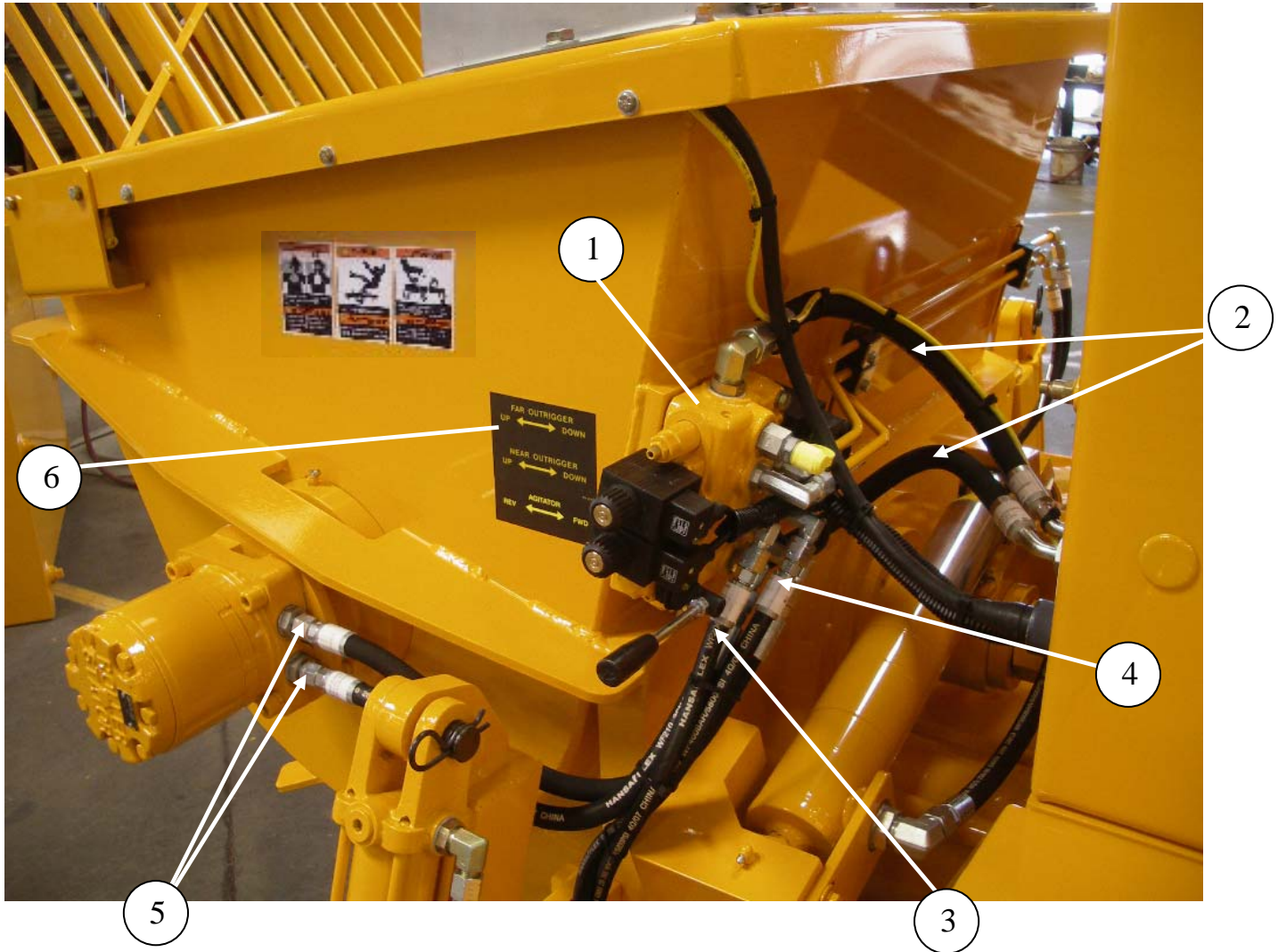
1 SPOOL AGITATOR VALVE



ID #	PART #	PART DESCRIPTION	QUANTITY	
1	85706	RELIEF, CARTRIDGE	1	EA
2	74469	DETENT KIT, #11 WALVOIL VALVE	A/R	EA
3	74471-020	VALVE ACTUATOR FOR 74471, 74585, 74584 VALVES	A/R	EA

OPTIONS

AGITATOR GROUP CONTINUED

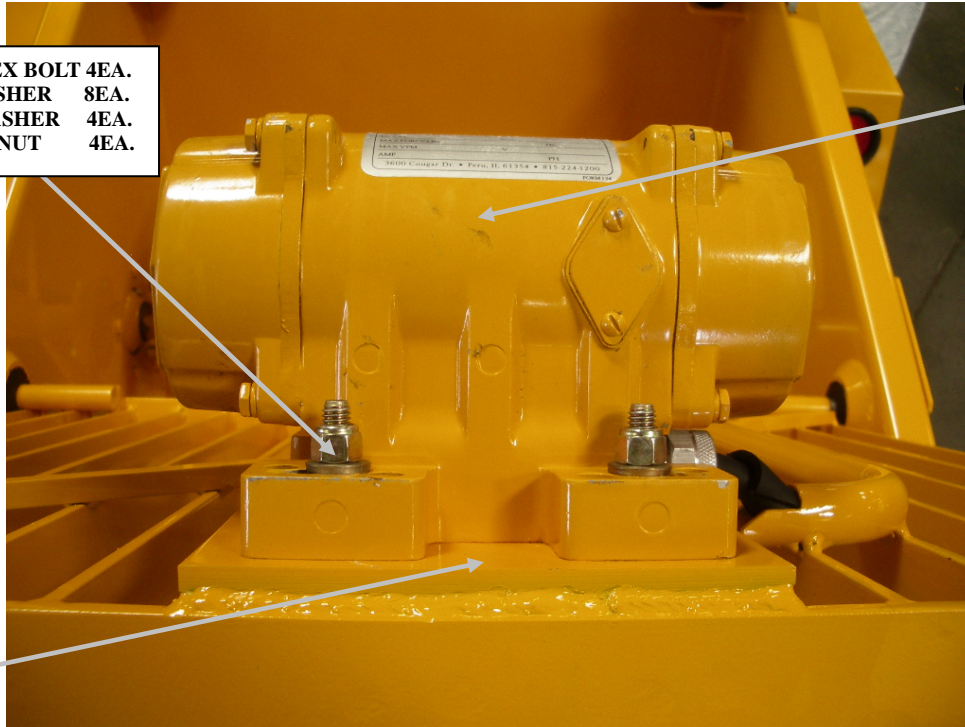


ID #	PART #	PART DESCRIPTION	QUANTITY	
1	88026	VALVE, ELECTRIC-3 SPOOL VDC (OPTION SHOWN)	REF	EA
2	85657-016	HOSE, 8M2T-10FJX-10FJX45-20.00	2	EA
3	85658-011	HOSE, 6M2T-6FJX-6FJX-21.00	1	EA
4	85658-010	HOSE, 6M2T-6FJX-6FJX-20.00	1	EA
5		FITTING,MB-MJ-10-6	2	EA
6	85845	DECAL, OUTRIGGERS	2	EA

OPTIONS

COUGAR VIBRATOR

3/8-16-X2" HEX BOLT 4EA.
3/8 FLAT WASHER 8EA.
3/8 LOCK WASHER 4EA.
3/8-16 LOCK NUT 4EA.



2

1

1/4-20X 7/8" HEX BOLT 2EA.
1/4 FLAT WASHER 4EA.
3/8-16 LOCK NUT 2EA.



3

5



4

VIBRATOR PLUG BRACKET



ID #	PART #	PART DESCRIPTION	QUANTITY	
1	71429	VIBRATOR, 12VDC ROTARY (COUGAR)	1	EA
2	85893	BRACKET, VIBRATOR	1	EA
3	85898-1	CORD W/PLUG, MALE 14AWG X 8 FT	1	EA
4	87472	BRACKET, VIBRATOR PLUG MOUNT	1	EA
5	85899	VIBRATOR, PLUG	1	EA

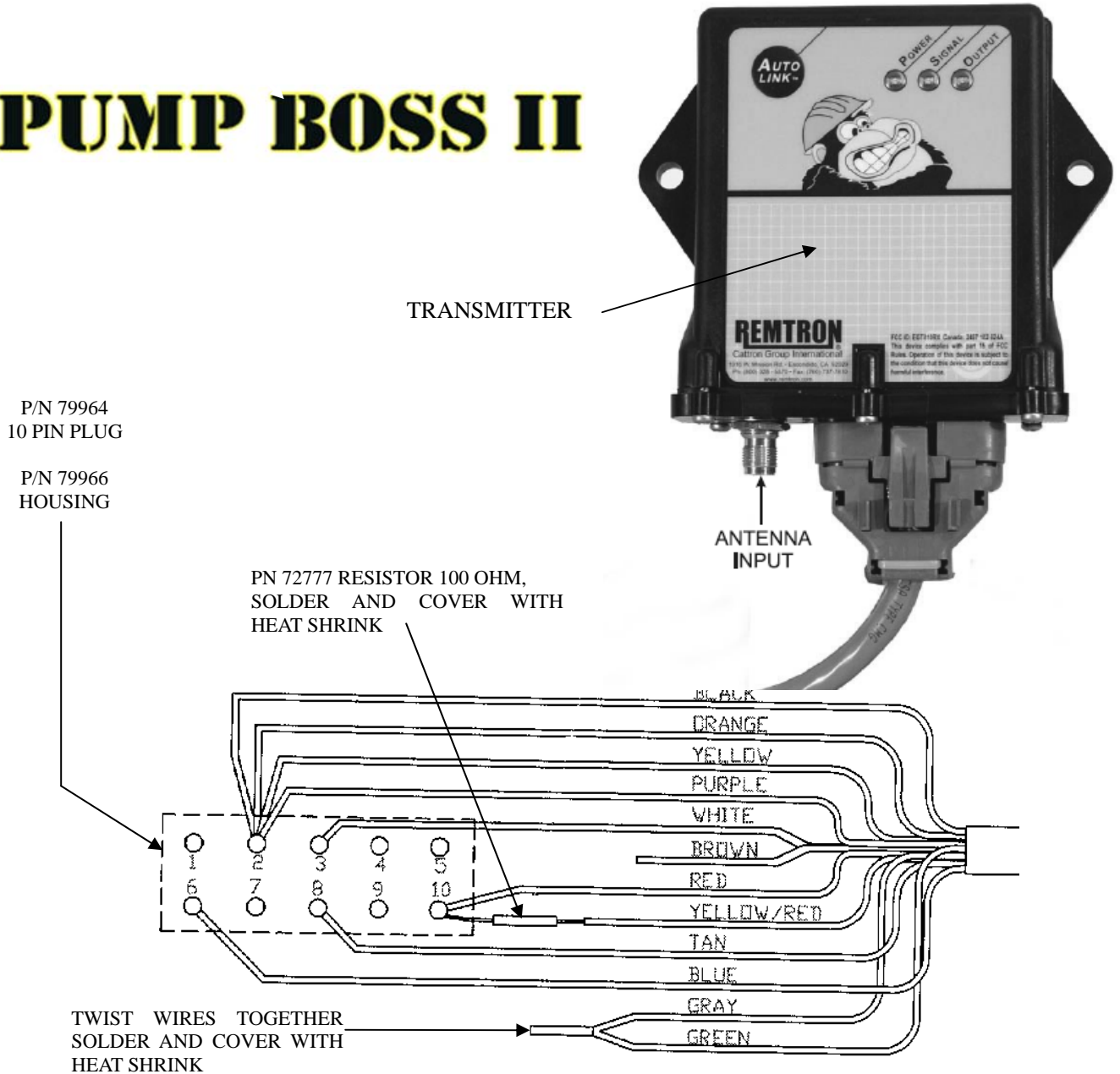


B70D-E-V07 PARTS

13822 Oaks Avenue
Chino, CA 91710
reedpumps.com

OPTIONS RADIO REMOTE KIT (REMTRON)

PUMP BOSS II



ID #	PART #	PART DESCRIPTION	QUANTITY	
1	85833	REMOTE CONTROL ASSEMBLY PUMP BOSS II	1	EA



B70D-E-V07

PARTS

13822 Oaks Avenue
Chino, CA 91710
reedpumps.com

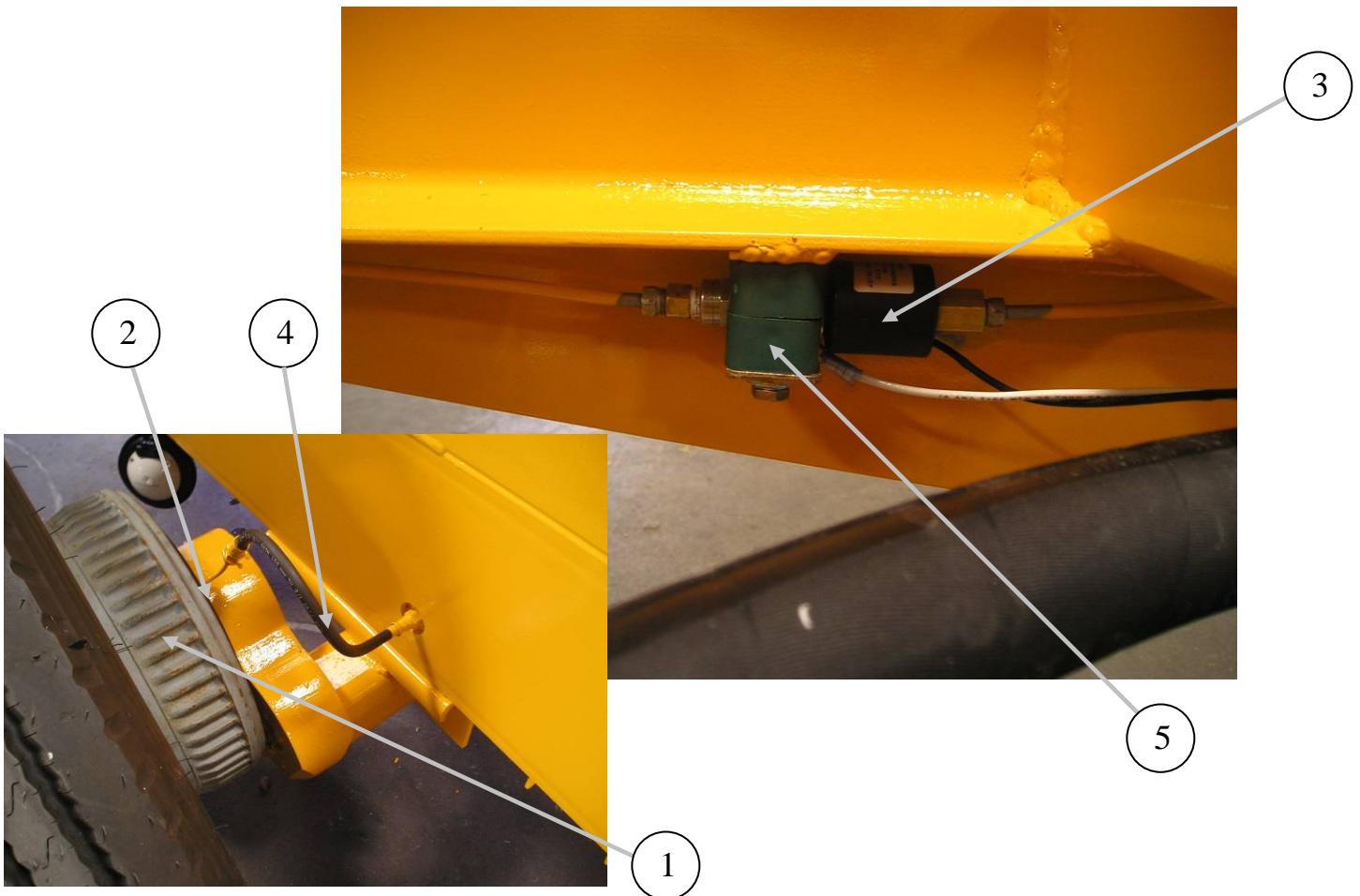
OPTIONS

ALUMINUM WHEEL AND TIRE



ID #	PART #	PART DESCRIPTION	QUANTITY	
	86923-1	TIRE & WHEEL-ALUMINUM ASSEMBLY	2	EA
1		WHEEL-ALUMINUM	2	EA
2		TIRE-215/75R17.5H	2	EA

OPTIONS
HYDRAULIC SURGE BRAKES

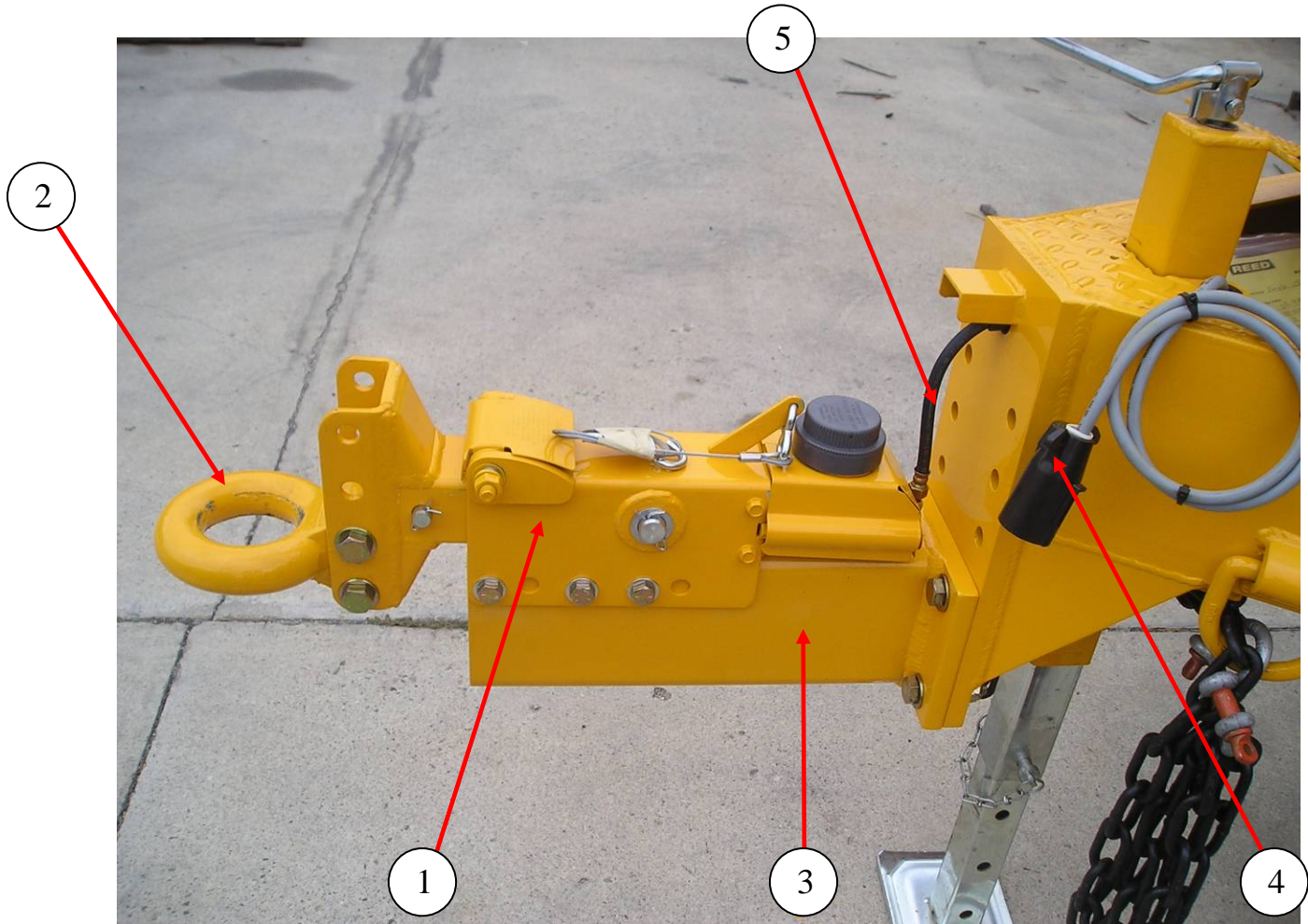


ID #	PART #	PART DESCRIPTION	QUANTITY	
1	87924	HYDRAULIC BRAKE ASSY 9000LB (QUALITY AXLE)	2	EA
2	88032	SPACER FOR 88020 HYDRAULIC BRAKE CONVERSION	2	EA
3	87925	SOLENIOD HYD BRAKE VALVE	1	
4	87256	BRAKE LINE KIT	1	
5	801902-006	CLAMP,18MM TUBE CLAMP SET	1	EA

OPTIONS
HYDRAULIC SURGE BRAKE (2 INCH BALL)



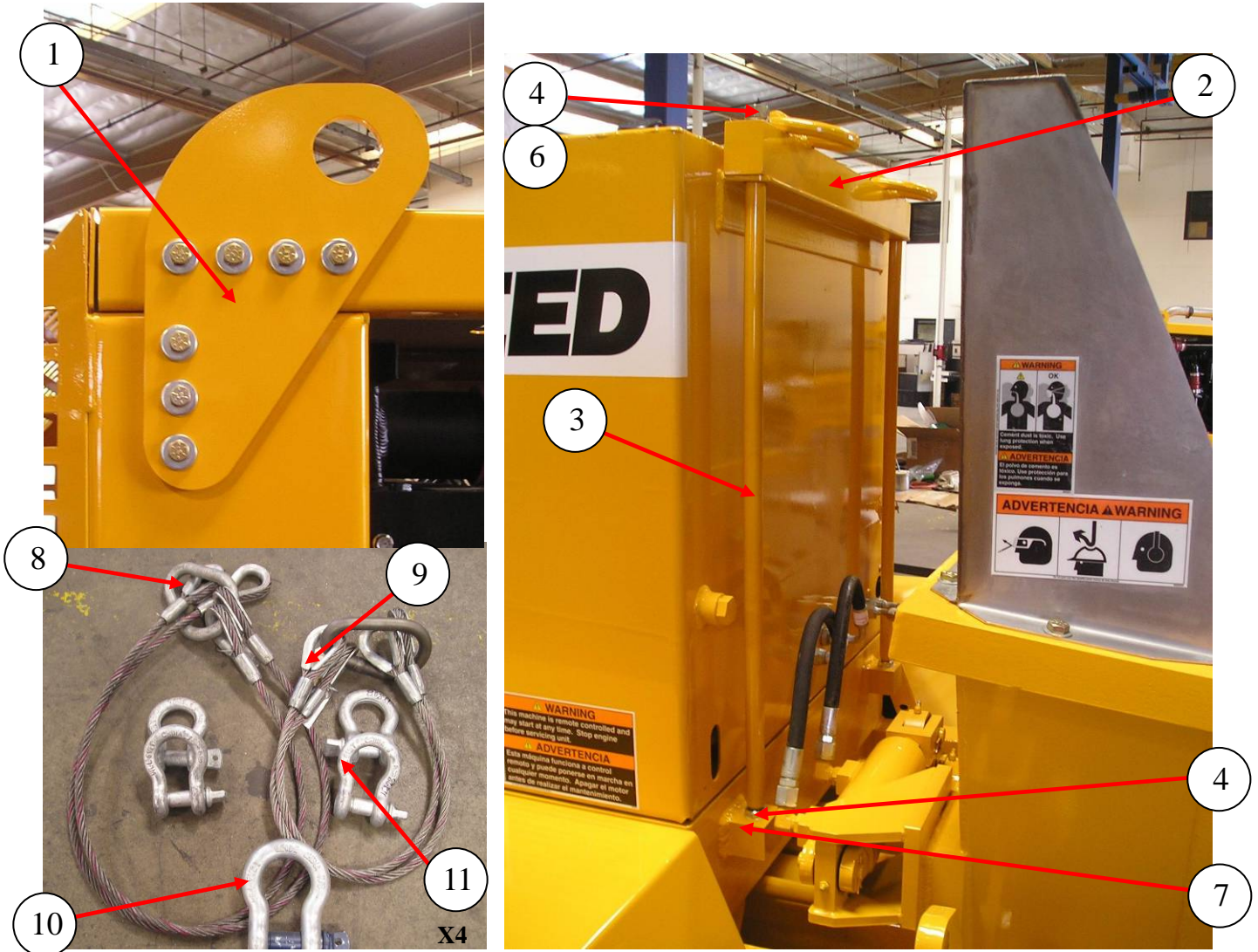
ID #	PART #	PART DESCRIPTION	QUANTITY	
	88020	SURGE BRAKE 2" BALL COUPLER, 9000LB	REF	EA
1	87498	HITCH-BALL 2" 8000LB CAPACITY	1	EA
2	87494	SURGE BRAKE ACTUATOR 8000LB	1	EA
3	87496	BRACKET WELD F. 9000LB AXLE SURGE	1	EA
4	71030	TORSION SPRING-BRAKE KIT	1	EA
5	88038	TRAILER HARNESS-B-SERIES SURGE BRAKE	1	EA

OPTIONS
HYDRAULIC SURGE BRAKES (3 INCH EYE)

ID #	PART #	PART DESCRIPTION	QUANTITY	
	87926	SURGE BRAKE W/PINTLE 9000 LB QUALITY AXLE		EA
1	87923	SURGE BRAKE ACTUATOR PINTAL 7500 LB	1	EA
2	71051	EYE-LUNETTE 3"	1	EA
3	87601	BRACKET WELDMENT, SURGE BRAKE MOUNT	1	EA
4	87928	TRAILER HARNESS, B-SERIES SURGE BRAKE	1	EA
5	71030	TORSION SPRING-BRAKE KIT	1	EA

OPTIONS

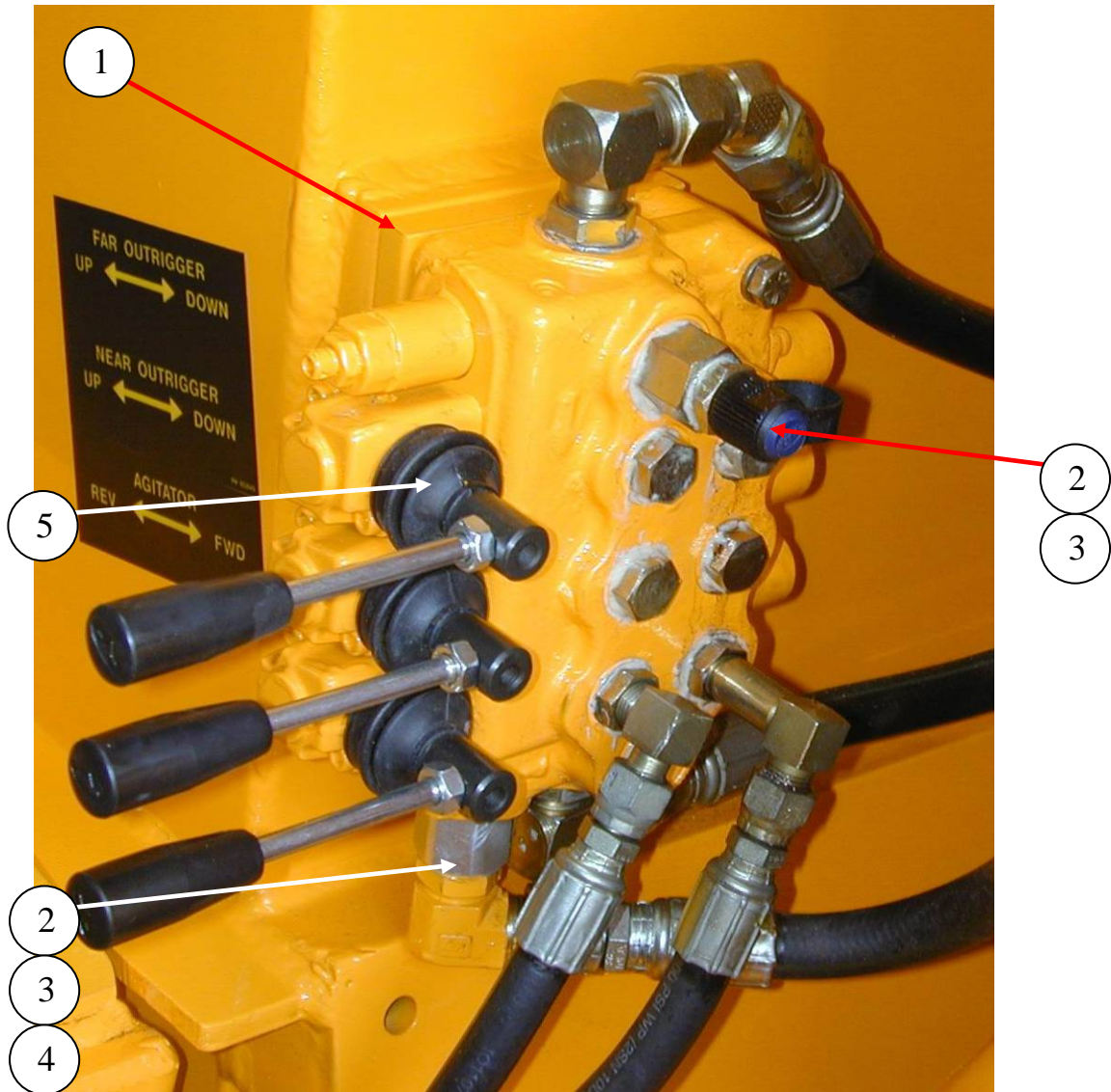
LIFTING EYE KIT



ID #	PART #	PART DESCRIPTION	QUANTITY	
	87859	LIFTING EYE ASSEMBLY B SERIES	REF	
1	87594	GUSSET ENGINE COVER PAINTED	2	EA
2	86799	LIFTING BAR, WELDMENT-REAR	1	EA
3	86762	LIFTING TIE ROD	2	EA
4	80008	HEX NUT 3/4-10UNC GR 8 ZINC	2	EA
5	80009	HEX JAMNUT 3/4-10UNC GR 8 ZINC	2	EA
6	80010	LOCKWASHER- 3/4-STL ZINC	2	EA
7	85823	BLOCK, TRALIER LIFTING	2	EA
8	86776	LIFT CABLE, FRONT	1	EA
9	86777	LIFT CABLE, REAR	1	EA
10	86778	SHACKLE, ANCHOR W/SCREW PIN	1	EA
11	86811	SHACKLE, ANCHOR W/SCREW PIN	4	EA

OPTIONS

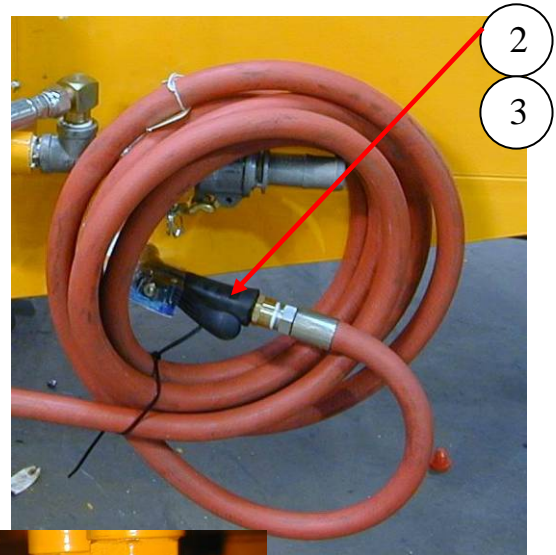
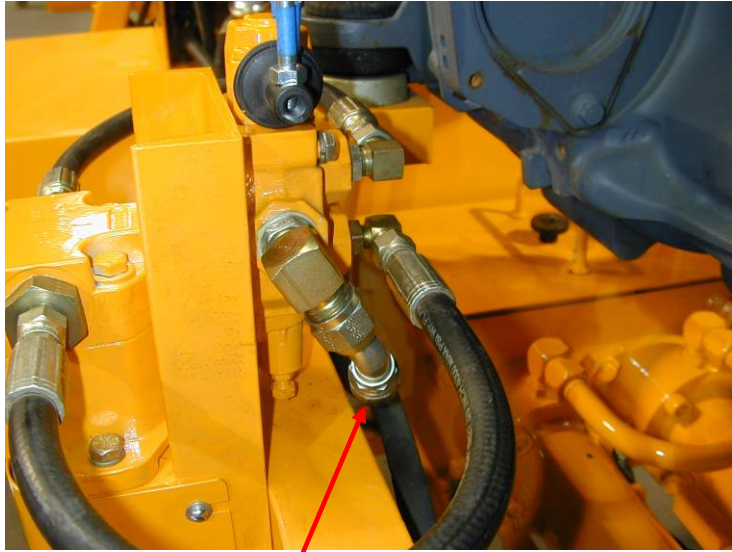
WATER PUMP



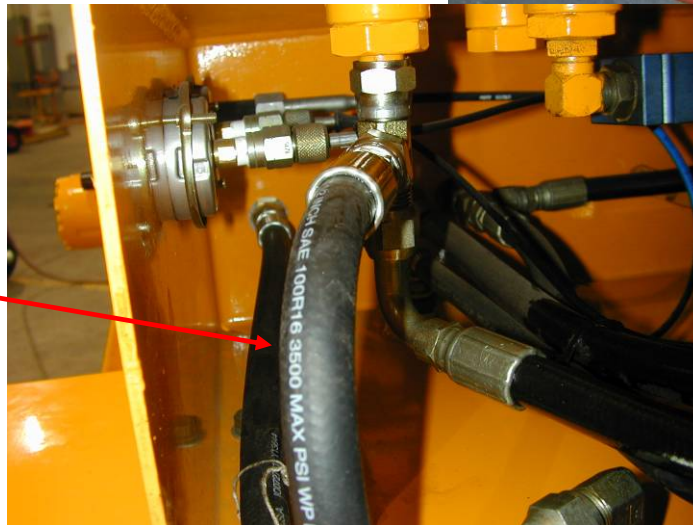
ID #	PART #	PART DESCRIPTION	QUANTITY	
	86720	WASH PUMP INSTALLATION, B-SERIES	REF	EA
1	86692	SPACER, AGITATOR VALVE	1	EA
2	86384	POWER BEYOND SLEEVE - VALVIOL	1	EA
3	86746	FITTING, 90° MB-MJ-90-8-10	1	EA
4	85657-021	HOSE, 8M2T-10FJX-10FJX45-12.25	1	EA
5	74471-B	BOOT, COVER	3	EA

OPTIONS

WATER PUMP CONTINUED



1



ID #	PART #	PART DESCRIPTION	QUANTITY	
1	85657-023	HOSE, 8M2T-10FJX-10FJX45-52.00	2	EA
2	86267	WATER HOSE, 12 ENCONO-12FXP-12MP-20FT	1	EA
3	800098	NOZZLE, GARDEN HOSE	1	EA

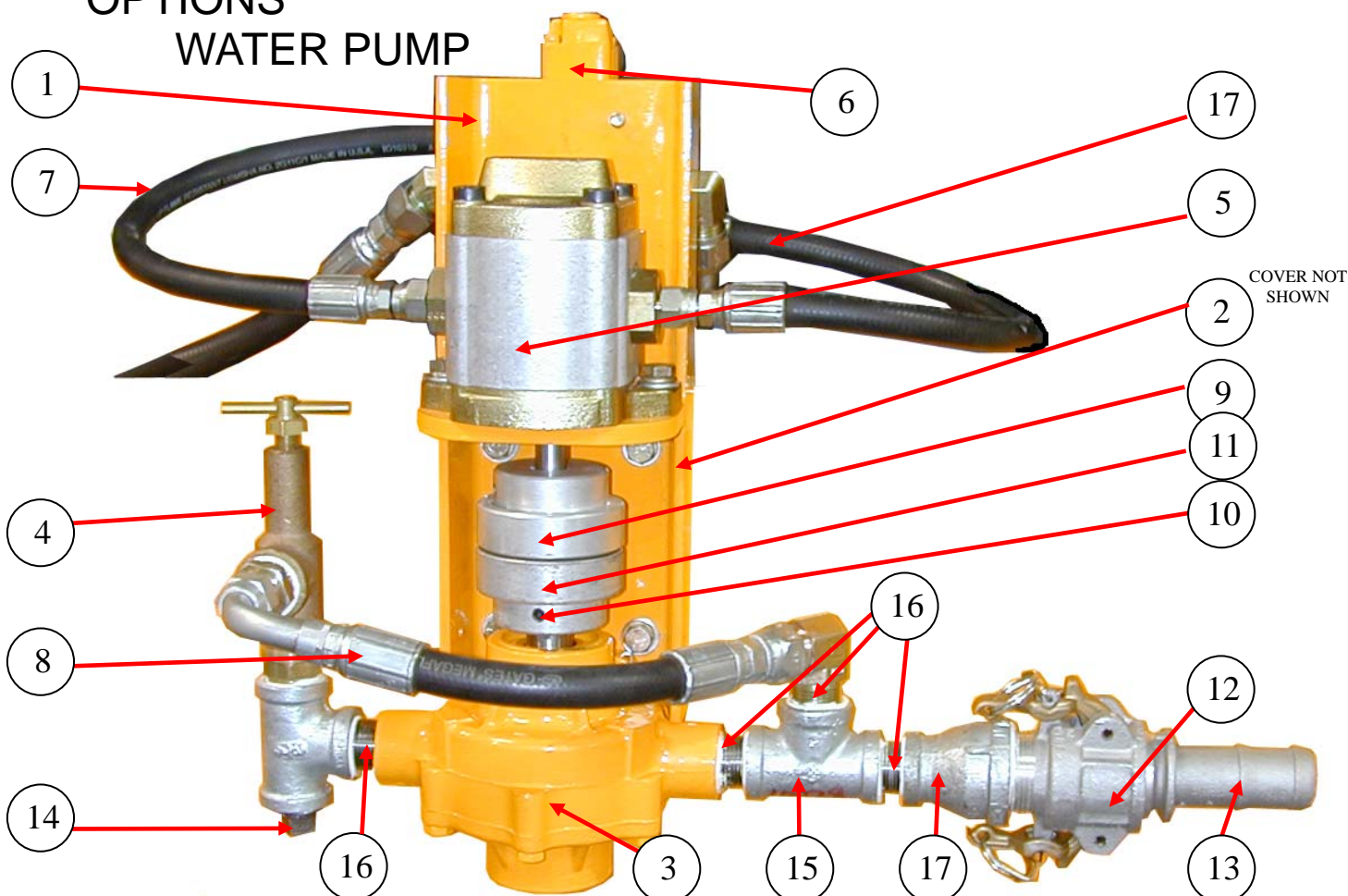


B70HPDVO2

PARTS

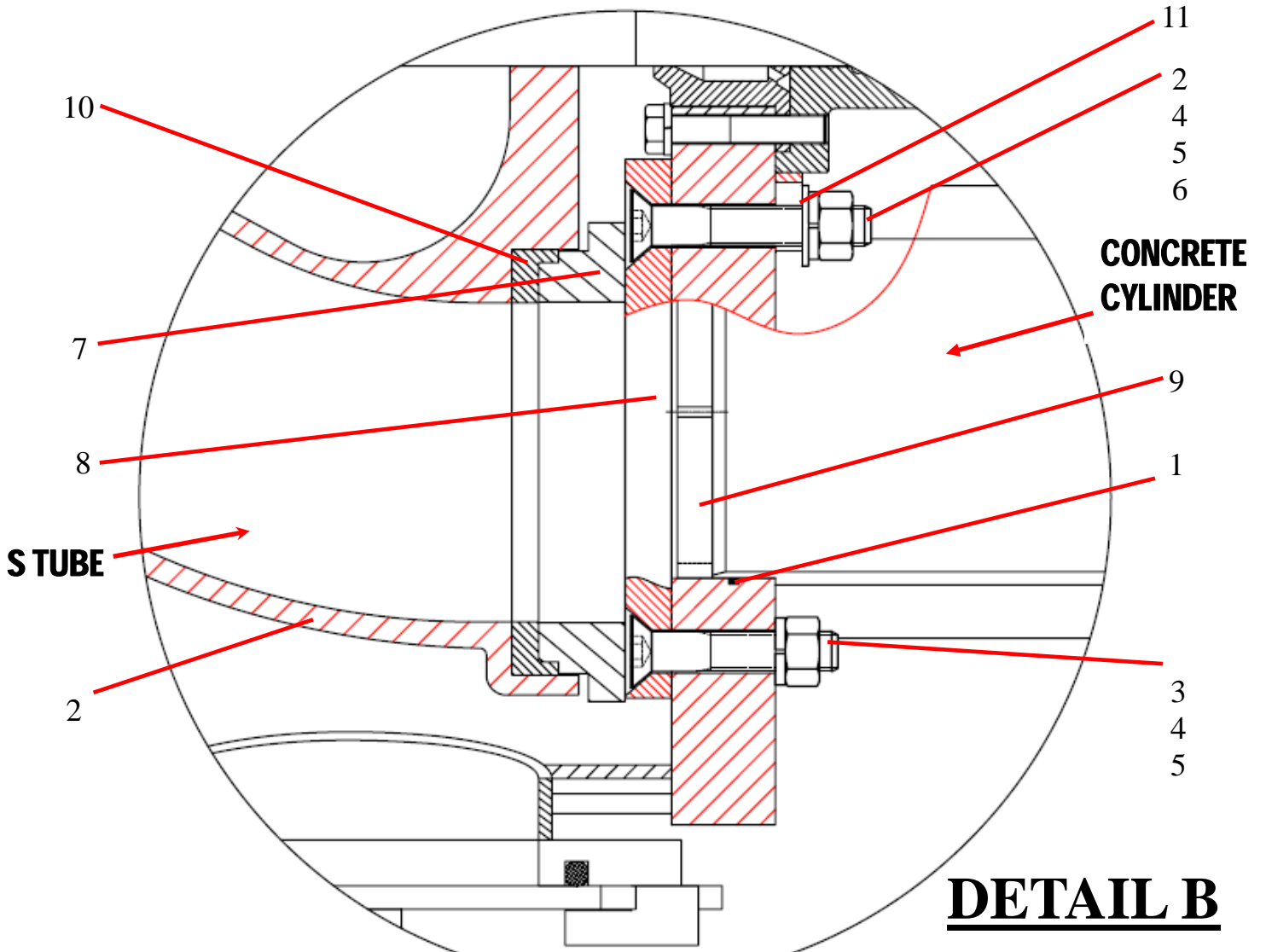
13822 Oaks Avenue
Chino, CA 91710
reedpumps.com

OPTIONS WATER PUMP



ID #	PART #	PART DESCRIPTION	QUANTITY	
	86200	WASH PUMP ASSY		EA
1	86196	WASH PUMP BASE WLDMNT	1	EA
2	86199	COVER, WASH PUMP	1	EA
3	78157	WASHPUMP-HYPRO	1	EA
4	78128	VALVE-P/RELIEF 3/4	1	EA
5	78152	MOTOR-HYD. WASH PUMP	1	EA
6	86397	VALVE-MANUAL-1 SPOOL-3 WAY	1	EA
7	85658-002	HOSE, 6M2T-6FJX-17.00	2	EA
8	85657-022	HOSE, 8M2T-10FJX-10FJX90S-11.25	1	EA
9	78153	COUPLING FOR WASH PUMP-MOTOR	1	EA
10	78154	COUPLING FOR WASH PUMP	1	EA
11	78155	SPIDER, FOR WASH PUMP	1	EA
12	10948	COUPLING-CAM/GROOVE 1.25" FEM. X MPT	1	EA
13	10947	COUPLING-CAM/GROOVE 1.25" FEM. X MPT	1	EA
14	800371	FITTING, GARDEN HOSE	1	EA
15	10228	TEE, 3/4"	2	EA
16	40047	NIPPLE-CLOSE PIPE 3/4"	4	EA
17	86398	BELL REDUCER-3/4 X 1 1/4	1	EA

OPTIONS CARBIDE WEAR PLATE



ID #	PART #	PART DESCRIPTION	QUANTITY	
1	86037	O-RING, #264 BUENA 70	2	EA
2		FHCS, 3/4 - 10X 4 1/2" GR 8	1	EA
3		FHCS, 3/4 - 10X 3 1/2" GR 8	3	EA
4		HEX NUT, 3/4" - 10	4	EA
5		LOCK WASHER, 3/4"	4	EA
6		FLATWASHER, 3/4"	4	EA
7	85975-1	WEAR RING, SINGLE LIP 7"	1	EA
8	85970-1	WEAR PLATE, 7"	1	EA
9	85977	CHIP RING, 7"	2	EA
10	85974	SEAL, SINGLE LIP, 7"	1	EA
11	86502	LOCATOR RING - FLANGE BEARING	1	EA