



B50v09 B50HPv09

PARTS

13822 Oaks Avenue
Chino, CA 91710
reedpumps.com
(909) 287 - 2100

PARTS	3
PUMPING TRAIN ASSEMBLY	1
S-TUBE	5
5" OUTLET ASSEMBLY	5
5" OUTLET SEAL KIT INSTALLATION	6
WEAR PLATE ASSEMBLY	1
6" PISTON CUP ASSEMBLY	8
DRIVE CYLINDER ASSEMBLY	9
SINGLE SHIFT BELL CRANK ASSEMBLY	10
SINGLE SHIFT SWING CYLINDER ASSEMBLY	11
DUAL SHIFT BELL CRANK ASSEMBLY	12
DUAL SHIFT CYLINDER ASSEMBLY	13
DUAL SHIFT ASSEMBLY	14
HOPPER	15
AGITATOR ASSEMBLY	15
SAFETY GRATE	17
CLEAN OUT DOOR ASSEMBLY	19
POWER TRAIN	20
ENGINE, PUMPS, AND FILTERS	20
FITTINGS	22
EXHAUST	23
TANKS	24
FUEL TANK ASSEMBLY	24
HYDRAULIC TANK ASSEMBLY	25
MANIFOLDS	27
DRIVE CYLINDER CIRCUIT MANIFOLD ASSEMBLY	27
S-TUBE CIRCUIT MANIFOLD ASSEMBLY	29
ACCUMULATOR ASSEMBLY	31
ELECTRICAL GROUP	32
BATTERY	32
PROXIMITY SWITCHES	33
STARTER AND ALTERNATOR	34
TRAILER HARNESS AND BREAKAWAY	35
TAIL LIGHTS	36
WIRING HARNESS	37
CONTROLS	38
B-SERIES CONTROL BOX	38
CONTACT BLOCKS	39
RELAYS AND FUSES	40
CONNECTOR	41
50 FT CABLE REMOTE	42
FRAME INSTALLATION	43
FRAME, TIRES, JACK, AND TOW EYE	43
9000LB AXLE MOUNTING ASSEMBLY	44
HOOD AND COVERS	45



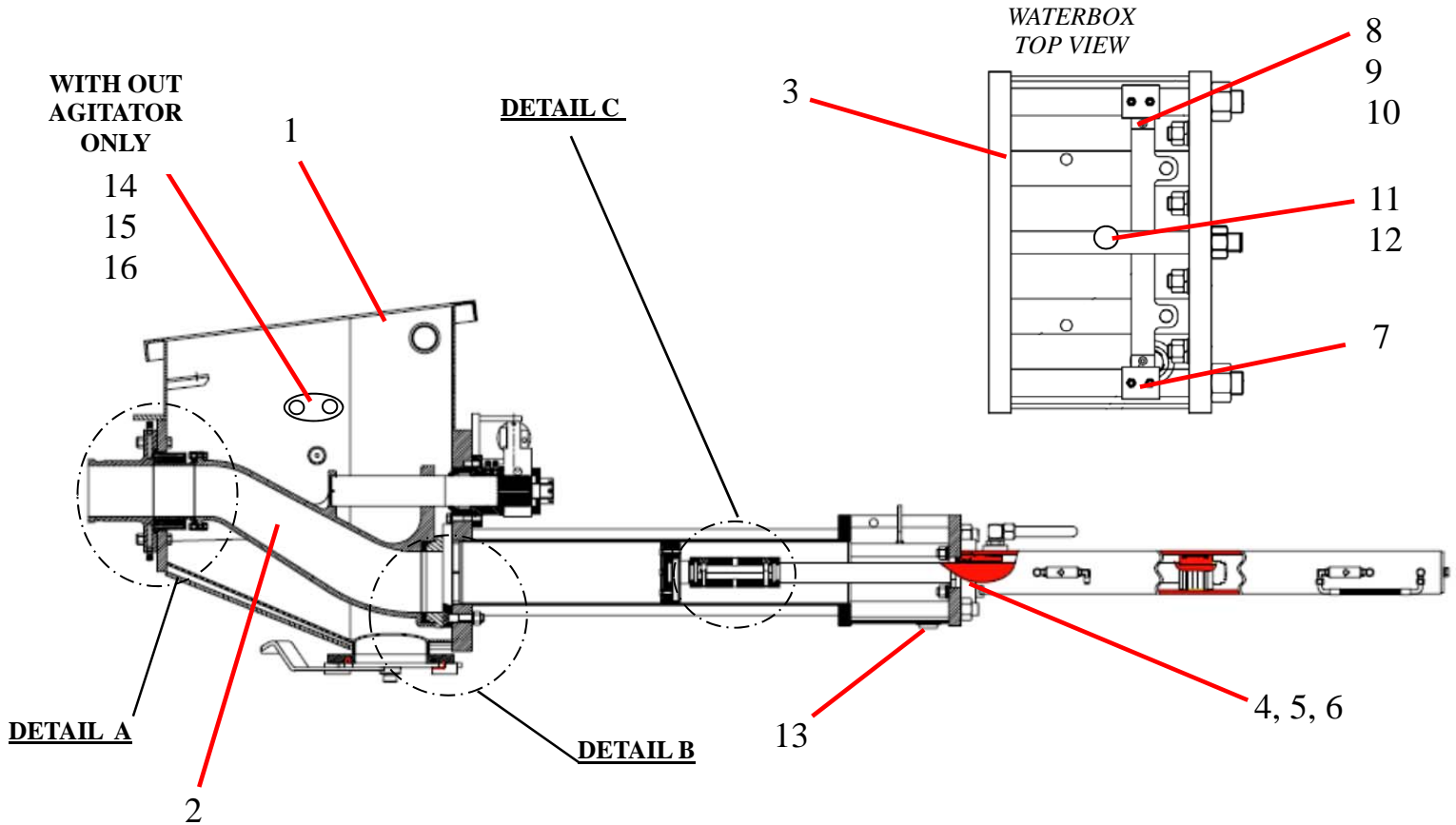
B50v09 B50HPv09

PARTS

13822 Oaks Avenue
Chino, CA 91710
reedpumps.com
(909) 287 - 2100

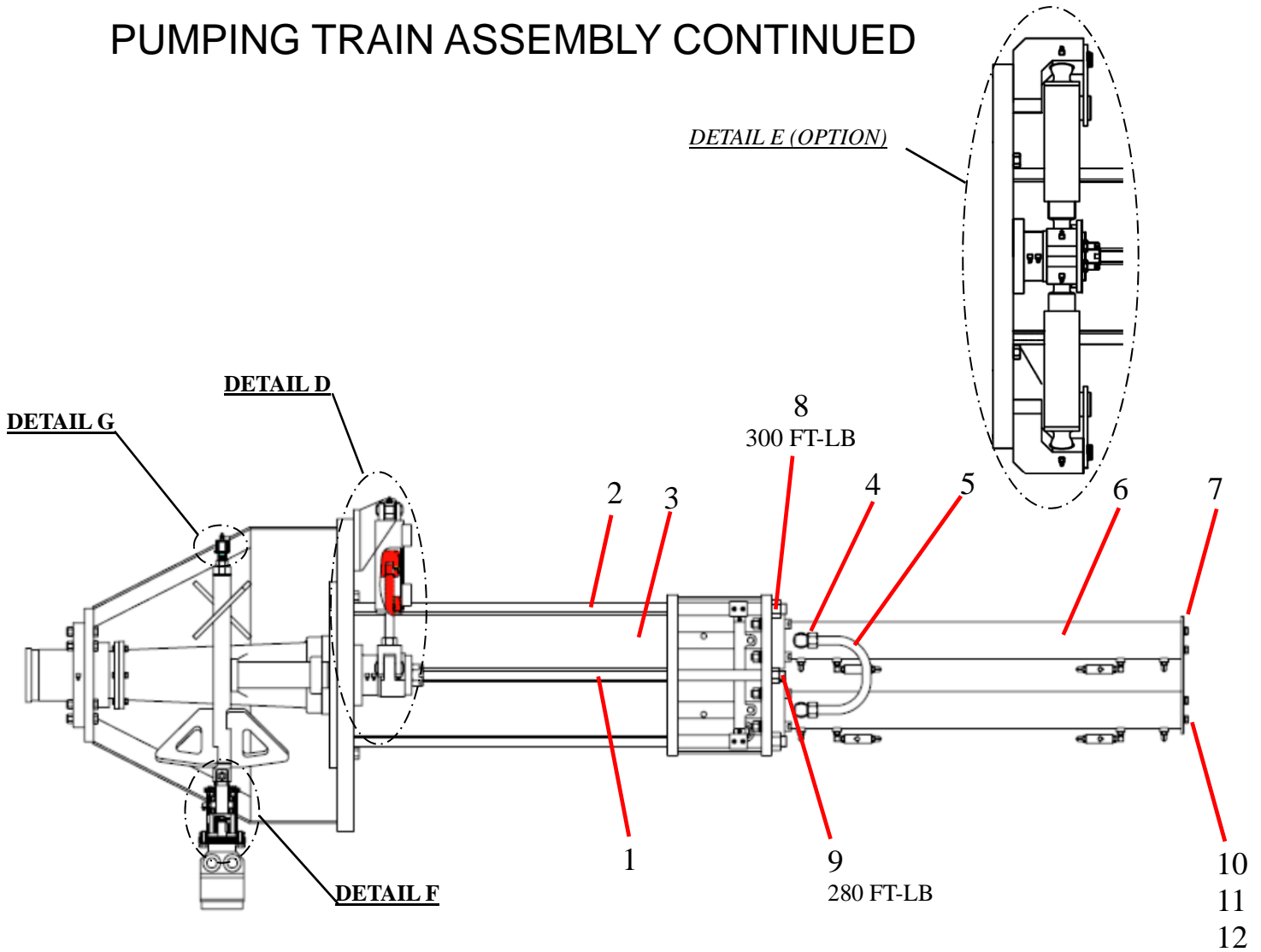
FENDERS AND OUTRIGGERS	46
CONTROL BOX MOUNT	47
OPTIONS	48
LUBE BLOCK	48
AUTOLUBE PUMP (PLASTIC TUBING).....	49
HYDRAULIC OUTRIGGER GROUP	51
3 SPOOL CONTROL VALVE	52
HYDRAULIC OUTRIGGER GROUP.....	53
ELECTRIC HYDRAULIC OUTRIGGER CONTROLS	55
AGITATOR GROUP	56
1 SPOOL AGITATOR VALVE	57
VIBRATOR (COUGAR).....	59
VIBRATOR VIBCO.....	60
RADIO REMOTE KIT (KAR-TECH)	61
RADIO REMOTE KIT (OMNEX)	62
ALUMINUM WHEEL AND TIRE.....	63
50 FT STROKE COUNTER CABLE REMOTE ASSEMBLY	64
HYDRAULIC SURGE BRAKES.....	65
HYDRAULIC SURGE BRAKE (2 INCH BALL).....	66
HYDRAULIC SURGE BRAKES (3 INCH EYE).....	67
LIFTING EYE KIT	68
WATER PUMP	69
CARBIDE WEAR PLATE	1

PARTS PUMPING TRAIN ASSEMBLY



ID #	PART #	PART DESCRIPTION	QUANTITY	
	88002-1	SINGLE SHIFT PUMPING TRAIN ASSEMBLY	1	EA
1	86107A	HOPPER WELDMENT, 6" STD SAFETY SWITCH	1	EA
2	86984	S TUBE WLD, 6X5 SELL	1	EA
3	86093	FLUSH BOX WELDMENT, 6 IN	1	EA
4		SHCS 3/4 - 10X5" GR 8	8	EA
5		HEX NUT, 3/4 - 10	12	EA
6		LOCK WASHER 3/4"	13	EA
7	86006	BRACKET, PROX SWITCH	1	EA
8	86752	HHCS, 1/4 -20X3/4" GR 8	6	EA
9		LOCK WASHER, 1/4"	2	EA
10		FLAT WASHER, 1/4"	2	EA
11	86665	STUD, 3/8-16X3" LONG	1	EA
12	80072	LOCKWASHER-3/8"	1	EA
13	10282	PLUGS-PIPE GALV 1"	1	EA
14	73434	COVER PLATE-REMIX (INSIDE)	1	EA
15	73433	COVER PLATE-REMIX (OUTSIDE)	1	EA
16	86623	SEAL, AGITATOR (INSIDE)	1	EA

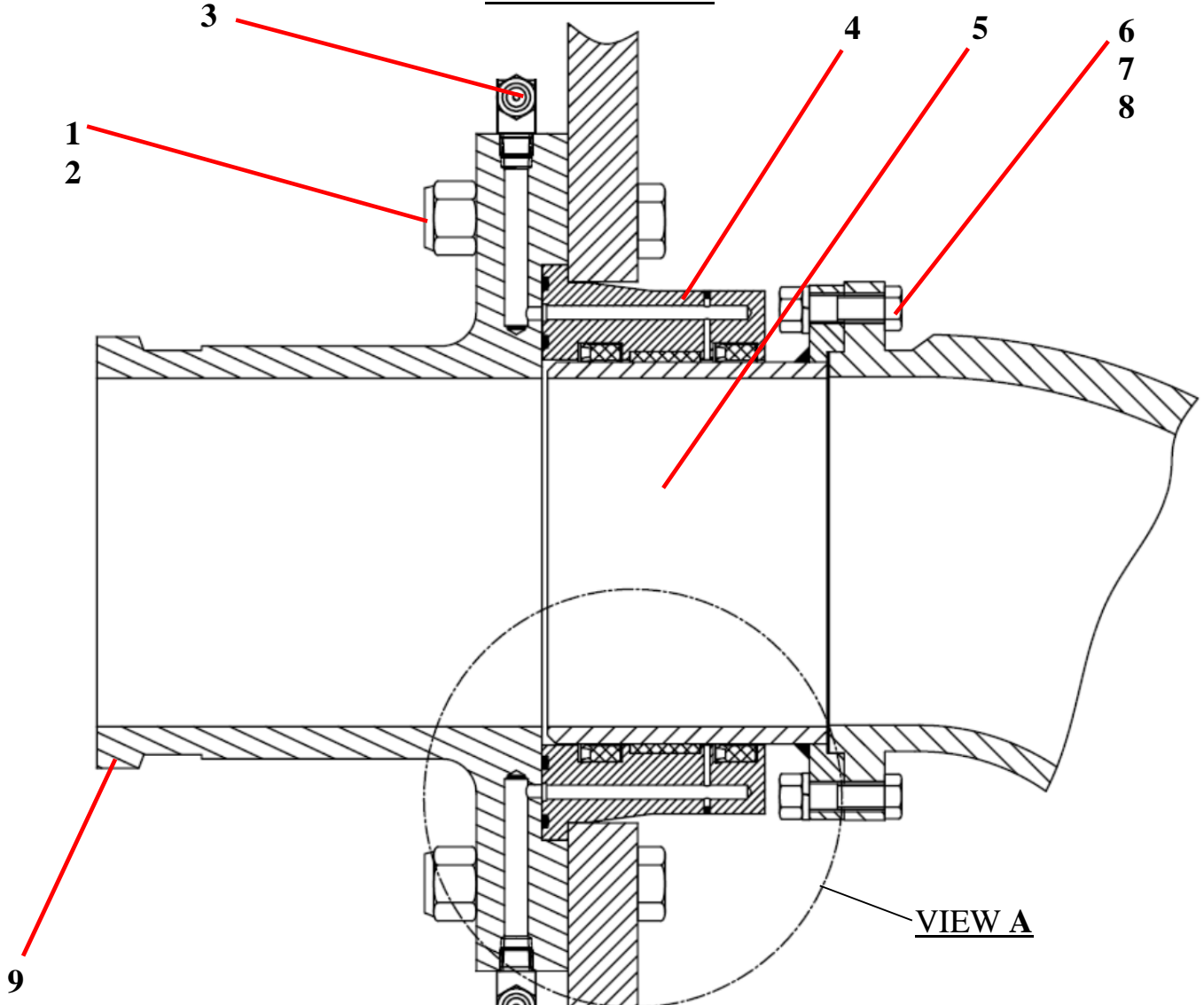
PUMPING TRAIN ASSEMBLY CONTINUED



ID #	PART #	PART DESCRIPTION	QUANTITY	
1	86047	TIE ROD, 1" X 51½"	2	EA
2	86046	TIE ROD, 1¼" X 51½"	4	EA
3	86148	CONCRETE CYLINDER, 6 X 36	2	EA
4		ELBOW, MB – MJ-16-16	2	EA
5	85427	TUBE, HYD, LOOP LINE	1	EA
6	86223HT	DRIVE CYLINDER -3.50 X 2.00 X 35.75 (HYDRATECH)	2	EA
7	86544	END PLATE - DRIVE CYLINDER- PAINTED	1	EA
8		HEX, NUT 1 ¼" -12	4	EA
9		HEX NUT, 1" -12	2	EA
10		HHCS, 1/2 -13X1 ¼" GR 8	4	EA
11		WASHER, 1/2	4	EA
12		LOCK WASHER, ½"	6	EA

S-TUBE 5" OUTLET ASSEMBLY

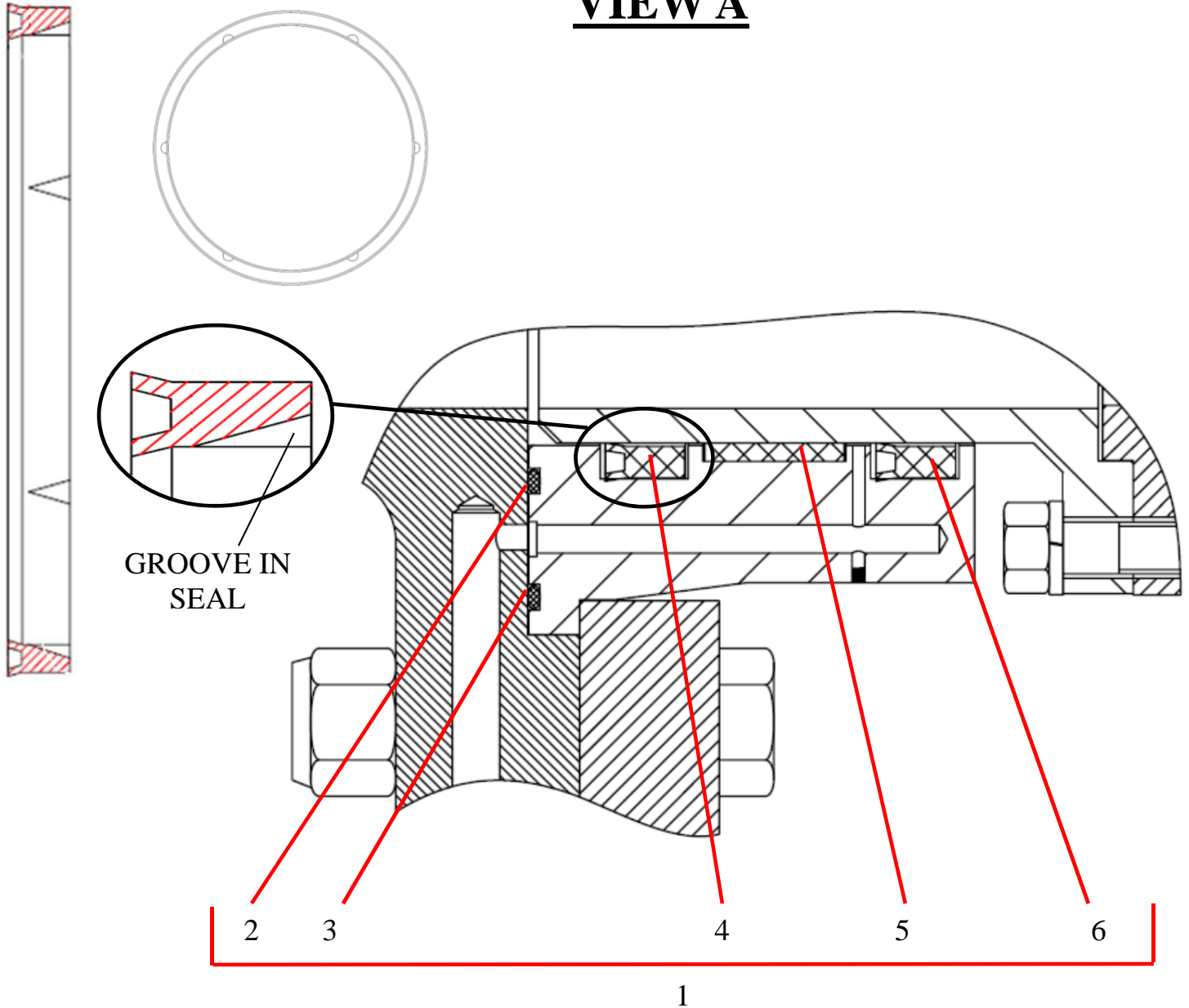
DETAIL A



ID #	PART #	PART DESCRIPTION	QUANTITY	
	86321	OUTLET ASSEMBLY	1	EA
1		HHCS, 5/8 – 18X3" ¼ " GR 8	6	EA
2		LOCK NUT, 5/8 -18	6	EA
3		GREASE FITTING, 1/8" NPT 90°	2	EA
4	72309	OUTLET SEAL HOUSING	1	EA
5	70042	CHROMED OUTLET	1	EA
6		HHCS, 3/8 – 16X1 ½" GR 8	6	EA
7		HEX NUT, 3/8" - 16	6	EA
8		LOCK WASHER, 3/8"	6	EA
9	72482	OUTLET, 5" (1-PIECE)	1	EA

5" OUTLET SEAL KIT INSTALLATION

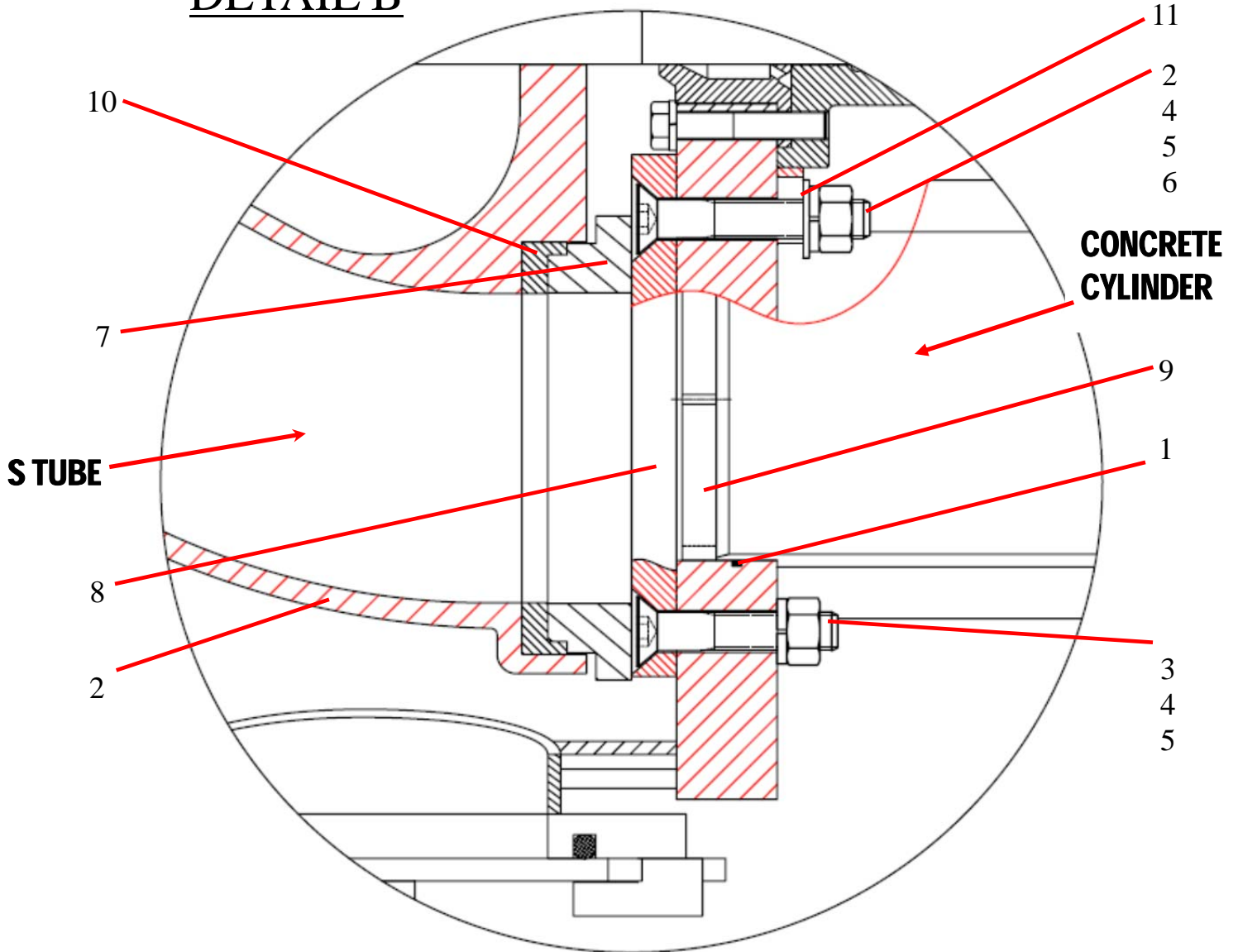
VIEW A



ID #	PART #	PART DESCRIPTION	QUANTITY	
1	79895	SEAL KIT	1	EA
2	77762	O-RING-#257 BUNA 90	1	EA
3	77761	O-RING-#264 BUNA 90	1	EA
4	86504	SEAL-MODIFIED- 5 IN OUTLET	1	EA
5	77763	GUIDE BAND - 5.75 OD X 1.00W	1	EA
6	77765	LIP SEAL-5.50 ID X 6.00 OD X .56 D	1	EA

WEAR PLATE ASSEMBLY

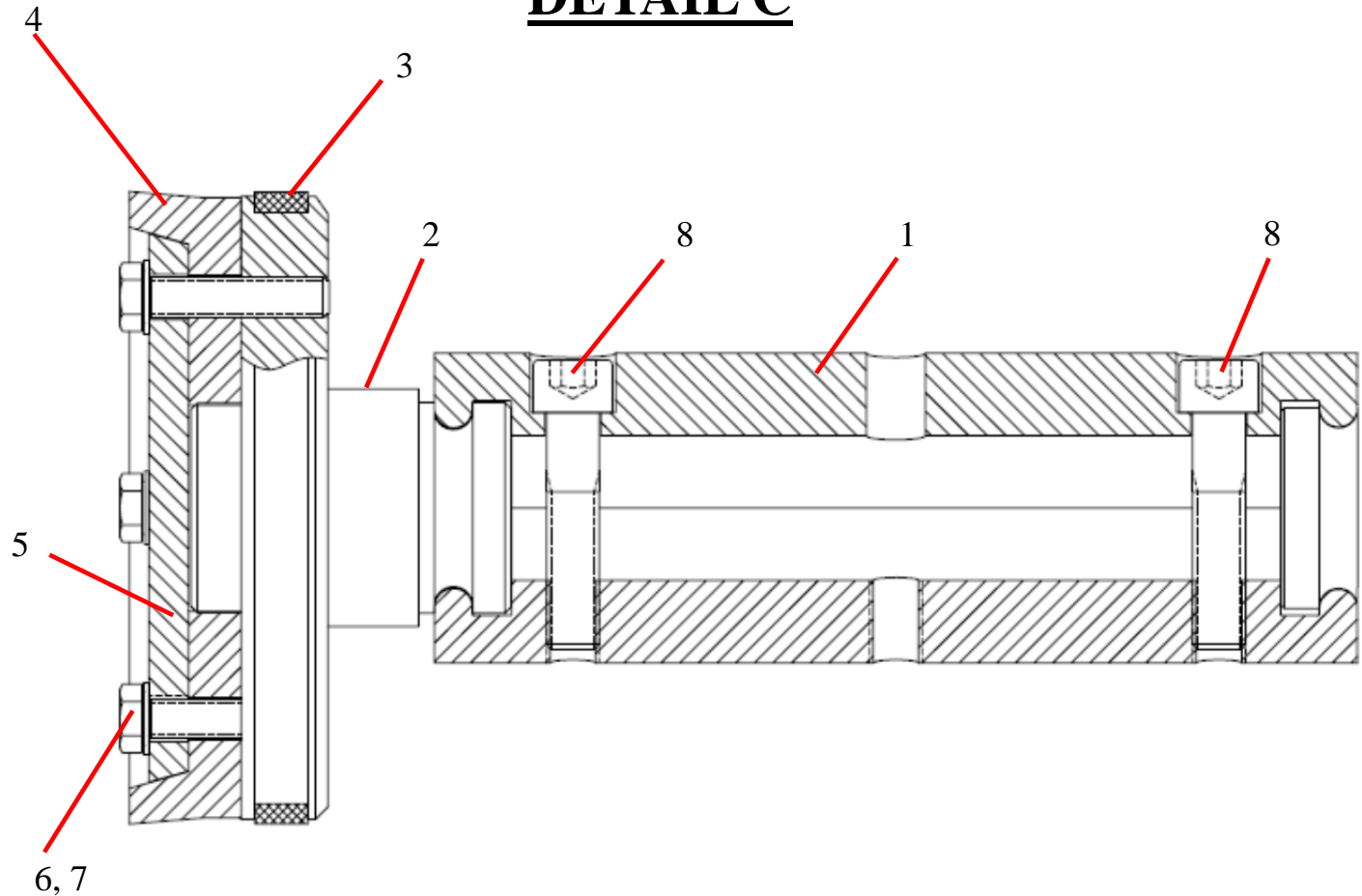
DETAIL B



ID #	PART #	PART DESCRIPTION	QUANTITY	
1	86149	O-RING, #259 BUENA 70	2	EA
2		FHCS, 3/4 - 10X 4 1/2" GR 8	1	EA
3		FHCS, 3/4 - 10X 3 1/2" GR 8	3	EA
4		HEX NUT, 3/4" - 10	4	EA
5		LOCK WASHER, 3/4"	4	EA
6		FLATWASHER, 3/4"	4	EA
7	72310	WEAR RING, 6"	1	EA
8	86031	WEAR PLATE, 6"	1	EA
9	86086	CHIP RING, 6"	2	EA
10	86085	SEAL, SINGLE LIP, 6"	1	EA
11	86502	LOCATOR RING - FLANGE BEARING	1	EA

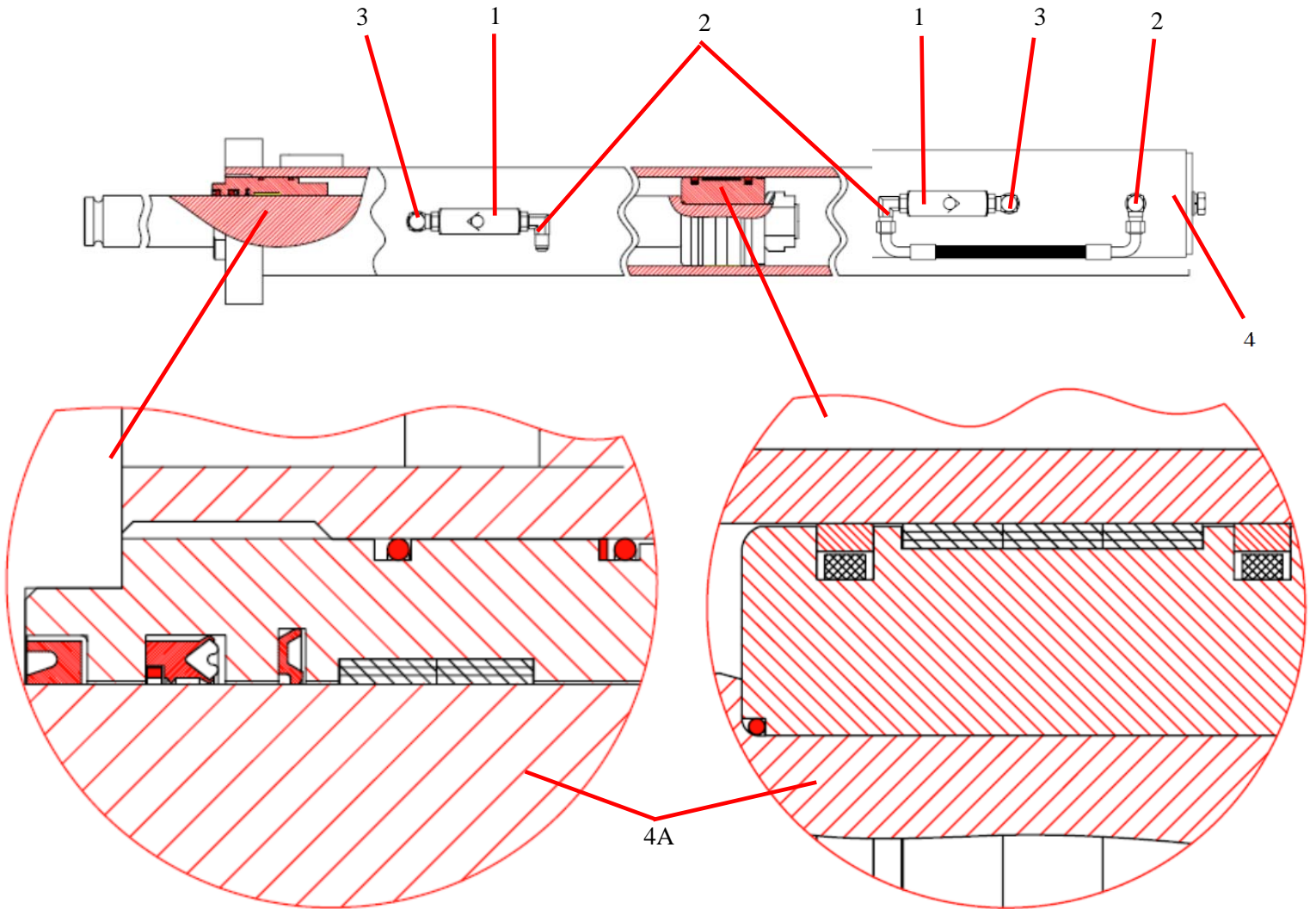
6" PISTON CUP ASSEMBLY

DETAIL C



ID #	PART #	PART DESCRIPTION	QUANTITY	
1	86101	PISTON COUPLING, 8.06 LONG	1	EA
2	77194	PISTON-CONC. ADAPTER 6"	1	EA
3	77120	WEAR RING(GUIDE BAND) 6"	1	EA
4	70048	PISTON CUP, 6 IN	1	EA
5	70057	PISTON PLATE 6 INCH	1	EA
6		HHCS, 3/8 - 24 X1 3/4" GR 8	4	EA
7		INTERNAL LOCK WASHER 3/8	4	EA
8		SHCS 1/2 - 13 X 2 1/4"	2	EA

DRIVE CYLINDER ASSEMBLY



ID #	PART #	PART DESCRIPTION	QUANTITY	
	86304-2	HYD CYLINDER GROUP	REF	
1	78961	CHECK VALVE-5K PSI O-RING	2	EA
2	86748	FITTING-MB-MJ90-6-6	3	EA
3		ELBOW, MB-MB90-6-6	2	EA
4	86223HT	HYDRAULIC CYLINDER 3.50 X 2.00 X 35.75 (HYDRATECH)	1	EA
4A	86222A-SK	SEAL KIT	1	EA



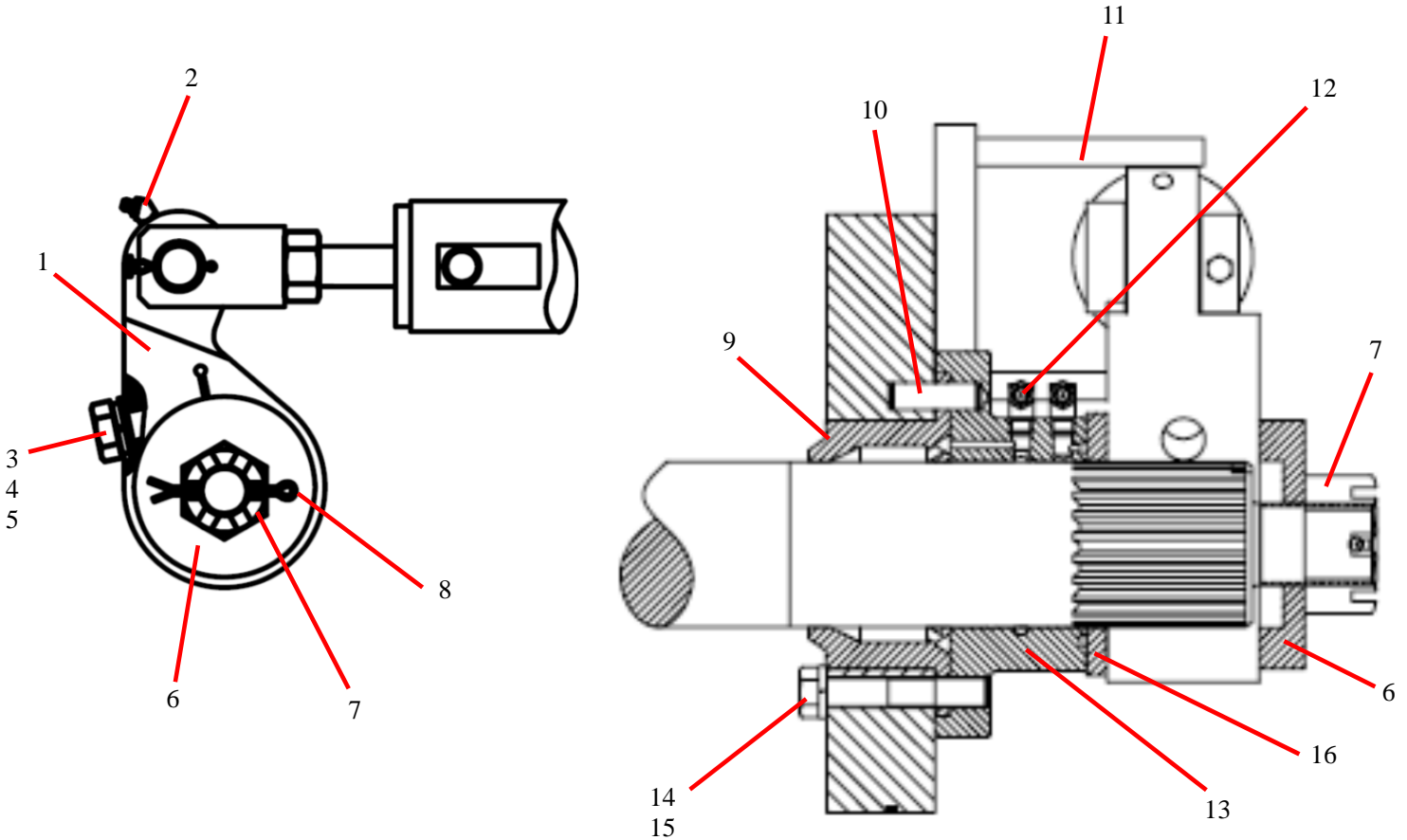
B50v09 B50HPv09

PARTS

13822 Oaks Avenue
Chino, CA 91710
reedpumps.com
(909) 287 - 2100

SINGLE SHIFT BELL CRANK ASSEMBLY

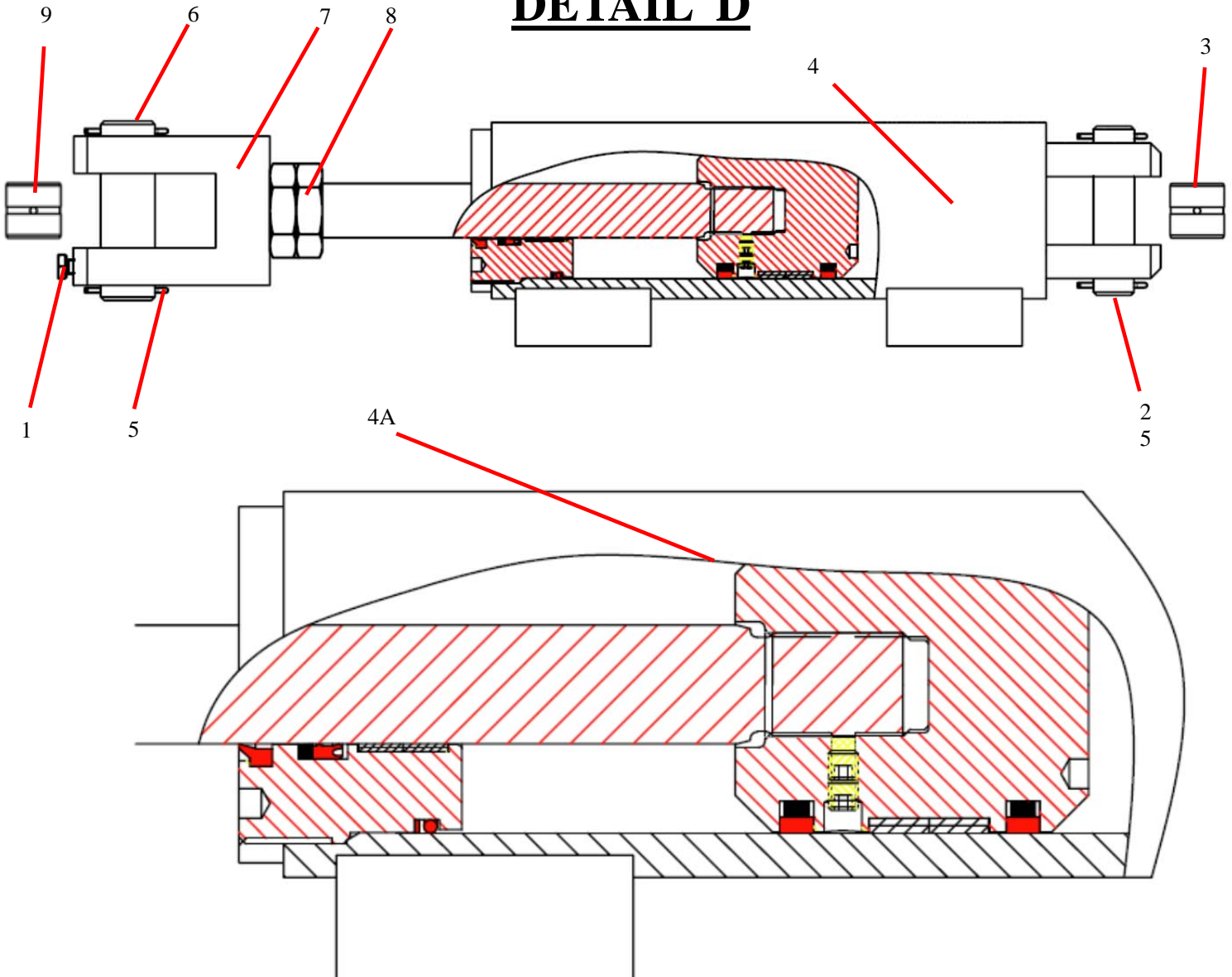
DETAIL D



ID #	PART #	PART DESCRIPTION	QUANTITY	
	86319-1	STUBE SHIFT GROUP ASSY	REF	
1	85131	BELL CRANK, 3" SPLINE, SINGLE	1	EA
2		GREASE FITTING, 1/8" NPT 45°	1	EA
3		HHCS, 3/4 - 16X4" GR 8	1	EA
4		WASHER, 3/4"	1	EA
5		LOCK WASHER, 3/4"	1	EA
6	86985	SPACER, S-TUBE NUT	1	EA
7	87012	NUT 2" -12 CASTLE GRADE 5	1	EA
8		COTTER PIN, 1/4 X4"	1	EA
9	85962	SEAL, FLANGE BEARING	1	EA
10		DOWEL PIN, 1/2" DIA X 2"	2	EA
11	85947	BRACKET SWING CYLINDER	1	EA
12		GREASE FITTING, 1/8" NPT	2	EA
13	85133	FLANGED BEARING	1	EA
14		HHCS, 9/16 - 12X3" GR 8	4	EA
15		LOCK WASHER, 9/16"	4	EA
16	85294-1	THRUST WASHER, S -TUBE (NYLON-GREEN)	1	EA

SINGLE SHIFT SWING CYLINDER ASSEMBLY

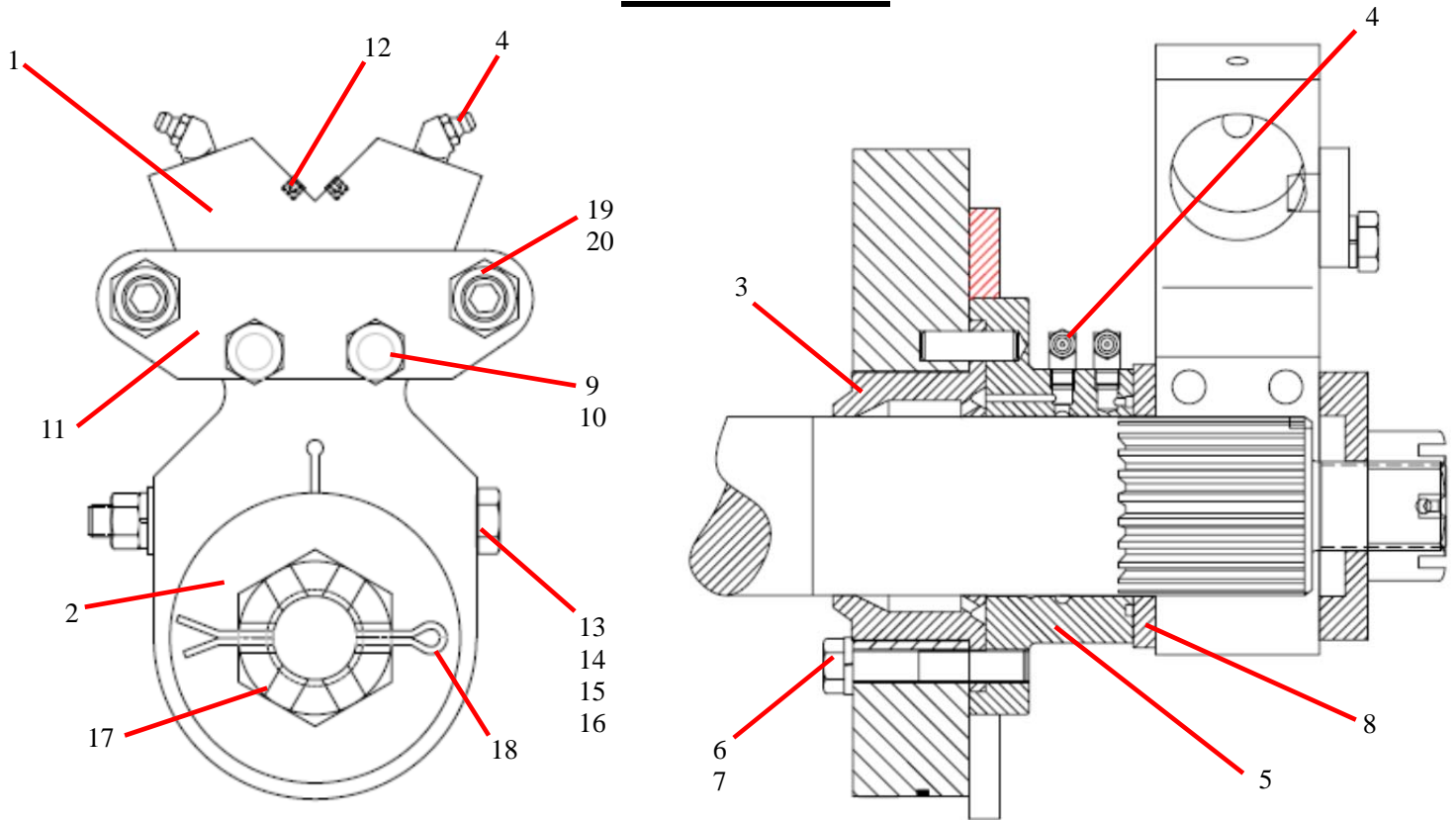
DETAIL D



ID #	PART #	PART DESCRIPTION	QUANTITY	
1		HHCS 1/4" X 28 X 3/4"	1	
2	74207	PIN - CLEVIS - .750 DIA	1	EA
3	71011	BUSHING - SHIFT CYLINDER	1	EA
4	86221A	SWING CYLINDER - 2.50 X 1.00 X 5.00 (JARP)	1	EA
4A	86221A-SK	SEAL KIT	1	EA
5		COTTER PIN, 3/32X1 3/4"	2	EA
6	86150	PIN, CLEVIS, 1.00 DIA	1	EA
7	86135	CLEVIS, SHIFT CYLINDER	1	EA
8		1"X14 JAM NUT	2	EA
9	85538	BUSHING, INNER RACE	1	EA

DUAL SHIFT BELL CRANK ASSEMBLY

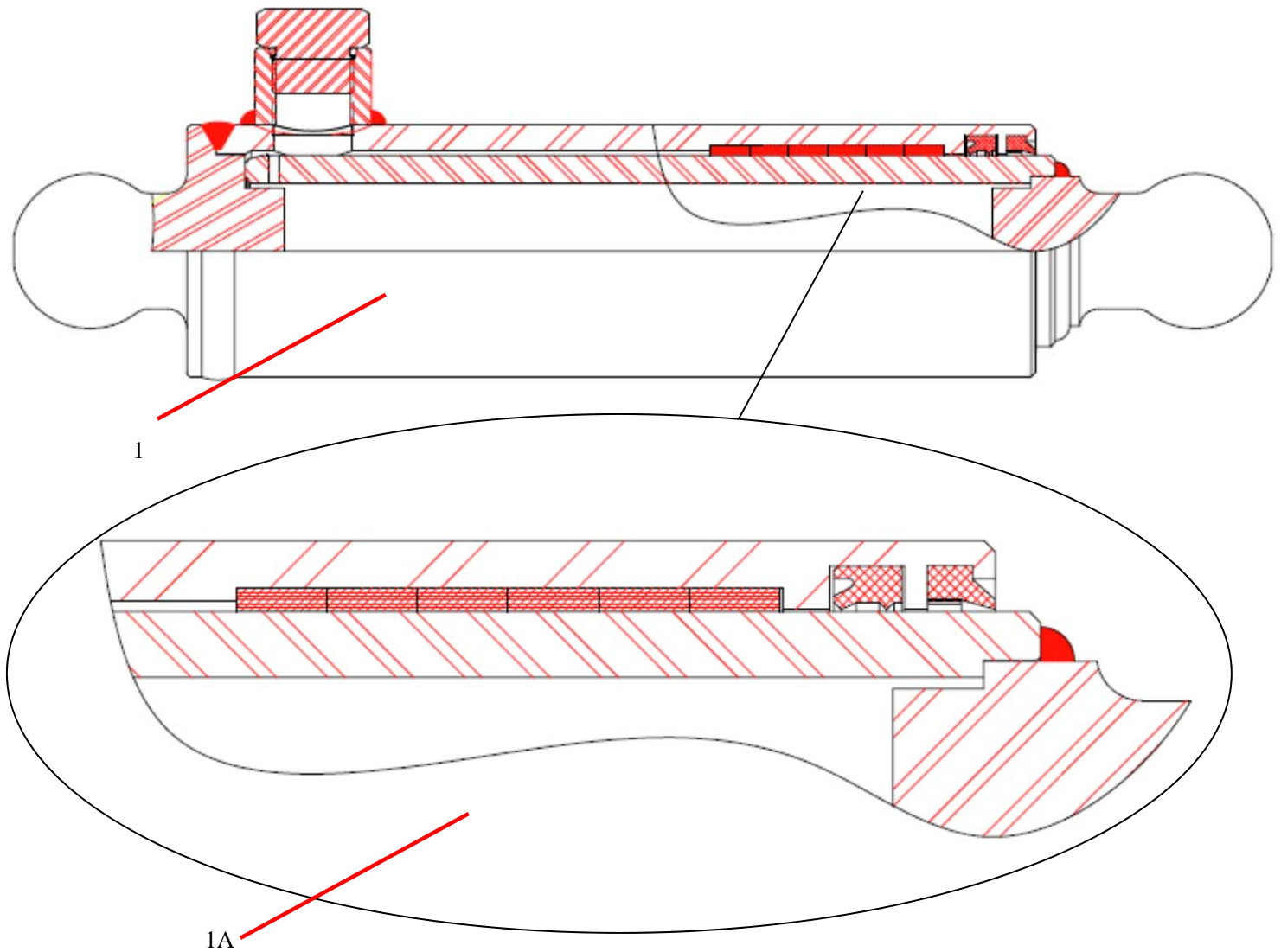
DETAIL E



ID #	PART #	PART DESCRIPTION	QUANTITY	
	86320	S-TUBE SHIFT GROUP, DUAL		
1	85956	BELL CRANK, 3" SPLINE, DUAL	1	EA
2	86985	SPACER, S-TUBE NUT	1	EA
3	85962	SEAL, FLANGE BEARING	1	EA
4		GREASE FITTING, 1/8" NPT	4	EA
5	85133	FLANGED BEARING	1	EA
6		HHCS, 9/16 - 12X3" GR 8	4	EA
7		LOCK WASHER, 9/16"	4	EA
8	85294	THRUST WASHER, S -TUBE	1	EA
9		HHCS, 1/2-13X1 1/4" GR 8	2	EA
10		LOCKWASHER, 1/2"	2	EA
11	86282	RETAINER - SHIFT CYLINDER	1	EA
12		PIPE PLUG 1/4" NPT	2	EA
13		HHCS, 1/2-13X6 1/4" GR 8	2	EA
14		FLAT WASHER 1/2"	4	EA
15		LOCK WASHER 1/2"	2	EA
16		HEX NUT, 1/2"-13	2	EA
17	87012	NUT 2" -12 CASTLE GRADE 5	2	EA
18		COTTER PIN, 1/4X4"	1	EA
19	86283	SET SCREW-5/8-11X2.00" CUP POINT	1	EA
20	80005	NUT HEX-5/8-11 UNC USS RH THREAD	1	EA

DUAL SHIFT CYLINDER ASSEMBLY

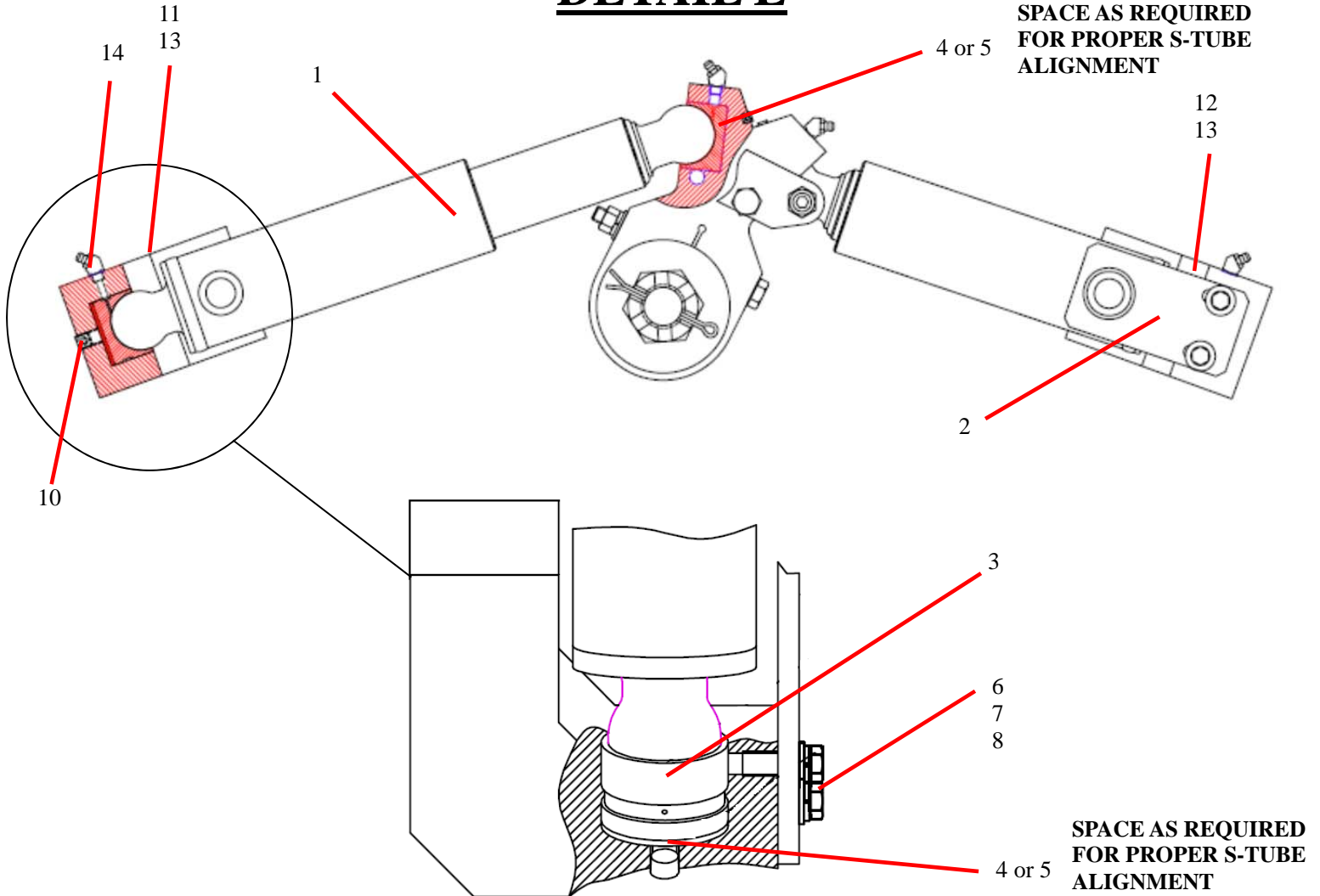
DETAIL E



ID #	PART #	PART DESCRIPTION	QUANTITY	
1	86220A	SWING RAM 2.5 X 5.75 STROKE (JARP)	2	EA
1A	86220A-SK	SEAL KIT	2	EA

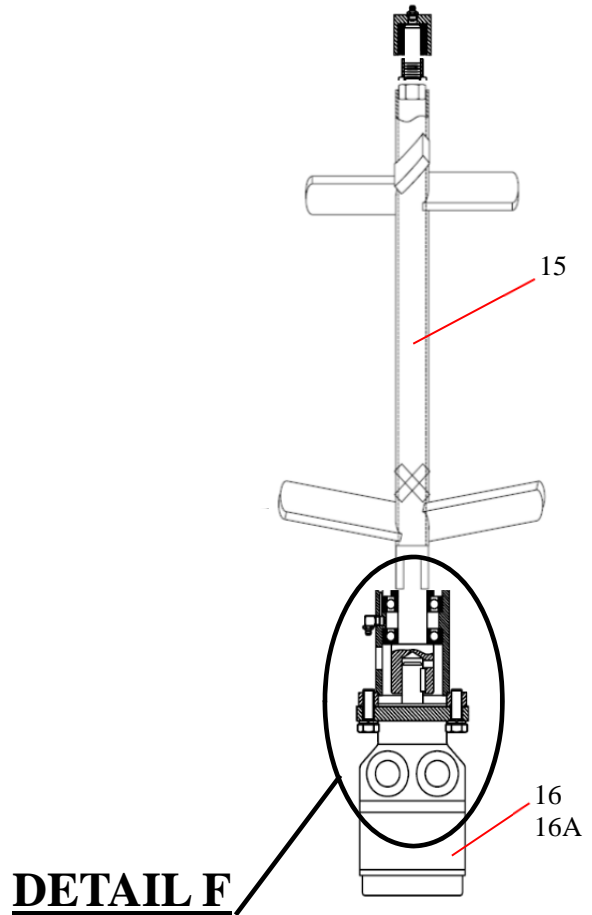
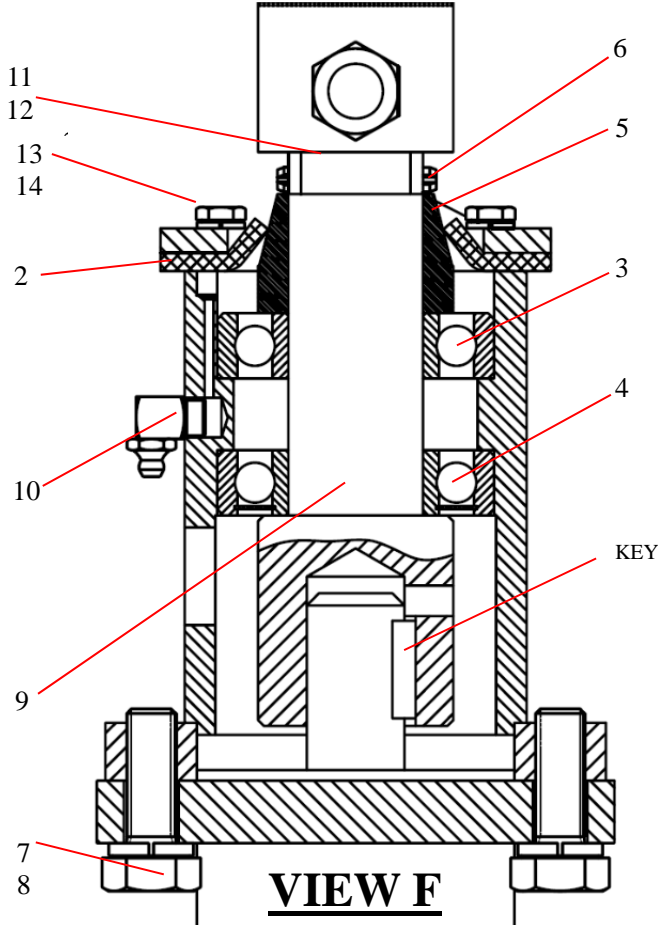
DUAL SHIFT ASSEMBLY

DETAIL E



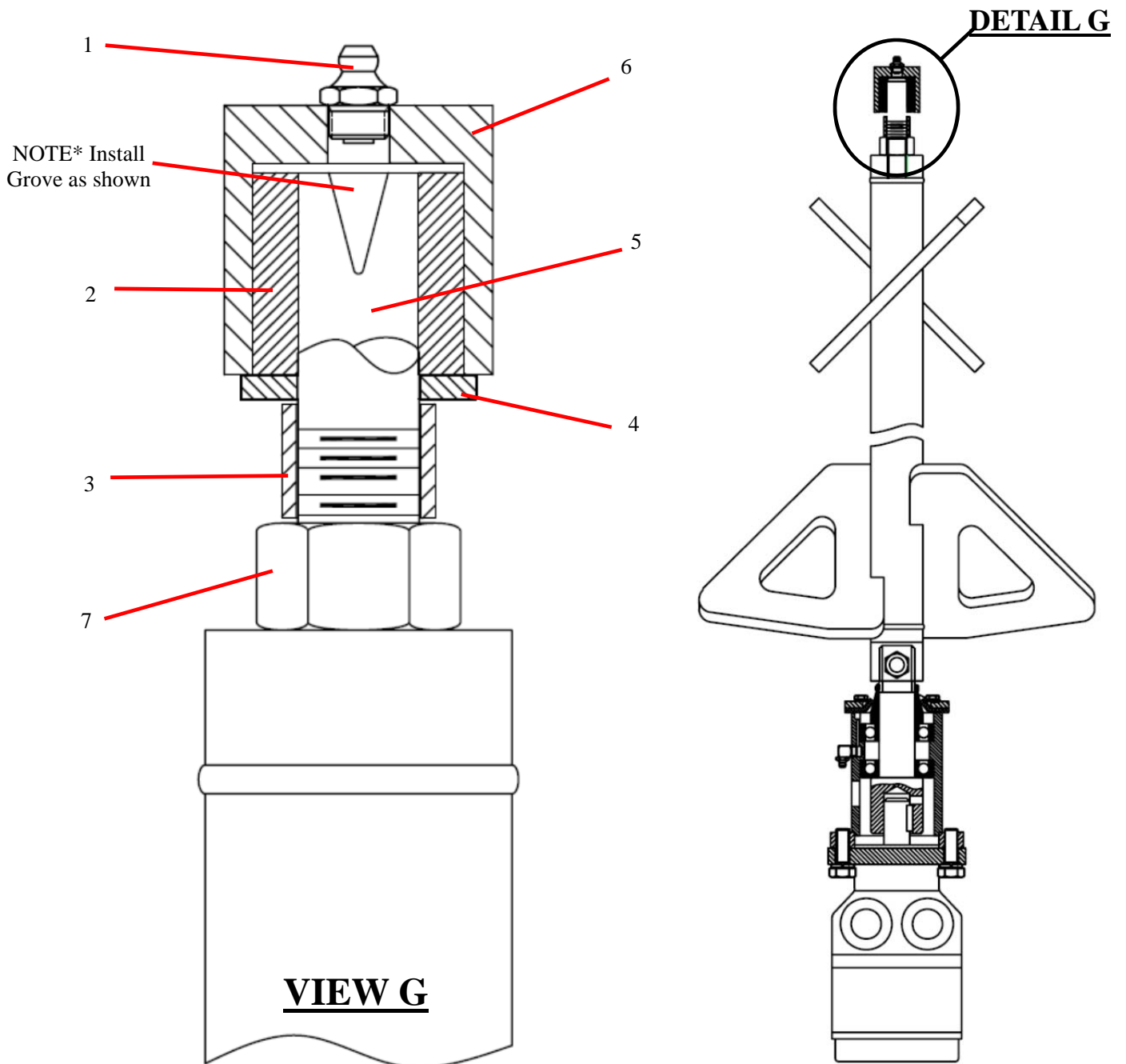
ID #	PART #	PART DESCRIPTION	QUANTITY	
1	86220A	SWING RAM – 2.5 X 5.75 STROKE (JARP)	2	EA
2	86441	RETAINER, SWING RAM	2	EA
3	76798-1	BALL SOCKET, NYLON	4	EA
4	75501	SPACER 1/8"	A/R	EA
5	75502	SPACER 1/16"	A/R	EA
6		HHCS, 3/8-24X1 ¼" GR8	4	EA
7		WASHER, 3/8"	4	EA
8		LOCK WASHER, 3/8"	4	EA
10	86283	SETSCREW – 5/8 -11X2.00 CUP	2	EA
11	85941	HOUSING,RH SWING RAM	1	EA
12	85942	HOUSING, LH SWING RAM	1	EA
13	86052	DOWEL PIN, ½" DIA X 2"	4	EA
14		GREASE FITTING, 1/8" NPT	2	EA

HOPPER AGITATOR ASSEMBLY



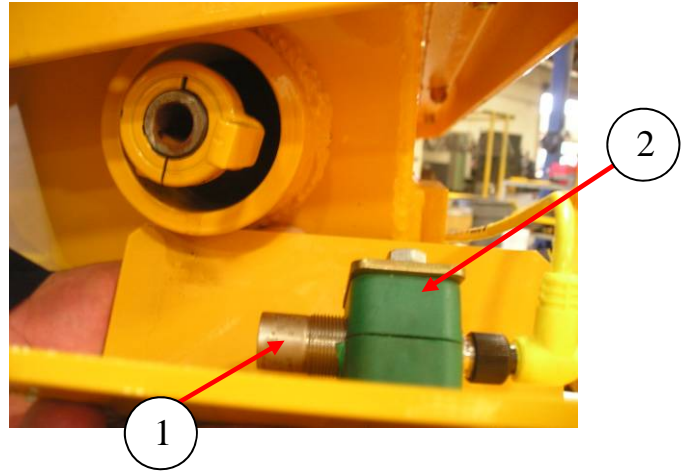
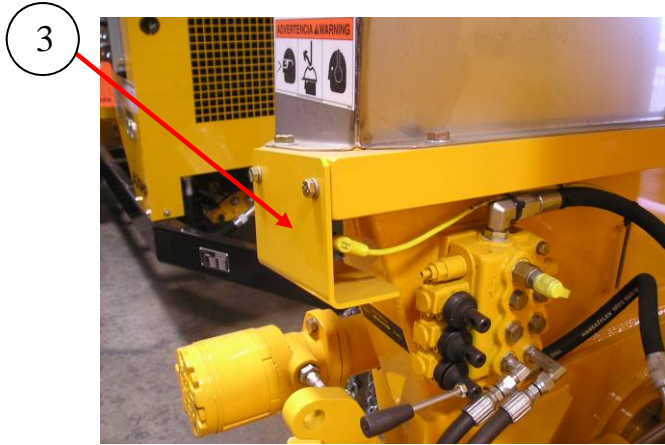
ID #	PART #	PART DESCRIPTION	QUANTITY	
	86322	AGITATOR ASSEMBLY	1	EA
1	70211	FLANGE SEAL S/W	1	EA
2	70212	SEAL REMIXER	1	EA
3	85978	BEARING, BALL, PLAIN	1	EA
4	85979	BEARING, BALL 1 SEAL	1	EA
5	85976	WEAR RING, AGITATOR	1	EA
6		SPRING PIN, 1/4" DIA X 1 3/4"	1	EA
7		HHCS, 1/2 -20X1 1/2" GR 8	2	EA
8		LOCK WASHER, 1/2"	2	EA
9	85923	SHAFT,AGITATOR	1	EA
10		GREASE FITTING, 1/8" NPT 90°	1	EA
11		HHCS, 1/2 -13X2 1/4" GR 8	1	EA
12		LOCK NUT, 1/2" -13	1	EA
13		1/4-28X3/4"	6	EA
14		LOCK WASHER, 1/4"	6	EA
15	86330	AGITATOR, STD HOPPER, PAINTED	1	EA
16	85811	HYD MOTOR, 45.6 CID, 1" SHAFT	1	EA
16A	85809SK	SEAL KIT	1	EA

AGITATOR ASSEMBLY CONTINUED



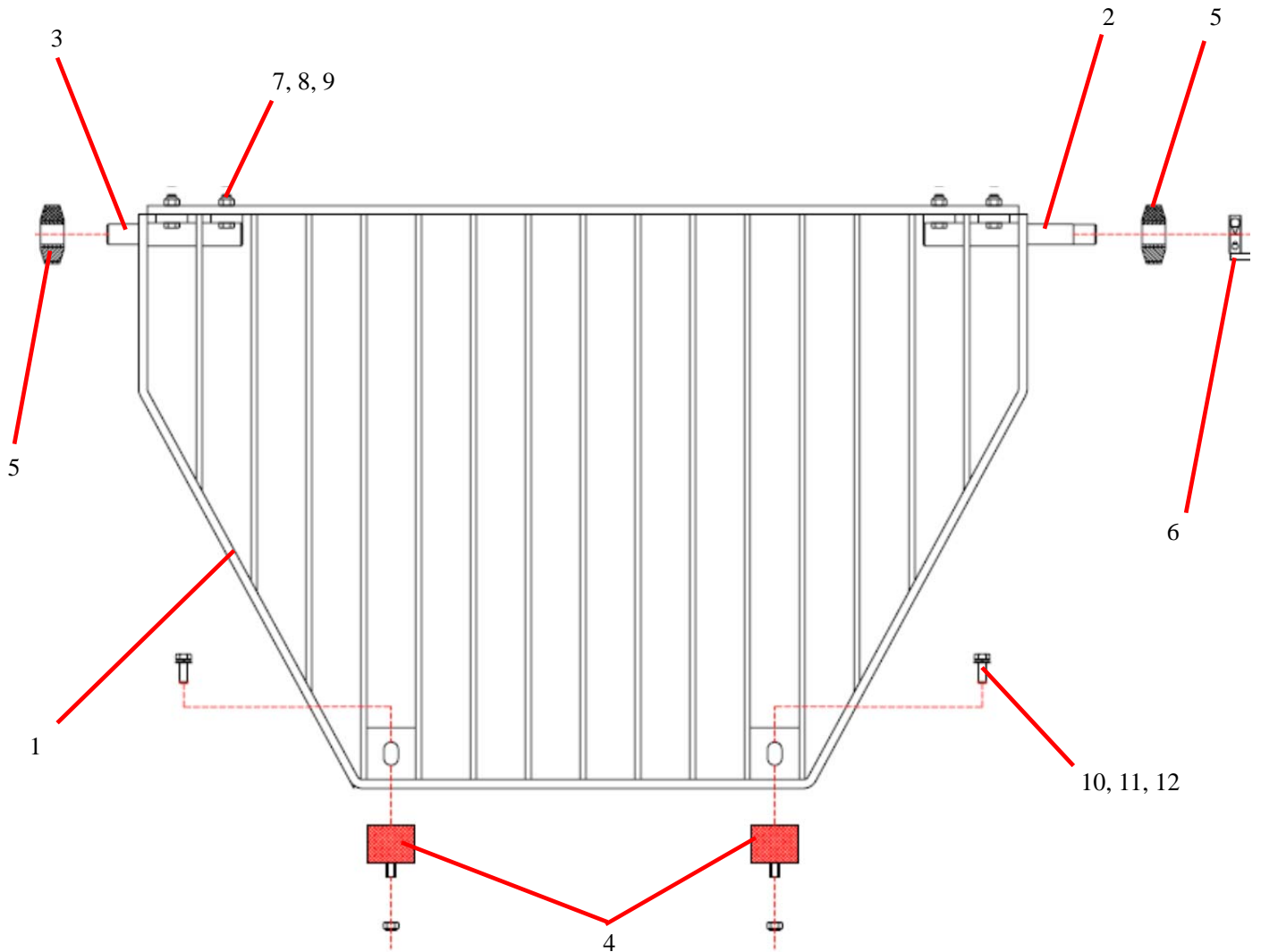
ID #	PART #	PART DESCRIPTION	QUANTITY	
1		GREASE FITTING, 1/8" NPT STRAIT	1	EA
2	70219	REMIX SHAFT BUSHING	1	EA
3	77877	SPACER, REMIX	1	EA
4	86824	FLAT WASHER, 3/4" SAE	1	EA
5	70214	IDLER SHAFT, AGITATOR	1	EA
6	70210	IDLER BEARING HOUSING	1	EA
7	80030	HEX NUT-M20X2.5 PLATED	1	EA

SAFETY GRATE



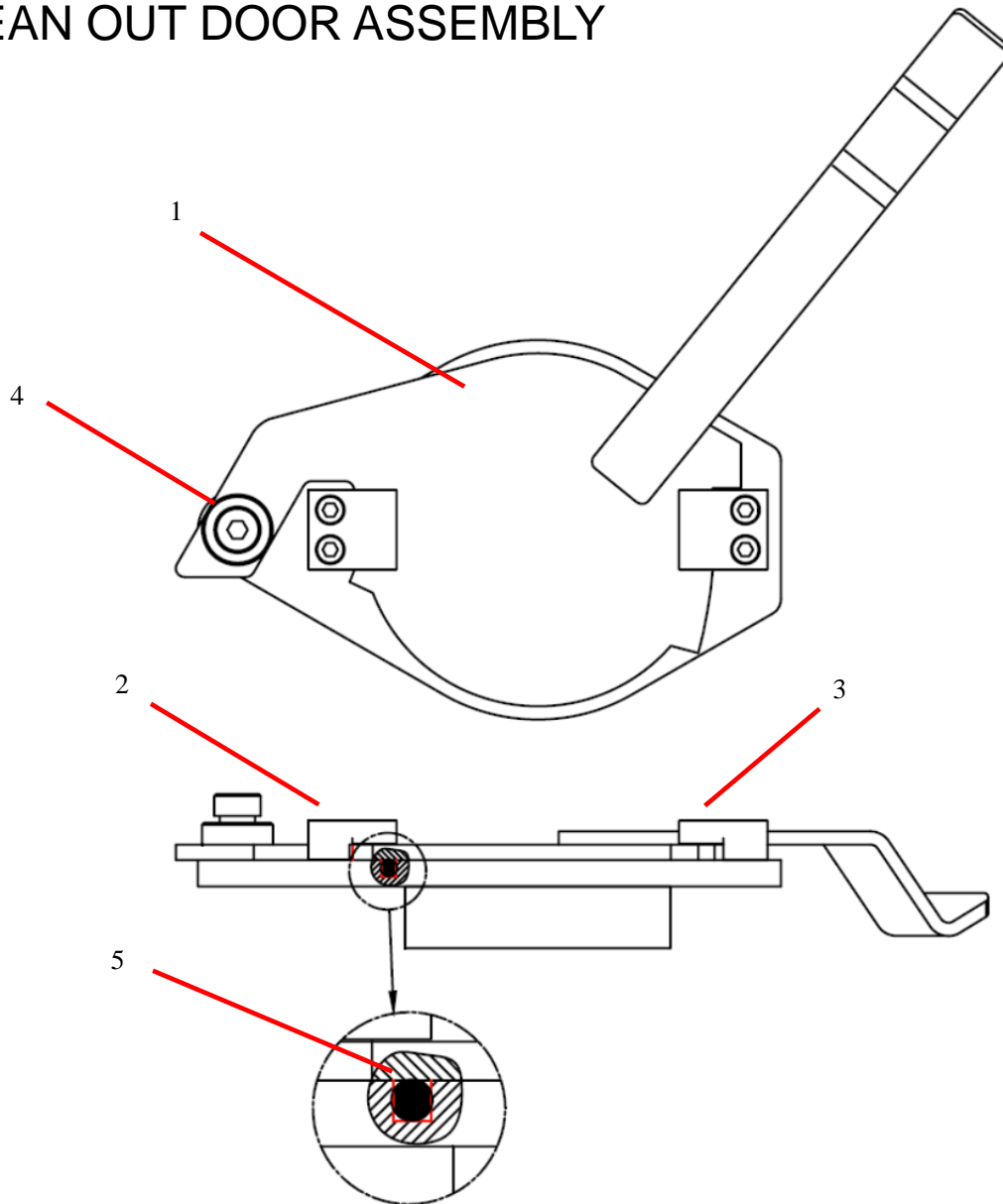
ID #	PART #	PART DESCRIPTION	QUANTITY	
1	87369	PROXIMITY SENSOR PNP HOPPER GRATE	1	EA
2	801902-006	CLAMP,18MM TUBE CLAMP SET	1	EA
3	87997	COVER WELD PROX SWITCH HOPPER	1	EA

GRATE ASSEMBLY



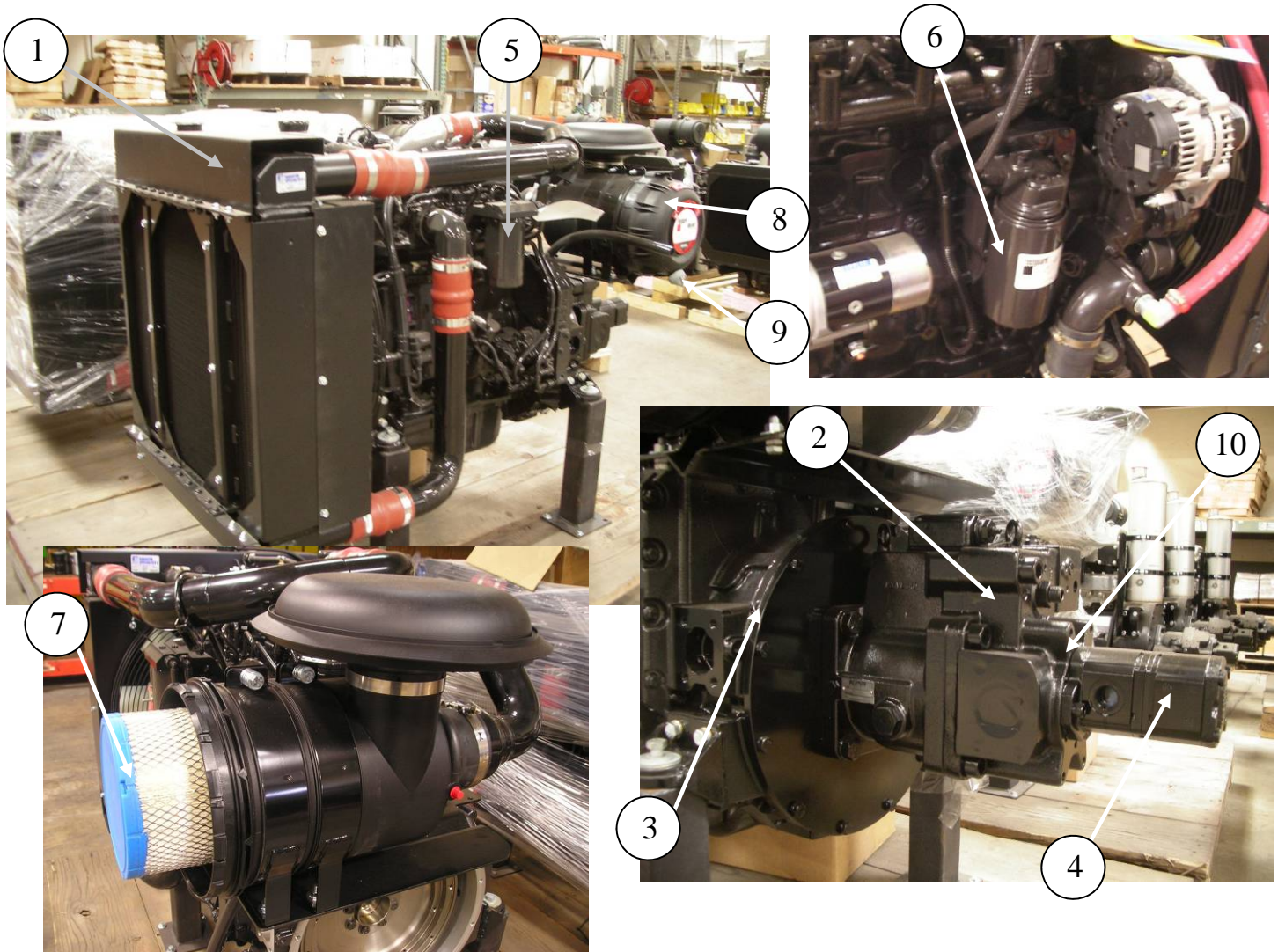
ID #	PART #	PART DESCRIPTION	QUANTITY	
1	87835	GRATE WELDMENT, STD HOPPER	1	EA
2	87857	PIN WELDMENT LONG	1	EA
3	87858	PIN WELDMENT SHORT	1	EA
4	86083	BUMPER, HOPPER GRATE	2	EA
5	W114850	RUBBER BUFFER	2	EA
6	87769	COLLAR SHAFT, 7/8" DIA	1	EA
7		3/8"-16 X 1 1/4" HEX BOLT	4	EA
8		3/8 FLAT WASHER	8	EA
9		3/8-16 LOCK NUT	4	EA
10		3/8"-16 X 1" HEX BOLT	2	EA
11		3/8" FLAT WASHER	2	EA
12		3/8" LOCK WASHER	2	EA

CLEAN OUT DOOR ASSEMBLY



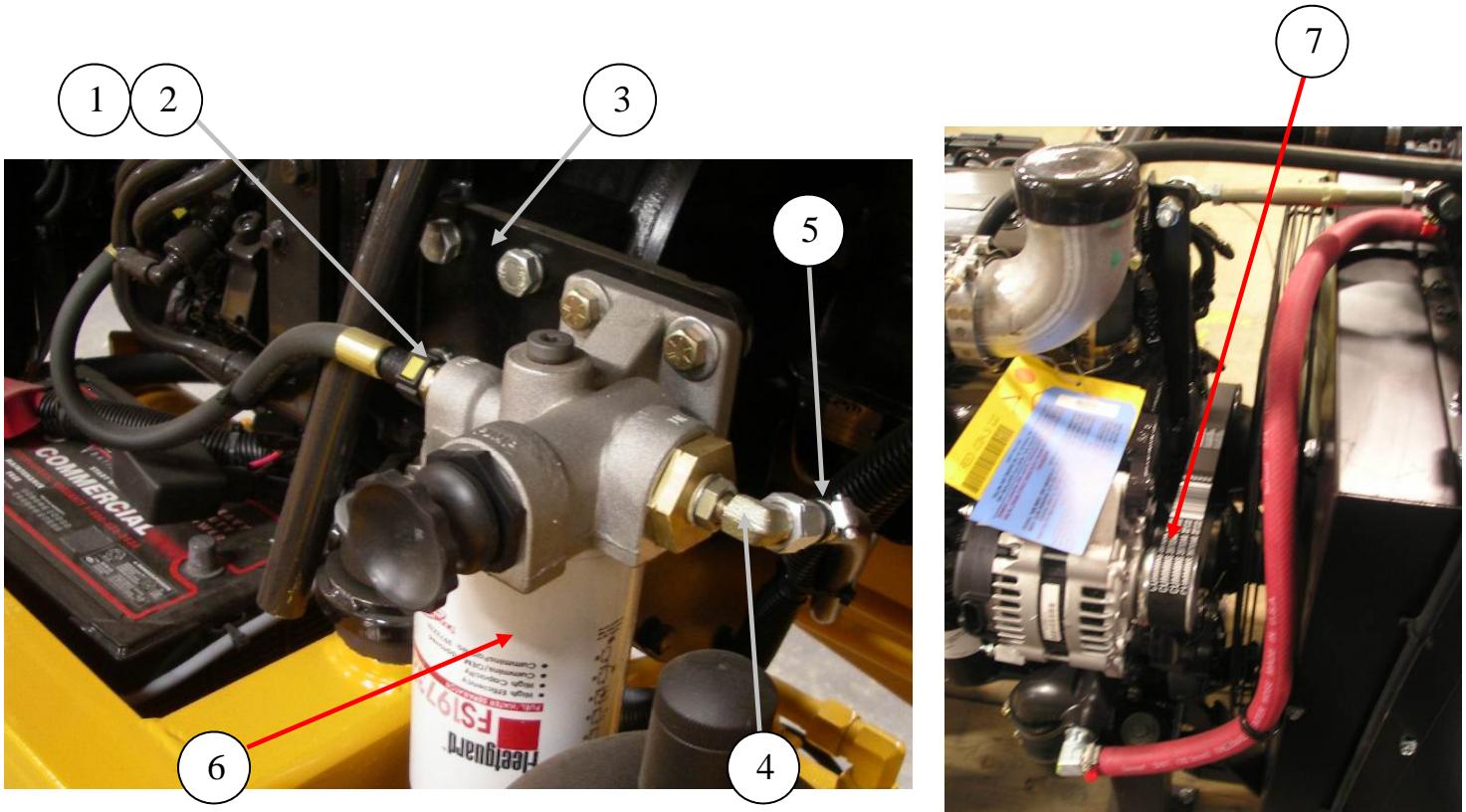
ID #	PART #	PART DESCRIPTION	QUANTITY	
1	86988	DOOR WELDMENT, CLEAN OUT	1	EA
2	86559	BLOCK, CLEAN OUT DOOR, LH	1	EA
3	86560	BLOCK, CLEAN OUT DOOR, RH	1	EA
4	86922	SHOULDER SCREW 1" DIA-1 1/4"	1	EA
5	W102908A	O-RING CORD, HOPPER DOOR	2.21	FT

POWER TRAIN ENGINE, PUMPS, AND FILTERS



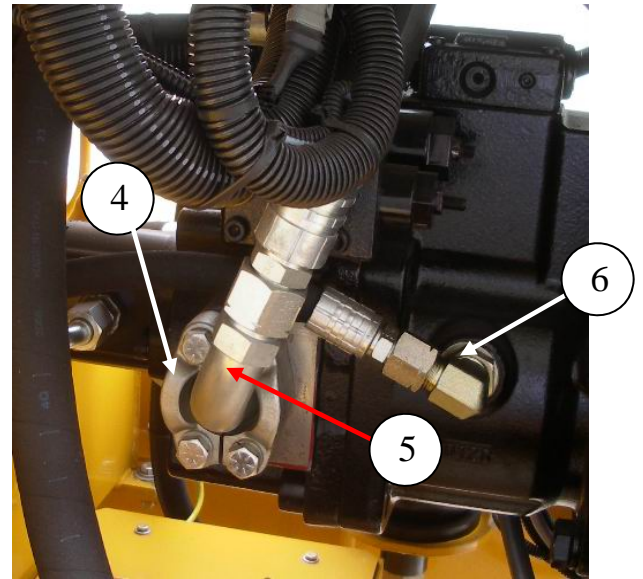
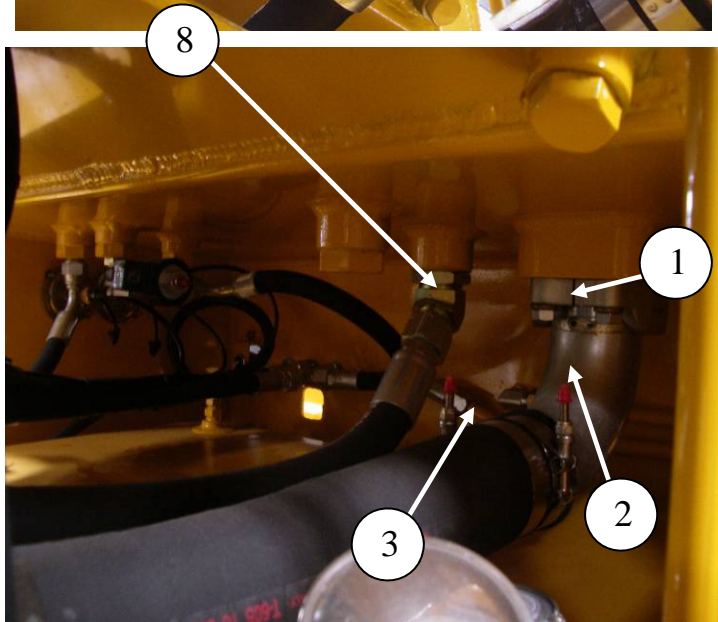
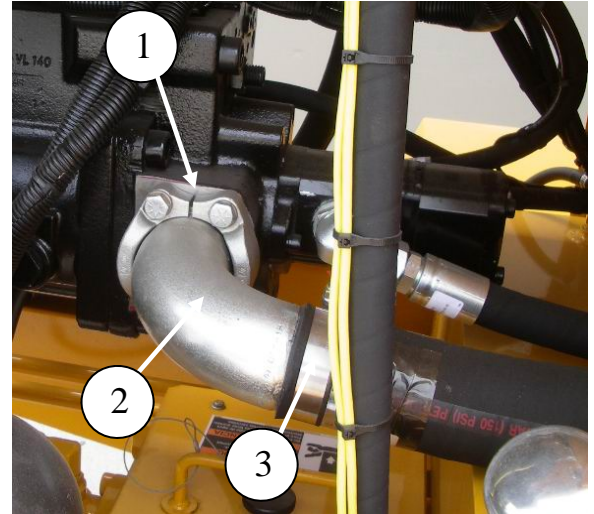
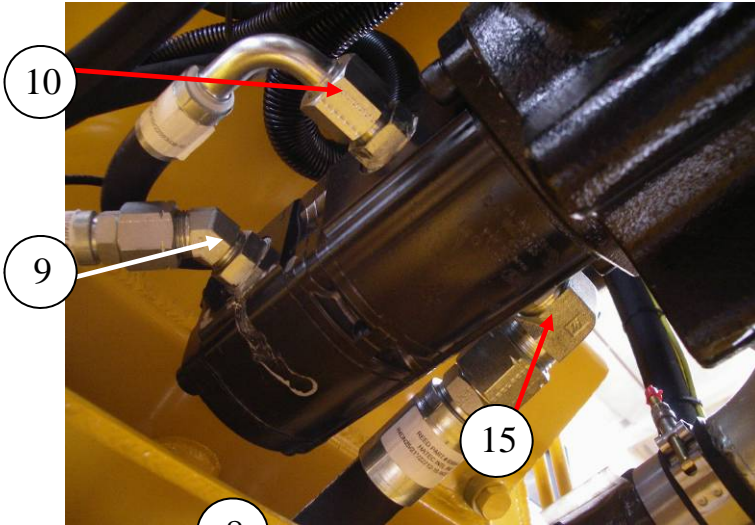
ID #	PART #	PART DESCRIPTION	QUANTITY	
1	87724	ENGINE QSB4.5 130HP. CUMMINS	1	EA
2	87723	PUMP,140CC,KAWASAKI	1	EA
3	87360	PUMP DRIVE -SAE 3 - SAE D	1	EA
4	87571-1	GEAR PUMP, 23/11.3 CC RH, A-PAD SPL	1	EA
5	87725-002	FUEL FILTER	1	EA
6	87725-001	OIL FILTER	1	EA
7	87725-010	AIR FILTER ELEMENT	1	EA
8	87725-014	AIR FILTER HOUSING ASSEMBLY	1	EA
9	87725-015	AIR FILTER HOUSING COVER, DUST EJECTION	1	EA
10	88174	O-RING		

ENGINE, PUMPS, AND FILTERS CONTINUED



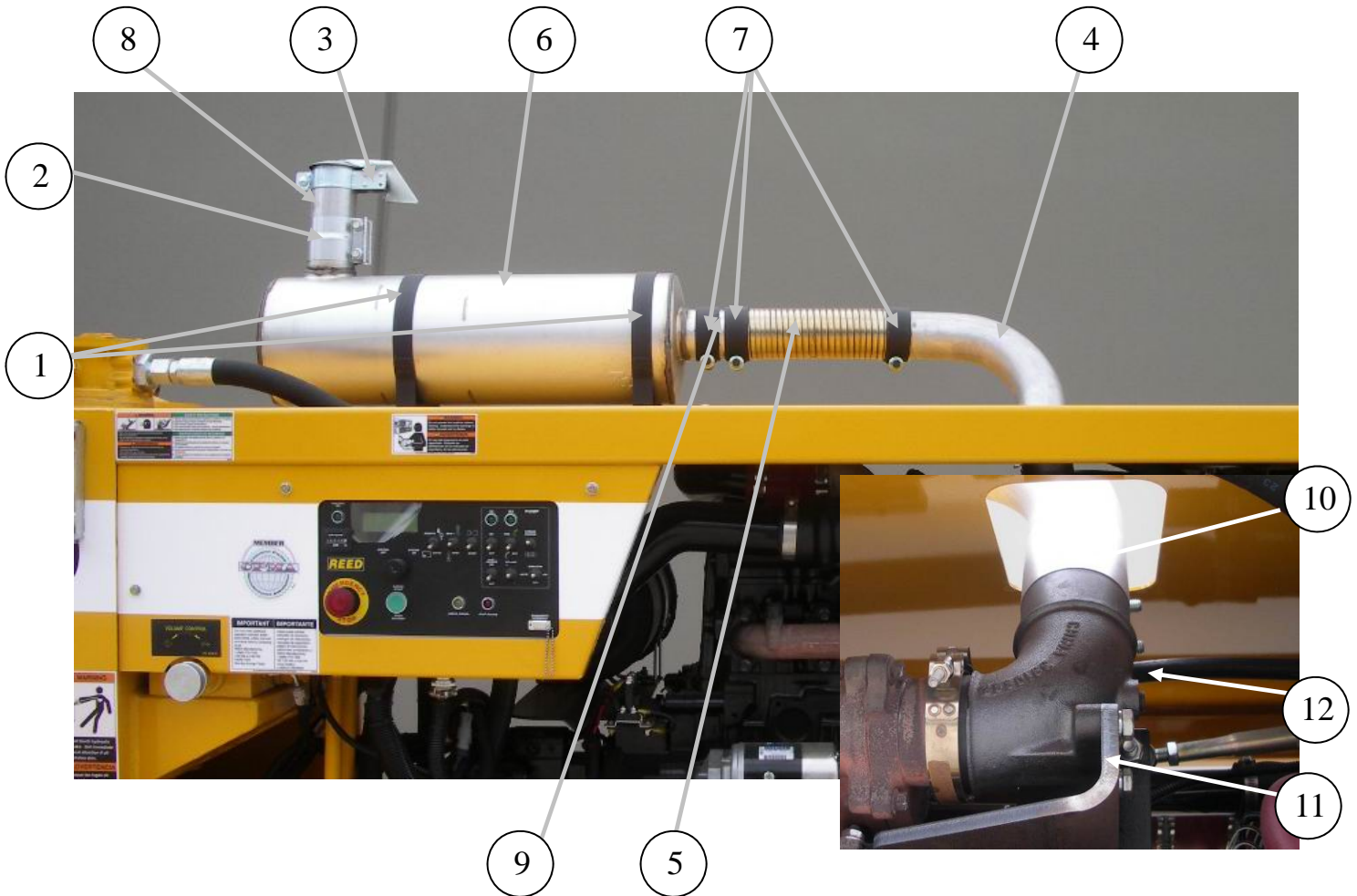
ID #	PART #	PART DESCRIPTION	QUANTITY	
1	88036	FITTING FUEL LINE, QUICK DISCONNECT	1	EA
2	88037	WASHER SEALING FOR 88036 FITTING	1	EA
3	87793	MOUNT FUEL FILTER, B SER CUMMINS	1	EA
4	87567	FITTING 90DEG METRIC TO JIC	2	EA
5	87566	FITTING BARBED JIC-STEM, 3/8-3/8	2	EA
6	87725-003	FUEL/WATER SEPARATOR REPLACEMENT	1	EA
7	87725-005	FAN BELT	1	EA

FITTINGS



ID #	PART #	PART DESCRIPTION	QUANTITY	
1	86264-007	SPLIT FLANGE-CODE 61- 40 SAE	2	EA
2	86911-009	STEM, 2 ½" 90 DEG, 40GL-40FL90	1	EA
3	79803	CLAMP - T-BOLT - 3.00 DIA	4	EA
4	86265-003	SPLIT FLANGE-CODE 62- 20 SAE	2	EA
5	86912-006	FLANGE, FLH6K-MJ90-20-16	1	EA
6		ADAPTOR, MB-MJ-90-12-10	1	EA
7	86728-023	ADAPTOR, MB-MJ-20-16	1	EA
8	87754-020	ELBOW, MB-MJ45-20-16	1	EA
9		MB-MJ-45-10	1	EA
10	86900-017	MB-MJ0-10-10	1	EA

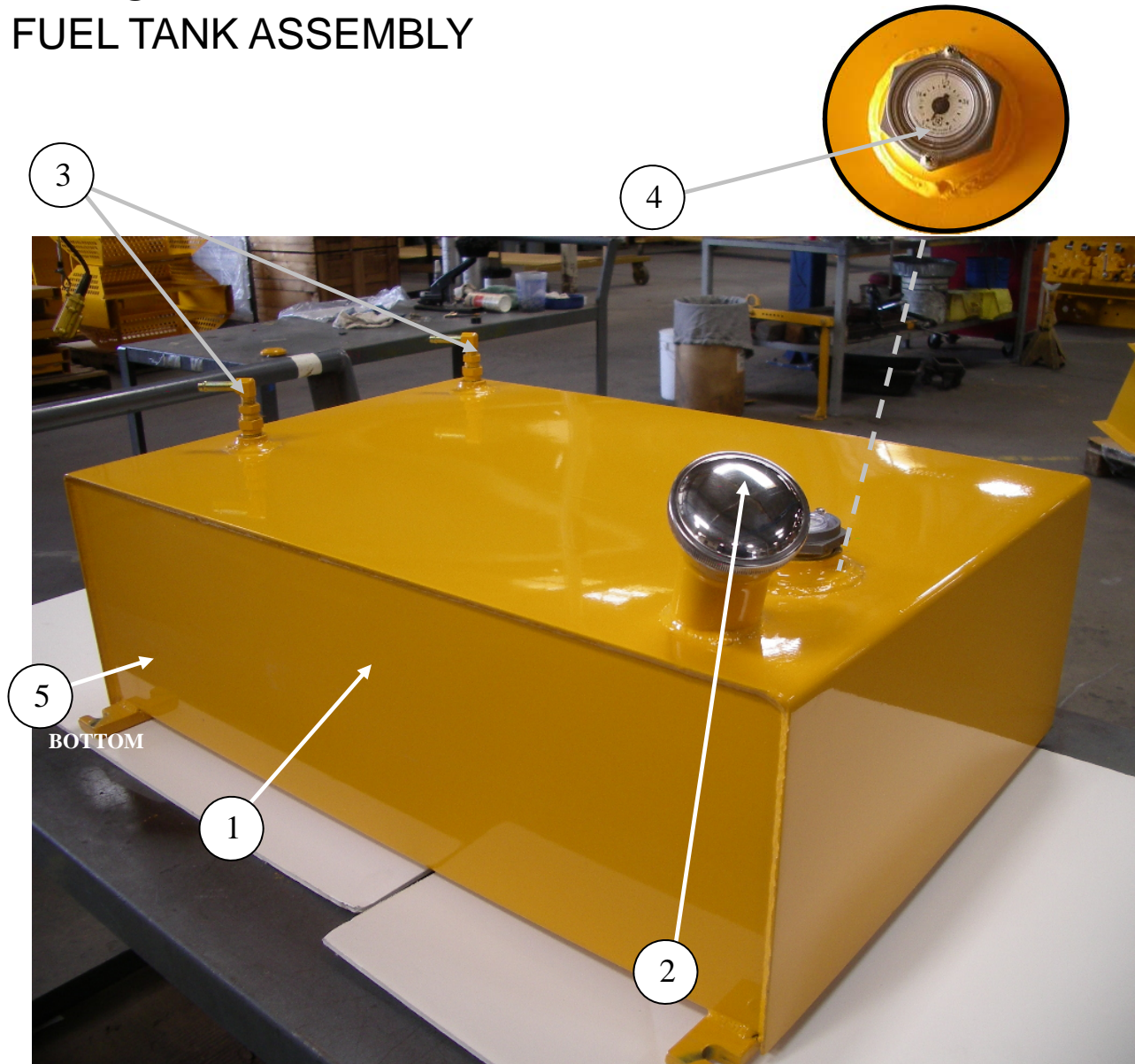
EXHAUST



ID #	PART #	PART DESCRIPTION	QUANTITY	
1	87199	MOUNTING BAND, 8.5" DIA	2	EA
2	87198	CLAMP, TORCTITE, 3"	1	EA
3	73475	RAIN CAP 3"	1	EA
4	86648	EXHAUST ELBOW 3"	1	EA
5	87579	EXHAUST FLEX TUBE, 3" 12" LONG	1	EA
6	87792	MUFFLER B SER CUMMINS	1	EA
7	87578	EXHAUST CLAMP, BENT BOLT 3"	3	EA
8	87465	TUBE EXHAUST, B SERIES, LONG	1	EA
9	87878	TUBE EXHAUST, B SERIES, SHORT	1	EA
10	88013	CLAMP EXHAUST 3" TORCTITE	1	EA
11	88016	BRACKET 4 CYL CUMMINS EXHAUST	1	EA
12	74679	PLUG 1/4" NPT SOCKET HEAD	1	EA

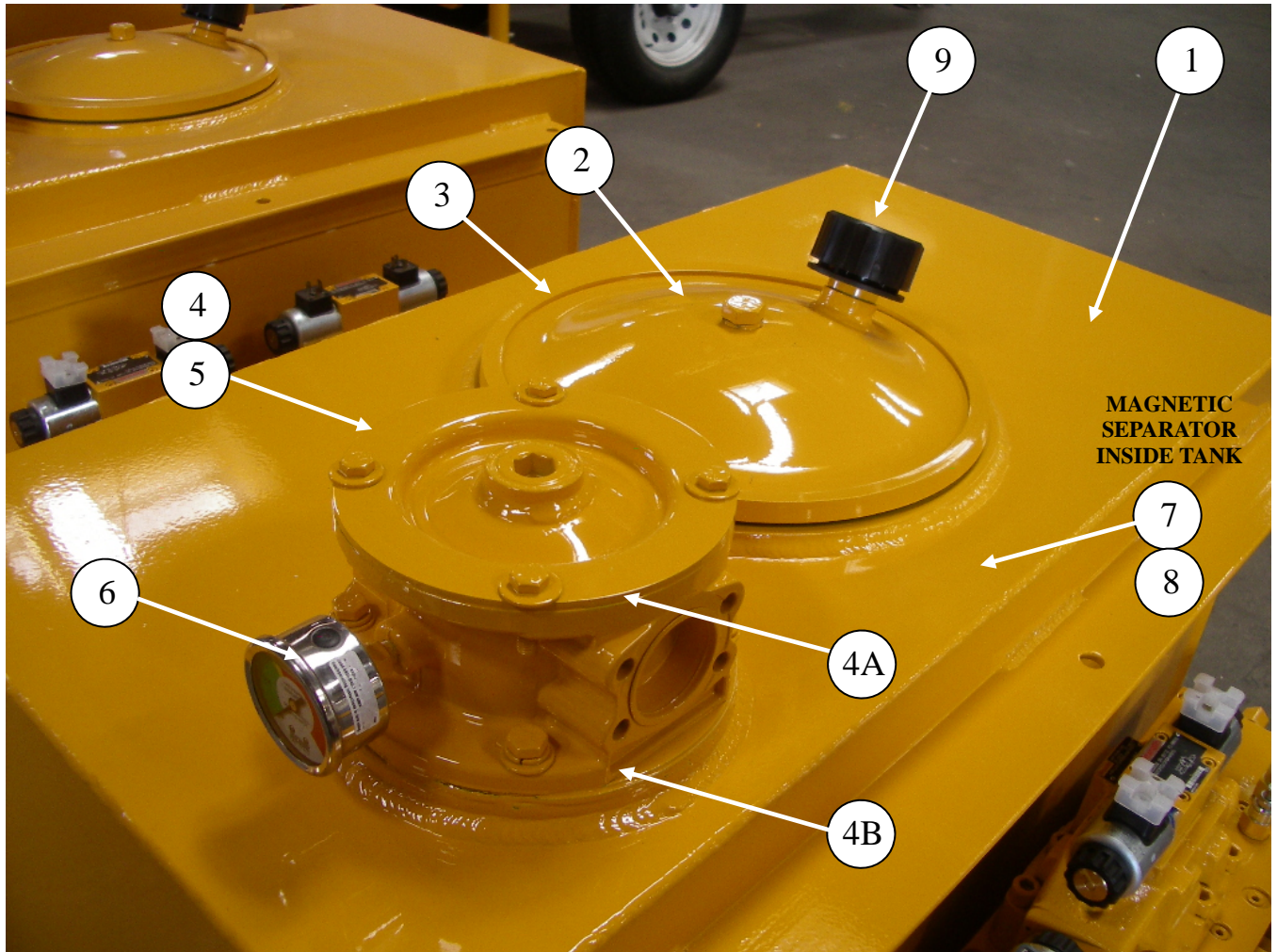
TANKS

FUEL TANK ASSEMBLY



ID #	PART #	PART DESCRIPTION	QUANTITY	
	88550	FUEL TANK ASSY B-SERIES	1	EA
1	88268	FUEL TANK WELDMENT, B-SERIES	1	EA
2	85570	FUEL CAP, 1 1/2 IN VENTED	1	EA
3	85362	TUBE, FUEL PICKUP, B-SERIES	2	EA
4	85569	FUEL GAUGE, 9 IN	1	EA
5	10297	PLUG-GALV 1/2"	1	EA

HYDRAULIC TANK ASSEMBLY



ID #	PART #	PART DESCRIPTION	QUANTITY	
	85361	HYD TANK ASSY B-SERIES	1	EA
1	85102	HYDRAULIC TANK WELDMNT, B-SERIES	1	EA
2	85529	ENDCOVER KIT, 12 IN W/DRAIN	1	EA
3	85867	GASKET- END COVER 12"	1	EA
4	85282	FILTER, RETURN, TANK MOUNTED	1	EA
4A	BW10241	SEAL KIT FOR 85282 FILTER RETURN	1	EA
4B	85282-G	GASKET-CORK	1	EA
5	85283	FILTER ELEMENT, PN 85282 FILTER	1	EA
6	85575	GAUGE, PN 85282 RETURN FILTER	1	EA
7	79247	MAGNETIC SEPERATOR 1 ¼ " NPT	1	EA
8	800230	MAGNETIC SEPARATOR,3"NPT	1	EA
9	85537	FILLER BREATHER, 3/4 NPT	1	EA

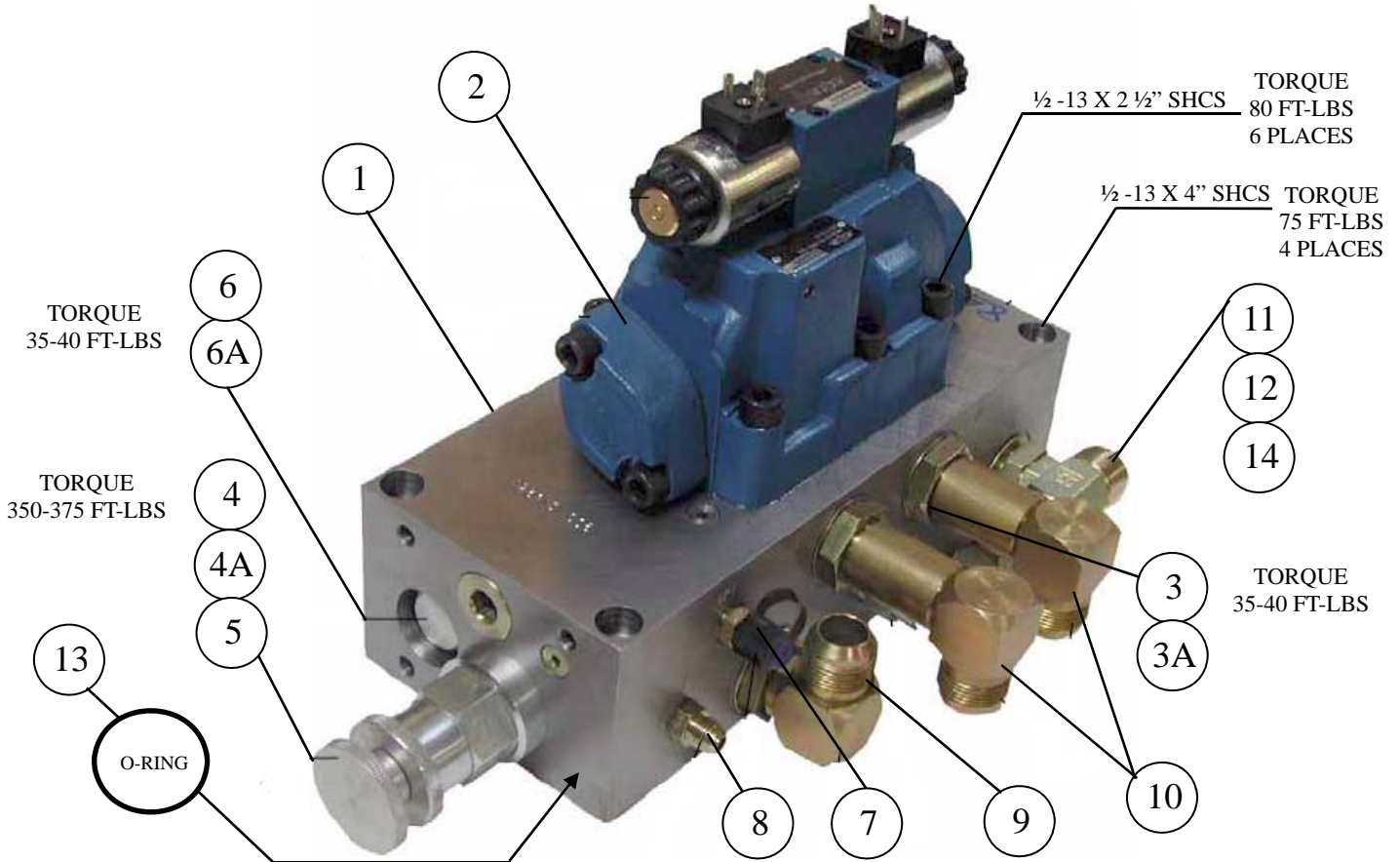
HYDRAULIC TANK ASSEMBLY CONTINUED



ID #	PART #	PART DESCRIPTION	QUANTITY	
1	74509	GAUGE-SIGHT/TEMPERATURE	1	EA
2	801025	DRAIN COCK, 1/4 NPT	1	EA
3	BG-12	3/4" SAE PLUG	1	EA
4	70366	PRESSURE GAUGE, 3000 PSI/BAR	1	EA
5	74562	PRESSURE GAUGE, 6000 PSI/BAR	1	EA
6	78594	MINICHECK GAUGE ADAPTOR, 1/4 NPT	2	EA
7		HOFFMAN PLUG	1	A/R
8	87154	SOLENOID VALVE ASSY (REMIX-DUMP)	1	EA
9	87249	COIL	1	A/R
10	87154-C	CARTRIDGE	1	A/R

MANIFOLDS

DRIVE CYLINDER CIRCUIT MANIFOLD ASSEMBLY



ID #	PART #	PART DESCRIPTION	QUANTITY	
	85248	MANIFOLD, CYLINDER CIRCUIT ASSEMBLY	1	EA
1	86820	MANIFOLD, MACHINED CYLINDER CIRCUIT	1	EA
2	85689	SOLENOID VALVE, DRIVE CYLINDER	1	EA
3	85696	RELIEF VALVE CARTRIDGE	1	EA
3A	85696-SK	SEAL KIT		
4	85697	FLOW CONTROL CARTRIDGE	1	EA
4A	85697-SK	SEAL KIT		
5	86947	KNOB KIT, ALUMINUM	1	EA
6	85698	CHECK VALVE CARTRIDGE	1	EA
6A	85698-SK	SEAL KIT		
7	78593	MINICHECK ADAPTOR, SAE 4	1	EA
8	86900-002	ADAPTOR, MB-MJ-4-6	1	EA
9	86728-023	ELBOW, MB-MJ45-16-16	1	EA
10	86904-012	ELBOW, MB-MJ90LL-16-16	2	EA
11	86945-001	TEE, MJ-MB-MJT-16	1	EA
12	86905-016	ELBOW, MJ-FJX90-16-16	1	EA
13	86946	O-RING #230 BUNA 90DUR	1	EA
14	86948-001	REDUCER, JIC MJ-FJ-10-16	1	EA



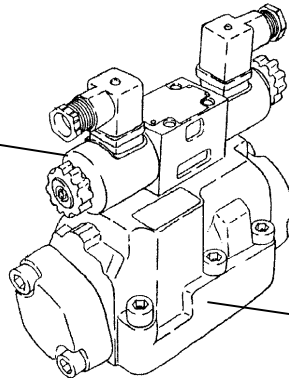
B50v09 B50HPv09

PARTS

13822 Oaks Avenue
Chino, CA 91710
reedpumps.com
(909) 287 - 2100

DRIVE CYLINDER CIRCUIT MANIFOLD ASSEMBLY CONT.

DRIVE CYLINDER
PILOT SOLENOID
VALVE



DRIVE CYLINDER VALVE
ASSEMBLY COMPLETE

85689

DRIVE CYLINDER
MAIN VALVE

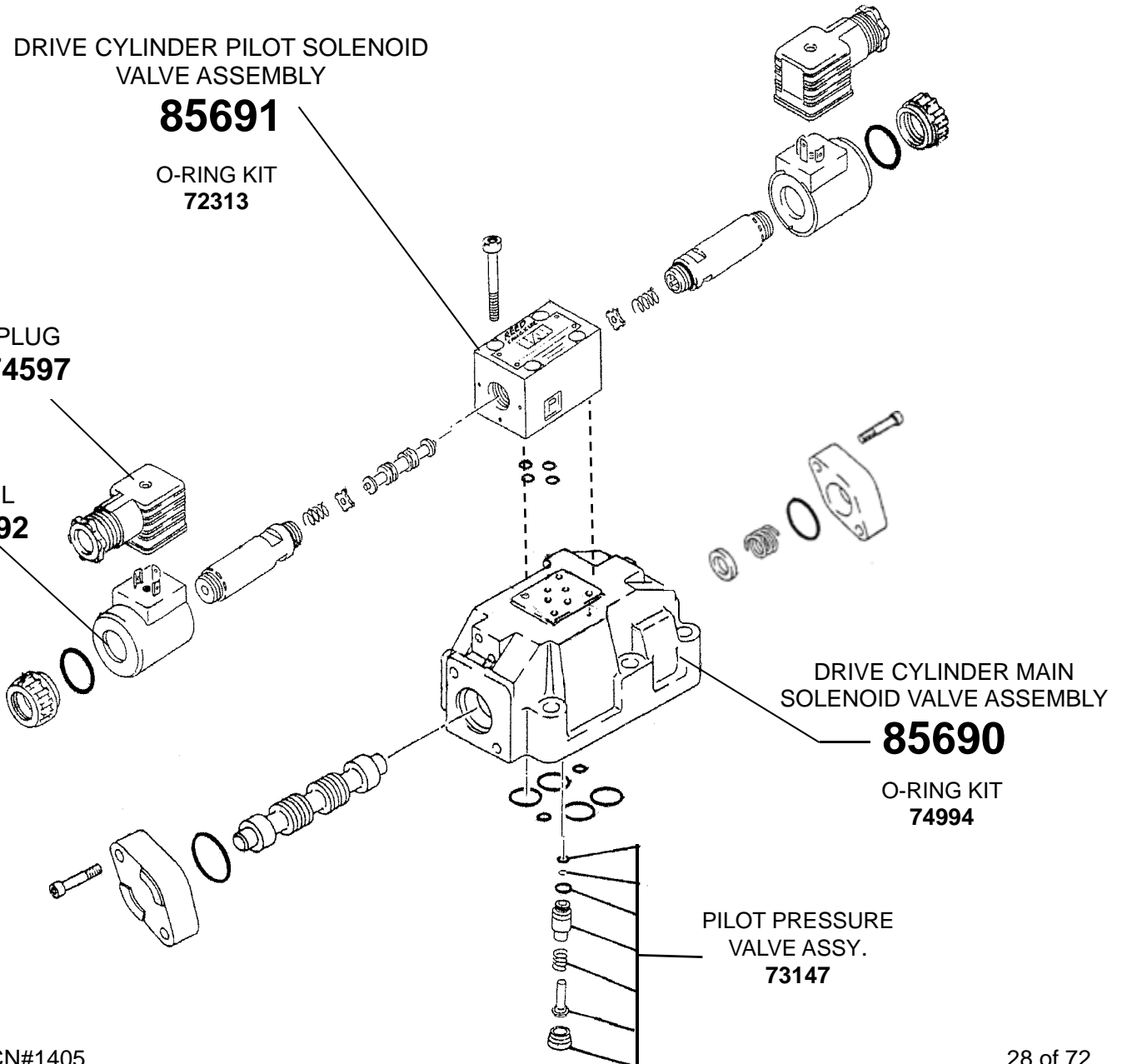
DRIVE CYLINDER PILOT SOLENOID
VALVE ASSEMBLY

85691

O-RING KIT
72313

PLUG
74597

COIL
85692



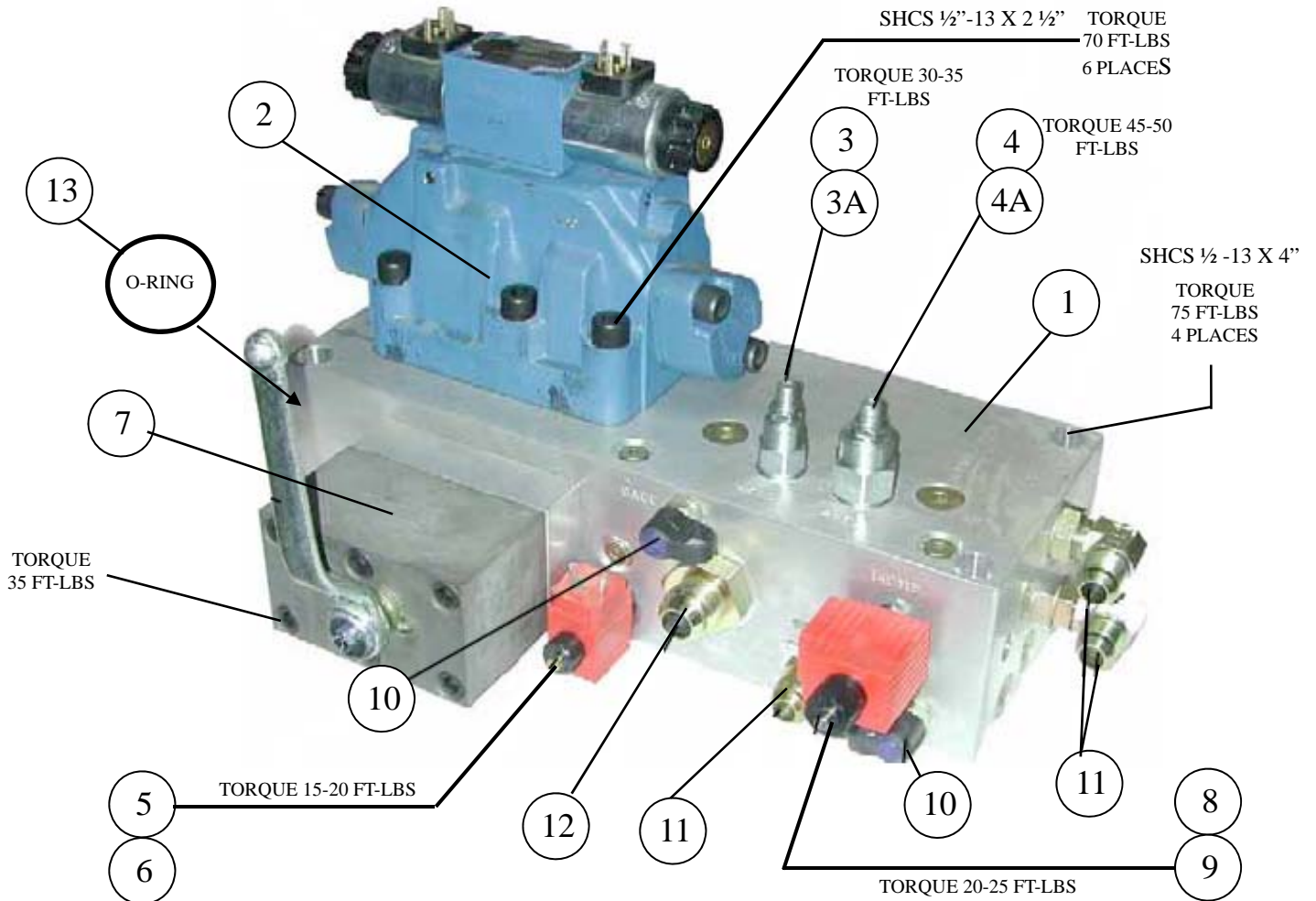
DRIVE CYLINDER MAIN
SOLENOID VALVE ASSEMBLY

85690

O-RING KIT
74994

PILOT PRESSURE
VALVE ASSY.
73147

S-TUBE CIRCUIT MANIFOLD ASSEMBLY



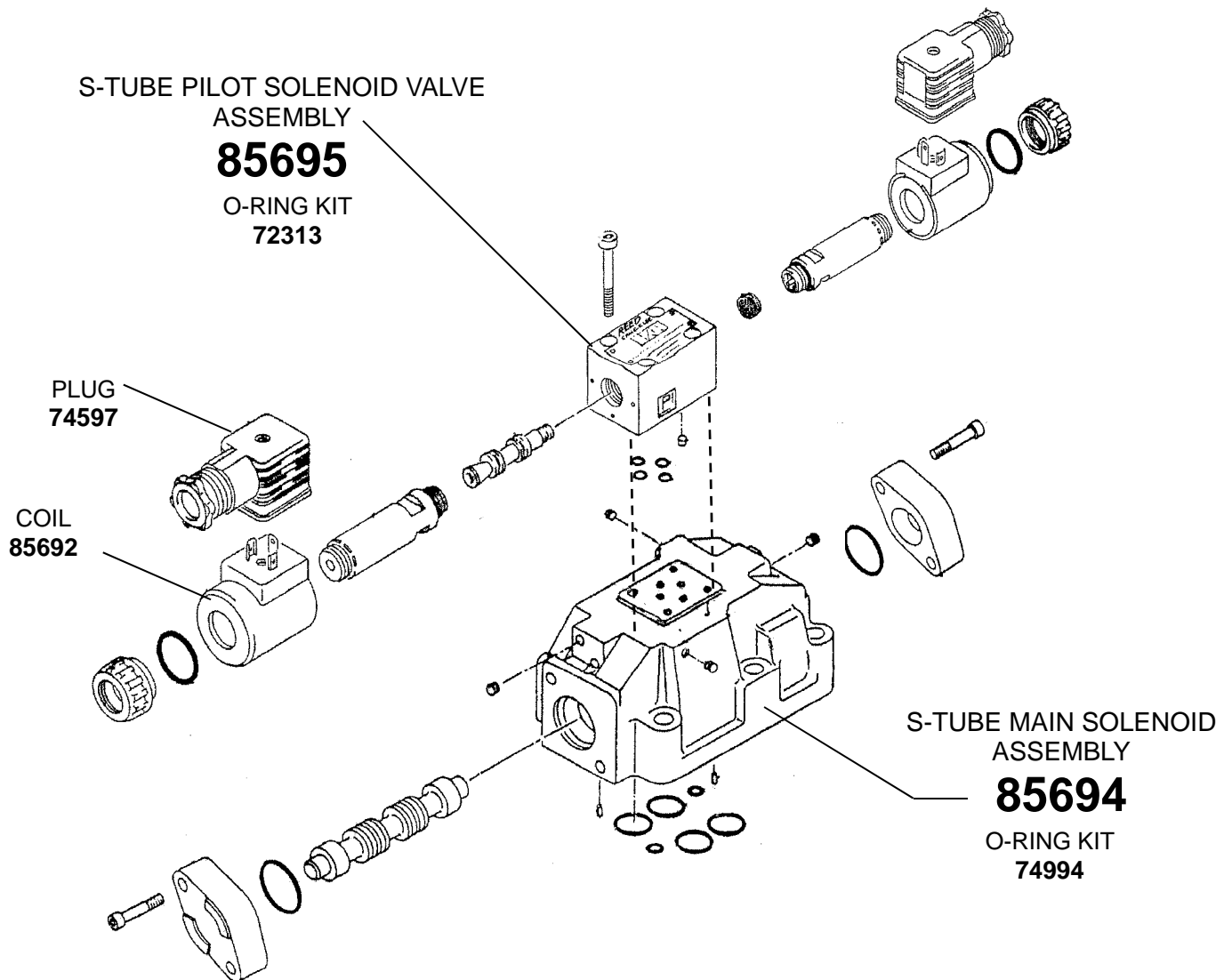
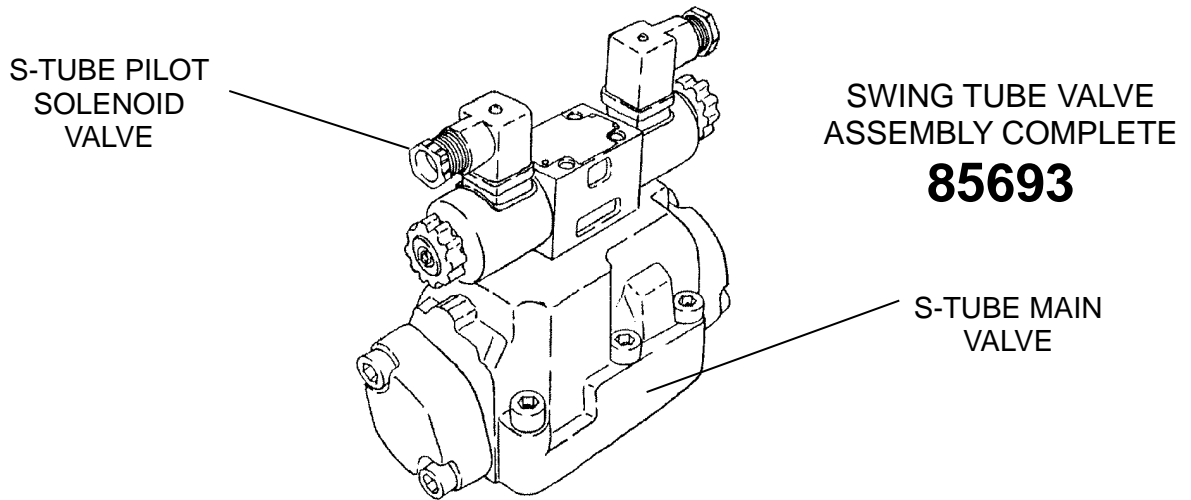
ID #	PART #	PART DESCRIPTION	QUANTITY	
	85249	MANIFOLD, S-TUBE CIRCUIT ASSEMBLY		
1	86821	MANIFOLD, MACHINED S-TUBE CIRCUIT	1	EA
2	85693	SOLENOID VALVE, S-TUBE SHIFT	1	EA
3	85704	UNLOADER VALVE CARTRIDGE, (QCDB)	1	EA
3A	85704-SK	SEAL KIT		
4	85703	RELIEF VALVE CARTRIDGE, (RVEA)	1	EA
4A	85703-SK	SEAL KIT		
5	87246	SOLENOID VALVE CARTRIDGE, (12CHS)	1	EA
6	87247	COIL, 12VDC,	1	EA
7	85705	BALL VALVE,	1	EA
8	87248	SOLENOID VALVE CARTRIDGE, (14CHS)	1	EA
9	87249	COIL, 12V DC FOR PN-87248	1	EA
10	78593	MINICHECK ADAPTOR, SAE	2	EA
11	86728-014	ELBOW, MB-MJ90-10-10	2	EA
12	86900-027	ADAPTOR, MB-MJ-16-12	1	EA
13	86946	O-RING #230 BUNA 90DUR	1	EA



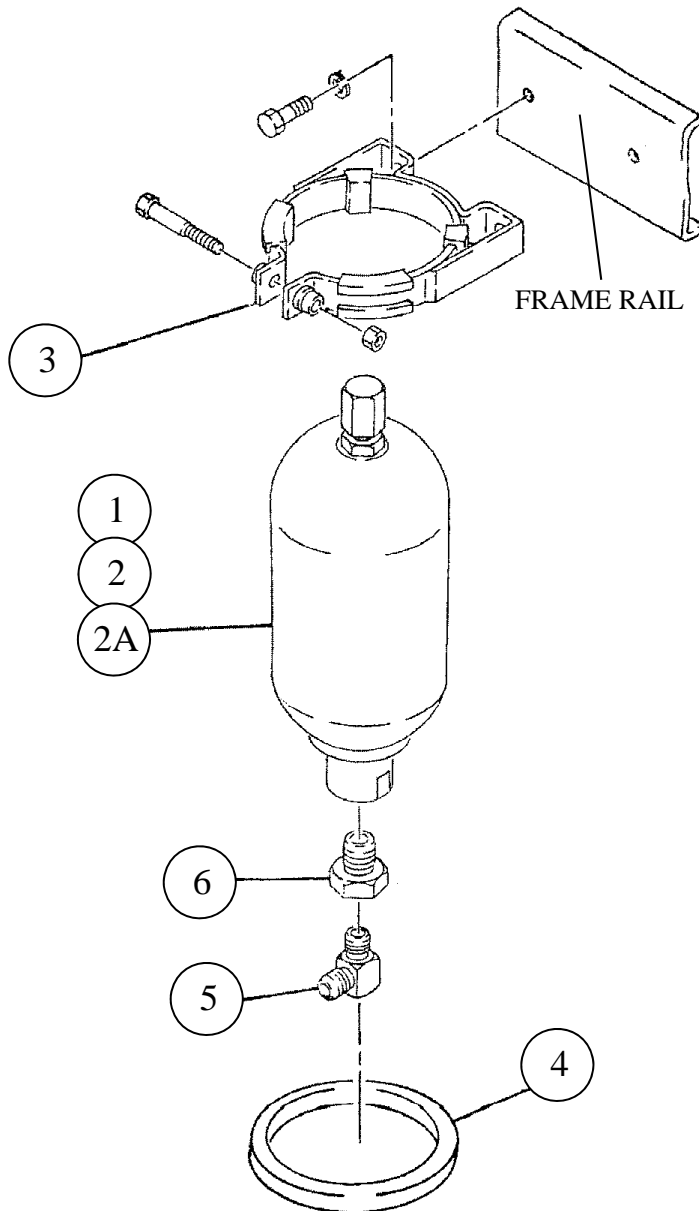
B50v09 B50HPv09 PARTS

13822 Oaks Avenue
Chino, CA 91710
reedpumps.com
(909) 287 - 2100

S-TUBE CIRCUIT MANIFOLD ASSEMBLY CONT.

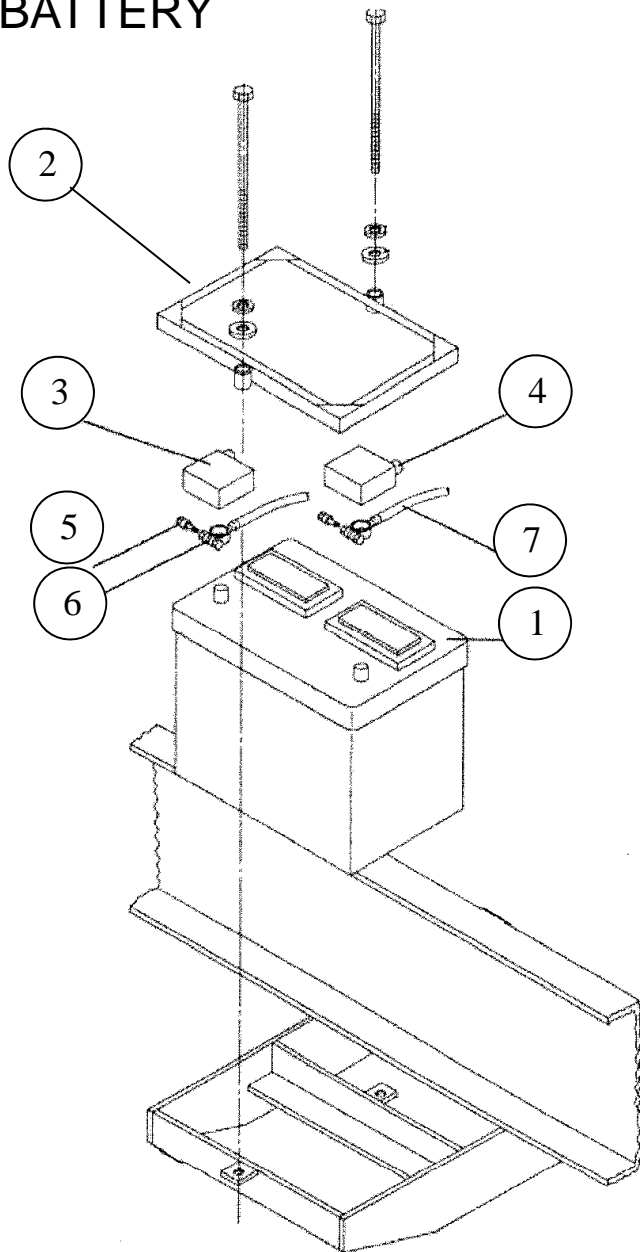


ACCUMULATOR ASSEMBLY



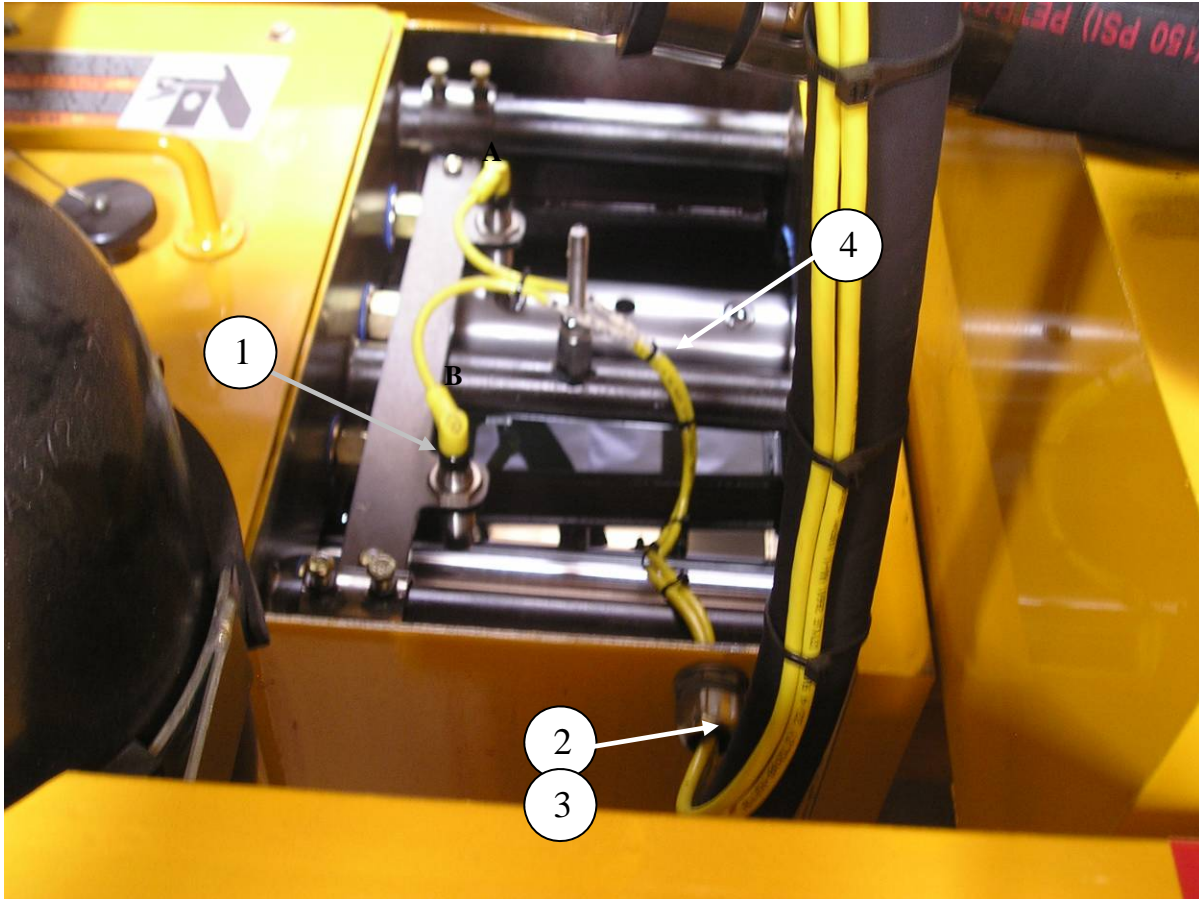
ID #	PART #	PART DESCRIPTION	QUANTITY	
1	74515	ACCUMULATOR-1 GAL 3000PSI	1	EA
2	74516	BLADDER, 1 GAL.	1	EA
2A	85812	BLADDER SEAL KIT	1	EA
3	73171	ACCUMULATOR BKT.W/CLOSING HARDWARE	1	EA
4	801028	GROMMET, ACCUMULATOR	1	EA
5	86728-019	ELBOW, MB-MJ90-12-12	1	EA
6	86920-20	REDUCER MB-FB-20-12	1	EA

ELECTRICAL GROUP BATTERY



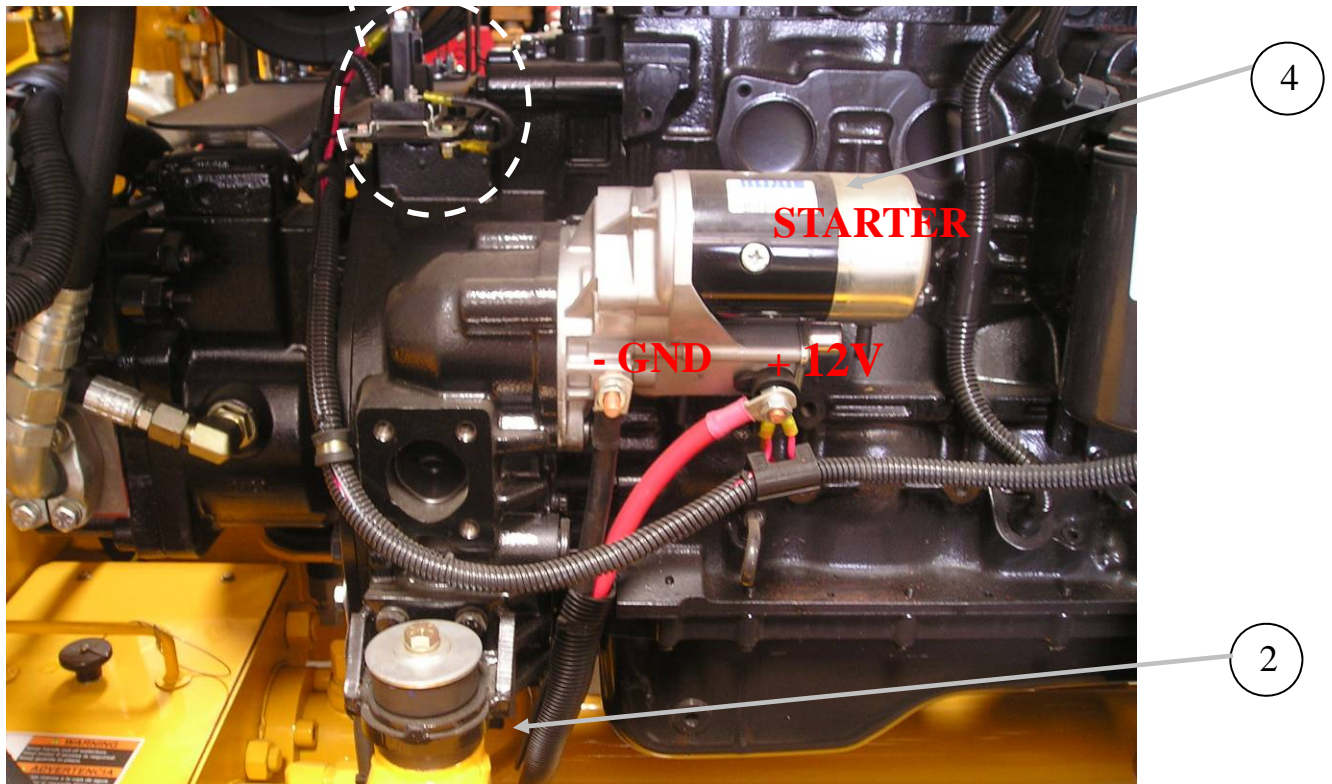
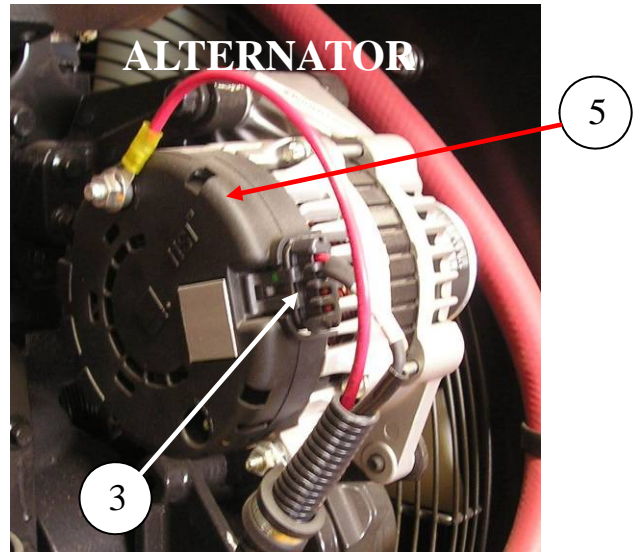
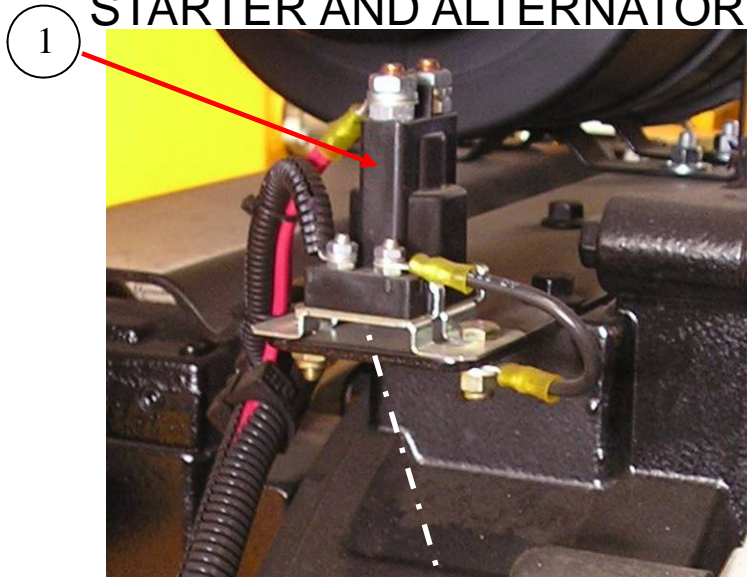
ID #	PART #	PART DESCRIPTION	QUANTITY	
	87930	ELECTRICAL GROUP B SER 2008 CUMMINS	1	EA
1	77075	BATTERY-12V 1000 CCA31	1	EA
2	72945	BATTERY HOLD DOWN	1	EA
3	87221	INSULATOR, RIGHT ELBOW-RED	1	EA
4	87222	INSULATOR, LEFT ELBOW-BLACK	1	EA
5	87223	EXTENDER, TOP TERMINAL BOLT	2	EA
6	87732	CABLE-43" BATTERY-RED 2/0	1	EA
7	87733	CABLE-37" BATTERY-BLACK 2/0	1	EA

PROXIMITY SWITCHES

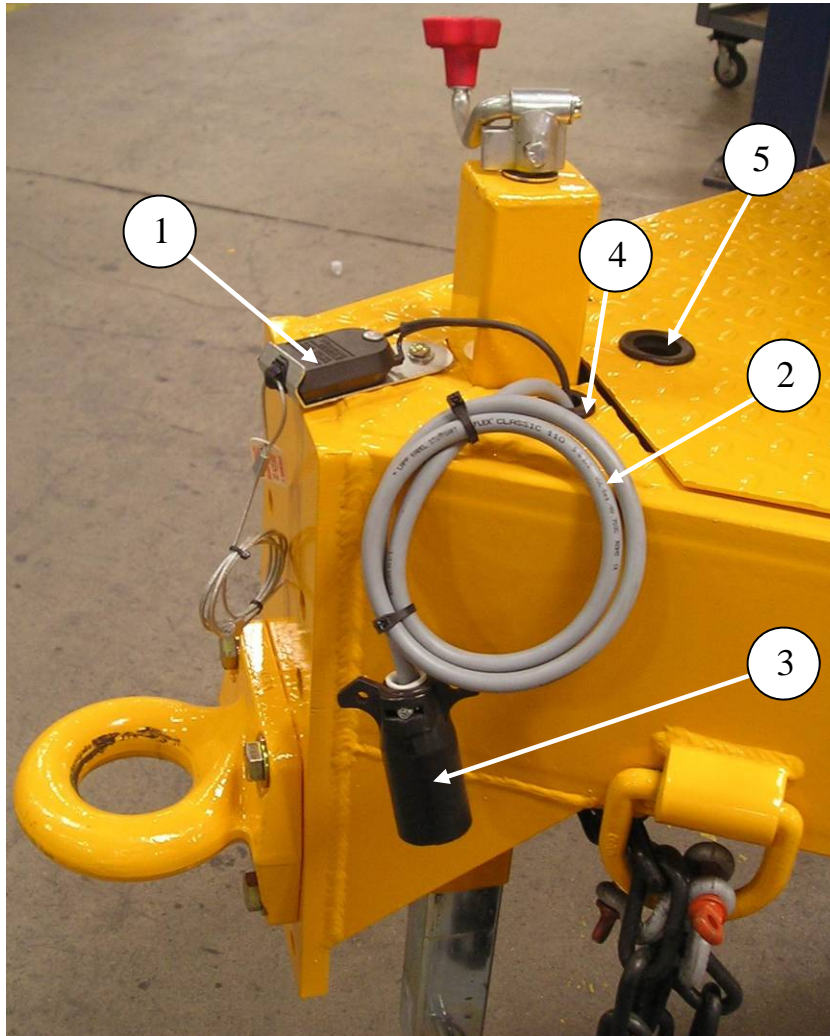


ID #	PART #	PART DESCRIPTION	QUANTITY	
1	77998	PROXIMITY SENSOR NPN FLUSH BOX MOUT	2	EA
2	10522	STRAIN RELIEF	1	EA
3	10528	NUT-1/2" BONDING TYPE LOCK	1	EA
4	77990	CABLE, PROXIMITY SWITCH, 5M	2	EA

STARTER AND ALTERNATOR

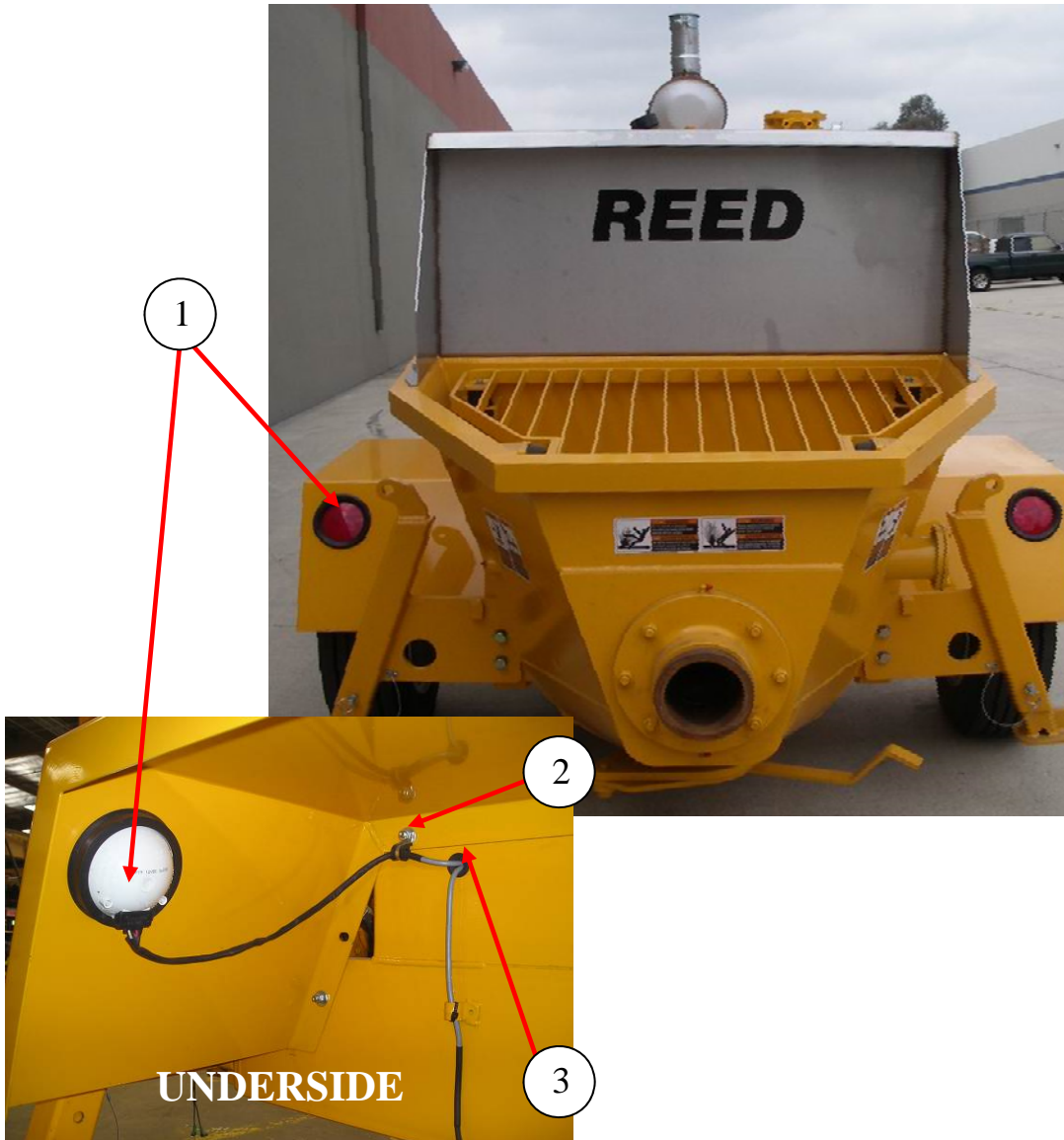


ID #	PART #	PART DESCRIPTION	QUANTITY	
1	87541	RELAY STARTER 12VDC-SELL W/87544	1	EA
2	73269	GROUND STRAP	1	EA
3	87669	PIGTAIL HARNESS, FOR CUMMINS ALTERN	1	EA
4	87725-006	STARTER MOTOR	1	EA
5	87725-007	ALTERNATOR	1	EA

TRAILER HARNESS AND BREAKAWAY

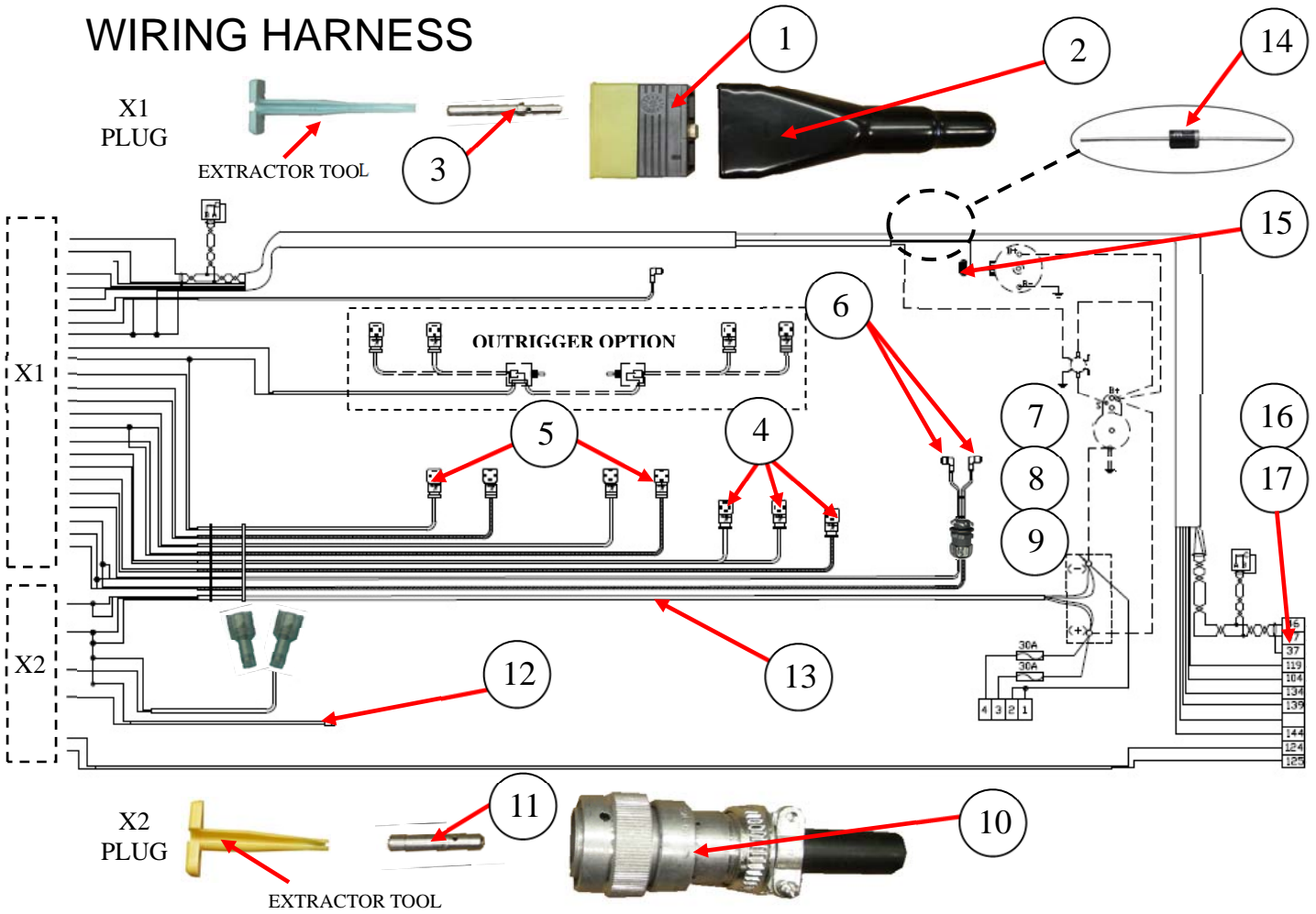
ID #	PART #	PART DESCRIPTION	QUANTITY	
1	77705	BREAK-AWAY KIT	1	EA
2	86533	TRAILER HARNESS- B-SERIES	1	EA
3	86579	TRAILER PLUG 7C FLAT PI	1	EA
4	72949	GROMMET	1	EA
5	72813	GROMMET	1	EA

TAIL LIGHTS



ID #	PART #	PART DESCRIPTION	QUANTITY	
1	72948	TAIL LIGHT	2	EA
2	87665	LOOM CLAMP 7/8"	2	EA
3	72949	GROMMET	2	EA

WIRING HARNESS



ID #	PART #	PART DESCRIPTION	QUANTITY	
	87734-2	WIRING HARNESS B SER HOPPER SAFETY	1	EA
1	BW10145	PLUG CONNECTOR	1	EA
2	BW10146	BOOT, FOR BW10145 PLUG	1	EA
3	BW10147	PIN, FOR BW10145 PLUG	24	EA
4	87540	CABLE SOLENIOD VALVE, WITH DIN PLUG	3	EA
5	88243	CABLE WITH 2 DIN PLUGS, 5M LONG, MURR	2	EA
6	77990	CABLES, PROXIMITY SWITCH, 5M	3	EA
7	10522	STRAIN RELIEF	1	EA
8	10528	LOCKING NUT 1/2"	1	EA
9	30240	GASKET, LIQUID,TITE 1/2"	1	EA
10	87456	PLUG CONNECTOR, 8 PIN	1	EA
11	87457	PIN, FOR 87456 PLUG	8	EA
12	85615	CABLE, 14 AWG-2C, PVC-GRY	15.5	FT
13	85617	CABLE, 14 AWG-4C, PVC-GRY	9	FT
14	77640	DIODE, IN4003	1	EA
15	87669	PIGTAIL HARNESS, FOR CUMMINS ALTERN	1	EA
16	87725-18	HARNESS ASSY, FOR CUMMINS ENGINE	1	EA
17	87725-20	CABLE,SENSING,FUEL/WATER SEPERATOR	1	EA



B50v09 B50HPv09 PARTS

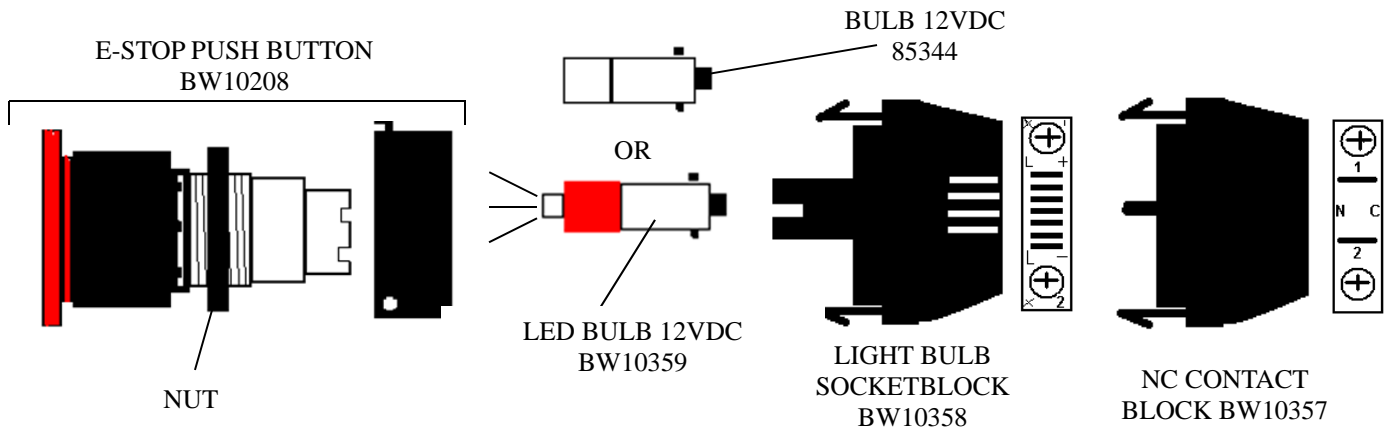
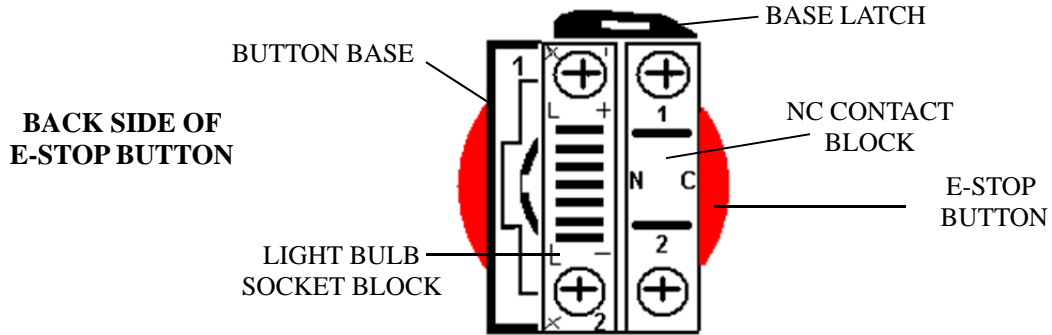
13822 Oaks Avenue
Chino, CA 91710
reedpumps.com
(909) 287 - 2100

CONTROLS B-SERIES CONTROL BOX

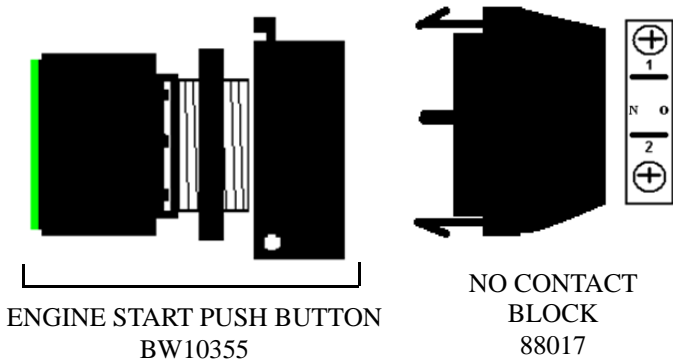


ID #	PART #	PART DESCRIPTION	QUANTITY	
	87346-2	CONTROL BOX, REV-H	1	EA
1	BW10372	SW,TOGGLE, (ON-OFF-ON) VIBRATOR	1	EA
2	BW10207	SW,TOGGLE, (ON-OFF) PUMP ON/OFF & FWD/REV	2	EA
3	BW10223	SW,TOGGLE, (ON-ON) LOCAL/REMOTE	1	EA
4	BW10206	SW,TOGGLE,(ON-OFF) STROKE CHANGE& HORN	2	EA
5	BW10205	SW,TOGGLE,(ON-OFF-ON) RPM+/- & VOLUME+/-	2	EA
6	BW10361	SW, SEALING BOOT	9	EA
7	BW10208	MUSHROOM HEAD MAINTANED BUTT.	1	EA
8	BW10358	E-STOP LIGHT(POWER SUPPLY)	1	EA
9	BW10357	NC CONTACT BLOCK	1	EA
10	BW10359	MIN, RED,LED, BULB	1	EA
11	87952	SW, (FAST CHANGE)	1	EA
12	BW10355	SW, PB GRN FLUSH (ENG START)	1	EA
13	BW10354	SW, KEYSWITCH BLK	1	EA
13A	BW10204-1	KEY ONLY	2	EA
14	88017	SW, CONTACT BLOCK N.O. (SYS ON) (ENG START)	2	EA
15	BW10212	MINI HOURMETER	1	EA
16	87346-LCD	DISPLAY,LCD 20CX4L W/BACKLIT	1	EA
17	BW10369	LED, PILOT LIGHT, (GRN)	3	EA
18	BW10370	LED, PILOT LIGHT, (RED)	1	EA
19	BW10371	LED, PILOT LIGHT, (AMBER)	1	EA
20	72862	GAUGE FOR PROX.SENSOR SETTING	1	EA
21	87346-2-DECAL	DECAL FACEPLATE FOR 87346-2 BOX	1	EA

CONTACT BLOCKS



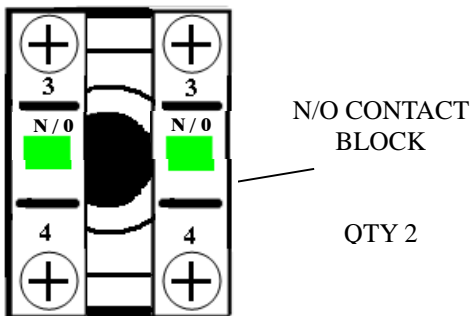
ENGINE START BUTTON ASSEMBLY



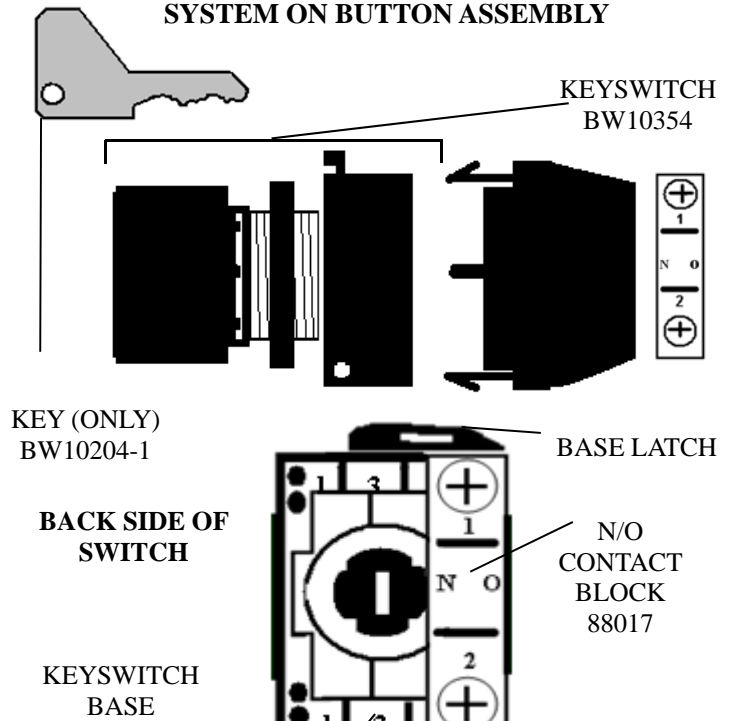
BACK SIDE OF SWITCH

BUTTON BASE

ECN#1405

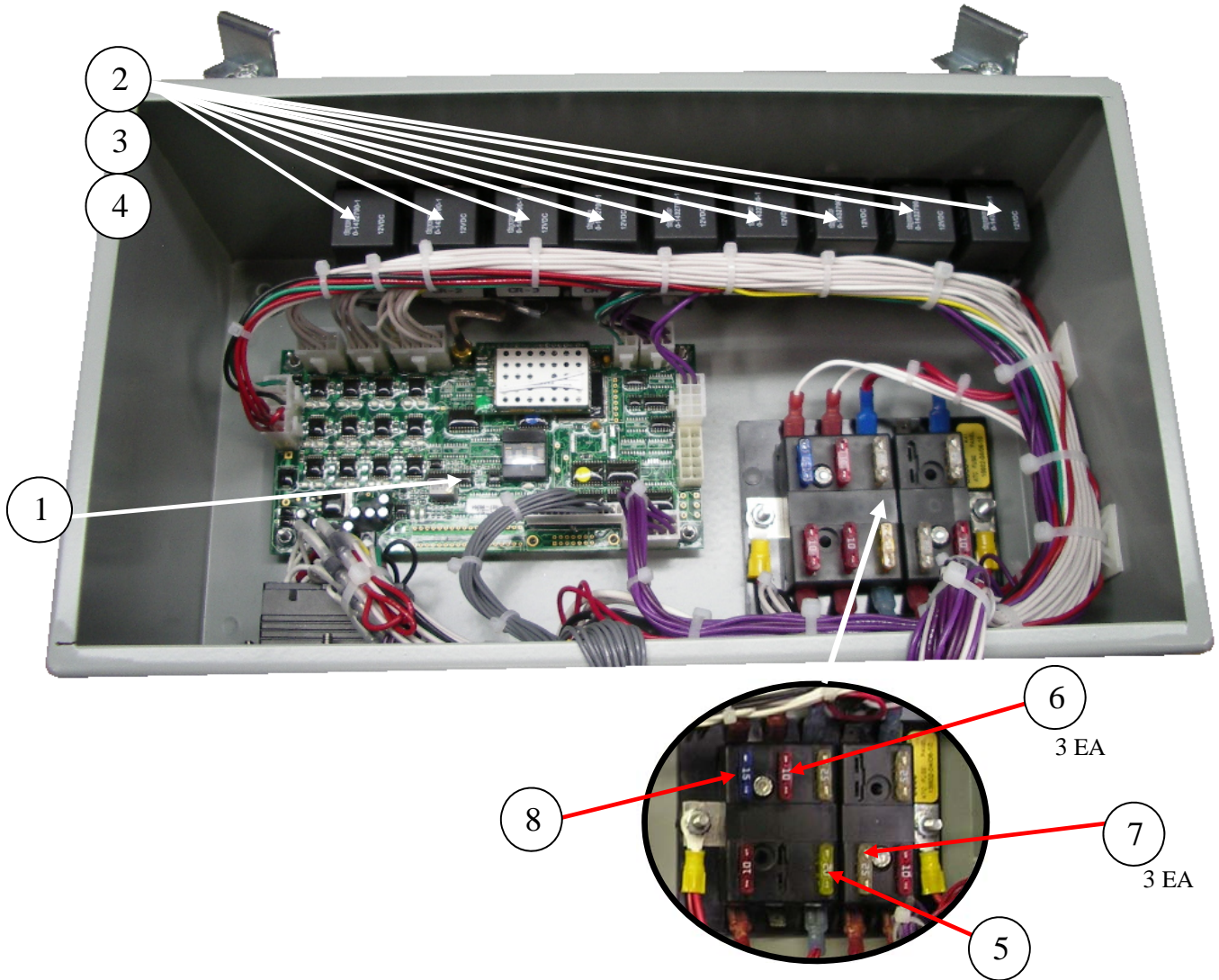


SYSTEM ON BUTTON ASSEMBLY



BACK SIDE OF SWITCH

RELAYS AND FUSES



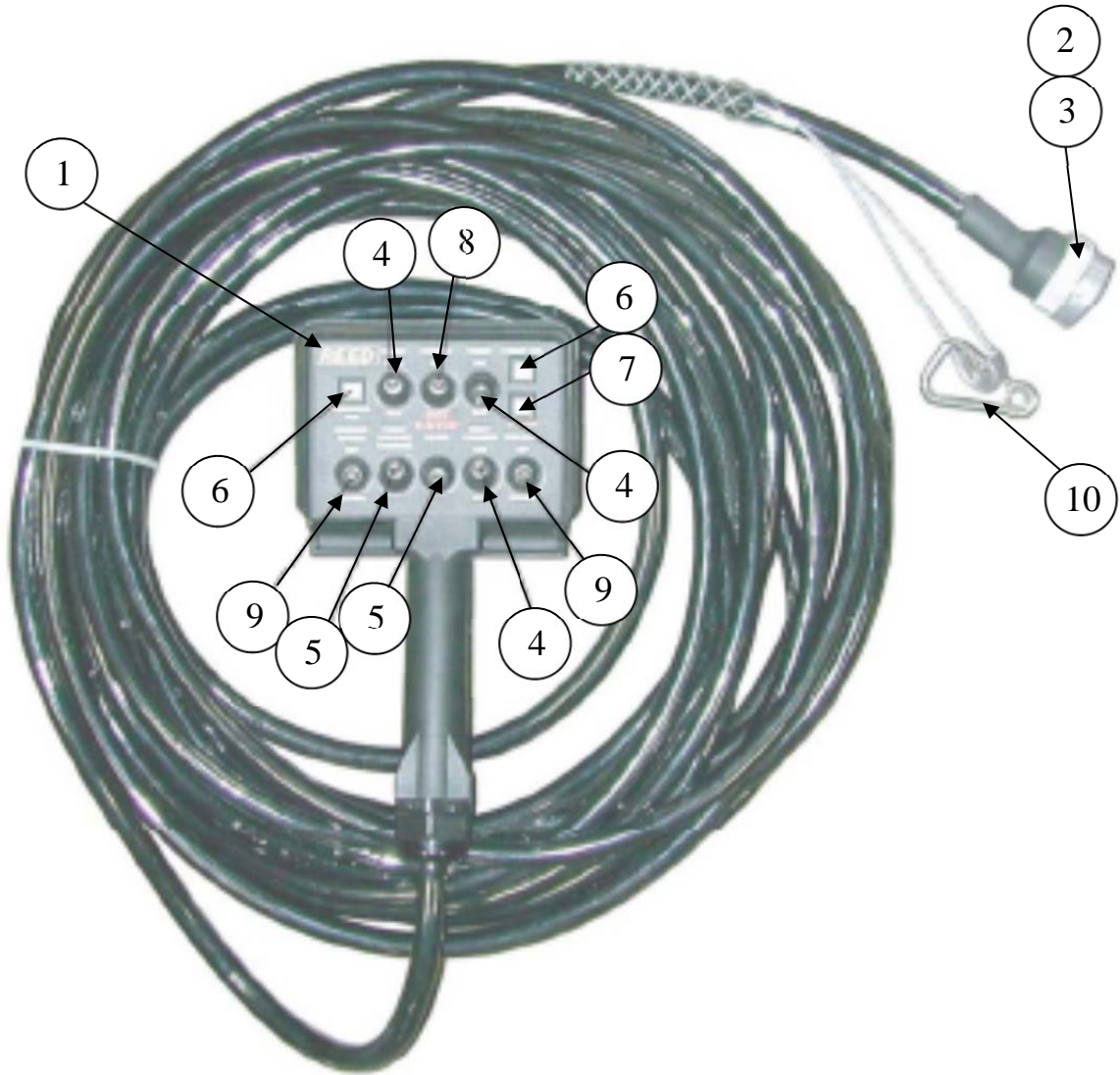
ID #	PART #	PART DESCRIPTION	QUANTITY	
1	87346-2-BOARD	CONTROL BOARD	1	EA
2	87970	RELAY, DIODE SUPRESSED	9	EA
3	72927	RELAY, PINS	36	EA
4	BW10224	SOCKET,RELAY	9	EA
5	800448	FUSE, 20A ATO	1	EA
6	800449	FUSE, 10A ATO	3	EA
7	800447	FUSE, 25A ATO	3	EA
8	90391	FUSE, 15A ATO	1	EA

CONNECTOR



ID #	PART #	PART DESCRIPTION	QUANTITY	
1	BW10217	CONN,DRC12-24PA (P1)	1	EA
2	BW10220	CONN,DRC24-GASKET	1	EA
3	BW10221	DEUTSCH PINS, (MALE)	24	EA
4		CONN,HD34-18-08PN (P2)	1	EA
5	87807	DEUTSCH PINS, (MALE)	8	EA
6		CONN, HD34-24-16SN 16 PIN (P4)	1	EA
7	87808	DEUTSCH PINS, (FEMALE)	16	EA
8	88478	CONN,HD34-18-14PN (P3)	1	EA
9	BW10221	DEUTSCH PINS, (MALE)	14	EA
10	88479	NUT FOR 88478 CONN	1	EA
11	88480	WASHER FOR 887478 CONN	1	EA

50 FT CABLE REMOTE



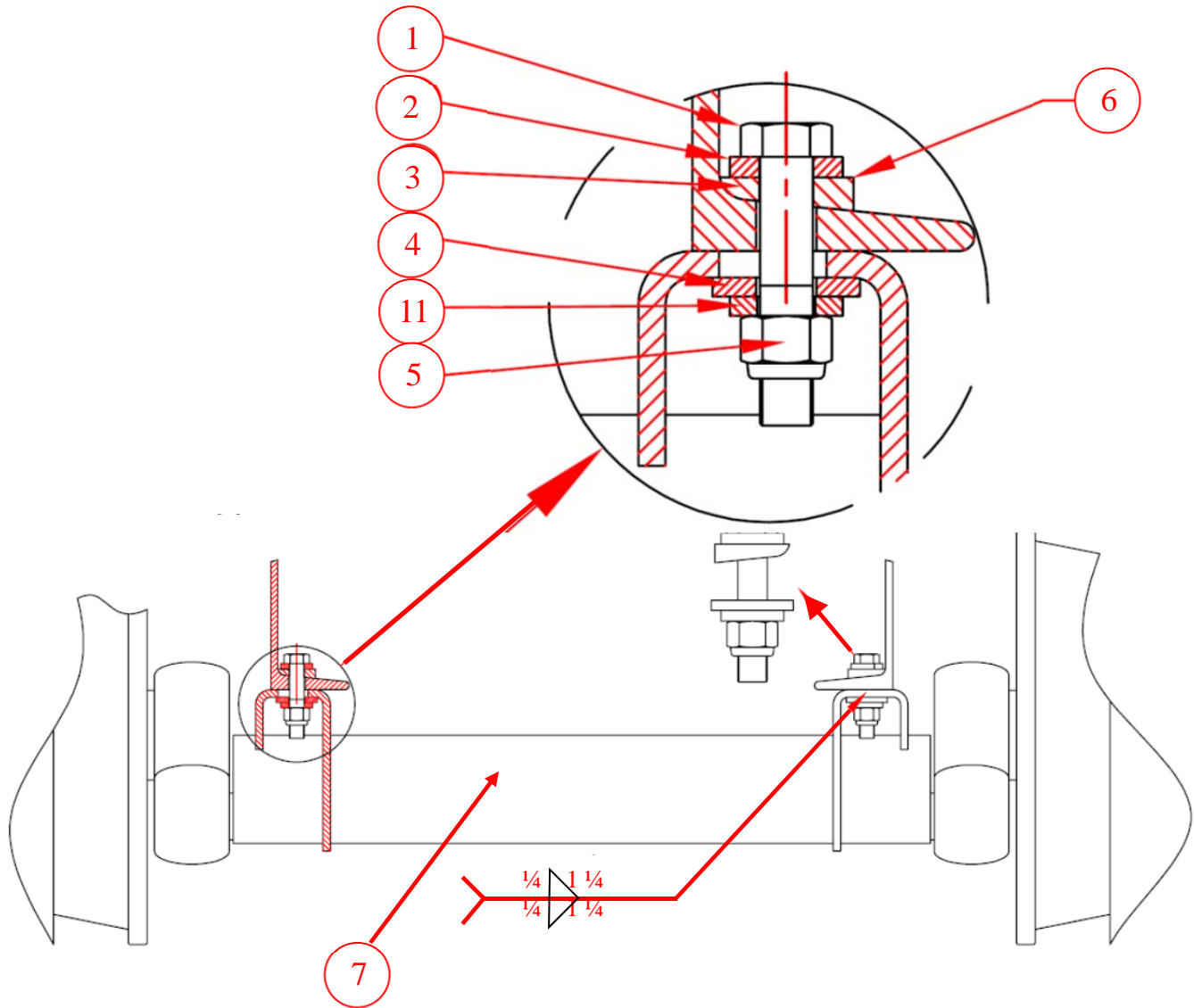
ID #	PART #	PART DESCRIPTION	QUANTITY	
1	87347-3	REMOTE CONTROL, 87346 REV-D & UP	1	EA
2	87915	CONNECTOR, 87347-1 CABLE REMOTE	1	EA
3	BW10147	PINS (FEMALE)	14	EA
4	BW10207	SW,TOGGLE, (ON-OFF) PUMP ON/OFF & FWD/REV FAST CHANGE	3	EA
5	BW10206	SW,TOGGLE,(ON-OFF) HORN & STROKE CHANGE	2	EA
6	88170	LED, CONTROL ON (GREEN)	2	EA
7	88171	LED, CONTROL ON (RED)	1	EA
8	BW10223	SW, POWER ON/ OFF	1	EA
9	BW10205	SW,TOGGLE,(ON-OFF-ON) RPM+/- & VOLUME+/-	2	EA
10	87875	SPRING SNAP	1	EA
REF	BW10361	SW, SEALING BOOT	8	EA

FRAME INSTALLATION FRAME, TIRES, JACK, AND TOW EYE



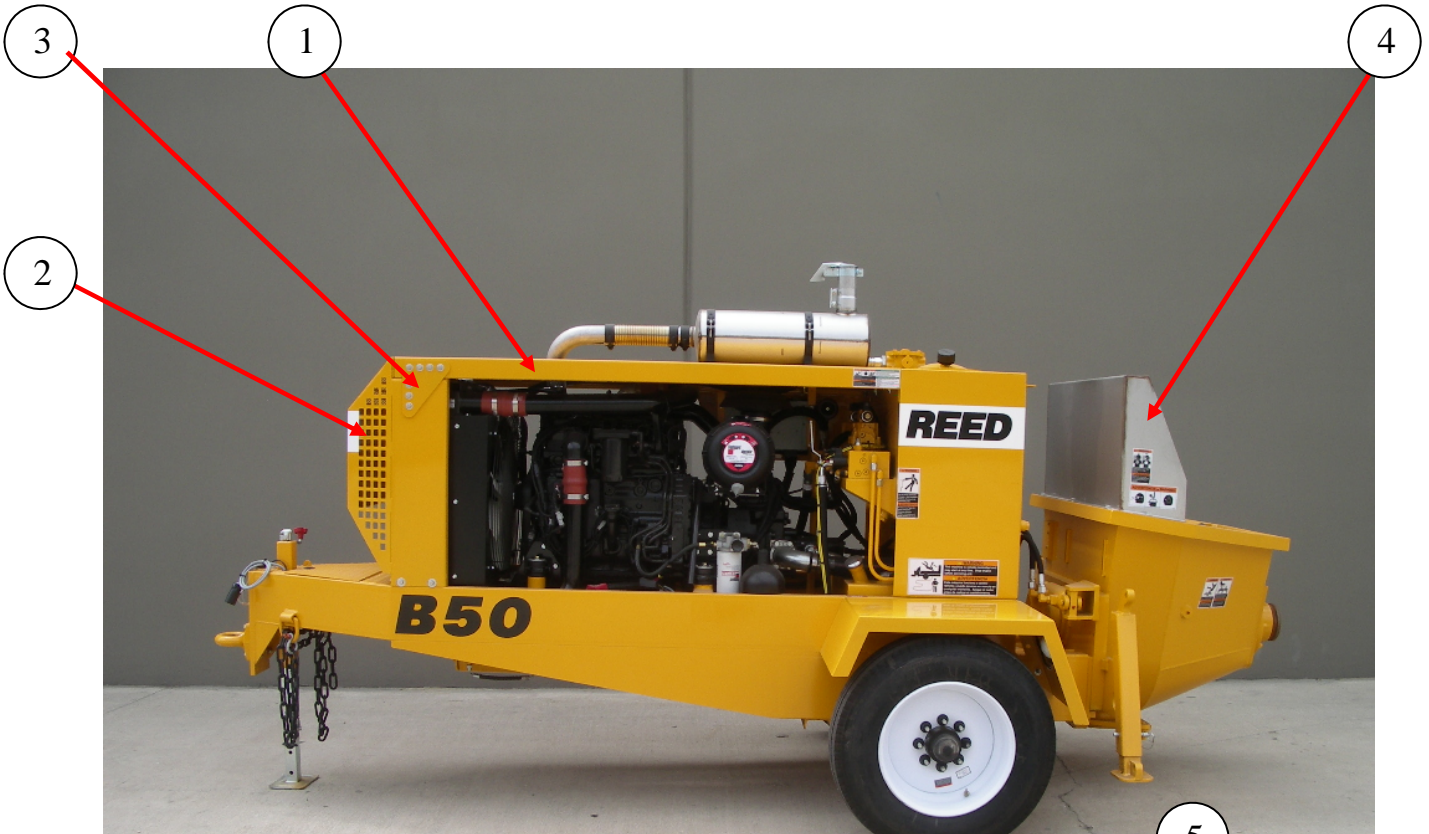
ID #	PART #	PART DESCRIPTION	QUANTITY	
	88549	FRAME ASSY B SER, 2007 W/CUMMINS	1	EA
1	88548	FRAME WELDMENT B SER 2007 CUMMINS	1	EA
2	86923	TIRE & WHEEL ASSY -215/75R17.5 H	2	EA
3	88033	OIL CAP KIT(QUALITY)	2	EA
4	85527	JACK WELDMENT	1	EA
5	87037	DRAW BAR	1	EA
6	87449	COVER CONTROL BOX, PAINTED	1	EA
7	13257	WEATHERSTRIP, RUBBER, 5/32 X 1	30	IN
8	86730	CHAIN-3/8 PROOF COIL GR 70 PHOSPATE	5.5	FT
9	87085	SHACKLE ANCHOR, SCREW PIN, 1/2 6600	4	EA

9000LB AXLE MOUNTING ASSEMBLY



ID #	PART #	PART DESCRIPTION	QUANTITY	
	87542	AXLE MOUNTING HARDWARE KIT	1	EA
1		1/2" -20 X 2.5 HHCS GR8	4	EA
2		1/2" SAE WASHER	8	EA
3		1/2" USE WASHER	4	EA
4		1/2" SAE WASHER	4	EA
5		1/2" - 20 LOCK NUT	4	EA
6		1/2" BEVELED WASHER	4	EA
7	86924	AXLE, TORSION, 9000 LB	1	EA

HOOD AND COVERS

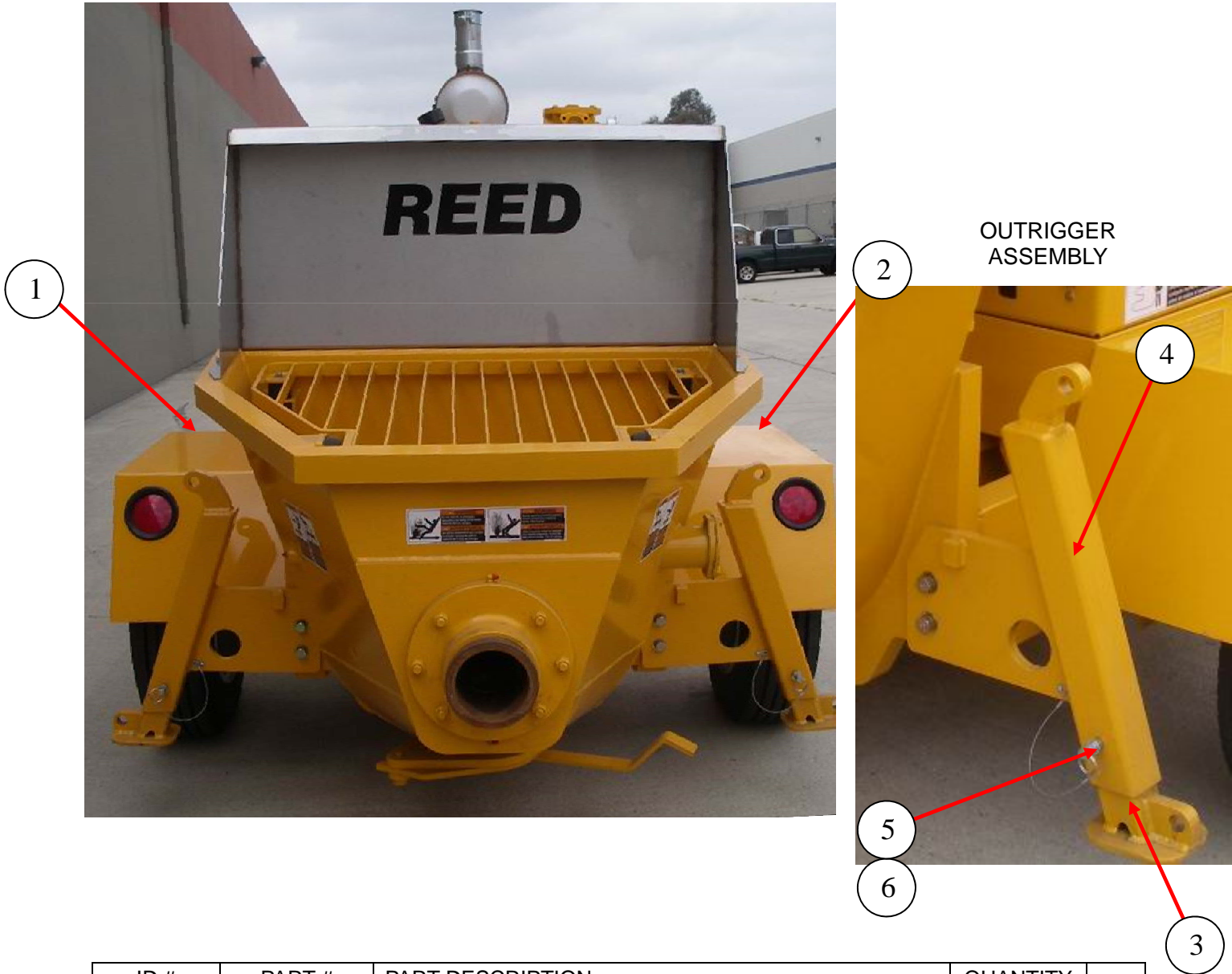


FLUSH BOX ASSEMBLY



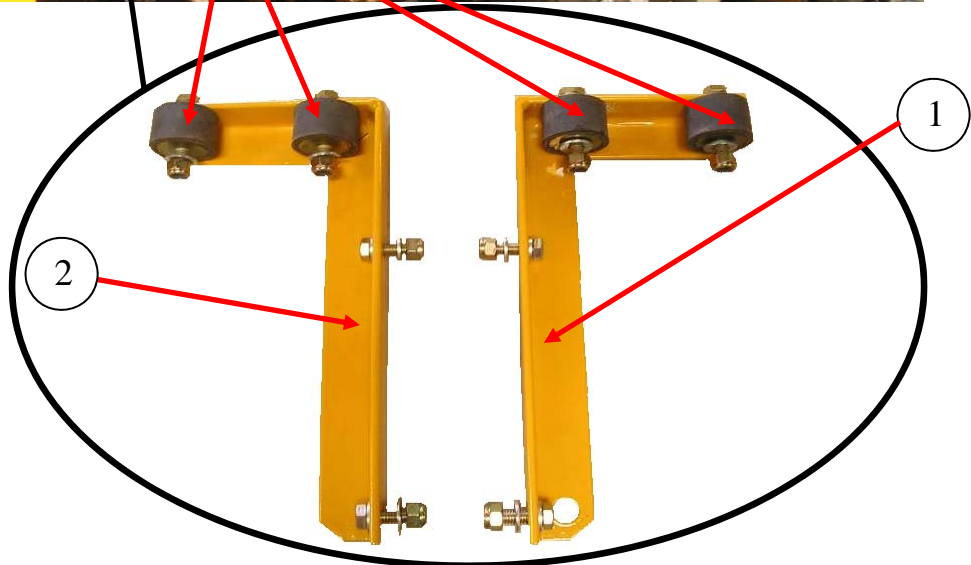
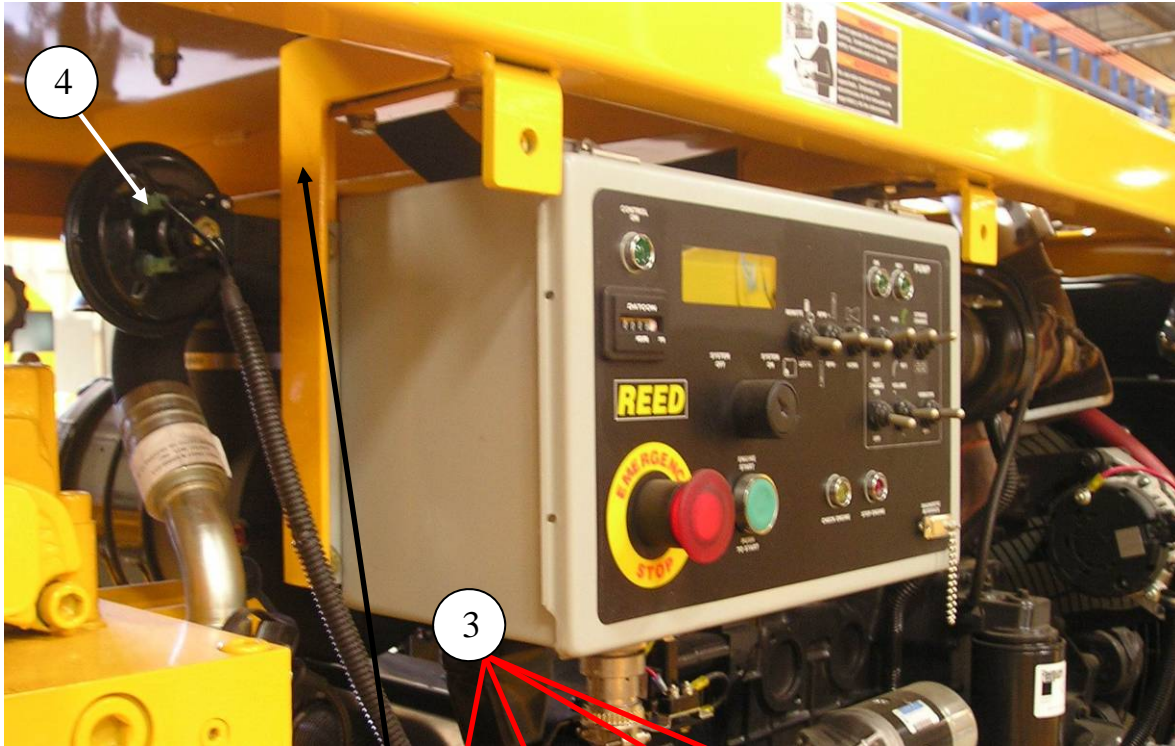
ID #	PART #	PART DESCRIPTION	QUANTITY	
1	87737	COVER TOP, B SER CUMMINS PAINTED	1	EA
2	87681	COVER FRONT WELD, B SER CUM PAINTED	1	EA
3	87647	GUSSET ENGINE COVER PAINTED	2	EA
4	85390	SPLASH GUARD, B & C SERIES	1	EA
5	86106	COVER ASSY, FLUSH BOX	1	EA
6	86010	COVER WELDMENT, FLUSH BOX	1	EA
7	86105	KNOB	1	EA
8	79056	HANDLE	1	EA
9	800418	LANYARD, Q/R PIN	1	EA
10	87755	GASKET, FOR FLUSH BOX LID	1	EA

FENDERS AND OUTRIGGERS



ID #	PART #	PART DESCRIPTION	QUANTITY	
1	86959	FENDER, RH, B SERIES PAINTED	1	EA
2	86960	FENDER, LH, B SERIES PAINTED	1	EA
3	86553	OUTRIGGER WELDMNT, INNER-PAINTED	2	EA
4	86557	OUTERTUBE, O/R B & C - PAINTED	2	EA
5	85595	PIN, Q/R, 5/8 DIA X 3 1/2 L	2	EA
6	800418	LANYARD, Q/R PIN	2	EA

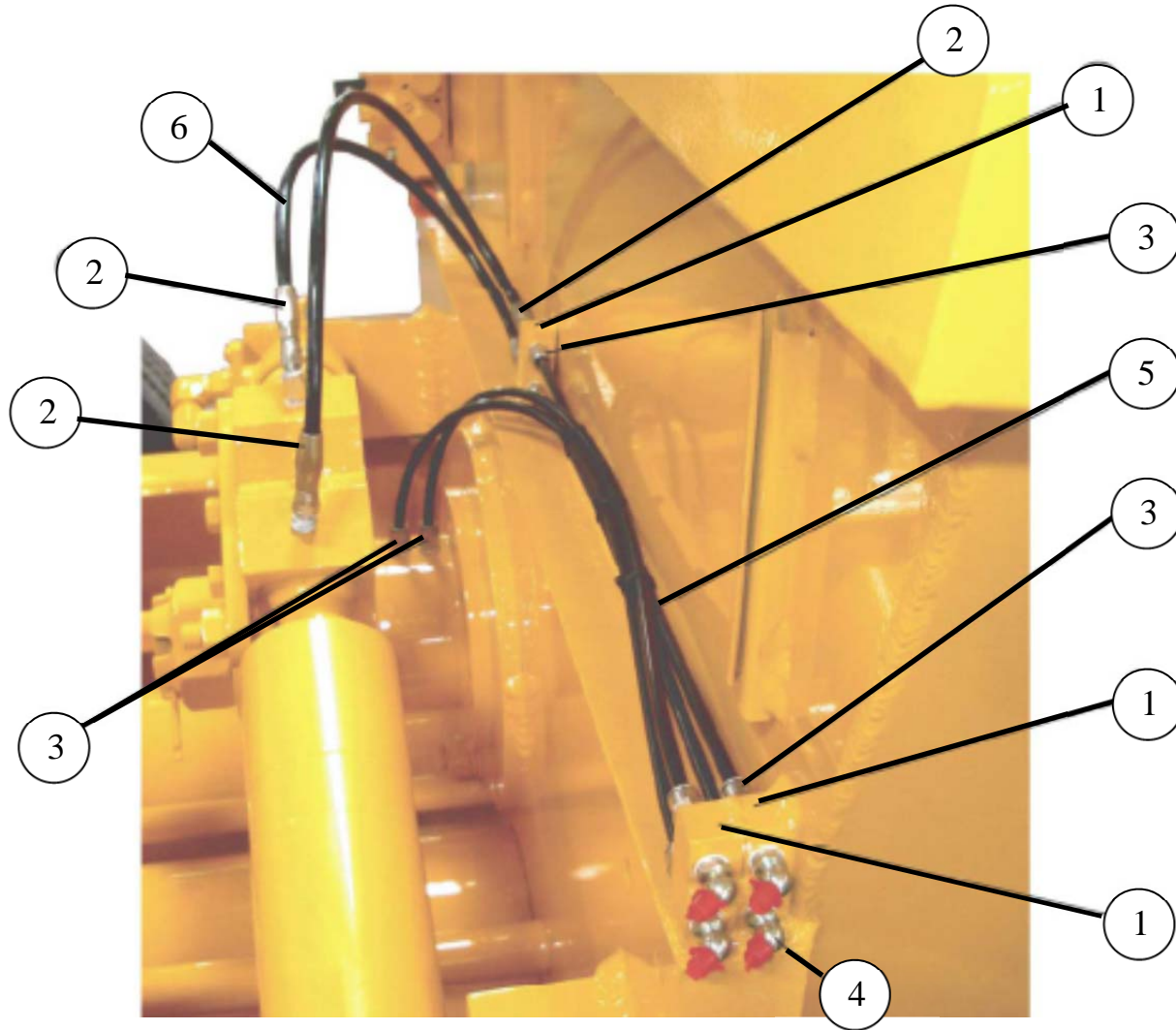
CONTROL BOX MOUNT



ID #	PART #	PART DESCRIPTION	QUANTITY	
1	87397	ANGLE CONTROL BOX MOUNT RH	1	EA
2	87398	ANGLE CONTROL BOX MOUNT LH	1	EA
3	73748	BUMPER	4	EA
4	800347	HORN, 12V	1	EA

OPTIONS

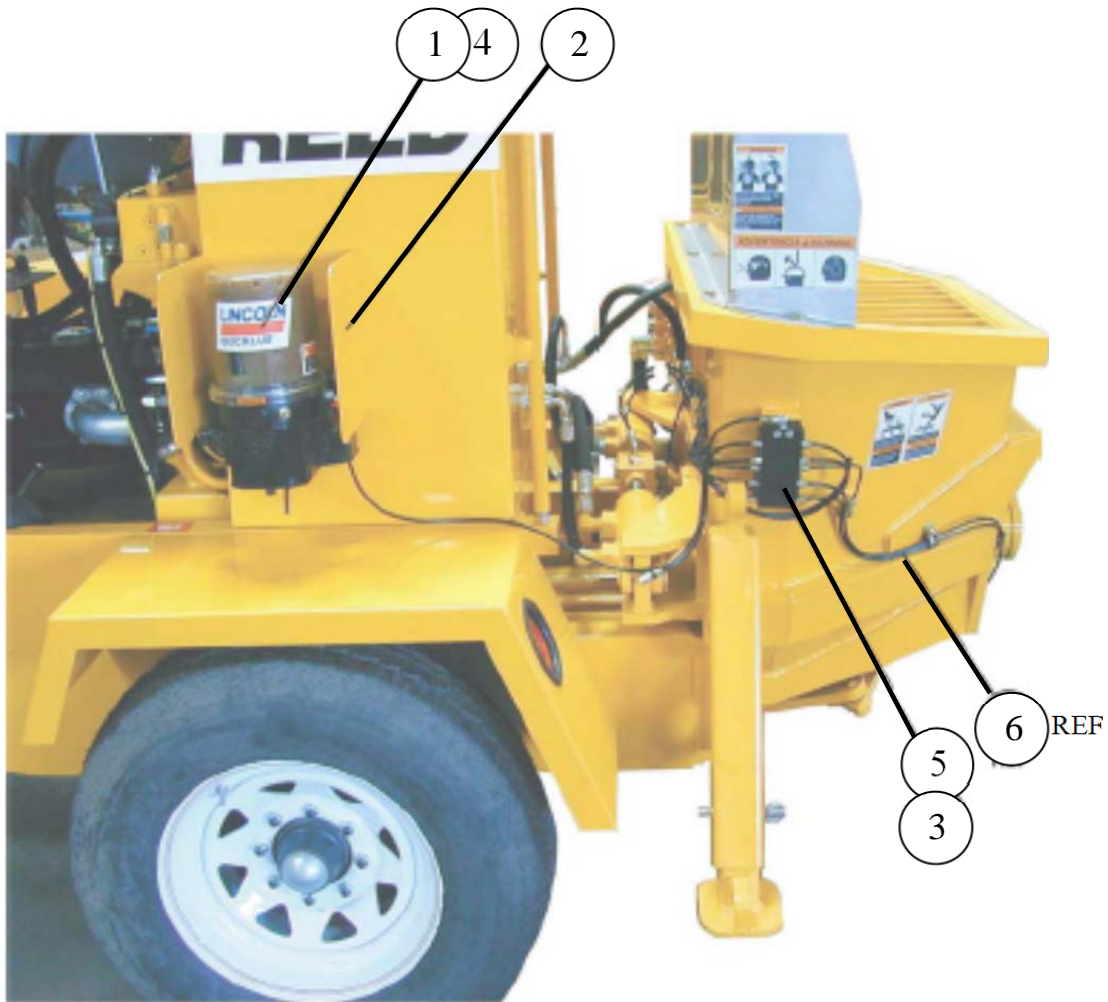
LUBE BLOCK



ID #	PART #	PART DESCRIPTION	QUANTITY	
	87539	ASSEMBLY, CENTRALIZED LUBE BLOCK	1	EA
1	87437	BLOCK	3	EA
2	87628	HOSE, COUPLING	4	EA
3	87629	FITTING, HOSE	8	EA
4		FITTING, GREASE	4	EA
5		HOSE, PLASTIC- ¼ " O.D. TUBING	A/R	
6		HOSE, PLASTIC 5/16" O.D. TUBING	A/R	

OPTIONS

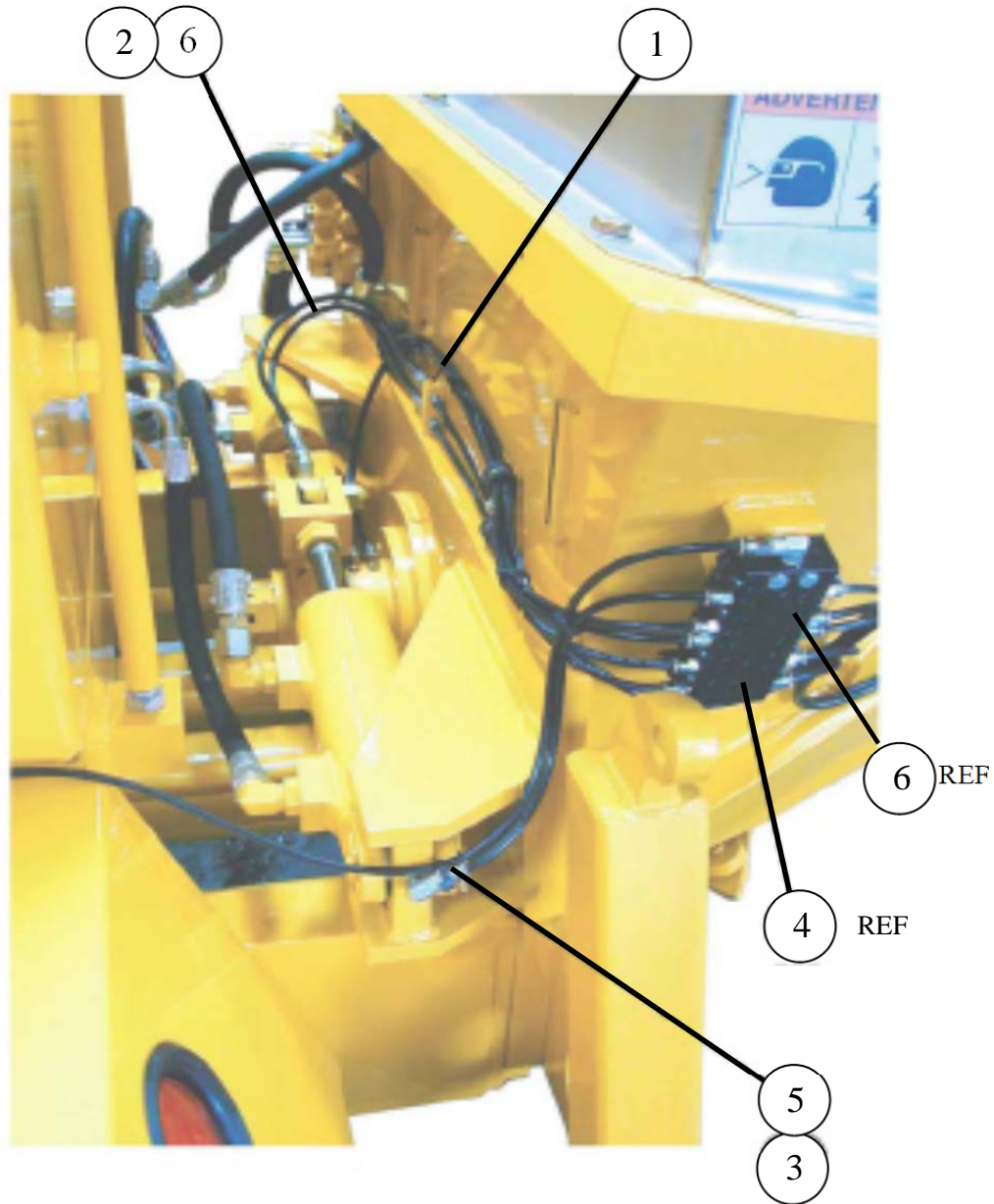
AUTOLUBE PUMP (PLASTIC TUBING)



ID #	PART #	PART DESCRIPTION	QUANTITY	
	87476	ASSEMBLY, AUTO LUBE 12V PLASTIC TUBE	1	EA
1	87193	LUBE PUMP ASSY (PLACTIC TUBING)	1	EA
2	87257	GUARD	1	EA
3	87475	BRACKET, LUBE BLOCK MOUNT	1	EA
4		VALVE, PRESSURE RELIEF	1	EA
5		BLOCK, DIVIDER VALVE -18 OUTLET	1	EA
6		HOSE, PLASTIC- 1/4" O.D.	A/R	

OPTIONS

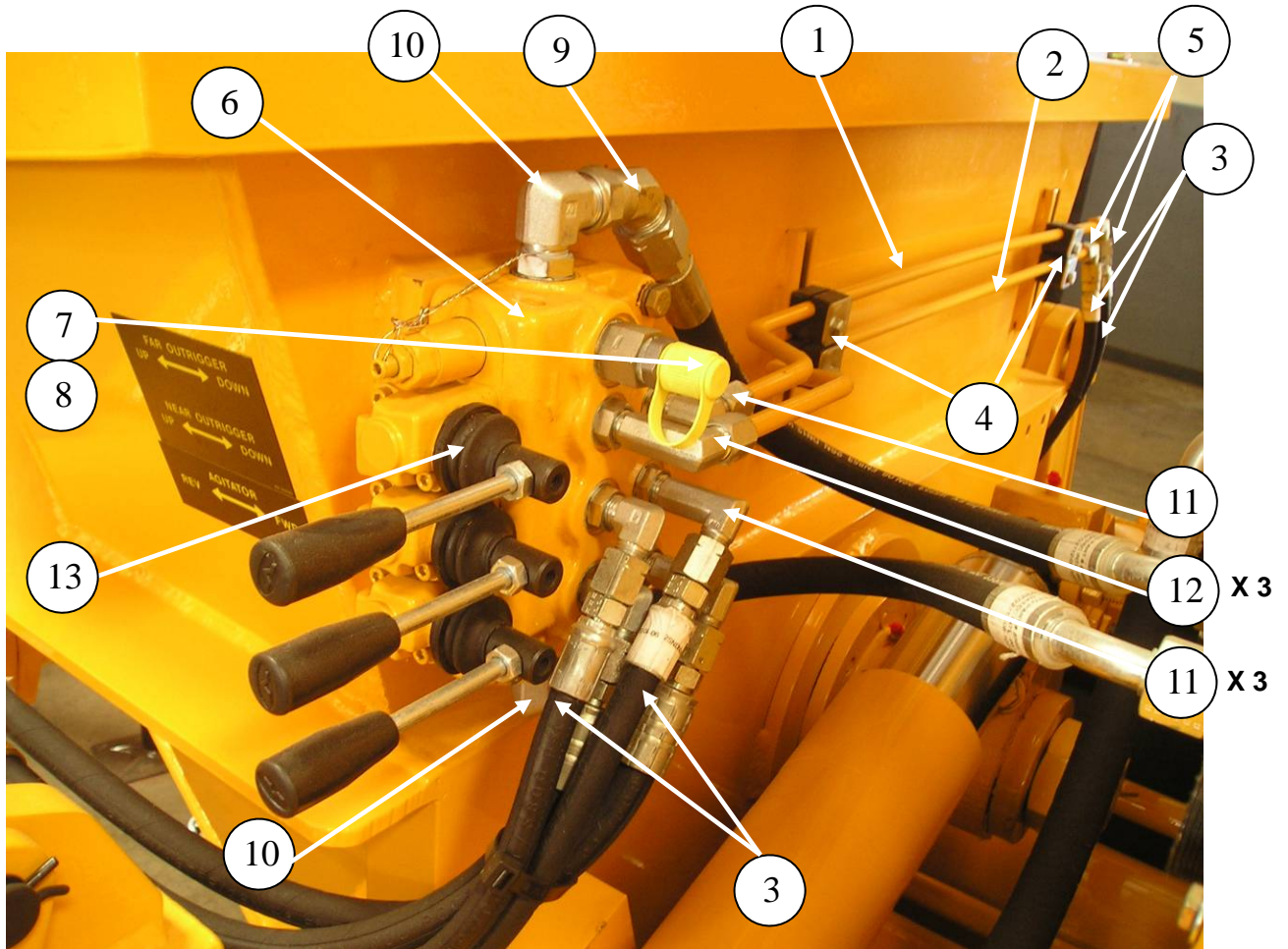
AUTOLUBE PUMP (PLASTIC TUBING) CONTINUED



ID #	PART #	PART DESCRIPTION	QUANTITY	
1	87437	BLOCK	1	EA
2	87628	HOSE COUPLING	4	EA
3	87629	FITTING, HOSE	22	EA
4		BLOCK, DIVIDER VALVE -18 OUTLET	REF	EA
5		HOSE, PLASTIC- 1/4" O.D.	A/R	
6		HOSE, PLASTIC-5/16" O.D.	A/R	

OPTIONS

HYDRAULIC OUTRIGGER GROUP

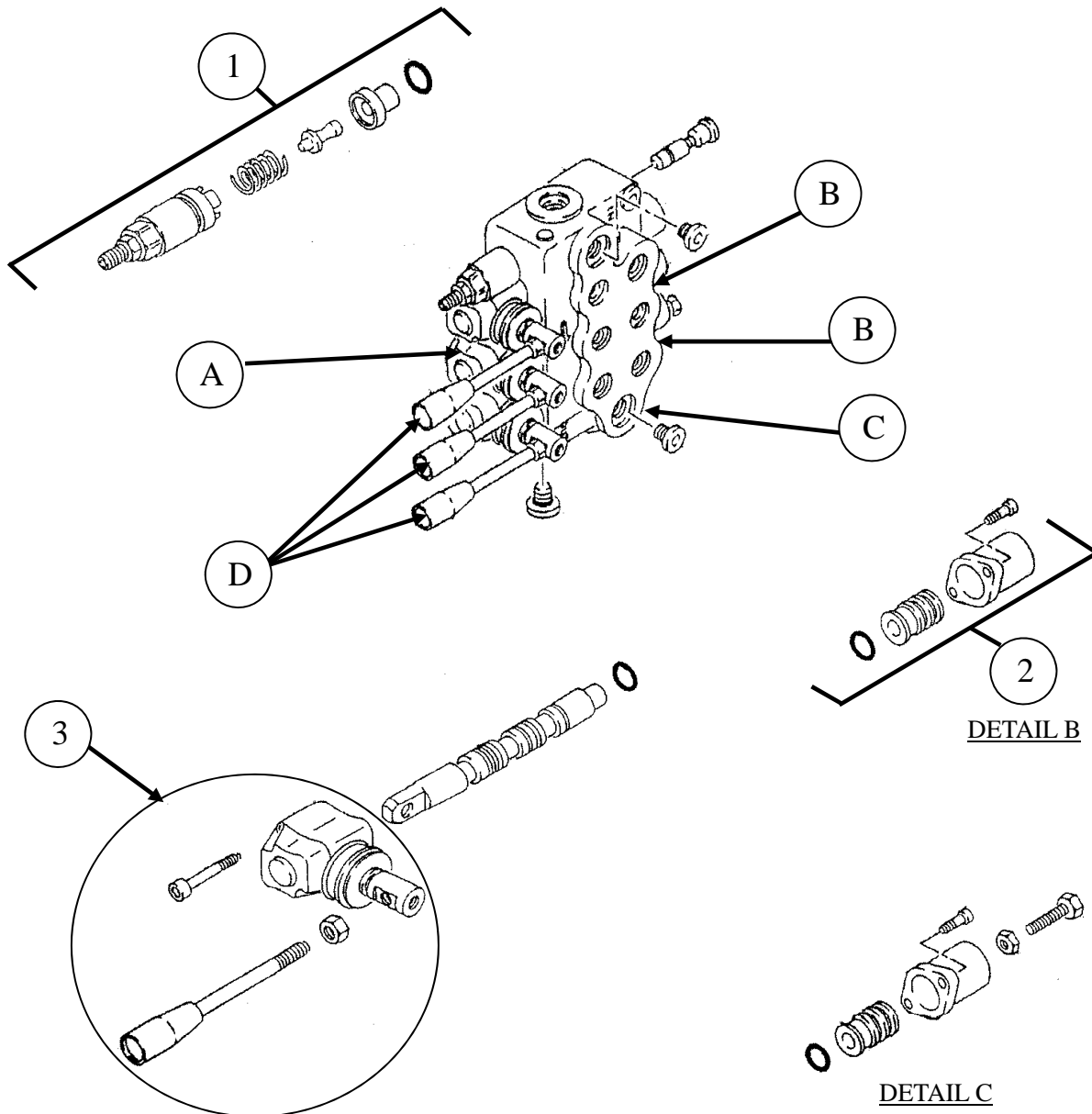


ID #	PART #	PART DESCRIPTION	QUANTITY	
	86334	HYD OUTRIGGER GROUP	REF	
1	85685	TUBE, HYD, OUTRIGGER - PAINTED	1	EA
2	85686	TUBE, HYD, OUTRIGGER - PAINTED	1	EA
3	85659-010	HOSE, 4M2T-6FJX-6FJX-33.00	4	EA
4	801902-020	TUBE CLAMP - 3/8 IN - HALF	4	EA
5		MJ-MJ90-6-6	2	EA
6	74471	VALVE, MAUNAL-3 SPOOL	1	EA
7	800083	FITTING, MINI CHECK (PORT)	1	EA
8	86750	ADAPTER, MB-FB-8-6	1	EA
9	86749	FITTING, MJ-FJX45-10-10	1	EA
10	86746	FITTING, 90° MB-MJ-90-8-10	2	EA
11	86748	FITTING, 90° MB-MJ90-6-6	3	EA
12	86747	FITTING, 90° MB-MJ90LL-6-6	3	EA
13	74471-B	BOOT, COVER	3	EA

OPTIONS

3 SPOOL CONTROL VALVE

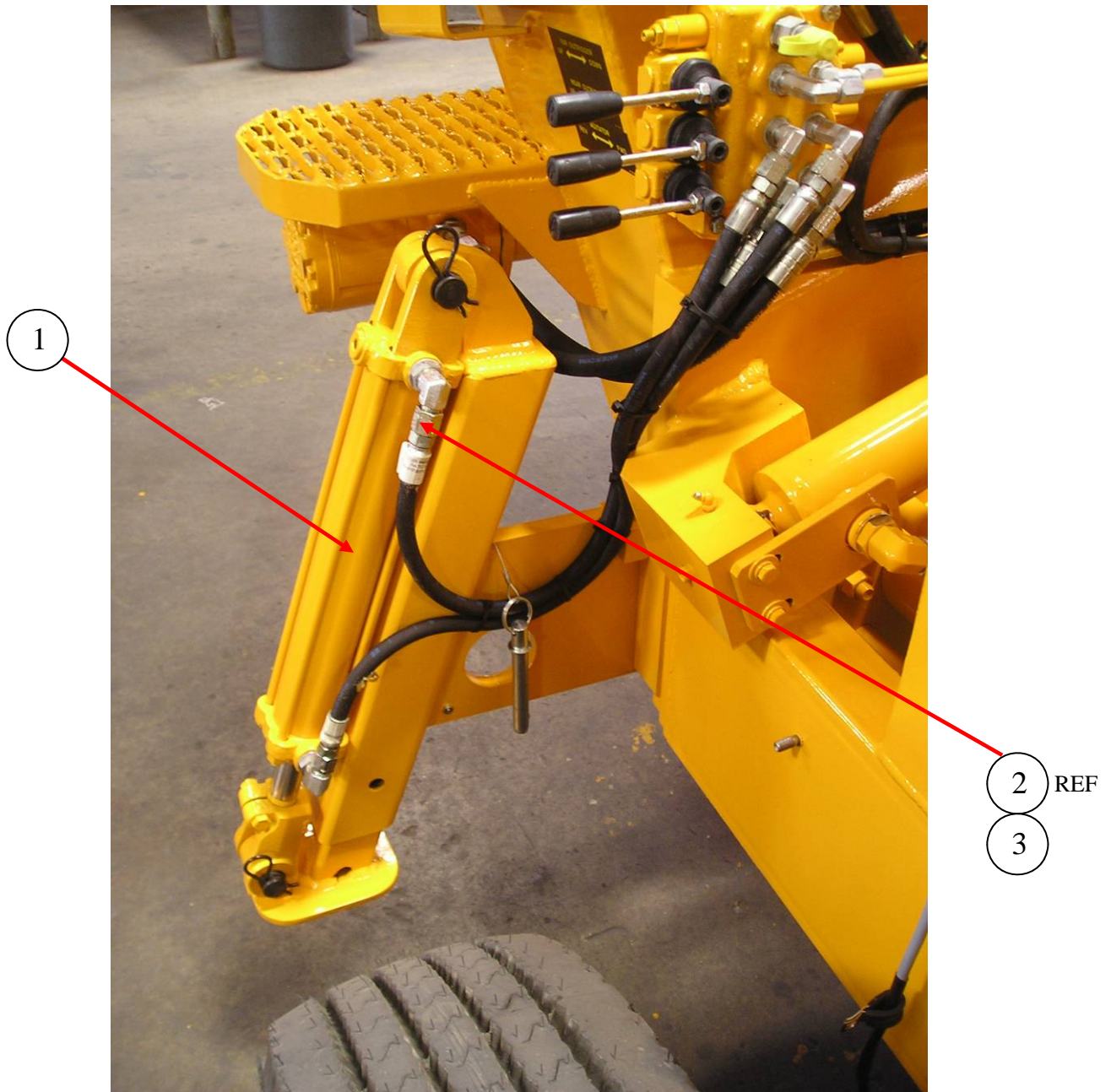
DETAIL A



ID #	PART #	PART DESCRIPTION	QUANTITY	
1	85706	RELIEF, CARTRIDGE	1	EA
2	74469	DETENT KIT, #11 WALVOIL VALVE	A/R	EA
3	74471-020	VALVE ACTUATOR FOR 74471, 74585, 74584 VALVES	A/R	EA

OPTIONS

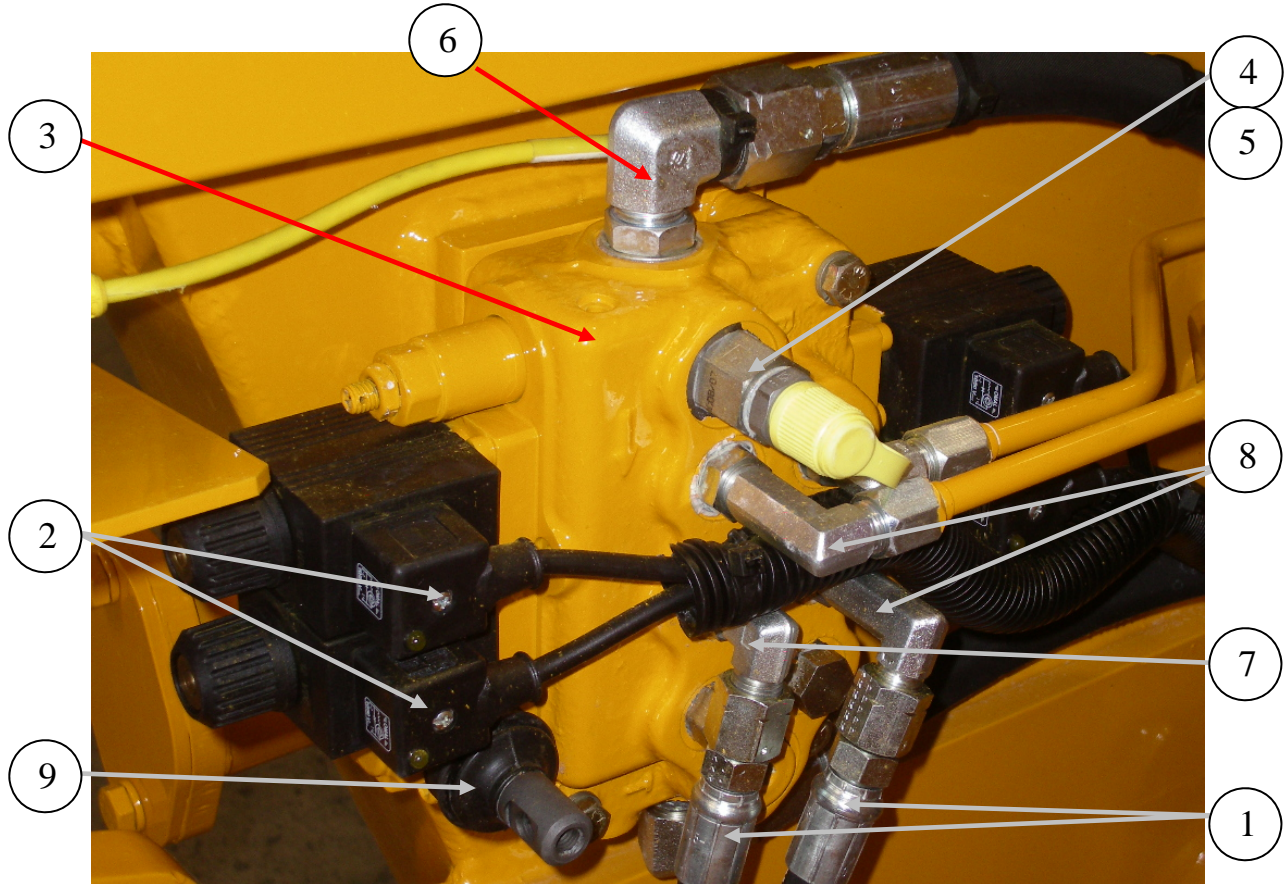
HYDRAULIC OUTRIGGER GROUP



ID #	PART #	PART DESCRIPTION	QUANTITY	
1	86574	HYD CYL – 2.00 BORE X 12.00 STR – PAINTED	2	EA
2	85659-010	HOSE, 4M2T-6FJX-6FJX-33.00	REF	EA
3	86728-008	FITTING, 90° MB-MJ90-8-6	4	EA

OPTIONS

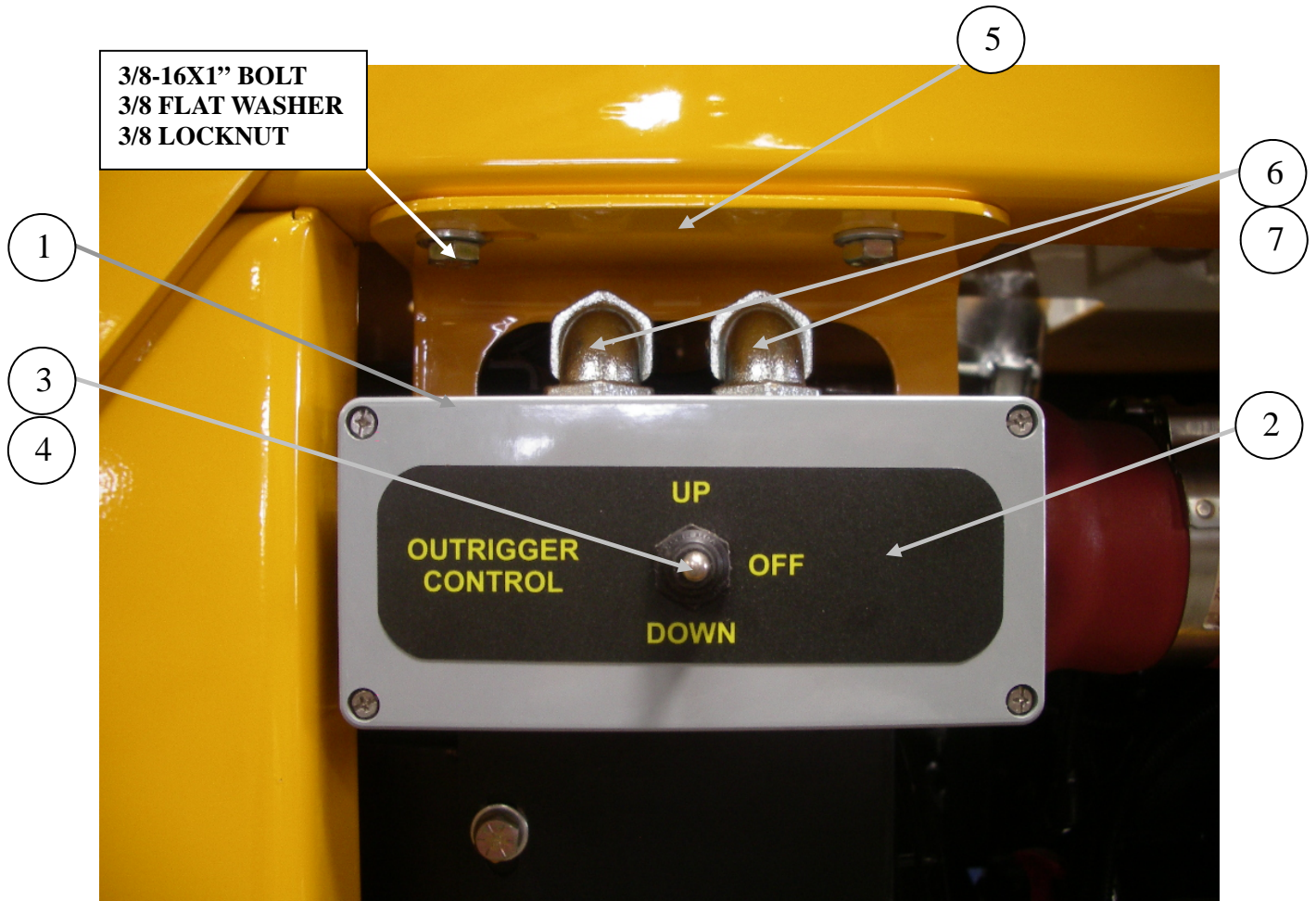
ELECTRIC HYDRAULIC OUTRIGGER



ID #	PART #	PART DESCRIPTION	QUANTITY	
	88041-O	HYD OUTRIGGER ASSEMBLY, REMOTE	REF	EA
1	85659-010	HOSE, 4M2T-6FX-6JX-33.00	2	EA
2	87540	CABLE SOLENIOD VALVE, WITH DIN PLUG	4	EA
3	88026	VALVE, 3SPOOL, 2EA. VDC SPOOL	1	EA
4	800083	FITTING, MINI CHECK (PORT)	1	EA
5	86750	ADAPTER, MB-FB-8-6	1	EA
6	86749	FITTING, MJ-FJX45-10-10	1	EA
7	86748	FITTING, 90° MB-MJ90-6-6	3	EA
8	86747	FITTING.90° MB-MJ90LL-6-6	3	EA
9	74471-B	BOOT, COVER	3	EA

OPTIONS

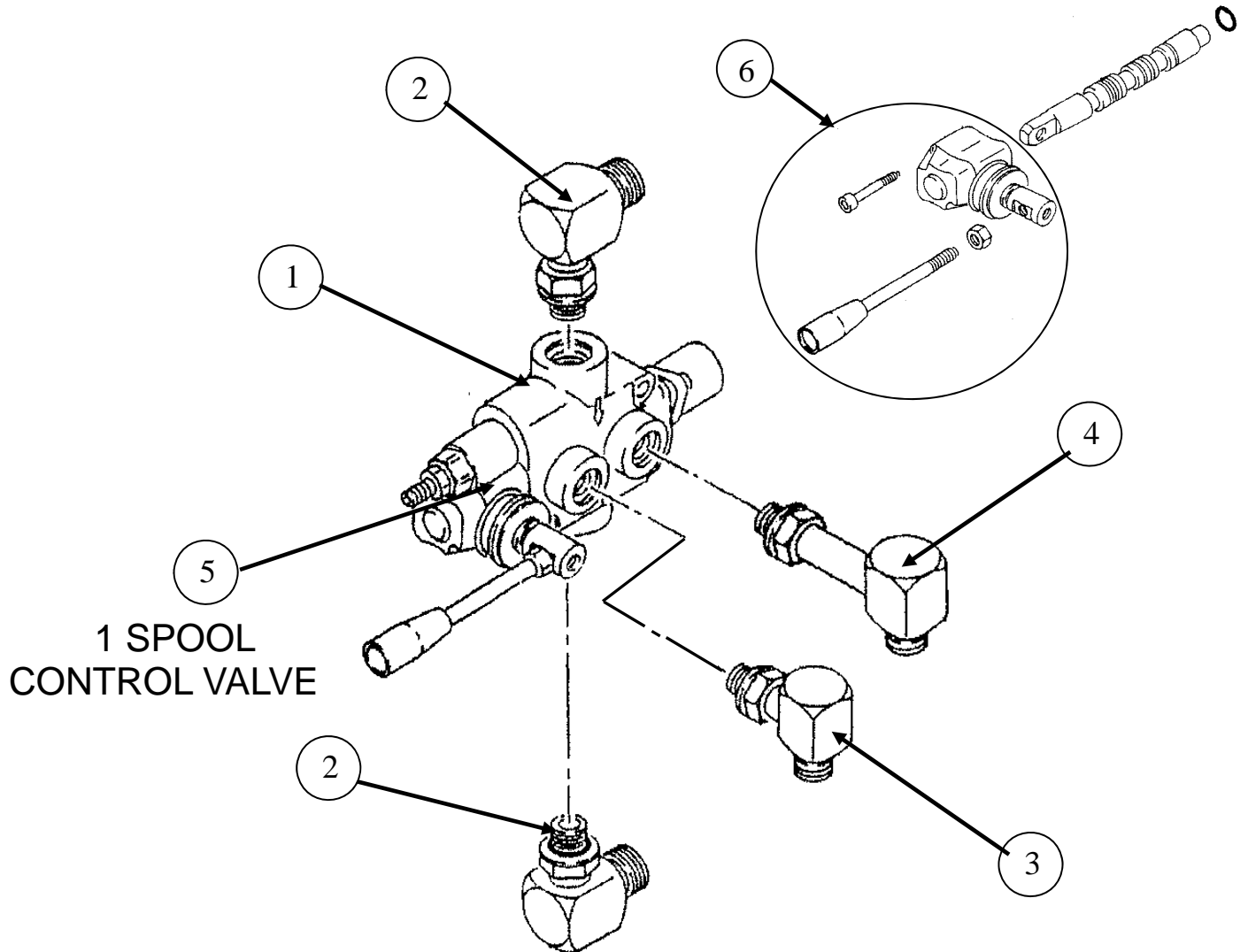
ELECTRIC HYDRAULIC OUTRIGGER CONTROLS



ID #	PART #	PART DESCRIPTION	QUANTITY	
1	801206	ENCLOSURE 6X3X3, FIBERGLASS	2	EA
2	88163	DECAL OUTRIGGER UP/DOWN	2	EA
3	BW10205	SWITCH, 3 POSITION MOM/SPDT	2	EA
4	BW10361	SW, SEALING BOOT	2	EA
5	88164-A	BRACKET OUTRIGGER CONTROL MOUNT	2	EA
6	73531	90° STRAIN RELIEF	4	EA
7	10528	NUT 1/2", BONDING TYPE LOCK	4	EA

OPTIONS

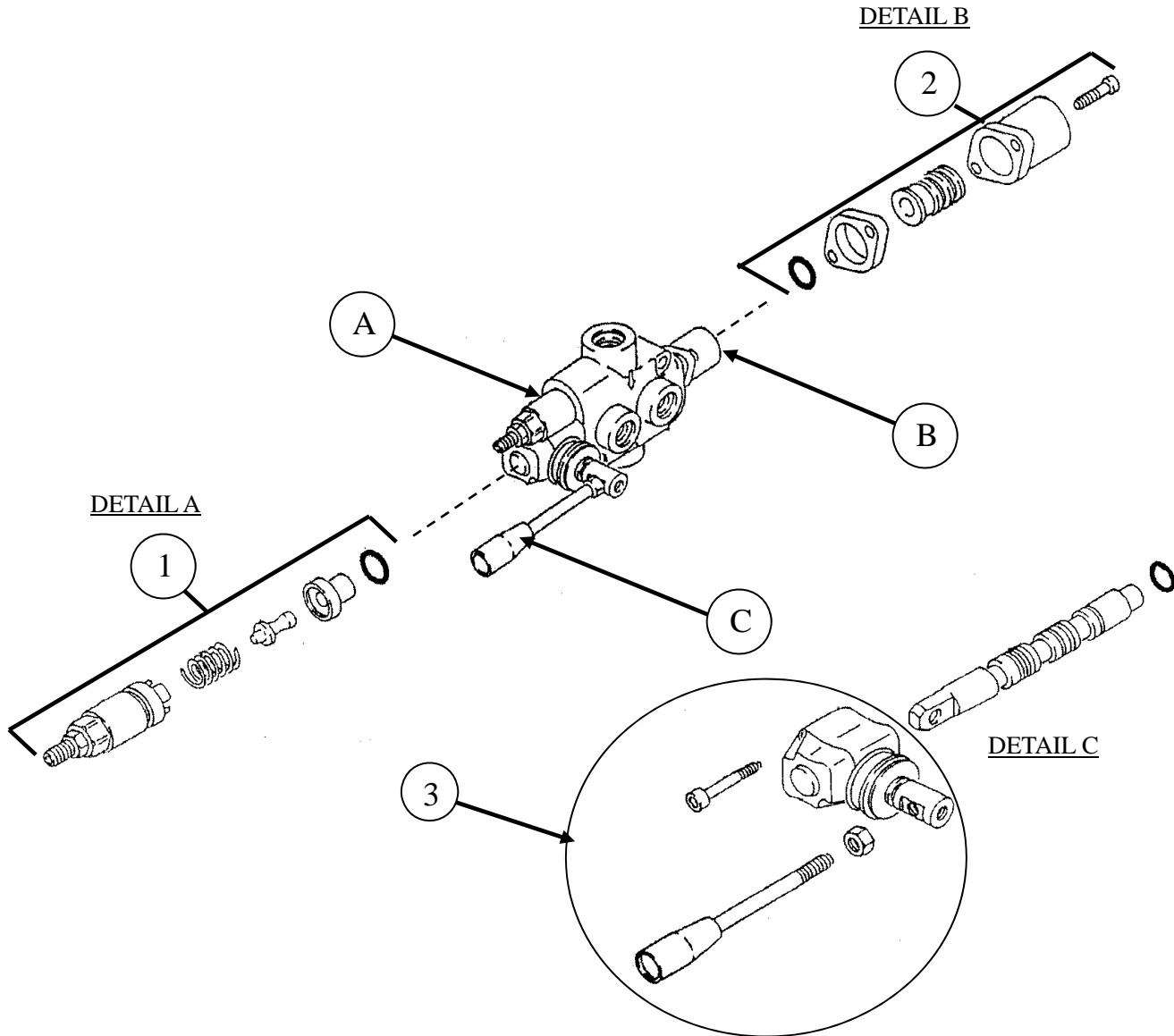
AGITATOR GROUP



ID #	PART #	PART DESCRIPTION	QUANTITY	
1	74584	VALVE, MAUNAL-1 SPOOL	1	EA
2	86746	FITTING, 90° MB-MJ-90-8-10	2	EA
3	86748	FITTING, 90° MB-MJ90-6-6	1	EA
4	86747	FITTING, 90° MB-MJ90LL-6-6	3	EA
5	74471-B	BOOT, COVER	1	EA
6	74471-020	VALVE ACTUATOR FOR 74471, 74585, 74584 VALVES	A/R	EA

OPTIONS

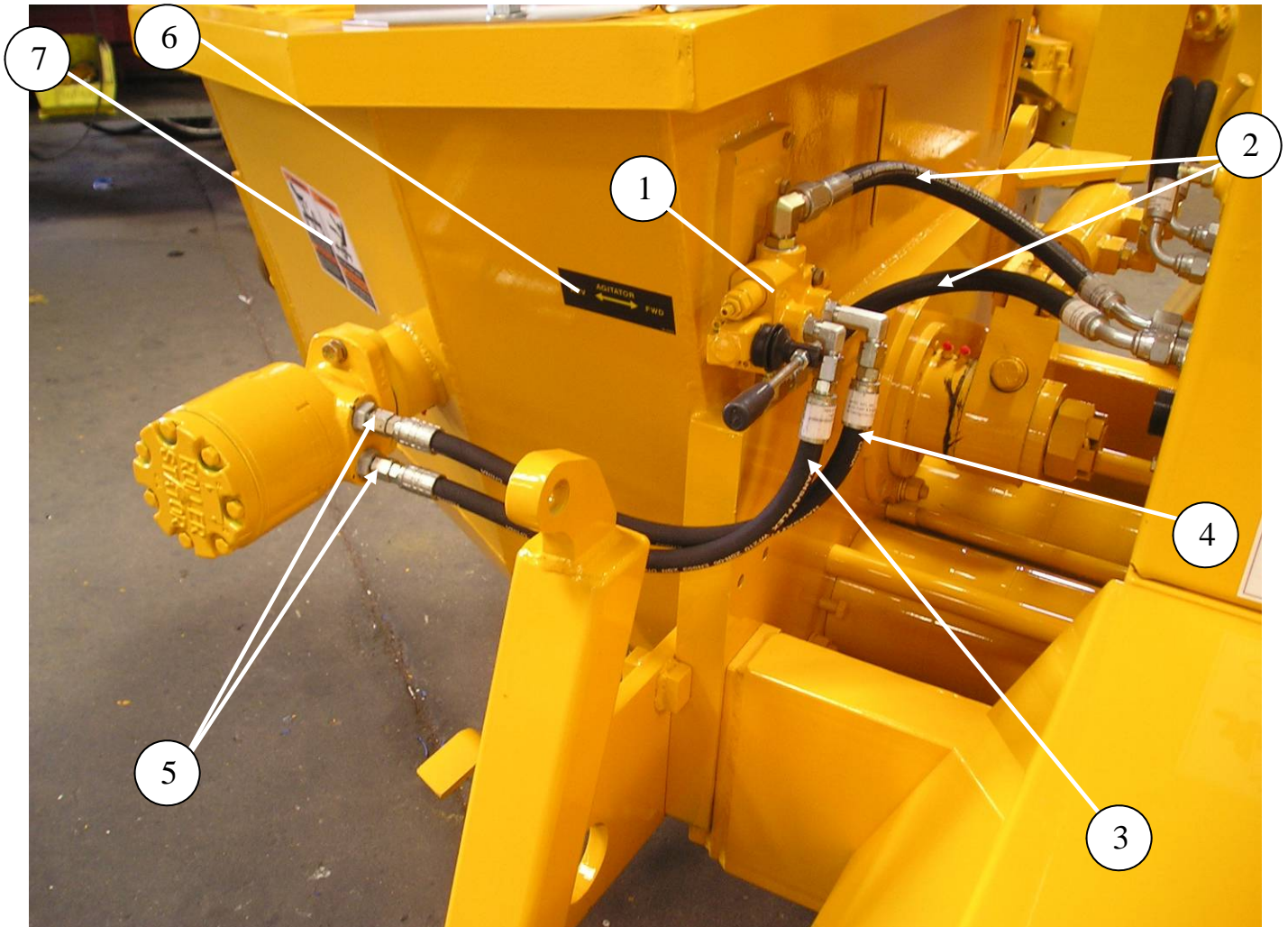
1 SPOOL AGITATOR VALVE



ID #	PART #	PART DESCRIPTION	QUANTITY	
1	85706	RELIEF, CARTRIDGE	1	EA
2	74469	DETENT KIT, #11 WALVOIL VALVE	A/R	EA
3	74471-020	VALVE ACTUATOR FOR 74471, 74585, 74584 VALVES	A/R	EA

OPTIONS

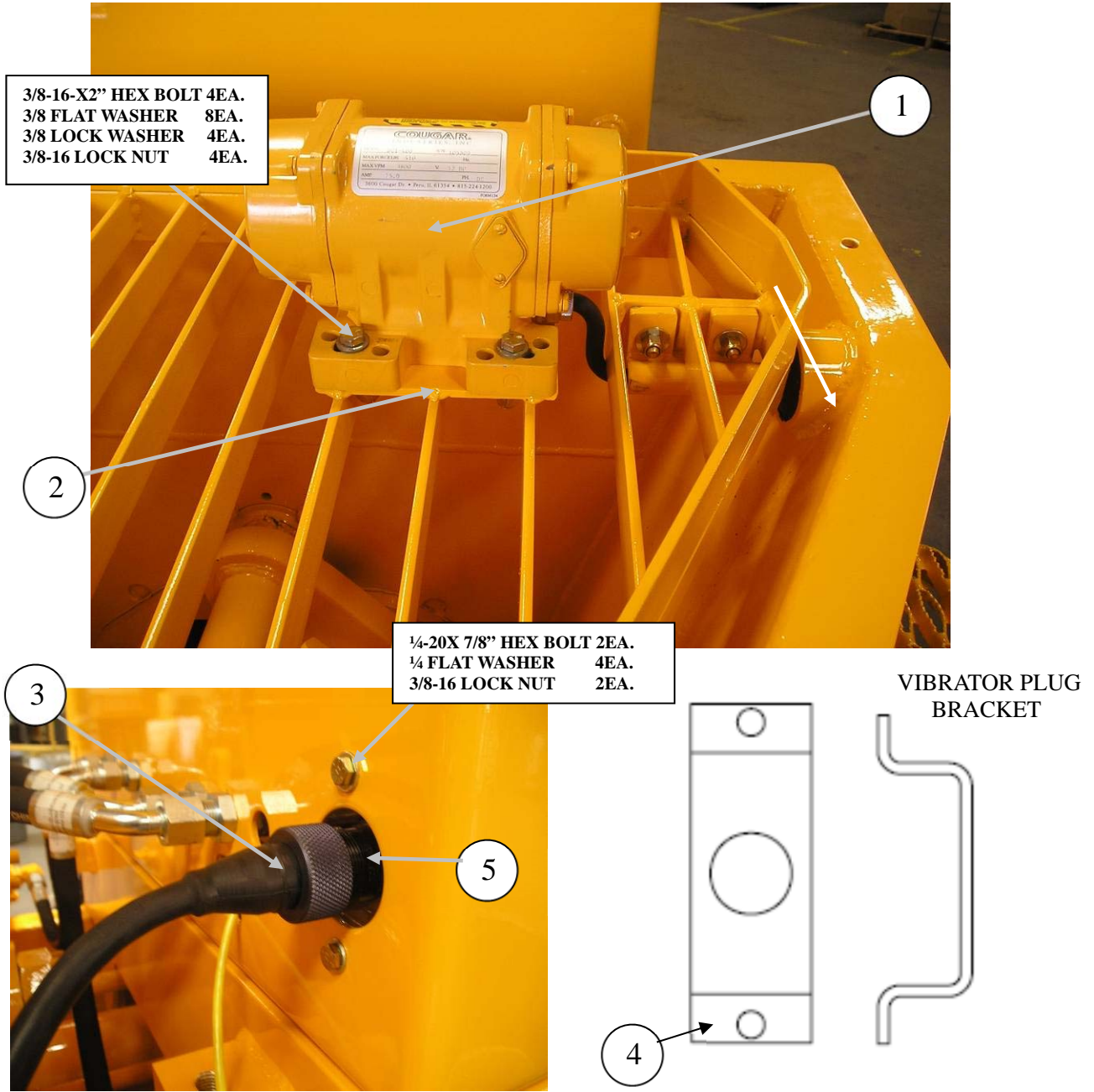
AGITATOR GROUP CONTINUED



ID #	PART #	PART DESCRIPTION	QUANTITY	
1	74584	VALVE, MANUAL-1 SPOOL	REF	EA
2	85657-016	HOSE, 8M2T-10FJX-10FJX45-20.00	2	EA
3	85658-011	HOSE, 6M2T-6FJX-6FJX-21.00	1	EA
4	85658-010	HOSE, 6M2T-6FJX-6FJX-20.00	1	EA
5		FITTING,MB-MJ-10-6	2	EA
6	85845	DECAL, OUTRIGGERS	1	EA
7	800919	DECAL, WARNING, STAND CLEAR	2	EA

OPTIONS

VIBRATOR (COUGAR)



ID #	PART #	PART DESCRIPTION	QUANTITY	
1	71429	VIBRATOR, 12VDC ROTARY (COUGAR)	1	EA
2	85893	BRACKET, VIBRATOR	1	EA
3	85898-1	CORD W/PLUG, MALE 14AWG X 8 FT	1	EA
4	87472	BRACKET, VIBRATOR PLUG MOUNT	1	EA
5	85899	VIBRATOR, PLUG	1	EA

OPTIONS

VIBRATOR VIBCO



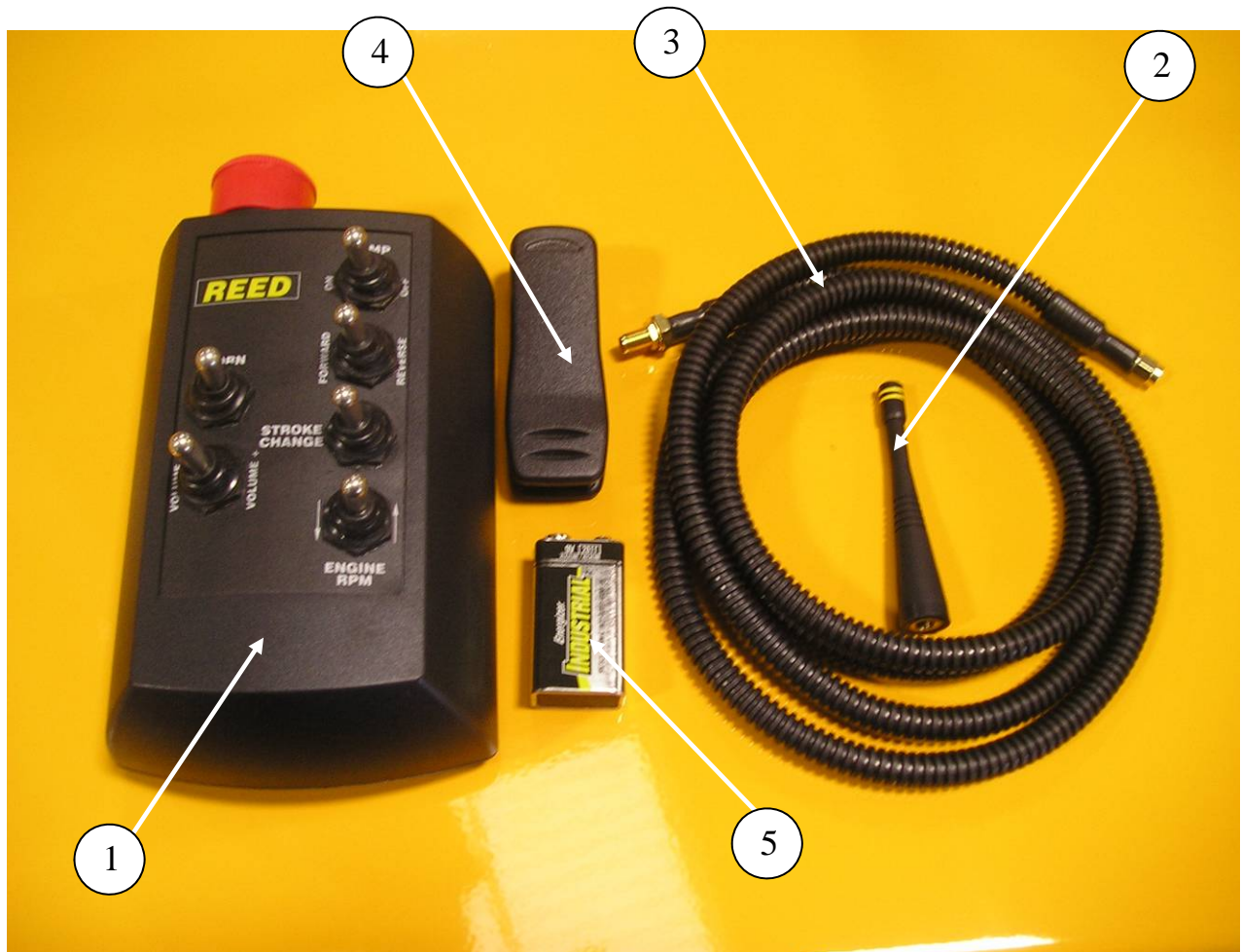
- ¼ -20X 1 ½” HEX BOLT 4EA.
- ¼” FLAT WASHER 8EA.
- ¼” LOCK WASHER 4EA.
- ¼ -20 LOCK NUT 4EA.

- ¼-20X 7/8” HEX BOLT 2EA.
- ¼ FLAT WASHER 4EA.
- 3/8-16 LOCK NUT 2EA.

ID #	PART #	PART DESCRIPTION	QUANTITY	
	88021	VIBRATOR, ASSY, ELECTRIC, 100LB	1	EA
1	87916	VIBRATOR, 12 VDC SMALL	1	EA
2	88024	CONNECTOR, FEMALE	1	EA
3	88023	CONNECTOR, MALE 90°	1	EA
4	88025	CAP, SOCKET FEMALE FOR 88024	1	EA
5	88022	BRACKET, 87916 VIBRATOR MOUNT	1	EA

OPTIONS

RADIO REMOTE KIT (KAR-TECH)



ID #	PART #	PART DESCRIPTION	QUANTITY	
1	87348-1	TRANSMITER, REMOTE CONTROL ASSEMBLY	1	EA
2	BW10285	ANTENA	1	EA
3	BW10285-1	ANTENA CABLE	1	EA
4	87348	CLIP	1	EA
5		9V BATTERY	1	EA

OPTIONS

RADIO REMOTE KIT (OMNEX)

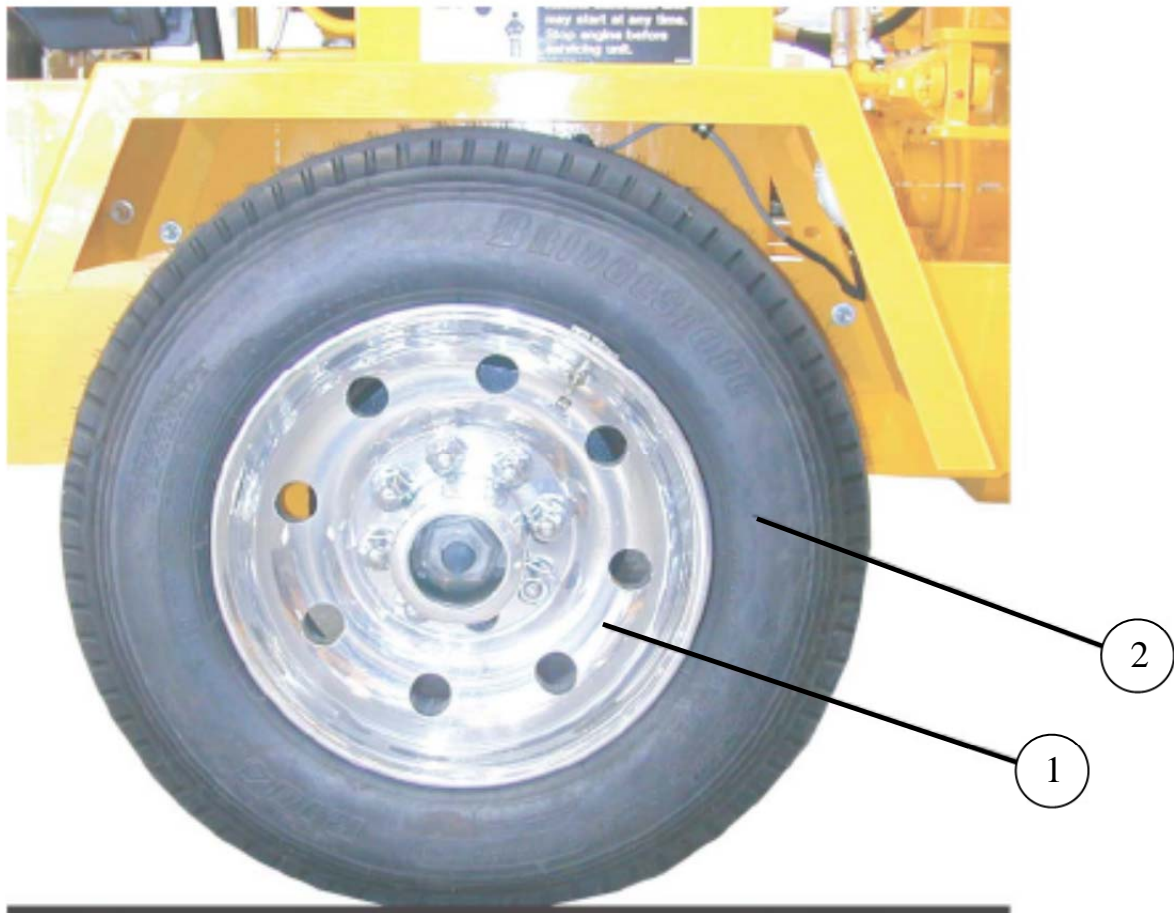


NOTE: KIT CONTAINS ALL PARTS SHOWN ABOVE.

ID #	PART #	PART DESCRIPTION	QUANTITY	
	87348-20	OMNEX RADIO REMOTE KIT 87346-2 REV F+	1	EA
1		RECEIVER R160	1	EA
2		TRANSMITTER T110C	1	EA
3		CABLE ASSEMBLY R160	1	EA
4		REMOTE STRAPS	2	EA
5		NIMH RECHARGEABLE BATTERIES	4	EA
6		ANTENNA CABLE	1	EA
7		ANTENNA	1	EA
8		ANTENNA BRACKET	1	EA
9		BATTERY CHARGER DOCK	1	EA

OPTIONS

ALUMINUM WHEEL AND TIRE



ID #	PART #	PART DESCRIPTION	QUANTITY	
	86923-1	TIRE & WHEEL-ALUMINUM ASSEMBLY	2	EA
1		WHEEL-ALUMINUM	2	EA
2		TIRE-215/75R17.5H	2	EA



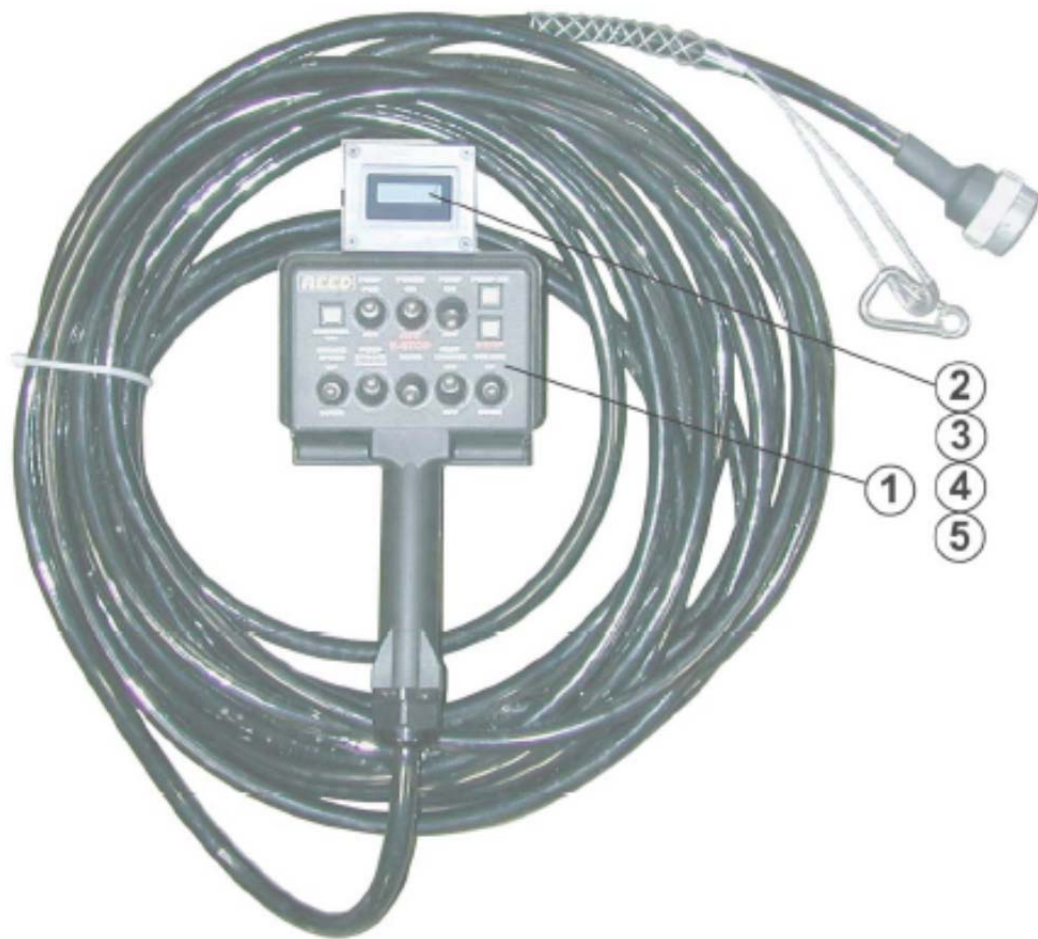
B50v09 B50HPv09

PARTS

13822 Oaks Avenue
Chino, CA 91710
reedpumps.com
(909) 287 - 2100

OPTIONS

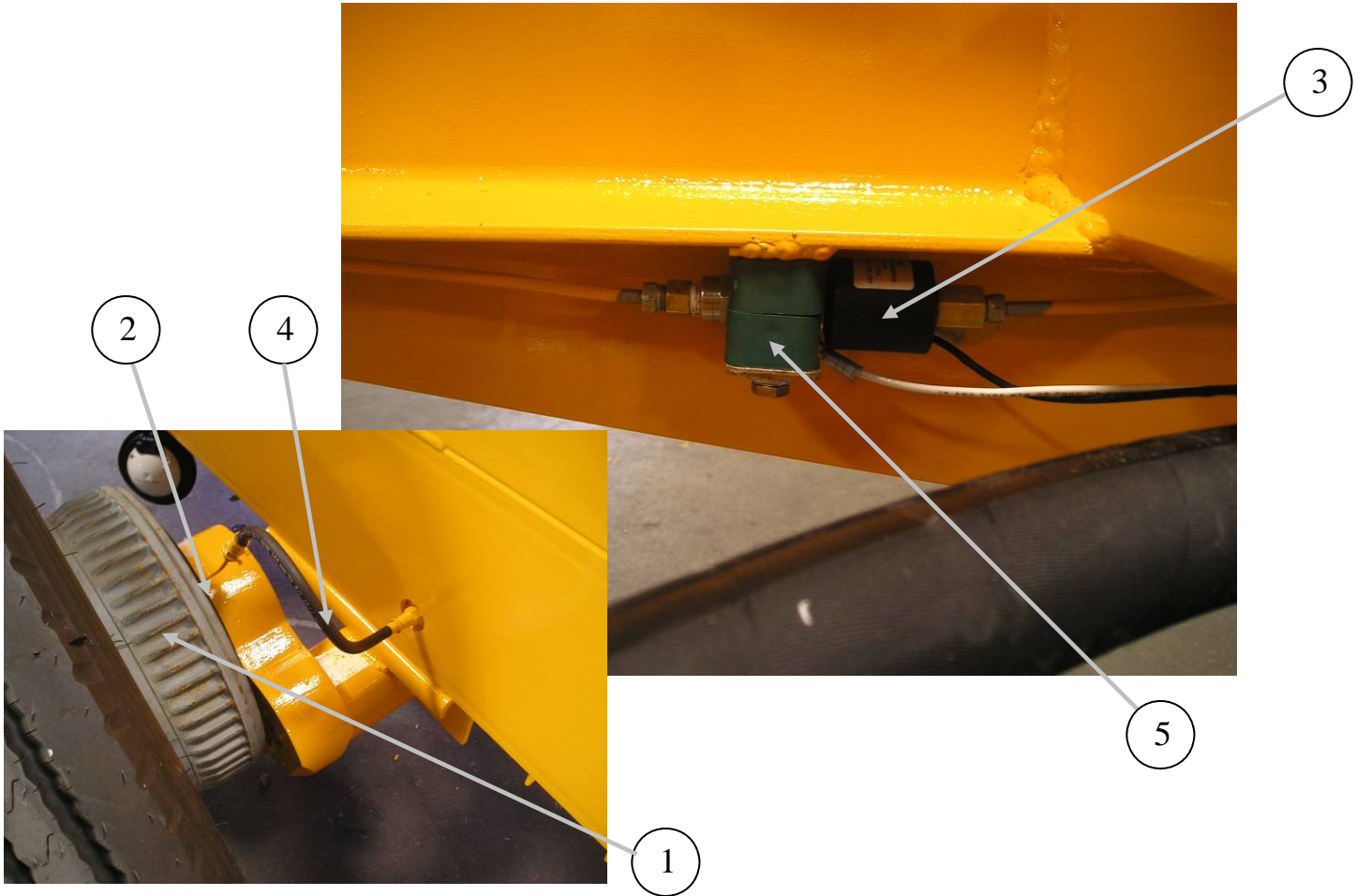
50 FT STROKE COUNTER CABLE REMOTE ASSEMBLY



ID #	PART #	PART DESCRIPTION	QUANTITY	
	87753-1	ASSEMBLY, 50 FEET CABLE REMOTE WITH STROKE COUNTER	REF	
1	87347-1	CONTROL, REMOTE CABLE (50 FT)	1	EA
2	72330	COUNTER, STROKE	1	EA
3	74388	DIODE	2	EA
4	87784	BOX, MACHINED	1	EA
5	87785	COVER, BOX	1	EA

OPTIONS

HYDRAULIC SURGE BRAKES



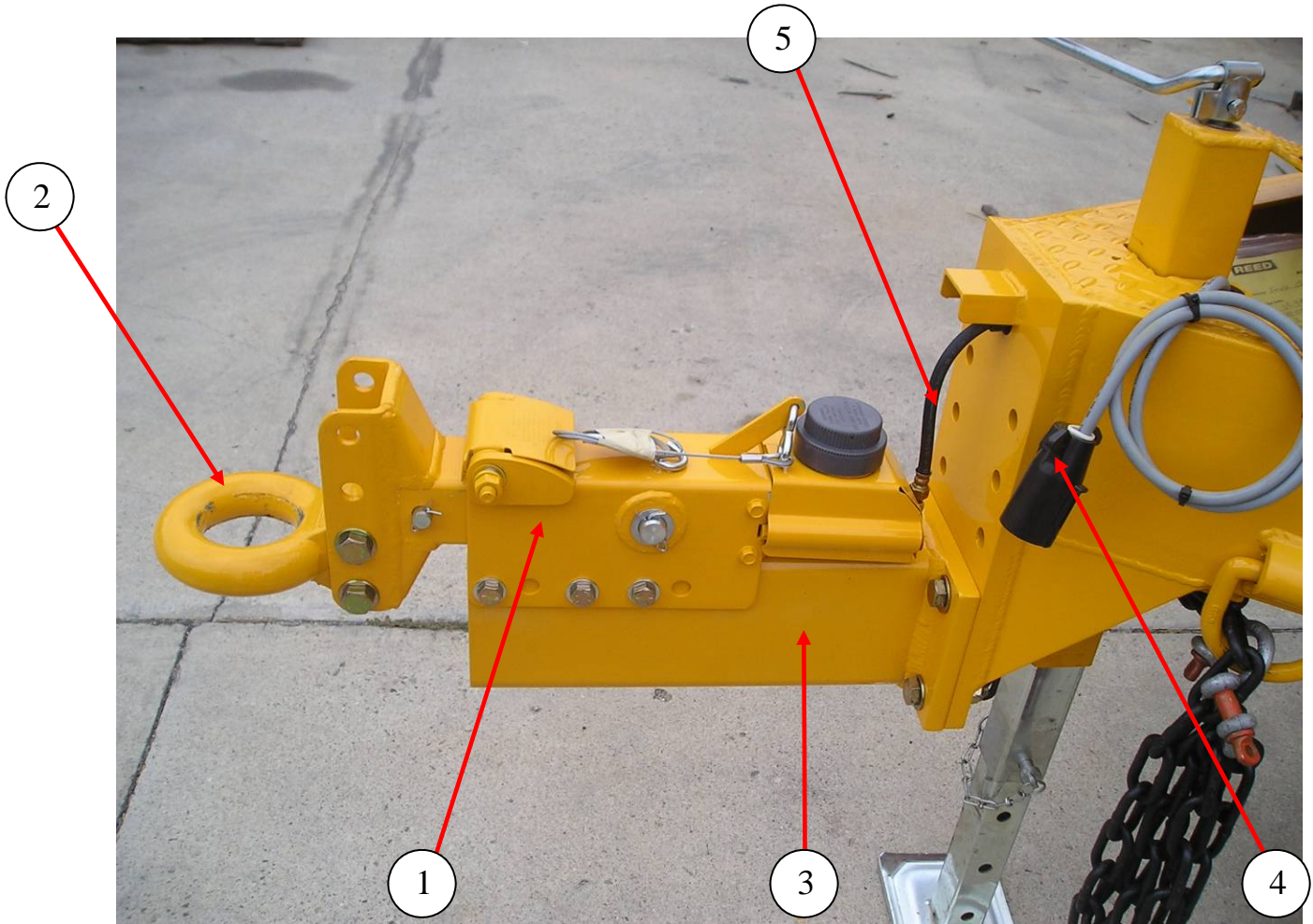
ID #	PART #	PART DESCRIPTION	QUANTITY	
1	87924	HYDRAULIC BRAKE ASSY 9000LB (QUALITY AXLE)	2	EA
2	88032	SPACER FOR 88020 HYDRAULIC BRAKE CONVERSION	2	EA
3	87925	SOLENIOD HYD BRAKE VALVE	1	
4	87256	BRAKE LINE KIT	1	
5	801902-006	CLAMP,18MM TUBE CLAMP SET	1	EA

OPTIONS

HYDRAULIC SURGE BRAKE (2 INCH BALL)



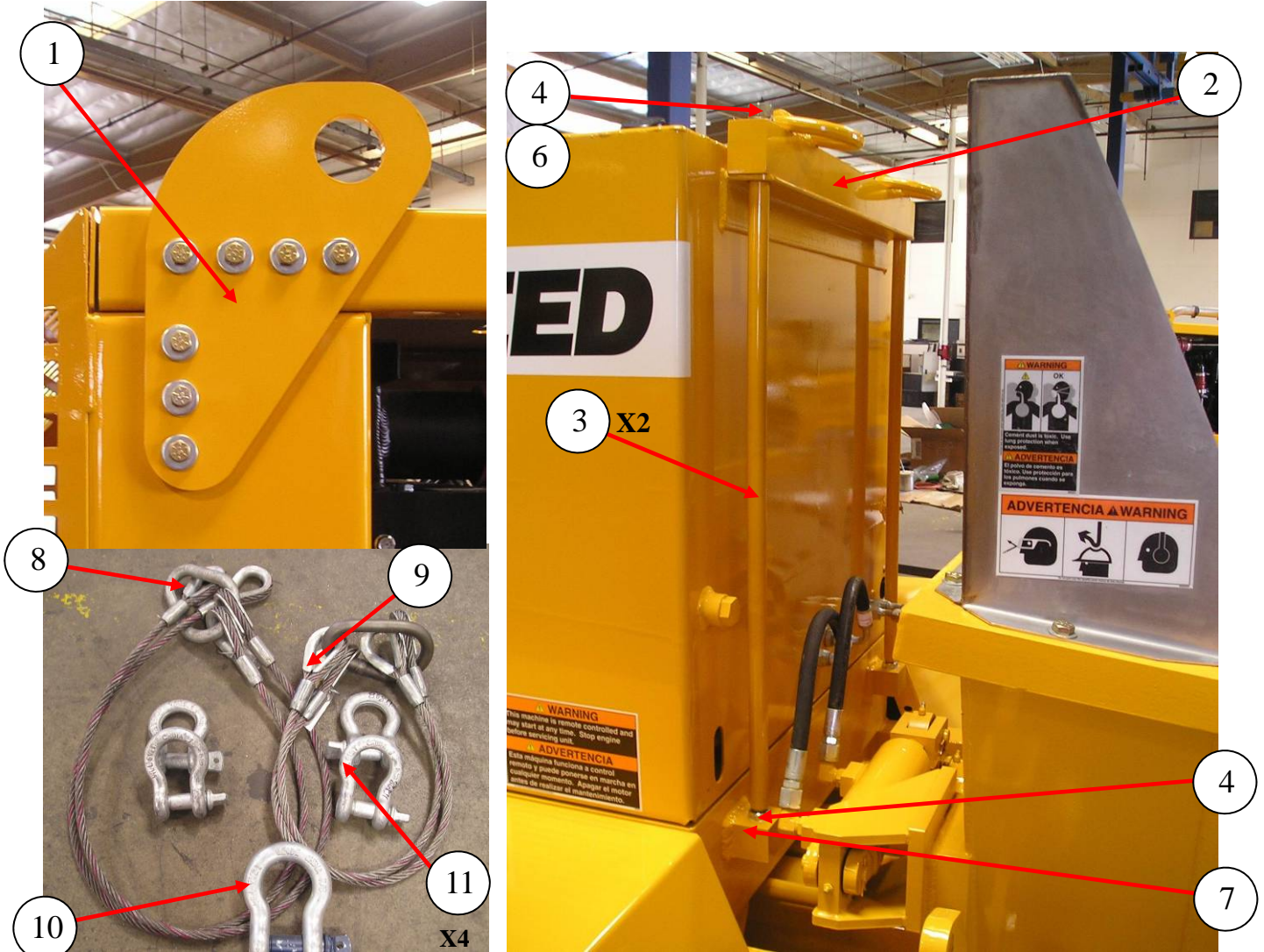
ID #	PART #	PART DESCRIPTION	QUANTITY	
	88020	SURGE BRAKE 2" BALL COUPLER, 9000LB	REF	EA
1	87498	HITCH-BALL 2" 8000LB CAPACITY	1	EA
2	87494	SURGE BRAKE ACTUATOR 8000LB	1	EA
3	87496	BRACKET WELD F. 9000LB AXLE SURGE	1	EA
4	71030	TORSION SPRING-BRAKE KIT	1	EA
5	88038	TRAILER HARNESS-B-SERIES SURGE BRAKE	1	EA

OPTIONS
HYDRAULIC SURGE BRAKES (3 INCH EYE)

ID #	PART #	PART DESCRIPTION	QUANTITY	
	87926	SURGE BRAKE W/PINTLE 9000 LB QUALITY AXLE		EA
1	87923	SURGE BRAKE ACTUATOR PINTAL 7500 LB	1	EA
2	71051	EYE-LUNETTE 3"	1	EA
3	87601	BRACKET WELDMENT, SURGE BRAKE MOUNT	1	EA
4	87928	TRAILER HARNESS, B-SERIES SURGE BRAKE	1	EA
5	71030	TORSION SPRING-BRAKE KIT	1	EA

OPTIONS

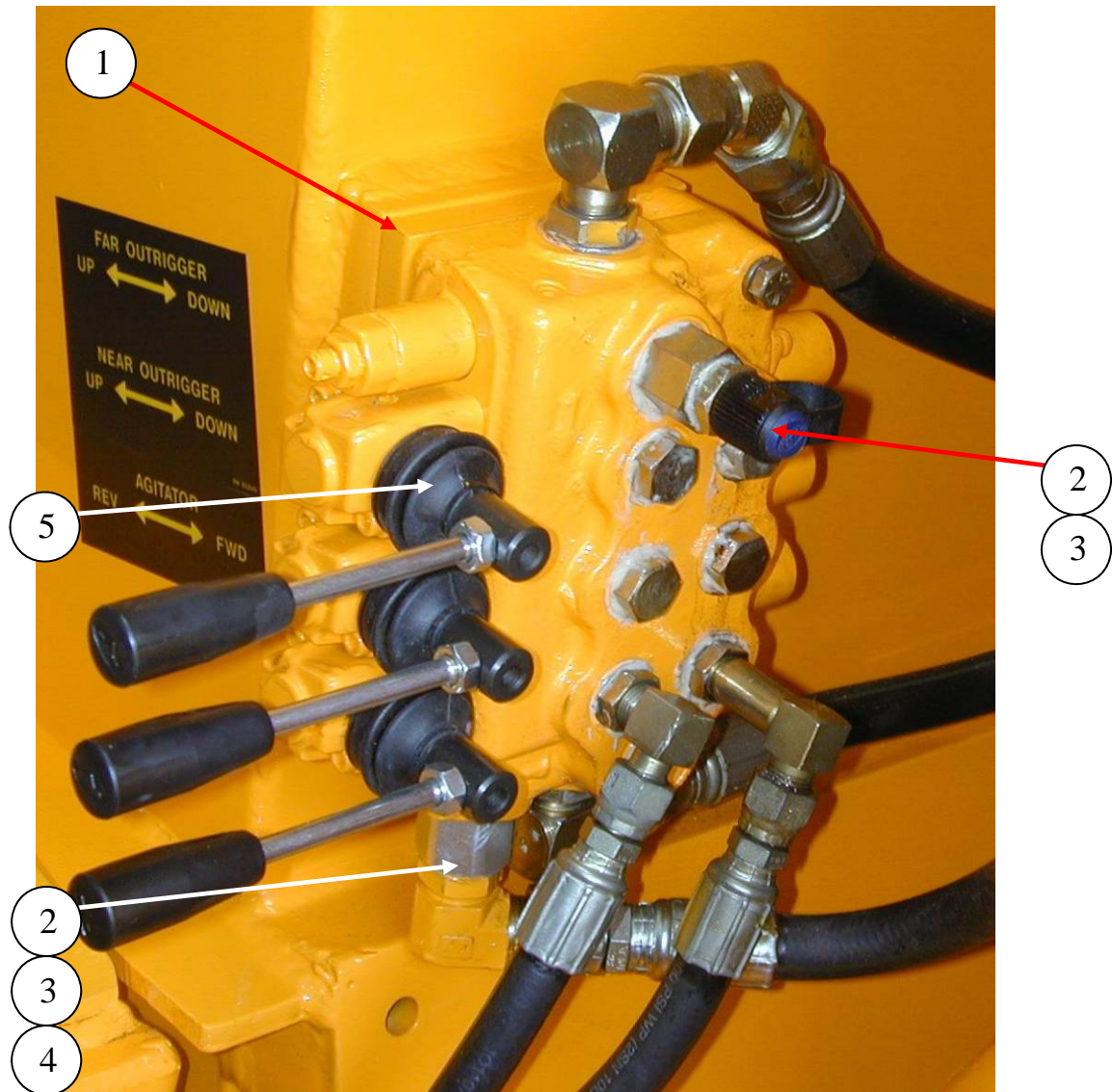
LIFTING EYE KIT



ID #	PART #	PART DESCRIPTION	QUANTITY	
	87859	LIFTING EYE ASSEMBLY B SERIES	REF	
1	87594	GUSSET ENGINE COVER PAINTED	2	EA
2	86799	LIFTING BAR, WELDMENT-REAR	1	EA
3	86762	LIFTING TIE ROD	2	EA
4	80008	HEX NUT 3/4-10UNC GR 8 ZINC	2	EA
5	80009	HEX JAMNUT 3/4-10UNC GR 8 ZINC	2	EA
6	80010	LOCKWASHER- 3/4-STL ZINC	2	EA
7	85823	BLOCK, TRALIER LIFTING	2	EA
8	86776	LIFT CABLE, FRONT	1	EA
9	86777	LIFT CABLE, REAR	1	EA
10	86778	SHACKLE, ANCHOR W/SCREW PIN	1	EA
11	86811	SHACKLE, ANCHOR W/SCREW PIN	4	EA

OPTIONS

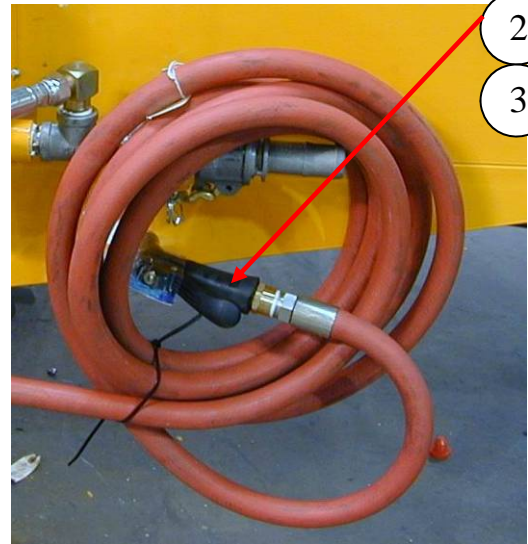
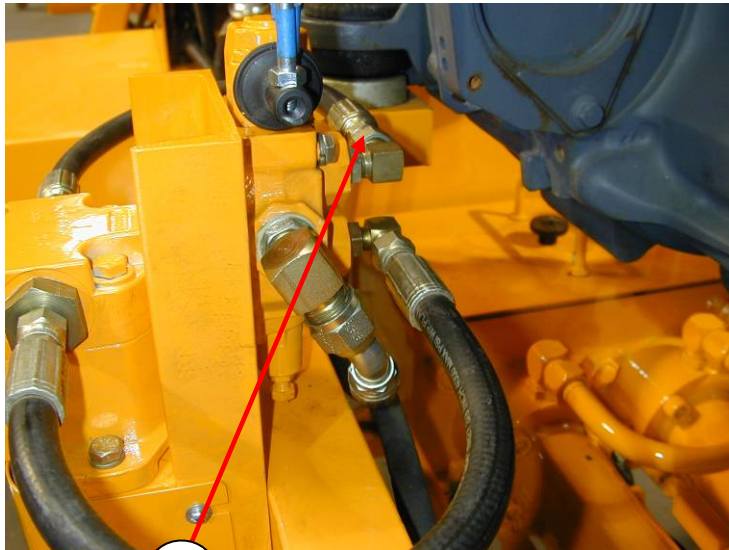
WATER PUMP



ID #	PART #	PART DESCRIPTION	QUANTITY	
	86720	WASH PUMP INSTALLATION, B-SERIES	REF	EA
1	86692	SPACER, AGITATOR VALVE	1	EA
2	86384	POWER BEYOND SLEEVE - VALVIOL	1	EA
3	86746	FITTING, 90° MB-MJ-90-8-10	1	EA
4	85657-021	HOSE, 8M2T-10FJX-10FJX45-12.25	1	EA
5	74471-B	BOOT, COVER	3	EA

OPTIONS

WATER PUMP CONTINUED



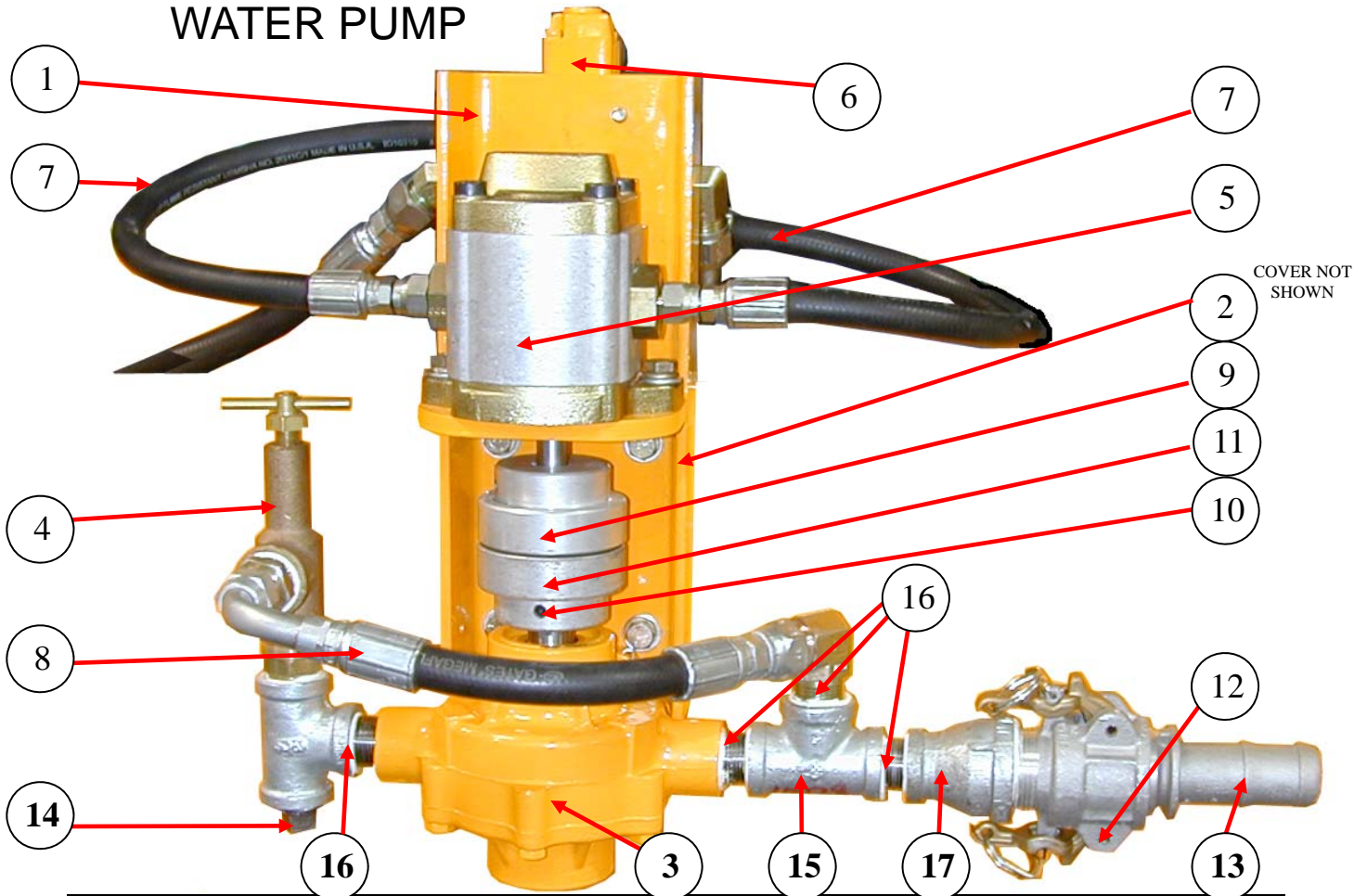
1



ID #	PART #	PART DESCRIPTION	QUANTITY	
1	85657-023	HOSE, 8M2T-10FJX-10FJX45-52.00	2	EA
2	86267	WATER HOSE, 12 ENCONO-12FXP-12MP-20FT	1	EA
3	800098	NOZZLE, GARDEN HOSE	1	EA

OPTIONS

WATER PUMP



ID #	PART #	PART DESCRIPTION	QUANTITY	
	86200	WASH PUMP ASSY		EA
1	86196	WASH PUMP BASE WLDMNT	1	EA
2	86199	COVER, WASH PUMP	1	EA
3	78157	WASHPUMP-HYPRO	1	EA
4	78128	VALVE-P/RELIEF 3/4	1	EA
5	78152	MOTOR-HYD. WASH PUMP	1	EA
6	86397	VALVE-MANUAL-1 SPOOL-3 WAY	1	EA
7	85658-002	HOSE, 6M2T-6FJX-17.00	2	EA
8	85657-022	HOSE, 8M2T-10FJX-10FJX90S-11.25	1	EA
9	78153	COUPLING FOR WASH PUMP-MOTOR	1	EA
10	78154	COUPLING FOR WASH PUMP	1	EA
11	78155	SPIDER, FOR WASH PUMP	1	EA
12	10948	COUPLING-CAM/GROOVE 1.25" FEM. X MPT	1	EA
13	10947	COUPLING-CAM/GROOVE 1.25" FEM. X MPT	1	EA
14	800371	FITTING, GARDEN HOSE	1	EA
15	10228	TEE, 3/4"	2	EA
16	40047	NIPPLE-CLOSE PIPE 3/4"	4	EA
17	86398	BELL REDUCER-3/4 X 1 1/4	1	EA



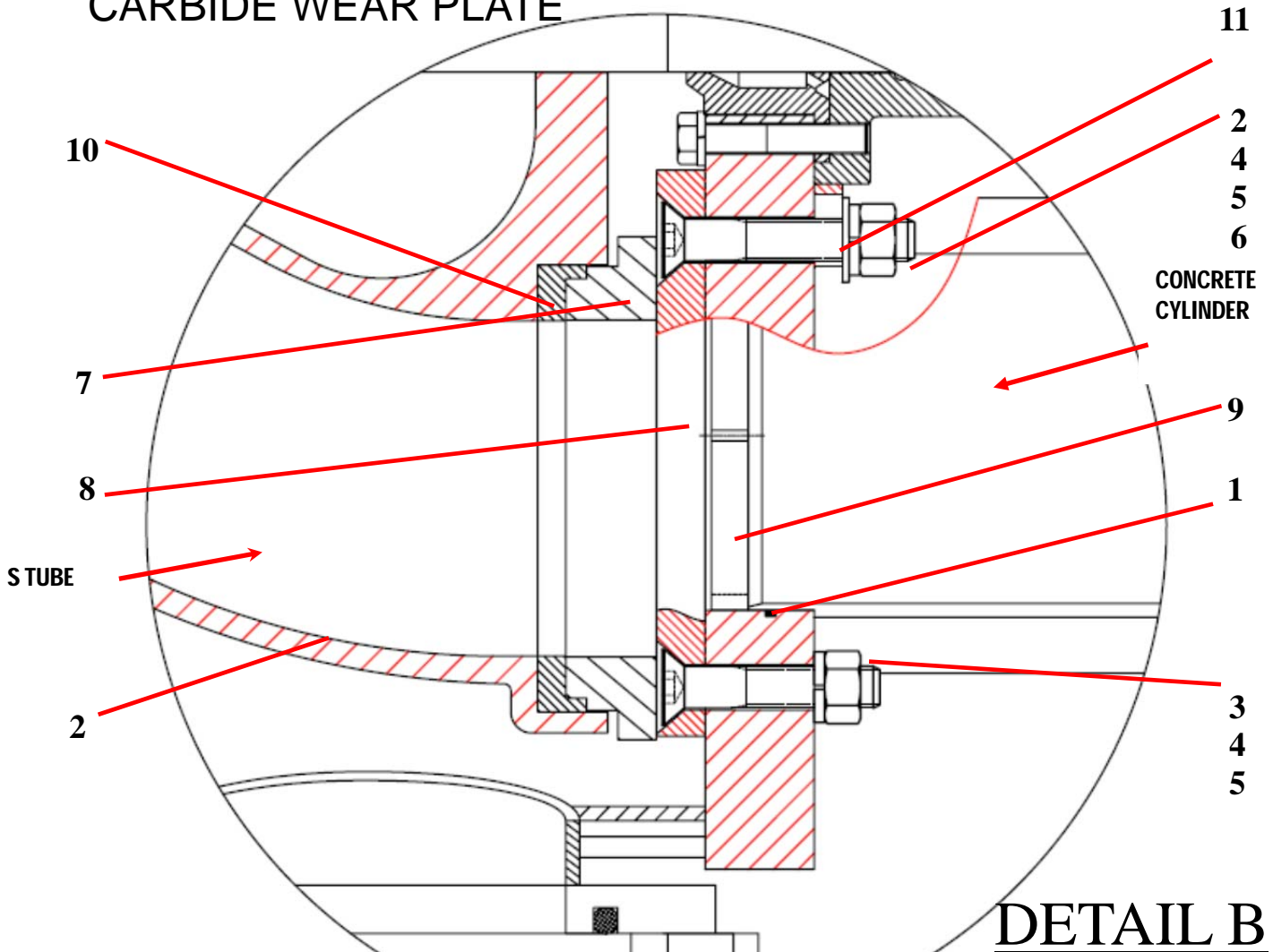
B50v09 B50HPv09

PARTS

13822 Oaks Avenue
Chino, CA 91710
reedpumps.com
(909) 287 - 2100

OPTIONS

CARBIDE WEAR PLATE



DETAIL B

ID #	PART #	PART DESCRIPTION	QUANTITY	
1	86149	O-RING, #259 BUENA 70	2	EA
2		FHCS, 3/4 - 10X 4 1/2" GR 8	1	EA
3		FHCS, 3/4 - 10X 3 1/2" GR 8	3	EA
4		HEX NUT, 3/4" - 10	4	EA
5		LOCK WASHER, 3/4"	4	EA
6		FLATWASHER, 3/4"	4	EA
7	72310-1	WEAR RING, CARBIDE, 6"	1	EA
8	86031-1	WEAR PLATE, CARBIDE, 6"	1	EA
9	86086	CHIP RING, 6"	2	EA
10	86085	SEAL, SINGLE LIP, 6"	1	EA
11	86502	LOCATOR RING - FLANGE BEARING	1	EA