



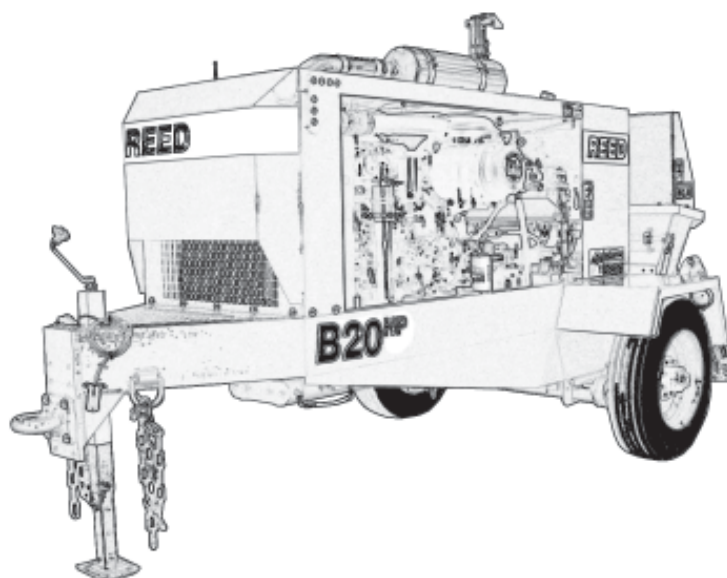
## TRAILER MOUNTED PUMP MODEL *B20* SCHEMATICS SECTION

SCMTC

FIGURE 00  
PAGE 00

**REED** TRAILER MOUNTED CONCRETE PUMP MODEL *B20* ILLUSTRATED PARTS  
MANUAL: SCHEMATICS SECTION CONTAINS THE FOLLOWING FIGURES:

<b>FIGURE</b>	<b>00</b>	TABLE OF CONTENTS
<b>FIGURE</b>	<b>01</b>	DRIVE CYLINDER CIRCUIT
<b>FIGURE</b>	<b>02</b>	SINGLE SHIFT SWING TUBE CIRCUIT
<b>FIGURE</b>	<b>03</b>	DUAL SHIFT SWING TUBE CIRCUIT
<b>FIGURE</b>	<b>04</b>	AGITATOR/OUTRIGGERS OPTIONS CIRCUIT
<b>FIGURE</b>	<b>05</b>	HYDRAULIC HOSE KIT
<b>FIGURE</b>	<b>06</b>	ELECTRICAL COMPONENTS-CONTROL PANEL
<b>FIGURE</b>	<b>07</b>	ELECTRICAL COMPONENTS-CABLE REMOTE CONTROL
<b>FIGURE</b>	<b>08</b>	ENGINE WIRING HARNESS
<b>FIGURE</b>	<b>09</b>	TRAILER WIRING HARNESS
<b>FIGURE</b>	<b>10</b>	PN 87346-2 MAIN CONTROL BOX DATA
<b>FIGURE</b>	<b>11</b>	PN 87425-2 MAIN CONTROL BOX SCHEMATIC
<b>FIGURE</b>	<b>12</b>	PN 87347-1 PENDANT CONTROL BOX DATA & SCHEMATIC
<b>FIGURE</b>	<b>13</b>	CONTROL PANEL MOD. FOR STROKE COUNTER-OPTION
<b>FIGURE</b>	<b>14</b>	DOCUMENT-TRANSMITTER RF I.D. TEACH PROCEDURE



REVISION:



# TRAILER MOUNTED PUMP MODEL B20 DRIVE CYLINDER CIRCUIT HYDRAULIC COMPONENTS & SCHEMATIC

SCMTC

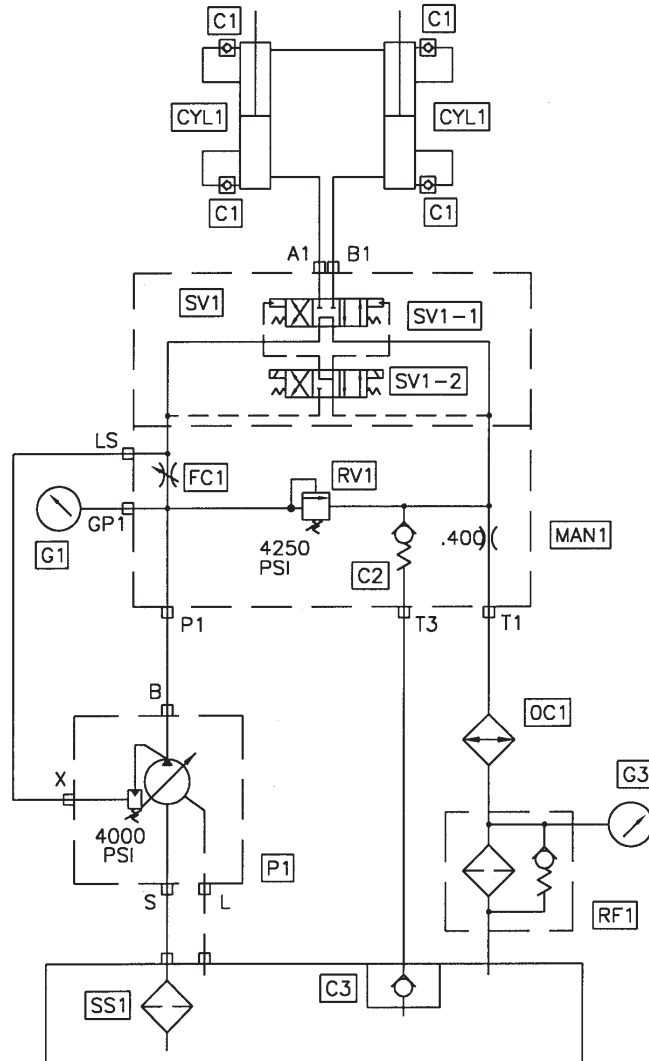
FIGURE 01  
PAGE 01

B SERIES DRIVE CYLINDER CIRCUIT  
HYDRAULIC SCHEMATIC

DATE  
12/3/01

REV.

PART NO.  
86708



CODE	DESCRIPTION	PART NO.	QTY.
P1	Main Pump, Parts, Group 40		
CYL1	Hydraulic Drive Cylinder, Parts Group 60		
MAN1	Manifold Drive Cylinder Circuit	85248	1
SV1	Solenoid Valve, Drive Cylinder Circuit	85689	1
SV1-1	Solenoid Valve Main	85690	1
SV2-2	Solenoid Valve Pilot	85691	1
	Coil For SV2-2	85692	2
RV1	Relief Valve Cartridge	85696	1
FC1	Flow Control Valve Cartridge	85697	1
C1	Check Valve	78961	4
C2	Check Valve Cartridge	85698	1
C3	Check Valve	85574	1
G1	Pressure Gauge 6000 psi	74562	1
G3	Pressure Gauge Return	85575	1
OC1	Oil Cooler	85713	1
RF1	Return Filter	85282	1
	Return Filter Element	85283	1
SS1	Magnetic Suction Strainer 2"	801024	1

REVISION:



# TRAILER MOUNTED PUMP MODEL B20 SINGLE SHIFT SWING TUBE CIRCUIT HYDRAULIC COMPONENTS & SCHEMATIC

SCMTC

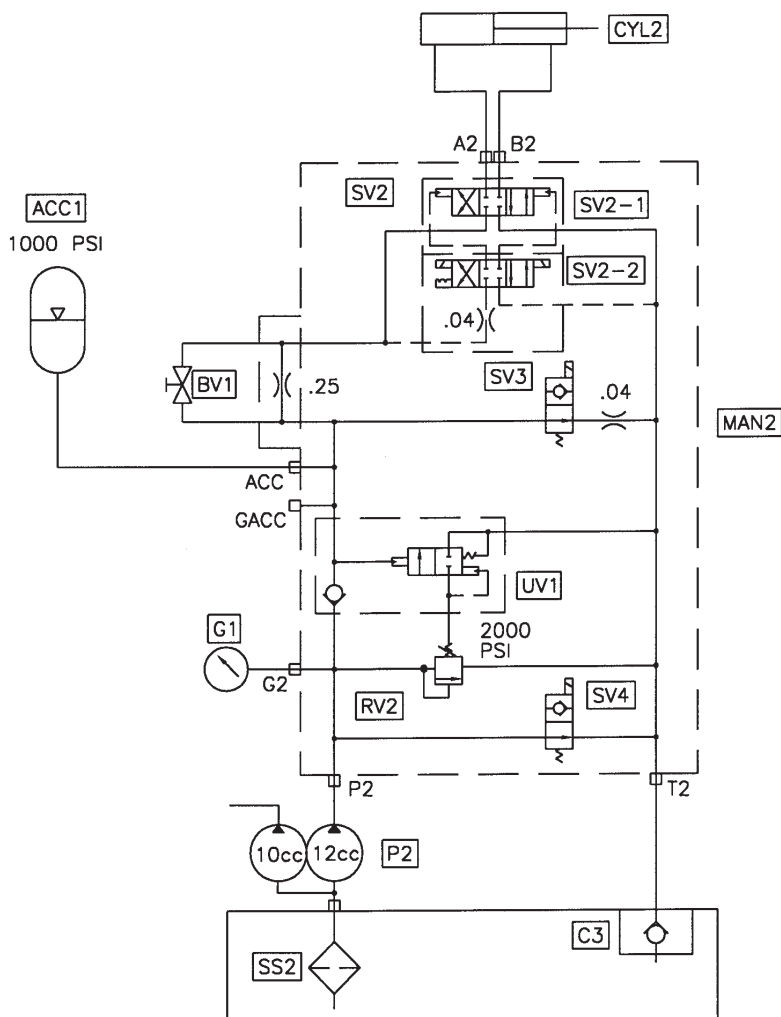
FIGURE 02  
PAGE 02

B & C SERIES SWING TUBE HYDRAULIC  
SCHEMATIC, SINGLE SHIFT CYLINDER

DATE  
11/7/01

REV.

PART NO.  
86705



CODE	DESCRIPTION	PART NO.	QTY.
P2	Gear Pump, Parts, Group 40	73156	1
CYL2	S Tube Single Shift Cylinder	86221	1
MAN2	Manifold S Tube Circuit	85249	1
SV2	Solenoid Valve S Tube Circuit	85693	1
SV2-1	Solenoid Valve Main	85694	1
SV2-2	Solenoid Valve Pilot	85695	1
	Coil For SV2-2	85692	2
SV3	Solenoid Valve Cartridge	85699	1
	Coil For SV3	85700	1
SV4	Solenoid Valve Cartridge	85701	1
	Coil For SV4	85702	1
RV2	Relife Valve Cartridge	85703	1
UN1	Unloading Valve Cartridge	85704	1
BV1	Ball Valve	85705	1
AAC1	Accumulator	74515	1
	Accumulator, Bladder	74516	1
G2	Pressure Gauge 3000 PSI	70366	1
SS2	Magnetic Suction Strainer 1 1/4"	79247	1
C3	Check Valve	85574	1

REVISION:



# TRAILER MOUNTED PUMP MODEL B20 DUAL SHIFT SWING TUBE CIRCUIT HYDRAULIC COMPONENTS & SCHEMATIC

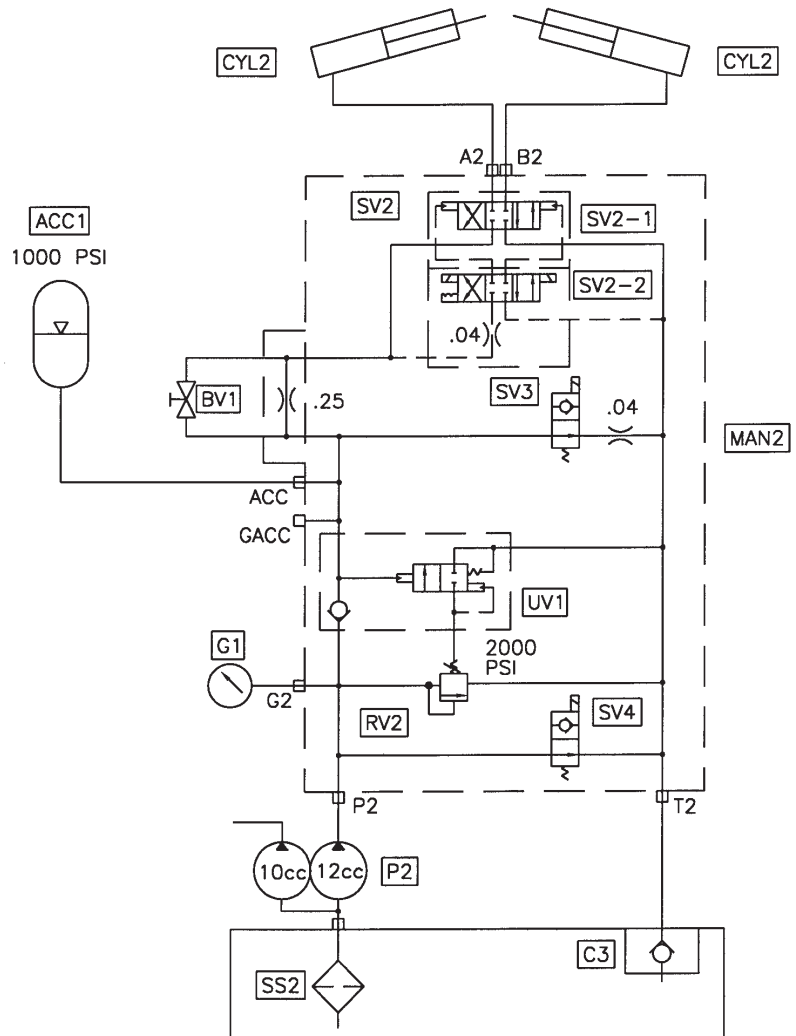
SCMTC

FIGURE 03  
PAGE 03

B & C SERIES SWING TUBE HYDRAULIC SCHEMATIC, DUAL SHIFT CYLINDER

DATE  
11/7/01

REV.  
PART NO.  
86706



CODE	DESCRIPTION	PART NO.	QTY.
P2	Gear Pump, Parts, Group 40		
CYL2	S Tube Single Shift Cylinder	86220	2
MAN2	Manifold S Tube Circuit	85249	1
SV2	Solenoid Valve S Tube Circuit	85693	1
SV2-1	Solenoid Valve Main	85694	1
SV2-2	Solenoid Valve Pilot	85695	1
	Coil For SV2-2	85692	2
SV3	Solenoid Valve Cartridge	85699	1
	Coil For SV3	85700	1
SV4	Solenoid Valve Cartridge	85701	1
	Coil For SV4	85702	1
RV2	Relife Valve Cartridge	85703	1
UN1	Unloading Valve Cartridge	85704	1
BV1	Ball Valve	85705	1
AAC1	Accumulator	74515	1
	Accumulator, Bladder	74516	1
G2	Pressure Gauge 3000 PSI	70366	1
SS2	Magnetic Suction Strainer 1 1/4"	79247	1
C3	Check Valve	85574	1

REVISION:

# REED

## TRAILER MOUNTED PUMP MODEL B20 AGITATOR / OUTRIGGER OPTION CIRCUIT HYDRAULIC COMPONENTS & SCHEMATIC

SCMTC

FIGURE 04  
PAGE 04

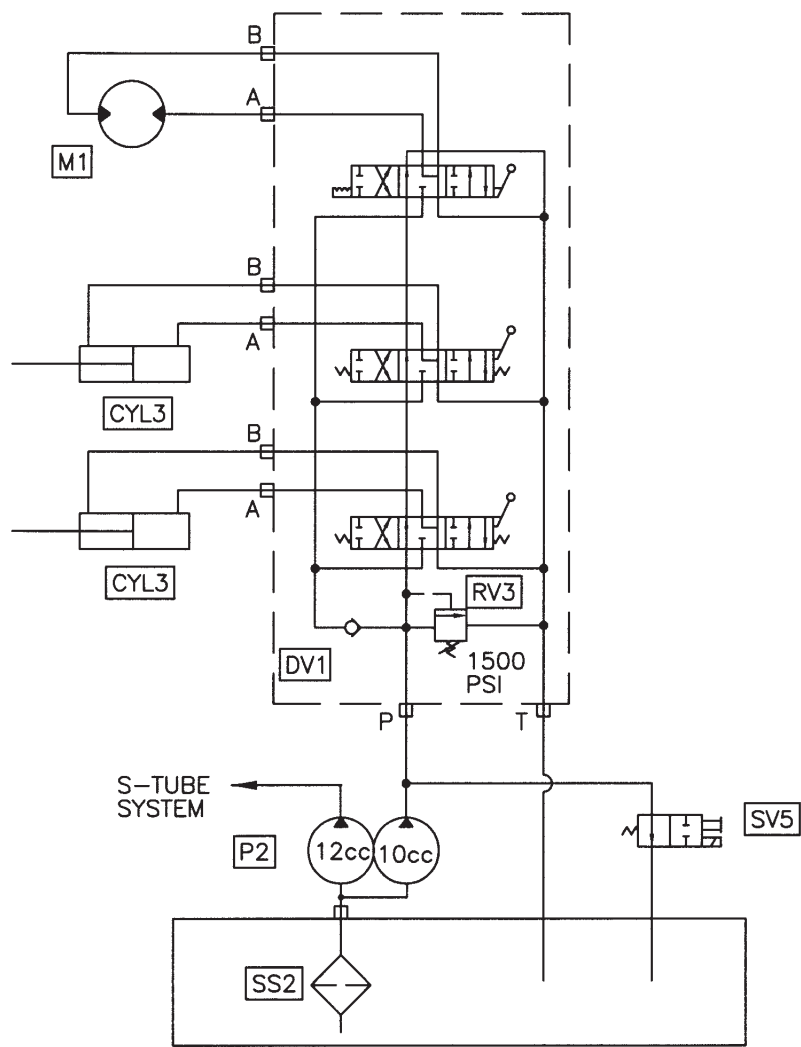
B & C SERIES AGITATOR/OUTRIGGER  
OPTION SCHEMATIC

DATE  
11/7/01

REV.  
A

PART NO.  
86707

# REED



CODE	DESCRIPTION	PART NO.	QTY.
P2	Gear Pump, Parts, Group 40	73156	1
CYL3	Hydraulic Outrigger Cylinder	86220	2
DV1	Directional Valve Agitator/Outrigger	74471	1
RV3	Relife Valve Cartridge	85706	1
M1	Agitator Motor, Parts, Group 20		
SV5	Solenoid Valve	87154	1
	Coil For SV5	87155	1
SS2	Magnetic Suction Strainer 1 1/4"	79247	1

REV A-10/04/2004



# TRAILER MOUNTED PUMP MODEL B20 HYDRAULIC HOSE KIT

SCMTC

FIGURE 05  
PAGE 05

<b>HOSE KIT 87797</b>	
<b>Part No.</b>	<b>End #1</b>
85666-001	
85666-006	
85666-013	
85667-001	
85654-016	
85657-002	
85657-002	
85657-002	
85657-033	
85657-004	
85654-021	
85657-016	
85664-011	
85657-001	
85660-004	
85659-001	
85657-030	
85659-002	
85659-002	
85659-002	
85659-002	

### SUCTION HOSES - POWER TRAIN

<b>Part No.</b>	<b>End #1</b>
	Tank Suction
	Tank Suction
	Tank Suction

### FUEL HOSES - 85363 FUEL TANK ASSY

<b>Part No.</b>	<b>End #1</b>
	Fuel Tank Suction
	Fuel Filter "OUT"
74716	Engine

### CONTROL VALVE GROUP - 86329

<b>Part No.</b>	<b>End #1</b>
85657-016	Bulkhead "P"
85658-011	Agitator Valve "A"
85658-010	Agitator Valve "B"

### HYD OUTRIGGER GROUP - 86334

<b>Part No.</b>	<b>End #1</b>
85659-010	O/R Valve "A"
85659-010	O/R Valve "B"
85659-010	O/R Valve Tube "A"
85659-010	O/R Valve Tube "B"

### WATER PUMP - 86400

<b>Part No.</b>	<b>End #1</b>
85657-021	Agitator Valve "PB"

REVISION:



**TRAILER MOUNTED PUMP MODEL B20  
CONTROL PANEL  
ELECTRICAL COMPONENTS (1 OF 2)**

SCMTC

FIGURE 06  
PAGE 06

Code	Description	Part No.	Qty.	Location
<b>SWITCHES</b>				
1S1	Key Switch		1	Control Panel
2S2	Toggle Switch, Horn		1	Control Panel
3S3	Toggle Switch, Local/Remote		1	Control Panel
3S4	Toggle Switch, Pump On/Reverse		1	Control Panel
3S5	Toggle Switch, Test A/B		1	Control Panel
3S6	E-Stop Switch		1	Control Panel
	Contact Block, 1NC for 3S6		1	Control Panel
3S7	E-Stop Switch		1	Remote Control
	Contact Block, 1NC for 3S7		1	Remote Control
3S8	Toggle Switch, Horn		1	Remote Control
3S9	Toggle Switch, Pump On/Reverse		1	Remote Control
<b>RELAYS</b>				
1K1	Relay, Engine Start	85348	1	Engine
<b>LIGHTS</b>				
1L1	Light, Green, Control On	85355	1	Control Panel
1L2	Light, Red, Oil Temperature	73775	1	Control Panel
1L3	Light, Red, Coolant Temperature	73775	1	Control Panel
1L4	Light, Red, Oil Pressure	73775	1	Control Panel
1L5	Light, Red, Alternator	73775	1	Control Panel
	Bulb for 1L2, 1L3, 1L4, 1L5	72022	4	Control Panel
2L6	Bulb, E-Stop	85344	1	Control Panel
2L7	Light, Green, Local	85355	1	Control Panel
3L8	Light, Yellow, Remote	85356	1	Control Panel
3L9	Light, Green, Pump On	85355	1	Control Panel
3L10	Light, Green, Reverse	85355	1	Control Panel
3L11	Bulb, E-Stop	85344	1	Remote Control
3L12	Light, Green, Pump On	85355	1	Remote Control
<b>GAUGES</b>				
1G1	Hour Meter	74240	1	Control Panel
1G2	Tachometer	78687	1	Control Panel
1G3	Coolant Temperature Gauge	78203	1	Control Panel

REVISION:



**TRAILER MOUNTED PUMP MODEL B20  
CONTROL PANEL  
ELECTRICAL COMPONENTS (2 OF 2)**

SCMTC

FIGURE 06  
PAGE 07

Code	Description	Part No.	Qty.	Location
<b>FUSES</b>				
1F1	Fuse, 25A	800447	1	Control Panel
1F2	Fuse, 20A	800448	1	Control Panel
1F3	Fuse, 5A	90392	1	Control Panel
2F4	Fuse, 10A	800449	1	Control Panel
2F5	Fuse, 10A	800449	1	Control Panel
2F6	Fuse, 5A	90392	1	Control Panel
2F7	Fuse, 5A	90392	1	Control Panel
2F8	Fuse, 10A	800449	1	Control Panel
	Fuse Block, 8 Way	85354	1	Control Panel
<b>SOLENOID VALVE COILS</b>				
1Y1	Coil, Fuel Solenoid	Deutz	1	Engine
1Y2	Coil, Accumulator Bypass	85700	1	S-Tube Manifold
1Y3	Coil, S-Tube Bypass	85702	1	S-Tube Manifold
1Y4	Coil, Agitator Bypass	73184	1	Hyd. Tank
2Y5	Coil, Cylinder "B"	85692	1	S-Tube Manifold
2Y6	Coil, Cylinder "A"	85692	1	S-Tube Manifold
2Y7	Coil, S-Tube Shift "A"	85692	1	Pump Manifold
2Y8	Coil, S-Tube Shift "B"	85692	1	Pump Manifold
	Plugs for 1Y2 thru 2Y8	74597	7	Manifolds
<b>MISCELLANEOUS</b>				
2BB1	Black Box, Pump Control	85334	1	Control Box
2BB2	Black Box, E-Stop Logic	85596	1	Control Box
2P1	Proximity Switch, Cyl "B"	77998	1	Water Box
2P2	Proximity Switch, Cyl "A"	77998	1	Water Box
2H1	Horn	800347	1	Control Box
3R1	Resistor, 100 Ohm	72777	1	Remote Control
<b>CONNECTORS</b>				
X1	Connector Insert, 24 Pin, Female	78696	1	Control Box
X1	Connector Base	78697	1	Control Box
X1	Connector Insert, 24 Pin, Male	78695	1	Harness
X1	Connector Hood	800424	1	Harness
X2	Terminal Block	72820	8	Control Box
X3	Connector Insert, 10 Pin, Female	79963	1	Control Box
X3	Connector Base	79965	1	Control Box
X3	Connector Insert, 10 Pin, Male	79964	1	Remote Control

REVISION:

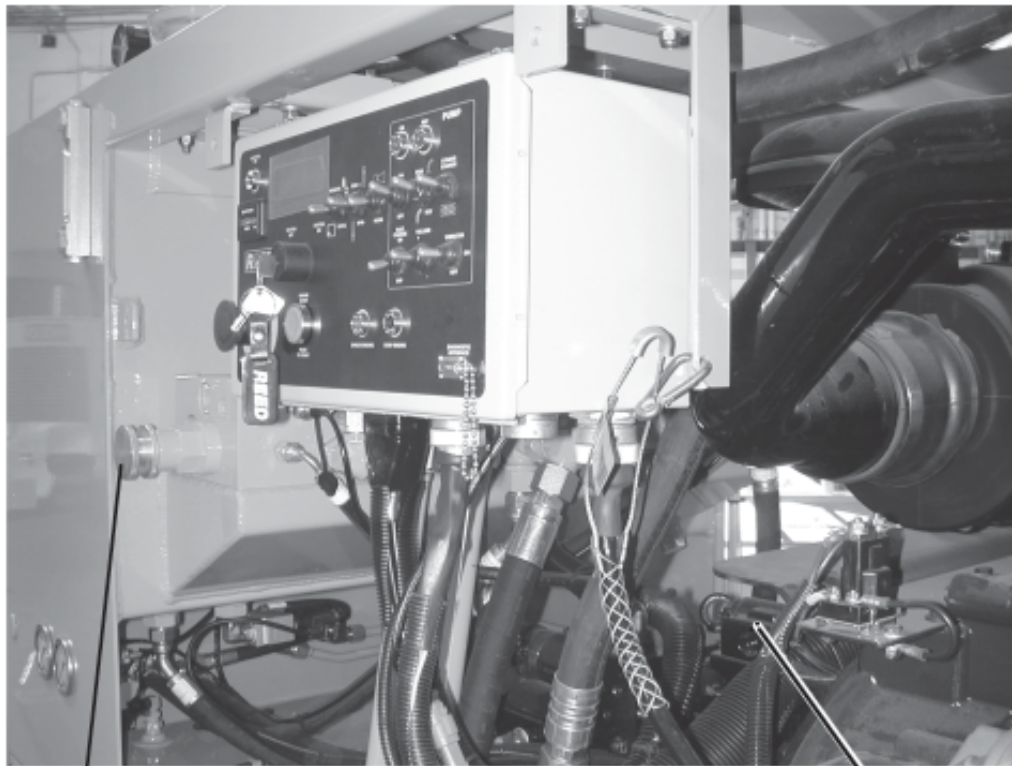
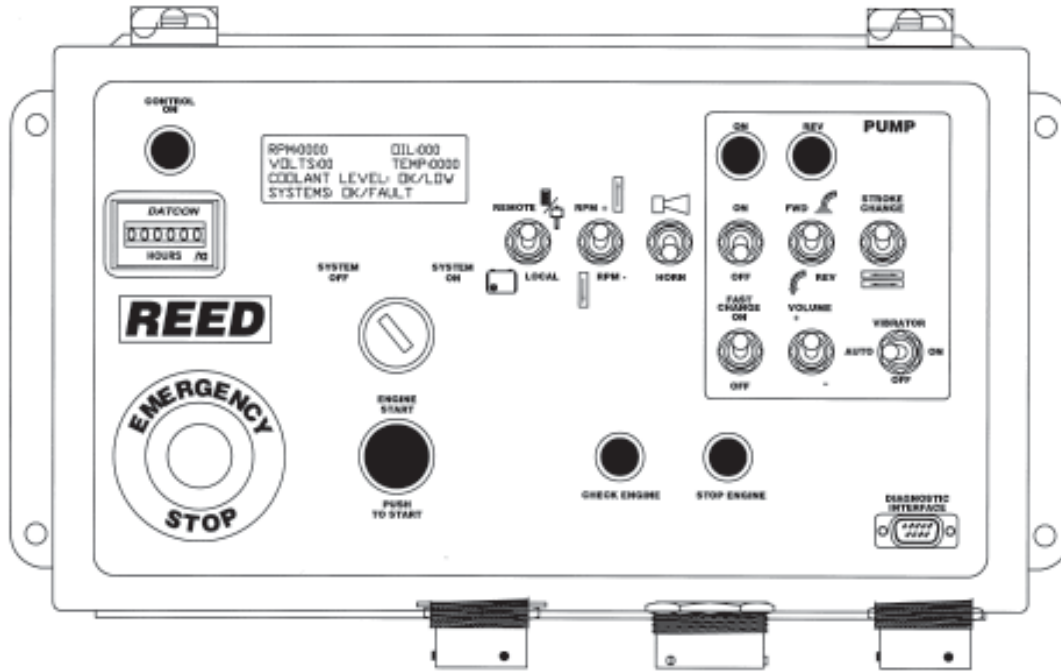




# TRAILER MOUNTED PUMP MODEL B20 CONTROL PANEL ELECTRICAL COMPONENTS

SCMTC

FIGURE 06  
PAGE 09



CONTROL BOX WITH COVER REMOVED

VOLUME CONTROL

MAIN HYDRAULIC PUMP

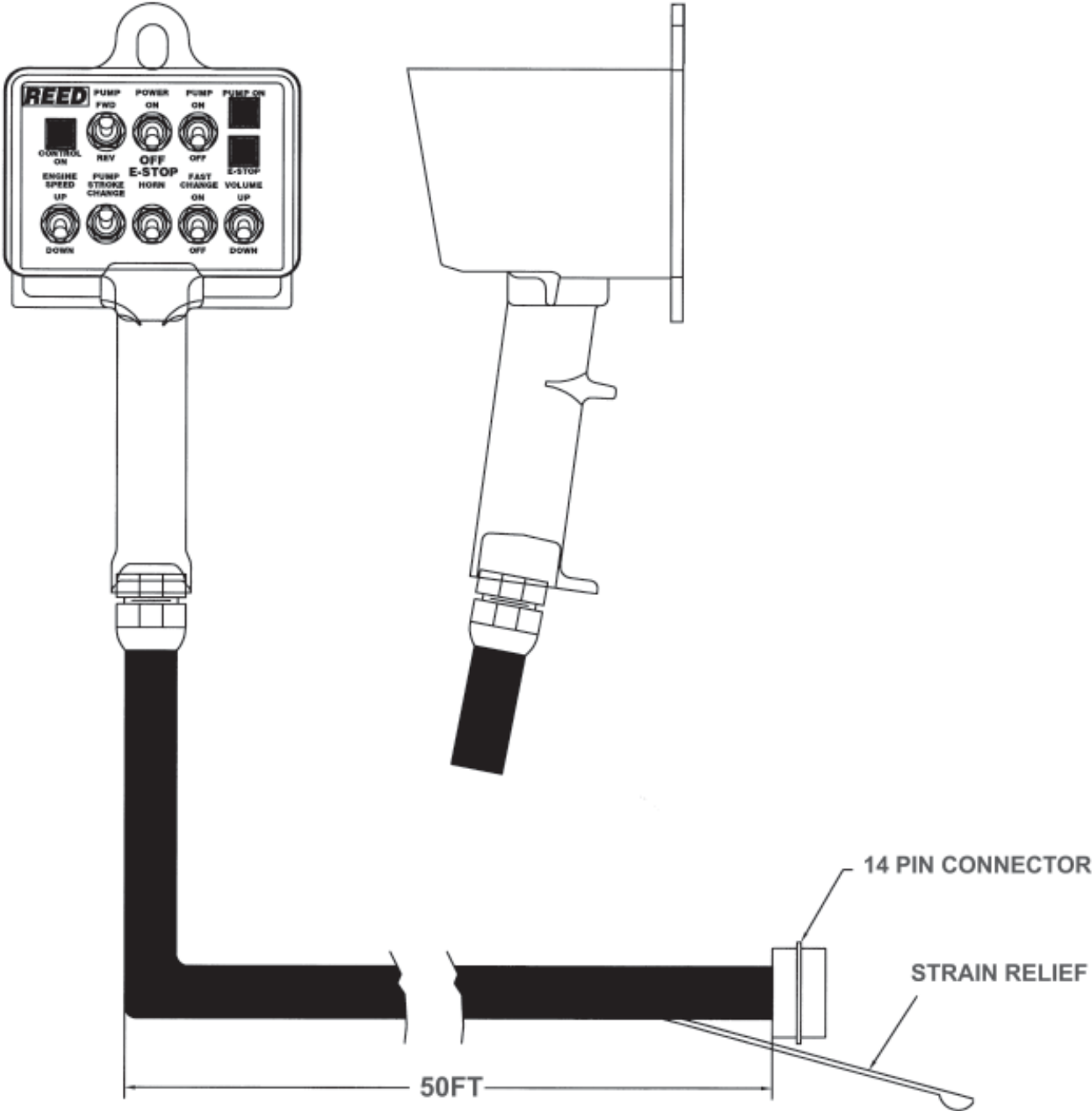


TRAILER MOUNTED PUMP MODEL *B20*  
CABLE REMOTE CONTROL  
ELECTRICAL COMPONENTS

SCMTC

FIGURE 07  
PAGE 10

CONTROL BOX PENDANT - CABLE REMOTE CONTROL UNIT - PN 87347-1



REVISION: