



ST48R5

REED
13822 Oaks Avenue
Chino, CA 91710
909-287-2100
www.reedpumps.com

CHAPTER 1 MACHINE OVERVIEW	3
CHAPTER 2 BOOM	4
2.1 MASTHEAD	4
2.2 BOOM SECTION 1	6
2.2.1 SECTION 1	6
2.2.1-1 CYLINDER 1 OF SECTION 1	9
2.2.1-2 CYLINDER 2 OF SECTION 1	11
2.3 BOOM SECTION 2	13
2.3.1 SECTION 2	13
2.3.1-1 CYLINDER OF SECTION 2	16
2.4 BOOM SECTION 3	21
2.4.1 SECTION 3	21
2.4.1-1 CYLINDER OF SECTION 3	21
2.5 BOOM SECTION 4	26
2.5.1-1 CYLINDER OF SECTION 4	26
2.6 BOOM SECTION 5	28
2.6.1 SECTION 5	28
2.7 DELIVERY PIPE	31
2.7.1 DELIVERY PIPE OF SECTION 1	31
2.7.2 DELIVERY PIPE OF SECTION 2	34
2.7.3 DELIVERY PIPE OF SECTION 3	37
2.7.4 DELIVERY PIPE OF SECTION 4	40
2.7.5 DELIVERY PIPE OF SECTION 5	43
2.7.6 DELIVERY PIPE OF DECK	45
CHAPTER 3 PEDESTAL, ROTATION ASSEMBLY, AND OUTRIGGERS	52
3.1 PEDESTAL	55
3.3 ROTATION ASSEMBLY	57
3.4 FRONT OUTRIGGER	59
3.4.1 OUTRIGGER EXTEND CYLINDER	61
3.5 SWINGOUT CYLINDER OF FRONT OUTRIGGER	63
3.6 SWINGOUT CYLINDER OF REAR OUTRIGGER	65
3.7 LEFT-REAR OUTRIGGER	67
3.7.1 OUTRIGGER CYLINDER	69
3.8 RIGHT-REAR OUTRIGGER	71

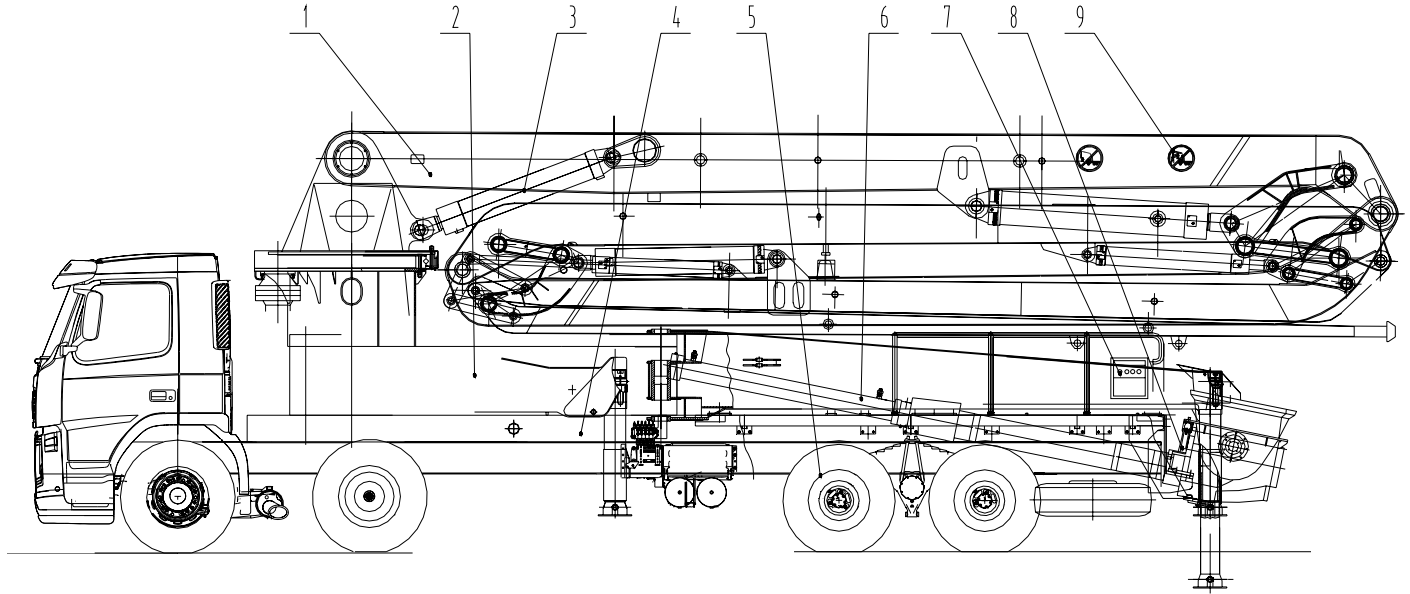


ST48R5

REED
13822 Oaks Avenue
Chino, CA 91710
909-287-2100
www.reedpumps.com

CHAPTER 4 PUMPING SYSTEM AND PIPE ACCESSORIES	73
4.1 HOPPER ASSEMBLY	77
4.2 CONCRETE PISTON	79
4.3 DRIVER CYLINDER	81
4.8 SHIFT CYLINDER.....	84
4.9 S TUBE ASSEMBLY	86
CHAPTER 5 SUB-FRAME ASSEMBLY	91
5.1 BOOM REST	93
5.2 LOCK OF REAR OUTRIGGER	94
5.4 GEARBOX ASSEMBLY	95
CHAPTER 6 HYDRAULIC SYSTEM	97
6.1 PUMPING SYSTEM	97
6.2 SHIFTING SYSTEM	100
6.3 AGITATOR SYSTEM	102
6.4 BOOM SYSTEM.....	105
6.5 MOVEMENT OF OUTRIGGER	108
CHAPTER 7 ELECTRICAL CONTROL SYSTEM	110
1.ELECTRICAL SYSTEM(I).....	110
2.ELECTRICAL SYSTEM (II).....	111
CHAPTER 8 LUBRICATION SYSTEM	112
8.1 LUBRICATION OF PUMPING SYSTEM	112

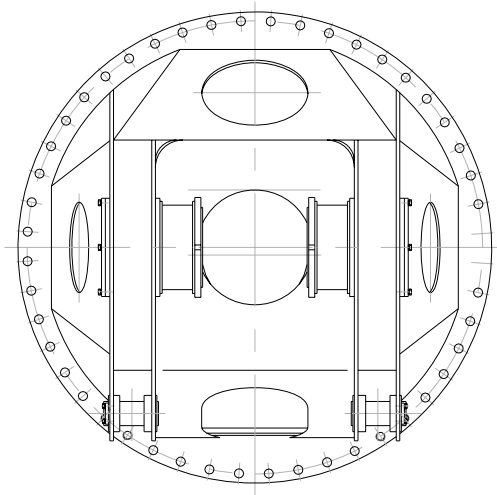
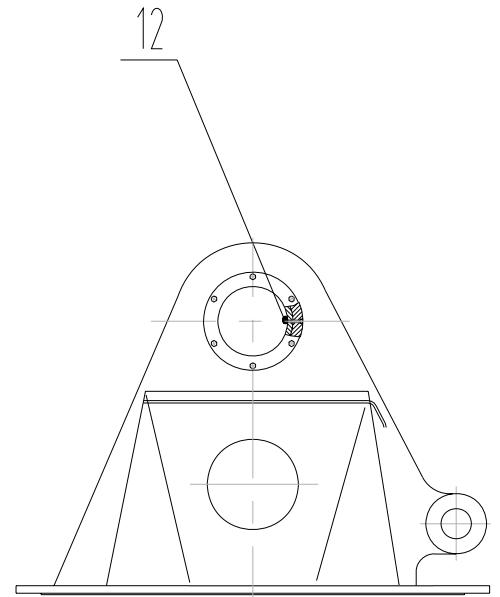
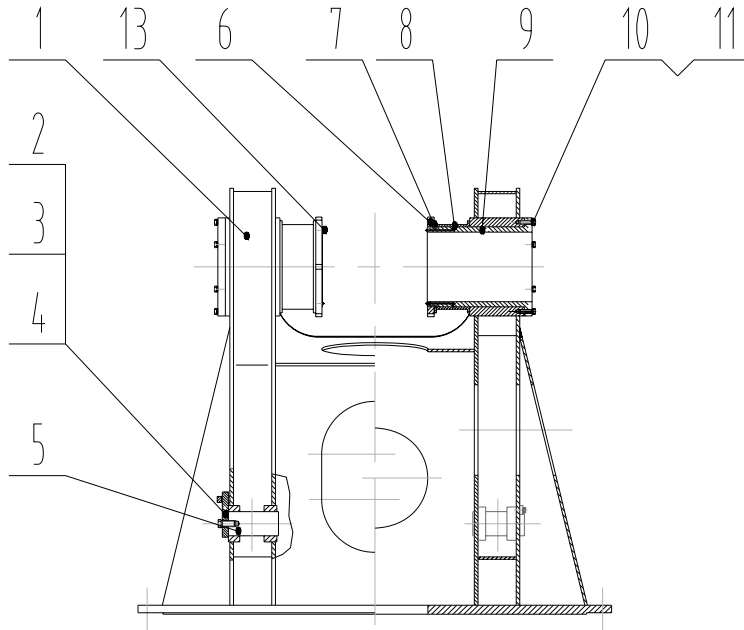
CHAPTER 1 MACHINE OVERVIEW



No.	Name	Code	Material	Parent	Weight	Quantity
1	Boom	BC48.1				1
2	Pedestal	BC48.2				1
3	Hydraulic system	BC48.6				1
4	Sub-frame assembly	BC48.4				1
5	Chassis modification	BC48.5				1
6	Pumping system	BC48.3				1
7	Electrical system	BC48.7				1
8	Lubrication system	BC48.8				1
9	Decals	BC48.9				

CHAPTER 2 BOOM

2.1 MASTHEAD





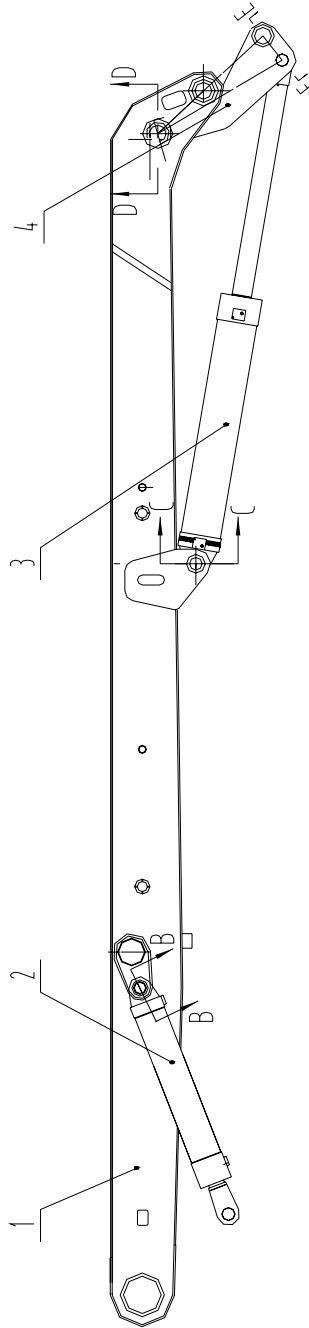
ST48R5

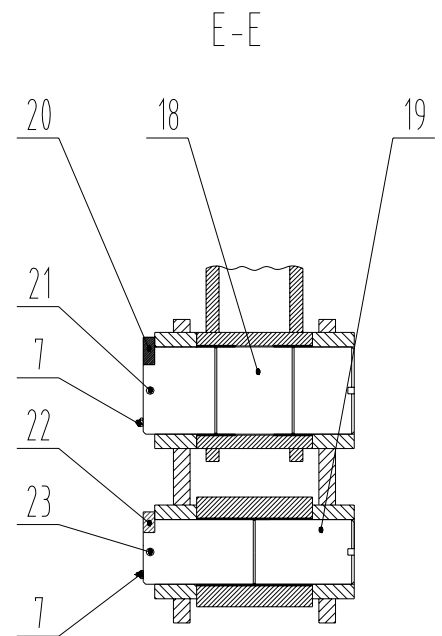
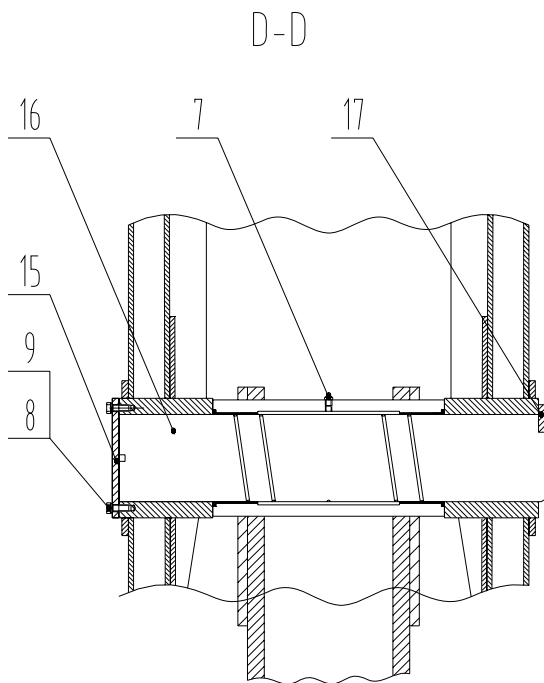
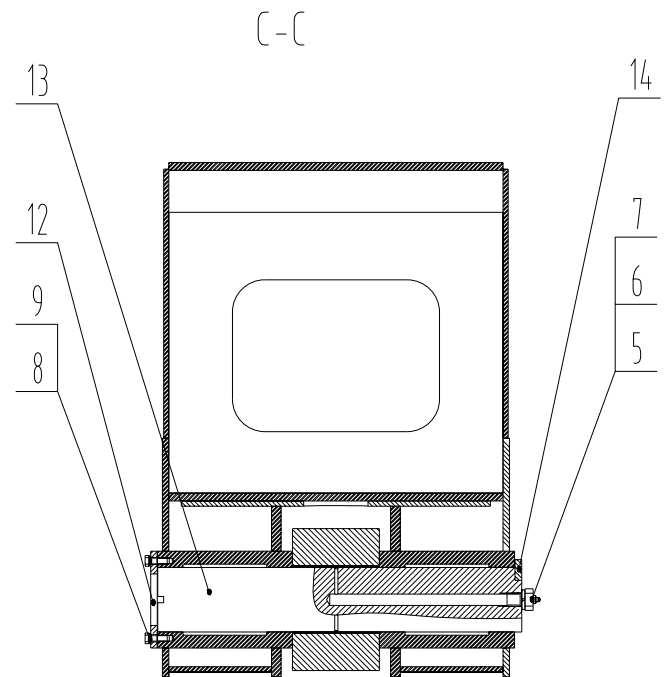
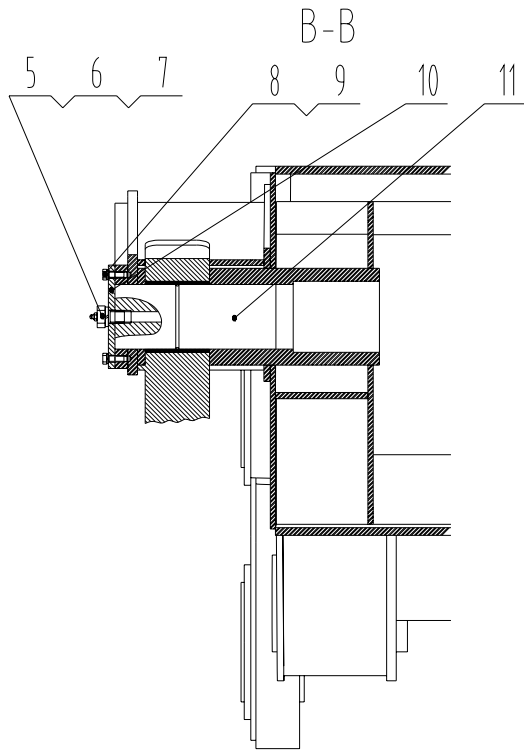
REED
13822 Oaks Avenue
Chino, CA 91710
909-287-2100
www.reedpumps.com

No.	Name	Code	Material	Parent	Weight	Quantity
1	Masthead	BC48.2.3.1				1
2	Plate	BC42.2.2-1				22
3	Bolt M20×40-10.9	GB5783-86				22
4	Washer 20	GB93-87				22
5	Pin	BC48.2.3-6				22
6	Nut	BC48.2.3-3				2
7	Washer	BC48.2.3-4				2
8	Bushing 1	BC48.2.3-5				2
9	Bushing 2	BC48.2.3-1				2
10	Bolt M12×45-8.8	GB5783-86				12
11	Washer 12	GB7244-87				12
12	Bolt M8×22	GB75-85				22
13	nipple,grease nipple M6×1	GB1152-89				4

2.2 BOOM SECTION 1

2.2.1 SECTION 1





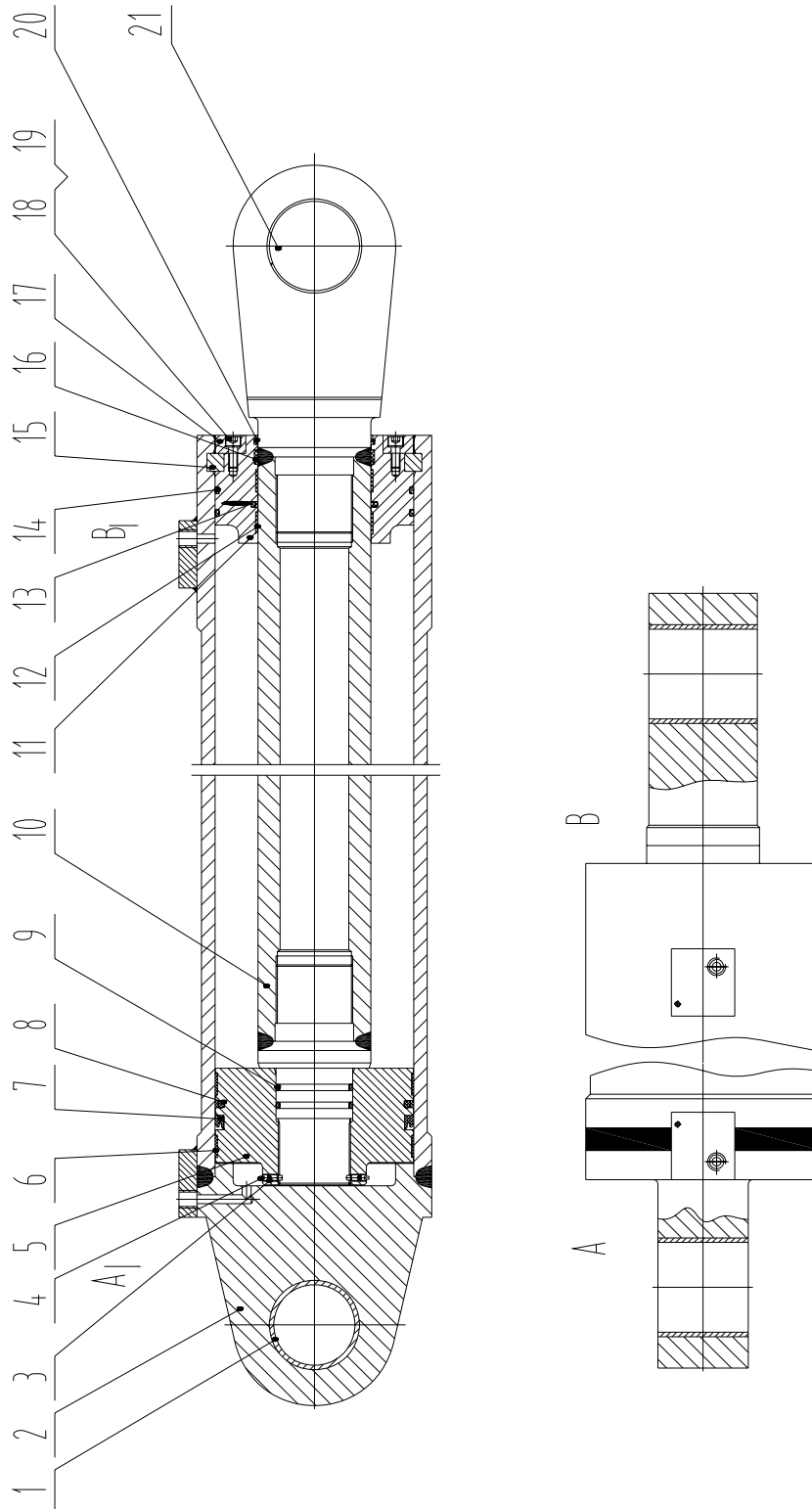


ST48R5

REED
13822 Oaks Avenue
Chino, CA 91710
909-287-2100
www.reedpumps.com

No.	Name	Code	Material	Parent	Weight	Quantity
1	Section 1	BC48.1.1.1				1
2	Cylinder1,section1	BC48.1.1.2				2
3	Cylinder2,section1	BC48.1.1.3				1
4	lever,link lever	BC48.1.1.4				1
5	Bolt M20×30	BC48.1.1-1				3
6	Gasket 20	GB93-87				3
7	nipple,grease nipple M10×1	GB1152-89				6
8	Bolt M10×30	GB5783-86				16
9	Washer 10	GB93-87				16
10	Plate	BC48.1.1-2				2
11	Pin	BC48.1.1-3				2
12	Plate	BC48.1.1-4				1
13	Pin	BC48.1.1-5				1
14	Plate	BC48.1.1-6				1
15	Plate	BC48.1.2-5				1
16	Pin	BC48.1.1-7				1
17	Plate	BC48.1.2-2				1
18	Pin	BC48.1.1-8				1
19	Pin	BC48.1.1-9				1
20	Plate	BC48.1.1-10				1
21	pin,cotter pin 12 × 200	GB91-86				1
22	Plate	BC48.1.1-11				1
23	pin,cotter pin 12 × 160	GB91-86				1

2.2.1-1 CYLINDER 1 OF SECTION 1



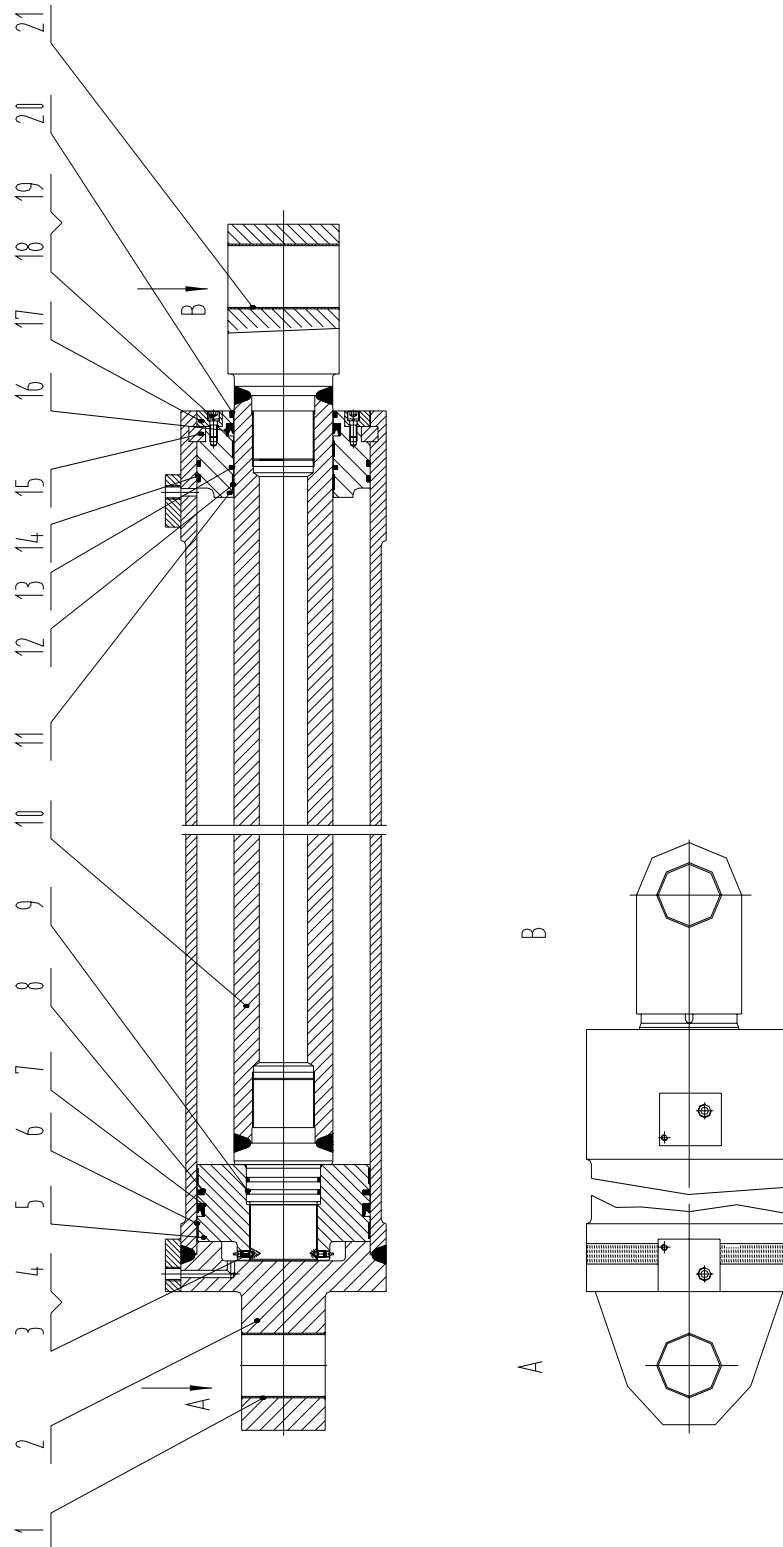


ST48R5

REED
13822 Oaks Avenue
Chino, CA 91710
909-287-2100
www.reedpumps.com

No.	Name	Code	Material	Parent	Weight	Quantity
1	bushing,bi-metal	SJ-1				1
2	body,Cylinder body	0-01				1
3	Bolt M8×20	GB/T79-2000				2
4	ring,snap ring 115	GB/T894.1-1986				1
5	Piston	0-1/G15C				1
6	ring,guide ring 215 ×220 × 25	GP 7502200				2
7	band,guide band 220	B7 M020				1
8	seal,bearing seal 220	OK 0220				1
9	O-ring 75 ×5.3	GB/T3452.1-1992				2
10	rod,piston rod	0-02				1
11	carrier,seal carrier	0-2/G15A				1
12	ring,guide ring 125 ×130× 25	GR 7501250				2
13	Seal 125	PO-55-171-1250				1
14	O-ring 206 ×7	GB/T3452.1-1992				2
15	ring,key ring	0-3/G15A				1
16	seal,bearing seal 125	BS C233				1
17	ring,snap ring	0-4/G15A				1
18	Bolt M10×25	GB/T70.1-2000				6
19	Washer 10	GB/T93-1987				6
20	seal,ring 125	AD 0125				1
21	bushing,bi-metal	SJ-2				1

2.2.1-2 CYLINDER 2 OF SECTION 1





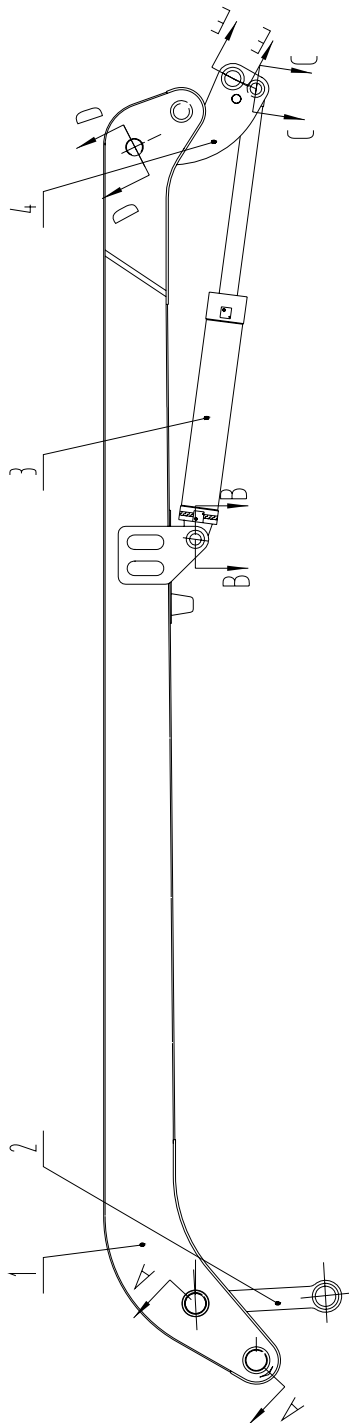
ST48R5

REED
13822 Oaks Avenue
Chino, CA 91710
909-287-2100
www.reedpumps.com

No.	Name	Code	Material	Parent	Weight	Quantity
1	Bushing	SJ-1				1
2	body,cylinder body	0-01/G16D				1
3	Bolt M10 ×20	GB/T79-2000				2
4	ring,snap ring 150	GB/T894.1-1986				1
5	Piston	0-1/G16C				1
6	ring,guide ring 275 ×280 ×25	GP7502800C380				2
7	seal,bearing seal	B8280AP5008				1
8	seal,bearing seal	OK028000701				1
9	O-ring 109× 5.3	GB/T3452.1-1992				2
10	rod,piston rod	0-01				1
11	carrier,seal carrier	0-2/G16A				1
12	ring,guide ring 160 × 165 × 25	GR7501600C380				2
13	seal,bearing seal	OD160005200171D				1
14	O-ring 265× 7	GB/T3452.1-1992				2
15	ring,key ring	0-3/G16A				1
16	seal,bearing seal	BSG085P5008				1
17	ring,snap ring	0-4/G16A				1
18	Bolt M12 ×30	GB/T70.1-2000				6
19	Washer 12	GB/T93-1987				6
20	seal,ring	AY160A P5008				1
21	Bushing □	SJ-2				1

2.3 SECTION 2

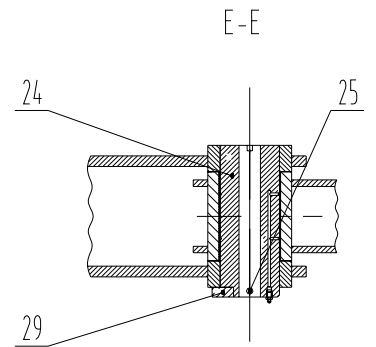
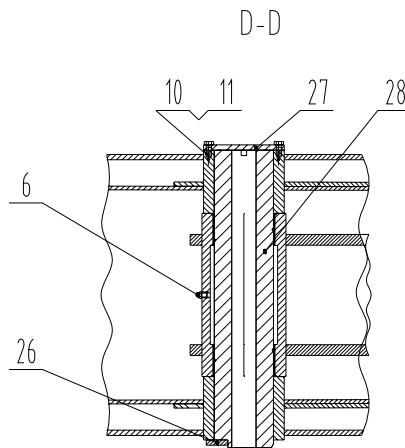
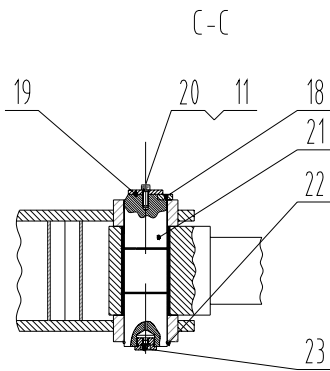
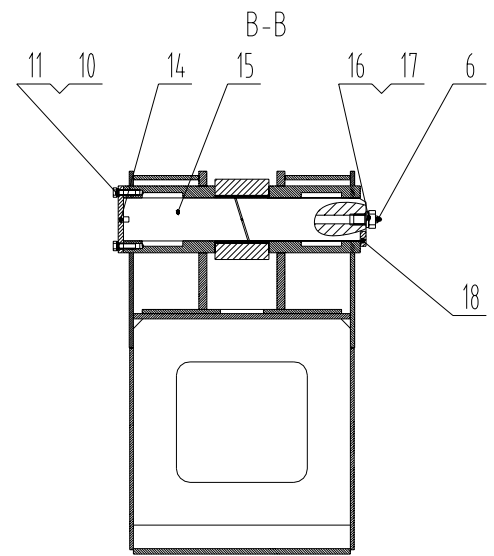
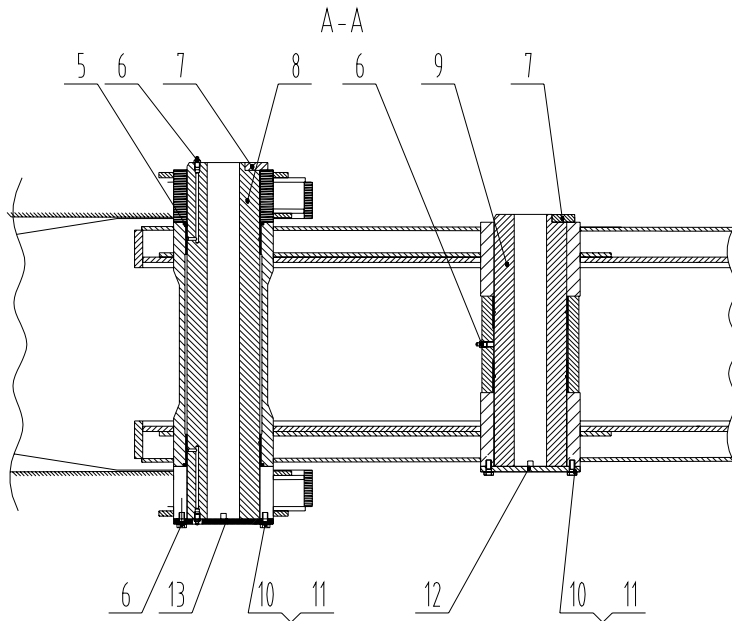
2.3.1 SECTION 2





ST48R5

REED
13822 Oaks Avenue
Chino, CA 91710
909-287-2100
www.reedpumps.com



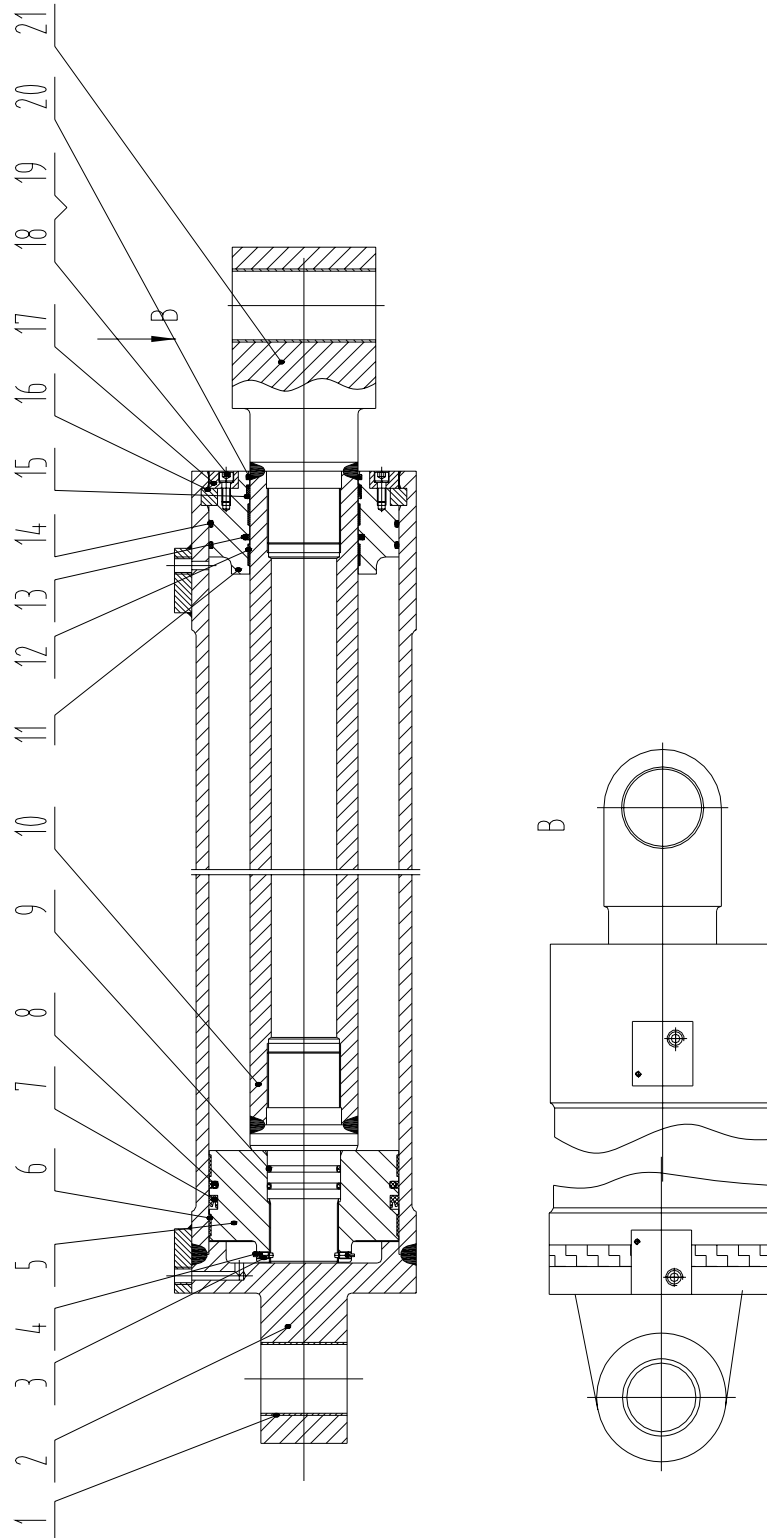


ST48R5

REED
13822 Oaks Avenue
Chino, CA 91710
909-287-2100
www.reedpumps.com

No.	Name	Code	Material	Parent	Weight	Quantity
1	Section 2	BC48.1.2.1				1
2	link,lever link 1	BC48.1.2.2				1
3	Cylinder,section2	BC48.1.2.3				1
4	Link,lever link 2	BC48.1.2.4				1
5	Bushing	BC48.1.2-1				2
6	Nipple,grease nipple M10×1	GB1152-89				7
7	Plate	BC48.1.2-2				2
8	Pin	BC48.1.2-3				1
9	Pin	BC48.1.2-4				1
10	Bolt M10×35	GB5783-86				16
11	Washer 10	GB93-87				13
12	Plate	BC48.1.2-5				1
13	Plate	BC48.1.2-6				1
14	Plate	BC48.1.2-7				1
15	Pin	BC48.1.2-8				1
16	Bolt M20×30	BC48.1.1-1				1
17	Washer 20	GB93-87				1
18	Plate	BC48.1.4-5				2
19	Ring,snap ring	BC48.1.4-4				2
20	Bolt M10×25	GB70-85				1
21	Pin	BC48.1.2-9				1
22	Ring,snap ring 80	GB894.1-86				1
23	Screw plug	ZBC37.1.1-7				1
24	Pin	BC48.1.2-10				1
25	pin,Cotter pin12×180	GB91-86				1
26	Plate	BC48.1.3-2				1
27	Plate	BC48.1.3-4				1
28	Pin	BC48.1.2-11				1
29	Plate	BC48.1.2-12				1

2.3.1-1 CYLINDER OF SECTION 2





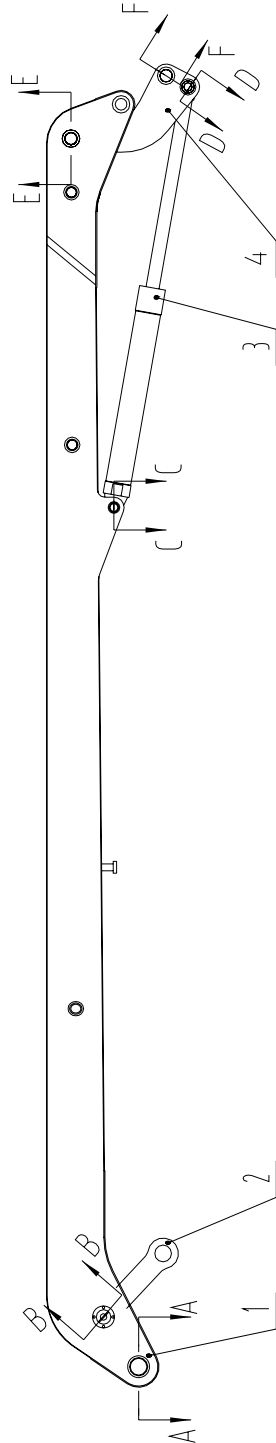
ST48R5

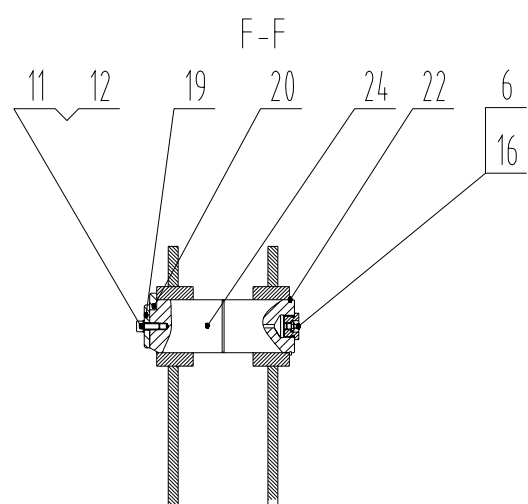
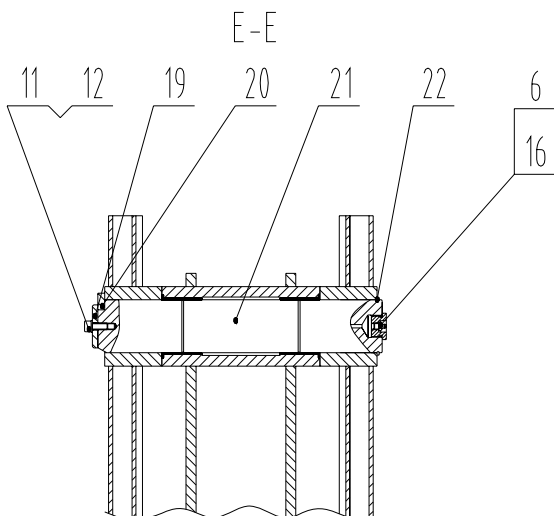
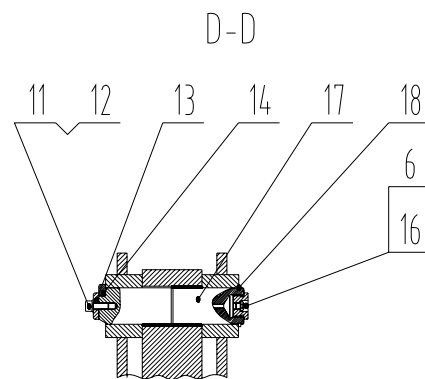
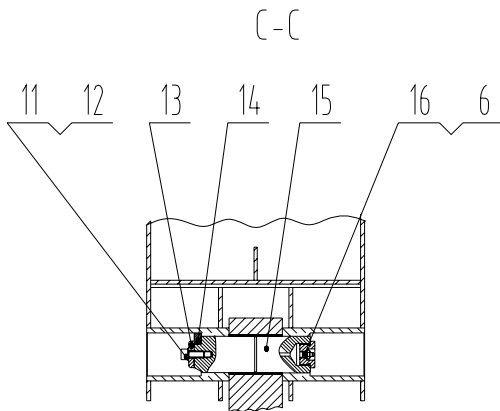
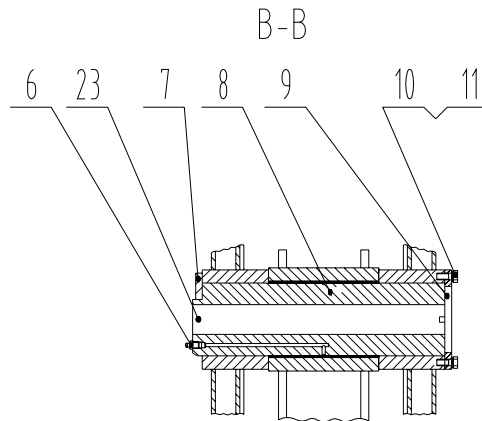
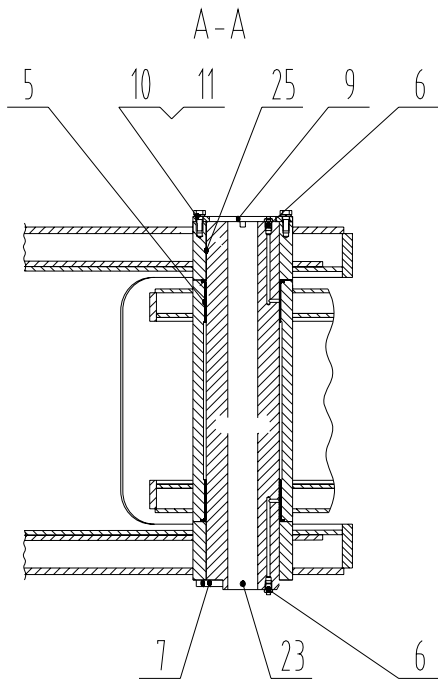
REED
13822 Oaks Avenue
Chino, CA 91710
909-287-2100
www.reedpumps.com

No.	Name	Code	Material	Parent	Weight	Quantity
1	bushing,bi-metal bushing	SJ-1				1
2	Cylinder body	0-01/G17				1
3	Bolt M8 ×16	GB/T79-2000				2
4	Ring,snap ring 110	GB/T894.1-1986				1
5	Piston	0-1/G17C				1
6	Ring,guide ring 220× 215× 25	GP 750 2200				2
7	Seal,bearing seal 220× 200 ×15	B7 M020				1
8	Seal,bearing seal 220× 199 ×8	OK 0220				2
9	o-ring 75 ×5.3	GB/T3452.1-1992				2
10	Rod,piston rod	0-01				1
11	carrier,seal carrier	0-2/G15A				1
12	ring,guide ring 125× 130× 25	GR 7501250				2
13	Seal,bearing seal 125	P0-55-171-1250				1
14	O-RING 206 ×7	GB/T3452.1-1992				2
15	Seal,bearing seal 125	BS C233				1
16	Ring,key ring for hole	0-3/G15A				1
17	Ring,snap ring	0-4/G15A				1
18	Bolt M10×25	GB/T70.1-2000				6
19	Washer 10	GB/T93-1987				6

2.4 SECTION 3

2.4.1 SECTION 3





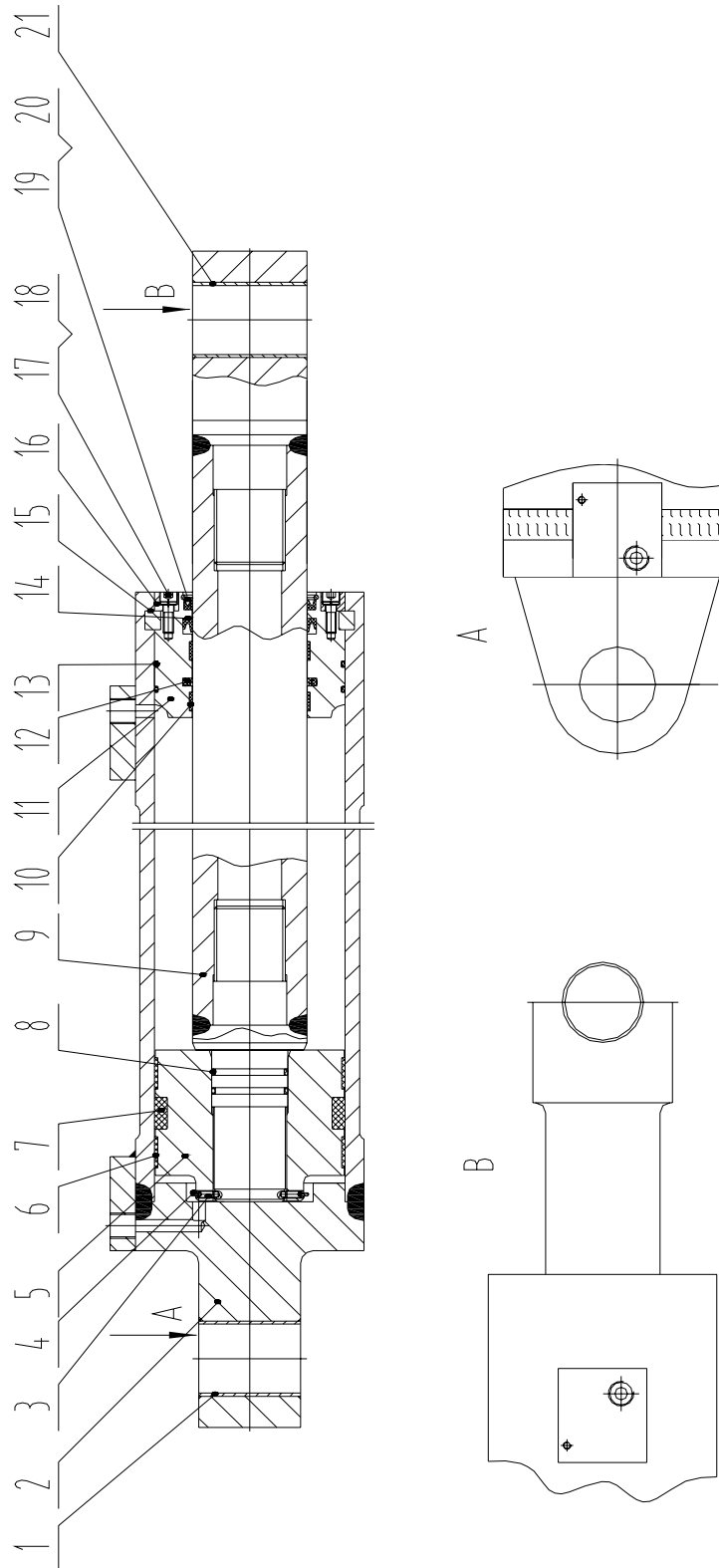


ST48R5

REED
13822 Oaks Avenue
Chino, CA 91710
909-287-2100
www.reedpumps.com

No.	Name	Code	Material	Parent	Weight	Quantity
1	Section 3	BC48.1.3.1				1
2	Link,lever link 1	BC48.1.3.2				1
3	Cylinder,Section3	BC48.1.3.3				1
4	Link,lever link 2	BC48.1.3.4				1
5	Bushing Φ115×Φ110×60	BC48.1.3-1				2
6	Nipple,grease nipple M10×1	GB1152-89				7
7	Plate	BC48.1.3-2				2
8	Pin Φ110×380	BC48.1.3-3				1
9	Plate	BC48.1.3-4				2
10	Bolt M10×25	GB5783-83				8
11	Washer 10	GB93-87				12
12	Bolt M10×25	GB70-85				4
13	Ring,snap ring	BC48.1.3-5				2
14	Plate	BC48.1.3-6				2
15	Pin Φ55×175	BC48.1.3-7				1
16	plug,Screw plug	ZBC37.1.1-7				4
17	Pin Φ55×218.5	BC48.1.3-8				1
18	ring,snap ring shaft 55	GB894.1-86				1
19	Ring,snap ring	BC48.1.3-9				2
20	Plate	BC48.1.3-10				2
21	Pin Φ80×430	BC48.1.3-11				1
22	ring,snap ring shaft 80	GB894.1-86				2
23	pin,cotter pin8×140	GB91-86				2
24	Pin Φ80×218	BC48.1.3-12				1
25	Pin Φ110×556	BC48.1.3-13				1

2.4.1-1 CYLINDER OF SECTION 3





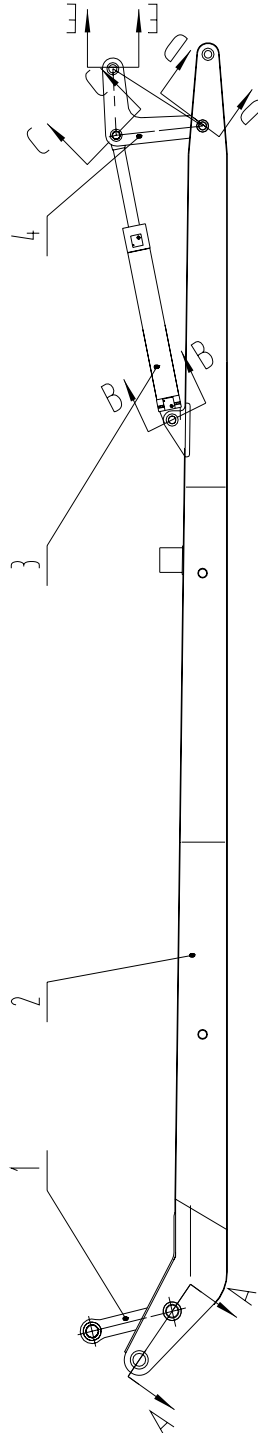
ST48R5

REED
13822 Oaks Avenue
Chino, CA 91710
909-287-2100
www.reedpumps.com

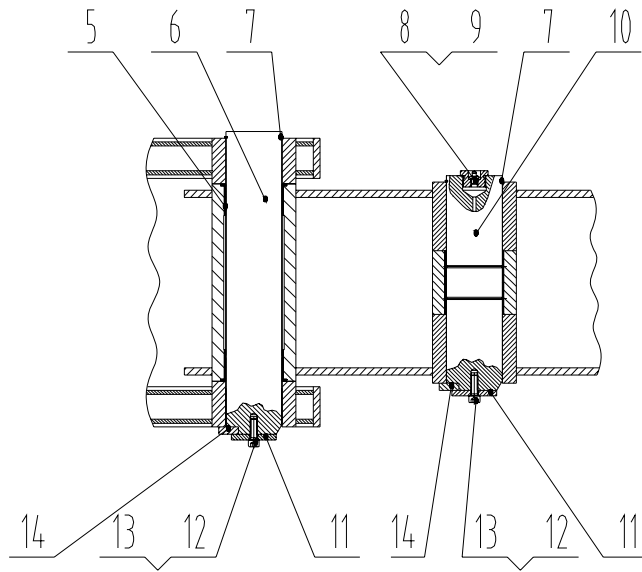
No.	Name	Code	Material	Parent	Weight	Quantity
1	Bushing	SJ-1				1
2	Assembly of cylinder body	0-01				1
3	Bolt M6×16	GB/T79-2000				2
4	Ring,snap ring 85	GB/T894.1-1986				1
5	Piston	0-1				1
6	Ring,guide ring 145 ×150× 25	GP 7501500C380				2
7	Seal,bearing seal 150	ZC015100250				1
8	O-RING 53×5.33	GB/T3452.1-1992				2
9	Rod,piston rod assembly	0-02				1
10	Ring,guide ring 90 ×95 ×15	GR7300900C380				2
11	Carrier,seal carrier	0-2				1
12	Seal,bearing seal 90	PO-55-171-1250				1
13	O-RING 142.47 ×3.53	AS568-255				2
14	Seal,bearing seal 90	BS 9005				1
15	Ring,key ring for hole	0-4/G18A				1
16	Ring,snap ring	0-5/G18A				1
17	Bolt M8×25	GB/T70.1-2000				6
18	Washer 8	GB/T93-1987				6
19	Anti-dust ring 90× 104× 8	AF 9033 Z5071				6
20	Ring,snap ring 105	GB/T895.1-1986				1
21	Bushing	SJ-2				1

2.5 SECTION 4

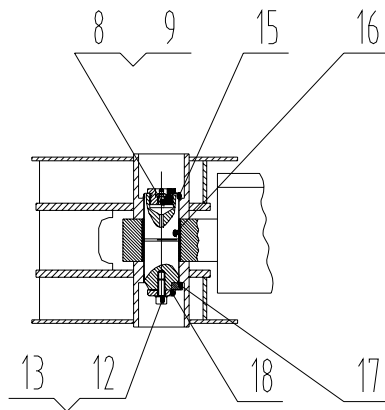
2.5.1 SECTION 4



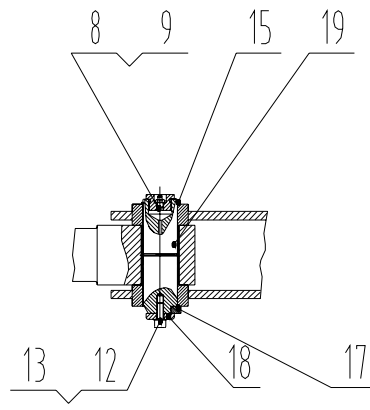
A-A



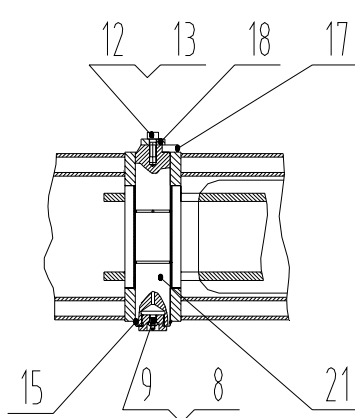
B-B



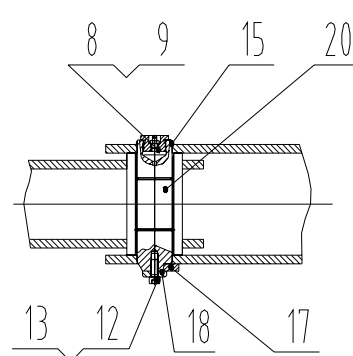
C-C



D-D



E-E



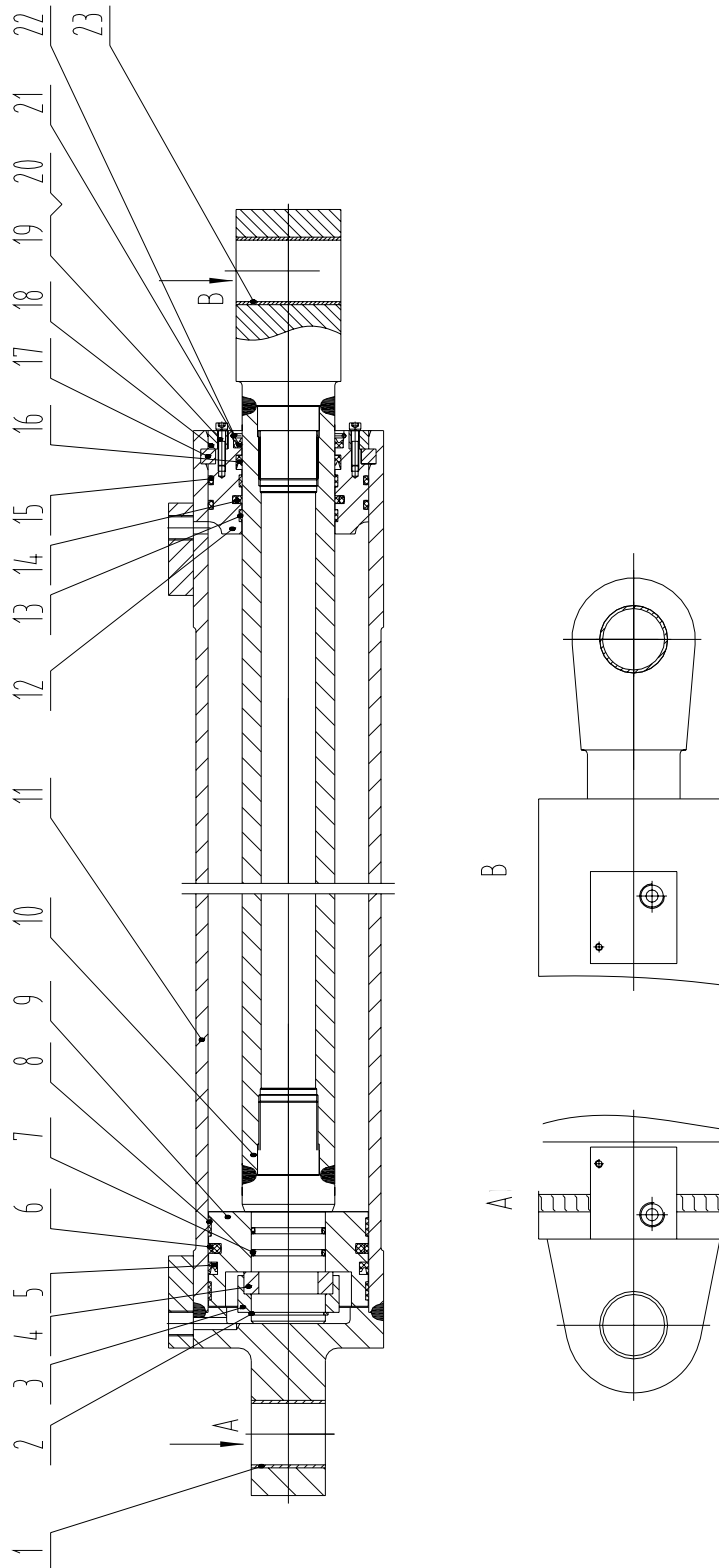


ST48R5

REED
13822 Oaks Avenue
Chino, CA 91710
909-287-2100
www.reedpumps.com

No.	Name	Code	Material	Parent	Weight	Quantity
1	Link,lever link	BC48.1.4.1				1
2	Section 4	BC48.1.4.2				1
3	Cylinder,section4	BC48.1.4.3				1
4	Link,lever link	BC48.1.4.4				1
5	Bushing	BC48.1.4-1				2
6	Pin	BC48.1.4-2				1
7	Ring,snap ring 80	GB894.1-86				2
8	Plug,screw plug	BC37.1.1-7				5
9	Nipple,grease nipple M10×1	GB1152-89				5
10	Pin	BC48.1.4-3				1
11	Ring,snap ring	BC48.1.4-4				2
12	Bolt M10×25	GB70-85				5
13	Washer 10	GB93-87				5
14	Plate	BC48.1.4-5				2
15	Ring,snap ring 50	GB894.1-86				4
16	Pin	BC48.1.4-6				1
17	Plate	BC48.1.5-3				3
18	Ring,snap ring	BC48.1.5-4				3
19	Pin	BC48.1.4-7				1
20	Pin	BC48.1.4-8				1
21	Pin	BC48.1.4-9				1

2.5.1-1 CYLINDER OF SECTION 4





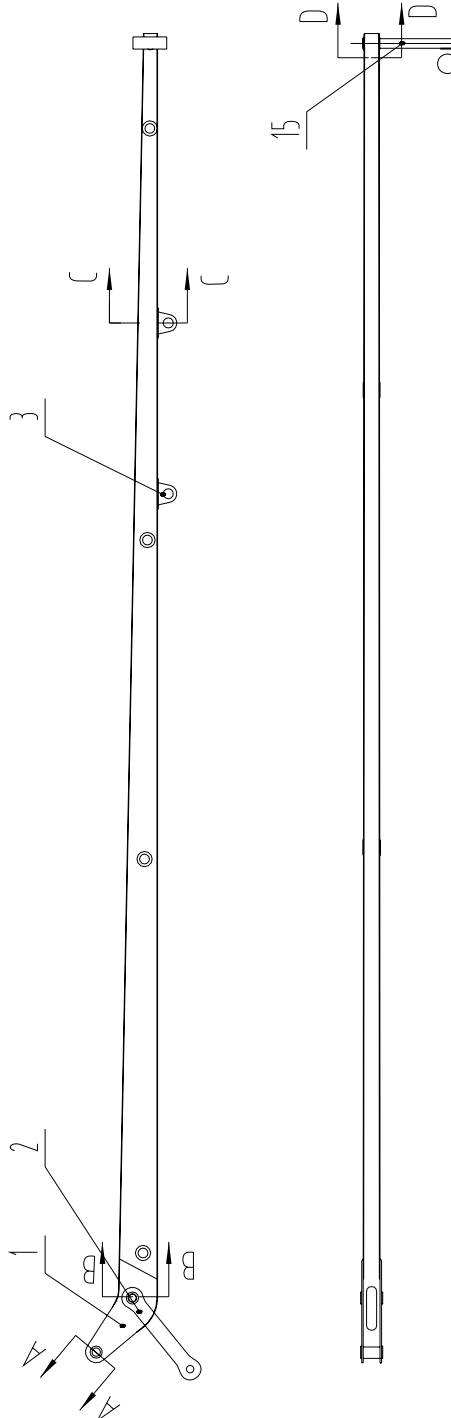
ST48R5

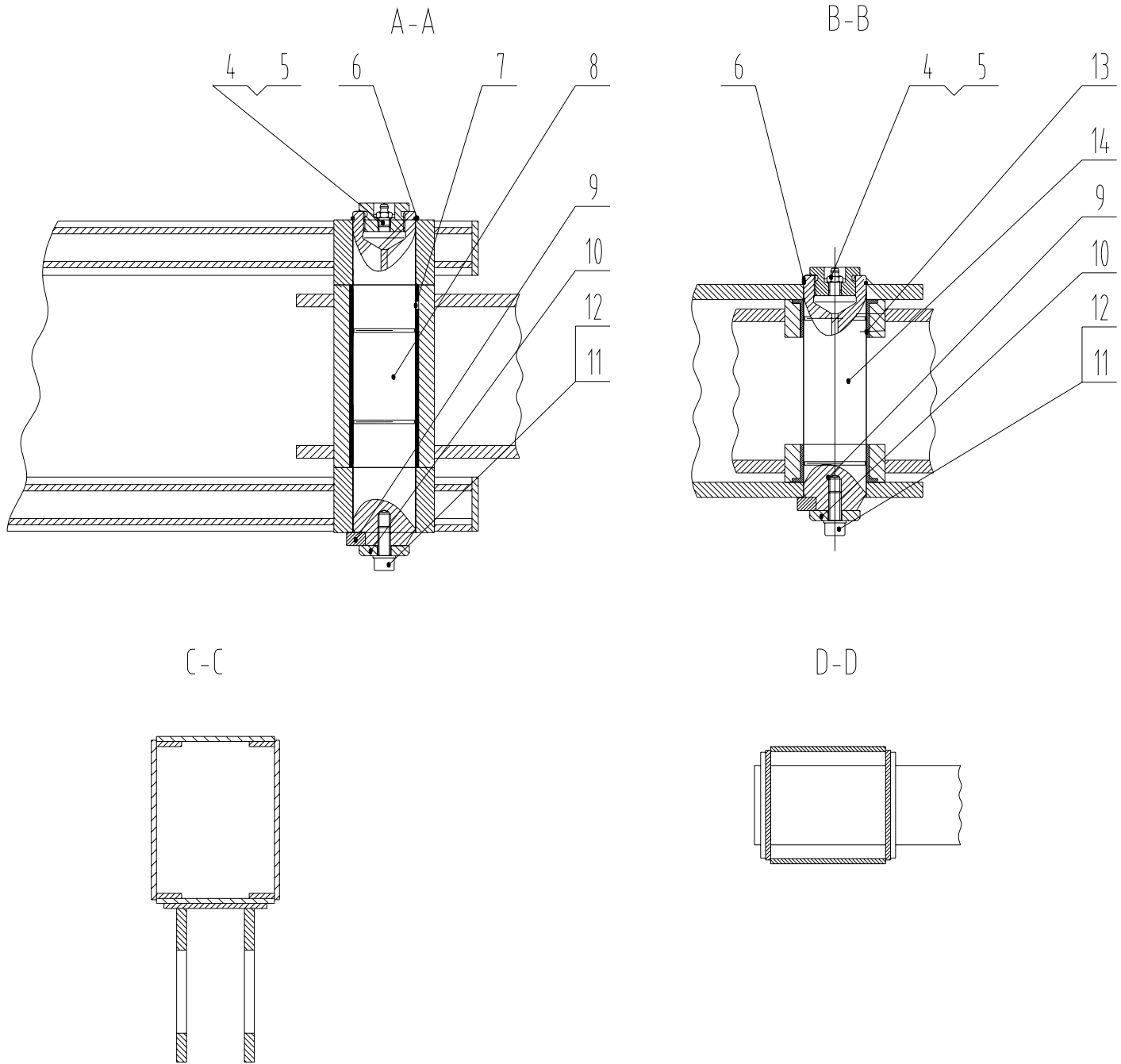
REED
13822 Oaks Avenue
Chino, CA 91710
909-287-2100
www.reedpumps.com

No.	Name	Code	Material	Parent	Weight	Quantity
1	Bushing	SJ-2				1
2	Ring,snap ring 60	GB/T894.1-1986				1
3	Ring,key ring cap	0-1/G19A				1
4	Ring,key ring shaft	0-2/G19A				1
5	Seal,bearing seal B7130A	B7 130A				1
6	Seal,bearing seal OK0130	OK013000701				1
7	O-RING 53×3.55	GB/T3452.1-1992				2
8	Ring,guide ring 125× 130 ×15	FR C055				2
9	Piston	0-3/G19A				1
10	Rod,piston rod (G)	0-01				1
11	Cylinder body	0-01/G19A				1
12	Carrier,seal carrier	0-5/G19A				1
13	Ring,guide ring 75 ×80× 9.7	FR 7506				2
14	Seal,bearing seal	OD075005200171D				1
15	O-RING 118 ×5.3	GB/T3452.1-1992				2
16	Seal,bearing seal BS7590	BS 7590				1
17	Ring,key ring	0-3A/G19				1
18	Ring,snap ring	0-6/G19				1
19	Bolt M5 ×30	GB/T70.1-2000				8
20	Washer 5	GB/T93-1987				8
21	seal,ring AF7537	AF 7537				1
22	Ring,snap ring 90	GB/T895.1-1986				1
23	Bushing	SJ-2				1

2.6 SECTION 5

2.6.1 SECTION 5







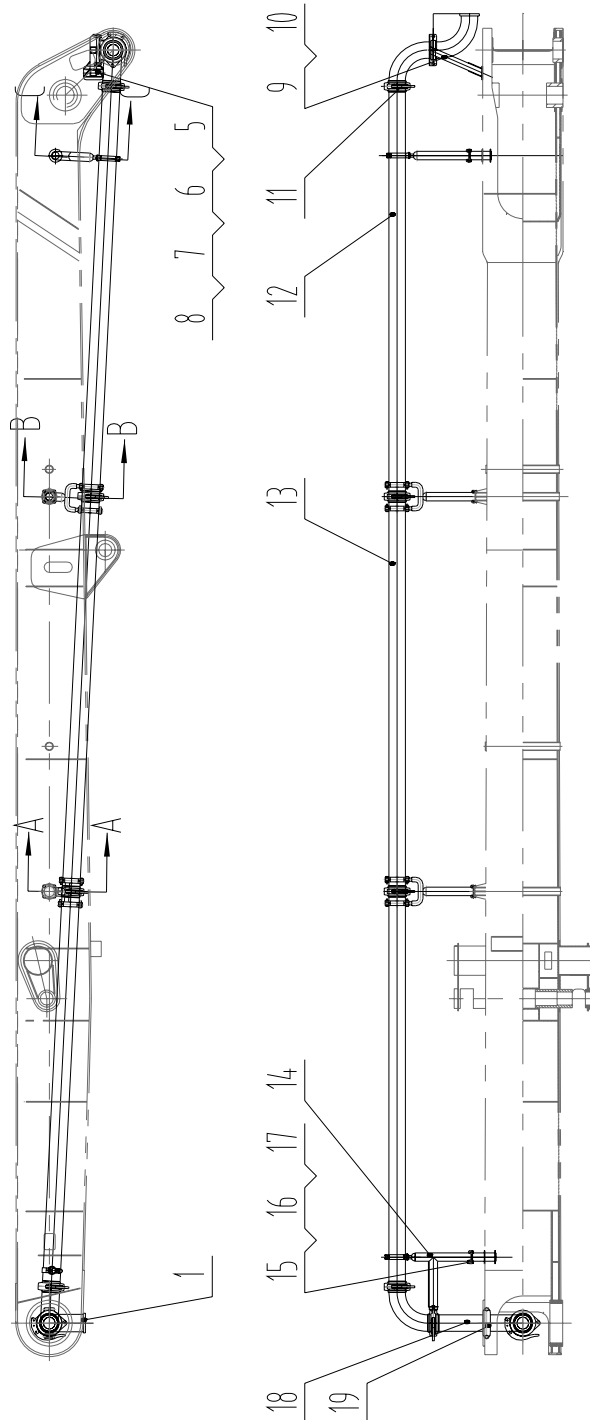
ST48R5

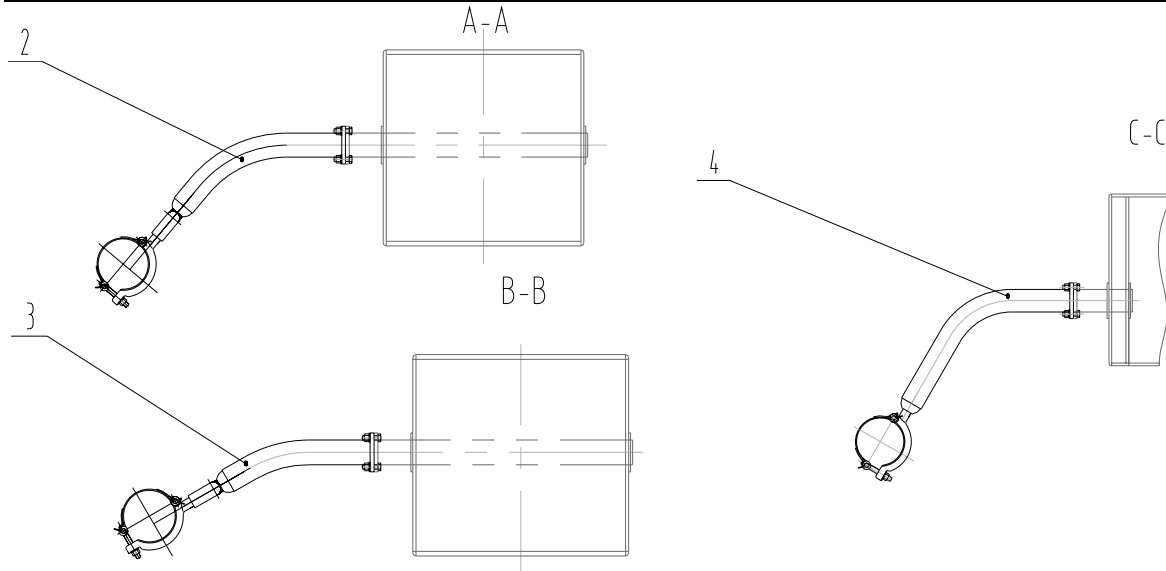
REED
13822 Oaks Avenue
Chino, CA 91710
909-287-2100
www.reedpumps.com

No.	Name	Code	Material	Parent	Weight	Quantity
1	Section 5	BC18.1.5.1				1
2	Link,lever link	BC48.1.5.2				1
3	support,hose support	BC48.1.5.3				2
4	Plug,screw plug	ZBC37.1.1-7				2
5	Nipple,grease nipple M10×1	GB1152-89				2
6	Ring,snap ring 50	GB894.1-86				2
7	Bushing 1	BC48.1.5-1				2
8	Shaft 1	BC48.1.5-2				1
9	Plate	BC48.1.5-3				2
10	Ring,snap ring	BC48.1.5-4				2
11	Bolt M10×25	GB70-85				2
12	Washer 10	GB93-87				2
13	Bushing 2	BC48.1.5-5				2
14	Shaft 2	BC48.1.5-6				1
15	pipe,tip	BC48.1.5.4				1

2.7 DELIVERY PIPE

2.7.1 DELIVERY PIPE OF SECTION 1





No.	Name	Code	Material	Belongs	Weight	Quantity
1	elbow,125mm lp R275/90°	ZBC37.10.1				3
2	Pipe,support pipe 1	BC48.8.1.1				1
3	Pipe,support pipe 2	BC48.8.1.2				1
4	Pipe,support pipe 3	BC48.8.1.3				1
5	Bolt M14×45	GB5782-86				2
6	Nut M14	GB6170-86				2
7	plate,base plate	BC48.8.1-1				2
8	Washer 14	GB97.1—85				2
9	Pipe,support pipe 4	BC48.8.1.4				1
10	clamp, pipe clamp Special 125mm hp pipe clip	ZBC37.10.8				2
11	clamp,pipe clamp 125mm hp	60Z1407.14.17				6
12	pipe,125mm hp straight L=3114	BC48.8.1.5				1
13	pipe,125mm hp straight L=3000	ZBC37.10.6				2
14	Pipe,support pipe 5	BC48.8.1.6				1
15	Bolt M12×40	GB5782-86				12
16	Nut M12	GB6170-86				12
17	Washer 12	GB97.1—85				12
18	pipe,125mm hp	BC48.8.1.7				1

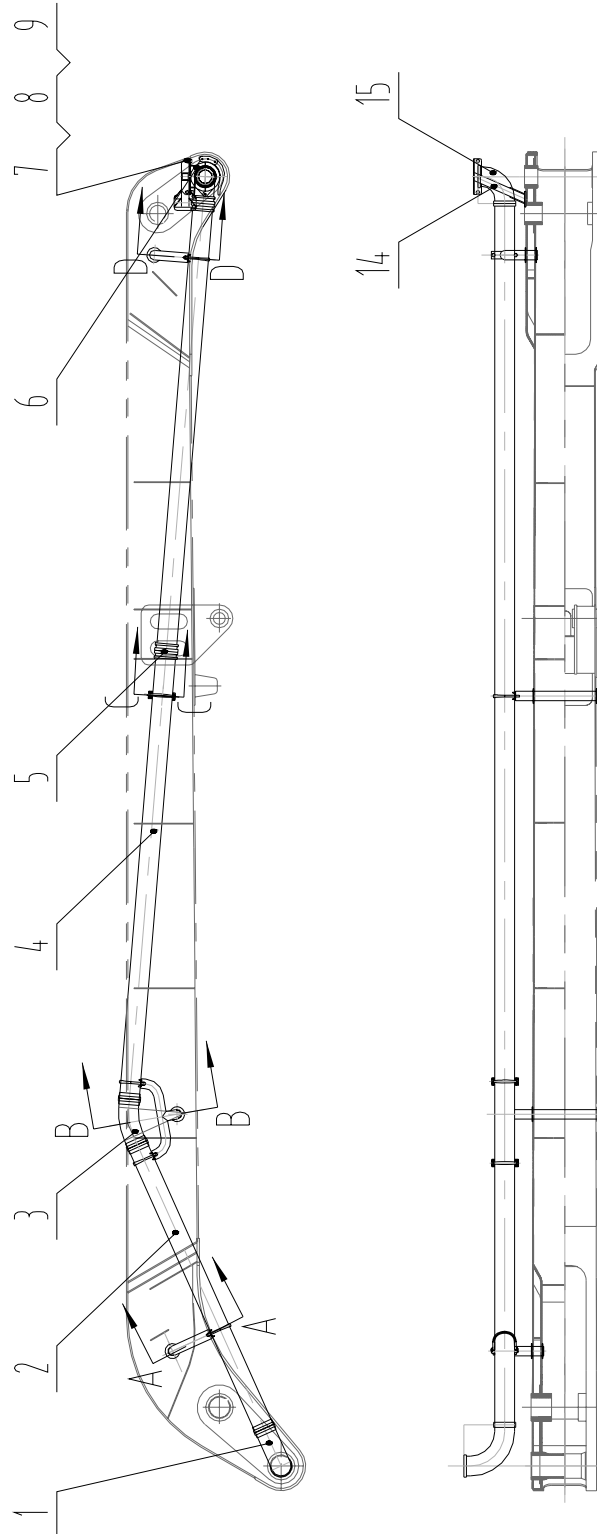


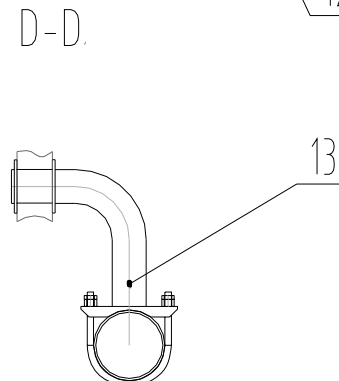
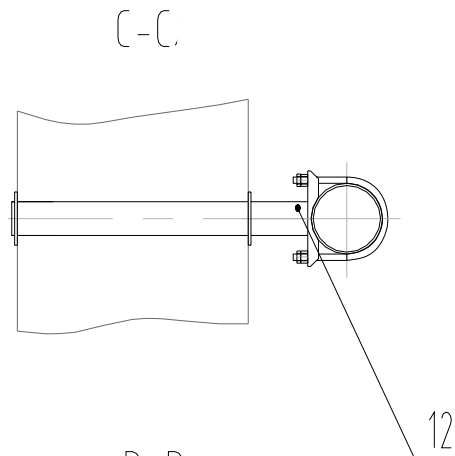
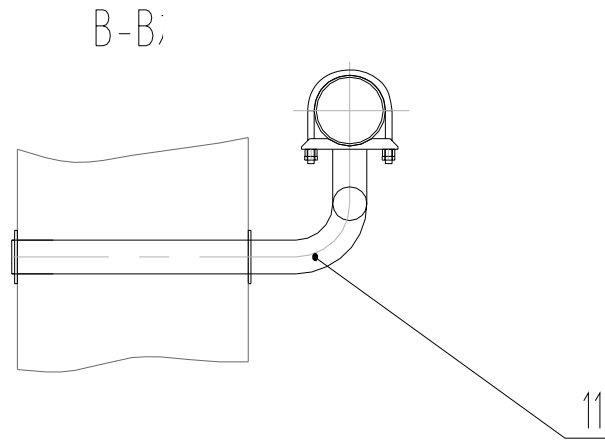
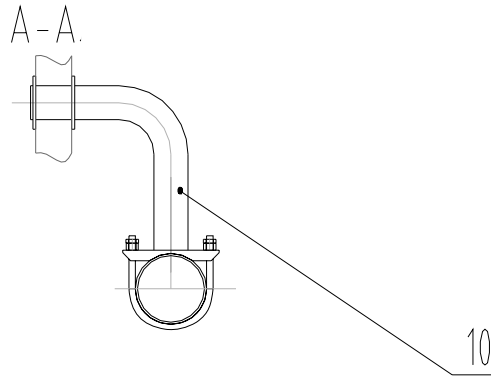
ST48R5

REED
13822 Oaks Avenue
Chino, CA 91710
909-287-2100
www.reedpumps.com

	pipe(L=404.7)					
19	125A penetrate-wall pipe clamp	ZBC37.10.10				1

2.7.2 DELIVERY PIPE OF SECTION 2





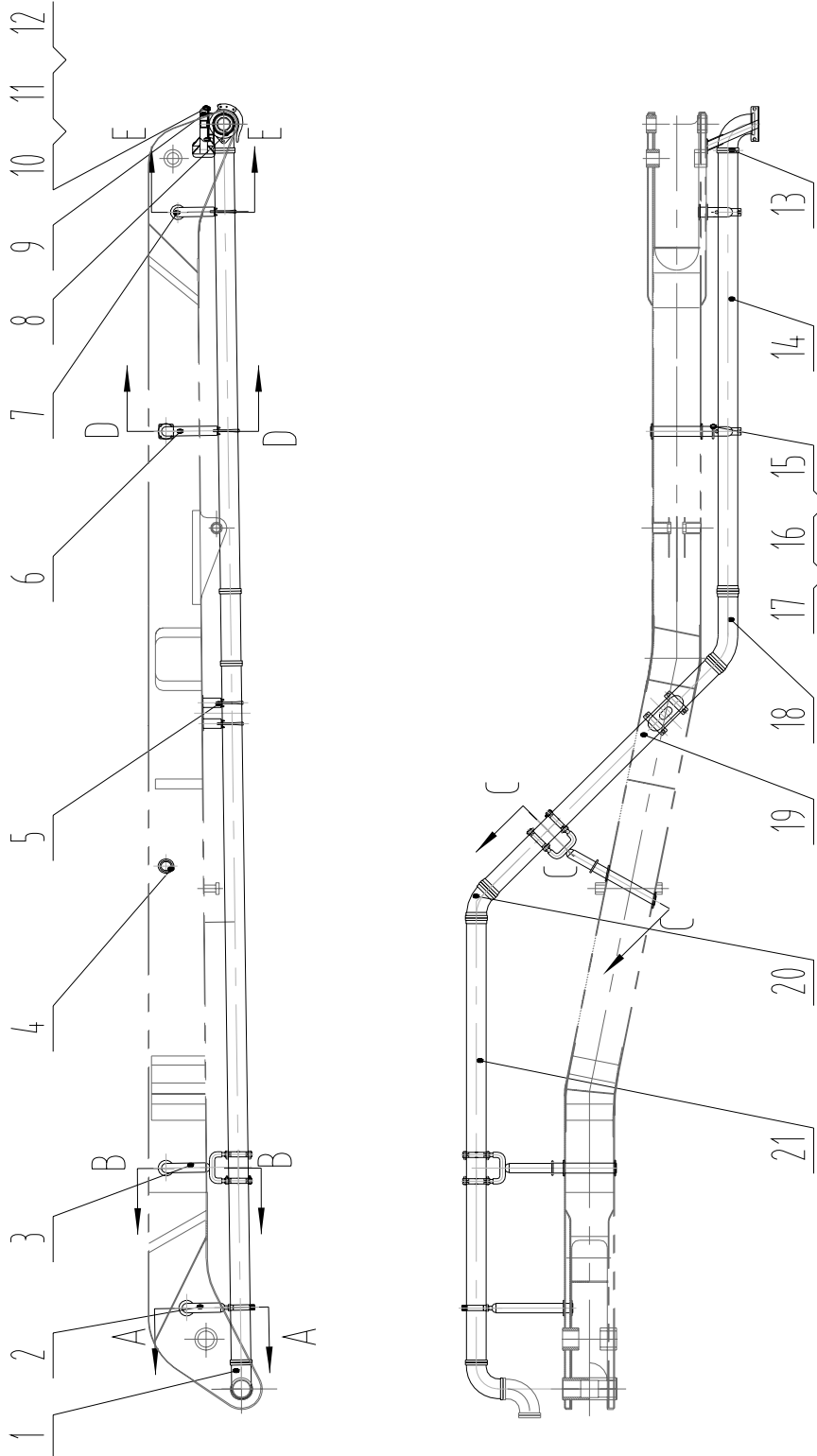


ST48R5

REED
13822 Oaks Avenue
Chino, CA 91710
909-287-2100
www.reedpumps.com

No.	Name	Code	Material	Parent	Weight	Quantity
1	elbow,125A R275/90°	ZBC37.10.1				1
2	pipe,125A straight L=2079	BC48.8.2.1				1
3	elbow,125A R300/29°	BC48.00-2203				1
4	pipe,125A straight L=3000	ZBC37.10.6				2
5	clamp,pipe 125A (for truck mounted pump)	60Z1407.14.17				5
6	Special 125A Pipe clip assembly	ZBC37.10.8				1
7	Bolt M14×35	GB5782-86				2
8	Nut M14	GB6170-86				2
9	Washer 14	GB97.1—85				2
10	Pipe,support pipe 1	BC48.8.2.2				1
11	Pipe,support pipe 2	BC48.8.2.3				1
12	Pipe,support pipe 3	BC48.8.2.4				1
13	Pipe,support pipe 4	BC48.8.2.5				1
14	Pipe,support pipe 5	BC48.8.2.6				1
15	elbow,125A R180/90°	BC48.00-2215				1

2.7.3 DELIVERY PIPE OF SECTION 3

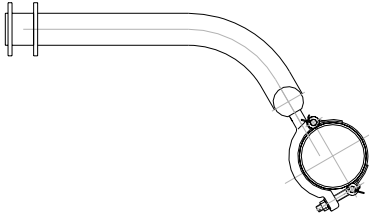




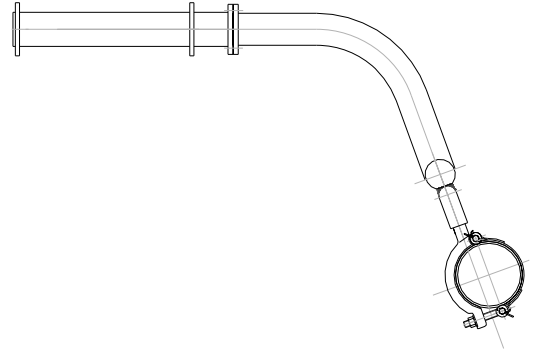
ST48R5

REED
13822 Oaks Avenue
Chino, CA 91710
909-287-2100
www.reedpumps.com

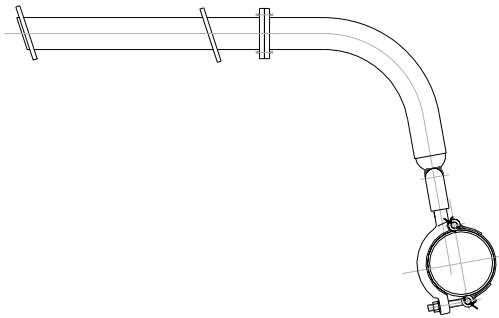
A-A



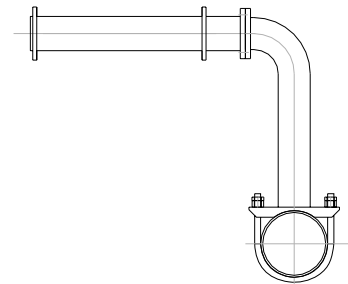
B-B



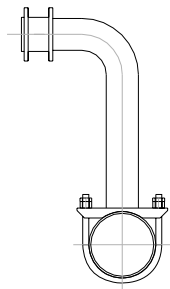
C-C



D-D



E-E



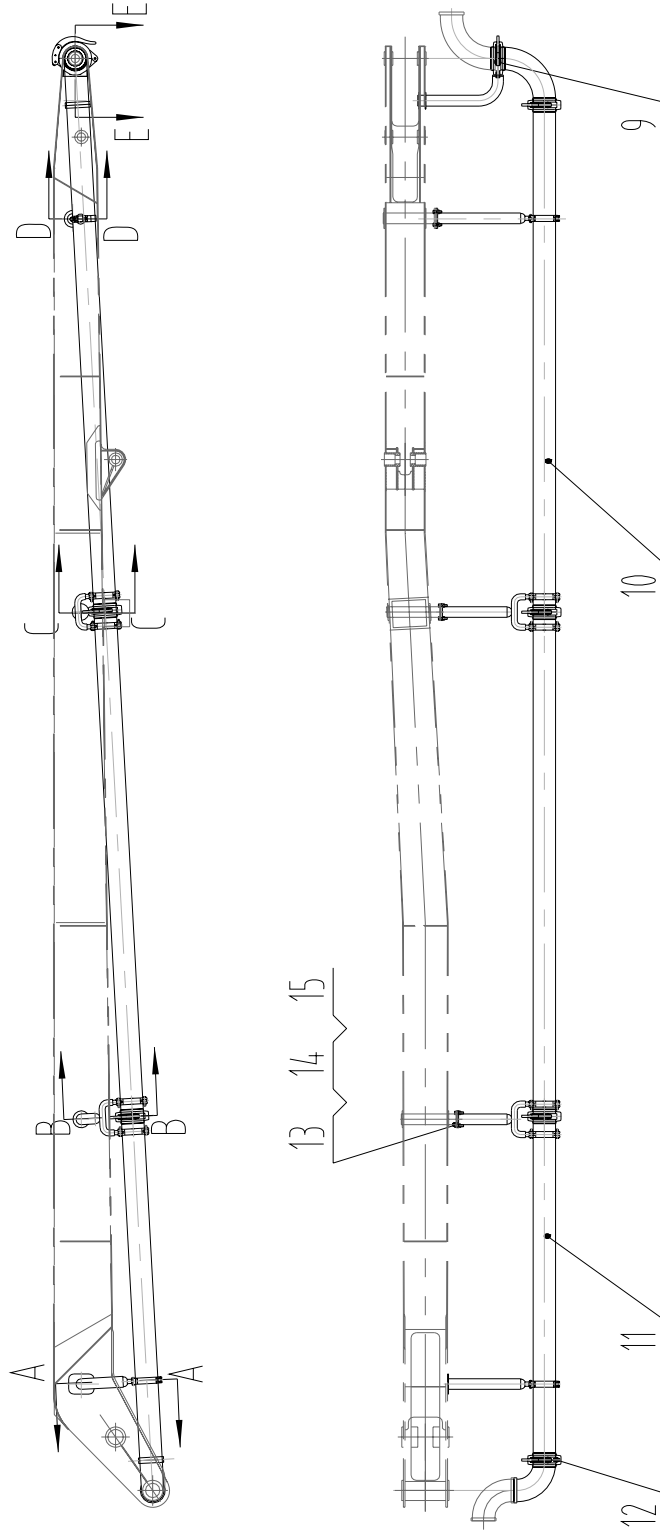


ST48R5

REED
13822 Oaks Avenue
Chino, CA 91710
909-287-2100
www.reedpumps.com

No.	Name	Code	Material	Parent	Weight	Quantity
1	elbow,125A R180/90°	BC48.8.2.8				2
2	Pipe,support pipe 1	BC48.8.3.1				1
3	Pipe,support pipe 2	BC48.8.3.2				1
4	Pipe,support pipe 3	BC48.8.3.3				1
5	Pipe,support pipe 4	BC48.8.3.4				1
6	Pipe,support pipe 5	BC48.8.3.5				1
7	Pipe,support pipe 6	BC48.8.3.6				1
8	Special 125A Pipe clip assembly	ZBC37.10.8				1
9	Pipe,support pipe 7	BC48.8.3.7				1
10	Bolt M14×35	GB5782-86				2
11	Nut M14	GB6170-86				2
12	Washer 14	GB97.1-85				2
13	clamp,pipe 125A (for truck mounted pump)	60Z1407.14.17				6
14	pipe,125A straight L=3000	ZBC37.10.6				1
15	Bolt M12×40	GB5782-86				12
16	Nut M12	GB6170-86				12
17	Washer 12	GB97.1-85				12
18	elbow,125A Special 45°	BC48.8.3.8				1
19	pipe,125A straight L=2193.8	BC48.8.3.9				1
20	elbow,125A R275/45°	BC48.8.3.10				1
21	pipe,125A straight L=3042.8	BC48.8.3.11				1

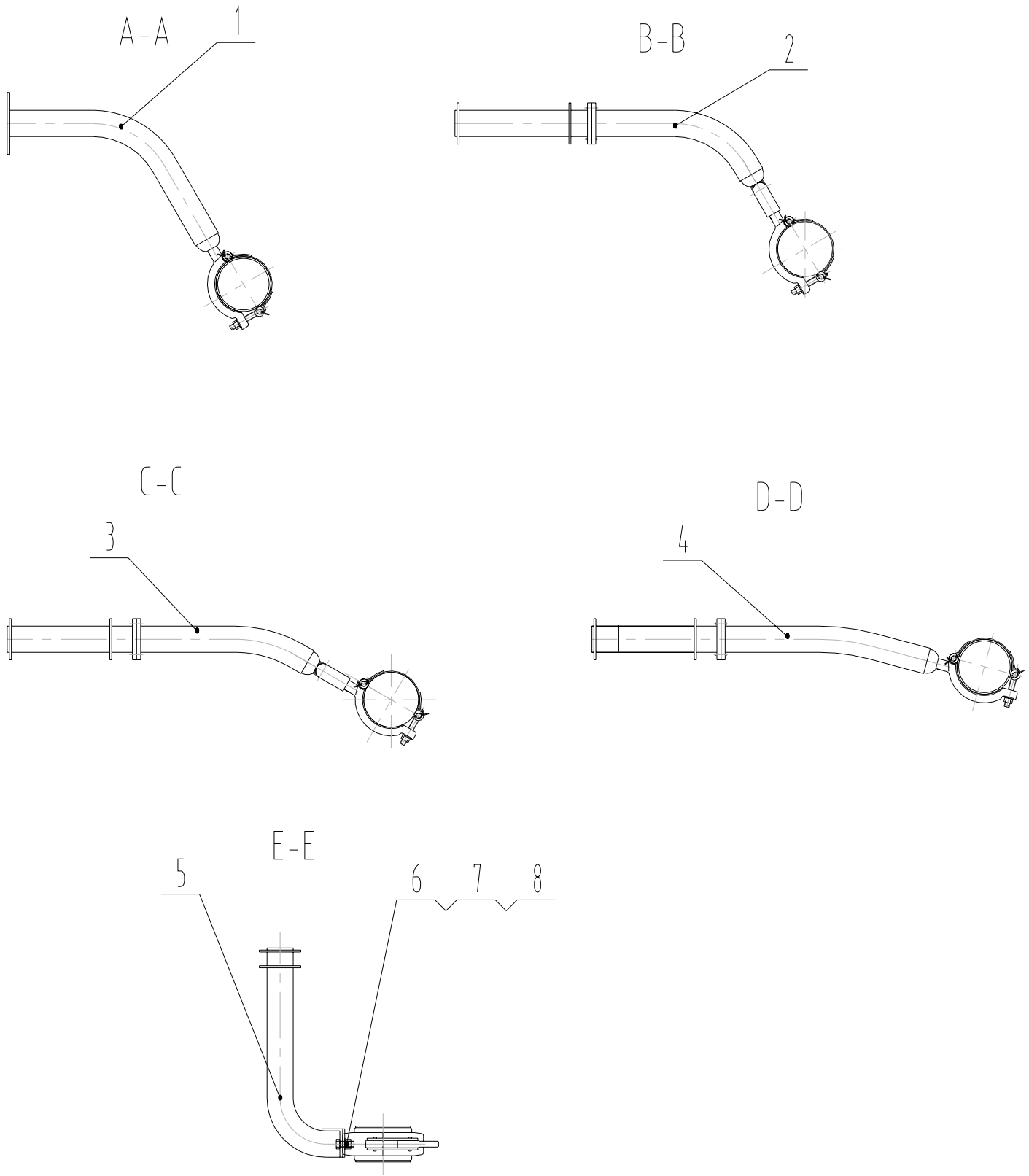
2.7.4 DELIVERY PIPE OF SECTION 4





ST48R5

REED
13822 Oaks Avenue
Chino, CA 91710
909-287-2100
www.reedpumps.com



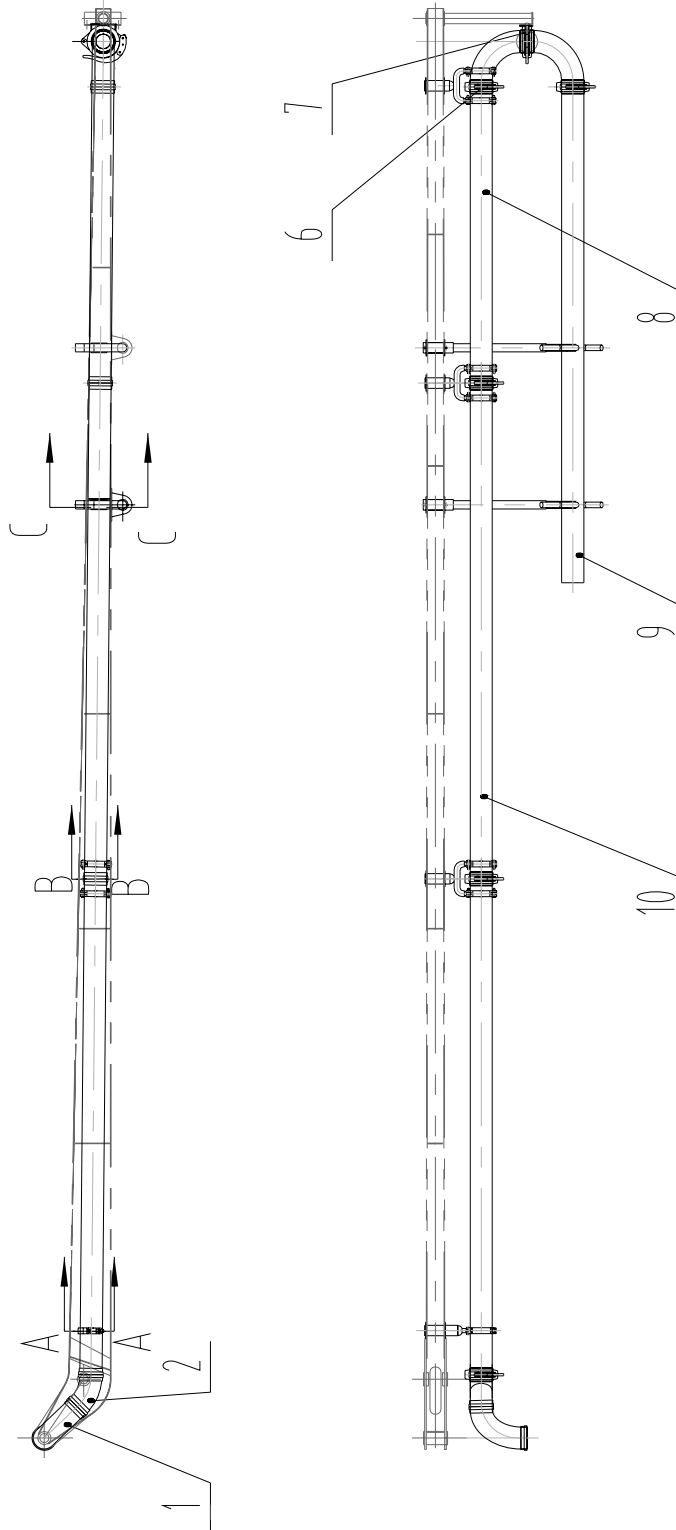


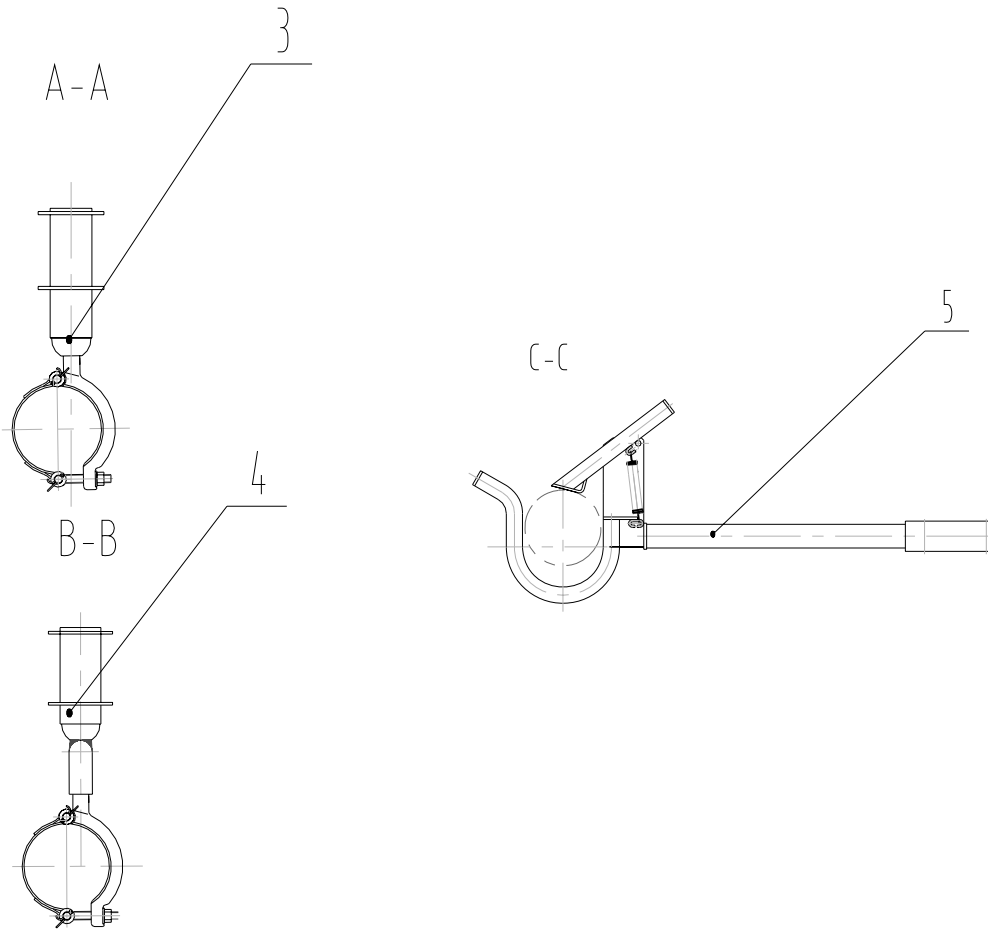
ST48R5

REED
13822 Oaks Avenue
Chino, CA 91710
909-287-2100
www.reedpumps.com

No.	Name	Code	Material	Parent	Weight	Quantity
1	Pipe,support pipe 1	BC48.8.4.1				1
2	Pipe,support pipe 2	BC48.8.4.2				1
3	Pipe,support pipe 3	BC48.8.4.3				1
4	Pipe,support pipe 4	BC48.8.4.4				1
5	Pipe,support pipe 5	BC48.8.4.5				1
6	Bolt M14×35	GB5782-86				2
7	Nut M14	GB6170-86				2
8	Washer 14	GB97.1—85				2
9	Special 125A Pipe clip assembly	ZBC37.10.8				1
10	pipe,125A straight L=3000	ZBC37.10.6				2
11	pipe,125A straight L=2035	BC48.8.4.6				1
12	clamp,pipe 125A (for truck mounted pump)	60Z1047.14.17				4
13	Bolt M12×40	GB5882-86				12
14	Nut M12	GB6170-86				12
15	Washer 12	GB97.1-85				12

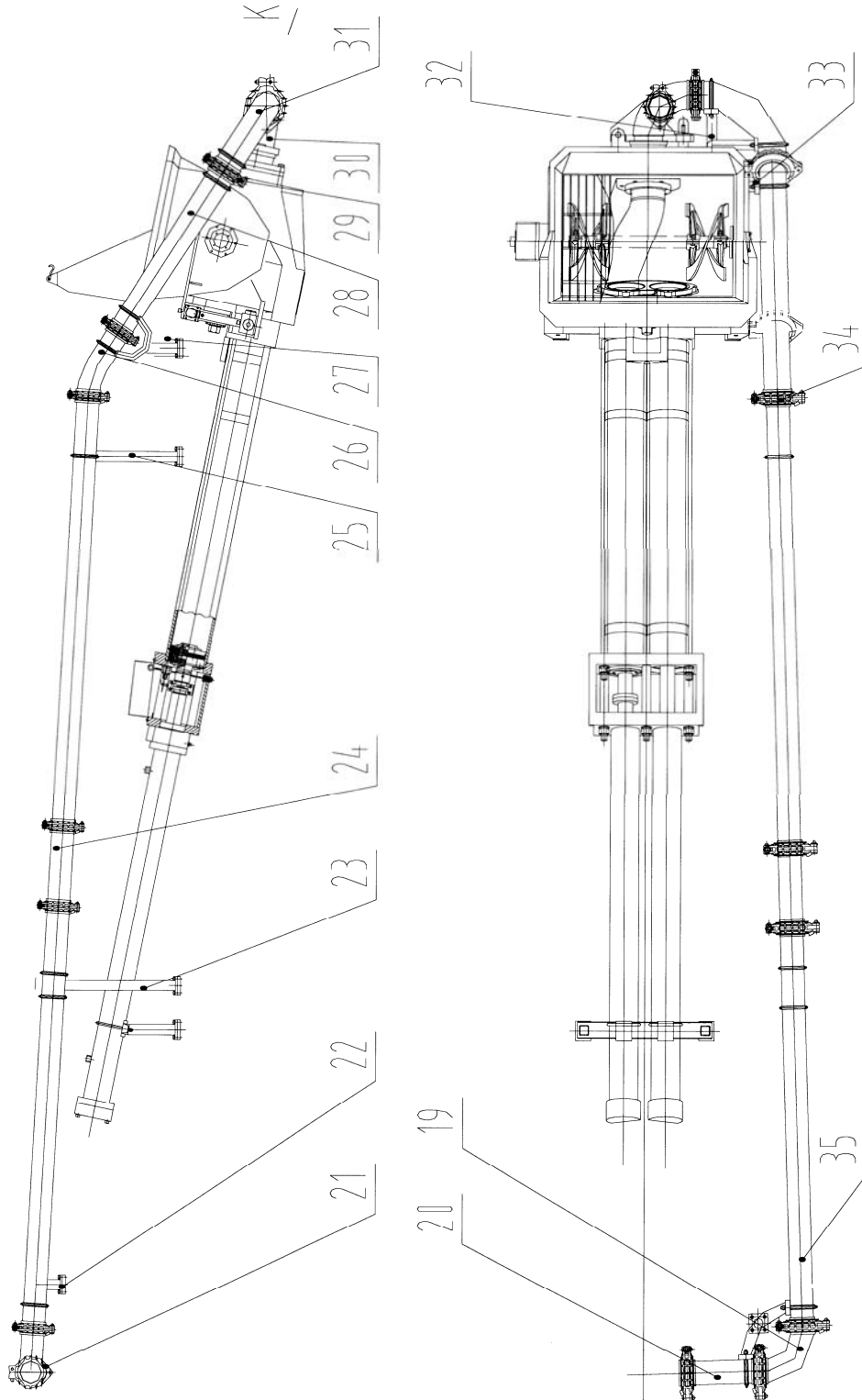
2.7.5 DELIVERY PIPE OF SECTION 5

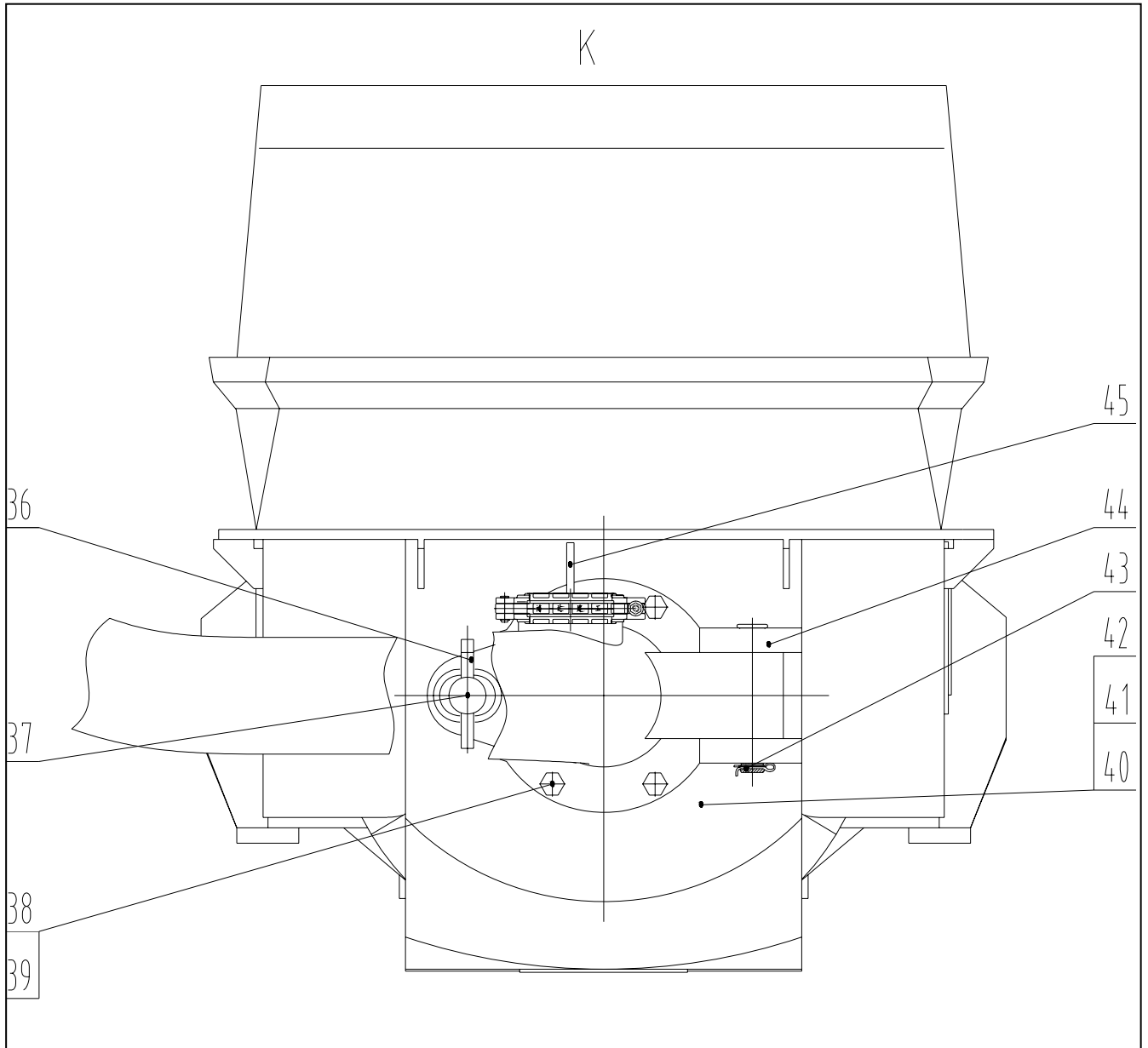




No.	Name	Code	Material	Parent	Weight	Quantity
1	Elbow ,125A R275/90°	ZBC37.10.1				3
2	Elbow,125A R275/45°	BC48.8.3.10				1
3	Pipe,support pipe 1	BC48.8.5.1				1
4	Pipe,support pipe 2	BC48.8.5.2				3
5	Pipe,support pipe 3	BC48.8.5.3				2
6	125APipe clamp (for truck mounted pump)	60Z1407.14.17				6
7	Special 125A Pipe clamp assembly	ZBC37.10.8				1
8	pipe,125A straight L=1785	BC48.8.5.4				1
9	Tube	BC48.8.5.5				1
10	pipe,125A straight L=3000	ZBC37.10.6				2

2.7.6 DELIVERY PIPE OF DECK





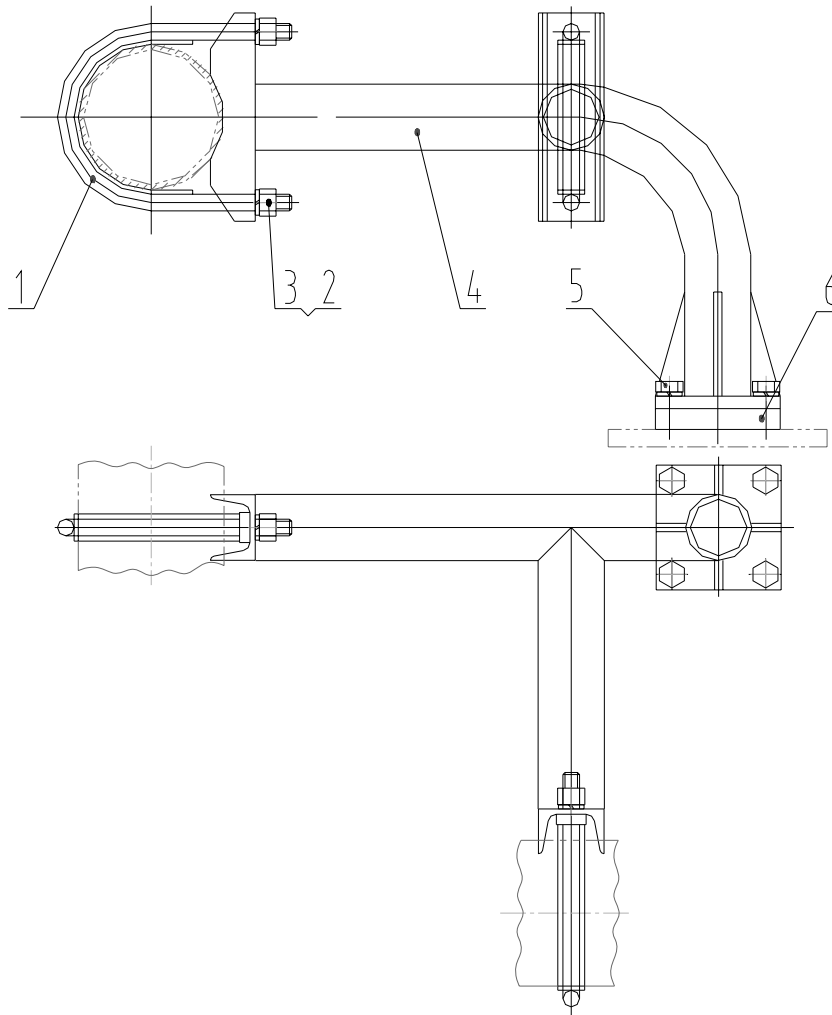


ST48R5

REED
13822 Oaks Avenue
Chino, CA 91710
909-287-2100
www.reedpumps.com

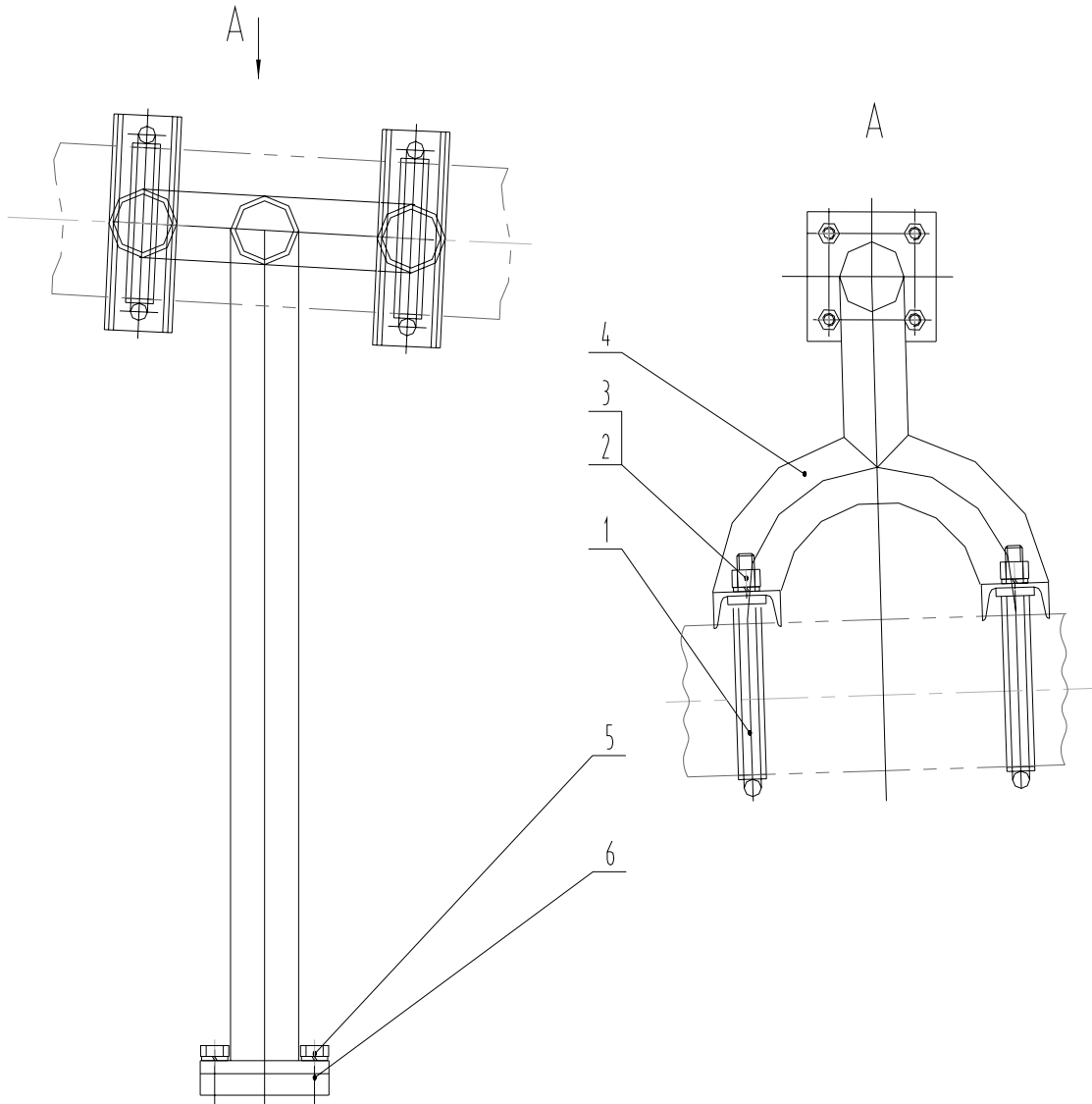
No.	Name	Code	Material	Parent	Weight	Quantity
19	elbow,90-degree Φ 125	BC37.3.6				1
20	pipe,straight ϕ 125 \times 460	BC37.3.7				1
21	clamp,125 (Φ 148)	BC37.3.8				2
22	Support 1	BC37.3.9				1
23	Support 2	BC37.3.10				1
24	straightpipe Φ 125 (L=3661)	BC37.3.11				1
25	Support 3	BC37.3.12				1
26	30-degree elbow Φ 125	BC37.3.13				1
27	Support 4	BC37.3.14				1
28	Straight reducer pipe Φ 150-125	BC37.3.15				1
29	Φ 150Pipeclipassembly	60S1816.14.1				3
30	elbow,swingout	BC37.3.16				1
31	90-degree Φ 150 Elbow	BC37.3.17				1
32	Support 5	BC37.3.18				1
33	Support 6	BC37.3.19				1
34	125APipeclipassembly Φ 157)	60S1816.14.13				4
35	straight pipe Φ 125(L=2127)	BC37.3.20				1
36	Wedge	BC37.3-6				1
37	Angle pin	BC37.3-7				1
38	Bolt M24 \times 125	GB70-85				6
39	Washer 24	GB93-87				6
40	Concrete outlet	BC37.3.21				1
41	O-ring Φ 205 \times 7	GB3452.1-82				1
42	O-ring Φ 258 \times 7	GB3452.1-82				1
43	Cotter pin Φ 5 \times 56	GB/T91-2000				1
44	Pin Φ 35 \times 210	BC37.3-8				1
45	Cleanout cover	BC37.3.22				1

Support 1



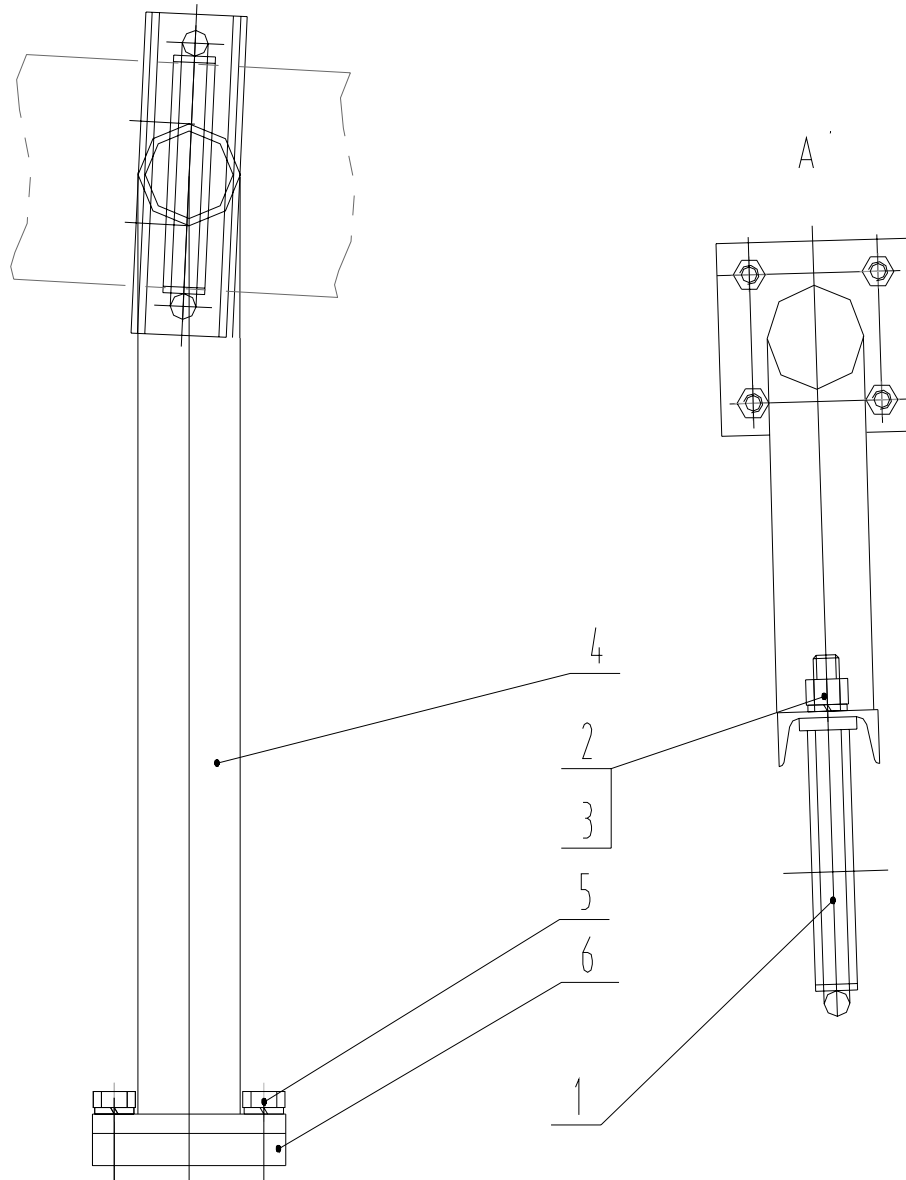
No.	Name	Code	Material	Parent	Weight	Quantity
1	bolt,U-bolt	BC37.3.9.1				2
2	Washer 16	GB93-87				8
3	Nut M16	GB41-86				4
4	pipe,Support pipe	BC37.3.9.2				1
5	Bolt M16×30	GB5780-86				4
6	plate,base plate	BC37.3.9-1				1

Support 2



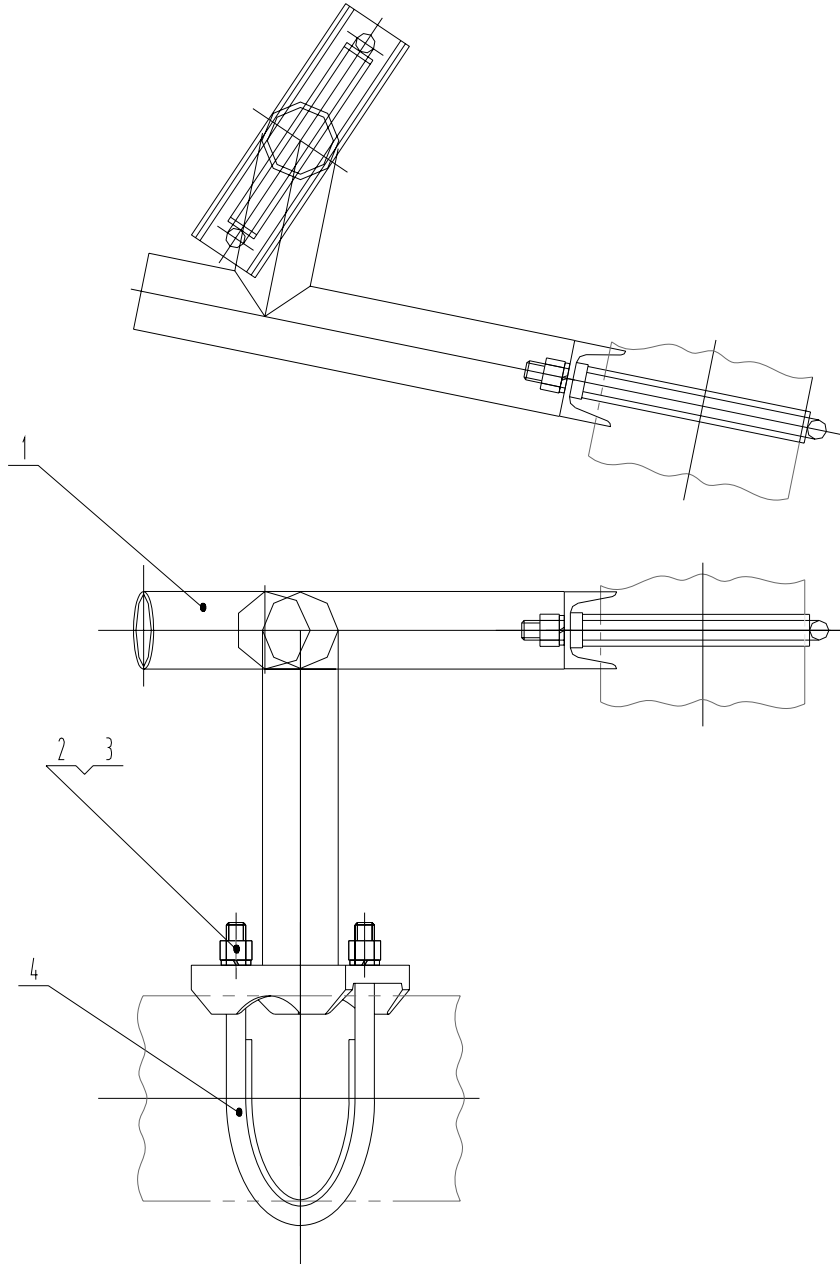
No.	Name	Code	Material	Parent	Weight	Quantity
1	bolt,U-bolt	BC37.3.9.1				2
2	Washer 16	GB93-87				8
3	Nut M16	GB41-86				4
4	pipe,support pipe	BC37.3.10.1				1
5	Bolt M16×30	GB5780-86				4
6	plate,base plate	BC37.3.9-1				1

Support 3



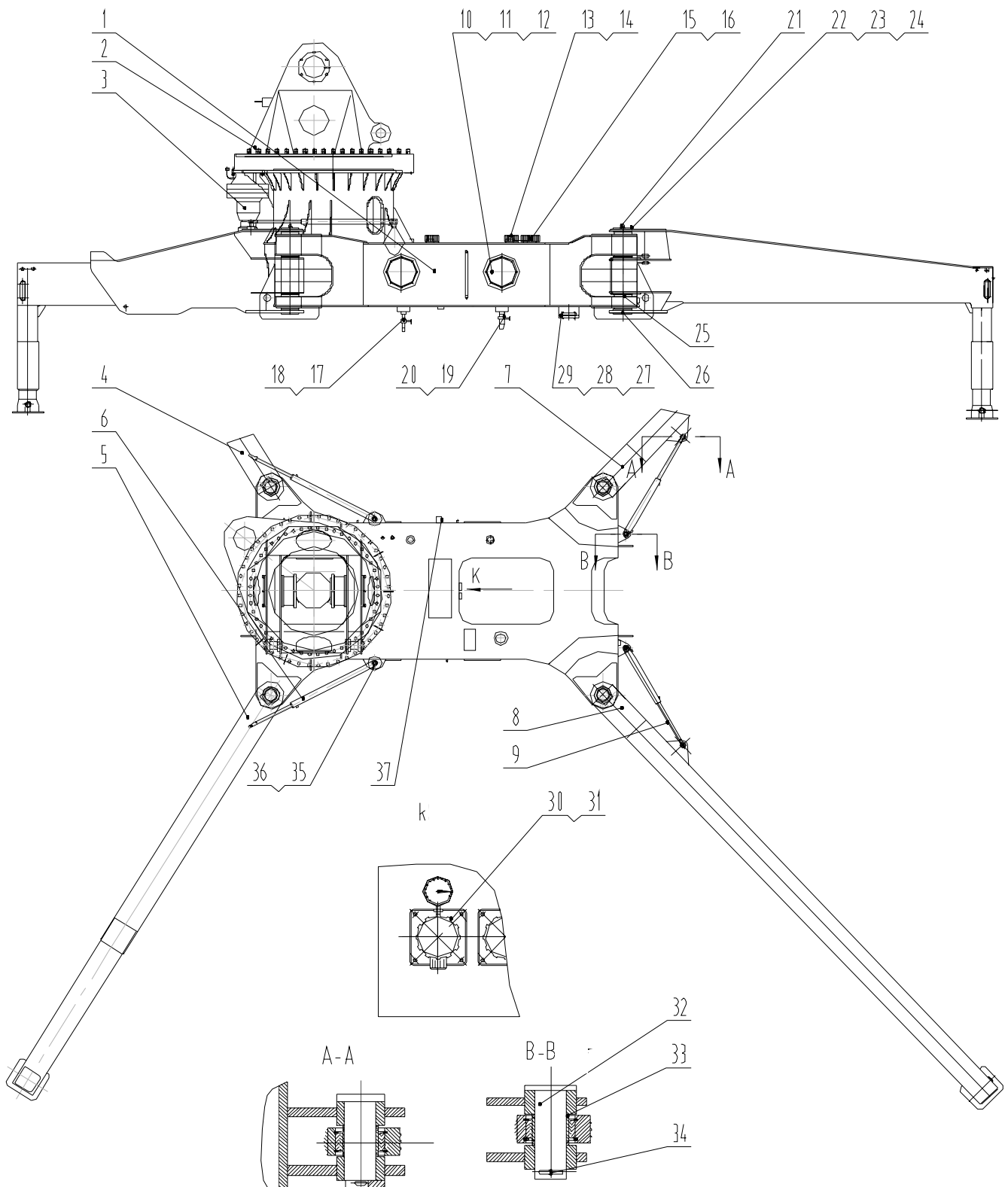
No.	Name	Code	Material	Parent	Weight	Quantity
1	Bolt,u-bolt	BC37.3.9.1				2
2	Washer 16	GB93-87				8
3	Nut M16	GB41-86				4
4	Pipe,support pipe	BC37.3.12.1				1
5	Bolt M16×30	GB5780-86				4
6	Plate,base plate	BC37.3.9-1				1

Support 5



No.	Name	Code	Material	Parent	Weight	Quantity
1	Pipe, support pipe	BC37.3.18.1				1
2	Washer 16	GB93-87				4
3	Nut M16	GB41-86				4
4	Bolt, u-bolt	BC37.3.18.2				2

CHAPTER 3 MASTHEAD, PEDESTAL, AND OUTRIGGERS





ST48R5

REED
13822 Oaks Avenue
Chino, CA 91710
909-287-2100
www.reedpumps.com

No.	Name	Code	Material	Parent	Weight	Quantity
1	pedestal	BC48.2.1				1
2	masthead	BC48.2.2				1
3	rotation drive assembly	BC48.2.3				1
4	outrigger, driver front	BC48.2.4				1
5	outrigger, passenger front	BC48.2.5				1
6	swingout cylinder of front outrigger	BC48.2.6				2
7	swingout cylinder of rear outrigger	BC48.2.7				2
8	outrigger, driver rear	BC48.2.8				1
9	outrigger, passenger rear	BC48.2.9				1
10	flange	BC48.2-1				5
11	o-ring 307×5.3	GB3452.1-82				5
12	bolt m10×16	GB5781-86				52
13	cap,oil tank cap	LE0827-91				2
14	bolt m5×12	GB5781-86				12
15	filter,air filter	EF-80				1
16	bolt m8×30	GB70-85				4
17	pipe,1" pipe	GB3289.26-82				2
18	valve,ball 1"	BC48.00-3018				2
19	pipe,1 1/2" pipe	GB3289.26-82				1
20	valve,ball 1 1/2"	BC48.00-3020				1
21	nipple, grease nipple m10×1	JT7490.1-1995				4
22	bolt m12×20	GB5783-86				32
23	washer 12	GB93-87				32
24	plate	BC42.2-2				8
25	shaft	BC48.2-1				4
26	copper packing	BC42.2-4				8
27	level,bubble 30	BC48.00-3027				2
28	nut m6	GB6170-86				16
29	bolt m6×50	GB5783-86				8
30	filer,oil filter	ES094				2
31	bolt m10×20	GB5783-86				16
32	shaft	BC42.2-5				4
33	spacer	BC42.2-6				8

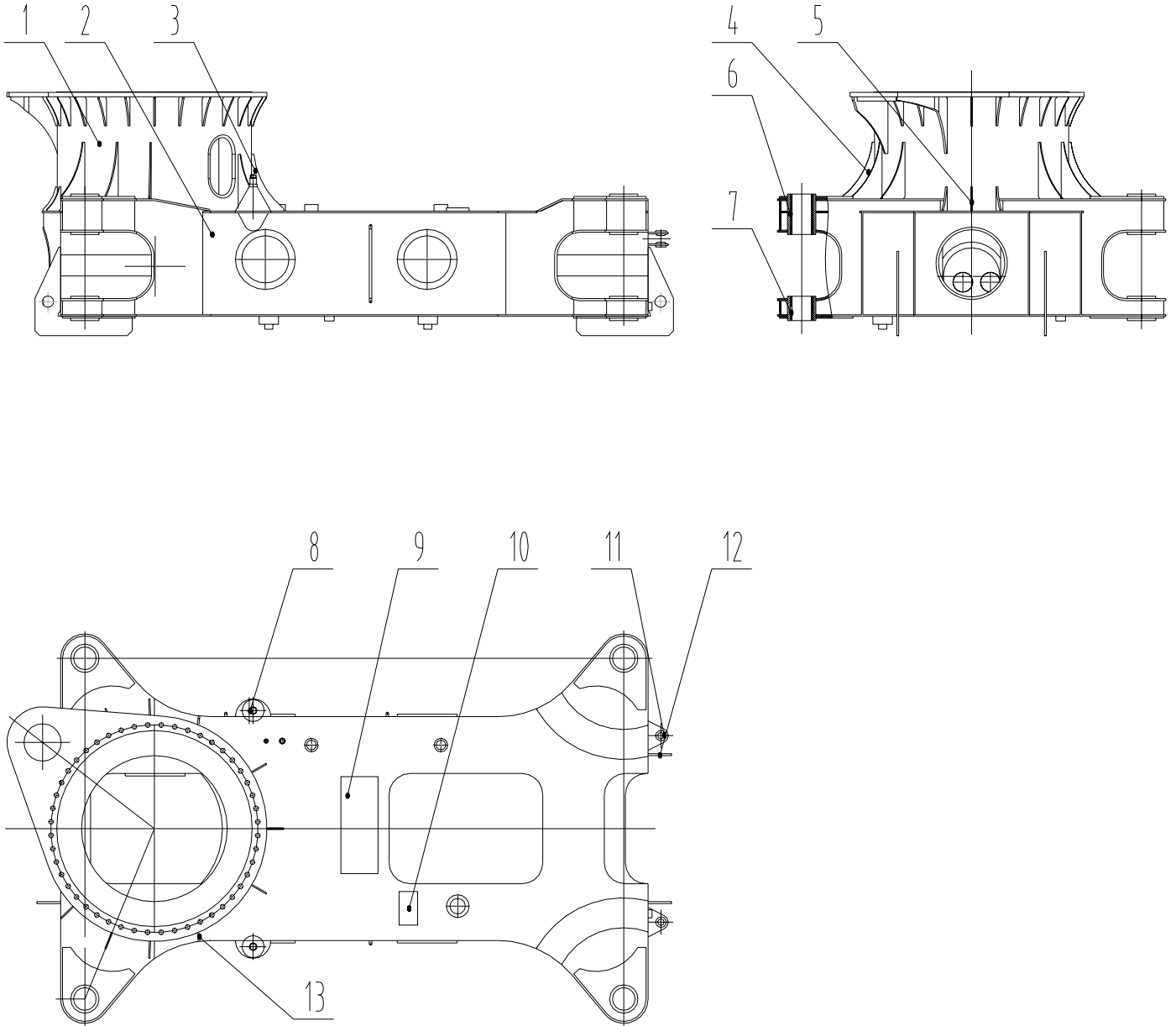


ST48R5

REED
13822 Oaks Avenue
Chino, CA 91710
909-287-2100
www.reedpumps.com

34	pin 6.3×70		GB91-86				4
35	nut m36×1.5		BC42.2-9				4
36	pin 4×50		GB91-86				4
37	level,fluid thermometer	level	CYW-160				1

3.1 PEDESTAL OF MASTHEAD



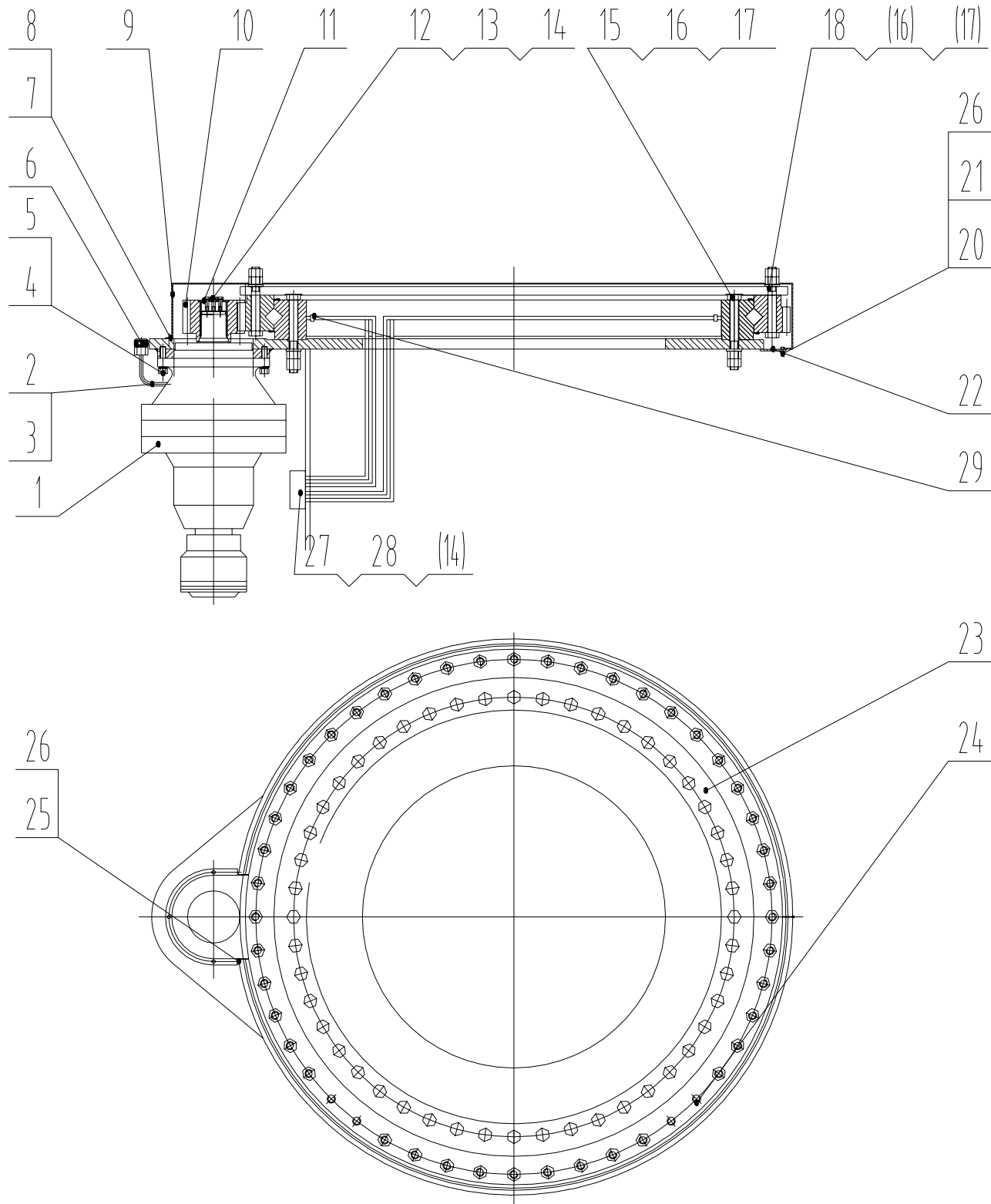


ST48R5

REED
13822 Oaks Avenue
Chino, CA 91710
909-287-2100
www.reedpumps.com

No.	Name	Code	Material	Parent	Weight	Quantity
1	Pedestal of Masthead	BC48.2.4.1				1
2	Oil-water tank welding assembly	BC48.2.4.2				2
3	Gusset Gusset 1	BC48.2.4-1				3
4	Gusset 2	BC48.2.4-2				6
5	Gusset 3	BC48.2.4-3				3
6	Bearing 1	BC48.2.4-4				4
7	Bearing 2	BC48.2.4-5				4
8	Support of swingout cylinder to front outrigger	BC48.2.4.1				2
9	rest,section 1 rest	BC48.2.4.2				1
10	rest,section 5 rest	BC48.2.4.8				1
11	Pedestal spherical ball	BC42.2.1.3				4
12	Rib	BC42.2.1-3				4
13	Gusset 4	BC48.2.4-6				2

3.3 ROTATION ASSEMBLY



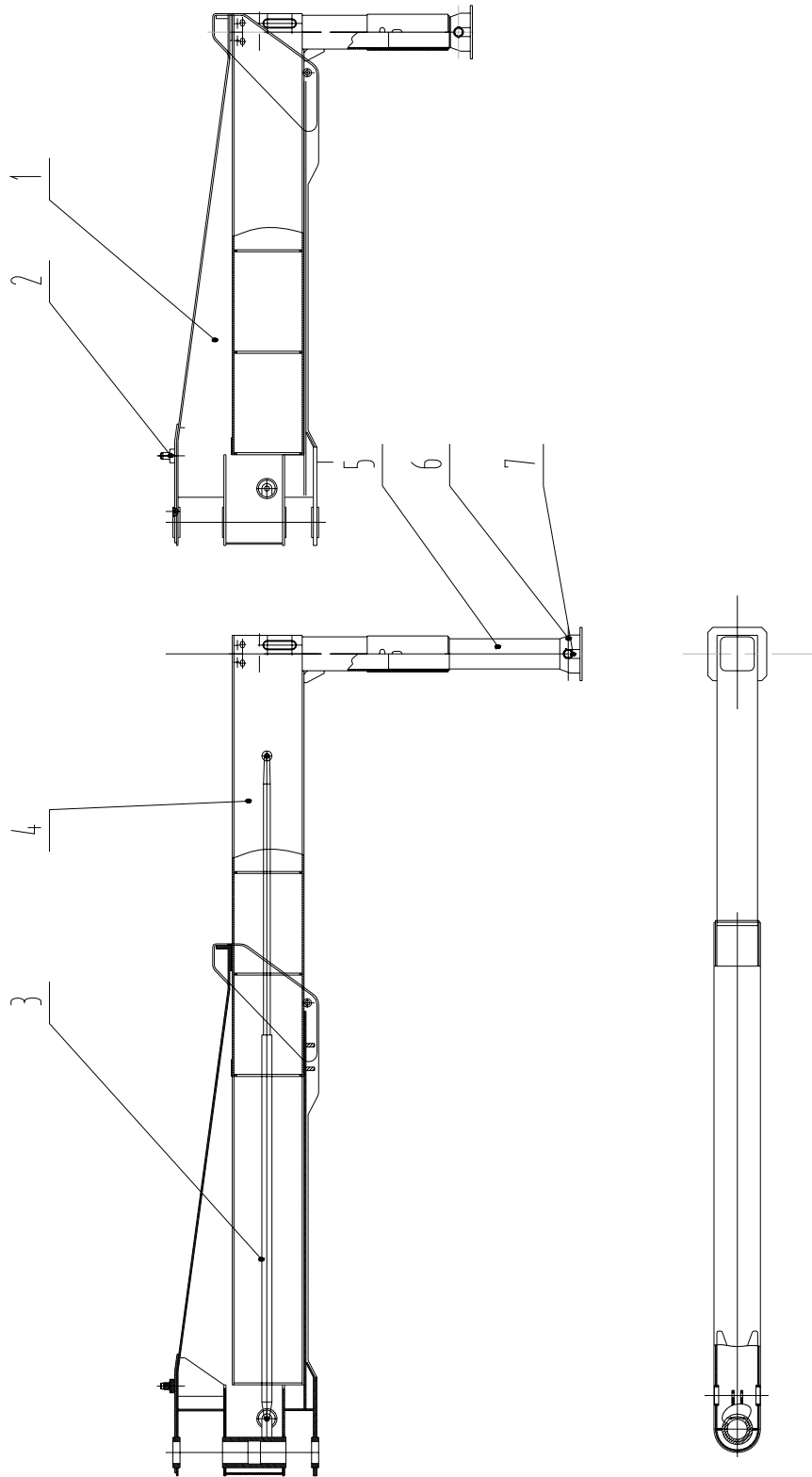


ST48R5

REED
13822 Oaks Avenue
Chino, CA 91710
909-287-2100
www.reedpumps.com

No.	Name	Code	Material	Parent	Weight	Quantity
1	Gearbox	BC48.00-3301				1
2	Oil transmission tube	BC42.2.3-1				1
3	Oil transmission joint	BC42.2.3-2				1
4	Washer 16	GB93-87				10
5	Bolt M16×55-10.9	GB5783-86				10
6	Ventilation cap	BC42.2.3-3				1
7	Bolt M6×10	GB70-85				3
8	Washer 6	GB93-87				3
9	Shield	BC42.2.3.1				1
10	Gear	BC42.2.3-4				1
11	Cover	BC42.2.3-5				1
12	Bolt M10×30	GB70-85				3
13	Washer 10	GB93-87				3
14	Nipple,grease nipple M10×1	GB1152-89				3
15	Bolt M27×200-10.9	GB5782-86				48
16	Nut M27-10	GB6170-86				184
17	Washer 27	GB/T1230-91				96
18	Bolt M27×190-10.9	GB5782-86				44
20	Bolt M8×25	GB5783-86				8
21	Nut M8	GB41-86				8
22	Plate	BC42.2.3-10				8
23	rotation bearing	06.139003ZZ10				1
24	Bolt M27×140-10.9	GB5782-86				4
25	Bolt M8×10	GB5782-86				4
26	Washer 8	GB93-87				12
27	Joint	BC42.2.3-6				1
28	Copper tube	BC42.2.3-7				4
29	Joint body	BC42.2.3-8				4

3.4 FRONT OUTRIGGER



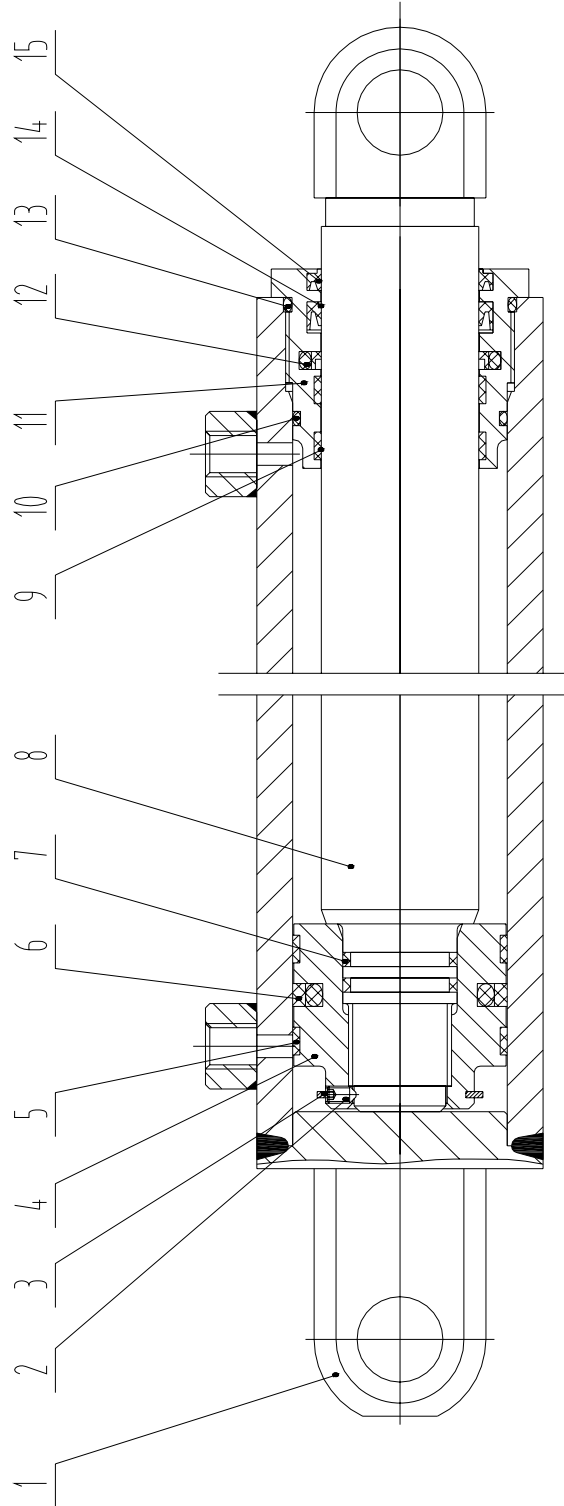


ST48R5

REED
13822 Oaks Avenue
Chino, CA 91710
909-287-2100
www.reedpumps.com

No.	Name	Code	Material	Parent	Weight	Quantity
1	Front outrigger arm	BC48.2.1.1				2
2	Support of swingout cylinder to outrigger	BC42.2.4-4				2
3	Outrigger extend cylinder	BC48.00-3403				2
4	Extend arm	BC48.2.4.3				2
5	Internal support	BC42.2.4.6				4
6	Outrigger support	BC42.2.4.7				4
7	Pin	BC42.2.4-6				4
8	Cotter pin	BC48.2.1-1				4

3.4.1 OUTRIGGER EXTEND CYLINDER



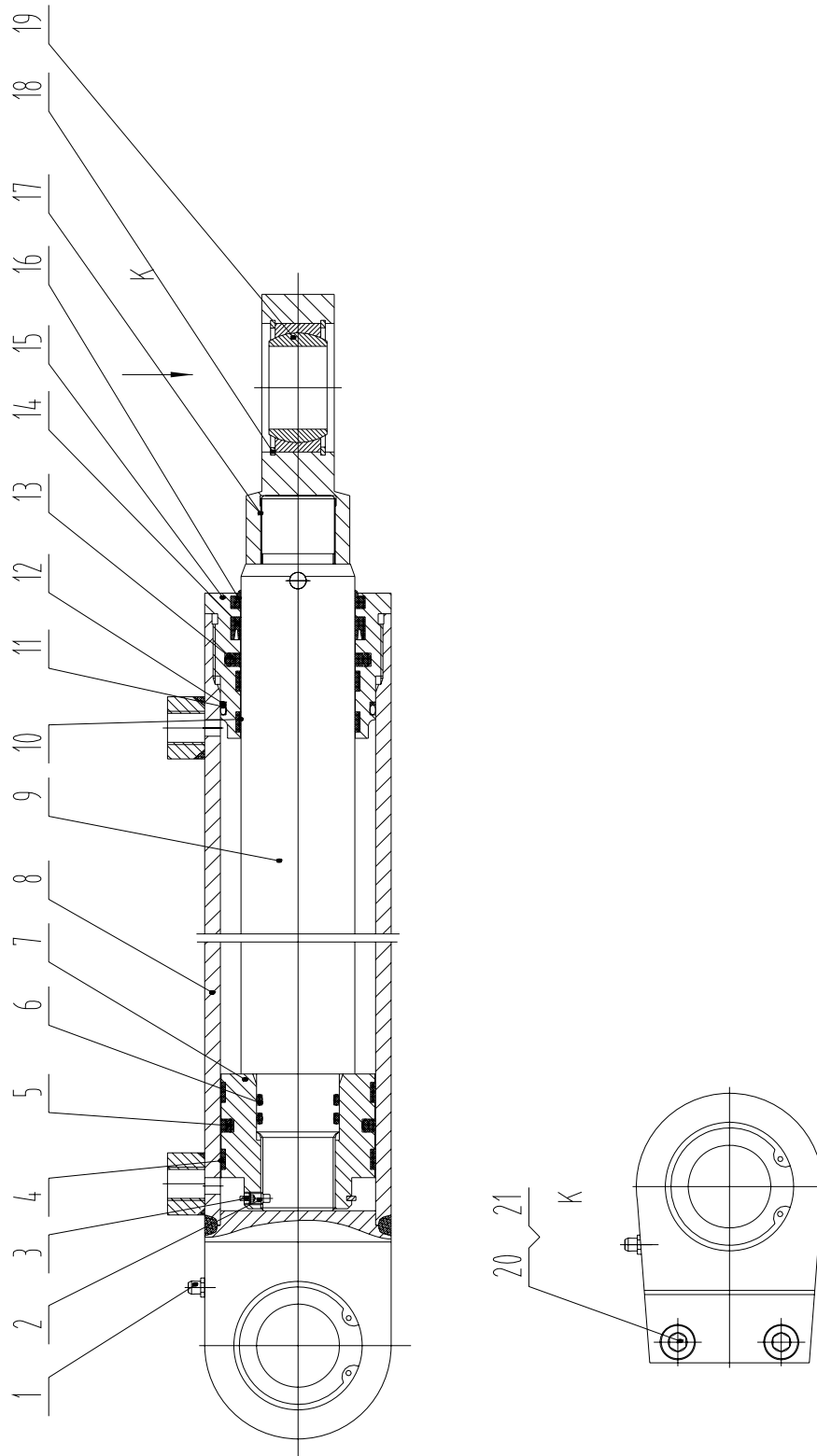


ST48R5

REED
13822 Oaks Avenue
Chino, CA 91710
909-287-2100
www.reedpumps.com

No.	Name	Code	Material	Parent	Weight	Quantity
1	Assembly of cylinder body	0-01/G26				1
2	Bolt M6 ×10	GB/T79-2000				1
3	Ring,snap ring	GB/T894.2-1986				1
4	Piston	0-1/G6A				1
5	Ring,guide ring 70 ×75 ×9.7	FR7005Q5029				2
6	Seal,bearing seal 75 ×62× 6.3	KR2075 00701				1
7	O-RING 33.5 ×3.55	GB/T3452.1-1992				2
8	Rod,piston rod	0-1/G26				1
9	Ring,guide ring 55 ×60 ×9.7	FR5507Q5029				2
10	O-RING 67×3.55	GB/T3452.1-1992				1
11	Carrier,seal carrier	0-3/G6				1
12	Seal,bearing seal	PO-55-171-0550				1
13	O-RING 75 ×3.55	GB/T3452.1-1992				1
14	Seal,bearing seal	BS5564P5008				1
15	Anti-dust ring	AY5050 P5008				1

3.5 SWINGOUT CYLINDER OF FRONT OUTRIGGER



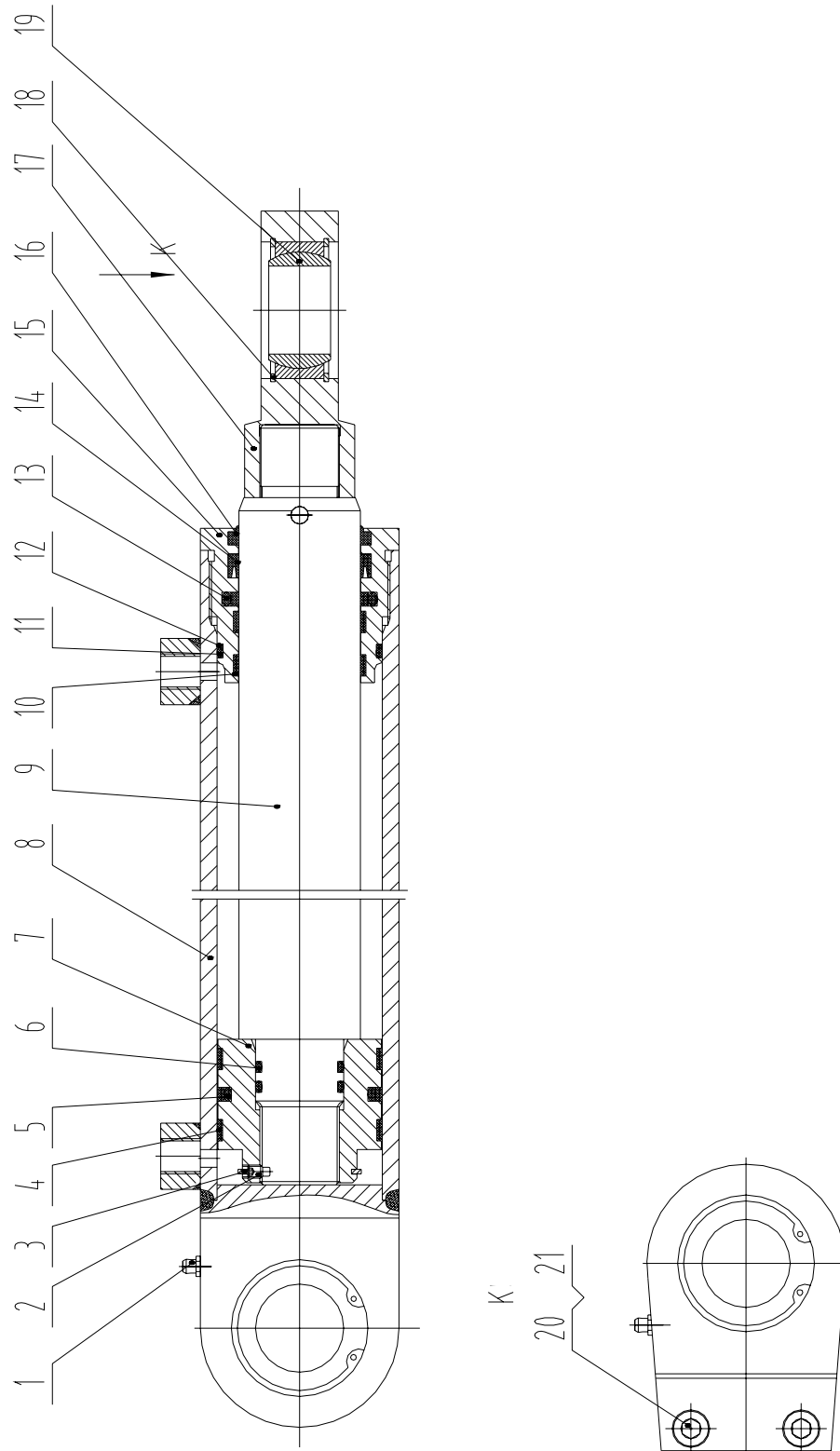


ST48R5

REED
13822 Oaks Avenue
Chino, CA 91710
909-287-2100
www.reedpumps.com

No.	Name	Code	Material	Parent	Weight	Quantity
1	Nipple,grease nipple M8 ×1	GB1152-1989				
2	Bolt M6×10	GB/T79-2000				
3	Ring,snap ring 50	GB/T894.1-1986				
4	Ring,guide ring 70 ×75× 9.7	FR 7005				
5	Seal,bearing seal 75 ×62× 6.3	KR 2075				
6	O-RING 33.5 ×3.55	GB/T3452.1-1992				
7	Piston	0-1				
8	Assembly of cylinder body	0-01/G6				
9	Rod,piston rod	0-2/G6				
10	Ring,guide ring 55 ×60 ×9.7	FR 5507				
11	O-RING 69 ×3.55	GB/T3452.1-1992				
12	Ring,snap ring	0-2				
13	Seal of rod,piston rod assembly	PO-55-171-0550				
14	Seal,bearing seal 55 ×65× 10	BS 5564				
15	Carrier,seal carrier	0-3/G6				
16	Anti-dust ring 55× 65 ×6.8	AY 5050				
17	Spherical ball	0-4/G6A				
18	Ring,snap ring 62	GB/T893.1-1986				4
19	Joint bearing	GE40ES				2
20	Bolt M10× 30	GB/T70.1-2000				2
21	Washer 10	GB/T70.1-2000				2

3.6 SWINGOUT CYLINDER OF REAR OUTRIGGER



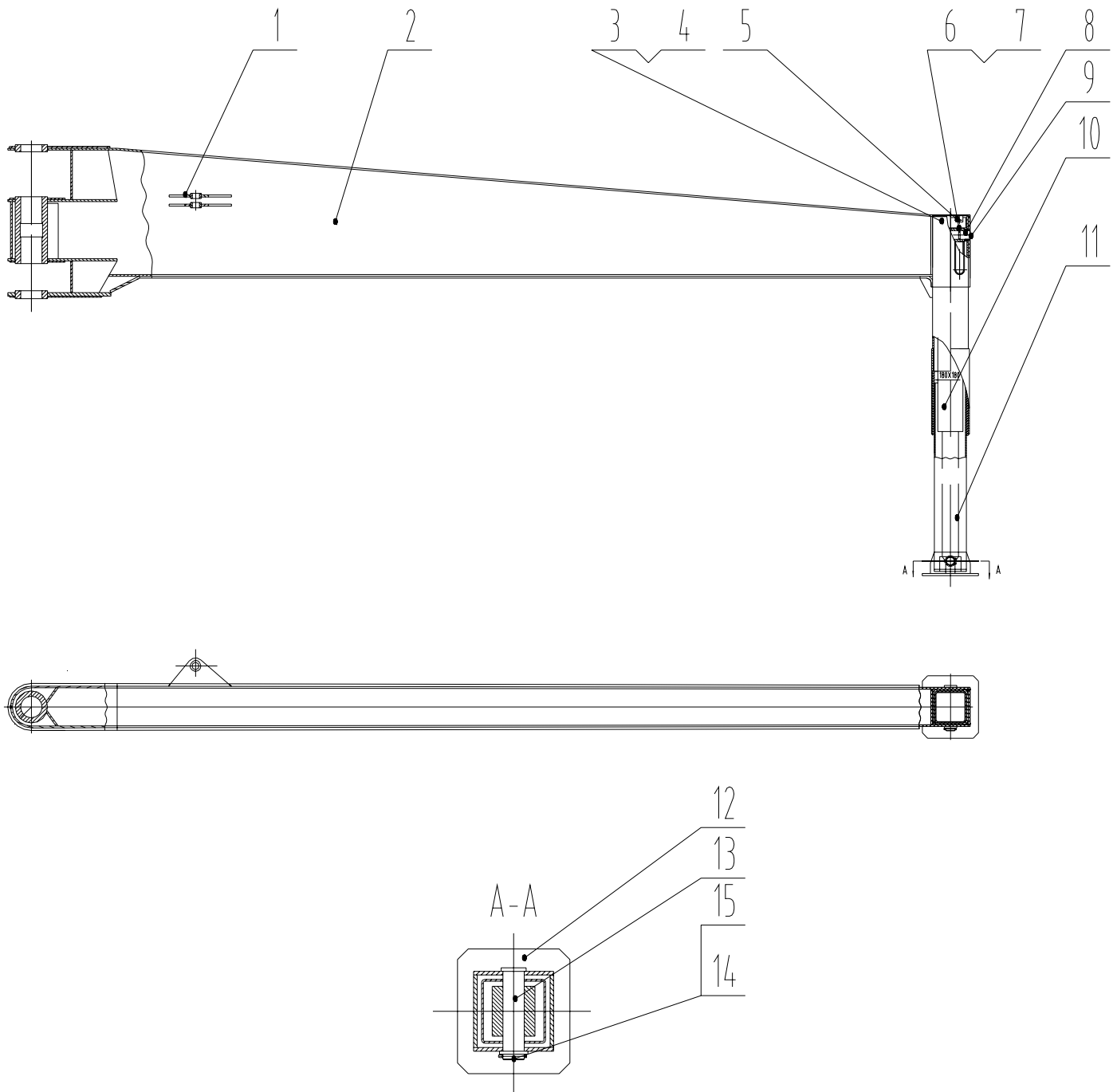


ST48R5

REED
13822 Oaks Avenue
Chino, CA 91710
909-287-2100
www.reedpumps.com

No.	Name	Code	Material	Parent	Weight	Quantity
1	Nipple,grease nipple M8 ×1	BC48.00-3301				2
2	Bolt M6×10	GB/T79-2000				1
3	Ring,snap ring 50	GB/T894.1-1986				1
4	Ring,guide ring 70 ×75× 9.7	FR 7005				2
5	Seal,bearing seal 75 ×62× 6.3	KR 2075				1
6	O-ring 33.5 ×3.55	GB/T3452.1-1992				2
7	Piston	0-1/G6A				1
8	Assembly of cylinder body	0-01/G7				1
9	Rod,piston rod	0-2/G7				1
10	Ring,guide ring 55 ×60 ×9.7	FR 5507				2
11	O-RING 69 ×3.55	GB/T3452.1-1992				1
12	Ring,snap ring	0-2/G6A				1
13	Rod,piston rod assembly seal	PO-55-171-0550				1
14	Seal,bearing seal 55 ×65× 10	BS 5564				1
15	Carrier,seal carrier	0-3/G6				1
16	Anti-dust ring 55× 65 ×6.8	AY 5050				1
17	Spherical ball	0-4/G6A				1
18	Ring,snap ring 62	GB/T893.1-1986				4
19	Joint bearing	GE40ES				2
20	Bolt M10× 30	GB/T70.1-2000				2
21	Washer 10	GB/T70.1-2000				2

3.7 LEFT-REAR OUTRIGGER



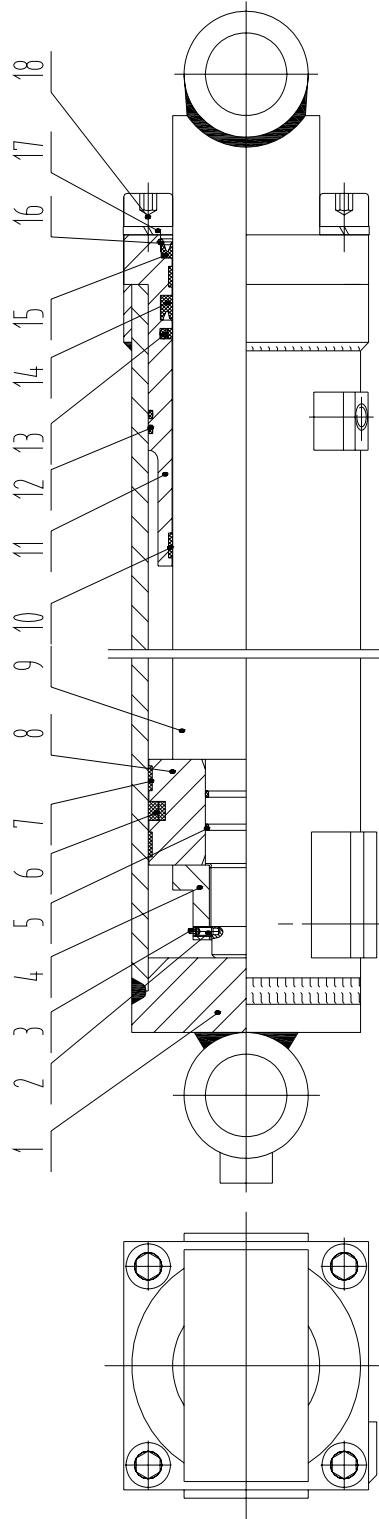


ST48R5

REED
13822 Oaks Avenue
Chino, CA 91710
909-287-2100
www.reedpumps.com

No.	Name	Code	Material	Parent	Weight	Quantity
1	mount plate	BC48.2.5.1				2
2	Outrigger arm	BC48.2.6.1				1
3	Bolt M8×30	GB70-85				2
4	Washer 8	GB93-87				2
5	Cover	BC42.2.4.5				1
6	Bolt M8×40	GB77-85				2
7	Nut M8	GB41-86				2
8	Shaft	BC42.2.4-5				1
9	Bolt M10×30	GB5783-86				1
10	Left outrigger cylinder	BC42.2.5.2				1
11	Internal support	BC42.2.4.6				1
12	Outrigger support	BC42.2.4.7				1
13	Pin	BC42.2.4-6				1
14	Ring,snap ring	BC42.2.4-7				1
15	Cotter pin8×60	GB91-86				1

3.7.1 OUTRIGGER CYLINDER



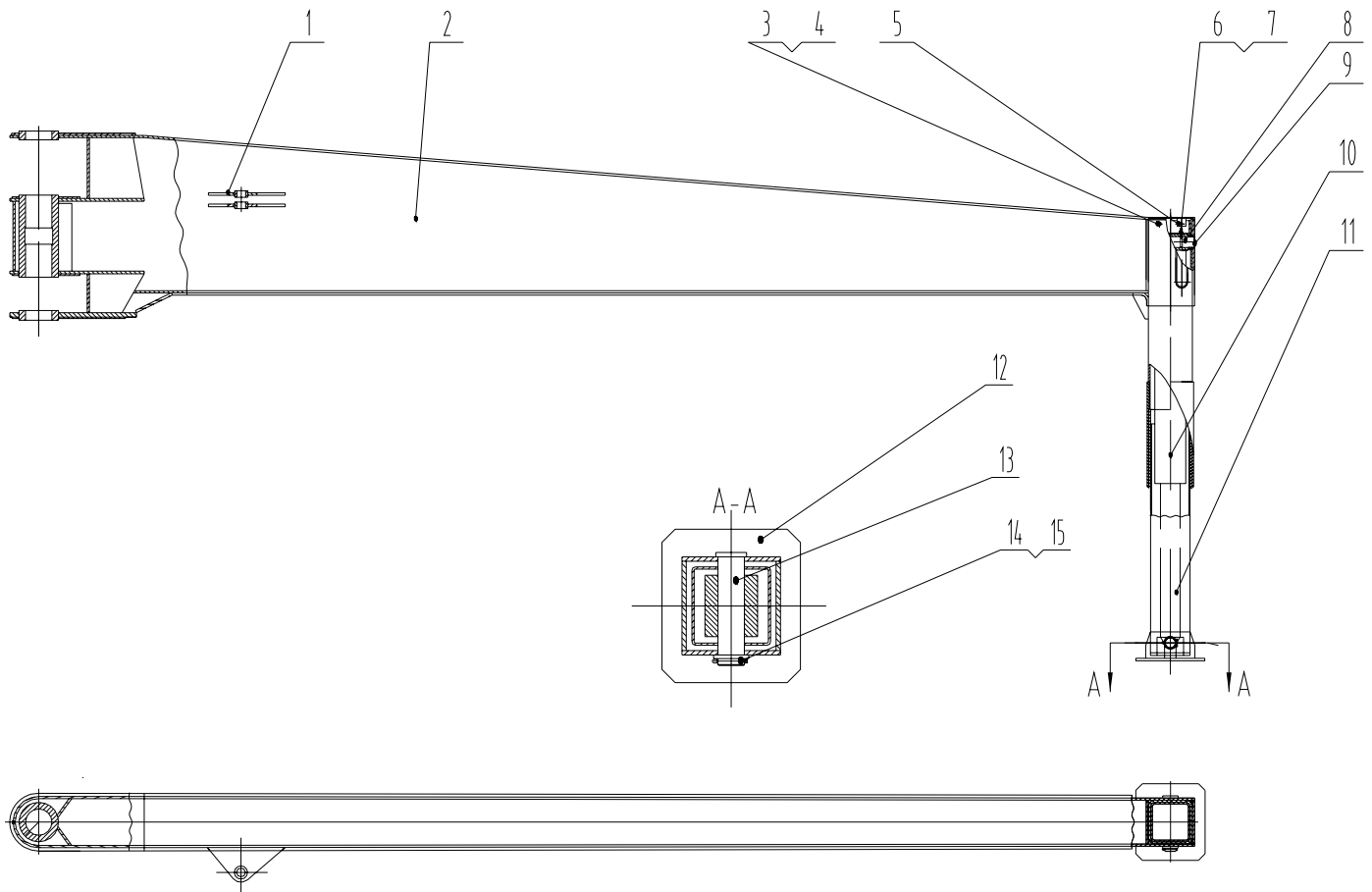


ST48R5

REED
13822 Oaks Avenue
Chino, CA 91710
909-287-2100
www.reedpumps.com

No.	Name	Code	Material	Parent	Weight	Quantity
1	Assembly of cylinder body	0-01/G9				1
2	Bolt M6×14	GB/T79-2000				1
3	Ring,snap ring 65	GB894.2-86				1
4	Nut	0-01				1
5	O RING 45×2.65	GB/T3452.1-92				2
6	Piston seal,bearing seal 120×99×10.5	KR11200070				1
7	Ring,guide ring 115×120×15	FR B053				2
8	Piston	0-2				1
9	Rod,piston rod assembly	0-02/G9				1
10	Ring,guide ring 90×95×15	FR 9095				2
11	Carrier,seal carrier	0-3/G9				1
12	O RING 12×3.55	GB/T3452.1-92				2
13	Seal of rod,piston rod assembly	PO-55-171-0900				1
14	Rod,piston rod Seal,bearing seal	BS 9005				1
15	Anti-dust ring 90×104×8	AF 9033				1
16	Ring,snap ring 105	GB/T895.1-86				1
17	Bolt M20×60	GB/T70.1-2000				4
18	Washer 20	GB/T93-87				4

3.8 RIGHT-REAR OUTRIGGER



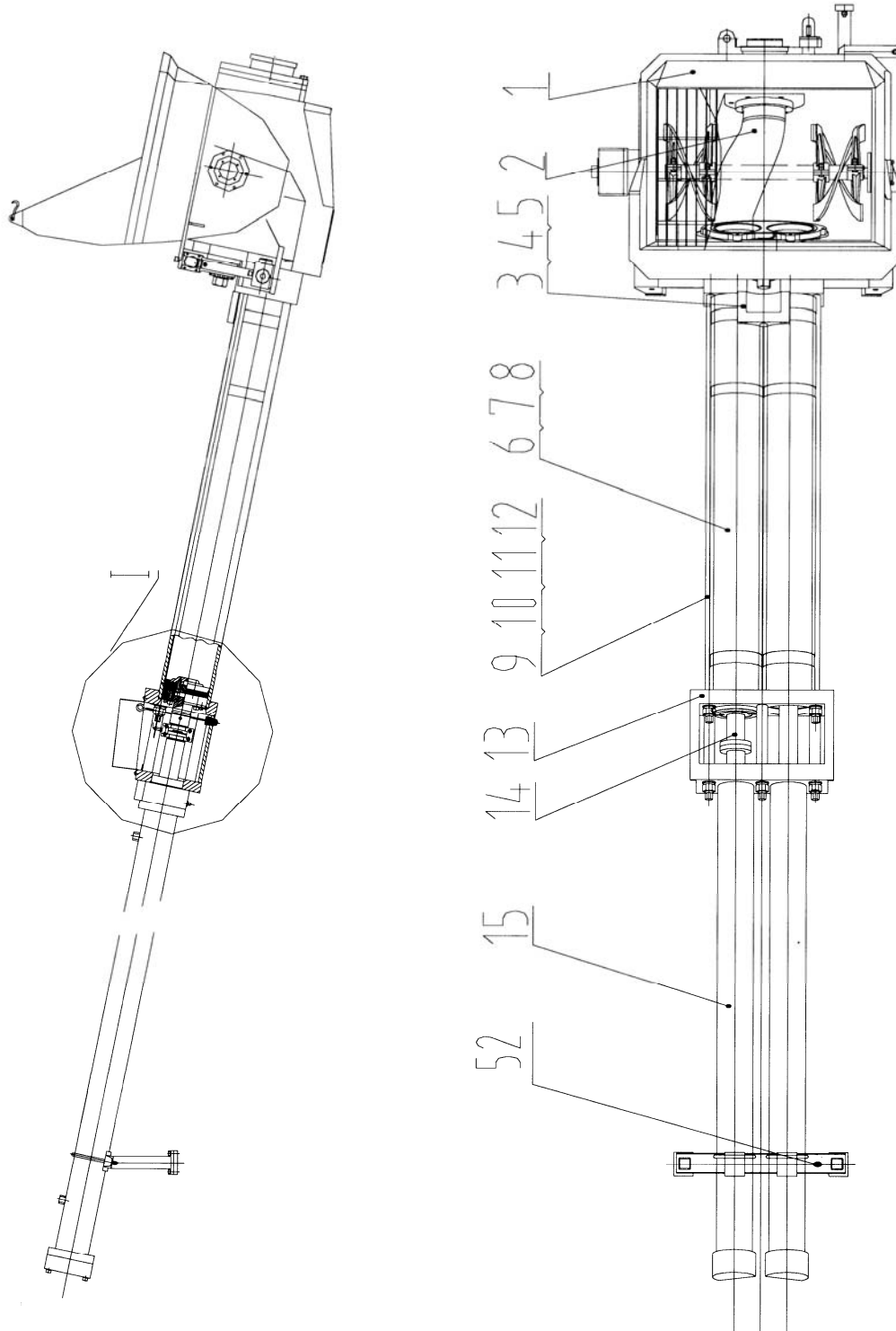


ST48R5

REED
13822 Oaks Avenue
Chino, CA 91710
909-287-2100
www.reedpumps.com

No.	Name	Code	Material	Parent	Weight	Quantity
1	Pedestal	BC48.2.5.1				2
2	Outrigger arm	BC48.2.5.2				1
3	Bolt M8×30	GB70-85				2
4	Washer 8	GB93-87				2
5	Cover	BC48.2.5.3				1
6	Bolt M8×40	GB77-85				2
7	Nut M8	GB41-86				2
8	Shaft	BC42.2.4-5				1
9	Bolt M10×30	GB5783-86				1
10	Right outrigger cylinder	BC42.2.4.4				1
11	Internal support	BC42.2.4.6				1
12	Outrigger support	BC42.2.4.7				1
13	Pin	BC42.2.4-6				1
14	Ring,snap ring	BC42.2.4-7				1
15	Cotter pin8×60	GB91-86				1

CHAPTER 4 PUMPING SYSTEM

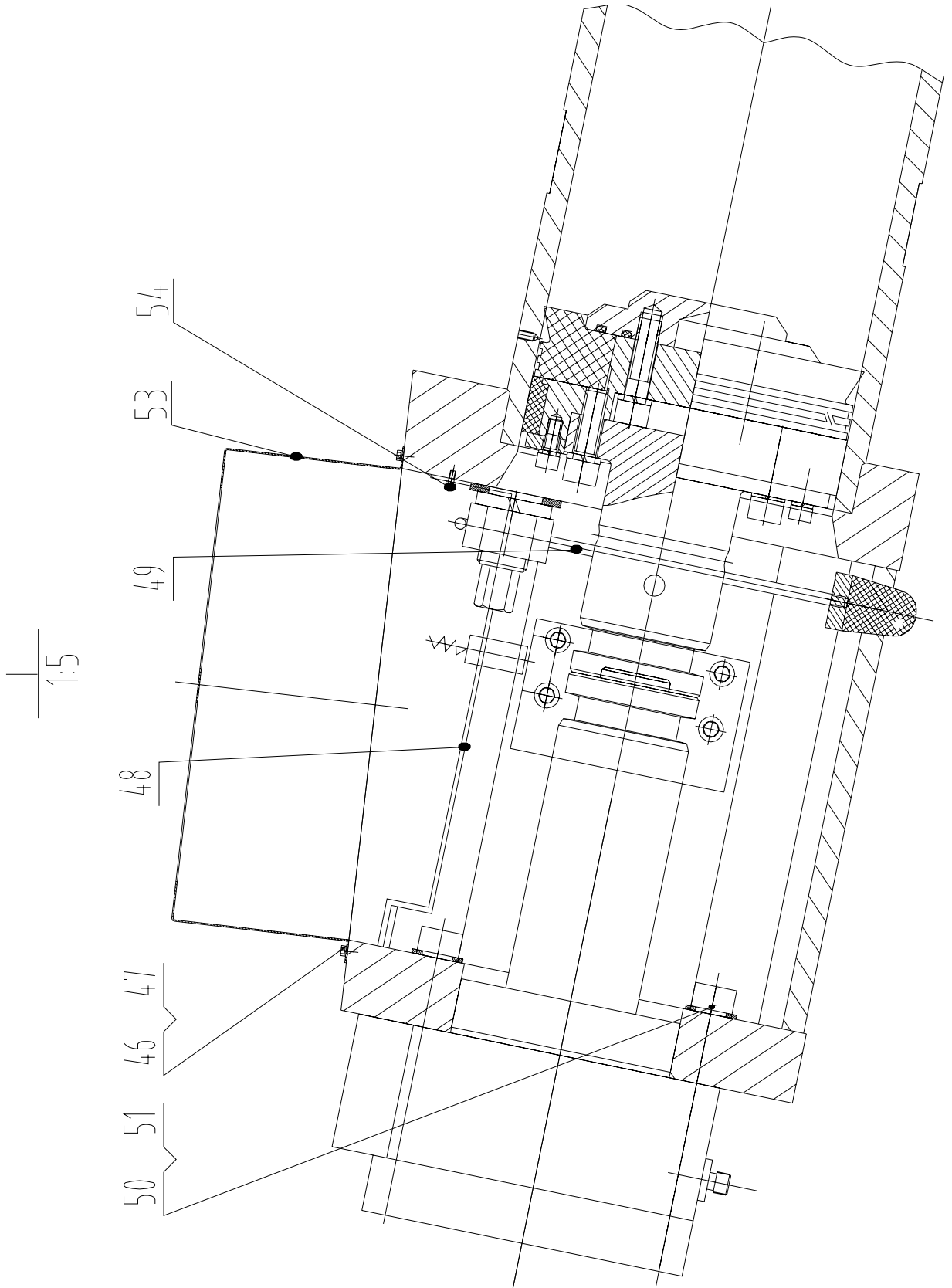




ST48R5

REED
13822 Oaks Avenue
Chino, CA 91710
909-287-2100
www.reedpumps.com

No.	Name	Code	Material	Parent	Weight	Quantity
1	Hopper assembly	BC37.3.1				1
2	S tube assembly	BC37.3.2				1
3	Tie bar base	BC37.3-1				1
4	Washer 20	GB93-87				3
5	Bolt M20×145	GB80-75				3
6	O-RING Φ243×7	GB3452.1-82				2
7	Concrete cylinder	BC37.3-2				2
8	Tie bar	BC37.3-3				6
9	Transition shield	BC37.3-4				2
10	Nut M36	GB6170-86				6
11	Washer 36	GB97.1-86				6
12	Washer 36	GB93-87				6
13	Water tank	BC37.3.3				1
14	Concrete piston	BC37.3.4				2
15	Driver cylinder	BC37.3.5				2
52	Support of drive cylinder	BC37.3.24				1



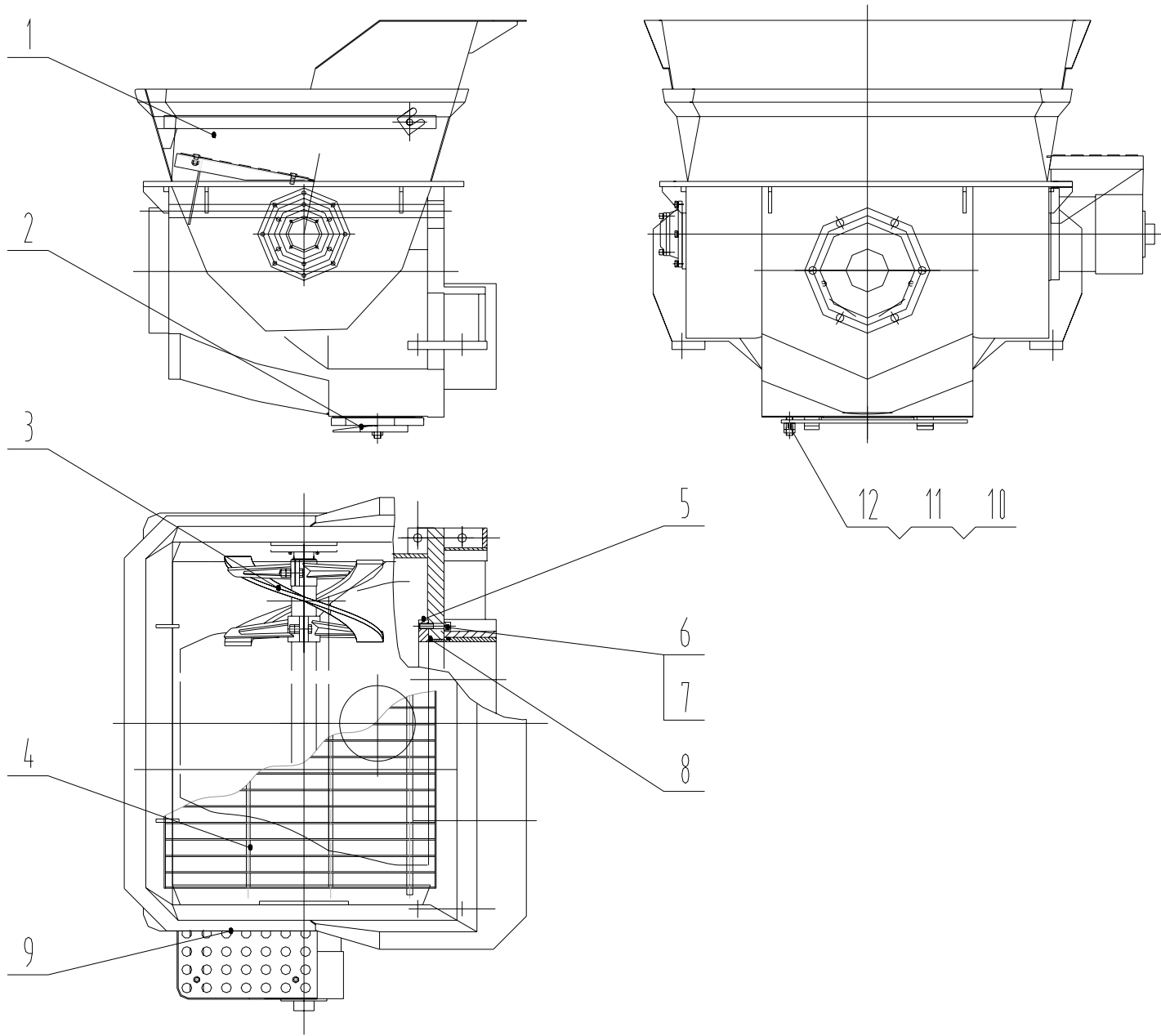


ST48R5

REED
13822 Oaks Avenue
Chino, CA 91710
909-287-2100
www.reedpumps.com

46	Bolt M8×12	GB5781-86				4
47	Washer 8	GB93-87				4
48	Bracket of proximity switch	BC37.3.26				2
49	Plug of water box	BC37.3.23				2
50	Bolt M22×185	GB70-85				18
51	Washer 22	GB95-85				18
53	Cover of water box	BC37.3-12				1
54	Bolt M8×16	GB5781-86				4

4.1 HOPPER ASSEMBLY



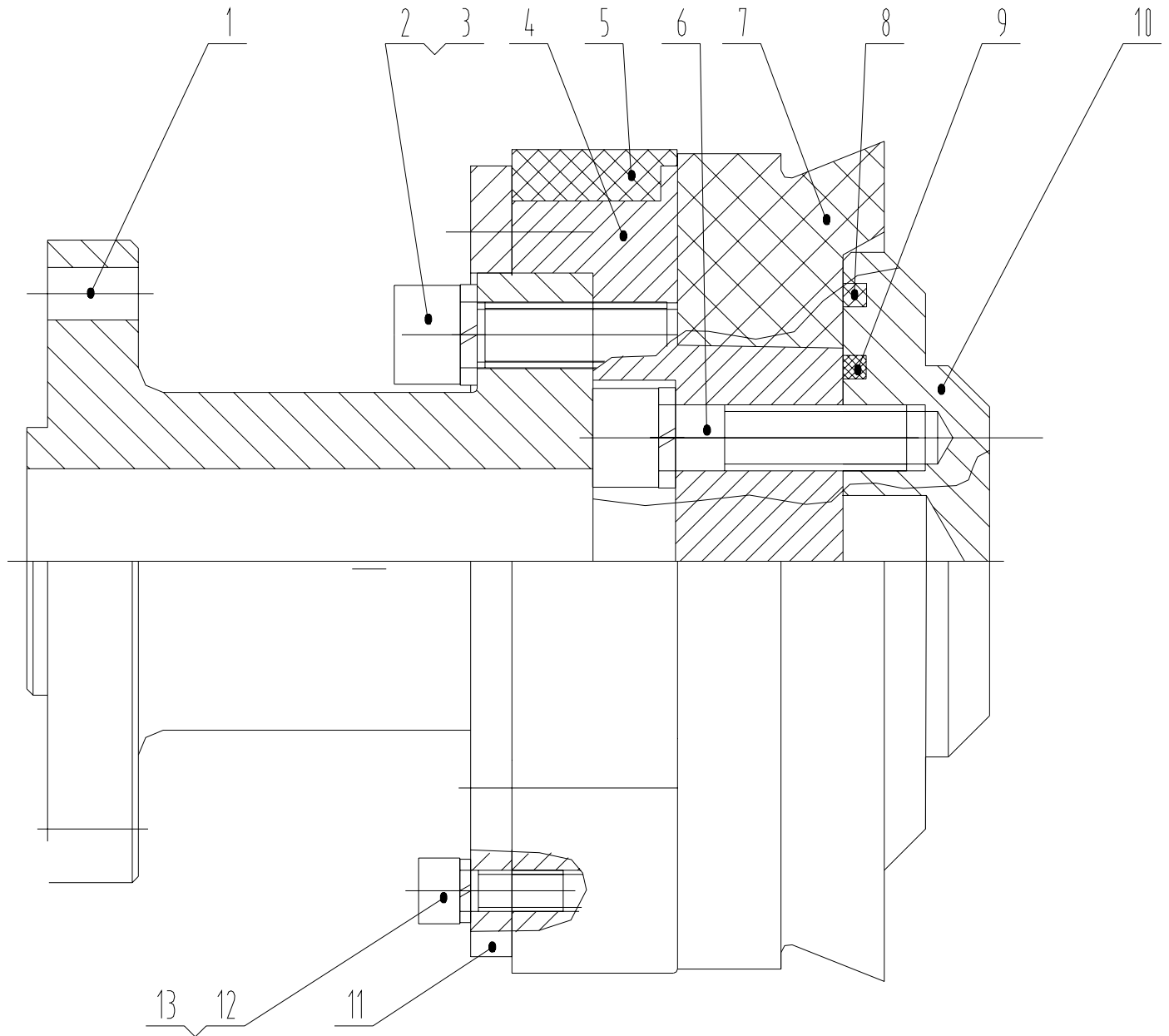


ST48R5

REED
13822 Oaks Avenue
Chino, CA 91710
909-287-2100
www.reedpumps.com

No.	Name	Code	Material	Parent	Weight	Quantity
1	Hopper weldment	BC37.3.1.1				1
2	Hopper door	60S1816.3.4-2				1
3	Agitator	BC37.3.1.5				1
4	Hopper grate	BC37.3.1.2				1
5	Wear plate	BC37.3.1-1				1
6	Bolt M16×75	GB70-85				6
7	Washer 16	GB93-87				6
8	O ring seal,bearing seal 243×5.3	GB3452.1-82				2
9	Step	BC37.3.1.4				1
10	Stud	60S1816.3.4-4				1
11	M20	GB6170-86				1
12	M20	GB6184-86				1

4.2 CONCRETE PISTON



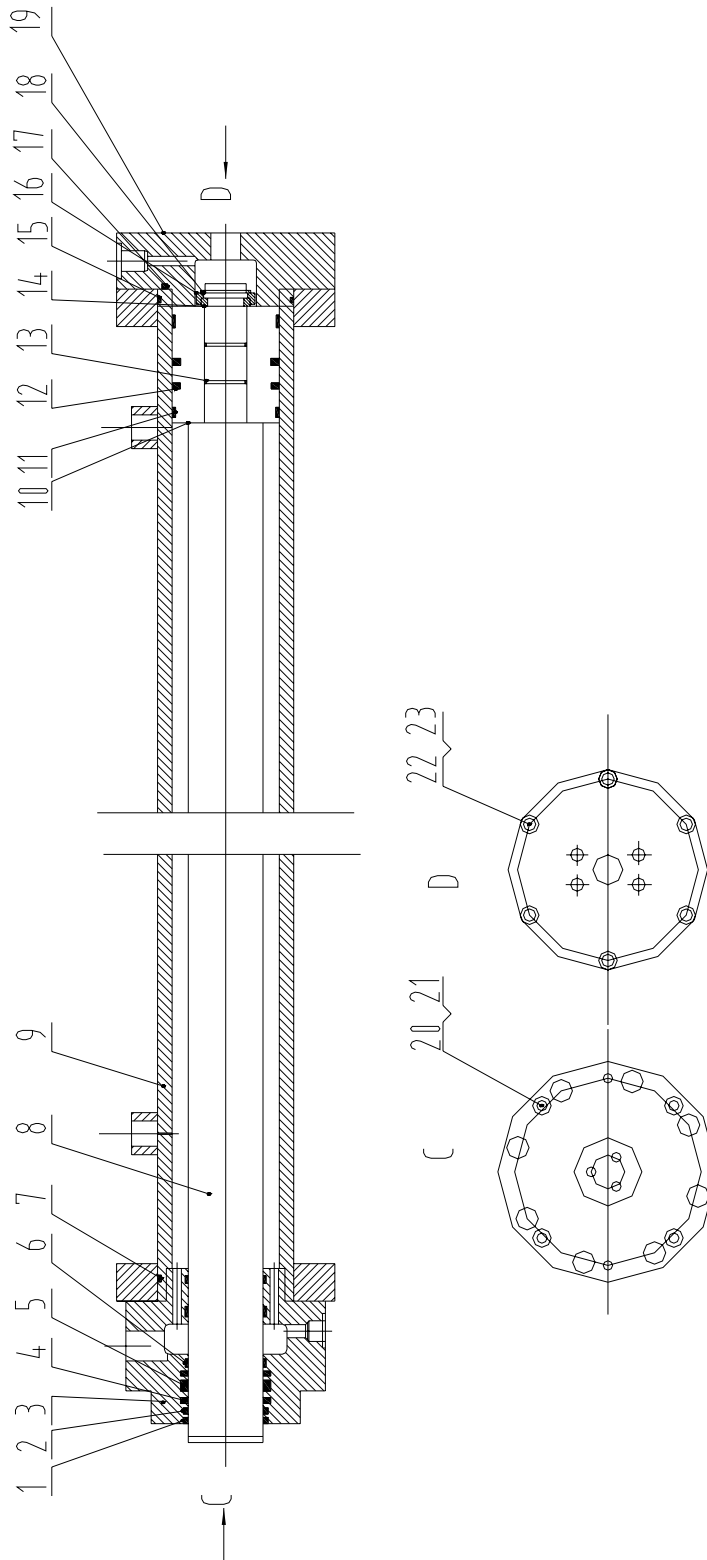


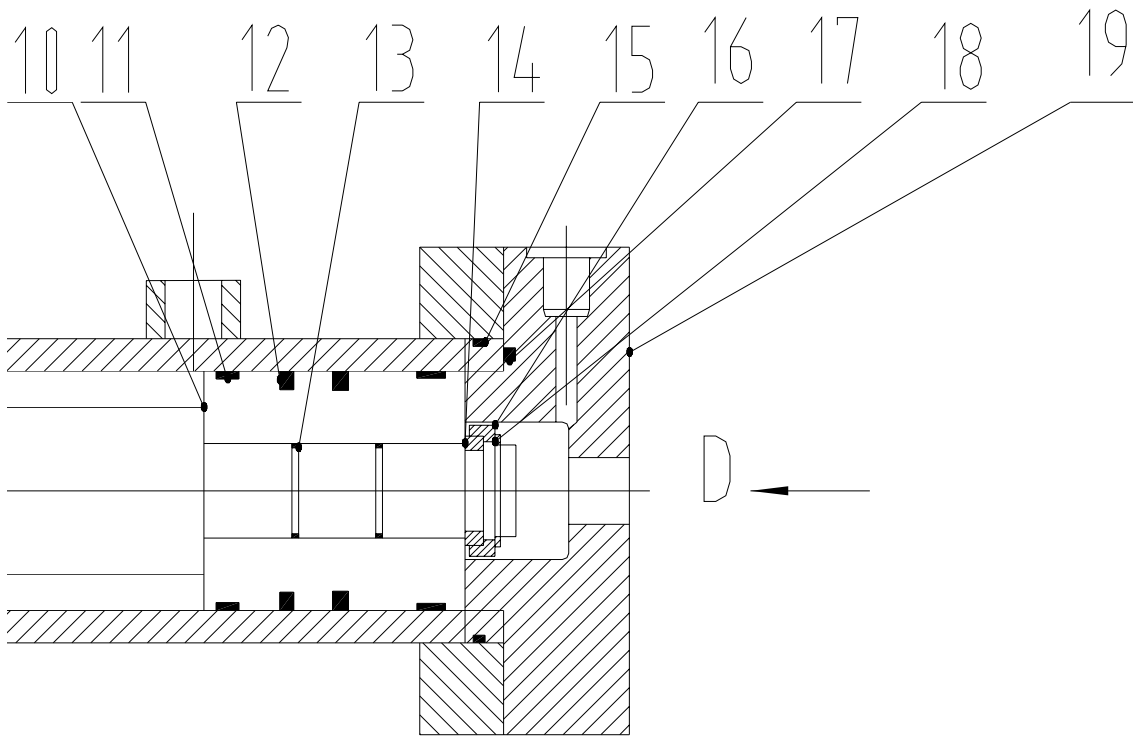
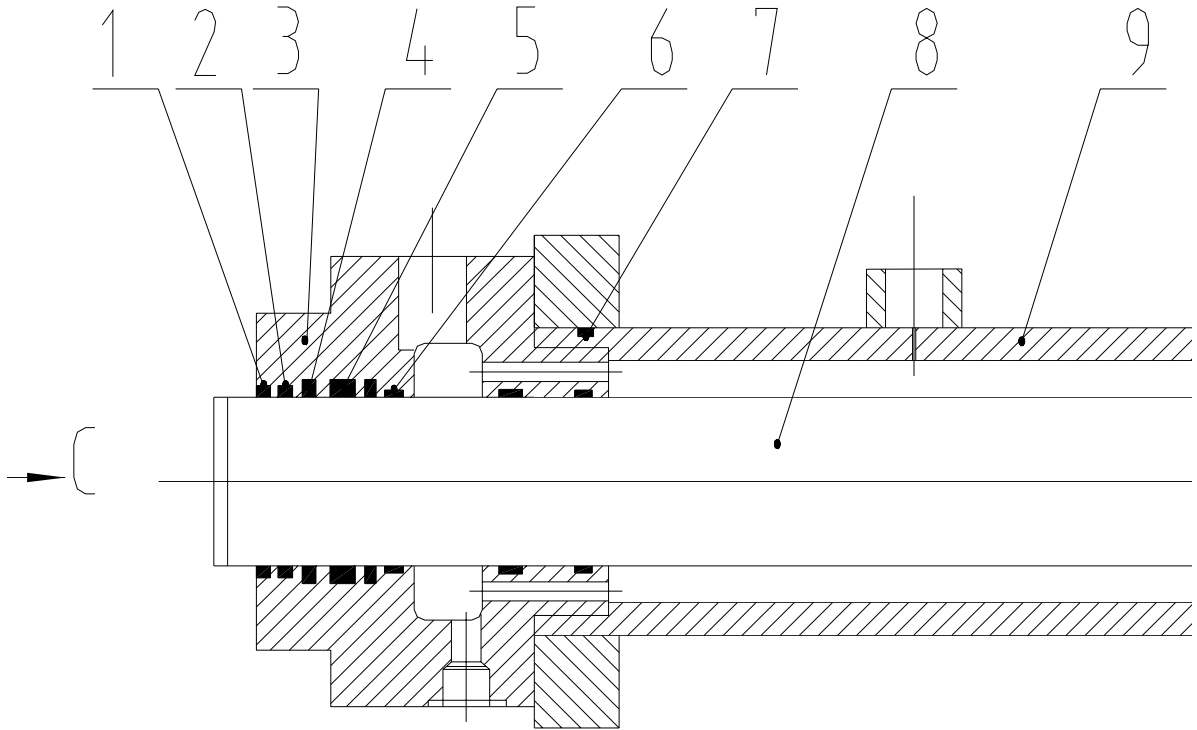
ST48R5

REED
13822 Oaks Avenue
Chino, CA 91710
909-287-2100
www.reedpumps.com

No.	Name	Code	Material	Parent	Weight	Quantity
1	rod,connecting rod	60S1816.5.1-1	45			1
2	bolt m16×50	GB70-85	8.8			4
3	washer 16	GB93-87	65Mn			8
4	piston body	60S1816.5.1-2	45			1
5	ring,guide ring	60S1816.5.1-3				1
6	bolt m16×60	GB70-85	8.8			4
7	seal,concrete seal	60S1816.5.1-4	polyurethane			1
8	o-ring 100×5.7	GB1235-76	rubber			1
9	o-ring 135×5.7	GB1235-76	rubber			1
10	plate,hold-down plate	60S1816.5.1-5	45			1
11	plate	60S1816.5.1-6	Q235-A			1
12	bolt m10×25	GB70-85	8.8			4
13	washer 10	GB93-87	65Mn			4

4.3 DRIVE CYLINDER





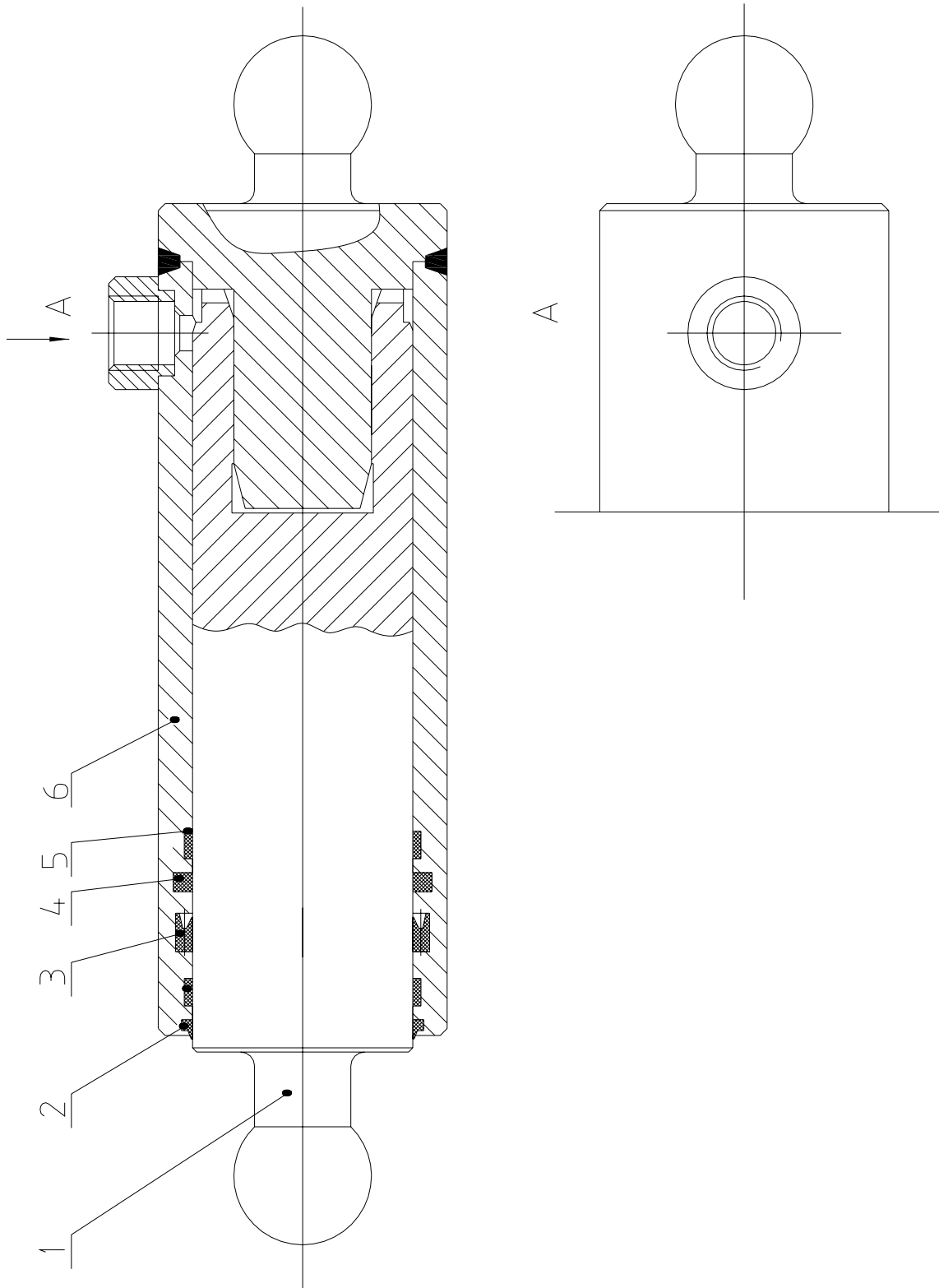


ST48R5

REED
13822 Oaks Avenue
Chino, CA 91710
909-287-2100
www.reedpumps.com

No.	Name	Code	Material	Parent	Weight	Quantity
1	Ring,snap ring 90	GB895.1-86				1
2	AM Anti-dust ring	AM8009 A5053				1
3	Gland	BC48.00-4303				1
4	OD rod,piston rod seal	OD 0800 052 00171 D				2
5	BS rod,piston rod seal	BS 8095 P5008				1
6	Ring,guide ring	FR 8010 Q5029				3
7	O-RING	GB1235-76-125×3.1				2
8	Rod,piston rod	BC48.00-4308				1
9	Cylinder body	BC48.00-4309				1
10	Piston	BC48.00-4310				1
11	Ring,guide ring	FR 8009 Q5029				2
12	OK piston seal	OK 0115 00701				2
13	O-RING	GB1235-76-66×3.1				2
14	Ring,key ring for shaft	BC48.00-4314				1
15	O-RING	GB1235-76-115×3.1				1
16	Ring,key ring cap	BC48.00-4316				1
17	O-RING	GB1235-76-130×3.1				1
18	Ring,snap ring	GB94.1-86-65				1
19	Cylinder body	BC48.00-4319				3
20	Bolt	GB70-85-M10×100-8.8				4
21	Washer	GB93-87-10				4
22	Bolt	GB70-85-M24×65-8.8				6
23	Washer	GB93-87-24				6

4.8 SHIFT CYLINDER



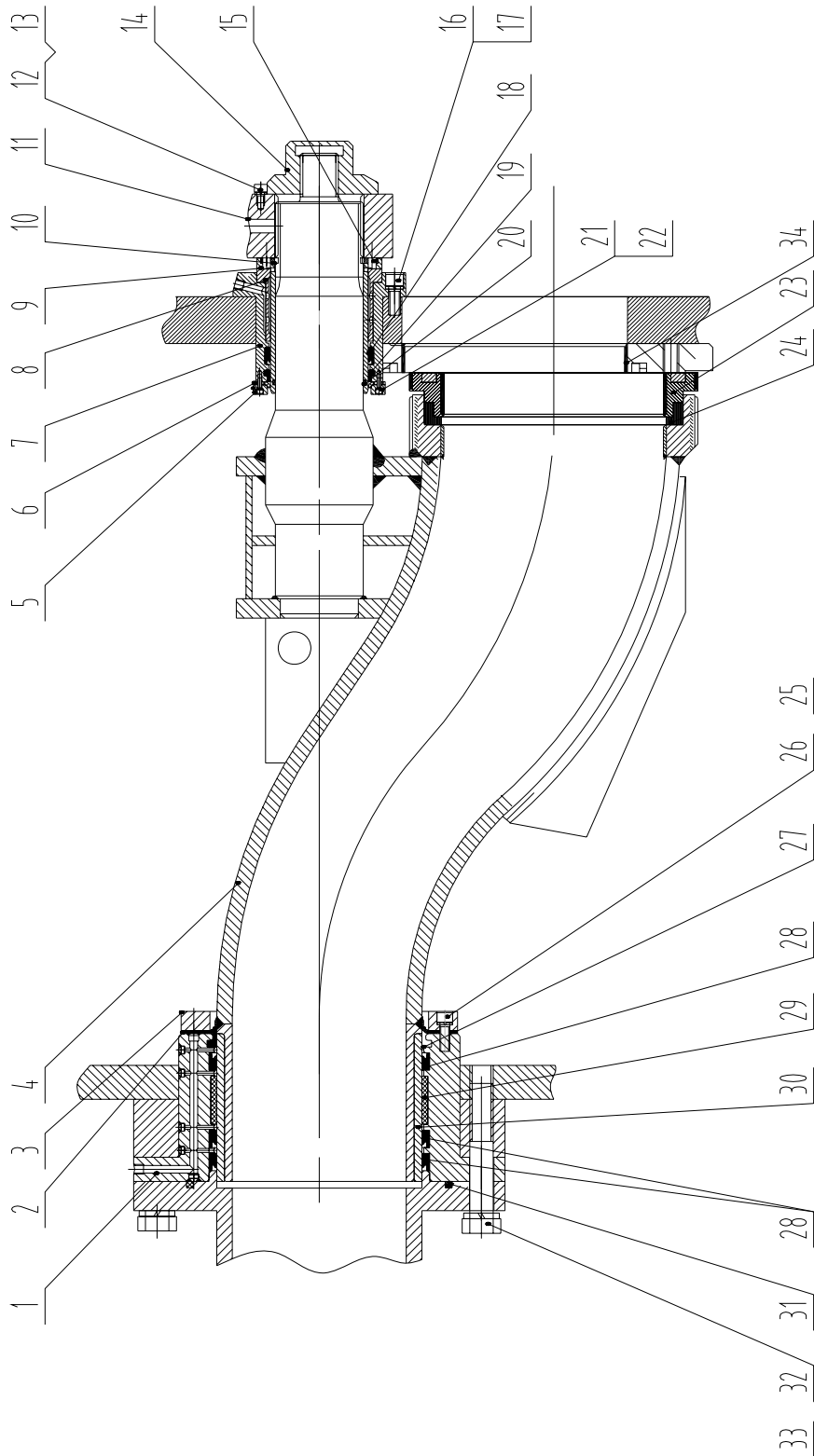


ST48R5

REED
13822 Oaks Avenue
Chino, CA 91710
909-287-2100
www.reedpumps.com

No.	Name	Code	Material	Parent	Weight	Quantity
1	Rod,piston rod	0-1				1
2	AY anti-dust ring d80	AY 8030 P5008				1
3	BS seal,bearing seal d80	BS 8095 P5008				1
4	PTEE OD rod seal d80	OD 0800 052 00171				1
5	FR ring,guide ring	FR 8010 Q5029				2
6	Cylinder assembly	0-01				1

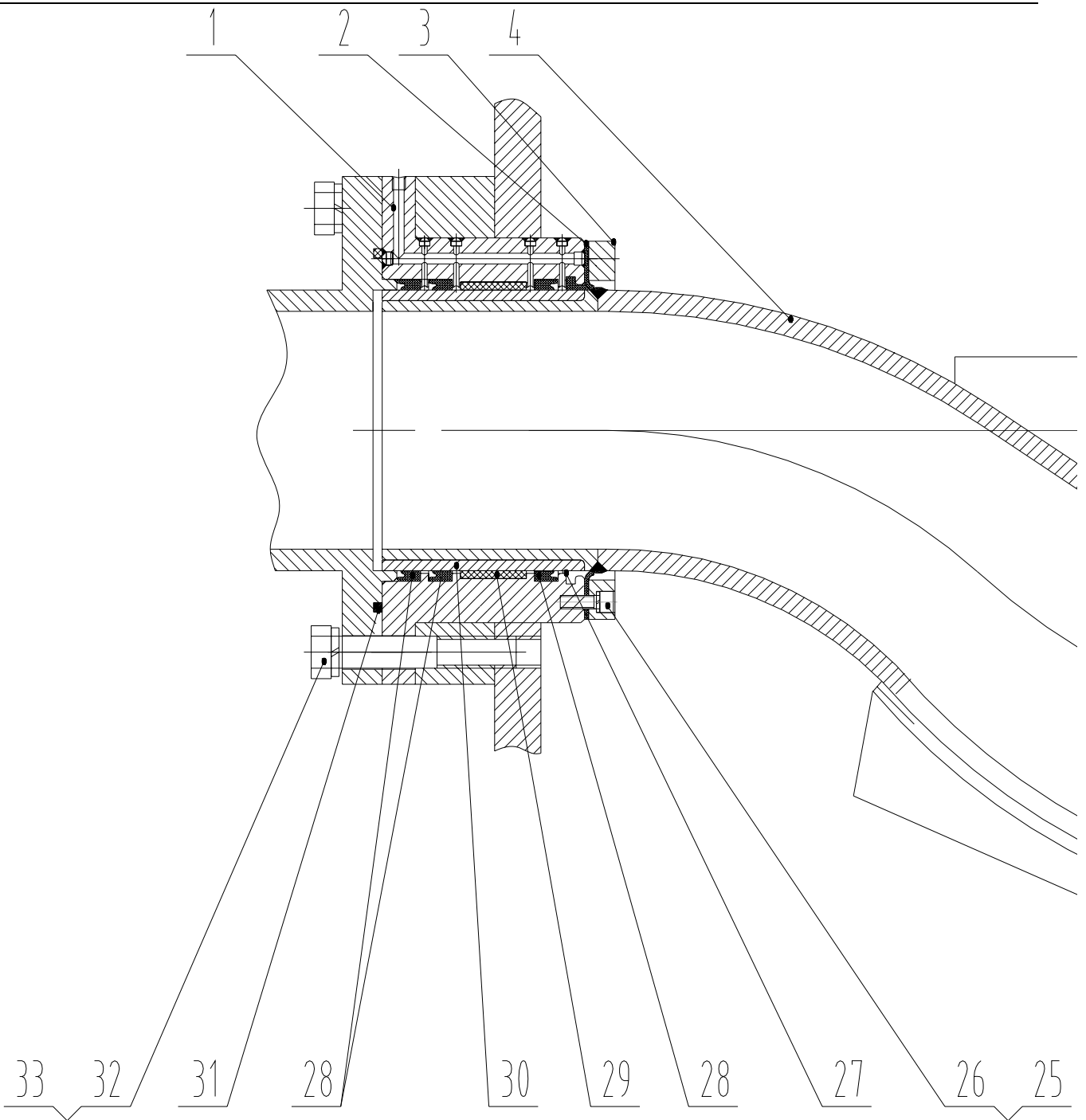
4.9 S TUBE ASSEMBLY





ST48R5

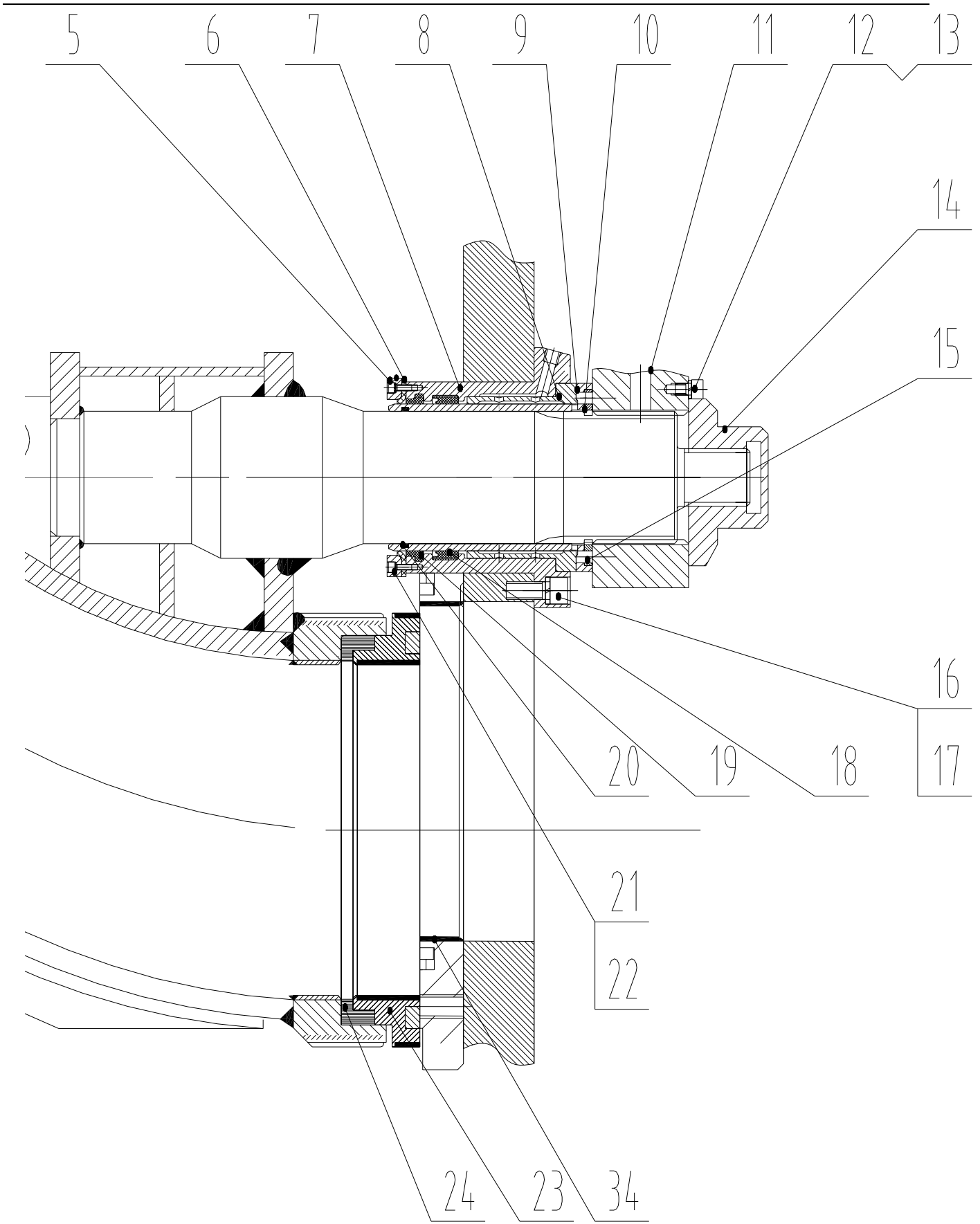
REED
13822 Oaks Avenue
Chino, CA 91710
909-287-2100
www.reedpumps.com





ST48R5

REED
13822 Oaks Avenue
Chino, CA 91710
909-287-2100
www.reedpumps.com





ST48R5

REED
13822 Oaks Avenue
Chino, CA 91710
909-287-2100
www.reedpumps.com

No.	Name	Code	Material	Parent	Weight	Quantity
1	Big bearing seat	60S1816.1.2.2				1
2	Anti-dust rubber pad	60S1816.1.2-1				1
3	Hold-down plate	60S1816.1.2-2				1
4	S tube weldment assembly	BC37.3.2.1				1
5	Hold-down plate	60S1816.1.2-3				1
6	Anti-dust rubber pad	60S1816.1.2-4				1
7	Small bearing seat	60S1816.1.2-15				1
8	Bearing	60S1816.1.2-5				1
9	End barrel bushing	60S1816.1.2-6				1
10	Internal spline gear	60S1816.1.2-7				1
11	Swinging arm	60S1816.1.2-8				1
12	Bolt M8×16	GB70-85				1
13	Washer 8	GB93-87				1
14	Nut of special shape	60S1816.1.2-9				1
15	Alignment pin	60S1816.1.2-10				1
16	Bolt M12×30	GB70-85				6
17	Washer 12	GB93-87				6
18	Seal C1A015N3571	BC48.00-4918				1
19	Anti-dust ring A5A018N3587	BC48.00-4919				1
20	O-ring, Parker precision : 88.49×3.53	XBC39.00-010				1
21	Bolt M4×12	GB70-85				6
22	Washer 4	GB93-87				6
23	Cutting ring	BC37.3.2-11				1
24	Rubber spring	BC37.3.2-12				1
25	Bolt M10×30	GB70-85				6
26	Washer 10	GB93-87				6
27	Anti-dust ring J210	XBC39.00-006				
28	Seal YXd210	XBC39.00-007				
29	Nylon bearing	60S1816.1.2-13				1
30	Abrasion shield	60S1816.1.2-14				1
31	"O" seal,bearing seal: 258×7	GB3452.1-82				1

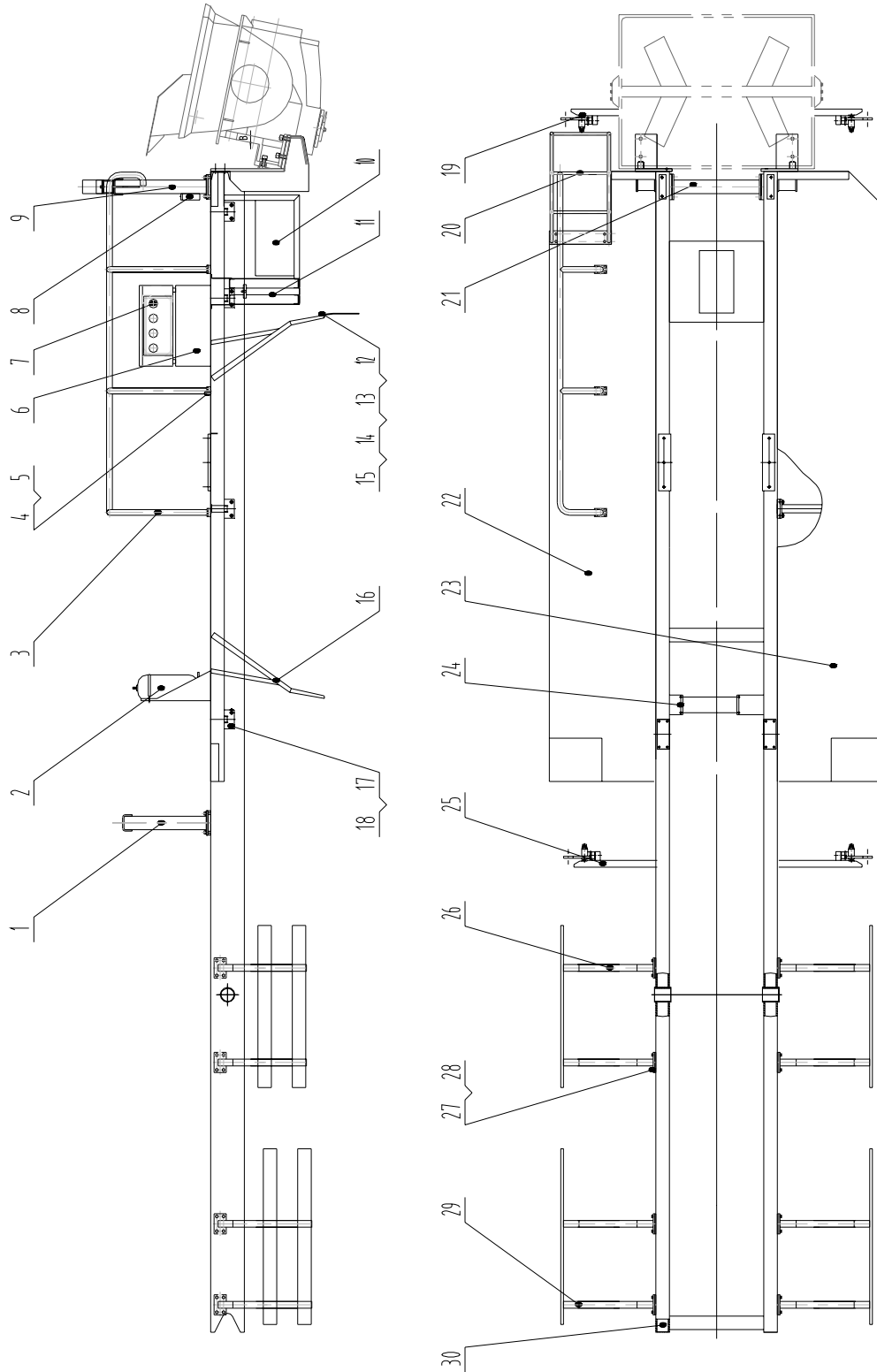


ST48R5

REED
13822 Oaks Avenue
Chino, CA 91710
909-287-2100
www.reedpumps.com

32	Bolt M24×150	GB70-85				6
33	Washer 24	GB93-87				6
34	Wear plate	BC37.3.2-13				1

CHAPTER 5 SUB-FRAME ASSEMBLY



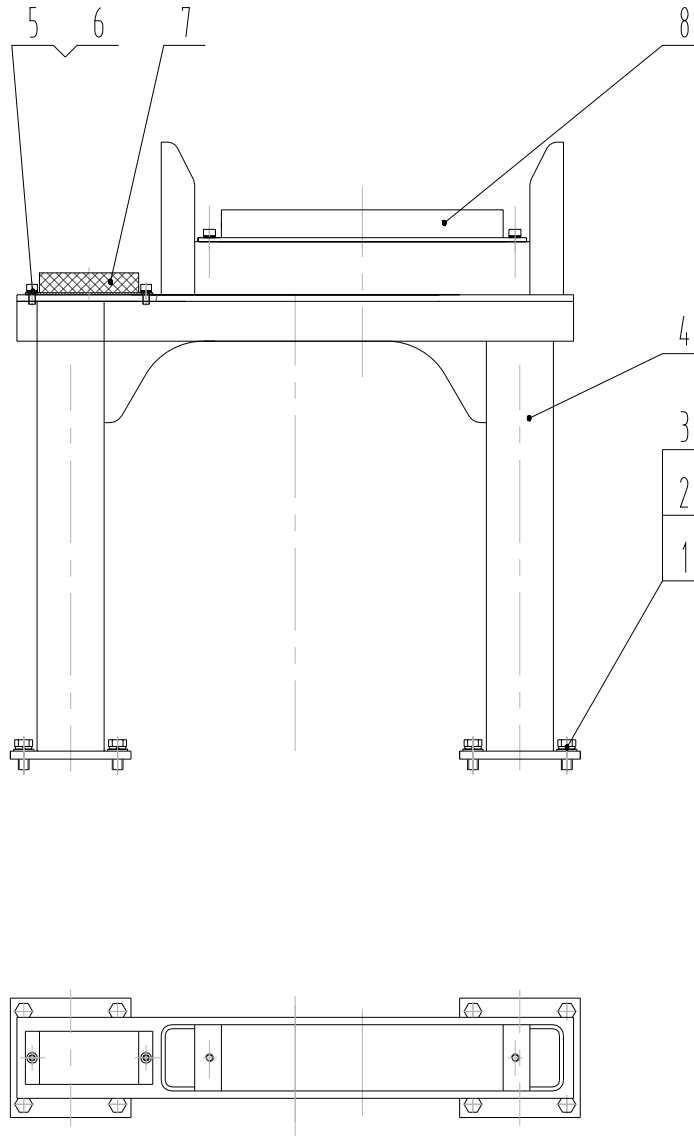


ST48R5

REED
13822 Oaks Avenue
Chino, CA 91710
909-287-2100
www.reedpumps.com

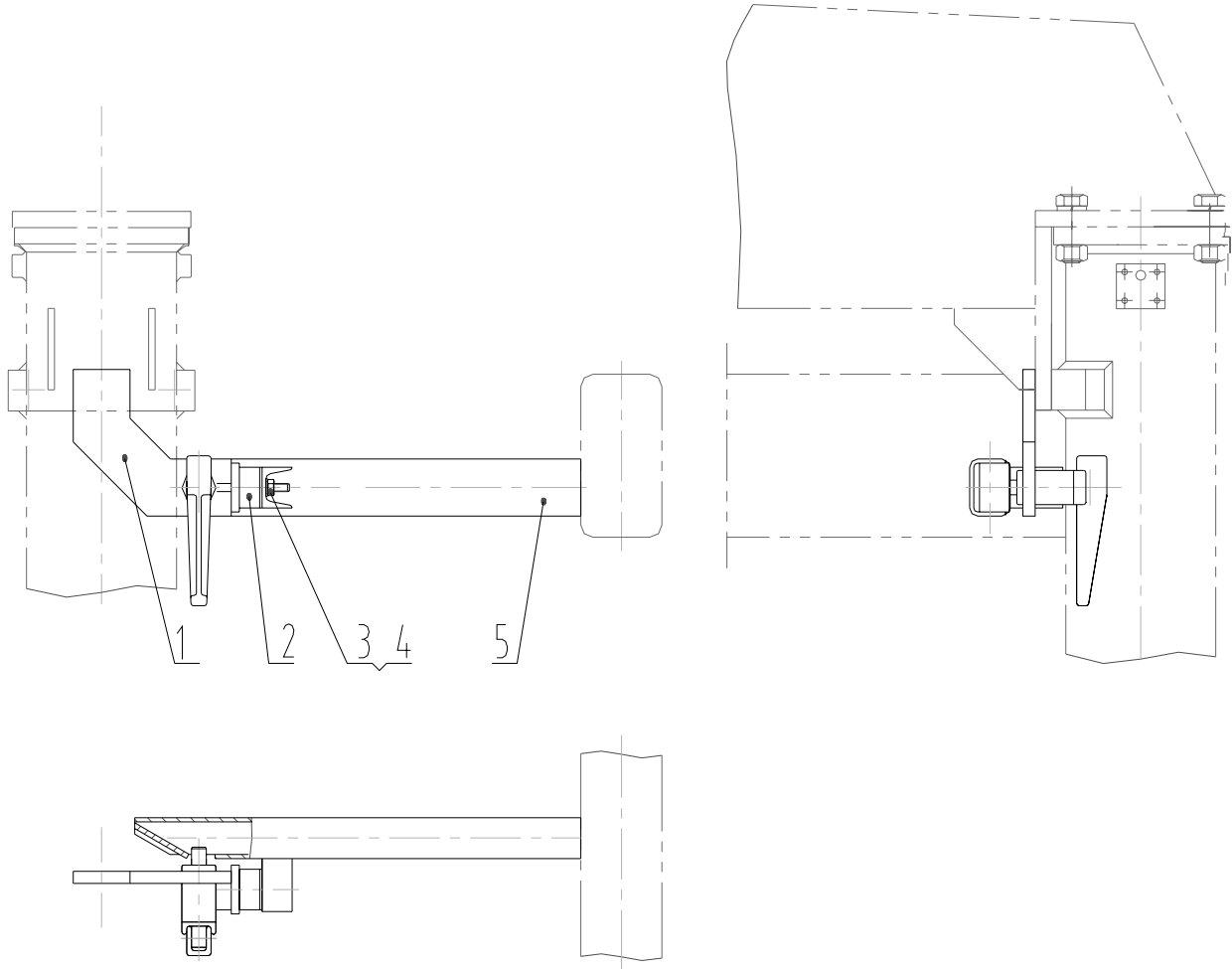
No.	Name	Code	Material	Parent	Weight	Quantity
1	Sub-support	BC48.00-5001				1
2	Pipe, support pipe, accumulator	BC48.00-5002				1
3	Guardrail	BC48.4.11				1
4	Bolt M12×25	GB5780-86				12
5	Grower washer 12	GB93-87				12
6	Base of electrical box	BC48.00-5006				1
7	Electrical box	BC48.4.8				1
8	Lubricating grease box	BC48.00-5008				1
9	Boom rest	BC48.4.14				1
10	Toolbox	BC48.00-5010				1
11	Plate, base plate frame of outrigger	BC48.00-5011				2
12	Rubber mudflap 600×380×3	BC48.00-5012				2
13	Hold-down plate	BC48.00-5013				2
14	Bolt M8×20	GB5780-864				8
15	Washer M8	GB93-87				8
16	Wheel fender	BC48.00-5016				4
17	Bolt M16×35	GB5780-86				32
18	Washer M16	GB93-87				32
19	Lock of rear outrigger	BC48.00-5019				2
20	Ladder	BC48.4.15				1
21	Connecting rod	BC48.00-5021				1
22	Right walking platform	BC48.4.3.2				1
23	Left walking platform	BC48.4.3.1				1
24	Gearbox	BC48.00-5024				1
25	Lock of front outrigger	BC48.00-5025				2
26	Side guardrail □	BC48.4.7				2
27	Bolt 10×20	GB5780-86				32
28	Washer 10	GB93-87				32
29	Side guardrail □	BC48.00-5029				2
30	Frame	BC48.4.1				1

5.1 BOOM REST



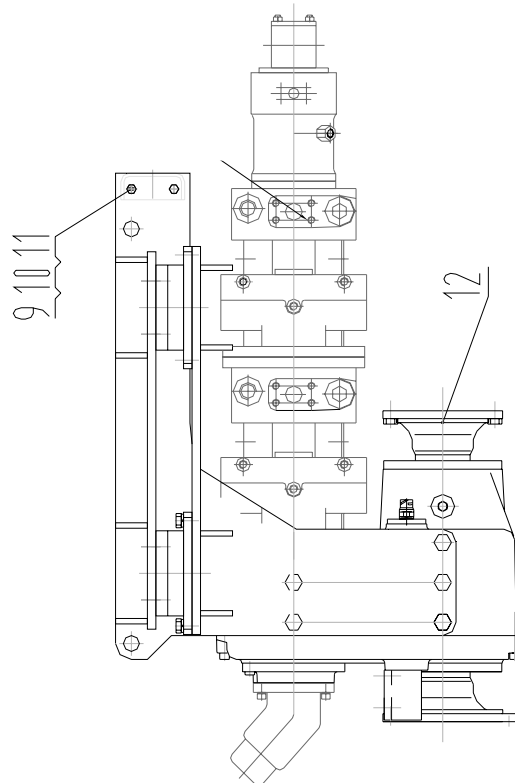
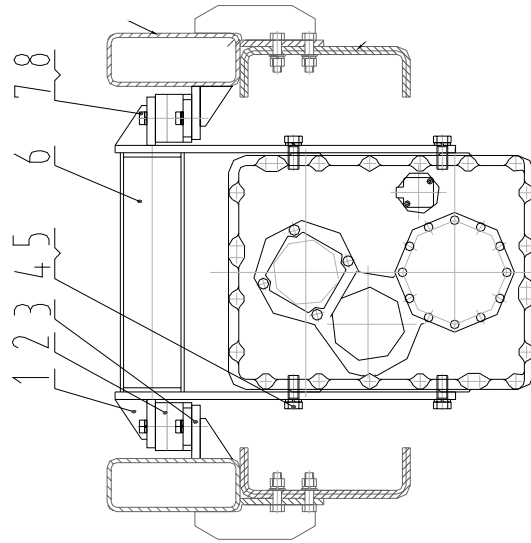
No.	Name	Code	Material	Parent	Weight	Quantity
1	Bolt M16×35	GB5783-86				4
2	Washer 16	GB93-87				8
3	Washer 16	GB97.1-85				8
4	Boom rest frame	BC48.4.14.1				1
5	Washer 12	GB93-87				4
6	Bolt M12×20	GB5783-86				4
7	Bumper pad	BC42.1.7.1.1				1
8	Bumper pad	BC48.4.14.2				1

5.2 LOCK OF REAR OUTRIGGER



No.	Name	Code	Material	Parent	Weight	Quantity
1	Rear hanging base	BC37D.4.5.1				1
2	Bumper pad	WAI 103494				1
3	Nut M10	GB6170-86				1
4	Washer 10	GB93-87				1
5	Rear lock	BC37D.4.5.2				1

5.4 GEARBOX ASSEMBLY





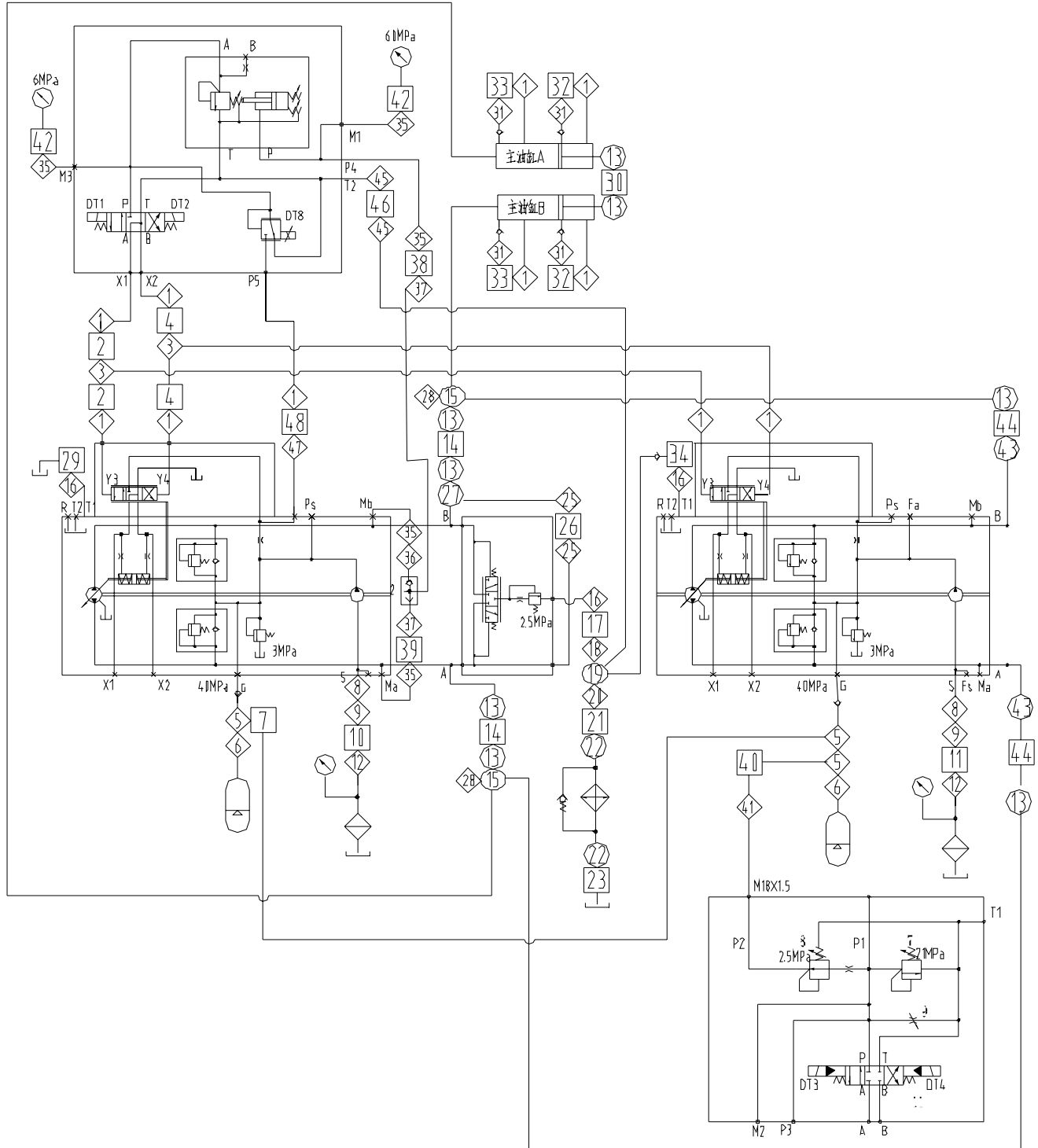
ST48R5

REED
13822 Oaks Avenue
Chino, CA 91710
909-287-2100
www.reedpumps.com

No.	Name	Code	Material	Parent	Weight	Quantity
1	Bracket, gearbox pto	BC42.5.2.1				2
2	Sock reducing pad	SH-500				4
3	Bracket, frame pto	BC42.5.2.2				2
4	Bolt M20×50	GB/T1228-91				10
5	Washer 20	GB/T1228-91				10
6	Brace	BC42.5.2.3				1
7	Bolt M16×35	GB5783-86				16
8	Washer 16	GB93-87				16
9	Bolt M10×30	GB5783-86				4
10	Washer 10	GB93-87				4
11	Nut M10	GB6170-86				4
12	Gearbox	BC48.00-5412				1

CHAPTER 6 HYDRAULIC SYSTEM

6.1 PUMPING SYSTEM





ST48R5

REED
13822 Oaks Avenue
Chino, CA 91710
909-287-2100
www.reedpumps.com

No.	Name	Code	Material	Parent	Weight	Quantity
1	Straight connector thread	BCY48.00-6101		BC48.6.1		11
2	Hose	BCY48.00-6102		BC48.6.1		2
3	Tee connector	BCY48.00-6103		BC48.6.1		2
4	Hose	BCY48.00-6104		BC48.6.1		2
5	Tee connector	BCY48.00-6105		BC48.6.1		3
6	Straight connector thread	BCY48.00-6106		BC48.6.1		2
7	Hose	BCY48.00-6107		BC48.6.1		1
8	Straight connector thread	BCY48.00-6108		BC48.6.1		2
9	Union elbow	BCY48.00-6109		BC48.6.1		2
10	Hose	BCY48.00-6110		BC48.6.1		1
11	Hose	BCY48.00-6111		BC48.6.1		1
12	Oil absorption joint	BCY48.00-6112		BC48.6.1		2
13	Split flange	BCY48.00-6113		BC48.6.1		16
14	Hose	BCY48.00-6114		BC48.6.1		2
15	Tee block	BCY48.00-6115		BC48.6.1		2
16	Straight connector thread	BCY48.00-6116		BC48.6.1		3
17	Hose	BCY48.00-6117		BC48.6.1		1
18	Straight connector thread	BCY48.00-6118		BC48.6.1		1
19	Fluid gathering block	XBCY39.00-6119		BC48.6.1		1
20	Straight connector thread	BCY48.00-6120		BC48.6.1		1
21	Hose	BCY48.00-6121		BC48.6.1		1
22	Flange component joint	BCY48.00-6122		BC48.6.1		2
23	Hose	BCY48.00-6123		BC48.6.1		1
24	Oil return block	BCY48.00-6125		BC48.6.1		2
25	Hinged joint					
26	Hose	BCY48.00-6126		BC48.6.1		1
27	Flange FS20	XBCY39.00-6127		BC48.6.1		1
28	Bulkhead	XBCY39.00-6128		BC48.6.1		2
29	Hose	BCY48.00-6129		BC48.6.1		1
30	Hose	BCY48.00-6130		BC48.6.1		1
31	Transtage	BCY48.00-6131		BC48.6.1		4

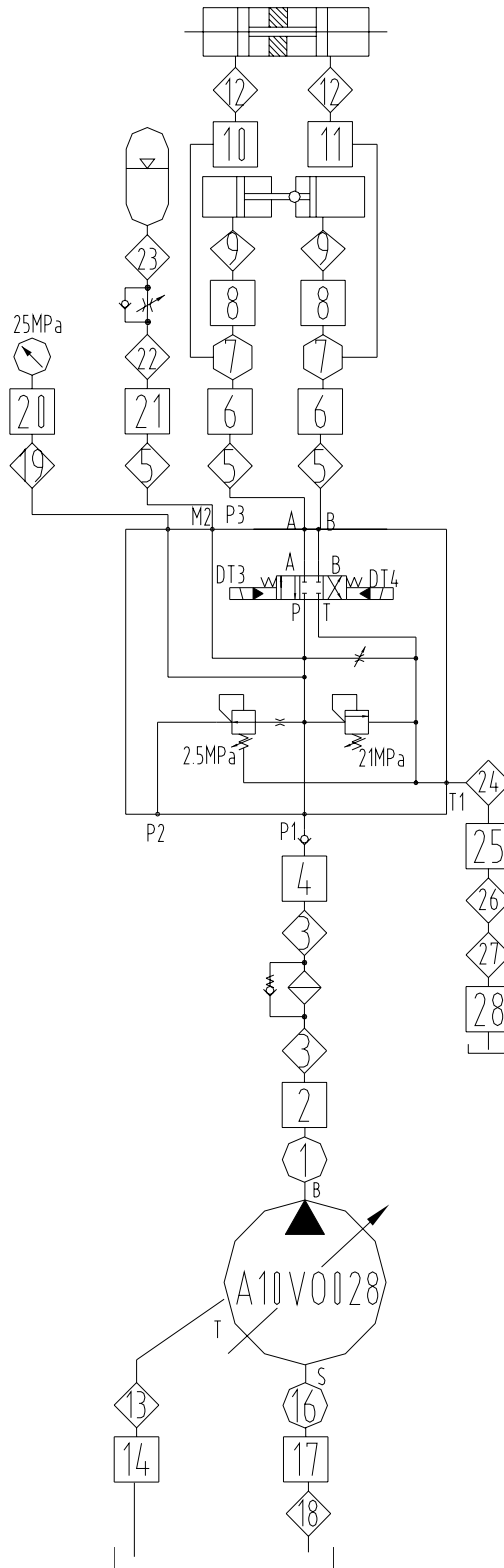


ST48R5

REED
13822 Oaks Avenue
Chino, CA 91710
909-287-2100
www.reedpumps.com

32	Hose	BCY48.00-6132		BC48.6.1		2
33	Hose	BCY48.00-6133		BC48.6.1		2
34	Hose	BCY48.00-6134		BC48.6.1		1
35	Straight connector	thread BCY48.00-6135		BC48.6.1		5
36	Straight connector	thread BCY48.00-6136		BC48.6.1		1
37	Straight connector	thread BCY48.00-6137		BC48.6.1		2
38	Hose	BCY48.00-6138		BC48.6.1		1
39	Hose	BCY48.00-6139		BC48.6.1		1
40	Hose	BCY48.00-6140		BC48.6.1		1
41	Straight connector	thread BCY48.00-6141		BC48.6.1		1
42	Pressure-testing tube	BCY48.00-6142		BC48.6.1		2
43	Component of flange joint	BCY48.00-6143		BC48.6.1		2
44	Hose	BCY48.00-6144		BC48.6.1		2
45	Straight connector	thread BCY48.00-6145		BC48.6.1		1
46	Hose	BCY48.00-6146		BC48.6.1		1
47	Straight connector	thread BCY48.00-6147		BC48.6.1		1
48	Hose	BCY48.00-6148		BC48.6.1		1

6.2 SHIFTING SYSTEM



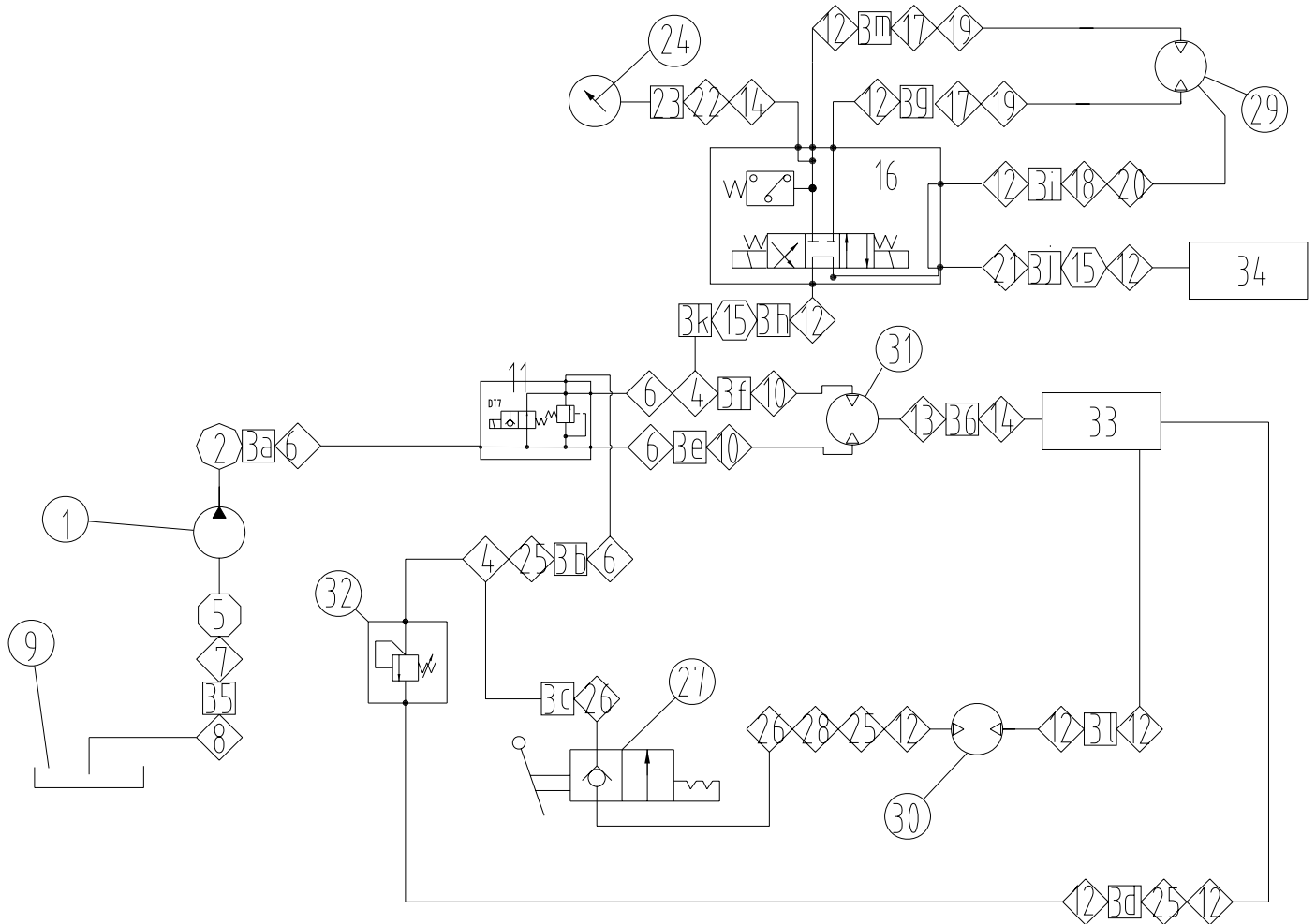


ST48R5

REED
13822 Oaks Avenue
Chino, CA 91710
909-287-2100
www.reedpumps.com

No.	Name	Code	Material	Parent	Weight	Quantity
1	Split flange	XBCY39.00-6201		XBC39.6.2		2
2	Hose	BCY48.00-6202		XBC39.6.2		1
3	Straight thread connector	BCY48.00-6203		XBC39.6.2		2
4	Hose	BCY48.00-6204		XBC39.6.2		1
5	Straight thread connector	BCY48.00-6205		XBC39.6.2		2
6	Hose	BCY48.00-6206		XBC39.6.2		2
7	Steel pipe	BCY48.00-6207		XBC39.6.2		2
8	Hose	BCY48.00-6208		XBC39.6.2		2
9	Joint	BCY48.00-6209		XBC39.6.2		2
10	Hose	BCY48.00-6210		XBC39.6.2		1
11	Hose	BCY48.00-6211		XBC39.6.2		1
12	Straight thread connector	BCY48.00-6212		XBC39.6.2		2
13	Straight thread connector	BCY48.00-6213		XBC39.6.2		1
14	Hose	BCY48.00-6214		XBC39.6.2		1
15	Oil return block					
16	Flange joint FL20/L42	XBCY39.00-6216		XBC39.6.2		1
17	Hose	BCY48.00-6217		XBC39.6.2		1
18	Straight thread connector	BCY48.00-6218		XBC39.6.2		1
19	Straight thread connector	BCY48.00-6219		XBC39.6.2		1
20	Pressure-testing tube	BCY48.00-6220		XBC39.6.2		1
21	Hose	BCY48.00-6221		XBC39.6.2		1
22	Straight thread connector	BCY48.00-6221		XBC39.6.2		1
23	Joint M60/S30	XBCY39.00-6223		XBC39.6.2		1
24	Straight thread connector	BCY48.00-6223		XBC39.6.2		1
25	Hose	BCY48.00-6225		XBC39.6.2		1
26	Joint of changeable diameter	BCY48.00-6226		XBC39.6.2		1
27	Bulkhead union elbow	BCY48.00-6227		XBC39.6.2		1
28	Hose	BCY48.00-6228		XBC39.6.2		1

6.3 AGITATOR SYSTEM





ST48R5

REED
13822 Oaks Avenue
Chino, CA 91710
909-287-2100
www.reedpumps.com

No.	Name	Code	Material	Parent	Weight	Quantity
1	Gear pump	G		BC48.6.3		1
2	Quare flange	GF35LK-L15-250K		BC48.6.3		1
3a	Hose	BCY48.00-6303		BC48.6.3		1
3b	Hose	BCY48.00-6304		BC48.6.3		1
3c	Hose	BCY48.00-6305		BC48.6.3		1
3d	Hose	BCY48.00-6306		BC48.6.3		1
3e	Hose	BCY48.00-6307		BC48.6.3		1
3f	Hose	BCY48.00-6308		BC48.6.3		1
3g	Hose	BCY48.00-6309		BC48.6.3		1
3h	Hose	BCY48.00-6310		BC48.6.3		1
3i	Hose	BCY48.00-6311		BC48.6.3		1
3j	Hose	BCY48.00-6312		BC48.6.3		1
3k	Hose	BCY48.00-6313		BC48.6.3		1
3l	Hose	BCY48.00-6314		BC48.6.3		1
3m	Hose	BCY48.00-6315		BC48.6.3		1
4	Tee	XVDDKO15-L		BC48.6.3		2
5	Square flange	GF40LK-L28-100K		BC48.6.3		1
6	Joint	BCY48.00-6318		BC48.6.3		4
7	Union elbow	BCY48.00-6319		BC48.6.3		1
8	Joint	BCY48.00-6320		BC48.6.3		1
9	Cylinder	BCY48.00-6321		BC48.6.3		1
10	Joint	BCY48.00-6322		BC48.6.3		3
11	Cooling valve block	XBCY39.00-6311		BC48.6.3		1
12	Joint	BCY48.00-6324		BC48.6.3		11
13	Joint	BCY48.00-6325		BC48.6.3		1
14	Joint	BCY48.00-6326		BC48.6.3		2
15	Steel pipe	BCY48.00-6327		BC48.6.3		2
16	Agitation valve block	XBCY39.00-63		BC48.6.3		1
17	Joint	BCY48.00-6329		BC48.6.3		2
18	Joint	BCY48.00-6330		BC48.6.3		1
19	Combination pad	33		BC48.6.3		2
20	Combination pad	16		BC48.6.3		1
21	Joint	BCY48.00-6333		BC48.6.3		1
22	Pressure-testing joint	BCY48.00-6334		BC48.6.3		1
23	Pressure-testing hose	BCY48.00-6335		BC48.6.3		1
24	Pressure gauge	BCY48.00-6336		BC48.6.3		1
25	Union elbow	BCY48.00-6337		BC48.6.3		2
26	Joint	BCY48.00-6338		BC48.6.3		2

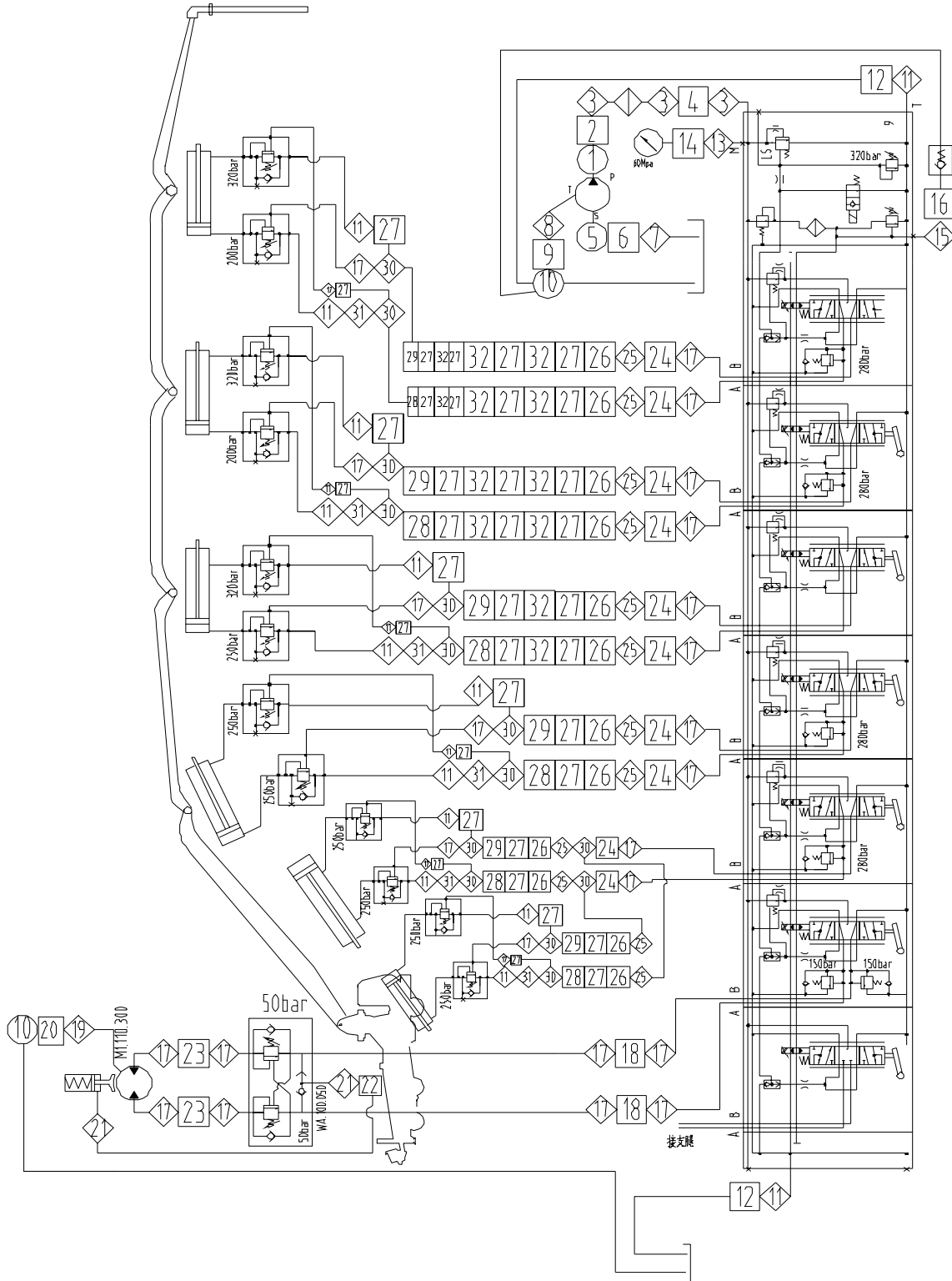


ST48R5

REED
13822 Oaks Avenue
Chino, CA 91710
909-287-2100
www.reedpumps.com

27	Ball valve	XBCY39.00-6327		BC48.6.3		1
28	Movable straight tee	BCY48.00-6340		BC48.6.3		1
29	Agitator motor	XBCY39.00-6329		BC48.6.3		1
30	Water motor	XBCY39.00-6330		BC48.6.3		1
31	Radiator motor	XBCY39.00-6331		BC48.6.3		1
32	Overflow valve block	XBCY39.00-6332		BC48.6.3		1
33	Return flow block	BCY48.00-6345		BC48.6.3		1
34	Fluid gathering block	XBCY39.00-6334		BC48.6.3		1
35	Hose	BCY48.00-6347		BC48.6.3		1
36	Hose	BCY48.00-6348		BC48.6.3		1

6.4 BOOM SYSTEM





ST48R5

REED
13822 Oaks Avenue
Chino, CA 91710
909-287-2100
www.reedpumps.com

No.	Name	Code	Material	Parent	Weight	Quantity
1	Split flange	BCY48.00-6401		BC48.6.4		2
2	Hose	BCY48.00-6402		BC48.6.4		1
3	Straight thread connector	BCY48.00-6403		BC48.6.4		3
4	Hose	BCY48.00-6404		BC48.6.4		1
5	Flange joint	BCY48.00-6405		BC48.6.4		1
6	hose	BCY48.00-6406		BC48.6.4		1
7	straight thread connector	BCY48.00-6407		BC48.6.4		1
8	straight thread connector	BCY48.00-6408		BC48.6.4		1
9	hose	BCY48.00-6409		BC48.6.4		1
10	Boom oil tank	BCY48.00-6410		BC48.6.4		1
11	Straight thread connector	BCY48.00-6411		BC48.6.4		13
12	Hose	BCY48.00-6412		BC48.6.4		1
13	Pressure-testing joint	BCY48.00-6413		BC48.6.4		1
14	Pressure-testing tube	BCY48.00-6414		BC48.6.4		1
15	Straight thread connector	BCY48.00-6415		BC48.6.4		1
16	Hose	BCY48.00-6416		BC48.6.4		1
17	Straight thread connector	BCY48.00-6417		BC48.6.4		26
18	Hose	BCY48.00-6418		BC48.6.4		2
19	Straight thread connector	BCY48.00-6419		BC48.6.4		1
20	Hose	BCY48.00-6420		BC48.6.4		1
21	Straight thread connector	BCY48.00-6421		BC48.6.4		2
22	Hose	BCY48.00-6422		BC48.6.4		1
23	Hose	BCY48.00-6423		BC48.6.4		2
24	Hose	BCY48.00-6424		BC48.6.4		10
25	Neighboring straight thread connector	BCY48.00-6425		BC48.6.4		12
26	Hose	BCY48.00-6426		BC48.6.4		10
27	Steel pipe	BCY48.00-6427		BC48.6.4		54
28	Hose	BCY48.00-6428		BC48.6.4		6
29	Hose	BCY48.00-6429		BC48.6.4		6

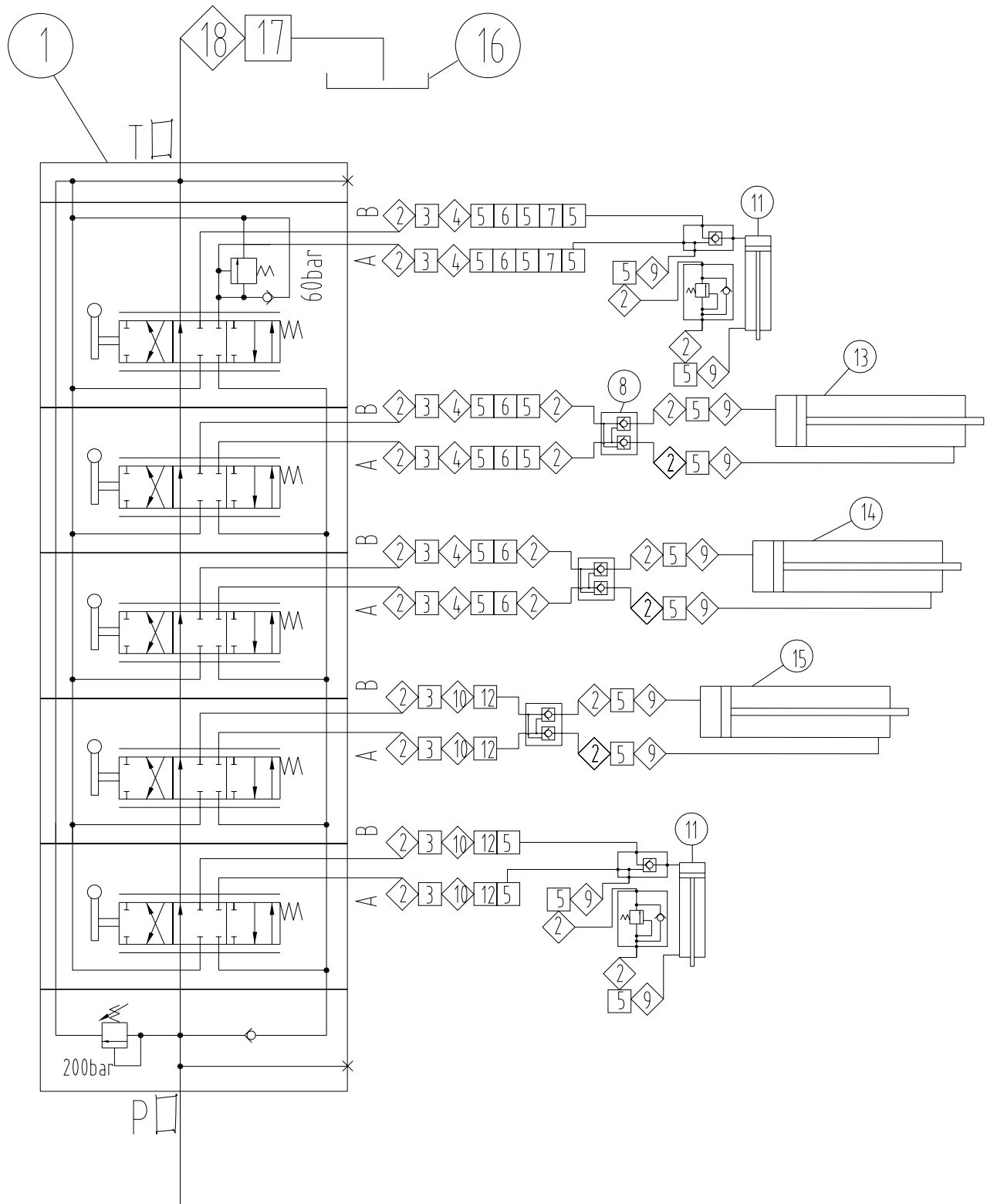


ST48R5

REED
13822 Oaks Avenue
Chino, CA 91710
909-287-2100
www.reedpumps.com

30	Tee connector	BCY48.00-6430		BC48.6.4		12
31	Union elbow	BCY48.00-6431		BC48.6.4		6
32	Hose	BCY48.00-6432		BC48.6.4		12

6.5 MOVEMENT OF OUTRIGGER





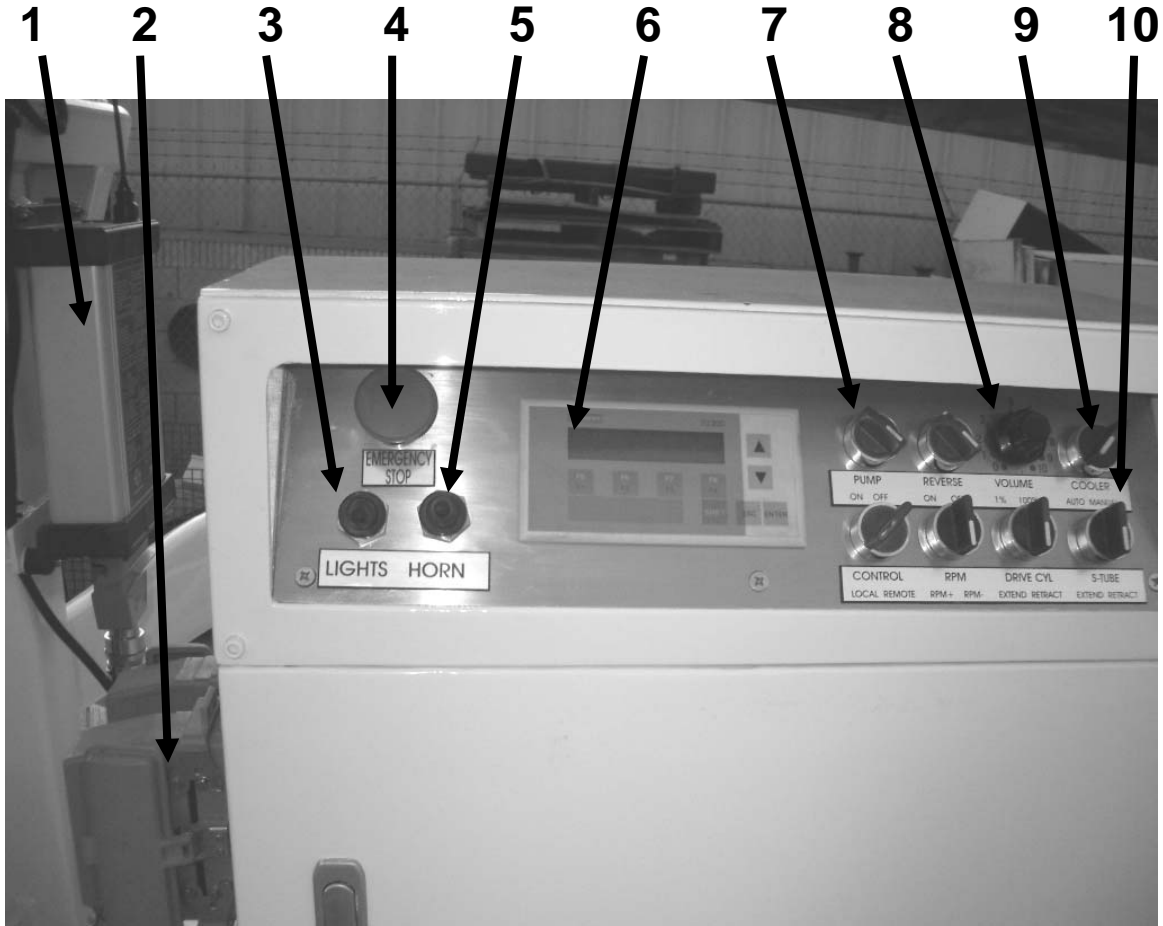
ST48R5

REED
13822 Oaks Avenue
Chino, CA 91710
909-287-2100
www.reedpumps.com

No.	Name	Code	Material	Parent	Weight	Quantity
1	Outrigger control valve	BCY48.00-6501		BC48.6.5		2
2	Joint	BCY48.00-6502		BC48.6.5		36
3	Hose	BCY48.00-6503		BC48.6.5		20
4	Joint	BCY48.00-6504		BC48.6.5		12
5	Steel pipe	BCY48.00-6505		BC48.6.5		52
6	Hose	BCY48.00-6506		BC48.6.5		12
7	Hose	BCY48.00-6507		BC48.6.5		4
8	Hydraulic lock	BCY48.00-6508		BC48.6.5		6
9	Hinged joint	BCY48.00-6509		BC48.6.5		20
10	12 neighboring joint	BCY48.00-6510		BC48.6.5		8
11	Jack cylinder	BCY48.00-6511		BC48.6.5		4
12	Hose	BCY48.00-6512		BC48.6.5		8
13	Extend cylinder of front outrigger	BCY48.00-6513		BC48.6.5		2
14	Swingout cylinder of front outrigger	BCY48.00-6514		BC48.6.5		2
15	Swingout cylinder of rear outrigger	BCY48.00-6515		BC48.6.5		2
16	Boom oil tank	BCY48.00-6516		BC48.6.5		1
17	Hose	BCY48.00-6517		BC48.6.5		2
18	Joint	BCY48.00-6518		BC48.6.5		2

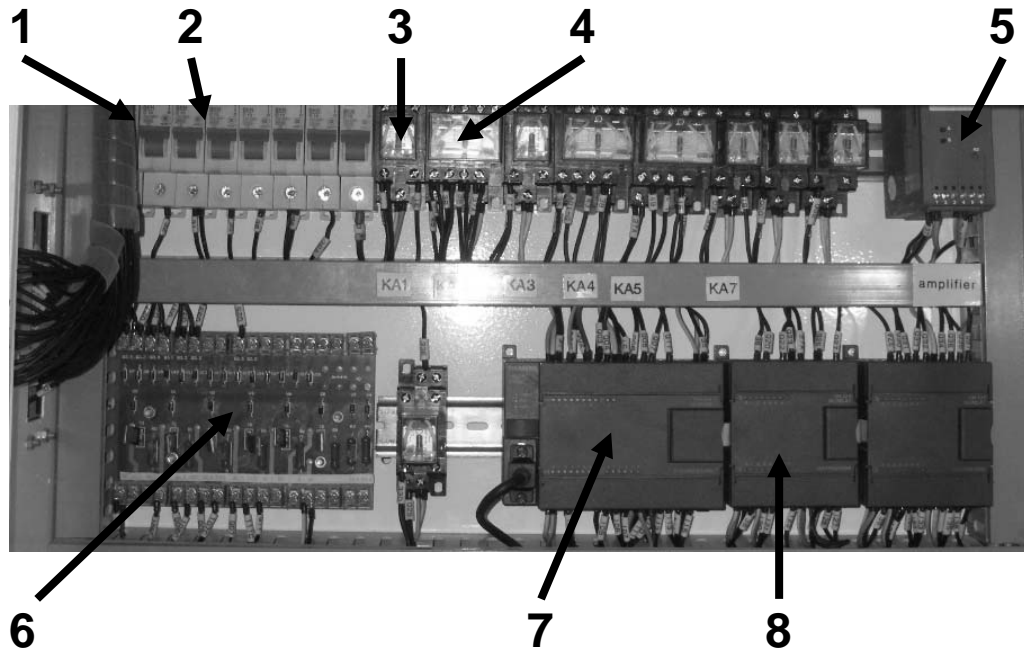
CHAPTER 7 ELECTRICAL CONTROL SYSTEM

7.1 CONTROL SYSTEM



No.	Description	Part Number	Material	Parent	Weight	Quantity
1	receiver,radio receiver	FST719		XBC39.7		1
2	plug	ACJ3X-16A/24		XBC39.7		2
3	switch,toggle	201		XBC39.7		1
4	emergency stop button	ZB2BS54C		XBC39.7		1
5	switch,momentary toggle	212		XBC39.7		1
6	display,text display	TD200		XBC39.7		1
7	switch,2 position knob	ZB2BD3C		XBC39.7		3
8	potentiometer	2-2K		XBC39.7		1
9	switch,2 position knob	ZB2BD2C		XBC39.7		1
10	switch,3 position knob	ZB2BD5C		XBC39.7		3

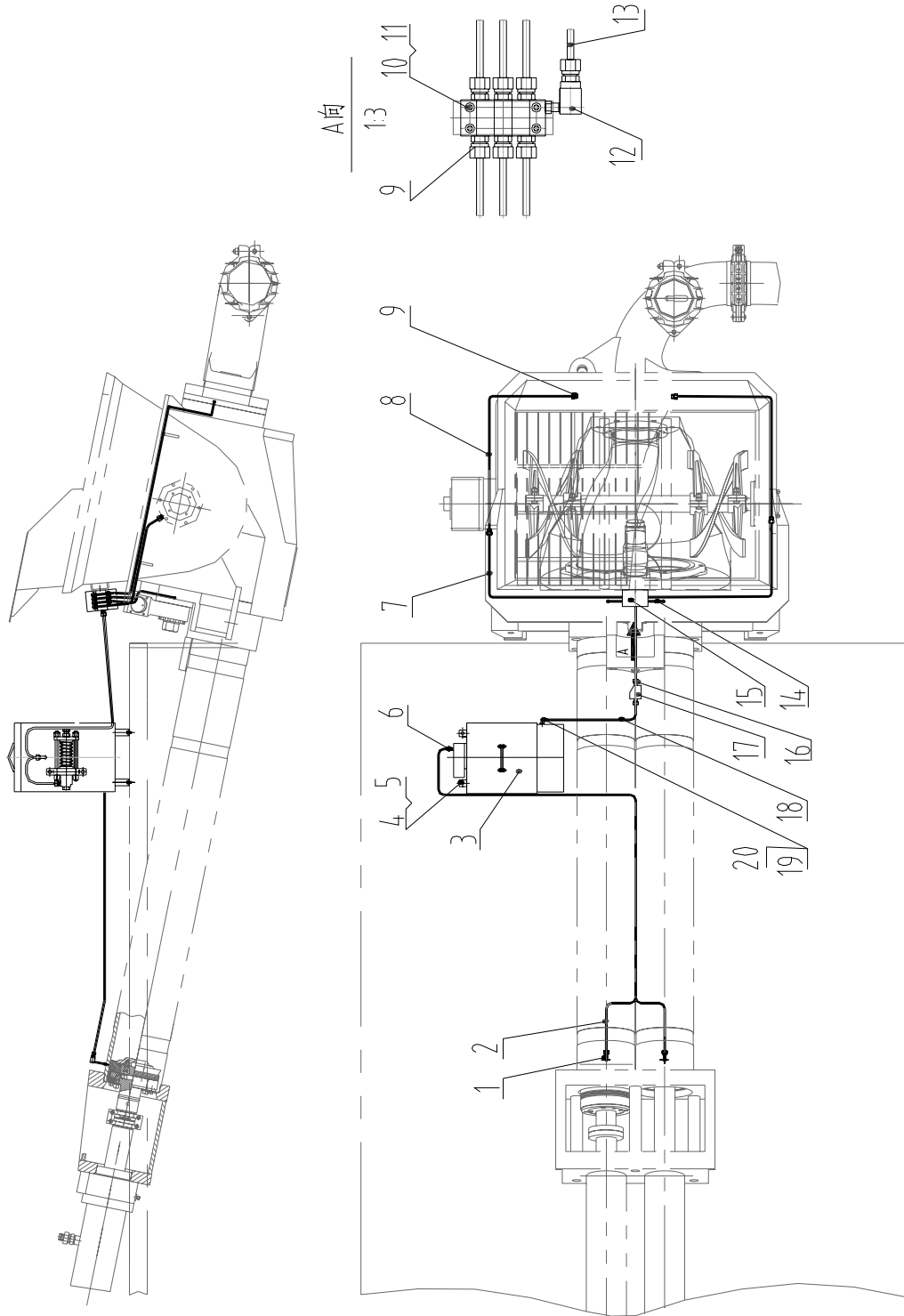
7.2 CONTROL BOX



No.	Description	Part Number	Material	Parent	Weight	Quantity
1	breaker,circuit breaker	BKNIP/16A		XBC39.7		1
2	breaker,circuit breaker	BKNIP/10A		XBC39.7		7
3	relay	LY2NJ24V		XBC39.7		5
4	relay	LY4NJ24V		XBC39.7		2
5	amplifier	VT11015-11UB24V		XBC39.7		1
6	board,amplifier board	BC37/42		XBC39.7		1
7	PLC	CPU224		XBC39.7		1
8	module,expansion module	EM223		XBC39.7		2

CHAPTER 8 LUBRICATION SYSTEM

8.1 LUBRICATION OF PUMPING SYSTEM





ST48R5

REED
13822 Oaks Avenue
Chino, CA 91710
909-287-2100
www.reedpumps.com

No.	Name	Code	Material	Parent	Weight	Quantity
1	Union elbow Z1/8	22646T				2
2	Copper tube $\phi 6 \times 1$ -	BC37.8-1				2
3	Lubrication assembly	HA5923800A				1
4	Bolt M8 \times 15	GB5781-86				4
5	Washer 8	GB93-87				4
6	Union elbow Z1/8	22646T				2
7	Copper tube $\phi 6 \times 1$ -	BC37.8-2				2
8	Copper tube $\phi 6 \times 1$ -	BC37.8-3				2
9	Straight thread connector component	22587-1T				6
10	Bolt M6 \times 65	GB70-85				4
11	Washer 6	GB93-87				4
12	Union elbow component M10 \times 1	22646-1T				1
13	Copper tube $\phi 6 \times 1$ -	BC37.8-4				1
14	Copper tube $\phi 6 \times 1$ -	BC37.8-5				2
15	Increment-type distributor	28835-37-022				1
16	Straight thread connector component	25732T				2
17	Oil and grease filter	28985-2				1
18	Copper tube $\phi 6 \times 1$ -	BC37.8-6				1
19	Transtage	BC37.8-7				1
20	Union elbow component M10 \times 1	22646-1T				1