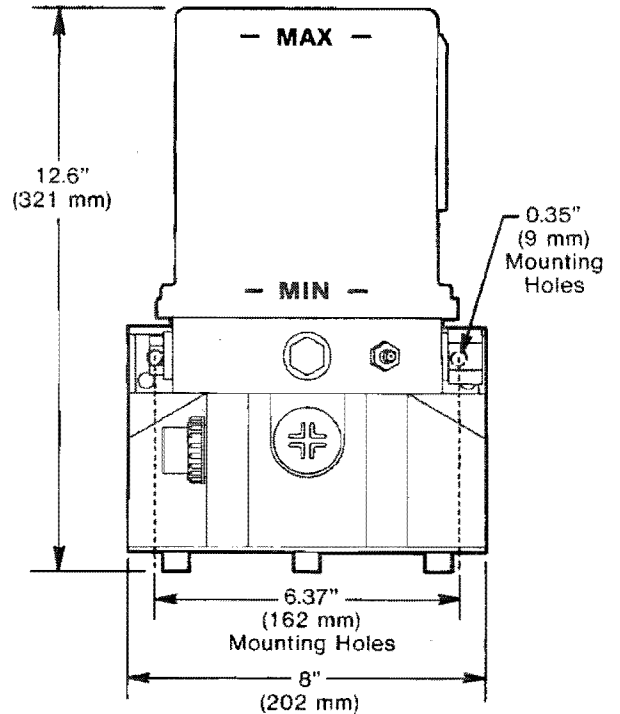
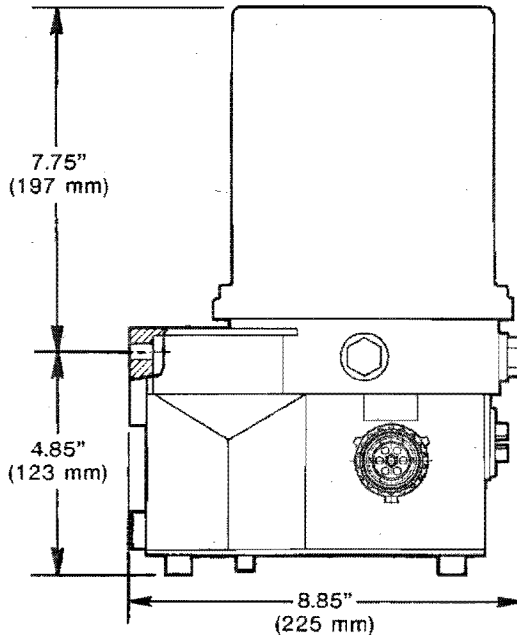




Models 94012, 94024 CHASSIS LUBE ELECTRIC GREASE PUMP

OWNER/OPERATOR MANUAL



! WARNING
Do not use pump without pressure relief valve.

SPECIFICATIONS

Electrical Requirements

Model 94012	12 VDC @ 3.5 amps
Model 94024.....	24 VDC @ 2 amps
Enclosure Rating.....	IP 6K9K- Protected from water sprayed in all directions.
On Time	2 minutes minimum 30 minutes maximum in 2 minute increments
Off Time	1 hour minimum 15 hours maximum in 1 hour increments
Pump Output	0.171 cu. in./min (2.8 cc/min)
Outlet Connection.....	1/8" NPT (female)
Maximum Recommended Operating Pressure	3600 psi (248 bar)
Reservoir Capacity.....	122 cu. in. (2000 cc)
Lubricant.....	Greases up to NLGI grade 2 (depending on the operating temperature and type of lubricant)
Temperature Range.....	-13° F (-25° C) to +158° F (+70° C)
Pressure Relief Valve	4000 psi +/- 250 psi (276 bars) +/- (17 bars)

DESCRIPTION

The chassis tube pump is electrically operated and used in a progressive type centralized lubrication system. The pump consists of a pump housing, electric gear motor, a timer and a plastic reservoir with stirring paddle. The high operating pressure allows the pump to supply lubricant up to NLGI 2 grease.

MOUNTING THE PUMP

Select an easily accessible place of installation which allows access to the timer and lubricant reservoir filler fitting. The pump must be mounted vertically on an even surface by means of two bolts.

TO FILL RESERVOIR

Fill the reservoir through the grease fitting located at the base of the reservoir, using a hand operated grease pump. Refill reservoir when grease reaches "MIN" mark located on the reservoir. Fill the reservoir up to the "MAX" mark located on the reservoir.

TO PRIME SYSTEM

Pump & Supply Line: After reservoir has been filled with recommended lubricant, loosen the supply line fitting. Operate the pump until lubricant flows from outlet, then tighten fitting.

Feed Lines: Pre-fill each feed line with lubricant before connecting to outlet of divider valve and bearing.



One Lincoln Way
St. Louis, Missouri 63120-1578
(314) 679-4200

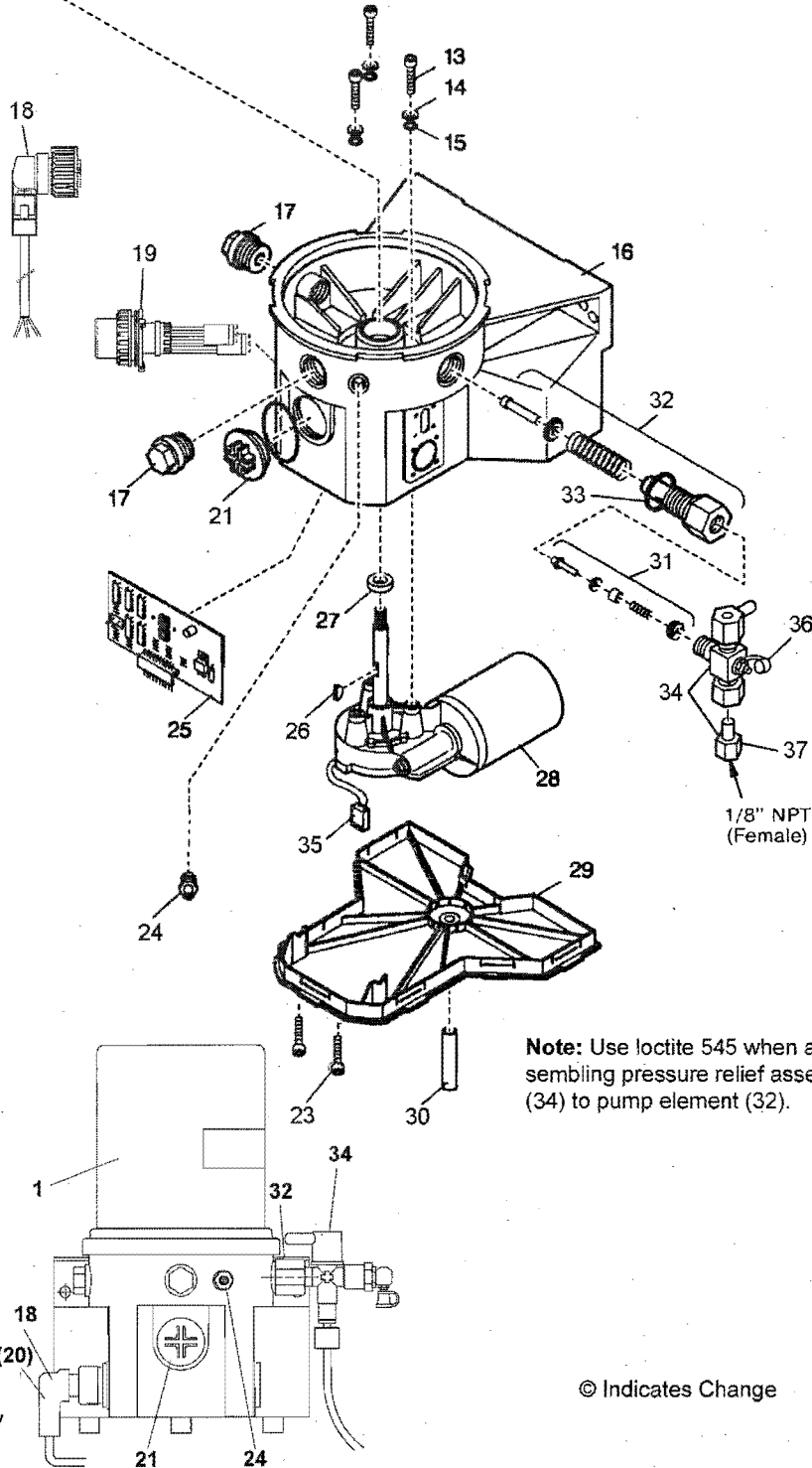
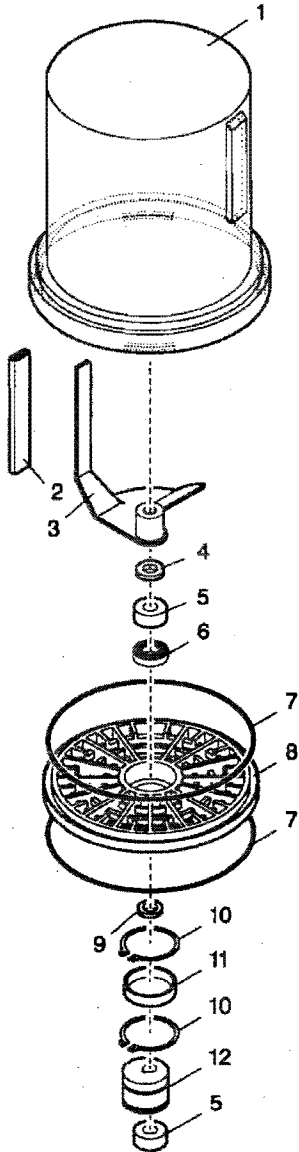
Copyright 2008
Printed in U.S.A.

Section - Q3
Page - 2G

SYSTEM ACCESSORIES

Description	Qty.	Part No.
7.5 Amp Fuse ©	1	241052
Fuse Holder	1	241053
Lighted Manual Switch (12 VDC)	1	241419
Lighted Manual Switch (24 VDC)	1	241484
Remote Manual Lube Power Cord	1	256276

20
(Optional)
6 wire power cord



- 1 Reservoir
- 18 Black Power Cord
- 21 Sealing Plug
- 24 Filler Grease Fitting
- 20 Optional Manual Lube Cord
- 32 Pump Element Assembly
- 34 Pressure Relief Valve Assembly

Note: Use loctite 545 when assembling pressure relief assembly (34) to pump element (32).

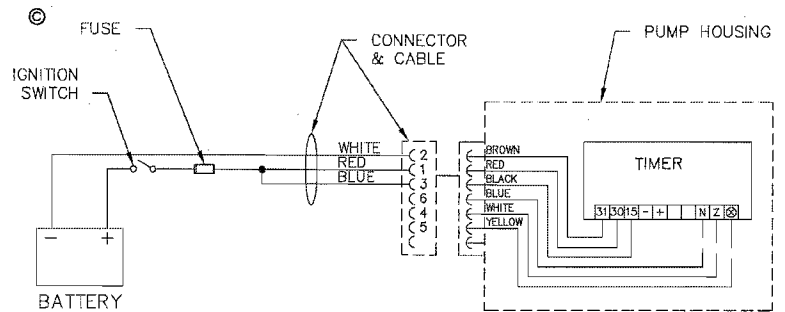
© Indicates Change

ELECTRICAL CONNECTIONS ©

Connect black power cord as follows:

Red and Blue wires are both connected to 7.5 amp fuse. The fuse is connected to the Ignition Switch then to Battery (+)

White wire connects to Battery (-)



PARTS LIST

Item No.	Description	Qty.	Part Number/Kit Number
1	Reservoir	1	Part of Kit 246432
2	Hose	1	Part of Kit 246433
3	Stirring Paddle	1	Part of Kit 246433
4	Washer	1	Part of Kits 246433 & 246434
5	Bearing Ring	2	Part of Kit 246434
6	Bearing	1	Part of Kit 246434
7	O-Ring	2	246424, Part of Kit 246432
8	Intermediate Plate	1	246425
9	Shim	1	Part of Kit 246434
10	Snap Ring	2	Part of Kit 246434
11	Inner Ring	1	Part of Kit 246434
12	Eccentric Cam	1	246427
13	Screw	3	Part of Kits 246435 & 246436
14	Washer	3	Part of Kits 246435 & 246436
15	O-Ring	3	Part of Kits 246435, 246436 & 246437
16	Pump Housing	1	246426
17	Closure Plug	2	246422
18	3 Wire Power Cord/Plug	1	256274
19	6 Wire Plug	1	256277
20	6 Wire Power/Remote Manual Lube Cord/Plug (Optional)	1	256276
21	Sealing Plug	1	246423
22	Nipple	1	226-14105-5
23	Screw	10	206-13796-7
24	Grease Fitting	1	5050
25	Printed Circuit Board	1	246420
26	Woodruff Key	1	Part of Kits 246435 & 246436
27	Radial Seal	1	Part of Kits 246435, 246436 & 246437
28	12 VDC Motor	1	Part of Kit 246435
28	24 VDC Motor	1	Part of Kit 246436
29	Housing Cover	1	246421
30	Hose	1	Not Sold
31	Check Valve	1	Part of Kit 600-26876-2
32	Pump Element	1	Part of Kit 600-26876-2
33	Gasket	1	Part of Kit 600-26876-2
34	Pressure Relief Ass'y.	1	270864
35	Plug for Motor	1	Part of Kits 246435 & 246436
36	Grease Cap	1	242125
37	Adapter for Relief Assembly	1	304-19614-1
38	Seal	1	249569

REMOTE MANUAL LUBE PUSHBUTTON

If a remote manual lube pushbutton is required, order a 256276 Manual Lube cord/plug (consisting of a 33 ft. cord and plug) and:

for a 12 volt pump, order 241419 - Lighted Manual Lube Switch

for a 24 volt pump, order 241484 - Lighted Manual Lube Switch

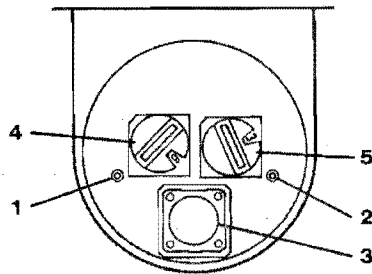
© Indicates Change

TIMER OPERATION

The Off timer begins accumulating time when the ignition switch closes. When the Off timer reaches the preset value the pump will turn on. The pump remains activated for the period of time that is preset on the On timer.

When the ignition switch opens the Off timer will retain its accumulated time for a period of five days. When the ignition switch closes during the five day period, the Off timer will resume timing from the accumulated time it reached prior to the ignition switch opening. If ignition switch is not closed before the end of five day period, timer will begin with an On period.

Remove Sealing Plug (Item 21) to access manual lube switch, timer adjustments or to view the system LED's.



1. The LED marked "battery" lights when power is applied to the PC board.
2. The LED marked "motor" lights when pumping lubricant.
3. Depressing pushbutton for 2 seconds will initiate a manual lube event.
4. Off time rotary switch. Can be adjusted to 15 values (see chart below).
5. On time rotary switch. Can be adjusted to 15 values (see chart below).

IMPORTANT: Do Not use the Zero position located on the Off time and On time switches.

Off-Time Rotary Switch Setting	Interval Between Lube Cycles	On-Time Rotary Switch Setting	Pump will run for:
0	Will not run	0	Will not run
1	1 hour	1	2 minutes
2	2 hours	2	4 minutes
3	3 hours	3	6 minutes
4	4 hours	4	8 minutes
5	5 hours	5	10 minutes
6	6 hours	6	12 minutes
7	7 hours	7	14 minutes
8	8 hours	8	16 minutes
9	9 hours	9	18 minutes
A	10 hours	A	20 minutes
B	11 hours	B	22 minutes
C	12 hours	C	24 minutes
D	13 hours	D	26 minutes
E	14 hours	E	28 minutes
F	15 hours	F	30 minutes

Part no.	Qty.	Description	Item No.
5050	1	Grease Fitting	24
242125	1	Grease Cap	36
246420	1	Printed Circuit Board	25
246421	1	Housing Cover	29
246422	1	Closure Plug	17
246423	1	Sealing Plug	21
246424	1	O-ring	7
246425	1	Intermediate plate	8
246426	1	Pump Housing	16
246427	1	Eccentric Cam	12
304-19614-1	1	Adapter for relief assy.	37
270864	1	Pressure Relief assy.	34
249569	1	Seal	38
226-14108-5	1	Nipple	22
206-13796-7	10	Screw	23
256287	1	3-wire power cord/plug	18
256277	1	6 wire internal plug	19
256276	1	6 wire power/remote manual lube cord	20
	1	(optional)	
246432		Reservoir Kit Contains:	
	1	Reservoir	1
	1	O-ring	7
246433		Paddle Kit contains:	
	1	Hose	2
	1	Stirring Paddle	3
	1	Washer	4
246434		Bearing & Seal Kit contains:	
	1	Washer	4
	2	Bearing Ring	5
	1	Bearing	6
	1	Shim	9
	2	Snap Ring	10
	1	Inner Ring	11
246436		12 VDC Motor Kit contains:	
	3	Screw	13
	3	Washer	14
	3	O-ring	15
	1	Woodruff Key	26
	1	Radial Seal	27
	1	12 VDC Motor	28
	1	Plug for Motor	35
246437		Housing Seal Kit contains:	
	3	O-Ring	15
	1	Radial Seal	27
600-26876-2		Pump Element Assembly contains:	
	1	Check Valve	31
	1	Pump Element	32
	1	Gasket	33

RETAIN THIS INFORMATION FOR FUTURE REFERENCE

When ordering replacement parts, list: Part Number, Description, Model Number and Series Letter.
LINCOLN provides a Distributor Network that stocks equipment and replacement parts.

Lincoln Industrial Standard Warranty

LIMITED WARRANTY

Lincoln warrants the equipment manufactured and supplied by Lincoln to be free from defects in material and workmanship for a period of one (1) year following the date of purchase, excluding therefrom any special, extended, or limited warranty published by Lincoln. If equipment is determined to be defective during this warranty period, it will be repaired or replaced, within Lincoln's sole discretion, without charge.

This warranty is conditioned upon the determination of a Lincoln authorized representative that the equipment is defective. To obtain repair or replacement, you must ship the equipment, transportation charges prepaid, with proof of purchase to a Lincoln Authorized Warranty and Service Center within the warranty period.

This warranty is extended to the original retail purchaser only. This warranty does not apply to equipment damaged from accident, overload, abuse, misuse, negligence, faulty installation or abrasive or corrosive material, equipment that has been altered, or equipment repaired by anyone not authorized by Lincoln. This warranty applies only to equipment installed, operated and maintained in strict accordance with the written specifications and recommendations provided by Lincoln or its authorized field personnel.

THIS WARRANTY IS EXCLUSIVE AND IS IN LIEU OF ANY OTHER WARRANTIES, EXPRESS OR IMPLIED, INCLUDING, BUT NOT LIMITED TO, THE WARRANTY OF MERCHANTABILITY OR WARRANTY OF FITNESS FOR A PARTICULAR PURPOSE.

In no event shall Lincoln be liable for incidental or consequential damages. Lincoln's liability for any claim for loss or damages arising out of the sale, resale or use of any Lincoln equipment shall in no event exceed the purchase price. Some jurisdictions do not allow the exclusion or limitation of incidental or consequential damages, therefore the above limitation or exclusion may not apply to you.

This warranty gives you specific legal rights. You may also have other rights that vary by jurisdiction.

Customers not located in the Western Hemisphere or East Asia: Please contact Lincoln GmbH & Co. KG, Walldorf, Germany, for your warranty rights.

Lincoln Industrial Special Limited Warranties

SPECIAL LIMITED 2 YEAR WARRANTY-

SL-V Series, Single Injectors-85772, 85782, and Replacement Injectors-85771, 85781

Lincoln warrants the SL-V Injector series to be free from defects in material and workmanship for two (2) years following the date of purchase. If an injector model (single or replacement) is determined to be defective by Lincoln, in its sole discretion, during this warranty period, it will be repaired or replaced, at Lincoln's discretion, without charge.

SPECIAL LIMITED 5 YEAR WARRANTY-

Series 20, 25, 40 Bare Pumps, PMV Bare Pumps, Heavy Duty and 94000 Series Bare Reels

Lincoln warrants series 20, 25, 40 bare pumps, PMV bare pumps, Heavy Duty (82206), Mini Bench (81133, 81323), and 94000 LFR series (94100, 94300, 94500) bare reels to be free from defects in material and workmanship for five (5) years following the date of purchase. If equipment is determined by Lincoln, in its sole discretion, to be defective during the first year of the warranty period, it will be repaired or replaced at Lincoln's discretion, without charge. In years two (2) and three (3), the warranty on this equipment is limited to repair with Lincoln paying parts and labor only. In years four (4) and five (5), the warranty on this equipment is limited to repair with Lincoln paying for parts only.

SPECIAL LIMITED 5 YEAR WARRANTY-

LFM Series Oil Meters (Lincoln Fluid Meter), LFV (Lincoln Fluid Valves), AOD (Air-Operated Diaphragm Pumps)-

Lincoln warrants the LFM meter series (908/912 series), the Lincoln Fluid valve (708/712 series), and our AOD Pump offering to be free from defects in material and workmanship for five (5) years following the date of purchase. If either is determined to be defective by Lincoln, in its sole discretion, during the warranty period, they will be repaired or replaced, at Lincoln's discretion, without charge.

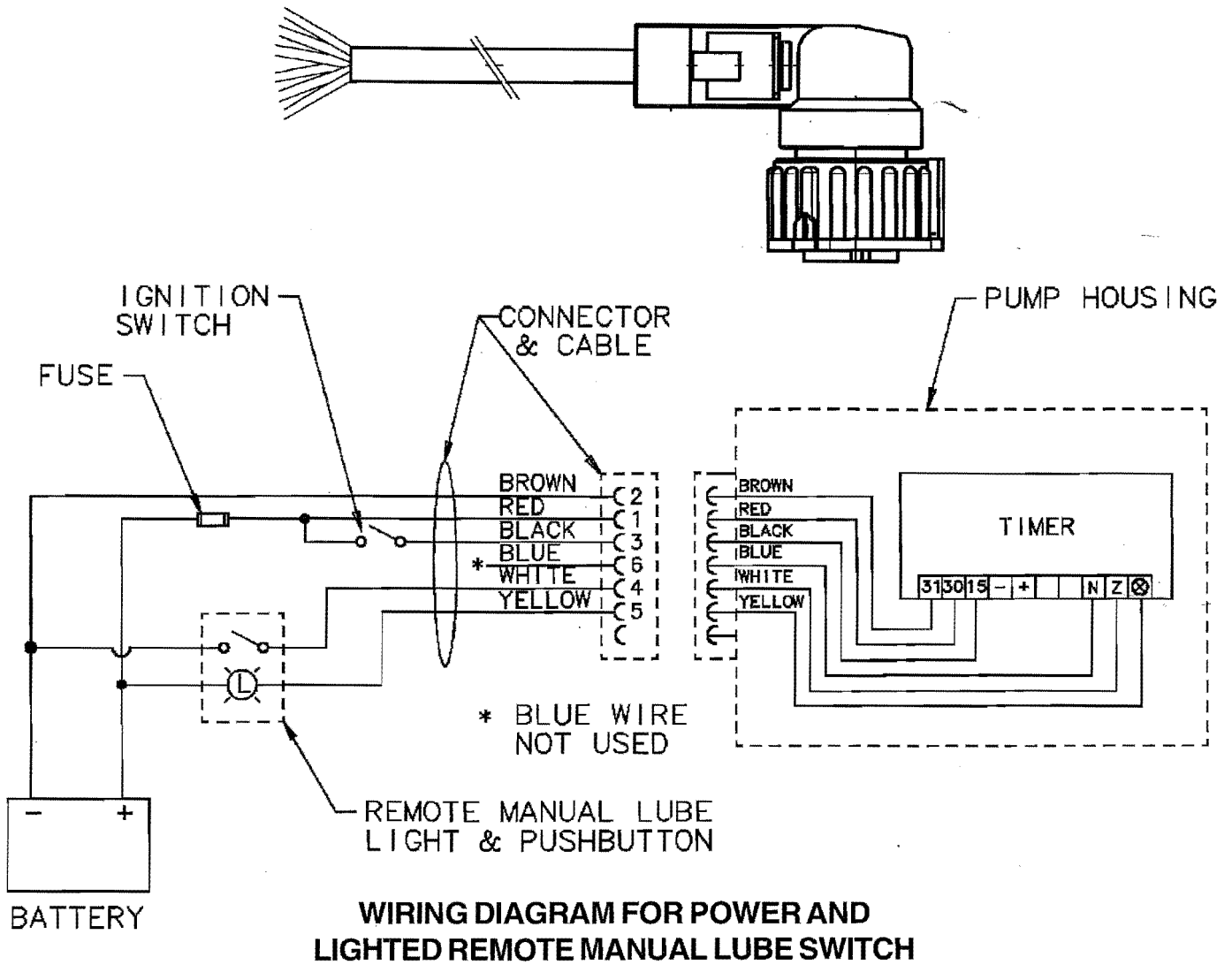
Lincoln Industrial Contact Information

To find Lincoln Industrial's Nearest Service Center

Call one of the following numbers, you may also use our Website

Customer Service	314-679-4200
Website	lincolnindustrial.com

CORD TO BE USED WITH THE FOLLOWING MODELS:
 94012, 94013, 94024, 94412, 94424, 94812, 94824 AND 94425



SERVICE PARTS

DESCRIPTION	PART NO.
12 VDC Lighted Manual Lube Switch	241419
24 VDC Lighted Manual Lube Switch	241484
8 Amp Fuse	241052
Fuseholder	241053