



# B20HPV09

## PARTS

**REED**  
13822 Oaks Avenue  
Chino, CA 91710  
reedpumps.com  
909-287-2100

---

PARTS .....	3
PUMPING TRAIN ASSEMBLY .....	3
S TUBE ASSEMBLY .....	5
4" OUTLET ASSEMBLY .....	5
4"OUTLET SEAL KIT INSTALLATION.....	6
WEAR PLATE ASSEMBLY .....	7
4" PISTION CUP ASSEMBLY .....	8
DRIVE CYLINDER ASSEMBLY .....	9
DUAL SHIFT BELL CRANK ASSEMBLY .....	10
DUAL SHIFT SWING CYLINDER ASSEMBLY.....	11
HOPPER.....	12
AGITATOR ASSEMBLY (OPTION 1) .....	12
AGITATOR ASSEMBLY (OPTION 2) .....	13
SAFETY GRATE .....	15
GRATE ASSEMBLY .....	16
CLEAN OUT DOOR ASSEMBLY.....	17
POWER TRAIN .....	18
ENGINE, PUMPS, AND FILTERS .....	18
FITTINGS.....	20
EXHAUST .....	21
TANKS .....	22
FUEL TANK ASSEMBLY.....	22
HYDRAULIC TANK ASSEMBLY .....	23
MANIFOLDS.....	25
DRIVE CYLINDER CIRCUIT MANIFOLD.....	25
DRIVE CYLINDER VALVE ASSEMBLY .....	26
S-TUBE CIRCUIT MANIFOLD ASSEMBLY .....	27
S-TUBE VALVE ASSEMBLY .....	28
ACCUMULATOR ASSEMBLY.....	29
ELECTRICAL GROUP .....	30
BATTERY .....	30
PROXIMITY SWITCHES .....	31
STARTER AND ALTERNATOR .....	32
TRAILER HARNESS AND BREAKAWAY .....	33
TAIL LIGHTS .....	34
WIRING HARNESS .....	35
CONTROLS.....	36
B-SERIES CONTROL BOX .....	36
CONTACT BLOCKS .....	37
RELAYS AND FUSES .....	38
CONNECTORS.....	39
50 FT CABLE REMOTE .....	40
FRAME INSTALLATION .....	41
FRAME, TIRES, JACK, AND TOW EYE.....	41
7000LB AXLE MOUNTING ASSEMBLY.....	42



# B20HPV09

## PARTS

**REED**  
13822 Oaks Avenue  
Chino, CA 91710  
reedpumps.com  
909-287-2100

---

HOOD AND COVERS .....	43
FENDERS AND OUTRIGGERS .....	44
CONTROL BOX MOUNT .....	45
OPTIONS .....	46
LUBE BLOCK .....	46
AUTOLUBE PUMP (PLASTIC TUBING) .....	47
HYDRAULIC OUTRIGGER GROUP .....	49
3 SPOOL CONTROL VALVE.....	50
ELECTRIC HYDRAULIC OUTRIGGER.....	52
AGITATOR VALVE .....	54
1 SPOOL AGITATOR VALVE .....	55
VIBRATOR (COUGAR) .....	57
VIBRATOR (VIBCO).....	58
RADIO REMOTE KIT (KAR-TECH) .....	59
RADIO REMOTE KIT (OMNEX) .....	60
CHROME WHEEL AND TIRE .....	61
50 FT STROKE COUNTER CABLE REMOTE ASSEMBLY.....	62
LIFTING EYE KIT .....	63
WATER PUMP .....	64



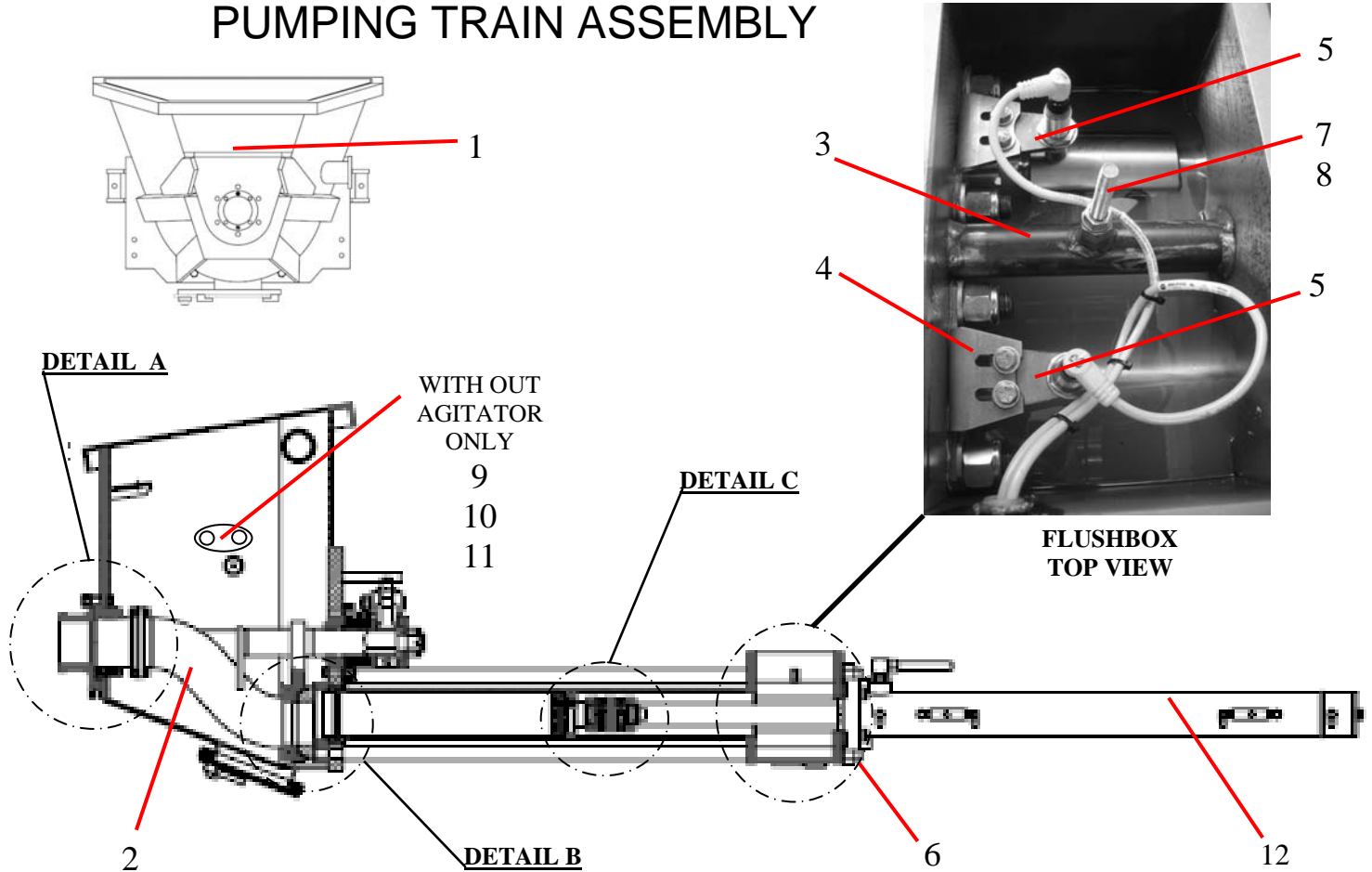
# B20HPV09

## PARTS

**REED**  
 13822 Oaks Avenue  
 Chino, CA 91710  
 reedpumps.com  
 909-287-2100

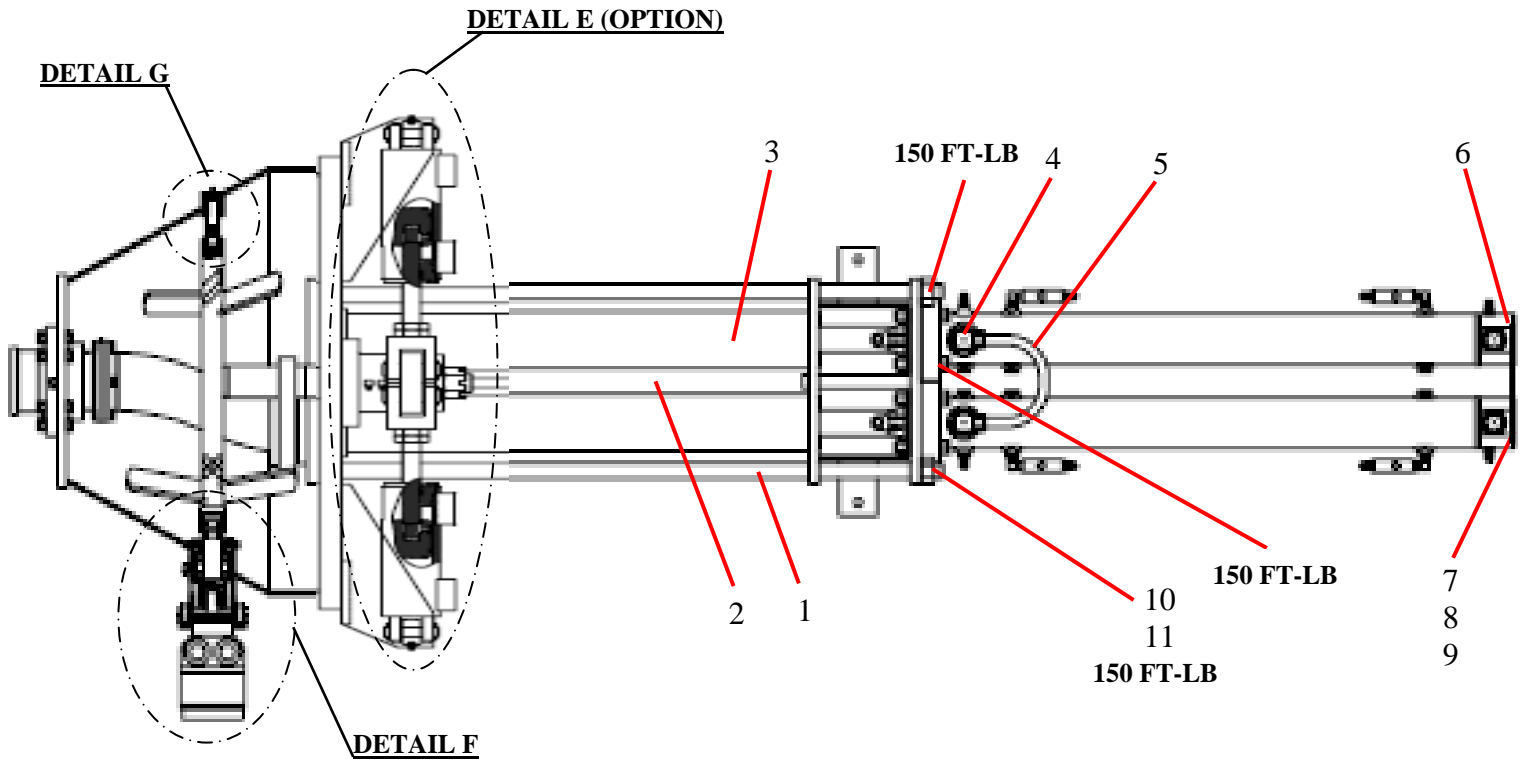
### PARTS

### PUMPING TRAIN ASSEMBLY



ID #	PART #	PART DESCRIPTION	QUANTITY	
	87894-3	DUAL SHIFT PUMPING TRAIN ASSEMBLY	1	EA
1	87893	HOPPER WELD. MOD – B20HP STD DUAL	1	EA
2	71349	S TUBE WLD, 4X4	1	EA
3	88172	FLUSH BOX WELDMENT, B20 HP	1	EA
4	88180	BKT-PROX SENSOR, FLUSH BOX	2	EA
5	88179	BRACKET PROXIMITY SWITCH MOUNT	2	EA
6	10282	PLUGS-PIPE GALV 1"	1	EA
7	86665	STUD, 3/8-16 X3" LONG	1	EA
8		3/8-16 JAM NUT	1	EA
9	73433	COVER REMIX (OUTSIDE)	1	EA
10	73434	COVER PLATE (INSIDE)	1	EA
11	86623	SEAL, AGITATOR (INSIDE)	1	EA
12	86224	DRIVE CYLINDER -3.25 X 2.00 X 36.00	2	EA

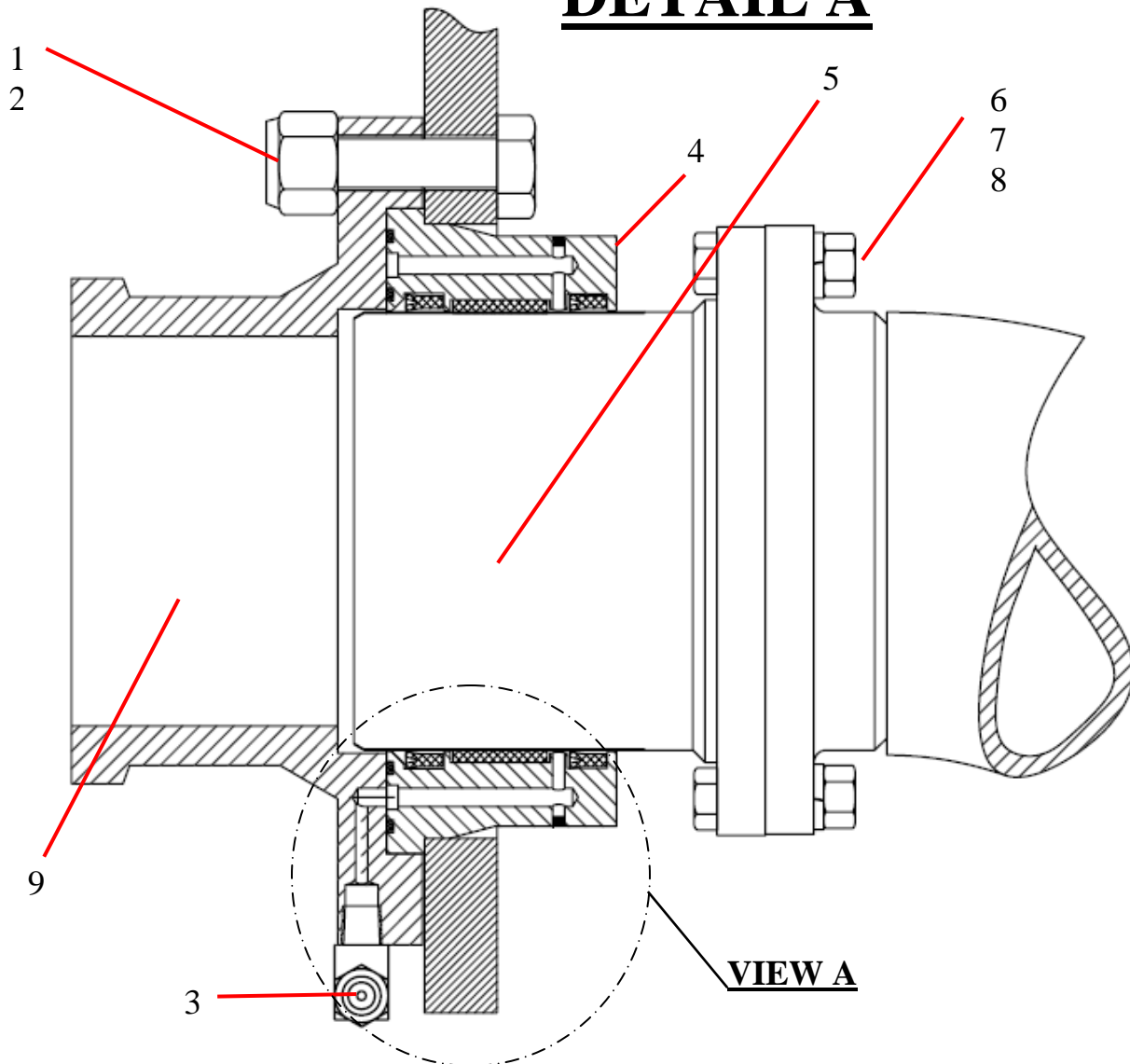
### PUMPING TRAIN ASSEMBLY CONTINUED



ID #	PART #	PART DESCRIPTION	QUANTITY	
1	70315	TIE ROD, 1¼" -12 X 48½"	4	EA
2	85601	TIE ROD	2	EA
3	71232	CONCRETE CYLINDER, 4" X 36"	2	EA
4		ELBOW, MB – MJ-16-16	2	EA
5	85688	TUBE, HYD, LOOP LINE	1	EA
6	71401	END PLATE – HYD. CYL,M20 - PAINTED	1	EA
7		HHCS, ½" – 13X1 ¼" GR	4	EA
8		LOCK WASHER, 1/2	4	EA
9		FLATWASHER, 1/2	4	EA
10		HEX NUT 1 ¼"- 12	4	EA
11		LOCK WASHER, 1 ¼"	4	EA

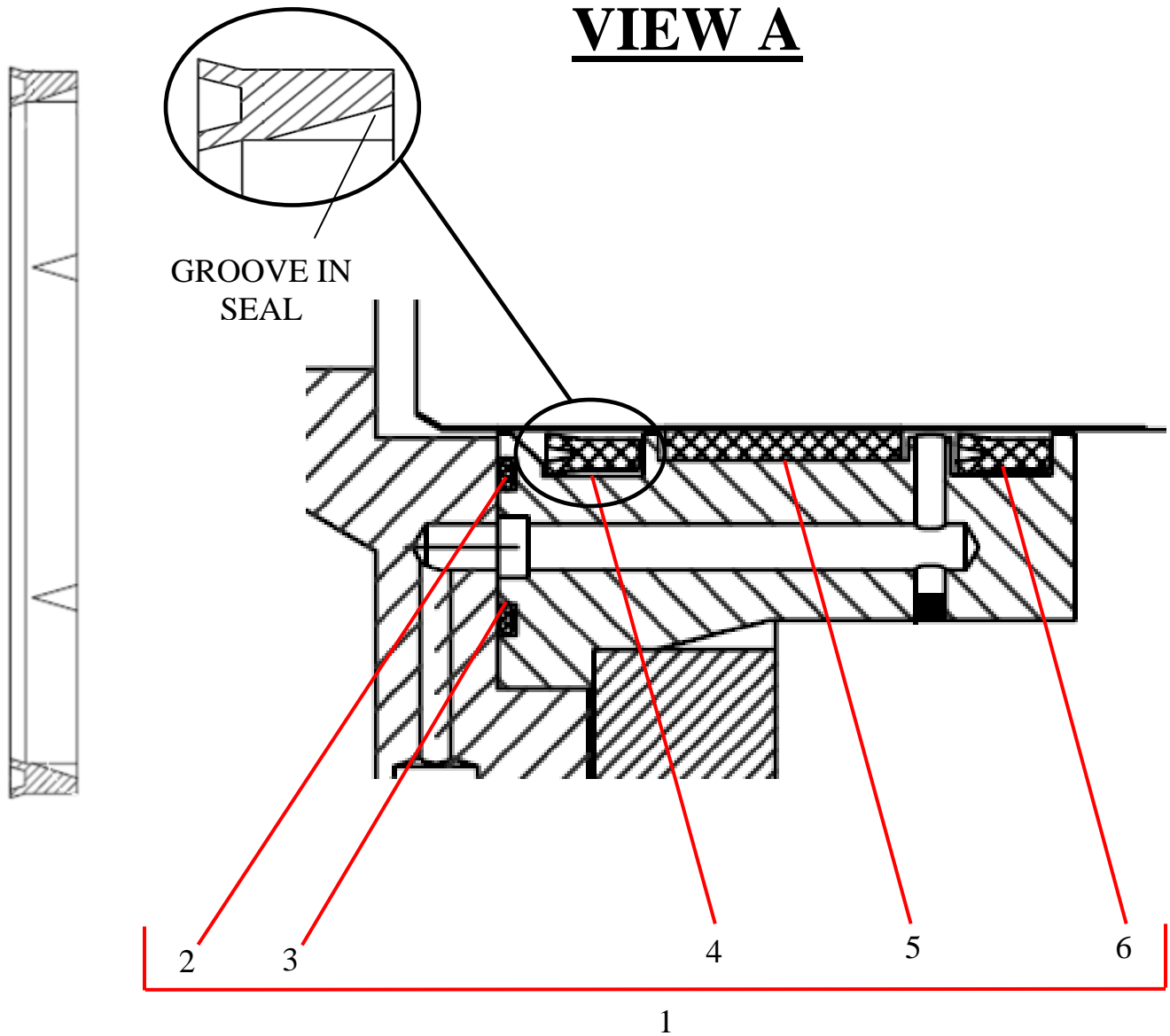
## S TUBE ASSEMBLY 4" OUTLET ASSEMBLY

### DETAIL A



ID #	PART #	PART DESCRIPTION	QUANTITY	
1		HHCS, 9/16-12 X 2 1/2 GR/8	6	EA
2		LOCK NUT, 9/16 -12	6	EA
3		GREASE FITTING, 1/8" NPT 90°	2	EA
4	86335	OUTLET SEAL HOUSING- 4"	1	EA
5	71343	CHROMED OUTLET	1	EA
6		HHCS, 3/8 – 16X1 1/2" GR 8	6	EA
7		HEX NUT, 3/8" - 16	6	EA
8		LOCK WASHER, 3/8"	6	EA
9	86336	OUTLET, 4" (1-PIECE)	1	EA

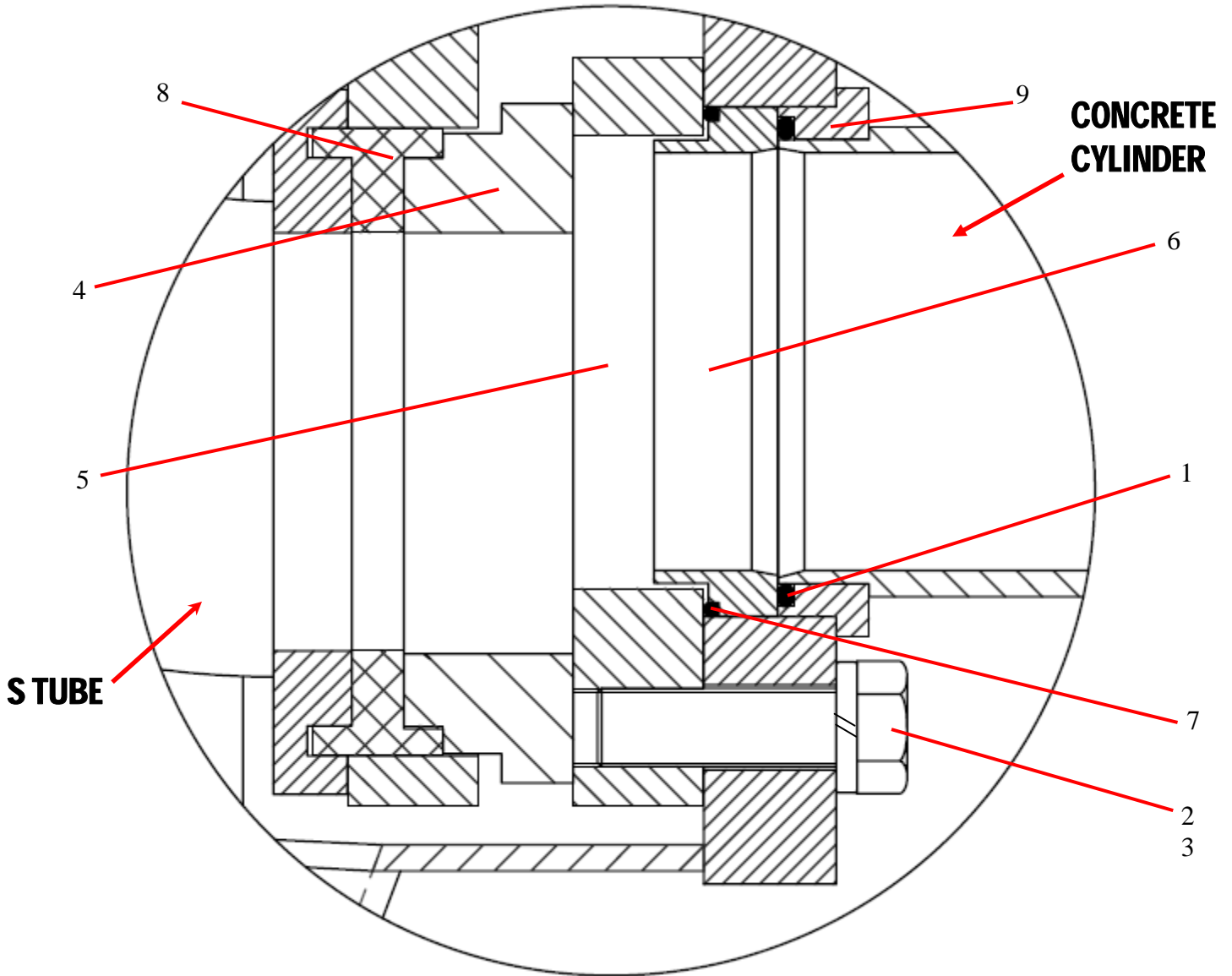
4"OUTLET SEAL KIT INSTALLATION



ID #	PART #	PART DESCRIPTION	QUANTITY	
1	86621	SEAL KIT	1	EA
2	86369	O-RING-#158 BUNA 90	1	EA
3	86370	O-RING-#163 BUNA 90	1	EA
4	86614	SEAL-MODIFIED- 4 IN OUTLET	1	EA
5	86371	GUIDE BAND - 4.75 OD X 1.00W	1	EA
6	86372	LIP SEAL 4.50 ID X 4.88 OD X .38	1	EA

## WEAR PLATE ASSEMBLY

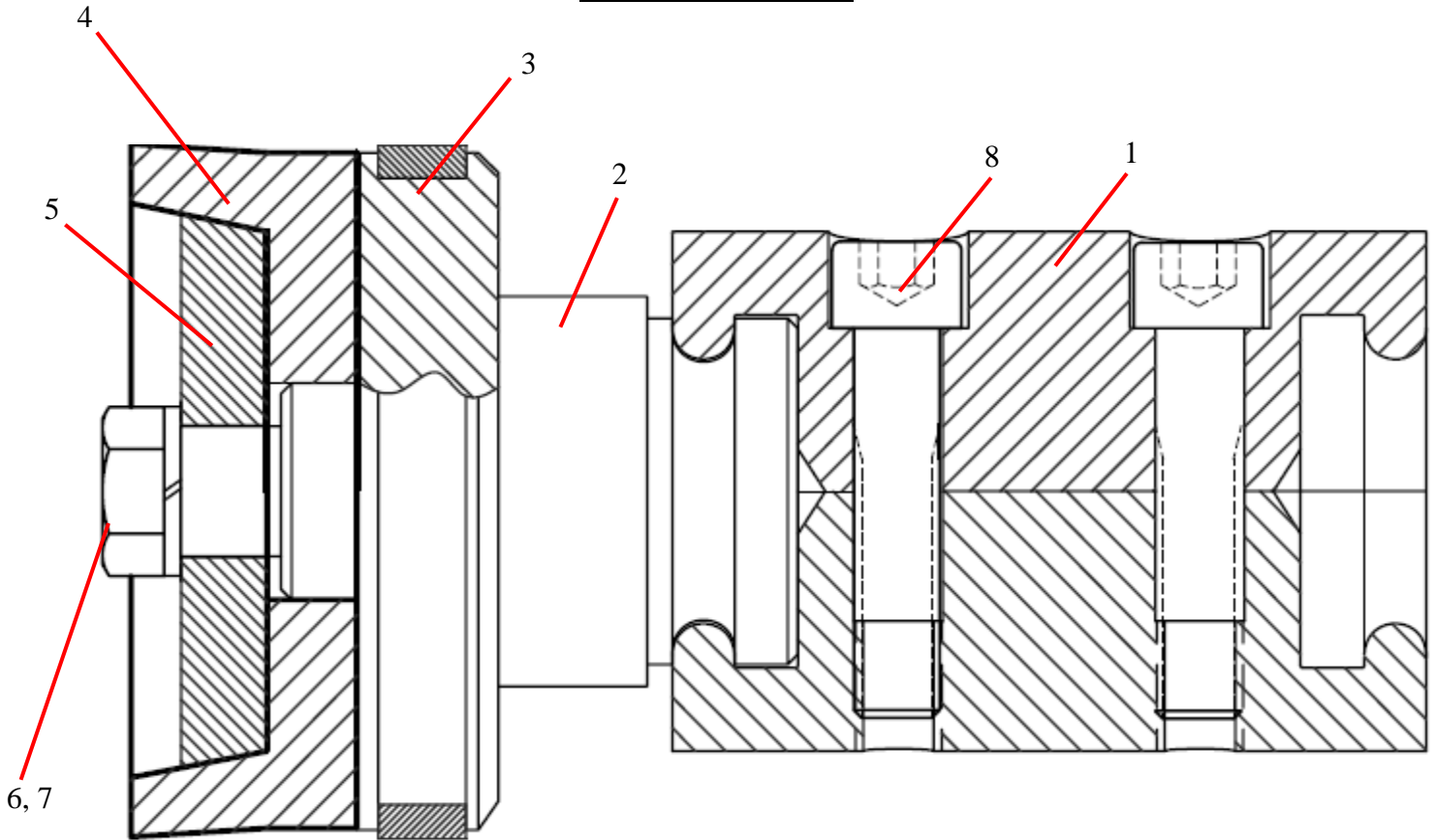
### DETAIL B



ID #	PART #	PART DESCRIPTION	QUANTITY	
1	71249	O-RING, #347 BUENA 70	2	EA
2		HHCS, 3/4 - 10X 2 1/2" GR 8	5	EA
3		LOCK WASHER, 3/4"	5	EA
4	72384	WEAR RING, 4" DOUBLE LIP, 26% CHROME	1	EA
5	71251	WEAR PLATE-CAST 4" M20	1	EA
6	71254	ANTI CHIP RING, 4"	2	EA
7	71247	O-RING FOR CHIP RING	2	EA
8	72285	SEAL, DOUBLE LIP 4"	1	EA
9	71257	CONC, CYL. ADAPTER	2	EA

## 4" PISTON CUP ASSEMBLY

### DETAIL C



ID #	PART #	PART DESCRIPTION	QUANTITY	
1	70077	PISTON COUPLING,	1	EA
2	87940	PISTON ADAPTER 4" WITH GUIDE BAND	1	EA
3	87994	WEAR RING(GUIDE BAND) 4"	1	EA
4	76500	PISTON CUP, 4 IN	1	EA
5	88011	PISTON PLATE 4" SINGLE BOLT	1	EA
6	87982	HHCS 3/4-16 1.5" LONG GR8 PLATED	1	EA
7	80010	LOCKWASHER-3/4 STL ZINC PLATED	1	EA
8		<b>SCHS 1/2-20x2-1/4" FINE THREAD</b>	2	EA



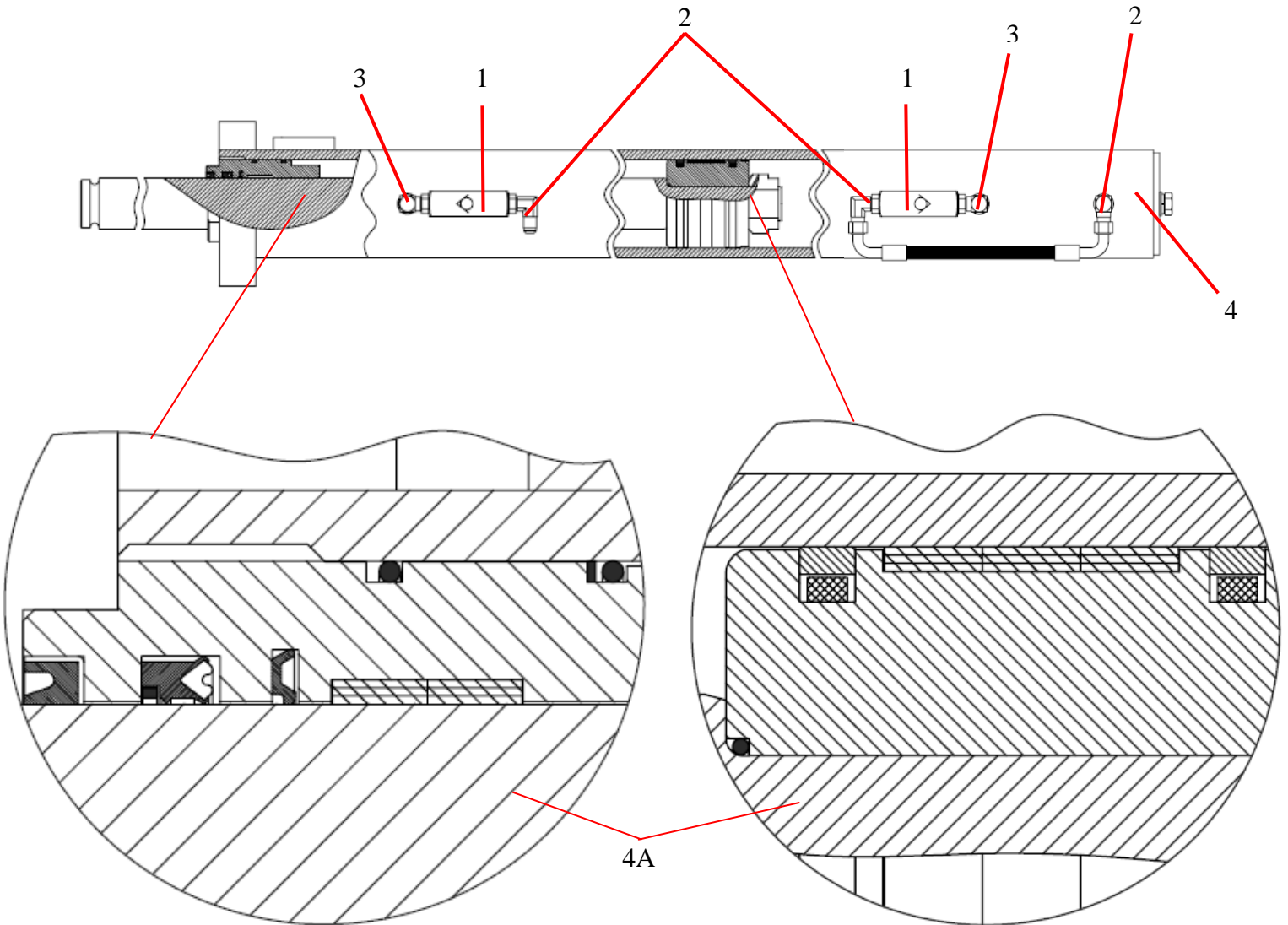


# B20HPV09

PARTS

REED  
13822 Oaks Avenue  
Chino, CA 91710  
reedpumps.com  
909-287-2100

## DRIVE CYLINDER ASSEMBLY

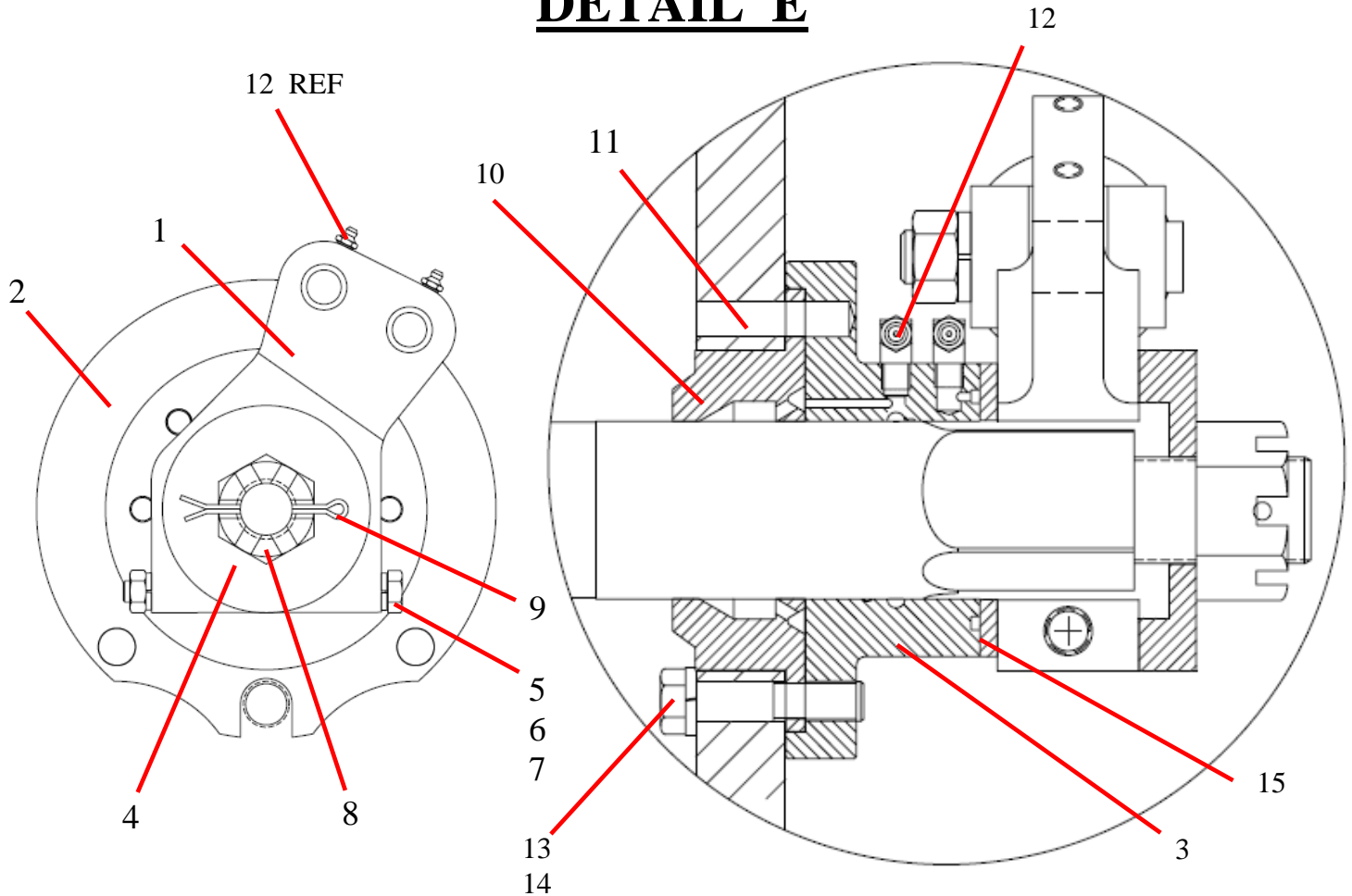


86224SKTX SEAL KIT  
ASSEMBLY

ID #	PART #	PART DESCRIPTION	QUANTITY	
1	78961	CHECK VALVE-5K PSI O-RING	2	EA
2	86748	FITTING-MB-MJ90-6-6	2	EA
3		ELBOW, MB-MB90-6-6	2	EA
4	86224	DRIVE CYLINDER -3.25 X 2.00 X 36.00	1	EA
4A	86224SKTX	SEAL KIT	1	EA

## DUAL SHIFT BELL CRANK ASSEMBLY

### DETAIL E



ID #	PART #	PART DESCRIPTION	QUANTITY	
1	85604	BELL CRANK, B10R, 2 CYLINDER	1	EA
2	86502	LOCATOR RING- FLANGE BEARING	1	EA
3	70124	FLANGED BEARING	1	EA
4	70125	SPACER, S-TUBE NUT	1	EA
5		HHCS, 5/8"-18X5 1/2" GR 8	1	EA
6		LOCK WASHER, 5/8"	1	EA
7		JAM NUT, 5/8	1	EA
8	70825	NUT 1 1/2" - 12 CASTLE	1	EA
9		COTTER PIN, 1/4 X4"	1	EA
10	73564	SEAL, FLANGE BEARING 2.5 SHAFT	1	EA
11		DOWEL PIN, 1/2" DIA X 2"	2	EA
12		GREASE FITTING, 1/8" NPT	2	EA
13		HHCS, 9/16 - 12X3" GR 8	4	EA
14		LOCK WASHER, 9/16"	4	EA
15	70141	THRUST WASHER, S -TUBE	1	EA



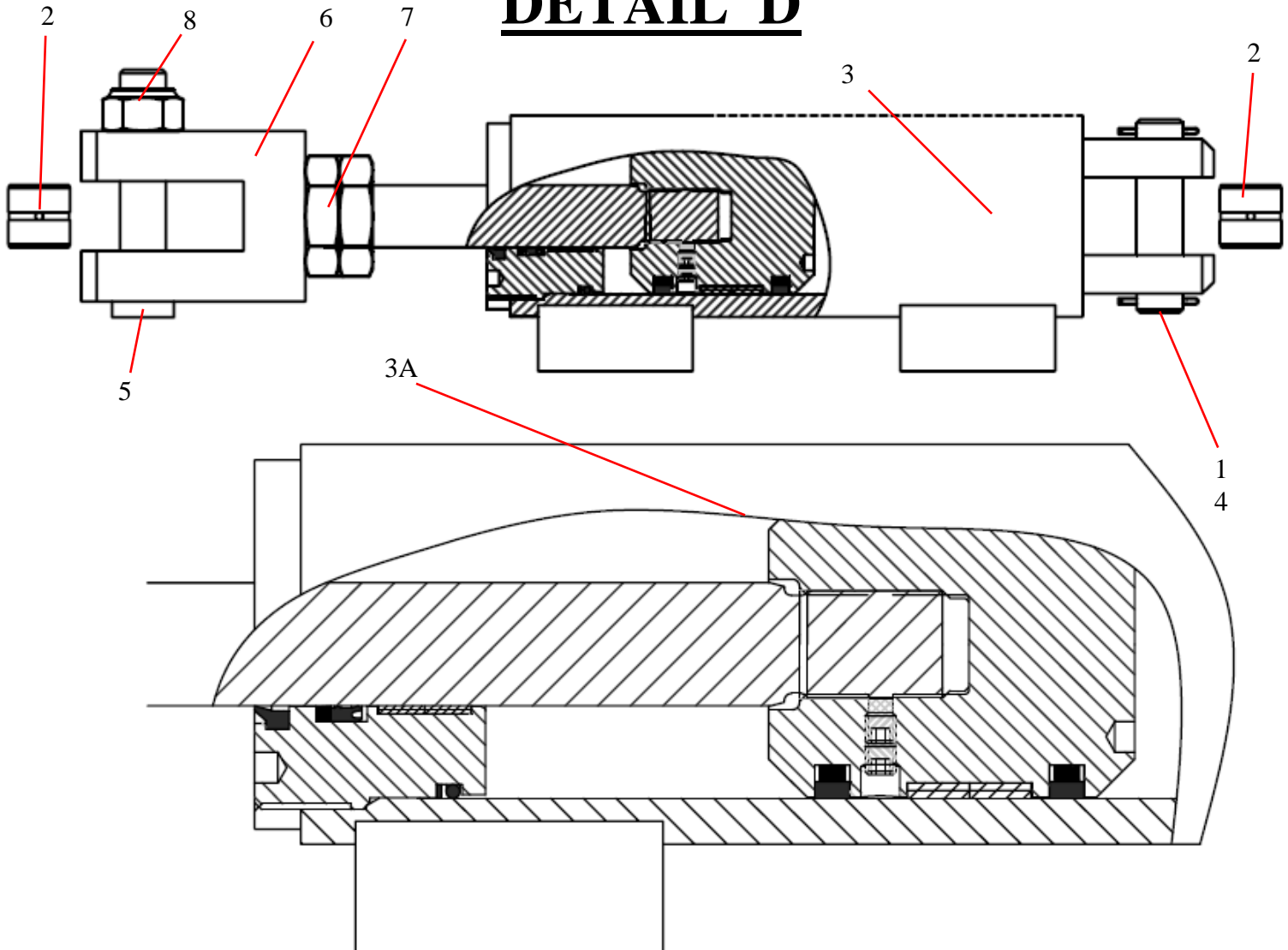
# B20HPV09

PARTS

REED  
13822 Oaks Avenue  
Chino, CA 91710  
reedpumps.com  
909-287-2100

## DUAL SHIFT SWING CYLINDER ASSEMBLY

### DETAIL D



ID #	PART #	PART DESCRIPTION	QUANTITY	
1	74207	PIN - CLEVIS - .750 DIA	1	EA
2	71011	BUSHING - SHIFT CYLINDER	2	EA
3	86221	SWING CYLINDER 2.50 X 1.00 X 5.00	2	EA
3A	86221-SKTX	SEAL KIT	2	EA
4		COTTER PIN, 3/32X1 3/4"	2	EA
5	70142	PIN, CLEVIS	1	EA
6	70143	CLEVIS, SHIFT CYLINDER	1	EA
7		1"X14 JAM NUT	2	EA
8		3/4 - 10 LOCK NUT	1	EA

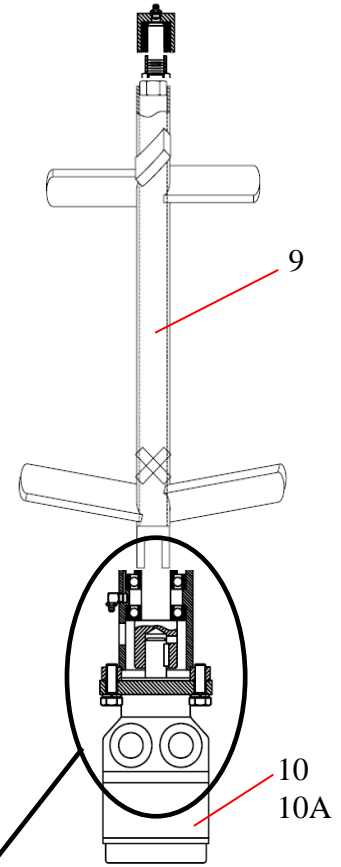
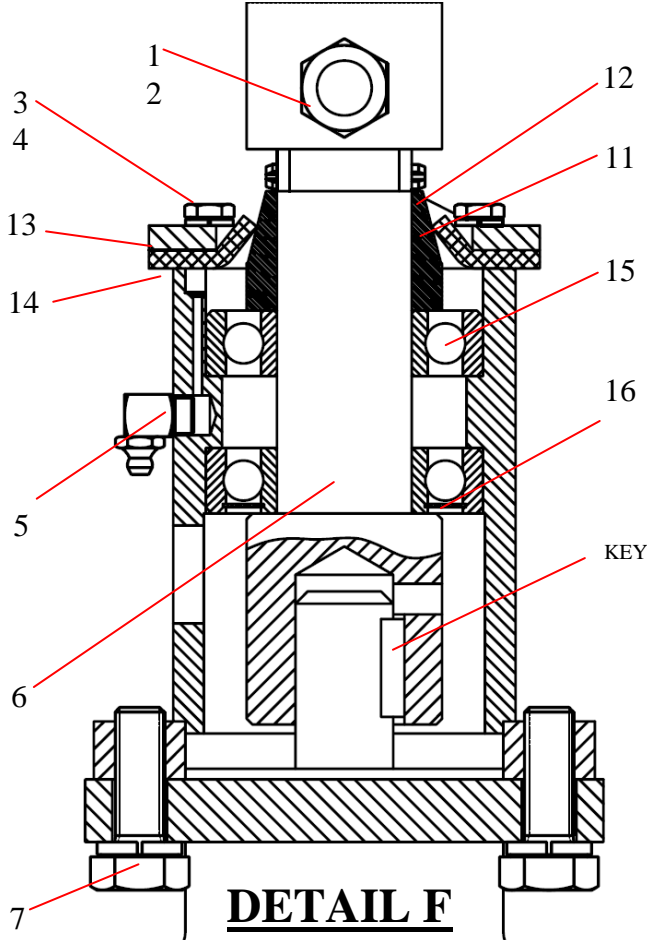


# B20HPV09

## PARTS

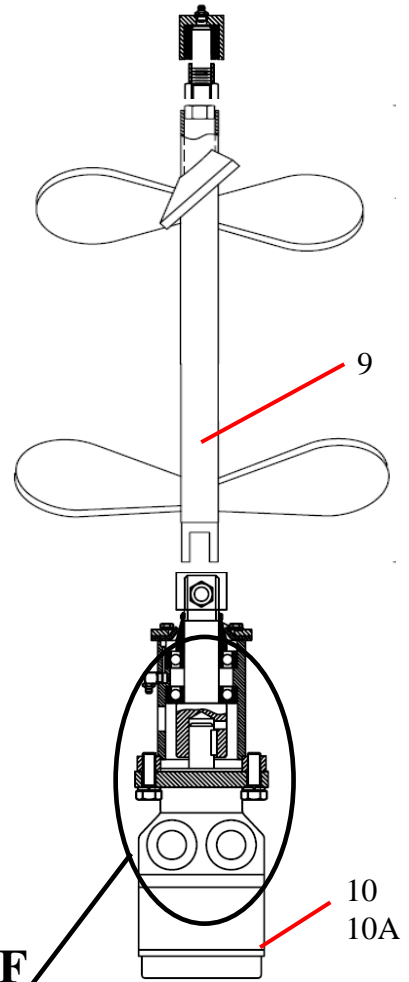
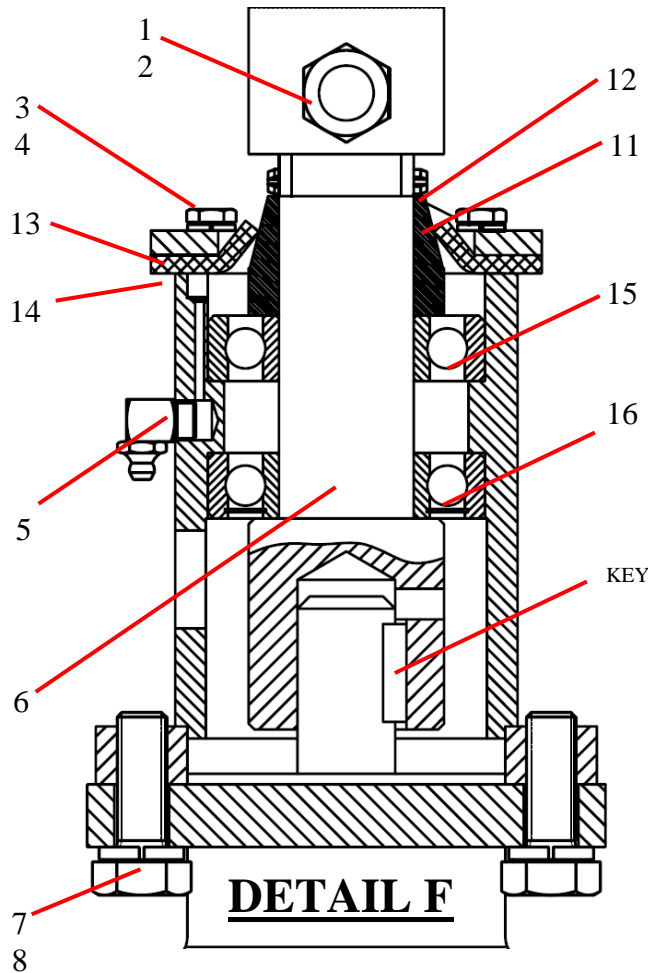
**REED**  
 13822 Oaks Avenue  
 Chino, CA 91710  
 reedpumps.com  
 909-287-2100

### HOPPER AGITATOR ASSEMBLY (OPTION 1)



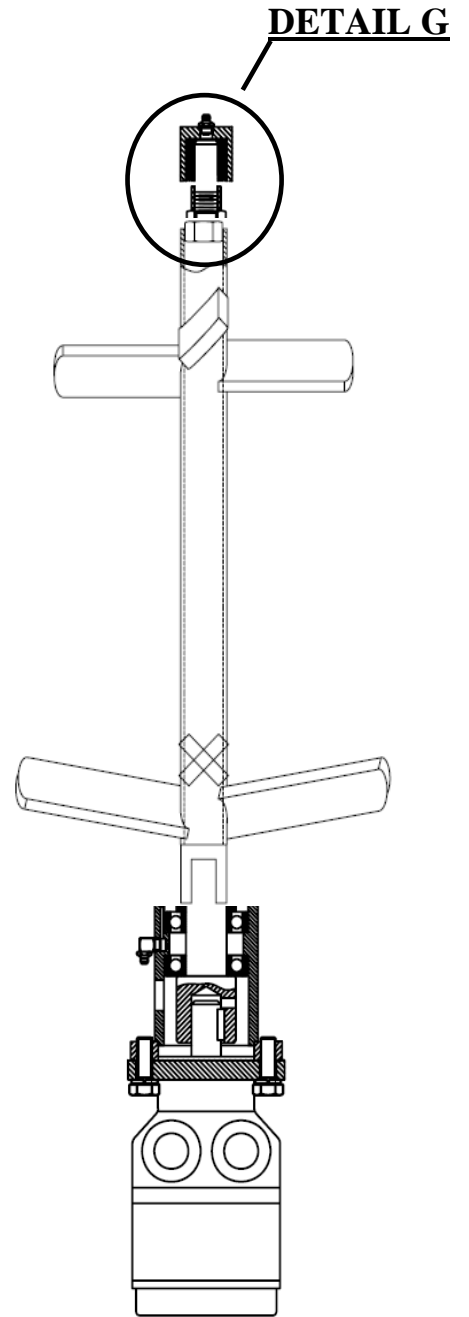
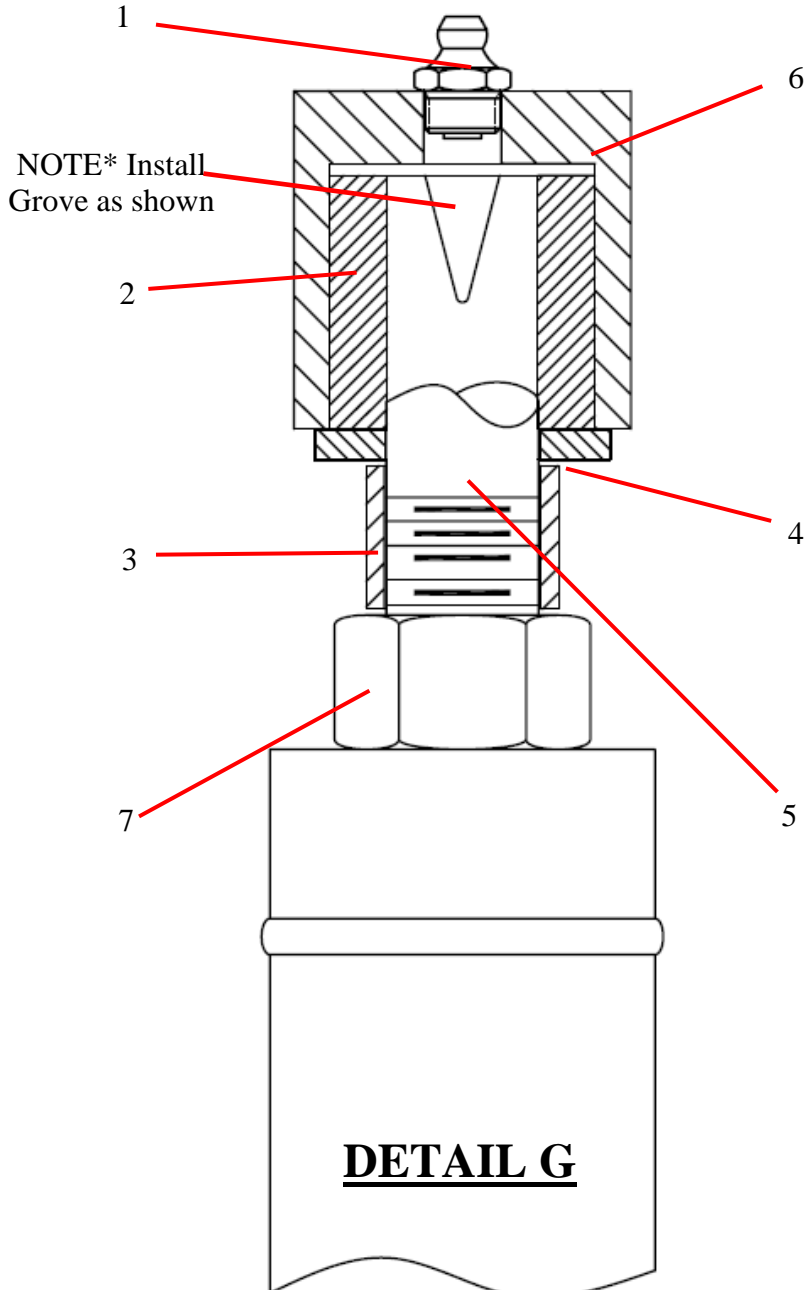
ID#	PART #	PART DESCRIPTION	QUANTITY	
	85761	AGITATOR ASSEMBLY		
1		HHCS, 1/2" -13X2 1/4" GR 8	1	EA
2		LOCK NUT, 1/2" -13	1	EA
3		1/4"-28X3/4"	6	EA
4		LOCK WASHER, 1/4"	6	EA
5		GREASE FITTING, 1/8" NPT 90°	1	EA
6	85923	SHAFT,AGITATOR	1	EA
7		HHCS, 1/2" -20X1 1/2" GR 8	2	EA
8		LOCK WASHER, 1/2"	2	EA
9	85717	AGITATOR, PADDLE-B20	1	EA
10	85811	HYD MOTOR, 45.6 CID, 1" SHAFT	1	EA
10A	85809SK	SEAL KIT	1	EA
11	85976	WEAR RING, AGITATOR	1	EA
12		SPRING PIN, 1/4" DIA X 1 3/4"	1	EA
13	70211	FLANGE SEAL S/W	1	EA
14	70212	SEAL REMIXER	1	EA
15	85978	BEARING, BALL, PLAIN	1	EA
16	85979	BEARING, BALL 1 SEAL	1	EA

### AGITATOR ASSEMBLY (OPTION 2)



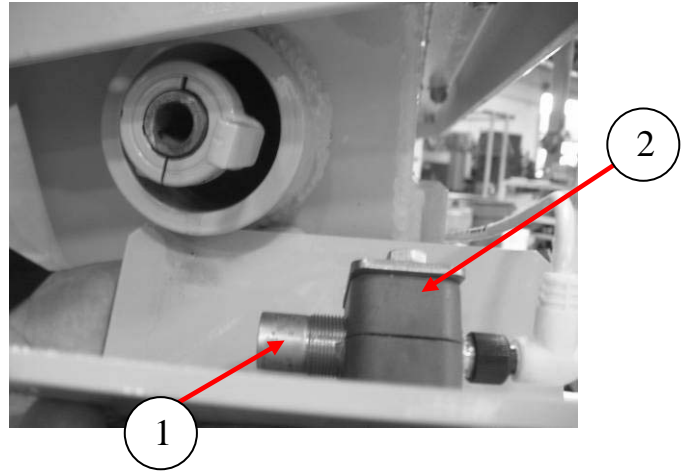
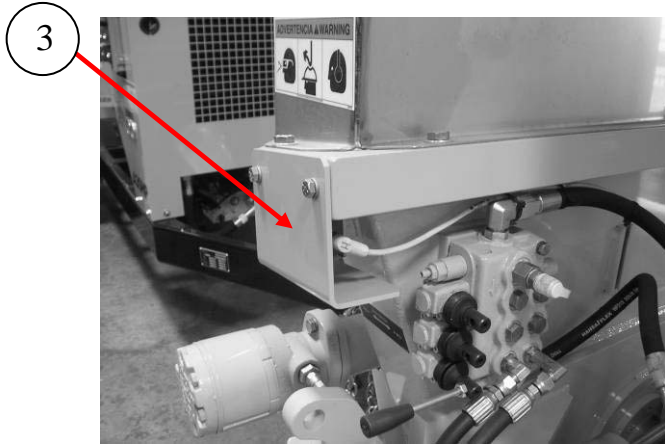
	85761	AGITATOR ASSEMBLY		
1		HHCS, 1/2" -13X2 1/4" GR 8	1	EA
2		LOCK NUT, 1/2" -13	1	EA
3		1/4"-28X3/4"	6	EA
4		LOCK WASHER, 1/4"	6	EA
5		GREASE FITTING, 1/8" NPT 90°	1	EA
6	85923	SHAFT,AGITATOR	1	EA
7		HHCS, 1/2" -20X1 1/2" GR 8	2	EA
8		LOCK WASHER, 1/2"	2	EA
9	87356	AGITATOR, PADDLE-B20	1	EA
10	85811	HYD MOTOR, 45.6 CID, 1" SHAFT	1	EA
10A	85809SK	SEAL KIT	1	EA
11	85976	WEAR RING, AGITATOR	1	EA
12		SPRING PIN, 1/4" DIA X 1 3/4"	1	EA
13	70211	FLANGE SEAL S/W	1	EA
14	70212	SEAL REMIXER	1	EA
15	85978	BEARING, BALL, PLAIN	1	EA
16	85979	BEARING, BALL 1 SEAL	1	EA

## AGITATOR ASSEMBLY CONTINUED



1		GREASE FITTING, 1/8" NPT STRAITGHT	1	EA
2	70219	REMIX SHAFT BUSHING	1	EA
3	77877	SPACER, REMIX	1	EA
4	86824	FLAT WASHER, 3/4" SAE	1	EA
5	70214	IDLER SHAFT, AGITATOR	1	EA
6	70210	IDLER BEARING HOUSING	1	EA
7	80030	HEX NUT-M20X2.5 PLATED	1	EA

## SAFETY GRATE



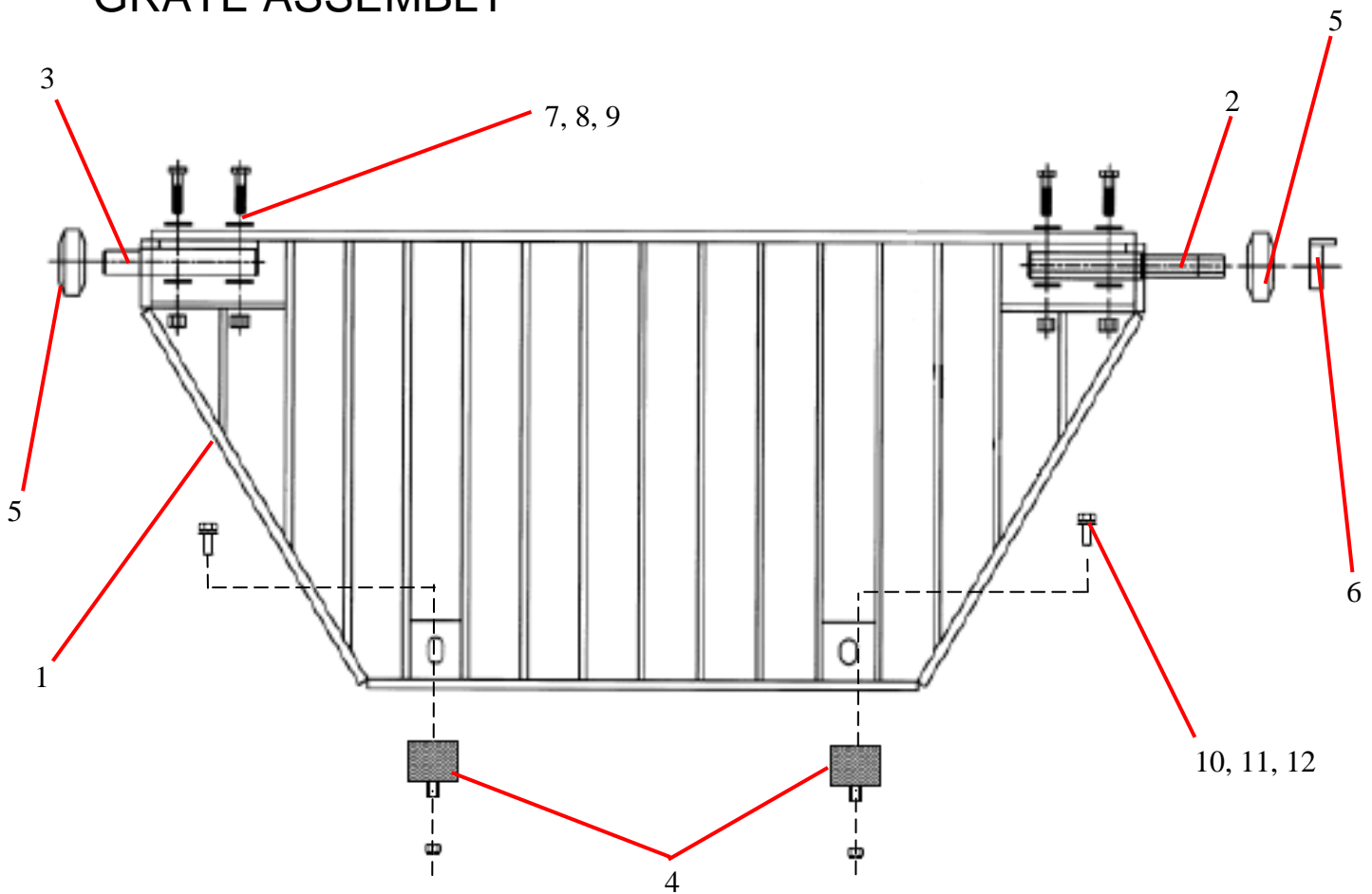
ID #	PART #	PART DESCRIPTION	QUANTITY	
1	87369	PROXIMITY SENSOR PNP HOPPER GRATE	1	EA
2	801902-006	CLAMP, 18MM TUBE CLAMP SET	1	EA
3	87997	COVER WELD PROX SWITCH HOPPER	1	EA



# B20HPV09 PARTS

REED  
13822 Oaks Avenue  
Chino, CA 91710  
reedpumps.com  
909-287-2100

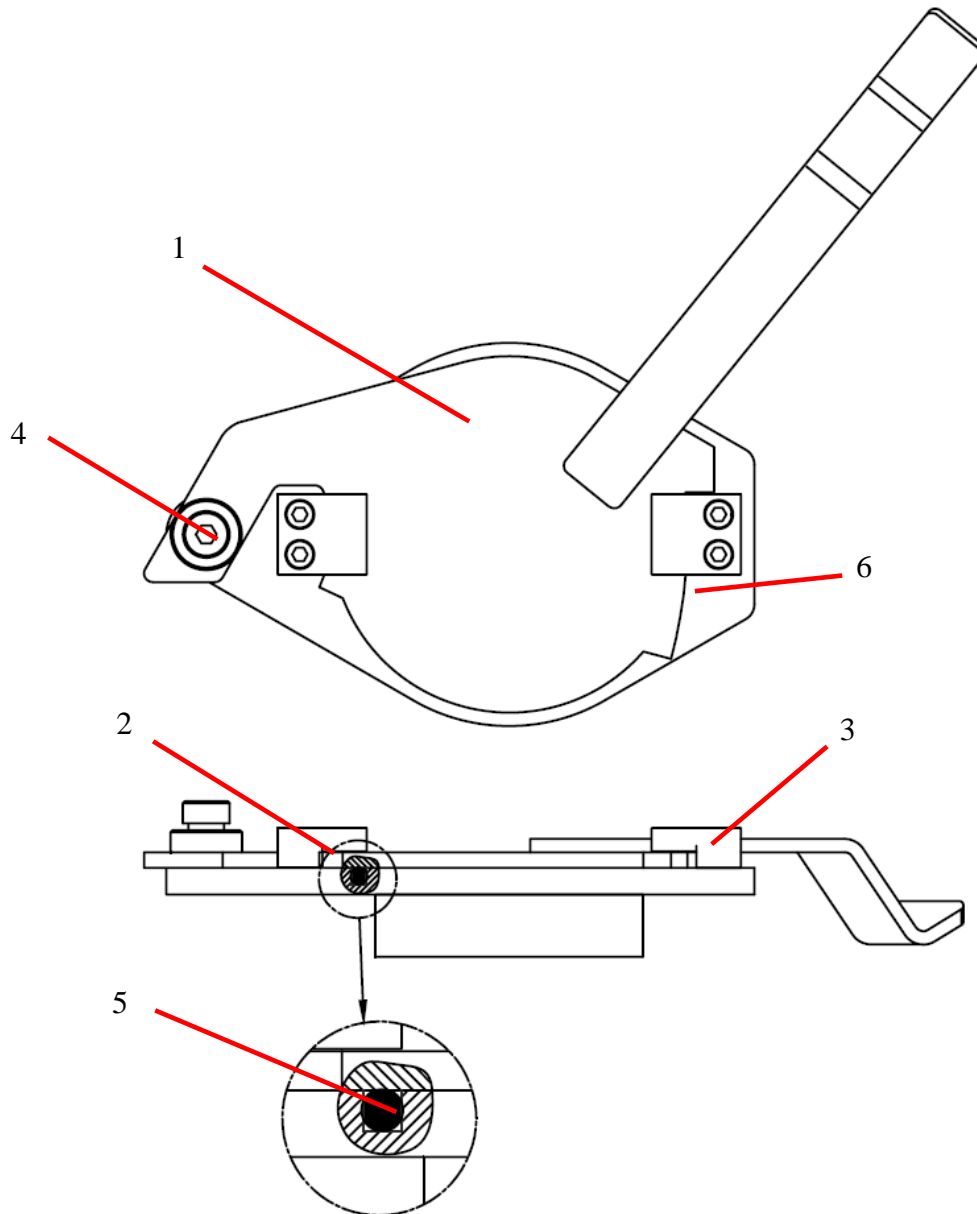
## GRATE ASSEMBLY



ID #	PART #	PART DESCRIPTION	QUANTITY	
1	87892	GRATE WELDMENT, B20 STD HOPPER	1	EA
2	87857	PIN WELDMENT LONG	1	EA
3	87858	PIN WELDMENT SHORT	1	EA
4	86083	BUMPER, HOPPER GRATE	2	EA
5	W102490	RUBBER BUFFER 65X22.5X26	2	EA
6	87769	COLLAR SHAFT, 7/8" DIA	1	EA
7		3/8"-16 X 1 1/4" HEX BOLT	4	EA
8		3/8 FLAT WASHER	8	EA
9		3/8-16 LOCK NUT	4	EA
10		3/8"-16 X 1" HEX BOLT	2	EA
11		3/8" FLAT WASHER	2	EA
12		3/8" LOCK WASHER	2	EA

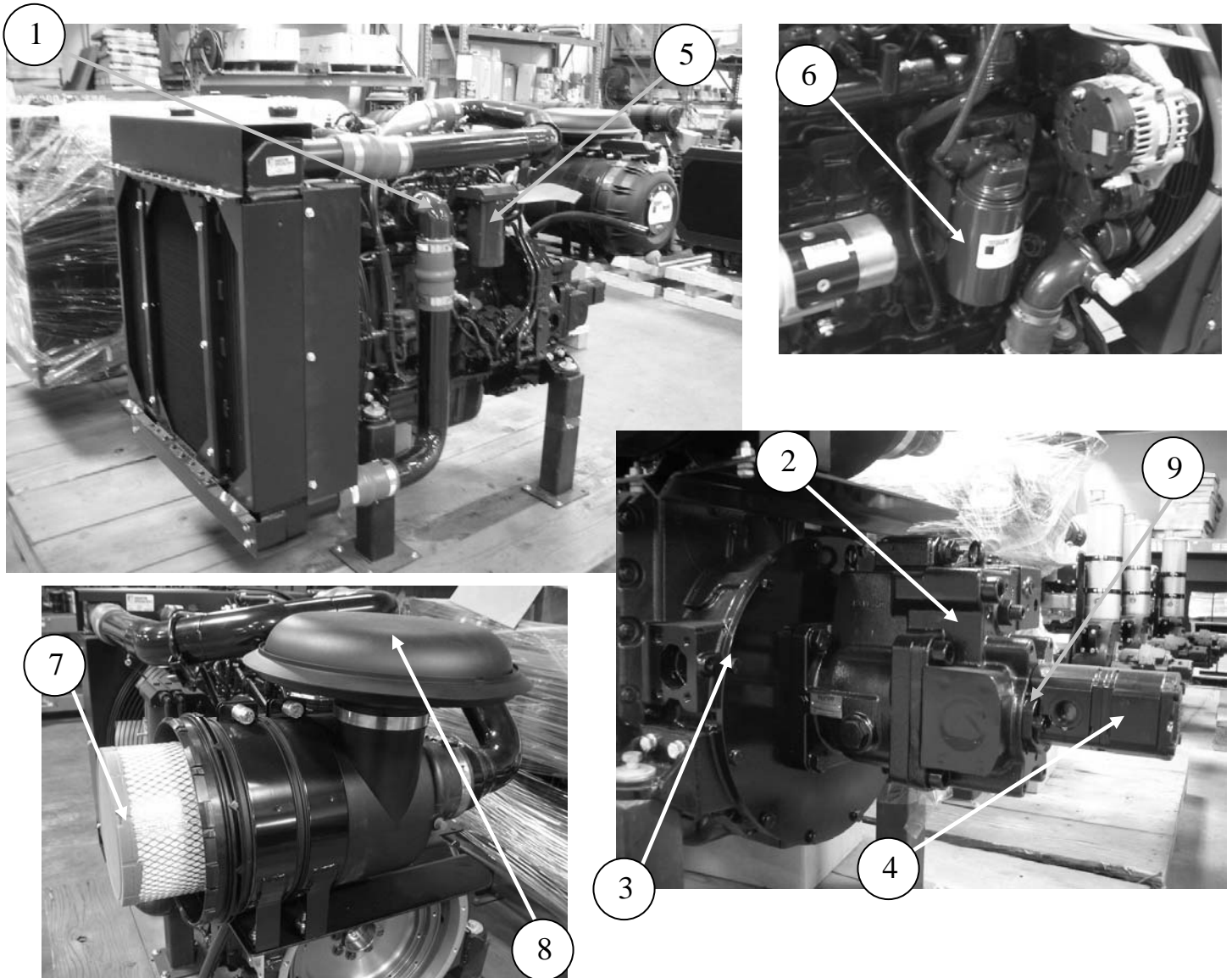


## CLEAN OUT DOOR ASSEMBLY



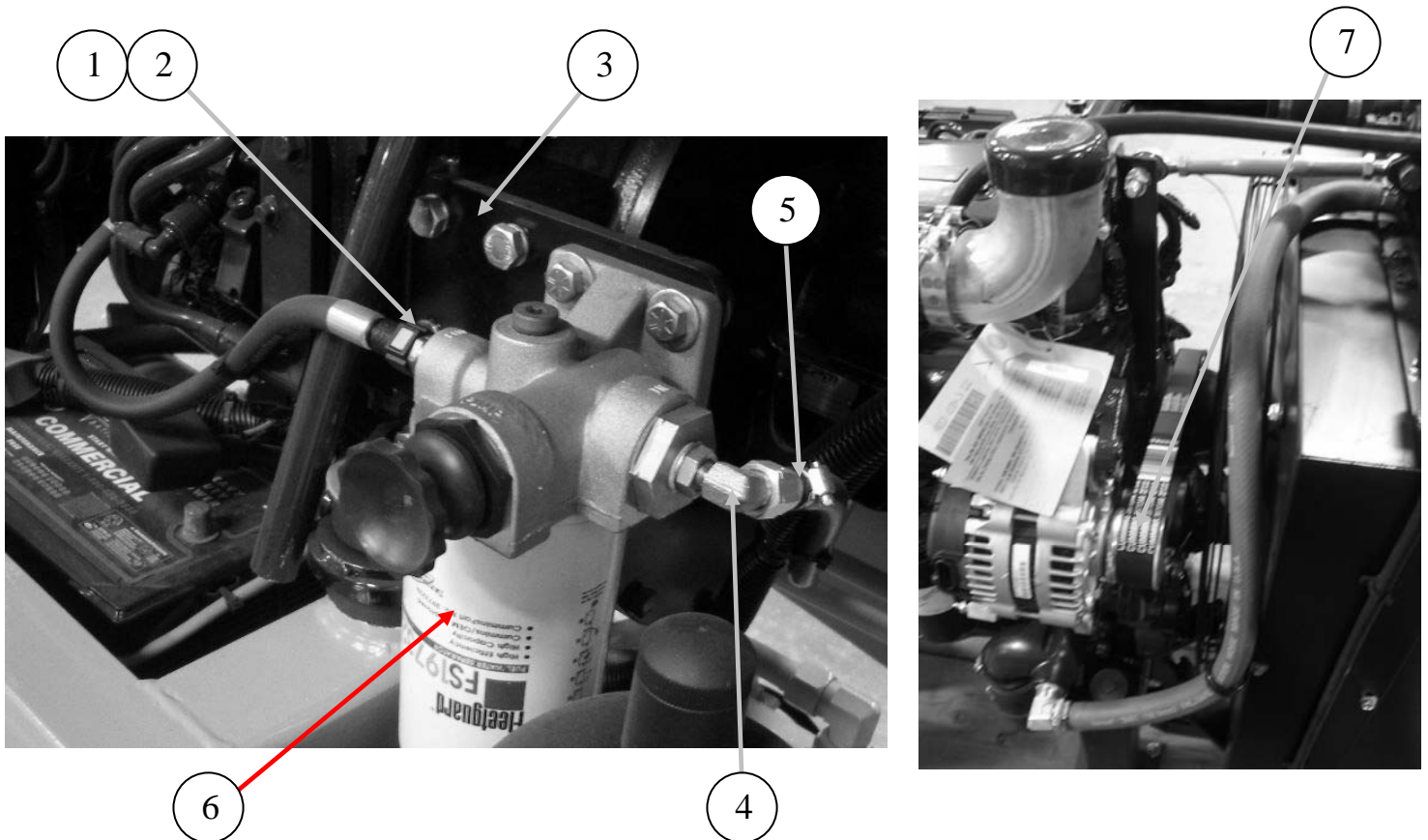
ID #	PART #	PART DESCRIPTION	QUANTITY	
1	86988	DOOR WELDMENT, CLEAN OUT	1	EA
2	86559	BLOCK, CLEAN OUT DOOR, LH	1	EA
3	86560	BLOCK, CLEAN OUT DOOR, RH	1	EA
4	86922	SHOULDER SCREW 1" DIA-1 1/4"	1	EA
5	W102908A	O-RING CORD, HOPPER DOOR	2.21	FT
6		SHCS 1/2"-13 X 1 1/4"	4	EA

## POWER TRAIN ENGINE, PUMPS, AND FILTERS



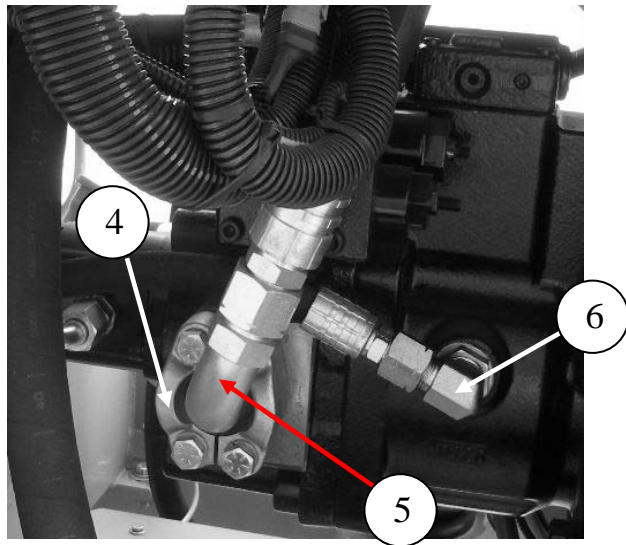
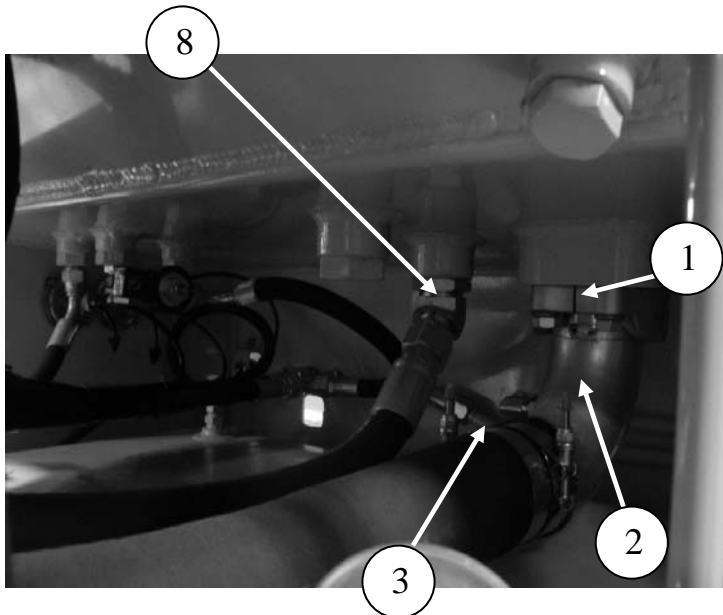
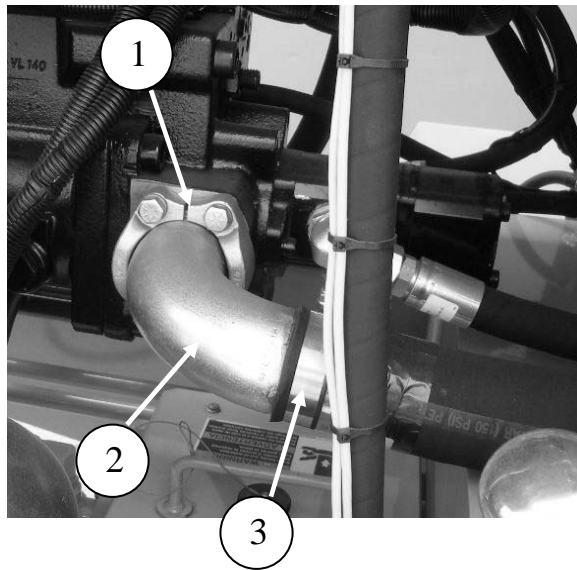
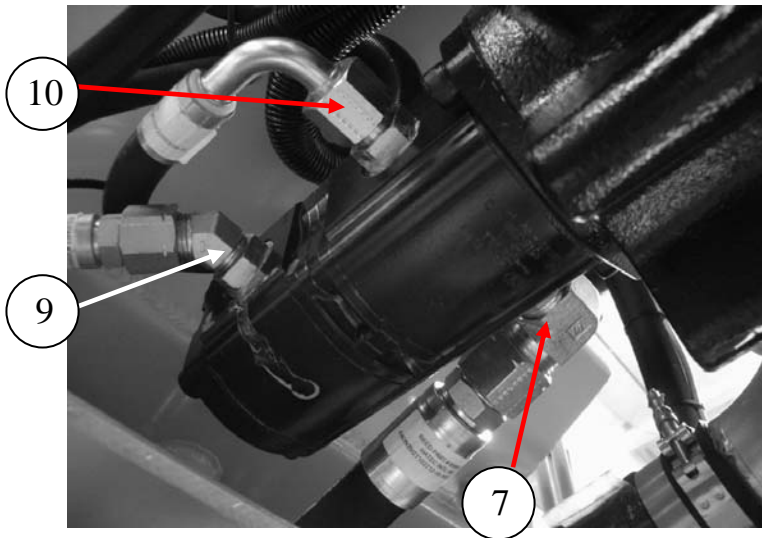
ID #	PART #	PART DESCRIPTION	QUANTITY	
	87863	POWER TRAIN ASSY B20HP 110		
1	87724-1	ENGINE QSB4.5 110 HP CUMMINS	1	EA
2	85124-004	PUMP, KV3L112, KAWASAKI, 75HP	1	EA
3	87360	PUMP DRIVE -SAE 3 - SAE D	1	EA
4	87153-001	PUMP-RH-DBLE GEAR, 11.3/8.2 CC BOSCH	1	EA
5	87725-002	FUEL FILTER	1	EA
6	87725-001	OIL FILTER	1	EA
7	87725-004	AIR FILTER ELEMENT	1	EA
8	87725-013	INLET HOOD BREATHER FOR AIR FILTER	1	EA
9	88174	O-RING	1	EA

## ENGINE, PUMPS, AND FILTERS CONTINUED



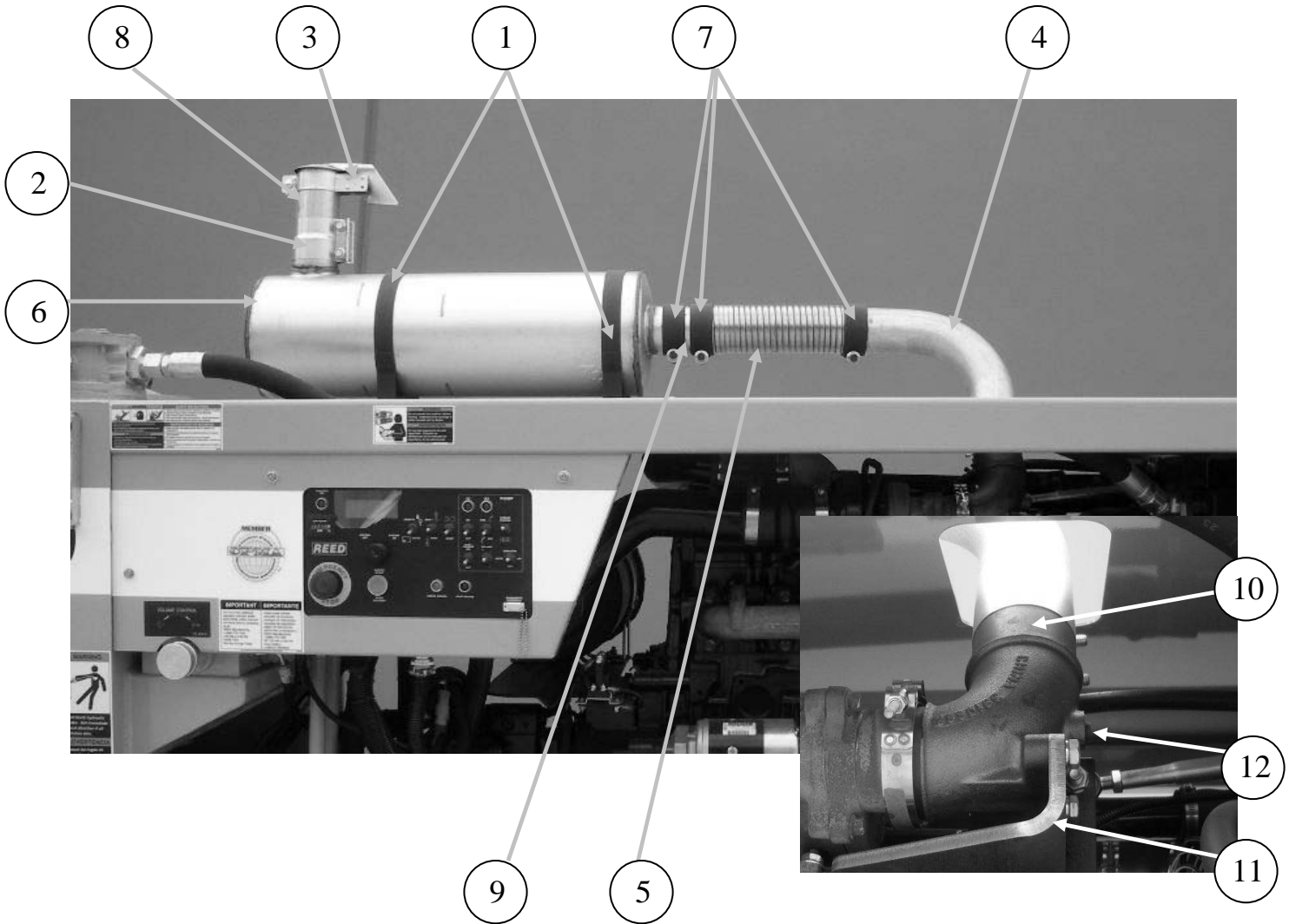
ID #	PART #	PART DESCRIPTION	QUANTITY	
1	88036	FITTING FUEL LINE, QUICK DISCONNECT	1	EA
2	88037	WASHER SEALING FOR 88036 FITTING	1	EA
3	87793	MOUNT FUEL FILTER, B SER CUMMINS	1	EA
4	87567	FITTING 90DEG METRIC TO JIC	2	EA
5	87566	FITTING BARBED JIC-STEM, 3/8-3/8	2	EA
6	87725-003	FUEL / WATER SEPARATOR REPLACEMENT ELEMENT	1	EA
7	87725-005	FAN BELT	1	EA

## FITTINGS



ID #	PART #	PART DESCRIPTION	QUANTITY	
1	86264-007	SPLIT FLANGE-CODE 61- 40 SAE	2	EA
2	86911-009	STEM, 2 ½" 90 DEG, 40GL-40FL90	2	EA
3	79803	CLAMP - T-BOLT - 3.00 DIA	4	EA
4	86265-003	SPLIT FLANGE-CODE 62- 20 SAE	1	EA
5	86912-006	FLANGE, FLH6K-MJ90-20-16	1	EA
6		ADAPTOR, MB-MJ-90-12-10	1	EA
7	86900-030	ADAPTOR, MB-MJ-20-16	1	EA
8	87754-020	ELBOW, MB-MJ45-20-16	1	EA
9		MB-MJ-45-10	1	EA
10	86900-017	MB-MJ0-10-10	1	EA

### EXHAUST



ID #	PART #	PART DESCRIPTION	QUANTITY	
1	87199	MOUNTING BAND, 8.5" DIA	2	EA
2	87198	CLAMP, TORCTITE, 3"	1	EA
3	73475	RAIN CAP 3"	1	EA
4	86648	EXHAUST ELBOW 3"	1	EA
5	87579	EXHAUST FLEX TUBE, 3" 12" LONG	1	EA
6	87792	MUFFLER B SER CUMMINS	1	EA
7	87578	EXHAUST CLAMP, BENT BOLT 3"	3	EA
8	87465	TUBE EXHAUST, B SERIES, LONG	1	EA
9	87878	TUBE EXHAUST, B SERIES, SHORT	1	EA
10	88013	CLAMP EXHAUST 3" TORCTITE	1	EA
11	88016	BRACKET 4 CYL CUMMINS EXHAUST	1	EA
12	74679	PLUG 1/4" NPT SOCKET HEAD	1	EA



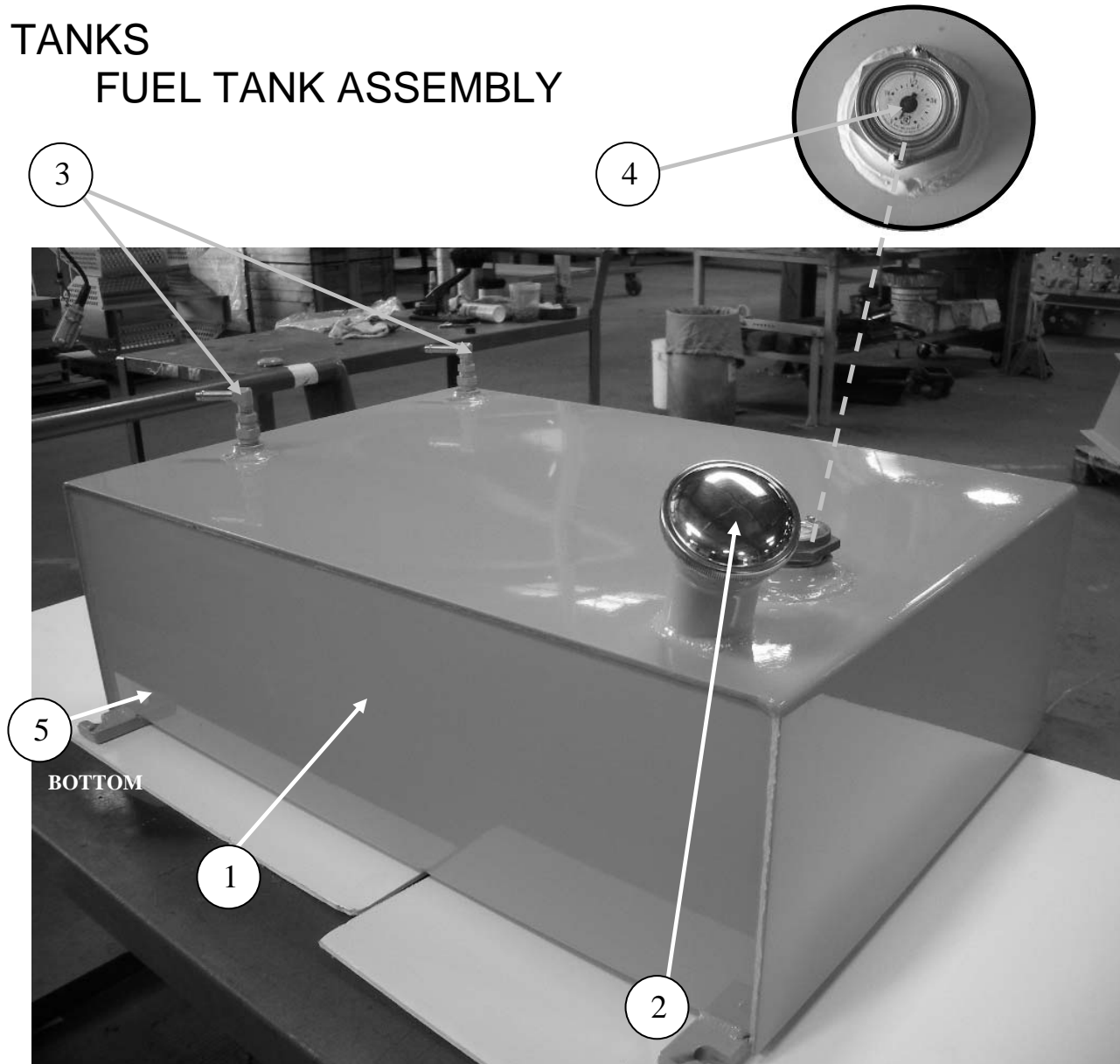
# B20HPV09

PARTS

REED  
13822 Oaks Avenue  
Chino, CA 91710  
reedpumps.com  
909-287-2100

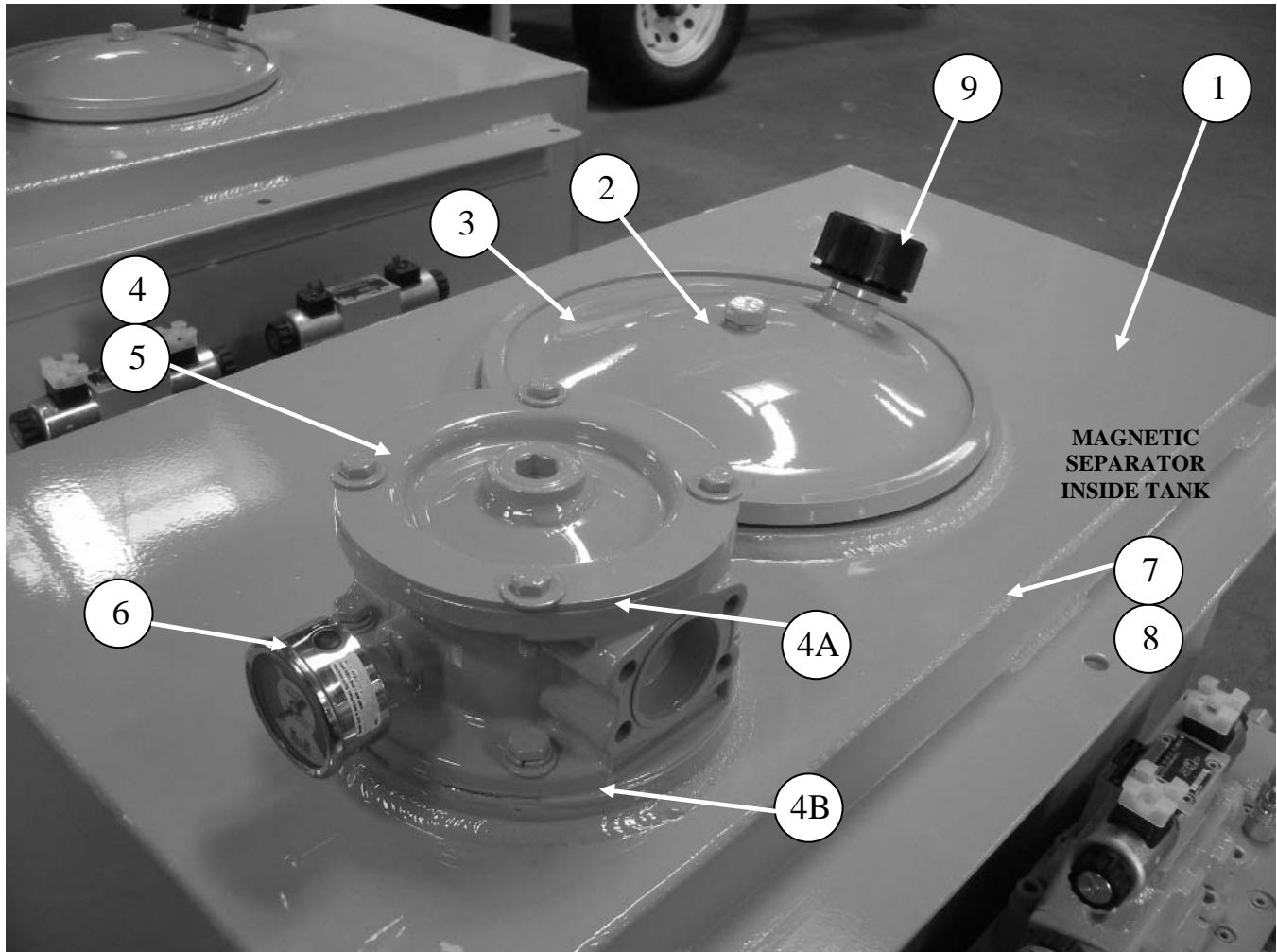
## TANKS

### FUEL TANK ASSEMBLY



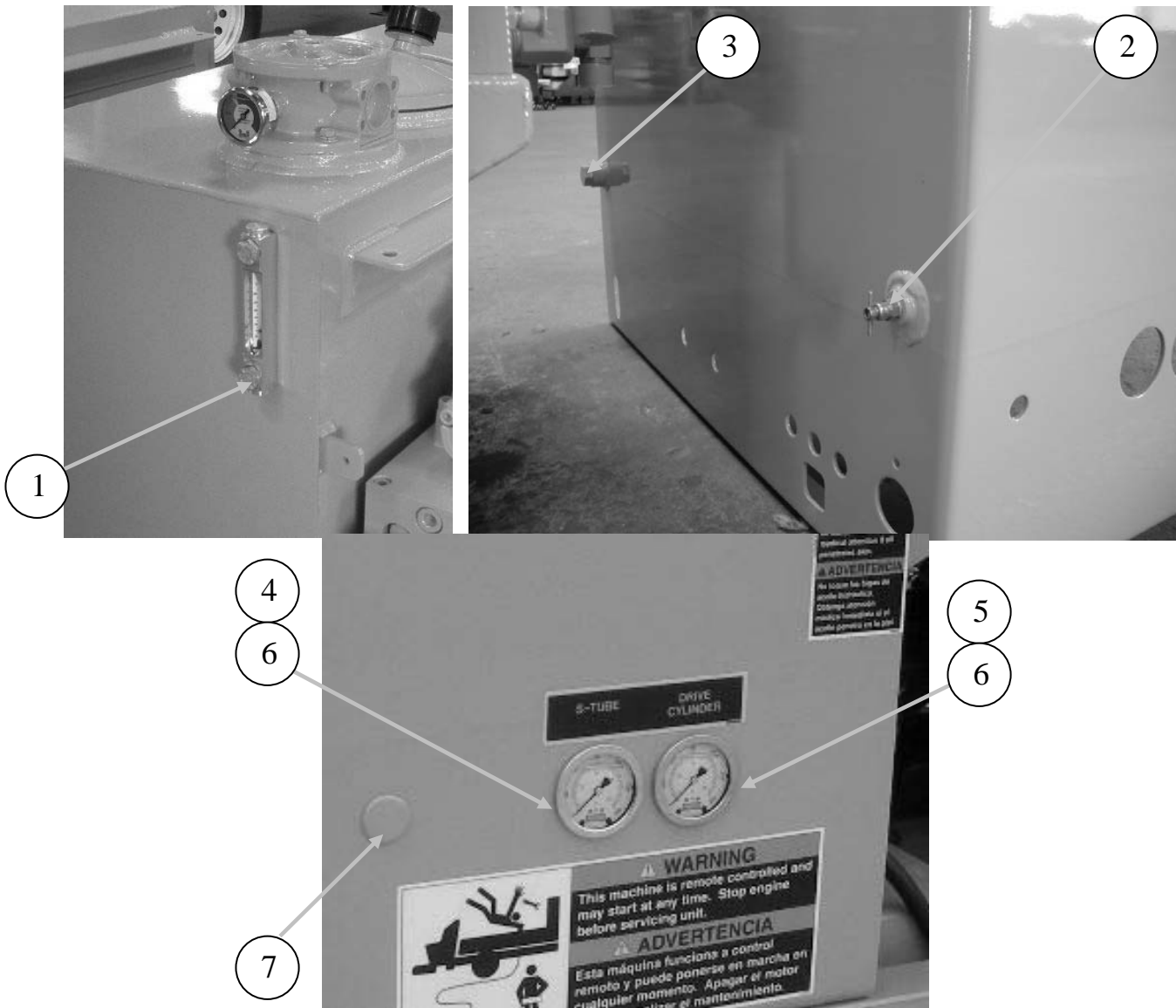
ID #	PART #	PART DESCRIPTION	QUANTITY	
	85363	FUEL TANK ASSY B-SERIES	1	EA
1	85111	FUEL TANK WELDMENT, B-SERIES	1	EA
2	85570	FUEL CAP, 1 1/2 IN VENTED	1	EA
3	85362	TUBE, FUEL PICKUP, B-SERIES	2	EA
4	85569	FUEL GAUGE, 9 IN	1	EA
5	10297	PLUG-GALV 1/2"	1	EA

## HYDRAULIC TANK ASSEMBLY



ID #	PART #	PART DESCRIPTION	QUANTITY	
	85361	HYD TANK ASSY B-SERIES	1	EA
1	85102	HYDRAULIC TANK WELDMENT, B-SERIES	1	EA
2	85529	ENDCOVER KIT, 12 IN W/DRAIN	1	EA
3	85867	GASKET- END COVER 12"	1	EA
4	85282	FILTER, RETURN, TANK MOUNTED	1	EA
4A	BW10241	SEAL KIT FOR 85282 FILTER RETURN	1	EA
4B	85282-G	GASKET-CORK	1	EA
5	85283	FILTER ELEMENT, PN 85282 FILTER	1	EA
6	85575	GAUGE, PN 85282 RETURN FILTER	1	EA
7	79247	MAGNETIC SEPERATOR 1 1/4 " NPT	1	EA
8	800230	MAGNETIC SEPARATOR, 3" NPT	1	EA
9	85537	FILLER BREATHER, 3/4 NPT	1	EA

### HYDRAULIC TANK ASSEMBLY CONTINUED



ID #	PART #	PART DESCRIPTION	QUANTITY	
1	74509	GAUGE-SIGHT/TEMPERATURE	1	EA
2	801025	DRAIN COCK, 1/4 NPT	1	EA
3	BG-12	3/4" SAE PLUG	1	EA
4	70366	PRESSURE GAUGE, 3000 PSI/BAR	1	EA
5	74562	PRESSURE GAUGE, 6000 PSI/BAR	1	EA
6	78594	MINICHECK GAUGE ADAPTOR, 1/4 NPT	2	EA
7		HOFFMAN PLUG	1	A/R





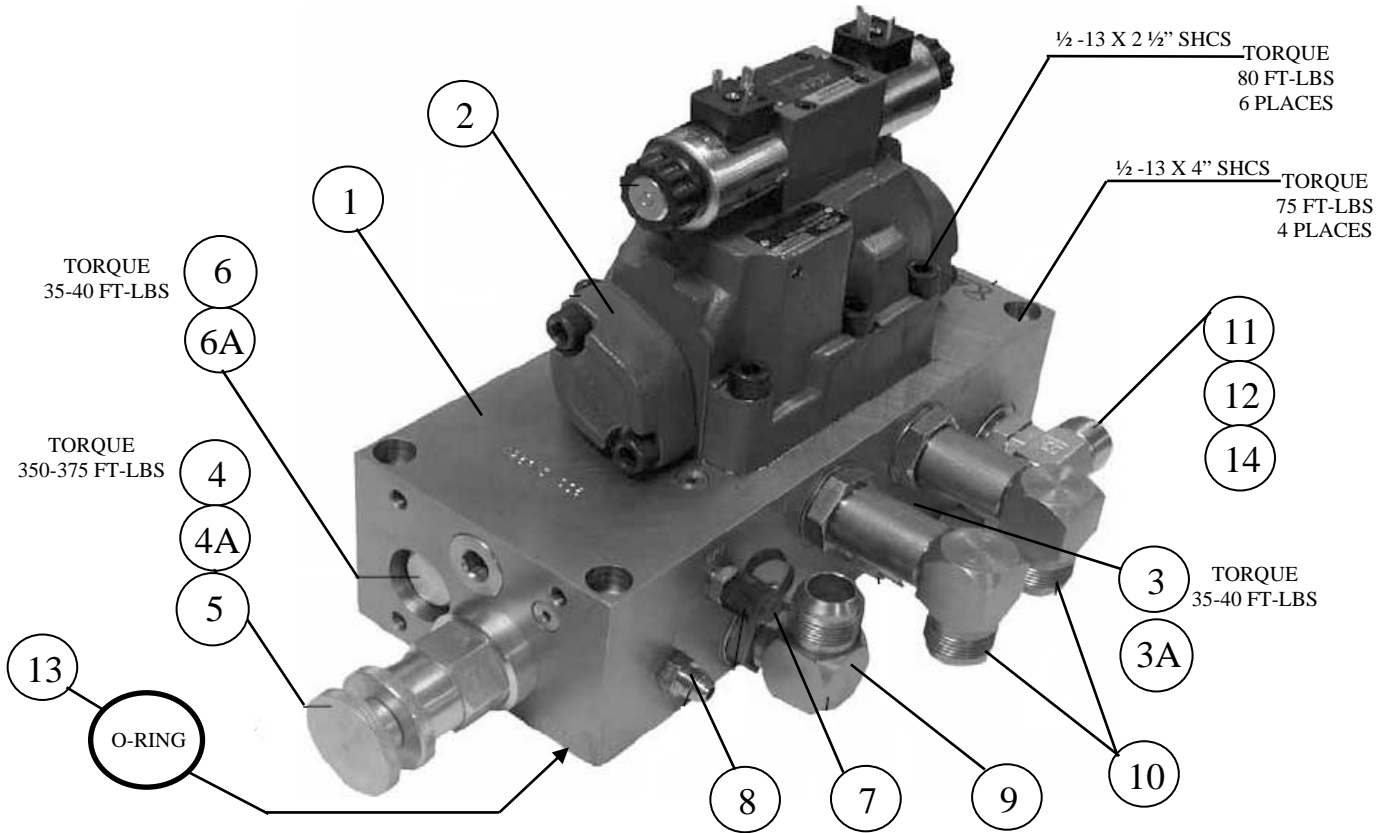
# B20HPV09

## PARTS

**REED**  
 13822 Oaks Avenue  
 Chino, CA 91710  
 reedpumps.com  
 909-287-2100

### MANIFOLDS

### DRIVE CYLINDER CIRCUIT MANIFOLD



ID #	PART #	PART DESCRIPTION	QUANTITY	
	85248	MANIFOLD, CYLINDER CIRCUIT ASSEMBLY	1	EA
1	86820	MANIFOLD, MACHINED CYLINDER CIRCUIT	1	EA
2	85689	SOLENOID VALVE, DRIVE CYLINDER	1	EA
3	85696	RELIEF VALVE CARTRIDGE	1	EA
3A	85696-SK	SEAL KIT		
4	85697	FLOW CONTROL CARTRIDGE	1	EA
4A	85697-SK	SEAL KIT		
5	86947	KNOB KIT, ALUMINUM	1	EA
6	85698	CHECK VALVE CARTRIDGE	1	EA
6A	85698-SK	SEAL KIT		
7	78593	MINICHECK ADAPTOR, SAE 4	1	EA
8	86900-002	ADAPTOR, MB-MJ-4-6	1	EA
9	86728-023	ELBOW, MB-MJ45-16-16	1	EA
10	86904-012	ELBOW, MB-MJ90LL-16-16	2	EA
11	86945-001	TEE, MJ-MB-MJT-16	1	EA
12	86905-016	ELBOW, MJ-FJX90-16-16	1	EA
13	86946	O-RING #230 BUNA 90DUR	1	EA
14	86948-001	REDUCER, JIC MJ-FJ-10-16	1	EA



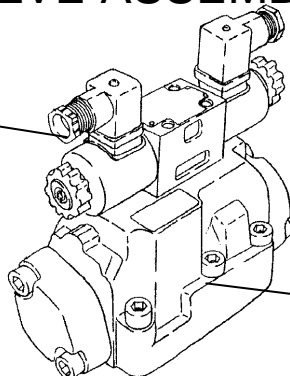
# B20HPV09

PARTS

REED  
13822 Oaks Avenue  
Chino, CA 91710  
reedpumps.com  
909-287-2100

## DRIVE CYLINDER VALVE ASSEMBLY

DRIVE CYLINDER  
PILOT SOLENOID  
VALVE



DRIVE CYLINDER VALVE  
ASSEMBLY COMPLETE

**85689**

DRIVE CYLINDER  
MAIN VALVE

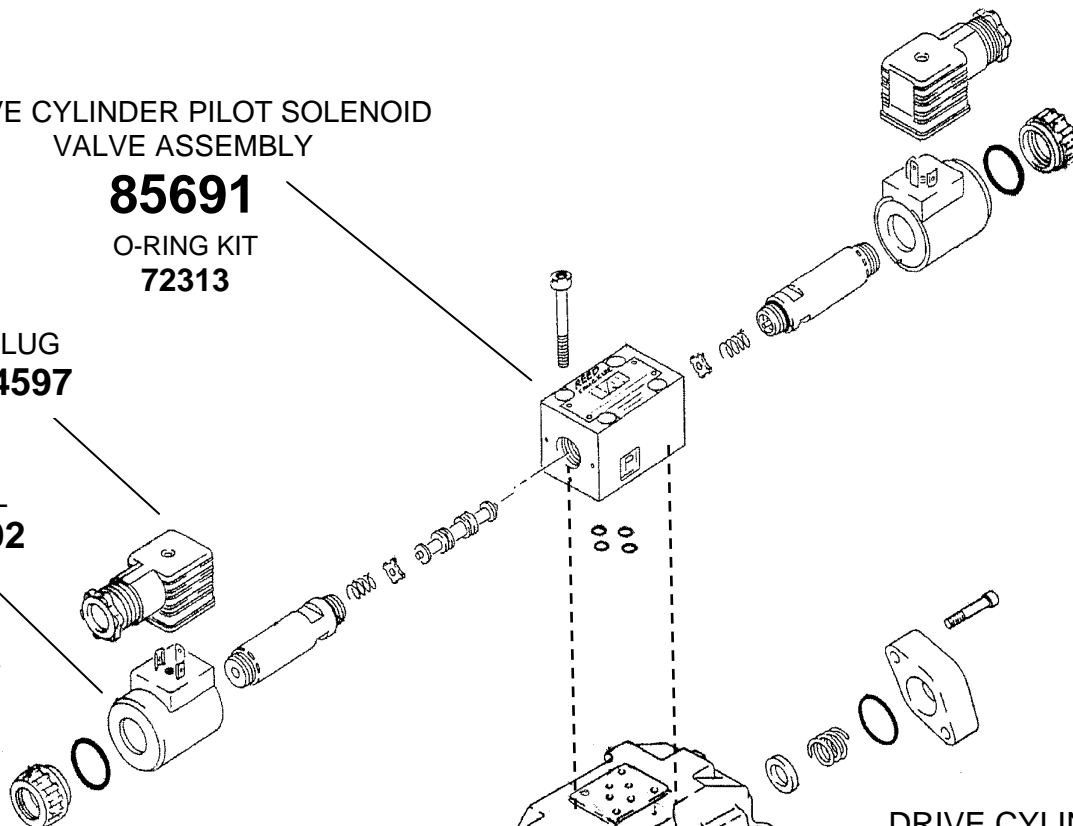
DRIVE CYLINDER PILOT SOLENOID  
VALVE ASSEMBLY

**85691**

O-RING KIT  
**72313**

PLUG  
**74597**

COIL  
**85692**

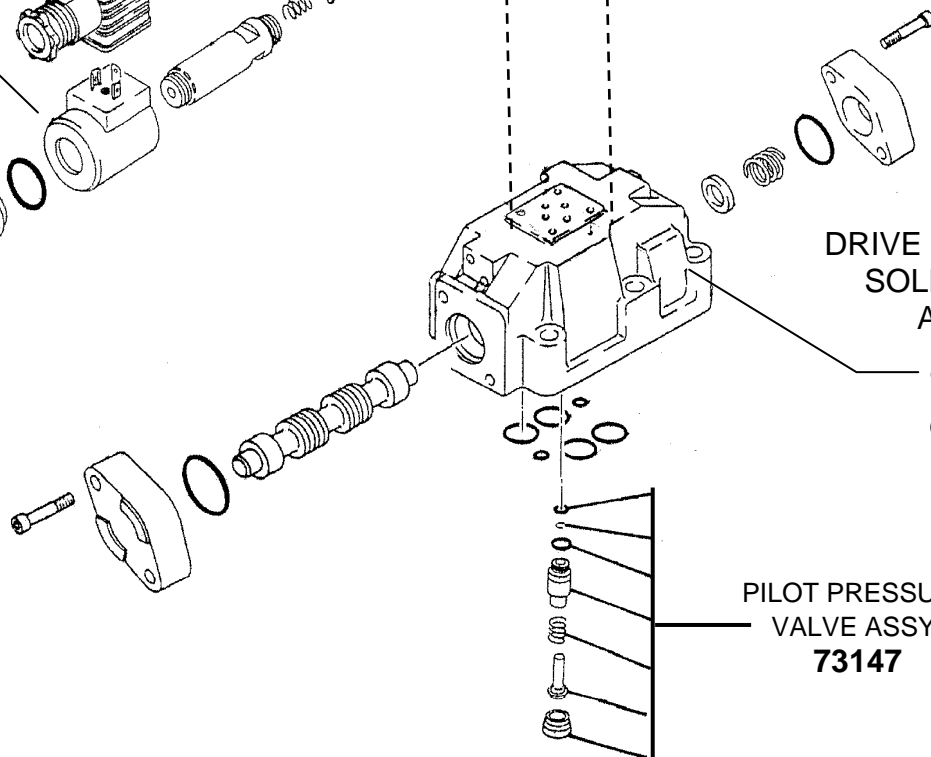


DRIVE CYLINDER MAIN  
SOLENOID VALVE  
ASSEMBLY

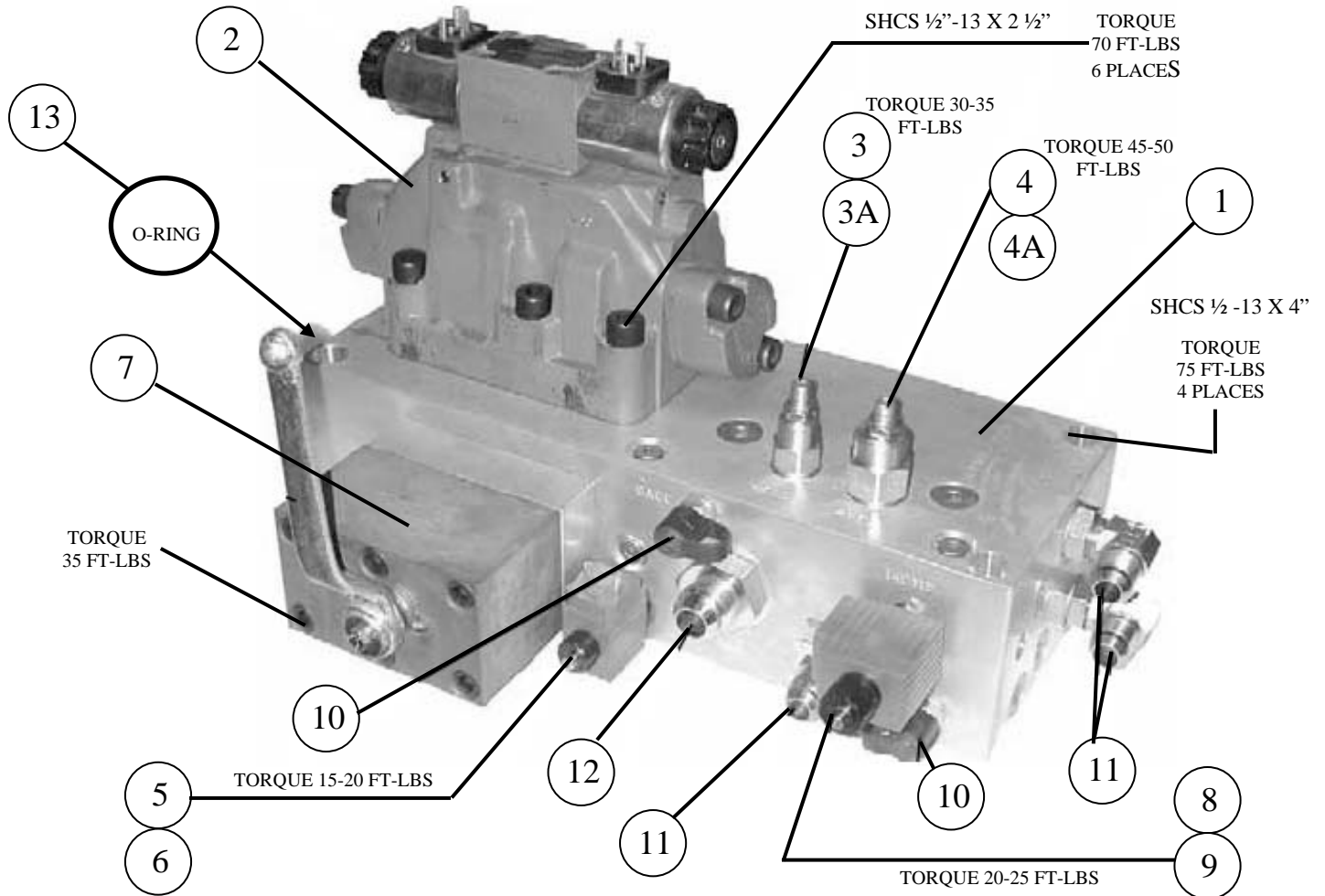
**85690**

O-RING KIT  
**74994**

PILOT PRESSURE  
VALVE ASSY.  
**73147**



## S-TUBE CIRCUIT MANIFOLD ASSEMBLY



Part No.	Part Description	Quantity	EA
85249	MANIFOLD, SWING TUBE CIRCUIT ASSEMBLY		
1	86821 MANIFOLD, MACHINED S-TUBE CIRCUIT	1	EA
2	85693 SOLENOID VALVE, S-TUBE SHIFT	1	EA
3	85704 UNLOADER VALVE CARTRIDGE, (QCDB)	1	EA
3A	85704-SK SEAL KIT		
4	85703 RELIEF VALVE CARTRIDGE, (RVEA)	1	EA
4A	85703-SK SEAL KIT		
5	87246 SOLENOID VALVE CARTRIDGE, (12CHS)	1	EA
6	87247 COIL, 12VDC,	1	EA
7	85705 BALL VALVE,	1	EA
8	87248 SOLENOID VALVE CARTRIDGE, (14CHS)	1	EA
9	87249 COIL, 12V DC FOR PN-87248	1	EA
10	78593 MINICHECK ADAPTOR, SAE	2	EA
11	86728-014 ELBOW, MB-MJ90-10-10	2	EA
12	86900-027 ADAPTOR, MB-MJ-16-12	1	EA
13	86946 O-RING #230 BUNA 90DUR	1	EA



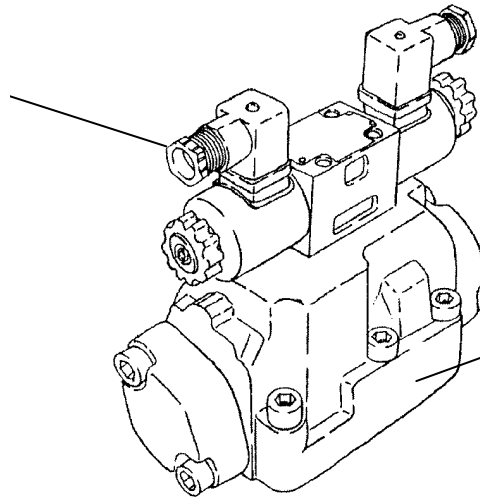
# B20HPV09

PARTS

**REED**  
13822 Oaks Avenue  
Chino, CA 91710  
reedpumps.com  
909-287-2100

## S-TUBE VALVE ASSEMBLY

S-TUBE PILOT  
SOLENOID  
VALVE



SWING TUBE VALVE  
ASSEMBLY COMPLETE  
**85693**

S-TUBE MAIN  
VALVE

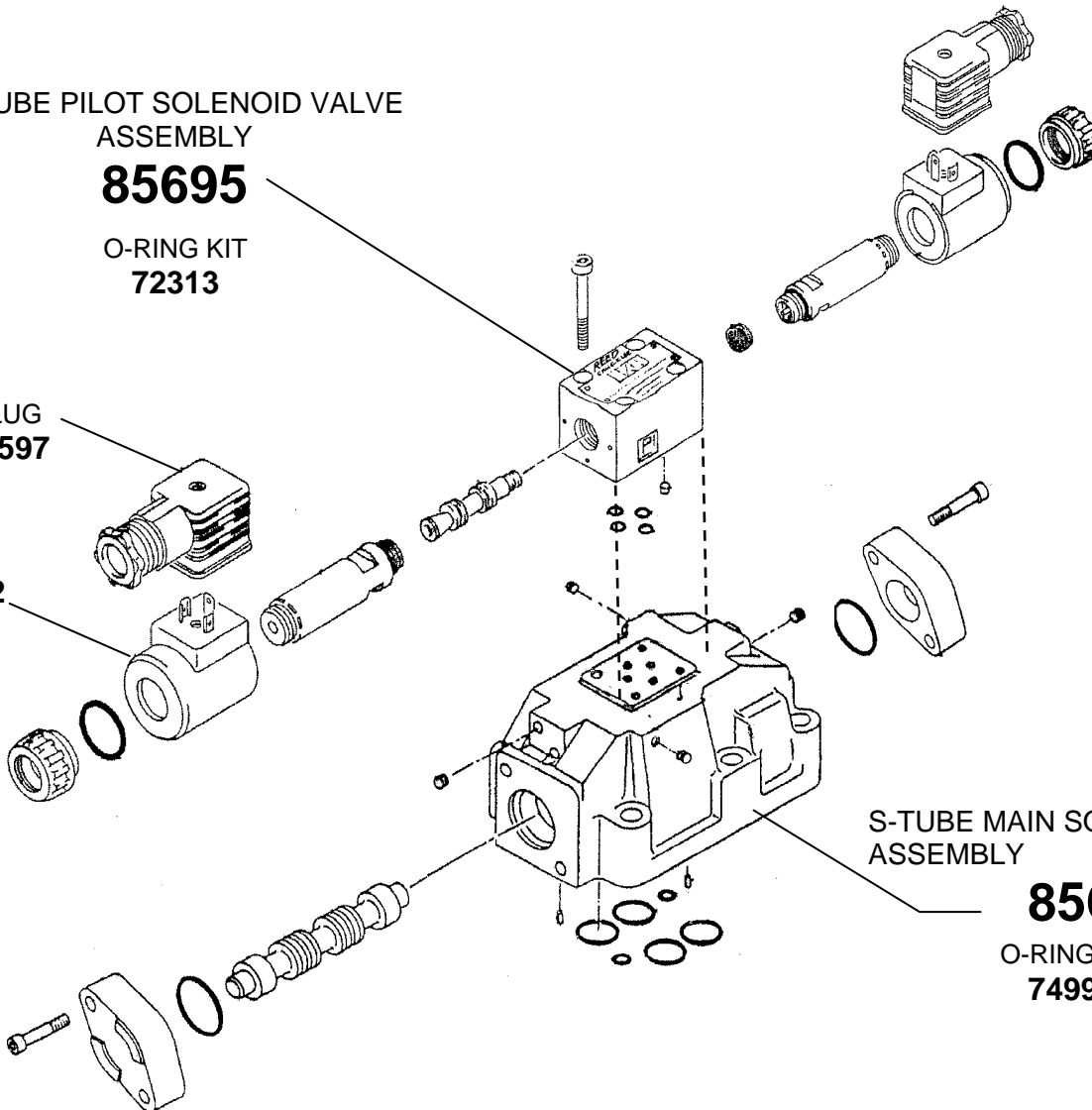
S-TUBE PILOT SOLENOID VALVE  
ASSEMBLY

**85695**

O-RING KIT  
**72313**

PLUG  
**74597**

COIL  
**85692**

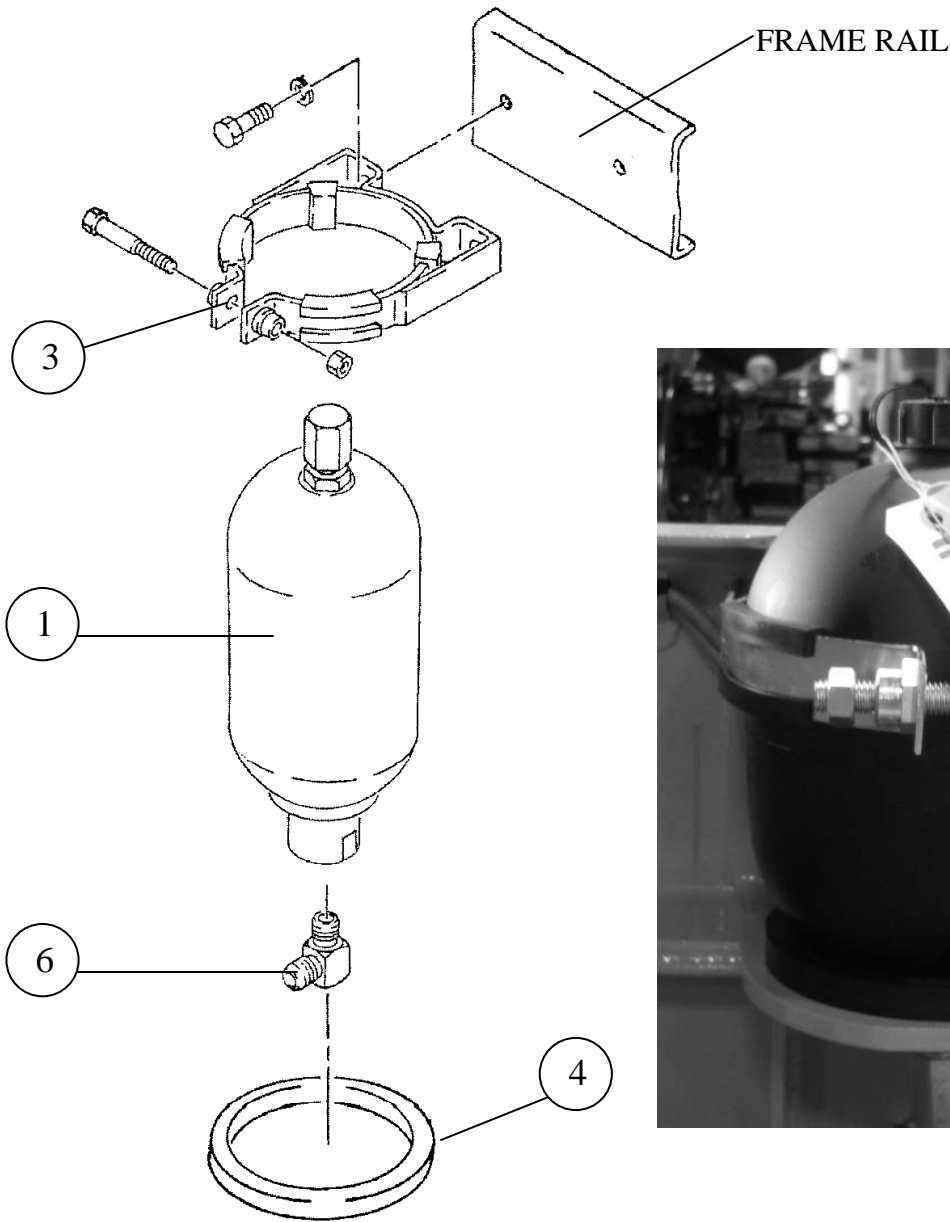


S-TUBE MAIN SOLENOID  
ASSEMBLY

**85694**

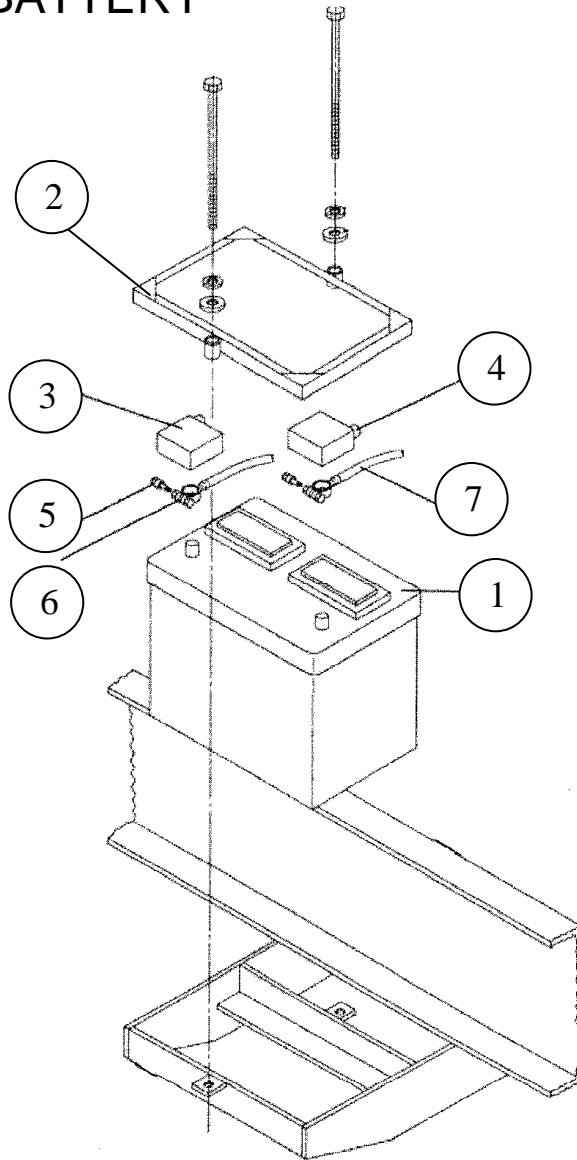
O-RING KIT  
**74994**

## ACCUMULATOR ASSEMBLY



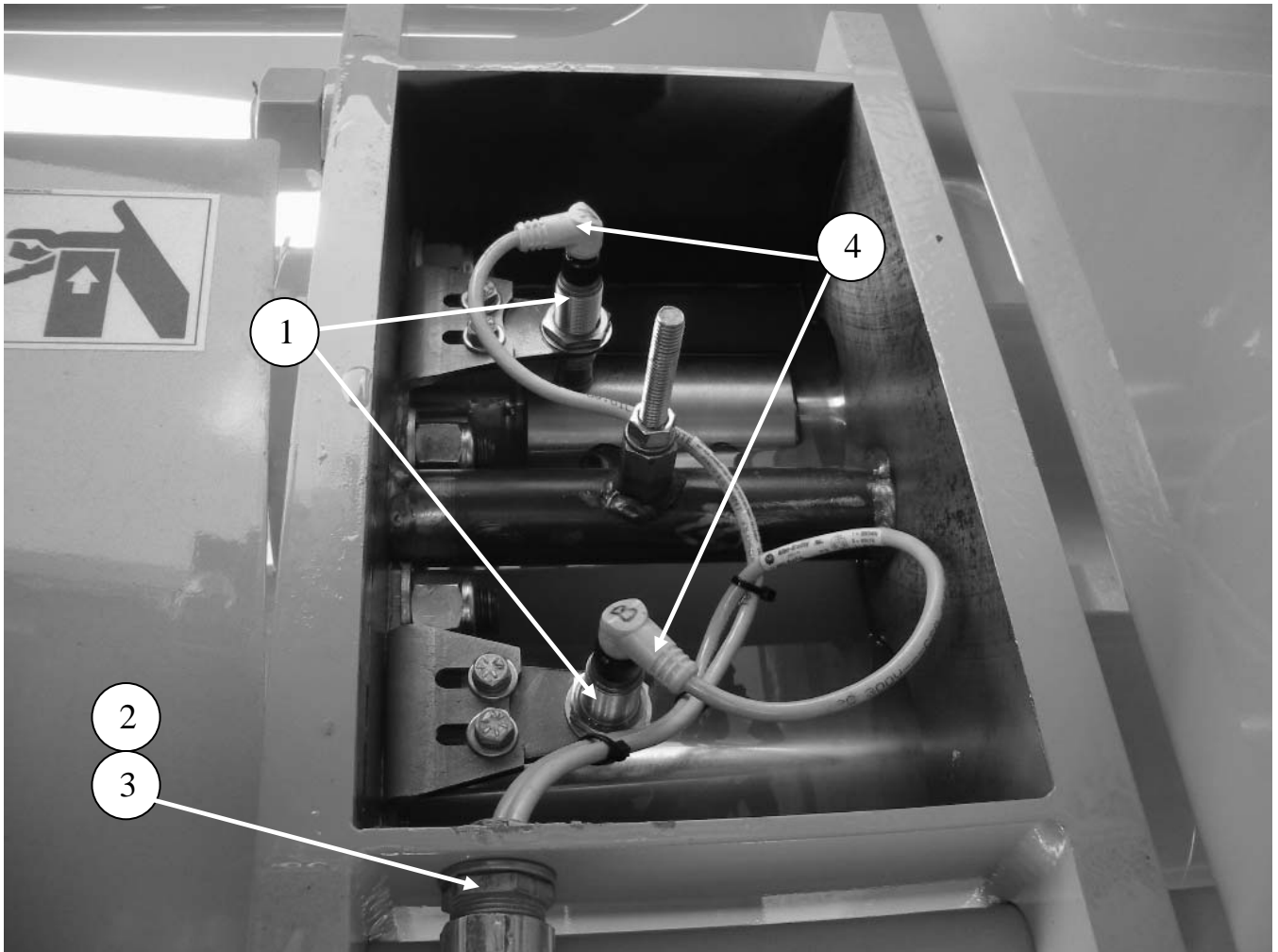
ID #	PART #	PART DESCRIPTION	QUANTITY	
1	71360	ACCUMULATOR-3/4 GAL	1	EA
2	73171	ACCUMULATOR BKT.W/CLOSING HARDWARE	1	EA
3	801028	GROMMET, ACCUMULATOR	1	EA
4	86728-019	ELBOW, MB-MJ90-12-12	1	EA

## ELECTRICAL GROUP BATTERY



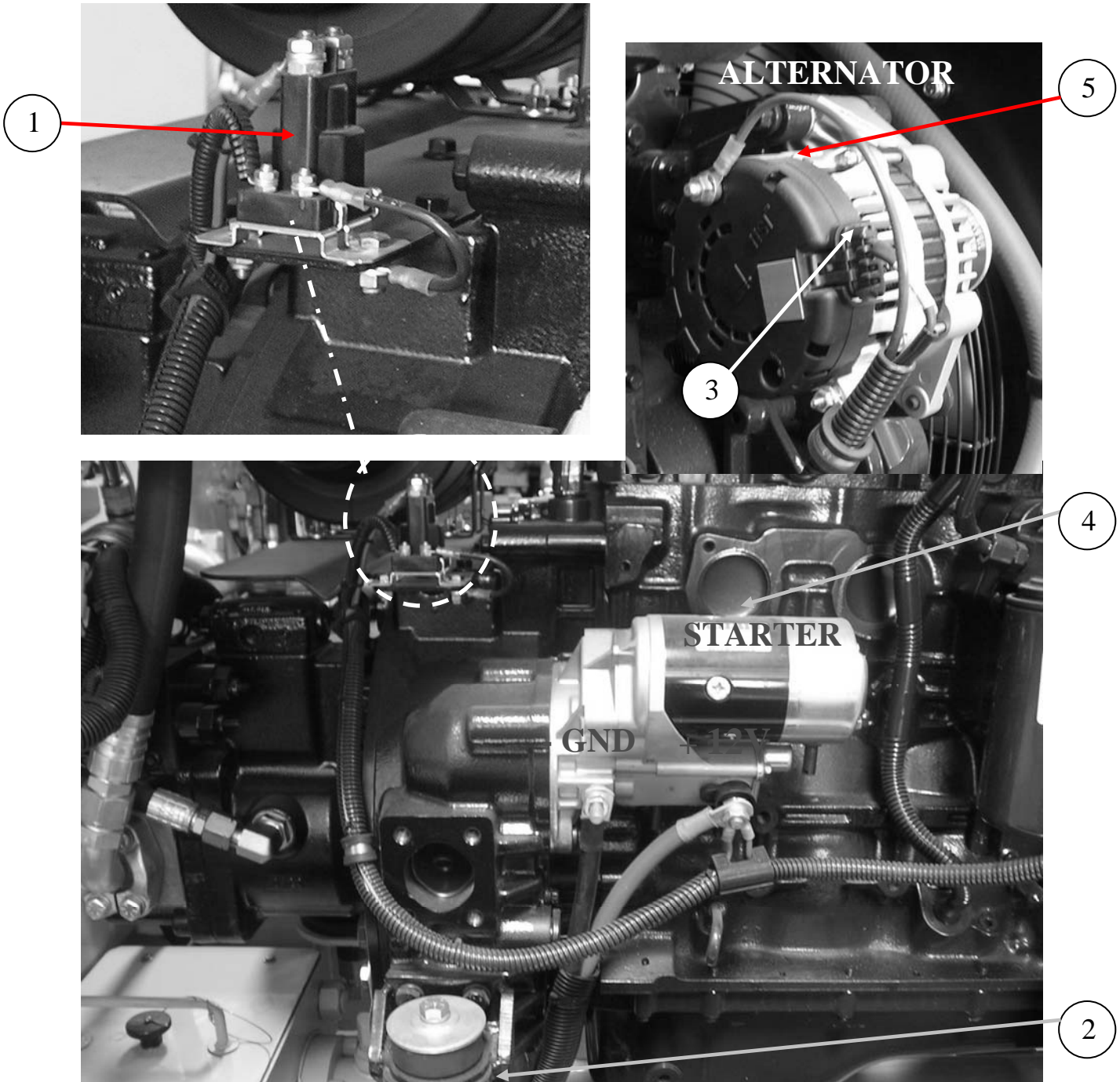
ID #	PART #	PART DESCRIPTION	QUANTITY	
	87930	ELECTRICAL GROUP B SER 2008 CUMMINS	1	EA
1	77075	BATTERY-12V 1000 CCA31	1	EA
2	72945	BATTERY HOLD DOWN	1	EA
3	87221	INSULATOR, RIGHT ELBOW-RED	1	EA
4	87222	INSULATOR, LEFT ELBOW-BLACK	1	EA
5	87223	EXTENDER, TOP TERMINAL BOLT	2	EA
6	87732	CABLE-43" BATTERY-RED 2/0	1	EA
7	87733	CABLE-37" BATTERY-BLACK 2/0	1	EA

## PROXIMITY SWITCHES



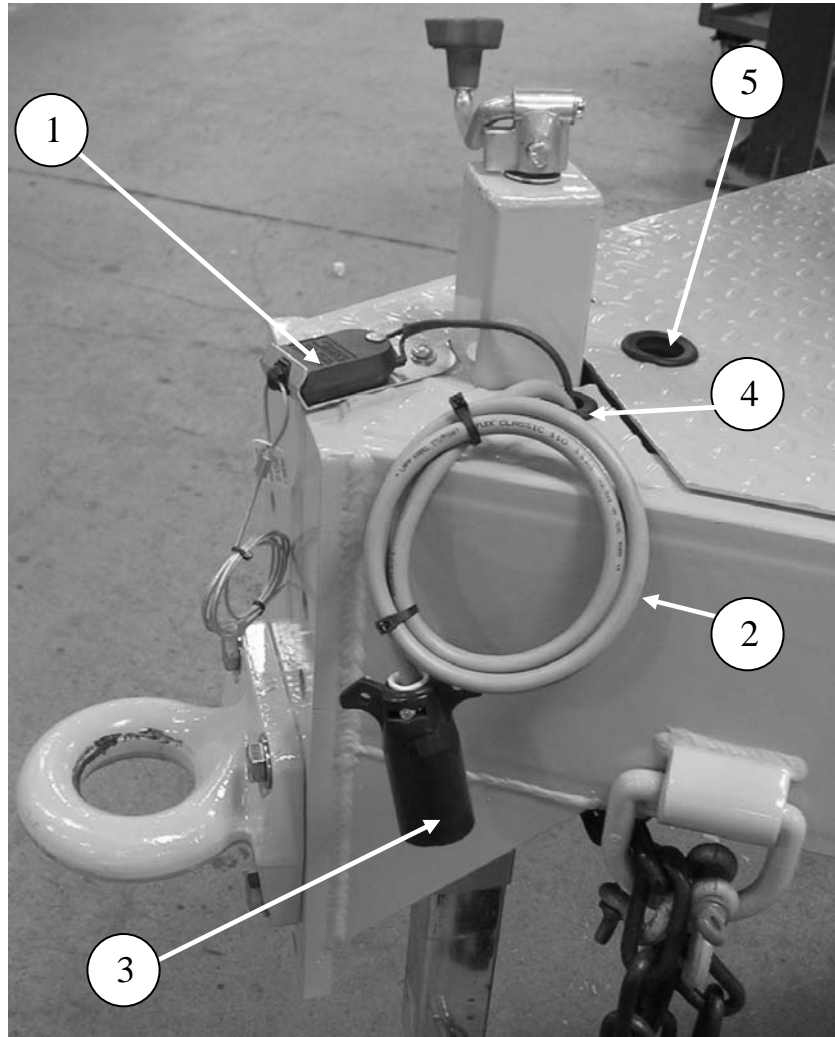
ID #	PART #	PART DESCRIPTION	QUANTITY	
1	77998	PROXIMITY SENSOR NPN FLUSH BOX MOUT	2	EA
2	10522	STRAIN RELIEF	1	EA
3	10528	NUT-1/2" BONDING TYPE LOCK	1	EA
4	77990	CABLE, PROXIMITY SWITCH, 5M	2	EA

## STARTER AND ALTERNATOR



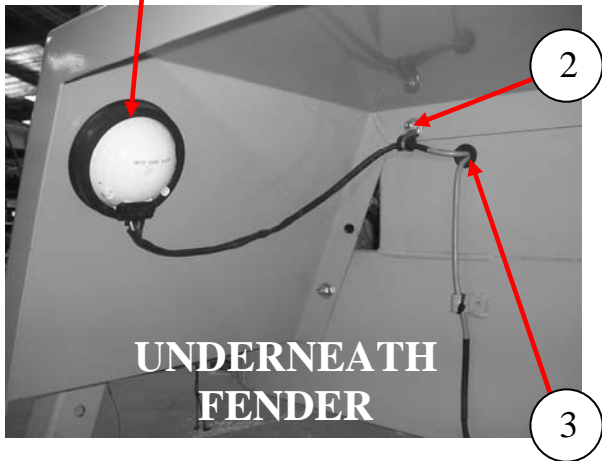
ID #	PART #	PART DESCRIPTION	QUANTITY	
1	87541	RELAY STARTER 12VDC-SELL W/87544	1	EA
2	73269	GROUND STRAP	1	EA
3	87669	PIGTAIL HARNESS, FOR CUMMINS ALTERN	1	EA
4	87725-006	STARTER MOTOR	1	EA
5	87725-007	ALTERNATOR	1	EA



**TRAILER HARNESS AND BREAKAWAY**

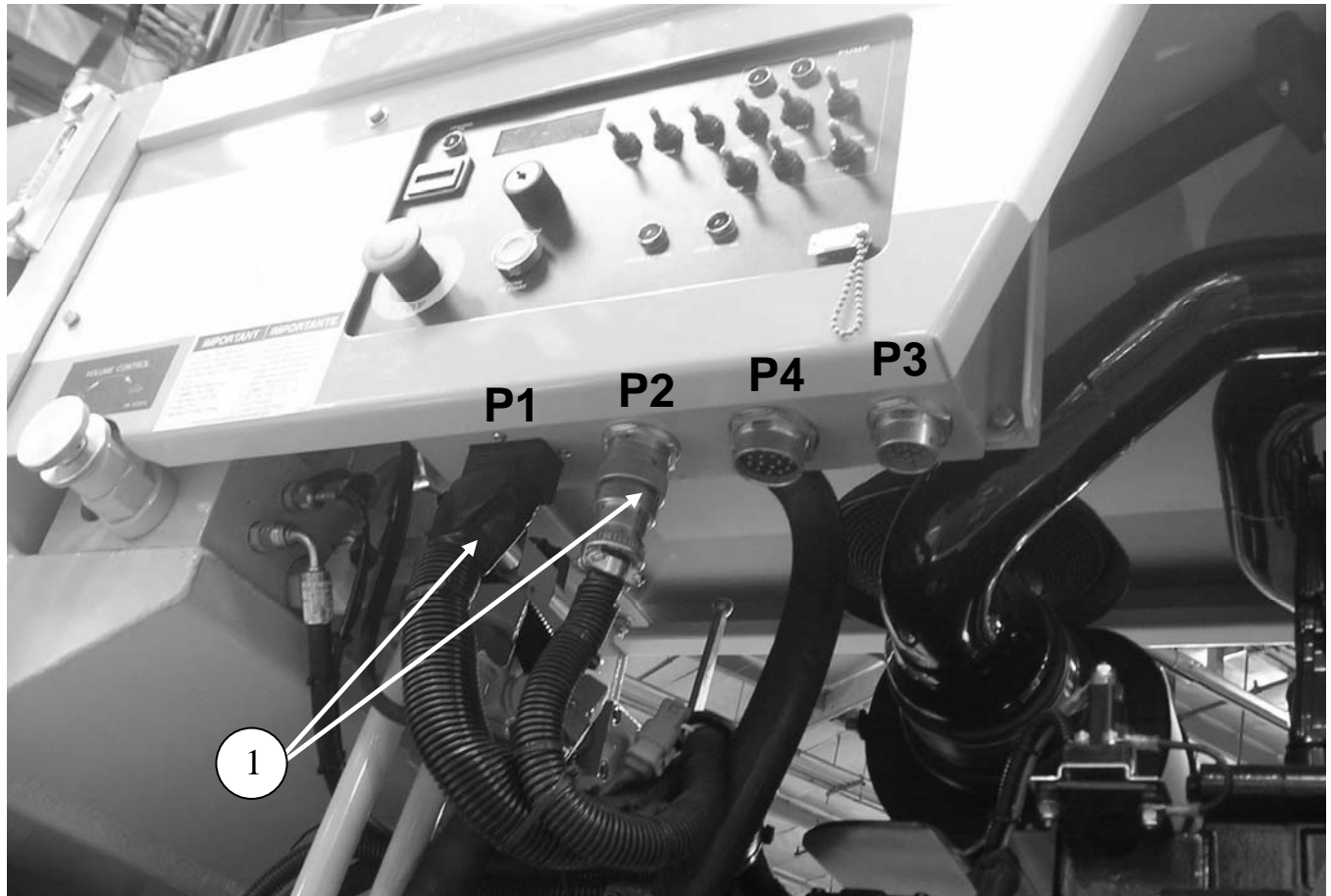
ID #	PART #	PART DESCRIPTION	QUANTITY	
1	77705	BREAK-AWAY KIT	1	EA
2	86533	TRAILER HARNESS- B-SERIES	1	EA
3	86579	TRAILER PLUG 7C FLAT PI	1	EA
4	72949	GROMMET	1	EA
5	72813	GROMMET	1	EA

### TAIL LIGHTS



ID #	PART #	PART DESCRIPTION	QUANTITY	
1	72948	TAIL LIGHT	2	EA
2	87665	LOOM CLAMP 7/8"	2	EA
3	72949	GROMMET	2	EA

## WIRING HARNESS



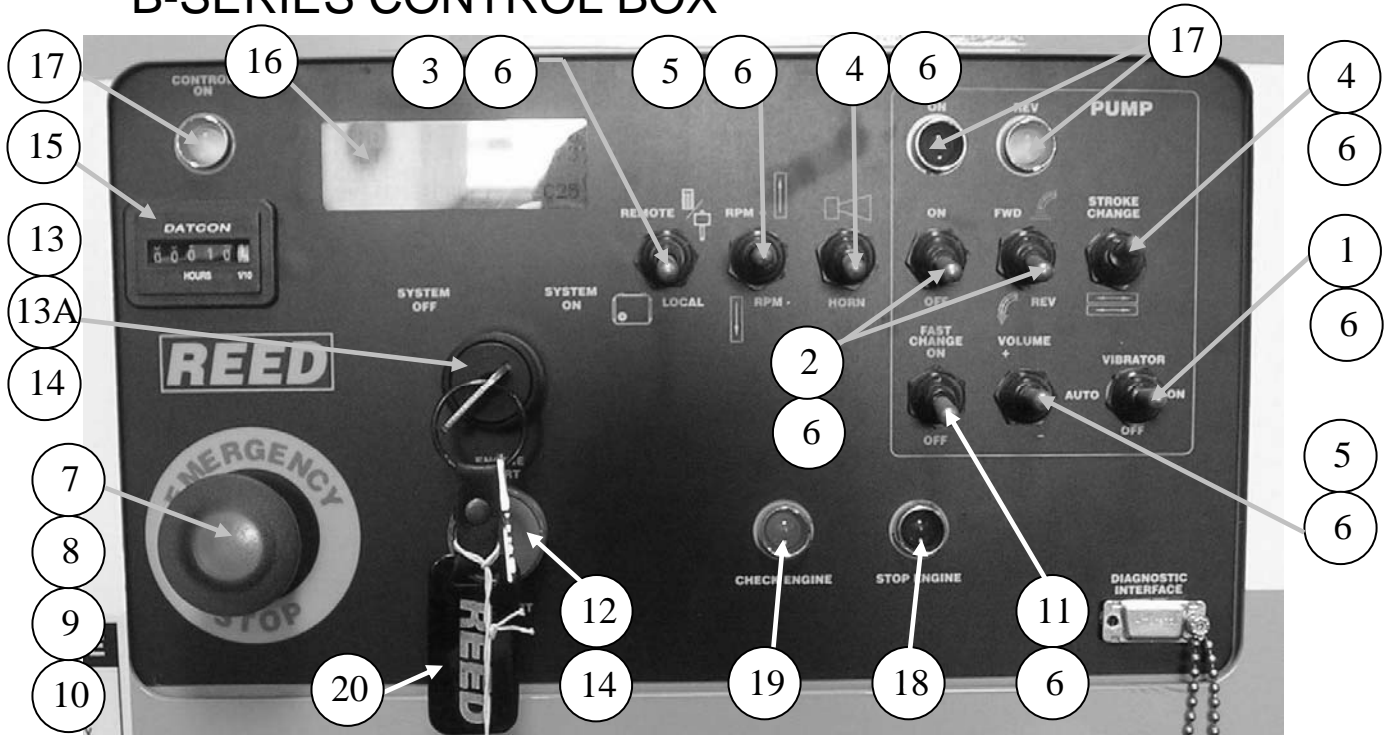
ID #	PART #	PART DESCRIPTION	QUANTITY	
1	87734-1	WIRING HARNESS B SER HOPPER SAFETY	1	EA
	BW10145	PLUG CONNECTOR	1	EA
	BW10146	BOOT, FOR BW10145 PLUG	1	EA
	BW10147	PIN, FOR BW10145 PLUG	24	EA
	87540	CABLE SOLENOID VALVE, WITH DIN PLUG	7	EA
	77990	CABLE, PROXIMITY SWITCH, 5M	3	EA
	10522	STRAIN RELIEF	1	EA
	87456	PLUG CONNECTOR, 8 PIN	1	EA
	87457	PIN, FOR 87456 PLUG	8	EA
	85615	CABLE, 14AWG-2C, PVC-GRY	15.5	FT
	85617	CABLE, 14AWG-4C, PVC-GRY	8.75	FT
	77640	DIODE, 1N4003	1	EA
	BW10324	WIRE, #8 SRML BLACK	8.75	FT
	85619	CABLE, 16AWG-4C, PVC-GRY	8	FT
	87669	PIGTAIL HARNESS, FOR CUMMINS ALTERN	1	EA



# B20HPV09 PARTS

**REED**  
13822 Oaks Avenue  
Chino, CA 91710  
reedpumps.com  
909-287-2100

## CONTROLS B-SERIES CONTROL BOX



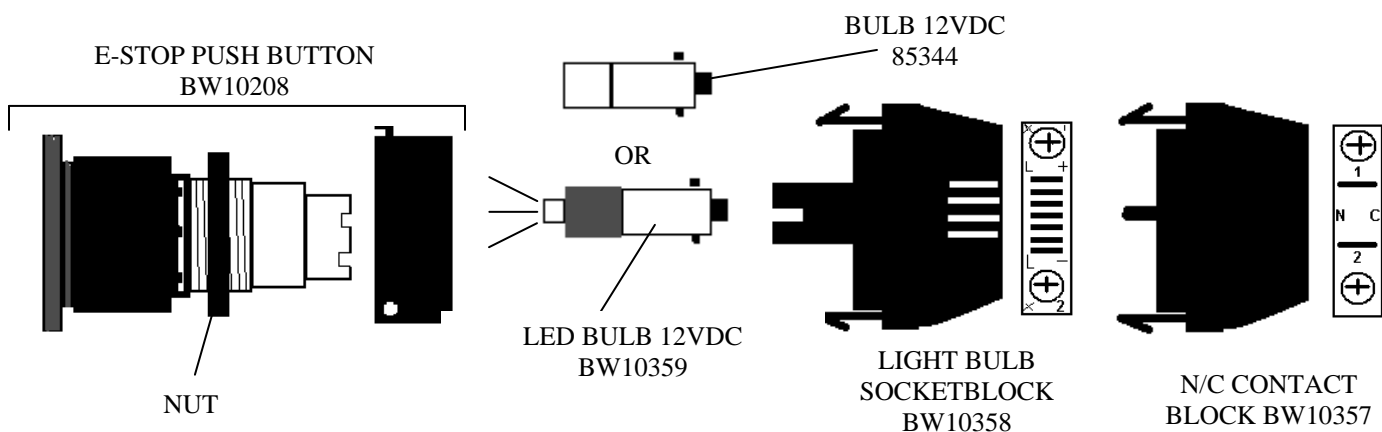
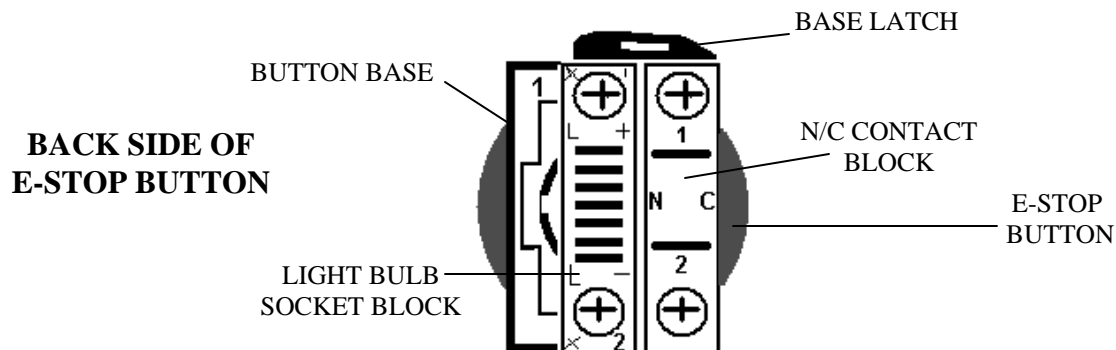
ID #	PART #	PART DESCRIPTION	QUANTITY	
	87346-2	CONTROL BOX, REV-F	1	EA
1	BW10372	SW,TOGGLE, (ON-OFF-ON) VIBRATOR	1	EA
2	BW10207	SW,TOGGLE, (ON-OFF) PUMP ON/OFF & FWD/REV	2	EA
3	BW10223	SW,TOGGLE, (ON-ON) LOCAL/REMOTE	1	EA
4	BW10206	SW,TOGGLE,(ON-OFF) STROKE CHANGE& HORN	2	EA
5	BW10205	SW,TOGGLE,(ON-OFF-ON) RPM+/- & VOLUME+/-	2	EA
6	BW10361	SW, SEALING BOOT	9	EA
7	BW10208	MUSHROOM HEAD MAINTAINED BUTT.	1	EA
8	BW10209	E-STOP LIGHT(POWER SUPPY)	1	EA
9	BW10210	NC CONTACT BLOCK	1	EA
10	BW10211	LGT, WL-41047MINI RED 15	1	EA
11	87952	SW, (FAST CHANGE)	1	EA
12	BW10355	SW, PB GRN FLUSH (ENG START)	1	EA
13	BW10354	SW, KEYSWITCH BLK	1	EA
13A	BW10204-1	KEY ONLY	2	EA
14	88017	SW, CONTACT BLOCK N.O. (SYS ON) – (OR USE (BW10360)	3	EA
15	BW10212	MINI HOURMETER	1	EA
16	87346-LCD	DISPLAY,LCD 20CX4L W/BACKLIT	1	EA
17	BW10369	LED, PILOT LIGHT, (GRN)	3	EA
18	BW10370	LED, PILOT LIGHT, (RED)	1	EA
19	BW10371	LED, PILOT LIGHT, (AMBER)	1	EA
20	72862	GAUGE FOR PROX.SENSOR SETTING	1	EA



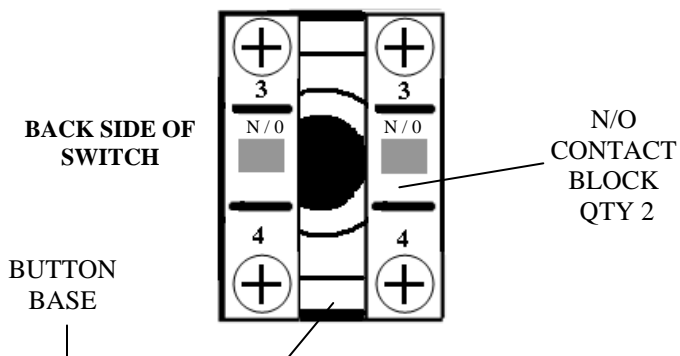
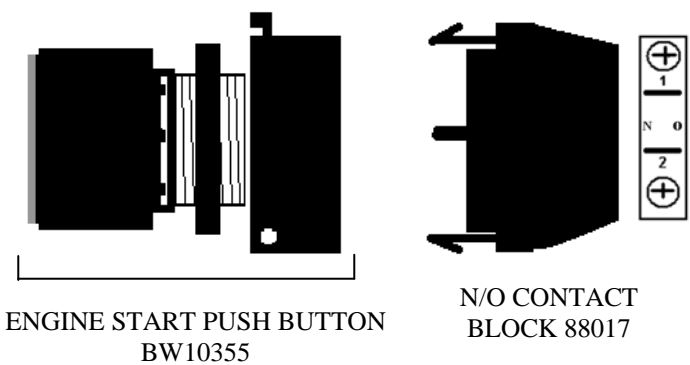
# B20HPV09 PARTS

**REED**  
13822 Oaks Avenue  
Chino, CA 91710  
reedpumps.com  
909-287-2100

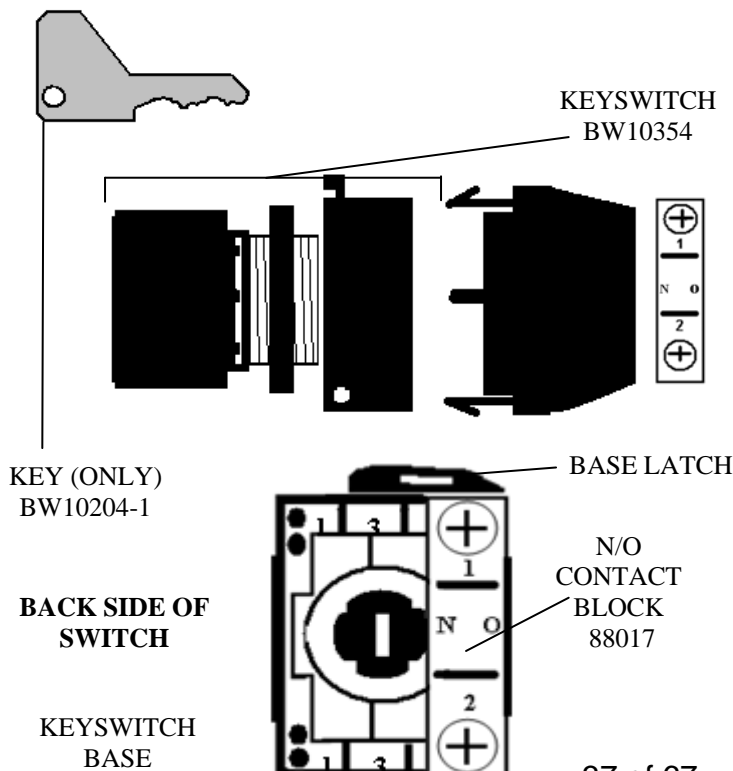
## CONTACT BLOCKS



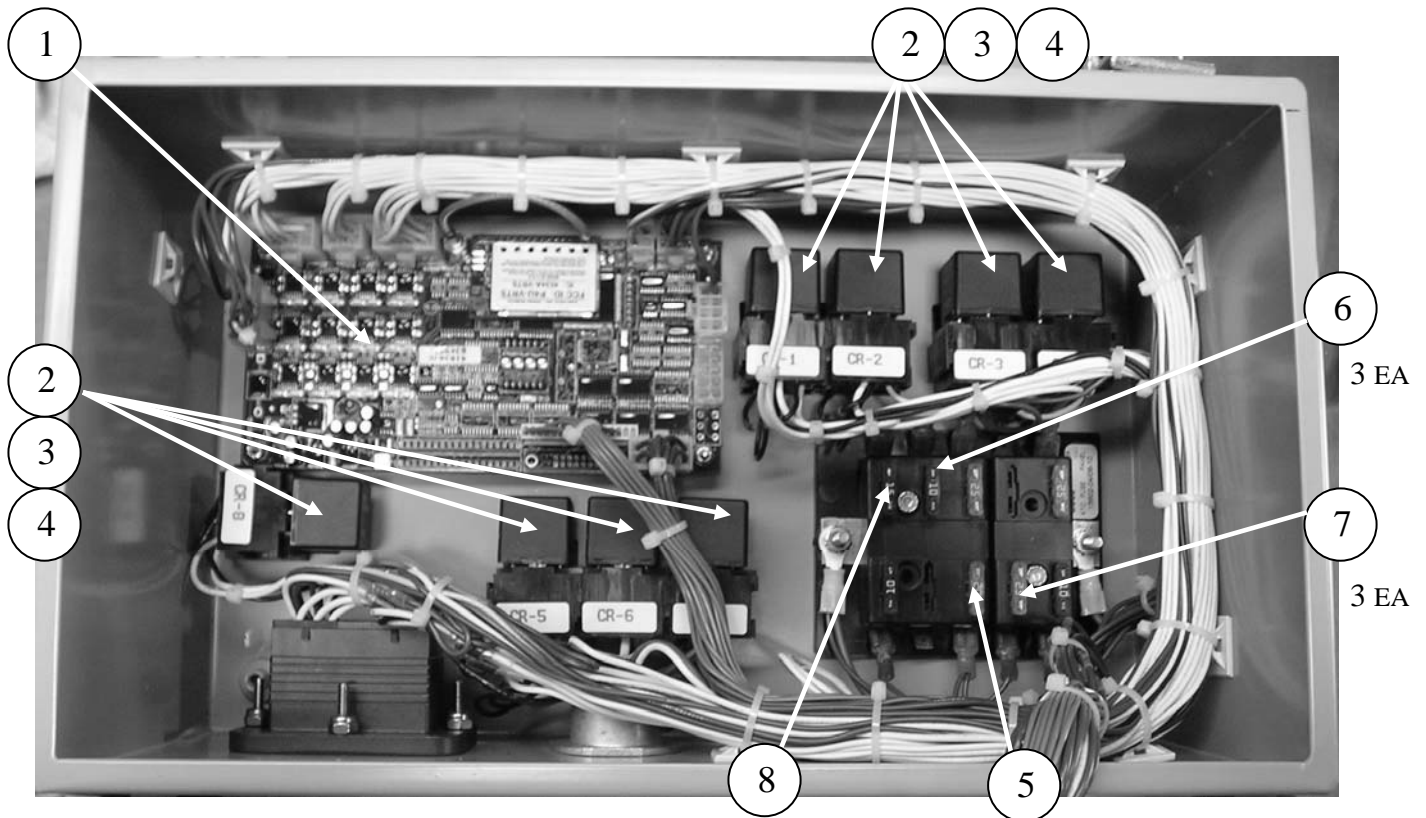
## ENGINE START BUTTON ASSEMBLY



## SYSTEM ON BUTTON ASSEMBLY



## RELAYS AND FUSES



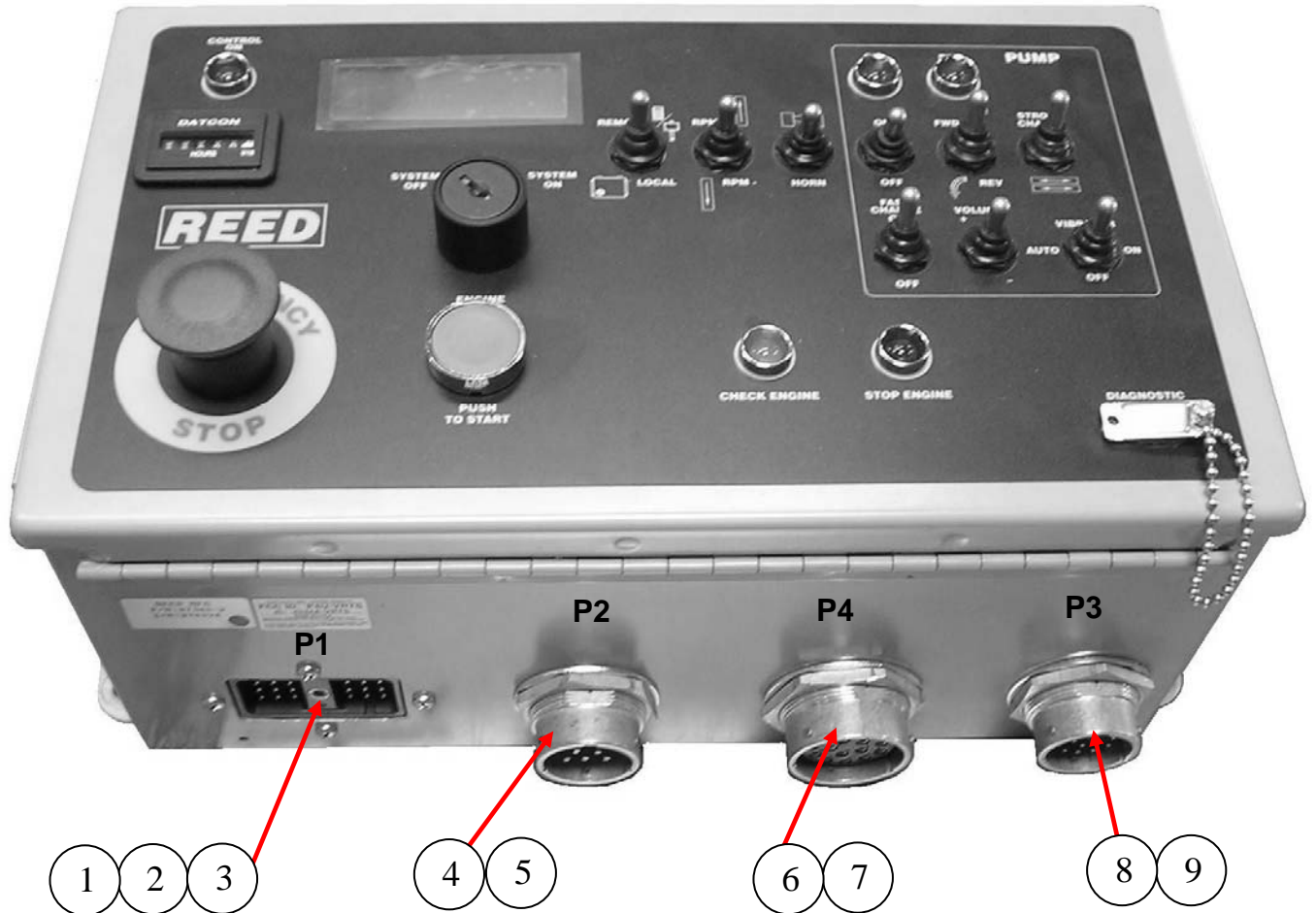
ID #	PART #	PART DESCRIPTION	QUANTITY	
1	87346-BOARD	CONTROL BOARD	1	EA
2	87970	RELAY, DIODE SUPRESSED	8	EA
3	72927	RELAY, PINS	32	EA
4	BW10224	SOCKET,RELAY	8	EA
5	800448	FUSE, 20A ATO	1	EA
6	800449	FUSE, 10A ATO	3	EA
7	800447	FUSE, 25A ATO	3	EA
8	90391	FUSE, 15A ATO	1	EA



# B20HPV09 PARTS

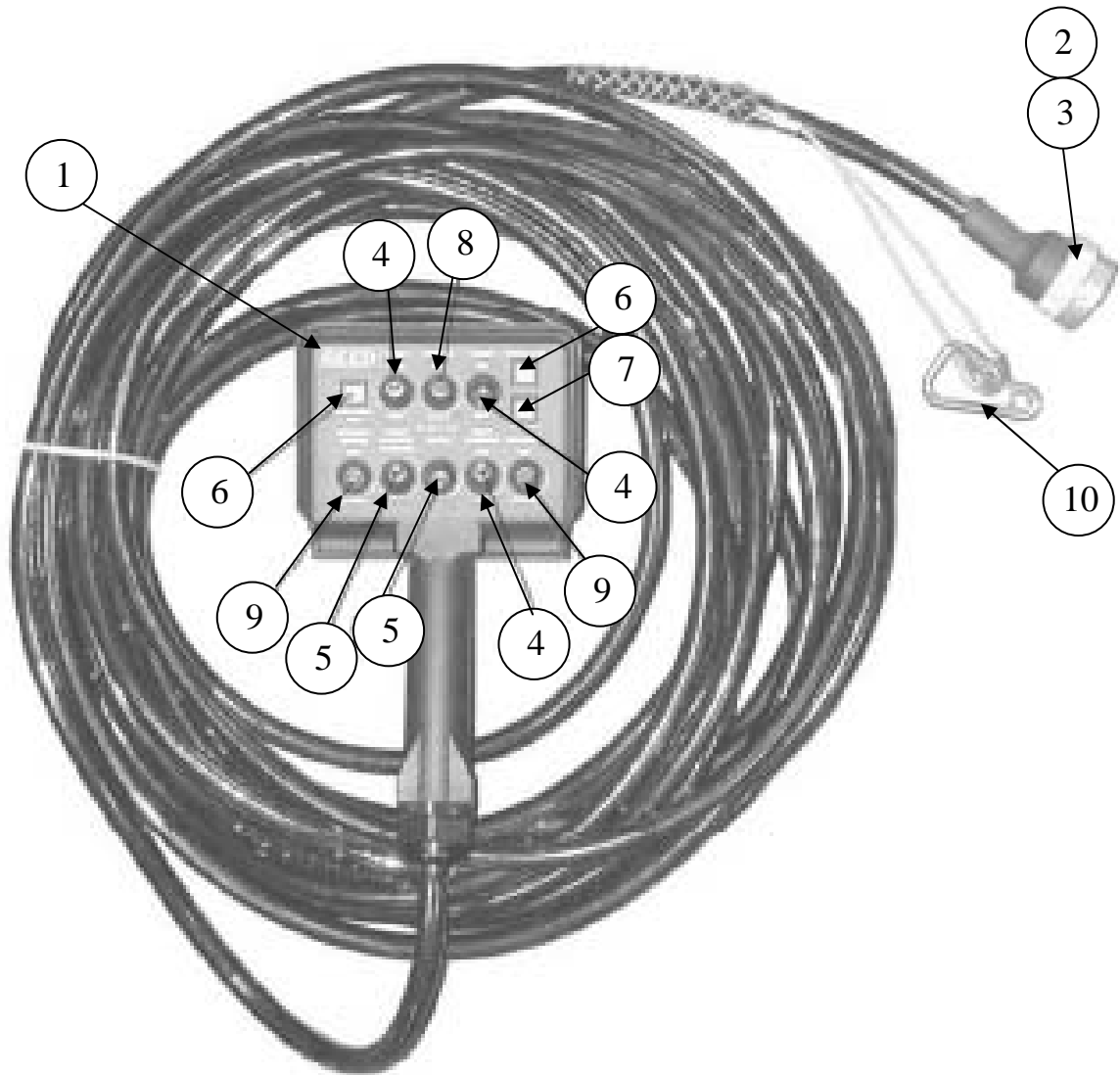
**REED**  
13822 Oaks Avenue  
Chino, CA 91710  
reedpumps.com  
909-287-2100

## CONNECTORS



ID #	PART #	PART DESCRIPTION	QUANTITY	
1	BW10217	CONN,DRC12-24PA ( <b>P1</b> )	1	EA
2	BW10220	CONN,DRC24-GASKET	1	EA
3	BW10221	CONN, DEUTSCH PINS	24	EA
4		CONN,HD34-18-08PN ( <b>P2</b> )	1	EA
5	87807	DEUTSCH PINS, MALE	8	EA
6	87806	CONN, 10-11-2163, 16 PIN ( <b>P4</b> )	1	EA
7	87808	PINS, FEMALE	16	EA
8		CONN,HD34-18-14PN ( <b>P3</b> )	1	EA
9	BW10221	CONN, DEUTSCH PINS	14	EA

## 50 FT CABLE REMOTE



ID #	PART #	PART DESCRIPTION	QUANTITY	
1	87347-1	REMOTE CONTROL, 87346 REV-D & UP	1	EA
2	87915	CONNECTOR, 87347-1 CABLE REMOTE	1	EA
3	BW10147	PINS (FEMALE)	14	EA
4	BW10207	SW,TOGGLE, (ON-OFF) PUMP ON/OFF & FWD/REV	3	EA
5	BW10206	SW,TOGGLE,(ON-OFF) HORN & STROKE CHANGE	2	EA
6	88170	LED, CONTROL ON (GREEN)	2	EA
7	88171	LED, CONTROL ON (RED)	1	EA
8	BW10223	SW, (ON-ON) FAST CHANGE	1	EA
9	BW10205	SW,TOGGLE,(ON-OFF-ON) RPM+/- & VOLUME+/-	2	EA
10	87875	SPRING SNAP	1	EA
REF	BW10361	SWITCH, SEALING BOOT	8	EA

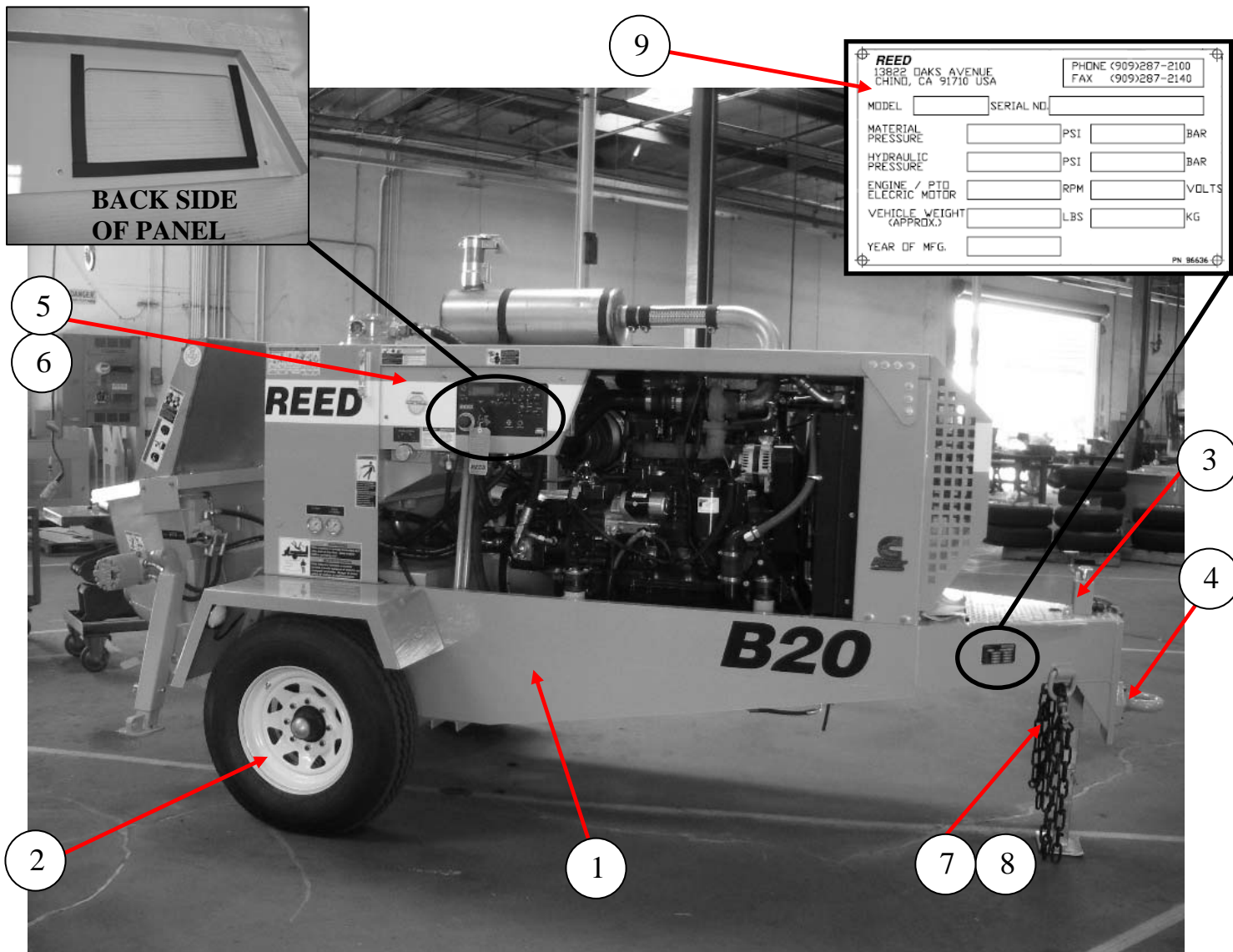




# B20HPV09 PARTS

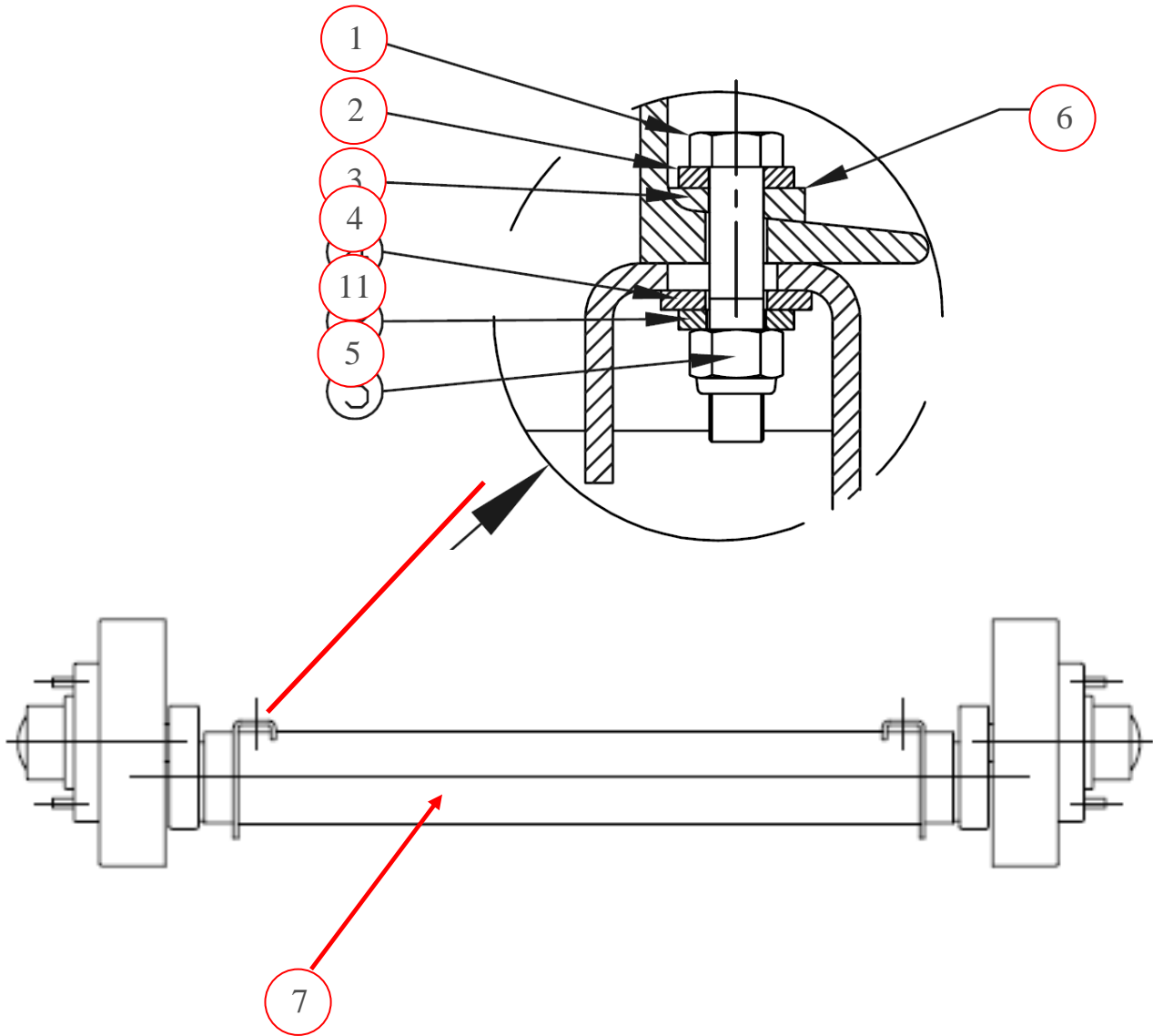
**REED**  
13822 Oaks Avenue  
Chino, CA 91710  
reedpumps.com  
909-287-2100

## FRAME INSTALLATION FRAME, TIRES, JACK, AND TOW EYE



ID #	PART #	PART DESCRIPTION	QUANTITY	
	87729	FRAME ASSY B SER, 2007 W/CUMMINS	1	EA
1	87728	FRAME WELDMENT B SER 2007 CUMMINS	1	EA
2	85423	TIRE & WHEEL ASSY -215/75R16.5 H	2	EA
3	85527	JACK WELDMENT	1	EA
4	87037	DRAW BAR	1	EA
5	87449	COVER CONTROL BOX, PAINTED	1	EA
6	13257	WEATHERSTRIP, RUBBER, 5/32 X 1	30	IN
7	86730	CHAIN-3/8 PROOF COIL GR 70 PHOSPATE	5.5	FT
8	87085	SHACKLE ANCHOR, SCREW PIN, 1/2 6600	4	EA
9	86636	SERIAL NUMBER PLATE (BLANK)	1	EA

## 7000LB AXLE MOUNTING ASSEMBLY



ID #	PART #	PART DESCRIPTION	QUANTITY	
	87542	AXLE MOUNTING HARDWARE KIT	1	EA
1		½" -16 X 2.5 HHCS GR8	4	EA
2		½" SAE WASHER	8	EA
3		½" USE WASHER	4	EA
4		½" SAE WASHER	4	EA
5	80075	½" - 13 LOCK NUT	4	EA
6		½" BEVELED WASHER	4	EA
7	85424	AXLE, TORSION, 7000 LB 8 on 6.50 (AL-KO)	1	EA

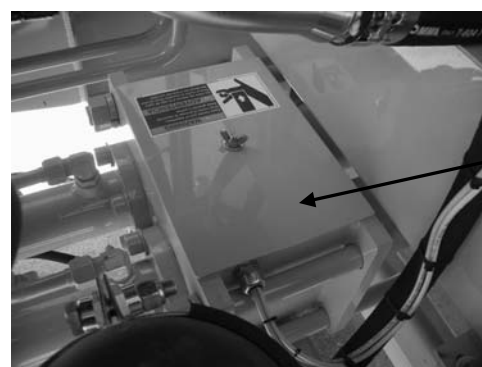
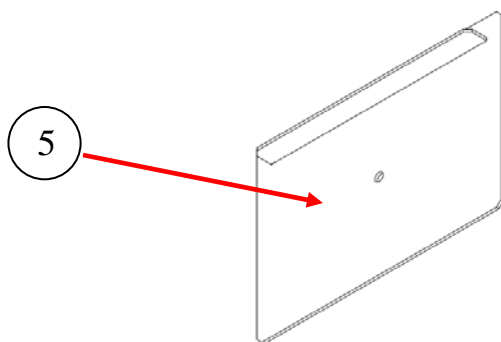


# B20HPV09

## PARTS

**REED**  
 13822 Oaks Avenue  
 Chino, CA 91710  
 reedpumps.com  
 909-287-2100

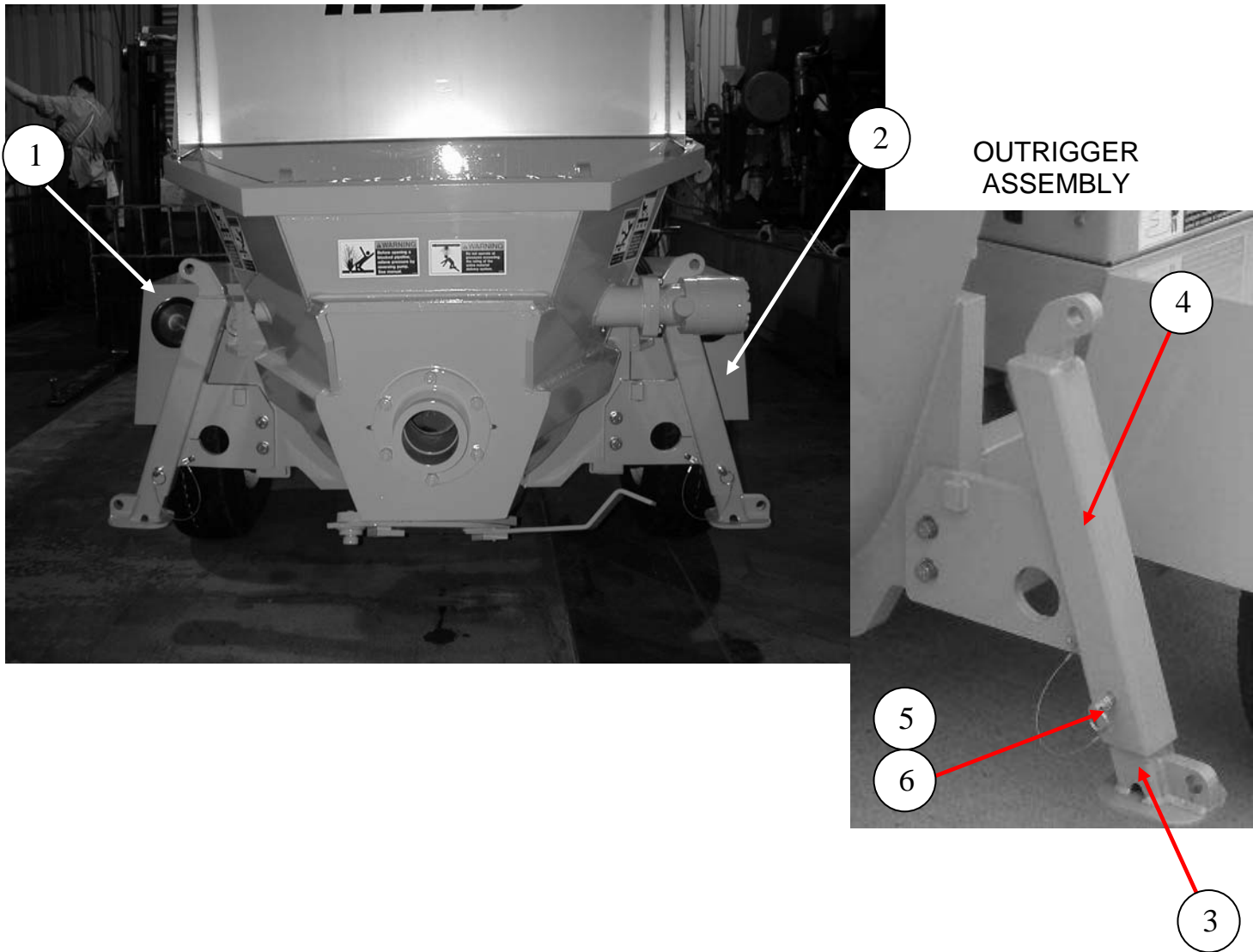
### HOOD AND COVERS



**FLUSH  
BOX**

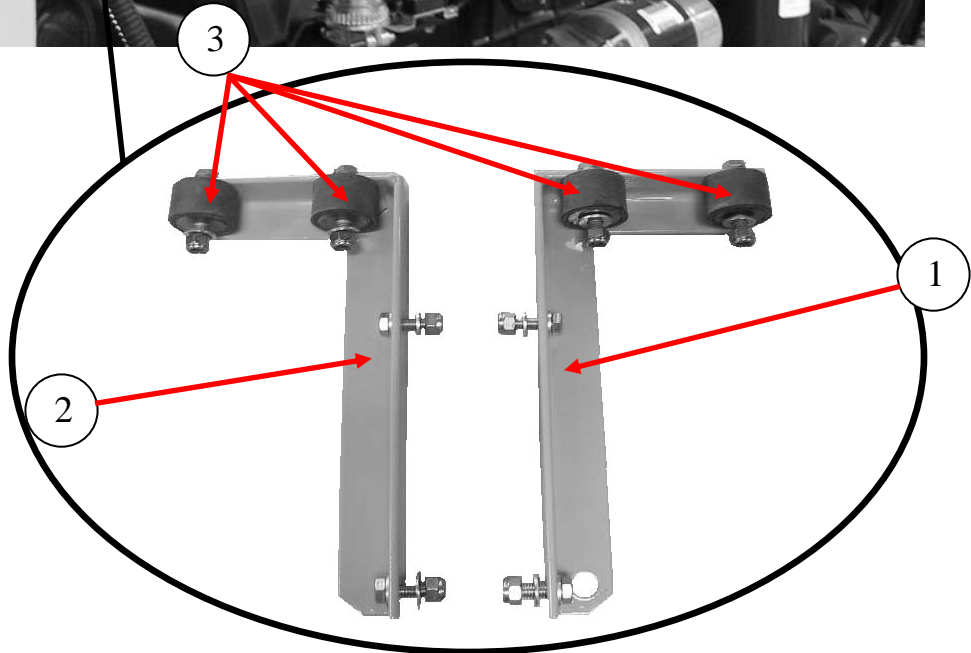
ID #	PART #	PART DESCRIPTION	QUANTITY	
1	87737	COVER TOP, B SER CUMMINS PAINTED	1	EA
2	87681	COVER FRONT WELD, B SER CUM PAINTED	1	EA
3	87647	GUSSET ENGINE COVER PAINTED	2	EA
4	85714-1	SPLASH GUARD, B-20 W/ HOPPER SAFETY GRATE	1	EA
5	88187	LID, FLUSHBOX	1	EA

## FENDERS AND OUTRIGGERS



ID #	PART #	PART DESCRIPTION	QUANTITY	
1	85392	FENDER, RH, B SERIES PAINTED	1	EA
2	85393	FENDER, LH, B SERIES PAINTED	1	EA
3	86553	OUTRIGGER WELDMNT, INNER-PAINTED	2	EA
4	86550	OUTERTUBE, PAINTED	2	EA
5	85595	PIN, Q/R, 5/8 DIA X 3 1/2 L	2	EA
6	800418	LANYARD, Q/R PIN	2	EA

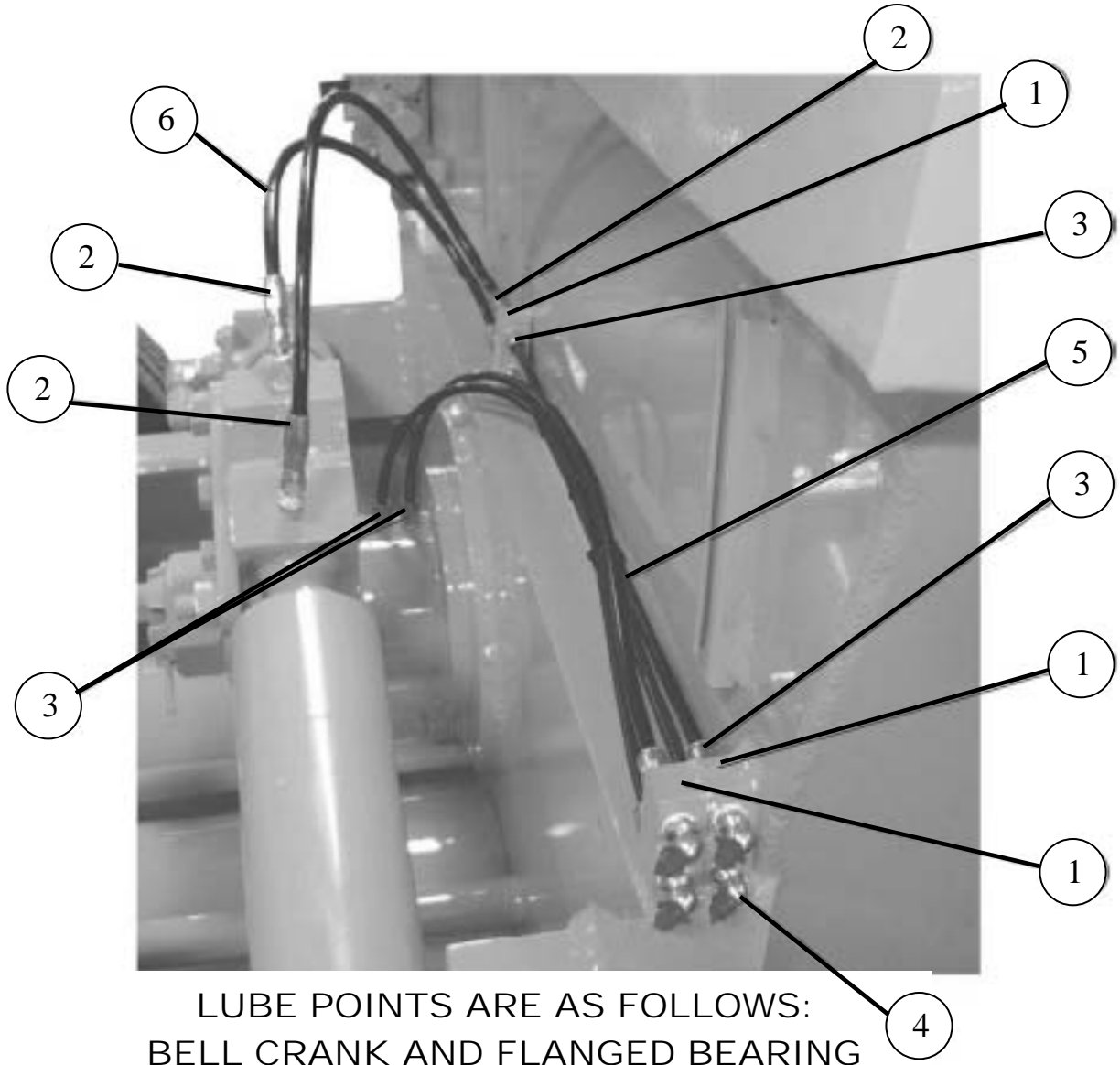
## CONTROL BOX MOUNT



ID #	PART #	PART DESCRIPTION	QUANTITY	
1	87397	ANGLE CONTROL BOX MOUNT RH	1	EA
2	87398	ANGLE CONTROL BOX MOUNT LH	1	EA
3	73748	BUMPER	4	EA
4	800347	HORN, 12V	1	EA

## OPTIONS

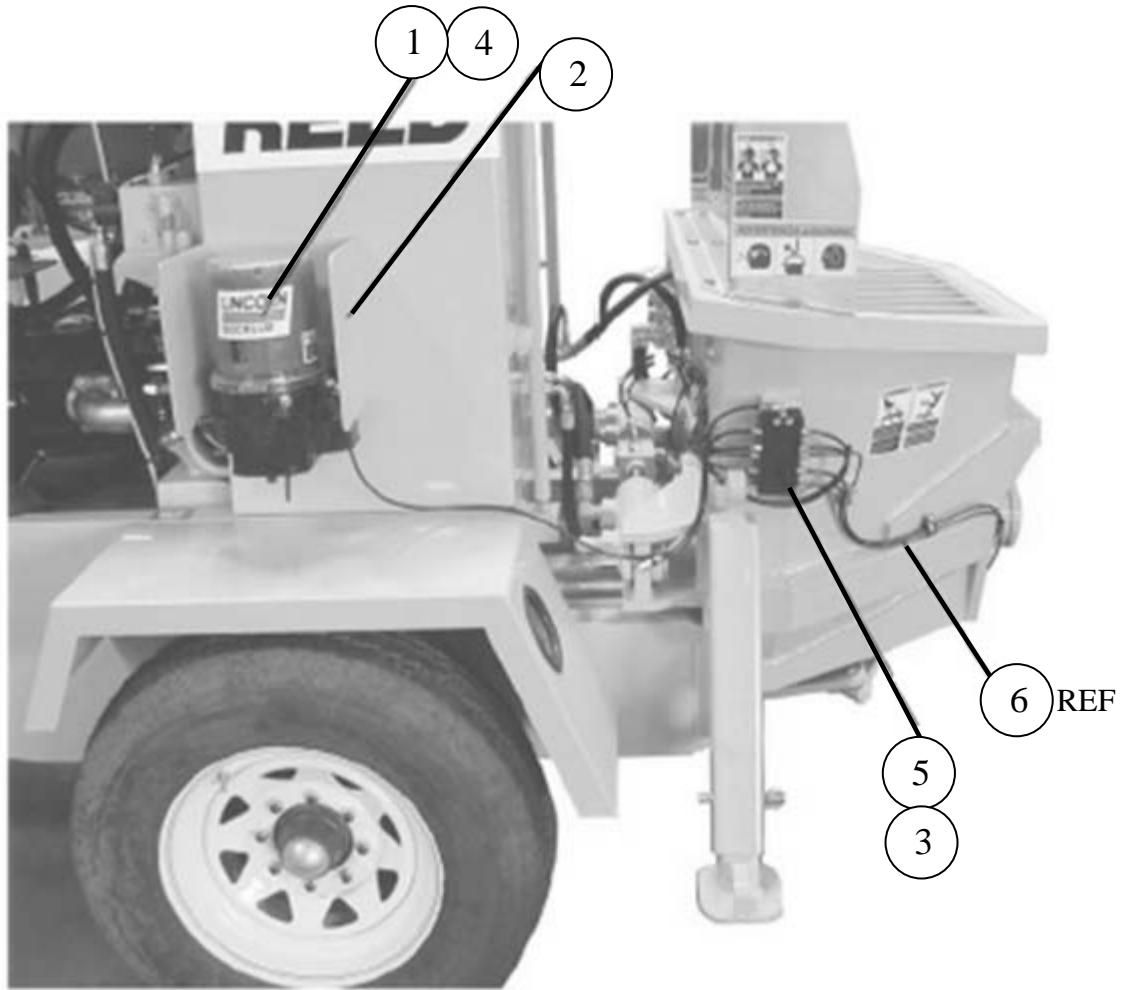
### LUBE BLOCK



ID #	PART #	PART DESCRIPTION	QUANTITY	
	87539	ASSEMBLY, CENTRALIZED LUBE BLOCK	1	EA
1	87437	BLOCK	3	EA
2	87628	HOSE, COUPLING	4	EA
3	87629	FITTING, HOSE	8	EA
4		FITTING, GREASE	4	EA
5		HOSE, PLASTIC- 1/4 " O.D. TUBING	A/R	
6		HOSE, PLASTIC 5/16" O.D. TUBING	A/R	

## OPTIONS

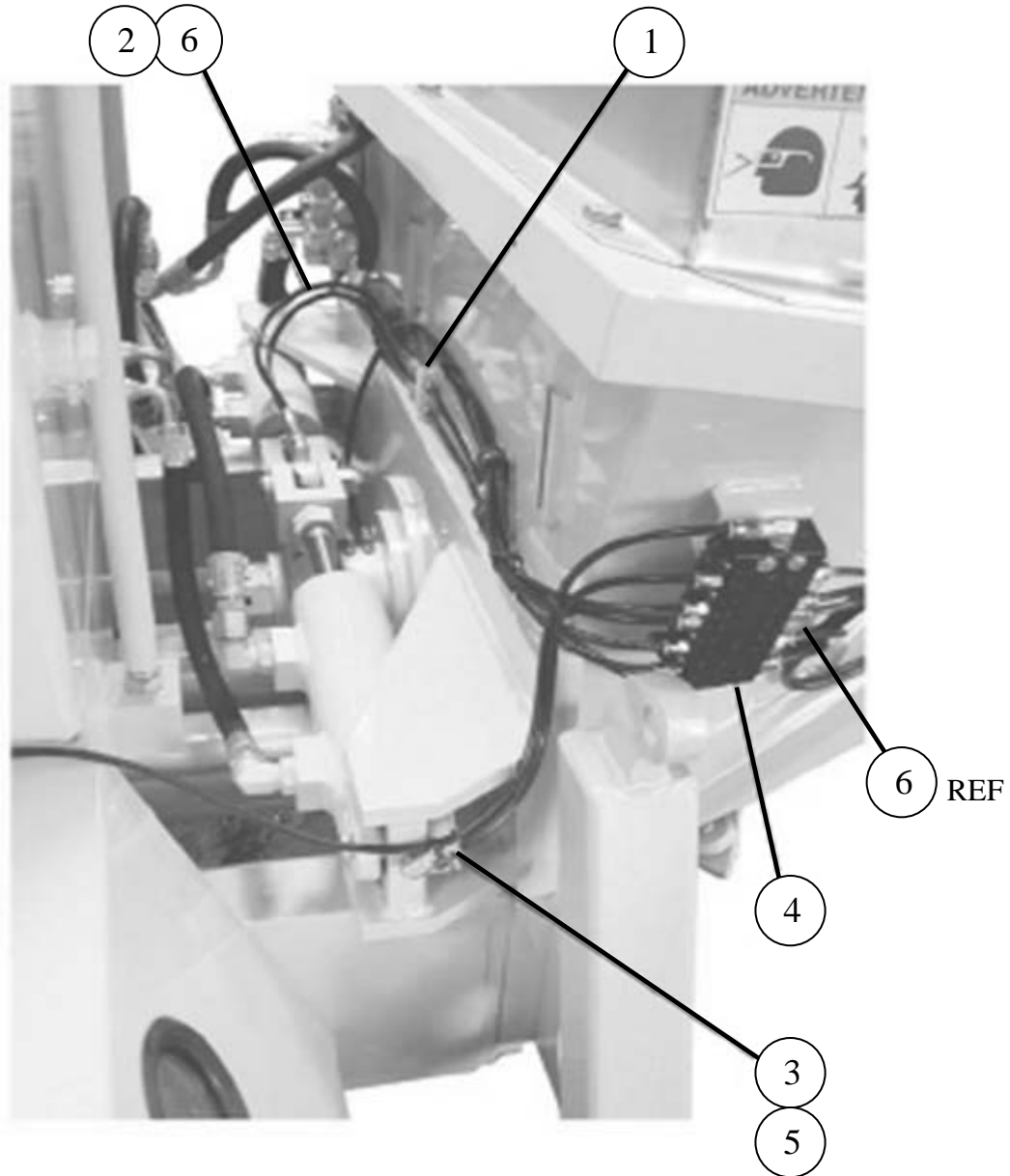
### AUTOLUBE PUMP (PLASTIC TUBING)



ID #	PART #	PART DESCRIPTION	QUANTITY	
	87476	ASSEMBLY, AUTO LUBE 12V PLASTIC TUBE	1	EA
1	87193	LUBE PUMP ASSY (PLACTIC TUBING)	1	EA
2	87257	GUARD	1	EA
3	87475	BRACKET, LUBE BLOCK MOUNT	1	EA
4		VALVE, PRESSURE RELIEF	1	EA
5		BLOCK, DIVIDER VALVE -18 OUTLET	1	EA
6		HOSE, PLASTIC- 1/4" O.D.	A/R	
7		HOSE, PLASTIC-5/16" O.D.	A/R	

## OPTIONS

### AUTOLUBE PUMP (PLASTIC TUBING) CONTINUED

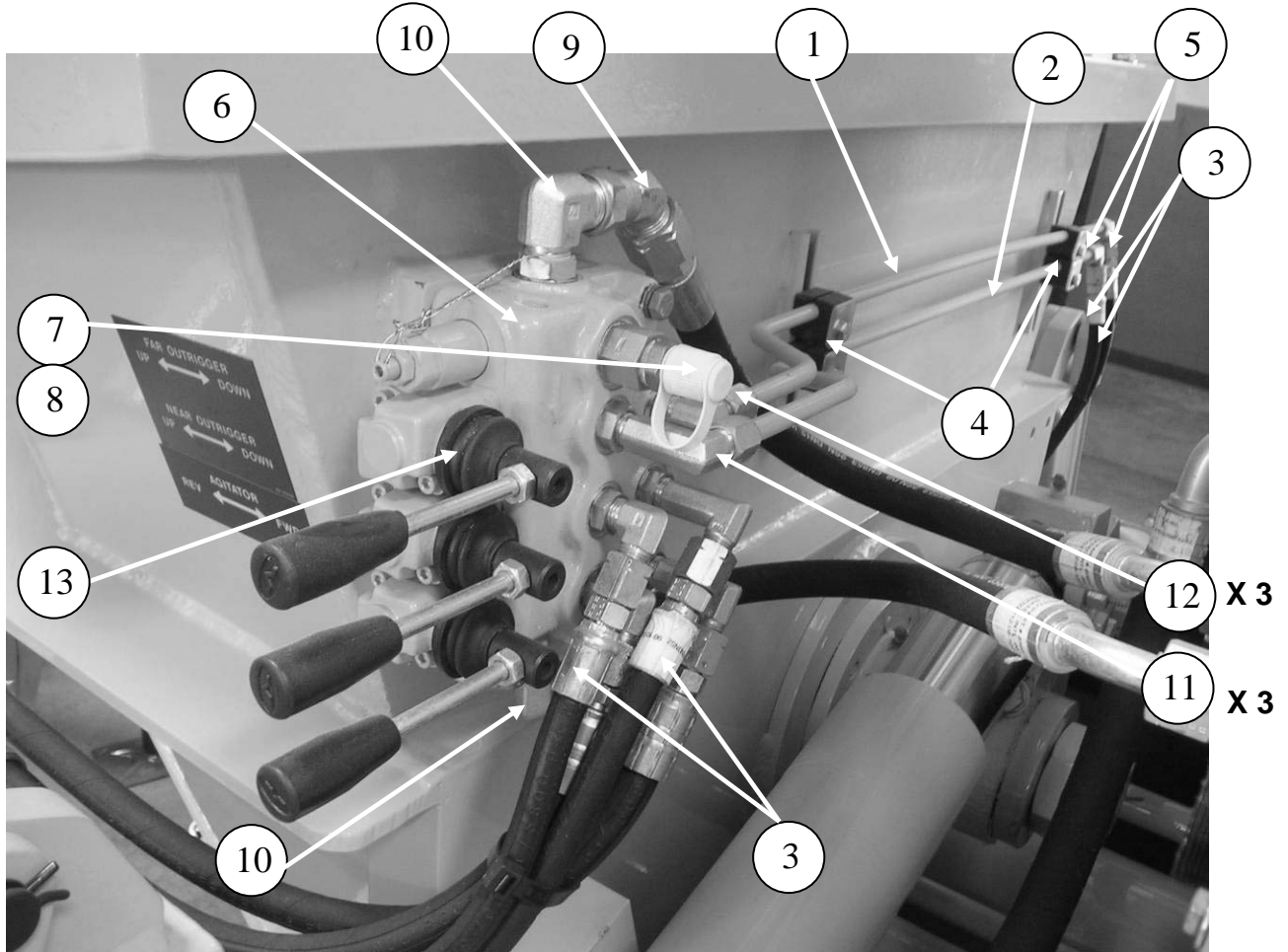


ID #	PART #	PART DESCRIPTION	QUANTITY	
1	87437	BLOCK	1	EA
2	87628	HOSE COUPLING	4	EA
3	87629	FITTING, HOSE	22	EA
4		BLOCK, DIVIDER VALVE -18 OUTLET	REF	EA
5		HOSE, PLASTIC- 1/4" O.D.	A/R	
6		HOSE, PLASTIC-5/16" O.D.	A/R	



## OPTIONS

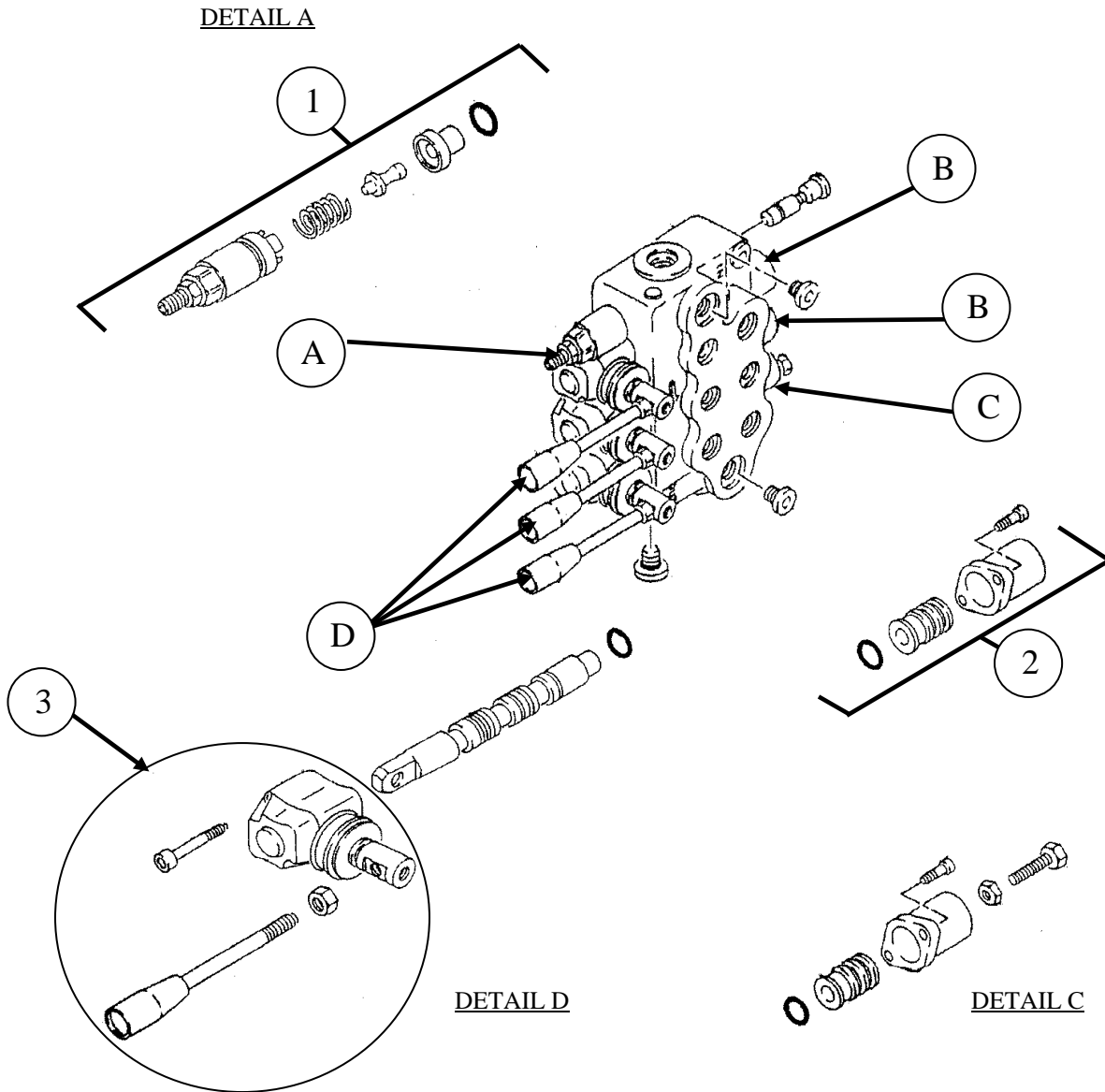
### HYDRAULIC OUTRIGGER GROUP



ID #	PART #	PART DESCRIPTION	QUANTITY	
	86334	HYD OUTRIGGER GROUP	REF	
1	85685	TUBE, HYD, OUTRIGGER - PAINTED	1	EA
2	85686	TUBE, HYD, OUTRIGGER - PAINTED	1	EA
3	85659-010	HOSE, 4M2T-6FJX-6FJX-33.00	4	EA
4	801902-020	TUBE CLAMP - 3/8 IN - HALF	4	EA
5		MJ-MJ90-6-6	2	EA
6	74471	VALVE, MAUNAL-3 SPOOL	1	EA
7	800083	FITTING, MINI CHECK (PORT)	1	EA
8	86750	ADAPTER, MB-FB-8-6	1	EA
9	86749	FITTING, MJ-FJX45-10-10	1	EA
10	86746	FITTING, 90° MB-MJ-90-8-10	2	EA
11	86748	FITTING, 90° MB-MJ90-6-6	3	EA
	86747	FITTING, 90° MB-MJ90LL-6-6	3	EA
13	74471-B	BOOT, COVER	3	EA

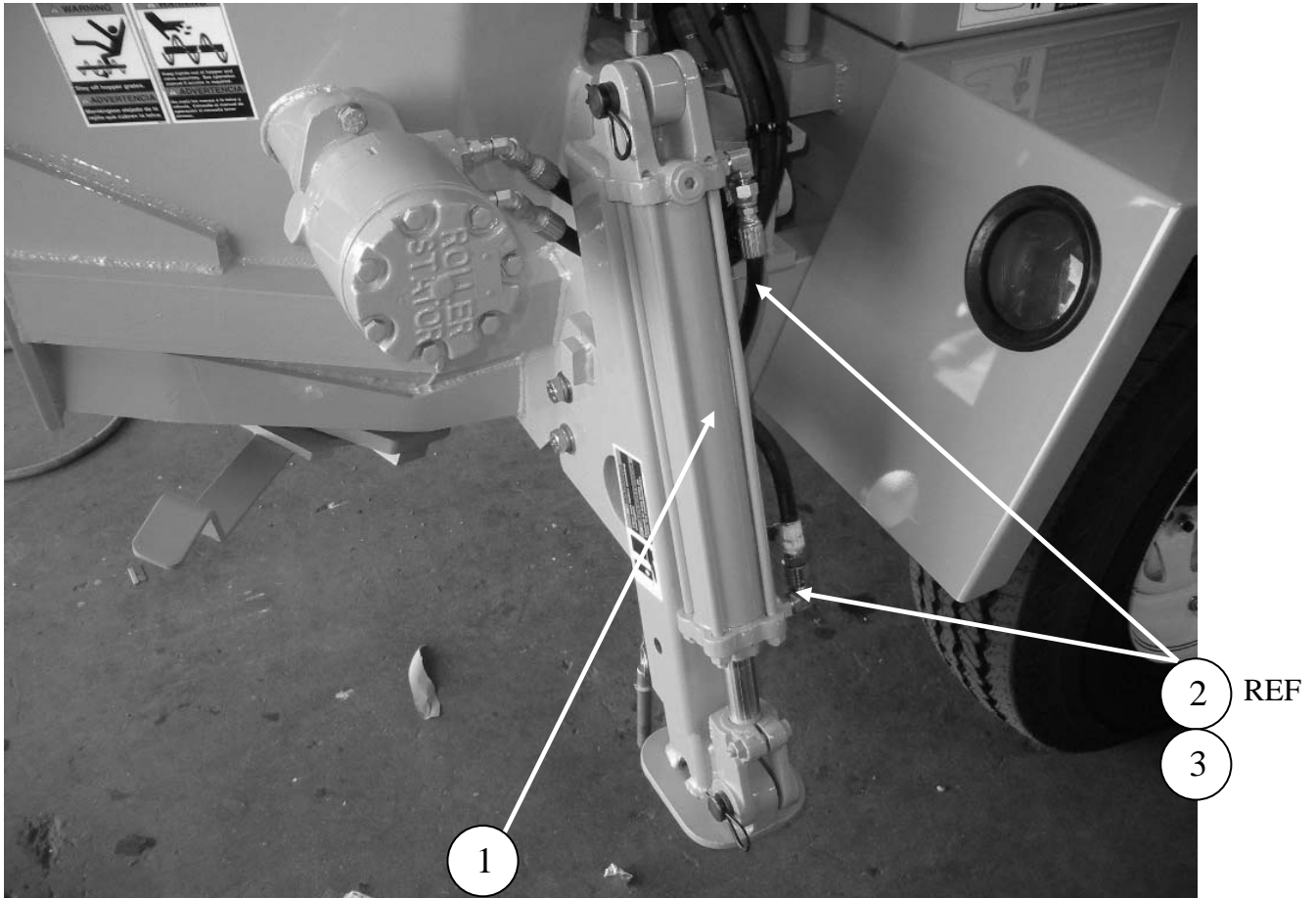
## OPTIONS

### 3 SPOOL CONTROL VALVE



ID #	PART #	PART DESCRIPTION	QUANTITY	
1	85706	RELIEF, CARTRIDGE	1	EA
2	74469	DETENT KIT, #11 WALVOIL VALVE	A/R	EA
3	74471-020	VALVE ACTUATOR FOR 74471, 74585, 74584 VALVES	A/R	EA

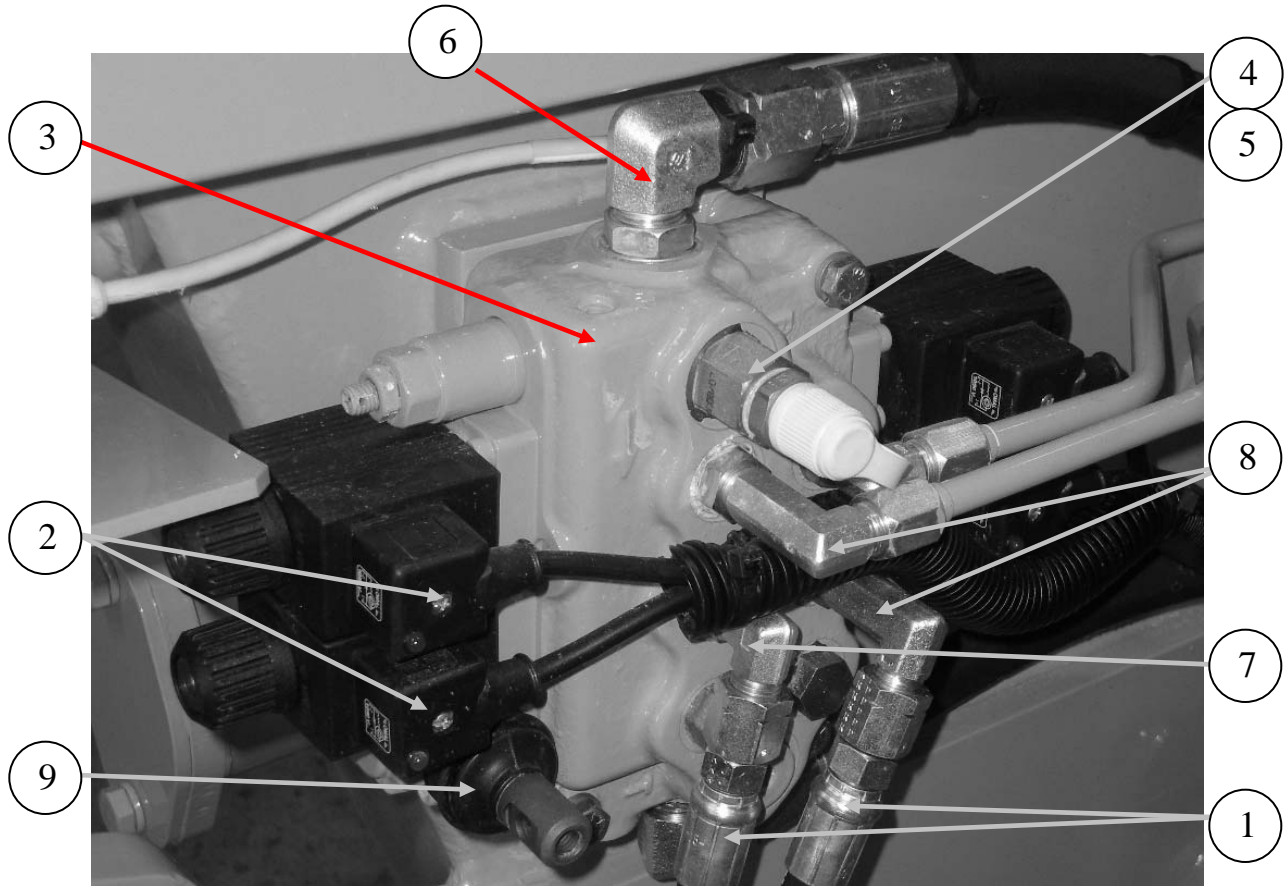
## OPTION HYDRAULIC OUTRIGGER ASSEMBLY



ID #	PART #	PART DESCRIPTION	QUANTITY	
	86334	HYDRAULIC OUTRIGGER ASSEMBLY		
1	86574	HYD CYL – 2.00 BORE X 12.00 STR – PAINTED	2	EA
2	85659-010	HOSE, 4M2T-6FJX-6FJX-33.00	REF	EA
3	86728-008	FITTING, 90° MB-MJ90-8-6	4	EA

## OPTIONS

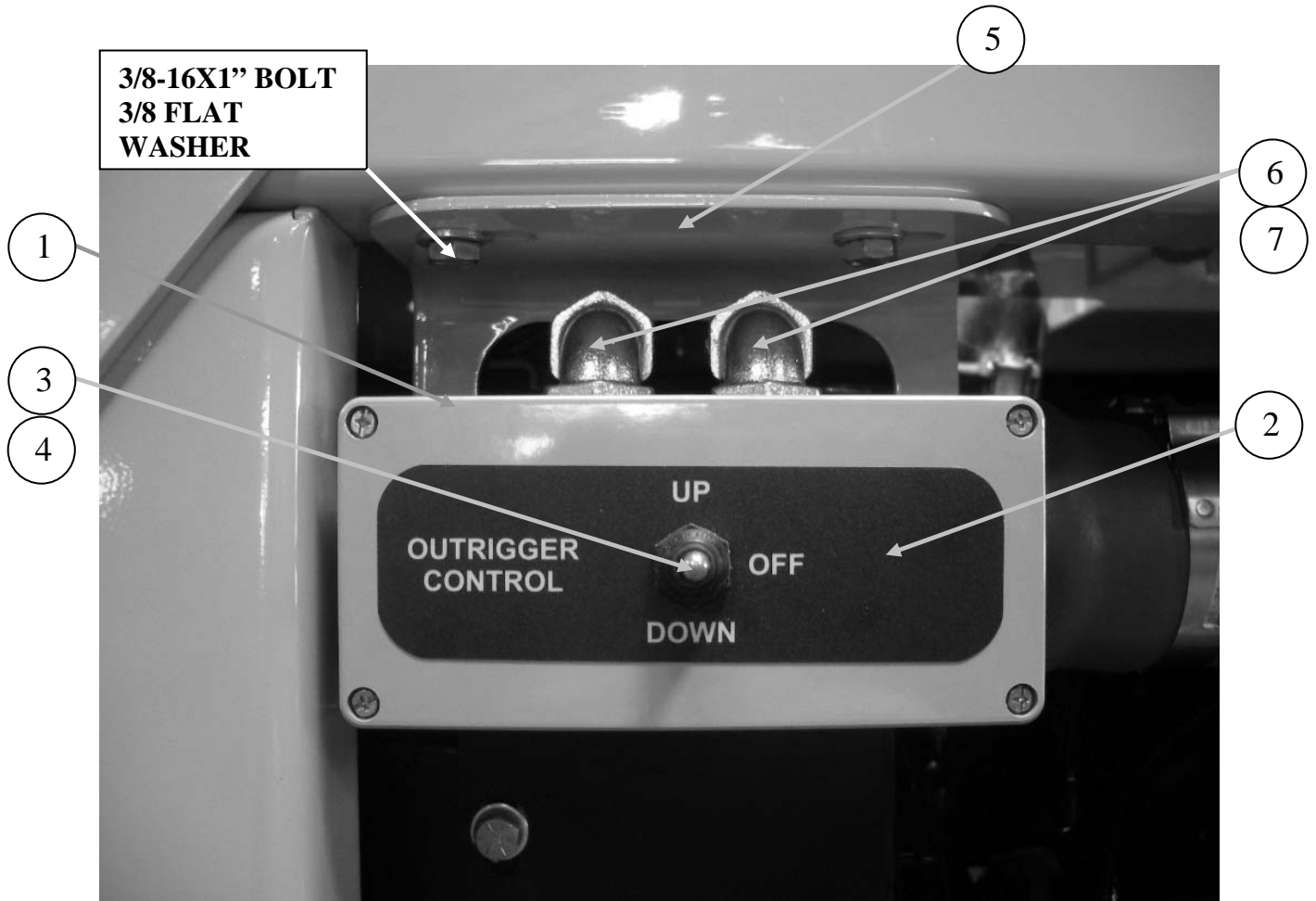
### ELECTRIC HYDRAULIC OUTRIGGER



ID #	PART #	PART DESCRIPTION	QUANTITY	
	88041-O	HYD OUTRIGGER ASSEMBLY, REMOTE	REF	EA
1	85659-010	HOSE, 4M2T-6FX-6JX-33.00	2	EA
2	87540	CABLE SOLENIOD VALVE, WITH DIN PLUG	4	EA
3	88026	VALVE, 3SPOOL, 2EA. VDC SPOOL	1	EA
4	800083	FITTING, MINI CHECK (PORT)	1	EA
5	86750	ADAPTER, MB-FB-8-6	1	EA
6	86749	FITTING, MJ-FJX45-10-10	1	EA
7	86748	FITTING, 90° MB-MJ90-6-6	3	EA
8	86747	FITTING.90° MB-MJ90LL-6-6	3	EA
9	74471-B	BOOT, COVER	3	EA

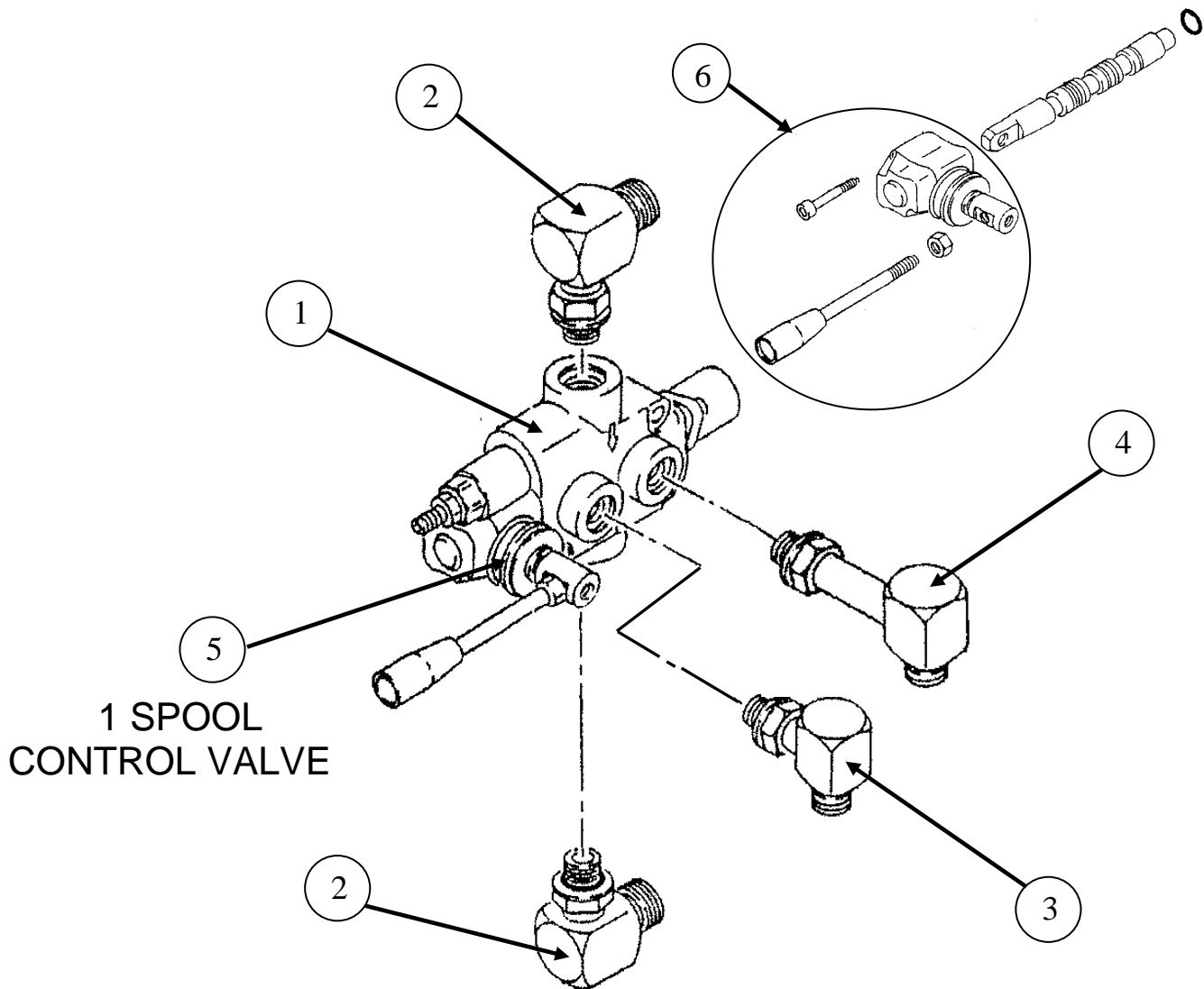
## OPTIONS

### ELECTRIC HYDRAULIC OUTRIGGER CONTROLS



ID #	PART #	PART DESCRIPTION	QUANTITY	
1	801206	ENCLOSURE 6X3X3, FIBERGLASS	2	EA
2	88163	DECAL OUTRIGGER UP/DOWN	2	EA
3	BW10205	SWITCH, 3 POSITION MOM/SPDT	2	EA
4	BW10361	SW, SEALING BOOT	2	EA
5	88164-A	BRACKET OUTRIGGER CONTROL MOUNT	2	EA
6	73531	90° STRAIN RELIEF	4	EA
7	10528	NUT 1/2", BONDING TYPE LOCK	4	EA

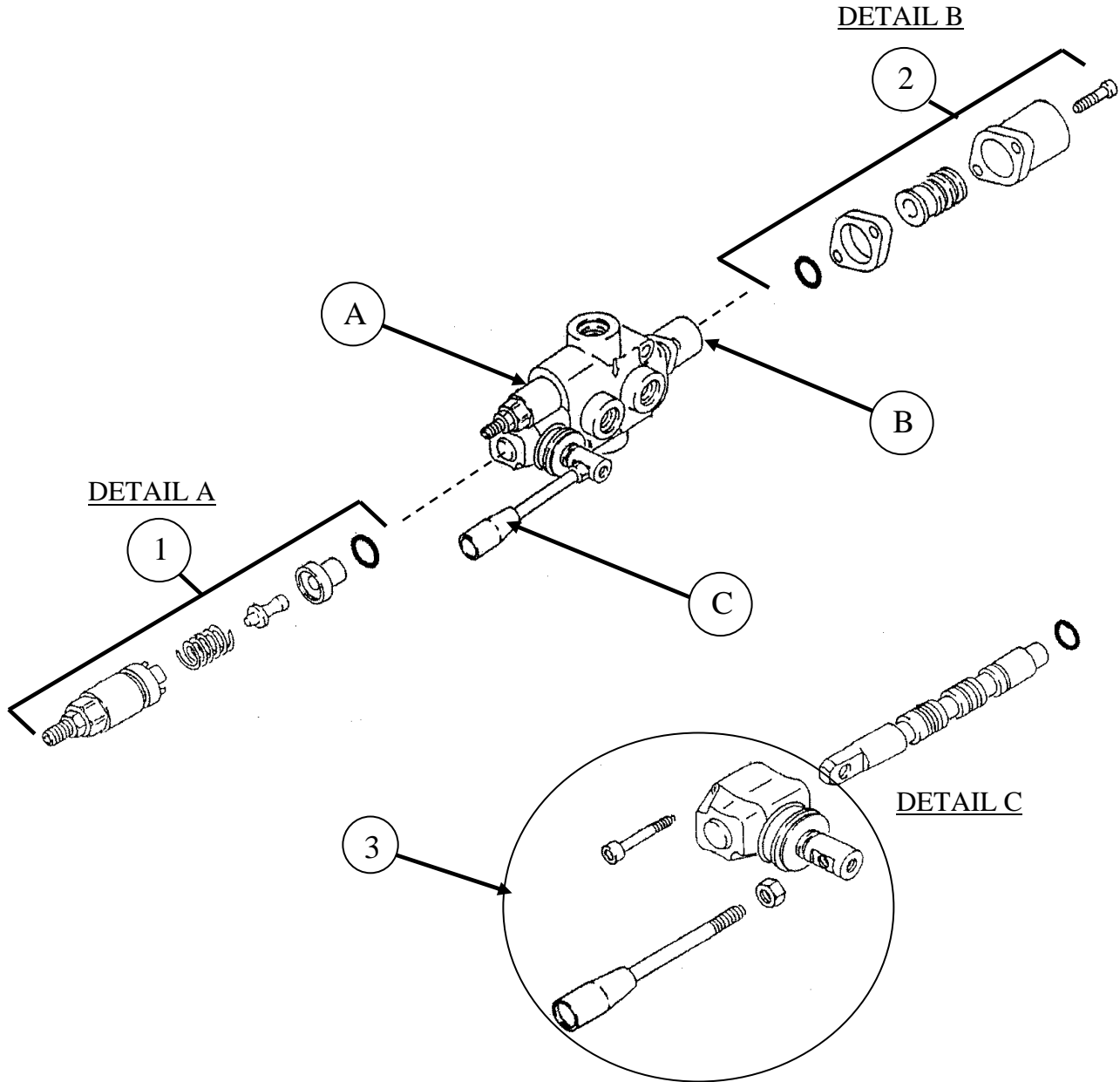
## OPTION AGITATOR VALVE



ID #	PART #	PART DESCRIPTION	QUANTITY	
1	74584	VALVE, MAUNAL-1 SPOOL	1	EA
2	86746	FITTING, 90° MB-MJ-90-8-10	2	EA
3	86748	FITTING, 90° MB-MJ90-6-6	1	EA
4	86747	FITTING, 90° MB-MJ90LL-6-6	3	EA
5	74471-B	BOOT, COVER	1	EA
6	74471-020	VALVE ACTUATOR FOR 74471, 74585, 74584 VALVES	A/R	EA

## OPTIONS

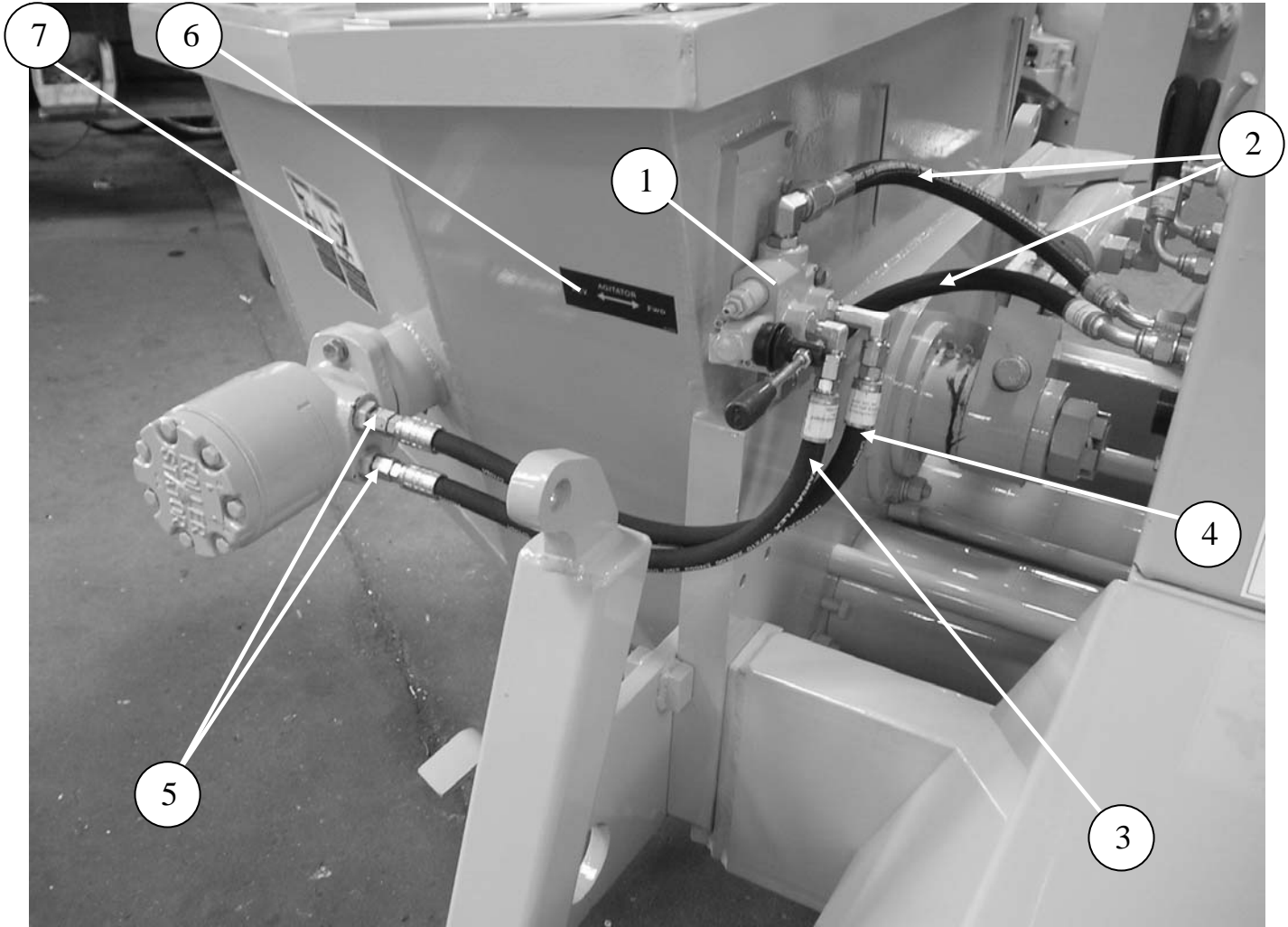
### 1 SPOOL AGITATOR VALVE



ID #	PART #	PART DESCRIPTION	QUANTITY	
1	85706	RELIEF, CARTRIDGE	1	EA
2	74469	DETENT KIT, #11 WALVOIL VALVE	A/R	EA
3	74471-020	VALVE ACTUATOR FOR 74471, 74585, 74584 VALVES	A/R	EA

## OPTIONS

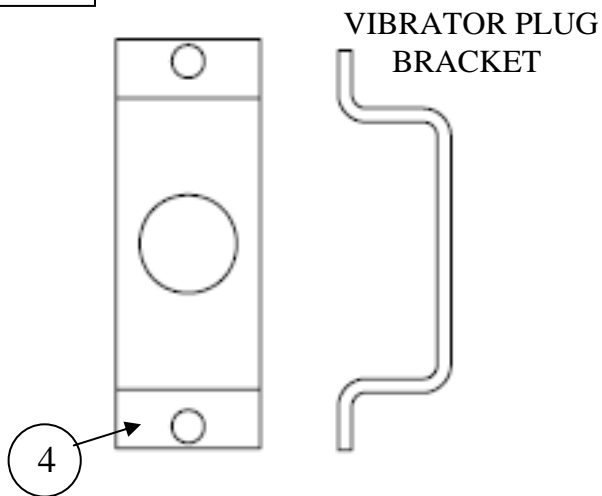
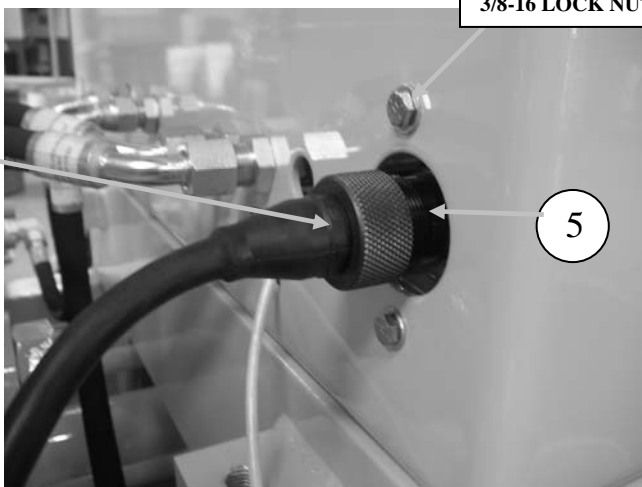
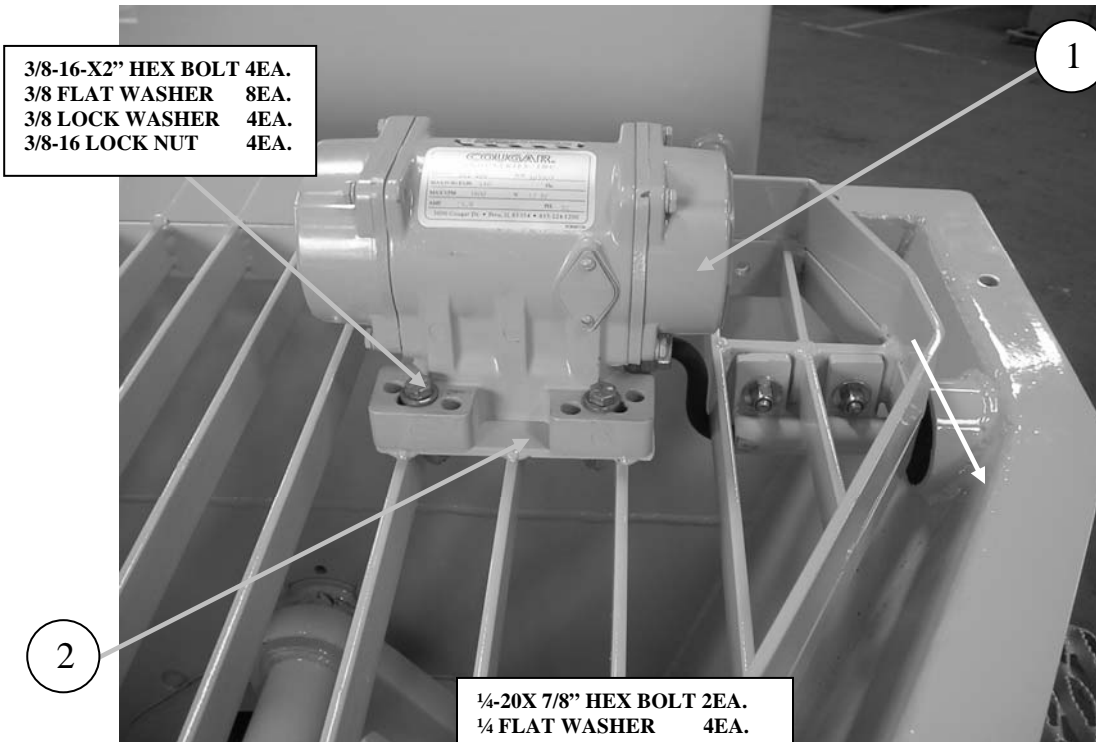
### AGITATOR GROUP CONTINUED



ID #	PART #	PART DESCRIPTION	QUANTITY	
1	74584	VALVE, MANUAL-1 SPOOL	REF	
2	85657-016	HOSE, 8M2T-10FJX-10FJX45-20.00	2	EA
3	85658-011	HOSE, 6M2T-6FJX-6FJX-21.00	1	EA
4	85658-010	HOSE, 6M2T-6FJX-6FJX-20.00	1	EA
5		FITTING,MB-MJ-10-6	2	EA
6	85845	DECAL, OUTRIGGERS	1	EA
7	800919	DECAL, WARNING, STAND CLEAR	2	EA



## OPTION VIBRATOR (COUGAR)



ID #	PART #	PART DESCRIPTION	QUANTITY	
	87862	VIBRATOR INSTALL		EA
1	71429	VIBRATOR, 12VDC ROTARY (COUGAR)	1	EA
2	85893	BRACKET, VIBRATOR	1	EA
3	85898-1	CORD W/PLUG, MALE 14AWG X 8 FT	1	EA
4	87472	BRACKET, VIBRATOR PLUG MOUNT	1	EA
5	85899	VIBRATOR, PLUG	1	EA

## OPTIONS

### VIBRATOR (VIBCO)



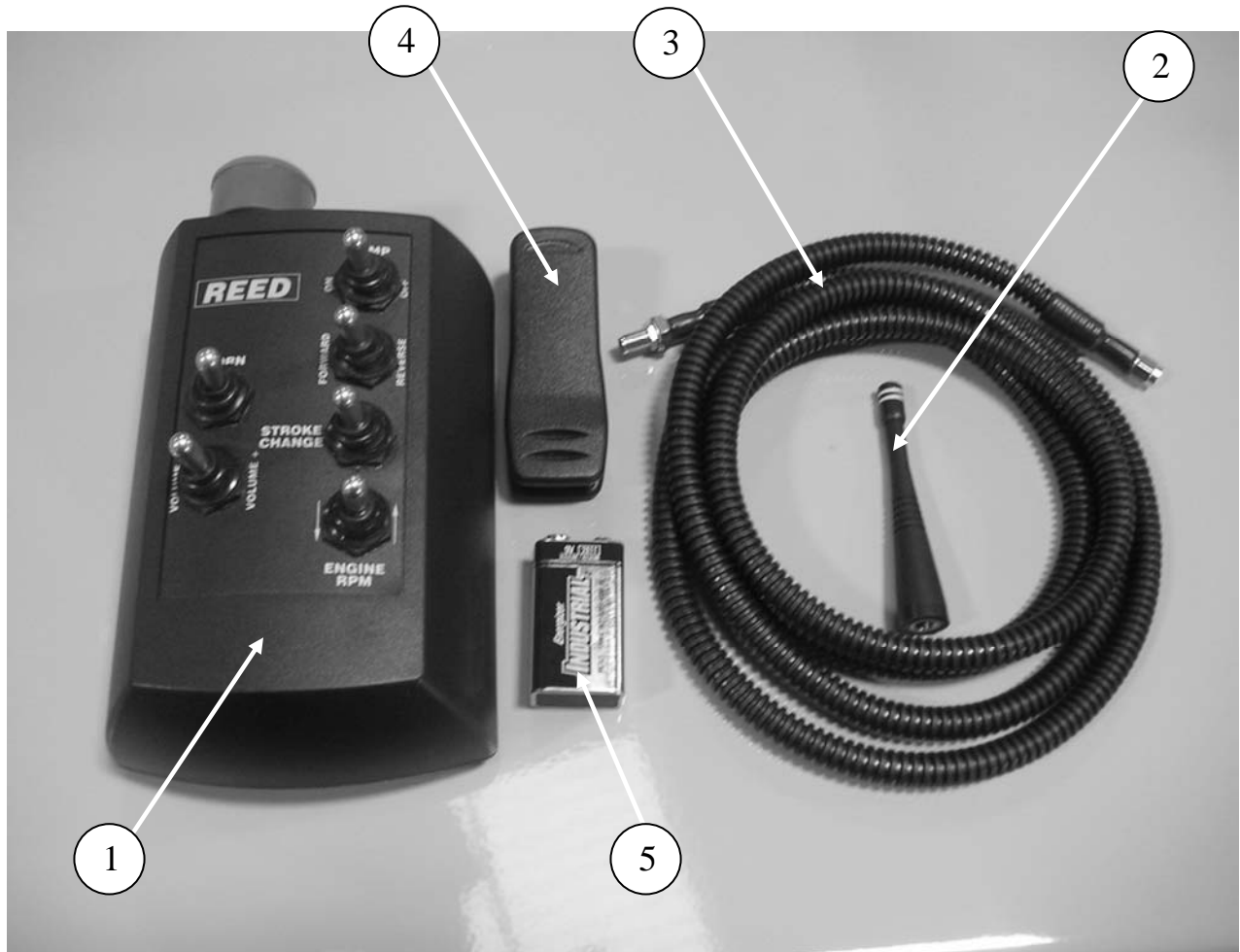
¼ -20X 1 ½" HEX BOLT 4EA.  
 ¼" FLAT WASHER 8EA.  
 ¼" LOCK WASHER 4EA.  
 ¼ -20 LOCK NUT 4EA.

¼-20X 7/8" HEX BOLT 2EA.  
 ¼ FLAT WASHER 4EA.  
 3/8-16 LOCK NUT 2EA.

ID #	PART #	PART DESCRIPTION	QUANTITY	
	88021	VIBRATOR, ASSY, ELECTRIC, 100LB	1	EA
1	87916	VIBRATOR, 12 VDC SMALL	1	EA
2	88024	CONNECTOR, FEMALE	1	EA
3	88023	CONNECTOR, MALE 90°	1	EA
4	88025	CAP, SOCKET FEMALE FOR 88024	1	EA
5	88022	BRACKET, 87916 VIBRATOR MOUNT	1	EA

## OPTIONS

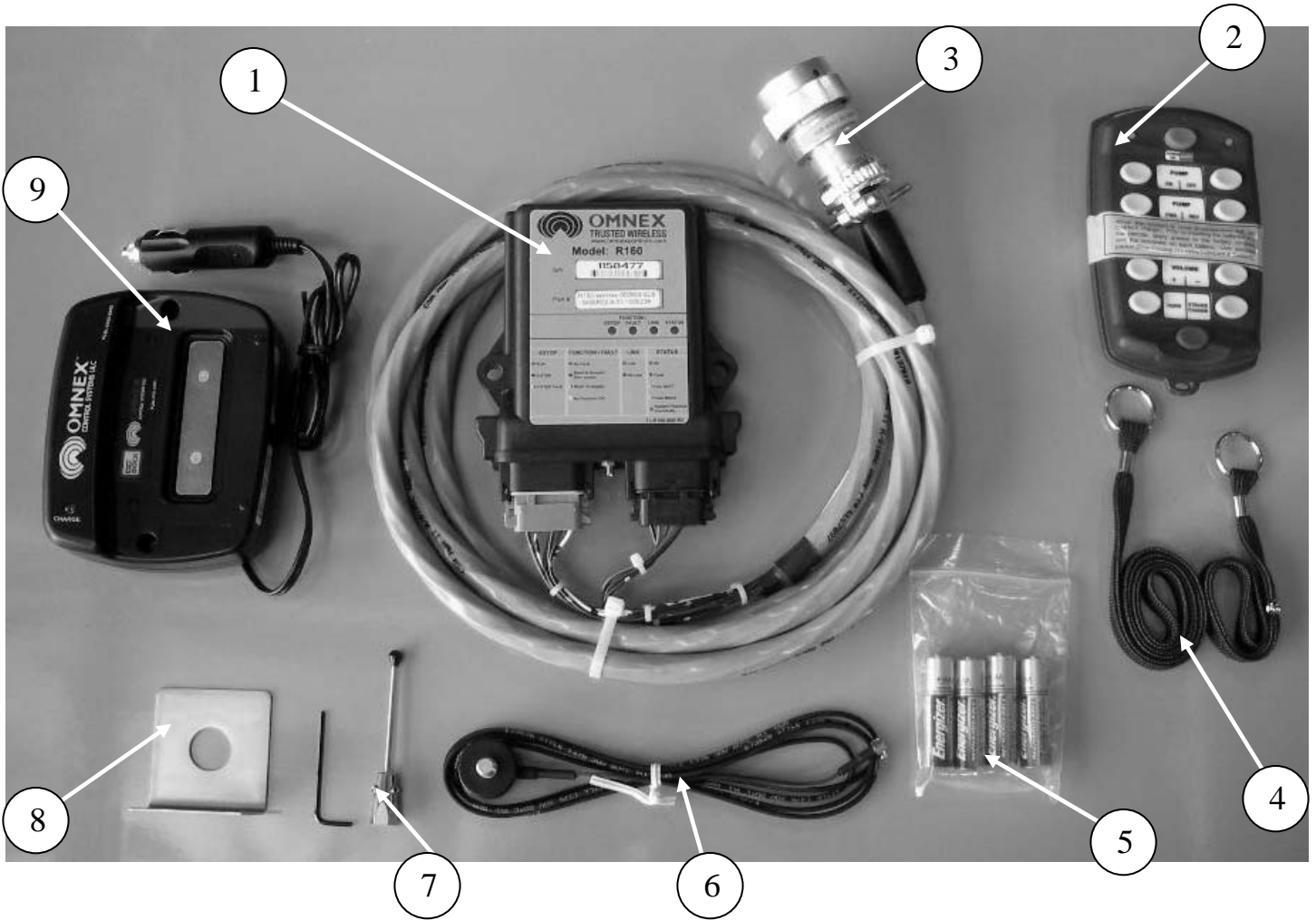
### RADIO REMOTE KIT (KAR-TECH)



ID #	PART #	PART DESCRIPTION	QUANTITY	
1	87348-1	TRANSMITER, REMOTE CONTROL ASSEMBLY	1	EA
2	BW10285	ANTENA	1	EA
3	BW10285-1	ANTENA CABLE	1	EA
4	87348	CLIP	1	EA
5		9V BATTERY	1	EA

## OPTIONS

### RADIO REMOTE KIT (OMNEX)



**NOTE:** KIT CONTAINS ALL PARTS SHOWN ABOVE.

ID #	PART #	PART DESCRIPTION	QUANTITY	
	85833-002	OMNEX RADIO REMOTE KIT	1	EA
1		RECEIVER R160	1	EA
2		TRANSMITTER T110C	1	EA
3		CABLE ASSEMBLY R160	1	EA
4		REMOTE STRAPS	2	EA
5		NIMH RECHARGEABLE BATTERIES	4	EA
6		ANTENNA CABLE	1	EA
7		ANTENNA	1	EA
8		ANTENNA BRACKET	1	EA
9		BATTERY CHARGER DOCK	1	EA



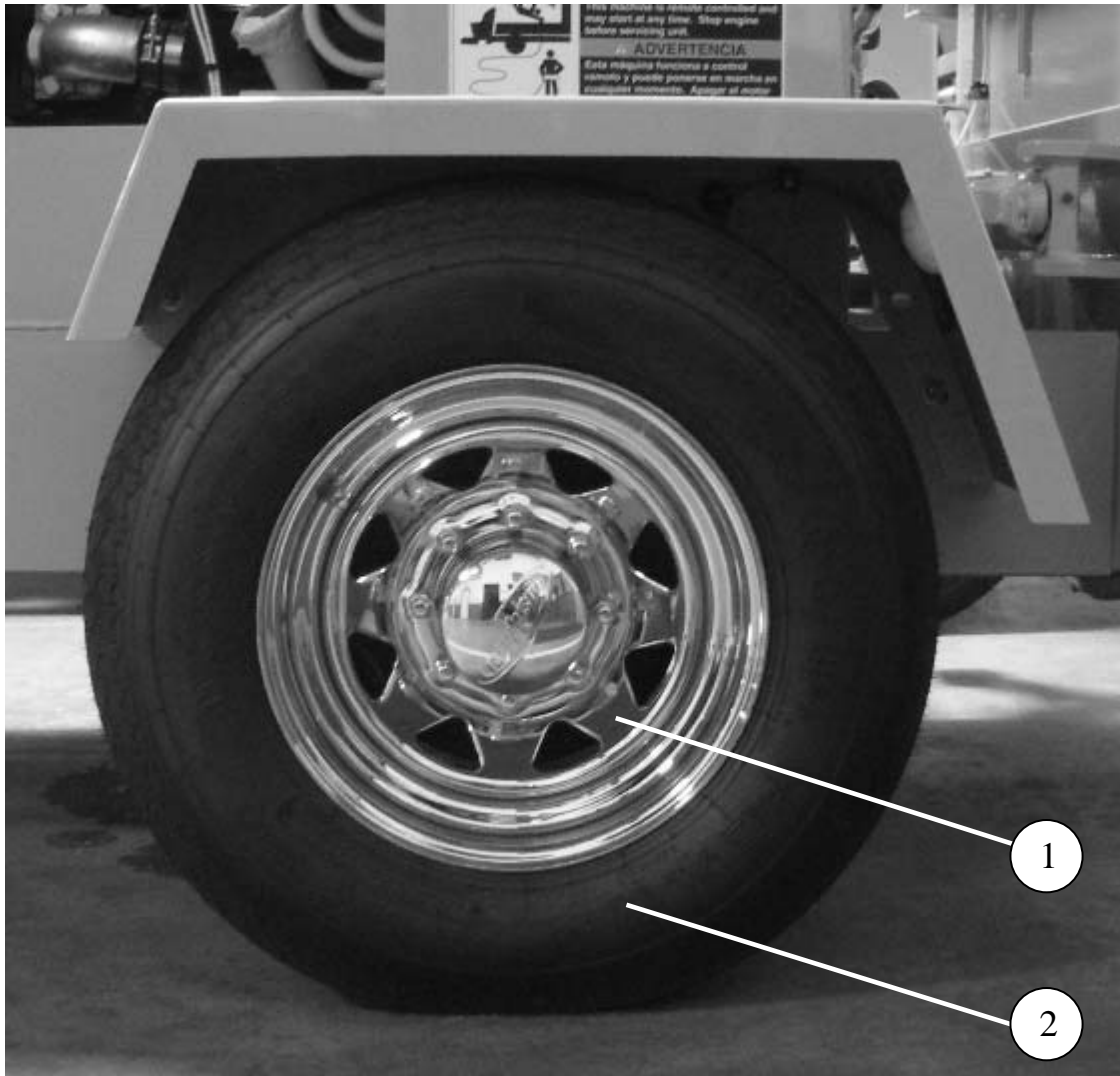
# B20HPV09

PARTS

**REED**  
13822 Oaks Avenue  
Chino, CA 91710  
reedpumps.com  
909-287-2100

## OPTIONS

### CHROME WHEEL AND TIRE



ID #	PART #	PART DESCRIPTION	QUANTITY	
	86059	TIRE & WHEEL-CHROME ASSEMBLY	2	EA
1		WHEEL-ALUMINUM	2	EA
2		TIRE-215/75R17.5H	2	EA



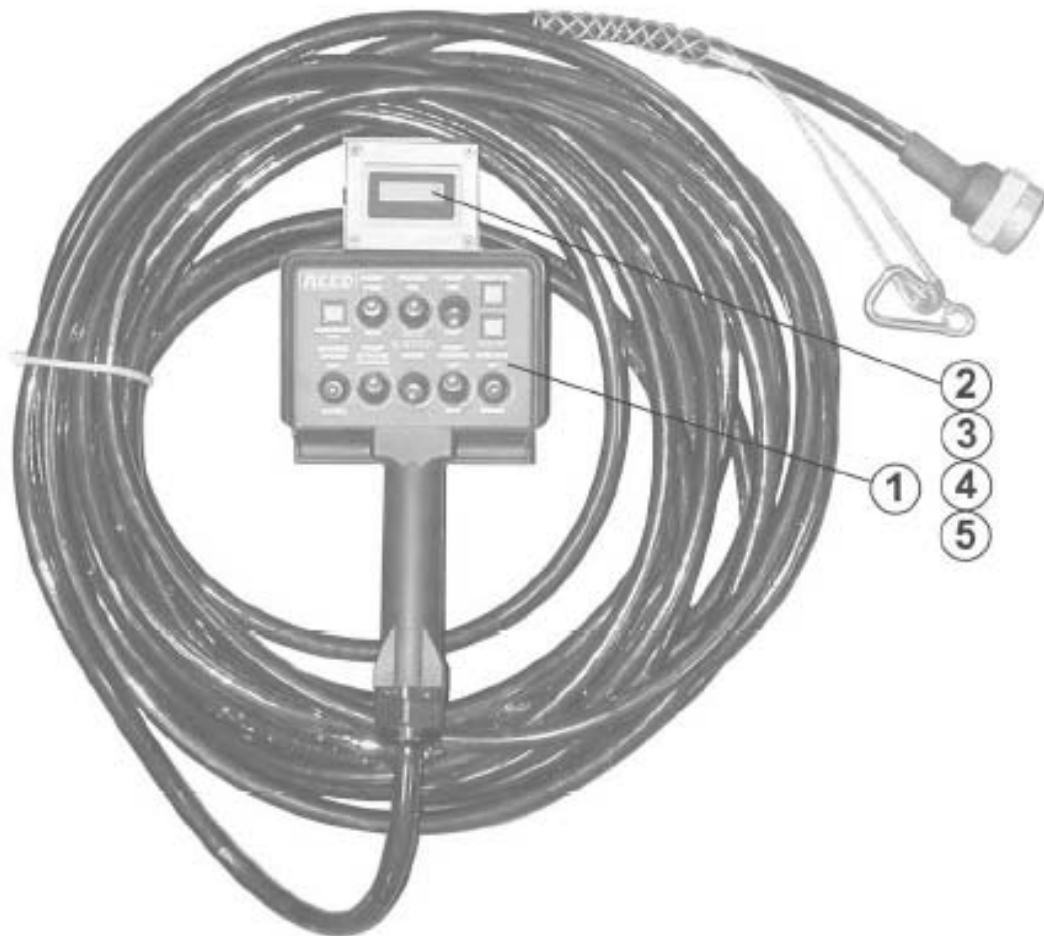
# B20HPV09

PARTS

**REED**  
13822 Oaks Avenue  
Chino, CA 91710  
reedpumps.com  
909-287-2100

## OPTIONS

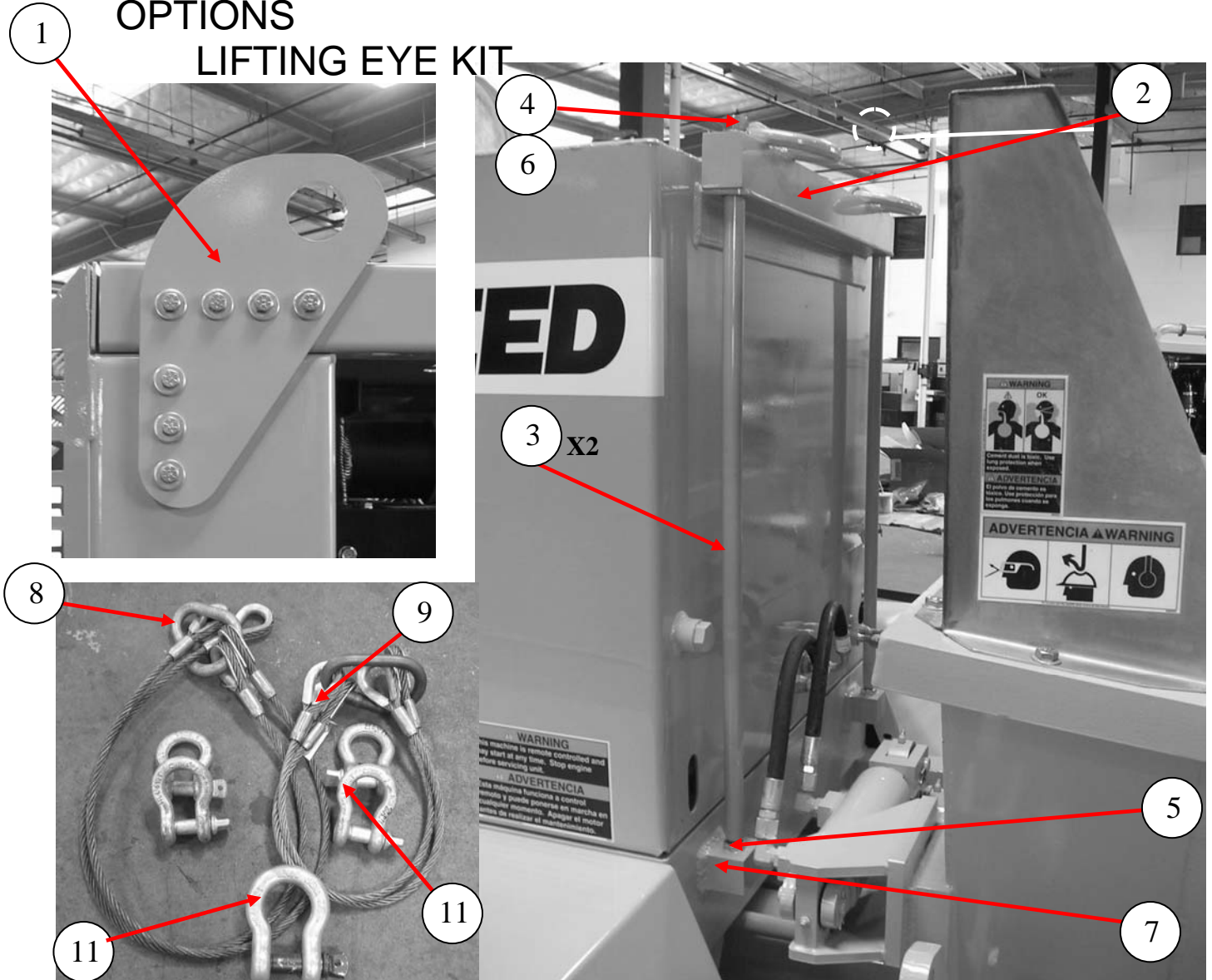
### 50 FT STROKE COUNTER CABLE REMOTE ASSEMBLY



ID #	PART #	PART DESCRIPTION	QUANTITY	
	87753-1	ASSEMBLY, 50 FEET CABLE REMOTE WITH STROKE COUNTER	REF	
1	87347-1	CONTROL, REMOTE CABLE (50 FT)	1	EA
2	72330	COUNTER, STROKE	1	EA
3	74388	DIODE	2	EA
4	87784	BOX, MACHINED	1	EA
5	87785	COVER, BOX	1	EA

## OPTIONS

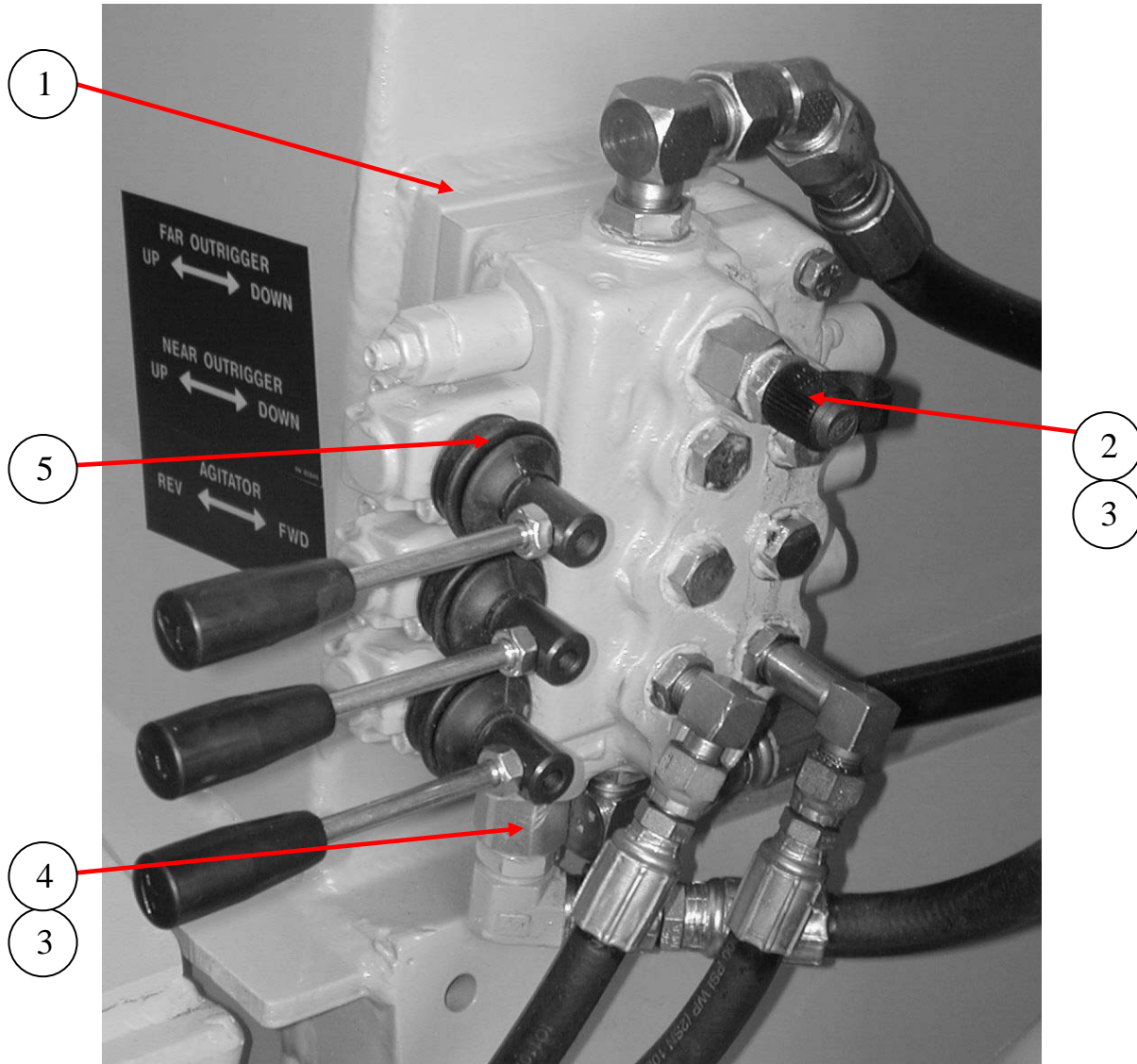
### LIFTING EYE KIT



ID #	PART #	PART DESCRIPTION	QUANTITY	
	87859	LIFTING EYE ASSEMBLY B SERIES	REF	
1	87594	GUSSET ENGINE COVER PAINTED	2	EA
2	86799	LIFTING BAR, WELDMENT-REAR	1	EA
3	86762	LIFTING TIE ROD	2	EA
4	80008	HEX NUT 3/4-10UNC GR 8 ZINC	2	EA
5	80009	HEX JAMNUT 3/4-10UNC GR 8 ZINC	2	EA
6	80010	LOCKWASHER- 3/4-STL ZINC	2	EA
7	85823	BLOCK, TRALIER LIFTING	2	EA
8	86776	LIFT CABLE, FRONT	1	EA
9	86777	LIFT CABLE, REAR	1	EA
10	86778	SHACKLE, ANCHOR W/SCREW PIN	1	EA
11	86811	SHACKLE, ANCHOR W/SCREW PIN	4	EA

## OPTIONS

### WATER PUMP

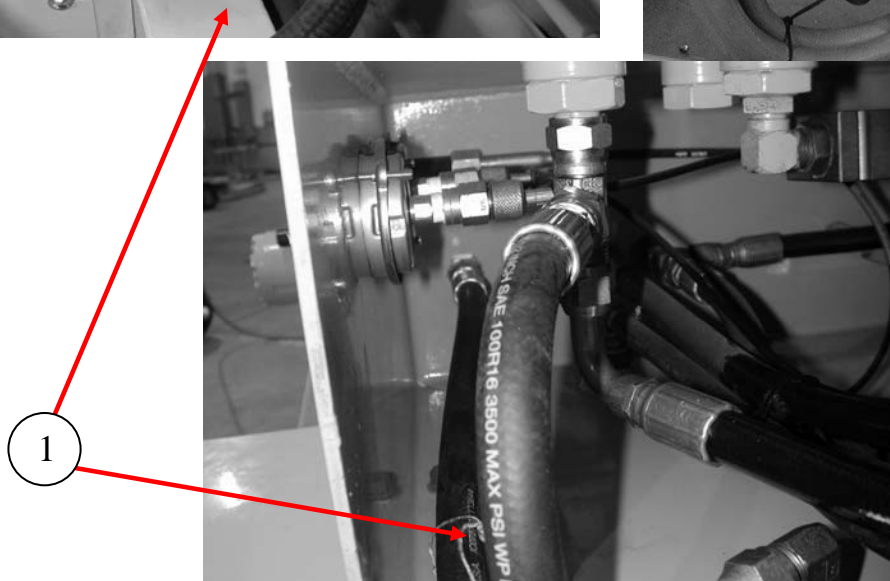
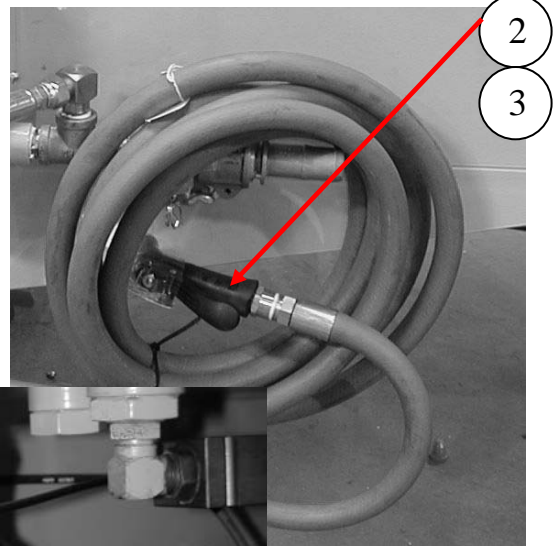
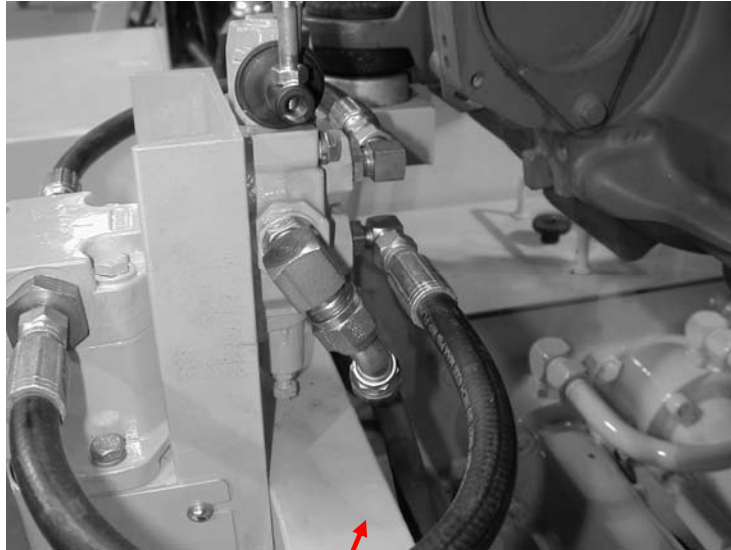


ID #	PART #	PART DESCRIPTION	QUANTITY	
	86720	WASH PUMP INSTALLATION, B-SERIES	REF	EA
1	86692	SPACER, AGITATOR VALVE	1	EA
2	86384	POWER BEYOND SLEEVE	1	EA
3	86746	FITTING, 90° MB-MJ-90-8-10	1	EA
4	85657-021	HOSE, 8M2T-10FJX-10FJX45-12.25	1	EA
5	74471-B	BOOT, COVER	3	EA



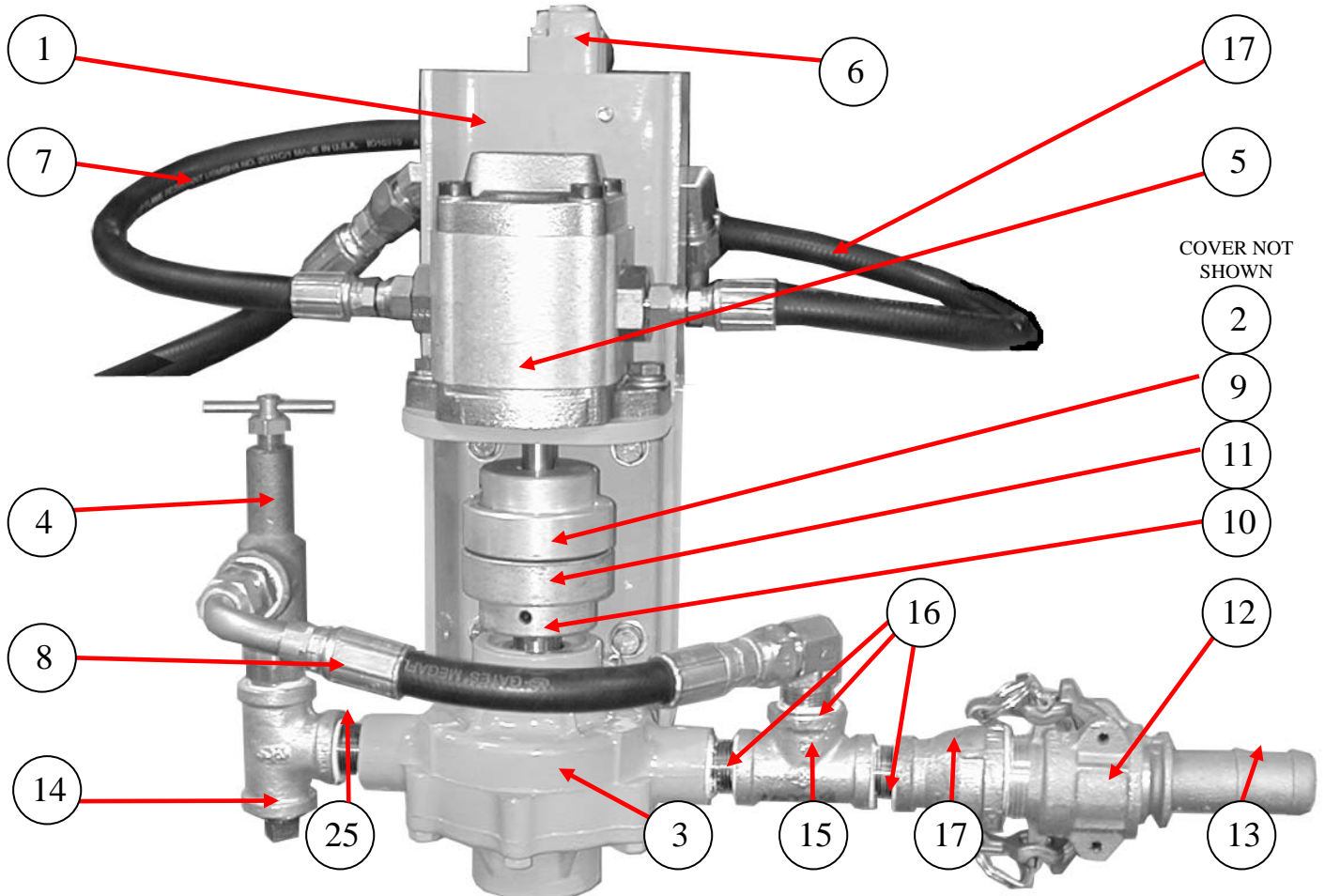
## OPTIONS

### WATER PUMP CONTINUED



ID #	PART #	PART DESCRIPTION	QUANTITY	
1	85657-023	HOSE, 8M2T-10FJX-10FJX45-52.00	2	EA
2	86267	WATER HOSE, 12 ENCONO-12FXP-12MP-20FT	1	EA
3	800098	NOZZLE, GARDEN HOSE	1	EA

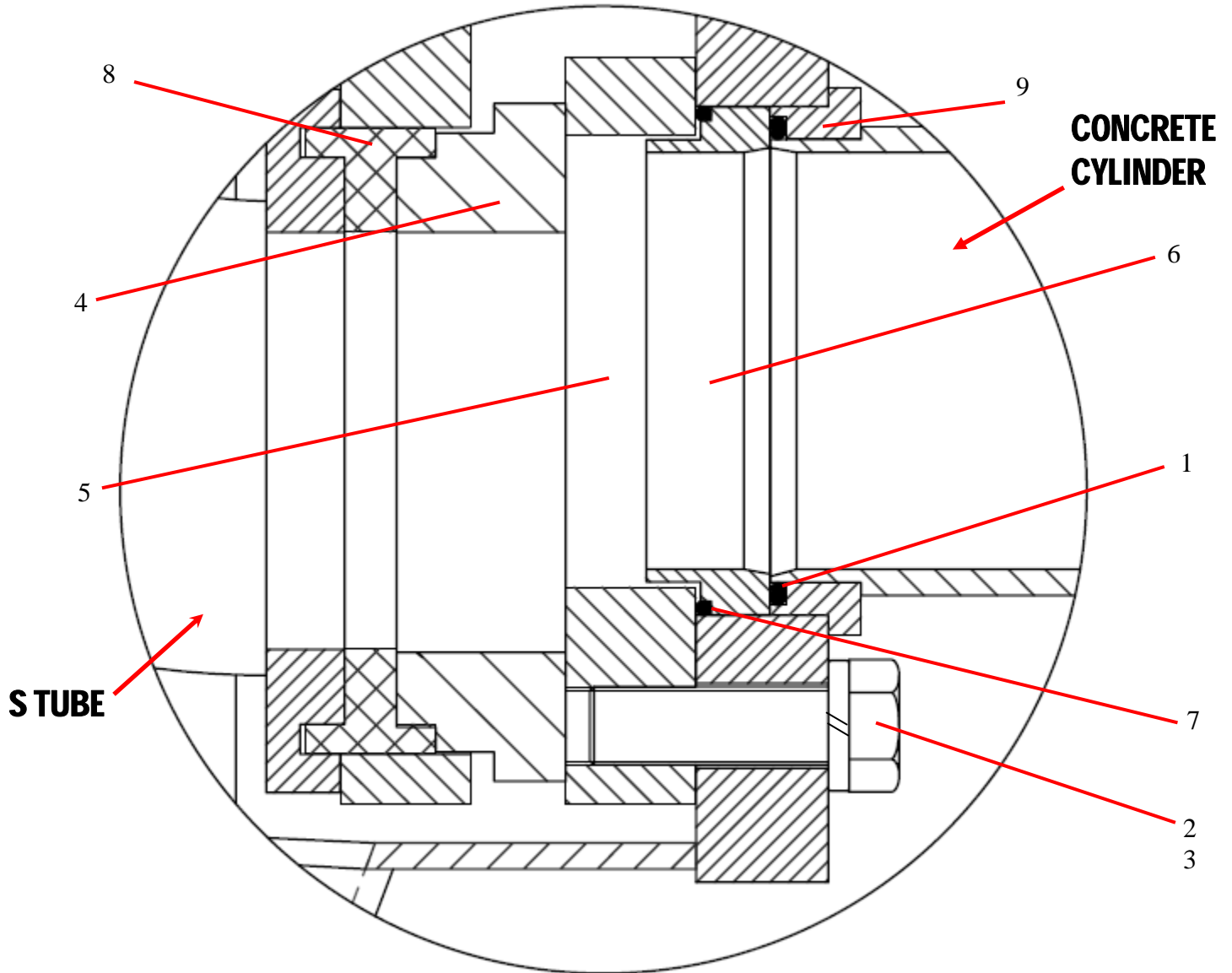
## WATER PUMP CONTINUED



ID #	PART #	PART DESCRIPTION	QUANTITY	
	86200	WASH PUMP ASSY		EA
1	86196	WASH PUMP BASE WLDMNT	1	EA
2	86199	COVER, WASH PUMP	1	EA
3	78157	WASHPUMP-HYPRO	1	EA
4	78128	VALVE-P/RELIEF 3/4	1	EA
5	78152	MOTOR-HYD. WASH PUMP	1	EA
6	86397	VALVE-MANUAL-1 SPOOL-3 WAY	1	EA
7	85658-002	HOSE, 6M2T-6FJX-17.00	2	EA
8	85657-022	HOSE, 8M2T-10FJX-10FJX90S-11.25	1	EA
9	78153	COUPLING FOR WASH PUMP-MOTOR	1	EA
10	78154	COUPLING FOR WASH PUMP	1	EA
11	78155	SPIDER, FOR WASH PUMP	1	EA
12	10948	COUPLING-CAM/GROOVE 1.25" FEM. X MPT	1	EA
13	10947	COUPLING-CAM/GROOVE 1.25" FEM. X MPT	1	EA
14	800371	FITTING, GARDEN HOSE	1	EA
15	10228	TEE, 3/4"	2	EA
16	40047	NIPPLE-CLOSE PIPE 3/4"	4	EA
17	86398	BELL REDUCER-3/4 X 1 1/4	1	EA

## OPTIONS

### CARBIDE WEAR PARTS



ID #	PART #	PART DESCRIPTION	QUANTITY	
1	71249	O-RING, #347 BUENA 70	2	EA
2		FHCS, 3/4 - 10X 3 1/2" GR 8	4	EA
3		LOCK WASHER, 3/4"	4	EA
4	72384-1	WEAR RING, 4" DOUBLE LIP, CARBIDE	1	EA
5	71251-1	WEAR PLATE-CARBIDE 4"	1	EA
6	71254	ANTI CHIP RING, 4"	2	EA
7	71247	O-RING FOR CHIP RING	2	EA
8	72285	SEAL, DOUBLE LIP 4"	1	EA
9	71257	CONC, CYL. ADAPTER	2	EA