



B20HPC PLC

PARTS

13822 Oaks Avenue
Chino, CA 91710
reedpumps.com
(909) 287 - 2100

PARTS.....	3
PUMPING TRAIN GROUP.....	3
S-TUBE	5
4" OUTLET ASSEMBLY	5
4" OUTLET SEAL KIT INSTALLATION	5
WEAR PLATE ASSEMBLY	7
4" PISTON CUP ASSEMBLY	8
.....	8
DRIVE CYLINDER ASSEMBLY	9
DUAL SHIFT BELL CRANK ASSEMBLY	10
DUAL SHIFT CYLINDER ASSEMBLY	11
DUAL SHIFT ASSEMBLY.....	11
HOPPER	13
AGITATOR ASSEMBLY (OPTION 1)	13
AGITATOR ASSEMBLY (OPTION 2)	13
SAFETY GRATE	15
GRATE ASSEMBLY.....	17
CLEAN OUT DOOR ASSEMBLY.....	18
POWER TRAIN GROUP	19
ENGINE, PUMPS, AND FILTERS.....	19
MAIN HYDRAULIC PUMP	20
GEAR PUMP/PUMP DRIVE	20
FITTINGS.....	22
EXHAUST.....	23
TANKS	24
FUEL TANK ASSEMBLY.....	24
HYDRAULIC TANK ASSEMBLY	25
MANIFOLDS	27
DRIVE CYLINDER CIRCUIT MANIFOLD ASSEMBLY	27
S-TUBE CIRCUIT MANIFOLD ASSEMBLY	29
ACCUMULATOR ASSEMBLY	31
PROXIMITY SWITCHES	32
STARTER AND ALTERNATOR.....	33
TRAILER HARNESS AND BREAKAWAY	34
TAIL LIGHTS.....	35
WIRING HARNESS	36
PLC CONTROLS	38
B-SERIES CONTROL PANEL	38
KEY PAD SWITCHES INSERT KIT	39
MVEC/FUSE/RELAY.....	41



B20HPC PLC PARTS

13822 Oaks Avenue
Chino, CA 91710
reedpumps.com
(909) 287 - 2100

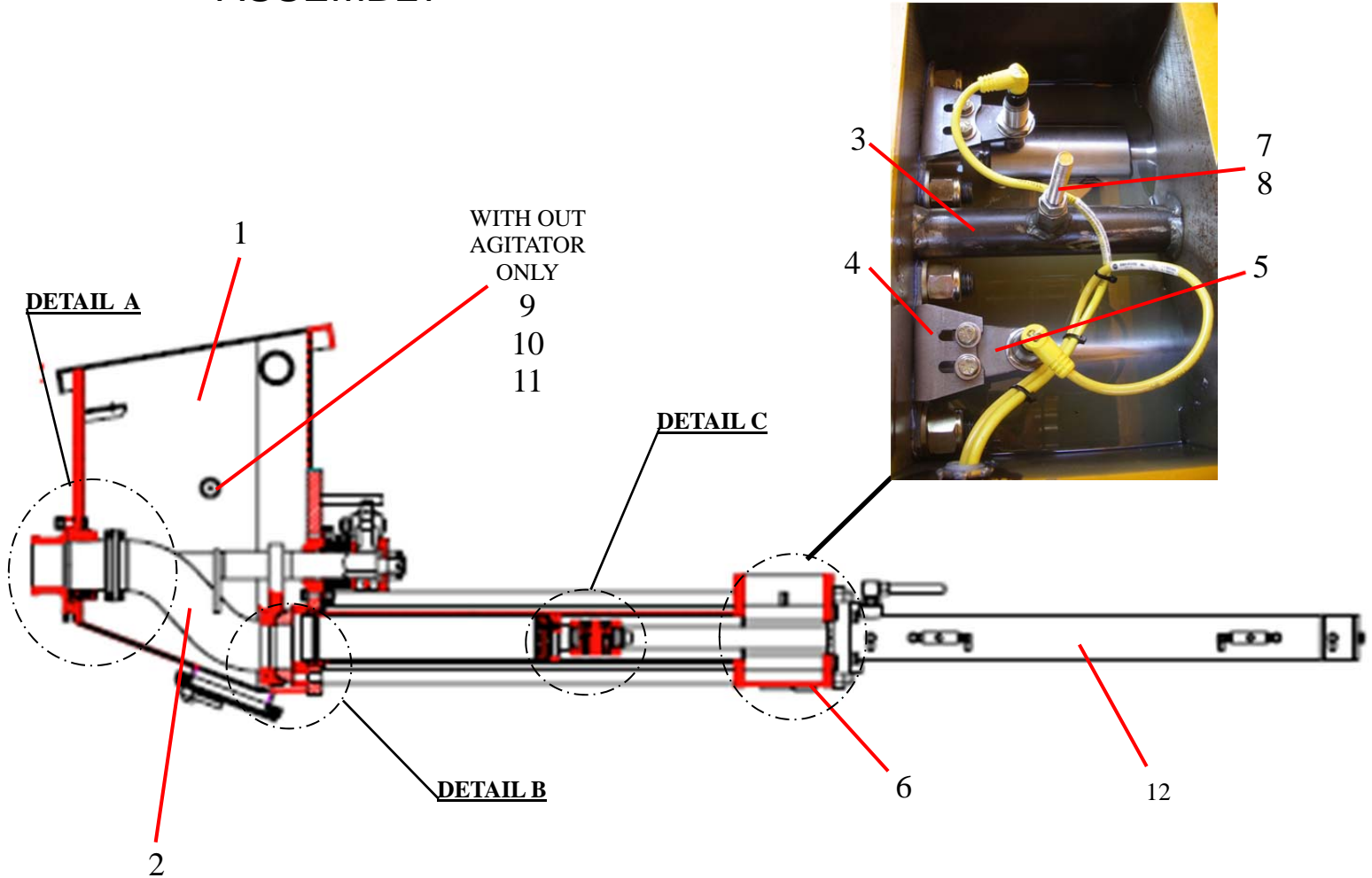
ESTOP, KEY ASSEMBLY, PLUGS	45
BUSSES, CONNECTORS, PINS	46
SERIAL PLATE IDENTIFICATION	47
BUSS BAR SET-UP.....	48
CAN PUSH BUTTON SWITCH PLUG	49
SWITCH A.....	49
CAN PUSH BUTTON SWITCH PLUG	50
SWITCH B	50
CAN PLUGS, CONNECTORS.....	51
DEUTSCH 128 PLUG ASSEMBLY	52
FRAME INSTALLATION.....	54
FRAME, TIRES, JACK, AND TOW EYE	54
7000LB AXLE MOUNTING ASSEMBLY	55
HOOD AND COVERS.....	56
FENDERS AND OUTRIGGERS	57
OPTIONS	58
HYDRAULIC OUTRIGGER GROUP	58
3 SPOOL CONTROL VALVE	59
HYDRAULIC OUTRIGGER GROUP.....	60
ELECTRIC HYDRAULIC OUTRIGGER CONTROLS	62
AGITATOR GROUP.....	63
1 SPOOL AGITATOR VALVE	64
AVAILABLE OPTIONS	66

REV	DATE	DESCRIPTION	NAME
B20HPC-V15	3/28/2017	INITIAL	J.SLACK

PARTS

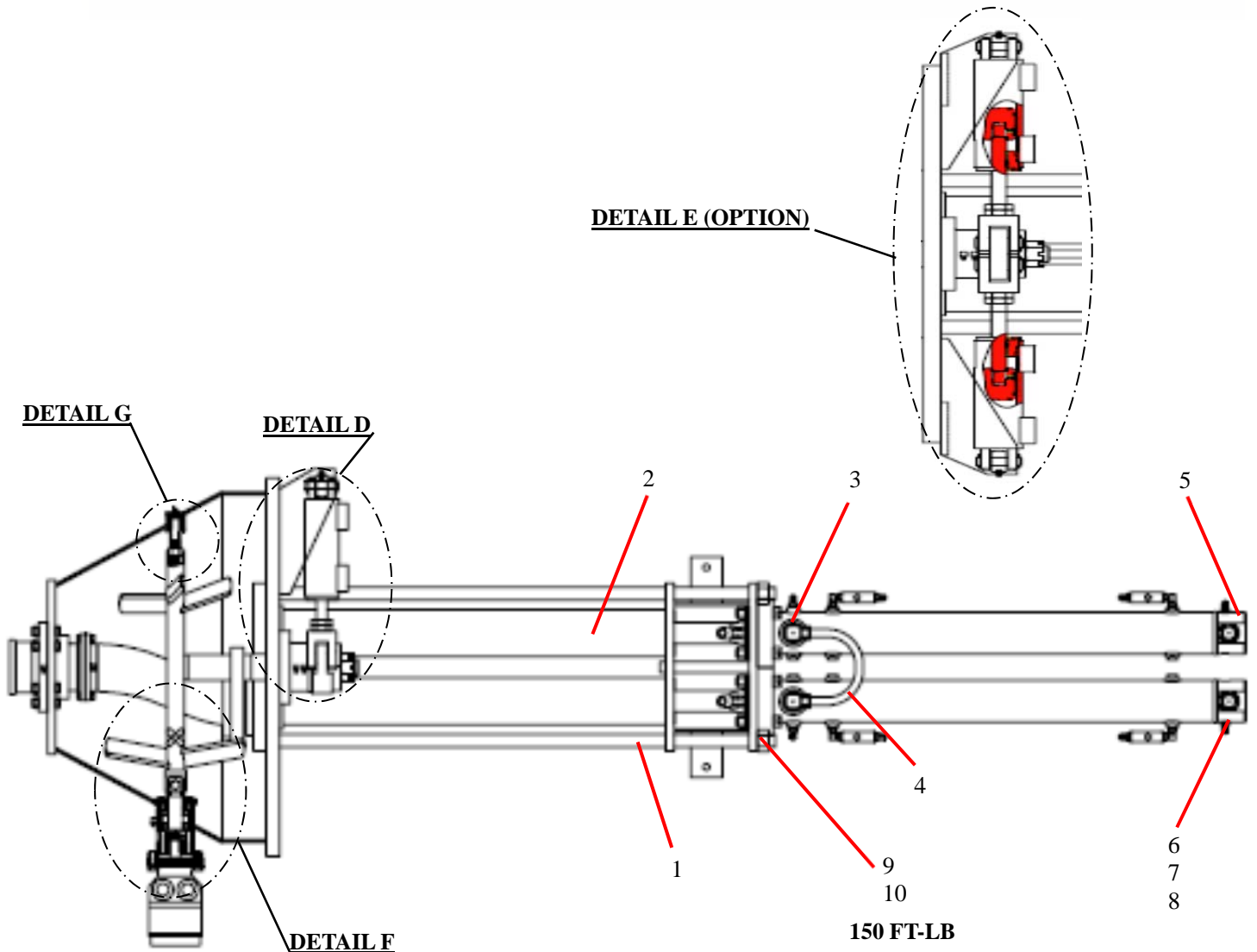
PUMPING TRAIN GROUP ASSEMBLY

WATERBOX
TOP VIEW



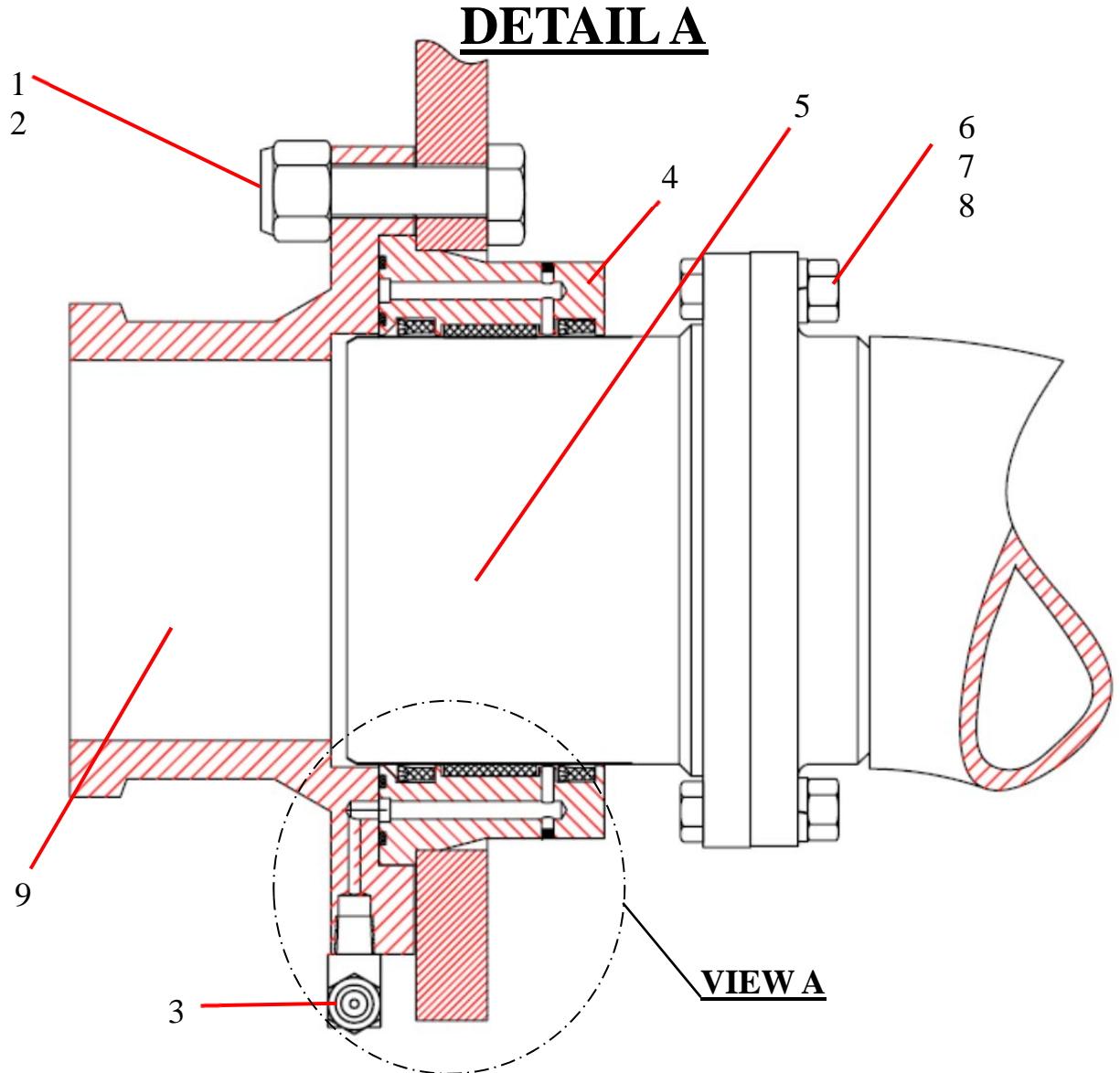
ID #	PART #	PART DESCRIPTION	QUANTITY	
	87894-8	DUAL SHIFT PUMPING TRAIN ASSEMBLY	1	EA
1	87893	HOPPER WELD MOD-B20 STD DUAL	1	EA
2	71349	S TUBE WLD, 4X4	1	EA
3	88172	FLUSH BOX WELDMENT, B20/B20HP	1	EA
4	88180	BKT-PROX SENSOR, FLUSH BOX	2	EA
5	88179	BRACKET PROXIMITY SWITCH MOUNT	2	EA
6	10282	PLUGS-PIPE GALV 1"	1	EA
7	86665	STUD, 3/8-16 X3" LONG	1	EA
8		3/8-16 JAM NUT	1	EA
9	73433	COVER REMIX (OUTSIDE)	1	EA
10	73434	COVER PLATE (INSIDE)	1	EA
11	86623	SEAL, AGITATOR (INSIDE)	1	EA
12	86224HT	DRIVE CYLINDER -3.25 X 2.00 X 35.75	2	EA

PUMPING TRAIN ASSEMBLY CONTINUED



ID #	PART #	PART DESCRIPTION	QUANTITY	
1	70315	TIE ROD, 1¼" -12 X 48½"	4	EA
2	71232	CONCRETE CYLINDER, 4" X 36"	2	EA
3		ELBOW, MB – MJ-16-16	2	EA
4	85688	TUBE, HYD, LOOP LINE	1	EA
5	71401	END PLATE – HYD.CYL,M20 PAINTED	1	EA
6		HHCS, ½" – 13X1 ¼" GR	4	EA
7		LOCK WASHER, 1/2	4	EA
8		FLATWASHER, 1/2	4	EA
9		HEX NUT 1 ¼" - 12	4	EA
10		LOCK WASHER, 1 ¼"	4	EA

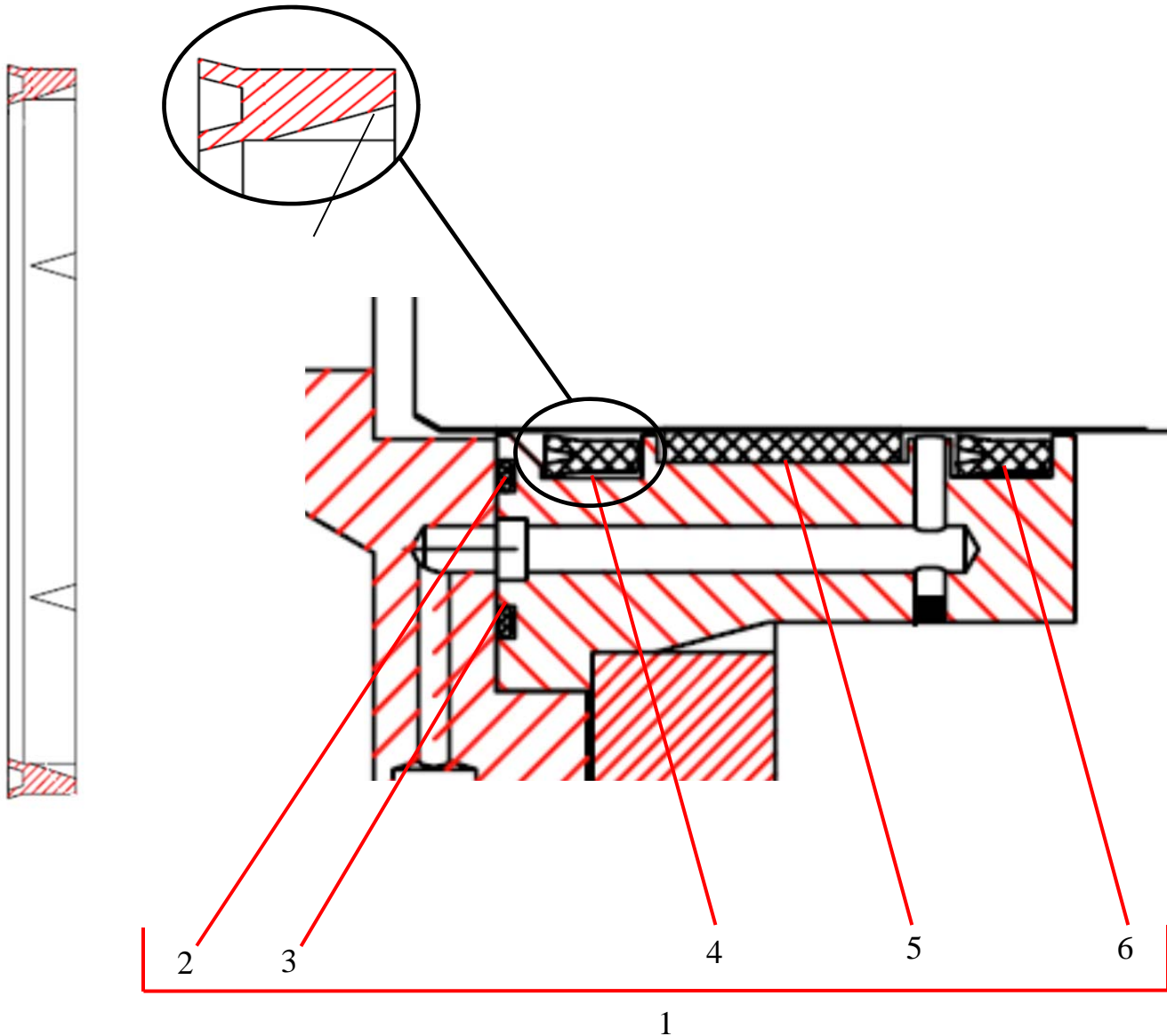
S-TUBE 4" OUTLET ASSEMBLY



ID #	PART #	PART DESCRIPTION	QUANTITY	
1		HHCS, 9/16-12 X 2 1/2 GR/8	6	EA
2		LOCK NUT, 9/16 -12	6	EA
3		GREASE FITTING, 1/8" NPT 90°	2	EA
4	86335	OUTLET SEAL HOUSING- 4"	1	EA
5	71343	CHROMED OUTLET	1	EA
6		HHCS, 3/8 – 16X1 1/2" GR 8	6	EA
7		HEX NUT, 3/8" - 16	6	EA
8		LOCK WASHER, 3/8"	6	EA
9	86336	OUTLET, 4" (1-PIECE)	1	EA

4" OUTLET SEAL KIT INSTALLATION

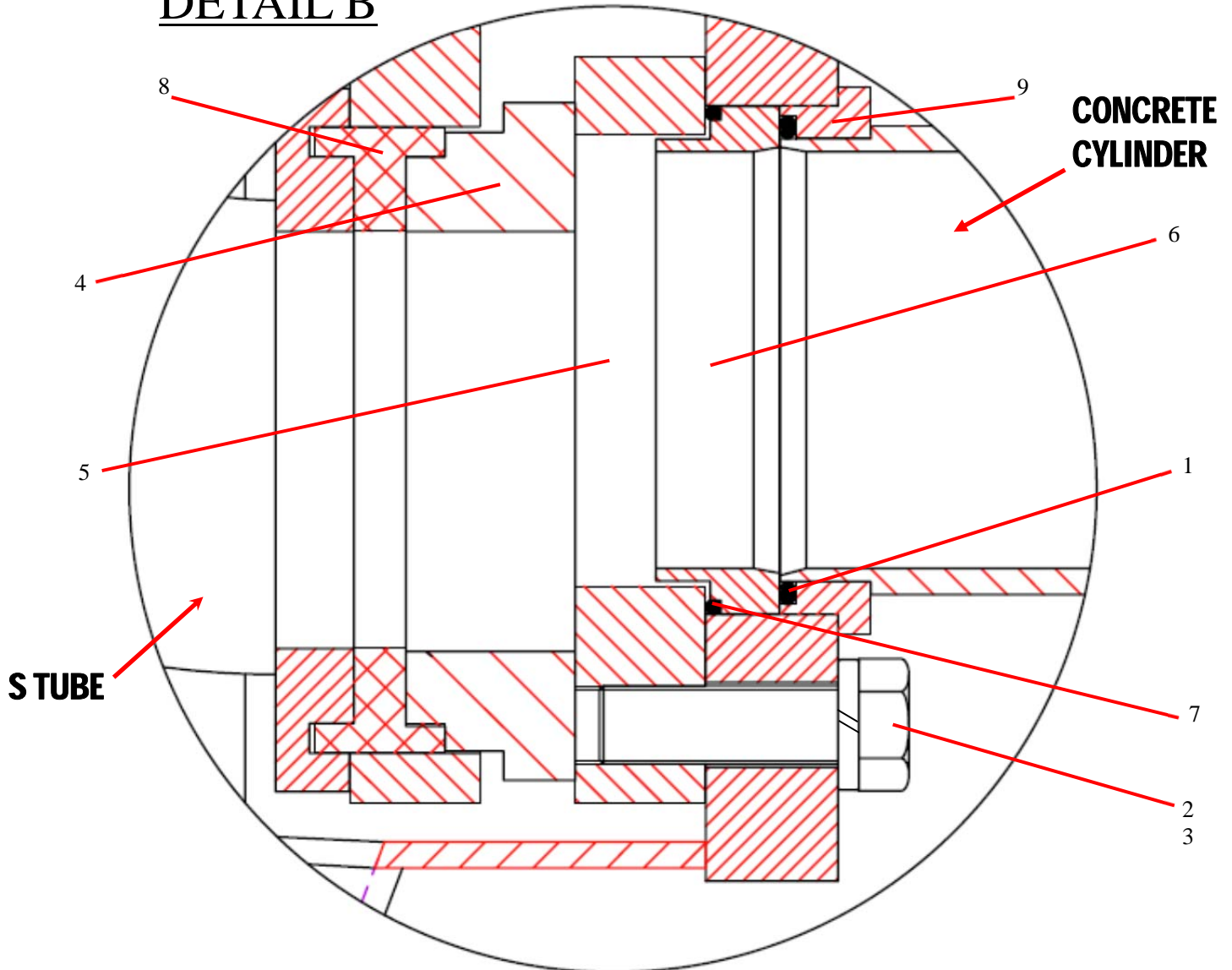
VIEW A



ID #	PART #	PART DESCRIPTION	QUANTITY	
1	86621	SEAL KIT	1	EA
2	86369	O-RING-#158 BUNA 90	1	EA
3	86370	O-RING-#163 BUNA 90	1	EA
4	86614	SEAL-MODIFIED- 4 IN OUTLET	1	EA
5	86371	GUIDE BAND - 4.75 OD X 1.00W	1	EA
6	86372	LIP SEAL -4.50 ID X 4.88 OD X.38	1	EA

WEAR PLATE ASSEMBLY

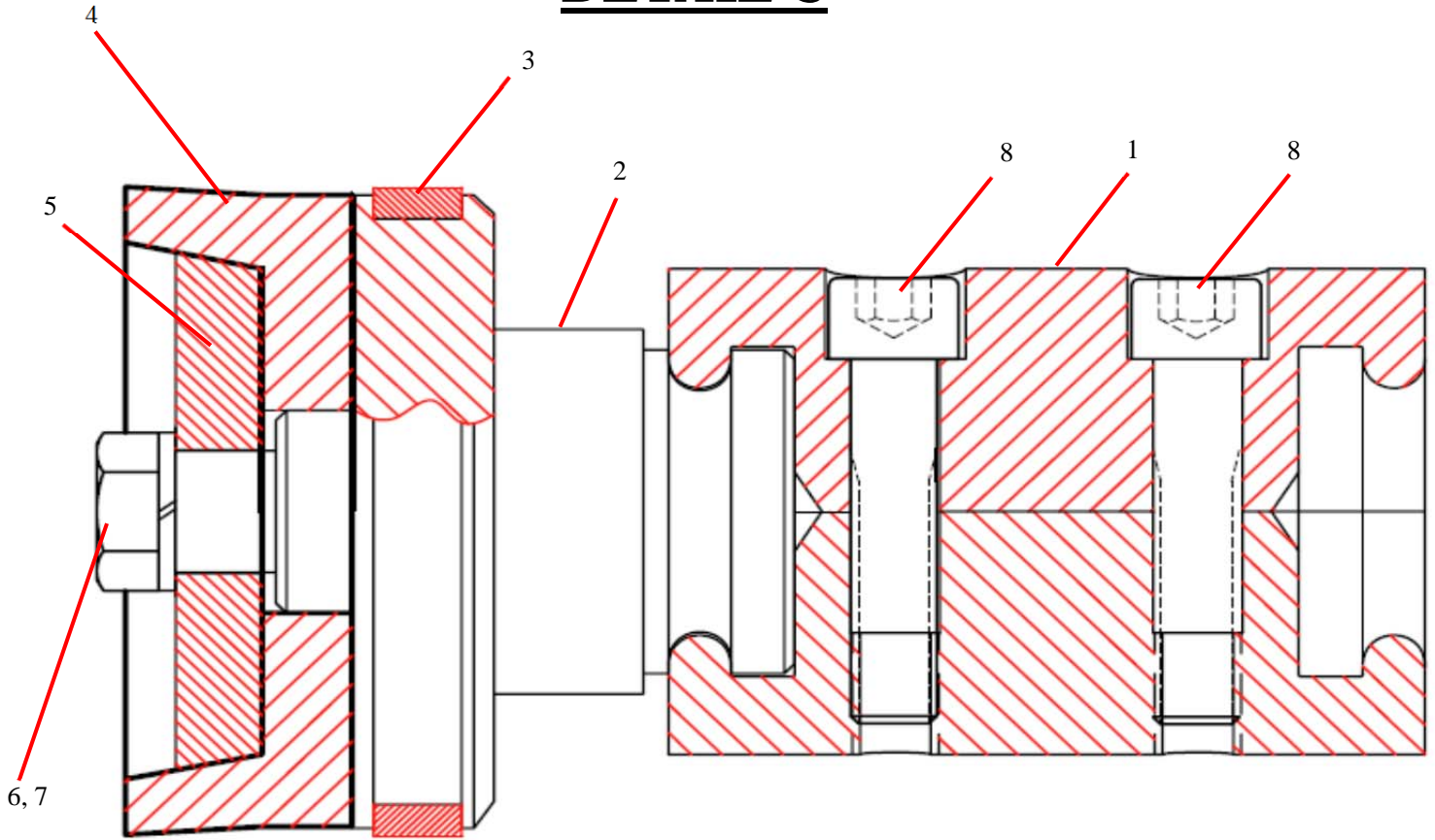
DETAIL B



ID #	PART #	PART DESCRIPTION	QUANTITY	
1	71249	O-RING, #347 BUENA 70	2	EA
2		HHCS, 3/4 - 10X 2 1/2" GR 8	5	EA
3		LOCK WASHER, 3/4"	5	EA
4	72384	WEAR RING, 4" DOUBLE LIP, 26% CHROME	1	EA
5	71251	WEAR PLATE-CAST 4" M20	1	EA
6	71254	ANTI CHIP RING, 4"	2	EA
7	71247	O-RING FOR CHIP RING	2	EA
8	72285	SEAL, DOUBLE LIP 4"	1	EA
9	71257	CONC, CYL. ADAPTER	2	EA

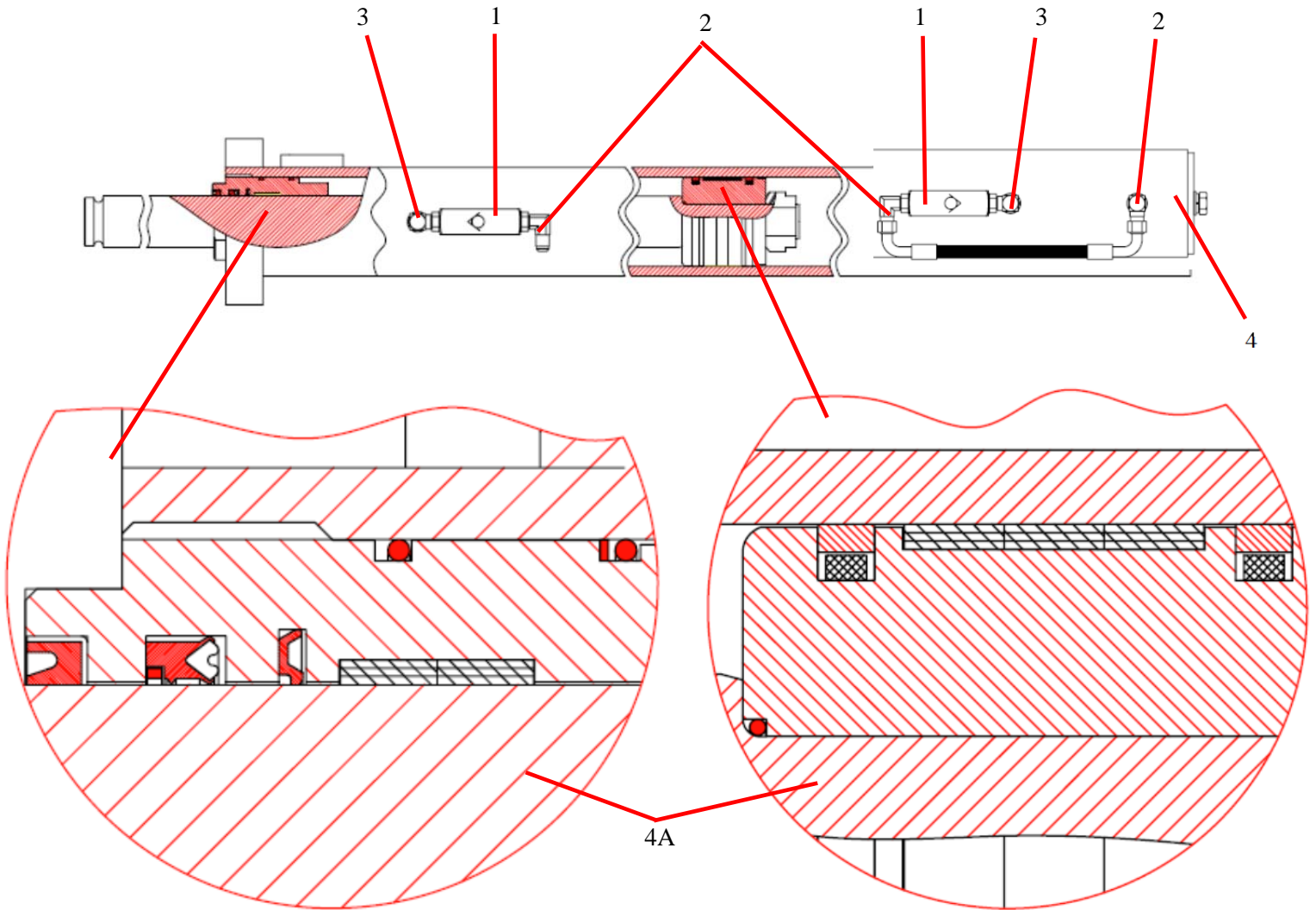
4" PISTON CUP ASSEMBLY

DETAIL C



ID #	PART #	PART DESCRIPTION	QUANTITY	
1	70077	PISTON COUPLING,	1	EA
2	87940	PISTON ADAPTER 4" WITH GUIDE BAND	1	EA
3	87994	WEAR RING(GUIDE BAND) 4"	1	EA
4	76500	PISTON CUP, 4 IN	1	EA
5	88011	PISTON PLATE 4" SINGLE BOLT	1	EA
6	87982	HHCS 3/4-16 1.5" LONG GR8 PLATED	1	EA
7	80010	LOCKWASHER-3/4 STL ZINC PLATED	1	EA
8		SHCS 1/2 - 13 X 2 1/4"	2	EA

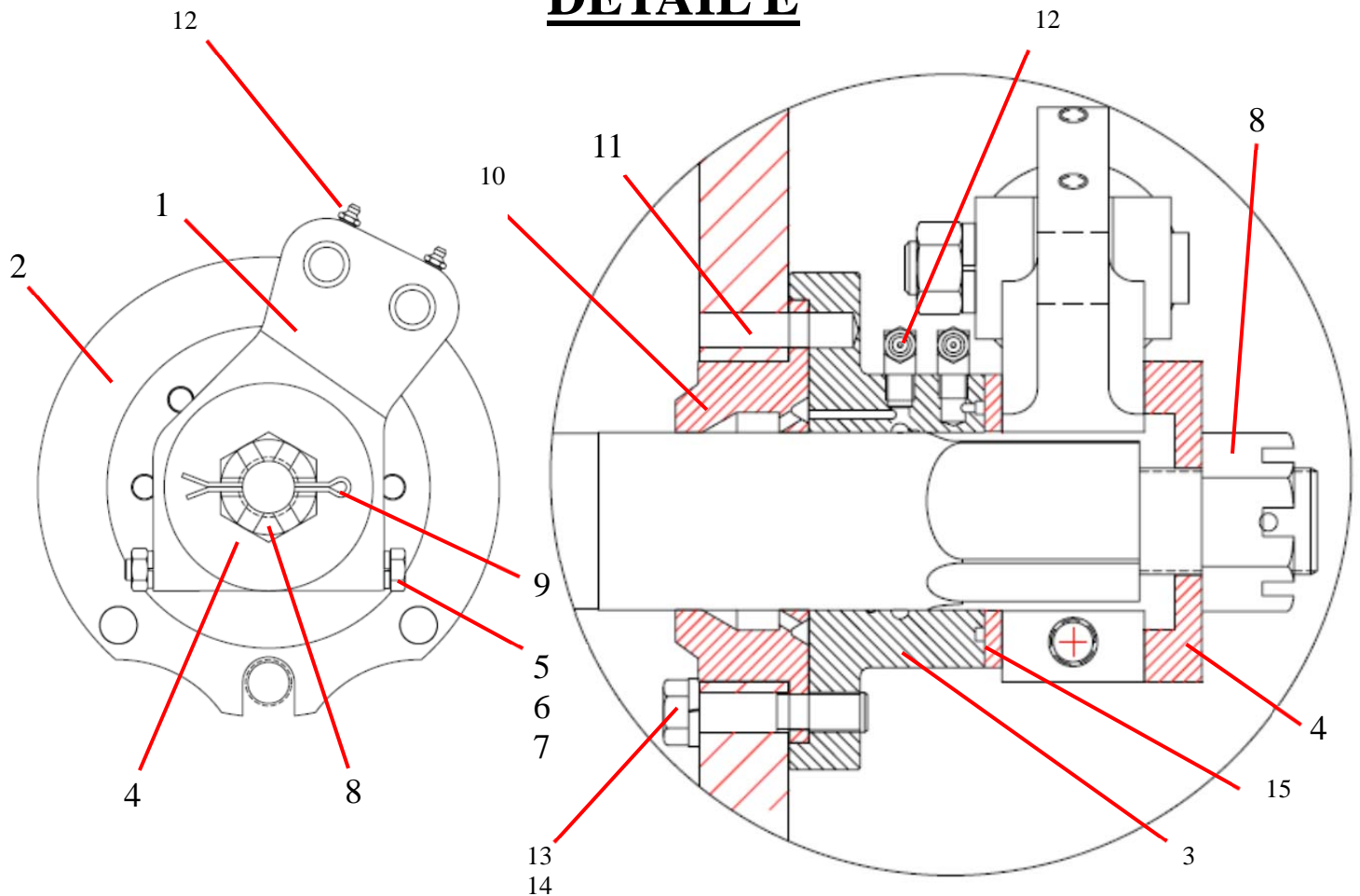
DRIVE CYLINDER ASSEMBLY



ID #	PART #	PART DESCRIPTION	QUANTITY	
	86304-2	HYD CYLINDER GROUP	REF	
1	78961	CHECK VALVE-5K PSI O-RING	2	EA
2	86748	FITTING-MB-MJ90-6-6	3	EA
3		ELBOW, MB-MB90-6-6	2	EA
4	86223HT	HYDRAULIC CYLINDER 3.50 X 2.00 X 35.75	1	EA
4A	86222A-SK	SEAL KIT	1	EA

DUAL SHIFT BELL CRANK ASSEMBLY

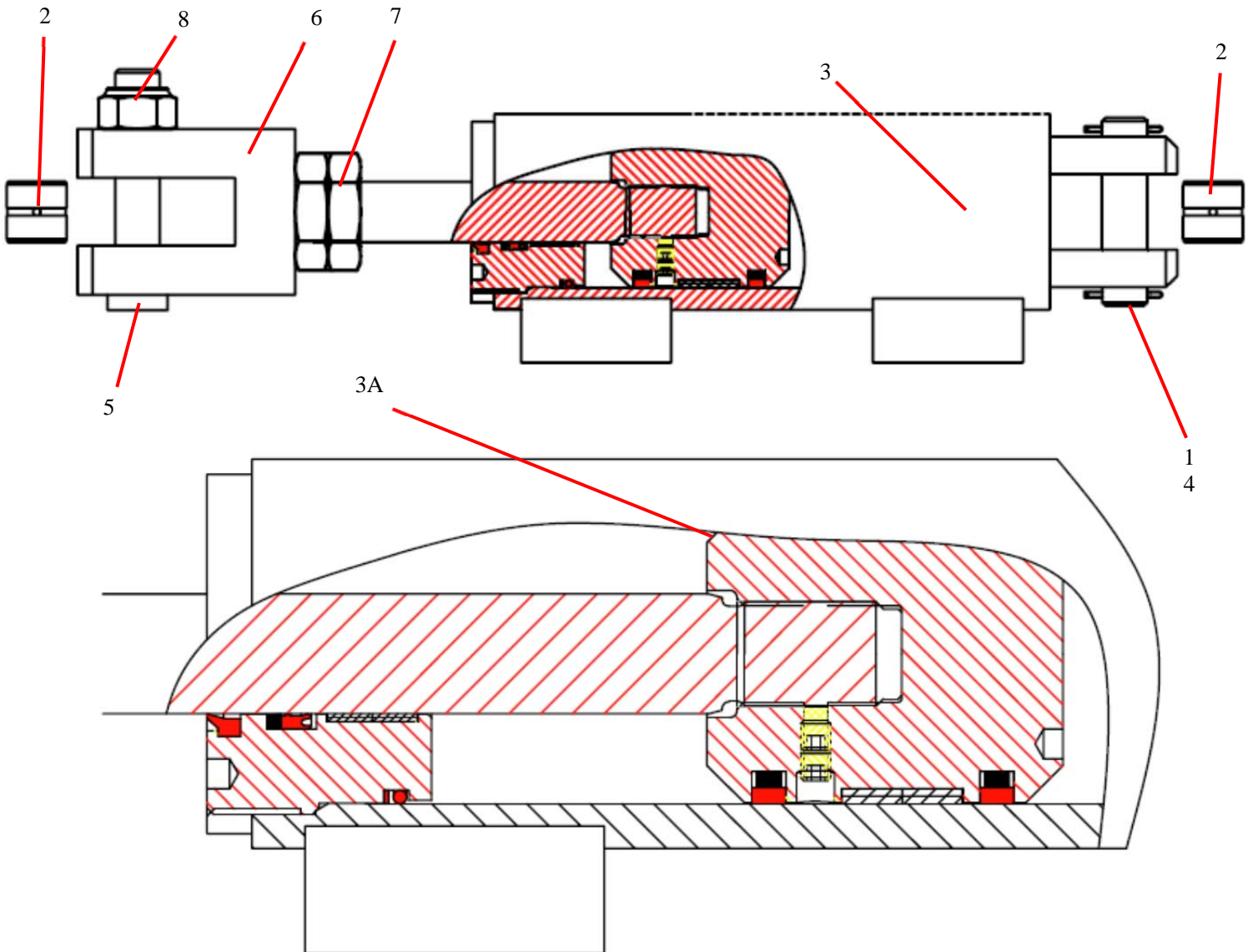
DETAIL E



ID #	PART #	PART DESCRIPTION	QUANTITY	
1	85604	BELL CRANK, B10R, 2 CYLINDER	1	EA
2	86502	LOCATOR RING- FLANGE BEARING	1	EA
3	70124	FLANGED BEARING	1	EA
4	70125	SPACER, S-TUBE NUT	1	EA
5		HHCS, 5/8"-18X5 1/2" GR 8	1	EA
6		LOCK WASHER, 5/8"	1	EA
7		JAM NUT, 5/8	1	EA
8	70825	NUT 1 1/2" - 12 CASTLE	1	EA
9		COTTER PIN, 1/4 X4"	1	EA
10	73564	SEAL, FLANGE BEARING 2.5 SHAFT	1	EA
11		DOWEL PIN, 1/2" DIA X 2"	2	EA
12		GREASE FITTING, 1/8" NPT	2	EA
13		HHCS, 9/16 - 12X3" GR 8	4	EA
14		LOCK WASHER, 9/16"	4	EA
15	70141	THRUST WASHER, S -TUBE	1	EA

DUAL SHIFT CYLINDER ASSEMBLY

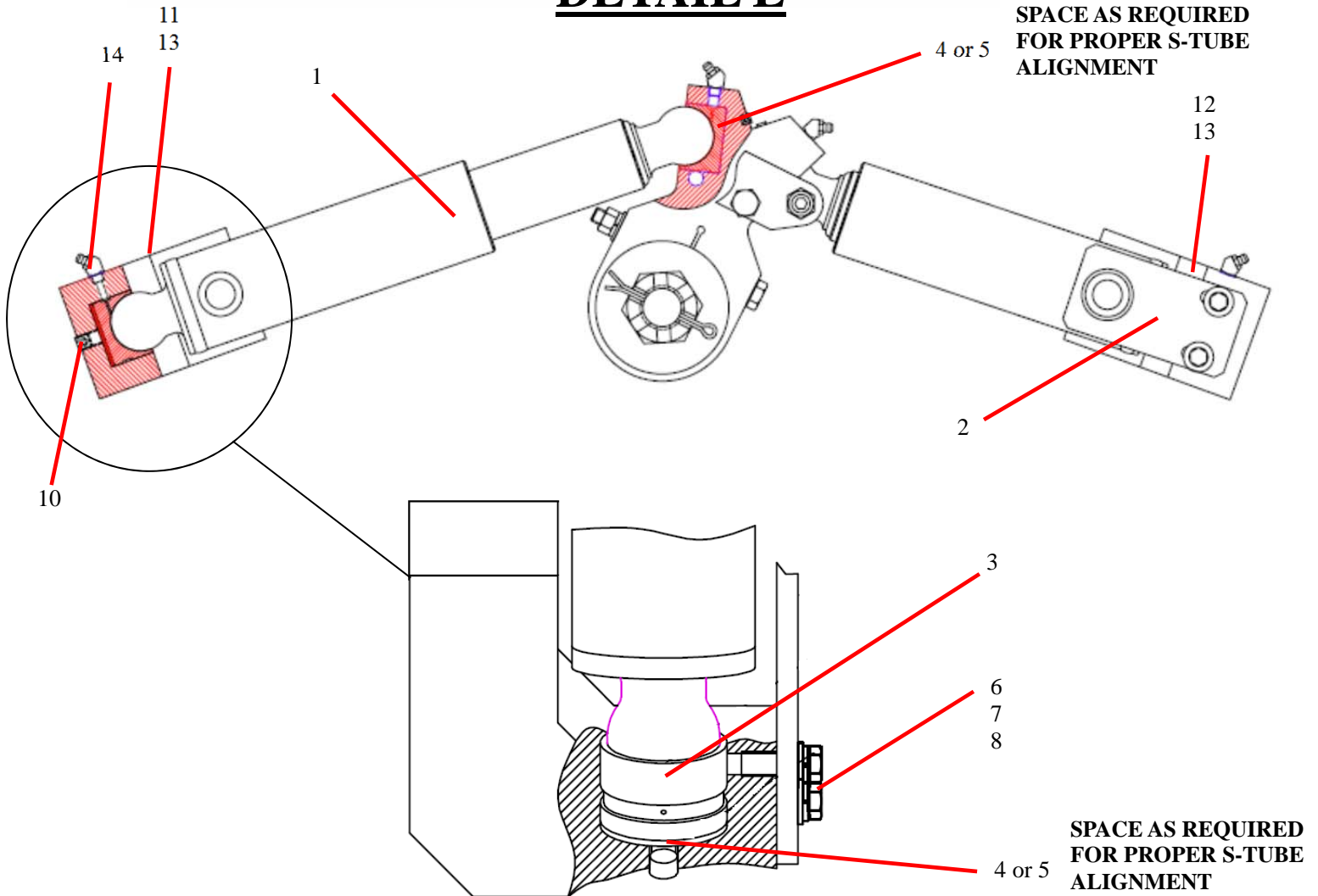
DETAIL E



ID #	PART #	PART DESCRIPTION	QUANTITY	
1	74207	PIN - CLEVIS - .750 DIA	1	EA
2	71011	BUSHING - SHIFT CYLINDER	1	EA
3	86221-1HT	SWING CYLINDER 2.50 X 1.00 X 5.00	2	EA
3A	86221A-SK	SEAL KIT	2	EA
4		COTTER PIN, 3/32X1 3/4"	2	EA
5	70142	PIN, CLEVIS	1	EA
6	70143	CLEVIS, SHIFT CYLINDER	1	EA
7		1"X14 JAM NUT	2	EA
8		3/4 - 10 LOCK NUT	1	EA

DUAL SHIFT ASSEMBLY

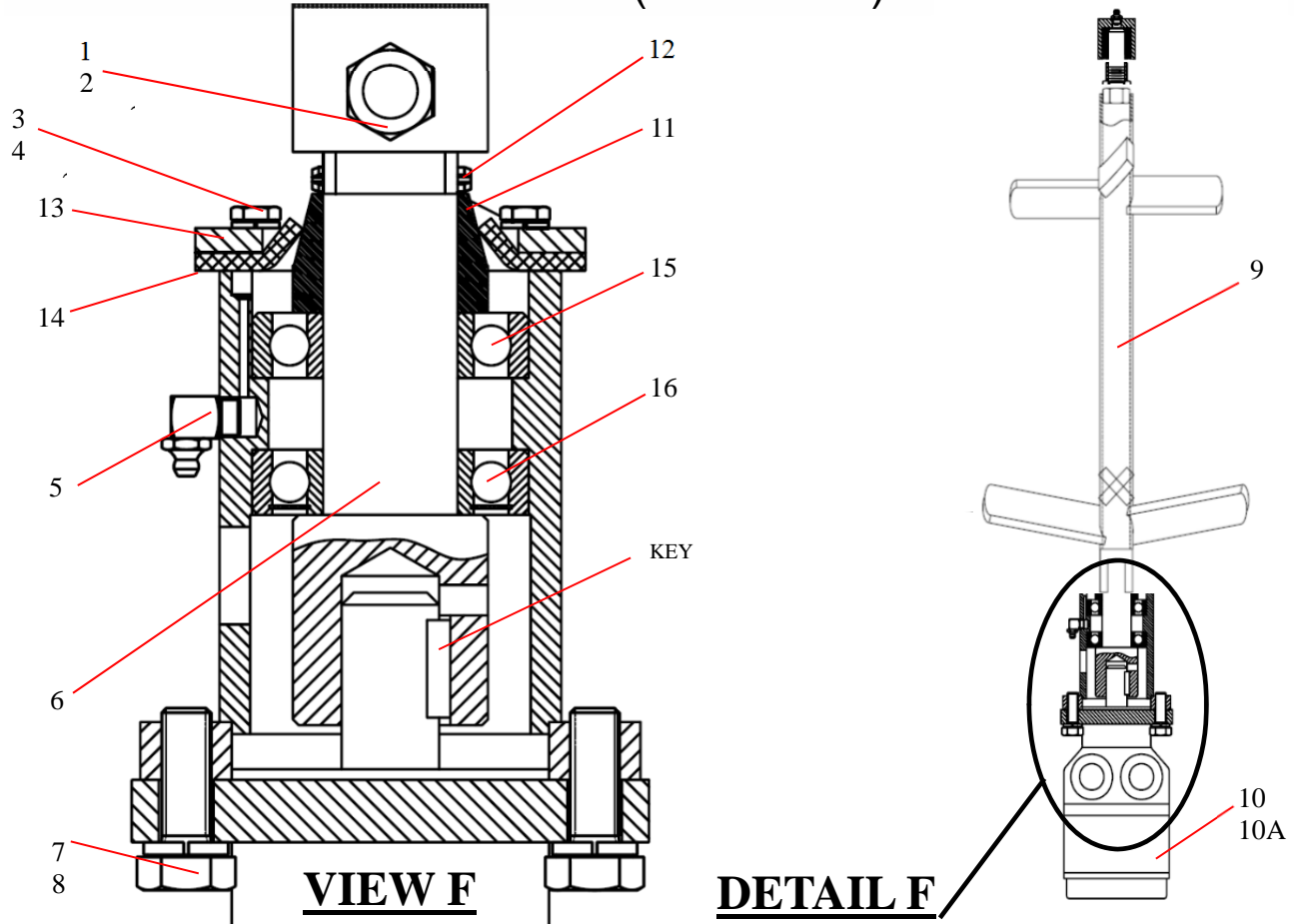
DETAIL E



ID #	PART #	PART DESCRIPTION	QUANTITY	
1	86220HT	SWING RAM – 2.5 X 5.75 STROKE	REF	
2	86441	RETAINER, SWING RAM	2	EA
3	76798-1	BALL SOCKET, NYLON	4	EA
4	75501	SPACER 1/8"	A/R	EA
5	75502	SPACER 1/16"	A/R	EA
6		HHCS, 3/8-24X1 1/4" GR8	4	EA
7		WASHER, 3/8"	4	EA
8		LOCK WASHER, 3/8"	4	EA
10	86283	SETSCREW – 5/8 -11X2.00 CUP	2	EA
11	85941	HOUSING,RH SWING RAM	1	EA
12	85942	HOUSING, LH SWING RAM	1	EA
13	86052	DOWEL PIN, 1/2" DIA X 2"	4	EA
14		GREASE FITTING, 1/8" NPT	2	EA

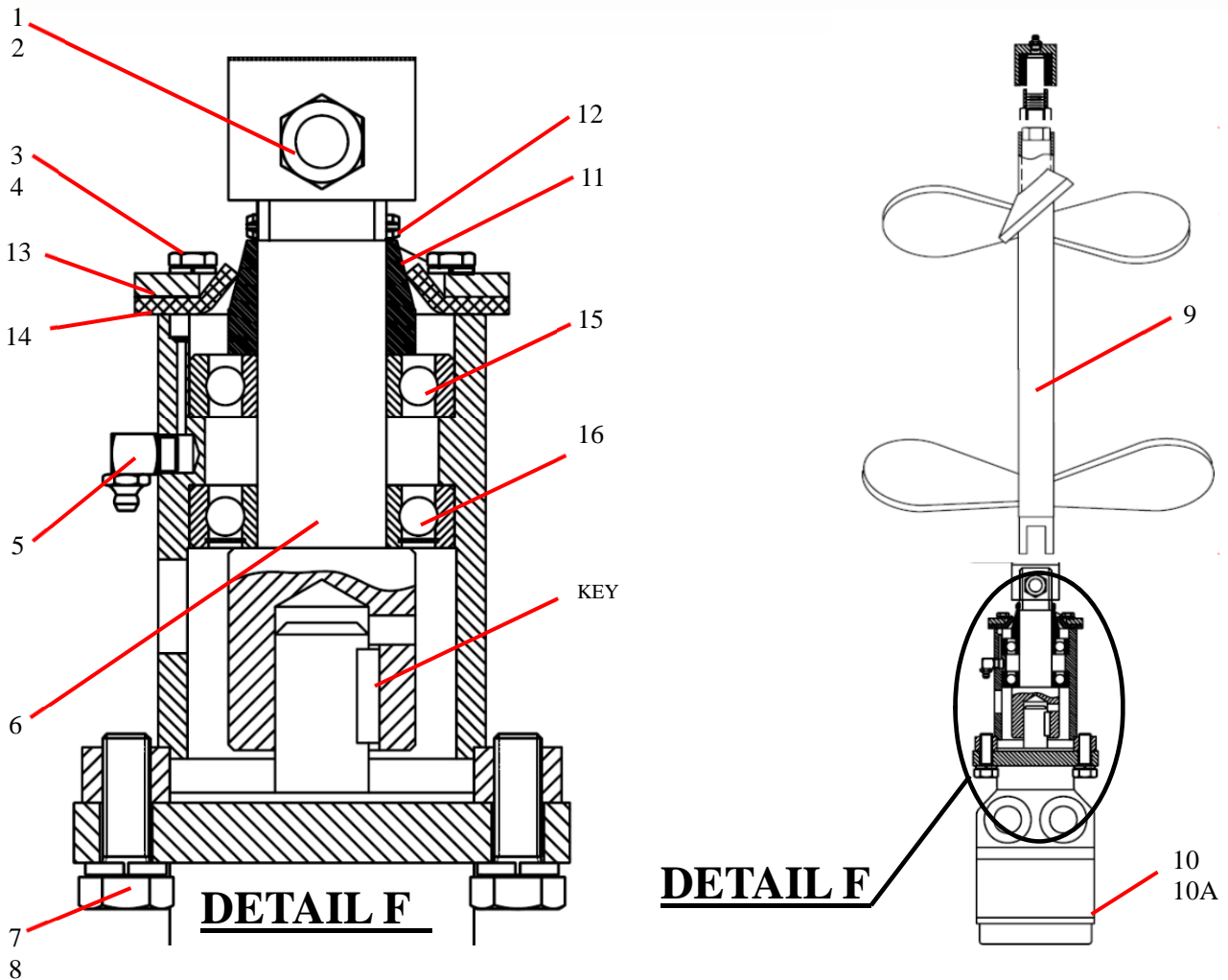
HOPPER

AGITATOR ASSEMBLY (OPTION 1)

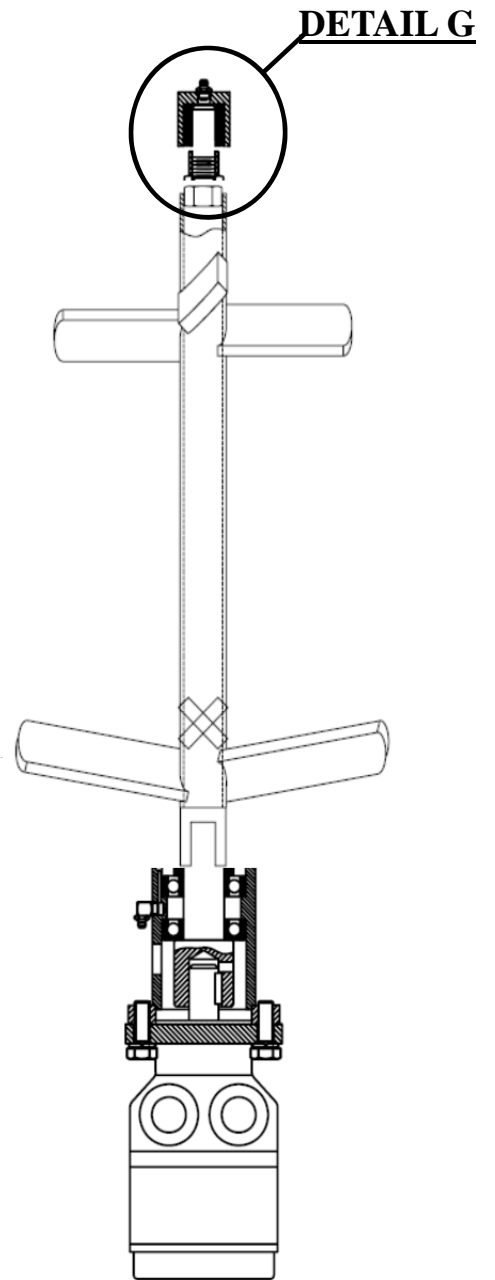
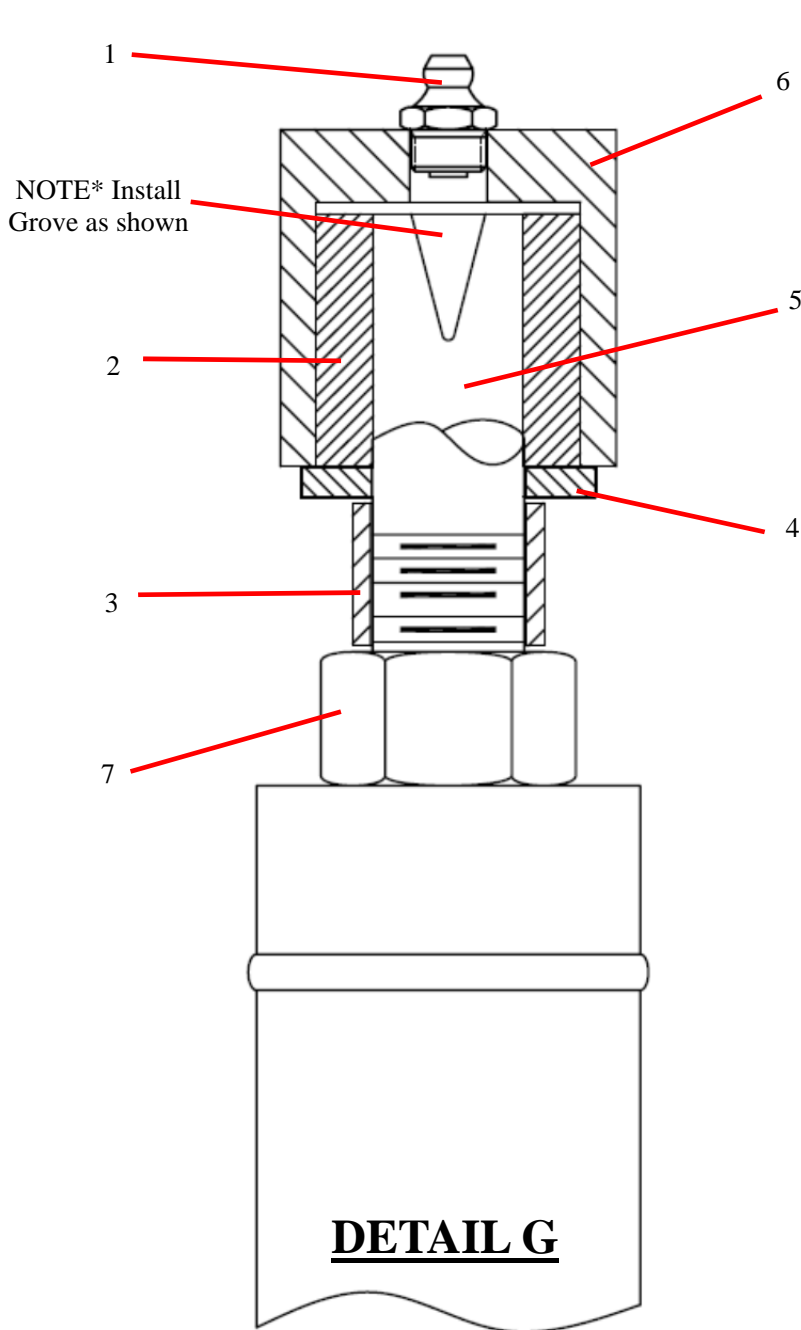


ID#	PART #	PART DESCRIPTION	QUANTITY	
	88041-A1	AGITATOR ASSEMBLY		
1		HHCS, 1/2 -13X2 1/4" GR 8	1	EA
2		LOCK NUT, 1/2" -13	1	EA
3		1/4-28X3/4"	6	EA
4		LOCK WASHER, 1/4"	6	EA
5		GREASE FITTING, 1/8" NPT 90°	1	EA
6	85923	SHAFT,AGITATOR	1	EA
7		HHCS, 1/2 -20X1 1/2" GR 8	2	EA
8		LOCK WASHER, 1/2"	2	EA
9	85717	AGITATOR, PADDLE-B20	1	EA
10	85811	HYD MOTOR, 45.6 CID, 1" SHAFT	1	EA
10A	85809SK	SEAL KIT	1	EA
11	85976	WEAR RING, AGITATOR	1	EA
12		SPRING PIN, 1/4" DIA X 1 3/4"	1	EA
13	70211	FLANGE SEAL S/W	1	EA
14	70212	SEAL REMIXER	1	EA
15	85978	BEARING, BALL, PLAIN	1	EA
16	85979	BEARING, BALL 1 SEAL	1	EA

AGITATOR ASSEMBLY (OPTION 2)

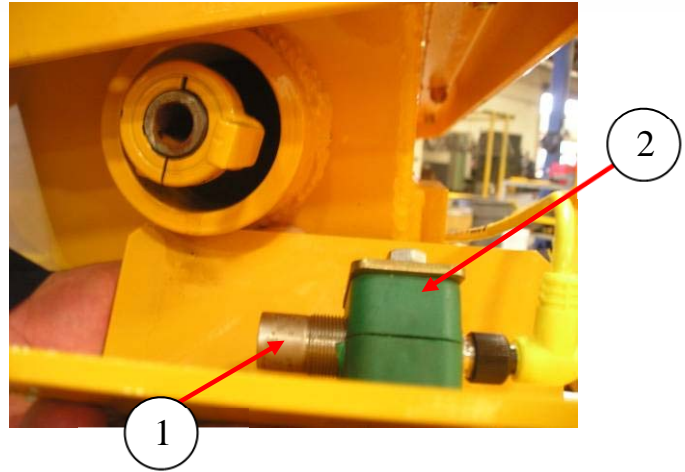
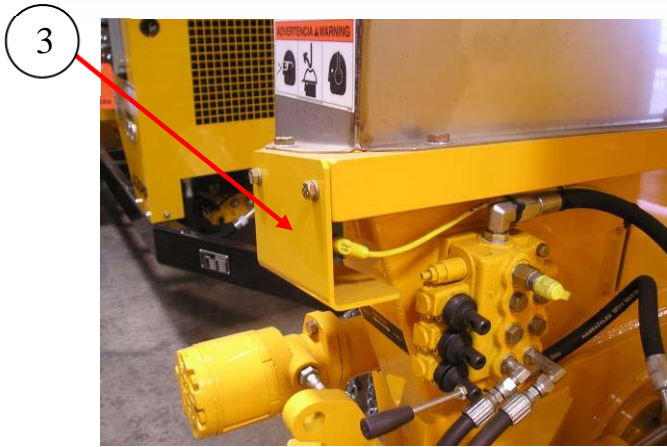


	85761	AGITATOR ASSEMBLY		
1		HHCS, 1/2 -13X2 1/4" GR 8	1	EA
2		LOCK NUT, 1/2" -13	1	EA
3		1/4-28X3/4"	6	EA
4		LOCK WASHER, 1/4"	6	EA
5		GREASE FITTING, 1/8" NPT 90°	1	EA
6	85923	SHAFT,AGITATOR	1	EA
7		HHCS, 1/2 -20X1 1/2" GR 8	2	EA
8		LOCK WASHER, 1/2"	2	EA
9	87356	AGITATOR, PADDLE-B20	1	EA
10	85811	HYD MOTOR, 45.6 CID, 1" SHAFT	1	EA
10A	85809SK	SEAL KIT	1	EA
11	85976	WEAR RING, AGITATOR	1	EA
12		SPRING PIN, 1/4" DIA X 1 3/4"	1	EA
13	70211	FLANGE SEAL S/W	1	EA
14	70212	SEAL REMIXER	1	EA
15	85978	BEARING, BALL, PLAIN	1	EA
16	85979	BEARING, BALL 1 SEAL	1	EA



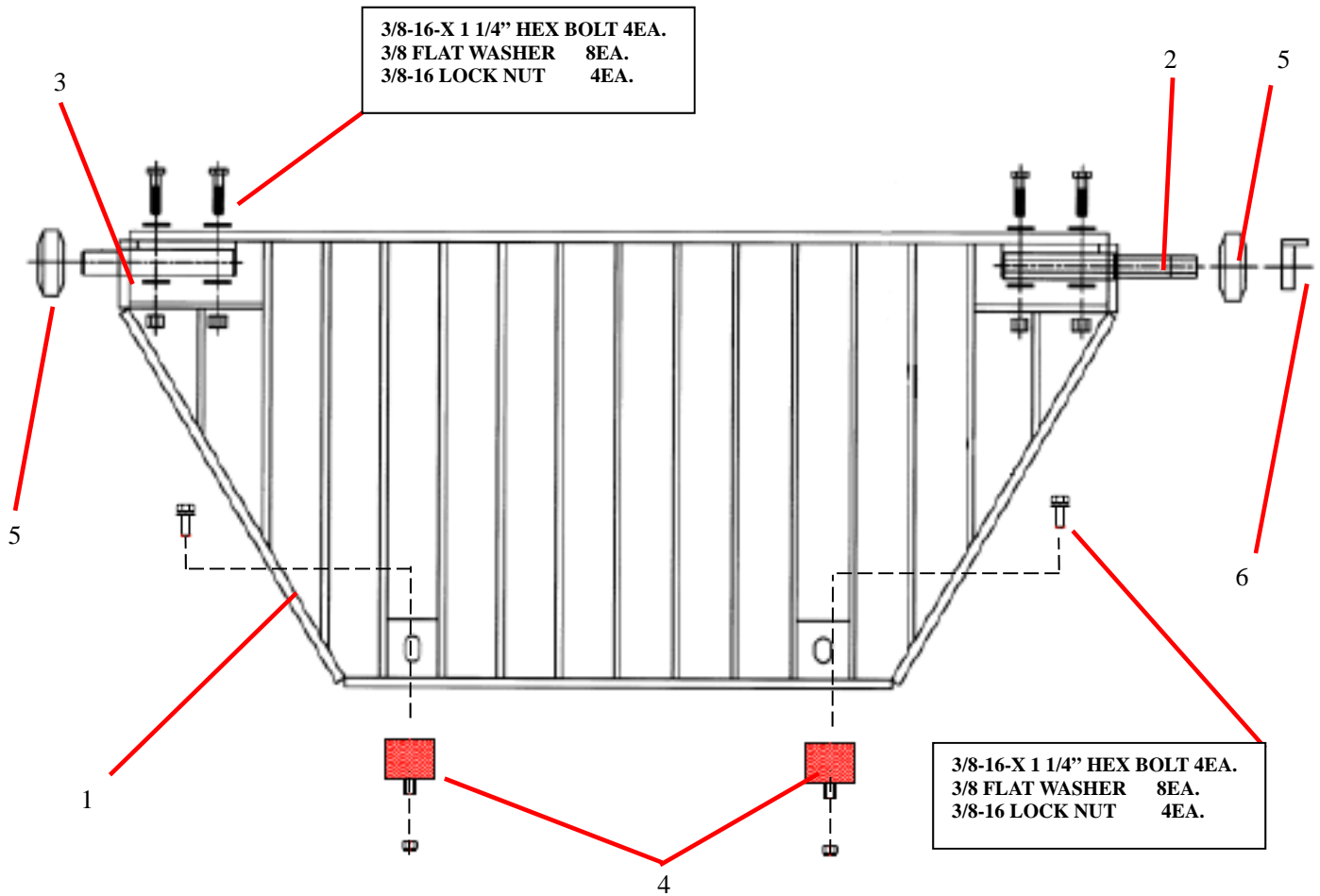
ID #	PART #	PART DESCRIPTION	QUANTITY	
1		GREASE FITTING, 1/8" NPT STRAIT	1	EA
2	70219	REMIX SHAFT BUSHING	1	EA
3	77877	SPACER, REMIX	1	EA
4	86824	FLAT WASHER, 3/4" SAE	1	EA
5	70214	IDLER SHAFT, AGITATOR	1	EA
6	70210	IDLER BREARING HOUSING	1	EA
7	80030	HEX NUT-M20X2.5 PLATED	1	EA

SAFETY GRATE



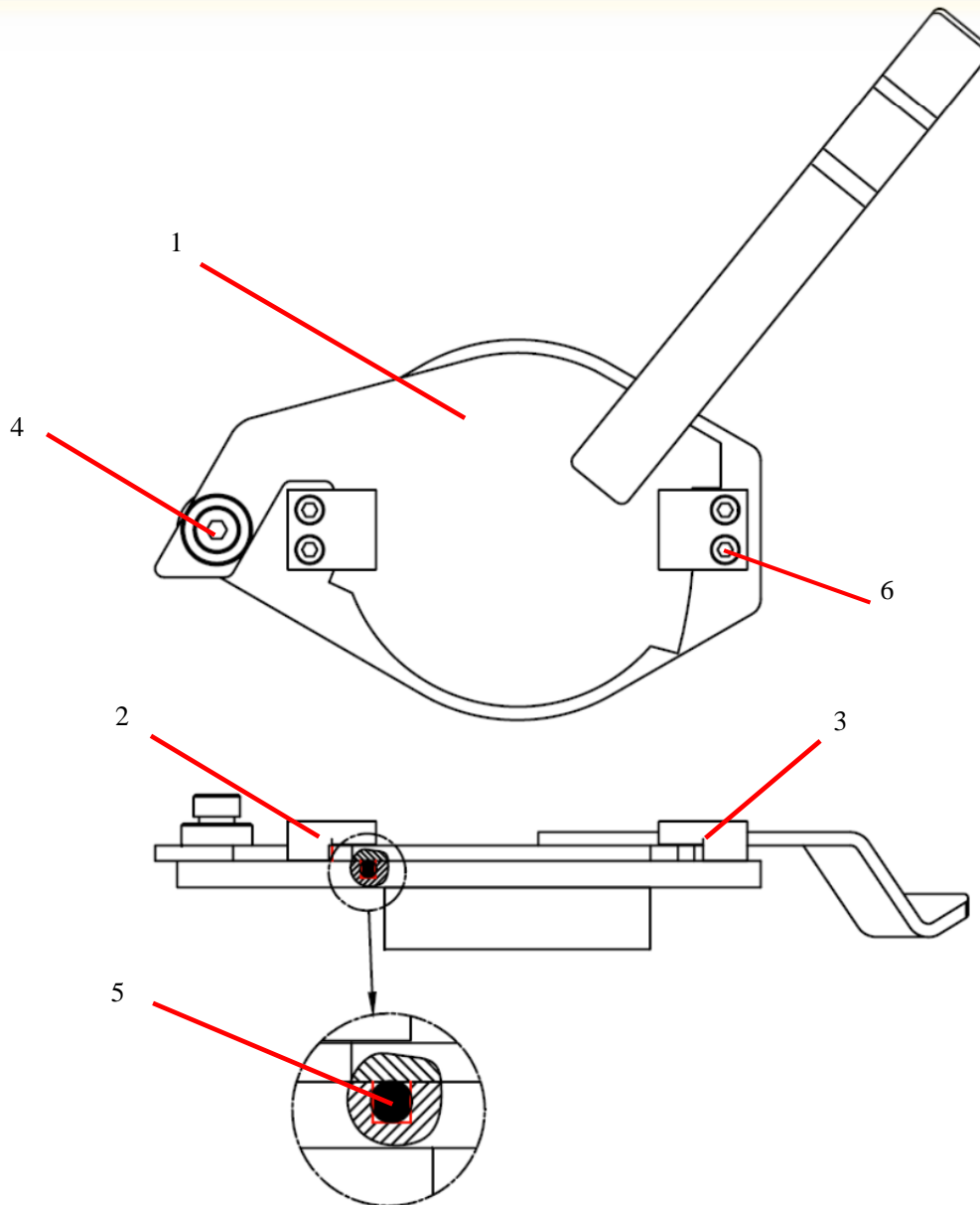
ID #	PART #	PART DESCRIPTION	QUANTITY	
1	87369	PROXIMITY SENSOR PNP HOPPER GRATE	1	EA
2	801902-006	CLAMP,18MM TUBE CLAMP SET	1	EA
3	87997	COVER WELD PROX SWITCH HOPPER	1	EA

GRATE ASSEMBLY



ID #	PART #	PART DESCRIPTION	QUANTITY	
1	87892	GRATE WELDMENT, STD HOPPER	1	EA
2	87857	PIN WELDMENT LONG	1	EA
3	87858	PIN WELDMENT SHORT	1	EA
4	86083	BUMPER, HOPPER GRATE	2	EA
5	W-102490	RUBBER BUFFER 65X22.5X26	2	EA
6	87769	COLLAR SHAFT, 7/8" DIA	1	EA

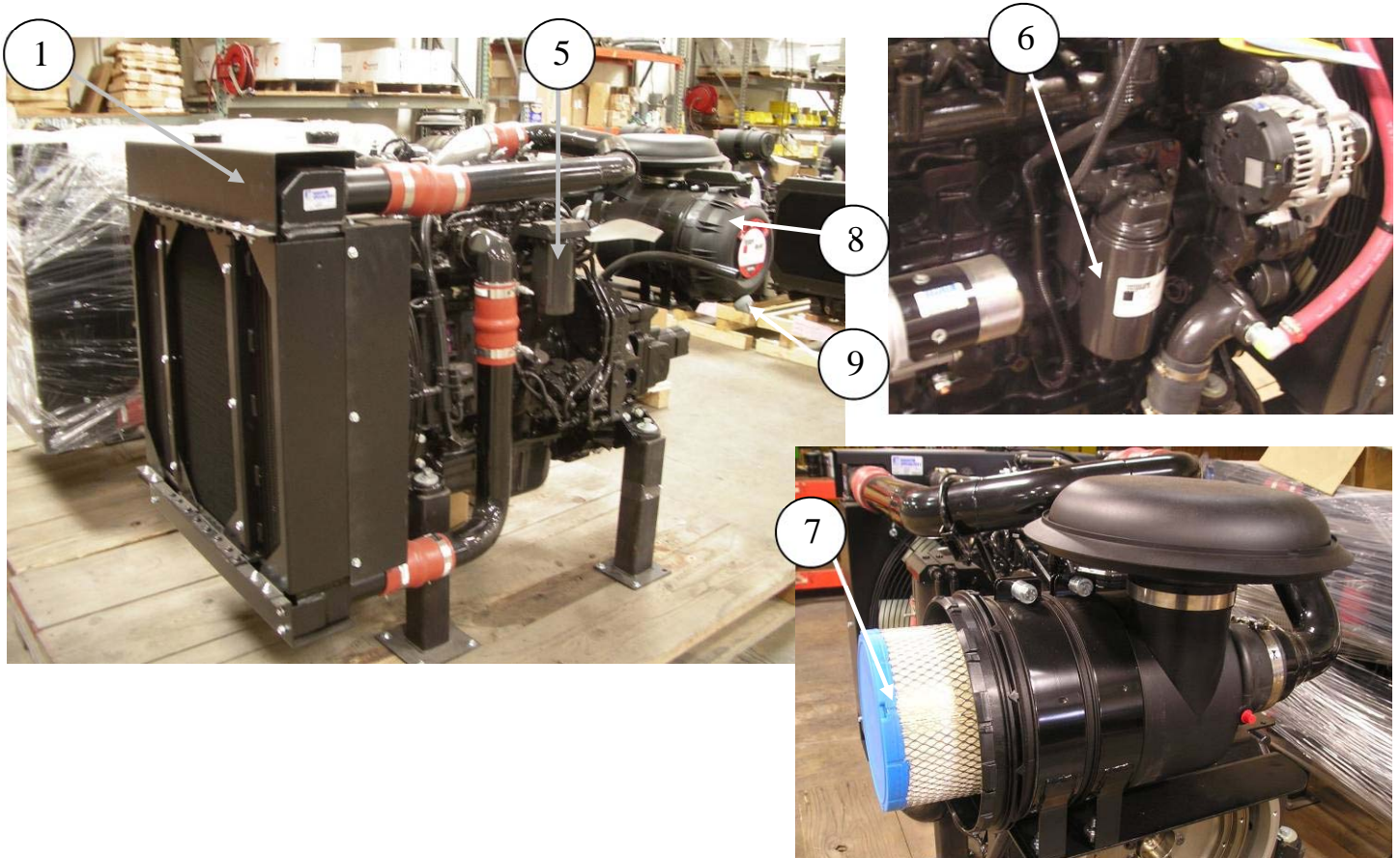
CLEAN OUT DOOR ASSEMBLY



ID #	PART #	PART DESCRIPTION	QUANTITY	
1	86988	DOOR WELDMENT, CLEAN OUT	1	EA
2	86559	BLOCK, CLEAN OUT DOOR, LH	1	EA
3	86560	BLOCK, CLEAN OUT DOOR, RH	1	EA
4	86922	SHOULDER SCREW 1" DIA-1 1/4"	1	EA
5	W102908A	O-RING CORD, HOPPER DOOR	2.21	FT
6		SHCS 1/2"-13 X 1 1/4"	4	EA

POWER TRAIN GROUP

ENGINE, PUMPS, AND FILTERS

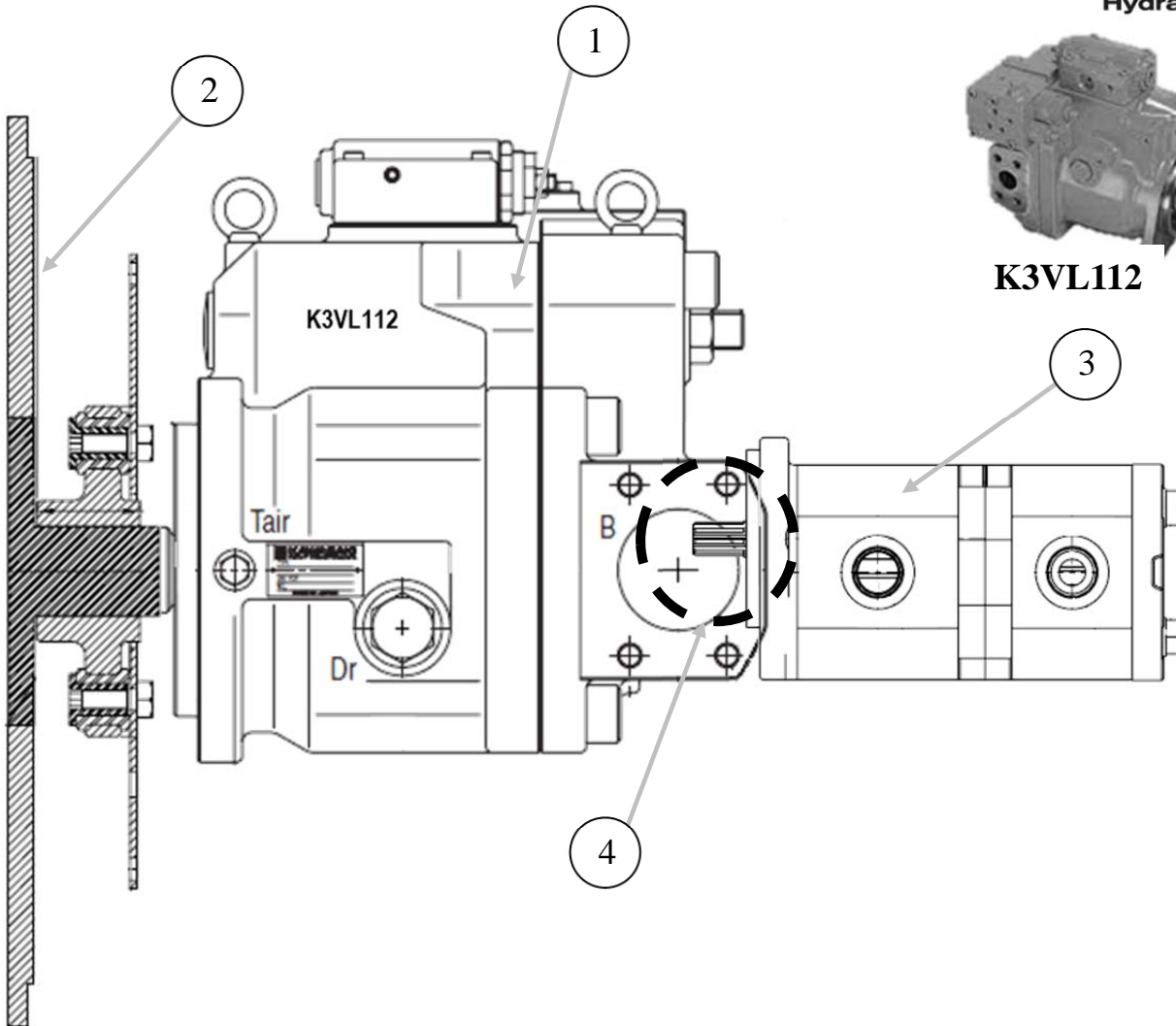


ID #	PART #	PART DESCRIPTION	QUANTITY	
	87864	POWER TRAIN B20 GROUP	REF	
	87863	POWER TRAIN ASSY B20HP 110 KAW/CUM	REF	
1	87724-1	ENGINE QSB4.5 110 HP CUMMINS	1	EA
2	87725-002	FUEL FILTER	1	EA
3	87725-001	OIL FILTER	1	EA
4	87725-010	AIR FILTER ELEMENT	1	EA
5	87725-014	AIR FILTER HOUSING ASSEMBLY	1	EA
6	87725-015	AIR FILTER HOUSING COVER, DUST EJECTION	1	EA

MAIN HYDRAULIC PUMP GEAR PUMP/PUMP DRIVE

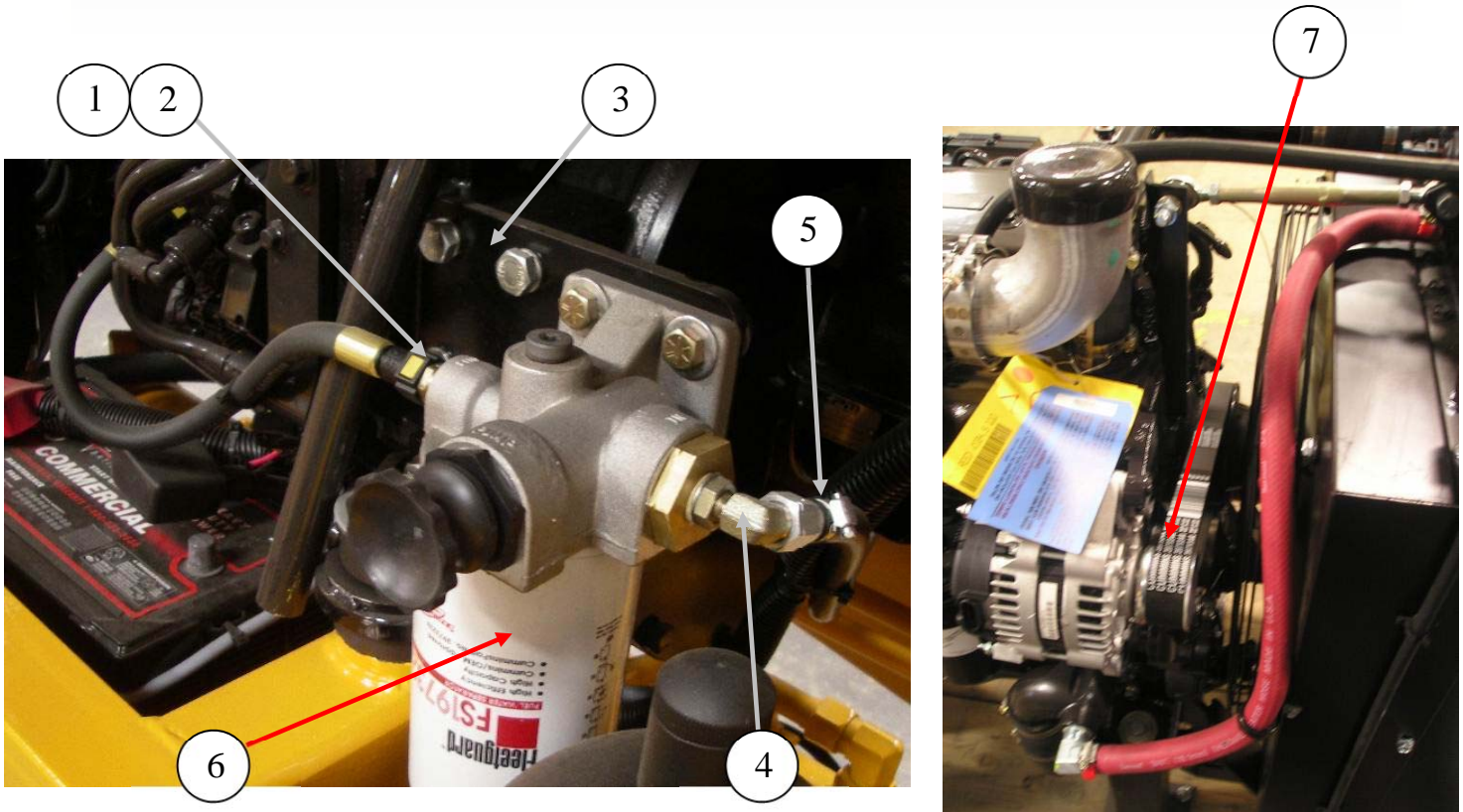


K3VL112



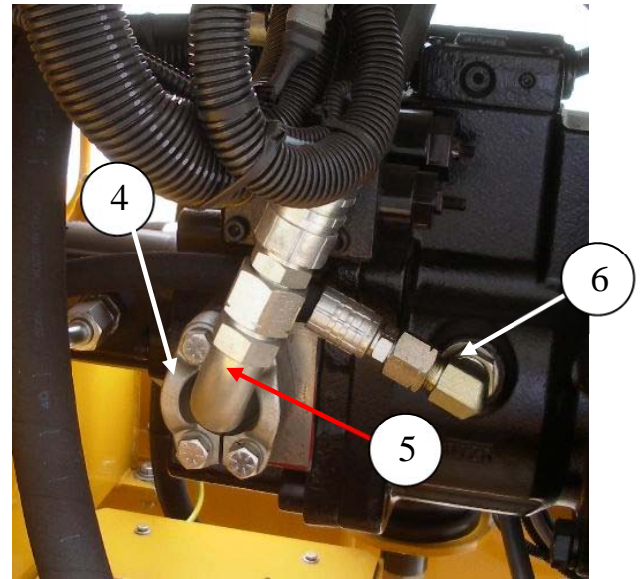
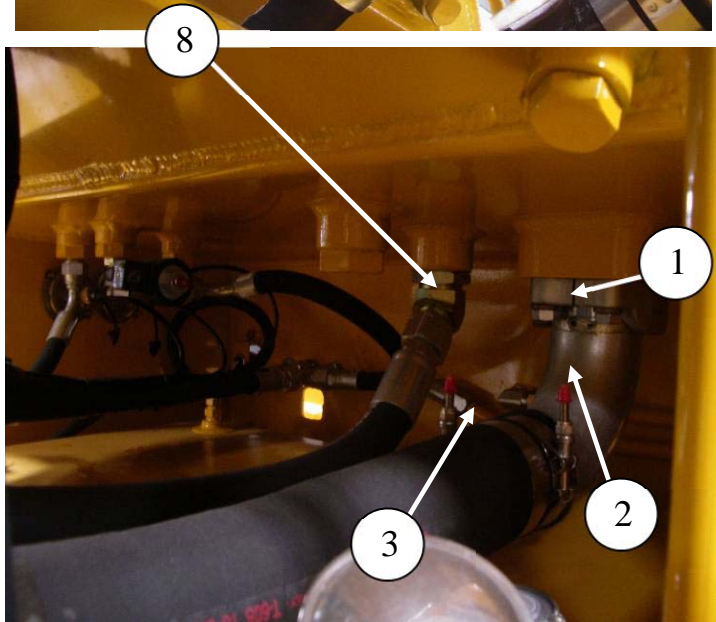
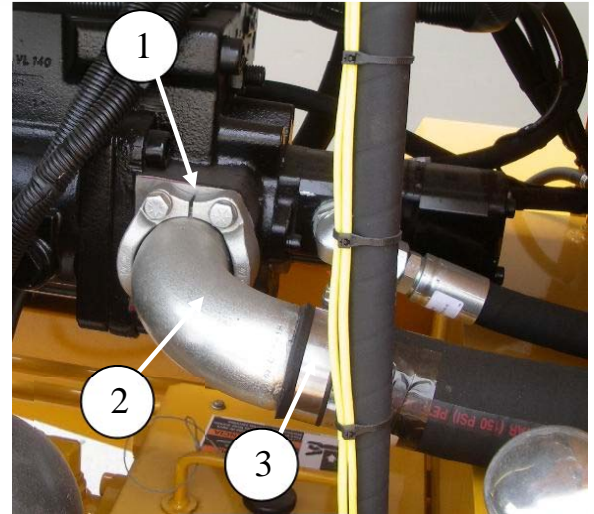
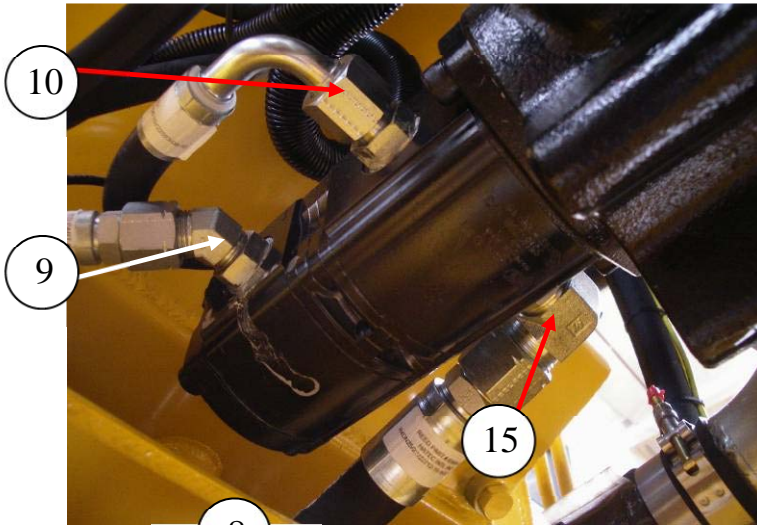
ID #	PART #	PART DESCRIPTION	QUANTITY	
1	85124-004	PUMP, KV3L112 KAWASAKI, 75HP	1	EA
2	87360	PUMP DRIVE -SAE 3 – SAE,D	1	EA
3	87153-001	PUMP-RH-DBLE GEAR, 11. 3/8.2 CC BOSCH	1	EA
4	88174	O-RING	1	EA

ENGINE, PUMPS, AND FILTERS CONTINUE



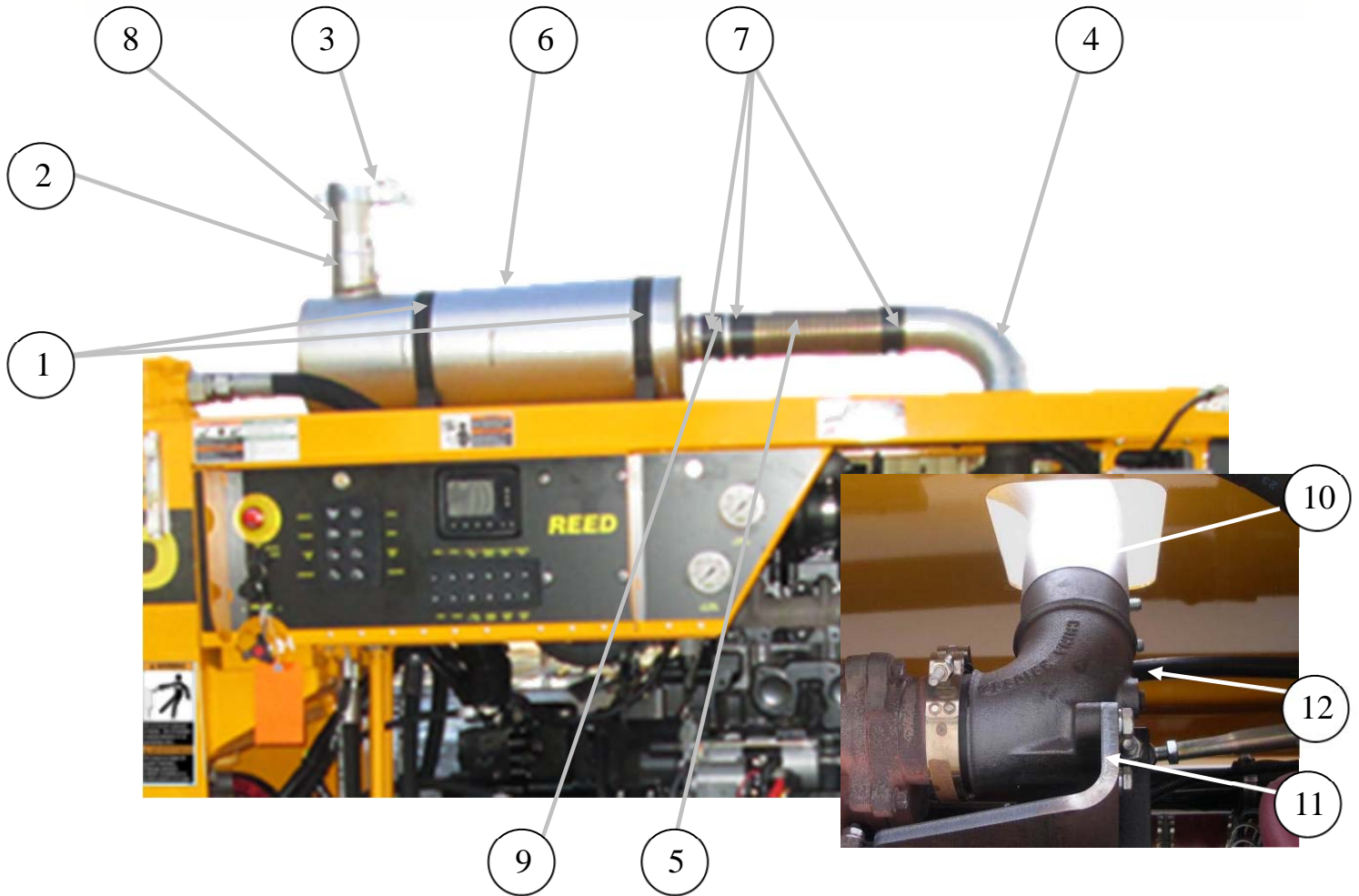
ID #	PART #	PART DESCRIPTION	QUANTITY	
1	88036	FITTING FUEL LINE, QUICK DISCONNECT	1	EA
2	88037	WASHER SEALING FOR 88036 FITTING	1	EA
3	87793	MOUNT FUEL FILTER, B SER CUMMINS	1	EA
4	87567	FITTING 90DEG METRIC TO JIC	2	EA
5	87566	FITTING BARBED JIC-STEM, 3/8-3/8	2	EA
6	87725-003	FUEL/WATER SEPARATOR REPLACEMENT	1	EA
7	87725-005	FAN BELT	1	EA

FITTINGS



ID #	PART #	PART DESCRIPTION	QUANTITY	
1	86264-007	SPLIT FLANGE-CODE 61- 40 SAE	2	EA
2	86911-009	STEM, 2 1/2" 90 DEG, 40GL-40FL90	1	EA
3	79803	CLAMP - T-BOLT - 3.00 DIA	4	EA
4	86265-003	SPLIT FLANGE-CODE 62- 20 SAE	2	EA
5	86912-006	FLANGE, FLH6K-MJ90-20-16	1	EA
6		ADAPTOR, MB-MJ-90-12-10	1	EA
7	86728-023	ADAPTOR, MB-MJ-20-16	1	EA
8	87754-020	ELBOW, MB-MJ45-20-16	1	EA
9		MB-MJ-45-10	1	EA
10	86900-017	MB-MJ0-10-10	1	EA

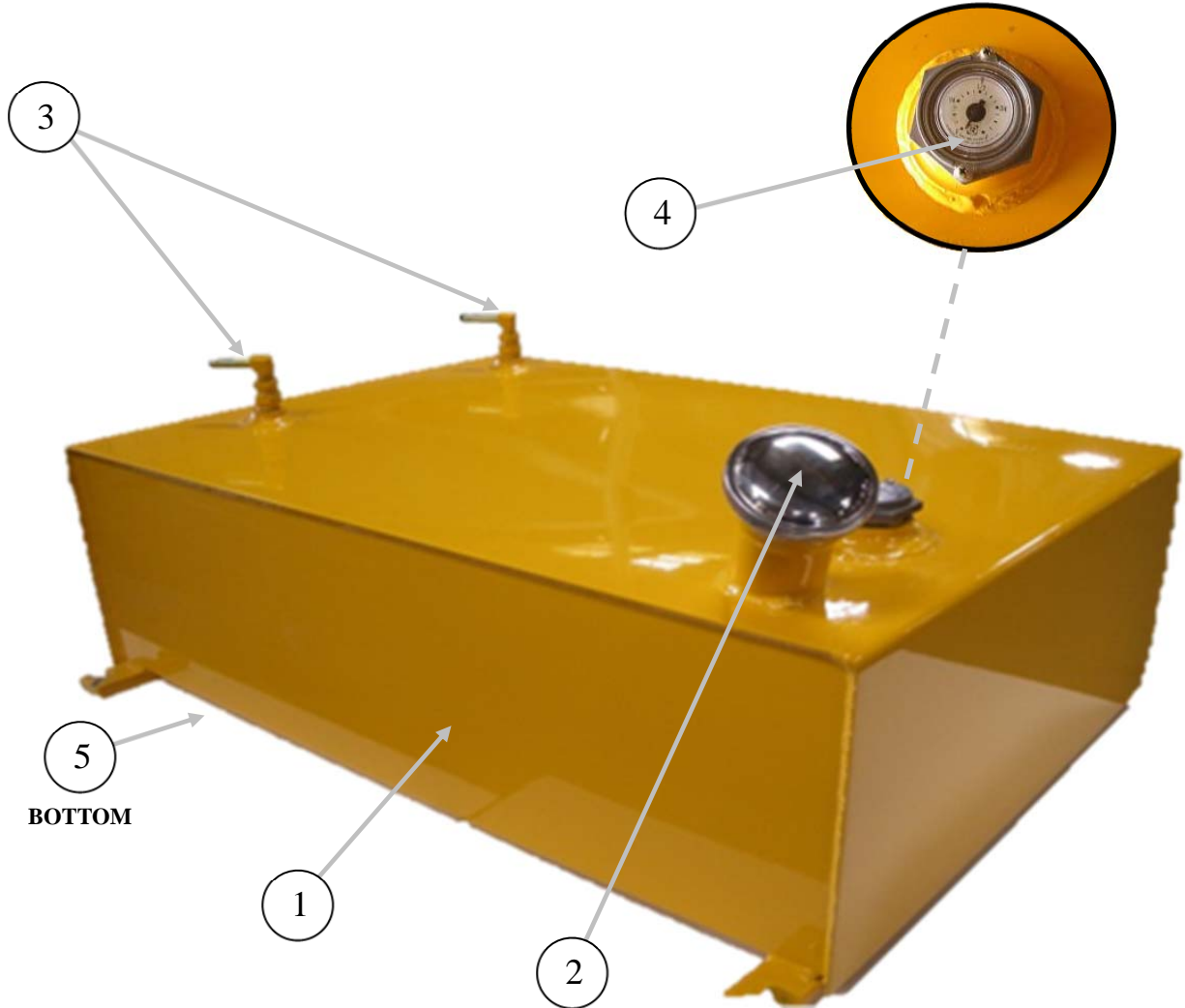
EXHAUST



ID #	PART #	PART DESCRIPTION	QUANTITY	
1	87199	MOUNTING BAND, 8.5" DIA	2	EA
2	87198	CLAMP, TORCTITE, 3"	1	EA
3	73475	RAIN CAP 3"	1	EA
4	86648	EXHAUST ELBOW 3"	1	EA
5	87579	EXHAUST FLEX TUBE, 3" 12" LONG	1	EA
6	87792	MUFFLER B SER CUMMINS	1	EA
7	87578	EXHAUST CLAMP, BENT BOLT 3"	3	EA
8	87465	TUBE EXHAUST, B SERIES, LONG	1	EA
9	87878	TUBE EXHAUST, B SERIES, SHORT	1	EA
10	88013	CLAMP EXHAUST 3" TORCTITE	1	EA
11	88016	BRACKET 4 CYL CUMMINS EXHAUST	1	EA
12	74679	PLUG 1/4" NPT SOCKET HEAD	1	EA

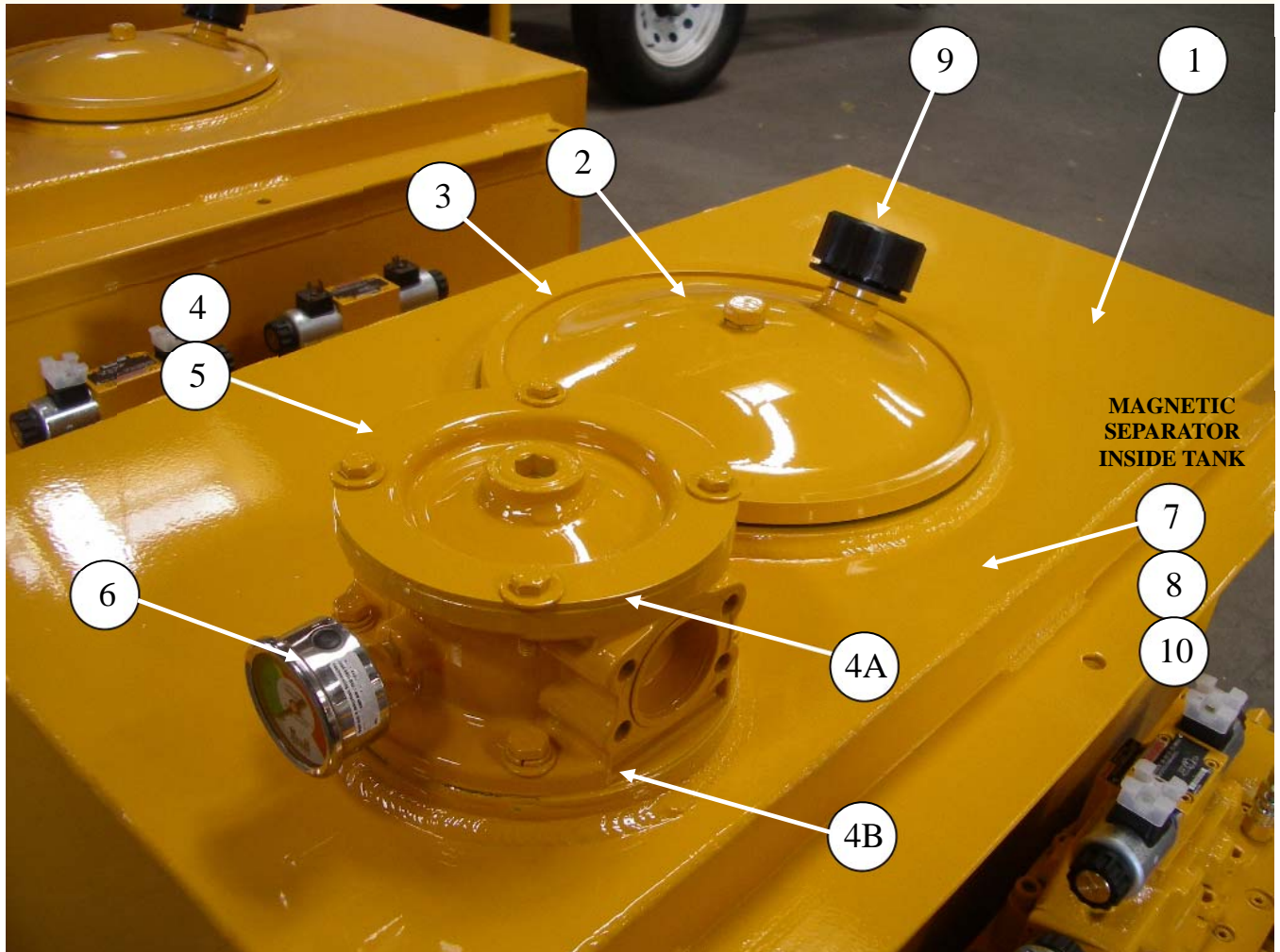
TANKS

FUEL TANK ASSEMBLY



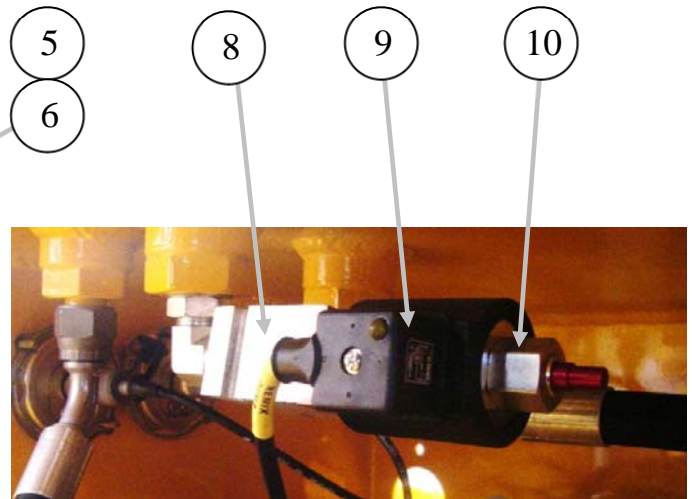
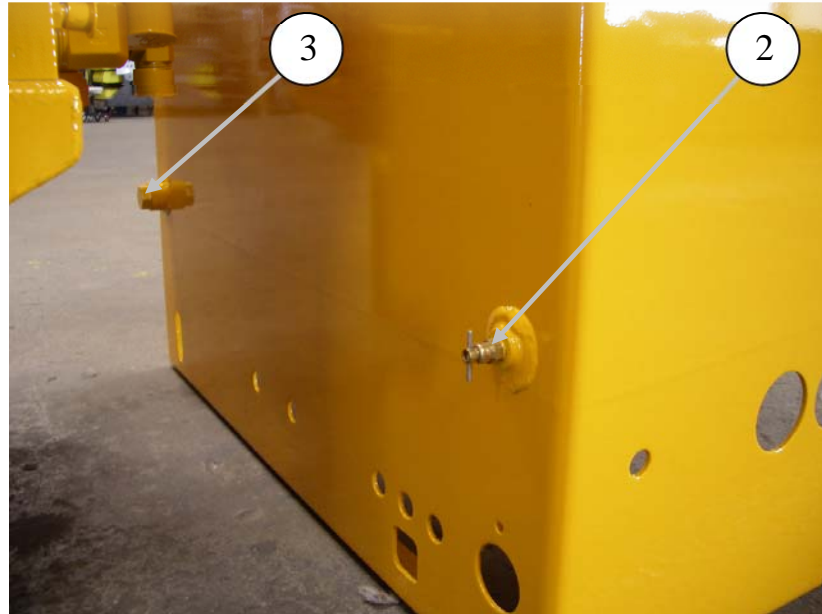
ID #	PART #	PART DESCRIPTION	QUANTITY	
	88550	FUEL TANK ASSY B-SERIES	1	EA
1	88268	FUEL TANK WELDMENT, B-SERIES	1	EA
2	85570	FUEL CAP, 1 1/2 IN VENTED	1	EA
3	85362	TUBE, FUEL PICKUP, B-SERIES	2	EA
4	85569	FUEL GAUGE, 9 IN	1	EA
5	10297	PLUG-GALV 1/2"	1	EA

HYDRAULIC TANK ASSEMBLY



ID #	PART #	PART DESCRIPTION	QUANTITY	
	87938	HYDRAULIC GROUP B20HP	REF	
	85361	HYD TANK ASSY B-SERIES	REF	
1	85102	HYDRAULIC TANK WELDMENT, B-SERIES	1	EA
2	85529	ENDCOVER KIT, 12 IN W/DRAIN	1	EA
3	85867	GASKET- END COVER 12"	1	EA
4	85282	FILTER, RETURN, TANK MOUNTED	1	EA
4A	BW10241	SEAL KIT FOR 85282 FILTER RETURN	1	EA
4B	85282-G	GASKET-CORK	1	EA
5	85283	FILTER ELEMENT, PN 85282 FILTER	1	EA
6	85575	GAUGE, PN 85282 RETURN FILTER	1	EA
7	79247	MAGNETIC SEPERATOR 1 ¼ " NPT	1	EA
8	800230	MAGNETIC SEPARATOR,3"NPT	1	EA
9	85537	FILLER BREATHER, 3/4 NPT	1	EA
10	10265	NIPPLE-CLOSE 1 ¼ NPT SCH 40 GALV	1	EA

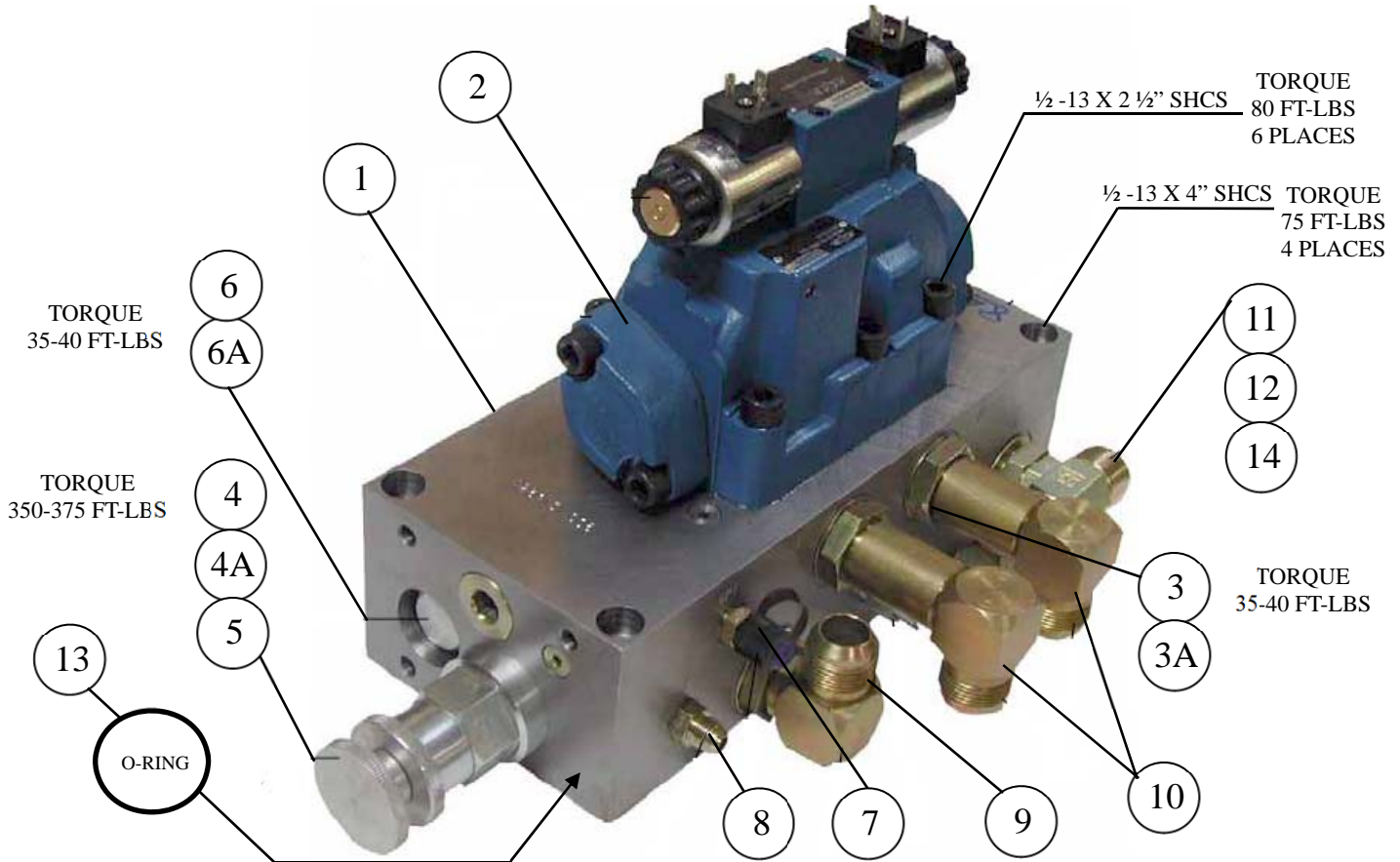
HYDRAULIC TANK ASSEMBLY CONTINUED



ID #	PART #	PART DESCRIPTION	QUANTITY	
1	74509	GAUGE-SIGHT/TEMPERATURE	1	EA
2	801025	DRAIN COCK, 1/4 NPT	1	EA
3	BG-12	3/4" SAE PLUG	1	EA
4	70366	PRESSURE GAUGE, 3000 PSI/BAR	1	EA
5	74562	PRESSURE GAUGE, 6000 PSI/BAR	1	EA
6	78594	MINICHECK GAUGE ADAPTOR, 1/4 NPT	2	EA
7		HOFFMAN PLUG	1	A/R
8	87154	SOLENOID VALVE ASSY (REMIX-DUMP)	1	EA
9	87155	COIL	1	A/R
10	87155-C	CARTRIDGE	1	A/R

MANIFOLDS

DRIVE CYLINDER CIRCUIT MANIFOLD ASSEMBLY



ID #	PART #	PART DESCRIPTION	QUANTITY	
	85248	MANIFOLD, CYLINDER CIRCUIT ASSEMBLY	1	EA
1	86820	MANIFOLD, MACHINED CYLINDER CIRCUIT	1	EA
2	85689	SOLENOID VALVE, DRIVE CYLINDER	1	EA
3	85696	RELIEF VALVE CARTRIDGE	1	EA
3A	85696-SK	SEAL KIT		
4	85697	FLOW CONTROL CARTRIDGE	1	EA
4A	85697-SK	SEAL KIT		
5	86947	KNOB KIT, ALUMINUM	1	EA
6	85698	CHECK VALVE CARTRIDGE	1	EA
6A	85698-SK	SEAL KIT		
7	78593	MINICHECK ADAPTOR, SAE 4	1	EA
8	86900-002	ADAPTOR, MB-MJ-4-6	1	EA
9	86728-023	ELBOW, MB-MJ45-16-16	1	EA
10	86904-012	ELBOW, MB-MJ90LL-16-16	2	EA
11	86945-001	TEE, MJ-MB-MJT-16	1	EA
12	86905-016	ELBOW, MJ-FJX90-16-16	1	EA
13	86946	O-RING #230 BUNA 90DUR	1	EA
14	86948-001	REDUCER, JIC MJ-FJ-10-16	1	EA



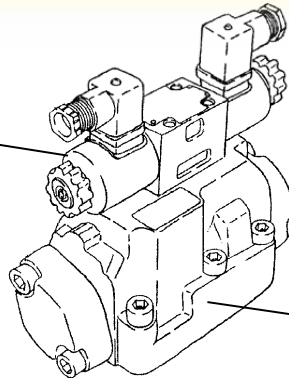
B20HPC PLC

PARTS

13822 Oaks Avenue
Chino, CA 91710
reedpumps.com
(909) 287 - 2100

DRIVE CYLINDER CIRCUIT MANIFOLD ASSEMBLY CONT.

DRIVE CYLINDER
PILOT SOLENOID
VALVE



DRIVE CYLINDER VALVE
ASSEMBLY COMPLETE
85689

DRIVE CYLINDER
MAIN VALVE

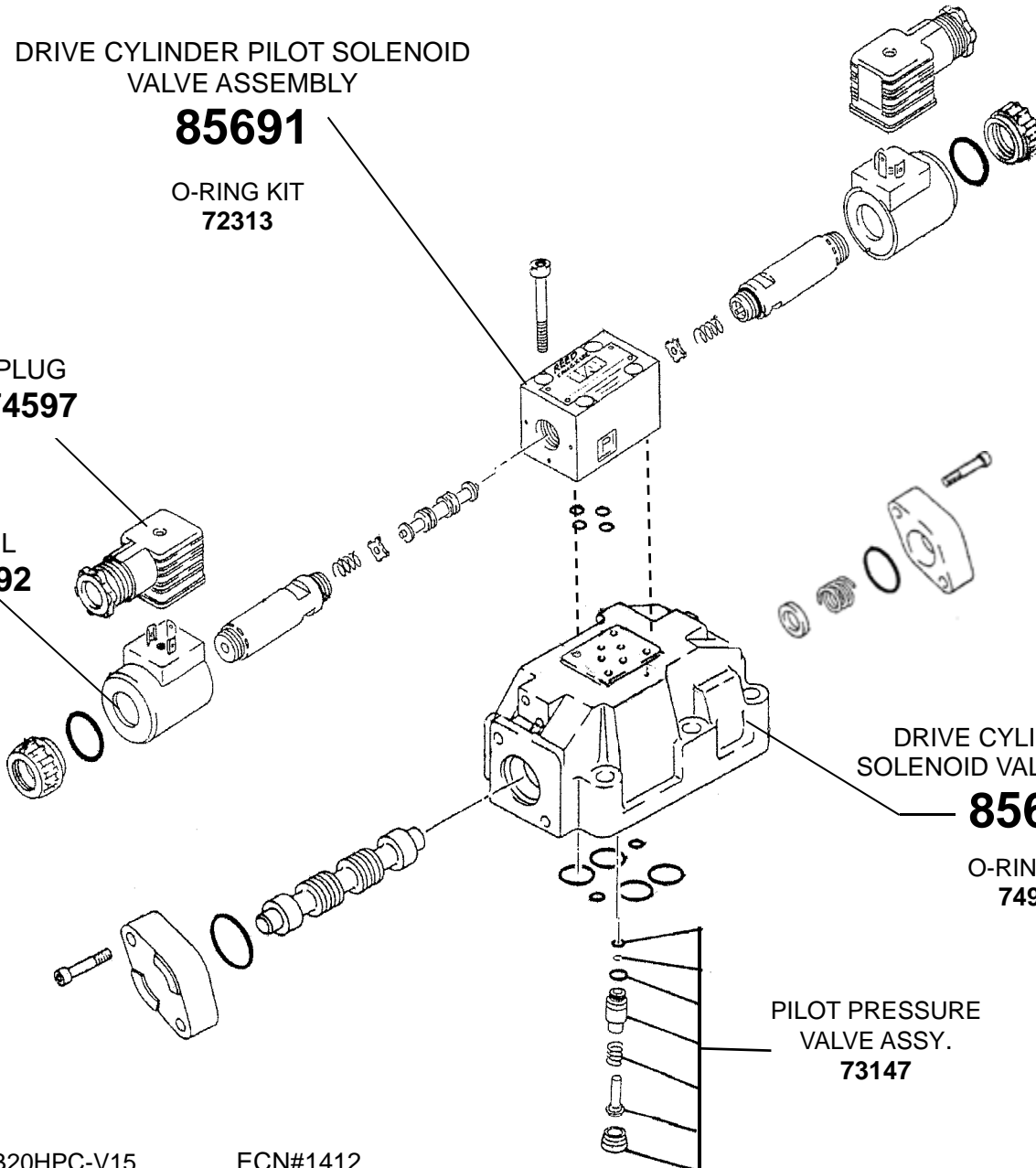
DRIVE CYLINDER PILOT SOLENOID
VALVE ASSEMBLY

85691

O-RING KIT
72313

PLUG
74597

COIL
85692



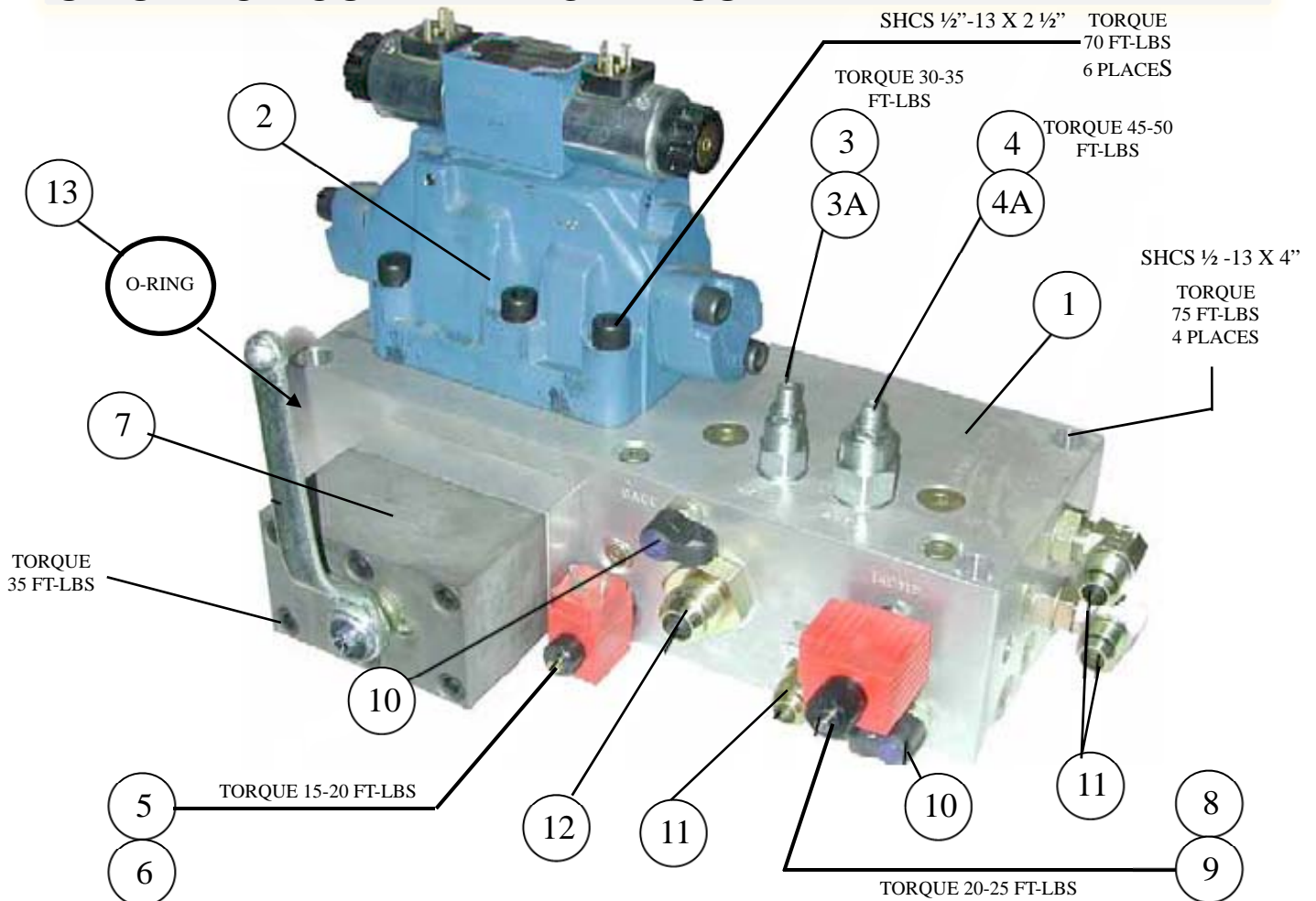
DRIVE CYLINDER MAIN
SOLENOID VALVE ASSEMBLY

85690

O-RING KIT
74994

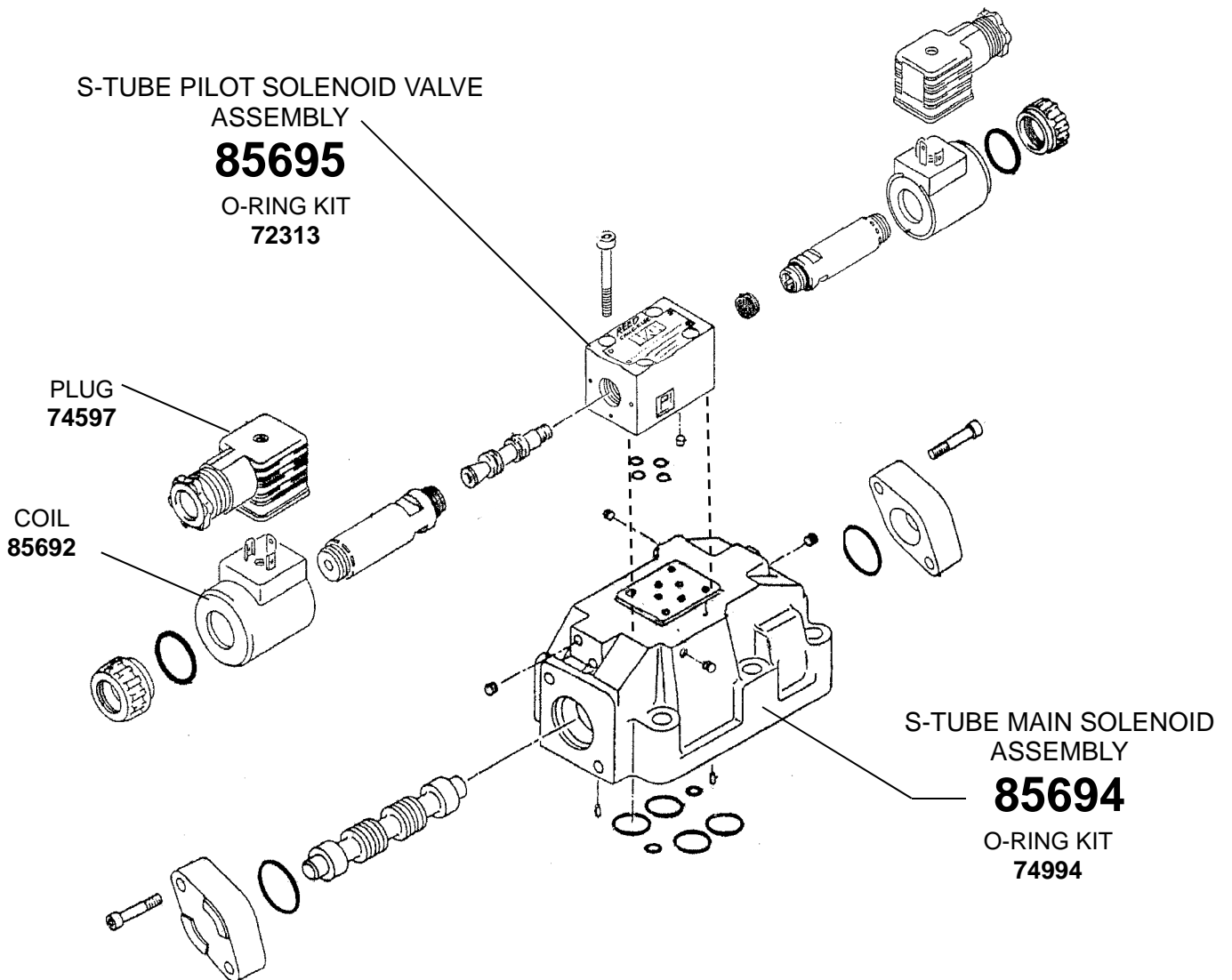
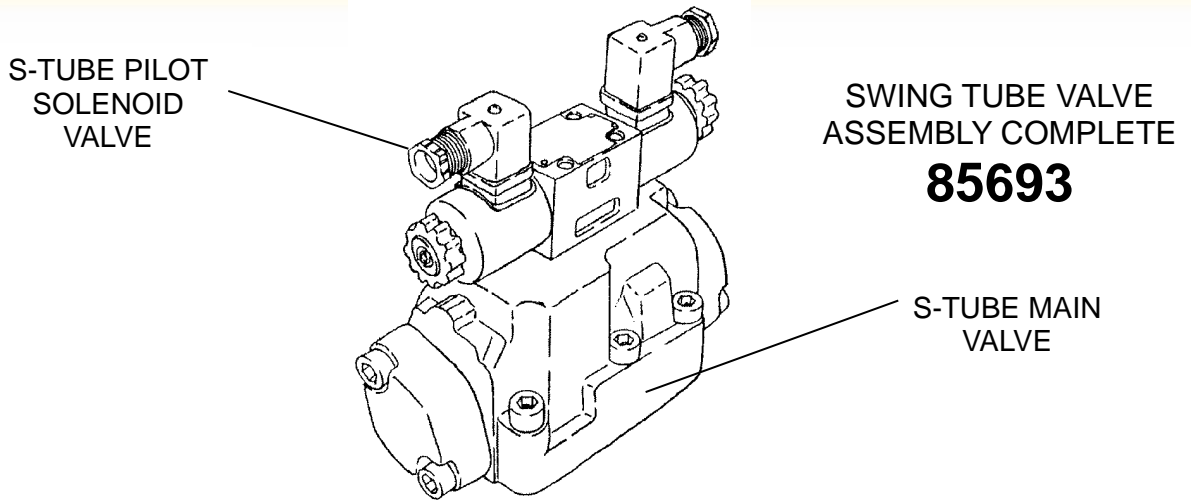
PILOT PRESSURE
VALVE ASSY.
73147

S-TUBE CIRCUIT MANIFOLD ASSEMBLY

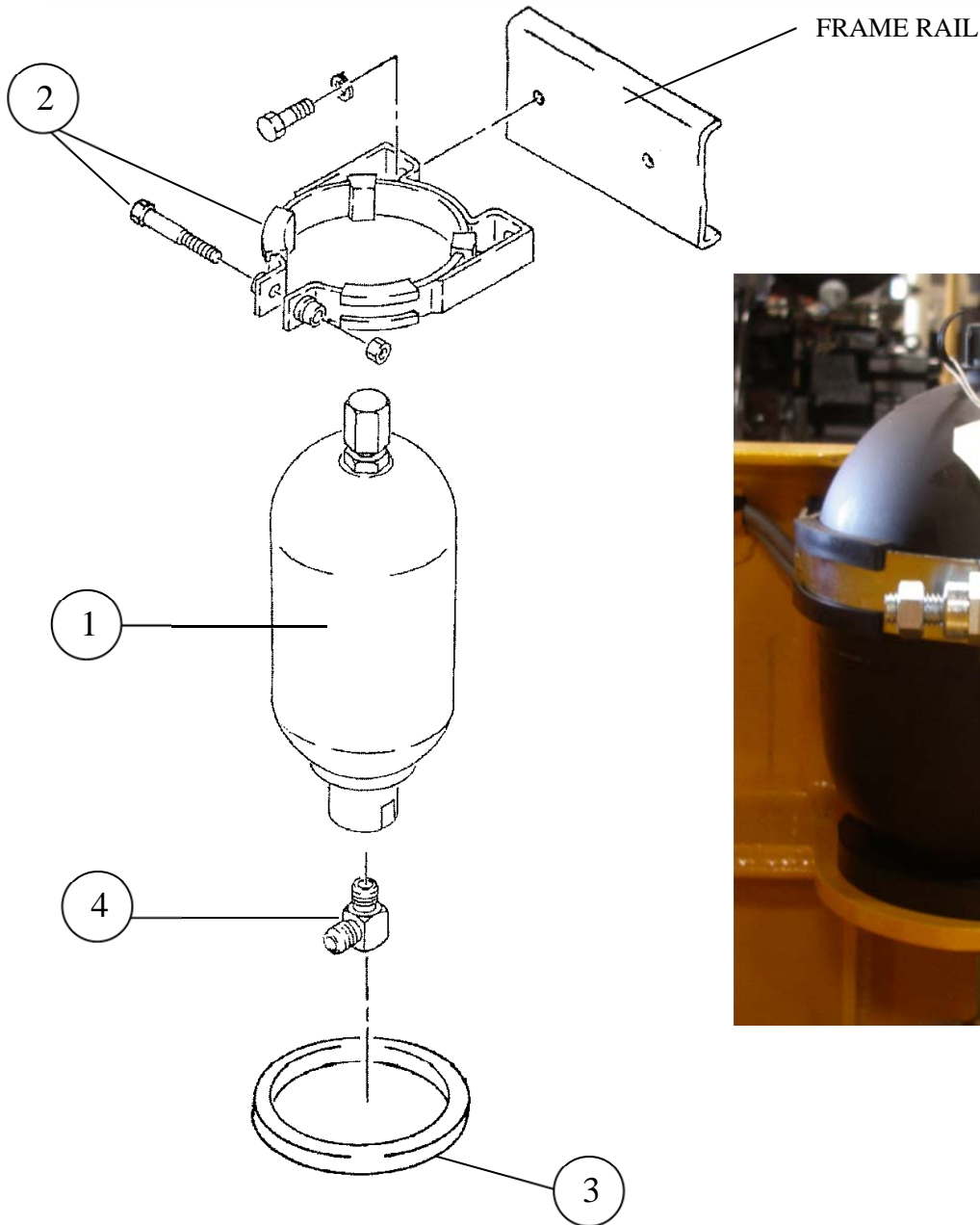


ID #	PART #	PART DESCRIPTION	QUANTITY	
	85249	MANIFOLD, S-TUBE CIRCUIT ASSEMBLY		
1	86821	MANIFOLD, MACHINED S-TUBE CIRCUIT	1	EA
2	85693	SOLENOID VALVE, S-TUBE SHIFT	1	EA
3	85704	UNLOADER VALVE CARTRIDGE, (QCDB)	1	EA
3A	85704-SK	SEAL KIT		
4	85703	RELIEF VALVE CARTRIDGE, (RVEA)	1	EA
4A	85703-SK	SEAL KIT		
5	87246	SOLENOID VALVE CARTRIDGE, (12CHS)	1	EA
6	87247	COIL, 12VDC,	1	EA
7	85705	BALL VALVE,	1	EA
8	87248	SOLENOID VALVE CARTRIDGE, (14CHS)	1	EA
9	87249	COIL, 12V DC FOR PN-87248	1	EA
10	78593	MINICHECK ADAPTOR, SAE	2	EA
11	86728-014	ELBOW, MB-MJ90-10-10	2	EA
12	86900-027	ADAPTOR, MB-MJ-16-12	1	EA
13	86946	O-RING #230 BUNA 90DUR	1	EA

S-TUBE CIRCUIT MANIFOLD ASSEMBLY CONT.

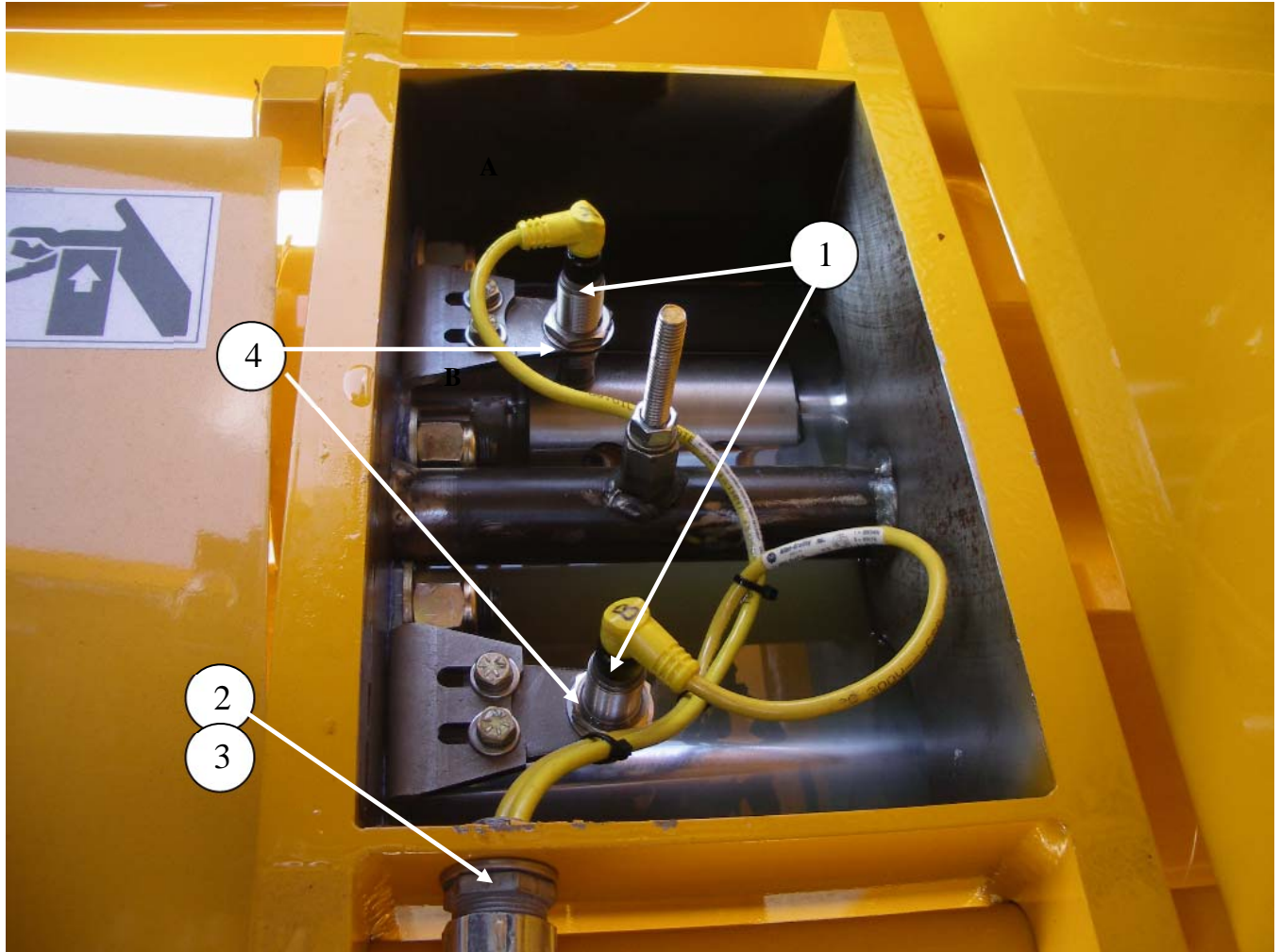


ACCUMULATOR ASSEMBLY



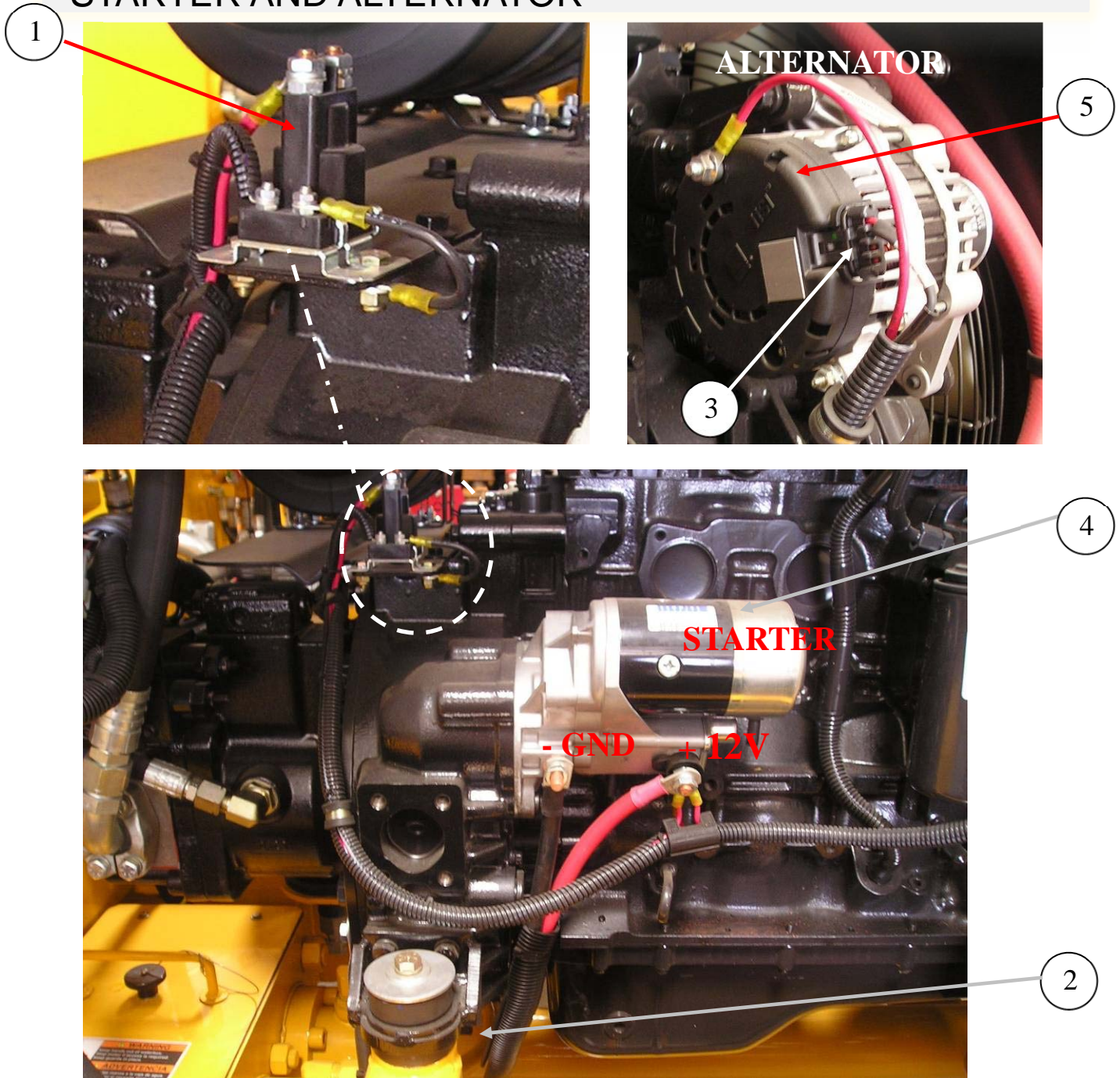
ID #	PART #	PART DESCRIPTION	QUANTITY	
1	71360	ACCUMULATOR-3/4 GAL	1	EA
2	73171	ACCUMULATOR BKT.W/CLOSING HARDWARE	1	EA
3	801028	GROMMET, ACCUMULATOR	1	EA
4	86904-009	ELBOW, MB-MJ90LL-12-12	1	EA

ELECTRICAL GROUP PROXIMITY SWITCHES



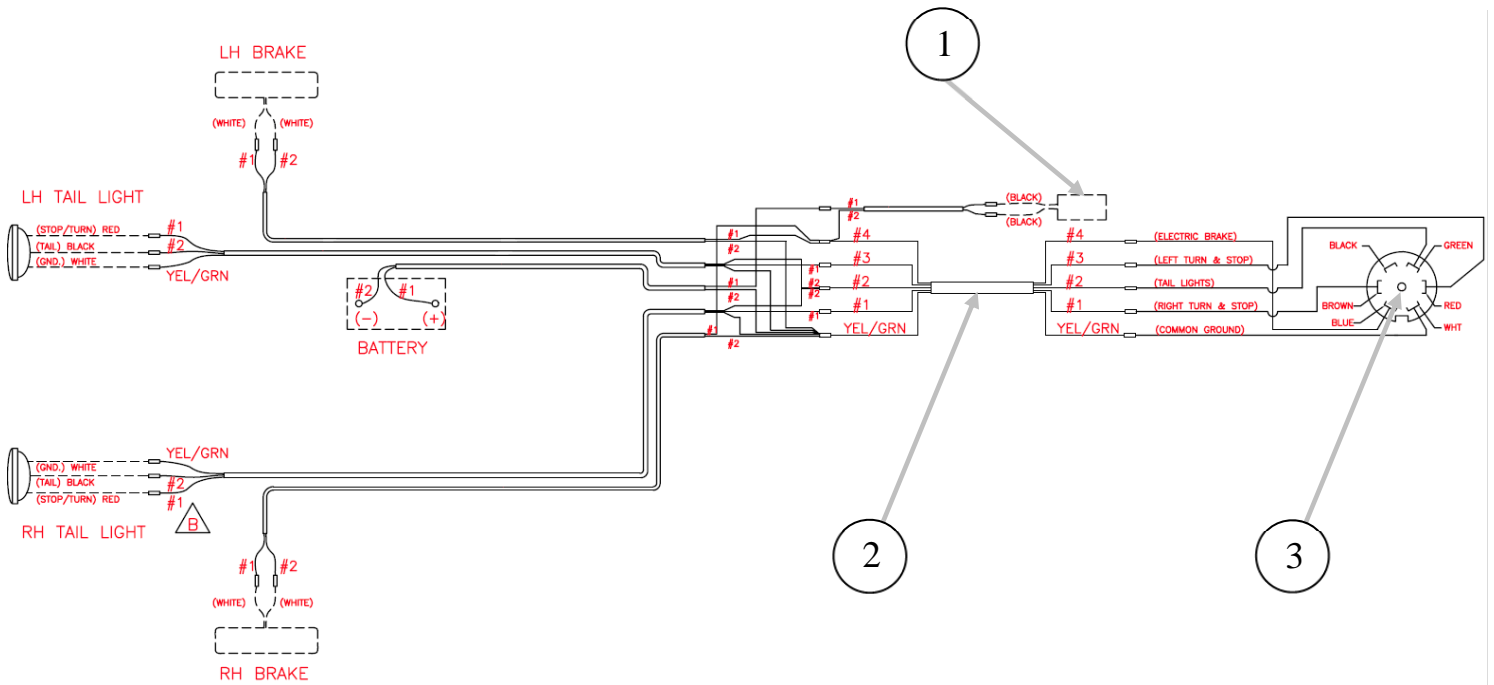
ID #	PART #	PART DESCRIPTION	QUANTITY	
	89342	ELECTRICAL GROUP B-SERIES, PLC TIER-3 CUMM	REF	
1	77998	PROXIMITY SENSOR NPN FLUSH BOX MOUT	2	EA
2	10522	STRAIN RELIEF	1	EA
3	30240	GASKET LIQUID TITE 1/2" -ELECT	1	EA
4	10528	NUT-1/2" BONDING TYPE LOCK	1	EA
5	77990	CABLE, PROXIMITY SWITCH, 5M	2	EA
6	77075	BATTERY-12V 1000 CCA31	1	EA
7	87732	CABLE-43" BATTERY-RED 2/0	1	EA
8	87733	CABLE-37" BATTERY-BLACK 2/0	1	EA

STARTER AND ALTERNATOR



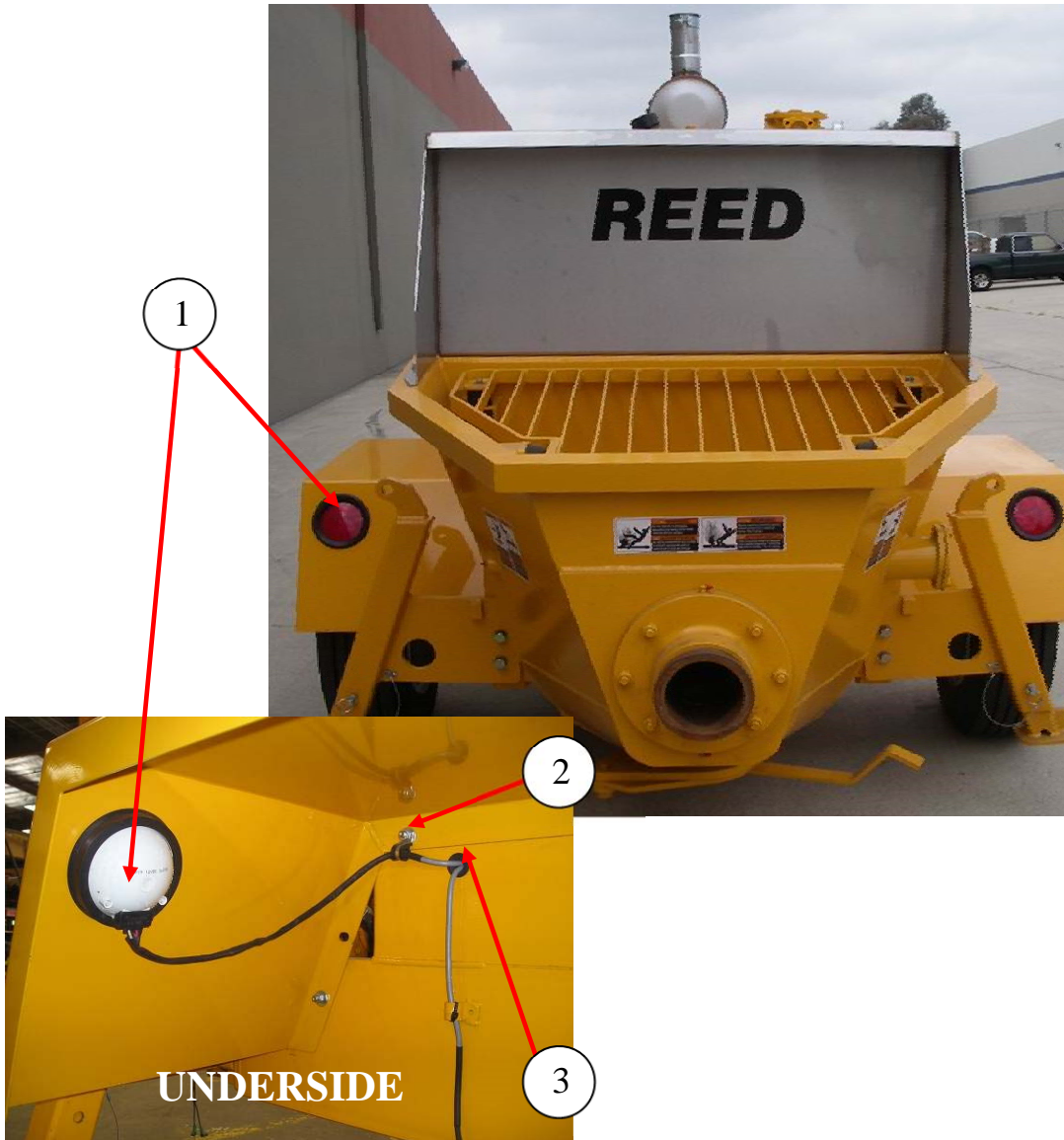
ID #	PART #	PART DESCRIPTION	QUANTITY	
1	87541	RELAY STARTER 12VDC-SELL W/87544	1	EA
2	73269	GROUND STRAP	1	EA
3	87669	PIGTAIL HARNESS, FOR CUMMINS ALTERN	1	EA
4	87725-006	STARTER MOTOR	1	EA
5	87725-007	ALTERNATOR	1	EA

TRAILER HARNESS AND BREAKAWAY



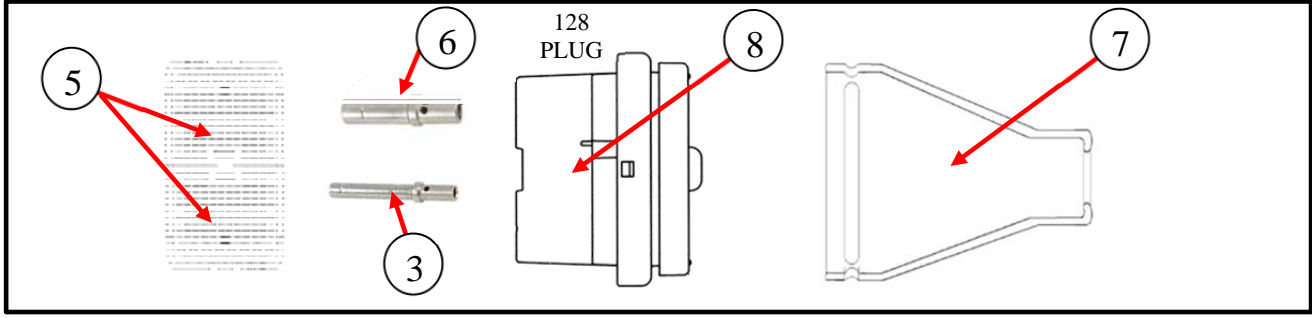
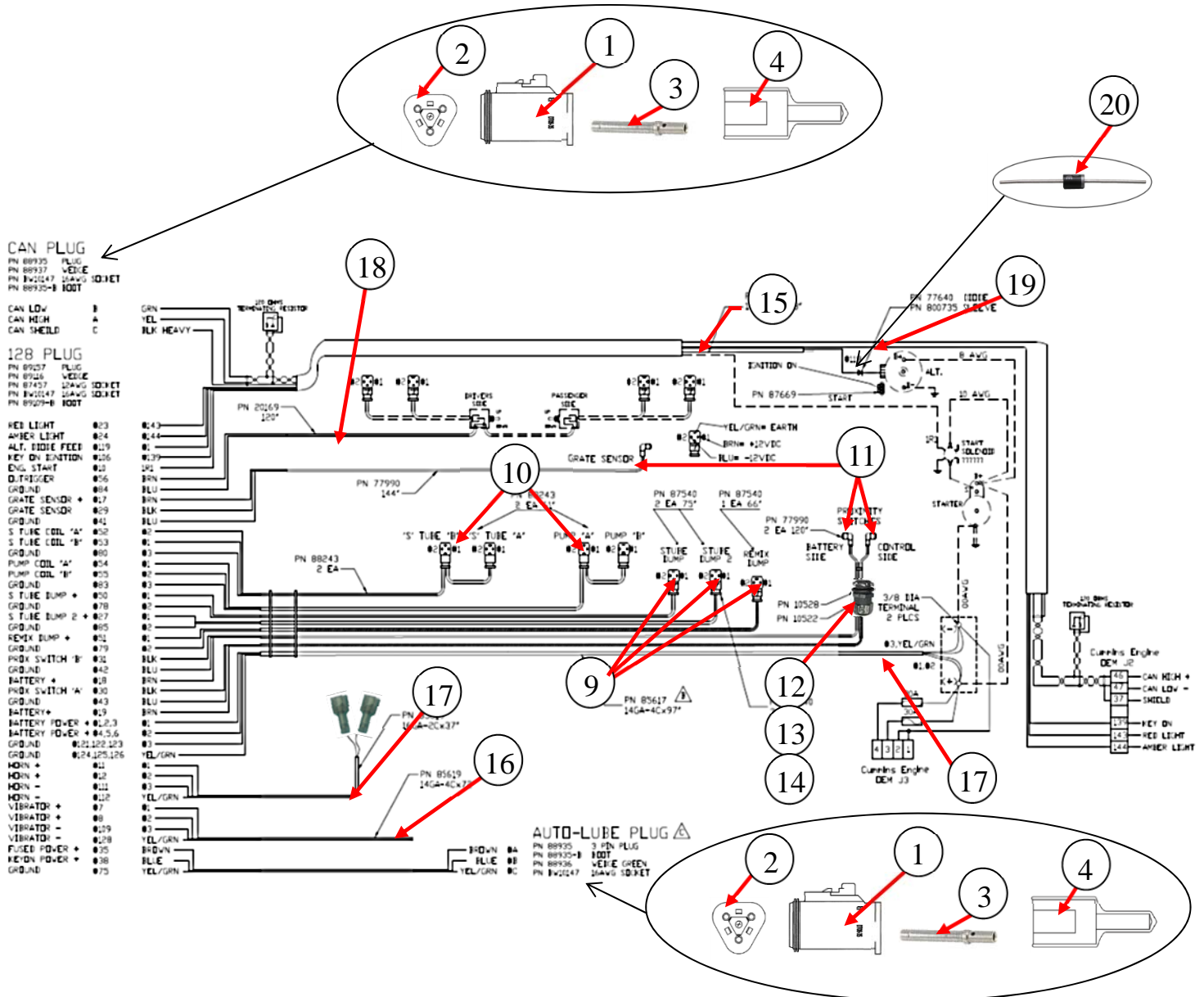
ID #	PART #	PART DESCRIPTION	QUANTITY	
1	77705	BREAK-AWAY KIT	1	EA
2	86533	TRAILER HARNESS- B-SERIES	1	EA
3	86579	TRAILER PLUG 7C FLAT PI	1	EA
4	72949	GROMMET	REF	
5	72813	GROMMET	REF	

TAIL LIGHTS



ID #	PART #	PART DESCRIPTION	QUANTITY	
1	72948	TAIL LIGHT	2	EA
2	87665	LOOM CLAMP 7/8"	2	EA
3	72949	GROMMET	2	EA

WIRING HARNESS





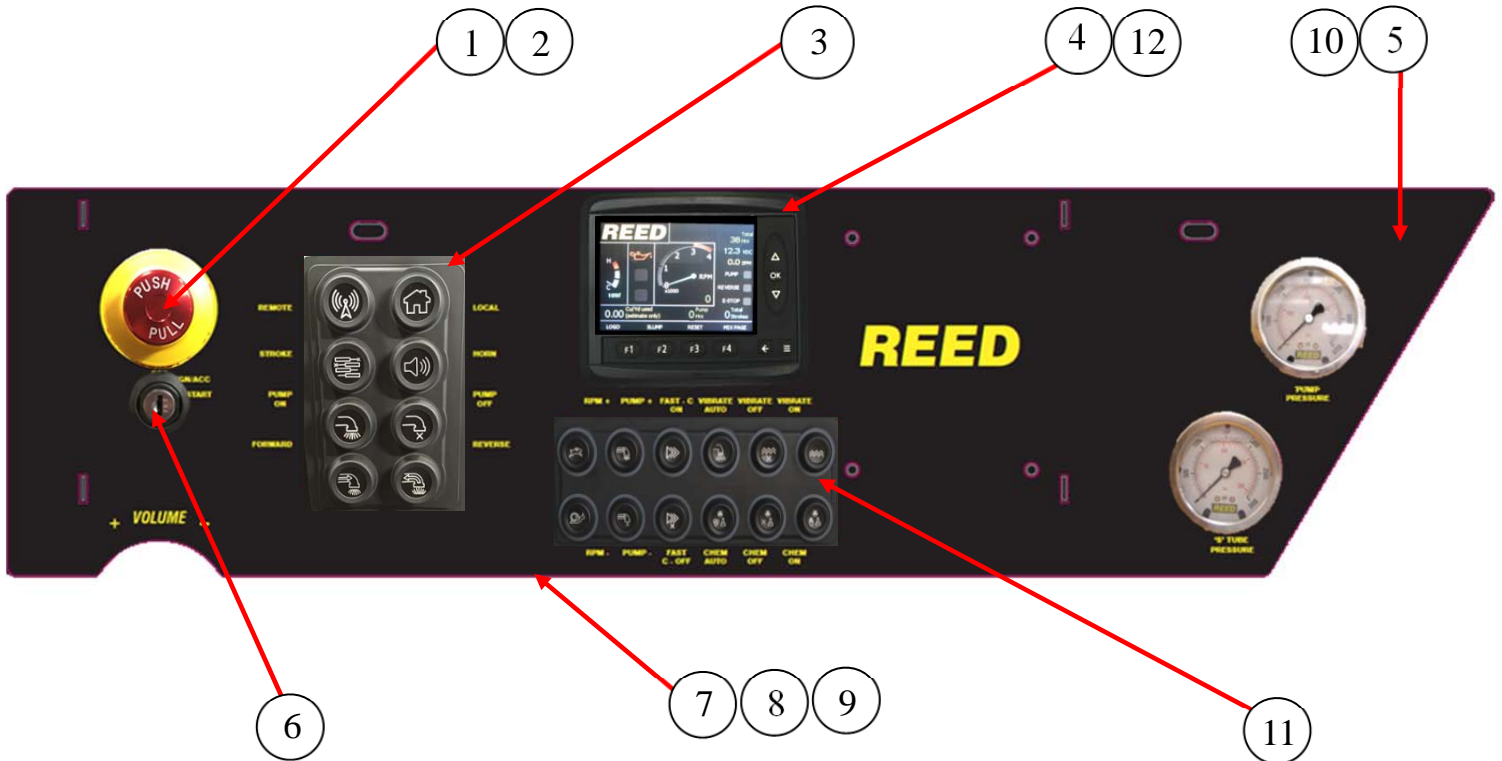
B20HPC PLC PARTS

13822 Oaks Avenue
Chino, CA 91710
reedpumps.com
(909) 287 - 2100

ID #	PART #	PART DESCRIPTION	QUANTITY	
	89163	WIRING HARNESS B SER PLC, CUMMINGS TIER -3		EA
1	88935	3WAY PLUG DT SER.	2	EA
2	88937	WEDGELOCK 1939V FOR 3 PIN PLUG	2	EA
3	BW10147	CONTACT SOCKET SIZE 16	35	EA
4	88935-B	BOOT FOR 3 WAY DT SERIES PLUG	2	EA
5	89116	DEUTSCH WEDGE FOR 89109	2	EA
6	87457	PIN FOR 87456 PLUG	15	EA
7	89109-B	BOOT FOR 89109,89157	1	EA
8	89157	DEUTSCH RECEPTACLE 128 CONTACT	1	EA
9	87540	CABLE SOLENOID	3	EA
10	88243	CABLE WITH 2 DIN PLUGS 5M	2	FT
11	77990	CABLE,PROXIMITY SWITCH	3	FT
12	10522	STRAIN RELIEF	1	EA
13	10528	NUT 1/2" BONDING TYPE LOCK	1	FT
14	30240	GASKET-LIQUID 1/2"	1	EA
15	85615	CABLE, 14AWG-2C, PVC-GRY	6.5	FT
16	85617	CABLE, 14AWG-4C, PVC-GRY	8.1	FT
17	85619	CABLE,16AWG-4C, PVC-GRY	9	FT
18	20169	CABLE, 18AWG-3C PVC BLACK	10	FT
19	87669	PIGTAIL HARNESS, CUMMINS ALT.	1	EA
20	77640	DIODE, IN4003	1	EA

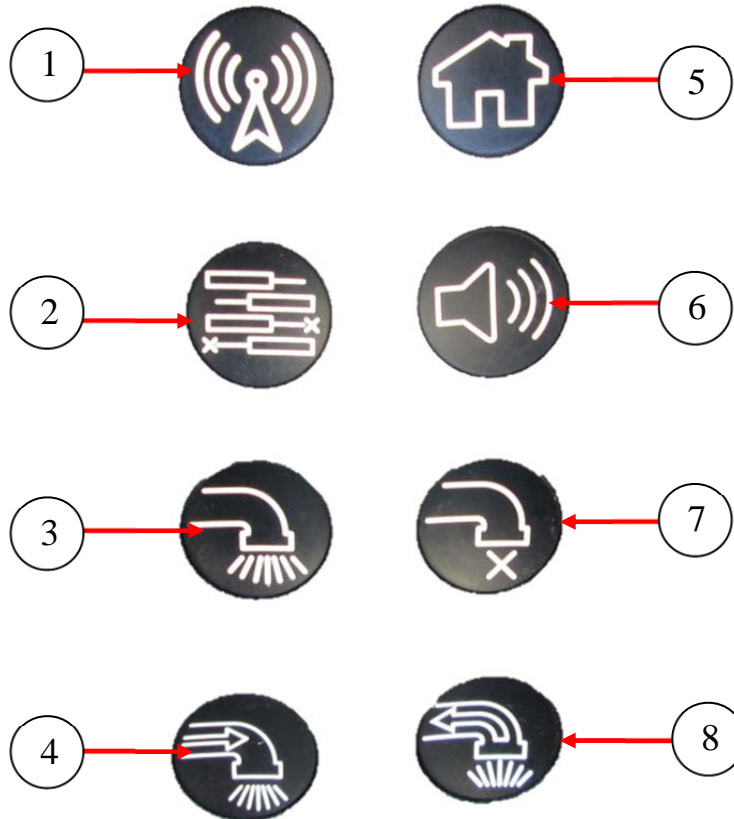
PLC CONTROLS

B-SERIES CONTROL PANEL



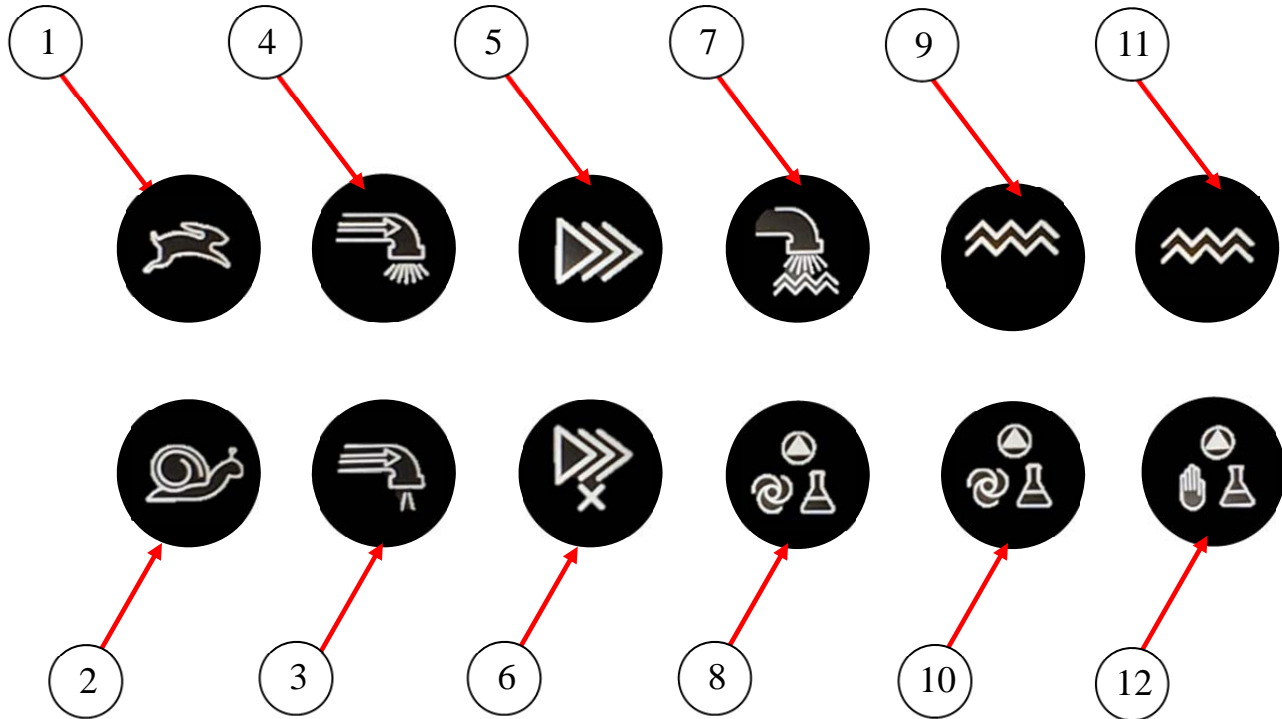
ID #	PART #	PART DESCRIPTION	QUANTITY	
	89333-T3	B-SERIES CONTROL PANEL ASSY.		
1	89090	EMERGENCY STOP PUSH BUTTON HEAVY DUTY	1	EA
2	89090-L	ILLUMINATED E-STOP RING	1	EA
3	88979	KEYPAD 2X4 SWITCH, PROGRAMMABLE	1	EA
4	88198	MD3, PARKER DISPLAY MODULE	1	EA
5	89092-D	DECAL CONTROL PANEL C-SER PLC	1	EA
6	89004	KEY SWITCH SEALED	1	EA
7	890952-P	PANEL FORMED FRONT, PLC C SERIES	1	EA
8	89092-PB	PANEL FORMED BACK, PLC B&C SERIES	1	EA
9	89124	HINGE PIANO 1"X12" LONG	2	EA
10	89092-C	PLC PROTECTIVE FRONT COVER	1	EA
11	88978	KEYPAD 2X6 SWITCH, PROGRAMMABLE	1	EA
12	89327	DISPLAY PROTECTIVE FILM	1	EA

KEY PAD SWITCHES INSERT KIT



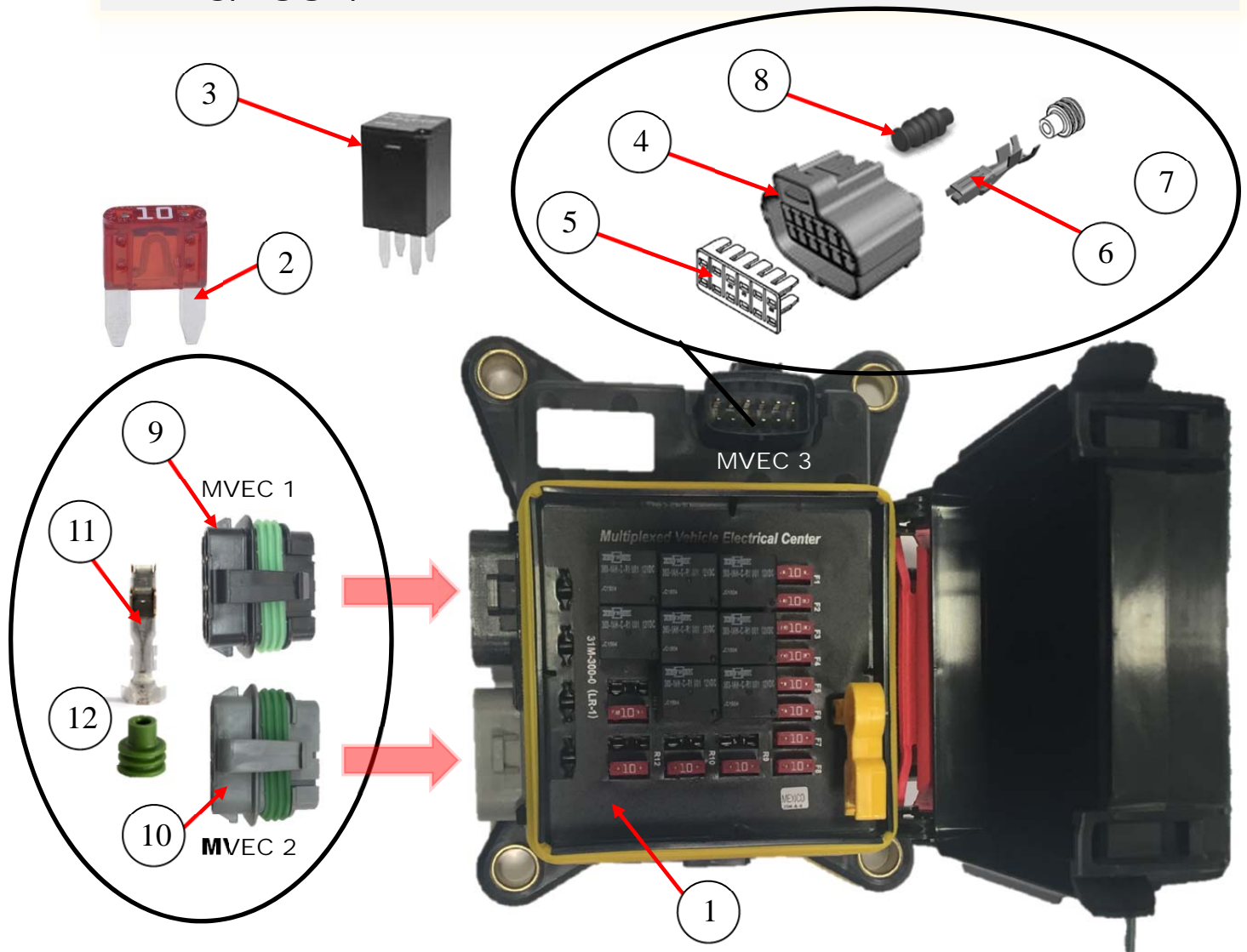
ID #	PART #	PART DESCRIPTION	QUANTITY	
	89412-BC	INSERT KIT FOR PLC SWITCH FUNCTIONS	REF	
1	89412-2L	INSERT,REMOTE ICON (CLEAR)	1	EA
2	89412-4L	INSERT,PRESSURE A/B ICON (CLEAR)	1	EA
3	89412-5L	INSERT, PUMP ON ICON (CLEAR)	1	EA
4	89412-7L	INSERT,PUMP FORWARD ICON (CLEAR)	1	EA
5	89412-1L	INSERT,PUMP LOCAL ICON (CLEAR)	1	EA
6	89412-3L	INSERT, HORN ICON (CLEAR)	1	EA
7	89412-6L	INSERT, PUMP OFF ICON (CLEAR)	1	EA
8	89412-8L	INSERT, PUMP REVERSE ICON (CLEAR)	1	EA

KEY PAD SWITCHES INSERT KIT CONT.



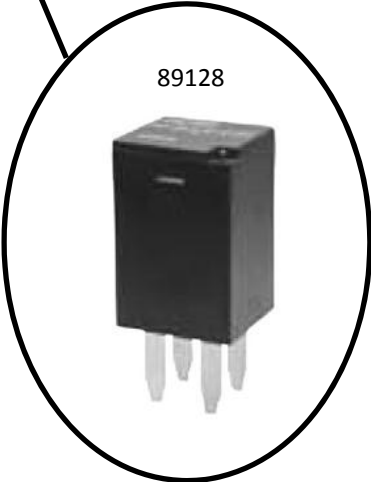
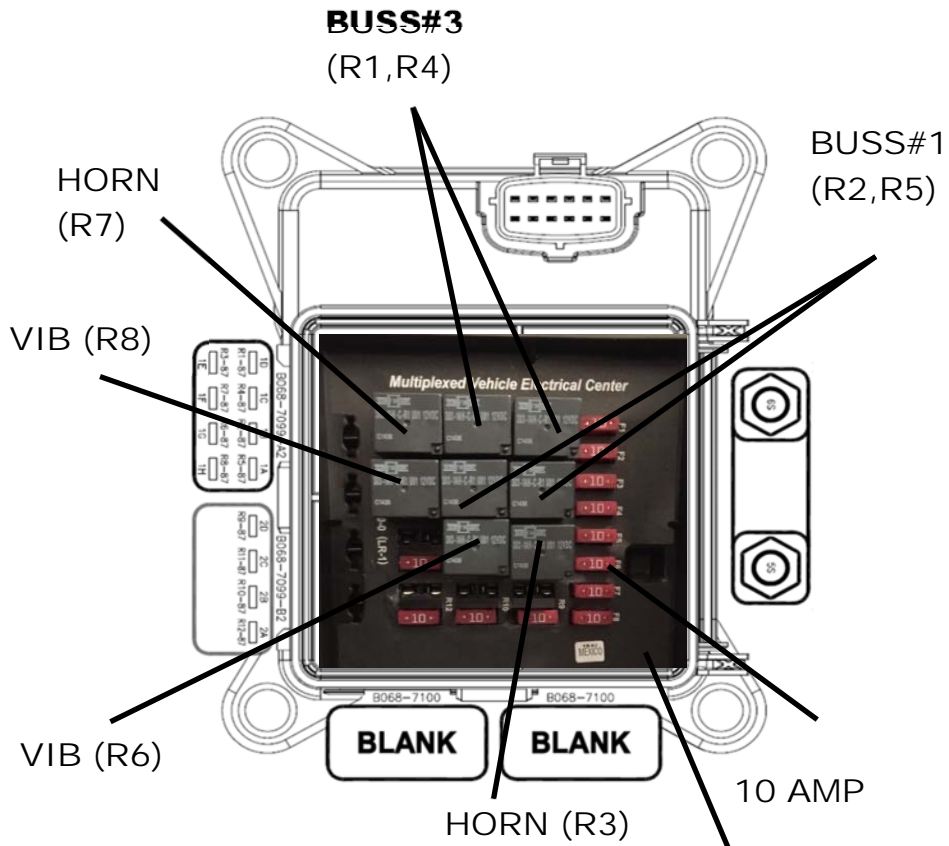
ID #	PART #	PART DESCRIPTION	QUANTITY	
1	89412-9S	INSERT, THROTTLE GAIN ICON (CLEAR)	1	EA
2	89412-10S	INSERT, TROTTLE DROP ICON (CLEAR)	1	EA
3	89412-12S	INSERT, PUMP VOLUME (-) (CLEAR)	1	EA
4	89412-11S	INSERT, PUMP VOLUME (+) (CLEAR)	1	EA
5	89412-13S	INSERT, FASCHANGE ON ICON (CLEAR)	1	EA
6	89412-14S	INSERT, FASCHANGE OFF ICON (CLEAR)	1	EA
7	89412-15S	INSERT, VIBRATOR AUTO ICON (CLEAR)	1	EA
8	89412-16S	INSERT, CEM AUTO ICON (CLEAR)	1	EA
9	89412-17S	INSERT, VIBRATOR OFF ICON (CLEAR)	1	EA
10	89412-18S	INSERT, CEM OFF ICON (CLEAR)	1	EA
11	89412-19S	INSERT, VIBRATOR ON ICOM (CLEAR)	1	EA
12	89412-20S	INSERT, CEM ON ICOM (CLEAR)	1	EA

MVEC/FUSE/RELAY

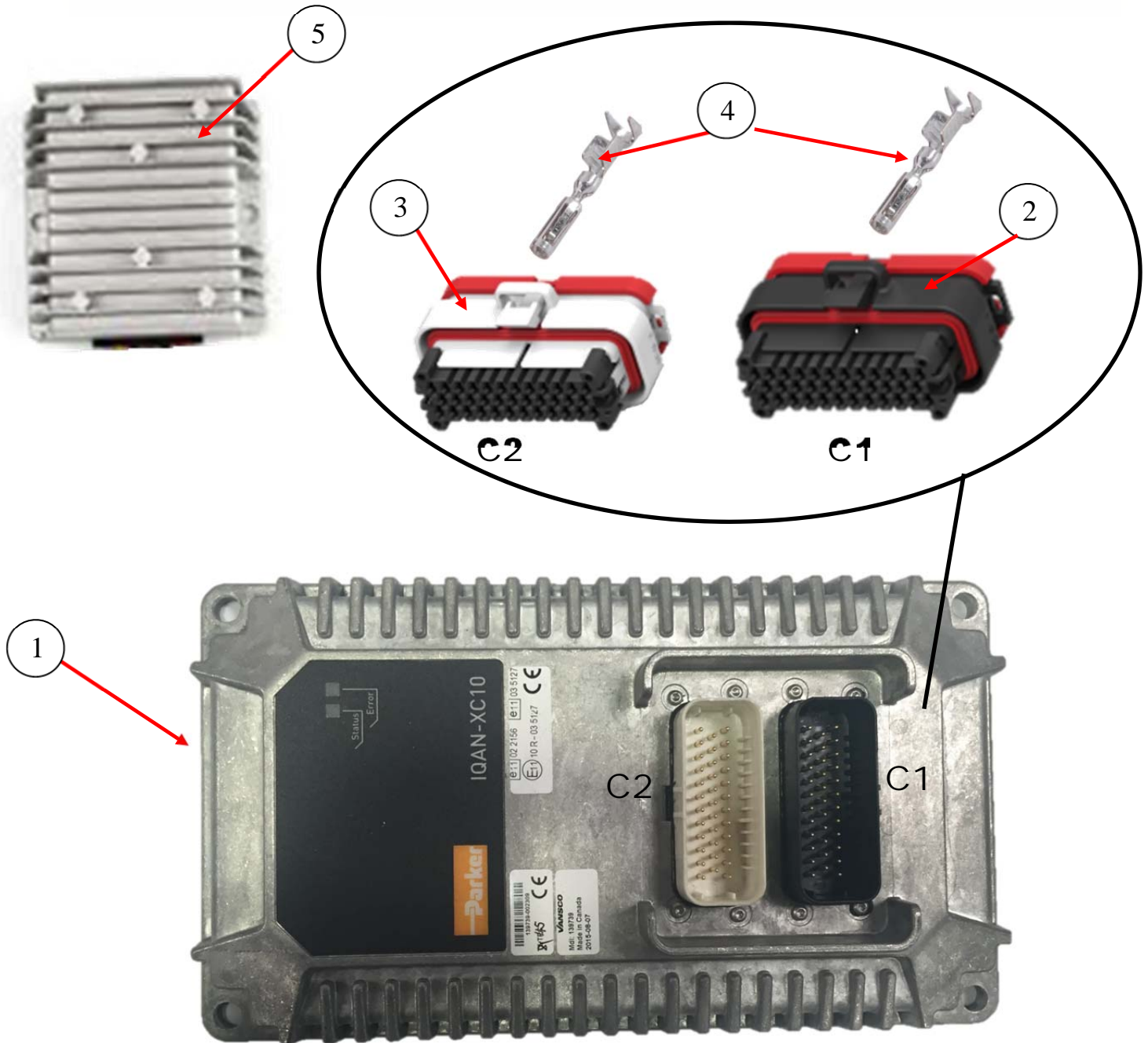


ID #	PART #	PART DESCRIPTION	QUANTITY	
1	88980	MVEC, 12 RELAY, BUSSMAN	1	EA
2	88953	AUTOMOTIVE MINITURE BLADE FUSE 10AMP	12	EA
3	89128	MVEC,RELAY,12V	8	EA
4	89112	AMP, PLUG 2X6, (MVEC 3)	1	EA
5	89112-1	AMP, WEDGE, 89112 (MVEC 3)	1	EA
6	89112-2	AMP, FEMALE, PIN, TERMINAL (MVEC 3)	5	EA
7	89112-3	AMP, WIRE SEAL, ORANGE (MVEC 3)	5	EA
8	89112-4	AMP, CAVITY PLUG (MVEC 3)	7	EA
9	89110	METRIPACK PLUG,2X4 (MVEC 1-BLK)	1	EA
10	89111	METRIPACK PLUG, 2X4 (MVEC 2-GRY)	1	EA
11	88960	TERMINAL PINS FEMALE AUTOMOTIVE	12	EA
12	89110-6	AMP, WIRE SEAL, (MVEC1-2, GREEN)	12	EA
13	89110-1	AMP, CAVITY PLUG, GREEN(MVEC 1)	4	EA

MVEC/FUSE/RELAY



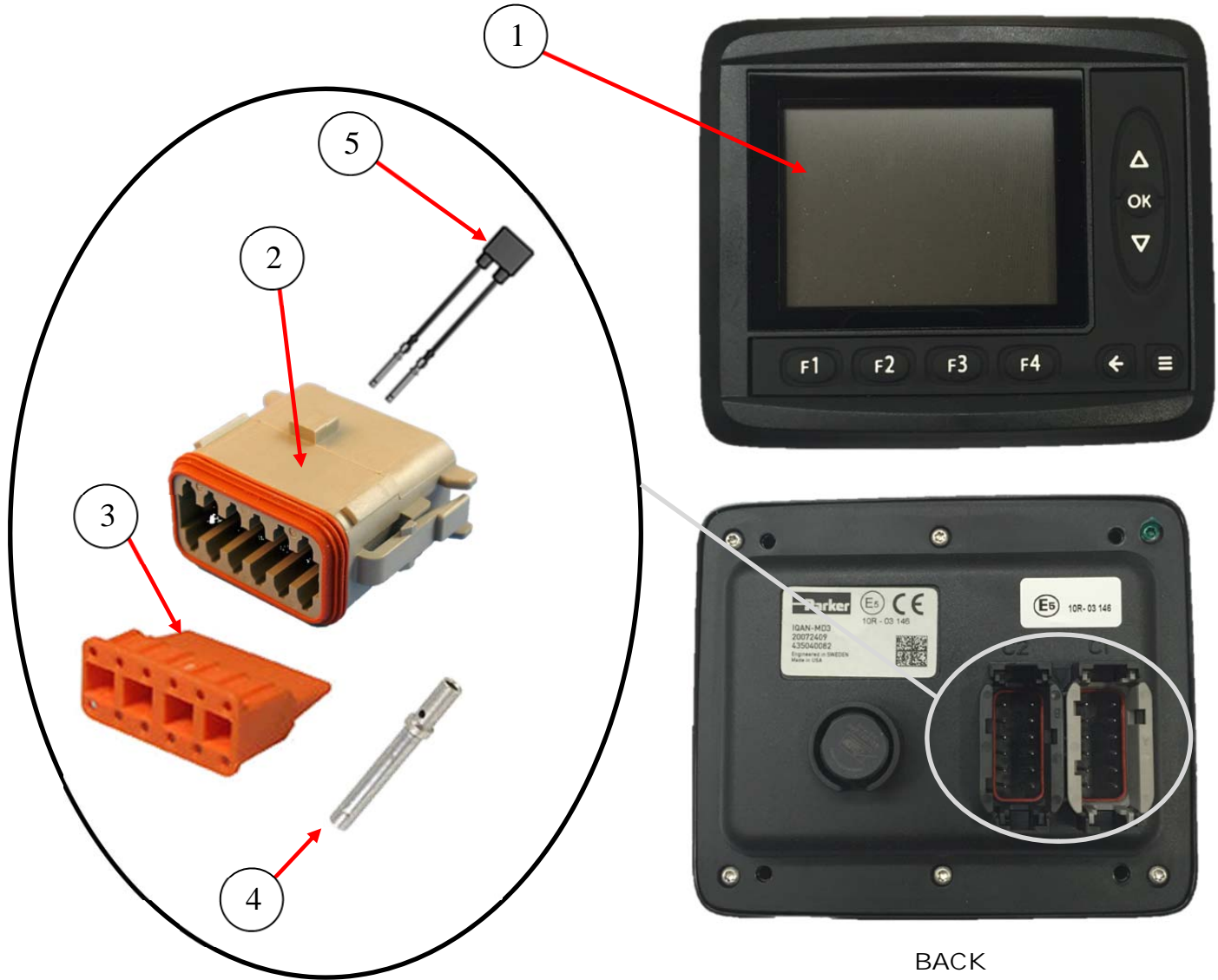
EXPANSION MODULE PARKER IQAN-XC10



ID #	PART #	PART DESCRIPTION	QUANTITY	
1	88919	XC10, PARKER EXPANTION MODULE	1	EA
2	88945	AMP, 35 POS SEAL PLUG, BLACK (C1)	1	EA
3	88946	AMP, 35 POS SEAL PLUG, WHITE (C2)	1	EA
4	88945-S	AMP, CONTACT PIN (C1,C2)	38	EA
5	89090-C	DC/DC CONVERTER 12VDC TO 24VDC	1	EA

MD3 DISPLAY MODULE

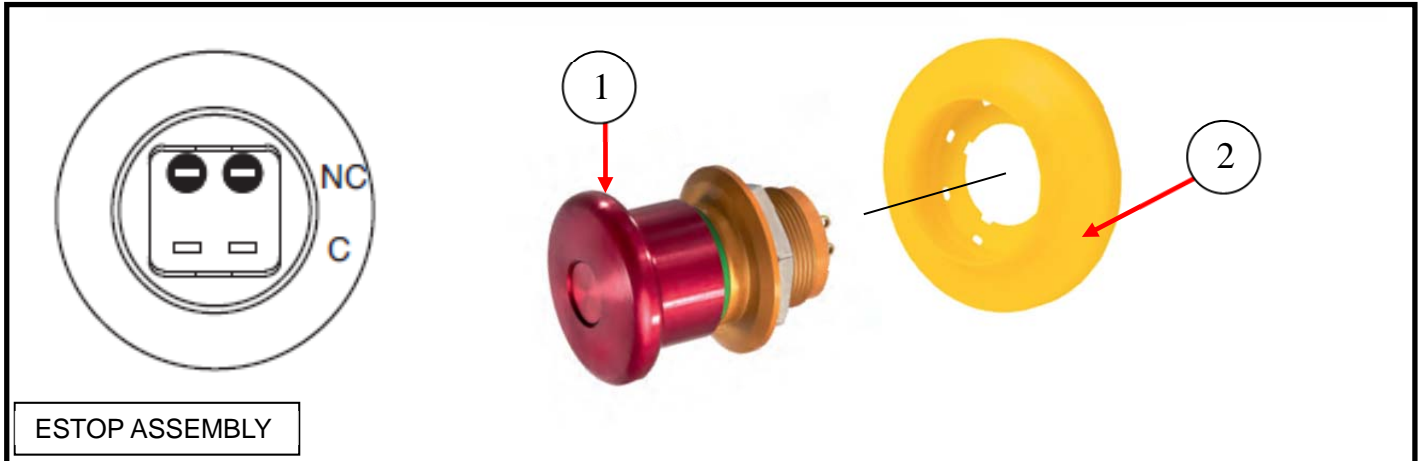
FRONT



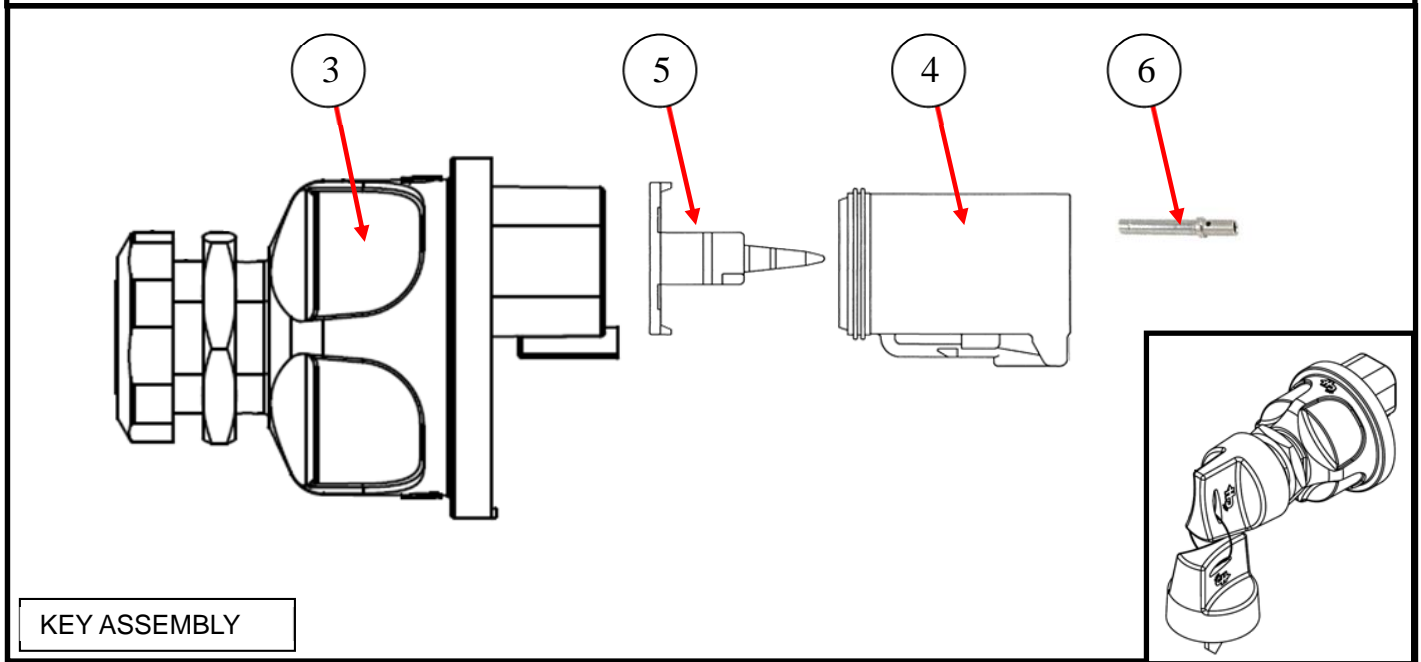
BACK

ID #	PART #	PART DESCRIPTION	QUANTITY	
1	88918	MD3,PARKER DISPLAY	1	EA
2	88653	PLUG DTM 12 WAY A KEY, GREY (C1)	1	EA
3	88653-2	WEDGELOCK DTM 12 WAY PLUG (C1)	1	EA
4	88959	CONTACT SOCKET SIZE 20 (7.5 AMP) (C1)	9	EA
5	89136	ADDRESS 3 IDTAG WITH DEUTSCH TERMINALS (1K OHM)	1	EA
6	89327	SCREEN PROTECTOR, MD3	1	EA

ESTOP, KEY ASSEMBLY, PLUGS



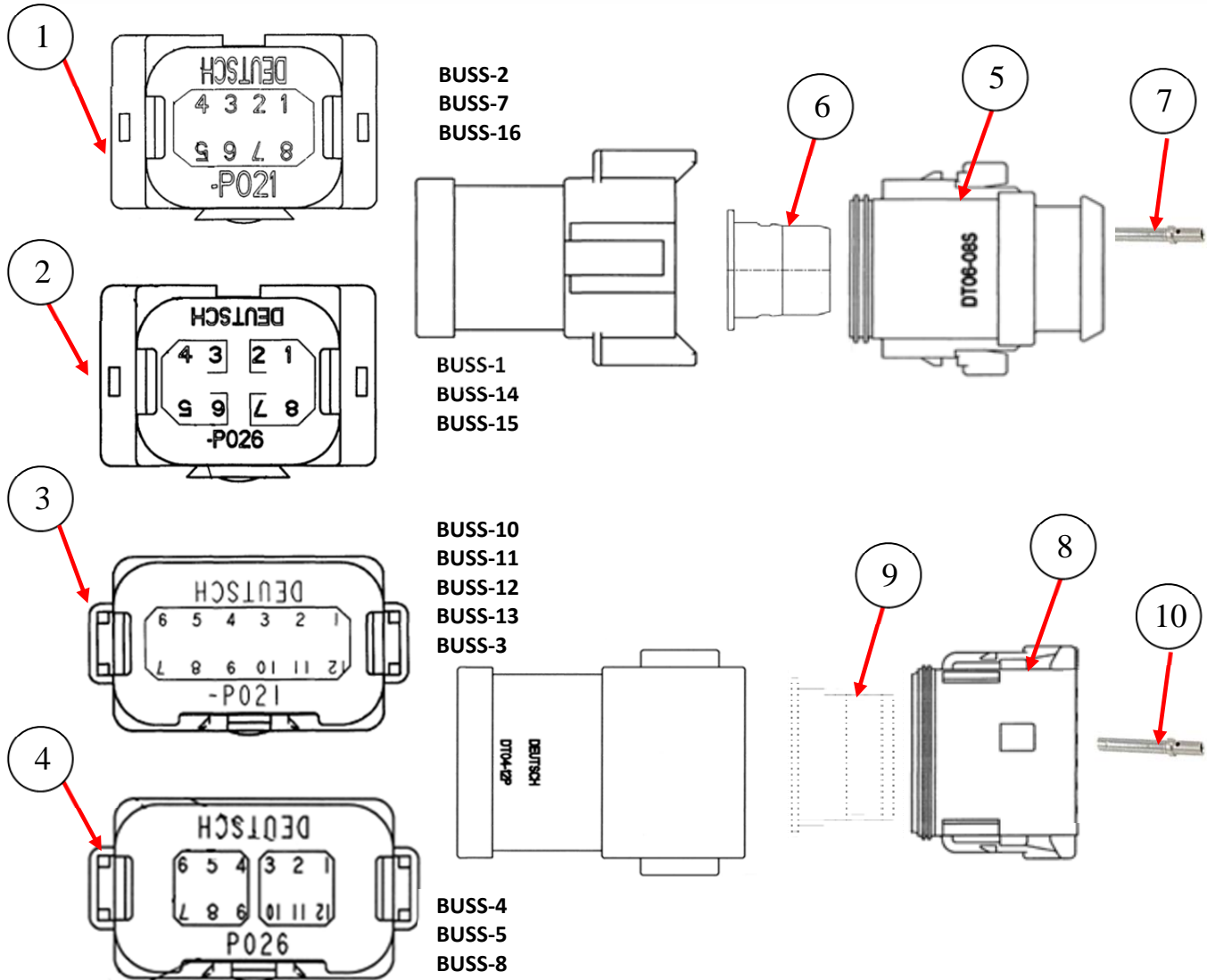
ESTOP ASSEMBLY



KEY ASSEMBLY

ID #	PART #	PART DESCRIPTION	QUANTITY	
1	89090	EMERGENCY STOP BUTTON HEAVY DUTY	1	REF
2	89090-L	ILLUMINATED E-STOP RING	1	REF
3	89004	KEY SWITCH SEALED	1	REF
4	89107	DEUSCH DT06, 1X6	1	QTY
5	89108	DEUTSCH WEDGE LOCK FOR 89107	1	QTY
6	BW10147	DEUTSCH CONTACT SOCKET, 16AWG	6	QTY

BUSSES, CONNECTORS, PINS



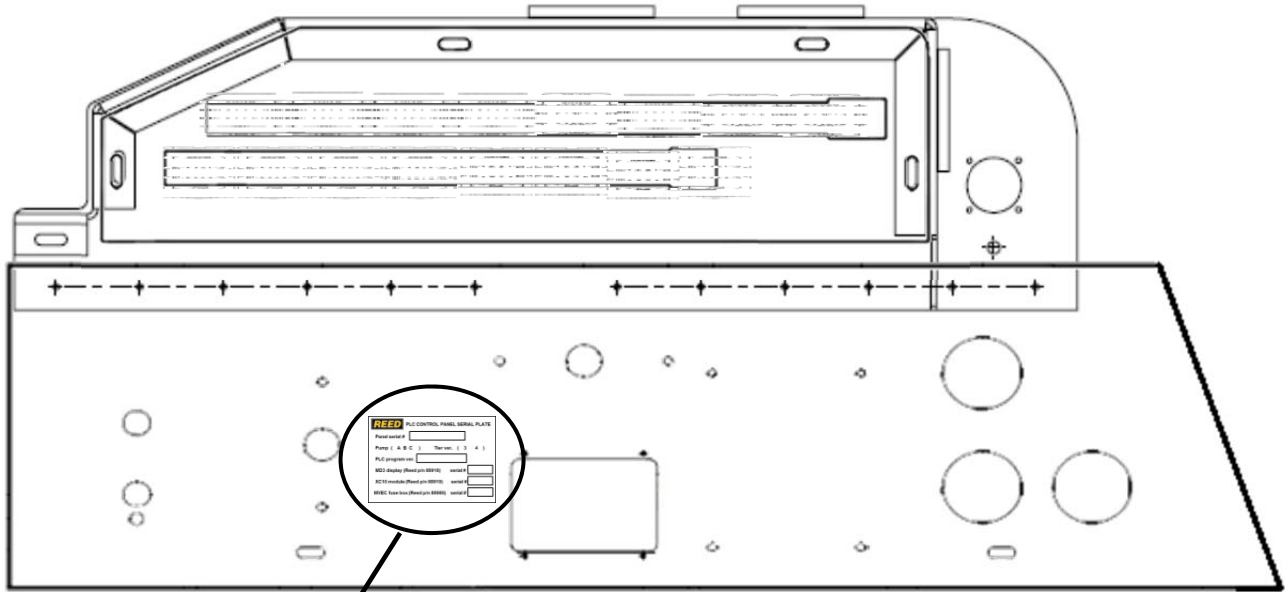
ID #	PART #	PART DESCRIPTION	QUANTITY	
1	89180	DEUTSCH DT04 BUS, 1X8 (SOLID)	3	EA
2	89181	DEUTSCH DT04 BUS, 2X4 (SPLIT)	3	EA
3	89106	DEUTSCH DT04 BUS, 1X12 (SOLID)	5	EA
4	89103	DEUTSCH DT04 BUS, 2X6 (SPLIT)	3	EA
5	89179	DEUTSCH DT06 PLUG, 2X4	5	EA
6	88542-1	WEDGE LOCK FOR 88542	5	EA
7	BW10147	CONTACT SOCKET PIN, SIZE16, 13 AMP		EA
8	89104	DEUTSCH DT06 PLUG, 2X6	3	EA
9	89105	WEDGE LOCK FOR 89104	8	EA
10	BW10147	CONTACT SOCKET PIN, SIZE16, 13 AMP		EA



B20HPC PLC PARTS

13822 Oaks Avenue
Chino, CA 91710
reedpumps.com
(909) 287 - 2100

SERIAL PLATE IDENTIFICATION

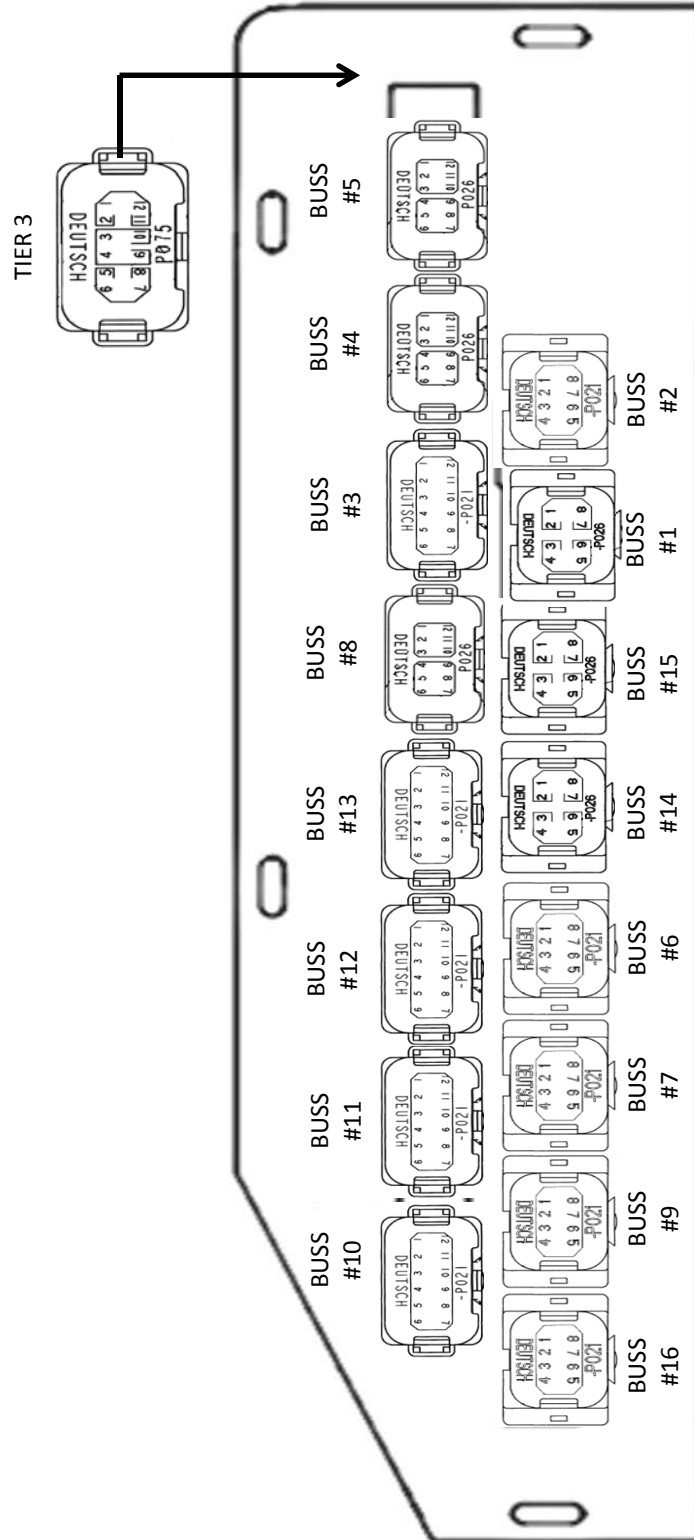


Serial Plate Identification

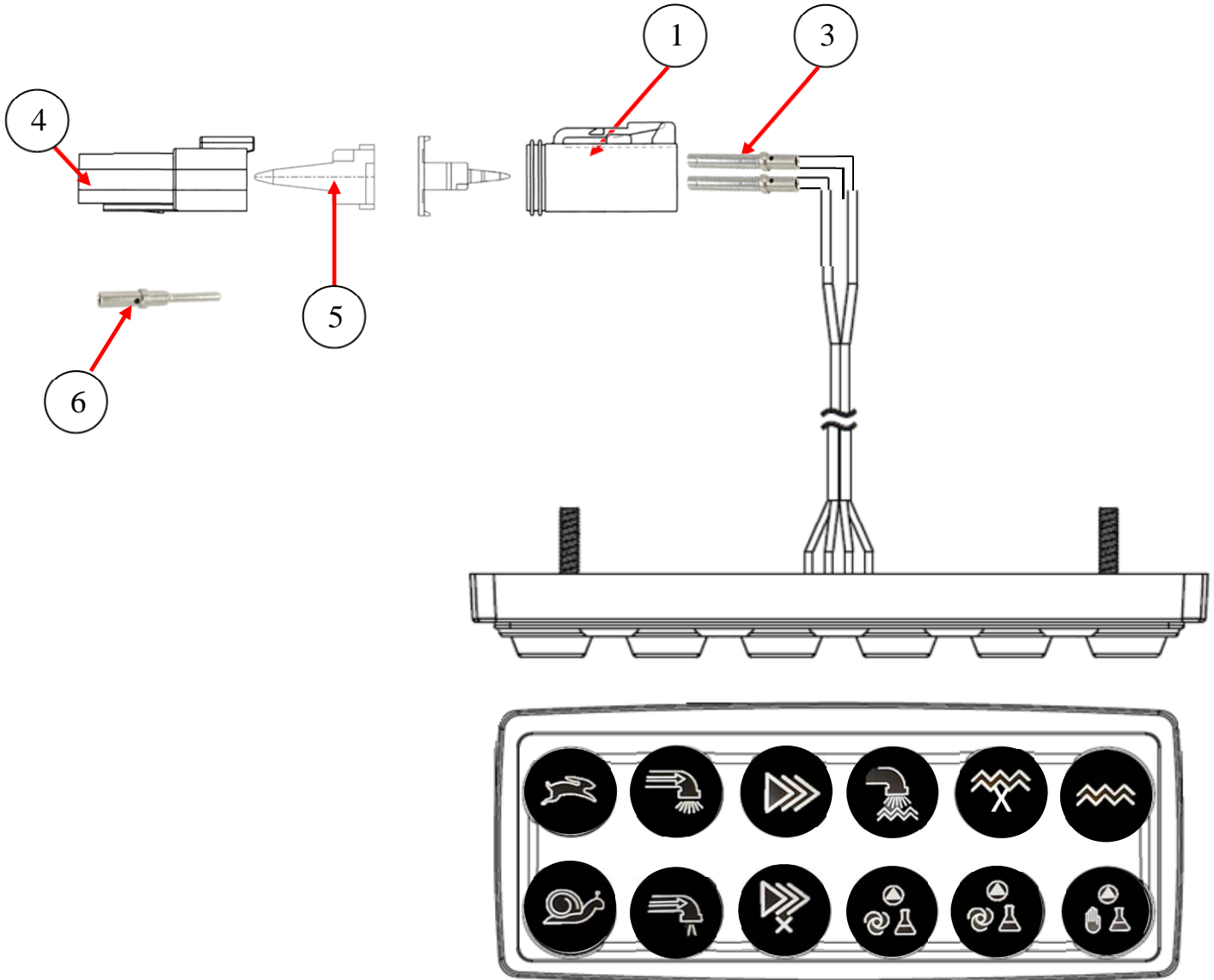
REED PLC CONTROL PANEL SERIAL PLATE	
Panel serial #	<input type="text"/>
Pump (A B C)	Tier ver. (3 4)
PLC program ver.	<input type="text"/>
MD3 display (Reed p/n 88918)	serial # <input type="text"/>
XC10 module (Reed p/n 88919)	serial # <input type="text"/>
MVEC fuse box (Reed p/n 88980)	serial # <input type="text"/>

Panel serial # →
 Pump type →
 PLC program →
 Tier version →
 Display serial # →
 Expansion module serial # →
 Fuse/Relay box serial # →

BUSS BAR SET-UP



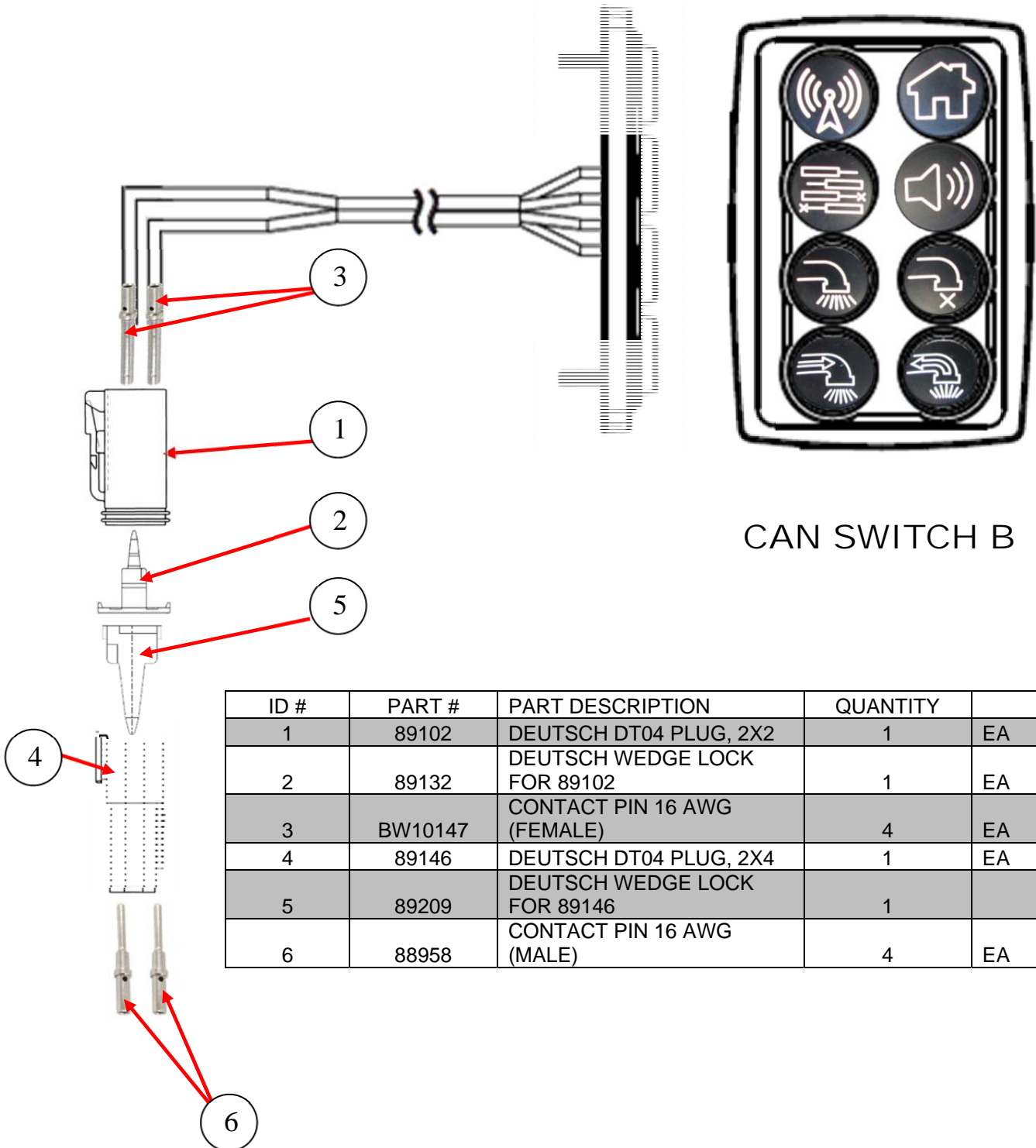
CAN PUSH BUTTON SWITCH PLUG SWITCH A



CAN SWITCH A

ID #	PART #	PART DESCRIPTION	QUANTITY	
1	89102	DEUTSCH DT04 PLUG, 2X2	1	EA
2	89132	DEUTSCH WEDGE LOCK FOR 89102	1	EA
3	BW10147	CONTACT PIN 16 AWG (FEMALE)	4	EA
4	89146	DEUTSCH DT04 PLUG, 2X4	1	EA
5	89209	DEUTSCH WEDGE LOCK FOR 89146	1	EA
6	88958	CONTACT PIN 16 AWG (MALE)	4	EA

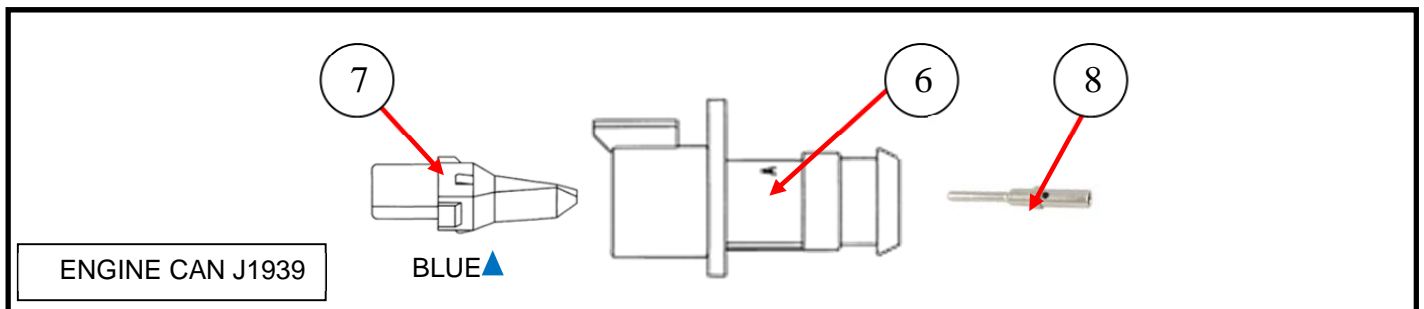
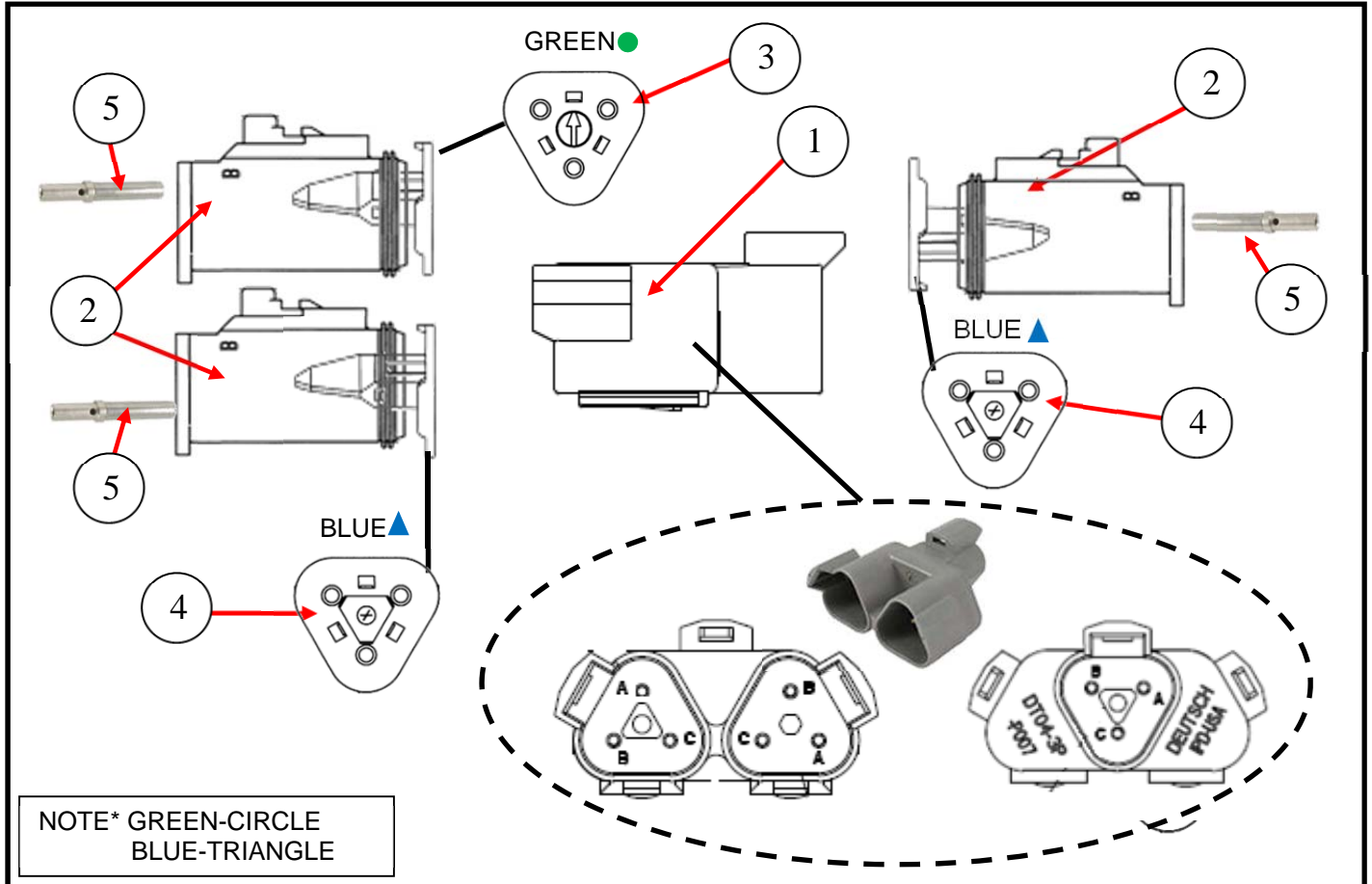
CAN PUSH BUTTON SWITCH PLUG SWITCH B



CAN SWITCH B

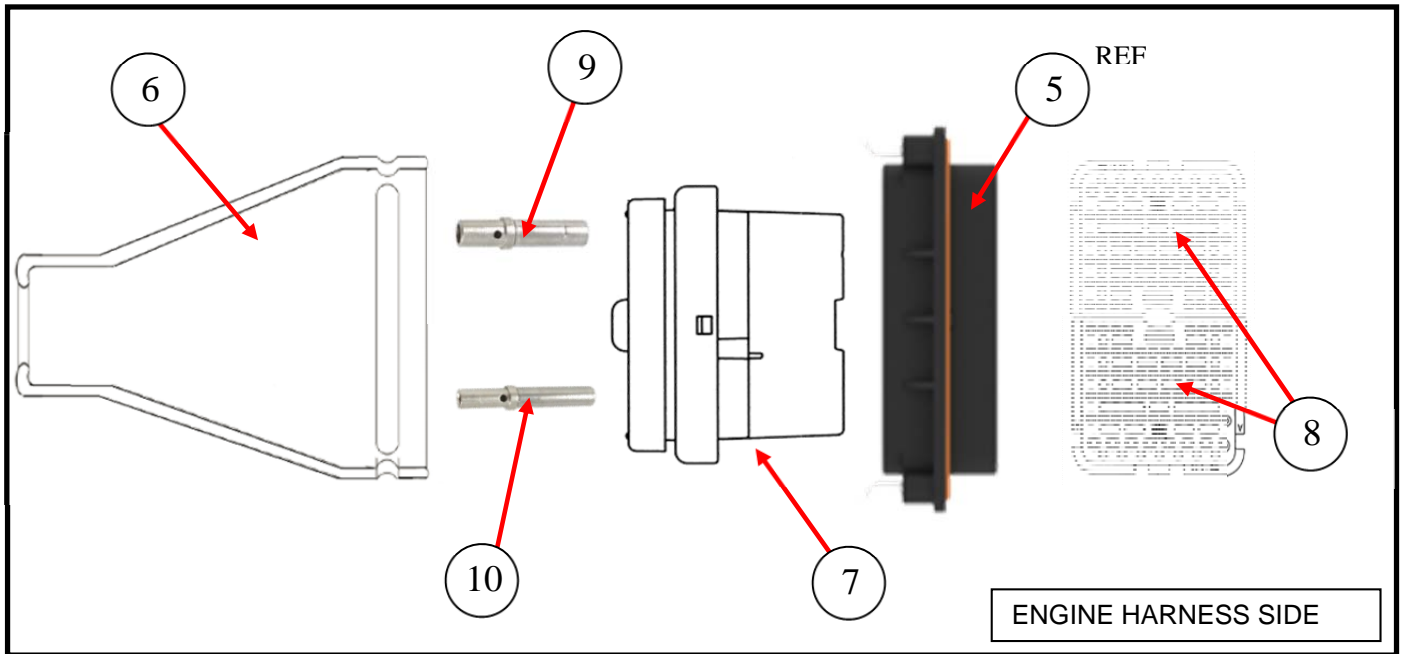
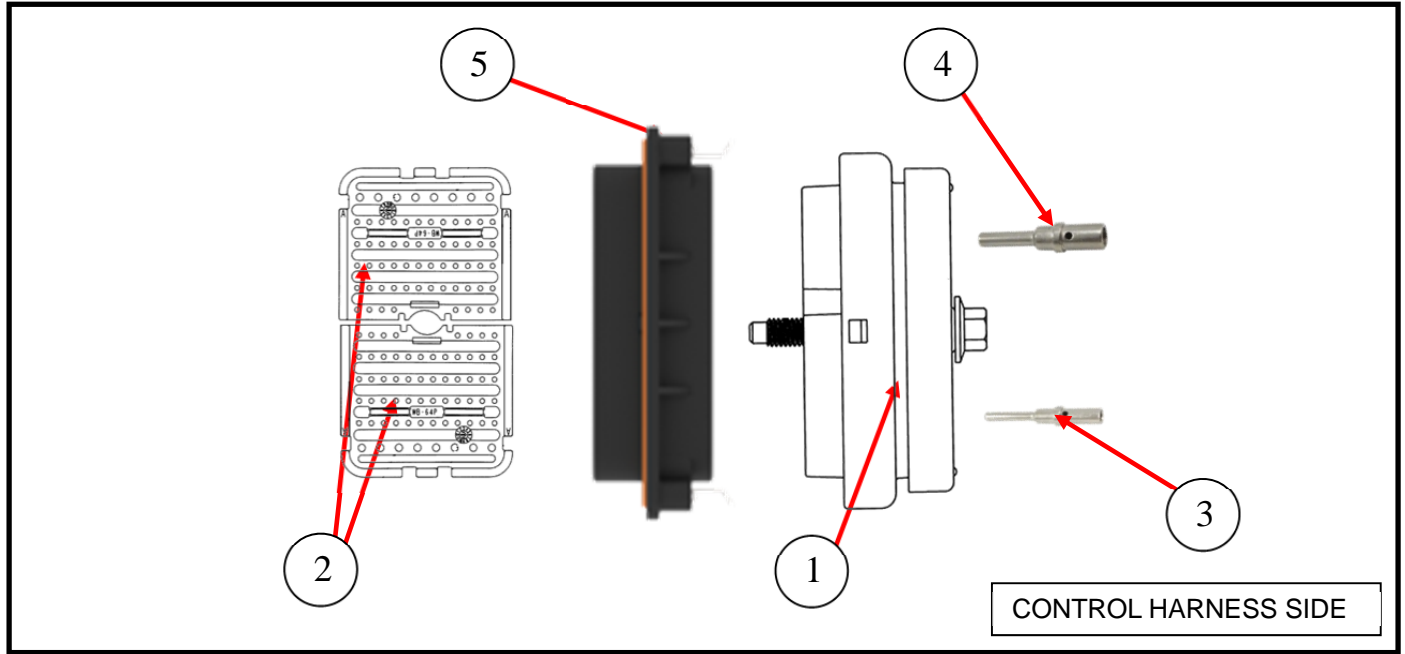
ID #	PART #	PART DESCRIPTION	QUANTITY	
1	89102	DEUTSCH DT04 PLUG, 2X2	1	EA
2	89132	DEUTSCH WEDGE LOCK FOR 89102	1	EA
3	BW10147	CONTACT PIN 16 AWG (FEMALE)	4	EA
4	89146	DEUTSCH DT04 PLUG, 2X4	1	EA
5	89209	DEUTSCH WEDGE LOCK FOR 89146	1	
6	88958	CONTACT PIN 16 AWG (MALE)	4	EA

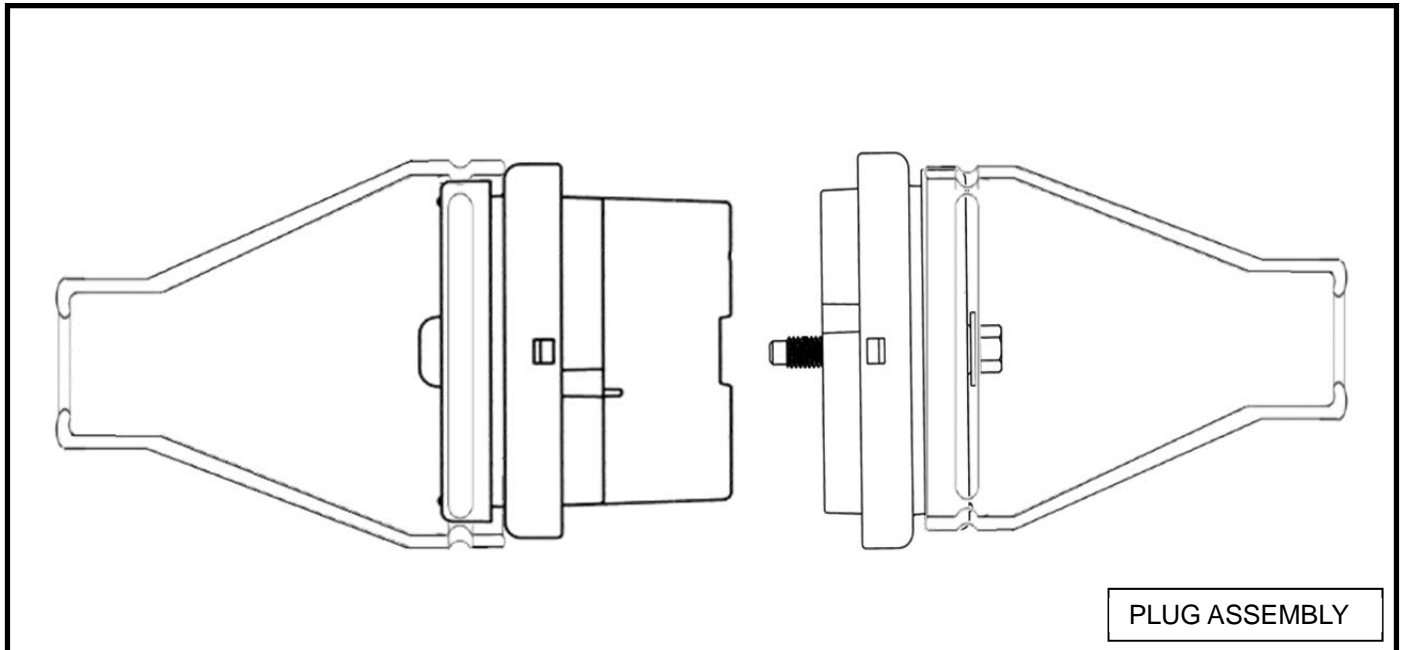
CAN PLUGS, CONNECTORS



ID #	PART #	PART DESCRIPTION	QUANTITY	
1	88934	3 WAY T RECEPTICAL, DT SER.	1	EA
2	88935	3 WAY PLUG DT SER.	3	EA
3	88936	WEDGE LOCK FOR 3 WAY PLUG (GREEN)	2	EA
4	88937	WEDGE LOCK FOR 3 WAY PLUG (BLUE)	1	EA
5	BW10147	CONTACT SOCKETS, 16 AWG (FEMALE)	9	EA
6	88932	3 WAY RECEPTACLES, FLANGE MOUNT-LE08 MOD.	1	EA
7	88938	KEYED WEDGE LOCK FOR 3 WAY RECPT. DT SERIES	1	EA
8	88958	CONTACT PIN, 16 AWG (MALE)	3	EA

DEUTSCH 128 PLUG ASSEMBLY

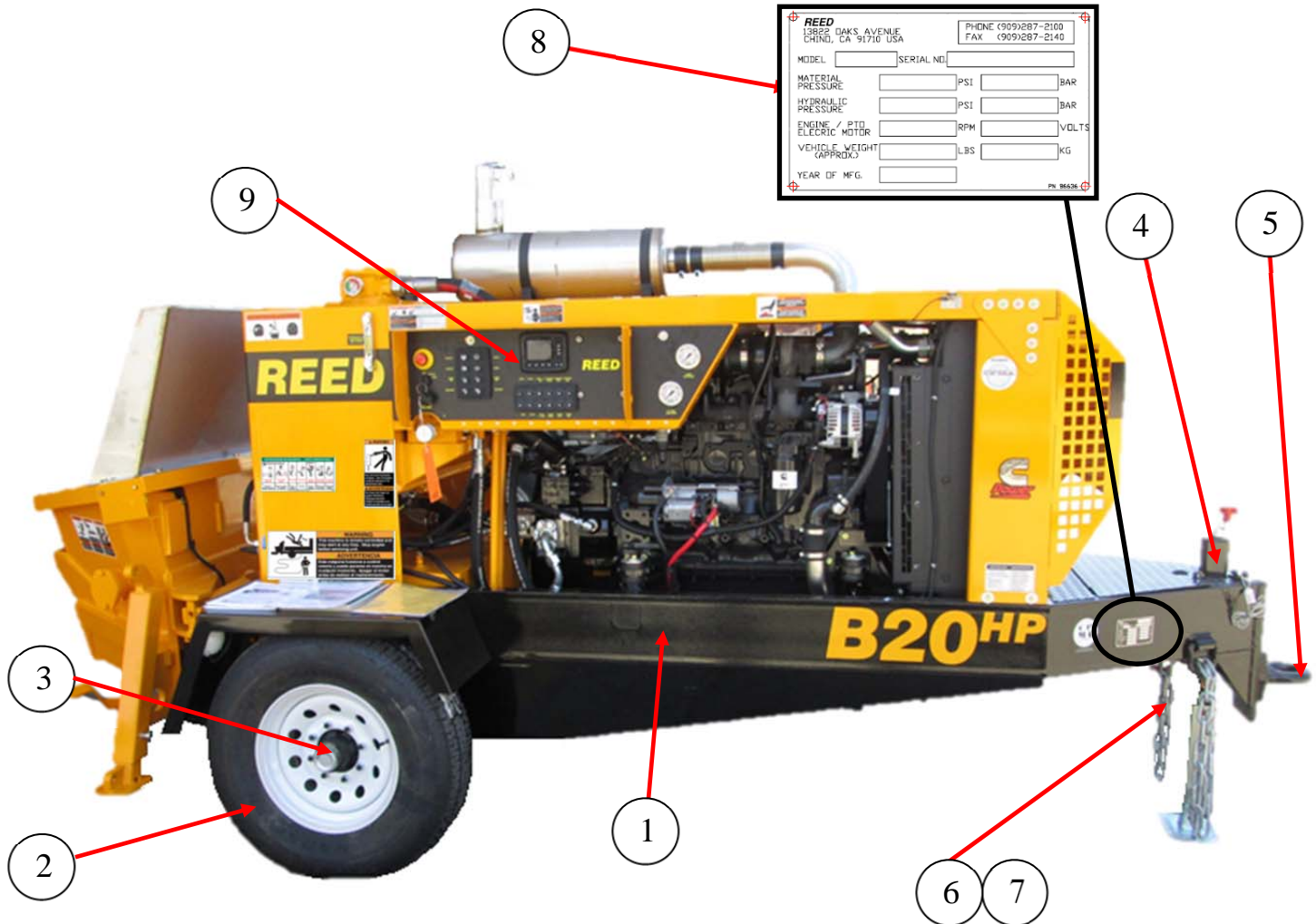


DEUTSCH 128 PLUG ASSEMBLY CONT.

ID #	PART #	PART DESCRIPTION	QUANTITY	
1	89109	DEUTSCH RECEPTACLE 128 CONTACT, PIN	1	EA
2	89159	DEUTSCH WEDGE LOCK FOR 89157	2	EA
3	88958	CONTACT PIN SIZE 16 AWG, (MALE)	72	EA
4	87807	CONTACT PIN SIZE 12 AWG, (MALE)	16	EA
5	89158	DEUTSCH RECEPTACLE, FLANGE	1	EA
6	89109-B	DEUTSCH, BOOT COVER	1	EA
7	89157	DEUTSCH RECEPTACLE 128 CONTACT, SOCKET	1	EA
8	89116	DEUTSCH WEDGE LOCK FOR 89157	2	EA
9	87457	CONTACT SOCKET, SIZE 12 AWG, (FEMALE)	1	EA
10	BW10147	CONTACT SOCKET, SIZE 16 AWG, (FEMALE)	1	EA

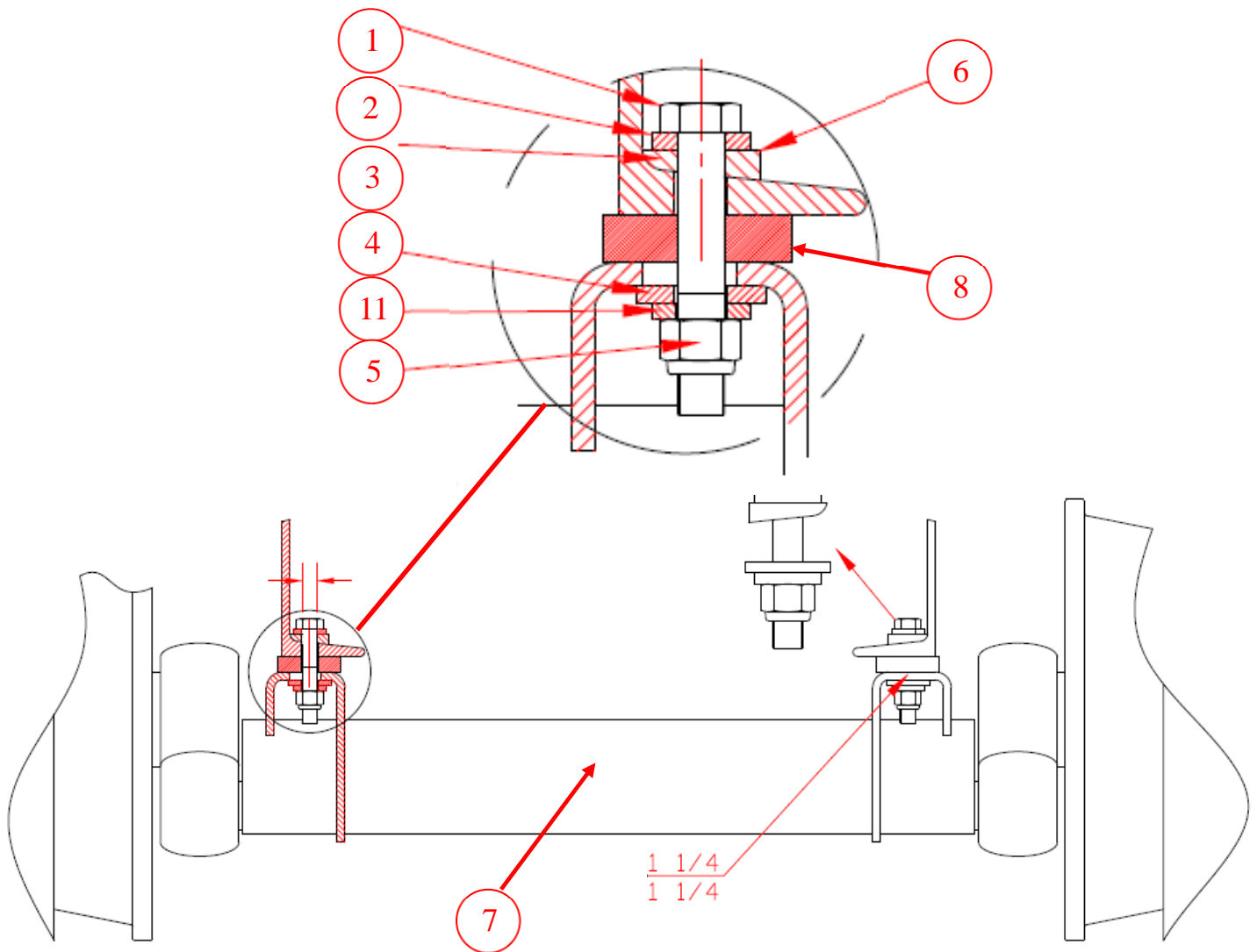
FRAME INSTALLATION

FRAME, TIRES, JACK, AND TOW EYE



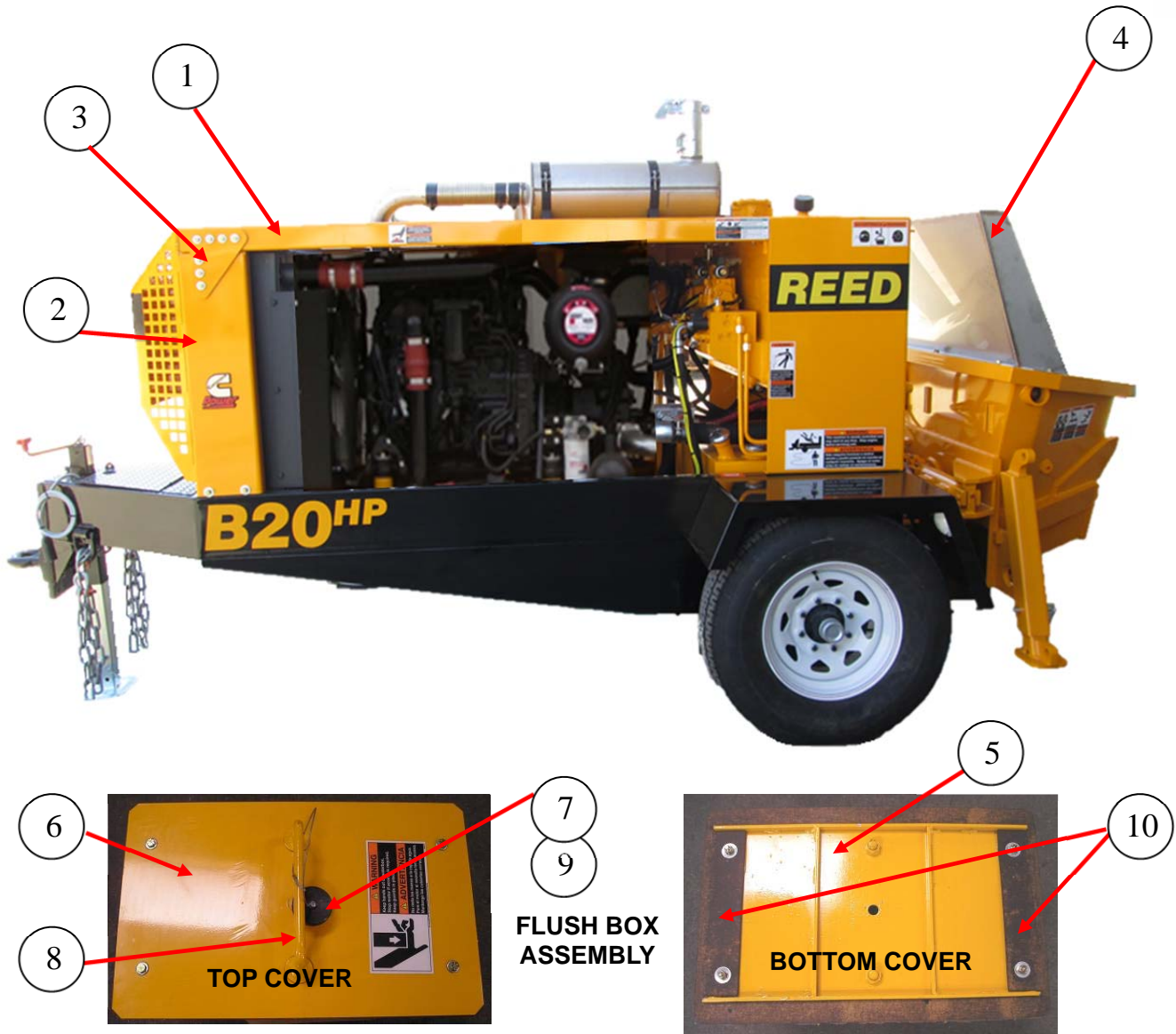
ID #	PART #	PART DESCRIPTION	QUANTITY	
	89264	FRAME ASSY B SER, 7000 LB 2016 W/CUMMINS	REF	
1	89261	FRAME WELDMENT B SER 2016 CUMMINS	1	EA
2	85423	TIRE & WHEEL ASSY -215/75R17.5 H	2	EA
3	88033	OIL CAP KIT(QUALITY)	2	EA
4	85527	JACK WELDMENT	1	EA
5	87037	DRAW BAR	1	EA
6	86730	CHAIN-3/8 PROOF COIL GR 70 PHOSPATE	5.5	FT
7	87085	SHACKLE ANCHOR, SCREW PIN, 1/2 6600	4	EA
8	86636	SERIAL NUMBER PLATE (BLANK)	1	EA
9	89333-T3	CONTROL PANEL ASSY PLC, TIER 3	1	EA

7000LB AXLE MOUNTING ASSEMBLY



ID #	PART #	PART DESCRIPTION	QUANTITY	
	89030-H	AXLE MOUNTING HARDWARE KIT B20	1	EA
1		½" -20 X 2.5 HHCS GR8	4	EA
2		½" SAE WASHER	8	EA
3		½" USE WASHER	4	EA
4		½" SAE WASHER	4	EA
5		½" - 20 LOCK NUT	4	EA
6		½" BEVELED WASHER	4	EA
7	89030	AXLE, TORSION, 7000 LB 8 on 6.50 HUB FACE	1	EA
8	89011	FLATBAR SPACER 1"X2"	2	EA

HOOD AND COVERS



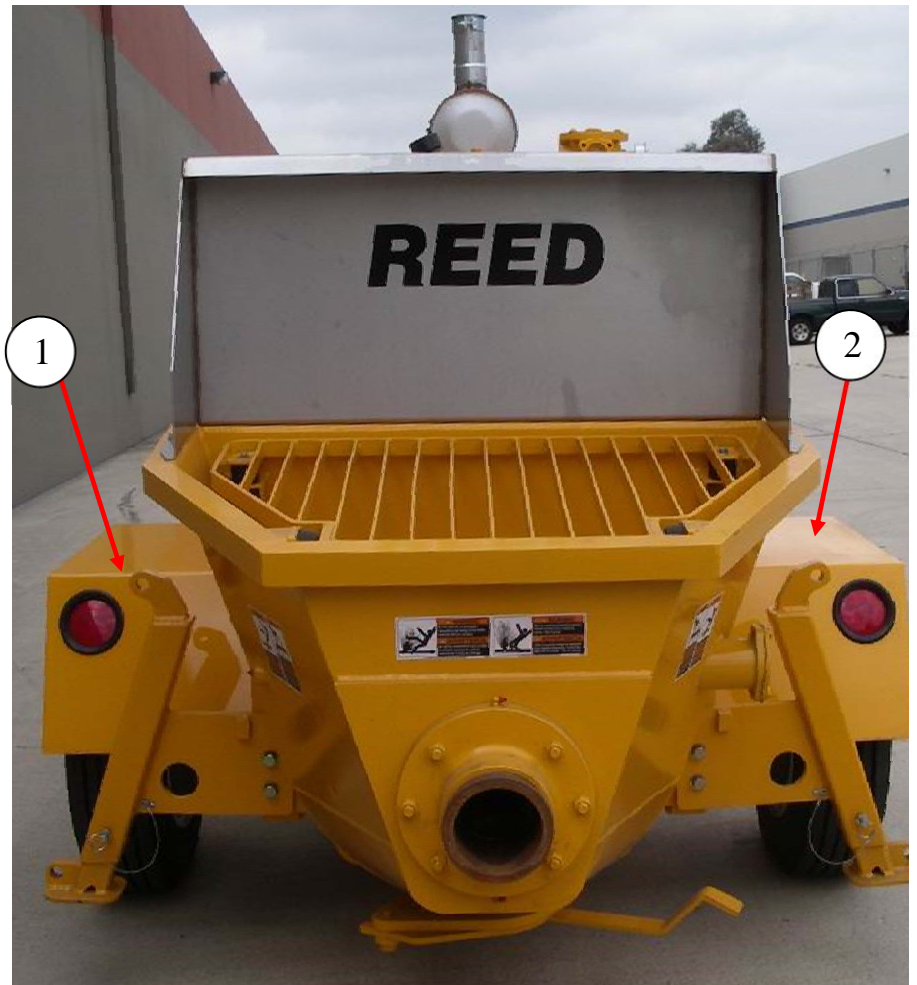
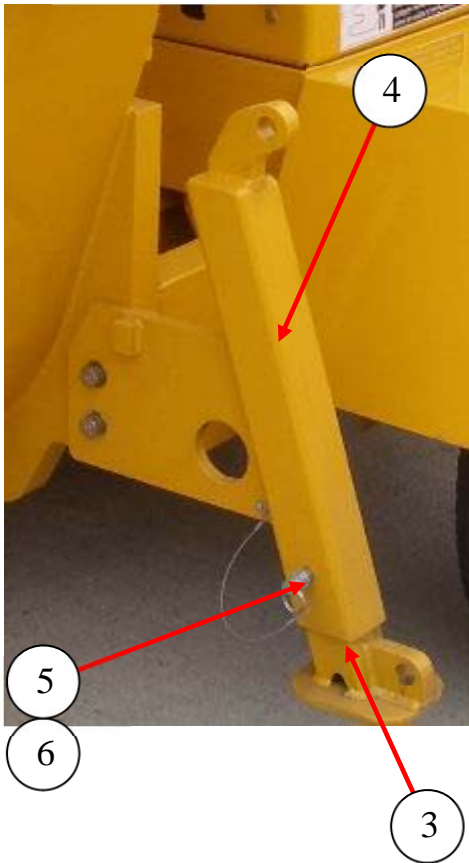
FLUSH BOX ASSEMBLY



ID #	PART #	PART DESCRIPTION	QUANTITY	
1	87737	COVER TOP, B SER CUMMINS PAINTED	1	EA
2	87681	COVER FRONT WELD, B SER CUM PAINTED	1	EA
3	87647	GUSSET ENGINE COVER PAINTED	2	EA
4	85390	SPLASH GUARD, B & C SERIES	1	EA
5	86106	COVER ASSY, FLUSH BOX	1	EA
6	86010	COVER WELDMENT, FLUSH BOX	1	EA
7	86105	KNOB	1	EA
8	79056	HANDLE	1	EA
9	800418	LANYARD, Q/R PIN	1	EA
10	87755	GASKET, FOR FLUSH BOX LID	1	EA

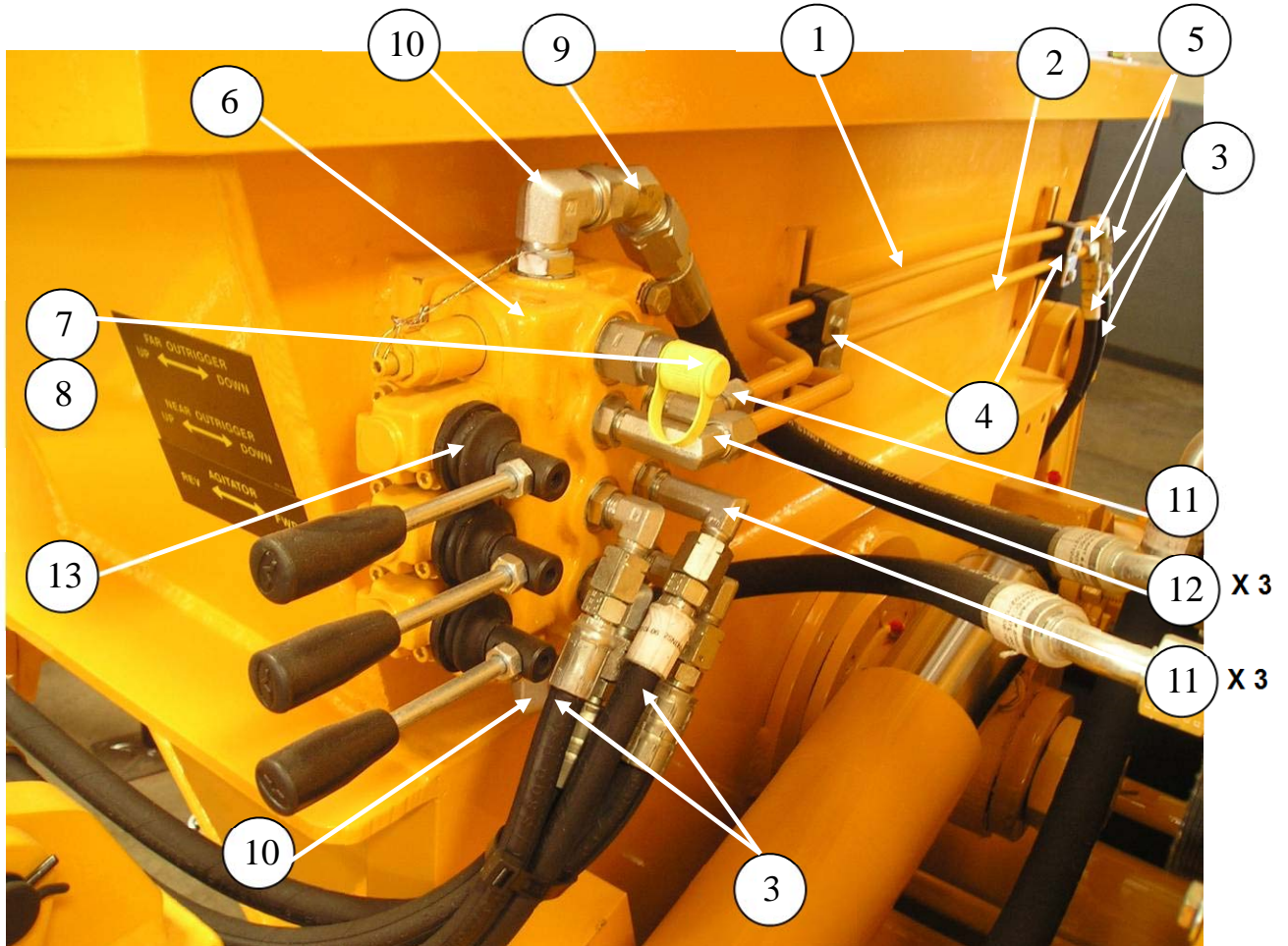
FENDERS AND OUTRIGGERS

OUTRIGGER
 ASSEMBLY



ID #	PART #	PART DESCRIPTION	QUANTITY	
1	86959	FENDER, RH, B SERIES PAINTED	1	EA
2	86960	FENDER, LH, B SERIES PAINTED	1	EA
3	86553	OUTRIGGER WELDMNT, INNER-PAINTED	2	EA
4	86557	OUTERTUBE, O/R B & C - PAINTED	2	EA
5	85595	PIN, Q/R, 5/8 DIA X 3 1/2 L	2	EA
6	800418	LANYARD, Q/R PIN	2	EA

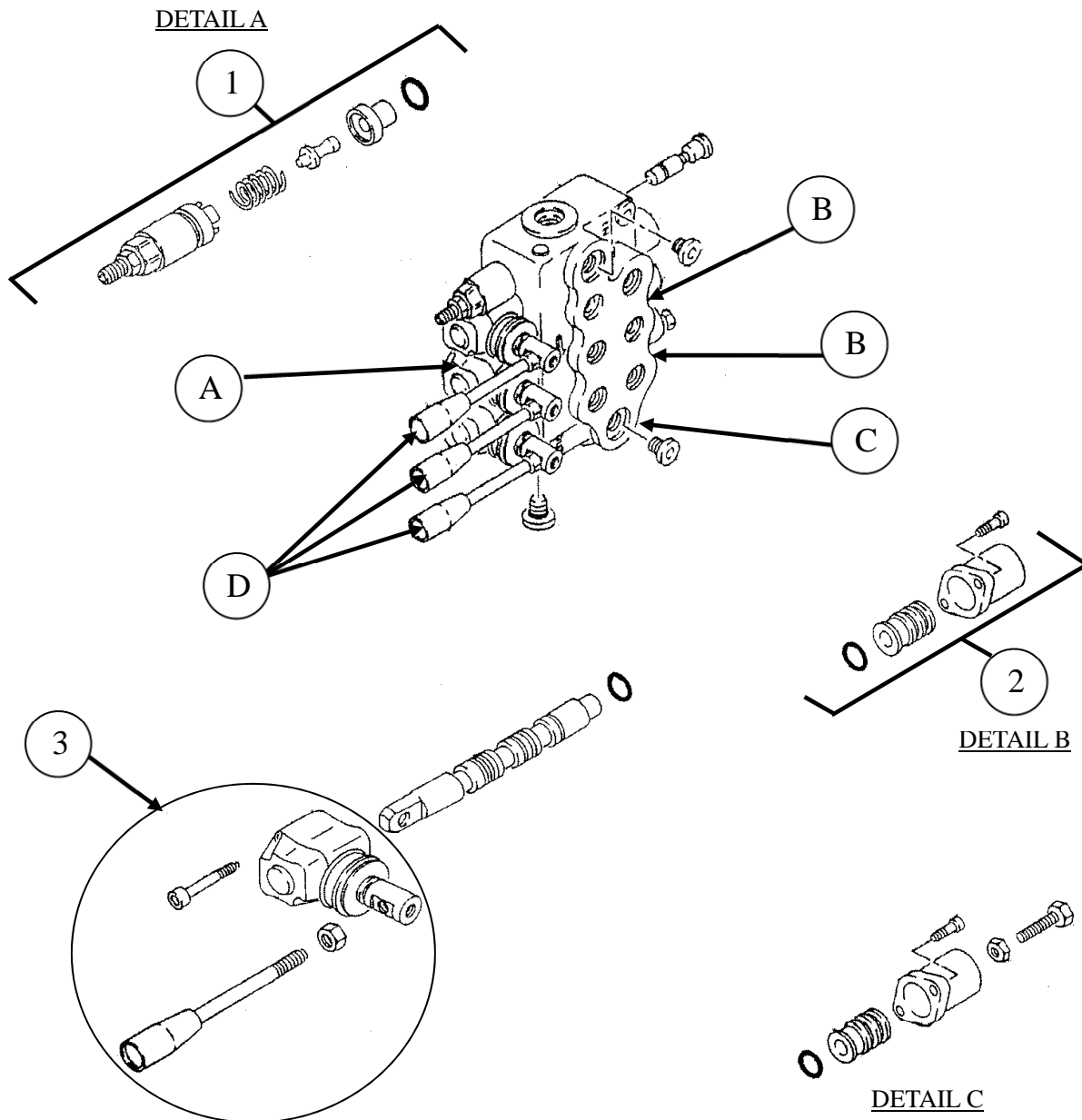
HYDRAULIC OUTRIGGER GROUP



ID #	PART #	PART DESCRIPTION	QUANTITY	
	88041AO	HYD OUTRIGGER GROUP (AGIT=OUTRIGGER)	REF	
1	85685	TUBE, HYD, OUTRIGGER - PAINTED	1	EA
2	85686	TUBE, HYD, OUTRIGGER - PAINTED	1	EA
3	85659-010	HOSE, 4M2T-6FJX-6FJX-33.00	4	EA
4	801902-020	TUBE CLAMP - 3/8 IN - HALF	4	EA
5		MJ-MJ90-6-6	2	EA
6	74471	VALVE, MAUNAL-3 SPOOL	1	EA
7	800083	FITTING, MINI CHECK (PORT)	1	EA
8	86750	ADAPTER, MB-FB-8-6	1	EA
9	86749	FITTING, MJ-FJX45-10-10	1	EA
10	86746	FITTING, 90° MB-MJ-90-8-10	2	EA
11	86748	FITTING, 90° MB-MJ90-6-6	3	EA
12	86747	FITTING, 90° MB-MJ90LL-6-6	3	EA
13	74471-B	BOOT, COVER	3	EA

OPTIONS

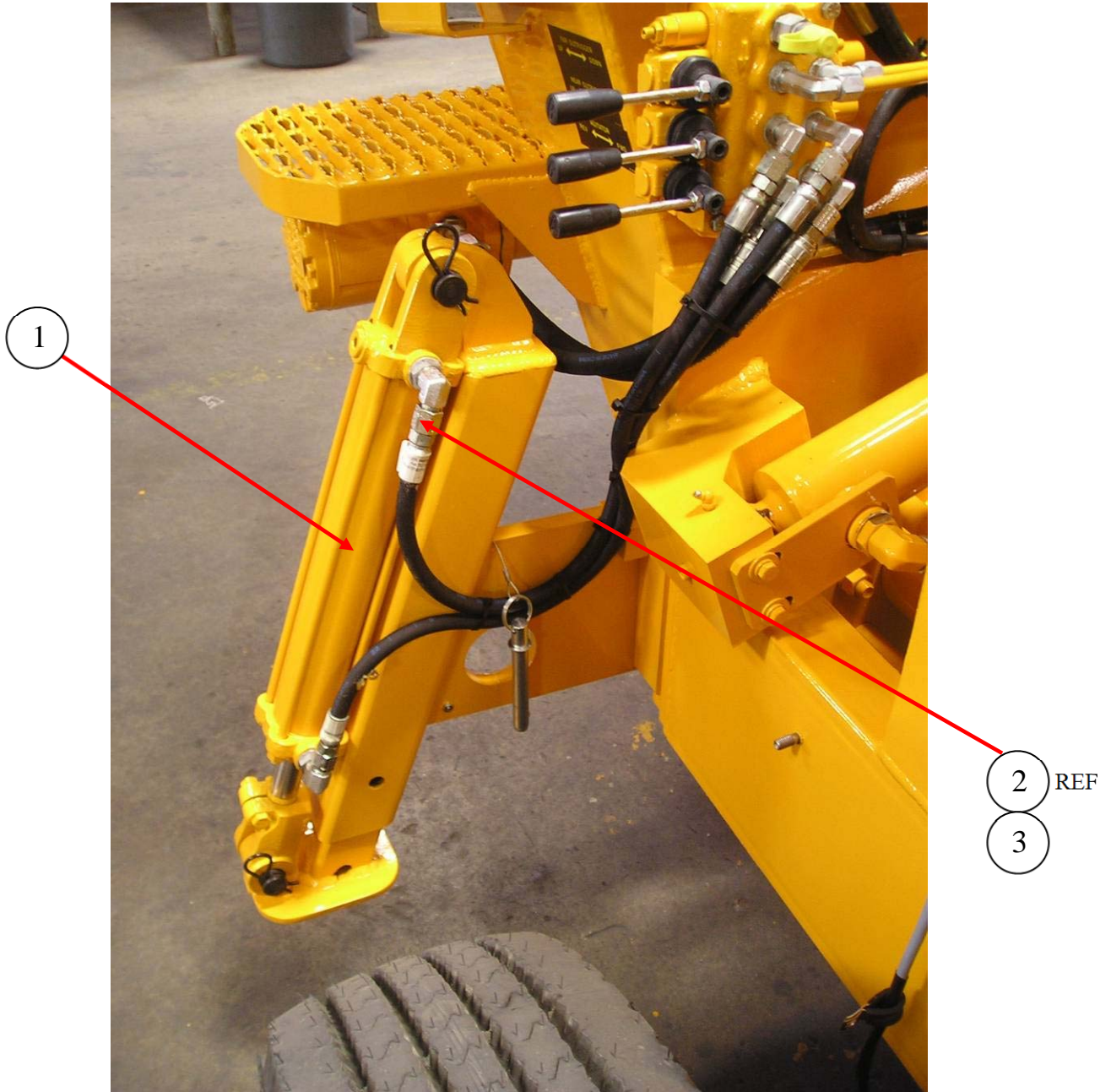
3 SPOOL CONTROL VALVE



ID #	PART #	PART DESCRIPTION	QUANTITY	
1	85706	RELIEF, CARTRIDGE	1	EA
2	74469	DETENT KIT, #11 WALVOIL VALVE	A/R	EA
3	74471-020	VALVE ACTUATOR FOR 74471, 74585, 74584 VALVES	A/R	EA

OPTIONS

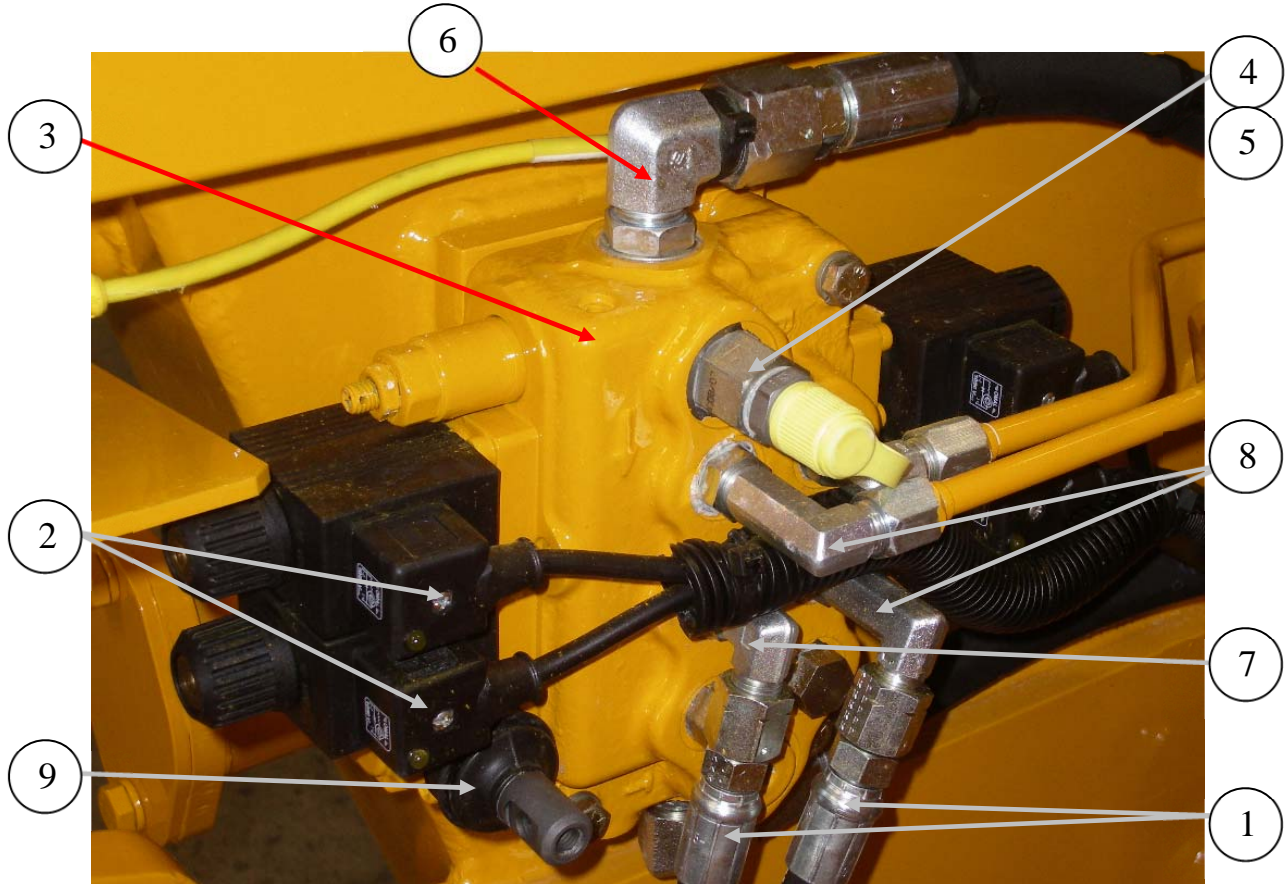
HYDRAULIC OUTRIGGER GROUP



ID #	PART #	PART DESCRIPTION	QUANTITY	
1	86574	HYD CYL – 2.00 BORE X 12.00 STR – PAINTED	2	EA
2	85659-010	HOSE, 4M2T-6FJX-6FJX-33.00	REF	EA
3	86728-008	FITTING, 90° MB-MJ90-8-6	4	EA

OPTIONS

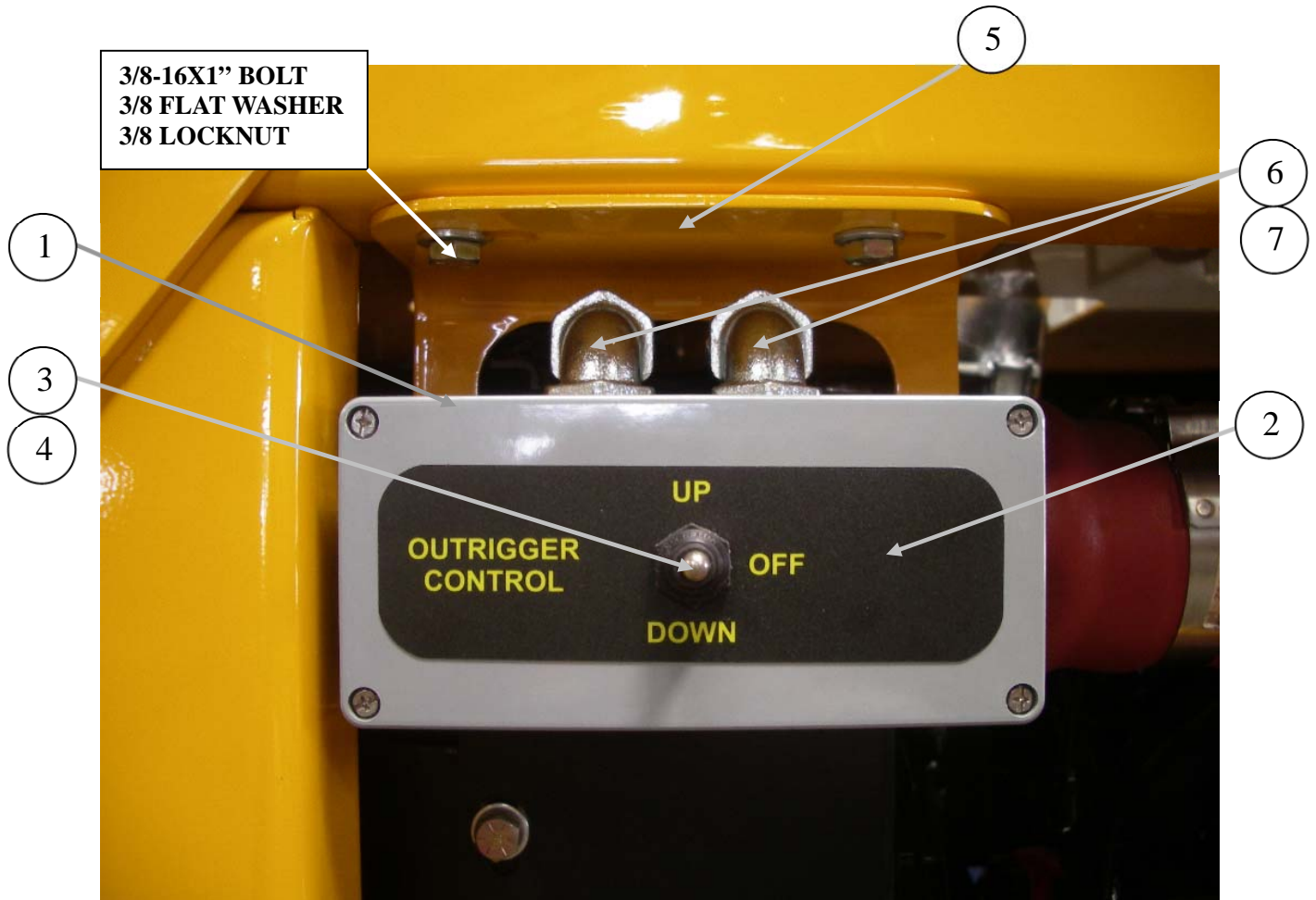
ELECTRIC HYDRAULIC OUTRIGGER



ID #	PART #	PART DESCRIPTION	QUANTITY	
	88041-O	HYD OUTRIGGER ASSEMBLY, REMOTE	REF	EA
1	85659-010	HOSE, 4M2T-6FX-6JX-33.00	2	EA
2	87540	CABLE SOLENIOD VALVE, WITH DIN PLUG	4	EA
3	88026	VALVE, 3SPOOL, 2EA. VDC SPOOL	1	EA
4	800083	FITTING, MINI CHECK (PORT)	1	EA
5	86750	ADAPTER, MB-FB-8-6	1	EA
6	86749	FITTING, MJ-FJX45-10-10	1	EA
7	86748	FITTING, 90° MB-MJ90-6-6	3	EA
8	86747	FITTING.90° MB-MJ90LL-6-6	3	EA
9	74471-B	BOOT, COVER	3	EA

OPTIONS

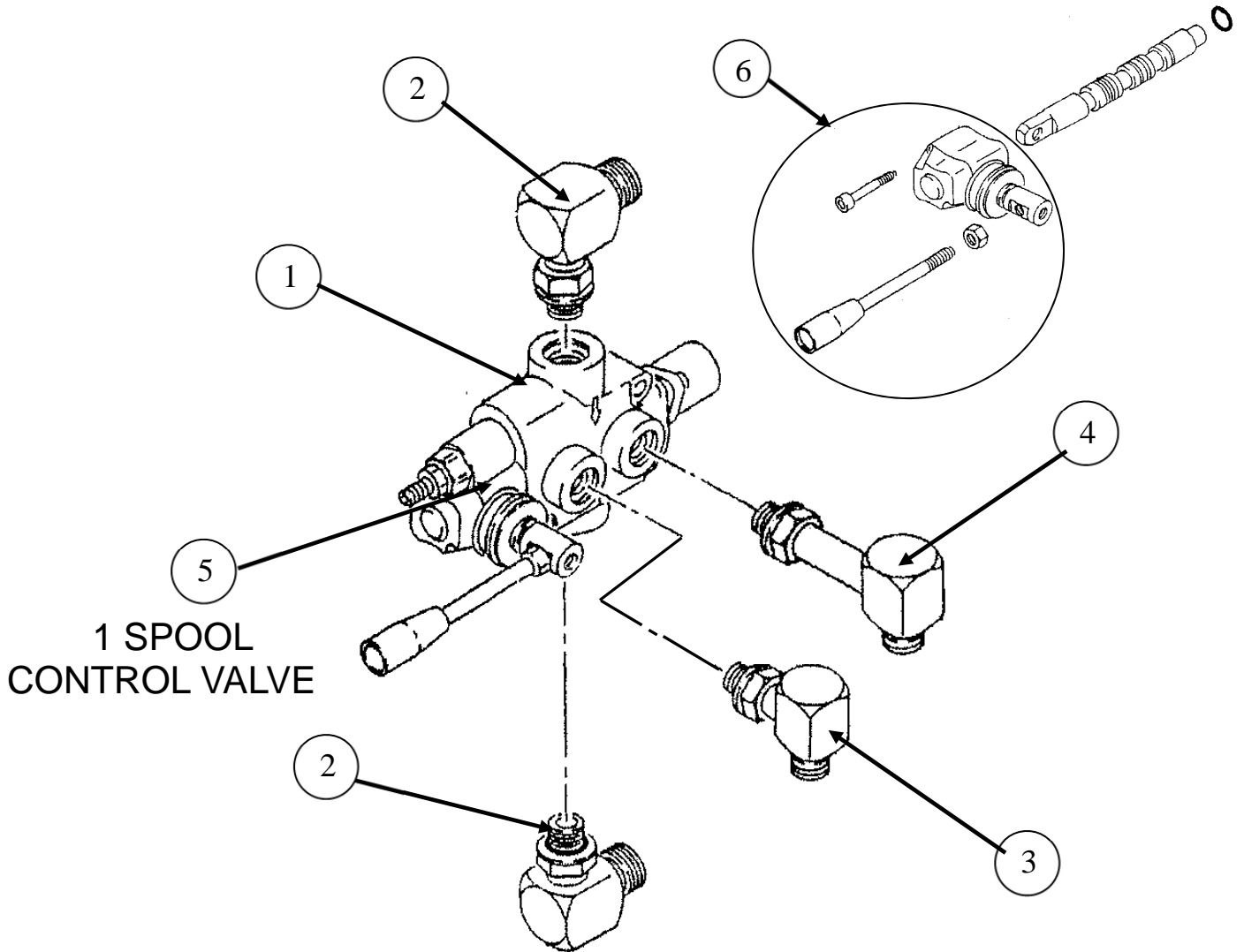
ELECTRIC HYDRAULIC OUTRIGGER CONTROLS



ID #	PART #	PART DESCRIPTION	QUANTITY	
1	801206	ENCLOSURE 6X3X3, FIBERGLASS	2	EA
2	88163	DECAL OUTRIGGER UP/DOWN	2	EA
3	BW10205	SWITCH, 3 POSITION MOM/SPDT	2	EA
4	BW10361	SW, SEALING BOOT	2	EA
5	88164-A	BRACKET OUTRIGGER CONTROL MOUNT	2	EA
6	73531	90° STRAIN RELIEF	4	EA
7	10528	NUT 1/2", BONDING TYPE LOCK	4	EA

OPTIONS

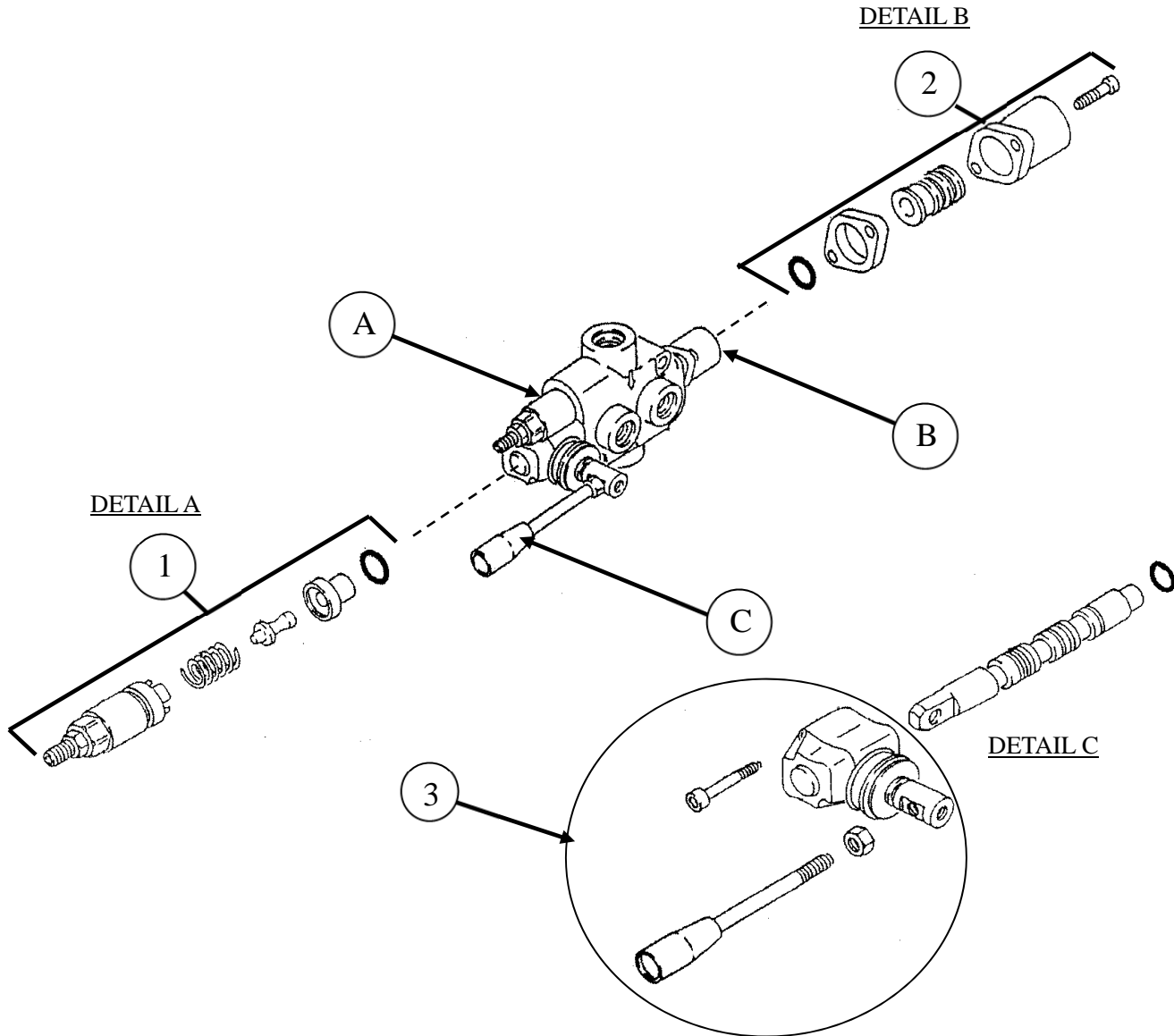
AGITATOR GROUP



ID #	PART #	PART DESCRIPTION	QUANTITY	
1	74584	VALVE, MAUNAL-1 SPOOL	1	EA
2	86746	FITTING, 90° MB-MJ-90-8-10	2	EA
3	86748	FITTING, 90° MB-MJ90-6-6	1	EA
4	86747	FITTING, 90° MB-MJ90LL-6-6	3	EA
5	74471-B	BOOT, COVER	1	EA
6	74471-020	VALVE ACTUATOR FOR 74471, 74585, 74584 VALVES	A/R	EA

OPTIONS

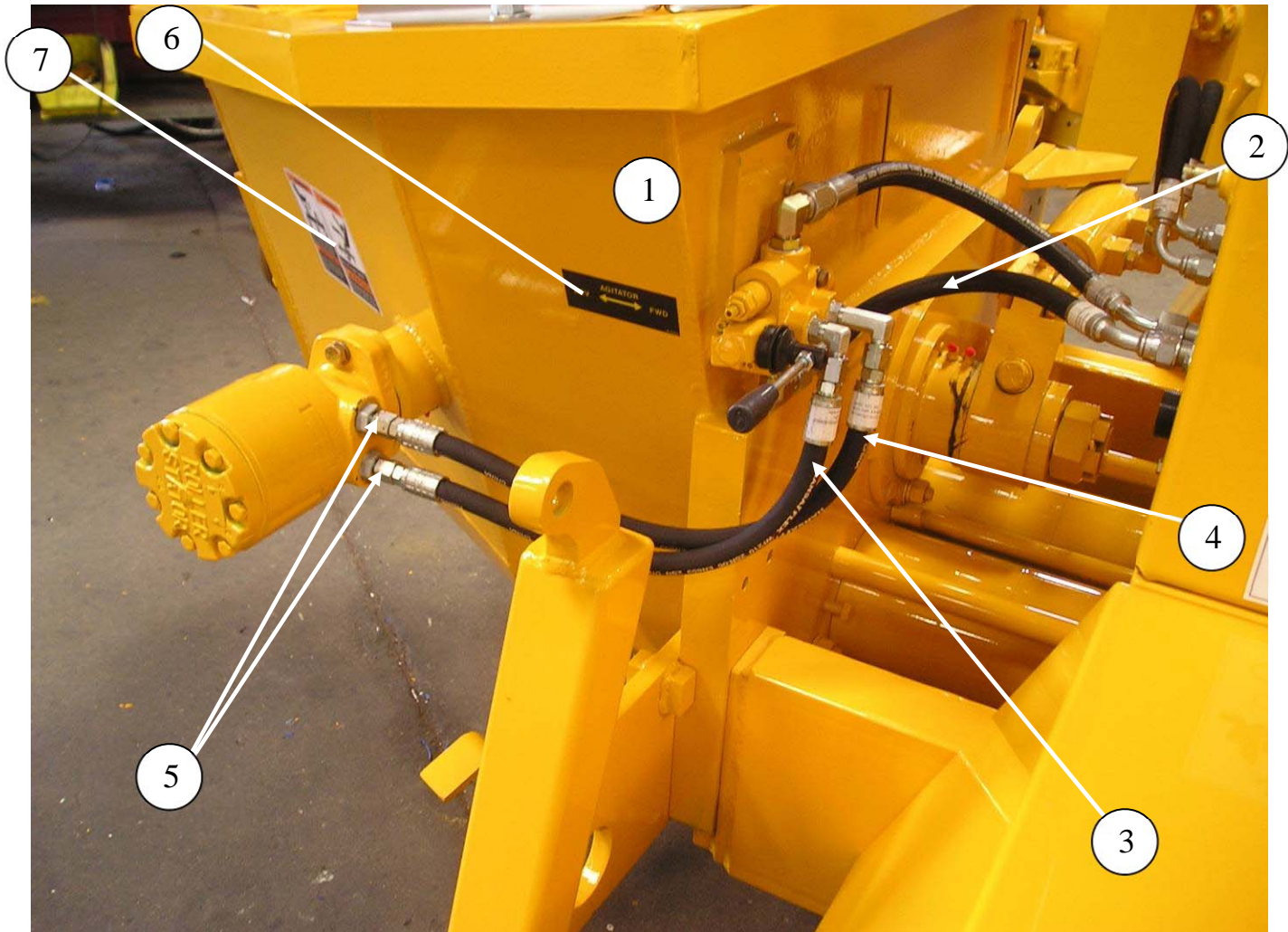
1 SPOOL AGITATOR VALVE



ID #	PART #	PART DESCRIPTION	QUANTITY	
1	85706	RELIEF, CARTRIDGE	1	EA
2	74469	DETENT KIT, #11 WALVOIL VALVE	A/R	EA
3	74471-020	VALVE ACTUATOR FOR 74471, 74585, 74584 VALVES	A/R	EA

OPTIONS

AGITATOR GROUP CONTINUED



ID #	PART #	PART DESCRIPTION	QUANTITY	
1	74584	VALVE, MANUAL-1 SPOOL	REF	EA
2	85657-016	HOSE, 8M2T-10FJX-10FJX45-20.00	2	EA
3	85658-011	HOSE, 6M2T-6FJX-6FJX-21.00	1	EA
4	85658-010	HOSE, 6M2T-6FJX-6FJX-20.00	1	EA
5		FITTING,MB-MJ-10-6	2	EA
6	85845	DECAL, OUTRIGGERS	1	EA
7	800919	DECAL, WARNING, STAND CLEAR	2	EA

AVAILABLE OPTIONS

OUTRIGGER GROUP
HYD OUTRIGGER
OUTRIGGER/AGITATOR
ELECTRIC OUTRIGGER



AGITATOR GROUP
STD/PADDLE
OPTION/PADDLE
HYD/AGITATOR/SINGLE
HYD/AGITATOR/TRIPLE



RADIO REMOTE



50' CABLE REMOTE
W/STROKE
COUNTER

WIRELESS
REMOTE 900 MHZ
PNUT SYSTEM

LIFTING KIT



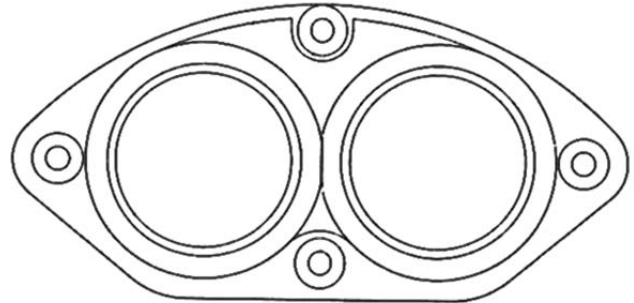


B20HPC PLC

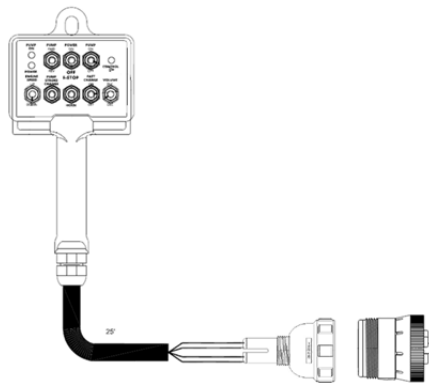
PARTS

13822 Oaks Avenue
Chino, CA 91710
reedpumps.com
(909) 287 - 2100

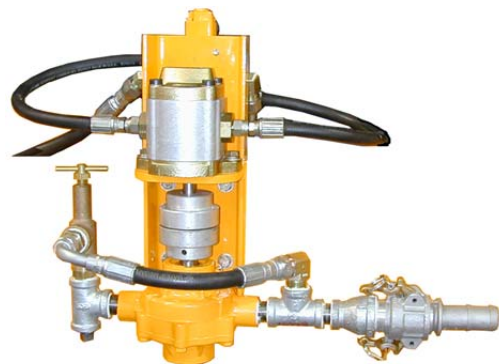
CARBIDE WEAR PARTS
WEAR RING/CARBIDE
WEAR PLATE/CARBIDE



REMOTE CONTROL, CABLE
KARTECH PLC 50FT



WATER PUMP WASH PUMP INSTALL
WASH PUMP ASSY



VIBRATOR KIT
COUGAR
VIBCO



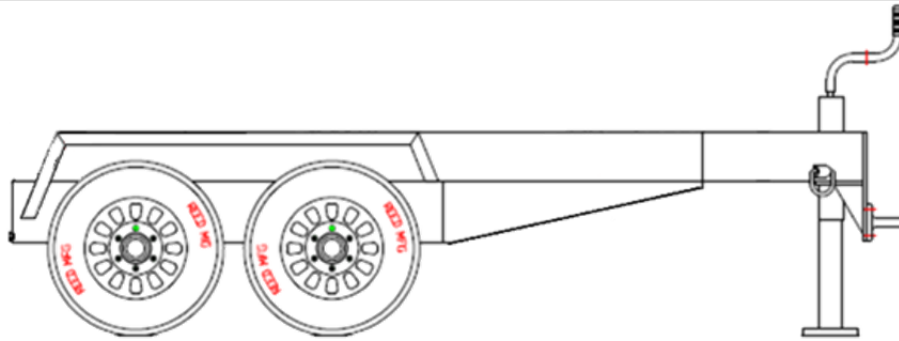


B20HPC PLC

PARTS

13822 Oaks Avenue
Chino, CA 91710
reedpumps.com
(909) 287 - 2100

DUAL AXLE



TIRE & WHEEL ALUMINUM 9000 LB



AUTO LUBE STEEL TUBING 12 PORT PLASTIC TUBING 12 PORT

MANUAL LUBE BLOCK





B20HPC PLC PARTS

13822 Oaks Avenue
Chino, CA 91710
reedpumps.com
(909) 287 - 2100

SURGE BRAKE ASSY 9000LB
2" BALL



3" PINTLE



HITCH BALL
2"
2 5/16"

