



# A30HPv06

## PARTS

13822 Oaks Avenue  
Chino, CA 91710  
reedpumps.com  
909-287-2100

<b>PUMPING TRAIN ASSEMBLY .....</b>	<b>2</b>
<b>S-TUBE ASSEMBLY .....</b>	<b>5</b>
5" OUTLET ASSEMBLY .....	5
5" OUTLET SEAL KIT INSTALLATION .....	6
WEAR PLATE ASSEMBLY .....	7
5" PISTON CUP ASSEMBLY .....	8
DRIVE CYLINDER ASSEMBLY .....	9
SINGLE SHIFT BELL CRANK ASSEMBLY.....	10
SINGLE SHIFT SWING CYLINDER ASSEMBLY .....	11
HOPPER GRATE WITH SAFETY SWITCH.....	12
GRATE ASSEMBLY .....	13
CLEAN OUT DOOR ASSEMBLY .....	14
<b>POWER TRAIN .....</b>	<b>15</b>
ENGINE, PUMPS, AND FILTERS .....	15
ENGINE MOUNTS.....	18
HYDRAULIC AND FUEL TANK ASSEMBLY .....	19
HYDRAULIC LINES, HOSES, AND FITTINGS .....	22
CONTROL MANIFOLD .....	26
SOLENIOD VALVE ASSEMBLIES .....	31
<b>ELECTRICAL GROUP .....</b>	<b>32</b>
BATTERY .....	32
PROXIMITY SWITCHES .....	33
STARTER RELAY.....	34
TRAILER HARNESS AND BREAKAWAY .....	35
TAILLIGHTS.....	36
WIRING HARNESS .....	37
<b>CONTROLS .....</b>	<b>38</b>
A-SERIES CONTROL BOX .....	38
CONTACT BLOCKS .....	40
FUSES AND RELAYS .....	41
CONNECTORS.....	42
50 FT CABLE REMOTE.....	43
<b>FRAME INSTALLATION .....</b>	<b>44</b>
FRAME, GAUGES, TIRES, JACK, AND TOW EYE .....	44
5200LB AXLE MOUNTING ASSEMBLY .....	45
HOOD AND COVERS.....	46
FENDERS AND OUTRIGGERS .....	47
<b>OPTIONS.....</b>	<b>48</b>
MANUAL OUTRIGGERS .....	48
AUTOLUBE PUMP (PLASTIC TUBING) .....	49
RADIO REMOTE KIT (BASE).....	50
CHROME WHEEL AND TIRE .....	51
SURGE BRAKE ASSEMBLY.....	52

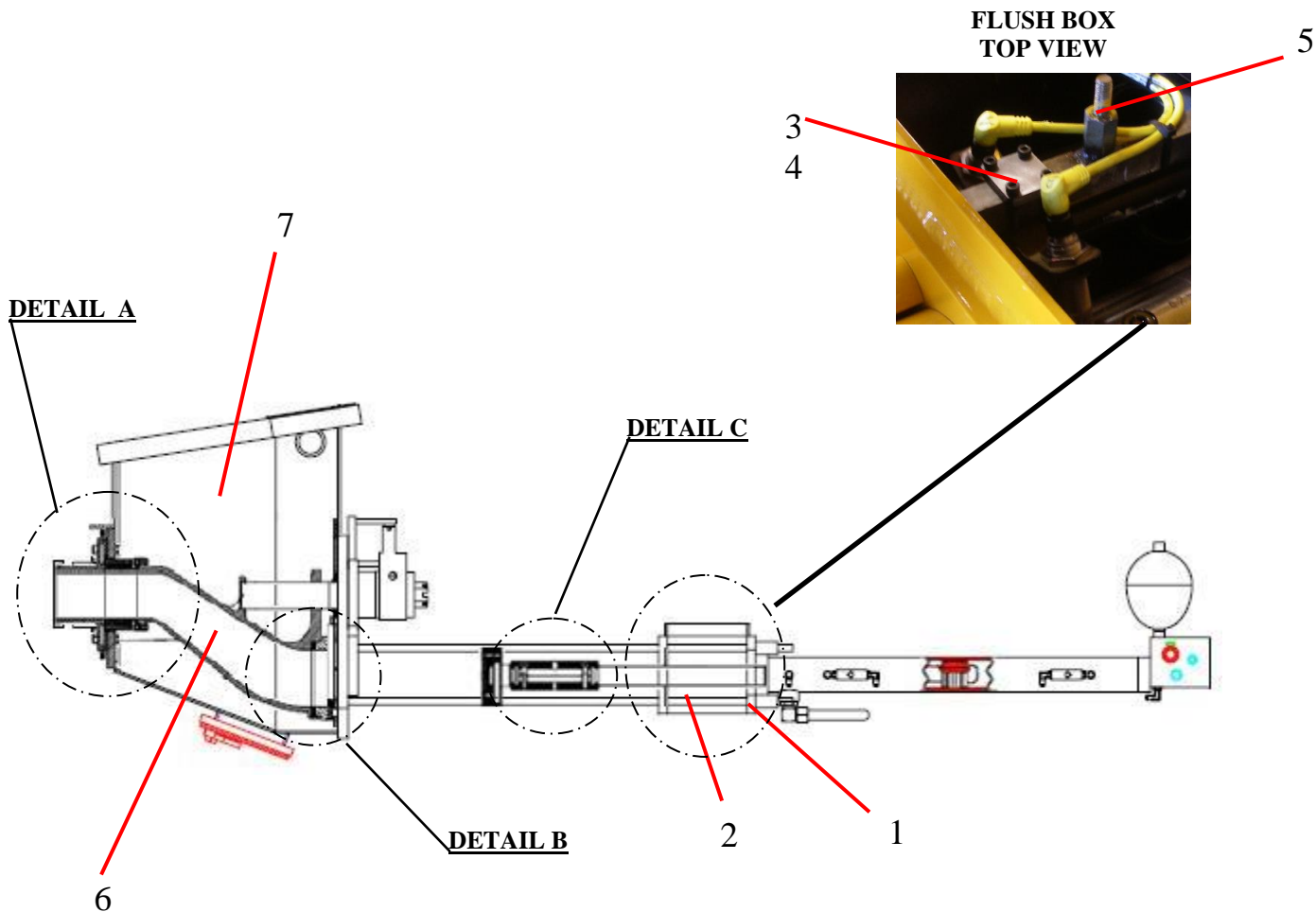


# A30HPv06

## PARTS

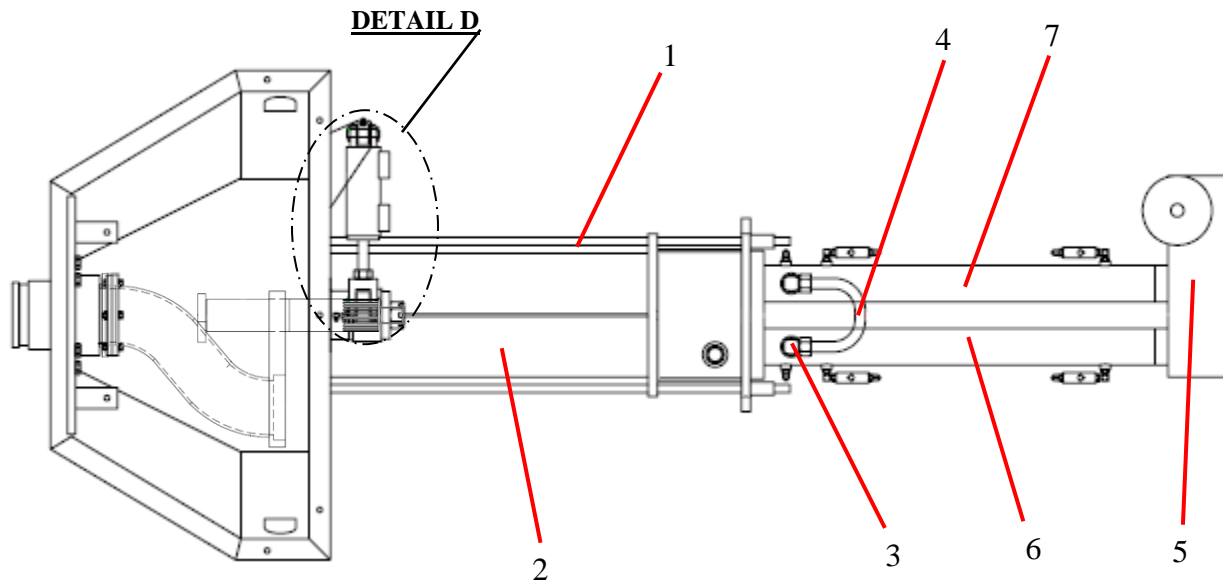
13822 Oaks Avenue  
 Chino, CA 91710  
 reedpumps.com  
 909-287-2100

### PUMPING TRAIN ASSEMBLY



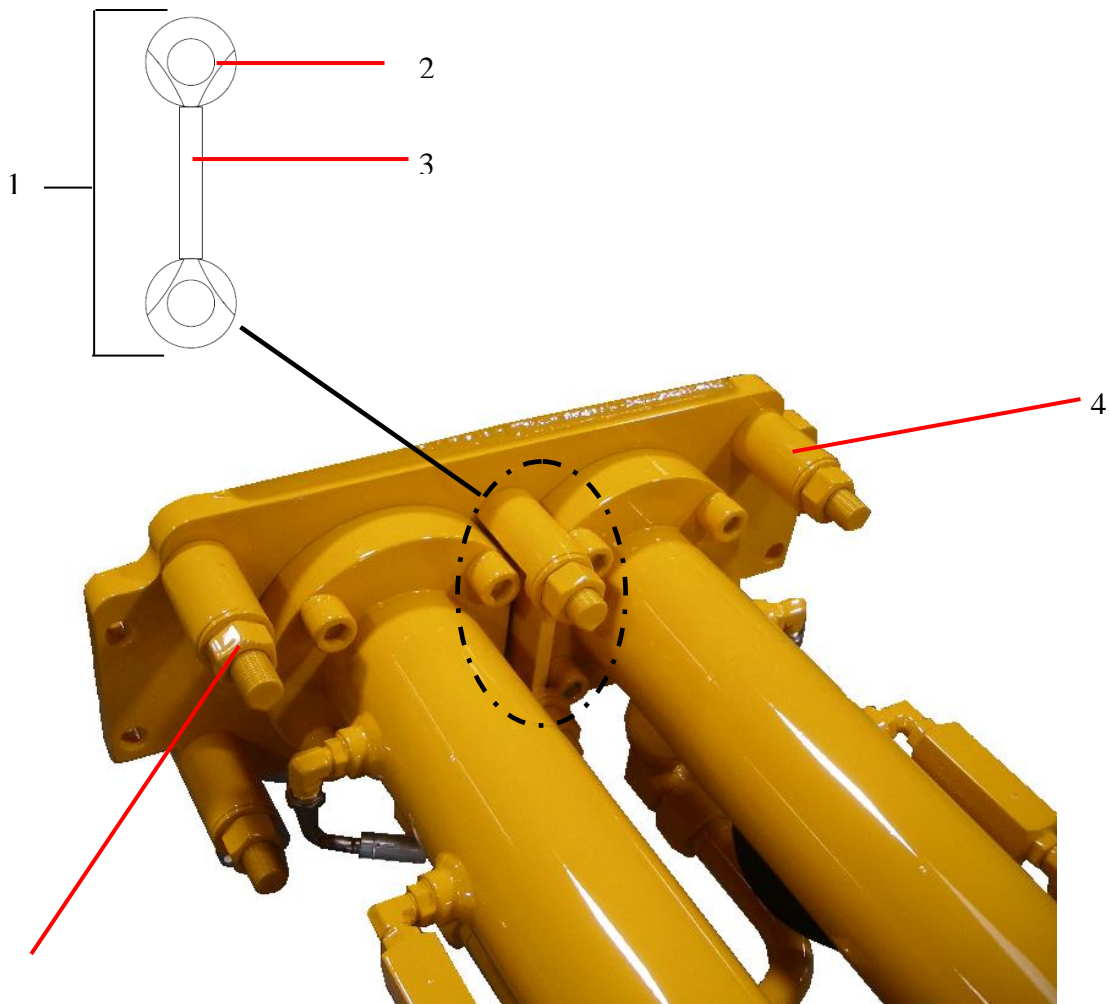
ID #	PART #	PART DESCRIPTION	QUANTITY	
	BW28005	PUMP CELL ASSEMBLY A30		REF
1	10282	PLUGS-PIPE GALV 1"	1	EA
2	BW10007	FLUSH BOX WELDMENT 5"	1	EA
3	BW10101	BRACKET, PROX SWITCH, A30	1	EA
4	BW10102	BRACKET, PROX SWITCH	1	EA
5	BW10193	STUD, 3/8-16 X 2" LONG	1	EA
6	BW10072	S TUBE WELDMENT, 5X5 A30	1	EA
7	BW10015A	HOPPER, WELDMENT SAFETY SWITCH	1	EA

## PUMPING TRAIN ASSEMBLY CONTINUED



ID #	PART #	PART DESCRIPTION	QUANTITY	
1	BW10018	TIE ROD	6	EA
2	BW10003	CONCRETE CYLINDER, 5" X 30"	2	EA
3		ELBOW, MB – MJ-16-16	2	EA
4	BW10043	TUBE, HYD, LOOP LINE	1	EA
5	BW10004	MANIFOLD CONTROL W/CARTRIDGES	1	EA
6	BW10119	DRIVE CYLINDER 2.75 X 2 X 30 R/H	1	EA
7	BW10120	DRIVE CYLINDER 2.75 X 2 X 30 L/H	1	EA

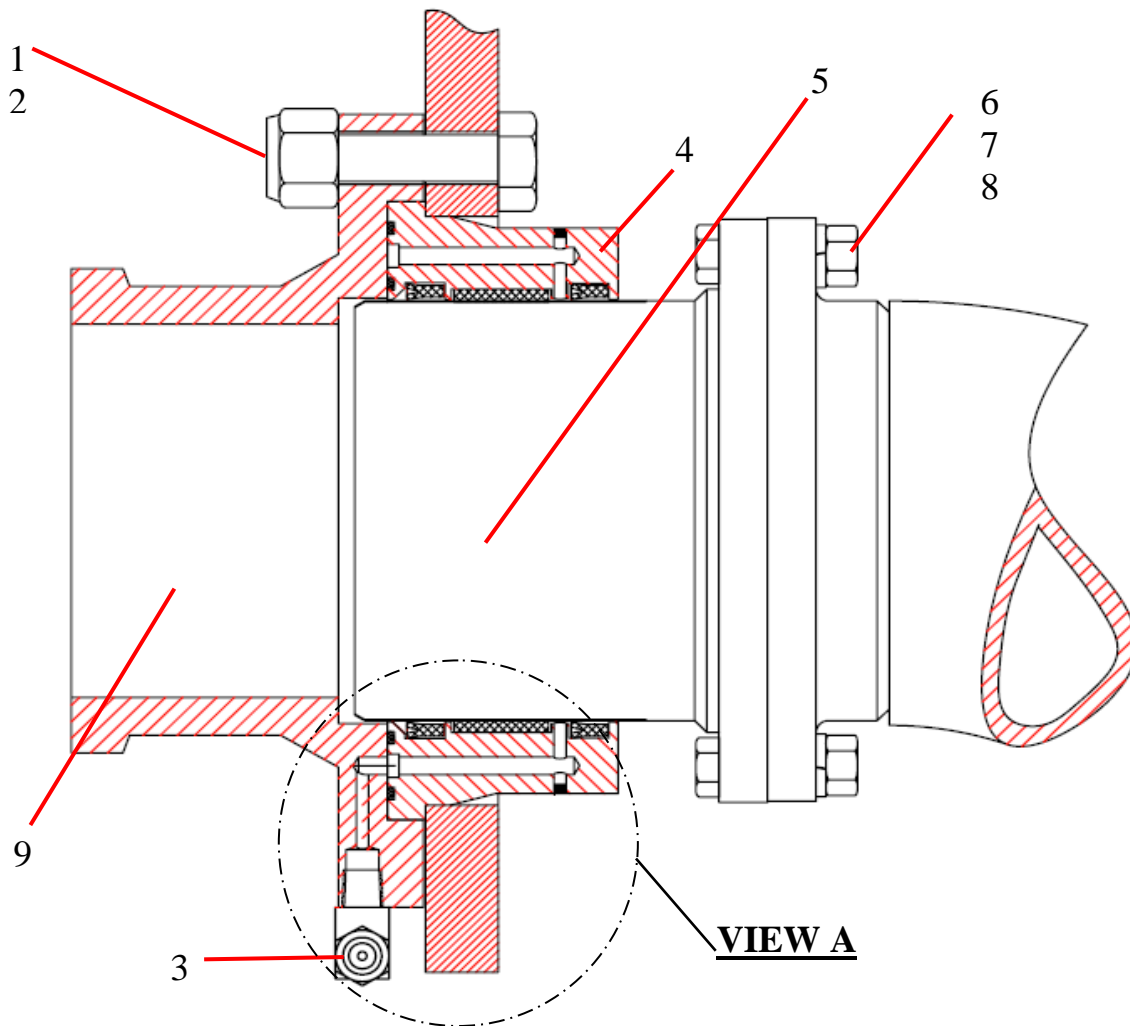
### PUMPING TRAIN ASSEMBLY CONTINUED



ID #	PART #	PART DESCRIPTION	QUANTITY	
1	BW10016	TIE ROD SPAACER ASSEMBLY	1	EA
2	BW10089	SPACER, TIE ROD	2	EA
3	BW10090	FLAT, SPACER, TIE ROD, WELDMENT	1	EA
4	BW10038	SPACER, TIE ROD	4	EA

## S-TUBE ASSEMBLY 5" OUTLET ASSEMBLY

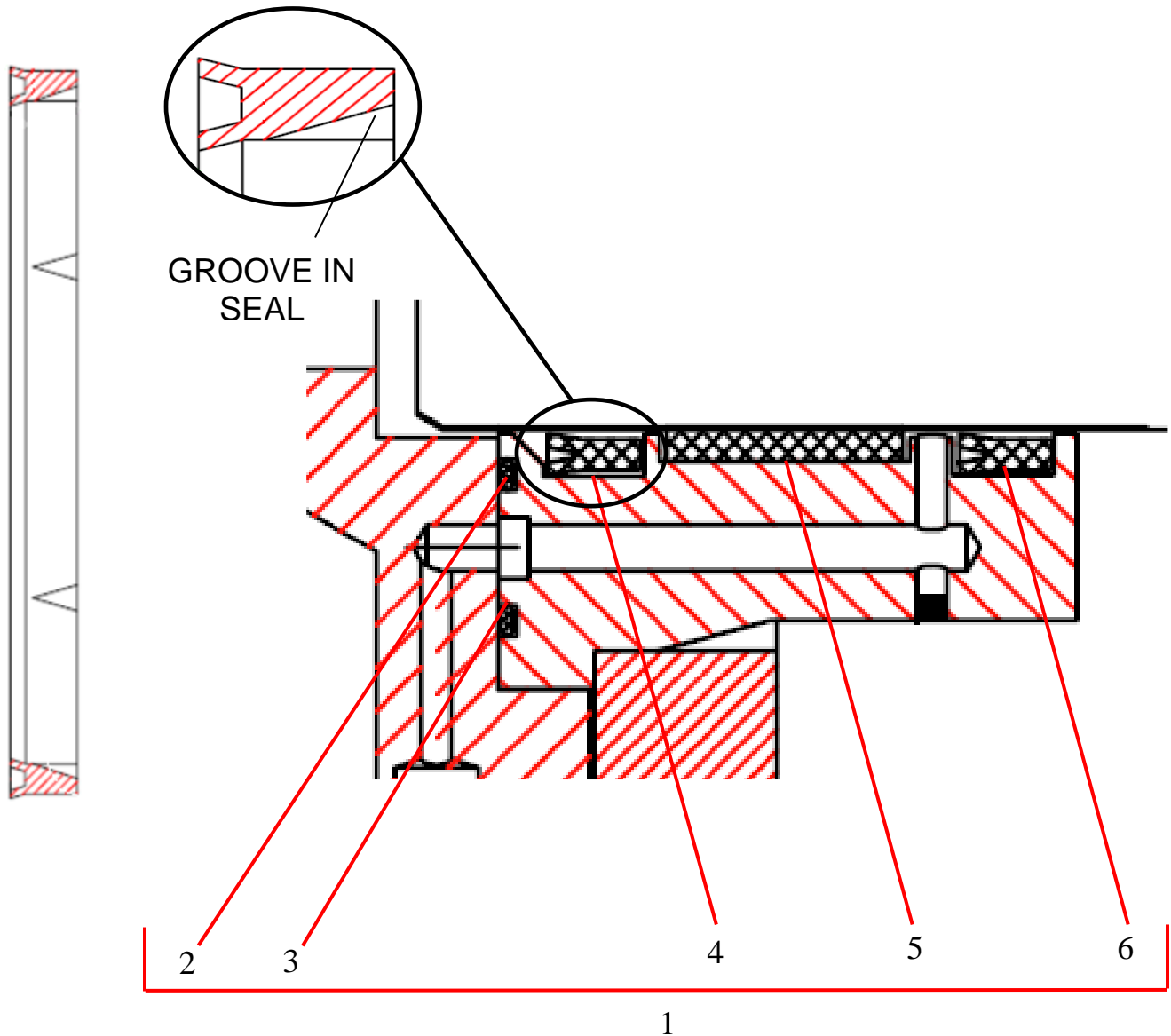
### DETAIL A



ID #	PART #	PART DESCRIPTION	QUANTITY	
	86321	OUTLET ASSEMBLY	1	EA
1		HHCS, 9/16-12 X 2 1/2 GR/8	6	EA
2		LOCK NUT, 9/16 -12	6	EA
3		GREASE FITTING, 1/8" NPT 90°	2	EA
4	72309	OUTLET SEAL HOUSING	1	EA
5	70042	WELD.-CHROMED OUTLET	1	EA
6		HHCS, 3/8 - 16X1 1/2" GR 8	6	EA
7		HEX NUT, 3/8" - 16	6	EA
8		LOCK WASHER, 3/8"	6	EA
9	72482	OUTLET, 5" (1-PIECE)	1	EA

## 5" OUTLET SEAL KIT INSTALLATION

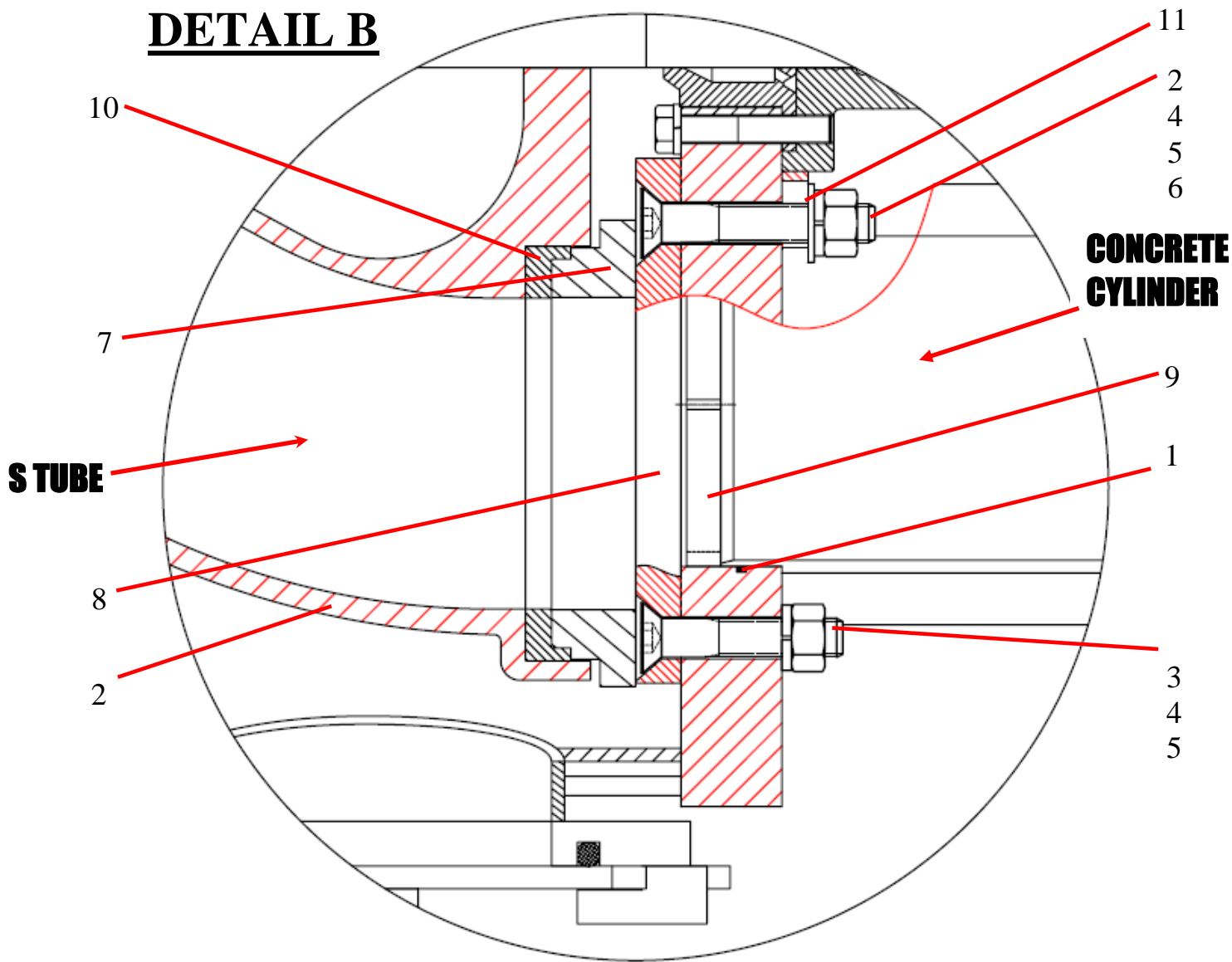
### VIEW A



ID #	PART #	PART DESCRIPTION	QUANTITY	
1	86621	SEAL KIT	1	EA
2	77762	O-RING-#257 BUNA 90	1	EA
3	77761	O-RING-#264 BUNA 90	1	EA
4	86504	SEAL-MODIFIED- 5 IN OUTLET	1	EA
5	77763	GUIDE BAND – 5.375 OD X 1.00W	1	EA
6	77765	LIP SEAL -5.50 ID X 6.00 OD X.56	1	EA

## WEAR PLATE ASSEMBLY

### DETAIL B



ID #	PART #	PART DESCRIPTION	QUANTITY	
1	86149	O-RING, #259 BUENA 70	1	EA
2		FHCS, 3/4" - 10X 4 1/2" GR 8	1	EA
3		FHCS, 3/4" - 10X 3 1/2" GR 8	3	EA
4		HEX NUT, 3/4" - 10	4	EA
5		LOCK WASHER, 3/4"	4	EA
6		FLATWASHER, 3/4"	4	EA
7	BW10021	WEAR RING	1	EA
8	BW10023	WEAR PLATE	1	EA
9	BW10031	CHIP RING, 5"	2	EA
10	BW10020	SEAL, SINGLE LIP	1	EA
11	86502	LOCATOR RING - FLANGE BEARING	1	EA



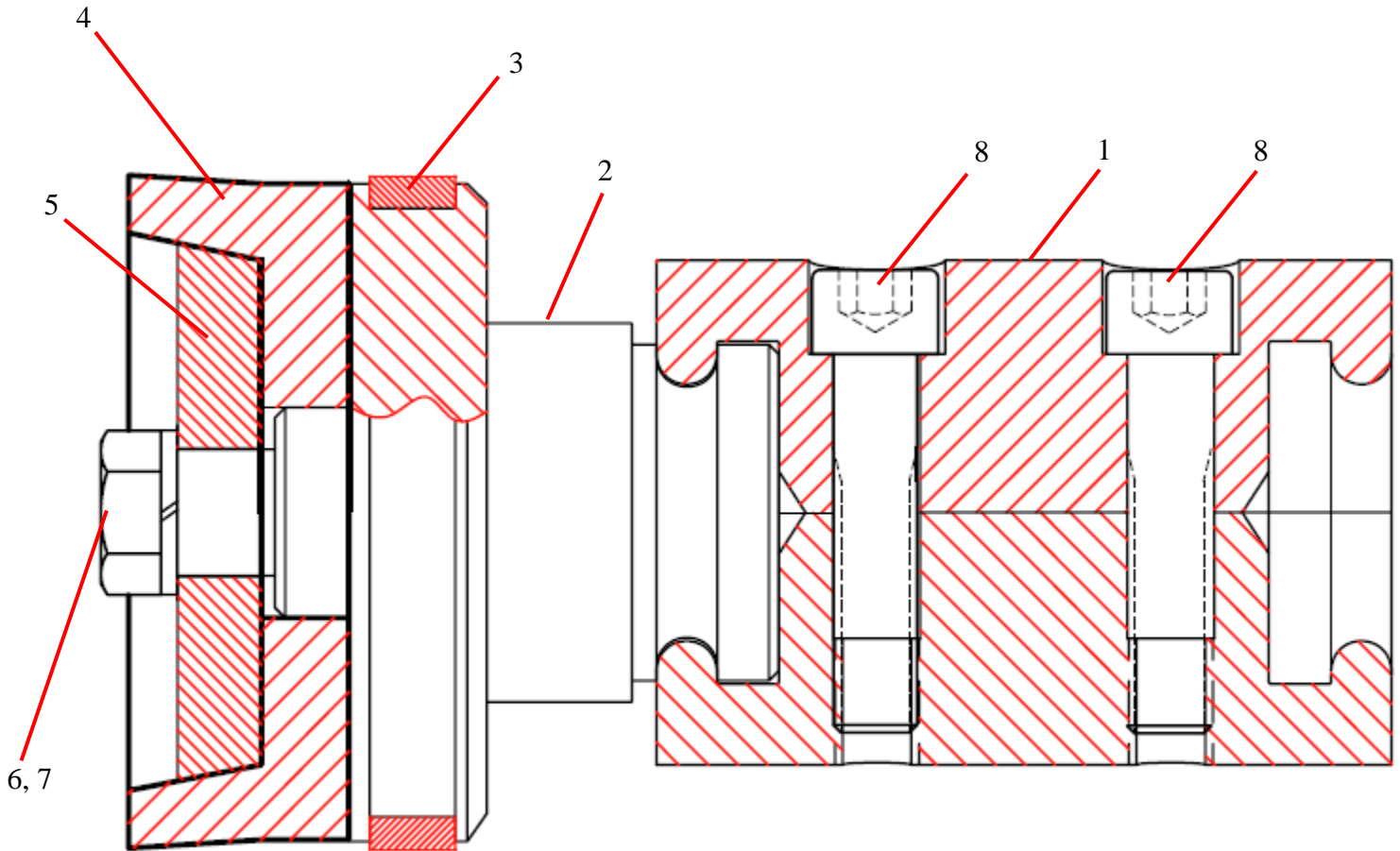
# A30HPv06

## PARTS

13822 Oaks Avenue  
 Chino, CA 91710  
 reedpumps.com  
 909-287-2100

### 5" PISTON CUP ASSEMBLY

### DETAIL C



ID #	PART #	PART DESCRIPTION	QUANTITY	
1	73425	PISTON COUPLING, A30	1	E/SIDE
2	BW10340	PISTON ADAPTER 5" SINGLE BOLT	1	E/SIDE
3	BW10032	GUIDE RING 5"	1	E/SIDE
4	BW10001	PISTON CUP, 5 IN. FOR SINGLE OR 4 BOLTS	1	E/SIDE
5	BW10342	PISTON PLATE 5" SINGLE BOLT	1	E/SIDE
6	87982	HHCS 3/4-16 1.5" LONG GR8 PLATED	1	E/SIDE
7	80010	LOCKWASHER-3/4 STL ZINC PLATED	1	E/SIDE
8		SHCS 1/2 - 20 X 2 1/4"	2	E/SIDE



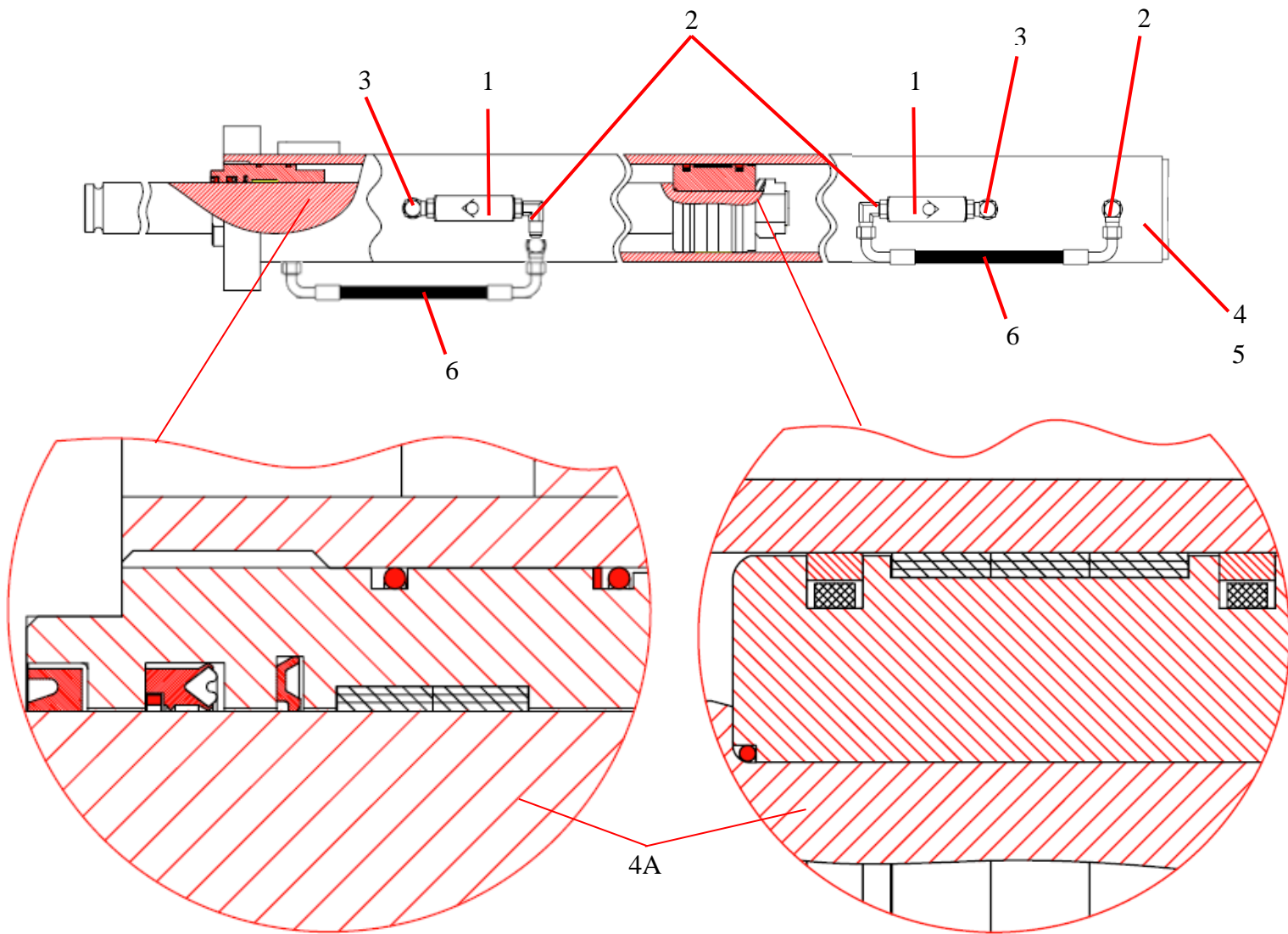


# A30HPv06

## PARTS

13822 Oaks Avenue  
Chino, CA 91710  
reedpumps.com  
909-287-2100

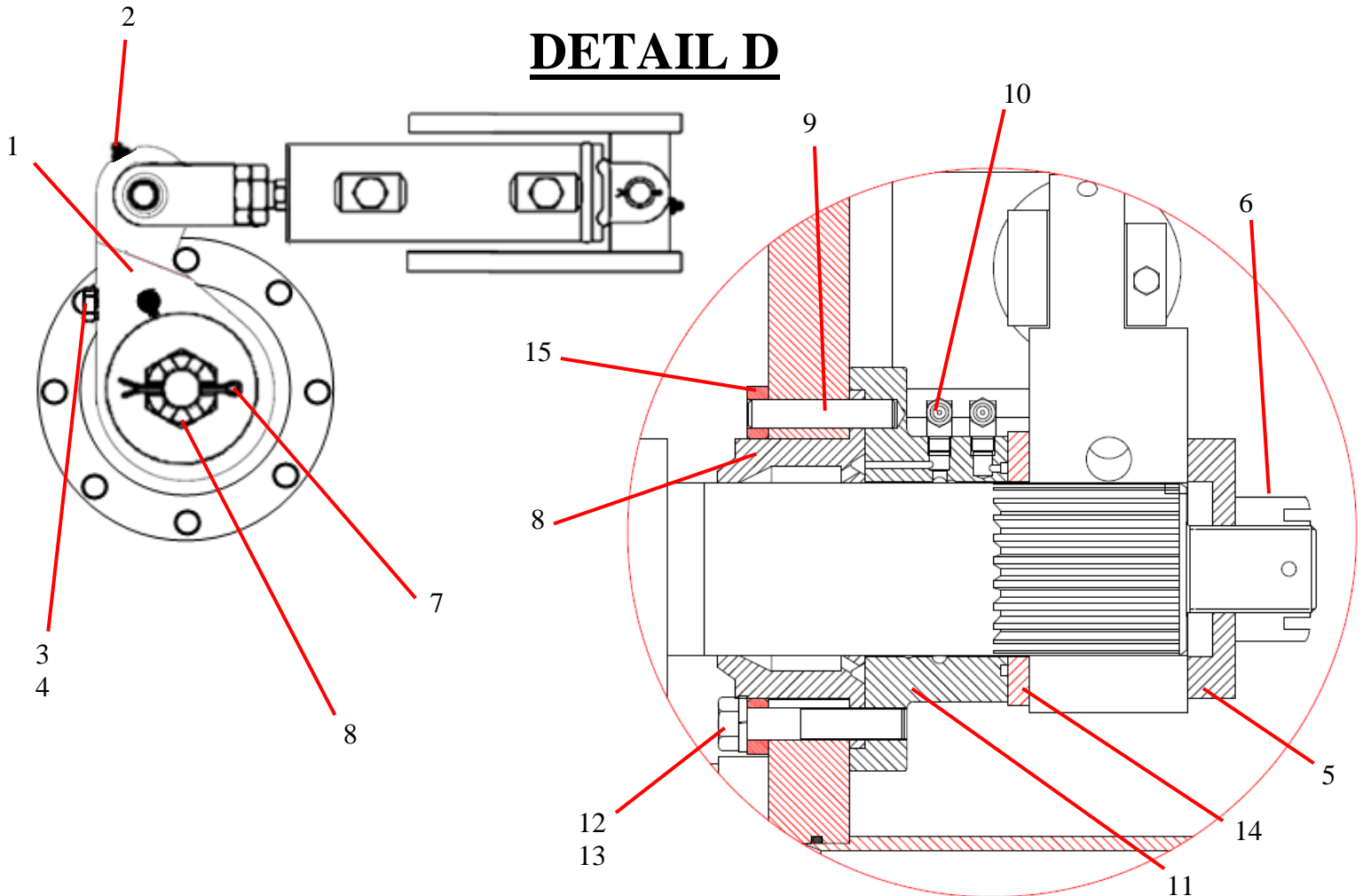
### DRIVE CYLINDER ASSEMBLY



ID #	PART #	PART DESCRIPTION	QUANTITY	
1	78961	CHECK VALVE-5K PSI O-RING	2	EA/SIDE
2	86748	FITTING-MB-MJ90-6-6	3	EA/SIDE
3		ELBOW, MB-MB90-6-6	1	EA/SIDE
4	BW10119	DRIVE CYLINDER -2.75 X 2 X 30 R/H (TEXAS)	1	EA/SIDE
5	BW10120	DRIVE CYLINDER -2.75 X 2 X 30 L/H (TEXAS)	1	EA/SIDE
4A	BW10120-SKTX	SEAL KIT FOR BW10119 AND BW10120	1	EA/SIDE
6	BW10051	HOSE-RT2-FJS90-FJS09-06-06-06-12"	1	EA/SIDE

## SINGLE SHIFT BELL CRANK ASSEMBLY

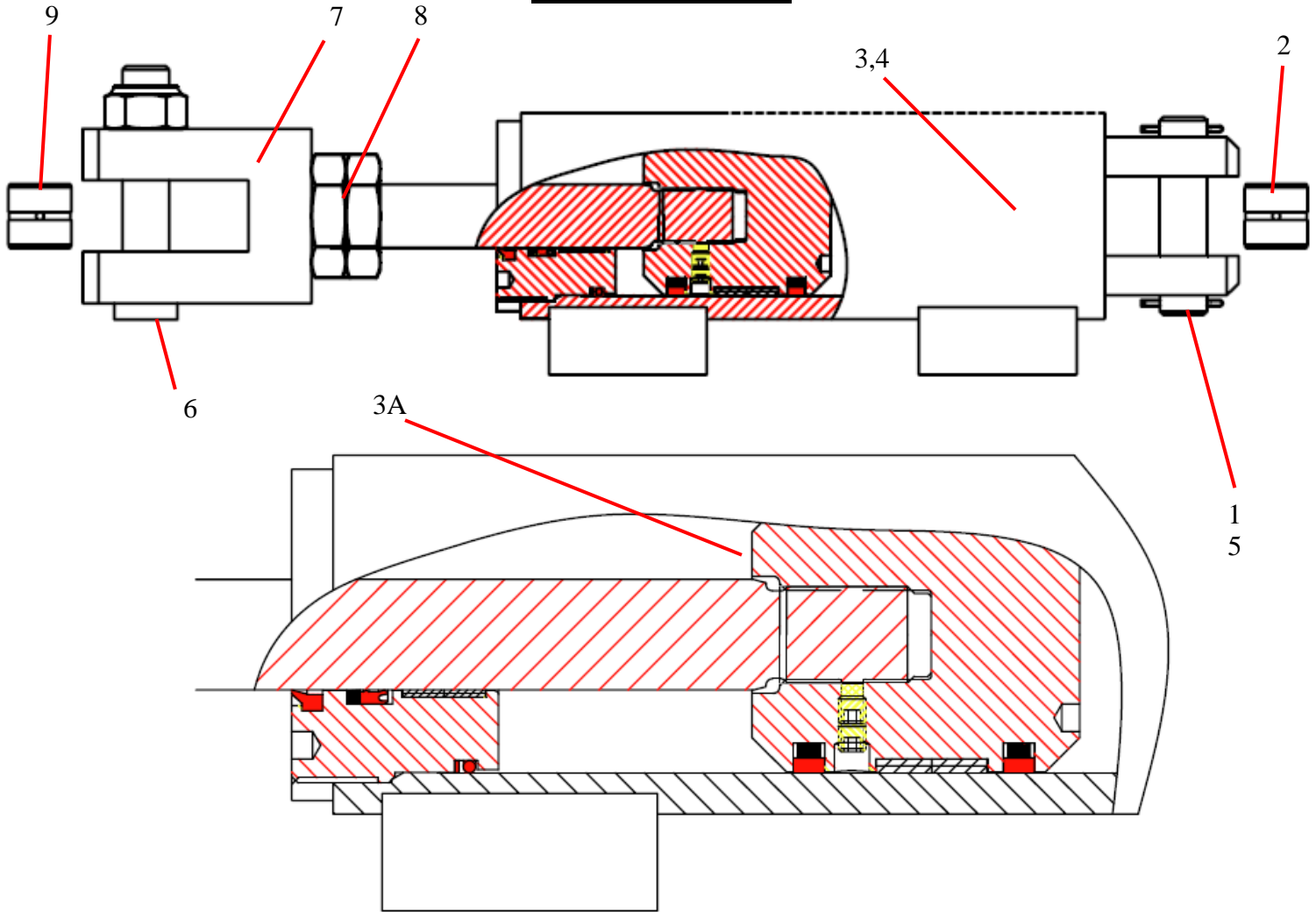
### DETAIL D



ID #	PART #	PART DESCRIPTION	QUANTITY	
1	85131	BELL CRANK, 3 IN SPLINE, SINGLE	1	EA
2		GREASE FITTING, 1/8" NPT 45°	1	EA
3		HHCS, 5/8" - 18X5 1/2" GR 8	1	EA
4		LOCK WASHER, 5/8"	1	EA
5	85134	SPACER, S-TUBE NUT	1	EA
6	70825	NUT 1 1/2" - 12 CASTLE	1	EA
7		COTTER PIN, 1/4 X4"	1	EA
8	85962	SEAL, FLANGE BEARING, 3" SHAFT	1	EA
9		DOWEL PIN, 1/2" DIA X 2"	2	EA
10		GREASE FITTING, 1/8" NPT	2	EA
11	85133	FLANGED BEARING, 3 IN SPLINE	1	EA
12		HHCS, 9/16 - 12X3" GR 8	4	EA
13		LOCK WASHER, 9/16"	4	EA
14	85294	THRUST WASHER, S -TUBE	1	EA
15	BW10024	SPACER RING A30	1	EA

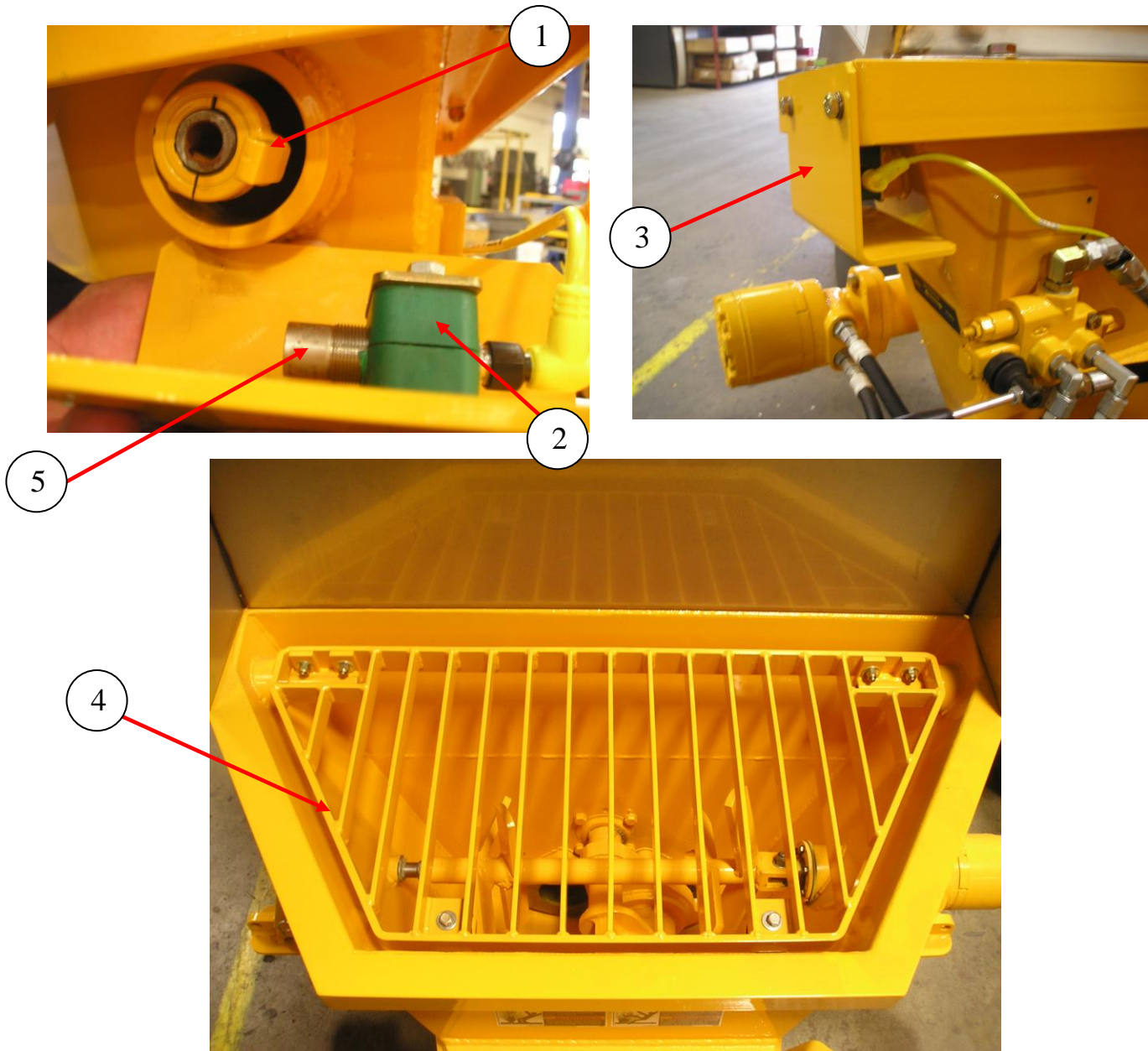
## SINGLE SHIFT SWING CYLINDER ASSEMBLY

### DETAIL D



ID #	PART #	PART DESCRIPTION	QUANTITY	
1	74207	PIN - CLEVIS - .750 DIA	1	EA
2	71011	BUSHING - SHIFT CYLINDER	1	EA
3	BW10125	SWING CYLINDER - 2.50 X 1.00 X 3.94 (TX)	1	REF
4	BW10125A	SWING CYLINDER - 2.50 X 1.00 X 3.94 (JARP)	1	REF
5		COTTER PIN, 3/32X1 3/4"	2	EA
6	86150	PIN, CLEVIS 1.00 DIA	1	EA
7	86135	CLEVIS, SHIFT CYLINDER	1	EA
8		1"X14 JAM NUT	2	EA
9	85538	BUSHING, SHIFT CYLINDER	1	EA

## HOPPER GRATE WITH SAFETY SWITCH



ID #	PART #	PART DESCRIPTION	QUANTITY	
1	87769	COLLAR SHAFT, 7/8" DIA	1	EA
2	801902-006	CLAMP, 18MM TUBE CLAMP SET	1	EA
3	87997	COVER WELD PROX SWITCH HOPPER	1	EA
4	BW10416	GRATE WELDMENT, A SER STD HOPPER	1	EA
5	87369	PROXIMITY SENSOR PMP	1	EA

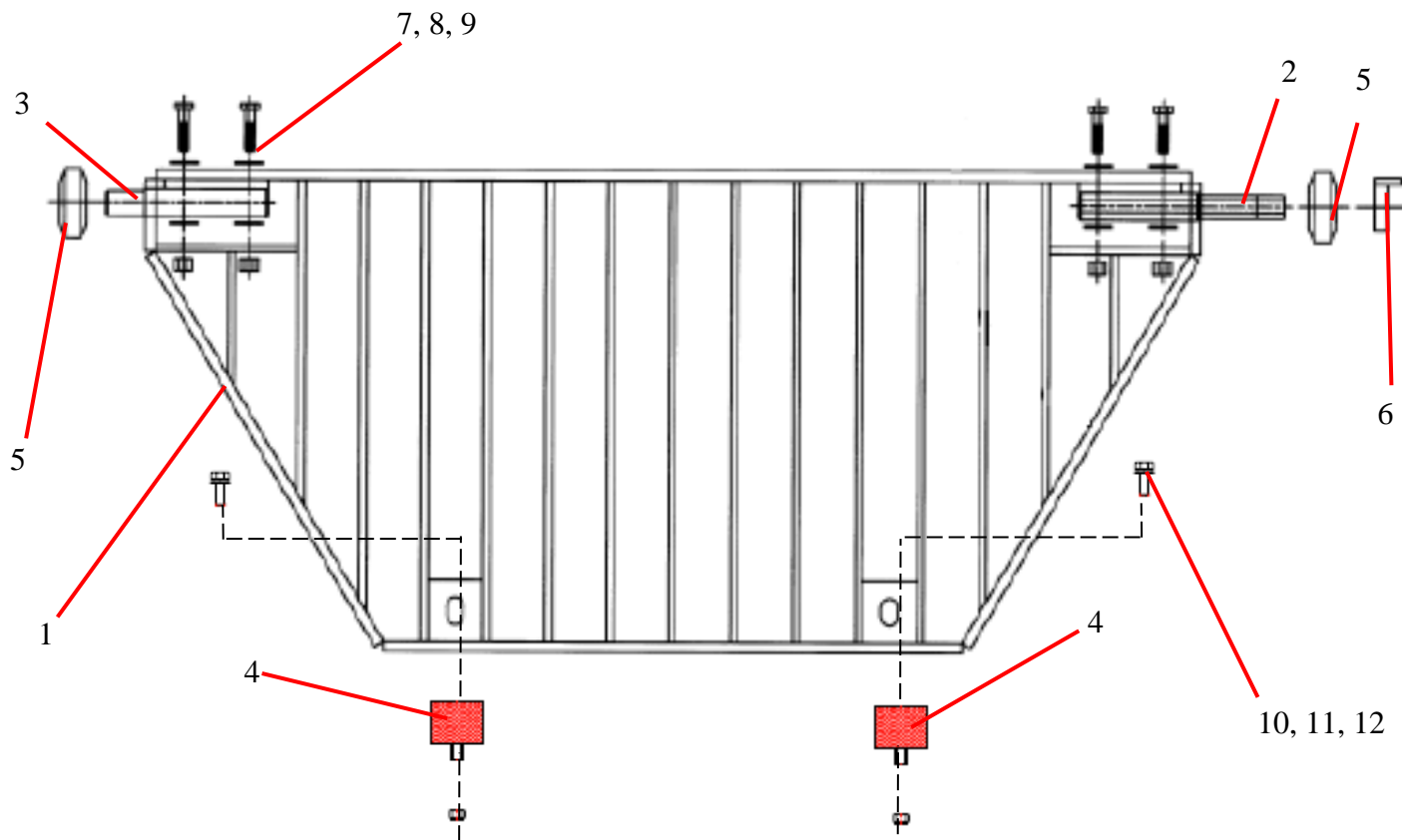


# A30HPv06

## PARTS

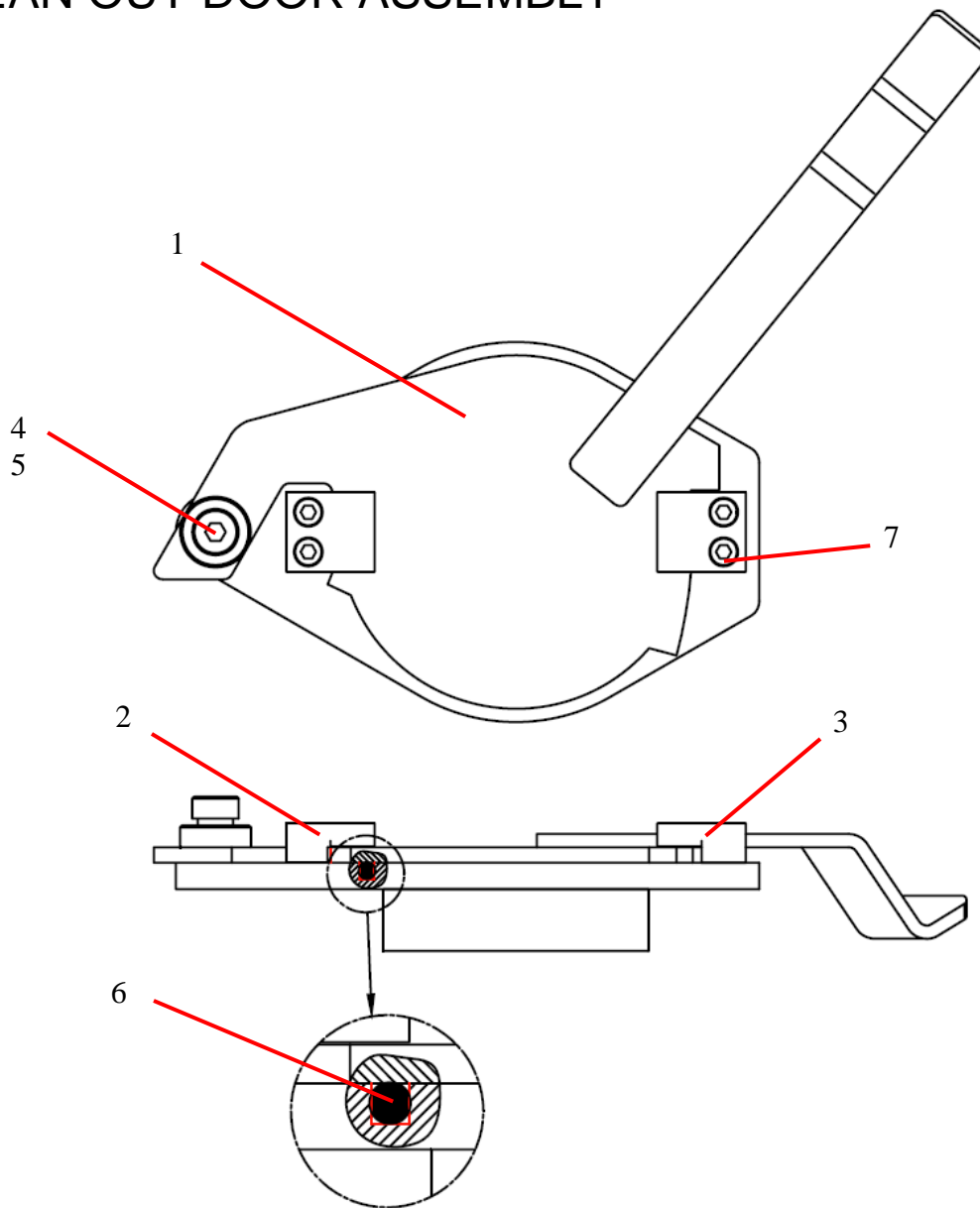
13822 Oaks Avenue  
 Chino, CA 91710  
 reedpumps.com  
 909-287-2100

### GRATE ASSEMBLY



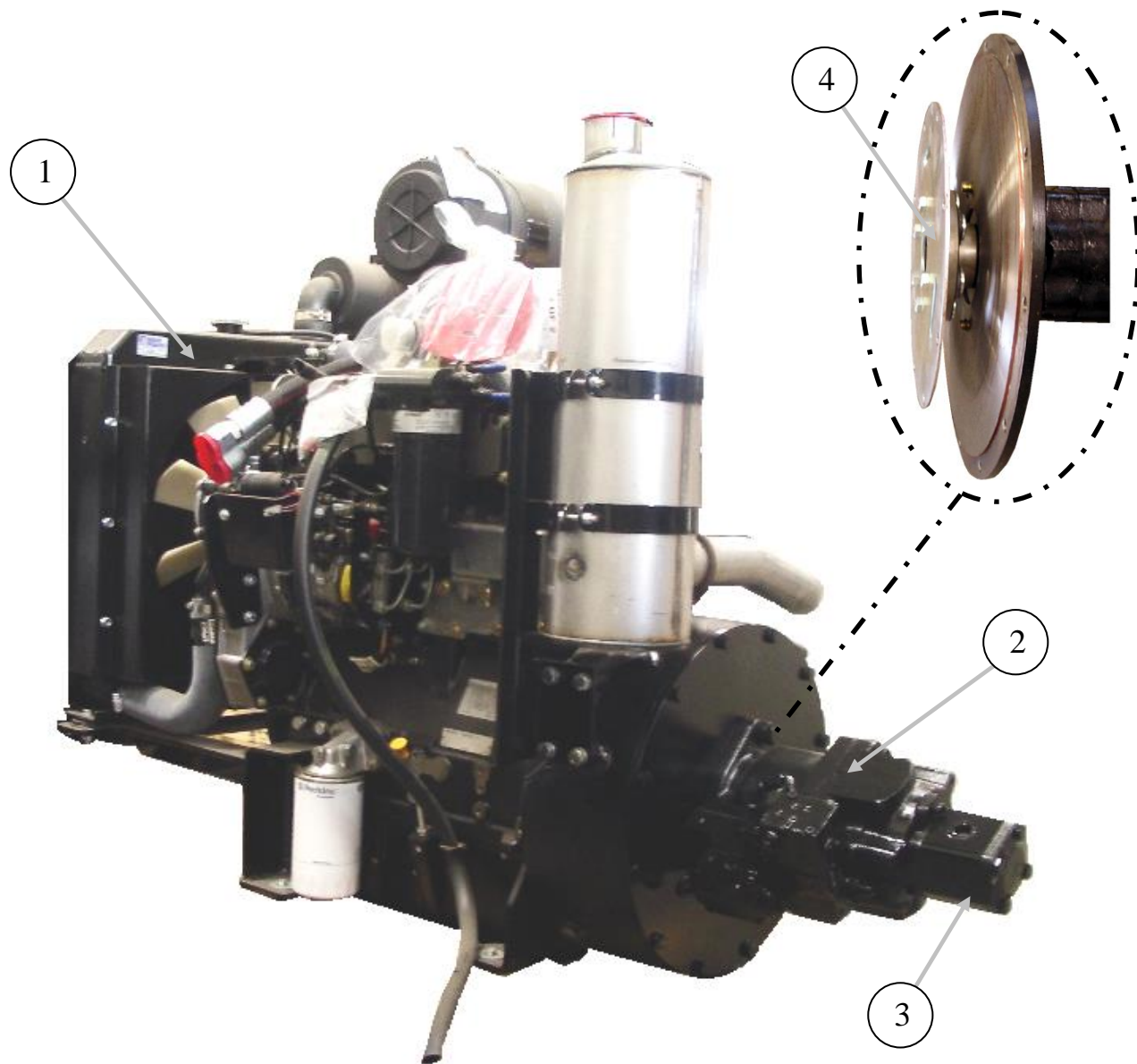
ID #	PART #	PART DESCRIPTION	QUANTITY	
1	BW10416	GRATE WELDMENT, A SER STD HOPPER		REF
2	87857	PIN WELDMENT LONG	1	EA
3	87858	PIN WELDMENT SHORT	1	EA
4	86083	BUMPER, HOPPER GRATE	2	EA
5	W-102490	RUBBER BUFFER 65X22.5X26	2	EA
6	87769	COLLAR SHAFT, 7/8" DIA	1	REF
7		3/8"-16 X 1 1/4" HEX BOLT	4	EA
8		3/8" FLAT WASHER	8	EA
9		3/8"-16 LOCK NUT	4	EA
10		3/8"-16 X 1" HEX BOLT	2	EA
11		3/8" FLAT WASHER	2	EA
12		3/8" LOCK WASHER	2	EA

## CLEAN OUT DOOR ASSEMBLY



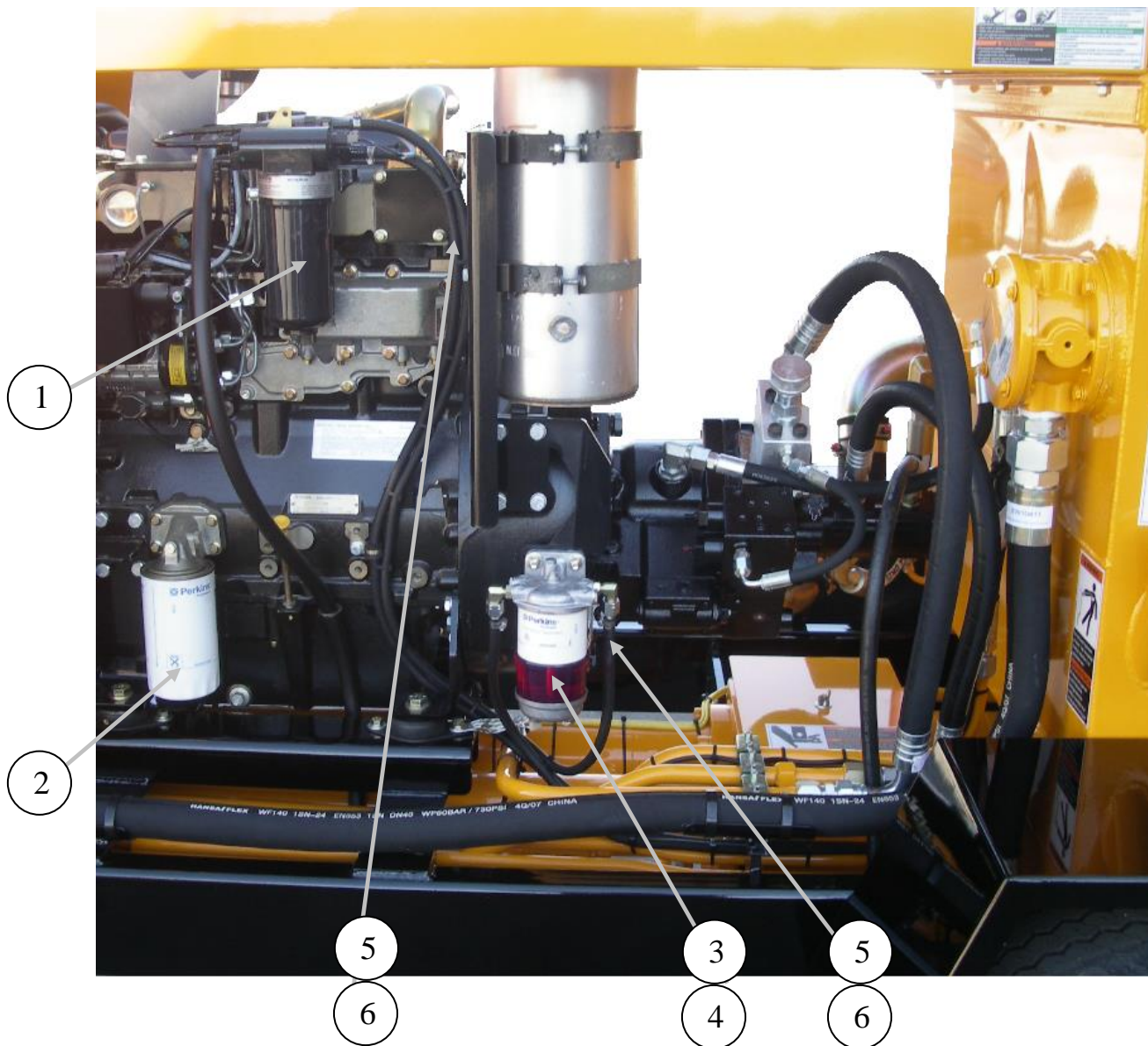
ID #	PART #	PART DESCRIPTION	QUANTITY	
1	85370	DOOR WELDMENT, CLEAN OUT	1	EA
2	86559	BLOCK, CLEAN OUT DOOR, LH	1	EA
3	86560	BLOCK, CLEAN OUT DOOR, RH	1	EA
4		SHOULDER SCREW 1" DIA-1 1/4"	1	EA
5	85367	BOSS, CLEAN OUT DOOR	1	EA
6	W102908A	O-RING CORD, HOPPER DOOR	2.21	FT
7		SHCS 1/2"-13 X 1 1/4"	4	EA

## POWER TRAIN ENGINE, PUMPS, AND FILTERS



ID #	PART #	PART DESCRIPTION	QUANTITY	REF
	BW31041	POWER TRAIN A30HP KAWASAK		REF
1	BW10039-2	ENGINE – PERKINS 1104D	1	EA
2	79560-K	PUMP,KAWASAKI, K3VL80, 62HP	1	EA
3	72978	GEAR PUMP, 17CC, SAE A,RH	1	EA
4	77876	PUMP DRIVE – SAE 3 – SAE C	1	EA

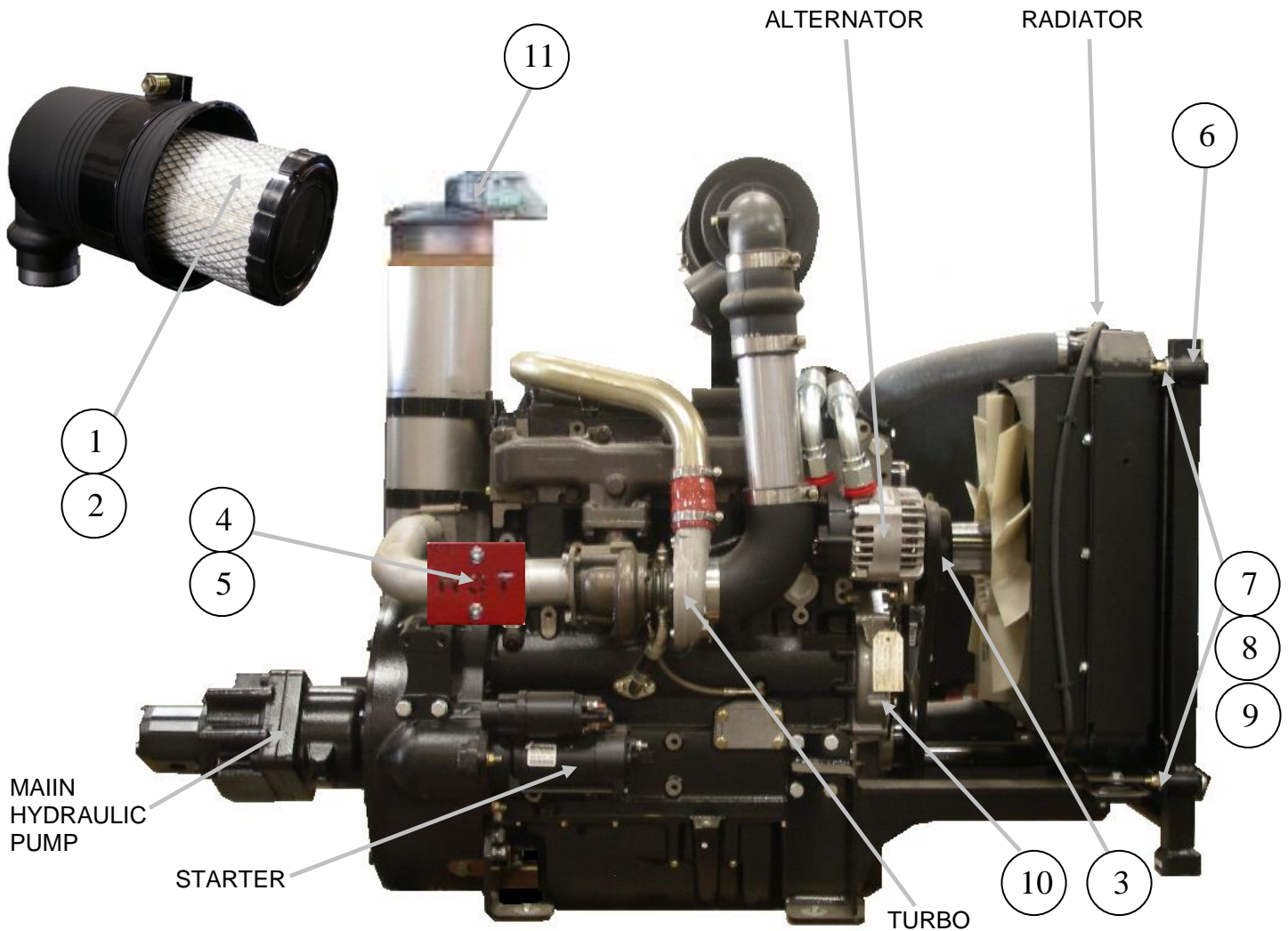
## ENGINE, PUMPS, AND FILTERS CONTINUED



ID #	PART #	PART DESCRIPTION	QUANTITY	
1	BW10333	FILTER-FUEL PERKINS 1004-42 ENG	1	EA
2	BW10332	FILTER-OIL PERKINS 1004-42-ENG	1	EA
3	BW10451	WATER FUEL SEPERATOR	1	EA
4	BW10452	FILTER FOR FUEL- WATER SEP. (BW10451)	1	EA
5	77347A	HOSE- 5/16 SAE30R7 BLK (FUEL)	13	FT
6	10577	CLAMP-HOSE FOR 1/2" OD	6	EA

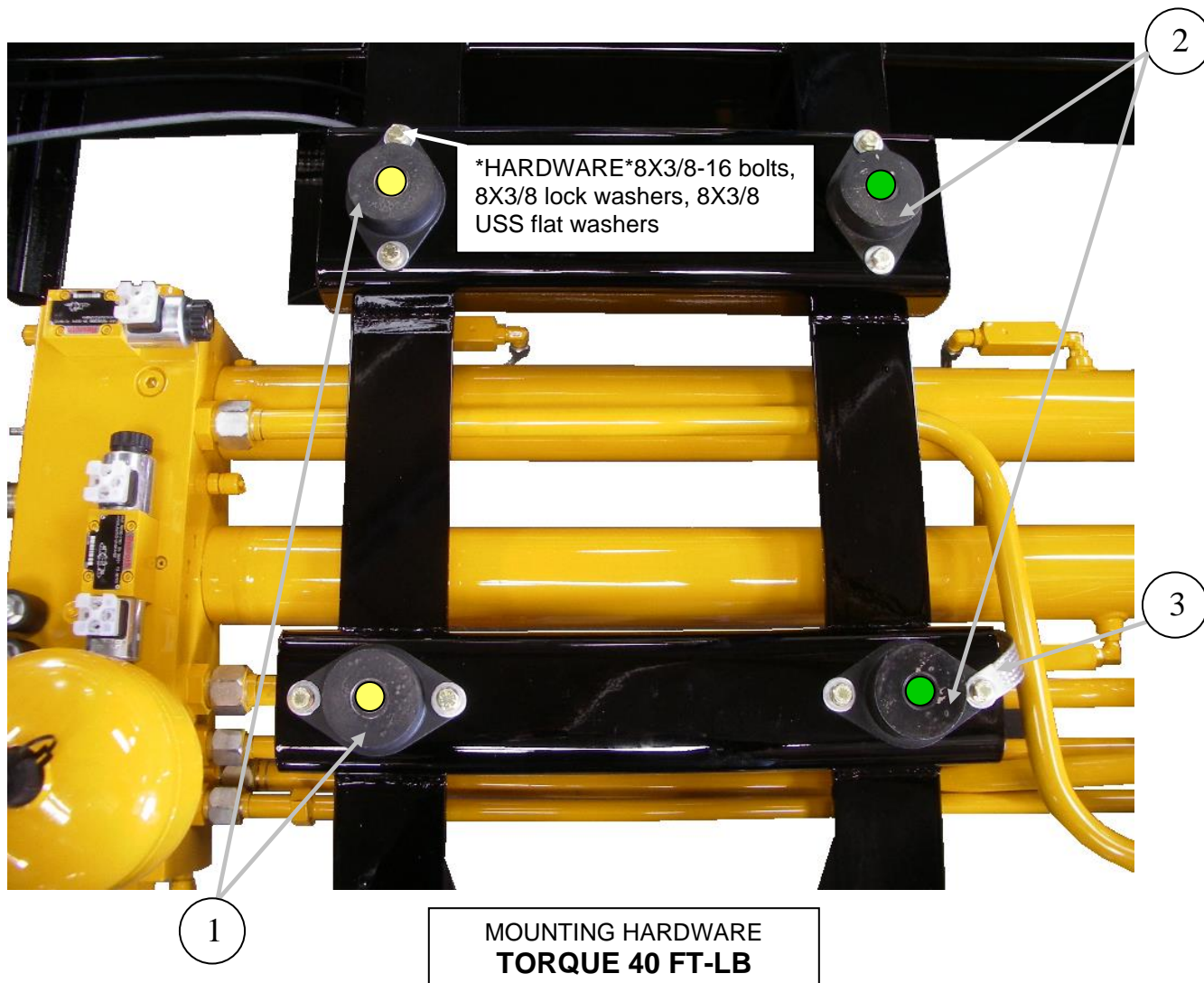


### ENGINE, PUMPS, AND FILTERS CONTINUED



ID #	PART #	PART DESCRIPTION	QUANTITY	
1	BW10330	FILTER ELEMENT AIR, PRIMRY 1004C-ENGINE	1	EA
2	BW10331	FILTER ELEMENT AIR, SAFTY	1	EA
3	BW10334	FAN BELT	1	EA
4	BW10179	SAFETY PLATE, EXHAUST PAINTED RED	1	EA
5	78213	CLAMP	1	EA
6	BW10277	OIL COOLER-A30	1	EA
7	BW10289	SPACER, OIL COOLER, PAINTED (BLK)	4	EA
8	BW10289A	SPACER, OIL COOLER, PAINTED (BLK)	1	EA
9	BW10278	BRACKET-OIL COOLER, PAINTED BLK	2	EA
10	BW10335	WATER PUMP FOR BW10039-1-ENGINE	1	EA
11	70849	RAIN CAP, MUFFILER	1	EA

### ENGINE MOUNTS



ID #	PART #	PART DESCRIPTION	QUANTITY	
1	BW10266	ENGINE MOUNT-FRT, 480 LB-YELLOW DOT	2	EA
2	BW10270	ENGINE MOUNT-REAR, 690 LB-GREEN DOT	2	EA
3	73269	GROUND STRAP	1	EA

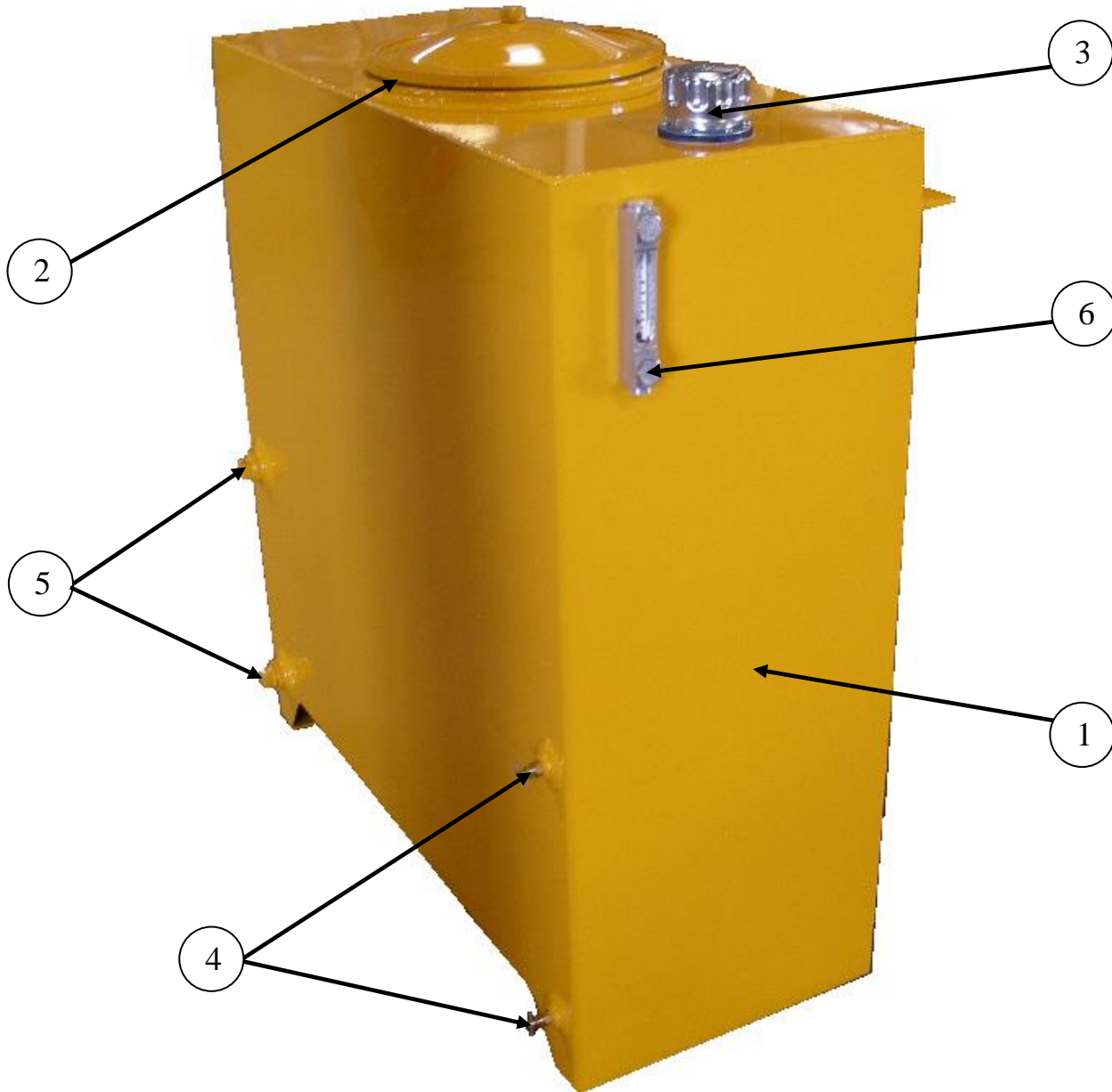


# A30HPv06

PARTS

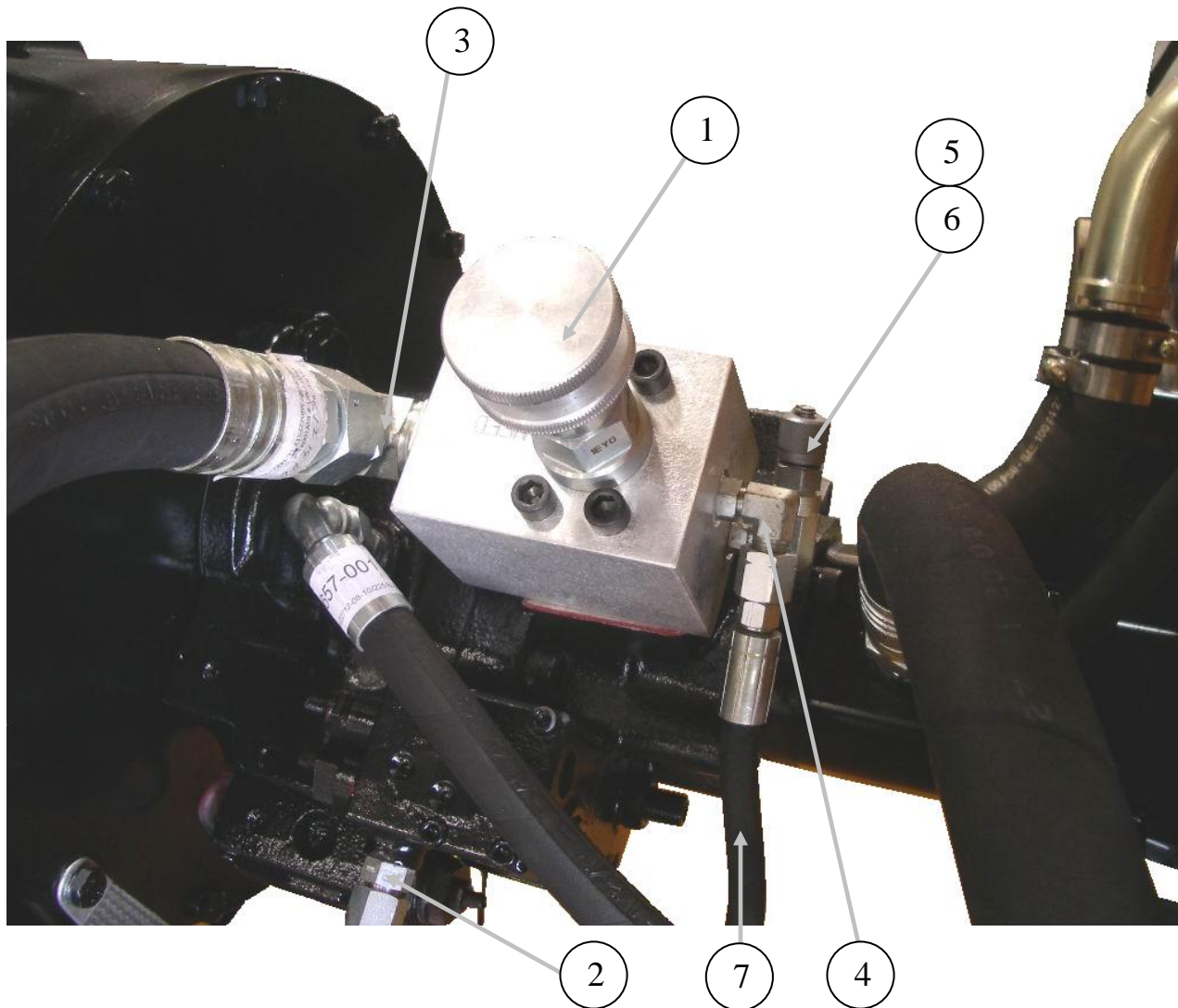
13822 Oaks Avenue  
Chino, CA 91710  
reedpumps.com  
909-287-2100

## HYDRAULIC AND FUEL TANK ASSEMBLY



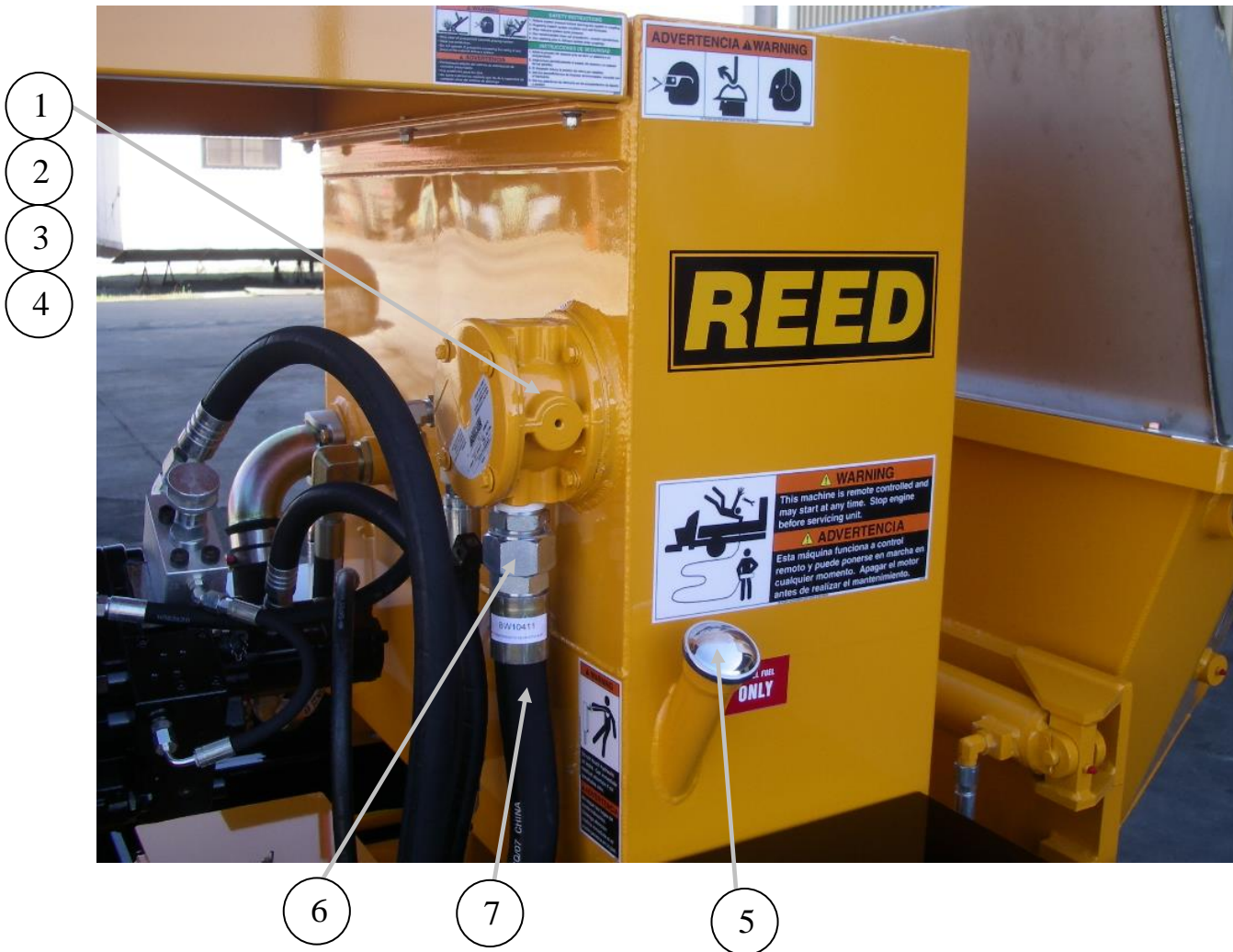
ID #	PART #	PART DESCRIPTION	QUANTITY	
	BW10432	HYD./FUEL TANK ASSY.	1	EA
1	BW10386	HYD./FUEL TANK WELDMENT	1	EA
2	BW10171	KIT, 12 END COVER	1	EA
3	74508	FILLER BREATHER W/CAP	1	EA
4	801025	DRIAN COCK, ¼ NPT	2	EA
5	10282	PLUG-PIPE / GALV 1"	2	EA
6	74509	GAUGE-SIGHT/TEMPERATURE	1	EA

### FLOW CONTROL VALVE



ID #	PART #	PART DESCRIPTION	QUANTITY	
1	79570	FLOW CONTROL – 71CC PUMP (HI SPEED)	1	EA
2	86900-002	ADAPTER, STRAIGHT –MB-MJ-4-6	1	EA
3	86728-023	ELBOW, MB-MJ90-16-16	1	EA
4		ELBOW, MB-MJ90-4-6	1	EA
5	78593	MINI CHECK, ADAPTER SAE 4	1	EA
6		ELBOW, MJ-MP90-4-4	1	EA
7	85659-014	HOSE, 4M2T-6FJX-6FJX90S-12.50"	1	EA

### HYDRAULIC AND FUEL TANK ASSEMBLY CONTINUED



ID #	PART #	PART DESCRIPTION	QUANTITY	
1	BW10027	FILTER, RETURN	1	EA
2	BW10241	SEAL KIT FOR BW10027 (RETURN FILTER)	1	EA
3	BW10242	GASKET FOR BW10027 (RETURN FILTER)	1	EA
4	BW10106-1	ELEMENT 25 MIKRON, FOR BW10027	1	EA
5	BW10256	CAP, FILLER	1	EA
6		FITTING, MP-MJ-24-24	1	EA
7	BW10162	HOSE, 24C1TH-24FJX-24FJX-68.00	1	EA

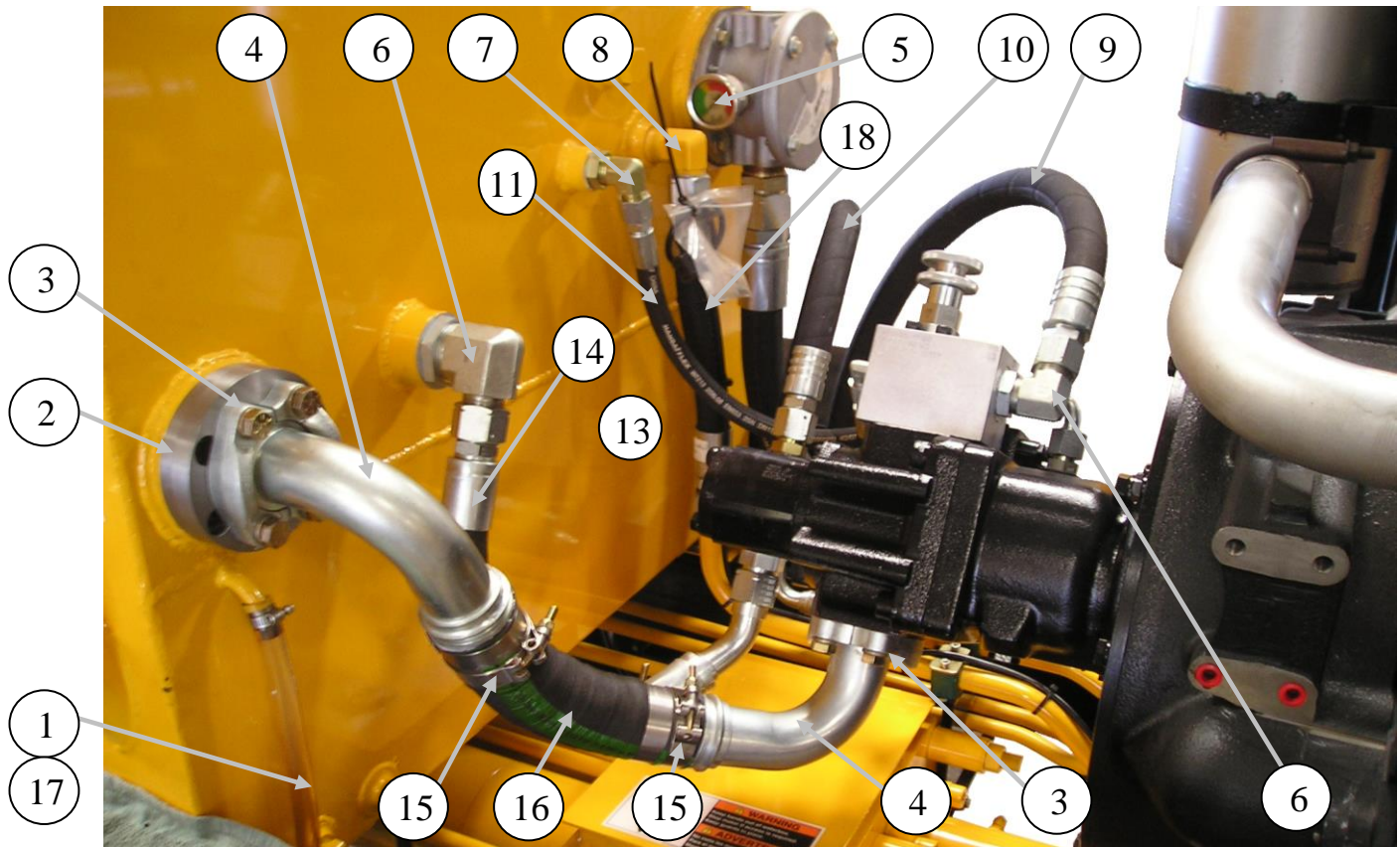


# A30HPv06

## PARTS

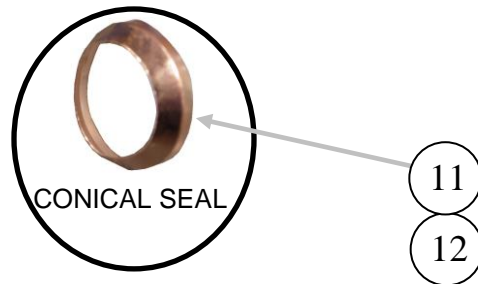
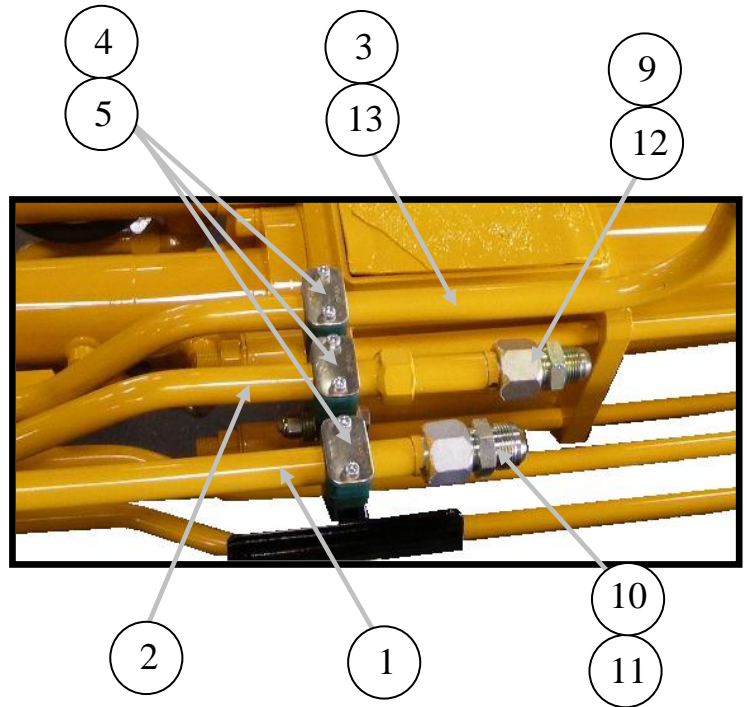
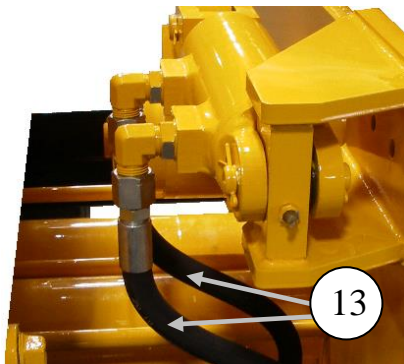
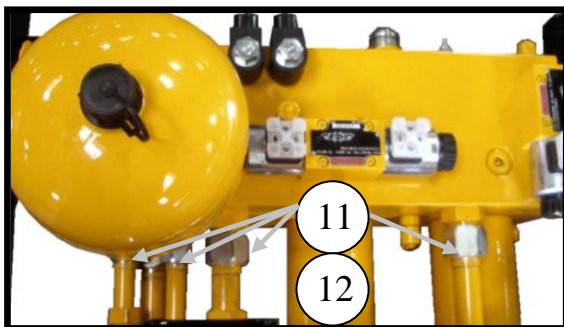
13822 Oaks Avenue  
Chino, CA 91710  
reedpumps.com  
909-287-2100

### HYDRAULIC LINES, HOSES, AND FITTINGS



ID #	PART #	PART DESCRIPTION	QUANTITY	
1	801978	TUBING-CLEAR PVC- ½ ID X ¾ OD	.83	FT
2	BW10431	ADAPTER PLATE, A30HP SUCTION	1	EA
3	86264-006	SPIT FLANGE-CODE 61 -32 SAE	2	EA
4	86911-008	STEM, 2 " 90 DEG. 32C4-32FL90	2	EA
5	BW10249	GAUGE-RETURN FILTER BW10027	1	EA
6	86728-019	ELBOW MB-MJ90-12-12	2	EA
7		FITTING, MB-MJ90-12-10	1	EA
8		FITTING, MJ-MP90-16-16	1	EA
9	BW10047	HOSE, R12-FJS-FJS90-16-16-36"	1	EA
10	85667-004	HOSE, 12G5K-12FJX-12FJX90-32.00	1	EA
11	85657-001	HOSE, 8M2T-10FJX-10FJX90S-26.00	1	EA
12		FITTING, MB-MJ-10-12 (STRIAGHT)	1	EA
13		ADAPTER, MB-MJ-12-16	1	EA
14	85664-008	HOSE, 16G4H-16FJX-16FJX45-20"	1	EA
15	87145	CLAMP – T- BOLT -2.38 DIA	2	EA
16	85661-001	HOSE, 32G4H-NO ENDS-	8 ½"	IN
17	802289	WORM CLAMP-.038-.068 DIA	2	EA
18	BW10046	HOSE, R1T-FJS-MJ-16-16-16-14.5"	1	EA

### HYDRAULIC LINES, HOSES, AND FITTINGS CONTINUED



ID #	PART #	PART DESCRIPTION	QUANTITY	
1	BW10151	TUBE HYD, ACC.PUMP, PRESSURE-PAINTED	1	EA
2	BW10403	TUBE HYD, MAIN PUMP PRESSURE PAINTED	1	EA
3	BW10153	TUBE HYD, RETURN LINE-PAINTED	1	EA
4	801902-007	CLAMP, 25MM TUBE CLAMP SET	3	EA
5	801902-001	NUT, TEE TUBE CLAMP	6	EA
6	800897	CLAMP, 3/4" TUBE, SINGLE	2	EA
7	BW10154	TUBE HYD, SWING CYLINDER-PAINTED	2	EA
8		UNION MALE, MJ-MJ-12-10	2	EA
9	87415-001	UNION MALE JIC, MJ-MJ-16-12	1	EA
10	87415-002	UNION MALE JIC, MJ-MJ-12-12	1	EA
11	BW10229	CONICAL SEAL, SIZE 12	5	EA
12	BW10230	CONICAL SEAL, SIZE 16	6	EA
13	BW10049	HOSE R2T-FJS-FJS-10-10-08-20"	2	EA



# A30HPv06

## PARTS

13822 Oaks Avenue  
Chino, CA 91710  
reedpumps.com  
909-287-2100

### HYDRAULIC LINES, HOSES, AND FITTINGS CONTINUED



ID #	PART #	PART DESCRIPTION	QUANTITY	
1	BW10280	HOSE, 16GMV=-20FJX-16FJX90S-24"	1	EA
2	86900-031	ADAPTER, MB-MJ-20-20	1	EA
3	BW10281	HOSE, 16GMV=-16FJX-16FJX90S-24"	1	EA
4	86728-026	ELBOW, MB-MJ90-20-16	1	EA





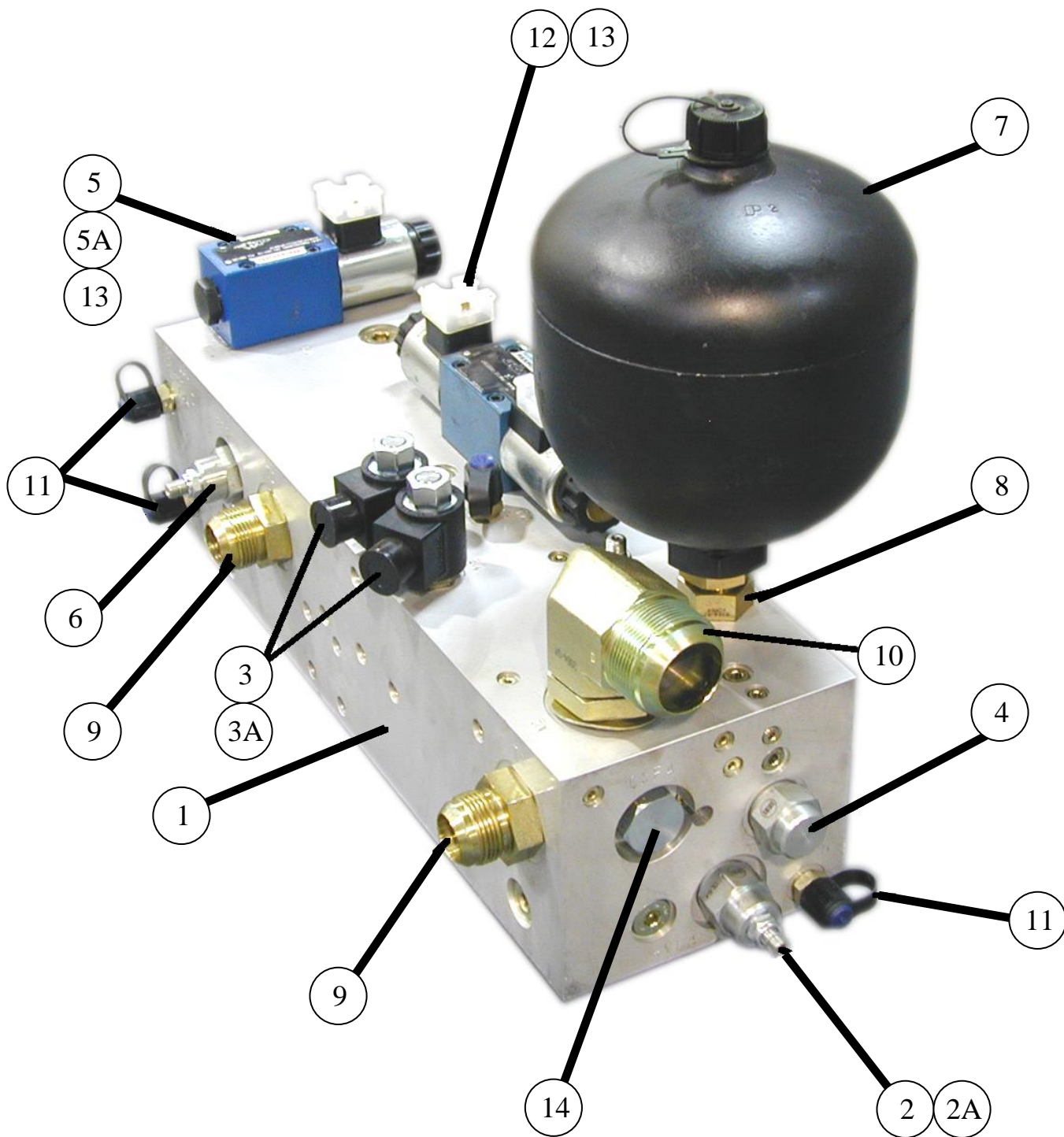
**A30HPv06**  
PARTS

13822 Oaks Avenue  
Chino, CA 91710  
reedpumps.com  
909-287-2100

BLANK PAGE



### CONTROL MANIFOLD



45 TO 50  
FT.LBS



# A30HPv06

## PARTS

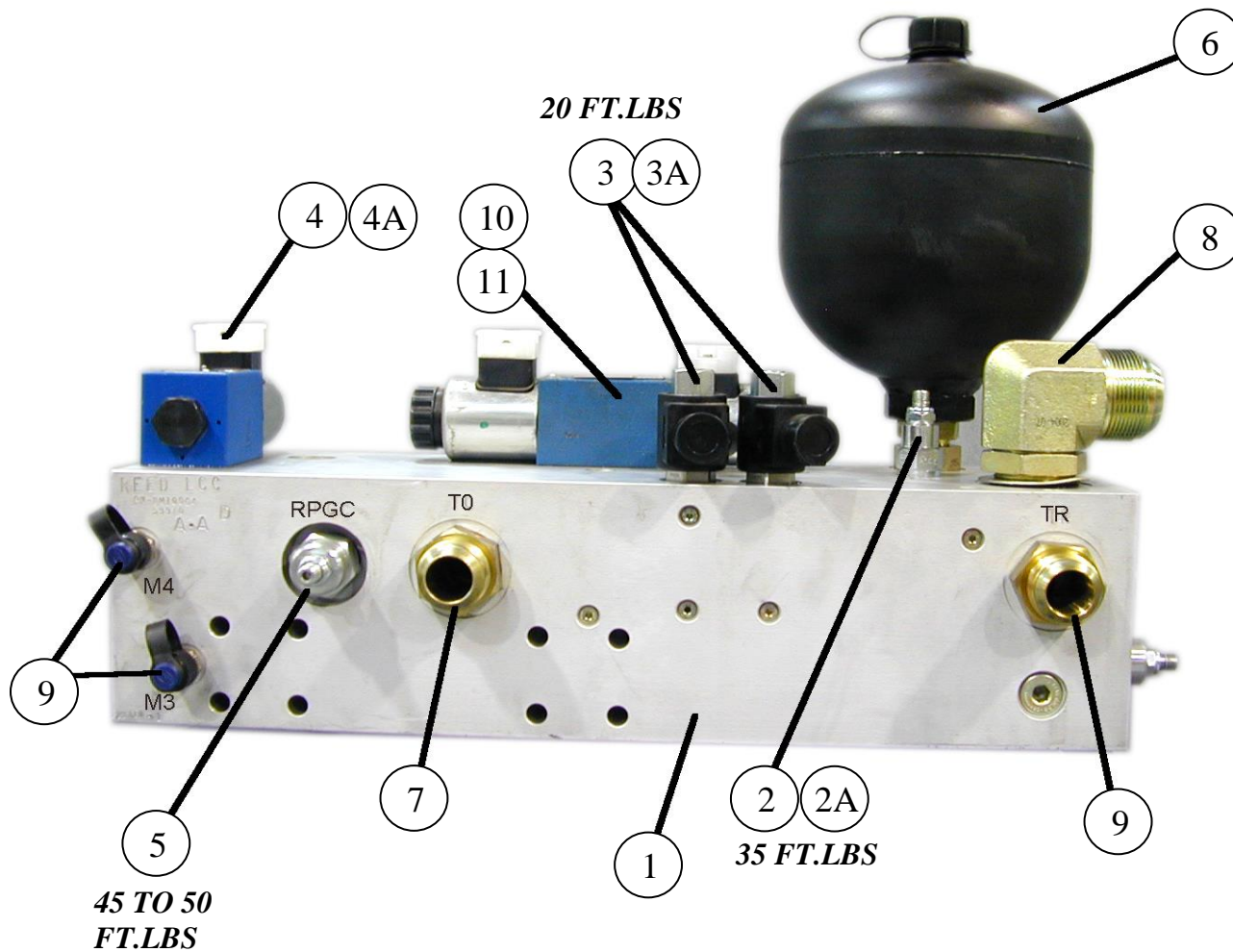
13822 Oaks Avenue  
Chino, CA 91710  
reedpumps.com  
909-287-2100

### CONTROL MANIFOLD CONTINUED

ID #	PART #	PART DESCRIPTION	QUANTITY	
	85248	MANIFOLD, CYLINDER CIRCUIT ASSEMBLY	1	EA
1	BW10325	MANIFOLD MACHINED, A30 SERIES	1	EA
2	85703	RELIEF VALVE CARTRIDGE, FOR 85249	1	EA
2A	85703SK	RELEIF VALVE CARTRIDGE SEAL KIT	1	EA
3	BW10185	VALVE POPET, 2 WAY N/O FORBW10186	2	EA
3A	87247	COIL, 12VDC, FOR 87246	2	EA
4	BW10182	DIRECTIONAL CARTRIDGE VALVE 2 POSIT	1	EA
4A	BW10182-SK	DIRECTIONAL CARTRIDGE VALVE SEAL KIT	1	EA
5	BW10183	VALVE PILOT, 2 POSITION	1	EA
5A	BW10183-SK	DIRECTIONAL CARTRIDGE VALVE SEAL KIT	1	EA
6	BW10326	RELIEF VALVE CARTRIDGE, FOR BW1004	1	EA
7	BW10184	ACCUMULATOR, 2 LITER	1	EA
8	BW10328	ADAPTER, MB-MB-12-12	1	EA
9	86900-028	ADAPTER, MB-MJ-16-16	2	EA
10	86728-028	ELBOW, MB-MJ90-20-24	1	EA
11	78593	MINICHECK ADAPTER, SAE 4	2	EA
12	85691	VALVE PILOT, FOR 85689	1	EA
13	BW10329	10-24X2" SHCS (TORQE 6.5 FT. LBS.)	8	EA
14	BW10327	CHECK VALVE CARTRIDGE FOR BW10004	1	EA

INSTALLATION TORQUE-CHART	
ITEM/CODE	TORQUE SETTING
RPGC	45 TO 50 FT. LBS.
CXFA	45 TO 50 FT. LBS.
RVEA	45 TO 50 FT. LBS.
QCDB	35 FT. LBS.
DCDD	50 FT. LBS.
DCEC	160 FT. LBS.
ITEM 4	20 FT. LBS.
ITEM 4A	5 FT. LBS.
ITEM 5&7	6.5 FT. LBS.

## CONTROL MANIFOLD FRONT SIDE



ID #	PART #	PART DESCRIPTION	QUANTITY	
1	BW10325	MANIFOLD MACHINED, A30 SERIES	1	REF
2	85704	UNLOADER VALVE CARTRIDGE, FOR 85249	1	REF
2A	85704-SK	UNLOADER VALVE CARTRIDGE SEAL KIT	1	EA
3	BW10185	VALVE POPET, 2 WAY N/O FORBW10186	2	REF
3A	87247	COIL, 12VDC, FOR 87246	2	REF
4	BW10183	VALVE PILOT, 2 POSITION	1	REF
4A	BW10183-SK	DIRECTIONAL CARTRIDGE VALVE SEAL KIT	1	REF
5	BW10326	RELIEF VALVE CARTRIDGE, FOR BW1004	1	REF
6	BW10184	ACCUMULATOR, 2 LITER	1	REF
7	86900-028	ADAPTER, MB-MJ-12-12	2	REF
8	86728-028	ELBOW, MB-MJ90-20-24	1	REF
9	78593	MINICHECK ADAPTER, SAE 4	2	REF
10	85691	VALVE PILOT, FOR 85689	1	REF
11	BW10329	10-24X2" SHCS (TORQE 6.5 FT. LBS.)	8	REF

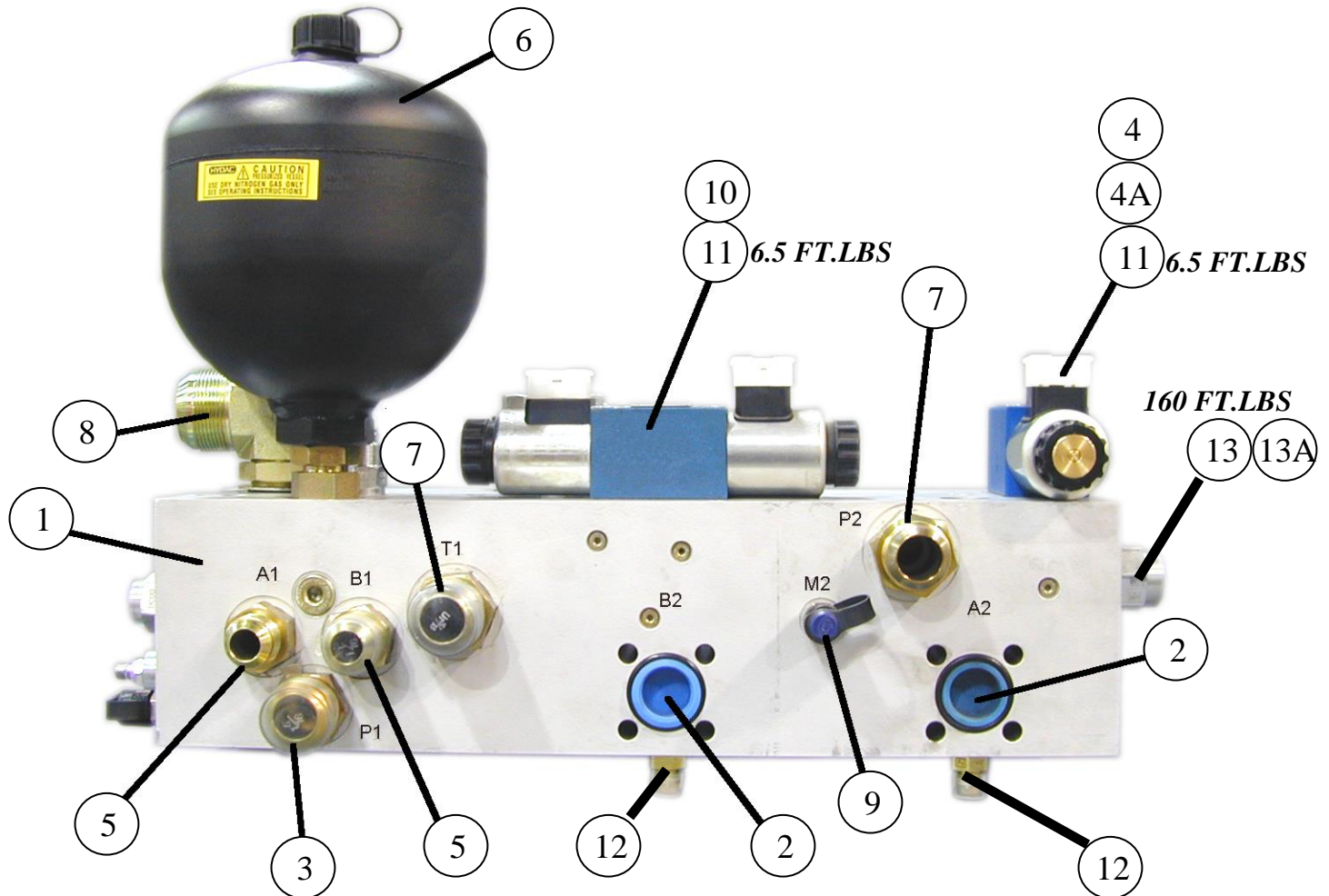


# A30HPv06

## PARTS

13822 Oaks Avenue  
Chino, CA 91710  
reedpumps.com  
909-287-2100

### CONTROL MANIFOLD CYLINDER SIDE



ID #	PART #	PART DESCRIPTION	QUANTITY	
1	BW10325	MANIFOLD MACHINED, A30 SERIES	1	REF
2	BW10177	O-RING, #219	2	EA
3	86900-024	ADAPTER, MB-MJ-12-16	1	EA
4	BW10183	VALVE PILOT, 2 POSITION	1	REF
4A	BW10183-SK	DIRECTIONAL CARTRIDGE VALVE SEAL KIT	1	REF
5	86900-23	ADAPTER, MB-MJ-12-12	2	EA
6	BW10184	ACCUMULATOR, 2 LITER	1	REF
7	86900-028	ADAPTER, MB-MJ-16-16	2	REF
8	86728-028	ELBOW, MB-MJ90-20-24	1	REF
9	78593	MINICHECK ADAPTER, SAE 4	2	REF
10	85691	VALVE PILOT, FOR 85689	1	REF
11	BW10329	10-24X2" SHCS (TORQUE 6.5 FT. LBS.)	8	REF
12	86900-002	ADAPTER, MB-MJ-4-6	2	EA
13	BW10181	DIRECTIONAL CARTRIDGE VALVE 3 POSIT	1	EA
13A	BW10181-SK	DIRECTIONAL CARTRIDGE VALVE SEAL KIT	1	EA

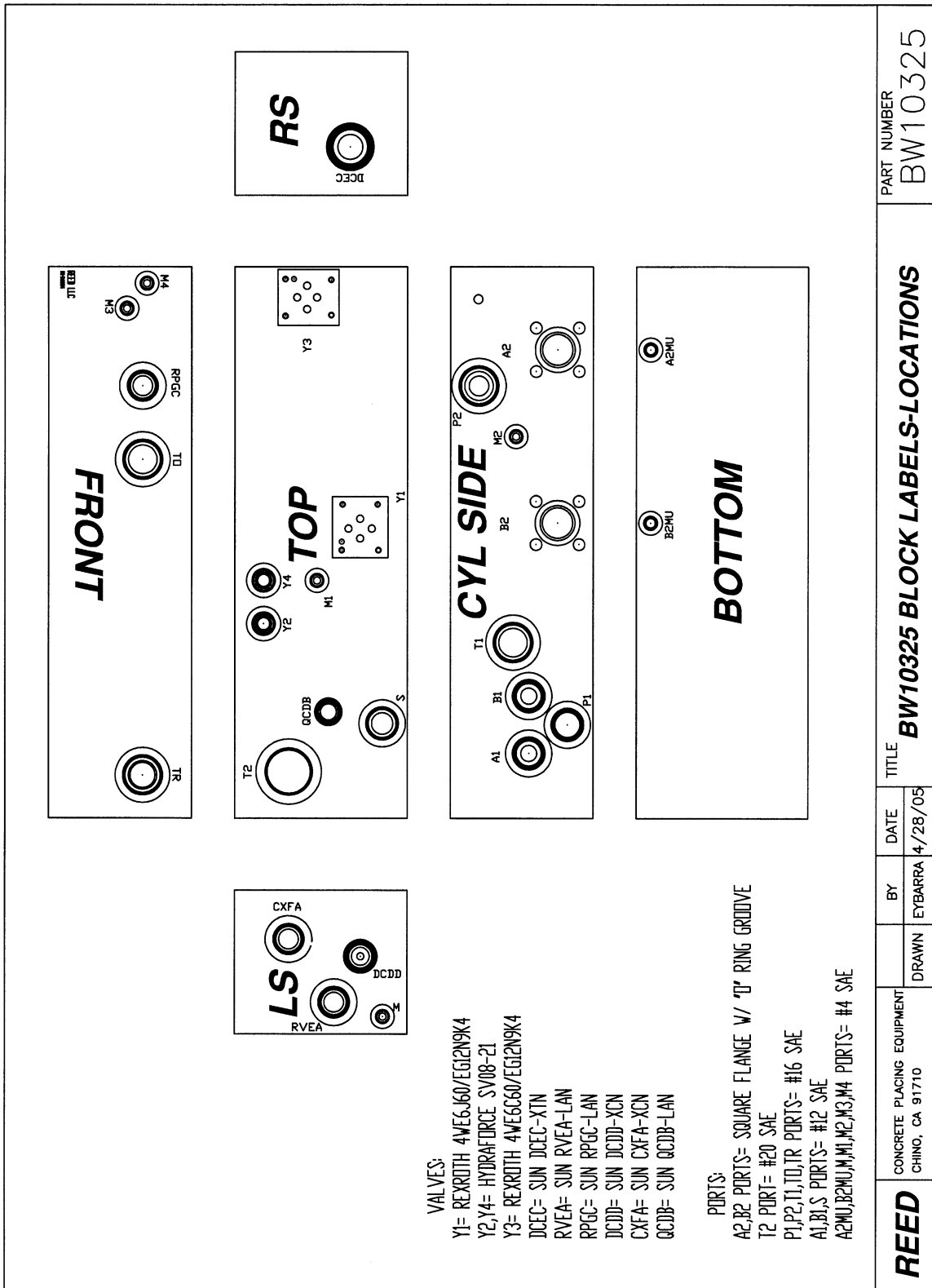


# A30HPv06

## PARTS

13822 Oaks Avenue  
 Chino, CA 91710  
 reedpumps.com  
 909-287-2100

### CONTROL MANIFOLD PORTING





# A30HPv06

PARTS

13822 Oaks Avenue  
Chino, CA 91710  
reedpumps.com  
909-287-2100

## SOLENIOD VALVE ASSEMBLIES

REVERSE CIRCUIT PILOT SOLENOID  
VALVE ASSEMBLY

**BW10183**

O-RING KIT  
72313

PLUG  
74597

COIL  
85692

PLUG  
74597

COIL  
85692

PLUG  
74597

COIL  
85692

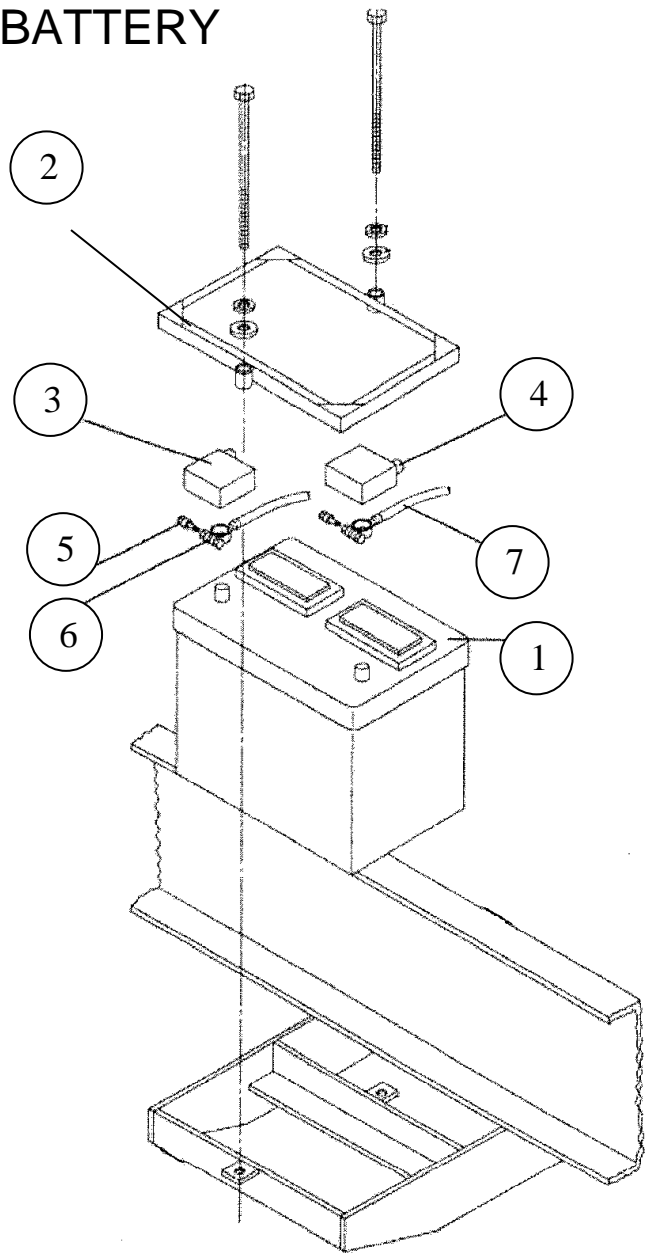
MAIN CYCLING PILOT SOLENOID  
VALVE ASSEMBLY

**85691**

O-RING KIT  
72313

## ELECTRICAL GROUP

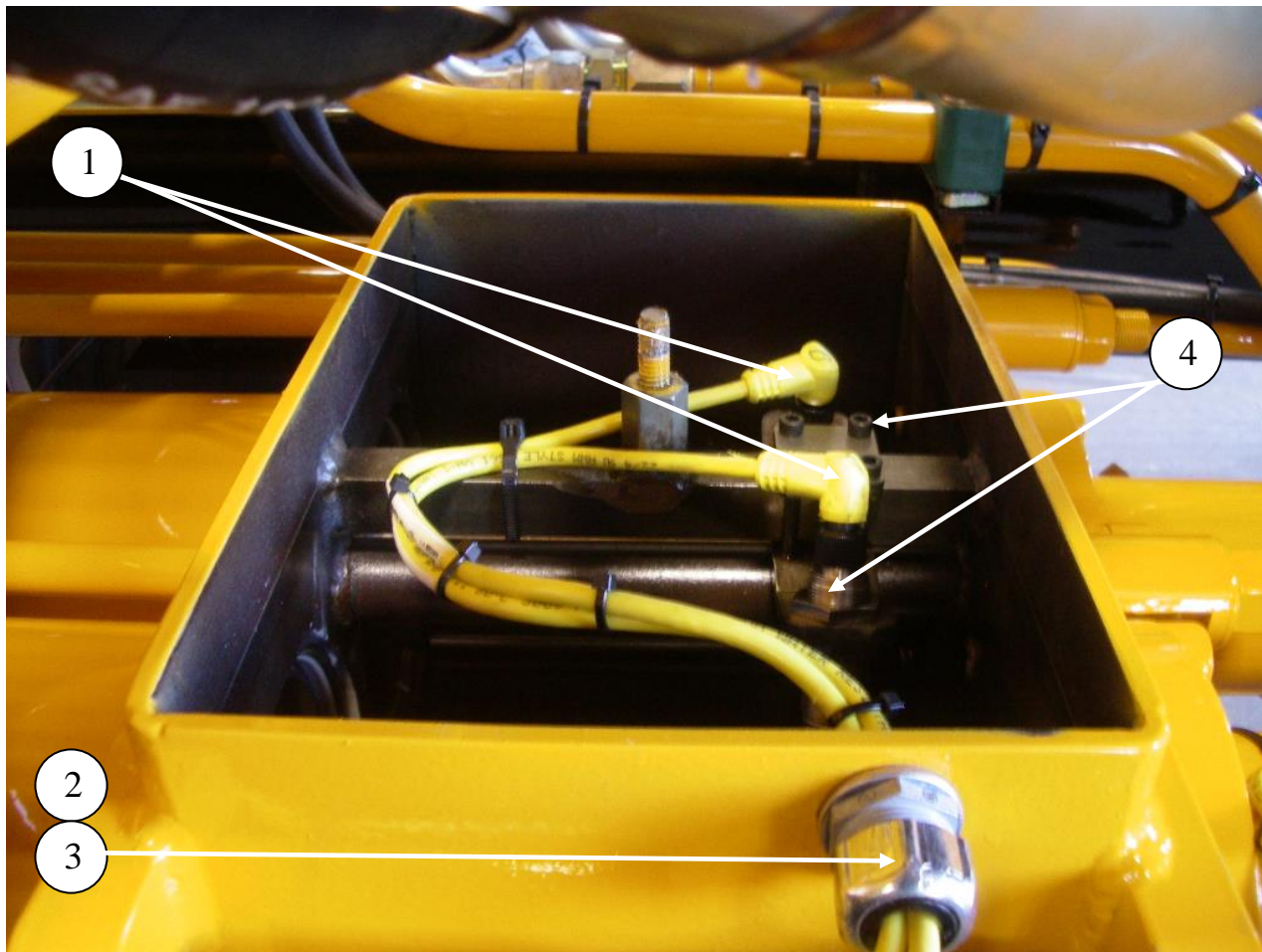
### BATTERY



ID #	PART #	PART DESCRIPTION	QUANTITY	
	BW44020	ELECTRICAL GROUP A SER BW10039-2	1	EA
1	77075	BATTERY-12V 1000 CCA31	1	EA
2	72945	BATTERY HOLD DOWN	1	EA
3	77719	COVER, POSITIVE BATT-RED	1	EA
4	77720	COVER, NEGATIVE BATT-BLACK	1	EA
5	87223	EXTENDER, TOP TERMINAL BOLT	2	EA
6	72014	CABLE-38" BATTERY-RED	1	EA
7	75116	CABLE-26" BATTERY-BLACK	1	EA

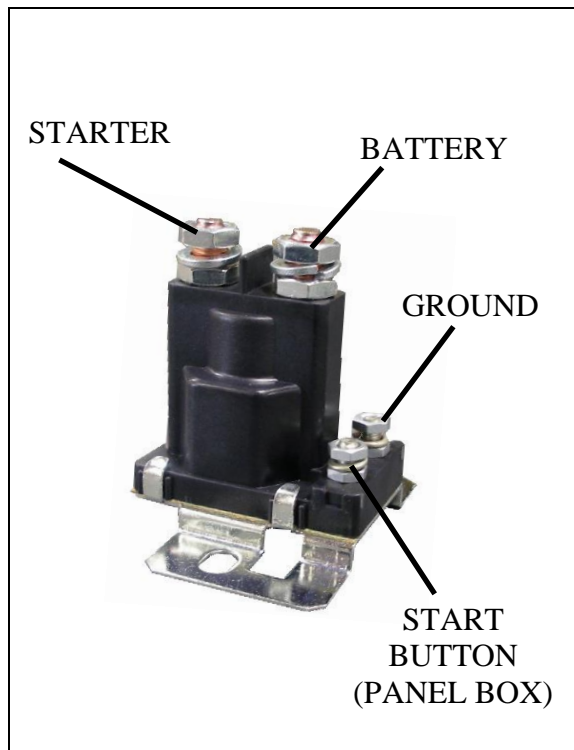


### PROXIMITY SWITCHES

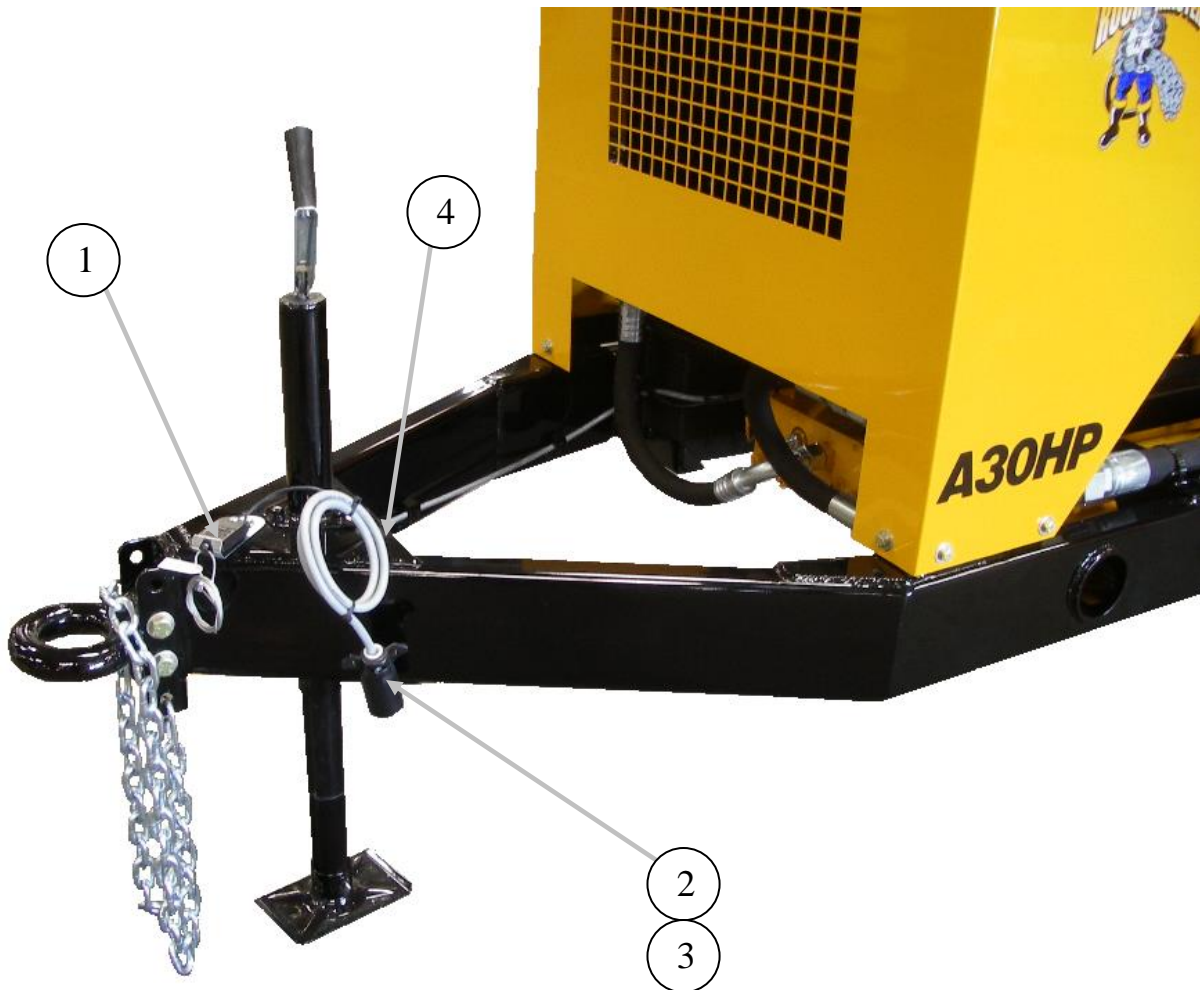


ID #	PART #	PART DESCRIPTION	QUANTITY	
1	77990	CABLE, PROXIMITY SWITCH	2	EA
2	10522	STRAIN RELIEF	1	EA
3	10528	NUT 1/2" BONDING TYPE LOCK	1	EA
4	77998	PROXIMITY SENSOR NPN	2	EA

## STARTER RELAY



ID #	PART #	PART DESCRIPTION	QUANTITY	
1	87541	RELAY STARTER 12VDC-SELL W/87544	1	EA
2	87544	BRACKET STARTER RELAY MOUNT	1	EA
3		SHCS, 5/16-18X1"	2	EA
4		FLAT WASHER, 5/16	2	EA
5		LOCK WASHER, 5/16	2	EA
6		SHCS, 1/4-20X3/4" 2	2	EA
7		FLAT WASHER 1/4"	2	EA
8		LOCK WASHER 1/4"	2	EA

**TRAILER HARNESS AND BREAKAWAY**

ID #	PART #	PART DESCRIPTION	QUANTITY	
1	77705	BREAK-AWAY KIT 5000 SERIES	1	EA
2	86579	TRAILER PLUG 7C FLAT PI	1	EA
3	BW10139	WIRING HARNESS , TRAILER A SERIES	1	EA
4	86759	GROMMET	1	EA



# A30HPv06

PARTS

13822 Oaks Avenue  
Chino, CA 91710  
reedpumps.com  
909-287-2100

## TAILLIGHTS



UNDERNEATH  
FENDER

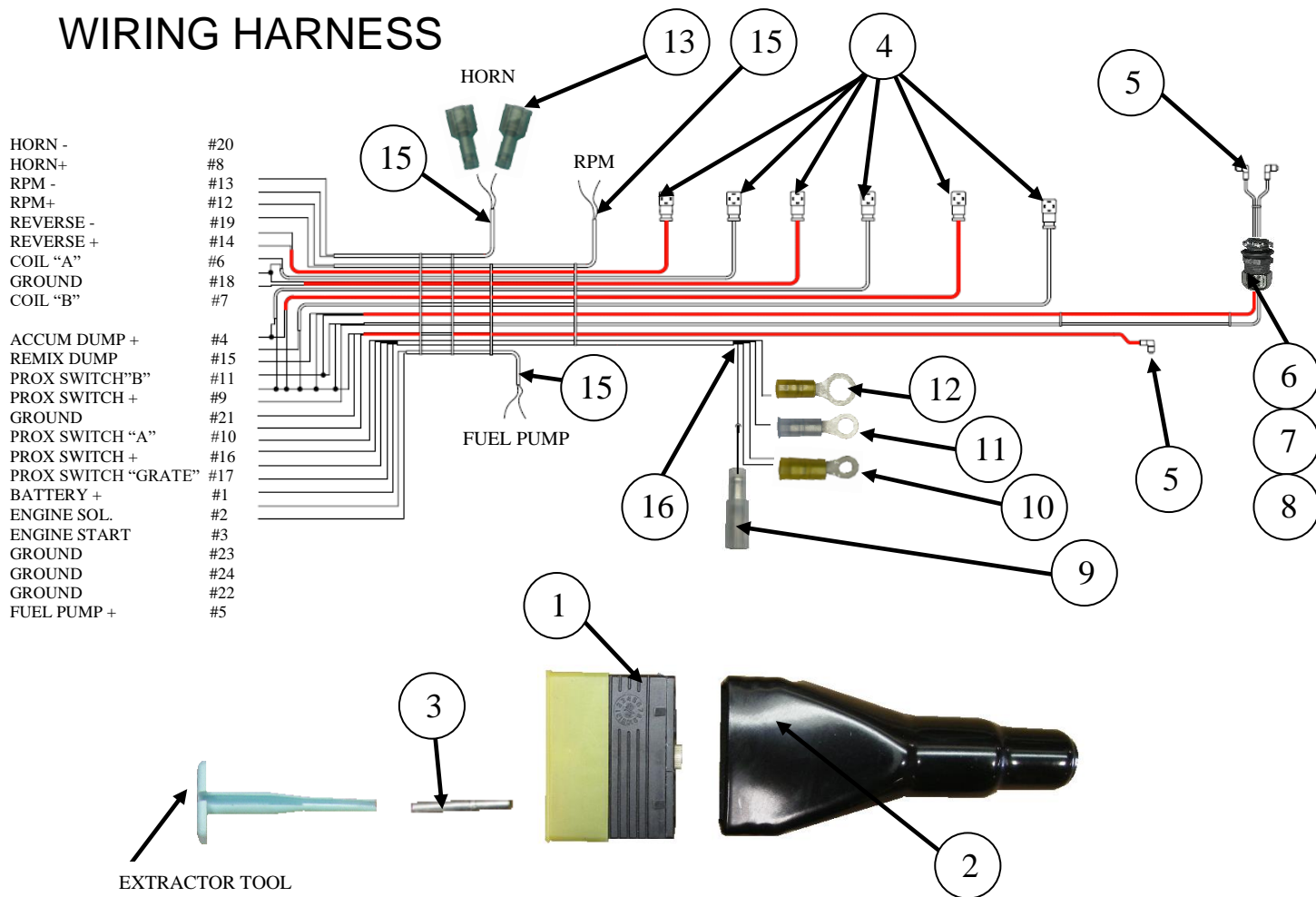
ID #	PART #	PART DESCRIPTION	QUANTITY	
1	72948	TAIL LIGHT R3000 SERIES	2	EA
2	85981	LOOM CLAMP 5/8"	2	EA
3	86759	GROMMET	2	EA



# A30HPv06 PARTS

13822 Oaks Avenue  
Chino, CA 91710  
reedpumps.com  
909-287-2100

## WIRING HARNESS



ID #	PART #	PART DESCRIPTION	QUANTITY	
	BW10414	WIRING HARNESS A SERIES, BW10039-2	1	EA
1	BW10145	PLUG CONNECTOR	1	EA
2	BW10146	BOOT, FOR BW10145 PLUG	1	EA
3	BW10147	PIN, FOR BW10145 PLUG	24	EA
4	88243	CABLE W/2 DIN PLUGS, 5M LONG	3	EA
5	77990	CABLE, PROXIMITY SWITCH, 5M	3	EA
6	10528	NUT- 1/2" BONDING TYPE LOCK NUT	1	EA
7	10522	STRAIN RELIEF	1	EA
8	30240	GASKET- LIQUID TITE- ELECT	1	EA
9		BULLET RECEPTACAL, 0.180", 16-14 Ga.	1	EA
10		10 Stud, 12-10 Ga. (YELLOW NYLON)	1	EA
11		10 Stud, 12-10 Ga. (BLUE NYLON)	1	EA
12		3/8" Stud, 12-10 Ga. (YELLOW NYLON)	1	EA
13		0.250", 16-14 Ga. (BLUE NYLON)	1	EA
14		1" DIA WIRE LOOM PLASTIC	3	FT
15	85618	CABLE, 16 AWG-2C, PVC-GRY	REF	
16	86531	CABLE, 14 AWG-5C, PVC-GRY	REF	

### CONTROLS A-SERIES CONTROL BOX





# A30HPv06

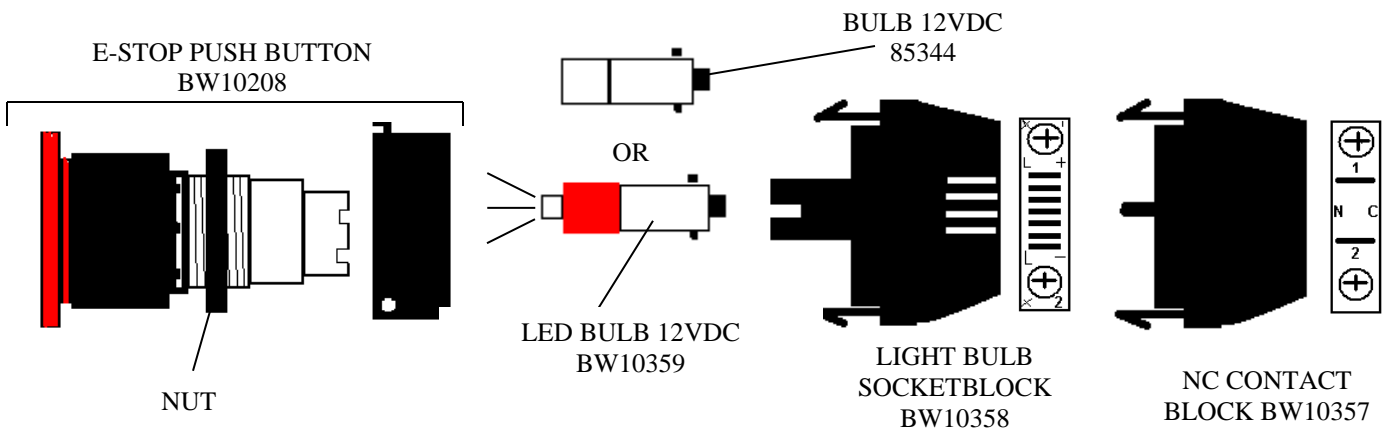
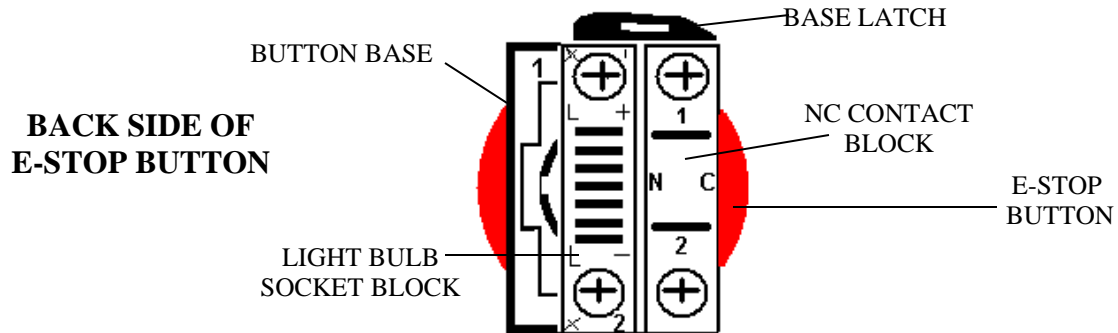
## PARTS

13822 Oaks Avenue  
Chino, CA 91710  
reedpumps.com  
909-287-2100

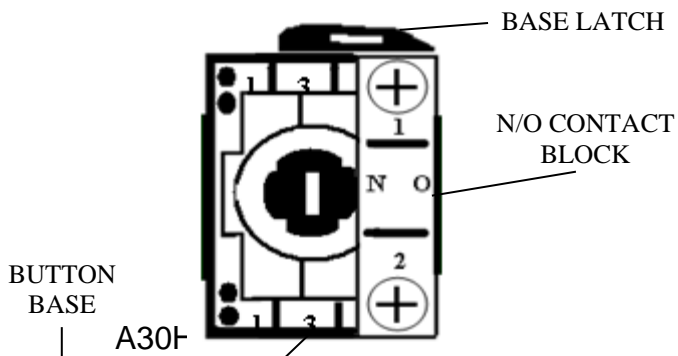
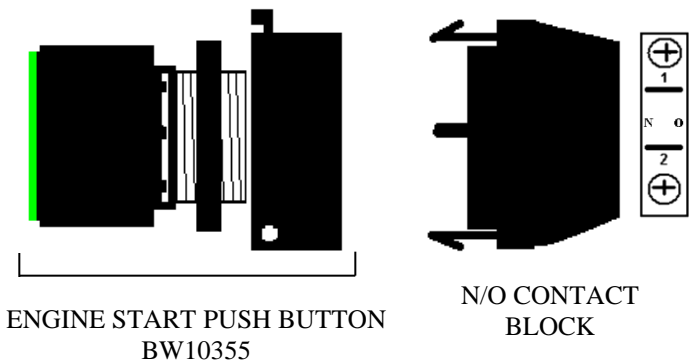
### A-SERIES CONTROL BOX CONTINUED

ID #	PART #	PART DESCRIPTION	QUANTITY	
	BW10343-1	CONTROL BOX, A SERIES	1	EA
1	BW10203	A-1008CH 10X8X4 STEEL ENCL	1	EA
2	BW10354	KEY SWITCH, IGNITIO, W/2KEYS	1	EA
3	BW10205	SW, TOGGLE (ON-OFF) RPM	1	EA
4	BW10206	SW, TOGGLE (ON-OFF) STROKE CHANGE & HORN	2	EA
5	BW10207	SW, TOGGLE (ON -OFF) PUMP ON/OFF & FWD/REV	2	EA
6	BW10223	SW, TOGGLE (ON-ON) LOCAL & REMOTE	1	EA
7	BW10361	SW, SEALING BOOT	9	EA
8	BW10208	MUSROOM HEAD MAINTIANED BUTT.	1	EA
9	BW10358	E-STOP LIGHT	1	EA
10	BW10357	CONTACT BLOCK (NORMALLY CLOSED)	2	EA
11	BW10359	LGT, WL-41047MINI RED 15	1	EA
12	BW10212	MINI HOURMETER	1	EA
13	BW10369	LED, PILOT LIGHT (GRN)	4	EA
14	BW10371	LED, PILOT LIGHT (AMBER)	1	EA
15	BW10355	SW, PB GRN FLUSH (ENG START)	1	EA
16	?	DECAL, 401289A DWG	1	EA
17	BW10360	SW, CONTACT BLOCK (NORMALLY OPEN)	3	EA
18	72862	GAUGE FOR PROX. SENSOR SETTING	1	EA

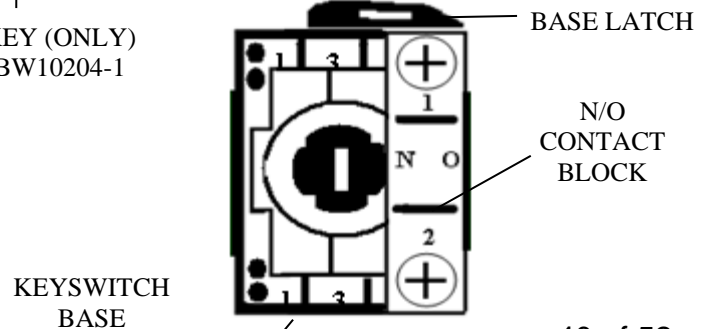
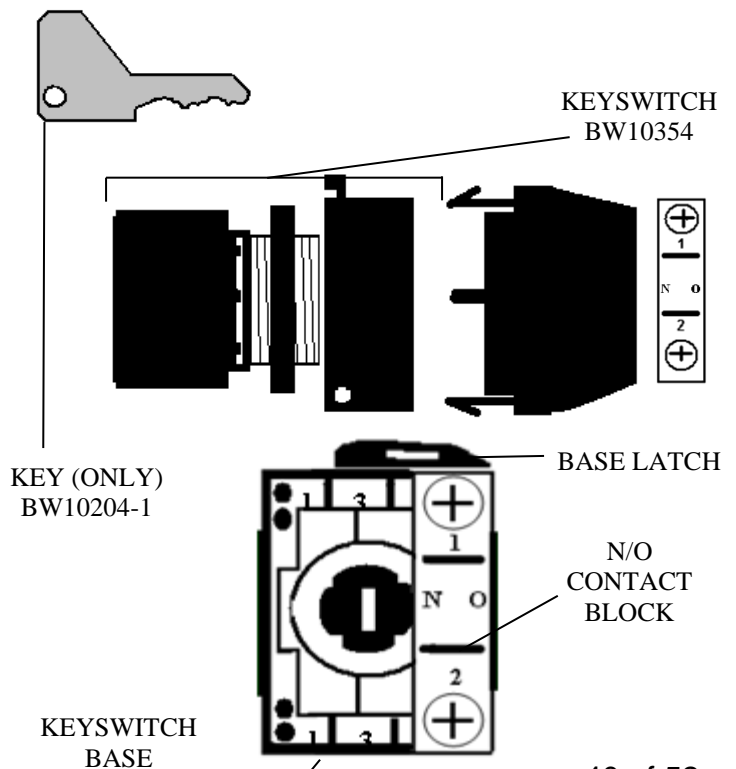
### CONTACT BLOCKS



### ENGINE START BUTTON ASSEMBLY

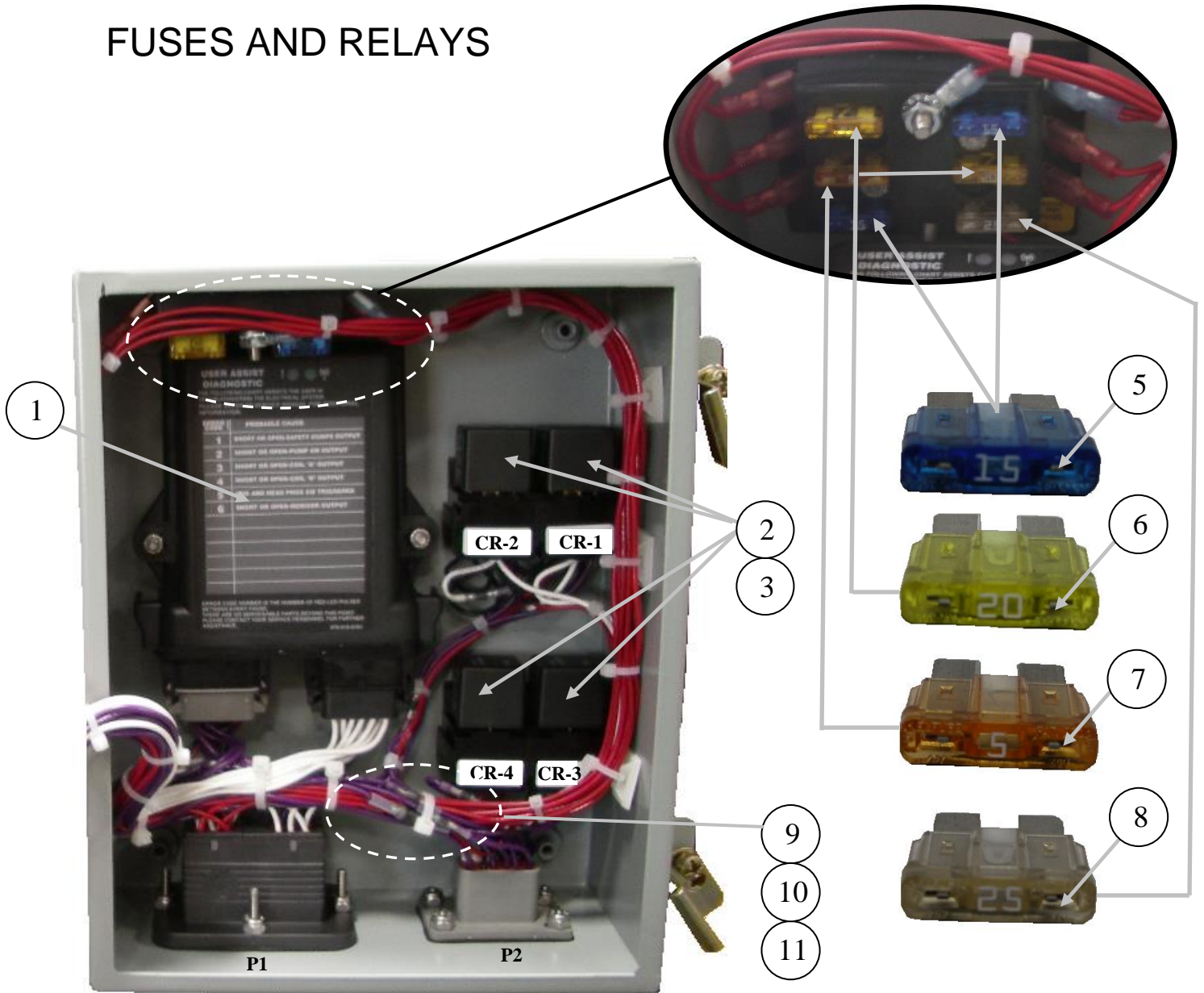


### SYSTEM ON BUTTON ASSEMBLY





### FUSES AND RELAYS



ID #	PART #	PART DESCRIPTION	QUANTITY	
1	BW10255-1	LOGIC CONTROLLER, A SER, C/B REV-F, W/ HOPPER GRATE SW	1	EA
2	BW10222	RELAY, DIODE SUPPRESSED	4	EA
3	BW10224	SOCKET, RELAY SCKT	4	EA
4	BW10227	FUSE BLOCK, GHG 6F	1	EA
5	90391	FUSE, 257015 LTL 15 A ATO	2	EA
6	800448	FUSE, 257020 LTL 20A ATO	2	EA
7	90392	FUSE, 257005 LTL 5A ATO	1	EA
8	800447	FUSE, 257025 LTL 25A ATO	1	EA
9	BW10225	DIODE, 1N4001	7	EA
10	BW10226	DIODE, TSF12	2	EA
11	BW10228	DIODE, 1N5404	2	EA

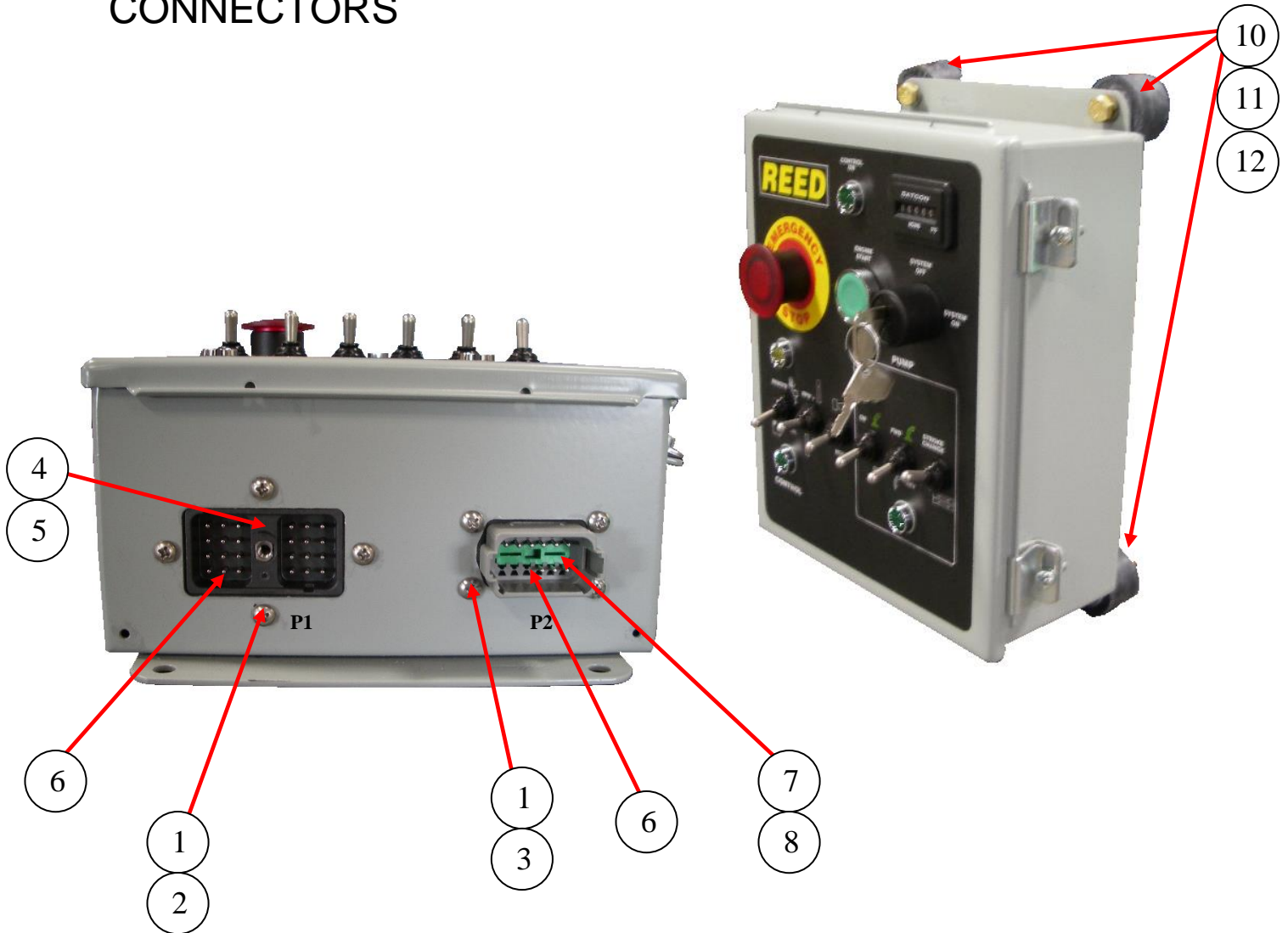


# A30HPv06

## PARTS

13822 Oaks Avenue  
Chino, CA 91710  
reedpumps.com  
909-287-2100

### CONNECTORS



ID #	PART #	PART DESCRIPTION	QUANTITY	
1		NUT, 8-32 SELF LOCKING	8	EA
2		SCREW, 8-32X1.5" PHL	4	EA
3		SCREW, 8-32X1/2", PHL	4	EA
4	BW10217	CONN, DRC12-24PA (P1)	1	EA
5	BW10220	CONN,DRC24-GASKET	1	EA
6	BW10221	CONN PINS, (MALE)	33	
7	BW10218	CONN, DT04-12PA-L012 12 PIN FL MT	1	EA
8	BW10219	CONN, DT12-L012-GASKET	1	EA
10	73748	BUMPER	4	EA
11		BOLT, 5/16"-18 X 1/2"	4	EA
12		LOCKWASHER 5/16"	4	EA



# A30HPv06

PARTS

13822 Oaks Avenue  
Chino, CA 91710  
reedpumps.com  
909-287-2100

## 50 FT CABLE REMOTE



ID #	PART #	PART DESCRIPTION	QUANTITY	
1	BW10013	REMOTE CONTROL, CABLE 50FT, A-SERIES	1	EA

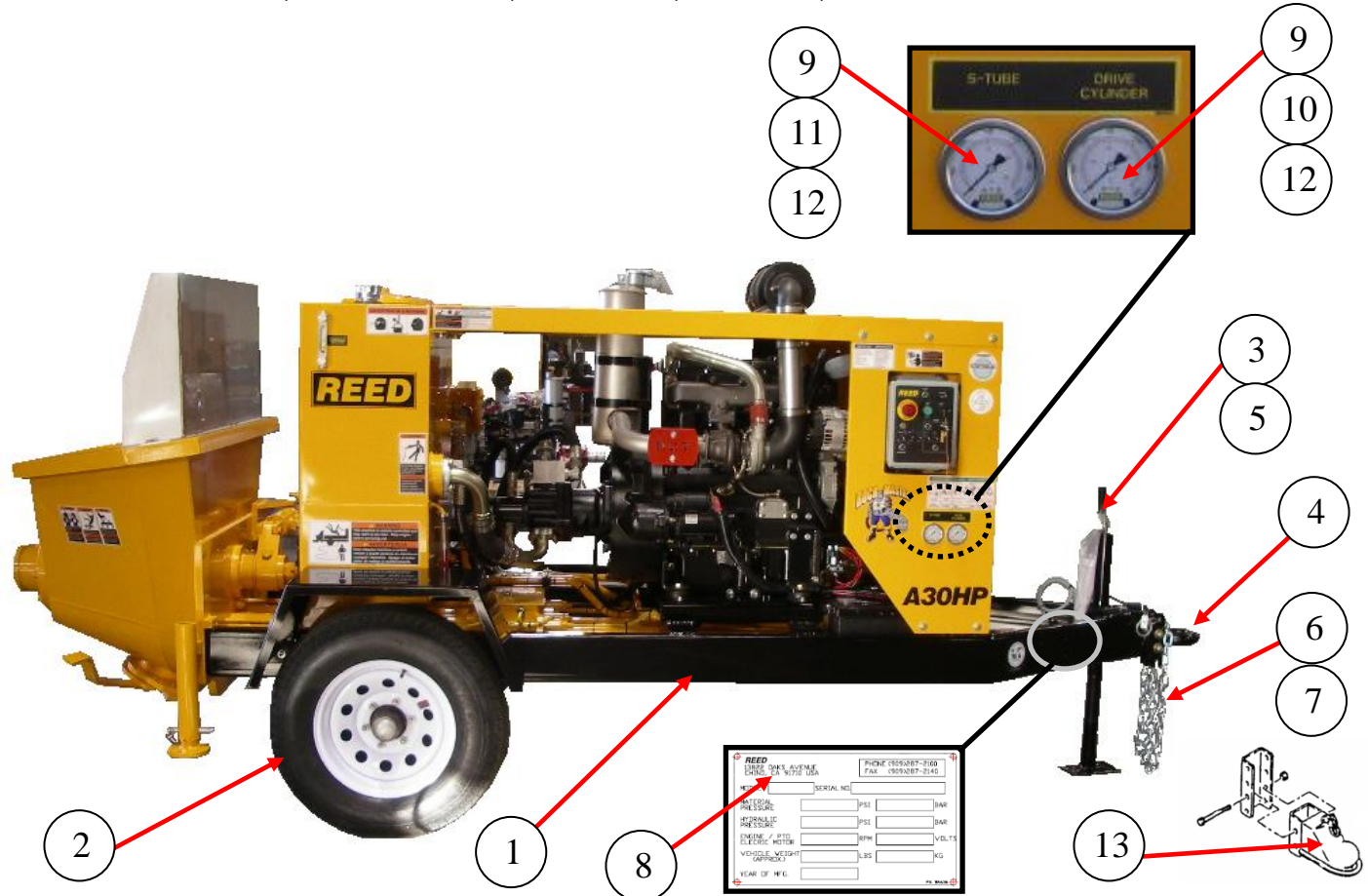


# A30HPv06

## PARTS

13822 Oaks Avenue  
Chino, CA 91710  
reedpumps.com  
909-287-2100

### FRAME INSTALLATION FRAME, GAUGES, TIRES, JACK, AND TOW EYE



ID #	PART #	PART DESCRIPTION	QUANTITY	
	BW10404	FRAME ASSY A-SERIES 2008	1	EA
1	BW10398	FRAME WELDMENT A SERIES 2008	1	EA
2	BW10096	TIRE & WHEEL ASSY	2	EA
3	BW10098	JACK FRAME	1	EA
4	71051	EYE-LUNETTE 3"	1	EA
5	BW10169	JACK, FOOT	1	EA
6	86242	CHAIN-3/8 PROOF COIL GR 30 ZINC	6	FT
7	86243	CONNECTOR - 3/8 CHAIN TREADED	2	EA
8	86636	SERIAL NUMBER PLATE (BLANK)	1	EA
9	78594	MINICHECK GAUGE ADAPTER, 1/4" NPT	2	EA
10	74562	PRESSURE GAUGE, 6000 PSI/BAR	1	EA
11	70366	PRESSURE GAUGE, 3000 PSI/BAR	1	EA
12	BW10318	MINICHECK HOSE, 90° 48"	2	EA
13	71099	ASSEMBLY, ADJUSTABLE BALL COUPLER 2-5/16"	1	EA

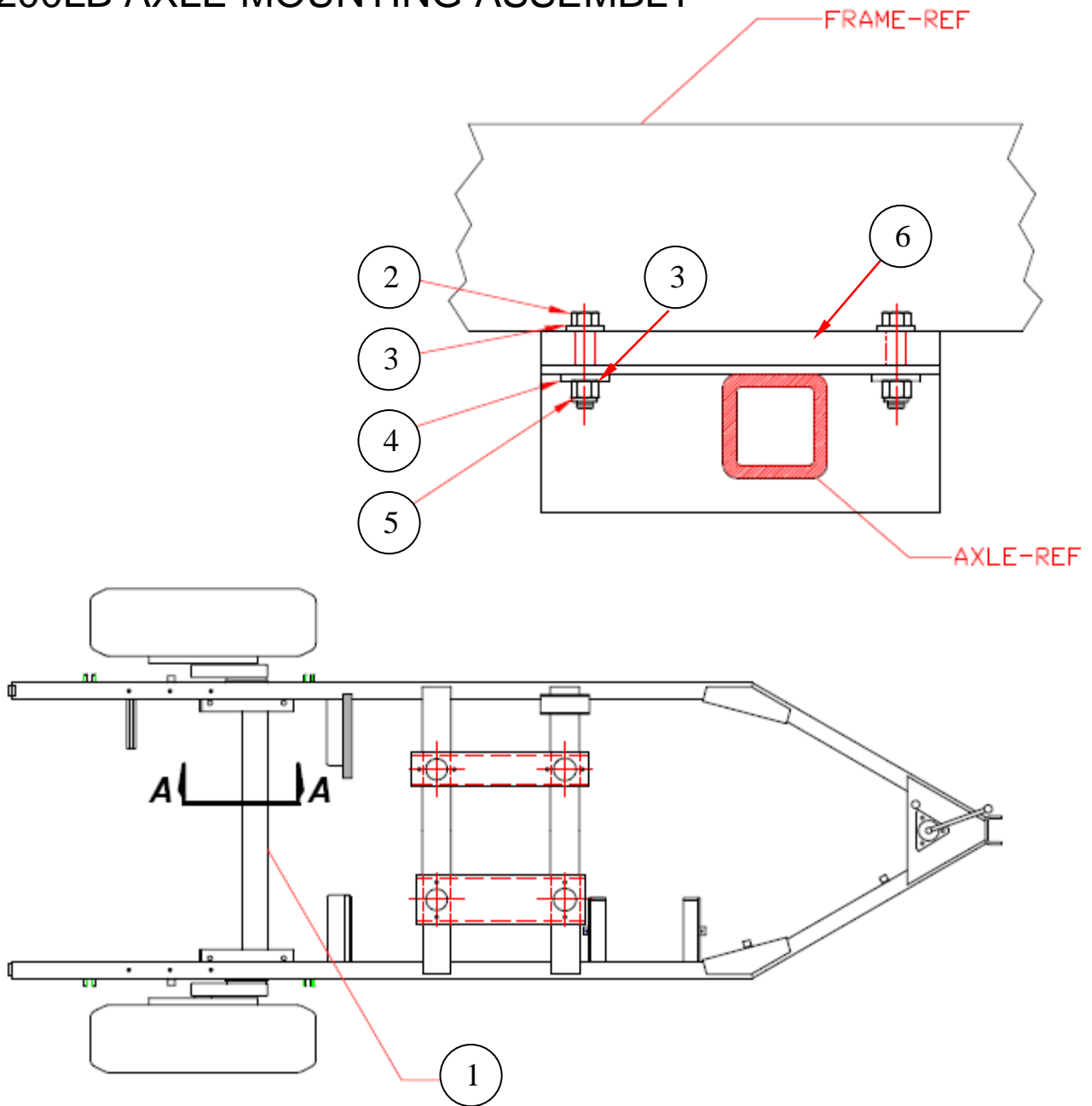


# A30HPv06

## PARTS

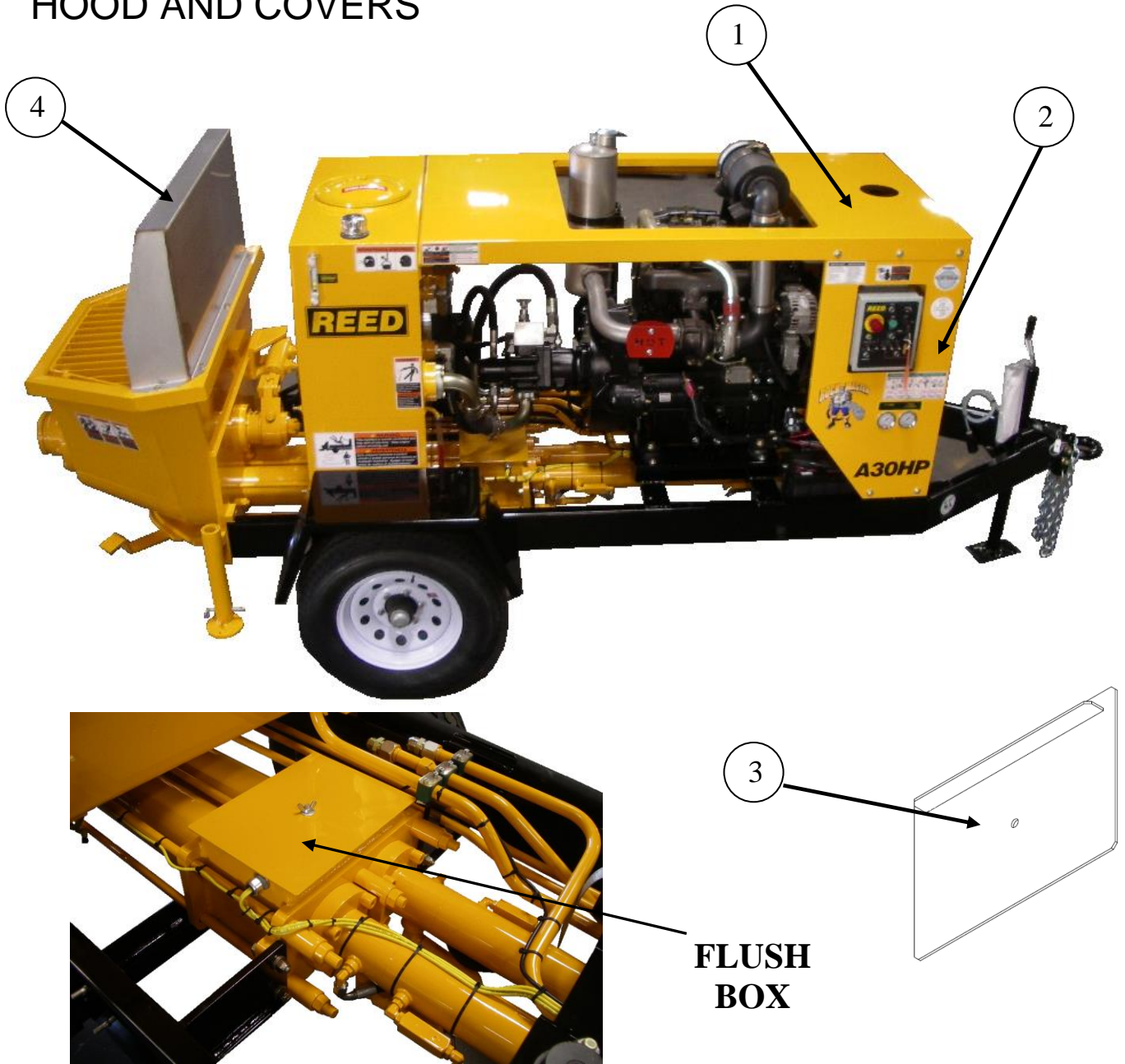
13822 Oaks Avenue  
 Chino, CA 91710  
 reedpumps.com  
 909-287-2100

### 5200LB AXLE MOUNTING ASSEMBLY



ID #	PART #	PART DESCRIPTION	QUANTITY	
1	BW10095	AXLE, TORSTION, 5200 LB, 6 ON 5.5	1	EA
2		BOLT, 1/2"-20X3", GRADE 8	4	EA
3	80054	WASHER -SAE 1/2"	8	EA
4	80044	WASHER, 1/2" USS HARDENED EXTRA THICK	4	EA
5	80075-001	NUT NYLOCK 1/2"-20 FINE	4	EA
6	BW10450	FLAT AXLE MOUNT SPACER	2	EA

## HOOD AND COVERS



ID #	PART #	PART DESCRIPTION	QUANTITY	
1	BW10399	COVER TOP, A SER CUMMINS PAINTED	1	EA
2	BW10400	COVER FRONT WELD, A SER CUM PAINTED	1	EA
3	BW10395	LID, FLUSHBOX	1	EA
4	85714-1	SPLASH GUARD, WITH HOPPER SAFETY	1	EA

## FENDERS AND OUTRIGGERS



ID #	PART #	PART DESCRIPTION	QUANTITY	
1	BW10350	FENDER, LH, A SERIES PAINTED	1	EA
2	BW10349	FENDER, RH, A SERIES PAINTED	1	EA
3	BW10110	OUTRIGGER INNER LEG-PAINTED	2	EA
4	BW10114	OUTER TUBE, OUTRIGGER-PAINTED	2	EA
5	85595	PIN, Q/R, 5/8 DIA X 3 1/2 L	2	EA
6	800418	LANYARD, Q/R PIN	2	EA



# A30HPv06

## PARTS

13822 Oaks Avenue  
Chino, CA 91710  
reedpumps.com  
909-287-2100

### OPTIONS

#### MANUAL OUTRIGGERS

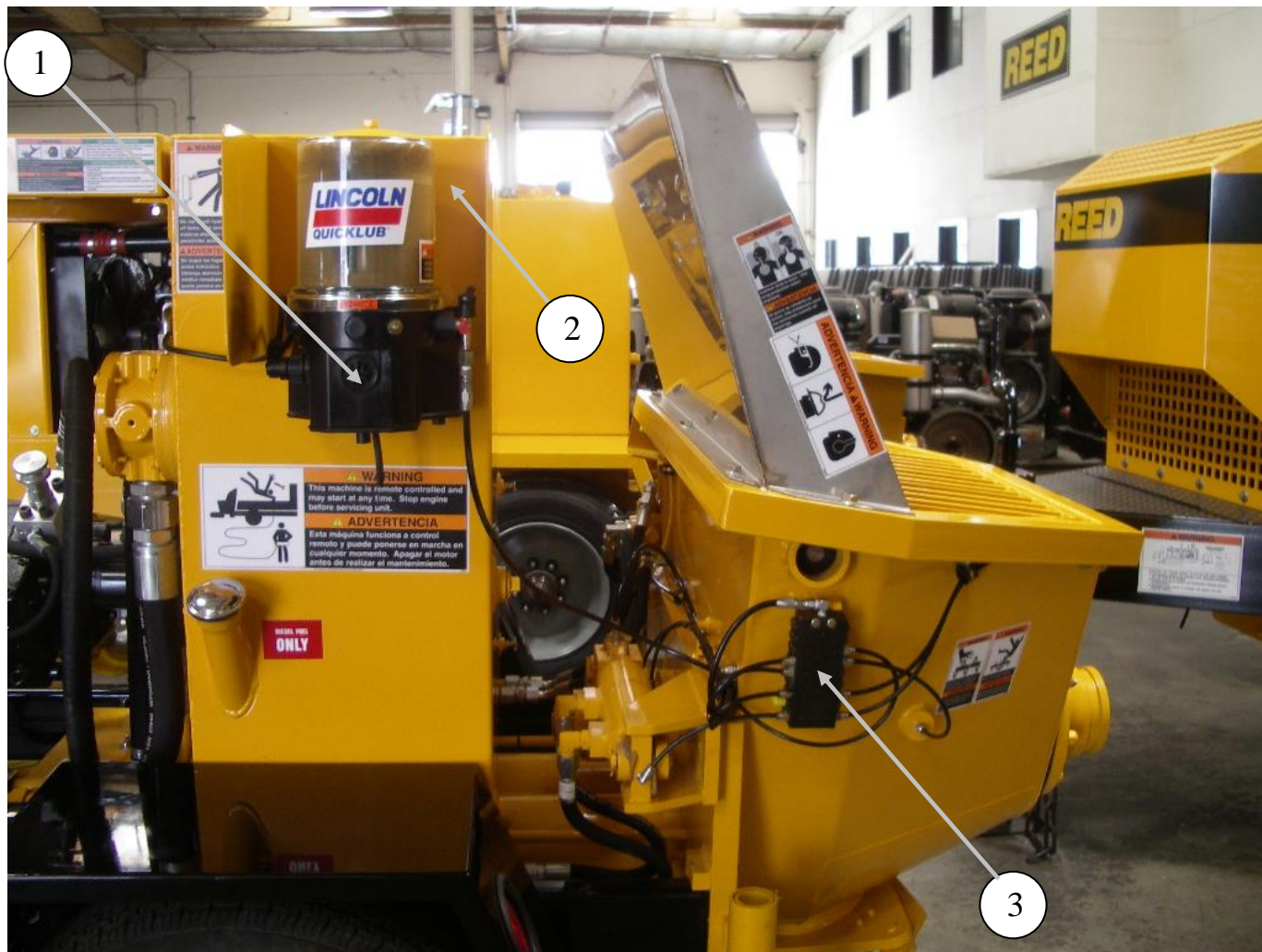


ID #	PART #	PART DESCRIPTION	QUANTITY	
1	BW10346	JACK WELDMENT, OP SIDE	1	EA
2	BW10347	JACK WELDMENT, NON OP SIDE	1	EA
3	85595	PIN, Q/R, 5/8 DIA X 3 1/2 L	2	EA
4	800418	LANYARD, Q/R PIN	2	EA



## OPTIONS

### AUTOLUBE PUMP (PLASTIC TUBING)



ID #	PART #	PART DESCRIPTION	QUANTITY	
1	87193	AUTOLUBE KIT	1	EA
2	87257	METAL GUARD	1	EA
3	87437	BLOCK, UNION, LINCOLN LUBE	1	EA

## OPTIONS

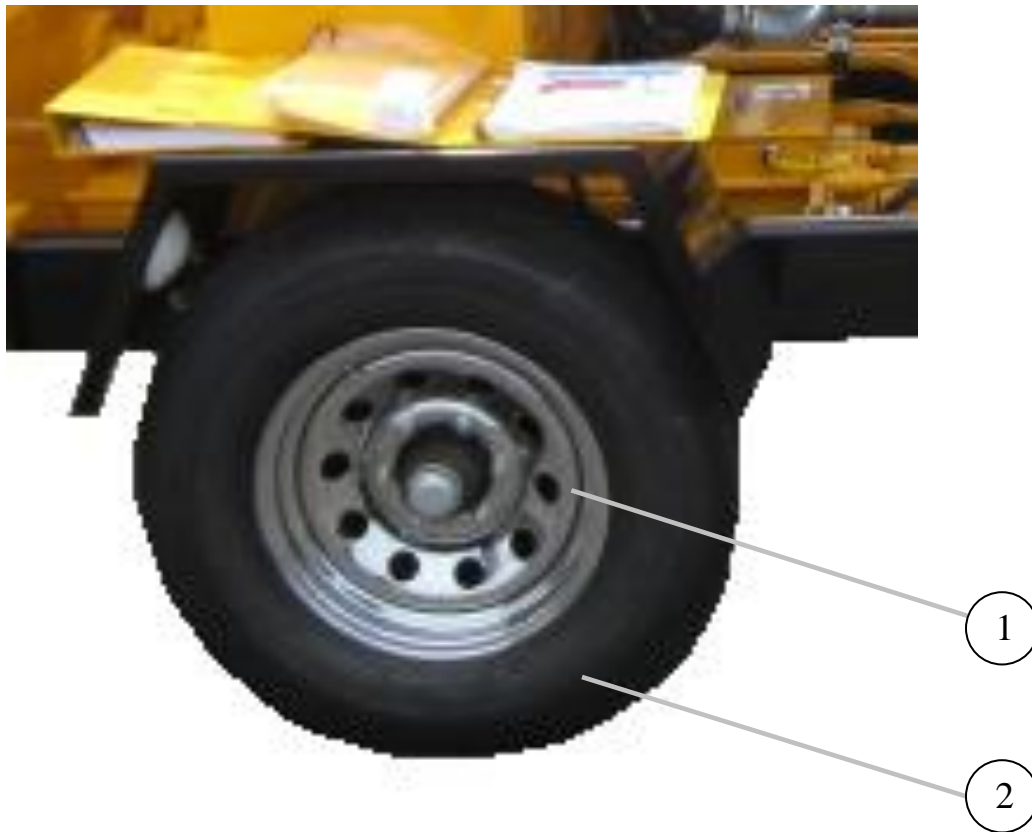
### RADIO REMOTE KIT (BASE)



ID #	PART #	PART DESCRIPTION	QUANTITY	
	BW10188-001	RADIO REMOTE KIT, BASE	1	EA
1	BW10188-001T	TRANSMITTER, FOR BW10188-001	1	EA
2	BW10188-001R	RECEIVER, FOR BW10188-001	1	EA
3		RECEIVER CABLE	1	EA
4		ANTENA	1	EA
5		ANTENA CABLE	1	EA
6		12VDC CHARGING ADAPTER	1	EA

## OPTIONS

### CHROME WHEEL AND TIRE



ID #	PART #	PART DESCRIPTION	QUANTITY	
	86059	TIRE & WHEEL-CHROME ASSEMBLY	2	EA
1		WHEEL-CHROME	2	EA
2		TIRE-9.50-16.5 LT LOAD E	2	EA



# A30HPv06

PARTS

13822 Oaks Avenue  
Chino, CA 91710  
reedpumps.com  
909-287-2100

## OPTIONS

### SURGE BRAKE ASSEMBLY



ID #	PART #	PART DESCRIPTION	QUANTITY	
	BW10312	ASSEMBLY, SURGE BRAKE-MODEL A30HP	REF	EA
1	BW10310	FRAME, MODIFICATION-SURGE BRAKE	1	EA
2	71025	ACTUATOR, SURGE BRAKE	1	EA
3	71052	HYDRAULIC BRAKE KIT-12 X 2	1	EA
4	87256	BRAKE LINE KIT	1	EA
5	71030	TORSION SPRING-BRAKES KIT	1	EA