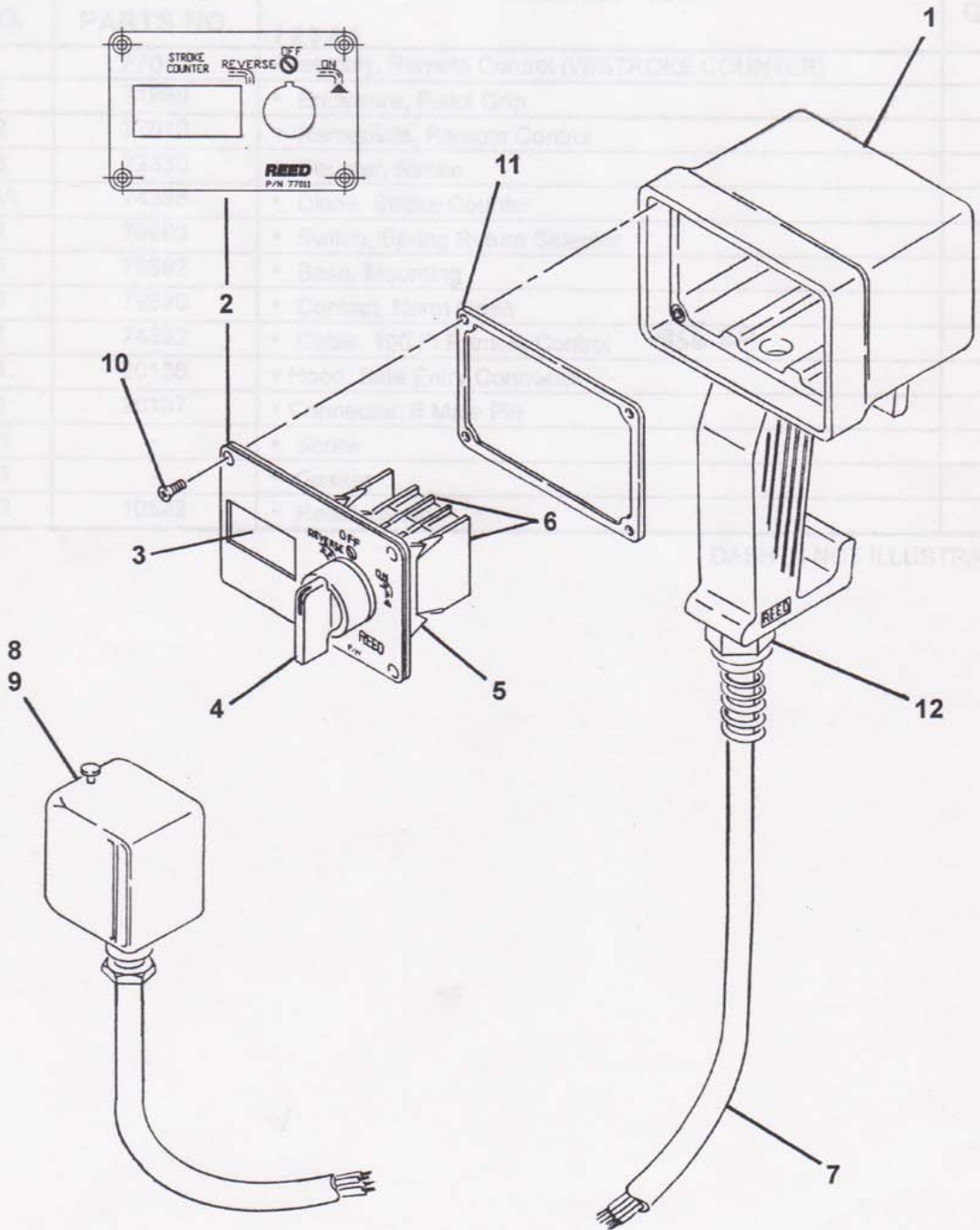




PN 77011 - REMOTE CONTROL ASSEMBLY WITH STROKE COUNTER

MLO

ITEM NO.	REED'S PART NO.	DESCRIPTION	QTY
1		Remote Control (w/Stroke Counter)	1
2		Stroke Counter	1
3		Stroke Counter Housing	1
4		Stroke Counter Knob	1
5		Stroke Counter Switch	1
6		Stroke Counter Terminal Block	1
7		Remote Control Cable	1
8		Stroke Counter Cable	1
9		Stroke Counter Cable Connector	1
10		Stroke Counter Mounting Bracket	1
11		Stroke Counter Cover	1
12		Stroke Counter Cable Connector	1



PN 77011 - REMOTE CONTROL ASSEMBLY WITH STROKE COUNTER

PN 77011 - REMOTE CONTROL ASSEMBLY
WITH STROKE COUNTER

ITEM NO.	REED'S PARTS NO.	DESCRIPTION	QTY
		1 2 3 4 5	
	77011	Assembly, Remote Control (W/STROKE COUNTER)	1
1	71999	• Enclosure, Pistol Grip	1
2	77010	• Nameplate, Remote Control	1
3	72330	• Counter, Stroke	1
-3A	74388	• Diode, Stroke Counter	1
4	79893	• Switch, Spring Return Selector	1
5	79892	• Base, Mounting	1
6	79890	• Contact, Norm Open	3
7	74392	• Cable, 100 Ft Remote Control <i>856 20</i>	1
8	20136	• Hood, Side Entry Connector	1
9	20137	• Connector, 6 Male Pin	1
10	-	• Screw	4
11	-	• Gasket	1
12	10522	• Relief, Strain	1

DASH (-) NOT ILLUSTRATED

