

Baugruppenübersicht construction group survey	Betonpumpe: concrete pump:	Mast: boom:
Typenplan type parts list	THP 150	37R4XXT

Kunde: / customer:	REED	Auftrags.-Nr.: / order no.:	205242
Fahrzeug: / vehicle:	Mack	Bestellnr.: / purchase no.:	Semi

Zusammenstellung	assemble cpl.	(B 00 4 171)		
Aufbaurahmen	sub frame	B 01		
Rahmen	base frame	802613a	Reed Zeichn.	
Rahmenverbindung kpl.	frame connection cpl.	B 03		
Mastbockverbindung	boom connection cpl.	B 03 9 045		
Aufbau	housing	B 04		
Abstützung hinten	outrigger cpl.	B 05		
		B 06		
Podeste / Aufstiege	pedestal / ladder	B 07		
Mastauflegebock	boom support	B 08 0 003	Reed Zeichn.	
Gegengewicht	counter weight	B 09		
Pumpeneinheit kpl.	pump unit cpl.	B 10		
Pumpenlagerung	pump mounting	B 11 5 005	10,5 bis 11°	
Förderzylinder kpl.	conveying cylinder cpl.	B 12 5 010		
Förderkolben kpl.	conveying piston cpl.	B 13 3 020		
Spülkasten kpl.	water box cpl.	B 14 3 000		
Antriebszylinder	drive cylinder	B 15 4 031		
Schiebersystem	s-valve system	1: B 17 5 200 R1	Eigener	Typenplan
Schwenkantrieb	tilting device cpl.			
Zentral / Schmieranlage	central lubrication unit			
Förderkolbensmierung	lubrication f. conveying piston	B 18 3 006 b		
Förderleitung Pumpeinheit	conveying pipe pump unit	B 19		
Förderleitung 6"	conveying pipe 6"			
Trichteroberteil	Hopper top part			
Trichterzubehör	hopper accessories			
Trichteroberteil	hopper upper part	B 22 5 090		
		B 23		
		B 24		
Rührwerk mit Antrieb	agitator with drive	B 25 5 080	2x Nutring	
		B 26		
		B 27		
Rüttleinrichtung	vibrating equipment	B 28		
		B 29		
Wasseranlage	water system	B 30		
Wassertank kpl.	Water tank cpl.	B 31		
Wasserpumpe mit Antrieb	Water pump with drive	B 32 3 070		
Halter für Wasserschlauch	Holder for water hose	B 33		
Halter für Wasserschlauch	Holder for water hose	B 33 0 020	(2x)	
Schlauchleitung	Hose line	B 34		
Druckluftanlage	Compressed air unit	B 35		
Hochdruckreiniger	High pressure cleaner	B 36		
Kompressor mit Antrieb	Compressor with drive	B 37		
		B 38		
Schlauchleitung	Hose line	B 39		
Hydraulikanlage BP	Hydraulic system	Wai 106474		
Hydrauliks. Pumpe/Rührwerk	Control block	WAI 108404		
		WAI 108403		
Blasenspeicher		WAI 103616		
Hydraulikpumpe	hydraulik pump	WAI 104777		
		WAI 100 938	4x	
		WAI 101 332	8x	
Hydrauliktank / Zubehör	hydraulic tank / accessories	WAI 101 950	4x	
Ölkühlung	oil cooler	WAI 101 979	4x	
Schläuche / Zubehör	hoses / accessories	WAI 103 207	4x	
Elektroanlage	wiring diagram	WAI 106059	B 51 3 017 d	
Steuerpult	control panel			
Motorabstellung	engine stop	B 52		
Pumpenverstellung elektrisch	pump adjustment electrical	B 53		
Drehzahlverstellung	rpm adjustment	B 54		

Elektroanlage Mast	wiring diagram boom	B 55			
Kabelbaum / Zubehör	wiring harness / accessories	B 56 1 070 a	B 56 1 071	B 56 1 066 d	B 56 1 049
Zubehör	accessories	B 57	Auf Layer	achten	
extra Mastkabelbaum		B 56 2 066			
Kabelfernsteuerung	cable remote control	WAI 105983			
Funkfernsteuerung	radio remote control	WAI 105982			
Verteilermast	distributor boom	B 66 7 120			
Mastbock	boom support	B 61 9 000 d	WAI 106535		
Drehwerk	rotating unit	B 62 8 010	B 62 8 011 a	B 62 8 012 c	WAI 106266
Abstützung kpl.	outrigger cpl.	B 63 9 150 e	WAI 106210		
Abstützung vorne rechts	outrigger front right	2:	B 63 9 170 c	WAI 109673	B 63 9 090 b
			B 63 9 246 a	B 63 0 104 a	WAI 106512
Abstützung vorne links	outrigger front left	2:	B 63 9 180 c	WAI 109673	B 63 9 090
					WAI 106512
Abstützung hinten rechts	outrigger rear right	2:	B 63 9 190 a	WAI 109673	
Abstützung hinten links	outrigger rear left	2:	B 63 9 210 b	WAI 109673	
Transportsicherung vorne	transportation safety device f.		B 63 9 197 b		
Transportsicherung hinten	transportation safety device r.		B 63 9 207 b		
Förderleitung	delivery line	B 64			
Endschlauchhalter	end hose holder	B 64			
Endschlauch	end hose	WAI			
		B 65			
Arm 1	boom element 1	B 66			
Arm 2	boom element 2	B 66			
Arm 3	boom element 3	B 66			
Arm 4	boom element 4	B 66			
Arm 5	boom element 5	B 66			
		B 67			
Drehkopf	rotating head	B 68			
		B 69			
Hydraulikanlage Mast	hydraulic system boom	WAI106 261			12Volt
Hydraulikanlage Mast	hydraulic system boom	B 71 9 001aR1			
Hydraulikanlage Mastbock	hydraulic sys. boom support	B 72 9 011aR2	Steuerbl. von	Fa. REED	
		B 73			
Hydraulikanlage Pumpeinheit	hydraulic sys. pump unit	WAI101529			
		B 75			
		B 76			
Hydrauliktank Mast	hydrauliktank boom	B 77			
		B 78			
		B 79			
Antrieb	drive	B 80			
Verteilergetriebe 4496	distribution gear	B 81 4 077aR1	i = 1:1,51		
Antriebsaggregat	engine	B 82			
Wellenstrang	lineshaft	B 83			
Unterfahrschutz	chassis protection	B 84			
Zubehör Beleuchtung	additional parts lightning				
Trichterbeleuchtung	lightning for hopper	B 86			
Beleuchtung	lightning	B 56			
Kotflügel	fender	B 87			
Federblockierung	spring lock	B 56			
Achse kpl.	axle cpl.	B 89			
Zubehör	accessories	B 90			
Standardzubehör	standard accessories	B 91			
Schilder Pumpe	sticker pump	B 92 1 004			
Schilder Mastbock	sticker boom support				
Schilder Mast	sicker boom				
		B 93			
Werkzeugkasten	tool box	B 94			
Zusatzteile Europa	additional parts europe	B 95			
Rohrmagazin	conveying pipe magazine	B 96			

Bemerkung / comment:

1 : ohne Klappbogen

2 : Abstützylinder mit flexiblem Teller- Umbuchung nötig

Achtung : Tanks müssen abgedrückt sein !



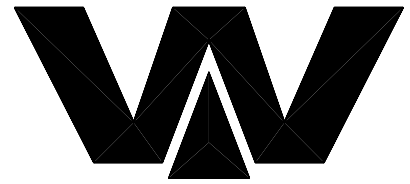
Waitzinger
Baumaschinen GmbH

MODEL **XXT37R**

PARTS LIST



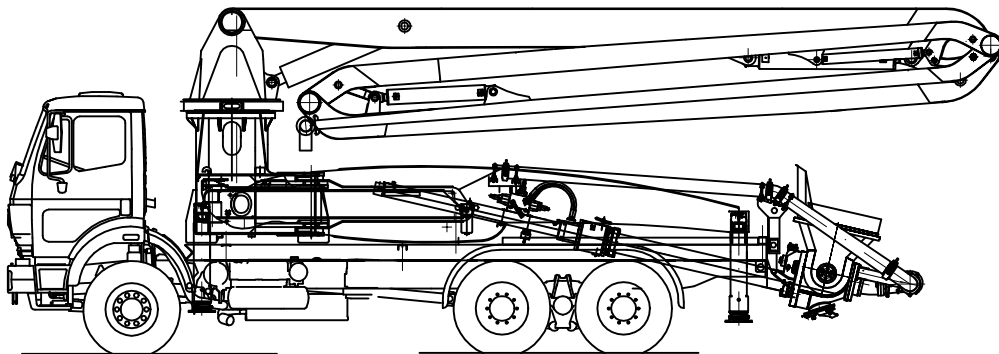
SN06-253



*Waitzinger
Baumaschinen GmbH*

Ersatzteilliste

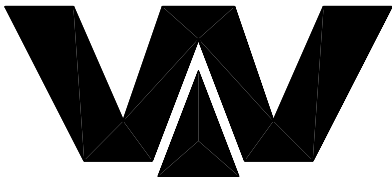
spare part list



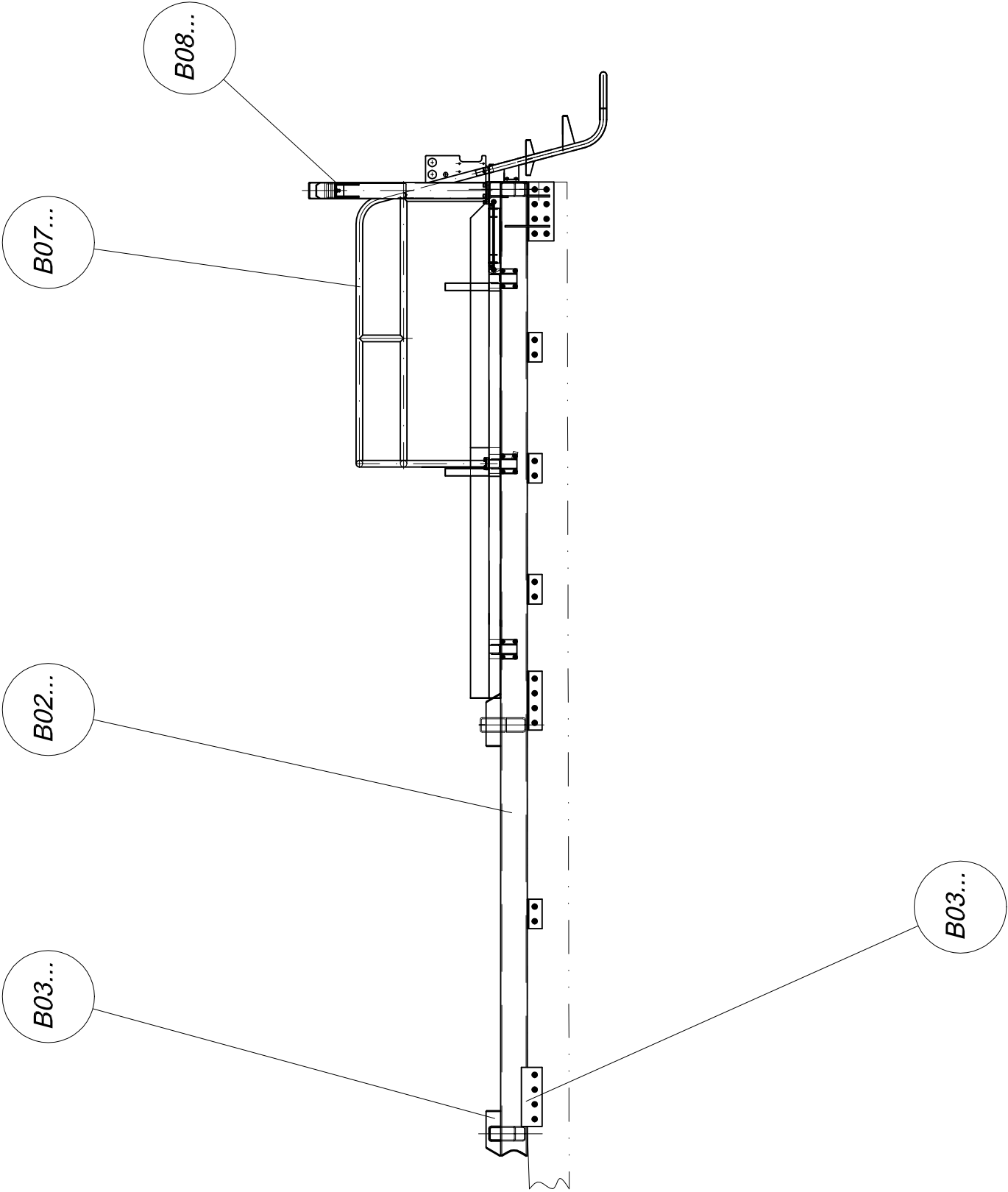
37 R 4 XXT
Masch.-Nr. 205242

Übersicht B 00 - B 09

over view B 00 - B 09

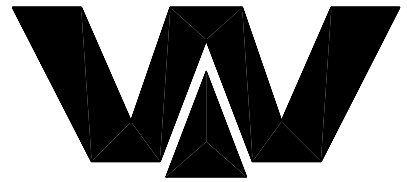


*Waitzinger
Baumaschinen GmbH*

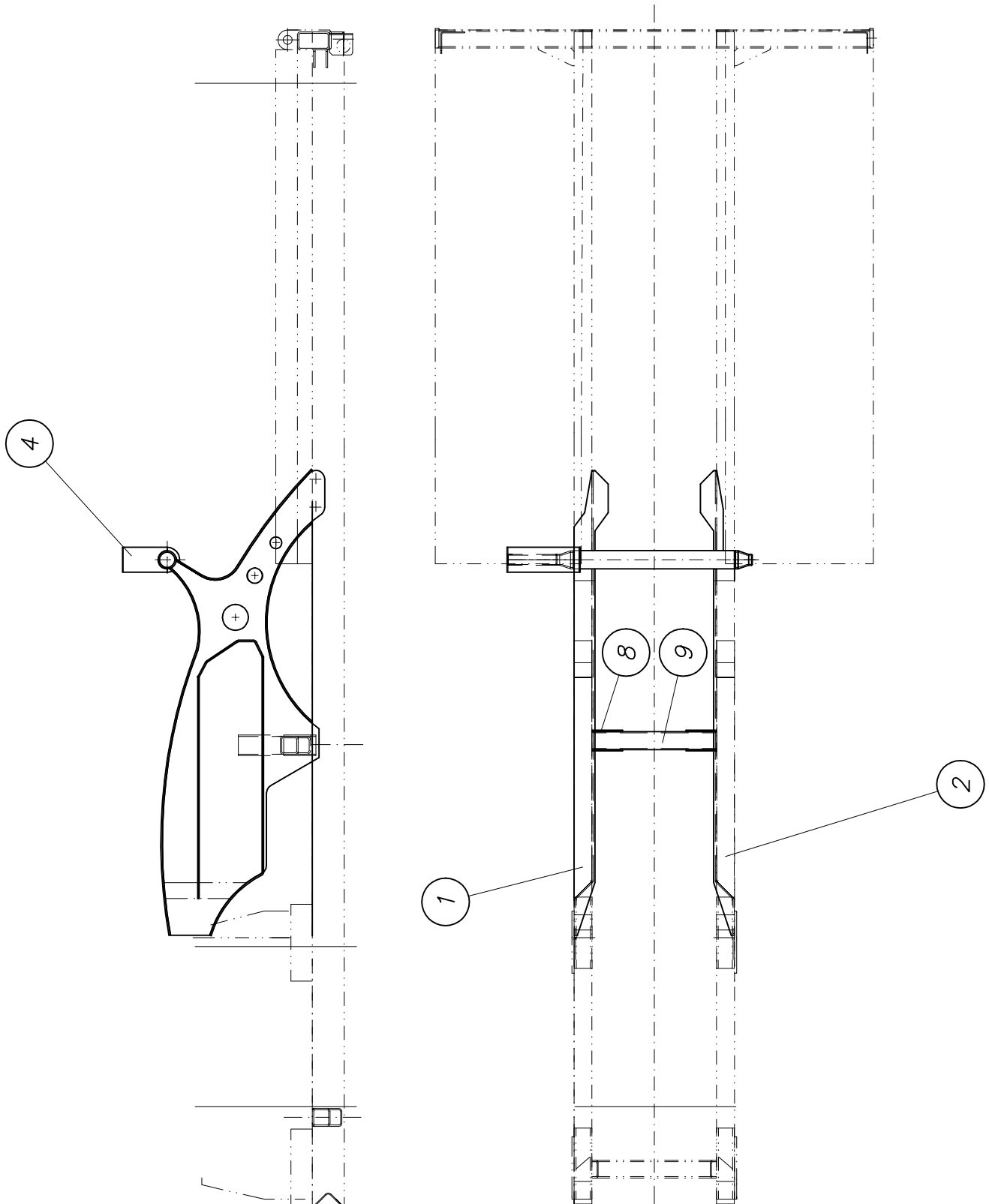


*Mastbockverbindung kpl.
connection for boom base cpl.*

B 03 9 045



*Waitzinger
Baumaschinen GmbH*



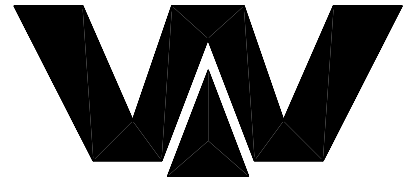


PARTS LIST

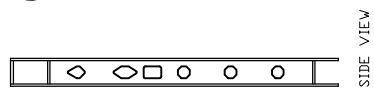
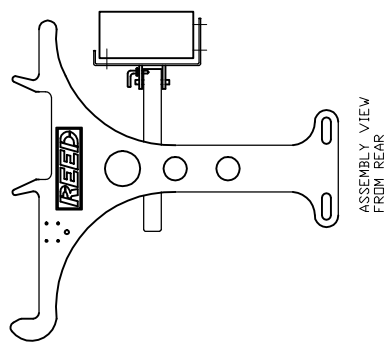
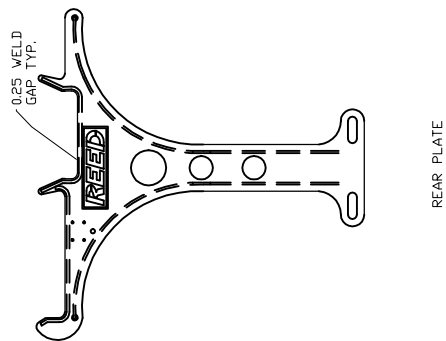
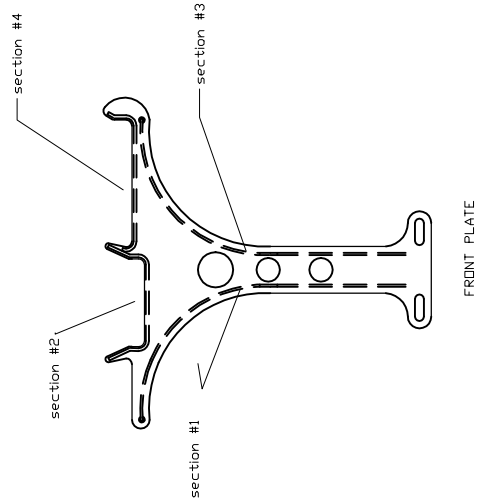
part list	description	created	index	valid from	valid to	
B039045	connection for boom base cpl 37 XXT Reed	04.08.04 ak				
pos	description stock	ident-no dimensions	DIN material	index	weighth Kg	quantity unit
1	connection for boom base 36XXT own parts list	B039104		a 26.04.05	80,00	1,00 Stk
2	connection for boom base 36XXT own parts list	B039101		a 26.04.05	80,00	1,00 Stk
4	pipe (welding group) own parts list	B039035			28,00	1,00 Stk
8	strut own parts list	B039037			7,00	2,00 Stk
9	cross profile	B023083 MSH 100x100x8x6	59410 S355J2G3		15,90	1,00 Stk

Mastauflagebock kpl.
boom support cpl.

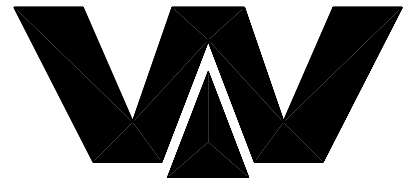
B 08 0 003



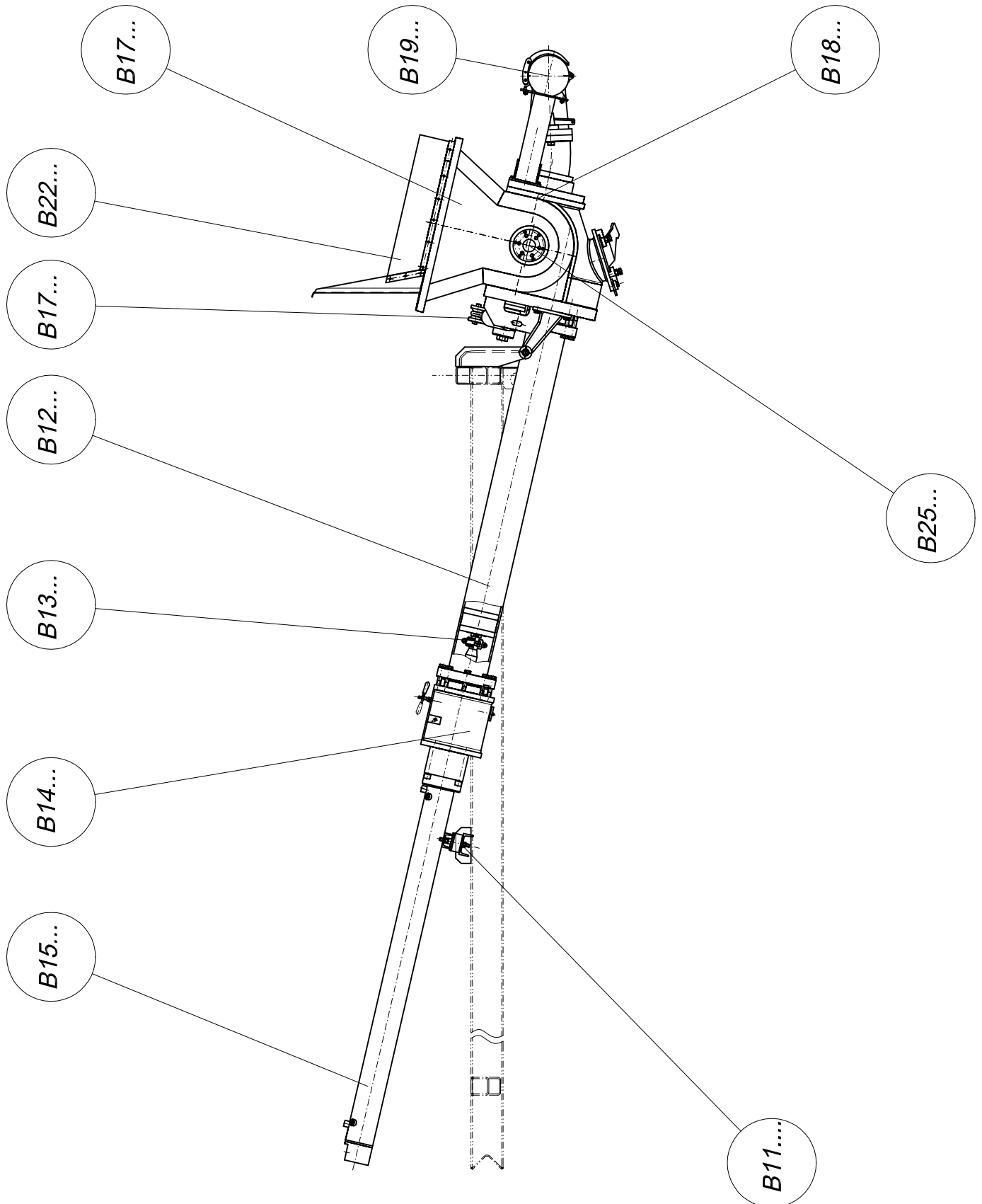
Waitzinger
Baumaschinen GmbH



Übersicht B 10 - B 29
over view B 10 - B 29



Waitzinger
Baumaschinen GmbH

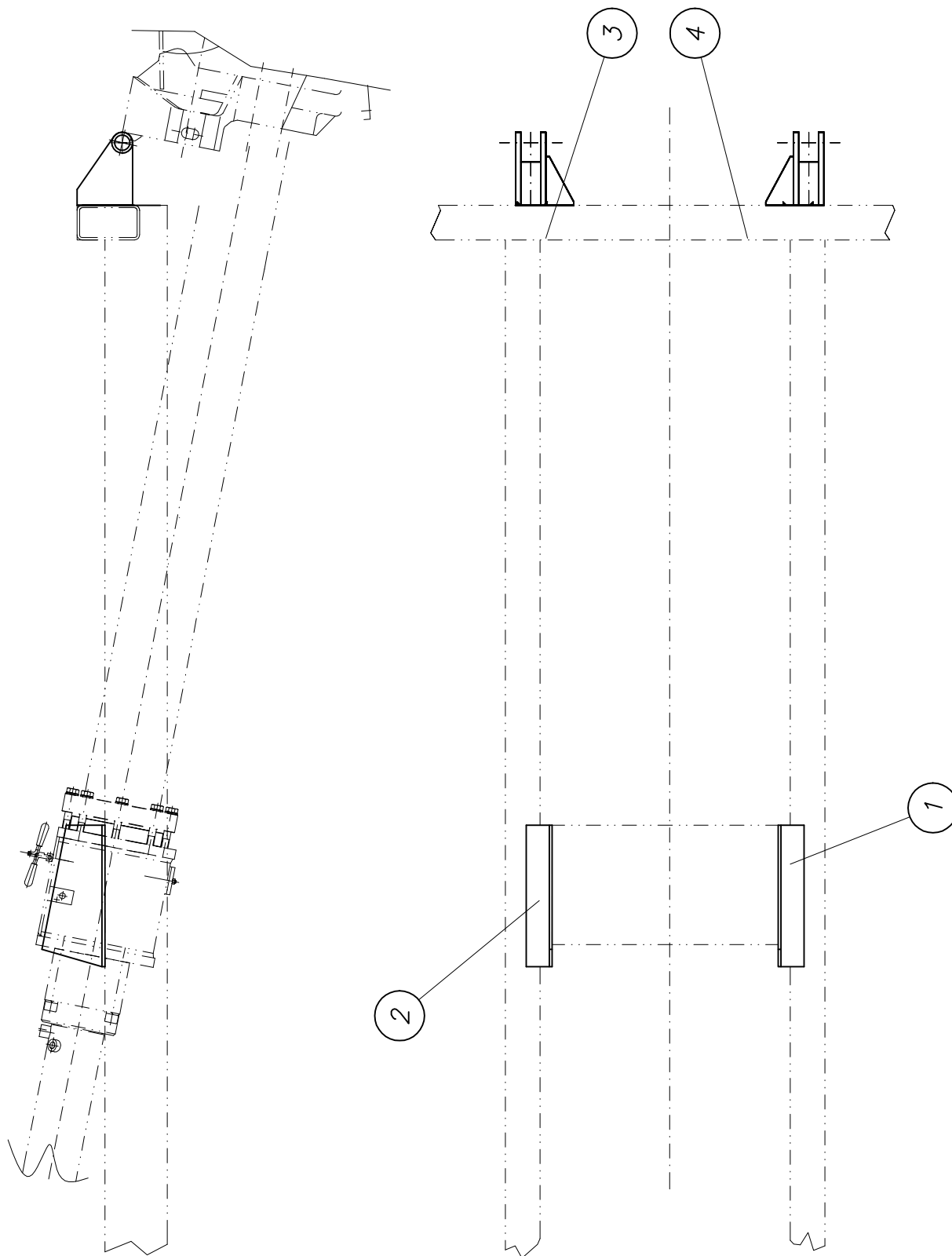


Pumpenlagerung kpl.
pump support cpl.

B 11 5 005



Waitzinger
Baumaschinen GmbH



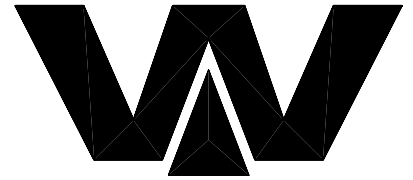


PARTS LIST

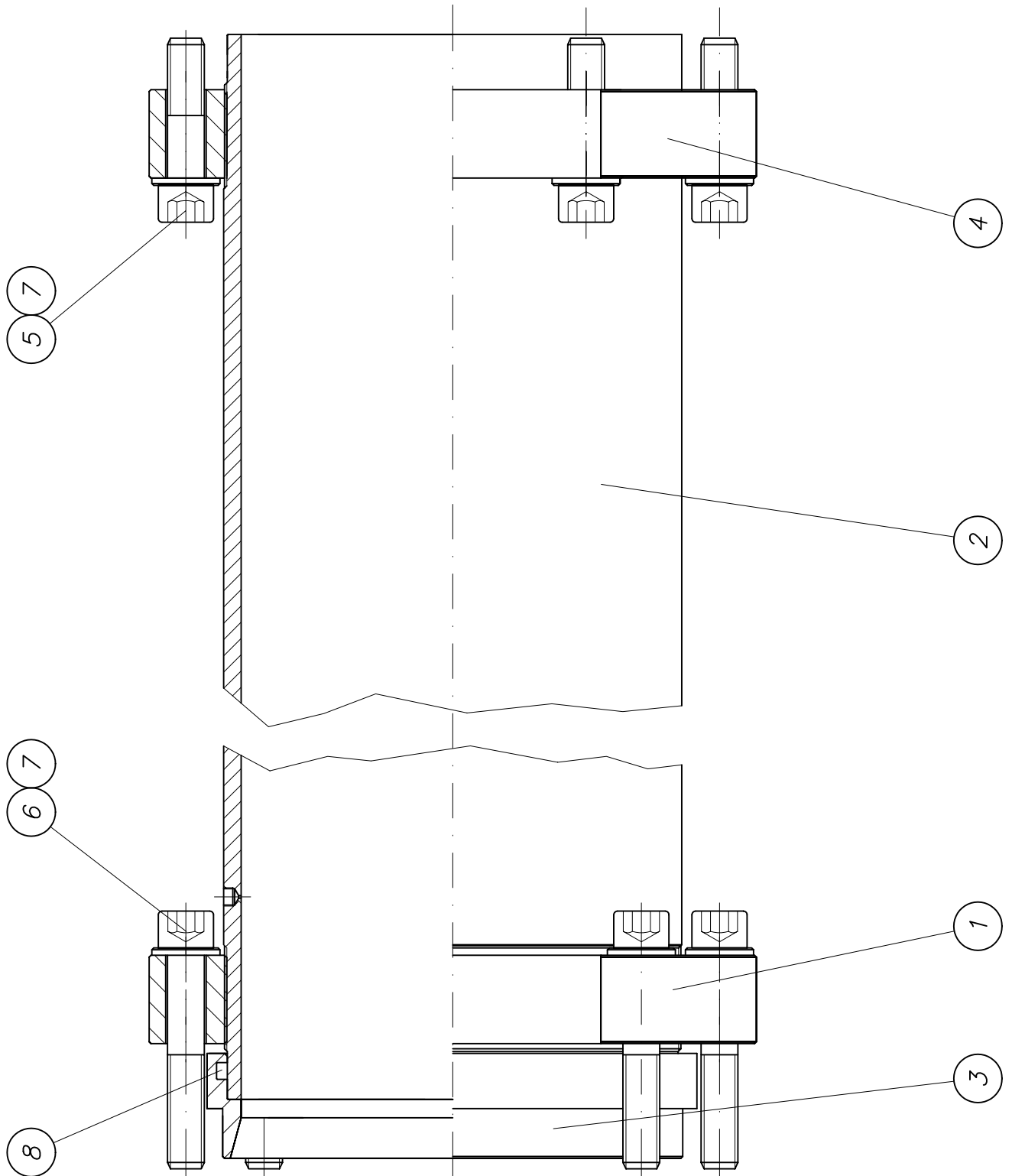
part list	description	created	index	valid from	valid to	
B115005	pump support funnel	22.01.04 HF				
pos	description stock	ident-no dimensions	DIN material	index	weigh Kg	quantity unit
1	holder for water box left	B114166 Bl 8x237x407	1543/EN10029 St37-2		5,00	1,00 Stk
2	holder for water box right	B114167 Bl 8x237x407	1543/EN10029 St37-2		5,00	1,00 Stk
3	bracket right cpl. -N own parts list	B113024		a 20.02.04	6,60	1,00 Stk
4	bracket left cpl. -N own parts list	B113025		a 20.02.04	6,60	1,00 Stk

Förderzylinder kpl.
conveying cylinder cpl.

B 12 5 010



Waitzinger
Baumaschinen GmbH



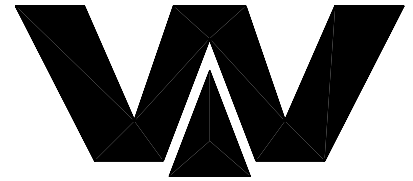


PARTS LIST

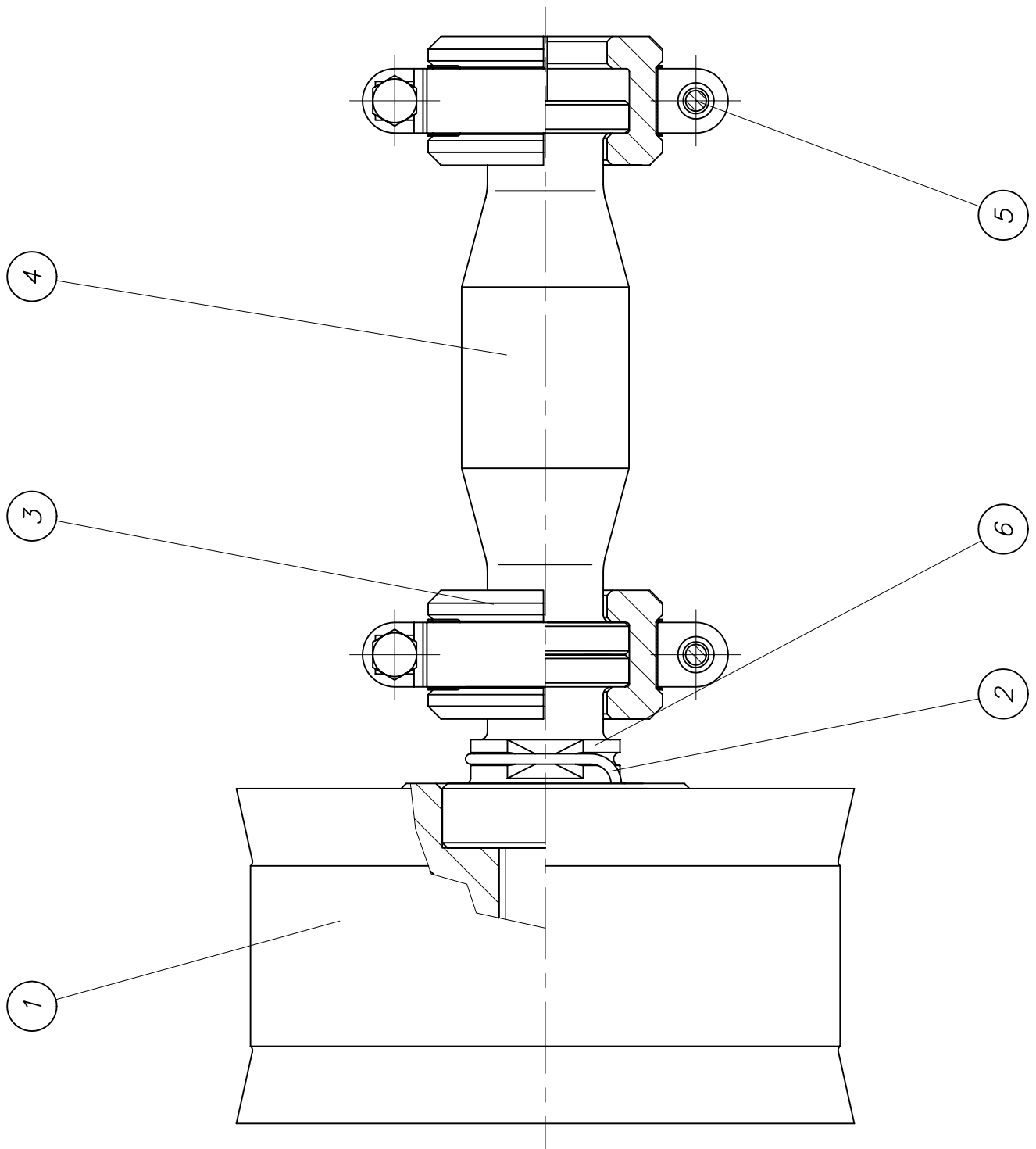
part list	description	created	index	valid from	valid to	
B125010	conveyor cylinder cpl. DN230/215x2000 w.	15.03.01 Mi				
pos	description stock	ident-no dimensions	DIN material	index	weighth Kg	quantity unit
1	flange ring DN 230 threaded	B124021 Bl 55xd330	1543/EN10029 St52-3		12,20	2,00 Stk
2	conveyor cylinder DN230x2000 chromized	B124019 Rohr 250x12.5x2	2448 St52.0		150,00	2,00 Stk
3	fitting ring DN 230 water box	B123012 Rohr 267x36x65	2448 St52.0		6,00	2,00 Stk
4	flange ring DN 230 threaded	B125014 Bl 55xd330	1543/EN10029 St52-3		12,20	2,00 Stk
5	cheese head screw M20 x 80	WAI106754				12,00 Stk
6	cheese head screw M20 x 120	WAI103970				14,00 Stk
7	washer HV	WAI100691			0,01	26,00 Stk
8	O-ring 244 x 7, NBR70	WAI102868				4,00 Stk

Förderkolben kpl.
conveying piston cpl.

B 13 3 020



Waitzinger
Baumaschinen GmbH



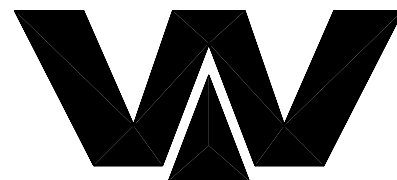
**PARTS LIST**

27.06.05 08:46:17

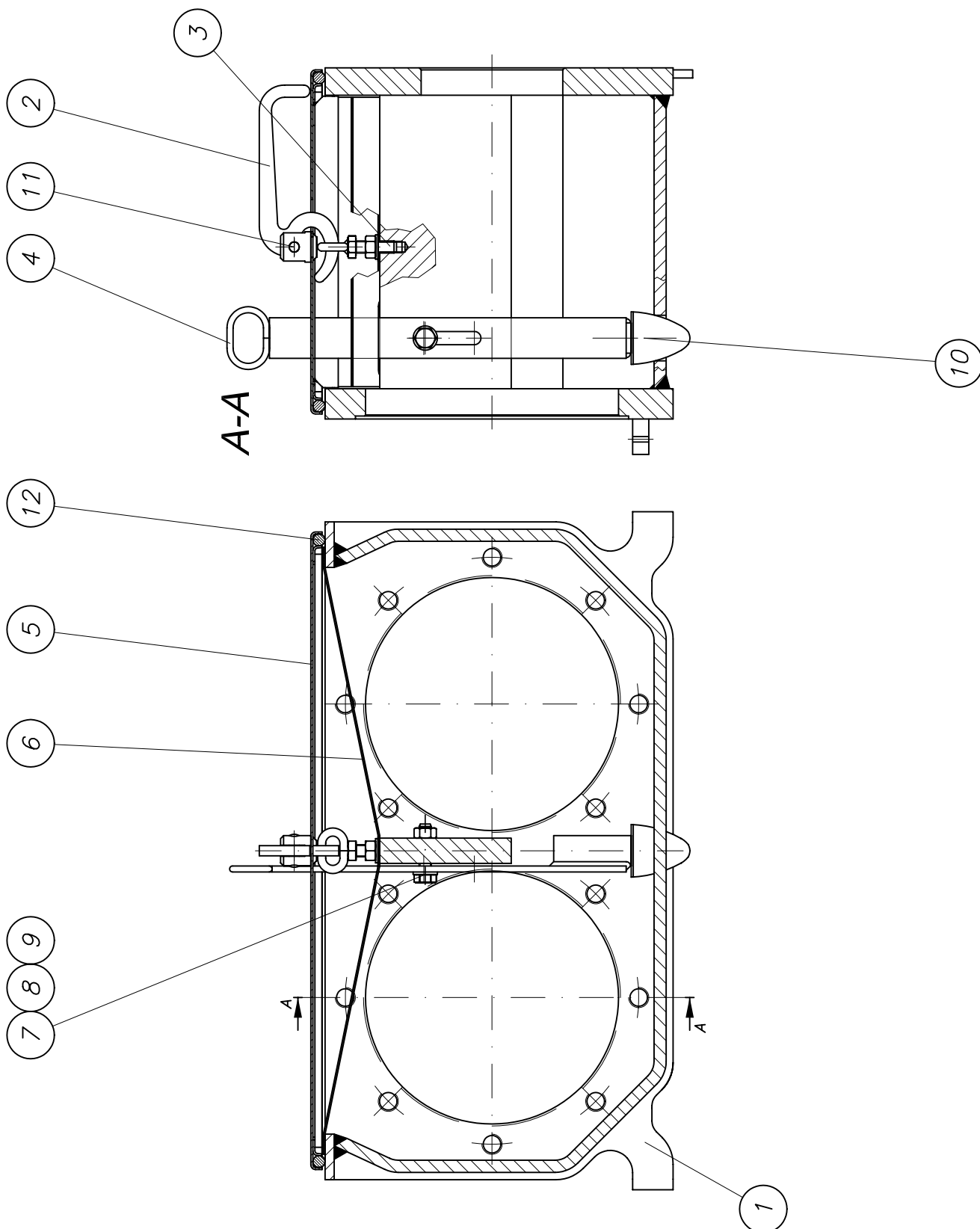
part list	description	created	index	valid from	valid to	
B133020	piston ram cpl. DN 230	08.07.98 Mi				
pos	description stock	ident-no dimensions	DIN material	index	weighth Kg	quantity unit
1	piston ram DN 230	WAI100175			19,90	2,00 Stk
2	protection ring	B133019 Federst. 4	17223			2,00 Stk
3	clamp coupling	B131004 Rd 95x50	1013 42CrMo4V			4,00 Stk
4	distance piece	B133003 Rd 70x225	1013 42CrMo4V			2,00 Stk
5	hose clamp S86/25	WAI101381			0,22	4,00 Stk
6	coupling bolt	B133018 Rd 82x120	1013 42CrMo4V		2,20	2,00 Stk

Spülkasten kpl.
water box cpl.

B 14 3 000



Waitzinger
Baumaschinen GmbH



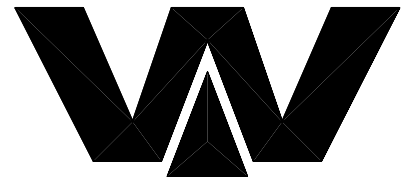


PARTS LIST

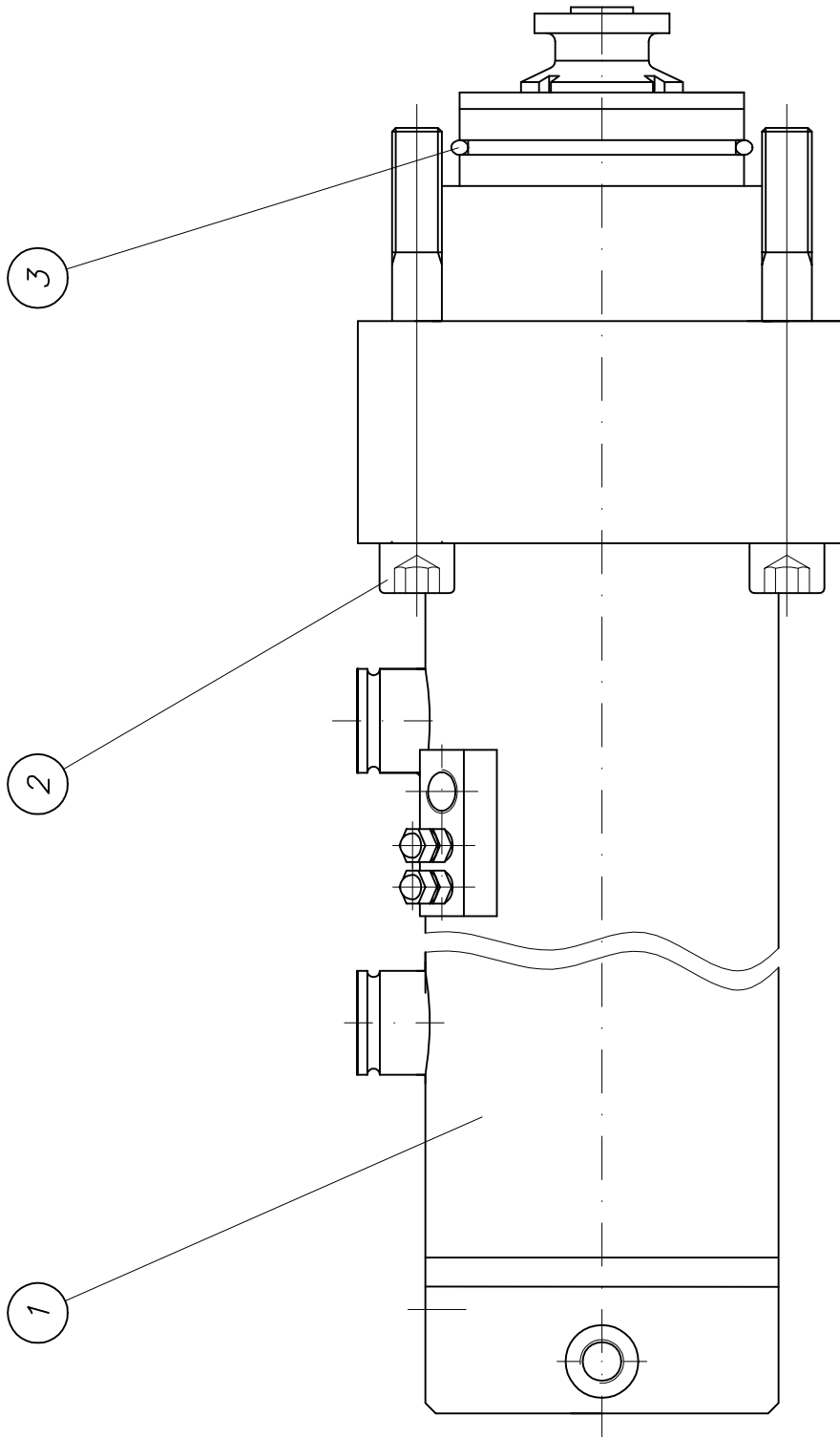
part list	description	created	index	valid from	valid to	
B143000	waterbox cpl. DN 200/230 plug	19.06.97 HG				
pos	description stock	ident-no dimensions	DIN material	index	weighth Kg	quantity unit
1	waterbox cpl. DN 200/230 (processing) own parts list	B143001		b 02.05.00		1,00 Stk
2	lever	B143007 Bl 10x195x78.5	1543/EN10029 St52-3			1,00 Stk
3	loop bolt cpl. own parts list	B143009			0,09	1,00 Stk
4	drain pin own parts list	B143011			1,14	1,00 Stk
5	cover for waterbox cpl. own parts list	B143015			4,55	1,00 Stk
6	savety lattice	B143020 Lochbl. 1.5x610	Rostfrei	a 28.05.03		1,00 Stk
7	hex. screw M12	WAI103688				1,00 Stk
8	nut M12 DIN 934	WAI101557			0,02	2,00 Stk
9	washer	WAI100504				2,00 Stk
10	rubber buffer 50 x 58	WAI102712				1,00 Stk
11	pin	WAI103387				1,00 Stk
12	O-ring cord 12mm	WAI101831				1,95 Mtr

Antriebszylinder kpl.
drive cylinder cpl.

B 15 4 031



Waitzinger
Baumaschinen GmbH



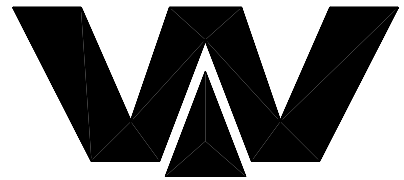


PARTS LIST

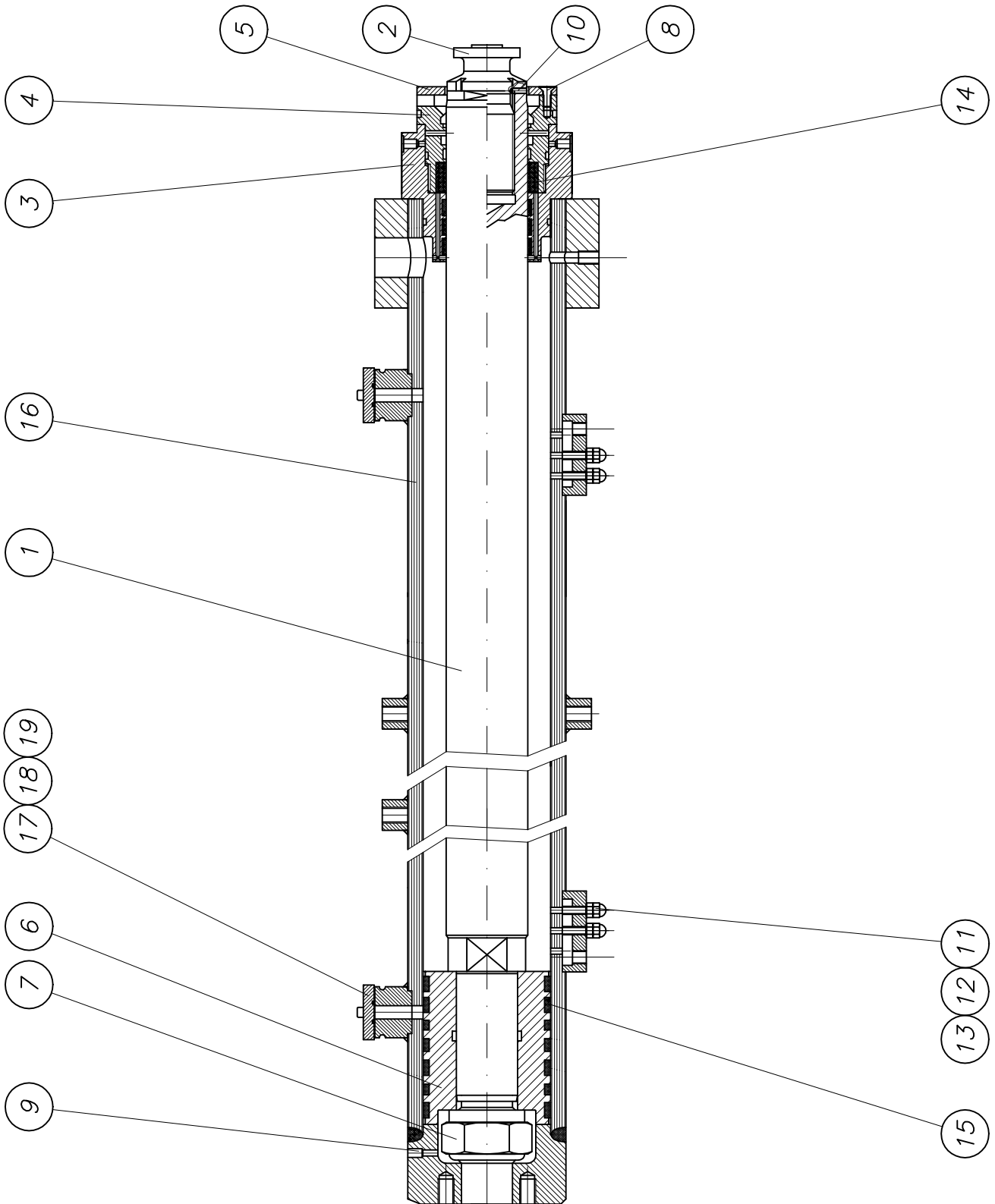
part list	description	created	index	valid from	valid to	
B154031	drive cylinder cpl. 140/80-2000	20.09.00 Mi				
pos	description stock	ident-no dimensions	DIN material	index	weigh Kg	quantity unit
1	drive cylinder 140/80-2000 REED own parts list	WAI106154		a 30.10.03	295,00	2,00 Stk
2	cylinder head screw M 24 x 200	WAI103828				8,00 Stk
3	O-ring 129,2 x 5,7	WAI101441				2,00 Stk

Antriebszylinder
drive cylinder

WAI 106154a



Waitzinger
Baumaschinen GmbH





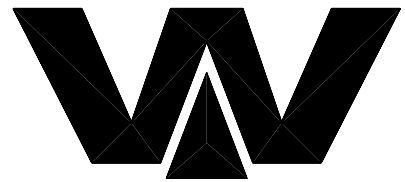
PARTS LIST

part list	description	created	index	valid from	valid to	
WAI106154	drive cylinder 140/80-2000 REED	15.05.00 Mi	a	30.10.03		
pos	description stock	ident-no dimensions	DIN material	index	weighth Kg	quantity unit
1	piston rod for drive cylinder	WAI105724 Rd 90x2173	1013 Ck45			1,00 Stk
2	piston joint	WAI104146 Rd 80x131	1013 42CrMo4V		1,87	1,00 Stk
3	guide piece for drive cylinder 140	WAI105725 Rd 180x142	1013 St52	a 30.07.03		1,00 Stk
4	sealing carrier for drive cylinder	WAI104890	GGG 40	a 29.07.03		1,00 Stk
5	aperture for drive cylinder	WAI105726 8x d137	Polyamid			1,00 Stk
6	piston 140 REED	WAI106305		b 30.07.03		1,00 Stk
7	piston nut for drive cylinder	WAI105728				1,00 Stk
8	sunk screw M 8 x 20	WAI103397				3,00 Stk
9	locking screw G 1/8	WAI100528				3,00 Stk
10	set screw	WAI105739				1,00 Stk
11	hex. nut M8 DIN 934 8. VERZ.	WAI102880				4,00 Stk
12	cap nut M8	WAI104933				4,00 Stk
13	set screw	WAI105740				4,00 Stk
14	sealing set for drive cylinder 125/80 own parts list	WAI104690				1,00 Stk
15	sealing set for drive cylinder 140/80 own parts list	WAI106156				1,00 Stk
16	cylinder pipe cpl. 140 REED	WAI106153		a 30.07.03		1,00 Stk
17	cover for sensor connection	B154017 Rd 11x55	1013 S235J2G3		0,20	2,00 Stk
18	o-ring	WAI108533				2,00 Stk
19	alien bolt M 6x25	WAI103673				4,00 Stk

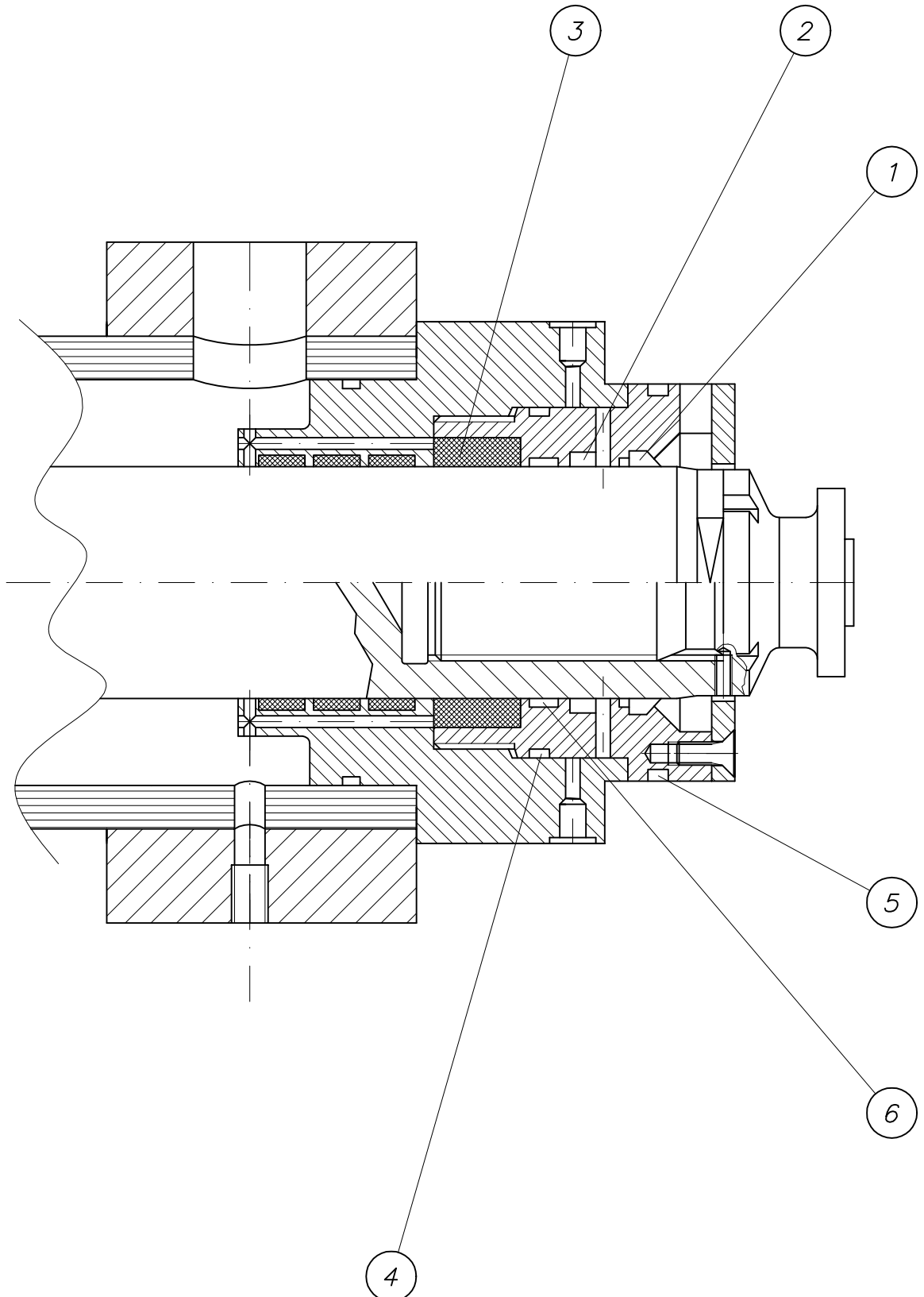
Stangendichtsatz

rod sealing set

WAI 104690



*Waitzinger
Baumaschinen GmbH*



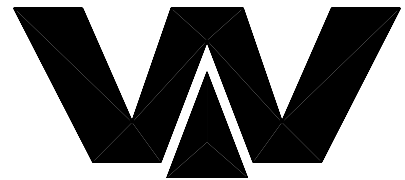


PARTS LIST

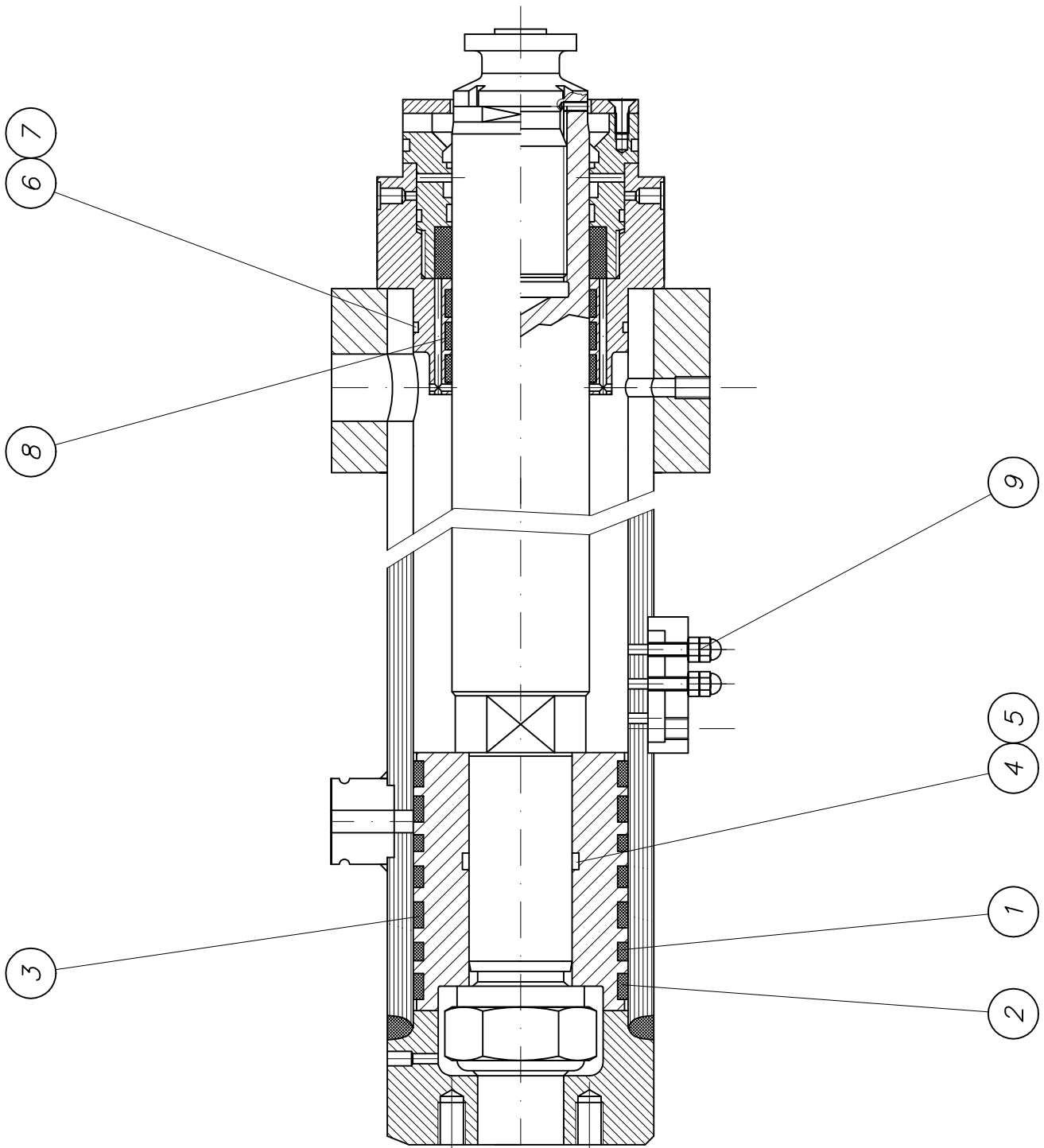
part list	description		created	index	valid from	valid to
WAI104690	sealing set for drive cylinder 125/80		30.08.99 Mi			
pos	description stock	ident-no dimensions	DIN material	index	weighth Kg	quantity unit
1	wiper	WAI100259			0,00	1,00 Stk
2	wiper	WAI105729				1,00 Stk
3	v-packing 80 x 100 x 30	WAI102584				1,00 Stk
4	sealing for drive cylinder	WAI105732				1,00 Stk
5	o-ring	WAI105731				1,00 Stk
6	rod support for drive cylinder	WAI105738				1,00 Stk

Dichtsatz für Antriebszylinder
sealing set for drive cylinder

WAI 106156



Waitzinger
Baumaschinen GmbH



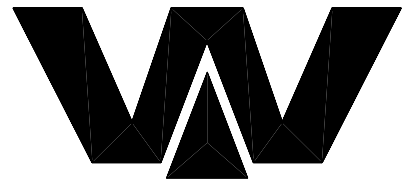


PARTS LIST

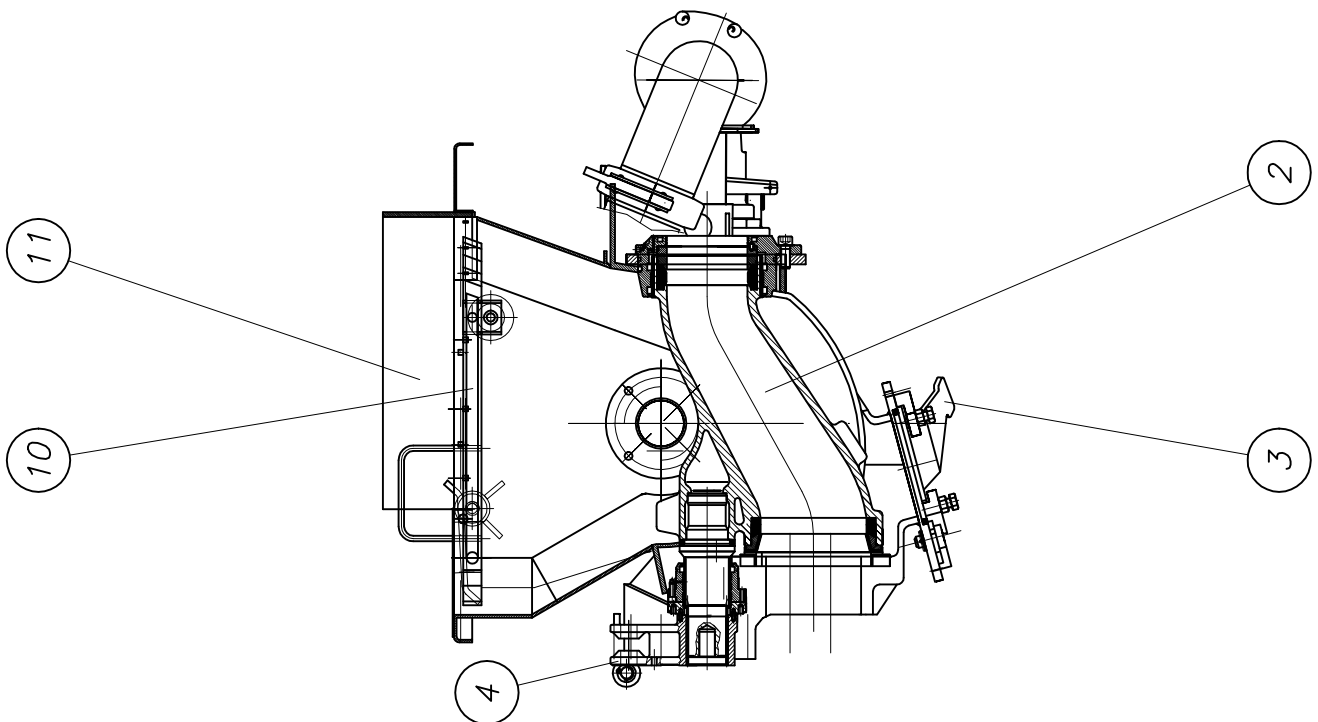
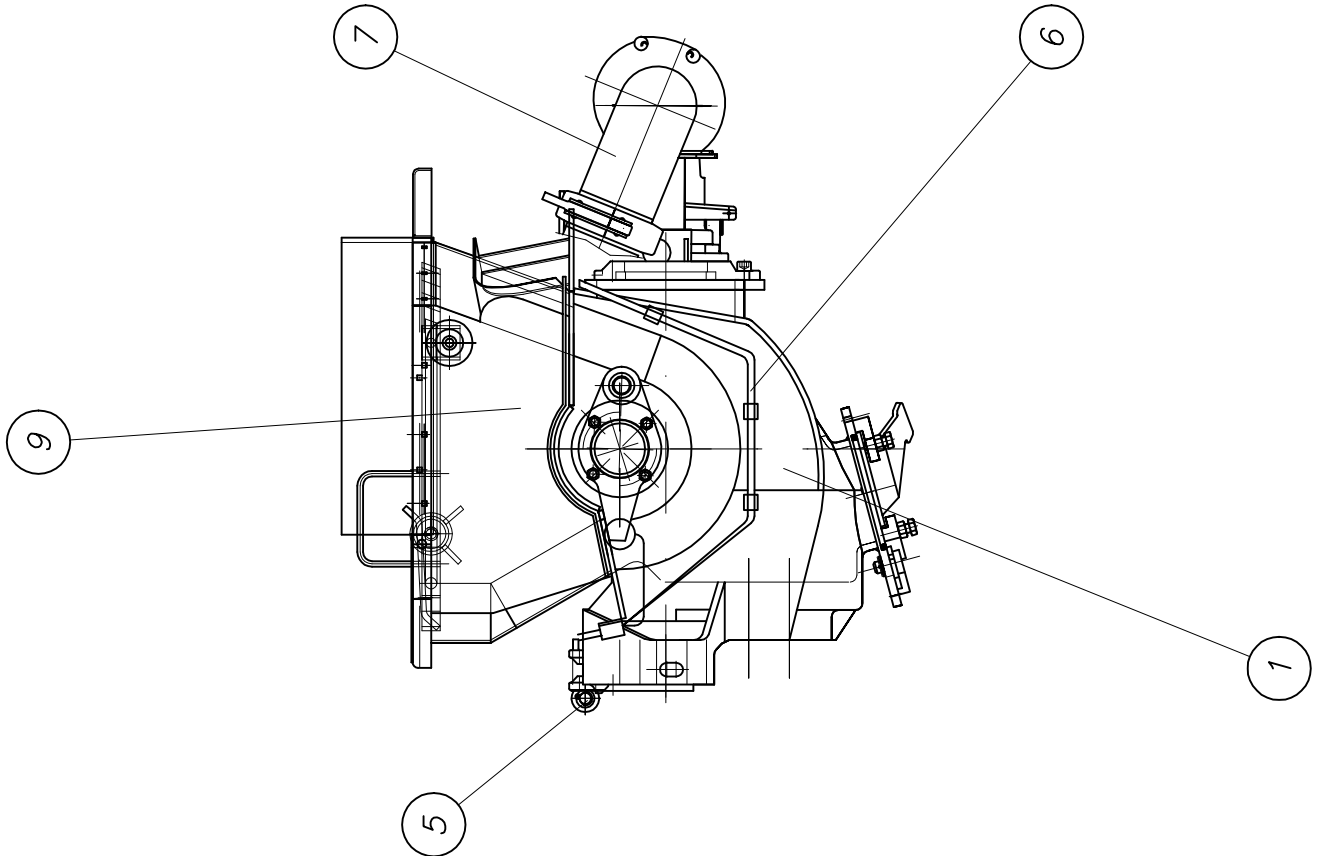
part list	description	created	index	valid from	valid to	
WAI106156	sealing set for drive cylinder 140/80	03.08.00 hbk				
pos	description stock	ident-no dimensions	DIN material	index	weighth Kg	quantity unit
1	piston guide	WAI105735				3,00 Stk
2	piston ring permassel DN140	WAI105049			0,05	2,00 Stk
3	piston ring DN 140	WAI106313				2,00 Stk
4	back-up ring	WAI105736				2,00 Stk
5	o-ring	WAI105734				1,00 Stk
6	O-ring 134 x 4	WAI106314				1,00 Stk
7	back-up ring	WAI106315				1,00 Stk
8	piston guide	WAI106316			5,00	3,00 Stk
9	usit-ring 8.7-14-1	WAI101269				8,00 Stk

Schiebersystem kpl.
s-valve system cpl.

B 17 5 200R1



Waitzinger
Baumaschinen GmbH



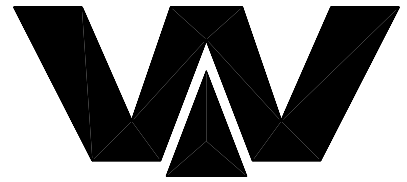


PARTS LIST

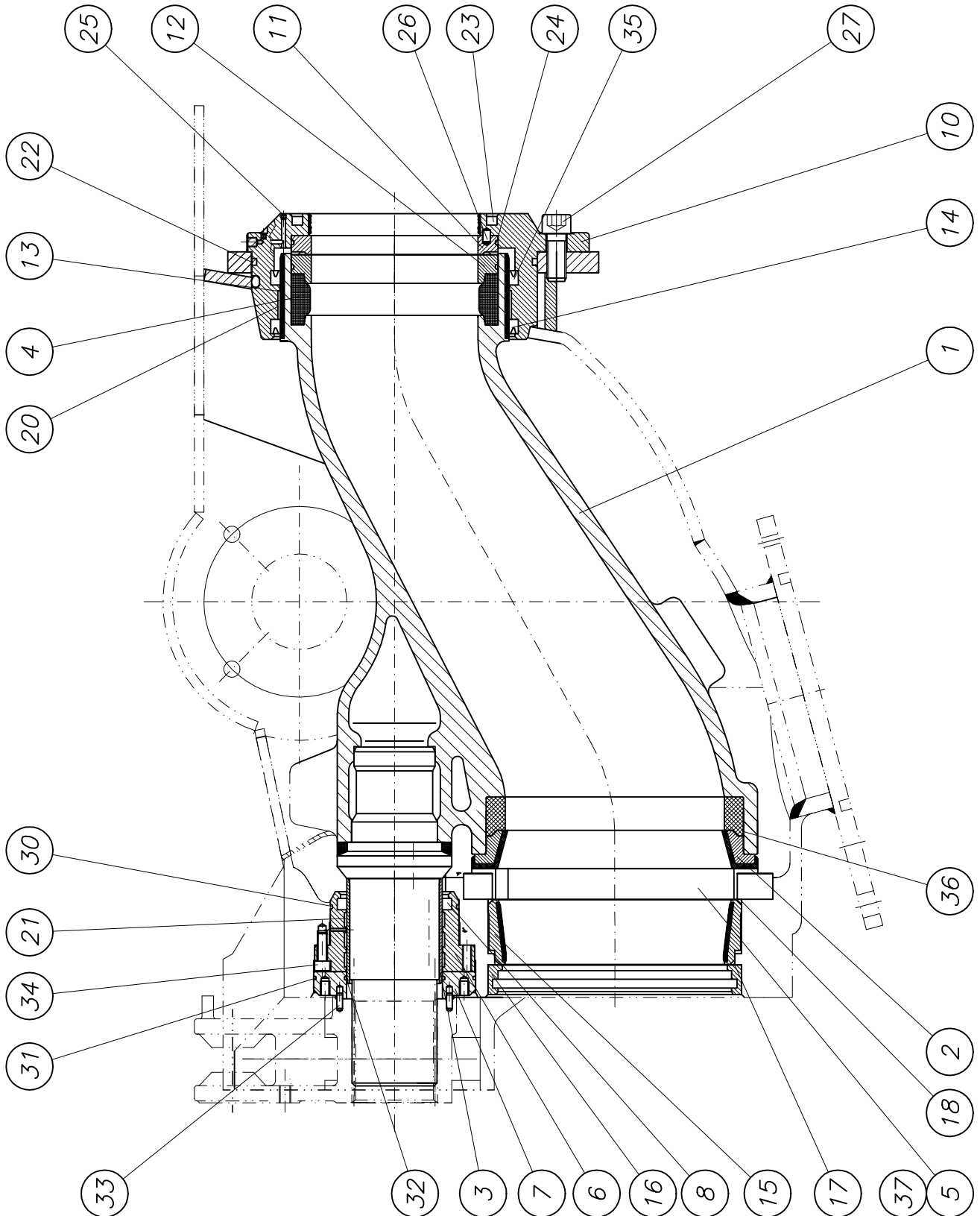
part list	description	created	index	valid from	valid to	
B175200R1	s-valve system w/o	20.07.05	TECHNIK			
pos	description stock	ident-no dimensions	DIN material	index	weighth Kg	quantity unit
1	s-valve housing cpl. (processing) DN 230 own parts list	B175025		e 25.05.05	572,00	1,00 Stk
2	s-valve system complete own parts list	B175006		b 25.02.05		1,00 Stk
3	cleaning hole assembly own parts list	B175050		a 21.03.03		1,00 Stk
4	shift drive system cpl. own parts list	B175020		b 02.08.05		1,00 Stk
5	pump support funnel own parts list	B115001				1,00 Stk
6	lubrication system complete own parts list	B185003		a 29.07.04		1,00 Stk
7	conveying pipe line 6" own parts list	B195065R1				1,00 Stk
9	hopper upper part own parts list	B225055				1,00 Stk
10	grid cpl. own parts list	B225040		b 29.11.04		1,00 Stk
11	rubber apron cpl own parts list	B225045		a 04.04.03		1,00 Stk

Schiebersystem kpl.
s-valve system cpl.

B 17 5 006b



Waitzinger
Baumaschinen GmbH





PARTS LIST

part list	description	created	index	valid from	valid to	
B175006	s-valve system complete	21.01.04 ek	b	25.02.05		
pos	description stock	ident-no dimensions	DIN material	index	weigh Kg	quantity unit
1	s-valve cpl. own parts list	B175080			98,00	1,00 Stk
2	wear ring DN230	B175210 Bl 40xD300	1543/EN10029 S355J2G3		4,00	1,00 Stk
3	wear bushing small	B175175 Rohr 108x10x115	2448 StE690		1,70	1,00 Stk
4	tension ring DN217x64 / 70 shore	B175202 217x64	70 Shore			1,00 Stk
5	wear plate DN 250	B175177 Bl 30x400x644	1543/EN10029 St52-3	a 02.12.03	23,00	1,00 Stk
6	bearing housing small	B175178 Rd 180x90	1013 St52-3	b 24.07.03		1,00 Stk
7	axial bearing washer	B175179 Rd 180x35	1013 CuSn8P (2.18)	a 01.08.03		1,00 Stk
8	groove ring 100x120x12 own parts list	B175181			0,04	1,00 Stk
10	bearing housing big (processing) megahop own parts list	B175009		b 23.05.05		1,00 Stk
11	slide ring DN 217 x 20	B173013 d217x20				1,00 Stk
12	slide ring DN 217 x 30	B173014				1,00 Stk
13	wear bushing big	B173073 Rohr 244.5x12.5	2458 StE690	a 01.08.03	2,00	1,00 Stk
14	groove ring 240x260x15 own parts list	B173078			0,04	1,00 Stk
15	fitting ring with hardened surface own parts list	B175071			7,60	2,00 Stk
16	fitting ring	B175072 Bl 40xd275	DIN EN 10029 S235J2G3	a 01.07.04	2,90	2,00 Stk
17	O-Ring 243 x 4	WAI108633				2,00 Stk
18	O-Ring 258 x 4	WAI108634				2,00 Stk
20	rod wear-ring 240 x 245 x 15 mm	WAI102487			0,03	2,00 Stk
21	rod wear-ring 105 x100 x 15 mm	WAI106096			0,01	3,00 Stk
22	O-ring 290 x 5	WAI102539			0,02	1,00 Stk
23	O-ring 193 x 10	WAI103563			0,05	1,00 Stk
24	O-ring	WAI101808				2,00 Stk

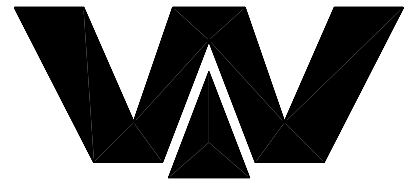


PARTS LIST

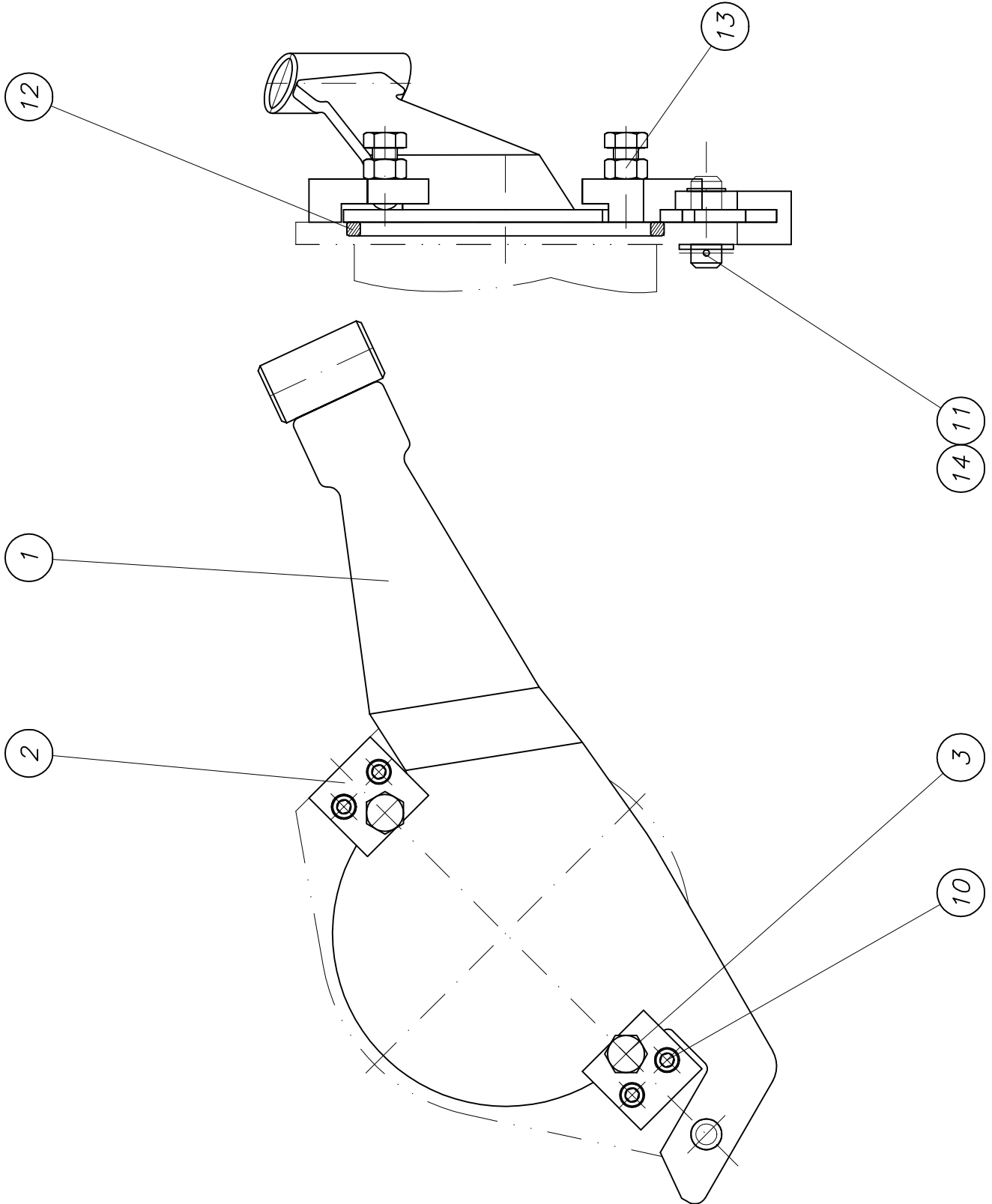
part list	description	created	index	valid from	valid to	
B175006	s-valve system complete	21.01.04 ek	b	25.02.05		
pos	description stock	ident-no dimensions	DIN material	index	weigh Kg	quantity unit
25	set screw M 8 x 8	WAI106824				4,00 Stk
26	straight pin	WAI103717				2,00 Stk
27	cheese head screw M20 x 50	WAI102854				4,00 Stk
30	O-ring 129,5 x 3 SH90	WAI102448				1,00 Stk
31	sealing ring 165 x 3	WAI103580				1,00 Stk
32	O-ring	WAI105771				1,00 Stk
33	straight pin	WAI103061				2,00 Stk
34	cheese head screw M 10 x 25	WAI109528				4,00 Stk
35	groove ring 240x260x15	WAI100479				1,00 Stk
36	tension ring	B175201 270x45	50 Shore		0,60	1,00 Stk
37	cheese head screw M20 x 130	WAI104885				4,00 Stk

Reinigungsklappe kpl.
cleaning cover cpl.

B 17 5 050a



Waitzinger
Baumaschinen GmbH



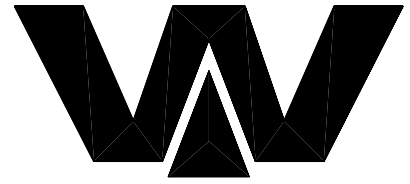


PARTS LIST

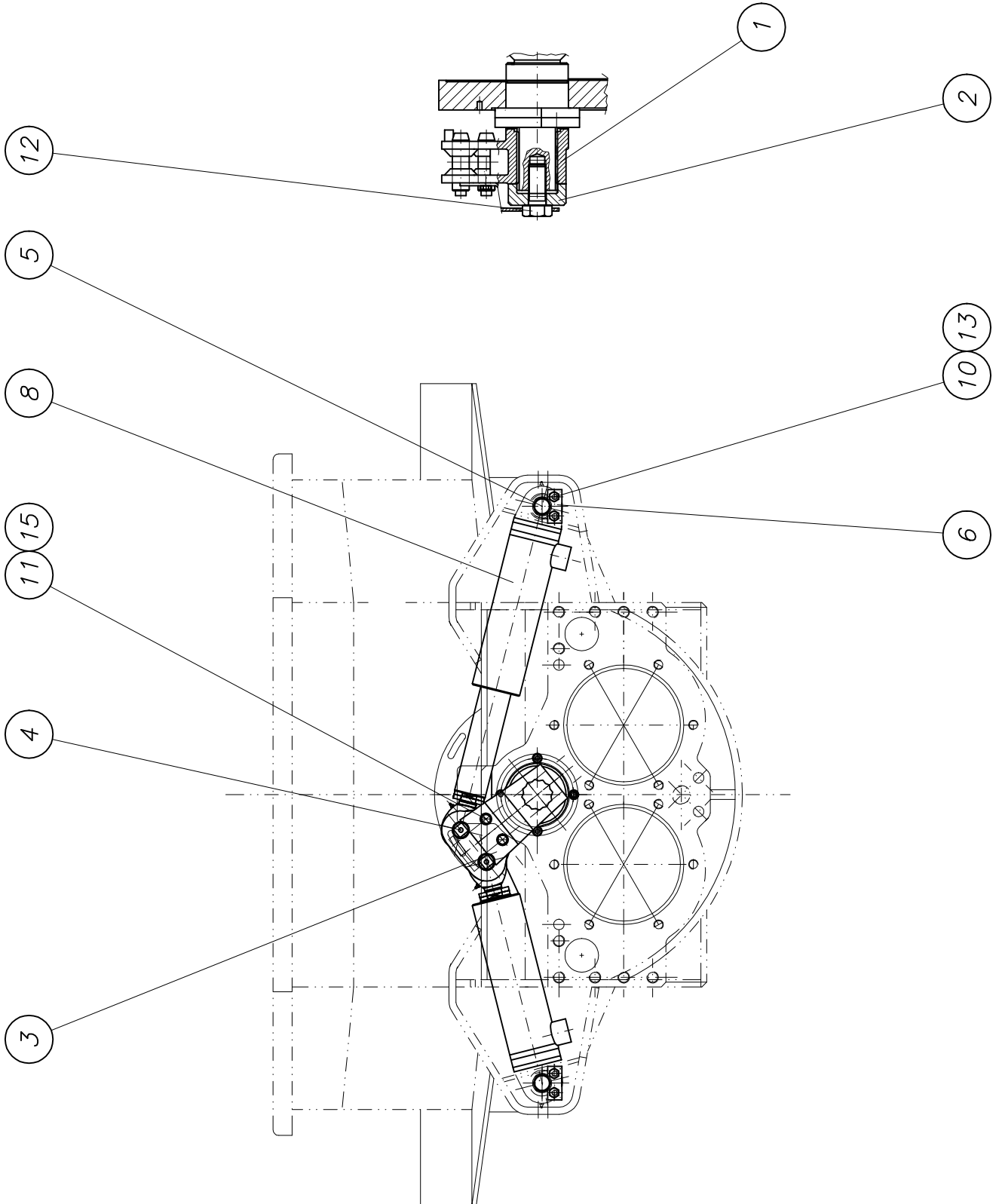
part list	description	created	index	valid from	valid to	
B175050	cleaning hole assembly	03.03.00 Mi	a	21.03.03		
pos	description stock	ident-no dimensions	DIN material	index	weigh Kg	quantity unit
1	cover cpl. for cleaning cover own parts list	B175051		b 15.06.04	9,00	1,00 Stk
2	plate	B172126 Bl 40x67x70	1543/EN10029 St52-3		0,89	2,00 Stk
3	screw M 20 (processing) own parts list	B172128 6-Kt.Schraube M	933-8.8		0,18	2,00 Stk
10	cheese head screw M 12 x 40	WAI102855				4,00 Stk
11	washer 25, DIN 125	WAI103298				1,00 Stk
12	O-ring cord 12mm	WAI102908				0,78 Mtr
13	nut M20 DIN 934	WAI102891				2,00 Stk
14	split pin	WAI105194				1,00 Stk

Schwenkantrieb kpl.
tilting device cpl.

B 17 5 020b



Waitzinger
Baumaschinen GmbH



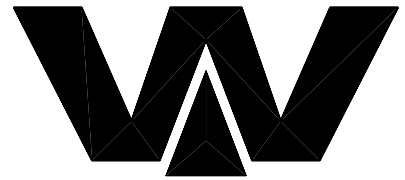


PARTS LIST

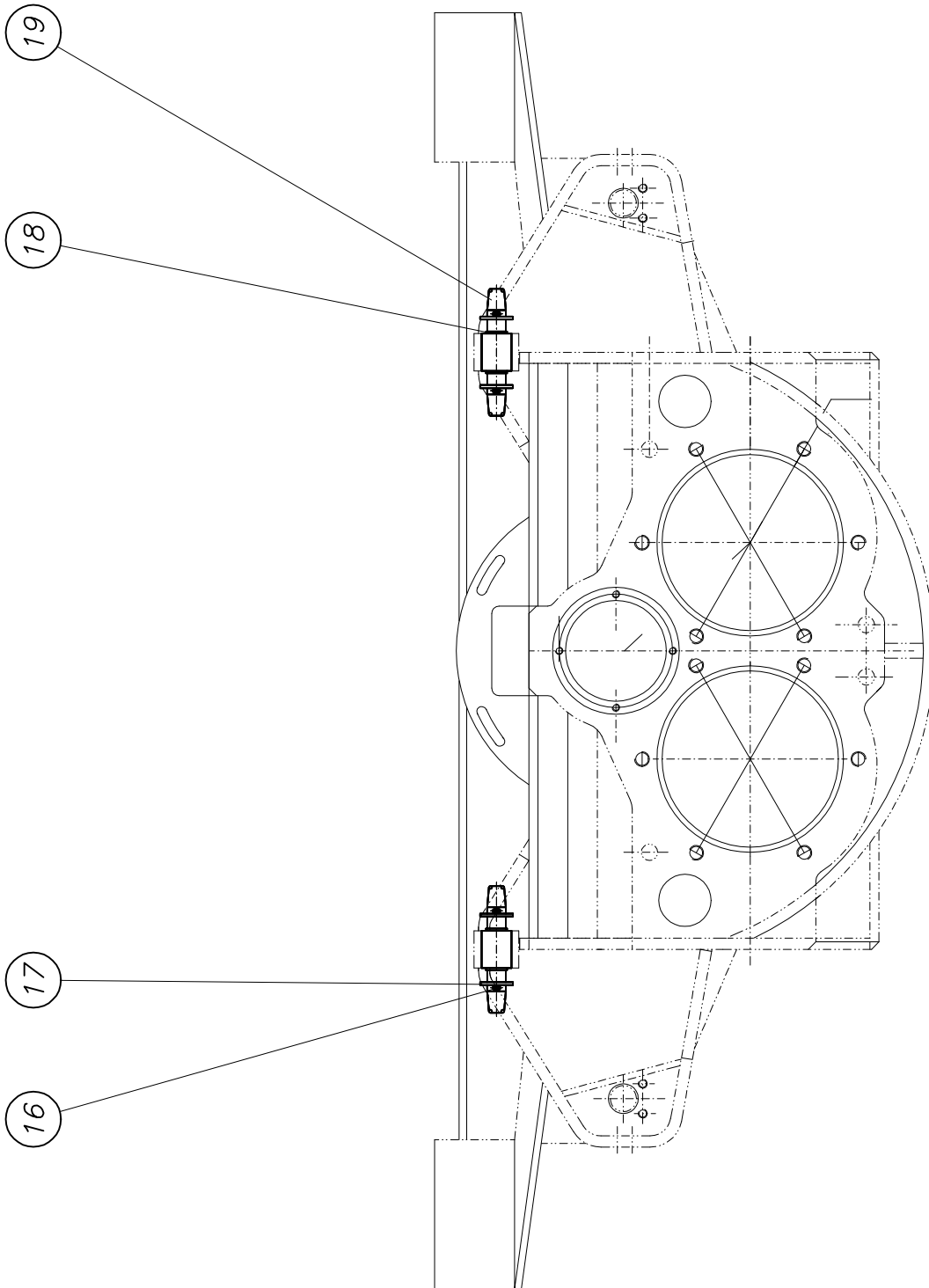
part list	description	created	index	valid from	valid to	
B175020	shift drive system cpl.	11.07.01 Mi	b	02.08.05		
pos	description stock	ident-no dimensions	DIN material	index	weigh Kg	quantity unit
1	tilting lever (processing) own parts list	B175180			13,00	1,00 Stk
2	pressure disc	B174103 Rd125x50	1013 42CrMo4V		2,70	1,00 Stk
3	locking plate	B174104 Bl 6x220x120	1543/EN10029 St52-3		1,00	1,00 Stk
4	bolt	B173019 Rd 40x125	1013 42CrMo4V		0,83	2,00 Stk
5	bolt	B173066 Rd 40x115	1013 42CrMo4V	a 06.04.00	0,80	2,00 Stk
6	axle retainer	B173067 Fl 30x6x70	1017 St52-3		0,13	2,00 Stk
8	tilting cylinder D 65x220	WAI109491			23,00	2,00 Stk
10	hex. bolt M12 x 25 DIN 933 8.8	WAI101001			0,04	4,00 Stk
11	hex. bolt M12x30 DIN 933 8.8	WAI102107			0,04	2,00 Stk
12	hex.screw M 36 x 3 x 85	WAI103327		a 01.08.05		1,00 Stk
13	conical spring washer 12 mm	WAI102877				4,00 Stk
15	spring washer A12 DIN 127 VERZ.	WAI102896				2,00 Stk

Pumpenlagerung Trichter kpl.
pump support hopper cpl.

B 11 5 001



Waitzinger
Baumaschinen GmbH





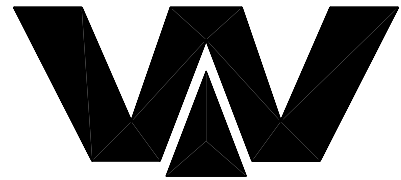
PARTS LIST

part list	description		created	index	valid from	valid to
B115001	pump support funnel		13.10.03 ute			
pos	description stock	ident-no dimensions	DIN material	index	weighth Kg	quantity unit
16	pin	WAI100940				4,00 Stk
17	washer 26, DIN 126	WAI103411				4,00 Stk
18	rubber buffer 40 x 25 x 50	WAI102489			0,21	2,00 Stk
19	bolt	B113021 Rd 30x175	1013 42CrMo4V	a 13.02.02	0,65	2,00 Stk

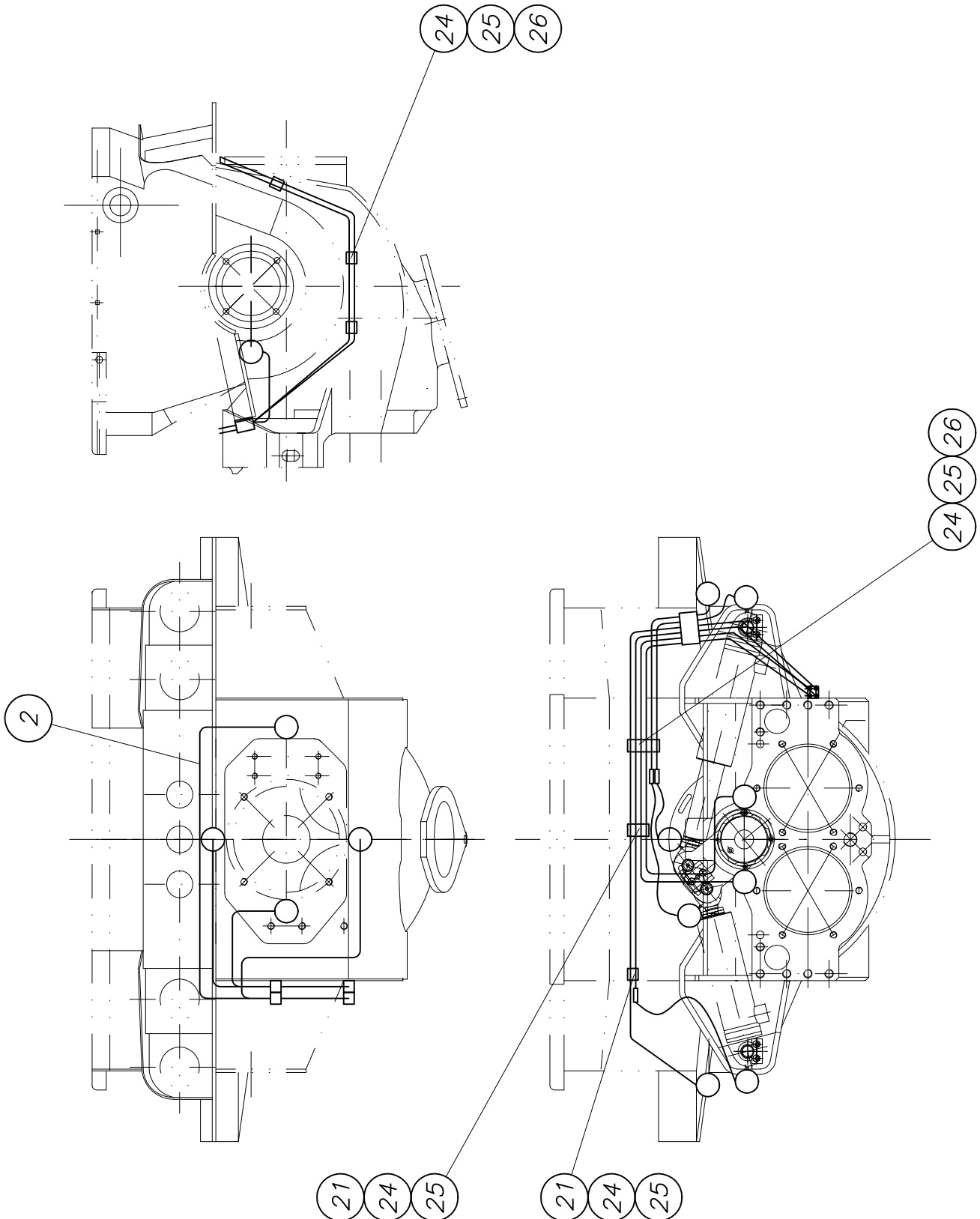
Schmieranlage kpl.
lubrication system cpl.

B 18 5 003a

1



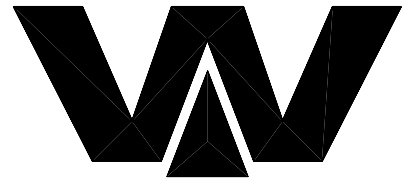
Waitzinger
Baumaschinen GmbH



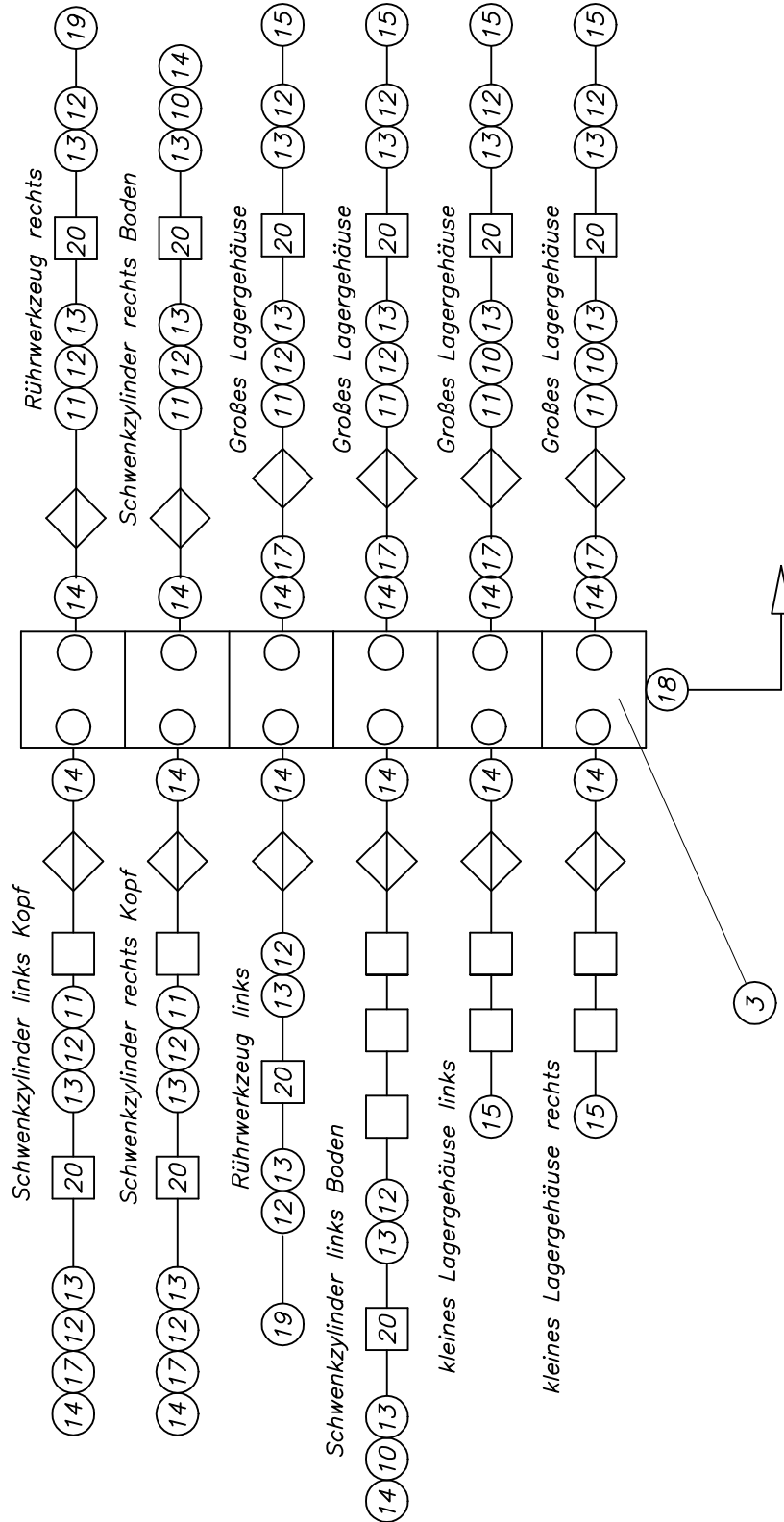
Schmieranlage kpl.
lubrication system cpl.

B 18 5 003a

2



Waitzinger
Baumaschinen GmbH





PARTS LIST

part list	description	created	index	valid from	valid to	
B185003	lubrication system complete	15.10.03 ek	a	29.07.04		
pos	description stock	ident-no dimensions	DIN material	index	weighth Kg	quantity unit
2	set of pipes for greasing system	WAI106760				1,00 Stk
3	lubrication distributor complete (12) own parts list	WAI105657			0,01	1,00 Stk
10	threaded sleeve, 90 degrees	WAI102643			0,02	4,00 Stk
11	straight couplings L6	WAI105282				8,00 Stk
12	hose connecting piece, DN6, short	WAI100253			0,01	16,00 Stk
13	threaded sleeve	WAI100254			0,01	20,00 Stk
14	straight male stud couplings L6M	WAI100546			0,03	16,00 Stk
15	throttlefree banjo elbows L6M	WAI102284				6,00 Stk
17	adjustable elbow bodies L6	WAI102664			0,02	8,00 Stk
18	straight male stud couplings L6M14 x 1,5	WAI102665			0,04	1,00 Stk
19	male stud LL6M 6 x 1	WAI102603				2,00 Stk
20	plastic pipe 8.4 x 2.1	WAI100255			0,05	6,00 Mtr
21	hexagon screw	WAI102109			0,01	2,00 Stk
24	pipe clip 6 mm (double)	WAI105281				8,00 Stk
25	welding plate for pipe clip	WAI105422			0,03	2,00 Stk
26	hexagon screw M 6 x 60 DIN 931 8.8	WAI104065				3,00 Stk
27	cable tie 200x3.6, black	WAI103137				10,00 Stk

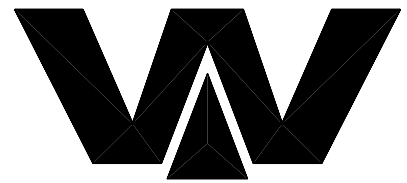


PARTS LIST

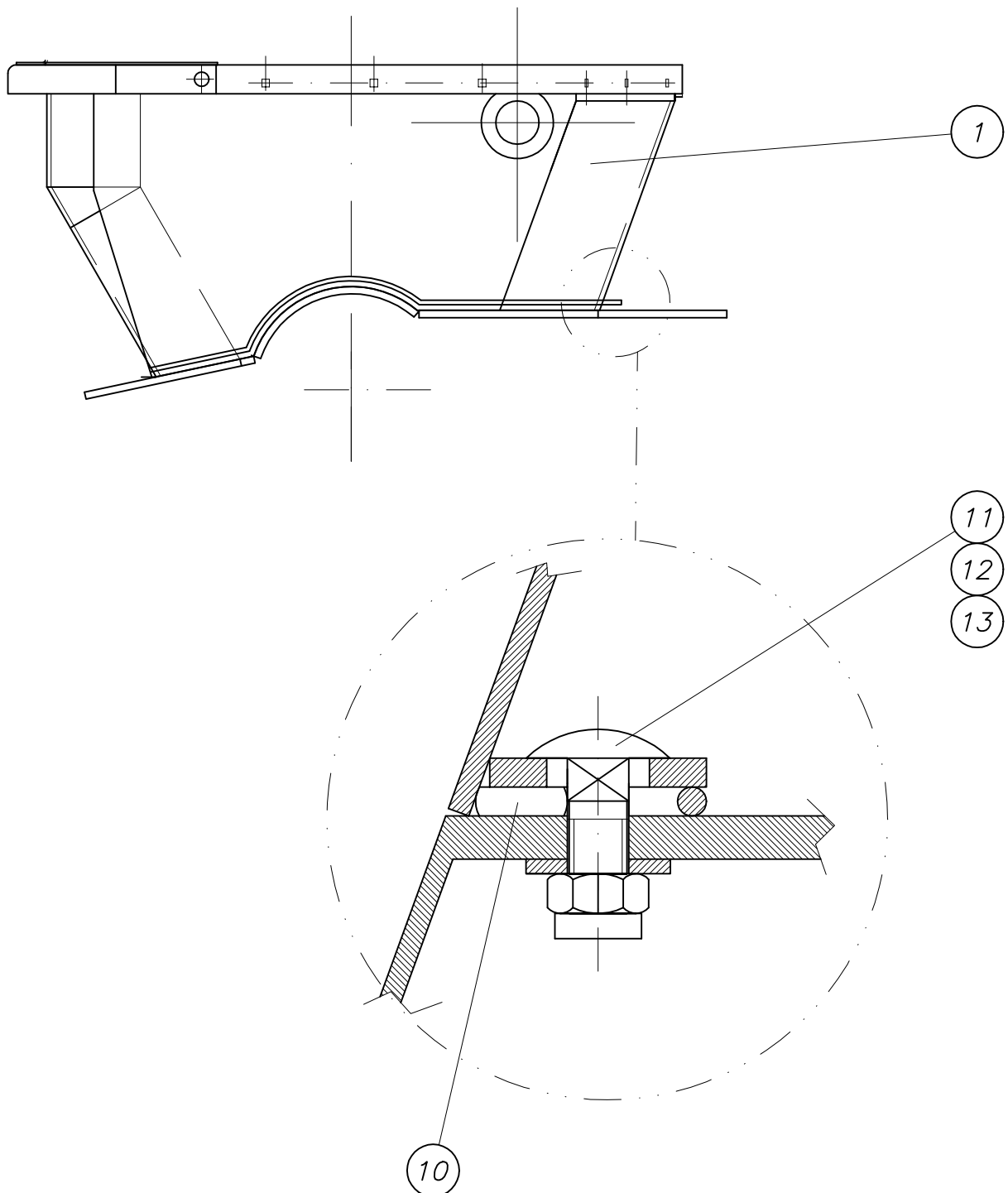
part list	description	created	index	valid from	valid to	
b195065R1	conveying pipe line 6"	20.07.05 TECHNIK				
pos	description stock	ident-no dimensions	DIN material	index	weighth Kg	quantity unit
1	hinge own parts list	B190004			6,00	1,00 Stk
2	pin	B190008 Rd 40x315	1543 669		3,00	1,00 Stk
3	locking pin complete own parts list	B193008		a	3,00	1,00 Stk
4	locking wedge complete own parts list	B194046			1,85	1,00 Stk
10	cheese head screw M 16 x 40	WAI102859				4,00 Stk
11	spring washer A16	WAI103489			0,01	4,00 Stk
12	O-ring 193 x 10	WAI103563			0,05	1,00 Stk
13	cheese head screw M20 x 50	WAI102854				2,00 Stk
22	locking ring	WAI102865				2,00 Stk
23	key ring	WAI104636				2,00 Stk
24	chain 4mm	WAI103732				1,00 mtr

Trichteroberteil kpl.
hopper upper part cpl.

B 22 5 055



Waitzinger
Baumaschinen GmbH





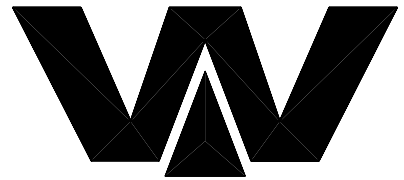
PARTS LIST

part list	description	created	index	valid from	valid to	
B225055	hopper upper part	11.11.02 Mi				
pos	description stock	ident-no dimensions	DIN material	index	weighth Kg	quantity unit
1	kopper upper part own parts list	B175011		a 30.05.05	86,00	1,00 Stk
10	expanded rubber	WAI103309				4,00 Mtr
11	cup square neck bolt M 16 x 50	WAI105131				4,00 Stk
12	nut M16 DIN 985	WAI102330				4,00 Stk
13	washer DIN 6916 17	WAI101558			0,02	4,00 Stk

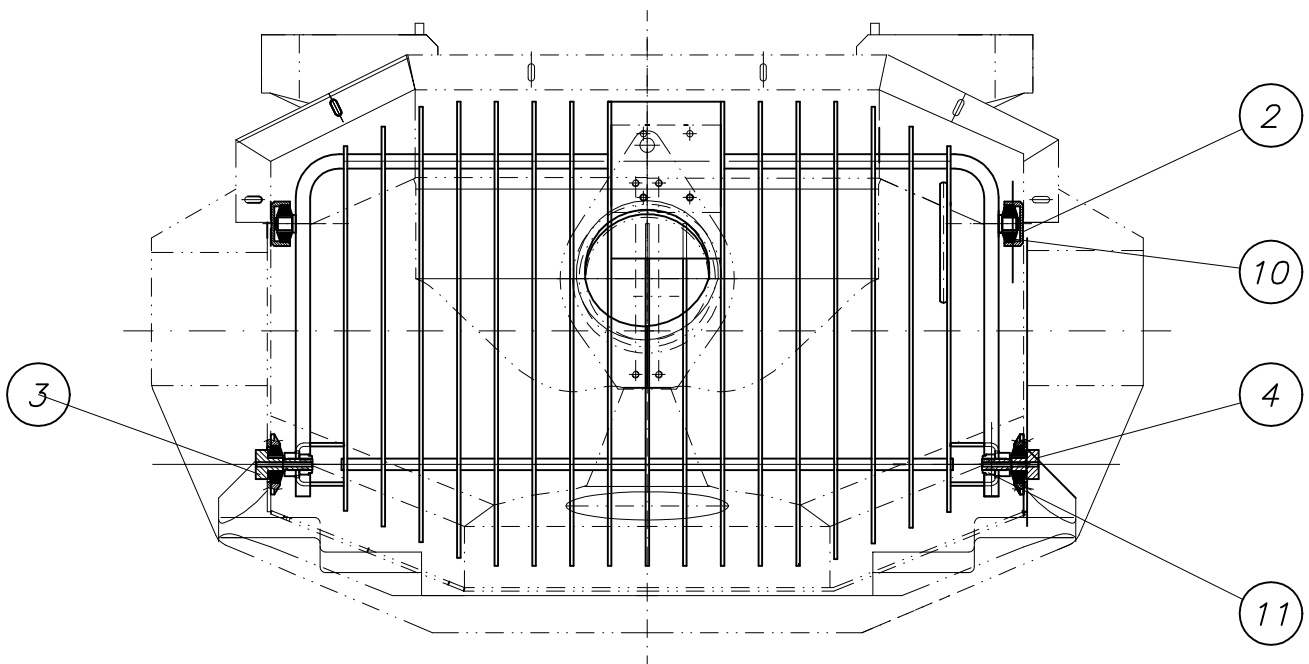
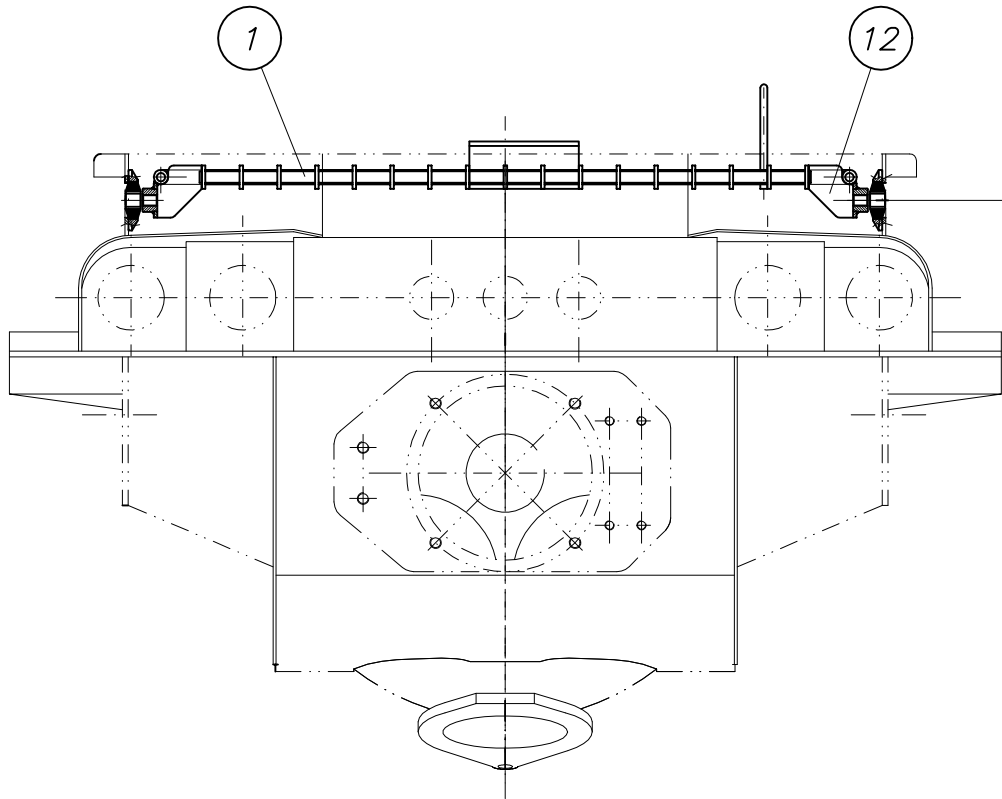
Gitterrost kpl.

grid cpl.

B 22 5 040b



Waitzinger
Baumaschinen GmbH



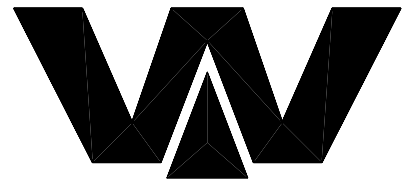


PARTS LIST

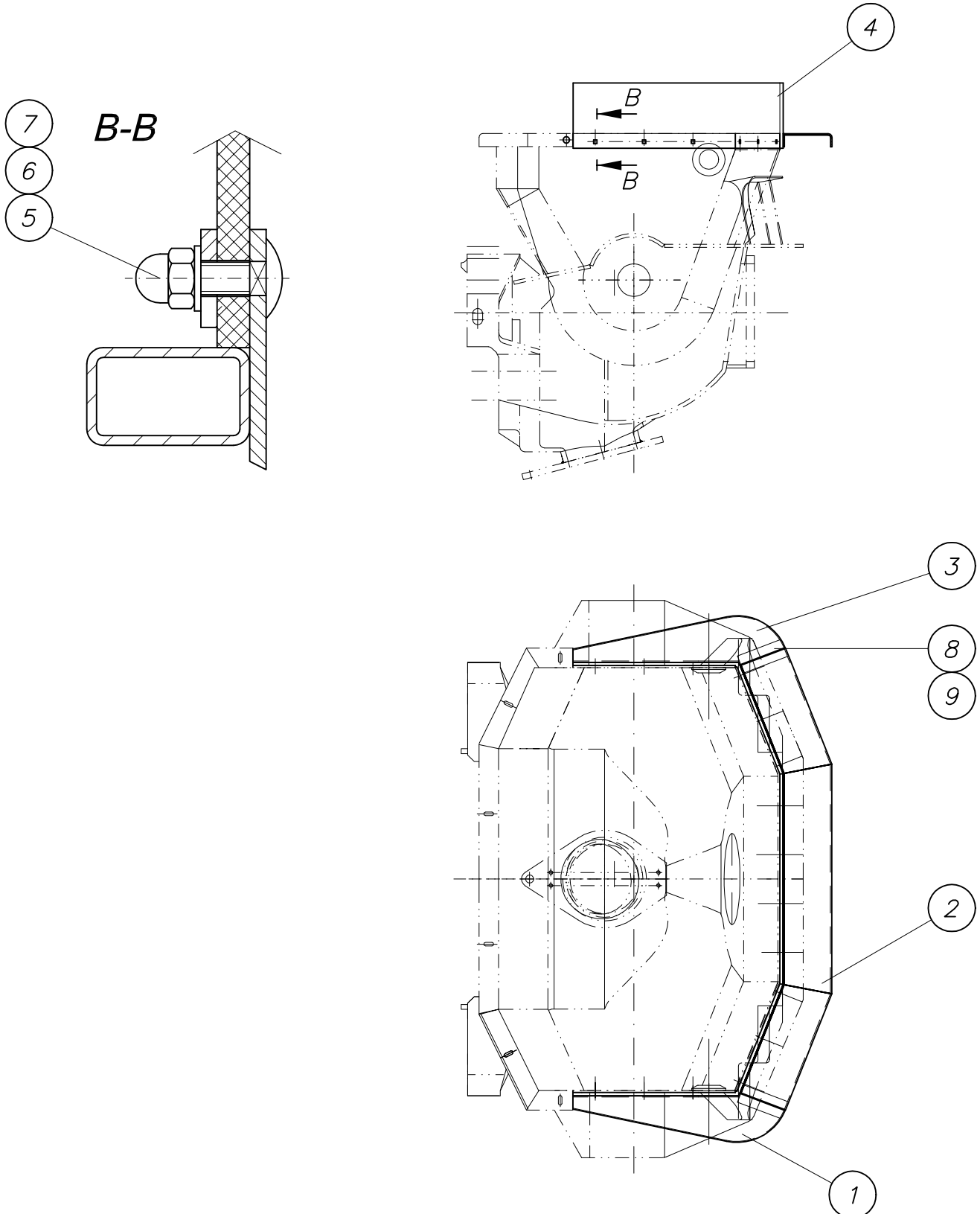
part list	description	created	index	valid from	valid to	
B225040	grid cpl.	29.01.01 Mi	b	29.11.04		
pos	description stock	ident-no dimensions	DIN material	index	weighth Kg	quantity unit
1	grate own parts list	B225010		b 09.09.04	33,42	1,00 Stk
2	housing for grating	B223061 Rd 80x20	1013 S355J2G3		0,50	2,00 Stk
3	bolt	B225041 Rd 50x104	1013 St52-3	b 05.04.05	0,20	1,00 Stk
4	bolt	B225085 Rd 50x109	1013 St52-3	a 05.04.05	0,20	1,00 Stk
10	rubber buffer 65 x 22,5 x 26	WAI102490			0,17	4,00 Stk
11	nut M20 DIN 985	WAI106610				2,00 Stk
12	fixing sheet	B223057 Bl 10x32x50	1543/EN10029 St37-2		0,10	2,00 Stk

Gummischürze kpl.
rubber apron cpl.

B 22 5 045a



Waitzinger
Baumaschinen GmbH



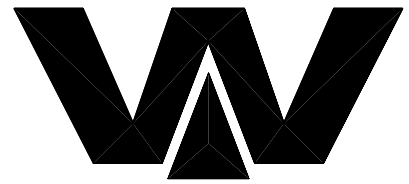


PARTS LIST

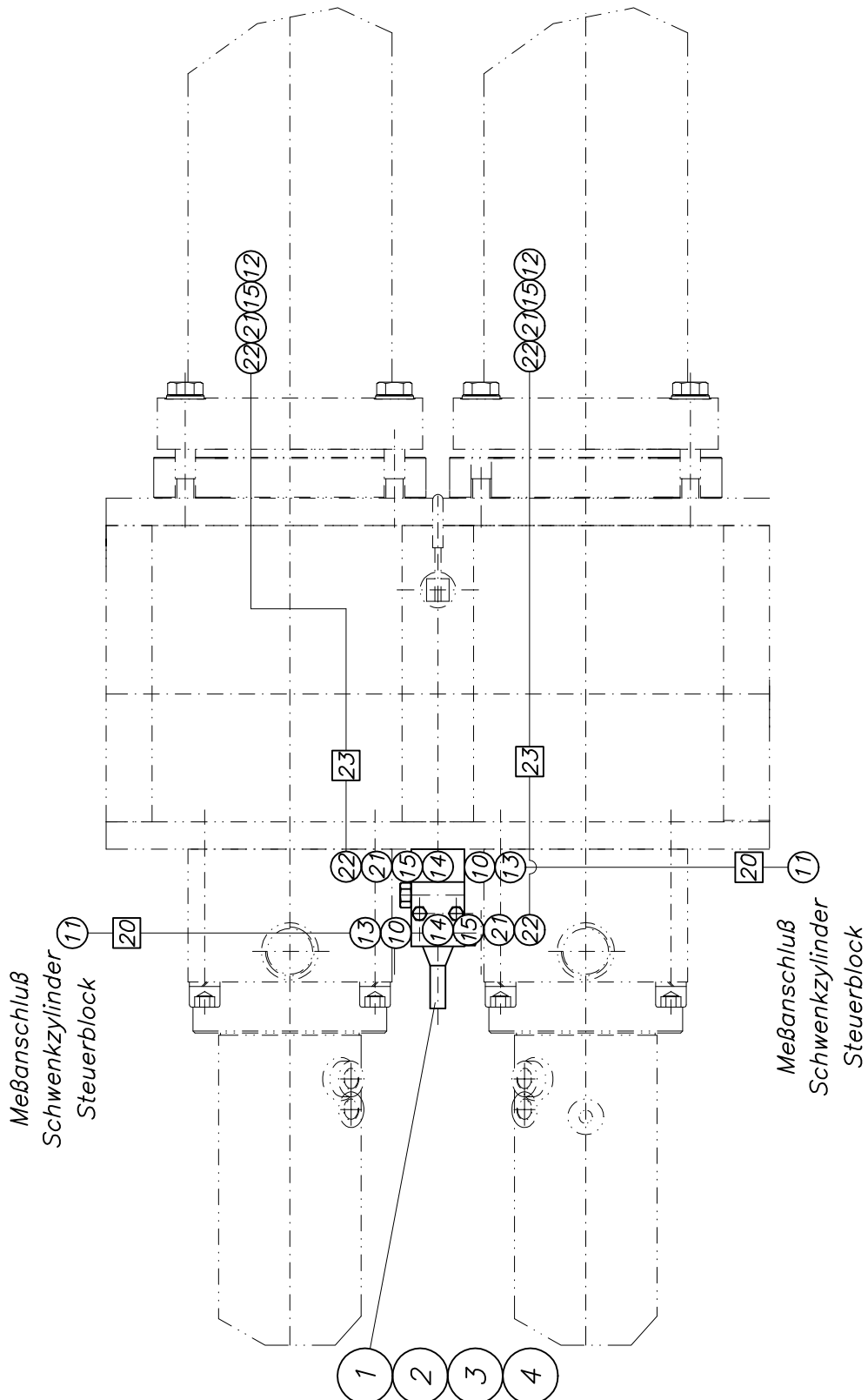
part list	description	created	index	valid from	valid to	
B225045	rubber apron cpl	07.03.01 Mi	a	04.04.03		
pos	description stock	ident-no dimensions	DIN material	index	weighth Kg	quantity unit
1	strip	B225042 Bl 4x220x701	1543/EN10029 St37-2	a 04.04.03	2,60	1,00 Stk
2	strip cpl. own parts list	B225053		b 02.03.04	10,00	1,00 Stk
3	strip	B225054 Bl 4x220x701	1543/EN10029 St37-2	b 30.11.04	2,60	1,00 Stk
4	rubber apron	B224013 Gummi 10x200x31		a 25.02.00		1,00 Stk
5	cup square neck bolt M 10 x 30	WAI103972				12,00 Stk
6	washer 10.5	WAI101559			0,00	12,00 Stk
7	cap nut M10	WAI101847				12,00 Stk
8	countersunk screw	WAI103176				4,00 Stk
9	hex. nut M6	WAI102998				4,00 Stk

Förderkolbensmierung kpl.
conveying cyl. lubrication cpl.

B 18 3 006b



Waitzinger
Baumaschinen GmbH



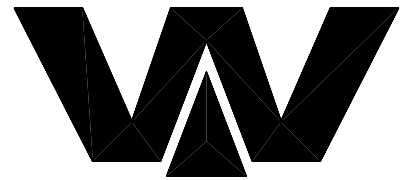


PARTS LIST

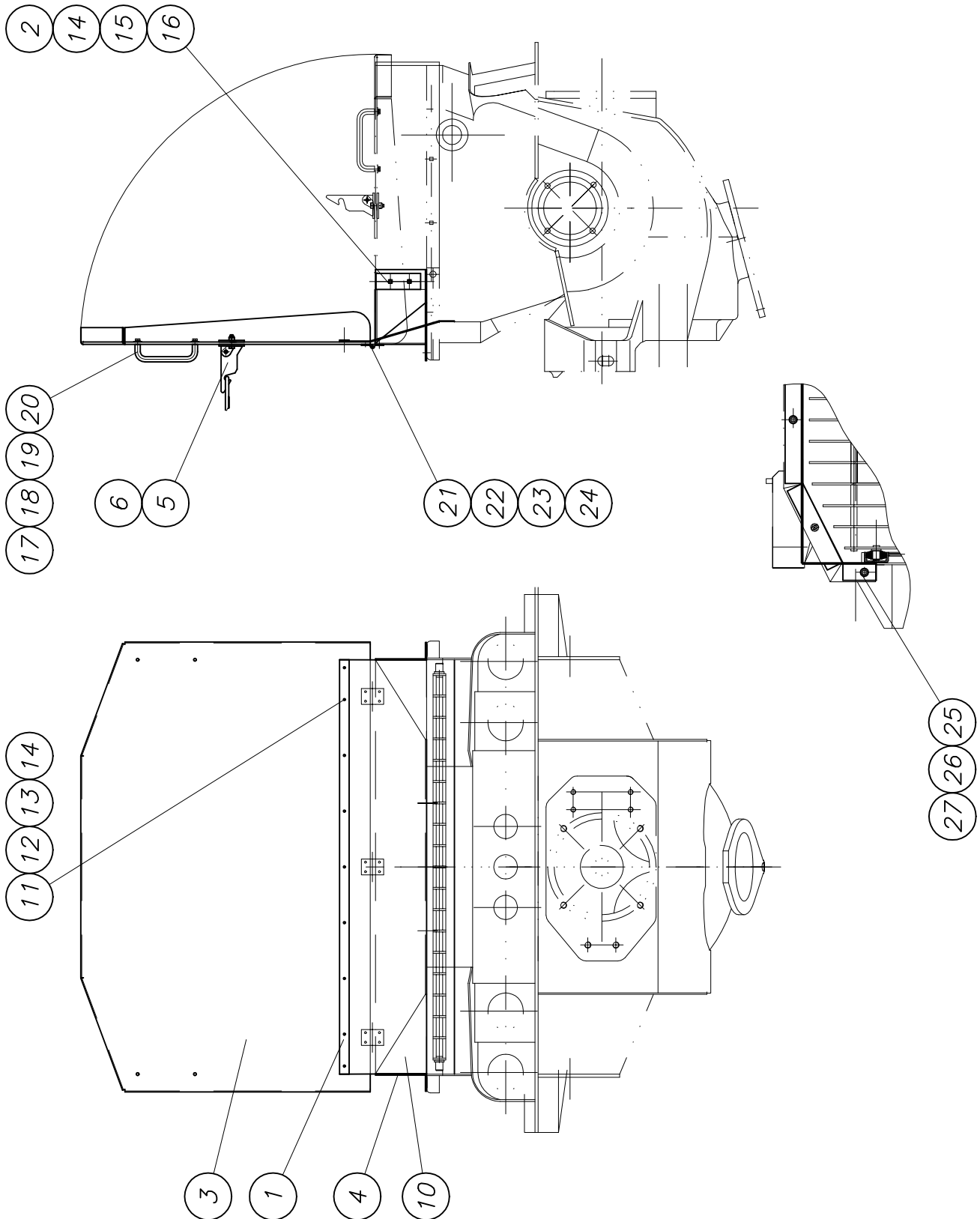
part list	description	created	index	valid from	valid to	
B183006	conveyor cyl. autom. cpl.	15.01.99 Mi	b	01.03.05		
pos	description stock	ident-no dimensions	DIN material	index	weighth Kg	quantity unit
1	holder for distributor	B183008 Bl 8x52x95	1543/EN10029 St37-2		0,30	1,00 Stk
2	distributor VSKH 2-D	WAI104402				1,00 Stk
3	hexagon bolt M 8 x 70	WAI105277				2,00 Stk
4	spring washer A8 DIN 127 VERZ.	WAI102205			0,00	2,00 Stk
10	straight male stud couplings L8R 1/4"	WAI105202				2,00 Stk
11	swivel barrel tee L8	WAI100556			0,08	2,00 Stk
12	straight male stud couplings L6M	WAI103737				2,00 Stk
13	adjustable elbow bodies L8	WAI100589				2,00 Stk
14	male stud couplings L6 R 1/4" WD	WAI105434				2,00 Stk
15	adjustable elbow bodies L6	WAI102664			0,02	4,00 Stk
20	hydraulic hose DN 6 x 1000	WAI103234				2,00 Stk
21	hose connecting piece, DN6, short	WAI100253			0,01	2,00 Stk
22	threaded sleeve	WAI100254			0,01	2,00 Stk
23	plastic pipe 8.4 x 2.1	WAI100255			0,05	3,00 Mtr

Trichterabdeckung kpl.
cover for hopper cpl.

B 22 5 090



Waitzinger
Baumaschinen GmbH





PARTS LIST

part list	description	created	index	valid from	valid to	
B225090	cover for hopper cpl.	18.05.05 hbk				
pos	description stock	ident-no dimensions	DIN material	index	weigh Kg	quantity unit
1	plate	B255063 B14x30x1280	10029 S235J2G3	a 19.07.05	1,20	1,00 Stk
2	plate	B255064 B15x50x140	10029 S235J2G3		0,27	2,00 Stk
3	splash board own parts list	B255065	Alu	c 27.07.05	12,00	1,00 Stk
4	splash board own parts list	B255075			15,00	1,00 Stk
5	hook cpl. own parts list	B224025		a 06.09.05	0,90	1,00 Stk
6	holder	B224021 Rd 10x1060	1013 S355J2G3	a 23.05.05	0,65	1,00 Stk
10	rubber apron	WAI107190				1,00 Stk
11	countersunk head screw M6x20	WAI103153				9,00 Stk
12	washer 6 mm	WAI106432				9,00 Stk
13	spring washer A6	WAI103000				9,00 Stk
14	cup square neck bolt M 10 x 30	WAI103972				4,00 Stk
15	washer 10.5	WAI101559			0,20	4,00 Stk
16	cap nut M10	WAI101847				4,00 Stk
17	hexagon bolt M 8 x 20	WAI101837				4,00 Stk
18	washer 8.4 DIN9021	WAI102882				4,00 Stk
19	spring washer A8 DIN 127 VERZ.	WAI102205			0,00	4,00 Stk
20	bow grip	WAI104441				2,00 Stk
21	hinge	WAI103237			0,10	3,00 Stk
22	countersunk screw	WAI103176				12,00 Stk
23	washer	WAI103572				12,00 Stk



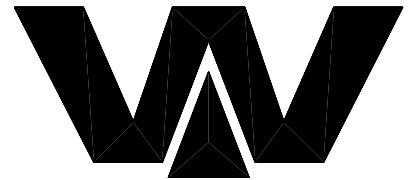
PARTS LIST

part list	description	created	index	valid from	valid to	
B225090	cover for hopper cpl.	18.05.05 hbk				
pos	description stock	ident-no dimensions	DIN material	index	weigh Kg	quantity unit
24	hex. nut M6	WAI101624				12,00 Stk
25	cup square neck bolt M 10 x 25	WAI103971				6,00 Stk
26	hex. nut M10 DIN985 8.	WAI102125			0,01	6,00 Stk
27	washer 10.5	WAI101559			0,20	6,00 Stk

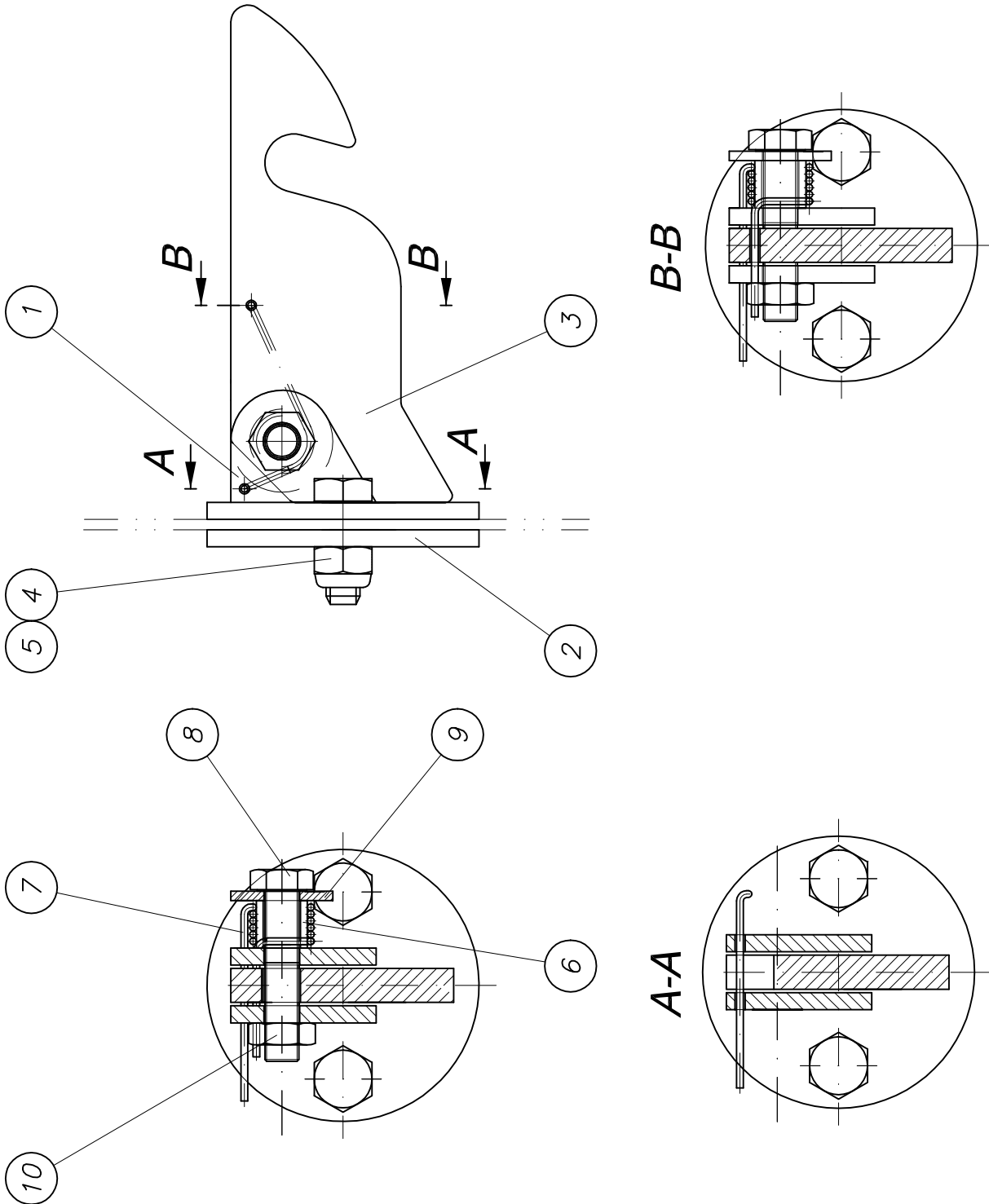
Haken kpl.

hook cpl.

B 22 4 025a



Waitzinger
Baumaschinen GmbH



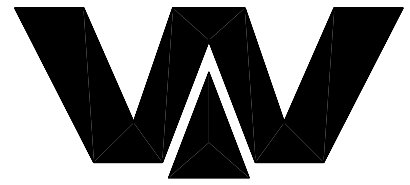


PARTS LIST

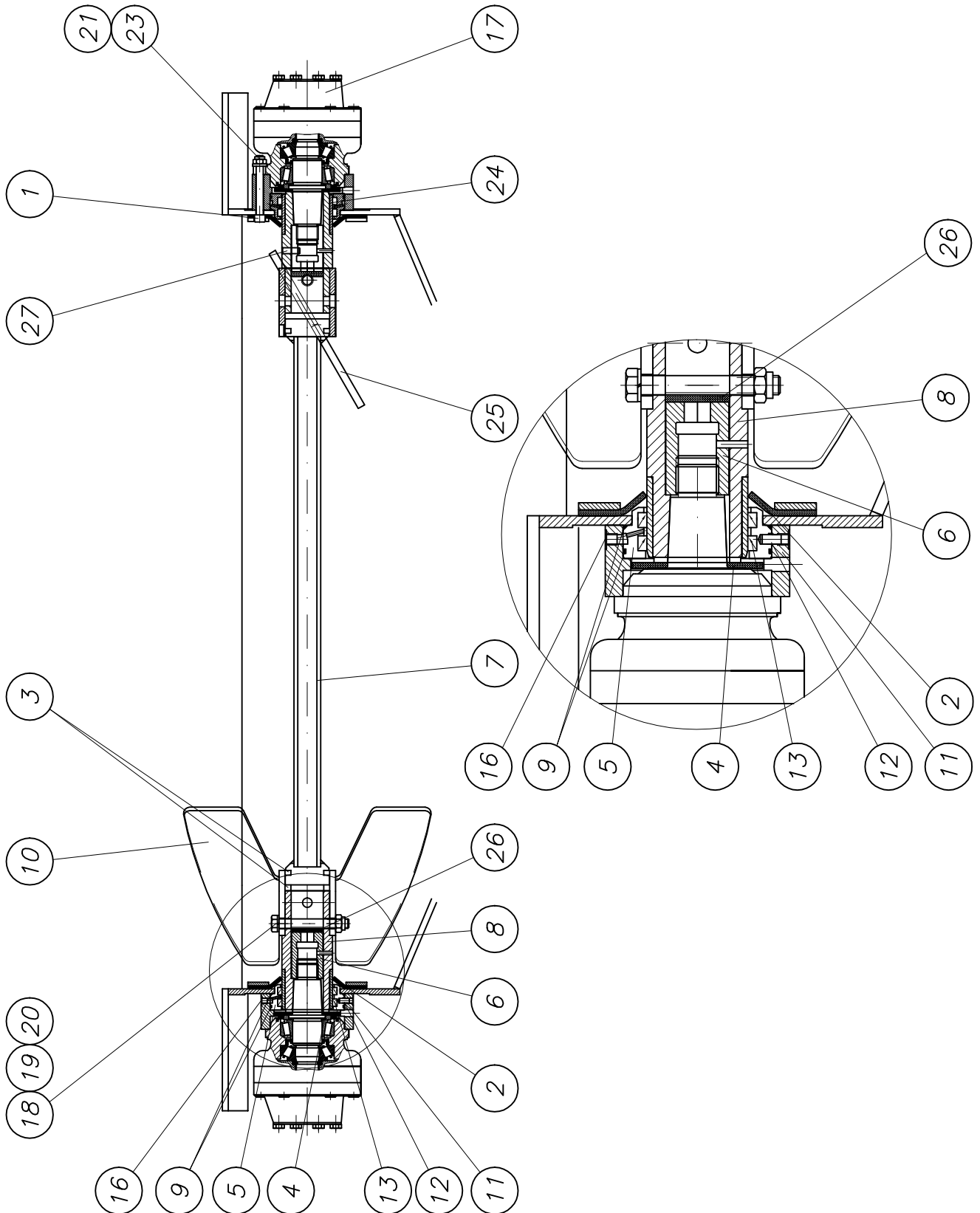
part list	description	created	index	valid from	valid to	
B224025	hook cpl.	14.01.98 RH	a	06.09.05		
pos	description stock	ident-no dimensions	DIN material	index	weighth Kg	quantity unit
1	basic plate own parts list	B224026		a 07.09.05	0,27	1,00 Stk
2	plate	B224027 5xDurchm.80	1543/EN10029 St37-2		0,19	1,00 Stk
3	hook	B224030 Bl 10x66.6x160.	1543/EN10029 St37-2	b 05.09.05	0,42	1,00 Stk
4	nut M10 DIN 934	WAI101556			0,01	2,00 Stk
5	hexagon bolt M 10 x 30	WAI101553			0,03	2,00 Stk
6	hydr. pipe 15x2x12	B224031 Hydr.Ro15x2x14			0,01	1,00 Stk
7	spring	WAI109678				1,00 Stk
8	hex. bolt M10x50	WAI102124			0,04	1,00 Stk
9	washer 10.5	WAI103288			0,00	1,00 Stk
10	hex. nut M10 DIN985 8.	WAI102125			0,01	1,00 Stk

Rührwerk mit Antrieb kpl.
agitator with drive cpl.

B 25 5 080



Waitzinger
Baumaschinen GmbH





PARTS LIST

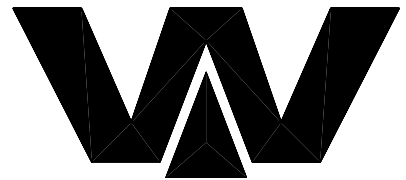
part list	description	created	index	valid from	valid to	
B255080	agitator with drive	13.06.05	TECHNIK			
pos	description stock	ident-no dimensions	DIN material	index	weighth Kg	quantity unit
1	washer cpl. own parts list	B255092			1,00	2,00 Stk
2	seal disc	B255044 5xd 240	Gummi 70 Shore	a 31.03.04		2,00 Stk
3	sealing	B255083 Gummi 8x 76x 76	Gummi 60Shore			4,00 Stk
4	seal disc	B254109 5xDurchm.110	Gummi 60 Sho			2,00 Stk
5	sealing carrier	B255078 Rd 140x 50	DIN 1013 S355J2G3		0,31	2,00 Stk
6	shell	B255025 Rd 50x84	1013 S355J2G3	a 17.09.03	0,70	2,00 Stk
7	agitat shaft complete own parts list	B255079				1,00 Stk
8	shaft	B255028 Rd 85x208	1013 S355J2G3	c 01.07.05	5,00	2,00 Stk
9	O-ring 120 x 3	WAI108298				4,00 Stk
10	agitator cpl. left own parts list	B255085			4,50	1,00 Stk
11	motor support	B255076 Bl. 70x 155x 15	DIN EN10029 S235J2G3		4,80	2,00 Stk
12	set screw M 10x1x 20	WAI109709				2,00 Stk
13	groove ring 85-100-11.5	WAI102544			0,02	4,00 Stk
16	male stud LL6M 6 x 1	WAI102603				2,00 Stk
17	hydraulic motor MCR 3D 280 own parts list	WAI101240			28,00	2,00 Stk
18	washer DIN 6916 17	WAI101558			0,02	4,00 Stk
19	nut M16 DIN 985	WAI102330				4,00 Stk
20	hexagon bolt	WAI107513			0,21	4,00 Stk
21	hex. nut M12 DIN 985 8. VERZ.	WAI101626				2,00 Stk
23	washer	WAI102962			0,01	8,00 Stk



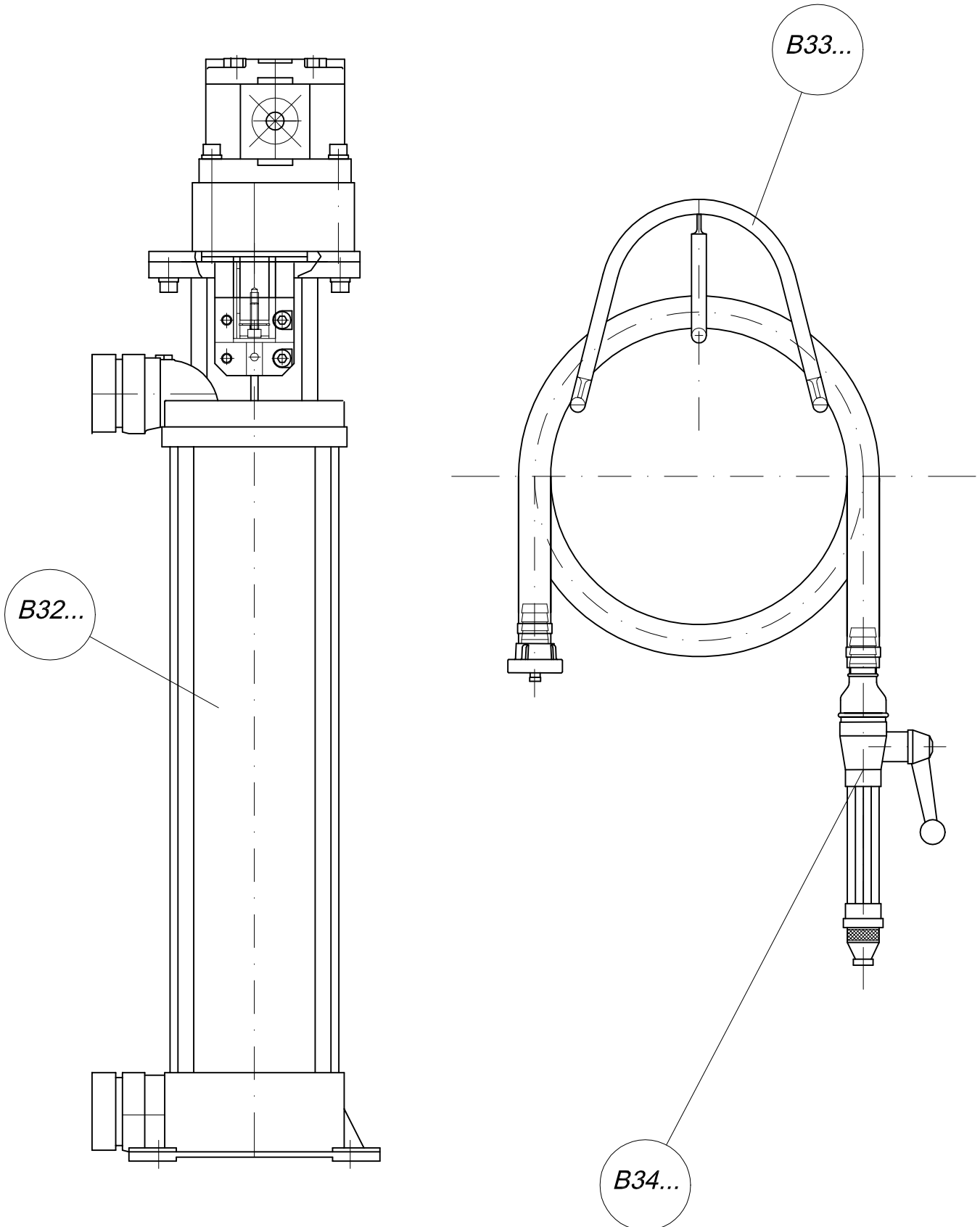
PARTS LIST

part list	description	created	index	valid from	valid to	
B255080	agitator with drive	13.06.05 TECHNIK				
pos	description stock	ident-no dimensions	DIN material	index	weighth Kg	quantity unit
24	wear sleeve	B253020 Rohr 101.6x13.5	2448 StE690	b 30.03.99	0,34	2,00 Stk
25	agitator cpl. right own parts list	B255088		a 28.07.05	4,50	1,00 Stk
26	seal disc	B255057 8xD53	Gummi 70 Shore			2,00 Stk
27	straight pin 10 H 6 x 30	WAI103065				2,00 Stk

Übersicht B 30 - B 39
over view B 30 - B 39



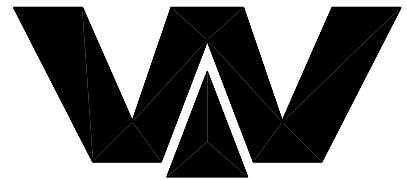
*Waitzinger
Baumaschinen GmbH*



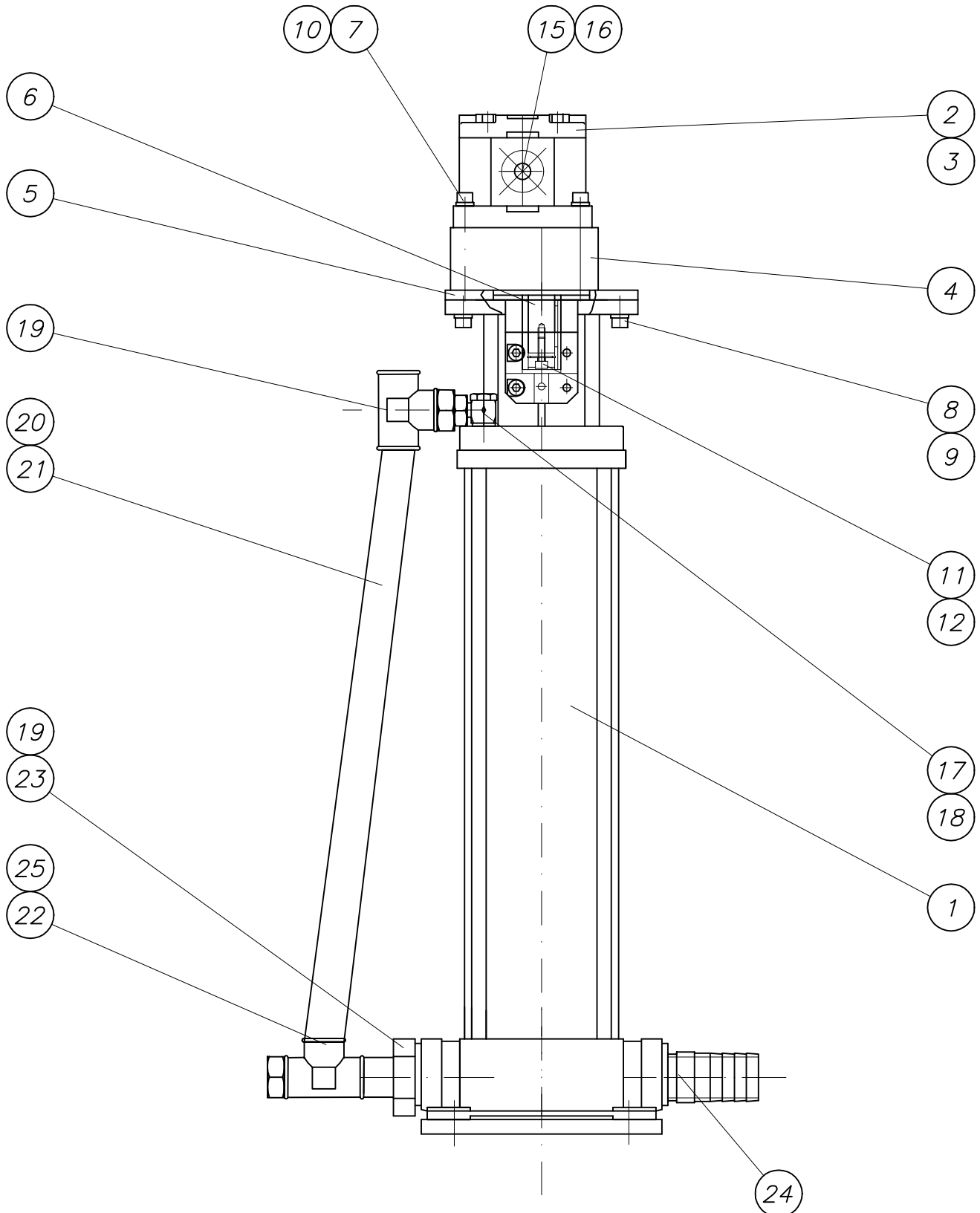
Wasserpumpe kpl.

water pump cpl.

B 32 3 070



Waitzinger
Baumaschinen GmbH



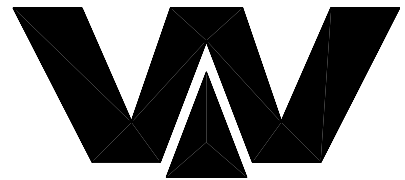


PARTS LIST

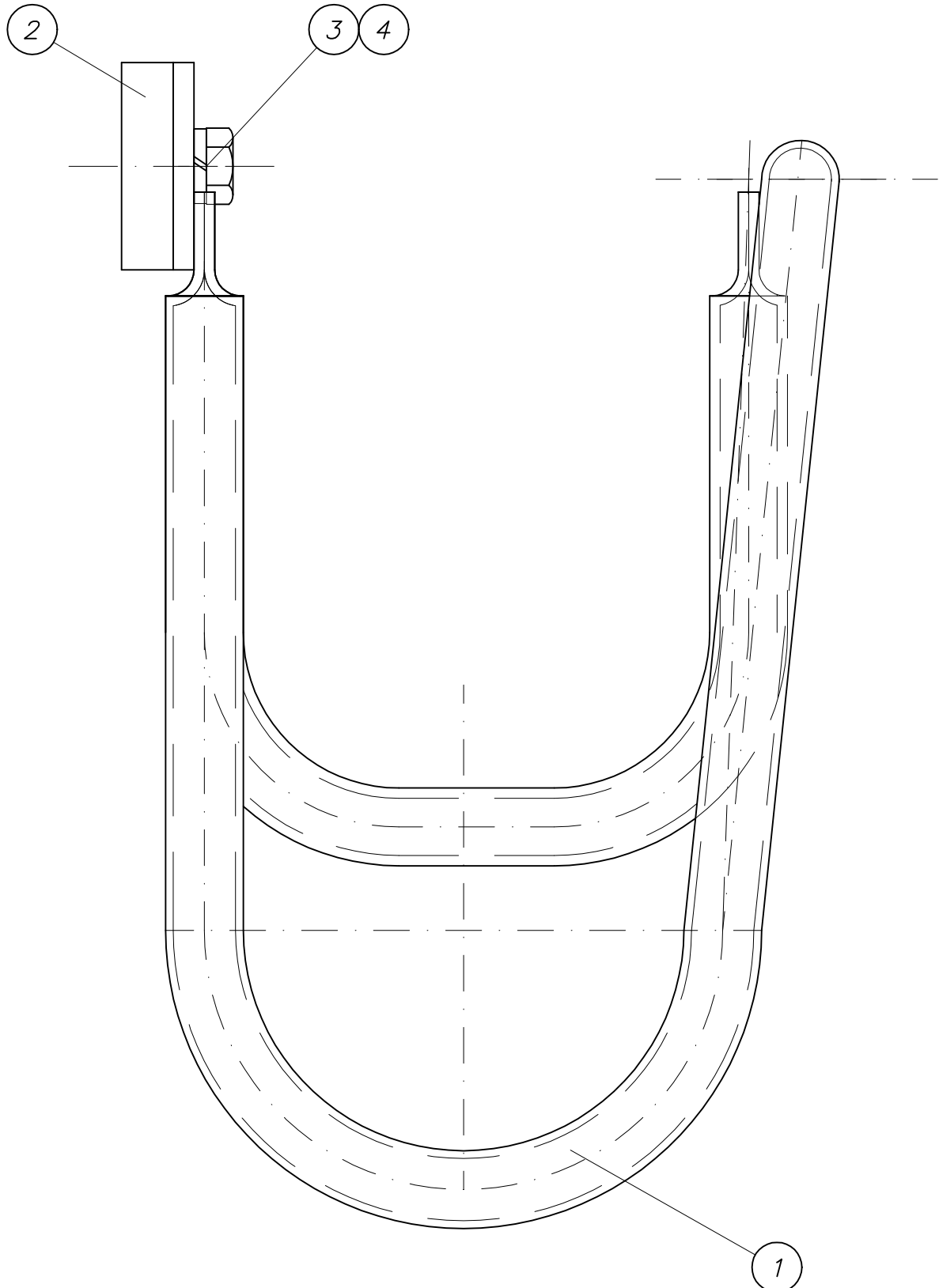
part list	description	created	index	valid from	valid to	
B323070	water pump with drive	02.04.03 rhbk				
pos	description stock	ident-no dimensions	DIN material	index	weighth Kg	quantity unit
1	water pump INV	WAI108082				1,00 Stk
2	gear motor own parts list	WAI105922				1,00 Stk
3	splined coupling	WAI102916				1,00 Stk
4	belt pulley support	WAI102915				1,00 Stk
5	flange	B323061 Rd 170 x12	1013 S235J2G3		1,35	1,00 Stk
6	coupling piece	B323019 Rd 38x58	670 ST50-k			1,00 Stk
7	alien bolt M 8x70	WAI105929				4,00 Stk
8	alien bolt M 8x25	WAI105930				5,00 Stk
10	spring washer	WAI100235			0,00	8,00 Stk
11	locking ring	WAI105931				1,00 Stk
12	washer	B323023 Rd 22x6	670 St50-2k		0,05	1,00 Stk
15	elbow flange coupling L15-40	WAI102678			0,23	1,00 Stk
16	elbow flange coupling L12-35	WAI105921			0,23	1,00 Stk
17	bow	WAI104163				1,00 Stk
18	thread red.adaptors"3/4-3/8"	WAI100347			0,09	1,00 Stk
19	t-piece	WAI103590				2,00 Stk
20	hose	WAI102117				0,50 Mtr
21	hose clamp 25-28 mm	WAI108309				4,00 Stk
22	hose socket	WAI105993				1,00 Stk
23	double nipple 3/4"	WAI103566				1,00 Stk
24	nipple	B323059 Rohr 42.4x4.5x9	2448 S235J2G3		0,30	1,00 Stk
25	connecting piece waterpump	B323062 Rohr 42,2x4.5x6	2448 S235J2G3		0,30	1,00 Stk

Halter für Wasserschlauch kpl.
holder for water pipe cpl.

B 33 0 020



Waitzinger
Baumaschinen GmbH

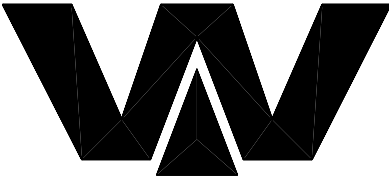




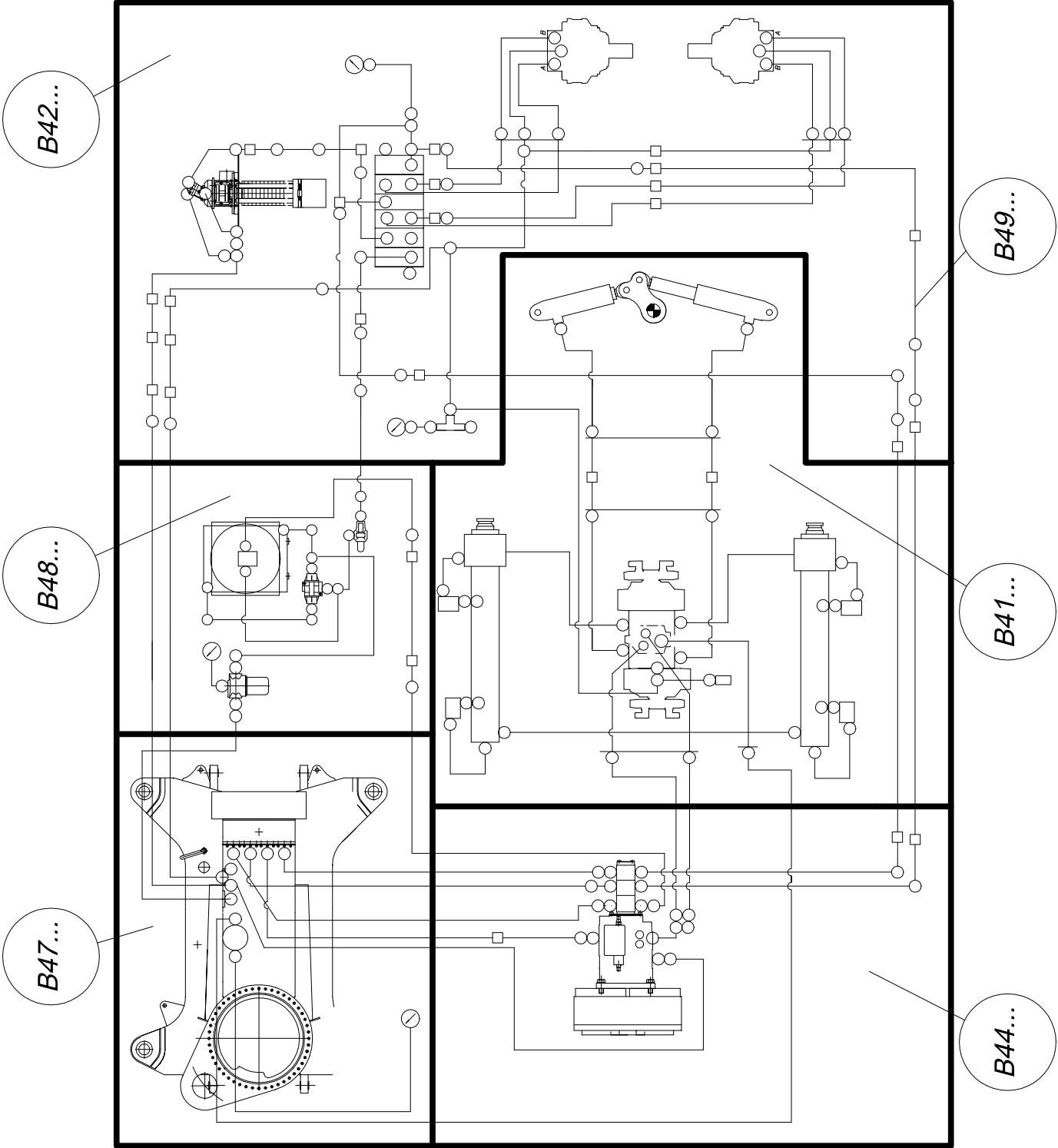
PARTS LIST

part list	description	created	index	valid from	valid to	
B330020	holder for water hose	06.06.02 ek				
pos	description stock	ident-no dimensions	DIN material	index	weigh Kg	quantity unit
1	holder for water hose own parts list	B330015			1,00	1,00 Stk
2	flat bar	B330018 Bl 10x40x260	1543 St 37-2	a 27.09.02	0,30	1,00 Stk
3	hexagon bolt M 8 x 12 DIN 933 8.8	WAI103274				2,00 Stk
4	spring washer A8 DIN 127 VERZ.	WAI102205			0,00	2,00 Stk

Übersicht B 40 - B 49
over view B 40 - B 49

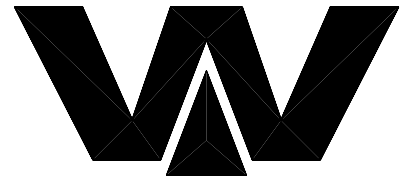


Waitzinger
Baumaschinen GmbH

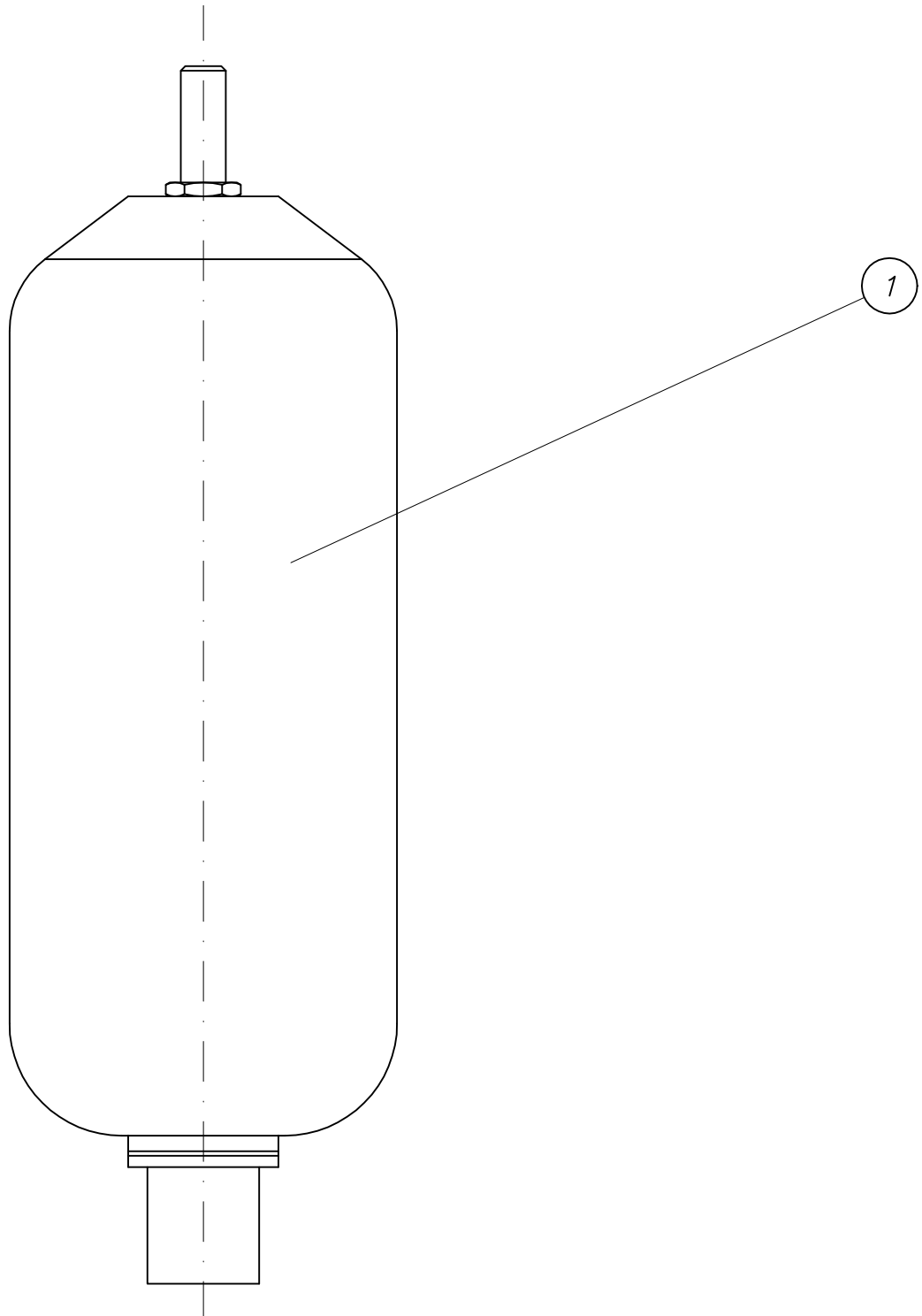


Blasenspeicher
hydraulic accumulator

WAI 103616



Waitzinger
Baumaschinen GmbH

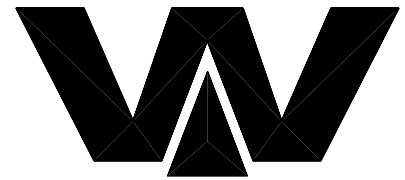




PARTS LIST

part list	description	created	index	valid from	valid to	
WAI103616	hydraulic accumulator 6 liter	01.09.99 Mi				
pos	description stock	ident-no dimensions	DIN material	index	weigh Kg	quantity unit
1	spare bubble for hydraulic accumulator	WAI105555				1,00 Stk

Übersicht B 50 - B 59
over view B 50 - 59



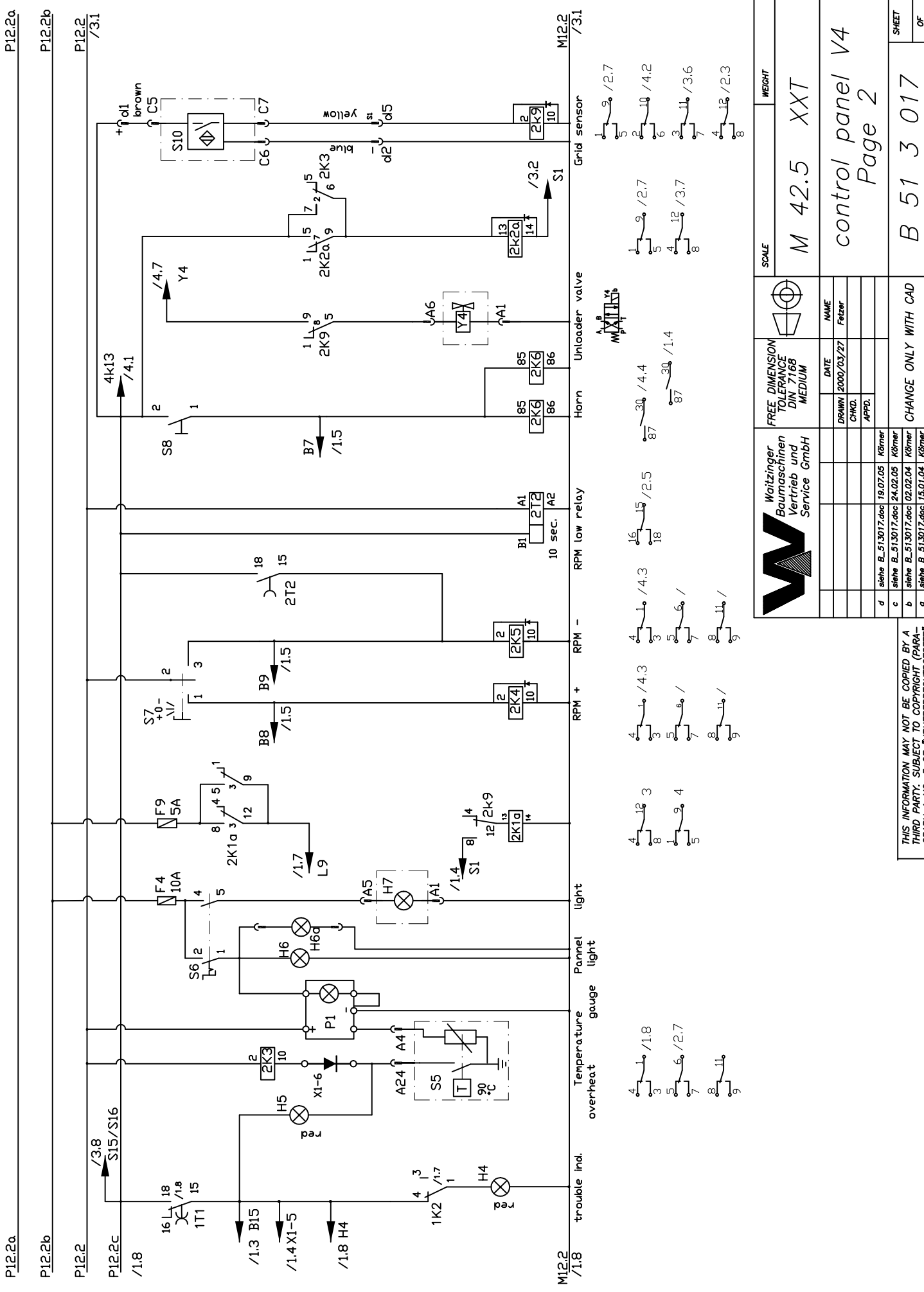
Waitzinger
Baumaschinen GmbH

B51... *Elektroschaltplan*
wiring diagram

B54... *Drehzahlverstellung*
rpm adjustment

B56... *Kabelbaum*
cable loop

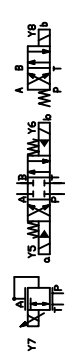
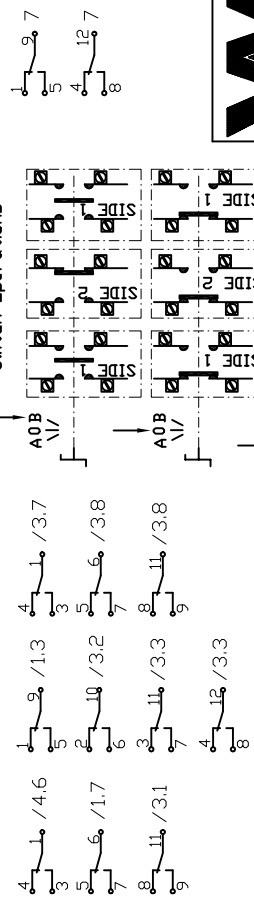
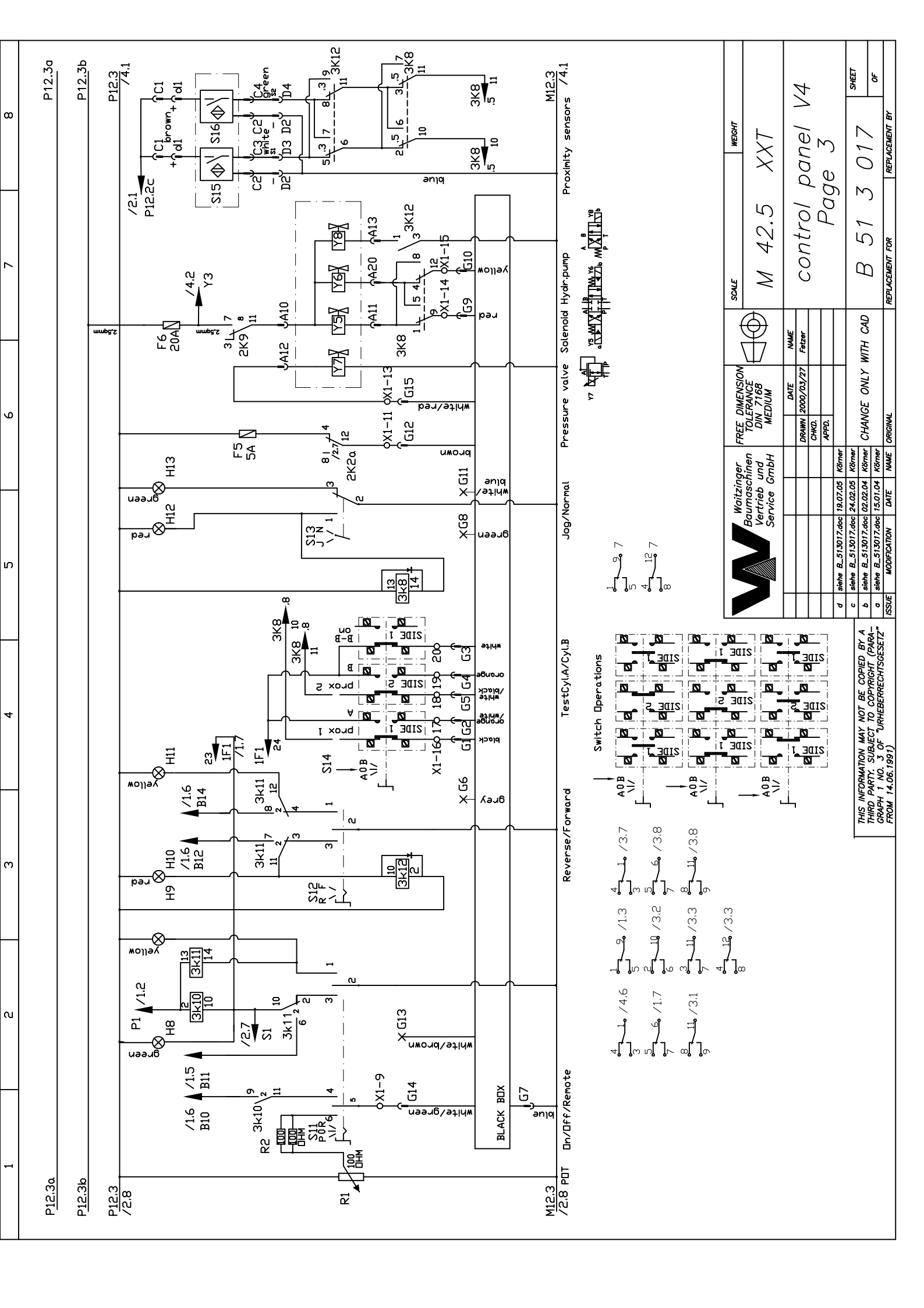
B56... *Zubehör*
accessories



- 4-12-3
- 1-9-4
- 8-11-9
- 4-12-3
- 4-9-3
- 5-6-7
- 8-11-9
- 4-9-3
- 5-6-7
- 8-11-9
- 16-18-15
- 1-17-15
- 2-15-18
- 3-16-18
- 4-15-18
- 5-16-18
- 6-15-18
- 7-16-18
- 8-15-18
- 9-16-18
- 10-15-18
- 11-16-18
- 12-15-18
- 13-16-18
- 14-15-18
- 15-16-18
- 16-15-18
- 17-16-18
- 18-15-18
- 1-17-15
- 2-15-18
- 3-16-18
- 4-15-18
- 5-16-18
- 6-15-18
- 7-16-18
- 8-15-18
- 9-16-18
- 10-15-18
- 11-16-18
- 12-15-18
- 13-16-18
- 14-15-18
- 15-16-18
- 16-15-18
- 17-16-18
- 18-15-18

SCALE		WEIGHT	
M 42.5		XXT	
control panel V4 Page 2			
FREE DIMENSION TOLERANCE DIN 7168 MEDIUM		DATE	NAME
		2000/03/27	Fetzer
		CHKD.	
		APPD.	
d	siehe B_513017.doc	19.07.05	Körner
c	siehe B_513017.doc	24.02.05	Körner
b	siehe B_513017.doc	02.02.04	Körner
a	siehe B_513017.doc	15.01.04	Körner
ISSUE	MODIFICATION	DATE	NAME
CHANGE ONLY WITH CAD		ORIGINAL	
REPLACEMENT FOR		REPLACEMENT BY	
B 51 3 017			
SHEET		OF	

THIS INFORMATION MAY NOT BE COPIED BY A THIRD PARTY. SUBJECT TO COPYRIGHT (PARAGRAPH 1 NO. 3 OF "URheberRECHTSGESETZ" FROM 14.06.1991)



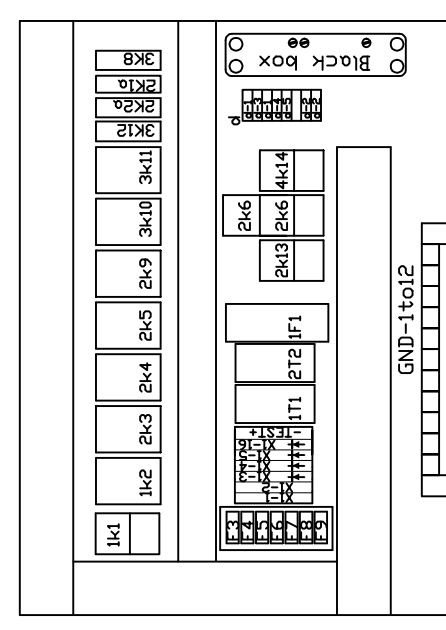
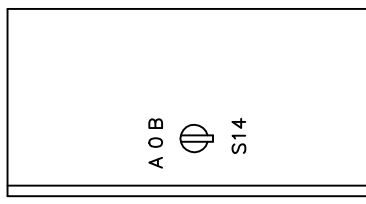
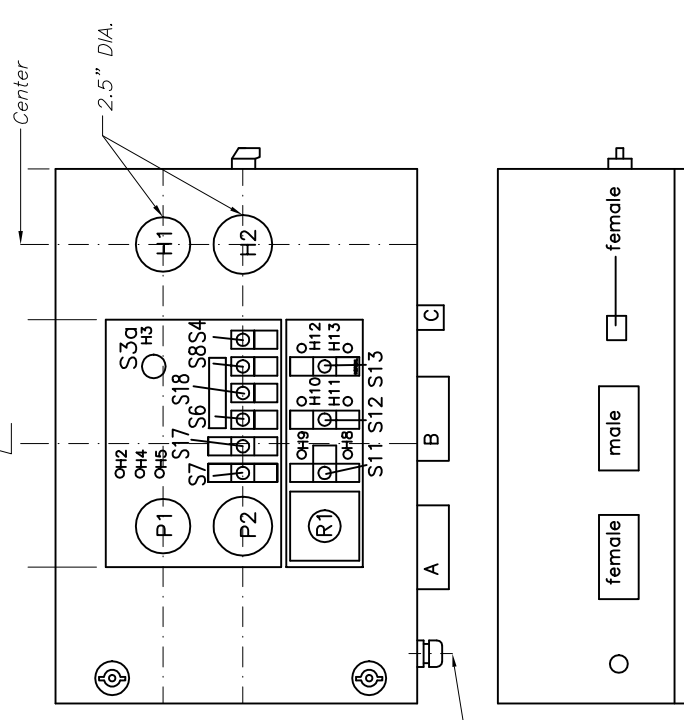
SCALE M 42.5 XXT		WEIGHT control panel V4 Page 3	
FREE DIMENSION TOLERANCE DIN 7185 MEDIUM		NAME Fetzer	
DATE 2000/03/27		APPD.	
MODIFICATION siehe B_513017.doc 19.07.05 Körner		ORIGINAL siehe B_513017.doc 24.02.05 Körner	
DATE 15.01.04 Körner		NAME CHANGE ONLY WITH CAD	
ISSUE siehe B_513017.doc		REPLACEMENT BY B 51 3 017	
SHEET OF		REPLACEMENT BY	

THIS INFORMATION MAY NOT BE COPIED BY A THIRD PARTY. SUBJECT TO COPYRIGHT (PARAGRAPH 1 NO. 3 OF "URheberRECHTSGESETZ" FROM 14.06.1997)

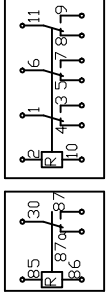
P12.3a P12.3b P12.3 P12.3

Reverse/Forward TestCy/A/Cyl.B Jog/Normal Pressure valve Solenoid Hydr-pump Proximity sensors

M12.3 M12.3



4K14 + 2K6



THIS INFORMATION MAY NOT BE COPIED BY A THIRD PARTY. SUBJECT TO COPYRIGHT (PARAGRAPH 1 NO. 3 OF "URheberRECHTSGESETZ" FROM 14.06.1991)

	FREE DIMENSION TOLERANCE DIN 7168 MEDIUM	SCALE	WEIGHT
	DATE DRAWN 2000/03/27 CHKD. APPD.	NAME Fetzer	M 42.5 XXT
d siehe B_513017.doc 19.07.05 Körner c siehe B_513017.doc 24.02.05 Körner b siehe B_513017.doc 02.02.04 Körner a siehe B_513017.doc 15.01.04 Körner	MODIFICATION	NAME	DATE
CHANGE ONLY WITH CAD		REPLACEMENT FOR	
ORIGINAL		REPLACEMENT BY	
B 51 3 017		SHEET	
		OF	

control panel V4
Page 5



Stückliste	Benennung	Anlage	Änderungsindex	gültig ab	gültig bis	
B513017	SCHALTPULT WAI 106059 VERSION 4	07.02.01 Mi	c	24.02.05		
Pos	Bezeichnung Rohmaterial	Sach-Nr. Abmessung	DIN Werkstoff	Index	Gewicht Kg	Anzahl Einheit
1	Not-Stop Schalter	WAI105094				1,00 Stk
2	Kontaktblock m. Lampenfassung	WAI105095				1,00 Stk
3	Schild "emergency - stop" ZB2-BY9330	WAI102278				1,00 Stk
4	Lampe 12V-2W BA 9S	WAI104083			0,10	1,00 Stk
5	LED-Signalleuchte 12 VDC 14 mm, rot	WAI105811				4,00 Stk
6	LED-Signalleuchte 12 VDC 14 mm, gelb	WAI105812				2,00 Stk
7	LED-Signalleuchte 12 VDC 14 mm, grün	WAI105813				3,00 Stk
8	Hebelschalter - abged. MOM-OFF-MOM 2	WAI103976				1,00 Stk
9	Hebelschalter - abgedichtet ON-OFF-ON	WAI104090				2,00 Stk
10	Hebelschalter - abgedichtet MON-ON	WAI104091				2,00 Stk
11	Hebelschalter - abgedichtet ON-OFF	WAI104089				2,00 Stk
12	Hebelschalter - abgedichtet ON-ON	WAI104092			0,10	2,00 Stk
13	Relais - Industrie 3W, 12VDC	WAI104093				7,00 Stk
14	Relaissockel 11-pol. ohne Diode	WAI104859				2,00 Stk
15	Relaissockel 10A, 380V, 11 Pins	WAI100178				5,00 Stk
16	Haltebügel f. Industrirelais	WAI104094				7,00 Stk
17	Sicherungskasten	WAI101577				1,00 Stk
18	Stecksicherung 5 A	WAI101922				1,00 Stk
19	Stecksicherung 10 A	WAI101921				3,00 Stk
20	Stecksicherung 20 A	WAI104096				2,00 Stk



Stückliste	Benennung	Anlage	Änderungsindex	gültig ab	gültig bis	
B513017	SCHALTPULT WAI 106059 VERSION 4	07.02.01 Mi	c	24.02.05		
Pos	Bezeichnung Rohmaterial	Sach-Nr. Abmessung	DIN Werkstoff	Index	Gewicht Kg	Anzahl Einheit
21	Betriebsstundenzähler	WAI100900				1,00 Stk
22	Anbaugehäuse CNI 16	WAI104097				1,00 Stk
23	Steckereinsatz 1-16 pol.	WAI104022				1,00 Stk
24	Anbaugehäuse 24-pol. Gr. 8	WAI101533				1,00 Stk
25	Steckdoseneinsatz 24-pol.	WAI100710				1,00 Stk
26	Erdungsschiene für Steuerpult WAI100251	WAI102577				1,00 Stk
27	Schaltplantasche	WAI104099				1,00 Stk
28	Gummipuffer 25 x 20 2 Bolzen	WAI104100				4,00 Stk
29	Verteilersystem 4-fach MVP 12	WAI105998				1,00 Stk
30	Lampe 12V-5W	WAI104101			0,10	3,00 Stk
31	Potentiometer 100 Ohm	WAI104103				1,00 Stk
32	Potentiometer - Antrieb schwarz	WAI104104				1,00 Stk
33	Kabelverschraubung PG21	WAI104109				1,00 Stk
34	Kabelverschraubung PG11	WAI104110				1,00 Stk
35	Gegenmutter PG21	WAI104114				1,00 Stk
36	Stecker für UK 4-TG leer ST-BE	WAI106395				1,00 Stk
37	Relais 12 VDC, 1W	WAI104117				4,00 Stk
38	Relaissockel für Bosch Relais	WAI100986				4,00 Stk
39	Gegenmutter PG11	WAI104112				1,00 Stk
40	Relais - Hochl. 12VDC, 70A, 1S	WAI104122				1,00 Stk

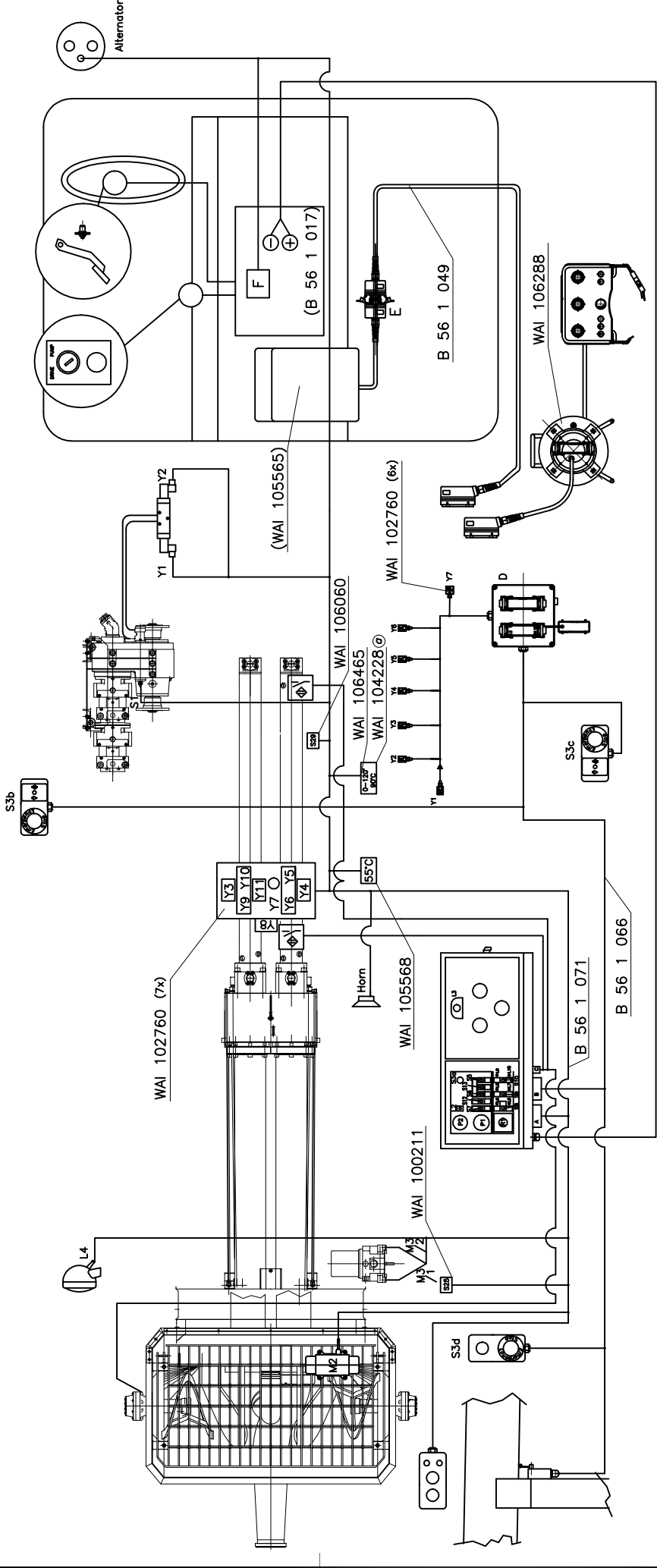


Stückliste	Benennung	Anlage	Änderungsindex	gültig ab	gültig bis	
B513017	SCHALTPULT WAI 106059 VERSION 4	07.02.01 Mi	c	24.02.05		
Pos	Bezeichnung Rohmaterial	Sach-Nr. Abmessung	DIN Werkstoff	Index	Gewicht Kg	Anzahl Einheit
41	Relaissockel	WAI105619				1,00 Stk
42	Kabelverschraubung PG16 vernickelt	WAI102933				1,00 Stk
43	Widerstand 100 Ohm, 4,5W	WAI104118				2,00 Stk
47	Durchgangsklemme grau 2-Leiter 6qmm	WAI105817				2,00 Stk
48	Abschluß- und Zwischenplatte orange	WAI105818				1,00 Stk
49	Knebel	WAI100968				1,00 Stk
50	Halter	WAI100287				1,00 Stk
51	Schaltelement	WAI100969				3,00 Stk
52	Schalter - Brücke 3SB1S12OAN	WAI103735				2,00 Stk
53	Relais - Miniatur DC 12V 4 Wechsler	WAI105046				4,00 Stk
54	Kondensatablauf	WAI104669				1,00 Stk
55	Klemme UK 4-TG	WAI104186				7,00 Stk
56	Stecker m. Diode, ST-1N4007	WAI104185				6,00 Stk
57	Crimpkontakt - Stift 0,75 - 1 qmm	WAI103695				2,00 Stk
59	Relais - Zeit blinkend RZ12Ti-01	WAI105331				1,00 Stk
60	Relais - Ausschalt-Wisch EZ12RV-001	WAI105815				1,00 Stk
61	Not-Aus-Schaltgerät PNOZ X5	WAI105814				1,00 Stk
62	Alu-Klebeschild m. Bohr. für WAI105542	WAI105819				1,00 Stk
63	Klemme UK 5 N f. Hutschiene	WAI104671				2,00 Stk
64	Fassung 14-pol. m. Freilaufdiode	WAI103974			0,02	4,00 Stk



STÜCKLISTEN-DRUCK

Stückliste	Benennung	Anlage	Änderungsindex	gültig ab	gültig bis	
B513017	SCHALTPULT WAI 106059 VERSION 4	07.02.01 Mi	c	24.02.05		
Pos	Bezeichnung Rohmaterial	Sach-Nr. Abmessung	DIN Werkstoff	Index	Gewicht Kg	Anzahl Einheit
65	Haltebügel f. Miniaturrelais	WAI104860			0,02	4,00 Stk
66	Fernthermometer 12 Volt	WAI105823				1,00 Stk
67	Black box	WAI104442				1,00 Stk
68	Gegenmutter CE16 PA 6	WAI104519				1,00 Stk
69	Leuchte innen 2JA 001 330-001	WAI106402				1,00 Stk
71	Relais - Zeit 12V, Multifunktion	WAI106393				1,00 Stk
72	Kennzeichenleuchte klein 2KA 001 389-10	WAI106182				1,00 Stk



PLUG A

1	Y3+4+M3/1+	brn	
2	Y4+7+PAN	blk/whi	
3	S1>F1	red/yel	
4	Y3-1	red/yel	
5	temp. switch	yel/whi	
6	L4	grn/whi	
7	Y4-1	yel/whi	
8	F3	blu	
9	F2	blu	
10	Horn	blk	
11	Y5-1/hopper	blk	
12	Y6/Y8/Y9	blk/grn	
13	Y5-2	blk/red	
14	Y7	grn/red	
15	Y8	whi/brn	
16	Y9	vio	
17	M2	blk	
18	M2	blu	
19	M3/1-1	grn	
20	M3/1-3	grn	
21	M3/2-2	yel	
22	Y6	whi	
23	temp switch	whi	
24	temp switch	whi	
25	Y10	grn	
26	free	grn	
27	F5	red	
28	F6	grn/blk	

PLUG B

1	D10-ll	brn	ground
2	S3b	gry	emergency stop
3	S3c	blk	emergency stop
4	D13	blu	emergency stop
5	D 22	gry/red	emergency stop
6	S3b-d	white	emergency stop
7	D 20	whi/grn	horn
8	D 15	grn	RPM +
9	D 16	blk/whi	RPM -
10	D 24	vio	Pot
11	D 17	blk/grn	pumping on
12	D 19	gry/blk	reverse
13	free	free	free
14	D 18	blu/whi	pumping
15	D 21	blk/red	flashing light
16	free	free	free

PLUG C

1	pin No.	Wire No.	function
2	1	brown +	
3	2	blue	
4	3	black	Sensor 1
5	4	black	Sensor 2
6	5		
7	6		
8	7		
9	8		

PLUG D

1	A 1	brn	ground
2	Y3/3	brn/whi	boom 1 up
3	Y3/2	blu	boom 1 down
4	Y4/3	grn/whi	boom 2 up
5	Y4/2	blk/grn	boom 2 down
6	Y5/2	gry/blk	boom 3 up
7	Y6/3	blk/whi	boom 3 down
8	Y6/2	gry/red	boom 4 up
9	free	free	boom 4 down
10		brn	free
11	Y2/2	vio	turn clockwise
12	Y2/3	blu/whi	turn anticlockw.
13	B4	red	plus
14	Y1/2/3	gry	pilot valve
15	B 8	grn	RPM +
16	B 9	blk/whi	RPM -
17	B 11	blk/grn	pumping on
18	B 14	blu/whi	pumping
19	B 12	gry/blk	reverse
20	B 7	whi/grn	horn
21	B 15	blk/red	free
22	B 5	gry/red	emergency stop
23	Y7	brn/whi	free
24	B 10	vio	POT

PLUG F

pin No.	Wire No.	function	pin No.	Wire No.	function
1	1	power supply 12V	17	34	boom 4 up
2	3	emergency stop	18	31	boom 3 down
3	4	12 V+	19	32	boom 3 up
4	5	RPM-	20	29	turn clockwise
5	6	free	21	30	turn anticlockw.
6	8	horn	22	28	boom 1 down
7	11	RPM+	23	27	boom 1 up
8	13	pump on	24	39	boom 2 down
9	9	GND	25	40	boom 2 up
10	14	reverse	26	-	free
11	25	pilot valve	27	-	free
12	-	free	28	35	pump speed pot
13	-	free	29	-	free
14	-	free	30	-	free
15	-	free	31	-	free
16	33	boom 4 down	32	-	free

TERMINAL F

blk/whi	A2
whi	S1
grn	Y1
gry/whi	Y2
blu	A7
blk	AB
vio	Lima D
brn	⊖
red	reserve
gry/blk	reserve

Waltinger Baumaschinen Vertrieb und Service GmbH

SCALE: without weight

own parts list

Cable harness / accessories REED V4

REPLACEMENT FOR: B 56 1 070

CHANGING ONLY WITH CAD

DATE: 2002/03/28

NAME: M

DRWN: 2002/03/28

CHKD:

APPD:

ORIGINAL: B 56 1 070

MODIFICATION: DATE: NAME: WÄRM

FROM: 14.06.1991

FREE DIMENSION TOLERANCE DIN 7168 MEDIUM

DATE: 2002/03/28

NAME: M

DRWN: 2002/03/28

CHKD:

APPD:

ORIGINAL: B 56 1 070

MODIFICATION: DATE: NAME: WÄRM

FROM: 14.06.1991

REPLACEMENT FOR: B 56 1 070

CHANGING ONLY WITH CAD

DATE: 2002/03/28

NAME: M

DRWN: 2002/03/28

CHKD:

APPD:

ORIGINAL: B 56 1 070

MODIFICATION: DATE: NAME: WÄRM

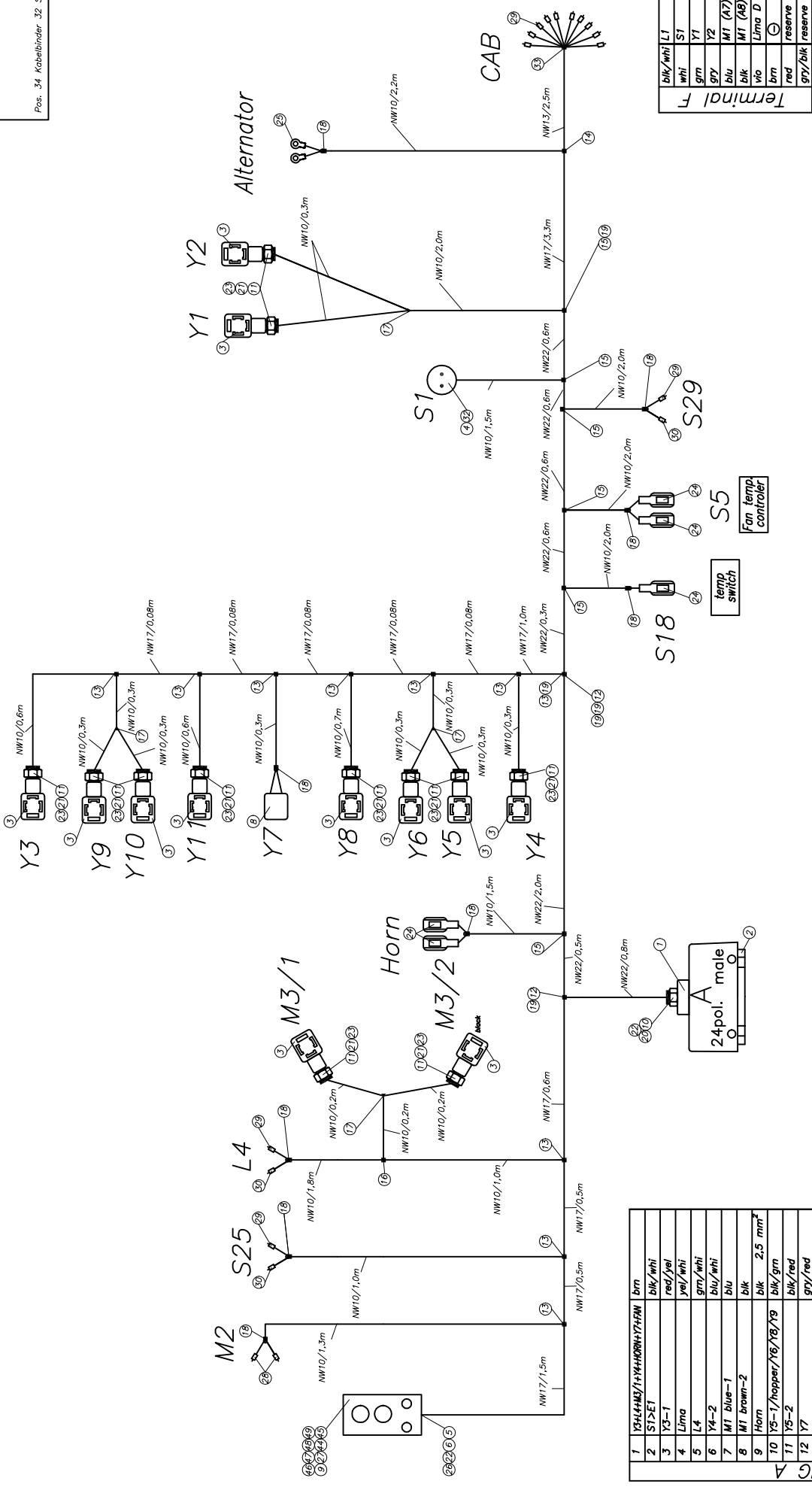
FROM: 14.06.1991



PARTS LIST

part list	description	created	index	valid from	valid to	
B561070	cable harness closed loop version IV	28.03.00 Mi	a	29.08.05		
pos	description stock	ident-no dimensions	DIN material	index	weighth Kg	quantity unit
1	cable harness boom REED V III own parts list	B561066		c 26.08.04	9,00	1,00 Stk
2	cable harness pump REED CL 32/36 V IV own parts list	B561071				1,00 Stk
3	cable cpl. for cable control own parts list	B561049				1,00 Stk
4	cable drum + 35m cable (34 x 0,5) own parts list	WAI106288				1,00 Stk
5	anti-interference device	WAI102760				14,00 Stk
6	thermo sensor	WAI104228				1,00 Stk
7	thermo sensor 55 degrees C	WAI105568			0,10	1,00 Stk
8	pressure switch	WAI100211			0,87	1,00 Stk
9	switch swimmer	WAI106060				1,00 Stk
10	sealing ring 14x18x2	WAI106465				1,00 Stk

Loose Teil:
Pos. 34 Kabelbinder 32 Stück



Terminal F	blk/whi L1
1	whi S1
2	grn Y1
3	gry Y2
4	blu M1 (A7)
5	blk M1 (A8)
6	vio Lima D
7	brn
8	red reserve
9	gry/blk reserve

	free dimension tolerance DIN 7168 medium	name MI	scale 1:1	weight 00 N
	drawn 1999/07/13	date	semi-finished product	Material
	chkd.		cable loop pump	
	appl.		REED cl	37m
issue	MODIFICATION	name	change only with CAD	sheet 1
		date	B 56 1 071	of 2
		original	replacement for	replacement by

this information may not be copied by a third party. Subject to copyright (paragraph 1 no. 3 of Urheberrechtsgesetz) from 14.06.1991

PLUG A	1	Y34+4M3/1+Y4+HORN+Y7+FN	brn
	2	S1>E1	blk/whi
	3	Y3-1	red/yel
	4	Lima	yel/whi
	5	L4	grn/whi
	6	Y4-2	blk/whi
	7	M1 blue-1	blu
	8	M1 brown-2	blk
	9	Horn	blk 2,5 mm ²
	10	Y5-1/hopper/Y6/Y8/Y9	blk/grn
	11	Y5-2	blk/red
	12	Y7	gry/red
	13	Y8	whi/brn
	14	Y9	vio
	15	M2	blk 2,5 mm ²
	16	M2	blu 2,5 mm ²
	17	M3/1-1	gry
	18	M3/1-3	grn
	19	M3/2-2	yel
	20	Y6	whi
	21		
	22		
	23	Fan	grn
	24	SS	yel/whi
	Res. F		red
	Res. F		gry/blk



PARTS LIST

part list	description	created	index	valid from	valid to	
B561071	cable harness pump REED CL 32/36 V IV	28.03.00 Mi				
pos	description stock	ident-no dimensions	DIN material	index	weighth Kg	quantity unit
1	housing upper part, 24-pol	WAI101542				1,00 Stk
2	plug insertion 24-pol.	WAI100714				1,00 Stk
3	plug	WAI104691				10,00 Stk
4	coupling	WAI104523				1,00 Stk
5	fitting PG16	WAI104510				1,00 Stk
6	sealing for cable fitting PG16	WAI104696				1,00 Stk
7	plate	WAI104735				12,00 Stk
8	plug 2-poles, AMP junior timer	WAI106058				1,00 Stk
9	housing agitator own parts list	B561072				1,00 Stk
10	fitting PG21	WAI104507				1,00 Stk
11	fitting PG9	WAI104506				12,00 Stk
12	t - piece 22-22-22	WAI104515				2,00 Stk
13	t - piece 17-10-17	WAI104332				8,00 Stk
14	t - piece	WAI104511				2,00 Stk
15	t - piece 22-10-22	WAI105263				6,00 Stk
16	t - piece 10-10-10	WAI104514				4,00 Stk
17	reducer	WAI104512				1,00 Stk
18	cap	WAI104513				8,00 Stk
19	reducer 22/17	WAI104509				5,00 Stk
20	sealing for cable fitting PG21	WAI104697				1,00 Stk



PARTS LIST

part list	description	created	index	valid from	valid to	
B561071	cable harness pump REED CL 32/36 V IV	28.03.00 Mi				
pos	description stock	ident-no dimensions	DIN material	index	weigh Kg	quantity unit
21	sealing for cable fitting PG9	WAI104695				12,00 Stk
22	O-ring 15 x 1,5	WAI104701				2,00 Stk
23	O-ring 8.9 x 1.25	WAI104700				12,00 Stk
24	flat plug sleeve 2,5mm	WAI104785				15,00 Stk
25	thimble 2,5 qmm M6	WAI104693			0,02	5,00 Stk
26	nut CE 16	WAI104519				2,00 Stk
27	push button	WAI100569				1,00 Stk
28	cove end sleeve 2.5mm	WAI101997				4,00 Stk
29	cove end sleeve 1.5mm	WAI101996				36,00 Stk
30	cove end sleeve 1.5mm	WAI104692				6,00 Stk
31	shrink hose	WAI104677				0,10 Mtr
32	shrink hose	WAI104505				0,05 Mtr
33	cable tie 200x3.6, black	WAI103137				32,00 Stk
34	plug	WAI104530				2,00 Stk
40	cable pipe	WAI104520				6,00 Mtr
41	cable pipe	WAI104216				7,80 Mtr
42	cable pipe	WAI104215				2,50 Mtr
43	cable pipe	WAI104213				23,80 Mtr
44	sign AL agitator	WAI106030				1,00 Stk
45	sign AL water pump	WAI106031				1,00 Stk



PARTS LIST

part list	description	created	index	valid from	valid to	
B561071	cable harness pump REED CL 32/36 V IV	28.03.00 Mi				
pos	description stock	ident-no dimensions	DIN material	index	weigh Kg	quantity unit
46	lever switch ON-OFF-ON	WAI104090				2,00 Stk
48	led-signal lamp, red	WAI105811				1,00 Stk
49	led-signal lamp, green	WAI105813				1,00 Stk
50	cable	WAI108059				270,00 Mtr



PARTS LIST

part list	description	created	index	valid from	valid to	
B561066	cable harness boom REED V III	18.05.99 Mi	c	26.08.04		
pos	description stock	ident-no dimensions	DIN material	index	weighth Kg	quantity unit
1	housing emergency stop own parts list	B561091				1,00 Stk
2	housing left own parts list	B561043		a 25.02.02		2,00 Stk
3	Clamp box for boom own parts list	B561029		a 15.01.02		1,00 Stk
11	t - piece 22-22-22	WAI104515				3,00 Stk
12	t - piece	WAI104508				1,00 Stk
13	t - piece 17-10-17	WAI104332				4,00 Stk
14	t - piece	WAI104511				1,00 Stk
16	fitting PG21	WAI104507				2,00 Stk
17	fitting PG16	WAI104510				4,00 Stk
18	fitting PG9	WAI104506				7,00 Stk
19	sealing for cable fitting PG21	WAI104697				2,00 Stk
20	sealing for cable fitting PG16	WAI104696				4,00 Stk
21	sealing for cable fitting PG9	WAI104695				7,00 Stk
22	lock nut PG21	WAI104114				1,00 Stk
23	O-ring 15 x 1,5	WAI104701				6,00 Stk
24	O-ring 8.9 x 1.25	WAI104700				7,00 Stk
25	nut CE 16	WAI104519				4,00 Stk
26	plate	WAI104735				7,00 Stk
28	plug	WAI104691				6,00 Stk
29	housing-body, lower part 24-pol	WAI101533				2,00 Stk



PARTS LIST

part list	description	created	index	valid from	valid to	
B561066	cable harness boom REED V III	18.05.99 Mi	c	26.08.04		
pos	description stock	ident-no dimensions	DIN material	index	weighth Kg	quantity unit
30	socket insertion 24-pol.	WAI100710				1,00 Stk
31	protective cap	WAI101305				1,00 Stk
32	housing upper part 16-pol.	WAI104023				1,00 Stk
33	plugbox insert 1-16 pol.	WAI104121				1,00 Stk
34	emergency stop switch	WAI105094				3,00 Stk
35	label ZB2-BY9330	WAI102278				3,00 Stk
36	push button	WAI100569				1,00 Stk
37	contact block	WAI105095				3,00 Stk
40	lamp 12V	WAI104083			0,10	3,00 Stk
41	plate "horn"	WAI105415				1,00 Stk
42	diode, 1A	WAI105337				3,00 Stk
43	washer 4	WAI104633				9,00 Stk
44	rail	WAI104772				0,20 Mtr
45	diode, MKS-D10	WAI104541				1,00 Stk
46	clamp	WAI104186				2,00 Stk
47	plug with diode	WAI104185				2,00 Stk
48	end plate	WAI104833				1,00 Stk
49	clamp	WAI104672				2,00 Stk
50	condenser	WAI104669				4,00 Stk
51	hexagon bolt M 4 x 12	WAI104632				9,00 Stk

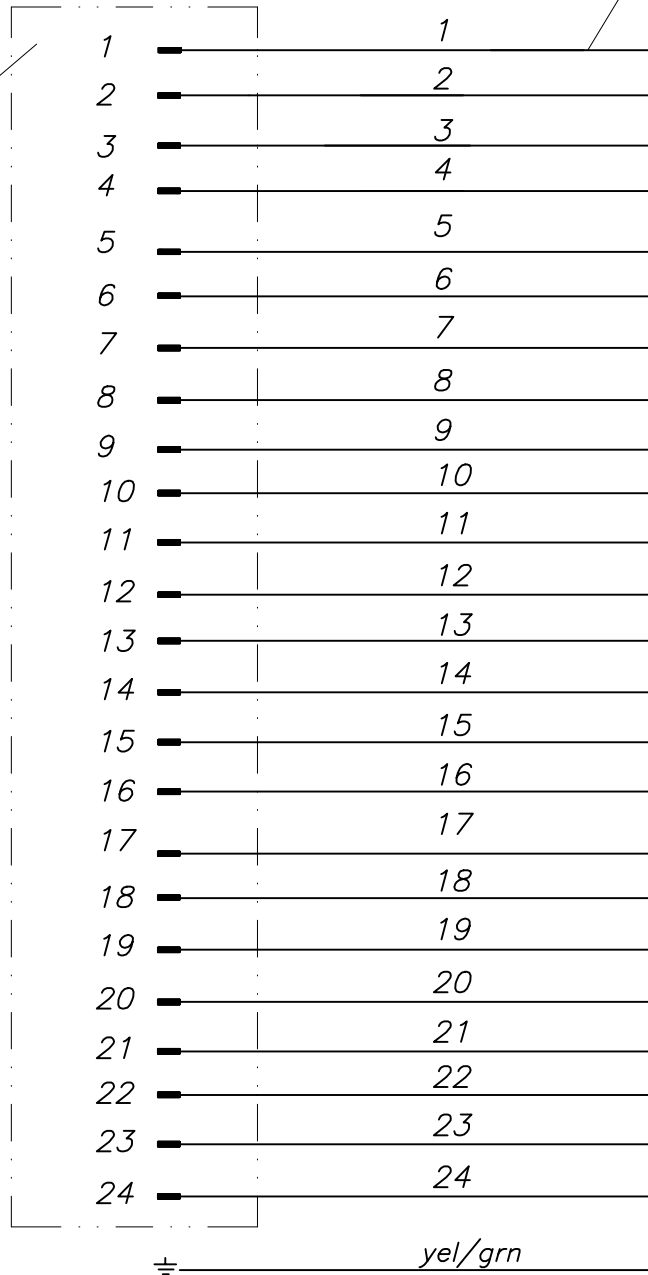


PARTS LIST


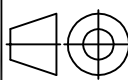
part list	description	created	index	valid from	valid to	
B561066	cable harness boom REED V III	18.05.99 Mi	c	26.08.04		
pos	description stock	ident-no dimensions	DIN material	index	weigh Kg	quantity unit
52	hex. nut M4	WAI104634				9,00 Stk
53	cove end sleeve 1.5mm	WAI101996				60,00 Stk
54	cove end sleeve 1.5mm	WAI104692				35,00 Stk
55	reducer 22/17	WAI104509				4,00 Stk
56	cable pipe	WAI104520				7,00 Mtr
57	cable pipe	WAI104216				12,50 Mtr
58	cable pipe	WAI104213				3,40 Mtr
59	cable tie 200x3.6, black	WAI103137				28,00 Stk
60	t - piece 22-10-22	WAI105263				1,00 Stk
62	relay socket	WAI100986				2,00 Stk
63	relay DC 12V, 30 A	WAI104845				2,00 Stk
81	flat plug sleeve 2,5mm	WAI104785				14,00 Stk
82	reducer	WAI104512				1,00 Stk
83	cable	WAI108059				300,00 Mtr
90	thimble 1,5 - 2,5 qmm	WAI102458				3,00 Stk
91	cove end sleeve 2.5mm	WAI101997				20,00 Stk
92	cove end sleeve 1.0mm	WAI101995				20,00 Stk
93	plate	WAI106435				3,00 Stk

cable 10m
25x1,5
WAI 101989

plug insertion
24-polig
WAI 100714
housing
24-polig
WAI 101542
cove end sleeve 50x
1,5
WAI 101996
(25x unmounted)
fitting
PG 21
WAI 105665



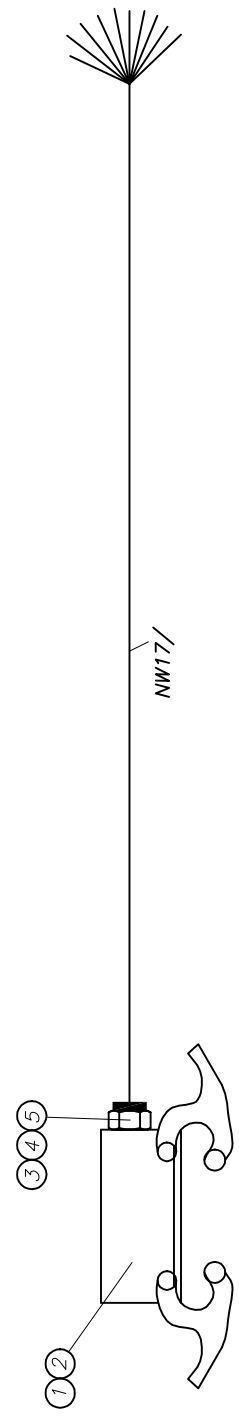
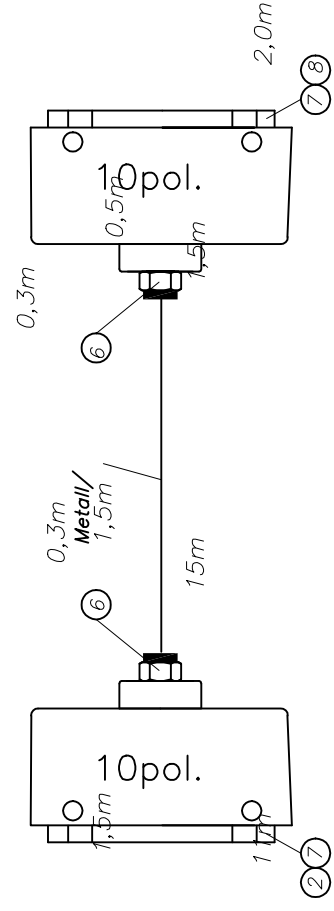
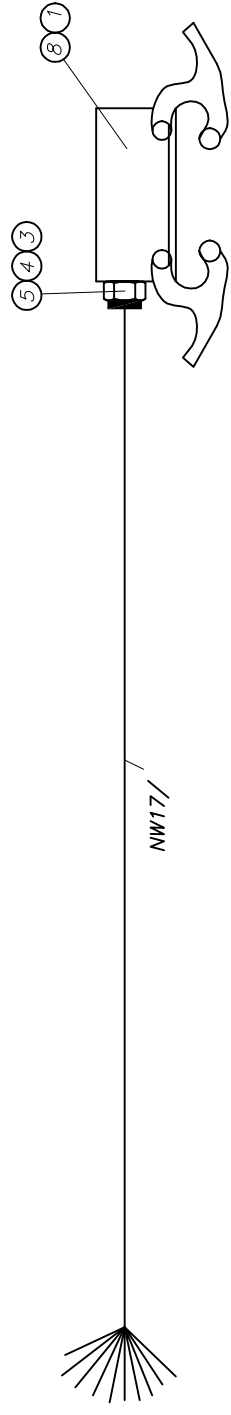
This information may not be copied by a third party. Subject to copyright (paragraph 1 no. 3 of "Urheberrechtsgesetz" from 14.06.1991

 Waitzinger Baumaschinen Vertrieb und Service GmbH	free dimension tolerance DIN 7168 medium			scale	weight
	own parts list				
				cable cpl. for cable control	
		date	name		
	drawn	1999/07/20	Mi		
	chekd.				
	appd.				
change only with CAD				B 56 1 049	
issue	modification	date	name	original	replacement for
					replacement by
				sheet of	



PARTS LIST

part list	description	created	index	valid from	valid to	
B561049	cable cpl. for cable control	20.07.99 Mi				
pos	description stock	ident-no dimensions	DIN material	index	weighth Kg	quantity unit
1	cable 25 x 1.5	WAI101989				10,00 Mtr
2	plug insertion 24-pol.	WAI100714				1,00 Stk
3	housing upper part, 24-pol	WAI101542				1,00 Stk
4	fitting PG21	WAI105665				1,00 Stk
5	cove end sleeve 1.5mm	WAI101996				50,00 Stk
6	sealing for cable fitting PG21	WAI104697				1,00 Stk



	Freimaßtoleranz DIN 7168 mittel		Maßstab eigene Stückliste	Gewicht	Blatt 2 von 2 Bl.
Waizinger Baumaschinen Vertrieb und Service GmbH	Berrb. 06.08.2004	Gepr.	Datum	Name	Ers. für B 56 2 066
Änderung	Datum	Name	Urspr.	Ers. durch	Änderung nur auf CAD
Zust.	Änderung	Datum	Name	Urspr.	Ers. durch

Ohne unsere Genehmigung darf diese Zeichnung weder vervielfältigt noch Dritten, Personen oder Konkurrenzfirmen mitgeteilt werden. (Paragraf 1 Nr.3 des Urheberrechtsgesetzes vom 14.06.1901)

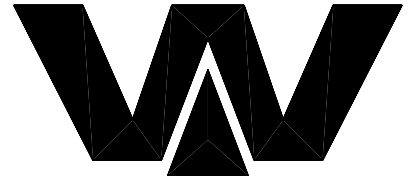


PARTS LIST

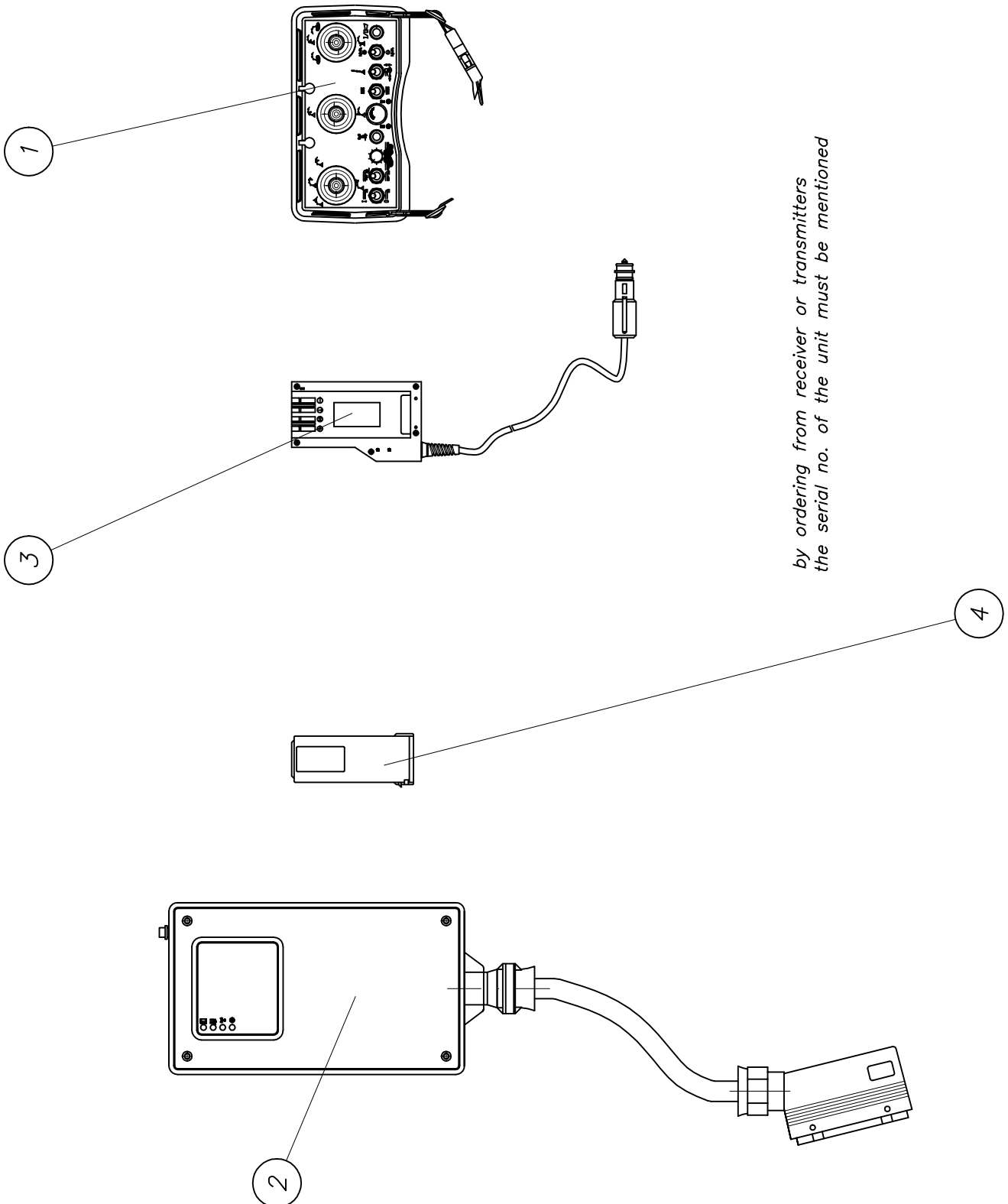
part list	description	created	index	valid from	valid to	
b562066	cable loop boom REED	06.10.04 ALEXAND				
pos	description stock	ident-no dimensions	DIN material	index	weighth Kg	quantity unit
1	housing 10 poles	WAI106688				2,00 Stk
2	plug insert 1-10 pin	WAI106687				2,00 Stk
3	fitting PG16	WAI104510				2,00 Stk
4	sealing for cable fitting PG16	WAI104696				2,00 Stk
5	O-ring 15 x 1,5	WAI104701				2,00 Stk
6	reduc. ring PG16 - 13,5	WAI107524				2,00 Stk
7	coupling housing 10-pole	WAI106689				2,00 Stk
8	plugbox insert 1-10 pol.	WAI106686				2,00 Stk
21	cable pipe	WAI104216				25,50 Mtr
22	cable	WAI108059				280,00 Mtr

*Funkfernsteuerung kpl.
radio control cpl.*

WAI 105982



*Waitzinger
Baumaschinen GmbH*



*by ordering from receiver or transmitters
the serial no. of the unit must be mentioned*

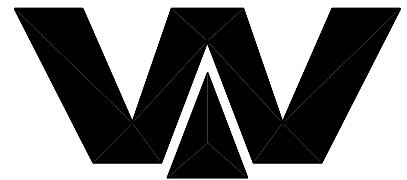


PARTS LIST

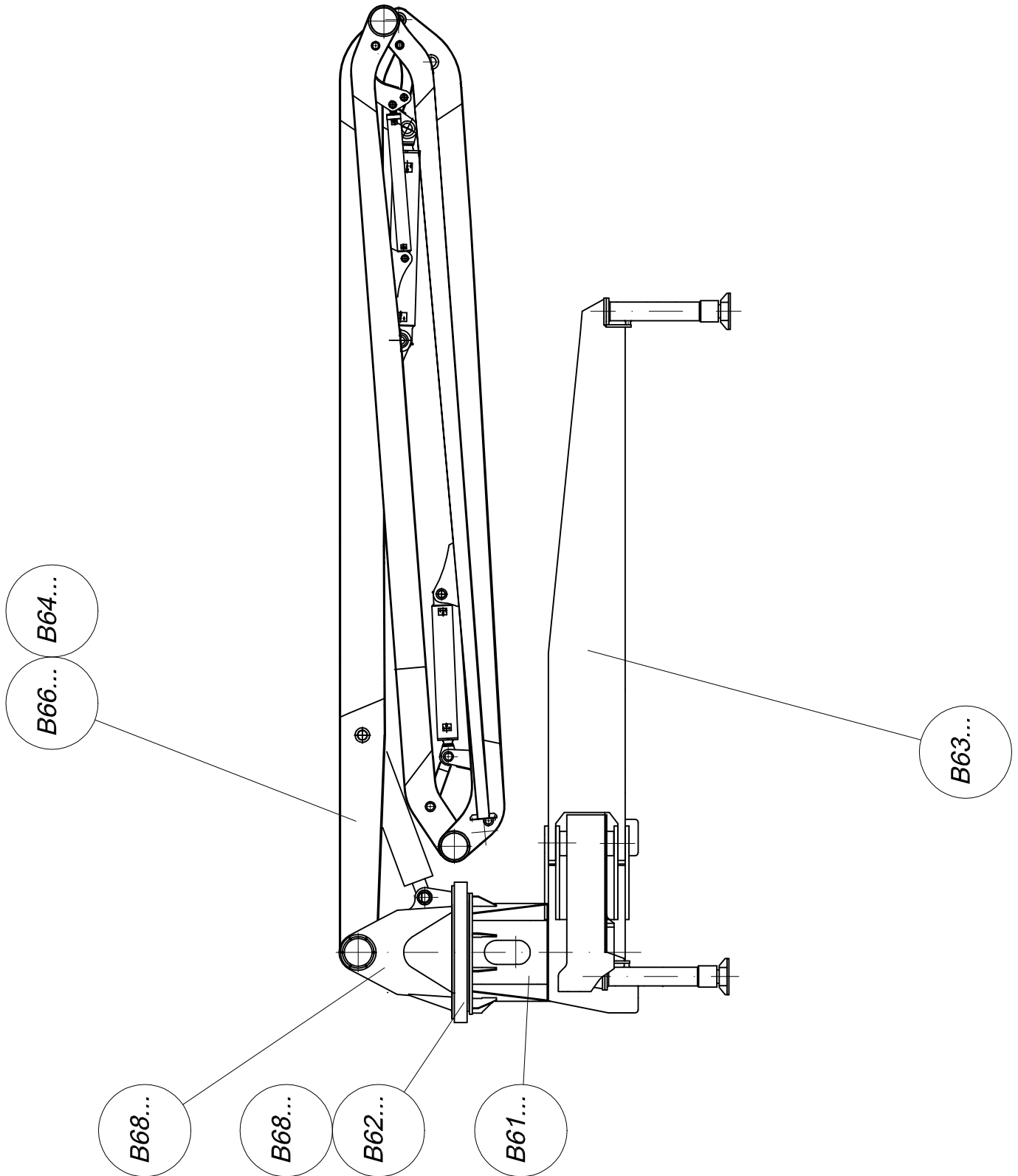
part list	description	created	index	valid from	valid to	
WAI105982	radio control	16.03.00 Mi				
pos	description stock	ident-no dimensions	DIN material	index	weigh Kg	quantity unit
1	transmitter for remote control Reed 6	WAI106051				1,00 Stk
2	receiver for remote control REED 6	WAI106052				1,00 Stk
3	battery charger PNN-System	WAI104743				1,00 Stk
4	accumulator for remote control	WAI104745				1,00 Stk

Übersicht B 60 - B 69

over view B 60 - B 69

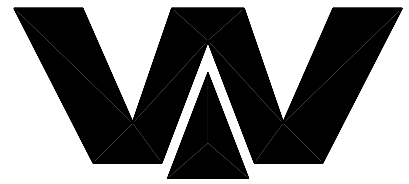


*Waitzinger
Baumaschinen GmbH*

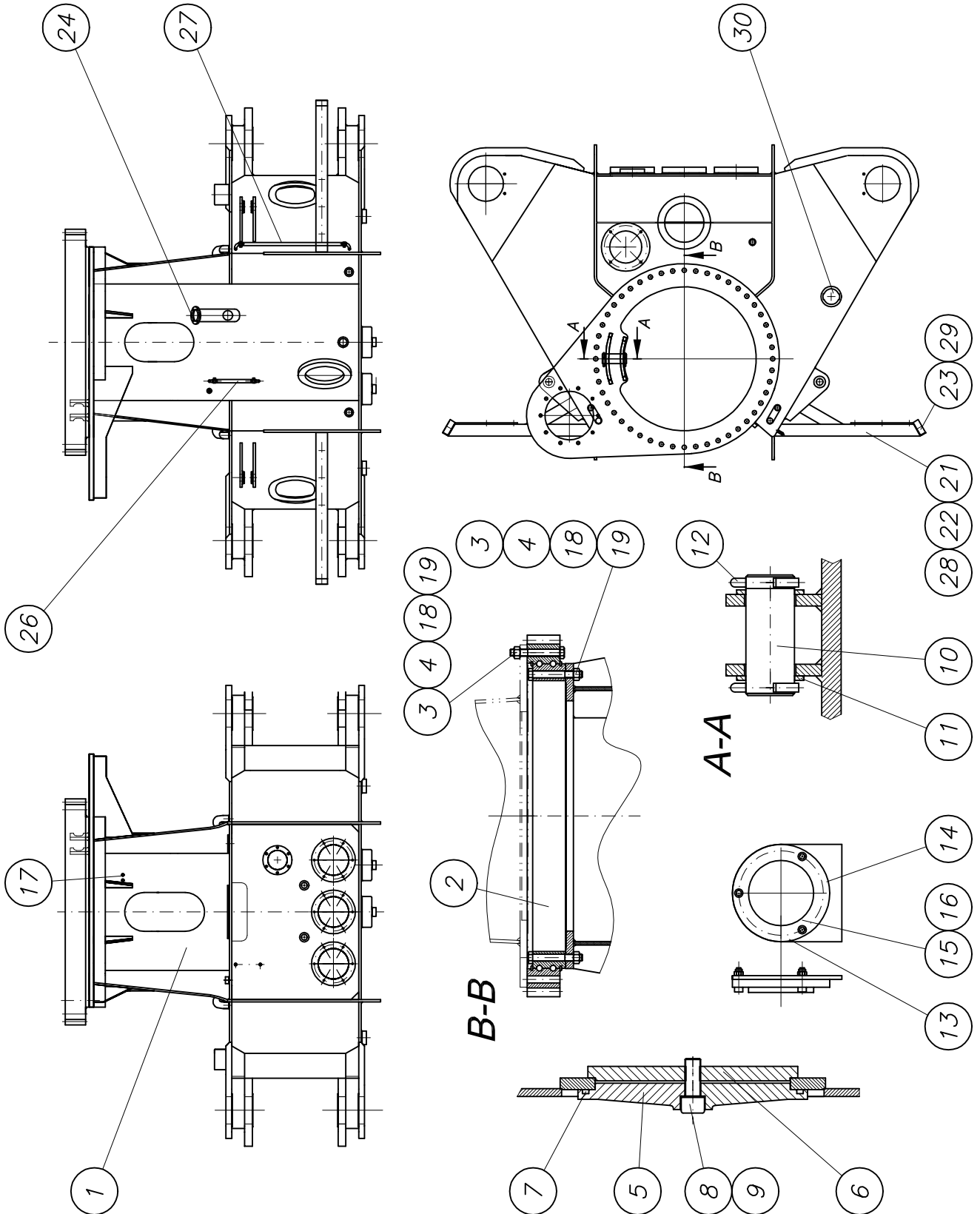


*Mastbock kpl.
boom base cpl.*

B 61 9 000d



Waitzinger
Baumaschinen GmbH





PARTS LIST

part list	description	created	index	valid from	valid to	
B619000	boom base 32/36XXT cpl.	07.11.00 hbk	d	31.10.03		
pos	description stock	ident-no dimensions	DIN material	index	weighth Kg	quantity unit
1	boom base 32/36XXT cpl. own parts list	B619010		b 17.04.02		1,00 Stk
2	rotation bearing	WAI106168			300,00	1,00 Stk
3	hexagon bolt M 22 x 160	WAI105029				96,00 Stk
4	nut M22 DIN 934 10.	WAI104827				96,00 Stk
5	cover for oiltank D236 X 27 36XT	B610033 RD 240x30	1747 Al99		1,80	4,00 Stk
6	star for oilcover FL 15X 220X 220	B610034 FI 220x220x15	1017 S235JR	a 12.02.03	2,00	4,00 Stk
7	O-ring 217x5, No. A0120.371	WAI106011				4,00 Stk
8	u-seal 16,7 x 24 x 1,5T	WAI101572				4,00 Stk
9	cheese head screw M 16 x 55	WAI104550				4,00 Stk
10	pin 50 x 128	B610022 Rd 55 x 130	1013 39NiCrMo3/b	a 03.08.04	1,90	1,00 Stk
11	spacer ring RD 70X 4.5	B610025 Rd 70 x 4.5	1013 S235JR		0,10	2,00 Stk
12	split pin 8 x 63 VERZ. DIN 94	WAI102875				2,00 Stk
13	box level d80	WAI106237				2,00 Stk
14	holder for can drag and fly	B619093 BI 5x100x112.5	1543/EN10029 S235J2G3	a 13.02.03	0,22	2,00 Stk
15	cheese head screw M5x20 DIN 912 8.8	WAI103389				6,00 Stk
16	locking nut DIN 980	WAI102068				6,00 Stk
17	lubrication kit for rotation bearing cpl own parts list	WAI106535			3,00	1,00 Stk
18	washer HV DIN 6916 23 C45	WAI101566				66,00 Stk
19	washer HV 6916 21 C45 tooled	WAI107180			0,01	30,00 Stk
21	guide profil	B619109 8x30x320	Polyamid			2,00 Stk
22	stop cpl. own parts list	B619110			8,00	2,00 Stk
23	stop	B619111 30x60x75	Polyamid			2,00 Stk

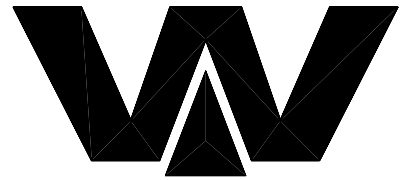


PARTS LIST

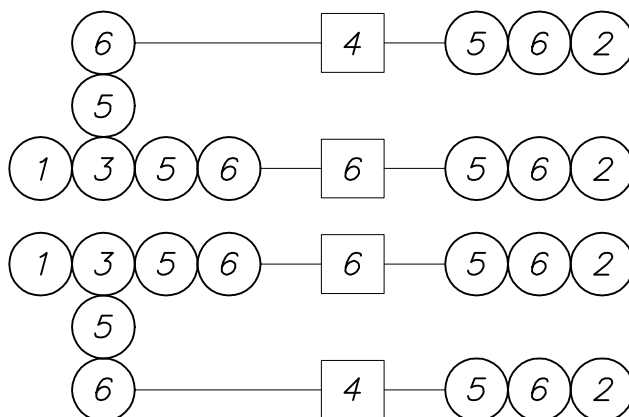
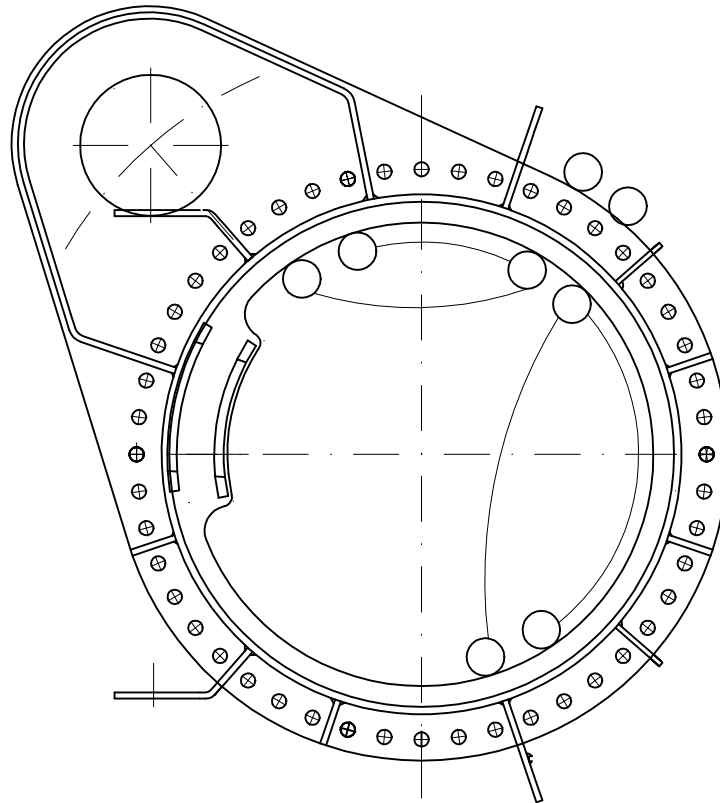
part list	description	created	index	valid from	valid to	
B619000	boom base 32/36XXT cpl.	07.11.00 hbk	d	31.10.03		
pos	description stock	ident-no dimensions	DIN material	index	weighth Kg	quantity unit
24	filling and air filter	WAI106163				1,00 Stk
26	fuel hose DN 12	WAI103104				1,70 Mtr
27	hose clamp 15mm	WAI103103				6,00 Stk
28	sunk screw M 10 x 20	WAI104689				6,00 Stk
29	cheese head screw	WAI102243			0,00	2,00 Stk
30	tank cover	WAI103102			0,80	1,00 Stk

Schmieranlage für Drehkranz
lubrication for turning unit

WAI 106535



Waitzinger
Baumaschinen GmbH



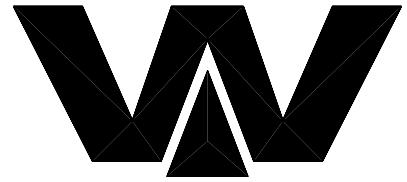


PARTS LIST

part list	description	created	index	valid from	valid to	
WAI106535	lubrication kit for rotation bearing cpl	04.12.00 Mi				
pos	description stock	ident-no dimensions	DIN material	index	weighth Kg	quantity unit
1	grease nipple H1 M10 X 1 DIN 71412	WAI100805			0,01	2,00 Stk
2	male stud coupling LL6M	WAI100305				4,00 Stk
3	t-fitting LL6	WAI106534				2,00 Stk
4	plastic pipe 8.4 x 2.1	WAI100255			0,05	3,50 Mtr
5	hose connecting piece, DN6, short	WAI100253			0,01	8,00 Stk
6	threaded sleeve	WAI100254			0,01	8,00 Stk

*Drehwerk kpl.
turning unit cpl.*

B 62 8 010



*Waitzinger
Baumaschinen GmbH*

- ① *Drehwerkseinheit kpl.
turning unit cpl.
B 62 8 011a*
- ② *Schutzeinrichtung kpl.
protection unit cpl.
B 62 8 012c*

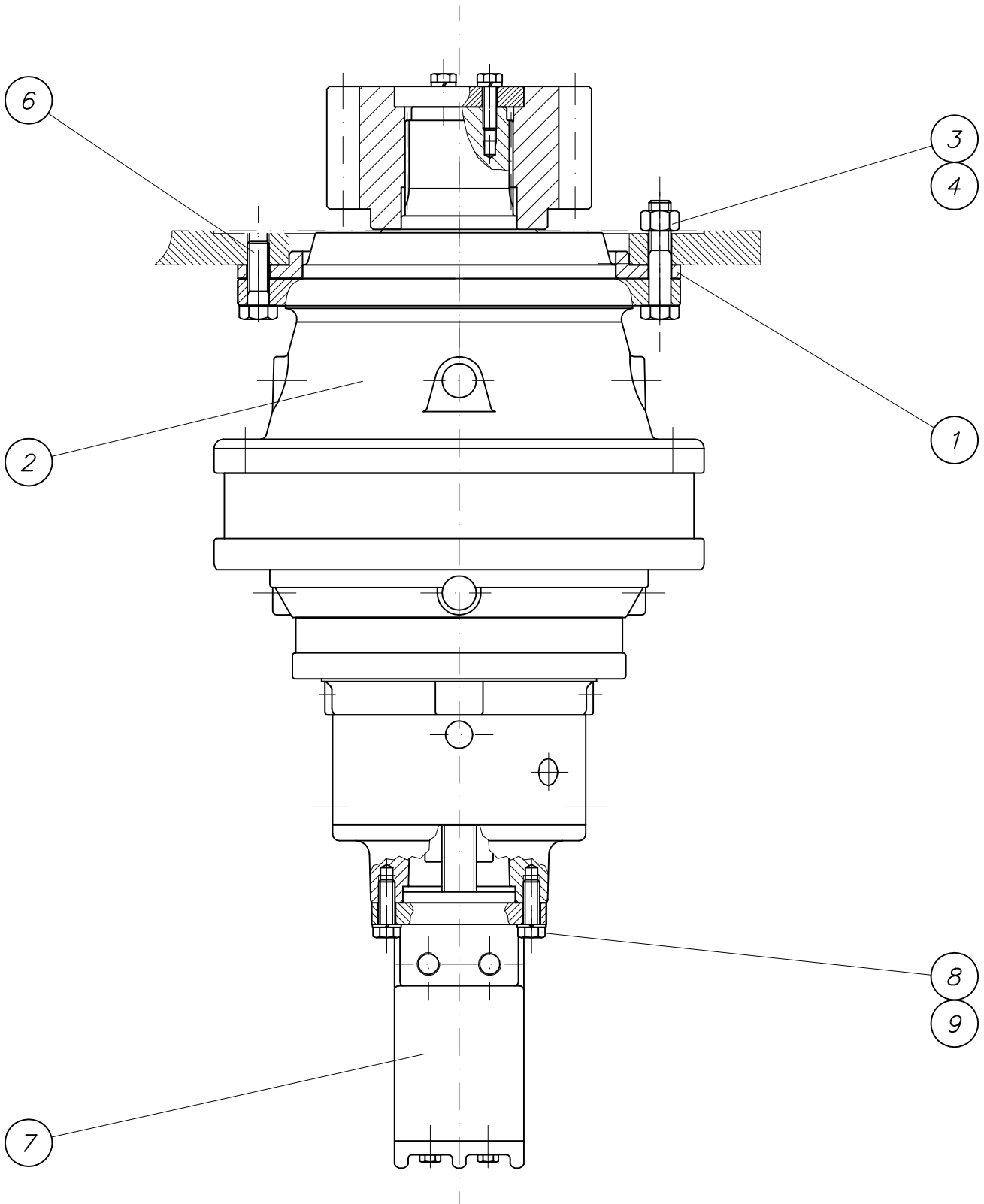
Drehwerkseinheit kpl.

turning unit cpl.

B 62 8 011a



Waitzinger
Baumaschinen GmbH





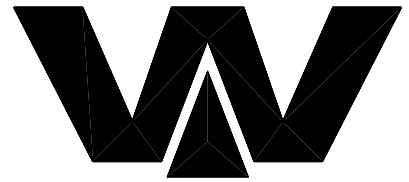
PARTS LIST

part list	description	created	index	valid from	valid to	
B628011	turning unit cpl.36XT AND 36ST	27.06.00 hbk	a	17.06.04		
pos	description stock	ident-no dimensions	DIN material	index	weigh Kg	quantity unit
1	eccentric flange for turning unit	B620049 Rohr 323.9 x 50	2448 S355JR	a 04.01.01	3,60	1,00 Stk
2	gearbox PG1602-MFS SOM own parts list	WAI106266			151,60	1,00 Stk
3	hexagon bolt M16 x 80	WAI106268			0,17	7,00 Stk
4	nut M16 DIN 934	WAI101555				7,00 Stk
6	hexagon bolt M16 x 50	WAI106269			0,17	3,00 Stk
7	hydraulic motor Char Lynn	WAI106301				1,00 Stk
8	hexagon bolt M12 x 35	WAI102122			0,04	2,00 Stk
9	spring washer A12 DIN 127 VERZ.	WAI102896				2,00 Stk

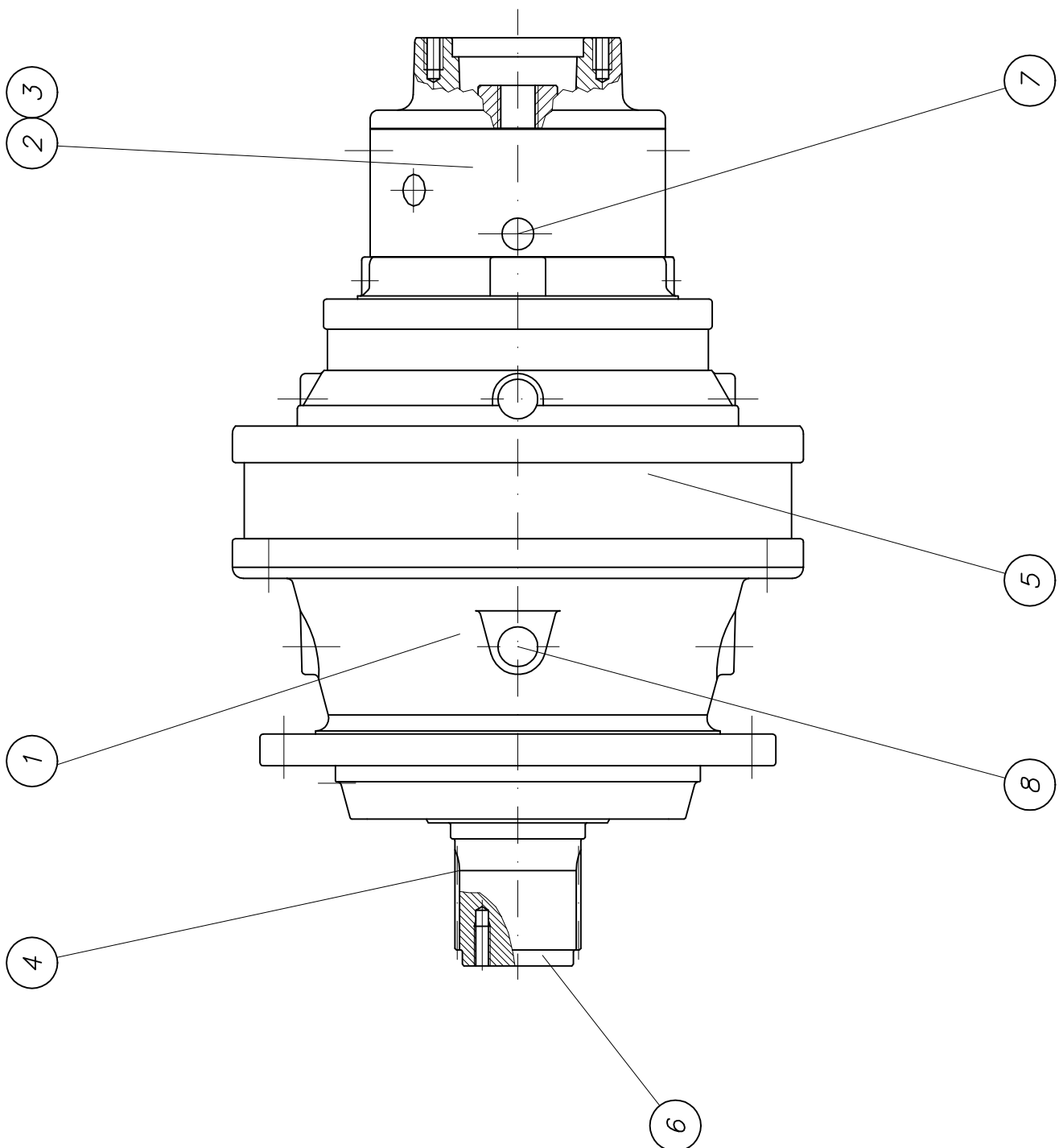
Drehwerksgetriebe

rotating gear box

WAI 106266



*Waitzinger
Baumaschinen GmbH*



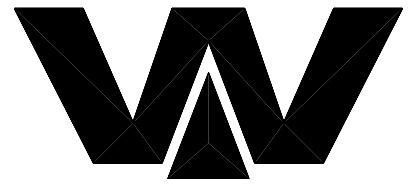


PARTS LIST

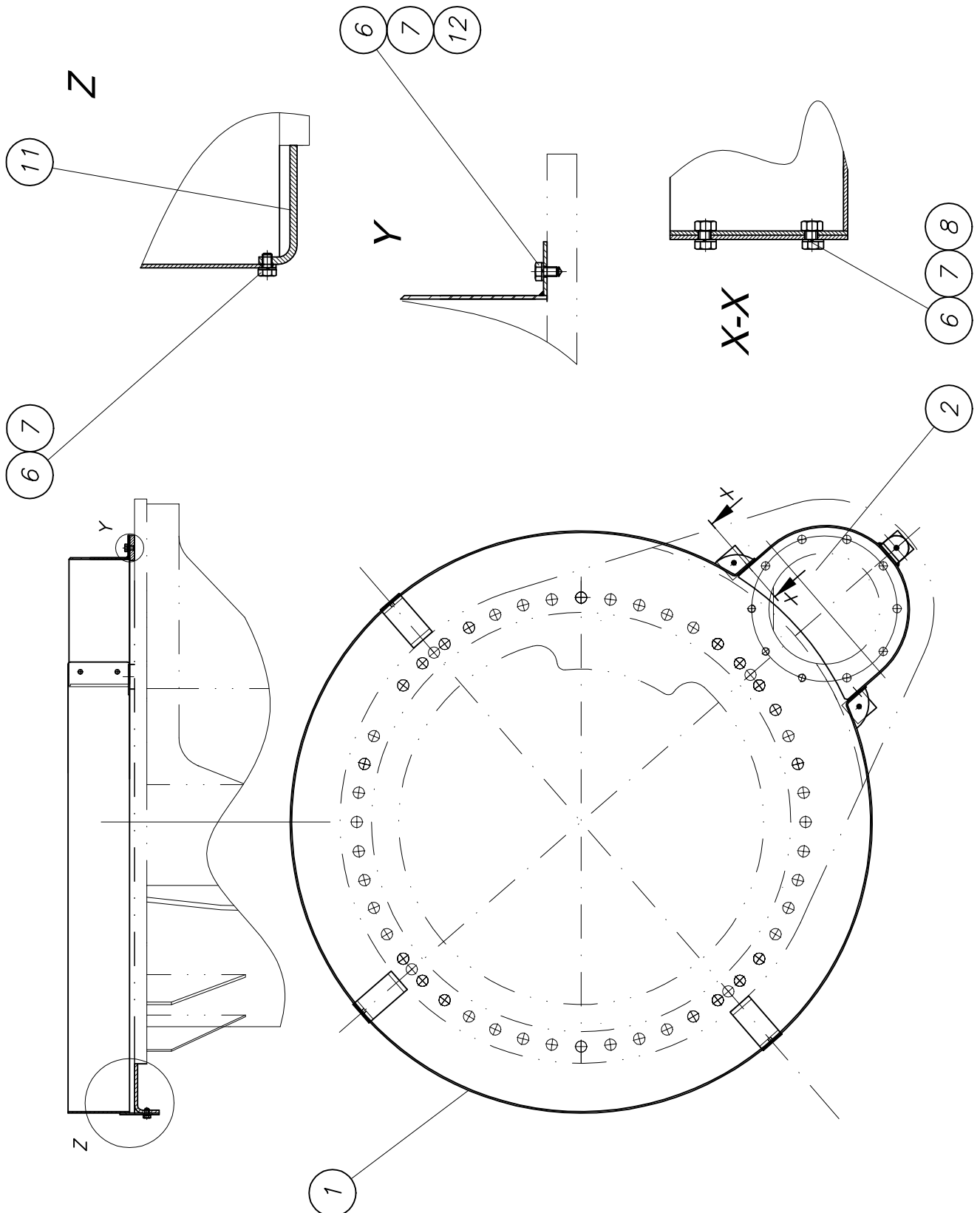
part list	description	created	index	valid from	valid to	
WAI106266	gearbox PG1602-MFS SOM	08.03.01 Mi				
pos	description stock	ident-no dimensions	DIN material	index	weigh Kg	quantity unit
1	lamina	WAI106712				4,00 Stk
2	lamina	WAI106713				5,00 Stk
3	sealing set for rotation gearbox 36 mtr	WAI106272			0,50	1,00 Stk
4	gear 14	WAI106511			10,00	1,00 Stk
5	gearbox RE040.11201	WAI106748			140,00	1,00 Stk
6	cap RP100	WAI106749				1,00 Stk
7	gauge LL301	WAI106750			0,00	1,00 Stk
8	breather FS020	WAI106751			1,50	1,00 Stk

Schutzeinrichtung kpl.
protection unit cpl.

B 62 8 012c



Waitzinger
Baumaschinen GmbH



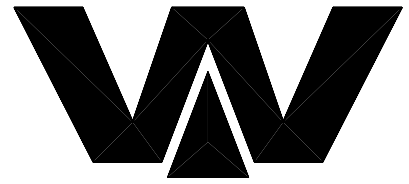


PARTS LIST

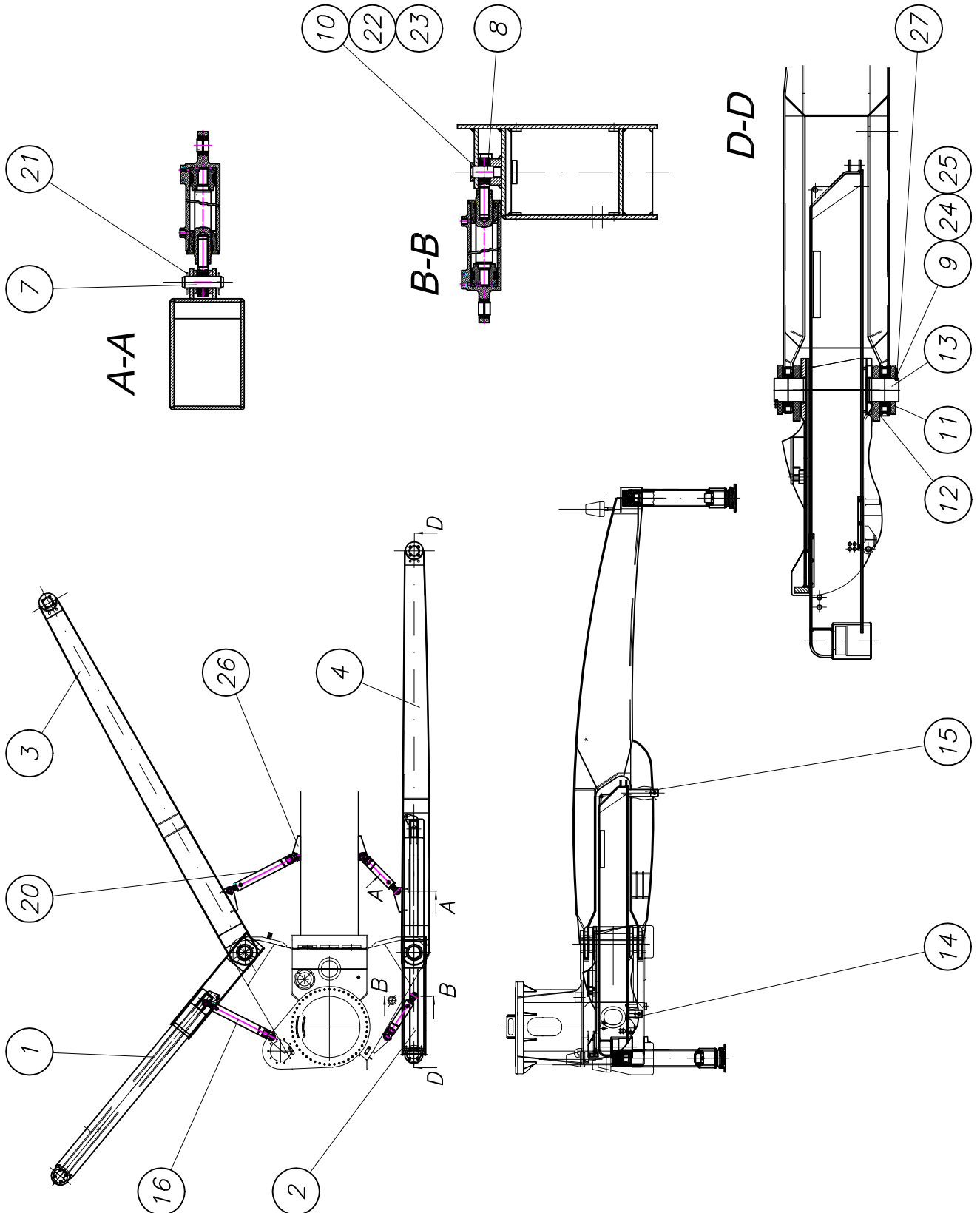
part list	description	created	index	valid from	valid to	
B628012	turning unit protection partsKPL.36XT/ST	27.06.00 hbk	c	24.02.04		
pos	description stock	ident-no dimensions	DIN material	index	weigh Kg	quantity unit
1	rotation bearing protection own parts list	B620050			13,00	1,00 Stk
2	pinion cover f. 36 mtr. KPL. own parts list	B620055				1,00 Stk
6	hexagon bolt M 8 x 12 DIN 933 8.8	WAI103274				9,00 Stk
7	spring washer A8 DIN 127 VERZ.	WAI102205			0,00	11,00 Stk
8	hex. nut M8 DIN 934 8. VERZ.	WAI102880				4,00 Stk
11	holder BL 6X 50X 119	B620058 Bl 6x50x119	1543/EN10029 St37-2	b 27.01.03	0,30	4,00 Stk
12	hexagon bolt M 8 x 50 DIN 931 8.8	WAI108743				2,00 Stk

Abstützung kpl.
outrigger cpl.

B 63 9 150e



Waitzinger
Baumaschinen GmbH



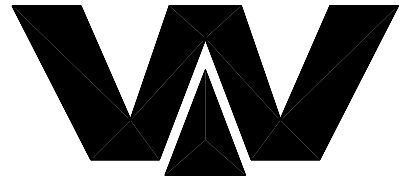


PARTS LIST

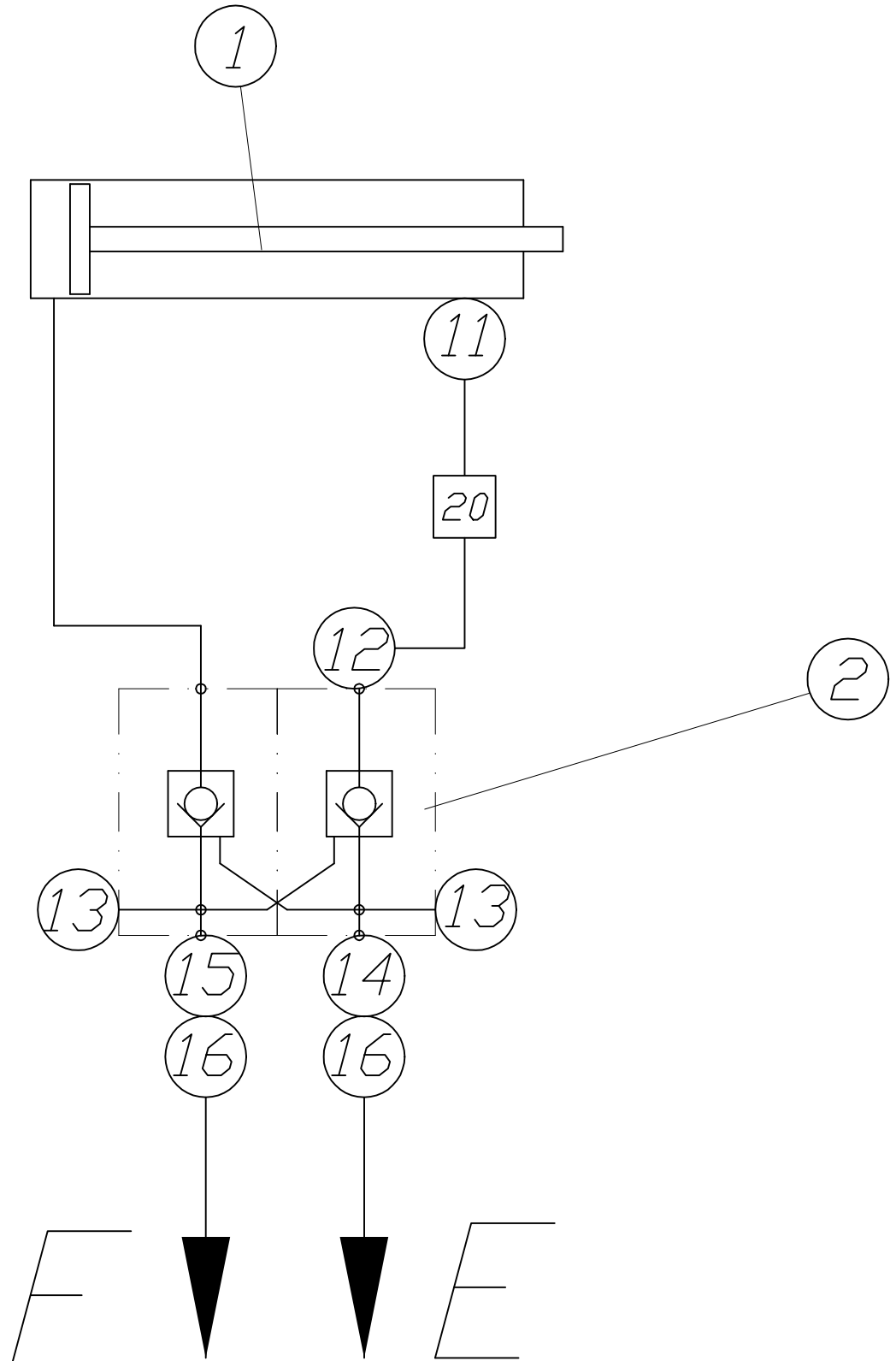
part list	description	created	index	valid from	valid to	
B639150	outrigger 32/36 xxt cpl	04.01.01 Mi	e	01.06.05		
pos	description stock	ident-no dimensions	DIN material	index	weighth Kg	quantity unit
1	front right stabilizer 32/36XXT cpl. own parts list	B639170		c 01.06.04		1,00 Stk
2	front left stabilizer 32/36XXT cpl. own parts list	B639180		c 01.06.04		1,00 Stk
3	rear right stabilizer 32/36XXT cpl. own parts list	B639190		a 02.12.03	820,00	1,00 Stk
4	rear left stabilizer 32/36XXT cpl. own parts list	B639210		b 14.03.05	820,00	1,00 Stk
7	pin 35 x 124	B610020 Rd 40 x 130	1013 C40		1,00	6,00 Stk
8	pin	B639183 Rd 35 x 92.5	1017 ST52-2	a 09.02.01	0,50	2,00 Stk
9	embed plate	B639184 FI 12x140x65	1017 St37-2	a 07.11.02	0,90	4,00 Stk
10	embed plate	B639185 FI 12x100x55	1017 St37-2		0,50	2,00 Stk
11	bushing	B639191 Ro D159x12.5	2448 STE770		2,30	4,00 Stk
12	bushing	B639251 Rohr D159*12.5	DIN 2448 STE770		1,50	4,00 Stk
13	pin 140 x 194	B639193 Rd D150x200	1013 42CrMo4V	b 26.02.04	23,50	4,00 Stk
14	transport savety device own parts list	B639197		b 14.10.03		2,00 Stk
15	transport savety device own parts list	B639207		b 20.10.04		2,00 Stk
16	swing cylinder cpl. own parts list	B630104		a 02.06.05	155,00	2,00 Stk
20	swing cylinder cpl. own parts list	B639246		a 02.06.05	155,00	2,00 Stk
21	split pin 8 x 63 VERZ. DIN 94	WAI102875				12,00 Stk
22	hexagon bolt M 8 x 20	WAI101837				4,00 Stk
23	spring washer A8 DIN 127 VERZ.	WAI102205			0,00	4,00 Stk
24	hex. bolt M12x30 DIN 933 8.8	WAI102107			0,04	8,00 Stk
25	spring washer A12 DIN 127 VERZ.	WAI102896				8,00 Stk
26	bracket own parts list	B639241			1,50	2,00 Stk
27	flat bar	B630013 FI 30x10x140	1017 S235J2G3		0,30	4,00 Stk

Ausschwenkzylinder kpl.
swing cylinder cpl.

B 63 9 246a



Waitzinger
Baumaschinen GmbH



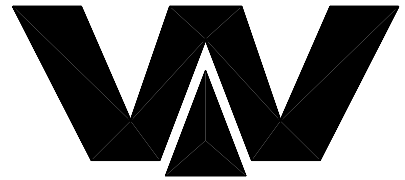


PARTS LIST

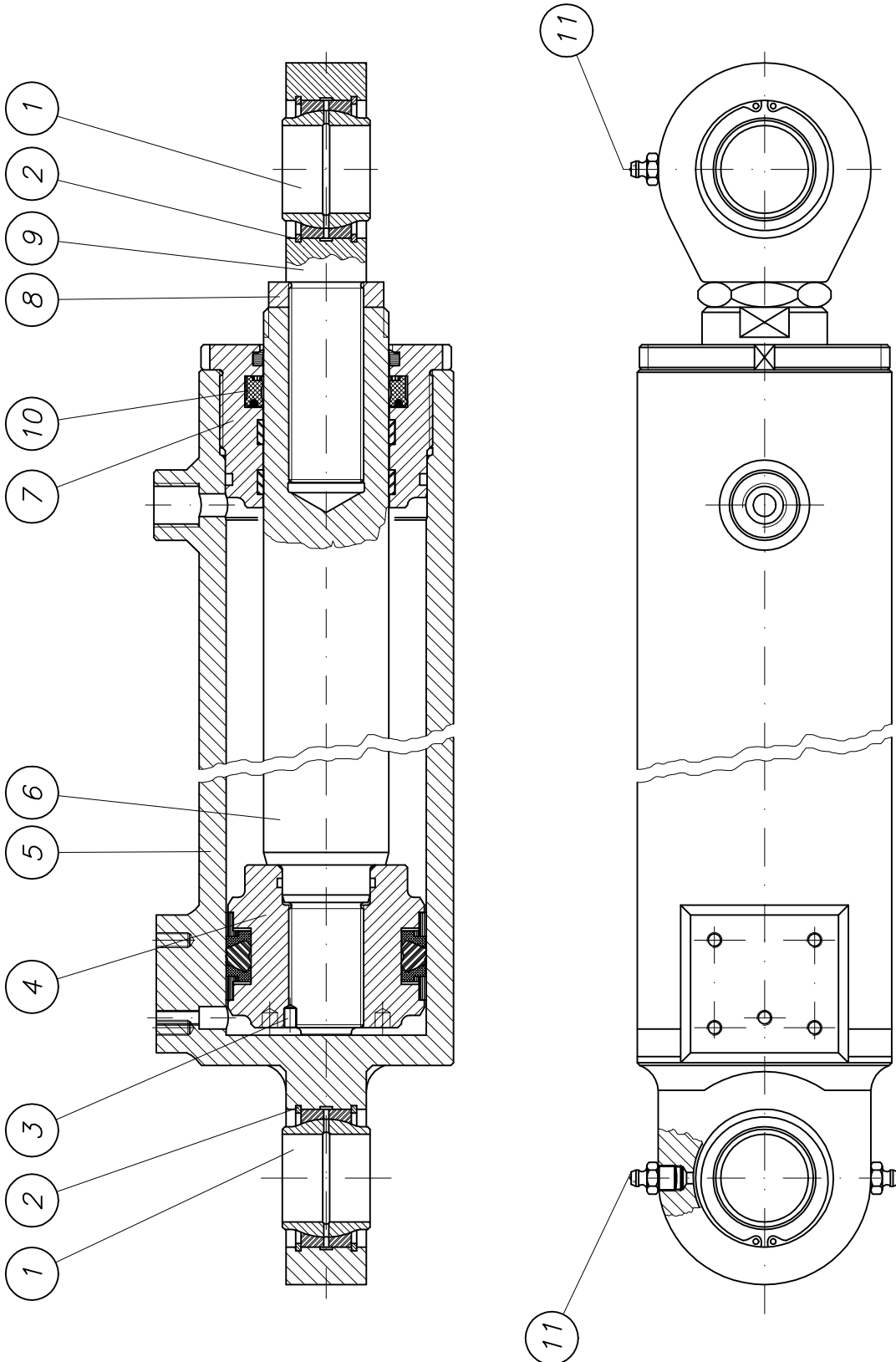
part list	description	created	index	valid from	valid to	
B639246	swing cylinder cpl.	07.10.03 Mi	a	02.06.05		
pos	description stock	ident-no dimensions	DIN material	index	weighth Kg	quantity unit
1	swing cylinder 80/50 x 305 own parts list	WAI106210			22,50	1,00 Stk
2	pilot operated twin check valve	WAI106410				1,00 Stk
11	banjo coupling L12 RD	WAI103684				1,00 Stk
12	straight male stud couplings L12D	WAI100548				1,00 Stk
13	locking screw G 3/8	WAI100521				2,00 Stk
14	straight male stud couplings L12R 1.2 own parts list	WAI107456			0,13	1,00 Stk
15	straight male stud couplings L12R 1.5 own parts list	WAI106427			0,13	1,00 Stk
16	swivel elbow L12	WAI103794				2,00 Stk
20	hydr. pipe 12 x 2	WAI102022			0,49	0,30 Mtr

Ausschwenkzylinder
swing cylinder

WAI 106210



Waitzinger
Baumaschinen GmbH





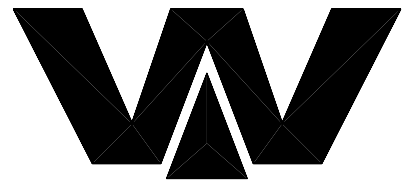
PARTS LIST

part list	description	created	index	valid from	valid to	
WAI106210	swing cylinder 80/50 x 305	26.03.01 Mi				
pos	description stock	ident-no dimensions	DIN material	index	weighth Kg	quantity unit
1	joint bearing	WAI103626			1,50	2,00 Stk
2	clamping ring	WAI106780			0,02	4,00 Stk
3	set screw M 6 x 8	WAI103646				1,00 Stk
4	piston	WAI106781				1,00 Stk
5	housing	WAI106782				1,00 Stk
6	piston rod	WAI106783				1,00 Stk
7	head for drive cylinder	WAI106784				1,00 Stk
8	piston nut	WAI106785				1,00 Stk
9	piston head	WAI106786				1,00 Stk
10	SEALING SET FOR SWING CYLINDER 32	WAI106574				1,00 Stk
11	grease nipple H1 M10 X 1 DIN 71412	WAI100805			0,01	3,00 Stk

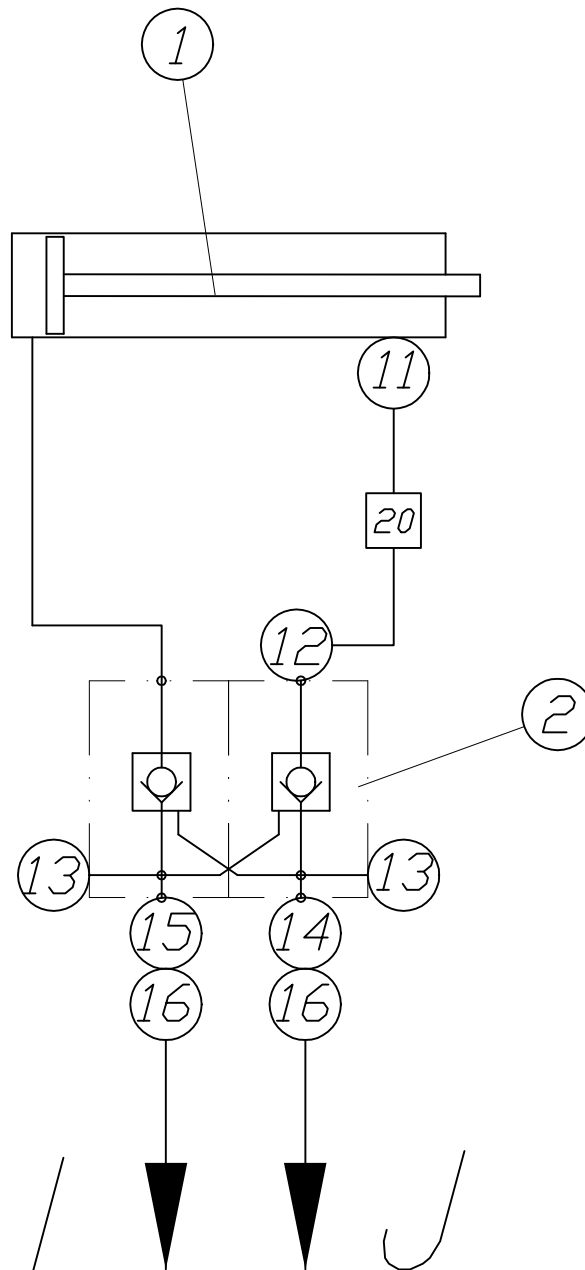
Ausschwenkzylinder hinten kpl.

swing cylinder rear cpl.

B 63 0 104



Waitzinger
Baumaschinen GmbH



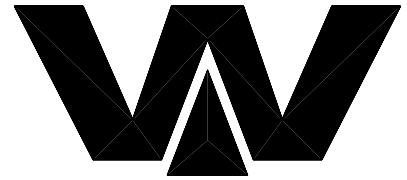


PARTS LIST

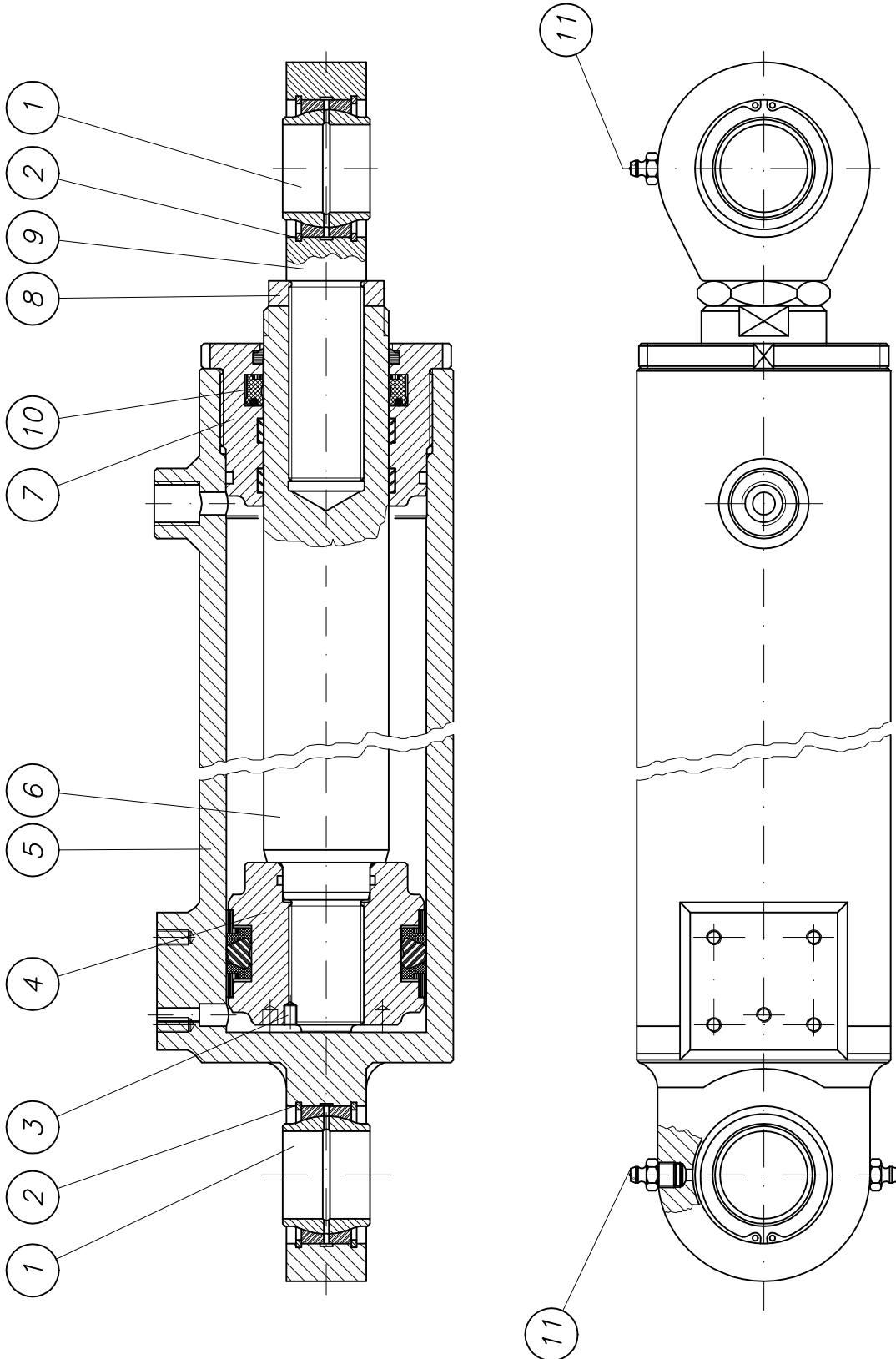
part list	description	created	index	valid from	valid to	
B630104	swing cylinder cpl.	16.09.03 Mi	a	02.06.05		
pos	description stock	ident-no dimensions	DIN material	index	weigh Kg	quantity unit
1	swing cylinder 80 x 50 x 370 St36 own parts list	WAI106235			27,00	1,00 Stk
2	pilot operated twin check valve	WAI106410				1,00 Stk
11	banjo coupling L12 RD	WAI103684				1,00 Stk
12	straight male stud couplings L12D	WAI100548				1,00 Stk
13	locking screw G 3/8	WAI100521				2,00 Stk
14	straight male stud couplings L12R 1.2 own parts list	WAI107456			0,13	1,00 Stk
15	straight male stud couplings L12R 1.5 own parts list	WAI106427			0,13	1,00 Stk
16	swivel elbow L12	WAI103794				2,00 Stk
20	hydr. pipe 12 x 2	WAI102022			0,49	0,40 Mtr

Ausschwenkzylinder
swing cylinder

WAI 106235



Waitzinger
Baumaschinen GmbH



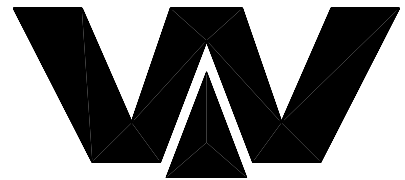


PARTS LIST

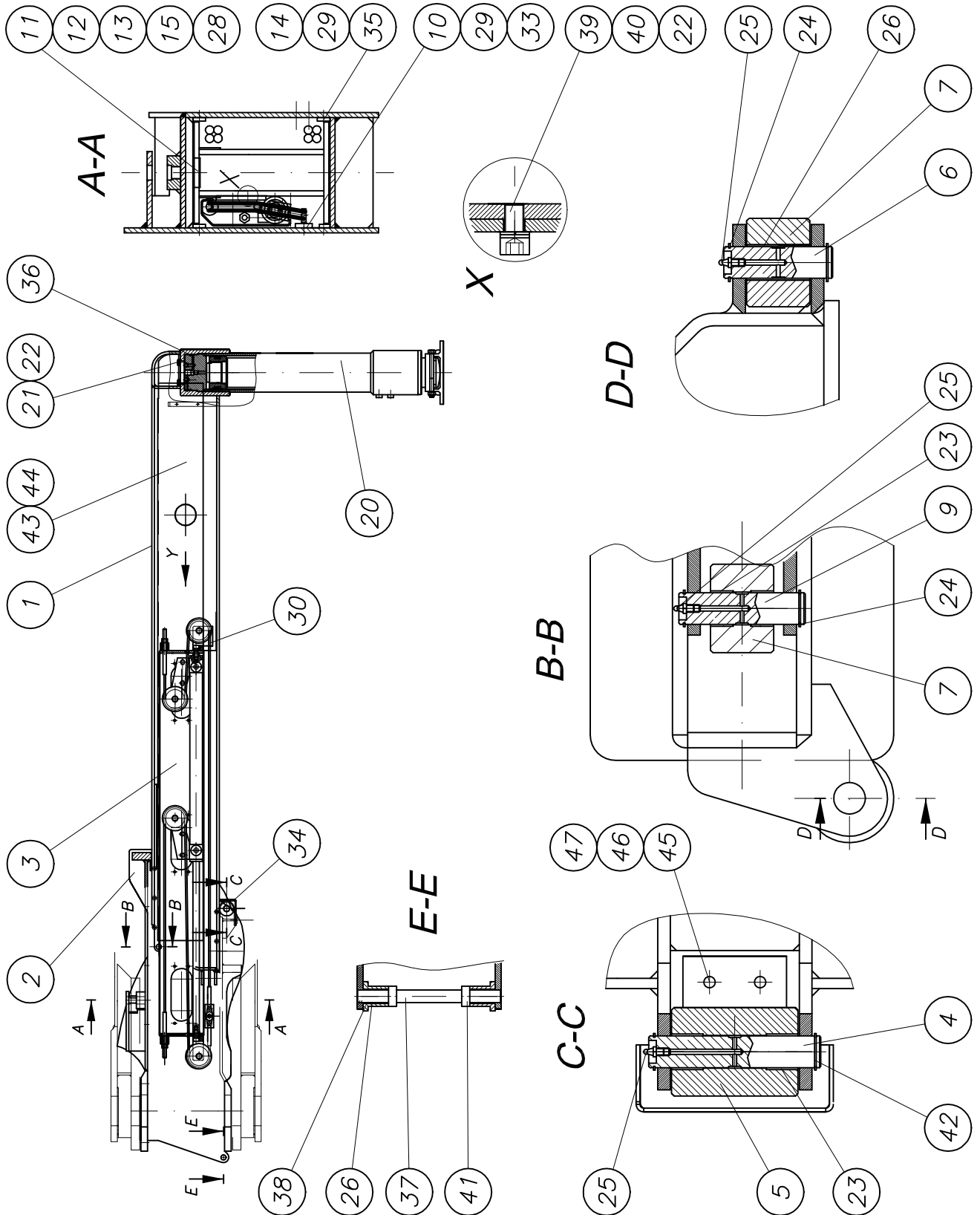
part list	description	created	index	valid from	valid to	
WAI106235	swing cylinder 80 x 50 x 370 St36	26.03.01 Mi				
pos	description stock	ident-no dimensions	DIN material	index	weigh Kg	quantity unit
1	joint bearing	WAI103626			1,50	2,00 Stk
2	clamping ring	WAI106780			0,02	4,00 Stk
3	set screw M 6 x 8	WAI103646				1,00 Stk
4	piston	WAI106781				1,00 Stk
5	housing	WAI106794				1,00 Stk
6	piston rod	WAI106795				1,00 Stk
7	head for drive cylinder	WAI106796				1,00 Stk
8	piston nut	WAI106785				1,00 Stk
9	piston head	WAI106797				1,00 Stk
10	sealing kit for rear swing cylinder	WAI104039				1,00 Stk
11	grease nipple H1 M10 X 1 DIN 71412	WAI100805			0,01	3,00 Stk

Abstützung vorne rechts kpl.
outrigger front right cpl.

B 63 9 170c



Waitzinger
 Baumaschinen GmbH





PARTS LIST

part list	description	created	index	valid from	valid to	
B639170	front right stabilizer 32/36XXT cpl.	04.01.01 Mi	c	01.06.04		
pos	description stock	ident-no dimensions	DIN material	index	weighth Kg	quantity unit
1	teleopic 32/36 XXT tooling own parts list	B639051			314,00	1,00 Stk
2	outrigger XXT tooled own parts list	B639070		a 31.10.03	216,00	1,00 Stk
3	synchron cylinder cpl. own parts list	B639090		b 25.11.04		1,00 Stk
4	pin 25 x 136, 3P206	B610023 Rd 25 x 140	669 St50-2K		0,50	1,00 Stk
5	roller 70 x 100, 2H105	B610024 Rd 70 x 105	669 St50-2K		2,50	1,00 Stk
6	pin 25 x 085 4P201	B610026 Rd 25 x 90	669 St50-2K		0,32	1,00 Stk
7	roller 70 x 050, 4H102	B610027 Rd 70 x 55	669 St50-2K		0,80	2,00 Stk
9	pin 25 x 100	B610068 Rd 25x105	669 St50-2K		0,50	1,00 Stk
10	holder for rope own parts list	B639074			0,50	1,00 Stk
11	strip	B639211 FI 70x15x1190	1017 St52-3		1,16	1,00 Stk
12	spacer plate 2,0 mm	B639212 Bl 2x70x880	1623/EN10131 ST02Z	a 15.02.05	0,96	2,00 Stk
13	spacer plate 2,0 mm	B639214 Bl 2x70x110	1541 St52-3		0,12	2,00 Stk
14	guide profil	B639217				4,00 Stk
15	sheet	B639243 Bl 1x70x150	1541/EN10121 S355J2G3			5,00 Stk
20	jack cylinder own parts list	WAI106344		c 25.07.05	150,00	1,00 Stk
21	hexagon bolt M16 x 50	WAI106269			0,17	4,00 Stk
22	spring washer A16	WAI102072			0,01	8,00 Stk
23	bushing CD025-028025	WAI105017				2,00 Stk
24	locking ring A 25 X 1.2 DIN 471	WAI103006				4,00 Stk
25	grease nipple M6 DIN 71412	WAI103355				3,00 Stk



PARTS LIST

part list	description	created	index	valid from	valid to	
B639170	front right stabilizer 32/36XXT cpl.	04.01.01 Mi	c	01.06.04		
pos	description stock	ident-no dimensions	DIN material	index	weighth Kg	quantity unit
26	bushing DU 25 X 28 X 50	WAI106236				4,00 Stk
28	cylinder head screw M 12 x 25	WAI103698				5,00 Stk
29	sunk screw M 10 x 20	WAI104689				14,00 Stk
30	bracket	B639248 Bl 3x129.1x44	EN 10029 S235J2G3		0,10	1,00 Stk
33	clamping sleeve 10 x 20	WAI102881				1,00 Stk
34	cover for roller	B951043 Bl 3x238.1x192.	Alu	a 30.04.04	0,20	1,00 Stk
35	plate	B639219 Bl 30x320x1	1541 S235 J2G3			4,00 Stk
36	O-ring 129,2 x 5,7	WAI101441				1,00 Stk
37	shaft	B639233 Rd 25x 290	669 S235J2G3	c 26.04.05	1,00	1,00 Stk
38	roller	B639235 Rd50x60	1013 S235J2G3		0,20	2,00 Stk
39	cheese head screw M 16 x 25	WAI103488				4,00 Stk
40	washer 17, DIN 125	WAI102893				4,00 Stk
41	fixing ring	WAI108884 Di25 Da40 B16	DIN 705		0,05	2,00 Stk
42	locking ring A 25 X 1.2 DIN 471	WAI103006				2,00 Stk
43	side cover 36 xxt telescope	B951035 Bl 3x255,5x2794	EN10029 Alu	b 22.03.04	6,50	1,00 Stk
44	sunk screw M 8 x 25	WAI104070				2,00 Stk
45	hexagon bolt M 8 x 20	WAI101837				2,00 Stk
46	hex. nut M8 DIN 934 8. VERZ.	WAI102880				2,00 Stk
47	spring washer A8 DIN 127 VERZ.	WAI102205			0,00	2,00 Stk
48	sunk screw M 10 x 20	WAI104689				2,00 Stk

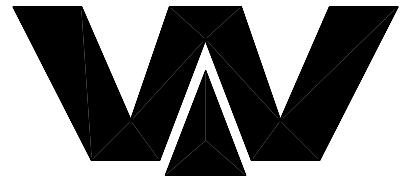


PARTS LIST

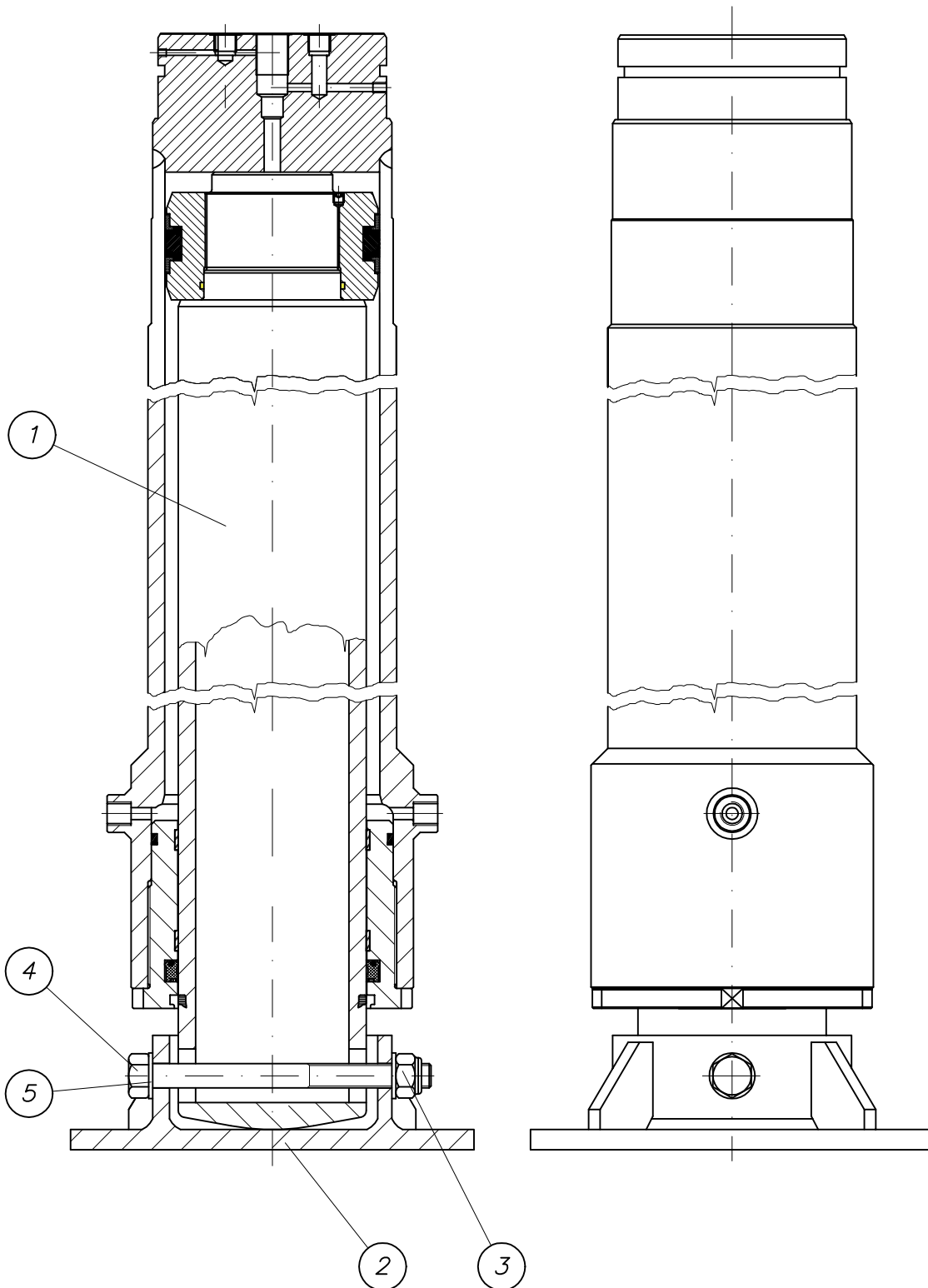
part list	description	created	index	valid from	valid to	
B639170	front right stabilizer 32/36XXT cpl.	04.01.01 Mi	c	01.06.04		
pos	description stock	ident-no dimensions	DIN material	index	weigh Kg	quantity unit
49	cheese head screw M 6x10	WAI103324				4,00 Stk
50	spring washer A6	WAI103000				4,00 Stk
51	bolt right own parts list	B639254				1,00 Stk
52	energie chain	WAI109227			0,01	1,00 Stk

Abstützylinder
jack cylinder

WAI 109673



Waitzinger
Baumaschinen GmbH



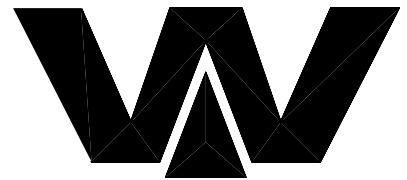


PARTS LIST

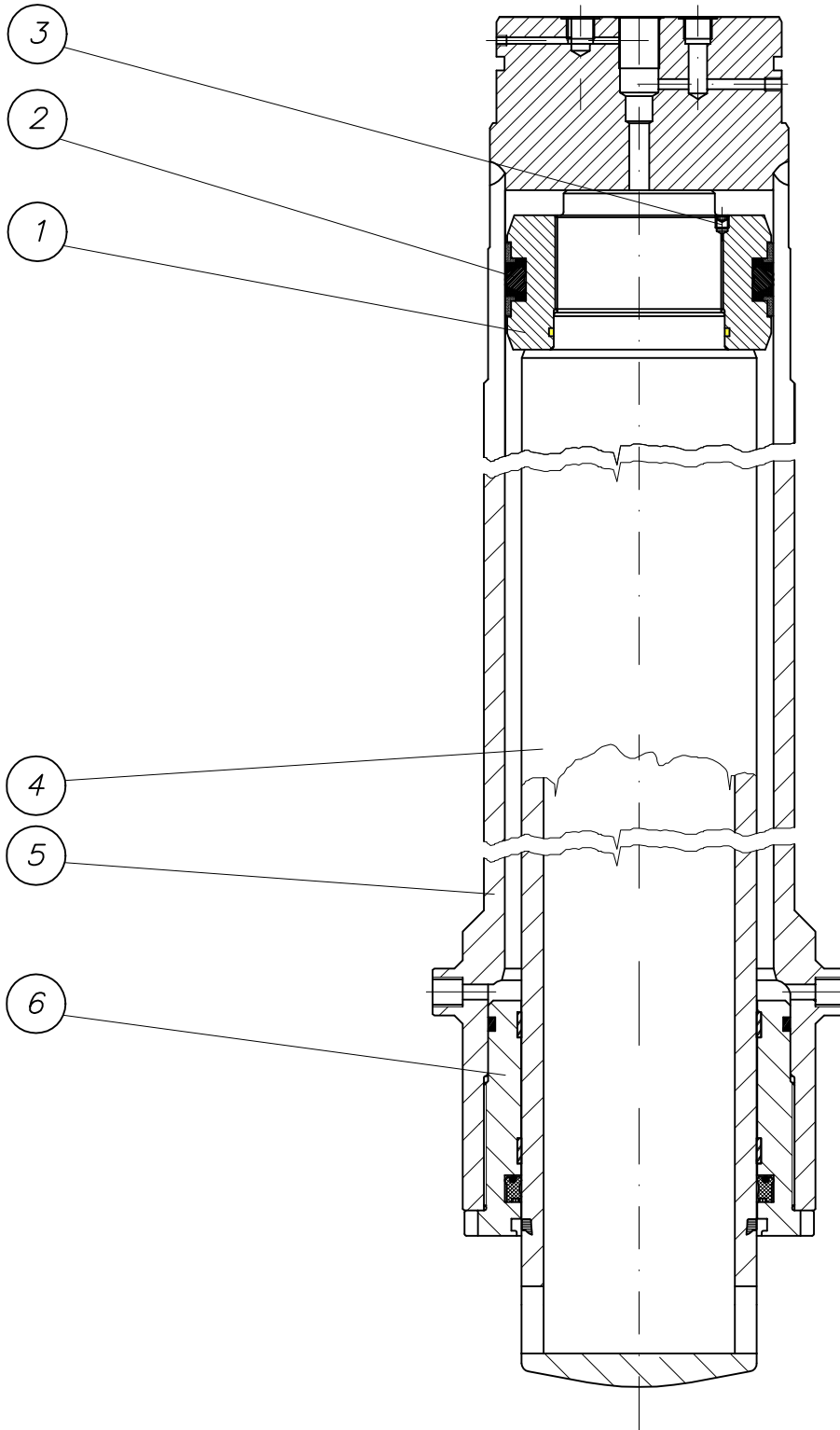
part list	description	created	index	valid from	valid to	
WAI109673	jack cylinder	31.05.05 RAINER				
pos	description stock	ident-no dimensions	DIN material	index	weighth Kg	quantity unit
1	jack cylinder own parts list	wai109669				1,00 Stk
2	foot	wai106778				1,00 Stk
3	hex. nut M18 DIN 985 8. VERZ.	wai109671				1,00 Stk
4	washer 19	wai109672				1,00 Stk
5	hexagon screw M 18 x 220	wai109670				1,00 Stk

Abstützylinder
jack cylinder

WAI 109669



Waitzinger
Baumaschinen GmbH



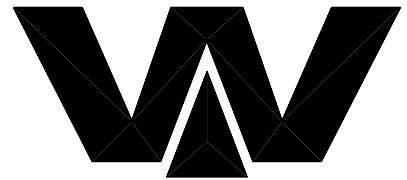


PARTS LIST

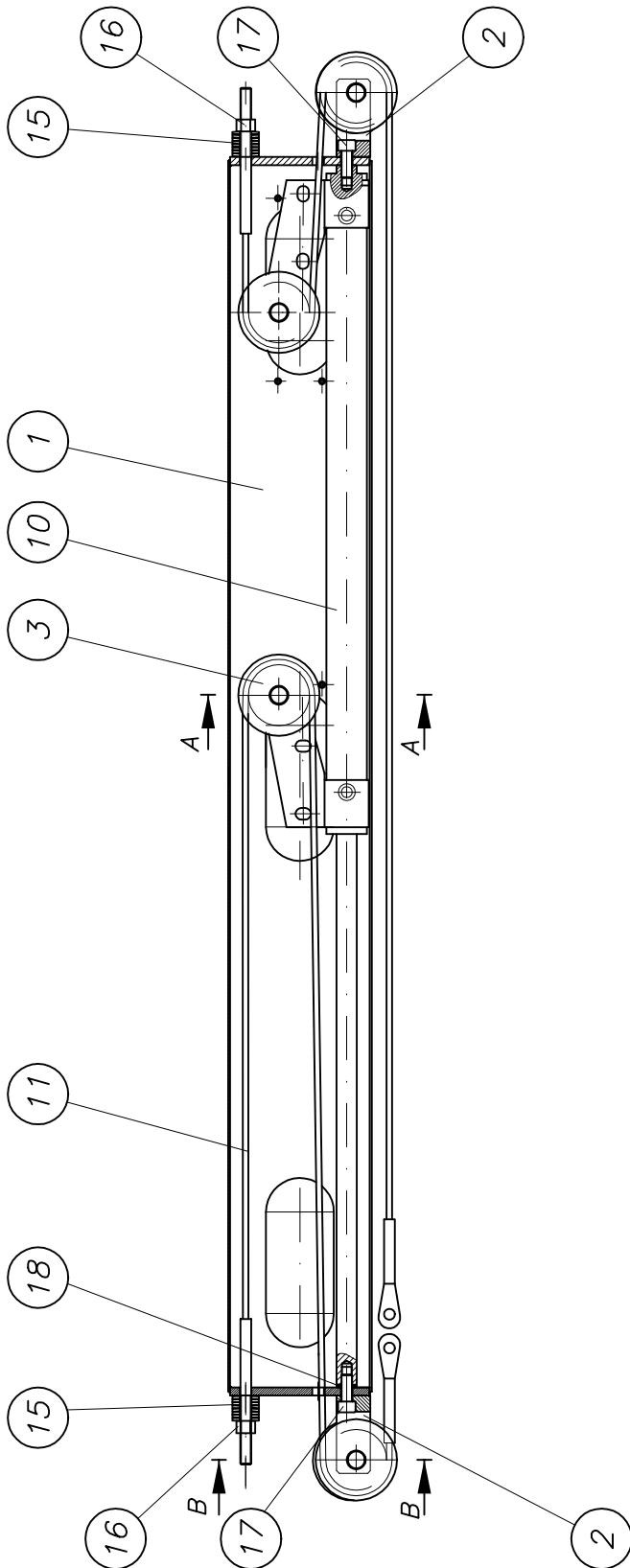
part list	description	created	index	valid from	valid to	
wai109669	jack cylinder	31.05.05 RAINER				
pos	description stock	ident-no dimensions	DIN material	index	weighth Kg	quantity unit
1	piston	WAI106770				1,00 Stk
2	sealing kit for front and rear	WAI104040				1,00 Stk
3	set screw	WAI106771				1,00 Stk
4	piston rod	WAI106772				1,00 Stk
5	cylinder	WAI106773				1,00 Stk
6	piston nut	WAI106774				1,00 Stk

Gleichlaufzylinder kpl.
synchron cylinder cpl.

B 63 9 090b

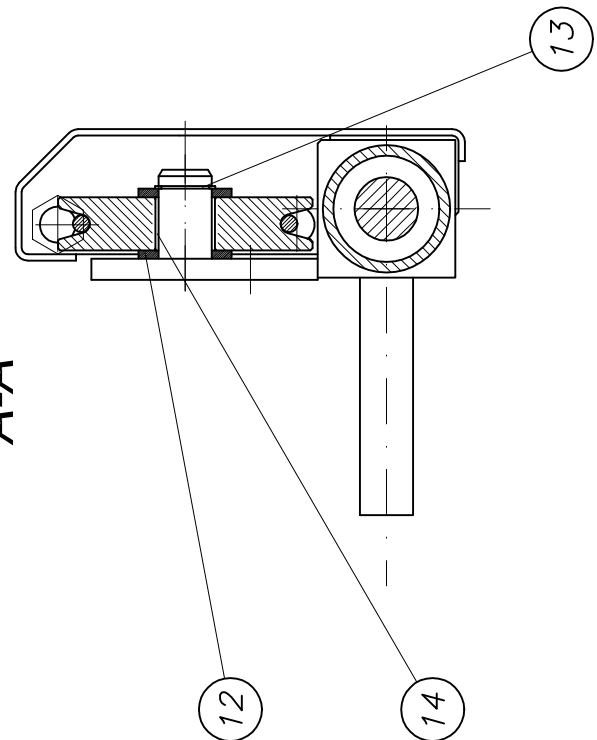
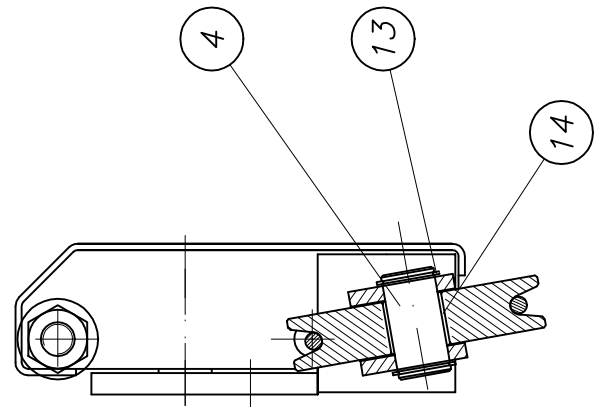


Waitzinger
Baumaschinen GmbH



B-B

A-A



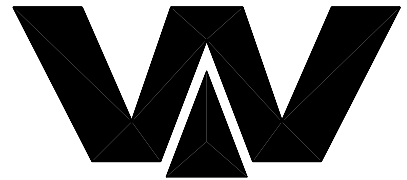


PARTS LIST

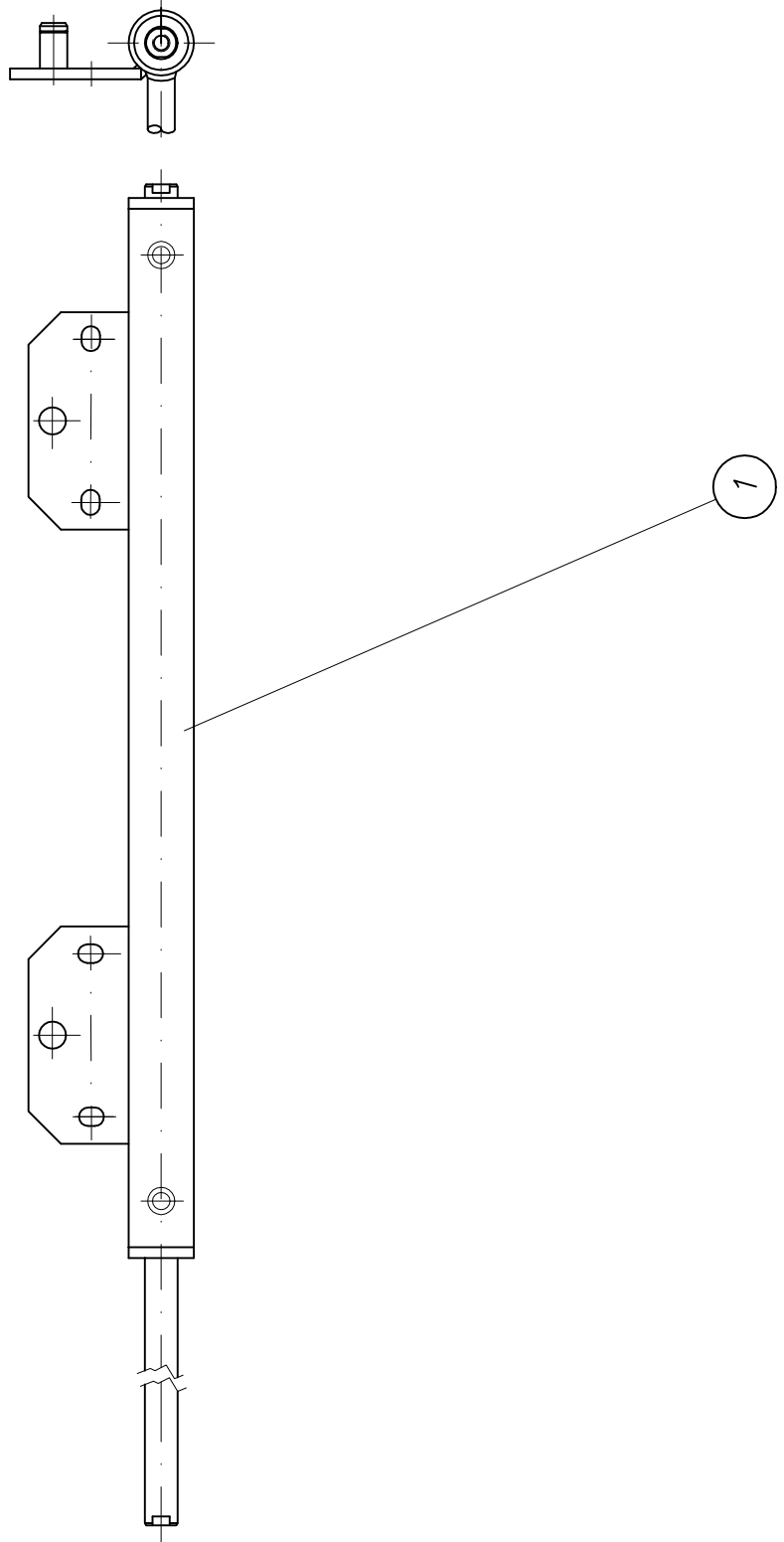
part list	description	created	index	valid from	valid to	
B639090	synchron cylinder cpl.	14.12.00 Mi	b	25.11.04		
pos	description stock	ident-no dimensions	DIN material	index	weighth Kg	quantity unit
1	cover cpl. own parts list	B639085				1,00 Stk
2	fork	B639082 VK 50x50x115	1014 St52-3		1,00	2,00 Stk
3	rope roller	B639084 Rd 120x25	PA6+MoS2		0,02	4,00 Stk
4	pin 25 x 050	B639086 Rd 25x55	669 St50-2K		0,25	2,00 Stk
10	synchron cylinder 50 x 30 x 800 St36 own parts list	WAI106512				1,00 Stk
11	rope 8mm complete, L=2750 mm	WAI106548				2,00 Stk
12	washer 25, DIN 125	WAI103298				4,00 Stk
13	locking ring A 25 X 1.2 DIN 471	WAI103006				6,00 Stk
14	bushing CD025-028025	WAI105017				4,00 Stk
15	conical spring washer	WAI100506				16,00 Stk
16	nut M16 DIN 934	WAI101555				2,00 Stk
17	cheese head screw M 16 x 40	WAI102859				2,00 Stk
18	washer DIN 6916 17	WAI101558			0,02	1,00 Stk

*Gleichlaufzylinder
synchron cylinder*

WAI 106512



*Waitzinger
Baumaschinen GmbH*



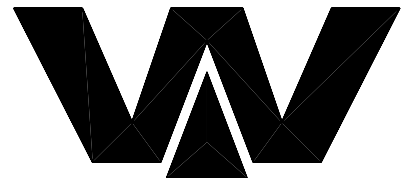


PARTS LIST

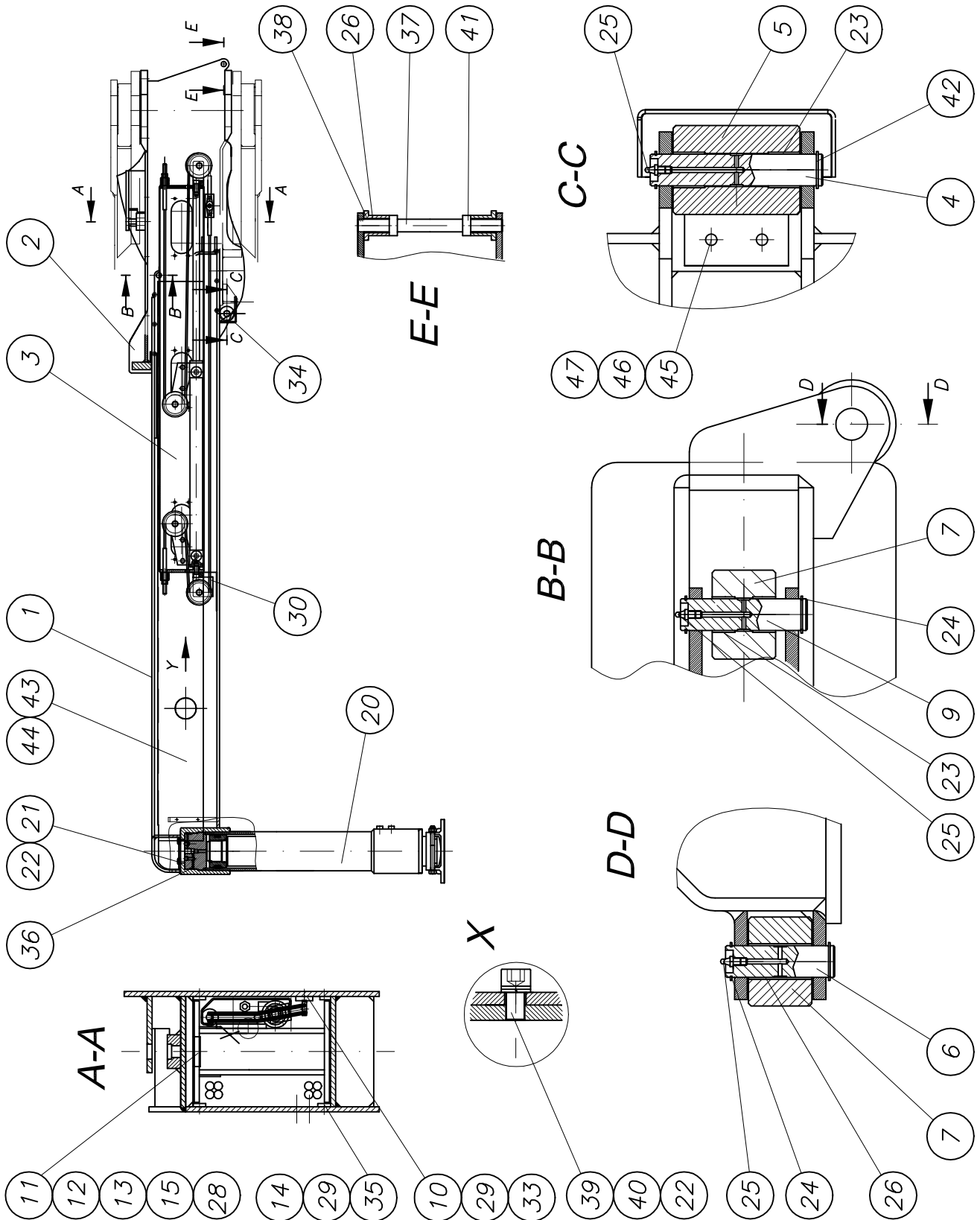
part list	description	created	index	valid from	valid to	
WAI106512	synchron cylinder 50 x 30 x 800 St36	26.03.01 Mi				
pos	description stock	ident-no dimensions	DIN material	index	weigh Kg	quantity unit
1	sealing set for synchron cylinder	WAI106787				1,00 Stk

Abstützung vorne links kpl.
outrigger front left cpl.

B 63 9 180c



Waitzinger
 Baumaschinen GmbH





PARTS LIST

part list	description	created	index	valid from	valid to	
B639180	front left stabilizer 32/36XXT cpl.	04.01.01 Mi	c	01.06.04		
pos	description stock	ident-no dimensions	DIN material	index	weighth Kg	quantity unit
1	teleskope 32/36 XXT tooling own parts list	B639041			314,00	1,00 Stk
2	outrigger XXT left tooled own parts list	B639071		a 31.10.03	216,00	1,00 Stk
3	synchron cylinder cpl. own parts list	B639090		b 25.11.04		1,00 Stk
4	pin 25 x 136, 3P206	B610023 Rd 25 x 140	669 St50-2K		0,50	1,00 Stk
5	roller 70 x 100, 2H105	B610024 Rd 70 x 105	669 St50-2K		2,50	1,00 Stk
6	pin 25 x 085 4P201	B610026 Rd 25 x 90	669 St50-2K		0,32	1,00 Stk
7	roller 70 x 050, 4H102	B610027 Rd 70 x 55	669 St50-2K		0,80	2,00 Stk
9	pin 25 x 100	B610068 Rd 25x105	669 St50-2K		0,50	1,00 Stk
10	holder for rope own parts list	B639074			0,50	1,00 Stk
11	strip	B639211 FI 70x15x1190	1017 St52-3		1,16	1,00 Stk
12	spacer plate 2,0 mm	B639212 Bl 2x70x880	1623/EN10131 ST02Z	a 15.02.05	0,96	2,00 Stk
13	spacer plate 2,0 mm	B639214 Bl 2x70x110	1541 St52-3		0,12	2,00 Stk
14	guide profil	B639217				4,00 Stk
15	sheet	B639243 Bl 1x70x150	1541/EN10121 S355J2G3			5,00 Stk
20	jack cylinder own parts list	WAI106344		c 25.07.05	150,00	1,00 Stk
21	hexagon bolt M16 x 50	WAI106269			0,17	4,00 Stk
22	spring washer A16	WAI102072			0,01	8,00 Stk
23	bushing CD025-028025	WAI105017				2,00 Stk
24	locking ring A 25 X 1.2 DIN 471	WAI103006				6,00 Stk
25	grease nipple M6 DIN 71412	WAI103355				3,00 Stk



PARTS LIST

part list	description	created	index	valid from	valid to	
B639180	front left stabilizer 32/36XXT cpl.	04.01.01 Mi	c	01.06.04		
pos	description stock	ident-no dimensions	DIN material	index	weigth Kg	quantity unit
26	bushing DU 25 X 28 X 50	WAI106236				4,00 Stk
28	cylinder head screw M 12 x 25	WAI103698				5,00 Stk
29	sunk screw M 10 x 20	WAI104689				14,00 Stk
30	bracket	B639247 Bl 3x129.1x44	EN 10029 S235J2G3		0,10	1,00 Stk
33	clamping sleeve 10 x 20	WAI102881				2,00 Stk
34	cover for roller	B951043 Bl 3x238.1x192.	Alu	a 30.04.04	0,20	1,00 Stk
35	plate	B639219 Bl 30x320x1	1541 S235 J2G3			4,00 Stk
36	O-ring 129,2 x 5,7	WAI101441				1,00 Stk
37	shaft	B639233 Rd 25x 290	669 S235J2G3	c 26.04.05	1,00	1,00 Stk
38	roller	B639235 Rd50x60	1013 S235J2G3		0,20	2,00 Stk
39	cheese head screw M 16 x 25	WAI103488				4,00 Stk
40	washer 17, DIN 125	WAI102893				4,00 Stk
41	fixing ring	WAI108884 Di25 Da40 B16	DIN 705		0,05	2,00 Stk
42	locking ring A 25 X 1.2 DIN 471	WAI103006				2,00 Stk
43	side cover 36 xxt telescope	B951036 Bl 3x255,5x2794	EN10029 ALU	b 22.03.04	6,50	1,00 Stk
44	sunk screw M 8 x 25	WAI104070				2,00 Stk
45	hexagon bolt M 8 x 20	WAI101837				2,00 Stk
46	hex. nut M8 DIN 934 8. VERZ.	WAI102880				2,00 Stk
47	spring washer A8 DIN 127 VERZ.	WAI102205			0,00	2,00 Stk
48	sunk screw M 10 x 20	WAI104689				2,00 Stk

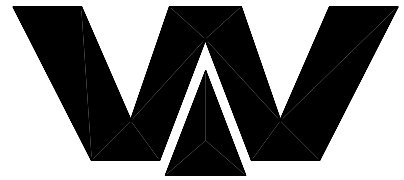


PARTS LIST

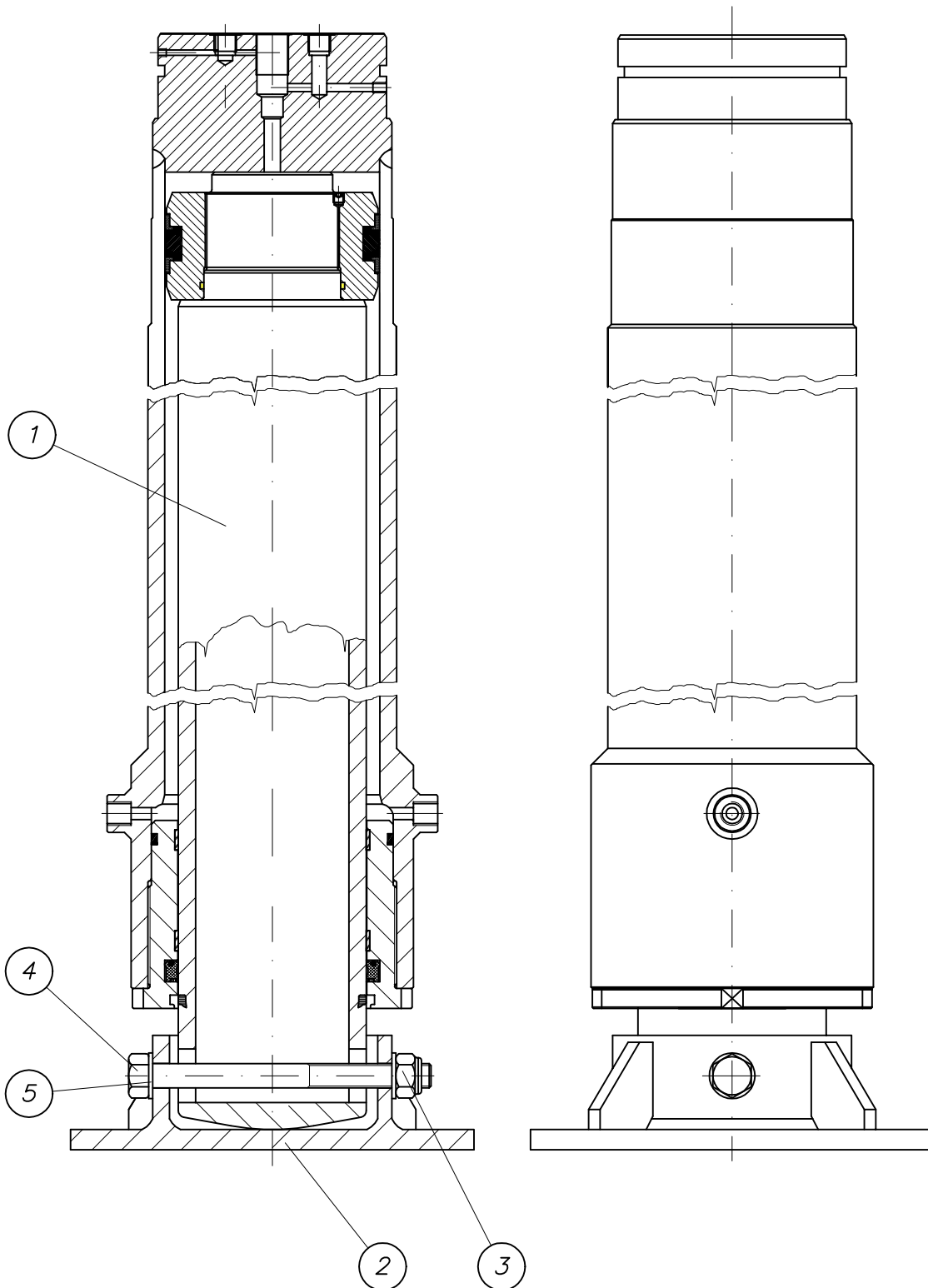
part list	description	created	index	valid from	valid to	
B639180	front left stabilizer 32/36XXT cpl.	04.01.01 Mi	c	01.06.04		
pos	description stock	ident-no dimensions	DIN material	index	weigh Kg	quantity unit
49	cheese head screw M 6x10	WAI103324				4,00 Stk
50	spring washer A6	WAI103000				4,00 Stk
51	bolt right own parts list	B639254				1,00 Stk
52	energie chain	WAI109227			0,01	1,00 Stk

Abstützylinder
jack cylinder

WAI 109673



Waitzinger
Baumaschinen GmbH



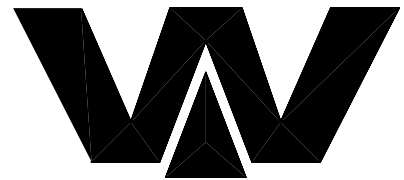


PARTS LIST

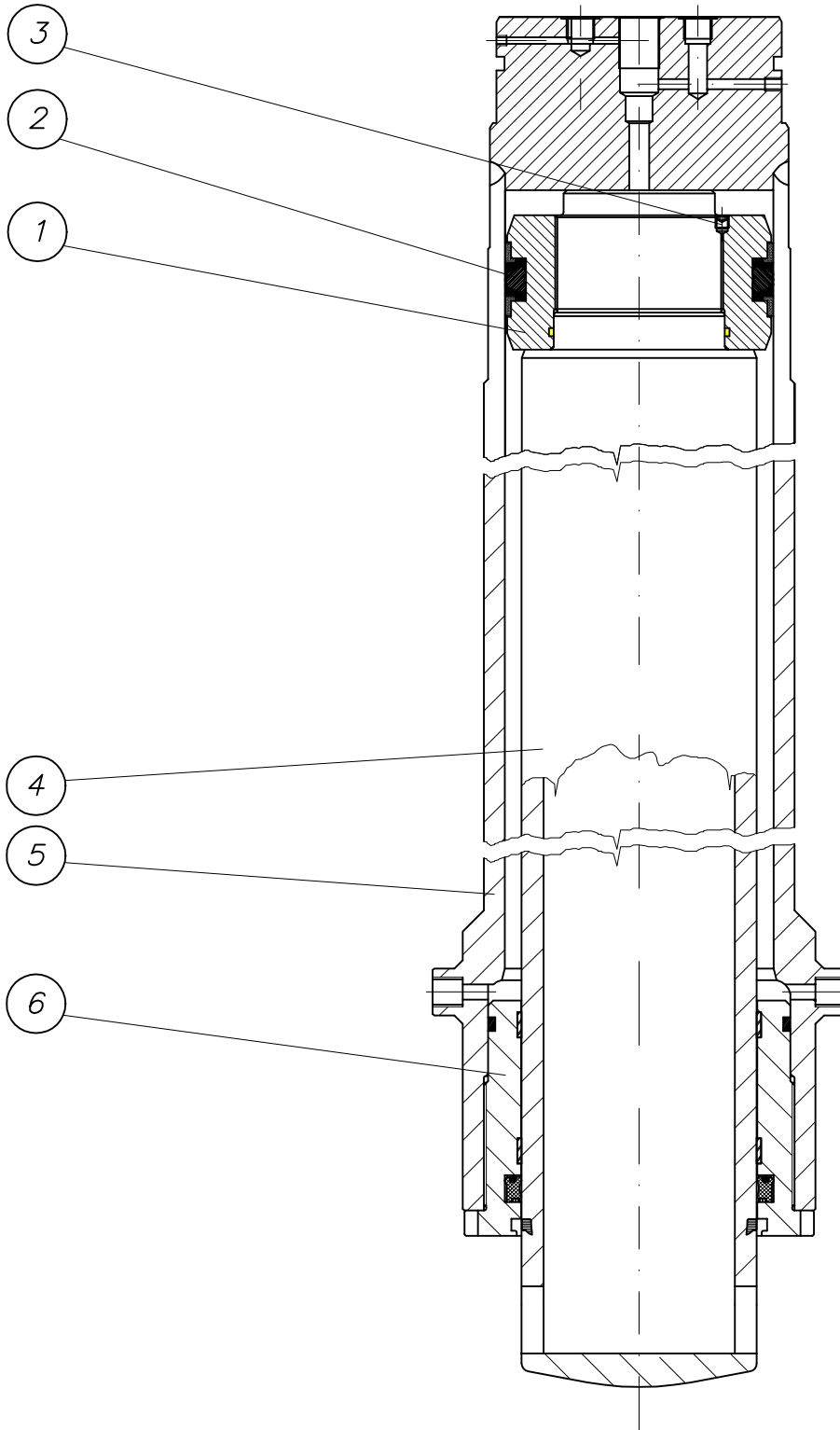
part list	description	created	index	valid from	valid to	
WAI109673	jack cylinder	31.05.05 RAINER				
pos	description stock	ident-no dimensions	DIN material	index	weighth Kg	quantity unit
1	jack cylinder own parts list	wai109669				1,00 Stk
2	foot	wai106778				1,00 Stk
3	hex. nut M18 DIN 985 8. VERZ.	wai109671				1,00 Stk
4	washer 19	wai109672				1,00 Stk
5	hexagon screw M 18 x 220	wai109670				1,00 Stk

Abstützylinder
jack cylinder

WAI 109669



Waitzinger
Baumaschinen GmbH



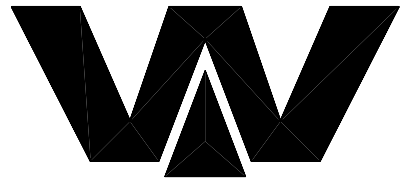


PARTS LIST

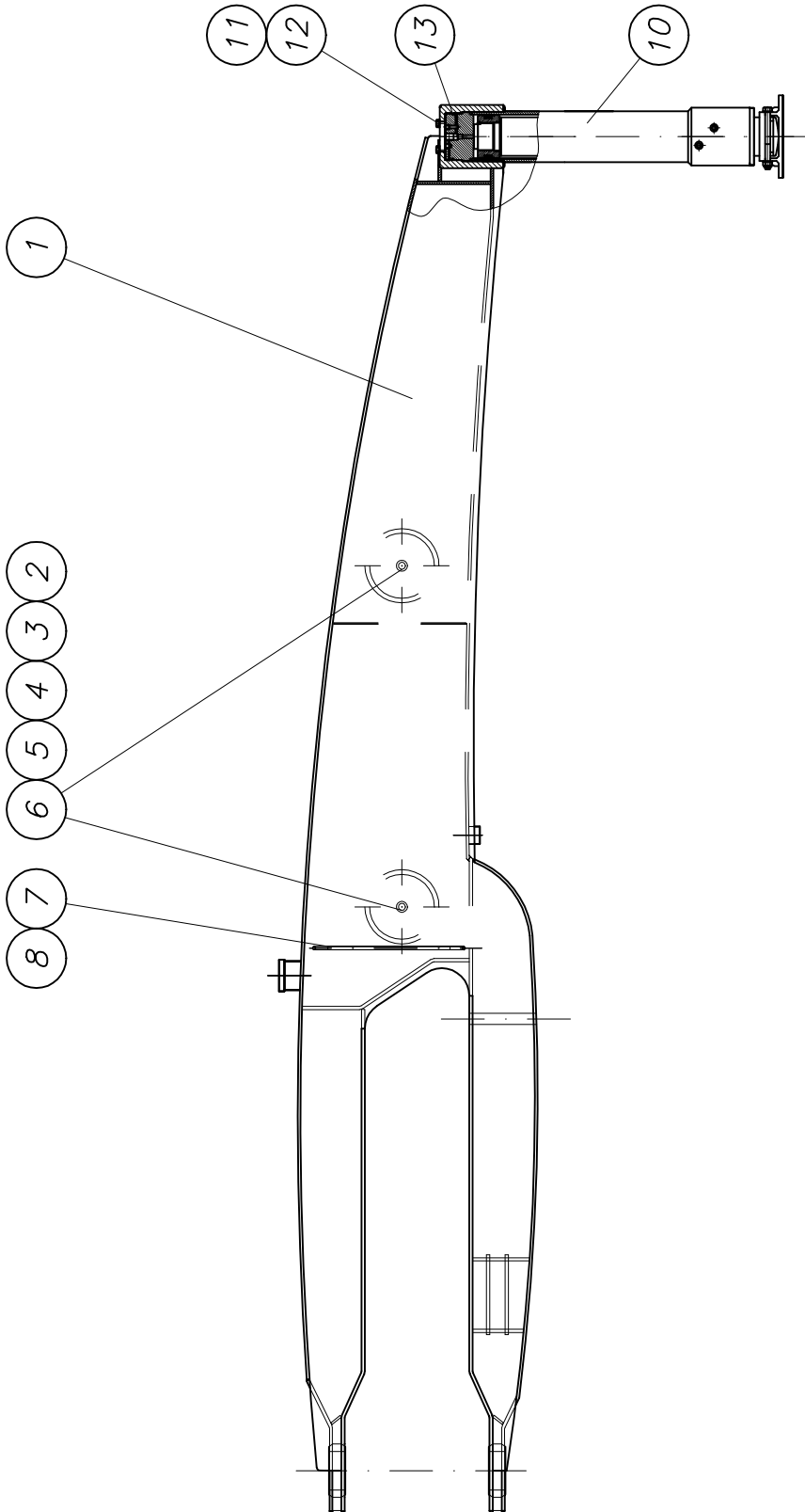
part list	description	created	index	valid from	valid to	
wai109669	jack cylinder	31.05.05 RAINER				
pos	description stock	ident-no dimensions	DIN material	index	weighth Kg	quantity unit
1	piston	WAI106770				1,00 Stk
2	sealing kit for front and rear	WAI104040				1,00 Stk
3	set screw	WAI106771				1,00 Stk
4	piston rod	WAI106772				1,00 Stk
5	cylinder	WAI106773				1,00 Stk
6	piston nut	WAI106774				1,00 Stk

Abstützung hinten rechts kpl.
outrigger rear right cpl.

B 63 9 190a



Waitzinger
Baumaschinen GmbH



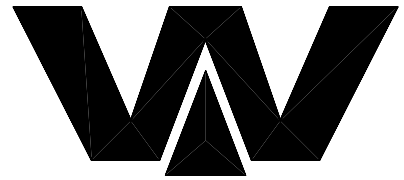


PARTS LIST

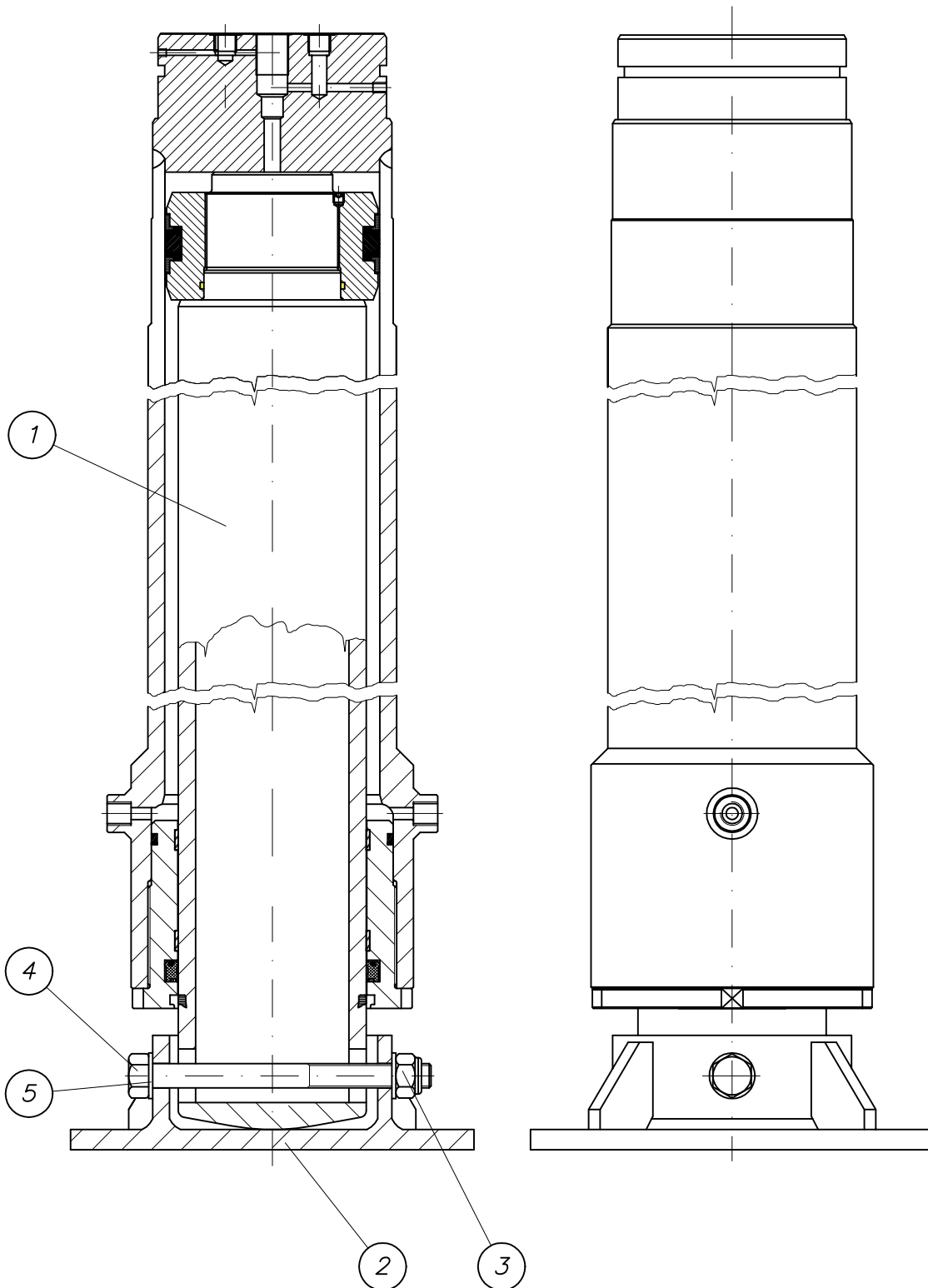
part list	description	created	index	valid from	valid to	
B639190	rear right stabilizer 32/36XXT cpl.	04.01.01 Mi	a	02.12.03		
pos	description stock	ident-no dimensions	DIN material	index	weigh Kg	quantity unit
1	rear outrigger XXT 36/32 right own parts list	B639160		a 18.07.05	655,00	1,00 Stk
2	cover for oiltank D236 X 27 36XT	B610033 RD 240x30	1747 Al99		1,80	2,00 Stk
3	star for oilcover FL 15X 220X 220	B610034 FI 220x220x15	1017 S235JR	a 12.02.03	2,00	2,00 Stk
4	O-ring 217x5, No. A0120.371	WAI106011				2,00 Stk
5	cheese head screw M 16 x 65	WAI103388				2,00 Stk
6	u-seal 16,7 x 24 x 1,5T	WAI101572				2,00 Stk
7	fuel hose DN 12	WAI103104				1,00 Mtr
8	hose clamp 15mm	WAI103103				2,00 Stk
10	jack cylinder own parts list	WAI106344		c 25.07.05	150,00	1,00 Stk
11	hexagon bolt M16 x 50	WAI106269			0,17	4,00 Stk
12	spring washer A16	WAI102072			0,01	4,00 Stk
13	O-ring 129,2 x 5,7	WAI101441				1,00 Stk

Abstützylinder
jack cylinder

WAI 109673



Waitzinger
Baumaschinen GmbH



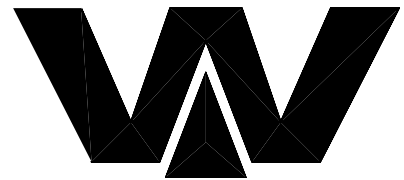


PARTS LIST

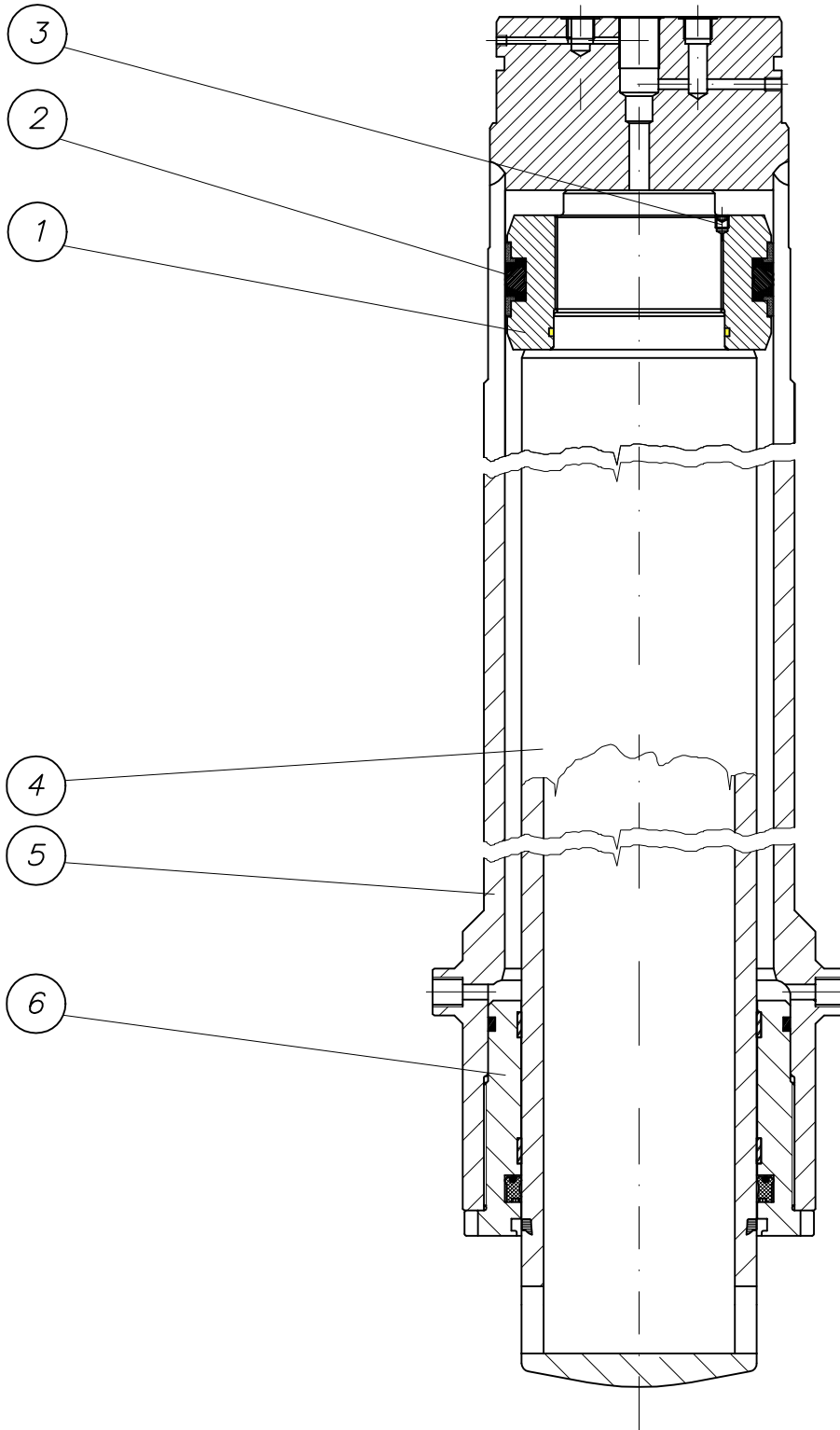
part list	description	created	index	valid from	valid to	
WAI109673	jack cylinder	31.05.05 RAINER				
pos	description stock	ident-no dimensions	DIN material	index	weighth Kg	quantity unit
1	jack cylinder own parts list	wai109669				1,00 Stk
2	foot	wai106778				1,00 Stk
3	hex. nut M18 DIN 985 8. VERZ.	wai109671				1,00 Stk
4	washer 19	wai109672				1,00 Stk
5	hexagon screw M 18 x 220	wai109670				1,00 Stk

Abstützylinder
jack cylinder

WAI 109669



Waitzinger
Baumaschinen GmbH



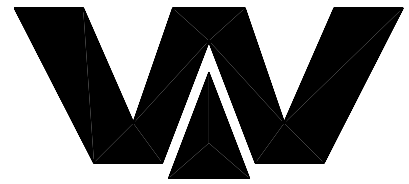


PARTS LIST

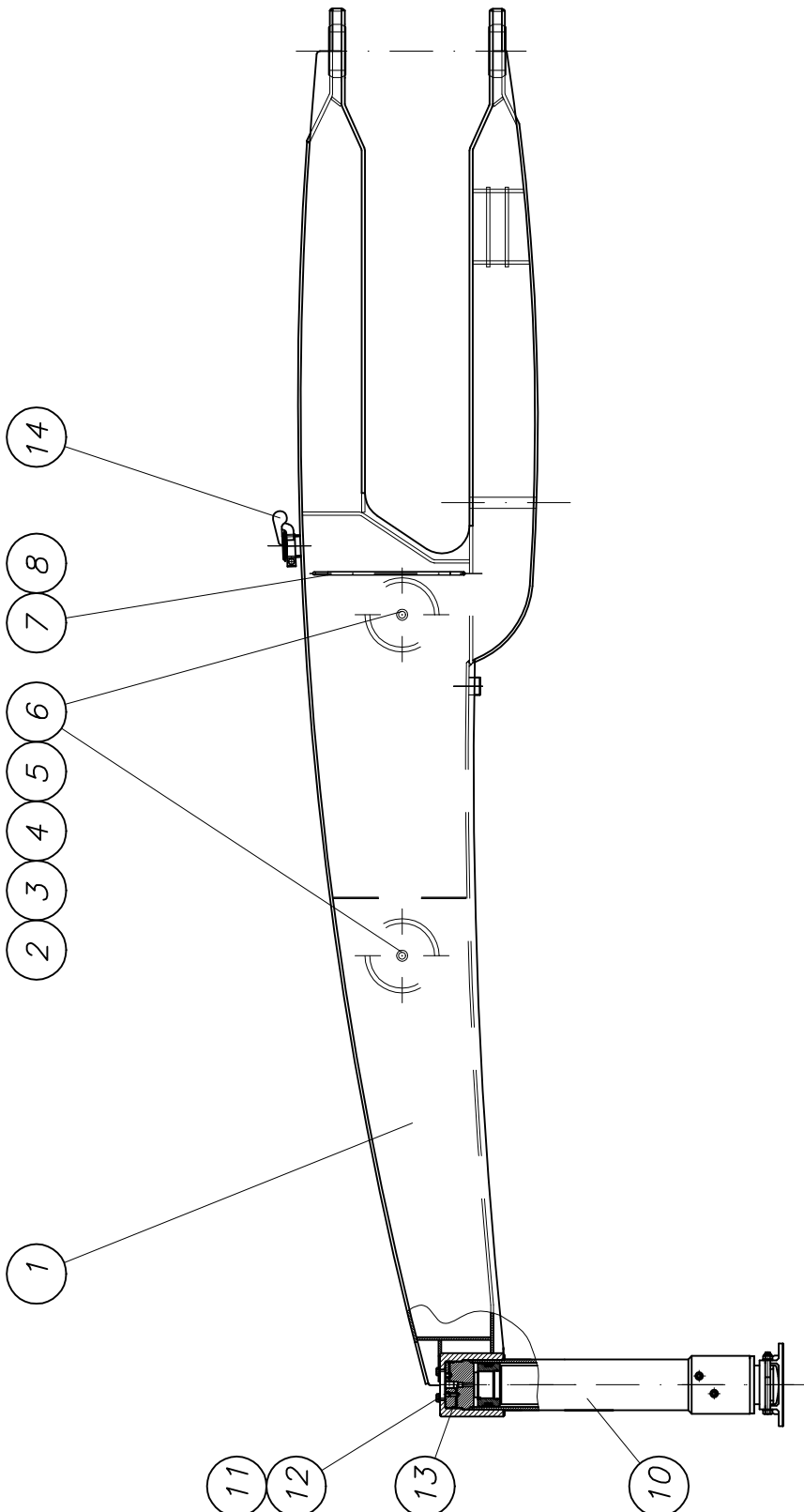
part list	description	created	index	valid from	valid to	
wai109669	jack cylinder	31.05.05 RAINER				
pos	description stock	ident-no dimensions	DIN material	index	weighth Kg	quantity unit
1	piston	WAI106770				1,00 Stk
2	sealing kit for front and rear	WAI104040				1,00 Stk
3	set screw	WAI106771				1,00 Stk
4	piston rod	WAI106772				1,00 Stk
5	cylinder	WAI106773				1,00 Stk
6	piston nut	WAI106774				1,00 Stk

*Abstützung hinten links kpl.
outrigger rear left cpl.*

B 63 9 210b



*Waitzinger
Baumaschinen GmbH*



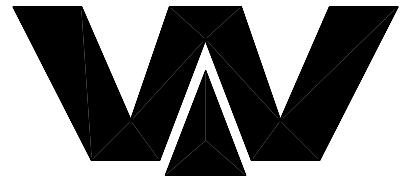


PARTS LIST

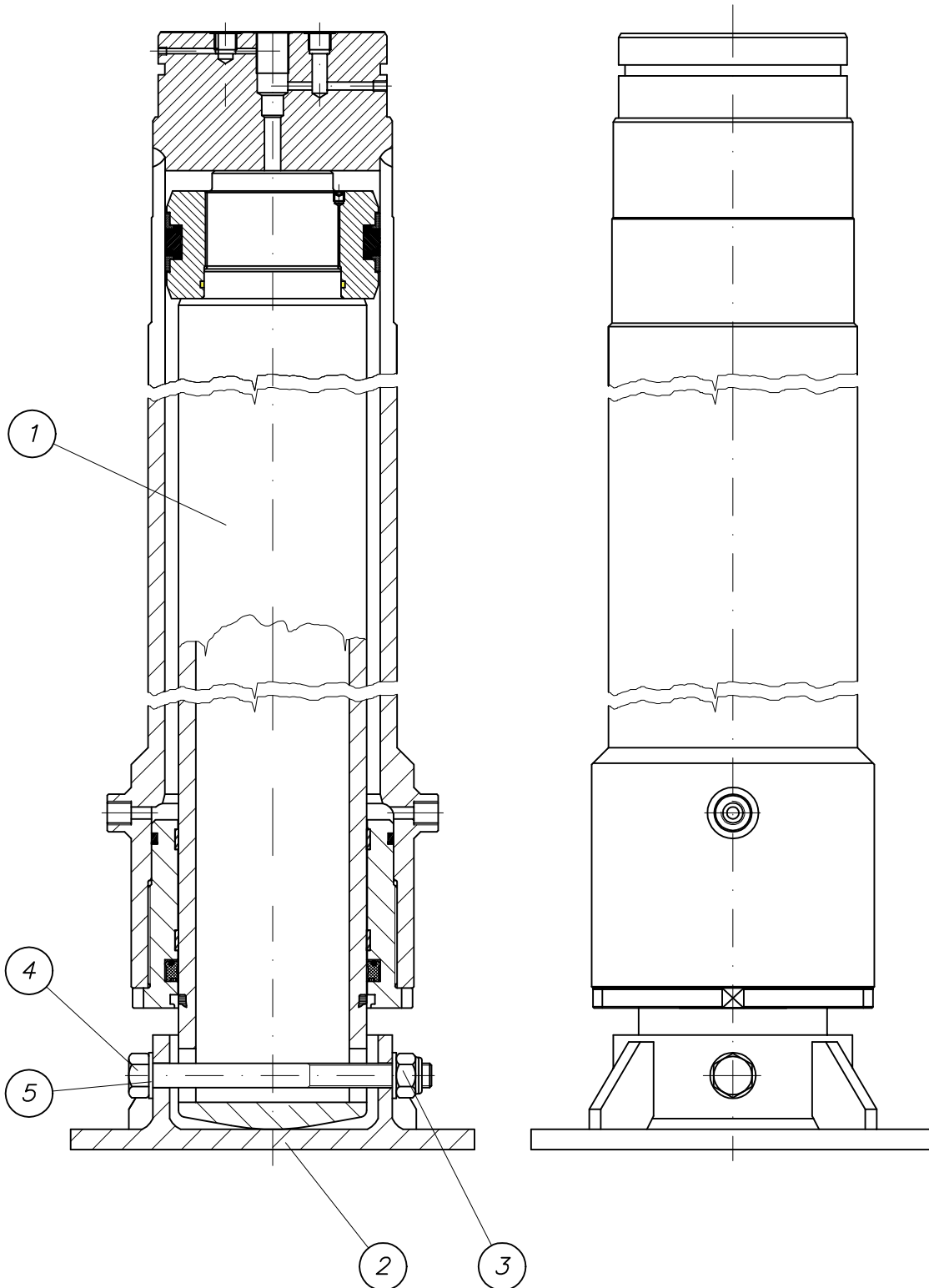
part list	description	created	index	valid from	valid to	
B639210	rear left stabilizer 32/36XXT cpl.	04.01.01 Mi	b	14.03.05		
pos	description stock	ident-no dimensions	DIN material	index	weigh Kg	quantity unit
1	rear outrigger XXT 32 left own parts list	B639130		a 18.07.05	655,00	1,00 Stk
2	cover for oiltank D236 X 27 36XT	B610033 RD 240x30	1747 Al99		1,80	2,00 Stk
3	star for oilcover FL 15X 220X 220	B610034 FI 220x220x15	1017 S235JR	a 12.02.03	2,00	2,00 Stk
4	O-ring 217x5, No. A0120.371	WAI106011				2,00 Stk
5	cheese head screw M 16 x 65	WAI103388				2,00 Stk
6	u-seal 16,7 x 24 x 1,5T	WAI101572				2,00 Stk
7	fuel hose DN 12	WAI103104				1,00 Mtr
8	hose clamp 15mm	WAI103103				2,00 Stk
10	jack cylinder own parts list	WAI106344		c 25.07.05	150,00	1,00 Stk
11	hexagon bolt M16 x 50	WAI106269			0,17	4,00 Stk
12	spring washer A16	WAI102072			0,01	4,00 Stk
13	O-ring 129,2 x 5,7	WAI101441				1,00 Stk
14	exhaust flap	WAI102971				1,00 Stk

Abstützylinder
jack cylinder

WAI 109673



Waitzinger
Baumaschinen GmbH



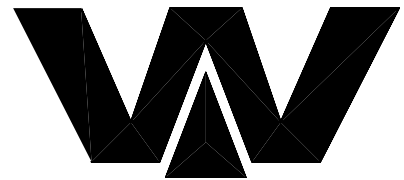


PARTS LIST

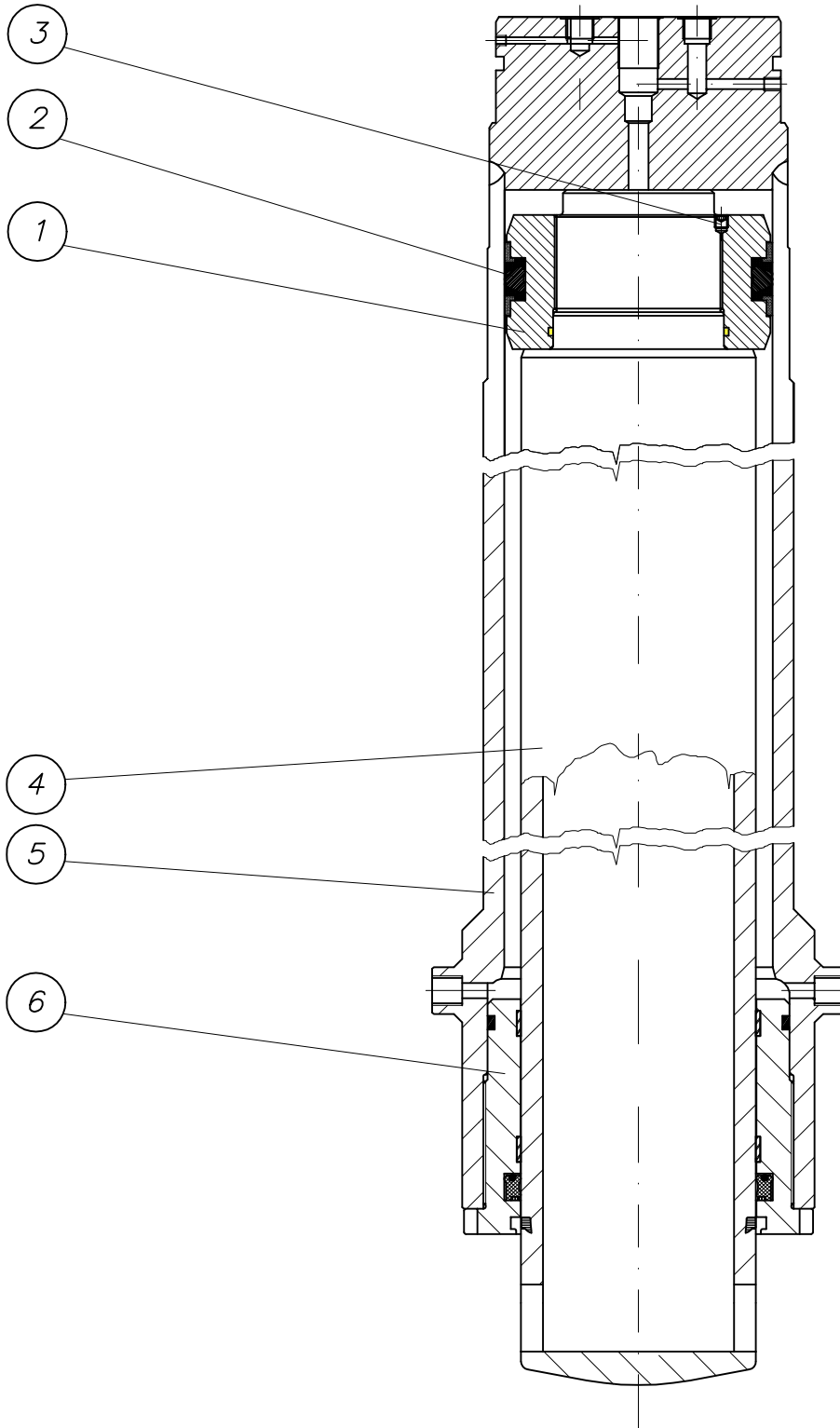
part list	description	created	index	valid from	valid to	
WAI109673	jack cylinder	31.05.05 RAINER				
pos	description stock	ident-no dimensions	DIN material	index	weighth Kg	quantity unit
1	jack cylinder own parts list	wai109669				1,00 Stk
2	foot	wai106778				1,00 Stk
3	hex. nut M18 DIN 985 8. VERZ.	wai109671				1,00 Stk
4	washer 19	wai109672				1,00 Stk
5	hexagon screw M 18 x 220	wai109670				1,00 Stk

Abstützylinder
jack cylinder

WAI 109669



Waitzinger
Baumaschinen GmbH



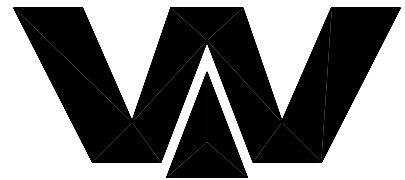


PARTS LIST

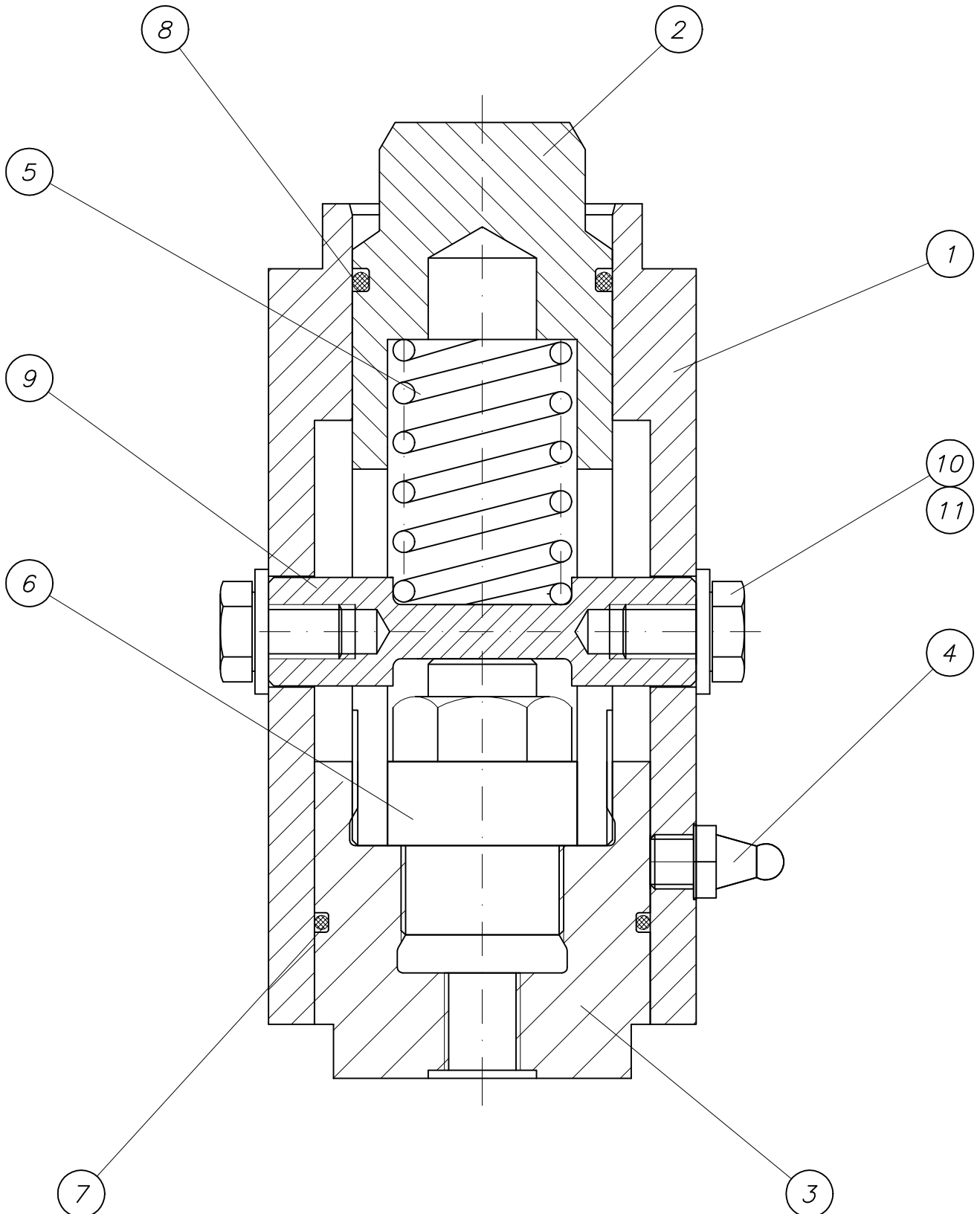
part list	description	created	index	valid from	valid to	
wai109669	jack cylinder	31.05.05 RAINER				
pos	description stock	ident-no dimensions	DIN material	index	weighth Kg	quantity unit
1	piston	WAI106770				1,00 Stk
2	sealing kit for front and rear	WAI104040				1,00 Stk
3	set screw	WAI106771				1,00 Stk
4	piston rod	WAI106772				1,00 Stk
5	cylinder	WAI106773				1,00 Stk
6	piston nut	WAI106774				1,00 Stk

Transportsicherung vorne
transport safety device front

B 63 9 197b



Waitzinger
Baumaschinen GmbH



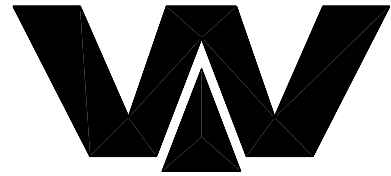


PARTS LIST

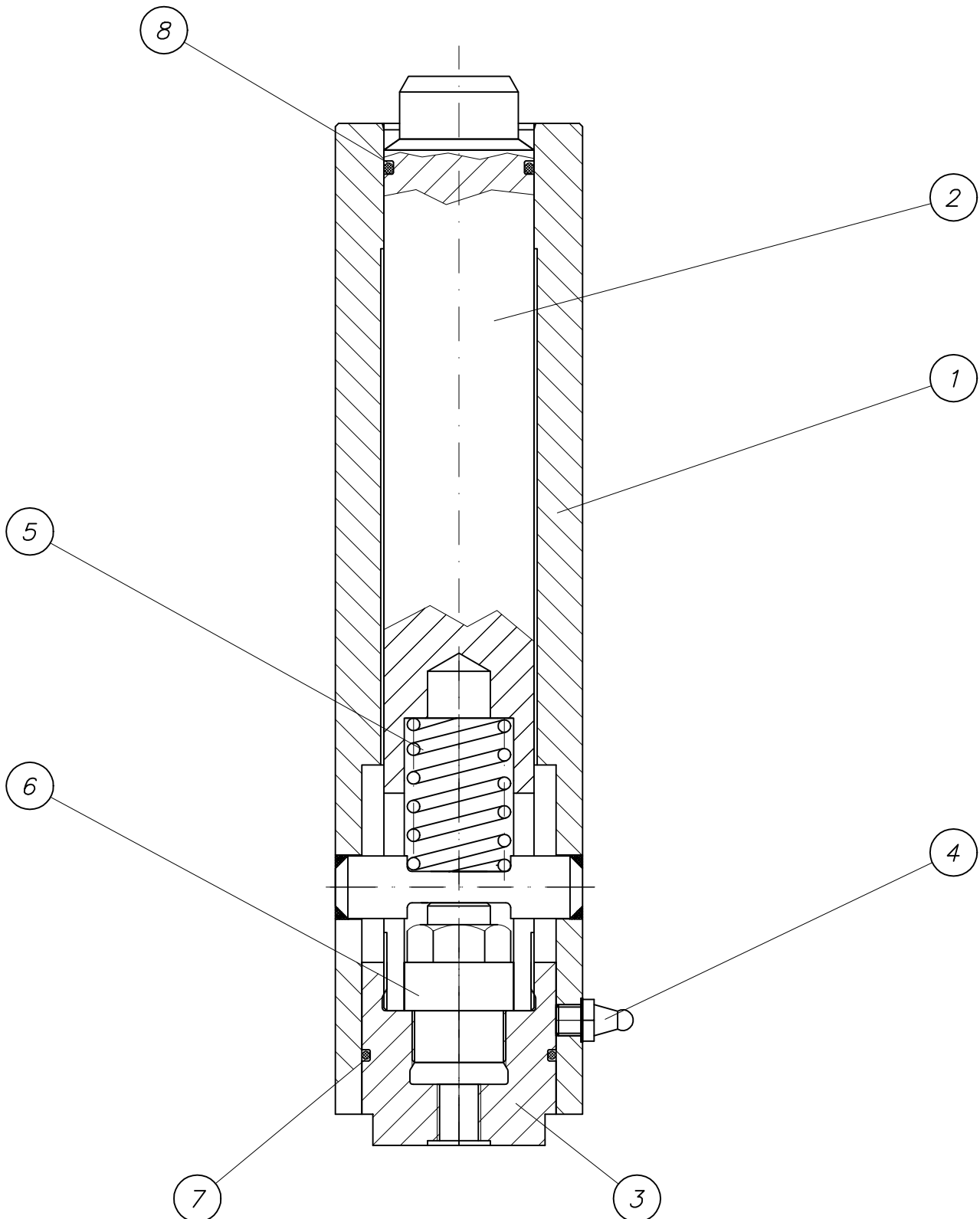
part list	description	created	index	valid from	valid to	
B639197	transport savety device	04.12.00 ek	b	14.10.03		
pos	description stock	ident-no dimensions	DIN material	index	weighth Kg	quantity unit
1	pipe	B639198 Ro D82.5x20x155	2448 St52-3	c 16.02.04		1,00 Stk
2	bolt	B639199 Rd 50x135	1013 St52-3	a 17.09.03		1,00 Stk
3	nut	B639201 Rd 70	1013 St52-3	a 17.12.02		1,00 Stk
4	grease nipple H1 M10 X 1 DIN 71412	WAI100805			0,01	1,00 Stk
5	pressure spring	WAI106537				1,00 Stk
6	cylinder	WAI106536				1,00 Stk
7	O-ring 56.74x3	WAI106538				1,00 Stk
8	O-ring	WAI101260				1,00 Stk
9	bolt	B639215 Rd 20x80	1013 S355J2G3		0,15	1,00 Stk
10	hexagon bolt M10 x 16	WAI102886				2,00 Stk
11	washer 10.5	WAI101559			0,00	2,00 Stk

Transportsicherung hinten
transport safety device rear

B 63 9 207b



Waitzinger
Baumaschinen GmbH





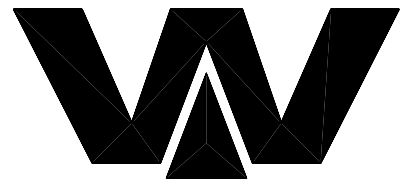
PARTS LIST

part list	description	created	index	valid from	valid to	
B639207	transport savety device	04.12.00 ek	b	20.10.04		
pos	description stock	ident-no dimensions	DIN material	index	weigth Kg	quantity unit
1	pipe cpl. own parts list	B639218				1,00 Stk
2	bolt	B639209 Rd 50x320	1013 St52-3	b 20.10.04		1,00 Stk
3	nut	B639201 Rd 70	1013 St52-3	a 17.12.02		1,00 Stk
4	grease nipple H1 M10 X 1 DIN 71412	WAI100805			0,01	1,00 Stk
5	pressure spring	WAI106537				1,00 Stk
6	cylinder	WAI106536				1,00 Stk
7	O-ring 56.74x3	WAI106538				1,00 Stk
8	O-ring	WAI101260				1,00 Stk

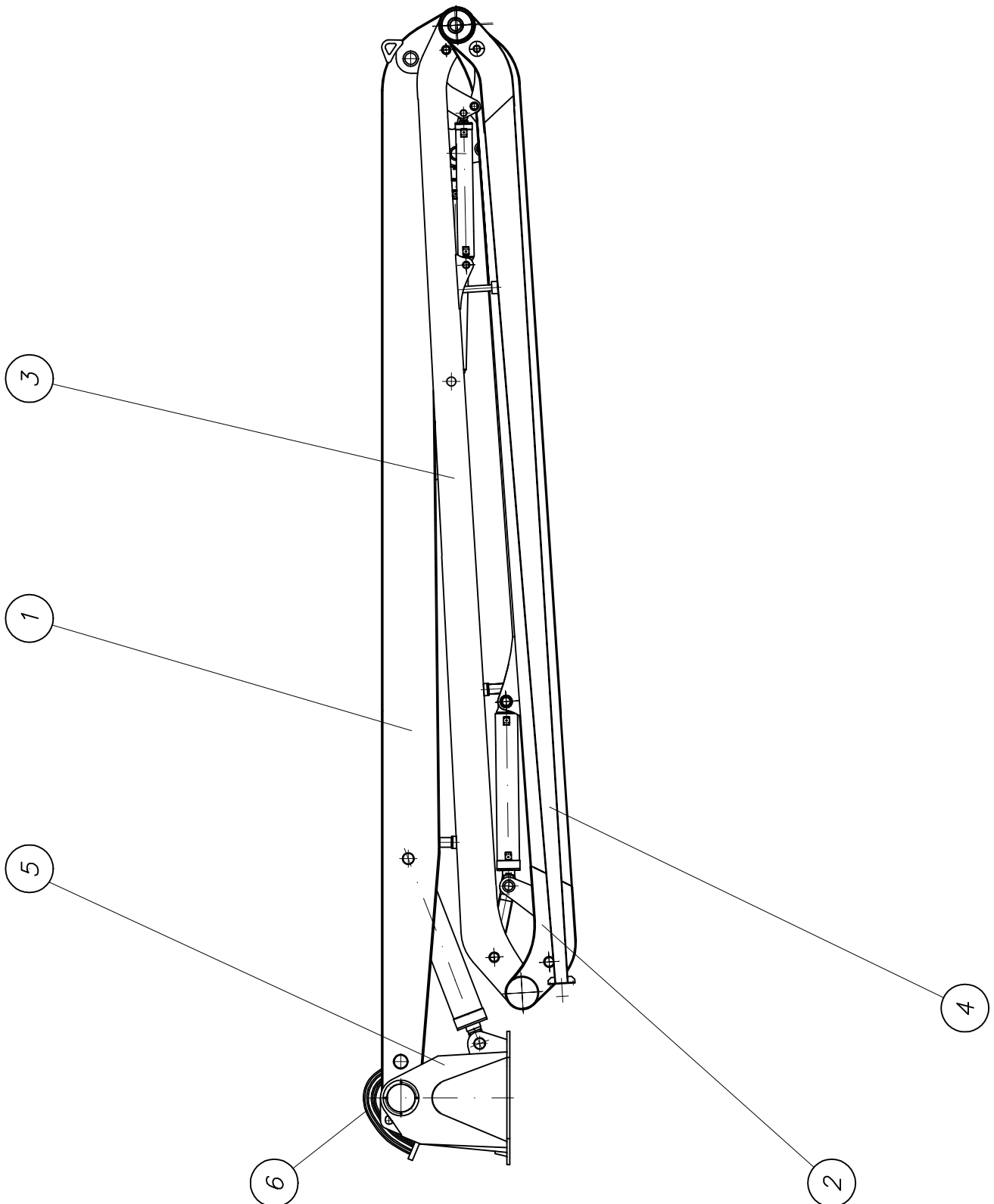
Armpaket W 37-4 kpl.

boom W 37-4 cpl.

B 66 7 120



*Waitzinger
Baumaschinen GmbH*



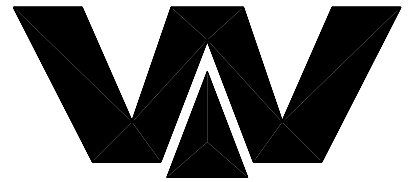


PARTS LIST

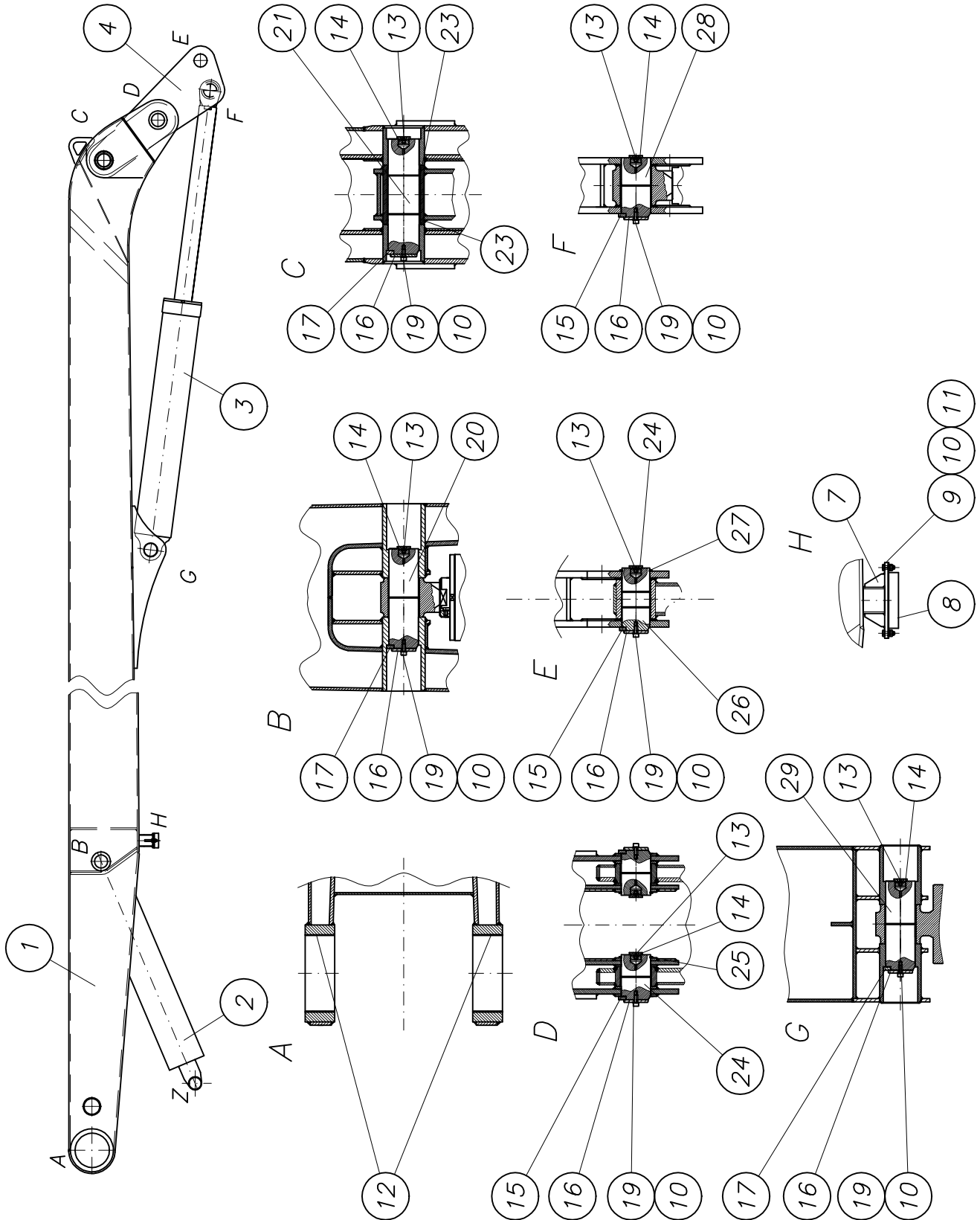
part list	description	created	index	valid from	valid to	
B667120	distribution boom 37.4	11.12.03 hbk				
pos	description stock	ident-no dimensions	DIN material	index	weighth Kg	quantity unit
1	boom arm 1 cpl. own parts list	B667010		a 10.02.05		1,00 Stk
2	boom arm 2 cpl. own parts list	B667011				1,00 Stk
3	boom arm 3 cpl. own parts list	B667012		b 10.02.05		1,00 Stk
4	boom arm 4 cpl. own parts list	B661072				1,00 Stk
5	rotating head unit own parts list	B681002				1,00 Stk
6	piping diagram boom own parts list	B711065		c 02.09.03	77,00	1,00 Stk

Mastarm 1 kpl.
element 1 cpl.

B 66 7 010a



Waitzinger
Baumaschinen GmbH





PARTS LIST

part list	description	created	index	valid from	valid to	
B667010	boom arm 1 cpl.	14.10.02 hbk	a	10.02.05		
pos	description stock	ident-no dimensions	DIN material	index	weighth Kg	quantity unit
1	boom arm 1 cpl. own parts list	B677160				1,00 Stk
2	boom cylinder A cpl. with pipes own parts list	B660130				1,00 Stk
3	boom cylinder B cpl. with pipes own parts list	B660131				1,00 Stk
4	beam "B" cpl. processing drawing own parts list	B671610		a 26.01.05	98,00	1,00 Stk
7	holder for rubber buffer arm 1 cpl. own parts list	B661080			3,30	1,00 Stk
8	rubber cushion	WAI106715				1,00 Stk
9	hexagon bolt M 10 x 30	WAI101553			0,03	2,00 Stk
10	spring washer A10	WAI102070			0,00	9,00 Stk
11	hex. nut M10 DIN985 8.	WAI102125			0,01	2,00 Stk
12	bushing CD230.235090	WAI106020				2,00 Stk
13	grease nipple H1 M10 X 1 DIN 71412	WAI100805			0,01	7,00 Stk
14	locking screw M33x2 own parts list	B660085			0,10	7,00 Stk
15	pin holder	B660086 FI 25x10x80	1017 S235J2G3		0,15	4,00 Stk
16	washer	B660087 BI 8xd80	1543/EN10029 S235J2G3		0,20	7,00 Stk
17	pin holder	B660088 BI 10x22x70	1543/EN10029 S235J2G3		0,10	3,00 Stk
19	cylinder head screw M 10 x 25	WAI106654				7,00 Stk
20	pin 90 x 304	B660115 Rd 95x310	1013 42CrMo4V	a 31.07.02	15,00	1,00 Stk
21	pin 95 x 350	B660113 Rd 100x355	1013 42CrMo4V	a 31.07.02	19,00	1,00 Stk
23	bushing 90 x 100 x 60	WAI106019				2,00 Stk
24	pin 90 x 137	B660118 Rd 95x141	1013 42CrMo4V	b 31.07.02	7,00	2,00 Stk
25	retaining ring A 90x4 DIN471	WAI106974			0,02	2,00 Stk
26	pin 85 x 190	B660110 Rd 90x195	1013 42CrMo4V	a 31.07.02	8,50	1,00 Stk

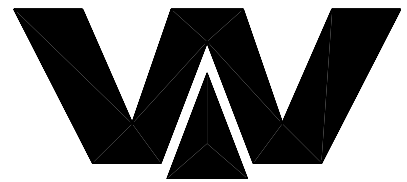
**PARTS LIST**

24.06.05 09:02:16

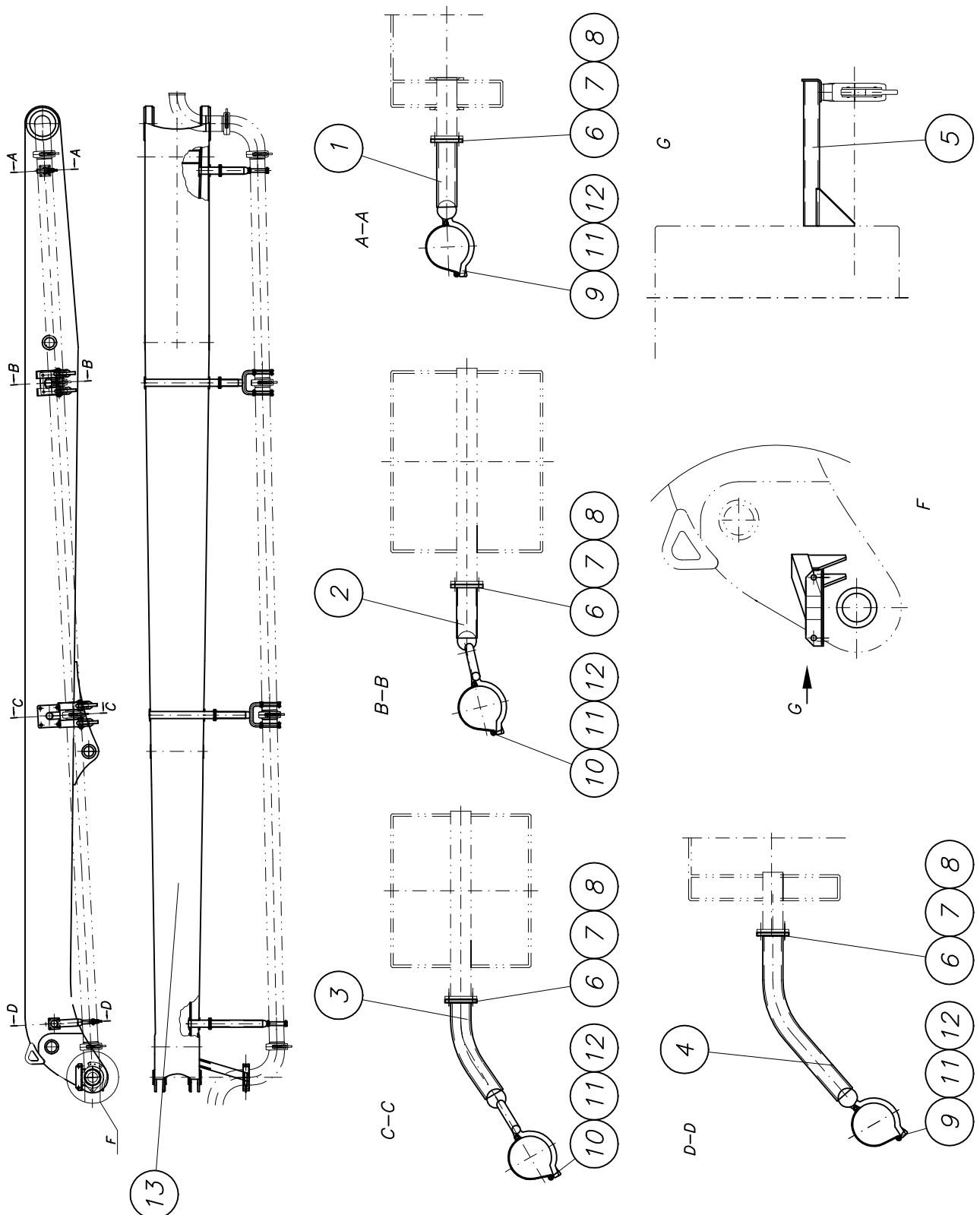
part list	description	created	index	valid from	valid to	
B667010	boom arm 1 cpl.	14.10.02 hbk	a	10.02.05		
pos	description stock	ident-no dimensions	DIN material	index	weigh Kg	quantity unit
27	retaining ring A 85x4 DIN471	WAI106975			0,02	1,00 Stk
28	pin 90 x 180	B660112 Rd 95x180	1013 42CrMo4V	a 31.07.02	10,00	1,00 Stk
29	pin 90 x 271	B660114 Rd 95x275	1013 42CrMo4V	a 31.07.02	14,00	1,00 Stk

Mastarm 1 boom element 1

B 67 7 160



Waitzinger
Baumaschinen GmbH



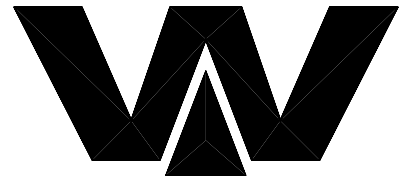


PARTS LIST

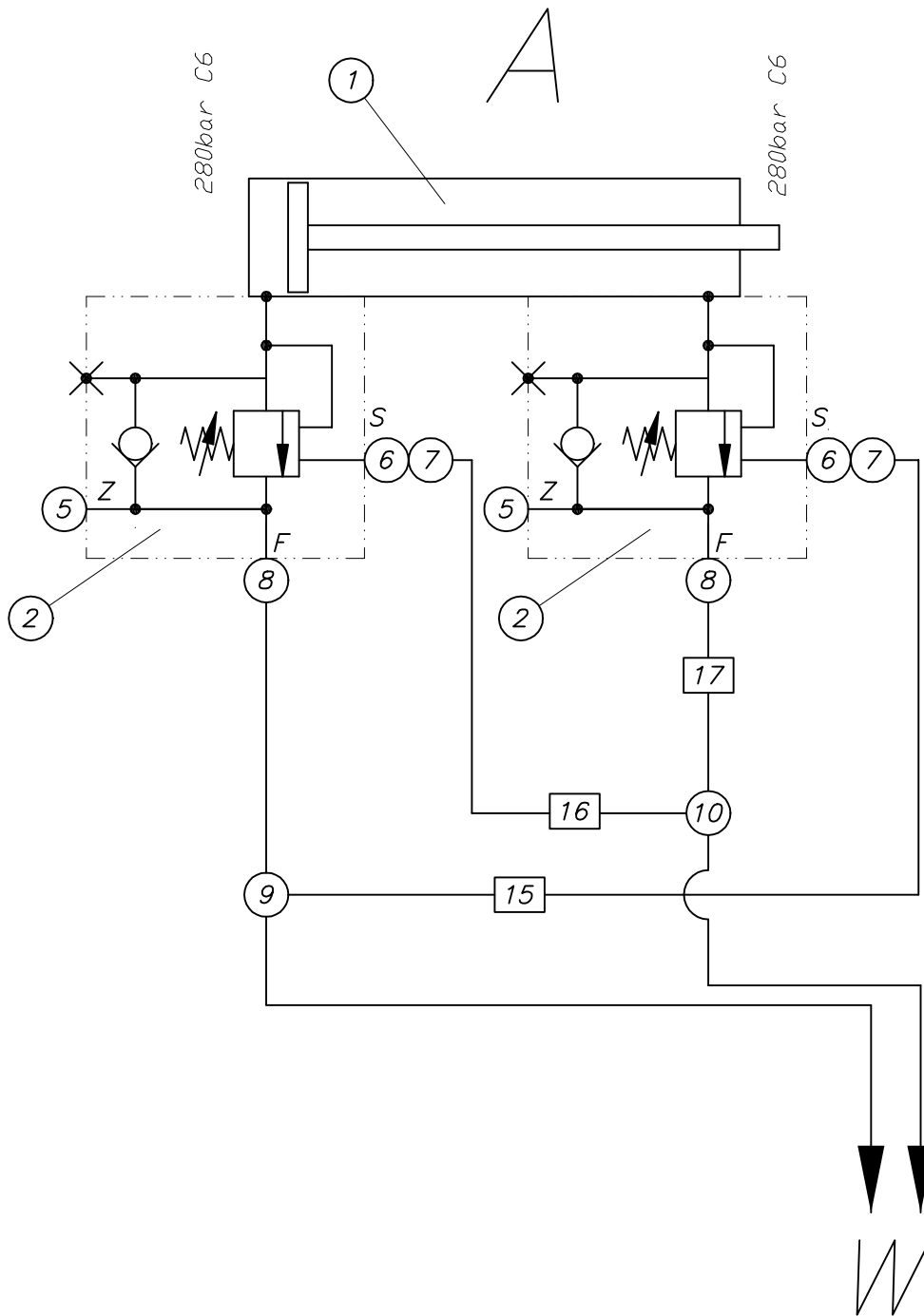
part list	description	created	index	valid from	valid to	
B677160	boom arm 1 cpl.	09.10.02 hbk				
pos	description stock	ident-no dimensions	DIN material	index	weigh Kg	quantity unit
1	holder 1 cpl., element 1 own parts list	B641040			2,30	1,00 Stk
2	holder 2 cpl., element 1 own parts list	B641044			2,10	1,00 Stk
3	holder 3 cpl., element 1 own parts list	B641046			3,00	1,00 Stk
4	holder 4 cpl., element 1 own parts list	B641050			4,70	1,00 Stk
5	holder 5 cpl., element 1 own parts list	B641039		a 22.04.05	5,70	1,00 Stk
6	hexagon bolt M 10 x 35	WAI101705			0,03	16,00 Stk
7	washer 10.5	WAI101559			0,00	16,00 Stk
8	nut M10 DIN 934	WAI101556			0,01	16,00 Stk
9	pipe holder cpl. own parts list	WAI107108				2,00 Stk
10	pipe holder cpl. own parts list	WAI107109				2,00 Stk
11	conical spring washer 12 mm	WAI102877				6,00 Stk
12	hex. nut M12 DIN 985 8. VERZ.	WAI101626				6,00 Stk
13	boom arm 1 cpl. own parts list	B677150			1650,00	1,00 Stk

Mastzylinder A kpl.
boom cylinder A cpl.

B 66 0 130



Waitzinger
Baumaschinen GmbH



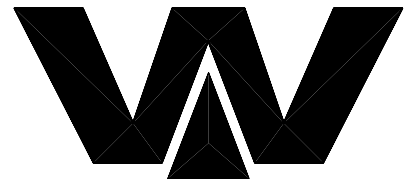


PARTS LIST

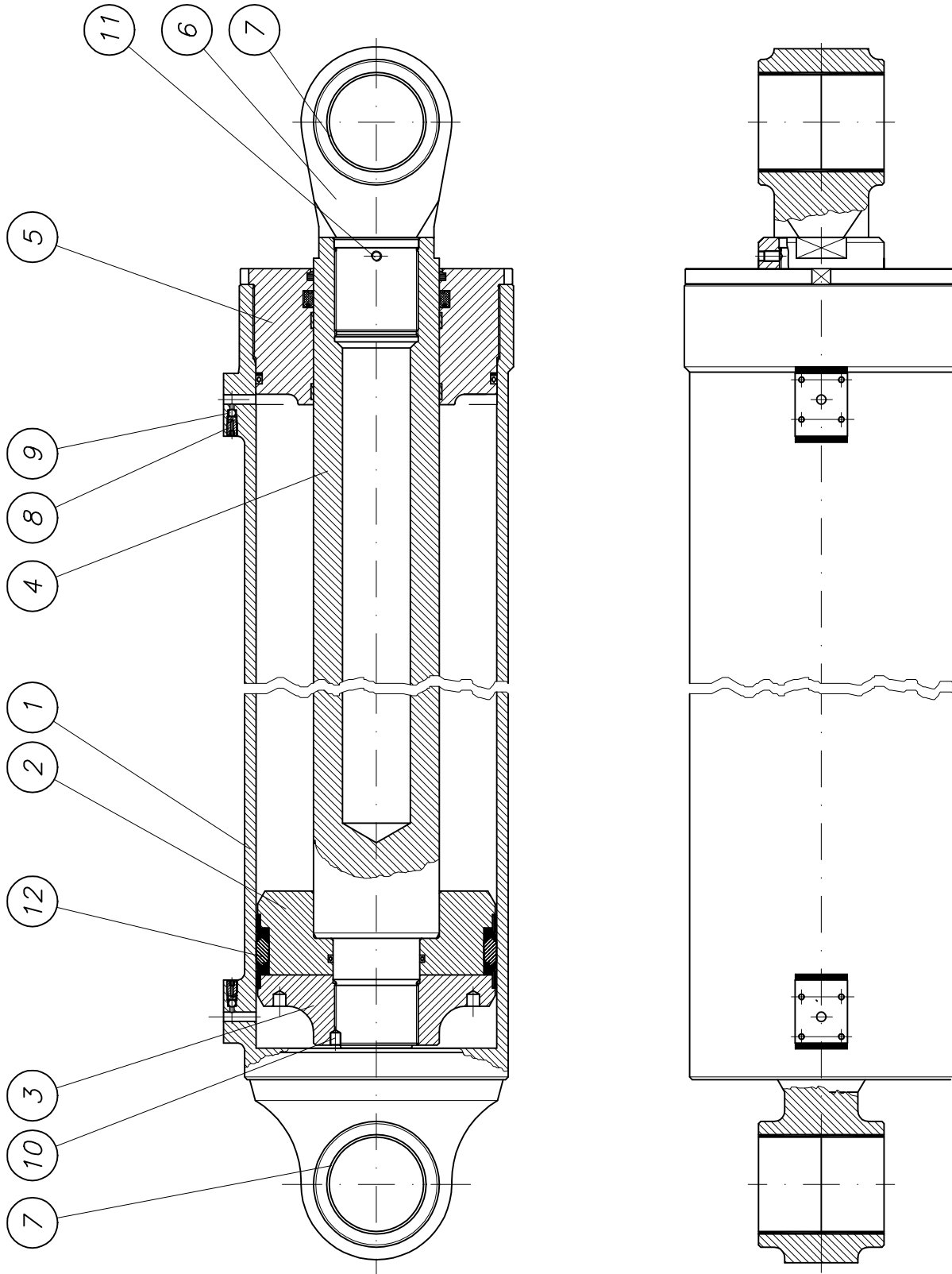
part list	description	created	index	valid from	valid to	
B660130	boom cylinder A cpl. with pipes	12.09.03 Mi				
pos	description stock	ident-no dimensions	DIN material	index	weighth Kg	quantity unit
1	boom cylinder for 36-mtr., section A own parts list	WAI106189			342,00	1,00 Stk
2	locking valve 280 bar	WAI106935				2,00 Stk
5	locking screw G 1/4	WAI100520				2,00 Stk
6	straight male stud couplings L12	WAI101383				2,00 Stk
7	swivel elbow L12	WAI100590				2,00 Stk
8	straight male stud couplings L12	WAI101386				2,00 Stk
9	swivel barrel tee L12	WAI101325				1,00 Stk
10	tee coupling L12	WAI100598				1,00 Stk
15	pipe	WAI108452				1,00 Stk
16	pipe	WAI108453				1,00 Stk
17	hydr. pipe 12 x 2	WAI102022			0,49	0,20 Mtr

Mastzylinder A
boom cylinder A

WAI 106189



Waitzinger
Baumaschinen GmbH





PARTS LIST

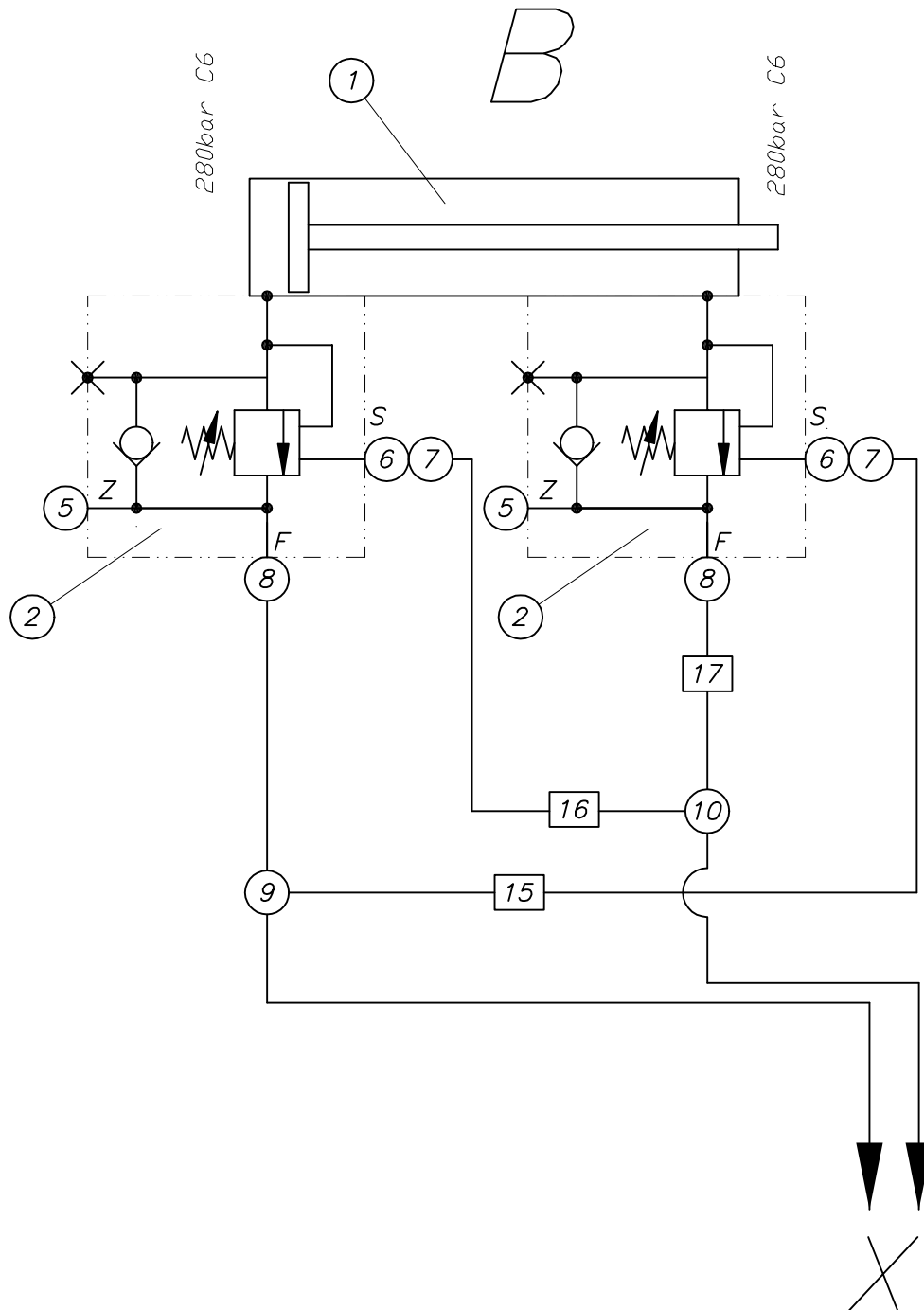
part list	description	created	index	valid from	valid to	
WAI106189	boom cylinder for 36-mtr., section A	09.03.01 Mi				
pos	description stock	ident-no dimensions	DIN material	index	weighth Kg	quantity unit
1	cylinder	WAI106716				1,00 Stk
2	piston	WAI106717				1,00 Stk
3	piston nut	WAI106718				1,00 Stk
4	piston rod	WAI106719				1,00 Stk
5	piston guide	WAI106720				1,00 Stk
6	piston head	WAI106721				1,00 Stk
7	bushing 90 x 95 x 60	WAI106018				4,00 Stk
8	Valve	WAI106722				2,00 Stk
9	steel ball	WAI106723				2,00 Stk
10	set screw	WAI106724				1,00 Stk
11	set screw	WAI106725				1,00 Stk
12	sealing set for 1st. boom cylinder	WAI104033				1,00 Stk

Mastzylinder B kpl.
boom cylinder B cpl.

B 66 0 131



Waitzinger
Baumaschinen GmbH



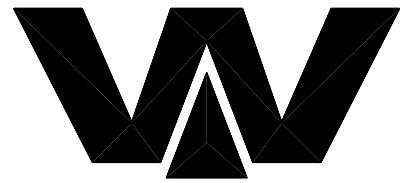


PARTS LIST

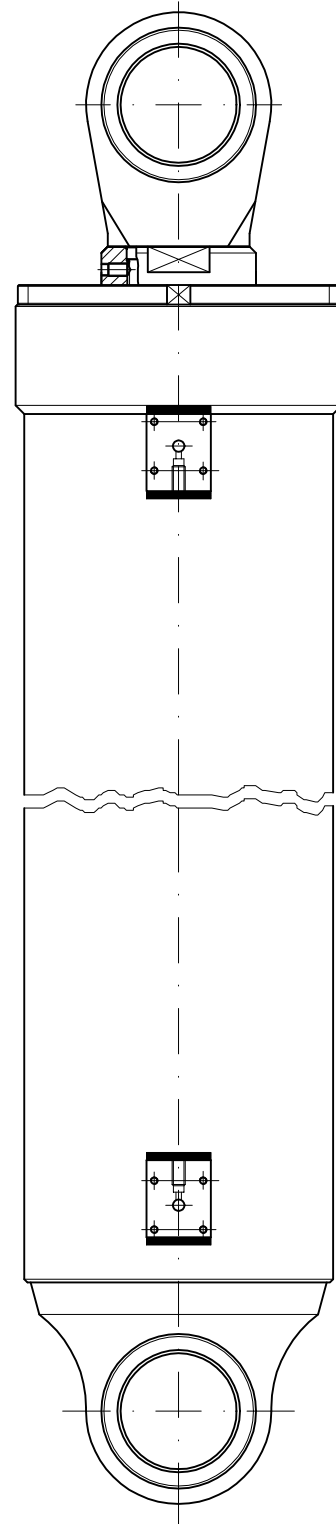
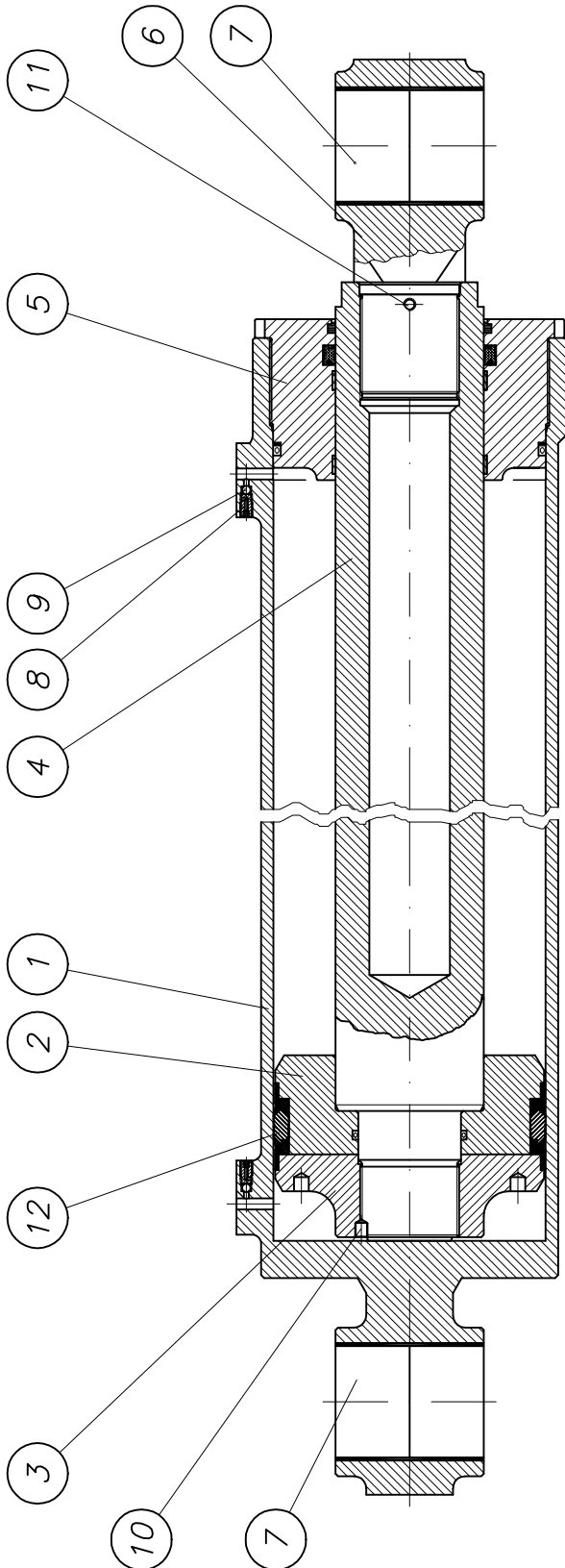
part list	description	created	index	valid from	valid to	
B660131	boom cylinder B cpl. with pipes	12.09.03 Mi				
pos	description stock	ident-no dimensions	DIN material	index	weighth Kg	quantity unit
1	boom cylinder for 36-mtr., section B own parts list	WAI106190				1,00 Stk
2	locking valve 280 bar	WAI106935				2,00 Stk
5	locking screw G 1/4	WAI100520				2,00 Stk
6	straight male stud couplings L12	WAI101383				2,00 Stk
7	swivel elbow L12	WAI100590				2,00 Stk
8	straight male stud couplings L12	WAI101386				2,00 Stk
9	swivel barrel tee L12	WAI101325				1,00 Stk
10	tee coupling L12	WAI100598				1,00 Stk
15	pipe	WAI108454				1,00 Stk
16	pipe	WAI108455				1,00 Stk
17	hydr. pipe 12 x 2	WAI102022			0,49	0,20 Mtr

Mastzylinder B
boom cylinder B

WAI 106190



Waitzinger
Baumaschinen GmbH



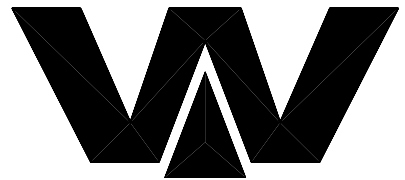


PARTS LIST

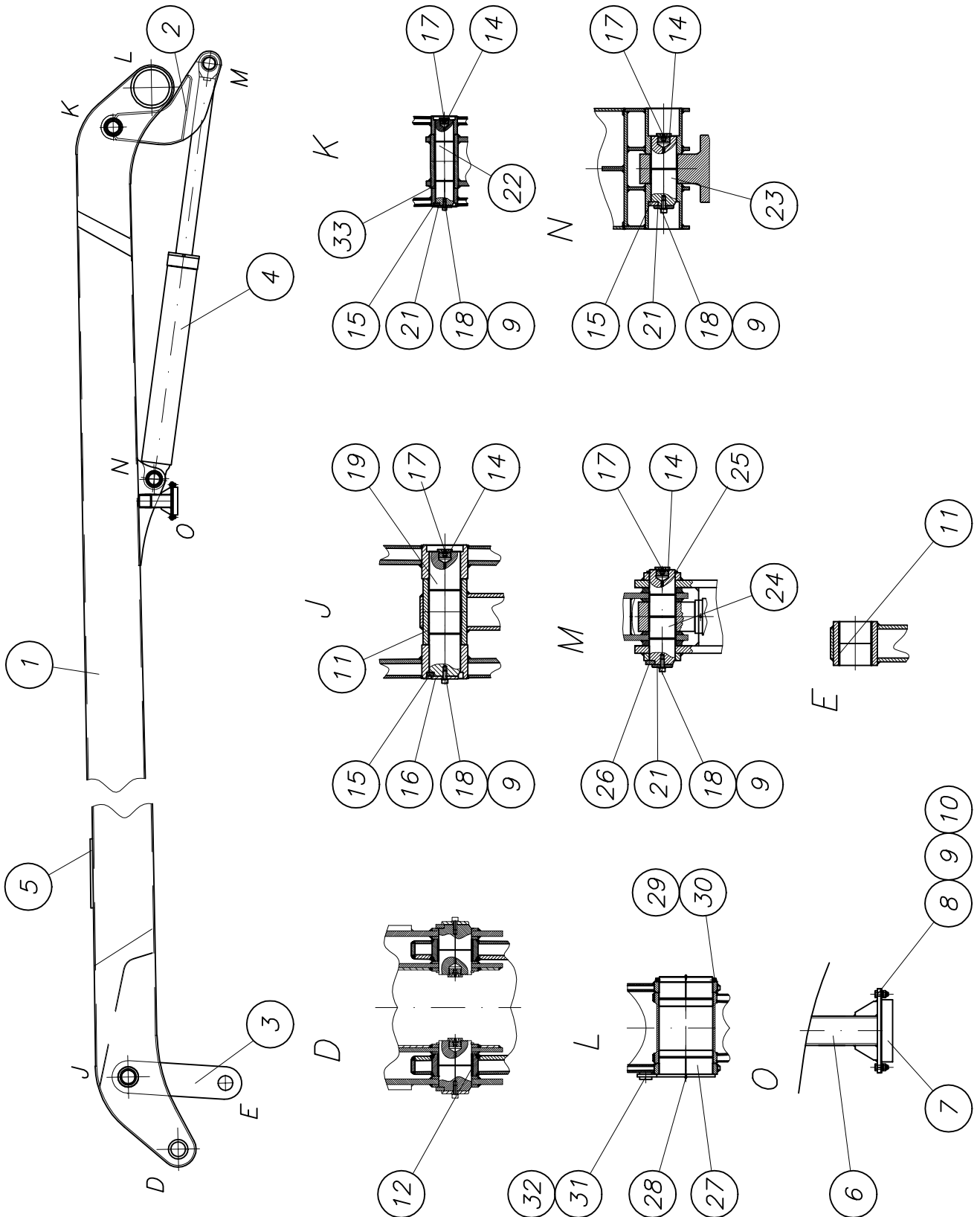
part list	description	created	index	valid from	valid to	
WAI106190	boom cylinder for 36-mtr., section B	09.03.01 Mi				
pos	description stock	ident-no dimensions	DIN material	index	weighth Kg	quantity unit
1	cylinder	WAI106727				1,00 Stk
2	piston	WAI106728				1,00 Stk
3	piston nut	WAI106729				1,00 Stk
4	piston rod	WAI106730				1,00 Stk
5	piston guide	WAI106731				1,00 Stk
6	piston head	WAI106721				1,00 Stk
7	bushing 90 x 95 x 60	WAI106018				4,00 Stk
8	Valve	WAI106722				2,00 Stk
9	steel ball	WAI106723				2,00 Stk
10	set screw	WAI106724				1,00 Stk
11	set screw	WAI106725				1,00 Stk
12	sealing set for 2nd. boom cylinder own parts list	WAI104034				1,00 Stk

Mastarm 2 kpl.
element 2 cpl.

B 66 7 011



Waitzinger
Baumaschinen GmbH





PARTS LIST

part list	description	created	index	valid from	valid to	
B667011	boom arm 2 cpl.	14.10.02 hbk				
pos	description stock	ident-no dimensions	DIN material	index	weighth Kg	quantity unit
1	boom arm 2 cpl. own parts list	B677200		a 10.03.03		1,00 Stk
2	Lever C cpl. own parts list	B671620			75,00	1,00 Stk
3	forcing rod B cpl. own parts list	B671710			45,00	1,00 Stk
4	boom cylinder C cpl. with pipes own parts list	B660132			165,00	1,00 Stk
5	reinforcement	B660092 Bl 8x250x350	1543/EN10029 S235J2G3		0,54	1,00 Stk
6	holder for rubber buffer arm 2 cpl. own parts list	B661085			4,20	1,00 Stk
7	rubber cushion	WAI106715				1,00 Stk
8	hexagon bolt M 10 x 30	WAI101553			0,03	2,00 Stk
9	spring washer A10	WAI102070			0,00	6,00 Stk
10	hex. nut M10 DIN985 8.	WAI102125			0,01	2,00 Stk
11	bushing 85 x 90 x 60	WAI106017			0,20	4,00 Stk
12	bushing 90 x 95 x 60	WAI106018				2,00 Stk
14	locking screw M33x2 own parts list	B660085			0,10	4,00 Stk
15	pin holder	B660088 Bl 10x22x70	1543/EN10029 S235J2G3		0,10	3,00 Stk
16	washer	B660087 Bl 8xd80	1543/EN10029 S235J2G3		0,20	1,00 Stk
17	grease nipple H1 M10 X 1 DIN 71412	WAI100805			0,01	4,00 Stk
18	cylinder head screw M 10 x 25	WAI106654				4,00 Stk
19	pin 85 x 340	B660111 Rd 90x345	1013 42CrMo4V	a 31.07.02	15,00	1,00 Stk
21	washer	B660089 Bl 8xd62	1543/EN10029 S235J2G3		0,20	3,00 Stk
22	pin 75 x 350	B660109 Rd 80x355	1013 42CrMo4V	a 31.07.02	12,00	1,00 Stk
23	pin 70 x 190	B660107 Rd 75x195	1013 42CrMo4V	a 31.07.02	5,50	1,00 Stk
24	pin 70 x 259	B660106 Rd 75x264	1013 42CrMo4V	a 31.07.02	8,00	1,00 Stk

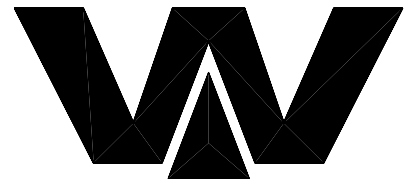
**PARTS LIST**

24.06.05 09:16:25

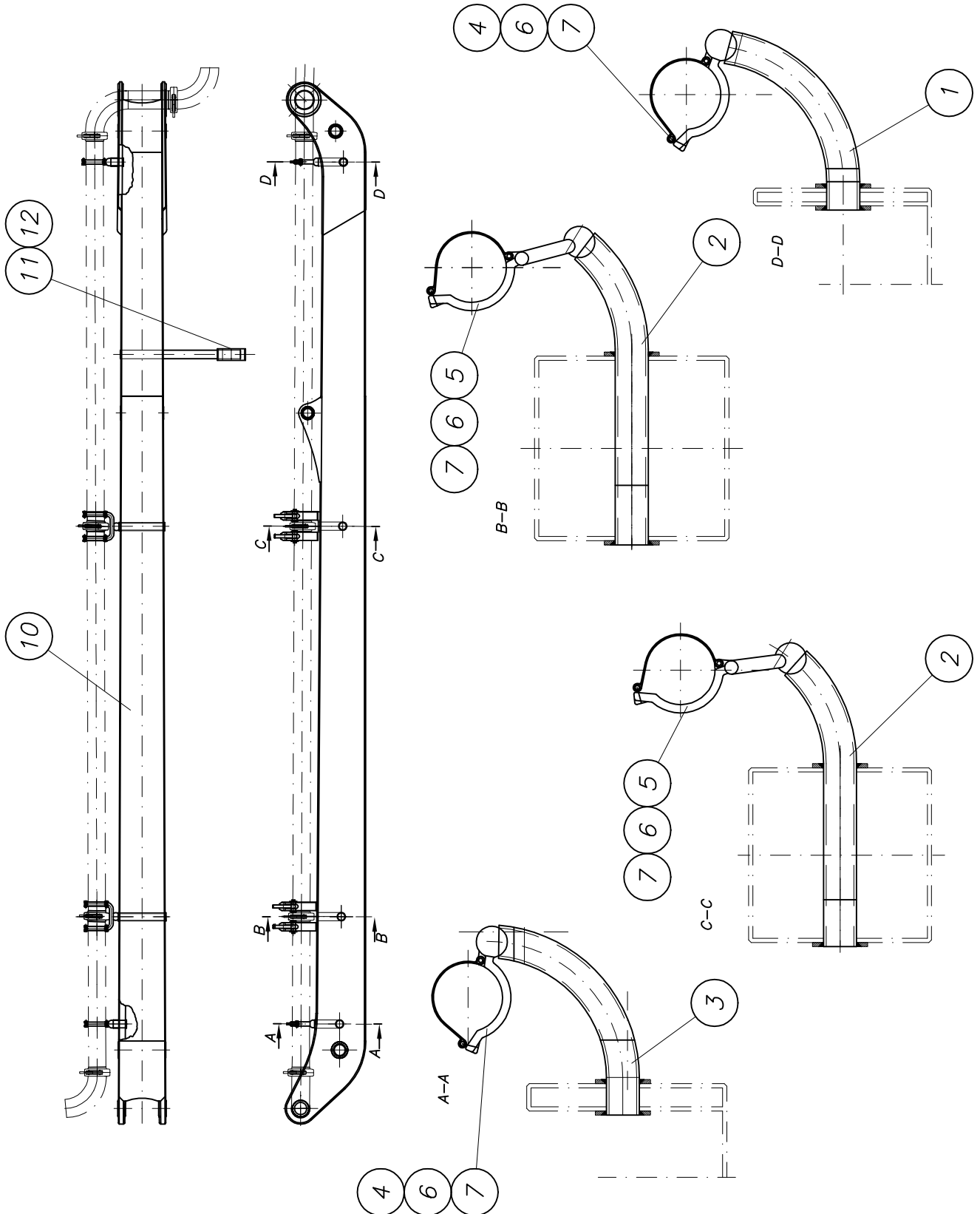
part list	description	created	index	valid from	valid to	
B667011	boom arm 2 cpl.	14.10.02 hbk				
pos	description stock	ident-no dimensions	DIN material	index	weighth Kg	quantity unit
25	retaining ring A 70x4 DIN471	WAI106981			0,02	1,00 Stk
26	pin holder	B660086 FI 25x10x80	1017 S235J2G3		0,15	1,00 Stk
27	pin 220x 400	B660108 Rohr 244.5x25x4	2448 S355J2G3			1,00 Stk
28	grease nipple	WAI102885				4,00 Stk
29	threaded ring	WAI105378				1,00 Stk
30	set screw M 6 x 8	WAI103646				2,00 Stk
31	pin protection	B660123 BI 10x100x148	1543/EN10029 S355J2G3		0,45	1,00 Stk
32	pipe	B660124 Rohr 51x6.3x30	2448 S355J2G3		0,20	1,00 Stk
33	bushing 75 x 80 x 60	WAI106016				2,00 Stk

Mastarm 2
boom element 2

B 67 7 200a



Waitzinger
Baumaschinen GmbH



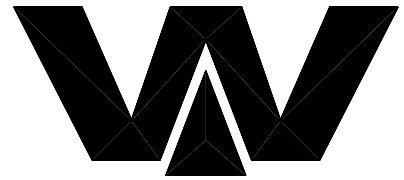


PARTS LIST

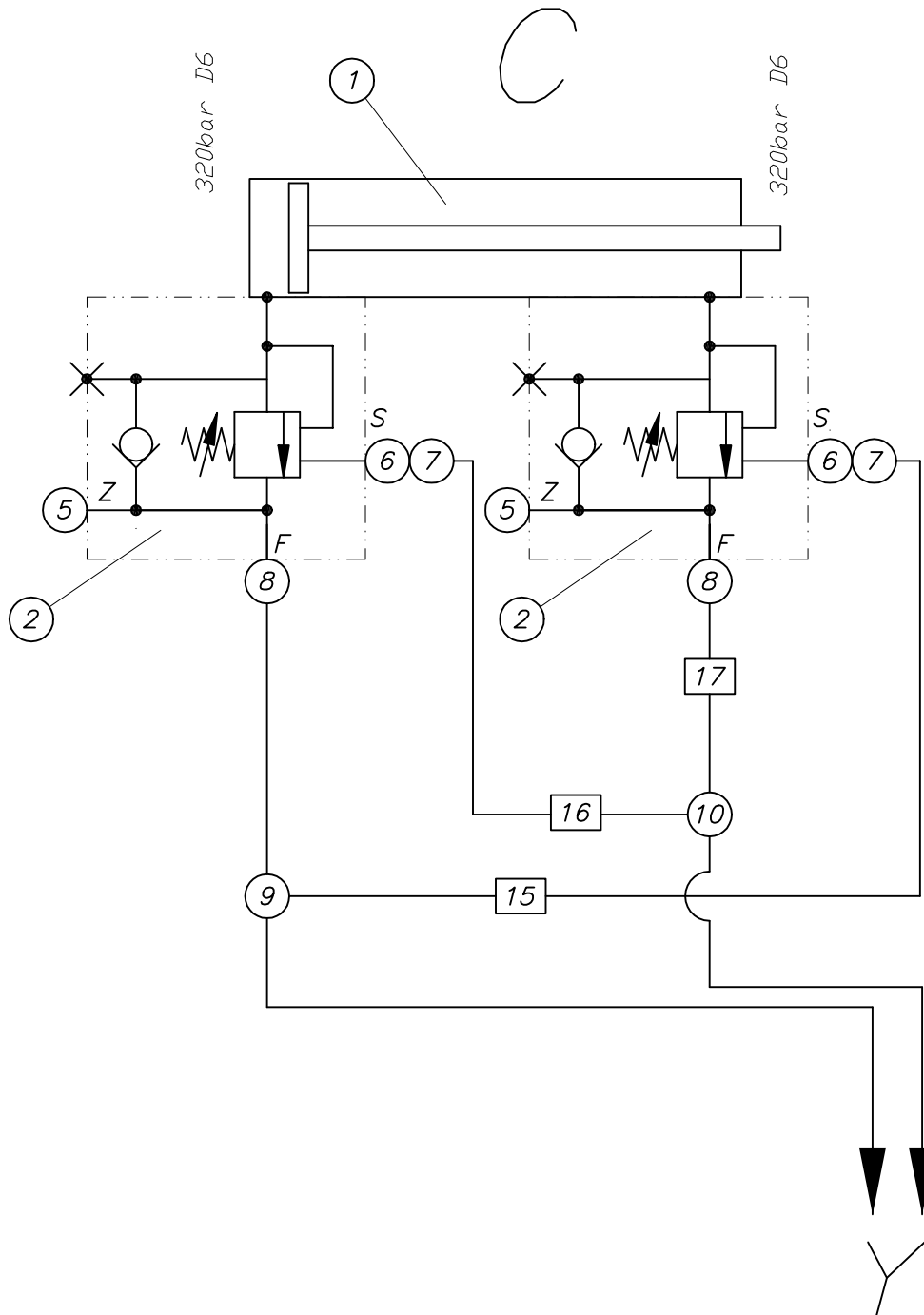
part list	description	created	index	valid from	valid to	
B677200	boom arm 2 cpl.	09.10.02 hbk	a	10.03.03		
pos	description stock	ident-no dimensions	DIN material	index	weigh Kg	quantity unit
1	pipe 1, Element 2	B641041 Rohr 63.5x4x440	2448 S355J2G3	a 22.01.03	2,60	1,00 Stk
2	pipe 2+3, Element 2	B641047 Rohr 63.5x4x649	2448 S355J2G3	a 22.01.03	3,80	2,00 Stk
3	pipe 4, Element 2	B641049 Rohr 63.5x4x485	2448 S355J2G3	a 22.01.03	2,80	1,00 Stk
4	pipe holder cpl. own parts list	WAI107108				2,00 Stk
5	pipe holder cpl. own parts list	WAI107109				2,00 Stk
6	conical spring washer 12 mm	WAI102877				6,00 Stk
7	hex. nut M12 DIN 985 8. VERZ.	WAI101626				6,00 Stk
10	boom arm 2 processing cpl. own parts list	B677201		a 12.12.02	810,00	1,00 Stk
11	pipe for arm holder 4 own parts list	B671250		a 12.01.04	10,00	1,00 Stk
12	rubber cushion	WAI107199			0,50	1,00 Stk

*Mastzylinder C kpl.
boom cylinder C cpl.*

B 66 0 132



Waitzinger
Baumaschinen GmbH



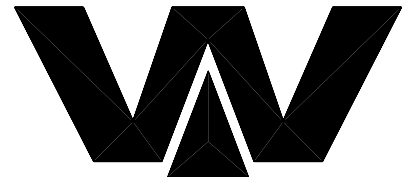


PARTS LIST

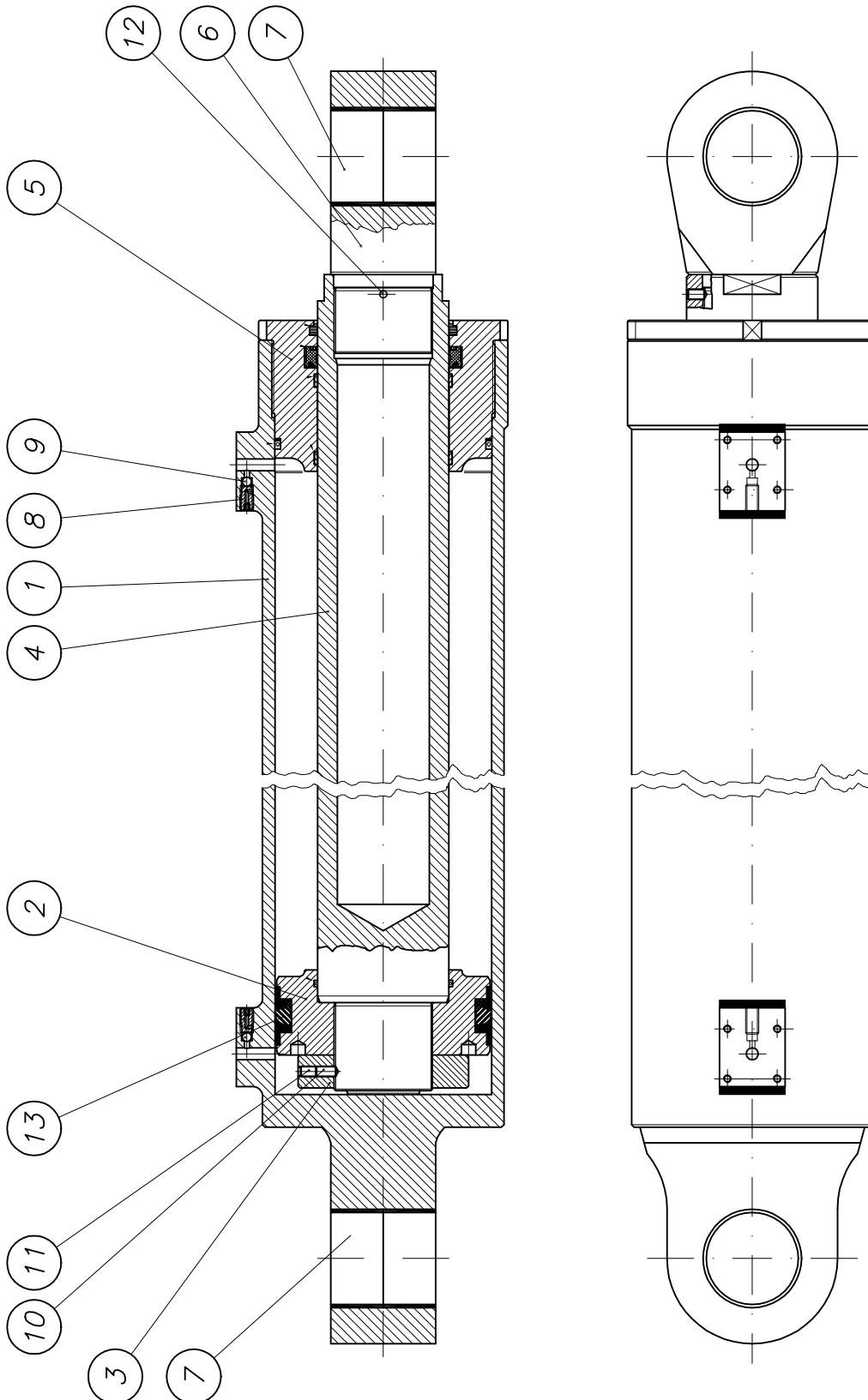
part list	description	created	index	valid from	valid to	
B660132	boom cylinder C cpl. with pipes	12.09.03 Mi				
pos	description stock	ident-no dimensions	DIN material	index	weighth Kg	quantity unit
1	boom cylinder for 36-mtr., section C own parts list	WAI106191				1,00 Stk
2	locking valve 320 bar	WAI106258				2,00 Stk
5	locking screw G 1/4	WAI100520				2,00 Stk
6	straight male stud couplings L12	WAI101383				2,00 Stk
7	swivel elbow L12	WAI100590				2,00 Stk
8	straight male stud couplings L12	WAI101386				2,00 Stk
9	swivel barrel tee L12	WAI101325				1,00 Stk
10	tee coupling L12	WAI100598				1,00 Stk
15	pipe	WAI108456				1,00 Stk
16	pipe	WAI108457				1,00 Stk
17	hydr. pipe 12 x 2	WAI102022			0,49	0,20 Mtr

Mastzylinder C
boom cylinder C

WAI 106191



Waitzinger
Baumaschinen GmbH



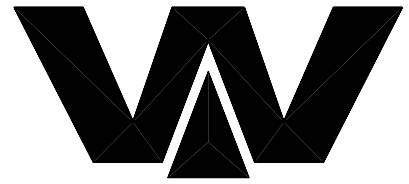


PARTS LIST

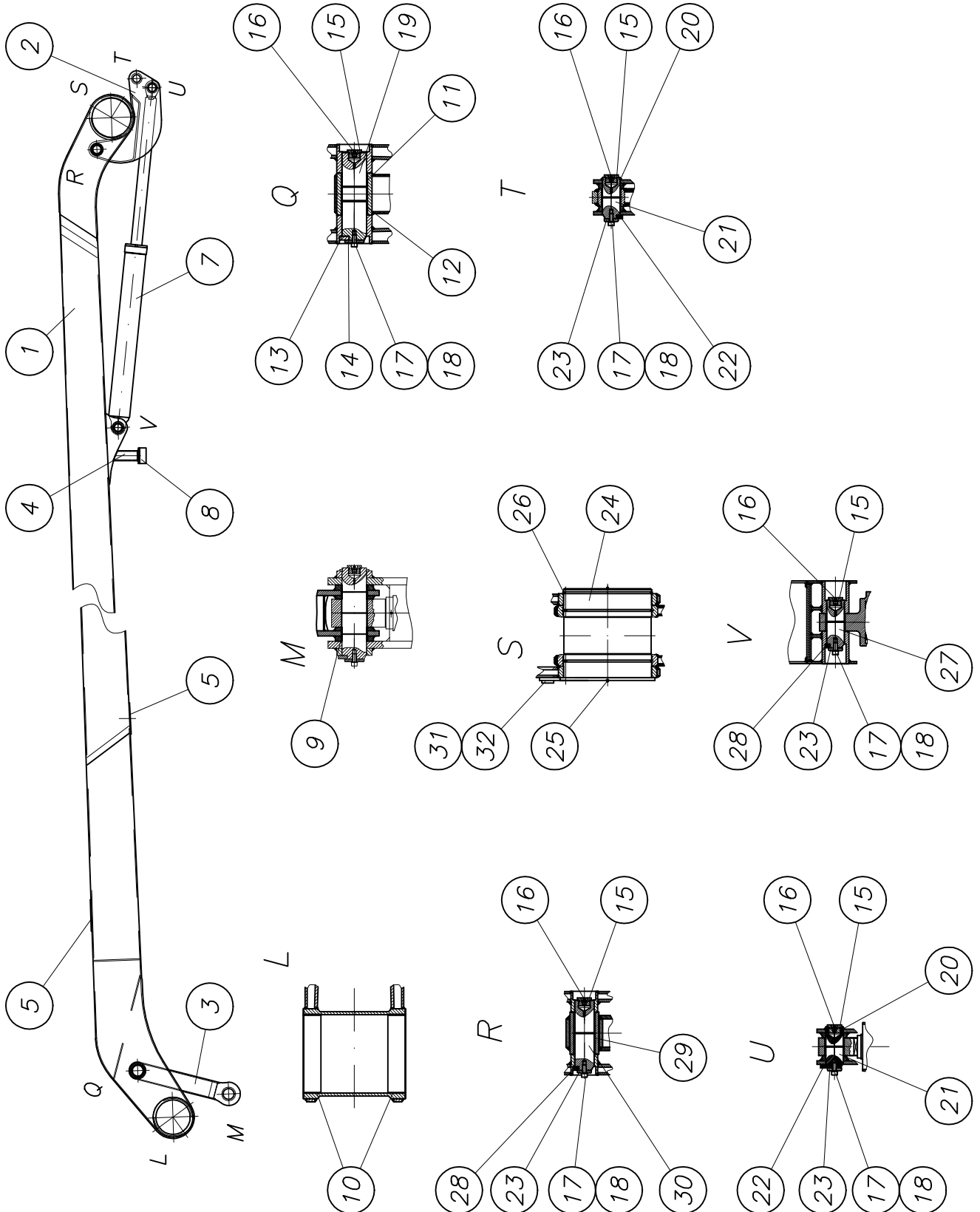
part list	description		created	index	valid from	valid to
WAI106191	boom cylinder for 36-mtr., section C		09.03.01 Mi			
pos	description stock	ident-no dimensions	DIN material	index	weigh Kg	quantity unit
1	cylinder	WAI106732				1,00 Stk
2	piston	WAI106733				1,00 Stk
3	piston nut	WAI106734				1,00 Stk
4	piston rod	WAI106735				1,00 Stk
5	piston guide	WAI106736				1,00 Stk
6	piston head	WAI106737				1,00 Stk
7	bushing 70 x 75 x 40	WAI106014				4,00 Stk
8	Valve	WAI106722				2,00 Stk
9	steel ball	WAI106723				2,00 Stk
10	set screw	WAI106738				1,00 Stk
11	set screw	WAI106739				1,00 Stk
12	set screw	WAI106740				1,00 Stk
13	sealing set for 3th. boom cylinder own parts list	WAI104035				1,00 Stk

Mastarm 3 kpl.
element 3 cpl.

B 66 7 012b



Waitzinger
Baumaschinen GmbH





PARTS LIST

part list	description	created	index	valid from	valid to	
B667012	boom arm 3 cpl.	14.10.02 hbk	b	10.02.05		
pos	description stock	ident-no dimensions	DIN material	index	weighth Kg	quantity unit
1	boom arm 3 cpl. own parts list	B677300				1,00 Stk
2	lever D cpl. own parts list	B671630		a 25.02.03	30,00	1,00 Stk
3	forcing rod C cpl. own parts list	B671720			25,00	1,00 Stk
4	holder for rubber buffer arm 3 cpl. own parts list	B661090			2,00	1,00 Stk
5	plate	B661091 Bl 5x200x280	1543/EN10029 ST37-2	a 17.06.02	2,00	2,00 Stk
7	boom cylinder D cpl. with pipes own parts list	B660133				1,00 Stk
8	rubber buffer 100 x 50	WAI103478				1,00 Stk
9	bushing 70 x 75 x 40	WAI106014				2,00 Stk
10	bushing 220 x 225 x 50	WAI106023				2,00 Stk
11	bushing 70 x 75 x 70	WAI106015				1,00 Stk
12	bushing 70 x 75 x 50	WAI106659				1,00 Stk
13	pin holder	B660088 Bl 10x22x70	1543/EN10029 S235J2G3		0,10	1,00 Stk
14	washer	B660089 Bl 8xd62	1543/EN10029 S235J2G3		0,20	1,00 Stk
15	locking screw M33x2 own parts list	B660085			0,10	5,00 Stk
16	grease nipple H1 M10 X 1 DIN 71412	WAI100805			0,01	5,00 Stk
17	cylinder head screw M 10 x 25	WAI106654				5,00 Stk
18	spring washer A10	WAI102070			0,00	5,00 Stk
19	pin 70 x 249	B660105 Rd 75x255	1013 42CrMo4V	b 05.11.03	7,50	1,00 Stk
20	locking ring	WAI106988				2,00 Stk
21	pin 50 x 117	B660103 Rd 55x122	1013 42CrMo4V	a 31.07.02	1,90	2,00 Stk
22	pin holder	B660086 Fl 25x10x80	1017 S235J2G3		0,15	2,00 Stk
23	washer	B660091 Bl 8xd42	1543/EN10029 S235J2G3		0,10	4,00 Stk

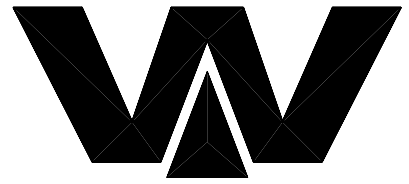
**PARTS LIST**

24.06.05 09:17:53

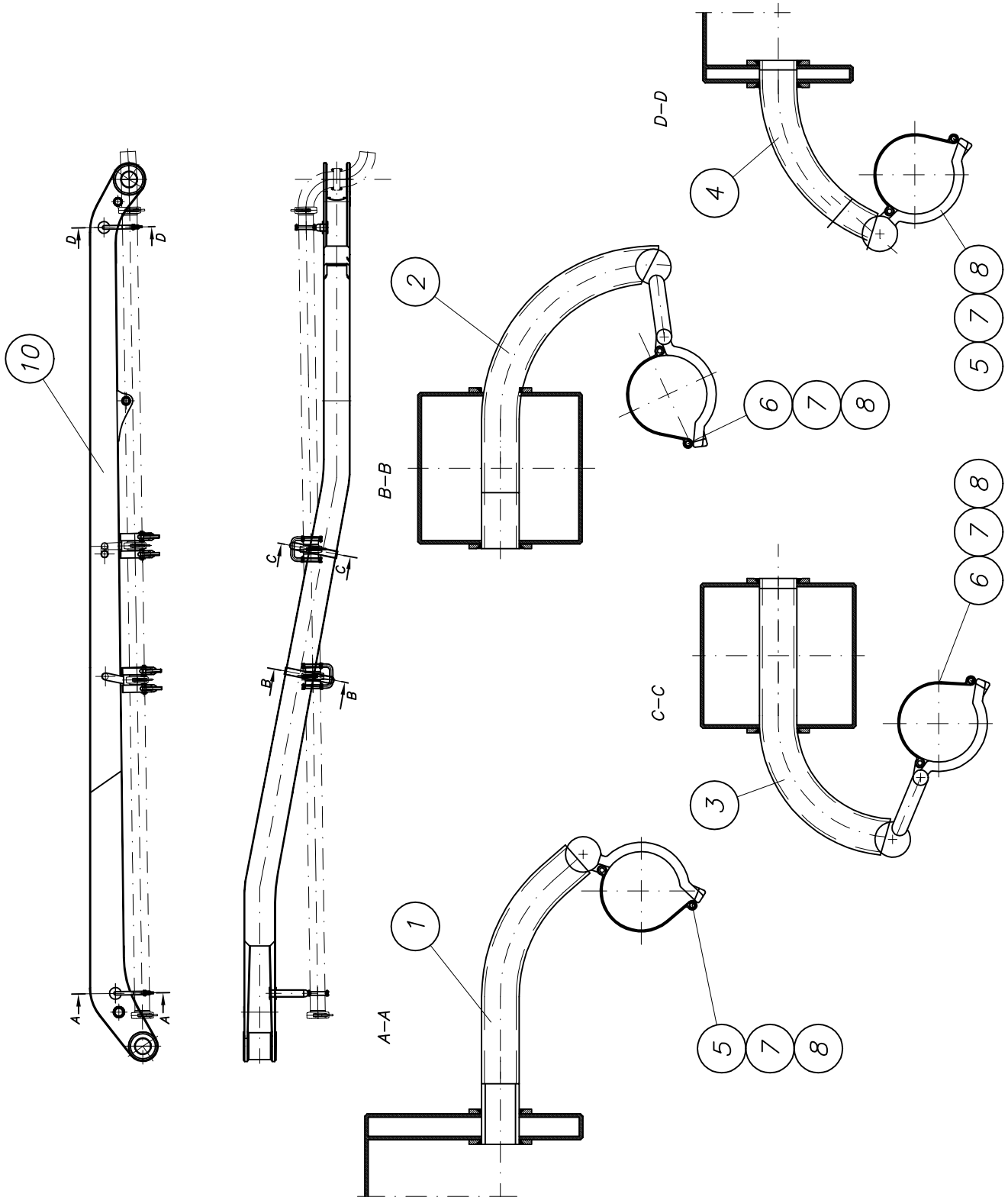
part list	description	created	index	valid from	valid to	
B667012	boom arm 3 cpl.	14.10.02 hbk	b	10.02.05		
pos	description stock	ident-no dimensions	DIN material	index	weighth Kg	quantity unit
24	pin 250x 261	B660104 Rohr 273x25x265	2448 S355J2G3	a 17.06.02	23,50	1,00 Stk
25	grease nipple	WAI102885				4,00 Stk
26	circlip	WAI107121				1,00 Stk
27	pin	B660101 Rd 55x140	1013 42CrMo4V	a 31.07.02	2,00	1,00 Stk
28	pin holder	B660090 Bl 10x14x45	1543/EN10029 S235J2G3		0,10	2,00 Stk
29	bushing 55 x 60 x 60	WAI106013				2,00 Stk
30	pin 55 x 199	B660102 Rd 60x205	1013 42CrMo4V	a 31.07.02	3,50	1,00 Stk
31	pin protection	B660123 Bl 10x100x148	1543/EN10029 S355J2G3		0,45	1,00 Stk
32	pipe	B660124 Rohr 51x6.3x30	2448 S355J2G3		0,20	1,00 Stk

Mastarm 3
boom element 3

B 67 7 300



Waitzinger
Baumaschinen GmbH



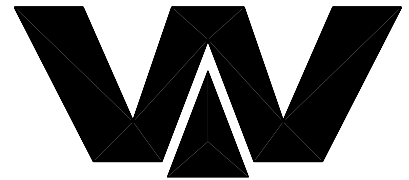


PARTS LIST

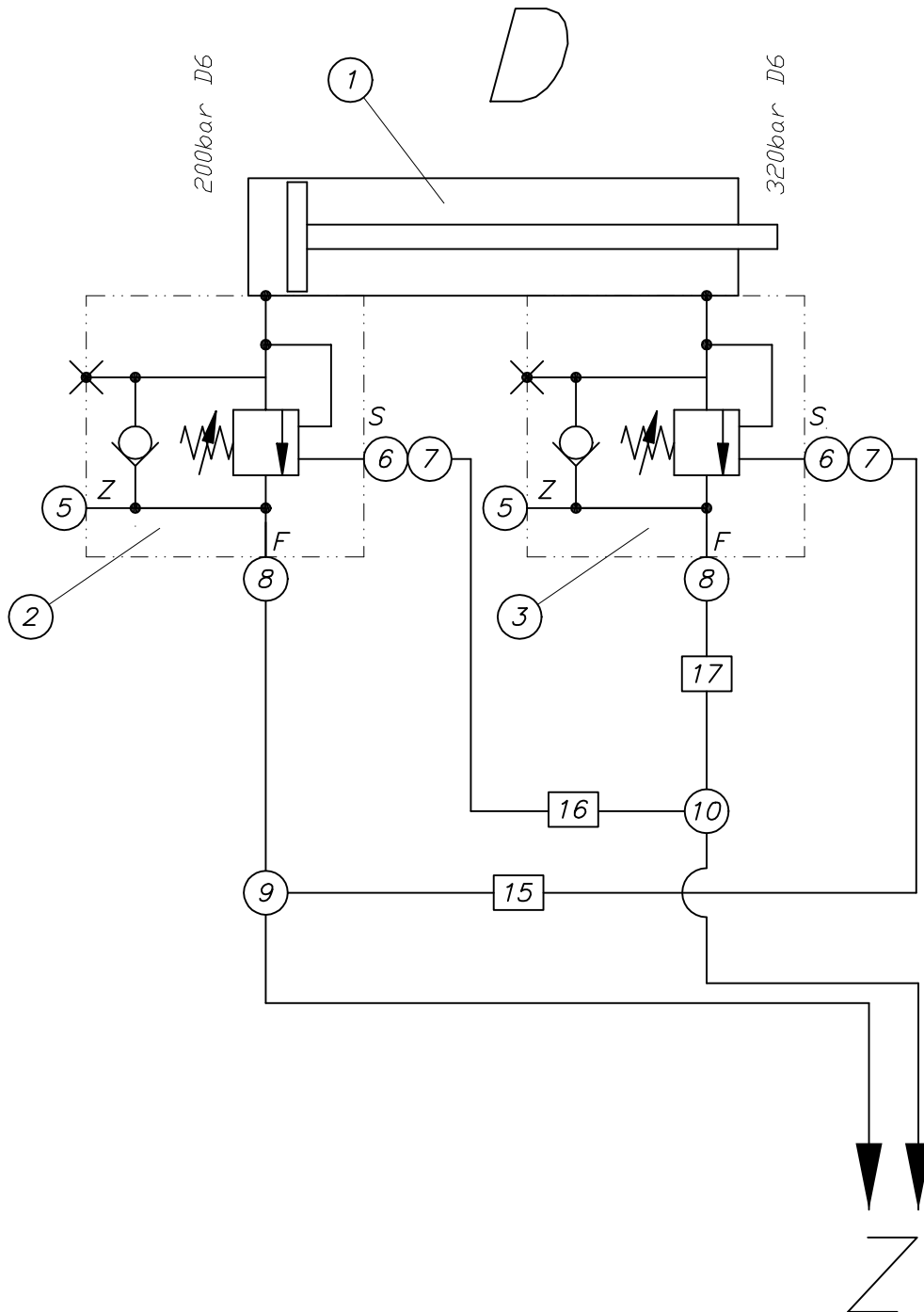
part list	description	created	index	valid from	valid to	
B677300	boom arm 3 cpl.	09.10.02 hbk				
pos	description stock	ident-no dimensions	DIN material	index	weigh Kg	quantity unit
1	pipe 1, Element 3	B641051 Rohr 63.5x4x540	2448 S355J2G3	a 22.01.03	3,20	1,00 Stk
2	pipe 2, Element 3	B641052 Rohr 63.5x4x648	2448 S355J2G3	a 22.01.03	3,80	1,00 Stk
3	pipe 3, Element 3	B641053 Rohr 63.5x4x600	2448 S355J2G3	a 22.01.03	3,50	1,00 Stk
4	pipe 4, Element 3	B641054 Rohr 63.5x4x370	2448 S355J2G3	a 22.01.03	2,20	1,00 Stk
5	pipe holder cpl. own parts list	WAI107108				2,00 Stk
6	pipe holder cpl. own parts list	WAI107109				2,00 Stk
7	conical spring washer 12 mm	WAI102877				6,00 Stk
8	hex. nut M12 DIN 985 8. VERZ.	WAI101626				6,00 Stk
10	boom arm 3 processing cpl. own parts list	B677301			485,00	1,00 Stk

Mastzylinder D kpl.
boom cylinder D cpl.

B 66 0 133



Waitzinger
Baumaschinen GmbH



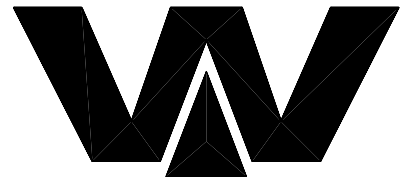


PARTS LIST

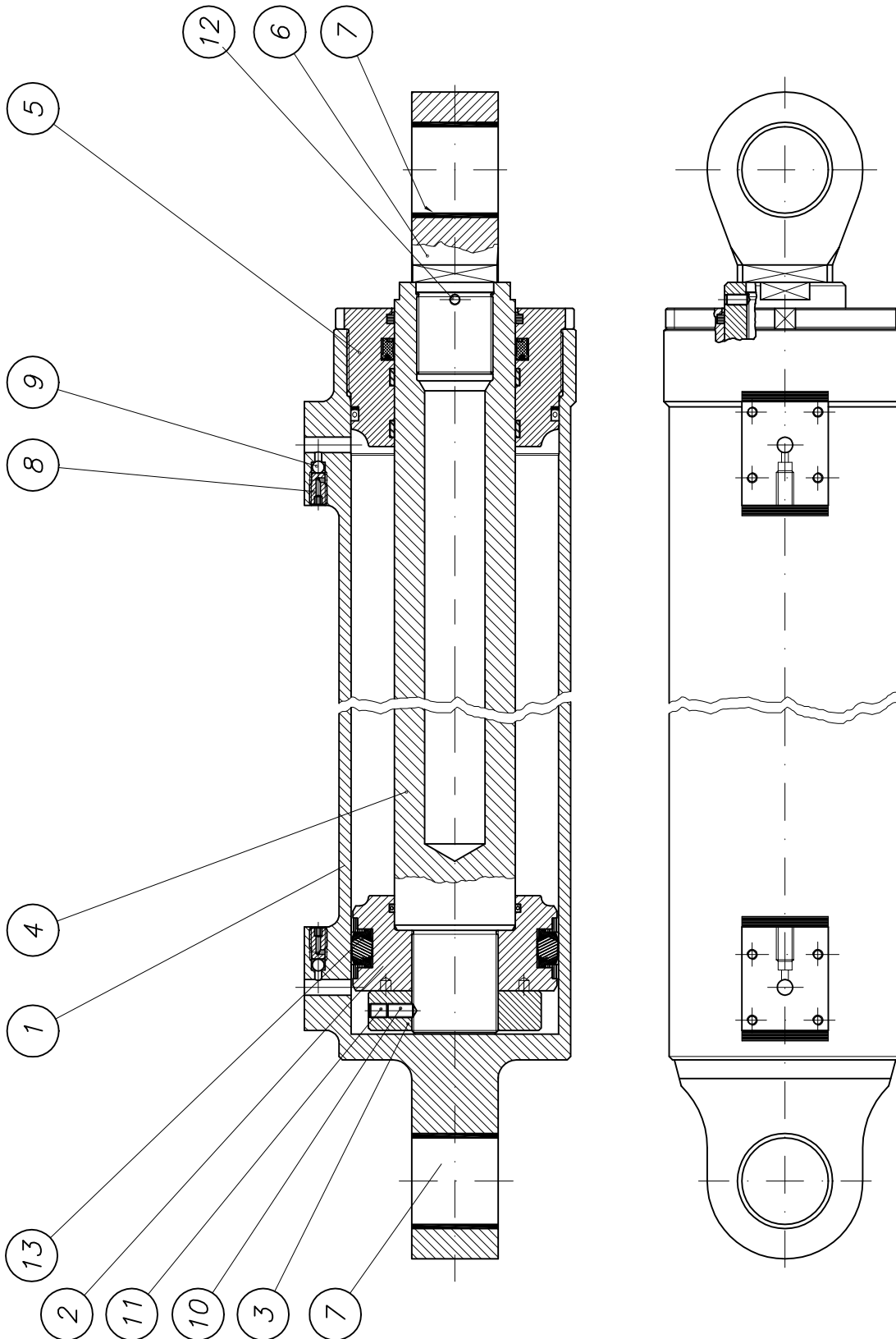
part list	description	created	index	valid from	valid to	
B660133	boom cylinder D cpl. with pipes	12.09.03 Mi				
pos	description stock	ident-no dimensions	DIN material	index	weighth Kg	quantity unit
1	boom cylinder for 36-mtr., section D own parts list	WAI106192				1,00 Stk
2	locking valve 200 bar	WAI106259				1,00 Stk
3	locking valve 320 bar	WAI106258				1,00 Stk
5	locking screw G 1/4	WAI100520				2,00 Stk
6	straight male stud couplings L12	WAI101383				2,00 Stk
7	swivel elbow L12	WAI100590				2,00 Stk
8	straight male stud couplings L12	WAI101386				2,00 Stk
9	swivel barrel tee L12	WAI101325				1,00 Stk
10	tee coupling L12	WAI100598				1,00 Stk
15	pipe	WAI108458				1,00 Stk
16	pipe	WAI108459				1,00 Stk
17	hydr. pipe 12 x 2	WAI102022			0,49	0,20 Mtr

Mastzylinder D
boom cylinder D

WAI 106192



Waitzinger
Baumaschinen GmbH



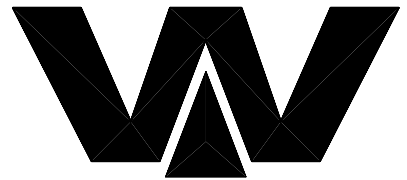


PARTS LIST

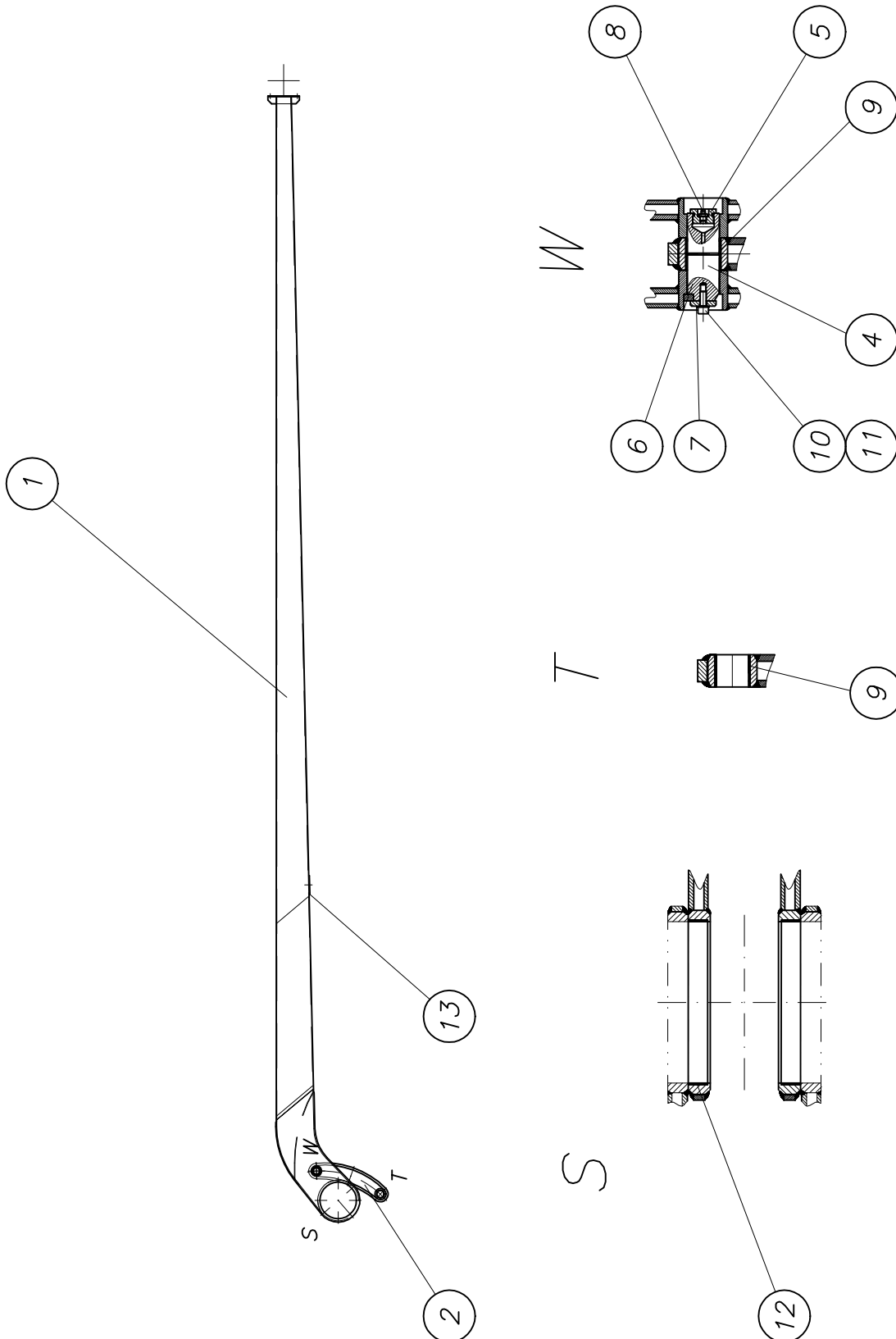
part list	description	created	index	valid from	valid to	
WAI106192	boom cylinder for 36-mtr., section D	09.03.01 Mi				
pos	description stock	ident-no dimensions	DIN material	index	weighth Kg	quantity unit
1	cylinder	WAI106741				1,00 Stk
2	piston	WAI106742				1,00 Stk
3	piston nut	WAI106743				1,00 Stk
4	piston rod	WAI106744				1,00 Stk
5	piston guide	WAI106745				1,00 Stk
6	piston head	WAI106746				1,00 Stk
7	bushing 50 x 55 x 50	WAI106012				2,00 Stk
8	Valve	WAI106722				2,00 Stk
9	steel ball	WAI106723				2,00 Stk
10	set screw	WAI106738				1,00 Stk
11	set screw	WAI106739				1,00 Stk
12	set screw	WAI106747				1,00 Stk
13	sealing set for 4th. boom cylinder	WAI104036				1,00 Stk

Mastarm 4 kpl.
element 4 cpl.

B 66 1 072



Waitzinger
Baumaschinen GmbH



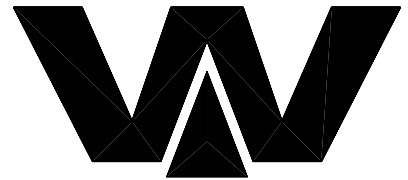


PARTS LIST

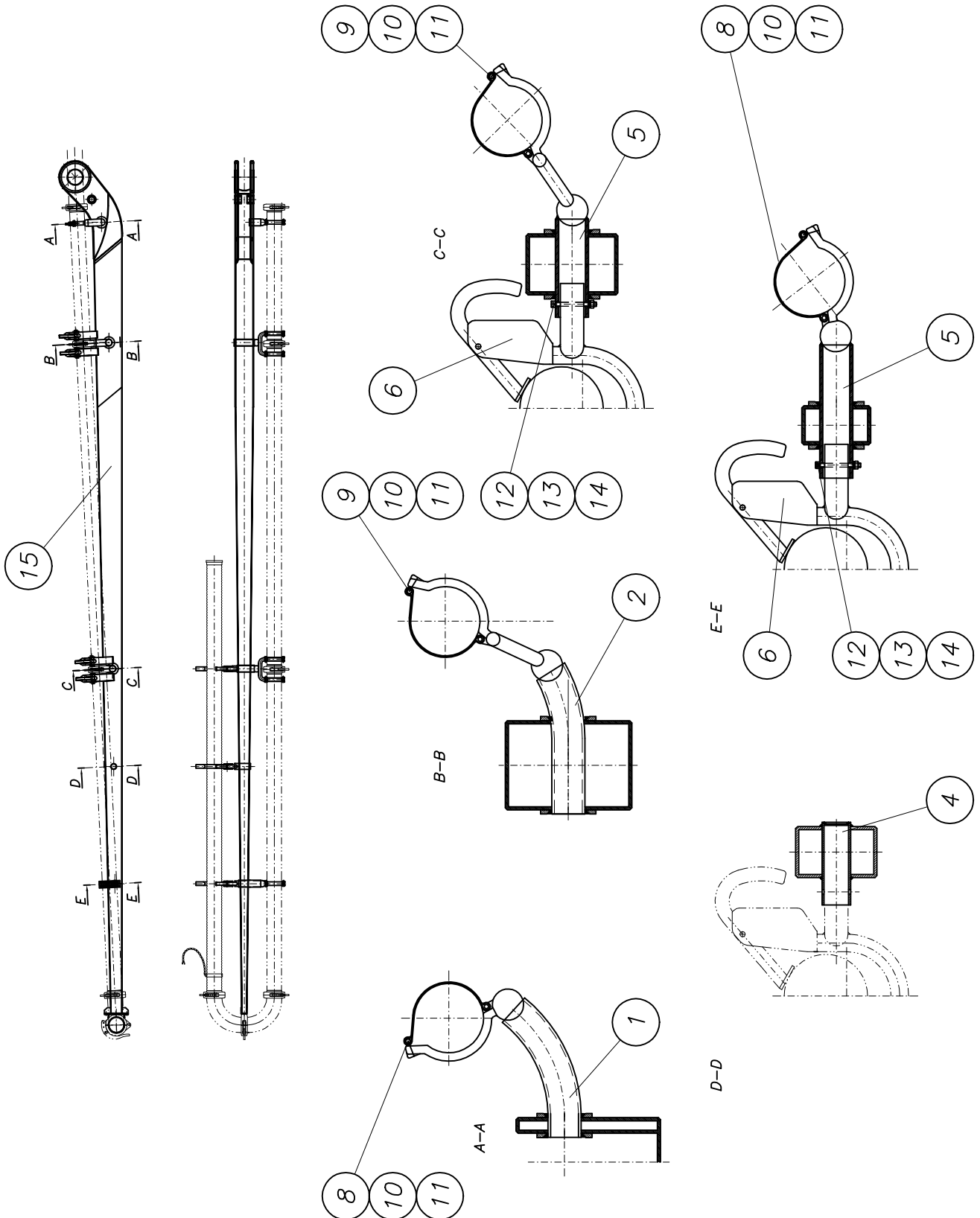
part list	description	created	index	valid from	valid to	
B661072	boom arm 4 cpl.	11.12.03 hbk				
pos	description stock	ident-no dimensions	DIN material	index	weighth Kg	quantity unit
1	boom arm 4 cpl. own parts list	B671430		a 12.01.04		1,00 Stk
2	forcing rod D cpl. own parts list	B671730			14,00	1,00 Stk
4	pin	B660101 Rd 55x140	1013 42CrMo4V	a 31.07.02	2,00	1,00 Stk
5	locking screw M33x2 own parts list	B660085			0,10	1,00 Stk
6	pin holder	B660090 Bl 10x14x45	1543/EN10029 S235J2G3		0,10	1,00 Stk
7	washer	B660091 Bl 8xd42	1543/EN10029 S235J2G3		0,10	1,00 Stk
8	grease nipple H1 M10 X 1 DIN 71412	WAI100805			0,01	1,00 Stk
9	bushing 50 x 55 x 50	WAI106012				2,00 Stk
10	cylinder head screw M 10 x 25	WAI106654				1,00 Stk
11	spring washer A10	WAI102070			0,00	1,00 Stk
12	bushing 250 x 255 x 30	WAI106022			2,00	2,00 Stk
13	plate	B661089 Bl 5x130x175	1543/EN10029 St37-2		0,80	1,00 Stk

Mastarm 4
boom element 4

B 67 1 430a



Waitzinger
Baumaschinen GmbH



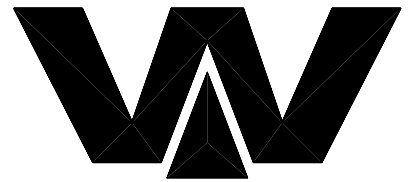


PARTS LIST

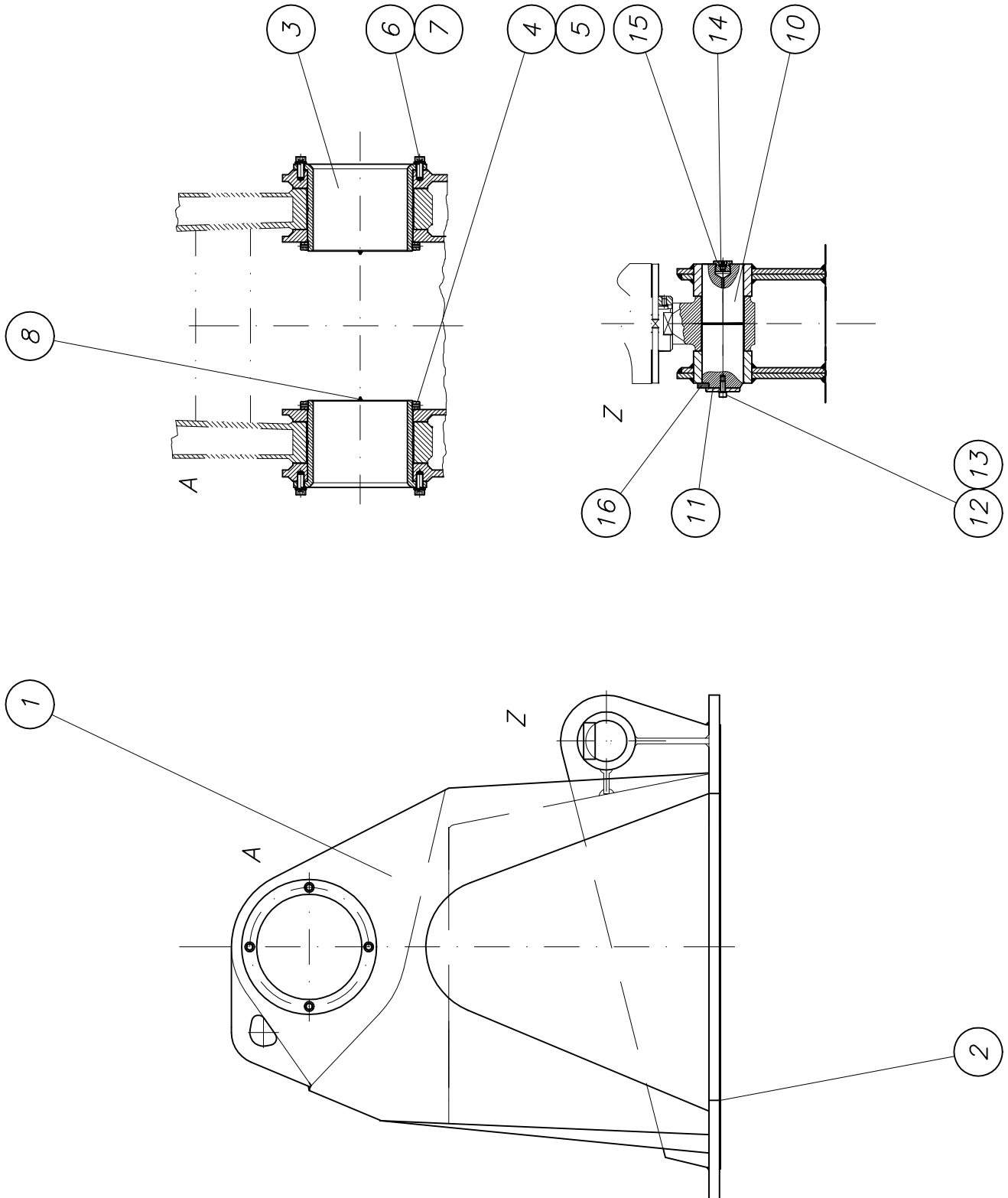
part list	description	created	index	valid from	valid to	
B671430	boom arm 4 cpl.	11.12.03 hbk	a	12.01.04		
pos	description stock	ident-no dimensions	DIN material	index	weigh Kg	quantity unit
1	pipe 1, Element 4	B641056 Rohr 63.5x4x310	2448 S355J2G3	a 22.01.03	1,80	1,00 Stk
2	pipe 2, Element 4	B641057 Rohr 63.5x4x339	2448 S355J2G3	a 22.01.03	2,00	1,00 Stk
4	pipe 4, Element 4	B641059 Rohr 63.5x5x180	2448 S355J2G3	a 12.01.04	1,10	1,00 Stk
5	pipe 5, Element 4	B641060 Rohr 63.5x5x280	2448 S355J2G3		2,00	2,00 Stk
6	flexible hose support cpl own parts list	B641061				2,00 Stk
8	pipe holder cpl. own parts list	WAI107108				2,00 Stk
9	pipe holder cpl. own parts list	WAI107109				2,00 Stk
10	conical spring washer 12 mm	WAI102877				6,00 Stk
11	hex. nut M12 DIN 985 8. VERZ.	WAI101626				10,00 Stk
12	alien bolt M 8x75 DIN 912 8.8	WAI107115				2,00 Stk
13	spring washer A8 DIN 127 VERZ.	WAI102205			0,00	2,00 Stk
14	hex. nut M8 DIN 934 8. VERZ.	WAI102880				2,00 Stk
15	boom arm 4 processing cpl. own parts list	B671431			158,00	1,00 Stk

Drehkopf kpl.
rotating head cpl.

B 68 1 002



Waitzinger
Baumaschinen GmbH



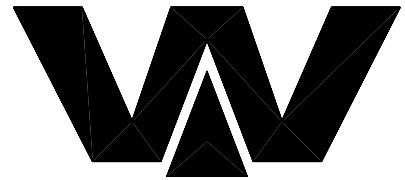


PARTS LIST

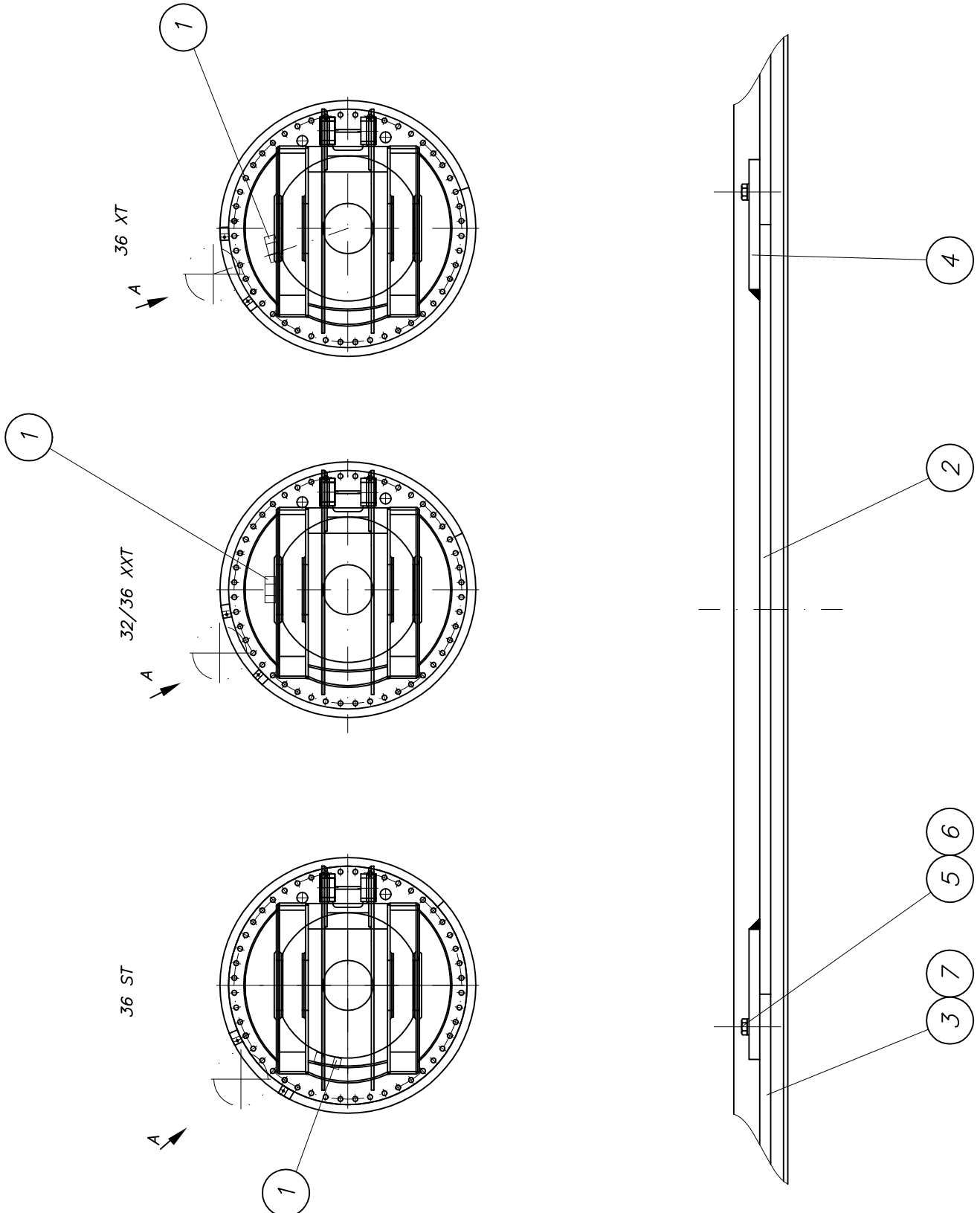
part list	description	created	index	valid from	valid to	
B681002	rotating head unit	04.12.01 Mi				
pos	description stock	ident-no dimensions	DIN material	index	weighth Kg	quantity unit
1	rotating head unit own parts list	B681010			530,00	1,00 Stk
2	turning unit cpl. own parts list	B681045		a 09.12.04		1,00 Stk
3	pin 230x190 own parts list	B660117				2,00 Stk
4	threaded ring	WAI106624				2,00 Stk
5	set screw M 6 x 8	WAI103646				4,00 Stk
6	cheese head screw	WAI106664				8,00 Stk
7	spring washer	WAI101976			0,00	8,00 Stk
8	grease nipple	WAI102885				4,00 Stk
10	pin 90 x 271	B660114 Rd 95x275	1013 42CrMo4V	a 31.07.02	14,00	1,00 Stk
11	washer	B660087 Bl 8xd80	1543/EN10029 S235J2G3		0,20	1,00 Stk
12	cylinder head screw M 10 x 25	WAI106654				1,00 Stk
13	spring washer A10	WAI102070			0,00	1,00 Stk
14	grease nipple H1 M10 X 1 DIN 71412	WAI100805			0,01	1,00 Stk
15	locking screw M33x2 own parts list	B660085			0,10	1,00 Stk
16	pin holder	B660086 Fl 25x10x80	1017 S235J2G3		0,15	1,00 Stk

Drehwerk Schutz kpl.
turning unit safety device cpl.

B 68 1 045a



Waitzinger
Baumaschinen GmbH



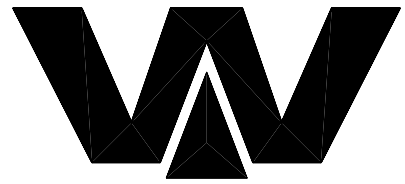


PARTS LIST

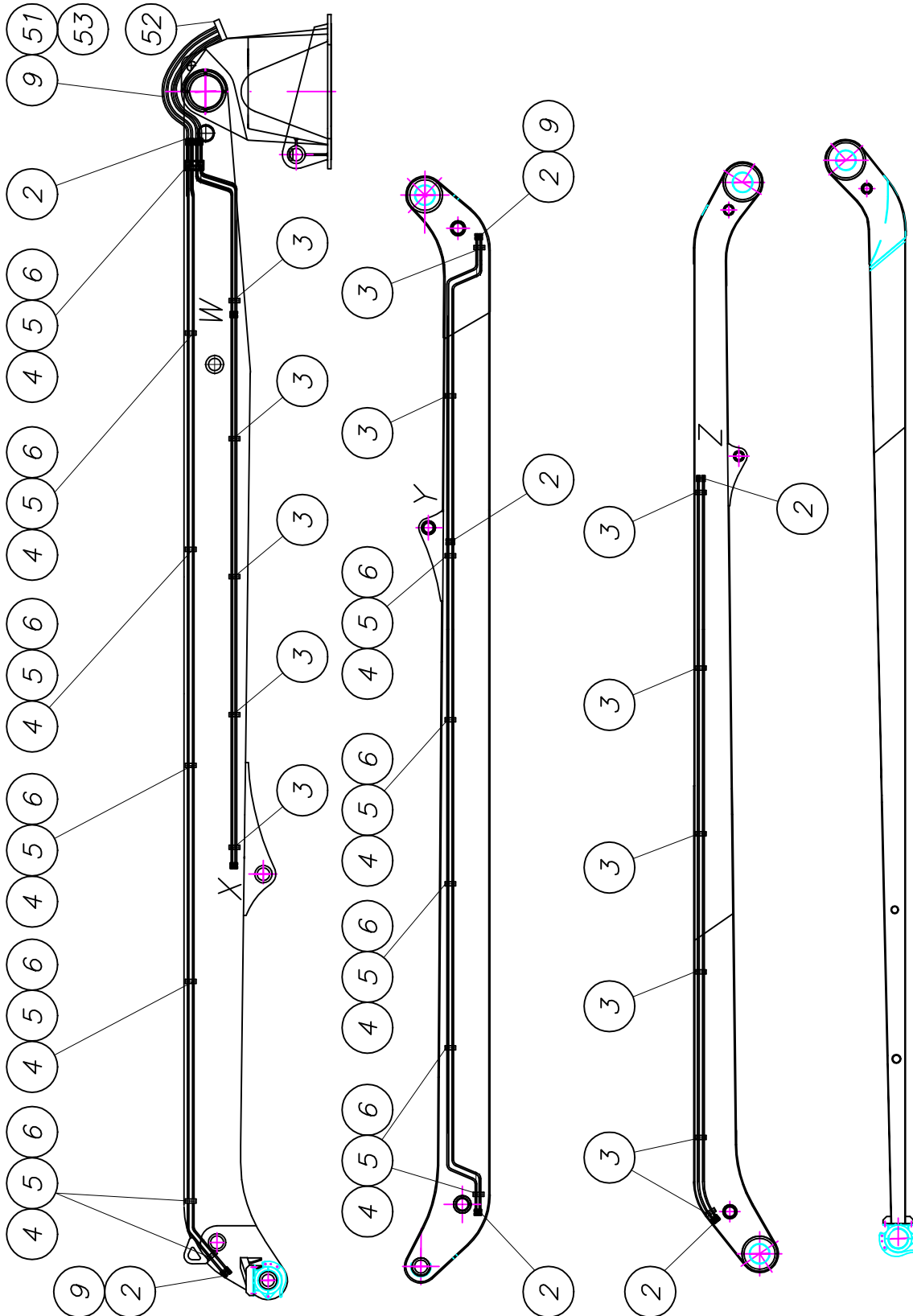
part list	description		created	index	valid from	valid to
B681045	turning unit cpl.		25.09.01 Mi	a	09.12.04	
pos	description stock	ident-no dimensions	DIN material	index	weighth Kg	quantity unit
1	stop	B661087 Bl 50x93x120	1543/EN10029 St52-3	a 25.02.02	3,00	1,00 Stk
2	bow	B661107 Bl 5 x 80 x 400	1543/EN10029 S355J2G3	a 25.09.01	0,40	1,00 Stk
3	bow	B661124 Bl 5 xR550xR590	1543/EN10029 S355J2G3		0,50	2,00 Stk
4	plate	B661109 Bl 5 x 60 x 40	1543/EN10029 S355J2G3		0,10	2,00 Stk
5	hexagon bolt M 8 x 12 DIN 933 8.8	WAI103274				2,00 Stk
6	spring washer A8 DIN 127 VERZ.	WAI102205			0,00	2,00 Stk
7	bow	B661123 Bl 5 xR550xR590	1543/EN10029 S355J2G3		0,50	2,00 Stk

Verrohrung Armpaket
piping diagram arms

B 71 1 065c



Waitzinger
Baumaschinen GmbH

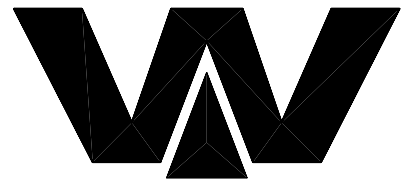




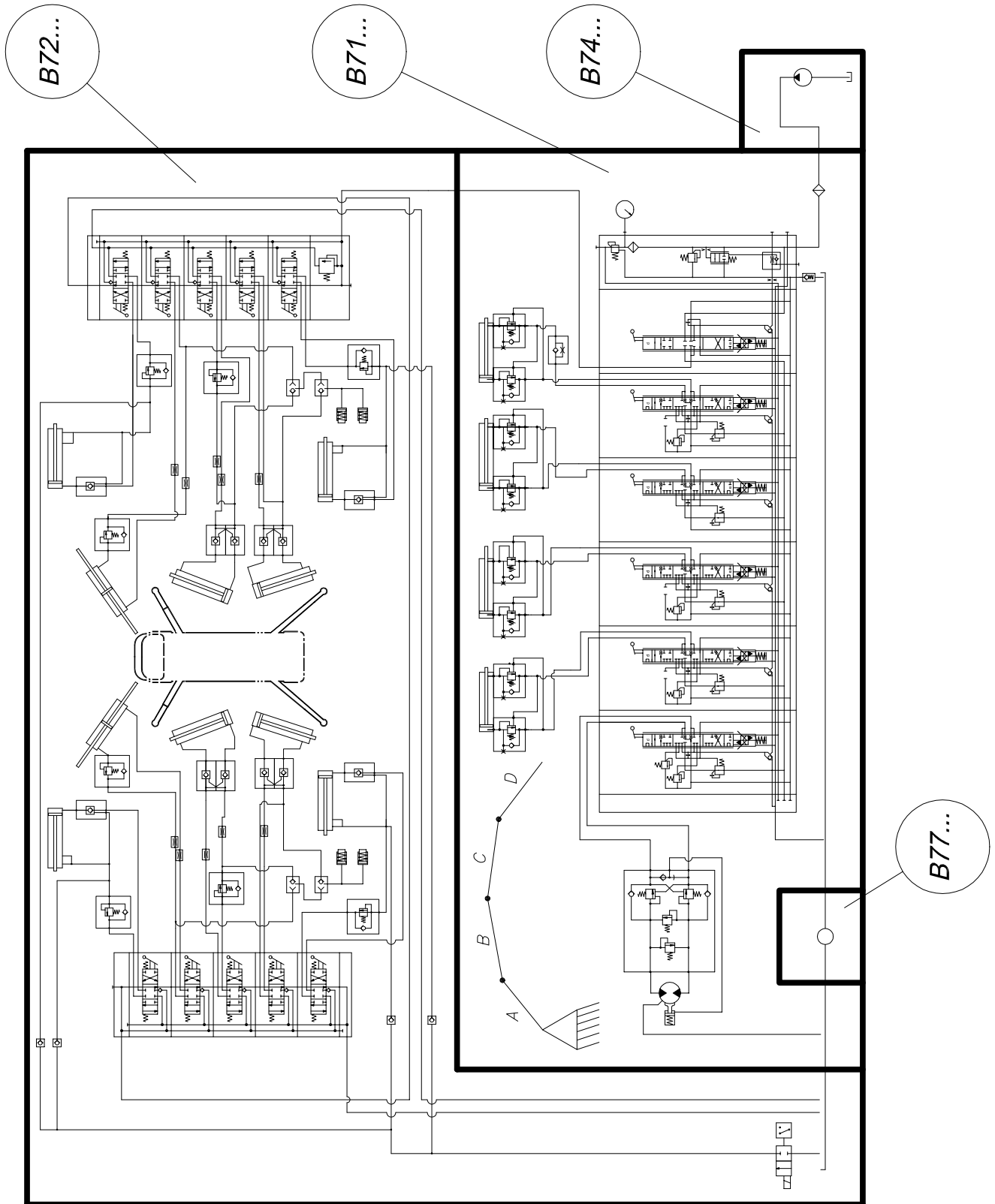
PARTS LIST

part list	description	created	index	valid from	valid to	
B711065	pipng diagram boom	10.07.01 ek	c	02.09.03		
pos	description stock	ident-no dimensions	DIN material	index	weigth Kg	quantity unit
2	straight couplings L12	WAI100603				30,00 Stk
3	pipe clip 12 mm, own parts list	WAI105146			0,07	40,00 Stk
4	pipe clip 12mm	WAI108642				60,00 Stk
5	cover plate DP-1A	WAI108643				30,00 Stk
6	hexagon screw M 6 x 55	WAI103512				60,00 Stk
9	hydraulic hose DN10 x 1250	WAI106508				14,00 Stk
49	hydr. pipe 12 x 2	WAI102022			0,49	90,00 Mtr
51	hydraulic hose DN10 x 700	WAI101605				8,00 Stk
52	bulkhead coupling L12	WAI101384				9,00 Stk
53	Pvc Hose 100mm, blue	WAI106517				1,00 Mtr

Übersicht B 70 - B 79 over view B 70 - B 79

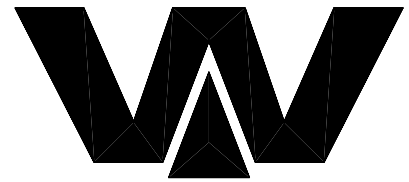


Waitzinger
Baumaschinen GmbH

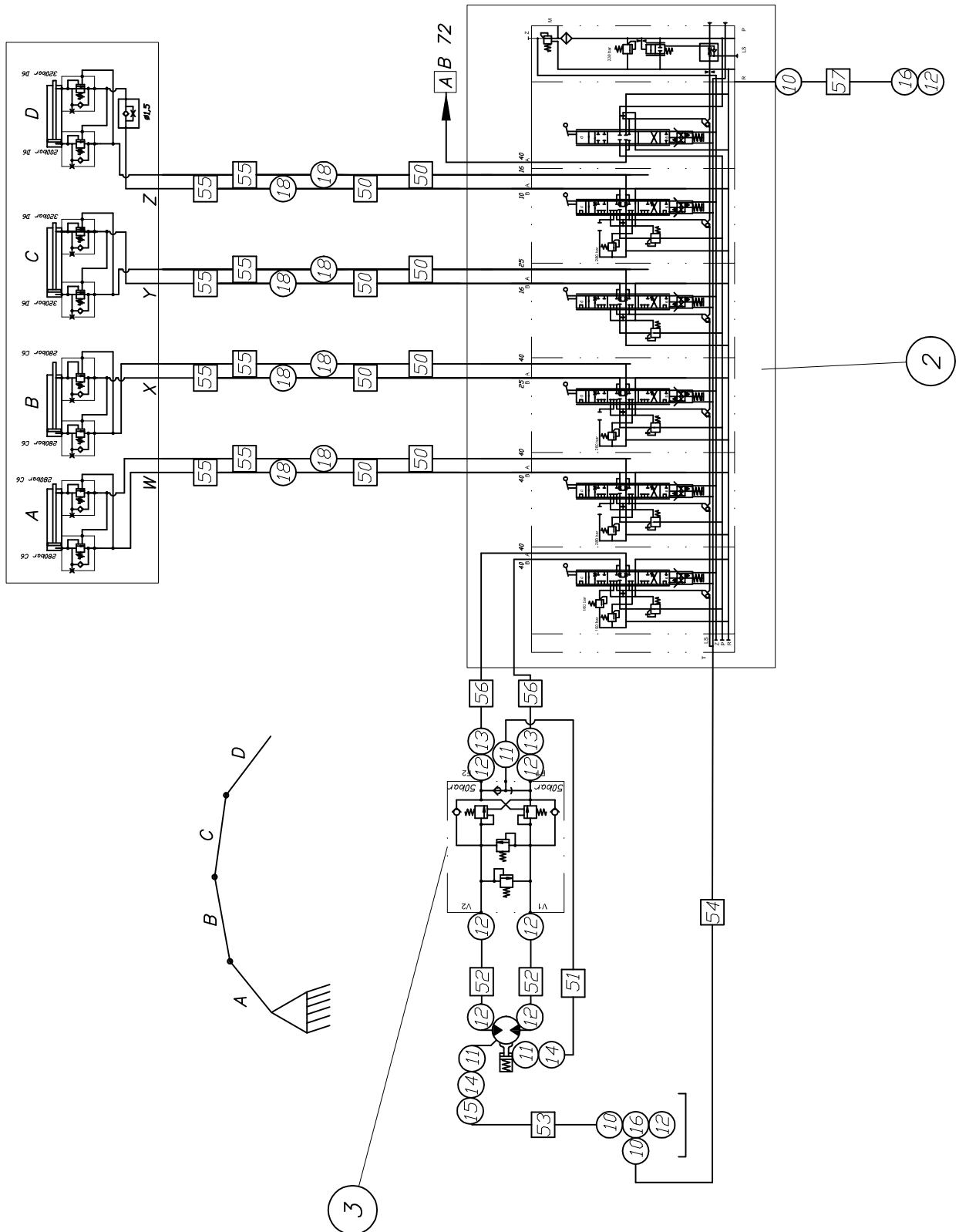


Hydrauliksystem Mast kpl.
hydraulic system boom cpl.

B 71 9 001c



Waitzinger
Baumaschinen GmbH





PARTS LIST

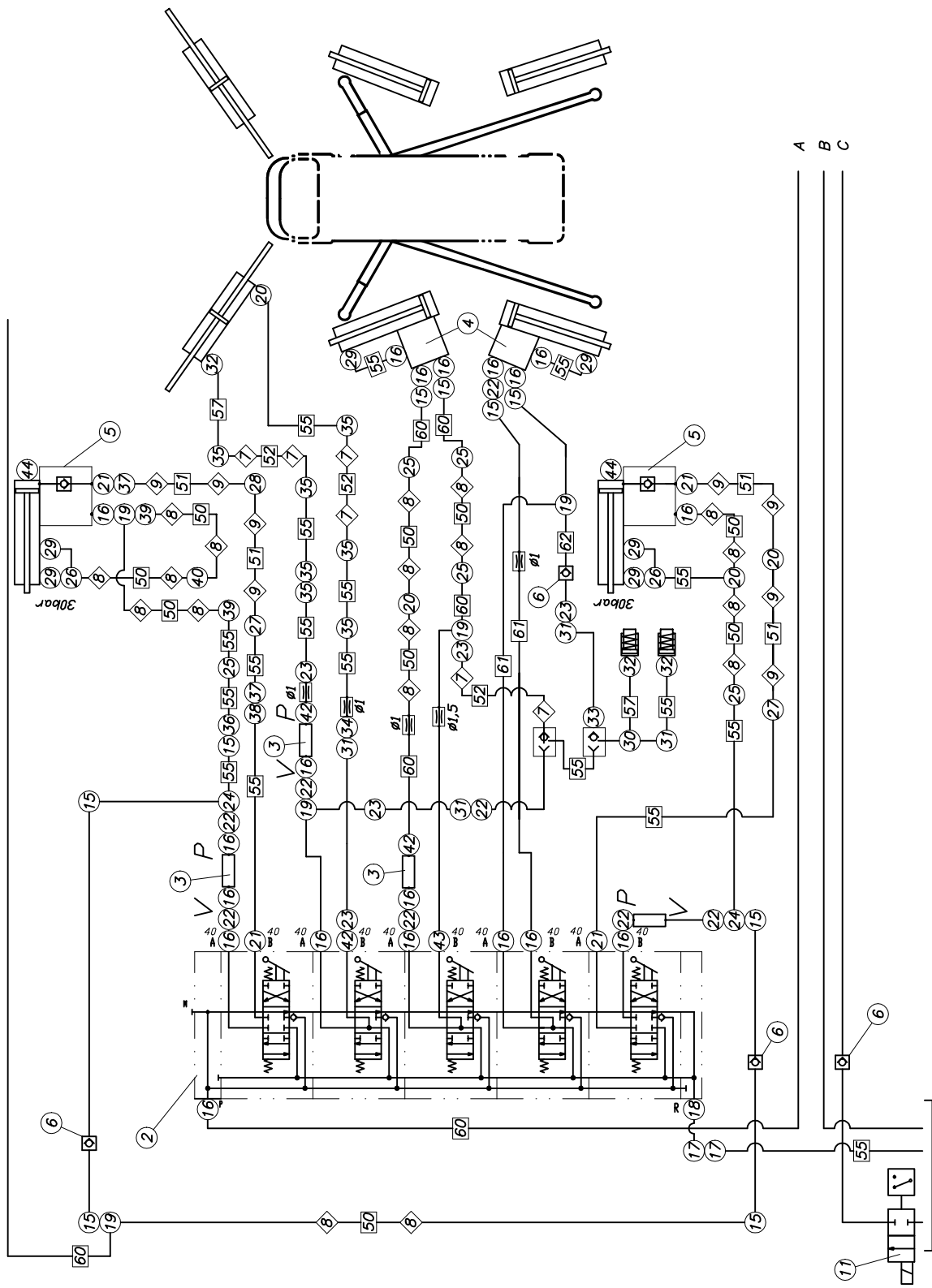
part list	description	created	index	valid from	valid to	
B719001R1	hydr. system boom 36m XXT cpl.	01.09.04 HF				
pos	description stock	ident-no dimensions	DIN material	index	weigh Kg	quantity unit
3	locking valve LHDV33H-25W-B6-150/150-	WAI106290				1,00 Stk
10	standpipe reducers L12-8	WAI101727				1,00 Stk
11	straight male stud couplings L8	WAI103740				3,00 Stk
12	straight male stud couplings L12 RD 1/2"	WAI105400				7,00 Stk
13	swivel elbow L12	WAI103794				2,00 Stk
14	adjustable elbow bodies L8	WAI103793				2,00 Stk
15	swivel barrel tee L8	WAI103787				1,00 Stk
16	swivel barrel tee L12	WAI103788				1,00 Stk
17	straight couplings L12	WAI103752				1,00 Stk
18	bulkhead coupling L12	WAI103778				8,00 Stk
50	hydraulic hose DN10 x 3400	WAI106869				8,00 Stk
51	hydraulic hose DN06 x 450	WAI106504				1,00 Stk
52	hydraulic hose DN10 x 700	WAI101605				2,00 Stk
53	hydraulic hose DN06 x 900	WAI106506				1,00 Stk
55	hydraulic hose DN10 x 1250	WAI106508				8,00 Stk

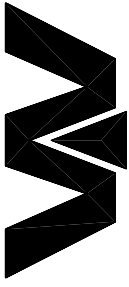


Waitzinger
Baumaschinen GmbH

Hydraulikplan Mastbock
piping diagram boom

B 72 9 011a
1



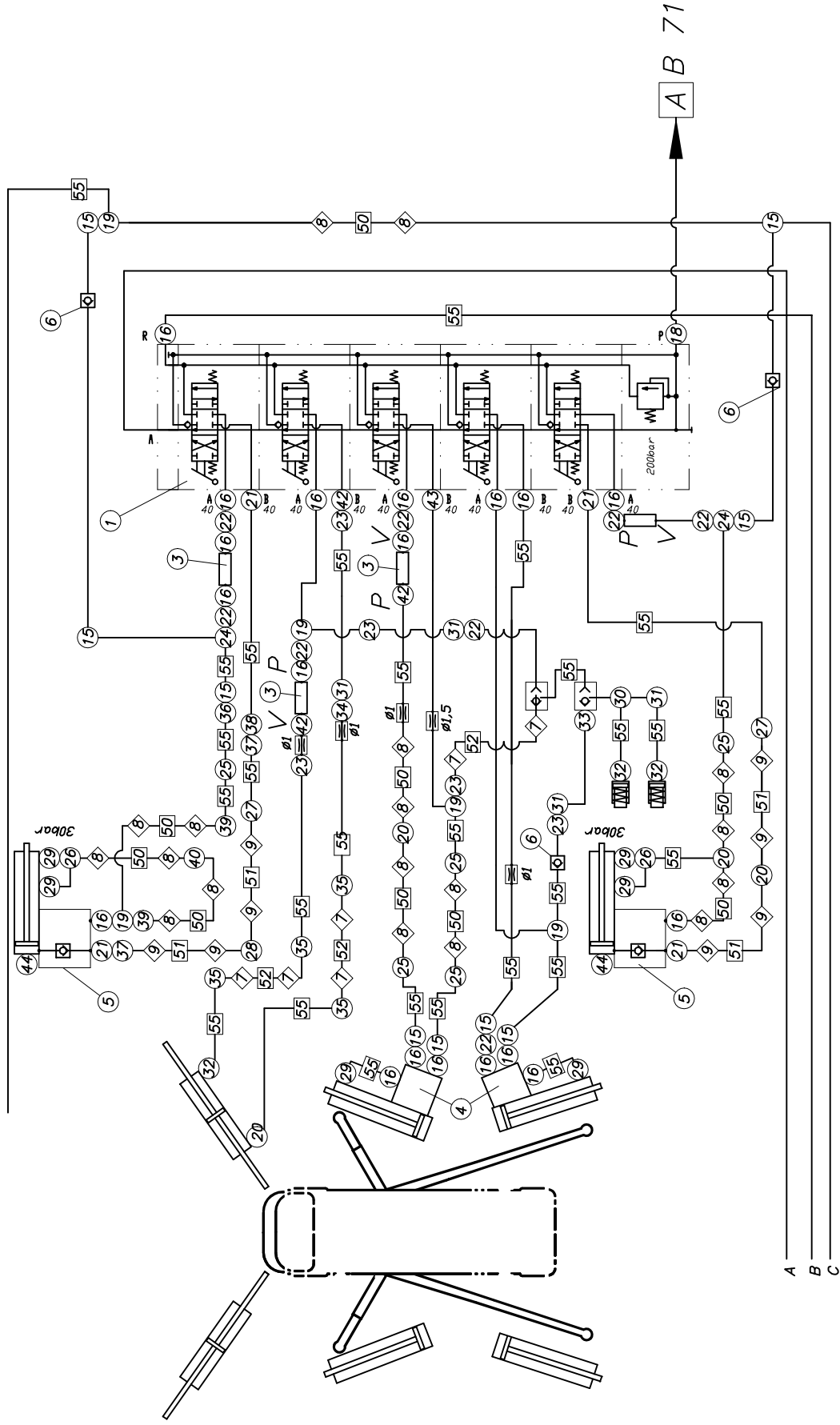


Waizinger
Baumaschinen GmbH

Hydraulikplan Mastbock
piping diagram boom

B 72 9 011a

2





PARTS LIST

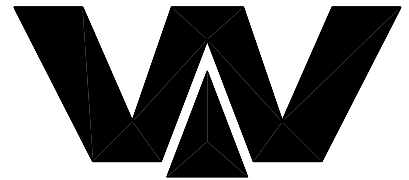
part list	description	created	index	valid from	valid to	
B729011R2	piping diagram 36XXT boom	03.08.04 HF				
pos	description stock	ident-no dimensions	DIN material	index	weigh Kg	quantity unit
3	valve SVC 46 F-30	WAI106335				6,00 Stk
4	pilot operated twin check valve	WAI106410				4,00 Stk
5	valve RHC 31	WAI106698				4,00 Stk
6	non return valve	WAI106598				8,00 Stk
7	pipe clip 8mm complete	WAI103396				20,00 Stk
8	pipe clip 12mm complete	WAI102295				40,00 Stk
9	pipe clip 15mm complete	WAI102296				24,00 Stk
10	mounting for control block cpl. own parts list	B721008				1,00 Stk
11	valve BVG 1 RK-G24-3/8	WAI106617				1,00 Stk
12	valve WV 8-S	WAI105212				4,00 Stk
15	swivel elbow L12	WAI103794				8,00 Stk
16	straight male stud couplings L12D	WAI100548				20,00 Stk
17	standpipe elbows L22V	WAI101207			0,42	2,00 Stk
18	straight male stud couplings L22-G 3/4"	WAI101407				1,00 Stk
19	swivel barrel tee L12	WAI101325				5,00 Stk
20	swivel elbow L12	WAI100590				1,00 Stk
21	straight male stud couplings L15-G 1/2"	WAI103742				4,00 Stk
22	straight coupling SNV 12L	WAI101949				8,00 Stk
23	standpipe reducers L12-8	WAI101727				5,00 Stk
24	swivel branch tee L12	WAI101774				1,00 Stk



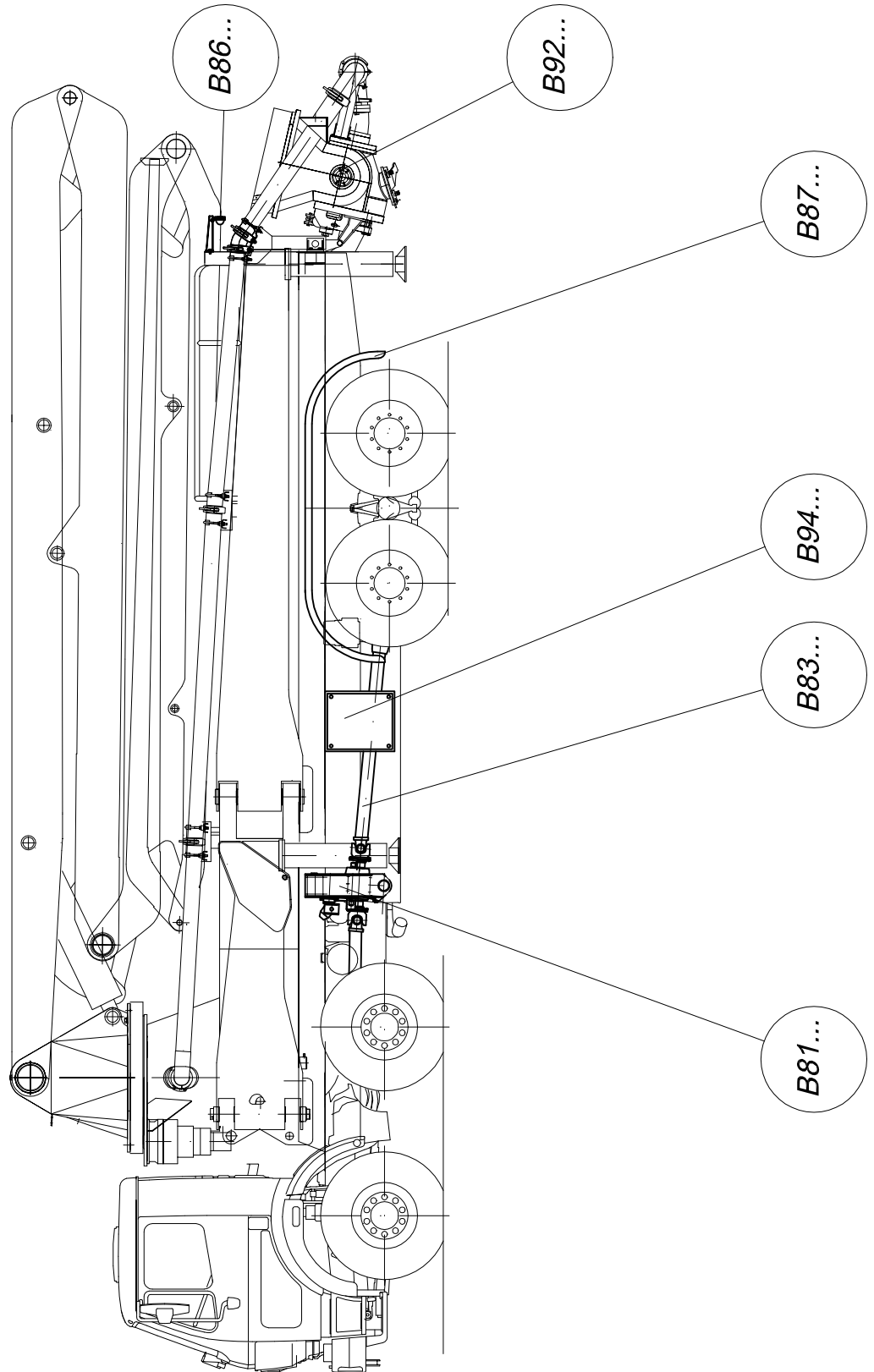
PARTS LIST

part list	description	created	index	valid from	valid to	
B729011R2	pipng diagram 36XXT boom	03.08.04 HF				
pos	description stock	ident-no dimensions	DIN material	index	weigth Kg	quantity unit
25	straight couplings L12	WAI100603				6,00 Stk
26	tee coupling L12	WAI100598				3,00 Stk
27	straight couplings L 15	WAI100828			0,14	2,00 Stk
28	elbow couplings L15	WAI100829				2,00 Stk
29	banjo coupling L12 RD	WAI103684				6,00 Stk
30	swivel barrel tee L8	WAI103787				1,00 Stk
31	adjustable elbow bodies L8	WAI103793				4,00 Stk
32	banjo coupling L8R	WAI101196				4,00 Stk
33	straight coupling SNV 8L	WAI101938				1,00 Stk
34	bulkhead elbows L8	WAI101380				1,00 Stk
35	straight couplings L8	WAI100538				4,00 Stk
36	bulkhead elbows L12	WAI101385				1,00 Stk
37	swivel elbow L15	WAI101333				2,00 Stk
38	bulkhead elbows L15	WAI101390				1,00 Stk
39	elbow couplings L12	WAI100604				2,00 Stk
40	bulkhead coupling L12	WAI101384				1,00 Stk
42	straight male stud couplings L12R 1.0 own parts list	WAI106426			0,13	3,00 Stk
43	straight male stud couplings L12R 1.5 own parts list	WAI106427			0,13	1,00 Stk
44	socket head port plugs M24x1.5	WAI106699			0,04	4,00 Stk
45	energie chain	WAI108645			0,01	2,00 Stk

Übersicht B 80 - B 99
over view B 80 - B 99

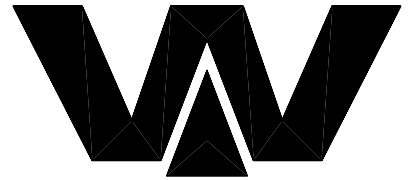


Waitzinger
Baumaschinen GmbH

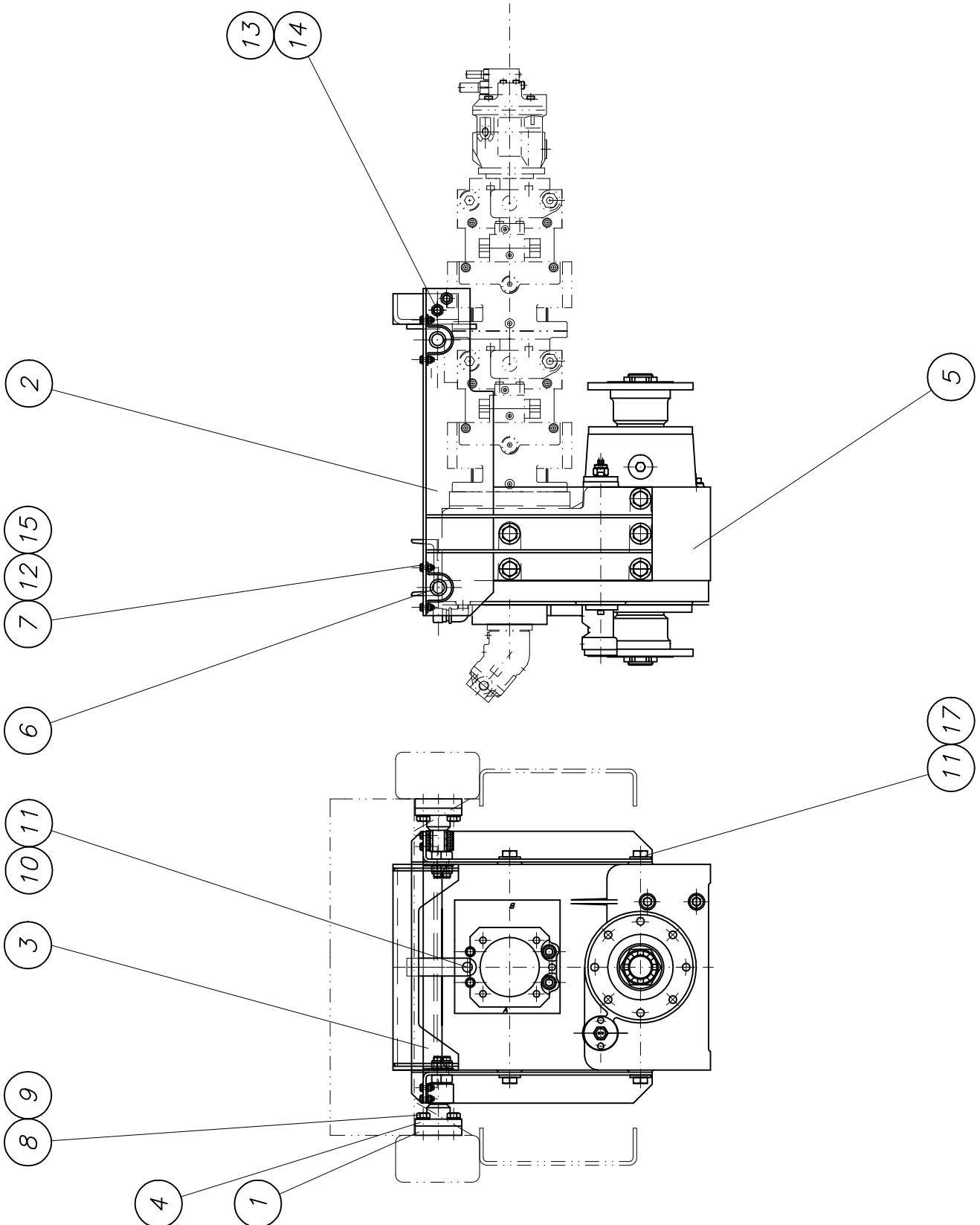


Verteilergetriebe kpl.
gear box cpl.

B 81 4 077a



Waitzinger
Baumaschinen GmbH



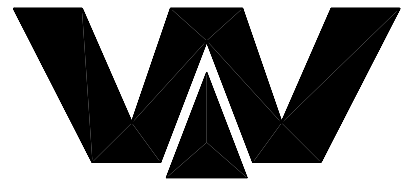


PARTS LIST

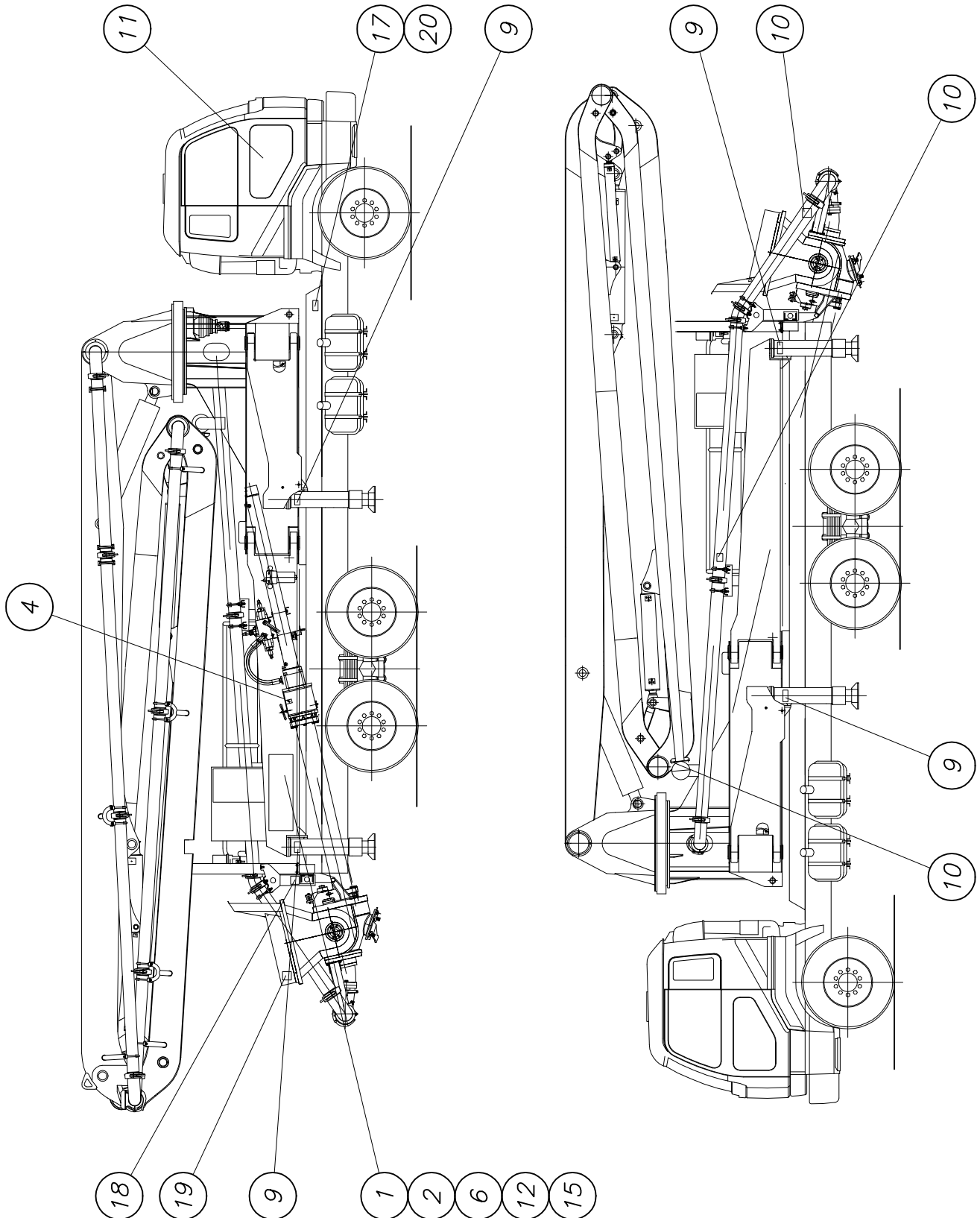
part list	description	created	index	valid from	valid to	
B814077R1	distributor gear box 4496.xx	29.01.04 hbk				
pos	description stock	ident-no dimensions	DIN material	index	weighth Kg	quantity unit
5	PTO gearbox 4496. own parts list	WAI107139				1,00 Stk
6	buffer	WAI103414				4,00 Stk
7	hexagon bolt M8 x 25 DIN 933 8.8	WAI101621				16,00 Stk
11	hexagon bolt M 20 x 50	WAI102860				11,00 Stk
12	stop nut M8 DIN985 8. VERZ.	WAI102111			5,00	16,00 Stk
15	washer 8.4	WAI101625				16,00 Stk
17	conical spring washer	WAI102110			0,05	11,00 Stk
18	sealing ring 165 x 5	WAI102903				1,00 Stk
19	O-ring	WAI105771				1,00 Stk

*Schildersatz Betonpumpe
sticker set concrete pump*

B 92 1 004



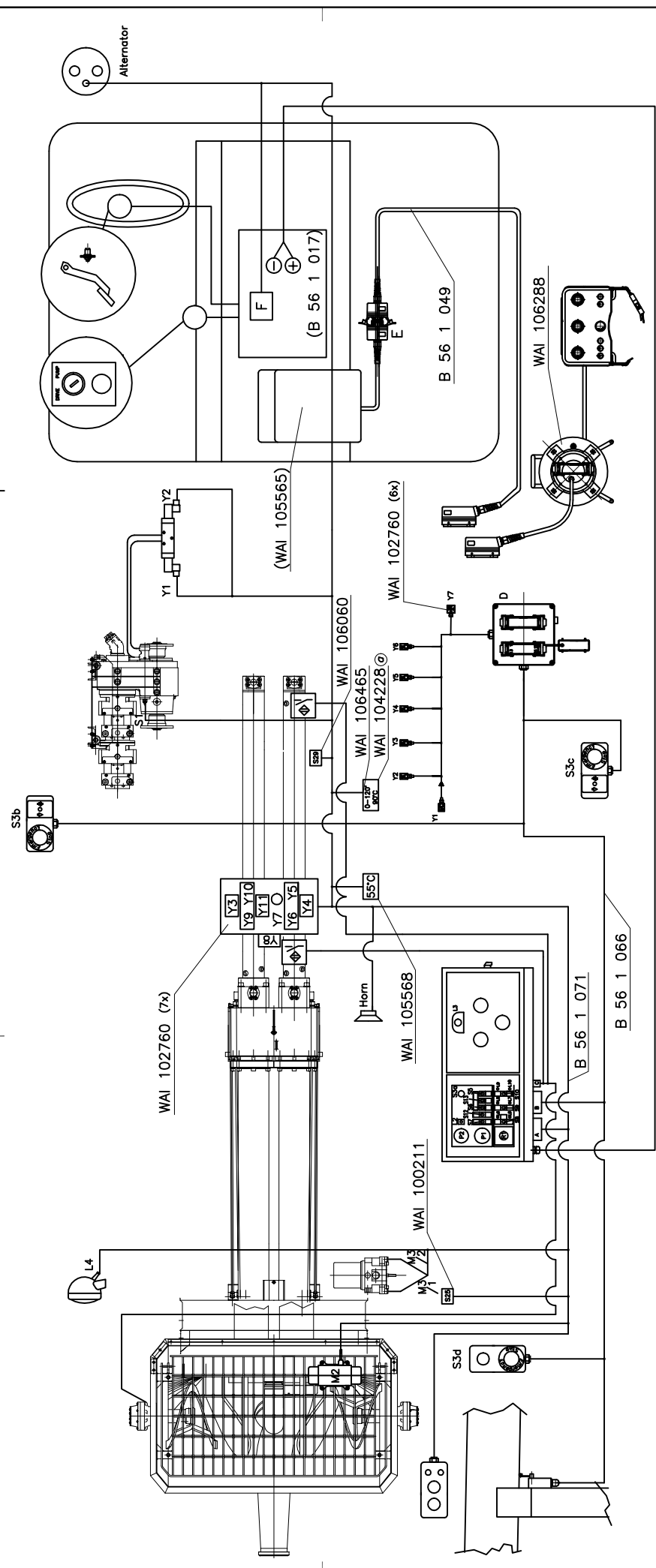
*Waitzinger
Baumaschinen GmbH*





PARTS LIST

part list	description	created	index	valid from	valid to	
B921004	sticker set CP english without boom	21.09.00 hbk				
pos	description stock	ident-no dimensions	DIN material	index	weighth Kg	quantity unit
1	sticker operation eng.	WAI105932				1,00 Stk
2	sticker electrocution hazard d/e	WAI105934				1,00 Stk
4	sticker danger of bruise d/e	WAI105936				1,00 Stk
6	sticker remote control d/e	WAI105938				1,00 Stk
7	sticker hopper d/e	WAI105939				1,00 Stk
9	sticker outrigger d/e	WAI105941				4,00 Stk
10	sticker coupling d/e	WAI105942				3,00 Stk
11	sticker gearbox switch system d/e	WAI105943				1,00 Stk
12	sticker person protection d/e	WAI105944				1,00 Stk
15	sticker electrocution hazard 2 d/e	WAI105974				1,00 Stk
17	identification badge	WAI106179				1,00 Stk
18	sign AL agitator	WAI106030				1,00 Stk
19	sign AL water pump	WAI106031				1,00 Stk
20	sign AL delivery line	WAI106032				1,00 Stk



THIS INFORMATION MAY NOT BE COPIED BY A THIRD PARTY, SUBJECT TO COPYRIGHT (PATENT) FROM 14.06.1991

PLUG A

Pin No.	Wire No.	Wire Color	Function
1	Y3+4+M3/1+	brn	
2	Y4+Y7+PAN	blk/whi	
3	S1>F1	red/yel	
4	Y3-1	blk	
5	Temp. switch	yel/whi	
6	L4	grn/whi	
7	Y4-1	blk/whi	
8	F3	blu	
9	F2	blk	
10	Horn	blk	
11	Y5-1/hopper	blk/grn	
12	Y6/Y8/Y9	blk/grn	
13	Y5-2	blk/red	
14	Y7	grn/red	
15	Y8	whi/brn	
16	Y9	vio	
17	M2	blk	
18	M2	blu	
19	M3/1-1	grn	
20	M3/1-3	grn	
21	M3/2-2	yel	
22	Y6	whi	
23	temp switch	whi	
24	temp switch	whi	
25	Y10	grn	
26	free	grn	
27	F5	red	
28	F6	grn/blk	

PLUG B

Pin No.	Wire No.	Wire Color	Function
1	D10-4h	brn	ground
2	S3b	grn	emergency stop
3	S3c	blk	emergency stop
4	D13	blu	emergency stop
5	D 22	grn/red	emergency stop
6	S3b-d	white	emergency stop
7	D 20	whi/grn	horn
8	D 15	grn	RPM +
9	D 16	blk/whi	RPM -
10	D 24	vio	Pot
11	D 17	blk/grn	pumping on
12	D 19	grn/blk	reverse
13	free	free	free
14	D 18	blu/whi	pumping
15	D 21	blk/red	flashing light
16	free	free	free

PLUG C

Pin No.	Wire No.	Wire Color	Function
1	Y3/3	brn/whi	ground
2	Y3/2	blu	boom 1 up
3	Y4/3	grn/whi	boom 1 down
4	Y4/2	blk/grn	boom 2 up
5	Y5/2	grn/blk	boom 2 down
6	Y6/2	blk/whi	boom 3 up
7	Y6/3	blk/red	boom 3 down
8	Y6/2	grn/red	boom 4 up
9	free	free	boom 4 down
10	- -	brn	free
11	Y2/2	vio	turn clockwise
12	Y2/3	blu/whi	turn anticlockw.
13	B4	red	plus
14	Y1/2/3	grn	pilot valve
15	B 8	grn	RPM +
16	B 9	blk/whi	RPM -
17	B 11	blk/grn	pumping on
18	B 14	blu/whi	pumping
19	B 12	grn/blk	reverse
20	B 7	whi/grn	horn
21	B 15	blk/red	free
22	B 5	grn/red	emergency stop
23	Y7	brn/whi	free
24	B 10	vio	POT

PLUG D

Pin No.	Wire No.	Wire Color	Function
1	Y3/3	brn/whi	ground
2	Y3/2	blu	boom 1 up
3	Y4/3	grn/whi	boom 1 down
4	Y4/2	blk/grn	boom 2 up
5	Y5/2	grn/blk	boom 2 down
6	Y6/2	blk/whi	boom 3 up
7	Y6/3	blk/red	boom 3 down
8	Y6/2	grn/red	boom 4 up
9	free	free	boom 4 down
10	- -	brn	free
11	Y2/2	vio	turn clockwise
12	Y2/3	blu/whi	turn anticlockw.
13	B4	red	plus
14	Y1/2/3	grn	pilot valve
15	B 8	grn	RPM +
16	B 9	blk/whi	RPM -
17	B 11	blk/grn	pumping on
18	B 14	blu/whi	pumping
19	B 12	grn/blk	reverse
20	B 7	whi/grn	horn
21	B 15	blk/red	free
22	B 5	grn/red	emergency stop
23	Y7	brn/whi	free
24	B 10	vio	POT

PLUG F

Pin No.	Wire No.	Wire Color	Function
1	1	power supply 12V	boom 4 up
2	3	emergency stop	boom 3 down
3	4	12 V+	boom 3 up
4	5	RPM-	turn clockwise
5	6	free	boom 1 down
6	8	horn	turn anticlockw.
7	11	RPM+	boom 1 up
8	13	pump on	boom 2 down
9	9	GND	boom 2 up
10	14	reverse	free
11	25	pilot valve	free
12	-	free	pump speed pot
13	-	free	free
14	-	free	free
15	-	free	free
16	33	boom 4 down	free
17	31	-	free
18	32	-	free

TERMINAL F

Terminal	Wire Color	Function
A2	blk/whi	reserve
S1	whi	reserve
Y1	grn	boom 4 up
Y2	grn/whi	boom 3 down
A7	blu	boom 3 up
AB	blk	turn clockwise
Lima D	vio	boom 1 down
red	brn	turn anticlockw.
gry/blk	red	boom 1 up
reserve	gry/blk	boom 2 down
reserve	gry/blk	boom 2 up

Waltinger Baumaschinen Vertrieb und Service GmbH

SCALE: without weight

own parts list

Cable harness / accessories REED V4

REPLACEMENT FOR: B 56 1 070

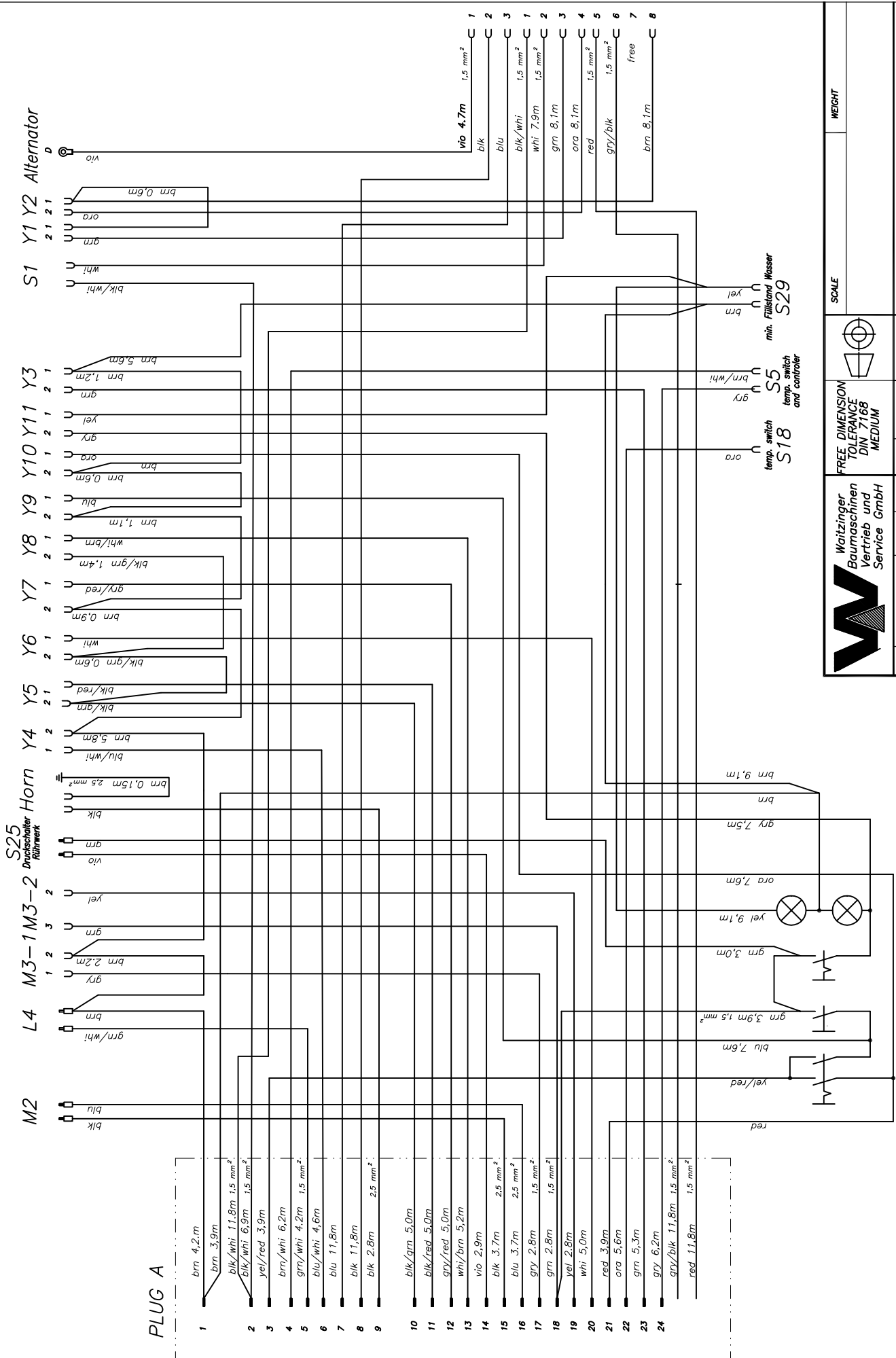
CHANGE ONLY WITH CAD

DATE: 2002/03/28

NAME: M

DRWING: 14.06.1991

THIRD PARTY, SUBJECT TO COPYRIGHT (PATENT)



		SCALE WEIGHT	
FREE DIMENSION TOLERANCE DIN 7168 MEDIUM		cable loop pump REED CI 37m	
DATE DRAWN 1999/03/24	NAME Fetzer	CHANGE ONLY WITH CAD	
CHKD.	APPD.	B 56 1 071	
ISSUE	MODIFICATION	DATE	NAME
ORIGINAL		REPLACEMENT FOR	
FROM 14.06.1991		REPLACEMENT BY	
THIS INFORMATION MAY NOT BE COPIED BY A THIRD PARTY. SUBJECT TO COPYRIGHT (PARA-GRAPH 1 NO. 3 OF "URHEBERRECHTSGESETZ" FROM 14.06.1991)		SHEET 2 OF 2	

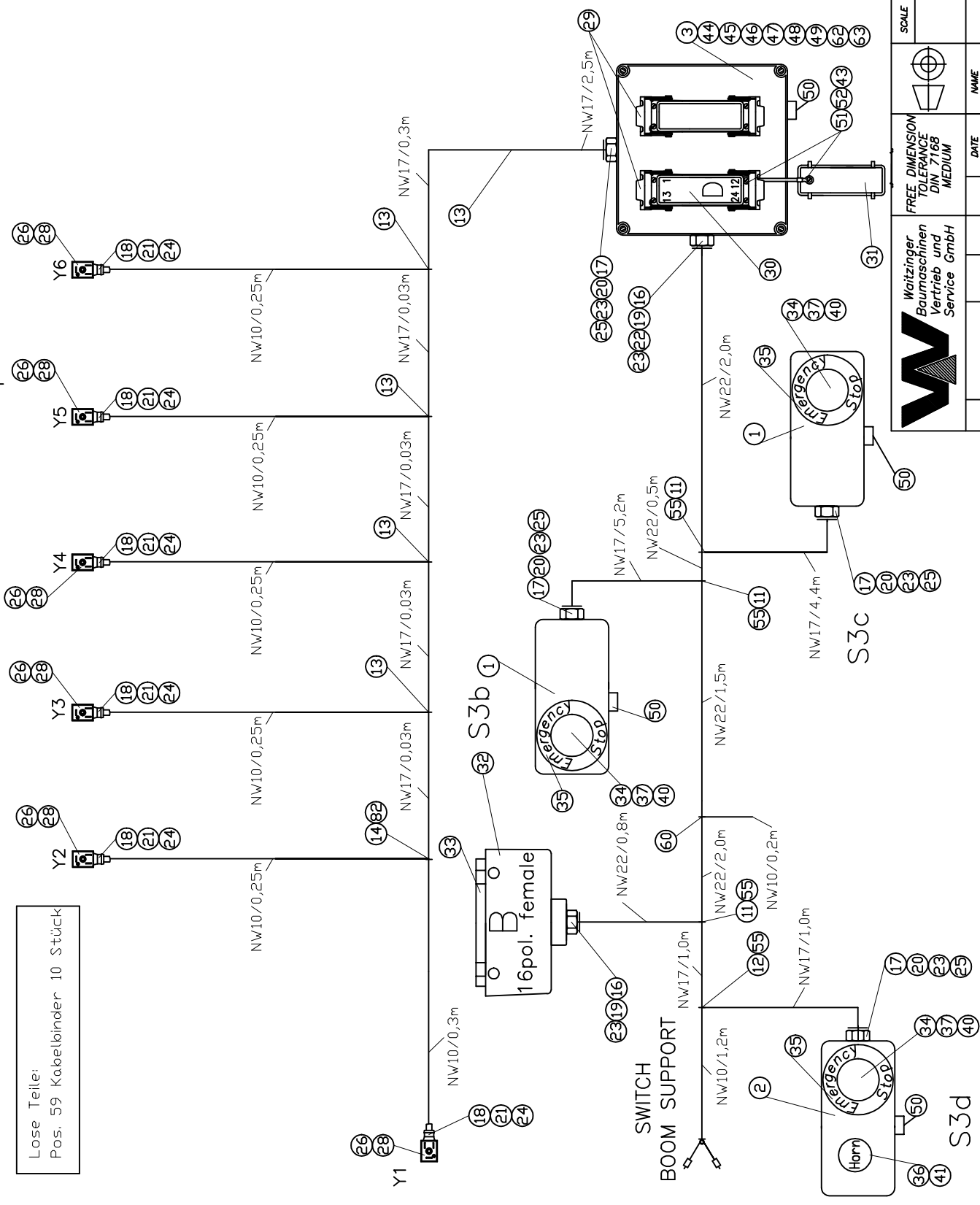
Alle nicht bezeichneten Kabel sind 1mm
 Kabel um 10% länger als angegeben zuschneiden

1	D10-ll	bm	ground
2	S3a	gry/bm	emergency stop
3	S3c	blk	emergency stop
4	D13	blu	emergency stop
5	D 22	gry/red	emergency stop
6	S3d	whi	emergency stop
7	D 20	whi/grn	horn
8	D 15	grn	RPM +
9	D 16	blk/whi	RPM -
10	D 24	vio	Pot.
11	D 17	blk/grn	pumping on
12	D 19	whi/gry	reverse
13	D 23	brn/whi	outrigger
14	D 18	blu/whi	pumping
15	D 21	blk/red	free
16			free

PLUG B

B 1	bm	ground
Y3/3	brn/whi	boom 1 up
Y3/2	blu	boom 1 down
Y4/3	grn/whi	boom 2 up
Y4/2	blk/grn	boom 2 down
Y5/3	gry/blk	boom 3 up
Y5/2	blk/whi	boom 3 down
Y6/3	blk/red	boom 4 up
Y6/2	gry/red	boom 4 down
free	free	free
ll	brn	ground
Y2/2	vio	turn clockwise
Y2/3	blu/whi	turn anticlockw.
B4	red	plus
Y1/3		pilot valve
Y1/2	gry	
Y7		
B 8	grn	RPM +
B 9	blk/whi	RPM -
B 11	blk/grn	pumping on
B 14	blu/whi	pumping
B 12	gry/blk	reverse
B 7	whi/grn	horn
B 15	blk/red	free
A 5	gry/red	emergency stop
B13	brn/whi	free
B 10	vio	POT

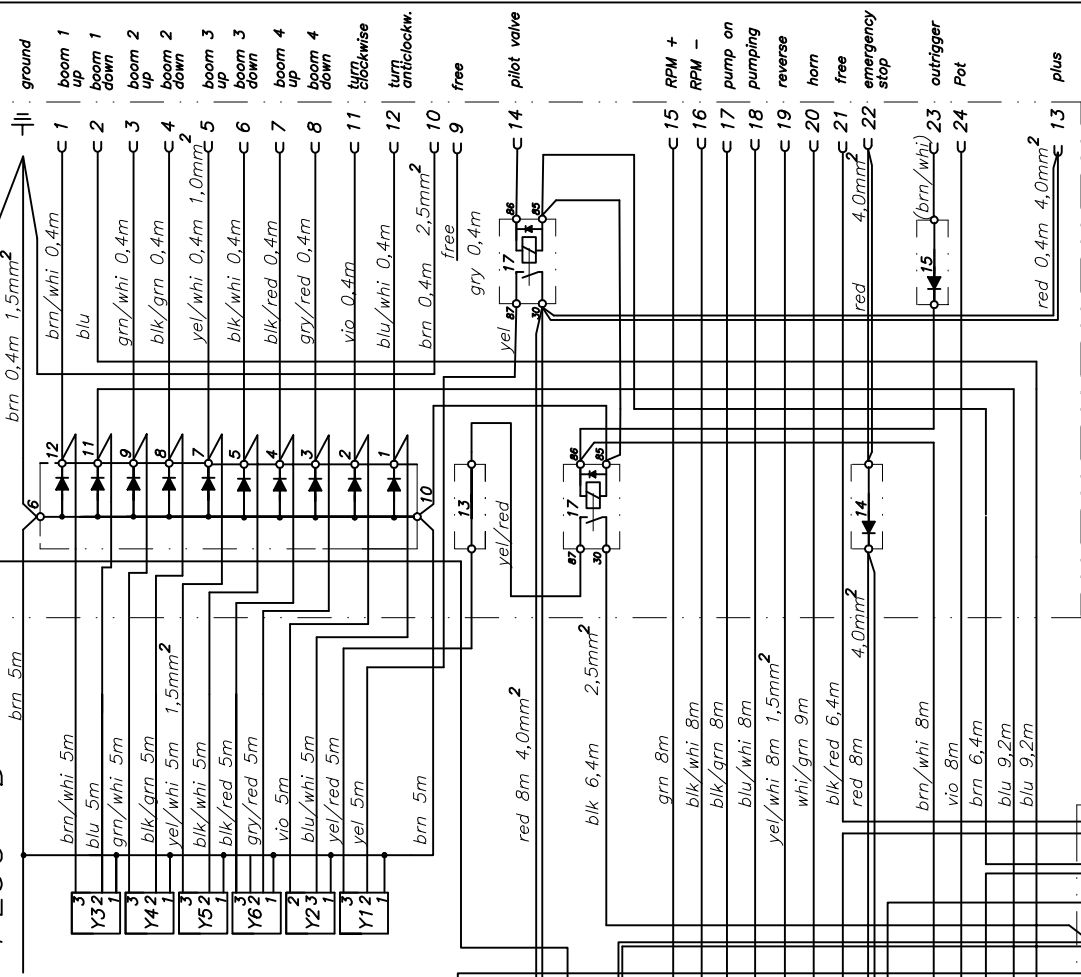
PLUG D



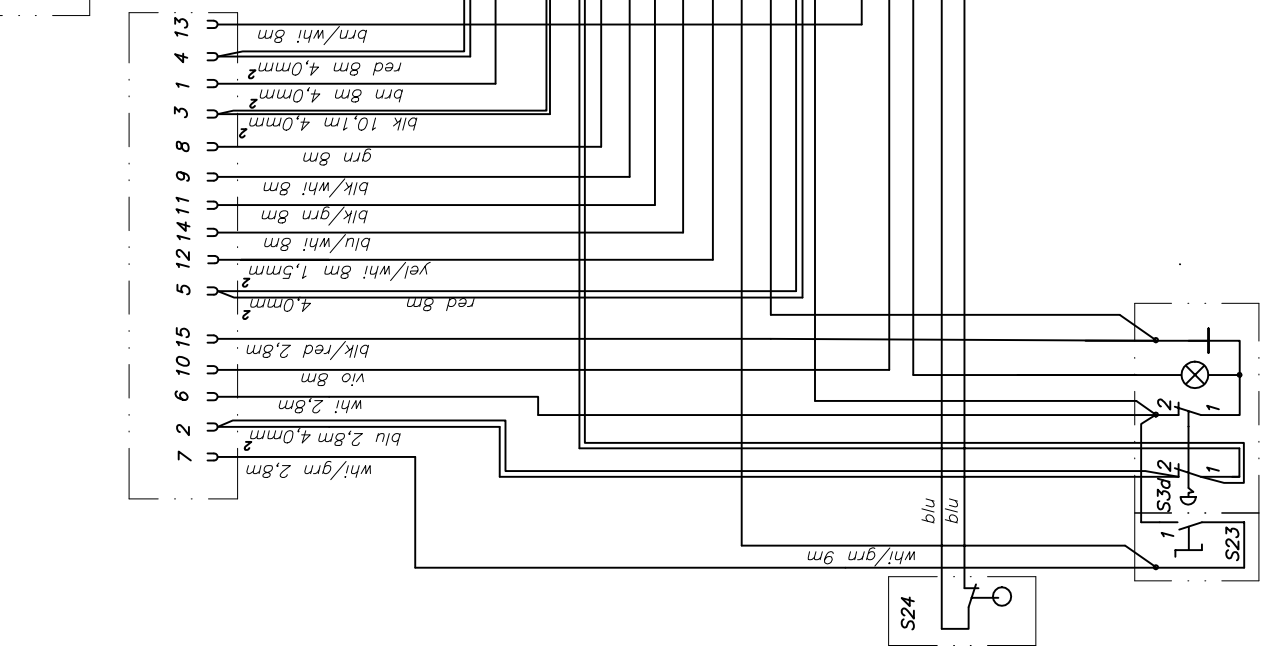
SCALE		WEIGHT	
FREE DIMENSION TOLERANCE DIN 7168 MEDIUM		DATE	NAME
Waitzinger Baumaschinen Vertrieb und Service GmbH		1998/10/05	Fetzer
d siehe B 561066.doc 02.06.05 Körner		DRAWN	APPD.
c siehe B 561066.doc 26.06.04 Körner			
b siehe B 561066.doc 03/09/19 Hoh.			
a siehe B 561066.com 08/03/2008 Mi			
ISSUE	MODIFICATION	DATE	NAME
CHANGE ONLY WITH CAD		ORIGINAL	
REPLACEMENT FOR		REPLACEMENT BY	
B 56 1 066		SHEET 1 OF 3	
Cable harness boom REED 37m			

THIS INFORMATION MAY NOT BE COPIED BY A THIRD PARTY. SUBJECT TO COPYRIGHT (PARAGRAPH 1 NO. 3 OF "URheberRECHTSGESETZ" FROM 14.06.1997)

PLUG D



PLUG B

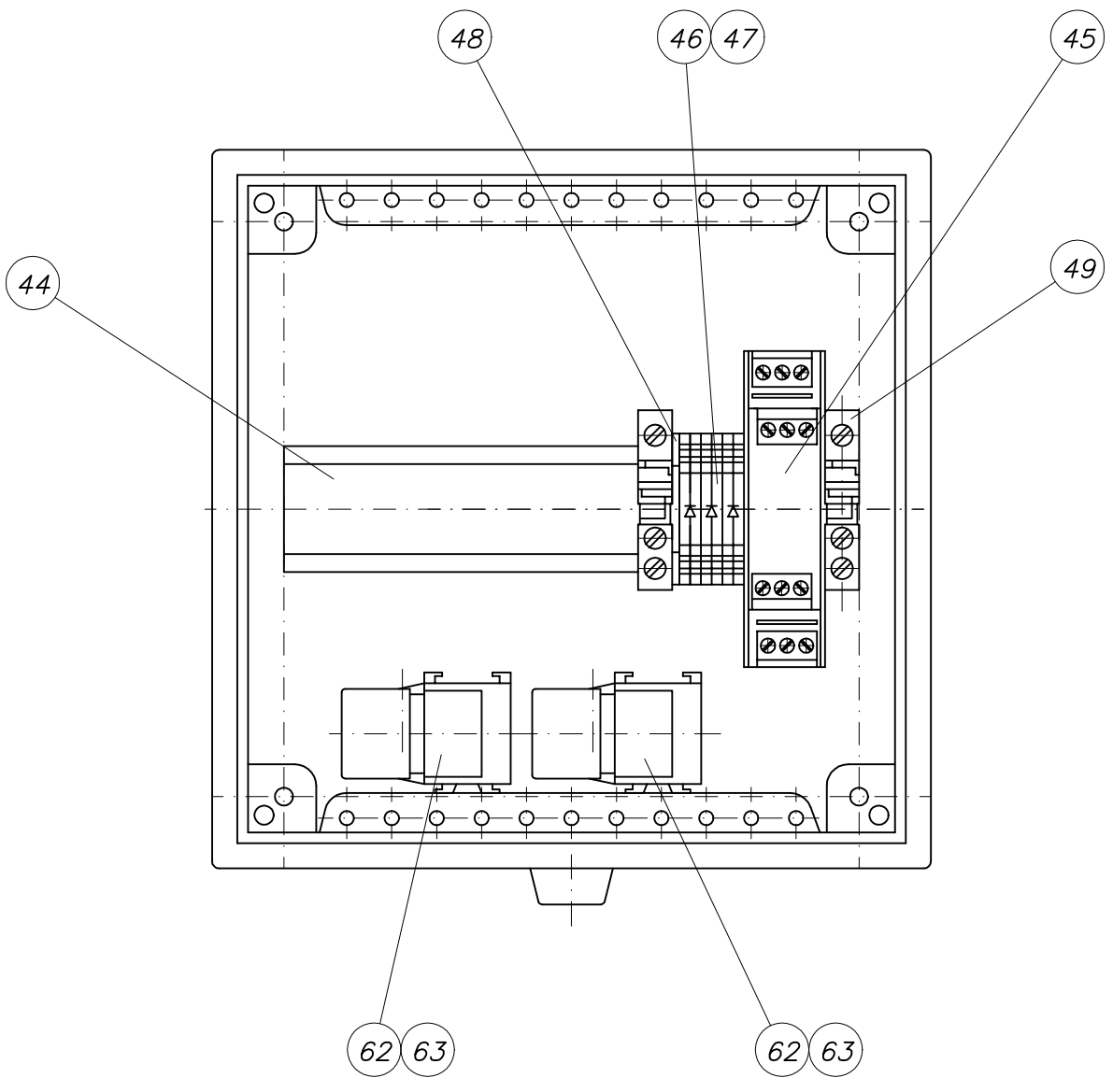


all cables which are not dimensioned are 1 mm²



SCALE		WEIGHT	
FREE DIMENSION TOLERANCE DIN 7185 MEDIUM		DATE	
Waizinger Baumaschinen Vertrieb und Service GmbH		NAME	
DRAHW 1998/10/05		Fetzer	
CHKD.		APPD.	
d siehe B 561066.001 02.06.05 Körner		ORIGINAL	
c siehe B 561066.001 26.02.04 Körner		CHANGE ONLY WITH CAD	
b siehe B 561066.001 03/09/19 Hoh.		REPLACEMENT FOR	
a siehe B 561066.001 08/03/2008 Mi		B 56 1 066	
ISSUE		MODIFICATION	
DATE		NAME	
ORIGINAL		REPLACEMENT BY	
CHANGE ONLY WITH CAD		SHEET 2 OF 3	

Cable harness boom
REED 37m

THIS INFORMATION MAY NOT BE COPIED BY A THIRD PARTY. SUBJECT TO COPYRIGHT (PARAGRAPH 1 NO. 3 OF "URHBERRECHTSGESETZ FROM 14.06.1991)

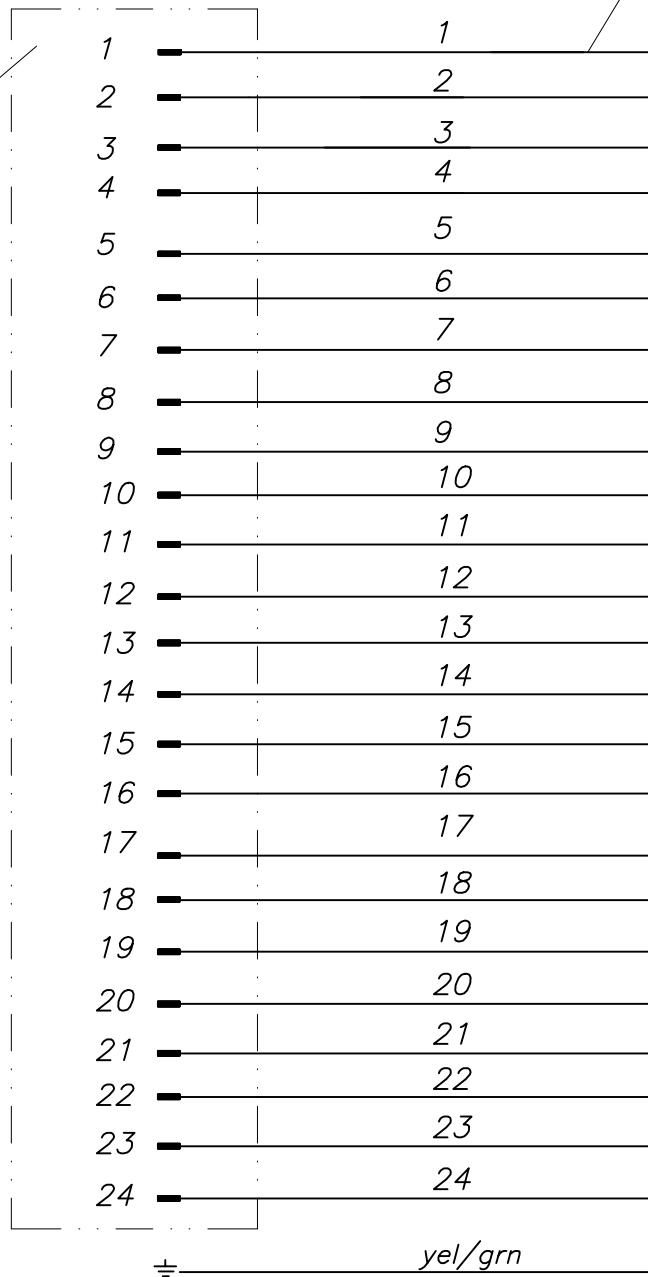


THIS INFORMATION MAY NOT BE COPIED BY A
 THIRD PARTY. SUBJECT TO COPYRIGHT (PARA-
 GRAPH 1 NO. 3 OF "URHEBERRECHTSGESETZ"
 FROM 14.06.1991)


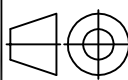
 Waitzinger Baumaschinen Vertrieb und Service GmbH		FREE DIMENSION TOLERANCE DIN 7168 MEDIUM				SCALE	WEIGHT										
		<table border="1"> <thead> <tr> <th></th> <th>DATE</th> <th>NAME</th> </tr> </thead> <tbody> <tr> <td>DRAWN</td> <td>1998/10/05</td> <td>Fetzer</td> </tr> <tr> <td>CHKD.</td> <td></td> <td></td> </tr> <tr> <td>APPD.</td> <td></td> <td></td> </tr> </tbody> </table>			DATE	NAME	DRAWN	1998/10/05	Fetzer	CHKD.			APPD.			<p>Cable harness boom REED V3</p> <p>B 56 1 066</p>	
	DATE	NAME															
DRAWN	1998/10/05	Fetzer															
CHKD.																	
APPD.																	
CHANGE ONLY WITH CAD																	
d	siehe B 561066.aen	05/06/02	Körner	REPLACEMENT FOR		REPLACEMENT BY											
c	siehe B 561066.aen	04/08/26	Körner														
b	siehe B 561066.aen	03/09/19	Hoh.														
a	siehe B 561066.aen	02/03/20	Mi														
ISSUE	MODIFICATION	DATE	NAME	ORIGINAL													

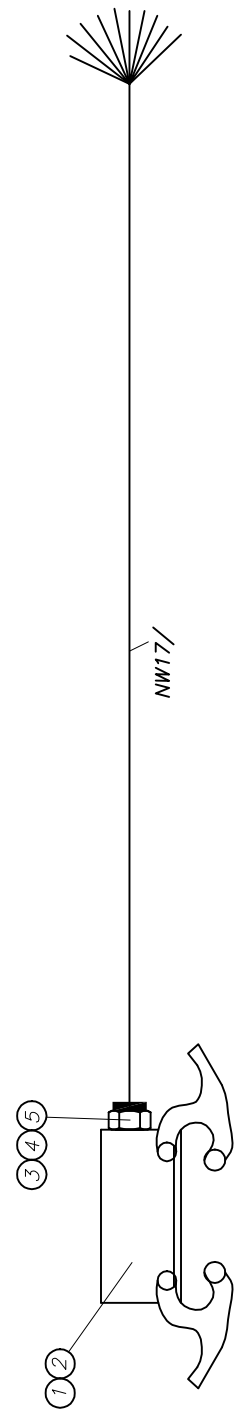
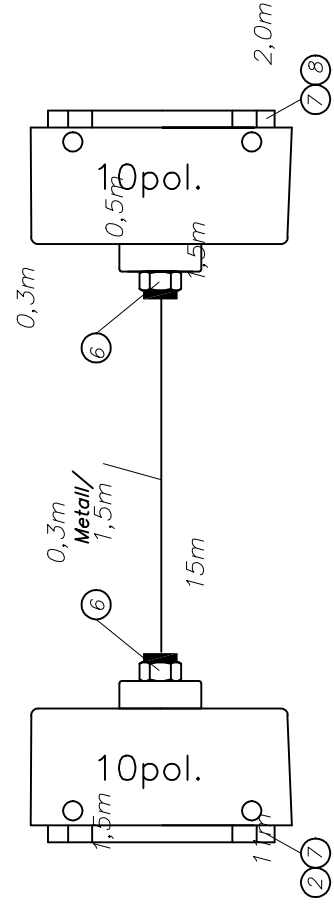
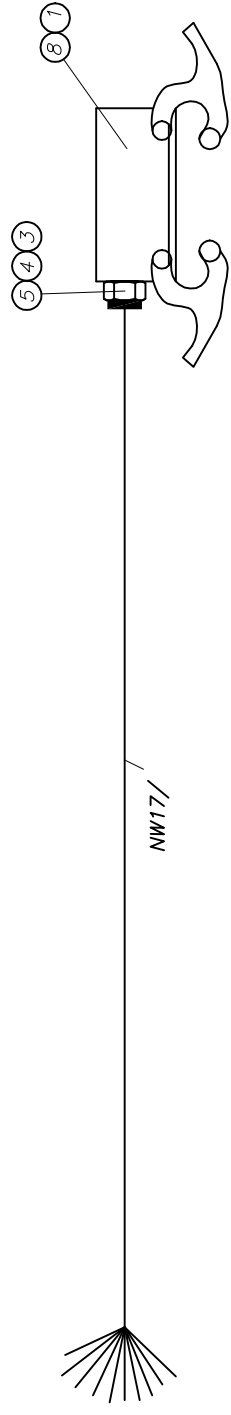
cable 10m
25x1,5
WAI 101989

plug insertion
24-polig
WAI 100714
housing
24-polig
WAI 101542
cove end sleeve 50x
1,5
WAI 101996
(25x unmounted)
fitting
PG 21
WAI 105665



This information may not be copied by a third party. Subject to copyright (paragraph 1 no. 3 of "Urheberrechtsgesetz" from 14.06.1991

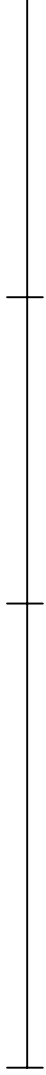
 Waitzinger Baumaschinen Vertrieb und Service GmbH	free dimension tolerance DIN 7168 medium			scale	weight
	own parts list				
				cable cpl. for cable control	
		date	name		
		drawn 1999/07/20	Mi		
		chekd.			
		appd.			
change only with CAD				B 56 1 049	
				sheet	
				of	
issue	modification	date	name	original	replacement for
					replacement by



	Freimaßtoleranz DIN 7168 mittel		Maßstab eigene Stückliste	Gewicht	Blatt 2 von 2 Bl.
Datum 06.08.2004	Bearb. 06.08.2004	Gepr.	Norm	Änderung nur auf CAD	Ers. für B 56 2 066
Datum	Name	Urspr.	Ers. durch	37m REED	2
Änderung	Datum	Name	Urspr.	37m REED	2
Zust.	Änderung	Datum	Name	37m REED	2

Ohne unsere Genehmigung darf diese Zeichnung weder vervielfältigt noch Dritten, Personen oder Konkurrenzfirmen mitgeteilt werden. (Paragraf 1 Nr.3 des Urheberrechtsgesetzes vom 14.06.1901)

Drehkopf

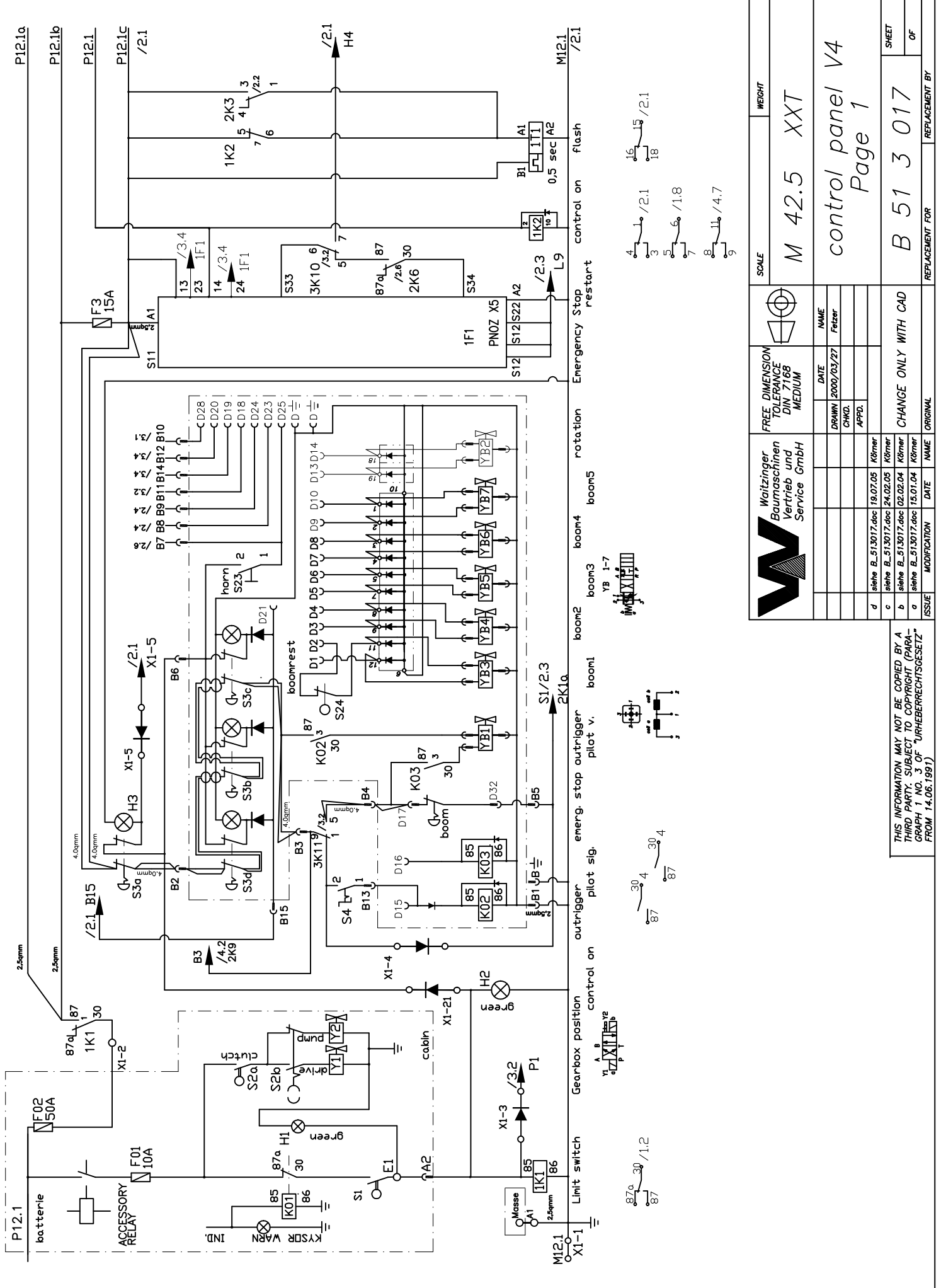


1	blu	33m
2	yel/red	30m
3	vio	33m
4	blu/whi	30m
5	whi/grn	30m
6	red	14m
7	blk/grn	14m
8	grn	30m
9	whi	30m
10	brn	14m

PLUG

	Freimaßtoleranz DIN 7168 mittel			Maßstab eigene Stückliste	Gewicht
	Bearb. 06.08.2004 Gepr. Norm	Datum 06.08.2004 Name K8mer			
Änderung		Änderung nur auf CAD		Ers. für B 56 2 066	
Datum		Name		Ers. durch	
Änderung		Änderung nur auf CAD		Blatt 1 von 2 Bl.	

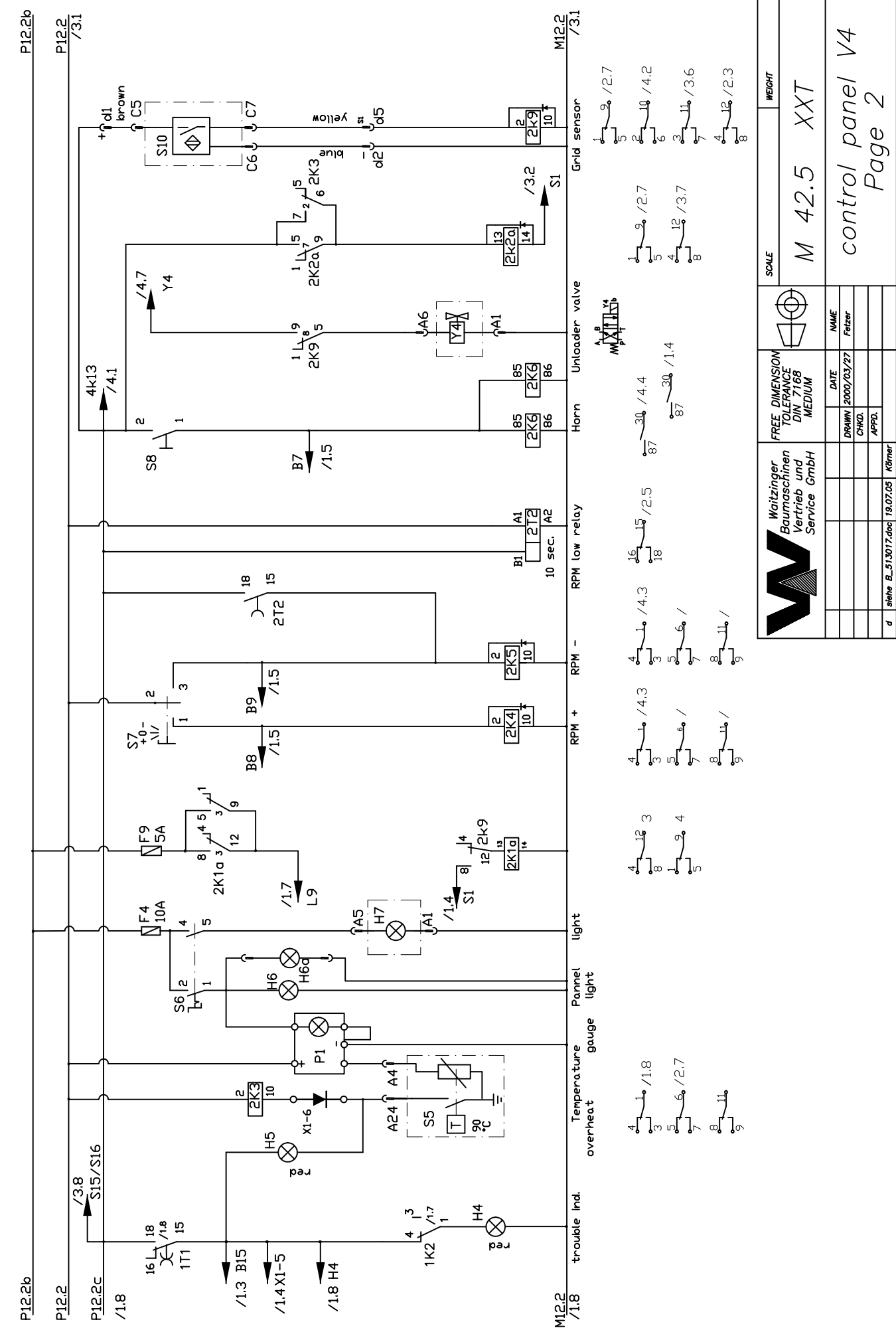
Ohne unsere Genehmigung darf diese Zeichnung weder vervielfältigt noch Dritten, Personen oder Konkurrenzfirmen mitgeteilt werden. (Paragraf 1 Nr.3 des Urheberrechtsgesetzes vom 14.06.1901)



SCALE		WEIGHT	
M 42.5		XXT	
control panel V4			
Page 1			
FREE DIMENSION	DATE	NAME	
TOLERANCE	2000/03/27	Felzer	
DIN 7168	CHKD.		
MEDIUM	APPD.		
CHANGE ONLY WITH CAD			
ISSUE	MODIFICATION	DATE	NAME
d	siehe B. 513017.doc	19.07.05	Körner
c	siehe B. 513017.doc	24.02.05	Körner
b	siehe B. 513017.doc	02.02.04	Körner
a	siehe B. 513017.doc	15.01.04	Körner

THIS INFORMATION MAY NOT BE COPIED BY A THIRD PARTY. SUBJECT TO COPYRIGHT (PARAGRAPH 1 NO. 3 OF "URheberRECHTSGESETZ" FROM 14.06.1991)

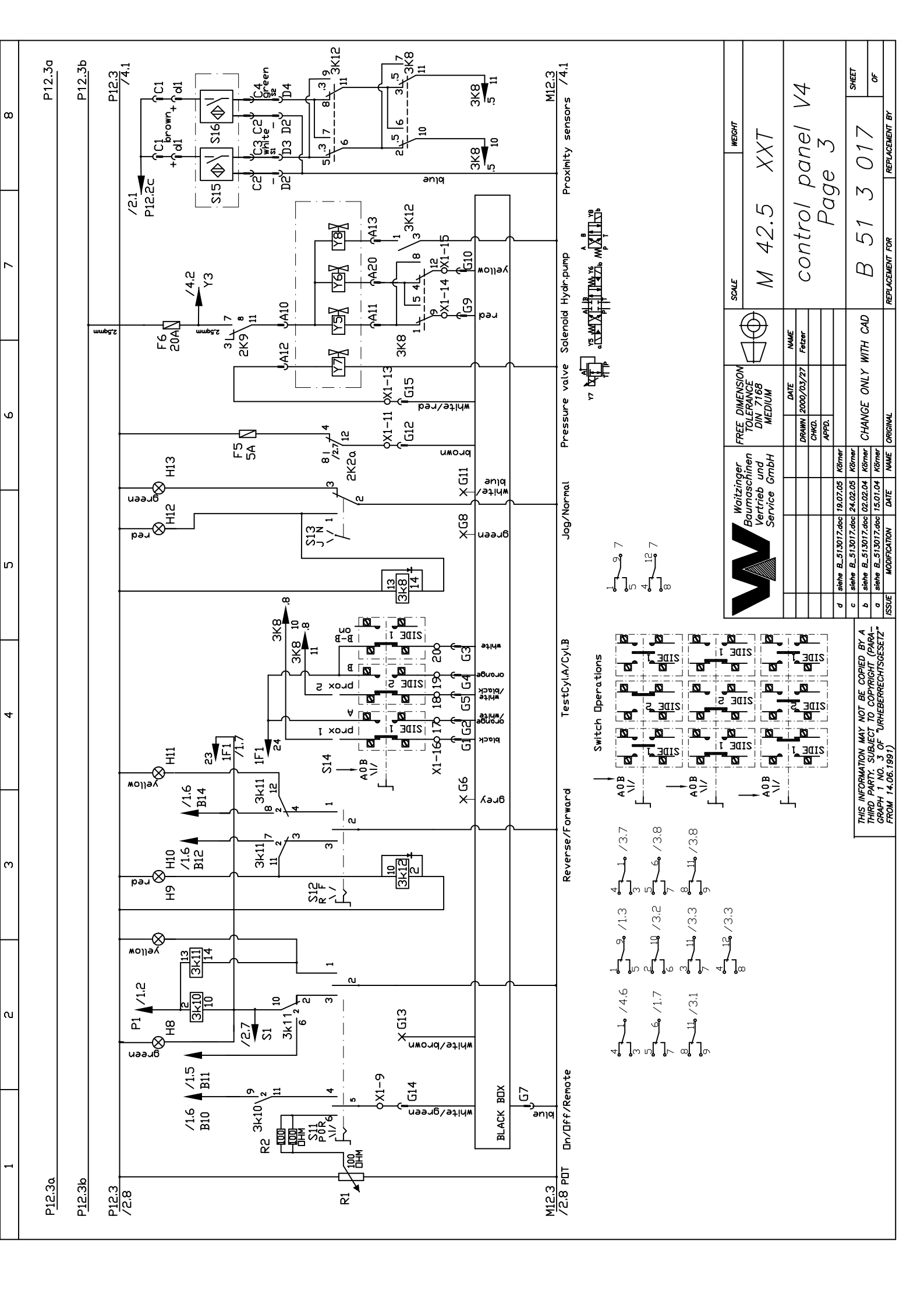
P12.2a P12.2b P12.2c P12.2d



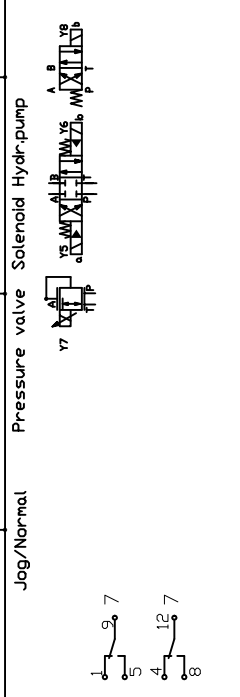
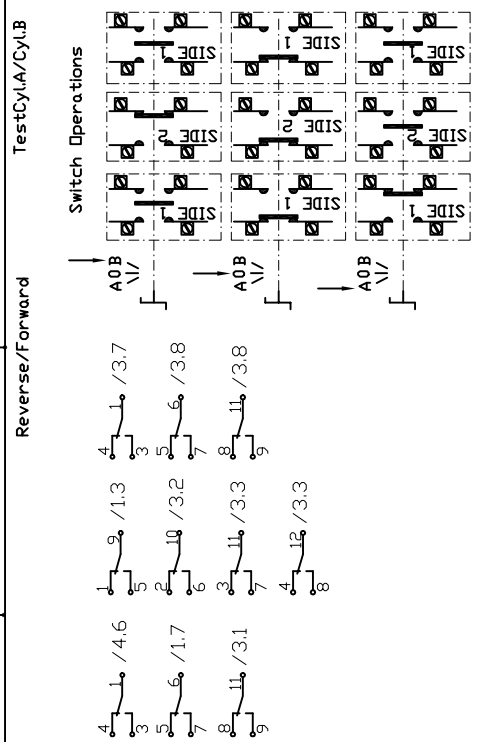
M12.2 /1.8

SCALE		WEIGHT	
M 42.5		XXT	
control panel V4 Page 2			
FREE DIMENSION	DATE	NAME	
TOLERANCE	DRAWN	DATE	NAME
DIN /165	CHKD.	2000/03/27	Fetzer
MEDIUM	APPD.		
CHANGE ONLY WITH CAD			
ISSUE	MODIFICATION	DATE	NAME
d	siehe B_513017.doc	19.07.05	Körner
c	siehe B_513017.doc	24.02.05	Körner
b	siehe B_513017.doc	02.02.04	Körner
a	siehe B_513017.doc	15.01.04	Körner

THIS INFORMATION MAY NOT BE COPIED BY A THIRD PARTY. SUBJECT TO COPYRIGHT (PARAGRAPH 1 NO. 3 OF "URheberRECHTSGESETZ" FROM 14.06.1991)

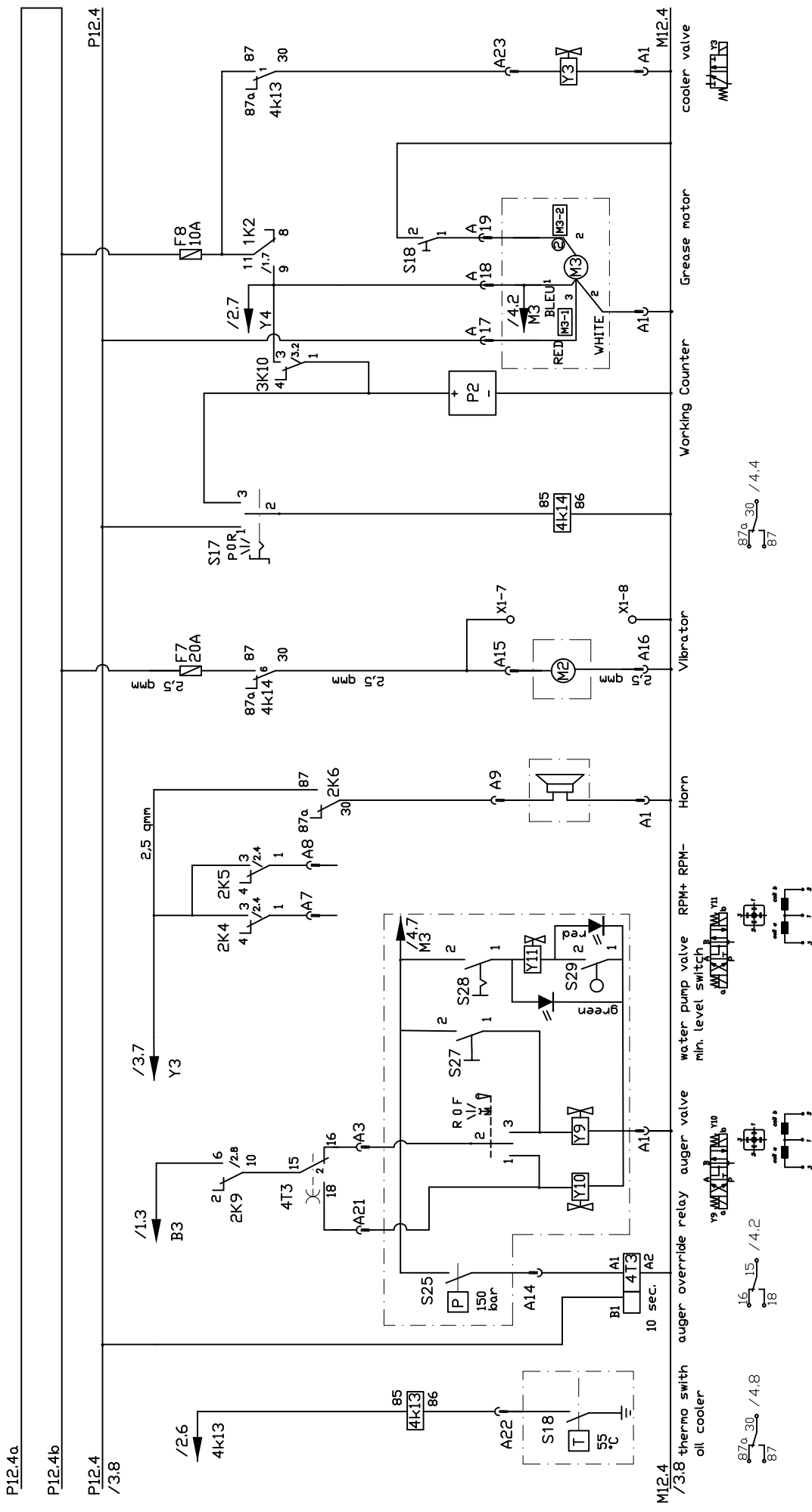


P12.3a P12.3b P12.3 /2.8 P12.3 /4.1 M12.3 /2.8 P12.3 /4.1 M12.3 Proximity sensors /4.1



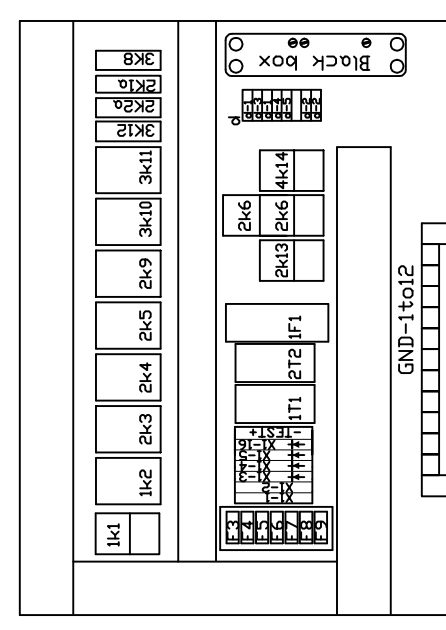
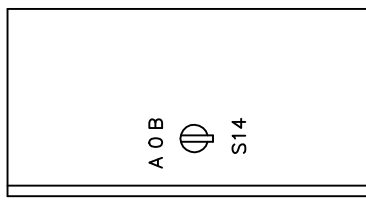
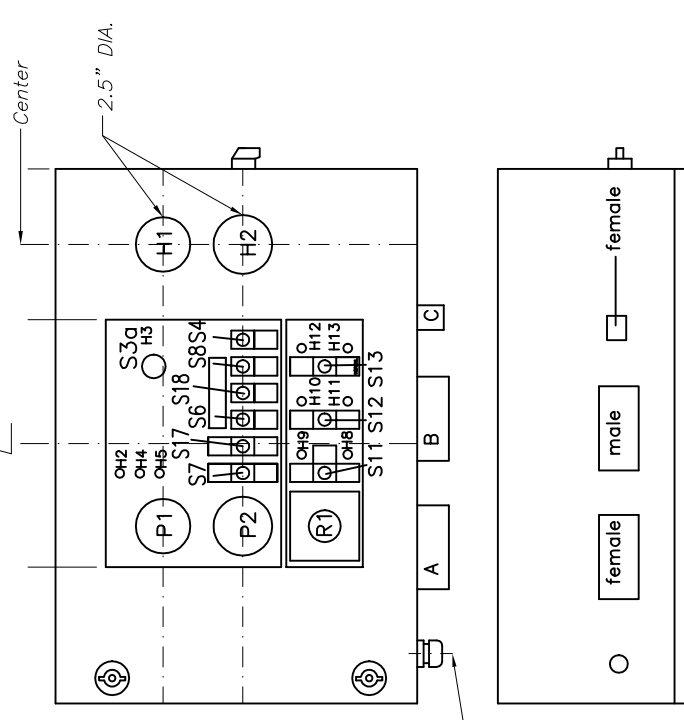
		FREE DIMENSION TOLERANCE DIN 7168 MEDIUM		SCALE M 42.5 XXT		WEIGHT	
DATE 2000/03/27		NAME Felzer		control panel V4 Page 3		SHEET OF	
DRAWN		CHECKED		APPD.		REPLACEMENT FOR	
siehe B_513017.doc 19.07.05 Körner		siehe B_513017.doc 24.02.05 Körner		siehe B_513017.doc 02.02.04 Körner		CHANGE ONLY WITH CAD	
siehe B_513017.doc 15.01.04 Körner		MODIFICATION		DATE		NAME ORIGINAL	
ISSUE		MODIFICATION		DATE		NAME ORIGINAL	

THIS INFORMATION MAY NOT BE COPIED BY A THIRD PARTY. SUBJECT TO COPYRIGHT (PARAGRAPH 1 NO. 3 OF "URheberRECHTSGESETZ" FROM 14.06.1997)

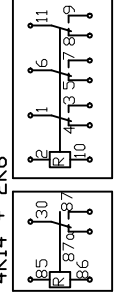


		FREE DIMENSION TOLERANCE DIN 7168 MEDIUM	SCALE M 42.5 XXT
DATE 2000/03/27	NAME Felzer	control panel V4 Page 4	
DRAWN CHKD. APPD.	DATE 19.07.05 24.02.05 02.02.04 15.01.04	NAME Körner Körner Körner Körner	REPLACEMENT FOR B 51 3 017
d siehe B_513017.doc c siehe B_513017.doc b siehe B_513017.doc a siehe B_513017.doc	DATE 19.07.05 24.02.05 02.02.04 15.01.04	NAME Körner Körner Körner Körner	ORIGINAL CHANGE ONLY WITH CAD
ISSUE MODIFICATION		DATE 19.07.05 24.02.05 02.02.04 15.01.04	REPLACEMENT BY B 51 3 017

THIS INFORMATION MAY NOT BE COPIED BY A THIRD PARTY. SUBJECT TO COPYRIGHT (PARAGRAPH 1 NO. 3 OF "URheberRECHTSGESETZ" FROM 14.06.1991)



4K14 + 2K6



THIS INFORMATION MAY NOT BE COPIED BY A THIRD PARTY. SUBJECT TO COPYRIGHT (PARAGRAPH 1 NO. 3 OF "URheberRECHTSGESETZ" FROM 14.06.1991)

	FREE DIMENSION TOLERANCE DIN 7168 MEDIUM	SCALE	WEIGHT
	DATE DRAWN 2000/03/27 CHKD. APPD.	NAME Fetzer	M 42.5 XXT
d siehe B_513017.doc 19.07.05 Körner c siehe B_513017.doc 24.02.05 Körner b siehe B_513017.doc 02.02.04 Körner a siehe B_513017.doc 15.01.04 Körner	MODIFICATION	NAME	DATE
CHANGE ONLY WITH CAD		REPLACEMENT FOR	
ORIGINAL		B 51 3 017	
SHEET		OF	

control panel V4
Page 5