

Baugruppenübersicht construction group survey	Betonpumpe: concrete pump:	Mast: boom:
<b>Typenplan</b> <b>type parts list</b>	<b>SN261</b> <b>HP 12523</b>	<b>36R4XT</b>



Kunde: / customer:	<b>REED</b>	Auftrags.-Nr.: / order no.:	<b>206296</b>
Fahrzeug: / vehicle:	<b>Mack 215"</b>	Bestellnr.: / purchase no.:	<b>#33</b>



Waitzinger  
Baumaschinen GmbH

Zusammenstellung	assemble cpl.	B 00 4 013			
Aufbaurahmen	sub frame	B 01			
Rahmen	base frame	B 02 3 105			
Rahmenverbindung kpl.	frame connection cpl.				
Mastbockverbindung	pedestal connection cpl.	B 03 8 010 c			
Aufbau	housing	B 04			
Abstützung hinten	outrigger cpl.	B 05			
		B 06			
Podeste / Aufstiege	pedestal / ladder	B 07 4 465 a	B 07 4 150 a		
Mastauflegebock	boom support	B 08 4 185			
Gegengewicht	counter weight	B 09			
Pumpeneinheit kpl.	pump unit cpl.	B 10			
Pumpenlagerung	pump mounting	B 11 4 215			
Förderzylinder kpl.	conveying cylinder cpl.	B 12 4 020			
Förderkolben kpl.	conveying piston cpl.	B 13 3 020			
Spülkasten kpl.	water box cpl.	B 14 3 000			
Antriebszylinder	drive cylinder	B 15 4 032 a	WAI 106355b	WAI 104690	WAI 106354
		B 16			
Schiebersystem	s-valve system	B 17 4 155	Typenplan		
		B			
Zentral / Schmieranlage	central lubrication unit	B 18 3 016			
Förderleitung Aufbau	conveying pipe decking	B 19 8 001 a			
Kolbensmieranlage	Conveying piston lubrication				
		B 20			
		B 21			
Trichterzubehör	hopper accessories	B 22 4 019 c			
		B 23			
		B 24			
Rührwerk mit Antrieb	Agitator with drive	B 25			
		B 26			
		B 27			
Rüttleinrichtung	vibrating equipment	B 28			
		B 29			
Wasseranlage	water system	B 30			
Wassertank kpl.	water tank cpl.	B 31 8 020 a			
Wasserpumpe mit Antrieb	water pump with drive	B 32 8 010 c	B 32 3 070		
Halter für Wasserschlauch	holder for water hose	B 33 0 020			
Schlauchleitung	hose line	B 34 1 005			
Druckluftanlage	compressed air unit	B 35			
		B 36			
Kompressor mit Antrieb	compressor with drive	B 37			
		B 38			
Schlauchleitung	hose line	B 39			
Hydraulikanlage BP	hydraulic system	B 40 4 010			
Hydrauliks. Pumpe	control block	B 41 4 048 d	B 41 5 002	B 41 4 047	WAI 102741
Hydrauliks. Rührwerk		B 42 4 020 a			
		B 43			
Hydraulikpumpe „S-Welle“	hydraulic pump	B 44 4 030 g	WAI 105847		
		B 45			
		B 46			
Hydrauliktank / Zubehör	hydraulic tank / accessories	B 47 8 010 d			
Ölkühlung	oil cooler	B 48 4 065 f			
Schläuche / Zubehör	hoses / accessories	B 49 4 034 c			



Elektroanlage	wiring diagram	WAI109489	B 51 3 022 d		
Steuerpult	control panel	B 51			
Motorabstellung	engine stop	B 52			
Pumpenverstellung elektrisch	pump adjustment electrical	B 53			
Drehzahlverstellung	rpm adjustment	B 54			
Elektroanlage Mast	wiring diagram boom	B 55			
Kabelbaum / Zubehör	wiring harness / accessories	B 56 2 050 c	B 56 2 063 d	B 56 2 048	
Schaltboxbefestigung	holder for switch box	B 56 1 050			
Vorbereitung für Rüttler		B 51 3 027			
		B 58			
Spannungswandler	Converter	WAI 108574			
Kabelfernsteuerung	cable remote control	WAI 107095			
Funkfernsteuerung	radio remote control	WAI 108573			
Verteilmast	distributor boom	B 60			
Mastbock	boom support	B 61 8 110	Typenplan		
Befestigung Steuerblock		B 62			
Transportsicherung	transportation safety device	B 63 1 120 c	?????		
Förderleitung	delivery line	B 64 1 011 e			
Endschlauchhalter	end hose holder				
Endschlauch	end hose	WAI 105028			
		B 65			
Armpaket ohne Förderleitung	Distributor boom	B 66 1 030	Typenplan		
		B 67			
Kabelbaum Armpaket		B 68			
		B 69			
Zentralschmierung					
Hydraulikanlage Mast	hydraulic system boom	B 70			
Hydraulikanlage Mast	hydraulic system boom	B 71			
Hydraulikanlage Mastbock	hydraulic sys. boom support	B 72 a			
		B 73			
Hydraulikanlage Pumpeinheit	hydraulic sys. pump unit	B 74 1 045 b			
		B 75			
		B 76			
Hydrauliktank Mast	hydrauliktank boom	B 77			
		B 78			
		B 79			
Antrieb	drive	B 80			
Pneum. Getriebeumschaltung	pneum. gear change	B 81 4 051 a			
Verteilergetriebe 4496 1:1,51	distribution gear	B 81 4 086 a	WAI 108412		
Antriebsaggregat	engine	B 82			
Wellenstrang	lineshaft	B 83			
Zubehör Beleuchtung	additional parts lightning	B 84			
		B 85			
Trichterbeleuchtung	lightning for hopper	B 86 4 012 a			
Beleuchtung	lightning	B 86			
Kotflügel	fender	B 87			
Federblockierung	spring lock	B 88			
Achse kpl.	axle cpl.	B 89			
Zubehör	accessories	B 90 3 001 a			
Standardzubehör	standard accessories	B 91 3 010 d			
Schilder Pumpe	sticker pump	B 92 1 004			
Schilder Mastbock	sticker boom support	B 61 0 050			
Schilder Mast	sicker boom	B 66 0 050			
		B 93			
Werkzeugkasten	tool box	B 94 1 020 e			
Zusatzteile Europa	additional parts europe	B 95 1 009 a			
Rohrmagazin	conveying pipe magazine	B 96			
Werkzeug		WAI 105912 a			
		B 98			
		B 99			

Bemerkung / comment:




Waitzinger  
Baumaschinen GmbH

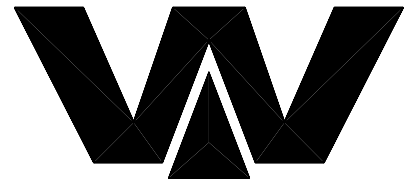


# SPARE PART LIST

---

**36R4XT**  
**Masch.-Nr. 206296 (SN261)**

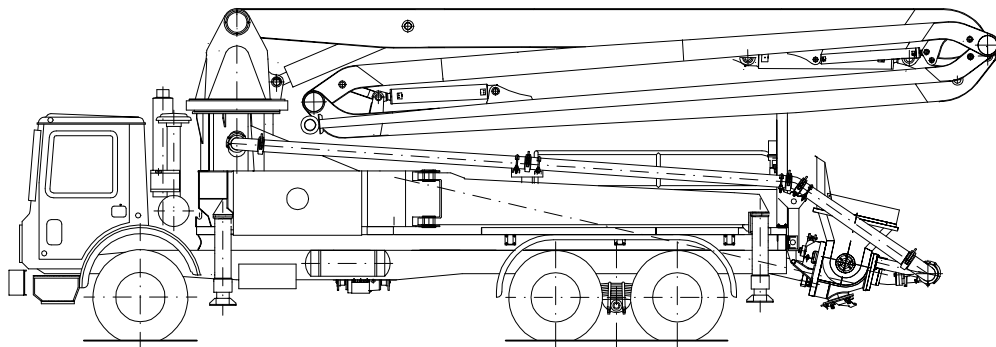
---



Waitzinger  
Baumaschinen GmbH

# *Ersatzteilliste*

## *spare part list*



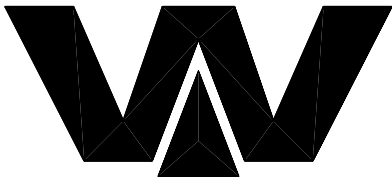
# *36 R 4 XT*

## *Masch.-Nr. 205241*

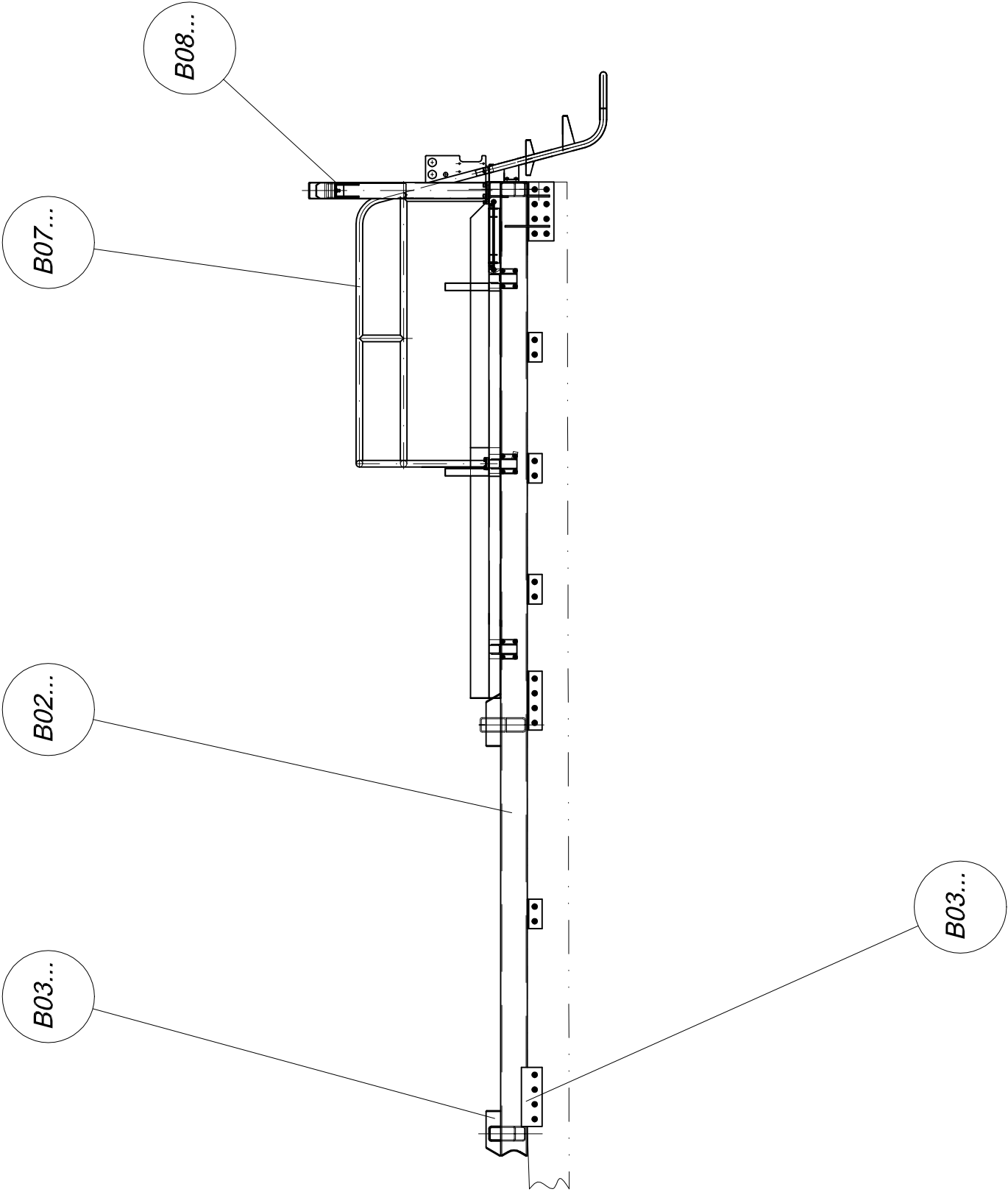


*Übersicht B 00 - B 09*

*over view B 00 - B 09*



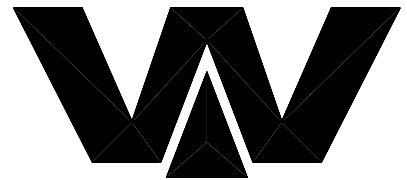
*Waitzinger  
Baumaschinen GmbH*



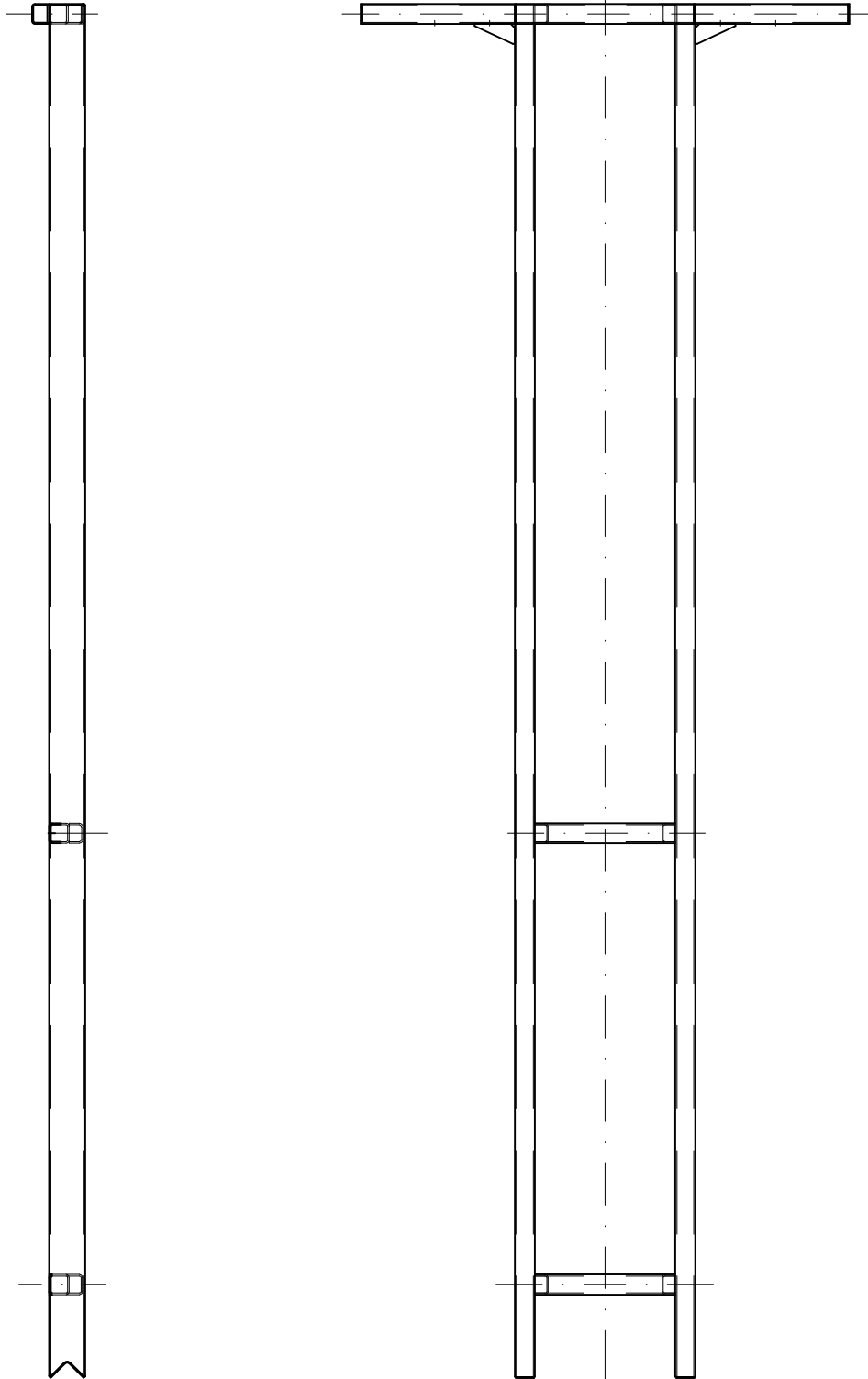
*Rahmen kpl.*

*frame cpl.*

*B 02 3 105*

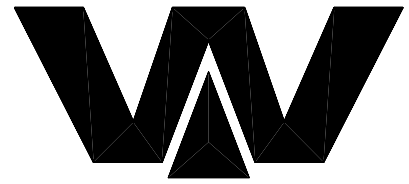


*Waitzinger  
Baumaschinen GmbH*

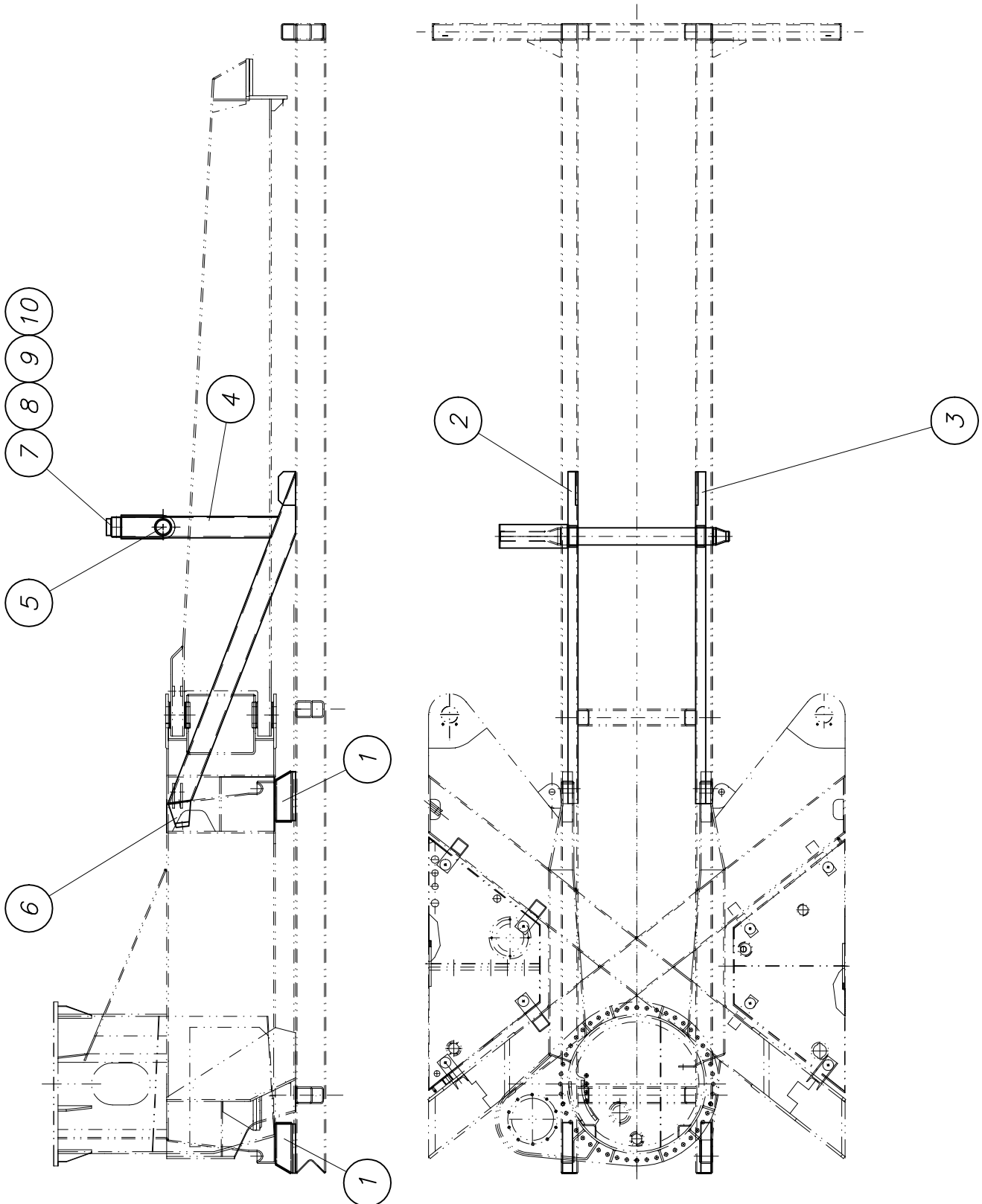


*Rahmenverbindung kpl.  
connection for boom base cpl.*

*B 03 8 010b*



*Waitzinger  
Baumaschinen GmbH*



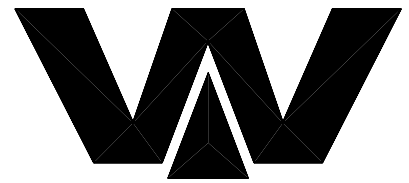


## PARTS LIST

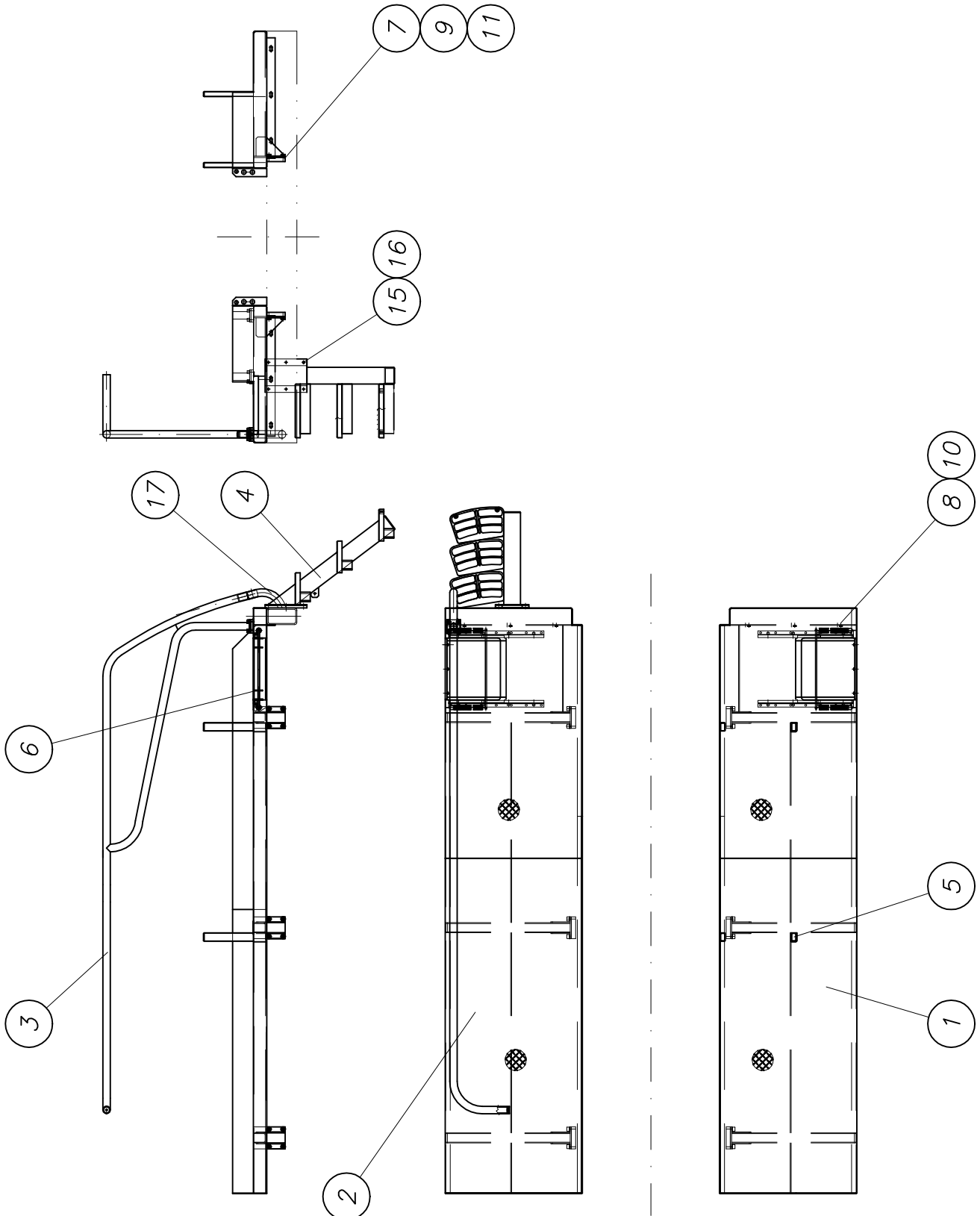
part list	description	created	index	valid from	valid to	
B038010	connection for boom base col. xt	27.11.03 ute	b	02.11.05		
pos	description stock	ident-no dimensions	DIN material	index	weighth Kg	quantity unit
1	profil for boom support mounting own parts list	B033082				4,00 Stk
2	strut	B038001 MSH 120x60x8-21	59410 S355J2G3		45,00	1,00 Stk
3	strut	B038002 MSH 120x60x8x21	59410 S355J2G3		45,00	1,00 Stk
4	support	B038034 MSH 120x60x8x68	59410 S355J2G3		13,30	2,00 Stk
5	pipe (welding group) own parts list	B039035			28,00	1,00 Stk
6	bracket	B038003 BI 30x136x150	1543/EN10029 S355J2G3		3,70	2,00 Stk
7	suppert arm 2 own parts list	B619140			10,00	1,00 Stk
8	rubber cushion	WAI104799				1,00 Stk
9	cylinder head screw M 10 x 25	WAI106654				2,00 Stk
10	usit-ring 12,7-18-1,5	WAI106286				2,00 Stk

*Podest und Aufstieg kpl.  
pedestal and ladder cpl.*

**B 07 4 465a**



Waitzinger  
Baumaschinen GmbH





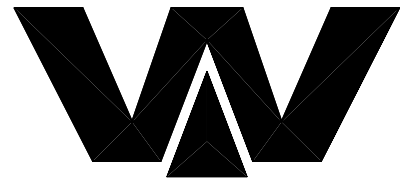
## PARTS LIST

part list	description	created	index	valid from	valid to	
B074465	pedestal a. ladder flat 37-Mtr XT boom	16.01.04 HF	a	23.03.04		
pos	description stock	ident-no dimensions	DIN material	index	weigh Kg	quantity unit
1	pedestal left cpl. 36-Mtr. boom REED own parts list	B074201		e 24.01.02	150,00	1,00 Stk
2	pedestal right cpl. 36-Mtr. boom REED own parts list	B074202		g 05.06.03	130,00	1,00 Stk
3	railing 37R4XXT own parts list	B074280				1,00 Stk
4	step cpl. own parts list	B074345		b 23.09.04	30,00	1,00 Stk
5	profil cpl. own parts list	B074145			1,50	2,00 Stk
6	flap cpl. own parts list	B074150		a 21.02.02	9,00	2,00 Stk
7	thread plate	B074247 BI 25x110x130	1543/EN10029 St37-2		2,50	6,00 Stk
8	hex. bolt M12 x 25 DIN 933 8.8	WAI101001			0,04	6,00 Stk
9	cheese head screw M 16 x 30	WAI102857				24,00 Stk
10	washer	WAI102962			0,01	6,00 Stk
11	spring washer A16	WAI102072			0,01	24,00 Stk
15	thread plate	B074346 BI 15x40x250	1543/EN10029 S355J2G3	a 23.03.04	1,20	2,00 Stk
16	hex. bolt M 12 x 20 DIN 933 8.8	WAI102999				6,00 Stk
17	pipe own parts list	B074470		a 22.03.04	2,00	1,00 Stk

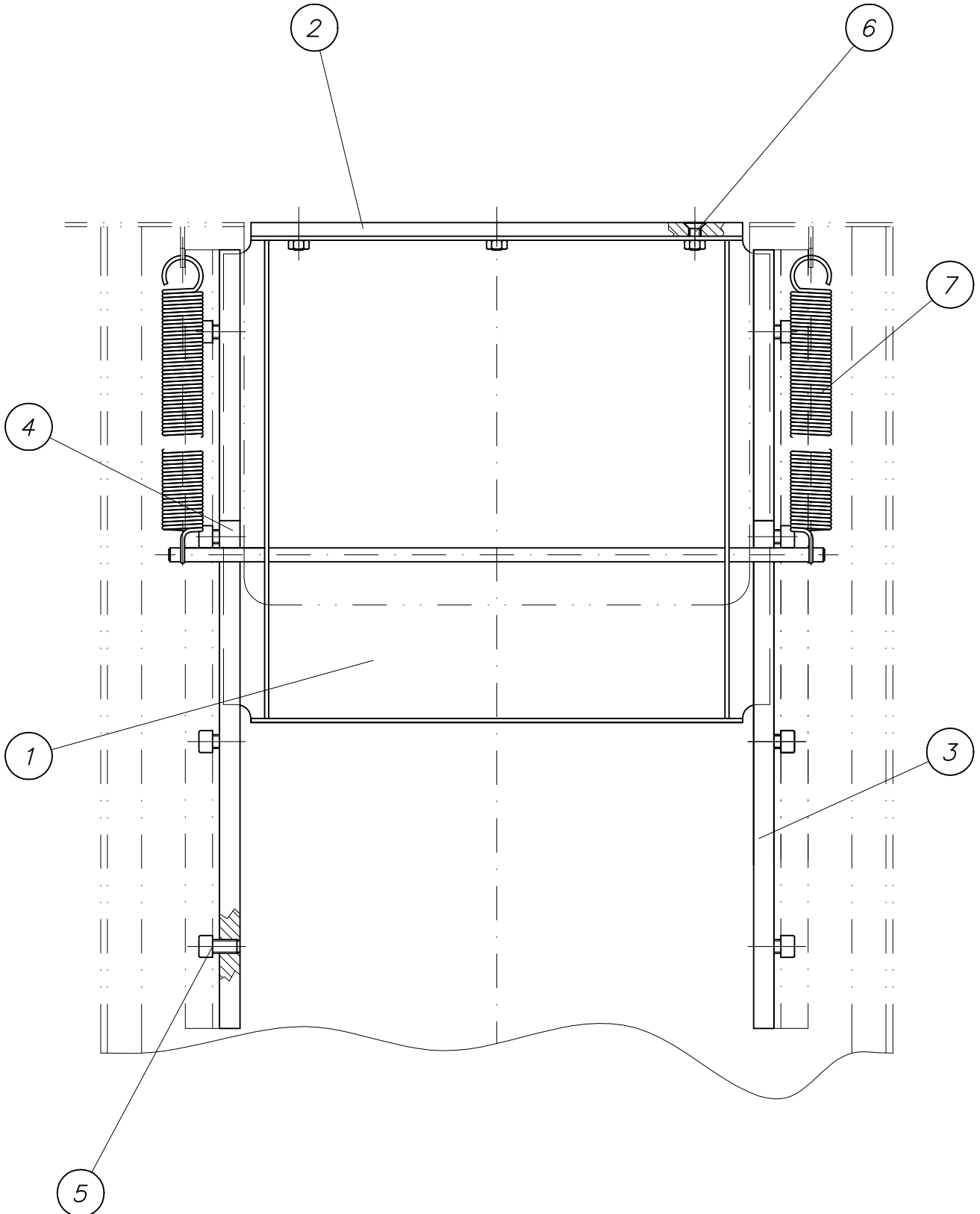
*Klappe kpl.*

*flap cpl.*

*B 07 4 150a*



*Waitzinger  
Baumaschinen GmbH*





## PARTS LIST

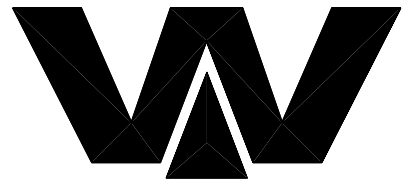
part list	description	created	index	valid from	valid to	
B074150	flap cpl.	26.06.97 HG	a	21.02.02		
pos	description stock	ident-no dimensions	DIN material	index	weigh Kg	quantity unit
1	flap (welding group) for 32/36-Mtr. boom own parts list	B073121		a 18.04.97	5,10	1,00 Stk
2	contact strip	B074151 Platte 10x360x8	Polyamid		0,30	1,00 Stk
3	strip	B073124 Flachstahl 20x1	174 St37 K		1,40	2,00 Stk
4	stop	B073125 Flachstahl 20x1	174		0,05	2,00 Stk
5	cheese head screw M 10 x 20	WAI103287				8,00 Stk
6	sunk screw M 8 x 20	WAI103397				3,00 Stk
7	spring	WAI107209				2,00 Stk



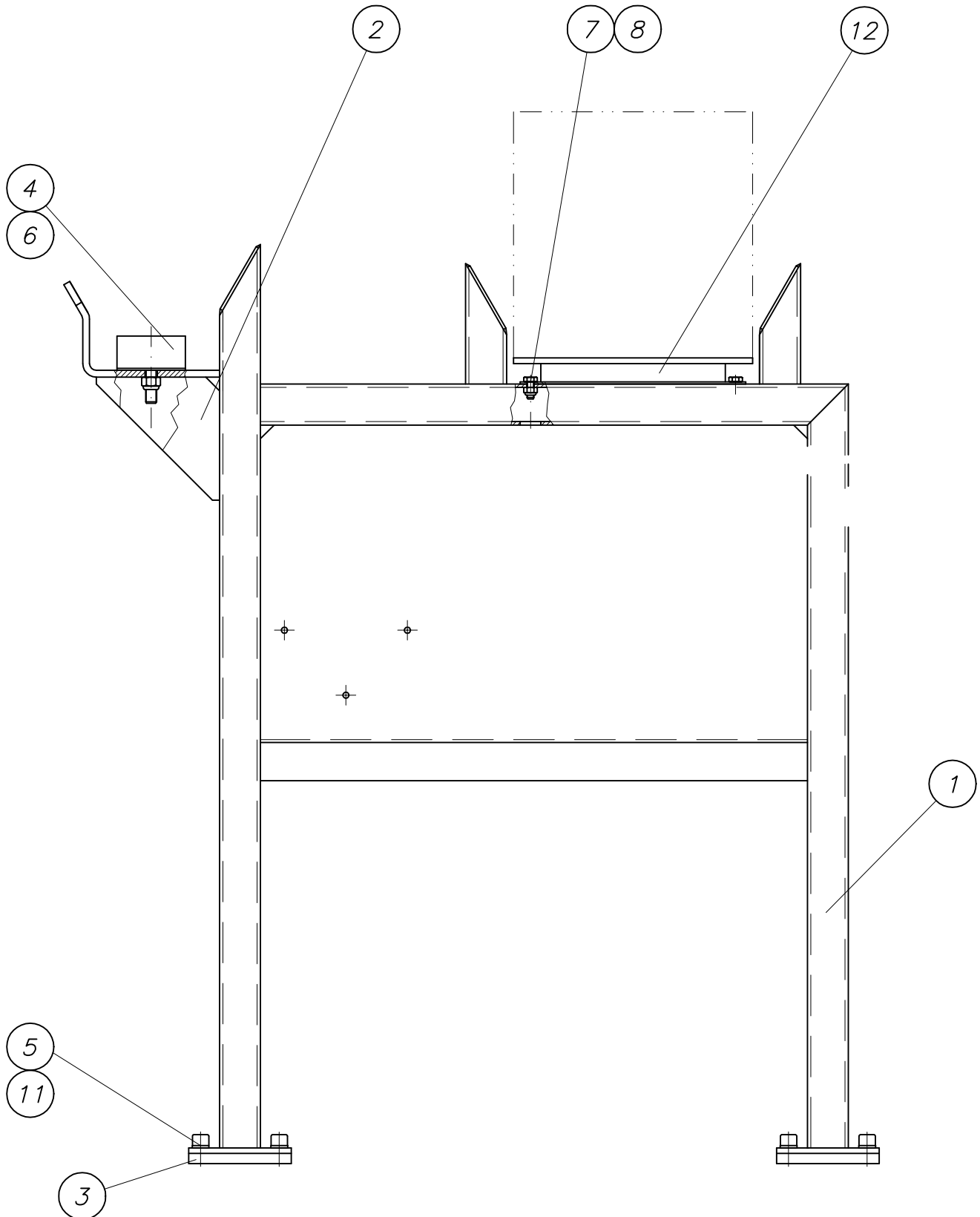
*Mastauflagebock kpl.*

*boom support cpl.*

*B 08 4 185*



*Waitzinger  
Baumaschinen GmbH*

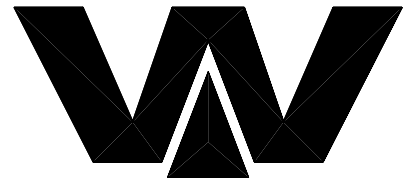




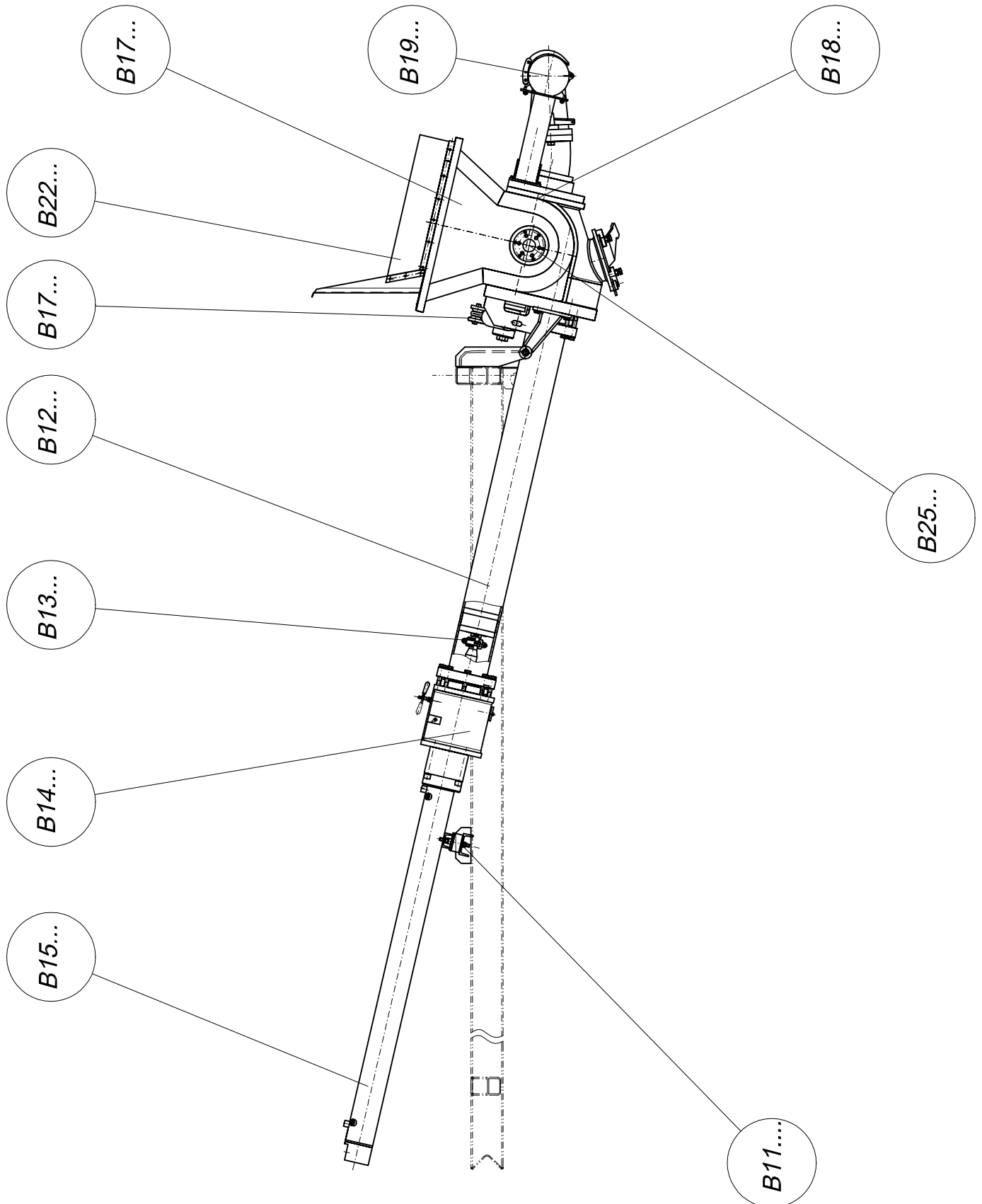
## PARTS LIST

part list	description	created	index	valid from	valid to	
B084185	boom support cpl.	14.03.01 Mi				
pos	description stock	ident-no dimensions	DIN material	index	weighth Kg	quantity unit
1	boom support (weld.) 36XXT own parts list	B084184		a 17.07.02	64,35	1,00 Stk
2	console cpl. for boom support own parts list	B084122			7,00	1,00 Stk
3	flange	B084102 FI 150x15x130	1017 St37-2		2,20	2,00 Stk
4	rubber buffer 100 x 50	WAI103478				1,00 Stk
5	cheese head screw M 16 x 25	WAI103488				8,00 Stk
6	nut M16 DIN 982	WAI103046				1,00 Stk
7	hex. nut M10 DIN985 8.	WAI102125			0,01	2,00 Stk
8	hex. bolt M 10 x 25	WAI101014			0,02	2,00 Stk
11	spring washer A16	WAI103489			0,01	8,00 Stk
12	rubber cushion	WAI104799				1,00 Stk

*Übersicht B 10 - B 29*  
*over view B 10 - B 29*

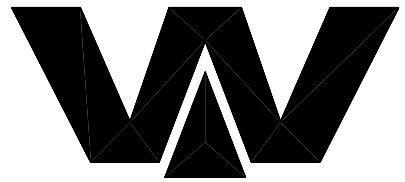


Waltzinger  
Baumaschinen GmbH

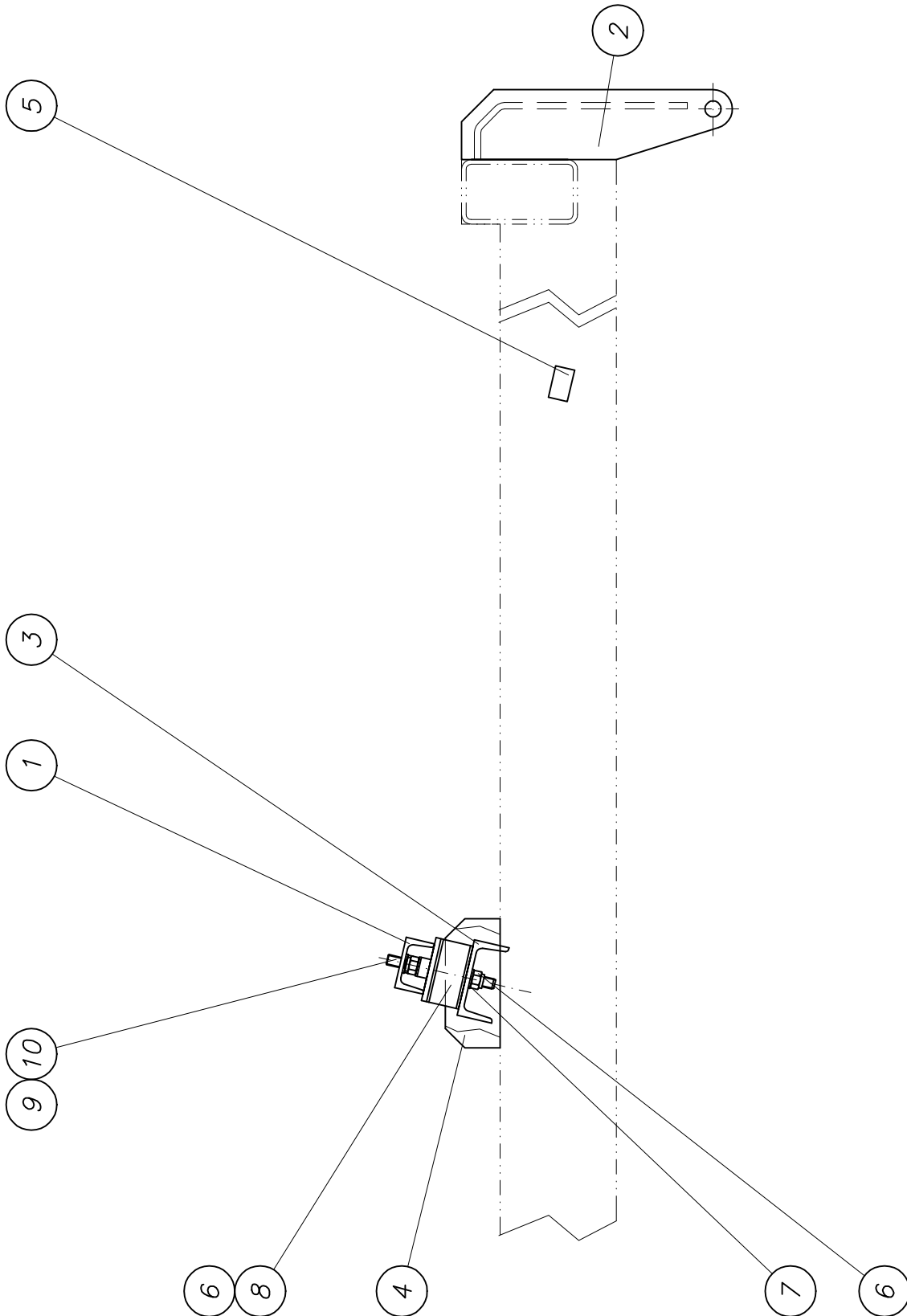


*Pumpenlagerung Steuerblock*  
*pump support control block*

**B 11 4 215**



*Waitzinger*  
*Baumaschinen GmbH*



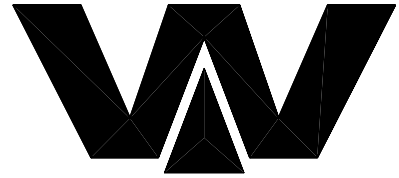


## PARTS LIST

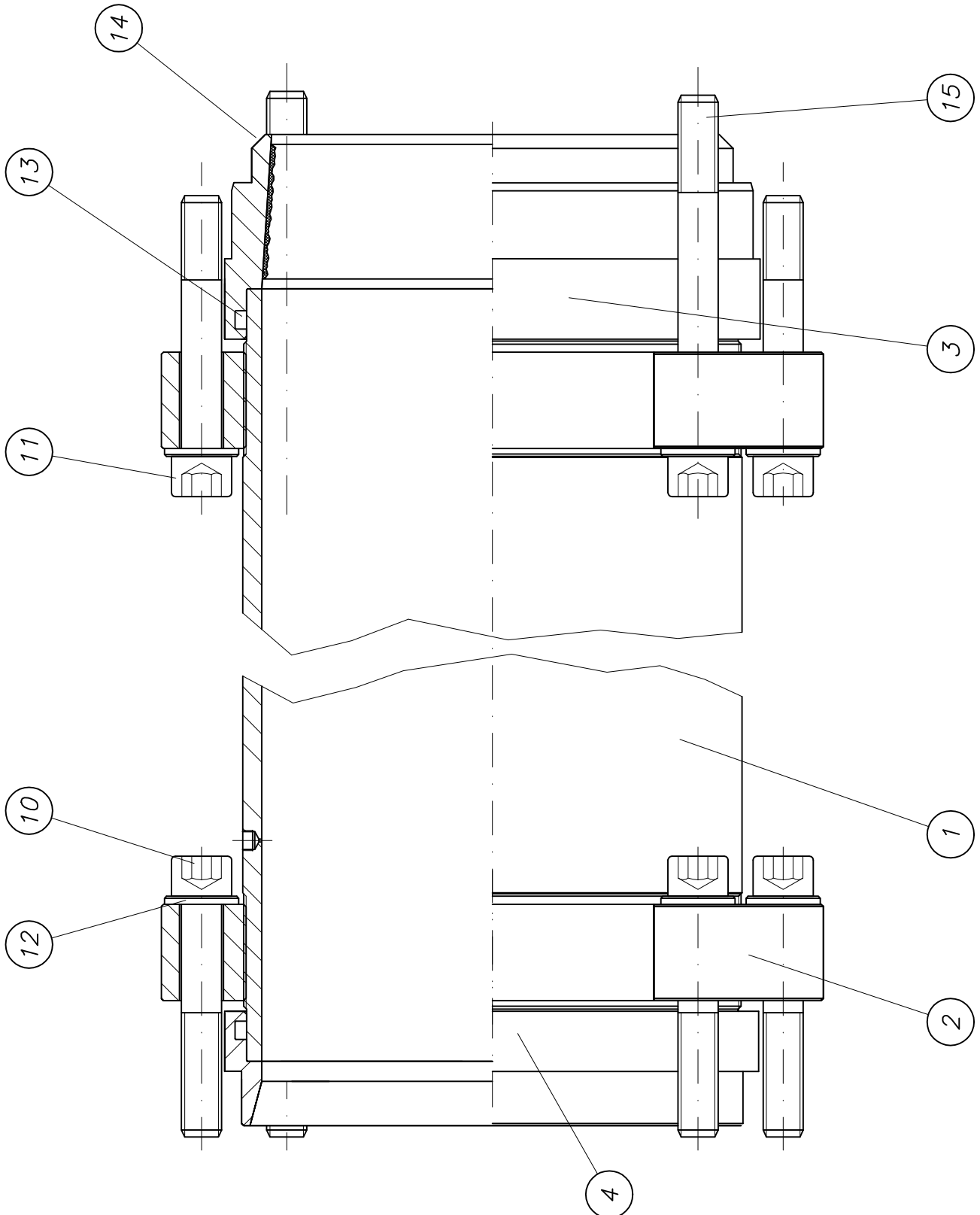
<b>part list</b>	<b>description</b>	<b>created</b>	<b>index</b>	<b>valid from</b>	<b>valid to</b>	
B114215	pump support cpl. for control block	16.09.03 ute				
<b>pos</b>	<b>description stock</b>	<b>ident-no dimensions</b>	<b>DIN material</b>	<b>index</b>	<b>weigh Kg</b>	<b>quantity unit</b>
1	beam cpl. own parts list	B113015			6,30	1,00 Stk
2	bracket cpl. own parts list	B114153			10,70	2,00 Stk
3	cross profile	B114191 U 120x55x7x699	1026 St52-3		9,10	1,00 Stk
4	bracket	B114157 Bl 15x85x200	1543/EN10029 St52-3		1,86	2,00 Stk
5	lock bracket	B114158 Bl 25x30x50	1543/EN10029 St37-2		0,30	2,00 Stk
6	nut M16 DIN 985	WAI102330				4,00 Stk
7	washer 17, DIN 125	WAI102893				2,00 Stk
8	rubber buffer 100 x 55	WAI102713				2,00 Stk
9	hexagon bolt M16 x 30	WAI102892				2,00 Stk
10	spring washer A16	WAI102072			0,01	2,00 Stk

Förderzylinder kpl.  
conveying cylinder cpl.

B 12 4 020



Waitzinger  
Baumaschinen GmbH



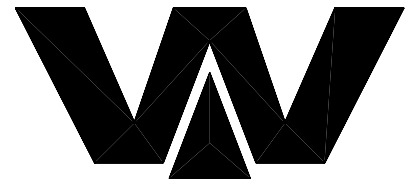


## PARTS LIST

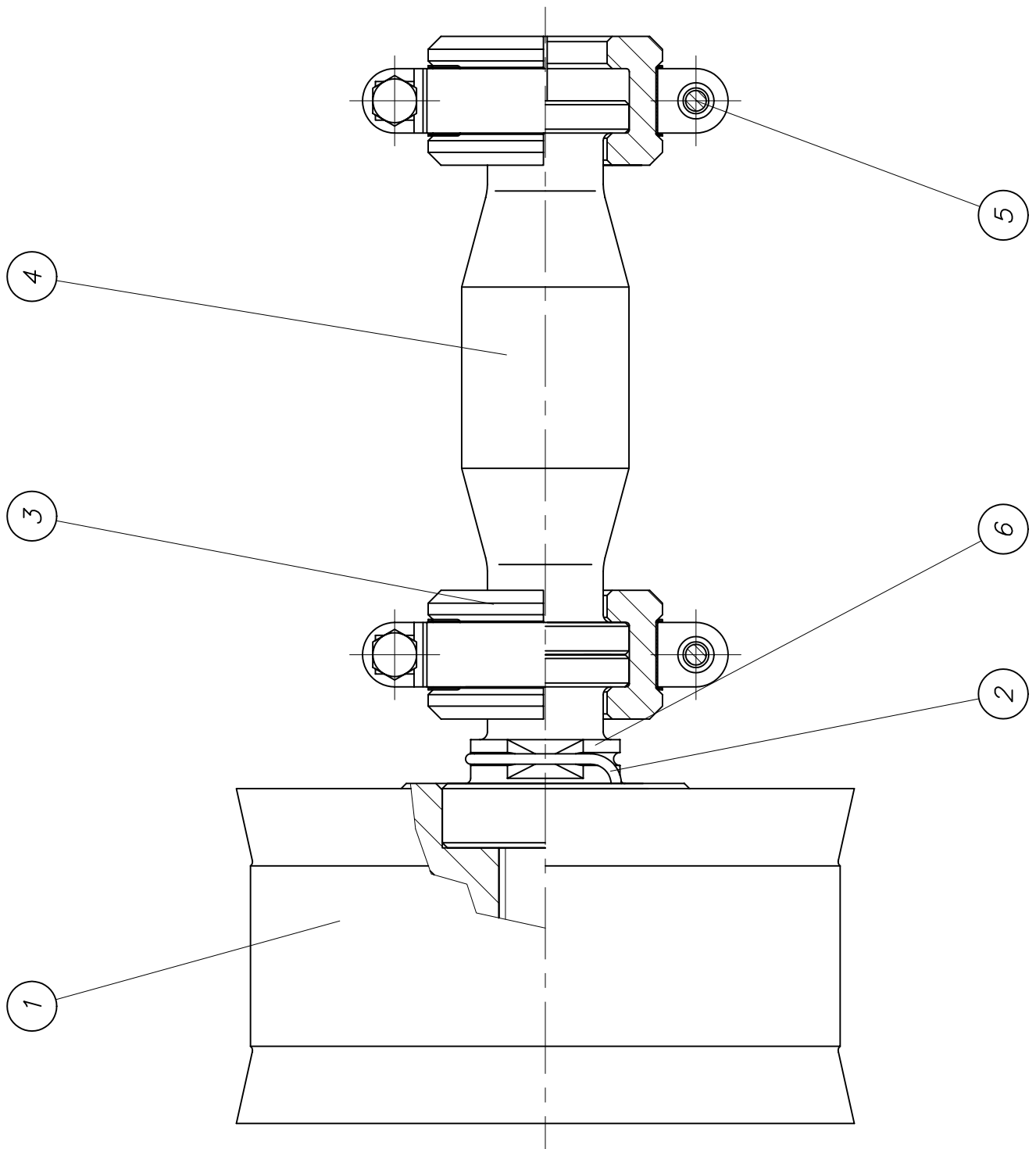
part list	description	created	index	valid from	valid to	
B124020	conveyor cylinder cpl. DN230/215x2000	17.03.00 Mi				
pos	description stock	ident-no dimensions	DIN material	index	weighth Kg	quantity unit
1	conveyor cylinder DN230x2000 chromized	B124019 Rohr 250x12.5x2	2448 St52.0		150,00	2,00 Stk
2	flange ring DN 230 threaded	B124021 Bl 55xd330	1543/EN10029 St52-3		12,20	4,00 Stk
3	fitting ring DN230/215 with hardened	B124015 Rohr 267x35x108	2448 St52.0		8,88	2,00 Stk
4	fitting ring DN 230 water box	B123012 Rohr 267x36x65	2448 St52.0		6,00	2,00 Stk
10	cheese head screw M20 x 120	WAI103970				14,00 Stk
11	cheese head screw M20 x 130	WAI104885				6,00 Stk
12	washer HV	WAI100691			0,01	28,00 Stk
13	O-ring 244 x 7, NBR70	WAI102868				4,00 Stk
14	O-ring 230x5	WAI101090				2,00 Stk
15	cheese head screw M20 x 180	WAI102845				8,00 Stk

*Förderkolben kpl.*  
*conveying piston cpl.*

*B 13 3 020*



Waitzinger  
Baumaschinen GmbH





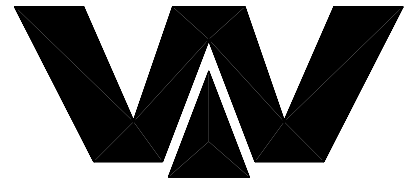
**PARTS LIST**

27.06.05 08:46:17

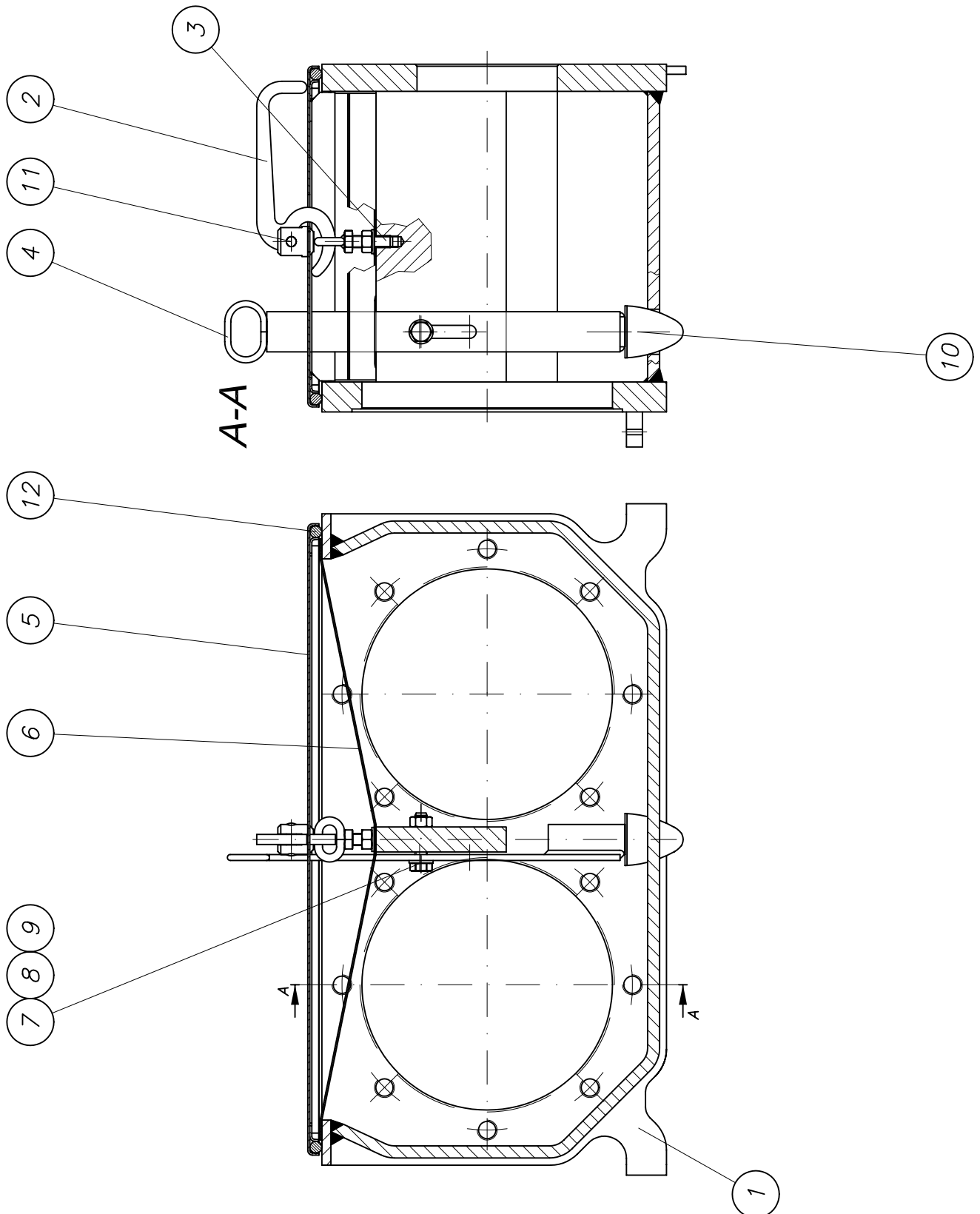
part list	description	created	index	valid from	valid to	
B133020	piston ram cpl. DN 230	08.07.98 Mi				
pos	description stock	ident-no dimensions	DIN material	index	weighth Kg	quantity unit
1	piston ram DN 230	WAI100175			19,90	2,00 Stk
2	protection ring	B133019 Federst. 4	17223			2,00 Stk
3	clamp coupling	B131004 Rd 95x50	1013 42CrMo4V			4,00 Stk
4	distance piece	B133003 Rd 70x225	1013 42CrMo4V			2,00 Stk
5	hose clamp S86/25	WAI101381			0,22	4,00 Stk
6	coupling bolt	B133018 Rd 82x120	1013 42CrMo4V		2,20	2,00 Stk

*Spülkasten kpl.*  
*water box cpl.*

*B 14 3 000*



Waitzinger  
Baumaschinen GmbH



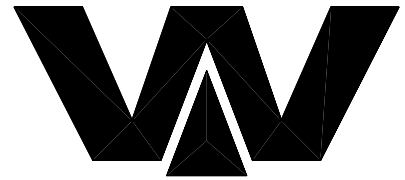


## PARTS LIST

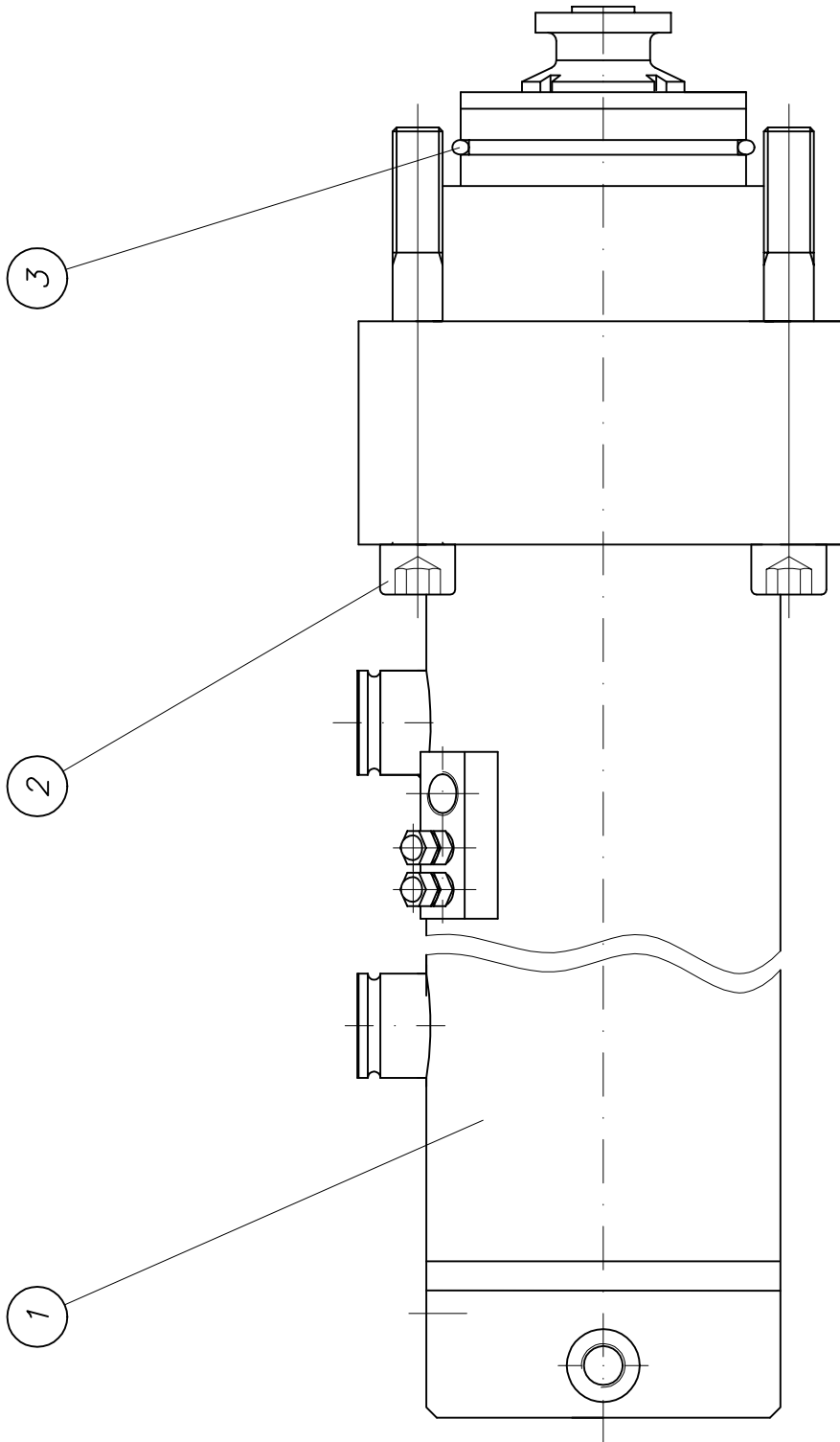
part list	description	created	index	valid from	valid to	
B143000	waterbox cpl. DN 200/230 plug	19.06.97 HG				
pos	description stock	ident-no dimensions	DIN material	index	weighth Kg	quantity unit
1	waterbox cpl. DN 200/230 (processing) own parts list	B143001		b 02.05.00		1,00 Stk
2	lever	B143007 Bl 10x195x78.5	1543/EN10029 St52-3			1,00 Stk
3	loop bolt cpl. own parts list	B143009			0,09	1,00 Stk
4	drain pin own parts list	B143011			1,14	1,00 Stk
5	cover for waterbox cpl. own parts list	B143015			4,55	1,00 Stk
6	savety lattice	B143020 Lochbl. 1.5x610	Rostfrei	a 28.05.03		1,00 Stk
7	hex. screw M12	WAI103688				1,00 Stk
8	nut M12 DIN 934	WAI101557			0,02	2,00 Stk
9	washer	WAI100504				2,00 Stk
10	rubber buffer 50 x 58	WAI102712				1,00 Stk
11	pin	WAI103387				1,00 Stk
12	O-ring cord 12mm	WAI101831				1,95 Mtr

*Antriebszylinder kpl.*  
*drive cylinder cpl.*

*B 15 4 032*



*Waitzinger*  
*Baumaschinen GmbH*



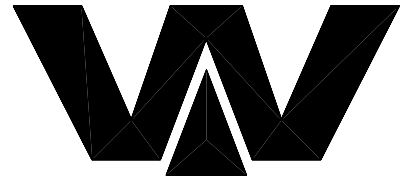


## PARTS LIST

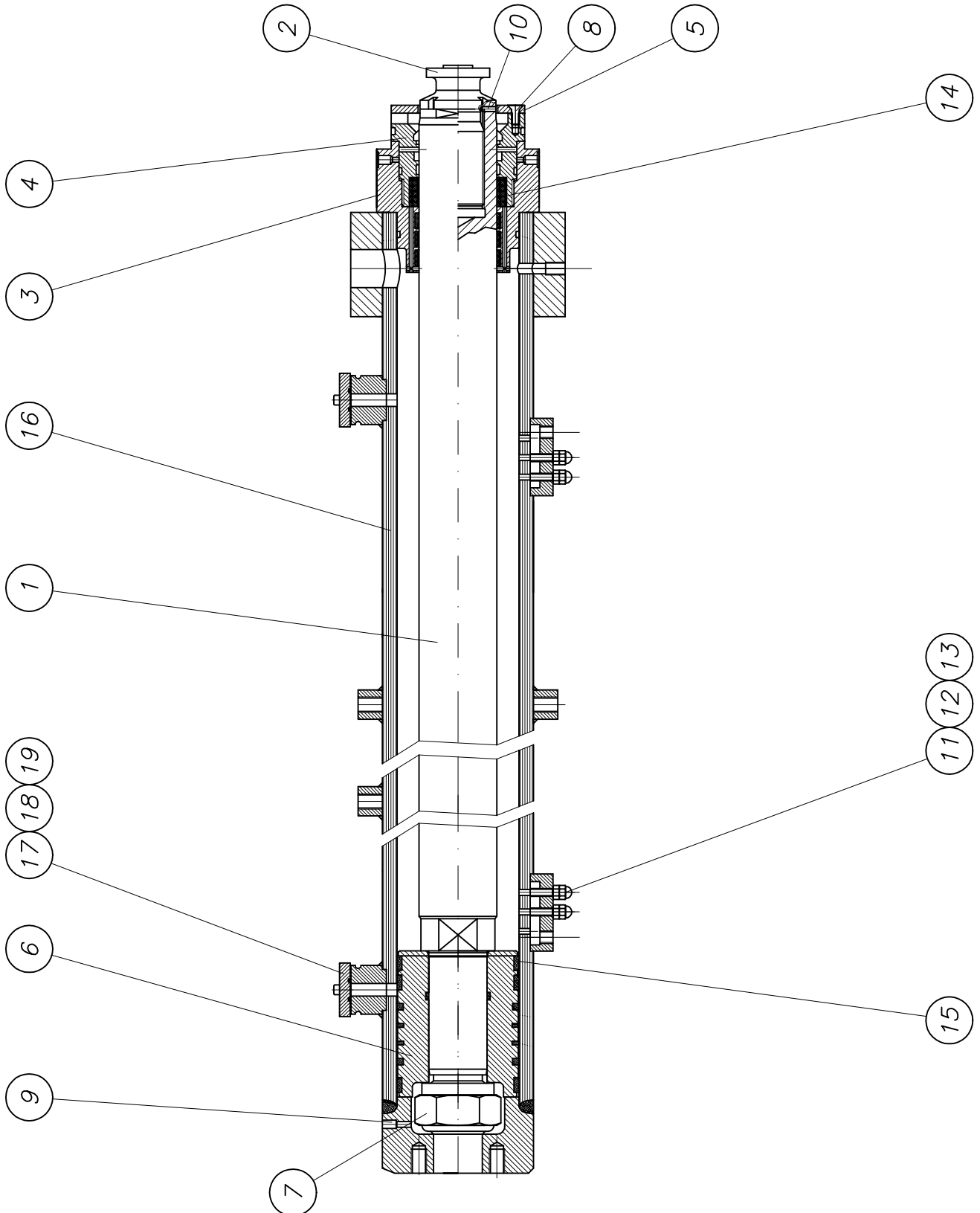
<b>part list</b>	<b>description</b>	<b>created</b>	<b>index</b>	<b>valid from</b>	<b>valid to</b>	
B154032	drive cylinder cpl. 125/80-2000	20.09.00 Mi				
<b>pos</b>	<b>description stock</b>	<b>ident-no dimensions</b>	<b>DIN material</b>	<b>index</b>	<b>weigh Kg</b>	<b>quantity unit</b>
1	drive cylinder 125/80-2000 own parts list	WAI106355		a 30.10.03	280,00	2,00 Stk
2	cylinder head screw M 24 x 200	WAI103828				8,00 Stk
3	O-ring 129,2 x 5,7	WAI101441				2,00 Stk

*Antriebszylinder kpl.*  
*drive cylinder cpl.*

*WAI 106355a*



Waitzinger  
Baumaschinen GmbH





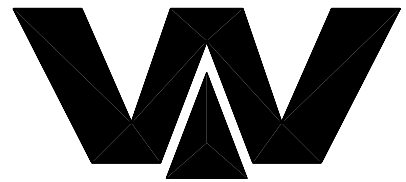
## PARTS LIST

part list	description	created	index	valid from	valid to	
WAI106355	drive cylinder 125/80-2000	06.09.00 hbk	a	30.10.03		
pos	description stock	ident-no dimensions	DIN material	index	weigh Kg	quantity unit
1	piston rod for drive cylinder	WAI105724 Rd 90x2173	1013 Ck45			1,00 Stk
2	piston joint	WAI104146 Rd 80x131	1013 42CrMo4V		1,87	1,00 Stk
3	guide piece for drive cylinder 125	WAI105950 Rd 180x142	1013 St52	a 21.07.03		1,00 Stk
4	sealing carrier for drive cylinder	WAI104890	GGG 40	a 29.07.03		1,00 Stk
5	aperture for drive cylinder	WAI105726 8x d137	Polyamid			1,00 Stk
6	piston 125	WAI106353		b 21.07.03	13,00	1,00 Stk
7	piston nut for drive cylinder	WAI105728				1,00 Stk
8	sunk screw M 8 x 20	WAI103397				3,00 Stk
9	locking screw G 1/8	WAI100528				3,00 Stk
10	set screw	WAI105739				1,00 Stk
11	hex. nut M8 DIN 934 8. VERZ.	WAI102880				4,00 Stk
12	cap nut M8	WAI104933				4,00 Stk
13	set screw	WAI105740				4,00 Stk
14	sealing set for drive cylinder 125/80 own parts list	WAI104690				1,00 Stk
15	sealing set for drive cylinder 125/80 own parts list	WAI106354				1,00 Stk
16	cylinder pipe cpl. 125	WAI106148		b 21.07.03		1,00 Stk
17	cover for sensor connection	B154017 Rd 11x55	1013 S235J2G3		0,20	2,00 Stk
18	o-ring	WAI108533				2,00 Stk
19	alien bolt M 6x25	WAI103673				4,00 Stk

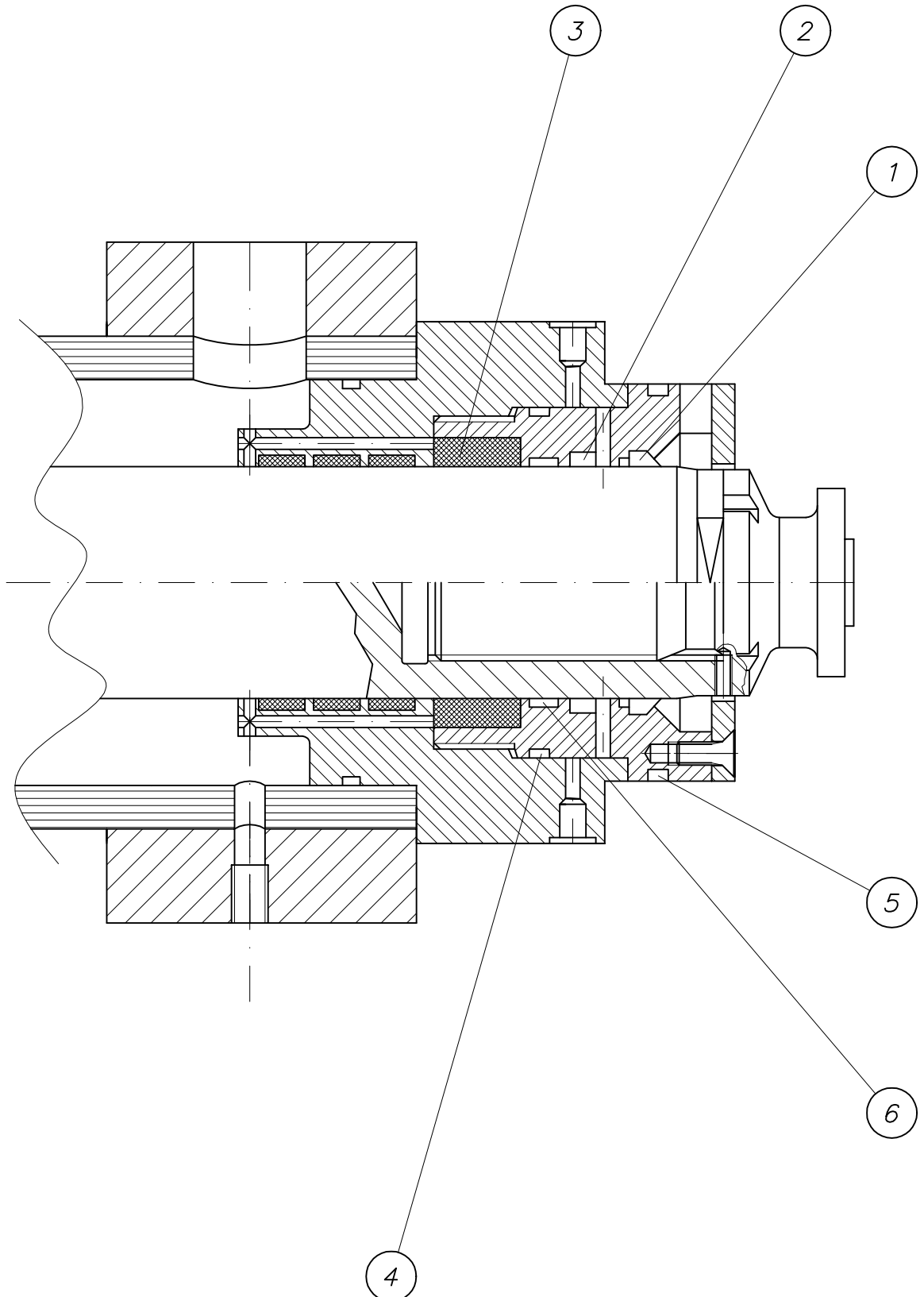
*Stangendichtsatz*

*rod sealing set*

*WAI 104690*



*Waitzinger  
Baumaschinen GmbH*





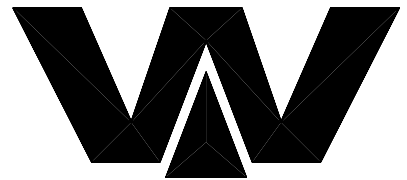


## PARTS LIST

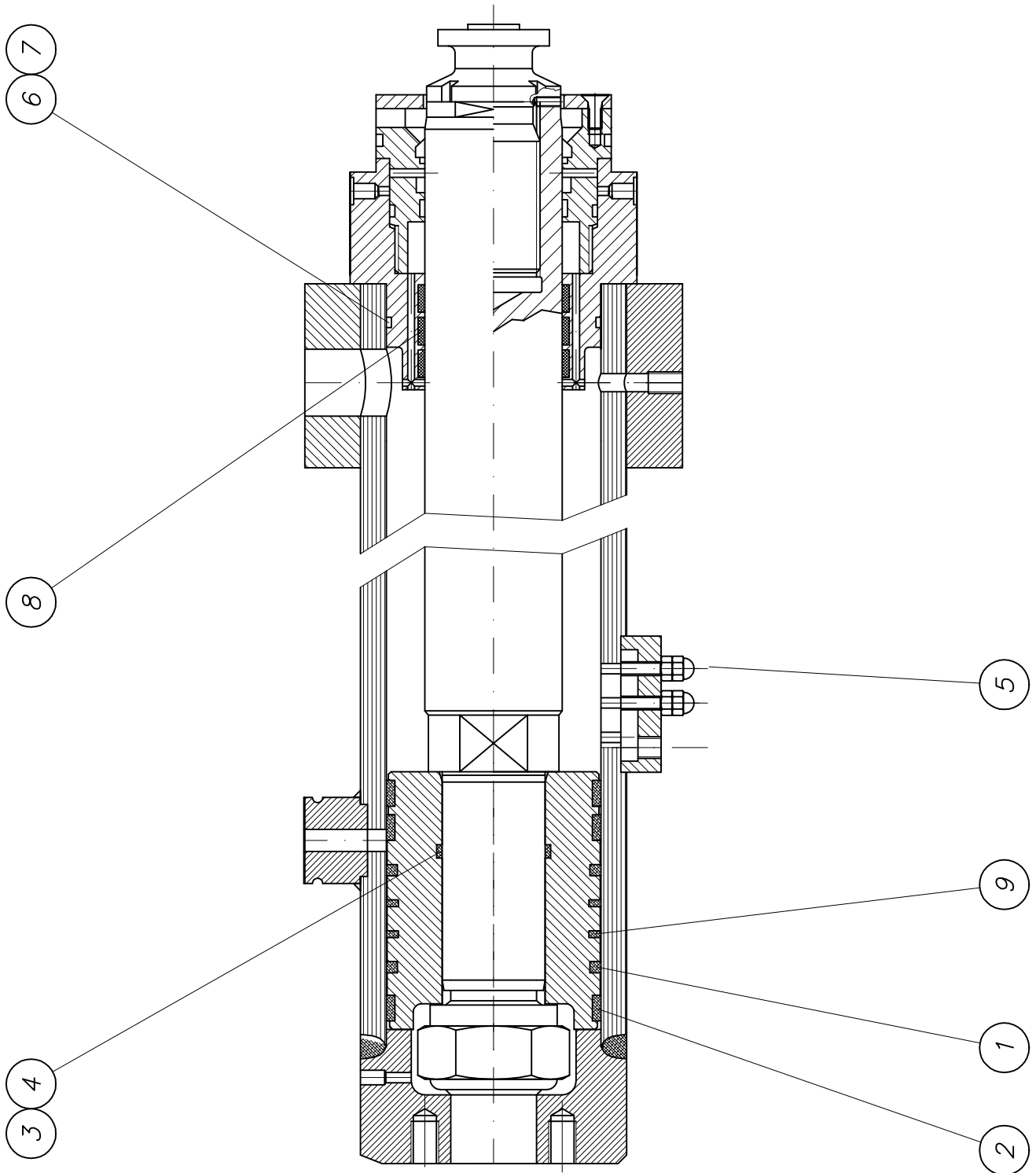
part list	description		created	index	valid from	valid to
WAI104690	sealing set for drive cylinder 125/80		30.08.99 Mi			
pos	description stock	ident-no dimensions	DIN material	index	weigh Kg	quantity unit
1	wiper	WAI100259			0,00	1,00 Stk
2	wiper	WAI105729				1,00 Stk
3	v-packing 80 x 100 x 30	WAI102584				1,00 Stk
4	sealing for drive cylinder	WAI105732				1,00 Stk
5	o-ring	WAI105731				1,00 Stk
6	rod support for drive cylinder	WAI105738				1,00 Stk

*Dichtsatz für Antriebszylinder*  
*sealing set for drive cylinder*

*WAI 106354*



*Waitzinger*  
*Baumaschinen GmbH*



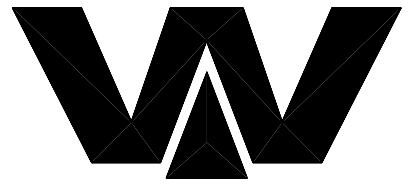


# PARTS LIST

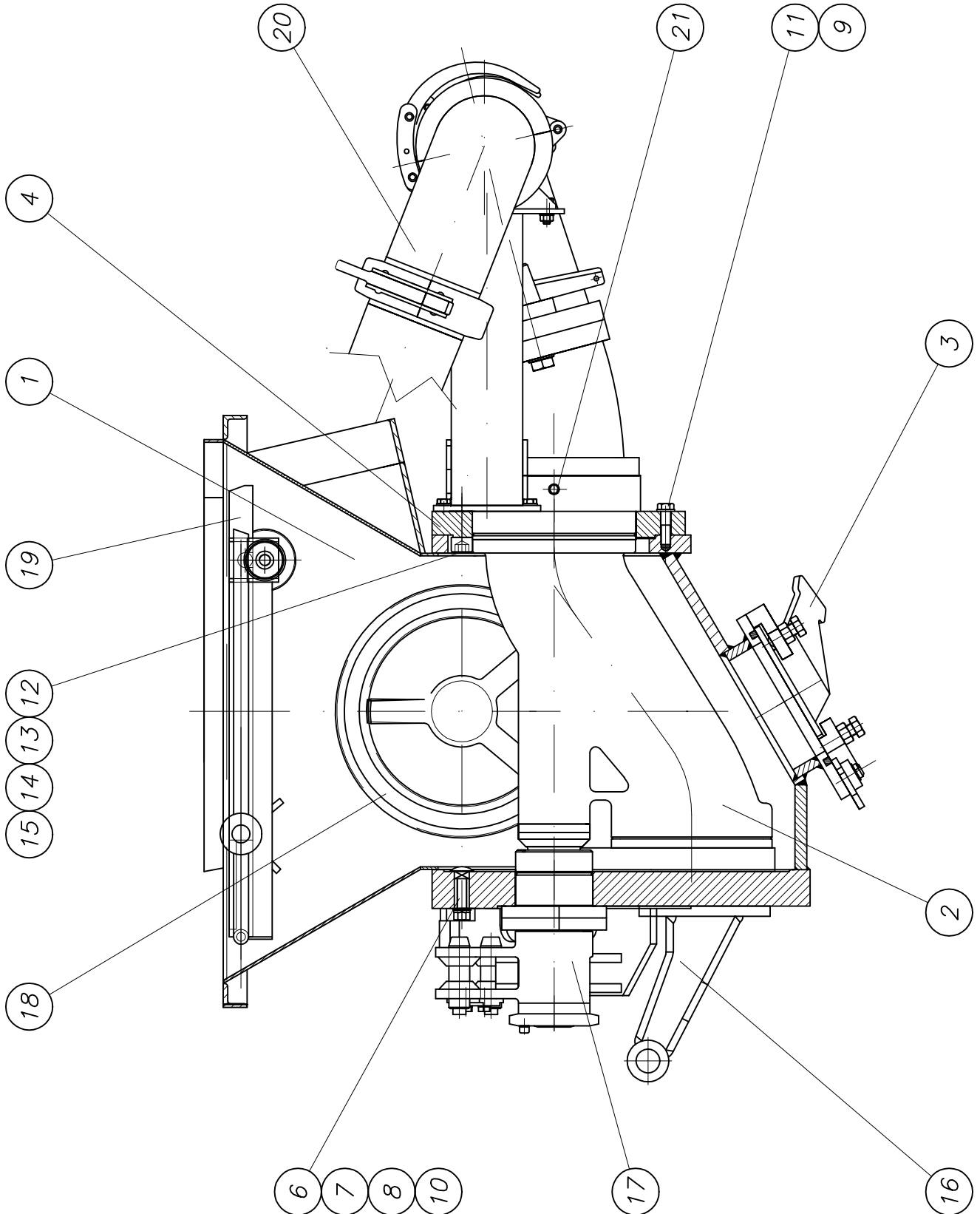
part list	description	created	index	valid from	valid to	
WAI106354	sealing set for drive cylinder 125/80	06.09.00 hbk				
pos	description stock	ident-no dimensions	DIN material	index	weigh Kg	quantity unit
1	piston ring permasel DN125	WAI100260			0,05	2,00 Stk
2	rod support for drive cylinder	WAI105738				3,00 Stk
3	back-up ring	WAI105736				2,00 Stk
4	o-ring	WAI105734				1,00 Stk
5	usit-ring 8.7-14-1	WAI101269				8,00 Stk
6	back-up ring	WAI105951				1,00 Stk
7	o-ring	WAI105952				1,00 Stk
8	rod support for drive cylinder	WAI105730				3,00 Stk
9	piston ring	WAI106357				2,00 Stk

*Schiebersystem kpl.*  
*s-valve system cpl.*

**B 17 4 155**



Waitzinger  
Baumaschinen GmbH





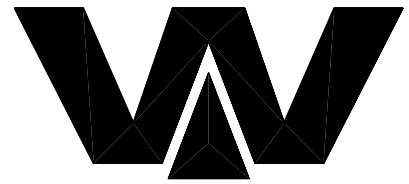
## PARTS LIST

part list	description	created	index	valid from	valid to	
B174155	s-valve system cpl.	17.09.03 HF				
pos	description stock	ident-no dimensions	DIN material	index	weigh Kg	quantity unit
1	s-valve housing with light panel own parts list	B174139				1,00 Stk
2	s-valve system cpl. own parts list	B174090		d 02.04.03		1,00 Stk
3	cleaning hole assembly own parts list	B173085				1,00 Stk
4	rear plate	B174077 Blech45x575x440	1543/EN10029 St52-3	a 04.08.98	40,00	1,00 Stk
6	cup square neck bolt M 16 x 80	WAI105047				2,00 Stk
7	washer 17, DIN 125	WAI102893				2,00 Stk
8	spring washer A16	WAI102072			0,01	2,00 Stk
9	hexagon bolt M 16 x 60	WAI103282			0,12	9,00 Stk
10	nut M16 DIN 934	WAI101555				2,00 Stk
11	conical spring washer	WAI100506				9,00 Stk
12	cheese head screw M 24 x 80	WAI102853				2,00 Stk
13	spring washer	WAI101786			0,00	2,00 Stk
14	washer 25, DIN 125	WAI103298				2,00 Stk
15	nut M24 DIN 934	WAI102851				2,00 Stk
16	pump support cpl. for hopper own parts list	B114216		a 16.06.04		1,00 Stk
17	shift drive system cpl. own parts list	B174030		b 31.05.05		1,00 Stk
18	agitator with drive own parts list	B254120		b 05.10.99		1,00 Stk
19	grid cpl. own parts list	B224065		a 29.11.04		1,00 Stk
20	conveying pipe line cpl. HP9420/12523 own parts list	B194140		c 23.08.05		1,00 Stk
21	lubrication system complete own parts list	B183007		c 14.10.03		1,00 Stk

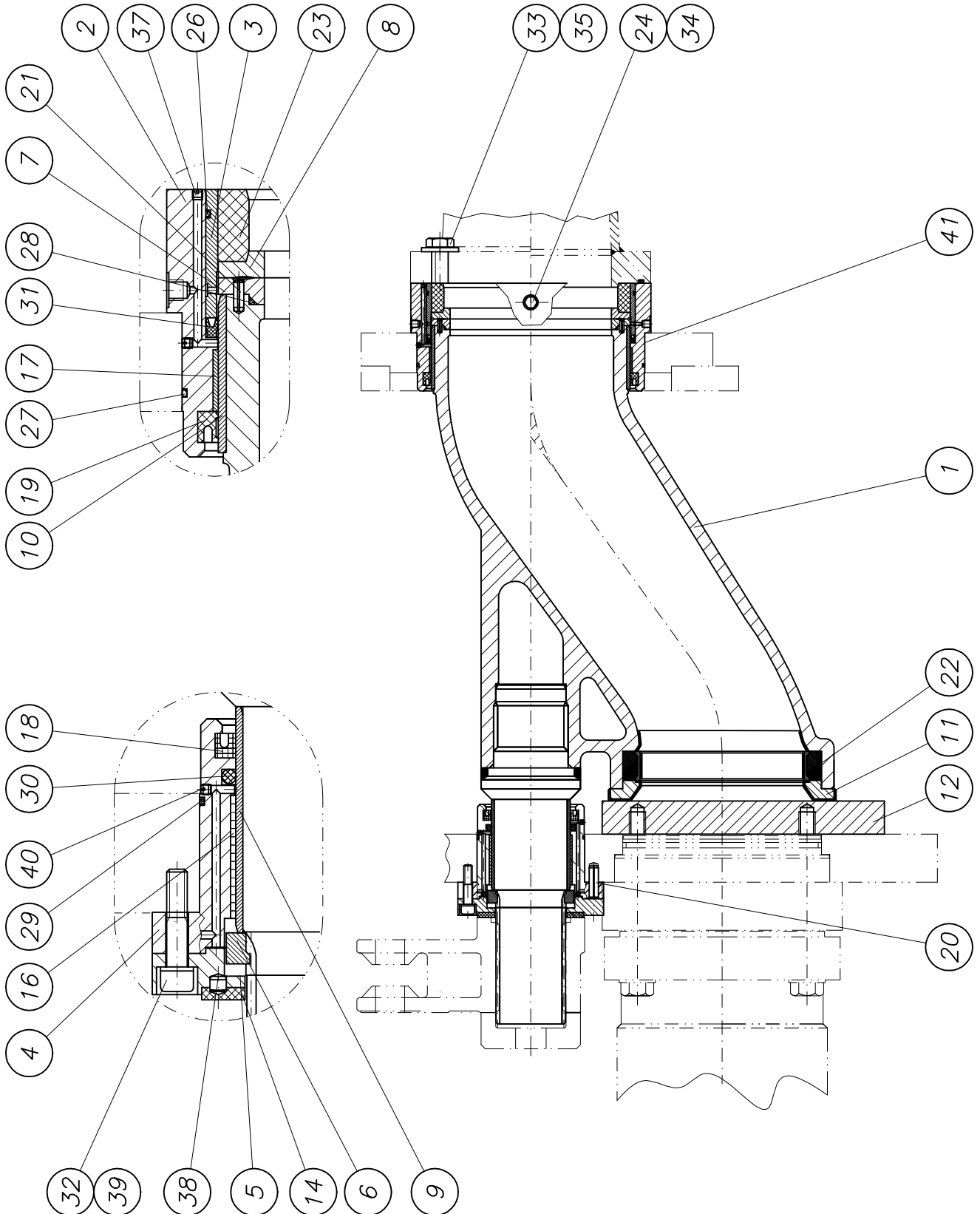
S-Rohr kpl.

s-valve cpl.

B 17 4 090d



Waitzinger  
Baumaschinen GmbH





## PARTS LIST

part list	description	created	index	valid from	valid to	
B174090	s-valve system cpl.	26.01.98 Mi	d	02.04.03		
pos	description stock	ident-no dimensions	DIN material	index	weighth Kg	quantity unit
1	s-valve cpl. DN 200 w/o ring appendix own parts list	B174089				1,00 Stk
2	bearing housing big (processing) own parts list	B174022		a 23.05.05	18,50	1,00 Stk
3	distance ring	B174023 Rohr 273x20x65	2448 St37	a 16.06.04	2,20	1,00 Stk
4	bearing housing small	B174024 Rd 180x120	1013 St52-3	a 09.01.97	5,05	1,00 Stk
5	flange	B174025 Rd 180x25	1013 St52-3	b 17.06.04		1,00 Stk
6	profile	B174026 Rd 110x21	GG-25	a 06.06.97	2,50	1,00 Stk
7	sliding ring DN 200 S-valveside	B174027 Modell WAI 1004	G-X CrMo 15 3		1,10	1,00 Stk
8	slide ring DN 200 clampringside	B174028			1,10	1,00 Stk
9	wear bushing small	B172105 Rohr 101.6x8x11	2448 StE690	b 30.07.99	0,80	1,00 Stk
10	wear bushing big	B172107 Rohr 244.5x15.2	2458 StE 690	c 30.07.99	1,80	1,00 Stk
11	wear ring DN 200	B174087 BI 30xd270	1543/EN10029 St52-3		4,30	1,00 Stk
12	wear plate DN 215	B174091 BI 40x350x590	1543/EN10029 St52-3	a 05.08.98	31,00	1,00 Stk
14	axial bearing washer	B173012	Orkot TLG	a 17.06.04		1,00 Stk
16	bushing 95x100x60 BO9	WAI100237			0,39	1,00 Stk
17	bushing 240x245x30 BO 9	WAI100236			0,48	1,00 Stk
18	groove ring 95x115x12 own parts list	B173077			0,04	1,00 Stk
19	groove ring 240x260x15 own parts list	B173078			0,04	1,00 Stk
20	clamping sleeve 12 x 40	WAI103076				1,00 Stk
21	clamping sleeve 5 x 15	WAI103077				2,00 Stk
22	tension ring	WAI103378			0,60	1,00 Stk
23	tension ring hard	WAI100262			0,52	1,00 Stk
24	usit-ring 8.7-14-1	WAI101269				1,00 Stk



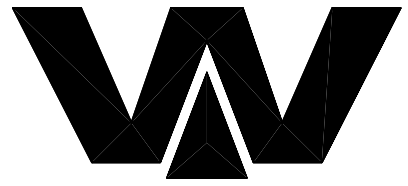
## PARTS LIST

part list	description	created	index	valid from	valid to	
B174090	s-valve system cpl.	26.01.98 Mi	d	02.04.03		
pos	description stock	ident-no dimensions	DIN material	index	weighth Kg	quantity unit
26	O-ring 244 x 3	WAI103365				1,00 Stk
27	O-ring	WAI100481				1,00 Stk
28	O-ring 205x3	WAI100625				1,00 Stk
29	O-ring 124x3	WAI100486			0,00	1,00 Stk
30	O-ring 95x7	WAI100485			0,02	1,00 Stk
31	forseal 240	WAI103078			0,20	1,00 Stk
32	cheese head screw M12x45	WAI103151				3,00 Stk
33	hexagon bolt M20 x 120	WAI101589				4,00 Stk
34	hexagon bolt M8 x 25 DIN 933 8.8	WAI101621				1,00 Stk
35	conical spring washer	WAI102110			0,05	4,00 Stk
37	set screw	WAI100499				2,00 Stk
38	straight pin	WAI103080				1,00 Stk
39	spring washer A12	WAI103113				3,00 Stk
40	set screw	WAI102710				4,00 Stk
41	washer	B174093 Bl 1x145x290	1543/EN10029 S235J2G3			2,00 Stk

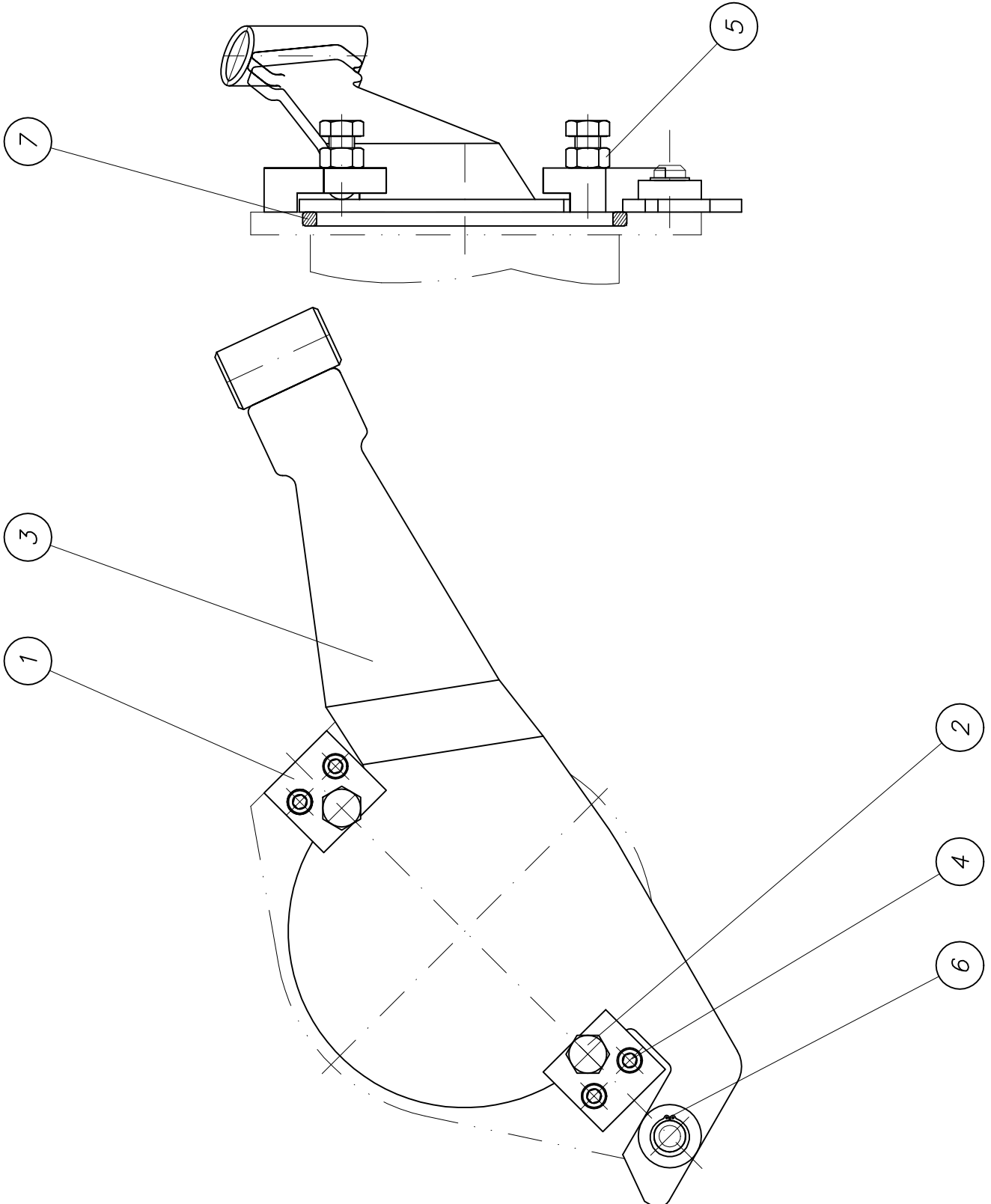


*Reinigungsklappe kpl.*  
*cleaning cover cpl.*

**B 17 3 085**



Waitzinger  
Baumaschinen GmbH



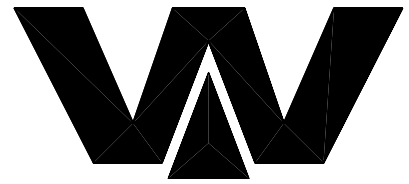


## PARTS LIST

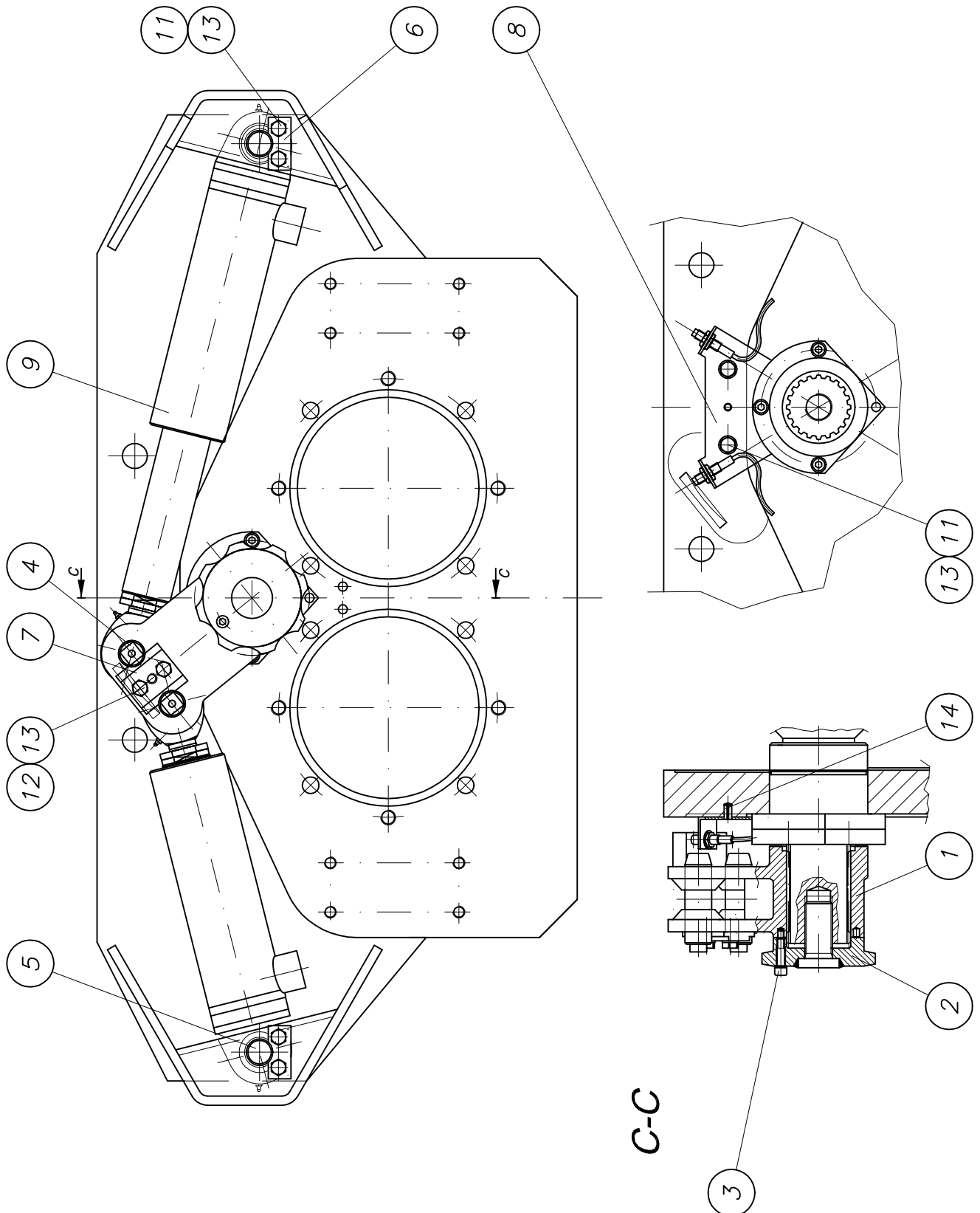
part list	description	created	index	valid from	valid to	
B173085	cleaning hole assembly	22.10.96 JR				
pos	description stock	ident-no dimensions	DIN material	index	weighth Kg	quantity unit
1	plate	B172126 Bl 40x67x70	1543/EN10029 St52-3		0,89	2,00 Stk
2	screw M 20 (processing) own parts list	B172128 6-Kt.Schraube M	933-8.8		0,18	2,00 Stk
3	cover cpl. for cleaning cover own parts list	B172130		a 15.06.04	9,00	1,00 Stk
4	cheese head screw M 12 x 40	WAI102855				4,00 Stk
5	nut M20 DIN 934	WAI102891				2,00 Stk
6	locking ring	WAI102864				1,00 Stk
7	O-ring cord 12mm	WAI102908				0,78 Mtr

Schwenkantrieb kpl.  
tilting drive cpl.

B 17 4 030b



Waitzinger  
Baumaschinen GmbH



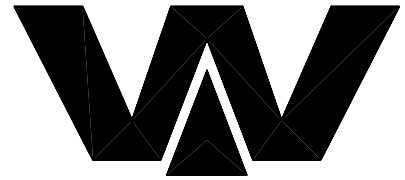


## PARTS LIST

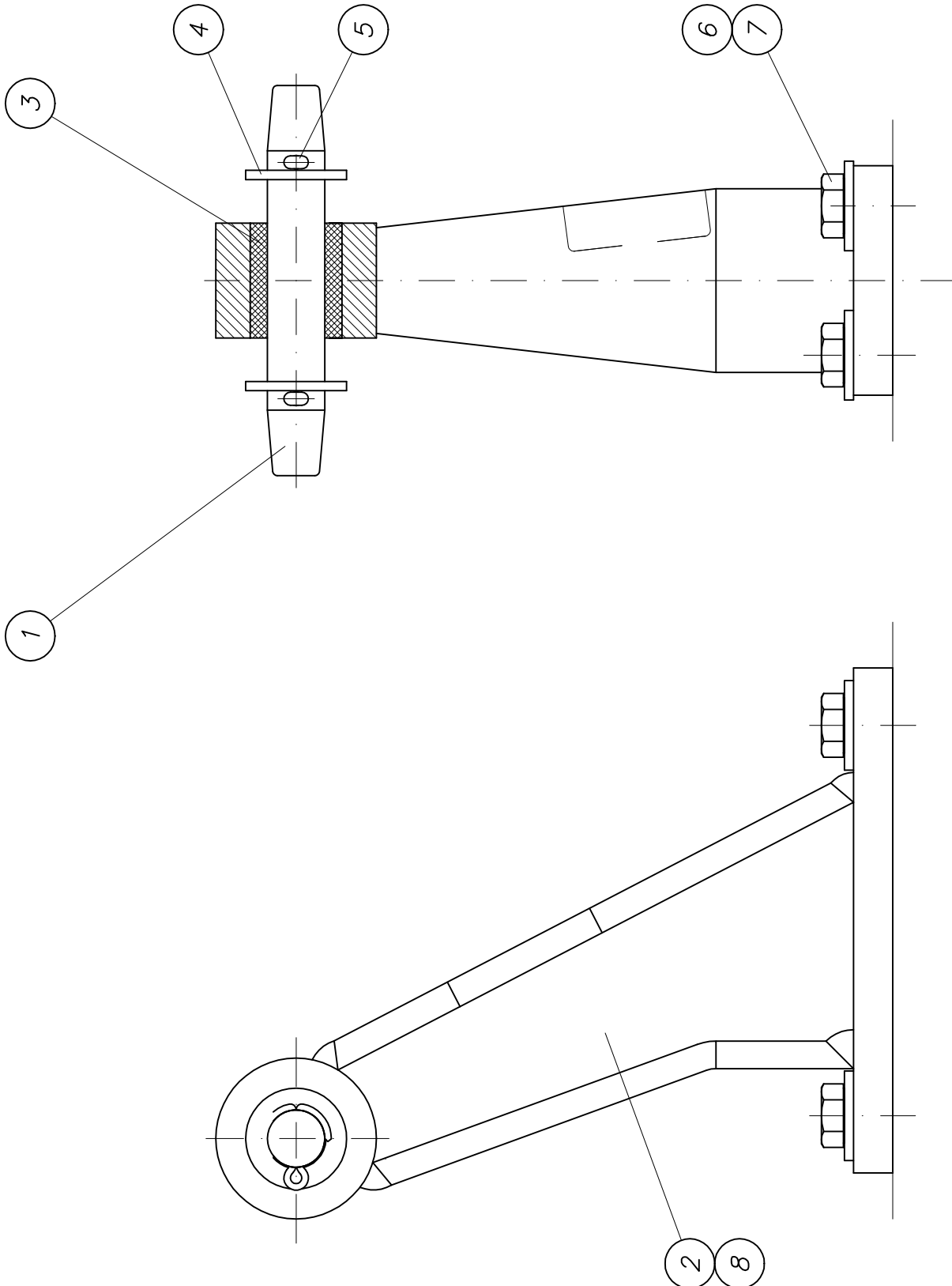
part list	description	created	index	valid from	valid to	
B174030	shift drive system cpl. own parts list	26.06.97 HG	b	31.05.05		
pos	description stock	ident-no dimensions	DIN material	index	weighth Kg	quantity unit
1	lever arm (processing) own parts list	B174031		a 21.02.97	13,00	1,00 Stk
2	adjusting screw cpl. own parts list	B174032		a 14.07.98		1,00 Stk
3	screw M 10 x 50 (processing) own parts list	B174035				1,00 Stk
4	bolt	B173019 Rd 40x125	1013 42CrMo4V		0,83	2,00 Stk
5	bolt	B173066 Rd 40x115	1013 42CrMo4V	a 06.04.00	0,80	2,00 Stk
6	axle retainer	B173067 FI 30x6x70	1017 St52-3		0,13	2,00 Stk
7	axle retainer	B174083 BI 12x64x70	1543/EN10029 St37		0,31	1,00 Stk
8	sensor support	B174084 BI 3x212x257	1543/EN10029 St37-2		0,04	1,00 Stk
9	tilting cylinder D 65x220	WAI109491			23,00	2,00 Stk
11	hex. bolt M12 x 25 DIN 933 8.8	WAI101001			0,04	6,00 Stk
12	hex. bolt M12x30 DIN 933 8.8	WAI102107			0,04	2,00 Stk
13	conical spring washer 12 mm	WAI102877				8,00 Stk
14	clamping sleeve 10 x 20	WAI102881				1,00 Stk

*Pumpenlagerung Trichter*  
*pump support hopper*

**B 11 4 216a**



Waitzinger  
Baumaschinen GmbH





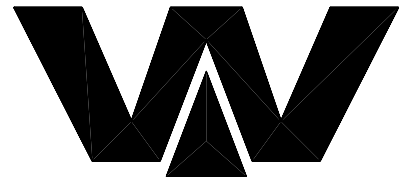
## PARTS LIST

part list	description	created	index	valid from	valid to	
B114216	pump support cpl. for hopper	16.09.03 ute	a	16.06.04		
pos	description stock	ident-no dimensions	DIN material	index	weighth Kg	quantity unit
1	bolt	B113021 Rd 30x175	1013 42CrMo4V	a 13.02.02	0,65	2,00 Stk
2	bracket cpl. (processing drawing) own parts list	B114205			8,70	1,00 Stk
3	rubber buffer 40 x 25 x 50	WAI102489			0,21	2,00 Stk
4	washer 26, DIN 126	WAI103411				4,00 Stk
5	pin	WAI100940				4,00 Stk
6	hexagon bolt M 16 x 50	WAI103278				8,00 Stk
7	conical spring washer	WAI100506				8,00 Stk
8	bracket cpl. (processing drawing) own parts list	B114206			8,70	1,00 Stk

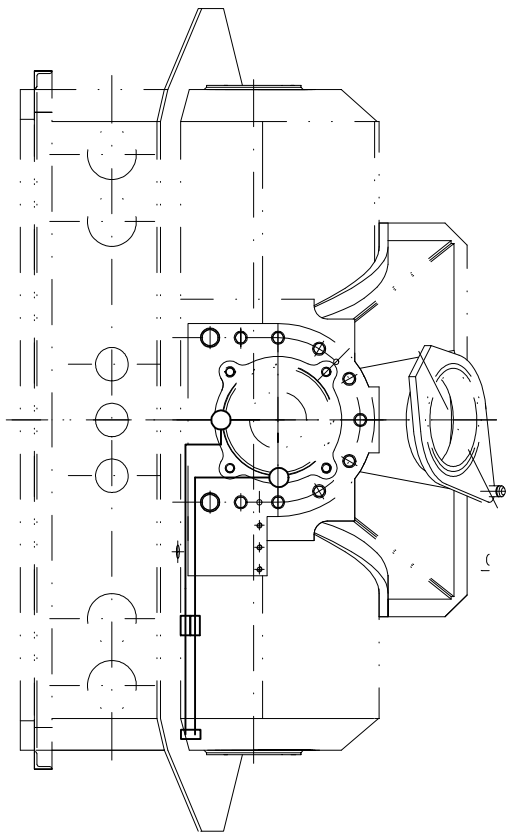
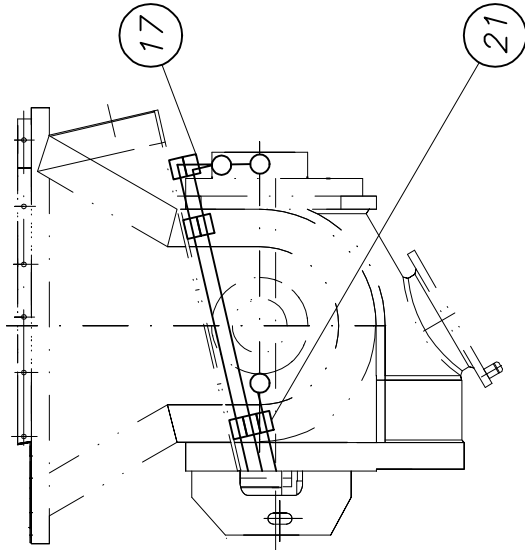
*Schmieranlage kpl*  
*lubrication system cpl.*

**B 18 3 007c**

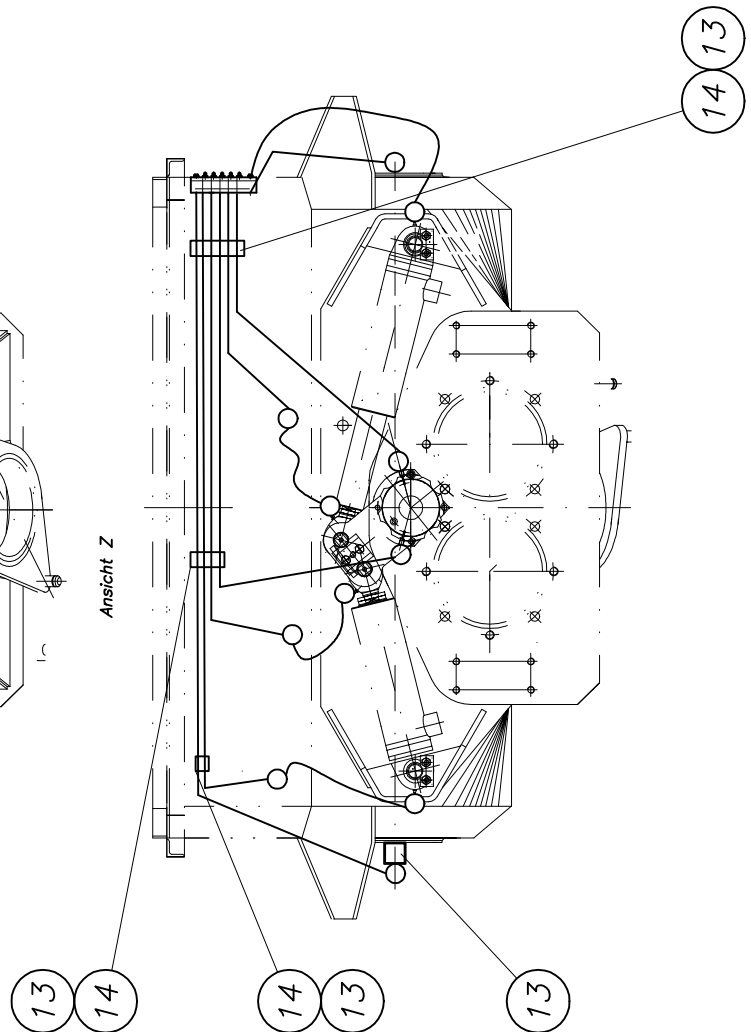
**1**



Waitzinger  
Baumaschinen GmbH



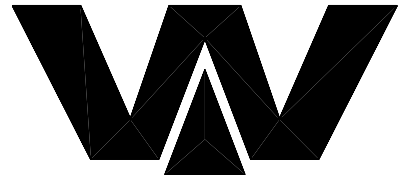
Ansicht Z



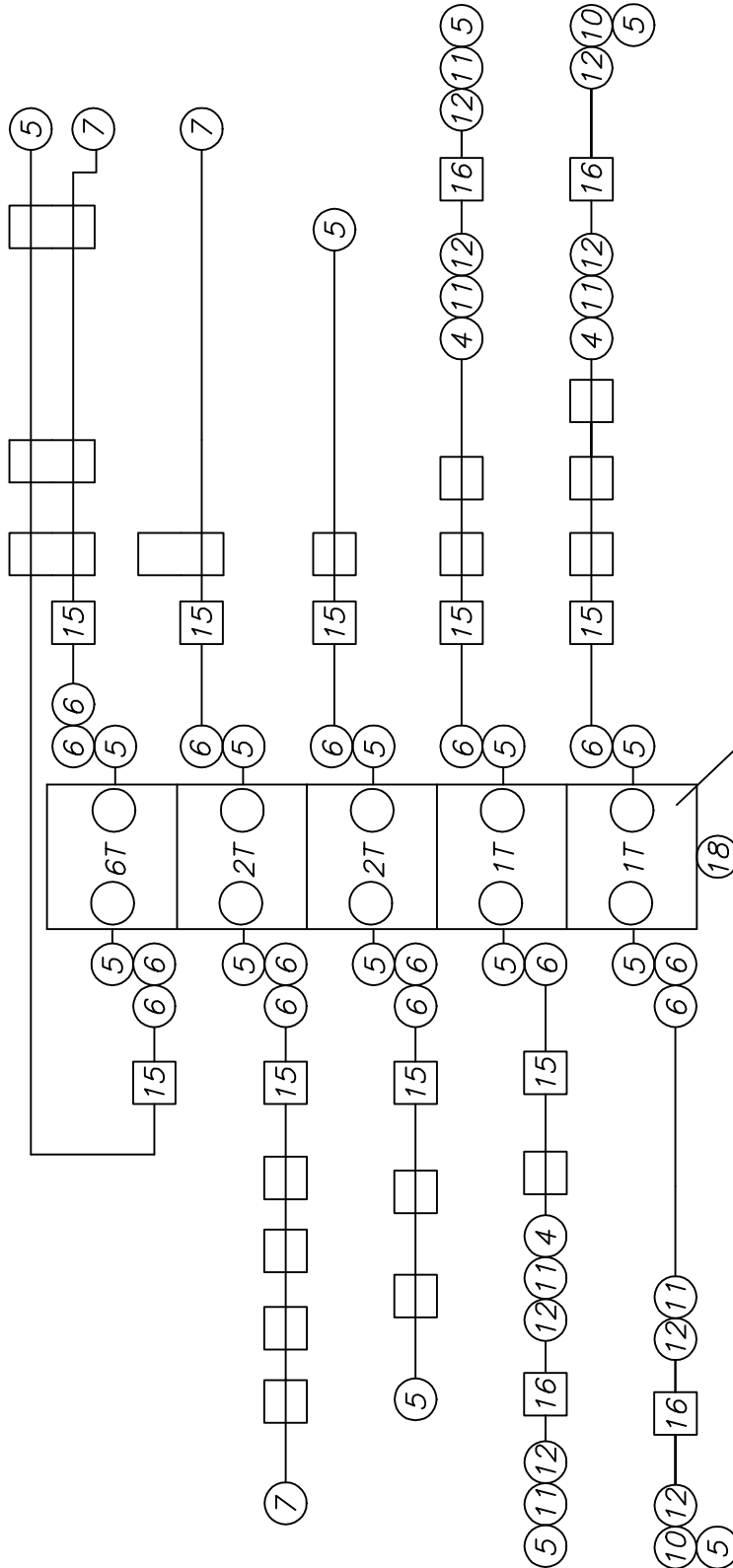
*Schmieranlage kpl*  
*lubrication system cpl.*

**B 18 3 007c**

**2**



Waitzinger  
 Baumaschinen GmbH







## PARTS LIST

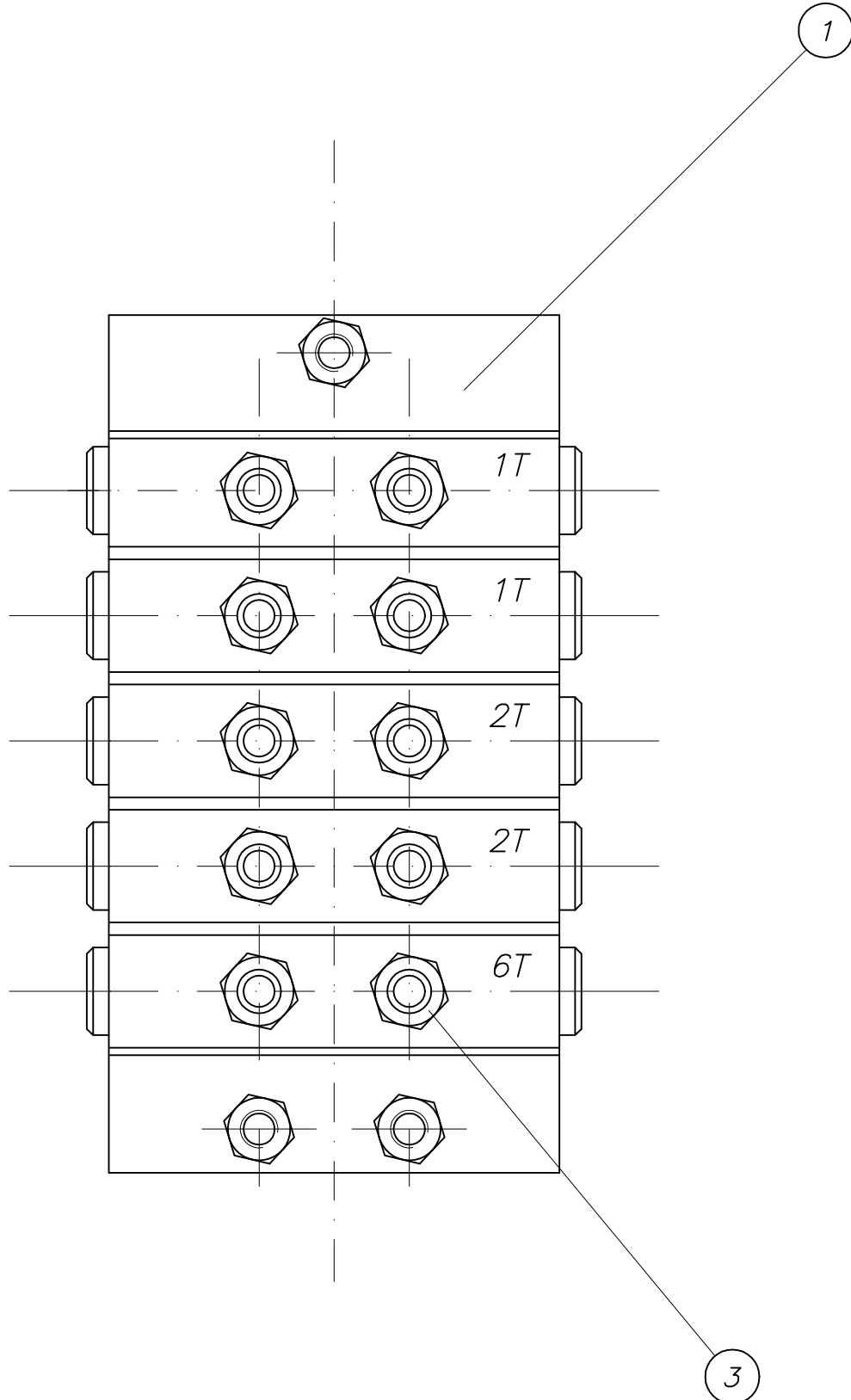
part list	description	created	index	valid from	valid to	
B183007	lubrication system complete	18.01.99 Mi	c	14.10.03		
pos	description stock	ident-no dimensions	DIN material	index	weighth Kg	quantity unit
1	lubrication distributor complete (10) own parts list	WAI102602			0,01	1,00 Stk
2	hexagon bolt M 6 x 50	WAI104338				3,00 Stk
3	locking nut	WAI102131			0,00	3,00 Stk
4	straight couplings L6	WAI105282				3,00 Stk
5	straight male stud couplings L6M	WAI100546			0,03	17,00 Stk
6	adjustable elbow bodies L6	WAI102664			0,02	15,00 Stk
7	throttlefree banjo elbows L6M	WAI102284				3,00 Stk
10	threaded sleeve, 90 degrees	WAI102643			0,02	2,00 Stk
11	hose connecting piece, DN6, short	WAI100253			0,01	6,00 Stk
12	threaded sleeve	WAI100254			0,01	8,00 Stk
13	pipe clip 6 mm,	WAI105144			0,07	13,00 Stk
14	Tee-Nut for pipe clamps	WAI105151			0,07	24,00 Stk
15	set of pipes for greasing system	WAI105416				1,00 Stk
16	plastic pipe 8.4 x 2.1	WAI100255			0,05	3,00 Mtr
17	pipe clip 6 mm,	WAI108327			0,07	4,00 Stk
18	straight male stud couplings L6M14 x 1,5	WAI102665			0,04	1,00 Stk
20	cable tie 200x3.6, black	WAI103137				10,00 Stk
21	hexagon screw M 6 x 60 DIN 931 8.8	WAI104065				1,00 Stk
22	washer 6.4	WAI101627				3,00 Stk

*Schmierverteiler kpl.*  
*lubrication distributor cpl.*

*WAI 102602*



Waitzinger  
Baumaschinen GmbH



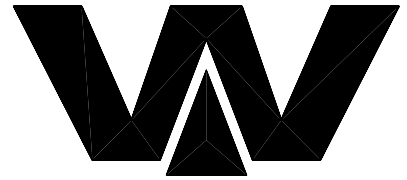


## PARTS LIST

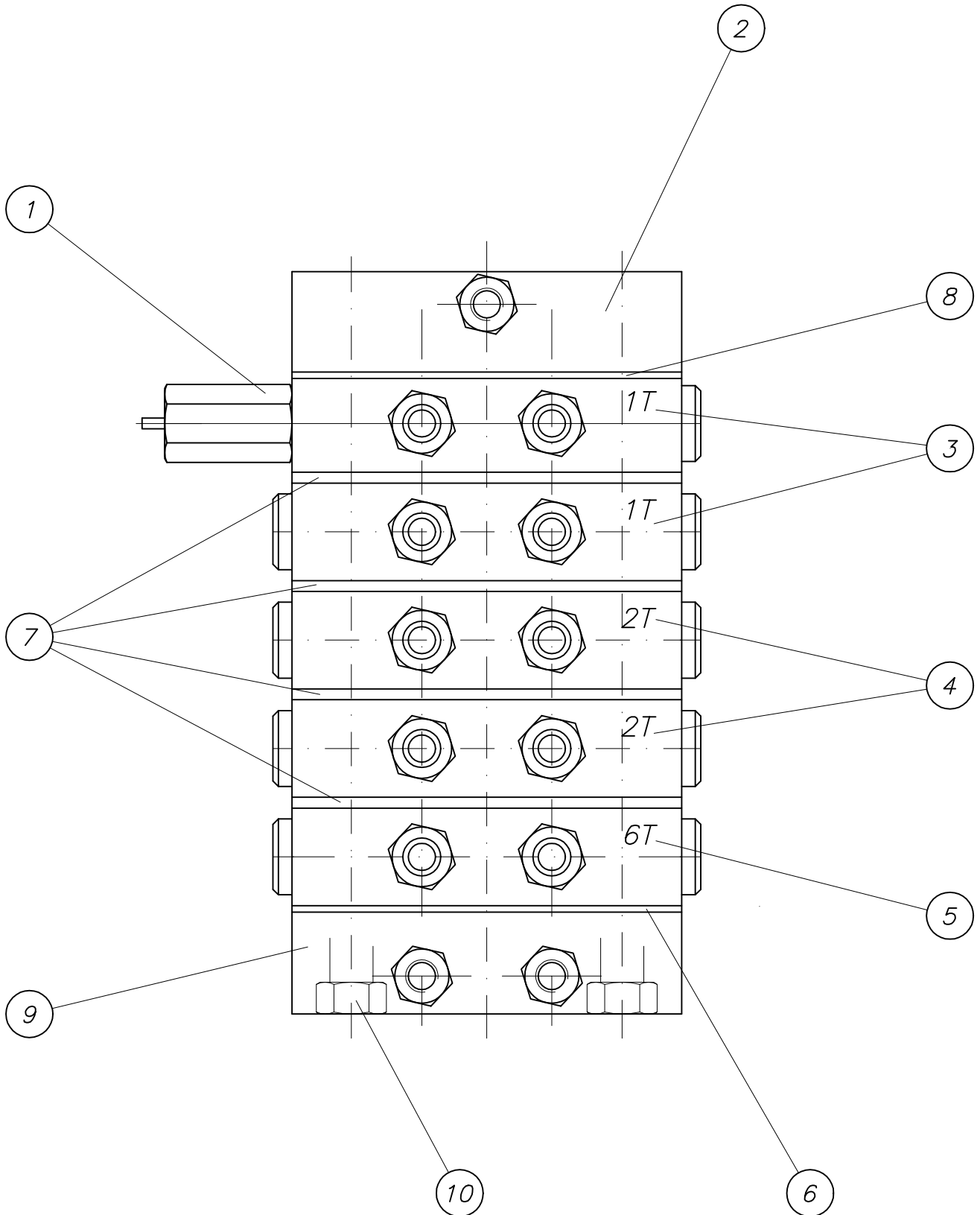
<b>part list</b>	<b>description</b>	<b>created</b>	<b>index</b>	<b>valid from</b>	<b>valid to</b>	
WAI102602	lubrication distributor complete (10)	21.03.96 HG		21.03.96		
<b>pos</b>	<b>description stock</b>	<b>ident-no dimensions</b>	<b>DIN material</b>	<b>index</b>	<b>weigh Kg</b>	<b>quantity unit</b>
1	distributor VPM 5 own parts list	WAI102585			2,40	1,00 Stk
3	grease nipple	WAI100303			0,19	10,00 Stk

*Progressivverteiler  
distributor*

*WAI 102585*



*Waitzinger  
Baumaschinen GmbH*



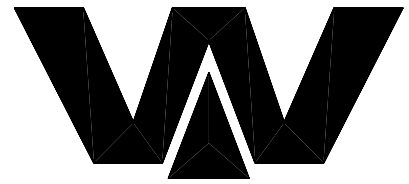


# PARTS LIST

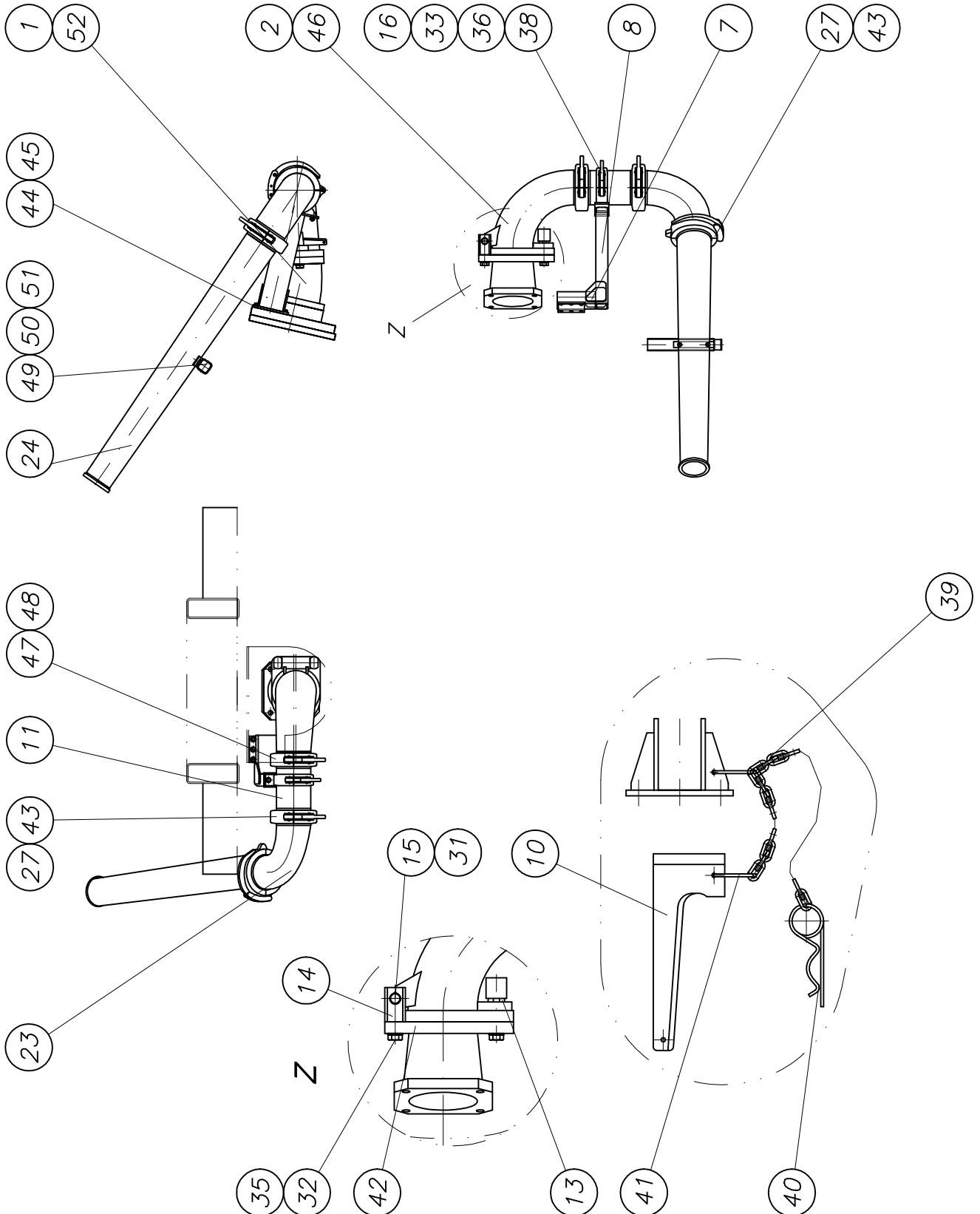
part list	description	created	index	valid from	valid to	
WAI102585	distributor VPM 5	31.08.99 Mi				
pos	description stock	ident-no dimensions	DIN material	index	weighth Kg	quantity unit
1	cycle indicator	WAI102586				1,00 Stk
2	endplate	WAI105757				1,00 Stk
3	distributor plate	WAI105758				2,00 Stk
4	distributor plate	WAI105759				2,00 Stk
5	distributor plate	WAI105760				1,00 Stk
6	input modul	WAI105761				1,00 Stk
7	distance modul	WAI105762				4,00 Stk
8	end modul	WAI105763				1,00 Stk
9	input plate	WAI105764				1,00 Stk
10	tension rod	WAI105765				2,00 Stk

Förderleitung kpl.  
conveying pipe line cpl.

B 19 4 140c



Waitzinger  
Baumaschinen GmbH





## PARTS LIST

part list	description	created	index	valid from	valid to	
B194140	conveying pipe line cpl. HP9420/12523	10.03.03 ek	c	23.08.05		
pos	description stock	ident-no dimensions	DIN material	index	weigh Kg	quantity unit
1	reducer DN 200-180 own parts list	B191010		b 23.08.05	38,00	1,00 Stk
2	reducer elbow DN 180-150 own parts list	B191015		b 17.05.99	41,50	1,00 Stk
7	bracket own parts list	B194033		a 25.09.97	5,40	1,00 Stk
8	strut cpl. own parts list	B194037		a 19.04.02	8,20	1,00 Stk
10	locking wedge complete own parts list	B194046			1,85	1,00 Stk
11	conveying pipe cpl. own parts list	B194062			12,85	1,00 Stk
13	locking bolt	B194045 Rundstahl 50x12	1013 St52-3		1,05	1,00 Stk
14	hinge	B194049 Rundstahl d60x1	1013 St52-3		1,70	2,00 Stk
15	bolt	B194050 Rundstahl d30h9	671 St52-3	a 12.02.98		1,00 Stk
16	snap coupling 5 1/2" own parts list	B194053				1,00 Stk
23	bend DN 150	WAI100690				1,00 Stk
24	reducer DN 150-125	WAI102041				1,00 Stk
27	clamp coupling 6"	WAI101779				2,00 Stk
31	snap ring	WAI100694			0,00	2,00 Stk
32	hexagon bolt M 24 x 65	WAI102848				3,00 Stk
33	hexagon bolt M16 x 40	WAI101634				4,00 Stk
35	washer HV25	WAI102331				3,00 Stk
36	washer 17, DIN 125	WAI102893				4,00 Stk
38	nut M16 DIN 934	WAI101555				4,00 Stk
39	chain 4mm	WAI103732				1,00 mtr
40	cotter pin	WAI101266			0,06	1,00 Stk



## PARTS LIST

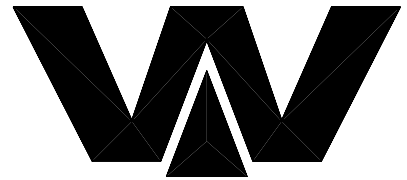
part list	description	created	index	valid from	valid to	
B194140	conveying pipe line cpl. HP9420/12523	10.03.03 ek	c	23.08.05		
pos	description stock	ident-no dimensions	DIN material	index	weigh Kg	quantity unit
41	key ring	WAI104636				2,00 Stk
42	O-ring	WAI104025				1,00 Stk
43	O-ring 159 x 11	WAI108307			0,05	2,00 Stk
44	cheese head screw	WAI101792				6,00 Stk
45	spring washer A12	WAI103113				6,00 Stk
46	grease nipple H1 M10 X 1 DIN 71412	WAI100805			0,01	1,00 Stk
47	wedge coupling 6"	WAI105165			5,00	1,00 Stk
48	O-ring	WAI105164			0,05	1,00 Stk
49	profil cpl. own parts list	B195033		a 22.06.05	3,00	1,00 Stk
50	strip	B190019 8x30x200	Polyamid			1,00 Stk
51	sunk screw M 10 x 20	WAI104689				2,00 Stk
52	O-ring	WAI101588				1,00 Stk



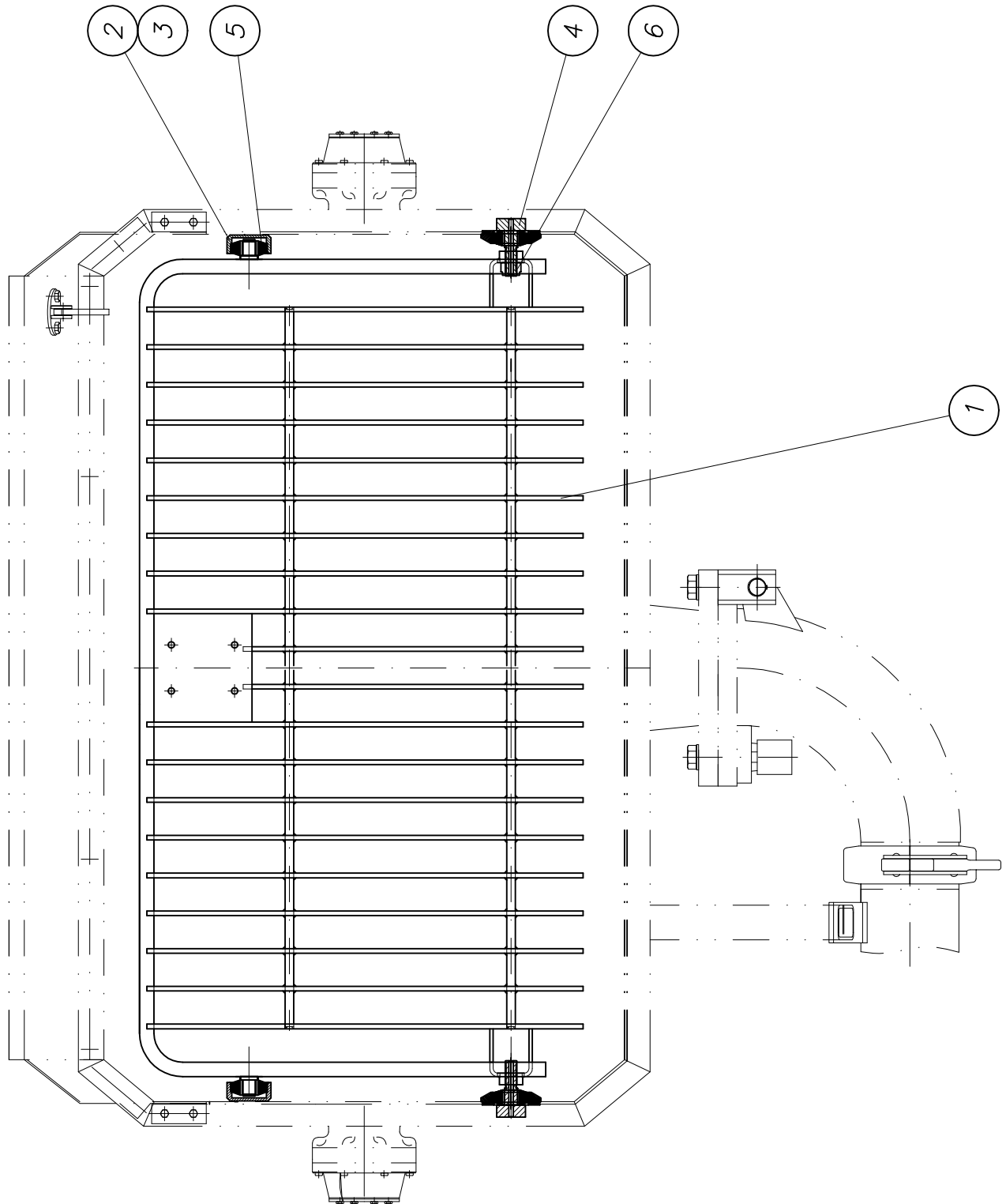
*Gitterrost kpl.*

*grid cpl.*

*B 22 4 065*



*Waitzinger  
Baumaschinen GmbH*



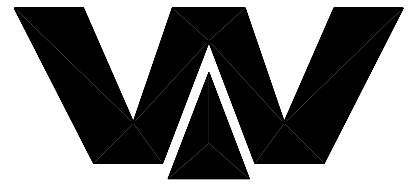


## PARTS LIST

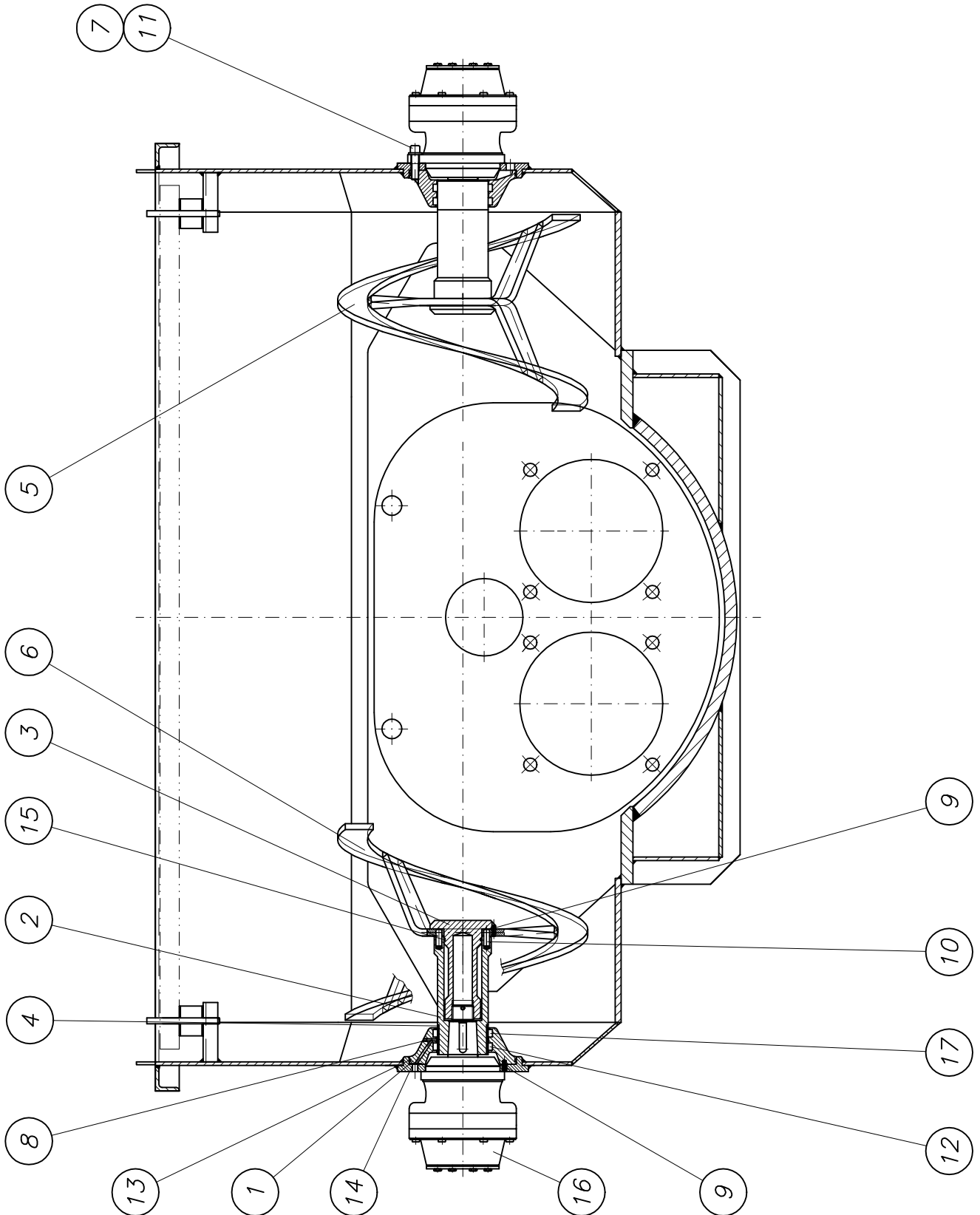
part list	description	created	index	valid from	valid to	
B224065	grid cpl.	07.02.02 Mi				
pos	description stock	ident-no dimensions	DIN material	index	weighth Kg	quantity unit
1	grate own parts list	B224060		b 26.05.03	60,00	1,00 Stk
2	housing for grating	B223061 Rd 80x20	1013 S355J2G3		0,50	2,00 Stk
3	fixing sheet	B223057 Bl 10x32x50	1543/EN10029 St37-2		0,10	4,00 Stk
4	bolt	B225041 Rd 50x104	1013 St52-3	b 05.04.05	0,20	2,00 Stk
5	rubber buffer 65 x 22,5 x 26	WAI102490			0,17	4,00 Stk
6	nut M20 DIN 985	WAI106610				2,00 Stk

*Rührwerk mit Antrieb kpl.*  
*agitator with drive cpl.*

*B 25 4 120b*



Waitzinger  
Baumaschinen GmbH



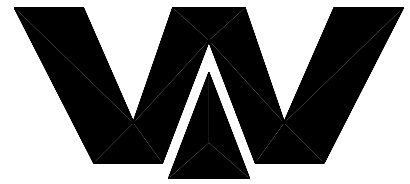


## PARTS LIST

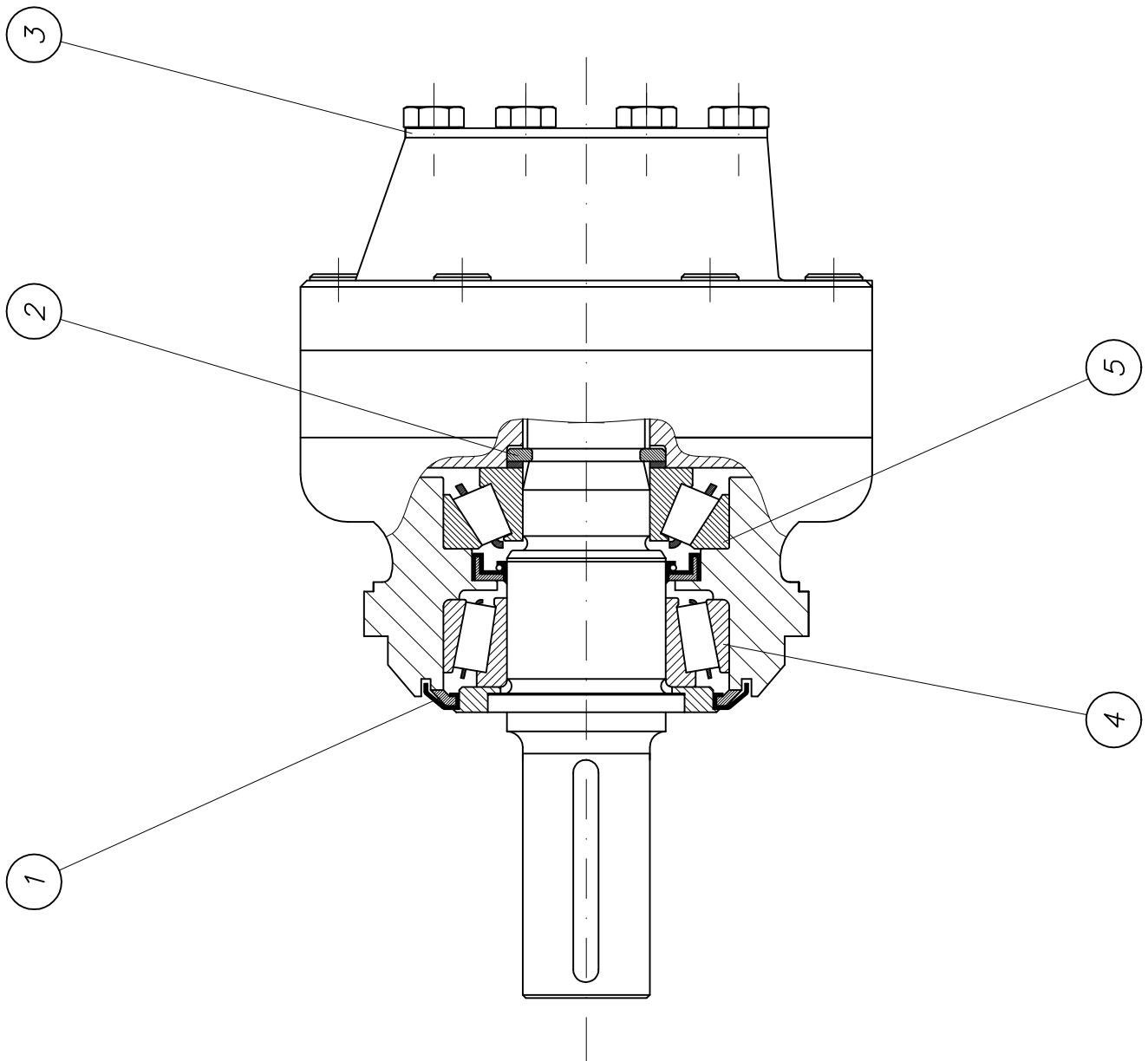
part list	description	created	index	valid from	valid to	
B254120	agitator with drive	24.04.98 rh	b	05.10.99		
pos	description stock	ident-no dimensions	DIN material	index	weighth Kg	quantity unit
1	flange own parts list	B254101		a 23.01.97		2,00 Stk
2	shaft	B254102 Rd 100x199	1013 St52	c 02.04.03	1,50	2,00 Stk
3	nut	B254103 Rd 110x165	1013 ST52			2,00 Stk
4	wear sleeve	B254104 Rohr 88.9x8.8x5	2448 StE 690	a 01.12.97	0,49	2,00 Stk
5	agitator shaft, right own parts list	B254105		c 08.04.03	10,00	1,00 Stk
6	agitator shaft, left own parts list	B254106		c 08.04.03	10,00	1,00 Stk
7	hexagon bolt	WAI103062				8,00 Stk
8	set screw	WAI100499				2,00 Stk
9	clamping sleeve 6 x 18	WAI103106				4,00 Stk
10	straight pin 10 H 6 x 30	WAI103065				12,00 Stk
11	washer	WAI102962			0,01	8,00 Stk
12	groove ring 85-100-11.5	WAI102544			0,02	2,00 Stk
13	O-ring 174 x 3	WAI103063				2,00 Stk
14	O-ring 13 x 2	WAI103064				2,00 Stk
15	O-ring 59 x 3	WAI103249				2,00 Stk
16	hydraulic motor MCR 3D 280 own parts list	WAI101240			28,00	2,00 Stk
17	tongue ring own parts list	B253029			0,02	2,00 Stk

*Hydraulikmotor*  
*hydraulic engine*

*WAI 101240*



*Waitzinger*  
*Baumaschinen GmbH*





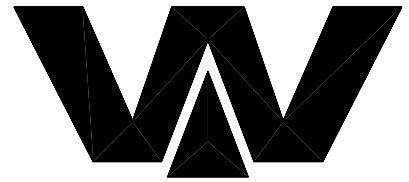
## PARTS LIST

part list	description	created	index	valid from	valid to	
WAI101240	hydraulic motor MCR 3D 280	27.08.99 Mi				
pos	description stock	ident-no dimensions	DIN material	index	weighth Kg	quantity unit
1	sealing set own parts list	WAI101241			0,10	1,00 Stk
2	split ring	WAI104395				1,00 Stk
3	cover f. mcr3 hydraulic motor	WAI104755				1,00 Stk
4	roller bearing 850717	WAI105715			0,70	1,00 Stk
5	roller bearing no. 851416	WAI105716			0,80	1,00 Stk

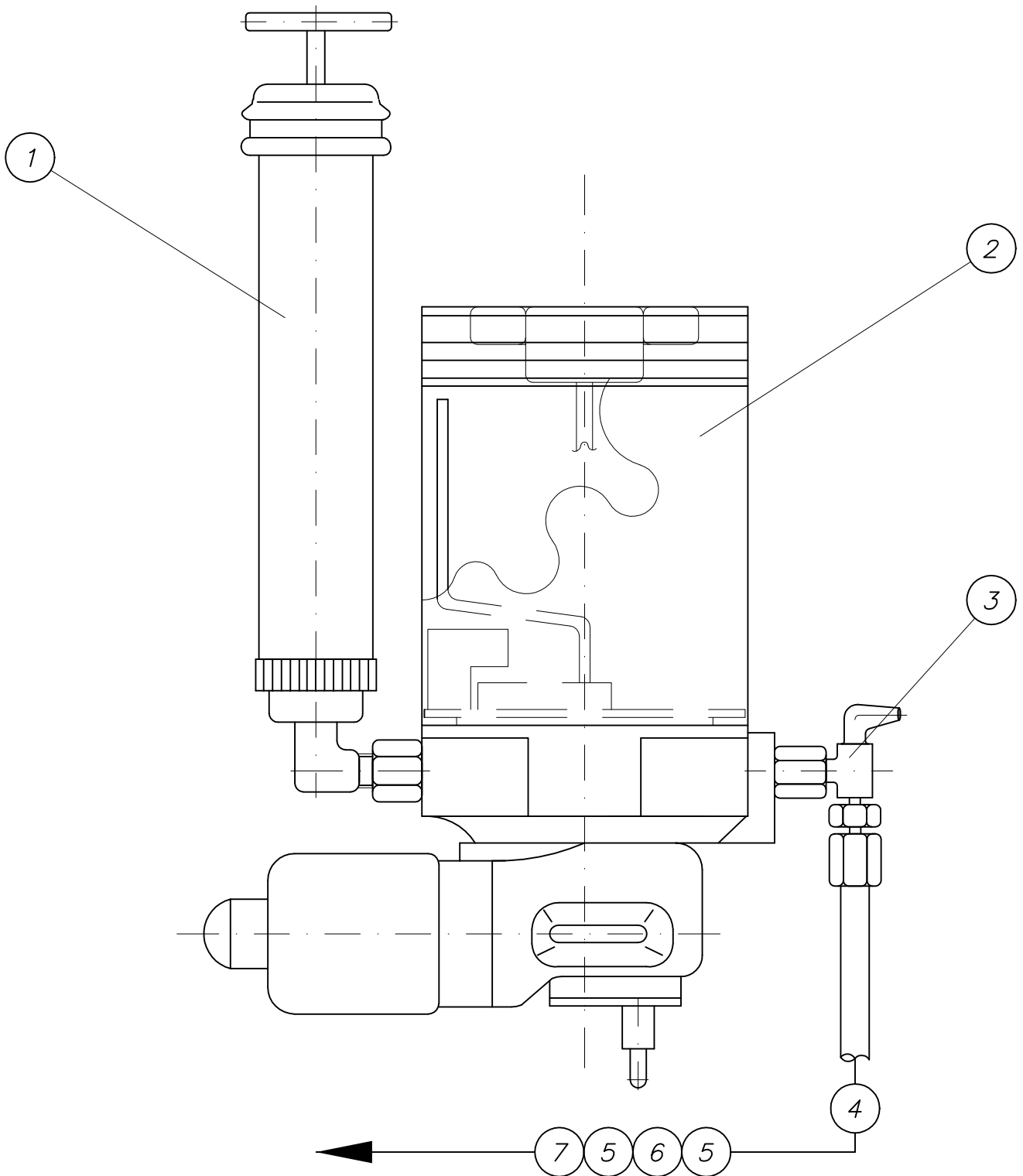
*Schmieranlage Pumpe kpl.*

*lubrication pump cpl.*

**B 18 3 016**



Waitzinger  
Baumaschinen GmbH





## PARTS LIST

part list	description	created	index	valid from	valid to	
B183016	lubrication pump cpl.	18.09.03 ute				
pos	description stock	ident-no dimensions	DIN material	index	weighth Kg	quantity unit
1	fill pump, hand used	WAI100297			1,16	1,00 Stk
2	pump for kit	WAI106697				1,00 Stk
3	savety valve	WAI103198			0,12	1,00 Stk
4	plastic pipe 8.4 x 2.1	WAI100255			0,05	2,00 Mtr
5	threaded sleeve	WAI100254			0,01	2,00 Stk
6	hose connecting piece, DN6, short	WAI100253			0,01	1,00 Stk
7	threaded sleeve, 90 degrees	WAI102643			0,02	1,00 Stk

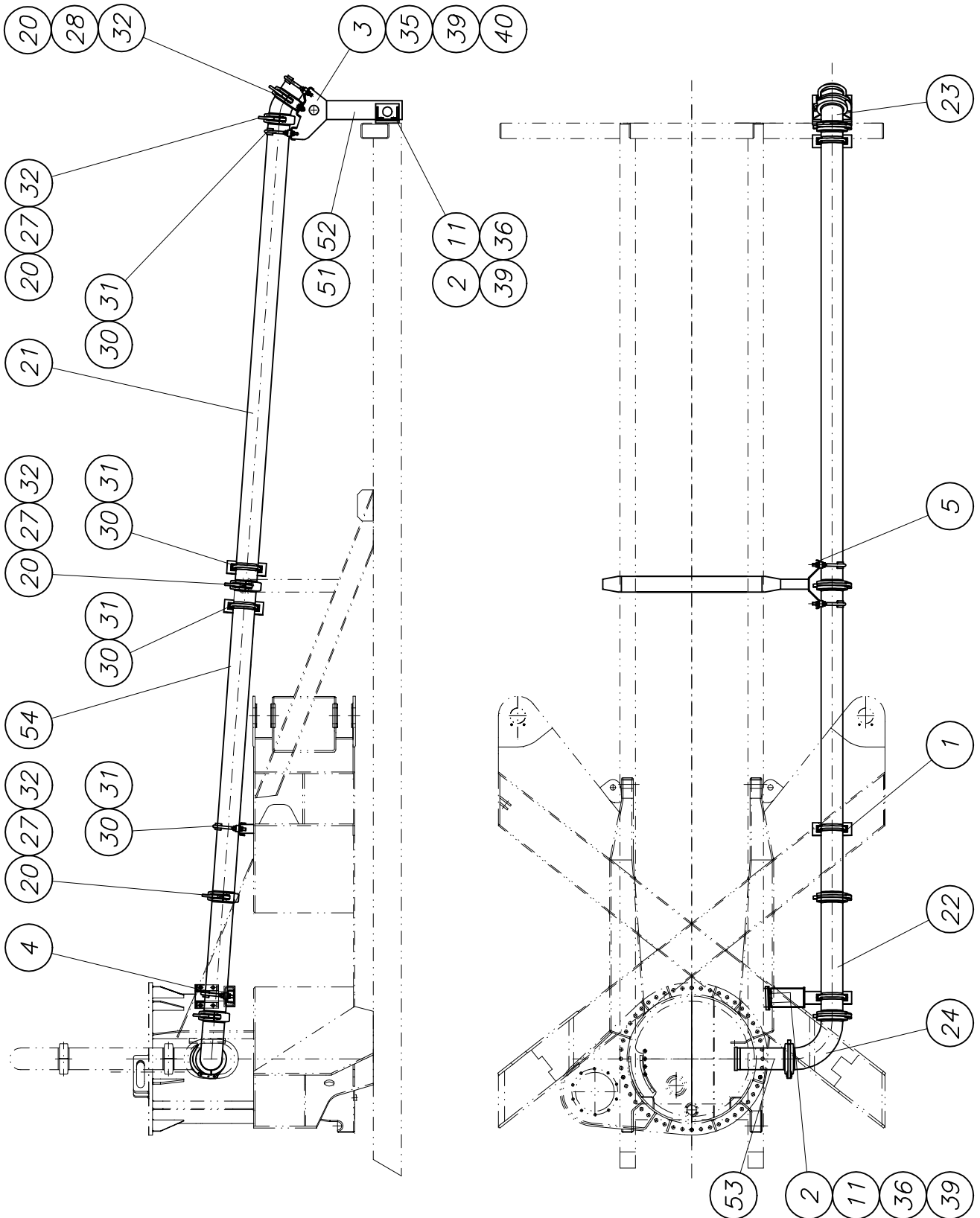


Förderleitung kpl.  
conveying pipe line cpl.

B 19 8 001



Waitzinger  
Baumaschinen GmbH





## PARTS LIST

part list	description	created	index	valid from	valid to	
B198001	conveying pipe line cpl. 36 XXT	28.04.04 ek				
pos	description stock	ident-no dimensions	DIN material	index	weigh Kg	quantity unit
1	holder own parts list	B193061			2,50	1,00 Stk
2	bracket own parts list	B194013		a 06.08.97	3,80	2,00 Stk
3	support own parts list	B194092			6,20	1,00 Stk
4	holder own parts list	B194073		b 22.07.02	7,60	1,00 Stk
5	support cpl. own parts list	B193066			3,00	1,00 Stk
11	thread plate	B194012 Bl 15x150x150	1543/EN10029 St37-2		2,60	2,00 Stk
20	sealing for coupling	WAI101267			0,20	5,00 Stk
21	pipe DN 125 x 3000	WAI100965			38,00	1,00 Stk
22	pipe DN 125 x 1500	WAI108515				1,00 Stk
23	bend DN 125 - 30 degree	WAI100963			8,00	1,00 Stk
24	concrete elbow 90 degrees	WAI100218			15,40	1,00 Stk
27	snap coupling 5 1/2"	WAI101547				4,00 Stk
28	snap coupling 5 1/2"	WAI103399				1,00 Stk
30	pipe support	WAI103448				5,00 Stk
31	bow	WAI103400				5,00 Stk
32	spring pin 8 mm	WAI102622				5,00 Stk
35	hexagon bolt M16 x 40	WAI101634				2,00 Stk
36	cheese head screw M 16 x 25	WAI103488				8,00 Stk
38	washer 17, DIN 125	WAI102893				2,00 Stk
39	spring washer A16	WAI103489			0,01	10,00 Stk
40	nut M16 DIN 934	WAI101555				2,00 Stk

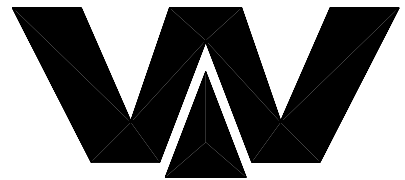


## PARTS LIST

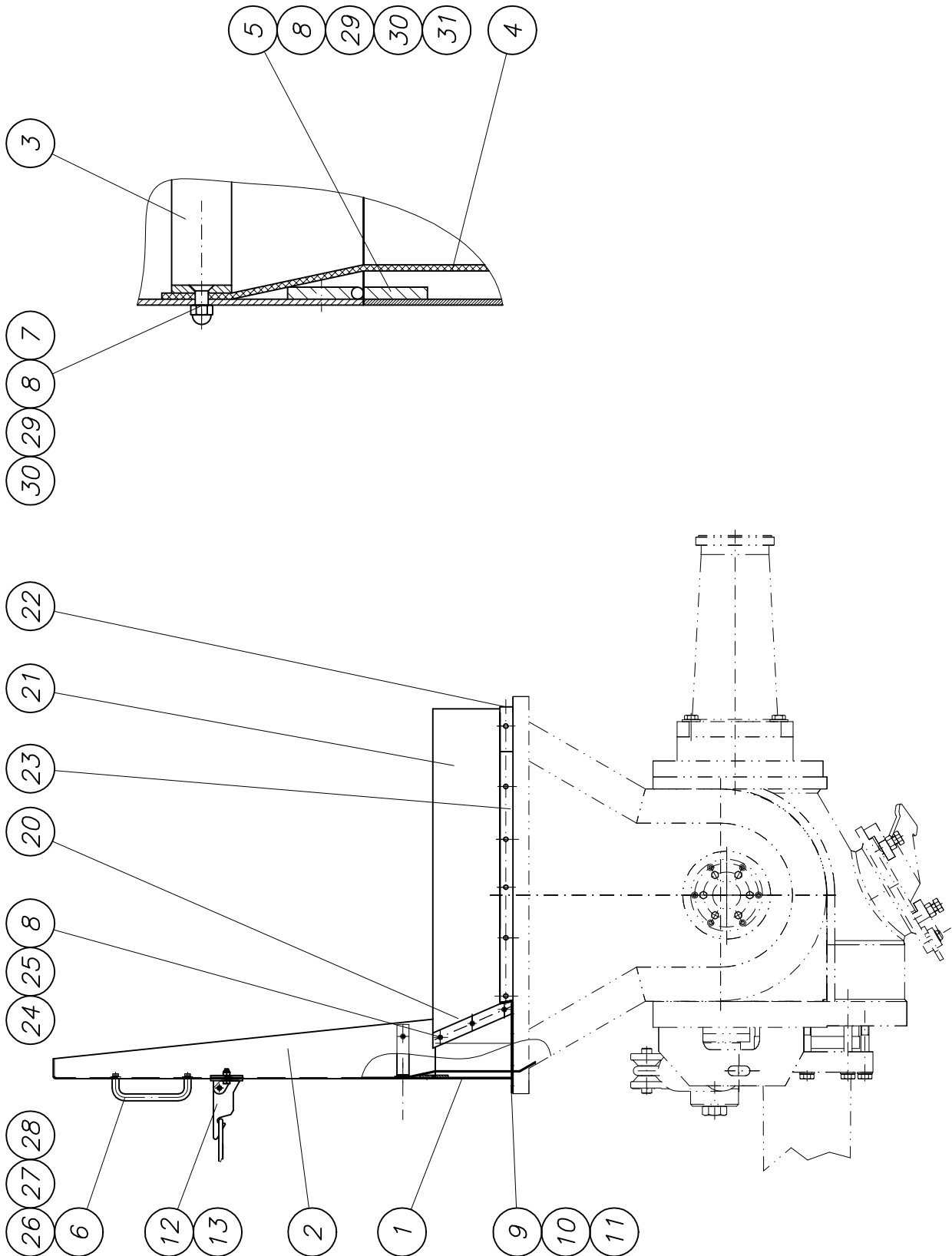
<b>part list</b>	<b>description</b>	<b>created</b>	<b>index</b>	<b>valid from</b>	<b>valid to</b>	
B198001	conveying pipe line cpl. 36 XXT	28.04.04 ek				
<b>pos</b>	<b>description stock</b>	<b>ident-no dimensions</b>	<b>DIN material</b>	<b>index</b>	<b>weigh Kg</b>	<b>quantity unit</b>
51	profile	B194093 MSH 120x60x5x70	59410 S235J2G3		9,10	1,00 Stk
52	cover	B084193 Bl 4x52x112	1543/EN10029 S355J2G3		0,20	2,00 Stk
53	pipe DN 125 x 350	WAI103445				1,00 Stk
54	pipe DN 125 x 2000	WAI101780			28,00	1,00 Stk

Trichterabdeckung kpl.  
cover for hopper cpl.

B 22 4 019c



Waitzinger  
Baumaschinen GmbH





## PARTS LIST

part list	description	created	index	valid from	valid to	
B224019	cover for hopper cpl.	08.02.02 Mi	c	24.05.05		
pos	description stock	ident-no dimensions	DIN material	index	weigh Kg	quantity unit
1	splash board	B224016 Bl 3x226x1777	1541/EN10031 S235J2G3	a 17.07.02	9,00	1,00 Stk
2	cover	B224017 Bl 3x1000x1977	1541/EN10031 Al 99.8	a 17.07.02	14,00	1,00 Stk
3	clamping strip	B224018 Fl 30x4x1820	1017 S235J2G3		1,70	1,00 Stk
4	rubber apron	WAI107190				1,00 Stk
5	hinge	WAI103237			0,10	3,00 Stk
6	bow grip	WAI104441				2,00 Stk
7	countersunk head screw M6x20	WAI103153				17,00 Stk
8	cap nut M6	WAI101848				51,00 Stk
9	hexagon bolt M8 x 25 DIN 933 8.8	WAI101621				11,00 Stk
10	stop nut M8 DIN985 8. VERZ.	WAI102111			5,00	11,00 Stk
11	washer 8.4	WAI101625				11,00 Stk
12	holder	B224021 Rd 10x1060	1013 S355J2G3	a 23.05.05	0,65	1,00 Stk
13	hook cpl. own parts list	B224025		a 06.09.05	0,90	1,00 Stk
20	clamping strip	B202009 Fl 5x35x194.5	1017 St37-2	a 04.03.99	0,27	2,00 Stk
21	rubber apron	B224013 Gummi 10x200x31		a 25.02.00		1,00 Stk
22	strip back side	B224014 Fl 30x5x1355	1017 St37-2		1,50	1,00 Stk
23	strip side	B224015 Fl 30x5x755	1017 St37-2	a 24.07.00	0,85	2,00 Stk
24	cap screw	WAI103579				28,00 Stk
25	washer 6.4	WAI101627				28,00 Stk
26	hexagon bolt M 8 x 20	WAI101837				4,00 Stk



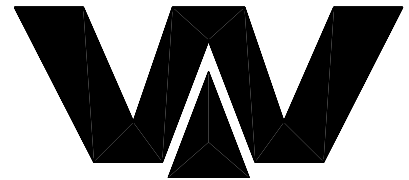
## PARTS LIST

part list	description	created	index	valid from	valid to	
B224019	cover for hopper cpl.	08.02.02 Mi	c	24.05.05		
pos	description stock	ident-no dimensions	DIN material	index	weighth Kg	quantity unit
27	spring washer A8 DIN 127 VERZ.	WAI102205			0,00	4,00 Stk
28	washer 8 mm	WAI106433				4,00 Stk
29	spring washer A6	WAI103000				23,00 Stk
30	washer 6 mm	WAI106432				23,00 Stk
31	countersunk screw	WAI103176				6,00 Stk

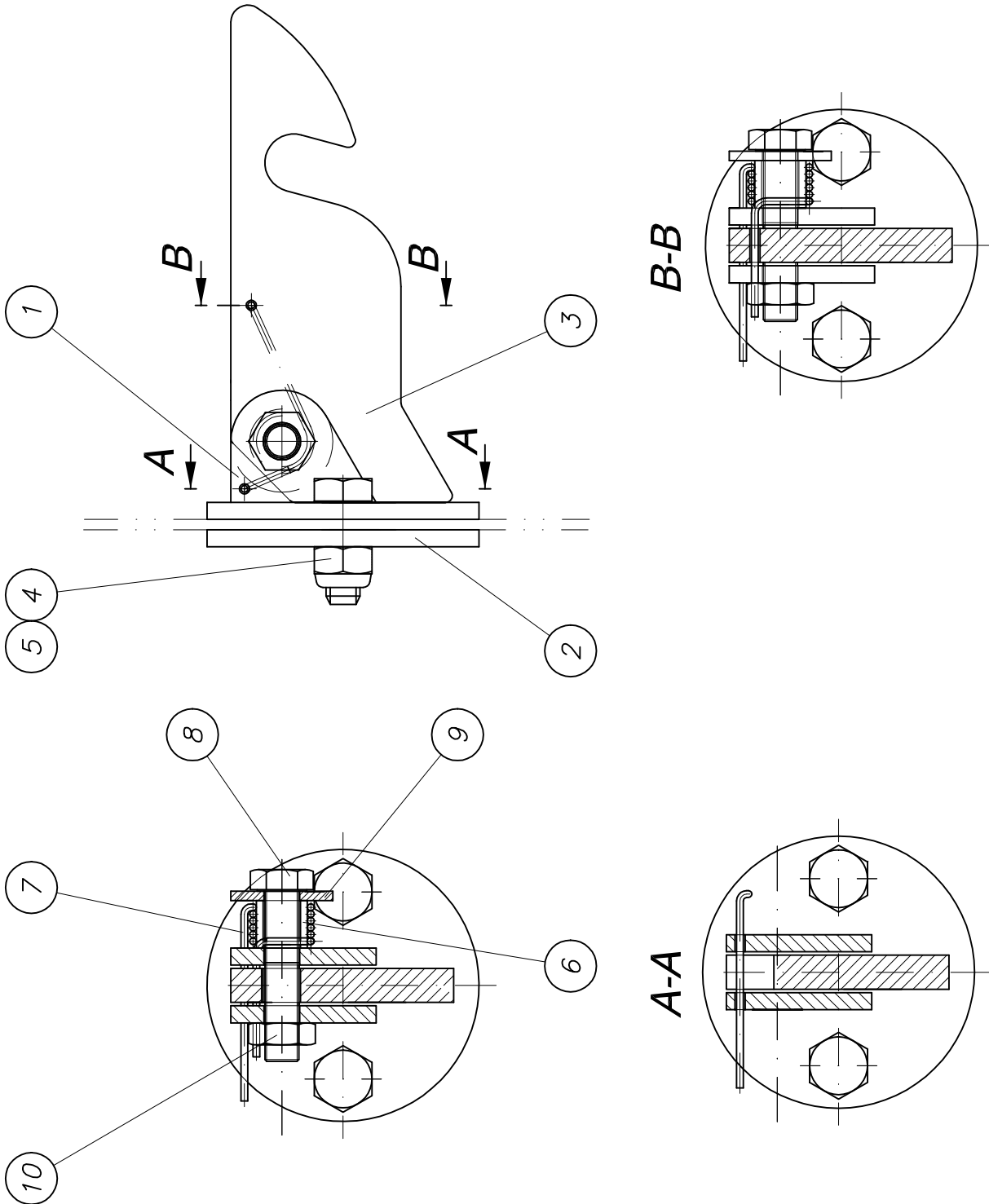
Haken kpl.

hook cpl.

B 22 4 025a



Waitzinger  
Baumaschinen GmbH





## PARTS LIST

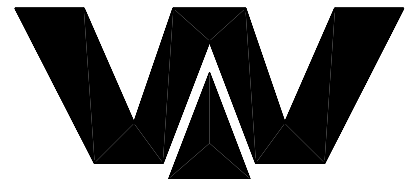
part list	description	created	index	valid from	valid to	
B224025	hook cpl.	14.01.98 RH	a	06.09.05		
pos	description stock	ident-no dimensions	DIN material	index	weighth Kg	quantity unit
1	basic plate own parts list	B224026		a 07.09.05	0,27	1,00 Stk
2	plate	B224027 5xDurchm.80	1543/EN10029 St37-2		0,19	1,00 Stk
3	hook	B224030 Bl 10x66.6x160.	1543/EN10029 St37-2	b 05.09.05	0,42	1,00 Stk
4	nut M10 DIN 934	WAI101556			0,01	2,00 Stk
5	hexagon bolt M 10 x 30	WAI101553			0,03	2,00 Stk
6	hydr. pipe 15x2x12	B224031 Hydr.Ro15x2x14			0,01	1,00 Stk
7	spring	WAI109678				1,00 Stk
8	hex. bolt M10x50	WAI102124			0,04	1,00 Stk
9	washer 10.5	WAI103288			0,00	1,00 Stk
10	hex. nut M10 DIN985 8.	WAI102125			0,01	1,00 Stk



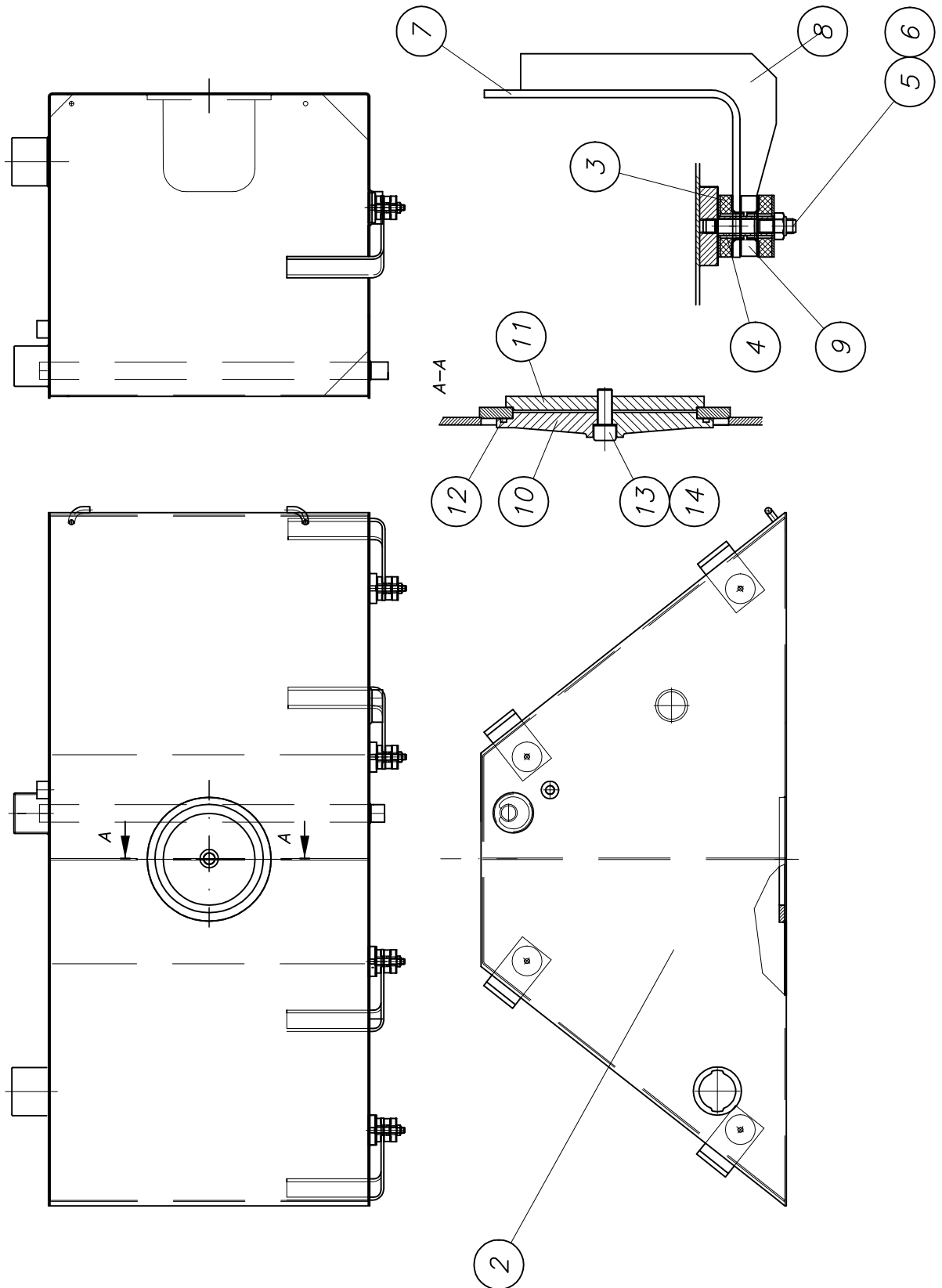
Wassertank kpl.

water tank cpl.

B 31 8 020a



Waitzinger  
Baumaschinen GmbH



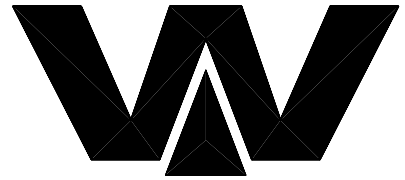


## PARTS LIST

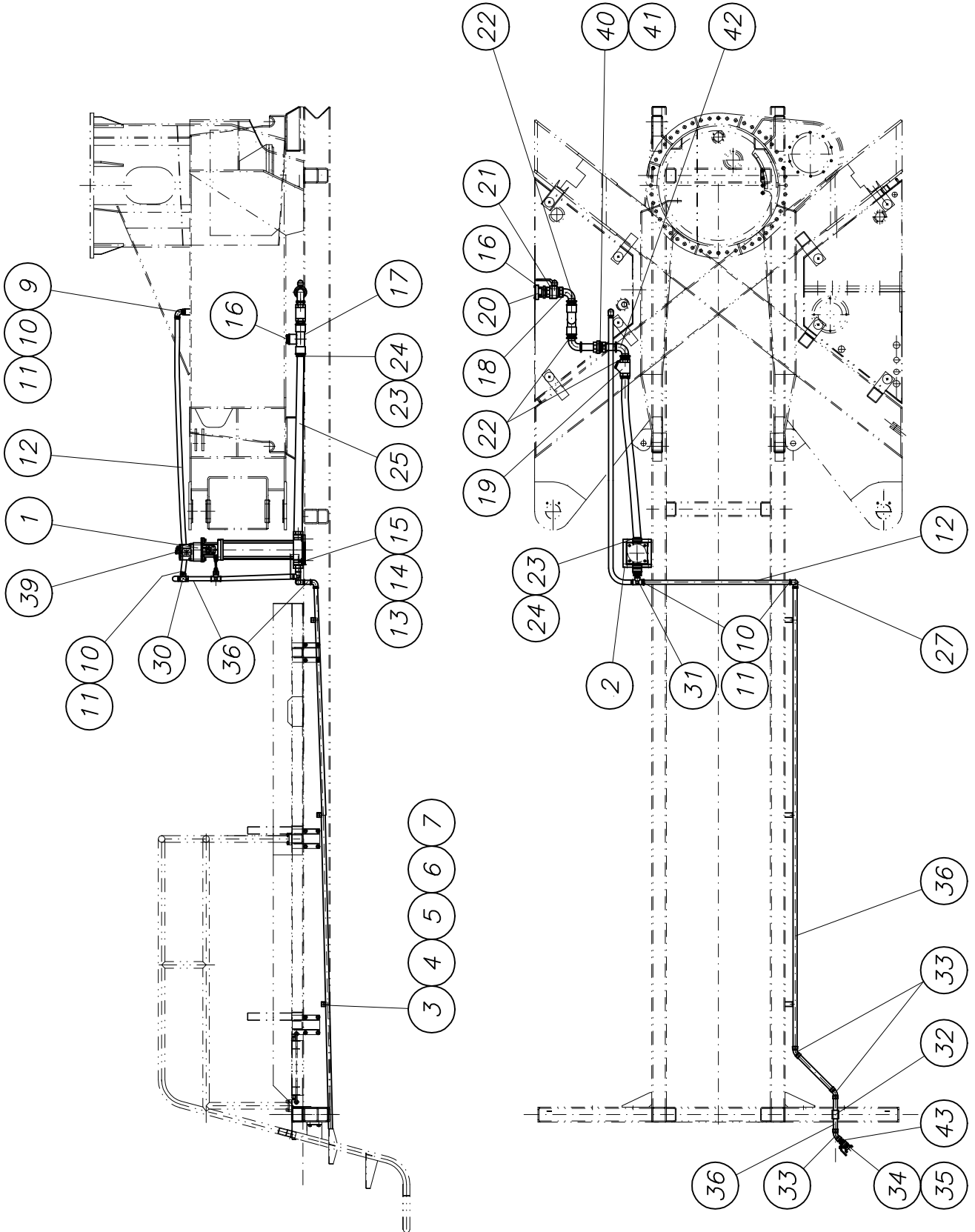
part list	description		created	index	valid from	valid to
B318020	water tank		28.11.03 ute	a	02.03.06	
pos	description stock	ident-no dimensions	DIN material	index	weighth Kg	quantity unit
2	water tank own parts list	B318010		a 07.02.05		1,00 Stk
3	rubber buffer 50 x 16,5 x 13	WAI102491			0,06	8,00 Stk
4	pipe	B474066 Hydr.rohr 16x2x	2391 St37		0,05	4,00 Stk
5	stop nut M12	WAI102121			0,02	4,00 Stk
6	pin bolt	WAI103177				4,00 Stk
7	angle	B478031 FI 80x10	1017 S235J2G3		2,00	4,00 Stk
8	rib	B478032 Bl 8x211x117	1543 S235J2G3		0,75	4,00 Stk
9	disk	B478028 Rd 15x50	DIN 1013 S235J2G3		0,20	4,00 Stk
10	cover for oiltank D236 X 27 36XT	B610033 RD 240x30	1747 Al99		1,80	1,00 Stk
11	star for oilcover FL 15X 220X 220	B610034 FI 220x220x15	1017 S235JR	a 12.02.03	2,00	1,00 Stk
12	O-ring 217x5, No. A0120.371	WAI106011				1,00 Stk
13	cheese head screw M 16 x 55	WAI104550				1,00 Stk
14	u-seal 16,7 x 24 x 1,5T	WAI101572				1,00 Stk

*Wasserpumpe mit Antrieb kpl.*  
*water pump with drive cpl.*

**B 32 8 010b**



Waitzinger  
 Baumaschinen GmbH





## PARTS LIST

part list	description	created	index	valid from	valid to	
B328010	water pump with drive	12.03.04 ek	b	07.02.05		
pos	description stock	ident-no dimensions	DIN material	index	weigh Kg	quantity unit
1	water pump with drive own parts list	B323070				1,00 Stk
2	holder for water pump	B323063 B112x330x150	EN 10029 S235J2G3		4,00	1,00 Stk
3	holder own parts list	B323048			0,20	3,00 Stk
4	pipe clamp	WAI107219				3,00 Stk
5	hex. bolt M6 x 10	WAI104005				3,00 Stk
6	spring washer A6	WAI103000				3,00 Stk
7	hex. nut M6	WAI102998				3,00 Stk
9	bow	WAI101735				1,00 Stk
10	hose socket	WAI105993				4,00 Stk
11	hose clamp 25-28 mm	WAI108309				4,00 Stk
12	hose	WAI102117				3,25 Mtr
13	hexagon bolt	WAI100503			0,05	4,00 Stk
14	washer	WAI100504				4,00 Stk
15	nut M12 DIN 934	WAI101557			0,02	4,00 Stk
16	reducer 2" - 1 1/2"	WAI107010				2,00 Stk
17	t-piece 1 1/2"	WAI107181				1,00 Stk
18	angle section	WAI107011				2,00 Stk
19	dirt catcher 1 1/2"	WAI105231				1,00 Stk
20	c-coupling 2" DIN 14307	WAI100797				1,00 Stk
21	ball tap 1 1/2" DN 10	WAI100378			1,03	1,00 Stk
22	double nipple 1 1/2"	WAI103702				3,00 Stk



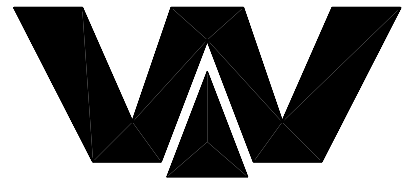
## PARTS LIST

part list	description	created	index	valid from	valid to	
B328010	water pump with drive	12.03.04 ek	b	07.02.05		
pos	description stock	ident-no dimensions	DIN material	index	weigh Kg	quantity unit
23	hose socket	WAI107182				2,00 Stk
24	hose clamp 50/20	WAI105369			0,22	2,00 Stk
25	hose DN40 suction	WAI102321				0,60 mtr
27	bow	WAI105992				2,00 Stk
30	relief valve 3/4" 20bar	WAI100274			0,56	1,00 Stk
31	t-piece	WAI103590				1,00 Stk
32	pipe clip 28mm complete	WAI105977				1,00 Stk
33	bow	WAI107208				3,00 Stk
34	ball valve 3/4"	WAI103571				1,00 Stk
35	coupling	WAI109498				1,00 Stk
36	pipe	WAI106807			1,65	6,00 Mtr
39	banjo coupling L8-G	WAI103762				1,00 Stk
40	fitting 1 1/2"	WAI107916				1,00 Stk
41	pipe	B323071 Rohr 48.3x3.25x	2440 S235J2G3		0,20	2,00 Stk
42	angle section	WAI103574				1,00 Stk
43	double nipple 3/4"	WAI103566				1,00 Stk

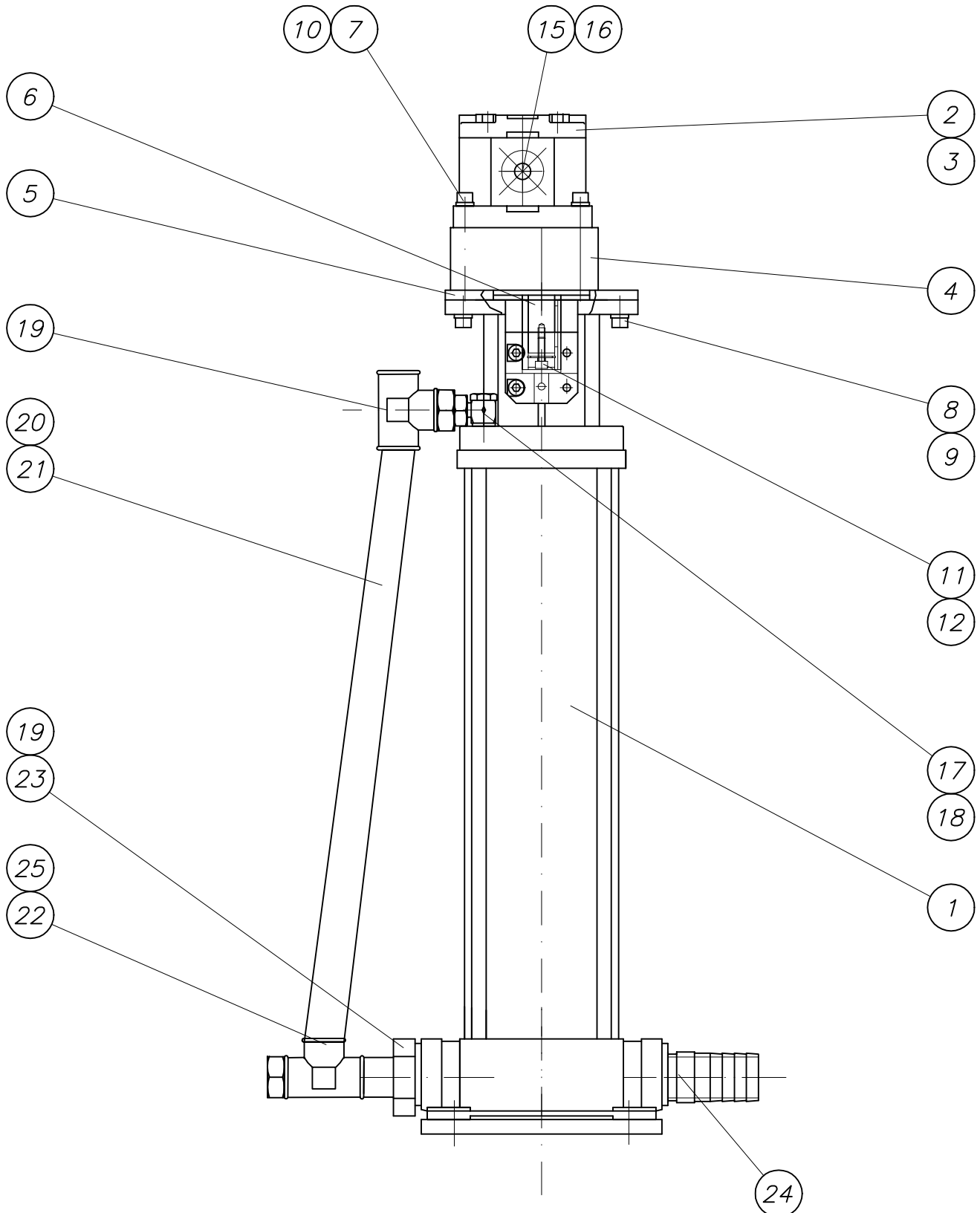
Wasserpumpe kpl.

water pump cpl.

B 32 3 070



Waitzinger  
Baumaschinen GmbH



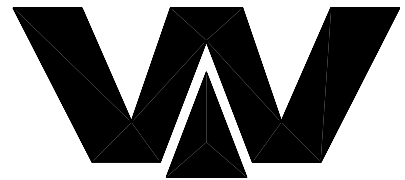


## PARTS LIST

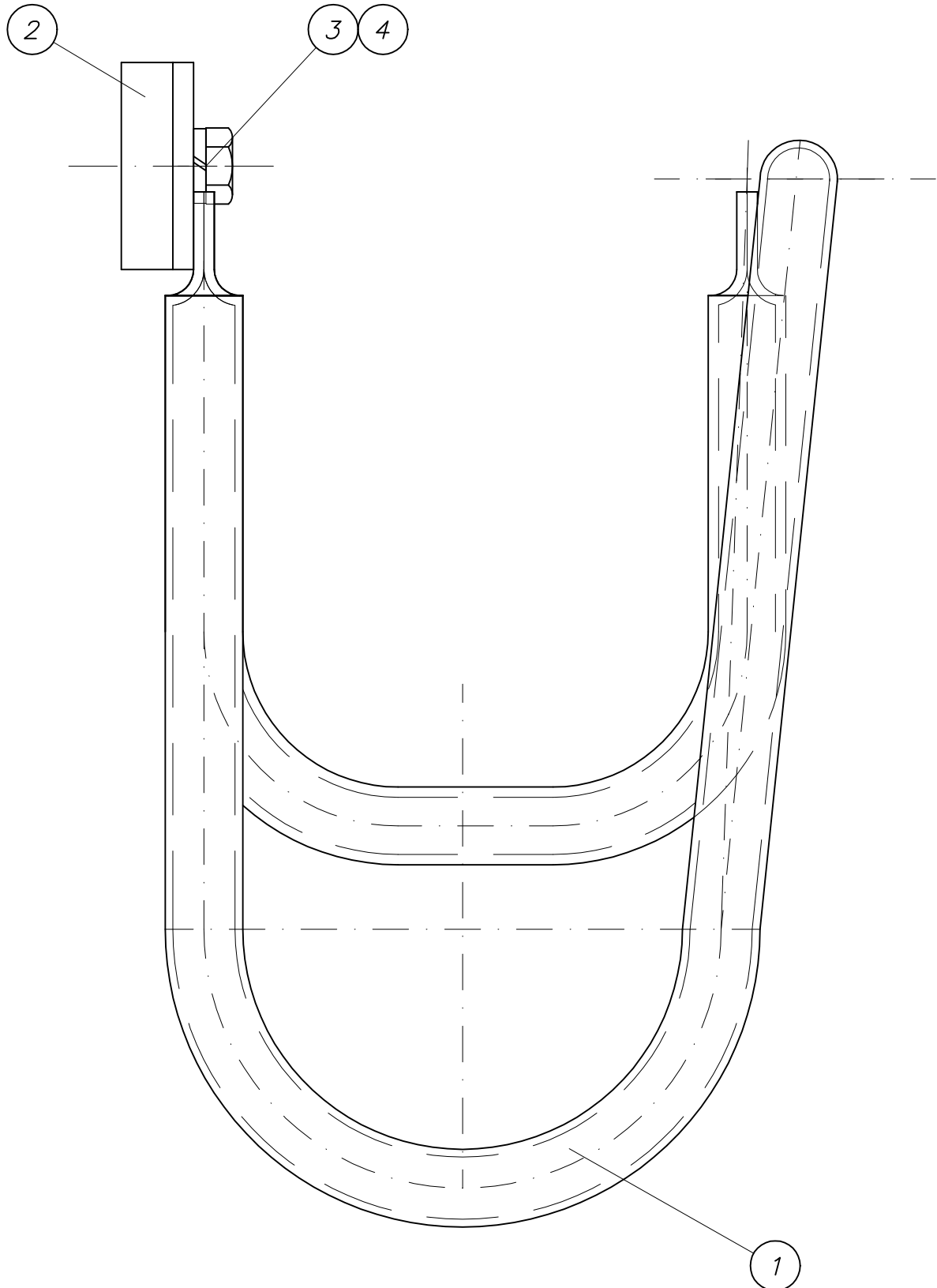
part list	description	created	index	valid from	valid to	
B323070	water pump with drive	02.04.03 rhbk				
pos	description stock	ident-no dimensions	DIN material	index	weighth Kg	quantity unit
1	water pump INV	WAI108082				1,00 Stk
2	gear motor own parts list	WAI105922				1,00 Stk
3	splined coupling	WAI102916				1,00 Stk
4	belt pulley support	WAI102915				1,00 Stk
5	flange	B323061 Rd 170 x12	1013 S235J2G3		1,35	1,00 Stk
6	coupling piece	B323019 Rd 38x58	670 ST50-k			1,00 Stk
7	alien bolt M 8x70	WAI105929				4,00 Stk
8	alien bolt M 8x25	WAI105930				5,00 Stk
10	spring washer	WAI100235			0,00	8,00 Stk
11	locking ring	WAI105931				1,00 Stk
12	washer	B323023 Rd 22x6	670 St50-2k		0,05	1,00 Stk
15	elbow flange coupling L15-40	WAI102678			0,23	1,00 Stk
16	elbow flange coupling L12-35	WAI105921			0,23	1,00 Stk
17	bow	WAI104163				1,00 Stk
18	thread red.adaptors"3/4-3/8"	WAI100347			0,09	1,00 Stk
19	t-piece	WAI103590				2,00 Stk
20	hose	WAI102117				0,50 Mtr
21	hose clamp 25-28 mm	WAI108309				4,00 Stk
22	hose socket	WAI105993				1,00 Stk
23	double nipple 3/4"	WAI103566				1,00 Stk
24	nipple	B323059 Rohr 42.4x4.5x9	2448 S235J2G3		0,30	1,00 Stk
25	connecting piece waterpump	B323062 Rohr 42,2x4.5x6	2448 S235J2G3		0,30	1,00 Stk

*Halter für Wasserschlauch kpl.*  
*holder for water pipe cpl.*

**B 33 0 020**



Waitzinger  
Baumaschinen GmbH





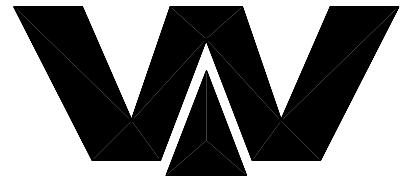


## PARTS LIST

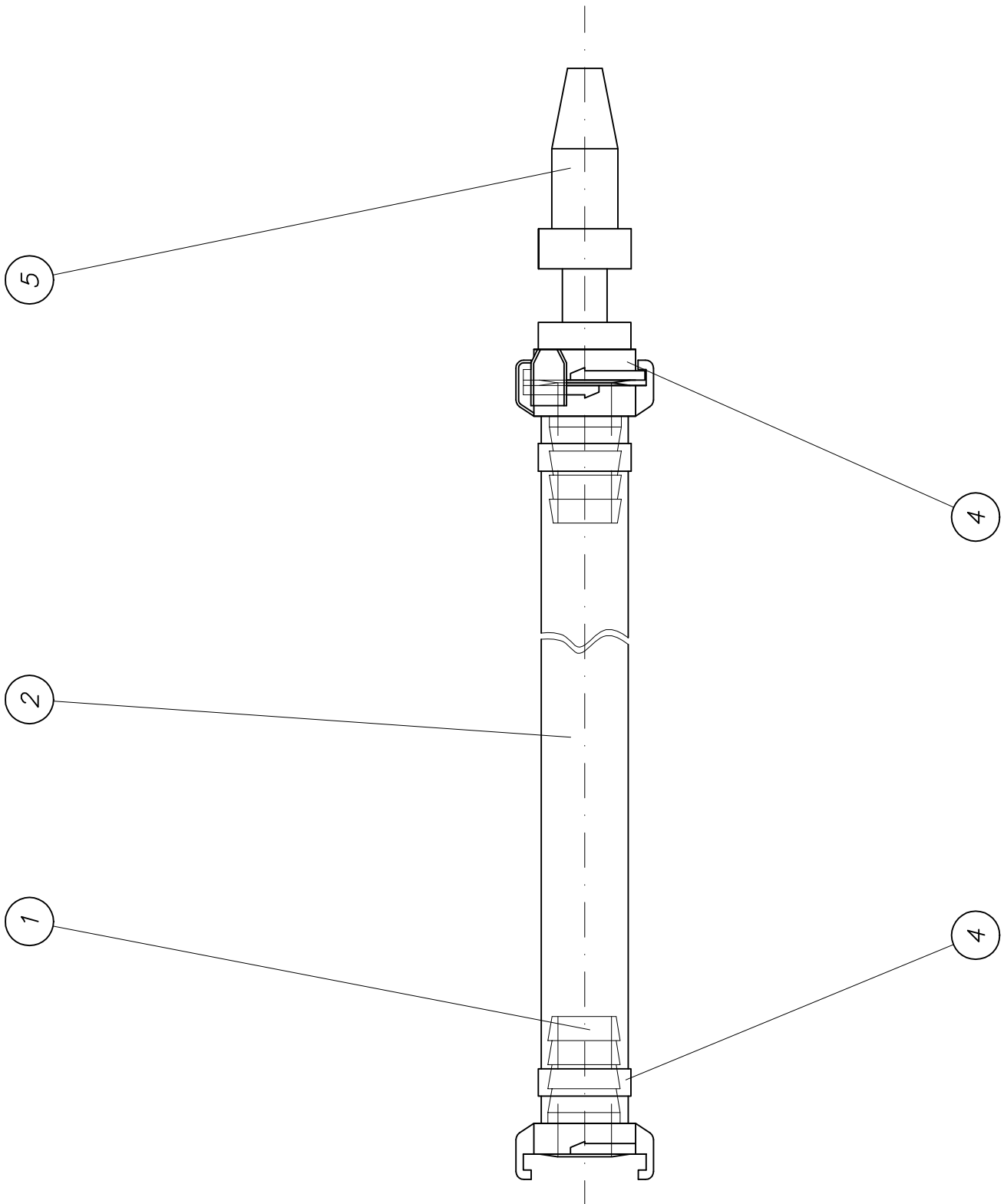
part list	description	created	index	valid from	valid to	
B330020	holder for water hose	06.06.02 ek				
pos	description stock	ident-no dimensions	DIN material	index	weigh Kg	quantity unit
1	holder for water hose own parts list	B330015			1,00	1,00 Stk
2	flat bar	B330018 Bl 10x40x260	1543 St 37-2	a 27.09.02	0,30	1,00 Stk
3	hexagon bolt M 8 x 12 DIN 933 8.8	WAI103274				2,00 Stk
4	spring washer A8 DIN 127 VERZ.	WAI102205			0,00	2,00 Stk

*Schlauchleitung kpl.  
splash hose cpl.*

*B 34 1 005*



Waitzinger  
Baumaschinen GmbH

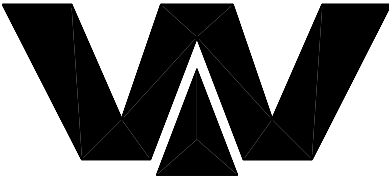




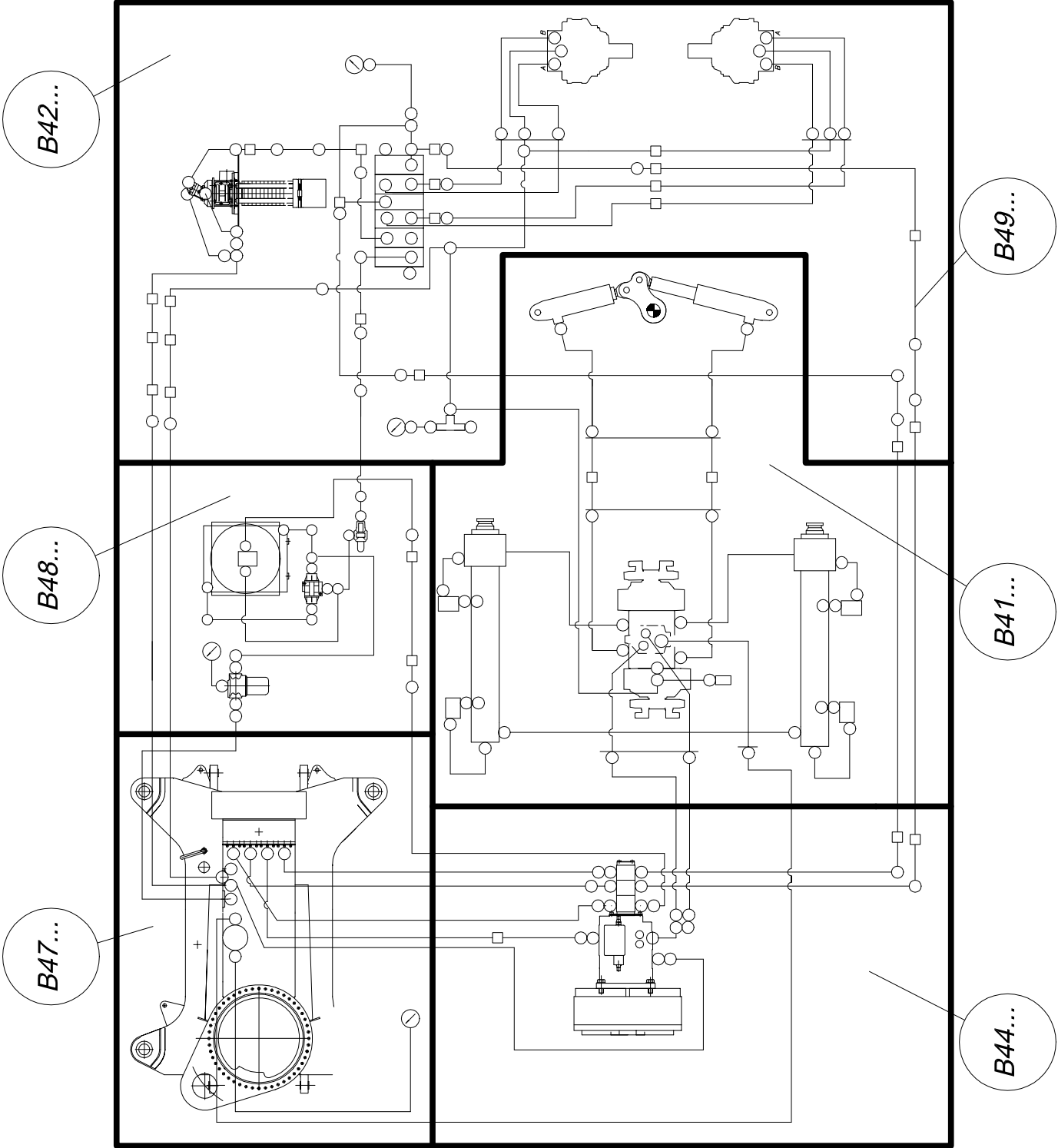
# PARTS LIST

part list	description	created	index	valid from	valid to	
B341005	splash hose cpl.	10.12.04 19400002				
pos	description stock	ident-no dimensions	DIN material	index	weigh Kg	quantity unit
1	hose piece	WAI102114				2,00 Stk
2	hose	WAI102117				5,00 Mtr
4	hose clamp 25-28 mm	WAI108309				2,00 Stk
5	nozzle 3/4"	WAI109368				1,00 Stk

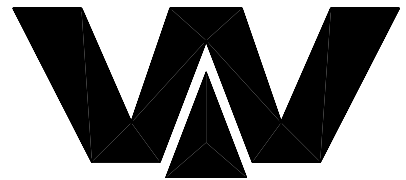
*Übersicht B 40 - B 49*  
*over view B 40 - B 49*



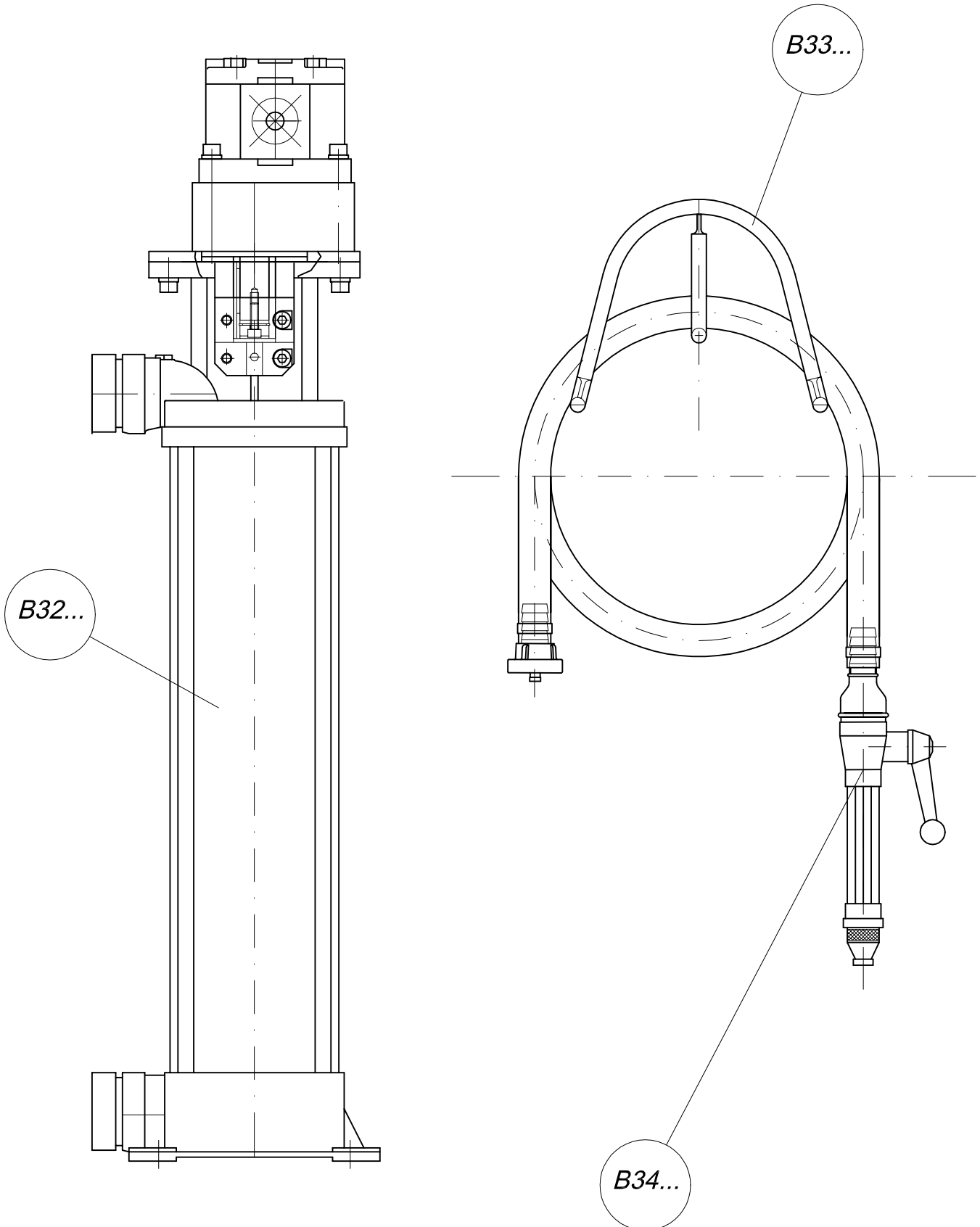
Waitzinger  
Baumaschinen GmbH



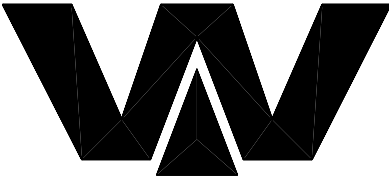
*Übersicht B 30 - B 39*  
*over view B 30 - B 39*



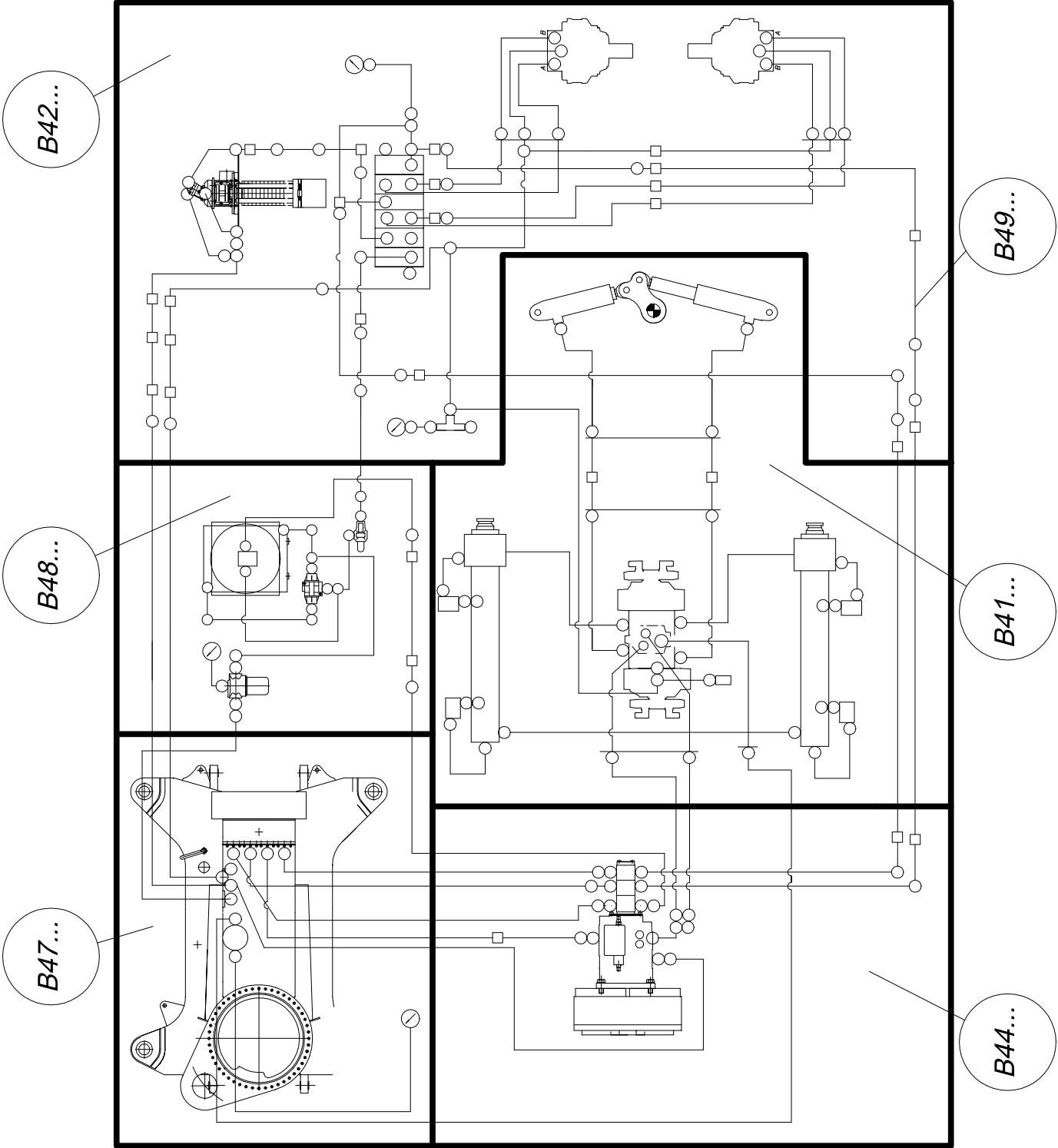
*Waitzinger  
Baumaschinen GmbH*



*Übersicht B 40 - B 49*  
*over view B 40 - B 49*

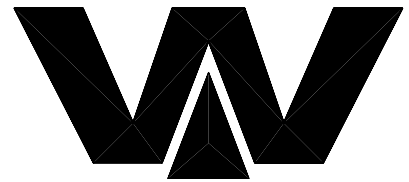


Waitzinger  
Baumaschinen GmbH

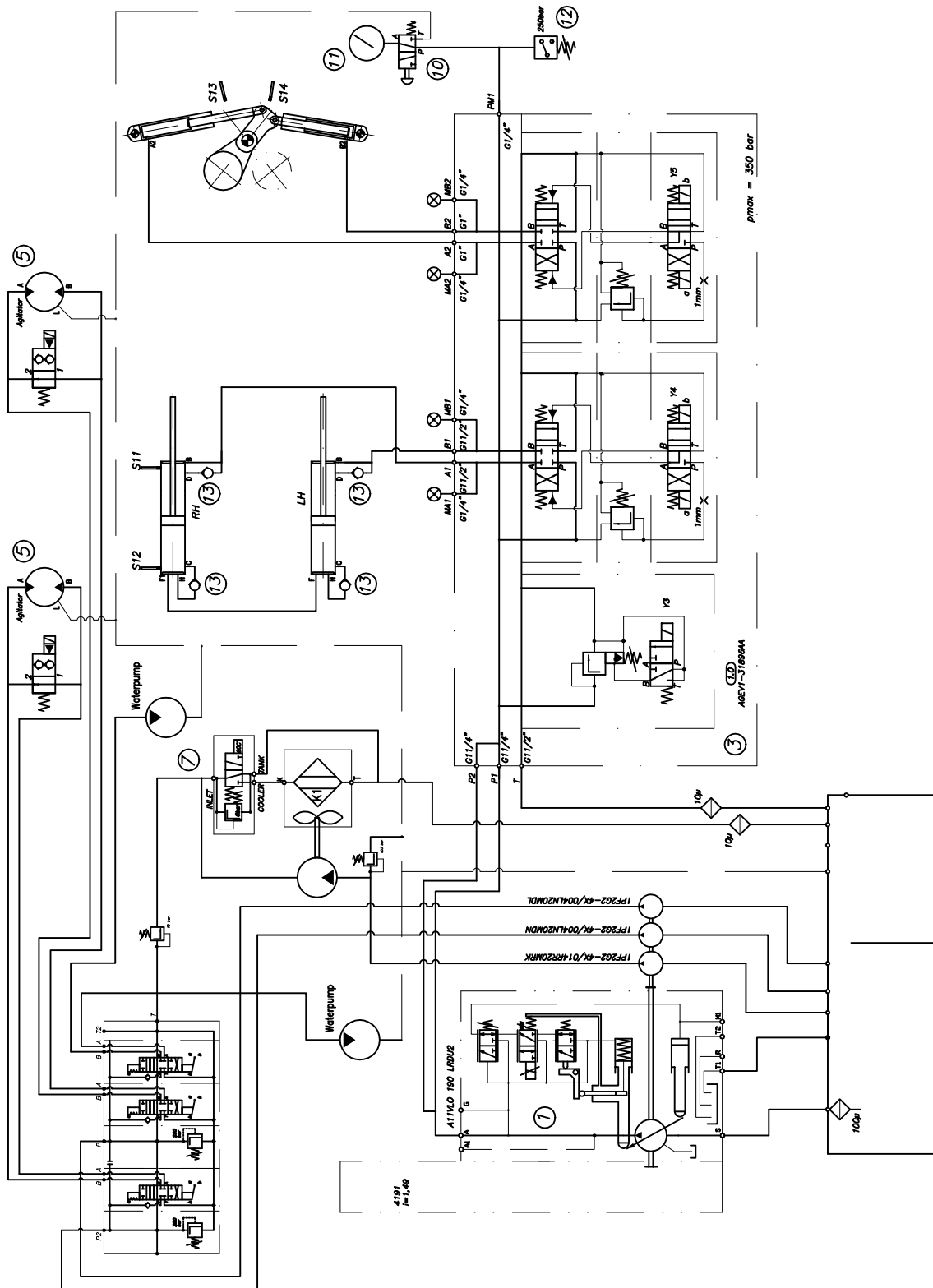


Hydraulikanlage  
hydraulic system

B 40 4 010

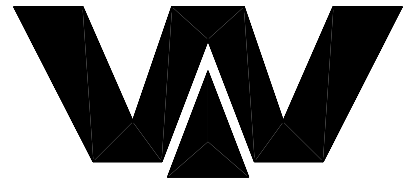


Waitzinger  
Baumaschinen GmbH

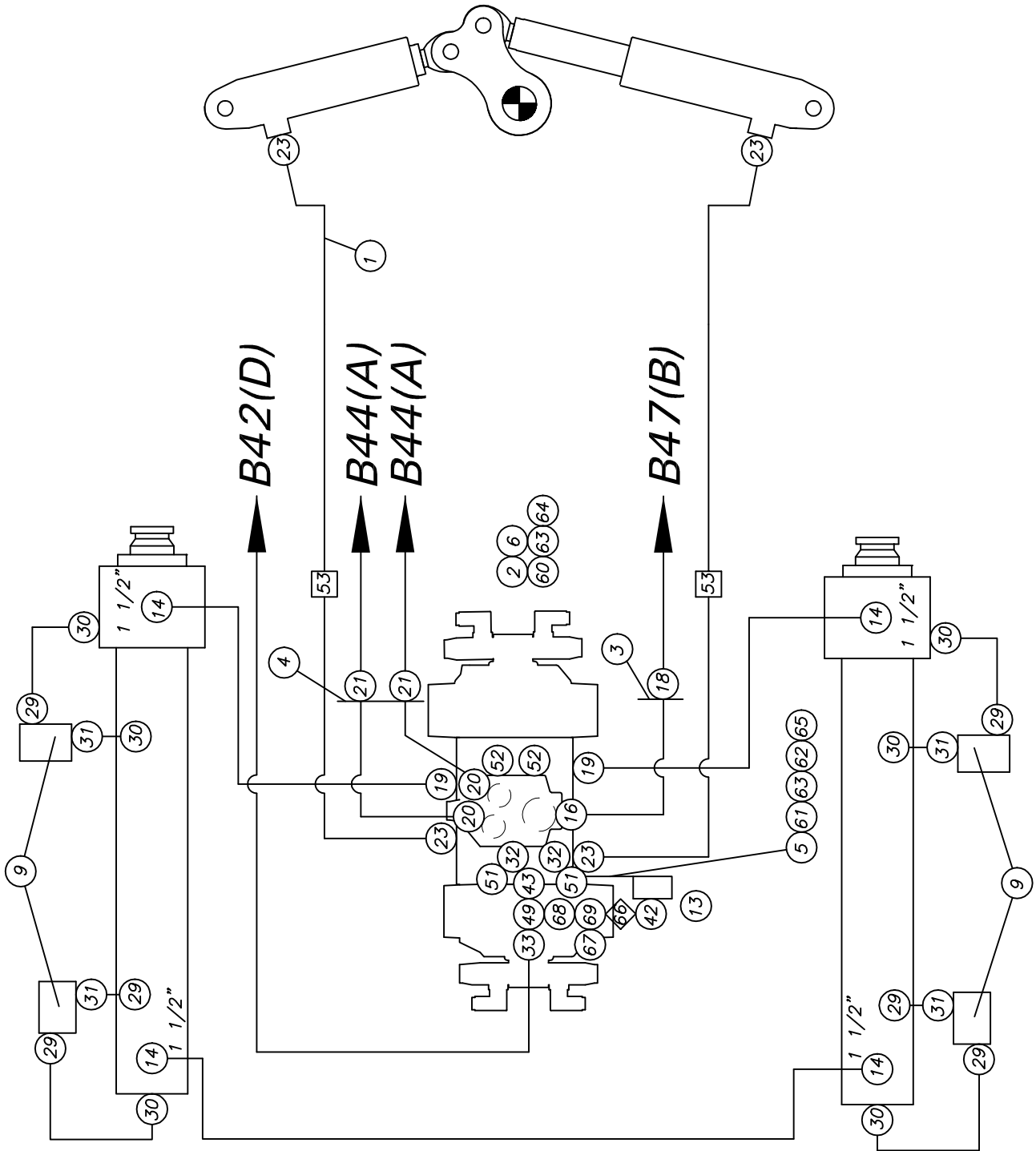


Verrohrungsplan Pumpeinheit  
piping diagram pump unit

B 41 4 048d



Waitzinger  
Baumaschinen GmbH







## PARTS LIST

part list	description	created	index	valid from	valid to	
B414048	piping diagram, truck pump, pump unit	08.05.02 HF	d	09.05.06		
pos	description stock	ident-no dimensions	DIN material	index	weigh Kg	quantity unit
1	holder for hoses cpl. own parts list	B415002				2,00 Stk
2	mounting for control block own parts list	B414047		a 09.12.05		1,00 Stk
3	bulkhead plate	B474157 BI 10x90x105	1543/EN10029 St37-2	a	0,50	1,00 Stk
4	cross profile own parts list	B414054			8,00	1,00 Stk
5	fixing plate	B414024 BI 4x80x25	1543 St37-2			1,00 Stk
6	main control block own parts list	WAI102741			83,50	1,00 Stk
9	check valve LT-35B23.0-K	WAI100938			0,83	4,00 Stk
13	pressure switch	WAI100211			0,87	1,00 Stk
14	O-ring	WAI102014				4,00 Stk
16	straight male stud couplings L42	WAI100550				1,00 Stk
18	bulkhead coupling L42	WAI105956				1,00 Stk
19	straight male stud couplings S38	WAI102184				2,00 Stk
20	straight male stud couplings S30	WAI100545				2,00 Stk
21	bulkhead coupling S30	WAI103047				2,00 Stk
23	straight male stud couplings S25	WAI100544				4,00 Stk
29	straight male stud couplings L15-G 1/2"	WAI101332				6,00 Stk
30	throttlefree banjo elbows L15 R	WAI103766				6,00 Stk
31	straight stud standpipe adaptor L15 G1/2	WAI101979			0,14	4,00 Stk
33	screw coupling	WAI101199				1,00 Stk
42	male stud couplings S8RD 1/4	WAI105403				2,00 Stk
49	swivel barrel tee S8	WAI108480			0,08	1,00 Stk



## PARTS LIST

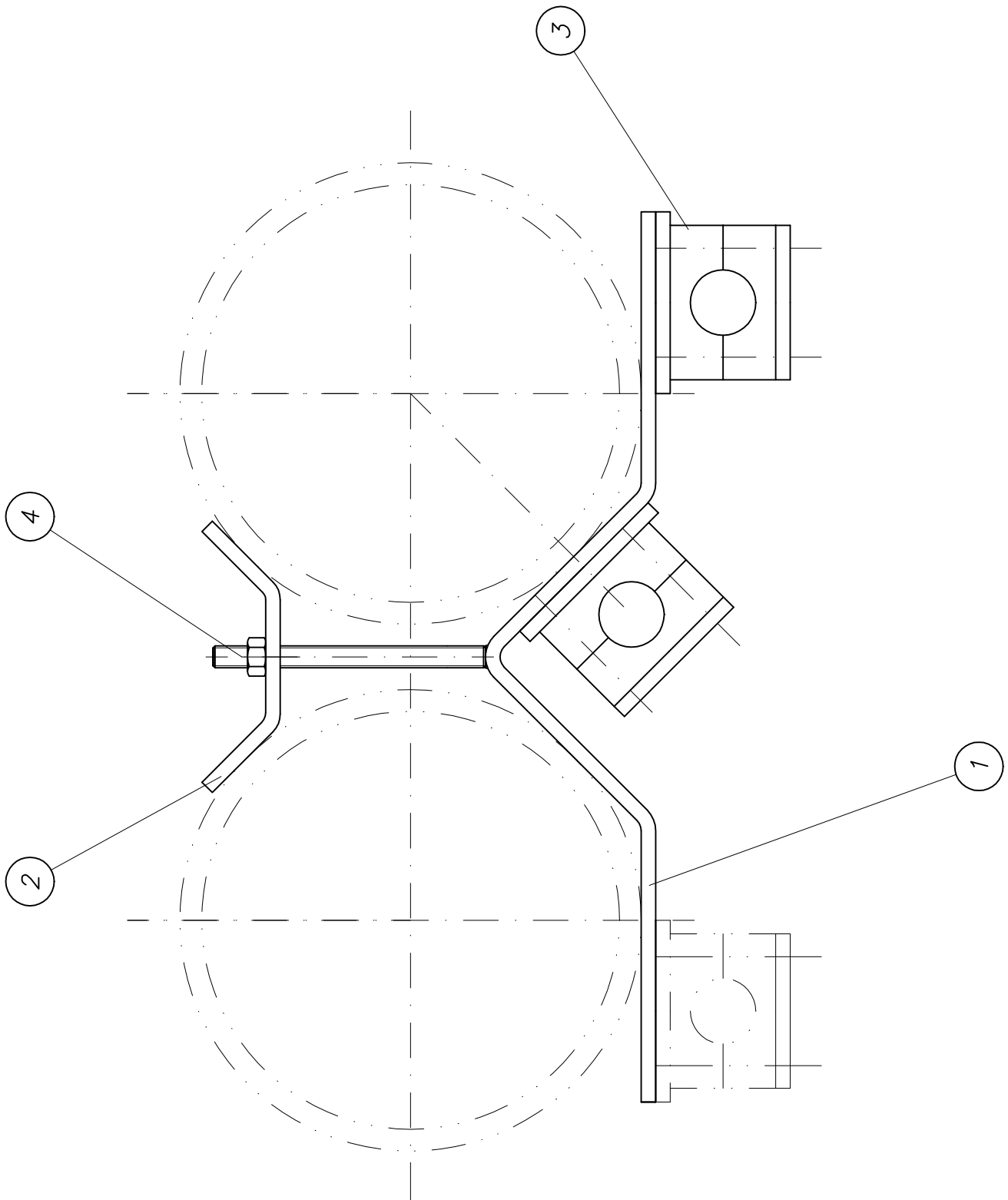
part list	description	created	index	valid from	valid to	
B414048	piping diagram, truck pump, pump unit	08.05.02 HF	d 09.05.06			
pos	description stock	ident-no dimensions	DIN material	index	weigh Kg	quantity unit
50	straight male stud couplings L8R 1/4"	WAI105202				2,00 Stk
51	check point L8	WAI100209			0,08	2,00 Stk
52	check point R1/4"	WAI100137			0,07	2,00 Stk
53	pipe clip 38 mm, cpl. own parts list	WAI108096				2,00 Stk
60	hexagon bolt M 8 x 25 DIN 933 10.9	WAI103417				4,00 Stk
61	hexagon bolt M 8 x 20	WAI101837				1,00 Stk
62	cheese head screw M5x50	WAI101724			0,01	2,00 Stk
63	spring washer A8 DIN 127 VERZ.	WAI102205			0,00	5,00 Stk
64	washer 8.4	WAI101625				4,00 Stk
65	locking nut DIN 980	WAI102068				2,00 Stk
66	hydr. pipe 8 x 1.5	WAI102309			0,24	0,30 Mtr
67	female stud couplings S8 G1/4"	WAI110083				1,00 Stk
68	straight coupling SNV 8S	WAI110084				1,00 Stk
69	swivel branch tee S8	WAI101302				1,00 Stk

*Schlauchbefestigung kpl.*  
*pipe holder cpl.*

**B 41 5 002**



Waitzinger  
Baumaschinen GmbH



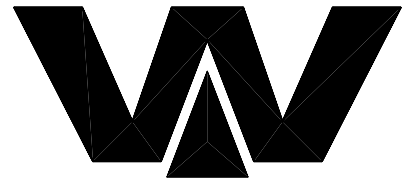


## PARTS LIST

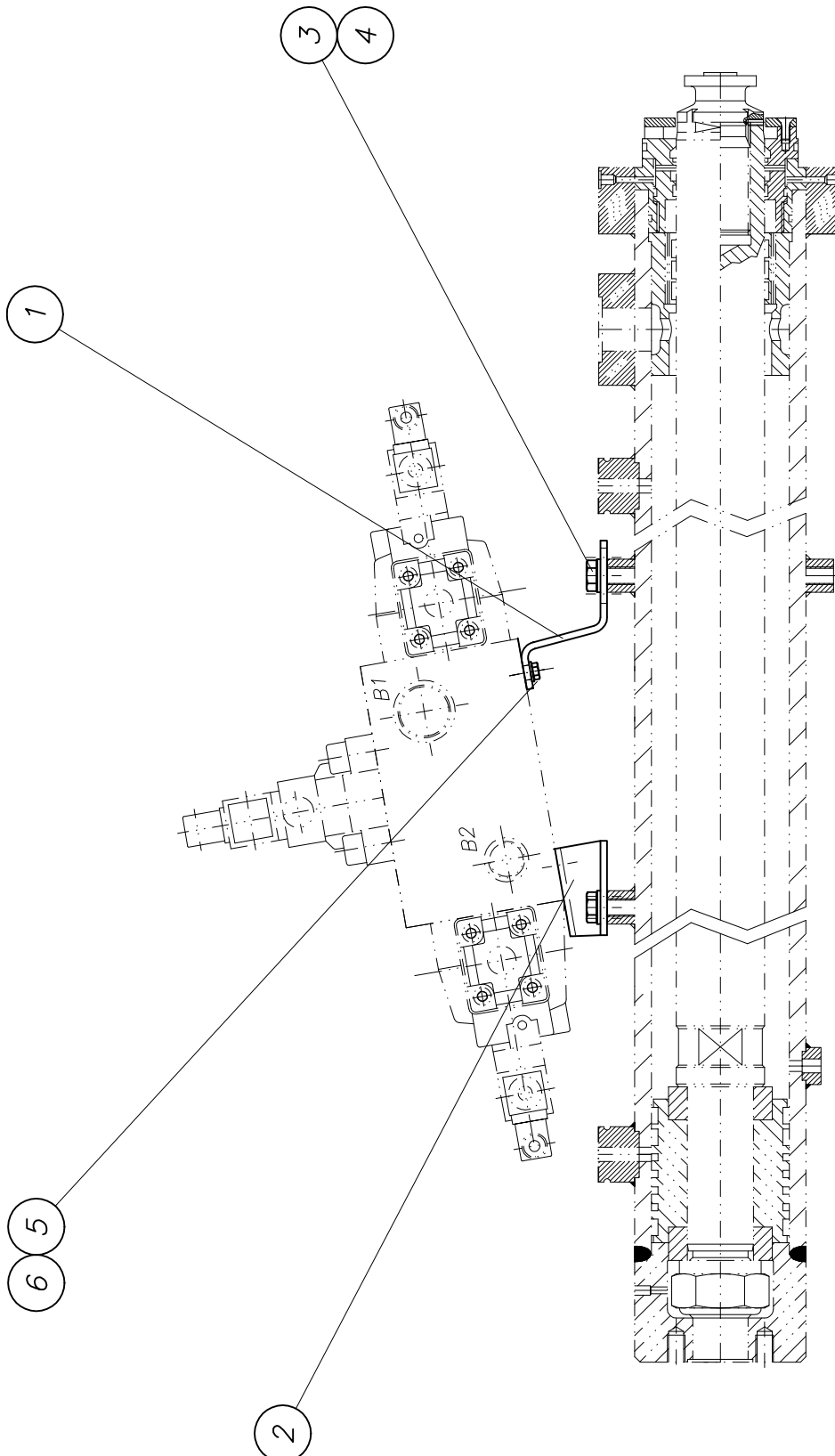
part list	description	created	index	valid from	valid to	
B415002	holder for hoses cpl.	04.03.03 Mi				
pos	description stock	ident-no dimensions	DIN material	index	weighth Kg	quantity unit
1	support cpl. own parts list	B415004			2,50	1,00 Stk
2	plate	B414013 Bl 8x175x80	1543/EN10029 St37		0,65	1,00 Stk
3	pipe clip 38 mm, cpl. own parts list	WAI108096				2,00 Stk
4	nut M12 DIN 934	WAI101557			0,02	1,00 Stk

*Befestigung Steuerblock*  
*mounting control block*

*B 41 4 047*



*Waitzinger*  
*Baumaschinen GmbH*



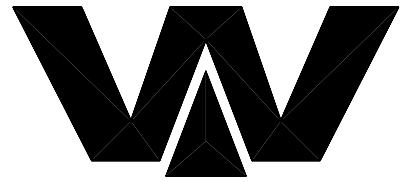


## PARTS LIST

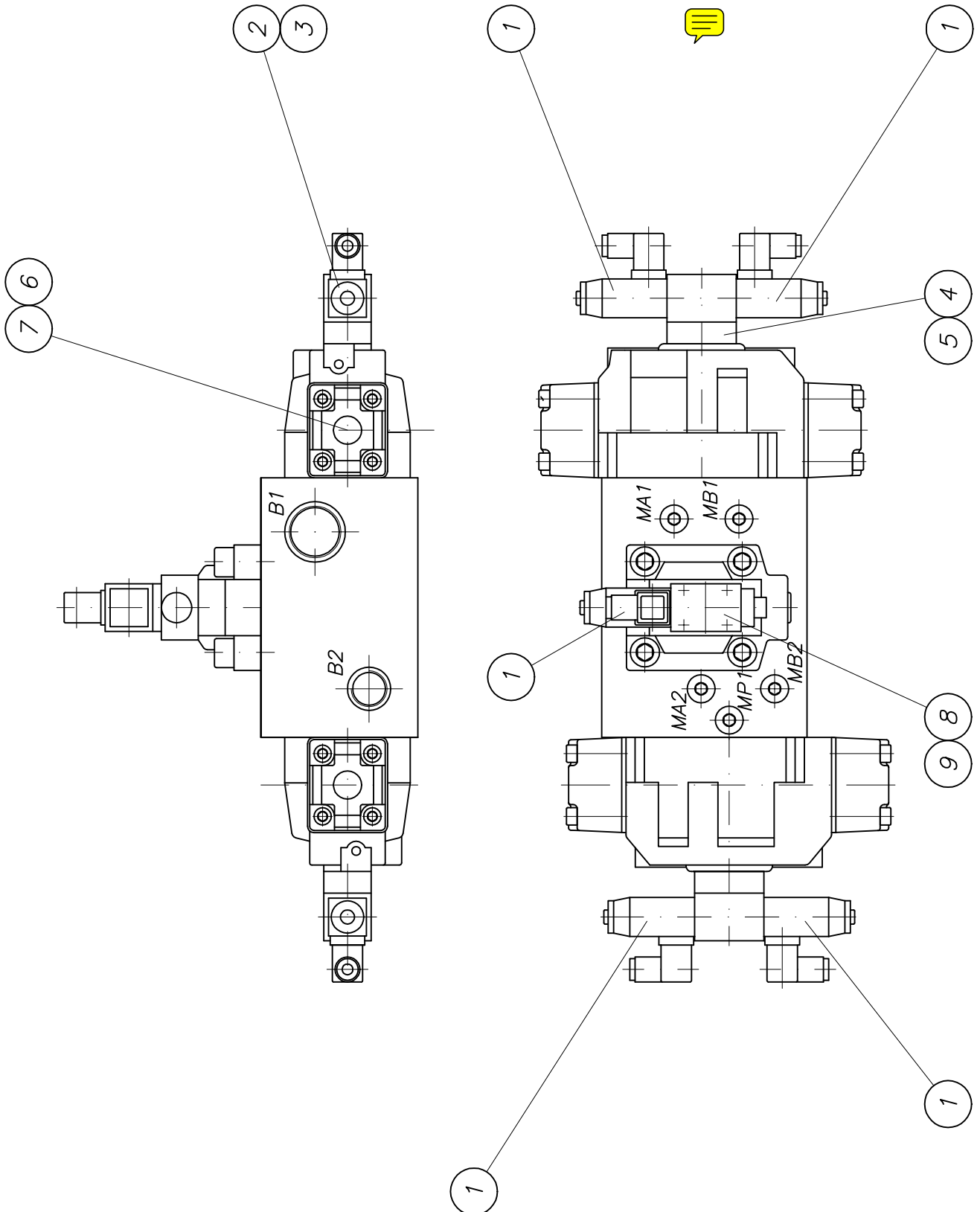
part list	description	created	index	valid from	valid to	
B414047	mounting for control block	17.01.00 Mi				
pos	description stock	ident-no dimensions	DIN material	index	weighth Kg	quantity unit
1	angle	B113036 Bl 6x179x330	1543/EN10029 St37-2	a 24.01.00	2,50	1,00 Stk
2	angle	B113037 Bl 6x93x400	1543/EN10029 St37-2	a 24.01.00	1,40	1,00 Stk
3	hexagon bolt M16 x 30	WAI102892				4,00 Stk
4	conical spring washer	WAI100506				4,00 Stk
5	hexagon bolt M8 x 25 DIN 933 8.8	WAI101621				4,00 Stk
6	conical spring washer 8 mm	WAI103418				4,00 Stk

Hauptsteuerblock  
main control block

WAI 102741




Waitzinger  
Baumaschinen GmbH





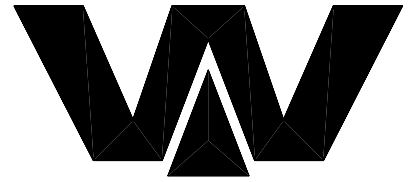
## PARTS LIST

part list	description	created	index	valid from	valid to	
WAI102741	main control block	14.08.01 Mi				
pos	description stock	ident-no dimensions	DIN material	index	weigh Kg	quantity unit
1	magnet coil GZ 45-4- 26V	WAI102396 			0,35	5,00 Stk
2	4/3 way valve	WAI103159				2,00 Stk
3	sealing set for 4/3 way valve	WAI103160			0,10	2,00 Stk
4	subplate pressure valve	WAI102870				2,00 Stk
5	sealing set for spacer plate	WAI103161				2,00 Stk
6	regulation valve	WAI103162				2,00 Stk
7	sealing set for regulation valve	WAI103163				2,00 Stk
8	relief valve DBW30	WAI101030			7,00	1,00 Stk
9	sealing set for pressure	WAI103156				1,00 Stk

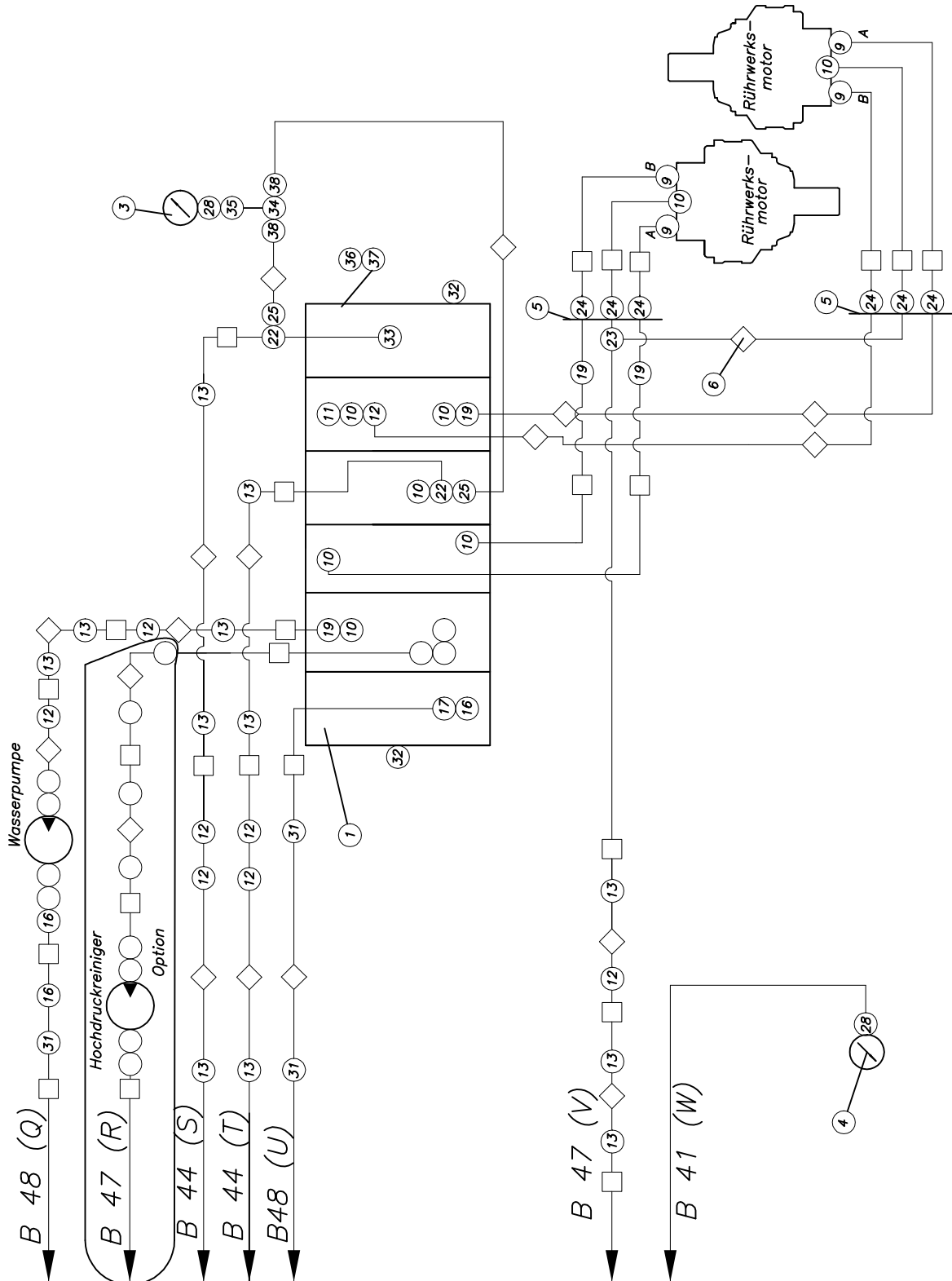


*Verrohrung Rührw. u. Wasserp.  
 piping agitator and water pump*

**B 42 4 020**



Waitzinger  
 Baumaschinen GmbH





## PARTS LIST

part list	description	created	index	valid from	valid to	
B424020	pipng diagram, agitator and water pump	07.12.05 TECHNIK				
pos	description stock	ident-no dimensions	DIN material	index	weigth Kg	quantity unit
1	mobil control block cpl. own parts list	B414064				1,00 Stk
3	pressure gauge 400bar 1/4"	WAI100160			0,28	1,00 Stk
4	pressure gauge 1/4" / 600 bar	WAI100132			0,27	1,00 Stk
5	bulkhead plate	B424007 BI 4x60x120	1543 S355J2G3		0,20	2,00 Stk
6	set of pipes for agitator control block	WAI106200				1,00 Stk
9	straight male stud couplings L12 RD 1/2"	WAI105400				4,00 Stk
10	straight male stud couplings L12 3/8"	WAI103741				8,00 Stk
11	straight coupling SNV 12L	WAI101949				1,00 Stk
12	elbow couplings L12	WAI100604				8,00 Stk
13	straight couplings L12	WAI100603				12,00 Stk
16	swivel elbow L15	WAI101333				3,00 Stk
17	straight male stud couplings L15-G 1/2"	WAI101332				1,00 Stk
19	swivel elbow L12	WAI100590				4,00 Stk
22	swivel barrel tee L12	WAI101325				2,00 Stk
23	tee coupling L12	WAI100598				1,00 Stk
24	bulkhead coupling L12	WAI101384				6,00 Stk
25	standpipe tube reducer L12/8	WAI100564				2,00 Stk
28	gauge couplings L8	WAI100581				2,00 Stk
31	straight couplings L 15	WAI103754				3,00 Stk
32	socket head port plugs G 1/2	WAI100360			0,04	2,00 Stk

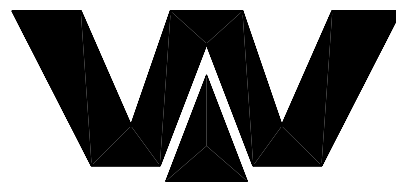


## PARTS LIST

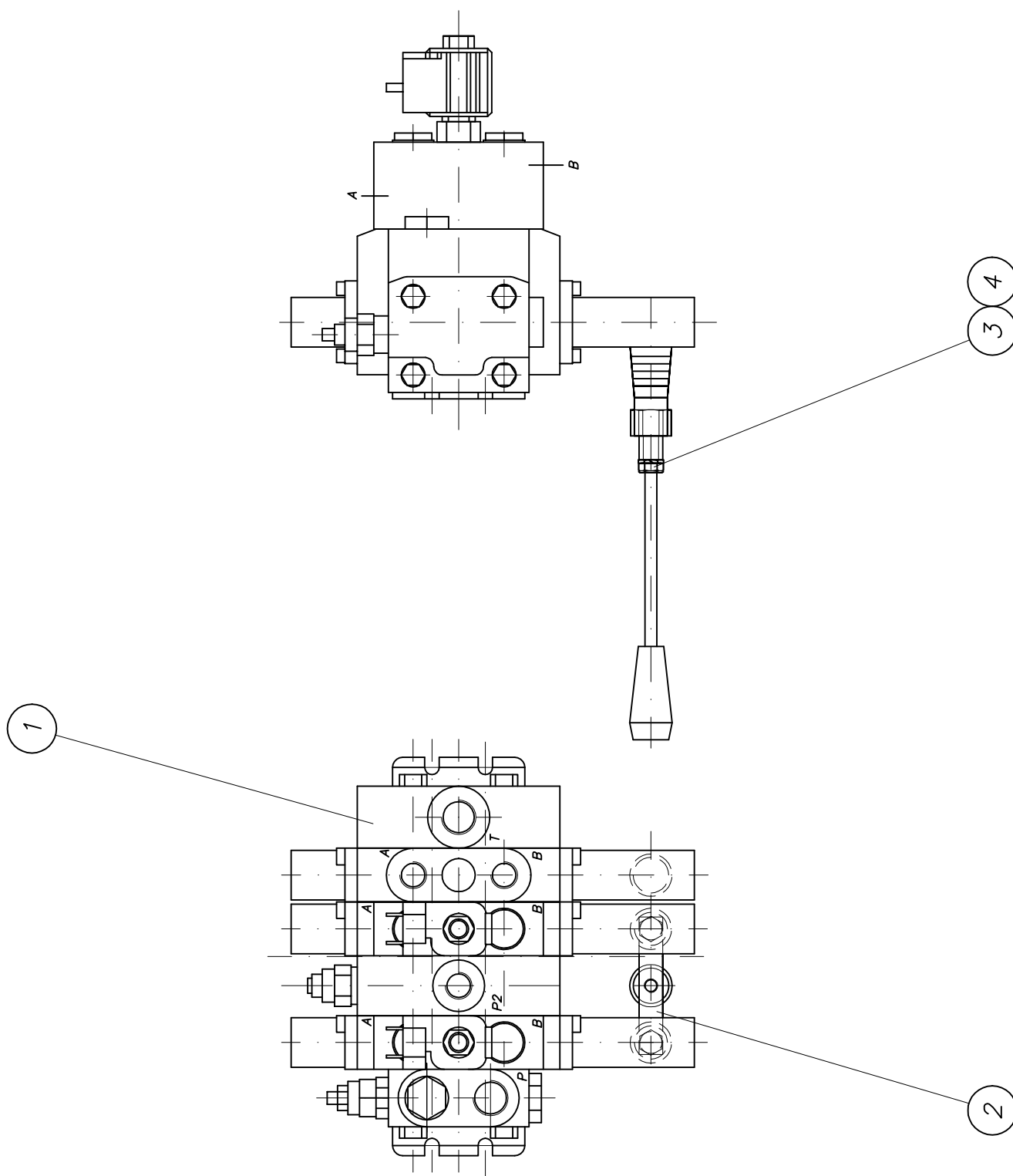
part list	description	created	index	valid from	valid to	
B424020	pipng diagram, agitator and water pump	07.12.05 TECHNIK				
pos	description stock	ident-no dimensions	DIN material	index	weigth Kg	quantity unit
33	straight male stud couplings L12	WAI101386				1,00 Stk
34	valve L 8	WAI105858				1,00 Stk
35	straight coupling SNV 8L	WAI101938				1,00 Stk
36	hexagon bolt M 8 x 16 DIN 933 8.8	WAI102873				4,00 Stk
37	spring washer A8 DIN 127 VERZ.	WAI102205			0,00	4,00 Stk
38	adjustable elbow bodies L8	WAI103793				2,00 Stk

*Handsteuerblock kpl.  
mobil control block cpl.*

*B 41 4 064*



*Waitzinger  
Baumaschinen GmbH*





## PARTS LIST

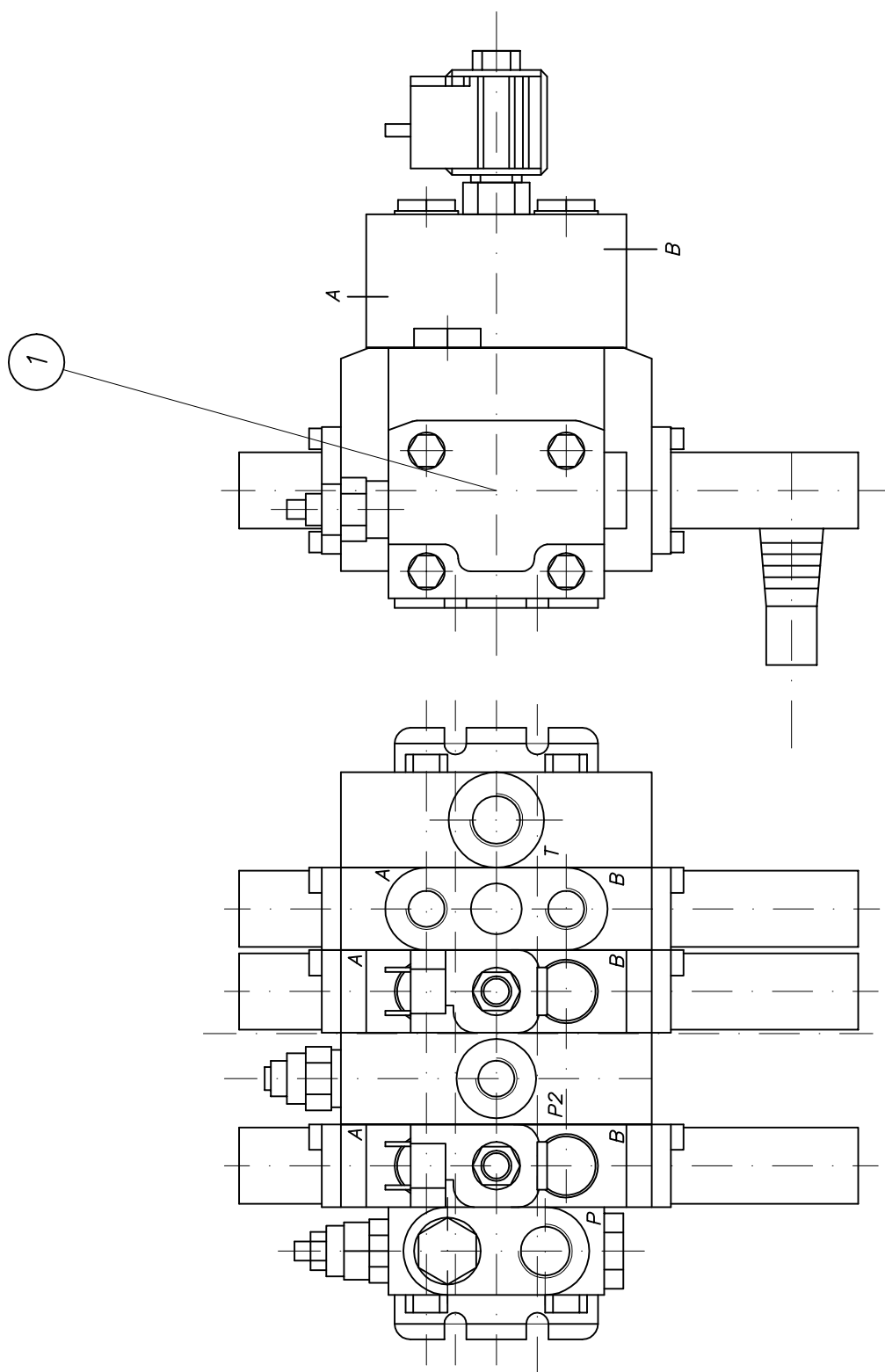
<b>part list</b>	<b>description</b>	<b>created</b>	<b>index</b>	<b>valid from</b>	<b>valid to</b>	
B414064	mobil control block cpl.	22.09.05 ERWIN-10				
<b>pos</b>	<b>description stock</b>	<b>ident-no dimensions</b>	<b>DIN material</b>	<b>index</b>	<b>weighth Kg</b>	<b>quantity unit</b>
1	mobil control block triple own parts list	WAI109774			7,00	1,00 Stk
2	connection	B414063 VK 14x81	1014 S235J2G3		0,13	1,00 Stk
3	hexagon bolt M8 x 25 DIN 933 8.8	WAI101621				2,00 Stk
4	spring washer A8 DIN 127 VERZ.	WAI102205			0,00	2,00 Stk

*Handsteuerblock  
mobil control block*

*WAI 109774*



*Waitzinger  
Baumaschinen GmbH*



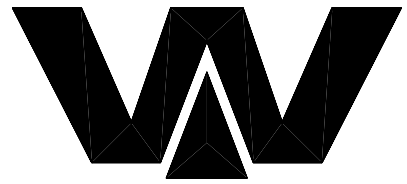


## PARTS LIST

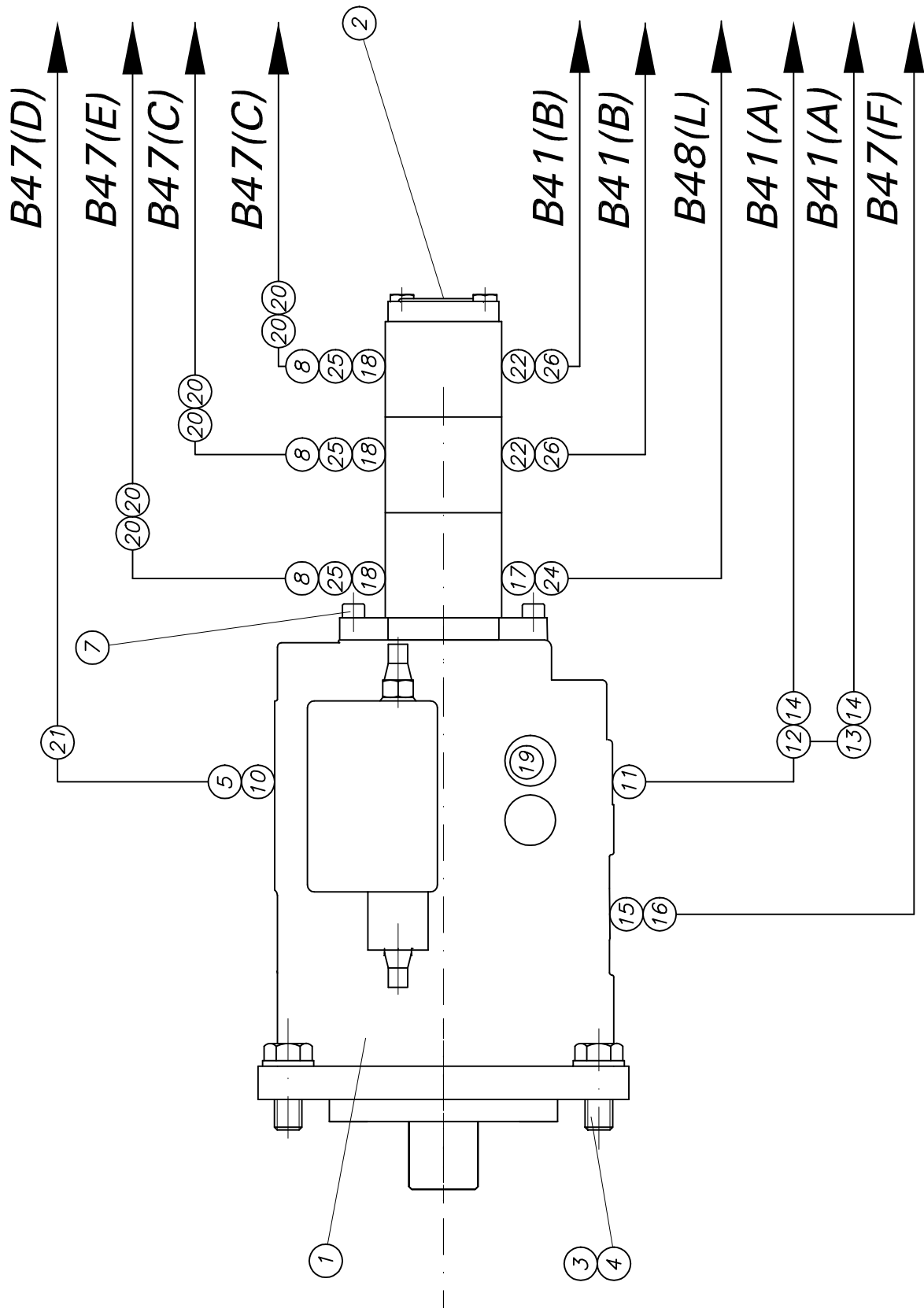
part list	description	created	index	valid from	valid to	
WAI109774	mobil control block triple	04.11.05	TECHNIK			
pos	description stock	ident-no dimensions	DIN material	index	weigh Kg	quantity unit
1	magnet coil CCP 026 D	WAI109779			0,34	1,00 Stk

*Verrohrung Hydraulikpumpe  
 diagram hydraulic pump*

**B 44 4 030f**



Waitzinger  
 Baumaschinen GmbH







## PARTS LIST

part list	description	created	index	valid from	valid to	
B444030	pipng diagram hydraulic pump	02.04.02 ek	f 10.04.06			
pos	description stock	ident-no dimensions	DIN material	index	weigh Kg	quantity unit
1	pump A11VLO190LRDU2/11R-NSD12K01E	WAI107493			114,00	1,00 Stk
2	triple gear pump own parts list	WAI105847			3,00	1,00 Stk
3	hexagon bolt M 20 x 65 DIN 931 8.8	WAI102940				4,00 Stk
4	washer HV	WAI100691			0,01	4,00 Stk
5	hose connection DN 100,SAE-flange 3 1/2"	WAI110150				1,00 Stk
7	socket head screw M 8 x 30	WAI105751				4,00 Stk
8	hose connection DN32, DKOL28, straight	WAI105170				3,00 Stk
10	SAE-flange, 3 1/2" 500 PSI complete	WAI102900				1,00 Stk
11	elbow flange coupling S38	WAI101963				1,00 Stk
12	swivel barrel tee S38	WAI101959			1,00	1,00 Stk
13	swivel elbow S38	WAI102216			1,40	1,00 Stk
14	standpipe tube reducer S38/30	WAI102217				2,00 Stk
15	male stud couplings L28MD	WAI103750				1,00 Stk
16	elbow couplings L28	WAI101396				1,00 Stk
17	elbow flange coupling L15-35	WAI102677			0,23	1,00 Stk
18	straight flange coupling L28-40	WAI102869				3,00 Stk
19	locking screw M 14 X 1,5	WAI102119			0,02	1,00 Stk
20	hose clamp 42/20	WAI103141			0,22	6,00 Stk
21	hose clamp 110/25	WAI103140			0,22	2,00 Stk
22	straight flange coupling L12-35	WAI108603				2,00 Stk
23	sealing ring 165 x 4	WAI102554				1,00 Stk

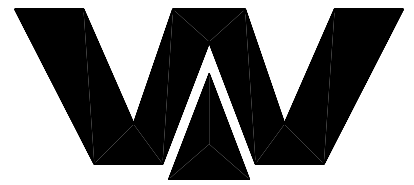


## PARTS LIST

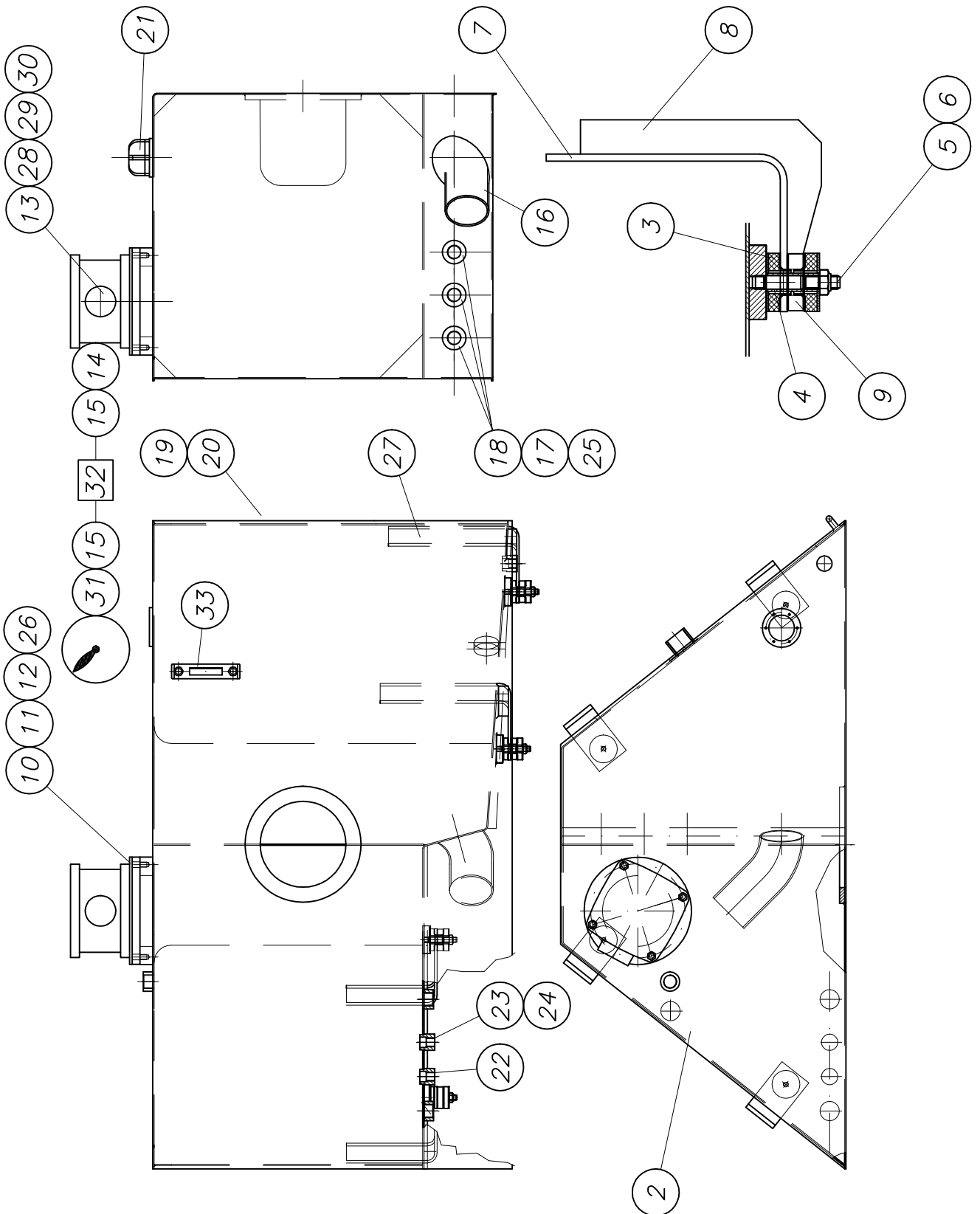
part list	description	created	index	valid from	valid to	
B444030	pipng diagram hydraulic pump	02.04.02 ek	f 10.04.06			
pos	description stock	ident-no dimensions	DIN material	index	weigh Kg	quantity unit
24	swivel elbow L15	WAI101333				1,00 Stk
25	standpipe elbows L 28 D	WAI104435				3,00 Stk
26	swivel elbow L12	WAI100590				2,00 Stk

Öltank kpl.  
oil tank cpl.

B 47 8 010c



Waitzinger  
Baumaschinen GmbH





## PARTS LIST

part list	description	created	index	valid from	valid to	
B478010	oil tank	28.11.03 ute	c	27.01.06		
pos	description stock	ident-no dimensions	DIN material	index	weighth Kg	quantity unit
2	hydraulic tank cpl. own parts list	B478020		a 30.01.06		1,00 Stk
3	rubber buffer 50 x 16,5 x 13	WAI102491			0,06	8,00 Stk
4	pipe	B474066 Hydr.rohr 16x2x	2391 St37		0,05	4,00 Stk
5	stop nut M12	WAI102121			0,02	4,00 Stk
6	pin bolt	WAI103177				4,00 Stk
7	angle	B478031 FI 80x10	1017 S235J2G3		2,00	2,00 Stk
8	rib	B478032 Bl 8x211x117	1543 S235J2G3		0,75	4,00 Stk
9	disk	B478028 Rd 15x50	DIN 1013 S235J2G3		0,20	4,00 Stk
10	filter RFM BN/HC851 own parts list	WAI106035			4,50	1,00 Stk
11	cheese head screw	WAI101792				4,00 Stk
12	spring washer A12 DIN 127 VERZ.	WAI102896				8,00 Stk
13	SAE-flange, 2", 3000 PSI complete	WAI103167				1,00 Stk
14	straight male stud couplings L6M	WAI100546			0,03	1,00 Stk
15	threaded sleeve	WAI100254			0,01	2,00 Stk
16	hose clamp 110/25	WAI103140			0,22	2,00 Stk
17	hose clamp 42/20	WAI103141			0,22	6,00 Stk
18	male stud couplings L28	WAI100337			0,25	3,00 Stk
21	filling and air filter	WAI106163				1,00 Stk
22	throttlefree banjo elbows L28	WAI100364			0,89	2,00 Stk
23	male stud couplings L28 1"	WAI103746				2,00 Stk



## PARTS LIST

part list	description	created	index	valid from	valid to	
B478010	oil tank	28.11.03 ute	c	27.01.06		
pos	description stock	ident-no dimensions	DIN material	index	weighth Kg	quantity unit
24	standpipe elbows L 28 V	WAI100367			0,41	2,00 Stk
25	hose connection DN32, DKOL28, straight	WAI105170				3,00 Stk
26	filter element 0851R010BN/HC	WAI102700			2,50	1,00 Stk
27	angle	B478033 FI 80x10x426	1017 S235J2G3		2,70	2,00 Stk
28	flange	B474172 BI 30xD 130	1543 St 52-3		2,40	1,00 Stk
29	O-ring 69,4 x 3,5	WAI103384				1,00 Stk
31	female stud couplings L6 M10 X 1	WAI101406				1,00 Stk
32	plastic pipe	WAI109384			0,50	3,00 Mtr
33	oil level gauge	WAI100275			0,19	1,00 Stk

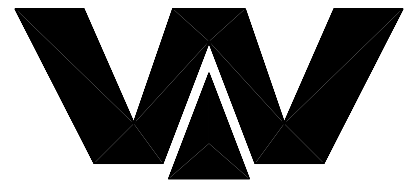


# PARTS LIST

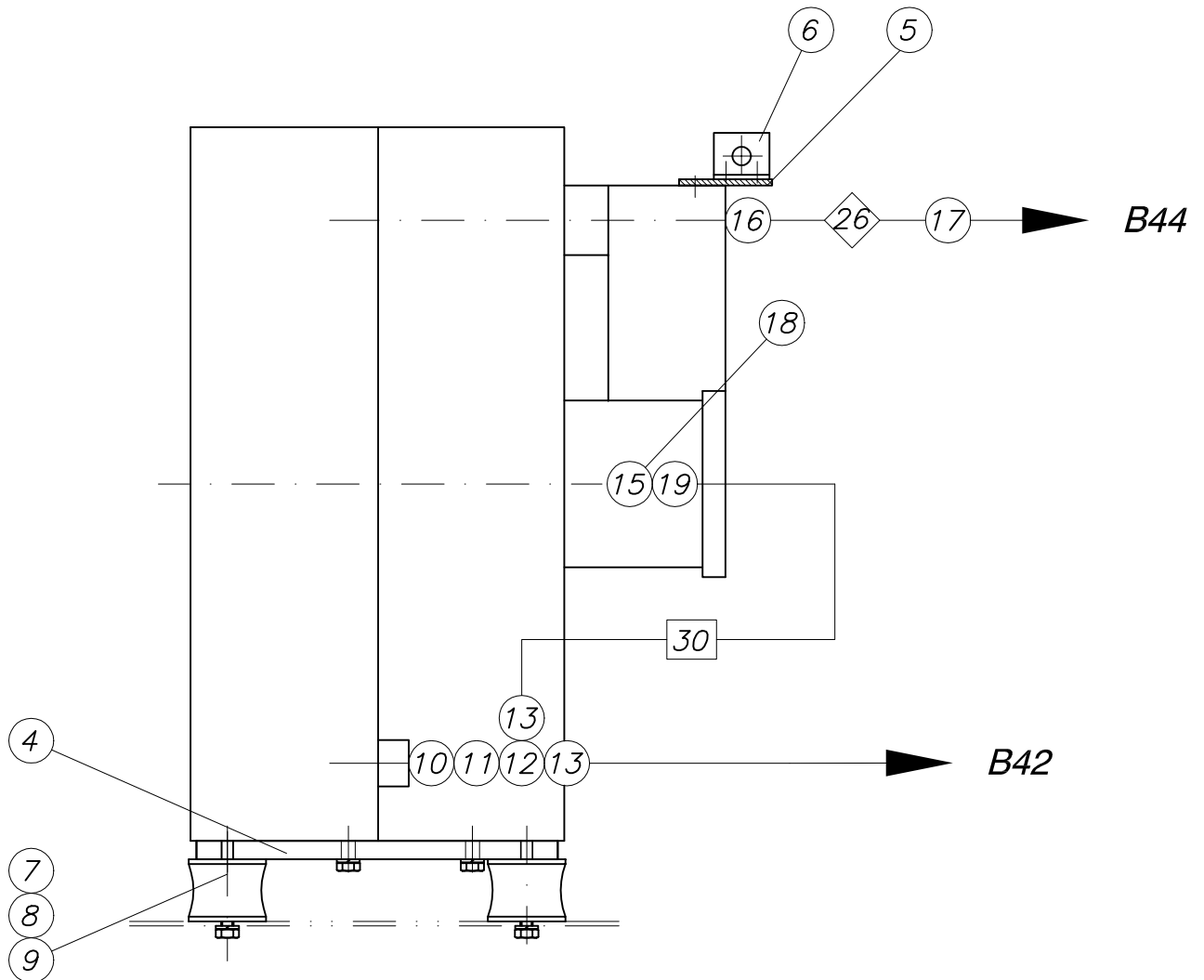
<b>part list</b>	<b>description</b>	<b>created</b>	<b>index</b>	<b>valid from</b>	<b>valid to</b>	
WAI106035	filter RFM BN/HC851	21.11.02 HG				
<b>pos</b>	<b>description stock</b>	<b>ident-no dimensions</b>	<b>DIN material</b>	<b>index</b>	<b>weigh Kg</b>	<b>quantity unit</b>
1	filter element 0851R010BN/HC	WAI102700			2,50	1,00 Stk

Ölkühler kpl.  
oil cooler cpl.

B 48 4 065e



Waitzinger  
Baumaschinen GmbH



2



## PARTS LIST

part list	description	created	index	valid from	valid to	
B484065	piping diagram oil cooler truck	16.02.04 Mi	e	11.01.06		
pos	description stock	ident-no dimensions	DIN material	index	weighth Kg	quantity unit
1	hydraulic oilcooler own parts list	WAI108527				1,00 Stk
2	filter element CS 050 - A10	WAI101376			2,00	1,00 Stk
5	holder kpl. own parts list	B484057			0,10	1,00 Stk
6	pipe clip 12 mm, own parts list	WAI105146			0,07	1,00 Stk
7	rubber cushion	WAI104190				4,00 Stk
8	stop nut M8 DIN985 8. VERZ.	WAI102111			0,05	4,00 Stk
9	washer 8.4	WAI101625				4,00 Stk
10	reducing thread adapter 1 1/4" - 1"	WAI100572				1,00 Stk
11	male stud couplings L28	WAI100337			0,25	1,00 Stk
12	swivel barrel tee L28	WAI101395				1,00 Stk
13	standpipe tube reducer L28/15	WAI101401				2,00 Stk
15	straight flange coupling L15	WAI101953				1,00 Stk
16	male stud couplings L28	WAI103525				1,00 Stk
17	elbow couplings L28	WAI101396				1,00 Stk
18	elbow flange coupling L15-40	WAI102678			0,23	1,00 Stk
19	swivel elbow L15	WAI101333				1,00 Stk
26	hydr. pipe 28 x 2.0	WAI103562			1,30	0,20 Mtr
30	hydraulic hose DN 12 x 800	WAI105377				1,00 Stk





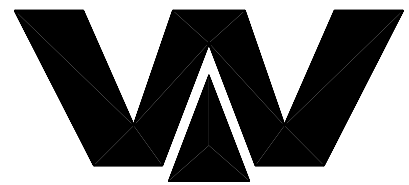
# PARTS LIST

<b>part list</b>	<b>description</b>	<b>created</b>	<b>index</b>	<b>valid from</b>	<b>valid to</b>	
wai108527	hydraulic oilcooler	14.01.06 HG				
<b>pos</b>	<b>description stock</b>	<b>ident-no dimensions</b>	<b>DIN material</b>	<b>index</b>	<b>weigh Kg</b>	<b>quantity unit</b>
1	hydraulic oilcooler	WAI109485				1,00 Stk
2	set of filters for oil cooler	WAI109486				1,00 Stk

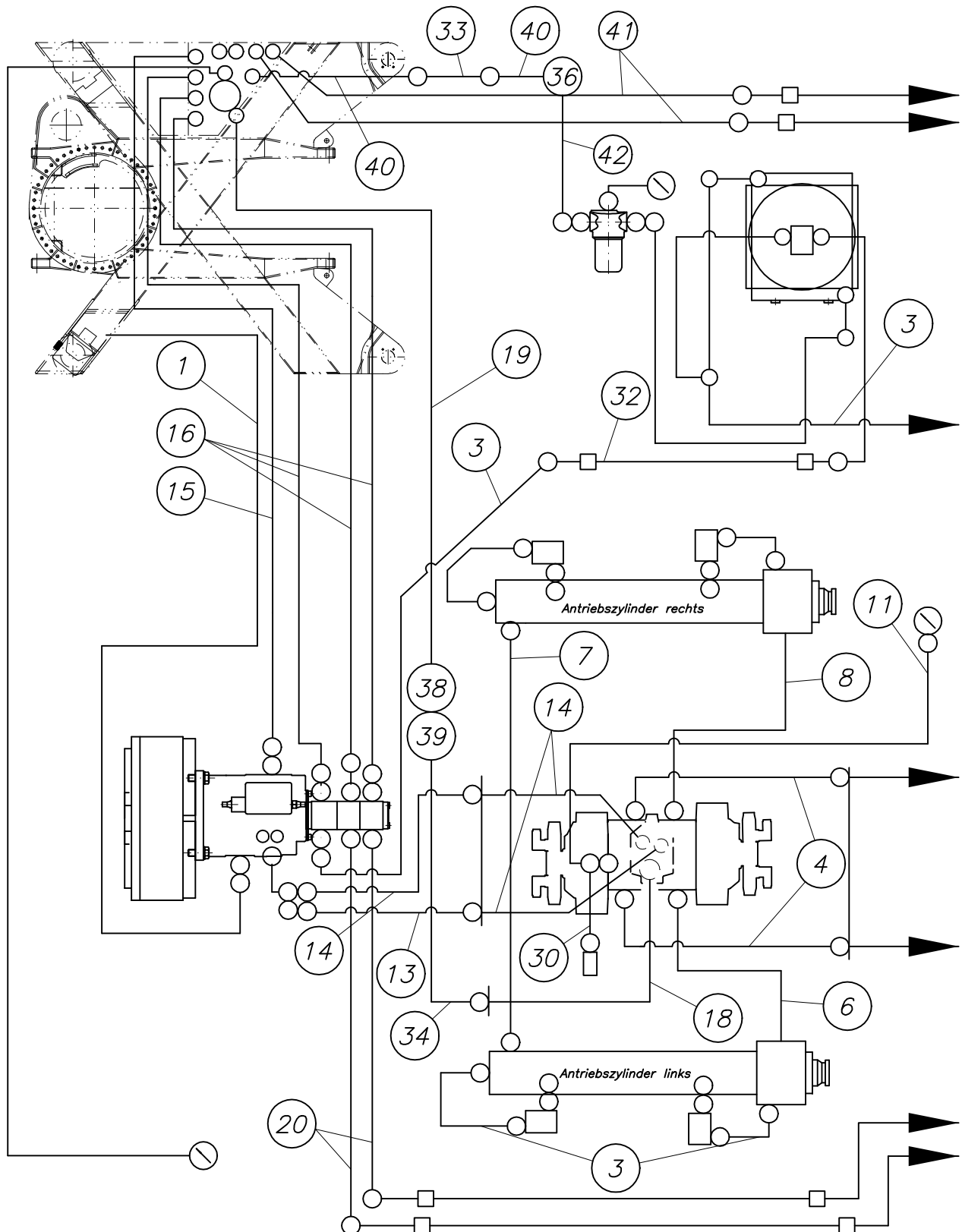
*Rohre und Schläuche kpl.*  
*hoses and pipes cpl.*

**B 49 4 034b**

**1**



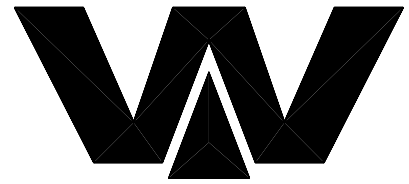
Waitzinger  
Baumaschinen GmbH



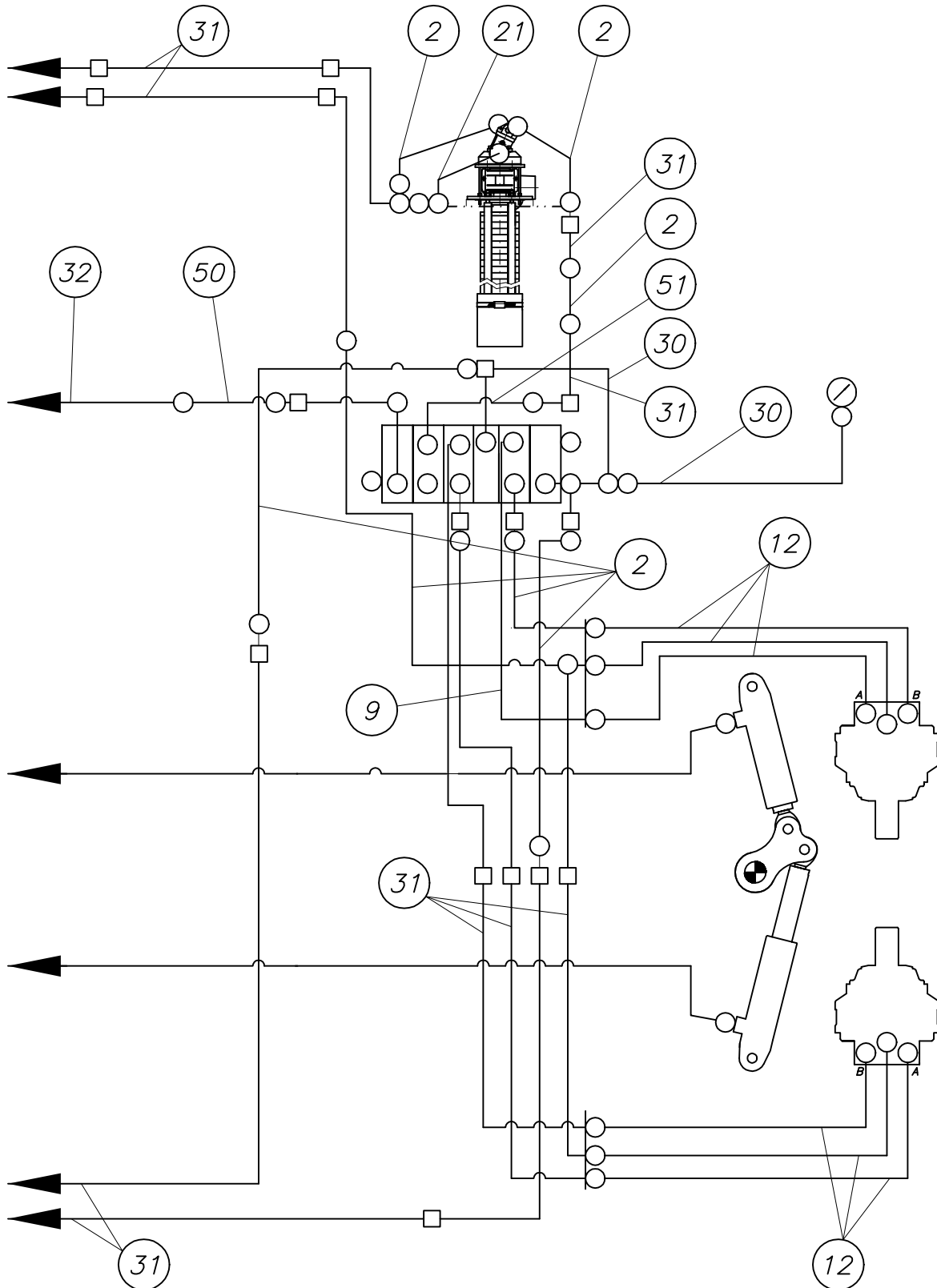
*Rohre und Schläuche cpl.*  
*hoses and pipes cpl.*

**B 49 4 034b**

**2**



Waitzinger  
Baumaschinen GmbH





## PARTS LIST

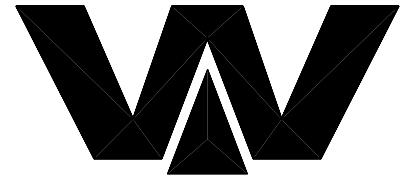
part list	description	created	index	valid from	valid to	
B494034	pipng diagram hoses boom pump	30.04.04 ek	b	03.04.06		
pos	description stock	ident-no dimensions	DIN material	index	weigh Kg	quantity unit
1	hydraulic hose DN25 x 1250	WAI107249				1,00 Stk
2	hydraulic hose DN 10 x 500	WAI104147				6,00 Stk
3	hydraulic hose DN 12 x 700	WAI103207				5,00 Stk
4	hydraulic hose DN20x3820	WAI107221				2,00 Stk
6	hydraulic hose DN32x 580	WAI104447				1,00 Stk
7	hydraulic hose DN40 x 1100	WAI103222				1,00 Stk
8	hydraulic hose DN32 x 580	WAI104446				1,00 Stk
9	hydraulic hose DN10 x 450	WAI106001				2,00 Stk
11	monitoring connecting hose assy, 5000 mm	WAI104158				1,00 Stk
12	hydraulic hose DN 10 x 780	WAI103272				6,00 Stk
13	hydraulic hose DN 25 x 900	WAI108367				1,00 Stk
14	hydraulic hose DN 25 x 800	WAI105959				3,00 Stk
15	suction hose DN100	WAI105899				1,50 Mtr
16	suction hose DN 32	WAI105900				5,70 Mtr
18	hydraulic hose DN 40 x 1200	WAI105961				1,00 Stk
19	hydraulic hose DN40x1400	WAI105962				1,00 Stk
20	hydraulic hose DN 10 x 1000	WAI103206				2,00 Stk
21	hydraulic hose DN 6 x 500	WAI103515				1,00 Stk
30	hydr. pipe 8 x 1.5	WAI102309			0,24	3,00 Mtr
31	hydr. pipe 12 x 2	WAI102022			0,49	30,00 Mtr
32	hydr. pipe 15 x 2	WAI101717			0,65	6,00 Mtr



## PARTS LIST

part list	description	created	index	valid from	valid to	
B494034	piping diagram hoses boom pump	30.04.04 ek	b	03.04.06		
pos	description stock	ident-no dimensions	DIN material	index	weigh Kg	quantity unit
34	hydraulic hose DN 40 x 800	WAI108282				1,00 Stk
37	bulkhead plate	B474166 BI 8x60x80	1543 St37-2		0,50	1,00 Stk
39	bulkhead plate	B474157 BI 10x90x105	1543/EN10029 St37-2	a	0,50	1,00 Stk
40	hydraulic hose DN 25 x 800	WAI103229				2,00 Stk
41	hydraulic hose DN10 x 1250	WAI106508				2,00 Stk
42	hydraulic hose DN 25 x 1100	WAI103216				1,00 Stk
44	hydr. pipe 28 x 2.0, 6-Mtr.	WAI103440				1,00 Stk
45	pipe clip 12 mm, own parts list	WAI105146			0,07	12,00 Stk
46	pipe clip 28mm complete own parts list	WAI105977				2,00 Stk
47	pipe clip 15 mm, own parts list	WAI105147			0,07	4,00 Stk
48	pipe clip 22 mm, own parts list	WAI105384			0,07	2,00 Stk
49	pipe clip 18 mm, own parts list	WAI105148				4,00 Stk
50	hydraulic hose DN12 x 650	WAI109437				1,00 Stk
51	hydraulic hose DN10 x 700	WAI101605				1,00 Stk

*Übersicht B 50 - B 59*  
*over view B 50 - 59*



*Waitzinger*  
*Baumaschinen GmbH*

*B51...*

*Elektroschaltplan*  
*wiring diagram*

*B54...*

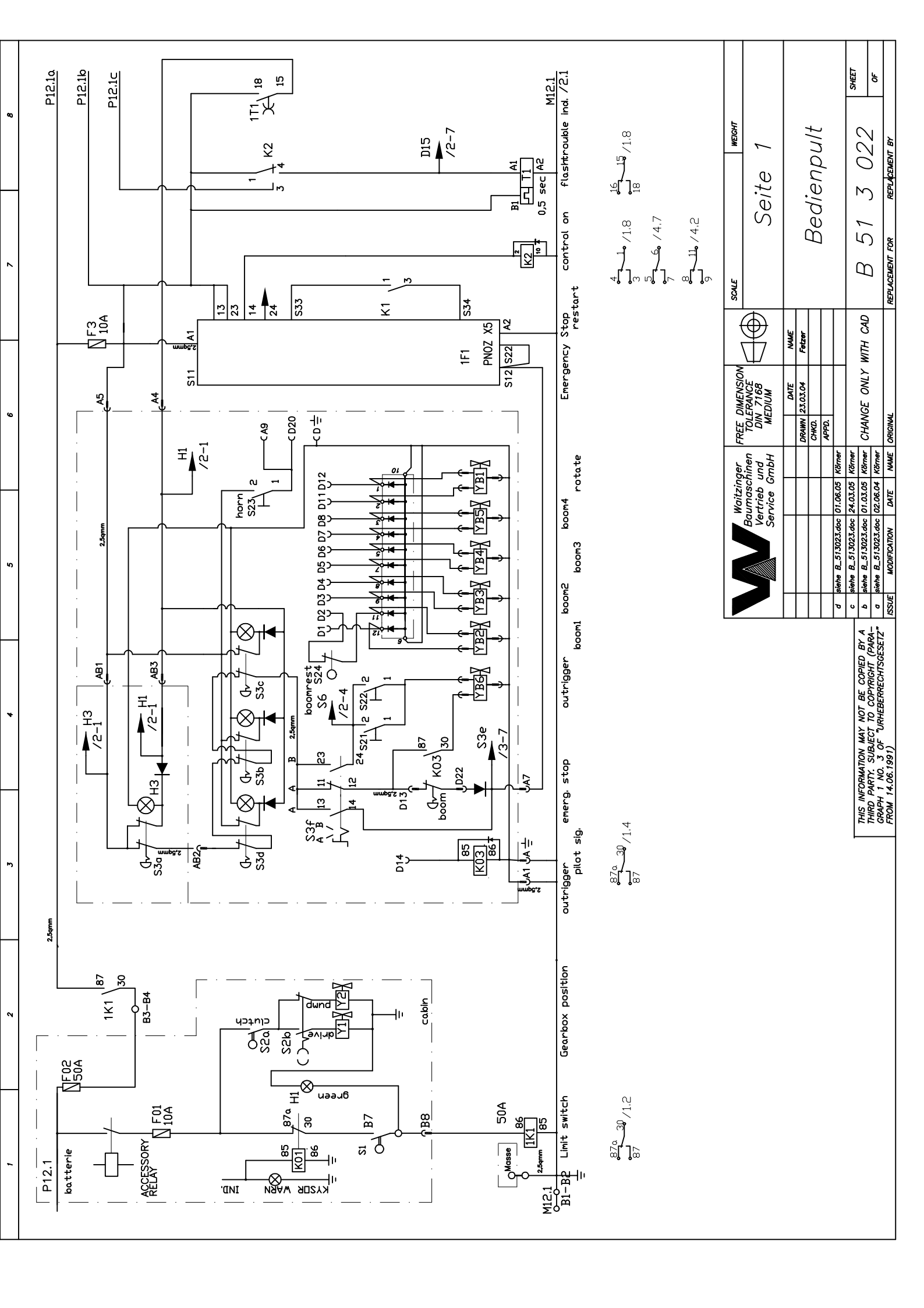
*Drehzahlverstellung*  
*rpm adjustment*

*B56...*

*Kabelbaum*  
*cable loop*

*B56...*

*Zubehör*  
*accessories*



87<sup>a</sup> 30 /1.2  
87

87<sup>a</sup> 30 /1.4  
87

4 1 /1.8  
3  
5 6 /4.7  
7  
8 11 /4.2  
9

15 18  
16

		SCALE	WEIGHT
FREE DIMENSION TOLERANCE DIN 7168 MEDIUM		Seite 1	
DATE	NAME	Bedienpult	
23.03.04	Fetzer		
CHKD.	APPD.		
ISSUE	MODIFICATION	DATE	NAME
d	siehe B_513023.doc	01.06.05	Köfmer
c	siehe B_513023.doc	24.03.05	Köfmer
b	siehe B_513023.doc	01.03.05	Köfmer
a	siehe B_513023.doc	02.06.04	Köfmer

THIS INFORMATION MAY NOT BE COPIED BY A THIRD PARTY. SUBJECT TO COPYRIGHT (PARAGRAPH 1 NO. 3 OF "URheberRECHTSGESETZ" FROM 14.06.1991)

CHANGE ONLY WITH CAD

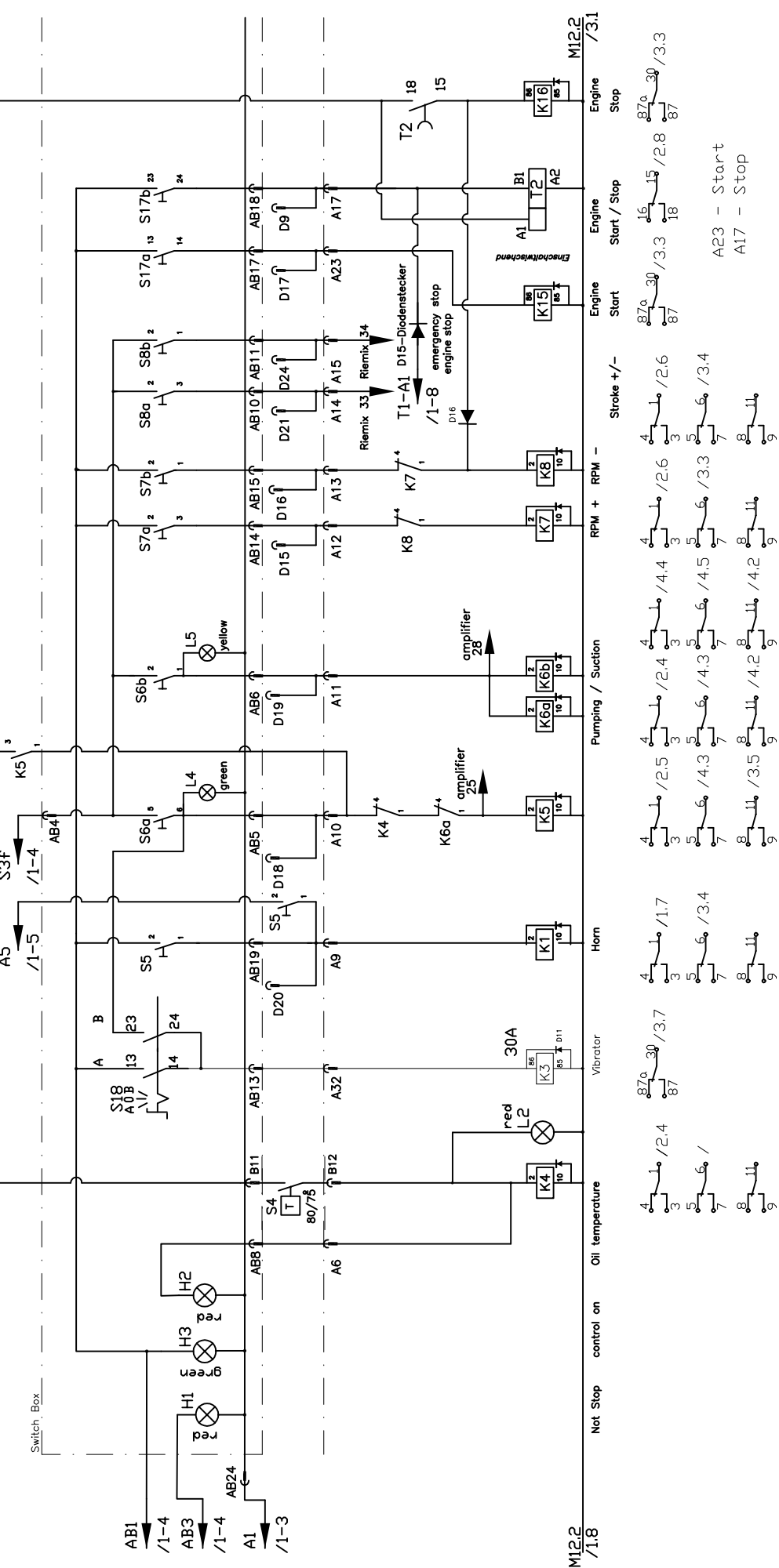
REPLACEMENT FOR

B 51 3 022

SHEET

OF

P12.2a  
 P12.2b  
 P12.2c



SCALE		WEIGHT	
Seite 2		Bedienpult	
FREE DIMENSION TOLERANCE DIN 7185 MEDIUM	DATE	NAME	
	23.03.04	Fetzer	
	CHKD.		
	APPD.		
d siehe B_513023.doc	01.06.05	Körner	
c siehe B_513023.doc	24.03.05	Körner	
b siehe B_513023.doc	01.03.05	Körner	
a siehe B_513023.doc	02.06.04	Körner	
ISSUE	MODIFICATION	DATE	NAME ORIGINAL

THIS INFORMATION MAY NOT BE COPIED BY A THIRD PARTY. SUBJECT TO COPYRIGHT (PARAGRAPH 1 NO. 3 OF "URheberRECHTSGESETZ" FROM 14.06.1991)

CHANGE ONLY WITH CAD

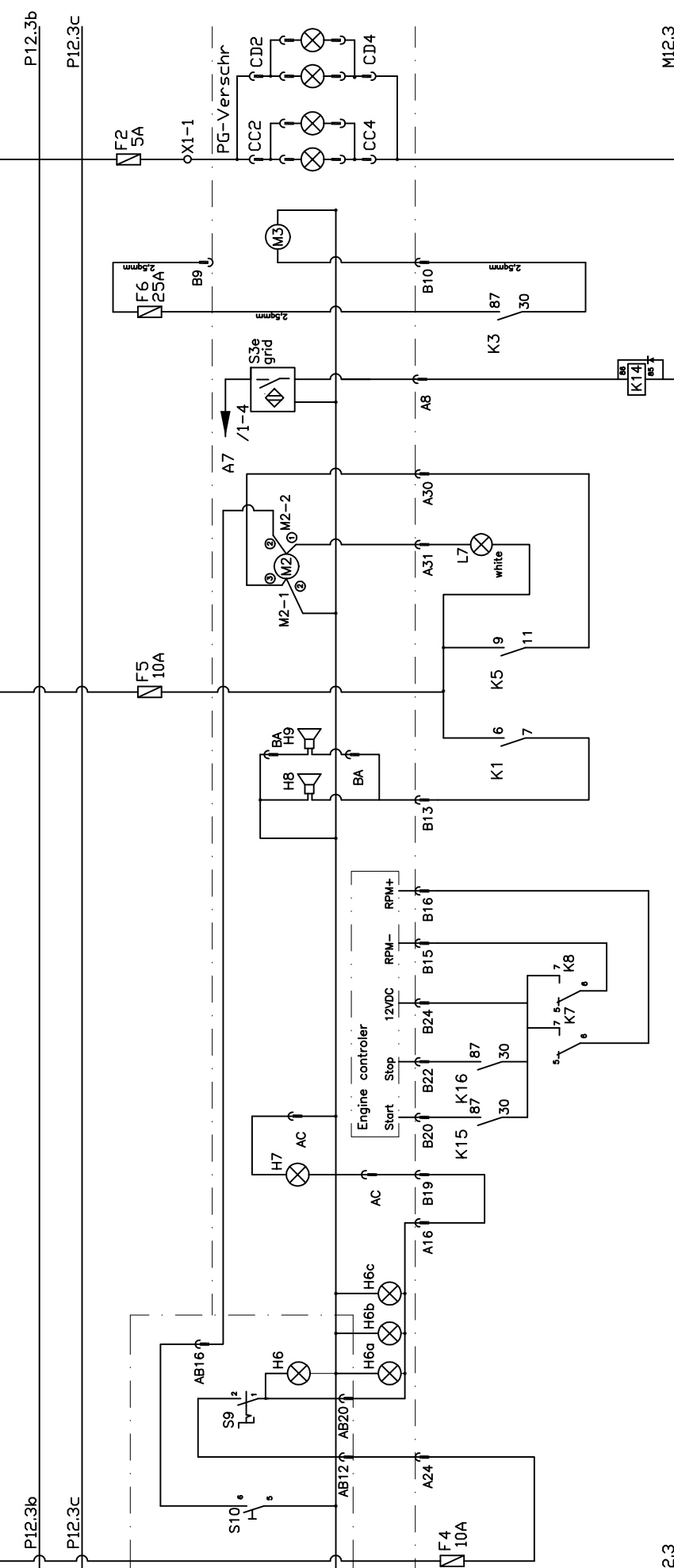
REPLACEMENT FOR

B 51 3 022

SHEET OF



P12.3a P12.3b P12.3c

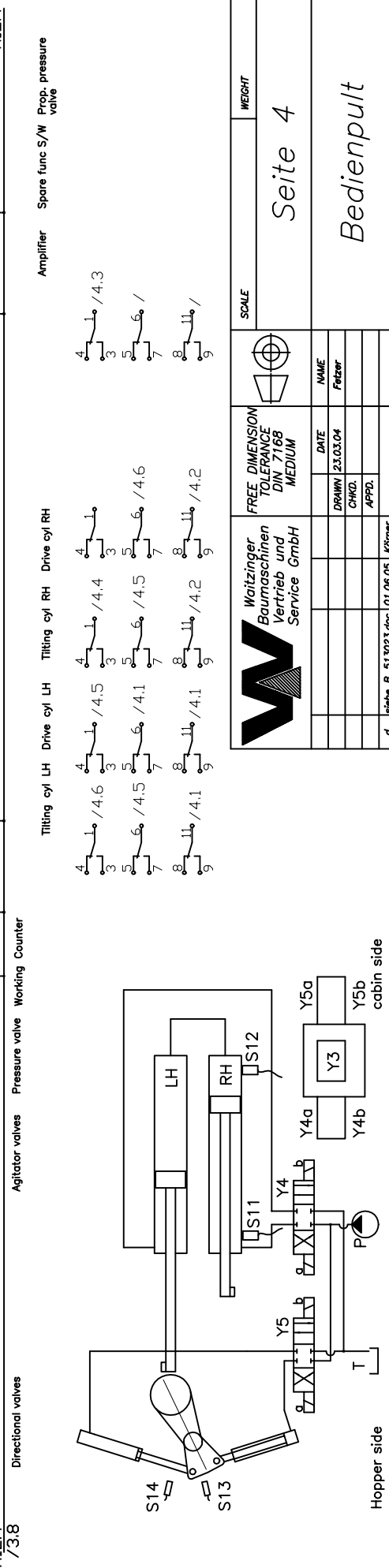
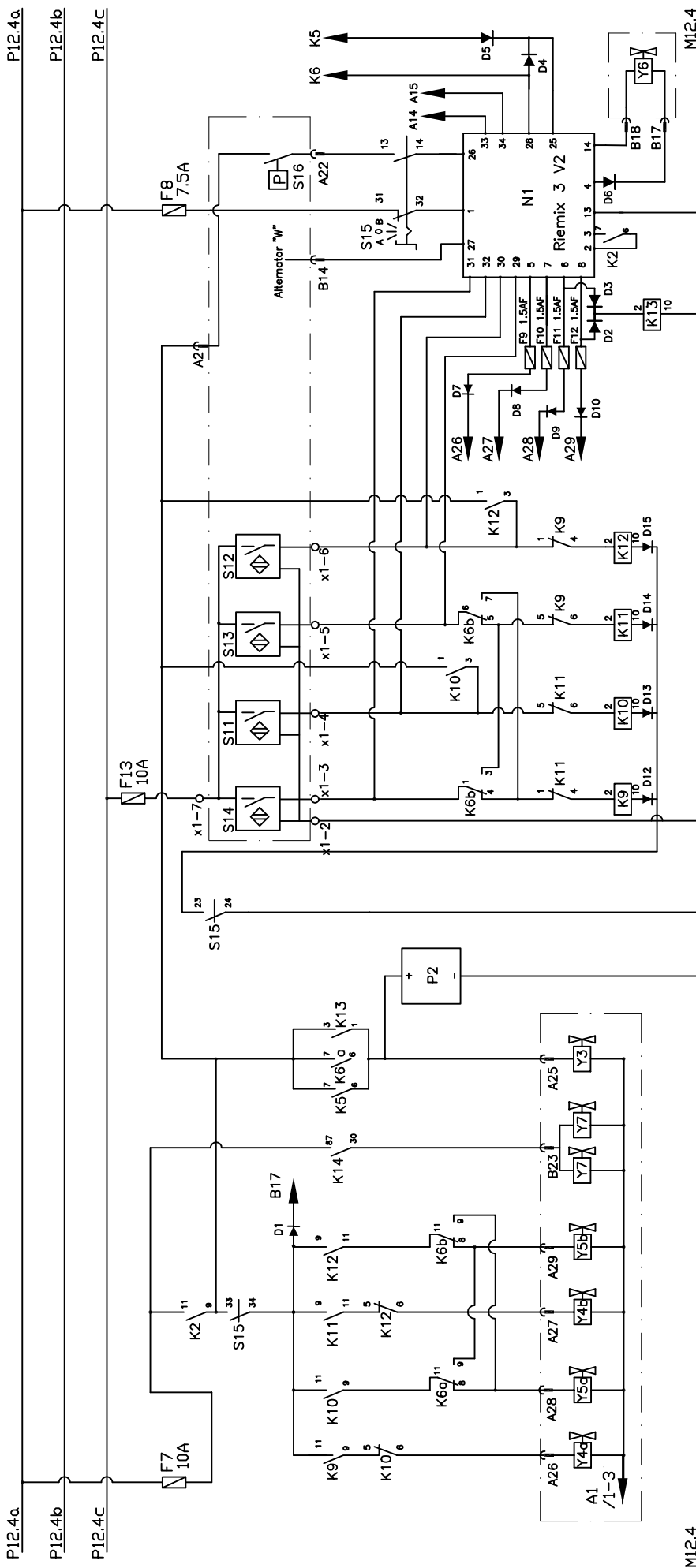


M12.3 / 2.8 lubrication  
 M12.3 / 4.1 optional  
 M12.3 / 4.3

SCALE		WEIGHT	
FREE DIMENSION TOLERANCE DIN 7188 MEDIUM		NAME	
Waizinger Baumaschinen Vertrieb und Service GmbH		Fetzer	
DATE		DATE	
DRAWN 23.03.04		23.03.04	
CHKD.		CHKD.	
APPD.		APPD.	
d siehe B_513023.doc 01.06.05 Körner c siehe B_513023.doc 24.03.05 Körner b siehe B_513023.doc 01.03.05 Körner a siehe B_513023.doc 02.06.04 Körner		NAME ORIGINAL ORIGINAL	
CHANGE ONLY WITH CAD		REPLACEMENT FOR	
B 51 3 022		REPLACEMENT BY	
SHEET		SHEET	
OF		OF	

THIS INFORMATION MAY NOT BE COPIED BY A THIRD PARTY. SUBJECT TO COPYRIGHT (PARA-GRAPH 1 NO. 3 OF "URheberRECHTSGESETZ" FROM 14.06.1991)

Seite 3  
 Bedienpult



Directional valves     Agitator valves     Pressure valve     Working Counter

- Tilting cyl LH     Drive cyl LH     Drive cyl RH     Tiltting cyl RH     Drive cyl RH
- 4 / 4.6     4 / 4.5     4 / 4.5     4 / 4.4     4 / 4.3
  - 3 / 4.5     3 / 4.1     3 / 4.5     3 / 4.5     3 / 4.6
  - 5 / 4.5     5 / 4.1     5 / 4.5     5 / 4.5     5 / 4.6
  - 7 / 4.1     7 / 4.1     7 / 4.1     7 / 4.2     7 / 4.2

Amplifier     Spare func S/W     Prop. pressure valve

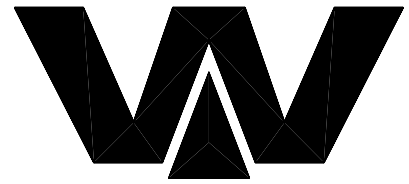
SCALE		WEIGHT	
Seite 4		Bedienpult	
FREE DIMENSION TOLERANCE DIN 7185 MEDIUM		DATE	NAME
		23.03.04	Fetzer
d siehe B_513023.doc 01.06.05 Körner c siehe B_513023.doc 24.03.05 Körner b siehe B_513023.doc 01.03.05 Körner a siehe B_513023.doc 02.06.04 Körner		CHKD.	APPD.
ISSUE	MODIFICATION	DATE	NAME ORIGINAL
CHANGE ONLY WITH CAD		REPLACEMENT FOR	
B 51 3 022		REPLACEMENT BY	
SHEET		OF	

THIS INFORMATION MAY NOT BE COPIED BY A THIRD PARTY. SUBJECT TO COPYRIGHT (PARAGRAPH 1 NO. 3 OF "URheberRECHTSGESETZ" FROM 14.06.1991)

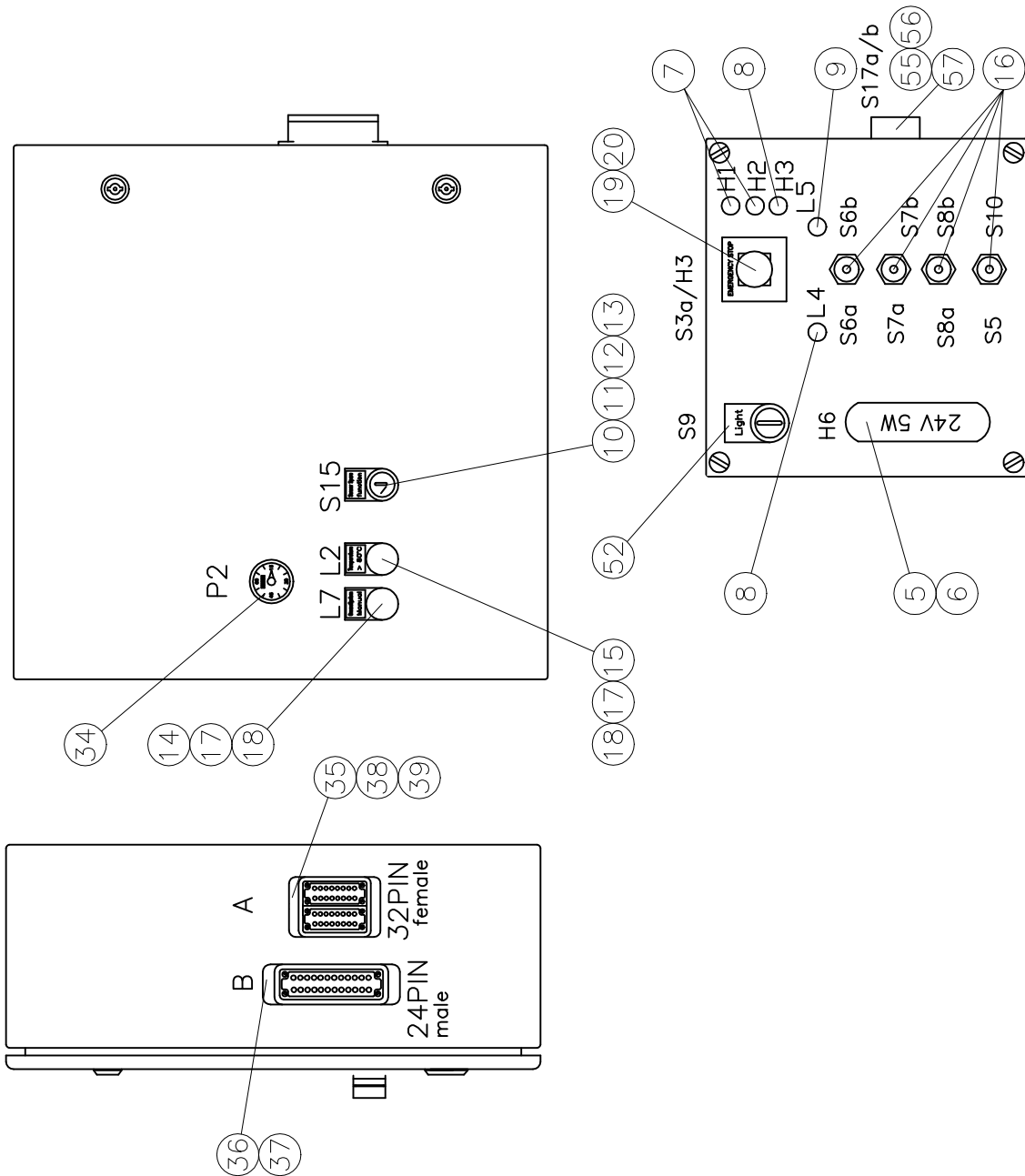
Schaltschrank kpl.  
control panel cpl.

B 51 3 022d

5



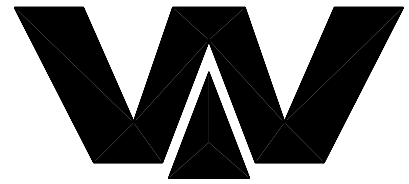
Waitzinger  
Baumaschinen GmbH



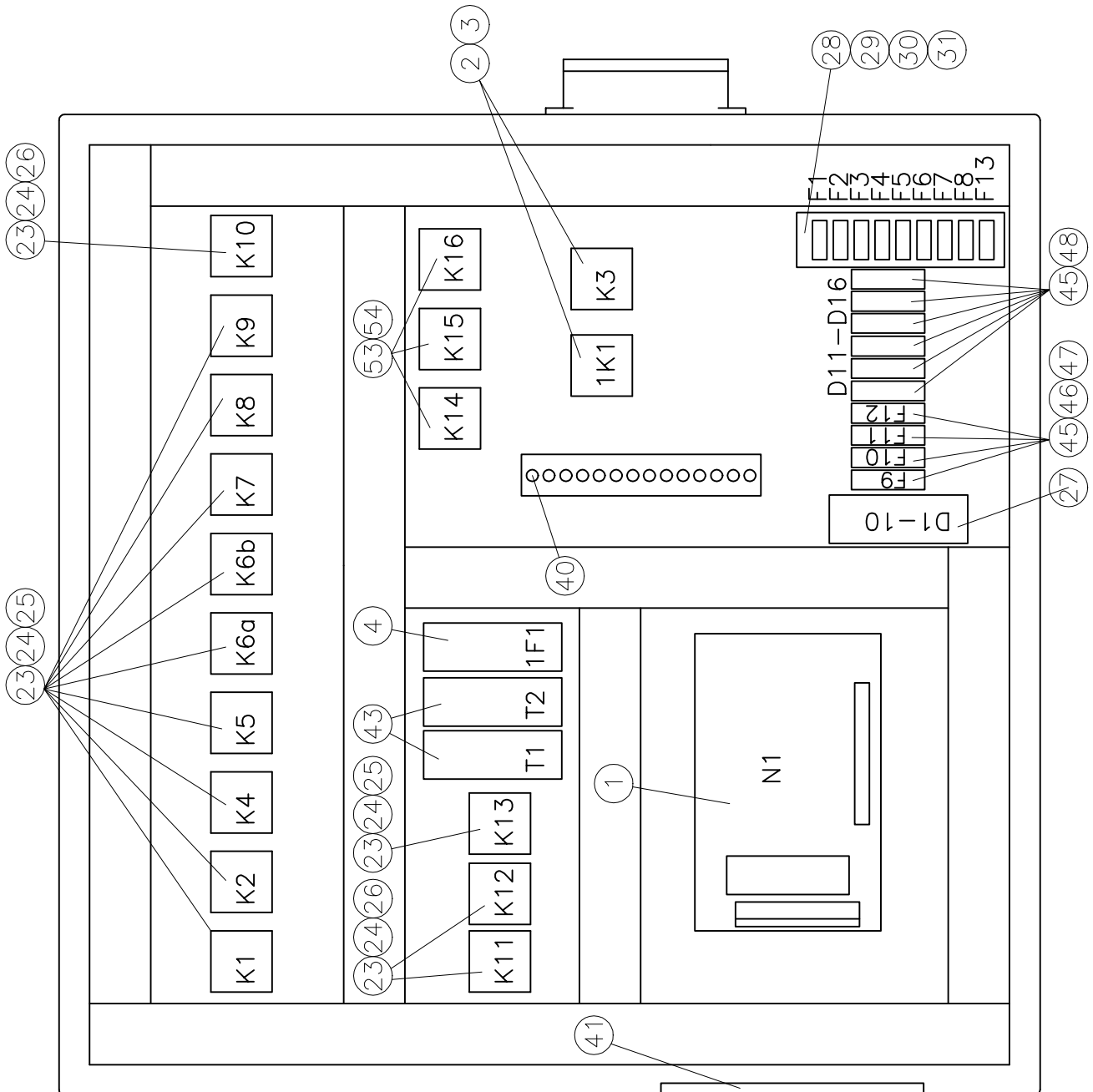
Schaltschrank kpl.  
control panel cpl.

B 51 3 022d

6



Waitzinger  
Baumaschinen GmbH





## PARTS LIST

part list	description	created	index	valid from	valid to	
b513022	control panel	21.10.04 ANDREA-	d	01.06.05		
pos	description stock	ident-no dimensions	DIN material	index	weigh Kg	quantity unit
1	amplifier riemix 3, version 4.x	WAI103330			0,22	1,00 Stk
2	relay 24VDC, 40A	WAI108252				2,00 Stk
3	socket for relay	WAI108253				2,00 Stk
4	emergency switch element PNOZ X5	WAI107414				1,00 Stk
6	bulb 24V, 5W	WAI105890				1,00 Stk
7	signal lamp, red	WAI107042				2,00 Stk
8	signal lamp, green	WAI104862				2,00 Stk
9	signal lamp, gelb	WAI108471				1,00 Stk
10	rotary button	WAI100967				1,00 Stk
11	holder	WAI100287				1,00 Stk
12	switch element	WAI100969				3,00 Stk
13	bridge	WAI103735				1,00 Stk
14	lamp RLF-WS	WAI104080				1,00 Stk
15	lamp	WAI101715				1,00 Stk
16	lever switch MOM-OFF-MOM	WAI103976				4,00 Stk
17	lamp socket BF	WAI104082				2,00 Stk
18	bulb 24V,18W	WAI106651				2,00 Stk
19	emergency switch	WAI108288			0,01	1,00 Stk
20	relay opener AK01	WAI108273				1,00 Stk
23	relay DC 24V, 11pin	WAI100183				13,00 Stk
24	clip for relay	WAI104094				13,00 Stk



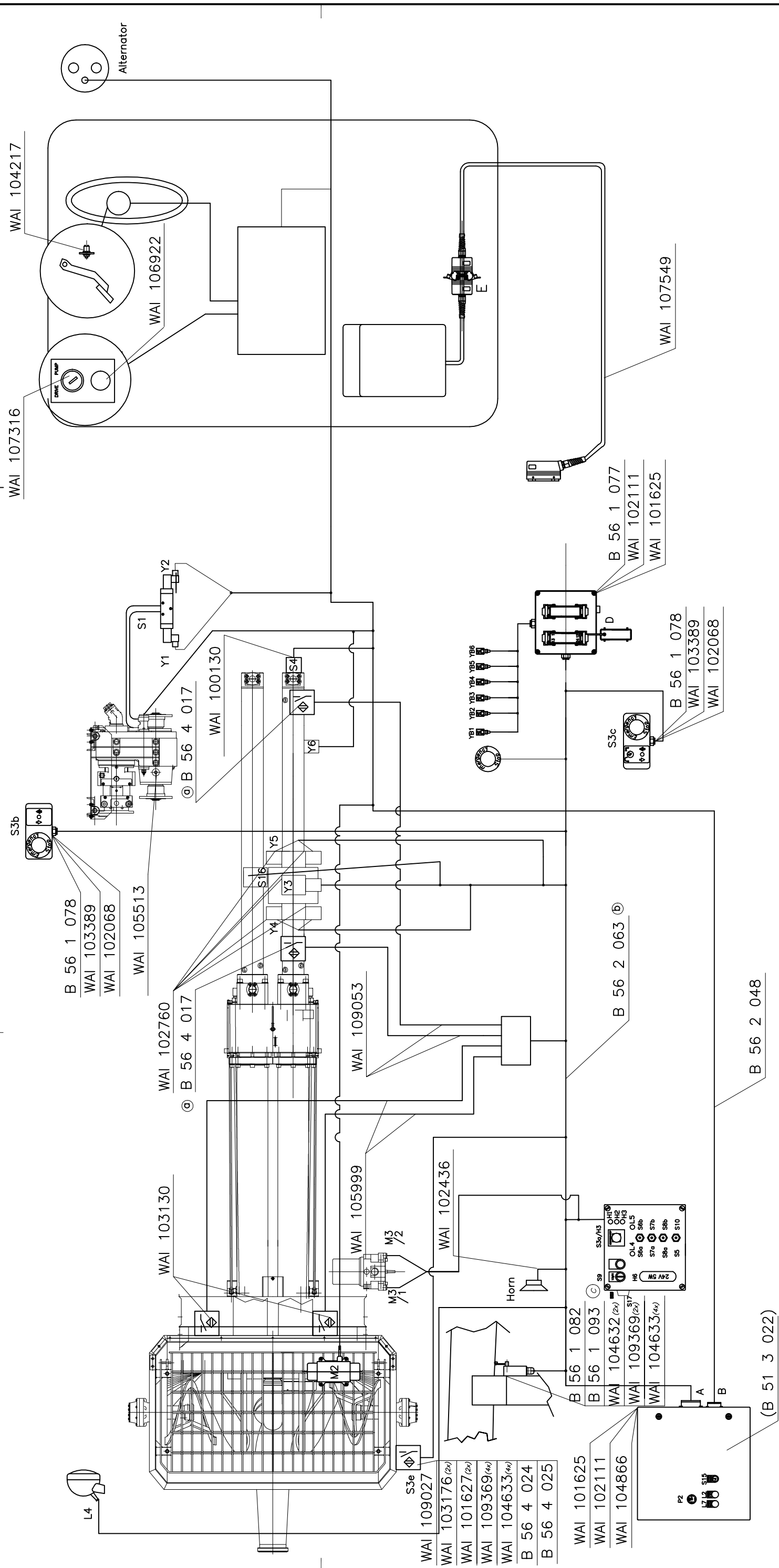
## PARTS LIST

part list	description	created	index	valid from	valid to	
b513022	control panel	21.10.04 ANDREA-	d	01.06.05		
pos	description stock	ident-no dimensions	DIN material	index	weigh Kg	quantity unit
25	socket for relay	WAI106994				10,00 Stk
26	socket 11-poles	WAI104859				3,00 Stk
27	diode, D-12/3A	WAI108321				1,00 Stk
28	fuse box	WAI101577				1,00 Stk
29	fuse 5 A	WAI101922				5,00 Stk
30	fuse 7,5 A	WAI104590				1,00 Stk
31	fuse 10 A	WAI101921				2,00 Stk
34	operating hours counter	WAI100900				1,00 Stk
35	housing-body, lower part	WAI106627				1,00 Stk
36	housing-body, lower part 24-pol	WAI101533				1,00 Stk
37	plug insertion 24-pol.	WAI100714				1,00 Stk
38	plugbox insert 1-16 pol.	WAI102593				1,00 Stk
39	plugbox insert 17-32 pol.	WAI102157				1,00 Stk
40	earth terminal block	WAI102577				1,00 Stk
41	bag for circuit diagram	WAI104099				1,00 Stk
42	rubber cushion 25 x 20	WAI104100				4,00 Stk
43	relay	WAI106995				2,00 Stk
45	clamp	WAI104186				10,00 Stk
46	fuse plug	WAI104864				4,00 Stk
47	fuse 1,6 A	WAI103827				4,00 Stk
48	diode, 1A	WAI105337				6,00 Stk



## PARTS LIST

part list	description	created	index	valid from	valid to	
b513022	control panel	21.10.04 ANDREA- d		01.06.05		
pos	description stock	ident-no dimensions	DIN material	index	weigh Kg	quantity unit
52	button	WAI106650				1,00 Stk
53	change-over relay	WAI104930				3,00 Stk
54	relay socket	WAI100986				3,00 Stk
55	dobble pusch button	wai109543				1,00 Stk
56	contact	wai107146				1,00 Stk
57	switch element	wai107275				2,00 Stk



THIS INFORMATION MAY NOT BE COPIED BY A THIRD PARTY, SUBJECT TO COPYRIGHT (PARA GRAPH 1 NO. 3 OF URHEBERRECHTSGESETZ FROM 14.06.1991)

 Waltzinger Baumaschinen Vertrieb und Service GmbH	FREE DIMENSION	SCALE	WEIGHT
	TOLERANCE DIN 7168 MEDIUM	without	own parts list
DATE	NAME	Cable harness / for B513022	
08.04.2004	Körner		
APPD.		REPLACEMENT FOR	ORIGINAL
CHANGE ONLY WITH CAD		B 56 2 050	SHEET
			OF
c siehe B_562050.doc 17.10.05 Hoh. b siehe B_562050.doc 22.09.04 Körner a siehe B_562050.doc 26.07.04 Körner	DATE	NAME	REPLACEMENT BY

Stecker A	Stecker B
1 Masse	1 0 VDC
2 Spannung Sensoren	2 0 VDC
3 Not Stop blinken	3 + 24 VDC
4 Not Stop +	4 + 12 V für Rüttler
5 Ölemp. Warnung	5 Rüttler
6 Not Stop Signal	6 S1 Prüflüftung
7 Gitterrost Signal	7 S11
8 Hupe Signal	8 + 12 V für Rüttler
9 Pumpen Signal	9 Ölemp. +
10 Drehzahl - Signal	10 Ölemp. Signal
11 Drehzahl + Signal	11 Hupe
12 Hubzahl - Signal	12 Drehzahl - Signal
13 Hubzahl + Signal	13 Drehzahl +
14 Licht Brücke zu B19	14 Drehzahl +
15 Motor Stop Signal	15 +
16 S11	16 -
17 S12	17 Licht
18 S13	18 Motor Start
19 S14	19 Motor Stop
20 S16	20 Licht + (F4)
21 Motor Start Signal	21 Y4a
22 Y4b	22 Y4c
23 Y4d	23 Y4e
24 Y4f	24 Y4g
25 Y4h	25 Y4i
26 Y4j	26 Y4k
27 Y4l	27 Y4m
28 Y4n	28 Y4o
29 Y4p	29 Y4q
30 Schmieranlage Pumpe ein	30 Schmieranlage +
31 Schmieranlage +	31 Vektor Signal
32 Vektor Signal	

WAI 109027  
WAI 103176 (2x)  
WAI 101627 (2x)  
WAI 109369 (4x)  
WAI 104633 (4x)  
B 56 4 024  
B 56 4 025  
WAI 101625  
WAI 102111  
WAI 104866  
WAI 109369 (2x)  
WAI 104632 (2x)  
WAI 109369 (2x)  
WAI 104633 (4x)  
B 56 1 082  
B 56 1 093  
WAI 104632 (2x)  
WAI 109369 (2x)  
WAI 104633 (4x)  
WAI 102436  
WAI 105999  
WAI 109053  
WAI 102760  
WAI 103130  
WAI 105513  
WAI 102068  
WAI 103389  
B 56 1 078  
WAI 103389  
WAI 102068  
B 56 2 048  
B 56 2 063  
B 56 1 078  
WAI 103389  
WAI 102068  
WAI 107549  
B 56 1 077  
WAI 102111  
WAI 101625  
S3e  
S3b  
S1  
S4  
S5  
S6  
S7  
S8  
S9  
S10  
S11  
S12  
S13  
S14  
S15  
S16  
S17  
S18  
S19  
S20  
S21  
S22  
S23  
S24  
S25  
S26  
S27  
S28  
S29  
S30  
S31  
S32  
M2  
M3  
M3/1  
M3/2  
Horn  
L4  
Y1  
Y2  
Y3  
Y4  
Y5  
Y6  
YB1  
YB2  
YB3  
YB4  
YB5  
YB6  
E  
P2





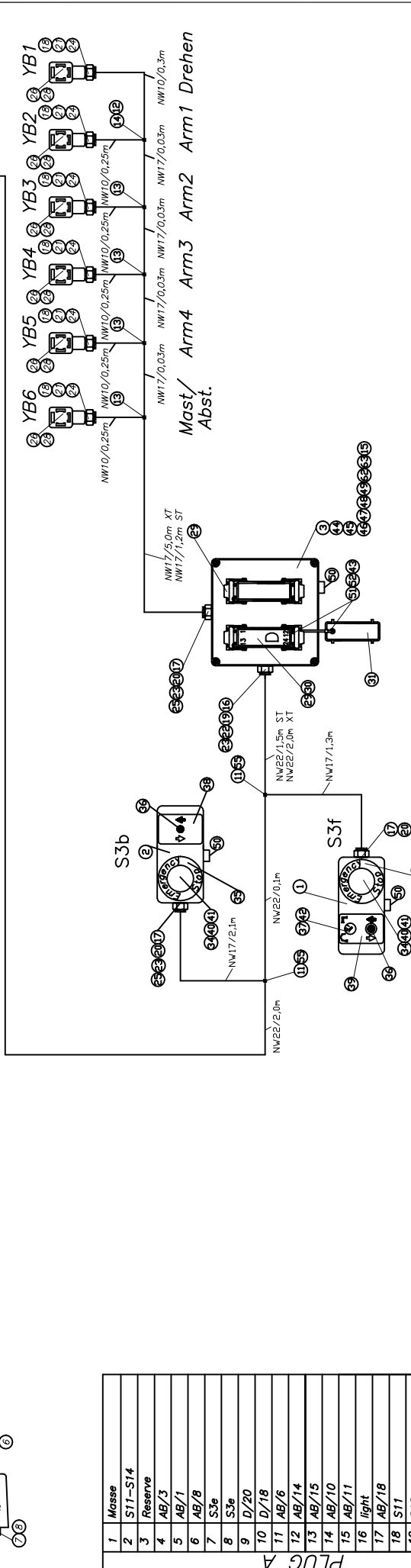
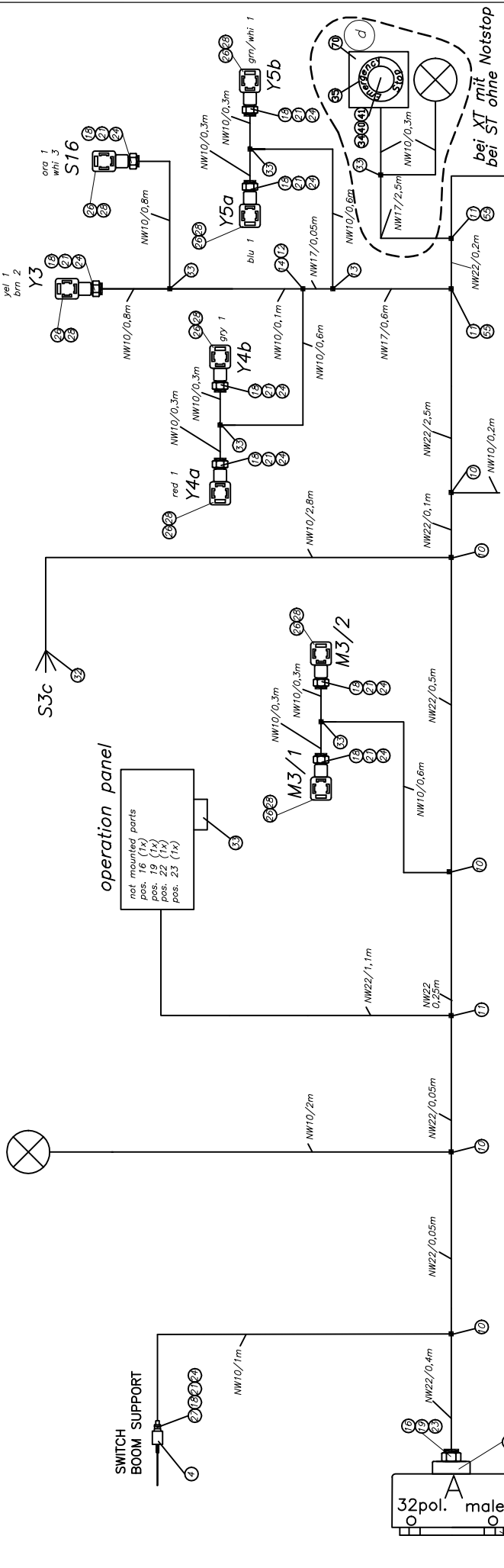
## PARTS LIST

part list	description	created	index	valid from	valid to	
B562050	cable loop truck 36mXT	21.04.04 ak	c	17.10.05		
pos	description stock	ident-no dimensions	DIN material	index	weigh Kg	quantity unit
1	cable for remote control own parts list	WAI107549				1,00 Stk
2	horn	WAI102436			0,50	1,00 Stk
3	cable loop truck own parts list	B562048				1,00 Stk
4	cable loop boom/pump own parts list	B562063		c 13.10.05		1,00 Stk
7	Balluf sensor with installation kit own parts list	B564017				2,00 Stk
9	anti-interference device	WAI102760				6,00 Stk
11	key switch	WAI107316				1,00 Stk
12	led-signal lamp, green	WAI106920				1,00 Stk
20	thermo sensor 80 degrees C, M22x1.5	WAI100130			0,06	1,00 Stk
21	rubber cushion	WAI104866				4,00 Stk
22	stop nut M8 DIN985 8. VERZ.	WAI102111			5,00	12,00 Stk
23	hexagon bolt M8 x 25 DIN 933 8.8	WAI101621				4,00 Stk
24	washer 8.4	WAI101625				12,00 Stk
25	cheese head screw M5x20 DIN 912 8.8	WAI103389				4,00 Stk
26	locking nut DIN 980	WAI102068				4,00 Stk
27	inductiv sensor BES 516-356	WAI103130			0,03	2,00 Stk
28	plug M12 + 5m cabel	WAI109055				1,00 Stk
29	angle	B561078 Bl 6x120x155	1543/EN10029 S235J2G3	a 11.07.02	0,80	2,00 Stk
30	holder	B561077 Bl 8x30x210	1543/EN10029 S235J2G3		0,30	2,00 Stk
32	plug M12 + 3m cabel	WAI105999				2,00 Stk



## PARTS LIST

part list	description	created	index	valid from	valid to	
B562050	cable loop truck 36mXT	21.04.04 ak	c	17.10.05		
pos	description stock	ident-no dimensions	DIN material	index	weigh Kg	quantity unit
33	light switch	WAI104217				1,00 Stk
34	fuse holder	WAI104204				1,00 Stk
35	plug	WAI104206				1,00 Stk
36	support	WAI104207				1,00 Stk
37	fuse 15 A	WAI104095				2,00 Stk
38	fuse 5 A	WAI101922				2,00 Stk
39	switch	WAI109027				1,00 Stk
40	plate	B564024 Bl 6x45x80	1543/EN10029 S235J2G3		0,16	1,00 Stk
41	plate	B564025 Bl 3x180x183	1543/EN10029 S235J2G3		0,16	1,00 Stk
42	cheese head screw M 4 x 30	WAI109369				6,00 Stk
43	washer 4	WAI104633				8,00 Stk
44	countersunk screw	WAI103176				2,00 Stk
45	washer 6.4	WAI101627				2,00 Stk
46	plug M12 + 5m cabel	WAI109054				1,00 Stk
47	strip	B561093 Bl 40x8x85	1543 S235J2G3		0,21	1,00 Stk
48	plate	B561082 Fl 4x50x100	1017 St 37-2		0,10	1,00 Stk
49	hexagon bolt M 4 x 12	WAI104632				2,00 Stk

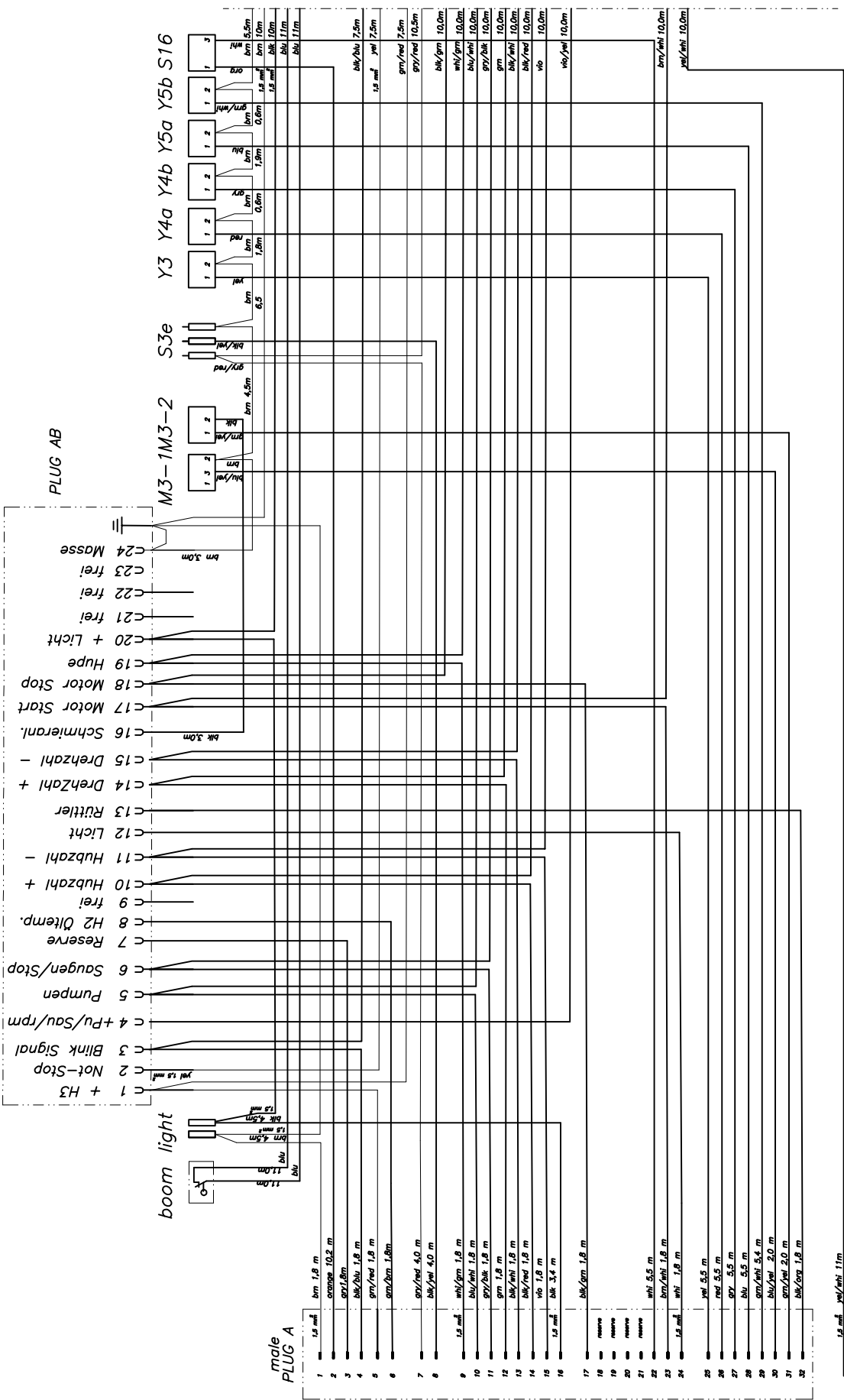


1	Masse
2	S11-S14
3	Reserve
4	AB/3
5	AB/1
6	AB/8
7	S3e
8	S3e
9	D/20
10	D/18
11	AB/6
12	AB/14
13	AB/15
14	AB/10
15	AB/11
16	light
17	AB/18
18	S11
19	S12
20	S13
21	S14
22	S16
23	AB/17
24	AB/12
25	Y3
26	Y4a
27	Y4b
28	Y5a
29	Y5b
30	M3-1
31	M3-2
32	AB/13

scale		weight	
free dimension tolerance DIN 7188 medium		own parts list	
drawn	date	name	
Körner	21.09.2004	Körner	
chkd.			
appd.			
change only with CAD		cable loop pump	
original		replacement for	
name		sheet	
MODIFICATION		of	
date		1	
name		of	
K.Kühn		4	
siehe B 562063.doc 08.03.06		B 56 2 063	
siehe B 562063.doc 13.10.05		replacement by	
siehe B 562063.doc 21.07.05			
siehe B 562063.doc 17.01.05			
Hoh.			

this information may not be copied by a third party. Subject to copyright (paragraph 1 no. 3 of Urheberrechtsgesetz-From 14.06.1991)

kein Stecker! O.P.



- Abst. Kl. 13
- Masse
- Licht Kl.15
- Arm1
- Arm1
- N/S Blink
- Not/Stop Kl.14
- N/S Licht
- Motor Stop
- Hupe
- Pumpen
- Stop/Saugen
- r.p.m +
- r.p.m. -
- stroke +
- stroke -
- Freigabe Pult
- Motor Start
- Reserve Kl.16

PLUG A

1	9	17	25
8	16	24	32



Waitzinger  
Baumaschinen  
GmbH

free dimension tolerance DIN 7188 medium	name Körner
date 21.09.2004	drawn
chkd.	appd.
issue	original
d siehe B 562063.doc 08.03.06 K.Kühn	name
c siehe B 562063.doc 13.10.05 Körner	date
b siehe B 562063.doc 21.07.05 Körner	name
a siehe B 562063.doc 17.01.05 Hoh.	date
MODIFICATION	name
change only with CAD	original
replacement for	replacement by

own parts list

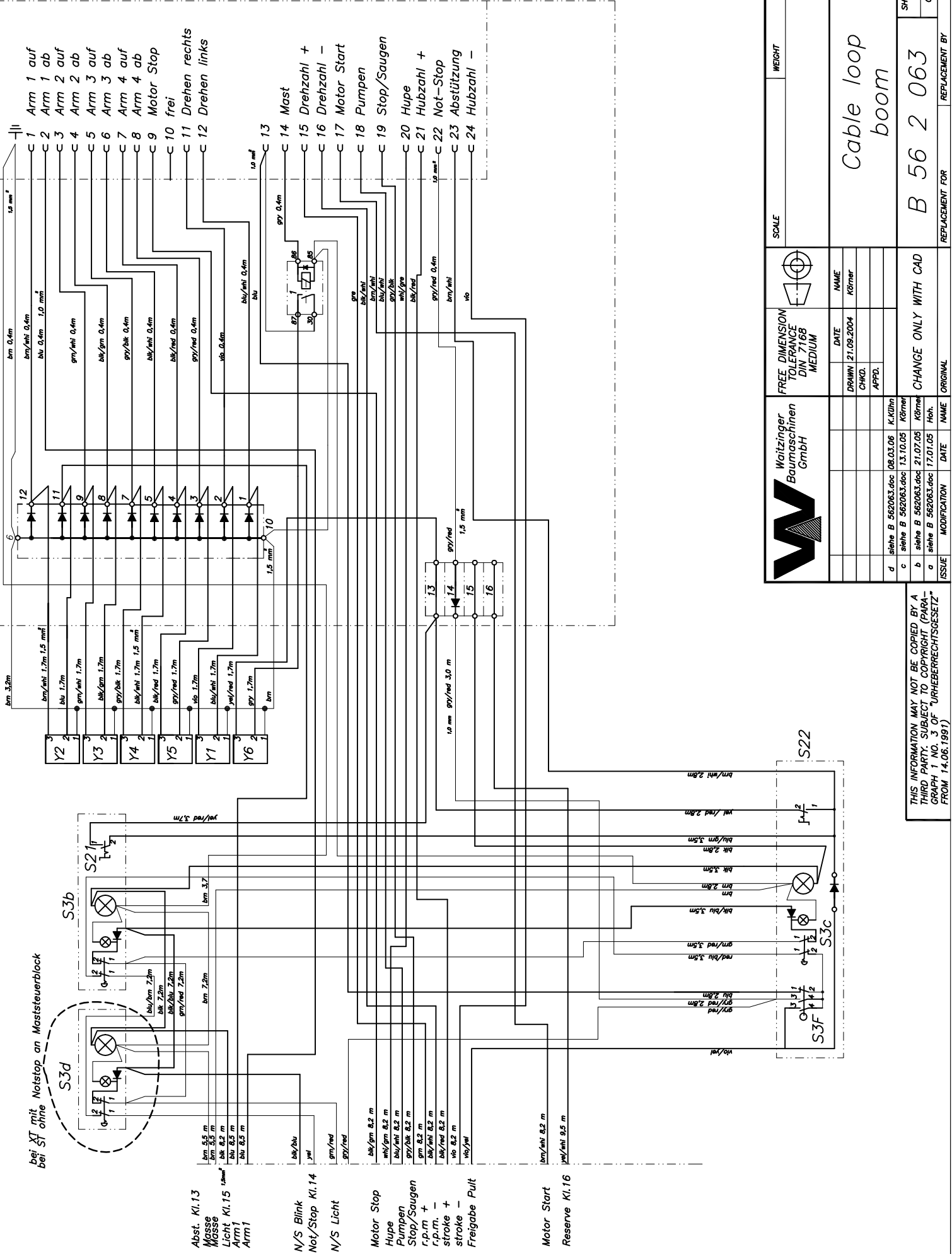
cable loop  
pump

B 56 2 063

sheet 2  
of 4

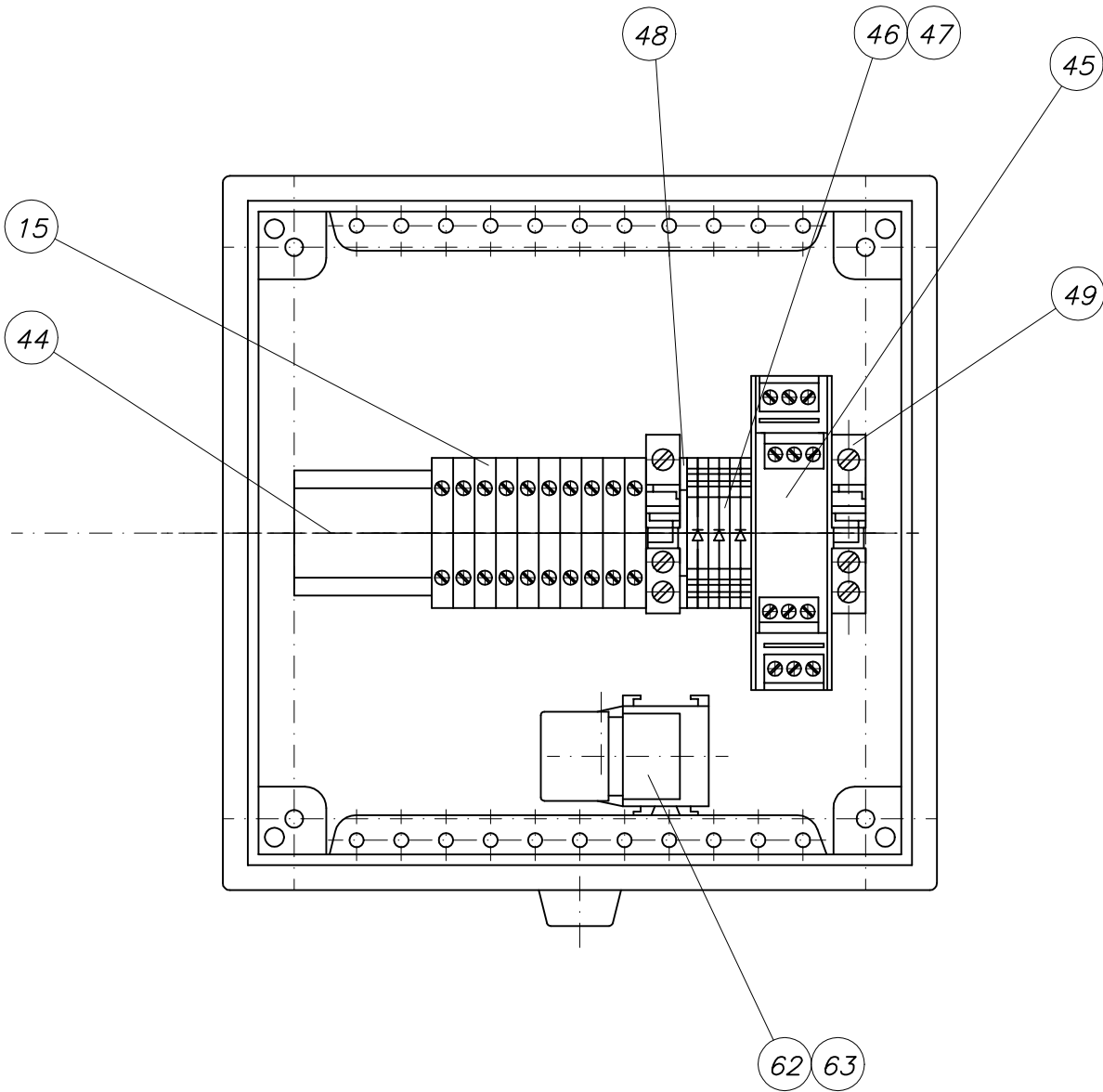
this information may not be copied by a third party. Subject to copyright (para-graph 1 no. 3 of Urheberrechtsgesetz-From 14.06.1991)

PLUG D





		SCALE	WEIGHT
		FREE DIMENSION TOLERANCE DIN 7185 MEDIUM	
DATE	NAME	DATE	NAME
21.09.2004	Körner	21.07.05	Körner
CHKD.		17.01.05	Hob.
APPD.			
d siehe B 562063.doc	08.03.06	K.Köllh	
c siehe B 562063.doc	13.10.05	Körner	
b siehe B 562063.doc	21.07.05	Körner	
a siehe B 562063.doc	17.01.05	Hob.	
ISSUE	MODIFICATION	DATE	NAME
CHANGE ONLY WITH CAD			
REPLACEMENT FOR		REPLACEMENT BY	
B 56 2 063		Cable loop boom	
SHEET 3		OF 4	

THIS INFORMATION MAY NOT BE COPIED BY A THIRD PARTY. SUBJECT TO COPYRIGHT (PARAGRAPH 1 NO. 3 OF "URheberRECHTSGESETZ" FROM 14.06.1991)



THIS INFORMATION MAY NOT BE COPIED BY A  
 THIRD PARTY. SUBJECT TO COPYRIGHT (PARA-  
 GRAPH 1 NO. 3 OF "URHEBERRECHTSGESETZ"  
 FROM 14.06.1991)

 <b>Waitzinger Baumaschinen GmbH</b>				FREE DIMENSION TOLERANCE DIN 7168 MEDIUM				SCALE	WEIGHT
				DATE DRAWN 21.09.2004 CHKD. APPD.		NAME Körner		Cable loop boom	
d siehe B 562063.doc 08.03.06 K.Kühn c siehe B 562063.doc 13.10.05 Körner b siehe B 562063.doc 21.07.05 Körner a siehe B 562063.doc 17.01.05 Hoh.		CHANGE ONLY WITH CAD		B 56 2 063					
ISSUE	MODIFICATION	DATE	NAME	ORIGINAL	REPLACEMENT FOR	REPLACEMENT BY	SHEET 4 OF 4		



## PARTS LIST

part list	description	created	index	valid from	valid to	
b562063	cable loop boom/pump	21.09.04 ALEXAND d		08.03.06		
pos	description stock	ident-no dimensions	DIN material	index	weigth Kg	quantity unit
1	housing right own parts list	B561039				1,00 Stk
2	housing left own parts list	B561043		a 25.02.02		1,00 Stk
3	Clamp box for boom own parts list	B561029		a 15.01.02		1,00 Stk
4	position switch	WAI109878				1,00 Stk
5	sealing for cable fitting PG11	WAI104698				1,00 Stk
6	housing PG 21	WAI105916				1,00 Stk
7	plug insert 1-16 pol. CDAM 16	WAI102485				1,00 Stk
8	plug insertion 17-32 pol. CDAM 16N	WAI102492				1,00 Stk
10	t - piece 22-10-22	WAI105263				5,00 Stk
11	t - piece 22-22-22	WAI104515				5,00 Stk
12	reducer	WAI104512				2,00 Stk
13	t - piece 17-10-17	WAI104332				5,00 Stk
14	t - piece	WAI104511				2,00 Stk
15	clamp	WAI104671				3,00 Stk
16	fitting PG21	WAI104507				3,00 Stk
17	fitting PG16	WAI104510				4,00 Stk
18	fitting PG9	WAI104506				17,00 Stk
19	sealing for cable fitting PG21	WAI104697				3,00 Stk
20	sealing for cable fitting PG16	WAI104696				3,00 Stk
21	sealing for cable fitting PG9	WAI104695				17,00 Stk



## PARTS LIST

part list	description	created	index	valid from	valid to	
b562063	cable loop boom/pump	21.09.04 ALEXAND d		08.03.06		
pos	description stock	ident-no dimensions	DIN material	index	weigth Kg	quantity unit
22	lock nut PG21	WAI104114				2,00 Stk
23	O-ring 15 x 1,5	WAI104701				7,00 Stk
24	O-ring 8.9 x 1.25	WAI104700				17,00 Stk
25	nut CE 16	WAI104519				4,00 Stk
26	plate	WAI104735				14,00 Stk
27	reduc. ring M20 to M16	WAI109644				1,00 Stk
28	plug	WAI104691				14,00 Stk
29	housing-body, lower part 24-pol	WAI101533				2,00 Stk
30	socket insertion 24-pol.	WAI100710				1,00 Stk
31	protective cap	WAI101305				1,00 Stk
32	reduc. ring M20 to M16	WAI109644				1,00 Stk
33	t - piece 10-10-10	WAI104514				5,00 Stk
34	emergency stop switch	WAI109803				3,00 Stk
35	label ZB2-BY9330	WAI102278				3,00 Stk
36	push button	WAI100569				2,00 Stk
37	key switch	WAI107316				1,00 Stk
38	sign plate for outrigger	WAI104770				1,00 Stk
39	sign plate for outrigger + key switch	WAI104771				1,00 Stk
40	contact block	WAI109804				3,00 Stk
41	led-signal lamp, red	WAI109805				3,00 Stk





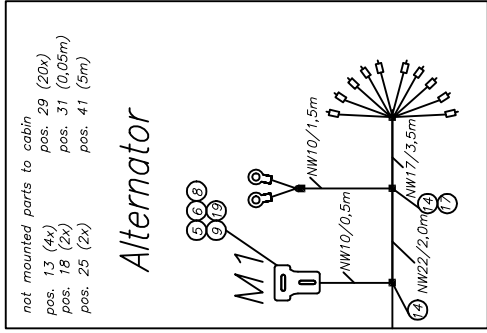
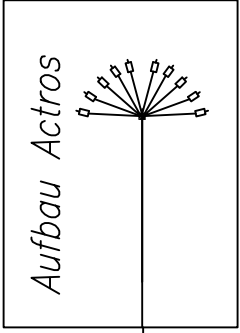
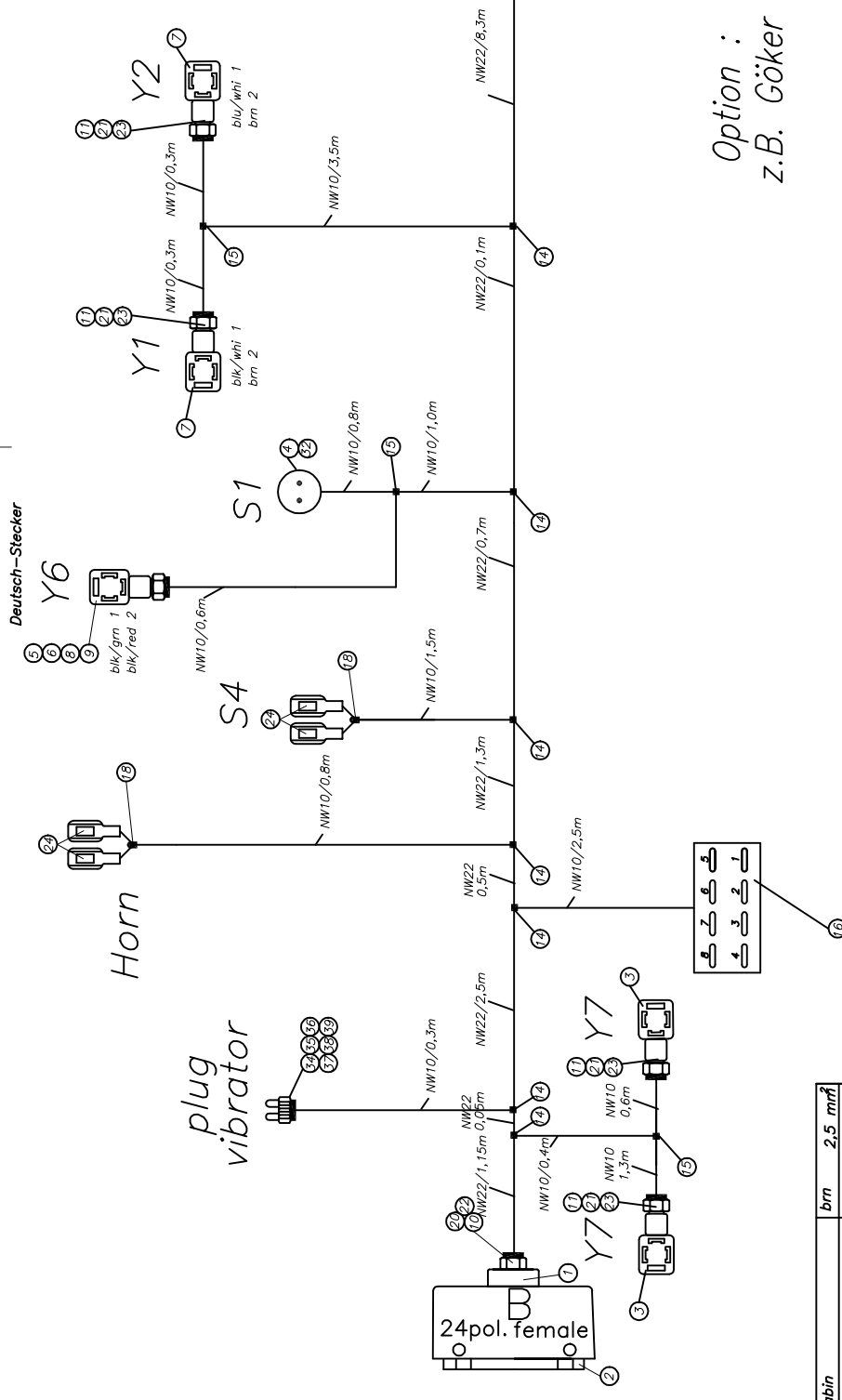
## PARTS LIST

part list	description	created	index	valid from	valid to	
b562063	cable loop boom/pump	21.09.04 ALEXAND d	08.03.06			
pos	description stock	ident-no dimensions	DIN material	index	weigth Kg	quantity unit
42	switch element	WAI107275				2,00 Stk
43	washer 4	WAI104633				9,00 Stk
44	rail	WAI104772				0,10 Mtr
45	diode, MKS-D10	WAI104541				1,00 Stk
46	clamp	WAI104186				1,00 Stk
47	plug with diode	WAI104185				1,00 Stk
48	end plate	WAI104833				1,00 Stk
49	clamp	WAI104672				2,00 Stk
50	condenser	WAI104669				4,00 Stk
51	hexagon bolt M 4 x 12	WAI104632				9,00 Stk
52	hex. nut M4	WAI104634				9,00 Stk
53	cove end sleeve 1.5mm	WAI101996				70,00 Stk
54	cove end sleeve 1.5mm	WAI104692				45,00 Stk
55	reducer 22/17	WAI104509				4,00 Stk
56	cable pipe	WAI104520				12,00 Mtr
57	cable pipe	WAI104216				9,00 Mtr
58	cable pipe	WAI104213				22,00 Mtr
59	cable tie 200x3.6, black	WAI103137				150,00 Stk
61	flat plug sleeve 2,5mm	WAI104785				10,00 Stk
62	relay socket	WAI100986				1,00 Stk



## PARTS LIST

part list	description	created	index	valid from	valid to	
b562063	cable loop boom/pump	21.09.04 ALEXAND d		08.03.06		
pos	description stock	ident-no dimensions	DIN material	index	weighth Kg	quantity unit
63	relay	WAI107302				1,00 Stk
65	plug housing 3-poles	WAI106104				1,00 Stk
66	plug 3-poles	WAI106106				1,00 Stk
67	plug housing sealing	WAI105868				6,00 Stk
68	plug contact female	WAI106107				3,00 Stk
70	housing	WAI110085				1,00 Stk
72	lamp 24V	WAI101731				3,00 Stk
101	plate	WAI106435				10,00 Stk
102	cable	WAI108059				390,00 Mtr



not mounted parts to cabin  
 pos. 13 (4x)  
 pos. 18 (2x)  
 pos. 25 (2x)

Alternator

Option :  
 z.B. Göker

PLUG B	1	2	3	4	5	6	7	8	9	10	11	12	13	14	15	16	17	18	19	20	21	22	23	24
	cabin	cabin	+ 24V cabin	+ 24V cabin	+ 12V vibrator	- vibrator	S1 / cabin S1 +	S1 / cabin S1 -	+ 12V vibrator	vibrator	oil temp. +	oil temp. signal	Horn	Alternator W	rpm -	rpm +	Y6 +	Y6 -	light	engine start	engine stop	agfütterwerksabschaltung	+ 12V	reserve
	brn	brn	blu	blu	blk	red	whi	grn	blk	red	ora	ora/blk	blu/whi	yel/whi	gry/red	brn/blu	blk/grn	blk/red	vio	red	brn/whi	blk/yel	red/yel	vio/yel
	2,5 mm <sup>2</sup>	2,5 mm <sup>2</sup>	2,5 mm <sup>2</sup>	2,5 mm <sup>2</sup>	2,5 mm <sup>2</sup>	2,5 mm <sup>2</sup>	1,0 mm <sup>2</sup>	1,0 mm <sup>2</sup>	2,5 mm <sup>2</sup>	2,5 mm <sup>2</sup>	1,5 mm <sup>2</sup>	1,5 mm <sup>2</sup>	1,5 mm <sup>2</sup>	1,5 mm <sup>2</sup>	1,5 mm <sup>2</sup>	1,5 mm <sup>2</sup>	1,5 mm <sup>2</sup>	1,5 mm <sup>2</sup>	1,0 mm <sup>2</sup>	1,0 mm <sup>2</sup>	1,0 mm <sup>2</sup>	1,0 mm <sup>2</sup>	1,0 mm <sup>2</sup>	



free dimension tolerance  
 DIN 7188  
 medium

drawn	date	name
K8mer	08.04.2004	K8mer
chkd.		
appl.		

scale without weight  
 own parts list

cable loop truck  
 for B\_513022<sup>37m</sup>

change only with CAD

replacement for  
 B 56 2 048  
 sheet 1  
 of 2

this information may not be copied by a third party. Subject to copyright (patent law) no. 3 of (Urheberrechtsgesetz) from 14.06.1991



## PARTS LIST

part list	description	created	index	valid from	valid to	
B562048	cable loop truck	21.04.04 Mi				
pos	description stock	ident-no dimensions	DIN material	index	weigh Kg	quantity unit
1	housing upper part, 24-pol	WAI101542				1,00 Stk
2	socket insertion 24-pol.	WAI100710				1,00 Stk
3	plug	WAI104691				2,00 Stk
4	coupling	WAI104523				1,00 Stk
5	plug housing 2-poles	WAI108701			0,00	1,00 Stk
6	locking wedge	WAI108702			0,01	1,00 Stk
7	plug	WAI104530				2,00 Stk
8	plug connection	WAI108703				2,00 Stk
9	cap	WAI108704				1,00 Stk
10	fitting PG21	WAI104507				1,00 Stk
11	fitting PG9	WAI104506				4,00 Stk
14	t - piece 22-10-22	WAI105263				7,00 Stk
15	t - piece 10-10-10	WAI104514				3,00 Stk
16	housing	WAI106263				1,00 Stk
18	cap	WAI104513				2,00 Stk
20	sealing for cable fitting PG21	WAI104697				1,00 Stk
21	sealing for cable fitting PG9	WAI104695				4,00 Stk
22	O-ring 15 x 1,5	WAI104701				1,00 Stk
23	O-ring 8.9 x 1.25	WAI104700				4,00 Stk
24	flat plug sleeve 2,5mm	WAI104785				4,00 Stk
28	cove end sleeve 2.5mm	WAI101997				20,00 Stk



## PARTS LIST

part list	description	created	index	valid from	valid to	
B562048	cable loop truck	21.04.04 Mi				
pos	description stock	ident-no dimensions	DIN material	index	weigh Kg	quantity unit
29	cove end sleeve 1.5mm	WAI101996				20,00 Stk
30	cove end sleeve 1.5mm	WAI104692				20,00 Stk
32	shrink hose	WAI104677				0,10 Mtr
33	cable tie 200x3.6, black	WAI103137				100,00 Stk
34	plug housing male	WAI105865				1,00 Stk
35	plug housing female	WAI105866				1,00 Stk
36	plug housing adaptor to cable pipe	WAI105867				2,00 Stk
37	plug housing sealing	WAI105868				4,00 Stk
38	plug insert female 2,5 mm D	WAI105869				2,00 Stk
39	plug insert male	WAI105870				2,00 Stk
41	cable pipe	WAI104213				23,00 Mtr
42	cable 1 qmm, brown	WAI104195				16,00 Mtr
43	cable 1 qmm, green	WAI104202				17,00 Mtr
44	cable 1.5 qmm, red - yellow	WAI104575				6,00 Mtr
45	cable 1.5 qmm, yellow - white	WAI104574				13,00 Mtr
46	cable 1.5 qmm, green - white	WAI104569				8,54 Mtr
47	cable 1.5 qmm, blue	WAI104654				11,00 Mtr
48	cable 1.5 qmm, black	WAI104655				11,00 Mtr
49	cable 1.5 qmm, black - green	WAI104572				8,00 Mtr
50	cable 1.5 qmm, black - red	WAI104570				8,00 Mtr
51	cable 1.5 qmm, grey - red	WAI104567				14,00 Mtr

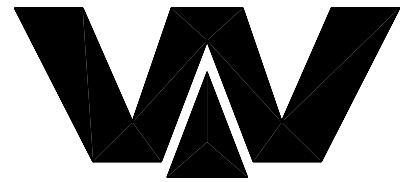


# PARTS LIST

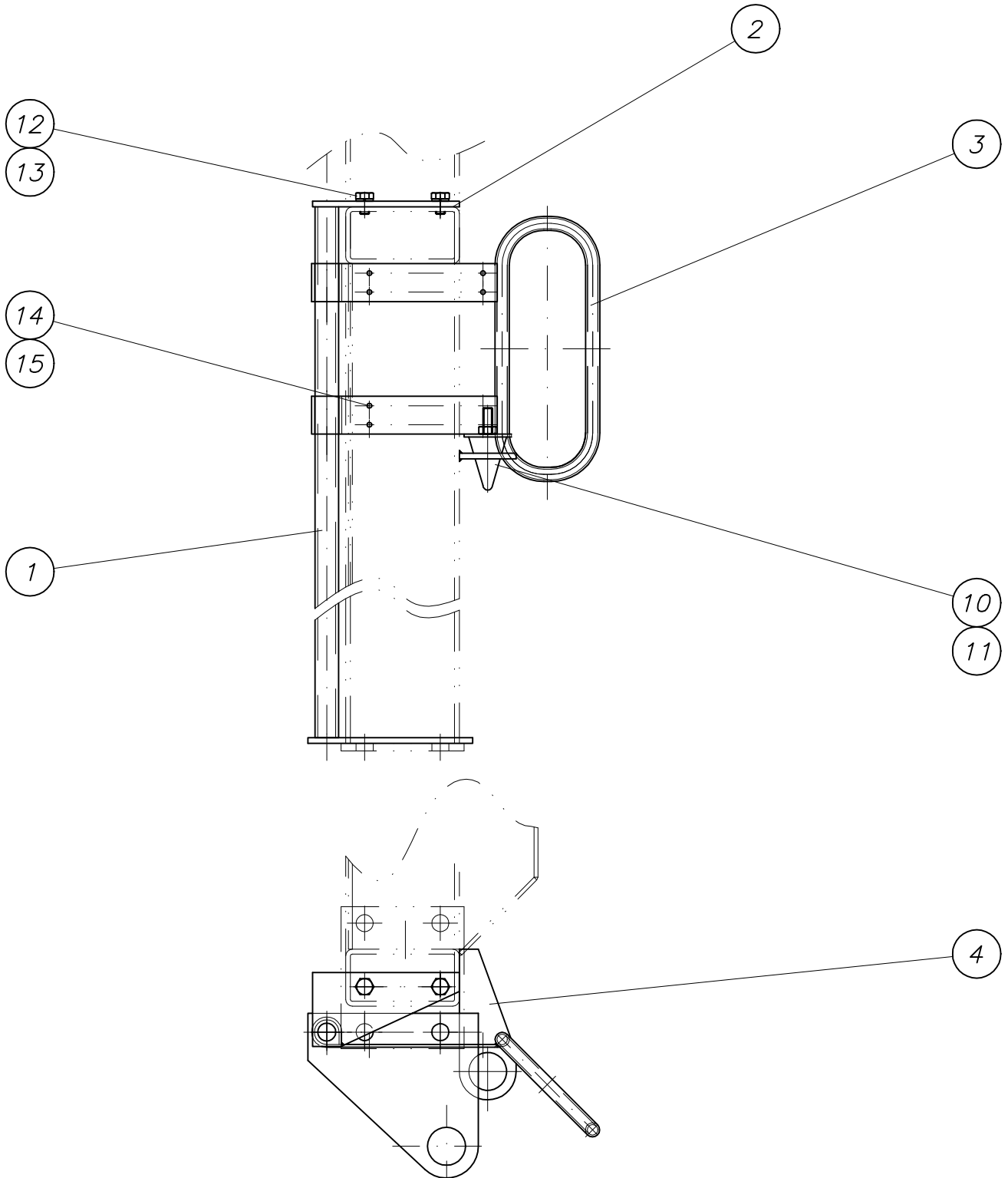
part list	description	created	index	valid from	valid to	
B562048	cable loop truck	21.04.04 Mi				
pos	description stock	ident-no dimensions	DIN material	index	weigh Kg	quantity unit
52	cable 1.5 qmm, violet	WAI104565				12,00 Mtr
53	cable 1 qmm, grey - brown	WAI105535				20,00 Mtr
54	cable 1.5 qmm, black - white	WAI104573				7,00 Mtr
55	cable 1 qmm, white	WAI104200				17,00 Mtr
56	cable pipe	WAI104520				12,00 Mtr
57	cable 1.5 qmm, blue - white	WAI104571				7,00 Mtr
60	cable 2,5 qmm, brown	WAI104198				44,00 Mtr
61	cable 2,5 qmm, black	WAI104652				13,50 Mtr
62	cable 2,5 qmm, blue	WAI104197				33,00 Mtr
63	cable 2,5 qmm, red	WAI105660				15,00 Mtr

*Schaltboxbefestigung kpl.*  
*switchbox mounting cpl.*

*B 56 1 050*



Waitzinger  
Baumaschinen GmbH



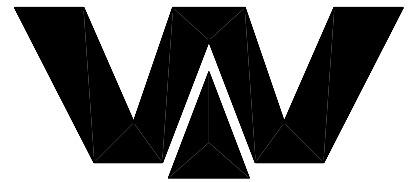


## PARTS LIST

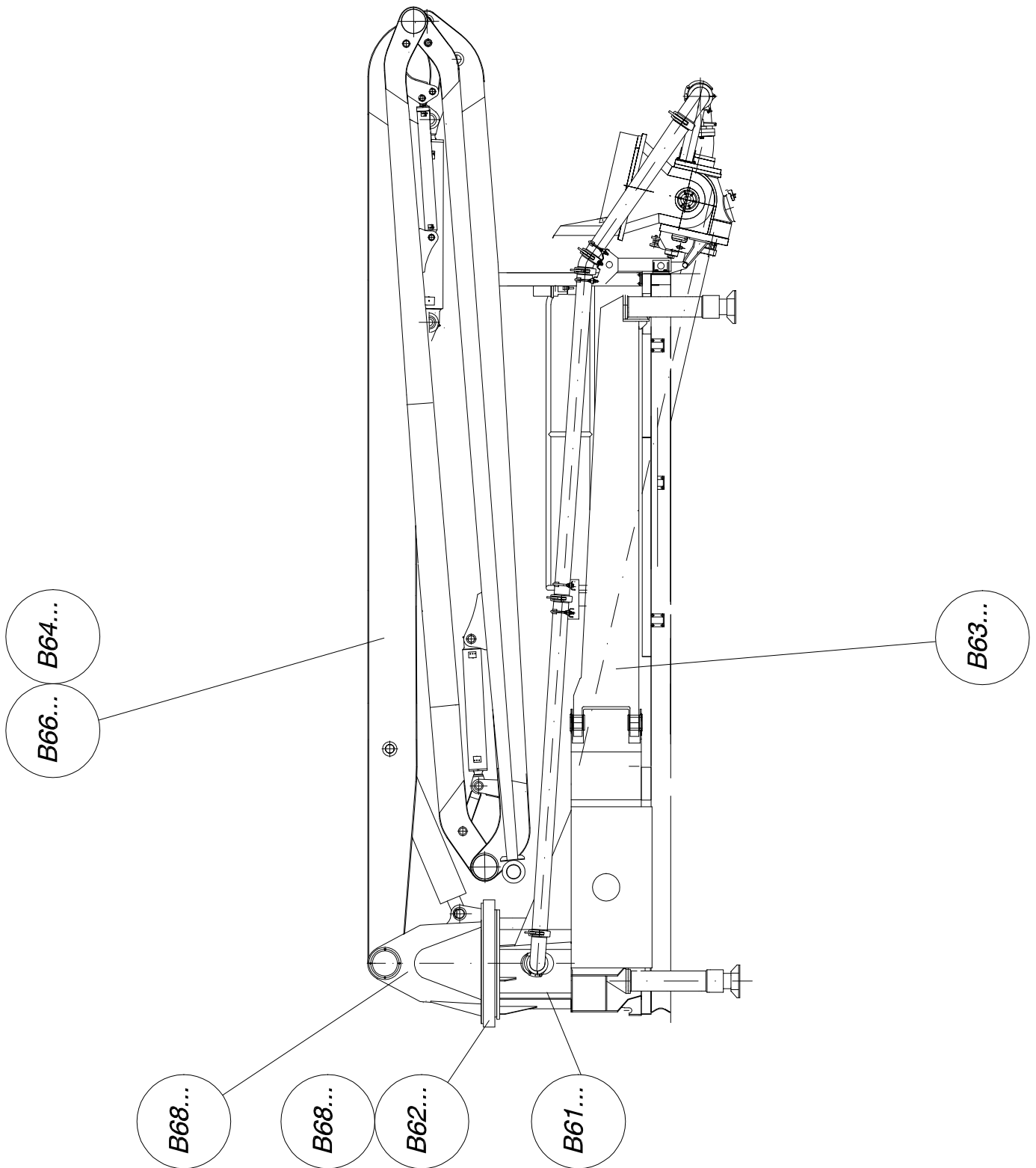
part list	description	created	index	valid from	valid to	
B561050	switchbox mounting cpl.	04.02.99 Mi				
pos	description stock	ident-no dimensions	DIN material	index	weight Kg	quantity unit
1	holder cpl. own parts list	B561051			3,00	1,00 Stk
2	cover cpl. own parts list	B561052			0,40	1,00 Stk
3	handle cpl. own parts list	B561053		a 24.02.05	1,00	1,00 Stk
4	fixing sheet	B561054 Bl 6x60x159	1543/EN10029 St37-2		0,20	1,00 Stk
10	rubber buffer 50 x 58	WAI102712				1,00 Stk
11	nut M10 DIN 934	WAI101556			0,01	1,00 Stk
12	hexagon bolt M10 x 16	WAI102886				2,00 Stk
13	spring washer A10	WAI102070			0,00	2,00 Stk
14	hexagon bolt M 5 x 10	WAI103308				4,00 Stk
15	locking nut DIN 980	WAI102068				4,00 Stk



*Übersicht B 60 - B 69*  
*over view B 60 - B 69*

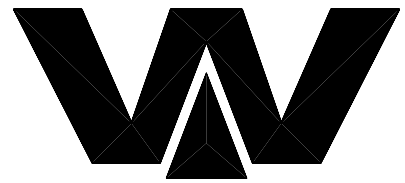


*Waitzinger*  
*Baumaschinen GmbH*

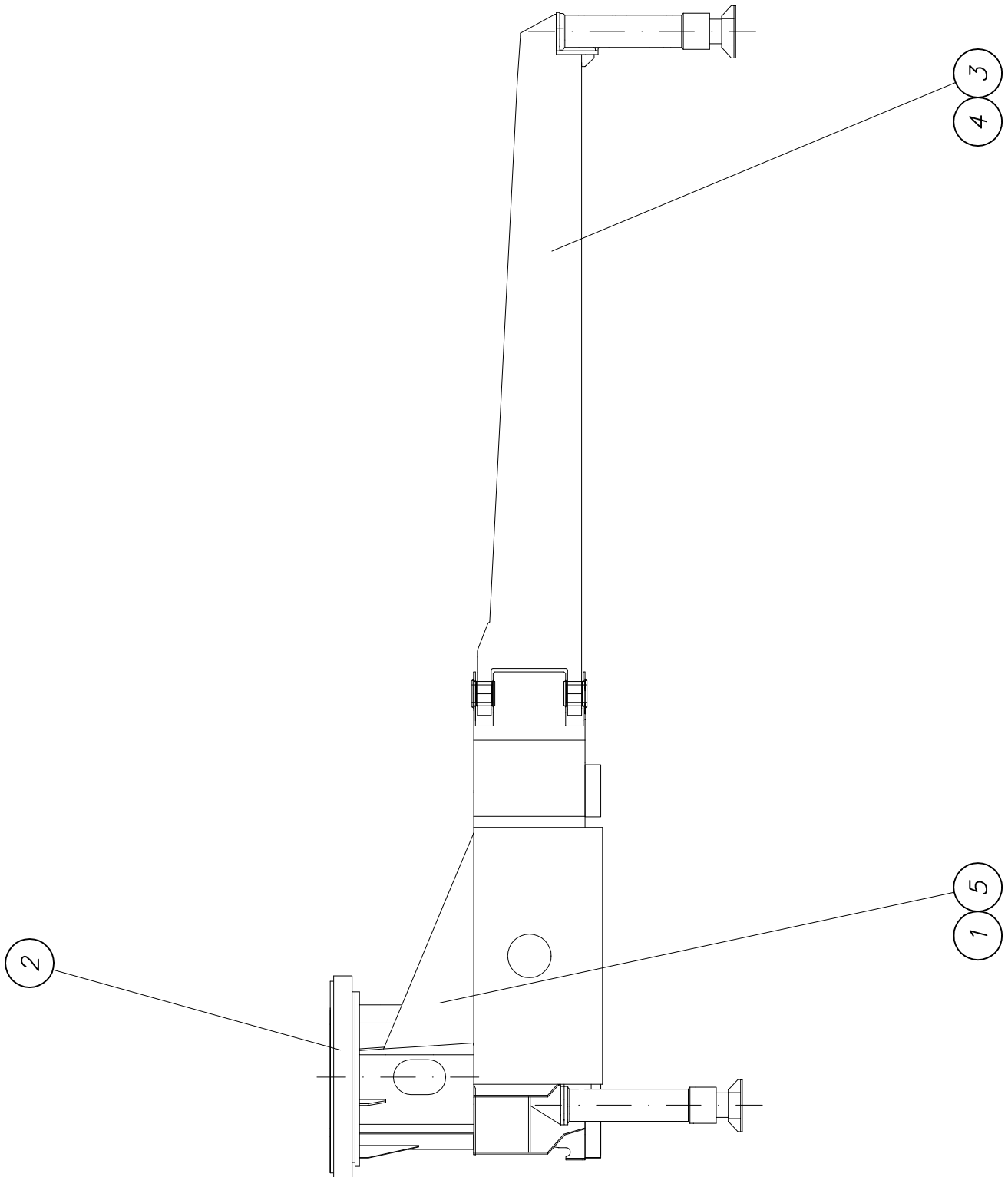


*Mastbock 36 XT kpl.  
boom base 36 XT cpl.*

*B 61 8 110*



*Waitzinger  
Baumaschinen GmbH*



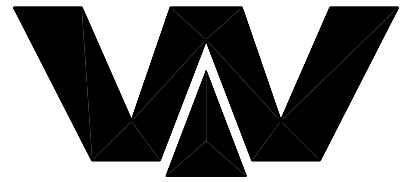


## PARTS LIST

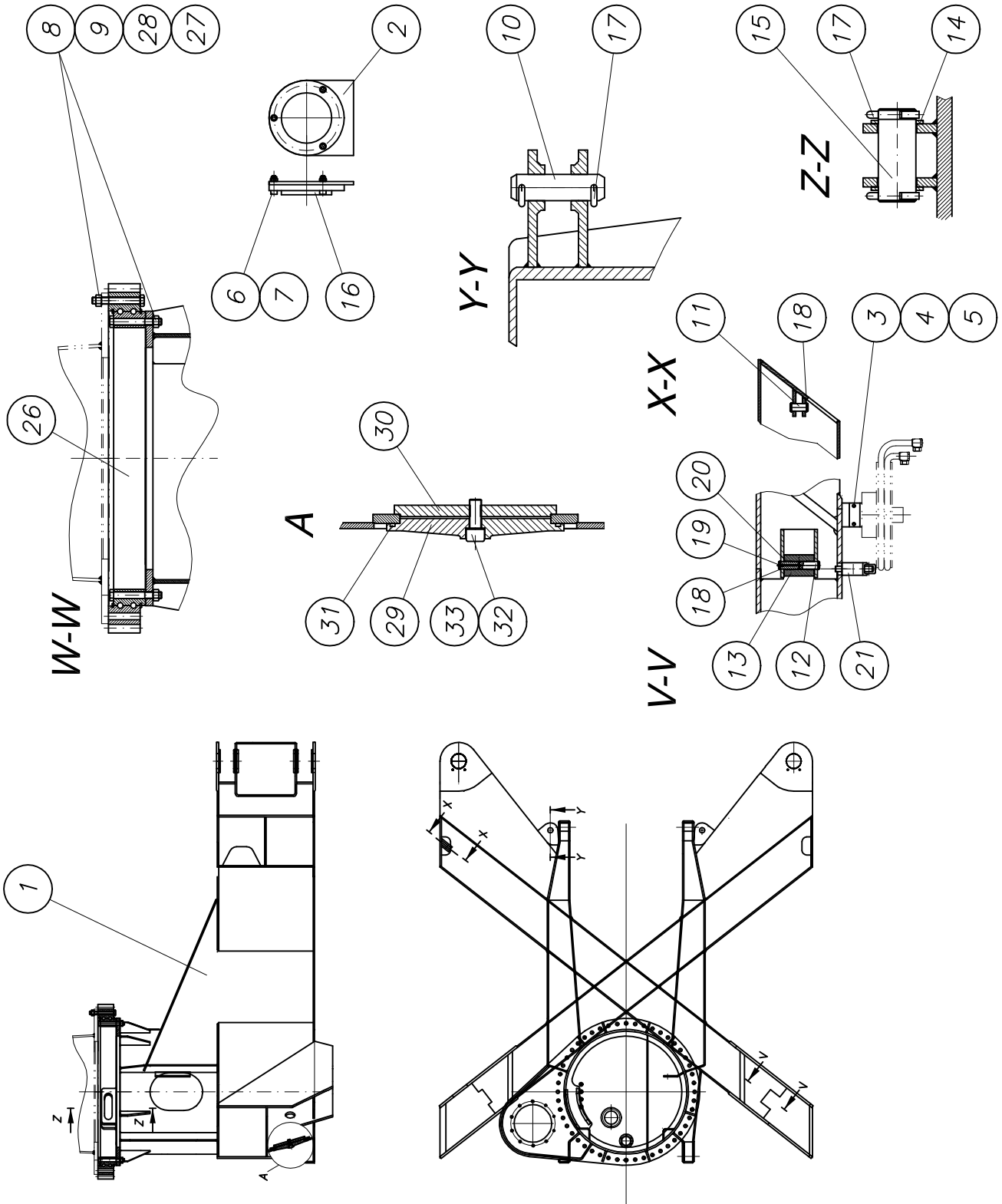
<b>part list</b>	<b>description</b>	<b>created</b>	<b>index</b>	<b>valid from</b>	<b>valid to</b>	
B618110	pedestal 36 Xt for type list	20.04.04 hbk				
<b>pos</b>	<b>description stock</b>	<b>ident-no dimensions</b>	<b>DIN material</b>	<b>index</b>	<b>weigh Kg</b>	<b>quantity unit</b>
1	pedestal 36 X cpl own parts list	B618010		c 30.06.04		1,00 Stk
2	turning unit cpl. own parts list	B628010				1,00 Stk
3	outrigger 36 X cpl own parts list	B638010				1,00 Stk
4	pipng diagram 36 XT boom base with Rab own parts list	B728015		c 12.05.06		1,00 Stk
5	hydr. system boom 36m XT cpl. own parts list	B718001		a 12.05.06		1,00 Stk

Mastbock kpl.  
boom base cpl.

B 61 8 010c



Waitzinger  
Baumaschinen GmbH





## PARTS LIST

part list	description	created	index	valid from	valid to	
B618010	pedestal 36 X cpl	26.06.00 hbk	c	30.06.04		
pos	description stock	ident-no dimensions	DIN material	index	weigh Kg	quantity unit
1	pedestal 36 X tooling own parts list	B618020			1860,00	1,00 Stk
2	holder for can drag and fly	B619093 Bl 5x100x112.5	1543/EN10029 S235J2G3	a 13.02.03	0,22	2,00 Stk
3	hexagon bolt M 20 x 50	WAI101706				4,00 Stk
4	nut M20 DIN 934	WAI102891				4,00 Stk
5	spring washer	WAI103314			0,00	4,00 Stk
6	cheese head screw M5x20 DIN 912 8.8	WAI103389				6,00 Stk
7	locking nut DIN 980	WAI102068				6,00 Stk
8	washer HV DIN 6916 23 C45	WAI101566				66,00 Stk
9	washer HV 6916 21 C45 tooled	WAI107180			0,01	30,00 Stk
10	pin 35 x 124	B610020 Rd 40 x 130	1013 C40		1,00	2,00 Stk
11	pin 25 x 060	B610021 Rd 25 x 65	669 St50-2K		0,25	2,00 Stk
12	pin 25 x 136, 3P206	B610023 Rd 25 x 140	669 St50-2K		0,50	2,00 Stk
13	roller 70 x 100, 2H105	B610024 Rd 70 x 105	669 St50-2K		2,50	2,00 Stk
14	spacer ring RD 70X 4.5	B610025 Rd 70 x 4.5	1013 S235JR		0,10	2,00 Stk
15	pin 50 x 128	B610022 Rd 55 x 130	1013 39NiCrMo3/b	a 03.08.04	1,90	1,00 Stk
16	box level d80	WAI106237				2,00 Stk
17	split pin 8 x 63 VERZ. DIN 94	WAI102875				6,00 Stk
18	locking ring A 25 X 1.2 DIN 471	WAI103006				8,00 Stk
19	grease nipple M6 DIN 71412	WAI103355				2,00 Stk
20	bushing CD025-028025	WAI105017				4,00 Stk
21	locking bolt	WAI103032				2,00 Stk

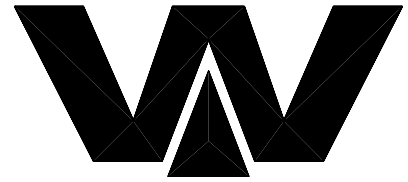


## PARTS LIST

part list	description	created	index	valid from	valid to	
B618010	pedestal 36 X cpl	26.06.00 hbk	c	30.06.04		
pos	description stock	ident-no dimensions	DIN material	index	weigh Kg	quantity unit
26	rotation bearing	WAI106168			300,00	1,00 Stk
27	hexagon bolt M 22 x 160	WAI105029				96,00 Stk
28	nut M22 DIN 934 10.	WAI104827				96,00 Stk
29	cover for oiltank D236 X 27 36XT	B610033 RD 240x30	1747 Al99		1,80	1,00 Stk
30	star for oilcover FL 15X 220X 220	B610034 FI 220x220x15	1017 S235JR	a 12.02.03	2,00	1,00 Stk
31	O-ring 217x5, No. A0120.371	WAI106011				1,00 Stk
32	u-seal 16,7 x 24 x 1,5T	WAI101572				1,00 Stk
33	cheese head screw M 16 x 55	WAI104550				1,00 Stk

*Drehwerk kpl.  
turning unit cpl.*

*B 62 8 010*



*Waitzinger  
Baumaschinen GmbH*

- ① *Drehwerkseinheit kpl.  
turning unit cpl.  
B 62 8 011a*
- ② *Schutzeinrichtung kpl.  
protection unit cpl.  
B 62 8 012c*

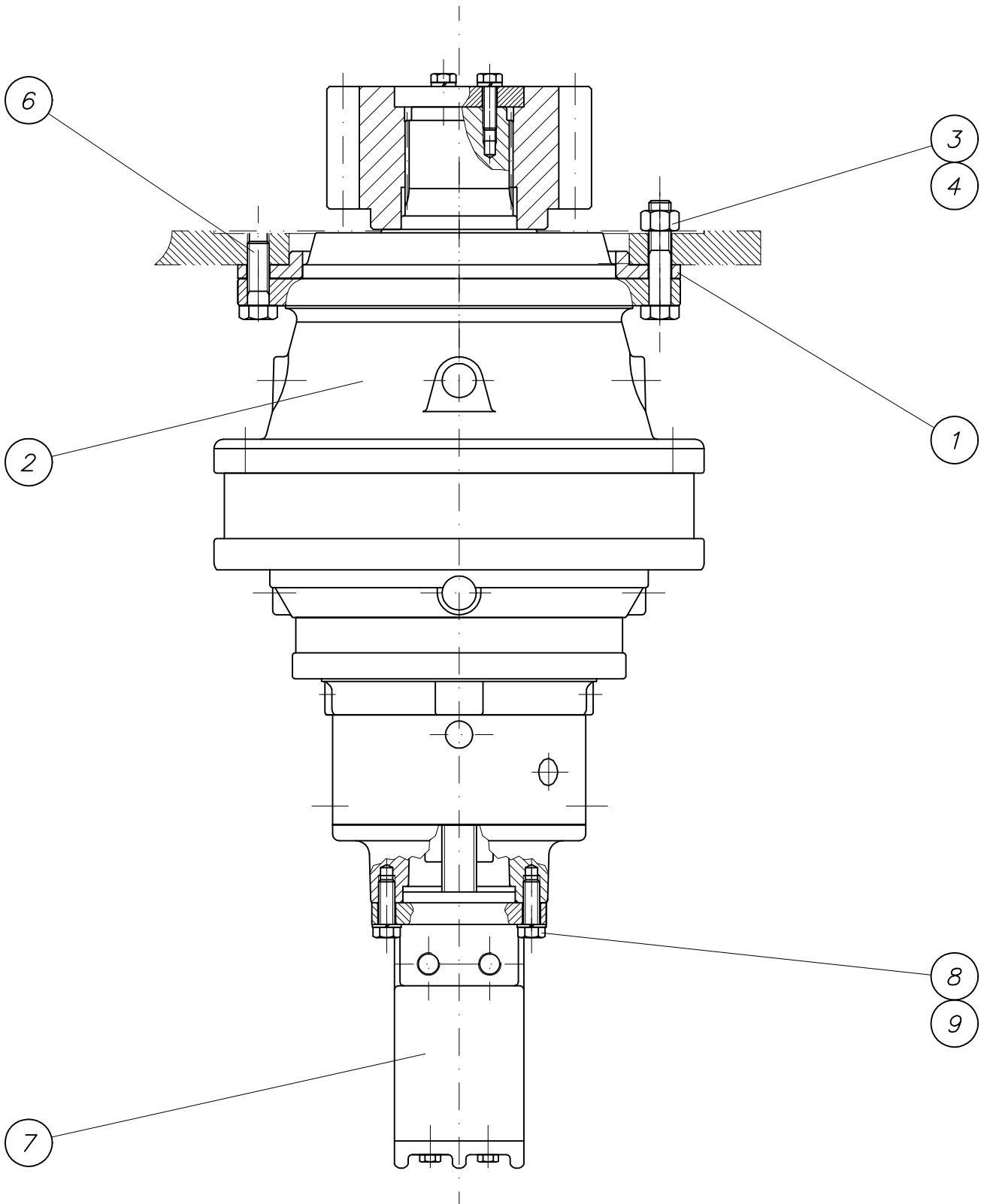
*Drehwerkseinheit kpl.*

*turning unit cpl.*

**B 62 8 011a**



Waitzinger  
Baumaschinen GmbH





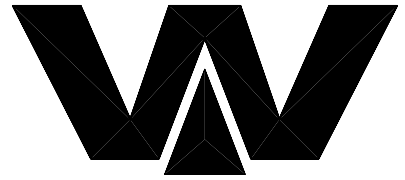


## PARTS LIST

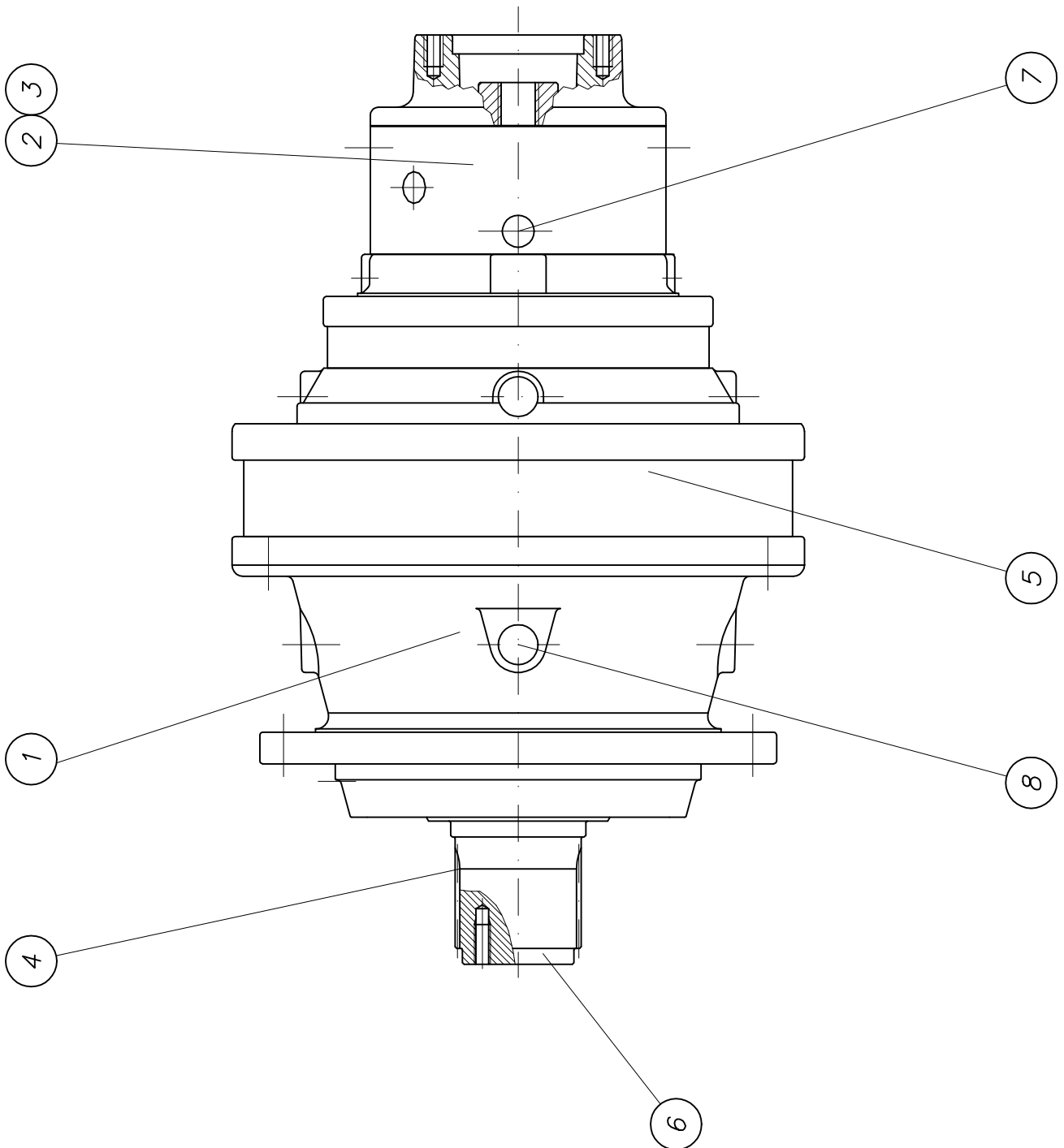
part list	description	created	index	valid from	valid to	
B628011	turning unit cpl.36XT AND 36ST	27.06.00 hbk	a	17.06.04		
pos	description stock	ident-no dimensions	DIN material	index	weigh Kg	quantity unit
1	eccentric flange for turning unit	B620049 Rohr 323.9 x 50	2448 S355JR	a 04.01.01	3,60	1,00 Stk
2	gearbox PG1602-MFS SOM own parts list	WAI106266			151,60	1,00 Stk
3	hexagon bolt M16 x 80	WAI106268			0,17	7,00 Stk
4	nut M16 DIN 934	WAI101555				7,00 Stk
6	hexagon bolt M16 x 50	WAI106269			0,17	3,00 Stk
7	hydraulic motor Char Lynn	WAI106301				1,00 Stk
8	hexagon bolt M12 x 35	WAI102122			0,04	2,00 Stk
9	spring washer A12 DIN 127 VERZ.	WAI102896				2,00 Stk

*Drehwerksgetriebe*  
*rotating gear box*

*WAI 106266*



*Waitzinger*  
*Baumaschinen GmbH*



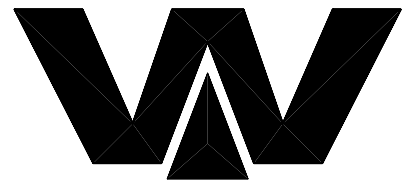


# PARTS LIST

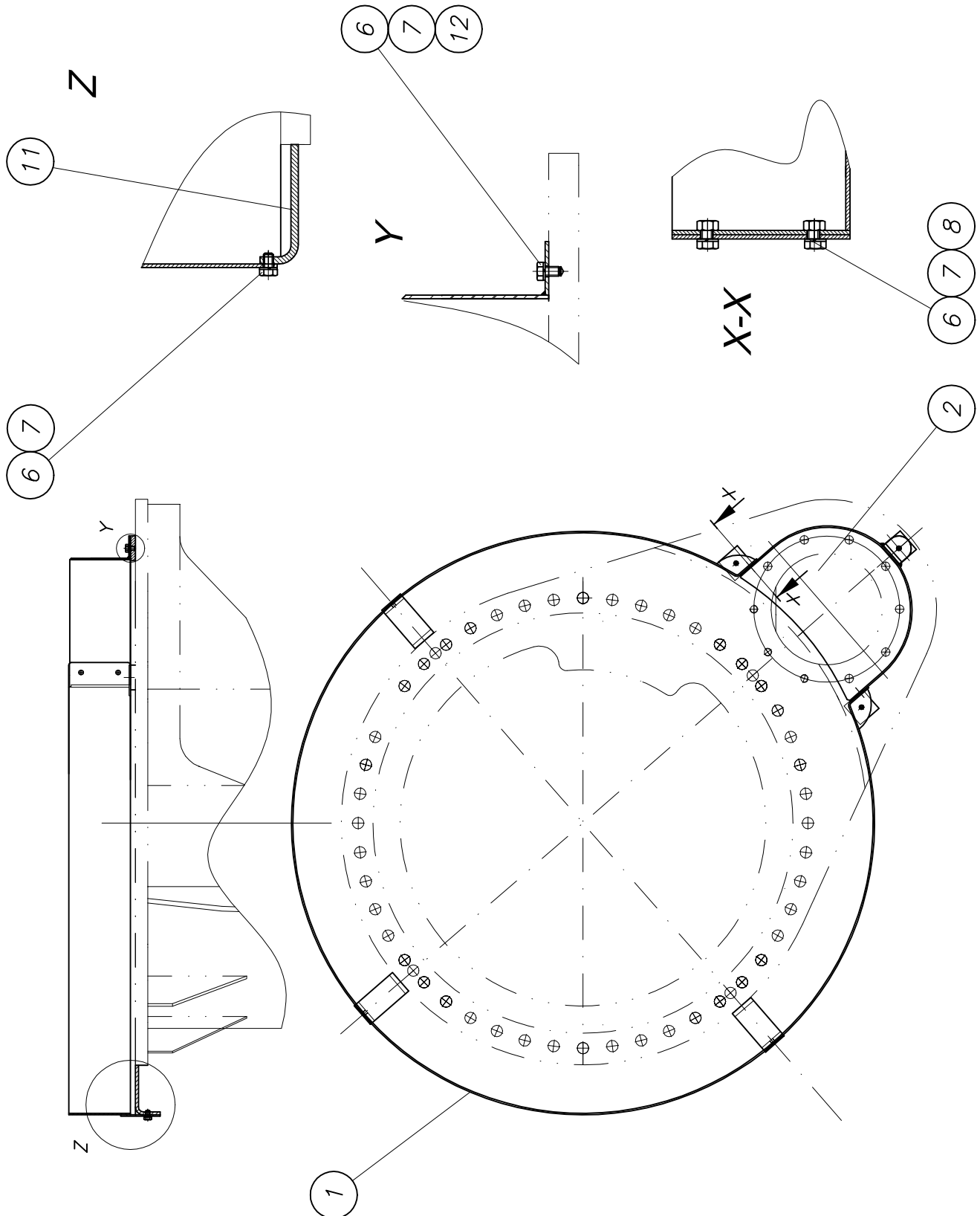
part list	description	created	index	valid from	valid to	
WAI106266	gearbox PG1602-MFS SOM	08.03.01 Mi				
pos	description stock	ident-no dimensions	DIN material	index	weigh Kg	quantity unit
1	lamina	WAI106712				4,00 Stk
2	lamina	WAI106713				5,00 Stk
3	sealing set for rotation gearbox 36 mtr	WAI106272			0,50	1,00 Stk
4	gear 14	WAI106511			10,00	1,00 Stk
5	gearbox RE040.11201	WAI106748			140,00	1,00 Stk
6	cap RP100	WAI106749				1,00 Stk
7	gauge LL301	WAI106750			0,00	1,00 Stk
8	breather FS020	WAI106751			1,50	1,00 Stk

*Schutzeinrichtung kpl.*  
*protection unit cpl.*

*B 62 8 012c*



Waitzinger  
Baumaschinen GmbH



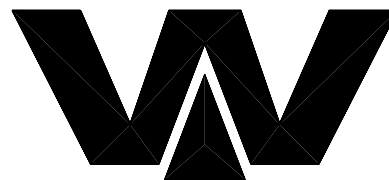


## PARTS LIST

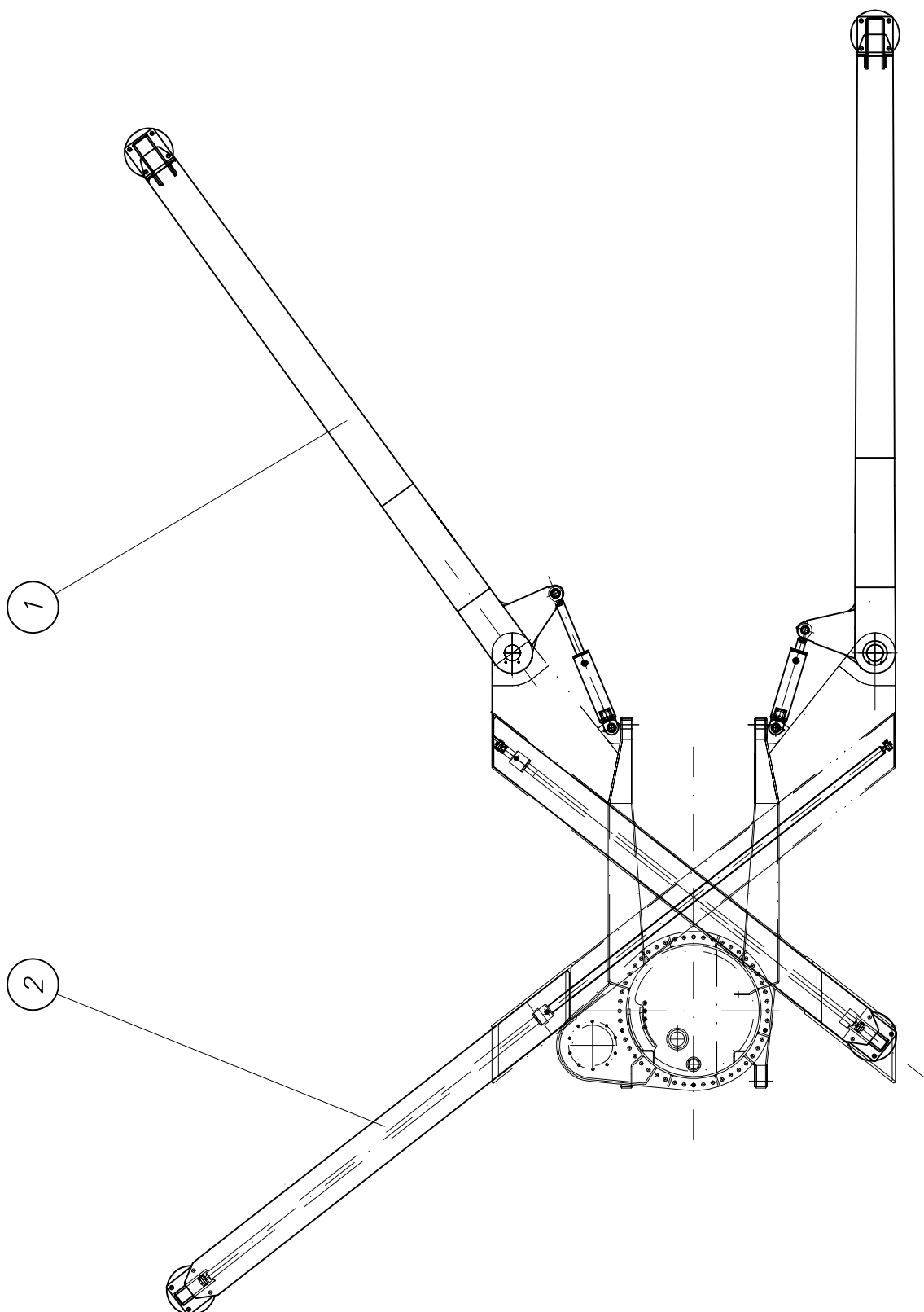
part list	description	created	index	valid from	valid to	
B628012	turning unit protection partsKPL.36XT/ST	27.06.00 hbk	c	24.02.04		
pos	description stock	ident-no dimensions	DIN material	index	weigh Kg	quantity unit
1	rotation bearing protection own parts list	B620050			13,00	1,00 Stk
2	pinion cover f. 36 mtr. KPL. own parts list	B620055				1,00 Stk
6	hexagon bolt M 8 x 12 DIN 933 8.8	WAI103274				9,00 Stk
7	spring washer A8 DIN 127 VERZ.	WAI102205			0,00	11,00 Stk
8	hex. nut M8 DIN 934 8. VERZ.	WAI102880				4,00 Stk
11	holder BL 6X 50X 119	B620058 Bl 6x50x119	1543/EN10029 St37-2	b 27.01.03	0,30	4,00 Stk
12	hexagon bolt M 8 x 50 DIN 931 8.8	WAI108743				2,00 Stk

*Abstützung kpl.  
outrigger cpl.*

*B 63 8 010*



Waitzinger  
Baumaschinen GmbH



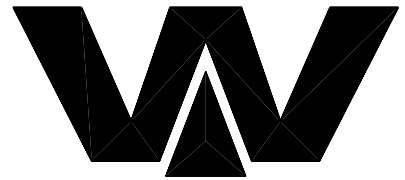


## PARTS LIST

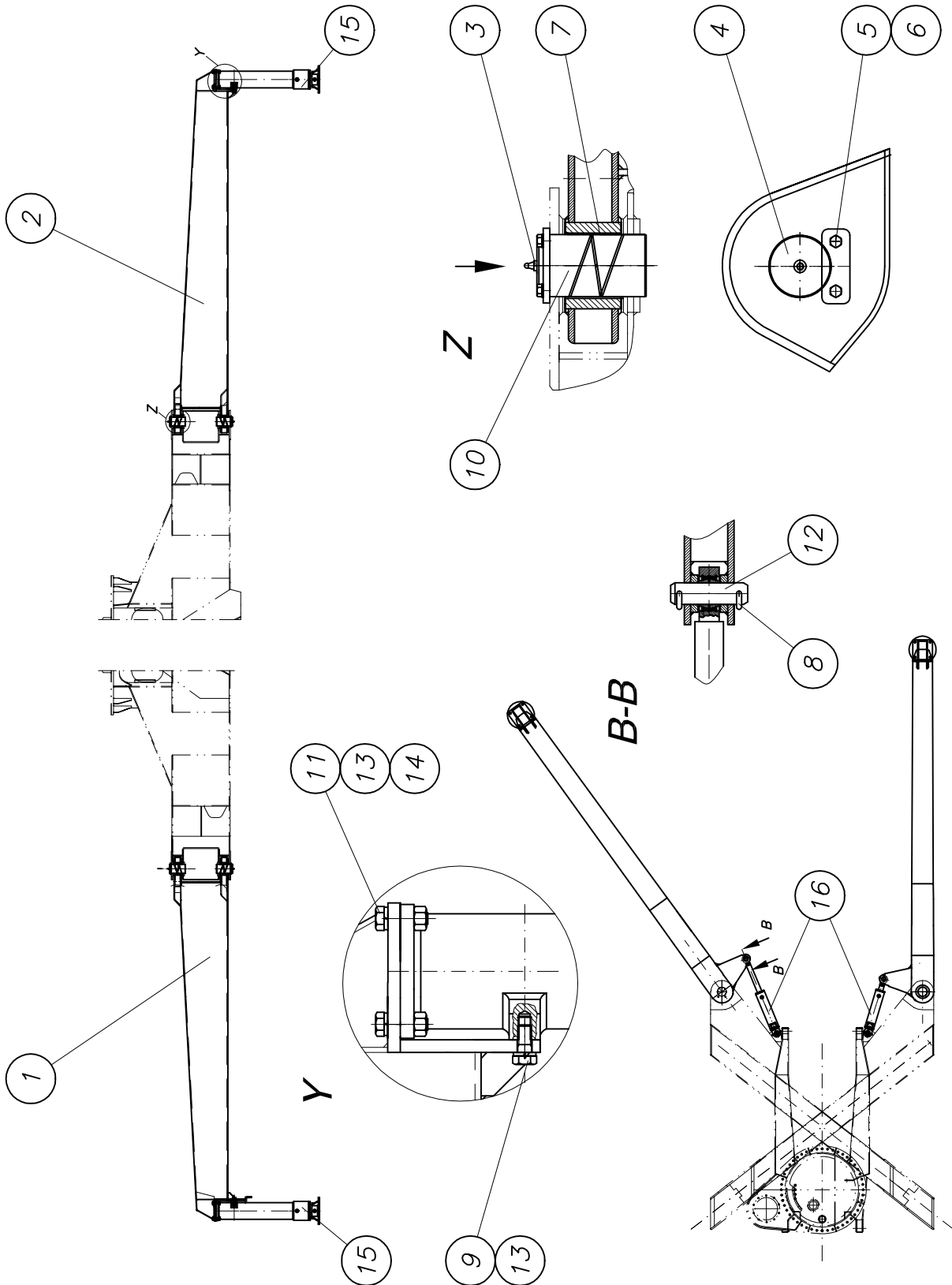
<b>part list</b>	<b>description</b>	<b>created</b>	<b>index</b>	<b>valid from</b>	<b>valid to</b>	
B638010	outrigger 36 X cpl	05.07.00 hbk				
<b>pos</b>	<b>description stock</b>	<b>ident-no dimensions</b>	<b>DIN material</b>	<b>index</b>	<b>weigh Kg</b>	<b>quantity unit</b>
1	outrigger rear 36 X cpl own parts list	B638011				1,00 Stk
2	outrigger front 36 X cpl own parts list	B638012		a 13.03.06		1,00 Stk

Abstützung hinten kpl.  
outrigger rear cpl.

B 63 8 011



Waitzinger  
Baumaschinen GmbH







## PARTS LIST

part list	description	created	index	valid from	valid to	
B638011	outrigger rear 36 X cpl	26.06.00 hbk				
pos	description stock	ident-no dimensions	DIN material	index	weigh Kg	quantity unit
1	rear left stabilizer 36X own parts list	B638105			400,00	1,00 Stk
2	rear right stabilizer 36X own parts list	B638115			400,00	1,00 Stk
3	grease nipple H1 M10 X 1 DIN 71412	WAI100805			0,01	4,00 Stk
4	Embed plate 45 x 120	B610030 FI 45 x 120 x 1	1017 S235JR		0,04	4,00 Stk
5	spring washer A12 DIN 127 VERZ.	WAI102896				8,00 Stk
6	hex. bolt M12x30 DIN 933 8.8	WAI102107			0,04	8,00 Stk
7	bushing CD100.105090	WAI106220				4,00 Stk
8	split pin 8 x 63 VERZ. DIN 94	WAI102875				4,00 Stk
9	hexagon bolt M 22 x 50 DIN 933 10.9	WAI105967				4,00 Stk
10	pin 100 x 176	B610029 Rd 105 x 180	1013 42CrMo4V	a 09.01.03	10,50	4,00 Stk
11	nut M22 DIN 934 10.	WAI104827				8,00 Stk
12	pin 35 x 124	B610020 Rd 40 x 130	1013 C40		1,00	2,00 Stk
13	spring washer A22 DIN 127	WAI105030				12,00 Stk
14	hexagon bolt M 22 x 70 DIN 933 10.9	WAI104826				8,00 Stk
15	jack cylinder rear cpl. own parts list	B630100		b 25.07.05	155,00	2,00 Stk
16	swing cylinder cpl. own parts list	B639246		a 02.06.05	155,00	2,00 Stk

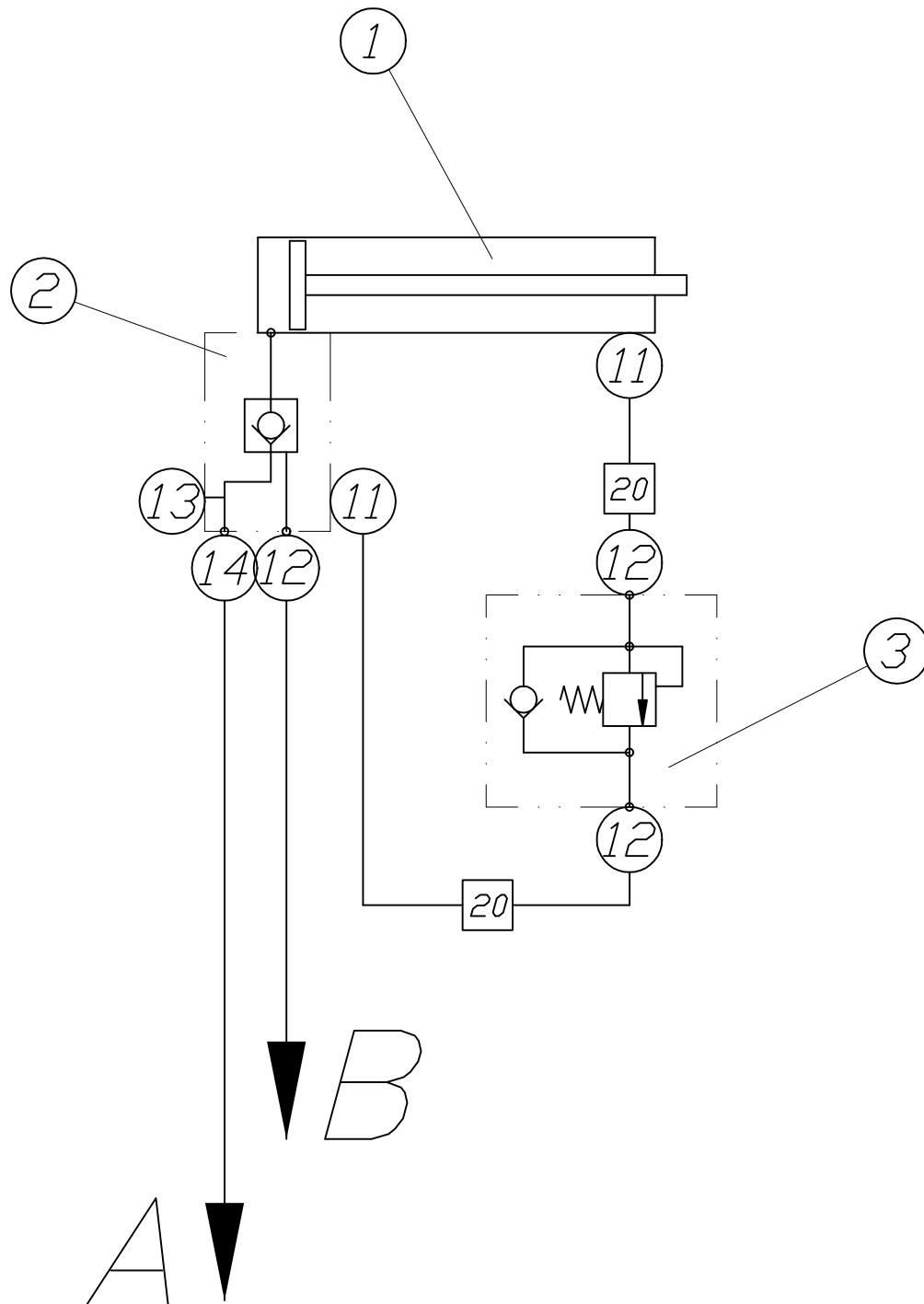
*Abstützylinder hinten kpl.*

*jack cylinder rear cpl.*

*B 63 0 100b*



Waitzinger  
Baumaschinen GmbH



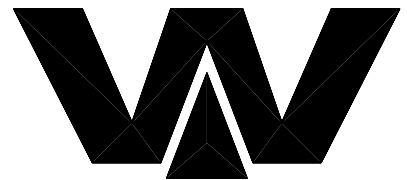


## PARTS LIST

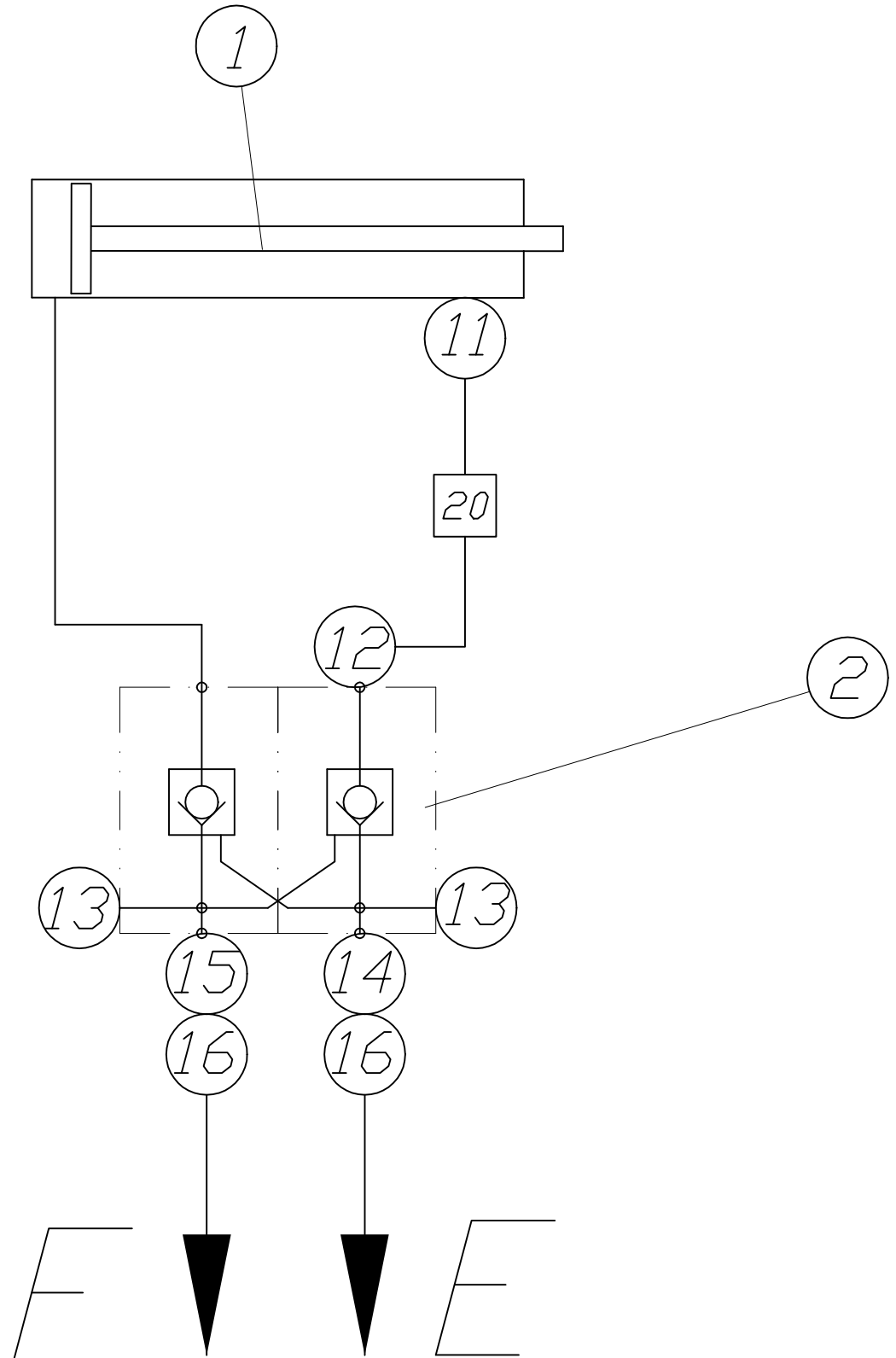
part list	description	created	index	valid from	valid to	
B630100	jack cylinder rear cpl.	15.09.03 Mi	b	25.07.05		
pos	description stock	ident-no dimensions	DIN material	index	weigh Kg	quantity unit
1	jack cylinder 160/140X 785	WAI109754			149,70	1,00 Stk
2	outrigger holding valve	WAI106360			1,10	1,00 Stk
3	valve SVC 46 F-30	WAI106335				1,00 Stk
11	banjo coupling L12 RD	WAI103684				2,00 Stk
12	straight male stud couplings L12D	WAI100548				3,00 Stk
13	locking screw G 3/8	WAI100521				1,00 Stk
14	straight male stud couplings L15-G 3/8"	WAI103704				1,00 Stk
20	hydr. pipe 12 x 2	WAI102022			0,49	0,80 Mtr

*Ausschwenkzylinder kpl.*  
*swing cylinder cpl.*

*B 63 9 246a*



Waitzinger  
Baumaschinen GmbH



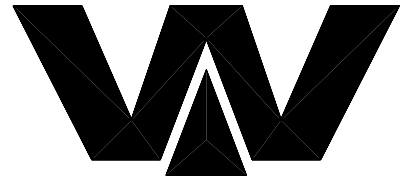


## PARTS LIST

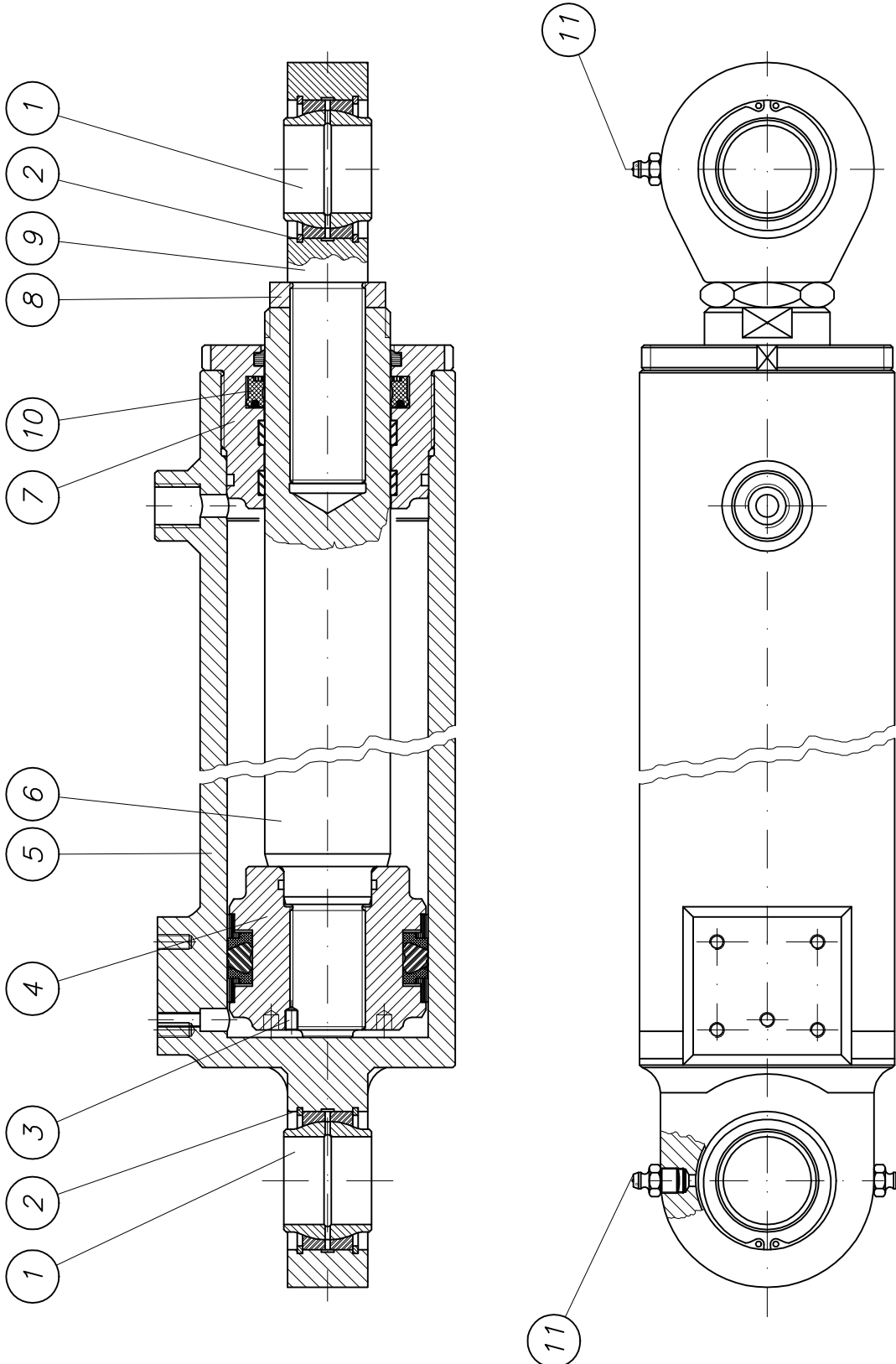
part list	description	created	index	valid from	valid to	
B639246	swing cylinder cpl.	07.10.03 Mi	a	02.06.05		
pos	description stock	ident-no dimensions	DIN material	index	weigh Kg	quantity unit
1	swing cylinder 80/50 x 305 own parts list	WAI106210			22,50	1,00 Stk
2	pilot operated twin check valve	WAI106410				1,00 Stk
11	banjo coupling L12 RD	WAI103684				1,00 Stk
12	straight male stud couplings L12D	WAI100548				1,00 Stk
13	locking screw G 3/8	WAI100521				2,00 Stk
14	straight male stud couplings L12R 1.2 own parts list	WAI107456			0,13	1,00 Stk
15	straight male stud couplings L12R 1.5 own parts list	WAI106427			0,13	1,00 Stk
16	swivel elbow L12	WAI103794				2,00 Stk
20	hydr. pipe 12 x 2	WAI102022			0,49	0,30 Mtr

*Ausschwenkzylinder*  
*swing cylinder*

*WAI 106210*



*Waitzinger*  
*Baumaschinen GmbH*



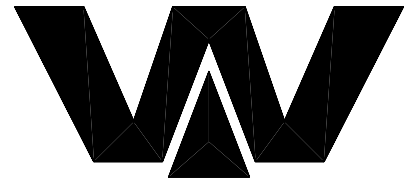


# PARTS LIST

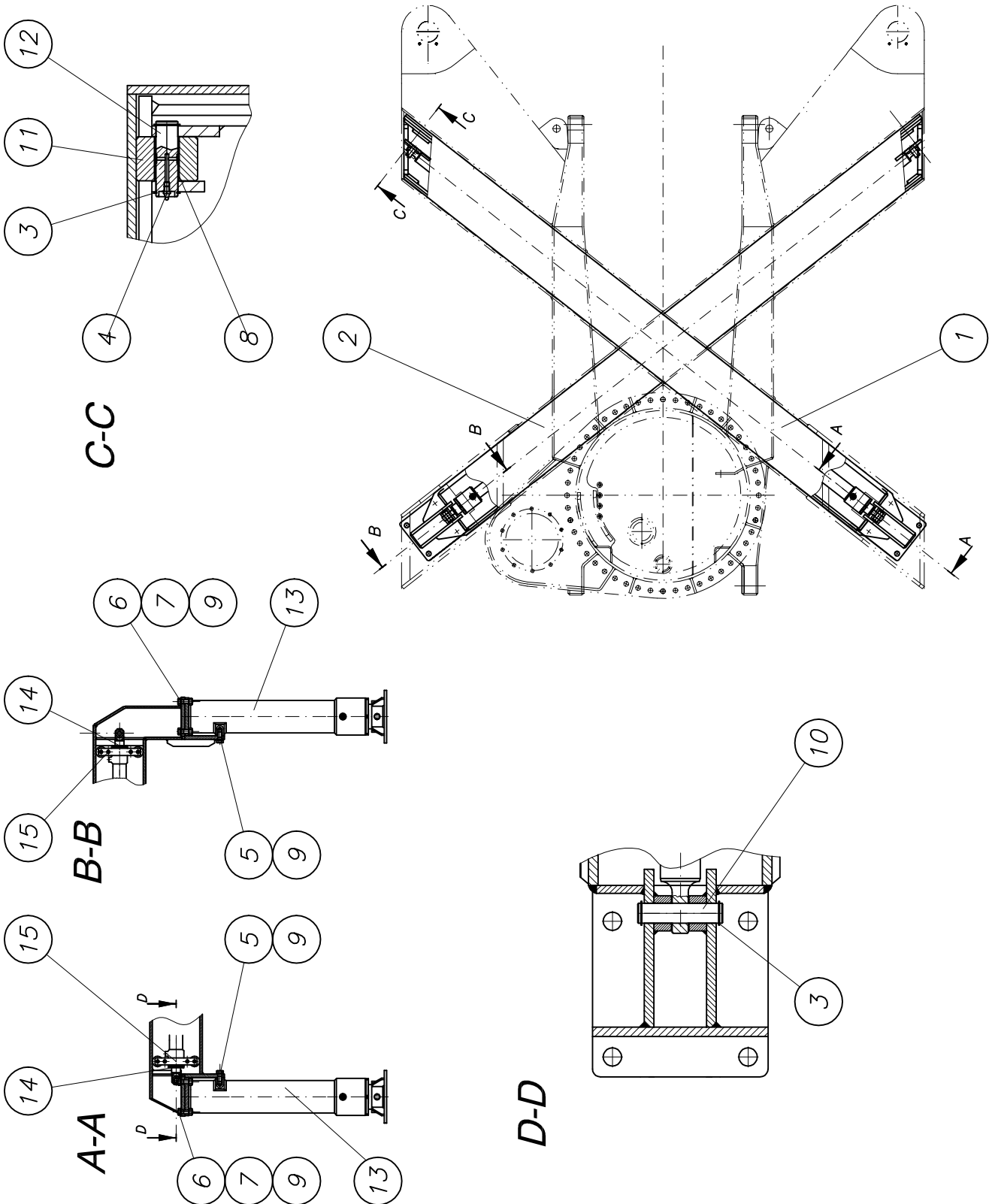
part list	description	created	index	valid from	valid to	
WAI106210	swing cylinder 80/50 x 305	26.03.01 Mi				
pos	description stock	ident-no dimensions	DIN material	index	weigh Kg	quantity unit
1	joint bearing	WAI103626			1,50	2,00 Stk
2	clamping ring	WAI106780			0,02	4,00 Stk
3	set screw M 6 x 8	WAI103646				1,00 Stk
4	piston	WAI106781				1,00 Stk
5	housing	WAI106782				1,00 Stk
6	piston rod	WAI106783				1,00 Stk
7	head for drive cylinder	WAI106784				1,00 Stk
8	piston nut	WAI106785				1,00 Stk
9	piston head	WAI106786				1,00 Stk
10	SEALING SET FOR SWING CYLINDER 32	WAI106574				1,00 Stk
11	grease nipple H1 M10 X 1 DIN 71412	WAI100805			0,01	3,00 Stk

*Abstützung vorne kpl.*  
*outrigger front cpl.*

**B 63 8 012a**



Waitzinger  
Baumaschinen GmbH







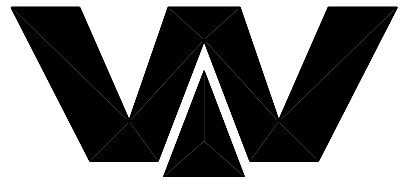
## PARTS LIST

part list	description	created	index	valid from	valid to	
B638012	outrigger front 36 X cpl	26.06.00 hbk	a	13.03.06		
pos	description stock	ident-no dimensions	DIN material	index	weigh Kg	quantity unit
1	36 X left telescope own parts list	B638135			300,00	1,00 Stk
2	36 XT right telescope own parts list	B638145			300,00	1,00 Stk
3	locking ring A 25 X 1.2 DIN 471	WAI103006				8,00 Stk
4	grease nipple M6 DIN 71412	WAI103355				2,00 Stk
5	hexagon bolt M 22 x 50 DIN 933 10.9	WAI105967				4,00 Stk
6	hexagon bolt M 22 x 70 DIN 933 10.9	WAI104826				8,00 Stk
7	nut M22 DIN 934 10.	WAI104827				8,00 Stk
8	bushing DU 25 X 28 X 50	WAI106236				2,00 Stk
9	spring washer A22 DIN 127	WAI105030				12,00 Stk
10	pin 25 x 106.6	B610028 Rd 25 x 100	669 St50-2K		0,40	2,00 Stk
11	roller 70 x 050, 4H102	B610027 Rd 70 x 55	669 St50-2K		0,80	2,00 Stk
12	pin 25 x 100	B610068 Rd 25x105	669 St50-2K		0,50	2,00 Stk
13	jack cylinder rear cpl. own parts list	B630105		b 25.07.05	155,00	2,00 Stk
14	telescopic cylinder cpl. own parts list	B630106			155,00	2,00 Stk
15	guiding system telecopic cylinder own parts list	B610048		a 08.12.03	0,01	2,00 Stk

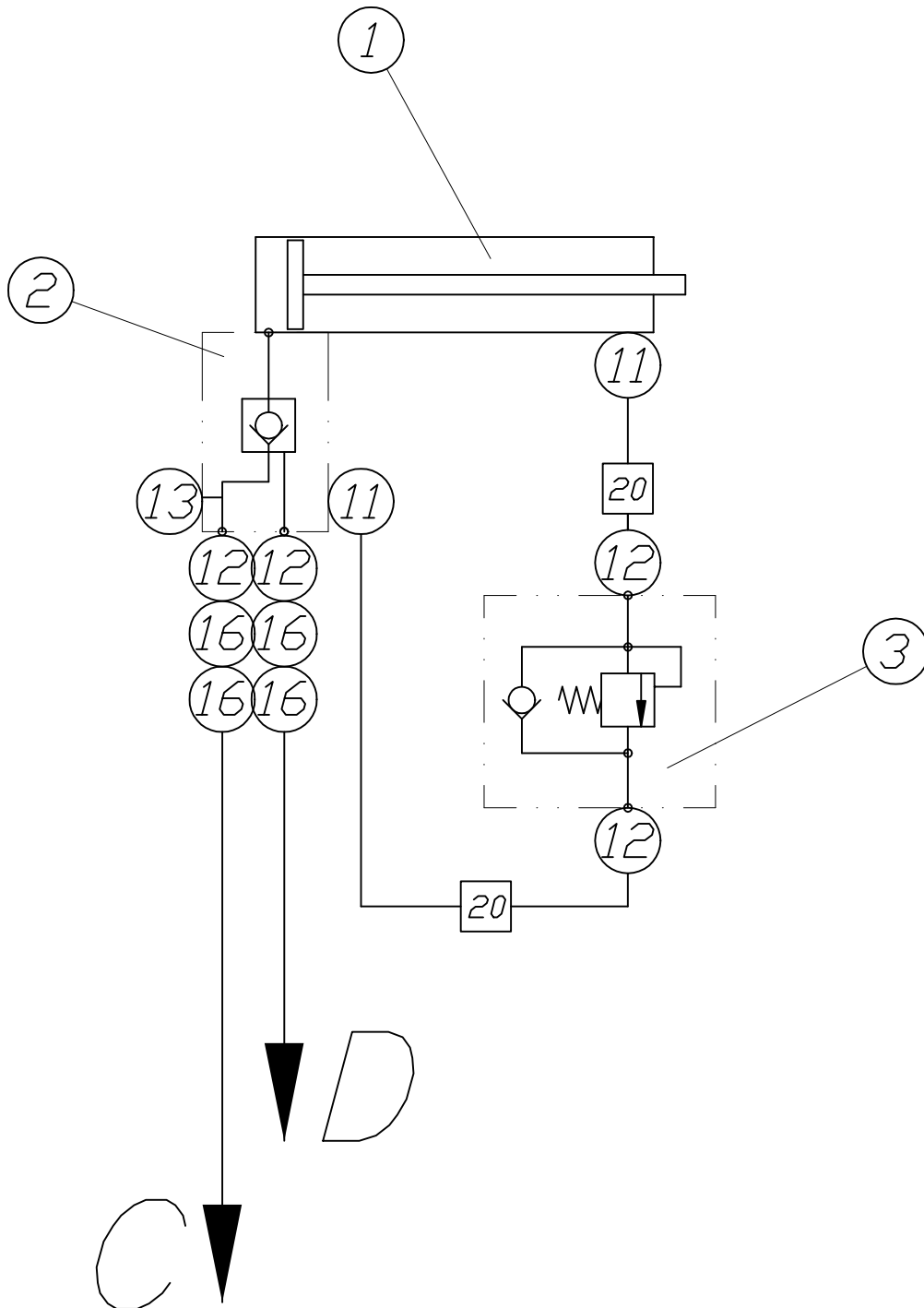
*Abstützzylinder vorne kpl.*

*jack cylinder front cpl.*

*B 63 0 105b*



Waitzinger  
Baumaschinen GmbH



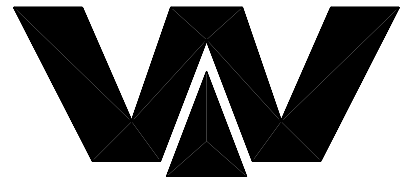


## PARTS LIST

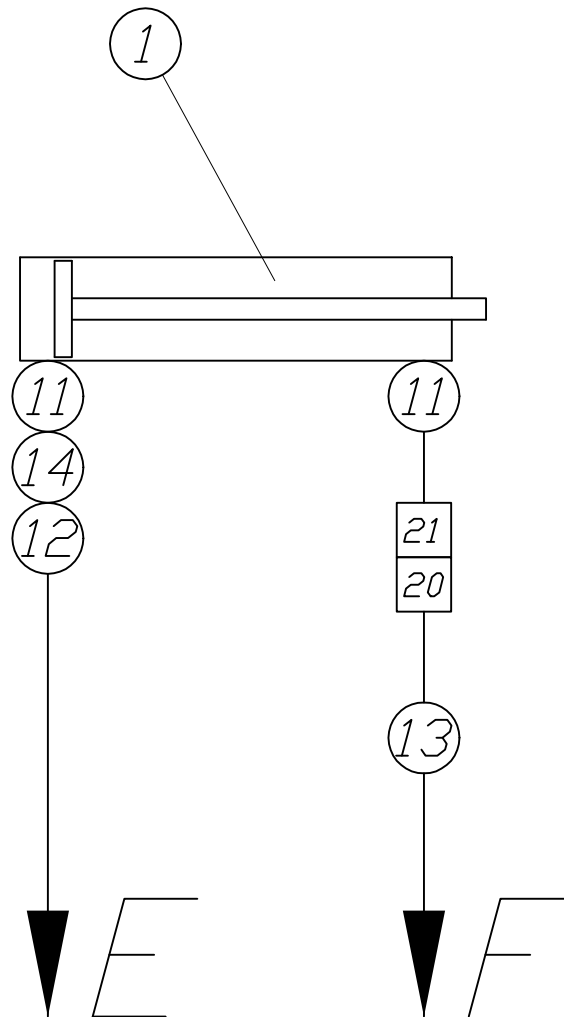
<b>part list</b>	<b>description</b>	<b>created</b>	<b>index</b>	<b>valid from</b>	<b>valid to</b>	
B630105	jack cylinder rear cpl.	28.04.04 Mi	b	25.07.05		
<b>pos</b>	<b>description stock</b>	<b>ident-no dimensions</b>	<b>DIN material</b>	<b>index</b>	<b>weigh Kg</b>	<b>quantity unit</b>
1	jack cylinder 160/140X 785	WAI109754			149,70	1,00 Stk
2	outrigger holding valve	WAI106360			1,10	1,00 Stk
3	valve SVC 46 F-30	WAI106335				1,00 Stk
11	banjo coupling L12 RD	WAI103684				2,00 Stk
12	straight male stud couplings L12D	WAI100548				4,00 Stk
13	locking screw G 3/8	WAI100521				1,00 Stk
16	swivel elbow L12	WAI103794				4,00 Stk
20	hydr. pipe 12 x 2	WAI102022			0,49	0,80 Mtr

*Teleskopzylinder kpl.*  
*telescopic cylinder cpl.*

*B 63 0 106*



*Waitzinger*  
*Baumaschinen GmbH*



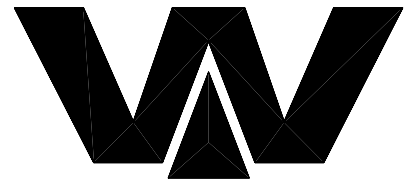


# PARTS LIST

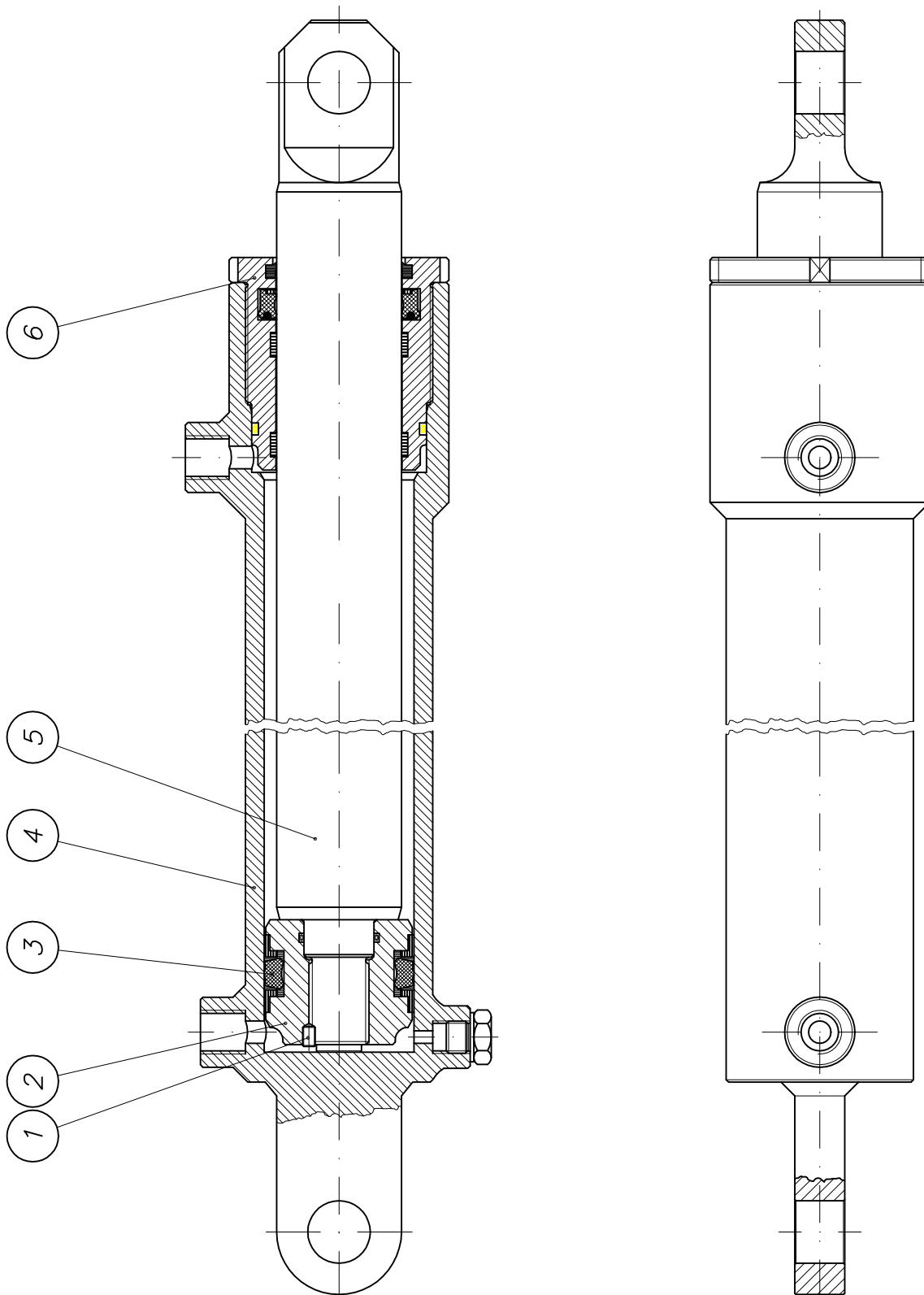
part list	description	created	index	valid from	valid to	
B630106	telescopic cylinder cpl.	28.04.04 Mi				
pos	description stock	ident-no dimensions	DIN material	index	weigh Kg	quantity unit
1	telescopic cylinder own parts list	WAI106209				1,00 Stk
11	banjo coupling L12 RD	WAI103684				2,00 Stk
12	swivel elbow L12	WAI103794				1,00 Stk
13	straight couplings L12	WAI100603				1,00 Stk
14	straight coupling SNV 12L	WAI101949				1,00 Stk
20	hydr. pipe 12 x 2	WAI102022			0,49	2,50 Mtr
21	pipe clip 12 mm, own parts list	WAI105146			0,07	1,00 Stk

*Teleskopzylinder kpl.*  
*telescopic cylinder cpl.*

**WAI 106209**



Waltzing  
Baumaschinen GmbH



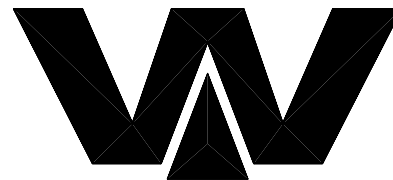


# PARTS LIST

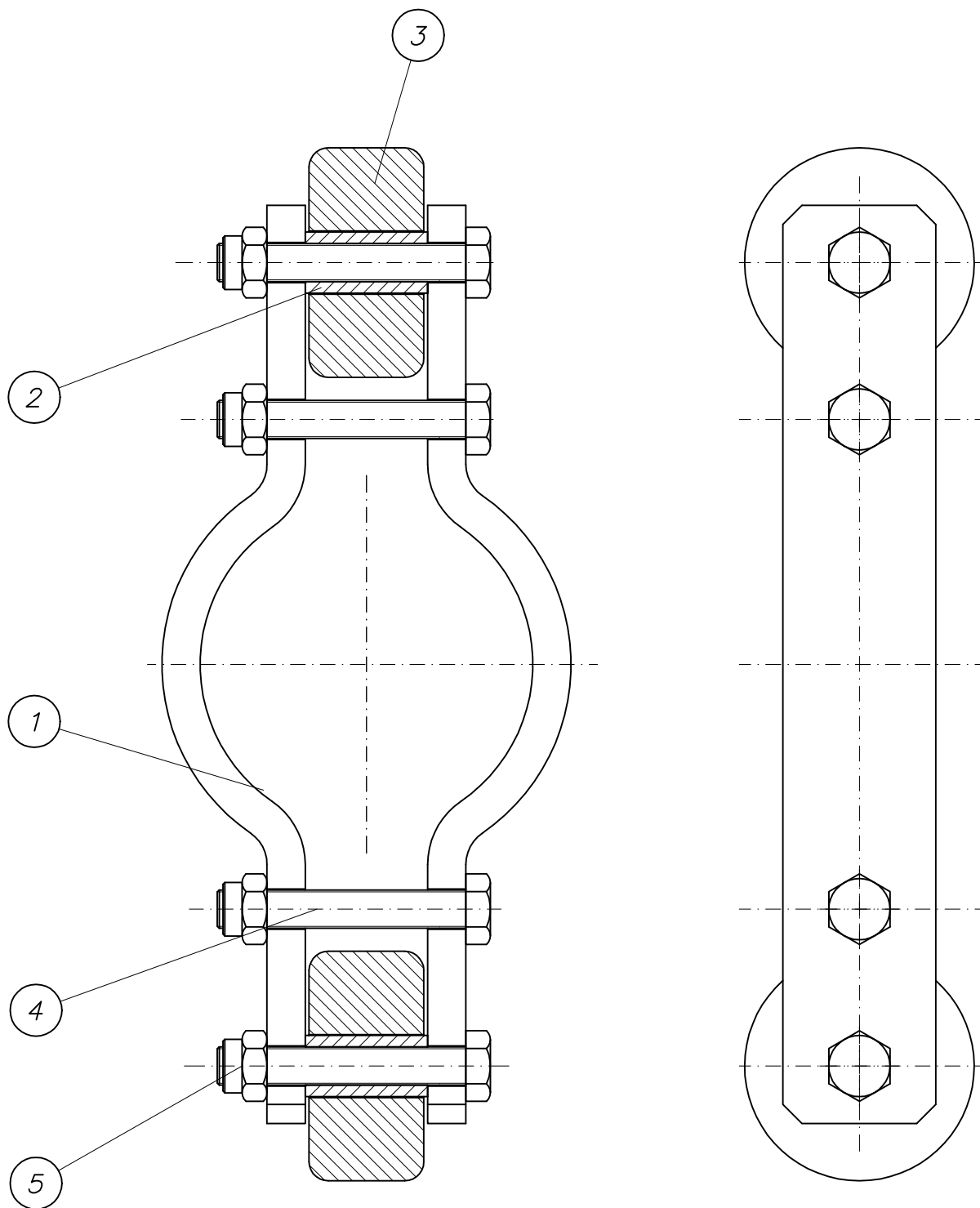
part list	description	created	index	valid from	valid to	
WAI106209	telescopic cylinder	26.04.04 Mi				
pos	description stock	ident-no dimensions	DIN material	index	weigh Kg	quantity unit
1	set screw M 6 x 8	WAI103646				1,00 Stk
2	piston	WAI106790				1,00 Stk
3	sealing set for telescopic cylinder	WAI108880				1,00 Stk
4	housing	WAI108881				1,00 Stk
5	piston rod	WAI108882				1,00 Stk
6	head for drive cylinder	WAI108883				1,00 Stk

*Führung Teleskopzylinder kpl.*  
*guiding for telescope cylinder cpl.*

*B 61 0 048a*



Waitzinger  
Baumaschinen GmbH





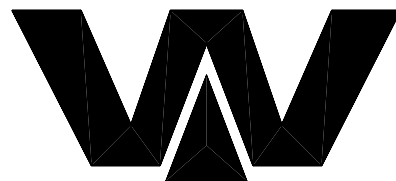


## PARTS LIST

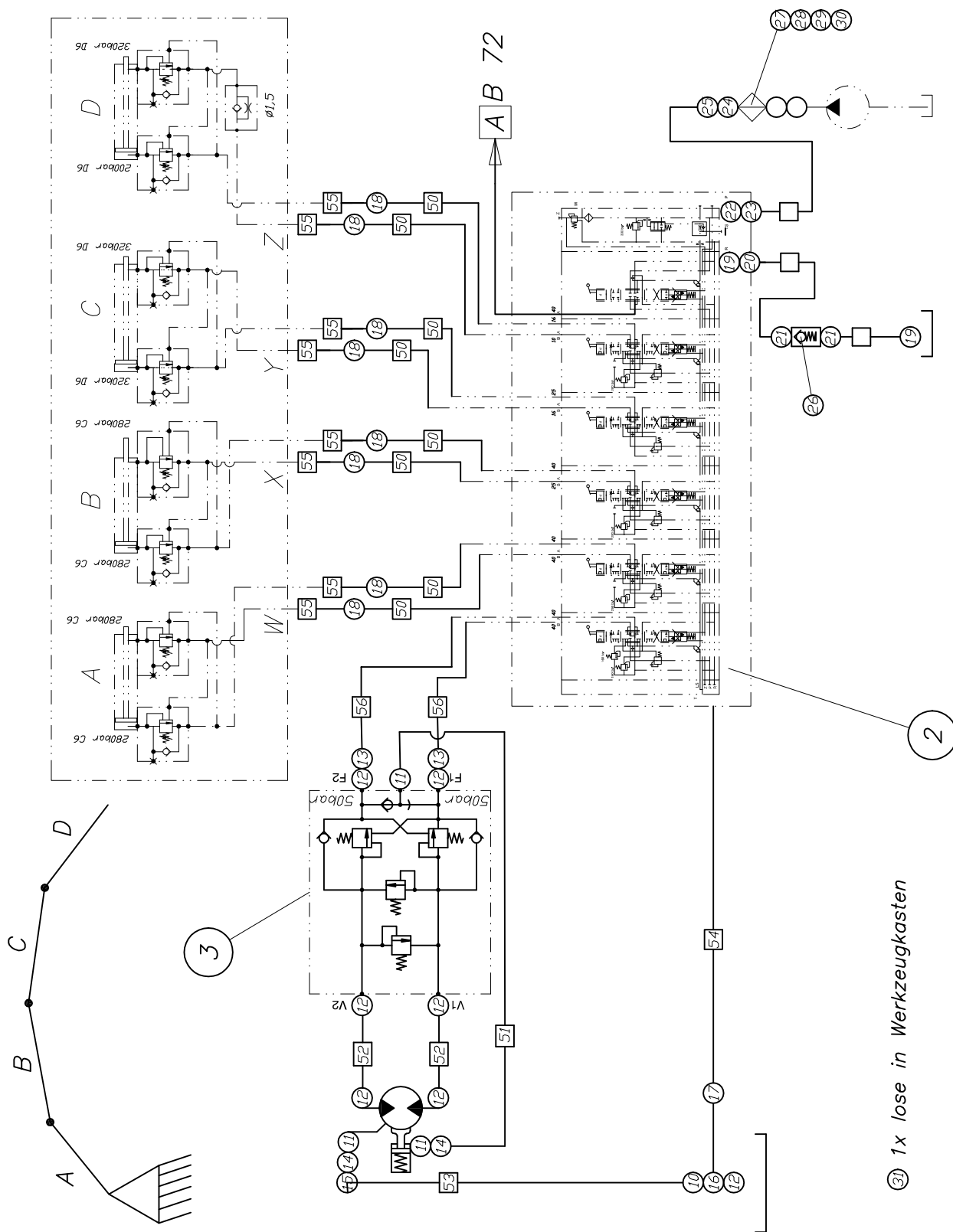
part list	description	created	index	valid from	valid to	
B610048	guiding system telescopic cylinder	11.09.00 hbk	a	08.12.03		
pos	description stock	ident-no dimensions	DIN material	index	weigh Kg	quantity unit
1	plate	B610045 FI40x258.5x10	1017 S355J2G3	a 08.12.03	0,79	2,00 Stk
2	pipe	B610046 Rohr D15x2.5x32	2391 St52		0,02	2,00 Stk
3	wheel	B610047 Rd 60 x 30	Polyamid		0,02	2,00 Stk
4	hexagon bolt M 10 x 65	WAI105298				4,00 Stk
5	hex. nut M10 DIN985 8.	WAI102125			0,01	4,00 Stk

*Hydrauliksystem Mast kpl.*  
*hydraulic system boom cpl.*

B 71 8 001a



Waitzinger  
 Baumaschinen GmbH



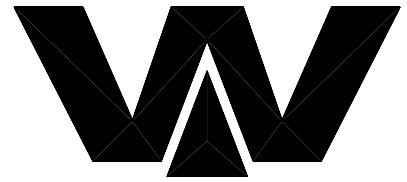


## PARTS LIST

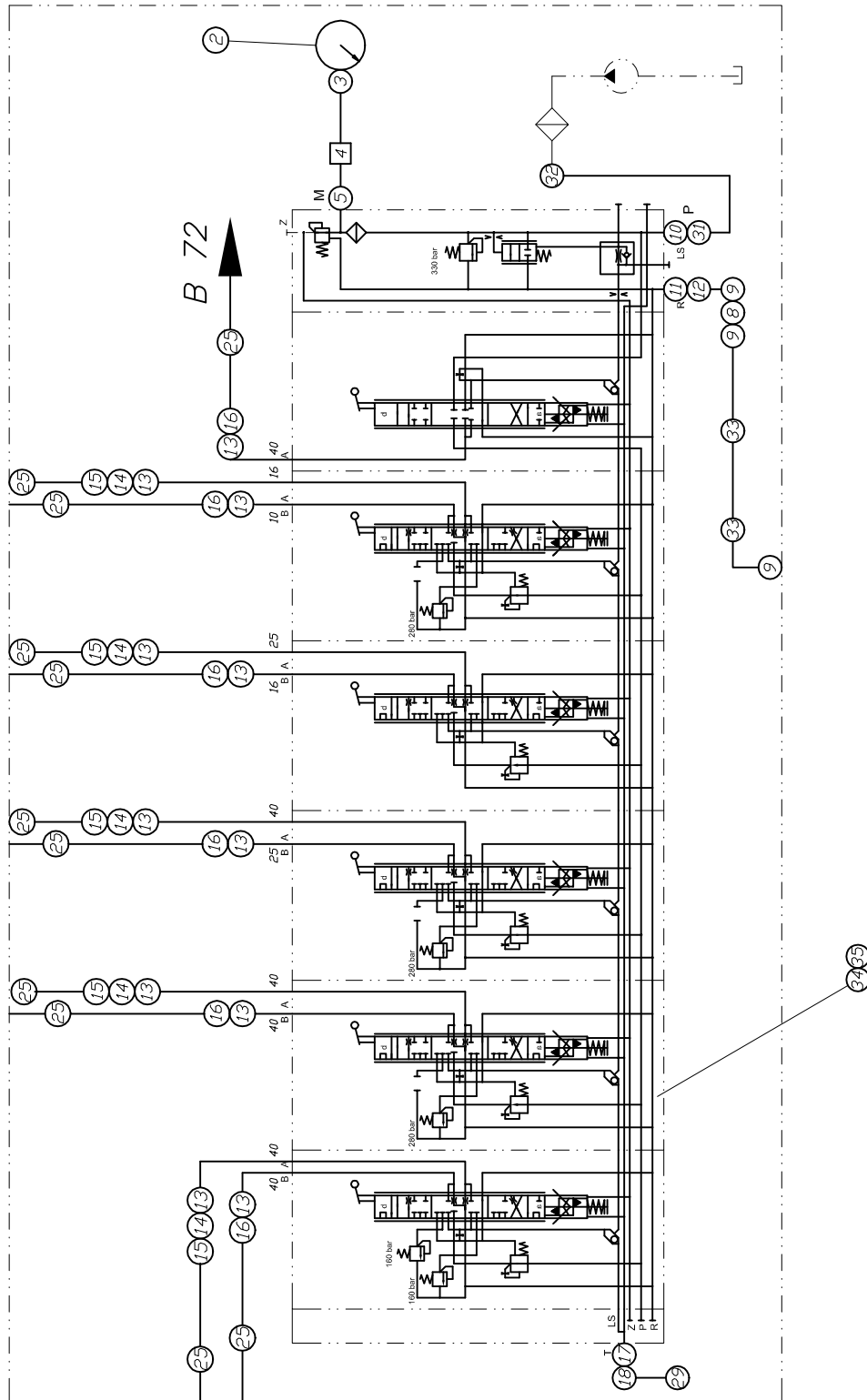
part list	description	created	index	valid from	valid to	
B718001	hydr. system boom 36m XT cpl.	30.04.04 ute	a	12.05.06		
pos	description stock	ident-no dimensions	DIN material	index	weigh Kg	quantity unit
2	piping diagram control block boom own parts list	B718002		b 27.07.04		1,00 Stk
3	locking valve LHDV33H-25W-B6-150/150-	WAI106290				1,00 Stk
10	standpipe reducers L12-8	WAI101727				1,00 Stk
11	straight male stud couplings L8	WAI103740				3,00 Stk
12	straight male stud couplings L12 RD 1/2"	WAI105400				7,00 Stk
13	swivel elbow L12	WAI103794				2,00 Stk
14	adjustable elbow bodies L8	WAI103793				2,00 Stk
15	swivel barrel tee L8	WAI103787				1,00 Stk
16	swivel barrel tee L12	WAI103788				1,00 Stk
17	straight couplings L12	WAI103752				1,00 Stk
18	bulkhead coupling L12	WAI103778				8,00 Stk
19	straight male stud couplings L22-G 3/4"	WAI101407				2,00 Stk
20	standpipe elbows L22V	WAI101207			0,42	1,00 Stk
21	straight male stud couplings L22-R 1"	WAI101956				2,00 Stk
22	straight male stud couplings S20	WAI104372				1,00 Stk
23	swivel elbow S20	WAI107069				1,00 Stk
24	reducing thread adapter 1" - 3/4"	WAI105201				1,00 Stk
25	straight male stud couplings S20	WAI104372				1,00 Stk
26	check valve 1" 3.5bar	WAI106411				1,00 Stk
27	filter 274A-2N50 own parts list	WAI106303				1,00 Stk
28	holder for high pressure filter	B741022 U 100x50x6x120	1026 St37-2		0,11	1,00 Stk

Maststeuerblock kpl.  
control block boom cpl.

B 71 8 002b



Waitzinger  
Baumaschinen GmbH





## PARTS LIST

part list	description	created	index	valid from	valid to	
B718002	piping diagram control block boom	02.12.03 hbk	b	27.07.04		
pos	description stock	ident-no dimensions	DIN material	index	weigh Kg	quantity unit
1	set of pipes for boom control block	WAI107048				1,00 Stk
2	pressure gauge 1/4" / 600 bar	WAI100132			0,27	1,00 Stk
3	pressure gauge connection 2103-05-01.00	WAI100197			0,01	1,00 Stk
4	measuring hose, S110-AC-AC-0050	WAI105132			0,13	1,00 Stk
5	screw coupling	WAI101198				1,00 Stk
6	pipe clip 12mm complete	WAI102295				2,00 Stk
7	hose	WAI102117				2,60 Mtr
8	check valve 1" 3.5bar	WAI106411				1,00 Stk
9	male stud couplings L22RD 1/2"	WAI105196				1,00 Stk
10	straight male stud couplings S16 1/2"	WAI103744				1,00 Stk
11	straight male stud couplings L22-R 1"	WAI101956				2,00 Stk
12	standpipe elbows L22V	WAI101207				1,00 Stk
13	straight male stud couplings L12 RD 1/2"	WAI105400				11,00 Stk
14	straight coupling SNV 12L	WAI101949				5,00 Stk
15	elbow couplings L12	WAI100604				5,00 Stk
16	swivel elbow L12	WAI100590				6,00 Stk
17	straight male stud couplings L8RD 1/4	WAI100547			0,04	1,00 Stk
18	adjustable elbow bodies L8	WAI100589				1,00 Stk
24	hydr. pipe 22 x 2.5	WAI102312				1,00 m
25	bulkhead coupling L12	WAI101384				11,00 Stk
26	swivel barrel tee L22	WAI100557				1,00 Stk



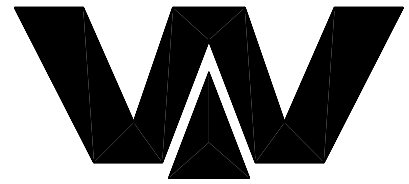
## PARTS LIST

part list	description	created	index	valid from	valid to	
B718002	piping diagram control block boom	02.12.03 hbk	b	27.07.04		
pos	description stock	ident-no dimensions	DIN material	index	weigh Kg	quantity unit
27	standpipe reducers L22-18	WAI105350				1,00 Stk
28	straight couplings L 22	WAI102011			0,14	2,00 Stk
29	bulkhead coupling L8	WAI101379				1,00 Stk
30	pipe clip 12mm complete	WAI102295				2,00 Stk
31	swivel elbow S16	WAI100586				1,00 Stk
32	bulkhead straight couplings S16	WAI107043				1,00 Stk
34	control block for boom 24 voltage	WAI106262			32,00	1,00 Stk
35	cover for boom control block cpl. own parts list	B718005				1,00 Stk

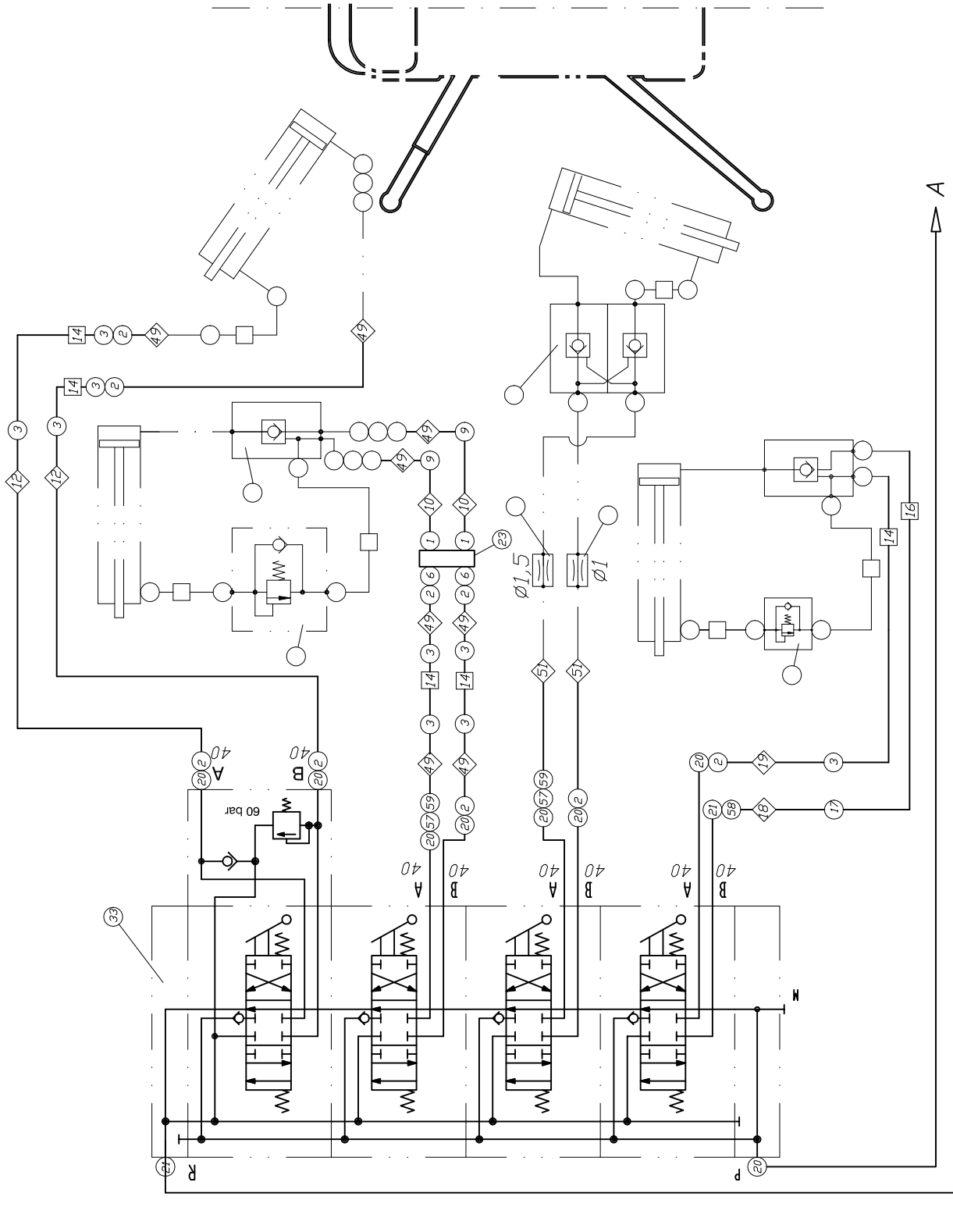
Hydrauliksystem Mastbock kpl.  
piping diagram boom base cpl.

B 72 8 015c

1



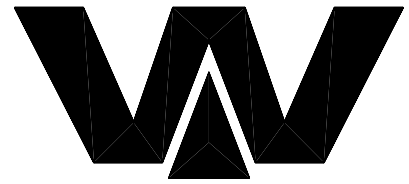
Waitzinger  
Baumaschinen GmbH



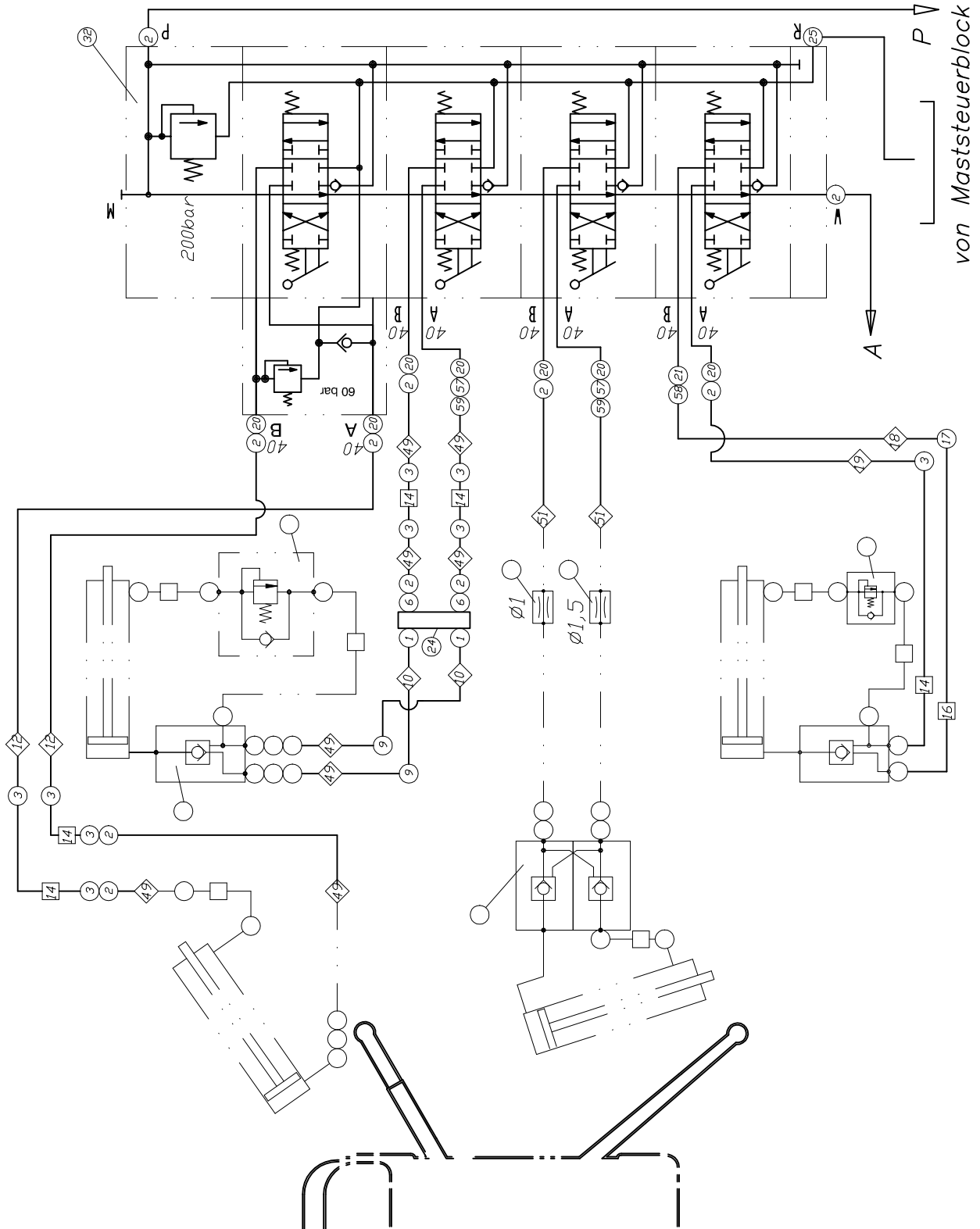
# Hydrauliksystem Mastbock kpl. piping diagram boom base cpl.

B 72 8 015c

2



Waitzinger  
Baumaschinen GmbH

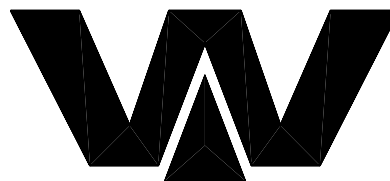




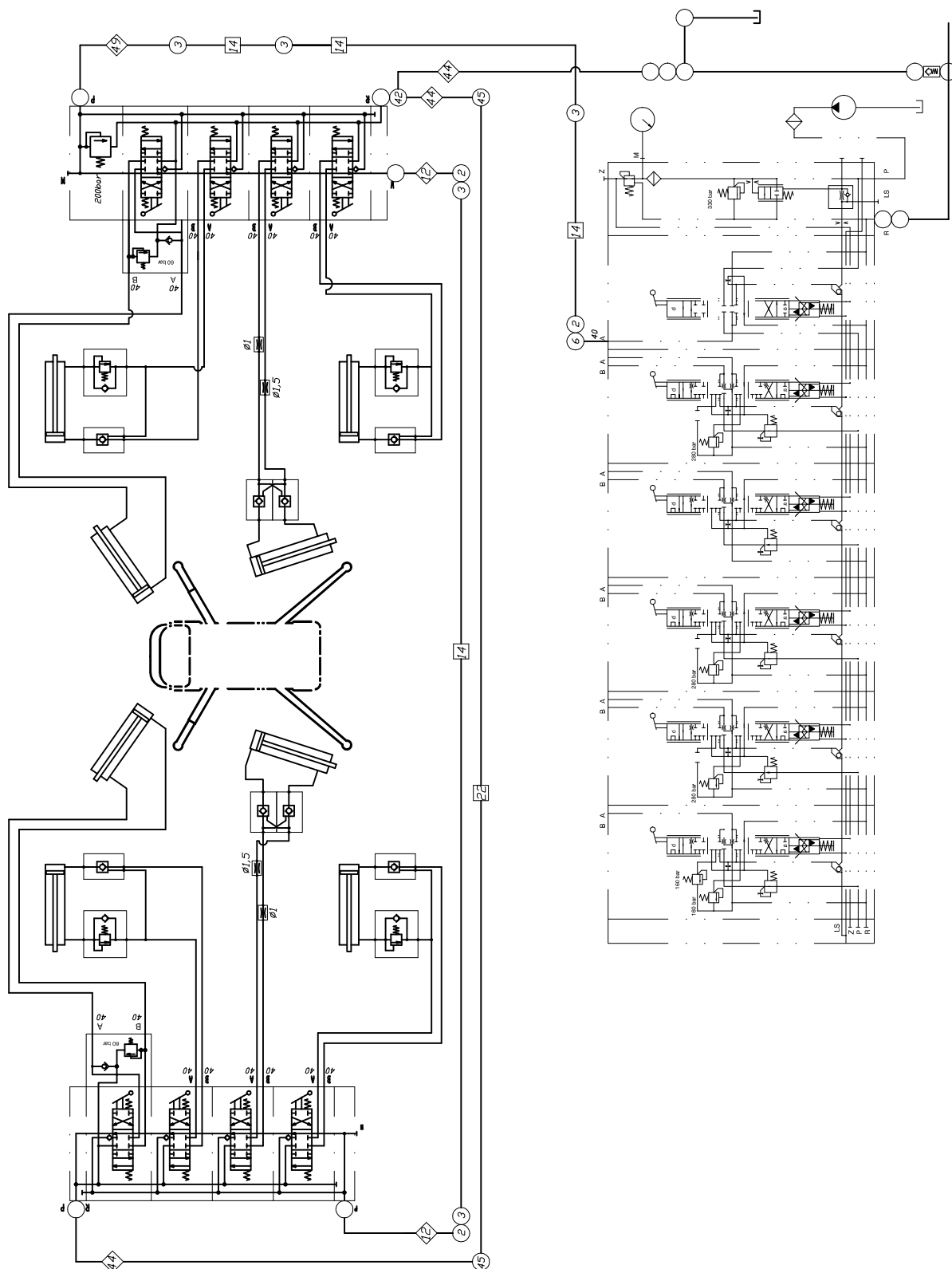
*Hydrauliksystem Mastbock kpl.  
piping diagram boom base cpl.*

**B 72 8 015c**

**3**



Waitzinger  
Baumaschinen GmbH





## PARTS LIST

part list	description	created	index	valid from	valid to	
B728015	piping diagram 36 XT boom base with Rabe	28.04.04 Mi	c	12.05.06		
pos	description stock	ident-no dimensions	DIN material	index	weight Kg	quantity unit
1	banjo coupling L12 RD	WAI103684				4,00 Stk
2	swivel elbow L12	WAI100590				24,00 Stk
3	straight couplings L12	WAI100603				25,00 Stk
6	straight male stud couplings L12D	WAI100548				5,00 Stk
9	bulkhead coupling L12	WAI101384				4,00 Stk
10	hose DN10x3600	WAI106343				4,00 Stk
12	hydraulic hose DN10 x 700	WAI101605				6,00 Stk
14	hydr. pipe 12 x 2	WAI102022			0,49	10,00 Mtr
16	hydr. pipe 15 x 2.5	WAI102310				4,00 Mtr
17	straight couplings L 15	WAI100828			0,14	2,00 Stk
18	hydraulic hose DN12 x 1250	WAI107921				2,00 Stk
19	hydraulic hose DN10 x 1250	WAI106508				2,00 Stk
20	straight male stud couplings L12D	WAI100548				17,00 Stk
21	straight male stud couplings L15-G 1/2"	WAI101332				2,00 Stk
22	hydraulic pipe 18 x 2,5	WAI102942				2,00 Mtr
23	Wrapper roller (left side)	WAI106275				1,00 Stk
24	Wrapper roller (right side)	WAI106274			15,00	1,00 Stk
25	male stud couplings L18RD	WAI100345			0,13	2,00 Stk
27	welding plate for pipe clip	WAI105422			0,03	36,00 Stk
28	pipe clip 12 mm, own parts list	WAI105146			0,07	36,00 Stk
29	welding plate for pipe clip	WAI107111			0,04	6,00 Stk

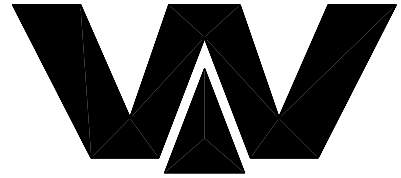


## PARTS LIST

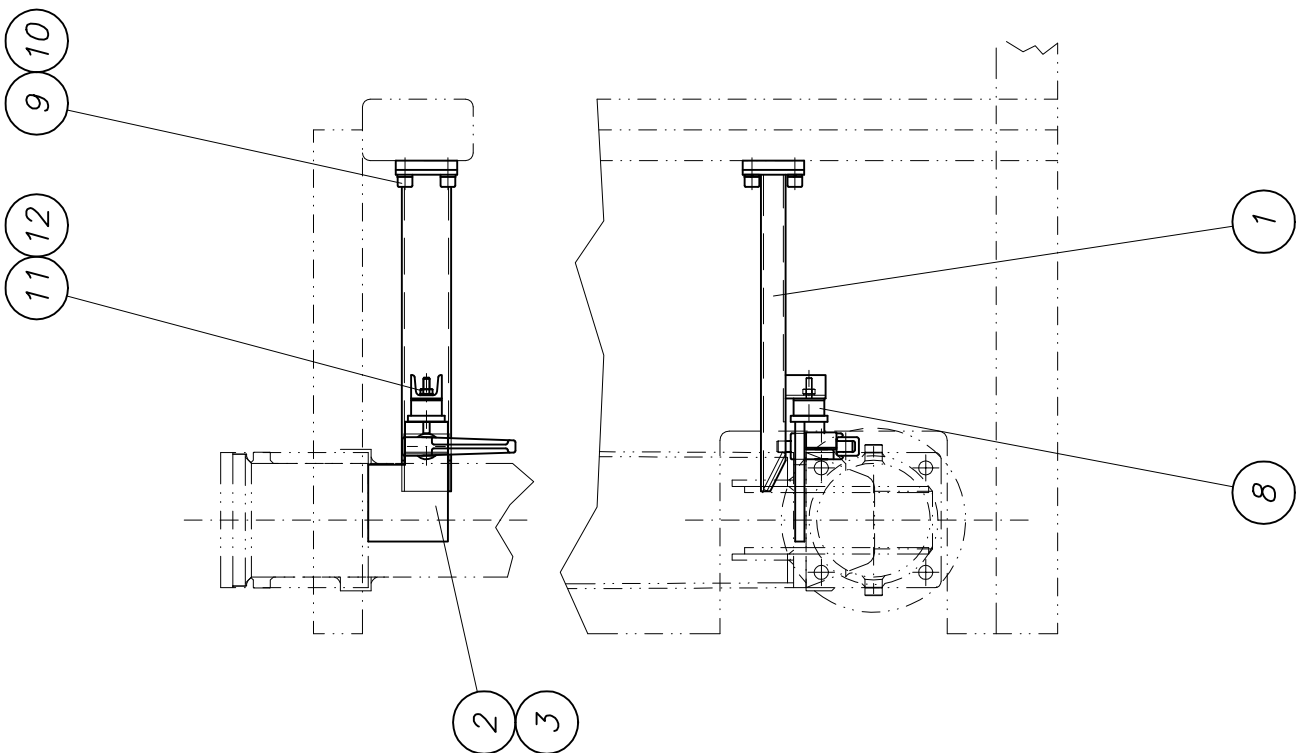
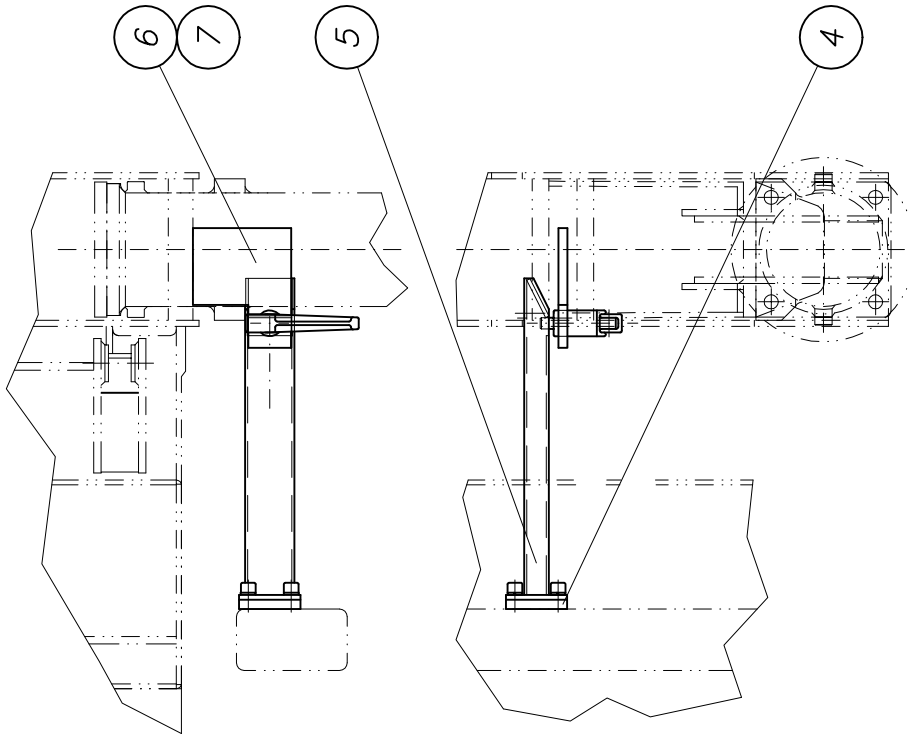
part list	description	created	index	valid from	valid to	
B728015	piping diagram 36 XT boom base with Rabe	28.04.04 Mi	c	12.05.06		
pos	description stock	ident-no dimensions	DIN material	index	weigh Kg	quantity unit
30	pipe clip 18 mm, own parts list	WAI105148				6,00 Stk
32	valve block DCV40 right side 36XT	WAI108869			9,15	1,00 Stk
33	valve block DCV40 left side 36XT	WAI108870			9,15	1,00 Stk
42	swivel barrel tee L18	WAI102790				1,00 Stk
44	hydraulic hose DN16 x 500	WAI108977				3,00 Stk
45	straight fitting L18	WAI100539				2,00 Stk
49	hydraulic hose DN 10 x 500	WAI104147				17,00 Stk
51	hydraulic hose DN 10 x 1000	WAI103206				4,00 Stk
52	plate	B638032 Fl 60x6x80	1017 S355J2G3		0,10	2,00 Stk
53	bracket left own parts list	B638033			0,10	1,00 Stk
54	bracket right own parts list	B638034			0,10	1,00 Stk
55	angle L105 X 30 X 5 X 50	B721021			0,40	4,00 Stk
56	plate for valve	B711054 Bl 8x70x75	1543/EN10029 St37-2	b 13.02.02	0,30	1,00 Stk
57	straight coupling SNV 12L	WAI101949				4,00 Stk
58	swivel elbow L15D	WAI103795				2,00 Stk
59	elbow couplings L12	WAI100604				4,00 Stk

*Transportsicherung kpl.*  
*transportation safety device*

*B 63 1 120c*



Waitzinger  
Baumaschinen GmbH





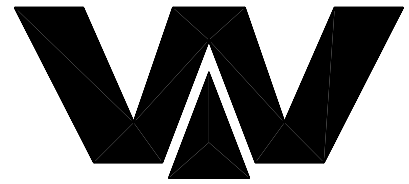
## PARTS LIST

part list	description	created	index	valid from	valid to	
B631120	transportation safety device	23.09.97 Mi	c	25.04.02		
pos	description stock	ident-no dimensions	DIN material	index	weigh Kg	quantity unit
1	support own parts list	B631121			4,50	2,00 Stk
2	mounting left own parts list	B631108				1,00 Stk
3	mounting right own parts list	B631112			3,80	1,00 Stk
4	plate	B073045 Bl 15x100x100	1543/EN10029 St37-2		0,55	4,00 Stk
5	support own parts list	B631123			4,10	2,00 Stk
6	mounting left own parts list	B631126			3,80	1,00 Stk
7	mounting right own parts list	B631124			3,80	1,00 Stk
8	rubber cushion	WAI103494			0,50	2,00 Stk
9	cheese head screw M 16 x 25	WAI103488				16,00 Stk
10	spring washer A16	WAI103489			0,01	16,00 Stk
11	spring washer A10	WAI102070			0,00	2,00 Stk
12	nut M10 DIN 934	WAI101556			0,01	2,00 Stk

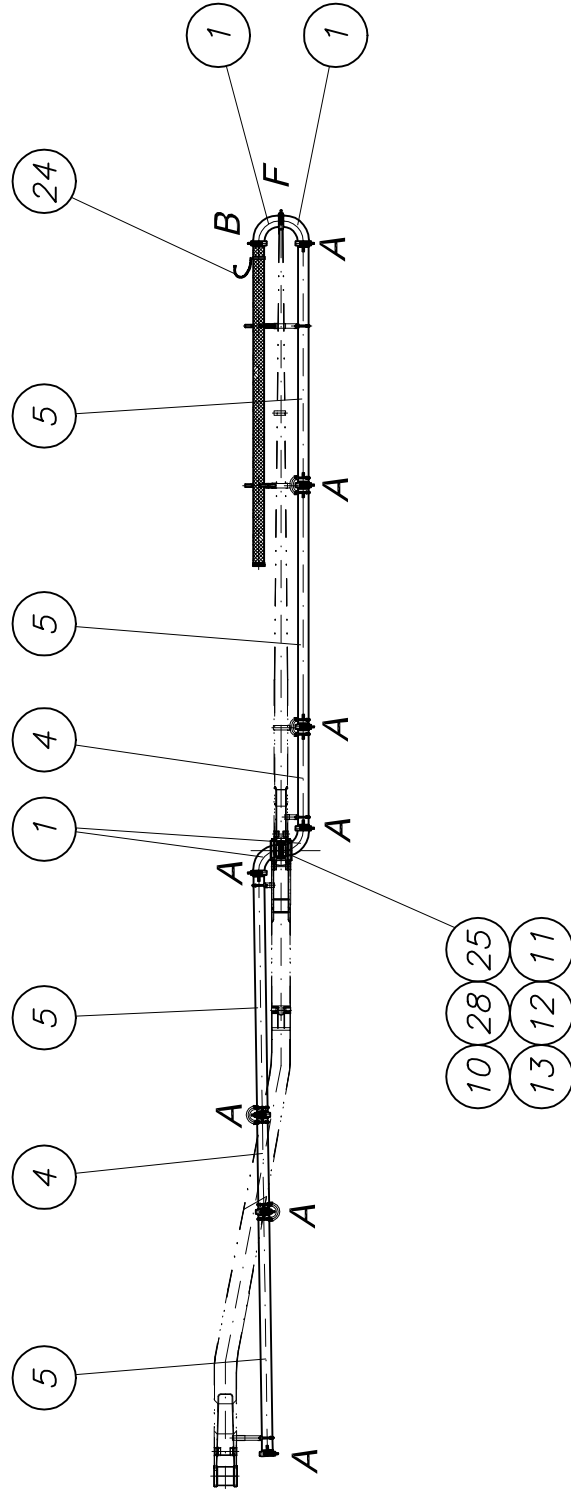
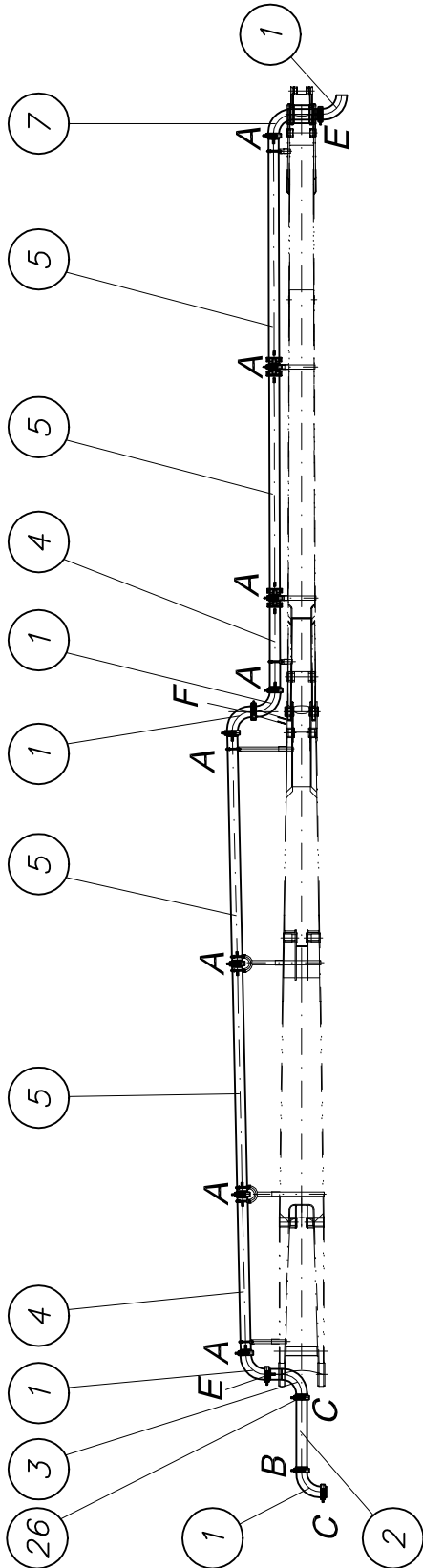
# Förderleitung am Mast delivery line at boom

B 64 1 011e

1



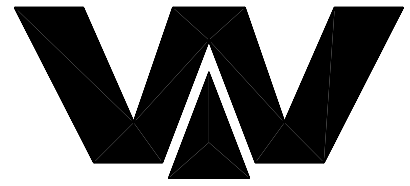
Waitzinger  
Baumaschinen GmbH



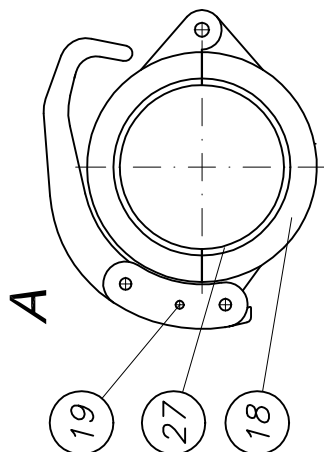
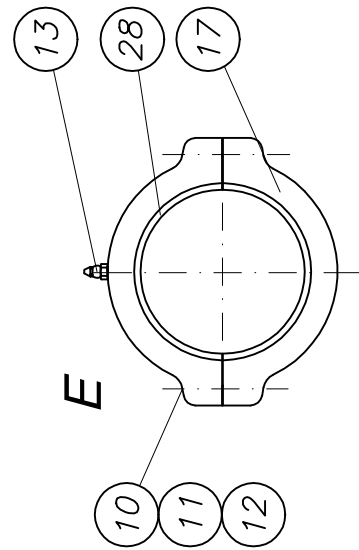
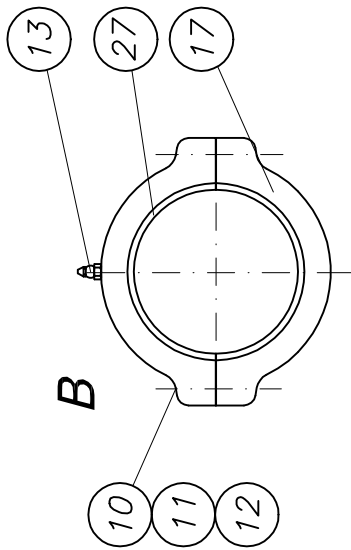
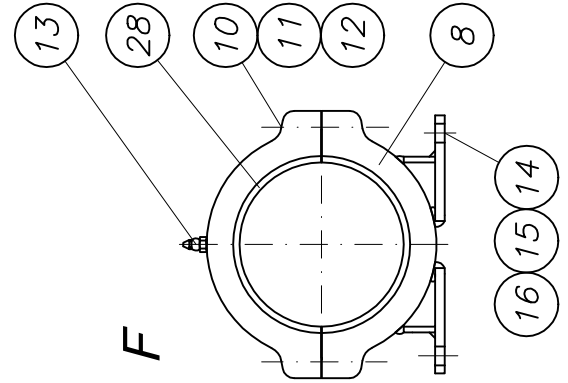
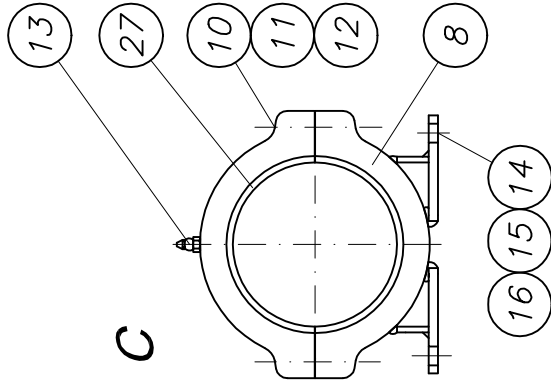
Förderleitung kpl.  
conveying pipeline cpl.

B 64 1 011e

2



Waitzinger  
Baumaschinen GmbH





## PARTS LIST

part list	description	created	index	valid from	valid to	
B641011	delivery line cpl. St 52	22.03.01 HF	e	04.07.05		
pos	description stock	ident-no dimensions	DIN material	index	weigh Kg	quantity unit
1	concrete elbow 90 degrees	WAI100218			15,40	9,00 Stk
2	pipe DN 125 x 890	WAI106678				1,00 Stk
3	pipe DN 125 x 447	B640100		a 19.02.02		1,00 Stk
4	pipe DN 125 x 2350	WAI103718				1,00 Stk
5	pipe DN 125 x 3000	WAI100965			38,00	8,00 Stk
6	pipe DN 125 x 1500	WAI108515				2,00 Stk
7	pipe DN 125 x 608	B640101				1,00 Stk
8	2 bolts coupling 5 1/2"	WAI106676				4,00 Stk
10	socked head bolt M 12 x 55 DIN 912 8.8	WAI106462				10,00 Stk
11	spring washer A12 DIN 127 VERZ.	WAI102896				10,00 Stk
12	nut M12 DIN 934	WAI101557			0,02	10,00 Stk
13	grease nipple H1 M10 X 1 DIN 71412	WAI100805			0,01	8,00 Stk
14	cheese head screw	WAI106695				6,00 Stk
15	spring washer	WAI101976			0,00	6,00 Stk
16	stop nut M14	WAI106694			0,02	6,00 Stk
17	snap coupling 5 1/2"	WAI106677				4,00 Stk
18	snap coupling 5 1/2"	WAI101547				16,00 Stk
19	spring pin 8 mm	WAI102622				16,00 Stk
21	pipe DN 125 x 1392.5	WAI106325				1,00 Stk
24	flexible hose support kit TS24 own parts list	WAI106693				1,00 Stk
25	snap coupling 5 1/2" own parts list	B641013				1,00 Stk



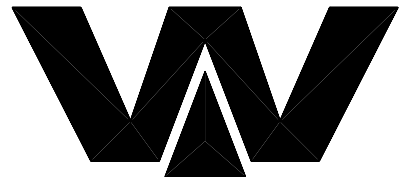


## PARTS LIST

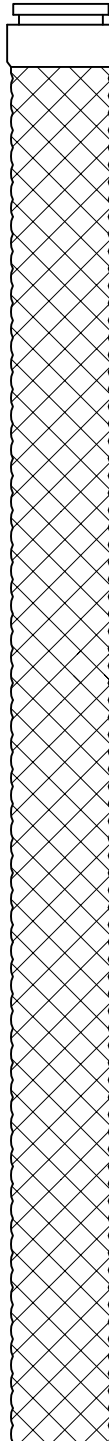
<b>part list</b>	<b>description</b>	<b>created</b>	<b>index</b>	<b>valid from</b>	<b>valid to</b>	
B641011	delivery line cpl. St 52	22.03.01 HF	e	04.07.05		
<b>pos</b>	<b>description stock</b>	<b>ident-no dimensions</b>	<b>DIN material</b>	<b>index</b>	<b>weigh Kg</b>	<b>quantity unit</b>
26	angle	B641066 L 60x60x5x250	1028 S355J2G3		0,90	1,00 Stk
27	three lips rubber gasket DN 5.5"	WAI107571			0,20	20,00 Stk
28	reinforced rubber gasket DN 5.5"	WAI107572			0,20	5,00 Stk

*Endschlauch  
end hose*

*WAI 105028*



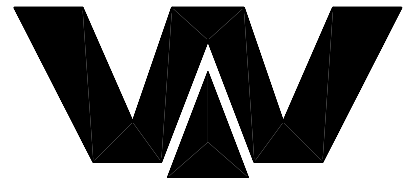
*Waitzinger  
Baumaschinen GmbH*



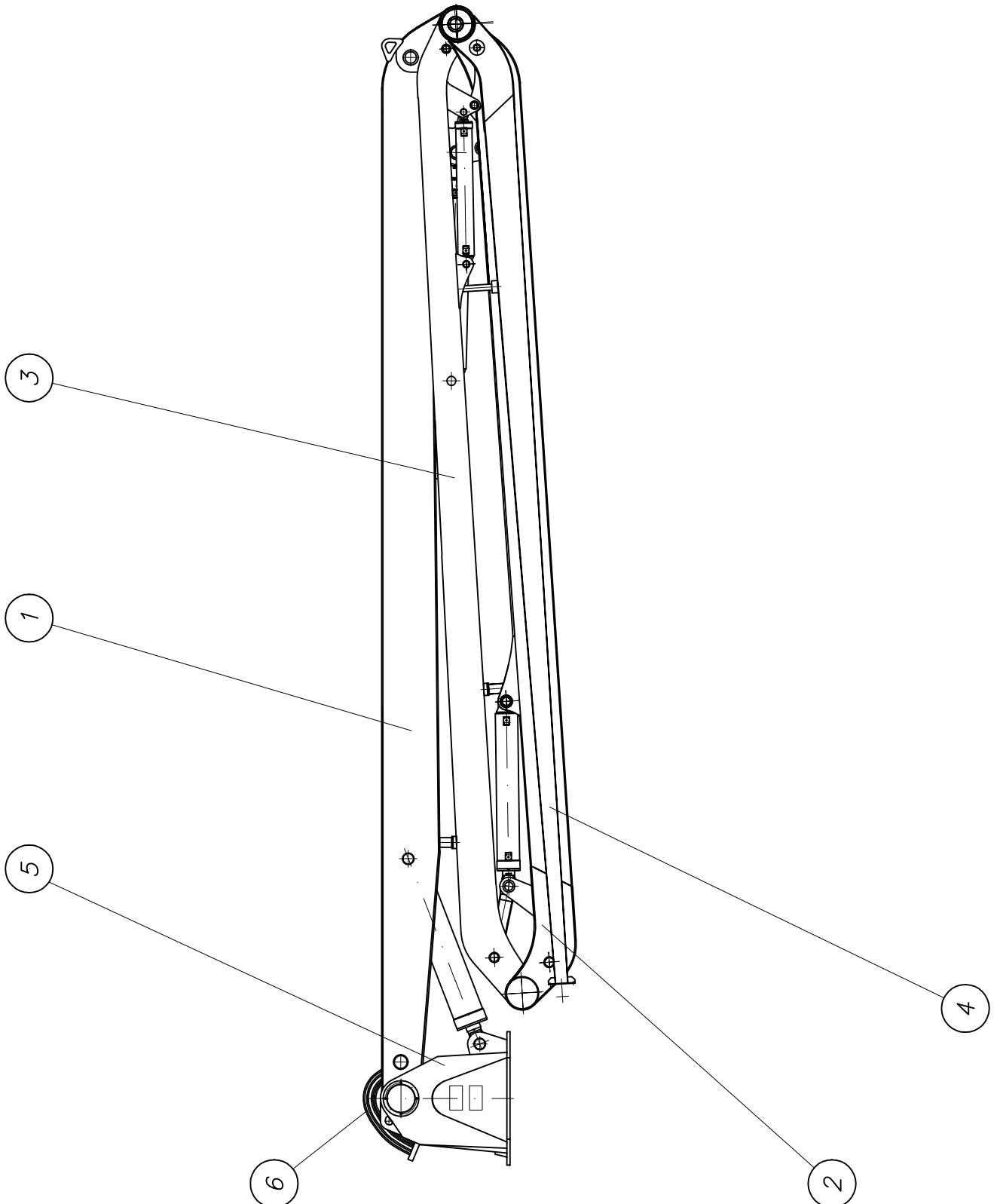
*Armpaket 36R4 kpl.*

*boom 36R4 cpl.*

*B 66 1 030*



*Waitzinger  
Baumaschinen GmbH*



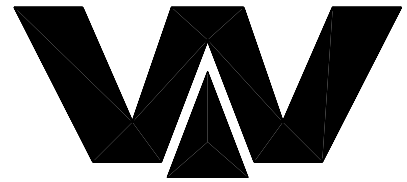


## PARTS LIST

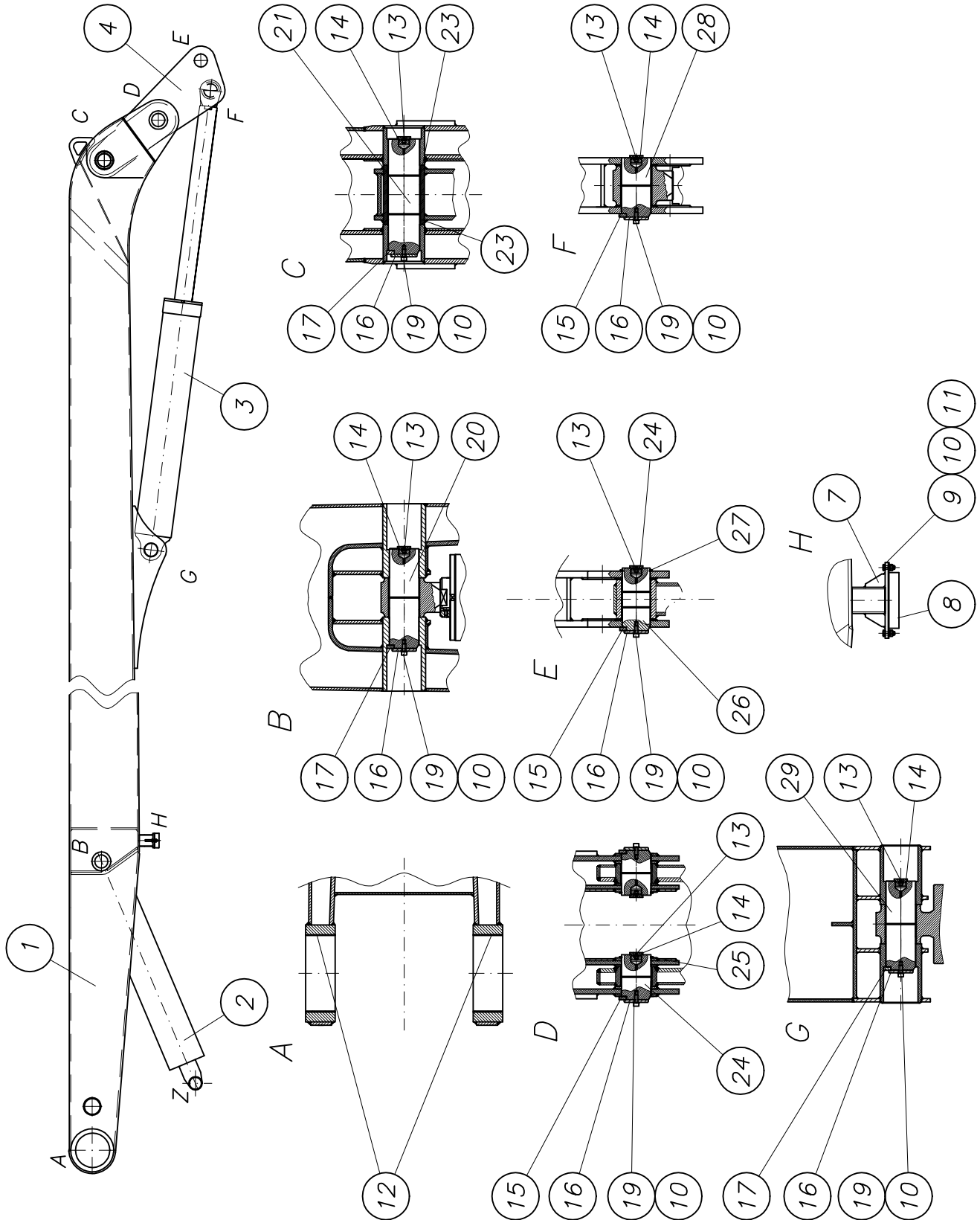
<b>part list</b>	<b>description</b>	<b>created</b>	<b>index</b>	<b>valid from</b>	<b>valid to</b>	
B661030	distribution boom 36.4	11.12.06 hbk				
<b>pos</b>	<b>description stock</b>	<b>ident-no dimensions</b>	<b>DIN material</b>	<b>index</b>	<b>weigh Kg</b>	<b>quantity unit</b>
1	boom arm 1 cpl. own parts list	B661041		a 10.02.05		1,00 Stk
2	boom arm 2 cpl. own parts list	B661051		a 23.09.05		1,00 Stk
3	boom arm 3 cpl. own parts list	B661061		c 10.02.05		1,00 Stk
4	boom arm 4 cpl. own parts list	B661072				1,00 Stk
5	rotating head unit own parts list	B681002				1,00 Stk
6	piping diagram boom own parts list	B711065		d 22.05.06	77,00	1,00 Stk

Mastarm 1 kpl.  
element 1 cpl.

B 66 1 041a



Waitzinger  
Baumaschinen GmbH





## PARTS LIST

part list	description	created	index	valid from	valid to	
B661041	boom arm 1 cpl.	27.09.01 Mi	a	10.02.05		
pos	description stock	ident-no dimensions	DIN material	index	weigh Kg	quantity unit
1	boom arm 1 cpl. own parts list	B671100				1,00 Stk
2	boom cylinder A cpl. with pipes own parts list	B660130				1,00 Stk
3	boom cylinder B cpl. with pipes own parts list	B660131				1,00 Stk
4	beam "B" cpl. processing drawing own parts list	B671610		a 26.01.05	98,00	1,00 Stk
7	holder for rubber buffer arm 1 cpl. own parts list	B661080			3,30	1,00 Stk
8	rubber cushion	WAI106715				1,00 Stk
9	hexagon bolt M 10 x 30	WAI101553			0,03	2,00 Stk
10	spring washer A10	WAI102070			0,00	9,00 Stk
11	hex. nut M10 DIN985 8.	WAI102125			0,01	2,00 Stk
12	bushing CD230.235090	WAI106020				2,00 Stk
13	grease nipple H1 M10 X 1 DIN 71412	WAI100805			0,01	7,00 Stk
14	locking screw M33x2 own parts list	B660085			0,10	7,00 Stk
15	pin holder	B660086 FI 25x10x80	1017 S235J2G3		0,15	4,00 Stk
16	washer	B660087 BI 8xd80	1543/EN10029 S235J2G3		0,20	7,00 Stk
17	pin holder	B660088 BI 10x22x70	1543/EN10029 S235J2G3		0,10	3,00 Stk
19	cylinder head screw M 10 x 25	WAI106654				7,00 Stk
20	pin 90 x 304	B660115 Rd 95x310	1013 42CrMo4V	a 31.07.02	15,00	1,00 Stk
21	pin 95 x 350	B660113 Rd 100x355	1013 42CrMo4V	a 31.07.02	19,00	1,00 Stk
23	bushing 90 x 100 x 60	WAI106019				2,00 Stk
24	pin 90 x 137	B660118 Rd 95x141	1013 42CrMo4V	b 31.07.02	7,00	2,00 Stk
25	retaining ring A 90x4 DIN471	WAI106974			0,02	2,00 Stk



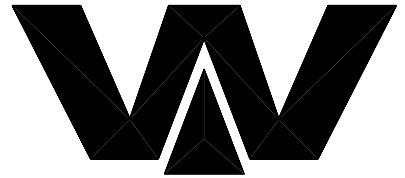
## PARTS LIST

<b>part list</b>	<b>description</b>	<b>created</b>	<b>index</b>	<b>valid from</b>	<b>valid to</b>	
B661041	boom arm 1 cpl.	27.09.01 Mi	a	10.02.05		
<b>pos</b>	<b>description stock</b>	<b>ident-no dimensions</b>	<b>DIN material</b>	<b>index</b>	<b>weigh Kg</b>	<b>quantity unit</b>
26	pin 85 x 190	B660110 Rd 90x195	1013 42CrMo4V	a 31.07.02	8,50	1,00 Stk
27	retaining ring A 85x4 DIN471	WAI106975			0,02	1,00 Stk
28	pin 90 x 180	B660112 Rd 95x180	1013 42CrMo4V	a 31.07.02	10,00	1,00 Stk
29	pin 90 x 271	B660114 Rd 95x275	1013 42CrMo4V	a 31.07.02	14,00	1,00 Stk

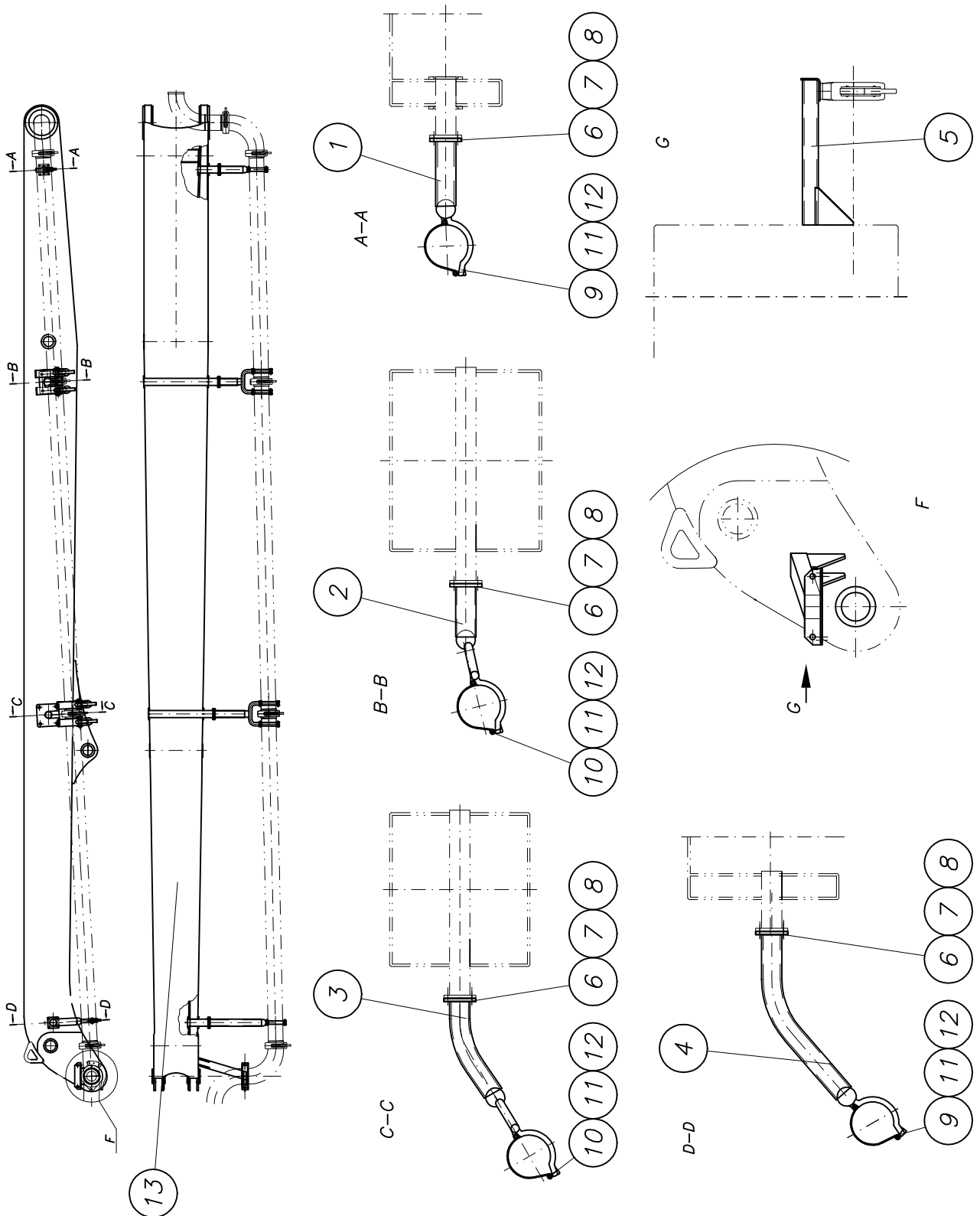
# Mastarm 1

## boom element 1

B 67 1 100



Waitzinger  
Baumaschinen GmbH





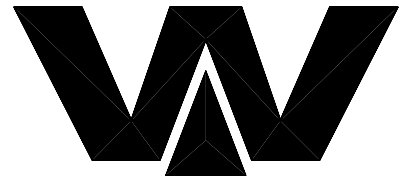


# PARTS LIST

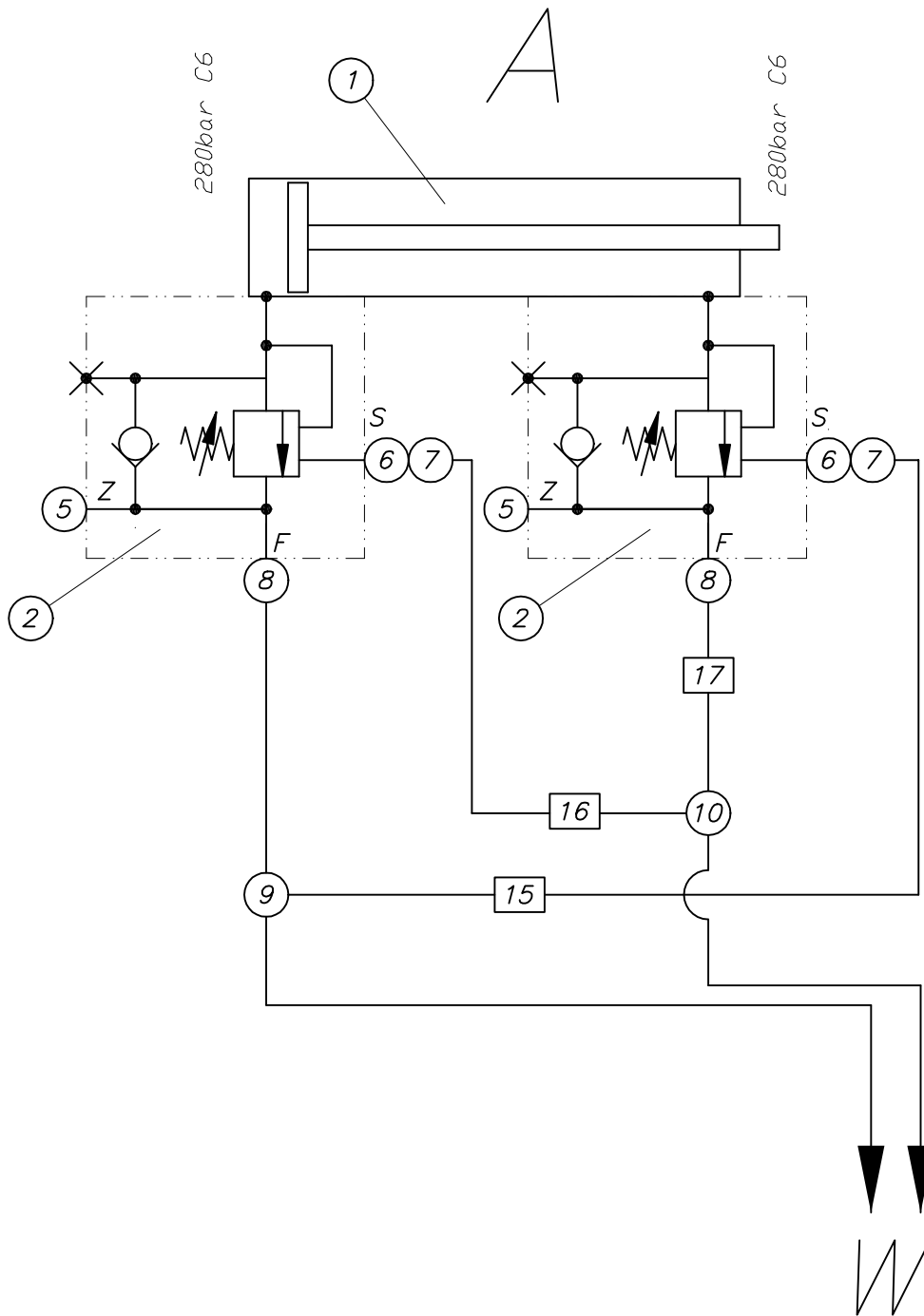
part list	description	created	index	valid from	valid to	
B671100	boom arm 1 cpl.	30.11.01 Mi				
pos	description stock	ident-no dimensions	DIN material	index	weigh Kg	quantity unit
1	holder 1 cpl., element 1 own parts list	B641040			2,30	1,00 Stk
2	holder 2 cpl., element 1 own parts list	B641044			2,10	1,00 Stk
3	holder 3 cpl., element 1 own parts list	B641046			3,00	1,00 Stk
4	holder 4 cpl., element 1 own parts list	B641050			4,70	1,00 Stk
5	holder 5 cpl., element 1 own parts list	B641039		a 22.04.05	5,70	1,00 Stk
6	hexagon bolt M 10 x 35	WAI101705			0,03	16,00 Stk
7	washer 10.5	WAI101559			0,00	16,00 Stk
8	nut M10 DIN 934	WAI101556			0,01	16,00 Stk
9	pipe holder cpl. own parts list	WAI107108				2,00 Stk
10	pipe holder cpl. own parts list	WAI107109				2,00 Stk
11	conical spring washer 12 mm	WAI102877				6,00 Stk
12	hex. nut M12 DIN 985 8. VERZ.	WAI101626				6,00 Stk
13	boom arm 1 processing cpl. own parts list	B671101		a 18.12.02		1,00 Stk

*Mastzylinder A kpl.*  
*boom cylinder A cpl.*

*B 66 0 130*



Waitzinger  
Baumaschinen GmbH



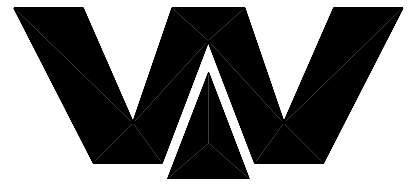


# PARTS LIST

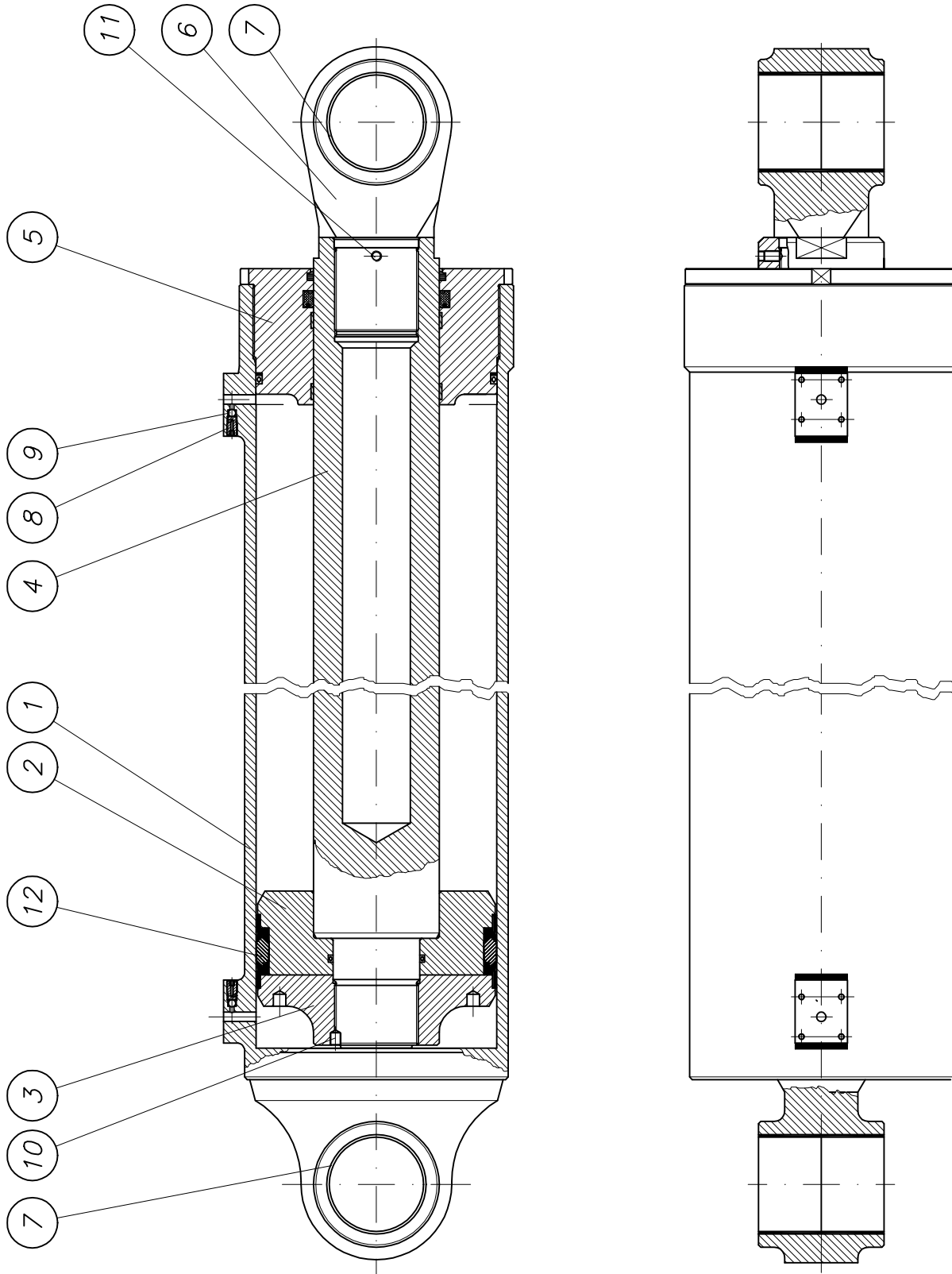
part list	description	created	index	valid from	valid to	
B660130	boom cylinder A cpl. with pipes	12.09.03 Mi				
pos	description stock	ident-no dimensions	DIN material	index	weighth Kg	quantity unit
1	boom cylinder for 36-mtr., section A own parts list	WAI106189			342,00	1,00 Stk
2	locking valve 280 bar	WAI106935				2,00 Stk
5	locking screw G 1/4	WAI100520				2,00 Stk
6	straight male stud couplings L12	WAI101383				2,00 Stk
7	swivel elbow L12	WAI100590				2,00 Stk
8	straight male stud couplings L12	WAI101386				2,00 Stk
9	swivel barrel tee L12	WAI101325				1,00 Stk
10	tee coupling L12	WAI100598				1,00 Stk
15	pipe	WAI108452				1,00 Stk
16	pipe	WAI108453				1,00 Stk
17	hydr. pipe 12 x 2	WAI102022			0,49	0,20 Mtr

*Mastzylinder A*  
*boom cylinder A*

*WAI 106189*



*Waitzinger*  
*Baumaschinen GmbH*





## PARTS LIST

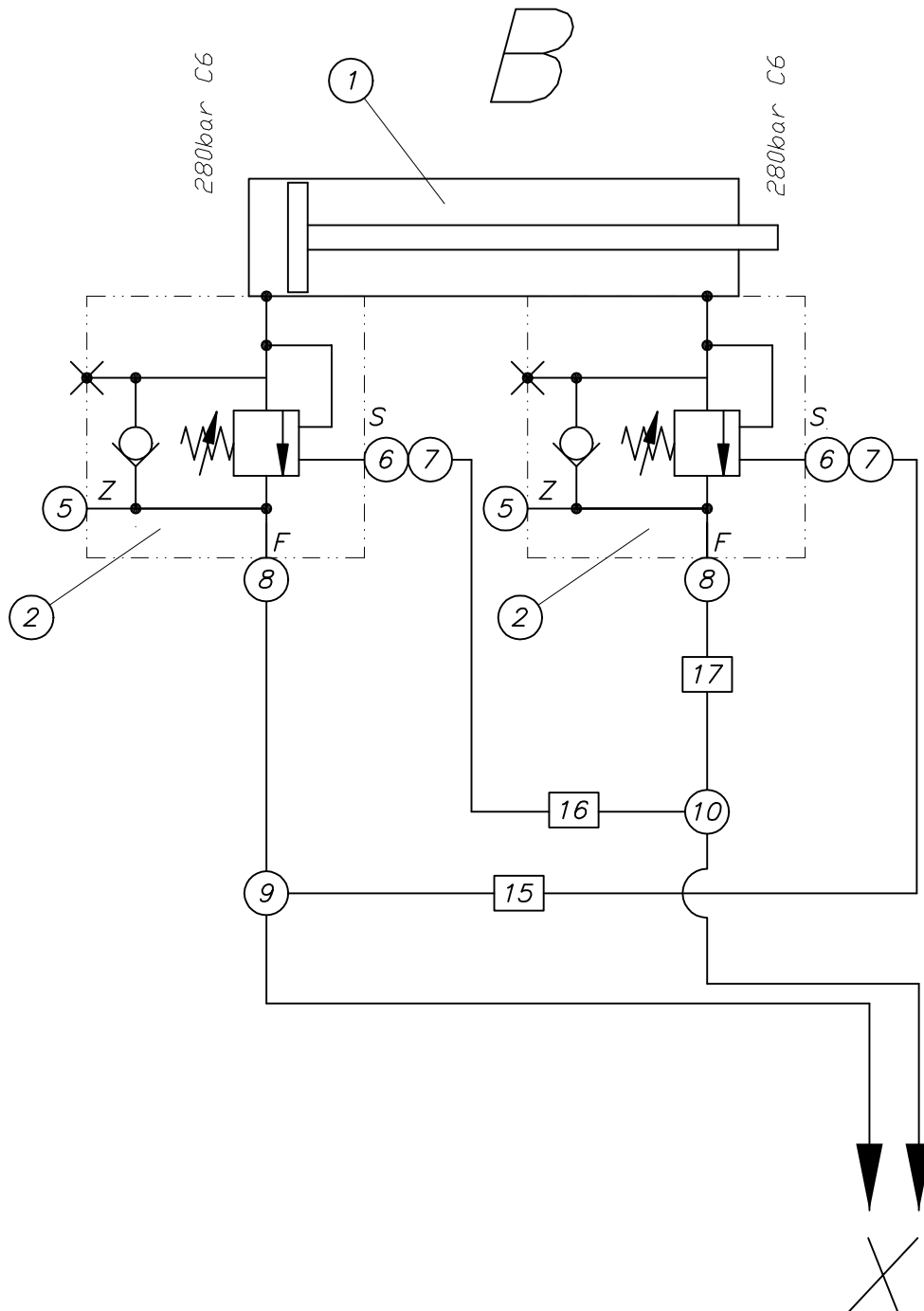
part list	description	created	index	valid from	valid to	
WAI106189	boom cylinder for 36-mtr., section A	09.03.01 Mi				
pos	description stock	ident-no dimensions	DIN material	index	weighth Kg	quantity unit
1	cylinder	WAI106716				1,00 Stk
2	piston	WAI106717				1,00 Stk
3	piston nut	WAI106718				1,00 Stk
4	piston rod	WAI106719				1,00 Stk
5	piston guide	WAI106720				1,00 Stk
6	piston head	WAI106721				1,00 Stk
7	bushing 90 x 95 x 60	WAI106018				4,00 Stk
8	Valve	WAI106722				2,00 Stk
9	steel ball	WAI106723				2,00 Stk
10	set screw	WAI106724				1,00 Stk
11	set screw	WAI106725				1,00 Stk
12	sealing set for 1st. boom cylinder	WAI104033				1,00 Stk

Mastzylinder B kpl.  
boom cylinder B cpl.

B 66 0 131



Waitzinger  
Baumaschinen GmbH



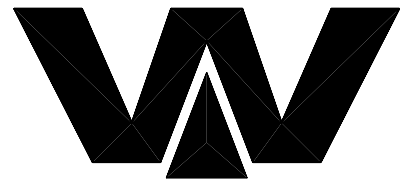


## PARTS LIST

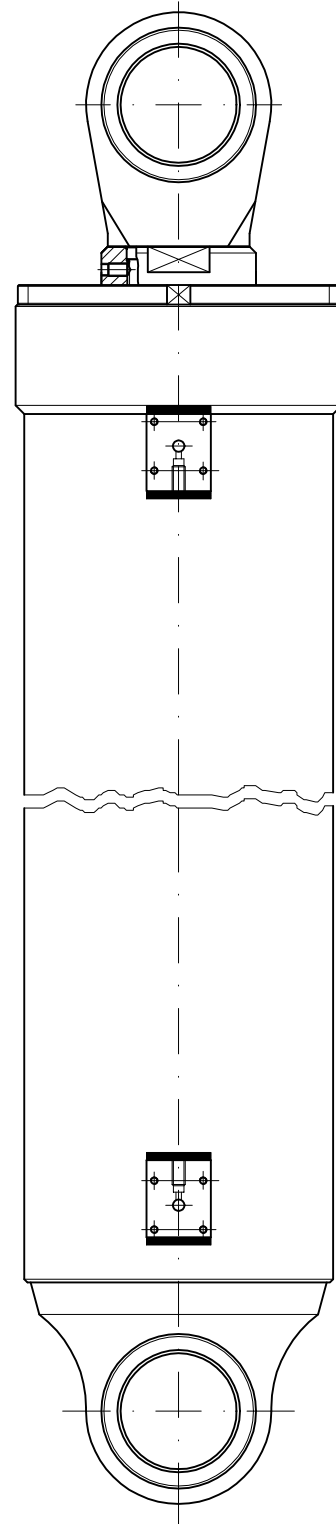
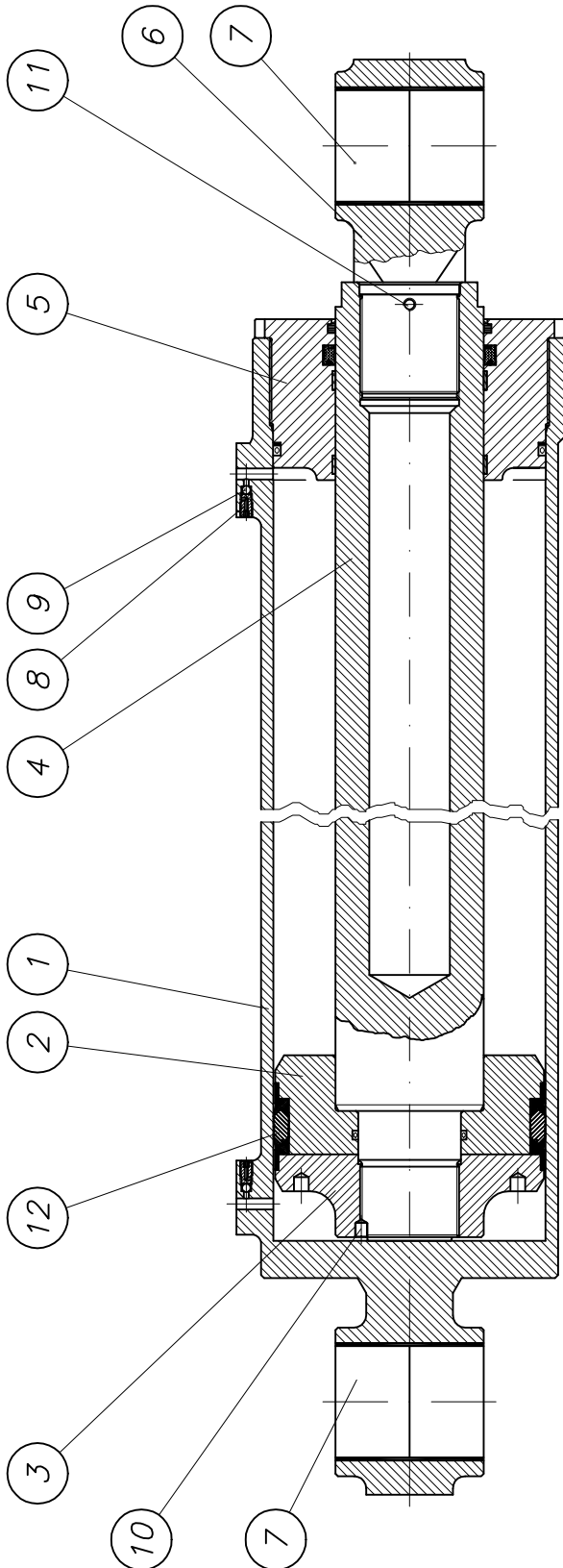
part list	description	created	index	valid from	valid to	
B660131	boom cylinder B cpl. with pipes	12.09.03 Mi				
pos	description stock	ident-no dimensions	DIN material	index	weighth Kg	quantity unit
1	boom cylinder for 36-mtr., section B own parts list	WAI106190				1,00 Stk
2	locking valve 280 bar	WAI106935				2,00 Stk
5	locking screw G 1/4	WAI100520				2,00 Stk
6	straight male stud couplings L12	WAI101383				2,00 Stk
7	swivel elbow L12	WAI100590				2,00 Stk
8	straight male stud couplings L12	WAI101386				2,00 Stk
9	swivel barrel tee L12	WAI101325				1,00 Stk
10	tee coupling L12	WAI100598				1,00 Stk
15	pipe	WAI108454				1,00 Stk
16	pipe	WAI108455				1,00 Stk
17	hydr. pipe 12 x 2	WAI102022			0,49	0,20 Mtr

*Mastzylinder B*  
*boom cylinder B*

*WAI 106190*



*Waitzinger*  
*Baumaschinen GmbH*





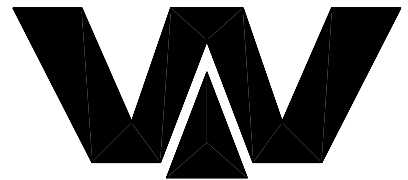


# PARTS LIST

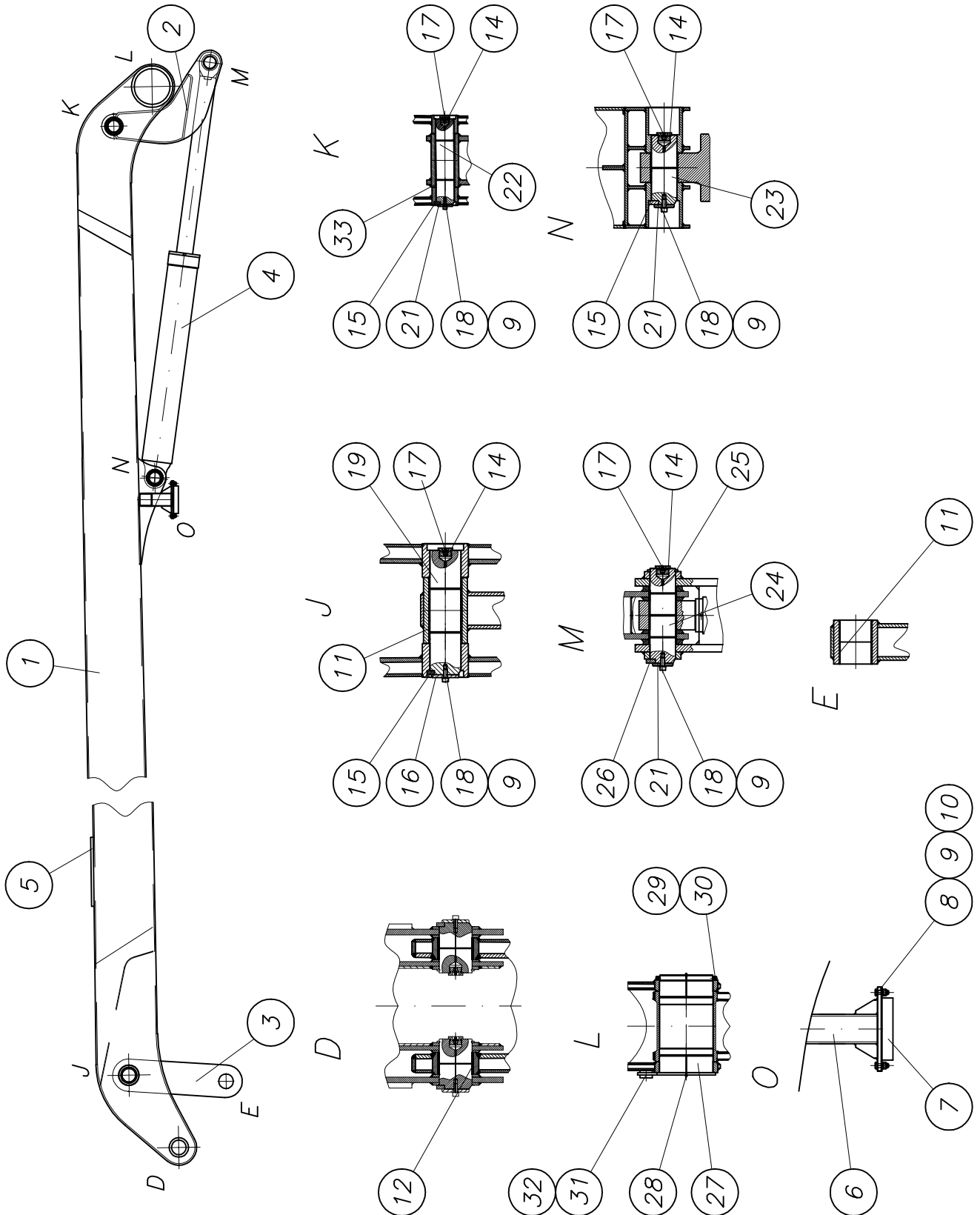
part list	description		created	index	valid from	valid to
WAI106190	boom cylinder for 36-mtr., section B		09.03.01 Mi			
pos	description stock	ident-no dimensions	DIN material	index	weighth Kg	quantity unit
1	cylinder	WAI106727				1,00 Stk
2	piston	WAI106728				1,00 Stk
3	piston nut	WAI106729				1,00 Stk
4	piston rod	WAI106730				1,00 Stk
5	piston guide	WAI106731				1,00 Stk
6	piston head	WAI106721				1,00 Stk
7	bushing 90 x 95 x 60	WAI106018				4,00 Stk
8	Valve	WAI106722				2,00 Stk
9	steel ball	WAI106723				2,00 Stk
10	set screw	WAI106724				1,00 Stk
11	set screw	WAI106725				1,00 Stk
12	sealing set for 2nd. boom cylinder own parts list	WAI104034				1,00 Stk

Mastarm 2 kpl.  
element 2 cpl.

B 66 1 051a



Waitzinger  
Baumaschinen GmbH





## PARTS LIST

part list	description	created	index	valid from	valid to	
B661051	boom arm 2 cpl.	05.12.01 Mi	a	23.09.05		
pos	description stock	ident-no dimensions	DIN material	index	weigh Kg	quantity unit
1	boom arm 2 cpl. own parts list	B671203		a 07.03.03		1,00 Stk
2	Lever C cpl. own parts list	B671620			75,00	1,00 Stk
3	forcing rod B cpl. own parts list	B671710		a 02.08.05	45,00	1,00 Stk
4	boom cylinder C cpl. with pipes own parts list	B660132			165,00	1,00 Stk
5	reinforcement	B660092 Bl 8x250x350	1543/EN10029 S235J2G3		0,54	1,00 Stk
6	holder for rubber buffer arm 2 cpl. own parts list	B661085			4,20	1,00 Stk
7	rubber cushion	WAI106715				1,00 Stk
8	hexagon bolt M 10 x 30	WAI101553			0,03	2,00 Stk
9	spring washer A10	WAI102070			0,00	6,00 Stk
10	hex. nut M10 DIN985 8.	WAI102125			0,01	2,00 Stk
11	bushing 85 x 90 x 60	WAI106017			0,20	4,00 Stk
12	bushing 90 x 95 x 60	WAI106018				2,00 Stk
14	locking screw M33x2 own parts list	B660085			0,10	4,00 Stk
15	pin holder	B660088 Bl 10x22x70	1543/EN10029 S235J2G3		0,10	3,00 Stk
16	washer	B660087 Bl 8xd80	1543/EN10029 S235J2G3		0,20	1,00 Stk
17	grease nipple H1 M10 X 1 DIN 71412	WAI100805			0,01	4,00 Stk
18	cylinder head screw M 10 x 25	WAI106654				4,00 Stk
19	pin 85 x 340	B660111 Rd 90x345	1013 42CrMo4V	a 31.07.02	15,00	1,00 Stk
21	washer	B660089 Bl 8xd62	1543/EN10029 S235J2G3		0,20	3,00 Stk
22	pin 75 x 350	B660109 Rd 80x355	1013 42CrMo4V	a 31.07.02	12,00	1,00 Stk

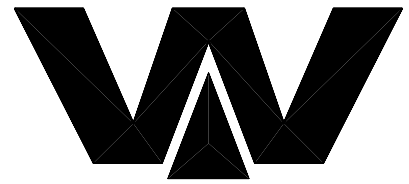


## PARTS LIST

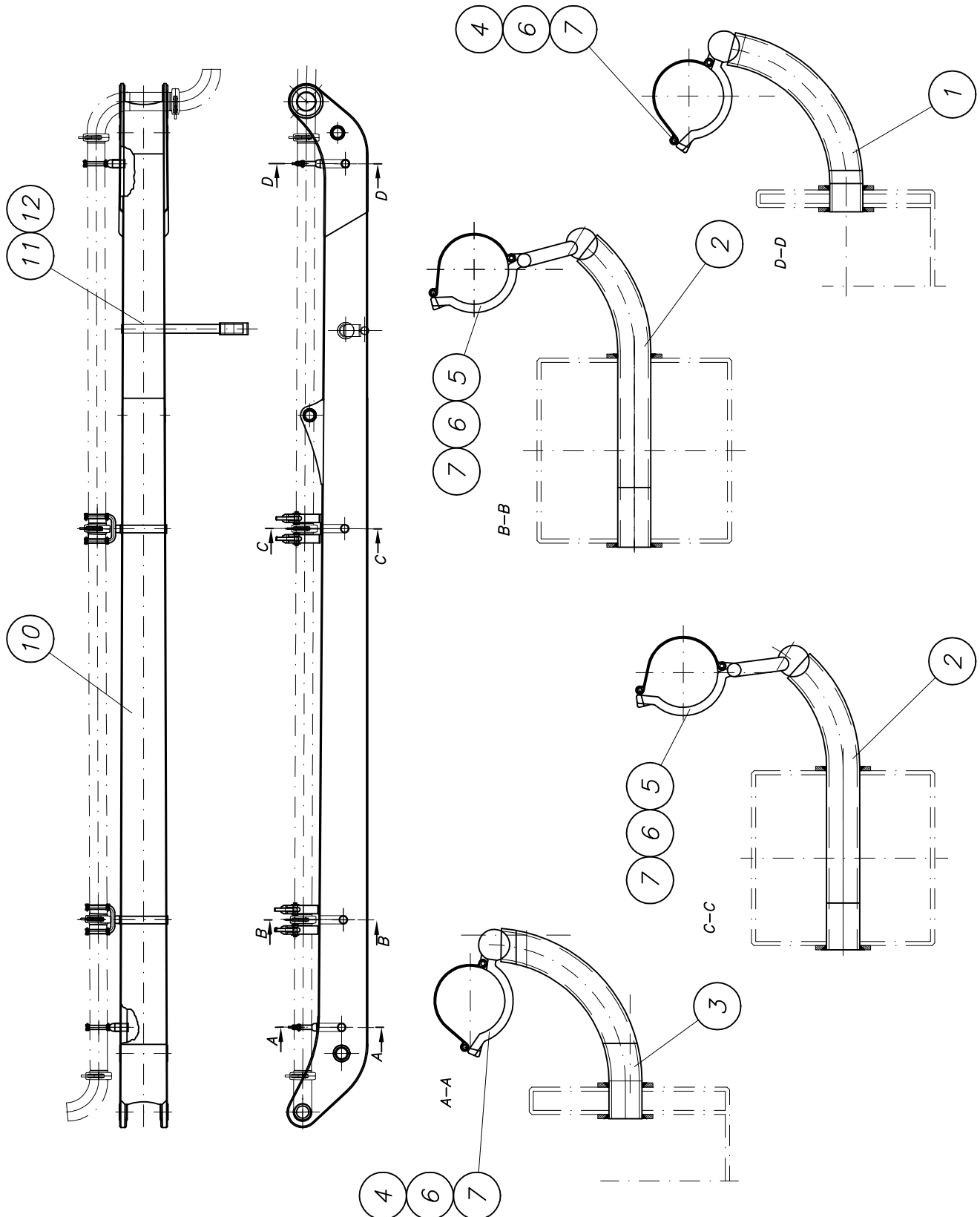
part list	description	created	index	valid from	valid to	
B661051	boom arm 2 cpl.	05.12.01 Mi	a	23.09.05		
pos	description stock	ident-no dimensions	DIN material	index	weigh Kg	quantity unit
23	pin 70 x 190	B660107 Rd 75x195	1013 42CrMo4V	a 31.07.02	5,50	1,00 Stk
24	pin 70 x 259	B660106 Rd 75x264	1013 42CrMo4V	a 31.07.02	8,00	1,00 Stk
25	retaining ring A 70x4 DIN471	WAI106981			0,02	1,00 Stk
26	pin holder	B660086 FI 25x10x80	1017 S235J2G3		0,15	1,00 Stk
27	pin 220x 400	B660108 Rohr 244.5x25x4	2448 S355J2G3			1,00 Stk
28	grease nipple	WAI102885				4,00 Stk
29	threaded ring	WAI105378				1,00 Stk
30	set screw M 6 x 8	WAI109320				2,00 Stk
31	pin protection	B660123 Bl 10x100x148	1543/EN10029 S355J2G3		0,45	1,00 Stk
32	pipe	B660124 Rohr 51x6.3x30	2448 S355J2G3		0,20	1,00 Stk
33	bushing 75 x 80 x 60	WAI106016				2,00 Stk

*Mastarm 2*  
*boom element 2*

*B 67 1 203a*



Waitzinger  
Baumaschinen GmbH



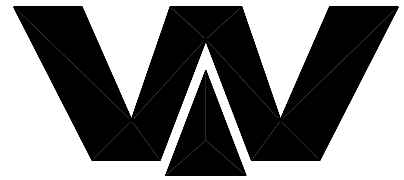


## PARTS LIST

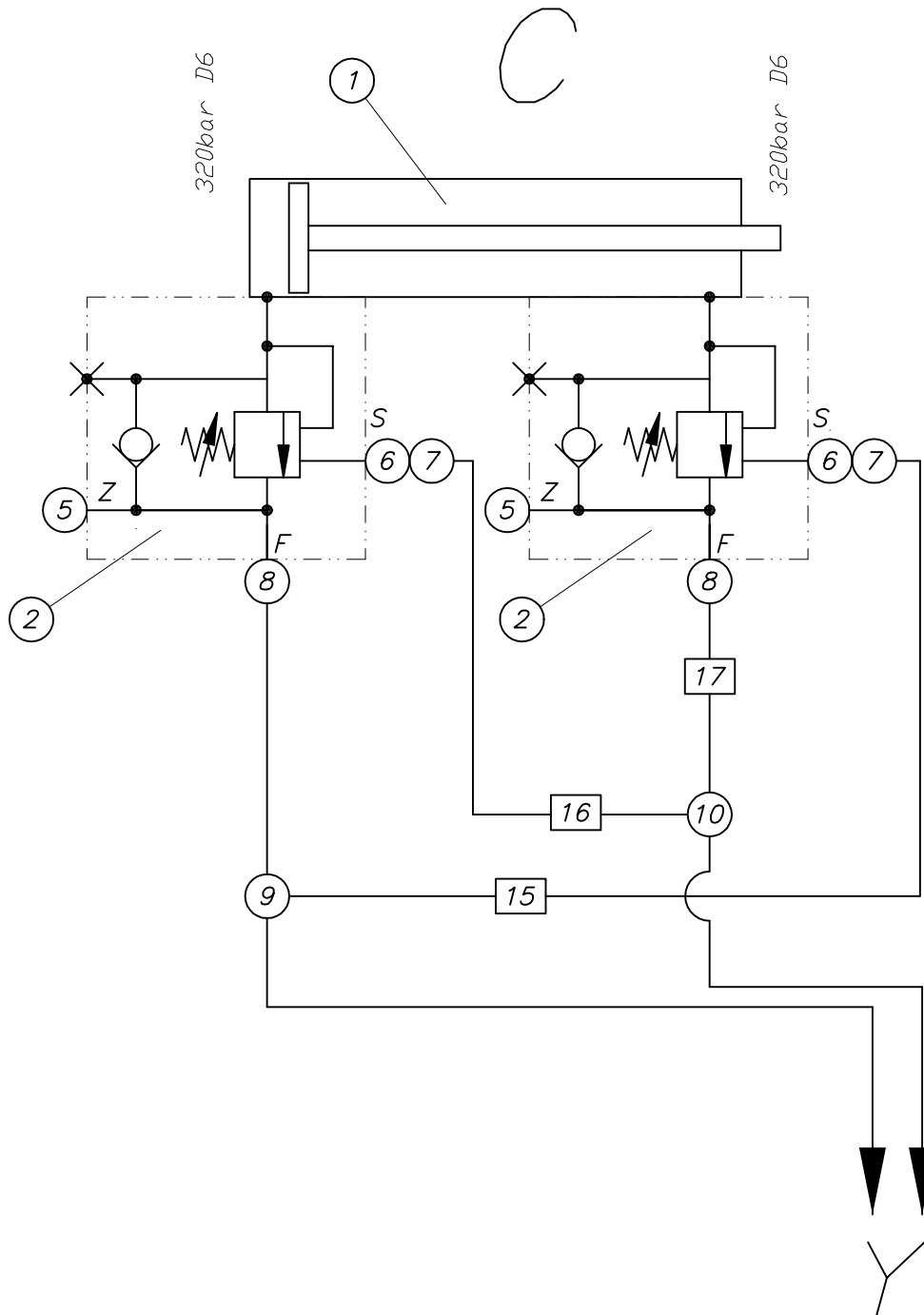
part list	description	created	index	valid from	valid to	
B671203	boom arm 2 cpl.	05.12.01 Mi	a	07.03.03		
pos	description stock	ident-no dimensions	DIN material	index	weigh Kg	quantity unit
1	pipe 1, Element 2	B641041 Rohr 63.5x4x440	2448 S355J2G3	a 22.01.03	2,60	1,00 Stk
2	pipe 2+3, Element 2	B641047 Rohr 63.5x4x649	2448 S355J2G3	a 22.01.03	3,80	2,00 Stk
3	pipe 4, Element 2	B641049 Rohr 63.5x4x485	2448 S355J2G3	a 22.01.03	2,80	1,00 Stk
4	pipe holder cpl. own parts list	WAI107108				2,00 Stk
5	pipe holder cpl. own parts list	WAI107109				2,00 Stk
6	conical spring washer 12 mm	WAI102877				6,00 Stk
7	hex. nut M12 DIN 985 8. VERZ.	WAI101626				6,00 Stk
10	boom arm 2 processing cpl. own parts list	B671204		a 12.12.02	810,00	1,00 Stk
11	pipe for arm holder 4 own parts list	B671250		a 12.01.04	10,00	1,00 Stk
12	rubber cushion	WAI107199			0,50	1,00 Stk

*Mastzylinder C kpl.  
boom cylinder C cpl.*

*B 66 0 132*



Waitzinger  
Baumaschinen GmbH





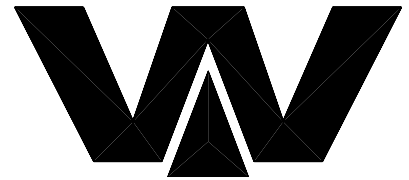
## PARTS LIST

part list	description	created	index	valid from	valid to	
B660132	boom cylinder C cpl. with pipes	12.09.03 Mi				
pos	description stock	ident-no dimensions	DIN material	index	weighth Kg	quantity unit
1	boom cylinder for 36-mtr., section C own parts list	WAI106191				1,00 Stk
2	locking valve 320 bar	WAI106258				2,00 Stk
5	locking screw G 1/4	WAI100520				2,00 Stk
6	straight male stud couplings L12	WAI101383				2,00 Stk
7	swivel elbow L12	WAI100590				2,00 Stk
8	straight male stud couplings L12	WAI101386				2,00 Stk
9	swivel barrel tee L12	WAI101325				1,00 Stk
10	tee coupling L12	WAI100598				1,00 Stk
15	pipe	WAI108456				1,00 Stk
16	pipe	WAI108457				1,00 Stk
17	hydr. pipe 12 x 2	WAI102022			0,49	0,20 Mtr

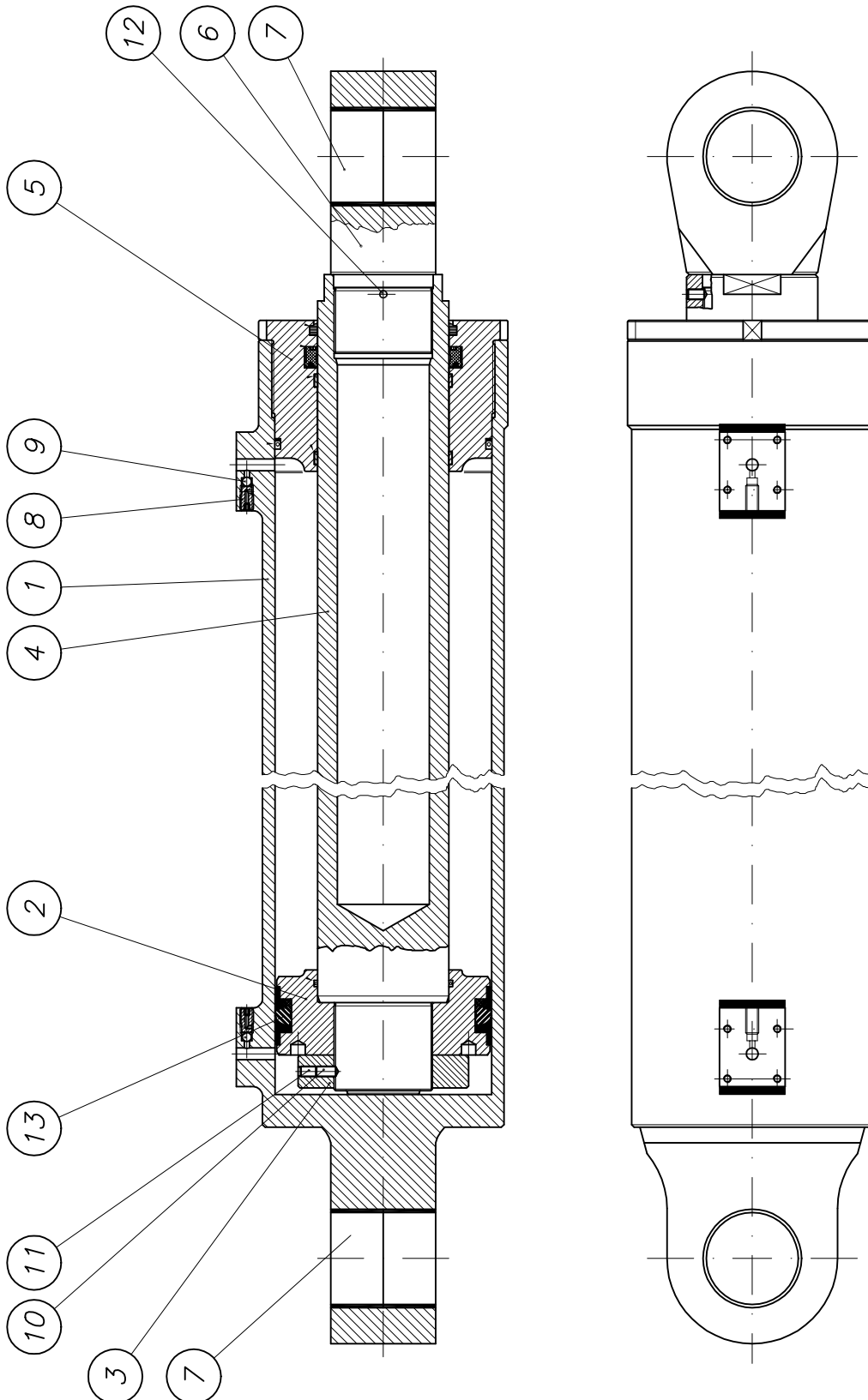


*Mastzylinder C*  
*boom cylinder C*

*WAI 106191*



*Waitzinger*  
*Baumaschinen GmbH*



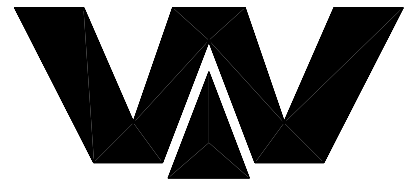


## PARTS LIST

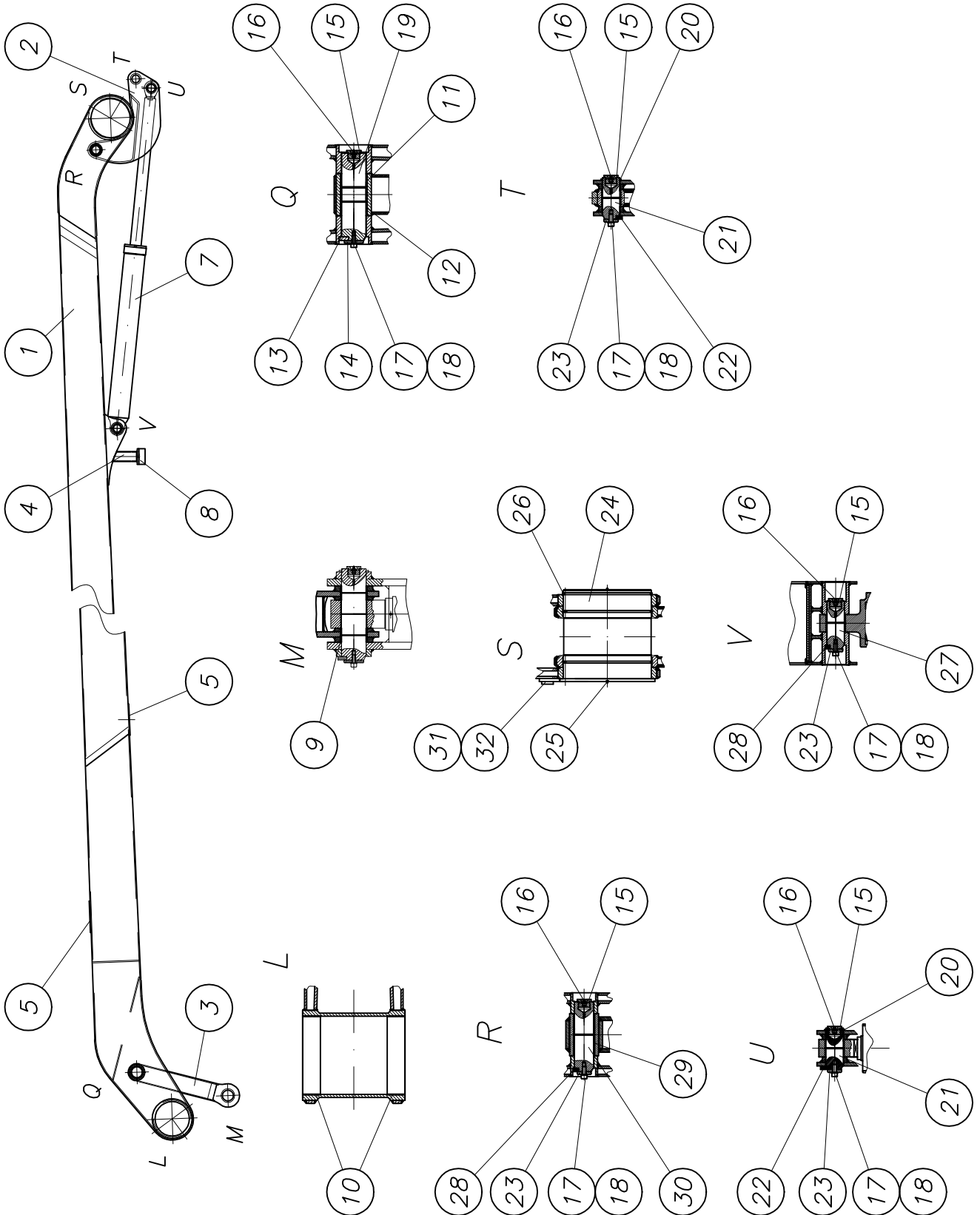
part list	description		created	index	valid from	valid to
WAI106191	boom cylinder for 36-mtr., section C		09.03.01 Mi			
pos	description stock	ident-no dimensions	DIN material	index	weighth Kg	quantity unit
1	cylinder	WAI106732				1,00 Stk
2	piston	WAI106733				1,00 Stk
3	piston nut	WAI106734				1,00 Stk
4	piston rod	WAI106735				1,00 Stk
5	piston guide	WAI106736				1,00 Stk
6	piston head	WAI106737				1,00 Stk
7	bushing 70 x 75 x 40	WAI106014				4,00 Stk
8	Valve	WAI106722				2,00 Stk
9	steel ball	WAI106723				2,00 Stk
10	set screw	WAI106738				1,00 Stk
11	set screw	WAI106739				1,00 Stk
12	set screw	WAI106740				1,00 Stk
13	sealing set for 3th. boom cylinder own parts list	WAI104035				1,00 Stk

Mastarm 3 kpl.  
element 3 cpl.

B 66 1 061c



Waitzinger  
Baumaschinen GmbH





## PARTS LIST

part list	description	created	index	valid from	valid to	
B661061	boom arm 3 cpl.	06.12.01 Mi	c	10.02.05		
pos	description stock	ident-no dimensions	DIN material	index	weigh Kg	quantity unit
1	boom arm 3 cpl. own parts list	B671303				1,00 Stk
2	lever D cpl. own parts list	B671630		a 25.02.03	30,00	1,00 Stk
3	forcing rod C cpl. own parts list	B671720			25,00	1,00 Stk
4	holder for rubber buffer arm 3 cpl. own parts list	B661090			2,00	1,00 Stk
5	plate	B661091 Bl 5x200x280	1543/EN10029 ST37-2	a 17.06.02	2,00	2,00 Stk
7	boom cylinder D cpl. with pipes own parts list	B660133				1,00 Stk
8	rubber buffer 100 x 50	WAI103478				1,00 Stk
9	bushing 70 x 75 x 40	WAI106014				2,00 Stk
10	bushing 220 x 225 x 50	WAI106023				2,00 Stk
11	bushing 70 x 75 x 70	WAI106015				1,00 Stk
12	bushing 70 x 75 x 50	WAI106659				1,00 Stk
13	pin holder	B660088 Bl 10x22x70	1543/EN10029 S235J2G3		0,10	1,00 Stk
14	washer	B660089 Bl 8xd62	1543/EN10029 S235J2G3		0,20	1,00 Stk
15	locking screw M33x2 own parts list	B660085			0,10	5,00 Stk
16	grease nipple H1 M10 X 1 DIN 71412	WAI100805			0,01	5,00 Stk
17	cylinder head screw M 10 x 25	WAI106654				5,00 Stk
18	spring washer A10	WAI102070			0,00	5,00 Stk
19	pin 70 x 249	B660105 Rd 75x255	1013 42CrMo4V	b 05.11.03	7,50	1,00 Stk
20	locking ring	WAI106988				2,00 Stk
21	pin 50 x 117	B660103 Rd 55x122	1013 42CrMo4V	a 31.07.02	1,90	2,00 Stk
22	pin holder	B660086 Fl 25x10x80	1017 S235J2G3		0,15	2,00 Stk

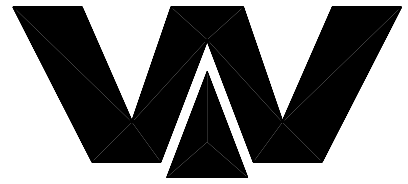


## PARTS LIST

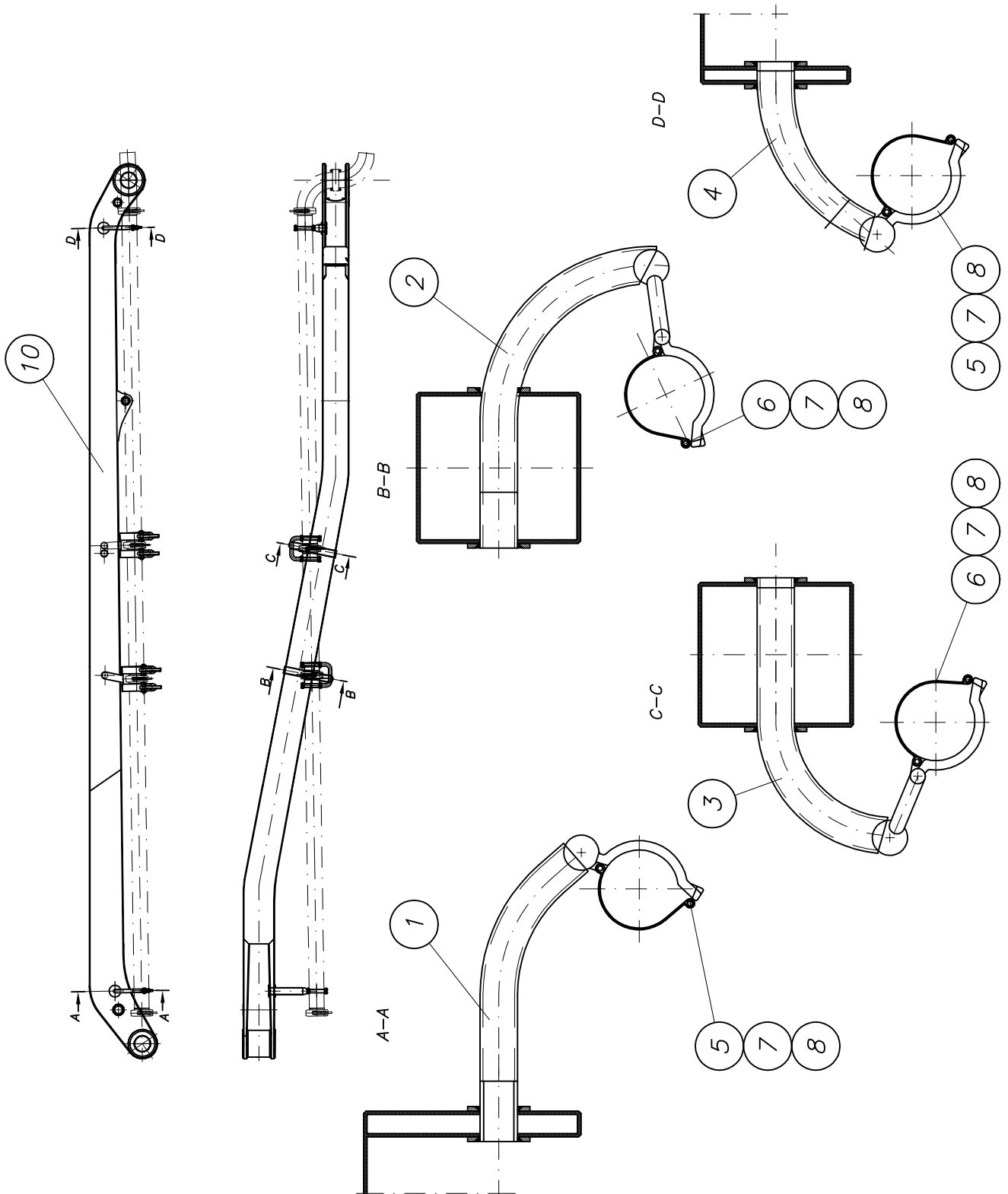
part list	description	created	index	valid from	valid to	
B661061	boom arm 3 cpl.	06.12.01 Mi	c	10.02.05		
pos	description stock	ident-no dimensions	DIN material	index	weigh Kg	quantity unit
23	washer	B660091 Bl 8xd42	1543/EN10029 S235J2G3		0,10	4,00 Stk
24	pin 250x 261	B660104 Rohr 273x25x265	2448 S355J2G3	a 17.06.02	23,50	1,00 Stk
25	grease nipple	WAI102885				4,00 Stk
26	circlip	WAI107121				1,00 Stk
27	pin	B660101 Rd 55x140	1013 42CrMo4V	a 31.07.02	2,00	1,00 Stk
28	pin holder	B660090 Bl 10x14x45	1543/EN10029 S235J2G3		0,10	2,00 Stk
29	bushing 55 x 60 x 60	WAI106013				2,00 Stk
30	pin 55 x 199	B660102 Rd 60x205	1013 42CrMo4V	a 31.07.02	3,50	1,00 Stk
31	pin protection	B660123 Bl 10x100x148	1543/EN10029 S355J2G3		0,45	1,00 Stk
32	pipe	B660124 Rohr 51x6.3x30	2448 S355J2G3		0,20	1,00 Stk

*Mastarm 3*  
*boom element 3*

*B 67 1 303*



Waitzinger  
Baumaschinen GmbH



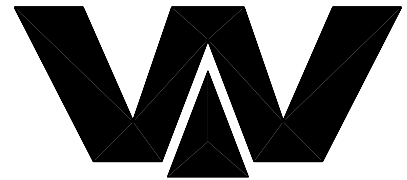


# PARTS LIST

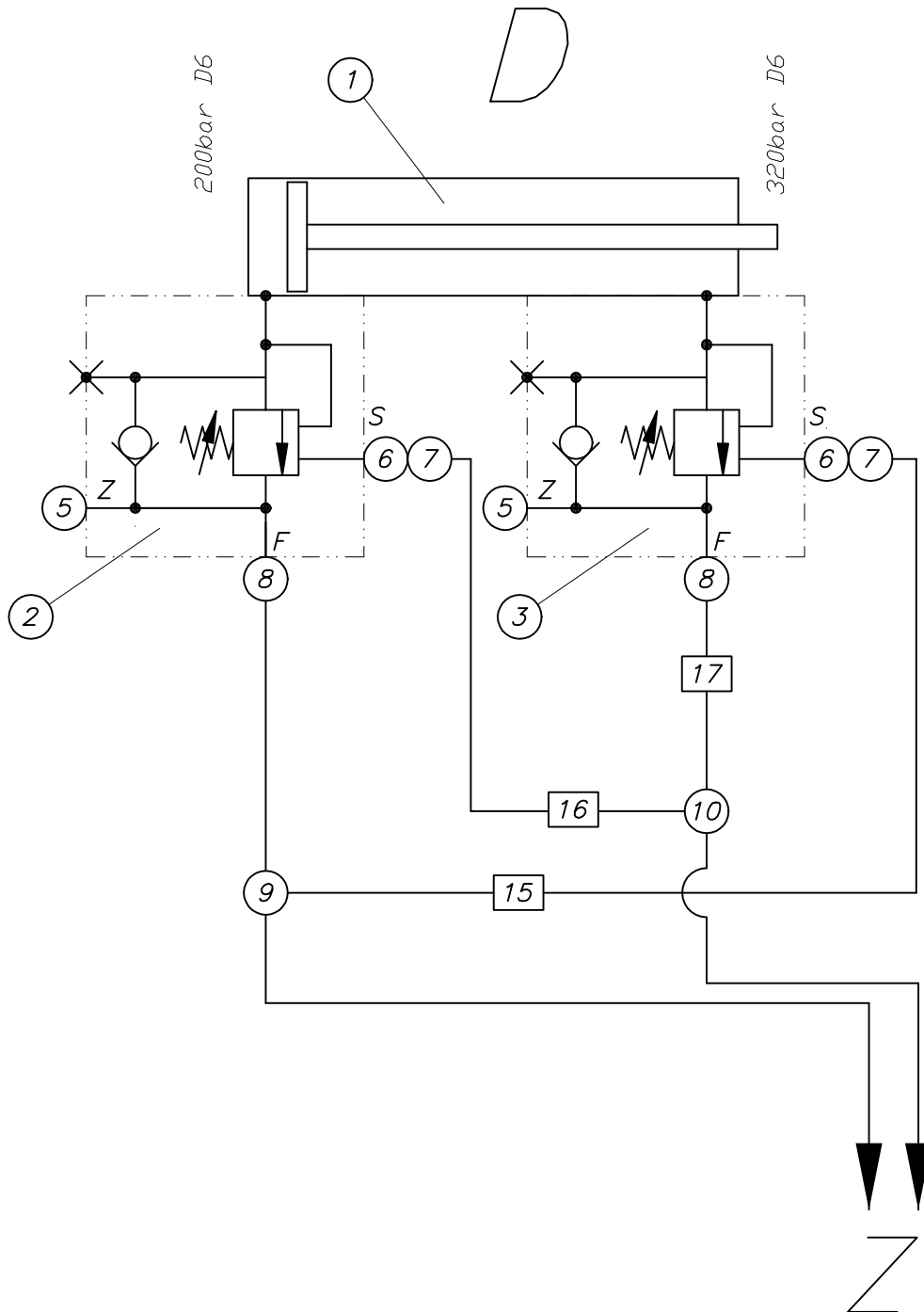
part list	description	created	index	valid from	valid to	
B671303	boom arm 3 cpl.	05.12.01 Mi				
pos	description stock	ident-no dimensions	DIN material	index	weigh Kg	quantity unit
1	pipe 1, Element 3	B641051 Rohr 63.5x4x540	2448 S355J2G3	a 22.01.03	3,20	1,00 Stk
2	pipe 2, Element 3	B641052 Rohr 63.5x4x648	2448 S355J2G3	a 22.01.03	3,80	1,00 Stk
3	pipe 3, Element 3	B641053 Rohr 63.5x4x600	2448 S355J2G3	a 22.01.03	3,50	1,00 Stk
4	pipe 4, Element 3	B641054 Rohr 63.5x4x370	2448 S355J2G3	a 22.01.03	2,20	1,00 Stk
5	pipe holder cpl. own parts list	WAI107108				2,00 Stk
6	pipe holder cpl. own parts list	WAI107109				2,00 Stk
7	conical spring washer 12 mm	WAI102877				6,00 Stk
8	hex. nut M12 DIN 985 8. VERZ.	WAI101626				6,00 Stk
10	boom arm 3 processing cpl. own parts list	B671304		a 11.03.02		1,00 Stk

*Mastzylinder D kpl.*  
*boom cylinder D cpl.*

*B 66 0 133*



Waitzinger  
Baumaschinen GmbH





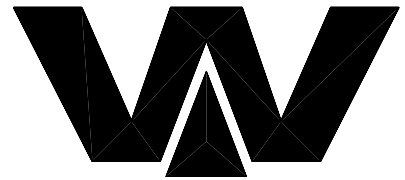


## PARTS LIST

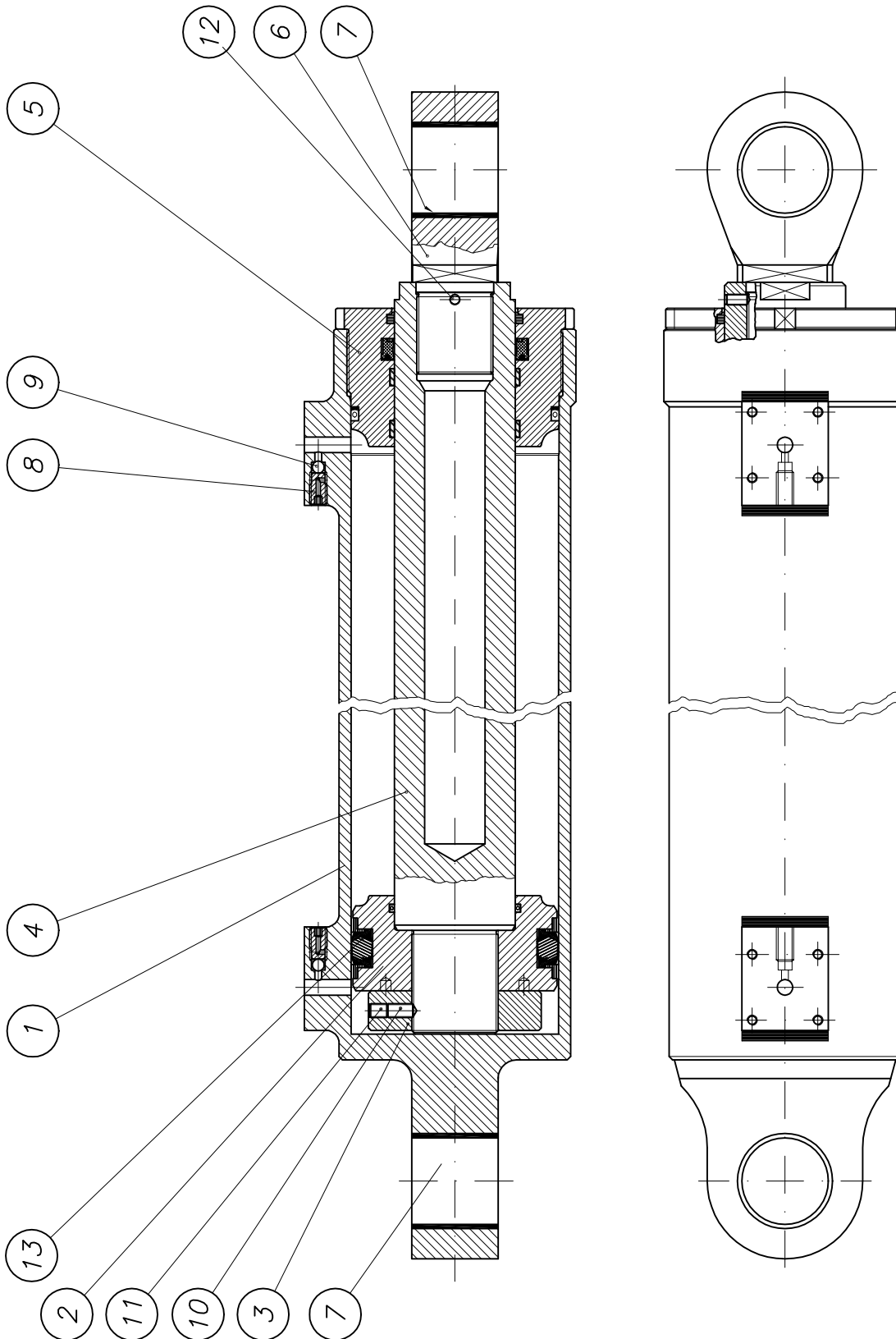
part list	description	created	index	valid from	valid to	
B660133	boom cylinder D cpl. with pipes	12.09.03 Mi				
pos	description stock	ident-no dimensions	DIN material	index	weighth Kg	quantity unit
1	boom cylinder for 36-mtr., section D own parts list	WAI106192				1,00 Stk
2	locking valve 200 bar	WAI106259				1,00 Stk
3	locking valve 320 bar	WAI106258				1,00 Stk
5	locking screw G 1/4	WAI100520				2,00 Stk
6	straight male stud couplings L12	WAI101383				2,00 Stk
7	swivel elbow L12	WAI100590				2,00 Stk
8	straight male stud couplings L12	WAI101386				2,00 Stk
9	swivel barrel tee L12	WAI101325				1,00 Stk
10	tee coupling L12	WAI100598				1,00 Stk
15	pipe	WAI108458				1,00 Stk
16	pipe	WAI108459				1,00 Stk
17	hydr. pipe 12 x 2	WAI102022			0,49	0,20 Mtr

*Mastzylinder D*  
*boom cylinder D*

*WAI 106192*



*Waitzinger*  
*Baumaschinen GmbH*



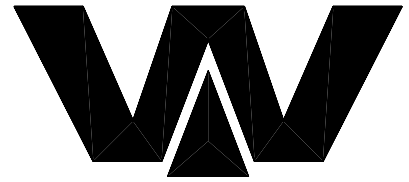


## PARTS LIST

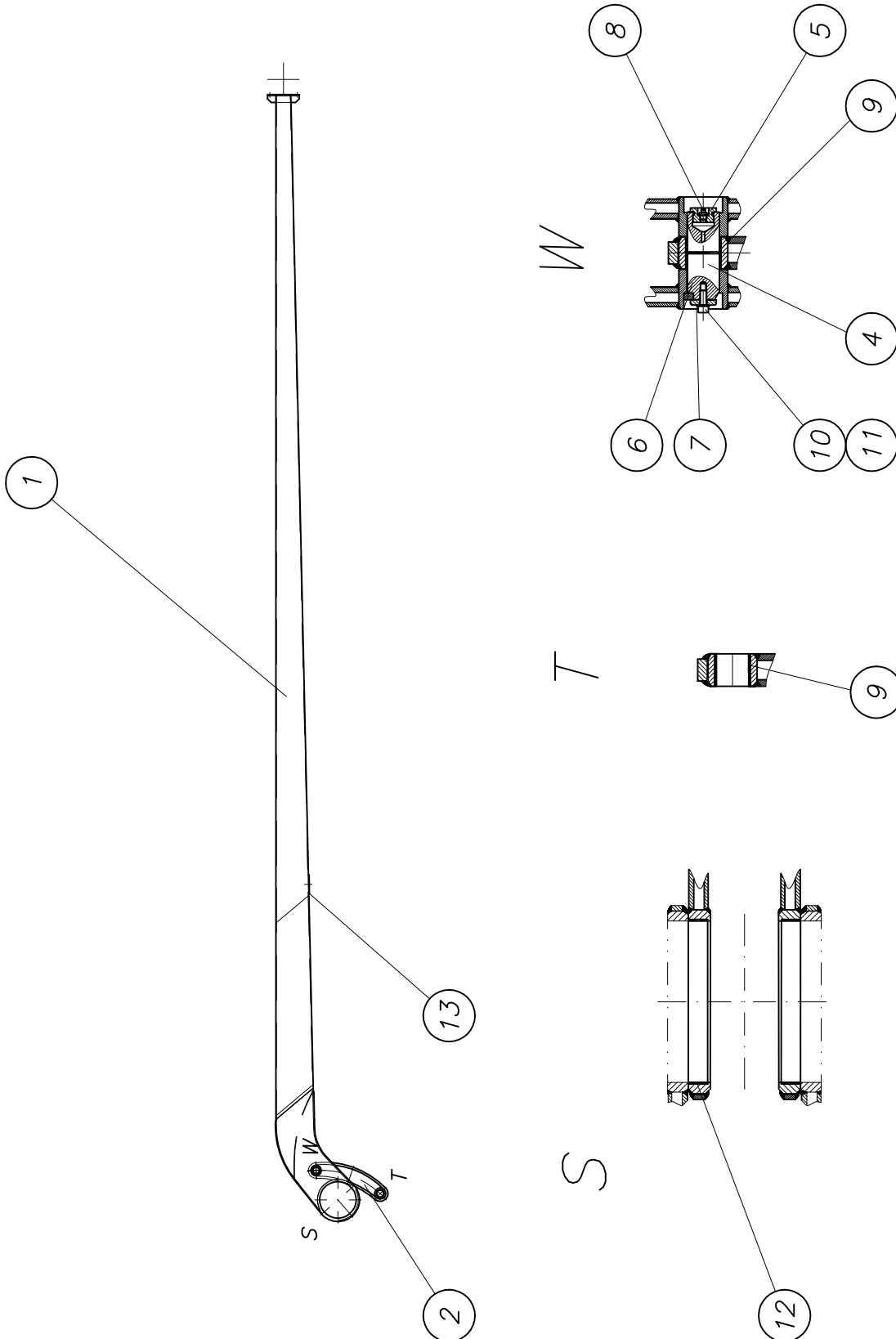
part list	description	created	index	valid from	valid to	
WAI106192	boom cylinder for 36-mtr., section D	09.03.01 Mi				
pos	description stock	ident-no dimensions	DIN material	index	weighth Kg	quantity unit
1	cylinder	WAI106741				1,00 Stk
2	piston	WAI106742				1,00 Stk
3	piston nut	WAI106743				1,00 Stk
4	piston rod	WAI106744				1,00 Stk
5	piston guide	WAI106745				1,00 Stk
6	piston head	WAI106746				1,00 Stk
7	bushing 50 x 55 x 50	WAI106012				2,00 Stk
8	Valve	WAI106722				2,00 Stk
9	steel ball	WAI106723				2,00 Stk
10	set screw	WAI106738				1,00 Stk
11	set screw	WAI106739				1,00 Stk
12	set screw	WAI106747				1,00 Stk
13	sealing set for 4th. boom cylinder	WAI104036				1,00 Stk

Mastarm 4 kpl.  
element 4 cpl.

B 66 1 072



Waitzinger  
Baumaschinen GmbH



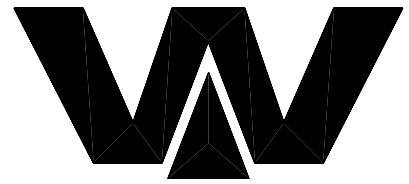


## PARTS LIST

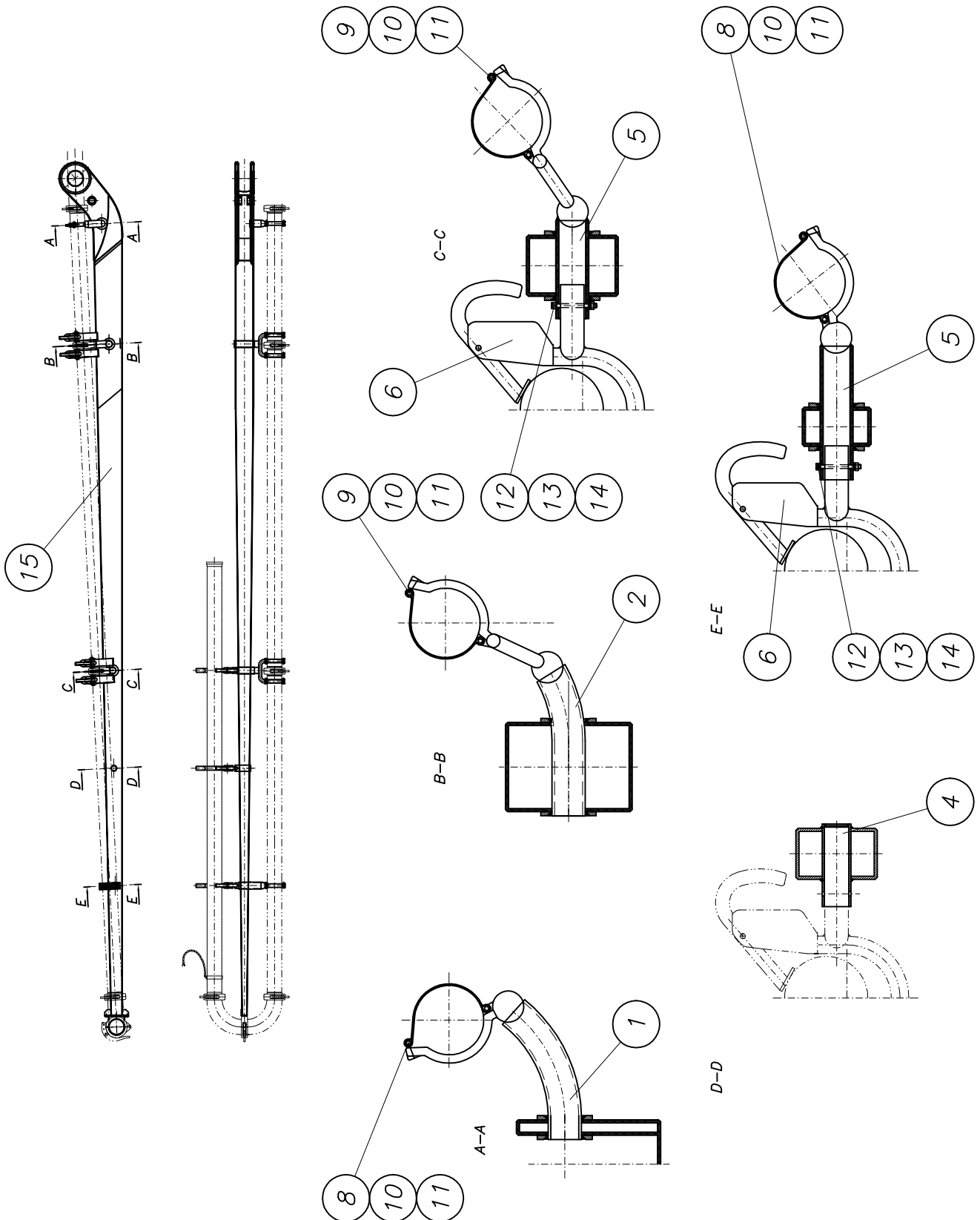
part list	description	created	index	valid from	valid to	
B661072	boom arm 4 cpl.	11.12.03 hbk				
pos	description stock	ident-no dimensions	DIN material	index	weigh Kg	quantity unit
1	boom arm 4 cpl. own parts list	B671430		a 12.01.04		1,00 Stk
2	forcing rod D cpl. own parts list	B671730			14,00	1,00 Stk
4	pin	B660101 Rd 55x140	1013 42CrMo4V	a 31.07.02	2,00	1,00 Stk
5	locking screw M33x2 own parts list	B660085			0,10	1,00 Stk
6	pin holder	B660090 BI 10x14x45	1543/EN10029 S235J2G3		0,10	1,00 Stk
7	washer	B660091 BI 8xd42	1543/EN10029 S235J2G3		0,10	1,00 Stk
8	grease nipple H1 M10 X 1 DIN 71412	WAI100805			0,01	1,00 Stk
9	bushing 50 x 55 x 50	WAI106012				2,00 Stk
10	cylinder head screw M 10 x 25	WAI106654				1,00 Stk
11	spring washer A10	WAI102070			0,00	1,00 Stk
12	bushing 250 x 255 x 30	WAI106022			2,00	2,00 Stk
13	plate	B661089 BI 5x130x175	1543/EN10029 St37-2		0,80	1,00 Stk

*Mastarm 4*  
*boom element 4*

*B 67 1 430a*



Waitzinger  
Baumaschinen GmbH



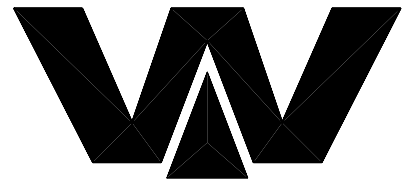


## PARTS LIST

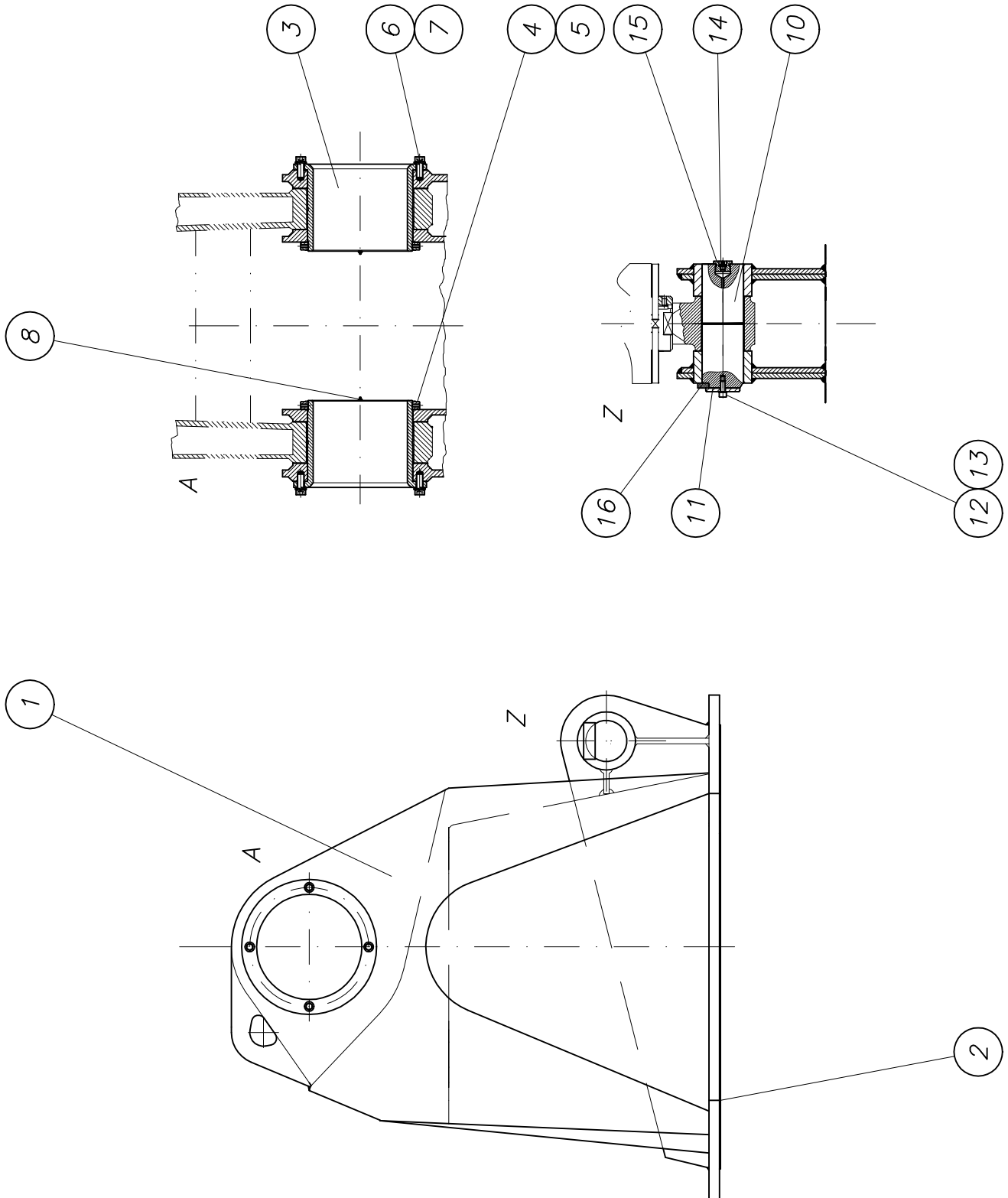
part list	description	created	index	valid from	valid to	
B671430	boom arm 4 cpl.	11.12.03 hbk	a	12.01.04		
pos	description stock	ident-no dimensions	DIN material	index	weigh Kg	quantity unit
1	pipe 1, Element 4	B641056 Rohr 63.5x4x310	2448 S355J2G3	a 22.01.03	1,80	1,00 Stk
2	pipe 2, Element 4	B641057 Rohr 63.5x4x339	2448 S355J2G3	a 22.01.03	2,00	1,00 Stk
4	pipe 4, Element 4	B641059 Rohr 63.5x5x180	2448 S355J2G3	a 12.01.04	1,10	1,00 Stk
5	pipe 5, Element 4	B641060 Rohr 63.5x5x280	2448 S355J2G3		2,00	2,00 Stk
6	flexible hose support cpl own parts list	B641061				2,00 Stk
8	pipe holder cpl. own parts list	WAI107108				2,00 Stk
9	pipe holder cpl. own parts list	WAI107109				2,00 Stk
10	conical spring washer 12 mm	WAI102877				6,00 Stk
11	hex. nut M12 DIN 985 8. VERZ.	WAI101626				10,00 Stk
12	alien bolt M 8x75 DIN 912 8.8	WAI107115				2,00 Stk
13	spring washer A8 DIN 127 VERZ.	WAI102205			0,00	2,00 Stk
14	hex. nut M8 DIN 934 8. VERZ.	WAI102880				2,00 Stk
15	boom arm 4 processing cpl. own parts list	B671431		a 30.08.05	161,00	1,00 Stk

*Drehkopf kpl.*  
*rotating head cpl.*

*B 68 1 002*



*Waitzinger*  
*Baumaschinen GmbH*





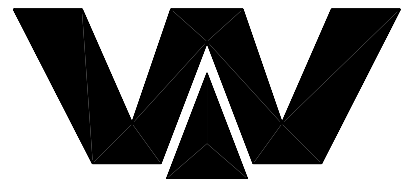


## PARTS LIST

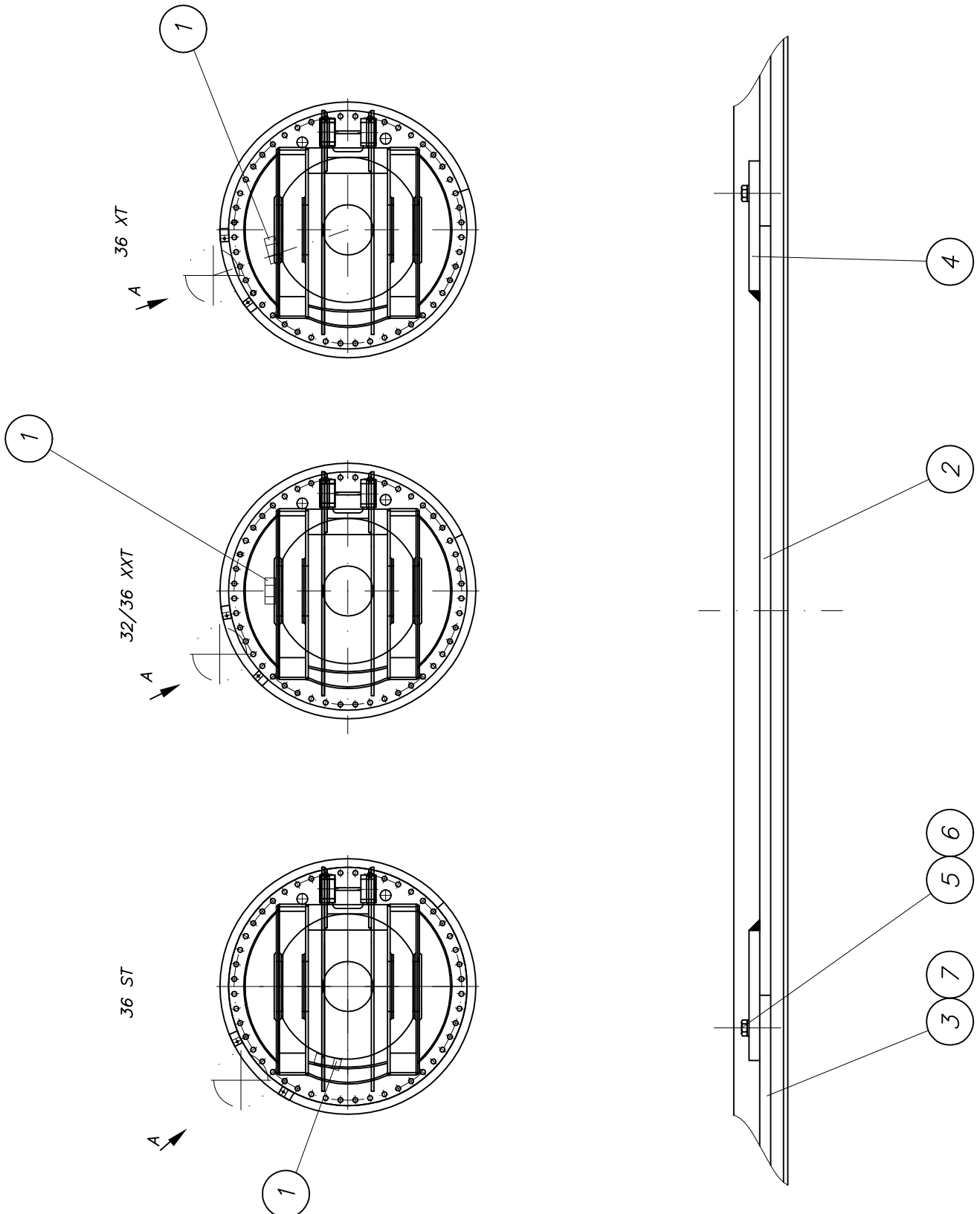
part list	description	created	index	valid from	valid to	
B681002	rotating head unit	04.12.01 Mi				
pos	description stock	ident-no dimensions	DIN material	index	weighth Kg	quantity unit
1	rotating head unit own parts list	B681010			530,00	1,00 Stk
2	turning unit cpl. own parts list	B681045		a 09.12.04		1,00 Stk
3	pin 230x190 own parts list	B660117				2,00 Stk
4	threaded ring	WAI106624				2,00 Stk
5	set screw M 6 x 8	WAI103646				4,00 Stk
6	cheese head screw	WAI106664				8,00 Stk
7	spring washer	WAI101976			0,00	8,00 Stk
8	grease nipple	WAI102885				4,00 Stk
10	pin 90 x 271	B660114 Rd 95x275	1013 42CrMo4V	a 31.07.02	14,00	1,00 Stk
11	washer	B660087 Bl 8xd80	1543/EN10029 S235J2G3		0,20	1,00 Stk
12	cylinder head screw M 10 x 25	WAI106654				1,00 Stk
13	spring washer A10	WAI102070			0,00	1,00 Stk
14	grease nipple H1 M10 X 1 DIN 71412	WAI100805			0,01	1,00 Stk
15	locking screw M33x2 own parts list	B660085			0,10	1,00 Stk
16	pin holder	B660086 Fl 25x10x80	1017 S235J2G3		0,15	1,00 Stk

*Drehwerk Schutz kpl.*  
*turning unit safety device cpl.*

**B 68 1 045a**



Waitzinger  
Baumaschinen GmbH



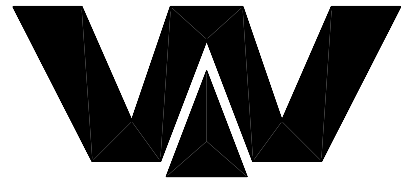
**PARTS LIST**

24.06.05 09:22:01

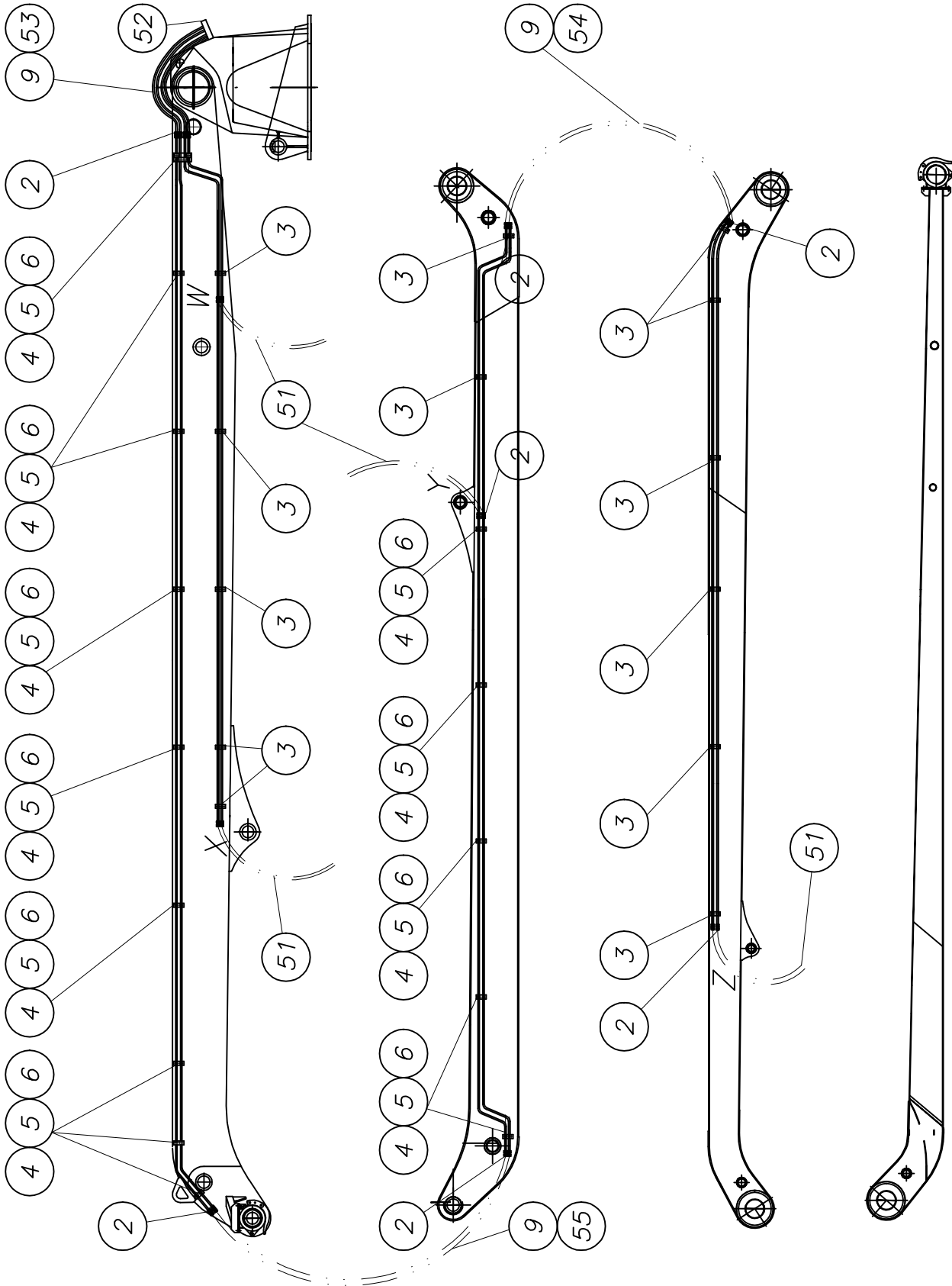
part list	description	created	index	valid from	valid to	
B681045	turning unit cpl.	25.09.01 Mi	a	09.12.04		
pos	description stock	ident-no dimensions	DIN material	index	weighth Kg	quantity unit
1	stop	B661087 Bl 50x93x120	1543/EN10029 St52-3	a 25.02.02	3,00	1,00 Stk
2	bow	B661107 Bl 5 x 80 x 400	1543/EN10029 S355J2G3	a 25.09.01	0,40	1,00 Stk
3	bow	B661124 Bl 5 xR550xR590	1543/EN10029 S355J2G3		0,50	2,00 Stk
4	plate	B661109 Bl 5 x 60 x 40	1543/EN10029 S355J2G3		0,10	2,00 Stk
5	hexagon bolt M 8 x 12 DIN 933 8.8	WAI103274				2,00 Stk
6	spring washer A8 DIN 127 VERZ.	WAI102205			0,00	2,00 Stk
7	bow	B661123 Bl 5 xR550xR590	1543/EN10029 S355J2G3		0,50	2,00 Stk

Verrohrung Armpaket  
piping diagram arms

B 71 1 065d



Waitzinger  
Baumaschinen GmbH

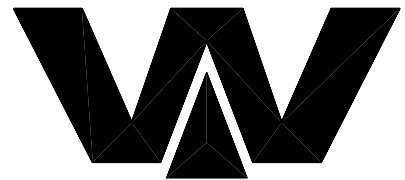




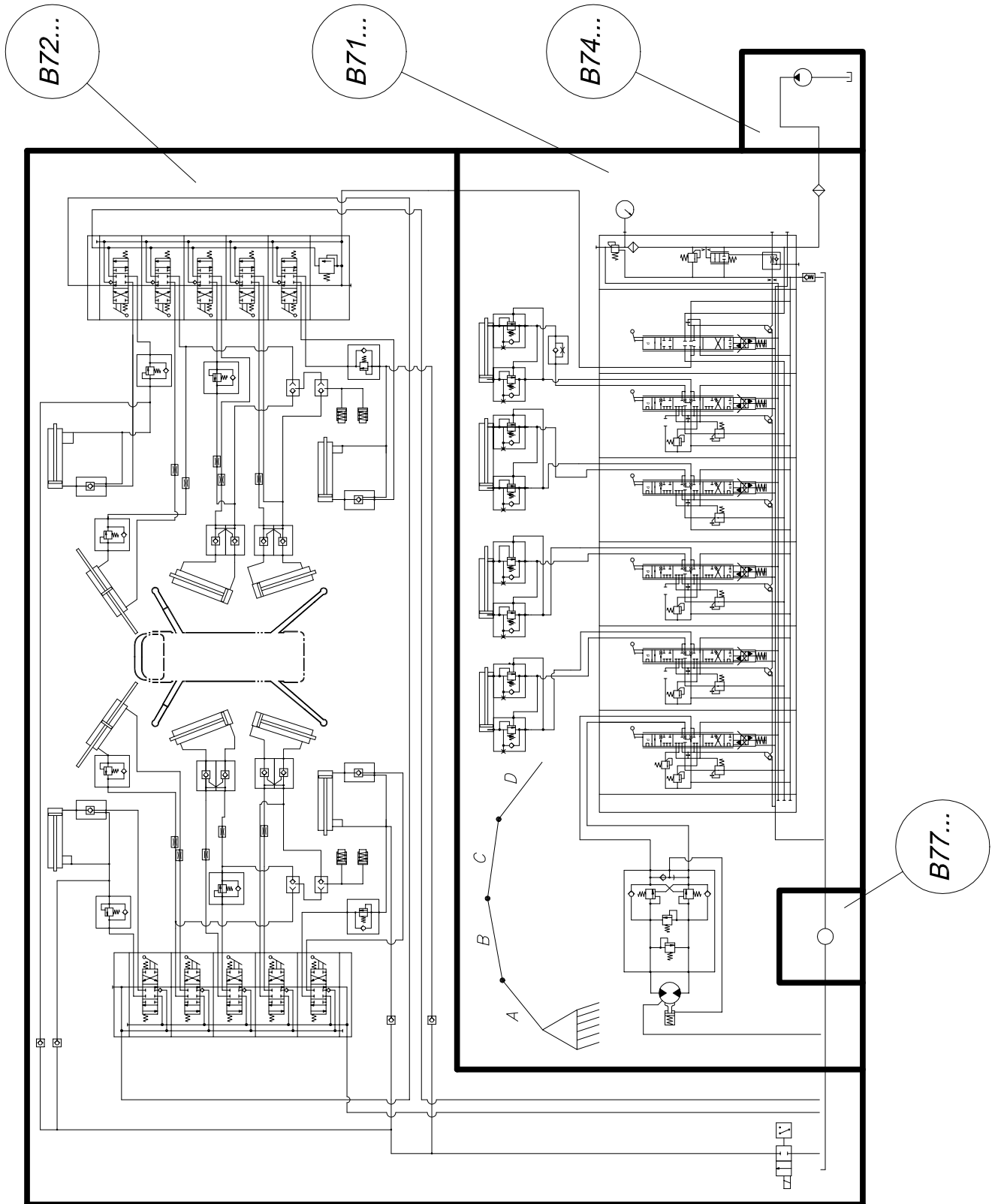
## PARTS LIST

part list	description	created	index	valid from	valid to	
B711065	pipng diagram boom	10.07.0' ek	d	22.05.0€		
pos	description stock	ident-no dimensions	DIN material	index	weigh Kg	quantity unit
2	straight couplings L12	WAI100603				30,00 Stk
3	pipe clip 12 mm, own parts list	WAI105146			0,07	40,00 Stk
4	pipe clip 12mm	WAI108642				60,00 Stk
5	cover plate DP-1A	WAI108643				30,00 Stk
6	hexagon screw M 6 x 55	WAI103512				60,00 Stk
9	hydraulic hose DN10 x 1250	WAI106508				14,00 Stk
49	hydr. pipe 12 x 2	WAI102022			0,49	90,00 Mtr
51	hydraulic hose DN10 x 700	WAI101605				8,00 Stk
52	bulkhead coupling L12	WAI101384				9,00 Stk
53	Pvc Hose 100mm, blue	WAI106517				1,00 Mtr
54	Pvc Hose 38mm, blue	WAI106827				1,10 Mtr
55	Pvc Hose 52mm, blue	WAI106516				1,10 Mtr

# Übersicht B 70 - B 79 over view B 70 - B 79

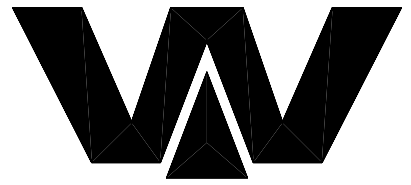


Waitzinger  
Baumaschinen GmbH

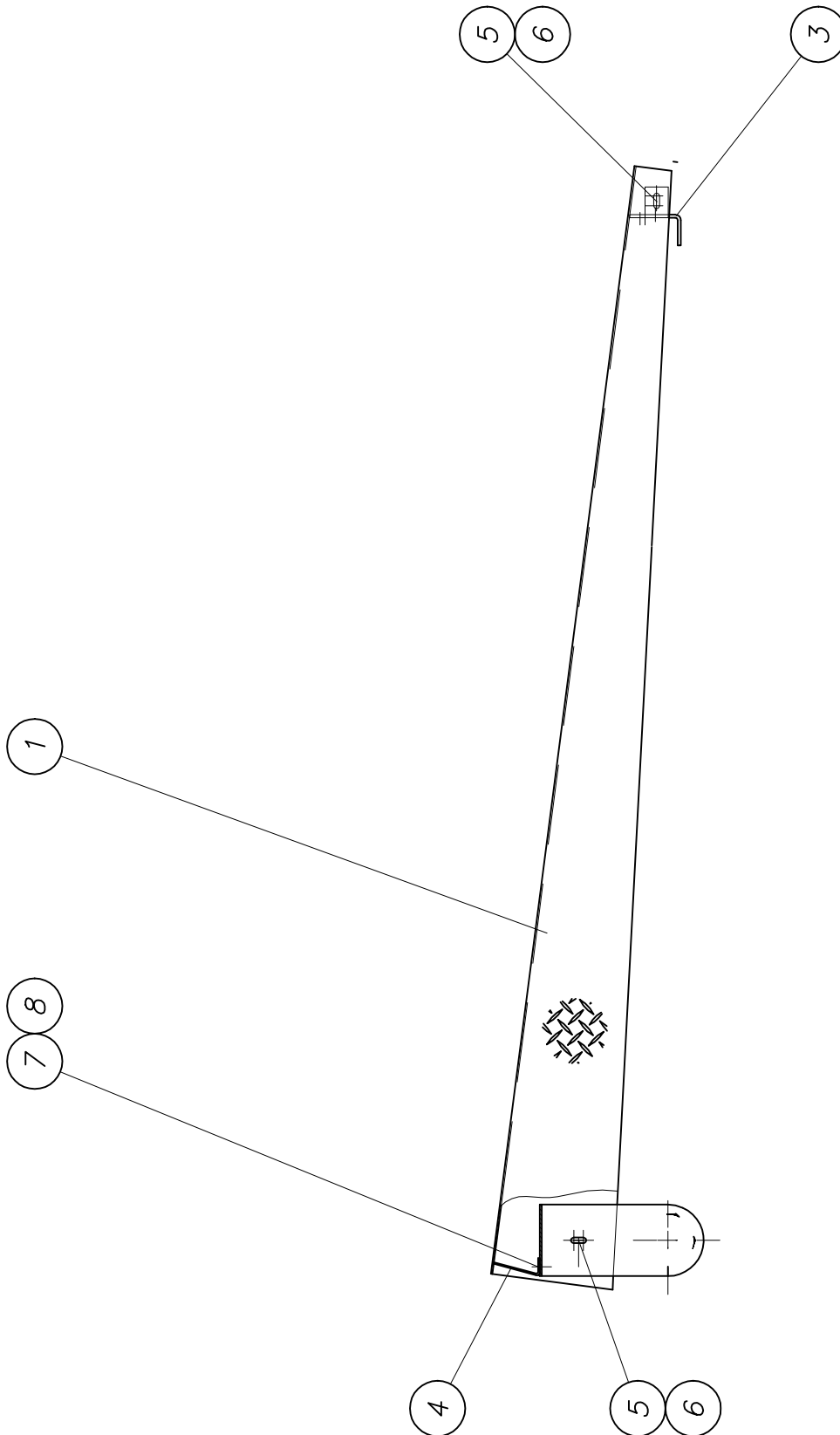


*Abdeckung Steuerblock cpl.  
cover for control block cpl.*

*B 72 1 015a*



*Waitzinger  
Baumaschinen GmbH*





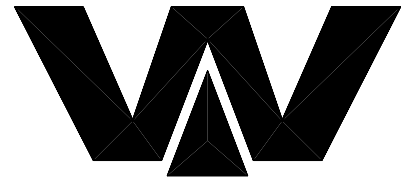
## PARTS LIST

part list	description	created	index	valid from	valid to	
B721015	cover for boom control block cpl.	05.07.01 Mi	a	07.02.06		
pos	description stock	ident-no dimensions	DIN material	index	weigth Kg	quantity unit
1	cover for boom control block	B721016 Tränenbl. 3x920	Al 99.8		13,40	1,00 Stk
3	holder for pipes	B721019 Bl 6x100x536	1541/EN10029 S235J2G3	a 01.12.03	2,30	1,00 Stk
4	angle	B721020 Bl 3x120x440	1543/EN10029 S235J2G3	a 16.12.03	1,00	1,00 Stk
5	hexagon bolt	WAI102244			0,50	2,00 Stk
6	hex. nut M10 DIN985 8.	WAI102125			0,01	2,00 Stk
7	hexagon bolt M 8 x 16 DIN 933 8.8	WAI102873				2,00 Stk
8	stop nut M8 DIN985 8. VERZ.	WAI102111			0,05	2,00 Stk

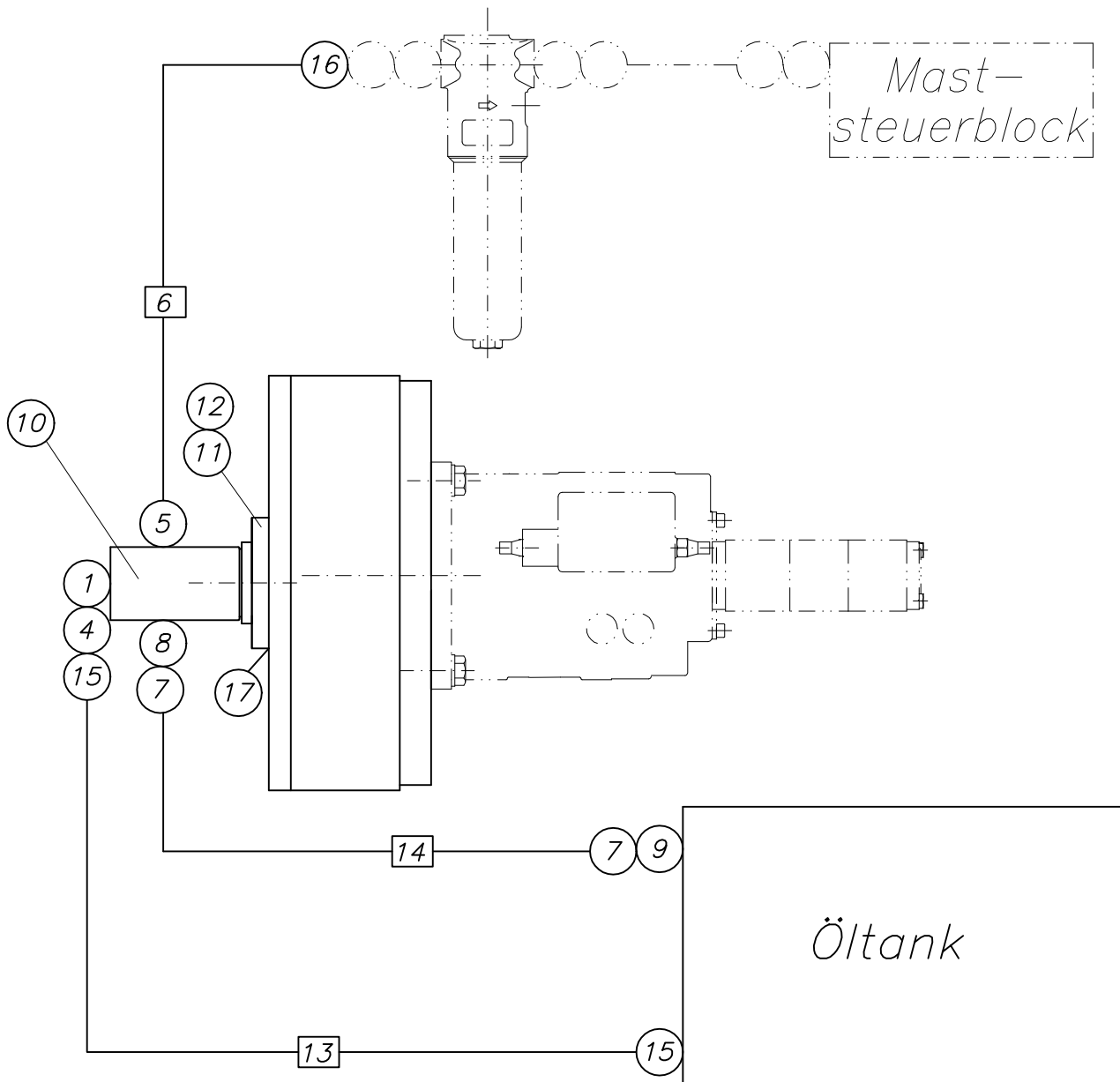


*Verrohrungsplan Pumpeinheit*  
*diagram pump unit*

*B 74 1 045a*



*Waitzinger*  
*Baumaschinen GmbH*

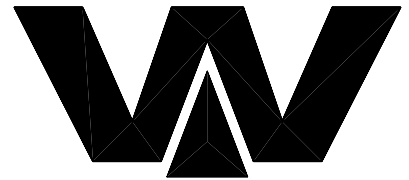




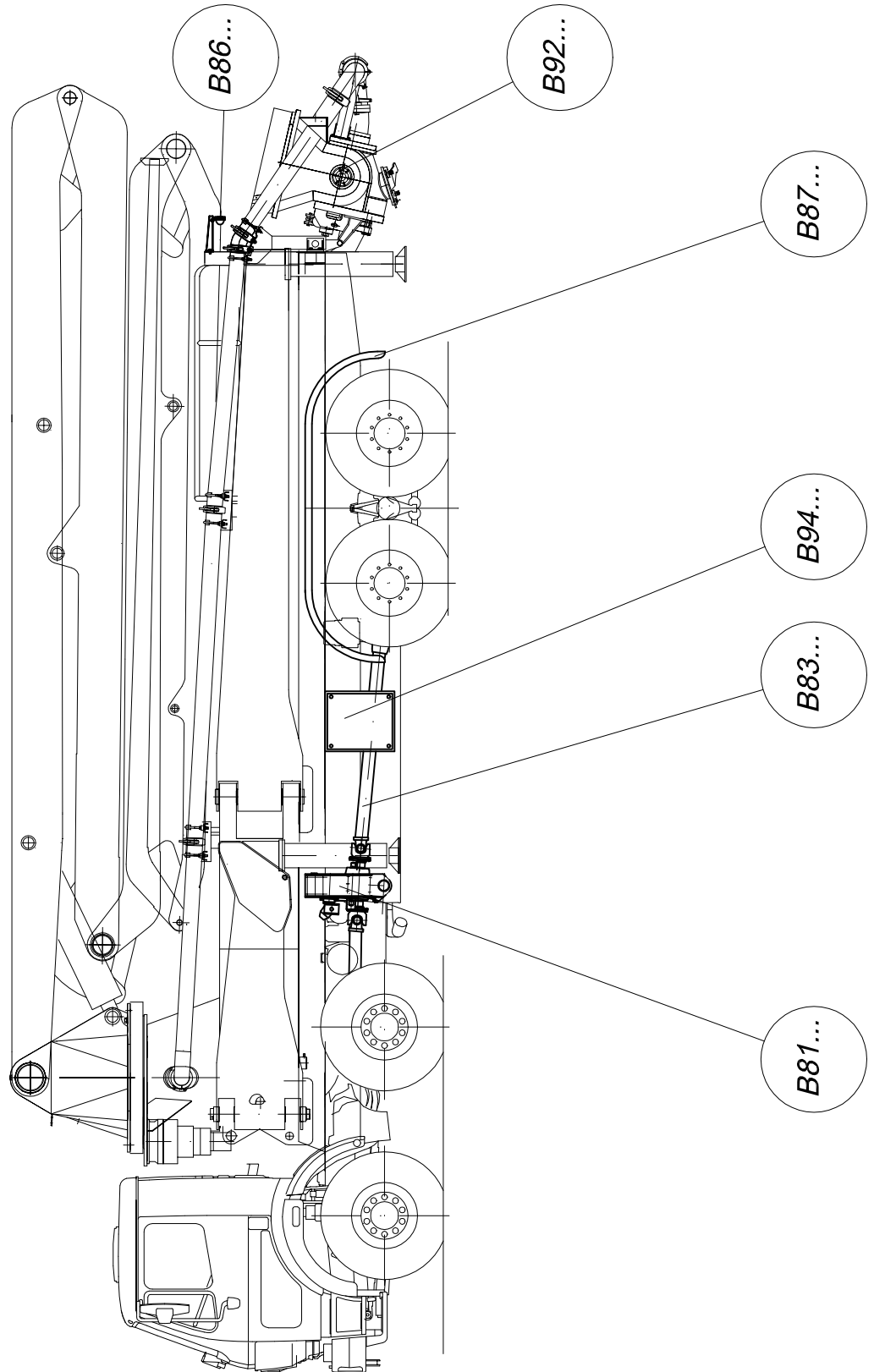
## PARTS LIST

part list	description	created	index	valid from	valid to	
B741045	pipng diagram hydraulic pump	25.07.02 Mi	a	04.08.03		
pos	description stock	ident-no dimensions	DIN material	index	weigh Kg	quantity unit
1	SAE-flange, 3/4", 3000 PSI complete	WAI104368				1,00 Stk
4	hose connection DN32, 3/4"	WAI106173				1,00 Stk
5	SAE-flange, 1/2", 6000 PSI complete	WAI105850				1,00 Stk
6	hydraulic hose DN 12 x 1500	WAI106172				1,00 Stk
7	swivel elbow L12	WAI103794				2,00 Stk
8	straight male stud couplings L12M	WAI100549				1,00 Stk
9	straight male stud couplings L12D	WAI100548				1,00 Stk
10	pump A2FO23/61 L-PAB 05	WAI103564			10,80	1,00 Stk
11	zylinder head screw M10 x 30	WAI103826				4,00 Stk
12	spring washer A10	WAI103079			0,00	4,00 Stk
13	suction hose DN 32	WAI105900				1,50 Mtr
14	hydraulic hose DN10 x 1800	WAI108350				1,00 Stk
15	hose clamp 42/20	WAI103141			0,22	2,00 Stk
16	swivel elbow S16	WAI100586				1,00 Stk
17	O-ring	WAI105771				1,00 Stk

*Übersicht B 80 - B 99*  
*over view B 80 - B 99*

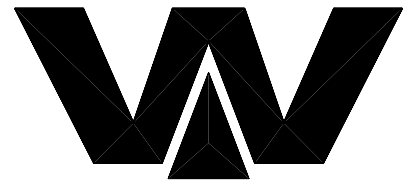


*Waitzinger  
Baumaschinen GmbH*

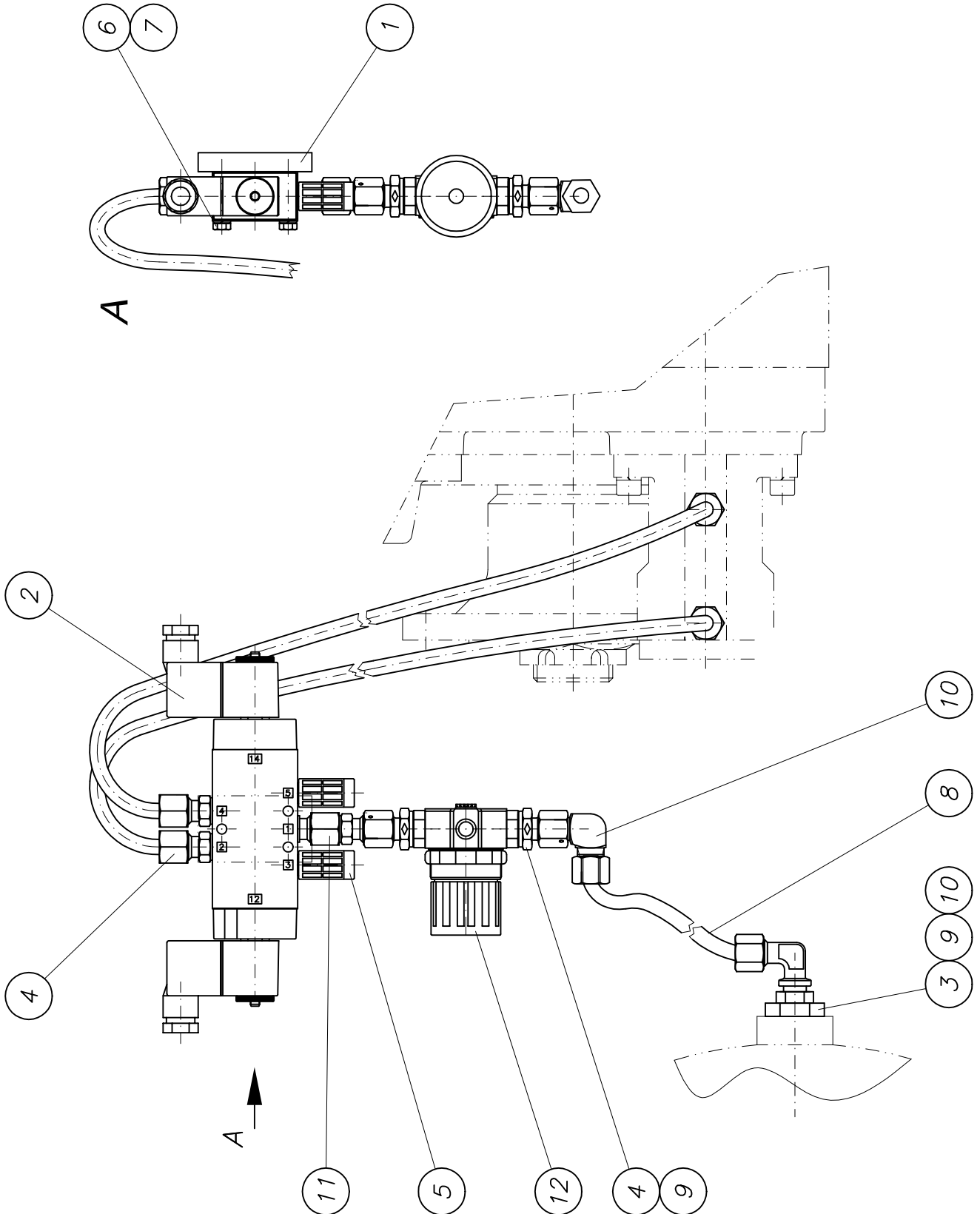


*Pneum. Getriebeumschaltung*  
*pneumatic gear change*

*B 81 4 051a*



*Waitzinger*  
*Baumaschinen GmbH*



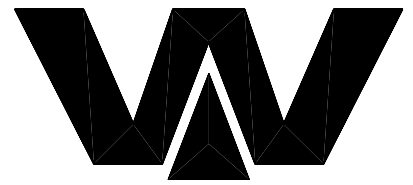


## PARTS LIST

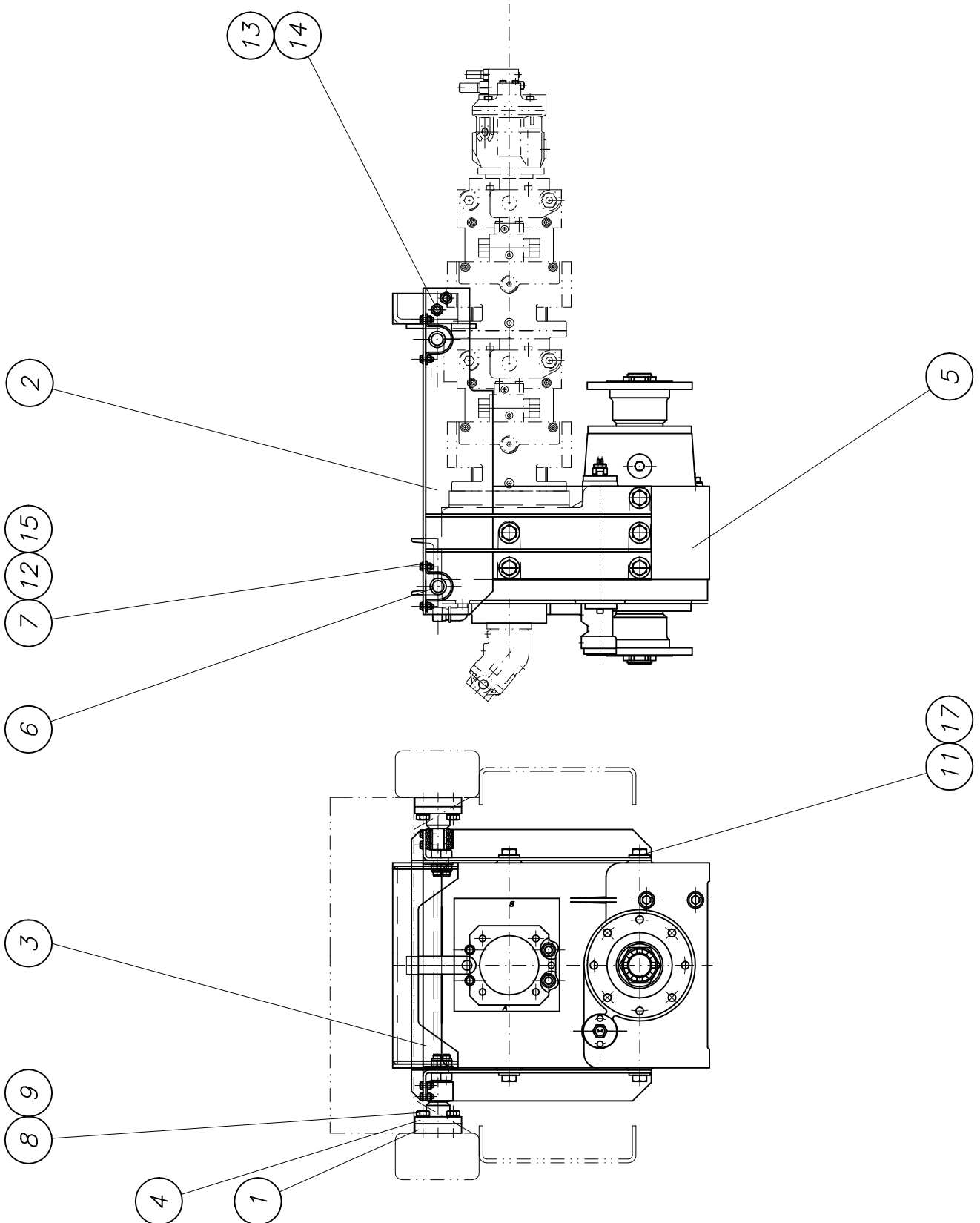
part list	description	created	index	valid from	valid to	
B814051	pneumatic gear change	20.10.99 ek	a	25.07.00		
pos	description stock	ident-no dimensions	DIN material	index	weighth Kg	quantity unit
1	tap plate for 5/2 way valve	B814031 BI 10x35x60	1543/EN10029 St37-2		0,17	1,00 Stk
2	pneumatic 5/2-way valve, 24 V own parts list	WAI100128			0,43	1,00 Stk
3	straigt male stud coupling L8 M22x1.5	WAI106295			0,11	1,00 Stk
4	male stud couplings L8 R 1/8"	WAI103497				7,00 Stk
5	silencer	WAI103526			0,00	2,00 Stk
6	hexagon bolt M 5 x 35	WAI104119				3,00 Stk
7	spring washer	WAI102246				3,00 Stk
8	plastic pipe	WAI100871			0,50	6,50 mtr
9	strengthening sleeve	WAI103493				10,00 Stk
10	adjustable elbow bodies L8	WAI100589				3,00 Stk
11	non return valve	WAI105882				1,00 Stk
12	pressure reducing valve	WAI105881				1,00 Stk
13	straight coupling SNV 8L	WAI101938				1,00 Stk
14	adjustable elbow bodies L8	WAI100589				1,00 Stk

*Verteilergetriebe kpl.*  
*gear box cpl.*

*B 81 4 086a*



*Waitzinger*  
*Baumaschinen GmbH*



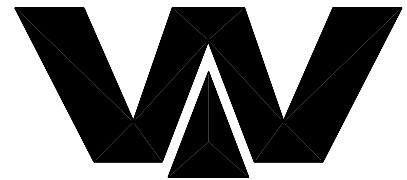


## PARTS LIST

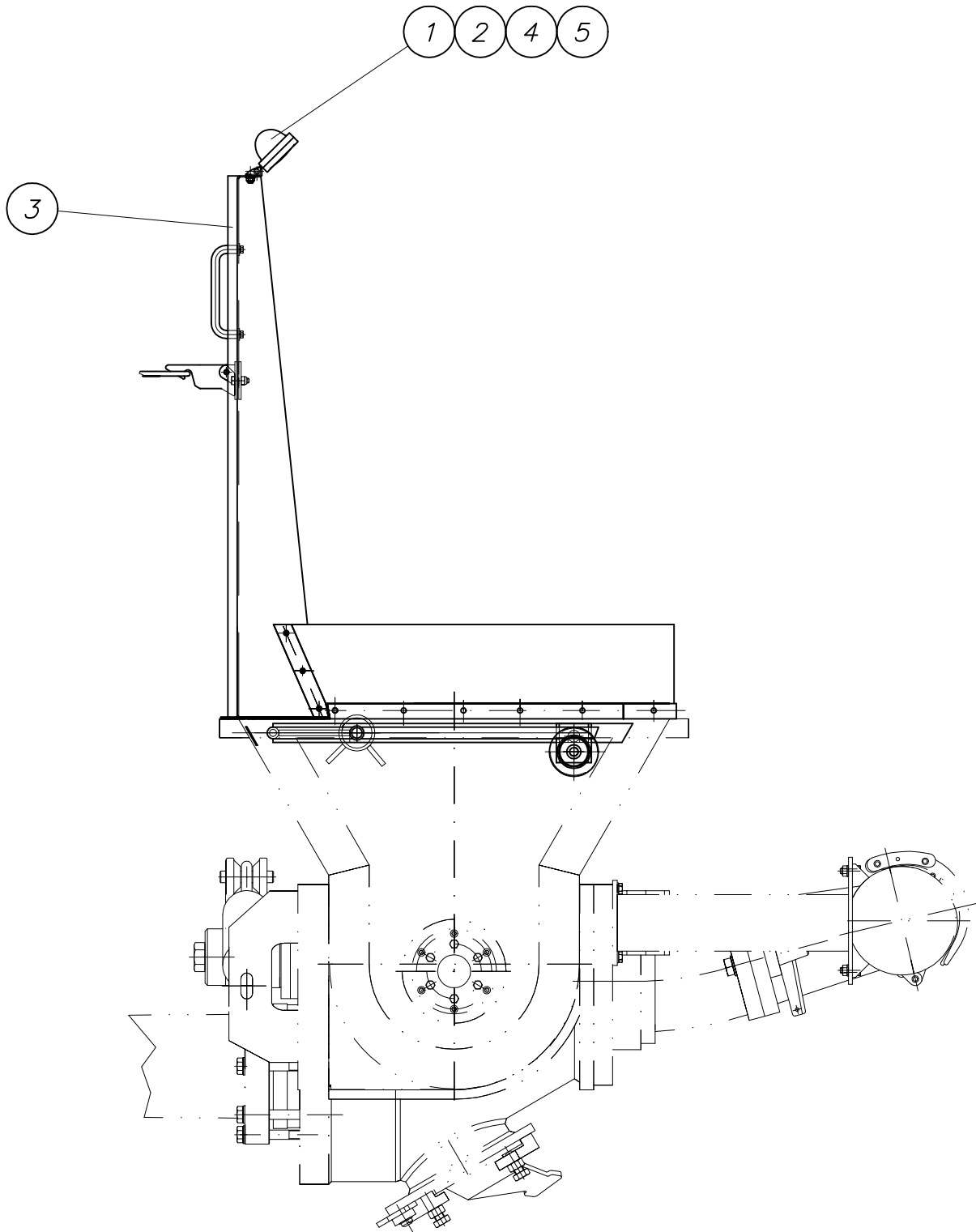
part list	description	created	index	valid from	valid to	
B814086	distributor gear box 4496.xx	14.08.03 ek	a	09.12.05		
pos	description stock	ident-no dimensions	DIN material	index	weight Kg	quantity unit
1	axle own parts list	B813133			1,50	4,00 Stk
2	console own parts list	B813121		a 07.04.03		1,00 Stk
3	cross profile own parts list	B813124		b 03.03.03	4,50	1,00 Stk
4	thread plate	B813104 FI 100x20x100	174 St37-2		1,50	4,00 Stk
5	PTO gearbox 4496. own parts list	WAI108412				1,00 Stk
6	buffer	WAI103414				4,00 Stk
7	hexagon bolt M8 x 25 DIN 933 8.8	WAI101621				16,00 Stk
8	hexagon bolt M16 x 35	WAI102071			0,08	16,00 Stk
9	conical spring washer	WAI100506				16,00 Stk
11	hexagon bolt M 20 x 50	WAI102860				10,00 Stk
12	stop nut M8 DIN985 8. VERZ.	WAI102111			0,05	16,00 Stk
13	cheese head screw M 16 x 40	WAI102859				4,00 Stk
14	nut M16 DIN 985	WAI102330				4,00 Stk
15	washer 8.4	WAI101625				16,00 Stk
17	conical spring washer	WAI102110			0,05	10,00 Stk

*Trichterbeleuchtung kpl.  
lightning for hopper cpl.*

*B 86 4 012a*



*Waitzinger  
Baumaschinen GmbH*







## PARTS LIST

part list	description		created	index	valid from	valid to
B864012	lightning for hopper		20.03.02 Mi	a	06.05.03	
pos	description stock	ident-no dimensions	DIN material	index	weigh Kg	quantity unit
1	lamp	WAI105322				1,00 Stk
2	lamp 24V	WAI105989				1,00 Stk
3	cable duct	WAI107289				0,50 Stk
4	hex. nut M10 DIN985 8.	WAI102125			0,01	1,00 Stk
5	washer 10.5	WAI101559			0,00	1,00 Stk

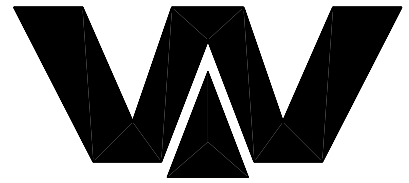


## PARTS LIST

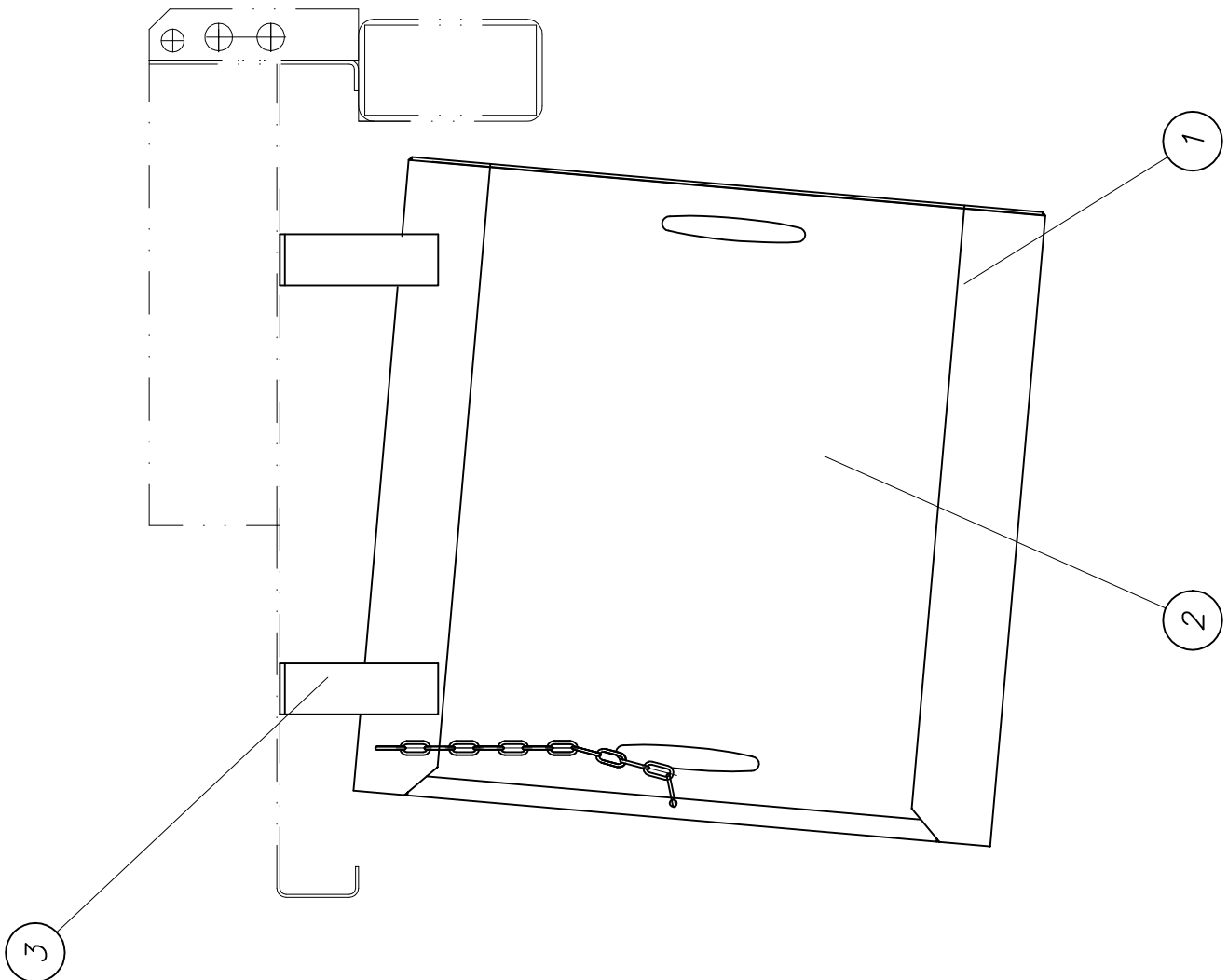
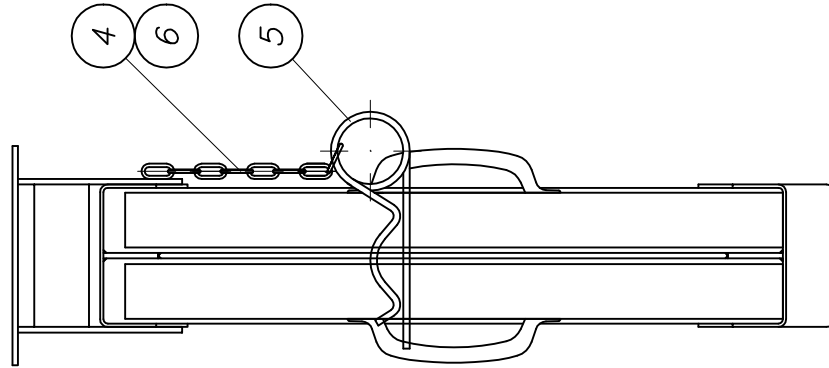
part list	description	created	index	valid from	valid to	
B903001	additional parts	05.03.02 Mi	a	20.09.03		
pos	description stock	ident-no dimensions	DIN material	index	weigh Kg	quantity unit
7	tool box	WAI104668				1,00 Stk
8	O-ring cord 12mm	WAI102908				1,00 Mtr

*Halter kpl.  
outrigger pad cpl.*

*B 91 3 010d*



*Waitzinger  
Baumaschinen GmbH*



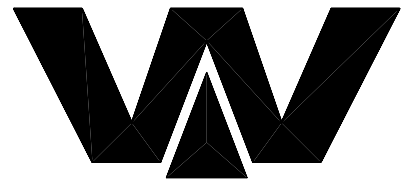


## PARTS LIST

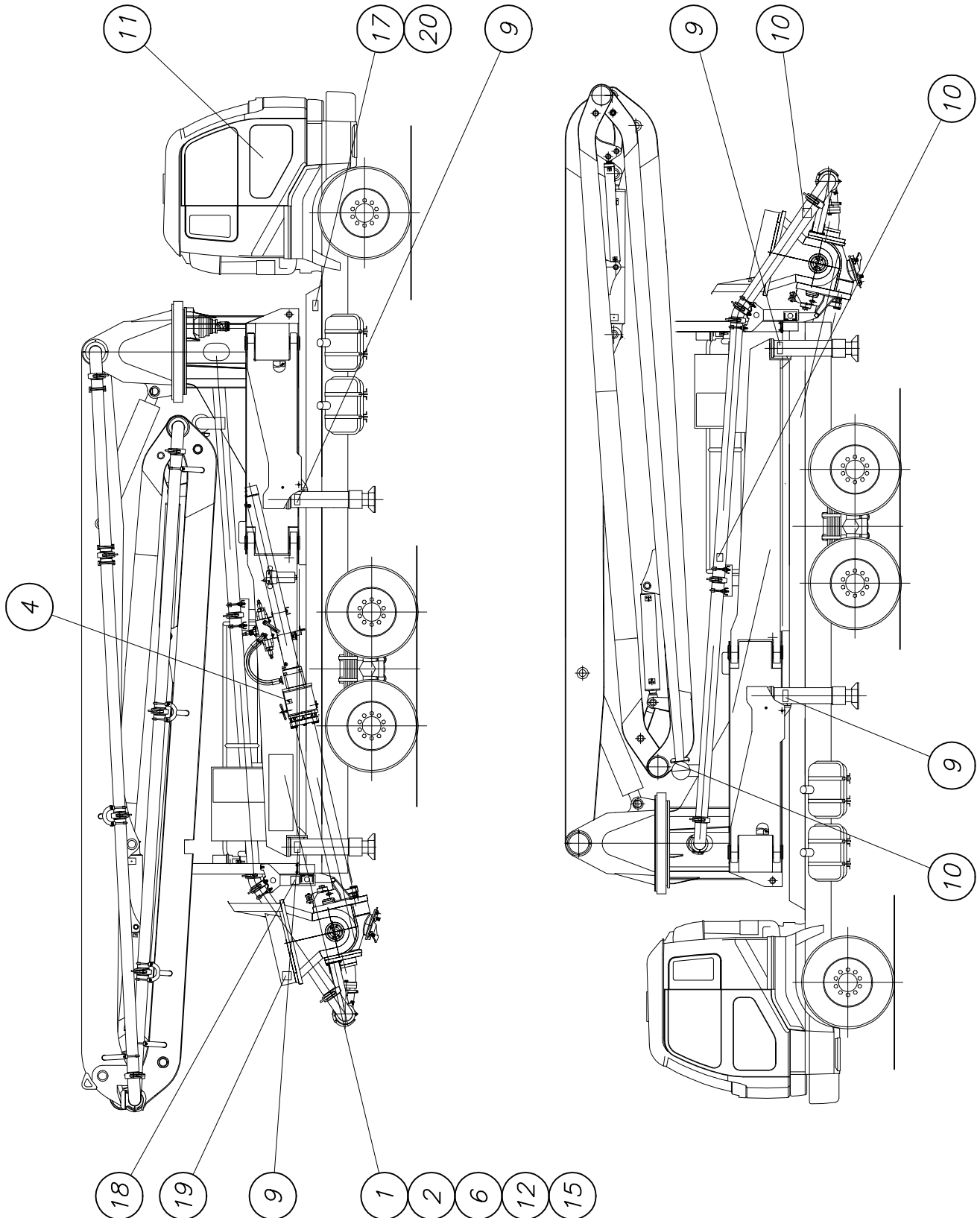
part list	description	created	index	valid from	valid to	
B913010	holder cpl.	10.07.97 HG	d	13.09.05		
pos	description stock	ident-no dimensions	DIN material	index	weighth Kg	quantity unit
1	holder own parts list	B913011		a 26.05.03	14,50	2,00 Stk
2	pad 600 x 600 x 40	WAI107152				4,00 Stk
3	bracket own parts list	B913018			1,24	4,00 Stk
4	chain 4mm	WAI103732				0,50 mtr
5	cotter pin	WAI101266			0,06	2,00 Stk
6	key ring	WAI104636				2,00 Stk

*Schildersatz Betonpumpe  
sticker set concrete pump*

*B 92 1 004*



*Waitzinger  
Baumaschinen GmbH*





## PARTS LIST

part list	description	created	index	valid from	valid to	
B921004	sticker set CP english without boom	21.09.00 hbk				
pos	description stock	ident-no dimensions	DIN material	index	weighth Kg	quantity unit
1	sticker operation eng.	WAI105932				1,00 Stk
2	sticker electrocution hazard d/e	WAI105934				1,00 Stk
4	sticker danger of bruise d/e	WAI105936				1,00 Stk
6	sticker remote control d/e	WAI105938				1,00 Stk
7	sticker hopper d/e	WAI105939				1,00 Stk
9	sticker outrigger d/e	WAI105941				4,00 Stk
10	sticker coupling d/e	WAI105942				3,00 Stk
11	sticker gearbox switch system d/e	WAI105943				1,00 Stk
12	sticker person protection d/e	WAI105944				1,00 Stk
15	sticker electrocution hazard 2 d/e	WAI105974				1,00 Stk
17	identification badge	WAI106179				1,00 Stk
18	sign AL agitator	WAI106030				1,00 Stk
19	sign AL water pump	WAI106031				1,00 Stk
20	sign AL delivery line	WAI106032				1,00 Stk



# PARTS LIST

part list	description	created	index	valid from	valid to	
B610050	sticker set pesdestal 36 XT	20.09.00 hbk				
pos	description stock	ident-no dimensions	DIN material	index	weigh Kg	quantity unit
1	sign plate for outrigger 36XT left	WAI106347				1,00 Stk
2	sign plate for outrigger 36XT right	WAI106346				1,00 Stk
3	sign plate for boom	WAI106345				1,00 Stk
4	sticker danger of bruise	WAI106367				2,00 Stk
5	sign AL jackcylinder	WAI106365				4,00 Stk
6	sticker check stabilzers	WAI106370				1,00 Stk
7	sticker grease nipple	WAI106369				1,00 Stk
8	sticker outrigger d/e	WAI105941				2,00 Stk
9	sticker sloping 3 degrees	WAI106366				2,00 Stk
10	sticker Al Reach of 36 XT own parts list	WAI106373				1,00 Stk



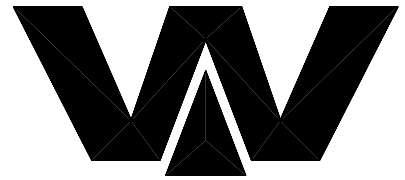
## PARTS LIST

<b>part list</b>	<b>description</b>	<b>created</b>	<b>index</b>	<b>valid from</b>	<b>valid to</b>	
B660050	sticker boom 36 XT	21.09.06 hbk				
<b>pos</b>	<b>description stock</b>	<b>ident-no dimensions</b>	<b>DIN material</b>	<b>index</b>	<b>weigh Kg</b>	<b>quantity unit</b>
1	sticker AI Reach of 36 XT own parts list	WAI106373				1,00 Stk
2	sticker electrocution hazard d/e	WAI105934				1,00 Stk
3	sticker crane d/e	WAI105937				2,00 Stk
4	sticker danger area d/e	WAI105940				2,00 Stk
5	sticker weight endhose d/e	WAI105975				2,00 Stk

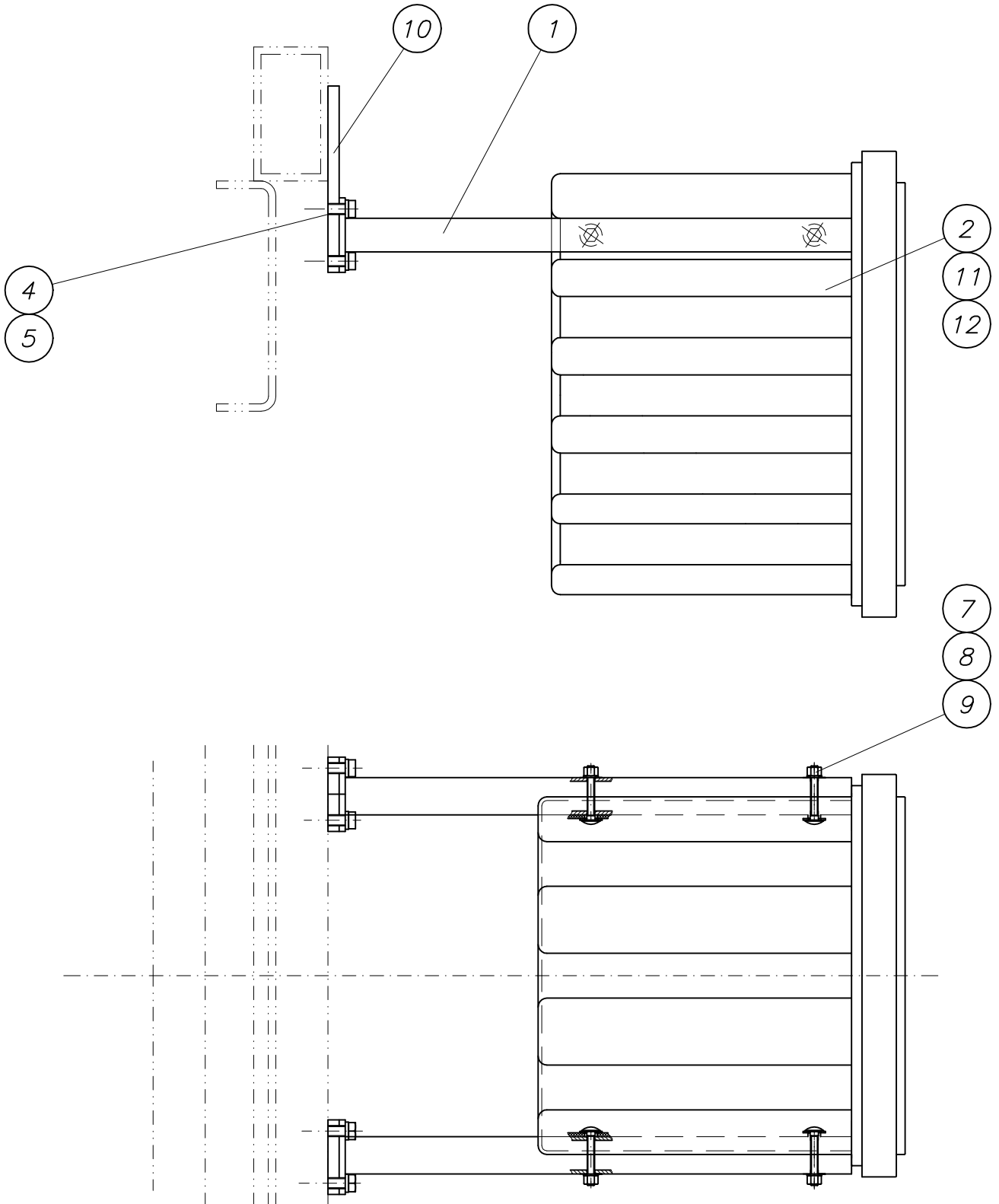


*Werkzeugkasten kpl.*  
*tool box cpl.*

*B 94 1 020e*



Waitzinger  
Baumaschinen GmbH





## PARTS LIST

part list	description	created	index	valid from	valid to	
B941020	tool box with holder cpl.	14.03.06	e	27.03.06		
pos	description stock	ident-no dimensions	DIN material	index	weight Kg	quantity unit
1	bracket for tool box own parts list	B941022		a 27.07.04	3,60	2,00 Stk
2	toolbox	WAI105898				1,00 Stk
4	cheese head screw	WAI106664				8,00 Stk
5	spring washer	WAI103668			0,00	8,00 Stk
7	cup square neck bolt M 10 x 70	WAI106042 M10x70	603 8.8			4,00 Stk
8	washer 10.5	WAI101559			0,20	4,00 Stk
9	hex. nut M10 DIN985 8.	WAI102125			0,01	4,00 Stk
10	plate	B941026 BI 15x100x250	EN 10029 S235J2G3	a 26.02.04	3,20	2,00 Stk
11	accessories for toolbox	WAI109370				1,00 Stk
12	accessories for toolbox	WAI109371				1,00 Stk



## PARTS LIST

part list	description	created	index	valid from	valid to	
WAI105912	tool set for concrete pump	17.11.95 Mi	a	31.05.06		
pos	description stock	ident-no dimensions	DIN material	index	weight Kg	quantity unit
1	socket wrench 13 x 17 mm	WAI104663				1,00 Stk
2	open-end wrench set, 6-30 mm	WAI104664				1,00 Stk
3	open-end wrench 32/36 mm	WAI104665				1,00 Stk
4	allenwrench - set 2 - 14 mm	WAI104666				1,00 Stk
5	allenwrench 17 mm	WAI104667				1,00 Stk
6	hexagon bolt M24 x 120	WAI104659				2,00 Stk
7	hexagon bolt M20 x 150	WAI104660				2,00 Stk
8	nut M20 DIN 934	WAI102891				2,00 Stk
9	washer 21, DIN 125	WAI102941				2,00 Stk
10	hexagon bolt M 14x90	WAI102533				2,00 Stk
11	hexagon bolt M10x140	WAI104661				2,00 Stk
12	nut M10 DIN 934	WAI101556			0,01	2,00 Stk
13	washer 10.5	WAI101559			0,20	2,00 Stk
14	hexagon bolt M10x100	WAI104662				2,00 Stk
15	tool bag	WAI105904				1,00 Stk
16	sponge ball (soft) DN150	WAI100266			0,50	1,00 Stk
17	sponge ball (hard) DN150	WAI100267			0,75	1,00 Stk
18	hook spanner 90-155 mm	WAI104982				1,00 Stk
19	snap coupling 5 1/2"	WAI101547				1,00 Stk
20	three lips rubber gasket DN 5.5"	WAI107571			0,20	5,00 Stk
21	O-ring	WAI108091			0,05	3,00 Stk



## PARTS LIST

part list	description	created	index	valid from	valid to	
WAI105912	tool set for concrete pump	17.11.95 Mi	a	31.05.06		
pos	description stock	ident-no dimensions	DIN material	index	weigh Kg	quantity unit
22	screw driver, cross-type	WAI105901				1,00 Stk
23	screw driver, size 4	WAI105902				1,00 Stk
24	screw driver, size 10	WAI105903				1,00 Stk
25	hammer, 2 Kg.	WAI105905				1,00 Stk
26	grease pump	WAI107229				1,00 Stk
27	additional parts electro own parts list	WAI110253				1,00 Stk



# PARTS LIST

part list	description	created	index	valid from	valid to	
WAI110253	additional parts electro	29.05.06 WAITZ01\Ute				
pos	description stock	ident-no dimensions	DIN material	index	weigh Kg	quantity unit
1	inductiv sensor BHS B135V	WAI108879				1,00 Stk
2	inductiv sensor BES 516-356	WAI103130			0,03	1,00 Stk
3	fuse 10 A	WAI101921				5,00 Stk
4	fuse 25 A	WAI109561				2,00 Stk
5	fuse	WAI110003 D10,3x38,1				1,00 Stk
6	magnet coil GZ 45-4- 26V	WAI102396			0,35	1,00 Stk
7	magnet coil 24V	WAI109743				1,00 Stk