



REED TRAILER MOUNTED CONCRETE PUMP 00 MODEL C70S ILLUSTRATED PARTS MANUAL CONTAINS THE FOLLOWING GROUPS AND FIGURES:

GROUP 00 HOW TO USE PARTS MANUAL

- FIGURE 00** TABLE OF CONTENTS
- FIGURE 01** HOW TO USE PARTS MANUAL
- FIGURE 02** HOW TO ORDER PARTS

GROUP 10 FINAL INSTALLATION

- FIGURE 00** TABLE OF CONTENTS
- FIGURE 01** FINAL INSTALLATION
- FIGURE 02** DECAL ASSEMBLY

GROUP 20 HOPPER INSTALLATION

- FIGURE 00** TABLE OF CONTENTS
- FIGURE 01** HOPPER INSTALLATION
- FIGURE 02** HOPPER CLEAN OUT DOOR ASSEMBLY
- FIGURE 03** AGITATOR ASSEMBLY
- FIGURE 04** AGITATOR MOTOR ASSEMBLY
- FIGURE 05** AGITATOR/OUTRIGGERS CONTROL VALVE ASSEMBLY
- FIGURE 06** AGITATOR/OUTRIGGER CONTROL VALVE SUB-ASSEMBLY

GROUP 30 TANK INSTALLATION

FIGURE 00	TABLE OF CONTENTS
FIGURE 01	TANK INSTALLATION
FIGURE 02	HYDRAULIC TANK ASSEMBLY
FIGURE 03	ACCUMULATOR ASSEMBLY
FIGURE 04	ACCUMULATOR BLADDER REPAIR KIT
FIGURE 05	SWING TUBE CIRCUIT MANIFOLD ASSEMBLY
FIGURE 06	SWING TUBE CIRCUIT MAIN SOLENOID VALVE ASSEMBLY
FIGURE 07	BALL VALVE ASSEMBLY

GROUP 40 POWER TRAIN INSTALLATION

FIGURE 00	TABLE OF CONTENTS
FIGURE 01	POWER TRAIN INSTALLATION
FIGURE 02	POWER TRAIN ASSEMBLY
FIGURE 03	DOUBLE AUXILIARY PUMP ASSEMBLY
FIGURE 04	SINGLE AUXILIARY PUMP ASSEMBLY (OPTIONAL)
FIGURE 05	MAIN HYDRAULIC PUMP ASSEMBLY
FIGURE 06	BATTERY MOUNTING ASSEMBLY

GROUP 50 CONTROLS INSTALLATION

FIGURE 00	TABLE OF CONTENTS
FIGURE 01	CONTROLS INSTALLATION
FIGURE 02	CONTROL BOX ASSEMBLY
FIGURE 03	50 FEET CABLE REMOTE CONTROL ASSEMBLY
FIGURE 04	RADIO REMOTE CONTROL ASSEMBLY

GROUP 60 PUMPING TRAIN INSTALLATION

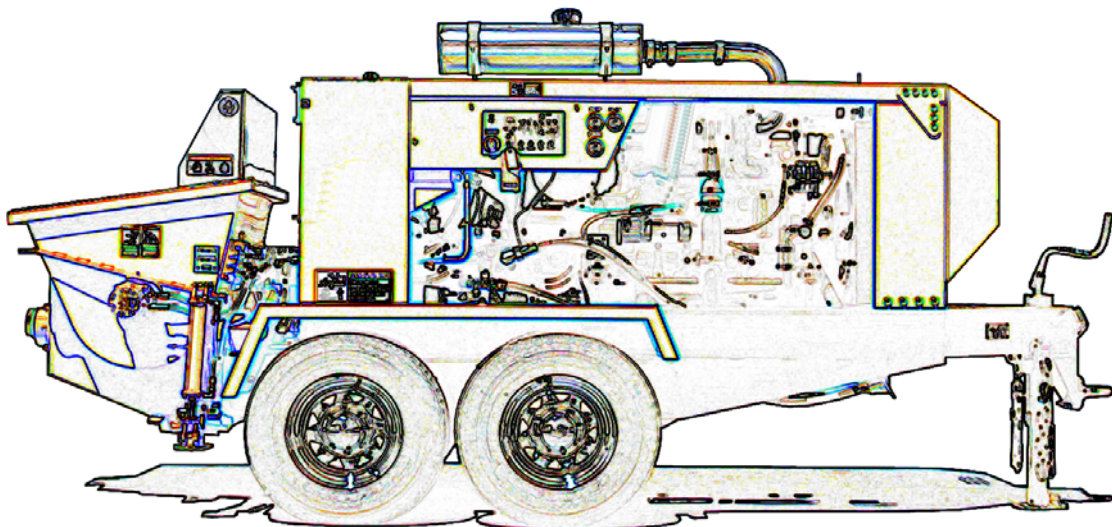
FIGURE 00	TABLE OF CONTENTS
FIGURE 01	PUMPING TRAIN INSTALLATION
FIGURE 02	SWING VALVE ASSEMBLY
FIGURE 03	SWING RAM CYLINDER SUB-ASSEMBLY
FIGURE 04	CONCRETE CYLINDER ASSEMBLY
FIGURE 05	FLUSHBOX ASSEMBLY
FIGURE 06	HYDRAULIC DRIVE CYLINDER ASSEMBLY
FIGURE 07	HYDRAULIC DRIVE CYLINDER SUB-ASSEMBLY

GROUP 70 FRAME INSTALLATION

- FIGURE 00** TABLE OF CONTENTS
- FIGURE 01** FRAME INSTALLATION
- FIGURE 02** HYDRAULIC OUTRIGGER CYLINDER ASSEMBLY
- FIGURE 03** HUB AND BRAKE ASSEMBLY
- FIGURE 04** NON-OPERATOR SIDE ELECTRIC BRAKE ASSEMBLY
- FIGURE 05** OPERATOR SIDE ELECTRIC BRAKE ASSEMBLY

GROUP 80 OPTIONAL INSTALLATION

- FIGURE 00** TABLE OF CONTENTS
- FIGURE 01** OPTIONAL INSTALLATION
- FIGURE 02** LUBE SYSTEM ASSEMBLY
- FIGURE 03** 12 VOLT LUBE PUMP ASSEMBLY
- FIGURE 04** HOPPER VIBRATOR ASSEMBLY
- FIGURE 05** CHROME WHEEL ASSEMBLY
- FIGURE 06** OPTIONAL TOOL KIT ASSEMBLY
- FIGURE 07** ACTUATOR BRAKES ASSEMBLY
- FIGURE 08** WASH PUMP ASSEMBLY
- FIGURE 09** WASH PUMP CONTROL VALVE ASSEMBLY
- FIGURE 10** WASH PUMP MOTOR ASSEMBLY
- FIGURE 11** ACCUMULATOR CHARGE KIT
- FIGURE 12** NON-OPERATOR SIDE HYDRAULIC BRAKE ASSEMBLY
- FIGURE 13** OPERATOR SIDE HYDRAULIC BRAKE ASSEMBLY
- FIGURE 14** 1 SPOOL CONTROL VALVE ASSEMBLY
- FIGURE 15** 1 SPOOL CONTROL VALVE SUB-ASSEMBLY
- FIGURE 16** 2 SPOOL CONTROL VALVE ASSEMBLY
- FIGURE 17** 2 SPOOL CONTROL VALVE SUB-ASSEMBLY





**TRAILER MOUNTED PUMP 00 MODEL C70S
HOW TO USE PART MANUAL**

**C70S
PARTS
GROUP 00
FIGURE 01
PAGE 01**

I. PURPOSE

This parts manual is prepared, issued and/or revised by **REED** Manufacturing, for the exclusive use of its customers and is intended for use in provisioning, requisitioning, storing and issuing replaceable **REED** trailer mounted pump **00** model **C70S**. The contents are proprietary to **REED** and are subject to change without notice. The use of any part of this document by any other person or persons or for any other purpose without the written consent of **REED** is expressly prohibited. In addition, **REED** expressly disclaims any and all responsibility arising in or any way related to such **REED**'s prior written consent thereto.

The parts number content of this document, arrangement and breakdown sequence of items is compatible with Military Standard (**MS**) and Air Transport Association Specification (**ATA**).

II. GENERAL SYSTEM OF ASSEMBLY ORDER – Detailed Parts List (Refer to Next Page)

1. This area refers to the corresponding illustration

MODEL – GROUP – FIGURE – PAGE

A. MODEL shows which is **REED**'s model number.

B. GROUP should be divided with:

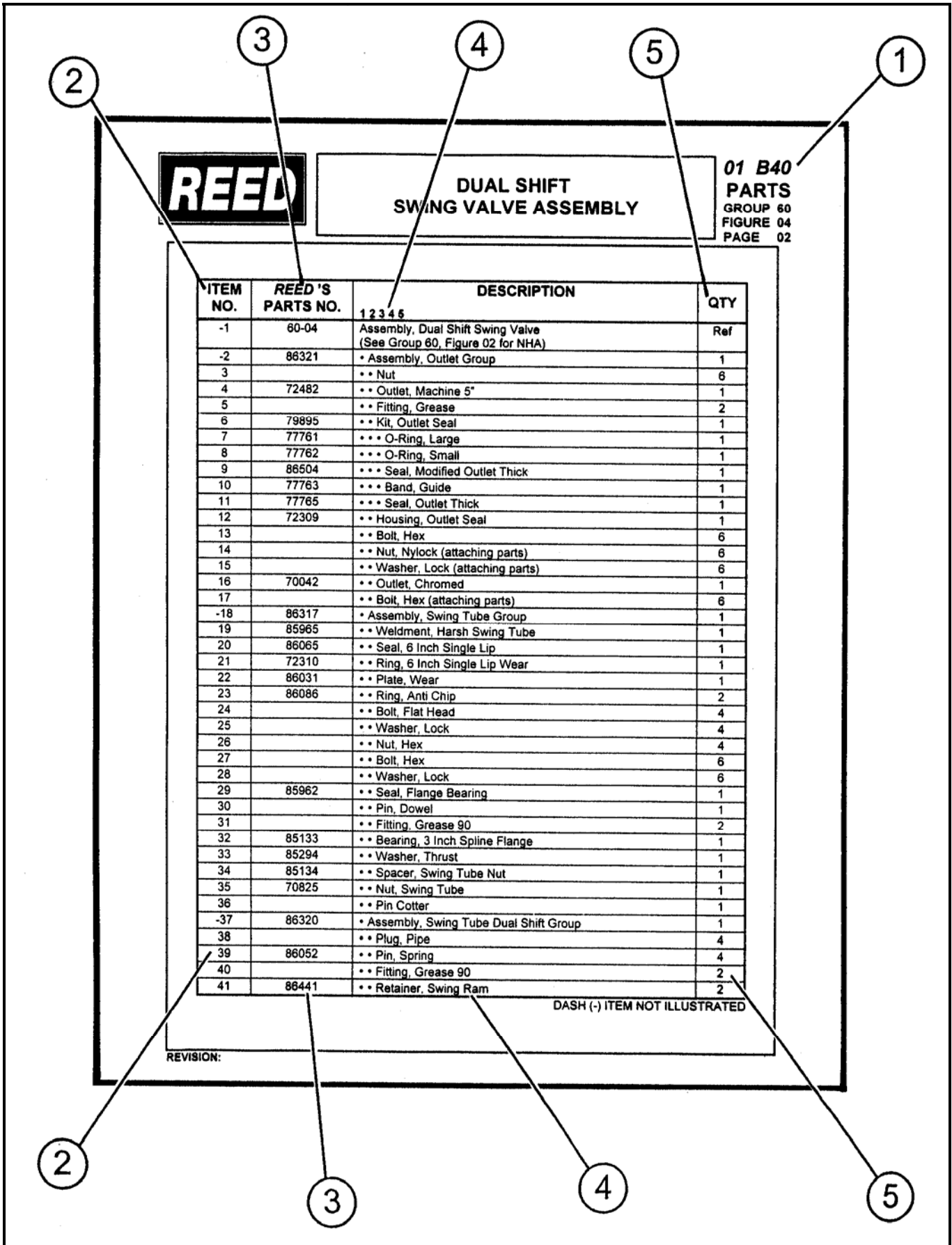
- 00** **00** MODEL **C70S** PARTS MANUAL
- 10** FINAL INSTALLATION
- 20** HOPPER INSTALLATION
- 30** TANK INSTALLATION
- 40** POWER TRAIN INSTALLATION
- 50** CONTROL INSTALLATION
- 60** PUMPING TRAIN INSTALLATION
- 70** FRAME INSTALLATION
- 80** OPTIONAL INSTALLATION

C. FIGURE belong to the group. Please see page of contents and each group.

D. PAGE numbers follow to the right of each figure number.

2. The **ITEM NUMBER** corresponds to the item number shown for the part in illustration. Parts with item number preceded by a dash (such as: -1, -5, -12 etc.) are not illustrated.

3. **PARTS NUMBERS** that carry a **REED** part number.



REED

DUAL SHIFT SWING VALVE ASSEMBLY

01 B40 PARTS
GROUP 60
FIGURE 04
PAGE 02

ITEM NO.	REED'S PARTS NO.	DESCRIPTION					QTY
		1	2	3	4	5	
-1	60-04	Assembly, Dual Shift Swing Valve (See Group 60, Figure 02 for NHA)					Ref
-2	86321	• Assembly, Outlet Group					1
3		• • Nut					6
4	72482	• • Outlet, Machine 5"					1
5		• • Fitting, Grease					2
6	79895	• • Kit, Outlet Seal					1
7	77761	• • • O-Ring, Large					1
8	77762	• • • O-Ring, Small					1
9	86504	• • • Seal, Modified Outlet Thick					1
10	77763	• • • Band, Guide					1
11	77765	• • • Seal, Outlet Thick					1
12	72309	• • Housing, Outlet Seal					1
13		• • Bolt, Hex					6
14		• • Nut, Nylock (attaching parts)					6
15		• • Washer, Lock (attaching parts)					6
16	70042	• • Outlet, Chromed					1
17		• • Bolt, Hex (attaching parts)					6
-18	86317	• Assembly, Swing Tube Group					1
19	85965	• • Weldment, Harsh Swing Tube					1
20	86065	• • Seal, 6 Inch Single Lip					1
21	72310	• • Ring, 6 Inch Single Lip Wear					1
22	86031	• • Plate, Wear					1
23	86086	• • Ring, Anti Chip					2
24		• • Bolt, Flat Head					4
25		• • Washer, Lock					4
26		• • Nut, Hex					4
27		• • Bolt, Hex					6
28		• • Washer, Lock					6
29	85962	• • Seal, Flange Bearing					1
30		• • Pin, Dowel					1
31		• • Fitting, Grease 90					2
32	85133	• • Bearing, 3 Inch Spline Flange					1
33	85294	• • Washer, Thrust					1
34	85134	• • Spacer, Swing Tube Nut					1
35	70825	• • Nut, Swing Tube					1
36		• • Pin Cotter					1
-37	86320	• Assembly, Swing Tube Dual Shift Group					1
38		• • Plug, Pipe					4
39	86052	• • Pin, Spring					4
40		• • Fitting, Grease 90					2
41	86441	• • Retainer, Swing Ram					2

DASH (-) ITEM NOT ILLUSTRATED

REVISION:

REED

DUAL SHIFT SWING VALVE ASSEMBLY

01 B40 PARTS
GROUP 60
FIGURE 04
PAGE 02



TRAILER MOUNTED PUMP 00 MODEL C70S HOW TO USE PART MANUAL

C70S
PARTS
GROUP 00
FIGURE 01
PAGE 04

4. DESCRIPTION

A. The **INDENTURE SYSTEM** used in the parts list shows the relationship of one part to another. For a given item, the number of indentures depicts the relationship of the item to the components of the item as follows:

1 2 3 4 5

Assembly (or Installation)

- **Detail part of assembly**
- **Sub-assembly**
- **Attaching parts for sub-assembly**
 - • **Detail part of sub-assembly**
 - • **Sub-sub-assembly**
 - • **Attaching parts for sub-sub-assembly**
 - • • **Detail part of sub-sub-assembly**
 - • • **Sub-sub-sub-assembly**
 - • • **Attaching parts of sub-sub-sub-assembly**
 - • • • **Detail part of sub-sub-sub-assembly**

B. "See Group 60, Figure 02 For **NHA**"

Identifies the illustrated parts chapter location; indicates where the Next Higher Assembly (**NHA**) of the item shown.

C. "See Group 60, Figure 07 For **DET**"

Identifies the illustrated parts chapter location; indicates where the item and its Detailed Breakdown (**DET**) is shown.

D. "See Group 30, Figure 05 for **REF**" or "See Vendor Chapter For **REF**"

Identifies the illustrated parts chapter where the part is, and if listed and illustrated in Vendor Chapter. It is used as a cross-reference (**REF**).

5. QUANTITY

A. Reference (**REF**) indicates the items that is listed previously in the Next Higher Assembly (**NHA**) and then again in this figure.

B. As Required (**A/R**) indicates the parts that is used in a quantity as required.

C. A number entry indicates the quantity of the part used in its next higher application.

6. Functionally related assemblies are illustrated in phantom (— — —) but not listed on the detail parts list page.

REVISION:



**TRAILER MOUNTED PUMP 00 MODEL C70S
HOW TO ORDER PARTS**

**C70S
PARTS
GROUP 00
FIGURE 02
PAGE 01**

1. Always give serial number and model of **REED** trailer mounted concrete pump **00** model **C70S**. (Refer to each unit name plate shown below). NOTE: This manual is being released to cover unit starting with serial number **3-08-1-2876** to current production. Some components used on earlier units differ from current productions. Where this occurs, the part is identified by a serial number.

REED		PHONE (909) 287-2100	
13822 OAKS AVENUE		FAX (909) 287-2140	
CHINO, CA 91710 USA			
MODEL	_____	SERIAL NO	_____
MATERIAL PRESSURE	_____	PSI	_____ 3AR
HYDRAULIC PRESSURE	_____	PSI	_____ 3AR
ENGINE / PTO ELECTRIC MOTOR	_____	RPM	_____ /DLTS
PN 96636			

2. Always specify part number and complete name of parts ordered.
- A. Turn to table of content in the desired Installation. Refer to main group in which part should be listed.
 - B. Find title of figure in which the part should be shown. Note figure number.

TRAILER MOUNTED PUMP 01 MODEL B40

GROUP 60 PUMPING TRAIN INSTALLATION

01 B40

PARTS

GROUP 60

FIGURE 00

PAGE 01

SHOWN MODEL DUAL SHIFT HARSH MIX HOPPER UNIT

REED TRAILER MOUNTED CONCRETE PUMP 01 MODEL B45 ILLUSTRATED PARTS MANUAL GROUP 60 PUMPING TRAIN INSTALLATION CONTAINS THE FOLLOWING FIGURES:

FIGURE 00	TABLE OF CONTENTS
FIGURE 01	SINGLE SHIFT PUMPING TRAIN INSTALLATION
FIGURE 02	DUAL SHIFT PUMPING TRAIN INSTALLATION
FIGURE 03	SINGLE SHIFT SWING VALVE ASSEMBLY
FIGURE 04	DUAL SHIFT SWING VALVE ASSEMBLY
FIGURE 05	SINGLE SHIFT SWING RAM CYLINDER SUB-ASSEMBLY
FIGURE 06	DUAL SHIFT SWING RAM CYLINDER SUB-ASSEMBLY
FIGURE 07	MATERIAL CYLINDER ASSEMBLY
FIGURE 08	FLUSHBOX ASSEMBLY
FIGURE 09	HYDRAULIC DRIVE CYLINDER ASSEMBLY
FIGURE 10	HYDRAULIC DRIVE CYLINDER SUB-ASSEMBLY

REVISION:

REVISION:



TRAILER MOUNTED PUMP 00 MODEL C70S HOW TO ORDER PARTS

C70S
PARTS
GROUP 00
FIGURE 02
PAGE 02

REED DUAL SHIFT SWING VALVE ASSEMBLY
01 B40 PARTS GROUP 00 FIGURE 04 PAGE 01

HOPPER REF (STANDARD P/N: 88107) (HARSH MIX P/N: 88032)

SWING RAM HOUSE REF (RH P/N: 85941) (LH P/N: 85942)

HOPPER REF (STANDARD P/N: 88107) (HARSH MIX P/N: 88032)

REVISION:

REED DUAL SHIFT SWING VALVE ASSEMBLY
01 B40 PARTS GROUP 00 FIGURE 04 PAGE 02

ITEM NO.	REED'S PARTS NO.	DESCRIPTION	QTY
-1	60-04	Assembly, Dual Shift Swing Valve (See Group 60, Figure 02 for NHA)	Ref
-2	86321	Assembly, Outlet Group	1
3		** Nut	6
4	72482	** Outlet, Machine 5"	1
5		** Fitting, Grease	2
6	79895	** Kit, Outlet Seal	1
7	77781	*** O-Ring, Large	1
8	77782	*** O-Ring, Small	1
9	86504	*** Seal, Modified Outlet Thick	1
10	77783	*** Band, Guide	1
11	77785	*** Seal, Outlet Thick	1
12	72309	** Housing, Outlet Seal	1
13		** Bolt, Hex	6
14		** Nut, Nylock (attaching parts)	6
15		** Washer, Lock (attaching parts)	6
16	70042	** Outlet, Chromed	1
17		** Bolt, Hex (attaching parts)	6
-18	86317	Assembly, Swing Tube Group	1
19	85965	** Weldment, Harsh Swing Tube	1
20	86085	** Seal, 6 Inch Single Lip	1
21	72310	** Ring, 6 Inch Single Lip Wear	1
22	86031	** Plate, Wear	1
23	86086	** Ring, Anti Chip	2
24		** Bolt, Flat Head	4
25		** Washer, Lock	4
26		** Nut, Hex	4
27		** Bolt, Hex	6
28		** Washer, Lock	6
29	85962	** Seal, Flange Bearing	1
30		** Pin, Dowel	1
31		** Fitting, Grease 90	2
32	80723	** Bearing, 3 Inch Spring Flange	1
33	85294	** Washer, Thrust	1
34	86184	** Spacer, Swing Tube Nut	1
35	70825	** Nut, Swing Tube	1
36		** Pin Cotter	1
-37	86320	Assembly, Swing Tube Dual Shift Group	1
38		** Plug, Pipe	4
39	86082	** Pin, Spring	4
40		** Fitting, Grease 90	2
41	86441	** Retainer, Swing Ram	2

DASH (-) ITEM NOT ILLUSTRATED

REVISION:

C. Turn to corresponding page, find the group and figure.

D. Check your required part and its attaching parts and match with illustration page.

E. Refer to corresponding item number in the part list page.
Part numbers are located in the part number column.

F. When ordering variable or optional miscellaneous parts which are not found this in parts chapter, follow the above outlined procedure of how to order parts.

1). When applicable, give model and serial number of the component for which parts are desired.

2). In a specific, difficult to describe situation, a marked-up photograph or detailed sketch would be helpful.

REVISION:



**TRAILER MOUNTED PUMP 00 MODEL C70S
HOW TO ORDER PARTS**

**C70S
PARTS
GROUP 00
FIGURE 02
PAGE 03**

3. Do not designate quantity by "set". State specifically how many parts are wanted.
4. Always give complete address and full shipping instructions. Specify shipping instructions, truck freight, air freight. United Parcel Service (UPS), or FedEx and DHL are available in designated areas.

5. TO ORDER

A. BY MAIL

Attention: Parts Department
REED
13822 Oaks Avenue
Chino, CA. 91710

B. BY FAX

(909) 287 - 2141

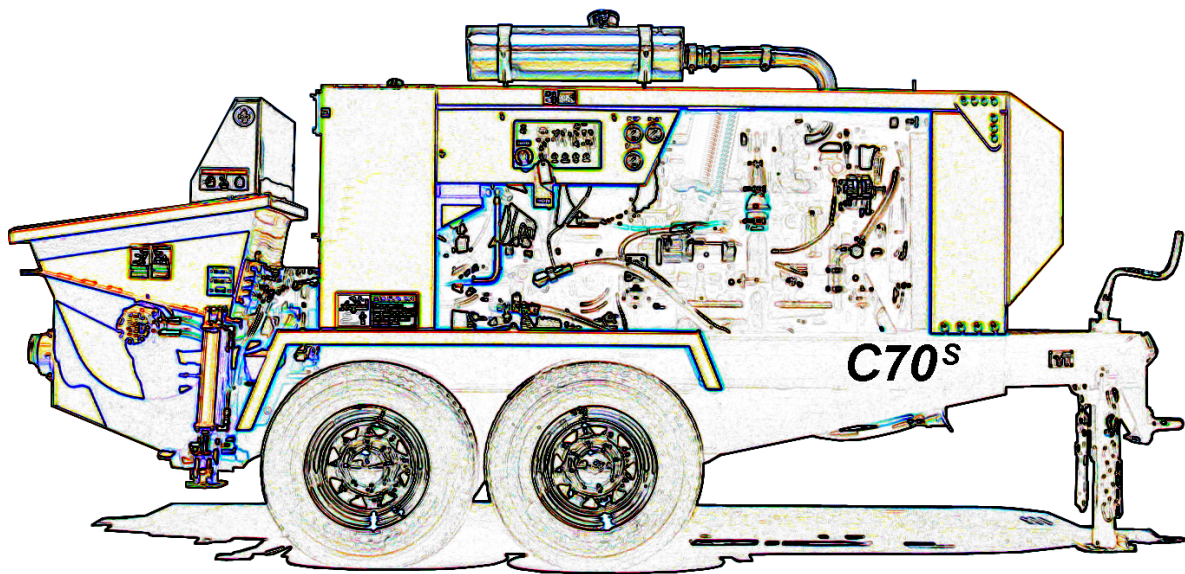
C. BY PHONE

(909) 287 - 2100

6. Parts return without authorization will not be accepted. If it is necessary to return parts for any reason, written authorization may be obtained from **REED** Parts Department, Chino, CA. 91710. A Parts Return Authorization form is provided when **REED** deems its necessary to have the part returned for evaluation. The form is issued by the Warranty of Parts Department of **REED**.
 - A. The form will be filled by **REED** unless requesting necessary information and you will receive a copy as well as shipping tag.
 - B. Attach shipping tag to part insert return original invoice.
 - C. Ship part to **REED PREPAID**.
 - D. Part must be returned to **REED** within 30 days from date of authorization.

REED TRAILER MOUNTED CONCRETE PUMP 00 MODEL C70S ILLUSTRATED PARTS MANUAL GROUP 10 FINAL INSTALLATION CONTAINS THE FOLLOWING FIGURES:

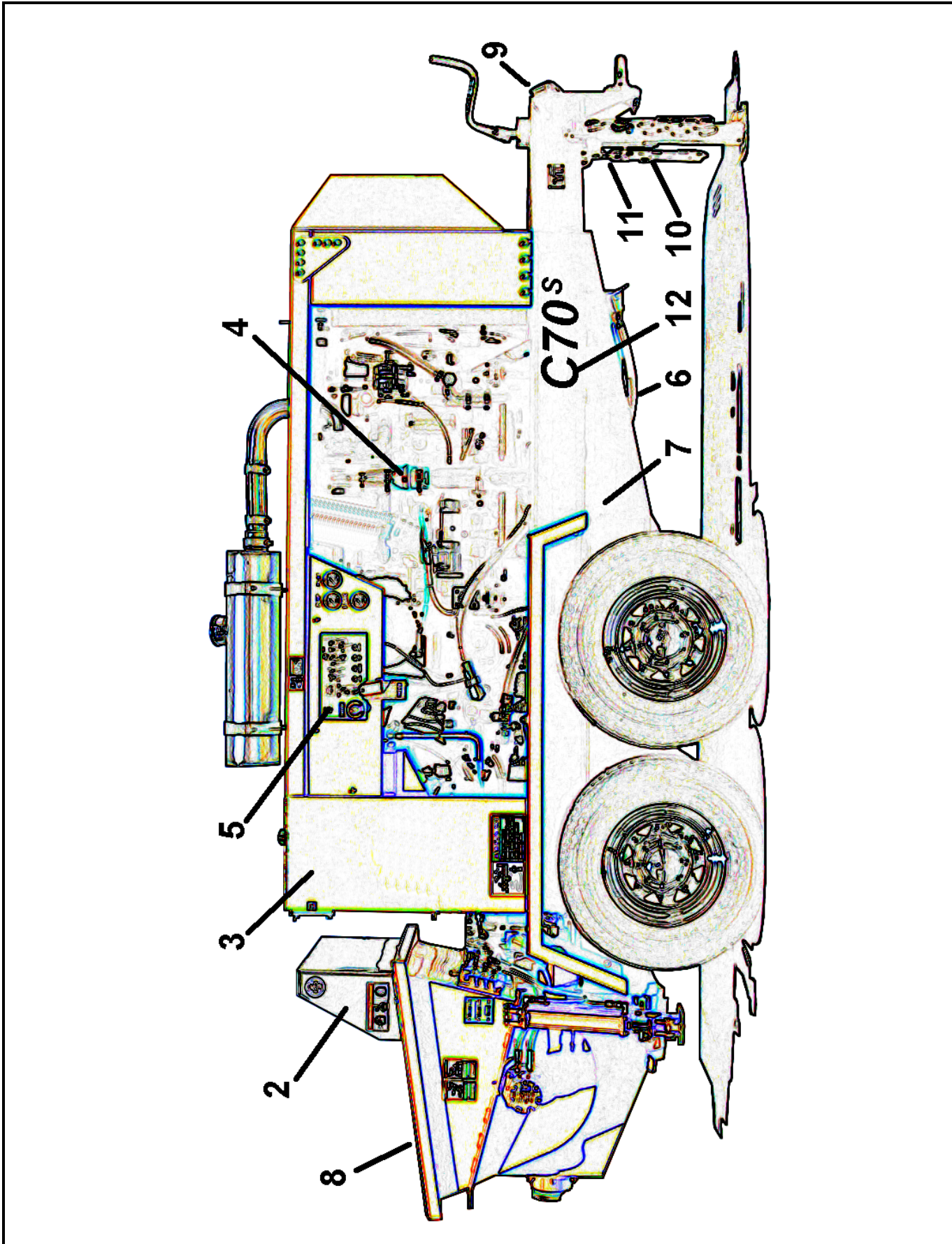
- FIGURE 00** TABLE OF CONTENTS
- FIGURE 01** FINAL INSTALLATION
- FIGURE 02** DECAL ASSEMBLY





HARSH MIX HOPPER WITH DUAL SHIFT FINAL INSTALLATION

C70S
PARTS
GROUP 10
FIGURE 01
PAGE 01



REVISION:



STANDARD HOPPER WITH DUAL SHIFT FINAL INSTALLATION

C70S
PARTS
GROUP 10
FIGURE 01
PAGE 02

ITEM NO.	REED'S PARTS NO.	DESCRIPTION	QTY
		1 2 3 4 5	
-1	C70SDR-V00	Installation, C70S HM Hopper with Dual Shift Final	Ref
2	20-02	• Installation, Hopper (See Group 20, Figure 01 for DET)	1
3	30-01	• Installation, Tank (See Group 30, Figure 01 for DET)	1
4	40-01	• Installation, Power Train (See Group 40, Figure 01 for DET)	1
5	50-01	• Installation, Control (See Group 50, Figure 01 for DET)	1
6	60-01	• Installation, Dual Shift Pumping Train (See Group 60, Figure 01 for DET)	1
7	70-01	• Installation, Frame (See Group 70, Figure 01 for DET)	1
8	80-01	• Installation, Optional (See Group 80, Figure 01 for DET)	1
9	77705	• Kit, Break Away	1
10	86730	• Chain 5.5FT	2
11	87085	• Shackle Anchor-Screw Pin 1/2"	4
12	10-03	• Kit, C70S Decal (See Group 10, Figure 02 for DET)	1

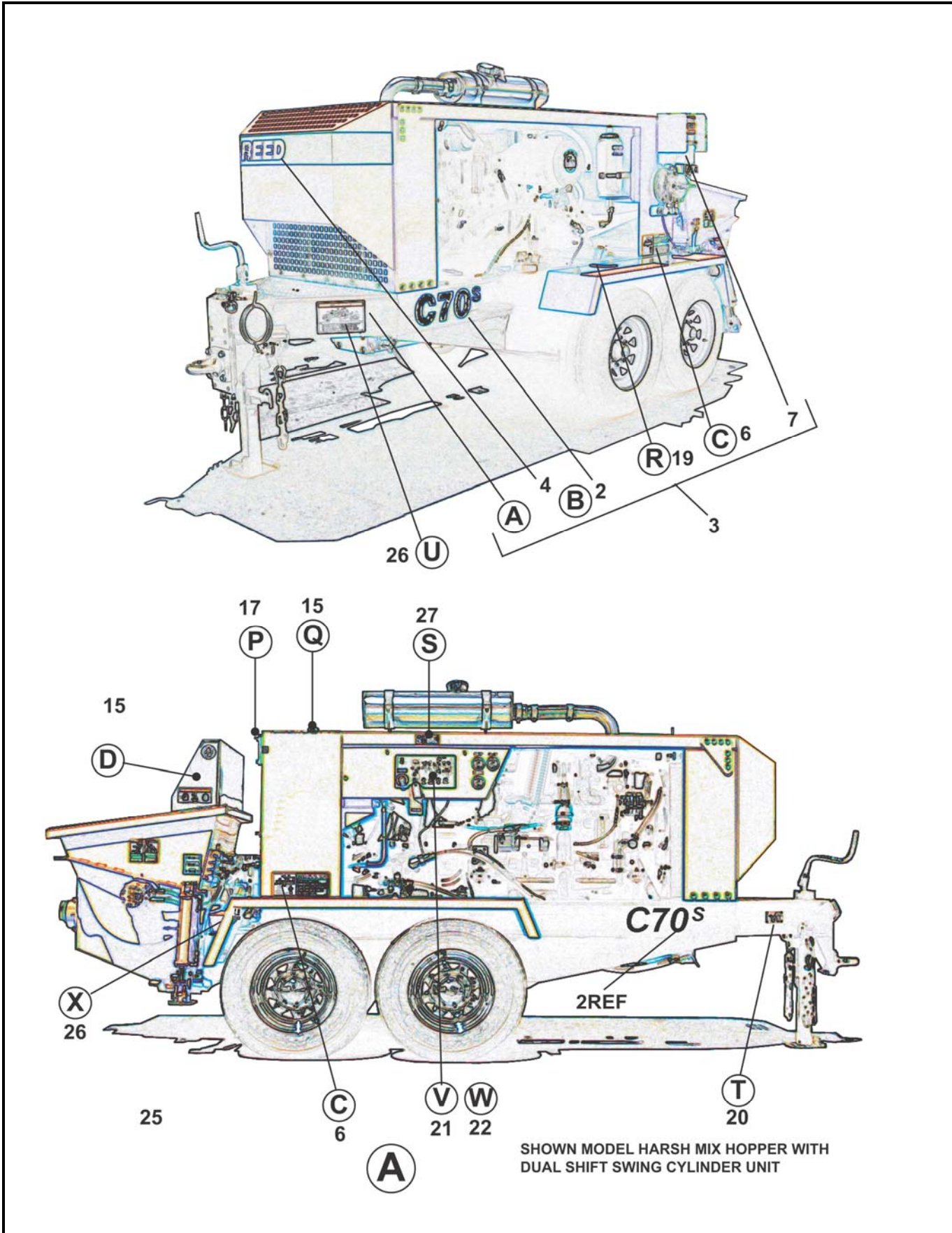
DASH (-) ITEM NOT ILLUSTRATED

REVISION:



DECAL ASSEMBLY

C70S
PARTS
GROUP 10
FIGURE 02
PAGE 01



REVISION:



ITEM NO.	REED'S PARTS NO.	DESCRIPTION	QTY
		1 2 3 4 5	
-1	10-02	Kit, C70S Decal (See Group 10, Figure 01 for NHA)	Ref
2	87760-Y	• Decal, C70S 6 Inch Yellow	2
3	85430-Y	• Kit, C-Series Decal	1
4	85418-Y	• • Decal, REED 4 Inch Yellow/Black 55 Inch	2
5	800916	• • Decal, Warning, Keep Hand Out of Water Box	1
6	800924	• • Decal, Warning, This Machine is Remote Controlled and	2
7	85416-Y	• • Decal, REED 4 Inch Yellow/Black 20 Inch	1
8	800922	• • Decal, Warning, Before Opening a Blocked Pipeline,	1
9	800921	• • Decal, Warning, Do Not Operate at Pressures Exceeding	1
10	73132	• • Decal, REED 4 1/2 Inch	1
11	800929A	• • Decal, Warning	2
12	800917	• • Decal, Warning, Keep Hand Out of Hopper and Valve	2
13	800918	• • Decal, Warning, Do Not Stand on Hopper Grate	2
14	85684	• • Decal, B-Series Gauge	1
15	75020	• • Decal, Hydraulic Oil	1
16	800931	• • Decal, ACPA Member	1
17	85844	• • Decal, Oil Level	1
18	800926	• • Decal, Warning, Do Not Operate This Machine without	1
19	75017	• • Decal, Diesel Fuel Only	1
20	75009	• • Nameplate, REED , Serial No.	1
21	-	• Decal, C70S Control Box Panel	1
22	-	• Decal, C70S Remote Control	1
23	800919	• Decal, Optional, Warning, Stand Clear Outriggers When	2
24	83845	• Decal, Outriggers	1
25	83846	• Decal, Agitator	1
26	86245	• Decal, Towing Instructions	1
27	800925	• Decal, Warning, Training	1
28	803225	• Decal, Warning, Leaks Hazard	2
29	803226	• Decal, How to Order	1
30	803229	• Decal, CPMA Member	1
31	803231	• Decal, Warning, Toxic Dust	2
32	803235	• Decal, 1-7 Operator Signals	1
33	803237	• Decal, Warning, Safety Instructions	2
DASH (-) ITEM NOT ILLUSTRATED			

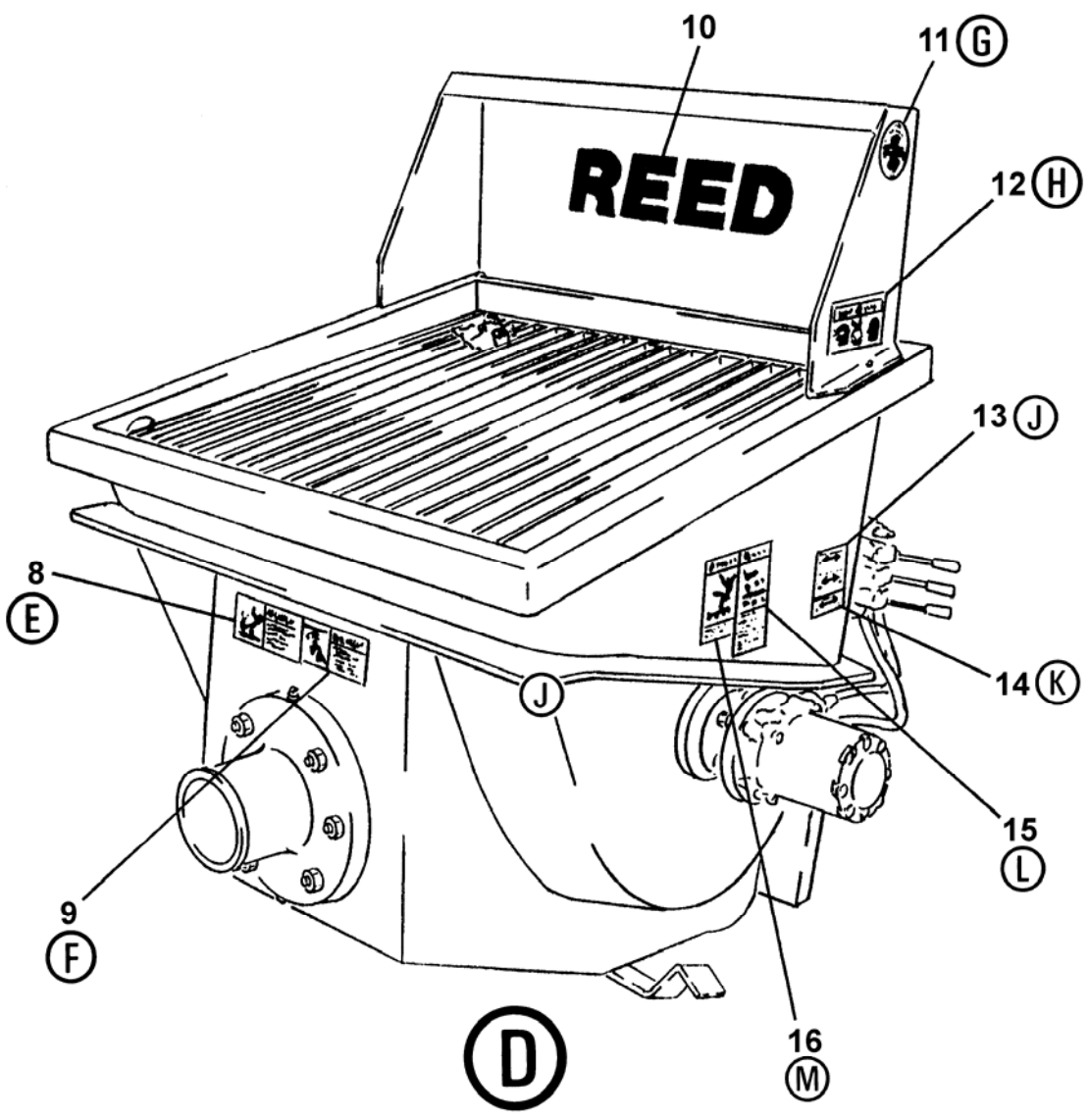


⚠ WARNING
This machine is remote controlled and may start at any time. Stop engine before servicing unit.

⚠ ADVERTENCIA
Esta máquina funciona a control remoto y puede ponerse en marcha en cualquier momento. Apagar el motor antes de realizar el mantenimiento.

6

(C)





⚠ WARNING
Before opening a blocked pipeline, relieve pressure by reversing pump. See manual.

⚠ ADVERTENCIA
Alivie la presión antes de destapar una tubería bloqueada, invirtiendo para ello la bomba. Vea el manual.

8

(E)

Do not paint over this label/No pintar encima de ésta etiqueta 800922



9

(F)

⚠ WARNING
Do not operate at pressures exceeding the rating of the entire material delivery system.

⚠ ADVERTENCIA
No utilizar a presiones que excedan la presión nominal de todo el material de la línea de entrega.

800921

Do not paint over this label/No pintar encima de ésta etiqueta



16

(G)

MEMBER
AMERICAN
CONCRETE PUMPING ASSOCIATION

800931



11

(H)

ADVERTENCIA ⚠ WARNING

Do not paint over this label/No pintar encima de ésta etiqueta 800929A



DECAL ASSEMBLY

C70S
PARTS
GROUP 10
FIGURE 02
PAGE 05



J

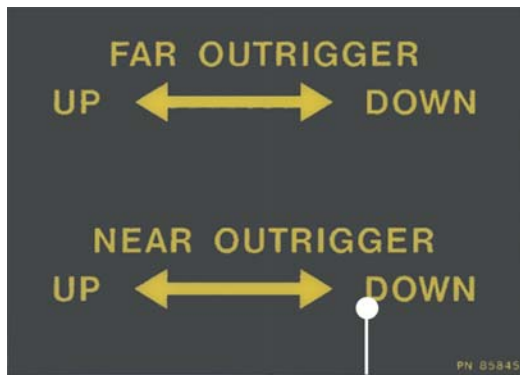
25



Do not paint over this label/No pintar encima de esta etiqueta

L

12



K

24



M

13



Q

15



P

17



R

19



DECAL ASSEMBLY

C70S
PARTS
GROUP 10
FIGURE 02
PAGE 07

⚠ WARNING
Do not operate this machine without training. Understand the warnings in safety manuals and on decals.

⚠ ADVERTENCIA
No use esta maquinaria sin estar capacitado. Entienda las advertencias de los manuales de seguridad y de las calcomanías.

Do not paint over this label/No pinte encima de esta etiqueta

(S) 27

REED
13822 OAKS AVENUE
CHINO, CA 91710 USA

PHONE (909)287-2100
FAX (909)287-2140

MODEL: [] SERIAL NO. []

MATERIAL PRESSURE [] PSI [] BAR

HYDRAULIC PRESSURE [] PSI [] BAR

ENGINE / PTO ELECTRIC MOTOR [] RPM [] VOLTS

VEHICLE WEIGHT (APPROX.) [] LBS [] KG

PN 86836

(T) 20

⚠ WARNING

● ADJUST THE TONGUE HEIGHT TO ALLOW FOR SAFE TOWING.

● THE TONGUE WEIGHT ON TANDEM AXLE TRAILERS INCREASES AS THE TONGUE IS RAISED.

● TOWING WITH INSUFFICIENT OR EXCESSIVE TONGUE WEIGHT IS DANGEROUS.

● PERFORM ROAD TESTS TO ENSURE THE SAFETY OF THE TONGUE WEIGHT.

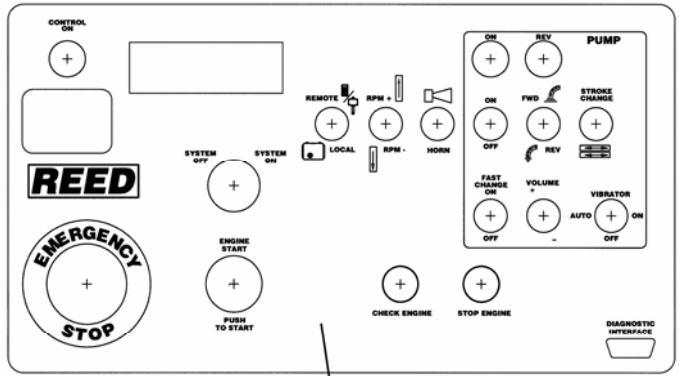
PN 86245

(U) 26

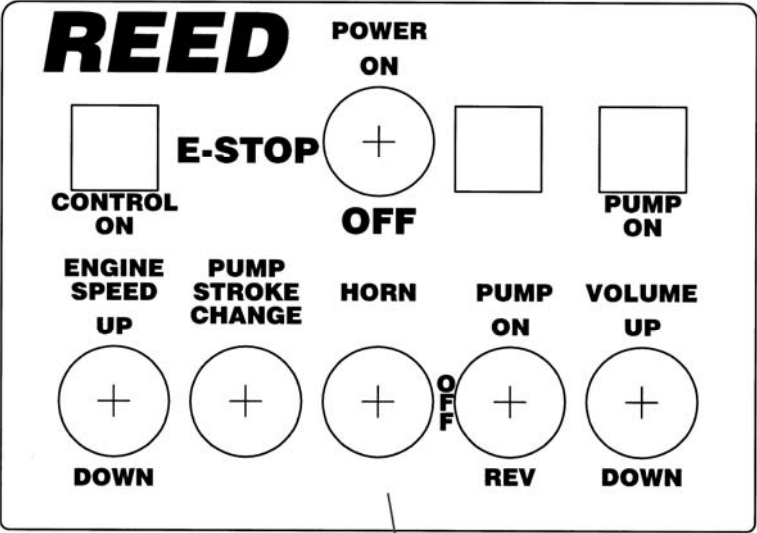


DECAL ASSEMBLY

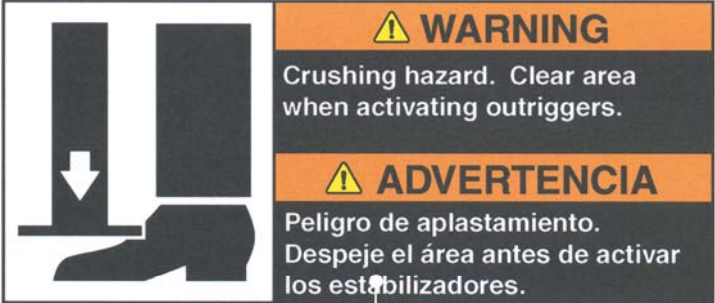
C70S
PARTS
GROUP 10
FIGURE 02
PAGE 08



V 21



W 22



X 23

⚠ WARNING



28

29

Do not touch hydraulic oil leaks. Get immediate medical attention if oil penetrates skin.

⚠ ADVERTENCIA

No toque las fugas de aceite hidráulico. Obtenga atención médica inmediata si el aceite penetra en la piel.

803226

IMPORTANT	IMPORTANTE
You can order additional operation manuals, spare parts books, safety manuals and decal sets by contacting us at: REED Manufacturing 1-(888)-779-7333 7:00 AM to 5:00 PM Pacific Time Monday through Friday	Usted puede solicitar manuales de operacion, catalogos de refacciones, manuales de seguridad y juegos de calcomanias adicionales contactando a: REED Manufacturing 1-(888)-779-7333 DE 7:00 AM a 5:00 PM Hora Central

Do not paint over this label/No pintar encima de esta etiqueta 803226



⚠ WARNING



31

OK

Cement dust is toxic. Use lung protection when exposed.

⚠ ADVERTENCIA

El polvo de cemento es tóxico. Use protección para los pulmones cuando se exponga.

803231

INSTRUCCIONES DE SEGURIDAD SAFETY INSTRUCTIONS

Recommended hand signals / Señales de mano recomendadas



1. START PUMP SPEED UP	2. SLOW PUMP DOWN	3. STOP PUMP	4. LITTLE BIT	5. RELIEVE PRESSURE (2 golpesitos) (2 taps)	6. ADD WATER 4-GALLONS	7. ALL DONE CLEAN UP
1. PRENDER LA BOMBA ACELERAR	2. BAJAR VELOCIDAD A LA BOMBA	3. PARAR LA BOMBA	4. UN POCO	5. ALIVIAR LA PRESIÓN	6. AÑADIR AGUA 4-GALONES	7. TERMINADO LIMPIAR

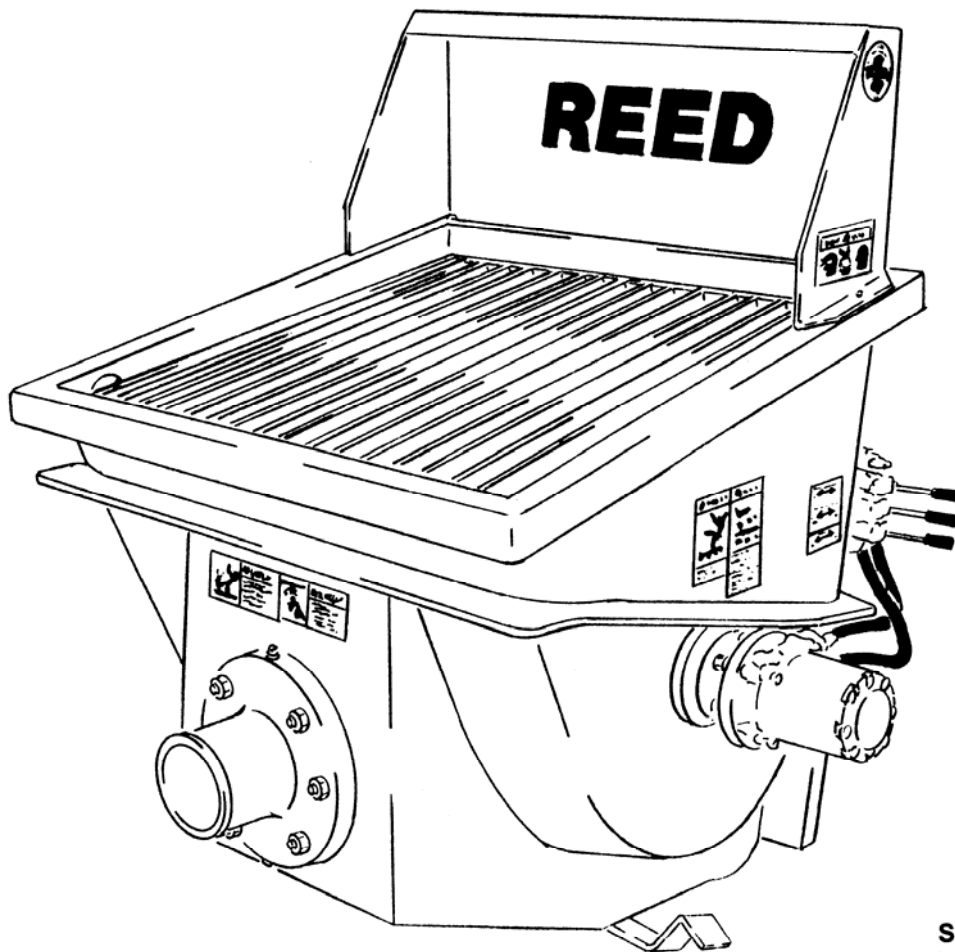
803232

⚠ WARNING	SAFETY INSTRUCTIONS
 <ul style="list-style-type: none"> Stay clear of pressurized concrete placing system. Wear eye protection. Do not operate at pressures exceeding the rating of any piece of the material delivery system. 	<ol style="list-style-type: none"> Relieve system pressure before opening any system or coupling. Regularly inspect system condition and wall thickness. Wear reduces system burst pressure. Use recommended clean out procedures - consult manufacturer. Use retaining pins in delivery system snap couplings.
⚠ ADVERTENCIA	INSTRUCCIONES DE SEGURIDAD
<ul style="list-style-type: none"> Permanezca alejado del sistema de distribución de concreto presurizado. Use protección para los ojos. No opere a presiones mayores que las de la capacidad de cualquier pieza del sistema de descarga. 	<ol style="list-style-type: none"> Alivie la presión del sistema ante de abrir un sistema o un acoplamiento. Inspeccione periódicamente el estado del sistema y el espesor de las paredes. El desgaste reduce la presión de rotura por estallido. Use los procedimientos de limpieza recomendados, consulte con el fabricante. Use los pasadores de retención en los acoplamientos de fijación a presión.

803233

REED TRAILER MOUNTED CONCRETE PUMP 00 MODEL C70S ILLUSTRATED PARTS MANUAL GROUP 20 HOPPER INSTALLATION CONTAINS THE FOLLOWING FIGURES:

- FIGURE 00** TABLE OF CONTENTS
- FIGURE 01** HARSH MIX HOPPER INSTALLATION
- FIGURE 02** HOPPER CLEAN OUT DOOR ASSEMBLY
- FIGURE 03** HARSH MIX HOPPER AGITATOR ASSEMBLY
- FIGURE 04** HARSH MIX HOPPER AGITATOR MOTOR ASSEMBLY
- FIGURE 05** AGITATOR/OUTRIGGERS CONTROL VALVE ASSEMBLY
- FIGURE 06** AGITATOR/OUTRIGGERS CONTROL VALVE SUB-ASSEMBLY

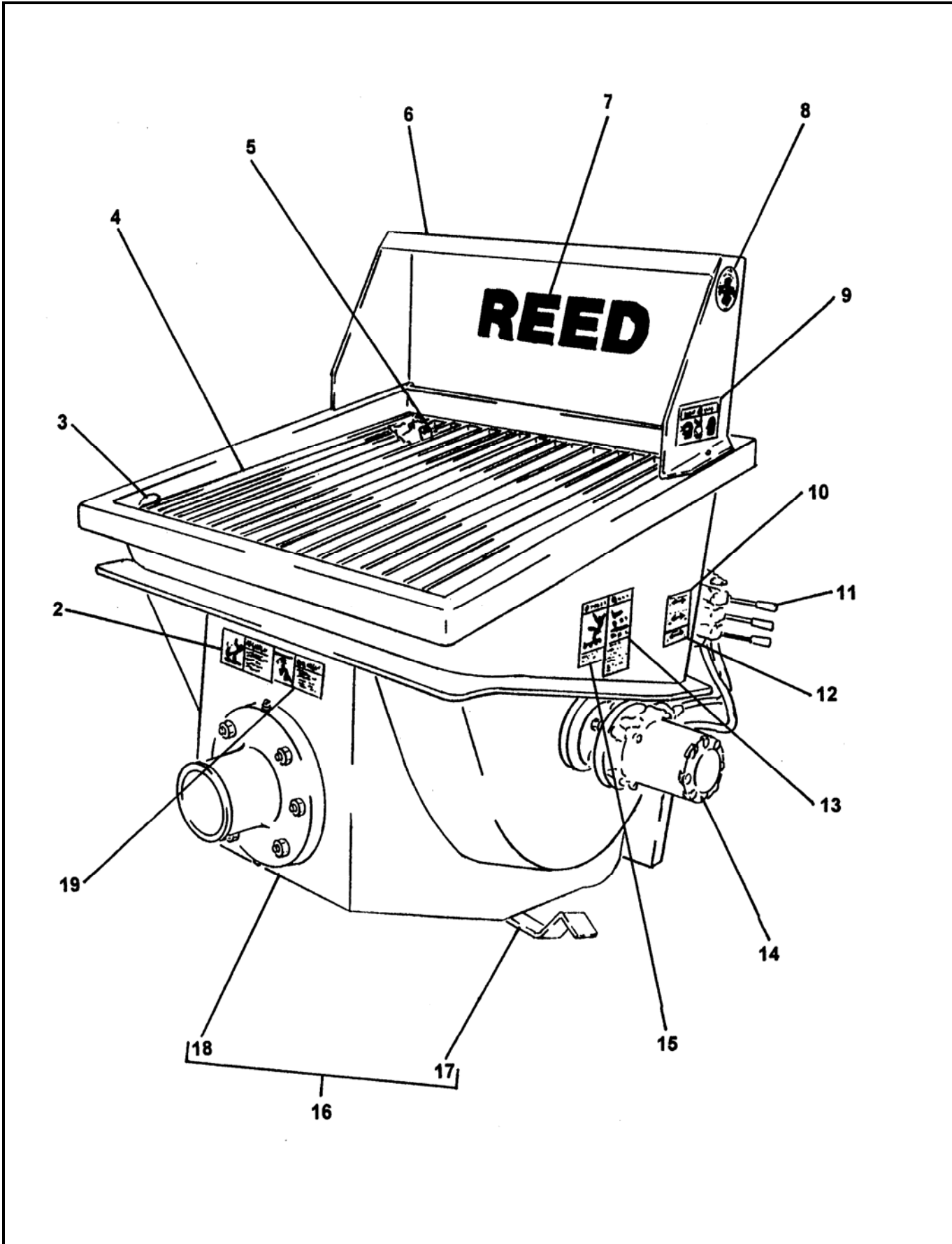


**SHOWN MODEL
HARSH MIX HOPPER**



HARSH MIX HOPPER INSTALLATION

C70S
PARTS
GROUP 20
FIGURE 01
PAGE 01



REVISION:



HARSH MIX HOPPER INSTALLATION

C70S
PARTS
GROUP 20
FIGURE 01
PAGE 02

ITEM NO.	REED'S PARTS NO.	DESCRIPTION	QTY
		1 2 3 4 5	
-1	20-01	Installation, Harsh Mix Hopper (See Group 10, Figure 01 for NHA)	Ref
2	800922	• Decal, Warning, Before Opening a Blocked Pipeline,	1
3	86118	• Mount, Hopper Grate	2
4	85982	• Grate, Harsh Mix Hopper	1
5	86083	• Bumper, Hopper Grate	2
6	86084	• Weldment, Splash Guard	1
7	73132	• Decal, REED 4 1/2 Inch	1
8	800931	• Decal, ACPA Member	1
9	800929A	• Decal, Warning	2
10	85845	• Decal, Outriggers (Optional Items)	1
11	20-05	• Assembly, 3 Spool Control Valve (See Group 20, Figure 05 for DET)	1
12	85846	• Decal, Agitator	1
13	800917	• Decal, Warning, Keep Hand Out of Hopper and Valve	2
14	86323	• Assembly, Harsh Mix Hopper Agitator (See Group 20, Figure 03 for DET)	1
15	800918	• Decal, Warning, Do Not Stand on Hopper Grate	2
16	85840	• Weldment, Harsh Mix Hopper	1
17	86542	• • Assembly, Clean Out Door (See Group 20, Figure 02 for DET)	1
18	86316	• • Weldment, Harsh Mix Hopper	1
19	800921	• Decal, Warning, Do Not Operate at Pressures Exceeding	1

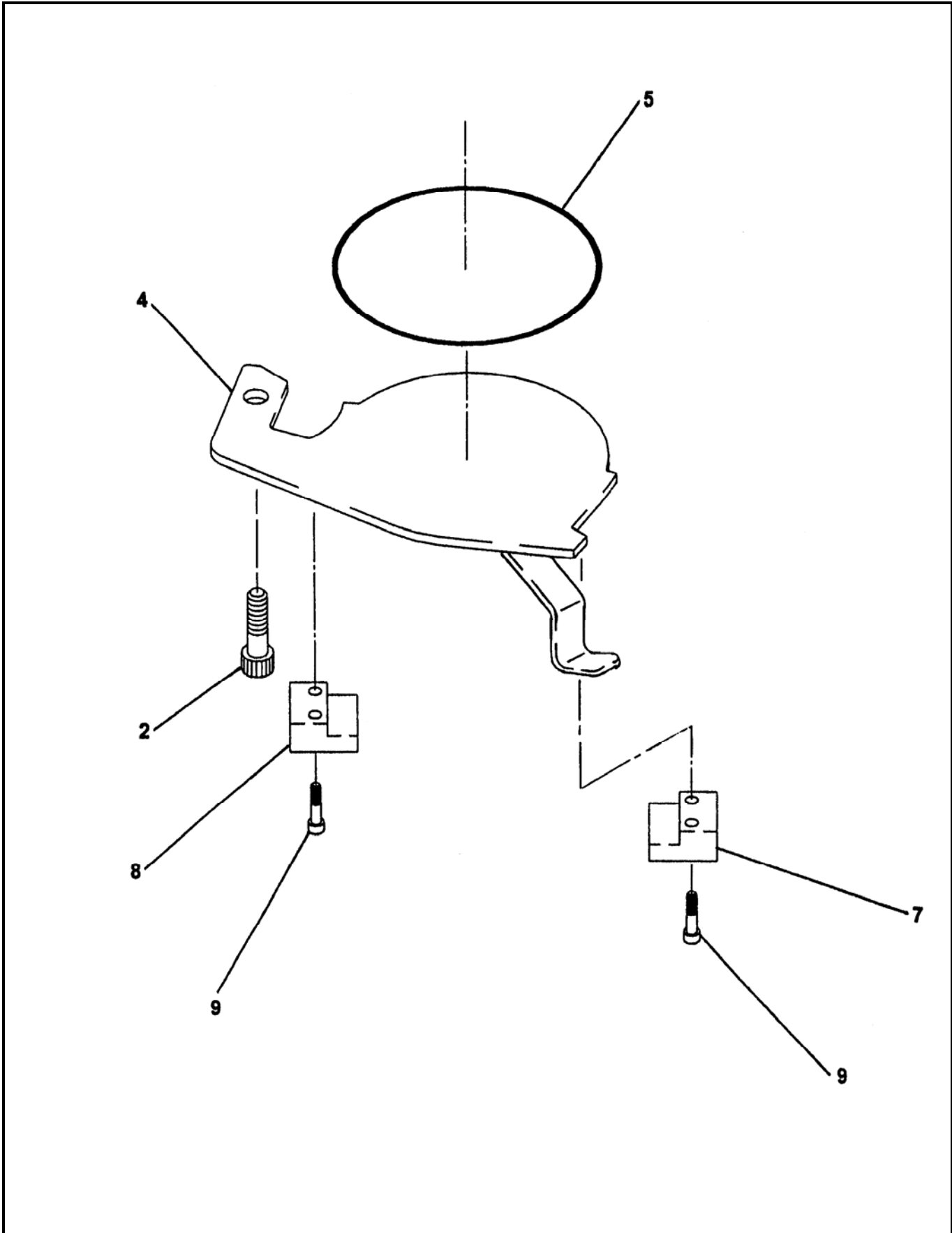
DASH (-) ITEM NOT ILLUSTRATED

REVISION:



HOPPER CLEAN OUT DOOR ASSEMBLY (ROUNDED)

C70S
PARTS
GROUP 20
FIGURE 02
PAGE 01



REVISION:



**HOPPER CLEAN OUT
DOOR ASSEMBLY (ROUNDED)**

**C70S
PARTS
GROUP 20
FIGURE 02
PAGE 02**

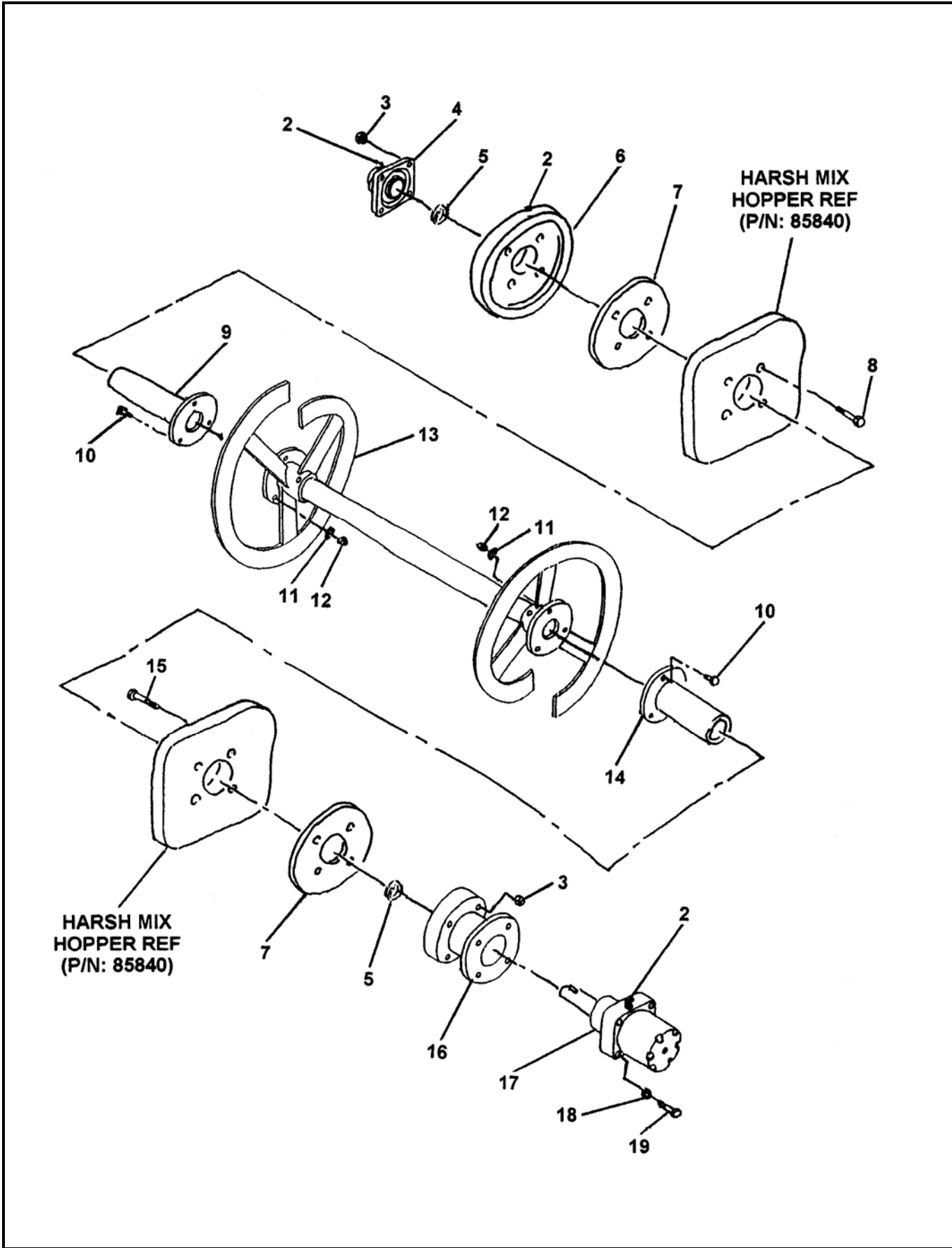
ITEM NO.	REED'S PARTS NO.	DESCRIPTION	QTY
		1 2 3 4 5	
-1	86542	Assembly, Rounded Clean Out Door (See Group 20, Figure 01 and Figure 02 for NHA)	Ref
2	86922	• Bolt, Shoulder	1
3	-	• OPEN	-
4	86988	• Door, Weldment Clean-Out	1
5	W-102908A	• Cord, Hopper Door O-Ring 2.21 FT	1
6	-	• OPEN	-
7	86560	• Block, RH Clean Out Door	1
8	86559	• Block, LH Clean Out Door	1
9		• Capscrew, Socket Head	4
-10	85312	• Plate, Seal	1
-11	85371	• Neck, Clean Out Door	1

REVISION:



HARSH MIX HOPPER AGITATOR ASSEMBLY

C70S
PARTS
GROUP 20
FIGURE 03
PAGE 01



REVISION:



HARSH MIX HOPPER AGITATOR ASSEMBLY

C70S
PARTS
GROUP 20
FIGURE 03
PAGE 02

ITEM NO.	REED'S PARTS NO.	DESCRIPTION	QTY
		1 2 3 4 5	
-1	86323	Assembly, Harsh Mix Hopper Agitator (See Group 20, Figure 01 for NHA)	Ref
2		• Fitting, Grease 90	3
3		• Nut, Nylock	8
4	86067	• Bearing, Flange	1
5	86074	• Seal, Poly	2
6	86069	• Flange, Agitator Bearing	2
7	77512	• Seal, Auger (Bearing Side)	2
8		• Bolt, Hex	4
9	86066	• Shaft, Agitator Idler	1
10		• Bolt, Hex	6
11		• Washer, Lock	6
12		• Nut, Hex	6
13	86087	• Weldment, Agitator Shaft	1
14	86062	• Shaft, Agitator Drive	1
15		• Bolt, Hex	4
16	86070	• Flange, Motor	1
17	85809	• Assembly, Harsh Mix Hopper Agitator Motor (See Group 20, Figure 04 for DET)	1
18		• Washer, Lock (attaching Parts)	4
19		• Bolt, Coarse (attaching Parts)	4

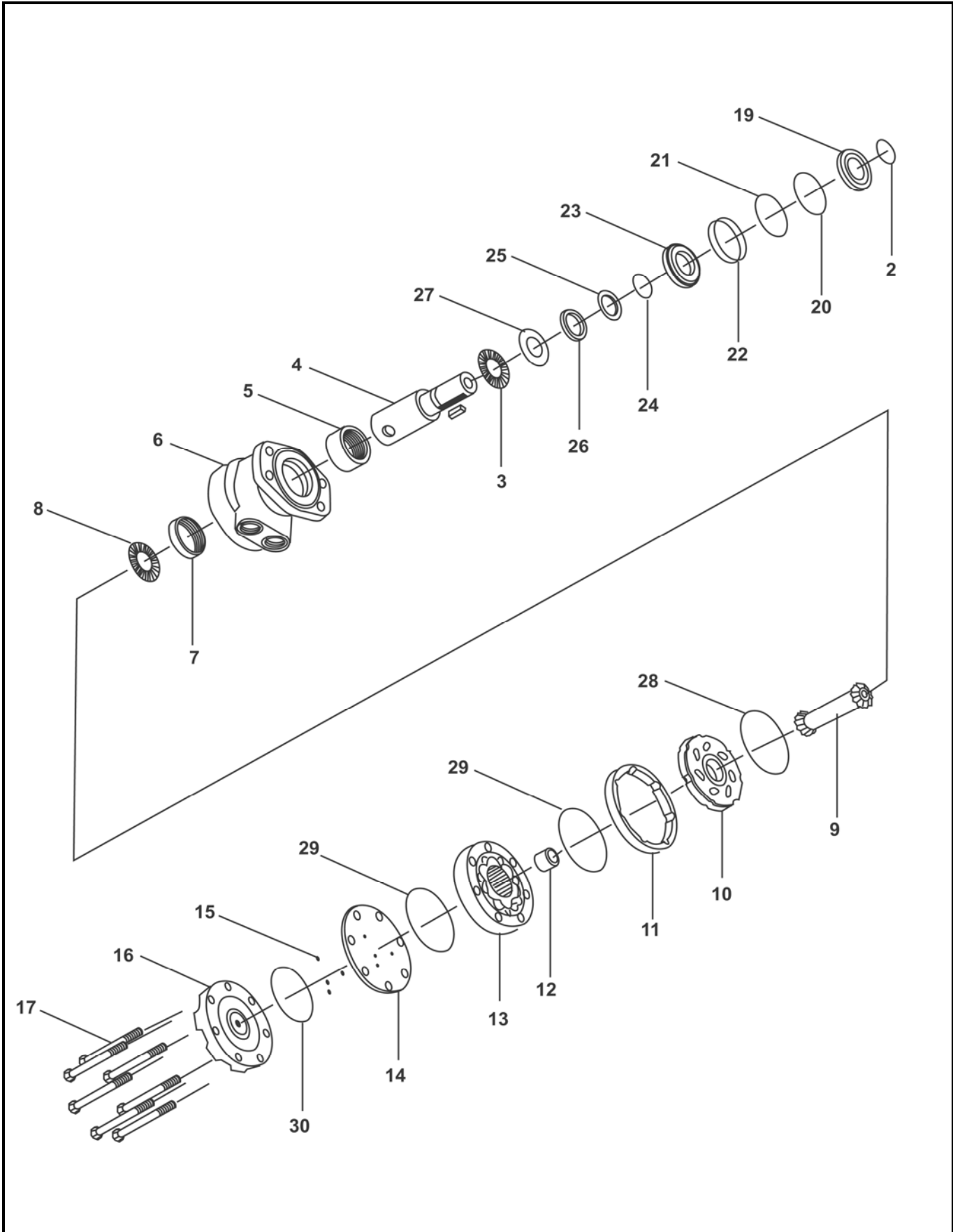
DASH (-) ITEM NOT ILLUSTRATED

REVISION:



HARSH MIX HOPPER AGITATOR MOTOR ASSEMBLY

C70S
PARTS
GROUP 20
FIGURE 04
PAGE 01



REVISION:



HARSH MIX HOPPER AGITATOR MOTOR ASSEMBLY

C70S
PARTS
GROUP 20
FIGURE 04
PAGE 02

ITEM NO.	REED'S PARTS NO.	DESCRIPTION					QTY
		1	2	3	4	5	
-1	85809	Assembly, Harsh Mix Hopper Agitator Motor (See Group 20, Figure 03 for NHA)					Ref
2					• Ring, Wire	1	
3					• Bearing, Front Thrust	1	
4					• Kit, Shaft	1	
5					• Bearing, Front Housing	1	
6					• Kit, Housing	1	
7					• Bearing, Rear Housing	1	
8					• Bearing, Rear Thrust	1	
9					• Kit, Drive Link	1	
10					• Bearing, Front Thrust	1	
11					• Manifold	1	
12					• Boot, Manifold	1	
13					• Kit, Free Turn Rotor	1	
14					• Plate, Balance	1	
15					• Ball, Steel	4	
16					• Cover, Motor End	1	
17					• Bolt, Hex (attaching parts)	7	
-18	85809SK				• Kit, Seal	1	
19					• • Seal, Dust	1	
20					• • Ring, Split Wire	1	
21					• • Shim, Metal Back Up	1	
22					• • Seal, High Pressure	1	
23					• • Carrier, Seal	1	
24					• • Shim, Metal Back Up	1	
25					• • Seal, Polyamid	1	
26					• • Seal, Shaft	1	
27					• • Washer, Thrust	1	
28					• • Seal, Rear Housing	1	
29					• • Seal, Body	2	
30					• • Seal, End Cover	1	

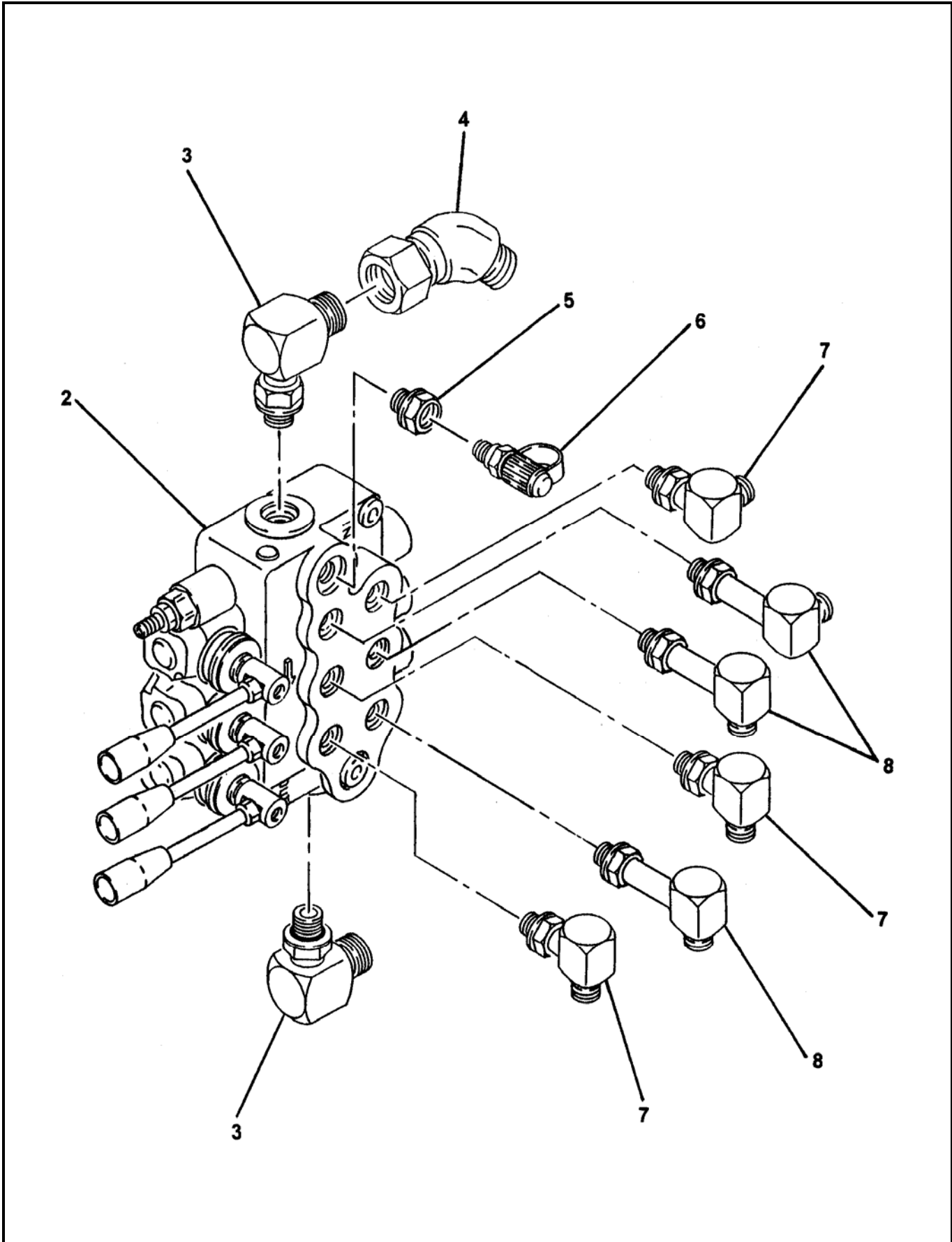
DASH (-) ITEM NOT ILLUSTRATED

REVISION:



AGITATOR / OUTRIGGERS CONTROL VALVE ASSEMBLY

C70S
PARTS
GROUP 20
FIGURE 05
PAGE 01



REVISION:



**AGITATOR / OUTRIGGERS
CONTROL VALVE ASSEMBLY**

**C70S
PARTS
GROUP 20
FIGURE 05
PAGE 02**

ITEM NO.	REED'S PARTS NO.	DESCRIPTION	QTY
		1 2 3 4 5	
-1	20-05	Assembly, 3 Spool Control Valve (See Group 20, Figure 01 for NHA)	Ref
2	74471	• Sub-Assembly, Agitator Control Valve (See Group 20, Figure 06 for DET)	1
3		• Fitting, 90	2
4		• Swivel, 45	1
5		• Reducer, 8-6	1
6	800083	• Fitting, Mini Check (Port)	1
7		• Fitting, 90	3
8		• Fitting, 90	3
-9		• Bolt, Hex	2
-10		• Washer, SPL Lock	2

DASH (-) ITEM NOT ILLUSTRATED



**AGITATOR / OUTRIGGERS
CONTROL VALVE SUB-ASSEMBLY**

**C70S
PARTS
GROUP 20
FIGURE 06
PAGE 02**

ITEM NO.	REED'S PARTS NO.	DESCRIPTION					QTY
		1	2	3	4	5	
-1	74471	Sub-Assembly, 3 Spool Control Valve (See Group 20, Figure 08 for NHA)					Ref
2	85706	• Cartridge, Relief					1
3		• • Kit, Screw					1
4		• • Spring					1
5		• • Pin, Screw Kit					1
6		• • Ring					1
7		• • O-Ring					1
8		• O-Ring					4
9		• Kit, Spool Control					3
10		• Cap, Spool					3
11		• Screw, SOC (attaching Parts)					6
12		• Nut					1
13		• Bolt, Hex					1
14		• Kit, VRS					1
15		• Plug					2
16		• Plug					1
17		• Handle, Remixer Valve					3
18		• Nut (attaching parts)					3
19		• Screw, SOC					6
20		• Lever, L					3
21		• Spool					3
22		• Body, Valve					1

DASH (-) ITEM NOT ILLUSTRATED

REVISION:



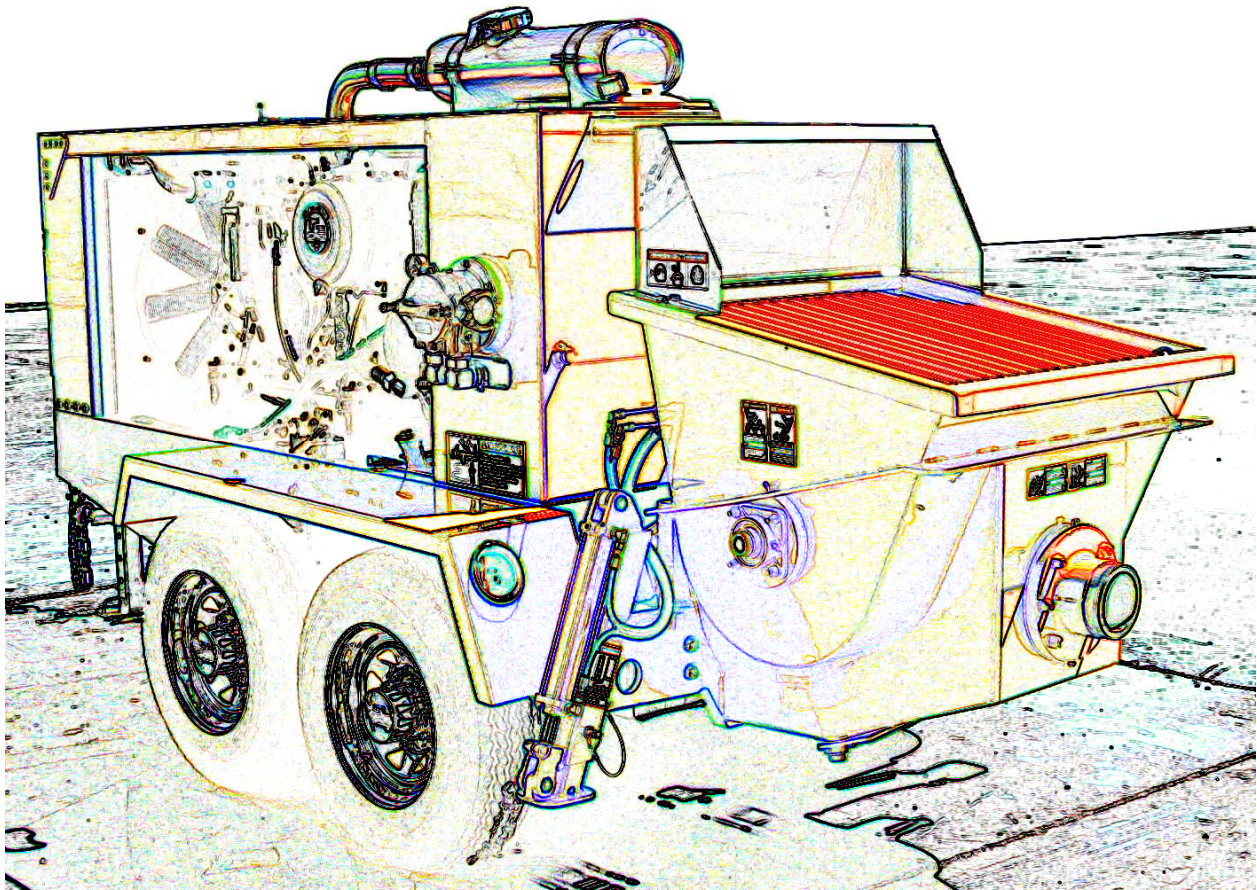
TRAILER MOUNTED PUMP 00 MODEL C70S
GROUP 20 HOPPER INSTALLATION

C70S
PARTS
GROUP 20
FIGURE 07
PAGE 01

THIS PAGE INTENTIONALLY LEFT BLANK.

REED TRAILER MOUNTED CONCRETE PUMP 00 MODEL **C70S** ILLUSTRATED PARTS MANUAL GROUP 30 HYDRAULIC TANK INSTALLATION CONTAINS THE FOLLOWING FIGURES:

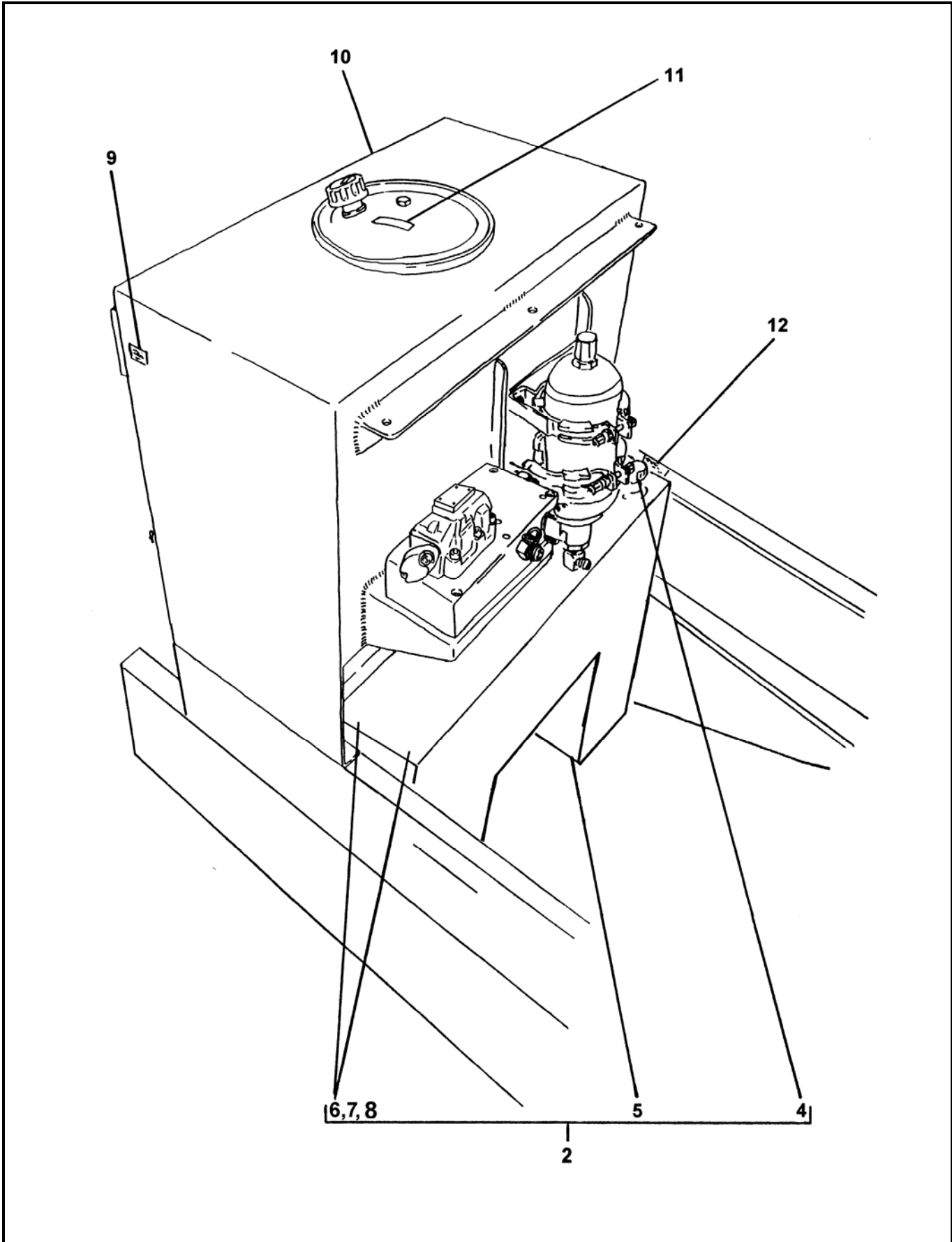
- FIGURE 00** TABLE OF CONTENTS
- FIGURE 01** TANK INSTALLATION
- FIGURE 02** HYDRAULIC TANK ASSEMBLY
- FIGURE 03** ACCUMULATOR ASSEMBLY
- FIGURE 04** ACCUMULATOR BLADDER REPAIR KIT
- FIGURE 05** SWING TUBE CIRCUIT MANIFOLD ASSEMBLY
- FIGURE 06** SWING TUBE CIRCUIT MAIN SOLENOID VALVE ASSEMBLY
- FIGURE 07** BALL VALVE ASSEMBLY





TANK INSTALLATION

C70S
PARTS
GROUP 30
FIGURE 01
PAGE 01



REVISION:



TANK INSTALLATION

C70S
PARTS
GROUP 30
FIGURE 01
PAGE 02

14

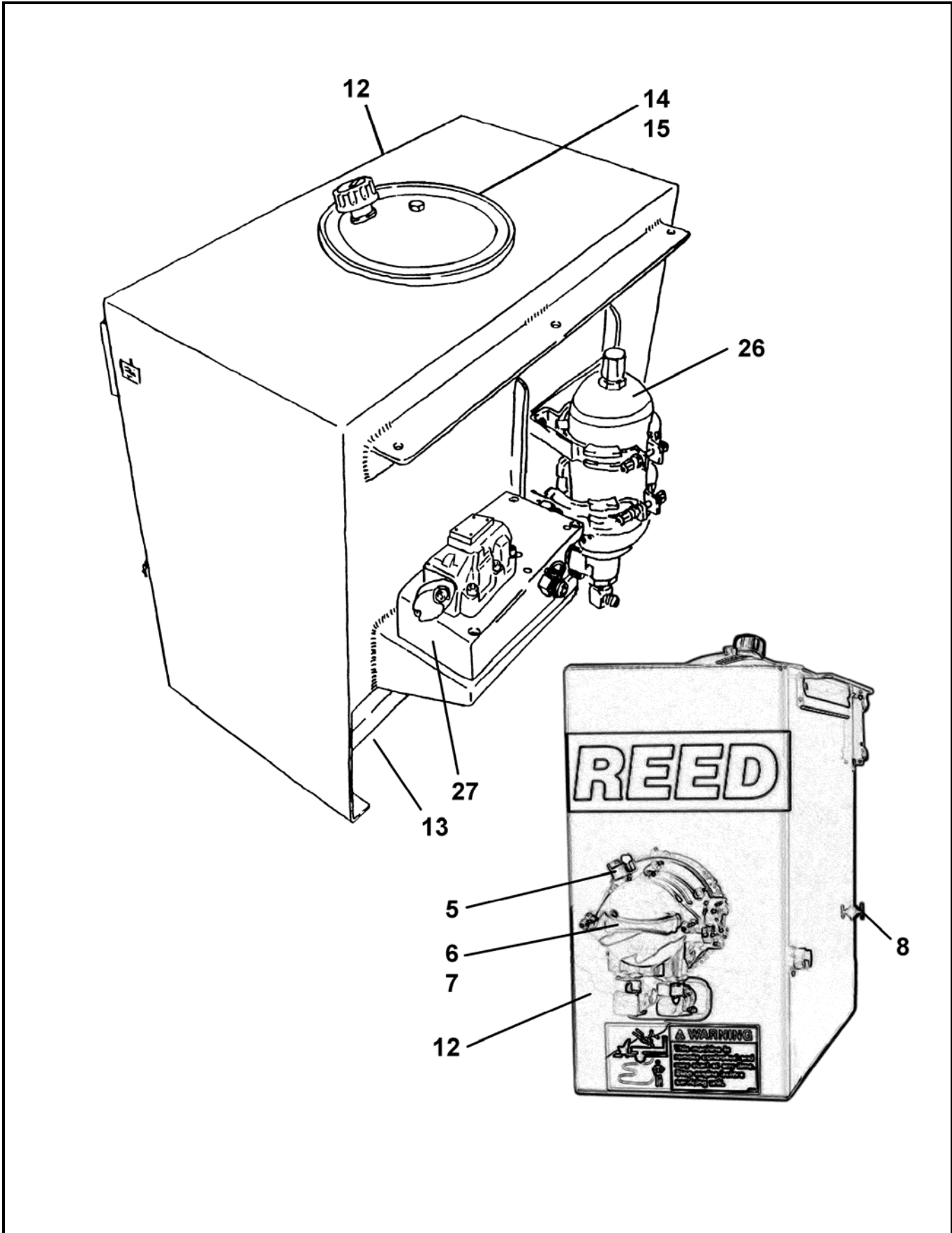
ITEM NO.	REED'S PARTS NO.	DESCRIPTION	QTY
		1 2 3 4 5	
-1	30-01	Installation, Tank (See Group 10, Figure 01 for NHA)	Ref
2	87536	• Assembly, Fuel Tank	1
-3	77191	• • Gauge, Fuel	1
4	85570	• • Cap, Fuel	1
5	87535	• • Weldment, Fuel Tank	1
6	10297	• Plug-1/2"	4
7	87454	• Fitting Barbed 3/8-1/2MPT	1
8	87770	• Fitting Barbed 3/8 TUBE-1/2MPT	1
8A	74716	• Hose-3/8 SAE	10ft
8B	10577	• Clamp-Hose	4
8C	87566	• Fitting Barbed JIC-Stem	4
8D	87567	• Fitting-90 Degree Metric to JIC	4
9	85844	• Decal, Oil Level	1
10	87570	• Assembly, Hydraulic Tank (See Group 30, Figure 02 for DET)	1
11	75020	• Decal, Hydraulic Oil	2
-12	87561	• Kit, C70S Hose (See SCHEMATIC Section for DET)	1
		DASH ITEM (-) NOT ILLUSTRATED	

REVISION:



HYDRAULIC TANK ASSEMBLY

C70S
PARTS
GROUP 30
FIGURE 02
PAGE 01



REVISION:



HYDRAULIC TANK ASSEMBLY

C70S
PARTS
 GROUP 30
 FIGURE 02
 PAGE 02

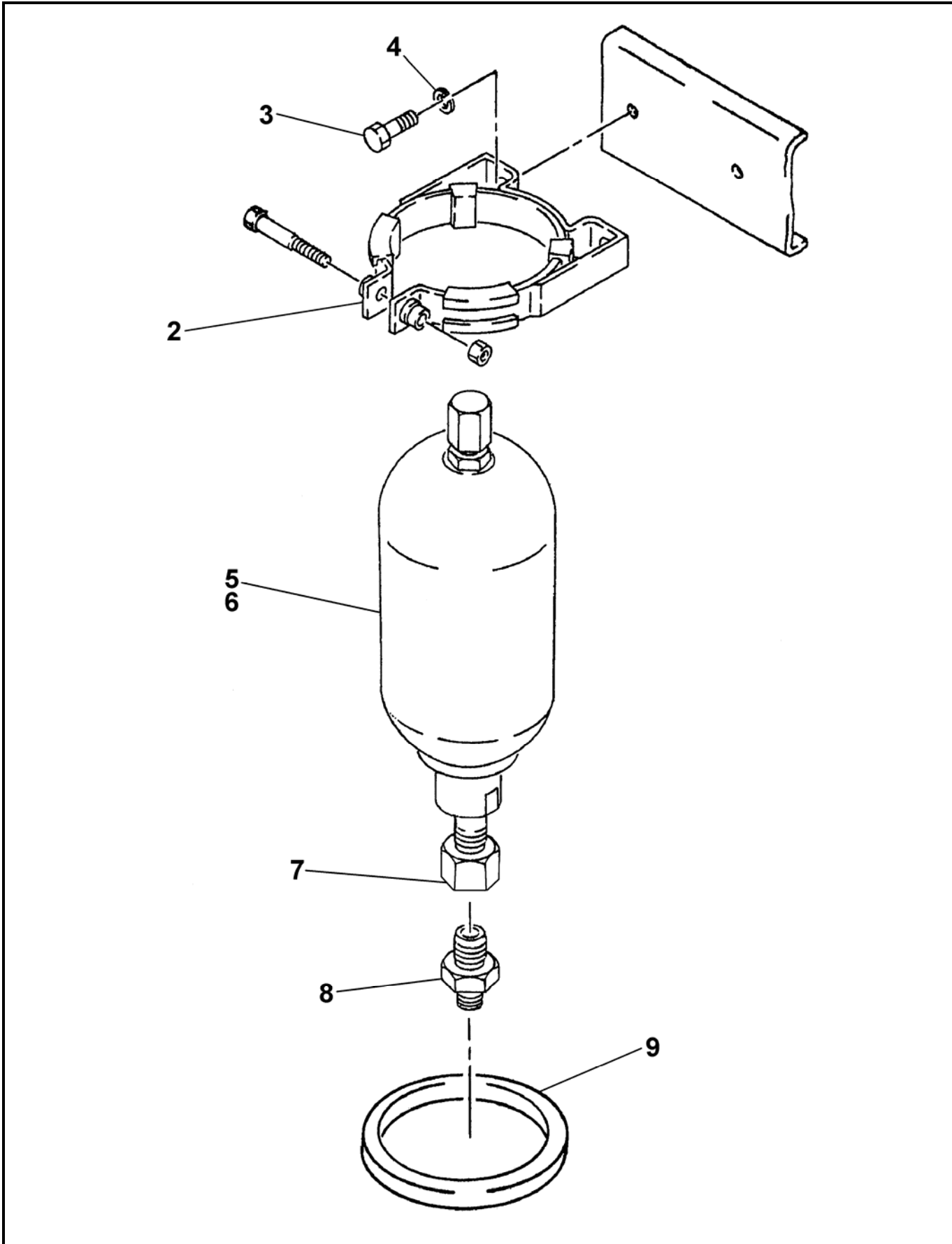
ITEM NO.	REED'S PARTS NO.	DESCRIPTION					QTY
		1	2	3	4	5	
-1	87570	Assembly, Hydraulic Group (See Group 30, Figure 01 for NHA)					Ref
-2	70366	• Gauge, 3,000 PSI Hydraulic					1
-3	74562	• Gauge, 6,000 PSI Hydraulic					1
4	74509	• Gauge, Sight					1
5	W-106872	• Gauge, Suction Filter					1
6	801496	• Filter, Suction					1
7	802585	• • Element, Suction Filter					1
8	801025	• Cock, Drain					1
9	801937	• Flange Plug, 2" Code 61					1
10	86264-006	• Flange, Split Code 61-32 SAE					1
11	85537	• Filler, Breather					1
12	87700	• Weldment, Hydraulic Tank					1
13	87154	• Valve, Solenoid					1
14	85529	• • End Cover, Hydraulic Tank					1
15	85867	• • Gasket, End Cover					1
-16	78608	• Hose, Minicheck-48"					1
-17	77282	• Valve, Check					1
-18	75456	• Clamp, 1 1/2" Tube, Single					2
-19	86900-027	• Adaptor, MB-MJ-16-12					2
-20	78593	• Adaptor, Minicheck-SAE 4					2
-21	78594	• Adaptor, Minicheck Gauge 1/4					2
-22	86900-023	• Adaptor, MB-MJ-12-12					1
-23	87468	• Adaptor, Stl 10L(M) x SAE 4					2
-24	801876-008	• Adaptor, 25S x SAE 16					1
-25	86751	• Plug-Boss O-Ring #8 SAE					1
26	30-03	• Assembly, Accumulator (See Group 30, Figure 03 for DET)					1
27	87334	• Assembly, Swing Tube Circuit Manifold (See Group 30, Figure 05 for DET)					1
-28	87472	• Bracket, Vibrator Plug					1
-29	802287	• Clamp, Worm 1.25-2.13 Diameter					4
-30	802288	• Clamp, Worm 1.75-2.63 Diameter					12
DASH (-) ITEM NOT ILLUSTRATED							

*Pressure filter for
 main pump is
 W-109849. O-ring is
 801499-ORING



ACCUMULATOR ASSEMBLY

C70S
PARTS
GROUP 30
FIGURE 03
PAGE 01



REVISION:



ACCUMULATOR ASSEMBLY

C70S
PARTS
GROUP 30
FIGURE 03
PAGE 02

ITEM NO.	REED'S PARTS NO.	DESCRIPTION	QTY
		1 2 3 4 5	
-1	30-03	Assembly, Accumulator (See Group 30, Figure 01 for NHA)	Ref
2	73171	• Bracket, Accumulator	1
3		• Bolt, Hex (attaching parts)	2
4		• Washer, Lock (attaching parts)	2
5	W-103616	• Accumulator, 6 Liter	1
6	30-04	• Kit, Bladder Repair (See Group 30, Figure 04 for DET)	1
7	87471	• Adaptor-Str 1 1/4" BSPP x JIC16	1
8		• Adaptor	1
9	801028	• Grommet, Accumulator	1
-10	71460	• Kit, Accumulator Charge (See Group 80, Figure 07 for REF)	Ref

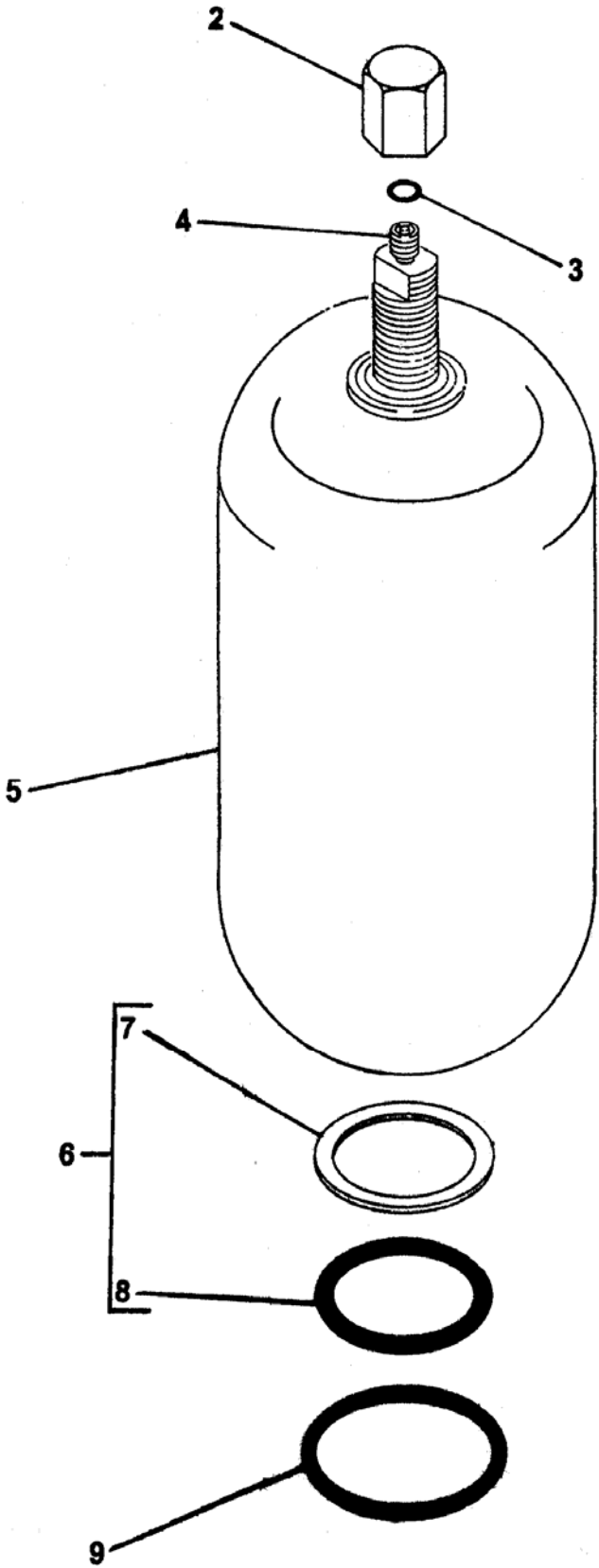
DASH (-) ITEM NOT ILLUSTRATED

REVISION:



ACCUMULATOR BLADDER REPAIR KIT

C70S
PARTS
GROUP 30
FIGURE 04
PAGE 01



REVISION:



**ACCUMULATOR
BLADDER REPAIR KIT**

**C70S
PARTS
GROUP 30
FIGURE 04
PAGE 02**

ITEM NO.	REED'S PARTS NO.	DESCRIPTION	QTY
		1 2 3 4 5	
-1	W-105630	Kit, Bladder Repair (Also See Group 30, Figure 03 for NHA)	Ref
2		• Cap, Valve Seal	1
3		• O-Ring	1
4		• Core, Gas Valve	1
5	W-105555	• Bladder, 6 Liter	1
6	85812	• Kit, Bladder Seal	1
7		• • Ring, Flat	1
8		• • O-Ring	1
9		• Ring, Back Up	1

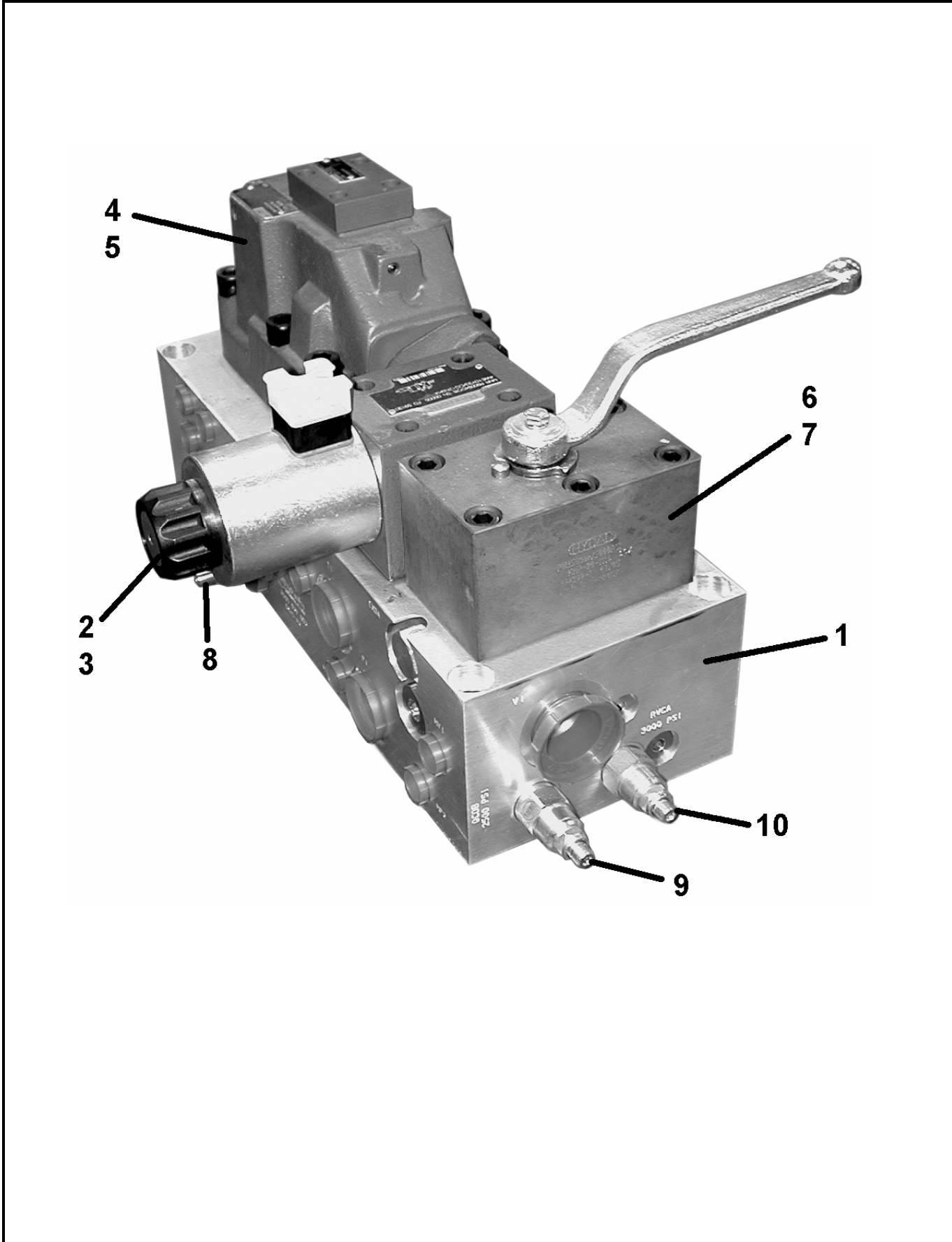
DASH (-) ITEM NOT ILLUSTRATED

REVISION:



SWING TUBE CIRCUIT MANIFOLD ASSEMBLY

C70S
PARTS
GROUP 30
FIGURE 05
PAGE 01



REVISION:



SWING TUBE CIRCUIT MANIFOLD ASSEMBLY

C70S
PARTS
GROUP 30
FIGURE 05
PAGE 02

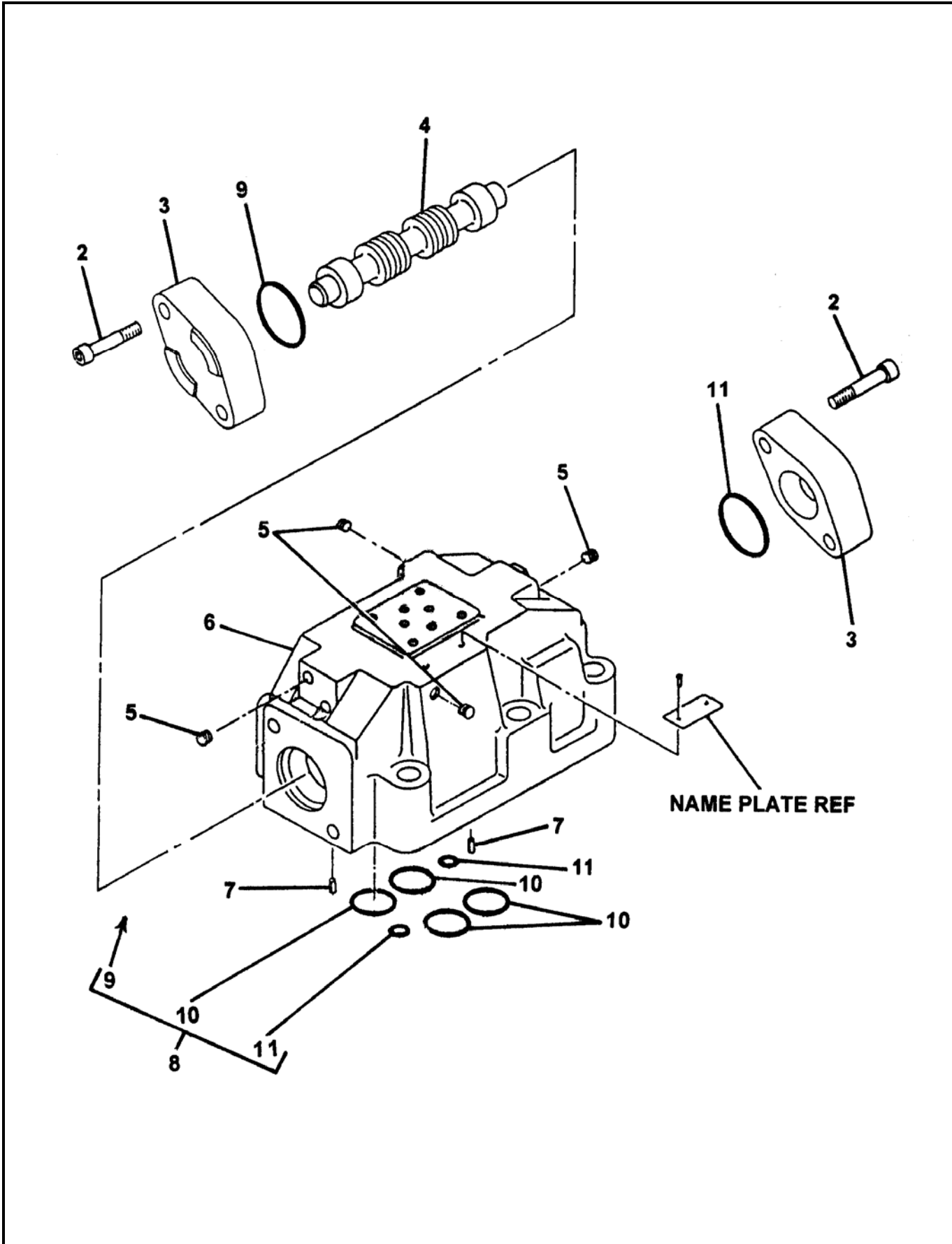
ITEM NO.	REED'S PARTS NO.	DESCRIPTION	QTY
		1 2 3 4 5	
1A	87334	Assembly, Swing Tube Circuit Pilot Solenoid Valve (See Group 30, Figure 05 for NHA)	Ref
1	-001	• Assembly, Valvepack	1
2	-002	• Valve, 4-Way	1
3	-003	• Kit, Bolt 4-Way Valve	1
4	-004	• Valve, 4-Way	1
5	-005	• Kit, Bolt 4-Way Valve	1
6	-006	• Valve, Ball	1
7	-007	• Kit, Bolt	1
8	-008	• Cartridge, Valve	1
9	-009	• Cartridge, Valve	1
10	-010	• Cartridge, Valve	1
		DASH (-) ITEM NOT ILLUSTRATED	

REVISION:



SWING TUBE CIRCUIT MAIN SOLENOID VALVE ASSEMBLY

C70S
PARTS
GROUP 30
FIGURE 06
PAGE 01



REVISION:



**SWING TUBE CIRCUIT
MAIN SOLENOID VALVE ASSEMBLY**

**C70S
PARTS
GROUP 30
FIGURE 06
PAGE 02**

ITEM NO.	REED'S PARTS NO.	DESCRIPTION	QTY
		1 2 3 4 5	
-1	85694	Assembly, Swing Tube Circuit Main Solenoid Valve (See Group 30, Figure 05 for NHA)	Ref
2		• Screw, SOC	4
3		• Cover	2
4		• Spool	1
5		• Plug	4
6		• Housing, Cartridge	1
7		• Pin, Grooved	2
8	74994	• Kit, Seal	1
9		•• O-Ring	2
10		•• O-Ring	4
11		•• O-Ring	2

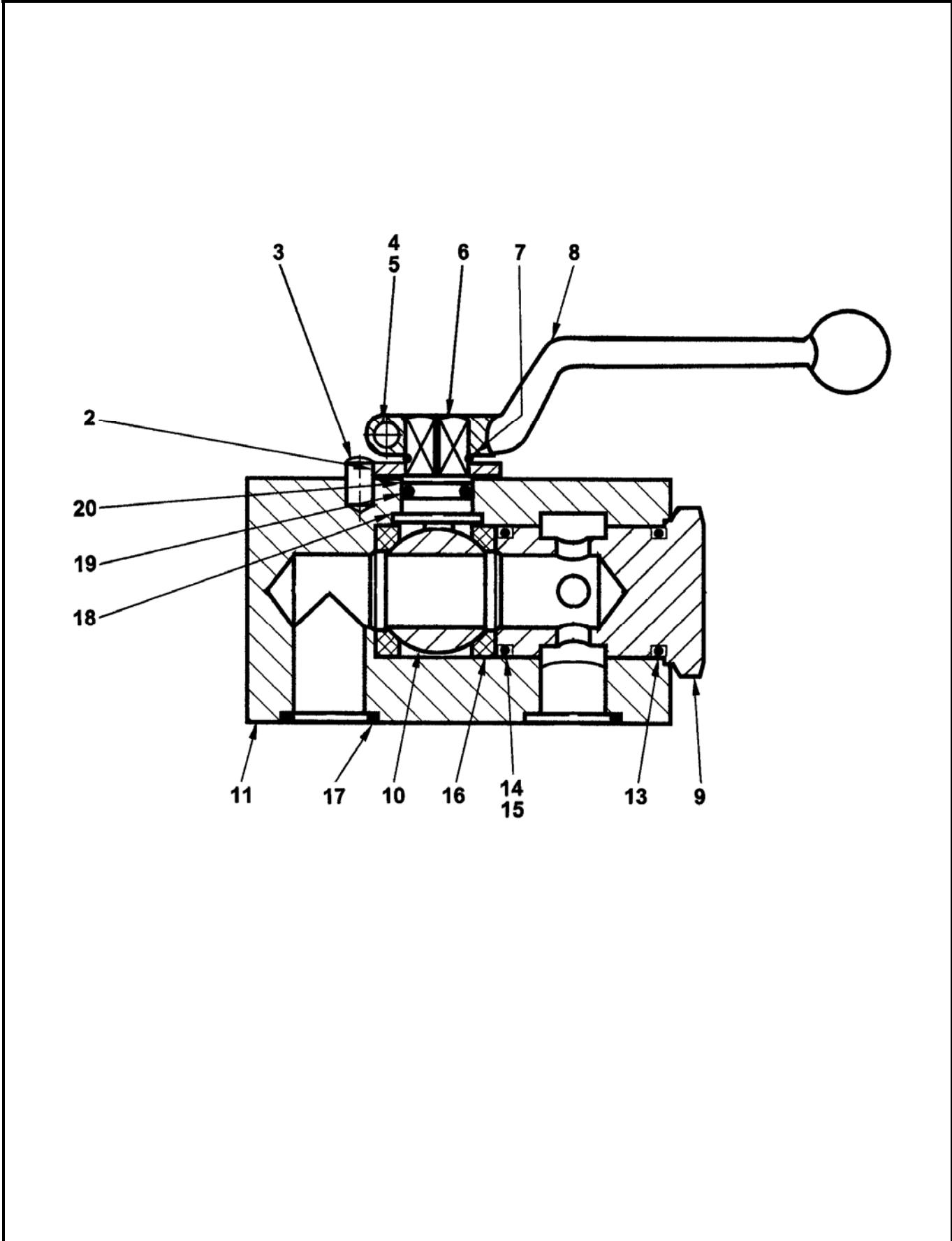
DASH (-) ITEM NOT ILLUSTRATED

REVISION:



BALL VALVE ASSEMBLY

C70S
PARTS
GROUP 30
FIGURE 07
PAGE 01



REVISION:



BALL VALVE ASSEMBLY

C70S
PARTS
GROUP 30
FIGURE 07
PAGE 02

ITEM NO.	REED'S PARTS NO.	DESCRIPTION	QTY
		1 2 3 4 5	
-1	85705	Assembly, Ball Valve (See Group 30, Figure 05 for NHA)	Ref
2		• Washer, Limit	1
3		• Pin, Stop	1
4		• Bolt, Hex	1
5		• Nut, Hex	1
6		• Handle, Control	1
7		• Spindle, Control	1
8		• Retainer, Spring	1
9		• Plug	1
10		• Ball	1
11		• Housing	1
-12		• Kit, Seal	1
13		•• O-Ring	1
14		•• O-Ring	1
15		•• Ring, Back Up	1
16		•• Seal, Bowl	2
17		•• O-Ring	1
18		•• Washer, Thrust	1
19		•• O-Ring	1
20		•• Ring, Back Up	1

DASH (-) ITEM NOT ILLUSTRATED

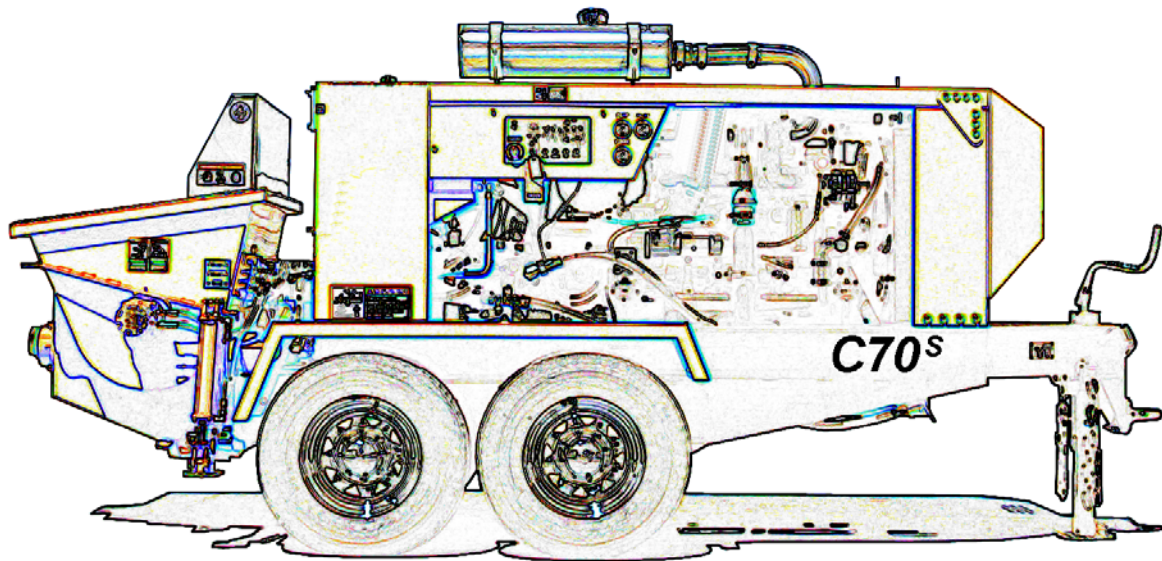
REVISION:



TRAILER MOUNTED PUMP 00 MODEL C70S
GROUP 30 TANK INSTALLATION

C70S
PARTS
GROUP 30
FIGURE 08
PAGE 01

THIS PAGE INTENTIONALLY LEFT BLANK.



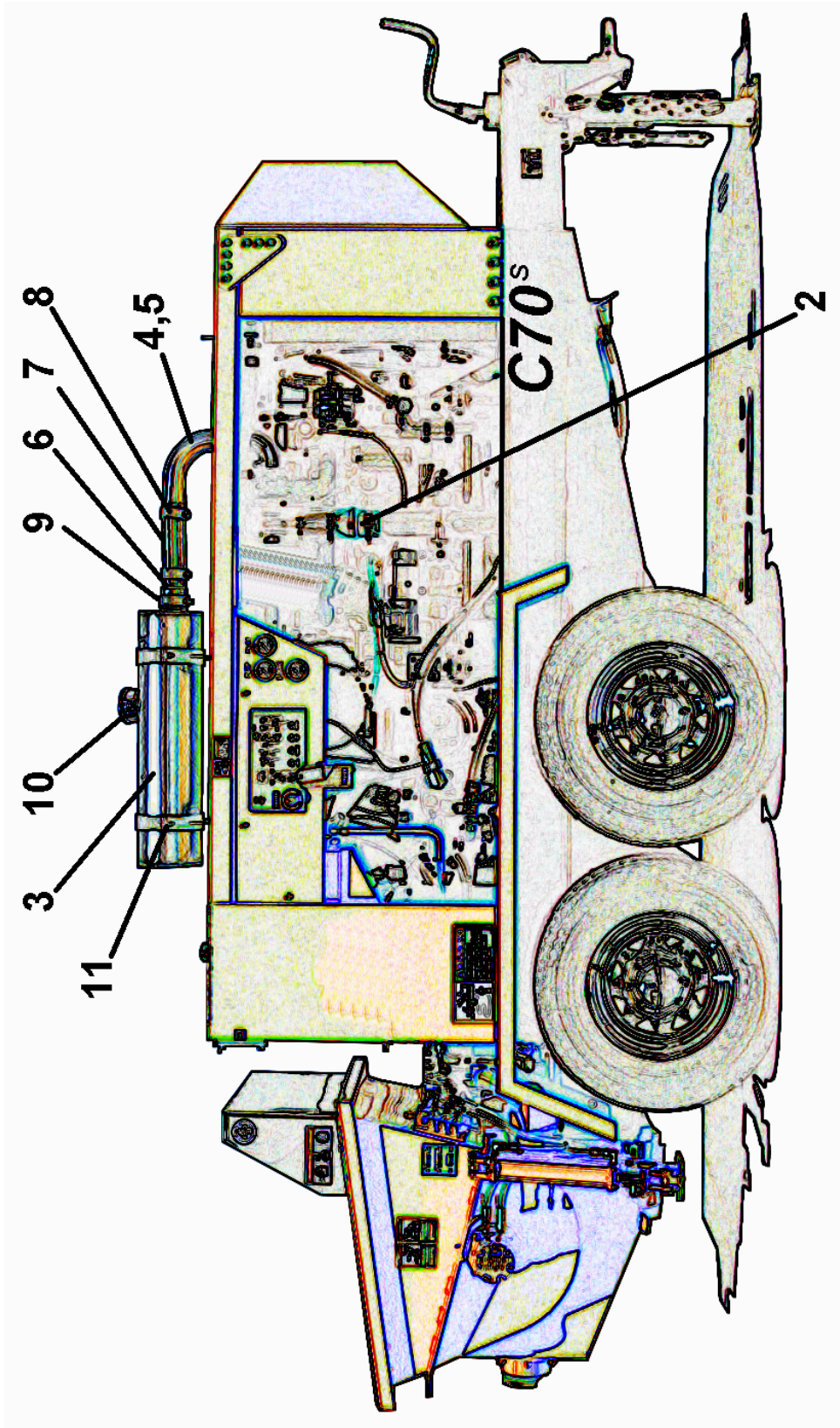
REED TRAILER MOUNTED CONCRETE PUMP 00 MODEL **C70S** ILLUSTRATED PARTS MANUAL GROUP 40 POWER TRAIN INSTALLATION CONTAINS THE FOLLOWING FIGURES:

FIGURE 00	TABLE OF CONTENTS
FIGURE 01	POWER TRAIN INSTALLATION
FIGURE 02	POWER TRAIN ASSEMBLY
FIGURE 02	HYDRAULIC PUMPS ASSEMBLY
FIGURE 03	DOUBLE AUXILIARY PUMP ASSEMBLY
FIGURE 04	SINGLE AUXILIARY PUMP ASSEMBLY
FIGURE 05	MAIN HYDRAULIC PUMP ASSEMBLY
FIGURE 06	BATTERY MOUNTING ASSEMBLY



POWER TRAIN INSTALLATION

C70S
PARTS
GROUP 40
FIGURE 01
PAGE 01



REVISION:



POWER TRAIN INSTALLATION

C70S
PARTS
 GROUP 40
 FIGURE 01
 PAGE 02

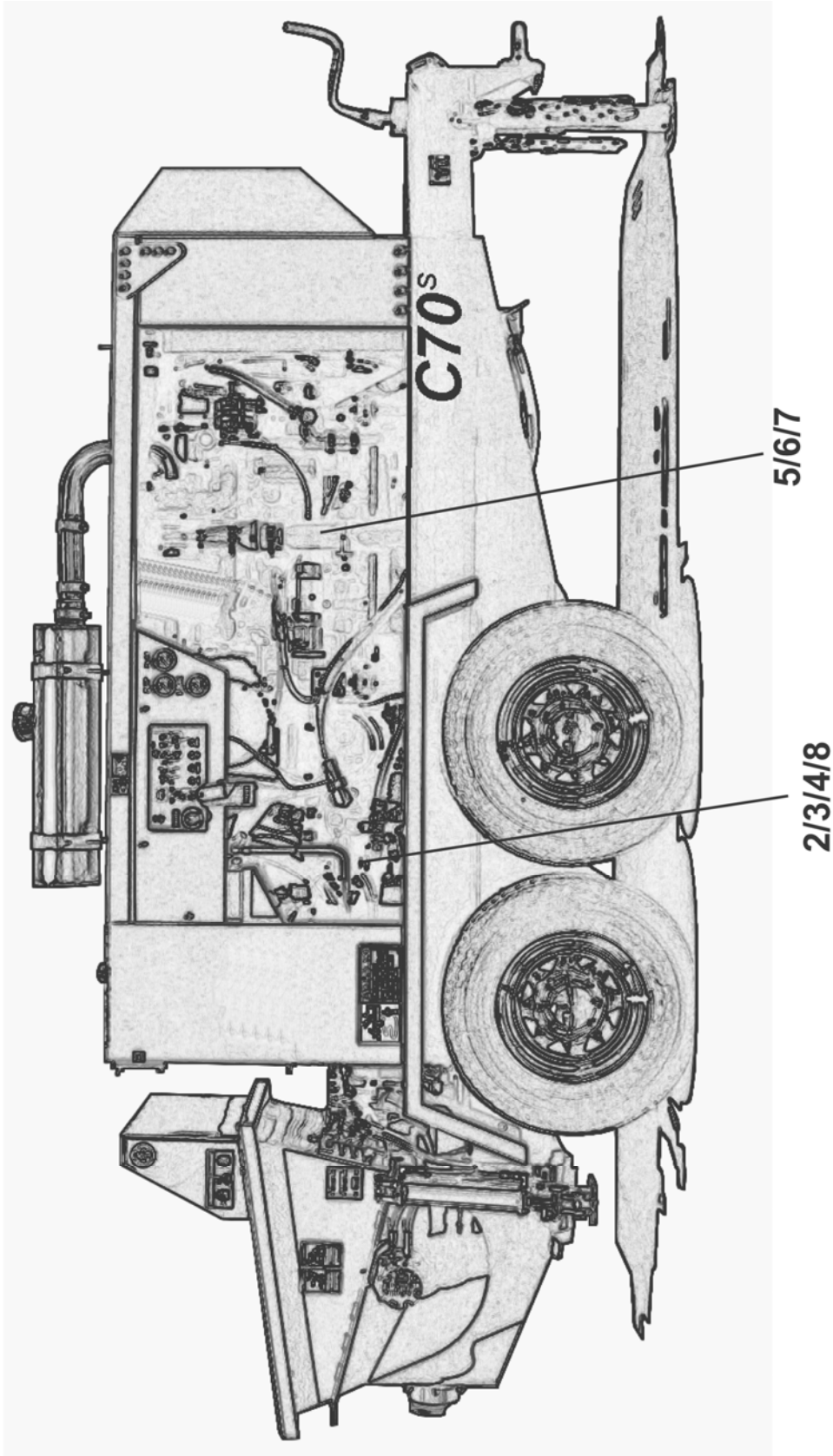
ITEM NO.	REED'S PARTS NO.	DESCRIPTION					QTY
		1	2	3	4	5	
-1	40-01	Installation, Power Train (See Group 10, Figure 01 and Figure 02 for NHA)					Ref
2	87929	• Assembly, Power Train (Engine-PN 87572 w/Rexroth Pump) (See Group 40, Figure 02 for DET)					1
3	87583	• Muffler					1
4	87983	• Elbow, Exhaust					1
5	87581	• Clamp, Exhaust					1
6	87580	• Reducer, Exhaust					1
7	87579	• Flex Tube, Exhaust					1
8	87578	• Clamp, Exhaust					2
9	87577	• Clamp, Exhaust					1
10	77597	• Cap, Rain					1
11	87585	• Mount, Muffler Bracket					2
12	-	•					
13	-	•					
14	-	•					
15	-	•					
16	-	•					
17	-	•					
18	-	•					
19	-	•					
20	-	•					
21	-	•					
22	-	•					
23	-	•					
-24	87562	• Assembly, Engine Wiring Harness (See Schematic Section for REF)					1
-25	40-07	• Assembly, Battery Mounting (See Group 40, Figure 07 for DET)					1
DASH (-) ITEM NOT ILLUSTRATED							

REVISION:



POWER TRAIN ASSEMBLY

C70S
PARTS
GROUP 40
FIGURE 02
PAGE 01



REVISION:



POWER TRAIN ASSEMBLY

C70S
PARTS
GROUP 40
FIGURE 02
PAGE 02

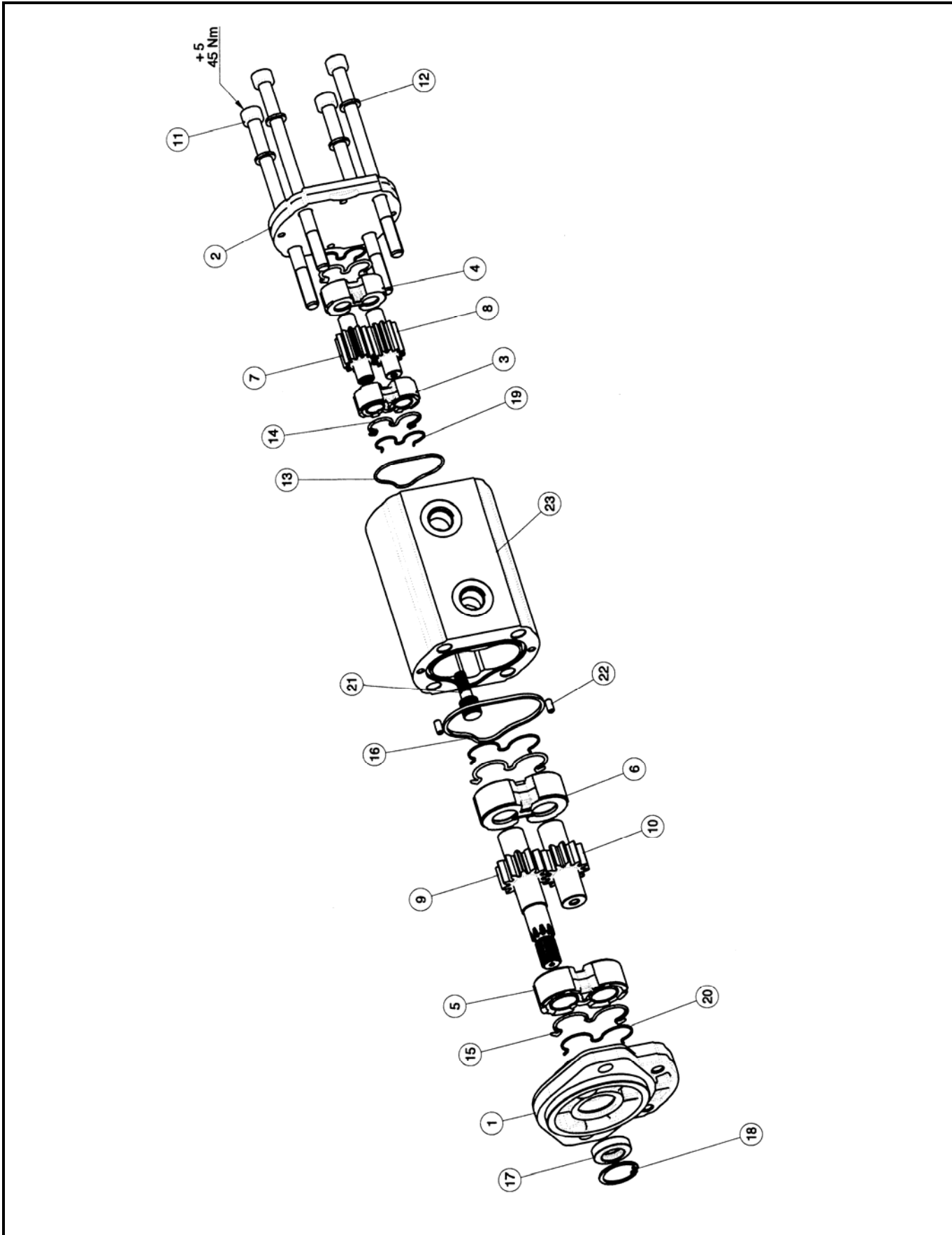
ITEM NO.	REED'S PARTS NO.	DESCRIPTION	QTY
		1 2 3 4 5	
-1	87929	Assembly, Power Train (See Group 40, Figure 01 for NHA)	Ref
2	87445-1	• Assembly, Double Auxiliary Pump (See Group 40, Figure 03 for DET)	1
3	87013	• Assembly, Single Auxiliary Pump (Optional Item) (See Group 40, Figure 04 for NHA)	1
4	87360	• Assembly, Flywheel Coupling	1
5	87572	• Cummins Engine C70S 160HP (See Vendor Section, Figure 01 for REF)	1
6	-	•• Element, Engine Oil Filter	1
7	-	•• Element, Fuel Filter	1
8	87929-P	• Assembly, C70S Main Pump-125cc (Rexroth) (See Group 40, Figure 05 for DET) (Also See Vendor Section, Figure 02 for REF)	1
		DASH (-) ITEM NOT ILLUSTRATED	

REVISION:



DOUBLE AUXILIARY PUMP ASSEMBLY

C70S
PARTS
GROUP 40
FIGURE 03
PAGE 01



REVISION:



DOUBLE AUXILIARY PUMP ASSEMBLY

C70S
PARTS
GROUP 40
FIGURE 03
PAGE 02

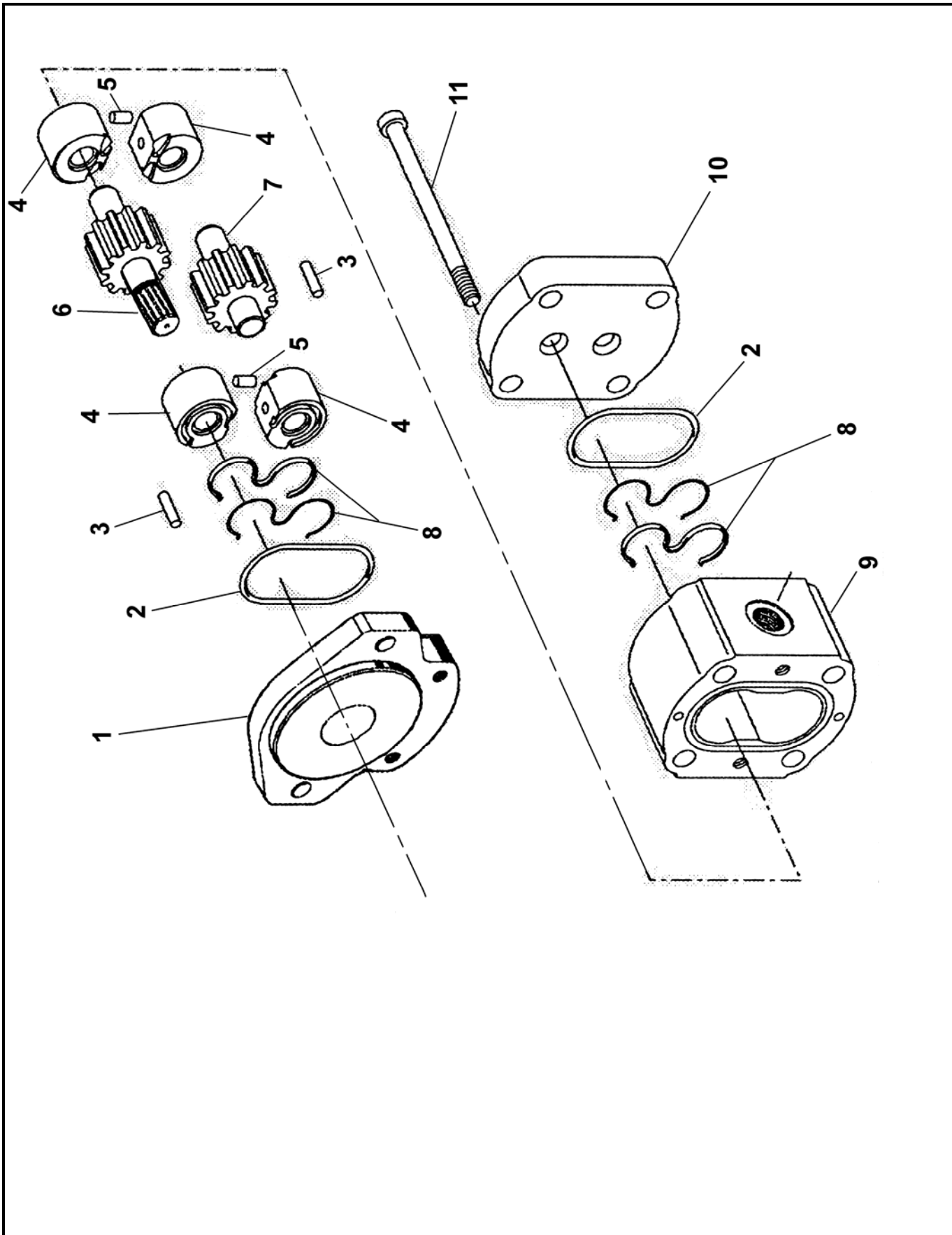
ITEM NO.	REED'S PARTS NO.	DESCRIPTION	QTY
		1 2 3 4 5	
	87445-1	Assembly Double Auxiliary Pump (See Group 40, Figure 02 for NHA)	Ref
1		• Cover, Front	1
2		• Cover, Twin Rear	1
3		• Plate, Thrust	1
4		• Plate, Thrust	1
5		• Plate, Thrust	1
6		• Plate, Thrust	1
7		• Gear, Drive	1
8		• Gear, Driven	1
9		• Shaft, Drive	1
10		• Gear, Driven	1
11		• Screw	4
12		• Washer	4
13		• O-Ring	1
14		• Plate, Seal	2
15		• Plate, Seal	2
16		• Plate, Seal	1
17		• Seal, Shaft	1
18		• Ring	1
19		• Plate, Anti-Intrusion	2
		DASH (-) ITEM NOT ILLUSTRATED	

REVISION:



SINGLE AUXILIARY PUMP ASSEMBLY

C70S
PARTS
GROUP 40
FIGURE 04
PAGE 01



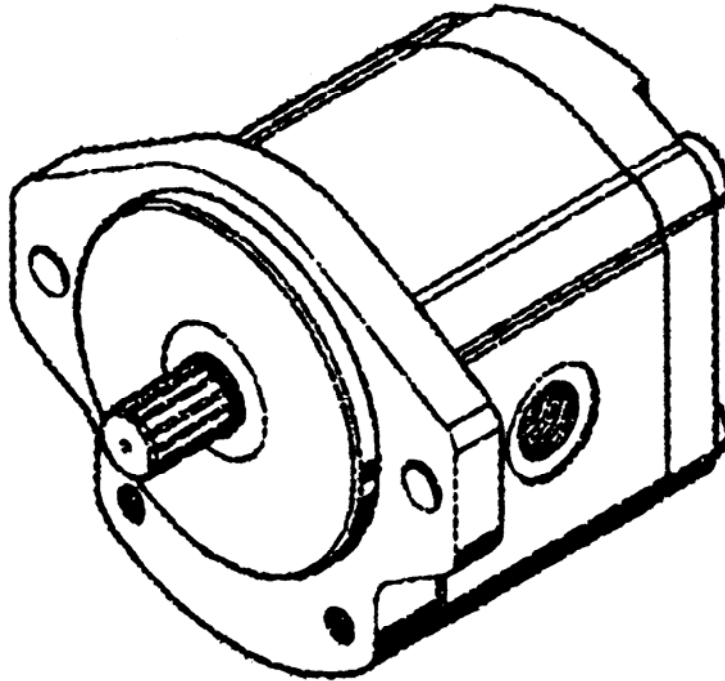
REVISION:



SINGLE AUXILIARY PUMP ASSEMBLY

C70S
PARTS
GROUP 40
FIGURE 04
PAGE 02

ITEM NO.	REED'S PARTS NO.	DESCRIPTION					QTY
		1	2	3	4	5	
	87013	Assembly, Single Auxiliary Pump (See Group 40, Figure 02 for NHA)					Ref
1		• Cover, Front					1
2		• Seal					2
3		• Pin, Dowel					2
4		• Bearing					4
5		• Pin, Dowel					2
6		• Gear, Driven					1
7		• Gear, Drive					1
8		• Seal					2
9		• Housing, Pump					1
10		• Cover, End					1
11		• Bolt, Hex (attaching parts)					4
-12	87013SK	• Kit, Seal					1
DASH (-) ITEM NOT ILLUSTRATED							



REVISION:

Assembly Number
AA4VG125/32

Item	Description	Qty	Part Number	
1	Rotary Group Ass'y AA4VG125.../32L		5450-570-008	
1	Rotary Group Ass'y AA4VG125.../32R		5450-570-009	
2	Drive Shaft AA4VG125.../32...S		HU00921707	
2	Drive Shaft AA4VG125.../32...T		HU00921708	
3	Housing Ass'y	1	<i>Pages 12 & 13</i>	
4	Stroking Piston Ass'y	1	<i>Pages 14 & 15</i>	
5	Port Block Ass'y	1	<i>Pages 16 & 17</i>	
6	Control AA4VG125HW.../32		HU00608522	
6	Control AA4VG125HW...L/32		HU00608525	
6	Control AA4VG125HD.../32		HU00602238	
6	Control AA4VG125EP1.../32		HU00602236	
6	Control AA4VG125EP2.../32		HU00602237	
6	Control AA4VG125EZ1.../32		HU00437191	
6	Control AA4VG125EZ2.../32		HU00437190	
7	Stroking Piston Cover AA4VG125...		HU00922049	
7	Stroking Piston Cover AA4VG125...M		HU00449493	
7	Stroking Piston Cover AA4VG125...T		HU00651546	
7	Stroking Piston Cover AA4VG125...M...T		HU00651554	
8	Stroking Piston Cover AA4VG125...		HU00922048	
8	Stroking Piston Cover AA4VG125...M		HU00449492	
8	Stroking Piston Cover AA4VG125...T		HU00651545	
8	Stroking Piston Cover AA4VG125...M...T		HU00651553	
9	Charge Pump ...F00		HU00606320	
9	Thru Dr. Chg. Pump ...F01 (SAE-A)		HU00606309	
9	Thru Dr. Chg. Pump ...F02 (SAE-B)		HU00606312	
9	Thru Dr. Chg. Pump ...F04 (SAE-BB)		HU00606314	
9	Thru Dr. Chg. Pump ...F07 (SAE-C)		HU00606317	
9	Thru Dr. Chg. Pump ...F69 (SAE-D)		HU00606330	

Assembly Number
AA4VG125/32

Item	Description	Qty	Part Number	
10	Stroking Time Orifice (1.0 mm)	2	HU00426700	
10	Stroking Time Orifice (0.8 mm)		HU00426701	
10	Stroking Time Orifice (0.9 mm)		HU00426702	
10	Stroking Time Orifice (1.2 mm)		HU00426703	
10	Stroking Time Orifice (1.4 mm)		HU00426704	
10	Stroking Time Orifice (1.6 mm)		HU00426705	
10	Stroking Time Orifice (1.8 mm)		HU00426706	
10	Stroking Time Orifice (2.0 mm)		HU00426707	
10	Stroking Time Orifice (2.2 mm)		HU00426708	
10	Stroking Time Orifice (2.4 mm)		HU00439372	
10	Stroking Time Orifice (2.5 mm)		HU00426709	
11	Snap Ring (90 x 3 DIN 984)	2	HU002600002	
12	O-Ring (90 Duro Buna PRP-152)	2	68104-152	*▲
13	Front Bearing	1	HU00156269	
14	Shaft Seal (Buna)		HU00830974	*
14	Shaft Seal (FPM)		HU00830980	▲
15	Snap Ring (50 x 2.0 DIN 471)	1	71119-010	
16	Plug (9/16-18)	1	76107-006	
16a	O-Ring (90 Duro Buna Tube PRP-906)	1	68105-906	*▲
17	Threaded Pin	1	HU00154982	
18	Seal Nut (M12 x 1.5)	1	65110-008	*▲
19	Filtration Options	1	Pages 44 & 45	

* Contained in Seal Kit (P) 5450-635-031

▲ Contained in Seal Kit (N) 5450-635-032



MAIN HYDRAULIC PUMP ASSEMBLY

C70S
PARTS
GROUP 40
FIGURE 05
PAGE 04

Assembly Number
AA4VG125/32

Item	Description	Qty	Part Number	
20	H.P.R.V. w/ Tow Option (1450-6100 psi)		HU00832121	
20a	O-Ring (90 Duro Buna PRP-121)	2	68104-221	*▲□
20b	Seal Nut (M10 x 1)	2	65110-007	*▲□
21	Seal Nut (M12 x 1.75)		65110-002	*▲
22	Adjusting Screw		HU00432790	
23	Charge Relief Valve		HU00434856	
23a	O-Ring (90 Duro Buna PRP-119)	1	68104-119	*▲★
24	Plug (7/8-14)	1	76107-010	
24a	O-Ring (90 Duro Buna Tube PRP-910)	1	68105-910	*▲○
26	Lens Pin	1	HU00405732	
27	O-Ring (90 Duro Buna PRP-129)	1	68104-129	*▲
28	Plug (M42 x 2 DIN 906-5.8)	1	76118-002	
29	Plug (M8 x 1 DIN 906-5.8)	1	76117-003	
30	Jam Nut (M16 x 1.5 DIN 439-04AU)	1	HU00157477	
32	Plug (7/16-20)	2	76107-004	
32a	O-Ring (90 Duro Buna Tube PRP-904)	2	68105-904	*▲■
36	Cap Screw (M8 x 25 DIN 912-8.8)	8	60118-083	

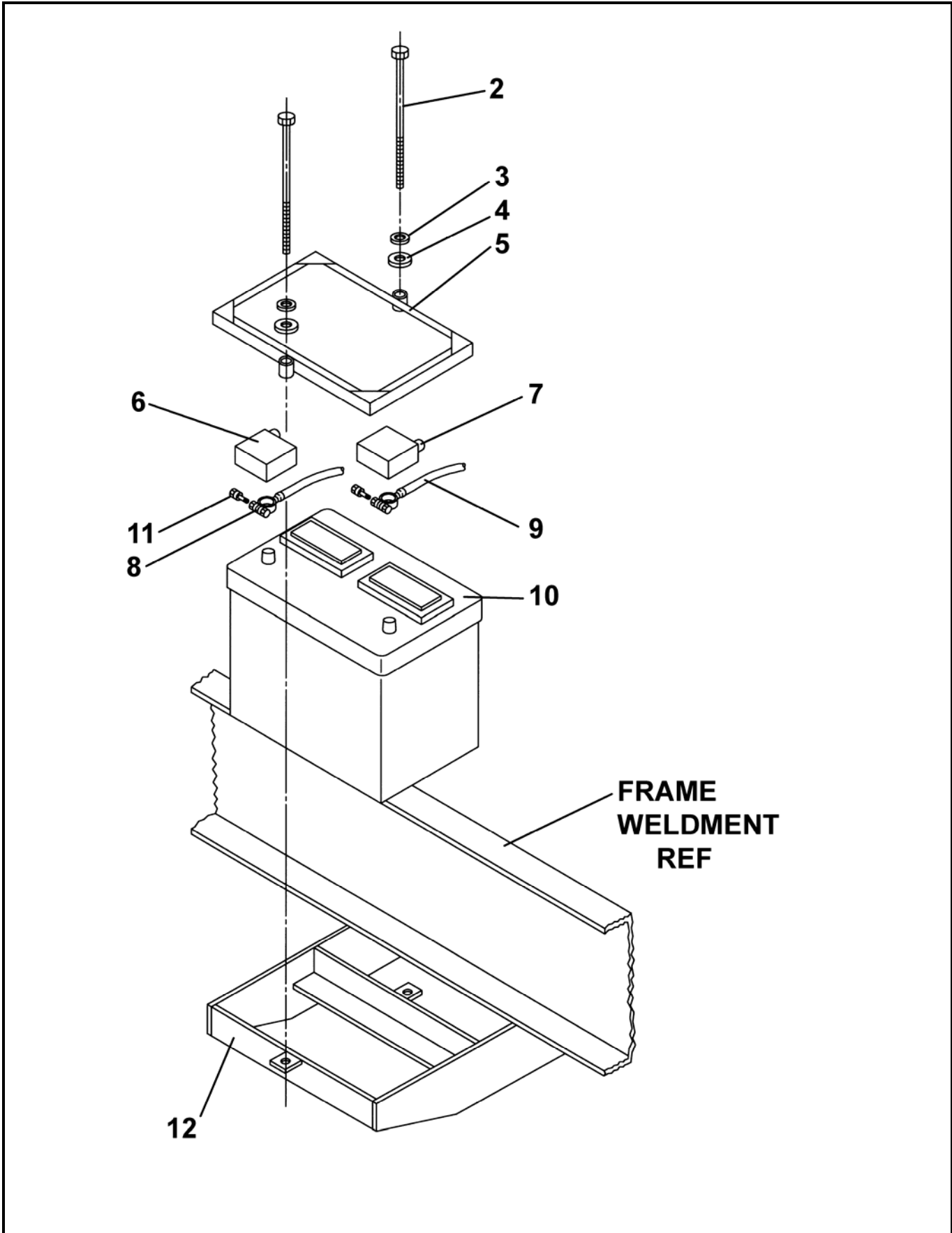
- * Contained in Seal Kit (P) 5450-635-031
- ▲ Contained in Seal Kit (N) 5450-635-032
- ★ Included with HU00434856
- Included with HU00832121
- Included with 76107-004
- Included with 76107-010

REVISION:



BATTERY MOUNTING ASSEMBLY

C70S
PARTS
GROUP 40
FIGURE 06
PAGE 01



REVISION:



BATTERY MOUNTING ASSEMBLY

C70S
PARTS
GROUP 40
FIGURE 06
PAGE 02

ITEM NO.	REED'S PARTS NO.	DESCRIPTION	QTY
		1 2 3 4 5	
-1	40-07	Assembly, Battery Mounting (See Group 40, Figure 01 for NHA)	Ref
2		• Bolt, Hex	2
3		• Washer, Lock	2
4		• Washer, Flat	2
5	72945	• Holder, Battery Down	1
6	87221	• Insulator, Battery-Right (Black)	1
7	87222	• Insulator, Battery-Left (Red)	1
8	72014	• Cable, Battery (Black)	1
9	75116	• Cable, Battery (Red)	1
10	77075	• Battery, 12 VDC	1
11	87223	• Extender, Top Terminal Bolt	1
-12	86240	• Weldment, Battery Box	1
-13	87541	• Relay, Starter	1
-14	87544	• Bracket, Starter Relay Mount	1
-15	73269	• Strap, Ground	1
		DASH (-) ITEM NOT ILLUSTRATED	

REVISION:



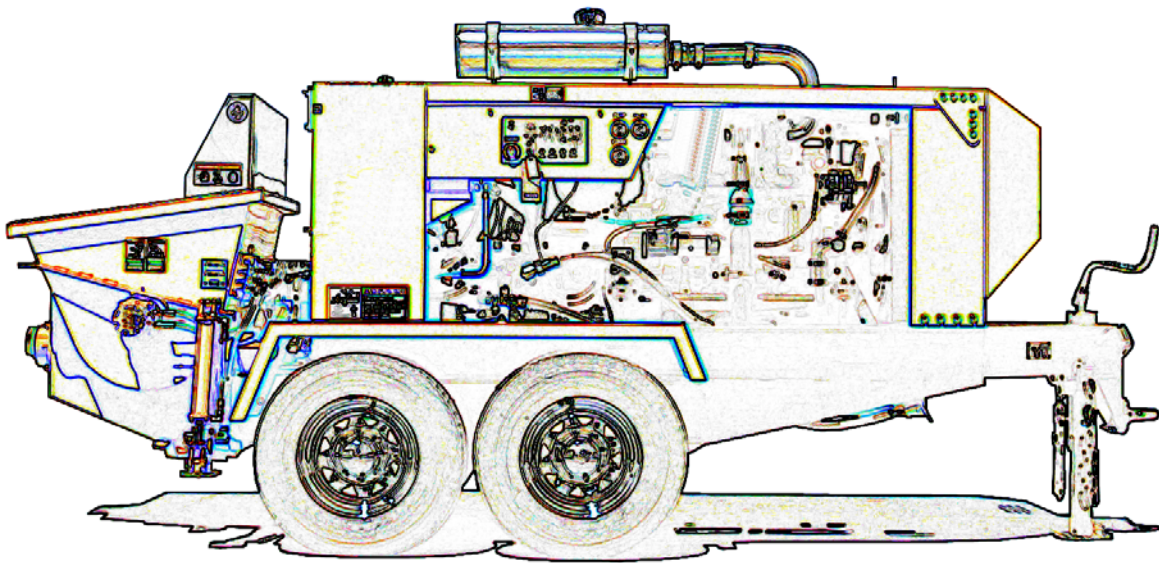
**TRAILER MOUNTED PUMP 00 MODEL C70S
GROUP 40 POWER TRAIN INSTALLATION**

**C70S
PARTS
GROUP 40
FIGURE 07
PAGE 01**

THIS PAGE INTENTIONALLY LEFT BLANK.

REED TRAILER MOUNTED CONCRETE PUMP 00 MODEL C70S ILLUSTRATED PARTS MANUAL GROUP 50 CONTROLS INSTALLATION CONTAINS THE FOLLOWING FIGURES:

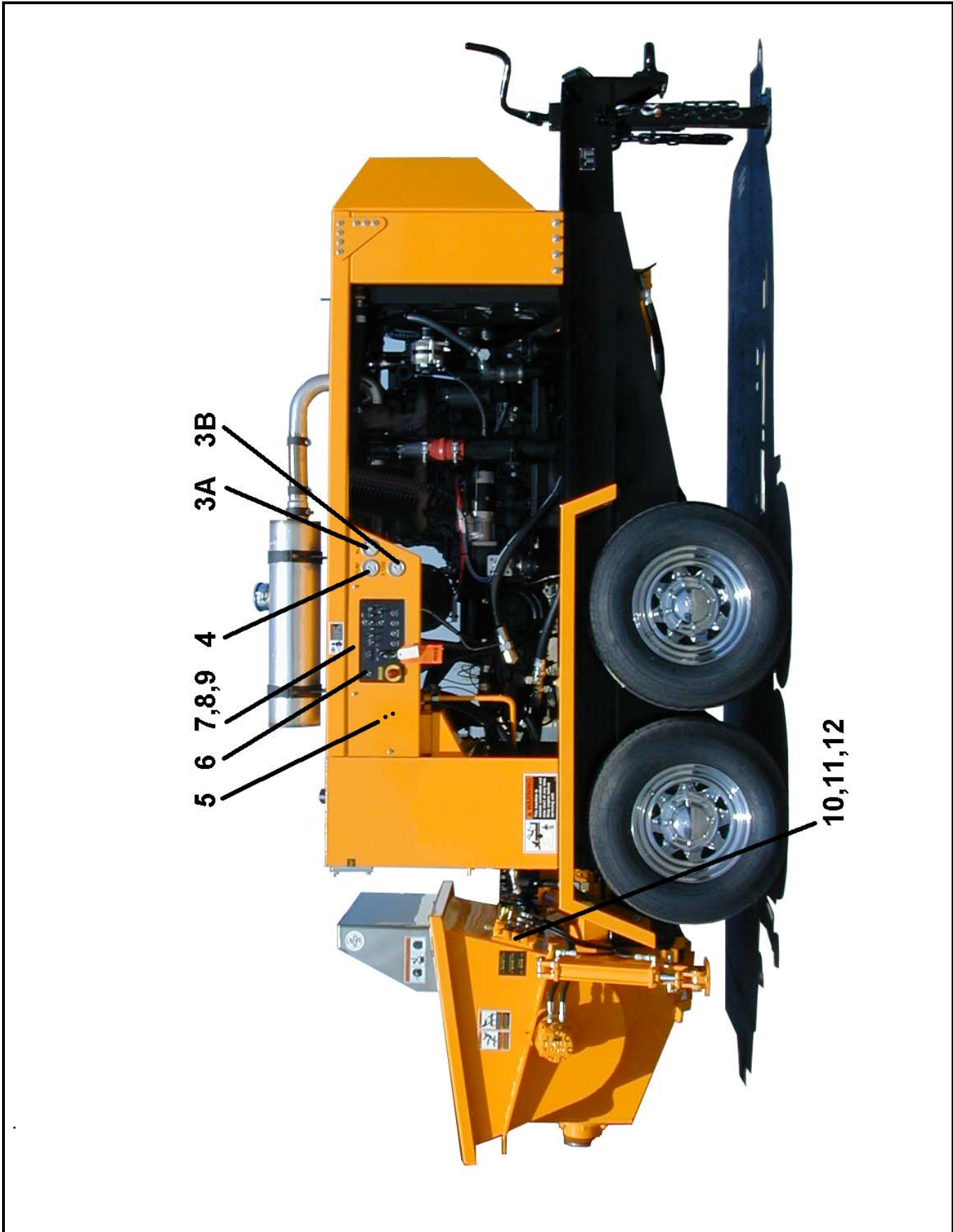
- FIGURE 00** TABLE OF CONTENTS
- FIGURE 01** CONTROLS INSTALLATION
- FIGURE 02** CONTROL BOX INSTALLATION
- FIGURE 03** 50 FEET CABLE REMOTE CONTROL ASSEMBLY
- FIGURE 04** RADIO REMOTE CONTROL ASSEMBLY





CONTROL INSTALLATION

C70S
PARTS
GROUP 50
FIGURE 01
PAGE 01



REVISION:



CONTROL INSTALLATION

C70S
PARTS
 GROUP 50
 FIGURE 01
 PAGE 02

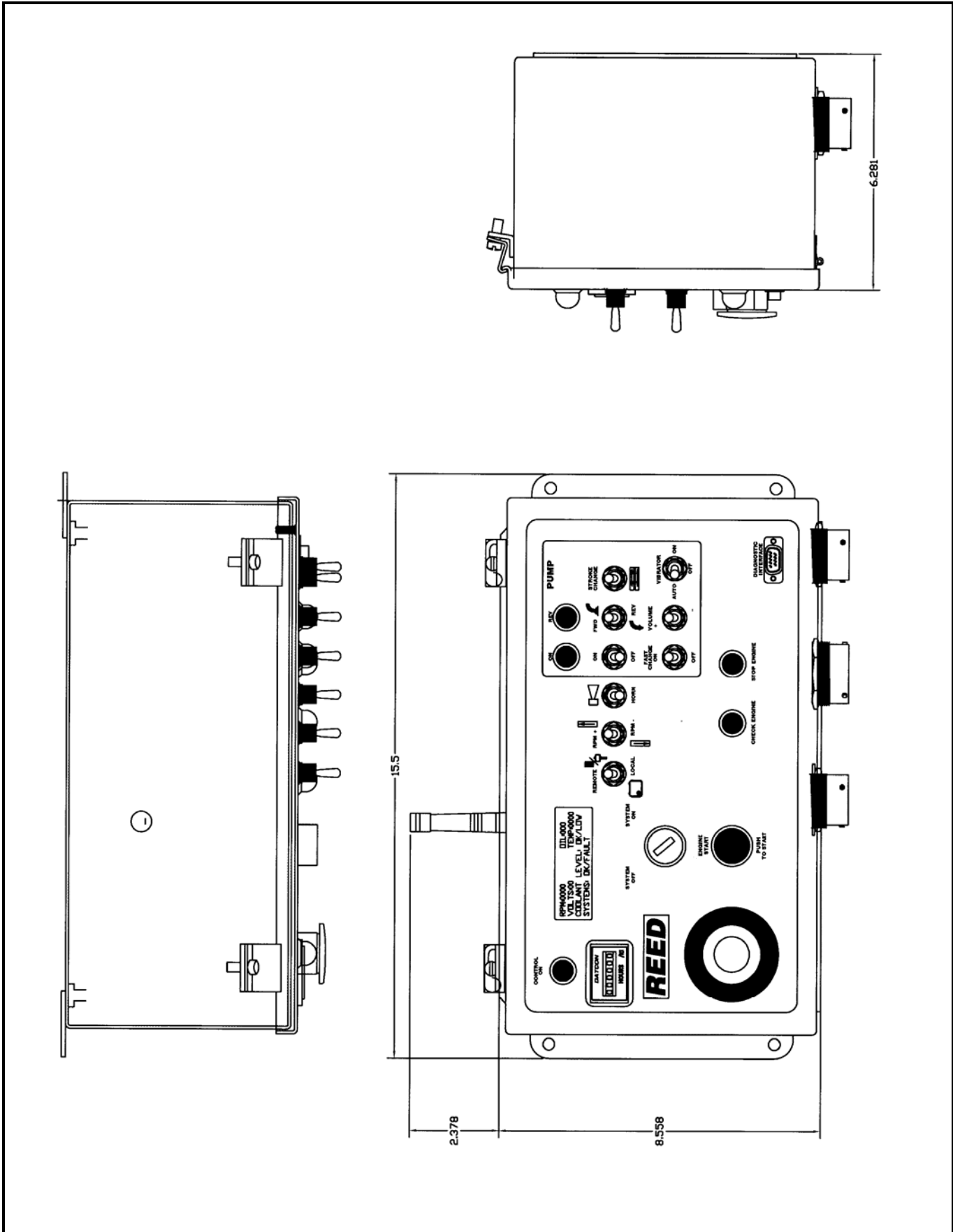
ITEM NO.	REED'S PARTS NO.	DESCRIPTION	QTY
		1 2 3 4 5	
-1	50-01	Installation, Control (See Group 10, Figure 01 for NHA)	Ref
-2	87563	• Group, Electrical	1
3A	87727	• Gauge, 600 PSI Hydraulic (See Group 30, Figure 02 for REF)	1
3B	70366	• Gauge, 3,000 PSI Hydraulic (See Group 30, Figure 02 for REF)	
4	74562	• Gauge, 6,000 PSI Hydraulic (See Group 30, Figure 02 for REF)	1
5	800347	• Horn, 12 V	1
6	87346-2	• Assembly, Control Box (See Group 50, Figure 02 for DET)	1
7	87347-1	• Assembly, 50 Feet Cable Remote Control (See Group 50, Figure 03 for DET)	1
8	NA	•	-
9	87348-1	• Transmitter, Radio Remote Control (Optional Item) (See Group 50, Figure 04 for DET)	1
10	20-07	• Assembly, Agitator/Outriggers Control Valve (Optional Item) (See Group 20, Figure 07 for REF)	1
11	80-15	• Assembly, 1 Spool Valve (Optional Item) (See Group 80, Figure 15 for REF)	1
12	80-17	• Assembly, 2 Spool Valve (Optional Item) (See Group 80, Figure 17 for REF)	1
-13	86532	• Assembly, Trailer Wiring Harness (See Schematic Section for REF)	1
-14	87562	• Assembly, Engine Wiring Harness (See Schematic Section for REF)	1
DASH (-) ITEM NOT ILLUSTRATED			

REVISION:



CONTROL BOX ASSEMBLY

C70S
PARTS
GROUP 50
FIGURE 02
PAGE 01



REVISION:



CONTROL BOX ASSEMBLY

C70S
PARTS
GROUP 50
FIGURE 02
PAGE 02

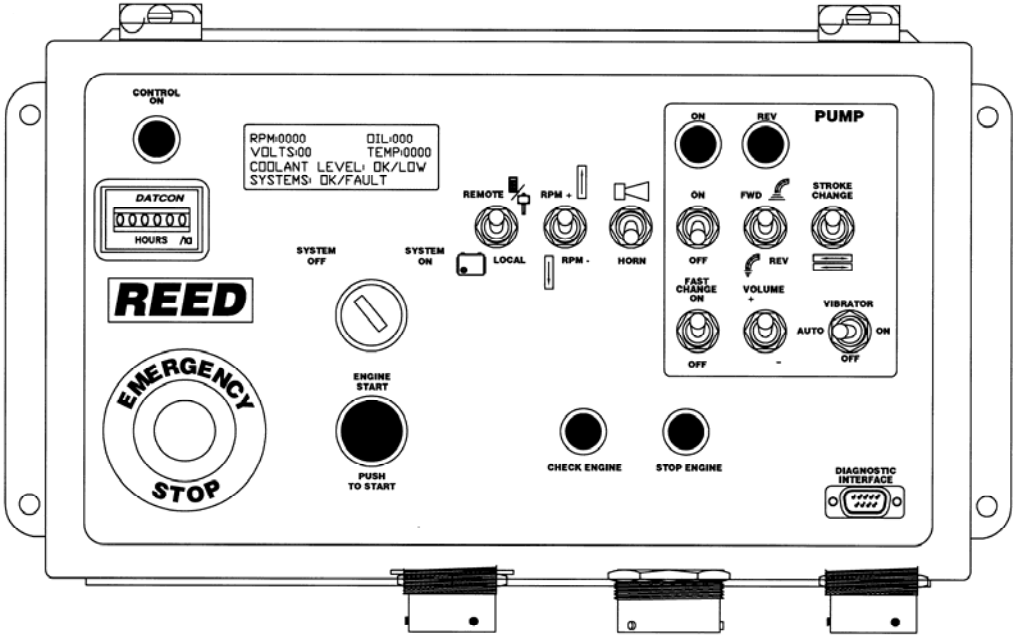
ITEM NO.	REED'S PARTS NO.	DESCRIPTION					QTY
		1	2	3	4	5	
1	87346-1	Assembly, Control Box (See Group 50, Figure 01 for NHA)					Ref
2			•				
3			•				
4			•				
5			•				
6			•				
7			•				
8			•				
9			•				
10			•				
11			•				
12			•				
13			•				
14			•				
15			•				
16			•				
17			•				
18			•				
19			•				
20			•				
DASH (-) ITEM NOT ILLUSTRATED							

REVISION:



CONTROL BOX ASSEMBLY

C70S
PARTS
GROUP 50
FIGURE 02
PAGE 03



CONTROL BOX WITH COVER REMOVED

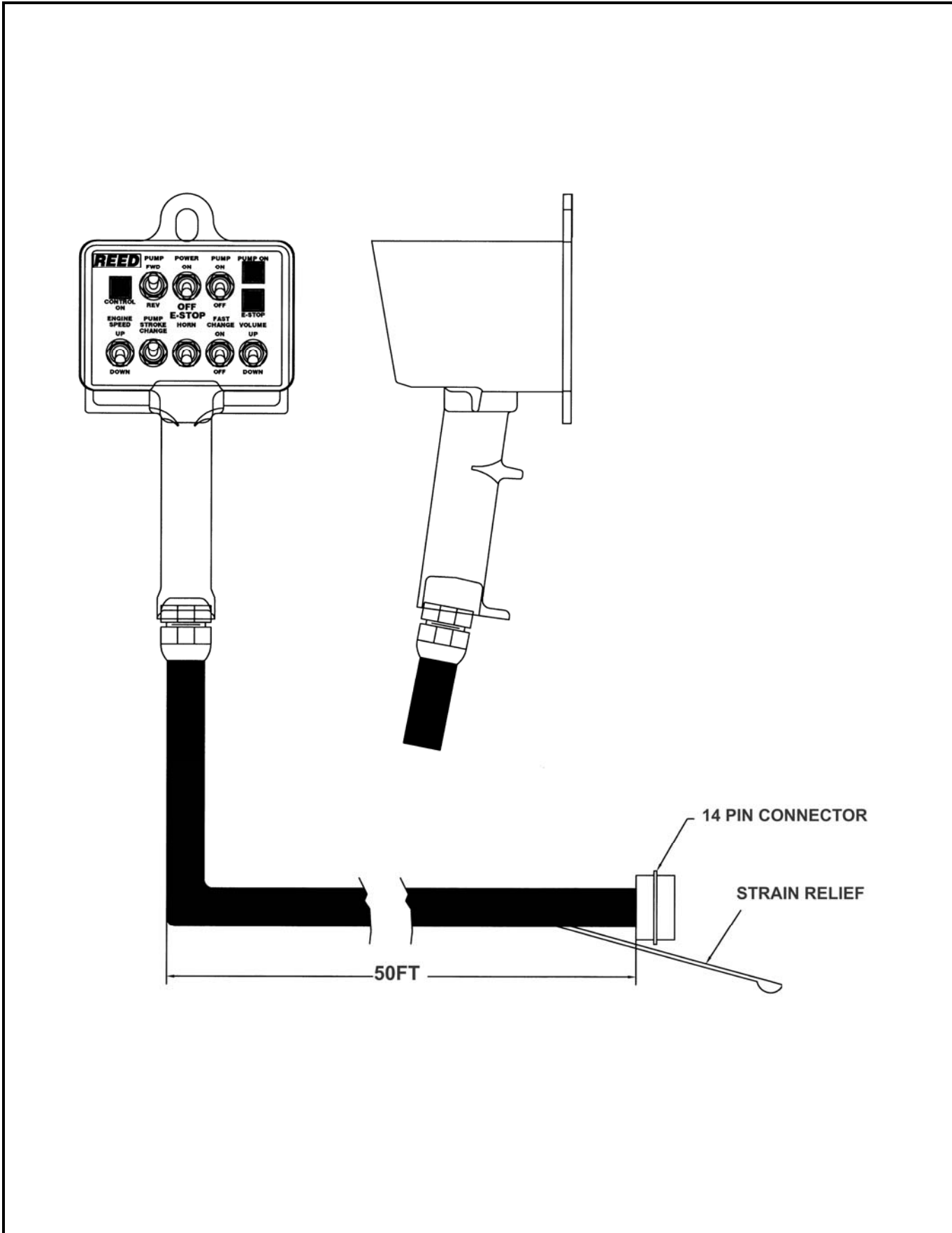
VOLUME CONTROL

MAIN HYDRAULIC PUMP



50 FEET CABLE REMOTE CONTROL ASSEMBLY

C70S
PARTS
GROUP 50
FIGURE 03
PAGE 01



REVISION:



**50 FEET CABLE
REMOTE CONTROL ASSEMBLY**

**C70S
PARTS
GROUP 50
FIGURE 03
PAGE 02**

ITEM NO.	REED'S PARTS NO.	DESCRIPTION					QTY
		1	2	3	4	5	
-1	87347-1	Assembly, 50 Feet Cable Remote Control (See Group 50, Figure 01 for NHA)					Ref
2		•					
3		•					
4		•					
5		•					
6		•					
7		•					
8		•					
9		•					
10		•					
11		•					
12		•					
13		•					
14		•					
15		•					
DASH (-) ITEM NOT ILLUSTRATED							

REVISION:



**OPTIONAL RADIO REMOTE
CONTROL ASSEMBLY**

**C70S
PARTS
GROUP 50
FIGURE 04
PAGE 01**



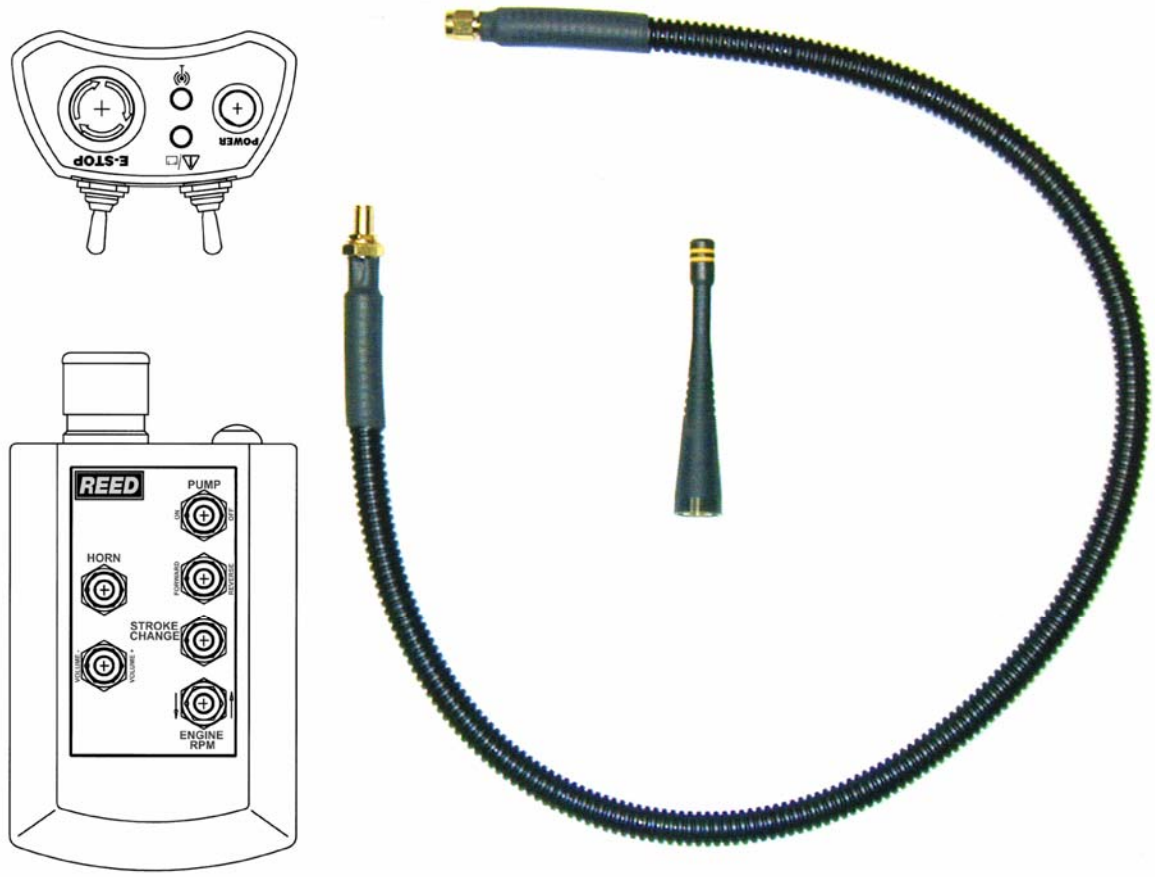
**NOTE: PN 87346 CONTROL BOX HAS BUILT-IN
RADIO REMOTE CONTROL RECIEVER**



OPTIONAL RADIO REMOTE CONTROL ASSEMBLY

C70S
PARTS
GROUP 50
FIGURE 04
PAGE 02

ITEM NO.	REED'S PARTS NO.	DESCRIPTION	QTY
1	87348-1	1 2 3 4 5 Assembly, Radio Remote (See Group 50, Figure 01 for NHA)	Ref
2		• Transmitter, Radio Remote (Part of 87348-1Kit)	1
3		• Cable, Coaxial (Part of 87348-1 Kit)	1
-4		• Antenna, Remote Control (Part of 87348-1 Kit)	1
		Refer to SCHEMATICS SECTION FOR WIRING DIAGRAMS	



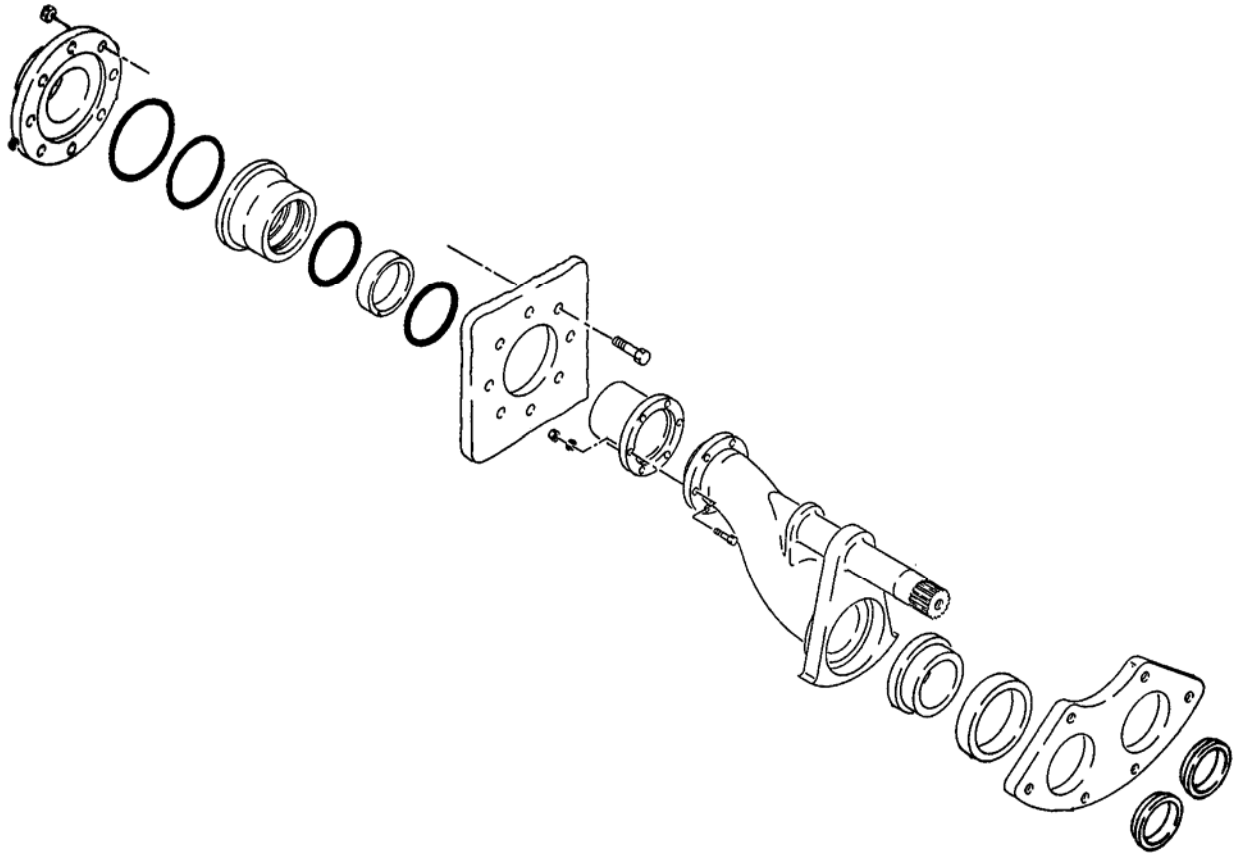
PN 87348-1 TRANSMITTER KIT



**TRAILER MOUNTED PUMP 00 MODEL C70S
GROUP 50 CONTROLS INSTALLATION**

**C70S
PARTS
GROUP 50
FIGURE 05
PAGE 01**

THIS PAGE INTENTIONALLY LEFT BLANK.



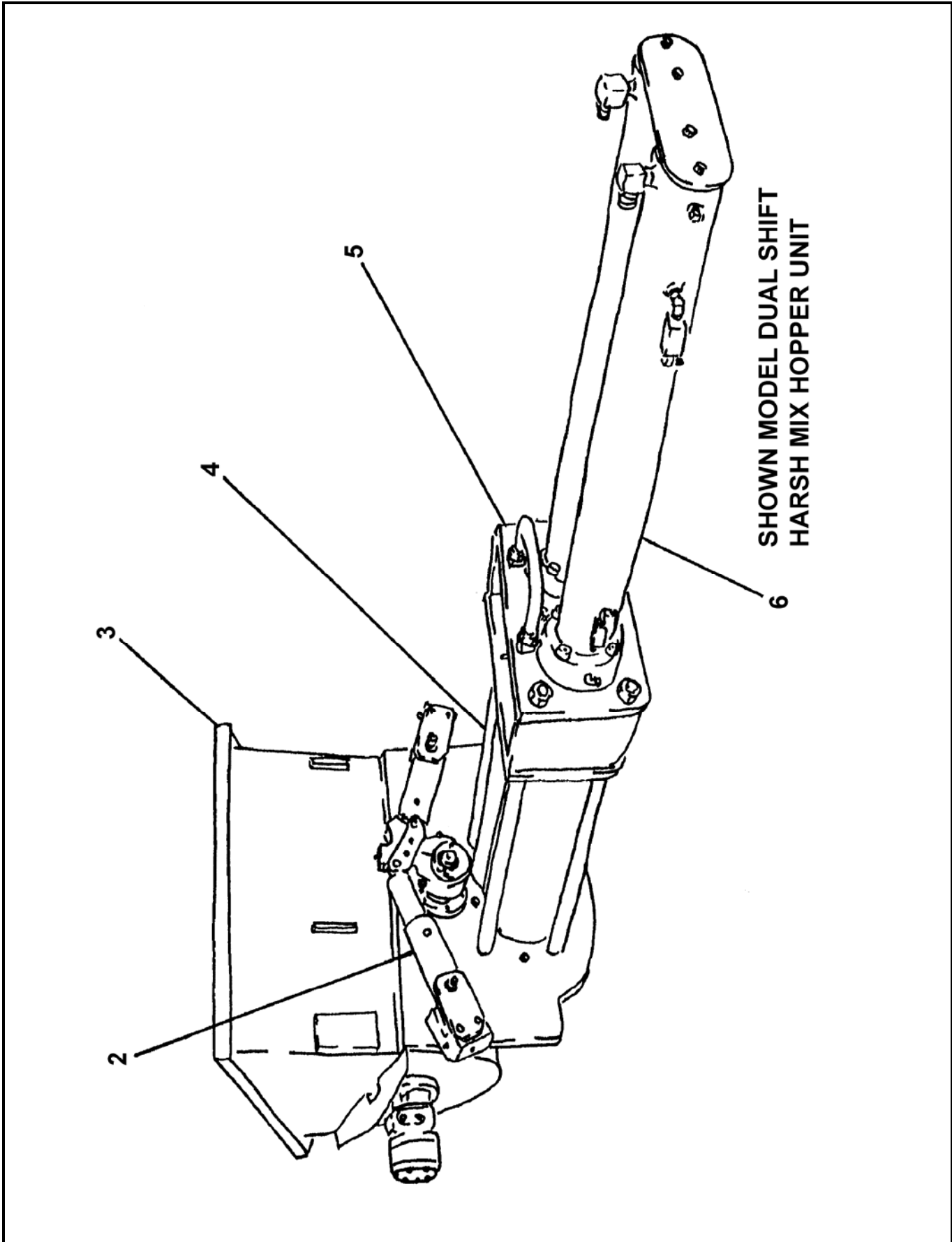
**REED TRAILER MOUNTED CONCRETE PUMP 00 MODEL C70S
ILLUSTRATED PARTS MANUAL GROUP 60 PUMPING TRAIN INSTALLATION
CONTAINS THE FOLLOWING FIGURES:**

- | | |
|------------------|--------------------------------------|
| FIGURE 00 | TABLE OF CONTENTS |
| FIGURE 01 | PUMPING TRAIN INSTALLATION |
| FIGURE 02 | SWING VALVE ASSEMBLY |
| FIGURE 03 | SWING RAM CYLINDER SUB-ASSEMBLY |
| FIGURE 04 | MATERIAL CYLINDER ASSEMBLY |
| FIGURE 05 | FLUSHBOX ASSEMBLY |
| FIGURE 06 | HYDRAULIC DRIVE CYLINDER ASSEMBLY |
| FIGURE 07 | HYDRAULIC DRIVE CYLINDR SUB-ASSEMBLY |



DUAL SHIFT PUMPING TRAIN INSTALLATION

C70S
PARTS
GROUP 60
FIGURE 01
PAGE 01



REVISION:



**DUAL SHIFT
PUMPING TRAIN INSTALLATION**

**C70S
PARTS
GROUP 60
FIGURE 01
PAGE 02**

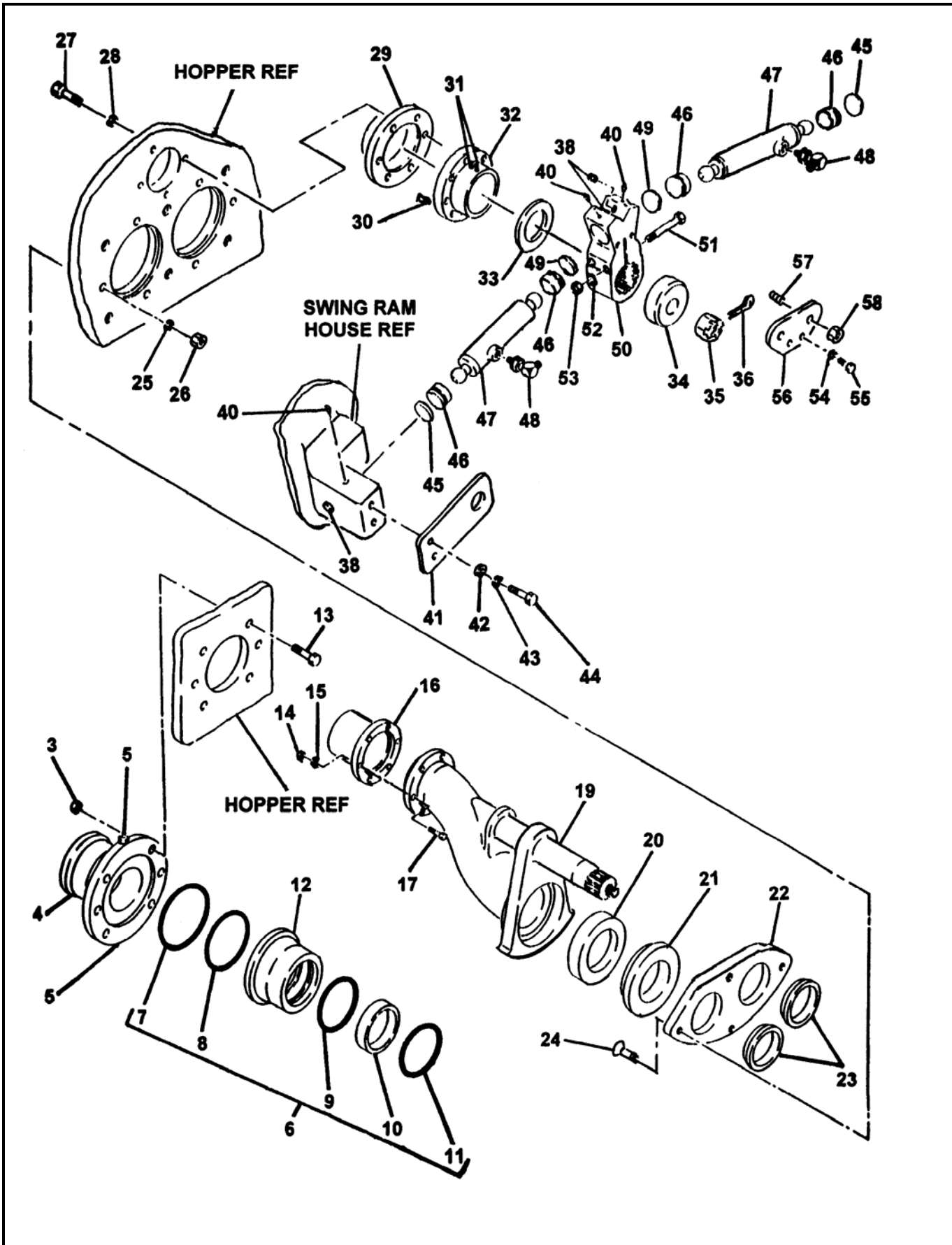
ITEM NO.	REED'S PARTS NO.	DESCRIPTION	QTY
		1 2 3 4 5	
-1	60-01	Installation, Dual Shift Pumping Train (See Group 10, Figure 01 and Figure 04 for NHA)	Ref
2	60-03	• Assembly, Dual Shift Swing Valve (See Group 60, Figure 03 for DET)	1
3	20-02	• Installation, Harsh Mix Hopper (See Group 20, Figure 02 for REF)	Ref
4	86312	• Assembly, Material Cylinder (See Group 60, Figure 07 for DET)	1
5	86308	• Group, Flushbox (See Group 60, Figure 08 for DET)	1
6	87676	• Group, Hydraulic Drive Cylinder (See Group 60, Figure 09 for DET)	1
		DASH (-) ITEM NOT ILLUSTRATED	

REVISION:



SWING VALVE ASSEMBLY

C70S
PARTS
GROUP 60
FIGURE 02
PAGE 01



REVISION:



SWING VALVE ASSEMBLY

C70S
PARTS
 GROUP 60
 FIGURE 02
 PAGE 02

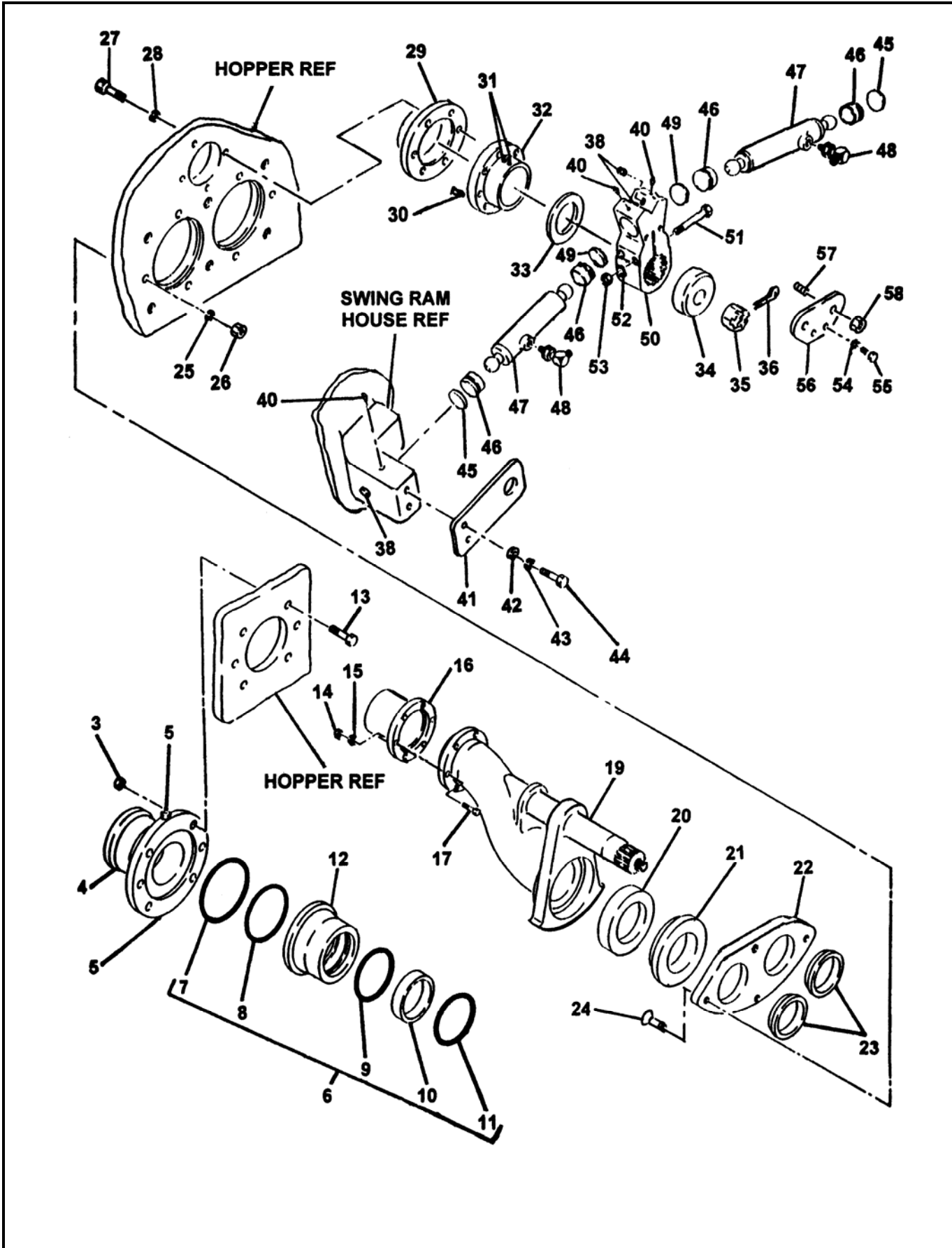
ITEM NO.	REED'S PARTS NO.	DESCRIPTION					QTY
		1	2	3	4	5	
-1	60-02	Assembly, Dual Shift Swing Valve (See Group 60, Figure 01 for NHA)					Ref
-2	86321	• Assembly, Outlet Group					1
3		• • Nut					6
4	72482	• • Outlet, Machine 5"					1
5		• • Fitting, Grease					2
6	79895	• • Kit, Outlet Seal					1
7	77761	• • • O-Ring, Large					1
8	77762	• • • O-Ring, Small					1
9	86504	• • • Seal, Modified Outlet Thick					1
10	77763	• • • Band, Guide					1
11	77765	• • • Seal, Outlet Thick					1
12	72309	• • Housing, Outlet Seal					1
13		• • Bolt, Hex					6
14		• • Nut, Nylock (attaching parts)					6
15		• • Washer, Lock (attaching parts)					6
16	70042	• • Outlet, Chromed					1
17		• • Bolt, Hex (attaching parts)					6
-18	86318	• Assembly, Swing Tube Group (7x5)					1
19	86986	• • Weldment, Swing Tube (7x5)					1
20	85974	• • Seal, 7 Inch Single Lip					1
21	85975	• • Ring, 7 Inch Single Lip Wear					1
22	85970	• • Plate, Wear-7 Inch					1
23	85977	• • Ring, Anti Chip-7 Inch					2
24	74988	• • Bolt, Universal Kit					1
25		• • Washer, Lock					4
26		• • Nut, Hex					4
27		• • Bolt, Hex					4
28		• • Washer, Lock					4
29	85962	• • Seal, Flange Bearing					1
30		• • Pin, Dowel					1
31		• • Fitting, Grease 90					2
32	85133	• • Bearing, 3 Inch Spline Flange					1
33	85294	• • Washer, Thrust					1
34	86985	• • Spacer, Swing Tube Nut					1
35	87012	• • Nut, Swing Tube					1
36		• • Pin, Cotter					1
-37	87339	• Assembly, Swing Tube Dual Shift Group					1
38		• • Plug, Pipe					4
39	86052	• • Pin, Spring					4
40		• • Fitting, Grease 90					2
41	86441	• • Retainer, Swing Ram					2
DASH (-) ITEM NOT ILLUSTRATED							

REVISION:



SWING VALVE ASSEMBLY

C70S
PARTS
GROUP 60
FIGURE 02
PAGE 03

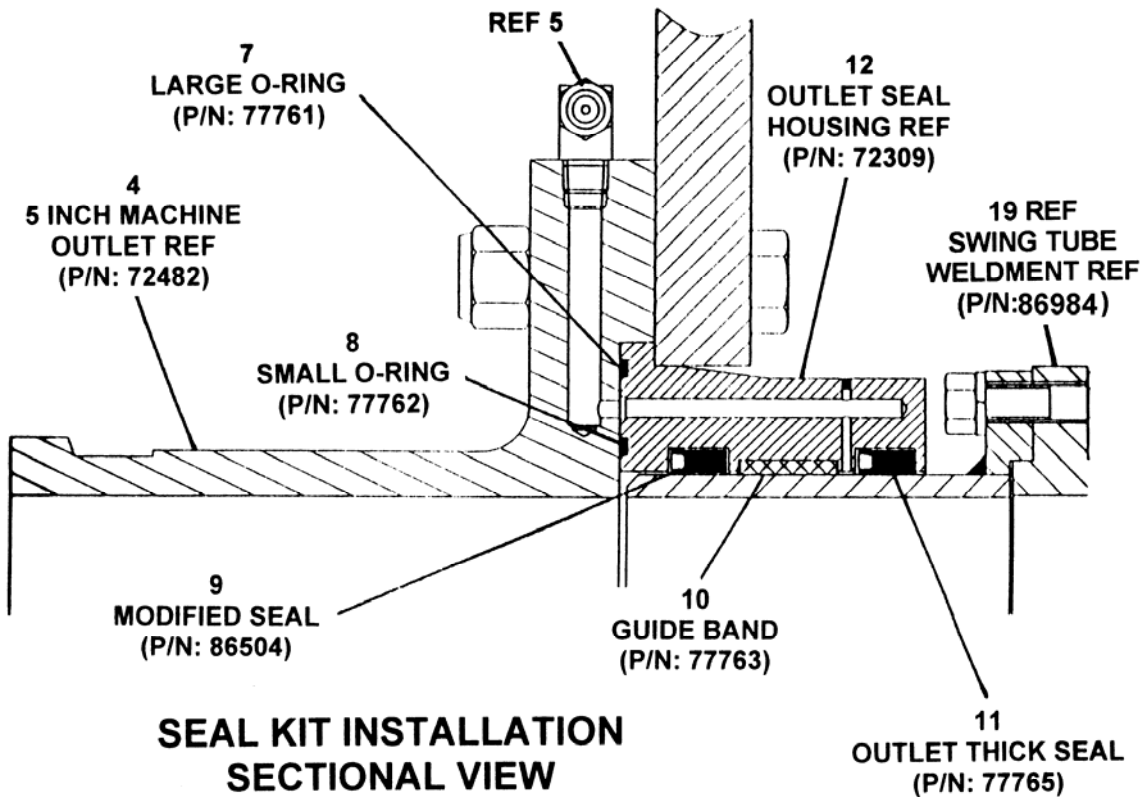


REVISION:

SWING VALVE ASSEMBLY

ITEM NO.	REED'S PARTS NO.	DESCRIPTION					QTY
		1	2	3	4	5	
42		••	••			Washer, Flat (attaching parts)	4
43		••	••			Washer, Lock (attaching parts)	4
44		••	••			Bolt, Hex (attaching parts)	4
45	75501	••	••			Spacer	2
46	76798	••	••			Socket, Ball	4
47	87333	••	••			Assembly, Dual Shift Swing Ram Cylinder (See Group 60, Figure 03 for DET)	1
48		••	••			Fitting, 90	2
49	75502	••	••			Spacer	2
50	85956	••	••			Crank, 3 Inch Dual Shift Splined Bell	1
51		••	••			Bolt, Hex (attaching parts)	2
52		••	••			Washer, SPL Lock (attaching parts)	2
53		••	••			Nut, Hex (attaching parts)	2
54		••	••			Washer, Lock	2
55	86283	••	••			Screw, Set	2
56	86282	••	••			Retainer, Dual Shift Cylinder	1
57		••	••			Stud	2
58		••	••			Nut, Hex	2

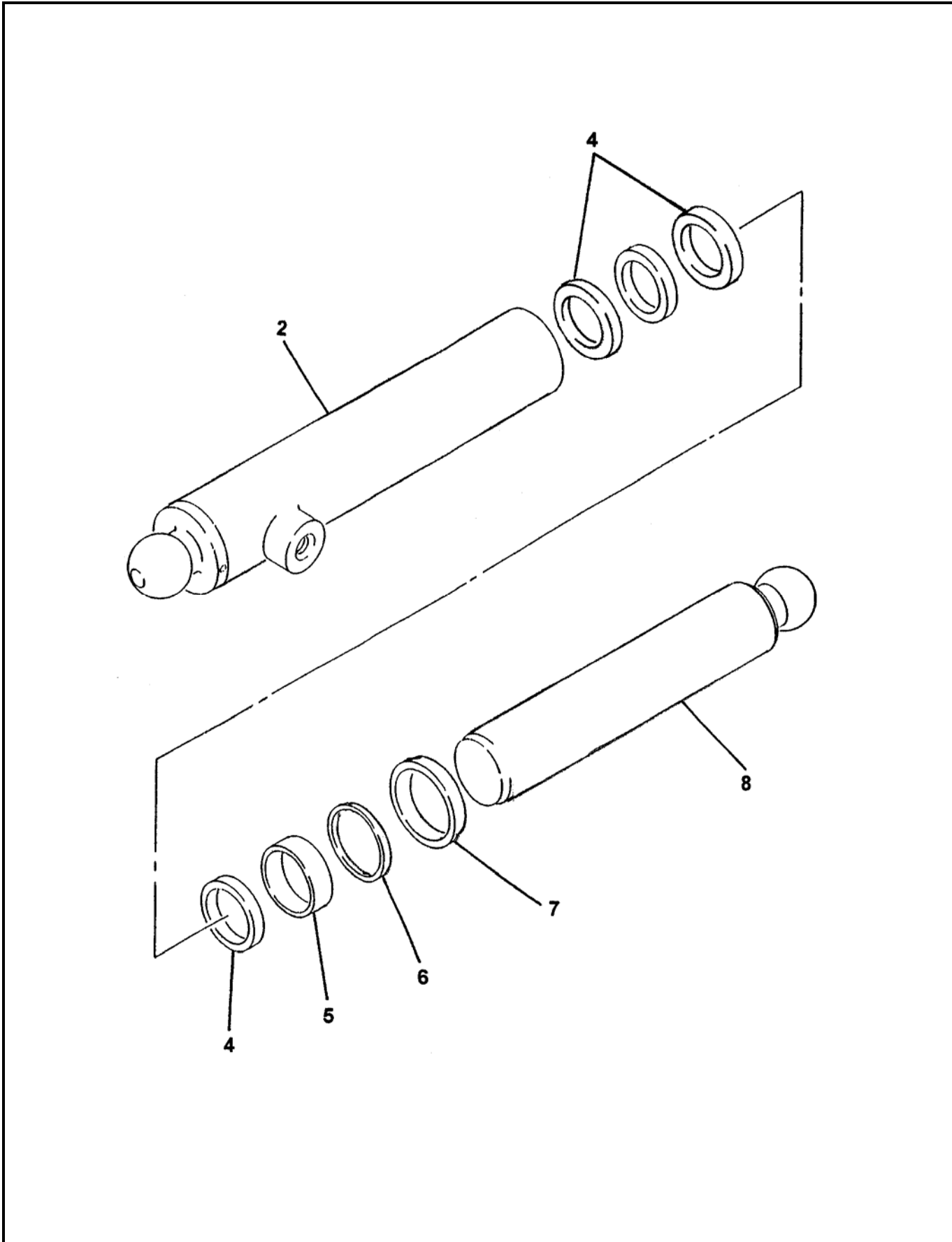
DASH (-) ITEM NOT ILLUSTRATED





DUAL SHIFT SWING RAM CYLINDER ASSEMBLY

C70S
PARTS
GROUP 60
FIGURE 03
PAGE 01



REVISION:



**DUAL SHIFT
SWING RAM CYLINDER ASSEMBLY**

**C70S
PARTS
GROUP 60
FIGURE 03
PAGE 02**

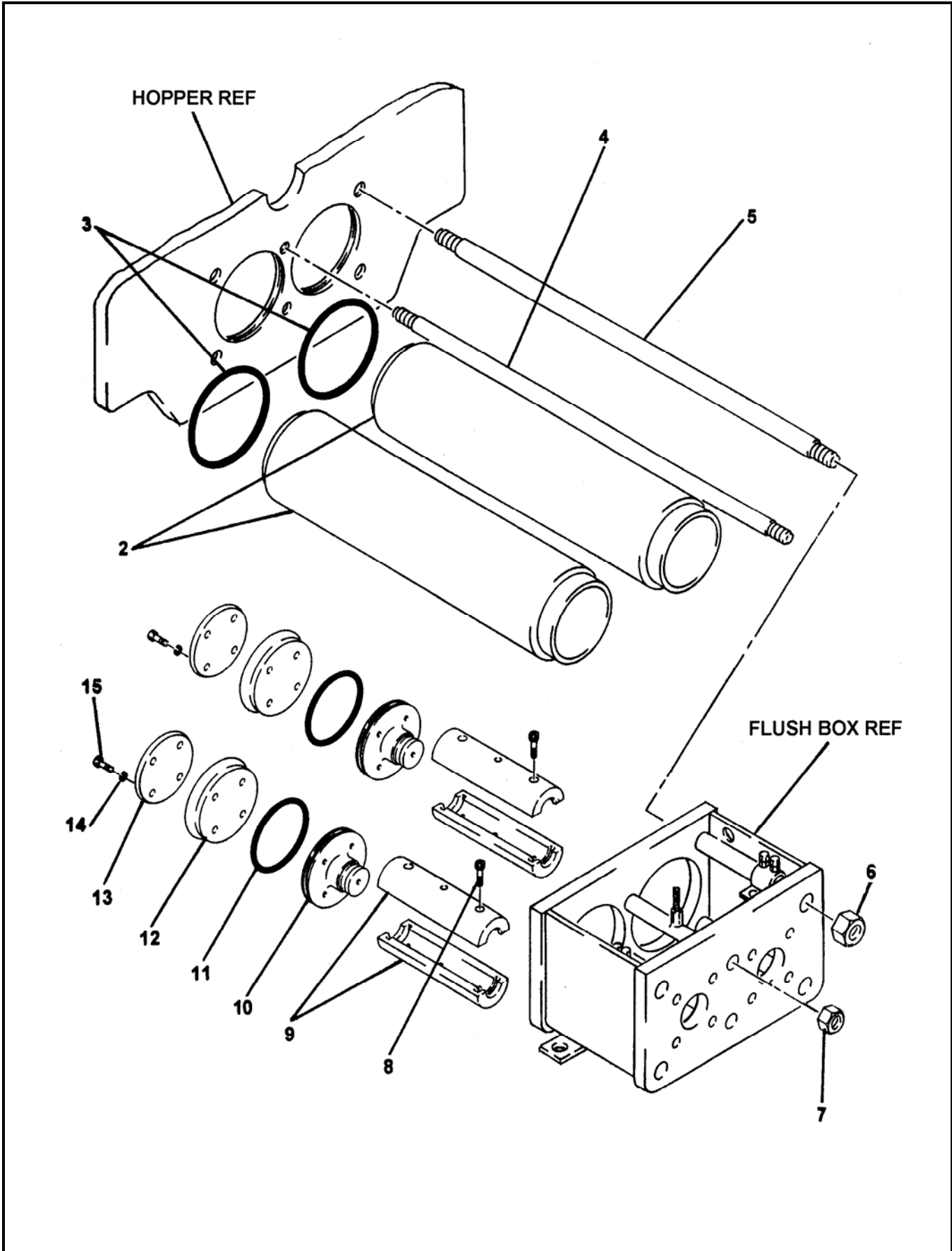
ITEM NO.	REED'S PARTS NO.	DESCRIPTION	QTY
		1 2 3 4 5	
-1	87333	Assembly, Swing Ram Cylinder (See Group 60, Figure 02 for NHA)	Ref
2		• Weldment, Cylinder Case	1
-3	87333-SK	• Kit, Seal	1
4		•• Ring, Wear	1
5		•• U-Cup	1
6		•• Ring, Back-Up	4
7		•• Wiper, Rod	1
8		•• Weldment, Cylinder Rod	1
		DASH (-) ITEM NOT ILLUSTRATED	

REVISION:



MATERIAL CYLINDER ASSEMBLY

C70S
PARTS
GROUP 60
FIGURE 04
PAGE 01



REVISION:



MATERIAL CYLINDER ASSEMBLY

C70S
PARTS
GROUP 60
FIGURE 04
PAGE 02

ITEM NO.	REED'S PARTS NO.	DESCRIPTION					QTY
		1	2	3	4	5	
-1	86312	Assembly, Material Cylinder (7x42) (See Group 60, Figure 01 for DET)					Ref
2	86146	• Cylinder, Material (7x42)					2
3	86037	• O-Ring, Material Cylinder					2
4	86023	• Rod, Tie					2
5	86022	• Rod, Tie					4
6		• Nut, Hex (attaching parts)					4
7		• Nut, Hex (attaching parts)					2
8		• Screw, Cap					4
9	86024	• Coupling, Piston					2
10	77055	• Adapter, 7 Inch Piston					2
11	77056	• Band, Guide 7 Inch					2
12	70504	• Cup, 7 Inch Piston					2
13	70505	• Plate, 7 Inch Piston					2
14		• Washer, (attaching parts)					8
15		• Bolt, Hex (attaching parts)					8

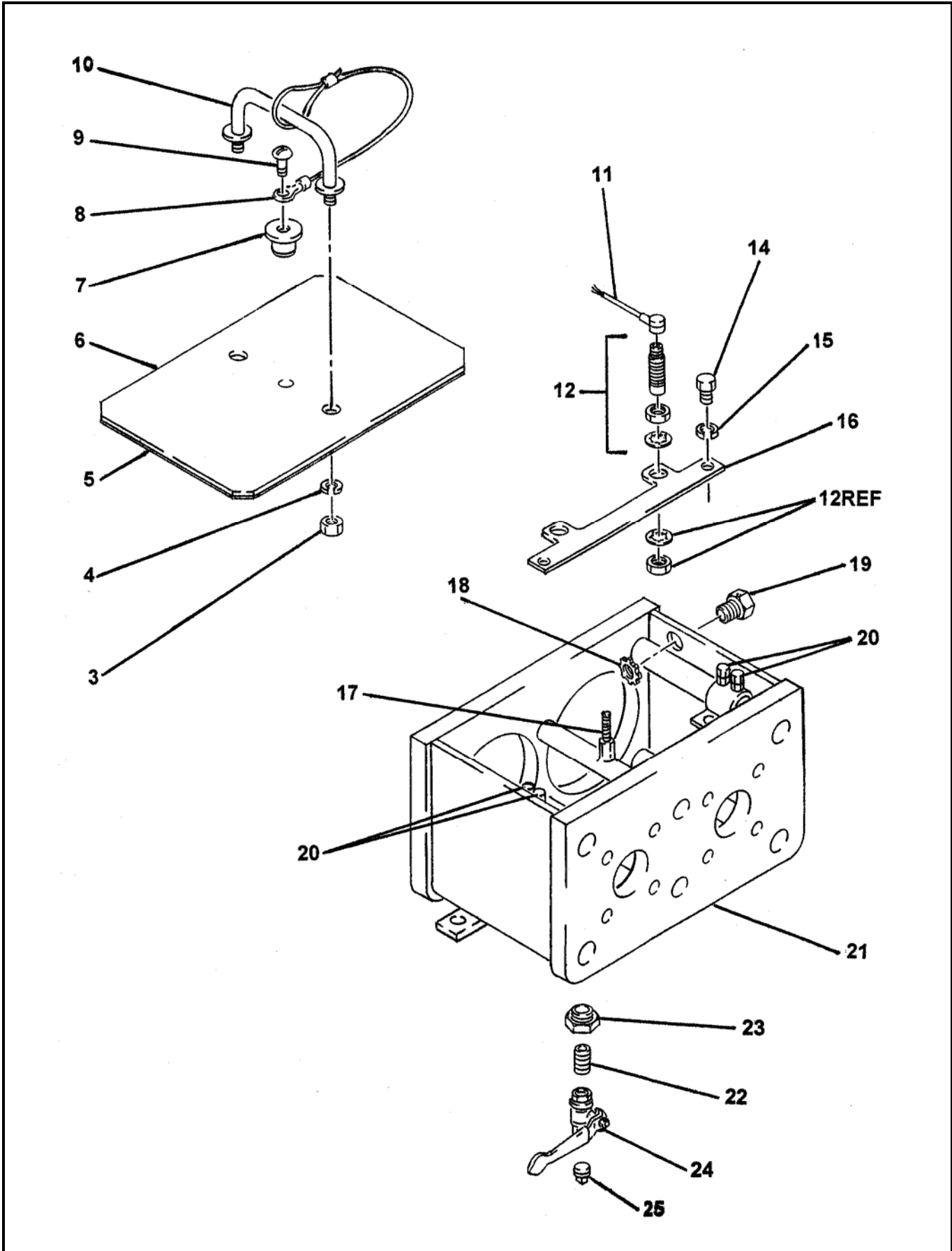
DASH(-) ITEM NOT ILLUSTRATED

REVISION:



FLUSH BOX ASSEMBLY

C70S
PARTS
GROUP 60
FIGURE 05
PAGE 01



REVISION:



FLUSH BOX ASSEMBLY

C70S
PARTS
GROUP 60
FIGURE 05
PAGE 02

ITEM NO.	REED'S PARTS NO.	DESCRIPTION	QTY
		1 2 3 4 5	
-1	60-05	Assembly, Flushbox (See Group 60, Figure 01 for NHA)	Ref
2	86106	• Assembly, Flush Box Cover	1
3		• • Nut, Hex	2
4		• • Washer, Lock	2
5	13257	• • Weatherstrip, Rubber	A/R
6	86010	• • Weldment, Flush Box Cover	1
7	86105	• • Knob	1
8	800418	• • Lanyard	1
9		• • Screw, Rd Hd	1
10	79056	• • Handle, Splash Guard	1
11	77998	• Cable, Proximity Switch	2
12	77990	• Sensor, Proximity Switch	2
-13	86308	• Assembly, 7 Inch Flush Box Group	1
14		• • Bolt, Hex	2
15		• • Washer, Lock	2
16	86006	• • Bracket, Proximity Switch	1
17	86665	• • Stud	1
18	10528	• • Nut	1
19	10522	• • Conduit, Fitting (Proximity wires must be removed to replace fitting)	1
20		• • Bolt, Hex	4
21	85984	• • Weldment, 7 Inch Flush Box	1
22	10224	• Bushing, Hex	1
23	10355	• Nipple	1
24	56413	• Valve, Ball	1
25	74944	• Plug	1

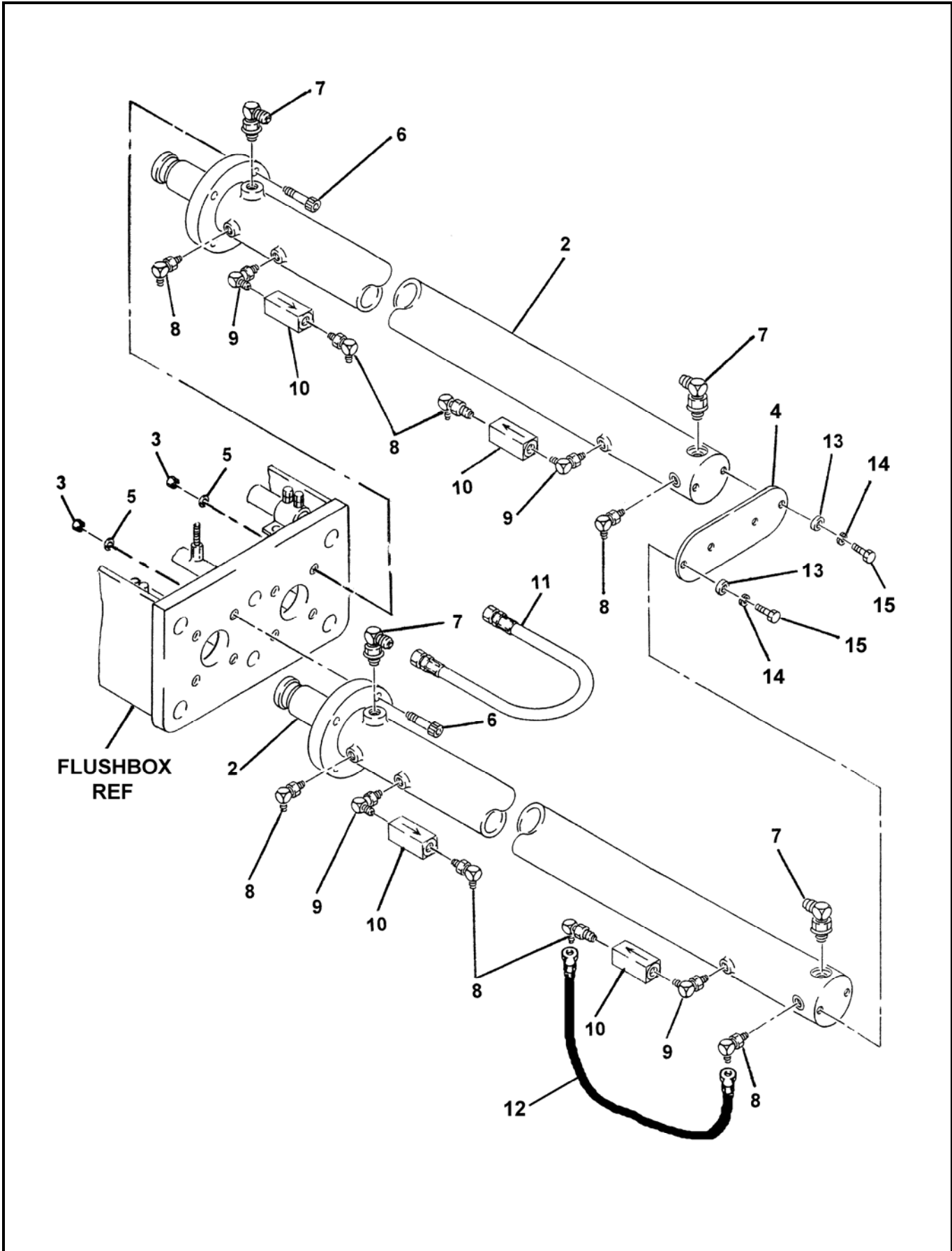
DASH (-) ITEM NOT ILLUSTRATED

REVISION:



HYDRAULIC DRIVE CYLINDER ASSEMBLY

C70S
PARTS
GROUP 60
FIGURE 06
PAGE 01



REVISION:



HYDRAULIC DRIVE CYLINDER ASSEMBLY

C70S
PARTS
GROUP 60
FIGURE 06
PAGE 02

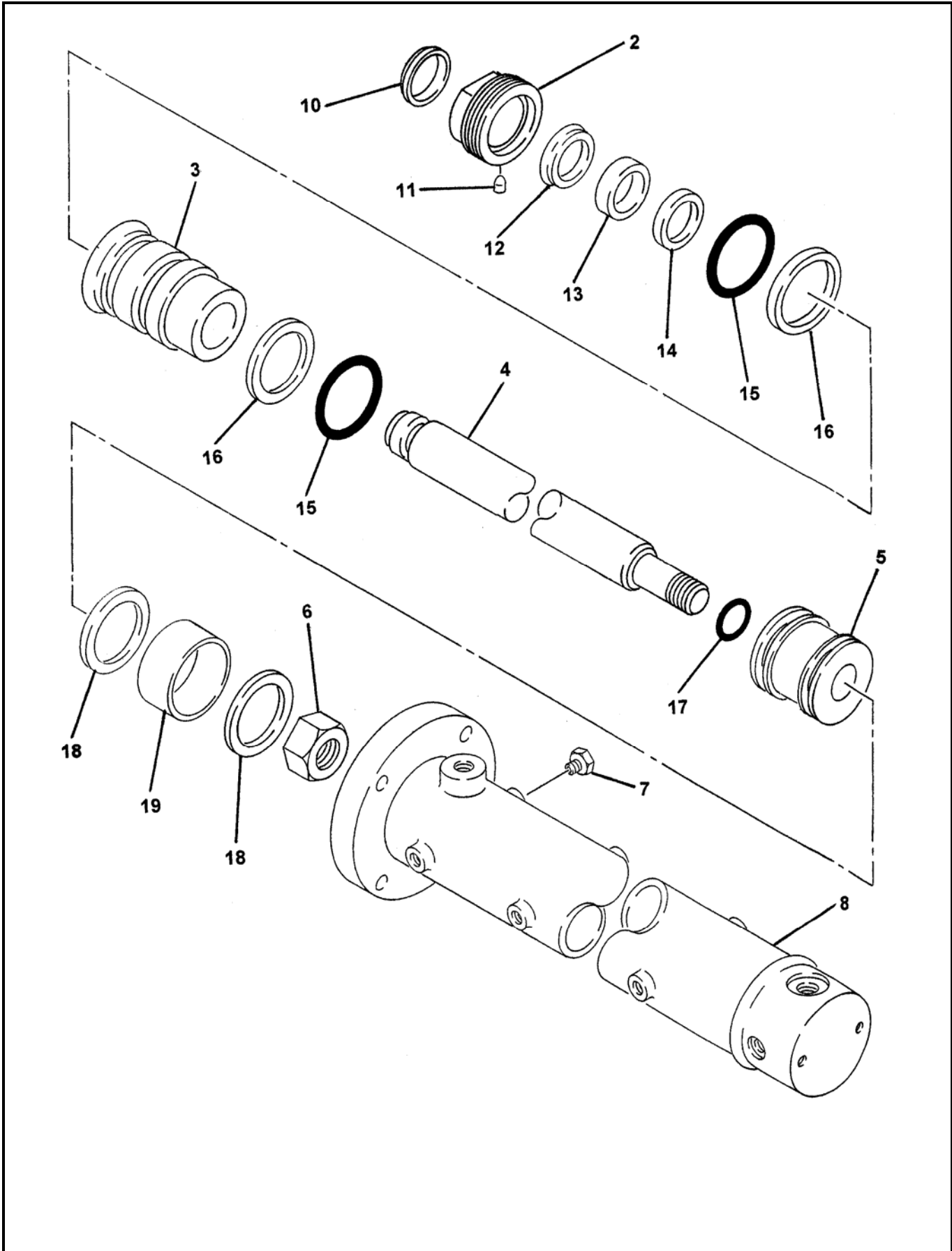
ITEM NO.	REED'S PARTS NO.	DESCRIPTION	QTY
		1 2 3 4 5	
-1	60-06	Assembly, Hydraulic Drive Cylinder (See Group 60, Figure 01 for NHA)	Ref
2	86222	• Sub-Assembly, Hydraulic Drive Cylinder (See Group 60, Figure 07 for DET)	1
3		• Nut, Hex (attaching parts)	8
4	86544	• Plate, End	1
5		• Washer, SAE (attaching parts)	8
6		• Bolt (attaching parts)	8
7		• Fitting, 90°	4
8		• Fitting, 90°	8
9		• Fitting, 90°	4
10	78961	• Valve, Check	4
11	85427	• Assembly, Tube	1
12	85659-002	• Assembly, Hose	4
13		• Washer, Flat (attaching parts)	4
14		• Washer, Lock (attaching parts)	4
15		• Bolt, Hex (attaching parts)	4
		DASH (-) ITEM NOT ILLUSTRATED	

REVISION:



HYDRAULIC DRIVE CYLINDER SUB-ASSEMBLY

C70S
PARTS
GROUP 60
FIGURE 07
PAGE 01



REVISION:



**HYDRAULIC DRIVE
CYLINDER SUB-ASSEMBLY**

C70S
PARTS
GROUP 60
FIGURE 07
PAGE 02

ITEM NO.	REED'S PARTS NO.	DESCRIPTION	QTY
		1 2 3 4 5	
-1	86222	Sub-Assembly, Hydraulic Drive Cylinder (See Group 60, Figure 06 for NHA)	Ref
2		• Nut, Retaining	1
3		• Rod, Cylinder	1
4		• Retainer	1
5		• Piston	1
6		• Weldment, Cylinder Barrel	1
-7		• Kit, Seal	1
8		•• Wiper, Rod	1
9		•• Bearing, Rod Bronze	1
10		•• Seal, Rod	1
11		•• Seal, Static	1
12		•• Seal, Static	1
13		•• Seal, Piston	2
14		•• Ring, Wear	2
15		•• Nut, Piston	1
16		• Plug	4

DASH (-) ITEM NOT ILLUSTRATED



**TRAILER MOUNTED PUMP 00 MODEL C70S
ILLUSTRATED PARTS MANUAL**

**C70S
PARTS
GROUP 60
FIGURE 08
PAGE 01**

THIS PAGE INTENTIONALLY LEFT BLANK.

REED TRAILER MOUNTED CONCRETE PUMP 00 MODEL C70S ILLUSTRATED PARTS MANUAL GROUP 70 FRAME INSTALLATION CONTAINS THE FOLLOWING FIGURES:

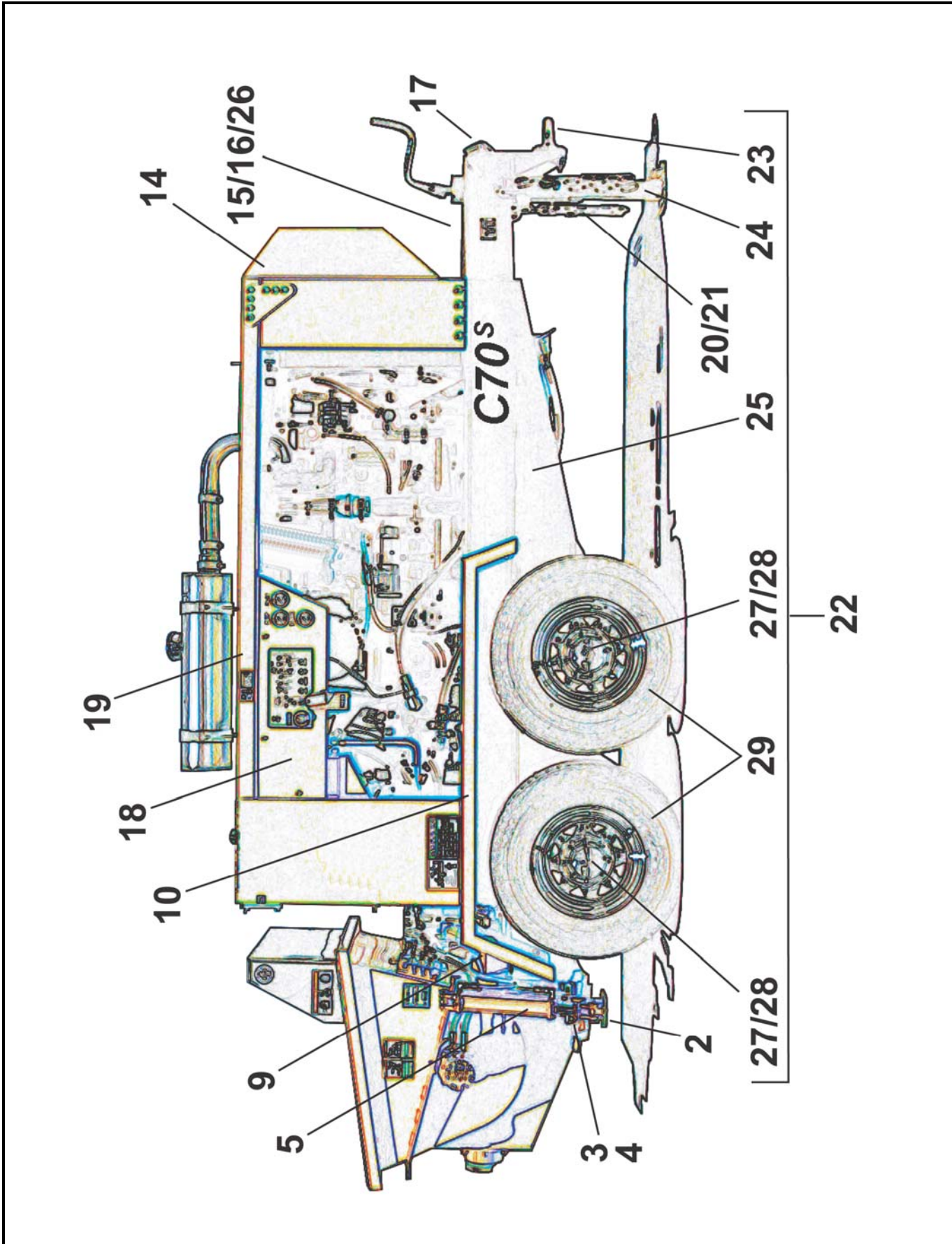
- FIGURE 00** TABLE OF CONTENTS
- FIGURE 01** FRAME INSTALLATION
- FIGURE 02** HYDRAULIC OUTRIGGER CYLINDER ASSEMBLY
- FIGURE 03** HUB AND BRAKE ASSEMBLY
- FIGURE 04** NON-OPERATOR SIDE ELECTRIC BRAKE ASSEMBLY
- FIGURE 05** OPERATOR SIDE ELECTRIC BRAKE ASSEMBLY





FRAME INSTALLATION

C70S
PARTS
GROUP 70
FIGURE 01
PAGE 01



REVISION:



FRAME INSTALLATION

C70S
PARTS
 GROUP 70
 FIGURE 01
 PAGE 02

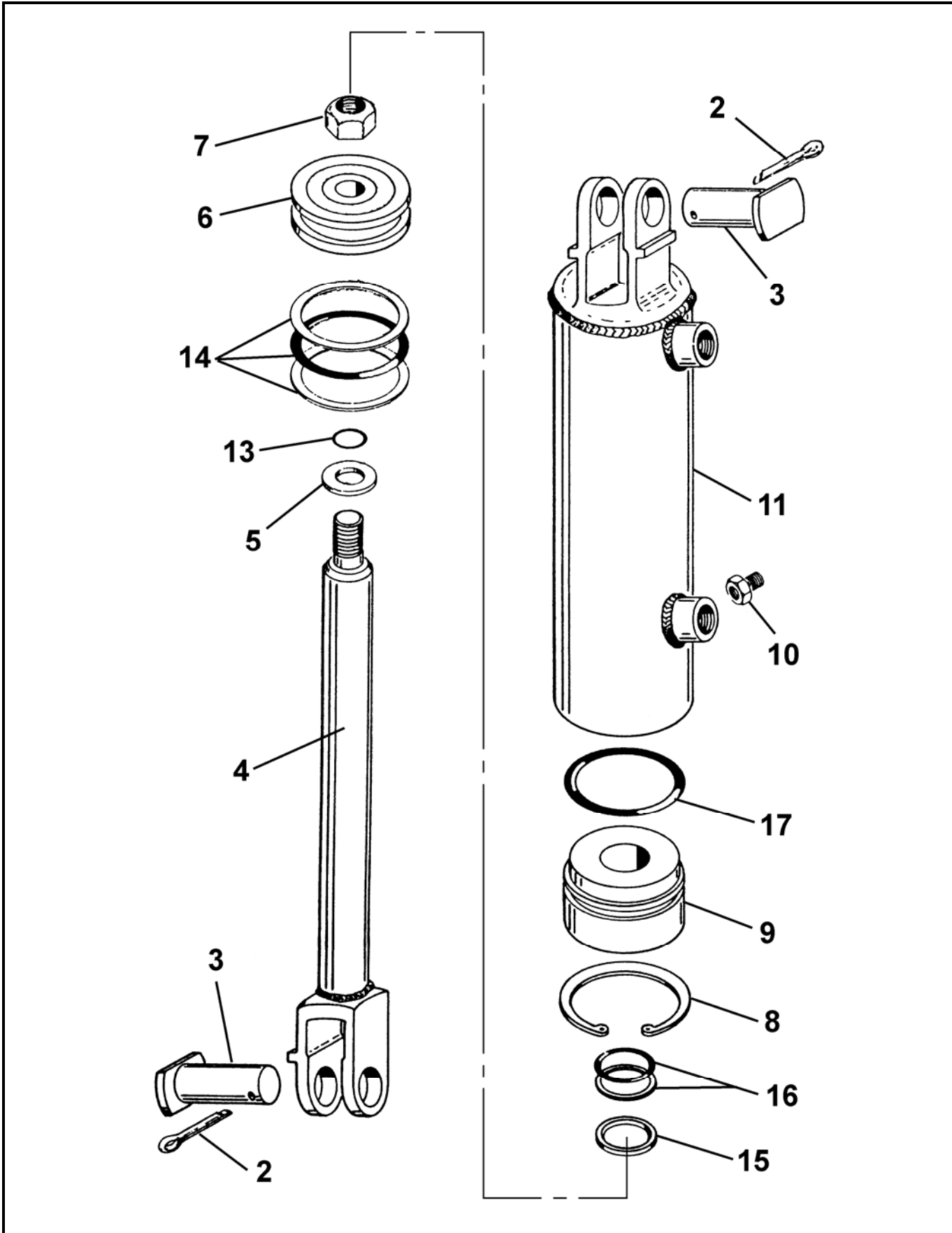
ITEM NO.	REED'S PARTS NO.	DESCRIPTION	QTY
		1 2 3 4 5	
-1	70-01	Installation, Frame (See Group 10, Figure 01 for NHA)	Ref
2A	86553	• Weldment, Outrigger Inner	2
2B	86557	• Outertube, Outrigger	2
3	85595	• Pin	2
4	800418	• Lanyard, Pin	2
5	86574	• Assembly, Hydraulic Outrigger Cylinder (See Group 70, Figure 02 for REF)	2
-6	85685	• Tube, Hydraulic Outrigger	1
-7	88686	• Tube, Hydraulic Outrigger	1
-8	801902-020	• Clamp, Tube	4
9	72948	• Light, Tail	2
10	85394	• Weldment, Right Fender	1
-11	85395	• Weldment, Left Fender	1
-12	85438	• Tube, Hydraulic Shift Cylinder	1
-13	85439	• Tube, Hydraulic Shift Cylinder	1
14A	87592	• Cover, Front Air Intake	1
14B	87593	• Cover, Front Engine	1
14C	87647	• Gusset, Engine Cover	2
15	86532	• Assembly, Trailer Wiring Harness (See Schematic Section for REF)	1
16	72813	• Grommet, Tool Box	1
17	72949	• Grommet, Trailer	5
18	87590	• Cover, Control Box	1
-18A	87397	• Mount, Control Box Angle-RH	1
-18B	87398	• Mount, Control Box Angle-LH	1
19	87591	• Cover, Top Engine	1
20	87086	• Chain Assembly	2
20A	86730	•• Chain-5FT	2
21	87085	•• Shackle-Connector, Chain	4
22	87587	• Assembly, Frame	1
23	87037	•• Drawbar	1
24	85123	•• Weldment, Jack	1
25	87648	•• Weldment, Frame	1
26	85636	••• Cover, Tool Box	1
27	85383	•• Axle	2
28	70-03	•• Assembly, Hub and Brake (See Group 70, Figure 03 for DET)	4
29	85423	•• Assembly, Wheel and Tire	4
-30	10196	• Lok, Trim 1.5 FT	1
-31	73613	• Seal, Trim 6 FT	1
DASH (-) ITEM NOT ILLUSTRATED			

REVISION:



HYDRAULIC OUTRIGGER CYLINDER ASSEMBLY

C70S
PARTS
GROUP 70
FIGURE 02
PAGE 01



REVISION:



HYDRAULIC OUTRIGGER CYLINDER ASSEMBLY

C70S
PARTS
GROUP 70
FIGURE 02
PAGE 02

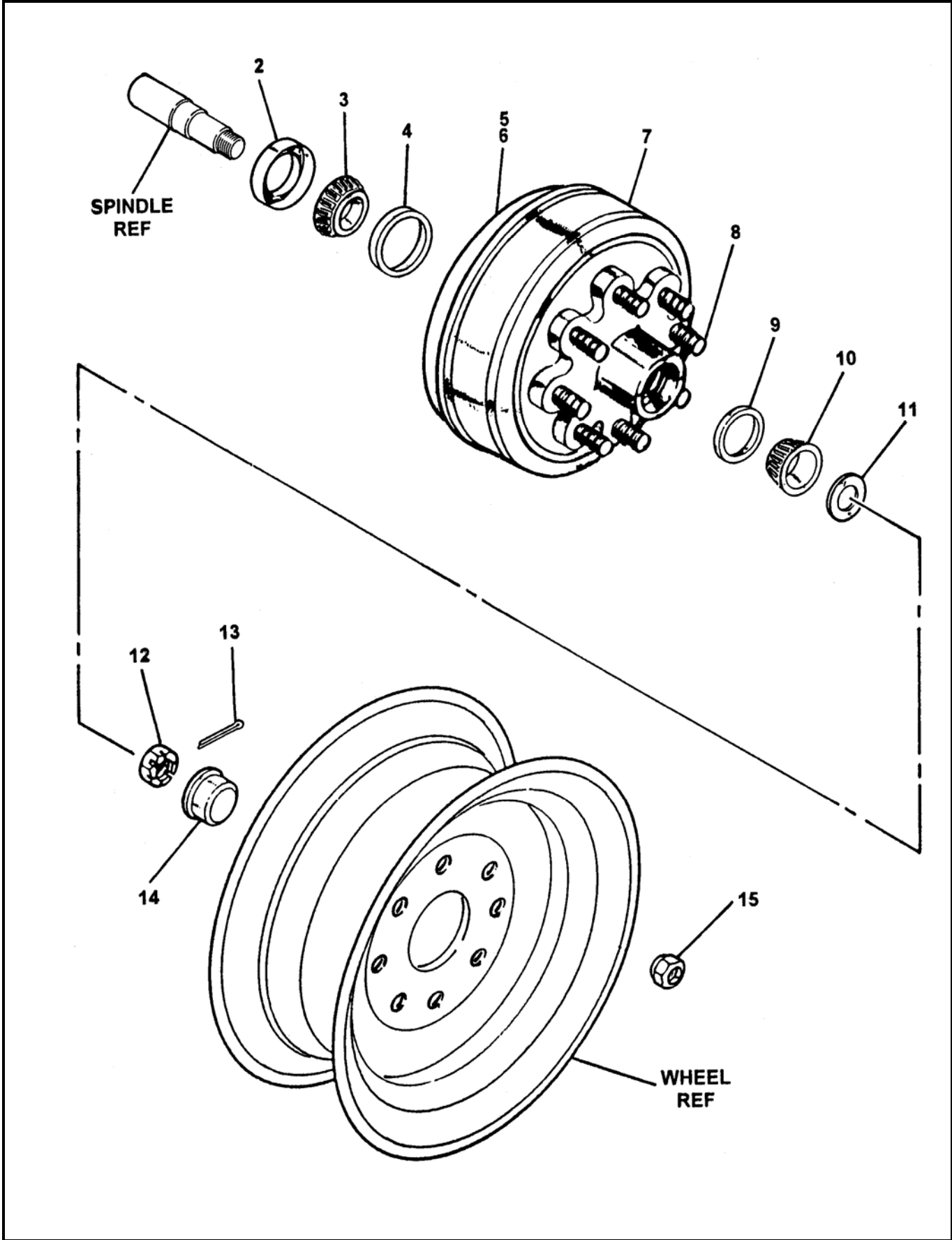
ITEM NO.	REED'S PARTS NO.	DESCRIPTION	QTY
		1 2 3 4 5	
-1	86574	Assembly, Hydraulic Outrigger Cylinder (See Group 70, Figure 01 for NHA)	Ref
2		• Pin, Safety	2
3		• Pin, Clevis	2
4		• Assembly, Shaft	1
5		• Washer, Steel	1
6		• Piston	1
7		• Nut, Piston Lock	1
8		• Ring, Head Lock	1
9		• Head	1
10		• Screw, Head Set	1
11		• Assembly, Tube	1
-12	86574-SK	• Kit, Seal	1
13		•• O-Ring, Small	1
14		•• Sub-Assembly, Piston O-Ring	1
15		•• Wiper, Rod	1
16		•• Packing, Shaft (Pair)	1
17		•• O-Ring, Head	1
		DASH (-) ITEM NOT ILLUSTRATED	

REVISION:



HUB AND BRAKE ASSEMBLY

C70S
PARTS
GROUP 70
FIGURE 03
PAGE 01



REVISION:



HUB AND BRAKE ASSEMBLY

C70S
PARTS
GROUP 70
FIGURE 03
PAGE 02

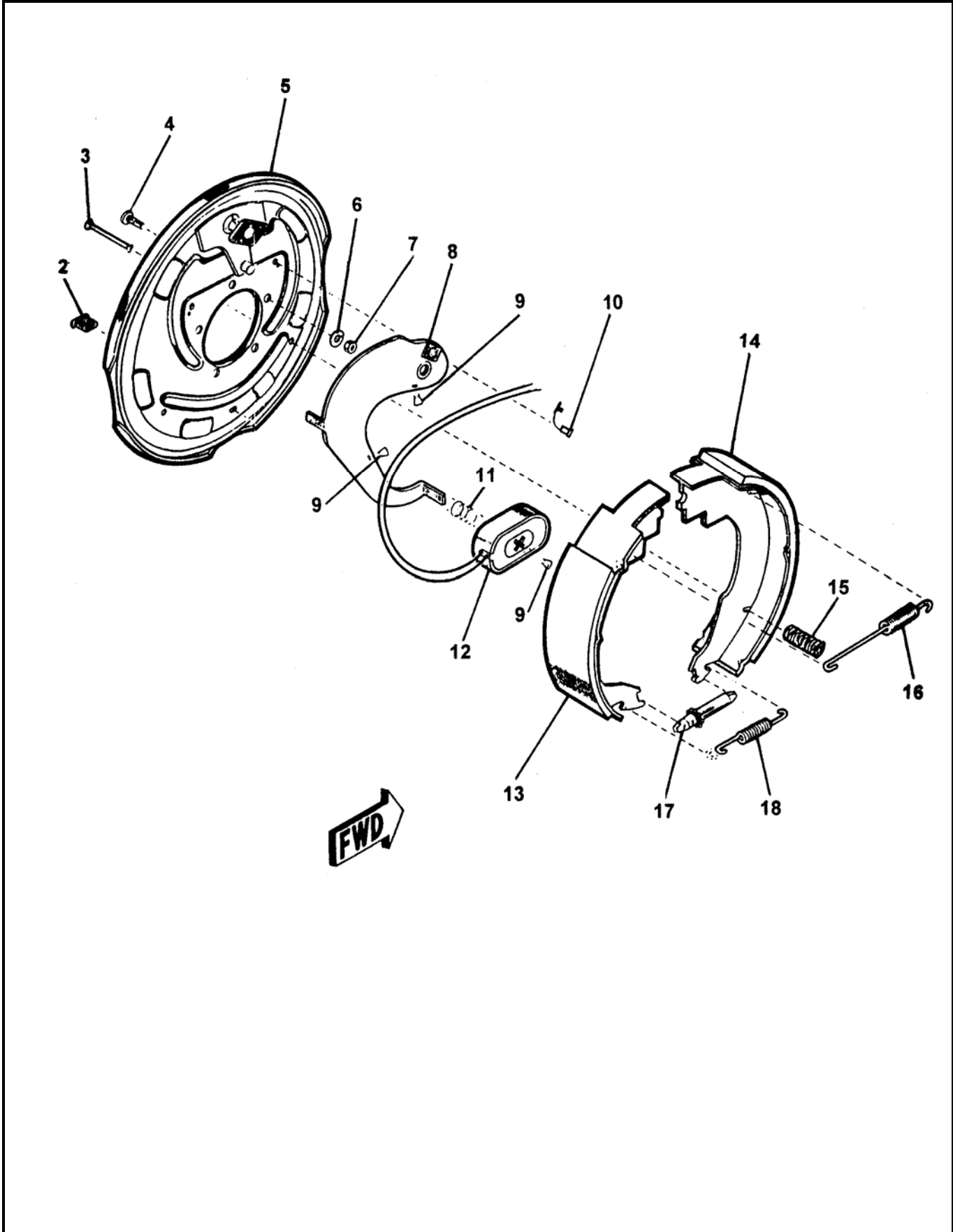
ITEM NO.	REED'S PARTS NO.	DESCRIPTION	QTY
		1 2 3 4 5	
-1	70-03	Assembly, Hub and Brake (See Group 70, Figure 01 for NHA)	Ref
2	86709	• Seal, Double Lip Grease	2
3	71094	• Bearing, Inner	2
4	71092	• Race, Inner Bearing	2
5	71056-L	• Assembly, Non-Operator Electric Brake (See Group 70, Figure 04 for DET)	1
6	71056-R	• Assembly, Operator Electric Brake (See Group 70, Figure 05 for DET)	1
7	86717	• Assembly, Drum & Hub	2
8	86716	• Stud, Wheel	16
9	86710	• Race, Outer Bearing	2
10	71098	• Bearing, Outer	2
11	86711	• Washer, Spindle	2
12	86712	• Nut, Spindle	2
13	86713	• Pin, Cotter	2
14	86714	• Cap, Dust	2
15	86715	• Nut, Wheel	16
		DASH (-) ITEM NOT ILLUSTRATED	

REVISION:



NON OPERATOR SIDE ELECTRIC BRAKE ASSEMBLY

C70S
PARTS
GROUP 70
FIGURE 04
PAGE 01



REVISION:



NON OPERATOR SIDE ELECTRIC BRAKE ASSEMBLY

C70S
PARTS
GROUP 70
FIGURE 04
PAGE 02

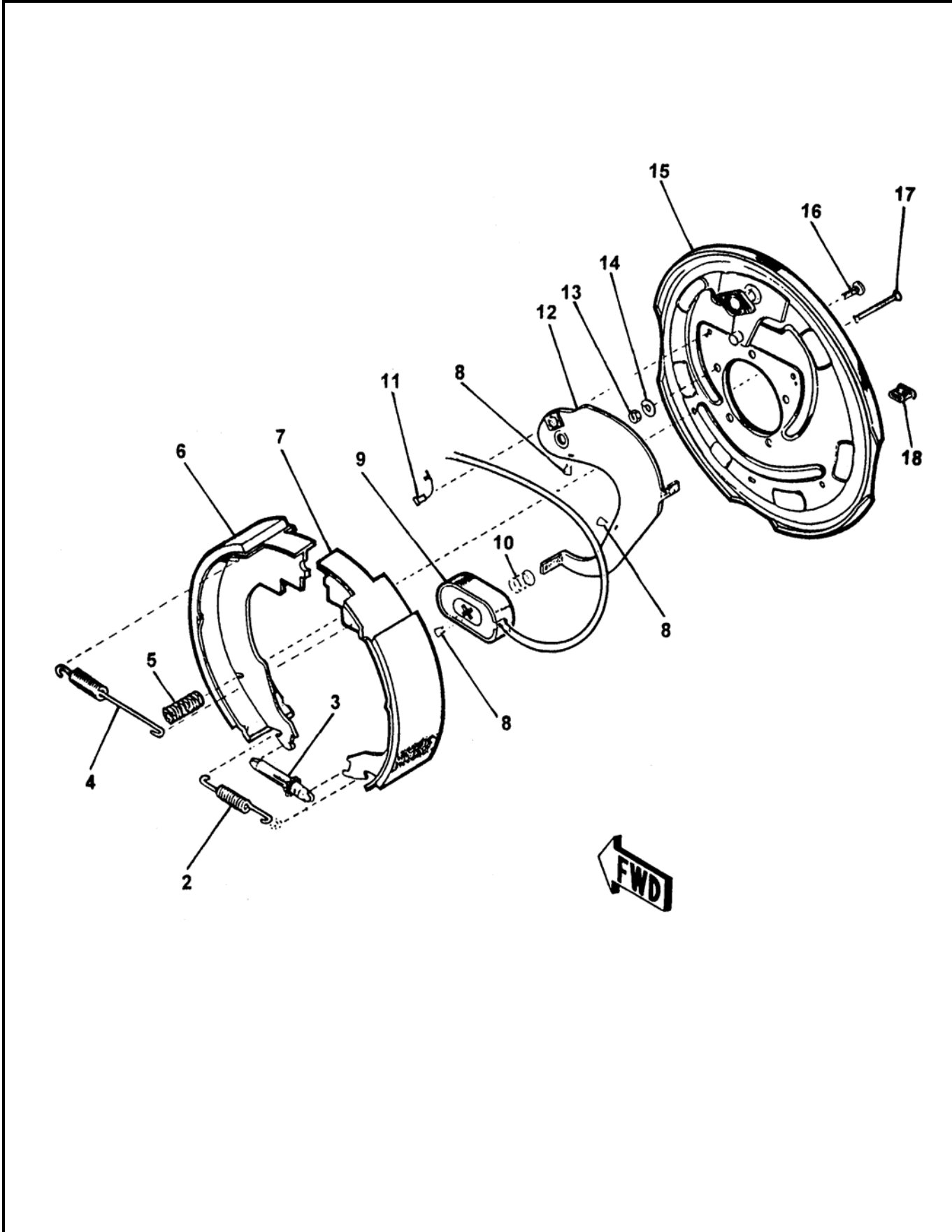
ITEM NO.	REED'S PARTS NO.	DESCRIPTION	QTY
		1 2 3 4 5	
-1	71056-L	Assembly, Non-Operator Side Electric Brake (See Group 70, Figure 03 for NHA)	Ref
2		• Slot, Plug Adjust	1
3		• Pin, Shoe Hold down	1
4		• Stud, Brake Mounting	5
5		• Assembly, Baking Plate	1
6		• Washer, Brake Lock	5
7		• Nut, Brake Mounting	5
8		• Lever, Non-Operator Side	1
9		• Clip, Wire and Magnet	3
10		• Relief, Strain	2
11		• Spring, Magnet	1
12		• Sub-Assembly, Magnet	1
13		• Shoe and Lining, Primary	1
14		• Shoe and Lining, Secondary	1
15		• Spring, Shoe Hold down	1
16		• Spring, Shoe Retractor	1
17		• Sub-Assembly, Adjuster Screw	1
18		• Spring, Adjuster Screw	1
		DASH (-) ITEM NOT ILLUSTRATED	

REVISION:



OPERATOR SIDE ELECTRIC BRAKE ASSEMBLY

C70S
PARTS
GROUP 70
FIGURE 05
PAGE 01



REVISION:



**OPERATOR SIDE
ELECTRIC BRAKE ASSEMBLY**

**C70S
PARTS
GROUP 70
FIGURE 05
PAGE 02**

ITEM NO.	REED'S PARTS NO.	DESCRIPTION	QTY
		1 2 3 4 5	
-1	71056-R	Assembly, Operator Side Electric Brake (See Group 70, Figure 03 for NHA)	Ref
2		• Spring, Adjuster Screw	1
3		• Sub-Assembly, Adjuster Screw	1
4		• Spring, Shoe Retractor	1
5		• Spring, Shoe Hold down	1
6		• Shoe and Lining, Secondary	1
7		• Shoe and Lining, Primary	1
8		• Clip, Wire and Magnet	3
9		• Sub-Assembly, Magnet	1
10		• Spring, Magnet	1
11		• Relief, Strain	2
12		• Lever, Operator Side	1
13		• Nut, Brake Mounting	5
14		• Washer, Brake Lock	5
15		• Assembly, Baking Plate	1
16		• Stud, Brake Mounting	5
17		• Pin, Shoe Hold down	1
18		• Slot, Plug Adjust	1
		DASH (-) ITEM NOT ILLUSTRATED	

REVISION:



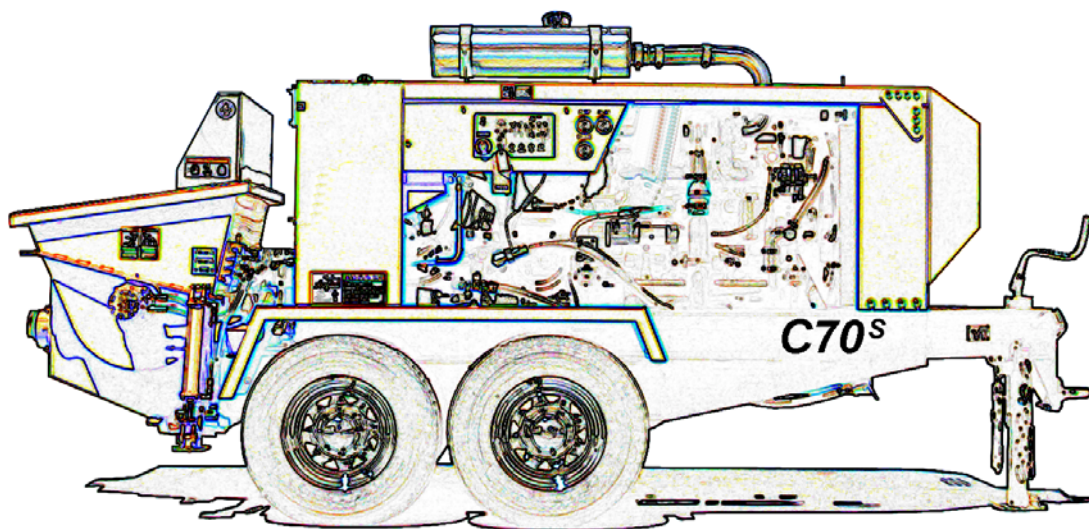
**TRAILER MOUNTED PUMP 00 MODEL C70S
GROUP 70 FRAME INSTALLATION**

**C70S
PARTS
GROUP 70
FIGURE 06
PAGE 01**

THIS PAGE INTENTIONALLY LEFT BLANK.

REED TRAILER MOUNTED CONCRETE PUMP 00 MODEL **C70S** ILLUSTRATED PARTS MANUAL GROUP 80 OPTIONAL INSTALLATION CONTAINS THE FOLLOWING FIGURES:

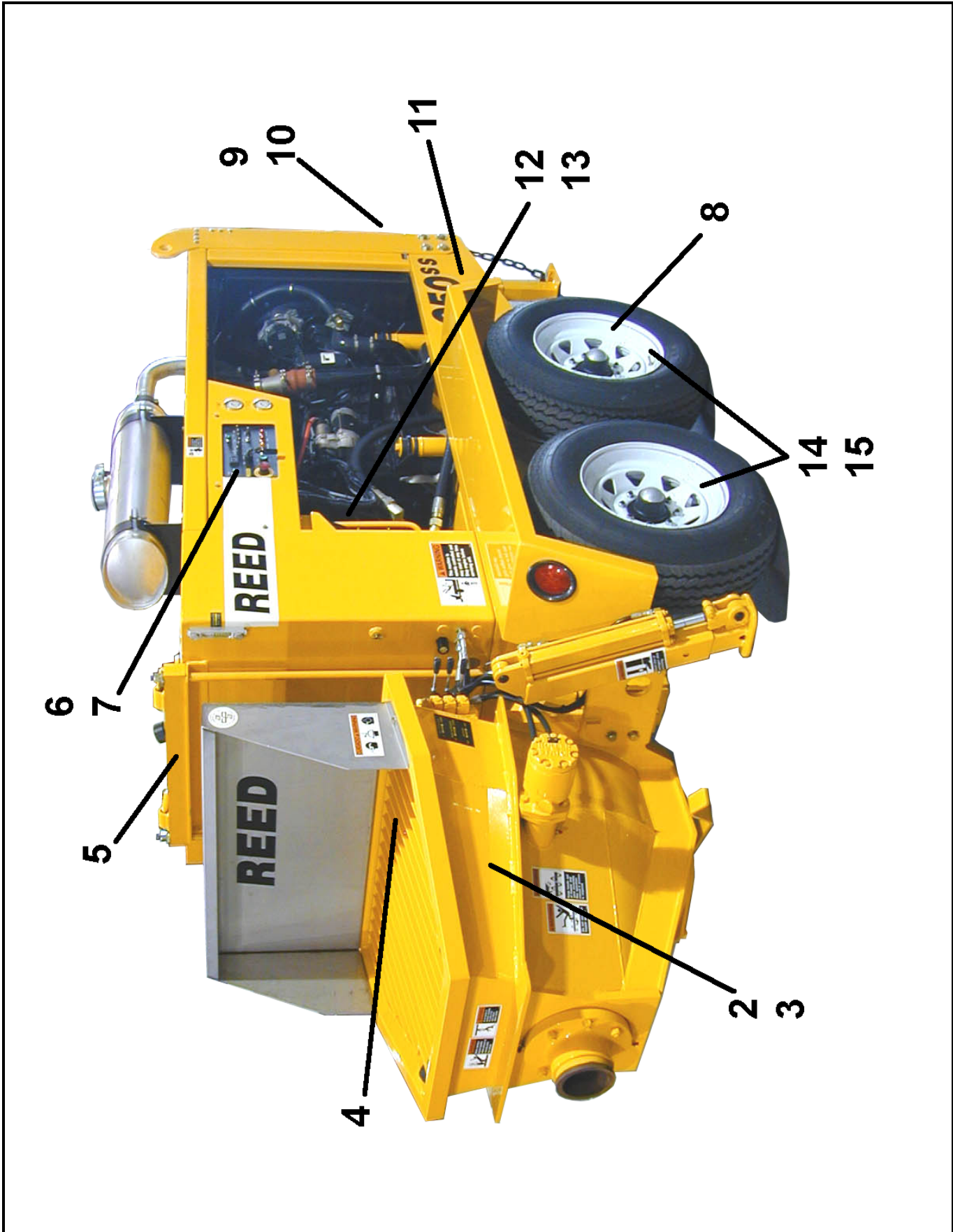
- FIGURE 00** TABLE OF CONTENTS
- FIGURE 01** OPTIONAL INSTALLATION
- FIGURE 02** LUBE SYSTEM ASSEMBLY
- FIGURE 03** 12 VOLT LUBE PUMP ASSEMBLY
- FIGURE 04** HOPPER VIBRATOR ASSEMBLY
- FIGURE 05** CHROME WHEEL ASSEMBLY
- FIGURE 06** OPTIONAL TOOL KIT ASSEMBLY
- FIGURE 07** ACTUATOR BRAKES ASSEMBLY
- FIGURE 08** WASH PUMP ASSEMBLY
- FIGURE 09** WASH WATER PUMP ASSEMBLY
- FIGURE 10** WASH PUMP MOTOR ASSEMBLY
- FIGURE 11** ACCUMULATOR CHARGE KIT
- FIGURE 12** NON-OPERATOR SIDE HYDRAULIC BRAKE ASSEMBLY
- FIGURE 13** OPERATOR SIDE HYDRAULIC BRAKE ASSEMBLY
- FIGURE 14** 1 SPOOL VALVE ASSEMBLY
- FIGURE 15** 1 SPOOL VALVE SUB-ASSEMBLY
- FIGURE 16** 2 SPOOL VALVE ASSEMBLY
- FIGURE 17** 2 SPOOL VALVE SUB-ASSEMBLY





OPTIONAL INSTALLATION

C70S
PARTS
GROUP 80
FIGURE 01
PAGE 01



REVISION:



OPTIONAL INSTALLATION

C70S
PARTS
GROUP 80
FIGURE 01
PAGE 02

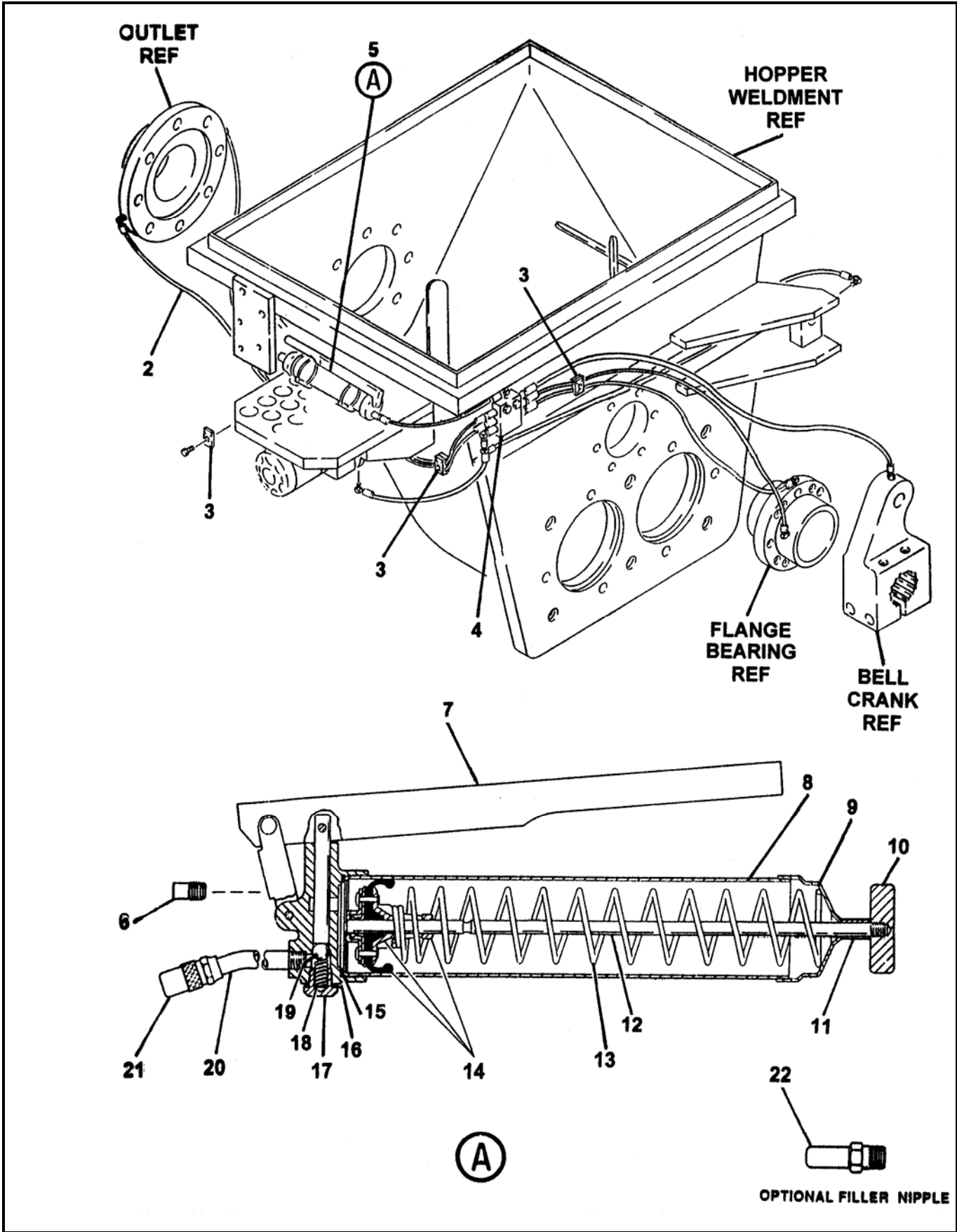
ITEM NO.	REED'S PARTS NO.	DESCRIPTION	QTY
		1 2 3 4 5	
-1	80-01	Installation, Optional (See Group 10, Figure 01 and Figure 02 for NHA)	Ref
2	80-02	• Assembly, Lube System (See Group 80, Figure 02 for DET)	1
3	78736	• Assembly, Lube Pump (See Group 80, Figure 03 for DET)	1
4	86926	• Assembly, Hopper Vibration (See Group 80, Figure 04 for DET)	1
5	86863	• Assembly, Optional Lifting	1
6	85818	• Assembly, Radio Remote Control (See Group 50, Figure 04 for REF)	1
7	85774	• Assembly, Stroke Counter	1
8	80-05	• Assembly, Chrome Wheel (See Group 80, Figure 05 for DET)	1
9	79020	• Assembly, Optional Tool Kit (See Group 80, Figure 07 for DET)	1
10	87191	• Assembly, Actuator Brake (See Group 80, Figure 08 for DET)	1
11	86399	• Assembly, Wash Pump (See Group 80, Figure 09 for DET)	1
12	71460	• Kit, Accumulator Charge (See Group 80, Figure 12 for DET)	1
13	30-11	• Kit, Bladder Repair (See Group 30, Figure 11 for REF)	1
14	80-13	• Assembly, Non-Operator Side Hydraulic Brake (See Group 80, Figure 13 for DET)	2
15	80-14	• Assembly, Operator Side Hydraulic Brake (See Group 80, Figure 14 for DET)	2
16	80-15	• Assembly, 1 Spool Valve (See Group 80, Figure 15 for DET)	1
17	80-17	• Assembly, 2 Spool Valve (See Group 80, Figure 17 for DET)	1
		DASH (-) ITEM NOT ILLUSTRATED	

REVISION:



LUBE SYSTEM ASSEMBLY(OPTIONAL)

C70S
PARTS
GROUP 80
FIGURE 02
PAGE 01



REVISION:



LUBE SYSTEM ASSEMBLY(OPTIONAL)

C70S
PARTS
GROUP 80
FIGURE 02
PAGE 02

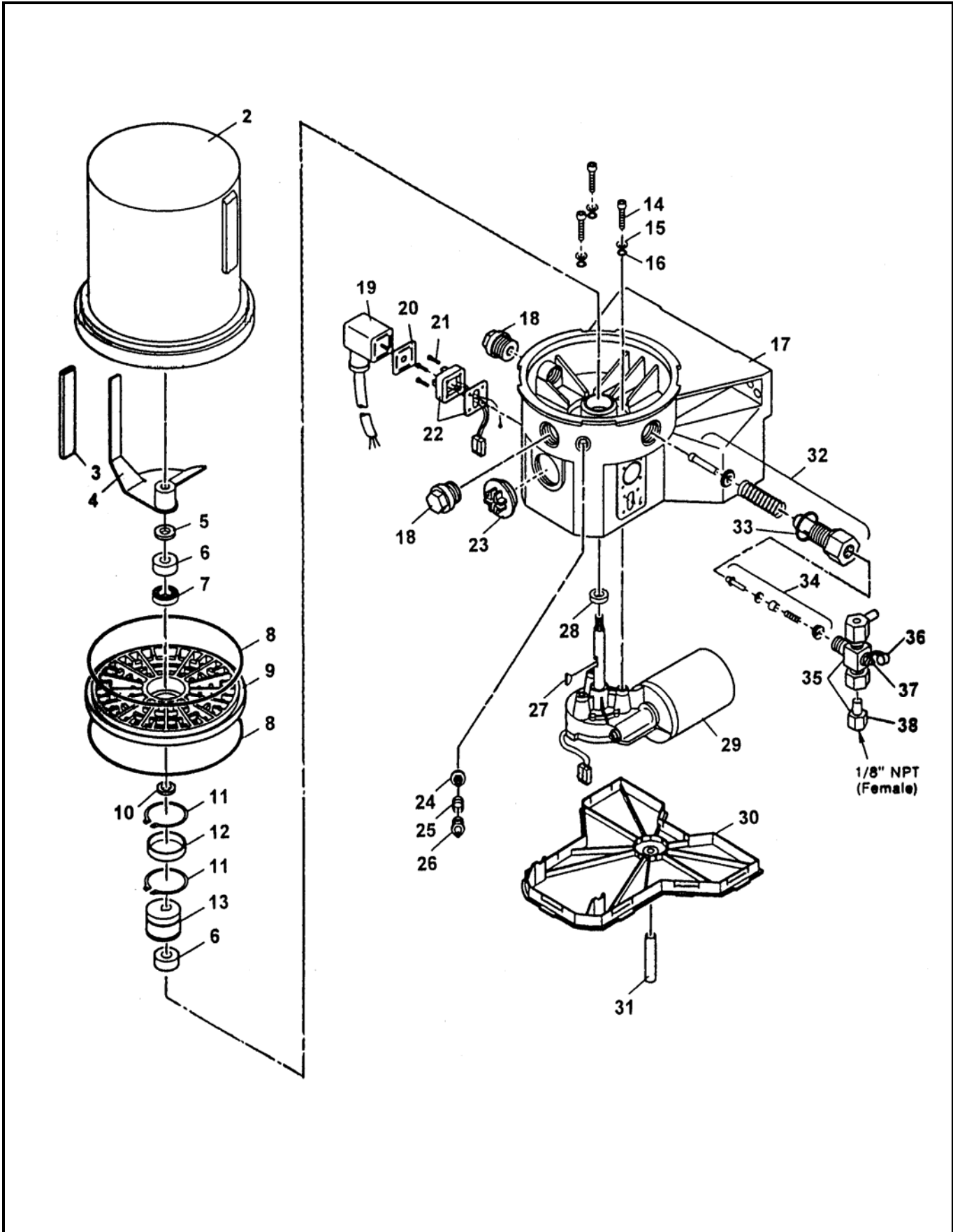
ITEM NO.	REED'S PARTS NO.	DESCRIPTION	QTY
		1 2 3 4 5	
-1	80-02	Assembly, Lube System (See Group 80, Figure 01 for NHA)	Ref
2		• Assembly, Lube Hose	A/R
3	75436	• Clamp, Pipe	3
4	72355	• Block, 6 Station Lube System	1
5	78532	• Gun, Grease	1
6		•• Plug	1
7		•• Handle, Pumping	1
8		•• Tube, Container	1
9		•• Cap, Tube	1
10		•• Handle, Follower	1
11		•• Spacer	1
12		•• Rod, Follower	1
13		•• Spring	1
14		•• Sub-Assembly, Follower	1
15		•• Packing, Container	1
16		•• Gasket	1
17		•• Housing, Spring	1
18		•• Spring	1
19		•• Ball, Check	1
20		•• Extension, Nozzle	1
21		•• Coupler, Hydraulic	1
22		•• Nipple, Filler (Optional Item)	1
		DASH (-) ITEM NOT ILLUSTRATED	

REVISION:



LUBE PUMP ASSEMBLY

C70S
PARTS
GROUP 80
FIGURE 03
PAGE 01



REVISION:



LUBE PUMP ASSEMBLY

C70S
PARTS
GROUP 80
FIGURE 03
PAGE 02

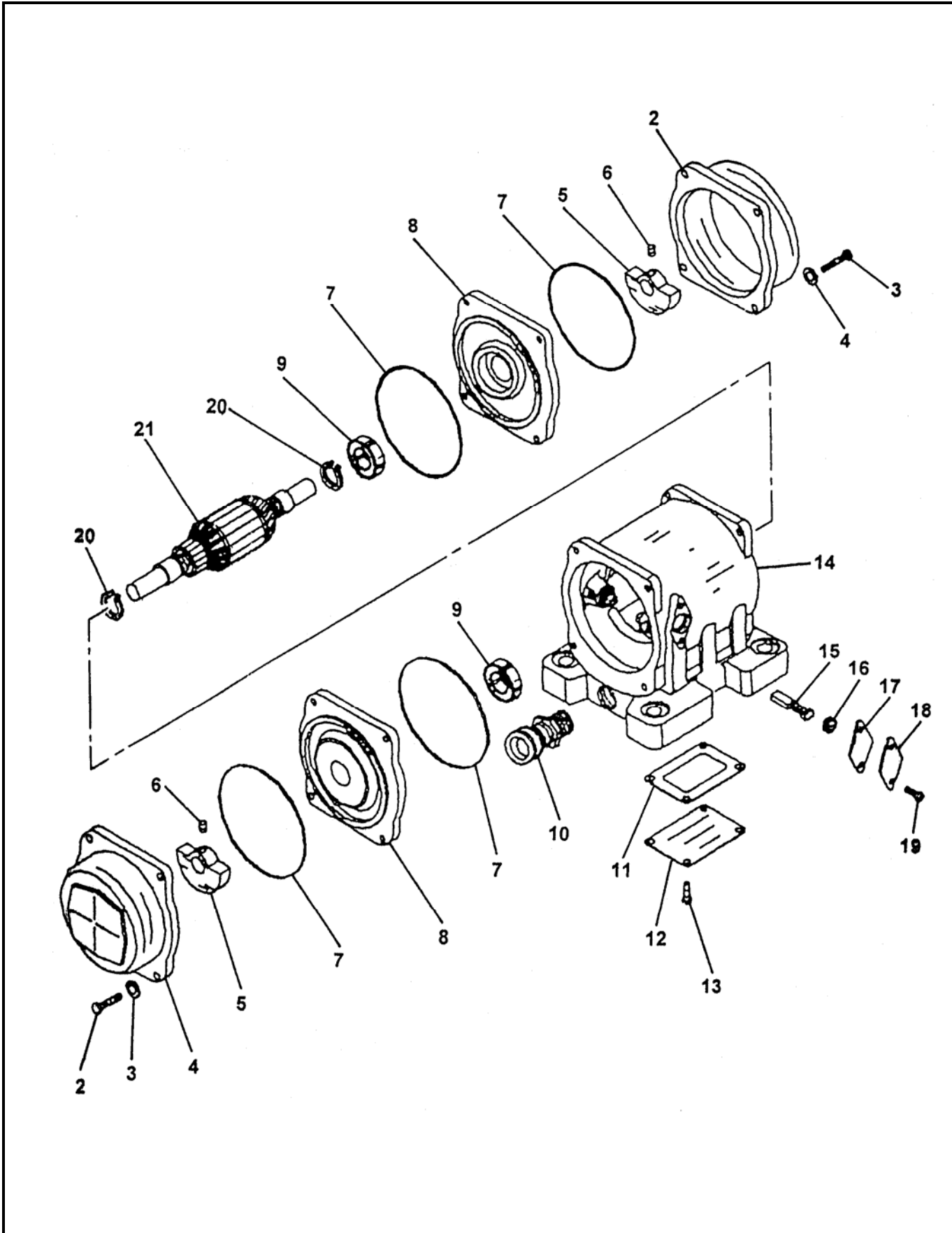
ITEM NO.	REED'S PARTS NO.	DESCRIPTION	QTY
		1 2 3 4 5	
-1	78736	Assembly, Lube Pump (See Group 80, Figure 01 for NHA)	Ref
2		• Reservoir	1
3		• House	1
4		• Paddle, Stirring	1
5		• Washer	1
6		• Ring, Bearing	2
7		• Bearing	1
8		• O-Ring	2
9		• Plate, Intermediate	1
10		• Shim	1
11		• Ring, Snap	2
12		• Ring, Inner	1
13		• Cam, Eccentric	1
14		• Screw	3
15		• Washer	3
16		• O-Ring	3
17		• Housing, Pump	1
18		• Plug, Closure	2
19		• Socket with Cord	1
20		• Packing, Flat	1
21		• Screw	4
22		• Plug	1
23		• Plug, Sealing	1
24		• Insert, Filter	1
25		• Spring	1
26		• Fitting, Grease	1
27		• Key, Woodruff	1
28		• Seal, Radial	1
29		• Motor, 12 VDC	1
30		• Cover, Housing	1
31		• Hose	1
32		• Element, Pump	1
33		• Gasket	1
34		• Valve, Check	1
35		• Assembly, Pressure Reliefs	1
36		• Cap, Grease	1
37		• Fitting, Grease	1
38		• Assembly, Adapter for Relief	1
		DASH (-) ITEM NOT ILLUSTRATED	

REVISION:



HOPPER VIBRATOR ASSEMBLY

C70S
PARTS
GROUP 80
FIGURE 04
PAGE 01



REVISION:



HOPPER VIBRATOR ASSEMBLY

C70S
PARTS
GROUP 80
FIGURE 04
PAGE 02

ITEM NO.	REED'S PARTS NO.	DESCRIPTION	QTY
		1 2 3 4 5	
-1	86926	Assembly, Hopper Vibrator (See Group 80, Figure 01 for NHA)	Ref
2		• Cap, End	2
3		• Bolt (attaching parts)	8
4		• Washer, Lock (attaching parts)	8
5		• Weight	2
6		• Screw, Set (attaching parts)	2
7		• O-Ring	4
8		• Bell, End	2
9		• Bearing	2
10		• Holder, Cord	1
11		• Gasket	1
12		• Cover, Box	1
13		• Screw (attaching parts)	4
14		• Sub-Assembly, Housing	1
15		• Brush	1
16		• Cap, Brush	2
17		• Gasket	2
18		• Cover, Brush	2
19		• Screw (attaching parts)	4
20		• Ring, Snap	2
21		• Assembly, Armature	1
		DASH (-) ITEM NOT ILLUSTRATED	

REVISION:



CHROME WHEEL ASSEMBLY

C70S
PARTS
GROUP 80
FIGURE 05
PAGE 01



REVISION:

CHROME WHEEL ASSEMBLY



ITEM NO.	REED'S PARTS NO.	DESCRIPTION	QTY
		1 2 3 4 5	
-1	80-05	Assembly, Chrome Wheel (See Group 80, Figure 01 for NHA)	Ref
2	86059	• Assembly, Chrome Wheel and Tire	4
3	-	•• Tire	1
4	-	•• Wheel	1
5	85383	• Axle	2



OPTIONAL TOOL KIT

C70S
PARTS
GROUP 80
FIGURE 06
PAGE 02

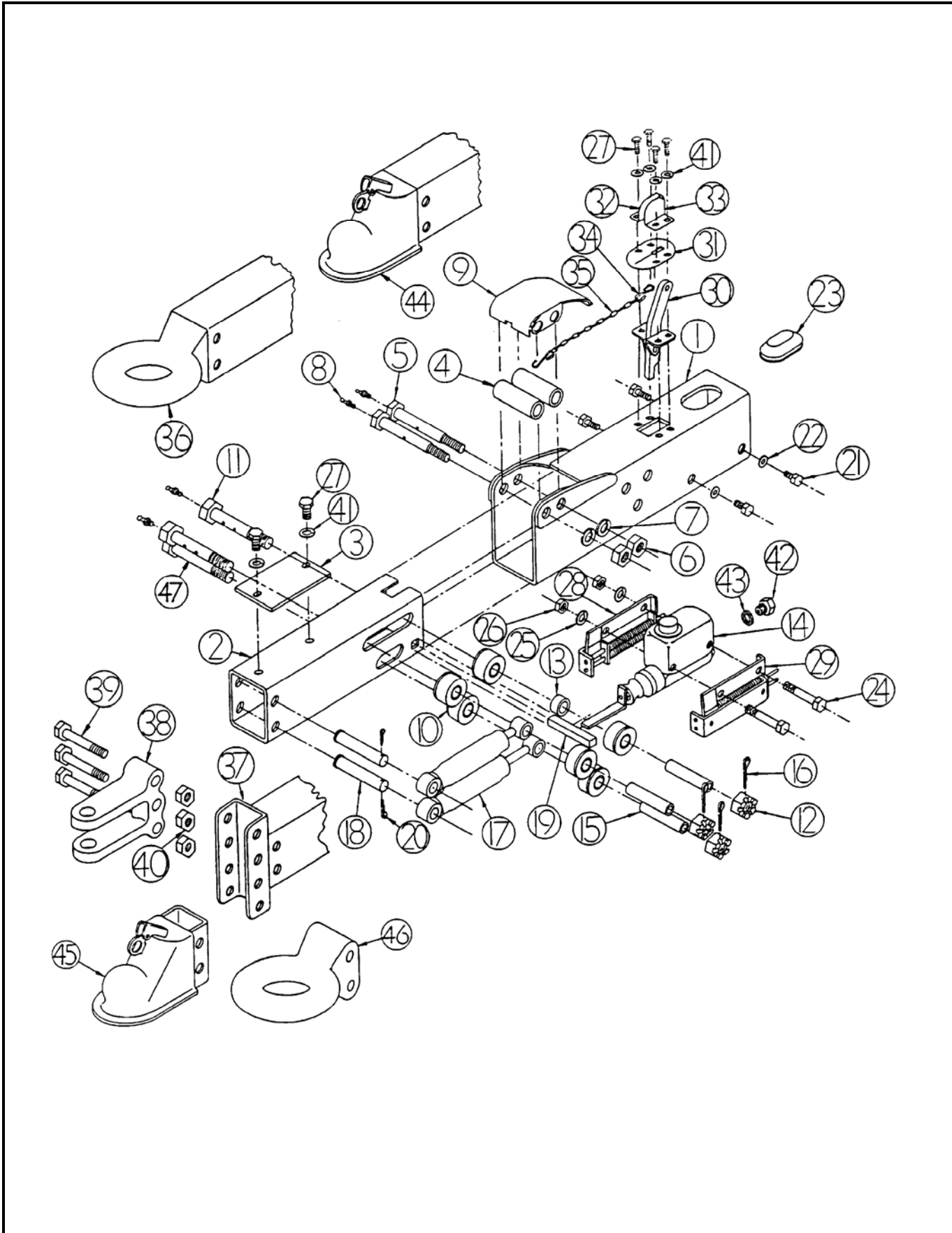
ITEM NO.	REED'S PARTS NO.	DESCRIPTION	QTY
		1 2 3 4 5	
-1	79020	Assembly, Optional Tool Kit (See Group 80, Figure 01 for NHA)	Ref
2	79037	• Kit, Wrench	1
3		•• Wrench, 1/2 Inch	1
4		•• Wrench, 7/16 Inch	1
5		•• Wrench, 3/8 Inch	1
6		•• Wrench, 9/16 Inch	1
7		•• Wrench, 5/8 Inch	1
8		•• Wrench, 11/16 Inch	1
9		•• Wrench, 3/4 Inch	1
10		•• Wrench, 13/16 Inch	1
11		•• Wrench, 7/8 Inch	1
12		•• Wrench, 15/16 Inch	1
13		•• Wrench, 1 Inch	1
14		•• Wrench, 1-1/16 Inch	1
15		•• Wrench, 1-1/8 Inch	1
16		•• Wrench, 1-1/4 Inch	1
17		•• Wrap, Plastic	1
18	79036	• Wrench, 1-3/8 Inch	1
19	79028	• Wrench, 1-1/2 Inch	1
20	79038	• Screwdriver	1
21	79814	• Wrench, Strap (for Filter)	1
22	79325	• Wrench, Spanner	1
23	79031	• Wrench, Monkey	1
24	79032	• Wrench, Adjustable 24 Inch	1
25	77502	• Bag, Tool	1
26	79030	• Set, Metric Allen Key (2-8 mm)	1
27	79029	• Set, Standard Allen Key (3/16-3/8 Inch)	1
DASH (-) ITEM NOT ILLUSTRATED			

REVISION:



ACTUATOR BRAKES ASSEMBLY

C70S
PARTS
GROUP 80
FIGURE 07
PAGE 01



REVISION:



ACTUATOR BRAKES ASSEMBLY

C70S
PARTS
 GROUP 80
 FIGURE 07
 PAGE 02

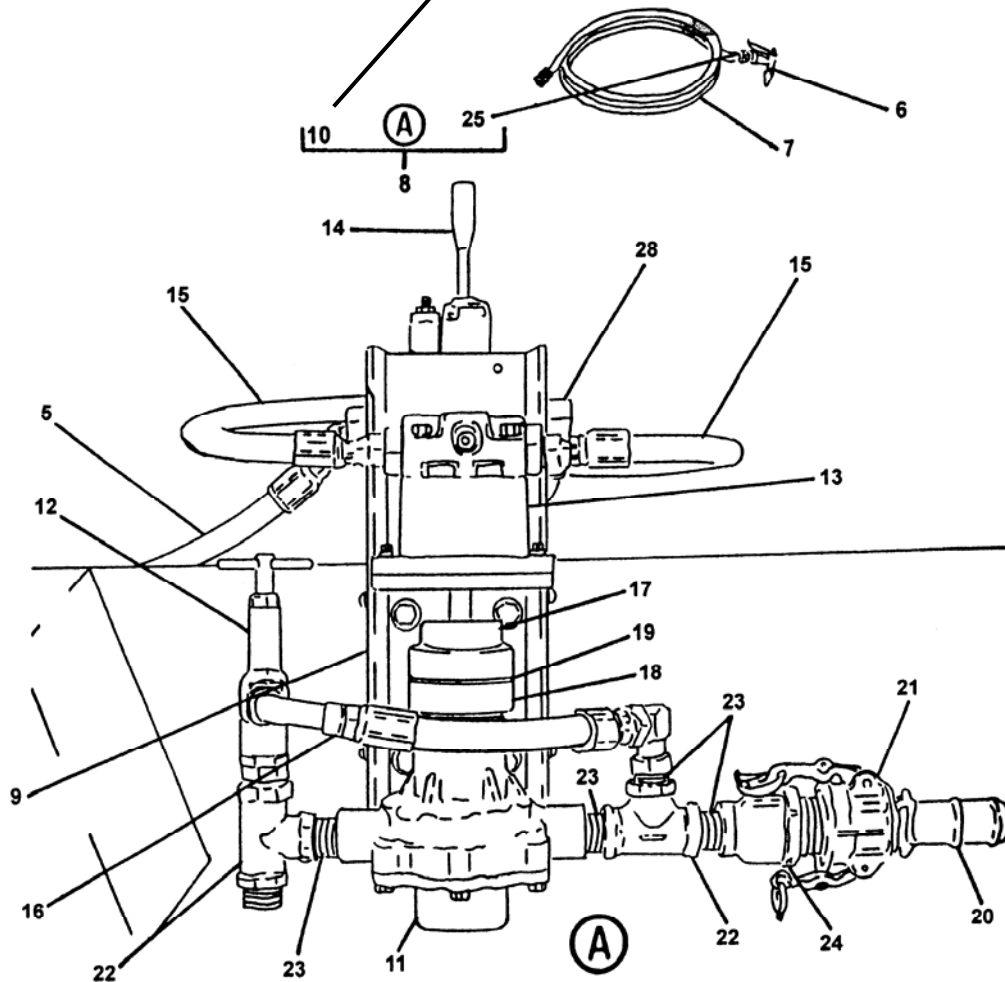
ITEM NO.	REED'S PARTS NO.	DESCRIPTION	QTY																																																																																																																																																																																																																								
A	87191	1 2 3 4 5 Assembly, Actuator Brakes (See Group 80, Figure 01 for NHA)	Ref																																																																																																																																																																																																																								
		<table border="1" style="width: 100%; border-collapse: collapse;"> <thead> <tr> <th style="width: 5%;">KEY NO.</th> <th style="width: 10%;">PART NO.</th> <th style="width: 45%;">DESCRIPTION</th> <th style="width: 5%;">KEY NO.</th> <th style="width: 10%;">PART NO.</th> <th style="width: 25%;">DESCRIPTION</th> </tr> </thead> <tbody> <tr><td>1</td><td>1055300</td><td>Outer Case Assembly - Primer</td><td>25</td><td>1255200</td><td>GR 5, Zinc STAR Lockwasher 3/8"</td></tr> <tr><td>1</td><td>1734900</td><td>Outer Case Assembly w/Mounting Channel - Primer</td><td>26</td><td>0797600</td><td>Hex Nut 3/8 NC</td></tr> <tr><td></td><td></td><td></td><td>27</td><td>0794900</td><td>HX HD Capscrew 5/16x5/8 NC, GR 5, Zinc</td></tr> <tr><td>1</td><td>4488300</td><td>Outer Case Assembly w/Mounting Channel - Plated</td><td>28</td><td>0838800</td><td>RH Cylinder Bracket Assembly</td></tr> <tr><td>2</td><td>1556300</td><td>Inner Slide Assembly - No Coupler</td><td>29</td><td>0838900</td><td>LH Cylinder Bracket Assembly</td></tr> <tr><td>2</td><td>1735000</td><td>Inner Slide Assembly w/2-5/16" Drop Coupler</td><td>30</td><td>1054100</td><td>Breakaway Lever Assembly</td></tr> <tr><td></td><td></td><td></td><td>31</td><td>1055200</td><td>Weather Seal</td></tr> <tr><td>2</td><td>4490400</td><td>Inner Slide Assembly w/2-5/16" Drop Coupler - Plated</td><td>32</td><td>1052700</td><td>RH Breakaway Lock - Plated</td></tr> <tr><td></td><td></td><td></td><td>33</td><td>1052600</td><td>LH Breakaway Lock - Plated</td></tr> <tr><td>3</td><td>0828400</td><td>Centering Rail</td><td>34</td><td>1055500</td><td>S-Hook</td></tr> <tr><td>4</td><td>1601900</td><td>Front Roller - Plated</td><td>35</td><td>0776800</td><td>Safety Chain</td></tr> <tr><td>5</td><td>0828800</td><td>Front Roller Bolt 5/8x5.25-1/2 NC</td><td>36</td><td>1297600</td><td>Inner Slide Assembly w/ 3" Lunette Eye</td></tr> <tr><td>6</td><td>0798500</td><td>Hex Nut 1/2 NC</td><td>37</td><td>1058200</td><td>Inner Slide Assembly w/Leveler Channel</td></tr> <tr><td>7</td><td>0793700</td><td>Lockwasher 1/2" STD</td><td></td><td></td><td></td></tr> <tr><td>8</td><td>0144901</td><td>Zerk 35/64</td><td>38</td><td>1807800</td><td>Clevis Hitch, For 1" Pin</td></tr> <tr><td>9</td><td>0828900</td><td>Front Roller Cover</td><td>39</td><td>0909300</td><td>HHCS 5/8x4.5 NC, GR 5, Zinc</td></tr> <tr><td>9</td><td>0828925</td><td>Front Roller Cover - Plated</td><td></td><td></td><td></td></tr> <tr><td>10</td><td>0829100</td><td>Rear Roller</td><td>40</td><td>1040500</td><td>Locknut 5/8 NC</td></tr> <tr><td>11</td><td>0829400</td><td>Roller Bolt 5/8x5 NF, GR 5</td><td>41</td><td>0793800</td><td>Lockwasher 5/16" STD</td></tr> <tr><td>12</td><td>0797100</td><td>Slotted Hex Nut 5/8 NC</td><td>42</td><td>1209900</td><td>Connector Drum Brake</td></tr> <tr><td>13</td><td>0332800</td><td>Spacer</td><td>42</td><td>4750200, 4750300</td><td>Connector Disc Brake</td></tr> <tr><td>14</td><td>1250300</td><td>Filler Cap (Included in 23744)</td><td>43</td><td>0774500</td><td>Gasket</td></tr> <tr><td>14</td><td>2374400</td><td>Master Cylinder Assembly, 1-1/4" Bore (drum)</td><td>44</td><td>1278800</td><td>Inner Slide Assembly w/2-5/16" Coupler - Primer</td></tr> <tr><td>14</td><td>4747100</td><td>Master Cylinder Assy. (disc)</td><td>44</td><td>4488400</td><td>Inner Slide Assembly w/2-5/16" Coupler - Plated</td></tr> <tr><td>14</td><td></td><td>Push Rod Bracket Assembly (Included in 23744)</td><td>45</td><td>1882000</td><td>Adjustable Ball Coupler - 2-5/16"</td></tr> <tr><td>15</td><td>0829700</td><td>Spacer</td><td>46</td><td>1613700</td><td>Lunette Eye - 3" Adjustable</td></tr> <tr><td>16</td><td>0799700</td><td>Cotter Pin-1/8x1.00</td><td>47</td><td>0829500</td><td>HX HD Screw 5/8x5 NF, GR 5</td></tr> <tr><td>17</td><td>0778400</td><td>Damper</td><td></td><td></td><td></td></tr> <tr><td>18</td><td>0829800</td><td>Damper Bar</td><td></td><td>1018700</td><td>1-1/4" Master Cylinder Repair Kit Drum Brake</td></tr> <tr><td>19</td><td>0830100</td><td>Pushrod Block</td><td></td><td>1848700</td><td>2-5/16" Ball Coupler Repair Kit</td></tr> <tr><td>20</td><td>0799700</td><td>Cotter Pin-1/8x3/4</td><td></td><td></td><td></td></tr> <tr><td>21</td><td>0794800</td><td>HX HD Capscrew 5/16x1/2 NC, GR 5, Zinc</td><td></td><td>2402900</td><td>Model 20 I&I Manual</td></tr> <tr><td>22</td><td>1248900</td><td>Star Lockwasher 5/16"</td><td></td><td>4823800</td><td>Master Cylinder Repair Kit Disc Brake</td></tr> <tr><td>23</td><td>1507000</td><td>Cylinder Cover</td><td></td><td></td><td></td></tr> <tr><td>24</td><td>0827100</td><td>HX HD Capscrew 3/8x3 NC,</td><td></td><td></td><td></td></tr> </tbody> </table>	KEY NO.	PART NO.	DESCRIPTION	KEY NO.	PART NO.	DESCRIPTION	1	1055300	Outer Case Assembly - Primer	25	1255200	GR 5, Zinc STAR Lockwasher 3/8"	1	1734900	Outer Case Assembly w/Mounting Channel - Primer	26	0797600	Hex Nut 3/8 NC				27	0794900	HX HD Capscrew 5/16x5/8 NC, GR 5, Zinc	1	4488300	Outer Case Assembly w/Mounting Channel - Plated	28	0838800	RH Cylinder Bracket Assembly	2	1556300	Inner Slide Assembly - No Coupler	29	0838900	LH Cylinder Bracket Assembly	2	1735000	Inner Slide Assembly w/2-5/16" Drop Coupler	30	1054100	Breakaway Lever Assembly				31	1055200	Weather Seal	2	4490400	Inner Slide Assembly w/2-5/16" Drop Coupler - Plated	32	1052700	RH Breakaway Lock - Plated				33	1052600	LH Breakaway Lock - Plated	3	0828400	Centering Rail	34	1055500	S-Hook	4	1601900	Front Roller - Plated	35	0776800	Safety Chain	5	0828800	Front Roller Bolt 5/8x5.25-1/2 NC	36	1297600	Inner Slide Assembly w/ 3" Lunette Eye	6	0798500	Hex Nut 1/2 NC	37	1058200	Inner Slide Assembly w/Leveler Channel	7	0793700	Lockwasher 1/2" STD				8	0144901	Zerk 35/64	38	1807800	Clevis Hitch, For 1" Pin	9	0828900	Front Roller Cover	39	0909300	HHCS 5/8x4.5 NC, GR 5, Zinc	9	0828925	Front Roller Cover - Plated				10	0829100	Rear Roller	40	1040500	Locknut 5/8 NC	11	0829400	Roller Bolt 5/8x5 NF, GR 5	41	0793800	Lockwasher 5/16" STD	12	0797100	Slotted Hex Nut 5/8 NC	42	1209900	Connector Drum Brake	13	0332800	Spacer	42	4750200, 4750300	Connector Disc Brake	14	1250300	Filler Cap (Included in 23744)	43	0774500	Gasket	14	2374400	Master Cylinder Assembly, 1-1/4" Bore (drum)	44	1278800	Inner Slide Assembly w/2-5/16" Coupler - Primer	14	4747100	Master Cylinder Assy. (disc)	44	4488400	Inner Slide Assembly w/2-5/16" Coupler - Plated	14		Push Rod Bracket Assembly (Included in 23744)	45	1882000	Adjustable Ball Coupler - 2-5/16"	15	0829700	Spacer	46	1613700	Lunette Eye - 3" Adjustable	16	0799700	Cotter Pin-1/8x1.00	47	0829500	HX HD Screw 5/8x5 NF, GR 5	17	0778400	Damper				18	0829800	Damper Bar		1018700	1-1/4" Master Cylinder Repair Kit Drum Brake	19	0830100	Pushrod Block		1848700	2-5/16" Ball Coupler Repair Kit	20	0799700	Cotter Pin-1/8x3/4				21	0794800	HX HD Capscrew 5/16x1/2 NC, GR 5, Zinc		2402900	Model 20 I&I Manual	22	1248900	Star Lockwasher 5/16"		4823800	Master Cylinder Repair Kit Disc Brake	23	1507000	Cylinder Cover				24	0827100	HX HD Capscrew 3/8x3 NC,				
KEY NO.	PART NO.	DESCRIPTION	KEY NO.	PART NO.	DESCRIPTION																																																																																																																																																																																																																						
1	1055300	Outer Case Assembly - Primer	25	1255200	GR 5, Zinc STAR Lockwasher 3/8"																																																																																																																																																																																																																						
1	1734900	Outer Case Assembly w/Mounting Channel - Primer	26	0797600	Hex Nut 3/8 NC																																																																																																																																																																																																																						
			27	0794900	HX HD Capscrew 5/16x5/8 NC, GR 5, Zinc																																																																																																																																																																																																																						
1	4488300	Outer Case Assembly w/Mounting Channel - Plated	28	0838800	RH Cylinder Bracket Assembly																																																																																																																																																																																																																						
2	1556300	Inner Slide Assembly - No Coupler	29	0838900	LH Cylinder Bracket Assembly																																																																																																																																																																																																																						
2	1735000	Inner Slide Assembly w/2-5/16" Drop Coupler	30	1054100	Breakaway Lever Assembly																																																																																																																																																																																																																						
			31	1055200	Weather Seal																																																																																																																																																																																																																						
2	4490400	Inner Slide Assembly w/2-5/16" Drop Coupler - Plated	32	1052700	RH Breakaway Lock - Plated																																																																																																																																																																																																																						
			33	1052600	LH Breakaway Lock - Plated																																																																																																																																																																																																																						
3	0828400	Centering Rail	34	1055500	S-Hook																																																																																																																																																																																																																						
4	1601900	Front Roller - Plated	35	0776800	Safety Chain																																																																																																																																																																																																																						
5	0828800	Front Roller Bolt 5/8x5.25-1/2 NC	36	1297600	Inner Slide Assembly w/ 3" Lunette Eye																																																																																																																																																																																																																						
6	0798500	Hex Nut 1/2 NC	37	1058200	Inner Slide Assembly w/Leveler Channel																																																																																																																																																																																																																						
7	0793700	Lockwasher 1/2" STD																																																																																																																																																																																																																									
8	0144901	Zerk 35/64	38	1807800	Clevis Hitch, For 1" Pin																																																																																																																																																																																																																						
9	0828900	Front Roller Cover	39	0909300	HHCS 5/8x4.5 NC, GR 5, Zinc																																																																																																																																																																																																																						
9	0828925	Front Roller Cover - Plated																																																																																																																																																																																																																									
10	0829100	Rear Roller	40	1040500	Locknut 5/8 NC																																																																																																																																																																																																																						
11	0829400	Roller Bolt 5/8x5 NF, GR 5	41	0793800	Lockwasher 5/16" STD																																																																																																																																																																																																																						
12	0797100	Slotted Hex Nut 5/8 NC	42	1209900	Connector Drum Brake																																																																																																																																																																																																																						
13	0332800	Spacer	42	4750200, 4750300	Connector Disc Brake																																																																																																																																																																																																																						
14	1250300	Filler Cap (Included in 23744)	43	0774500	Gasket																																																																																																																																																																																																																						
14	2374400	Master Cylinder Assembly, 1-1/4" Bore (drum)	44	1278800	Inner Slide Assembly w/2-5/16" Coupler - Primer																																																																																																																																																																																																																						
14	4747100	Master Cylinder Assy. (disc)	44	4488400	Inner Slide Assembly w/2-5/16" Coupler - Plated																																																																																																																																																																																																																						
14		Push Rod Bracket Assembly (Included in 23744)	45	1882000	Adjustable Ball Coupler - 2-5/16"																																																																																																																																																																																																																						
15	0829700	Spacer	46	1613700	Lunette Eye - 3" Adjustable																																																																																																																																																																																																																						
16	0799700	Cotter Pin-1/8x1.00	47	0829500	HX HD Screw 5/8x5 NF, GR 5																																																																																																																																																																																																																						
17	0778400	Damper																																																																																																																																																																																																																									
18	0829800	Damper Bar		1018700	1-1/4" Master Cylinder Repair Kit Drum Brake																																																																																																																																																																																																																						
19	0830100	Pushrod Block		1848700	2-5/16" Ball Coupler Repair Kit																																																																																																																																																																																																																						
20	0799700	Cotter Pin-1/8x3/4																																																																																																																																																																																																																									
21	0794800	HX HD Capscrew 5/16x1/2 NC, GR 5, Zinc		2402900	Model 20 I&I Manual																																																																																																																																																																																																																						
22	1248900	Star Lockwasher 5/16"		4823800	Master Cylinder Repair Kit Disc Brake																																																																																																																																																																																																																						
23	1507000	Cylinder Cover																																																																																																																																																																																																																									
24	0827100	HX HD Capscrew 3/8x3 NC,																																																																																																																																																																																																																									

REVISION:



WASH PUMP ASSEMBLY

C70S
PARTS
GROUP 80
FIGURE 08
PAGE 01



REVISION:



WASH PUMP ASSEMBLY

C70S
PARTS
GROUP 80
FIGURE 08
PAGE 02

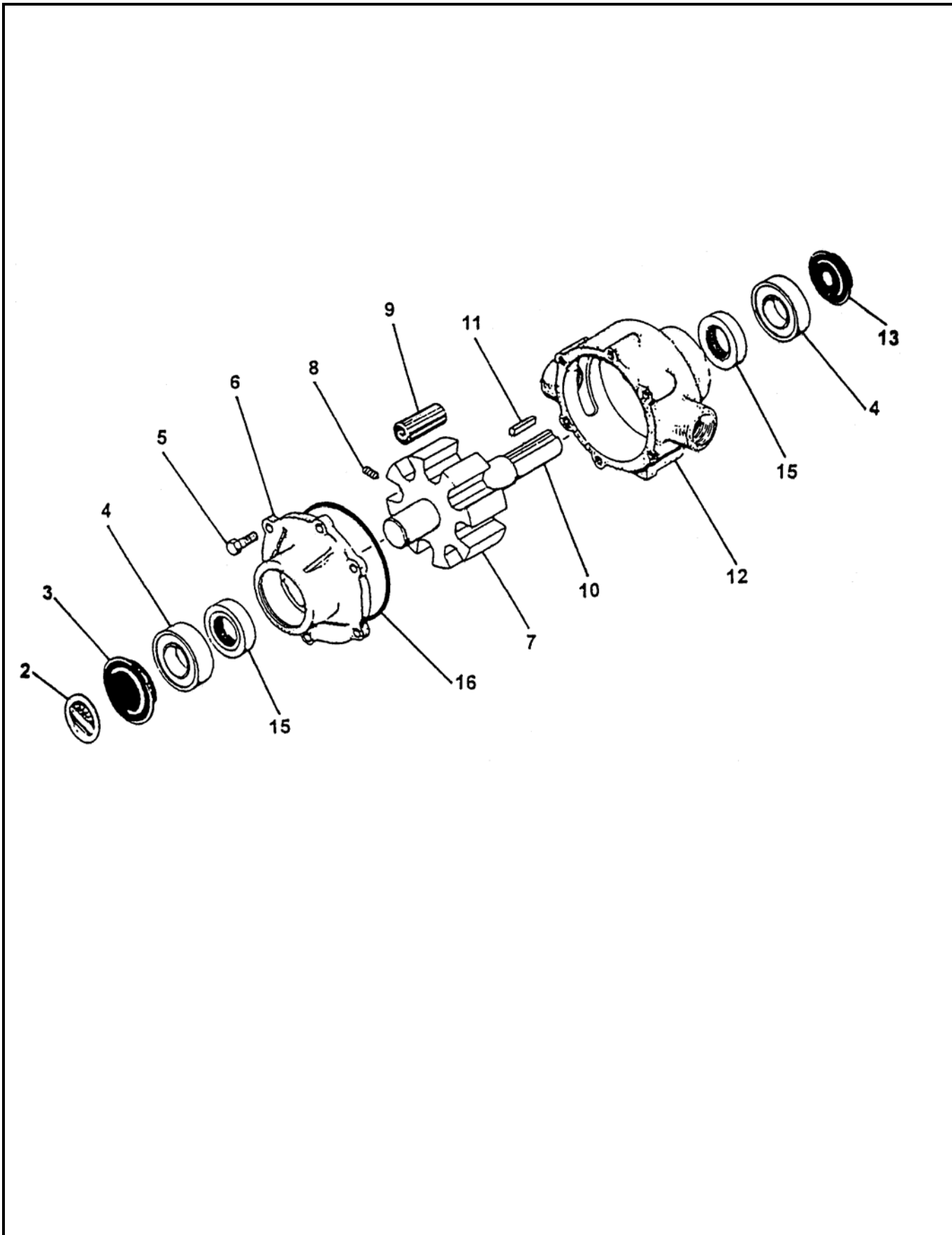
ITEM NO.	REED'S PARTS NO.	DESCRIPTION	QTY
		1 2 3 4 5	
-1	86399	Wash Pump Kit, C-Series (PN 86200 Wash Pump Assy-Only)	Ref
2	86384	• Sleeve, Power Beyond	1
3	86692	• Spacer, Agitator Valve	1
4	85657-021	• Hose-8M2T-10FJX-10FJX45-12.25	1
5	85657-020	• Hose-8M2T-10FJX-10FJX45-64.00	1
6	800098	• Nozzle, Garden Hose	1
7	86267	• Hose, Garden 20 FT	1
8	86200	• Wash Pump Assy-Only	1
9	86196	• Wash Pump Base Weldment	1
10	86199	• Cover, Wash Pump	1
11	78157	• Washpump-Hydro	1
12	78128	• Valve, Relief	1
13	78152	• Motor-Hyd Wash Pump	1
14	86397	• Valve-Manual-1 Spool-3 Way	1
15	85658-002	• Hose-6M2T-6FJX-6FJX-17.00	2
16	85657-022	• Hose-8M2T-10FJX-10FJX90S-11.25	1
17	78153	• Coupling, Wash Motor	1
18	78154	• Coupling, Wash Pump	1
19	78155	• Spider	1
20	10948	• Coupling-Cam/Groove 1.25" Female x MPT	1
21	10947	• Coupling-Cam/Groove 1.25" Male x MPT	1
22	10228	• Tee-3/4"	2
23	40047	• Nipple-Close Pipe-3/4"	4
24	86398	• Bell Reducer-3/4" x 1 1/4"	1
25	800371	• Fitting-Garden Hose	1
26	801902-020	• Tube Clamp-3/8" - Single	1
27	86721	• Wash Pump Installation C-Series (Drawing)	REF
28	85657-012	• Hose-8M2T-10FJX-10FJX-64.00	1
DASH (-) ITEM NOT ILLUSTRATED			

REVISION:



WASH WATER PUMP ASSEMBLY

C70S
PARTS
GROUP 80
FIGURE 09
PAGE 01



REVISION:



WASH WATER PUMP ASSEMBLY

C70S
PARTS
GROUP 80
FIGURE 09
PAGE 02

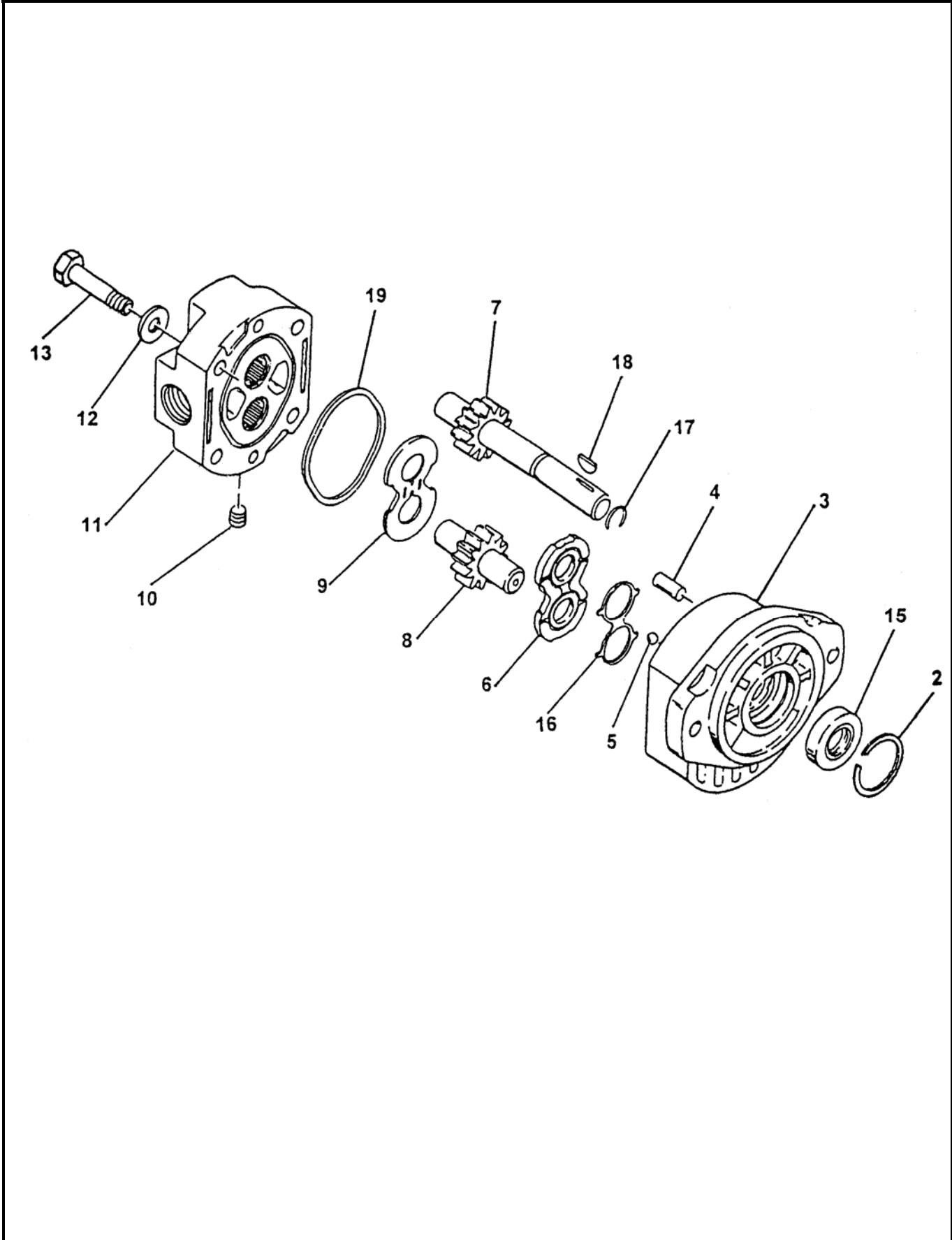
ITEM NO.	REED'S PARTS NO.	DESCRIPTION	QTY
		1 2 3 4 5	
-1	78157	Assembly, Wash Water Pump (See Group 80, Figure 08 for NHA)	Ref
2		• Plate, Name	1
3		• Cover, Bearing Rear	1
4		• Bearing, Sealed Bowl	2
5		• Endplate, (Ni-Resist) with Seal	1
6		• Bolt, Hex (attaching parts)	6
7		• Rotor, (Ni-Resist) with Shaft	1
8		• Screw, Set (attaching parts)	1
9		• Roller, Teflon	1
10		• Shaft	1
11		• Key	1
12		• Body, (Ni-Resist) with Seal	1
13		• Cover, Bearing Shaft	1
-14	72329	• Kit, Seal	1
15		•• Seal, Buna	2
16		•• Gasket, End Plate O-Ring	1
		DASH (-) ITEM NOT ILLUSTRATED	

REVISION:



WASH PUMP MOTOR ASSEMBLY

C70S
PARTS
GROUP 80
FIGURE 10
PAGE 01



REVISION:



WASH PUMP MOTOR ASSEMBLY

C70S
PARTS
GROUP 80
FIGURE 10
PAGE 02

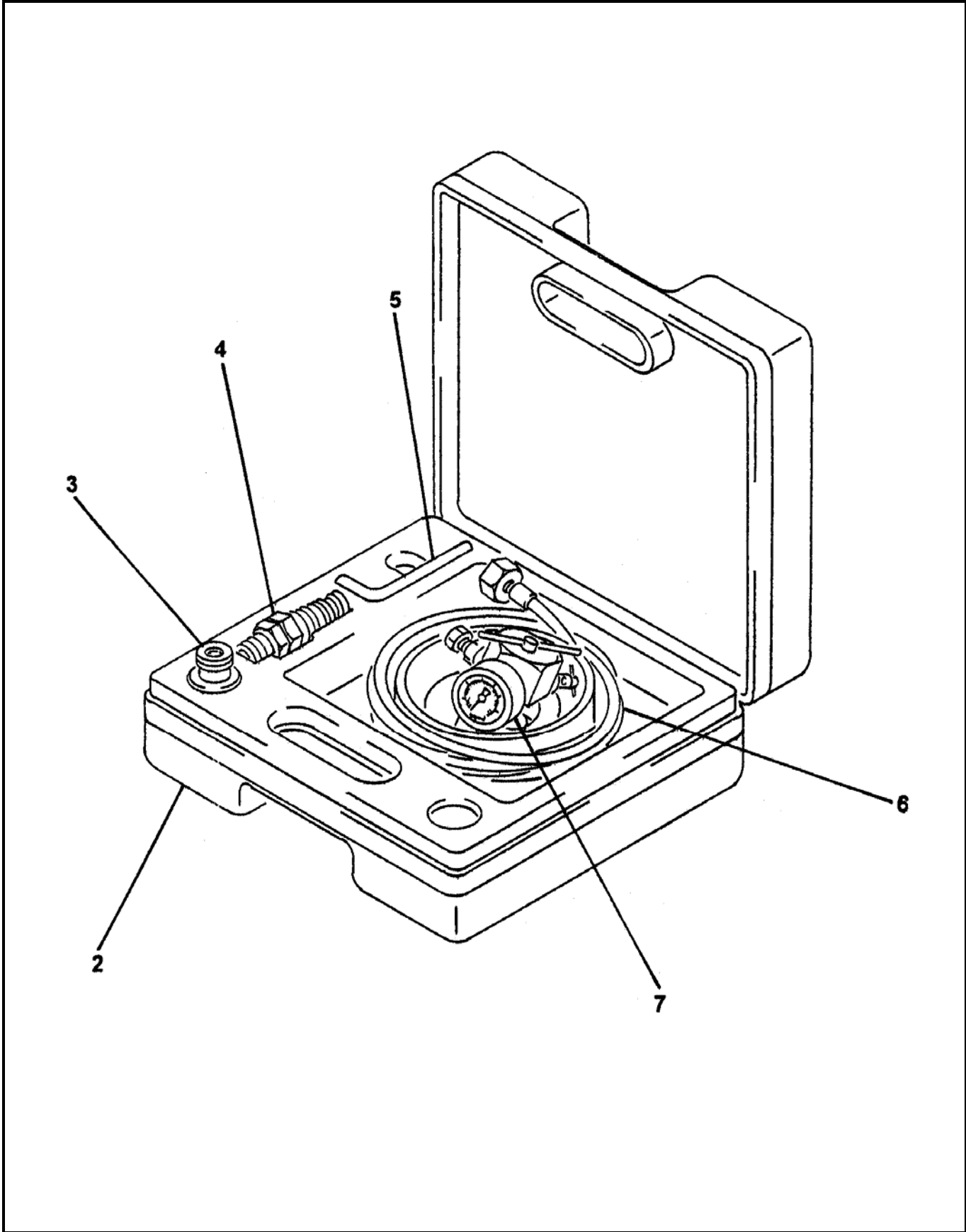
ITEM NO.	REED'S PARTS NO.	DESCRIPTION	QTY
		1 2 3 4 5	
-1	78152	Assembly, Wash Pump Motor (See Group 80, Figure 09 for NHA)	Ref
2		• Retainer	1
3		• Assembly, Body	1
4		• Pin, Dowel	2
5		• Bearing, Ball	2
6		• Plate, Wear	1
7		• Gear, Driven Wear	1
8		• Gear, Driven	1
9		• Plate, Thrust	1
10		• Plug, Pipe	4
11		• Assembly, Cover	1
12		• Washer (attaching parts)	4
13		• Screw, Hex (attaching parts)	4
14		• Kit, Seal	1
15		• • Brush	1
16		• • Cap, Brush	1
17		• • Gasket	1
18		• • Cover, Brush	1
		DASH (-) ITEM NOT ILLUSTRATED	

REVISION:



ACCUMULATOR CHARGE KIT

C70S
PARTS
GROUP 80
FIGURE 11
PAGE 01



REVISION:



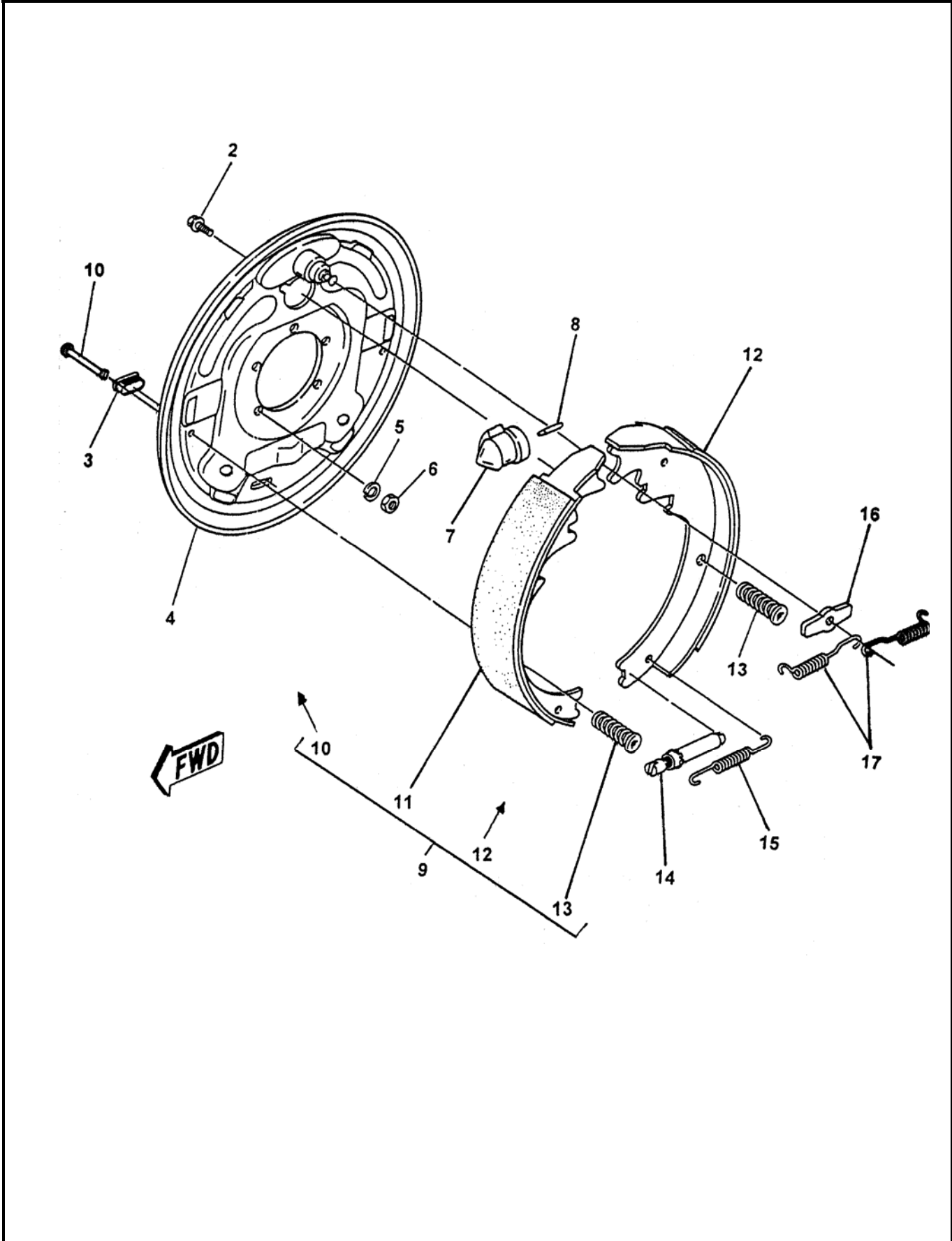
ACCUMULATOR CHARGE KIT

C70S
PARTS
GROUP 80
FIGURE 11
PAGE 02

ITEM NO.	REED'S PARTS NO.	DESCRIPTION	QTY
-1	71460	Kit, Accumulator Charge (See Group 80, Figure 01 for NHA)	Ref
2		• Case, Charge Kit	1
3		• Adapter, FPK / SB	1
4		• Adapter, G4	1
5		• Wrench, Allen	1
6		• Hose, Charging	1
7		• Unit, FPK Charging and Gagging	1
		DASH (-) ITEM NOT ILLUSTRATED	

REVISION:

NON-OPERATOR SIDE HYDRAULIC BRAKE ASSEMBLY



REVISION:



NON-OPERATOR SIDE HYDRAULIC BRAKE ASSEMBLY

C70S
PARTS
GROUP 80
FIGURE 12
PAGE 02

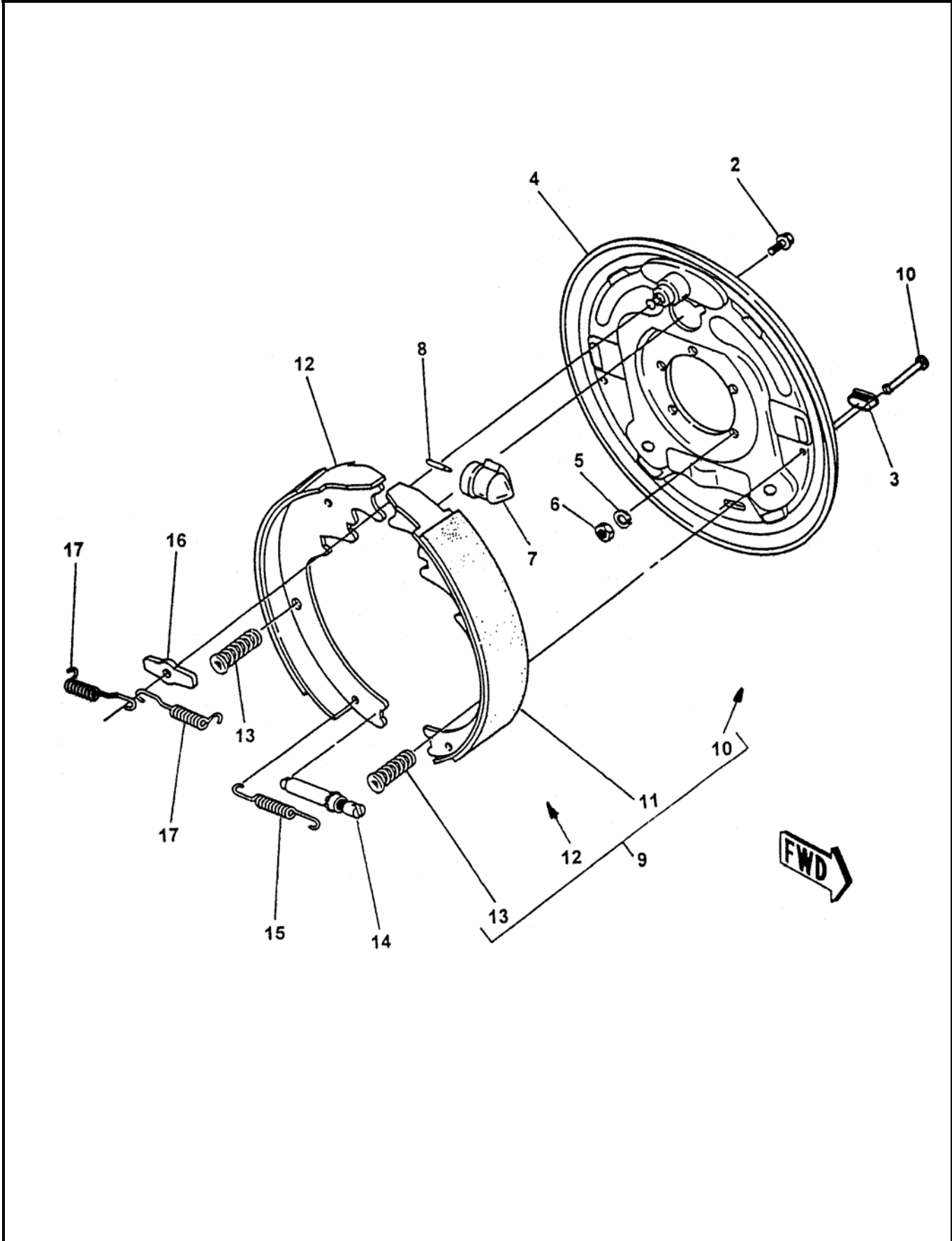
ITEM NO.	REED'S PARTS NO.	DESCRIPTION	QTY
		1 2 3 4 5	
-1	80-12	Assembly, Non-Operator Side Hydraulic Brake (See Group 80, Figure 01 for NHA)	Ref
2		• Screw, with Washer	1
3		• Plug	2
4		• Plate, Backing	1
5		• Washer, Lock (attaching parts)	5
6		• Nut, Brake Mounting (attaching parts)	5
7		• Cylinder, Non-Operator Side Brake	1
8		• Rod, Push	1
9		• Kit, Non-Operator Side Shoe and Lining	1
10		• • Pin, Shoe Hold Down	2
11		• • Primary, Non-Operator Side	1
12		• • Secondary, Non-Operator Side	1
13		• • Pin, Shoe Hold Down	2
14		• Assembly, Adjuster	1
15		• Spring, Adjusting Screw	1
16		• Washer, Anchor Post	1
17		• Spring, Retractor	2
		DASH (-) ITEM NOT ILLUSTRATED	

REVISION:



OPERATOR SIDE HYDRAULIC BRAKE ASSEMBLY

C70S
PARTS
GROUP 80
FIGURE 13
PAGE 01



REVISION:



**OPERATOR SIDE
HYDRAULIC BRAKE ASSEMBLY**

**C70S
PARTS
GROUP 80
FIGURE 13
PAGE 02**

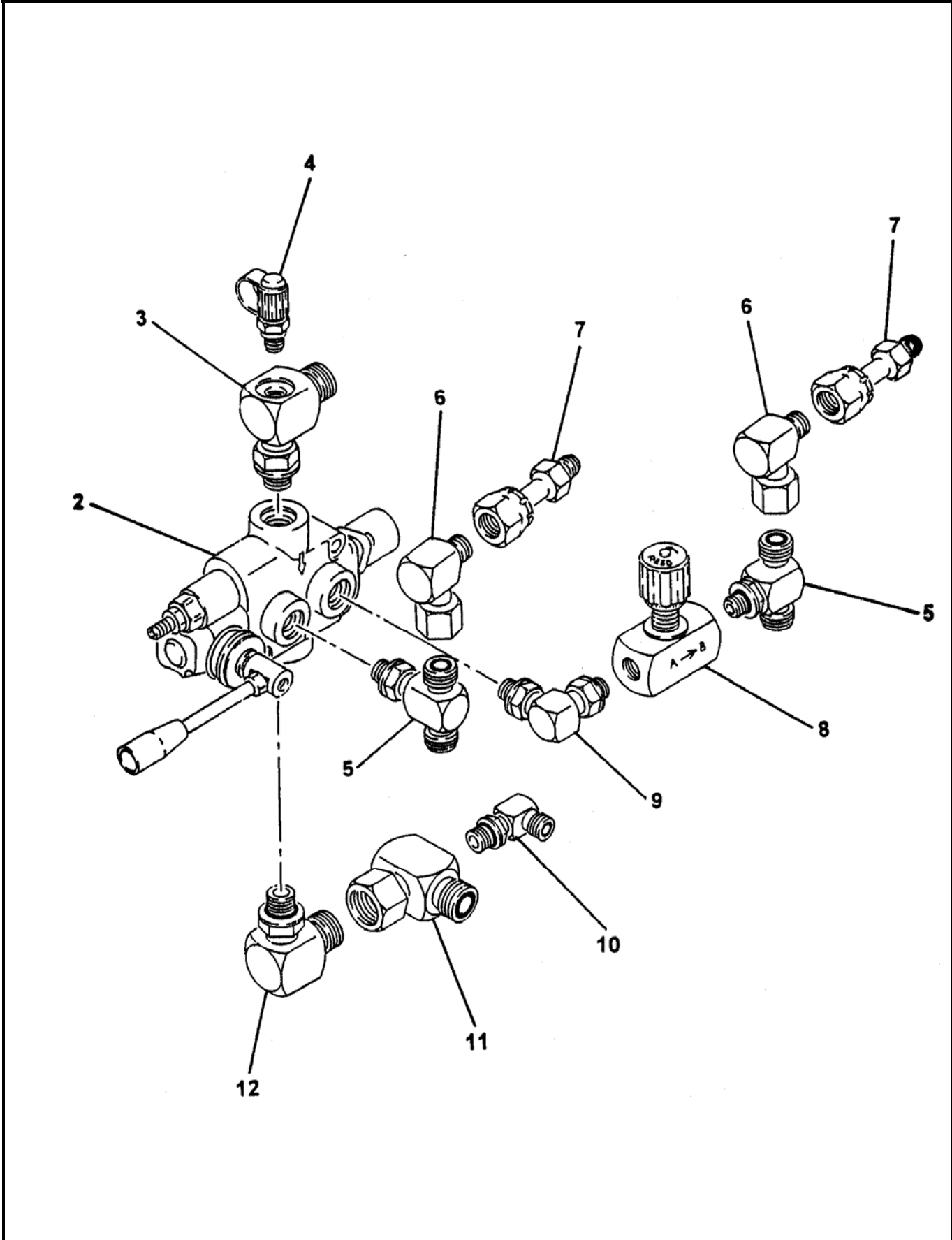
ITEM NO.	REED'S PARTS NO.	DESCRIPTION	QTY
		1 2 3 4 5	
-1	80-13	Assembly, Operator Side Hydraulic Brake (See Group 80, Figure 01 for NHA)	Ref
2		• Screw, with Washer	1
3		• Plug	2
4		• Plate, Backing	1
5		• Washer, Lock (attaching parts)	5
6		• Nut, Brake Mounting (attaching parts)	5
7		• Cylinder, Operator Side Brake	1
8		• Rod, Push	1
9		• Kit, Operator Side Shoe and Lining	1
10		•• Pin, Shoe Hold Down	2
11		•• Primary, Operator Side	1
12		•• Secondary, Operator Side	1
13		•• Pin, Shoe Hold Down	2
14		• Assembly, Adjuster	1
15		• Spring, Adjusting Screw	1
16		• Washer, Anchor Post	1
17		• Spring, Retractor	2
		DASH (-) ITEM NOT ILLUSTRATED	

REVISION:



1 SPOOL VALVE ASSEMBLY

C70S
PARTS
GROUP 80
FIGURE 14
PAGE 01



REVISION:



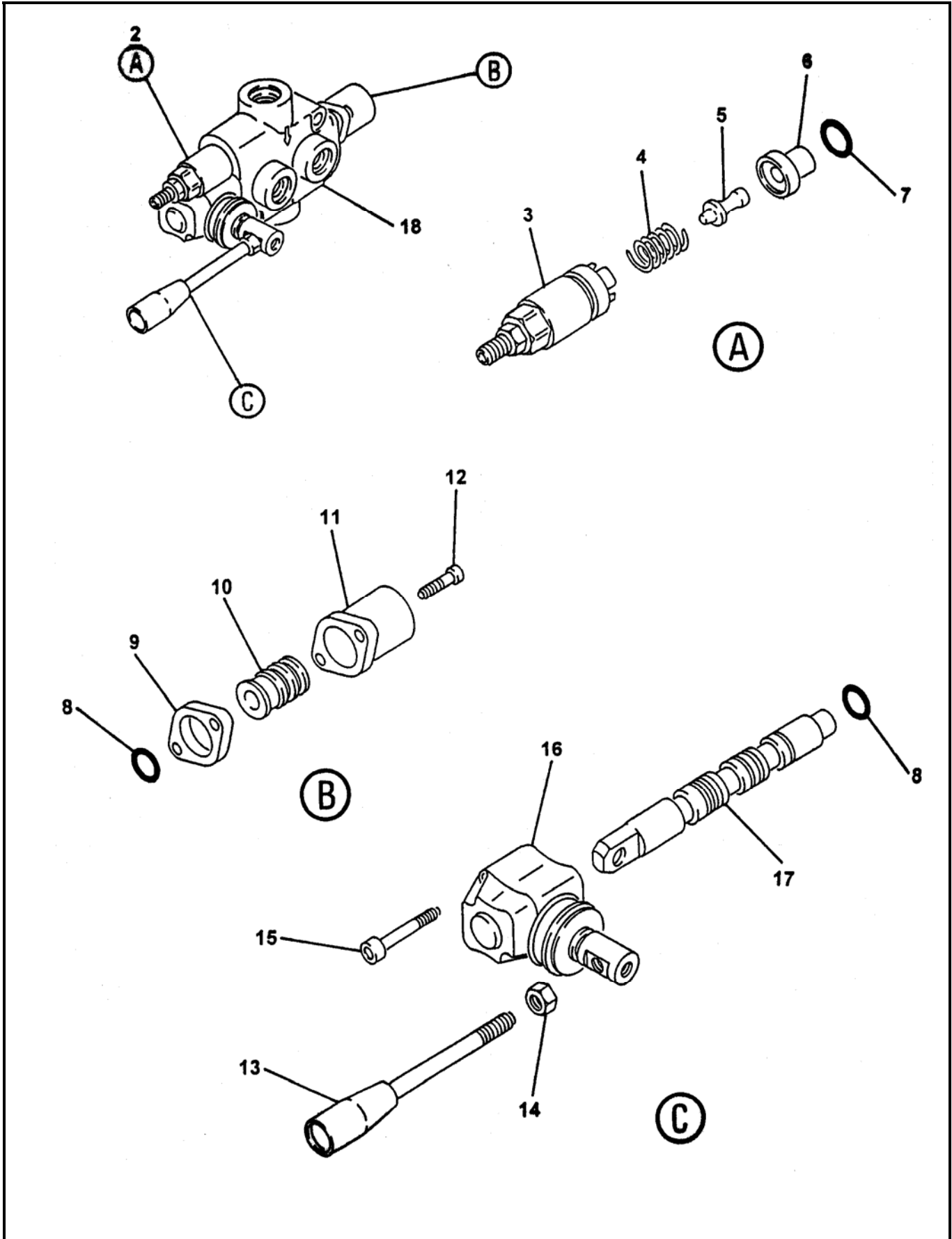
1 SPOOL VALVE ASSEMBLY

C70S
PARTS
GROUP 80
FIGURE 14
PAGE 02

ITEM NO.	REED'S PARTS NO.	DESCRIPTION	QTY
-1	80-15	1 2 3 4 5 Assembly, 1 Spool Valve (See Group 80, Figure 01 for NHA)	Ref
2	74584	• Sub-Assembly, 1 Spool Valve (See Group 80, Figure 15 for DET)	1
3		• Tee, Special Drill	1
4	78593	• Fitting, Mini Check (Port)	1
5		• Tee	2
6		• Fitting, 90	2
7		• Fitting, Connector	2
8		• Controller, Check	1
9		• Fitting, 90	1
10		• Fitting, 90	1
11		• Tee, Special Drill	1
12		• Fitting, 90	1
		DASH (-) ITEM NOT ILLUSTRATED	

REVISION:

1 SPOOL VALVE SUB-ASSEMBLY



REVISION:



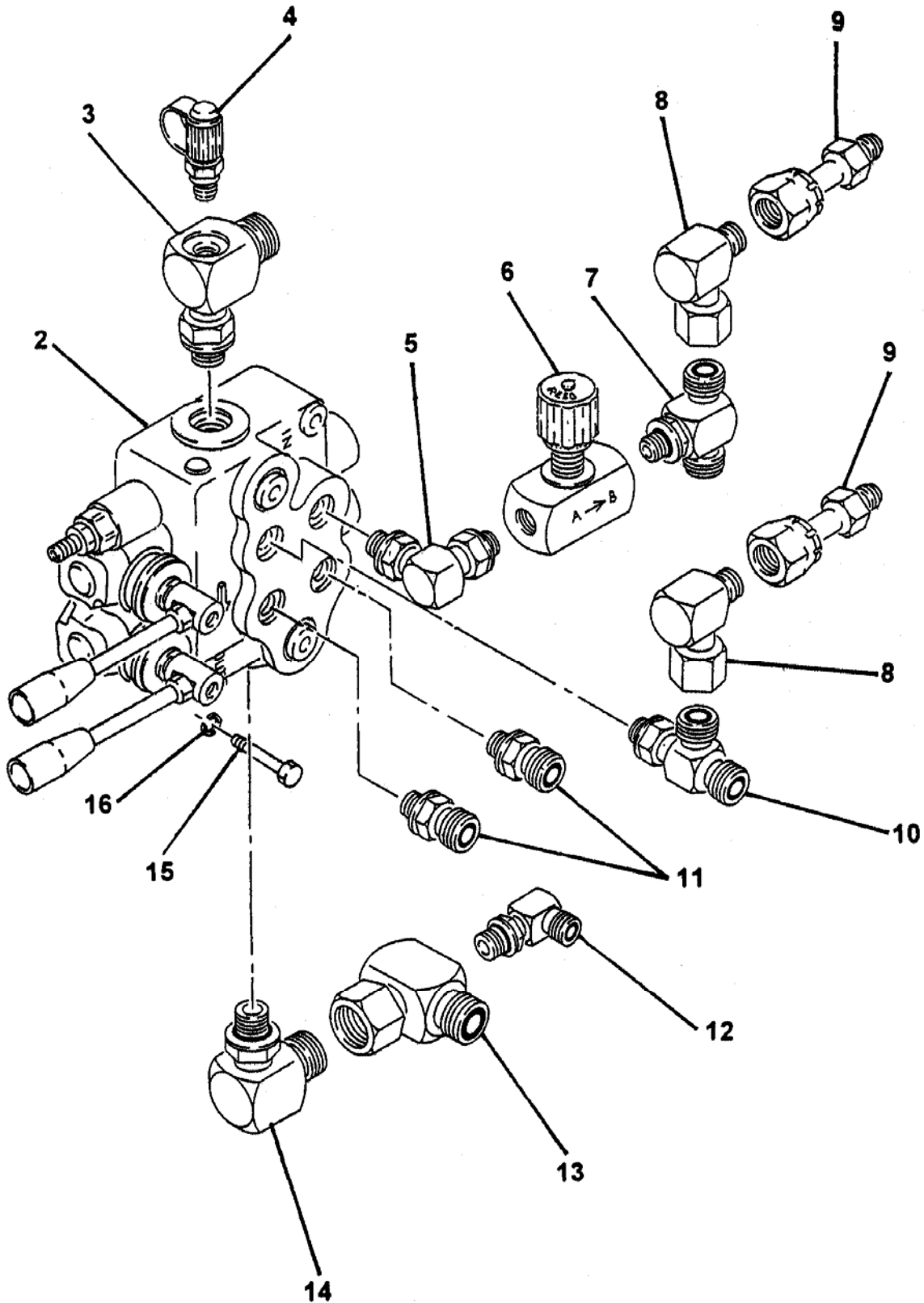
1 SPOOL VALVE SUB-ASSEMBLY

C70S
PARTS
GROUP 80
FIGURE 15
PAGE 02

ITEM NO.	REED'S PARTS NO.	DESCRIPTION	QTY
		1 2 3 4 5	
-1	74584	Sub-Assembly, 1 Spool Valve (See Group 80, Figure 14 for NHA)	Ref
2		• Body, Valve	1
3		• Kit, Screw	1
4		• Spring	1
5		• Pin, Screw Kit	1
6		• Ring	1
7		• O-Ring	1
8		• O-Ring	2
9		• Spacer	1
10		• Kit, Spool Control	1
11		• Cap, Spool	1
12		• Screw, SOC (attaching Parts)	2
13		• Handle, Remixer Valve	1
14		• Nut (attaching parts)	1
15		• Screw, SOC	2
16		• Lever, L	1
17		• Spool	1
		DASH (-) ITEM NOT ILLUSTRATED	

2 SPOOL VALVE ASSEMBLY

C70S
PARTS
GROUP 80
FIGURE 16
PAGE 01





2 SPOOL VALVE ASSEMBLY

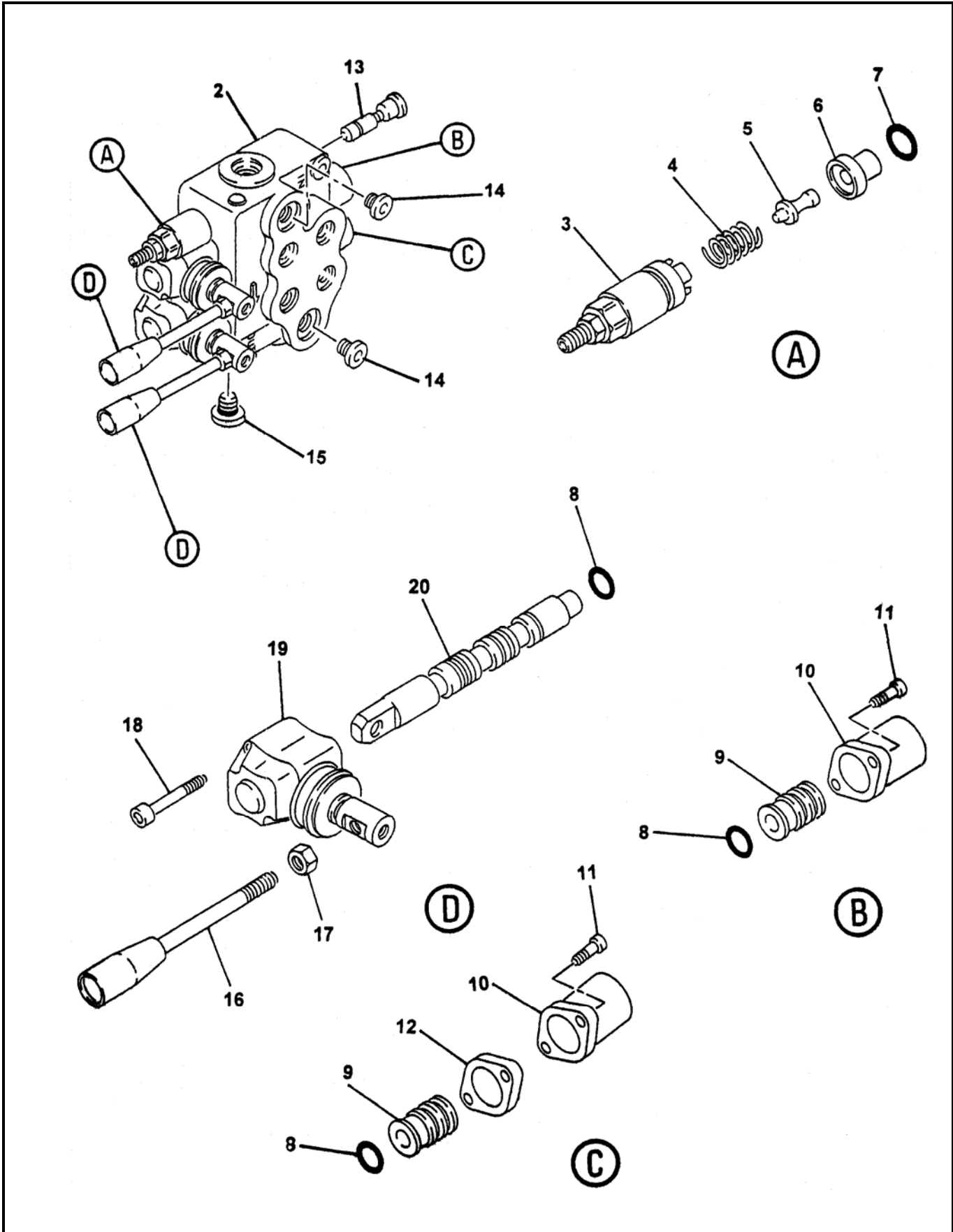
C70S
PARTS
GROUP 80
FIGURE 16
PAGE 02

ITEM NO.	REED'S PARTS NO.	DESCRIPTION					QTY
		1	2	3	4	5	
-1	80-17	Assembly, 2 Spool Valve (See Group 80, Figure 01 for NHA)					Ref
2	74585	• Sub-Assembly, 2 Spool Valve (See Group 80, Figure 17 for DET)					1
3		• Tee, Special Drill					1
4	78593	• Fitting, Mini Check (Port)					1
5		• Fitting, 90					1
6		• Controller, Check					1
7		• Tee					1
8		• Fitting					2
9		• Fitting, Connector					2
10		• Tee					1
11		• Fitting, 90					2
12		• Fitting, 90					1
13		• Tee, Special Drill					1
14		• Fitting, 90					1
15		• Bolt, Hex					2
16		• Washer, SPL Lock					2
		DASH(-) ITEM NOT ILLUSTRATED					



2 SPOOL VALVE SUB-ASSEMBLY

C70S
PARTS
GROUP 80
FIGURE 17
PAGE 01



REVISION:



2 SPOOL VALVE SUB-ASSEMBLY

C70S
PARTS
GROUP 80
FIGURE 17
PAGE 02

ITEM NO.	REED'S PARTS NO.	DESCRIPTION	QTY
		1 2 3 4 5	
-1	74585	Sub-Assembly, 2 Spool Valve (See Group 80, Figure 17 for NHA)	Ref
2		• Body, Valve	1
3		• Kit, Screw	1
4		• Spring	1
5		• Pin, Screw Kit	1
6		• Ring	1
7		• O-Ring	1
8		• O-Ring	4
9		• Kit, Spool Control	2
10		• Cap, Spool	2
11		• Screw, SOC (attaching Parts)	4
12		• Spacer	1
13		• Kit, VRS	1
14		• Plug	2
15		• Plug	1
16		• Handle, Remixer Valve	2
17		• Nut (attaching parts)	2
18		• Screw, SOC	4
19		• Lever, L	2
20		• Spool	2
		DASH (-) ITEM NOT ILLUSTRATED	