



C50SS-V22

PARTS

13822 Oaks Avenue
Chino, CA 91710
reedpumps.com
(909) 287 - 2100

PARTS	3
PUMPING TRAIN GROUP ASSEMBLY	3
S-TUBE	5
5" OUTLET ASSEMBLY	5
5" OUTLET SEAL KIT INSTALLATION	6
CARBIDE WEAR PLATE ASSEMBLY	7
DUAL SHIFT BELL CRANK ASSEMBLY	8
DUAL SHIFT CYLINDER ASSEMBLY	8
DUAL SHIFT ASSEMBLY	10
6" PISTON CUP ASSEMBLY	11
DRIVE CYLINDER ASSEMBLY	12
AGITATOR	13
SAFETY GRATE	14
GRATE ASSEMBLY	16
CLEAN OUT DOOR ASSEMBLY	17
POWER TRAIN GROUP	18
ENGINE TIER-4	18
MAIN HYDRALIC PUMP 180cc	19
EXHAUST AFTER TREATMENT TIER4	28
DEF COOLANT GROUP	29
TANKS	32
FUEL TANK ASSEMBLY	32
HYDRAULIC TANK ASSEMBLY	34
HYDRAULIC TANK FILTER ASSEMBLY	Error! Bookmark not defined.
HYDRAULIC TANK FILTER ASSEMBLY	35
S-TUBE CIRCUIT MANIFOLD ASSEMBLY	37
S-TUBE CIRCUIT MANIFOLD CONT	38
S-TUBE MANIFOLD PORTING	39
ACCUMULATOR ASSEMBLY	40
ELECTRICAL GROUP	41
PROXIMITY SWITCHES	41
TEMPERTURE SENSOR	42
BATTERY ASSEMBLY	43
TRAILER HARNESS AND BREAKAWAY	44
TAIL LIGHTS, FENDERS	45
TIER-4 MAIN WIRING HARNESS	46
TIER- 4 ROOF, TOP HARNESS	47
PLC CONTROLS	58
C-SERIES CONTROL PANEL ASSEMBLY	58
KEY PAD SWITCHES INSERT KIT	59
KEY PAD SWITCHES INSERT KIT CONT	60
MVEC/FUSE/RELAY	61
MVEC/FUSE/RELAY	62



C50SS-V22

PARTS

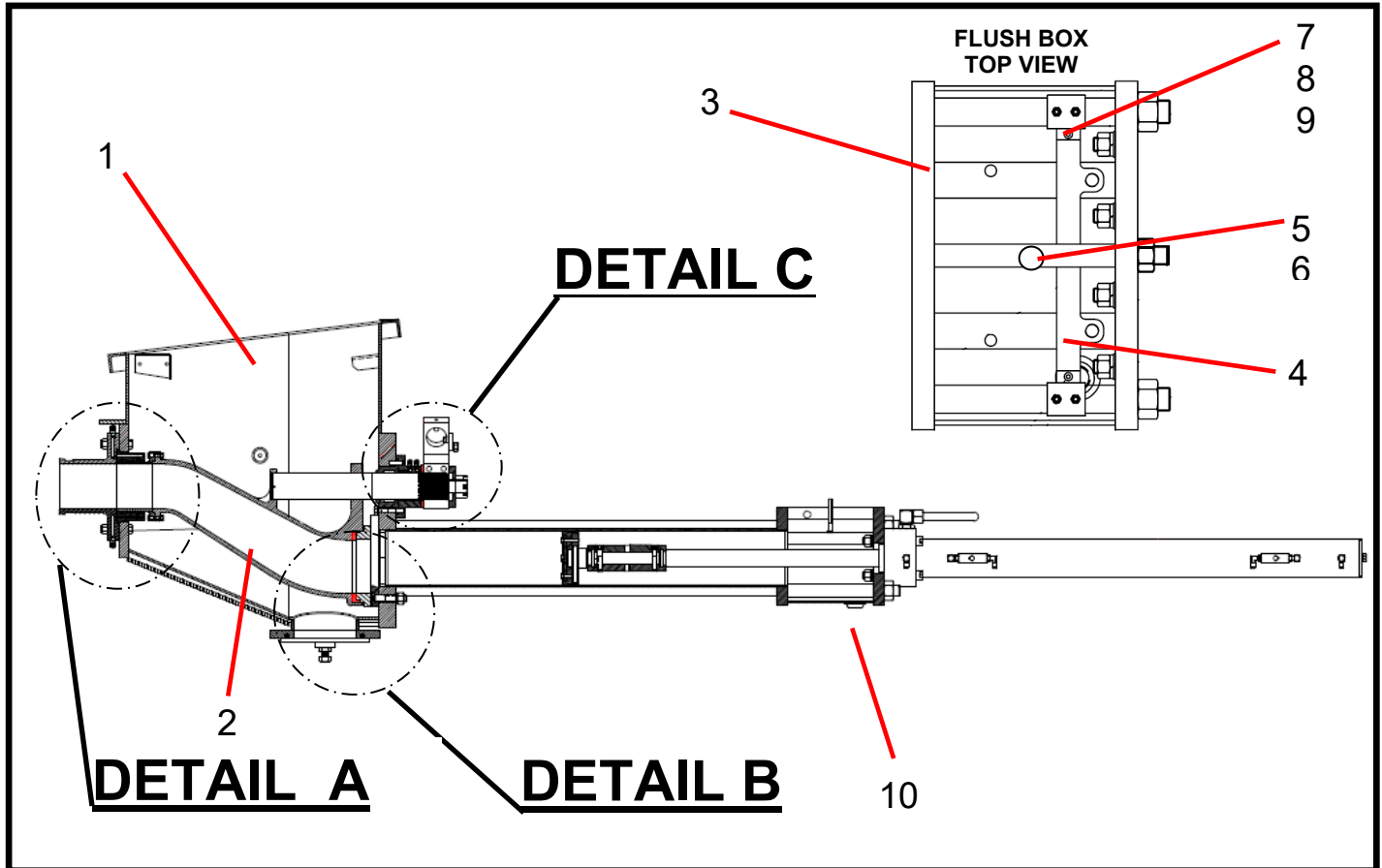
13822 Oaks Avenue
Chino, CA 91710
reedpumps.com
(909) 287 - 2100

MD3 DISPLAY MODULE.....	64
ESTOP, KEY ASSEMBLY, PLUGS.....	65
BUSSES, CONNECTORS, PINS.....	66
SERIAL PLATE, REMOTE PLUG.....	67
BUSS BAR SET-UP.....	68
CAN PUSH BUTTON SWITCH PLUG.....	69
SWITCH A.....	69
CAN PUSH BUTTON SWITCH PLUG.....	70
SWITCH B.....	70
CAN PLUGS, CONNECTORS.....	71
DEUTSCH 128 PLUG ASSEMBLY.....	72
WIRE HARNESS MAIN LAYOUT.....	74
WIRE HARNESS DOOR LAYOUT.....	75
FRAME INSTALLATION.....	76
FRAME, TIRES, JACK, AND TOW EYE.....	76
7000LB AXLE MOUNTING ASSEMBLY FRONT.....	77
7000LB AXLE MOUNTING ASSEMBLY REAR.....	78
HOOD AND COVERS.....	79
GAUGES.....	80
HYDRAULIC OUTRIGGER GROUP.....	81
ELECTRIC HYDRAULIC OUTRIGGER.....	82
ELECTRIC HYDRAULIC OUTRIGGER CONTROLS.....	82
AGITATOR GROUP.....	84
AVAILABLE OPTIONS.....	86

REV	DATE	DESCRIPTION	NAME
*	8/12/2020	TIER4	J. SLACK
1.0	4/07/2021	Add rain shield	J.SLACK
1.1	11/10/2022	New filter housing 89777	J.SLACK

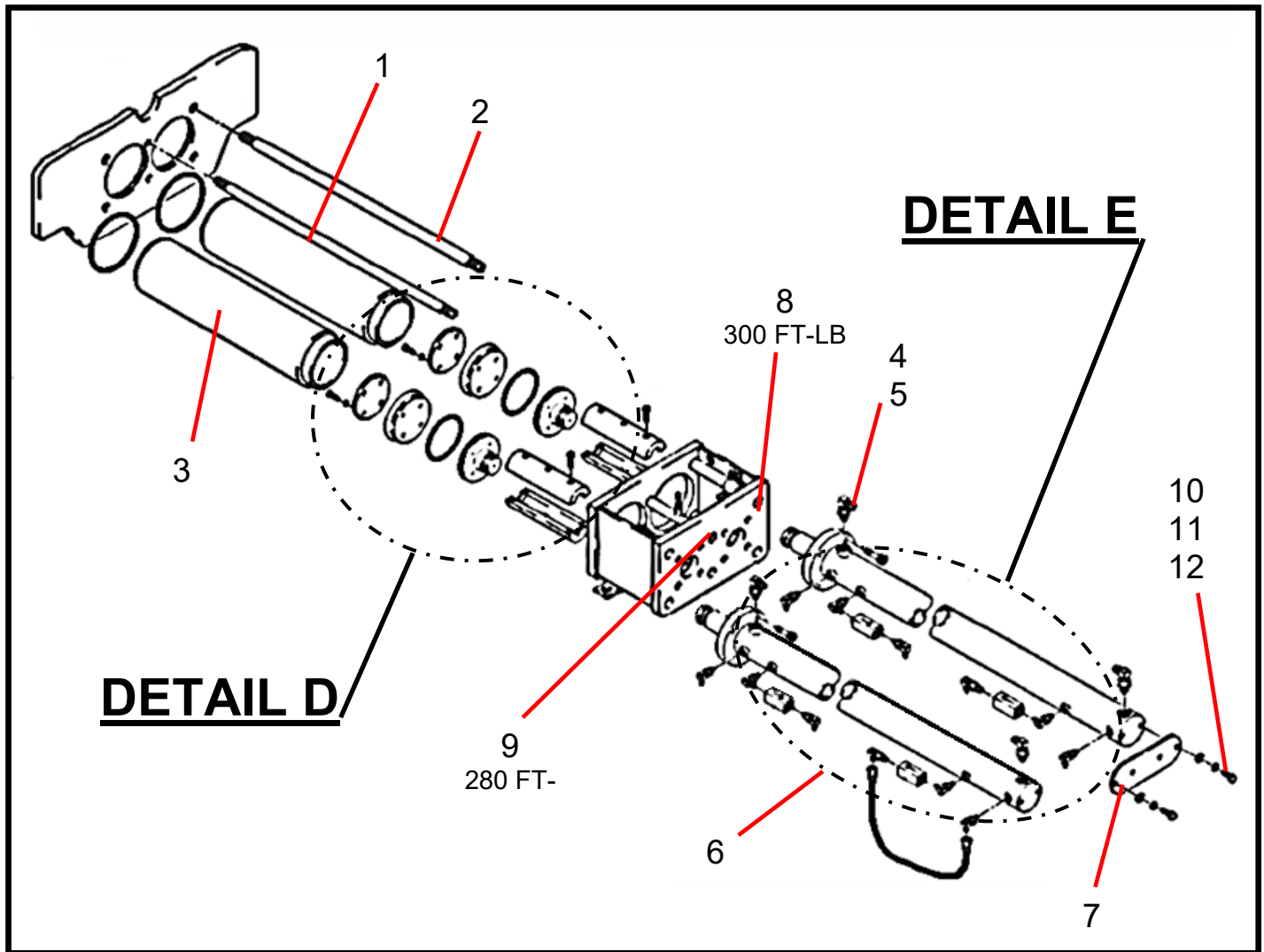
PARTS

PUMPING TRAIN GROUP ASSEMBLY



ID #	PART #	PART DESCRIPTION	QUANTITY	
	87549D	PUMP CELL ASSY C50S DUAL	REF	
1	86121A	HOPPER WELDMENT, 6" STD SAFTEY SWITCH	1	EA
2	86984	S-TUBE WELD 6X5	1	EA
3	86095	FLUSHBOX WELDMENT, 6 IN HPS	1	EA
4	86006	BRACKET, PROX SWITCH	1	EA
5	86665	STUD, 3/8-16 X 3" LONG	1	EA
6	80072	LOCKWASHER-3/8	1	EA
7	86752	BOLT- 1/4"-20 X 3/4" LONG	6	EA
8		LOCKWASHER 1/4"	2	EA
9		FLAT WASHER 1/4"	2	EA
10	10282	PLUG- PIPE GALV 1"	1	EA
	86539	SPACER-FLUSH BOX-1/2" (IF NEEDED)	1	EA

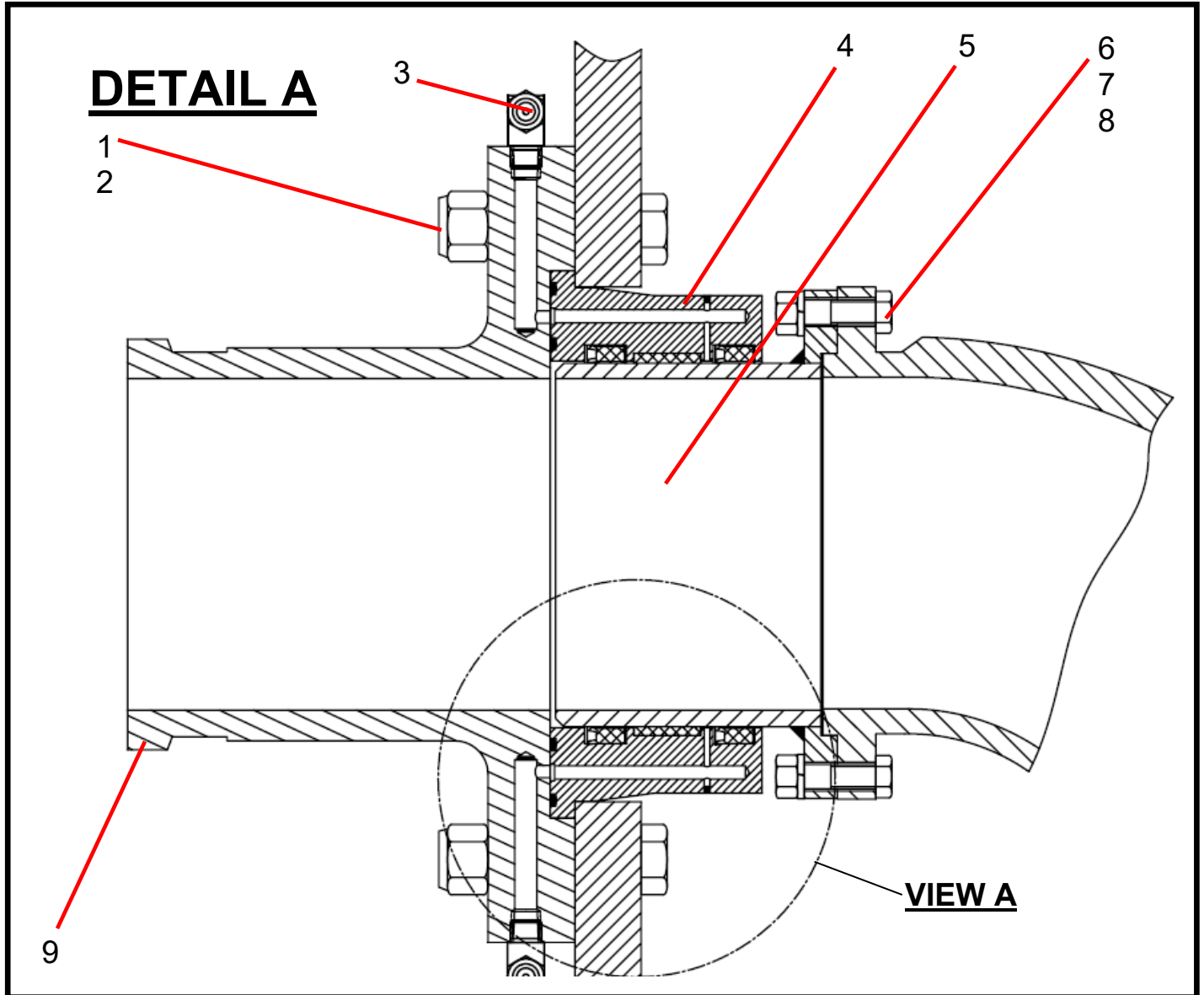
PUMPING TRAIN ASSEMBLY CONTINUED



ID #	PART #	PART DESCRIPTION	QUANTITY	
1	86023	TIE ROD, 1" X 57½"	2	EA
2	86022	TIE ROD, 1¼" X 57½"	4	EA
3	86147	CONCRETE CYLINDER, 6 X 42	2	EA
4		ELBOW, MB – MJ-16-16	2	EA
5	85427	TUBE, HYD, LOOP LINE	1	
6	86225HT	HYD CYLINDER GROUP 4.00 X 41.75	1	EA
7	87554	END PLATE - DRIVE CYLINDER- PAINTED	1	EA
8		HEX, NUT 1 ¼" -12	4	EA
9		HEX NUT, 1" -12	2	EA
10		HHCS, 1/2 -13X1 ¼" GR 8	4	EA
11		WASHER, 1/2	4	EA
12		LOCK WASHER, ½"	6	EA

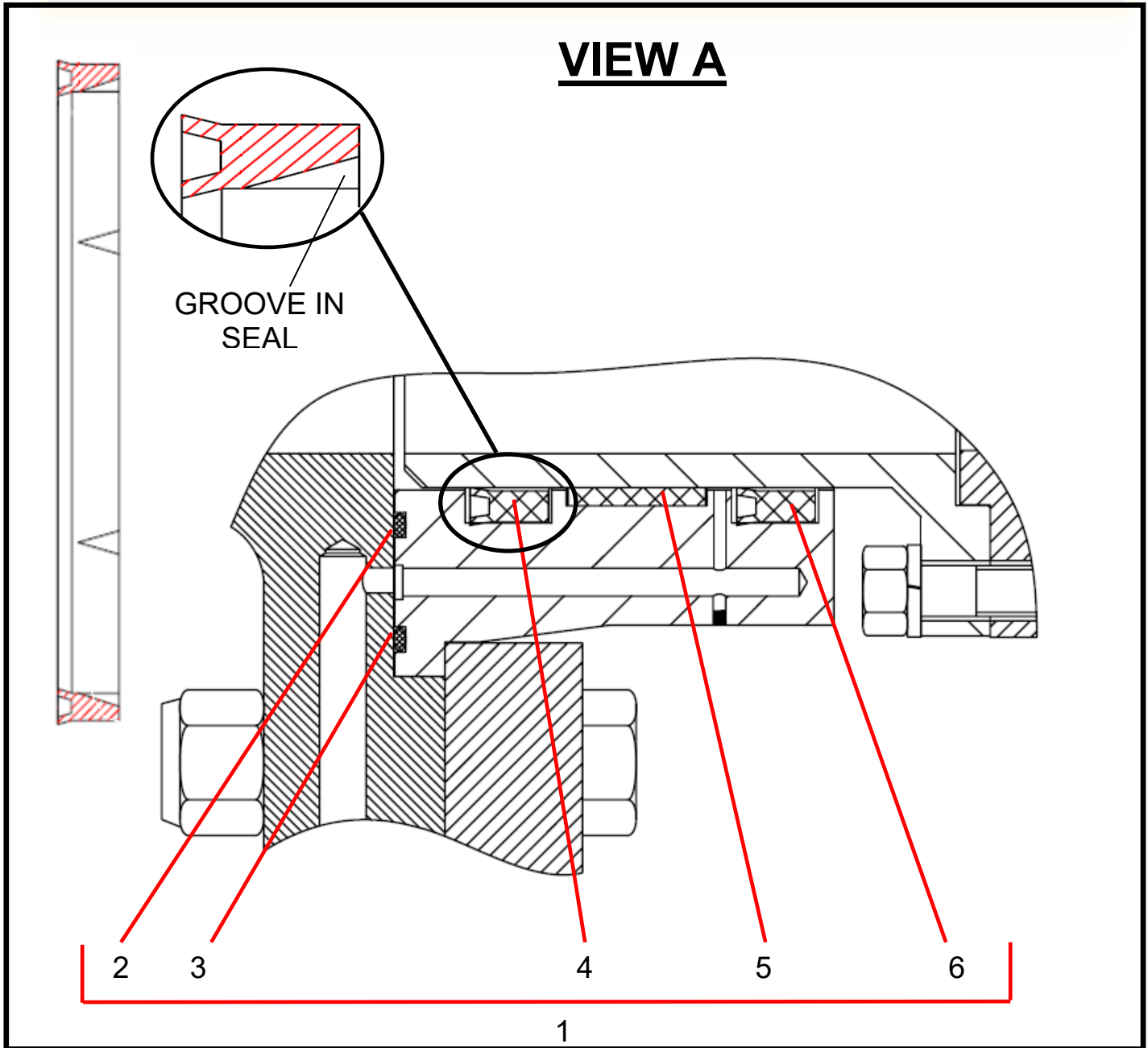
S-TUBE

5" OUTLET ASSEMBLY



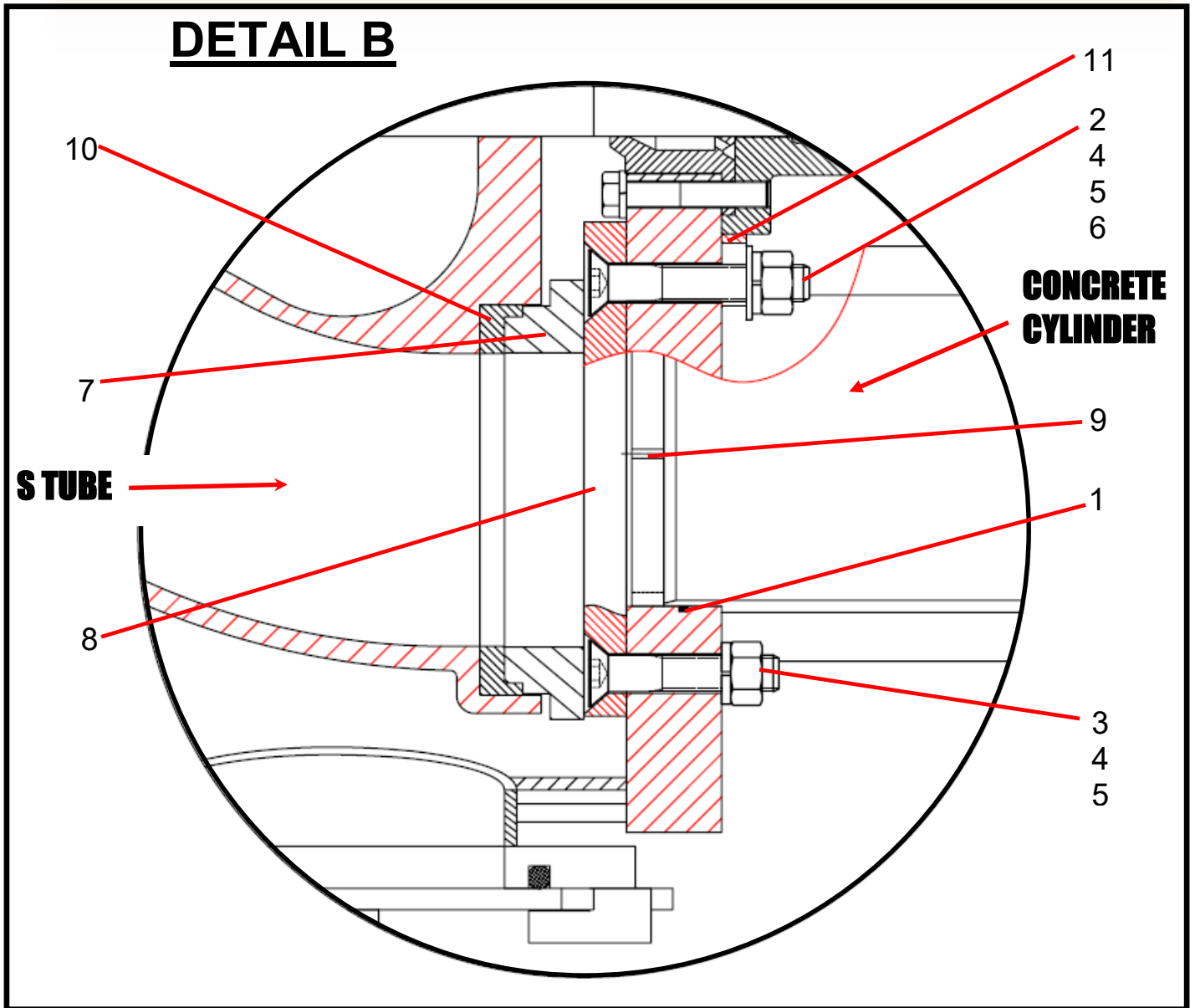
ID #	PART #	PART DESCRIPTION	QUANTITY	
	86321	OUTLET ASSEMBLY		REF
1		HHCS, 5/8 – 18X3” ¼ “ GR 8	6	EA
2		LOCK NUT, 5/8 -18	6	EA
3		GREASE FITTING, 1/8” NPT 90°	2	EA
4	72309	OUTLET SEAL HOUSING	1	EA
5	70042	CHROMED OUTLET	1	EA
6		HHCS, 3/8 – 16X1 ½” GR 8	6	EA
7		HEX NUT, 3/8” - 16	6	EA
8		LOCK WASHER, 3/8”	6	EA
9	72482	OUTLET, 5” (1-PIECE)	1	EA

5" OUTLET SEAL KIT INSTALLATION



ID #	PART #	PART DESCRIPTION	QUANTITY	
1	79895	SEAL KIT	1	EA
2	77762	O-RING-#257 BUNA 90	1	EA
3	77761	O-RING-#264 BUNA 90	1	EA
4	86504	SEAL-MODIFIED- 5 IN OUTLET	1	EA
5	77763	GUIDE BAND - 5.75 OD X 1.00W	1	EA
6	77765	LIP SEAL-5.50 ID X 6.00 OD X .56 D	1	EA

CARBIDE WEAR PLATE ASSEMBLY



ID #	PART #	PART DESCRIPTION	QUANTITY	
1	86149	O-RING, #259 BUENA 70	2	EA
2		FHCS, 3/4 - 10X 4 1/2" GR 8	1	EA
3		FHCS, 3/4 - 10X 3 1/2" GR 8	3	EA
4		HEX NUT, 3/4" - 10	4	EA
5		LOCK WASHER, 3/4"	4	EA
6		FLATWASHER, 3/4"	2	EA
7	72310-1	WEAR RING, CARBIDE, 6"	1	EA
8	86031-1	WEAR PLATE, CARBIDE 6"	1	EA
9	86086	CHIP RING, 6"	2	EA
10	86085	SEAL, SINGLE LIP, 6"	1	EA
11	86502	LOCATOR RING - FLANGE BEARING	1	EA

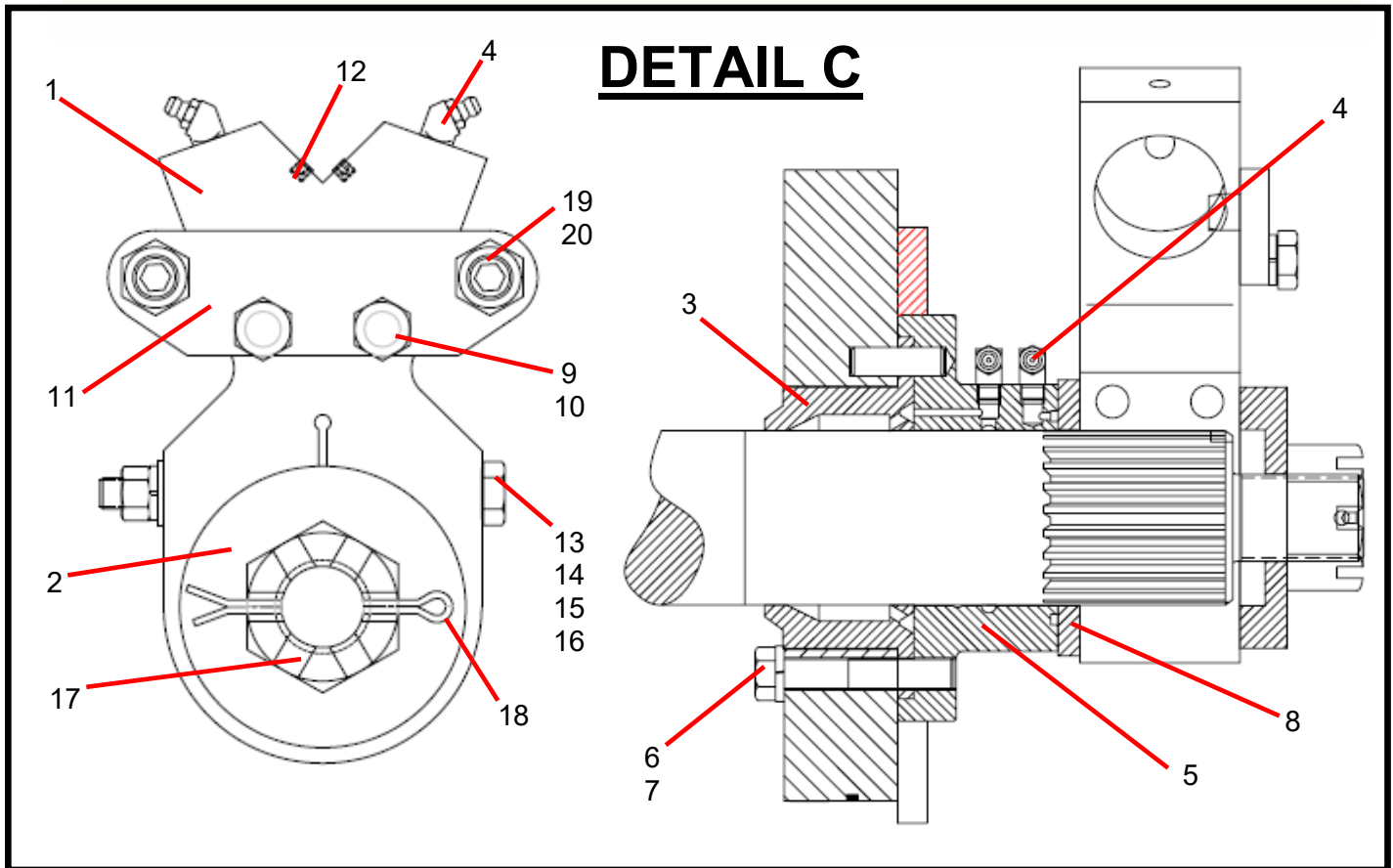


C50SS-V22

PARTS

13822 Oaks Avenue
Chino, CA 91710
reedpumps.com
(909) 287 - 2100

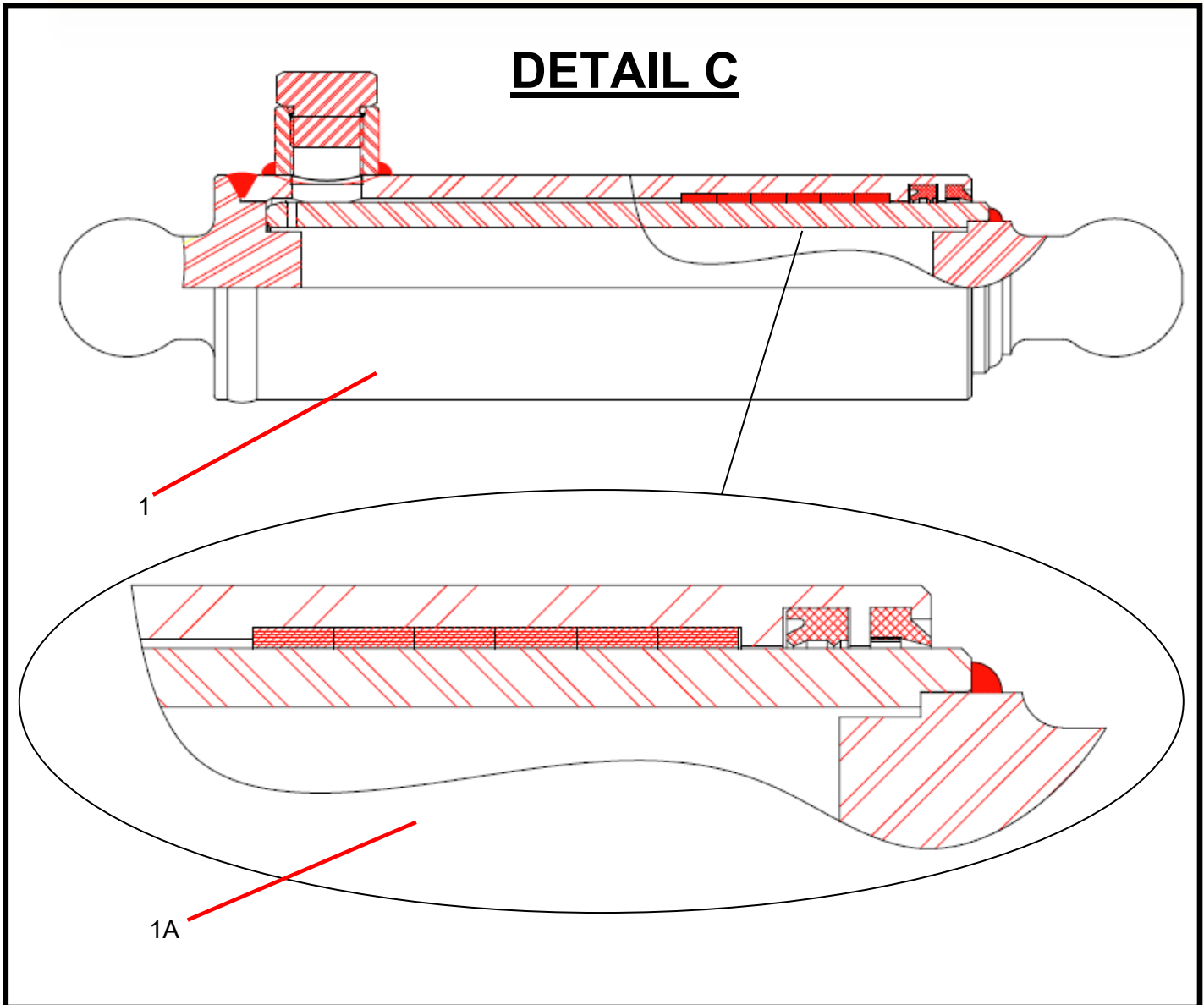
DUAL SHIFT BELL CRANK ASSEMBLY



ID #	PART #	PART DESCRIPTION	QUANTITY	
	87339-2	S-TUBE SHIFT GROUP, DUAL	REF	
1	85956	BELL CRANK, 3" SPLINE, DUAL	1	EA
2	86985	SPACER, S-TUBE NUT	1	EA
3	85962	SEAL, FLANGE BEARING	1	EA
4		GREASE FITTING, 1/8" NPT	4	EA
5	85133	FLANGED BEARING	1	EA
6		HHCS, 9/16 - 12X3" GR 8	4	EA
7		LOCK WASHER, 9/16"	4	EA
8	85294	THRUST WASHER, S -TUBE (NYLON)	1	EA
9		HHCS, 1/2-13X1 1/4" GR 8	2	EA
10		LOCKWASHER, 1/2"	2	EA
11	86282	RETAINER - SHIFT CYLINDER	1	EA
12	74679-1	PLUG 1/4" NPT SOCKET HEAD MOD.	2	EA
13		HHCS, 1/2-13X6 1/4" GR 8	2	EA
14		FLAT WASHER 1/2"	4	EA
15		LOCK WASHER 1/2"	2	EA
16		HEX NUT, 1/2"-13	2	EA
17	87012	NUT 2" -12 CASTLE GRADE 5	2	EA
18		COTTER PIN, 1/4X4"	1	EA
19	86283	SET SCREW-5/8-11X2.00" CUP POINT	2	EA
20	80005	NUT HEX-5/8-11 UNC USS RH THREAD	2	EA

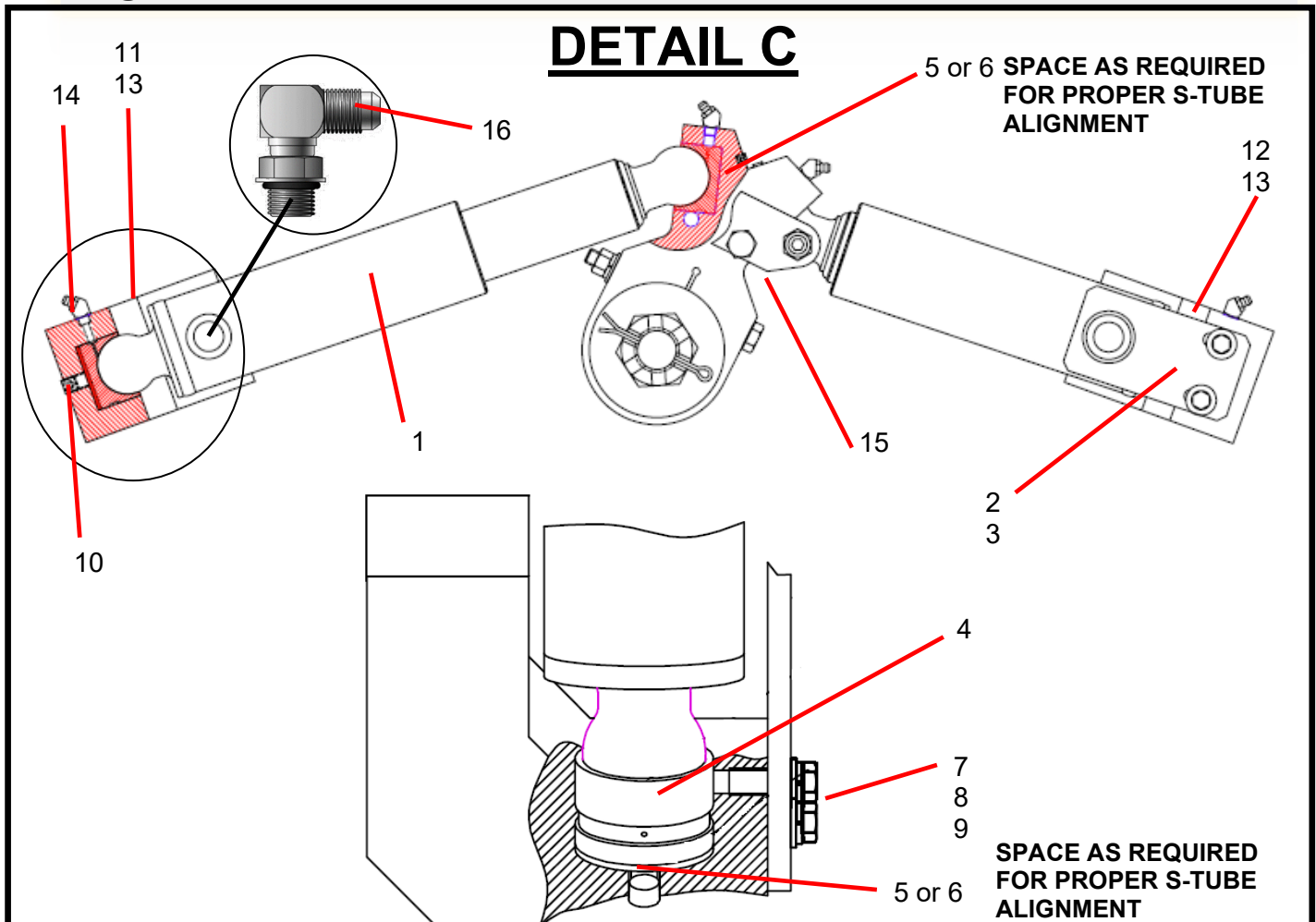
DUAL SHIFT CYLINDER ASSEMBLY

DETAIL C



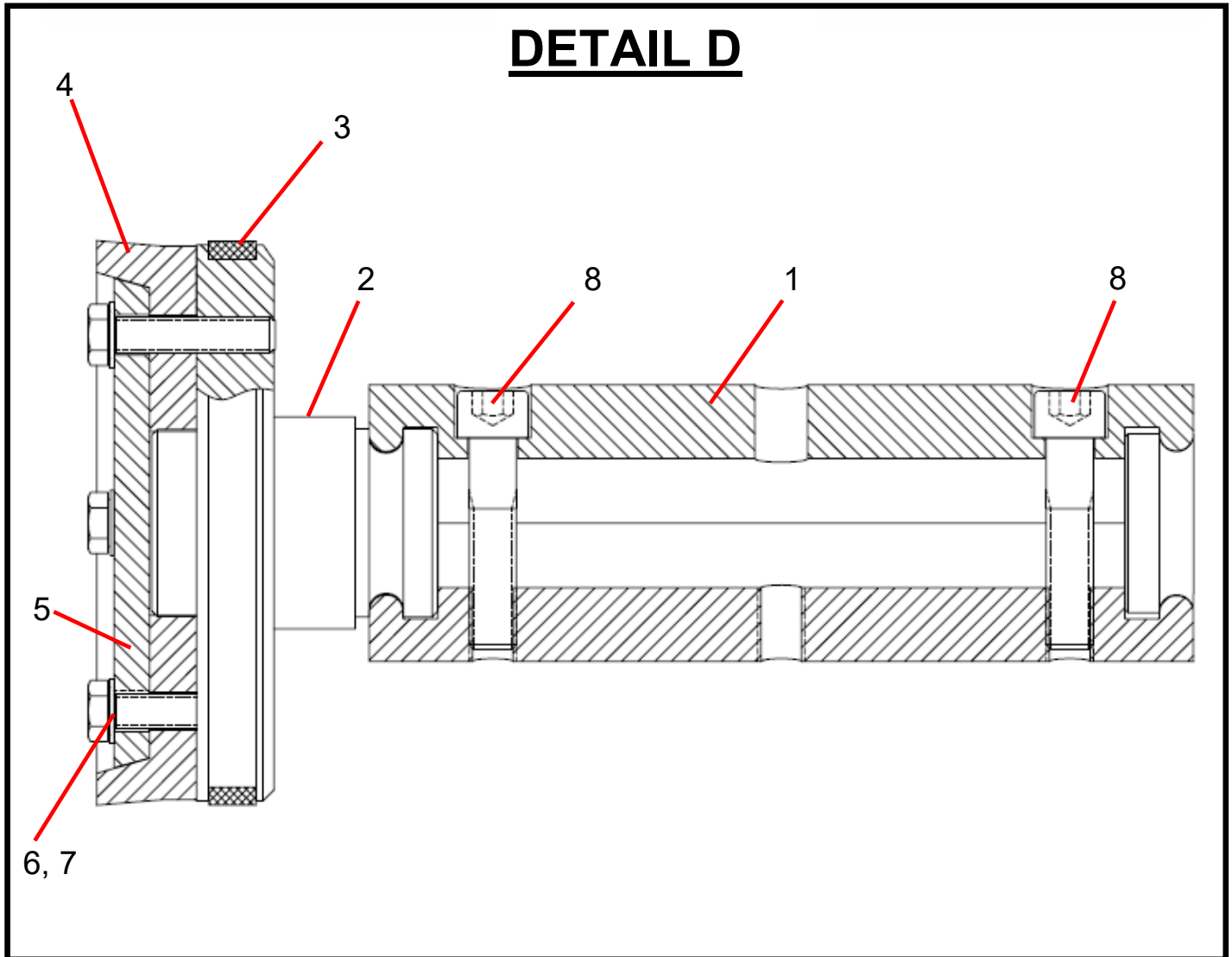
ID #	PART #	PART DESCRIPTION	QUANTITY	
1	87333HT	SWING RAM 3.0 X 5.50	2	EA
1A	87333HT-SK	SEAL KIT	2	EA

DUAL SHIFT ASSEMBLY



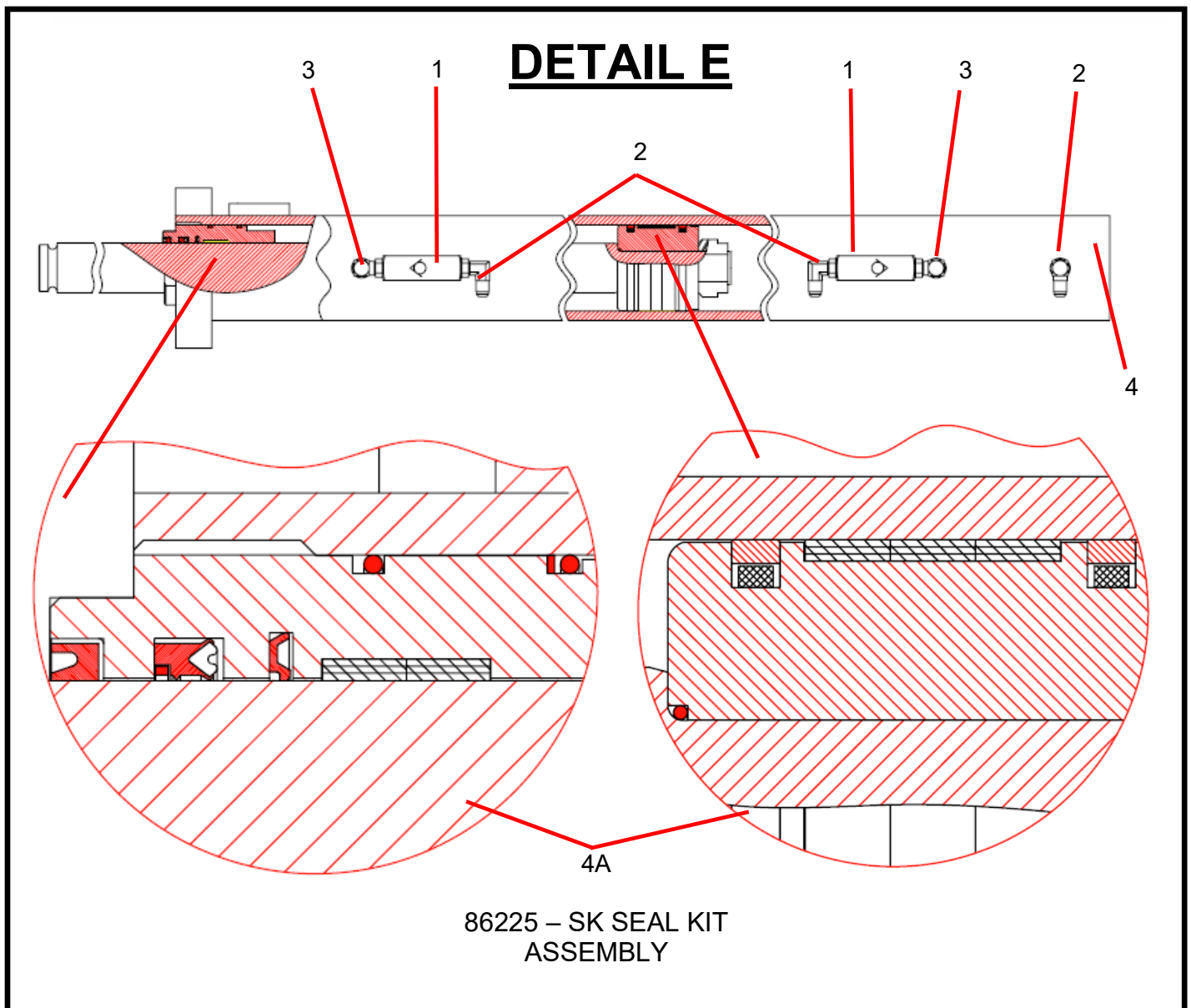
ID #	PART #	PART DESCRIPTION	QUANTITY	
1	87333HT	SWING RAM – 3.00 X 5.50	REF	
2	86441	RETAINER, SWING RAM	2	EA
3	88427	SPACER, SWING RAM RETAINER	2	EA
4	76798-1	BALL SOCKET, NYLON	4	EA
5	75501	SPACER 1/8"	A/R	EA
6	75502	SPACER 1/16"	A/R	EA
7		HHCS, 3/8-24X1 1/4" GR8	4	EA
8		WASHER, 3/8"	4	EA
9		LOCK WASHER, 3/8"	4	EA
10	86283	SETSCREW – 5/8 -11X2.00 CUP	2	EA
11	85941	HOUSING, RH SWING RAM	1	EA
12	85942	HOUSING, LH SWING RAM	1	EA
13	86052	DOWEL PIN, 1/2" DIA X 2"	4	EA
14		GREASE FITTING, 1/8" NPT	2	EA
15	86282	RETAINER – SHIFT CYLINDER	1	EA
16	86728-019	ELBOW, MB-MJ90-12-12	2	EA

6" PISTON CUP ASSEMBLY



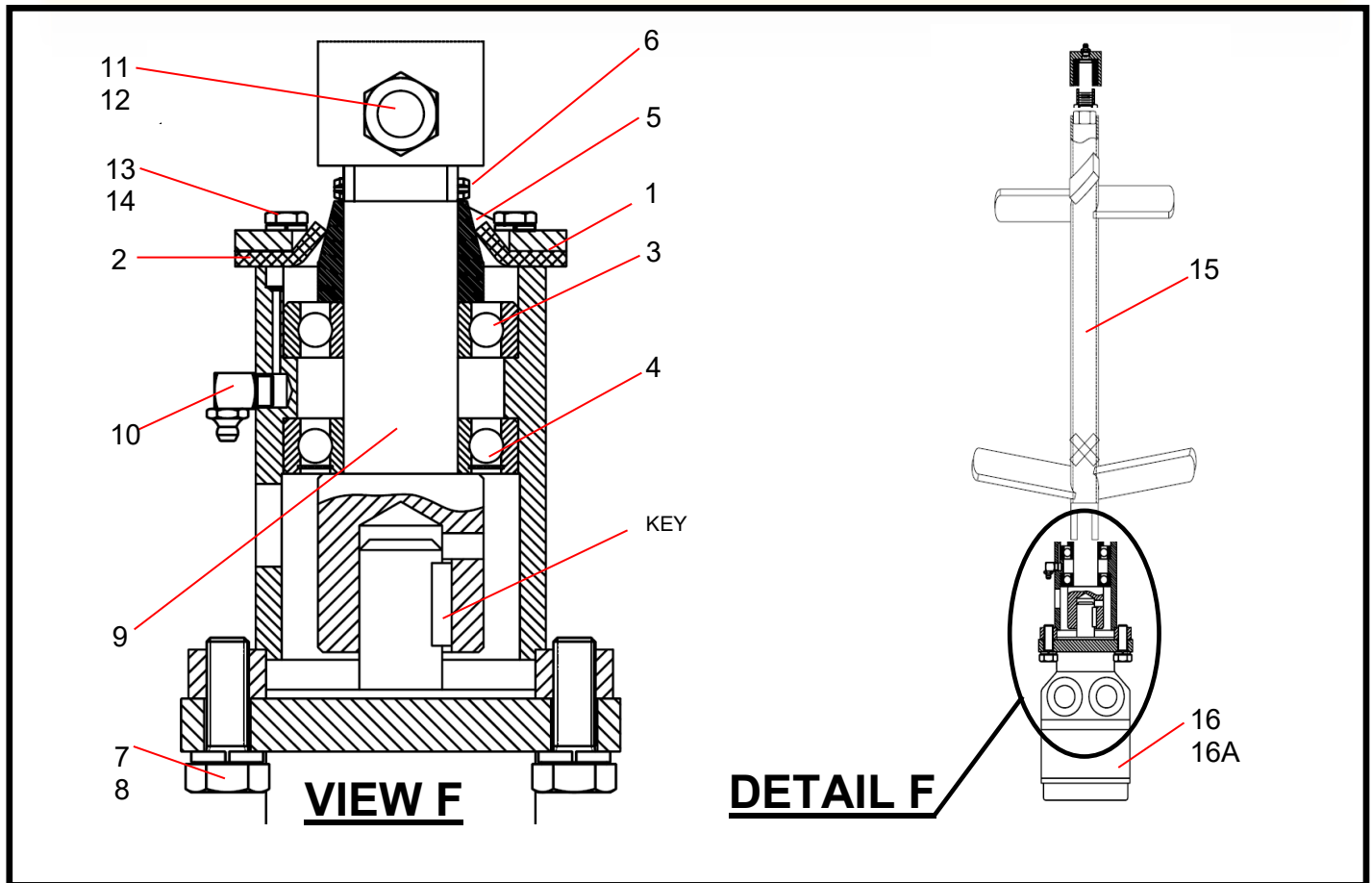
ID #	PART #	PART DESCRIPTION	QUANTITY	
1	86024	PISTON COUPLING, 8.75 LONG	1	EA
2	77194	PISTON-CONC. ADAPTER 6"	1	EA
3	77120	WEAR RING (GUIDE BAND) 6"	1	EA
4	70048	PISTON CUP, 6 IN	1	EA
5	70057	PISTON PLATE 6 INCH	1	EA
6		HHCS, 3/8 - 16X1" GR 8	4	EA
7		LOCK WASHER 3/8	4	EA
8		SHCS 1/2 - 13 X 2 1/4"	2	EA

DRIVE CYLINDER ASSEMBLY



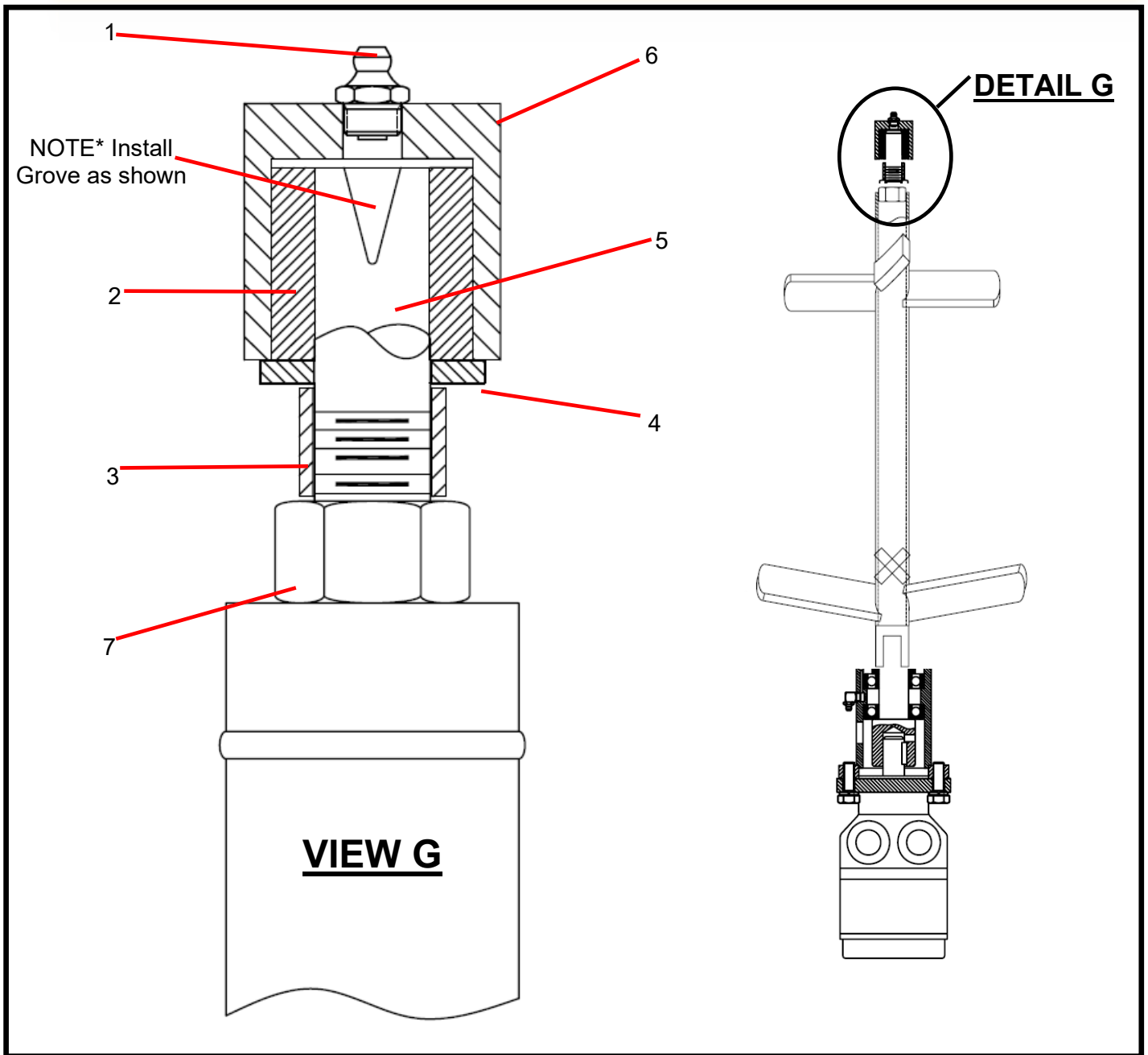
ID #	PART #	PART DESCRIPTION	QUANTITY	
1	78961	CHECK VALVE-5K PSI O-RING	2	EA
2	86748	FITTING-MB-MJ90-6-6	3	EA
3		ELBOW, MB-MB90-6-6	2	EA
4	86225HT	HYDRAULIC CYL 4.00 X 2.50 X 41.75	1	EA
4A	86225-SK	SEAL KIT	1	EA

AGITATOR



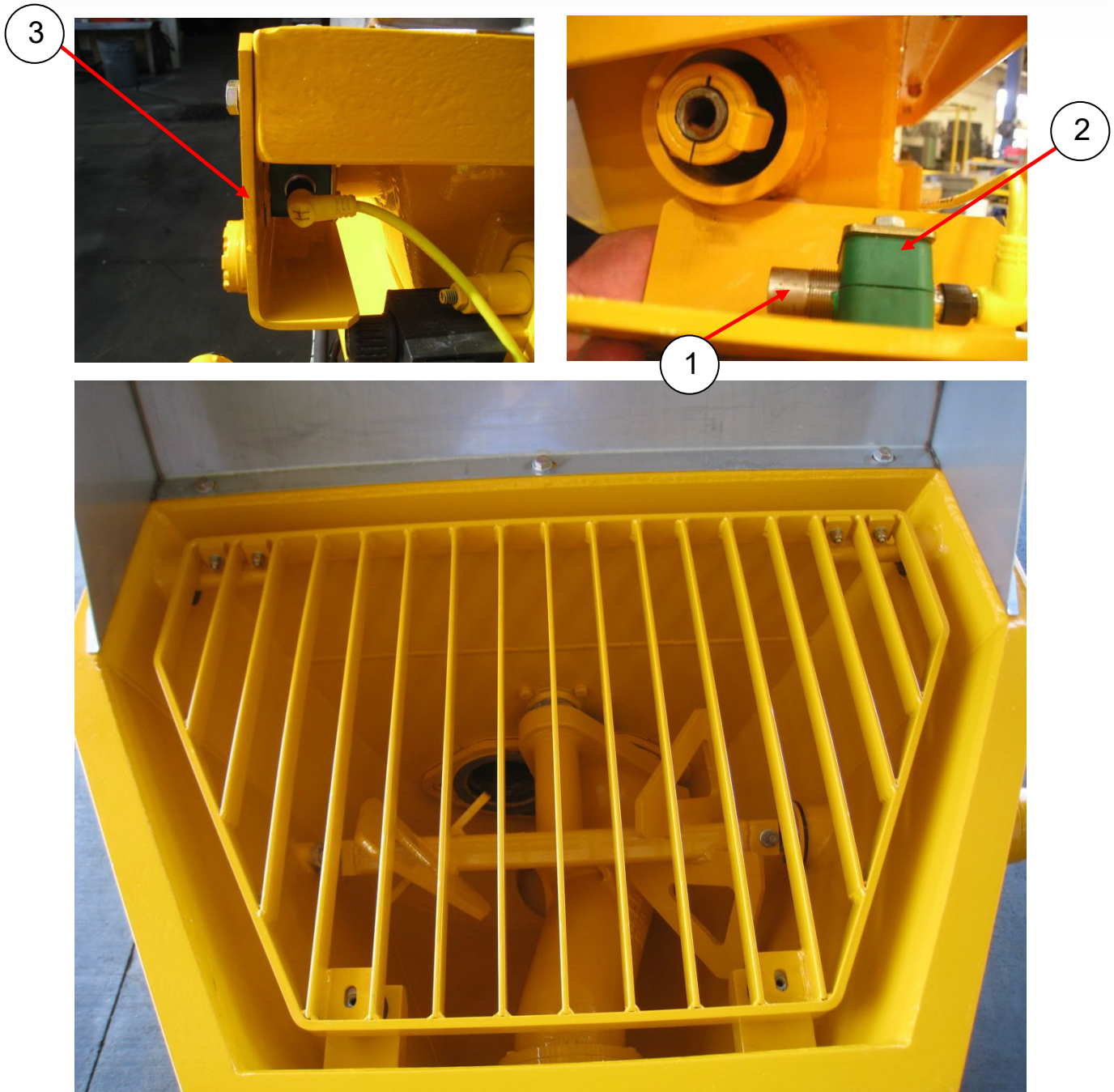
ID #	PART #	PART DESCRIPTION	QUANTITY	
	88041-AO	AGITATOR ASSEMBLY	1	EA
1	70211	FLANGE SEAL S/W	1	EA
2	70212	SEAL REMIXER	1	EA
3	85978	BEARING, BALL, PLAIN	1	EA
4	85979	BEARING, BALL 1 SEAL	1	EA
5	85976	WEAR RING, AGITATOR	1	EA
6	86758	SPRING PIN, 1/4" DIA X 1 3/4"	1	EA
7	86753	HHCS, 1/2 -13X1 1/2" GR 8	2	EA
8	86754	LOCK WASHER, 1/2"	2	EA
9	85923	SHAFT, AGITATOR	1	EA
10		GREASE FITTING, 1/8" NPT 90°	1	EA
11	86756	HHCS, 1/2 -13X2 1/2" GR 8	1	EA
12	80075	LOCK NUT, 1/2" -13	1	EA
13	86752	BOLT -1/4-28X3/4" GD.8	6	EA
14	86743	LOCK WASHER, 1/4"	6	EA
15	86330	AGITATOR, STD HOPPER, PAINTED	1	EA
16	89455	HYD MOTOR, 48 CID, 1" SHAFT	1	EA
16A	85809SK	SEAL KIT	1	EA

AGITATOR ASSEMBLY CONTINUED



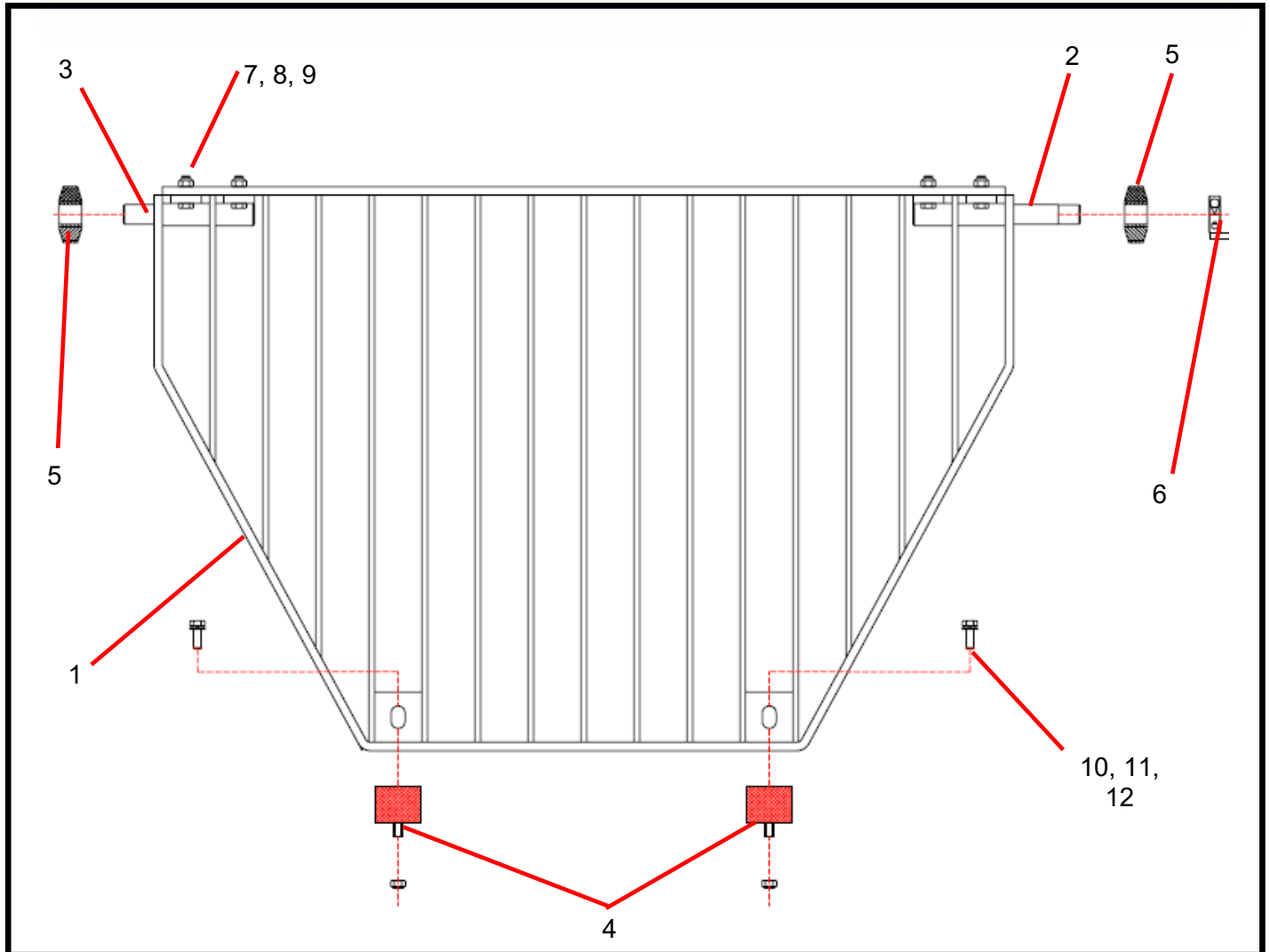
ID #	PART #	PART DESCRIPTION	QUANTITY	
1		GREASE FITTING, 1/8" NPT STRAIT	1	EA
2	70219	REMIX SHAFT BUSHING	1	EA
3	77877	SPACER, REMIX	1	EA
4	86824	FLAT WASHER, 3/4" SAE	1	EA
5	70214	IDLER SHAFT, AGITATOR	1	EA
6	70210	IDLER BREARING HOUSING	1	EA
7	80030	HEX NUT-M20X2.5 PLATED	1	EA

SAFETY GRATE

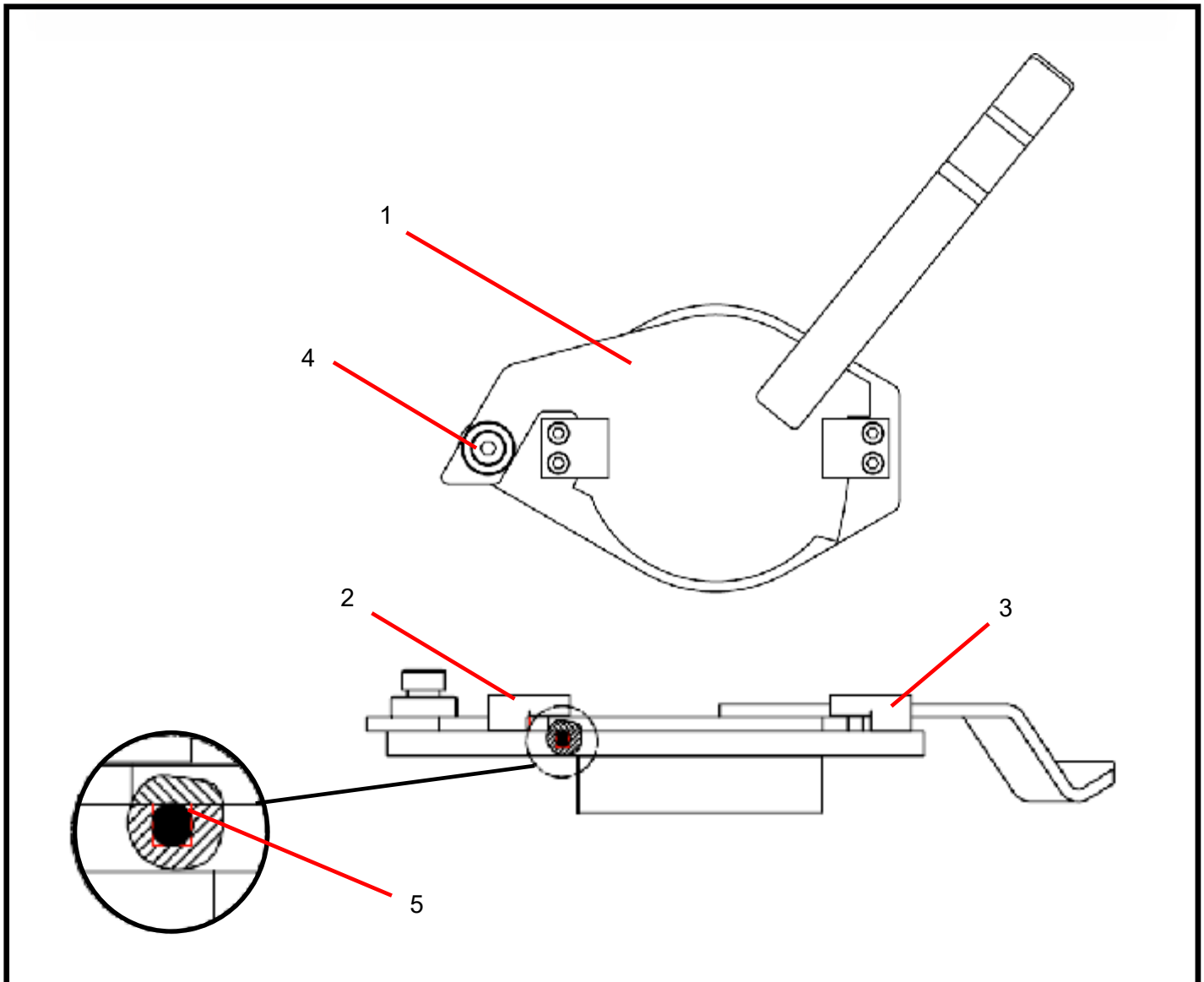


ID #	PART #	PART DESCRIPTION	QUANTITY	
1	87369	PROXIMITY SENSOR PNP HOPPER GRATE	1	EA
2	801902-006	CLAMP,18MM TUBE CLAMP SET	1	EA
3	87997	COVER WELD PROX SWITCH HOPPER	1	EA

GRATE ASSEMBLY



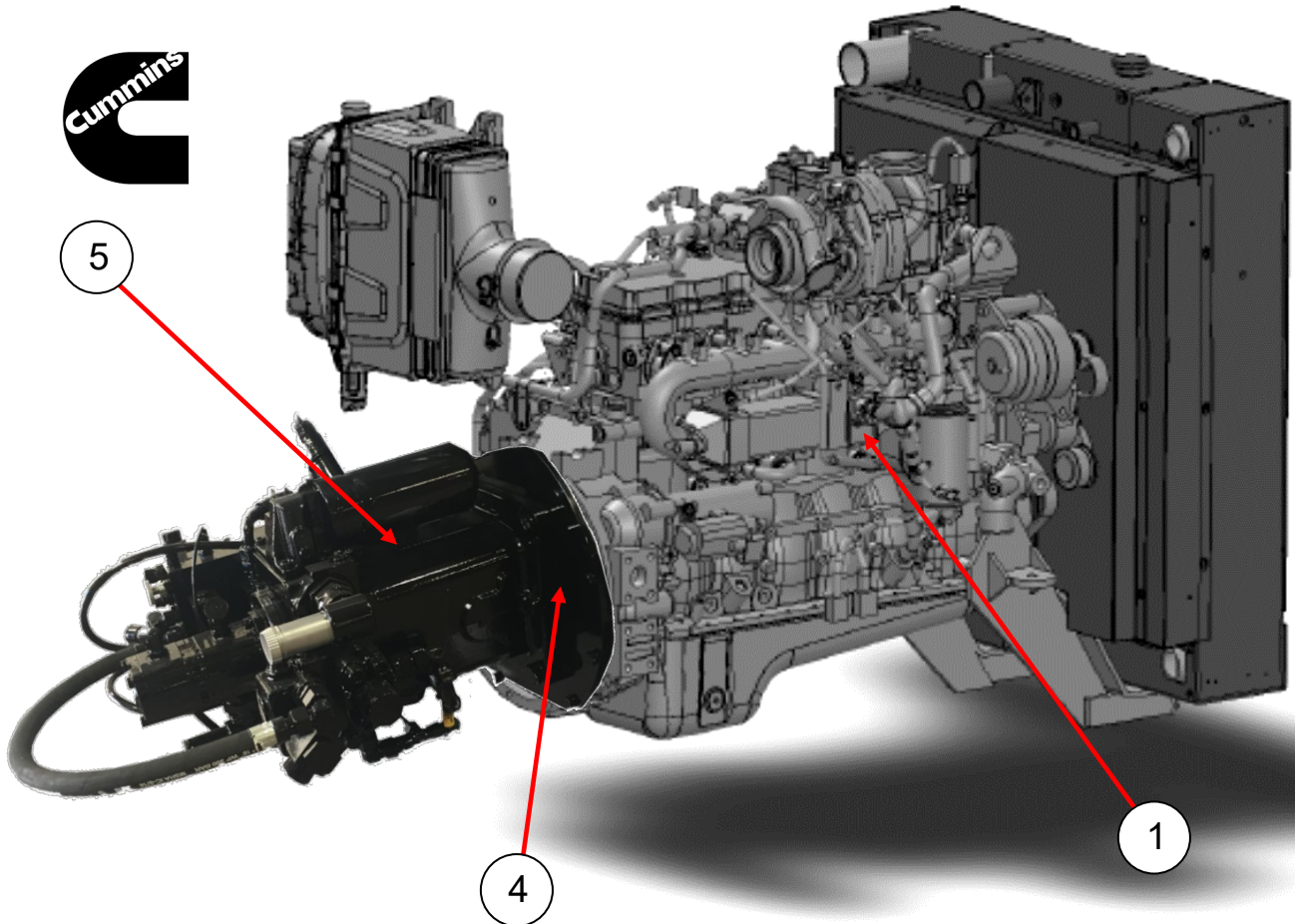
ID #	PART #	PART DESCRIPTION	QUANTITY	
1	87835	GRATE WELDMENT, STD HOPPER	1	EA
2	87857	PIN WELDMENT LONG	1	EA
3	87858	PIN WELDMENT SHORT	1	EA
4	86083	BUMPER, HOPPER GRATE	2	EA
5	W-114850	RUBBER BUFFER 65X22.5X26	2	EA
6	87769	COLLAR SHAFT, 7/8" DIA	1	EA
7		3/8"-16 X 1 1/4" HEX BOLT	4	EA
8		3/8 FLAT WASHER	8	EA
9		3/8-16 LOCK NUT	4	EA
10		3/8"-16 X 1" HEX BOLT	2	EA
11		3/8" FLAT WASHER	2	EA
12		3/8" LOCK WASHER	2	EA

CLEAN OUT DOOR ASSEMBLY

ID #	PART #	PART DESCRIPTION	QUANTITY	
1	86988	DOOR WELDMENT, CLEAN OUT	1	EA
2	86559	BLOCK, CLEAN OUT DOOR, LH	1	EA
3	86560	BLOCK, CLEAN OUT DOOR, RH	1	EA
4	86922	SHOULDER SCREW 1" DIA-1 1/4"	1	EA
5	W-102908A	O-RING CORD, HOPPER DOOR	2.21	FT

POWER TRAIN GROUP

ENGINE TIER-4



ID #	PART #	PART DESCRIPTION	QUANTITY	
	88931	POWERTRAIN ASSY CUMMINS-T4 /REXROTH	REF	
1	88794	ENGINE QSB6.7 225HP. CUMMINS T4 FINAL	1	EA
2	88036	FITTING FUEL LINE, QUICK DISCONNECT	1	EA
3	88794-018	FUEL LINE	1	EA
4	86951	PUMP DRIVE -SAE-E SAE3-SAE10/11.5	1	EA
5	87574-P	HYD PUMP ASSY 180CC REXROTH SAE-A PAD	1	EA
		ENGINE SPARE PARTS		
	88794-005	OIL COOLER	REF	
	88794-009	DIP STICK	REF	
	88794-011	FUEL/WATER SEPARATOR FILTER	REF	
	88794-012	FUEL FILTER	REF	
	88794-AFP	AIR FILTER PRIMARY	REF	
	88794-AFS	AIR FILTER SECONDARY	REF	
	88794-024	FAN CLUTCH	REF	
	88794-020	COOLING PACKAGE FOR 88794 220HP T-4	REF	

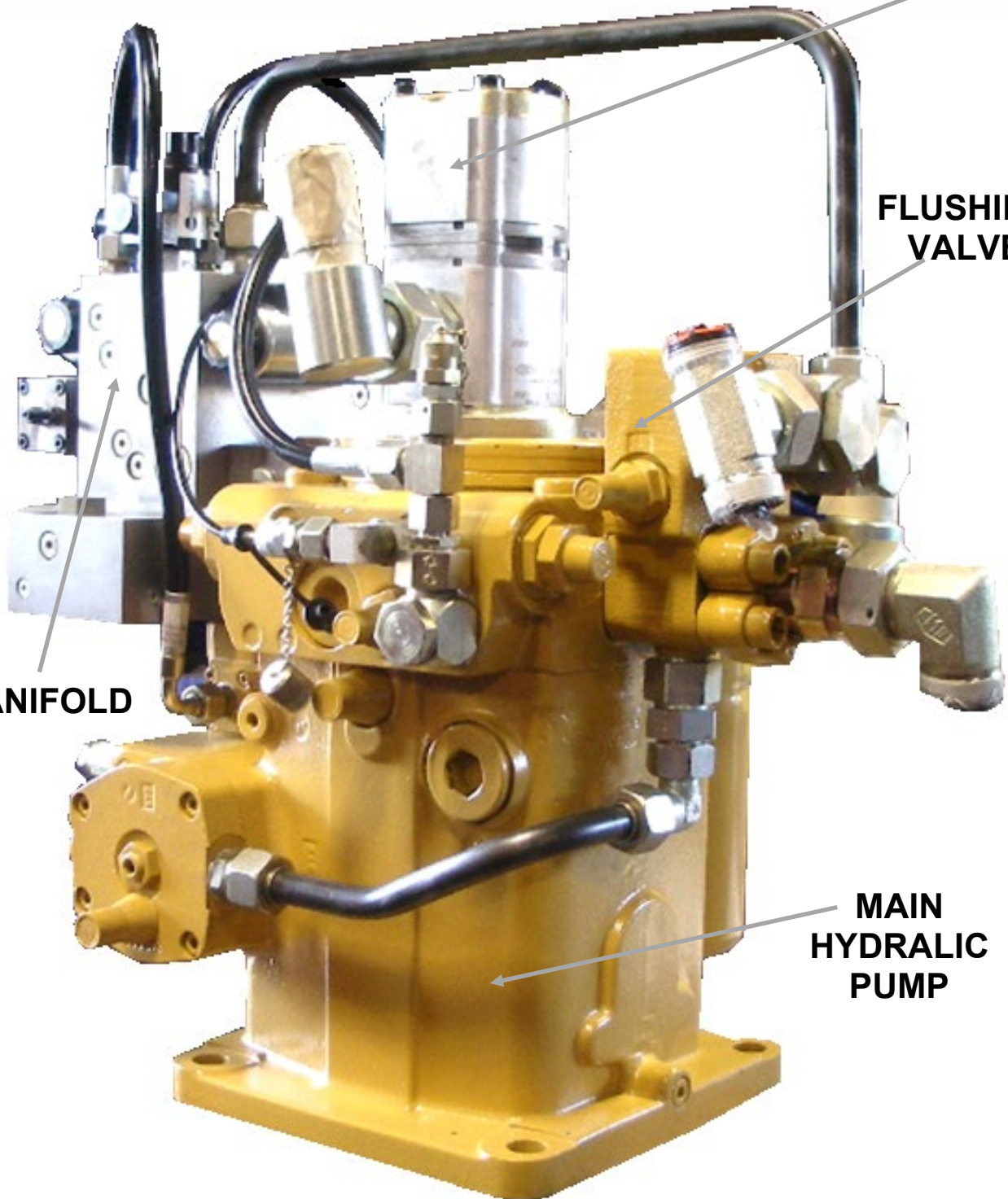
MAIN HYDRALIC PUMP 180cc
REXROTH

GEAR PUMP

FLUSHING
VALVE

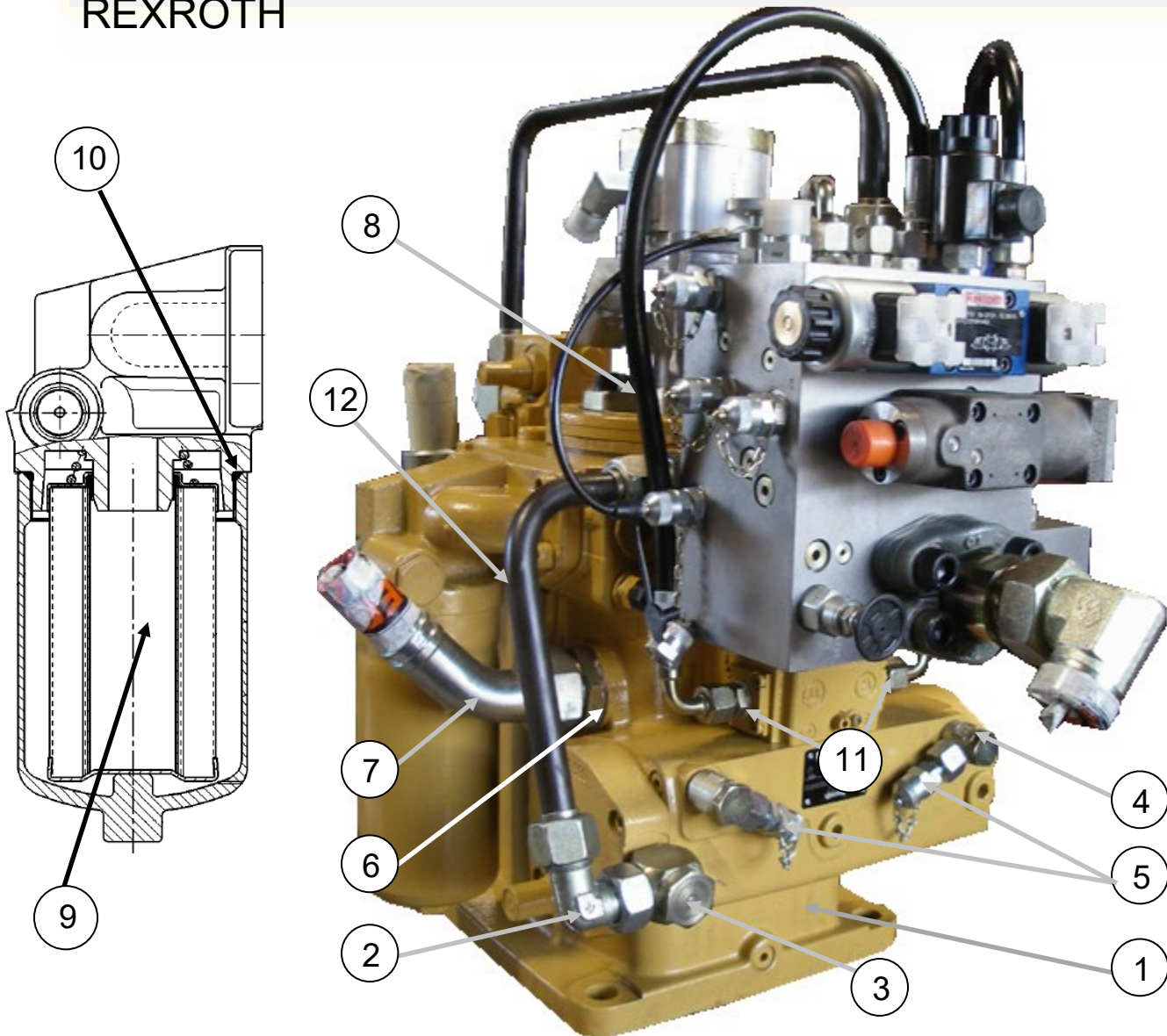
MANIFOLD

MAIN
HYDRALIC
PUMP



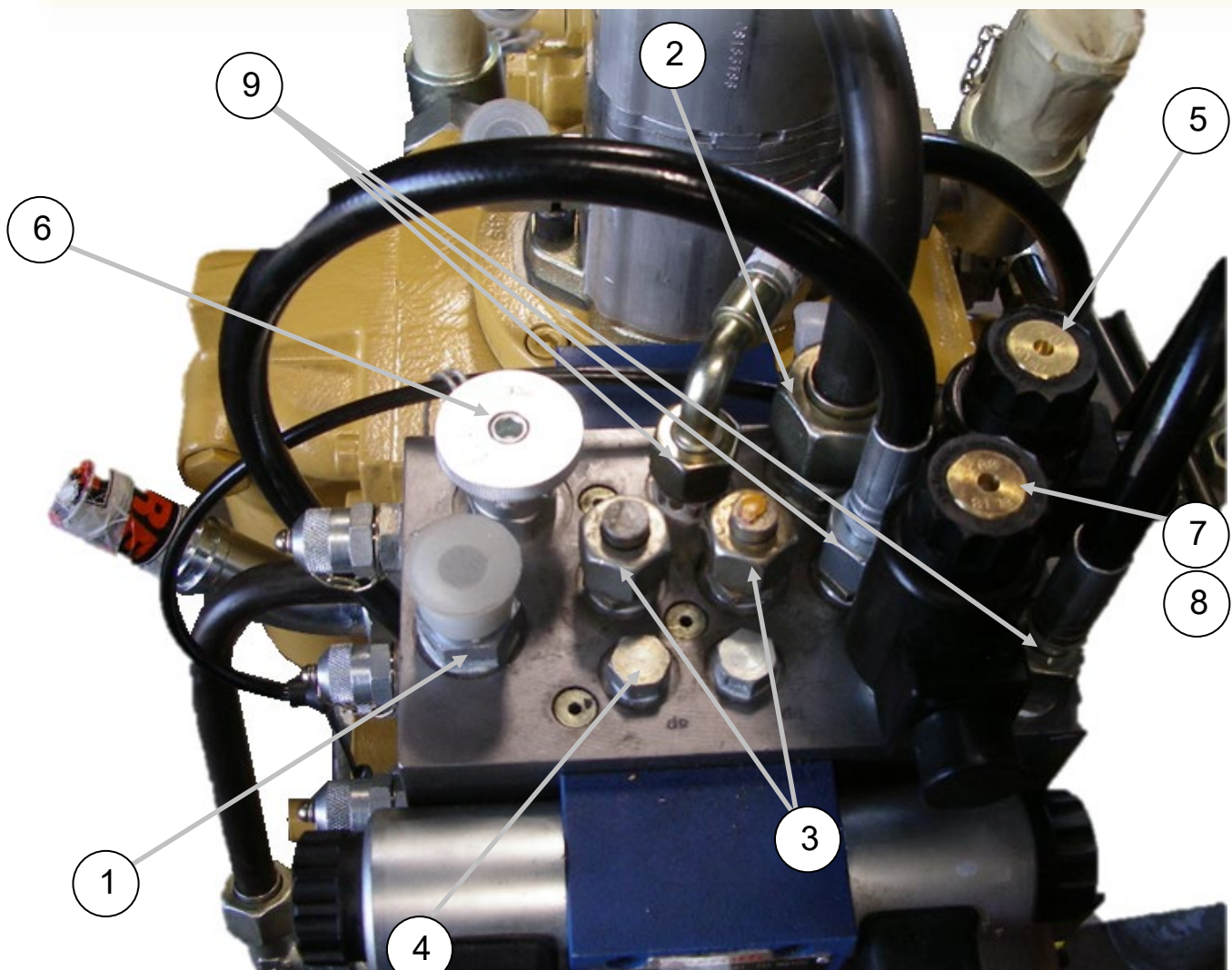
87574-P

MAIN HYDRALIC PUMP 180cc REXROTH



ID #	PART #	PART DESCRIPTION	QUANTITY	
1	W-108121	PUMP, AVG180 CC A PAD WITH FLUSHING VALVE	1	EA
2	801888-005	SWIVEL ELBOW-18L	1	EA
3	801874-004	BANJO ELBOW 18LX22MX1.5	1	EA
4	801874-007	BANJO ELBOW 12LX16MX1.5	2	EA
5	W-105076	FITTING, GAUGE FITTING-L12	2	EA
6	801525	ADAPTOR-STR-35L(M) X M42X2.0 (M)	1	EA
7	801508	ADAPTOR, 45-28L(F) X 1 1/4 HOSE	1	EA
8	87461	HOSE, THERMOPLASTIC, 12L ENDS-24"	1	EA
9	W-109849	FILTER, FOR W-108121- 180 CC PUMP	1	EA
10	801499-ORING	FILTER O-RING 02.079- 78,97 X 3,53-S-FKM70	1	EA
11	801872-002	ADAPTER- 12L X M14 X 1.5	2	EA
12	801487-019	HOSE, PKP216S IN 8.25 AOL AOL90	1	EA

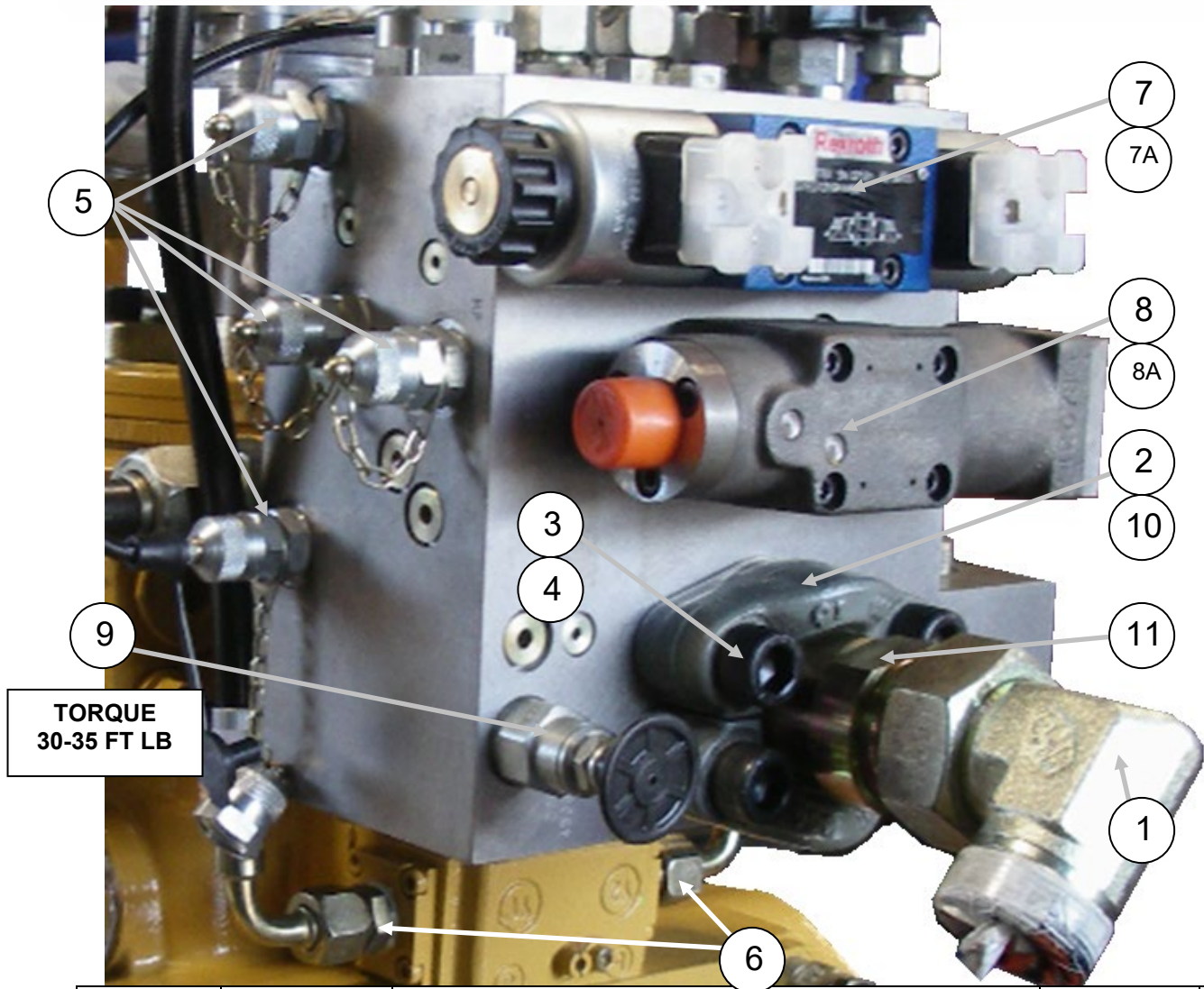
REXROTH



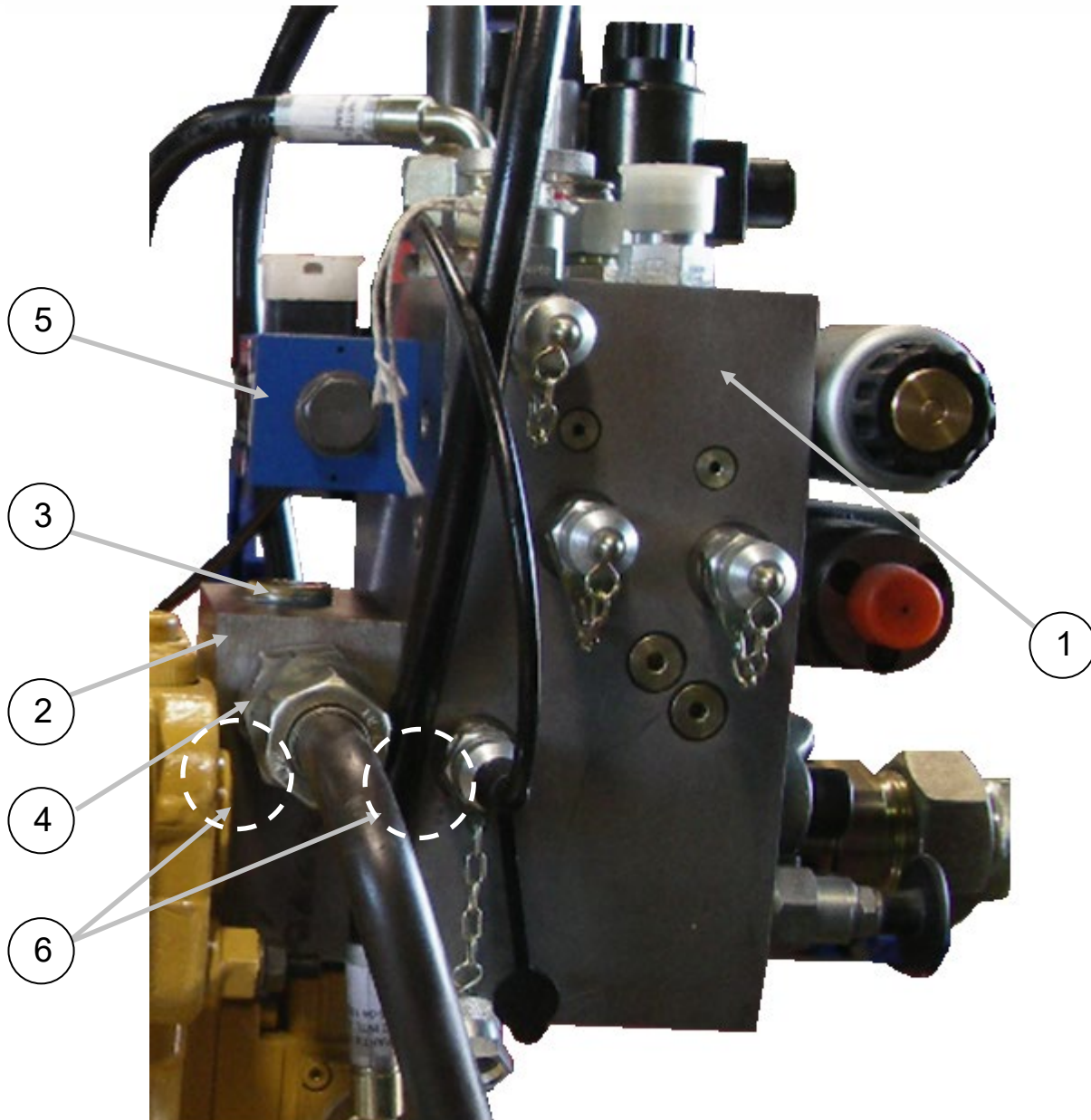
X2

ID #	PART #	PART DESCRIPTION	QUANTITY	
1	81002	FITTING-MB-MJ-8-10	1	EA
2	801876-006	ADAPTER-18L X SAE 10	1	EA
3	87469	ADAPTER-STR 10L(M) X SAE6	2	EA
4	87568	PLUG O-RING BOSS SAE-4	2	EA
5	88140	PRESSURE REDUCING ELECTRO PROPORSIONAL (PWM)-SPARES	1	EA
6	86952-002	FLOW CONTROL CAT/W KNOB (HYDRAFOCE)	1	EA
7	88376	REVERSE CARTRIDGE DNDA-MNN-212	1	EA
8	88377	COIL FOR 88376	1	EA
9	801876-001	ADAPTER-12L X SAE6	3	EA

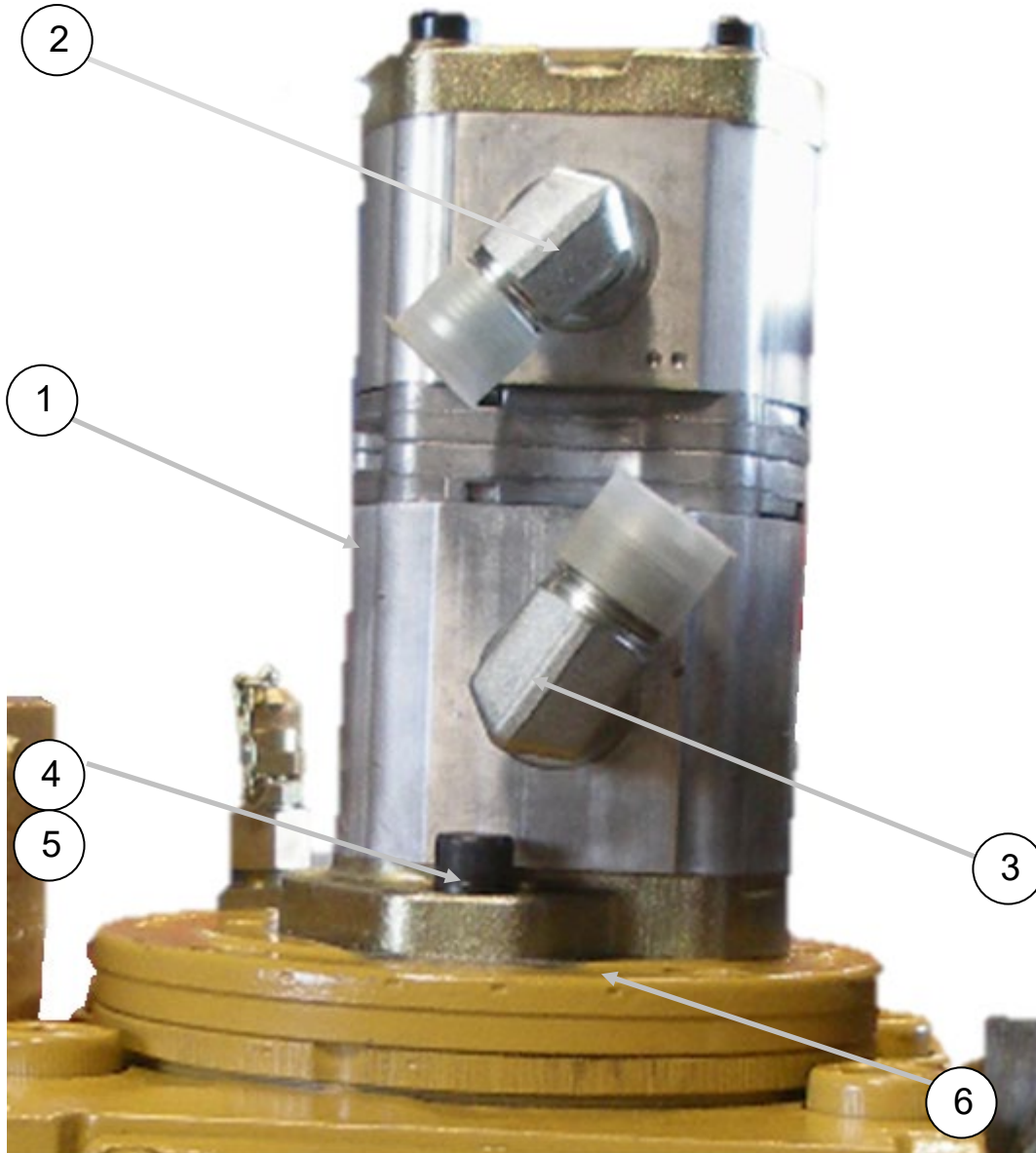
MAIN HYDRALIC PUMP 180cc REXROTH



ID #	PART #	PART DESCRIPTION	QUANTITY	
1	801888-007	SWIVEL ELBOW-30S	1	EA
2	86265-003	SPLIT FLANGE-CODE 62-20 SAE	1	EA
3	87458	SHCS, M14X200-GR 12.9	4	EA
4	803165	M14-LOCK WASHER	4	EA
5	87661	TEST POINTS M16X2-SAE6 MALE	4	EA
6	801872-002	ADAPTOR, 12LXM14X1.5	2	EA
7	85691	VALVE,PILOT FOR 85689	1	EA
7A	72313	SEAL KIT FOR 85691	1	EA
8	W-105579	HP CONTROL VALVE	1	EA
8A	W-105580	SEAL KIT	1	EA
9	87959	CARTRIDGE LOGIC (4500 PSI)-(TORQUE 30-35 FT LB)	1	EA
10	802763	O-RING #222, BUNA 90 SHORE	2	EA
11	87576	FLANGE ADAPTOR, 1 1/4" SAE-30S	1	EA

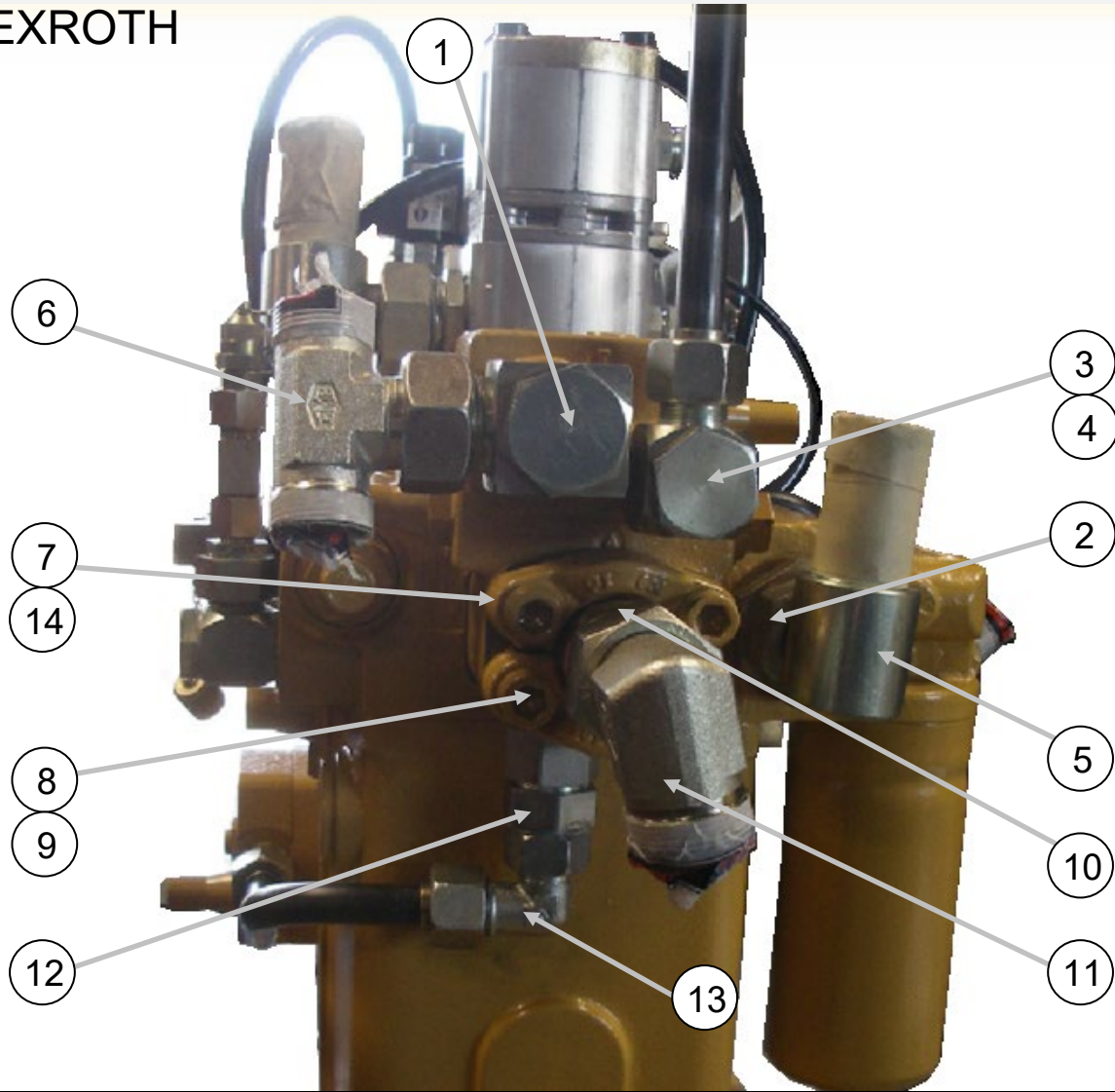
MAIN HYDRALIC PUMP 180cc
REXROTH

ID #	PART #	PART DESCRIPTION	QUANTITY	
	86952	MANIFOLD ASSY, CLOSE LOOP MASTER CONTROL	REF	
1	86952-M	MANIFOLD, FOR 86952 ASSY, (STEEL, MACHINED)	1	EA
2	801778	MANIFOLD, A4VG125 / A4VG180	1	EA
3	801871-004	PLUG – ½ BSPP	2	EA
4	801901-004	CHECK VALVE – 18L X ½ BSPP-PORT	1	EA
5	W-106083	FAST CHANGE VALVE (PUSHOVER VALVE)	1	EA
6	802763	O-RING #222, BUNA 90 SHORE	2	EA

MAIN HYDRALIC PUMP 180cc
REXROTH

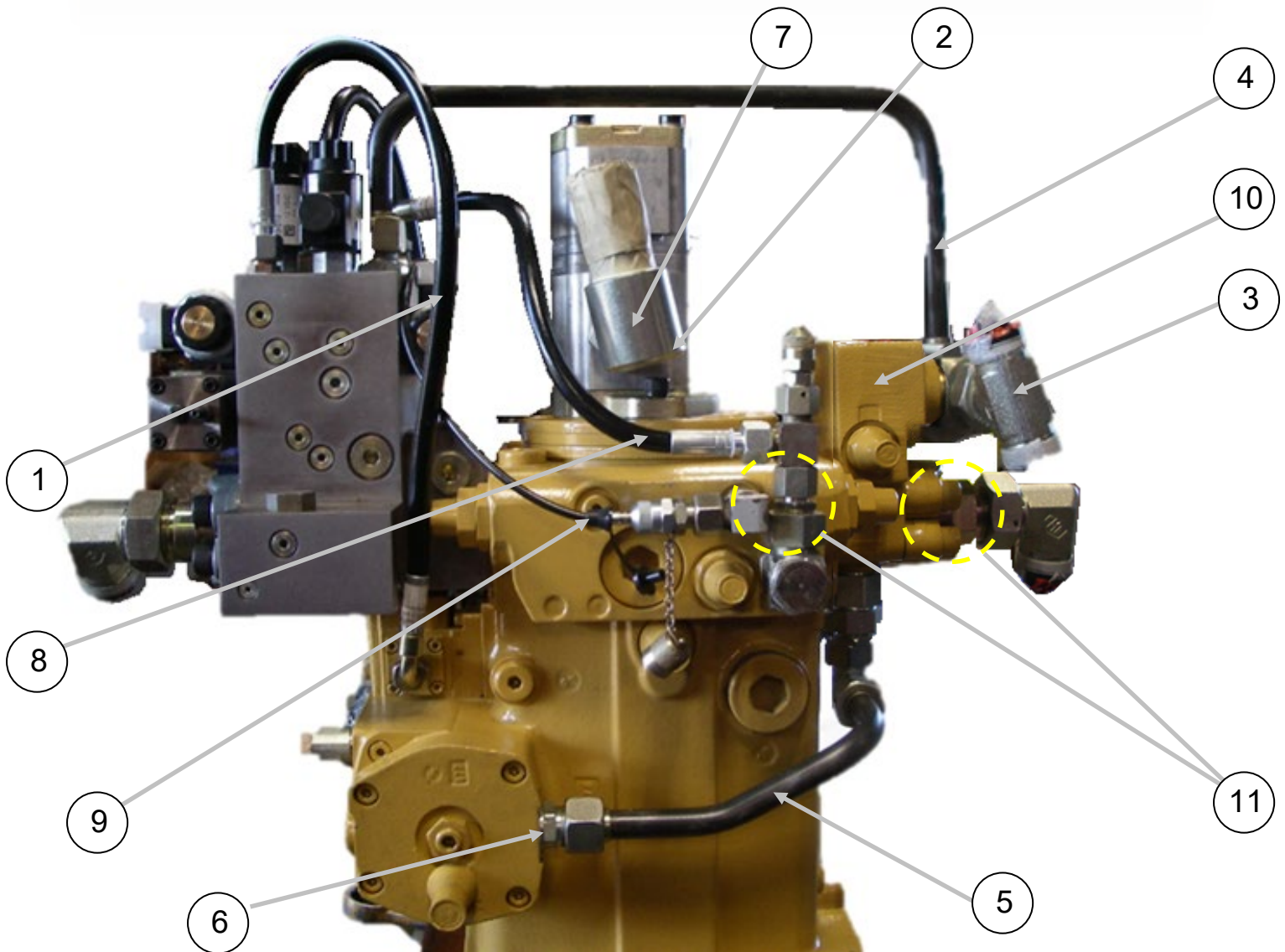
ID #	PART #	PART DESCRIPTION	QUANTITY	
1	87571-1	GEAR PUMP, 25/11.3CC RH A-PAD SPL	1	EA
2	86728-014	ELBOW, MB-MJ90-10-10	1	EA
3	86728-015	ELBOW, MB-MJ45-10-12	1	EA
4	803153	BOLT, M12X1.75X35 HEX 10.9 DIN933	2	EA
5		M12x35 FLAT WASHER	2	EA
6	W-108121-ORING	O-RING	1	EA

MAIN HYDRALIC PUMP 180cc REXROTH



ID #	PART #	PART DESCRIPTION	QUANTITY	
1	801875-004	BANGO ELBOW-25S X 1 BSPP	1	EA
2	801526	ADAPTOR-STR-35L (M) X M48X2.0 (M)	1	EA
3	801888-005	ELBOW-18L	1	EA
4	801873-011	ADAPTER-18L X 3/4 BSPP	1	EA
5	801506	ADAPTER-90L-35L(f) x 1.50 HOSE	1	EA
6	801889-006	SWIVEL BRANCH TEE – 25S	1	EA
7	86265-003	SPLIT FLANGE-CODE 62-20 SAE	1	EA
8	803164	M14X100 BOLT	4	EA
9	803165	M14 LOCK WASHER	4	EA
10	87576	FLANGE ADAPTOR, 1 1/4" SAE-30S	1	EA
11	801888-007	SWIVEL ELBOW – 30S	1	EA
12	801901-004	CHECK VALVE-18L X 1/2 BSPP-PORT	1	EA
13	801888-005	SWIVEL ELBOW – 18L	1	EA
14	802763	O-RING #222, BUNA 90 SHORE	1	EA

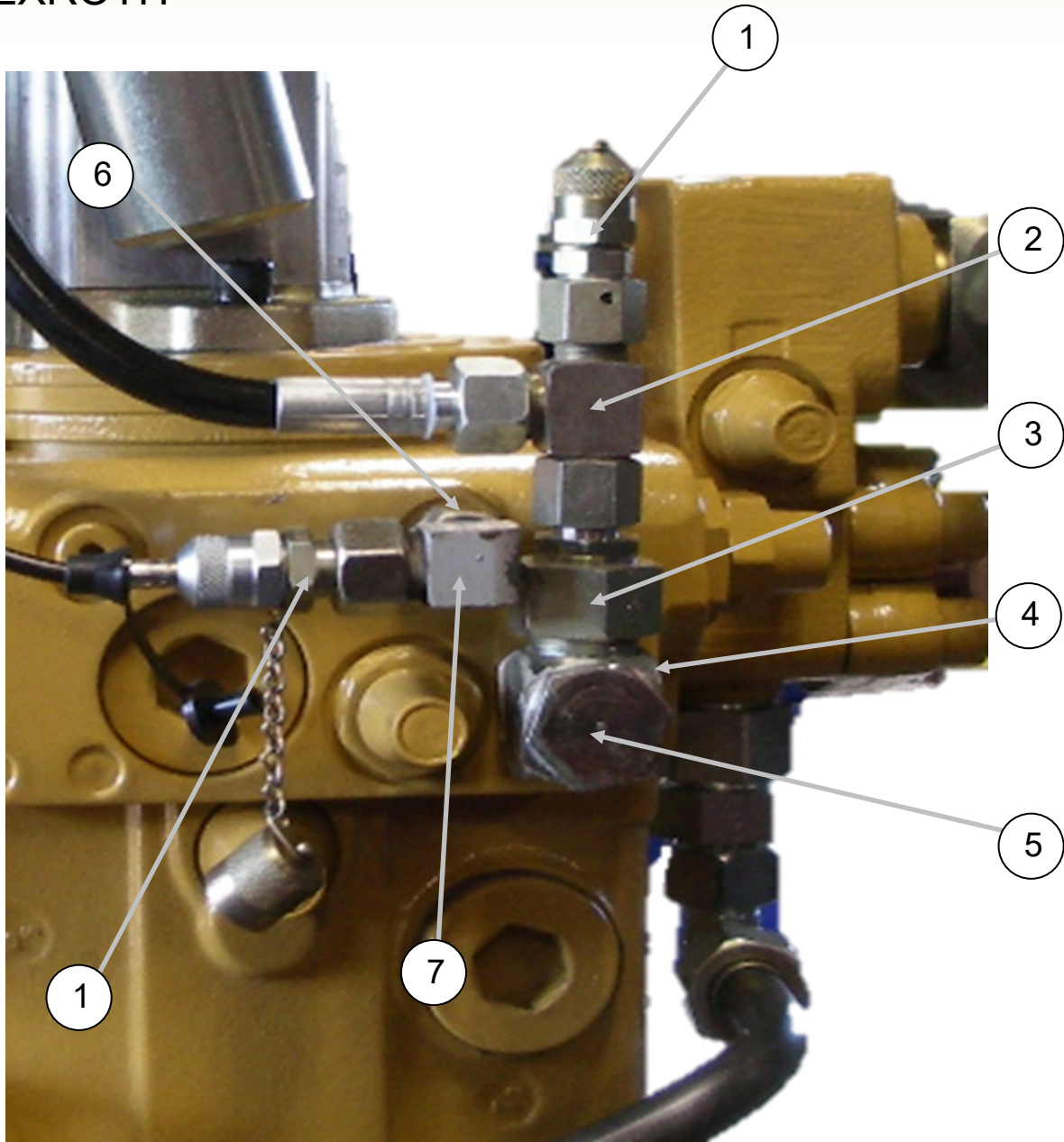
MAIN HYDRALIC PUMP 180cc REXROTH



ID #	PART #	PART DESCRIPTION	QUANTITY	
1	87461	HOSE, THERMOPLASTIC, 12L ENDS-24"	3	EA
2	801517	ADAPTOR-STR-35L(M) X SAE16(M)	1	EA
3	801889-006	SWIVEL BRANCH TEE - 25S	1	EA
4	801487-017	HOSE, 10G6K-18FDLX-18FDLX-31"	1	EA
5	801487-018	HOSE, 10G6K-18FDLX90-9.75 FLUSHING	1	EA
6	801872-007	ADAPTOR 18L X M22 X 1.5	1	EA
7	801506	ADAPTOR-90L-35L (F) X 1.50 HOSE	1	EA
8	87462	HOSE, THERMOPLASTIC, 12L ENDS-16"	1	EA
9	87614	MINI CHECK HOSE, 24" 16-20 ENDS	1	EA
10	W-104949	FLUSHING VALVE, REXROTH	1	EA
11	802763	O-RING #222, BUNA 90 SHORE	4	EA

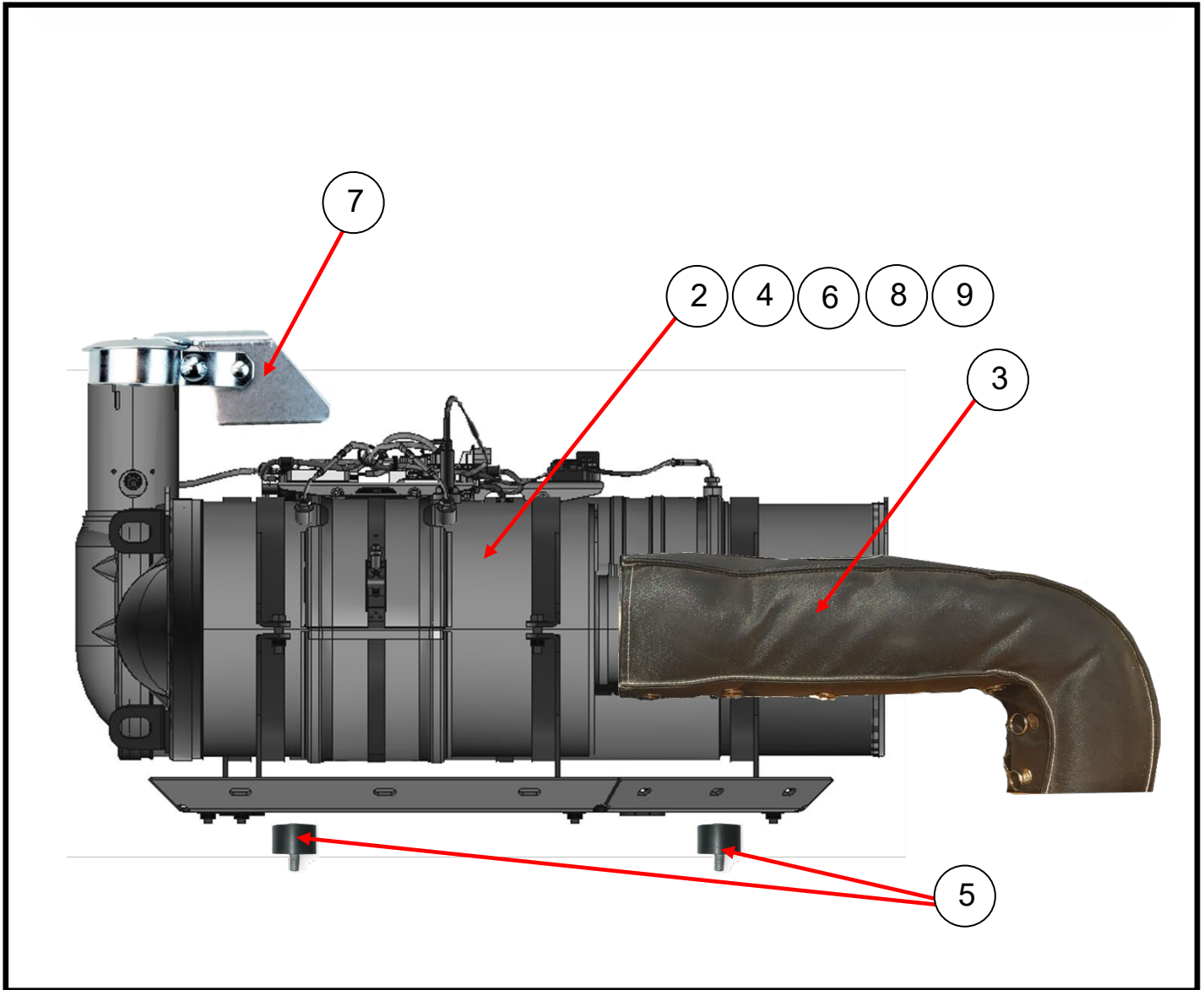
MAIN HYDRALIC PUMP 180cc

REXROTH

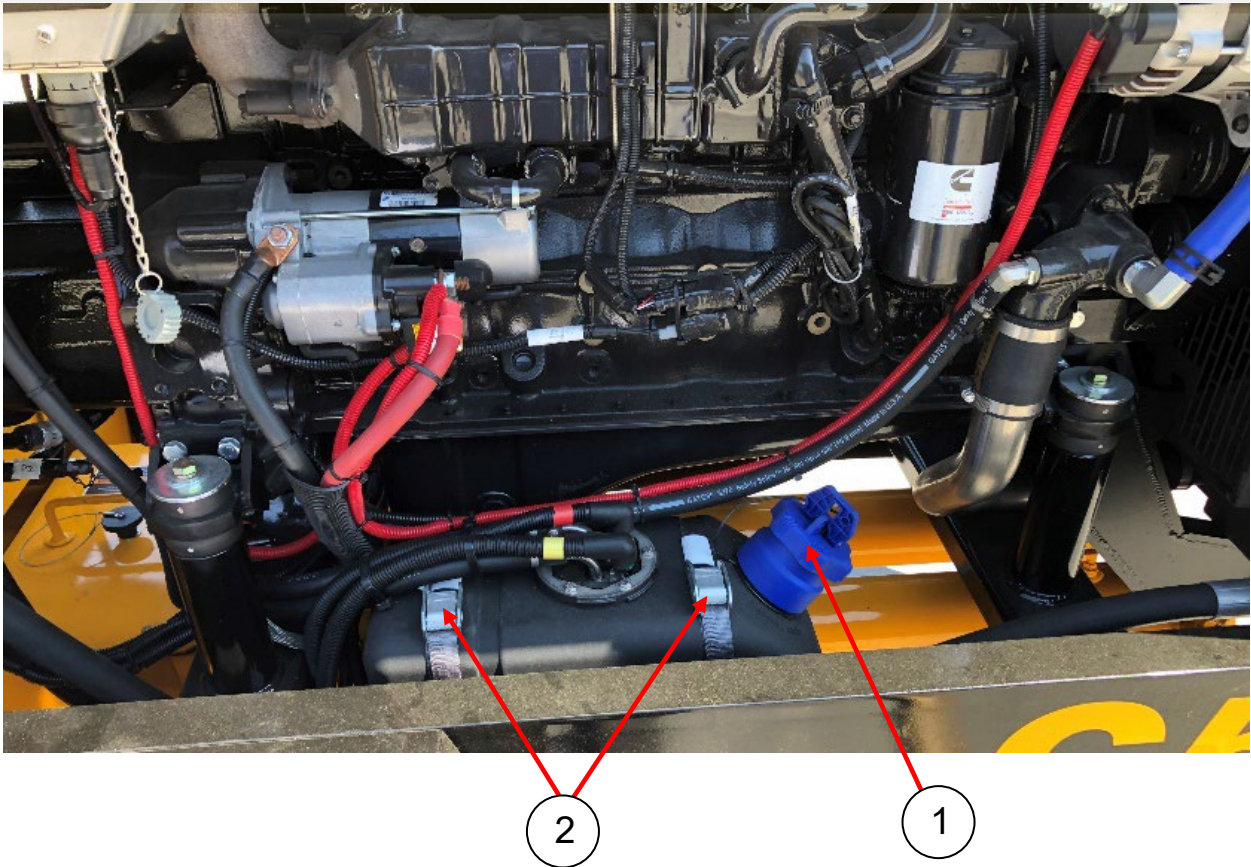


ID #	PART #	PART DESCRIPTION	QUANTITY	
1	W-105076	FITTING, GAUGE FITTING -L12	2	EA
2	801890-003	SWIVEL, RUN TEE, 12L	1	EA
3	801891-008	TUBE REDUCER-18LX12L	1	EA
4	801873-011	ADAPTER 18LX3/4 BSPP	1	EA
5	801888-005	SWIVEL ELBOW-18L	1	EA
6	801872-013	ADAPTER STEM - 12L X 12 X 1.5	1	EA
7	801888-003	SWIVEL ELBOW-12L	1	EA

EXHAUST AFTER TREATMENT TIER4

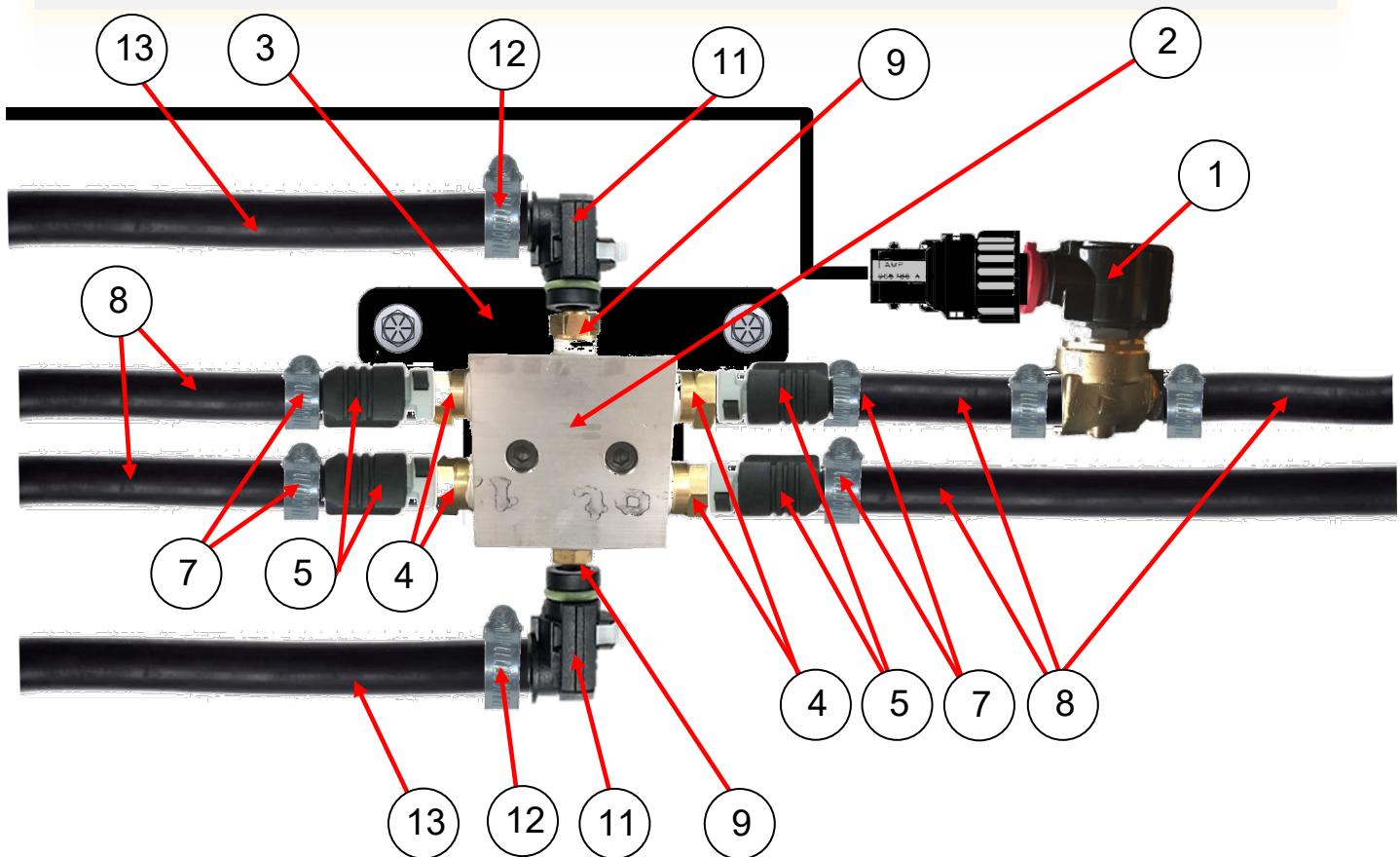


ID #	PART #	PART DESCRIPTION	QUANTITY	
1		BRACKET	1	EA
2	W-114850	RUBBER BUFFER, 65X22.5X26	2	EA
3	89348	HEAT BLANKET	2.5	EA
4	89424	T4 ROOF HARNESS SUPPORT, C-SERIES	1	EA
5	73748	RUBBER BUMPER	3	EA
6	89638	ROUND SPRING ST. WIRE PROTECTIVE 60MM	2.75	EA
7	77597	RAIN CAP-4" ZINC	1	EA
8	89700	THERMA SHIELD WRAP 1"	1	EA
9	89701	THERMA SHIELD WRAP 2"	1	EA

DEF COOLANT GROUP

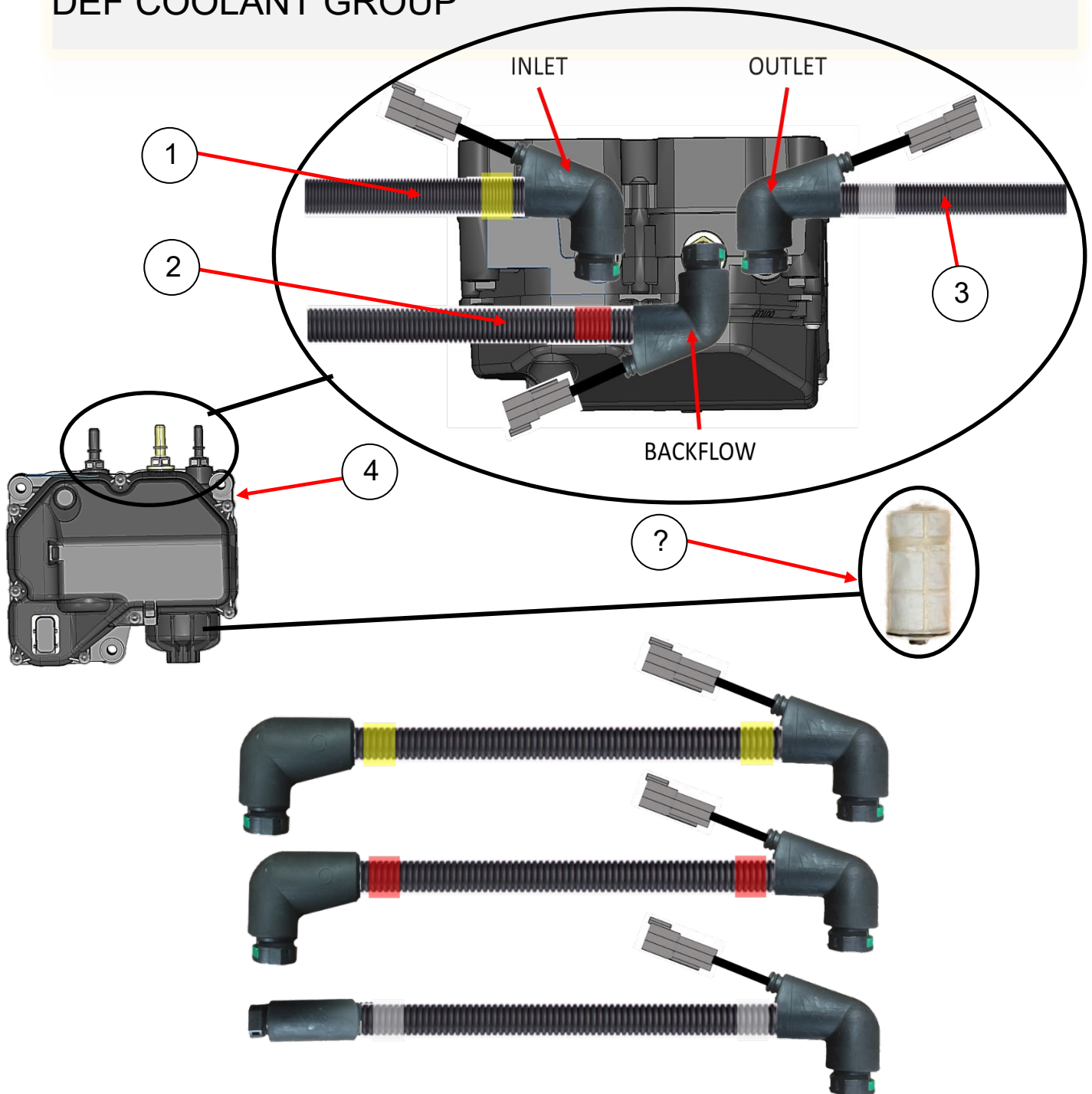
ID #	PART #	PART DESCRIPTION	QUANTITY	
	89267	DEF COOLANT GROUP	REF	
1	88794-DT	DEF TANK	1	EA
2	89346	HOLD DOWN STRAP, 1"	2	EA

DEF COOLANT GROUP



ID #	PART #	PART DESCRIPTION	QUANTITY	
1	88794-CCV	VALVE, COOLANT CONTROL, 11EA2V		
2	89268	COOLANT MANIFOLD	1	EA
3	89268-B	MANIFOLD BRACKET	1	EA
4	89269	BRASS FITTING, 1/2" NPT TO 5/8" QC	6	EA
5	89269-1	QUICK CONNECT FITTING, 5/8"	5	EA
6	89269-2	QUICK CONNECT FITTING, 5/8" ELBOW	1	EA
7	89269-C	STEPLESS HOSECLAMP, 5/8"	10	EA
8	89269-H	COOLANT HOSE, 5/8"	12	EA
9	89270	BRASS FITTING, 3/8NPT TO 3/8 QC	2	EA
10	89270-1	QUICK CONNECT FITTING, 3/8"	2	EA
11	89270-2	QUICK CONNECT FITTING, 3/8" ELBOW	2	FT
12	89270-C	STEPLESS HOSECLAMP, 3/8"	4	EA
13	89270-H	COOLANT HOSE, 3/8"	18	EA

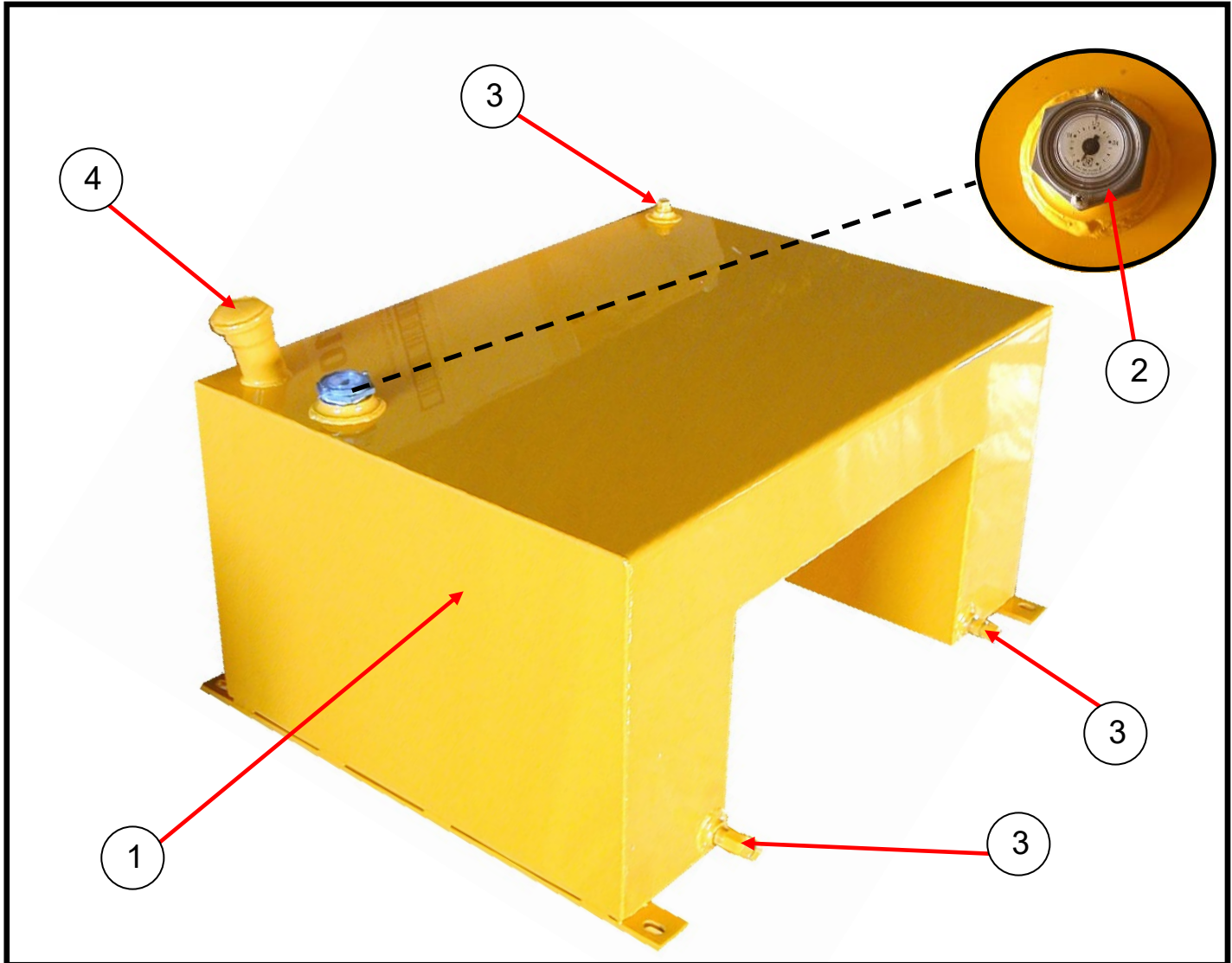
DEF COOLANT GROUP



ID #	PART #	PART DESCRIPTION	QUANTITY	
		DEF PUMP		
		FILTER, DEF PUMP		
1	88794-001	DEF HOSE, SUCTION	1	EA
2	88794-002	DEF HOSE, RETURN LINE	1	EA
3	88794-003	DEF HOSE, PRESSURE LINE	1	EA
4	73748	BUMPER	3	EA

TANKS

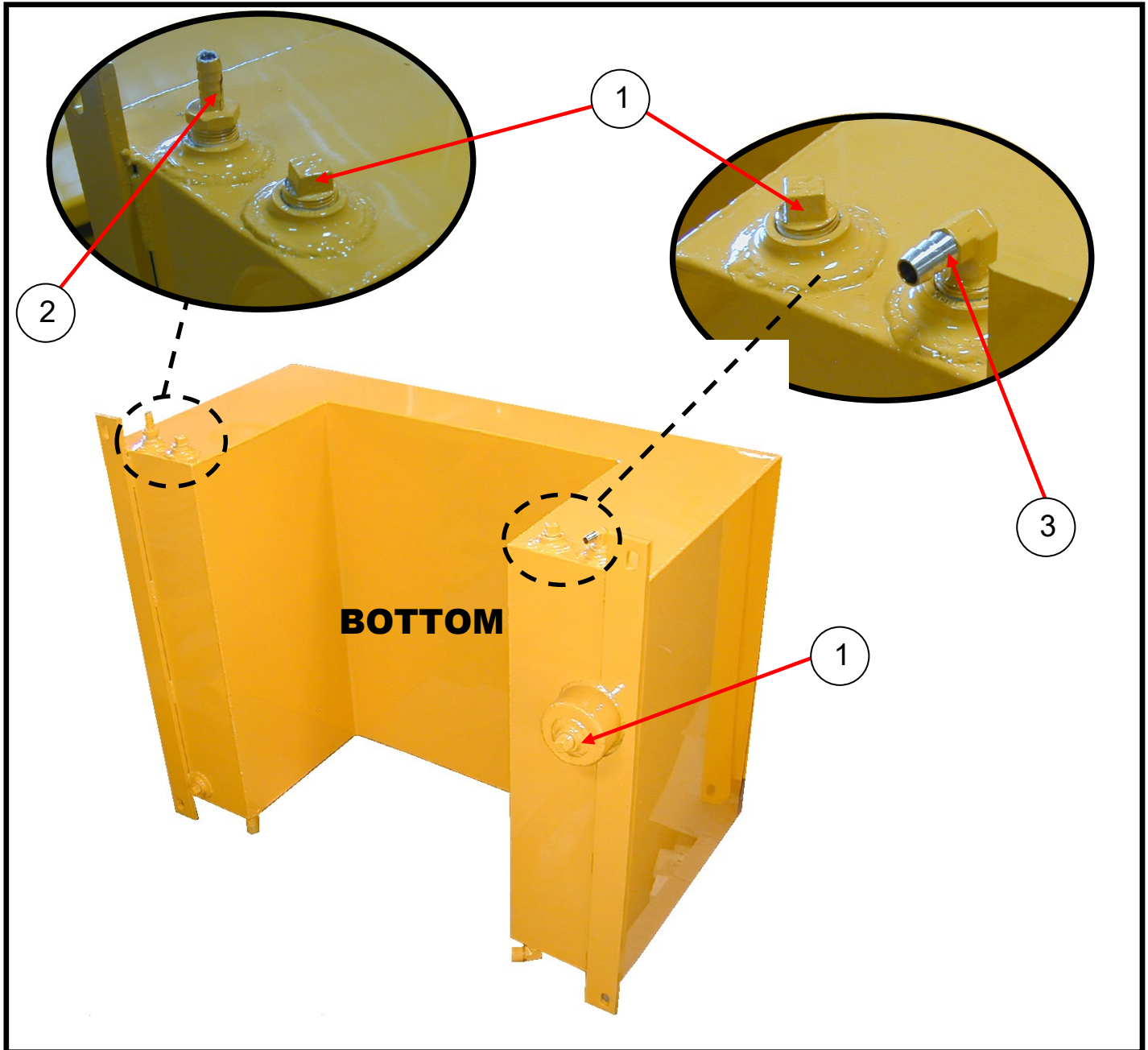
FUEL TANK ASSEMBLY



ID #	PART #	PART DESCRIPTION	QUANTITY	
	87536	FUEL TANK ASSY C-SERIES	1	EA
1	87535	FUEL TANK WELDMNT, C-SERIES	1	EA
2	77191	FUEL GAUGE, 18 IN	1	EA
3	10297	PLUG-GALV 1/2" (AS NEEDED)	REF	EA
REF	74716	HOSE-3/8 SAE 30R7 BACK	10	FT
REF	10577	CLAMP-HOSE FOR 1/2" OD	4	EA
REF	85669-004	HOSE, 8FLH-10FJX-10FJX904-24.00	1	EA
4	85570	FUEL CAP, 1 1/2" IN VENTED	1	EA

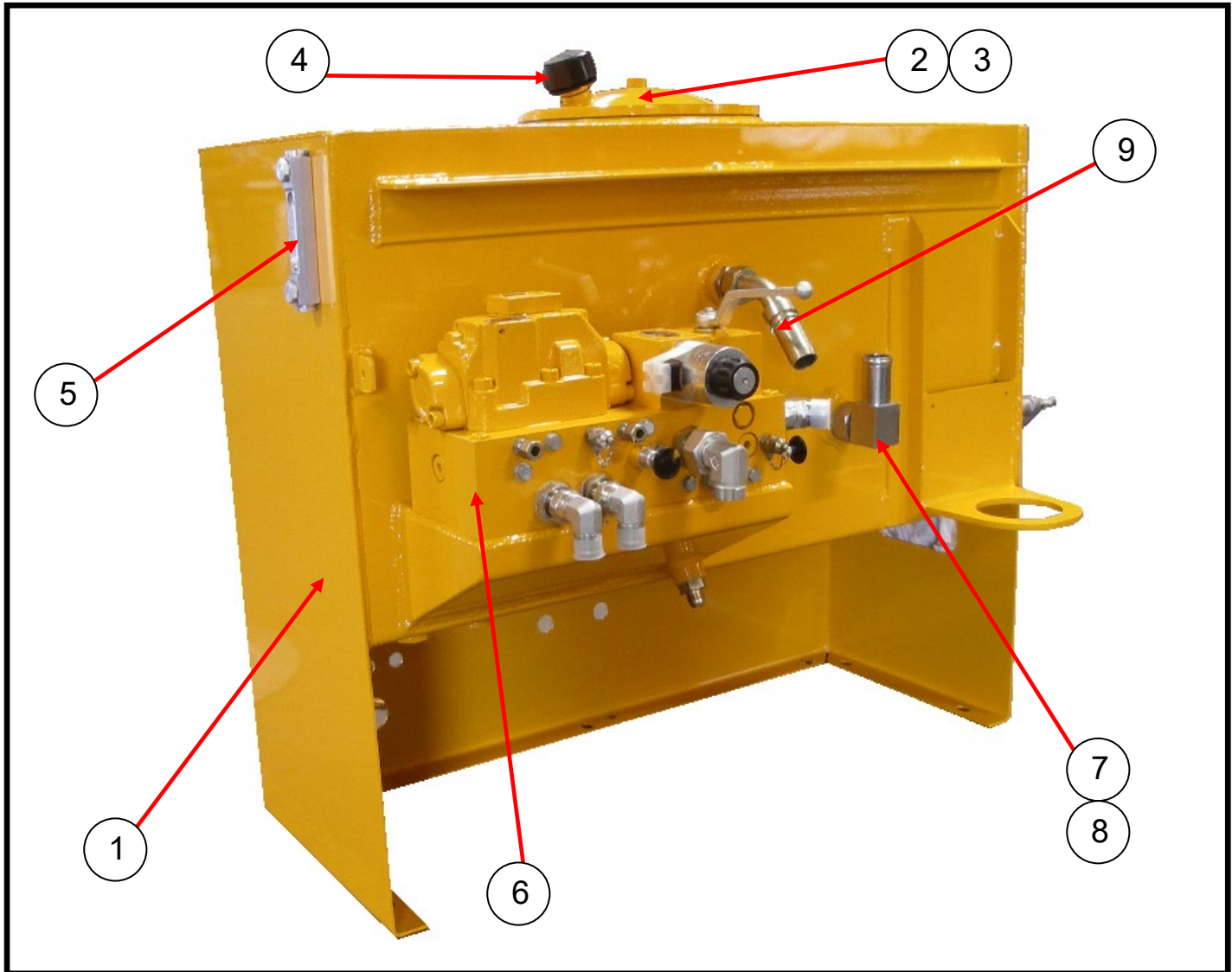
TANKS

FUEL TANK ASSEMBLY CONT



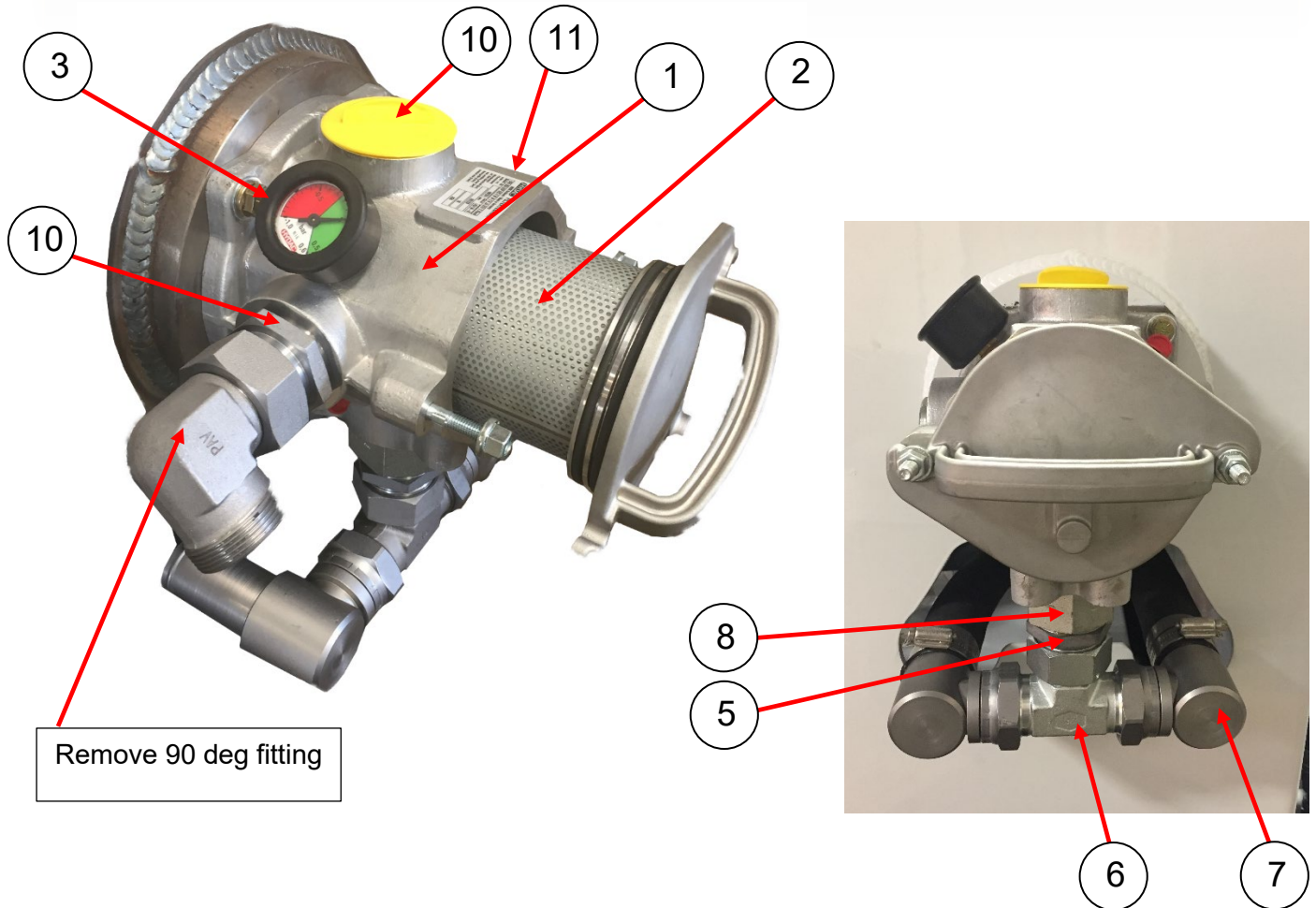
ID #	PART #	PART DESCRIPTION	QUANTITY	
1	10297	PLUG-GALV 1/2" (AS NEEDED)	REF	EA
2	87566	FITTING BARBED JIC-STEM, 3/8	4	EA
3	87567	FITTING 90 DEG. METRIC TO JIC	4	EA
	85669-004	HOSE, 8FLH-10FJX-10FX90S-24.00	1	EA

HYDRAULIC TANK ASSEMBLY



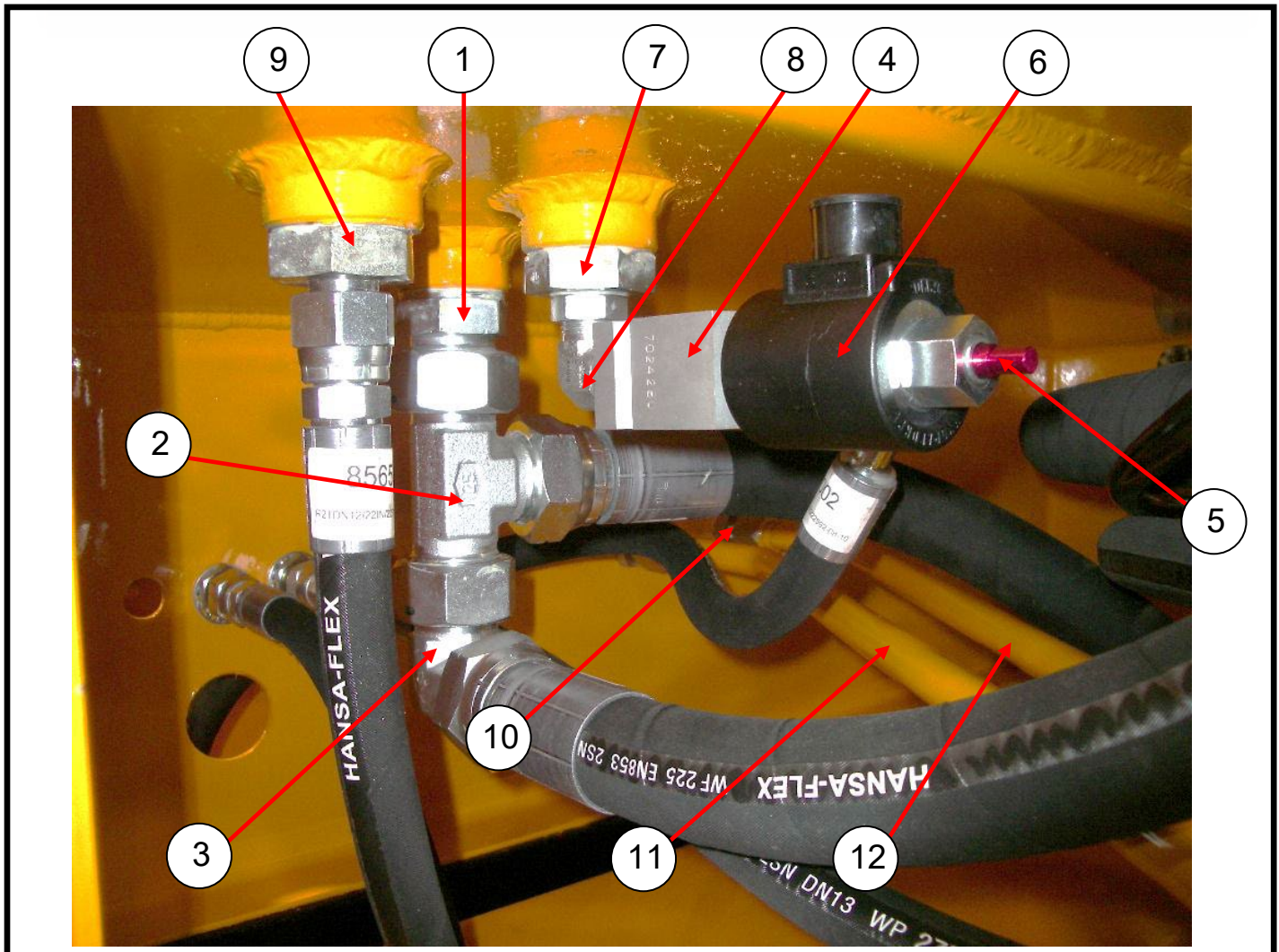
ID #	PART #	PART DESCRIPTION	QUANTITY	
	90037	HYD TANK ASSY C-SERIES	REF	
1	88912	HYDRAULIC TANK WELDMENT, C-SERIES,2015	1	EA
2	85529	ENDCOVER KIT, 12 IN W/DRAIN	1	EA
3	85867	GASKET- END COVER 12"	1	EA
4	85537	FILLER BREATHER, 3/4 NPT	1	EA
5	74509	GAUGE, SIGHT	1	EA
6	87334	MANIFOLD, S TUBE CIRCUIT ASSY	1	EA
7	801526	ADAPTER STR-35L (M) X M48X2.0 (M)	1	EA
8	801506	ADAPTER 90-35L (F) X 1.50 HOSE	1	EA
9	W-105169	ADAPTER - 45-28L (F) X 1 1/4" HOSE	1	EA

HYDRAULIC TANK FILTER ASSEMBLY



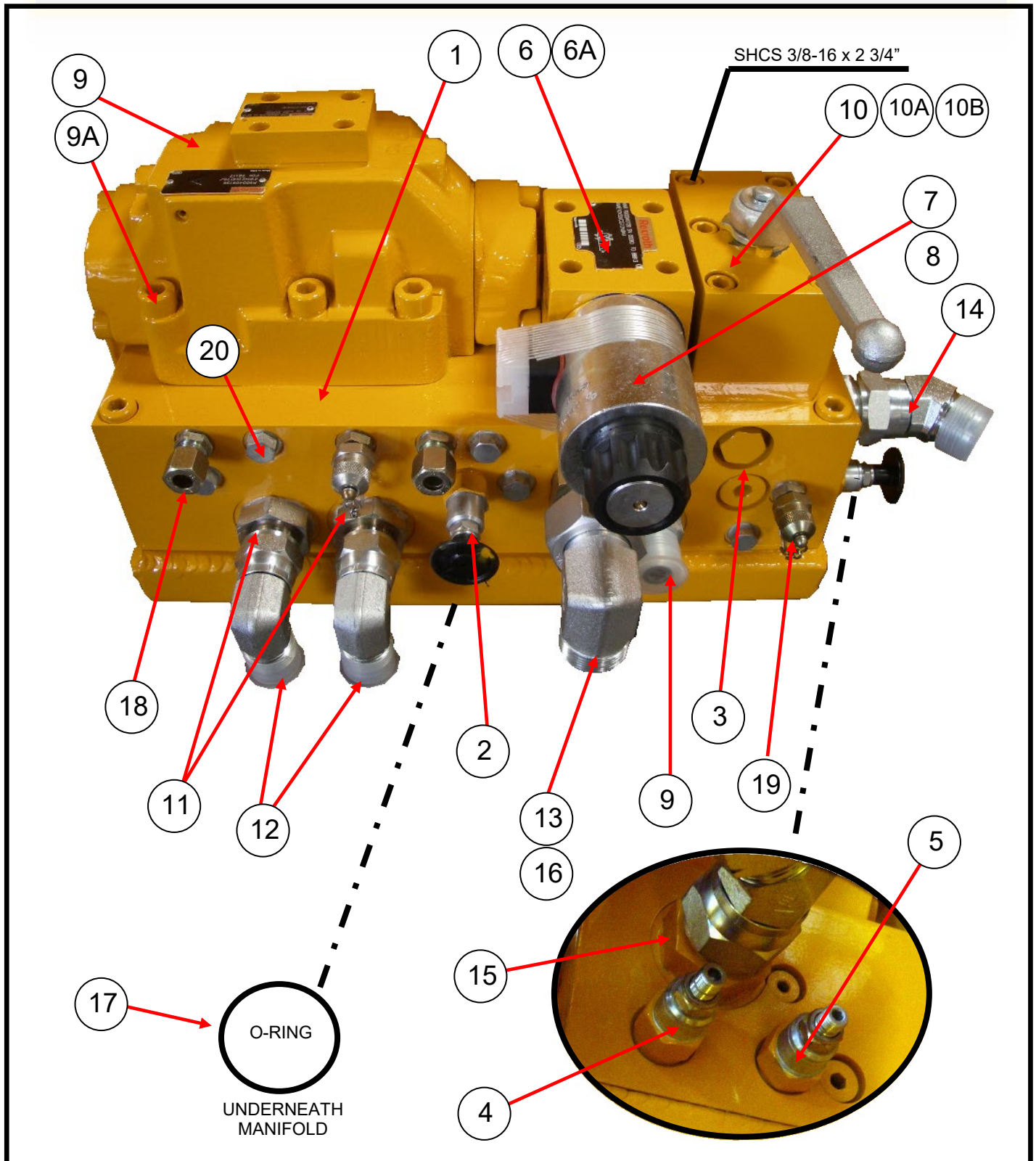
ID #	PART #	PART DESCRIPTION	QUANTITY	
1	89777	FILTER ASSEMBLY, DUAL SUCTION HOUSING	1	EA
2	89777-25	FILTER ELEMENT, 25 MICRON, F/89777 FILTER	1	EA
3	803218	GAUGE, SUCTION FILTER (SPARE PART)	1	EA
4	86920-20	ADAPTER, MB-FB-24-20	1	EA
5	801876-010	ADAPTER 35L X SAE 20	2	EA
6	801889-010	SWIVEL BRANCH TEE-35L	1	EA
7	801506	ADAPTER-90L-35(F) X 1.50 HOSE	2	EA
8	86920-022	ADAPTER, MB-D-FB-24-20	1	EA
9	801871-001	PLUG-1/8 BSPP	3	EA
10	801871-006	PLUG-1" BSPP	2	EA
11	90048	ALLEN PLUG-2"	1	EA

HYDRAULIC TANK ASSEMBLY CONTINUED



ID #	PART #	PART DESCRIPTION	QUANTITY	
1	801876-008	ADAPTER-25S X SAE 16	2	EA
2	801890-006	SWIVEL RUN TEE – 25S	1	EA
3	801888-006	SWIVEL ELBOW – 25S	1	EA
4	87154	SOLENOID VALVE ASSY, 2P-2W, NO, 12V DIN	1	EA
5	87154-C	CARTRIDGE FOR 87154 (SPARE PART)	REF	EA
6	87249	COIL 12V DC P/N 87248 (SPARE PART)	REF	
7		MB-FB-16-8	1	EA
8	81003	FITTING MB-MB-90-8-8	1	EA
9		MB-MJ-16-10	1	EA
10	75286	BULKHEAD FITTING-2041-12-12	2	EA
11	87766	TUBE, HYD, SHIFT CYLINDER	1	EA
12	87767	TUBE, HYD, SHIFT CYLINDER	1	EA

S-TUBE CIRCUIT MANIFOLD ASSEMBLY





C50SS-V22

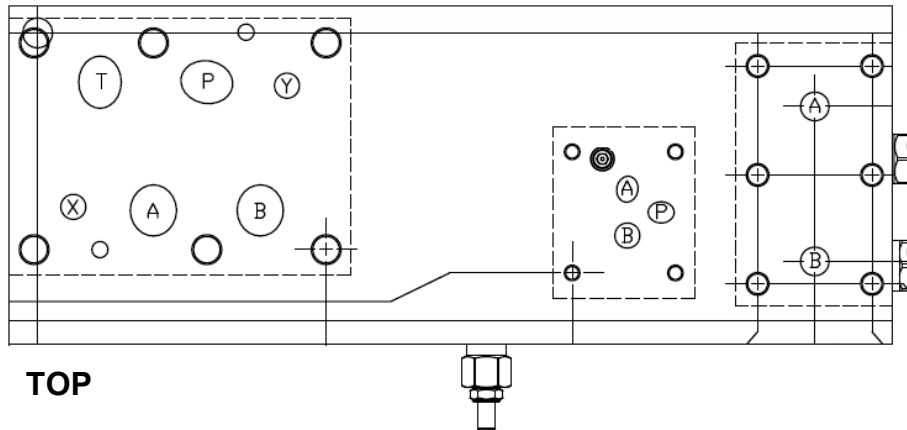
PARTS

13822 Oaks Avenue
Chino, CA 91710
reedpumps.com
1-(909) 287 - 2100

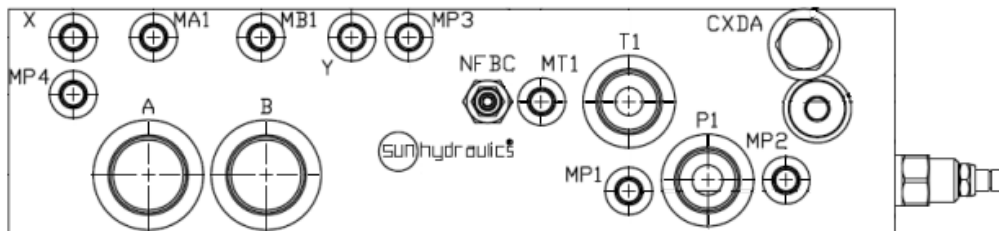
S-TUBE CIRCUIT MANIFOLD CONT.

ID #	PART #	PART DESCRIPTION	QUANTITY	
	87334	MANIFOLD, S TUBE CIRCUIT ASSY (COMPLETE)	REF	
1	87918	MANIFOLD MACHINED BLOCK FOR 87334	1	EA
2	87919	CARTRIDGE FLOW CONTROL FOR 87334	1	EA
3	87920	CARTRIDGE CHECK VALVE FOR 87334 (CXDA)	1	EA
4	87921	CARTRIDGE RELIEF FOR 87334 (RVCA)	1	EA
5	85704	UNLOADER VALVE CARTRIDGE, FOR 87334 (QCDB)	1	EA
6	87922	VALVE, 4/3 4WE10Y3 FOR 87334	1	EA
6A	87922-LBK	BOLT, 1.75" LONG KIT, DO5	1	EA
7	86674	COIL 12V FOR 87922	1	EA
8	W-106125	SEAL SET FOR COIL 86674	REF	
9	74935	VALVE-AUXILARY DIRECTIONAL	1	EA
9A	74935-BK	BOLT KIT, D08, SHCS ½"-13 X 2 ½"	1	EA
10	85705	BALL VALVE, FOR 87334	1	EA
10A	85705-SK	SEAL KIT FOR 85705	1	EA
10B	85705-H	HANDLE, STEEL FOR 85705 BALL VALVE	1	EA
11	86900-027	ADAPTER MB-MJ-16-12	3	EA
12	86905-009	ELBOW MJ-FJX-90-12-12	2	EA
13	801888-006	SWIVEL ELBOW -25S	1	EA
14	801876-008	ADAPTER 25S X SAE 16	1	EA
15	86900-028	ADAPTER MB-MJ-16-16	1	EA
16	88139-016	ELBOW MJ-FJX-45-16-16	1	EA
17	86946	O-RING #230 BUNA 90DUR	1	EA
18	87468	ADAPTER -STR 10L(M) X SAE 4	2	EA
19	87660	TEST POINT M16X2-SAE 4 MALE	2	EA
20	87568	PLUG O-RING BOSS SAE 4	7	EA

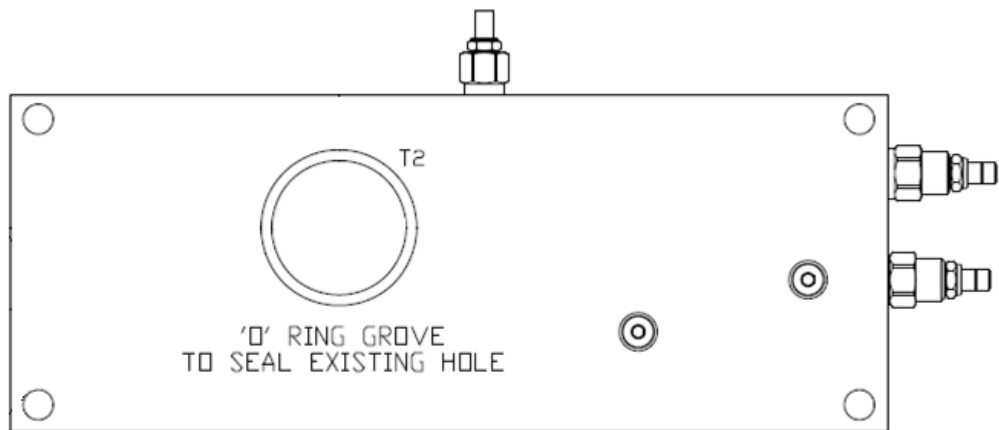
S-TUBE MANIFOLD PORTING



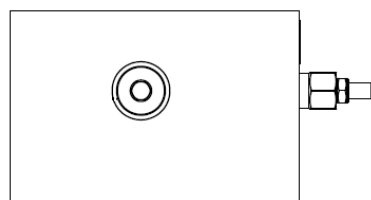
TOP



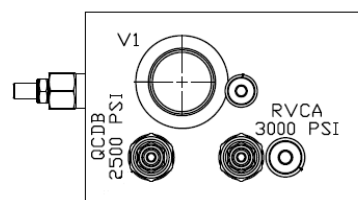
FRONT



BOTTOM

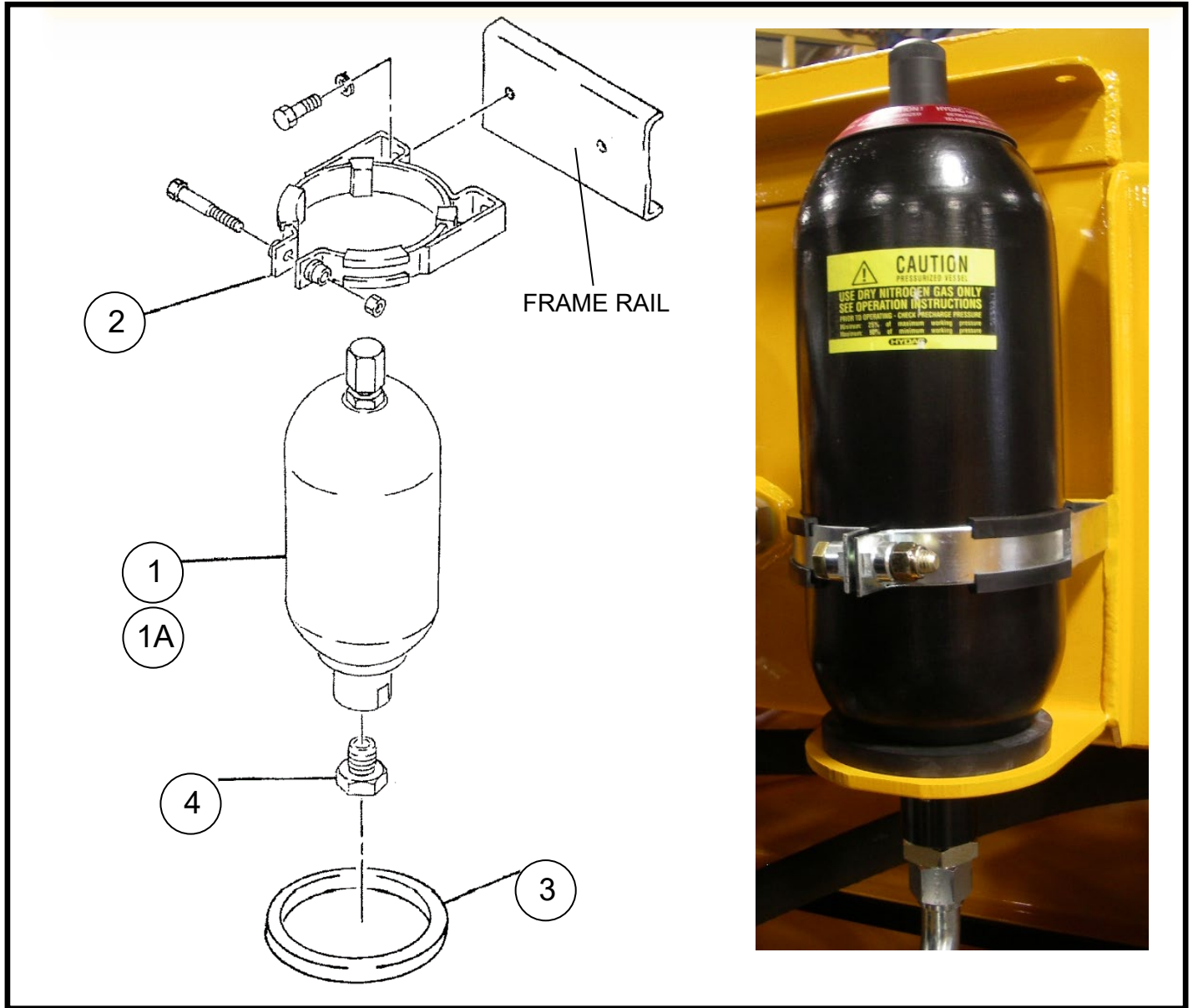


OPERATOR SIDE



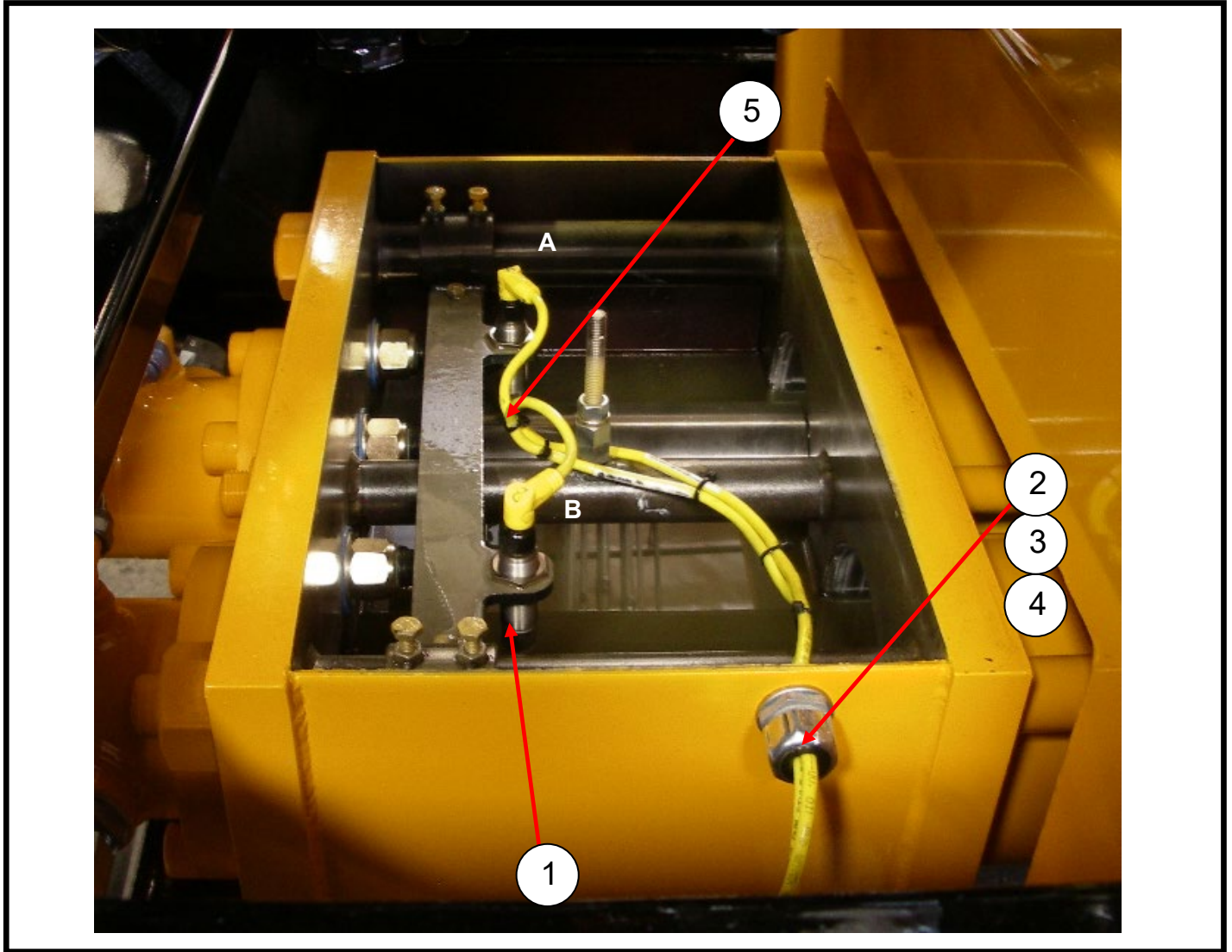
NON-OPERATOR SIDE

ACCUMULATOR ASSEMBLY

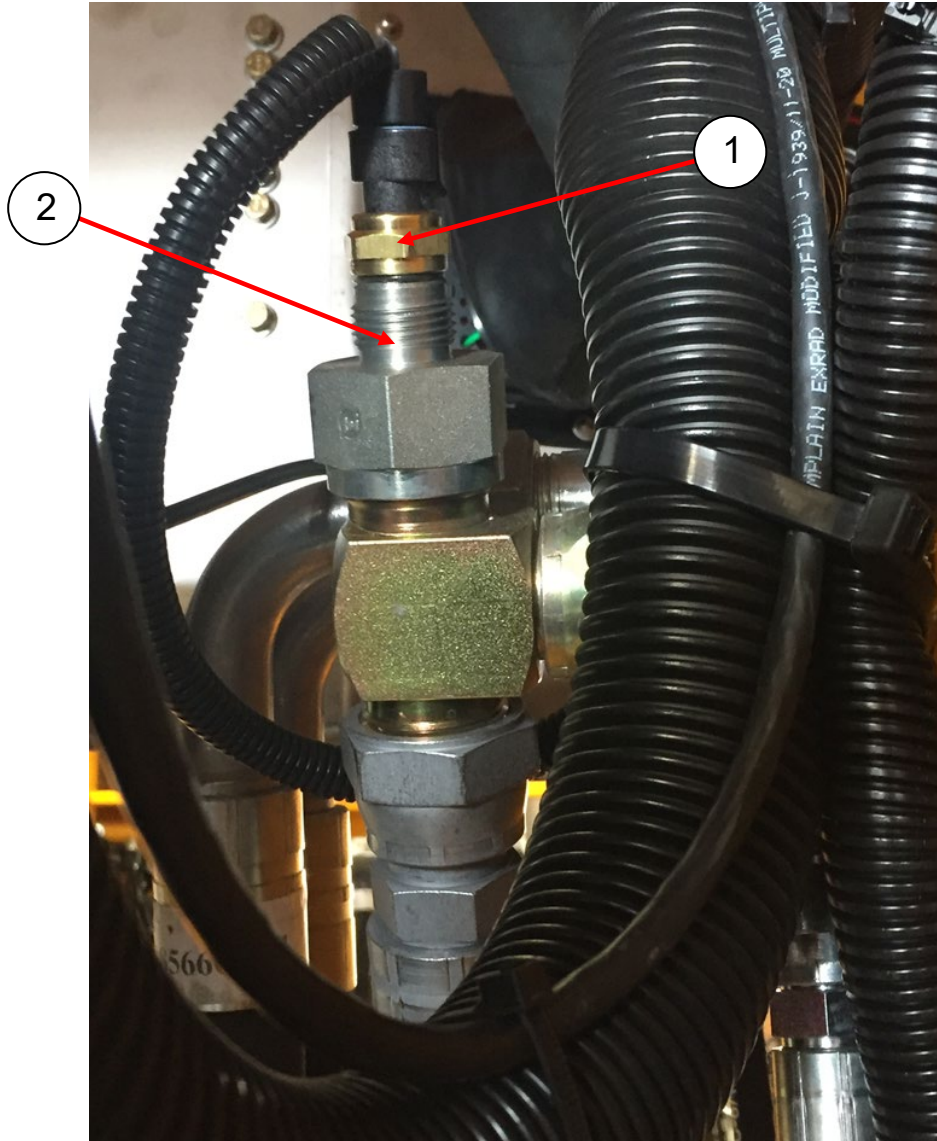


ID #	PART #	PART DESCRIPTION	QUANTITY	
1	W-103616	ACCUMULATOR 6 LITER	1	EA
1A	W-105630	BLADDER REPAIR KIT FOR #W-103616	1	EA
2	73171	ACCUMULATOR BKT.W/CLOSING HARDWARE	1	EA
3	801028	GROMMET, ACCUMULATOR	1	EA
4	87471	ADAPTER-STR 1 1/4" BSPP X JIC16	1	EA

ELECTRICAL GROUP PROXIMITY SWITCHES

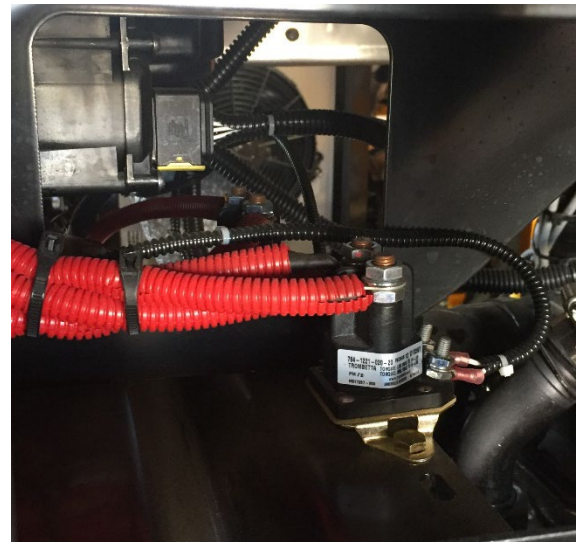
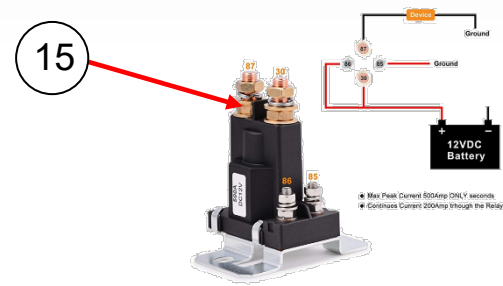
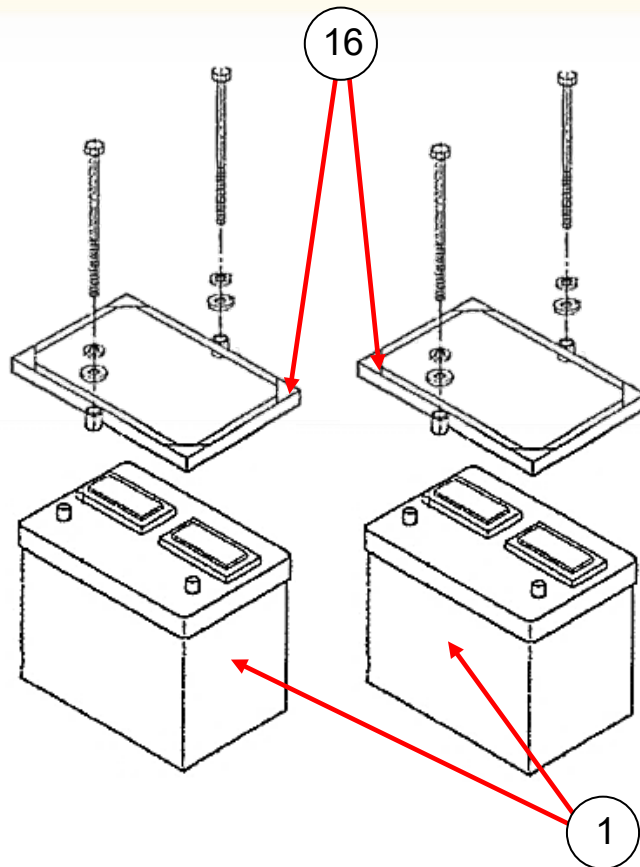


ID #	PART #	PART DESCRIPTION	QUANTITY	
	89345	ELECTRICAL GROUP C-SERIES, PLC TIER4 CUMM	REF	
1	77998	PROXIMITY SENSOR NPN FLUSH BOX MOUT	2	EA
2	10522	STRAIN RELIEF	1	EA
3	30240	GASKET LIQUID TITE 1/2" -ELECT	1	EA
4	10528	NUT-1/2" BONDING TYPE LOCK	1	EA
5	77990	CABLE, PROXIMITY SWITCH, 5M	2	EA

TEMPERTURE SENSOR

ID #	PART #	PART DESCRIPTION	QUANTITY	
1	89279	SENSOR TEMPERTURE FOR TIER4 CUMMINS	1	EA
2	89633	ADAPTER TEMP SENSOR FOR 89279	1	EA

BATTERY ASSEMBLY



ID #	PART #	PART DESCRIPTION	QUANTITY	
1	77075	BATTERY-12V 1000 CCA31	2	EA
2	89330-N	CABLE, 61" BATTERY (BLK) 4/0	1	EA
3	89330-P	CABLE, 63", BATTERY (RED) 4/0	1	EA
4	89330-N	CABLE, 12" BATTERY (BLK) 4/0	1	EA
5	89330-P	CABLE, 12" BATTERY (RED) 4/0	1	EA
6	89511-P	BATTERY TERMINAL POSITIVE	1	EA
7	89511-1	TERMINAL COVER SET, SINGLE CABLE	1	EA
8	89511-2	TERMINAL COVER SET, DOUBLE CABLE	1	EA
9	89511-N	BATTERY TERMINAL NEGATIVE	1	EA
10	87221	RED LEFT ELBOW TERMINAL PROTECTOR	1	EA
11	87222	INSULATOR LEFT ELBOW-BLACK	1	EA
12	88883	COUPLING NUT 5/16"-18 1" LONG 18-8SS	2	EA
13	89279	SENSOR TEMP FOR T4 CUMMINS	1	EA
14	89279-H	HARNESS FOR 89279 SENSOR	1	EA
15	87541	RELAY STARTER 12VDC-SELL W/87544	2	EA
16	72945	BATTERY HOLD DOWN	2	EA

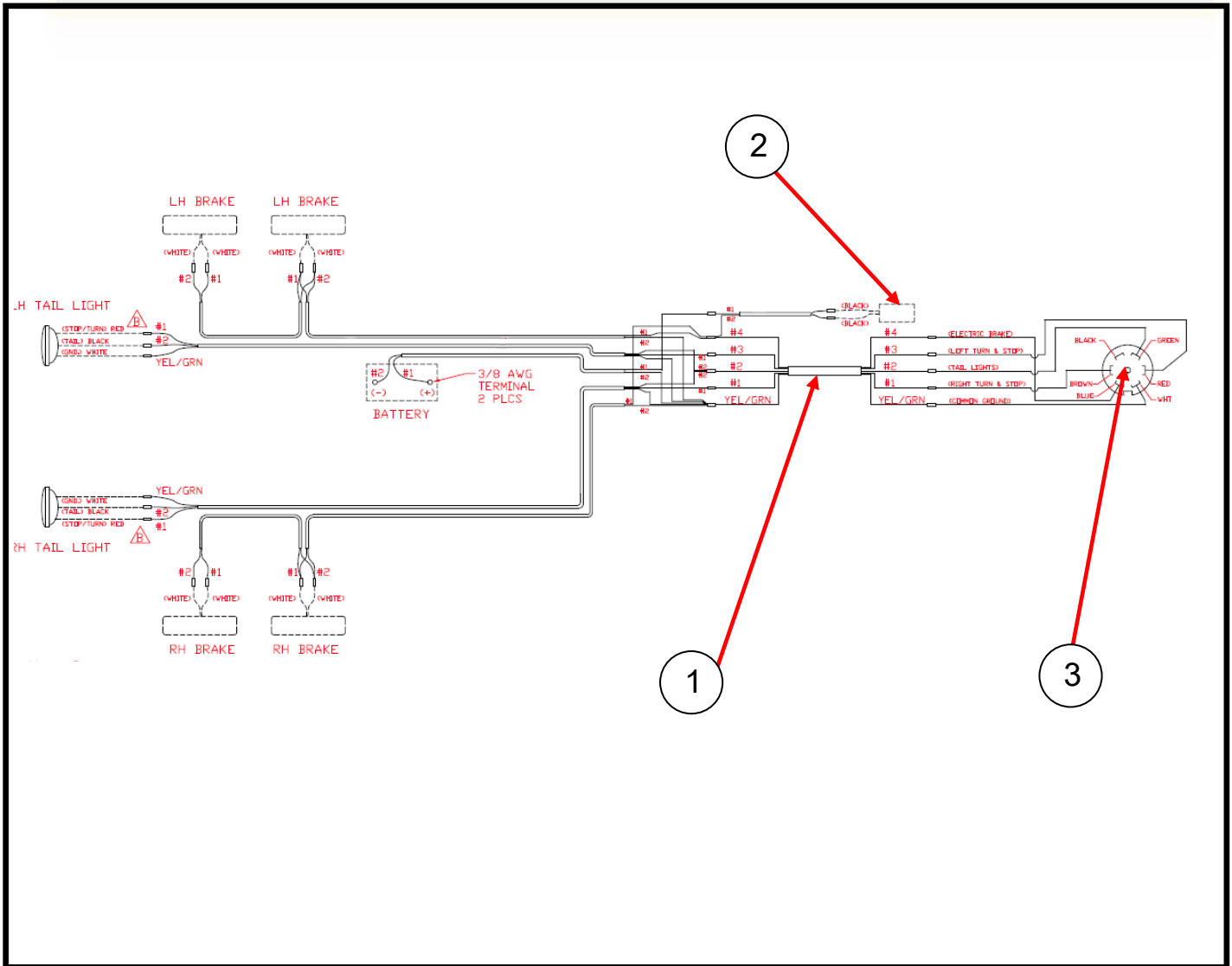


C50SS-V22

PARTS

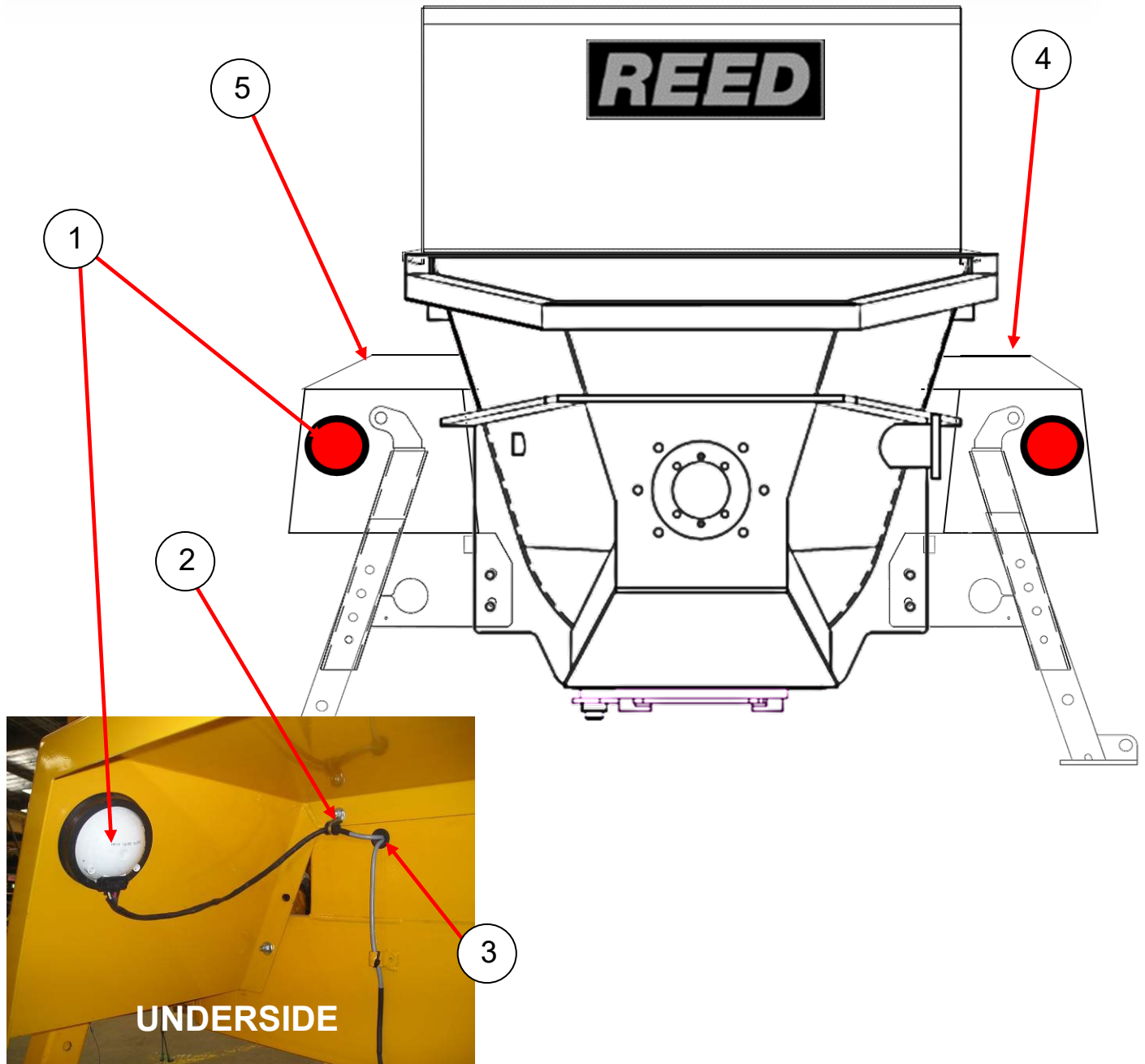
13822 Oaks Avenue
 Chino, CA 91710
 reedpumps.com
 1-(909) 287 - 2100

TRAILER HARNESS AND BREAKAWAY



ID #	PART #	PART DESCRIPTION	QUANTITY	
1	86532	TRAILER HARNESS- C-SERIES	1	EA
2	77705	BREAK-AWAY KIT	1	EA
3	86579	TRAILER PLUG 7C FLAT PI	1	EA
4	72949	GROMMET	REF	
5	72813	GROMMET	REF	

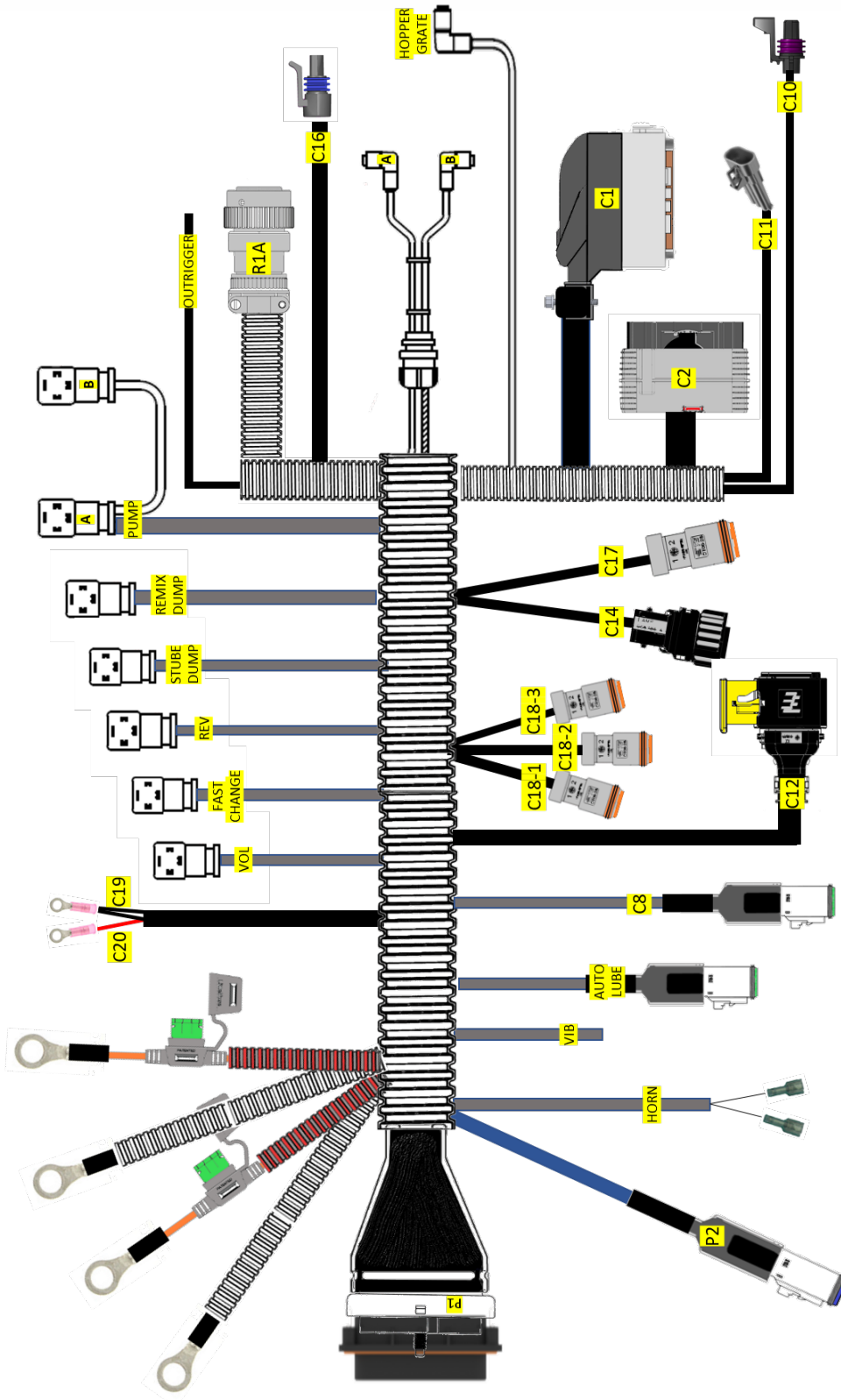
TAIL LIGHTS, FENDERS



ID #	PART #	PART DESCRIPTION	QUANTITY	
1	72948	TAIL LIGHT	2	EA
2	87665	LOOM, CLAMP 7/8"	2	EA
3	72949	GROMMET	2	EA
4	85394	FENDER, OPERATOR SIDE, C SERIES PAINTED	1	EA
5	85395	FENDER, NO OPERATOR SIDE, C SERIES PAINTED	1	EA

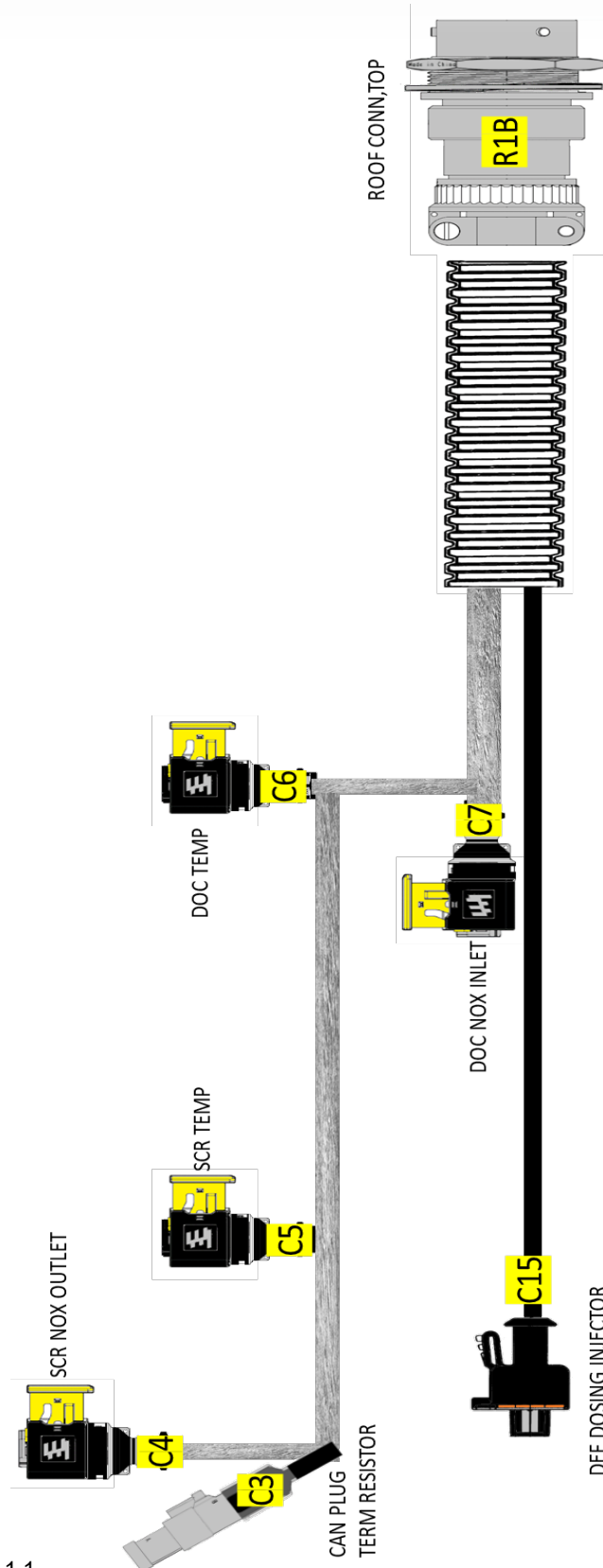
TIER-4 MAIN WIRING HARNESS

89051 C-SERIES HARNESS



TIER- 4 ROOF, TOP HARNESS

89051-R TIER-4 ROOF HARNESS



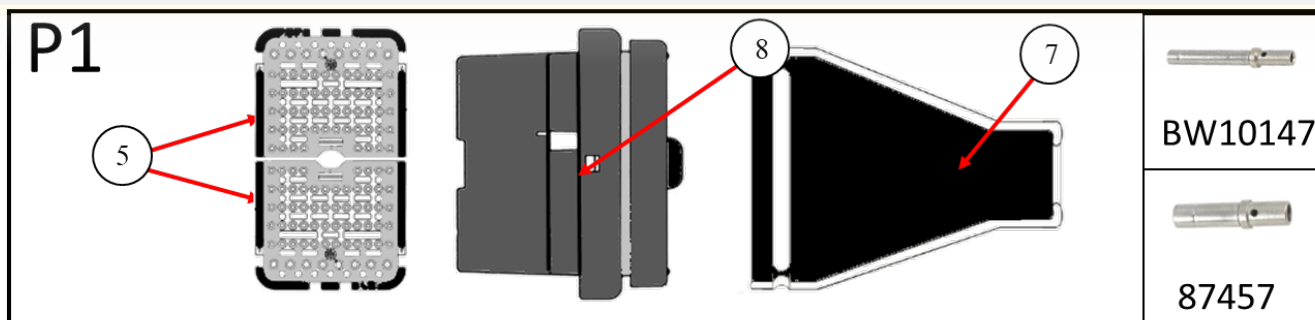


C50SS-V22

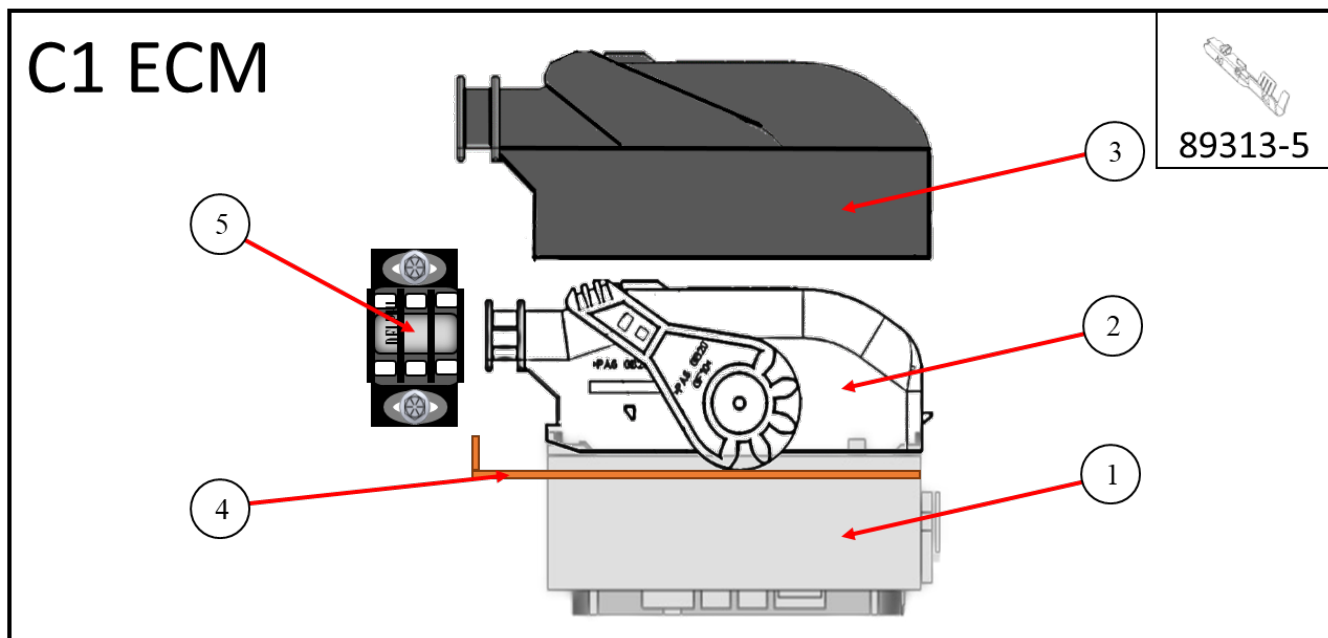
PARTS

13822 Oaks Avenue
Chino, CA 91710
reedpumps.com
1-(909) 287 - 2100

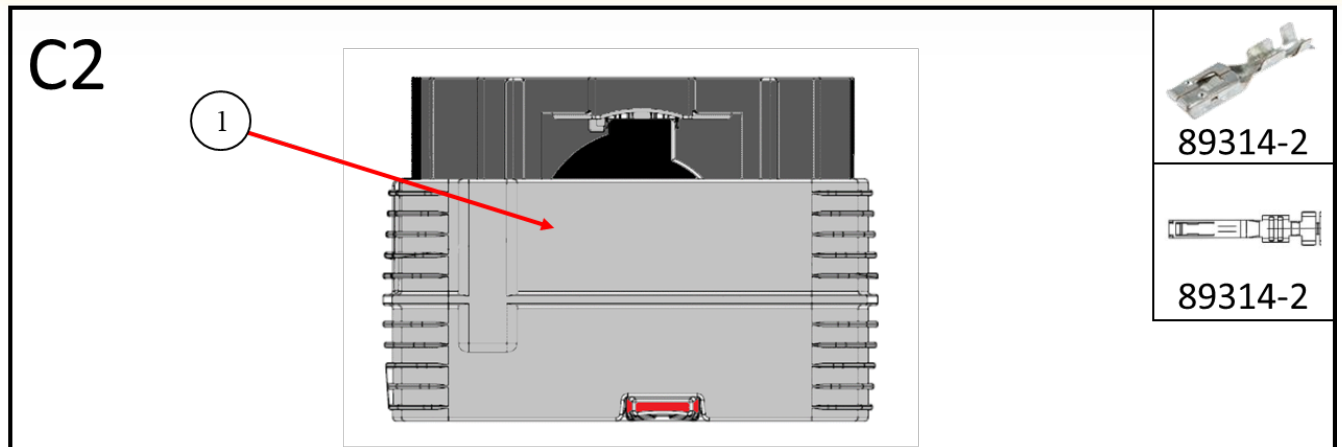
ID #	PART #	PART DESCRIPTION	QUANTITY	
	89051	WIRING HARNESS, C SERIES PLC TIER 4	REF	
	87540	CABLE SOLENOID	3	EA
	88243	CABLE WITH 2 DIN PLUGS 5M	1	EA
	87540-1	CABLE SOL VALVE, W/DIN PLUG	2	EA
	77990	CABLE, PROXIMITY SWITCH	2	EA
	10522	STRAIN RELIEF	1	EA
	10528	NUT 1/2" BONDING TYPE LOCK	1	EA
	30240	GASKET-LIQUID 1/2"	1	EA
	85615	CABLE, 14AWG-2C, PVC-GRY	6.75	FT
	85617	CABLE, 14AWG-4C, PVC-GRY	13	FT
	85619	CABLE, 16AWG-4C, PVC-GRY	11	FT
	20169	CABLE, 18AWG-3C PVC BLACK	6	FT
	88678	HOPPER SAFTY SWITCH CABLE (SHIELDED)	1	EA
	20169	CABLE, 18AWG, BLK	12	FT
	89336	HEAT SLEEVE CABLE, 1/2"	7	FT
	BW10254-025	.25" DIA WIRE LOOM PLASTIC	2	FT
	BW10254-062	.625" DIA WIRE LOOM PLASTIC	12	FT
	BW10254-075	.750" DIA WIRE LOOM PLASTIC	4	FT
	BW10254-125	1.25" DIA WIRE LOOM PLASTIC	7.5	FT
	89127	CABLE, BLACK, GR/YL TWISTED PAIR, 20 AWG	44	FT
	89218	DEUTSH DT04 RECP	2	EA
	89218-1	DEUTSH WEDGE	2	EA



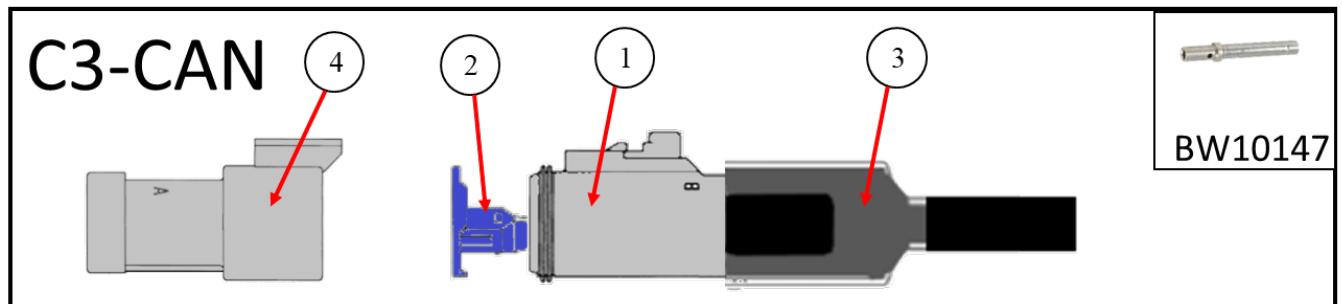
ID #	PART #	PART DESCRIPTION	QUANTITY	
1	89157	DEUTSCH RECEPTACLE 128 CONTACT	1	EA
2	89116	DEUTSCH WEDGE LOCK FOR 89109	2	EA
3	87457	PINS, FOR 87456	15	EA
4	BW10147	CONTACT SOCKET SIZE-16, 13 AMP, PIN	76	EA
5	89109-B	BOOT FOR 89109,89157	1	EA



ID #	PART #	PART DESCRIPTION	QUANTITY	
1	89313	PLUG, CTS SERIES, 96 CAVITY	1	EA
2	89313-1	COVER, FOR 89313	1	EA
3	89313-2	RUBBER BOOT, FOR 89313	1	EA
4	89313-3	TERMINAL LOCK, FOR 89313	1	EA
5	89313-4	STRAIN RELIEF, FOR 89313	1	EA





ID #	PART #	PART DESCRIPTION	QUANTITY	
1	89314	PLUG, APEX 150 SERIES, 24 CAVITY	1	EA



ID #	PART #	PART DESCRIPTION	QUANTITY	
1	88935	3 EAY PLUG DT SER	4	EA
2	88937	WEDGE LOCK, DT 3 PIN PLUG (BLUE)	2	EA
3	88935-B	BOOT FOR 3 WAY DT SERIES PLUG	3	EA
4	88933-1	CAN TERM RESISTOR 120 OHMS, DT RECEPT	1	EA


C4,C7



89315-1


89315-2

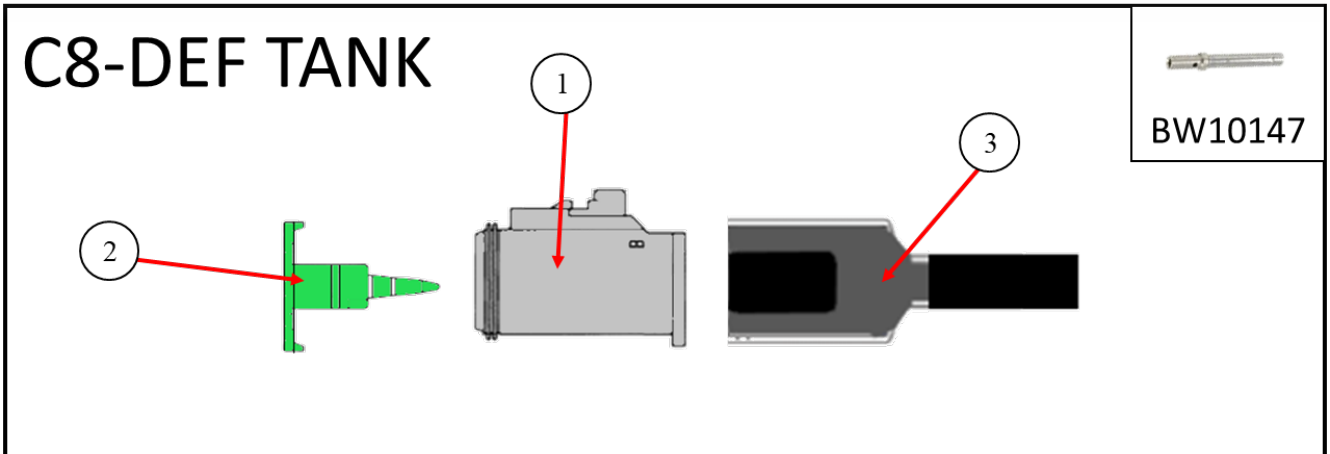
ID #	PART #	PART DESCRIPTION	QUANTITY	
1	89316	PLUG. HDSCS SERIES, 4 CAVITY GRAY	3	EA
2	89316-3	BACKSHELL, 89315, 89316	1	EA

C5,C6

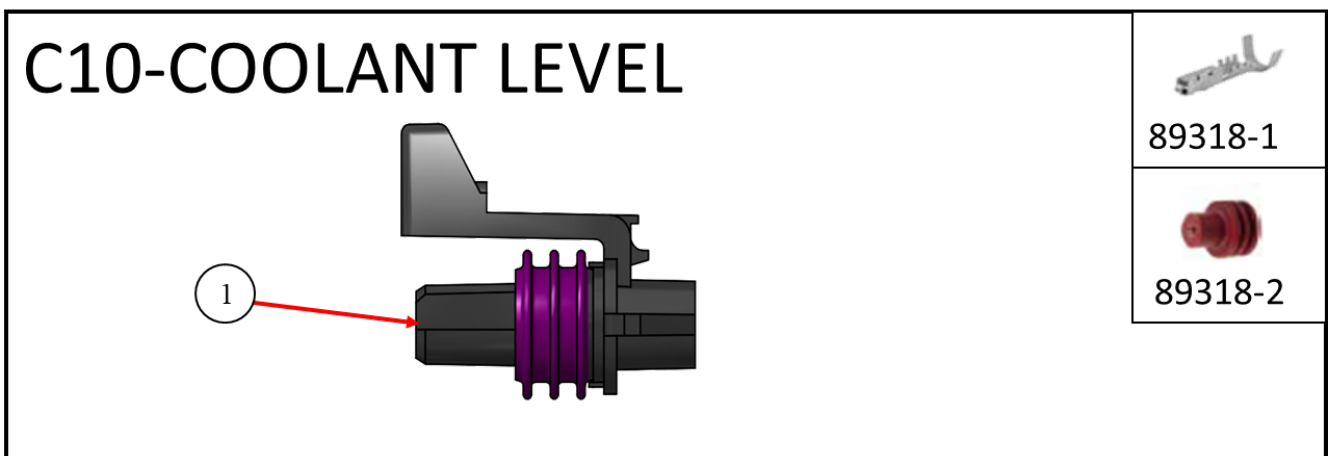

89315-1


89315-2

ID #	PART #	PART DESCRIPTION	QUANTITY	
1	89315	PLUG. HDSCS SERIES, 4 CAVITY BLK	3	EA
2	89315-3	BACKSHELL, 89315, 89316	1	EA

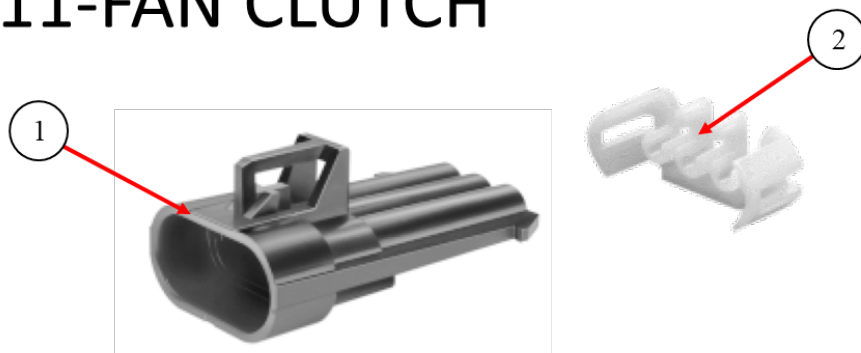


ID #	PART #	PART DESCRIPTION	QUANTITY	
1	89102	DEUTSCH DT06 PLUG, 2X2	1	EA
2	89132	WEDGE,DEUTSCH FOR 89102	1	EA
3	89102-B	BOOT FOR 89102, 4 CAVITY SOCKET	1	EA



ID #	PART #	PART DESCRIPTION	QUANTITY	
1	89318	PLUG, METRIPAK 150 SERIES, 3 CAVITY	1	EA

C11-FAN CLUTCH



89319-1



89319-2



89319-4

ID #	PART #	PART DESCRIPTION	QUANTITY	
1	89319	RECEPTAL, METRIPAK 150 SERIES, 6 CAVITY	1	EA
2	89319-3	WEDGE LOCK, METRIPAK 150 CAV, FOR 89319	1	EA

C12-DEF SUPPLY



89320-1



89315-2

ID #	PART #	PART DESCRIPTION	QUANTITY	
1	89320	PLUG, HDSCS SERIES, 12 CAVITY, BLACK	1	EA
2	89320-3	BACKSHELL FOR 89320	1	EA

C14-DEF COOLANT

1

2

89321-1

89321-2

ID #	PART #	PART DESCRIPTION	QUANTITY	
1	89321	PLUG, AMP SERIES, 4 CAVITY	1	EA
2	89321-3	COVER FOR 89321	1	EA

C15-DEF DOSING INJECTOR

1

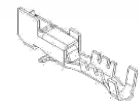
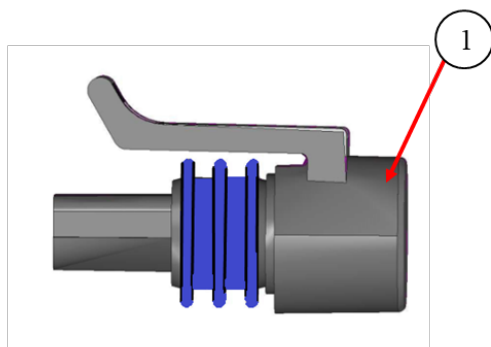
89322-1

89322-1

89322-2

ID #	PART #	PART DESCRIPTION	QUANTITY	
1	89322	PLUG, BOSCH, 2 CAVITY	1	EA

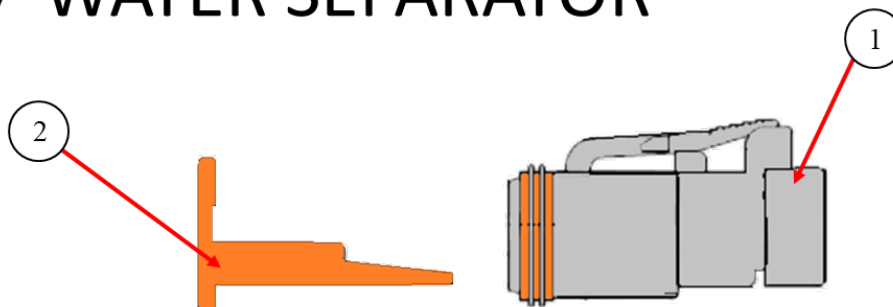
C16-HYD TEMP



89323-1

ID #	PART #	PART DESCRIPTION	QUANTITY	
1	89323	PLUG, METIPAK 150.2 SERIES, 2 CAVITY	1	EA
2	89323-1	TERMINAL, 150 SERIES, 16-18 AWG FOR 89323	2	EA

C17-WATER SEPARATOR

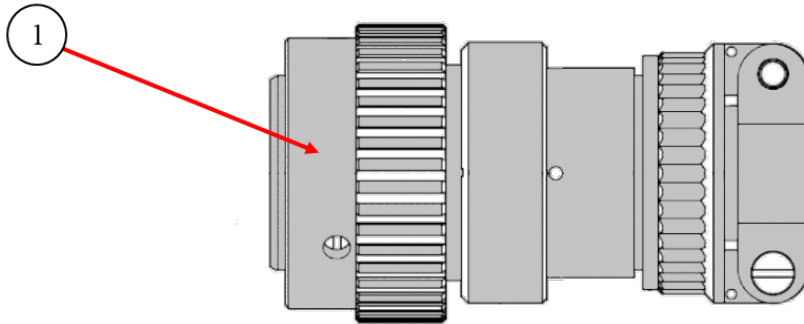


BW10147



ID #	PART #	PART DESCRIPTION	QUANTITY	
1	89277	DEUTSCH DT06 PLUG, 2 CAVITY	4	EA
2	89277-1	WEDGE FOR 89277	1	EA

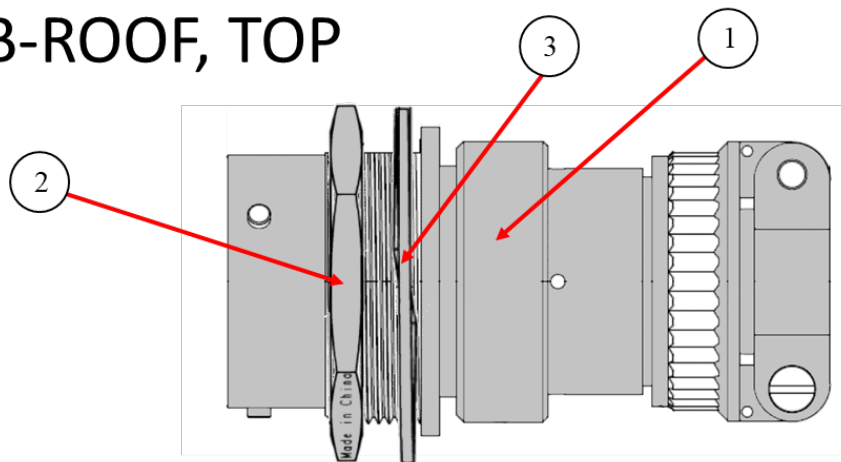
R1A-ROOF, BOTTOM



87457

ID #	PART #	PART DESCRIPTION	QUANTITY	
1	87456	PLUG SOCKET CONNECTOR, 8PIN	1	EA

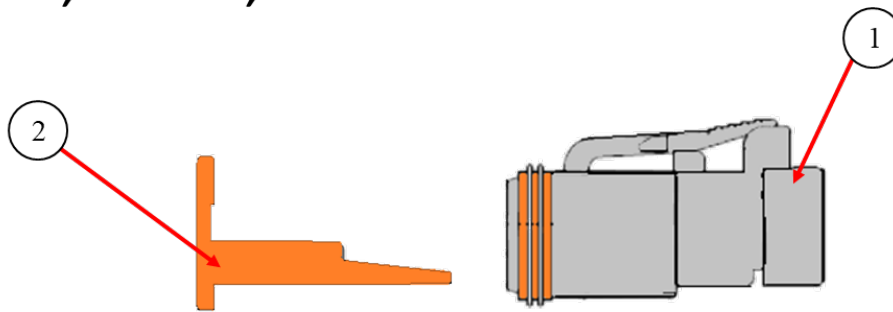
R1B-ROOF, TOP



87807

ID #	PART #	PART DESCRIPTION	QUANTITY	
1	89217	DEUTSCH HD34 RECP, 8 PIN	1	EA
2	88479	NUT FOR 88478 RECEPTICAL	1	EA
3	88480	WASHER FOR 88478 RECEPTICAL	1	EA

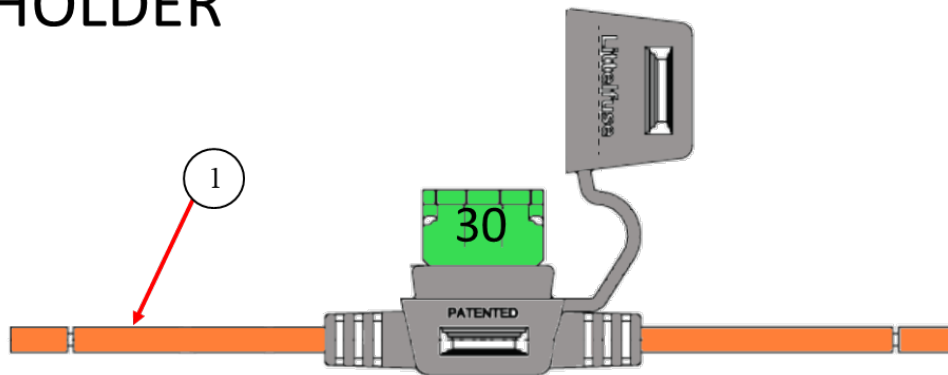
C18-1,C18-2,C18-3



BW10147

ID #	PART #	PART DESCRIPTION	QUANTITY	
1	89277	DEUTSH DT706 PLUG, 2 CAVITY	3	EA
2	89277-A	WEDGE FOR 89277	3	EA

FUSE HOLDER

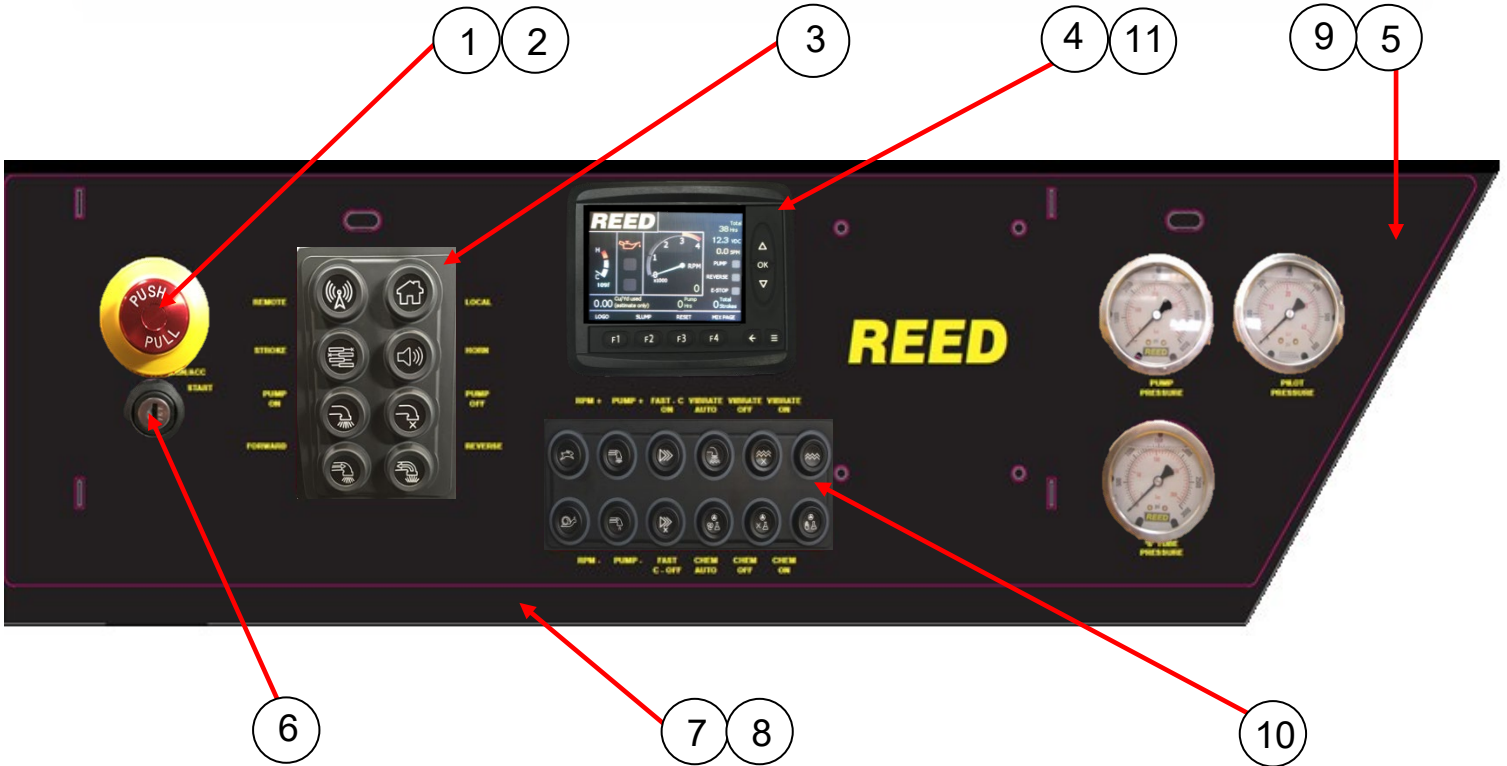


88956

ID #	PART #	PART DESCRIPTION	QUANTITY	
1	88733-1	FUSE HOLDER INLINE, BLADE STYLE, 30AMP	1	EA
2	90394	FUSE, ATO 30AMP	1	EA

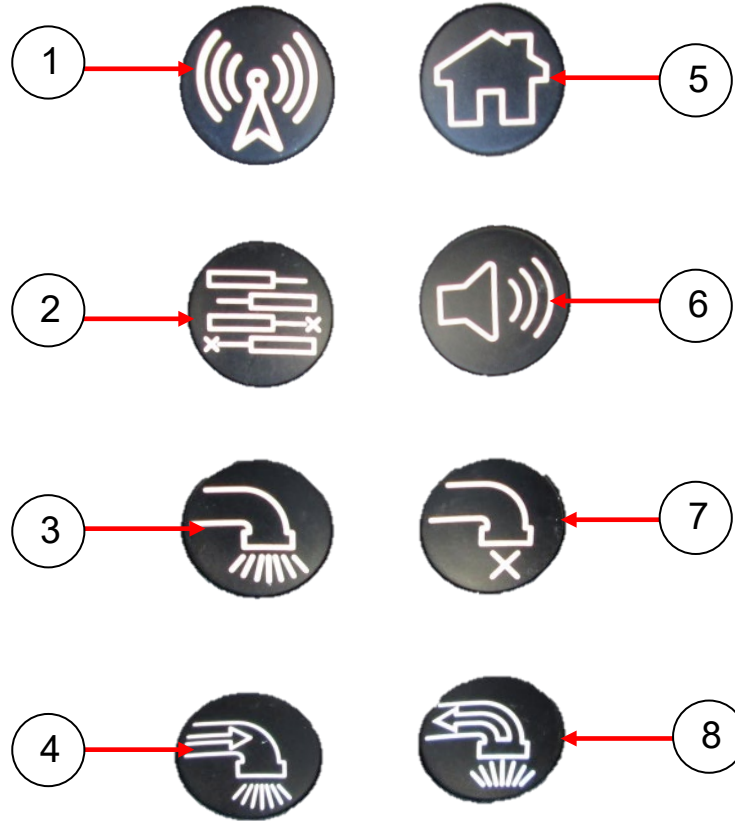
PLC CONTROLS

C-SERIES CONTROL PANEL ASSEMBLY



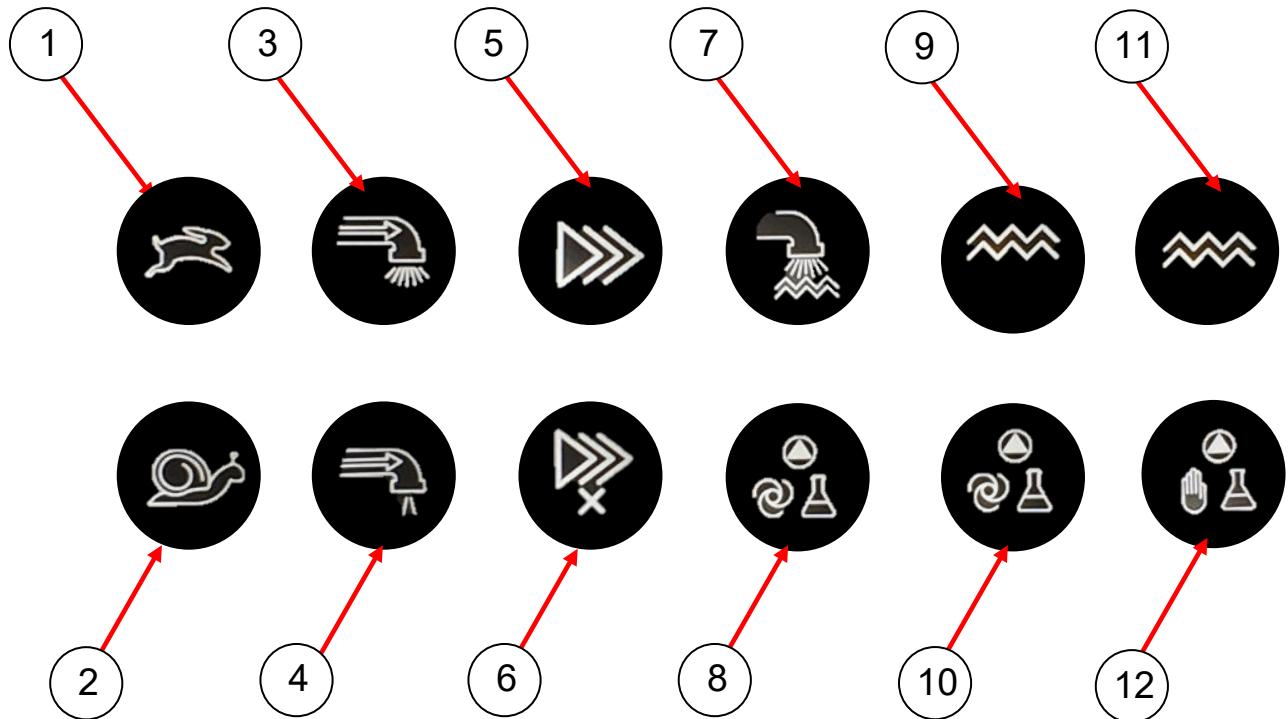
ID #	PART #	PART DESCRIPTION	QUANTITY	
	89334-T4	C-SERIES CONTROL PANEL ASSY.		
1	89090	EMERGENCY STOP PUSH BUTTON HEAVY DUTY	1	EA
2	89090-L	ILLUMINATED E-STOP RING	1	EA
3	88979-3	KEYPAD 2X4 SWITCH, PROGRAMMABLE	1	EA
4	88918	MD3, PARKER DISPLAY MODULE	1	EA
5	89092-D	DECAL CONTROL PANEL C-SER PLC	1	EA
6	89004	KEY SWITCH SEALED	1	EA
7	89092-P	PANEL FORMED FRONT, PLC C SERIES	1	EA
8	89092-PB	PANEL FORMED BACK, PLC B&C SERIES	1	EA
9	89092-C	PLC PROTECTIVE FRONT COVER	1	EA
10	88978-2	KEYPAD 2X6 SWITCH, PROGRAMMABLE	1	EA
11	89327	DISPLAY PROTECTIVE FILM	1	EA
	89113	PLC WIRING HARNESS (INTERNAL)	1	EA

KEY PAD SWITCHES INSERT KIT



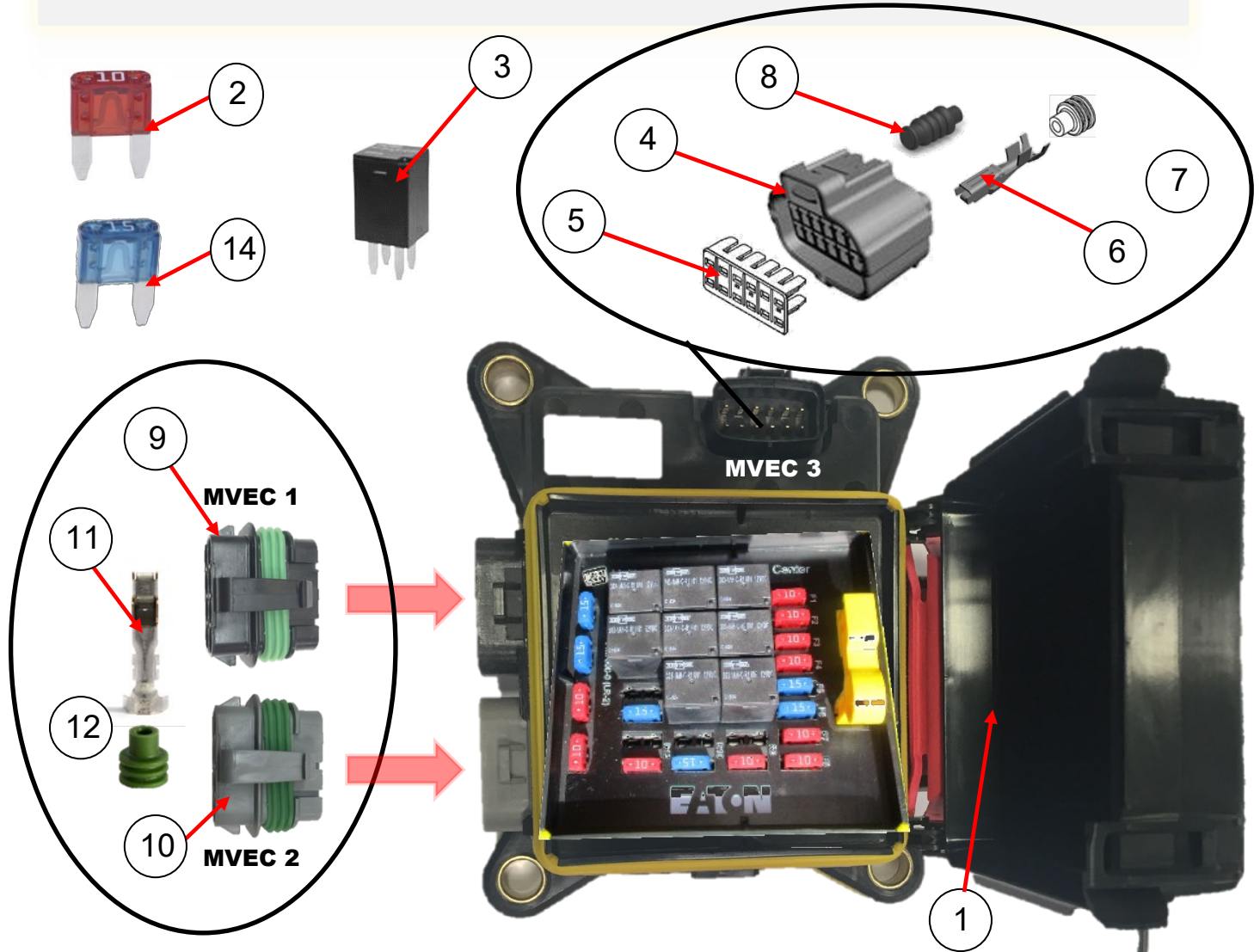
ID #	PART #	PART DESCRIPTION	QUANTITY	
	89412-BC	INSERT KIT FOR PLC SWITCH FUNCTIONS		
1	89412-2L	INSERT,REMOTE ICON CLEAR	1	EA
2	89412-4L	INSERT,PRESSURE A/B ICON CLEAR	1	EA
3	89412-5L	INSERT, PUMP ON ICON CLEAR	1	EA
4	89412-7L	INSERT,PUMP FORWARD ICON CLEAR	1	EA
5	89412-1L	INSERT,HOME ICON CLEAR	1	EA
6	89412-3L	INSERT, HORN ICON CLEAR	1	EA
7	89412-6L	INSERT, PUMP OFF ICON CLEAR	1	EA
8	89412-8L	INSERT, PUMP REVERSE ICON CLEAR	1	EA

KEY PAD SWITCHES INSERT KIT CONT.



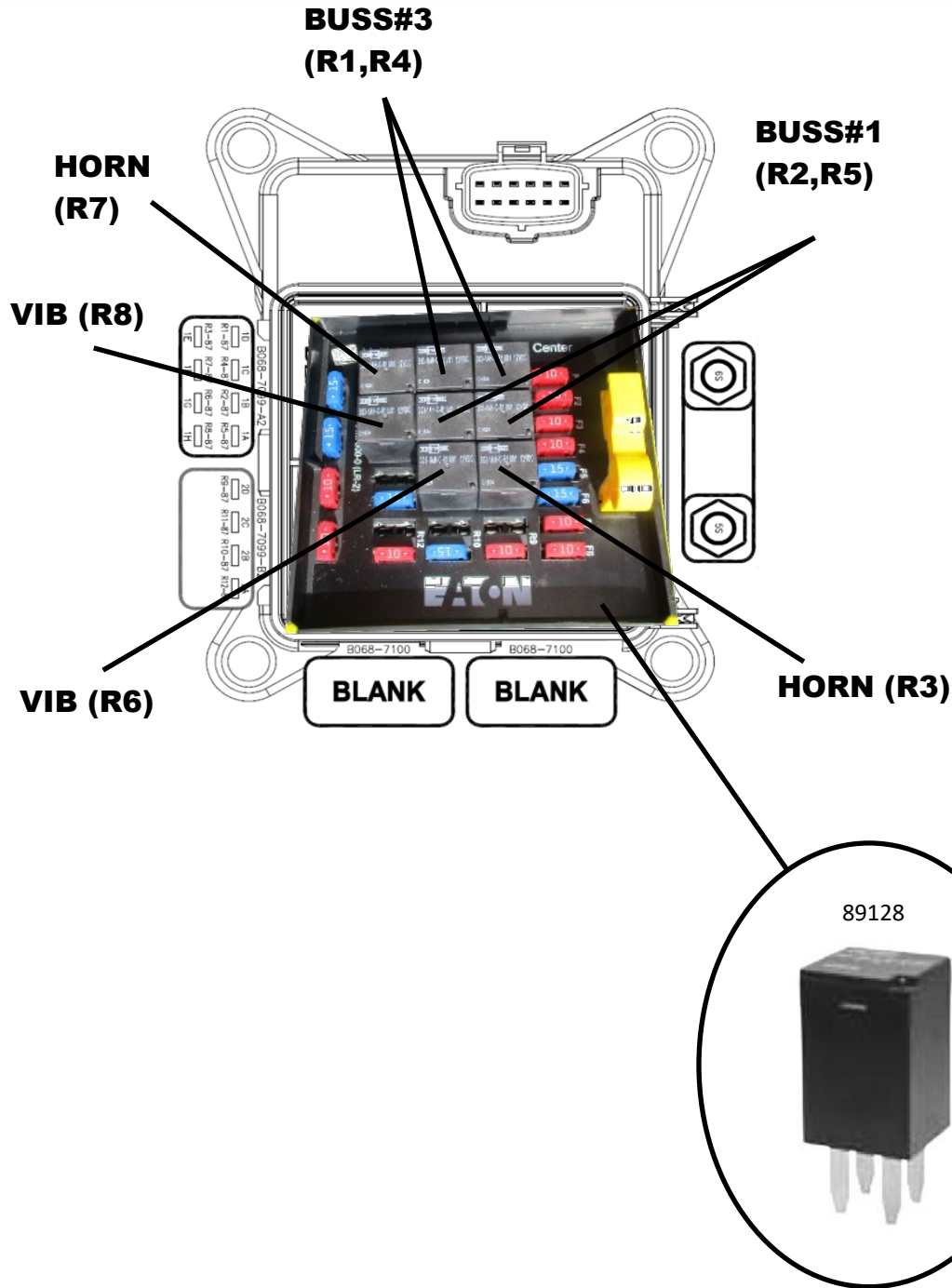
ID #	PART #	PART DESCRIPTION	QUANTITY	
	89412-BC	INSERT KIT FOR PLC SWITCH FUNCTIONS		
1	89412-9S	INSERT, THROTTLE GAIN ICON CLEAR	1	EA
2	89412-10S	INSERT, TROTTLE DROP ICON CLEAR	1	EA
3	89412-12S	INSERT, PUMP VOLUME (-) CLEAR	1	EA
4	89412-11S	INSERT, PUMP VOLUME (+) CLEAR	1	EA
5	89412-13S	INSERT, FASTCHANGE ON ICON CLEAR	1	EA
6	89412-14S	INSERT, FASTCHANGE OFF ICON CLEAR	1	EA
7	89412-15S	INSERT, VIBRATOR AUTO ICON CLEAR	1	EA
8	89412-16S	INSERT, CEM AUTO ICON CLEAR	1	EA
9	89412-17S	INSERT, VIBRATOR OFF ICON CLEAR	1	EA
10	89412-18S	INSERT, CEM OFF ICON CLEAR	1	EA
11	89412-19S	INSERT, VIBRATOR ON ICOM CLEAR	1	EA
12	89412-20S	INSERT, CEM ON ICOM CLEAR	1	EA

MVEC/FUSE/RELAY

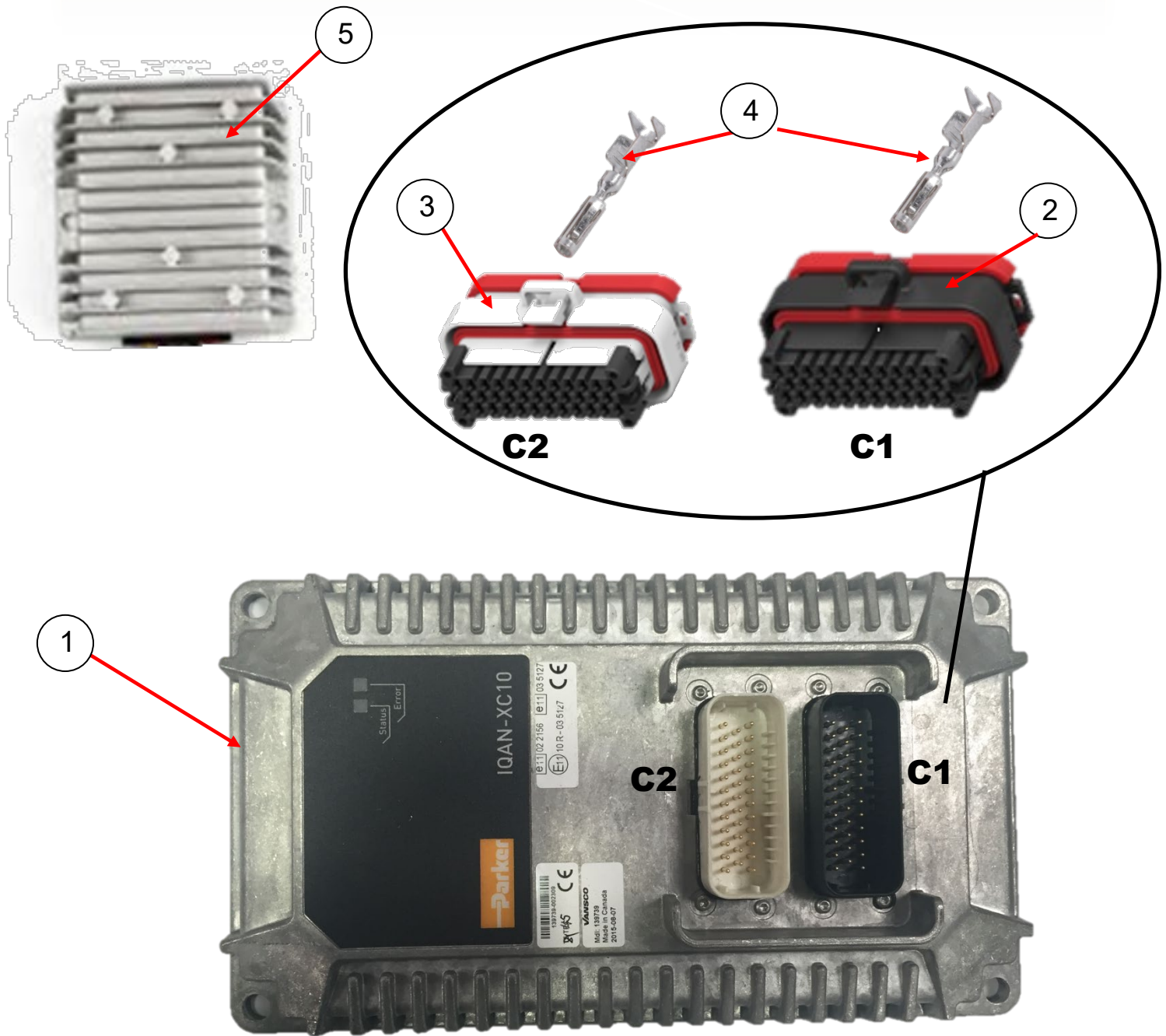


ID #	PART #	PART DESCRIPTION	QUANTITY	
1	88980	MVEC, 12 RELAY, BUSSMAN	1	EA
2	88953	AUTOMOTIVE MINITURE BLADE FUSE 10AMP	12	EA
3	89128	MVEC,RELAY,12V	8	EA
4	89112	AMP, PLUG 2X6, (MVEC 3)	1	EA
5	89112-1	AMP, WEDGE, 89112 (MVEC 3)	1	EA
6	89112-2	AMP, FEMALE, PIN, TERMINAL (MVEC 3)	5	EA
7	89112-3	AMP, WIRE SEAL, ORANGE (MVEC 3)	5	EA
8	89112-4	AMP, CAVITY PLUG (MVEC 3)	7	EA
9	89110	METRIPACK PLUG,2X4 (MVEC 1-BLK)	1	EA
10	89111	METRIPACK PLUG, 2X4 (MVEC 2-GRY)	1	EA
11	88960	TERMINAL PINS FEMALE AUTOMOTIVE	12	EA
12	89110-6	AMP, WIRE SEAL, (MVEC1-2, GREEN)	12	EA
13	89110-1	AMP, CAVITY PLUG, GREEN(MVEC 1)	4	EA
14	88954	AUTOMOTIVE MINITURE BLADE FUSE 15 AMP	6	EA

MVEC/FUSE/RELAY

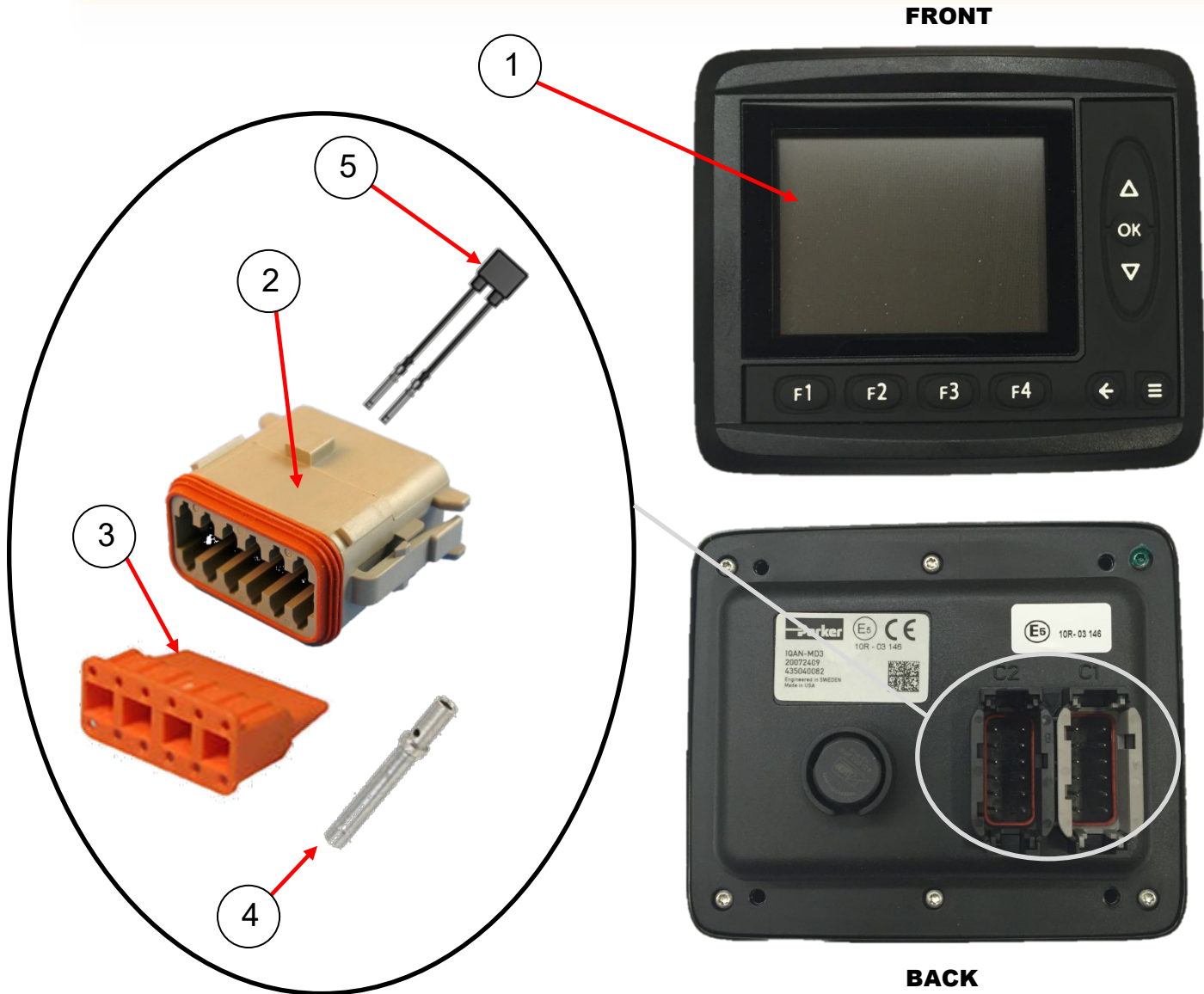


EXPANSION MODULE PARKER IQAN-XC10



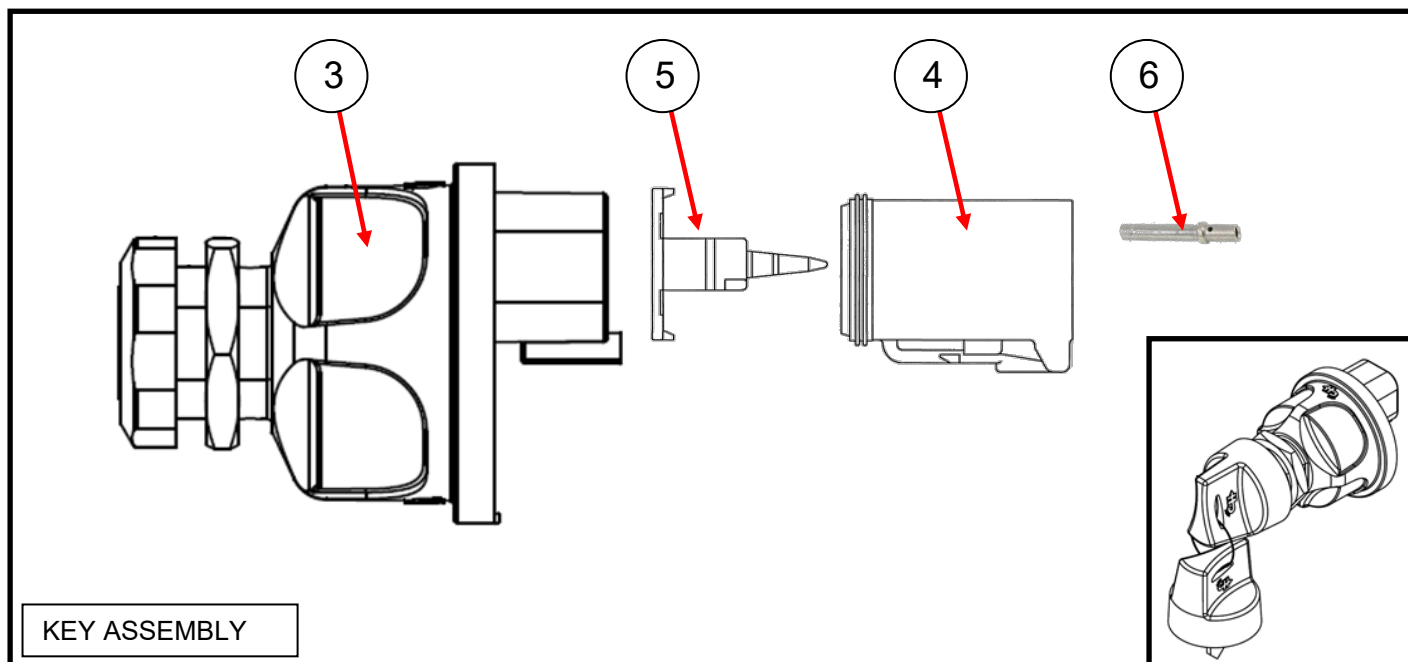
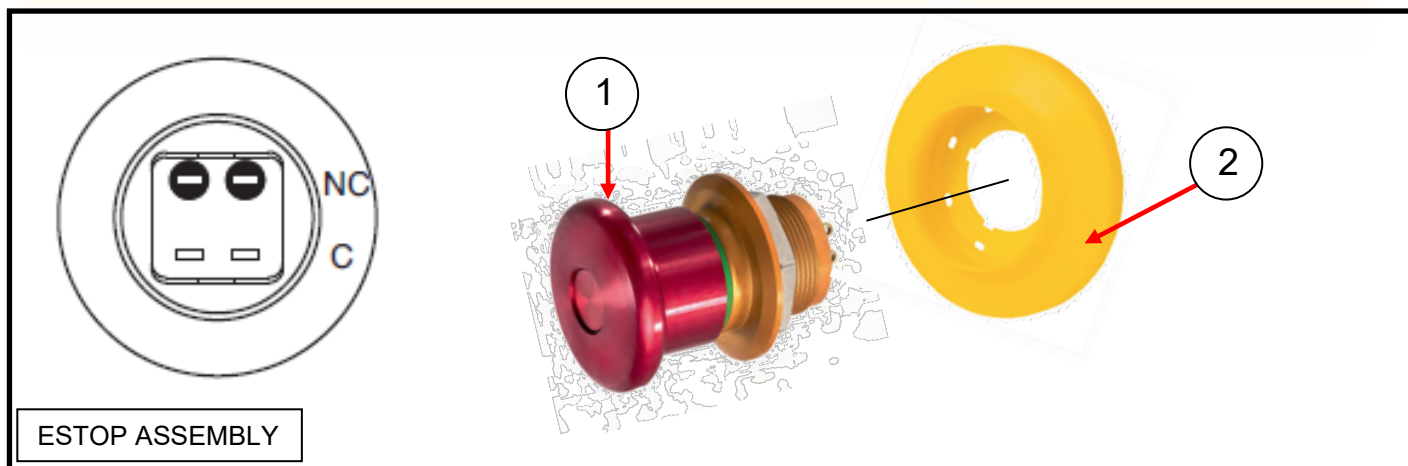
ID #	PART #	PART DESCRIPTION	QUANTITY	
1	88919	XC10, PARKER EXPANSION MODULE	1	EA
2	88945	AMP, 35 POS SEAL PLUG, BLACK (C1)	1	EA
3	88946	AMP, 35 POS SEAL PLUG, WHITE (C2)	1	EA
4	88945-S	AMP, CONTACT PIN (C1,C2)	38	EA
5	89090-C	DC/DC CONVERTER 12VDC TO 24VDC	1	EA

MD3 DISPLAY MODULE



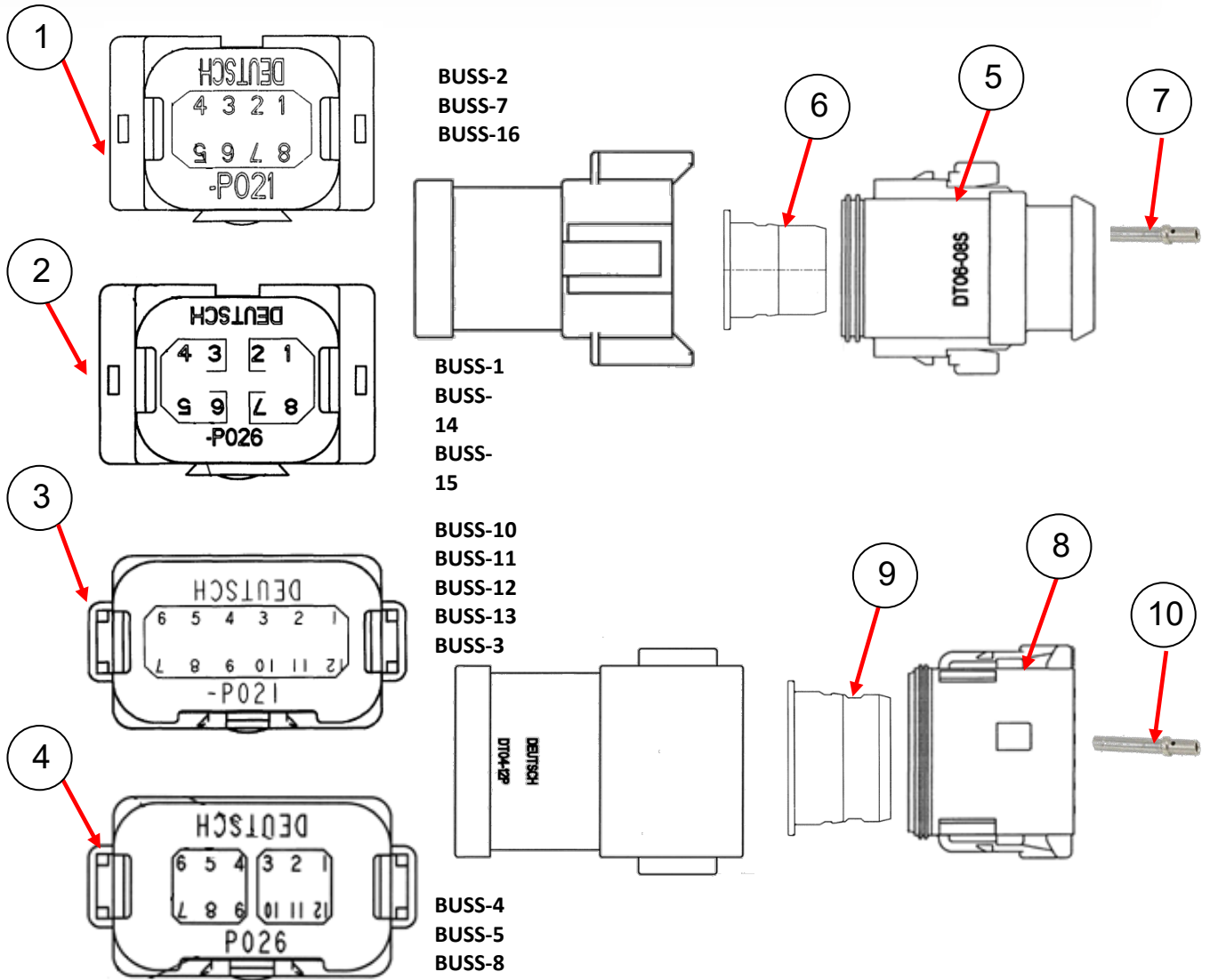
ID #	PART #	PART DESCRIPTION	QUANTITY	
1	88918	MD3,PARKER DISPLAY	1	EA
2	88653	PLUG DTM 12 WAY A KEY, GREY (C1)	1	EA
3	88653-2	WEDGELOCK DTM 12 WAY PLUG (C1)	1	EA
4	88959	CONTACT SOCKET SIZE 20 (7.5 AMP) (C1)	9	EA
5	89136	ADDRESS 3 IDTAG WITH DEUTSCH TERMINALS (1K OHM)	1	EA
6	89327	SCREEN PROTECTOR, MD3	REF	

ESTOP, KEY ASSEMBLY, PLUGS



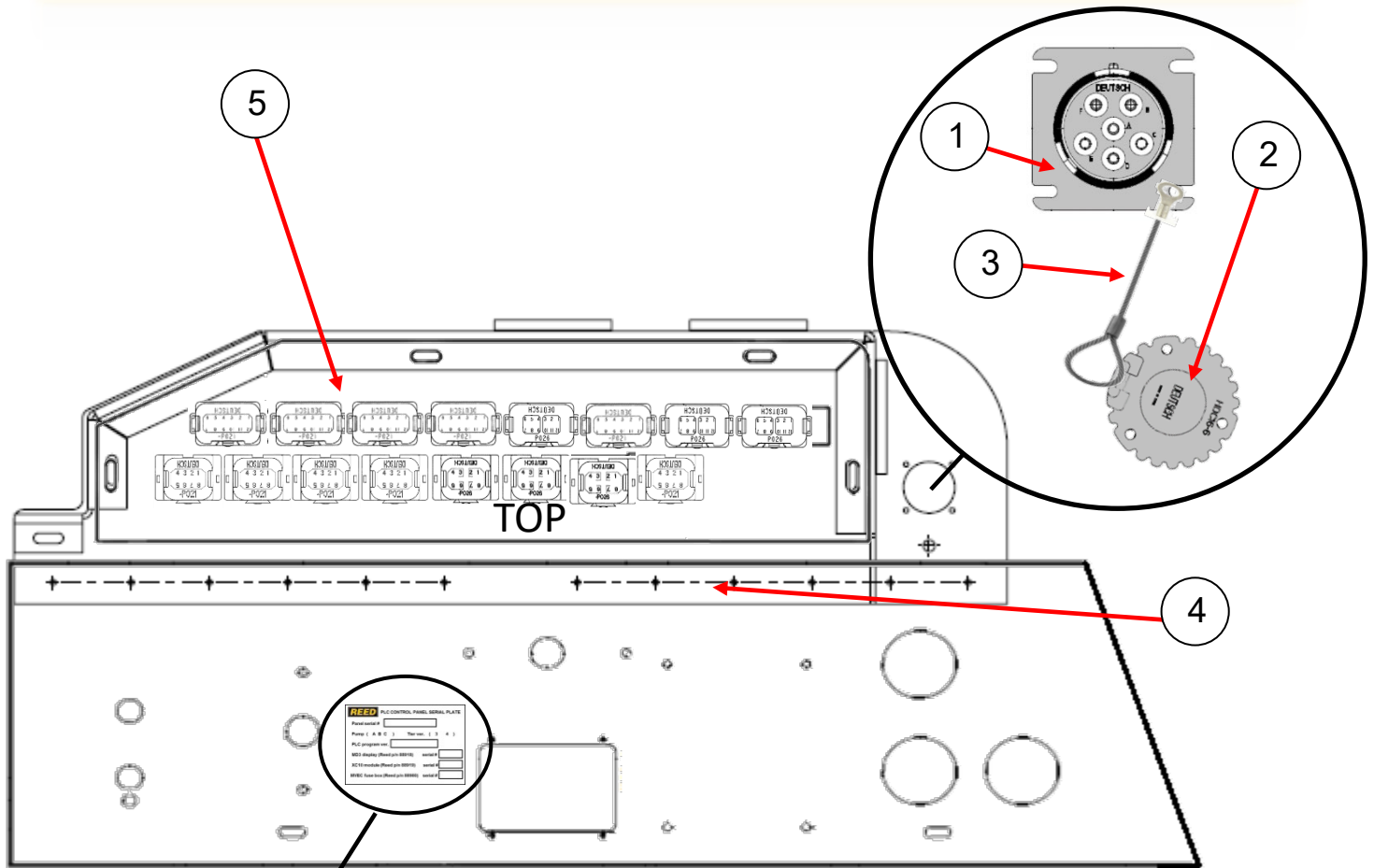
ID #	PART #	PART DESCRIPTION	QUANTITY	
1	89090	EMERGENCY STOP BUTTON HEAVY DUTY	1	REF
2	89090-L	ILLUMINATED E-STOP RING	1	REF
3	89004	KEY SWITCH SEALED	1	REF
4	89107	DEUSCH DT06, 1X6	1	QTY
5	89108	DEUTSCH WEDGE LOCK FOR 89107	1	QTY
6	BW10147	DEUTSCH CONTACT SOCKET, 16AWG	6	QTY

BUSSES, CONNECTORS, PINS



ID #	PART #	PART DESCRIPTION	QUANTITY	
1	89180	DEUTSCH DT04 BUS, 1X8 (SOLID)	3	EA
2	89181	DEUTSCH DT04 BUS, 2X4 (SPLIT)	3	EA
3	89106	DEUTSCH DT04 BUS, 1X12 (SOLID)	5	EA
4	89103	DEUTSCH DT04 BUS, 2X6 (SPLIT)	3	EA
5	89179	DEUTSCH DT06 PLUG, 2X4	5	EA
6	88542-1	WEDGE LOCK FOR 88542	5	EA
7	BW10147	CONTACT SOCKET PIN, SIZE16, 13 AMP		EA
8	89104	DEUTSCH DT06 PLUG, 2X6	3	EA
9	89105	WEDGE LOCK FOR 89104	8	EA
10	BW10147	CONTACT SOCKET PIN, SIZE16, 13 AMP		EA

SERIAL PLATE, REMOTE PLUG



Serial Plate Identification

Panel serial #

Pump type

PLC program

REED PLC CONTROL PANEL SERIAL PLATE

Panel serial #

Pump (A B C) Tier ver. (3 4)

PLC program ver.

MD3 display (Reed p/n 88918) serial #

XC10 module (Reed p/n 88919) serial #

MVEC fuse box (Reed p/n 88980) serial #

Tier version

Display serial #

Expansion module serial #

Fuse/Relay box serial #

ID #	PART #	PART DESCRIPTION	QUANTITY	
1	89223	DEUTSCH HD10 PLUG FALANGED 6 PIN	1	EA
2	89223-C	DUST CAP FOR 89223	1	EA
3	89402	CHAIN SASH LANYARD	1	EA
4	89124	HINGE PIANO 1"X12" LONG	2	EA
5	89237	BUSS PLATE	1	EA

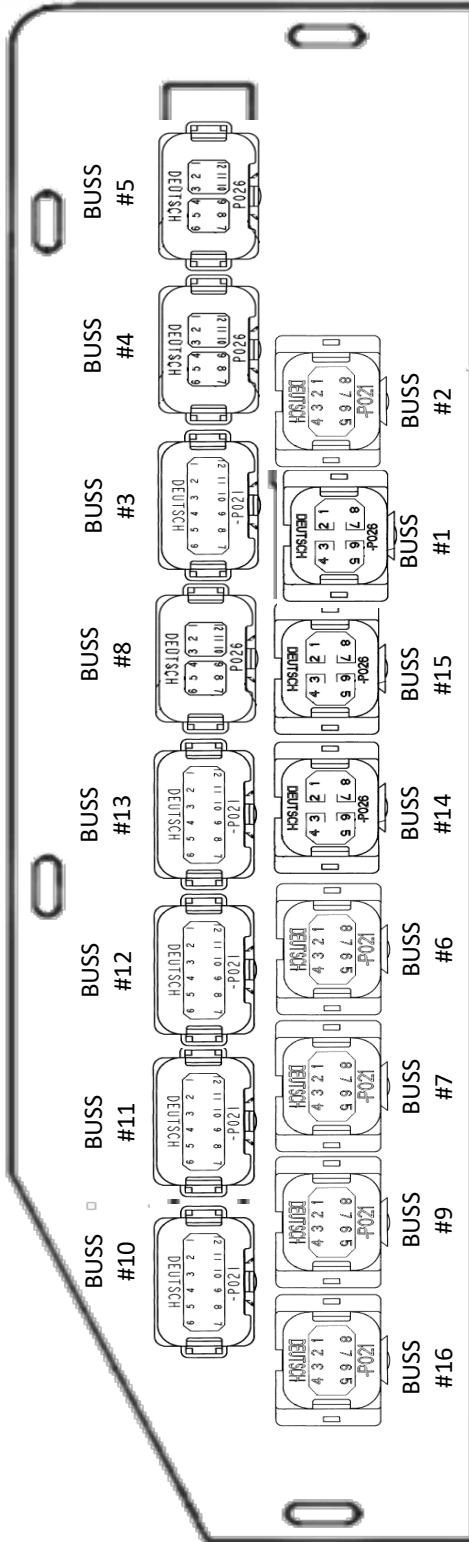


C50SS-V22

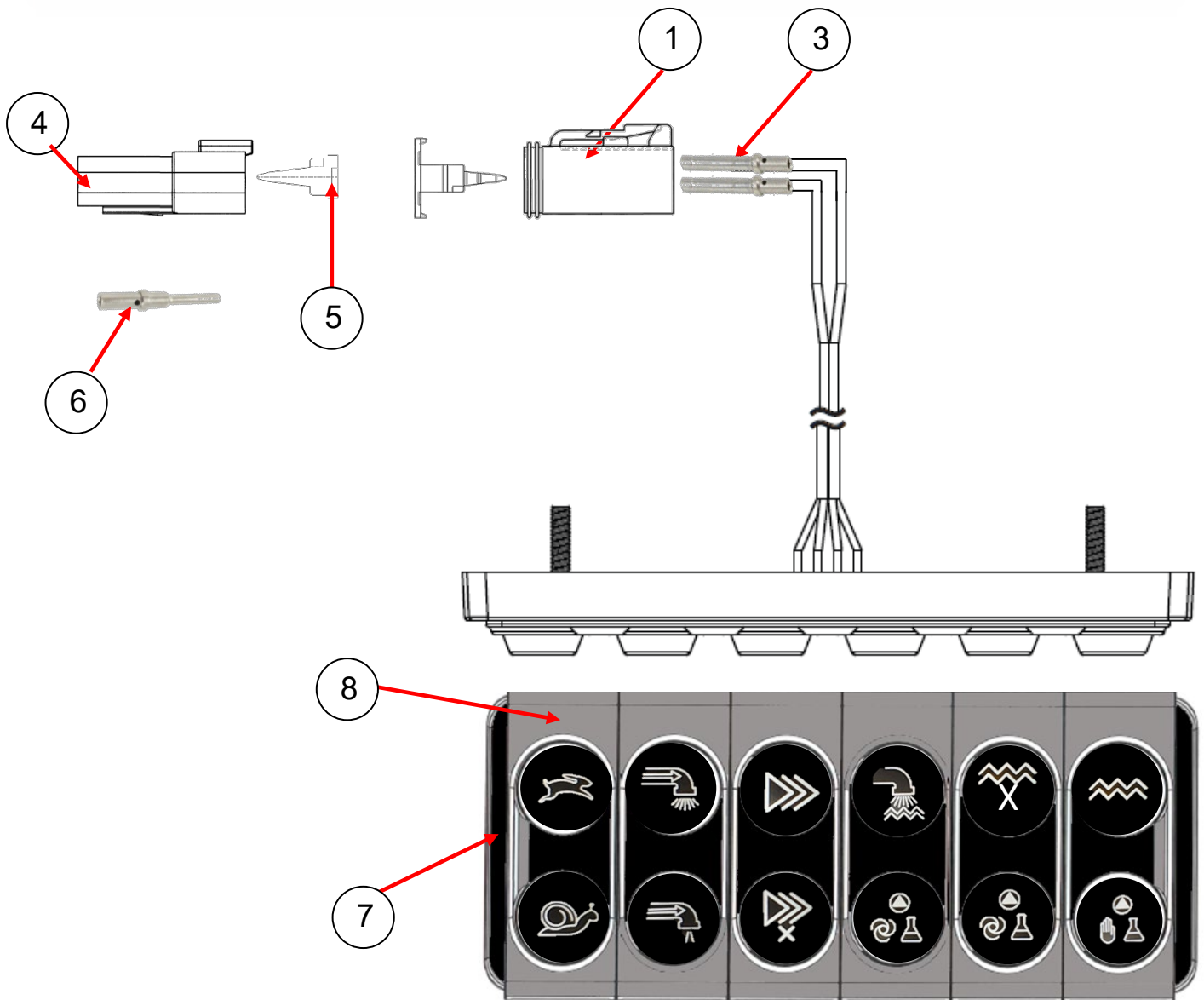
PARTS

13822 Oaks Avenue
Chino, CA 91710
reedpumps.com
1-(909) 287 - 2100

BUSS BAR SET-UP



CAN PUSH BUTTON SWITCH PLUG SWITCH A

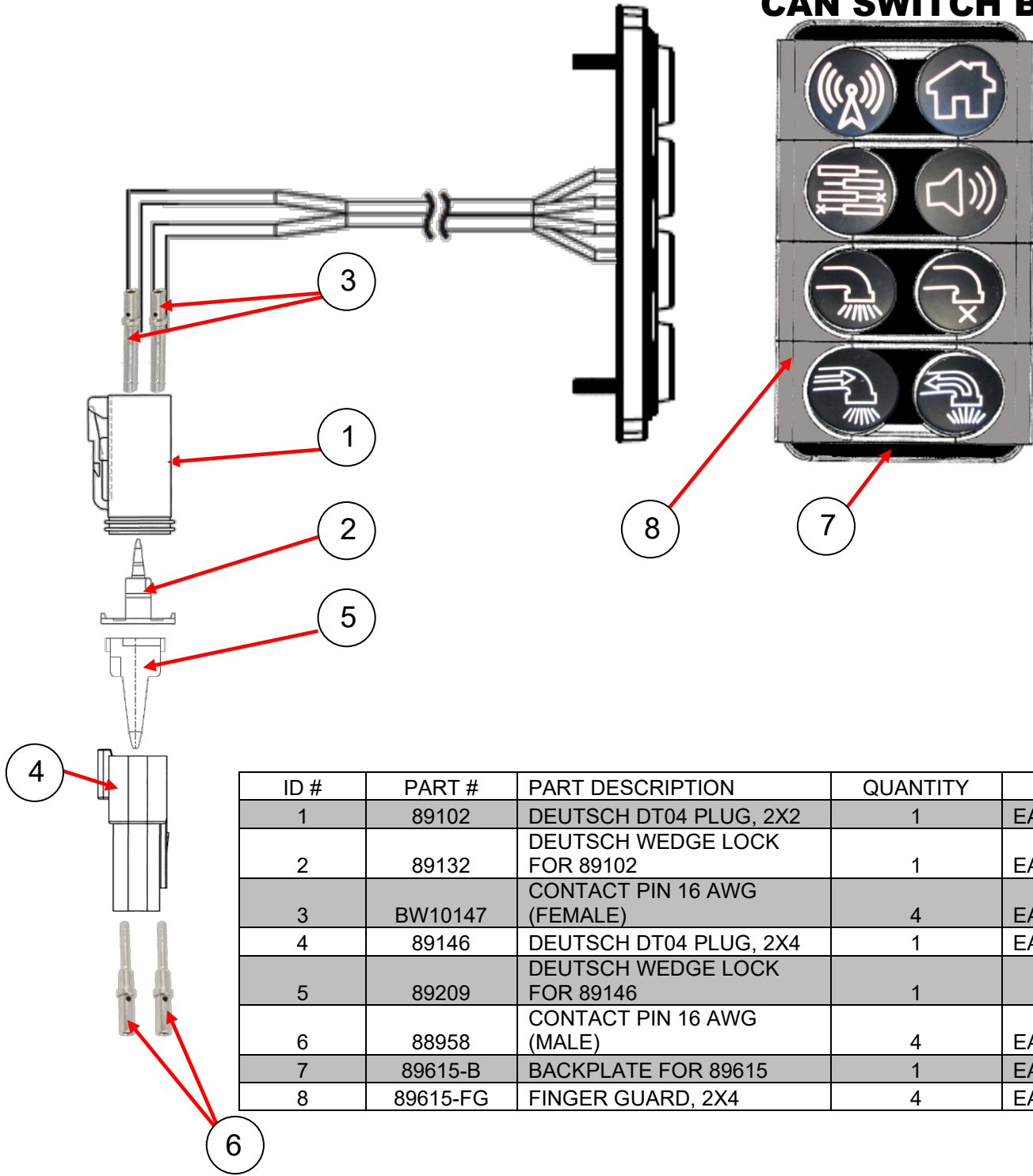


CAN SWITCH A

ID #	PART #	PART DESCRIPTION	QUANTITY	
1	89102	DEUTSCH DT04 PLUG, 2X2	1	EA
2	89132	DEUTSCH WEDGE LOCK FOR 89102	1	EA
3	BW10147	CONTACT PIN 16 AWG (FEMALE)	4	EA
4	89146	DEUTSCH DT04 PLUG, 2X4	1	EA
5	89209	DEUTSCH WEDGE LOCK FOR 89146	1	EA
6	88958	CONTACT PIN 16 AWG (MALE)	4	EA
7	89616-B	BACKPLATE FOR 89616	1	EA
8	89616-FG	FINGER GUARD, 2X6	6	EA

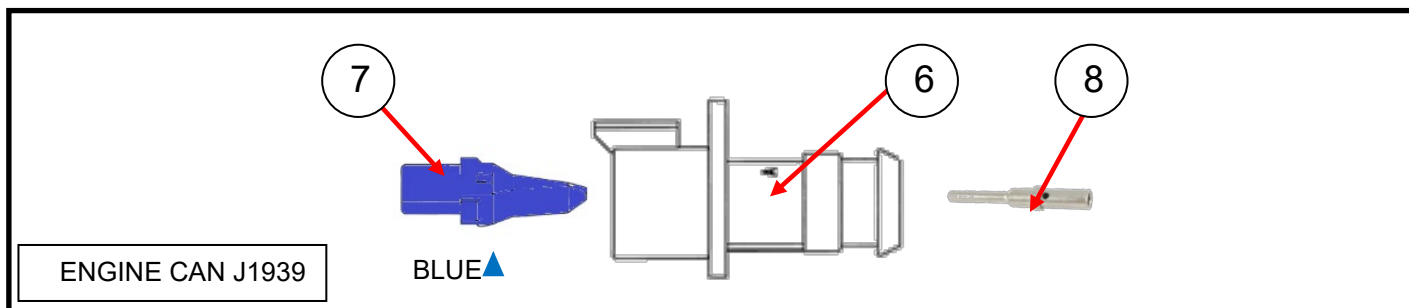
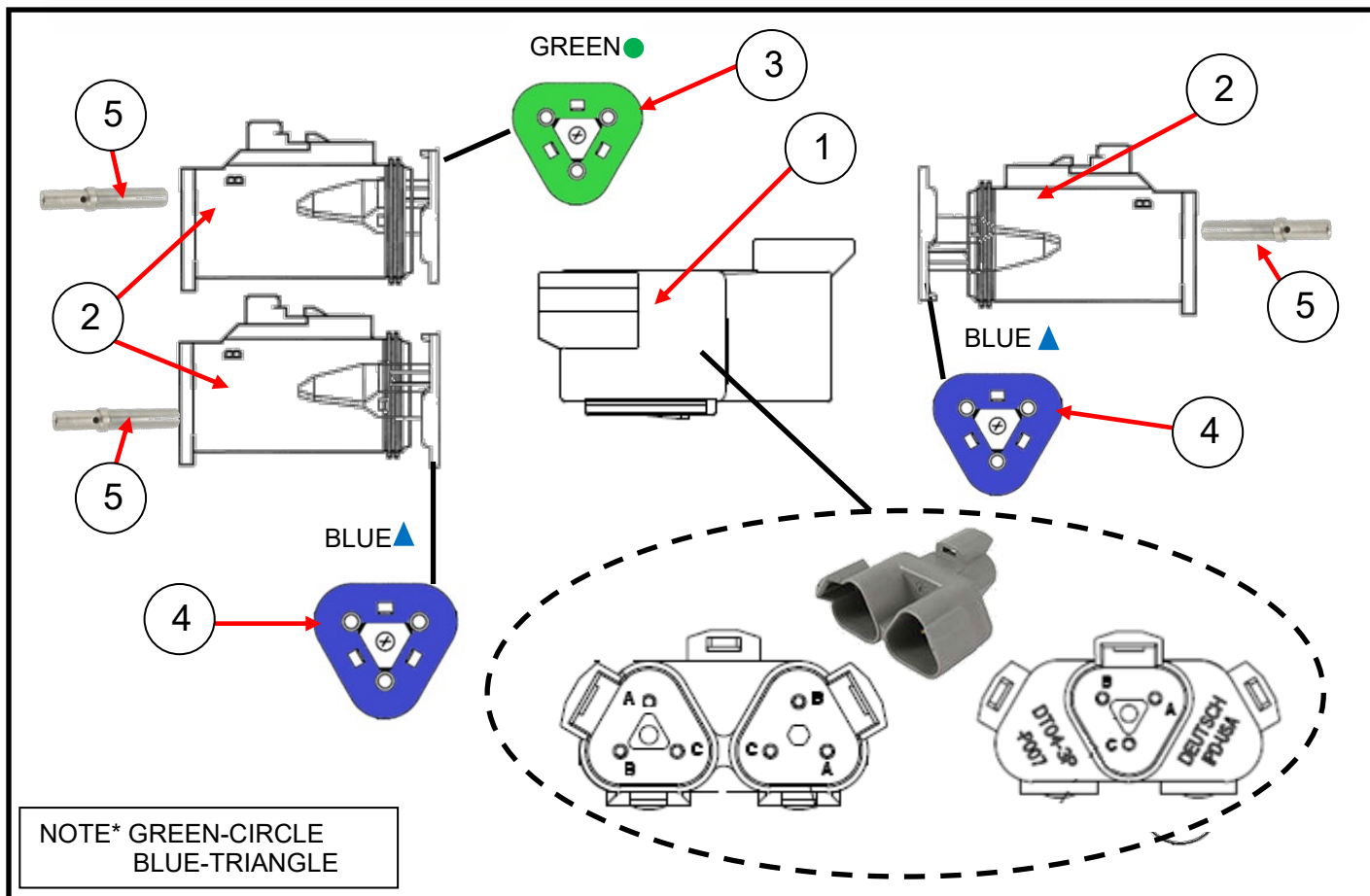
CAN PUSH BUTTON SWITCH PLUG SWITCH B

CAN SWITCH B



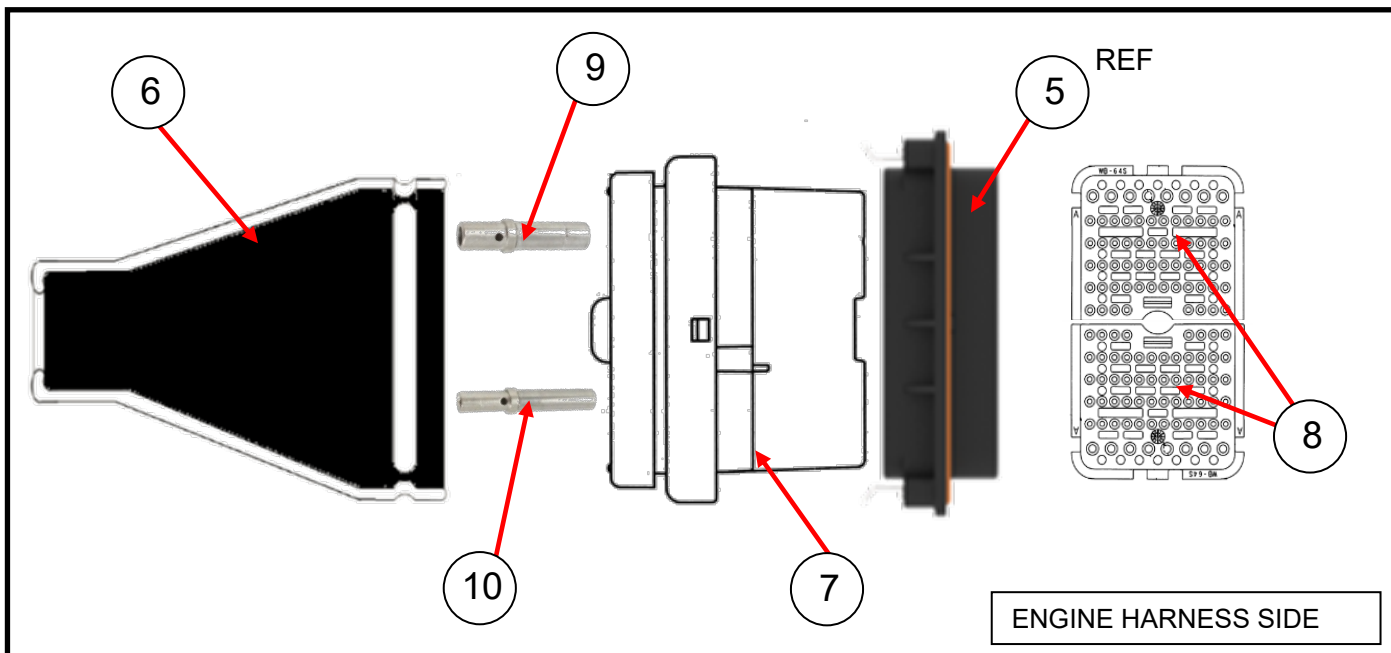
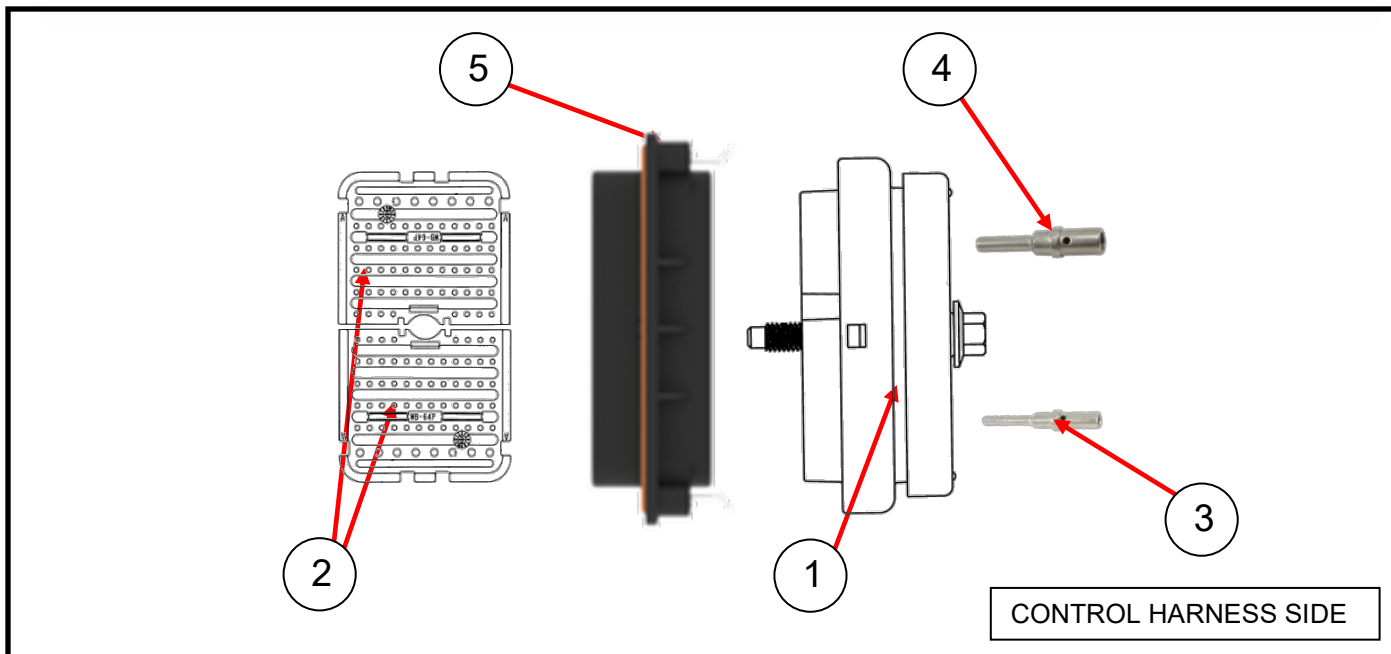
ID #	PART #	PART DESCRIPTION	QUANTITY	
1	89102	DEUTSCH DT04 PLUG, 2X2	1	EA
2	89132	DEUTSCH WEDGE LOCK FOR 89102	1	EA
3	BW10147	CONTACT PIN 16 AWG (FEMALE)	4	EA
4	89146	DEUTSCH DT04 PLUG, 2X4	1	EA
5	89209	DEUTSCH WEDGE LOCK FOR 89146	1	
6	88958	CONTACT PIN 16 AWG (MALE)	4	EA
7	89615-B	BACKPLATE FOR 89615	1	EA
8	89615-FG	FINGER GUARD, 2X4	4	EA

CAN PLUGS, CONNECTORS



ID #	PART #	PART DESCRIPTION	QUANTITY	
1	88934	3 WAY T RECEPTICAL, DT SER.	1	EA
2	88935	3 WAY PLUG DT SER.	3	EA
3	88936	WEDGE LOCK FOR 3 WAY PLUG (GREEN)	2	EA
4	88937	WEDGE LOCK FOR 3 WAY PLUG (BLUE)	1	EA
5	BW10147	CONTACT SOCKETS, 16 AWG (FEMALE)	9	EA
6	88932	3 WAY RECEPTACLES, FLANGE MOUNT-LE08 MOD.	1	EA
7	88938	KEYED WEDGE LOCK FOR 3 WAY RECPT. DT SERIES	1	EA
8	88958	CONTACT PIN, 16 AWG (MALE)	3	EA

DEUTSCH 128 PLUG ASSEMBLY



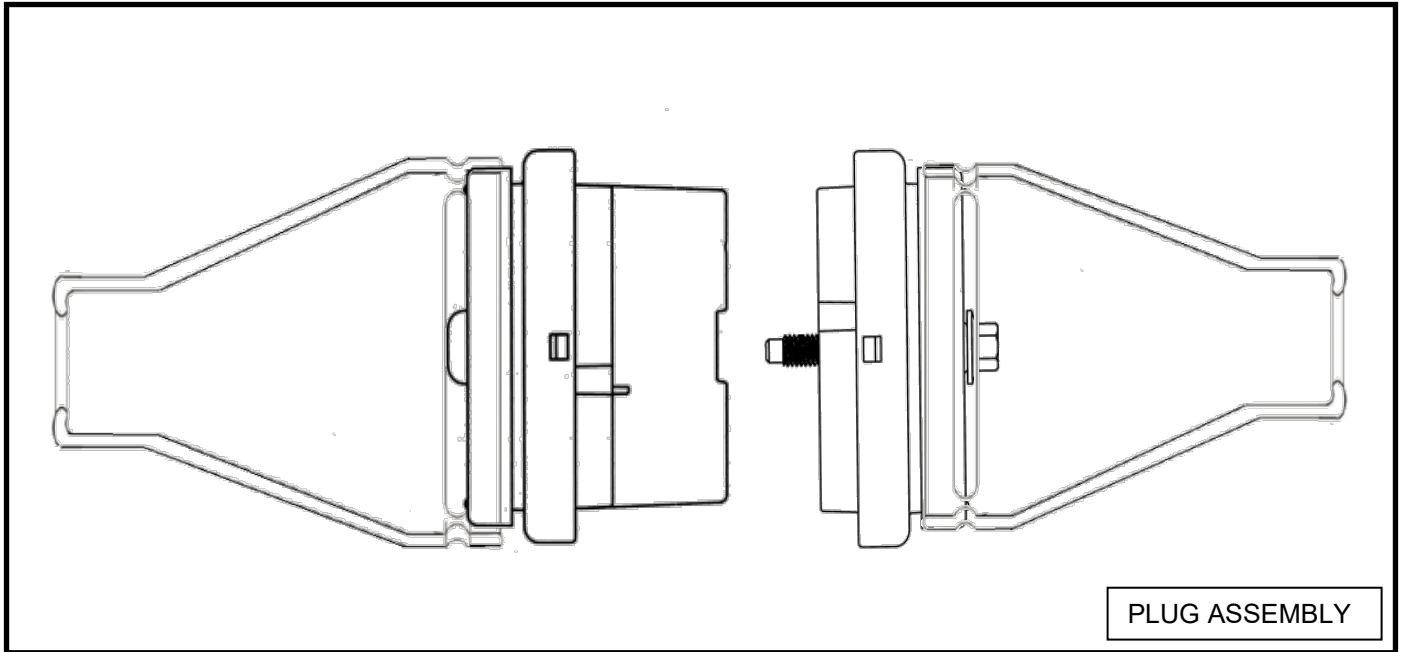


C50SS-V22

PARTS

13822 Oaks Avenue
Chino, CA 91710
reedpumps.com
1-(909) 287 - 2100

DEUTSCH 128 PLUG ASSEMBLY CONT.



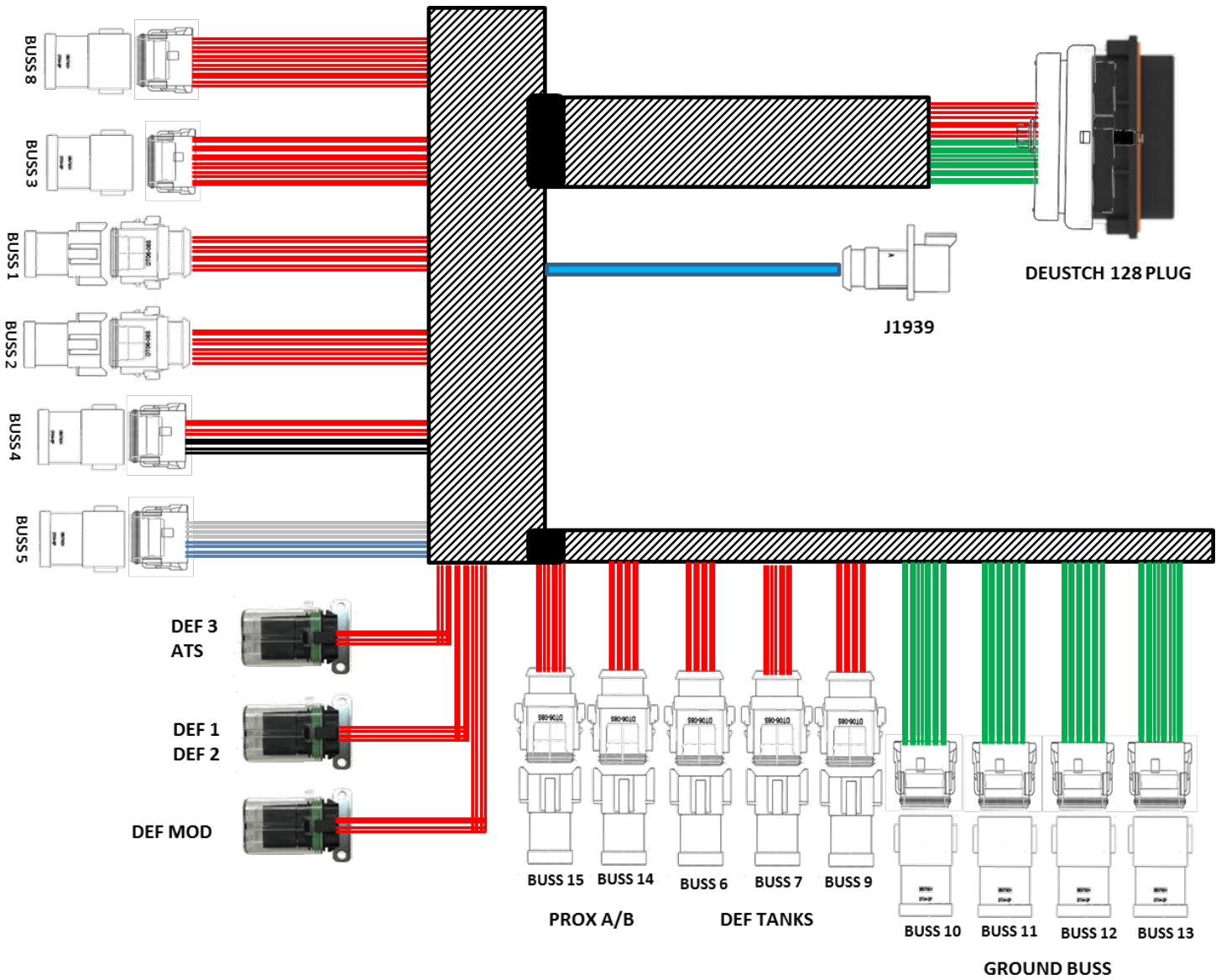
ID #	PART #	PART DESCRIPTION	QUANTITY	
1	89109	DEUTSCH RECEPTACLE 128 CONTACT, PIN	1	EA
2	89159	DEUTSCH WEDGE LOCK FOR 89157	2	EA
3	88958	CONTACT PIN SIZE 16 AWG, (MALE)	72	EA
4	87807	CONTACT PIN SIZE 12 AWG, (MALE)	16	EA
5	89158	DEUTSCH RECEPTACLE, FLANGE	1	EA
6	89109-B	DEUTSCH, BOOT COVER	1	EA
7	89157	DEUTSCH RECEPTACLE 128 CONTACT, SOCKET	1	EA
8	89116	DEUTSCH WEDGE LOCK FOR 89157	2	EA
9	87457	CONTACT SOCKET, SIZE 12 AWG, (FEMALE)	1	EA
10	BW10147	CONTACT SOCKET, SIZE 16 AWG, (FEMALE)	1	EA



C50SS-V22 PARTS

13822 Oaks Avenue
Chino, CA 91710
reedpumps.com
1-(909) 287 - 2100

WIRE HARNESS MAIN LAYOUT



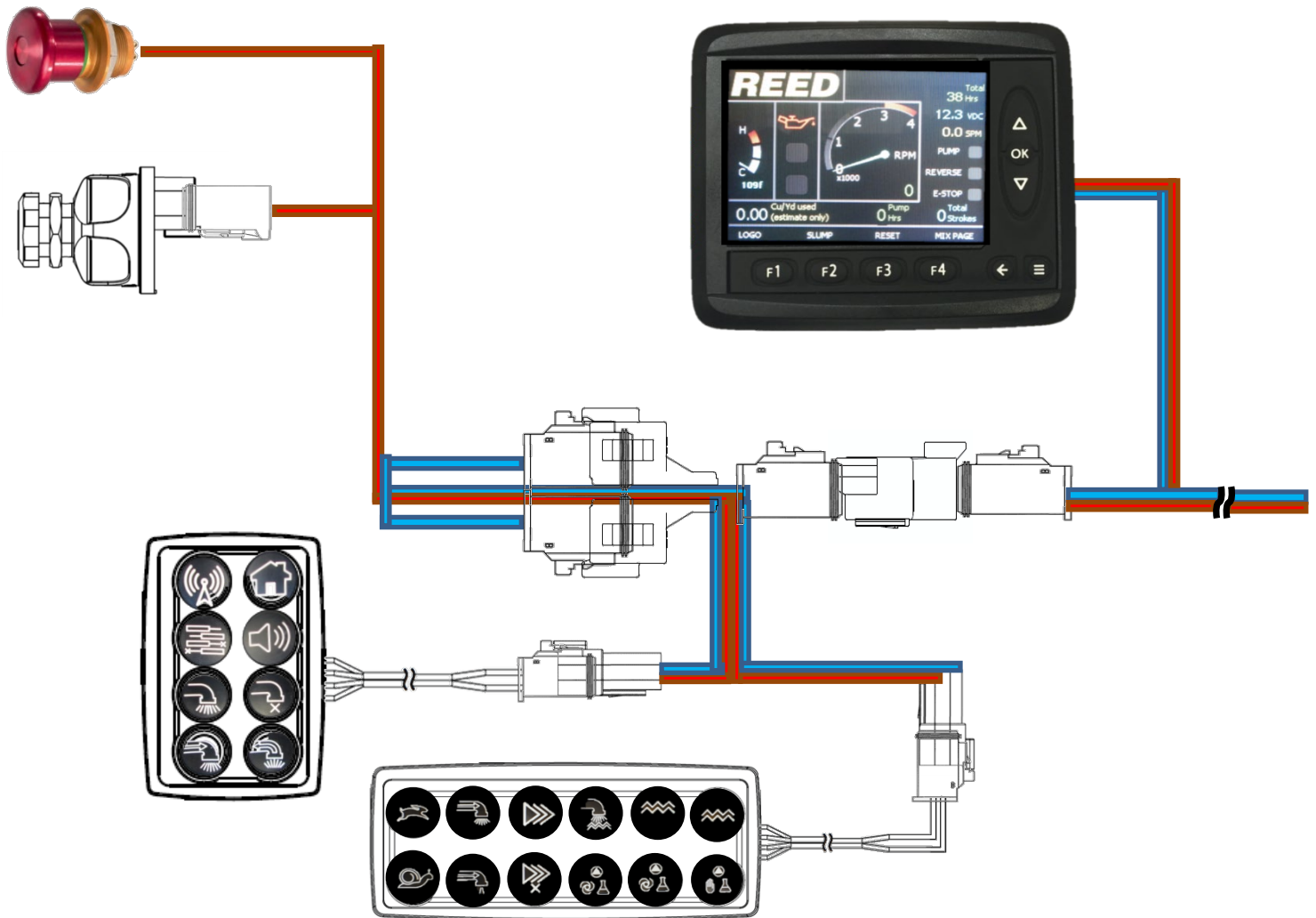


C50SS-V22

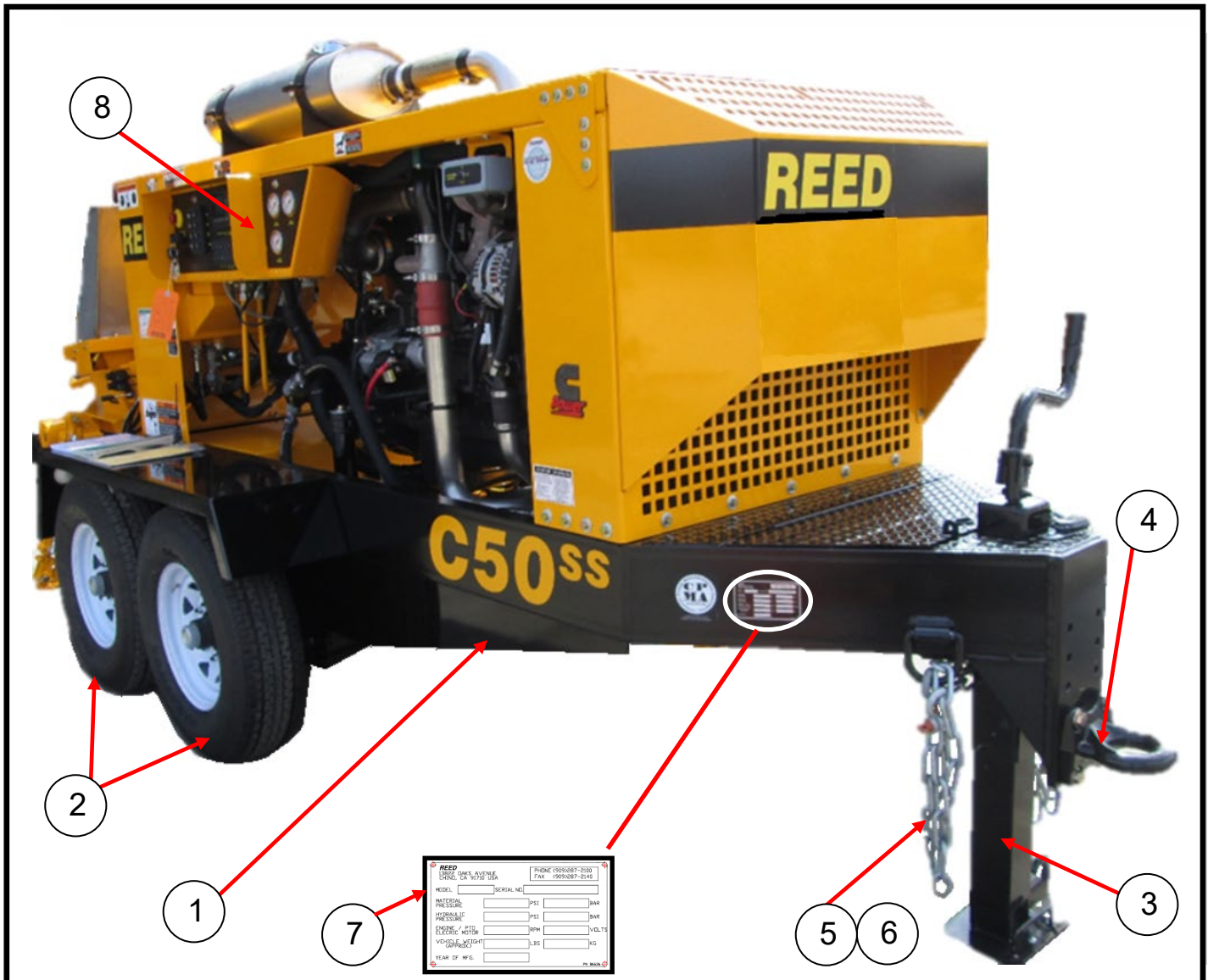
PARTS

13822 Oaks Avenue
Chino, CA 91710
reedpumps.com
1-(909) 287 - 2100

WIRE HARNESS DOOR LAYOUT

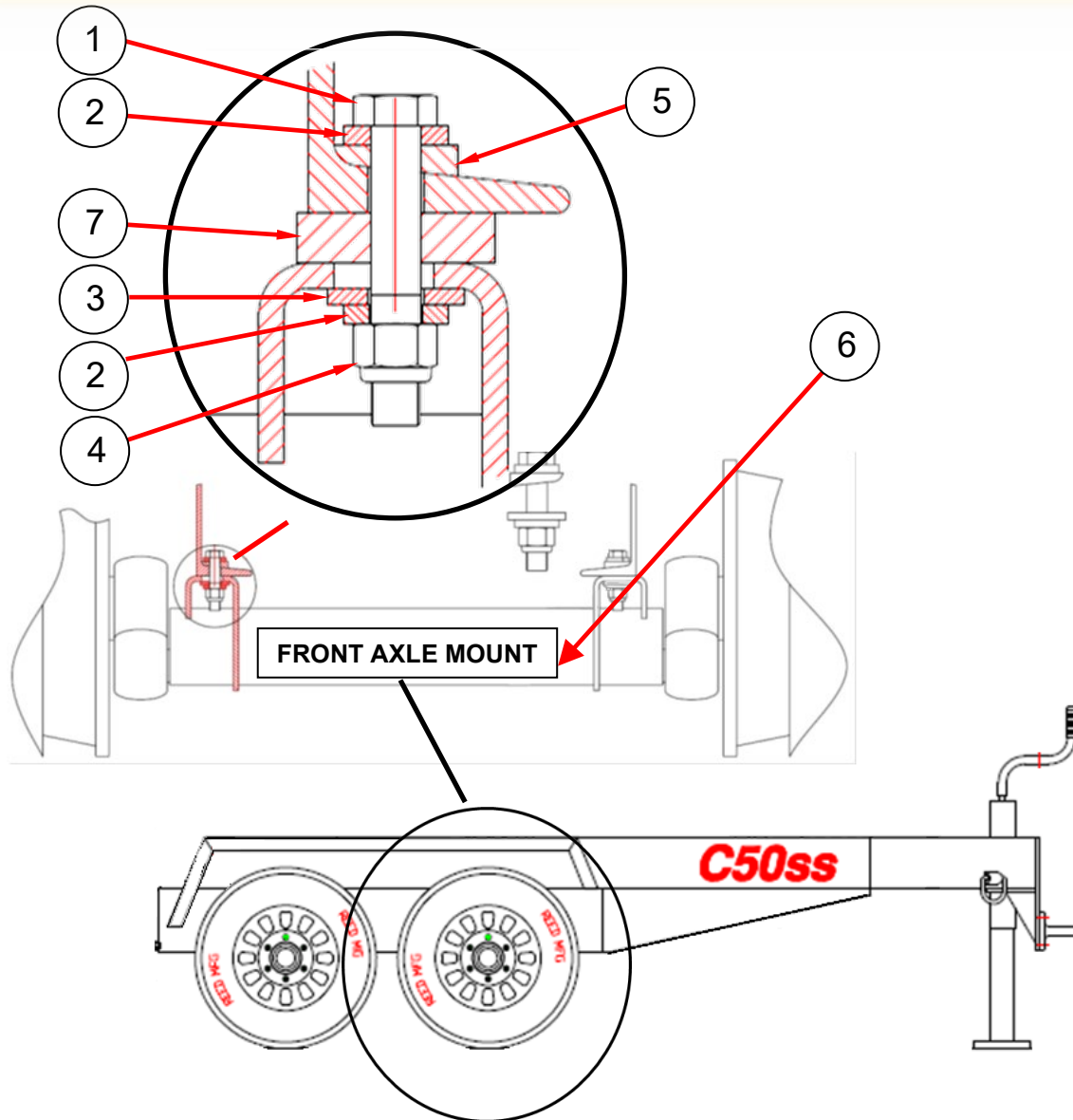


FRAME INSTALLATION FRAME, TIRES, JACK, AND TOW EYE



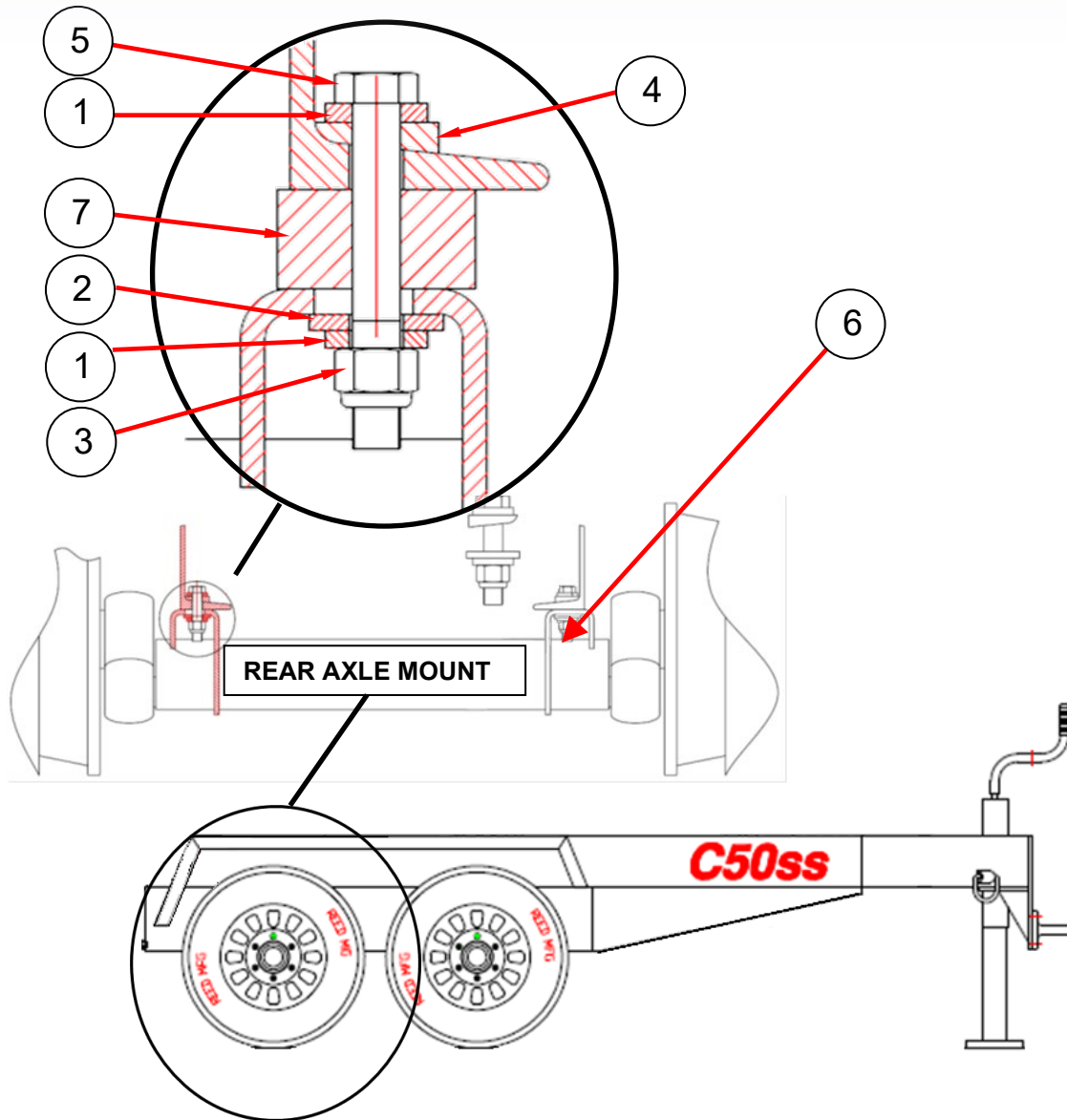
ID #	PART #	PART DESCRIPTION	QUANTITY	
	89283	FRAME ASSY C SER/CUMMINS TIER-4	1	EA
1	89282	FRAME WELDMENT C-SER /CUMMINS TIER-4	1	EA
2	85423	TIRE & WHEEL ASSY -9.50-16.5LT	4	EA
3	85123	JACK WELDMENT	1	EA
4	87037	DRAW BAR	1	EA
5	87086	CHAIN ASSEMBLY	2	IN
6	87085	SHACKLE ANCHOR, SCREW PIN, 1/2 6600	4	FT
7	803326	SERIAL NUMBER PLATE (BLANK)	1	EA
8	89334-T4	CONTROL PANEL ASSY PLC, TIER-4	1	EA

7000LB AXLE MOUNTING ASSEMBLY FRONT



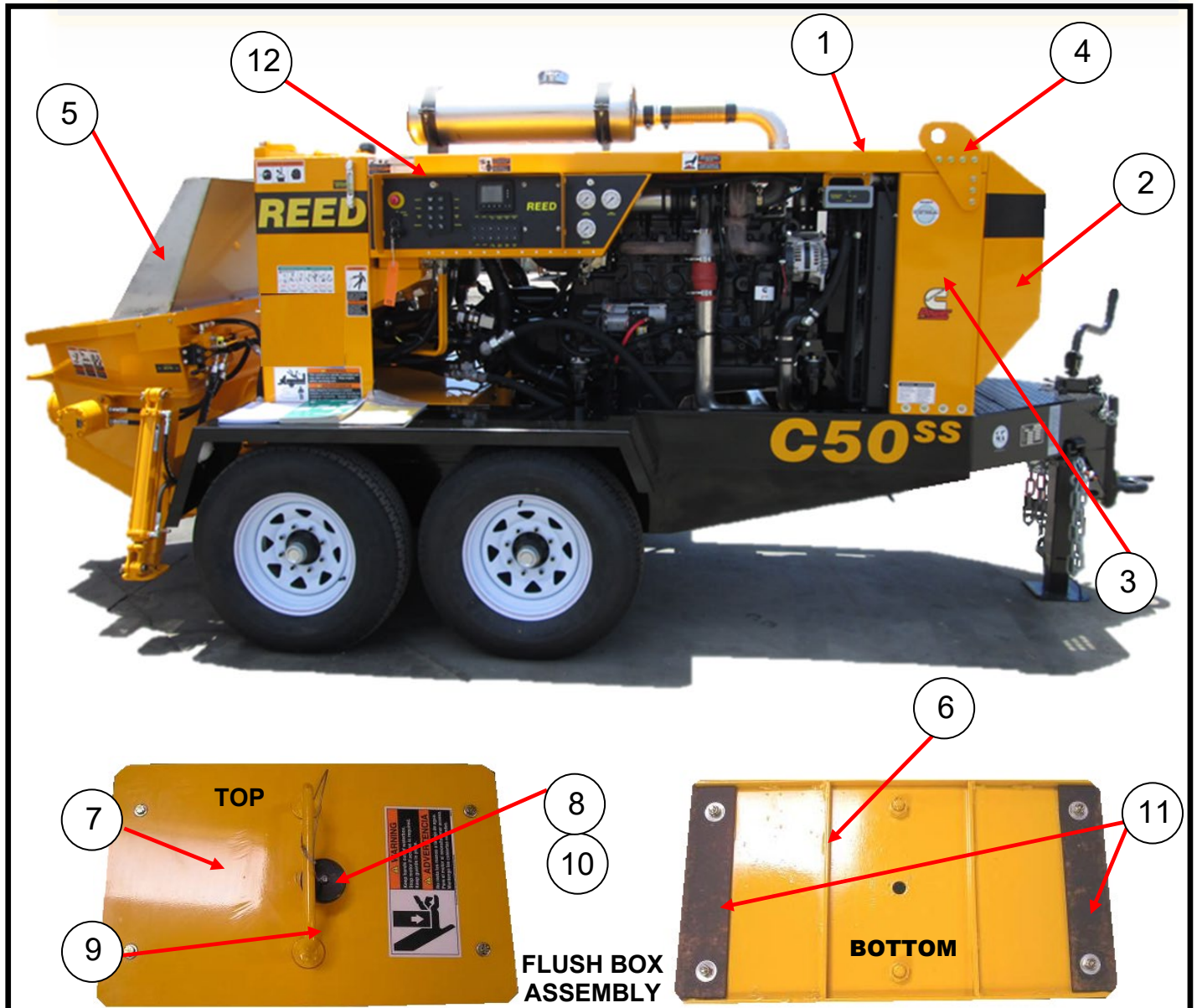
ID #	PART #	PART DESCRIPTION	QUANTITY	
		AXLE MOUNTING HARDWARE KIT	1	EA
1		1/2" -20 X 3.5 HHCS GR8	2	EA
2		1/2" SAE WASHER	8	EA
3		1/2" USE WASHER	4	EA
4		1/2" - 20 LOCK NUT	4	EA
5		1/2" BEVELED WASHER	4	EA
6	89010	AXLE, TORSION, 7000 LB	2	EA
7	89011	SPACER AXLE MOUNT FRONT	2	EA

7000LB AXLE MOUNTING ASSEMBLY REAR



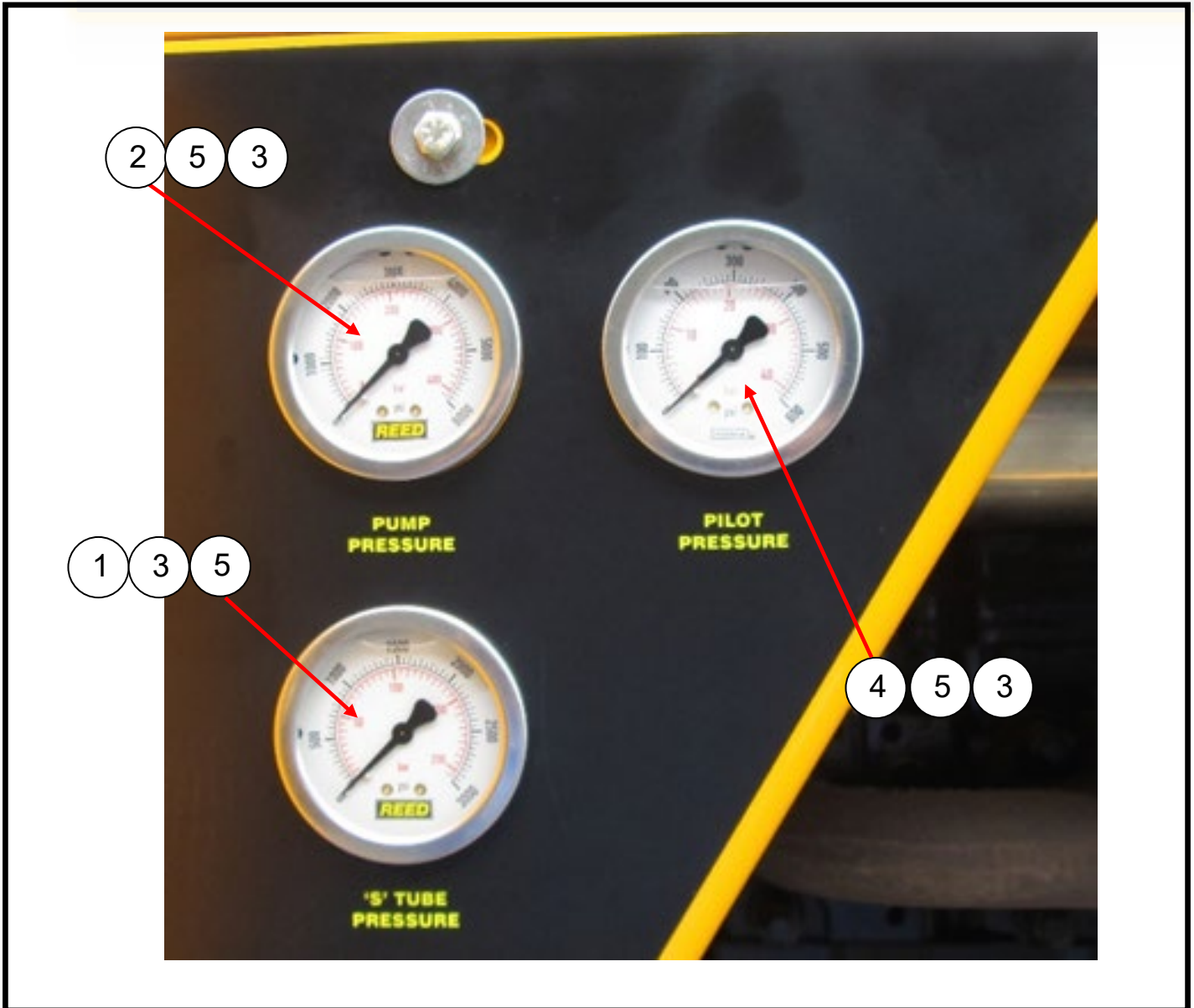
ID #	PART #	PART DESCRIPTION	QUANTITY	
		AXLE MOUNTING HARDWARE KIT	REF	
1		1/2" SAE WASHER	8	EA
2		1/2" USE WASHER	4	EA
3		1/2" - 20 LOCK NUT	4	EA
4		1/2" BEVELED WASHER	4	EA
5		1/2" -20 X 4.5 HHCS GR8	2	EA
6	89010	AXLE, TORSION, 7000 LB	2	EA
7	89012	SPACER AXLE MOUNT REAR	2	EA

HOOD AND COVERS



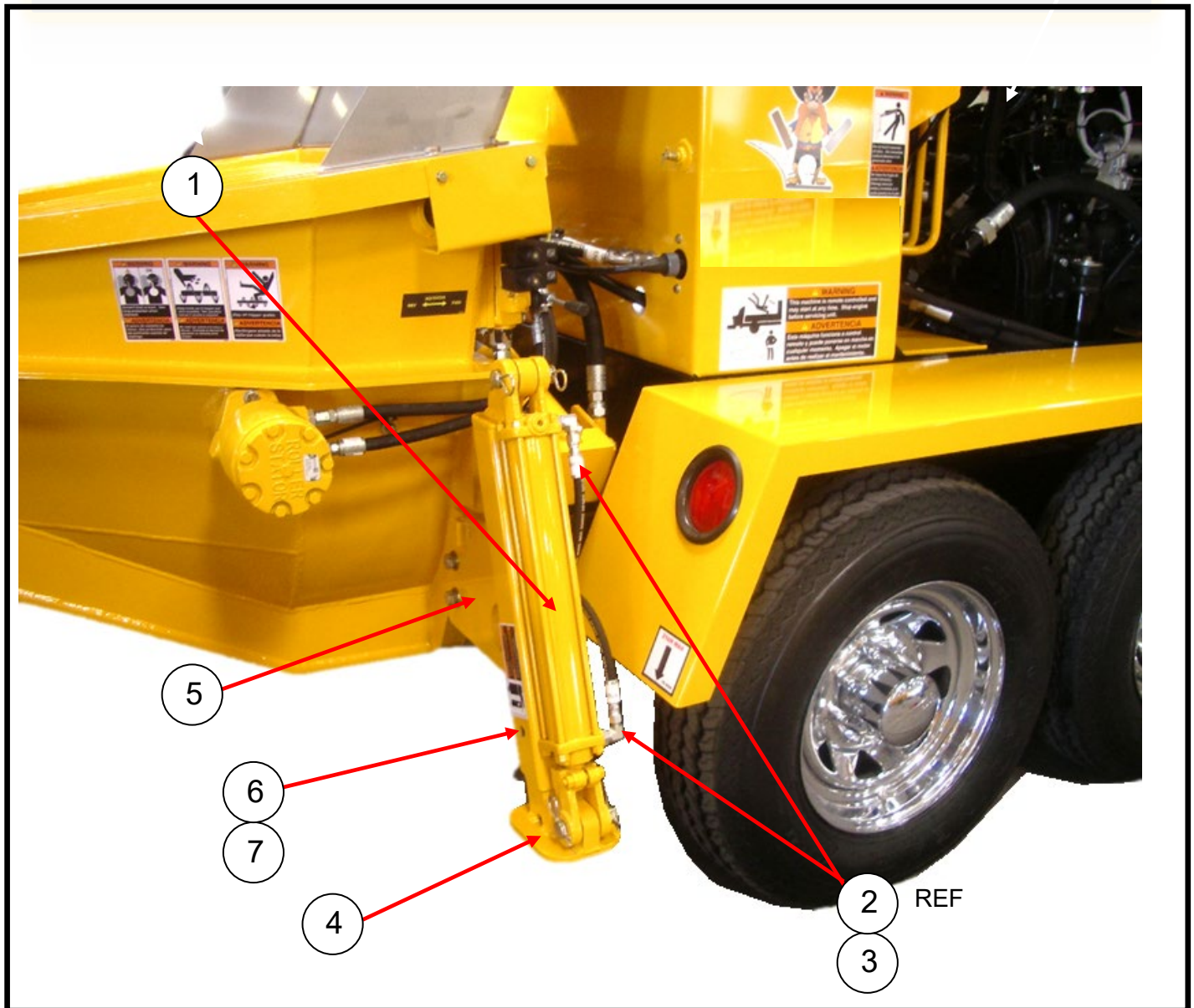
ID #	PART #	PART DESCRIPTION	QUANTITY	
1	89196	COVER TOP, C SER CUMMINS T4 PAINTED	1	EA
2	87592	COVER FRONT AIR INTAKE, PAINTED	1	EA
3	89219	COVER, ENGINE FRONT T4 PAINTED	1	EA
4	89220	GUSSET ENGINE COVER T4 PAINTED	2	
5	85390	SPLASH GUARD, B & C SERIES	1	EA
6	86106	COVER ASSY, FLUSH BOX	1	EA
7	86010	COVER WELDMENT, FLUSH BOX	1	EA
8	86105	KNOB	1	EA
9	79056	HANDLE	1	EA
10	800418	LANYARD, Q/R PIN	1	EA
11	87755	GASKET, FOR FLUSH BOX LID	1	EA
12	89092-C	RAIN SHIELD COVER	1	EA

GAUGES



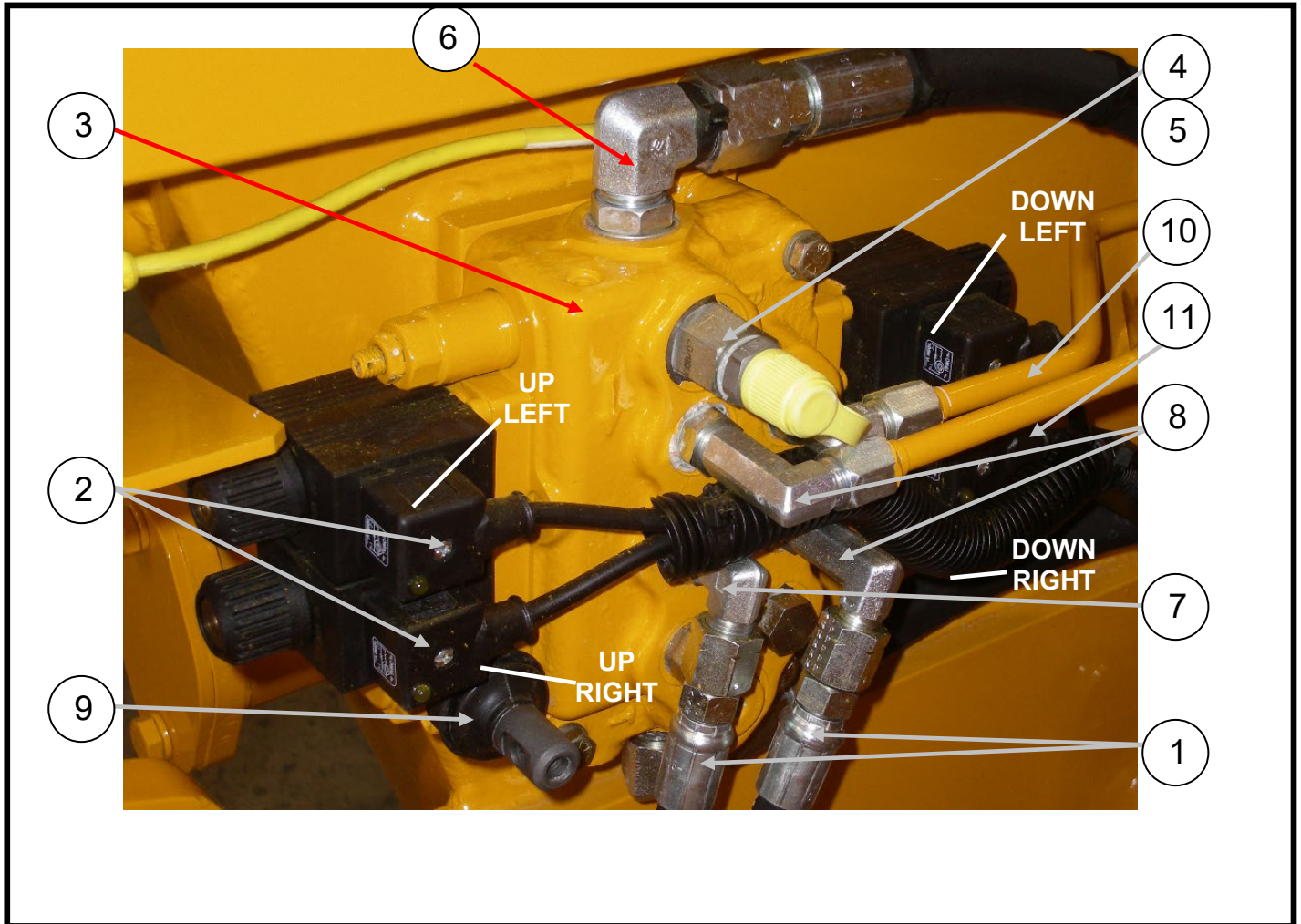
ID #	PART #	PART DESCRIPTION	QUANTITY	
1	70366	PRESSURE GAUGE 3000 PSI/BAR	1	EA
2	74562	PRESSURE GAUGE 6000 PSI/BAR	1	EA
3	803218	ADAPTER GAUGE, ¼ FPT-M16X2 MALE	3	EA
4	87727	PRESSURE GAUGE 600 PSI	1	EA
5	802842	MINICHECK HOSE, 48" 1620 END	3	EA

HYDRAULIC OUTRIGGER GROUP



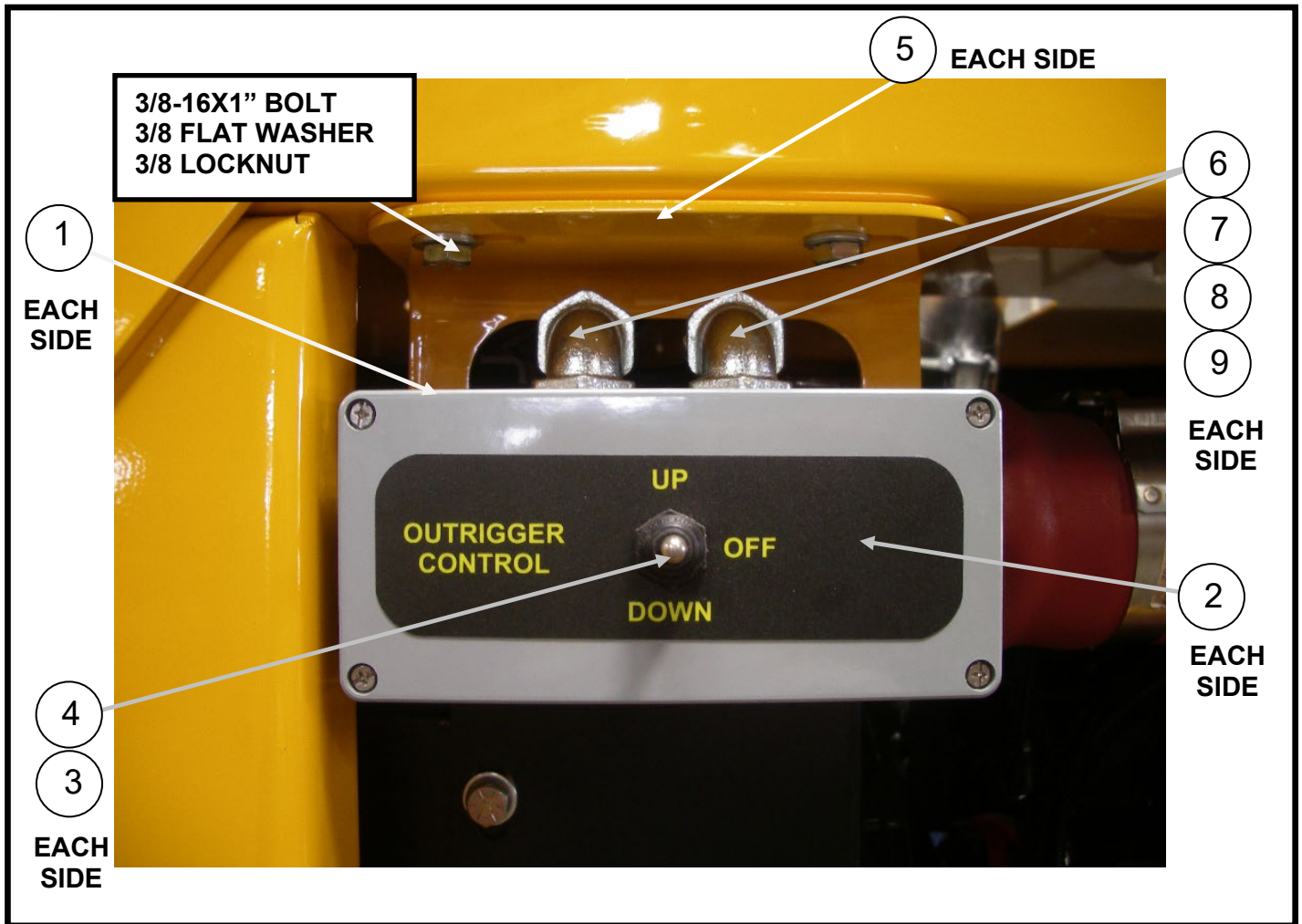
ID #	PART #	PART DESCRIPTION	QUANTITY	
	88041-AO1	AGITR-OUTRIGGER ASSY (REMOTE)	REF	
1	86574	HYD CYL – 2.00 BORE X 12.00 STR – PAINTED	2	EA
2	85659-010	HOSE, 4M2T-6FJX-6FJX-33.00	REF	EA
3	86746	FITTING, 90° MB-MJ90-8-10	4	EA
4	86553	OUTRIGGER WELDMNT, INNER-PAINTED	2	EA
5	86557	OUTERTUBE, O/R B & C - PAINTED	2	EA
6	85595	PIN, Q/R, 5/8 DIA X 3 1/2 L	2	EA
7	800418	LANYARD, Q/R PIN	2	EA

ELECTRIC HYDRAULIC OUTRIGGER



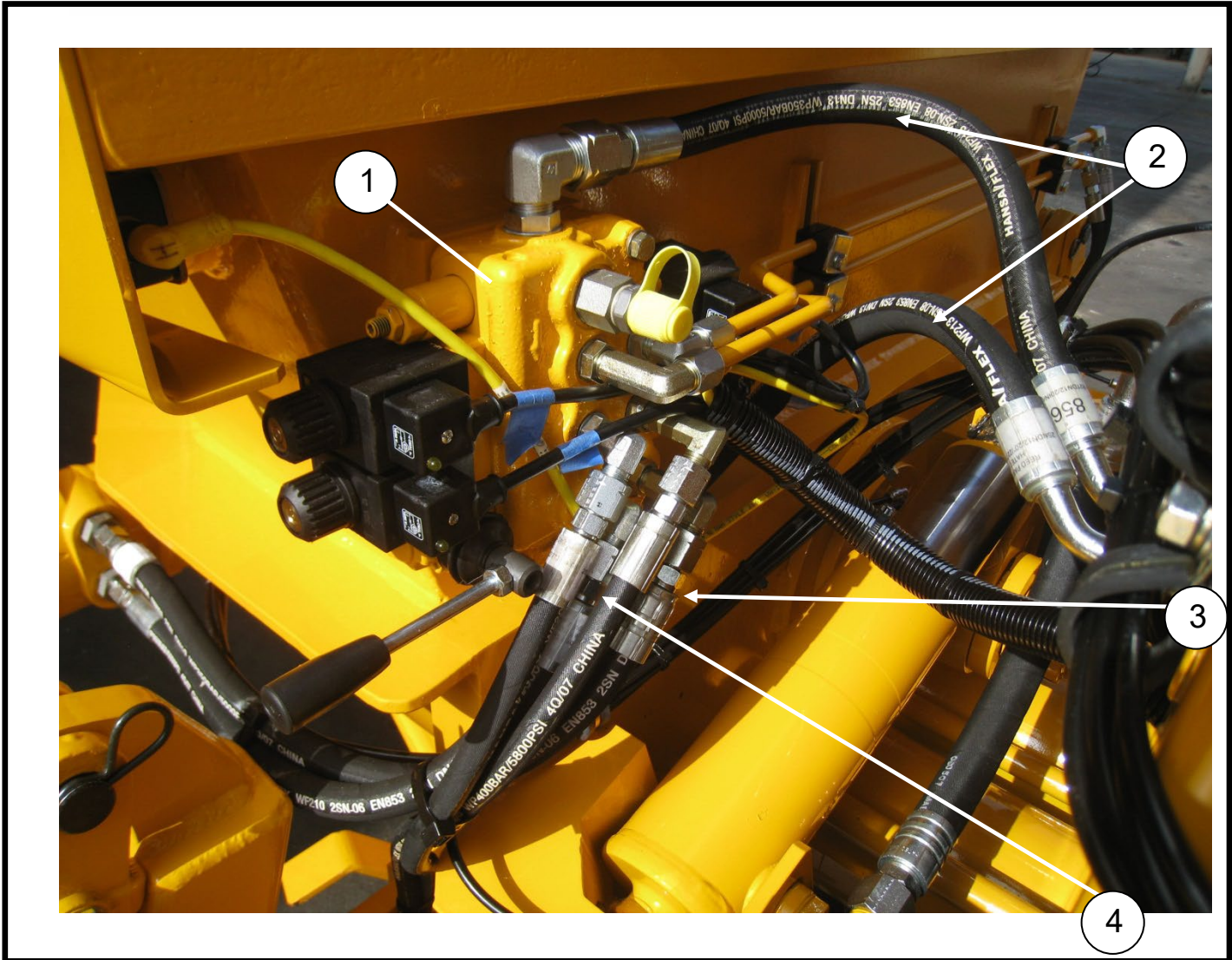
ID #	PART #	PART DESCRIPTION	QUANTITY	
	88041-AO1	HYD OUTRIGGER ASSEMBLY, REMOTE	REF	EA
1	85659-010	HOSE, 4M2T-6FX-6JX-33.00	4	EA
2	87540	CABLE SOLENIOD VALVE, WITH DIN PLUG	4	EA
3	88026	VALVE, 3SPOOL,12 VDC SPOOL	1	EA
4	800083	FITTING, MINI CHECK (PORT)	1	EA
5	86750	ADAPTER, MB-FB-8-6	1	EA
6	86749	FITTING, MJ-FJX45-10-10	1	EA
7	86748	FITTING, 90° MB-MJ90-6-6	3	EA
8	86747	FITTING.90° MB-MJ90LL-6-6	3	EA
9	74471-B	BOOT, COVER	3	EA
10	85685	TUBE, HYD,OUTRIGGER-PAINTED	1	EA
11	85686	TUBE, HYD,OUTRIGGER-PAINTED	1	EA

ELECTRIC HYDRAULIC OUTRIGGER CONTROLS



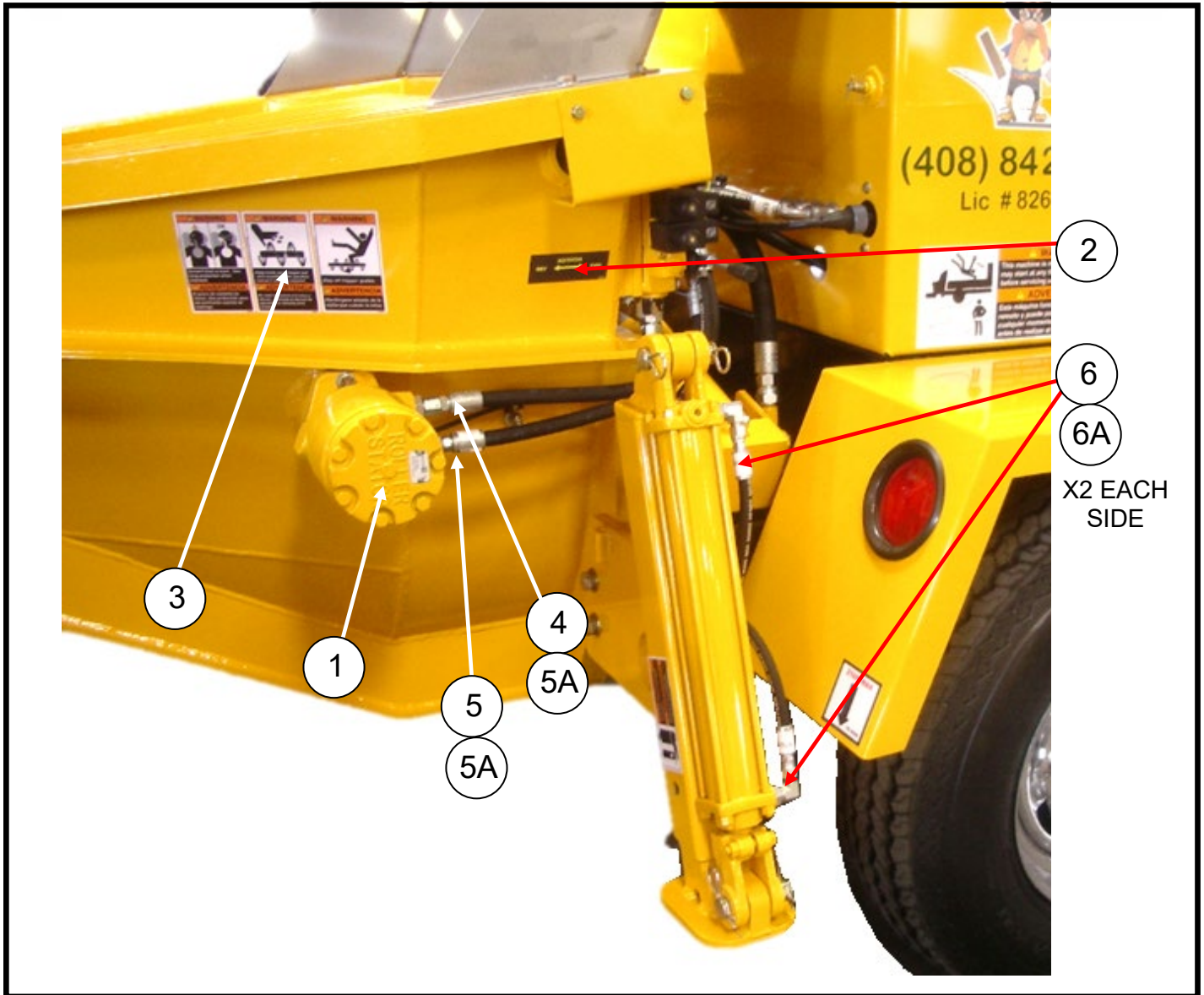
ID #	PART #	PART DESCRIPTION	QUANTITY	
	88041-BOX	CTRL BOX ASSEMBLY	REF	
1	801206	ENCLOSURE 6X3X3, FIBERGLASS	2	EA
2	88163	DECAL OUTRIGGER UP/DOWN	2	EA
3	BW10205	SWITCH, 3 POSITION MOM/SPDT	2	EA
4	BW10361	SW, SEALING BOOT	2	EA
5	88164	BRACKET OUTRIGGER CONTROL MOUNT	2	EA
6	73531	90 DEG STRAIN RELIEF 1/8"	1	EA
7	73531-1	90 DEG STRAIN RELIEF 1/2"	3	EA
8	10528	NUT 1/2", BONDING TYPE LOCK	4	EA
9	30240	GASKET-LIQUID TITE 1/2"	4	EA

AGITATOR GROUP



ID #	PART #	PART DESCRIPTION	QUANTITY	
1	88026	VALVE, 3SPOOL,12 VDC SPOOL	REF	EA
2	85657-016	HOSE, 8M2T-10FJX-10FJX45-20.00	2	EA
3	85658-011	HOSE, 6M2T-6FJX-6FJX-21.00	1	EA
4	85658-010	HOSE, 6M2T-6FJX-6FJX-20.00	1	EA
5		FITTING,MB-MJ-10-6	2	EA

AGITATOR GROUP CONTINUED



ID #	PART #	PART DESCRIPTION	QUANTITY	
1	89455	HYD MOTOR, 48 CID, 1" SHAFT	1	EA
2	85846	DECAL, AGITATOR	1	EA
3	800919	DECAL, WARNING, STAND CLEAR	2	EA
4	85658-011	HOSE, 6M2T-6FJX-6FJX-21.00	REF	EA
5	85658-010	HOSE, 6M2T-6FJX-6FJX-20.00	REF	EA
5A		FITTING,MB-MJ-10-6	2	EA
6	85659-010	HOSE, 4M2T-6FJX-33.00	REF	EA
6A	86728-008	ELBOW, MB-MJ90-8-6	4	EA

AVAILABLE OPTIONS

OUTRIGGER GROUP
 HYD OUTRIGGER
 OUTRIGGER/AGITATOR
 ELECTRIC OUTRIGGER



AGITATOR GROUP
 STD/PADDLE
 OPTION/PADDLE
 HYD/AGITATOR/SINGLE
 HYD/AGITATOR/TRIPLE



RADIO REMOTE



50' CABLE REMOTE
 W/STROKE
 COUNTER



WIRLESS
 REMOTE
 MHZ
 SYSTEM 900
 PNUIT



LIFTING KIT



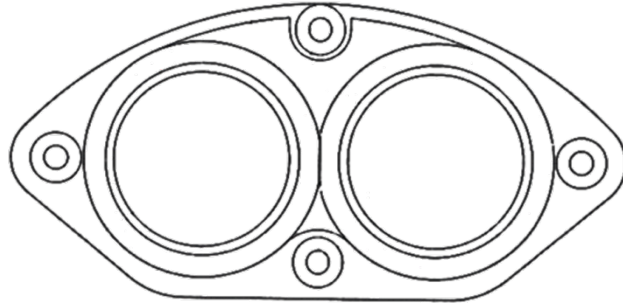


C50SS-V22

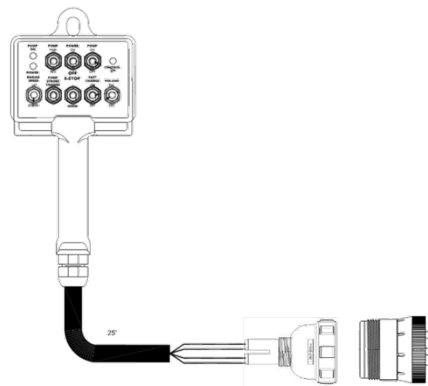
PARTS

13822 Oaks Avenue
Chino, CA 91710
reedpumps.com
1-(909) 287 - 2100

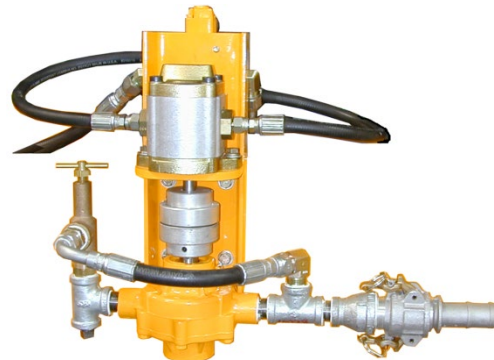
CARBIDE WEAR PARTS
WEAR RING/CARBIDE
WEAR PLATE/CARBIDE



REMOTE CONTROL, CABLE
KARTECH PLC 50FT



WATER PUMP ASSY



VIBRATOR KIT
OLI KIT



E-STOP PLC KIT



TIRE & WHEEL CHROME



AUTO LUBE
STEEL TUBING 12 PORT
PLASTIC TUBING 12 PORT

MANUAL LUBE BLOCK



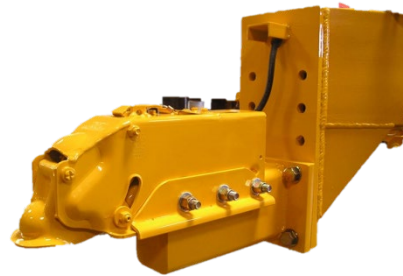


C50SSCR

PARTS

13822 Oaks Avenue
Chino, CA 91710
reedpumps.com
(909) 287 - 2100

SURGE BRAKE ASSY 9000LB
2" BALL



3" PINTLE



HITCH BALL
2"
2 5/16"

