

**REED TRAILER MOUNTED CONCRETE PUMP 01 MODEL C50S ILLUSTRATED PARTS MANUAL CONTAINS THE FOLLOWING GROUPS AND FIGURES:**

**GROUP 00 HOW TO USE PARTS MANUAL**

- FIGURE 00** TABLE OF CONTENTS
- FIGURE 01** HOW TO USE PARTS MANUAL
- FIGURE 02** HOW TO ORDER PARTS

**GROUP 10 FINAL INSTALLATION**

- FIGURE 00** TABLE OF CONTENTS
- FIGURE 01** FINAL INSTALLATION
- FIGURE 02** DECAL ASSEMBLY

**GROUP 20 HOPPER INSTALLATION**

- FIGURE 00** TABLE OF CONTENTS
- FIGURE 01** HOPPER INSTALLATION
- FIGURE 02** HOPPER CLEAN OUT DOOR ASSEMBLY
- FIGURE 03** AGITATOR ASSEMBLY
- FIGURE 04** AGITATOR MOTOR ASSEMBLY
- FIGURE 05** AGITATOR/OUTRIGGERS CONTROL VALVE ASSEMBLY
- FIGURE 06** AGITATOR/OUTRIGGER CONTROL VALVE SUB-ASSEMBLY

**GROUP 30 TANK INSTALLATION**

<b>FIGURE 00</b>	TABLE OF CONTENTS
<b>FIGURE 01</b>	TANK INSTALLATION
<b>FIGURE 02</b>	HYDRAULIC TANK ASSEMBLY
<b>FIGURE 03</b>	ACCUMULATOR ASSEMBLY
<b>FIGURE 04</b>	ACCUMULATOR BLADDER REPAIR KIT
<b>FIGURE 05</b>	SWING TUBE CIRCUIT MANIFOLD ASSEMBLY
<b>FIGURE 06</b>	SWING TUBE CIRCUIT MAIN SOLENOID VALVE ASSEMBLY
<b>FIGURE 07</b>	SWING TUBE CIRCUIT PILOT SOLENOID VALVE ASSEMBLY
<b>FIGURE 08</b>	BALL VALVE ASSEMBLY

**GROUP 40 POWER TRAIN INSTALLATION**

<b>FIGURE 00</b>	TABLE OF CONTENTS
<b>FIGURE 01</b>	POWER TRAIN INSTALLATION
<b>FIGURE 02</b>	POWER TRAIN ASSEMBLY
<b>FIGURE 03</b>	DOUBLE AUXILIARY PUMP ASSEMBLY
<b>FIGURE 04</b>	SINGLE AUXILIARY PUMP ASSEMBLY (OPTIONAL)
<b>FIGURE 05</b>	MAIN HYDRAULIC PUMP ASSEMBLY
<b>FIGURE 06</b>	BATTERY MOUNTING ASSEMBLY

**GROUP 50 CONTROLS INSTALLATION**

<b>FIGURE 00</b>	TABLE OF CONTENTS
<b>FIGURE 01</b>	CONTROLS INSTALLATION
<b>FIGURE 02</b>	CONTROL BOX ASSEMBLY
<b>FIGURE 03</b>	50 FEET CABLE REMOTE CONTROL ASSEMBLY
<b>FIGURE 04</b>	100 FEET CABLE REMOTE CONTROL ASSEMBLY
<b>FIGURE 05</b>	RADIO REMOTE CONTROL ASSEMBLY

**GROUP 60 PUMPING TRAIN INSTALLATION**

<b>FIGURE 00</b>	TABLE OF CONTENTS
<b>FIGURE 01</b>	PUMPING TRAIN INSTALLATION
<b>FIGURE 02</b>	SWING VALVE ASSEMBLY
<b>FIGURE 03</b>	SWING RAM CYLINDER SUB-ASSEMBLY
<b>FIGURE 04</b>	CONCRETE CYLINDER ASSEMBLY
<b>FIGURE 05</b>	FLUSHBOX ASSEMBLY
<b>FIGURE 06</b>	HYDRAULIC DRIVE CYLINDER ASSEMBLY
<b>FIGURE 07</b>	HYDRAULIC DRIVE CYLINDER SUB-ASSEMBLY

**GROUP 70 FRAME INSTALLATION**

<b>FIGURE 00</b>	TABLE OF CONTENTS
<b>FIGURE 01</b>	FRAME INSTALLATION
<b>FIGURE 02</b>	HYDRAULIC OUTRIGGER CYLINDER ASSEMBLY
<b>FIGURE 03</b>	HUB AND BRAKE ASSEMBLY
<b>FIGURE 04</b>	NON-OPERATOR SIDE ELECTRIC BRAKE ASSEMBLY
<b>FIGURE 05</b>	OPERATOR SIDE ELECTRIC BRAKE ASSEMBLY

**GROUP 80 OPTIONAL INSTALLATION**

<b>FIGURE 00</b>	TABLE OF CONTENTS
<b>FIGURE 01</b>	OPTIONAL INSTALLATION
<b>FIGURE 02</b>	LUBE SYSTEM ASSEMBLY
<b>FIGURE 03</b>	12 VOLT LUBE PUMP ASSEMBLY
<b>FIGURE 04</b>	HOPPER VIBRATOR ASSEMBLY
<b>FIGURE 05</b>	CHROME WHEEL ASSEMBLY
<b>FIGURE 06</b>	OPTIONAL TOOL KIT ASSEMBLY
<b>FIGURE 07</b>	ACTUATOR BRAKES ASSEMBLY
<b>FIGURE 08</b>	WASH PUMP ASSEMBLY
<b>FIGURE 09</b>	WASH PUMP CONTROL VALVE ASSEMBLY
<b>FIGURE 10</b>	WASH PUMP MOTOR ASSEMBLY
<b>FIGURE 11</b>	ACCUMULATOR CHARGE KIT
<b>FIGURE 12</b>	NON-OPERATOR SIDE HYDRAULIC BRAKE ASSEMBLY
<b>FIGURE 13</b>	OPERATOR SIDE HYDRAULIC BRAKE ASSEMBLY
<b>FIGURE 14</b>	1 SPOOL CONTROL VALVE ASSEMBLY
<b>FIGURE 15</b>	1 SPOOL CONTROL VALVE SUB-ASSEMBLY
<b>FIGURE 16</b>	2 SPOOL CONTROL VALVE ASSEMBLY
<b>FIGURE 17</b>	2 SPOOL CONTROL VALVE SUB-ASSEMBLY





**TRAILER MOUNTED PUMP 01 MODEL C50S  
HOW TO USE PART MANUAL**

**C50S  
PARTS  
GROUP 00  
FIGURE 01  
PAGE 01**

**I. PURPOSE**

This parts manual is prepared, issued and/or revised by **REED** Manufacturing, for the exclusive use of its customers and is intended for use in provisioning, requisitioning, storing and issuing replaceable **REED** trailer mounted pump **01** model **C50S**. The contents are proprietary to **REED** and are subject to change without notice. The use of any part of this document by any other person or persons or for any other purpose without the written consent of **REED** is expressly prohibited. In addition, **REED** expressly disclaims any and all responsibility arising in or any way related to such **REED**'s prior written consent thereto.

The parts number content of this document, arrangement and breakdown sequence of items is compatible with Military Standard (**MS**) and Air Transport Association Specification (**ATA**).

**II. GENERAL SYSTEM OF ASSEMBLY ORDER – Detailed Parts List (Refer to Next Page)**

1. This area refers to the corresponding illustration

**MODEL – GROUP – FIGURE – PAGE**

**A. MODEL** shows which is **REED**'s model number.

**B. GROUP** should be divided with:

- 00**     **01** MODEL **C50S** PARTS MANUAL
- 10**     FINAL INSTALLATION
- 20**     HOPPER INSTALLATION
- 30**     TANK INSTALLATION
- 40**     POWER TRAIN INSTALLATION
- 50**     CONTROL INSTALLATION
- 60**     PUMPING TRAIN INSTALLATION
- 70**     FRAME INSTALLATION
- 80**     OPTIONAL INSTALLATION

**C. FIGURE** belong to the group. Please see page of contents and each group.

**D. PAGE** numbers follow to the right of each figure number.

2. The **ITEM NUMBER** corresponds to the item number shown for the part in illustration. Parts with item number preceded by a dash (such as: -1, -5, -12 etc.) are not illustrated.

3. **PARTS NUMBERS** that carry a **REED** part number.





# TRAILER MOUNTED PUMP 01 MODEL C50S HOW TO USE PART MANUAL

**C50S**  
**PARTS**  
GROUP 00  
FIGURE 01  
PAGE 02

## DUAL SHIFT SWING VALVE ASSEMBLY

**01 B40**  
**PARTS**  
GROUP 60  
FIGURE 04  
PAGE 02

ITEM NO.	REED'S PARTS NO.	DESCRIPTION					QTY
		1	2	3	4	5	
-1	60-04	Assembly, Dual Shift Swing Valve (See Group 60, Figure 02 for NHA)					Ref
-2	86321	• Assembly, Outlet Group					1
3		•• Nut					6
4	72482	•• Outlet, Machine 5"					1
5		•• Fitting, Grease					2
6	79895	•• Kit, Outlet Seal					1
7	77761	••• O-Ring, Large					1
8	77762	••• O-Ring, Small					1
9	86504	••• Seal, Modified Outlet Thick					1
10	77763	••• Band, Guide					1
11	77765	••• Seal, Outlet Thick					1
12	72309	•• Housing, Outlet Seal					1
13		•• Bolt, Hex					6
14		•• Nut, Nylock (attaching parts)					6
15		•• Washer, Lock (attaching parts)					6
16	70042	•• Outlet, Chromed					1
17		•• Bolt, Hex (attaching parts)					6
-18	86317	• Assembly, Swing Tube Group					1
19	85965	•• Weldment, Harsh Swing Tube					1
20	86065	•• Seal, 6 Inch Single Lip					1
21	72310	•• Ring, 6 Inch Single Lip Wear					1
22	86031	•• Plate, Wear					1
23	86086	•• Ring, Anti Chip					2
24		•• Bolt, Flat Head					4
25		•• Washer, Lock					4
26		•• Nut, Hex					4
27		•• Bolt, Hex					6
28		•• Washer, Lock					6
29	85962	•• Seal, Flange Bearing					1
30		•• Pin, Dowel					1
31		•• Fitting, Grease 90					2
32	85133	•• Bearing, 3 Inch Spline Flange					1
33	85294	•• Washer, Thrust					1
34	85134	•• Spacer, Swing Tube Nut					1
35	70825	•• Nut, Swing Tube					1
36		•• Pin Cotter					1
-37	86320	• Assembly, Swing Tube Dual Shift Group					1
38		•• Plug, Pipe					4
39	86052	•• Pin, Spring					4
40		•• Fitting, Grease 90					2
41	86441	•• Retainer, Swing Ram					2

DASH (-) ITEM NOT ILLUSTRATED

REVISION:

REVISION:



### DUAL SHIFT SWING VALVE ASSEMBLY

**01 B40**  
**PARTS**  
GROUP 60  
FIGURE 04  
PAGE 02

ITEM NO.	REED'S PARTS NO.	DESCRIPTION					QTY
		1	2	3	4	5	
-1	60-04	Assembly, Dual Shift Swing Valve (See Group 60, Figure 02 for NHA)					Ref
-2	86321	• Assembly, Outlet Group					1
3		• • Nut					6
4	72482	• • Outlet, Machine 5"					1
5		• • Fitting, Grease					2
6	79895	• • Kit, Outlet Seal					1
7	77761	• • • O-Ring, Large					1
8	77762	• • • O-Ring, Small					1
9	86504	• • • Seal, Modified Outlet Thick					1
10	77763	• • • Band, Guide					1
11	77765	• • • Seal, Outlet Thick					1
12	72309	• • Housing, Outlet Seal					1
13		• • Bolt, Hex					6
14		• • Nut, Nylock (attaching parts)					6
15		• • Washer, Lock (attaching parts)					6
16	70042	• • Outlet, Chromed					1
17		• • Bolt, Hex (attaching parts)					6
-18	86317	• Assembly, Swing Tube Group					1
19	85965	• • Weldment, Harsh Swing Tube					1
20	86065	• • Seal, 6 Inch Single Lip					1
21	72310	• • Ring, 6 Inch Single Lip Wear					1
22	86031	• • Plate, Wear					1
23	86086	• • Ring, Anti Chip					2
24		• • Bolt, Flat Head					4
25		• • Washer, Lock					4
26		• • Nut, Hex					4
27		• • Bolt, Hex					6
28		• • Washer, Lock					6
29	85962	• • Seal, Flange Bearing					1
30		• • Pin, Dowel					1
31		• • Fitting, Grease 90					2
32	85133	• • Bearing, 3 Inch Spline Flange					1
33	85294	• • Washer, Thrust					1
34	85134	• • Spacer, Swing Tube Nut					1
35	70825	• • Nut, Swing Tube					1
36		• • Pin Cotter					1
-37	86320	• Assembly, Swing Tube Dual Shift Group					1
38		• • Plug, Pipe					4
39	86052	• • Pin, Spring					4
40		• • Fitting, Grease 90					2
41	86441	• • Retainer, Swing Ram					2

DASH (-) ITEM NOT ILLUSTRATED

REVISION:



REVISION:



# TRAILER MOUNTED PUMP 01 MODEL C50S HOW TO USE PART MANUAL

**C50S**  
**PARTS**  
GROUP 00  
FIGURE 01  
PAGE 04

## 4. DESCRIPTION

A. The **INDENTURE SYSTEM** used in the parts list shows the relationship of one part to another. For a given item, the number of indentures depicts the relationship of the item to the components of the item as follows:

**1 2 3 4 5**

**Assembly (or Installation)**

- **Detail part of assembly**
- **Sub-assembly**
- **Attaching parts for sub-assembly**
  - • **Detail part of sub-assembly**
  - • **Sub-sub-assembly**
  - • **Attaching parts for sub-sub-assembly**
    - • • **Detail part of sub-sub-assembly**
    - • • **Sub-sub-sub-assembly**
    - • • **Attaching parts of sub-sub-sub-assembly**
      - • • • **Detail part of sub-sub-sub-assembly**

B. "See Group 60, Figure 02 For **NHA**"

Identifies the illustrated parts chapter location; indicates where the Next Higher Assembly (**NHA**) of the item shown.

C. "See Group 60, Figure 07 For **DET**"

Identifies the illustrated parts chapter location; indicates where the item and its Detailed Breakdown (**DET**) is shown.

D. "See Group 30, Figure 05 for **REF**" or "See Vendor Chapter For **REF**"

Identifies the illustrated parts chapter where the part is, and if listed and illustrated in Vendor Chapter. It is used as a cross-reference (**REF**).

## 5. QUANTITY

A. Reference (**REF**) indicates the items that is listed previously in the Next Higher Assembly (**NHA**) and then again in this figure.

B. As Required (**A/R**) indicates the parts that is used in a quantity as required.

C. A number entry indicates the quantity of the part used in its next higher application.

6. Functionally related assemblies are illustrated in phantom ( — — — ) but not listed on the detail parts list page.

REVISION:



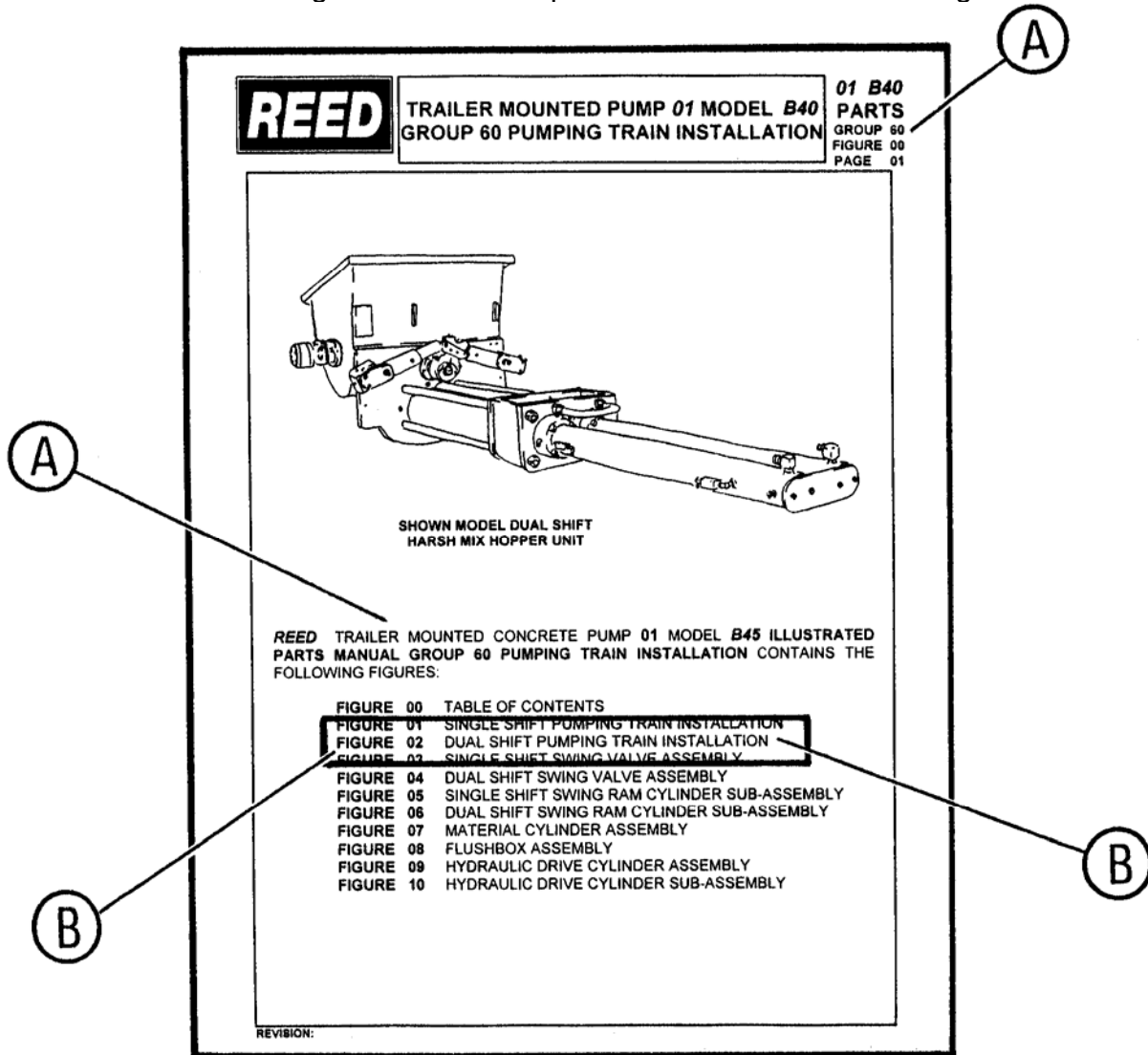
# TRAILER MOUNTED PUMP 01 MODEL C50S HOW TO ORDER PARTS

**C50S**  
**PARTS**  
GROUP 00  
FIGURE 02  
PAGE 01

1. Always give serial number and model of **REED** trailer mounted concrete pump 01 model **C50S**. (Refer to each unit name plate shown below). NOTE: This manual is being released to cover unit starting with serial number **3-06-1-2373** to current production. Some components used on earlier units differ from current productions. Where this occurs, the part is identified by a serial number.

<b>REED</b>		PHONE (909) 287-2100	
13822 OAKS AVENUE		FAX (909) 287-2140	
CHINO, CA 91710 USA			
MODEL	_____	SERIAL NO	_____
MATERIAL PRESSURE	_____	PSI	_____ 3AR
HYDRAULIC PRESSURE	_____	PSI	_____ 3AR
ENGINE / PTO ELECTRIC MOTOR	_____	RPM	_____ /OLTS
PN 96636			

2. Always specify part number and complete name of parts ordered.
- A. Turn to table of content in the desired Installation. Refer to main group in which part should be listed.
  - B. Find title of figure in which the part should be shown. Note figure number.



REVISION:



# TRAILER MOUNTED PUMP 01 MODEL C50S HOW TO ORDER PARTS

C50S  
PARTS  
GROUP 00  
FIGURE 02  
PAGE 02

**REED** DUAL SHIFT SWING VALVE ASSEMBLY 01 B40 PARTS GROUP 00 FIGURE 04 PAGE 01

HOPPER REF (STANDARD P/N: 88107) (HARSH MIX P/N: 88032)

SWING RAM HOUSE REF (RH P/N: 85941) (LH P/N: 85942)

HOPPER REF (STANDARD P/N: 88107) (HARSH MIX P/N: 88032)

REVISION:

**REED** DUAL SHIFT SWING VALVE ASSEMBLY 01 B40 PARTS GROUP 00 FIGURE 04 PAGE 02

ITEM NO.	REED'S PARTS NO.	DESCRIPTION	QTY
-1	60-04	Assembly, Dual Shift Swing Valve (See Group 60, Figure 02 for NHA)	Ref
-2	86321	Assembly, Outlet Group	1
3		** Nut	6
4	72482	** Outlet, Machine 5"	1
5		** Fitting, Grease	2
6	79895	** Kit, Outlet Seal	1
7	77781	** O-Ring, Large	1
8	77782	** O-Ring, Small	1
9	86504	** Seal, Modified Outlet Thick	1
10	77783	** Band, Guide	1
11	77785	** Seal, Outlet Thick	1
12	72309	** Housing, Outlet Seal	1
13		** Bolt, Hex	6
14		** Nut, Nylock (attaching parts)	6
15		** Washer, Lock (attaching parts)	6
16	70042	** Outlet, Chromed	1
17		** Bolt, Hex (attaching parts)	6
-18	86317	Assembly, Swing Tube Group	1
19	85965	** Weldment, Harsh Swing Tube	1
20	86085	** Seal, 6 Inch Single Lip	1
21	72310	** Ring, 6 Inch Single Lip Wear	1
22	86031	** Plate, Wear	1
23	86086	** Ring, Anti Chip	2
24		** Bolt, Flat Head	4
25		** Washer, Lock	4
26		** Nut, Hex	4
27		** Bolt, Hex	6
28		** Washer, Lock	6
29	85962	** Seal, Flange Bearing	1
30		** Pin, Dowel	1
31		** Fitting, Grease 90	2
32	80723	** Bearing, 3 Inch Spring Flange	1
33	85294	** Washer, Thrust	1
34	86184	** Spacer, Swing Tube Nut	1
35	70825	** Nut, Swing Tube	1
36		** Pin Cotter	1
-37	86320	Assembly, Swing Tube Dual Shift Group	1
38		** Plug, Pipe	4
39	86082	** Pin, Spring	4
40		** Fitting, Grease 90	2
41	86441	** Retainer, Swing Ram	2

DASH (-) ITEM NOT ILLUSTRATED

REVISION:

C. Turn to corresponding page, find the group and figure.

D. Check your required part and its attaching parts and match with illustration page.

E. Refer to corresponding item number in the part list page.  
Part numbers are located in the part number column.

F. When ordering variable or optional miscellaneous parts which are not found this in parts chapter, follow the above outlined procedure of how to order parts.

- 1). When applicable, give model and serial number of the component for which parts are desired.
- 2). In a specific, difficult to describe situation, a marked-up photograph or detailed sketch would be helpful.

REVISION:





**TRAILER MOUNTED PUMP 01 MODEL C50S  
HOW TO ORDER PARTS**

**C50S  
PARTS  
GROUP 00  
FIGURE 02  
PAGE 03**

- 3. Do not designate quantity by "set". State specifically how many parts are wanted.
  
- 4. Always give complete address and full shipping instructions. Specify shipping instructions, truck freight, air freight. United Parcel Service (UPS), or FedEx and DHL are available in designated areas.

**5. TO ORDER**

**A. BY MAIL**

Attention: Parts Department  
**REED**  
13822 Oaks Avenue  
Chino, CA. 91710

**B. BY FAX**

(909) 287 - 2141

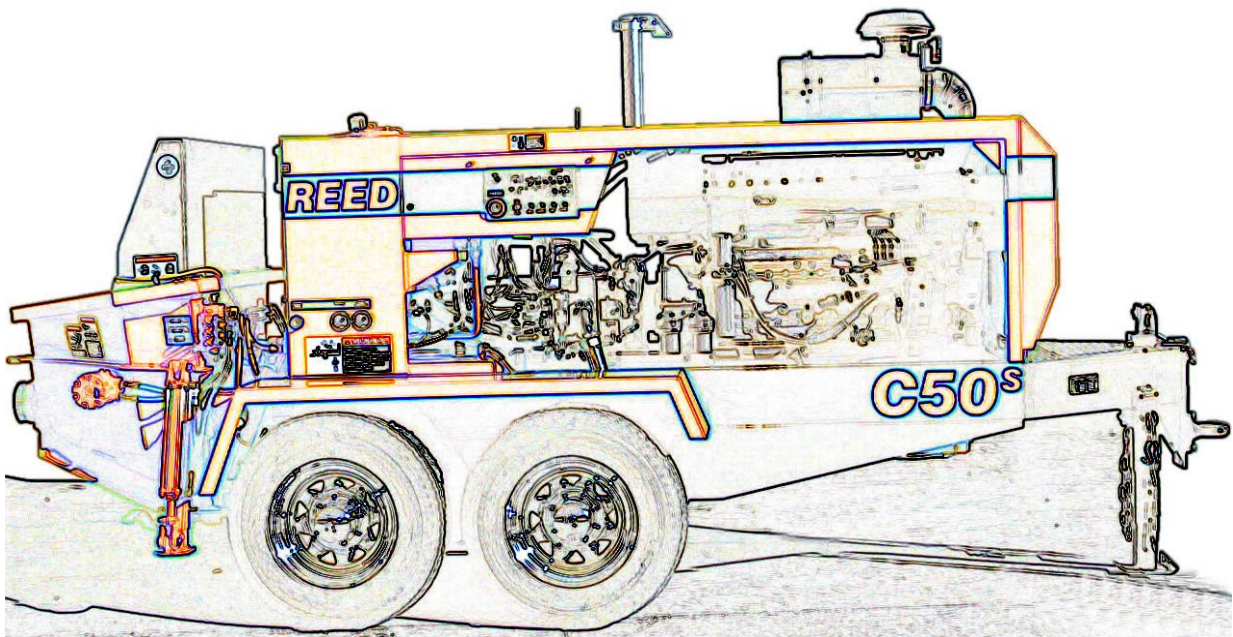
**C. BY PHONE**

(909) 287 - 2100

- 6. Parts return without authorization will not be accepted. If it is necessary to return parts for any reason, written authorization may be obtained from **REED** Parts Department, Chino, CA. 91710. A Parts Return Authorization form is provided when **REED** deems its necessary to have the part returned for evaluation. The form is issued by the Warranty of Parts Department of **REED**.
  - A. The form will be filled by **REED** unless requesting necessary information and you will receive a copy as well as shipping tag.
  - B. Attach shipping tag to part insert return original invoice.
  - C. Ship part to **REED PREPAID**.
  - D. Part must be returned to **REED** within 30 days from date of authorization.

**REED TRAILER MOUNTED CONCRETE PUMP 01 MODEL C50S ILLUSTRATED PARTS MANUAL GROUP 10 FINAL INSTALLATION CONTAINS THE FOLLOWING FIGURES:**

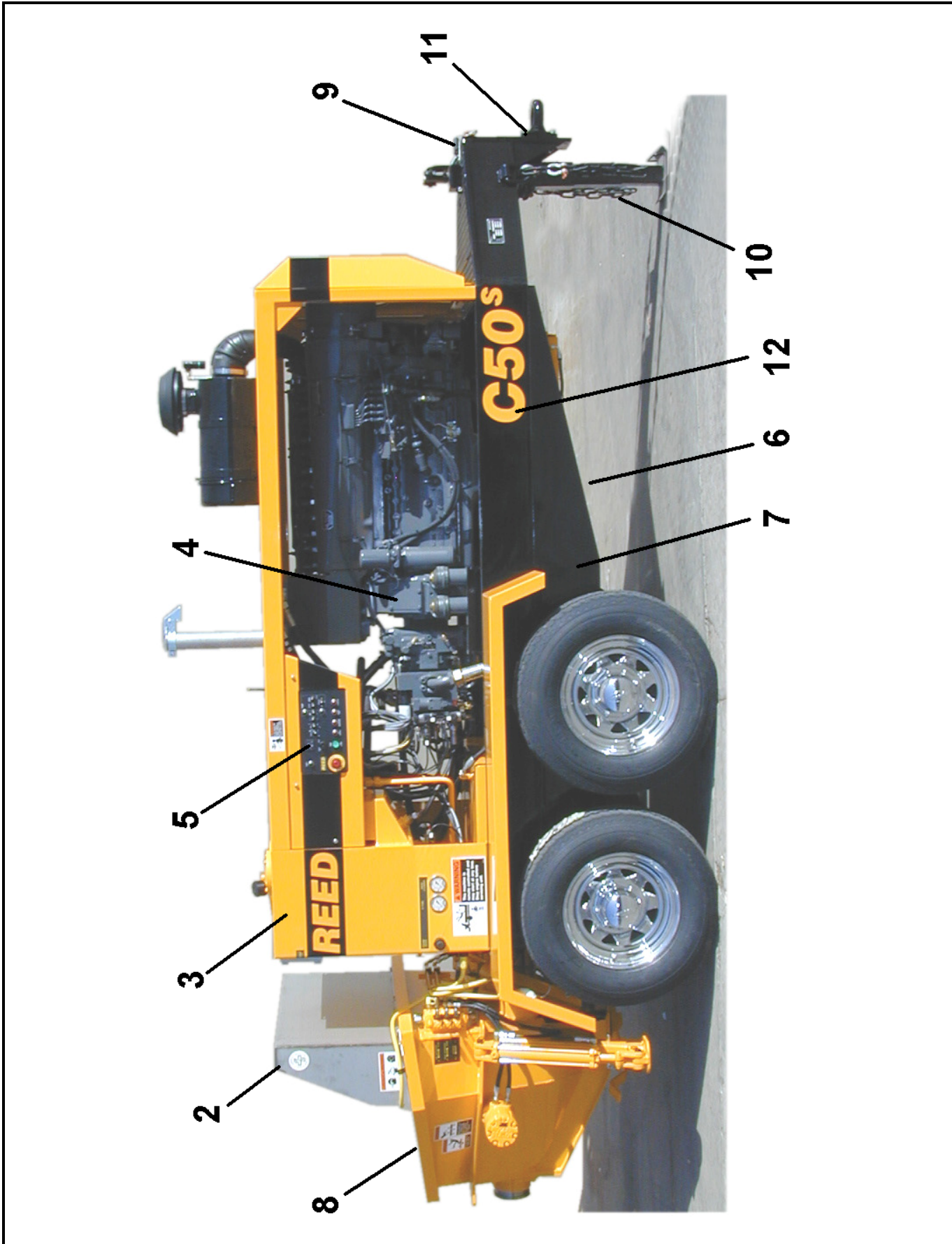
- FIGURE 00** TABLE OF CONTENTS
- FIGURE 01** FINAL INSTALLATION
- FIGURE 02** DECAL ASSEMBLY





# STANDARD HOPPER WITH DUAL SHIFT FINAL INSTALLATION

C50S  
PARTS  
GROUP 10  
FIGURE 01  
PAGE 01



REVISION:



# STANDARD HOPPER WITH DUAL SHIFT FINAL INSTALLATION

**C50S**  
**PARTS**  
GROUP 10  
FIGURE 01  
PAGE 02

ITEM NO.	REED'S PARTS NO.	DESCRIPTION					QTY
		1	2	3	4	5	
-1	<b>C50RC-V01</b>	Installation, <b>C50S</b> Std Hopper with Dual Shift Final					Ref
2	20-02	• Installation, Hopper (See Group 20, Figure 01 for DET)					1
3	30-01	• Installation, Tank (See Group 30, Figure 01 for DET)					1
4	40-01	• Installation, Power Train (See Group 40, Figure 01 for DET)					1
5	50-01	• Installation, Control (See Group 50, Figure 01 for DET)					1
6	60-01	• Installation, Dual Shift Pumping Train (See Group 60, Figure 01 for DET)					1
7	70-01	• Installation, Frame (See Group 70, Figure 01 for DET)					1
8	80-01	• Installation, Optional (See Group 80, Figure 01 for DET)					1
9	77705	• Kit, Break Away					1
10	86730	• Chain 5.5FT					2
11	87085	• Shackle Anchor-Screw Pin 1/2"					4
12	10-03	• Kit, <b>C50S</b> Decal (See Group 10, Figure 02 for DET)					1

DASH (-) ITEM NOT ILLUSTRATED

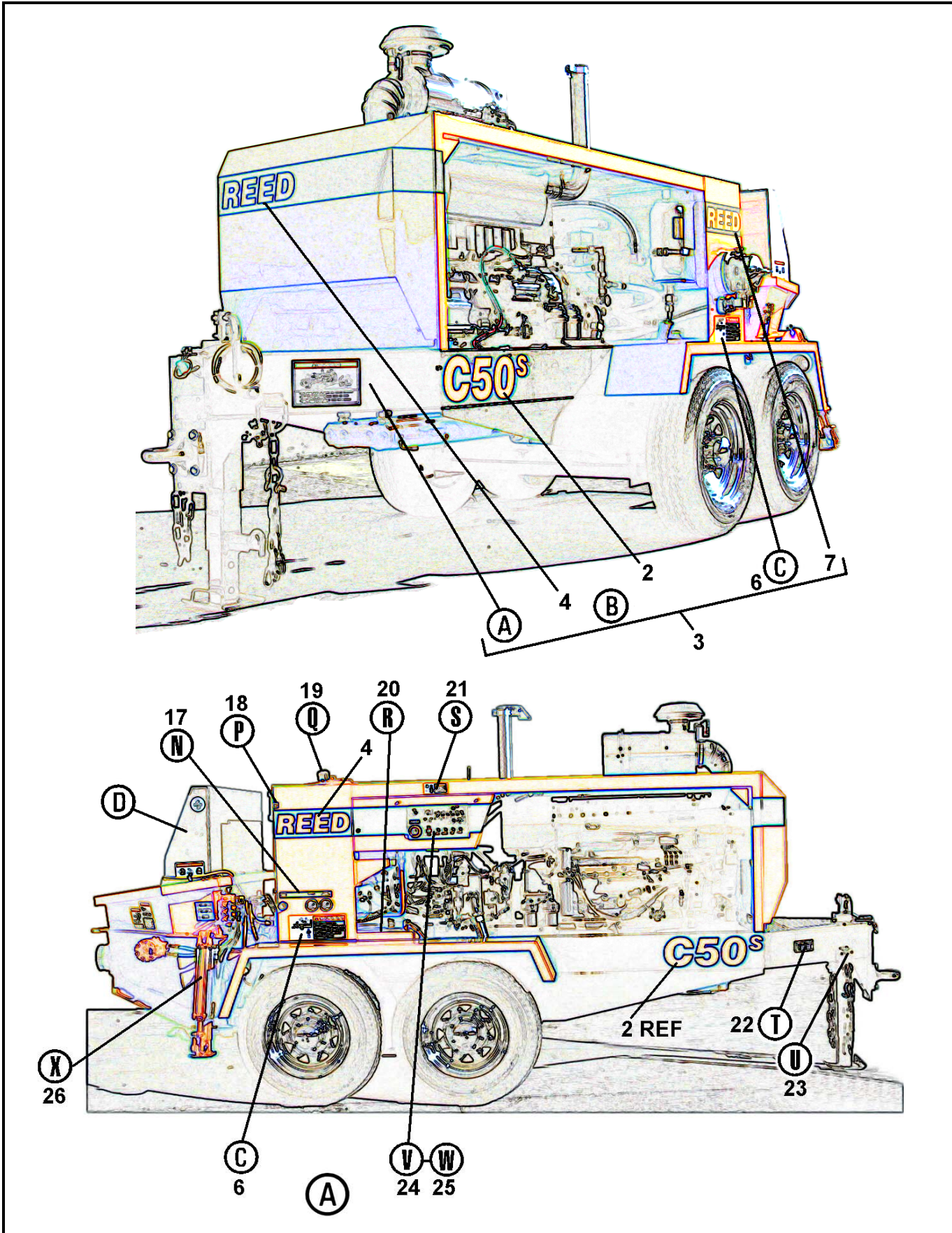
REVISION:





# DECAL ASSEMBLY

C50S  
PARTS  
GROUP 10  
FIGURE 02  
PAGE 01




REVISION:



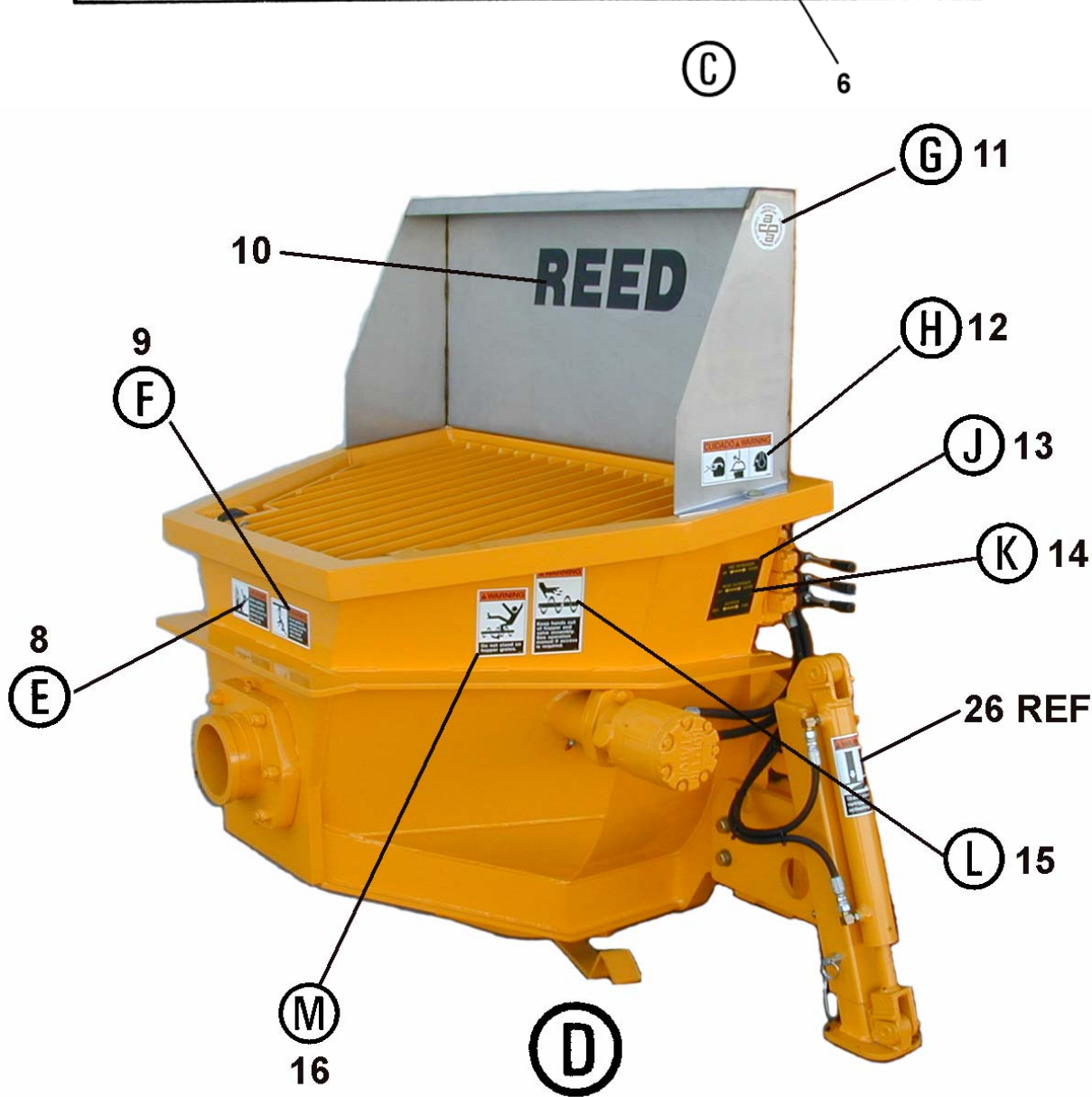


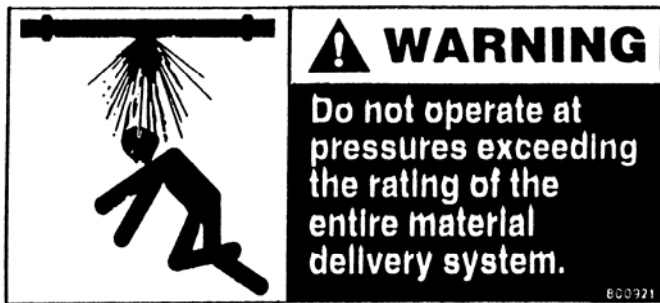
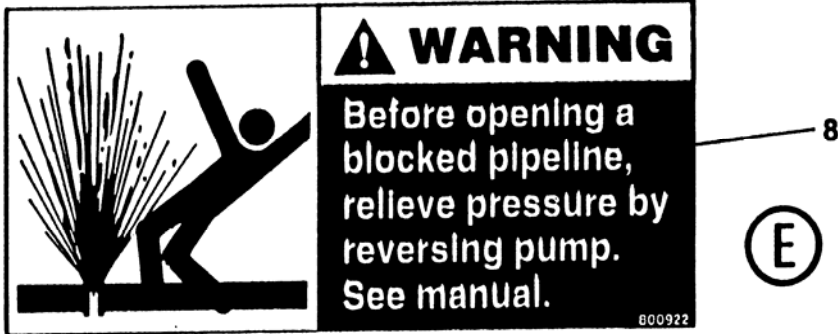
ITEM NO.	REED'S PARTS NO.	DESCRIPTION					QTY
		1	2	3	4	5	
-1	10-02	Kit, <b>C50S</b> Decal (See Group 10, Figure 01 for NHA)					Ref
2	87453	• Decal, <b>C50S</b> 6 Inch Black					2
3	85430	• Kit, C-Series Decal					1
4	85418	•• Decal, <b>REED</b> 4 1/2 Inch Black and White 48 Inch					2
5	800916	•• Decal, Warning, Keep Hand Out of Water Box					1
6	800924	•• Decal, Warning, This Machine is Remote Controlled and					2
7	85416	•• Decal, <b>REED</b> 4 1/2 Inch Black and White 20 Inch					1
8	800922	•• Decal, Warning, Before Opening a Blocked Pipeline,					1
9	800921	•• Decal, Warning, Do Not Operate at Pressures Exceeding					1
10	73132	•• Decal, <b>REED</b> 4 1/2 Inch					1
11	800931	•• Decal, <b>ACPA</b> Member					1
12	800929A	•• Decal, Warning					2
13	85846	•• Decal, Agitator					1
14	85845	•• Decal, Outriggers					1
15	800917	•• Decal, Warning, Keep Hand Out of Hopper and Valve					2
16	800918	•• Decal, Warning, Do Not Stand on Hopper Grate					2
17	85684	•• Decal, C-Series Gauge					1
18	75020	•• Decal, Hydraulic Oil					1
19	85844	•• Decal, Oil Level					1
20	75017	•• Decal, Diesel Fuel Only					1
21	800926	•• Decal, Warning, Do Not Operate This Machine without					1
22	75009	•• Nameplate, <b>REED</b> , Serial No.					1
23	86245	•• Decal, Warning, Towing Instruction					1
24		• Decal, <b>C50S</b> Control Box Panel					1
25		• Decal, <b>C50S</b> Remote Control					1
26	800919	• Decal, Optional, Warning, Stand Clear Outriggers When					2

DASH (-) ITEM NOT ILLUSTRATED



**! WARNING**  
This machine is remote controlled and may start at any time. Stop engine before servicing unit.

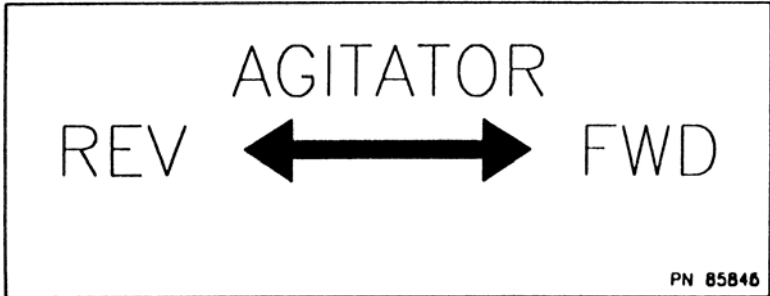






DECAL ASSEMBLY

C50S  
PARTS  
GROUP 10  
FIGURE 02  
PAGE 05



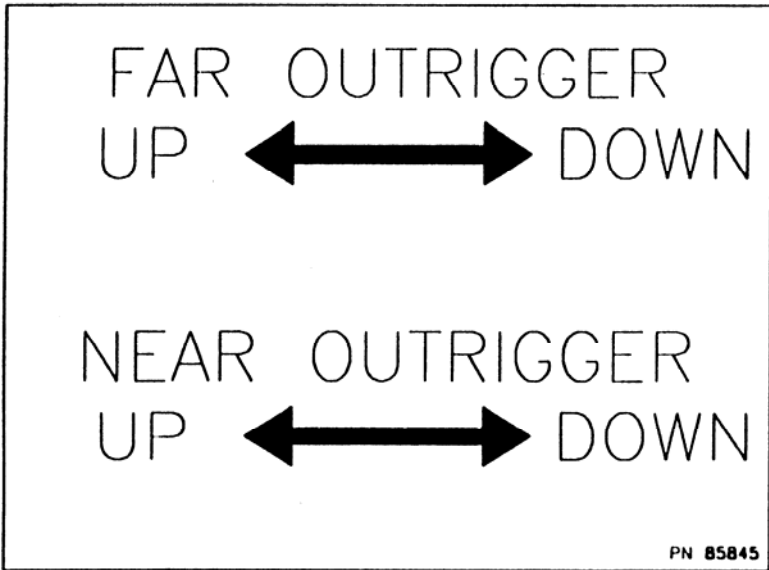
13

ⓐ



Ⓛ

15



Ⓚ

14

ENGINE SPEED	S-TUBE	DRIVE CYLINDER
-----------------	--------	-------------------

(N)

17

**⚠ WARNING**




**Do not stand on hopper grates.**

600918

16

HYDRAULIC OIL



MAX. LEVEL

PN 85844

(P)

18

HYDRAULIC OIL

19

(Q)

DIESEL FUEL  
**ONLY**

20

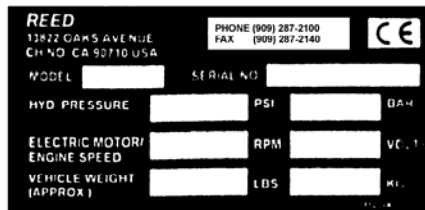
(R)





(S)

21



22

(T)

### ! WARNING

34" MINIMUM

- THE TONGUE WEIGHT ON TANDEM AXLE TRAILERS DECREASES AS THE TONGUE IS LOWERED.
- TOWING WITH INSUFFICIENT TONGUE WEIGHT MAY CAUSE INSTABILITY OF THE TRAILER.
- REED C-SERIES MODELS MUST BE TOWED WITH A MINIMUM TONGUE HEIGHT OF 34 INCHES.

PN 86245

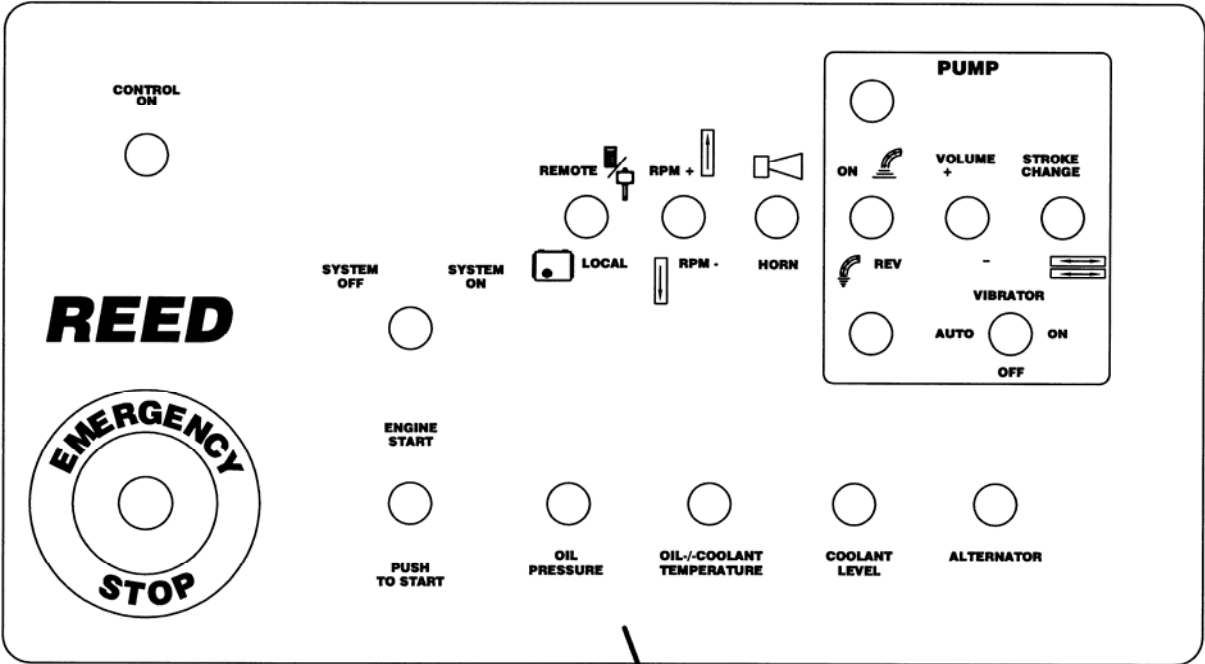
(U)

23

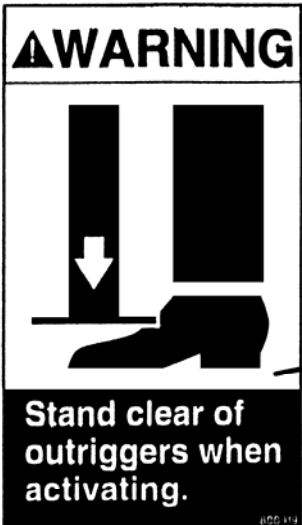


# DECAL ASSEMBLY

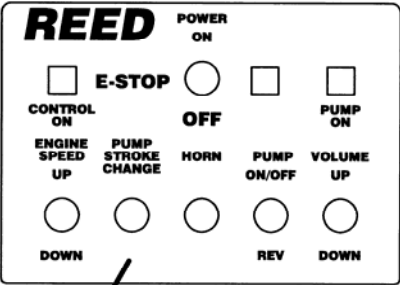
C50S  
PARTS  
GROUP 10  
FIGURE 02  
PAGE 08



Ⓥ 24



ⓧ 26



25 Ⓦ



**TRAILER MOUNTED PUMP 01 MODEL C50S  
GROUP 10 FINAL INSTALLATION**

**C50S**  
**PARTS**  
GROUP 10  
FIGURE 03  
PAGE 01

THIS PAGE INTENTIONALLY LEFT BLANK.

**REED** TRAILER MOUNTED CONCRETE PUMP 01 MODEL C50S ILLUSTRATED PARTS MANUAL GROUP 20 HOPPER INSTALLATION CONTAINS THE FOLLOWING FIGURES:

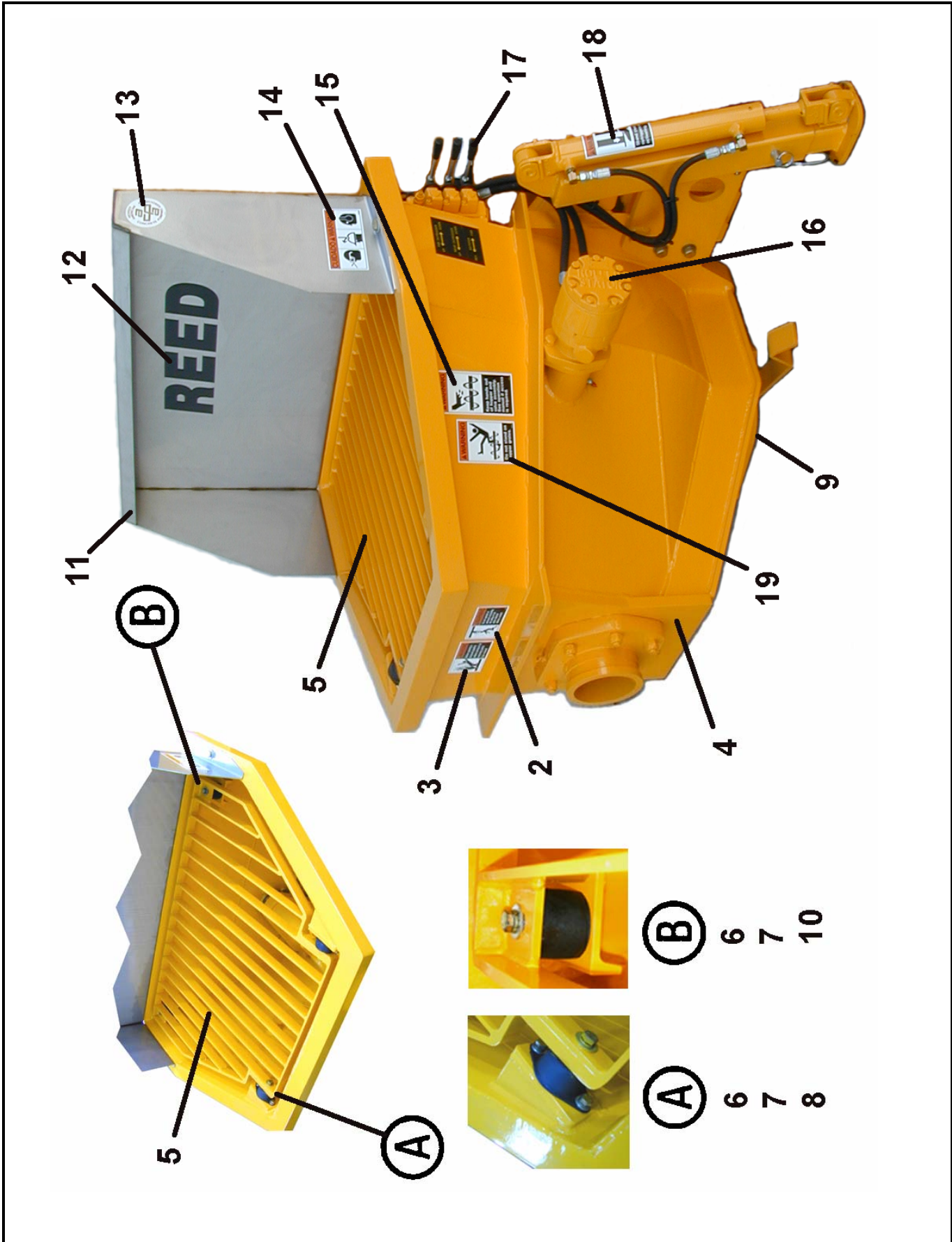
- FIGURE 00** TABLE OF CONTENTS
- FIGURE 01** STANDARD HOPPER INSTALLATION
- FIGURE 02** ROUNDED CLEAN OUT DOOR ASSEMBLY
- FIGURE 03** AGITATOR ASSEMBLY
- FIGURE 04** AGITATOR MOTOR ASSEMBLY
- FIGURE 05** AGITATOR/OUTRIGGERS CONTROL VALVE ASSEMBLY
- FIGURE 06** AGITATOR/OUTRIGGERS CONTROL VALVE SUB-ASSEMBLY





# STANDARD HOPPER INSTALLATION

C50S  
PARTS  
GROUP 20  
FIGURE 01  
PAGE 01



REVISION:





# STANDARD HOPPER INSTALLATION

C50S  
PARTS  
GROUP 20  
FIGURE 01  
PAGE 02

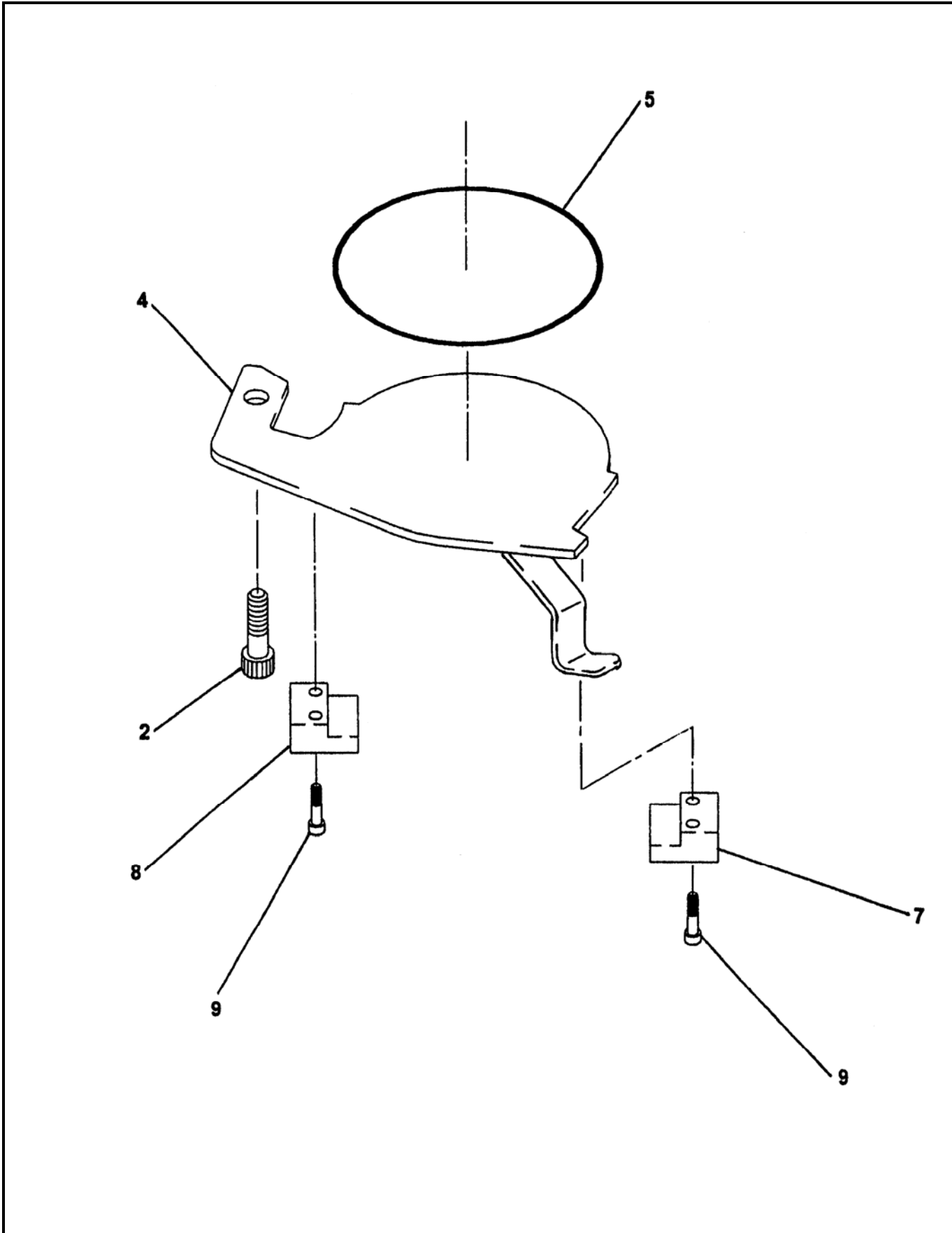
ITEM NO.	REED'S PARTS NO.	DESCRIPTION	QTY
		1 2 3 4 5	
-1	20-01	Installation, Standard Hopper (See Group 10, Figure 01 for NHA)	Ref
2	800921	• Decal, Warning, Do Not Operate at Pressures Exceeding	1
3	800922	• Decal, Warning, Before Opening a Blocked Pipeline,	1
4	86121	• Weldment, Hopper-Standard	1
5	86113	•• Grate, Standard Hopper	1
6	-	•• Bolt, Hex (attaching parts)	A/R
7	-	•• Washer, Lock (attaching parts)	A/R
8	86118	•• Mount, Hopper Grate	2
9	86542	•• Assembly, Rounded Clean Out Door (See Group 20, Figure 03 for DET)	1
10	86083	•• Bumper, Hopper Grate	2
11	85390	• Guard, Splash	1
12	73132	• Decal, <b>REED</b> 4 1/2 Inch	1
13	800931	• Decal, <b>ACPA</b> Member	1
14	800929	• Decal, Warning	2
15	800917	• Decal, Warning, Keep Hand Out of Hopper and Valve	2
16	20-04	• Assembly, Hopper Agitator (See Group 20, Figure 04 for DET)	1
17	20-06	• Assembly, Agitator / Outriggers Control Valve (See Group 20, Figure 06 for DET)	1
18	800919	• Decal, Warning, Stand Clear Outriggers When Activating	2
19	800918	• Decal, Warning, Do Not Stand on Hopper Grate	2

REVISION:



# ROUNDED CLEAN OUT DOOR ASSEMBLY

C50S  
PARTS  
GROUP 20  
FIGURE 02  
PAGE 01



REVISION:



**ROUNDED CLEAN OUT  
DOOR ASSEMBLY**

**C50S  
PARTS  
GROUP 20  
FIGURE 02  
PAGE 02**

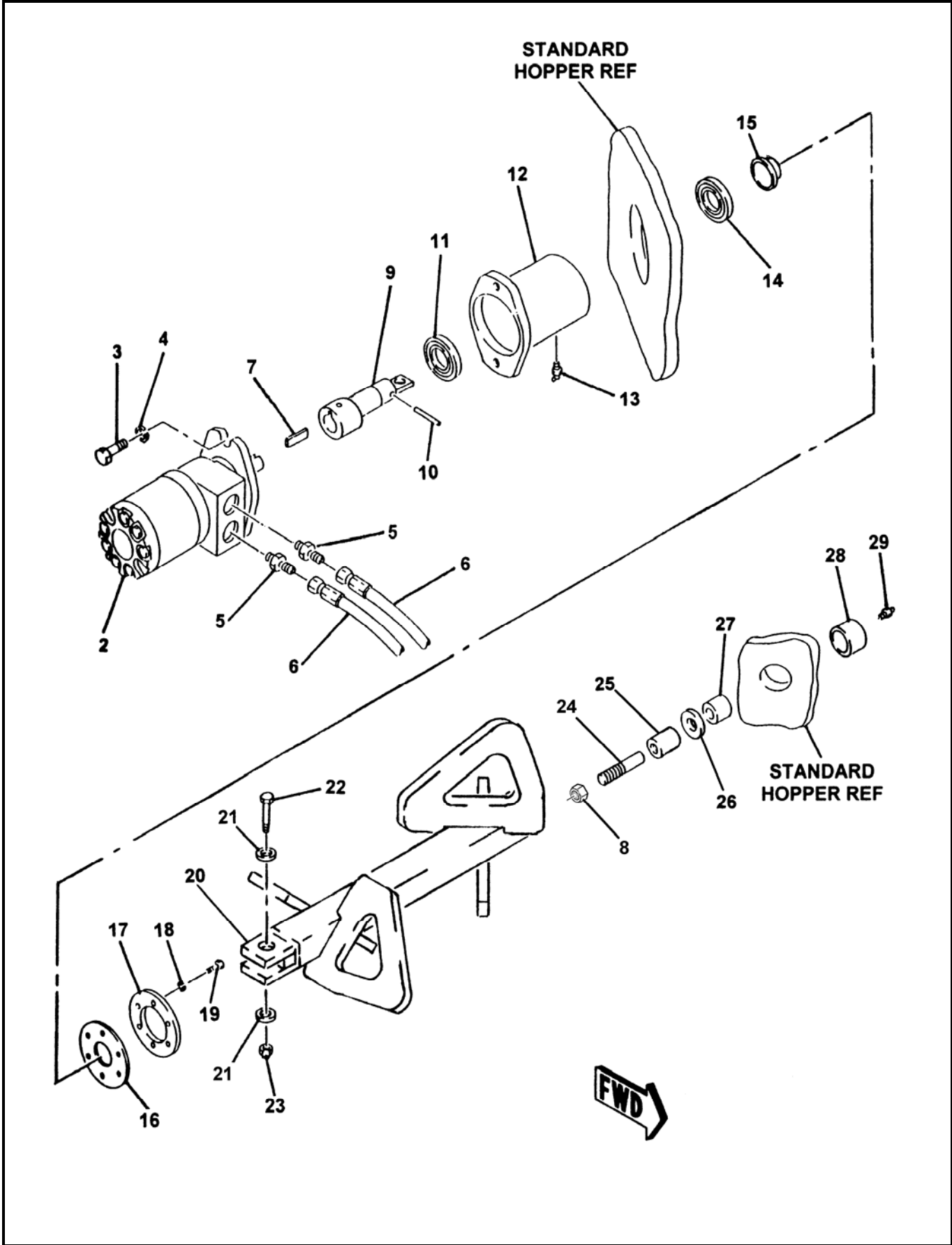
ITEM NO.	REED'S PARTS NO.	DESCRIPTION	QTY
		1 2 3 4 5	
-1	86542	Assembly, Rounded Clean Out Door (See Group 20, Figure 01 and Figure 02 for NHA )	Ref
2	86922	• Bolt, Shoulder	1
3	-	• OPEN	-
4	86988	• Door, Weldment Clean-Out	1
5	W-102908A	• Cord, Hopper Door O-Ring 2.21 FT	1
6	-	• OPEN	-
7	86560	• Block, RH Clean Out Door	1
8	86559	• Block, LH Clean Out Door	1
9		• Capscrew, Socket Head	4
-10	85312	• Plate, Seal	1
-11	85371	• Neck, Clean Out Door	1

REVISION:



# AGITATOR ASSEMBLY

C50S  
PARTS  
GROUP 20  
FIGURE 03  
PAGE 01



REVISION:

ITEM NO.	REED'S PARTS NO.	DESCRIPTION	QTY
		1 2 3 4 5	
-1	86322	Assembly, Standard Hopper Agitator (Optional Item) (See Group 20, Figure 01 for NHA)	Ref
2	85811	• Assembly, Standard Hopper Agitator Motor (See Group 20, Figure 05 for DET)	1
3	-	• Bolt, Hex (attaching parts)	1
4	-	• Washer, Lock (attaching parts)	2
5	-	• Fitting, STR	2
6	85658-002	• Assembly, Hose	2
7	30216	• Key	1
8	80030	• Nut, Lock-Jam 20mm	1
9	85923	• Shaft, Agitator	1
10	86758	• Pin, Spring	1
11	85979	• Bearing, with Seal Ball	1
12	70226	• Housing, Bearing with Flange (Welded on Standard Hopper)	1
13	-	• Fitting, 45° Grease	1
14	85978	• Bearing, Plain Ball	1
15	85976	• Ring, Agitator Wear	1
16	70212	• Seal	1
17	70211	• Flange, Seal	1
18	86743	• Washer, Lock 1/4 (attaching parts)	6
19	86744	• Bolt, Hex 1/4-28 x 3/4 (attaching parts)	6
20	86330	• Weldment, Standard Hopper Agitator Shaft	1
21		• Washer, Flat 1/2 (attaching parts)	2
22	86756	• Screw, Hex Head Cap 1/2-13 x 2 1/2 GR8 (attaching parts)	1
23	80075	• Nut 1/2-13 (attaching parts)	1
24	70214	• Shaft, Idle	1
25	77877	• Spacer	1
26	86186	• Washer	1
27	70219	• Bearing, Idler	1
28	70210	• Housing, Idler Bearing (Welded on Standard Hopper)	1
29		• Fitting, STR Grease	1
-30	85846	• Decal, Agitator	1
		DASH (-) ITEM NOT ILLUSTRATED	

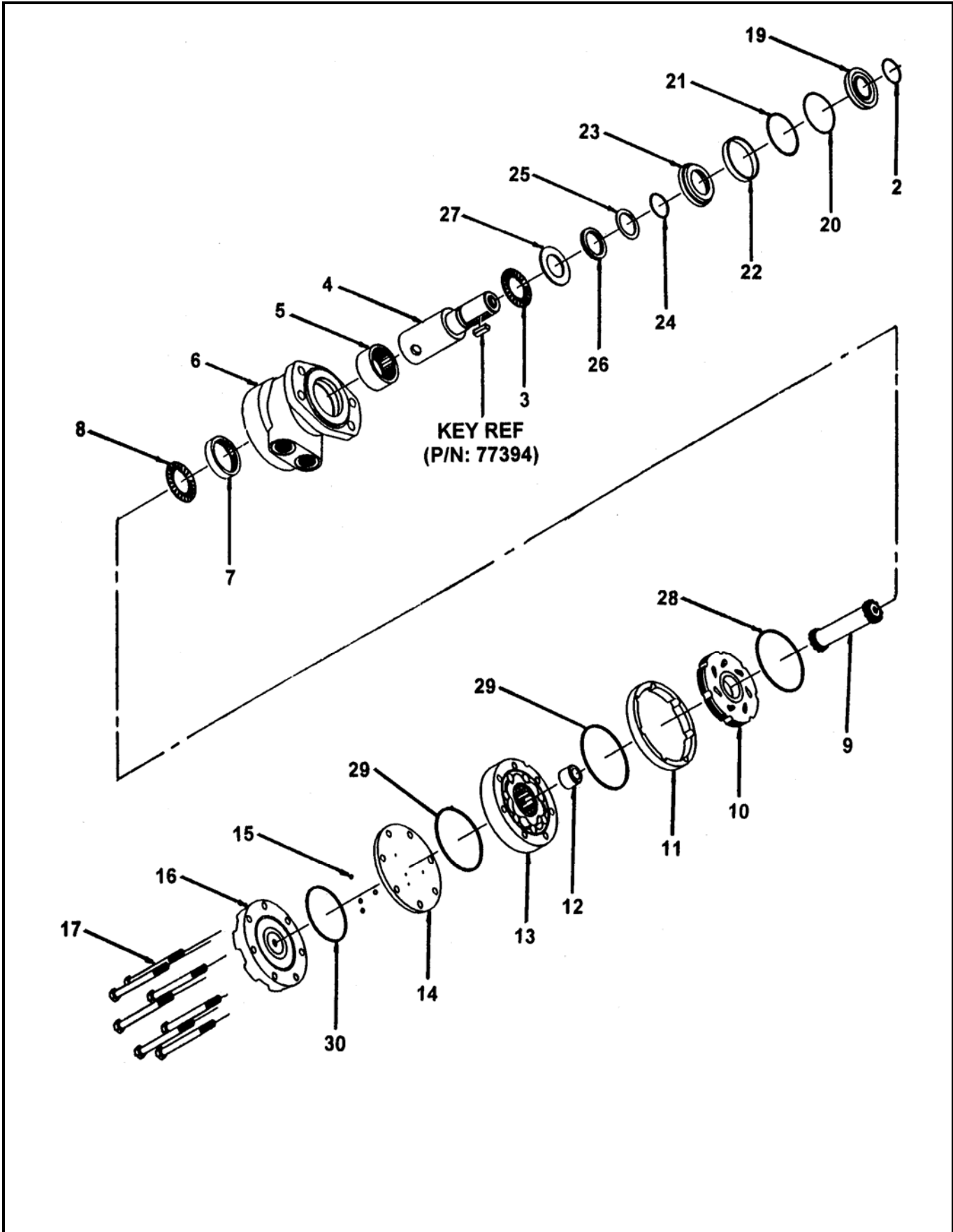
REVISION:





# AGITATOR MOTOR ASSEMBLY

C50S  
PARTS  
GROUP 20  
FIGURE 04  
PAGE 01



REVISION:

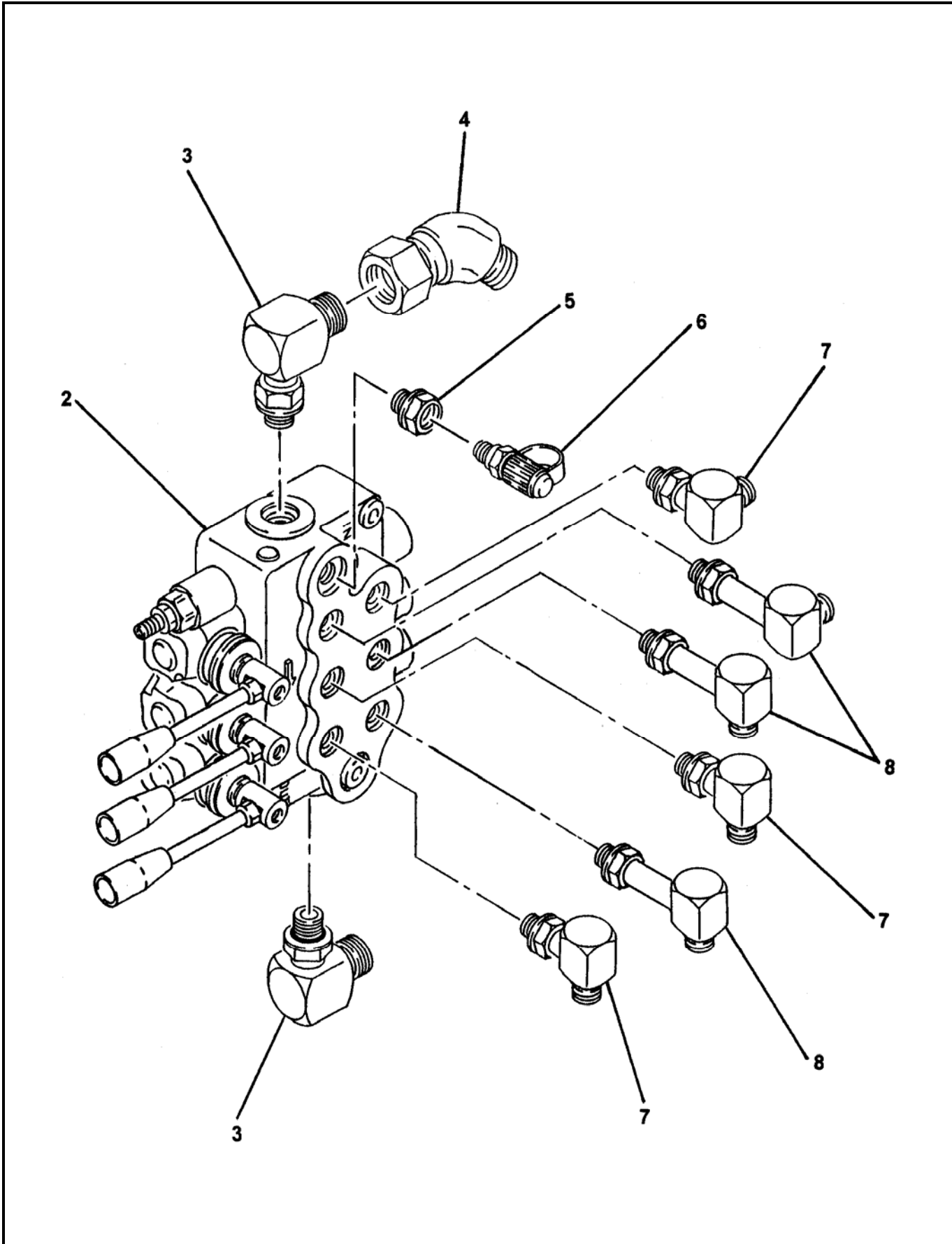
ITEM NO.	REED'S PARTS NO.	DESCRIPTION					QTY
		1	2	3	4	5	
-1	85811	Assembly, Standard Hopper Agitator Motor (See Group 20, Figure 04 for NHA)					Ref
2					• Ring, Wire	1	
3					• Bearing, Front Thrust	1	
4					• Kit, Shaft	1	
5					• Bearing, Front Housing	1	
6					• Kit, Housing	1	
7					• Bearing, Rear Housing	1	
8					• Bearing, Rear Thrust	1	
9					• Kit, Drive Link	1	
10					• Bearing, Front Thrust	1	
11					• Manifold	1	
12					• Boot, Manifold	1	
13					• Kit, Free Turn Rotor	1	
14					• Plate, Balance	1	
15					• Ball, Steel	4	
16					• Cover, Motor End	1	
17					• Bolt, Hex (attaching parts)	7	
-18	85809SK				• Kit, Seal	1	
19					•• Seal, Dust	1	
20					•• Ring, Split Wire	1	
21					•• Shim, Metal Back Up	1	
22					•• Seal, High Pressure	1	
23					•• Carrier, Seal	1	
24					•• Shim, Metal Back Up	1	
25					•• Seal, Polyamid	1	
26					•• Seal, Shaft	1	
27					•• Washer, Thrust	1	
28					•• Seal, Rear Housing	1	
29					•• Seal, Body	2	
30					•• Seal, End Cover	1	

DASH (-) ITEM NOT ILLUSTRATED



# AGITATOR / OUTRIGGERS CONTROL VALVE ASSEMBLY

C50S  
PARTS  
GROUP 20  
FIGURE 05  
PAGE 01



REVISION:



**AGITATOR / OUTRIGGERS  
CONTROL VALVE ASSEMBLY**

**C50S  
PARTS  
GROUP 20  
FIGURE 05  
PAGE 02**

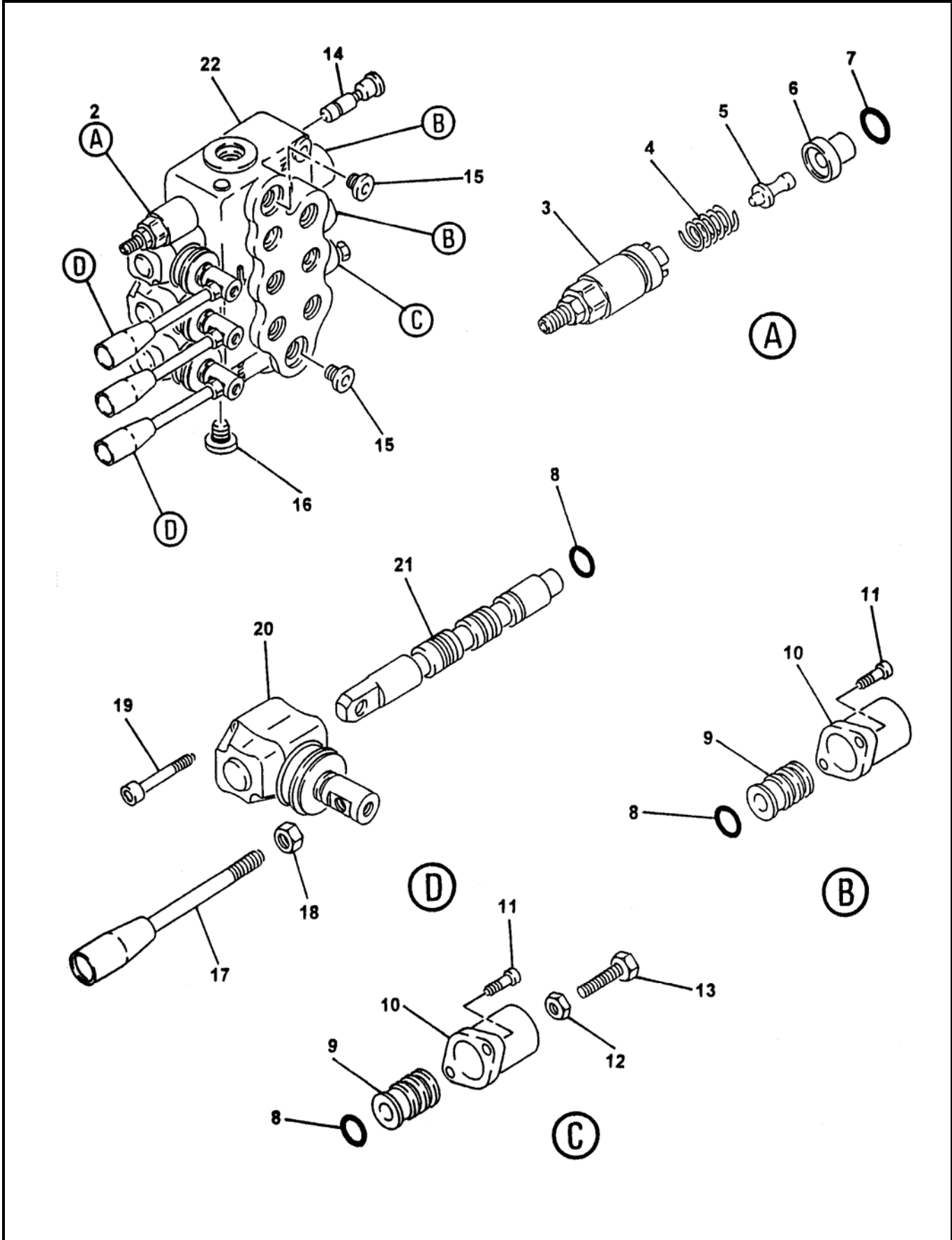
ITEM NO.	REED'S PARTS NO.	DESCRIPTION					QTY
		1	2	3	4	5	
-1	20-08	Assembly, 3 Spool Control Valve (See Group 20, Figure 01 and Figure 02 for NHA)					Ref
2	74471	• Sub-Assembly, Agitator Control Valve (See Group 20, Figure 10 for DET)					1
3		• Fitting, 90					2
4		• Swivel, 45					1
5		• Reducer, 8-6					1
6	800083	• Fitting, Mini Check (Port)					1
7		• Fitting, 90					3
8		• Fitting, 90					3
-9		• Bolt, Hex					2
-10		• Washer, SPL Lock					2

DASH (-) ITEM NOT ILLUSTRATED



# AGITATOR / OUTRIGGERS CONTROL VALVE SUB-ASSEMBLY

C50S  
PARTS  
GROUP 20  
FIGURE 06  
PAGE 01



REVISION:



ITEM NO.	REED'S PARTS NO.	DESCRIPTION					QTY
		1	2	3	4	5	
-1	74471	Sub-Assembly, 3 Spool Control Valve (See Group 20, Figure 08 for NHA)					Ref
2	85706	• Cartridge, Relief					1
3		• • Kit, Screw					1
4		• • Spring					1
5		• • Pin, Screw Kit					1
6		• • Ring					1
7		• • O-Ring					1
8		• O-Ring					4
9		• Kit, Spool Control					3
10		• Cap, Spool					3
11		• Screw, SOC (attaching Parts)					6
12		• Nut					1
13		• Bolt, Hex					1
14		• Kit, VRS					1
15		• Plug					2
16		• Plug					1
17		• Handle, Remixer Valve					3
18		• Nut (attaching parts)					3
19		• Screw, SOC					6
20		• Lever, L					3
21		• Spool					3
22		• Body, Valve					1

DASH (-) ITEM NOT ILLUSTRATED



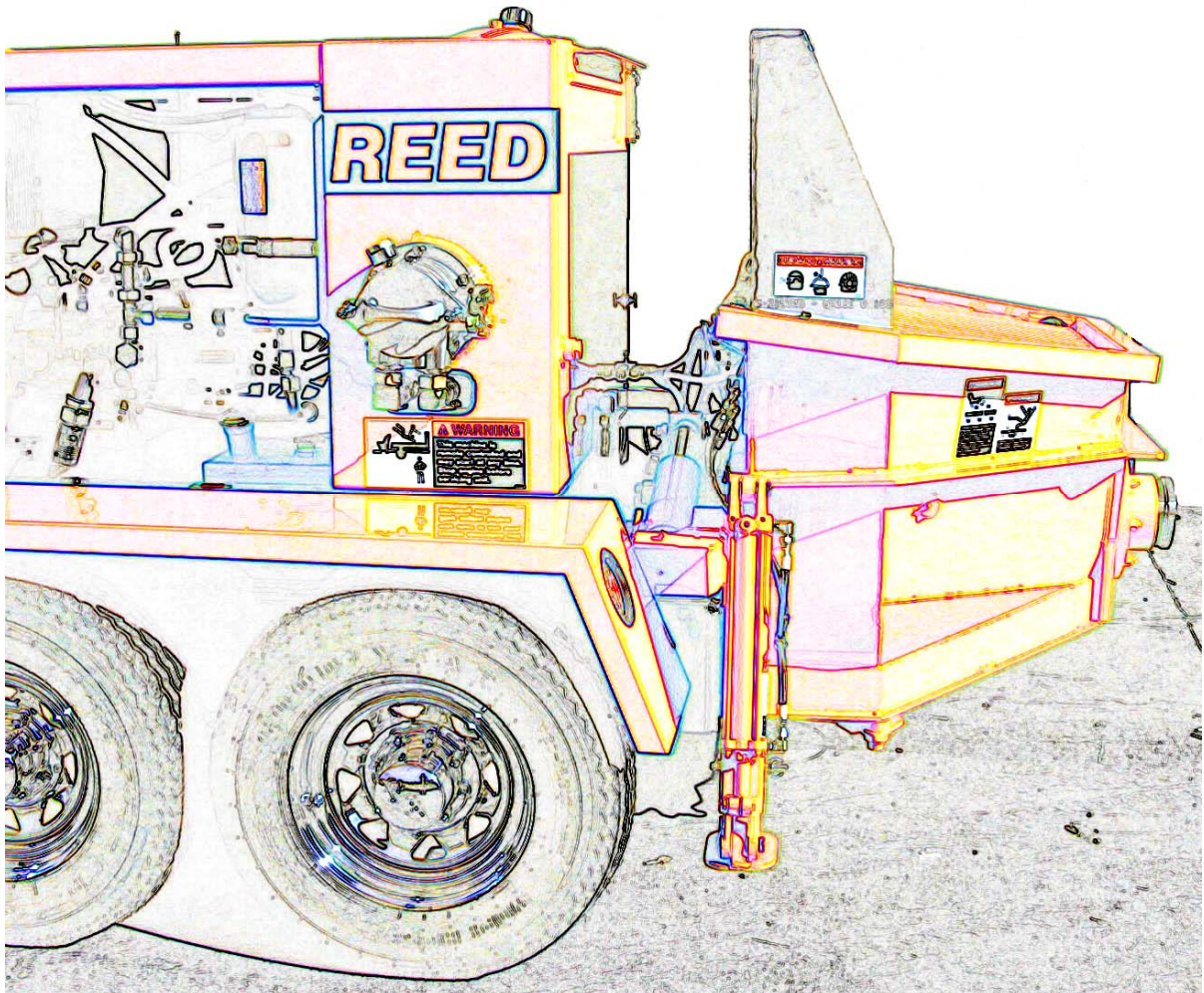
**C50S TRAILER MOUNTED PUMP  
GROUP 20 HOPPER INSTALLATION**

**C50S  
PARTS  
GROUP 20  
FIGURE 07  
PAGE 01**

THIS PAGE INTENTIONALLY LEFT BLANK.

**REED** TRAILER MOUNTED CONCRETE PUMP 01 MODEL **C50S** ILLUSTRATED PARTS MANUAL GROUP 30 HYDRAULIC TANK INSTALLATION CONTAINS THE FOLLOWING FIGURES:

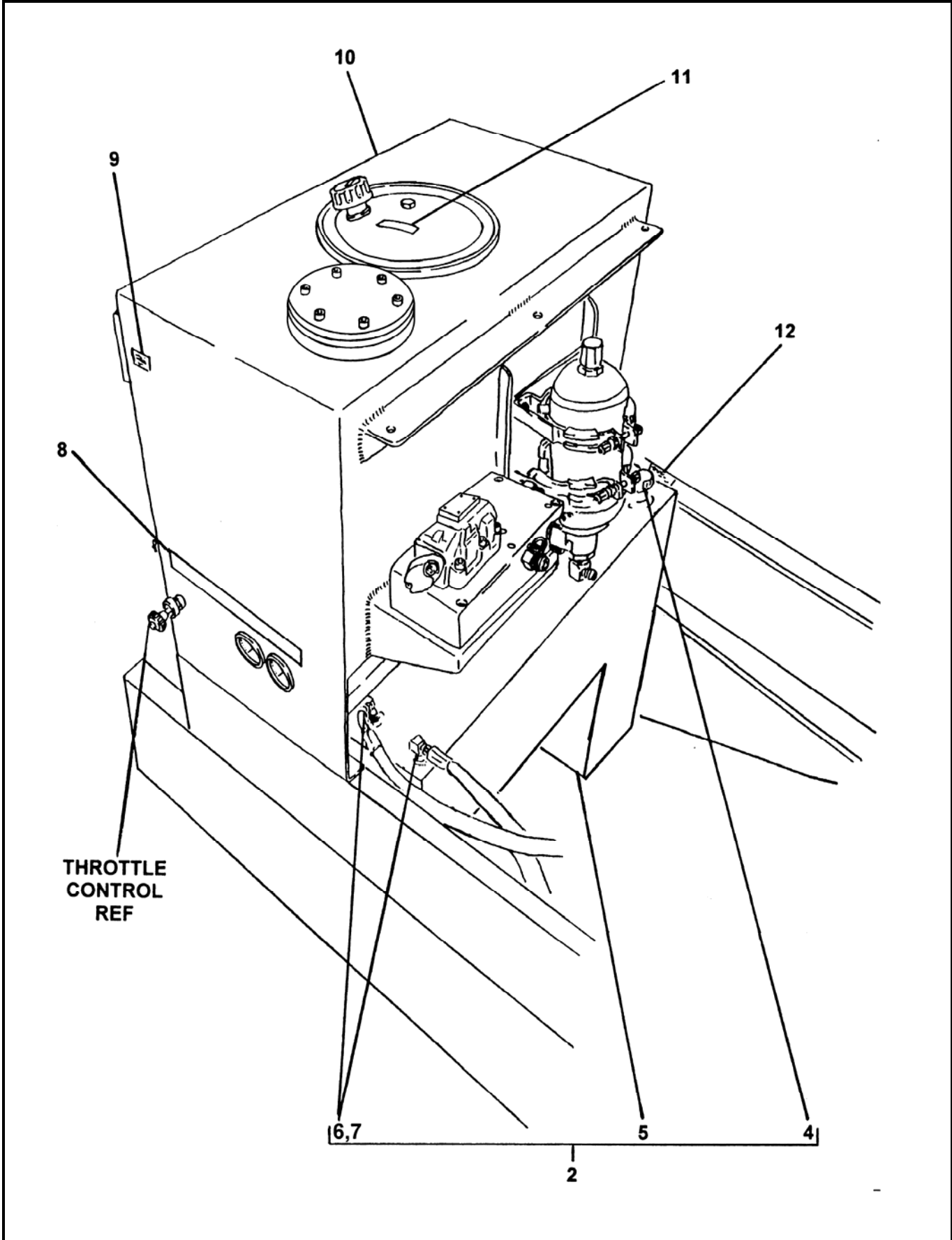
- FIGURE 00** TABLE OF CONTENTS
- FIGURE 01** TANK INSTALLATION
- FIGURE 02** HYDRAULIC TANK ASSEMBLY
- FIGURE 03** ACCUMULATOR ASSEMBLY
- FIGURE 04** ACCUMULATOR BLADDER REPAIR KIT
- FIGURE 05** SWING TUBE CIRCUIT MANIFOLD ASSEMBLY
- FIGURE 06** SWING TUBE CIRCUIT MAIN SOLENOID VALVE ASSEMBLY
- FIGURE 07** SWING TUBE CIRCUIT PILOT SOLENOID VALVE ASSEMBLY
- FIGURE 08** BALL VALVE ASSEMBLY





# TANK INSTALLATION

C50S  
PARTS  
GROUP 30  
FIGURE 01  
PAGE 01



REVISION:



# TANK INSTALLATION

**C50S**  
**PARTS**  
GROUP 30  
FIGURE 01  
PAGE 02

ITEM NO.	REED'S PARTS NO.	DESCRIPTION	QTY
		1 2 3 4 5	
-1	30-01	Installation, Tank (See Group 10, Figure 01 for NHA)	Ref
2	85437	• Assembly, Fuel Tank	1
-3	77191	•• Gauge, Fuel	1
4	85570	•• Cap, Fuel	1
5	77181	•• Weldment, Fuel Tank	1
6	77183	•• Assembly, Fuel Pick-Up Tube (Screws into Tank)	2
7		•• Elbow, 90	2
8	85684	• Decal, Gauge	1
9	85844	• Decal, Oil Level	1
10	87414	• Assembly, Hydraulic Tank (See Group 30, Figure 02 for DET)	1
-11	75020	• Decal, Hydraulic Oil	2
-12	87454	• Kit, <b>C50S</b> Hose (See SCHEMATIC Section for DET)	1
		DASH ITEM (-) NOT ILLUSTRATED	

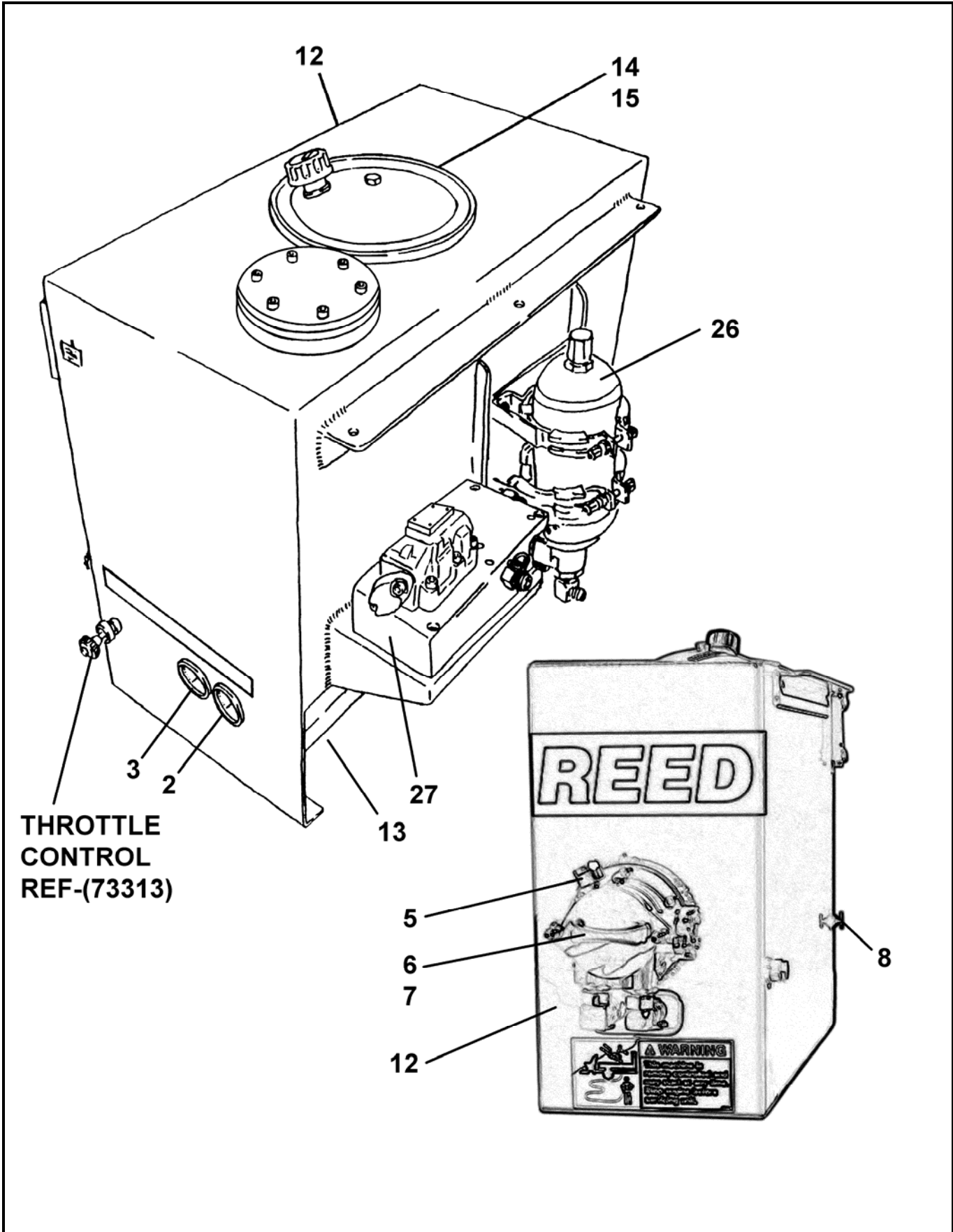
REVISION:





# HYDRAULIC TANK ASSEMBLY

C50S  
PARTS  
GROUP 30  
FIGURE 02  
PAGE 01



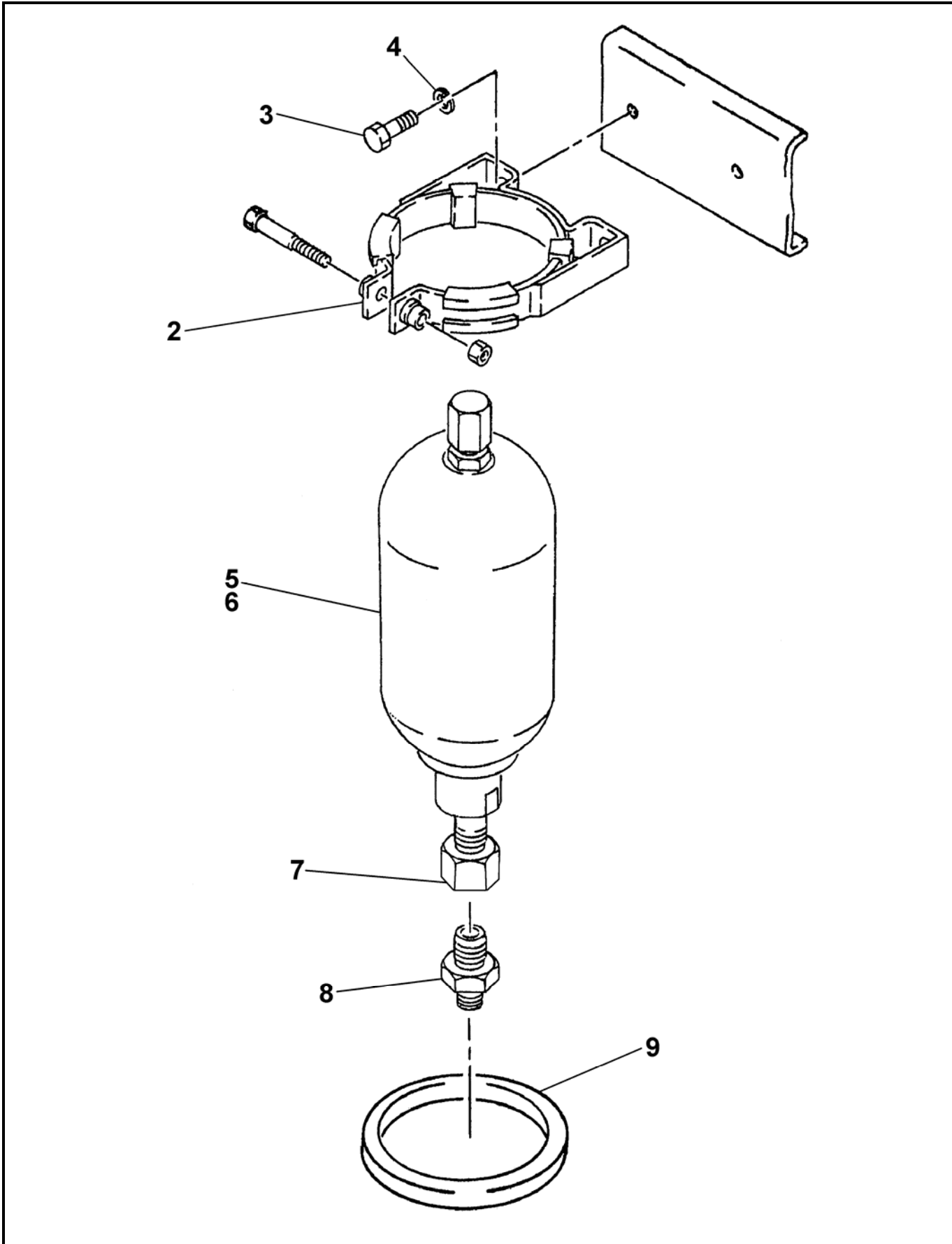
REVISION:

ITEM NO.	REED'S PARTS NO.	DESCRIPTION					QTY
		1	2	3	4	5	
-1	87414	Assembly, Hydraulic Tank (See Group 30, Figure 01 for NHA)					Ref
2	70366	• Gauge, 3,000 PSI Hydraulic					1
3	74562	• Gauge, 6,000 PSI Hydraulic					1
4	74509	• Gauge, Sight					1
5	W-106872	• Gauge, Suction Filter					1
6	801496	• Filter, Suction					1
7	801498	• • Element, Suction Filter					1
8	801025	• Cock, Drain					1
9	801937	• Flange Plug, 2" Code 61					1
10	86264-006	• Flange, Split Code 61-32 SAE					1
11	85537	• Filler, Breather					1
12	87413	• Modification, Hydraulic Tank					1
13	87154	• Valve, Solenoid					1
14	85529	• • End Cover, Hydraulic Tank					1
15	85867	• • Gasket, End Cover					1
-16	78608	• Hose, Minicheck-48"					1
-17	77282	• Valve, Check					1
-18	75456	• Clamp, 1 1/2" Tube, Single					2
-19	86900-027	• Adaptor, MB-MJ-16-12					2
-20	78593	• Adaptor, Minicheck-SAE 4					2
-21	78594	• Adaptor, Minicheck Gauge 1/4					2
-22	86900-023	• Adaptor, MB-MJ-12-12					1
-23	87468	• Adaptor, Stl 10L(M) x SAE 4					2
-24	801876-008	• Adaptor, 25S x SAE 16					1
-25	86751	• Plug-Boss O-Ring #8 SAE					1
26	30-03	• Assembly, Accumulator (See Group 30, Figure 03 for DET)					1
27	87334	• Assembly, Swing Tube Circuit Manifold (See Group 30, Figure 05 for DET)					1
-28	87472	• Bracket, Vibrator Plug					1
-29	802287	• Clamp, Worm 1.25-2.13 Diameter					4
-30	802288	• Clamp, Worm 1.75-2.63 Diameter					12
DASH (-) ITEM NOT ILLUSTRATED							



# ACCUMULATOR ASSEMBLY

C50S  
PARTS  
GROUP 30  
FIGURE 03  
PAGE 01



REVISION:



# ACCUMULATOR ASSEMBLY

C50S  
PARTS  
GROUP 30  
FIGURE 03  
PAGE 02

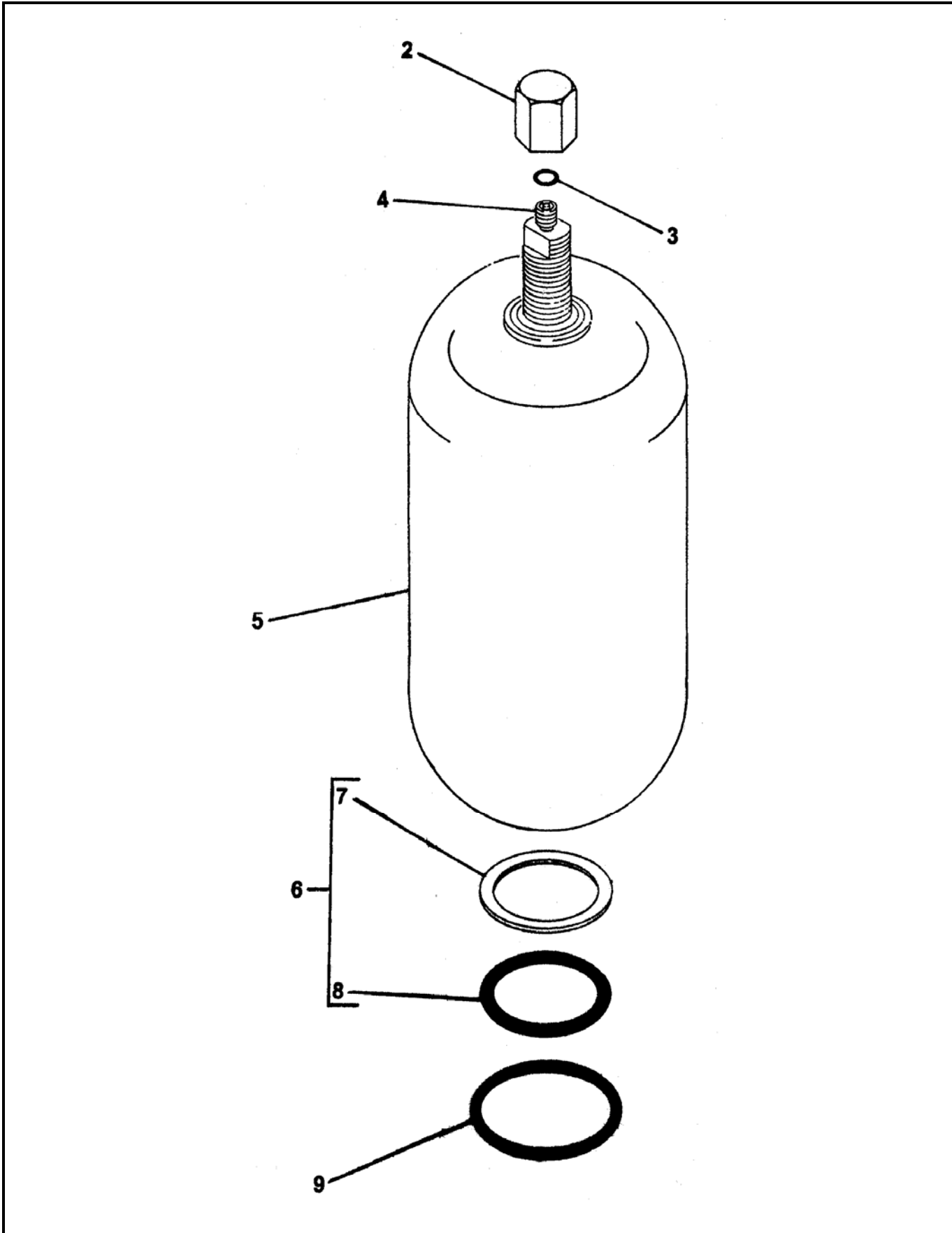
ITEM NO.	REED'S PARTS NO.	DESCRIPTION	QTY
		1 2 3 4 5	
-1	30-03	Assembly, Accumulator (See Group 30, Figure 01 for NHA)	Ref
2	73171	• Bracket, Accumulator	1
3		• Bolt, Hex (attaching parts)	2
4		• Washer, Lock (attaching parts)	2
5	W-103616	• Accumulator, 6 Liter	1
6	30-04	• Kit, Bladder Repair (See Group 30, Figure 04 for DET)	1
7	87471	• Adaptor-Str 1 1/4" BSPP x JIC16	1
8		• Adaptor	1
9	801028	• Grommet, Accumulator	1
-10	71460	• Kit, Accumulator Charge (See Group 80, Figure 07 for REF)	Ref

DASH (-) ITEM NOT ILLUSTRATED



# ACCUMULATOR BLADDER REPAIR KIT

C50S  
PARTS  
GROUP 30  
FIGURE 04  
PAGE 01



REVISION:





# ACCUMULATOR BLADDER REPAIR KIT

C50S  
PARTS  
GROUP 30  
FIGURE 04  
PAGE 02

ITEM NO.	REED'S PARTS NO.	DESCRIPTION					QTY
		1	2	3	4	5	
-1	W-105630	Kit, Bladder Repair (Also See Group 30, Figure 03 for NHA)					Ref
2			•	Cap, Valve Seal		1	
3			•	O-Ring		1	
4			•	Core, Gas Valve		1	
5	W-105555		•	Bladder, 6 Liter		1	
6	85812		•	Kit, Bladder Seal		1	
7			• •	Ring, Flat		1	
8			• •	O-Ring		1	
9			•	Ring, Back Up		1	

DASH (-) ITEM NOT ILLUSTRATED

REVISION:



**SWING TUBE CIRCUIT  
MANIFOLD ASSEMBLY**

**C50S**  
**PARTS**  
GROUP 30  
FIGURE 05  
PAGE 01

NOTICE  
**THIS PAGE IS IN PROCESS,  
NOT AVAILIABLE  
AT TIME OF PRINTING**



**SWING TUBE CIRCUIT  
MANIFOLD ASSEMBLY**

**C50S**  
**PARTS**  
GROUP 30  
FIGURE 05  
PAGE 02

NOTICE

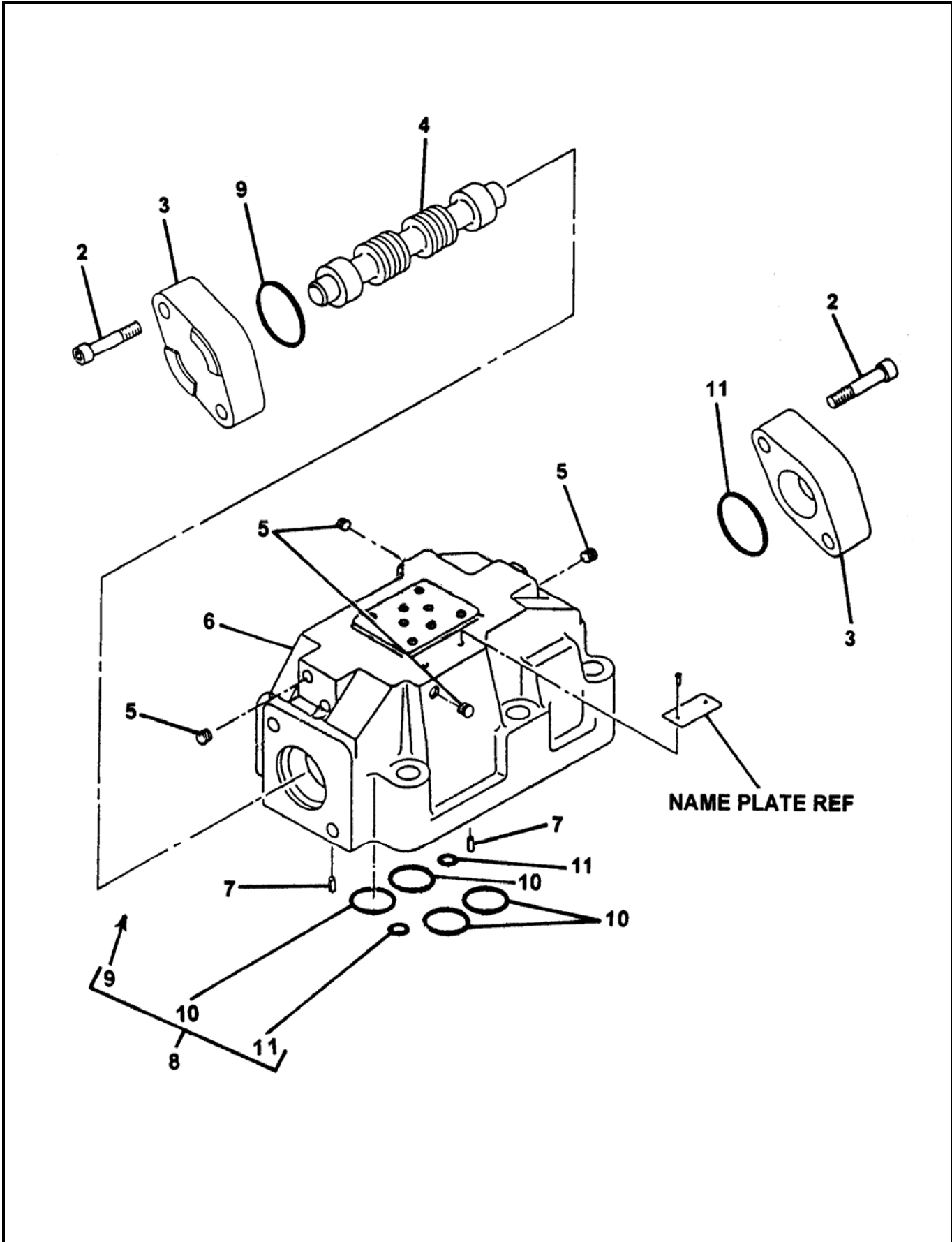
**THIS PAGE IS IN PROCESS,  
NOT AVAILIABLE  
AT TIME OF PRINTING**

REVISION:



# SWING TUBE CIRCUIT MAIN SOLENOID VALVE ASSEMBLY

C50S  
PARTS  
GROUP 30  
FIGURE 06  
PAGE 01



REVISION:



**SWING TUBE CIRCUIT  
MAIN SOLENOID VALVE ASSEMBLY**

**C50S  
PARTS  
GROUP 30  
FIGURE 06  
PAGE 02**

ITEM NO.	REED'S PARTS NO.	DESCRIPTION	QTY
		1 2 3 4 5	
-1	85694	Assembly, Swing Tube Circuit Main Solenoid Valve (See Group 30, Figure 05 for NHA)	Ref
2		• Screw, SOC	4
3		• Cover	2
4		• Spool	1
5		• Plug	4
6		• Housing, Cartridge	1
7		• Pin, Grooved	2
8	74994	• Kit, Seal	1
9		•• O-Ring	2
10		•• O-Ring	4
11		•• O-Ring	2

DASH (-) ITEM NOT ILLUSTRATED

REVISION:





**SWING TUBE CIRCUIT  
PILOT SOLENOID VALVE ASSEMBLY**

**C50S**  
**PARTS**  
GROUP 30  
FIGURE 07  
PAGE 01

NOTICE  
**THIS PAGE IS IN PROCESS,  
NOT AVAILIABLE  
AT TIME OF PRINTING**

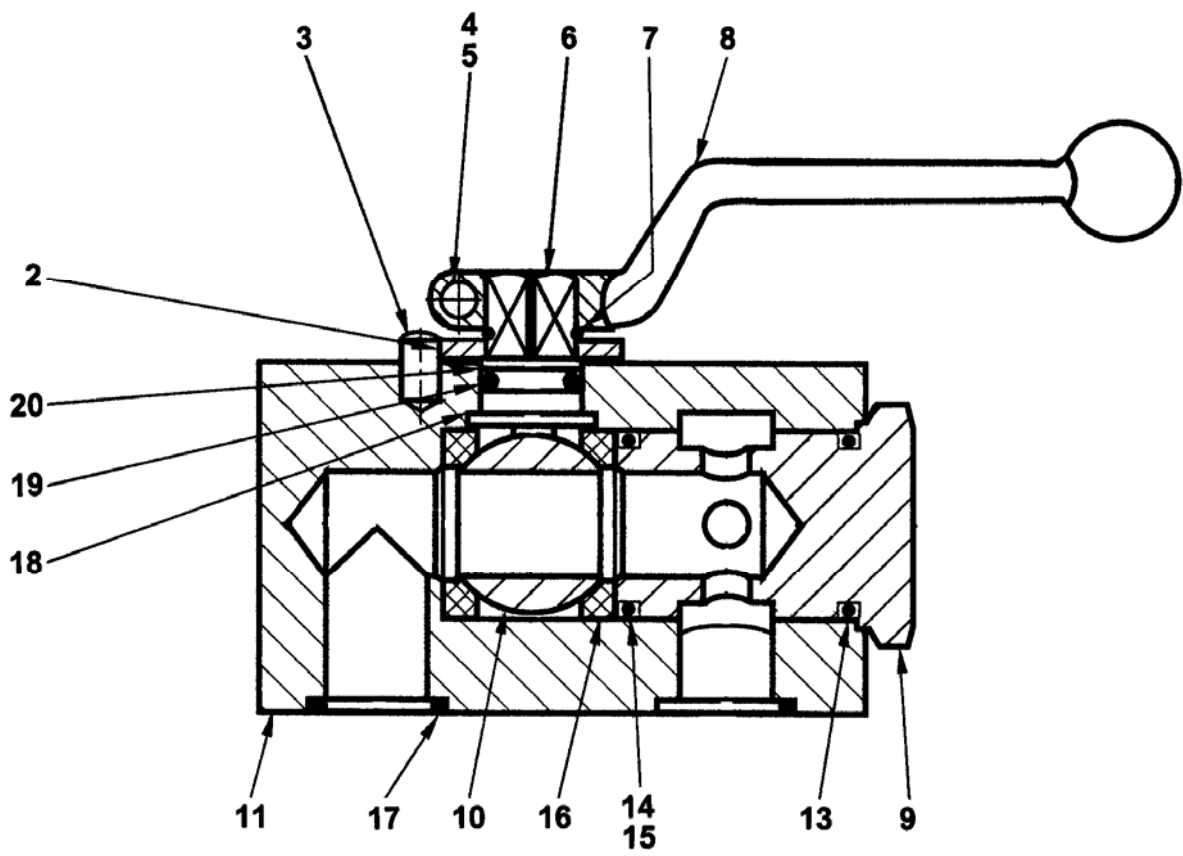
NOTICE

**THIS PAGE IS IN PROCESS,  
NOT AVAILIABLE  
AT TIME OF PRINTING**



# BALL VALVE ASSEMBLY

C50S  
PARTS  
GROUP 30  
FIGURE 08  
PAGE 01



REVISION:



# BALL VALVE ASSEMBLY

C50S  
PARTS  
GROUP 30  
FIGURE 08  
PAGE 02

ITEM NO.	REED'S PARTS NO.	DESCRIPTION	QTY
		1 2 3 4 5	
-1	85705	Assembly, Ball Valve (See Group 30, Figure 05 for NHA)	Ref
2		• Washer, Limit	1
3		• Pin, Stop	1
4		• Bolt, Hex	1
5		• Nut, Hex	1
6		• Handle, Control	1
7		• Spindle, Control	1
8		• Retainer, Spring	1
9		• Plug	1
10		• Ball	1
11		• Housing	1
-12		• Kit, Seal	1
13		• • O-Ring	1
14		• • O-Ring	1
15		• • Ring, Back Up	1
16		• • Seal, Bowl	2
17		• • O-Ring	1
18		• • Washer, Thrust	1
19		• • O-Ring	1
20		• • Ring, Back Up	1

DASH (-) ITEM NOT ILLUSTRATED



**C50S TRAILER MOUNTED PUMP  
GROUP 30 TANK INSTALLATION**

**C50S  
PARTS  
GROUP 30  
FIGURE 09  
PAGE 01**

THIS PAGE INTENTIONALLY LEFT BLANK.





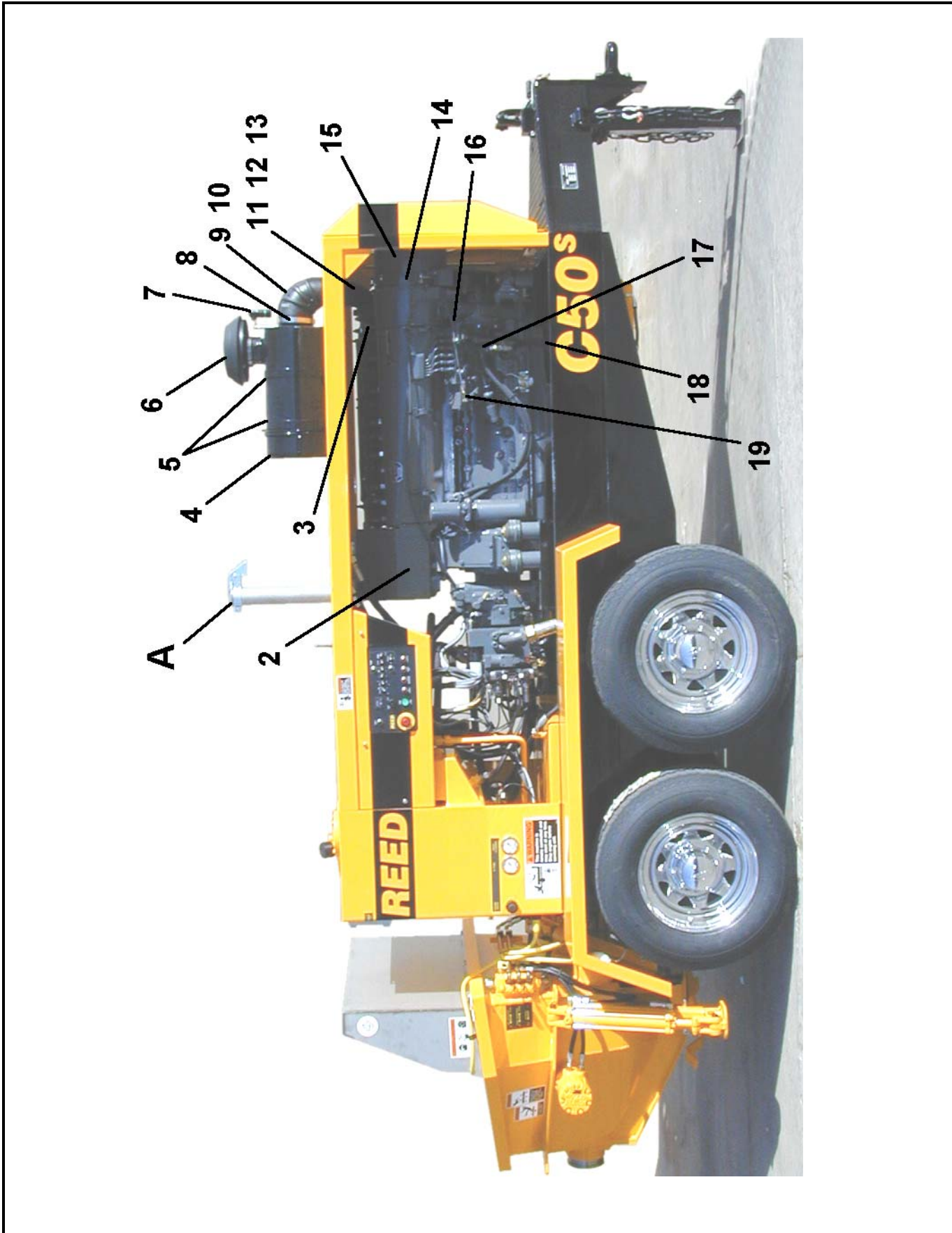
**REED TRAILER MOUNTED CONCRETE PUMP 01 MODEL C50S ILLUSTRATED PARTS MANUAL GROUP 40 POWER TRAIN INSTALLATION CONTAINS THE FOLLOWING FIGURES:**

<b>FIGURE 00</b>	TABLE OF CONTENTS
<b>FIGURE 01</b>	POWER TRAIN INSTALLATION
<b>FIGURE 02</b>	POWER TRAIN ASSEMBLY
<b>FIGURE 02</b>	HYDRAULIC PUMPS ASSEMBLY
<b>FIGURE 03</b>	DOUBLE AUXILIARY PUMP ASSEMBLY
<b>FIGURE 04</b>	SINGLE AUXILIARY PUMP ASSEMBLY
<b>FIGURE 05</b>	MAIN HYDRAULIC PUMP ASSEMBLY
<b>FIGURE 06</b>	BATTERY MOUNTING ASSEMBLY



# POWER TRAIN INSTALLATION

C50S  
PARTS  
GROUP 40  
FIGURE 01  
PAGE 01



REVISION:

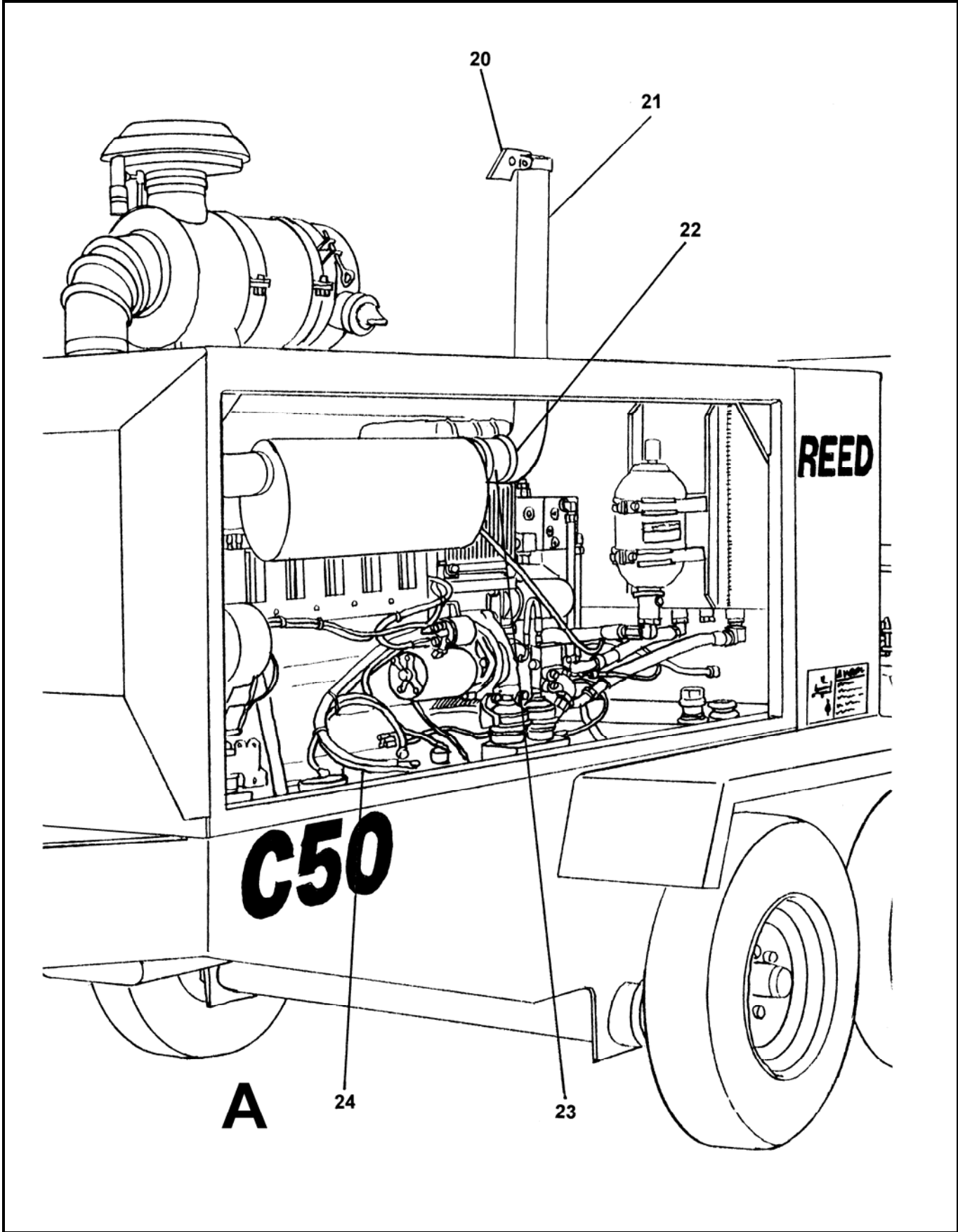
ITEM NO.	REED'S PARTS NO.	DESCRIPTION					QTY
		1	2	3	4	5	
-1	40-01	Installation, Power Train (See Group 10, Figure 01 and Figure 02 for NHA)					Ref
2	87444	• Assembly, Power Train (Engine-PN 71150) (See Group 40, Figure 02 for DET)					1
3	77486	• Sleeve, Intake					1
4	73485	• Cleaner, Air					1
-4A	73584	• Element, Air Cleaner					1
5	77343	• Clamp, Air Cleaner Mount					2
6	73486	• Hood, Air Cleaner					1
7	78298	• Indicator, Vacuum gauge					1
8	78300	• Clamp					1
9	73487	• Elbow, Rubber					1
10	77477	• Clamp, T-Bolt					2
11	86111	• Tube, Air Intake					1
-11A	85876	• Tube, Air Intake					1
12	73479	• Elbow					1
13	73532	• Clamp, T-Bolt					3
14	85433	• Ring, Air Intake					1
15	85422	• Ring, Air Guide Brush					1
16	73313	• Cable, Throttle Control					1
17	71009	• U-Clip, Throttle Cable					1
18	76951	• Filter, Water Separator					1
-18A	79794	• • Element, Water Separator Filter					
19	71020	• Ends, Yoke					1
20	73475	• Cap, Rain					1
21	86495	• Elbow, Exhaust					1
22	77258	• Clamp					1
23	73426	• Reducer, Exhaust Pipe					1
24	87452	• Assembly, Engine Wiring Harness (See Schematic Section for REF)					1
25	40-07	• Assembly, Battery Mounting (See Group 40, Figure 07 for DET)					1
-26	85669-002	• Hose					1
-27	85881	• Support, Belt Guard					1
-28	85882	• Guard, Belt					1
-29	87087	• Mount, Engine Spacer					6
-30	10277	• Clamp, Fuel Hose					2
-31	77347A	• Assembly, 8 FT Hose					1
-32	800080	• Hose, Minicheck-72"					1
-33	87461	• Hose					2
-34	87462	• Hose					1
-35	801901-004	• Valve, Check					2
DASH (-) ITEM NOT ILLUSTRATED							

REVISION:



# POWER TRAIN INSTALLATION

C50S  
PARTS  
GROUP 40  
FIGURE 01  
PAGE 03



REVISION:





# POWER TRAIN INSTALLATION

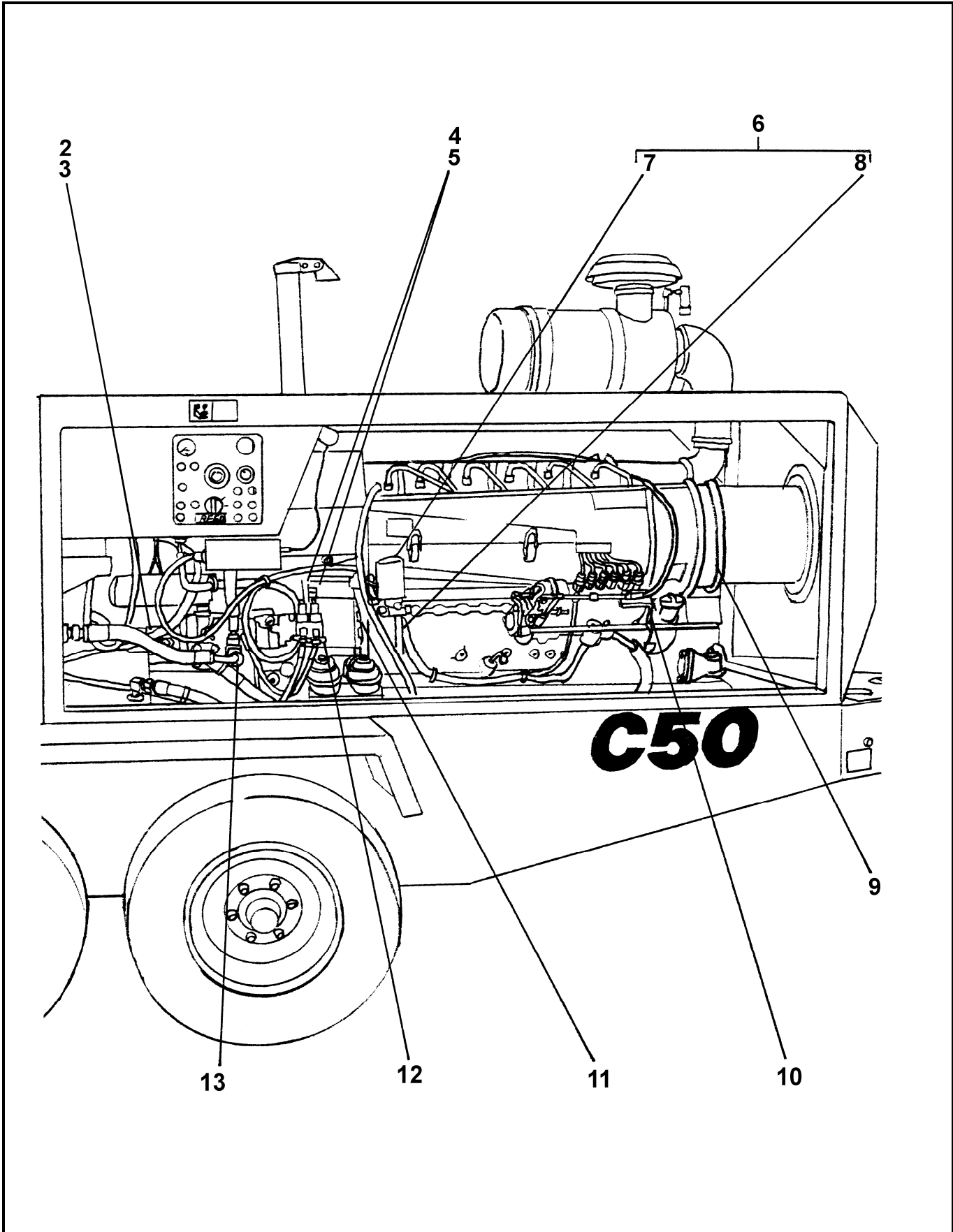
ITEM NO.	REED'S PARTS NO.	DESCRIPTION	QTY
		1 2 3 4 5	
-1	40-01	Installation, Power Train (See Group 10, Figure 01 and Figure 02 for NHA)	Ref
2	87444	• Assembly, Power Train (Engine-PN 71150) (See Group 40, Figure 02 for DET)	1
3	77486	• Sleeve, Intake	1
4	73485	• Cleaner, Air	1
-4A	73584	• Element, Air Cleaner	1
5	77343	• Clamp, Air Cleaner Mount	2
6	73486	• Hood, Air Cleaner	1
7	78298	• Indicator, Vacuum gauge	1
8	78300	• Clamp	1
9	73487	• Elbow, Rubber	1
10	77477	• Clamp, T-Bolt	2
11	86111	• Tube, Air Intake	1
-11A	85876	• Tube, Air Intake	1
12	73479	• Elbow	1
13	73532	• Clamp, T-Bolt	3
14	85433	• Ring, Air Intake	1
15	85422	• Ring, Air Guide Brush	1
16	73313	• Cable, Throttle Control	1
17	71009	• U-Clip, Throttle Cable	1
18	76951	• Filter, Water Separator	1
-18A	79794	•• Element, Water Separator Filter	
19	71020	• Ends, Yoke	1
20	73475	• Cap, Rain	1
21	86495	• Elbow, Exhaust	1
22	77258	• Clamp	1
23	73426	• Reducer, Exhaust Pipe	1
24	87452	• Assembly, Engine Wiring Harness (See Schematic Section for REF)	1
25	40-07	• Assembly, Battery Mounting (See Group 40, Figure 07 for DET)	1
-26	85669-002	• Hose	1
-27	85881	• Support, Belt Guard	1
-28	85882	• Guard, Belt	1
-29	87087	• Mount, Engine Spacer	6
-30	10277	• Clamp, Fuel Hose	2
-31	77347A	• Assembly, 8 FT Hose	1
-32	800080	• Hose, Minicheck-72"	1
-33	87461	• Hose	2
-34	87462	• Hose	1
-35	801901-004	• Valve, Check	2
DASH (-) ITEM NOT ILLUSTRATED			





# POWER TRAIN ASSEMBLY

C50S  
PARTS  
GROUP 40  
FIGURE 02  
PAGE 01



REVISION:



# POWER TRAIN ASSEMBLY

**C50S**  
**PARTS**  
GROUP 40  
FIGURE 02  
PAGE 02

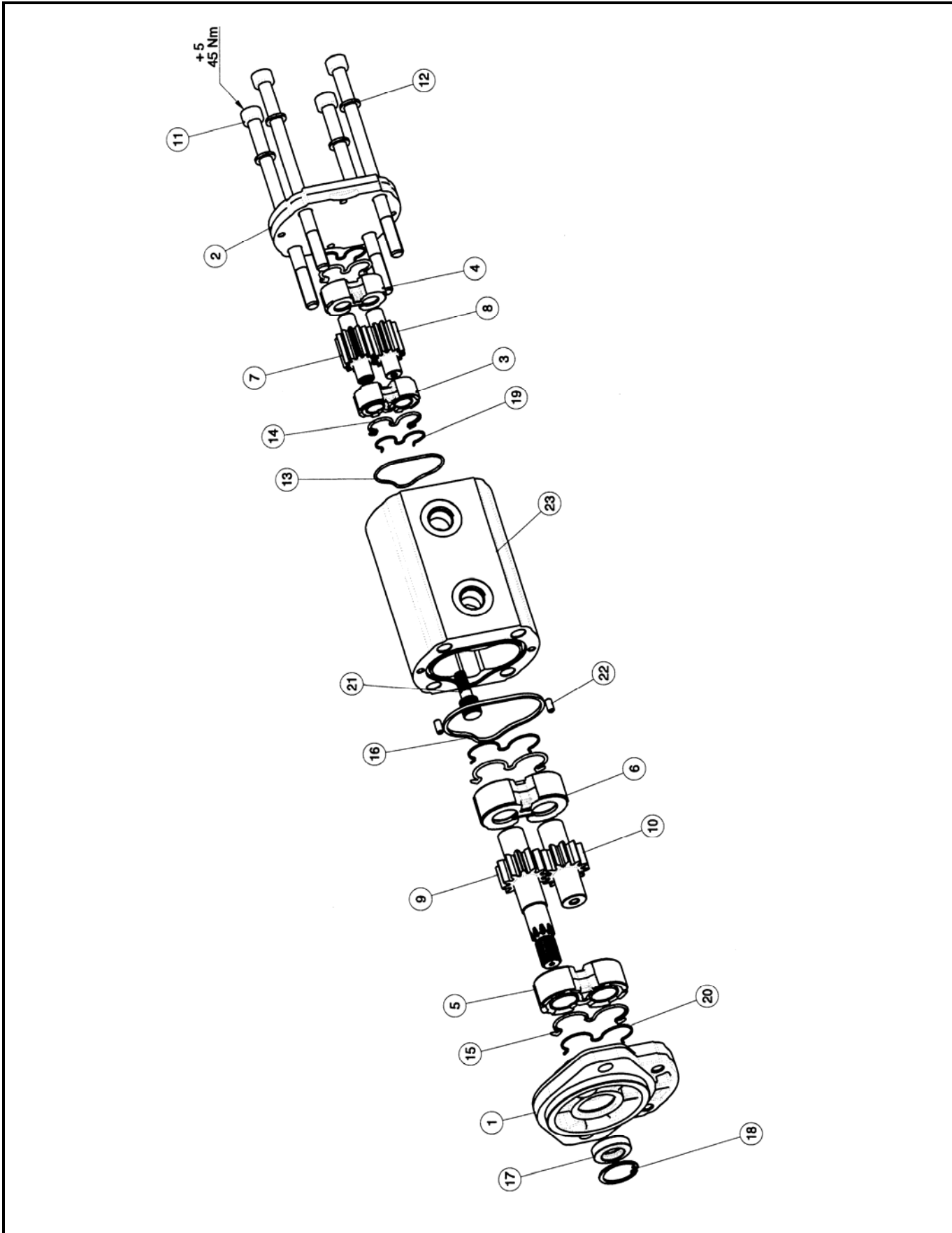
ITEM NO.	REED'S PARTS NO.	DESCRIPTION	QTY
		1 2 3 4 5	
-1	87444	Assembly, Power Train (See Group 40, Figure 01 for NHA)	Ref
2	87445	• Assembly, Double Auxiliary Pump (See Group 40, Figure 03 for DET)	1
3	87013	• Assembly, Single Auxiliary Pump (Optional Item) (See Group 40, Figure 04 for NHA)	1
4	86952	• Manifold, Close Loop Master Control	1
5	801778	• Manifold-A4VG125	1
6	71150	• Assembly, <b>C50S</b> Deutz Engine (See Vendor Section, Figure 01 for REF)	1
7	74501	• • Element, Fuel Filter	1
8	71156	• • Element, Engine Oil Filter	1
9	85422	• Ring, Air Brush	1
10	86955	• Bracket, Throttle	1
11	87360	• Drive, Pump	1
-12	801901-004	• Valve, Check	2
13	W-109842	• Assembly, <b>C50S</b> Main Pump (See Group 40, Figure 05 for DET) (Also See Vendor Section, Figure 02 for REF)	1
-14	86102	• Bracket, Throttle	1
-15	BW10276	• Actuator, Linear	1
-16	87517	• Bracket, Throttle-Linear Actuator	1
-17	87518	• Joint, Ball-Rod End	1
-18	87519	• Spacer, Throttle Cable	1
-19	87520	• Bracket, Actuator Guide	1
-20	87529	• Shaft, Collar	1
		DASH (-) ITEM NOT ILLUSTRATED	

REVISION:



# DOUBLE AUXILIARY PUMP ASSEMBLY

C50S  
PARTS  
GROUP 40  
FIGURE 03  
PAGE 01



REVISION:



# DOUBLE AUXILIARY PUMP ASSEMBLY

C50S  
PARTS  
GROUP 40  
FIGURE 03  
PAGE 02

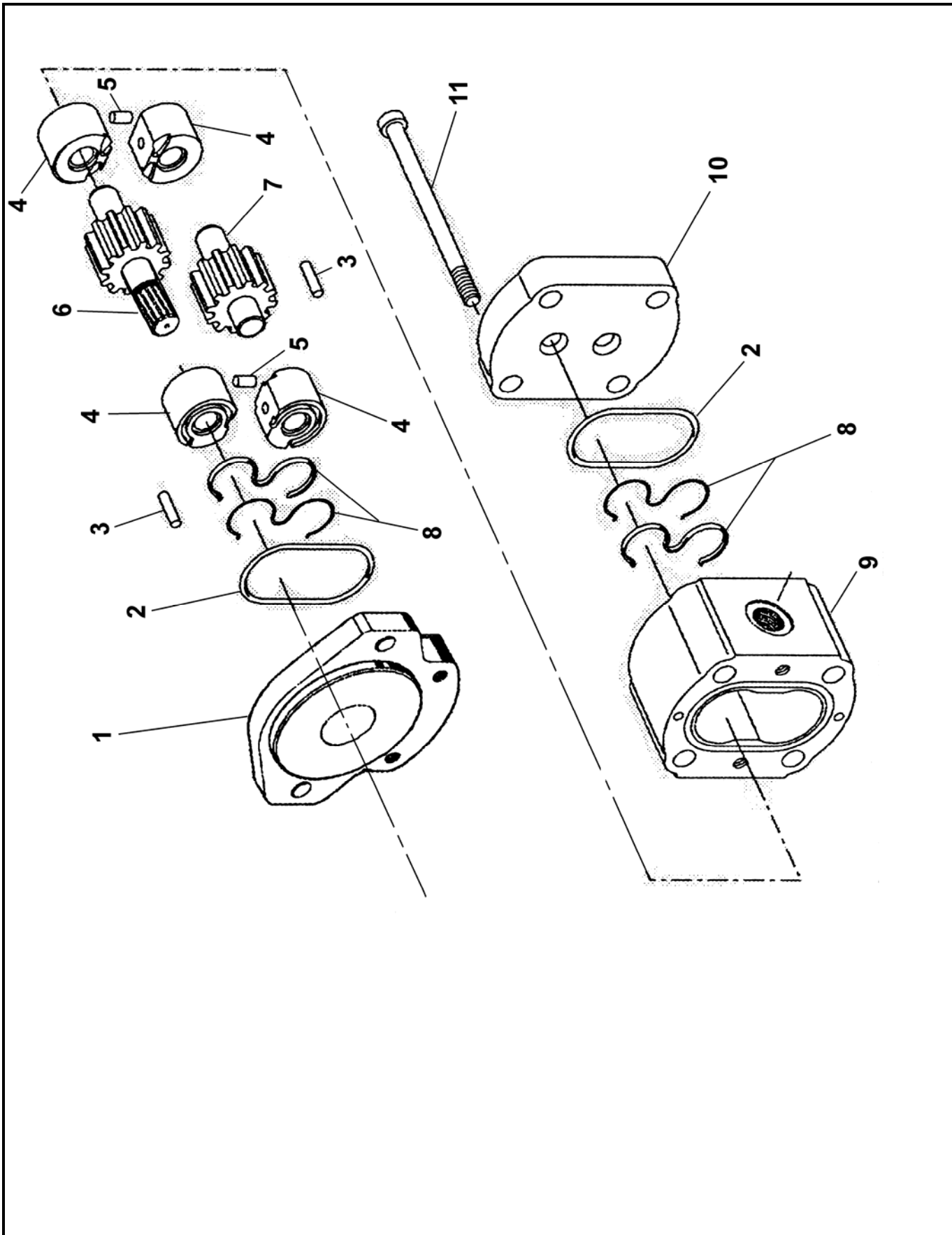
ITEM NO.	REED'S PARTS NO.	DESCRIPTION	QTY
		1 2 3 4 5	
	87445	Assembly Double Auxiliary Pump (See Group 40, Figure 02 for NHA)	Ref
1		• Cover, Front	1
2		• Cover, Twin Rear	1
3		• Plate, Thrust	1
4		• Plate, Thrust	1
5		• Plate, Thrust	1
6		• Plate, Thrust	1
7		• Gear, Drive	1
8		• Gear, Driven	1
9		• Shaft, Drive	1
10		• Gear, Driven	1
11		• Screw	4
12		• Washer	4
13		• O-Ring	1
14		• Plate, Seal	2
15		• Plate, Seal	2
16		• Plate, Seal	1
17		• Seal, Shaft	1
18		• Ring	1
19		• Plate, Anti-Intrusion	2
		DASH (-) ITEM NOT ILLUSTRATED	

REVISION:



# SINGLE AUXILIARY PUMP ASSEMBLY

C50S  
PARTS  
GROUP 40  
FIGURE 04  
PAGE 01



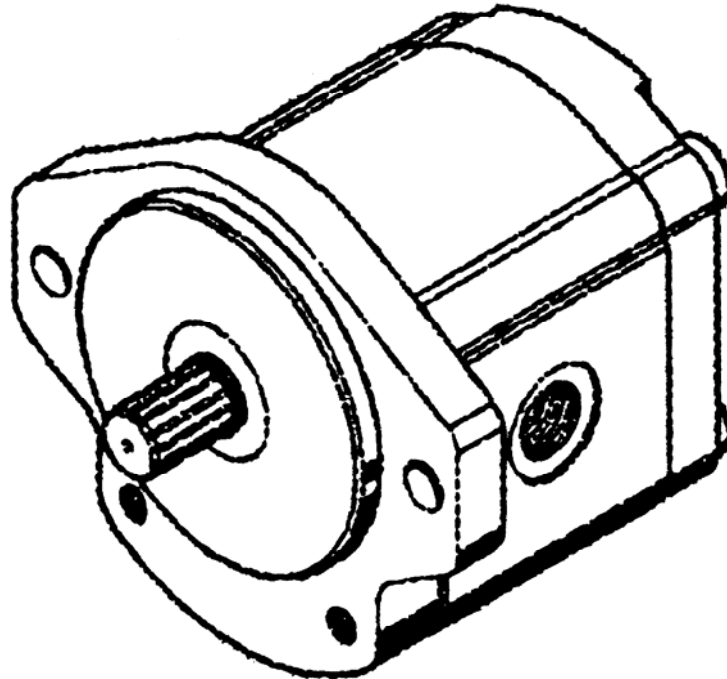
REVISION:



# SINGLE AUXILIARY PUMP ASSEMBLY

C50S  
PARTS  
GROUP 40  
FIGURE 04  
PAGE 02

ITEM NO.	REED'S PARTS NO.	DESCRIPTION					QTY
		1	2	3	4	5	
	87013	Assembly, Single Auxiliary Pump (See Group 40, Figure 02 for NHA)					Ref
1		• Cover, Front					1
2		• Seal					2
3		• Pin, Dowel					2
4		• Bearing					4
5		• Pin, Dowel					2
6		• Gear, Driven					1
7		• Gear, Drive					1
8		• Seal					2
9		• Housing, Pump					1
10		• Cover, End					1
11		• Bolt, Hex (attaching parts)					4
-12	87013SK	• Kit, Seal					1
DASH (-) ITEM NOT ILLUSTRATED							



REVISION:

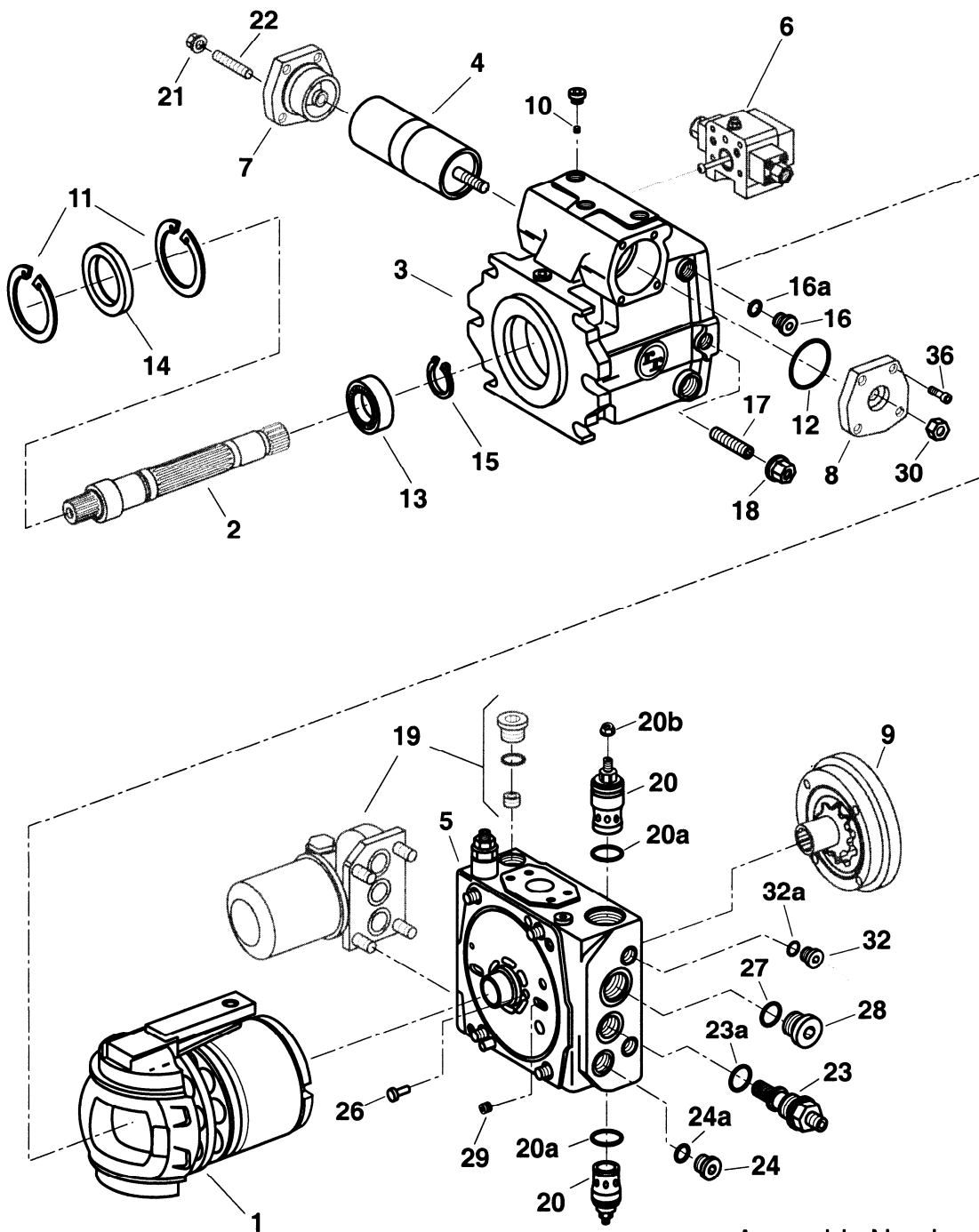




# MAIN HYDRAULIC PUMP ASSEMBLY

C50S  
PARTS  
GROUP 40  
FIGURE 05  
PAGE 01

## REED PN W-109842 MAIN HYDRAULIC PUMP



Assembly Number  
**AA4VG125/32**



# MAIN HYDRAULIC PUMP ASSEMBLY

C50S  
PARTS  
GROUP 40  
FIGURE 05  
PAGE 02

Assembly Number  
**AA4VG125/32**

Item	Description	Qty	Part Number
1	Rotary Group Ass'y AA4VG125.../32L		5450-570-008
1	Rotary Group Ass'y AA4VG125.../32R		5450-570-009
2	Drive Shaft AA4VG125.../32...S		HU00921707
2	Drive Shaft AA4VG125.../32...T		HU00921708
3	Housing Ass'y	1	<i>Pages 12 &amp; 13</i>
4	Stroking Piston Ass'y	1	<i>Pages 14 &amp; 15</i>
5	Port Block Ass'y	1	<i>Pages 16 &amp; 17</i>
6	Control AA4VG125HW.../32		HU00608522
6	Control AA4VG125HW...L/32		HU00608525
6	Control AA4VG125HD.../32		HU00602238
6	Control AA4VG125EP1.../32		HU00602236
6	Control AA4VG125EP2.../32		HU00602237
6	Control AA4VG125EZ1.../32		HU00437191
6	Control AA4VG125EZ2.../32		HU00437190
7	Stroking Piston Cover AA4VG125...		HU00922049
7	Stroking Piston Cover AA4VG125...M		HU00449493
7	Stroking Piston Cover AA4VG125...T		HU00651546
7	Stroking Piston Cover AA4VG125...M...T		HU00651554
8	Stroking Piston Cover AA4VG125...		HU00922048
8	Stroking Piston Cover AA4VG125...M		HU00449492
8	Stroking Piston Cover AA4VG125...T		HU00651545
8	Stroking Piston Cover AA4VG125...M...T		HU00651553
9	Charge Pump ...F00		HU00606320
9	Thru Dr. Chg. Pump ...F01 (SAE-A)		HU00606309
9	Thru Dr. Chg. Pump ...F02 (SAE-B)		HU00606312
9	Thru Dr. Chg. Pump ...F04 (SAE-BB)		HU00606314
9	Thru Dr. Chg. Pump ...F07 (SAE-C)		HU00606317
9	Thru Dr. Chg. Pump ...F69 (SAE-D)		HU00606330

REVISION:



# MAIN HYDRAULIC PUMP ASSEMBLY

C50S  
PARTS  
GROUP 40  
FIGURE 05  
PAGE 03

Assembly Number  
**AA4VG125/32**

Item	Description	Qty	Part Number	
10	Stroking Time Orifice (1.0 mm)	2	HU00426700	
10	Stroking Time Orifice (0.8 mm)		HU00426701	
10	Stroking Time Orifice (0.9 mm)		HU00426702	
10	Stroking Time Orifice (1.2 mm)		HU00426703	
10	Stroking Time Orifice (1.4 mm)		HU00426704	
10	Stroking Time Orifice (1.6 mm)		HU00426705	
10	Stroking Time Orifice (1.8 mm)		HU00426706	
10	Stroking Time Orifice (2.0 mm)		HU00426707	
10	Stroking Time Orifice (2.2 mm)		HU00426708	
10	Stroking Time Orifice (2.4 mm)		HU00439372	
10	Stroking Time Orifice (2.5 mm)		HU00426709	
11	Snap Ring (90 x 3 DIN 984)	2	HU002600002	
12	O-Ring (90 Duro Buna PRP-152)	2	68104-152	*▲
13	Front Bearing	1	HU00156269	
14	Shaft Seal (Buna)		HU00830974	*
14	Shaft Seal (FPM)		HU00830980	▲
15	Snap Ring (50 x 2.0 DIN 471)	1	71119-010	
16	Plug (9/16-18)	1	76107-006	
16a	O-Ring (90 Duro Buna Tube PRP-906)	1	68105-906	*▲
17	Threaded Pin	1	HU00154982	
18	Seal Nut (M12 x 1.5)	1	65110-008	*▲
19	Filtration Options	1	<i>Pages 44 &amp; 45</i>	

\* Contained in Seal Kit (P) 5450-635-031

▲ Contained in Seal Kit (N) 5450-635-032



# MAIN HYDRAULIC PUMP ASSEMBLY

C50S  
PARTS  
GROUP 40  
FIGURE 05  
PAGE 04

Assembly Number  
**AA4VG125/32**

Item	Description	Qty	Part Number	
20	H.P.R.V. w/ Tow Option (1450-6100 psi)		HU00832121	
20a	O-Ring (90 Duro Buna PRP-121)	2	68104-221	*▲□
20b	Seal Nut (M10 x 1)	2	65110-007	*▲□
21	Seal Nut (M12 x 1.75)		65110-002	*▲
22	Adjusting Screw		HU00432790	
23	Charge Relief Valve		HU00434856	
23a	O-Ring (90 Duro Buna PRP-119)	1	68104-119	*▲★
24	Plug (7/8-14)	1	76107-010	
24a	O-Ring (90 Duro Buna Tube PRP-910)	1	68105-910	*▲○
26	Lens Pin	1	HU00405732	
27	O-Ring (90 Duro Buna PRP-129)	1	68104-129	*▲
28	Plug (M42 x 2 DIN 906-5.8)	1	76118-002	
29	Plug (M8 x 1 DIN 906-5.8)	1	76117-003	
30	Jam Nut (M16 x 1.5 DIN 439-04AU)	1	HU00157477	
32	Plug (7/16-20)	2	76107-004	
32a	O-Ring (90 Duro Buna Tube PRP-904)	2	68105-904	*▲■
36	Cap Screw (M8 x 25 DIN 912-8.8)	8	60118-083	

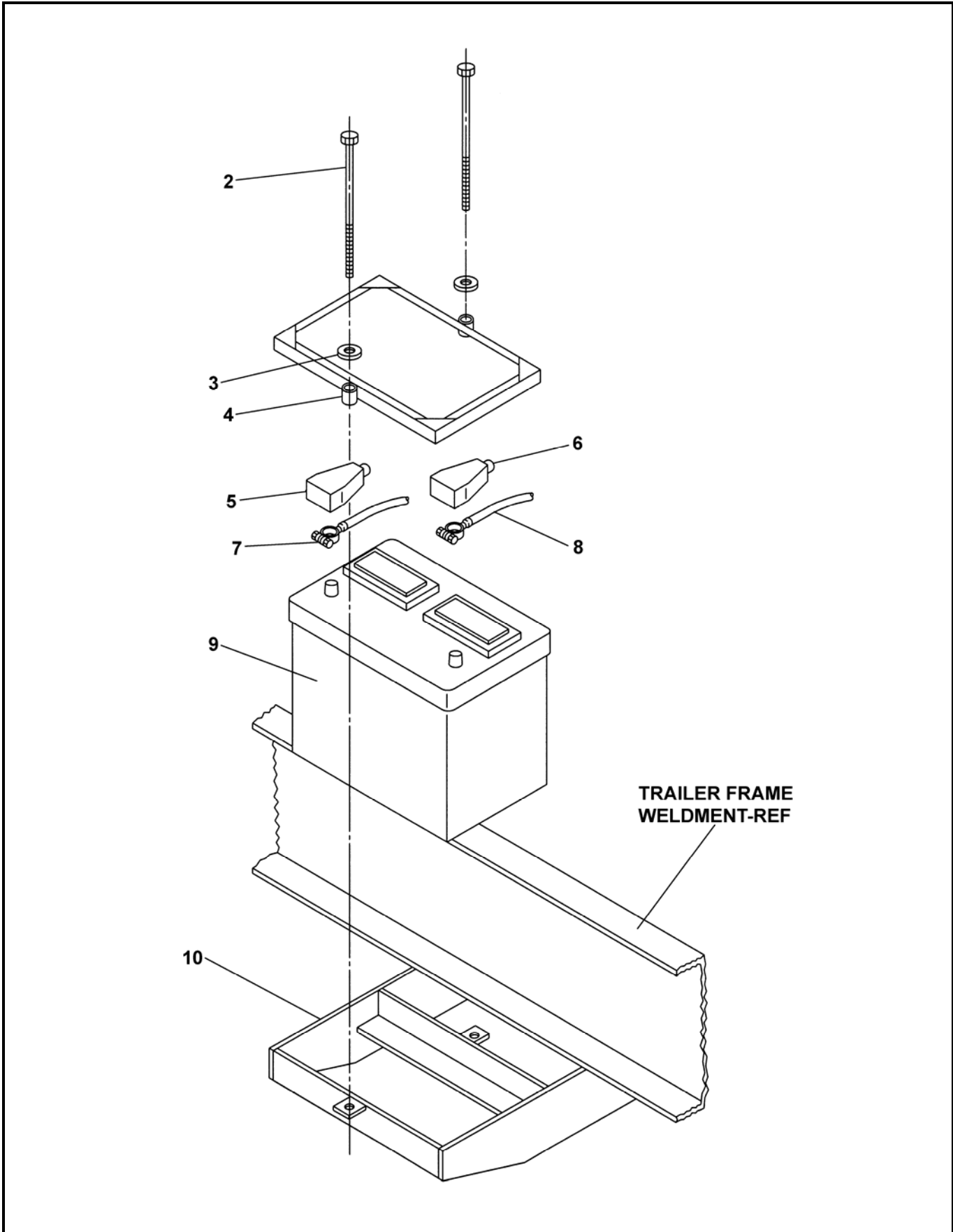
- \* Contained in Seal Kit (P) 5450-635-031
- ▲ Contained in Seal Kit (N) 5450-635-032
- ★ Included with HU00434856
- Included with HU00832121
- Included with 76107-004
- Included with 76107-010

REVISION:



# BATTERY MOUNTING ASSEMBLY

C50S  
PARTS  
GROUP 40  
FIGURE 06  
PAGE 01



REVISION:



# BATTERY MOUNTING ASSEMBLY

C50S  
PARTS  
GROUP 40  
FIGURE 06  
PAGE 02

ITEM NO.	REED'S PARTS NO.	DESCRIPTION	QTY
		1 2 3 4 5	
-1	40-07	Assembly, Battery Mounting (See Group 40, Figure 01 for NHA)	Ref
2		• Bolt, Hex	2
3		• Washer Flat	2
4	72945	• Holder, Battery Down	1
5	77720	• Insulator, Negative Battery (Black)	1
6	77719	• Insulator, Positive Battery (Red)	1
7	72116	• Cable, 26 Inch Negative Battery (Black)	1
8	72014	• Cable, 38 Inch Long Positive Battery (Red)	1
9	77075	• Battery, 12 VDC	1
10	86240	• Weldment, Battery Box	1
-11	85348	• Connector, SPNO 12VDC	1
-12	73269	• Strap, Ground	1
-13	87221	• Insulator, Right Elbow-Red	1
-14	87222	• Insulator, Left Elbow-Black	1
-15	87223	• Extender, Top Terminal Bolt	2
		DASH (-) ITEM NOT ILLUSTRATED	

REVISION:





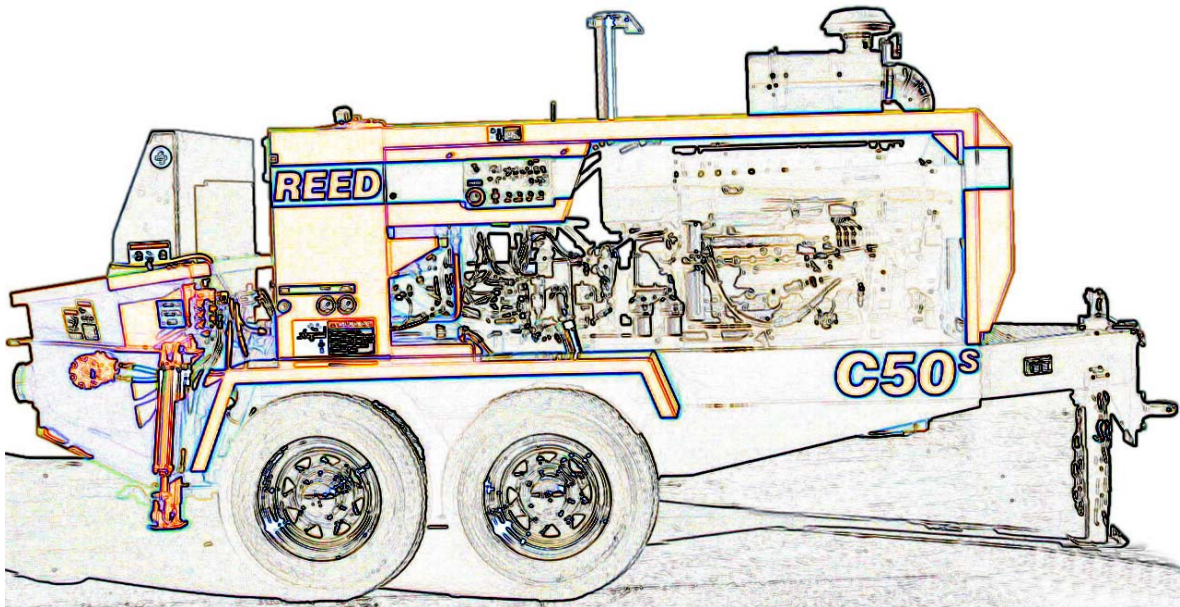
**TRAILER MOUNTED PUMP 01 MODEL C50S  
GROUP 40 POWER TRAIN INSTALLATION**

**C50S**  
**PARTS**  
GROUP 40  
FIGURE 07  
PAGE 01

THIS PAGE INTENTIONALLY LEFT BLANK.

**REED TRAILER MOUNTED CONCRETE PUMP 01 MODEL C50S ILLUSTRATED PARTS MANUAL GROUP 50 CONTROLS INSTALLATION CONTAINS THE FOLLOWING FIGURES:**

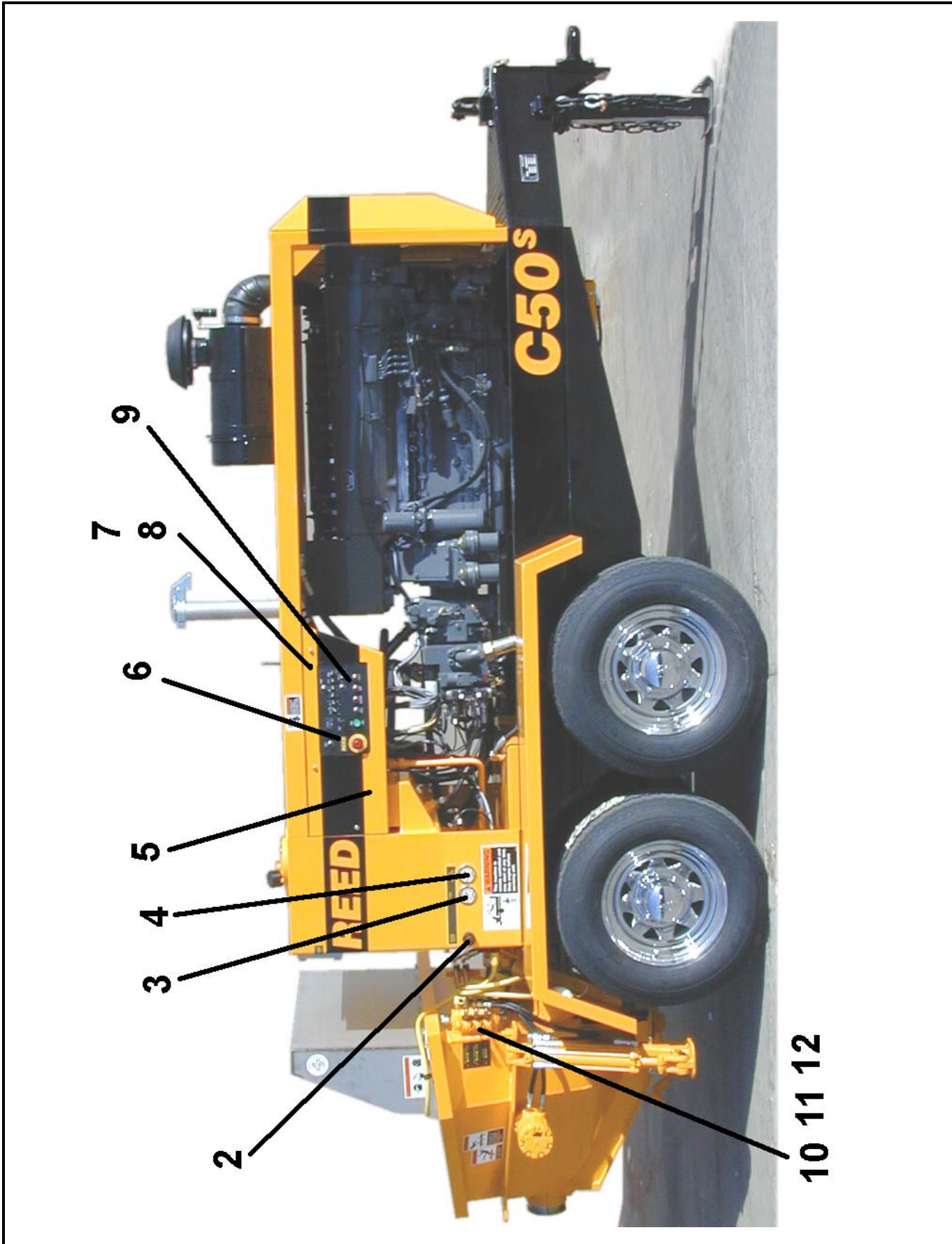
- FIGURE 00** TABLE OF CONTENTS
- FIGURE 01** CONTROLS INSTALLATION
- FIGURE 02** CONTROL BOX INSTALLATION
- FIGURE 03** 50 FEET CABLE REMOTE CONTROL ASSEMBLY
- FIGURE 04** RADIO REMOTE CONTROL ASSEMBLY





# CONTROL INSTALLATION

C50S  
PARTS  
GROUP 50  
FIGURE 01  
PAGE 01



REVISION:



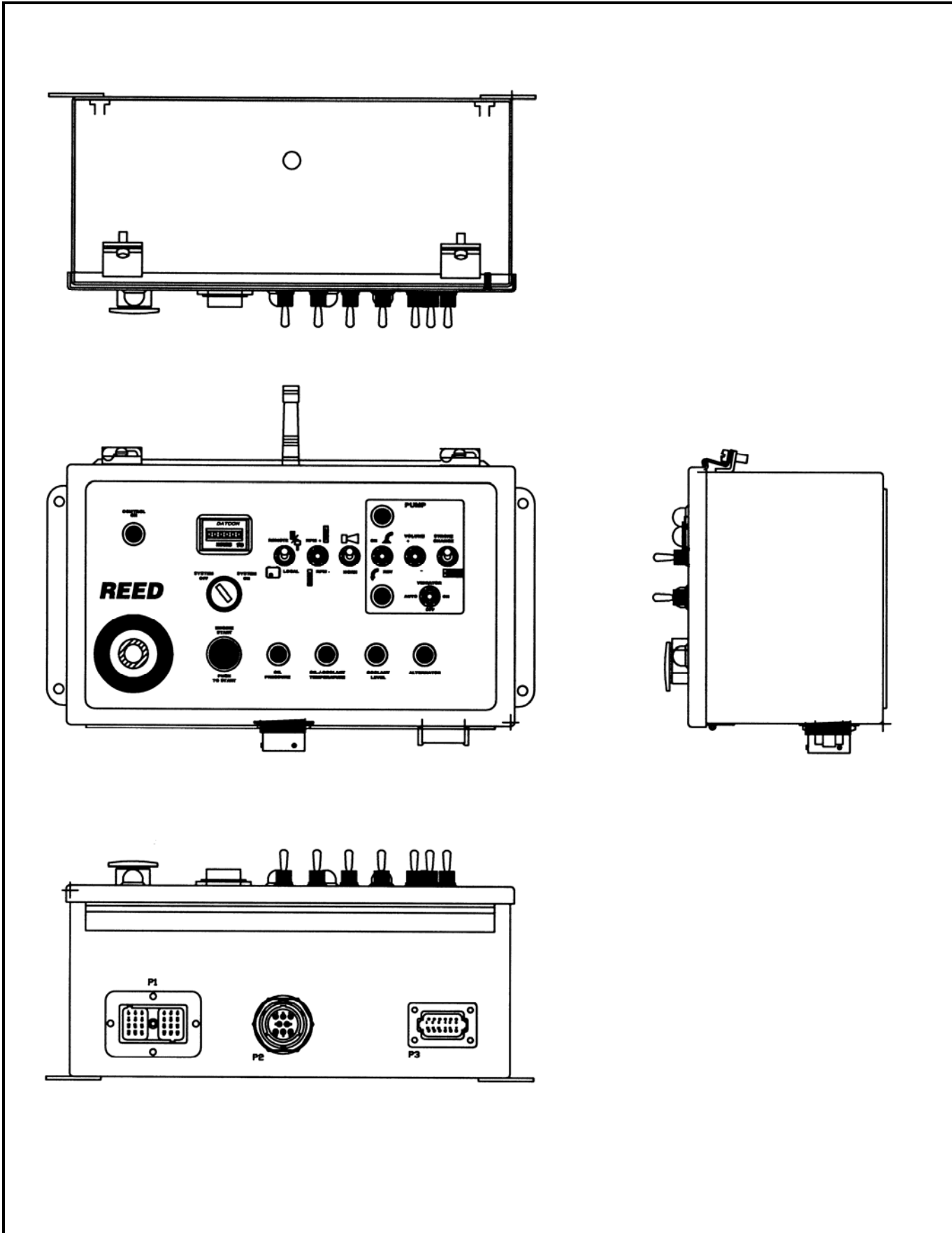
# CONTROL INSTALLATION

ITEM NO.	REED'S PARTS NO.	DESCRIPTION	QTY
		1 2 3 4 5	
-1	50-01	Installation, Control (See Group 10, Figure 01 for NHA)	Ref
2	73313	• Cable, Throttle Control (See Group 40, Figure 01 for REF)	1
3	70366	• Gauge, 3,000 PSI Hydraulic (See Group 30, Figure 02 for REF)	1
4	74562	• Gauge, 6,000 PSI Hydraulic (See Group 30, Figure 02 for REF)	1
5	800347	• Horn, 12 V	1
6	87346	• Assembly, Control Box (See Group 50, Figure 02 for DET)	1
7	87347	• Assembly, 50 Feet Cable Remote Control (See Group 50, Figure 03 for DET)	1
8	-	• Assembly, 100 Feet Cable Remote Control See Group 50, Figure 04 for DET)	-
9	87348	• Transmitter, Radio Remote Control (Optional Item) (See Group 50, Figure 05 for DET)	1
10	20-07	• Assembly, Agitator/Outriggers Control Valve (Optional Item) (See Group 20, Figure 07 for REF)	1
11	80-15	• Assembly, 1 Spool Valve (Optional Item) (See Group 80, Figure 15 for REF)	1
12	80-17	• Assembly, 2 Spool Valve (Optional Item) (See Group 80, Figure 17 for REF)	1
-13	86532	• Assembly, Trailer Wiring Harness (See Schematic Section for REF)	1
-14	87452	• Assembly, Engine Wiring Harness (See Schematic Section for REF)	1
DASH (-) ITEM NOT ILLUSTRATED			



# CONTROL BOX ASSEMBLY

C50S  
PARTS  
GROUP 50  
FIGURE 02  
PAGE 01



REVISION:



# CONTROL BOX ASSEMBLY

C50S  
PARTS  
GROUP 50  
FIGURE 02  
PAGE 02

ITEM NO.	REED'S PARTS NO.	DESCRIPTION					QTY
		1	2	3	4	5	
1	87346	Assembly, Control Box (See Group 50, Figure 01 for NHA)					Ref
2			•				
3			•				
4			•				
5			•				
6			•				
7			•				
8			•				
9			•				
10			•				
11			•				
12			•				
13			•				
14			•				
15			•				
16			•				
17			•				
18			•				
19			•				
20			•				
DASH (-) ITEM NOT ILLUSTRATED							

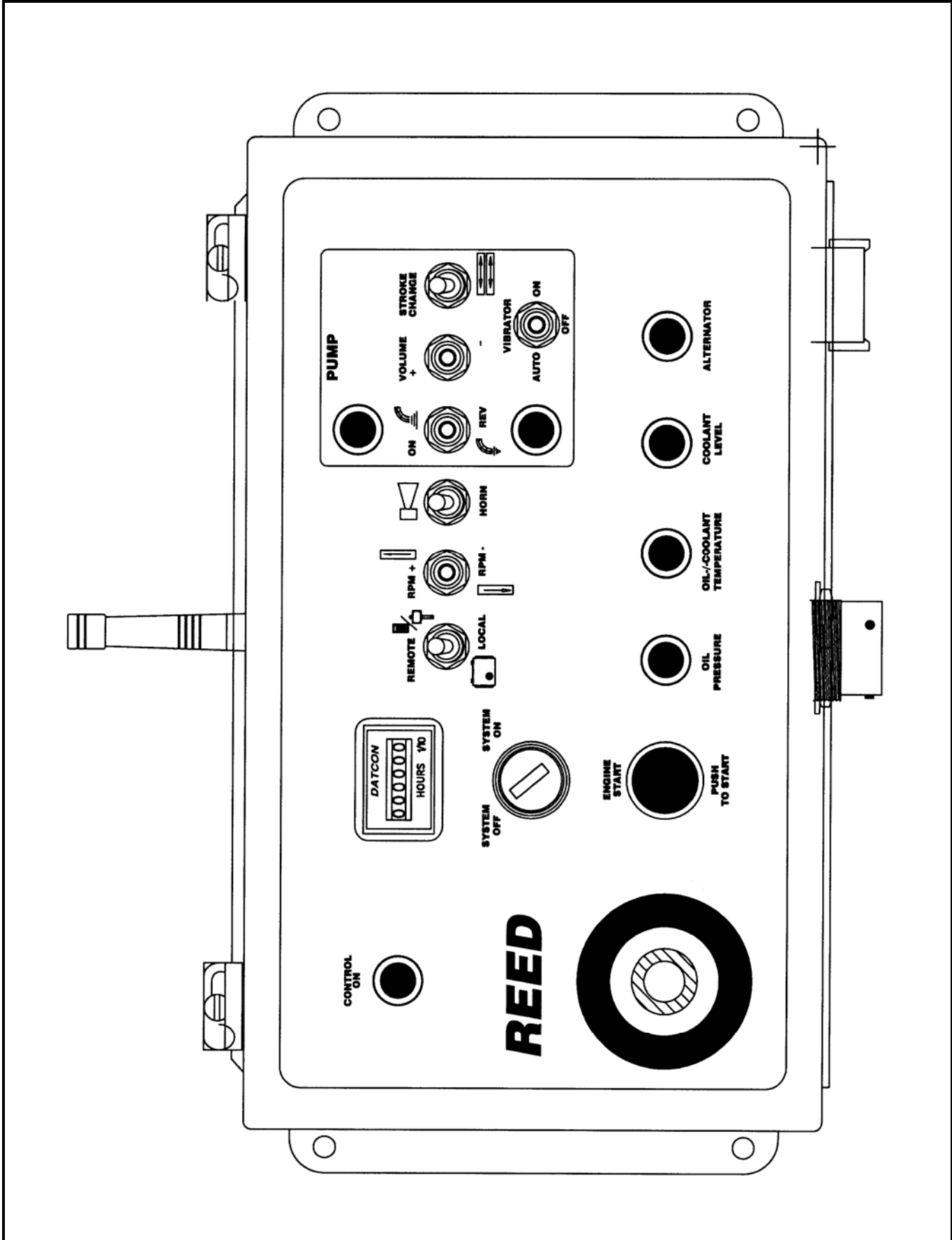
REVISION:





# CONTROL BOX ASSEMBLY

C50S  
PARTS  
GROUP 50  
FIGURE 02  
PAGE 03



REVISION:



# CONTROL BOX ASSEMBLY

C50S  
PARTS  
GROUP 50  
FIGURE 02  
PAGE 04

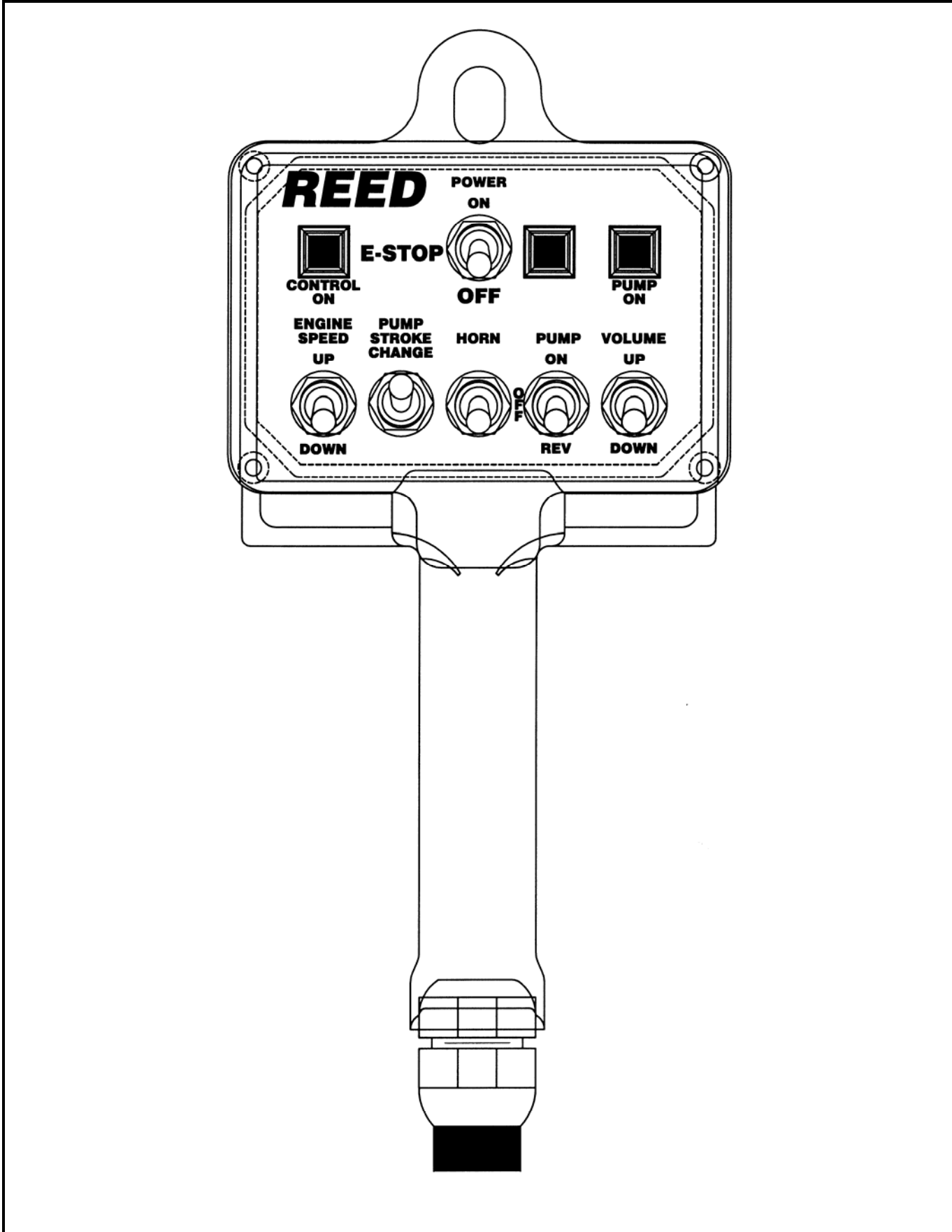
ITEM NO.	REED'S PARTS NO.	DESCRIPTION					QTY
		1	2	3	4	5	
1	87346	Assembly, Control Box (See Group 50, Figure 01 for NHA)					Ref
2		•					
3		•					
4		•					
5		•					
6		•					
7		•					
8		•					
9		•					
10		•					
11		•					
12		•					
13		•					
14		•					
15		•					
16		•					
17		•					
18		•					
19		•					
20		•					
		DASH (-) ITEM NOT ILLUSTRATED					

REVISION:



**50 FEET CABLE  
REMOTE CONTROL ASSEMBLY**

**C50S  
PARTS  
GROUP 50  
FIGURE 03  
PAGE 01**



REVISION:



**50 FEET CABLE  
REMOTE CONTROL ASSEMBLY**

**C50S  
PARTS  
GROUP 50  
FIGURE 03  
PAGE 02**

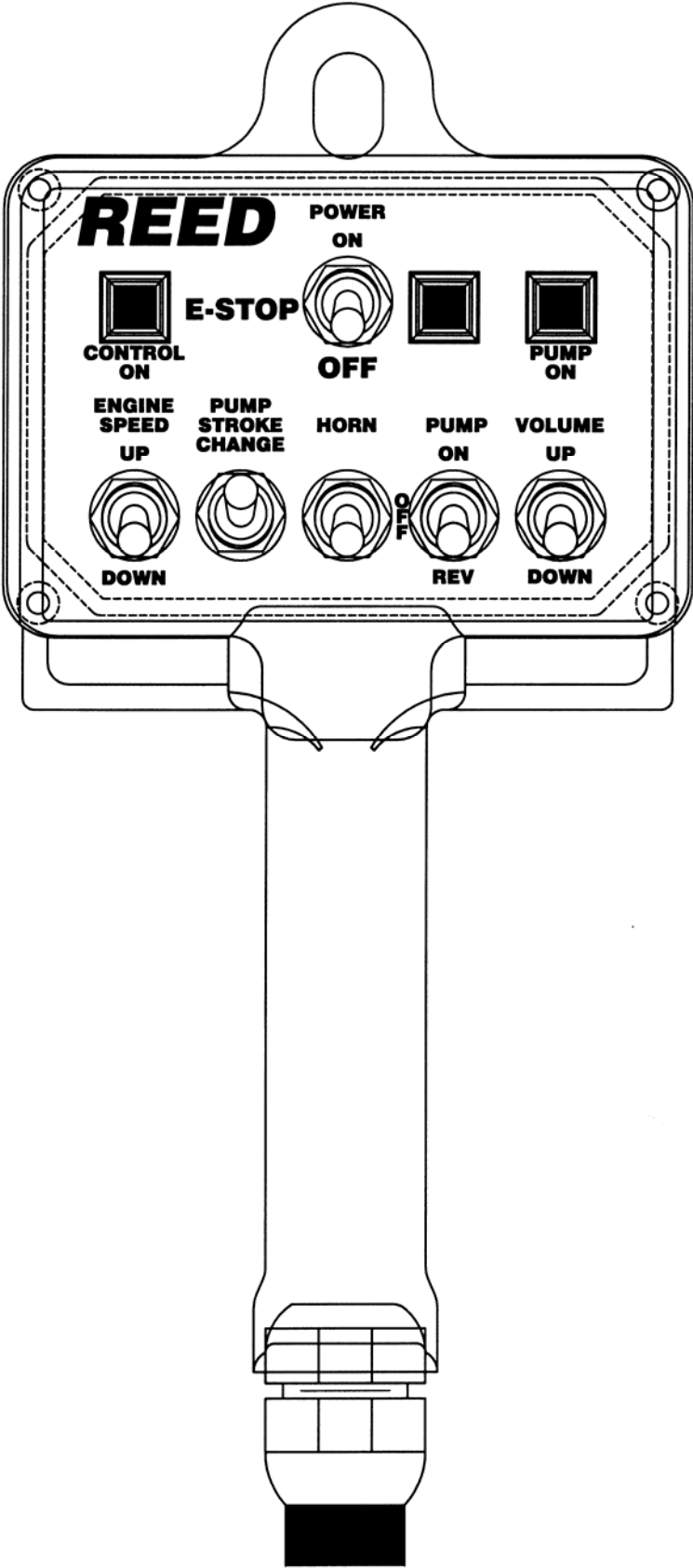
ITEM NO.	REED'S PARTS NO.	DESCRIPTION					QTY
		1	2	3	4	5	
-1	87347	Assembly, 50 Feet Cable Remote Control (See Group 50, Figure 01 for NHA)					Ref
2		•					
3		•					
4		•					
5		•					
6		•					
7		•					
8		•					
9		•					
10		•					
11		•					
12		•					
13		•					
14		•					
15		•					
DASH (-) ITEM NOT ILLUSTRATED							

REVISION:



100 FEET CABLE  
REMOTE CONTROL ASSEMBLY

C50S  
PARTS  
GROUP 50  
FIGURE 04  
PAGE 01



REVISION:



**100 FEET CABLE  
REMOTE CONTROL ASSEMBLY**

**C50S  
PARTS  
GROUP 50  
FIGURE 04  
PAGE 02**

ITEM NO.	REED'S PARTS NO.	DESCRIPTION					QTY
		1	2	3	4	5	
1	-	Assembly, 100 Feet Cable Remote Control (See Group 50, Figure 01 for NHA)					Ref
2		•					
3		•					
4		•					
5		•					
6		•					
7		•					
8		•					
9		•					
10		•					
11		•					
12		•					
13		•					
14		•					
15		•					
		DASH (-) ITEM NOT ILLUSTRATED					

REVISION:





**OPTIONAL RADIO REMOTE  
CONTROL ASSEMBLY**

**C50S  
PARTS  
GROUP 50  
FIGURE 05  
PAGE 01**



**NOTE: PN 87346 CONTROL BOX HAS BUILT-IN  
RADIO REMOTE CONTROL RECEIVER**

REVISION:



# OPTIONAL RADIO REMOTE CONTROL ASSEMBLY

C50S  
PARTS  
GROUP 50  
FIGURE 05  
PAGE 02

ITEM NO.	REED'S PARTS NO.	DESCRIPTION					QTY
		1	2	3	4	5	
1	87348	Assembly, Radio Remote (See Group 50, Figure 01 for NHA )					Ref
2		• Transmitter, Radio Remote (Part of 87348 Kit)					1
3		• Cable, Coaxial (Part of 87348 Kit)					1
-4		• Antenna, Remote Control (Part of 87348 Kit)					1
		Refer to SCHEMATICS SECTION FOR WIRING DIAGRAMS					



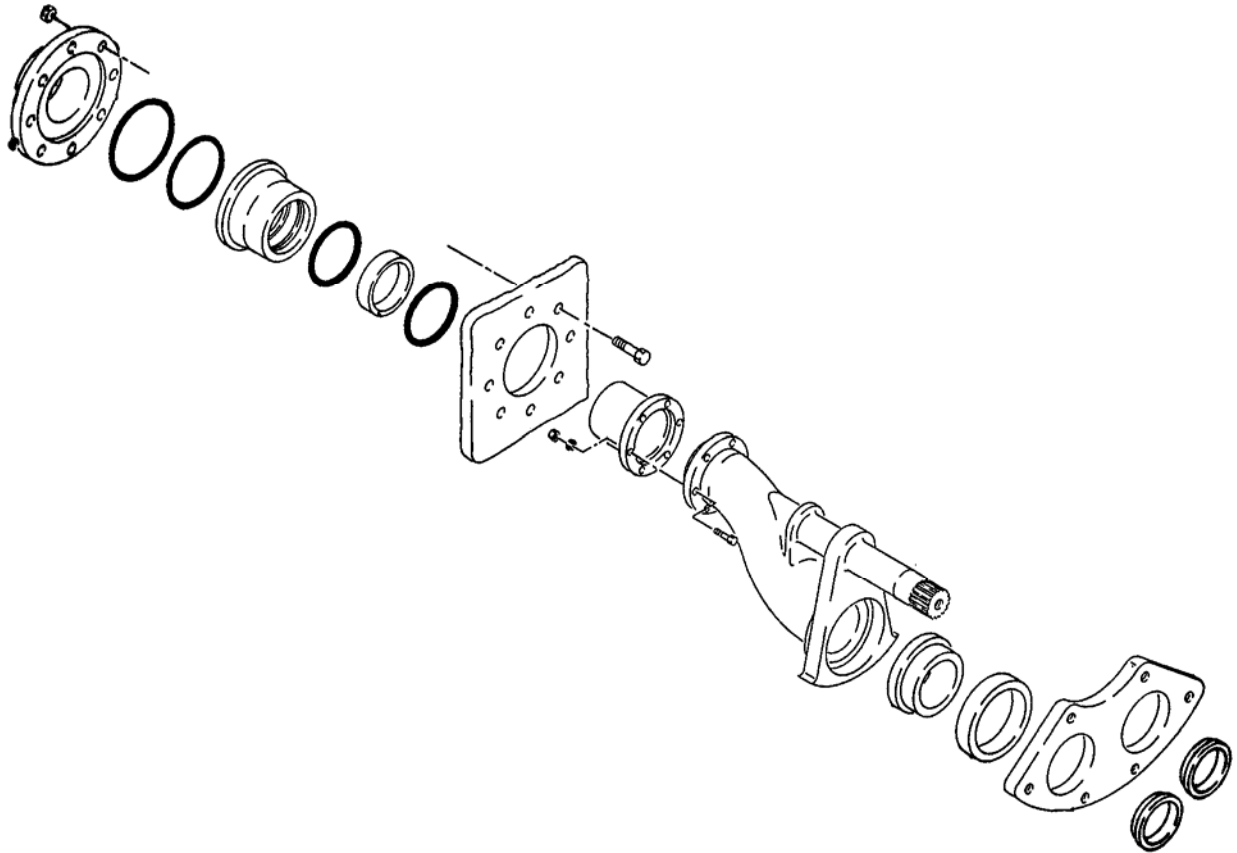
**PN 87348 REMOTE KIT**



**TRAILER MOUNTED PUMP 01 MODEL C50S  
GROUP 50 CONTROLS INSTALLATION**

**C50S  
PARTS  
GROUP 50  
FIGURE 06  
PAGE 01**

THIS PAGE INTENTIONALLY LEFT BLANK.



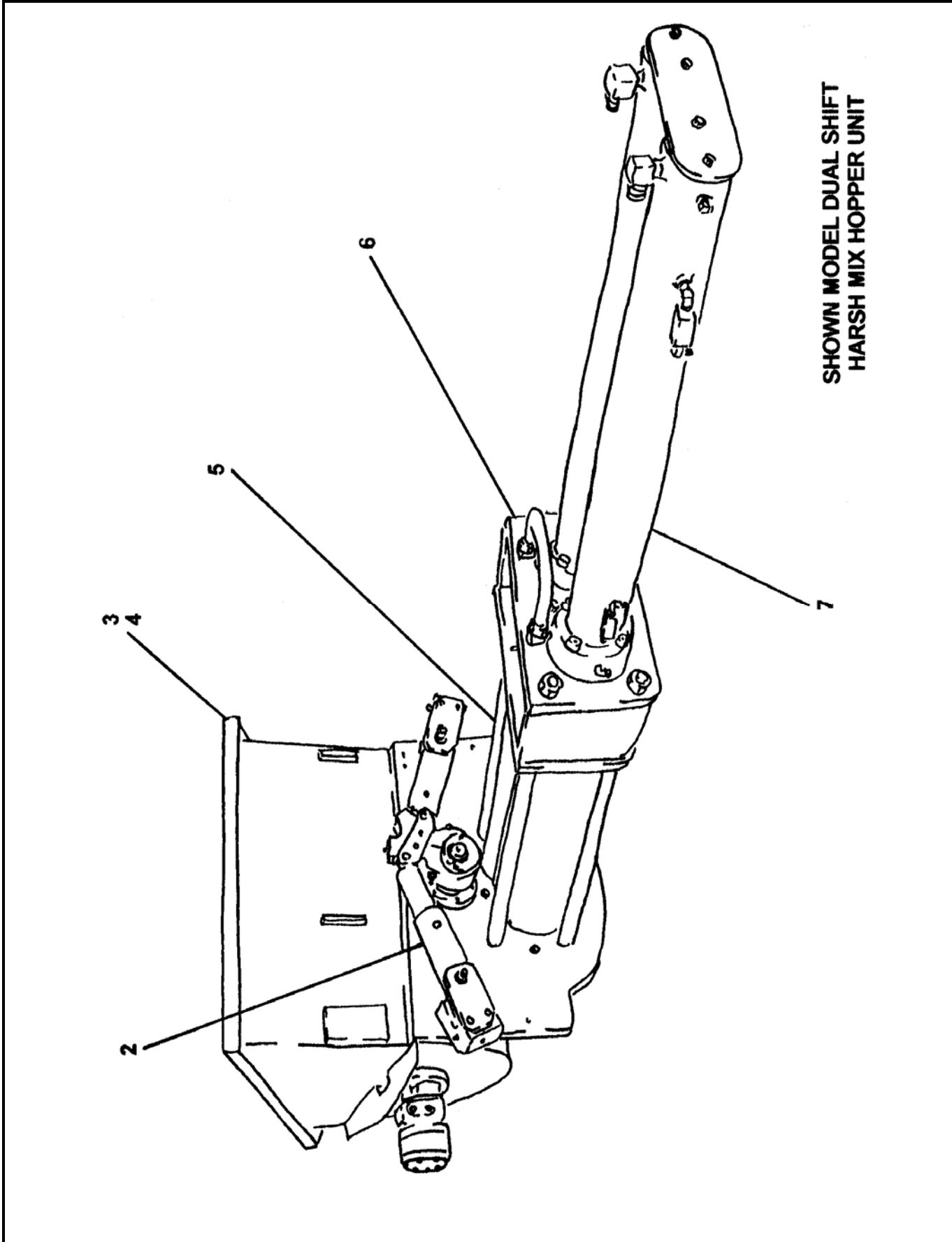
**REED TRAILER MOUNTED CONCRETE PUMP 01 MODEL C50S  
ILLUSTRATED PARTS MANUAL GROUP 60 PUMPING TRAIN INSTALLATION  
CONTAINS THE FOLLOWING FIGURES:**

- |                  |                                      |
|------------------|--------------------------------------|
| <b>FIGURE 00</b> | TABLE OF CONTENTS                    |
| <b>FIGURE 01</b> | PUMPING TRAIN INSTALLATION           |
| <b>FIGURE 02</b> | SWING VALVE ASSEMBLY                 |
| <b>FIGURE 03</b> | SWING RAM CYLINDER SUB-ASSEMBLY      |
| <b>FIGURE 04</b> | MATERIAL CYLINDER ASSEMBLY           |
| <b>FIGURE 05</b> | FLUSHBOX ASSEMBLY                    |
| <b>FIGURE 06</b> | HYDRAULIC DRIVE CYLINDER ASSEMBLY    |
| <b>FIGURE 07</b> | HYDRAULIC DRIVE CYLINDR SUB-ASSEMBLY |



# DUAL SHIFT PUMPING TRAIN INSTALLATION

C50S  
PARTS  
GROUP 60  
FIGURE 01  
PAGE 01



SHOWN MODEL DUAL SHIFT  
HARSH MIX HOPPER UNIT

REVISION:



# DUAL SHIFT PUMPING TRAIN INSTALLATION

**C50S**  
**PARTS**  
GROUP 60  
FIGURE 01  
PAGE 02

ITEM NO.	REED'S PARTS NO.	DESCRIPTION	QTY
		1 2 3 4 5	
-1	60-01	Installation, Dual Shift Pumping Train (See Group 10, Figure 01 and Figure 04 for NHA)	Ref
2	60-03	• Assembly, Dual Shift Swing Valve (See Group 60, Figure 03 for DET)	1
3	20-01	• Installation, Standard Hopper (See Group 20, Figure 01 for REF)	Ref
4	20-02	• Installation, Harsh Mix Hopper (See Group 20, Figure 02 for REF)	Ref
5	86311	• Assembly, Material Cylinder (See Group 60, Figure 07 for DET)	1
6	60-08	• Assembly, Flushbox (See Group 60, Figure 08 for DET)	1
7	86305	• Assembly, Hydraulic Drive Cylinder (See Group 60, Figure 09 for DET)	1

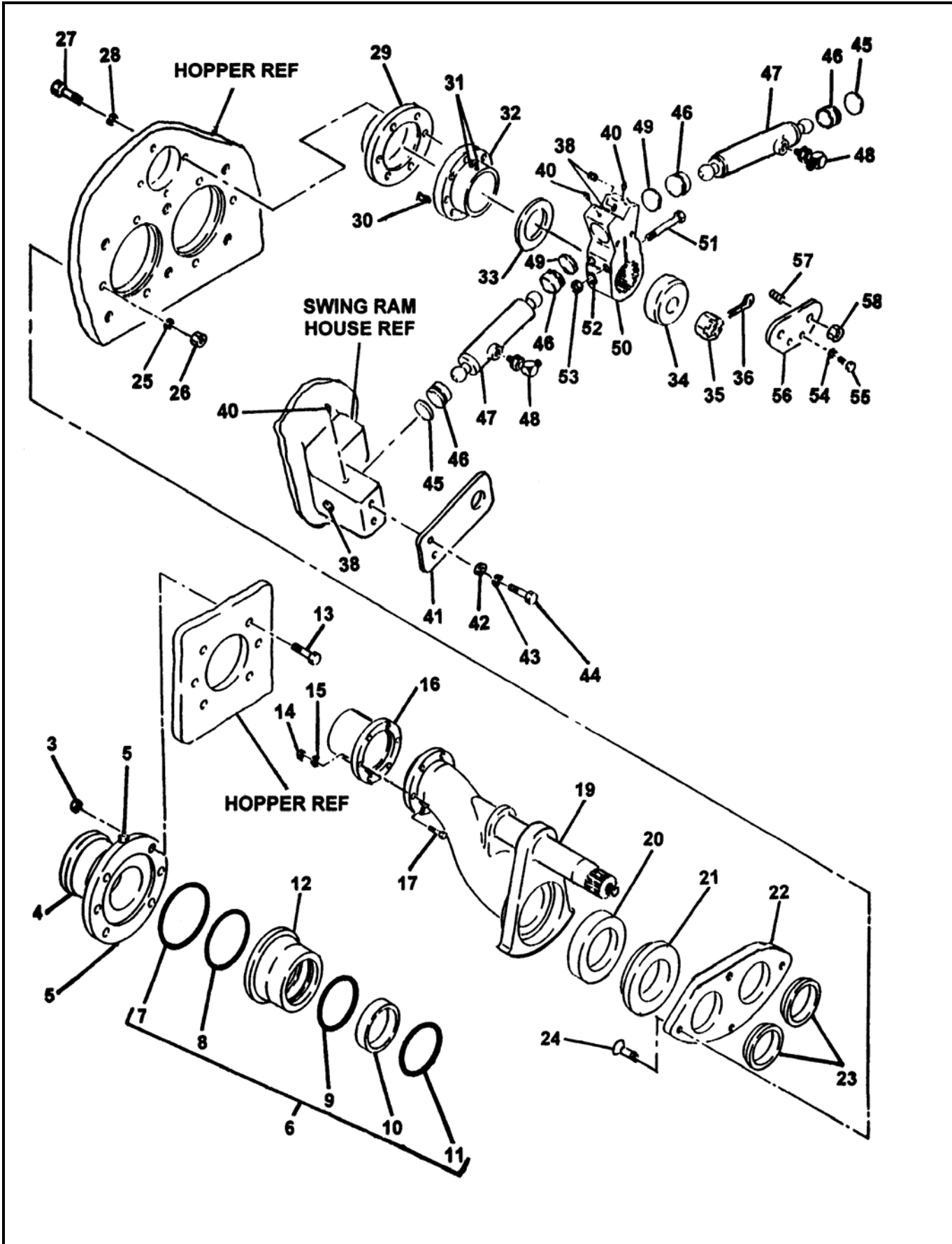
DASH (-) ITEM NOT ILLUSTRATED





# SWING VALVE ASSEMBLY

C50S  
PARTS  
GROUP 60  
FIGURE 02  
PAGE 01



REVISION:



# SWING VALVE ASSEMBLY

**C50S**  
**PARTS**  
 GROUP 60  
 FIGURE 02  
 PAGE 02

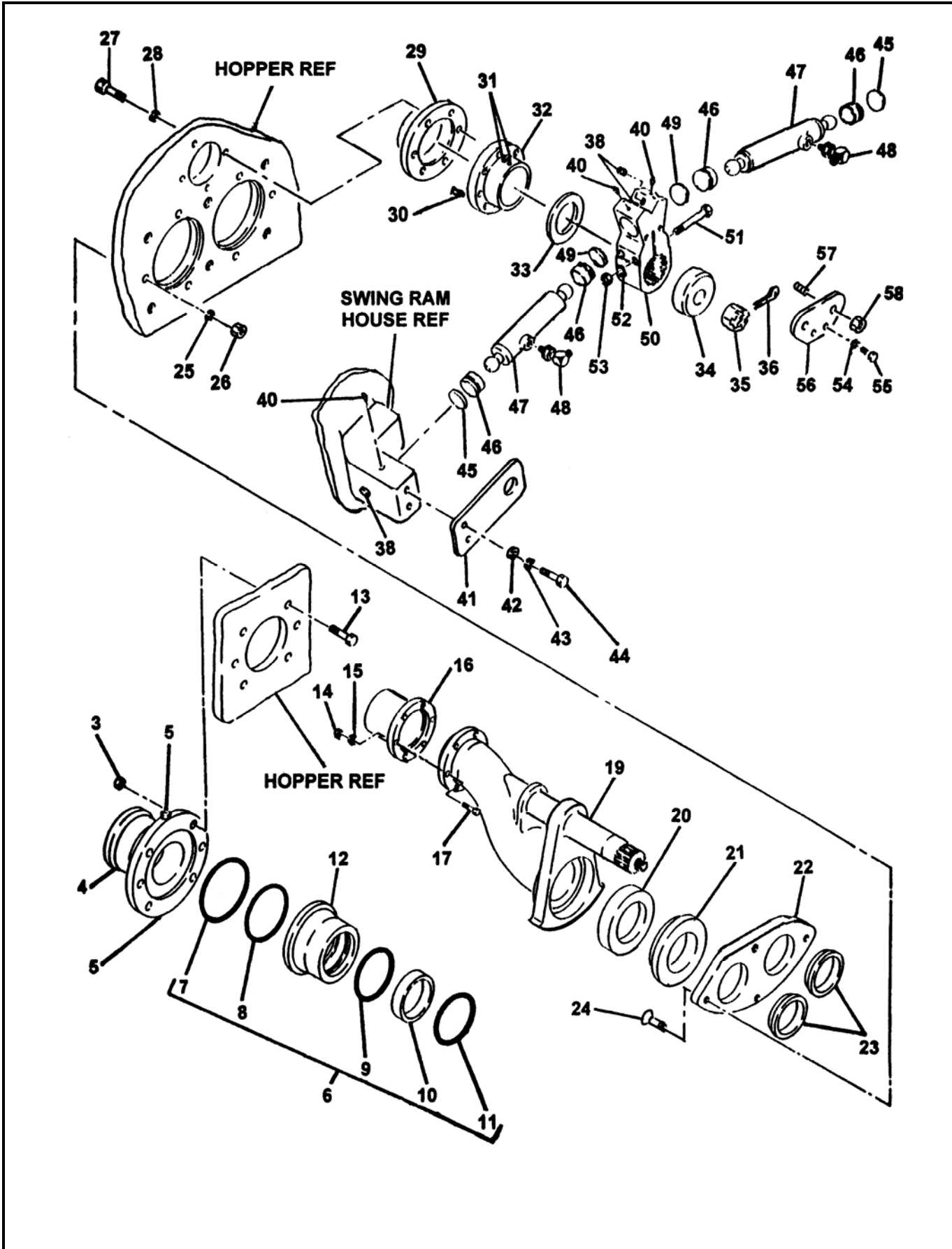
ITEM NO.	REED'S PARTS NO.	DESCRIPTION	QTY
		1 2 3 4 5	
-1	60-02	Assembly, Dual Shift Swing Valve (See Group 60, Figure 01 for NHA)	Ref
-2	86321	• Assembly, Outlet Group	1
3		•• Nut	6
4	72482	•• Outlet, Machine 5"	1
5		•• Fitting, Grease	2
6	79895	•• Kit, Outlet Seal	1
7	77761	••• O-Ring, Large	1
8	77762	••• O-Ring, Small	1
9	86504	••• Seal, Modified Outlet Thick	1
10	77763	••• Band, Guide	1
11	77765	••• Seal, Outlet Thick	1
12	72309	•• Housing, Outlet Seal	1
13		•• Bolt, Hex	6
14		•• Nut, Nylock (attaching parts)	6
15		•• Washer, Lock (attaching parts)	6
16	70042	•• Outlet, Chromed	1
17		•• Bolt, Hex (attaching parts)	6
-18	86317	• Assembly, Swing Tube Group	1
19	86984	•• Weldment, Swing Tube	1
20	86085	•• Seal, 6 Inch Single Lip	1
21	72310	•• Ring, 6 Inch Single Lip Wear	1
22	86031	•• Plate, Wear	1
23	86086	•• Ring, Anti Chip	2
24	74988	•• Bolt, Universal Kit	1
25		•• Washer, Lock	4
26		•• Nut, Hex	4
27		•• Bolt, Hex	4
28		•• Washer, Lock	4
29	85962	•• Seal, Flange Bearing	1
30		•• Pin, Dowel	1
31		•• Fitting, Grease 90	2
32	85133	•• Bearing, 3 Inch Spline Flange	1
33	85294	•• Washer, Thrust	1
34	86985	•• Spacer, Swing Tube Nut	1
35	87012	•• Nut, Swing Tube	1
36		•• Pin, Cotter	1
-37	87339	• Assembly, Swing Tube Dual Shift Group	1
38		•• Plug, Pipe	4
39	86052	•• Pin, Spring	4
40		•• Fitting, Grease 90	2
41	86441	•• Retainer, Swing Ram	2
DASH (-) ITEM NOT ILLUSTRATED			

REVISION:



# SWING VALVE ASSEMBLY

C50S  
PARTS  
GROUP 60  
FIGURE 02  
PAGE 03

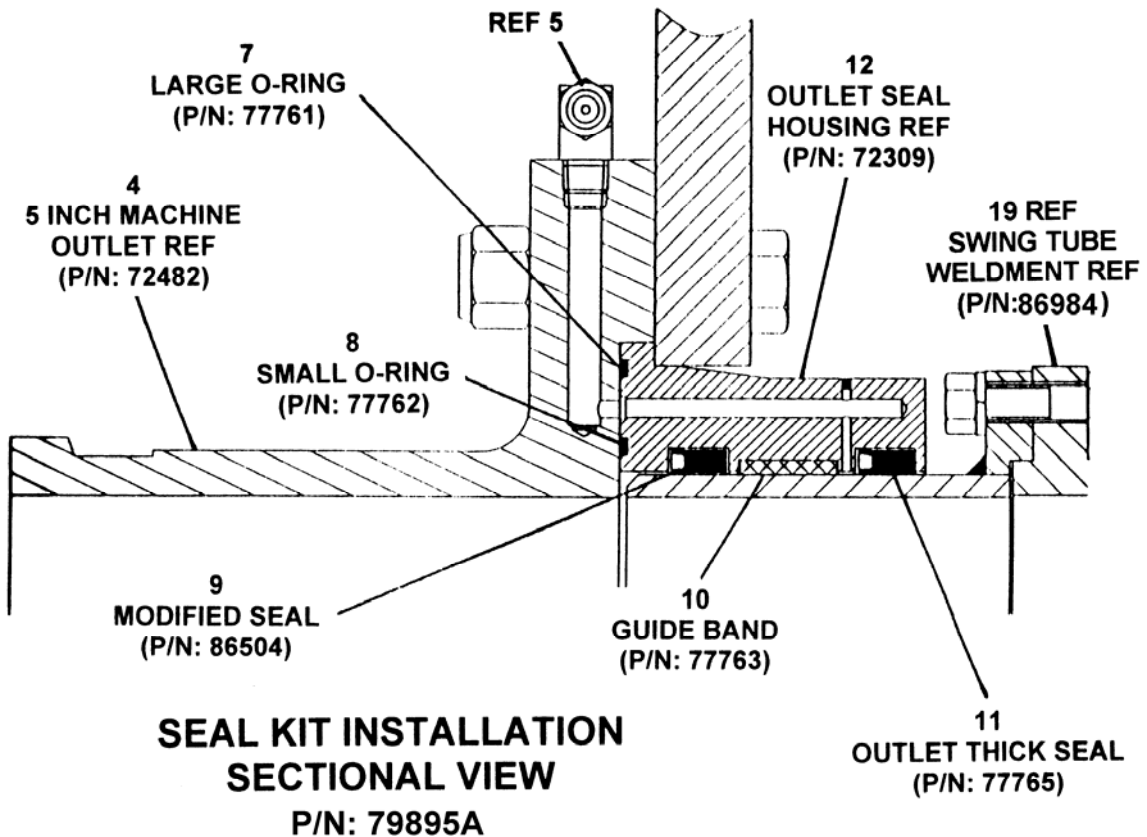


REVISION:

## SWING VALVE ASSEMBLY

ITEM NO.	REED'S PARTS NO.	DESCRIPTION					QTY
		1	2	3	4	5	
42		•• Washer, Flat (attaching parts)					4
43		•• Washer, Lock (attaching parts)					4
44		•• Bolt, Hex (attaching parts)					4
45	75501	•• Spacer					2
46	76798	•• Socket, Ball					4
47	87333	•• Assembly, Dual Shift Swing Ram Cylinder (See Group 60, Figure 03 for DET)					1
48	75502	•• Fitting, 90					2
49	75501	•• Spacer					2
50	85956	•• Crank, 3 Inch Dual Shift Splined Bell					1
51		•• Bolt, Hex (attaching parts)					2
52		•• Washer, SPL Lock (attaching parts)					2
53		•• Nut, Hex (attaching parts)					2
54		•• Washer, Lock					2
55	86283	•• Screw, Set					2
56	86282	•• Retainer, Dual Shift Cylinder					1
57		•• Stud					2
58		•• Nut, Hex					2

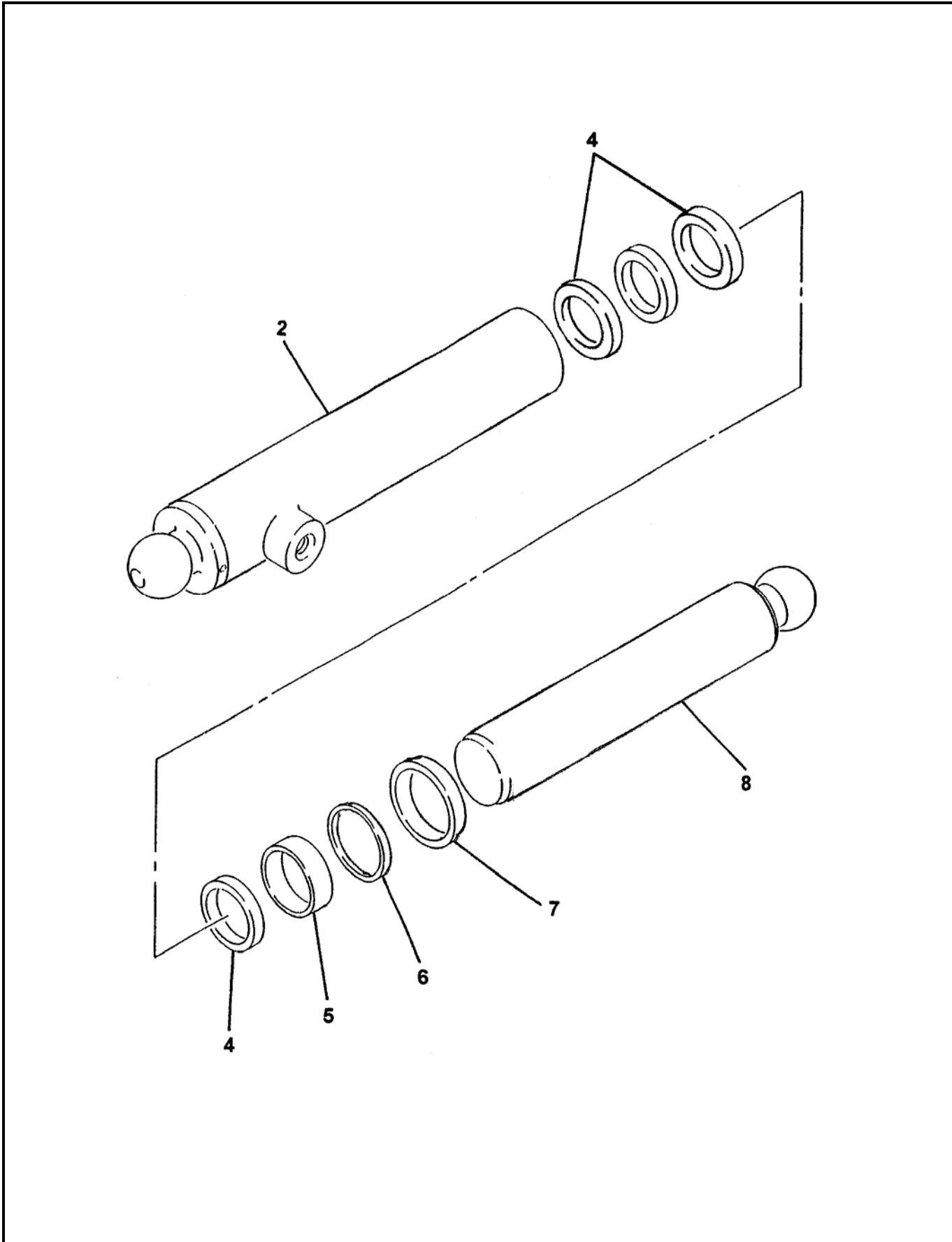
DASH (-) ITEM NOT ILLUSTRATED





DUAL SHIFT  
SWING RAM CYLINDER ASSEMBLY

C50S  
PARTS  
GROUP 60  
FIGURE 03  
PAGE 01



REVISION:



**DUAL SHIFT  
SWING RAM CYLINDER ASSEMBLY**

**C50S  
PARTS  
GROUP 60  
FIGURE 03  
PAGE 02**

ITEM NO.	REED'S PARTS NO.	DESCRIPTION	QTY
		1 2 3 4 5	
-1	87333	Assembly, Swing Ram Cylinder (See Group 60, Figure 02 for NHA)	Ref
2		• Weldment, Cylinder Case	1
-3	87333-SK	• Kit, Seal	1
4		•• Ring, Wear	1
5		•• U-Cup	1
6		•• Ring, Back-Up	4
7		•• Wiper, Rod	1
8		•• Weldment, Cylinder Rod	1
		DASH (-) ITEM NOT ILLUSTRATED	

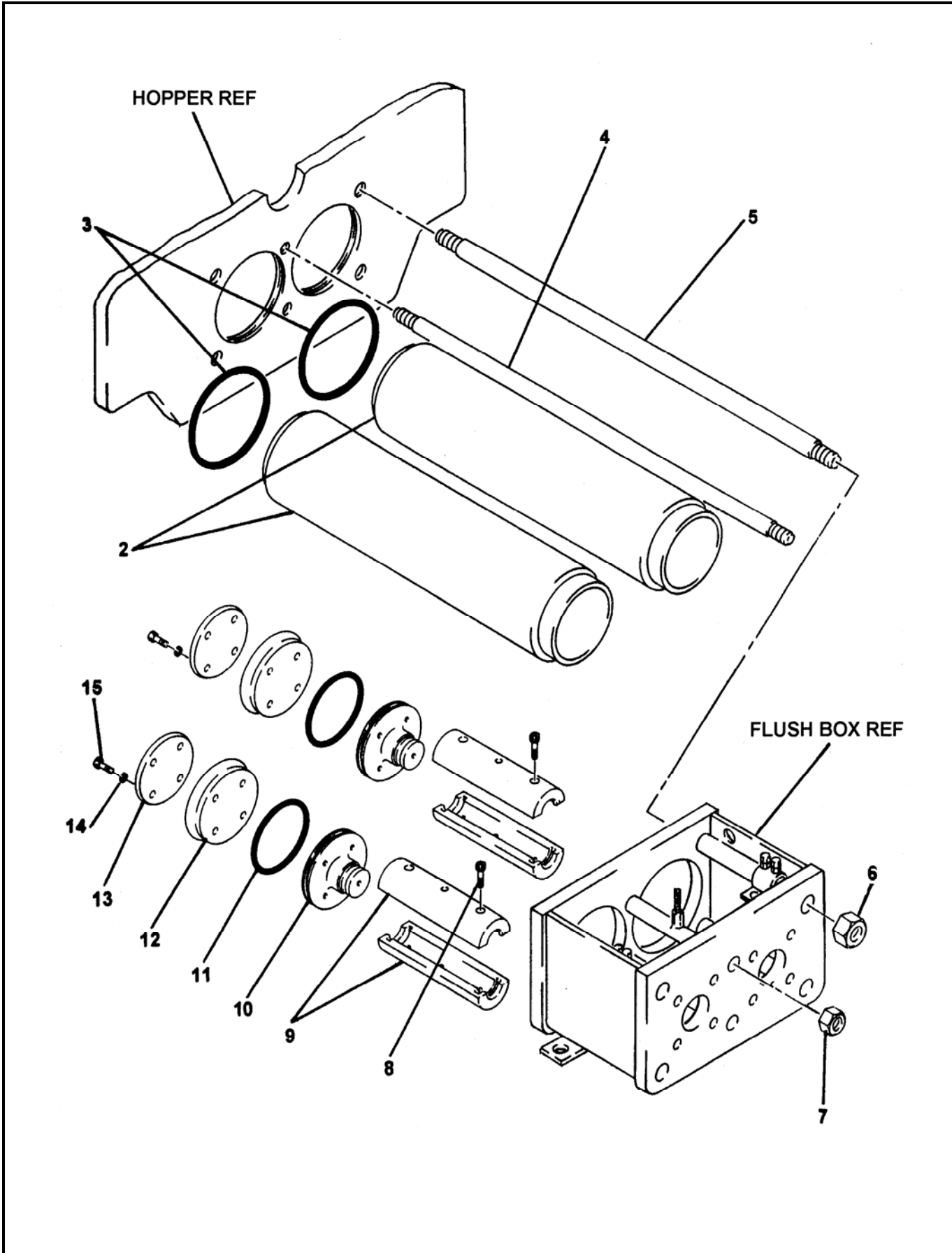
REVISION:





# MATERIAL CYLINDER ASSEMBLY

C50S  
PARTS  
GROUP 60  
FIGURE 04  
PAGE 01



REVISION:



# MATERIAL CYLINDER ASSEMBLY

C50S  
PARTS  
GROUP 60  
FIGURE 04  
PAGE 02

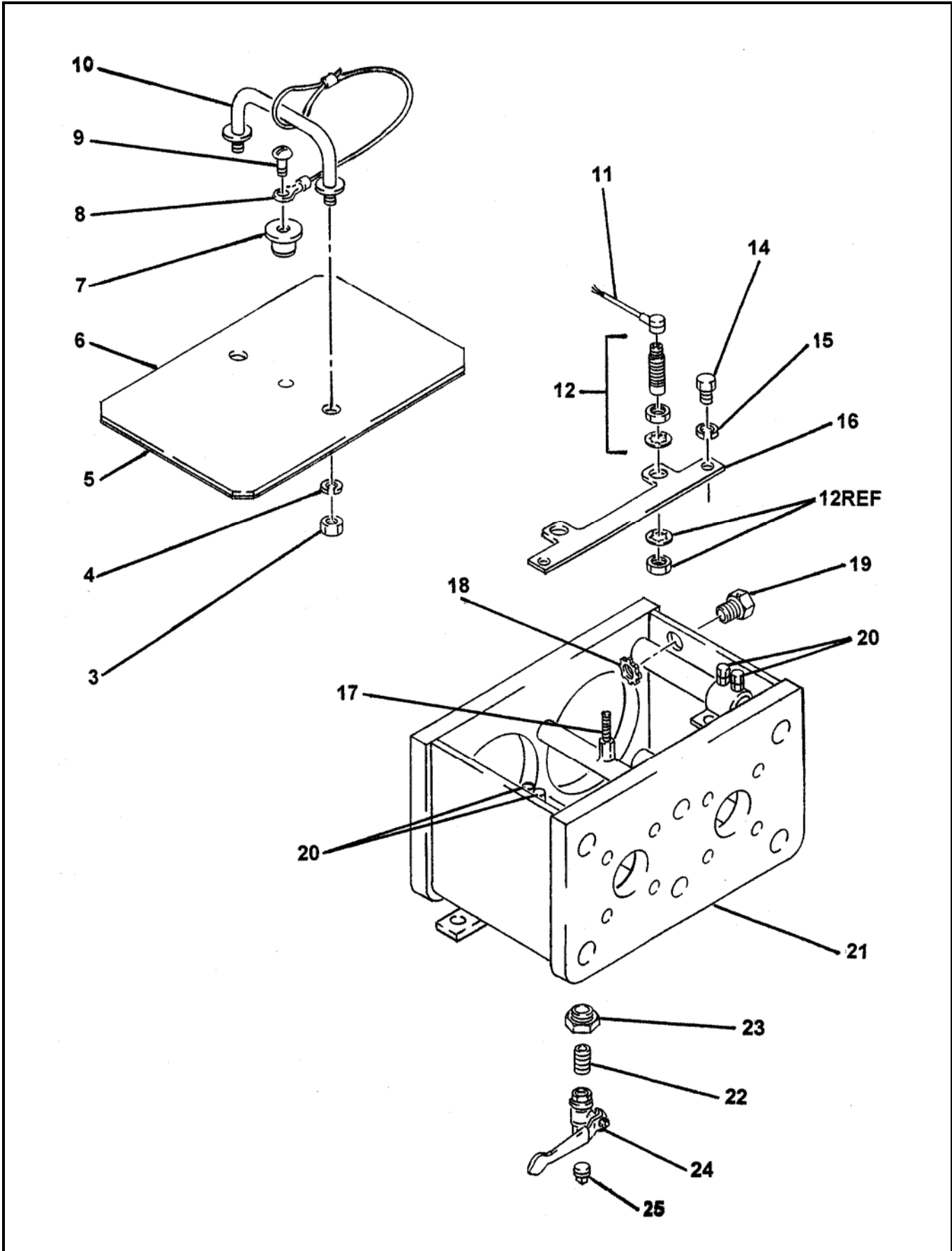
ITEM NO.	REED'S PARTS NO.	DESCRIPTION					QTY
		1	2	3	4	5	
-1	86311	Assembly, Material Cylinder (See Group 60, Figure 01 for DET)					Ref
2	86147	• Cylinder, Material					2
3	86149	• O-Ring, Material Cylinder					2
4	86023	• Rod, Tie					2
5	86022	• Rod, Tie					4
6		• Nut, Hex (attaching parts)					4
7		• Nut, Hex (attaching parts)					2
8		• Screw, Cap					4
9	86024	• Coupling, Piston					2
10	77194	• Adapter, 6 Inch Piston					2
11	77120	• Band, Guide 6 Inch					2
12	70048	• Cup, 6 Inch Piston					2
13	70057	• Plate, 6 Inch Piston					2
14		• Washer, Star (attaching parts)					8
15		• Bolt, Hex (attaching parts)					8

DASH(-) ITEM NOT ILLUSTRATED



# FLUSH BOX ASSEMBLY

C50S  
PARTS  
GROUP 60  
FIGURE 05  
PAGE 01



REVISION:



# FLUSH BOX ASSEMBLY

C50S  
PARTS  
GROUP 60  
FIGURE 05  
PAGE 02

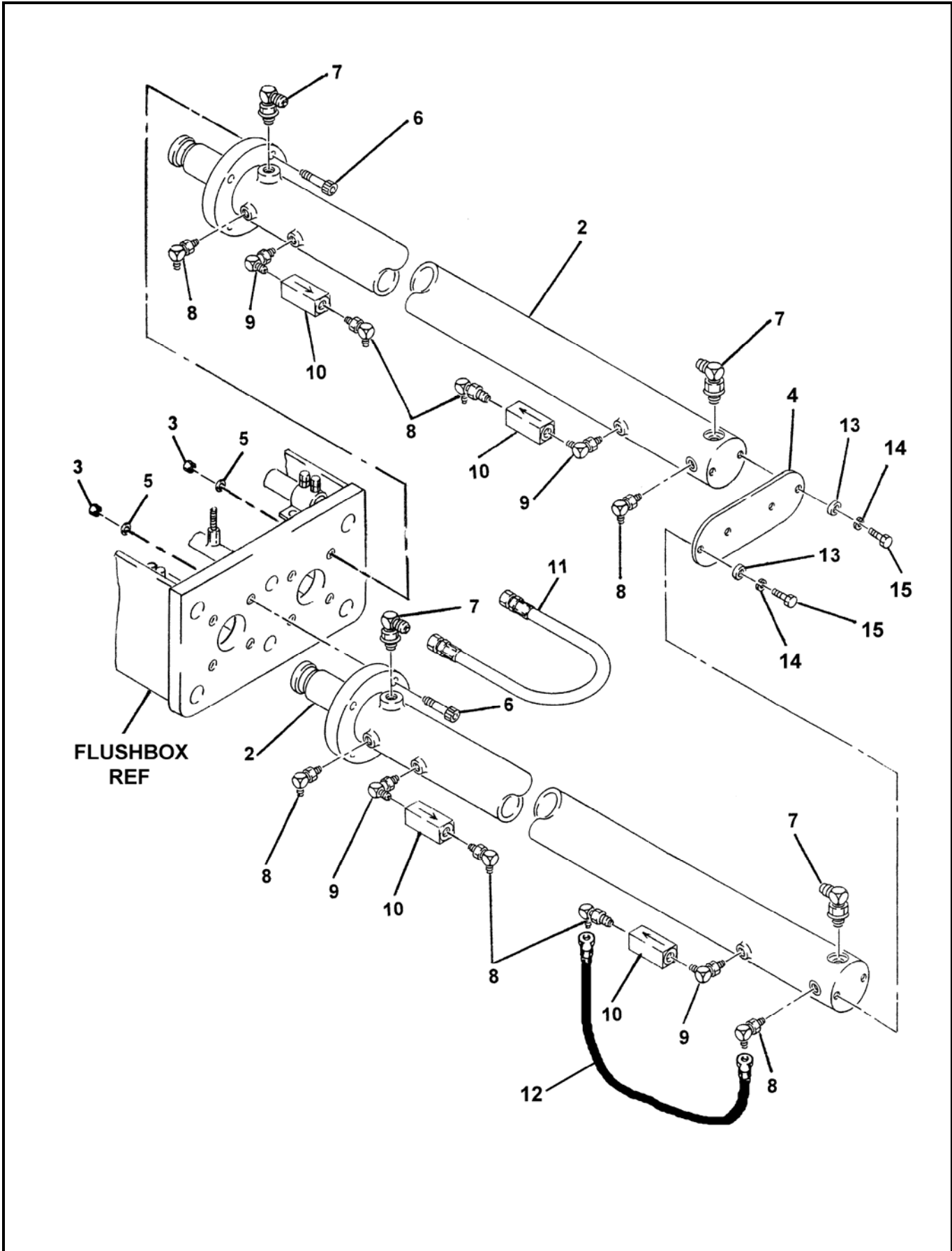
ITEM NO.	REED'S PARTS NO.	DESCRIPTION					QTY
		1	2	3	4	5	
-1	60-05	Assembly, Flushbox (See Group 60, Figure 01 for NHA)					Ref
2	86106	• Assembly, Flush Box Cover					1
3		• • Nut, Hex					2
4		• • Washer, Lock					2
5	13257	• • Weatherstrip, Rubber					A/R
6	86010	• • Weldment, Flush Box Cover					1
7	86105	• • Knob					1
8	800418	• • Lanyard					1
9		• • Screw, Rd Hd					1
10	79056	• • Handle, Splash Guard					1
11	77990	• Cable, Proximity Switch					2
12	77998	• Sensor, Proximity Switch					2
-13	86307	• Assembly, 6 Inch Flush Box Group					1
14		• • Bolt, Hex					2
15		• • Washer, Lock					2
16	86006	• • Bracket, Proximity Switch					1
17	86665	• • Stud					1
18	10528	• • Nut					1
19	10522	• • Conduit, Fitting (Proximity wires must be removed to replace fitting)					1
20		• • Bolt, Hex					4
21	86093	• • Weldment, 6 Inch Flush Box					1
22	10224	• Bushing, Hex					1
23	10355	• Nipple					1
24	56413	• Valve, Ball					1
25	74944	• Plug					1
DASH (-) ITEM NOT ILLUSTRATED							

REVISION:



# HYDRAULIC DRIVE CYLINDER ASSEMBLY

C50S  
PARTS  
GROUP 60  
FIGURE 06  
PAGE 01



REVISION:



# HYDRAULIC DRIVE CYLINDER ASSEMBLY

**C50S**  
**PARTS**  
GROUP 60  
FIGURE 06  
PAGE 02

ITEM NO.	REED'S PARTS NO.	DESCRIPTION	QTY
		1 2 3 4 5	
-1	60-06	Assembly, Hydraulic Drive Cylinder (See Group 60, Figure 01 for NHA)	Ref
2	86222	• Sub-Assembly, Hydraulic Drive Cylinder (See Group 60, Figure 07 for DET)	1
3		• Nut, Hex (attaching parts)	8
4	86544	• Plate, End	1
5		• Washer, SAE (attaching parts)	8
6		• Bolt (attaching parts)	8
7		• Fitting, 90°	4
8		• Fitting, 90°	8
9		• Fitting, 90°	4
10	78961	• Valve, Check	4
11	85427	• Assembly, Tube	1
12	85659-002	• Assembly, Hose	4
13		• Washer, Flat (attaching parts)	4
14		• Washer, Lock (attaching parts)	4
15		• Bolt, Hex (attaching parts)	4
		DASH (-) ITEM NOT ILLUSTRATED	

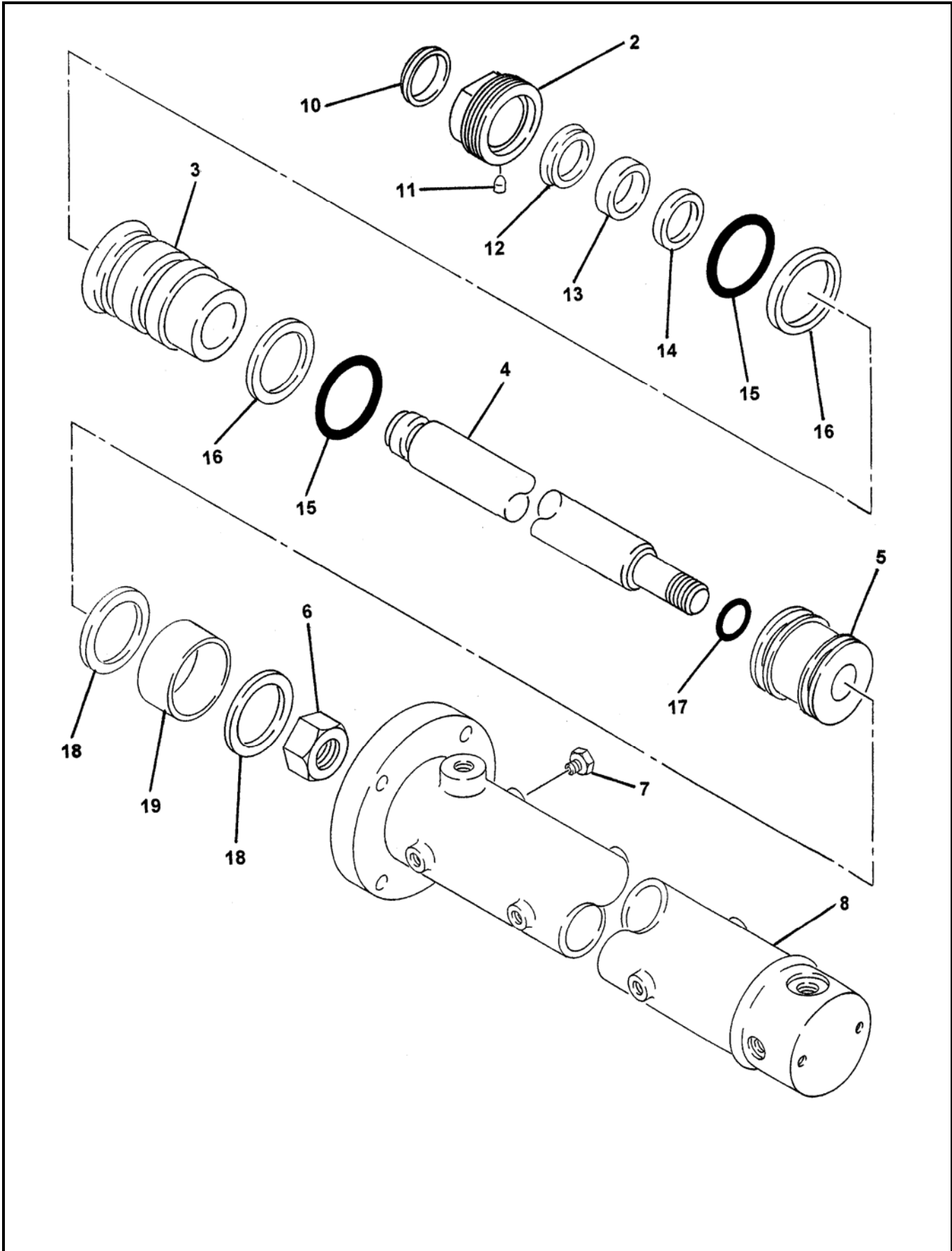
REVISION:





# HYDRAULIC DRIVE CYLINDER SUB-ASSEMBLY

C50S  
PARTS  
GROUP 60  
FIGURE 07  
PAGE 01



REVISION:



**HYDRAULIC DRIVE  
CYLINDER SUB-ASSEMBLY**

**C50S  
PARTS  
GROUP 60  
FIGURE 07  
PAGE 02**

ITEM NO.	REED'S PARTS NO.	DESCRIPTION	QTY
		1 2 3 4 5	
-1	86222	Sub-Assembly, Hydraulic Drive Cylinder (See Group 60, Figure 06 for NHA)	Ref
2		• Nut, Retaining	1
3		• Rod, Cylinder	1
4		• Retainer	1
5		• Piston	1
6		• Weldment, Cylinder Barrel	1
-7	86222-SKTX	• Kit, Seal	1
8		•• Wiper, Rod	1
9		•• Bearing, Rod Bronze	1
10		•• Seal, Rod	1
11		•• Seal, Static	1
12		•• Seal, Static	1
13		•• Seal, Piston	2
14		•• Ring, Wear	2
15		•• Nut, Piston	1
16		• Plug	4

DASH (-) ITEM NOT ILLUSTRATED



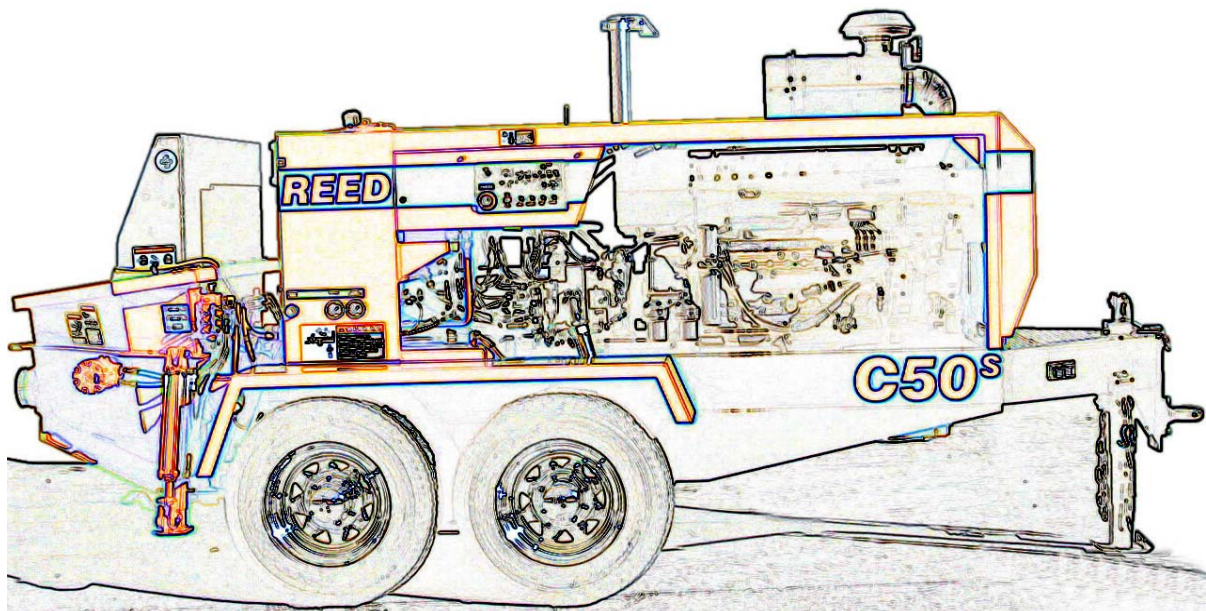
**TRAILER MOUNTED PUMP 01 MODEL C50S  
GROUP 60 PUMPING TRAIN INSTALLATION**

**C50S  
PARTS  
GROUP 60  
FIGURE 08  
PAGE 01**

THIS PAGE INTENTIONALLY LEFT BLANK.

**REED TRAILER MOUNTED CONCRETE PUMP 01 MODEL C50S ILLUSTRATED PARTS MANUAL GROUP 70 FRAME INSTALLATION CONTAINS THE FOLLOWING FIGURES:**

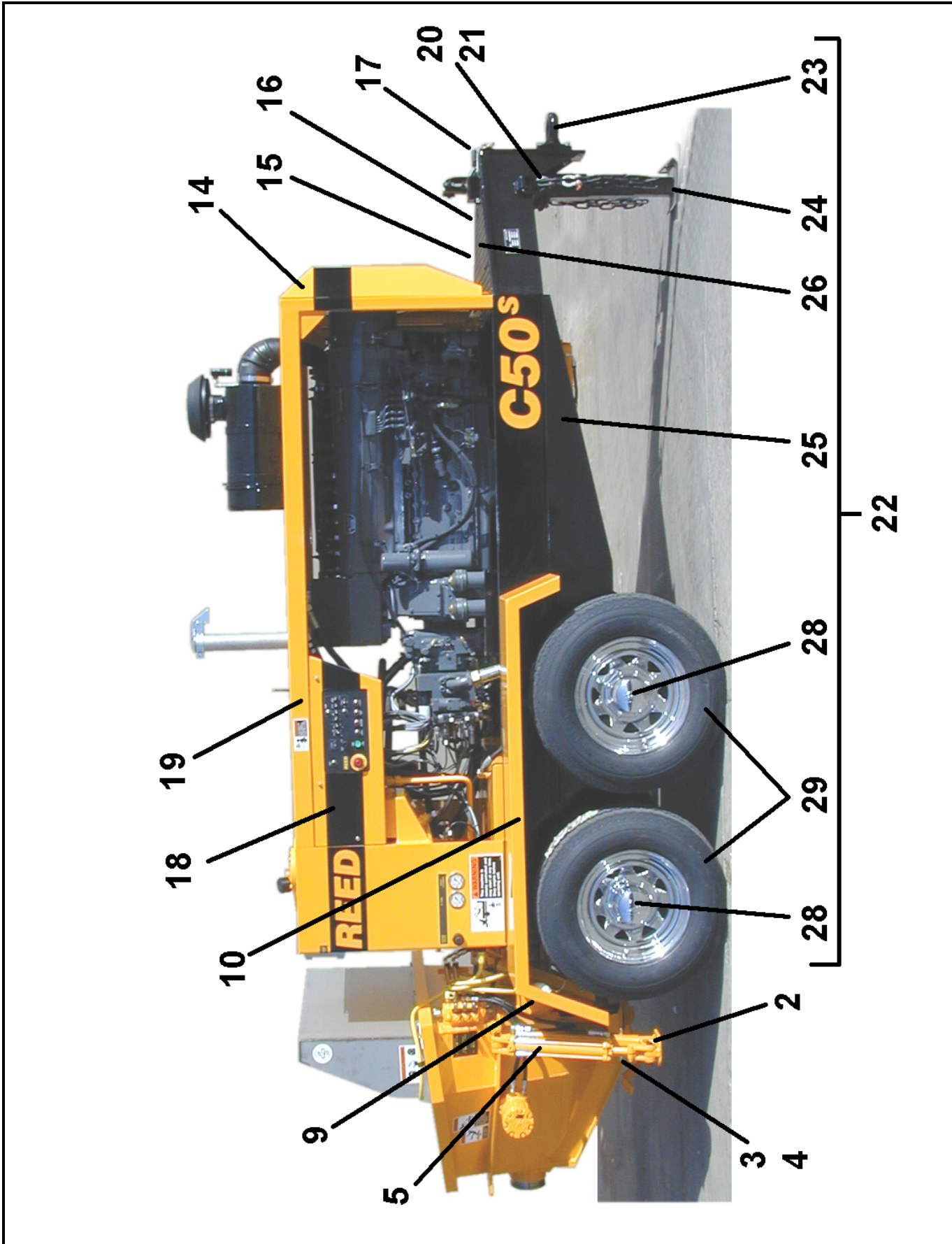
- FIGURE 00** TABLE OF CONTENTS
- FIGURE 01** FRAME INSTALLATION
- FIGURE 02** HYDRAULIC OUTRIGGER CYLINDER ASSEMBLY
- FIGURE 03** HUB AND BRAKE ASSEMBLY
- FIGURE 04** NON-OPERATOR SIDE ELECTRIC BRAKE ASSEMBLY
- FIGURE 05** OPERATOR SIDE ELECTRIC BRAKE ASSEMBLY





# FRAME INSTALLATION

C50S  
PARTS  
GROUP 70  
FIGURE 01  
PAGE 01



REVISION:



# FRAME INSTALLATION

**C50S**  
**PARTS**  
 GROUP 70  
 FIGURE 01  
 PAGE 02

ITEM NO.	REED'S PARTS NO.	DESCRIPTION	QTY
		1 2 3 4 5	
-1	70-01	Installation, Frame (See Group 10, Figure 01 for NHA)	Ref
2	86553	• Weldment, Outrigger Inner	2
3	85595	• Pin	2
4	800418	• Lanyard, Pin	2
5	86574	• Assembly, Hydraulic Outrigger Cylinder (See Group 70, Figure 02 for REF)	2
-6	85685	• Tube, Hydraulic Outrigger	1
-7	88686	• Tube, Hydraulic Outrigger	1
-8	801902-020	• Clamp, Tube	4
9	72948	• Light, Tail	2
10	85394	• Weldment, Right Fender	1
-11	85395	• Weldment, Left Fender	1
-12	85438	• Tube, Hydraulic Shift Cylinder	1
-13	85439	• Tube, Hydraulic Shift Cylinder	1
14	85406	• Cover, Front	1
15	86532	• Assembly, Trailer Wiring Harness (See Schematic Section for REF)	1
16	72813	• Grommet, Tool Box	1
17	72949	• Grommet, Trailer	5
18	87449	• Cover, Control Box	1
19	87447	• Weldment, Lifting Structure	1
20	87086	• Chain Assembly	2
20A	86730	• • Chain-5FT	2
21	87085	• • Shackle-Connector, Chain	4
22	87002	• Assembly, Frame	1
23	87037	• • Drawbar	1
24	85123	• • Weldment, Jack	1
25	86991	• • Weldment, Frame	1
26	85636	• • • Cover, Tool Box	1
27	85383	• • Axle	2
28	70-03	• • Assembly, Hub and Brake (See Group 70, Figure 03 for DET)	4
29	85423	• • Assembly, Wheel and Tire	4
-30	10196	• Lok, Trim 1.5 FT	1
-31	73613	• Seal, Trim 6 FT	1
-32	13257	• Weatherstripping-24 Inches	1
-33	85405	• Weatherstripping-24 Inches	1
DASH (-) ITEM NOT ILLUSTRATED			

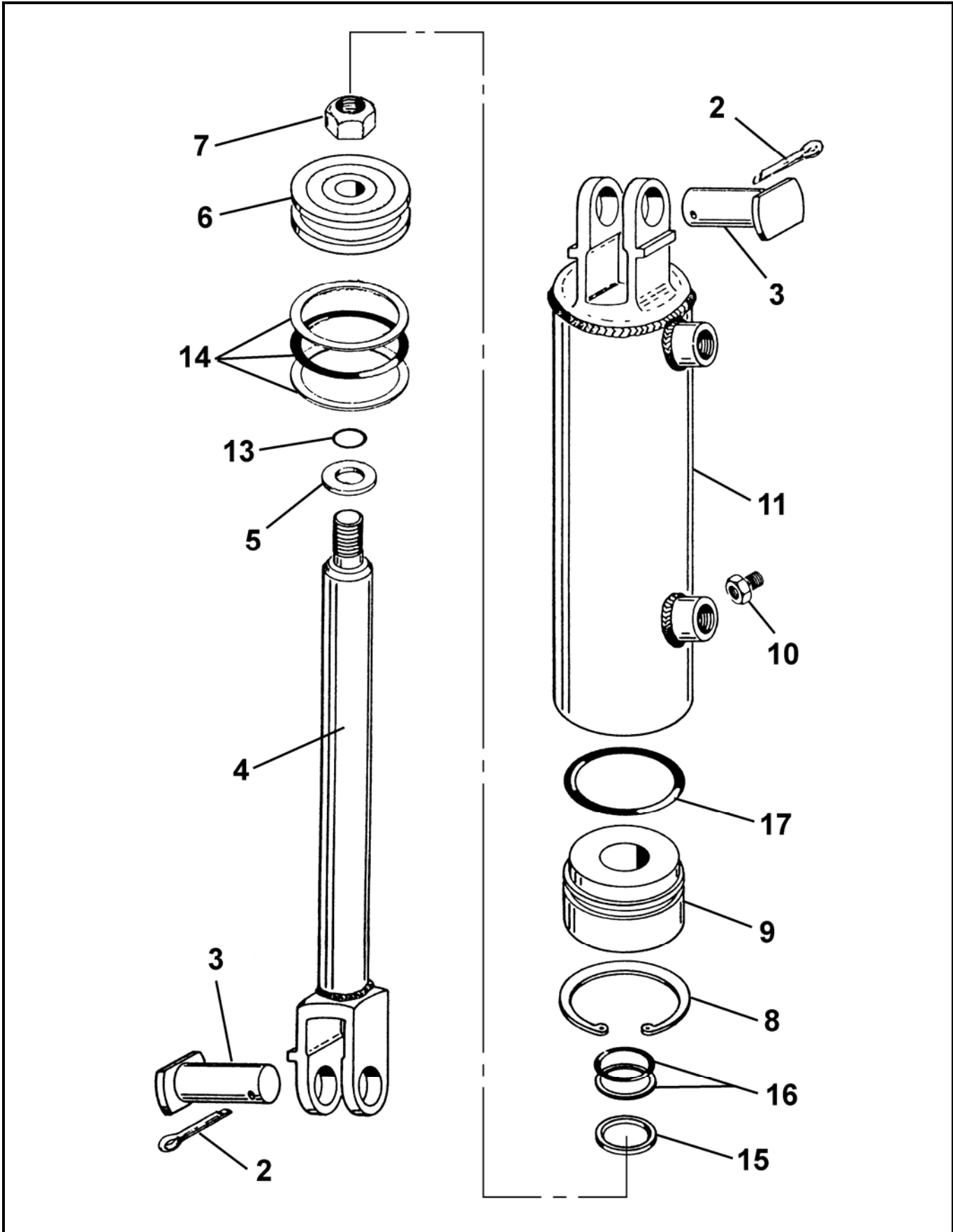
REVISION:





# HYDRAULIC OUTRIGGER CYLINDER ASSEMBLY

C50S  
PARTS  
GROUP 70  
FIGURE 02  
PAGE 01



REVISION:





# HYDRAULIC OUTRIGGER CYLINDER ASSEMBLY

**C50S**  
**PARTS**  
GROUP 70  
FIGURE 02  
PAGE 02

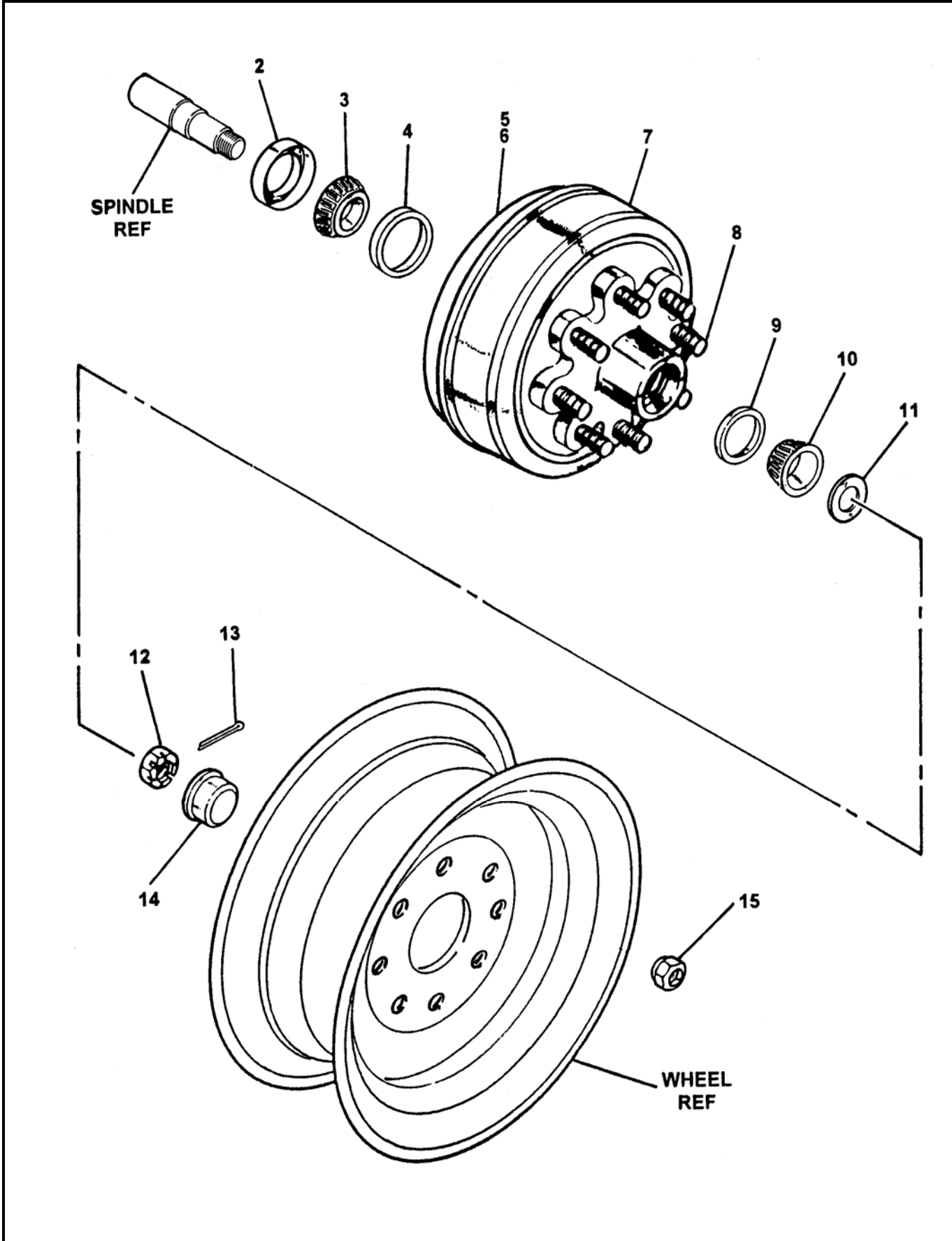
ITEM NO.	REED'S PARTS NO.	DESCRIPTION	QTY
		1 2 3 4 5	
-1	86574	Assembly, Hydraulic Outrigger Cylinder (See Group 70, Figure 01 for NHA)	Ref
2		• Pin, Safety	2
3		• Pin, Clevis	2
4		• Assembly, Shaft	1
5		• Washer, Steel	1
6		• Piston	1
7		• Nut, Piston Lock	1
8		• Ring, Head Lock	1
9		• Head	1
10		• Screw, Head Set	1
11		• Assembly, Tube	1
-12	86574-SK	• Kit, Seal	1
13		•• O-Ring, Small	1
14		•• Sub-Assembly, Piston O-Ring	1
15		•• Wiper, Rod	1
16		•• Packing, Shaft (Pair)	1
17		•• O-Ring, Head	1
		DASH (-) ITEM NOT ILLUSTRATED	

REVISION:



# HUB AND BRAKE ASSEMBLY

C50S  
PARTS  
GROUP 70  
FIGURE 03  
PAGE 01



REVISION:



# HUB AND BRAKE ASSEMBLY

C50S  
PARTS  
GROUP 70  
FIGURE 03  
PAGE 02

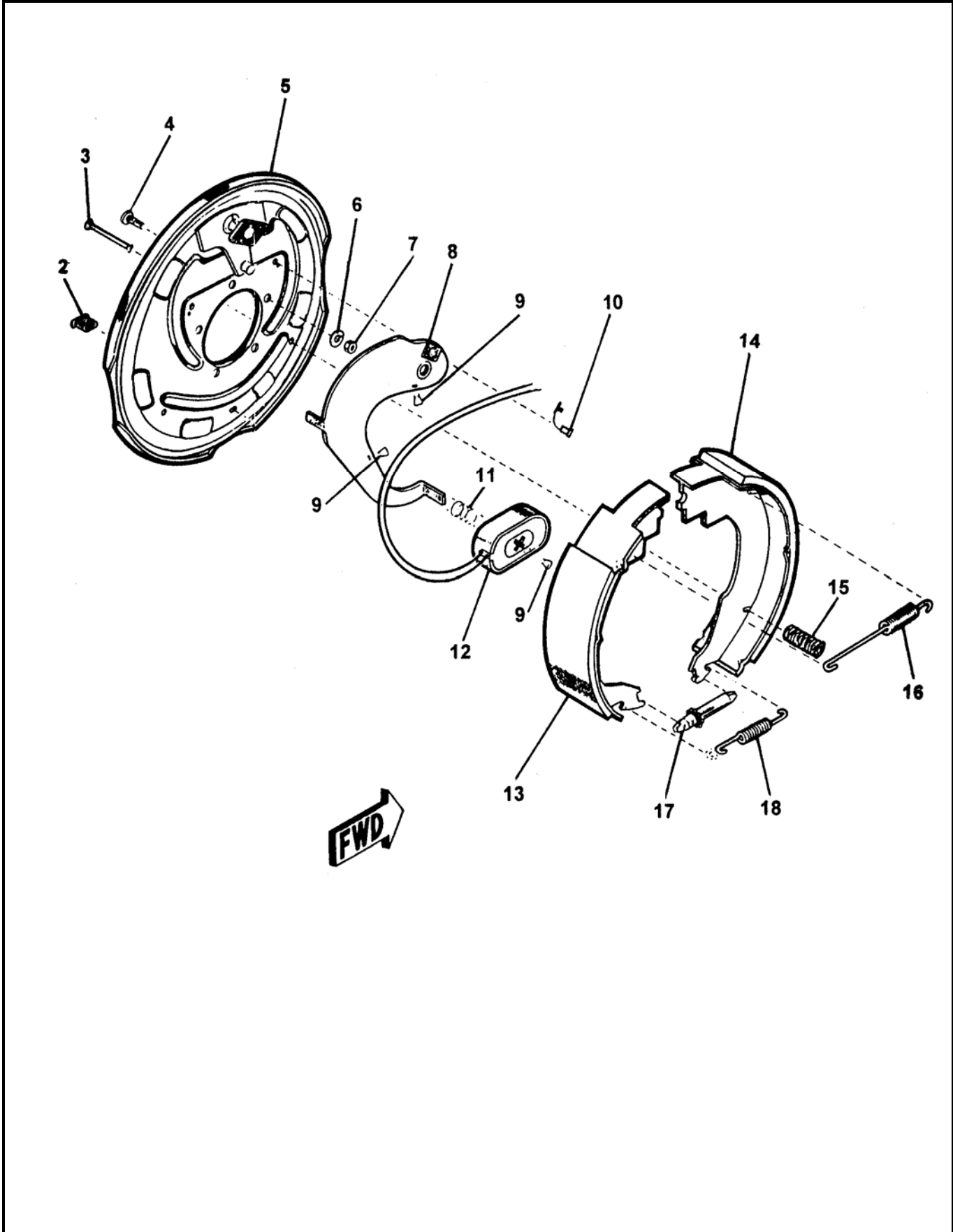
ITEM NO.	REED'S PARTS NO.	DESCRIPTION	QTY
		1 2 3 4 5	
-1	70-03	Assembly, Hub and Brake (See Group 70, Figure 01 for NHA)	Ref
2	86709	• Seal, Double Lip Grease	2
3	71094	• Bearing, Inner	2
4	71092	• Race, Inner Bearing	2
5	71056-L	• Assembly, Non-Operator Electric Brake (See Group 70, Figure 04 for DET)	1
6	71056-R	• Assembly, Operator Electric Brake (See Group 70, Figure 05 for DET)	1
7	86717	• Assembly, Drum & Hub	2
8	86716	• Stud, Wheel	16
9	86710	• Race, Outer Bearing	2
10	71098	• Bearing, Outer	2
11	86711	• Washer, Spindle	2
12	86712	• Nut, Spindle	2
13	86713	• Pin, Cotter	2
14	86714	• Cap, Dust	2
15	86715	• Nut, Wheel	16
		DASH (-) ITEM NOT ILLUSTRATED	

REVISION:



# NON OPERATOR SIDE ELECTRIC BRAKE ASSEMBLY

C50S  
PARTS  
GROUP 70  
FIGURE 04  
PAGE 01



REVISION:



# NON OPERATOR SIDE ELECTRIC BRAKE ASSEMBLY

**C50S**  
**PARTS**  
GROUP 70  
FIGURE 04  
PAGE 02

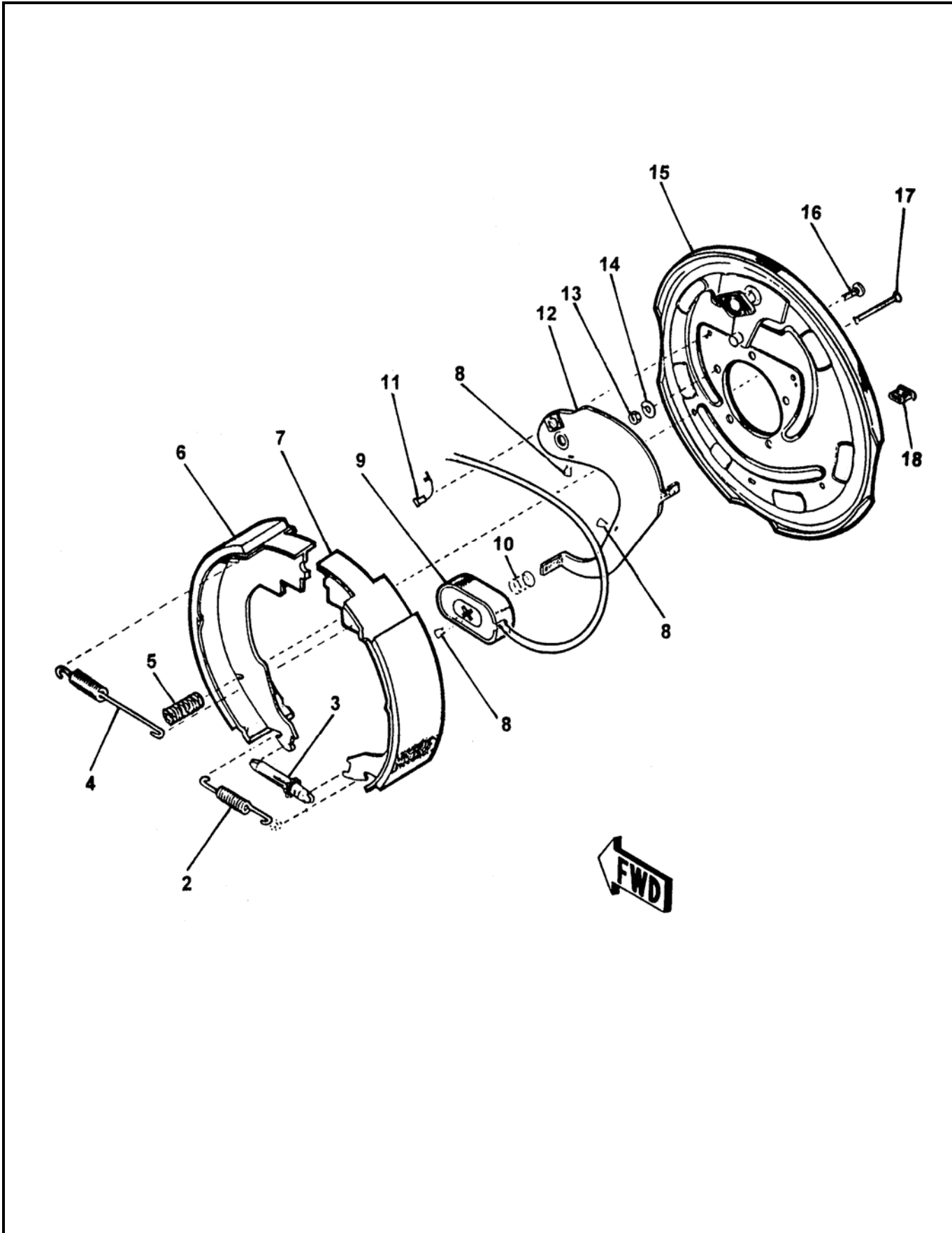
ITEM NO.	REED'S PARTS NO.	DESCRIPTION	QTY
		1 2 3 4 5	
-1	71056-L	Assembly, Non-Operator Side Electric Brake (See Group 70, Figure 03 for NHA)	Ref
2		• Slot, Plug Adjust	1
3		• Pin, Shoe Hold down	1
4		• Stud, Brake Mounting	5
5		• Assembly, Baking Plate	1
6		• Washer, Brake Lock	5
7		• Nut, Brake Mounting	5
8		• Lever, Non-Operator Side	1
9		• Clip, Wire and Magnet	3
10		• Relief, Strain	2
11		• Spring, Magnet	1
12		• Sub-Assembly, Magnet	1
13		• Shoe and Lining, Primary	1
14		• Shoe and Lining, Secondary	1
15		• Spring, Shoe Hold down	1
16		• Spring, Shoe Retractor	1
17		• Sub-Assembly, Adjuster Screw	1
18		• Spring, Adjuster Screw	1
		DASH (-) ITEM NOT ILLUSTRATED	

REVISION:



# OPERATOR SIDE ELECTRIC BRAKE ASSEMBLY

C50S  
PARTS  
GROUP 70  
FIGURE 05  
PAGE 01



REVISION:



**OPERATOR SIDE  
ELECTRIC BRAKE ASSEMBLY**

**C50S  
PARTS  
GROUP 70  
FIGURE 05  
PAGE 02**

ITEM NO.	REED'S PARTS NO.	DESCRIPTION	QTY
		1 2 3 4 5	
-1	71056-R	Assembly, Operator Side Electric Brake (See Group 70, Figure 03 for NHA)	Ref
2		• Spring, Adjuster Screw	1
3		• Sub-Assembly, Adjuster Screw	1
4		• Spring, Shoe Retractor	1
5		• Spring, Shoe Hold down	1
6		• Shoe and Lining, Secondary	1
7		• Shoe and Lining, Primary	1
8		• Clip, Wire and Magnet	3
9		• Sub-Assembly, Magnet	1
10		• Spring, Magnet	1
11		• Relief, Strain	2
12		• Lever, Operator Side	1
13		• Nut, Brake Mounting	5
14		• Washer, Brake Lock	5
15		• Assembly, Baking Plate	1
16		• Stud, Brake Mounting	5
17		• Pin, Shoe Hold down	1
18		• Slot, Plug Adjust	1
		DASH (-) ITEM NOT ILLUSTRATED	

REVISION:





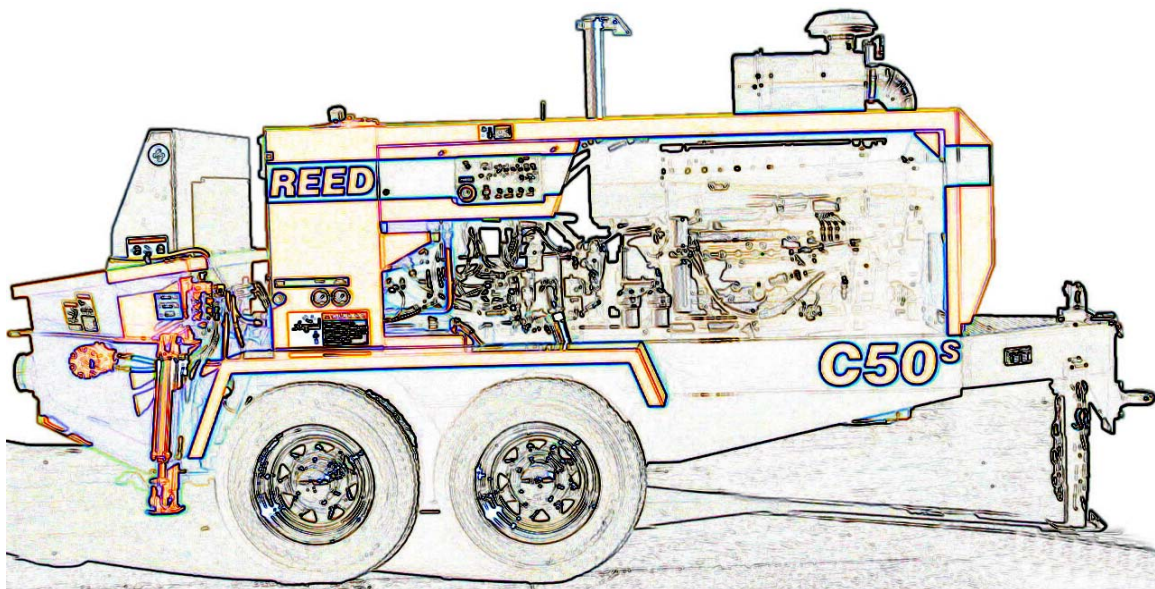
**TRAILER MOUNTED PUMP 01 MODEL C50S  
GROUP 70 FRAME INSTALLATION**

**C50S  
PARTS  
GROUP 70  
FIGURE 06  
PAGE 01**

THIS PAGE INTENTIONALLY LEFT BLANK.

**REED** TRAILER MOUNTED CONCRETE PUMP 01 MODEL C50S ILLUSTRATED PARTS MANUAL GROUP 80 OPTIONAL INSTALLATION CONTAINS THE FOLLOWING FIGURES:

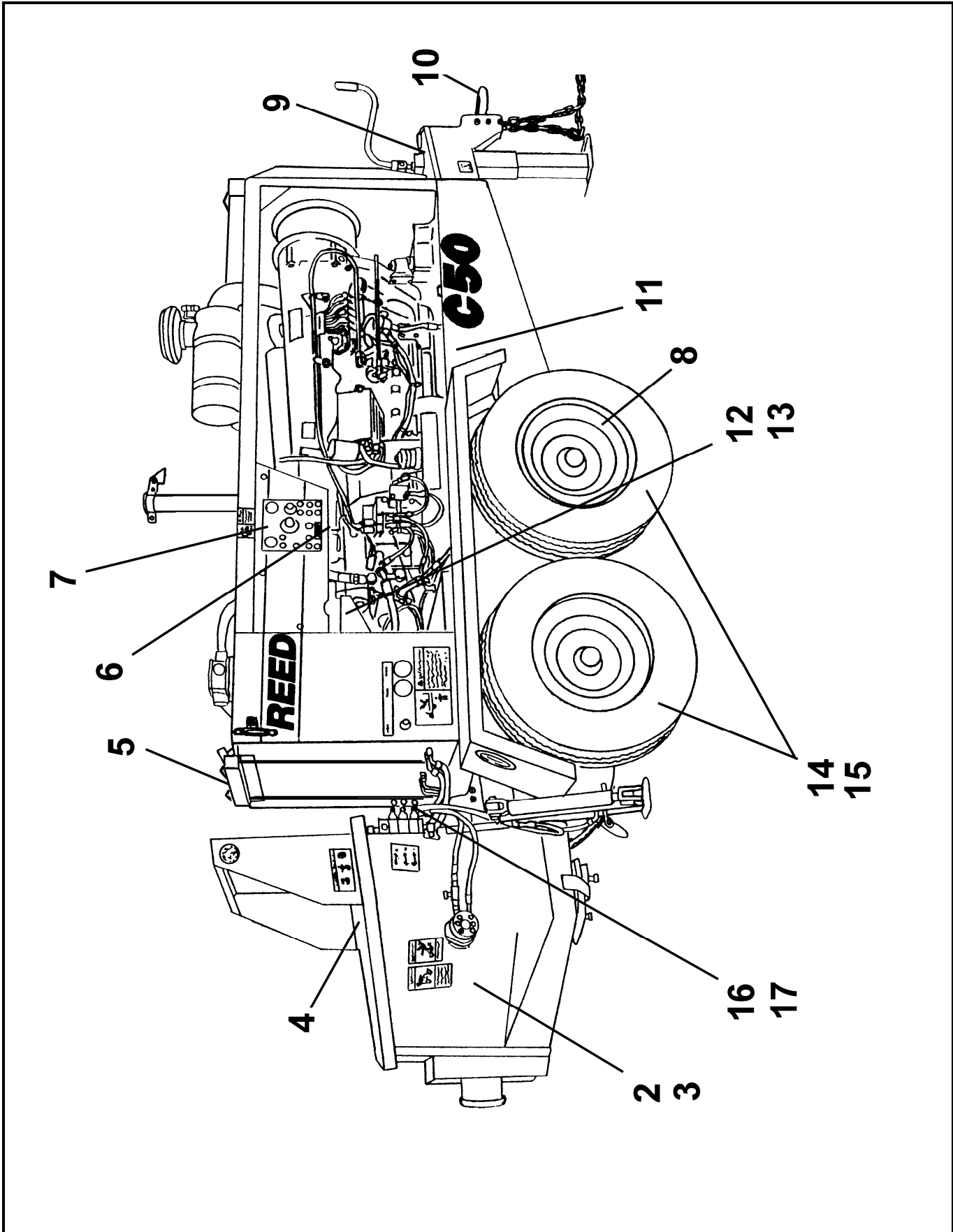
- FIGURE 00** TABLE OF CONTENTS
- FIGURE 01** OPTIONAL INSTALLATION
- FIGURE 02** LUBE SYSTEM ASSEMBLY
- FIGURE 03** 12 VOLT LUBE PUMP ASSEMBLY
- FIGURE 04** HOPPER VIBRATOR ASSEMBLY
- FIGURE 05** CHROME WHEEL ASSEMBLY
- FIGURE 06** OPTIONAL TOOL KIT ASSEMBLY
- FIGURE 07** ACTUATOR BRAKES ASSEMBLY
- FIGURE 08** WASH PUMP ASSEMBLY
- FIGURE 09** WASH WATER PUMP ASSEMBLY
- FIGURE 10** WASH PUMP MOTOR ASSEMBLY
- FIGURE 11** ACCUMULATOR CHARGE KIT
- FIGURE 12** NON-OPERATOR SIDE HYDRAULIC BRAKE ASSEMBLY
- FIGURE 13** OPERATOR SIDE HYDRAULIC BRAKE ASSEMBLY
- FIGURE 14** 1 SPOOL VALVE ASSEMBLY
- FIGURE 15** 1 SPOOL VALVE SUB-ASSEMBLY
- FIGURE 16** 2 SPOOL VALVE ASSEMBLY
- FIGURE 17** 2 SPOOL VALVE SUB-ASSEMBLY





# OPTIONAL INSTALLATION

C50S  
PARTS  
GROUP 80  
FIGURE 01  
PAGE 01



REVISION:



# OPTIONAL INSTALLATION

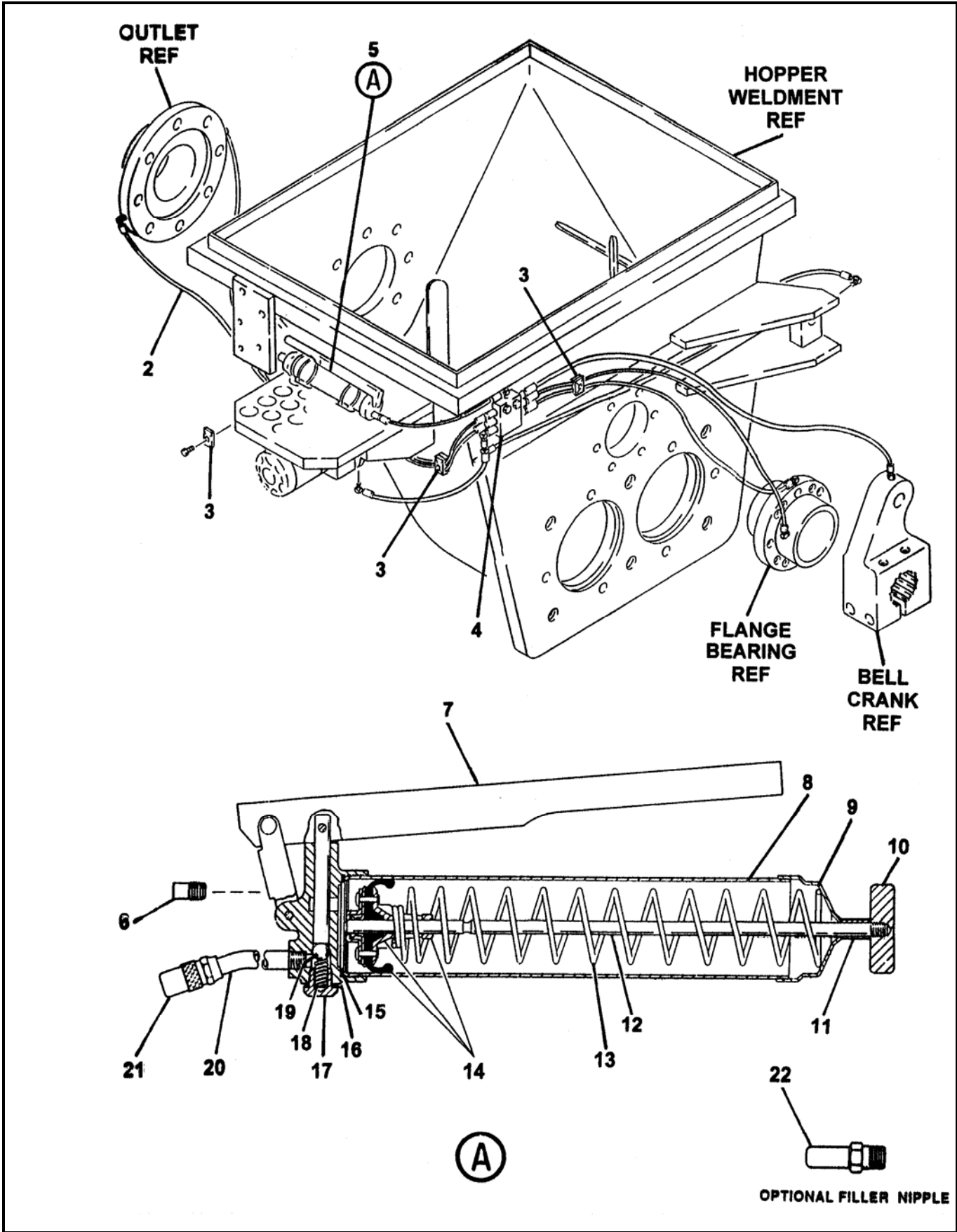
ITEM NO.	REED'S PARTS NO.	DESCRIPTION	QTY
		1 2 3 4 5	
-1	80-01	Installation, Optional (See Group 10, Figure 01 and Figure 02 for NHA)	Ref
2	80-02	• Assembly, Lube System (See Group 80, Figure 02 for DET)	1
3	78736	• Assembly, Lube Pump (See Group 80, Figure 03 for DET)	1
4	86926	• Assembly, Hopper Vibration (See Group 80, Figure 04 for DET)	1
5	86863	• Assembly, Optional Lifting	1
6	85818	• Assembly, Radio Remote Control (See Group 50, Figure 04 for REF)	1
7	85774	• Assembly, Stroke Counter	1
8	80-05	• Assembly, Chrome Wheel (See Group 80, Figure 05 for DET)	1
9	79020	• Assembly, Optional Tool Kit (See Group 80, Figure 07 for DET)	1
10	87191	• Assembly, Actuator Brake (See Group 80, Figure 08 for DET)	1
11	86399	• Assembly, Wash Pump (See Group 80, Figure 09 for DET)	1
12	71460	• Kit, Accumulator Charge (See Group 80, Figure 12 for DET)	1
13	30-11	• Kit, Bladder Repair (See Group 30, Figure 11 for REF)	1
14	80-13	• Assembly, Non-Operator Side Hydraulic Brake (See Group 80, Figure 13 for DET)	2
15	80-14	• Assembly, Operator Side Hydraulic Brake (See Group 80, Figure 14 for DET)	2
16	80-15	• Assembly, 1 Spool Valve (See Group 80, Figure 15 for DET)	1
17	80-17	• Assembly, 2 Spool Valve (See Group 80, Figure 17 for DET)	1
		DASH (-) ITEM NOT ILLUSTRATED	

REVISION:



# LUBE SYSTEM ASSEMBLY(OPTIONAL)

C50S  
PARTS  
GROUP 80  
FIGURE 02  
PAGE 01



REVISION:



# LUBE SYSTEM ASSEMBLY(OPTIONAL)

C50S  
PARTS  
GROUP 80  
FIGURE 02  
PAGE 02

ITEM NO.	REED'S PARTS NO.	DESCRIPTION	QTY
		1 2 3 4 5	
-1	80-02	Assembly, Lube System (See Group 80, Figure 01 for NHA)	Ref
2		• Assembly, Lube Hose	A/R
3	75436	• Clamp, Pipe	3
4	72355	• Block, 6 Station Lube System	1
5	78532	• Gun, Grease	1
6		•• Plug	1
7		•• Handle, Pumping	1
8		•• Tube, Container	1
9		•• Cap, Tube	1
10		•• Handle, Follower	1
11		•• Spacer	1
12		•• Rod, Follower	1
13		•• Spring	1
14		•• Sub-Assembly, Follower	1
15		•• Packing, Container	1
16		•• Gasket	1
17		•• Housing, Spring	1
18		•• Spring	1
19		•• Ball, Check	1
20		•• Extension, Nozzle	1
21		•• Coupler, Hydraulic	1
22		•• Nipple, Filler (Optional Item)	1
		DASH (-) ITEM NOT ILLUSTRATED	

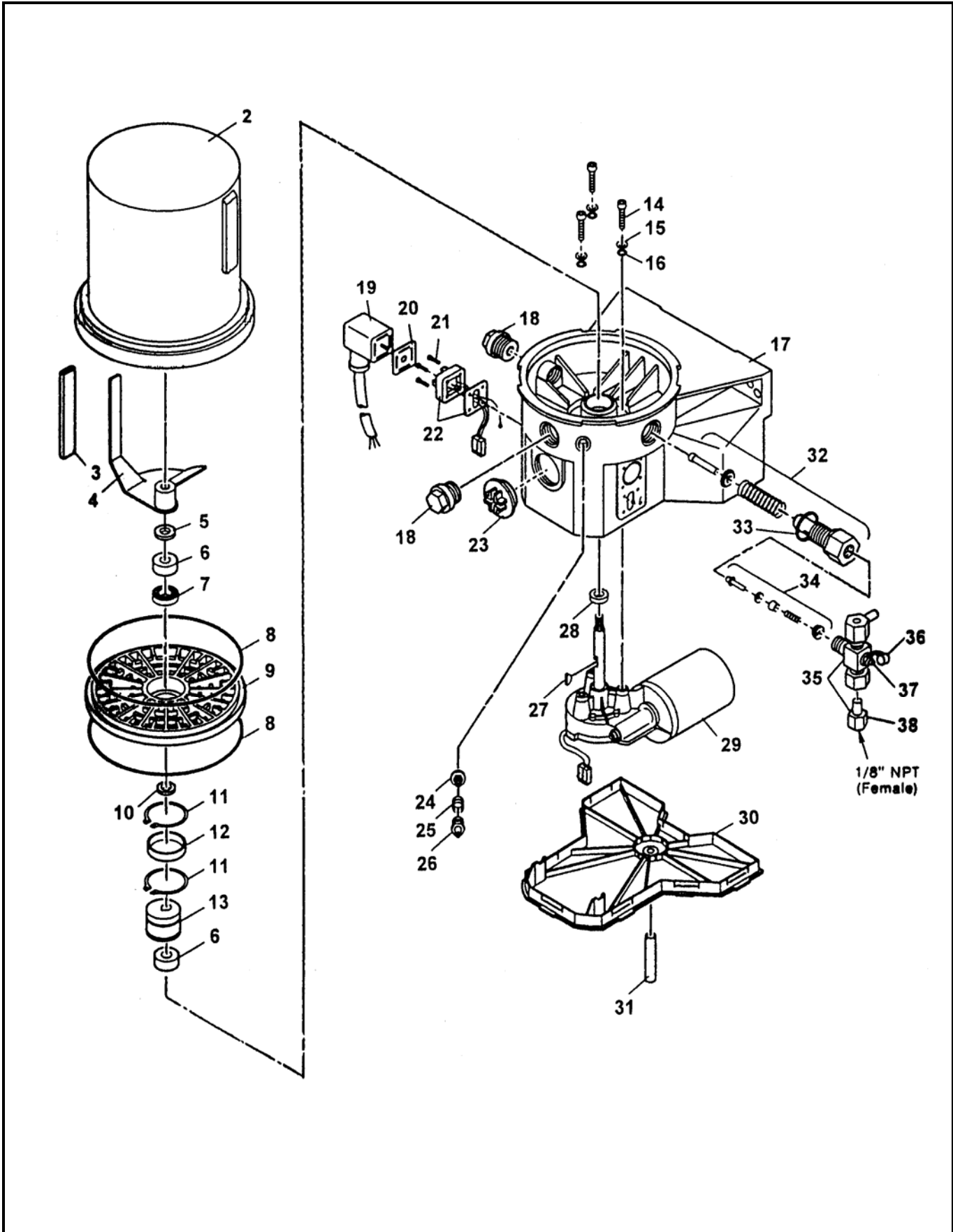
REVISION:





# LUBE PUMP ASSEMBLY

C50S  
PARTS  
GROUP 80  
FIGURE 03  
PAGE 01



REVISION:





# LUBE PUMP ASSEMBLY

C50S  
PARTS  
GROUP 80  
FIGURE 03  
PAGE 02

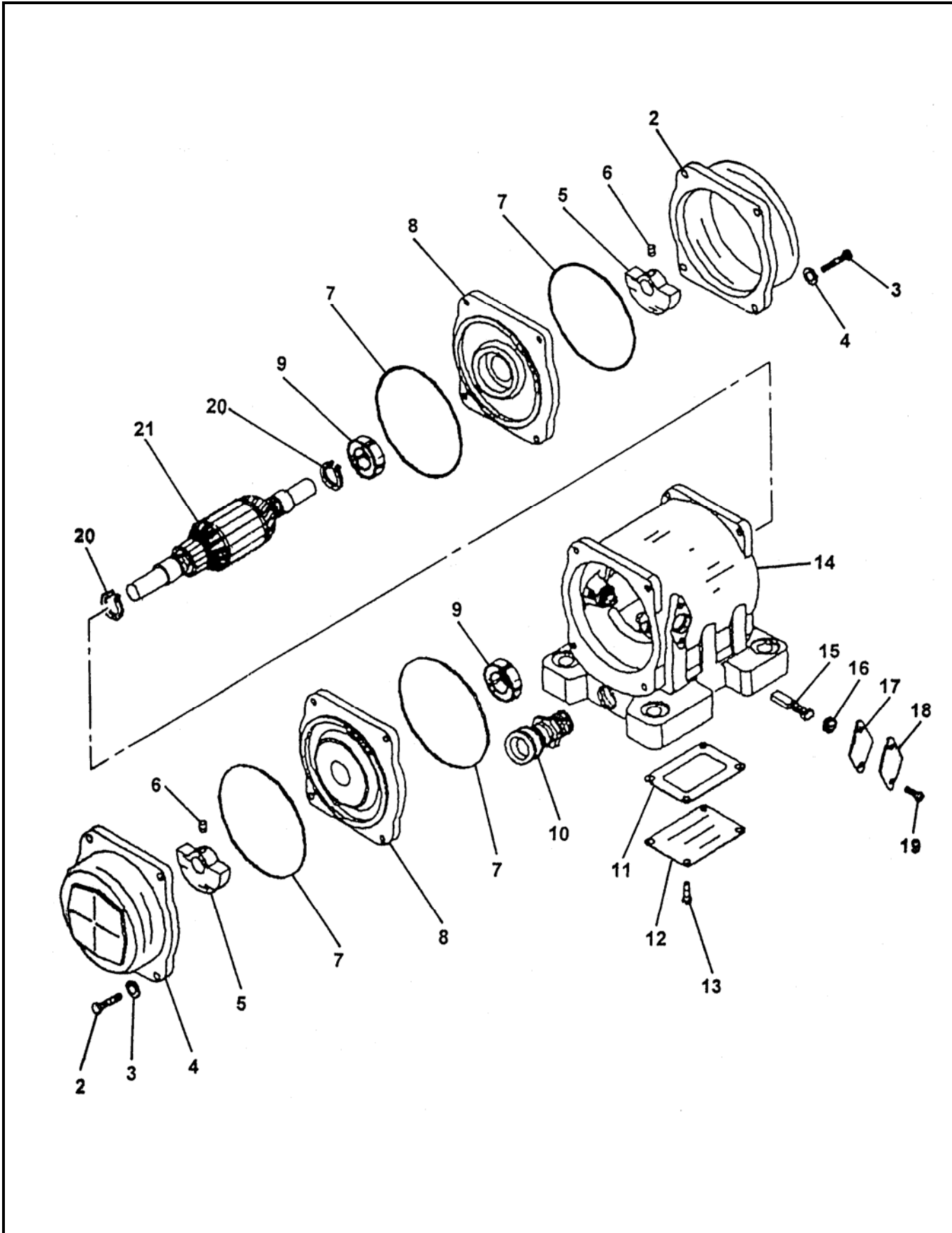
ITEM NO.	REED'S PARTS NO.	DESCRIPTION	QTY
		1 2 3 4 5	
-1	78736	Assembly, Lube Pump (See Group 80, Figure 01 for NHA)	Ref
2		• Reservoir	1
3		• House	1
4		• Paddle, Stirring	1
5		• Washer	1
6		• Ring, Bearing	2
7		• Bearing	1
8		• O-Ring	2
9		• Plate, Intermediate	1
10		• Shim	1
11		• Ring, Snap	2
12		• Ring, Inner	1
13		• Cam, Eccentric	1
14		• Screw	3
15		• Washer	3
16		• O-Ring	3
17		• Housing, Pump	1
18		• Plug, Closure	2
19		• Socket with Cord	1
20		• Packing, Flat	1
21		• Screw	4
22		• Plug	1
23		• Plug, Sealing	1
24		• Insert, Filter	1
25		• Spring	1
26		• Fitting, Grease	1
27		• Key, Woodruff	1
28		• Seal, Radial	1
29		• Motor, 12 VDC	1
30		• Cover, Housing	1
31		• Hose	1
32		• Element, Pump	1
33		• Gasket	1
34		• Valve, Check	1
35		• Assembly, Pressure Reliefs	1
36		• Cap, Grease	1
37		• Fitting, Grease	1
38		• Assembly, Adapter for Relief	1
		DASH (-) ITEM NOT ILLUSTRATED	

REVISION:



# HOPPER VIBRATOR ASSEMBLY

C50S  
PARTS  
GROUP 80  
FIGURE 04  
PAGE 01



REVISION:



# HOPPER VIBRATOR ASSEMBLY

C50S  
PARTS  
GROUP 80  
FIGURE 04  
PAGE 02

ITEM NO.	REED'S PARTS NO.	DESCRIPTION	QTY
		1 2 3 4 5	
-1	86926	Assembly, Hopper Vibrator (See Group 80, Figure 01 for NHA)	Ref
2		• Cap, End	2
3		• Bolt (attaching parts)	8
4		• Washer, Lock (attaching parts)	8
5		• Weight	2
6		• Screw, Set (attaching parts)	2
7		• O-Ring	4
8		• Bell, End	2
9		• Bearing	2
10		• Holder, Cord	1
11		• Gasket	1
12		• Cover, Box	1
13		• Screw (attaching parts)	4
14		• Sub-Assembly, Housing	1
15		• Brush	1
16		• Cap, Brush	2
17		• Gasket	2
18		• Cover, Brush	2
19		• Screw (attaching parts)	4
20		• Ring, Snap	2
21		• Assembly, Armature	1
		DASH (-) ITEM NOT ILLUSTRATED	

REVISION:



# CHROME WHEEL ASSEMBLY

C50S  
PARTS  
GROUP 80  
FIGURE 05  
PAGE 01



2

5

REVISION:

## CHROME WHEEL ASSEMBLY

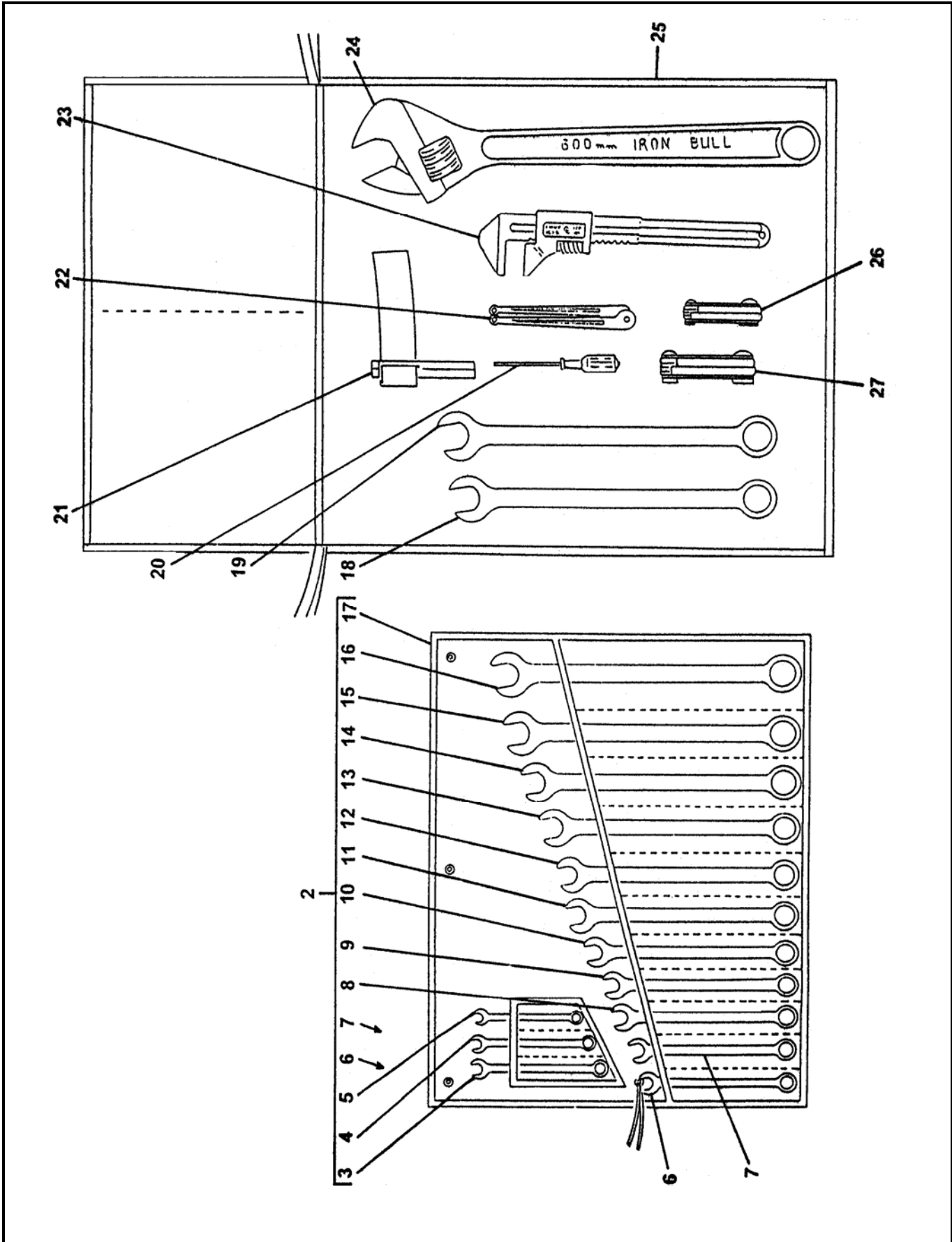


ITEM NO.	REED'S PARTS NO.	DESCRIPTION	QTY
		1 2 3 4 5	
-1	80-05	Assembly, Chrome Wheel (See Group 80, Figure 01 for NHA)	Ref
2	73212	• Assembly, Chrome Wheel and Tire	4
3	73554	•• Tire	1
4	73555	•• Wheel	1
5	85383	• Axle	2



# OPTIONAL TOOL KIT

C50S  
PARTS  
GROUP 80  
FIGURE 06  
PAGE 01



REVISION:





# OPTIONAL TOOL KIT

ITEM NO.	REED'S PARTS NO.	DESCRIPTION	QTY
		1 2 3 4 5	
-1	79020	Assembly, Optional Tool Kit (See Group 80, Figure 01 for NHA)	Ref
2	79037	• Kit, Wrench	1
3		•• Wrench, 1/2 Inch	1
4		•• Wrench, 7/16 Inch	1
5		•• Wrench, 3/8 Inch	1
6		•• Wrench, 9/16 Inch	1
7		•• Wrench, 5/8 Inch	1
8		•• Wrench, 11/16 Inch	1
9		•• Wrench, 3/4 Inch	1
10		•• Wrench, 13/16 Inch	1
11		•• Wrench, 7/8 Inch	1
12		•• Wrench, 15/16 Inch	1
13		•• Wrench, 1 Inch	1
14		•• Wrench, 1-1/16 Inch	1
15		•• Wrench, 1-1/8 Inch	1
16		•• Wrench, 1-1/4 Inch	1
17		•• Wrap, Plastic	1
18	79036	• Wrench, 1-3/8 Inch	1
19	79028	• Wrench, 1-1/2 Inch	1
20	79038	• Screwdriver	1
21	79814	• Wrench, Strap (for Filter)	1
22	79325	• Wrench, Spanner	1
23	79031	• Wrench, Monkey	1
24	79032	• Wrench, Adjustable 24 Inch	1
25	77502	• Bag, Tool	1
26	79030	• Set, Metric Allen Key (2-8 mm)	1
27	79029	• Set, Standard Allen Key (3/16-3/8 Inch)	1
		DASH (-) ITEM NOT ILLUSTRATED	

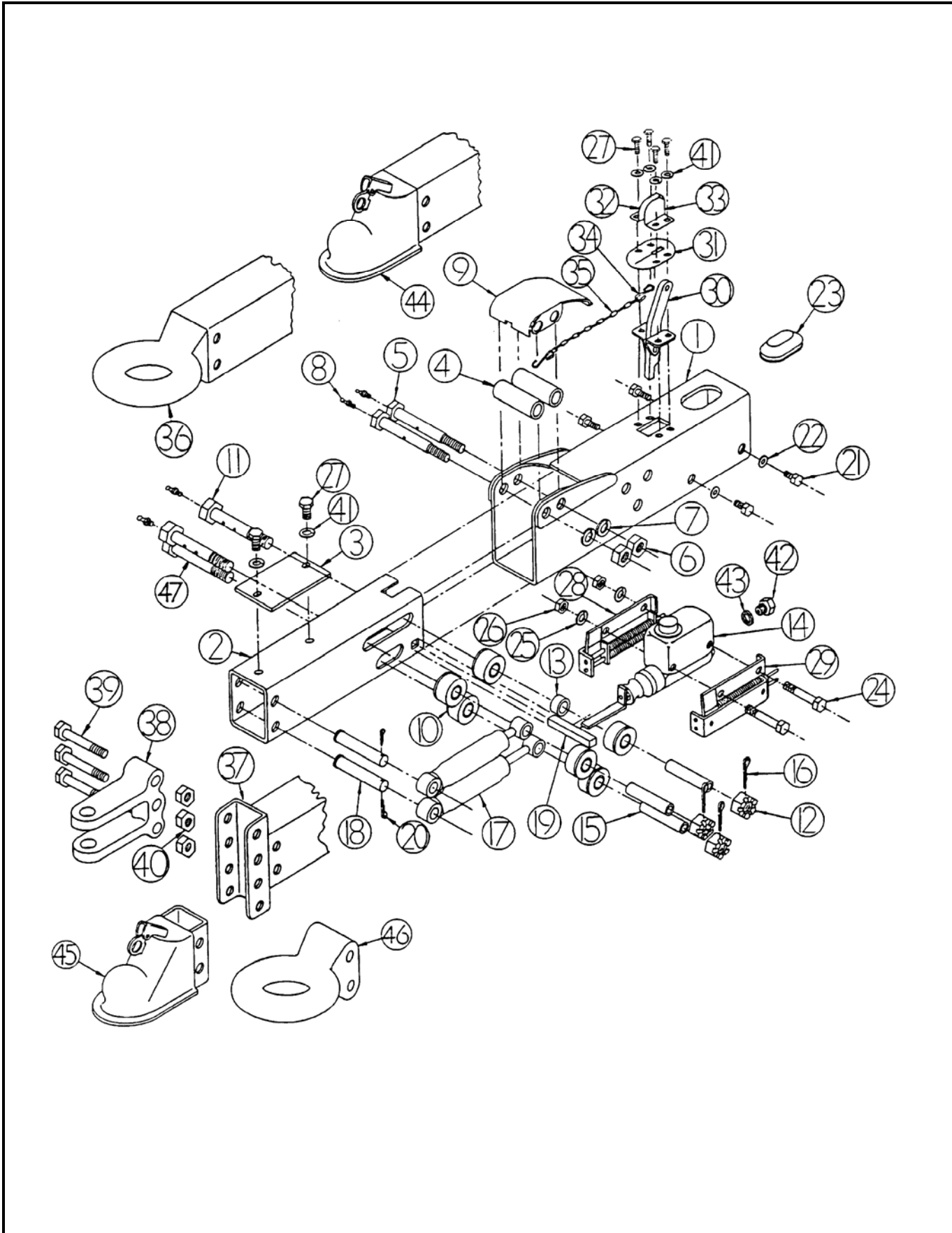
REVISION:





# ACTUATOR BRAKES ASSEMBLY

C50S  
PARTS  
GROUP 80  
FIGURE 07  
PAGE 01



REVISION:



# ACTUATOR BRAKES ASSEMBLY

**C50S**  
**PARTS**  
 GROUP 80  
 FIGURE 07  
 PAGE 02

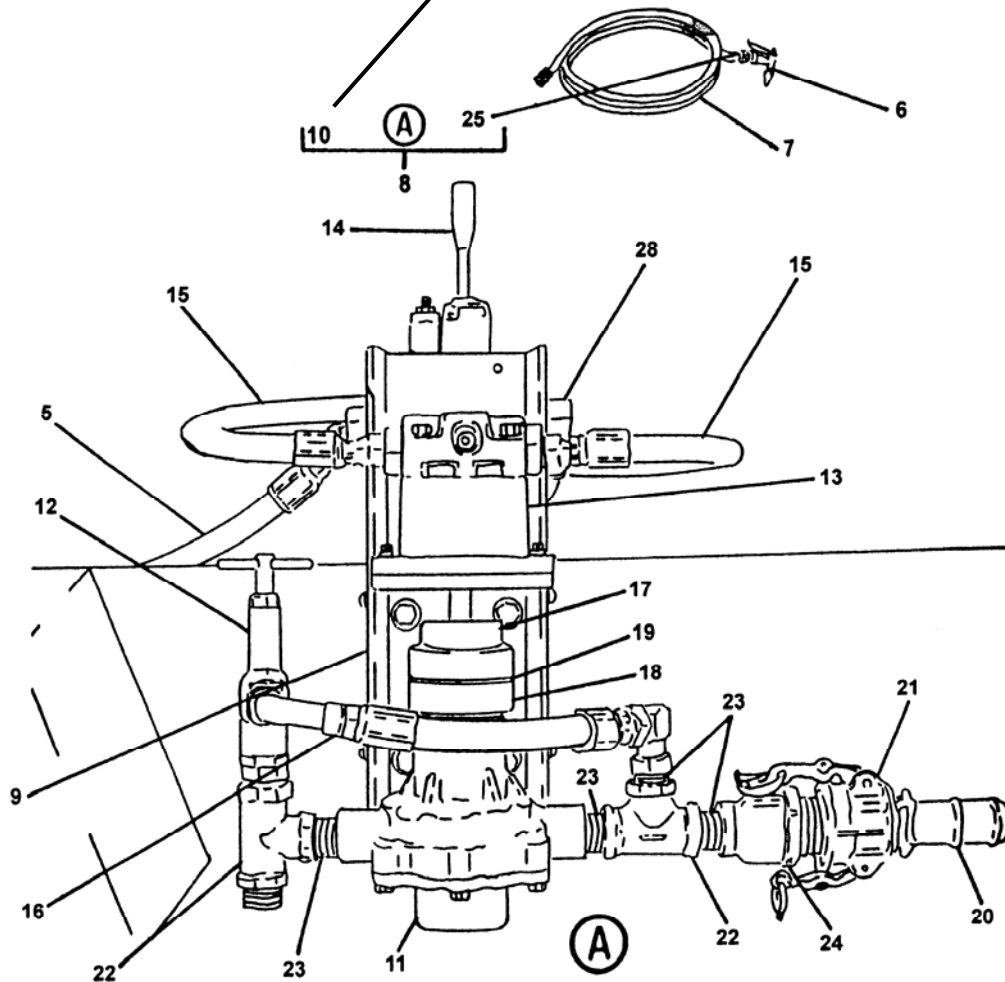
ITEM NO.	REED'S PARTS NO.	DESCRIPTION	QTY																																																																																																																																																																																																																								
A	87191	1 2 3 4 5 Assembly, Actuator Brakes (See Group 80, Figure 01 for NHA)	Ref																																																																																																																																																																																																																								
		<table border="1" style="width: 100%; border-collapse: collapse;"> <thead> <tr> <th style="width: 5%;">KEY NO.</th> <th style="width: 10%;">PART NO.</th> <th style="width: 45%;">DESCRIPTION</th> <th style="width: 5%;">KEY NO.</th> <th style="width: 10%;">PART NO.</th> <th style="width: 25%;">DESCRIPTION</th> </tr> </thead> <tbody> <tr> <td>1</td> <td>1055300</td> <td>Outer Case Assembly - Primer</td> <td>25</td> <td>1255200</td> <td>GR 5, Zinc STAR Lockwasher 3/8"</td> </tr> <tr> <td>1</td> <td>1734900</td> <td>Outer Case Assembly w/Mounting Channel - Primer</td> <td>26</td> <td>0797600</td> <td>Hex Nut 3/8 NC</td> </tr> <tr> <td></td> <td></td> <td></td> <td>27</td> <td>0794900</td> <td>HX HD Capscrew 5/16x5/8 NC, GR 5, Zinc</td> </tr> <tr> <td>1</td> <td>4488300</td> <td>Outer Case Assembly w/Mounting Channel - Plated</td> <td>28</td> <td>0838800</td> <td>RH Cylinder Bracket Assembly</td> </tr> <tr> <td>2</td> <td>1556300</td> <td>Inner Slide Assembly - No Coupler</td> <td>29</td> <td>0838900</td> <td>LH Cylinder Bracket Assembly</td> </tr> <tr> <td>2</td> <td>1735000</td> <td>Inner Slide Assembly w/2-5/16" Drop Coupler</td> <td>30</td> <td>1054100</td> <td>Breakaway Lever Assembly</td> </tr> <tr> <td></td> <td></td> <td></td> <td>31</td> <td>1055200</td> <td>Weather Seal</td> </tr> <tr> <td>2</td> <td>4490400</td> <td>Inner Slide Assembly w/2-5/16" Drop Coupler - Plated</td> <td>32</td> <td>1052700</td> <td>RH Breakaway Lock - Plated</td> </tr> <tr> <td></td> <td></td> <td></td> <td>33</td> <td>1052600</td> <td>LH Breakaway Lock - Plated</td> </tr> <tr> <td>3</td> <td>0828400</td> <td>Centering Rail</td> <td>34</td> <td>1055500</td> <td>S-Hook</td> </tr> <tr> <td>4</td> <td>1601900</td> <td>Front Roller - Plated</td> <td>35</td> <td>0776800</td> <td>Safety Chain</td> </tr> <tr> <td>5</td> <td>0828800</td> <td>Front Roller Bolt 5/8x5.25-1/2 NC</td> <td>36</td> <td>1297600</td> <td>Inner Slide Assembly w/ 3" Lunette Eye</td> </tr> <tr> <td>6</td> <td>0798500</td> <td>Hex Nut 1/2 NC</td> <td>37</td> <td>1058200</td> <td>Inner Slide Assembly w/Leveler Channel</td> </tr> <tr> <td>7</td> <td>0793700</td> <td>Lockwasher 1/2" STD</td> <td></td> <td></td> <td></td> </tr> <tr> <td>8</td> <td>0144901</td> <td>Zerk 35/64</td> <td>38</td> <td>1807800</td> <td>Clevis Hitch, For 1" Pin</td> </tr> <tr> <td>9</td> <td>0828900</td> <td>Front Roller Cover</td> <td>39</td> <td>0909300</td> <td>HHCS 5/8x4.5 NC, GR 5, Zinc</td> </tr> <tr> <td>9</td> <td>0828925</td> <td>Front Roller Cover - Plated</td> <td></td> <td></td> <td></td> </tr> <tr> <td>10</td> <td>0829100</td> <td>Rear Roller</td> <td>40</td> <td>1040500</td> <td>Locknut 5/8 NC</td> </tr> <tr> <td>11</td> <td>0829400</td> <td>Roller Bolt 5/8x5 NF, GR 5</td> <td>41</td> <td>0793800</td> <td>Lockwasher 5/16" STD</td> </tr> <tr> <td>12</td> <td>0797100</td> <td>Slotted Hex Nut 5/8 NC</td> <td>42</td> <td>1209900</td> <td>Connector Drum Brake</td> </tr> <tr> <td>13</td> <td>0332800</td> <td>Spacer</td> <td>42</td> <td>4750200, 4750300</td> <td>Connector Disc Brake</td> </tr> <tr> <td>14</td> <td>1250300</td> <td>Filler Cap (Included in 23744)</td> <td>43</td> <td>0774500</td> <td>Gasket</td> </tr> <tr> <td>14</td> <td>2374400</td> <td>Master Cylinder Assembly, 1-1/4" Bore (drum)</td> <td>44</td> <td>1278800</td> <td>Inner Slide Assembly w/2-5/16" Coupler - Primer</td> </tr> <tr> <td>14</td> <td>4747100</td> <td>Master Cylinder Assy. (disc)</td> <td>44</td> <td>4488400</td> <td>Inner Slide Assembly w/2-5/16" Coupler - Plated</td> </tr> <tr> <td>14</td> <td></td> <td>Push Rod Bracket Assembly (Included in 23744)</td> <td>45</td> <td>1882000</td> <td>Adjustable Ball Coupler - 2-5/16"</td> </tr> <tr> <td>15</td> <td>0829700</td> <td>Spacer</td> <td>46</td> <td>1613700</td> <td>Lunette Eye - 3" Adjustable</td> </tr> <tr> <td>16</td> <td>0799700</td> <td>Cotter Pin-1/8x1.00</td> <td>47</td> <td>0829500</td> <td>HX HD Screw 5/8x5 NF, GR 5</td> </tr> <tr> <td>17</td> <td>0778400</td> <td>Damper</td> <td></td> <td></td> <td></td> </tr> <tr> <td>18</td> <td>0829800</td> <td>Damper Bar</td> <td></td> <td>1018700</td> <td>1-1/4" Master Cylinder Repair Kit Drum Brake</td> </tr> <tr> <td>19</td> <td>0830100</td> <td>Pushrod Block</td> <td></td> <td>1848700</td> <td>2-5/16" Ball Coupler Repair Kit</td> </tr> <tr> <td>20</td> <td>0799700</td> <td>Cotter Pin-1/8x3/4</td> <td></td> <td></td> <td></td> </tr> <tr> <td>21</td> <td>0794800</td> <td>HX HD Capscrew 5/16x1/2 NC, GR 5, Zinc</td> <td></td> <td>2402900</td> <td>Model 20 I&amp;I Manual</td> </tr> <tr> <td>22</td> <td>1248900</td> <td>Star Lockwasher 5/16"</td> <td></td> <td>4823800</td> <td>Master Cylinder Repair Kit Disc Brake</td> </tr> <tr> <td>23</td> <td>1507000</td> <td>Cylinder Cover</td> <td></td> <td></td> <td></td> </tr> <tr> <td>24</td> <td>0827100</td> <td>HX HD Capscrew 3/8x3 NC,</td> <td></td> <td></td> <td></td> </tr> </tbody> </table>	KEY NO.	PART NO.	DESCRIPTION	KEY NO.	PART NO.	DESCRIPTION	1	1055300	Outer Case Assembly - Primer	25	1255200	GR 5, Zinc STAR Lockwasher 3/8"	1	1734900	Outer Case Assembly w/Mounting Channel - Primer	26	0797600	Hex Nut 3/8 NC				27	0794900	HX HD Capscrew 5/16x5/8 NC, GR 5, Zinc	1	4488300	Outer Case Assembly w/Mounting Channel - Plated	28	0838800	RH Cylinder Bracket Assembly	2	1556300	Inner Slide Assembly - No Coupler	29	0838900	LH Cylinder Bracket Assembly	2	1735000	Inner Slide Assembly w/2-5/16" Drop Coupler	30	1054100	Breakaway Lever Assembly				31	1055200	Weather Seal	2	4490400	Inner Slide Assembly w/2-5/16" Drop Coupler - Plated	32	1052700	RH Breakaway Lock - Plated				33	1052600	LH Breakaway Lock - Plated	3	0828400	Centering Rail	34	1055500	S-Hook	4	1601900	Front Roller - Plated	35	0776800	Safety Chain	5	0828800	Front Roller Bolt 5/8x5.25-1/2 NC	36	1297600	Inner Slide Assembly w/ 3" Lunette Eye	6	0798500	Hex Nut 1/2 NC	37	1058200	Inner Slide Assembly w/Leveler Channel	7	0793700	Lockwasher 1/2" STD				8	0144901	Zerk 35/64	38	1807800	Clevis Hitch, For 1" Pin	9	0828900	Front Roller Cover	39	0909300	HHCS 5/8x4.5 NC, GR 5, Zinc	9	0828925	Front Roller Cover - Plated				10	0829100	Rear Roller	40	1040500	Locknut 5/8 NC	11	0829400	Roller Bolt 5/8x5 NF, GR 5	41	0793800	Lockwasher 5/16" STD	12	0797100	Slotted Hex Nut 5/8 NC	42	1209900	Connector Drum Brake	13	0332800	Spacer	42	4750200, 4750300	Connector Disc Brake	14	1250300	Filler Cap (Included in 23744)	43	0774500	Gasket	14	2374400	Master Cylinder Assembly, 1-1/4" Bore (drum)	44	1278800	Inner Slide Assembly w/2-5/16" Coupler - Primer	14	4747100	Master Cylinder Assy. (disc)	44	4488400	Inner Slide Assembly w/2-5/16" Coupler - Plated	14		Push Rod Bracket Assembly (Included in 23744)	45	1882000	Adjustable Ball Coupler - 2-5/16"	15	0829700	Spacer	46	1613700	Lunette Eye - 3" Adjustable	16	0799700	Cotter Pin-1/8x1.00	47	0829500	HX HD Screw 5/8x5 NF, GR 5	17	0778400	Damper				18	0829800	Damper Bar		1018700	1-1/4" Master Cylinder Repair Kit Drum Brake	19	0830100	Pushrod Block		1848700	2-5/16" Ball Coupler Repair Kit	20	0799700	Cotter Pin-1/8x3/4				21	0794800	HX HD Capscrew 5/16x1/2 NC, GR 5, Zinc		2402900	Model 20 I&I Manual	22	1248900	Star Lockwasher 5/16"		4823800	Master Cylinder Repair Kit Disc Brake	23	1507000	Cylinder Cover				24	0827100	HX HD Capscrew 3/8x3 NC,				
KEY NO.	PART NO.	DESCRIPTION	KEY NO.	PART NO.	DESCRIPTION																																																																																																																																																																																																																						
1	1055300	Outer Case Assembly - Primer	25	1255200	GR 5, Zinc STAR Lockwasher 3/8"																																																																																																																																																																																																																						
1	1734900	Outer Case Assembly w/Mounting Channel - Primer	26	0797600	Hex Nut 3/8 NC																																																																																																																																																																																																																						
			27	0794900	HX HD Capscrew 5/16x5/8 NC, GR 5, Zinc																																																																																																																																																																																																																						
1	4488300	Outer Case Assembly w/Mounting Channel - Plated	28	0838800	RH Cylinder Bracket Assembly																																																																																																																																																																																																																						
2	1556300	Inner Slide Assembly - No Coupler	29	0838900	LH Cylinder Bracket Assembly																																																																																																																																																																																																																						
2	1735000	Inner Slide Assembly w/2-5/16" Drop Coupler	30	1054100	Breakaway Lever Assembly																																																																																																																																																																																																																						
			31	1055200	Weather Seal																																																																																																																																																																																																																						
2	4490400	Inner Slide Assembly w/2-5/16" Drop Coupler - Plated	32	1052700	RH Breakaway Lock - Plated																																																																																																																																																																																																																						
			33	1052600	LH Breakaway Lock - Plated																																																																																																																																																																																																																						
3	0828400	Centering Rail	34	1055500	S-Hook																																																																																																																																																																																																																						
4	1601900	Front Roller - Plated	35	0776800	Safety Chain																																																																																																																																																																																																																						
5	0828800	Front Roller Bolt 5/8x5.25-1/2 NC	36	1297600	Inner Slide Assembly w/ 3" Lunette Eye																																																																																																																																																																																																																						
6	0798500	Hex Nut 1/2 NC	37	1058200	Inner Slide Assembly w/Leveler Channel																																																																																																																																																																																																																						
7	0793700	Lockwasher 1/2" STD																																																																																																																																																																																																																									
8	0144901	Zerk 35/64	38	1807800	Clevis Hitch, For 1" Pin																																																																																																																																																																																																																						
9	0828900	Front Roller Cover	39	0909300	HHCS 5/8x4.5 NC, GR 5, Zinc																																																																																																																																																																																																																						
9	0828925	Front Roller Cover - Plated																																																																																																																																																																																																																									
10	0829100	Rear Roller	40	1040500	Locknut 5/8 NC																																																																																																																																																																																																																						
11	0829400	Roller Bolt 5/8x5 NF, GR 5	41	0793800	Lockwasher 5/16" STD																																																																																																																																																																																																																						
12	0797100	Slotted Hex Nut 5/8 NC	42	1209900	Connector Drum Brake																																																																																																																																																																																																																						
13	0332800	Spacer	42	4750200, 4750300	Connector Disc Brake																																																																																																																																																																																																																						
14	1250300	Filler Cap (Included in 23744)	43	0774500	Gasket																																																																																																																																																																																																																						
14	2374400	Master Cylinder Assembly, 1-1/4" Bore (drum)	44	1278800	Inner Slide Assembly w/2-5/16" Coupler - Primer																																																																																																																																																																																																																						
14	4747100	Master Cylinder Assy. (disc)	44	4488400	Inner Slide Assembly w/2-5/16" Coupler - Plated																																																																																																																																																																																																																						
14		Push Rod Bracket Assembly (Included in 23744)	45	1882000	Adjustable Ball Coupler - 2-5/16"																																																																																																																																																																																																																						
15	0829700	Spacer	46	1613700	Lunette Eye - 3" Adjustable																																																																																																																																																																																																																						
16	0799700	Cotter Pin-1/8x1.00	47	0829500	HX HD Screw 5/8x5 NF, GR 5																																																																																																																																																																																																																						
17	0778400	Damper																																																																																																																																																																																																																									
18	0829800	Damper Bar		1018700	1-1/4" Master Cylinder Repair Kit Drum Brake																																																																																																																																																																																																																						
19	0830100	Pushrod Block		1848700	2-5/16" Ball Coupler Repair Kit																																																																																																																																																																																																																						
20	0799700	Cotter Pin-1/8x3/4																																																																																																																																																																																																																									
21	0794800	HX HD Capscrew 5/16x1/2 NC, GR 5, Zinc		2402900	Model 20 I&I Manual																																																																																																																																																																																																																						
22	1248900	Star Lockwasher 5/16"		4823800	Master Cylinder Repair Kit Disc Brake																																																																																																																																																																																																																						
23	1507000	Cylinder Cover																																																																																																																																																																																																																									
24	0827100	HX HD Capscrew 3/8x3 NC,																																																																																																																																																																																																																									

REVISION:



# WASH PUMP ASSEMBLY

C50S  
PARTS  
GROUP 80  
FIGURE 08  
PAGE 01



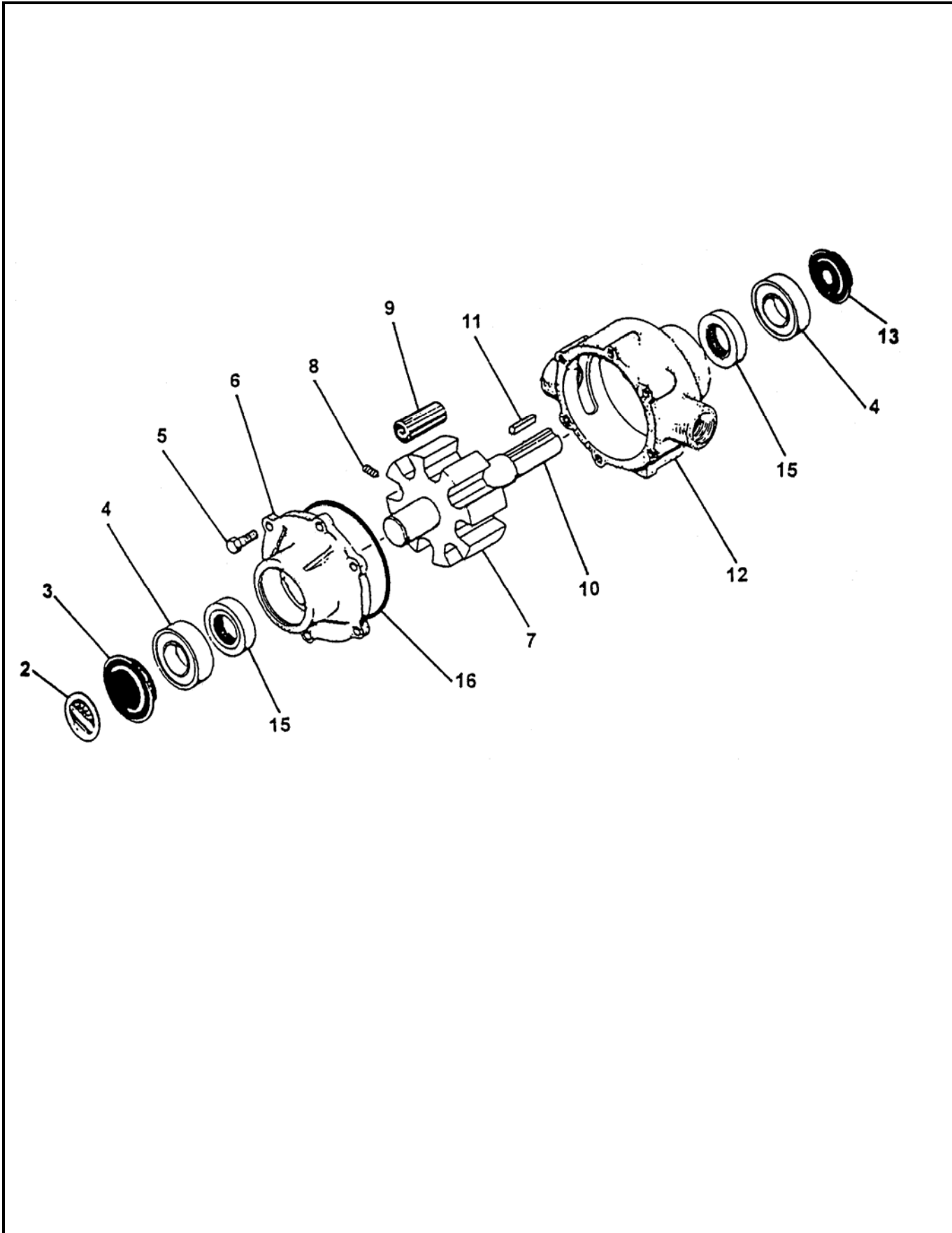
REVISION:

ITEM NO.	REED'S PARTS NO.	DESCRIPTION	QTY
		1 2 3 4 5	
-1	86399	Wash Pump Kit, C-Series (PN 86200 Wash Pump Assy-Only)	Ref
2	86384	• Sleeve, Power Beyond	1
3	86692	• Spacer, Agitator Valve	1
4	85657-021	• Hose-8M2T-10FJX-10FJX45-12.25	1
5	85657-020	• Hose-8M2T-10FJX-10FJX45-64.00	1
6	800098	• Nozzle, Garden Hose	1
7	86267	• Hose, Garden 20 FT	1
8	86200	• Wash Pump Assy-Only	1
9	86196	• Wash Pump Base Weldment	1
10	86199	• Cover, Wash Pump	1
11	78157	• Washpump-Hydro	1
12	78128	• Valve, Relief	1
13	78152	• Motor-Hyd Wash Pump	1
14	86397	• Valve-Manual-1 Spool-3 Way	1
15	85658-002	• Hose-6M2T-6FJX-6FJX-17.00	2
16	85657-022	• Hose-8M2T-10FJX-10FJX90S-11.25	1
17	78153	• Coupling, Wash Motor	1
18	78154	• Coupling, Wash Pump	1
19	78155	• Spider	1
20	10948	• Coupling-Cam/Groove 1.25" Female x MPT	1
21	10947	• Coupling-Cam/Groove 1.25" Male x MPT	1
22	10228	• Tee-3/4"	2
23	40047	• Nipple-Close Pipe-3/4"	4
24	86398	• Bell Reducer-3/4" x 1 1/4"	1
25	800371	• Fitting-Garden Hose	1
26	801902-020	• Tube Clamp-3/8" - Single	1
27	86721	• Wash Pump Installation C-Series (Drawing)	REF
28	85657-012	• Hose-8M2T-10FJX-10FJX-64.00	1
DASH (-) ITEM NOT ILLUSTRATED			



# WASH WATER PUMP ASSEMBLY

C50S  
PARTS  
GROUP 80  
FIGURE 09  
PAGE 01



REVISION:



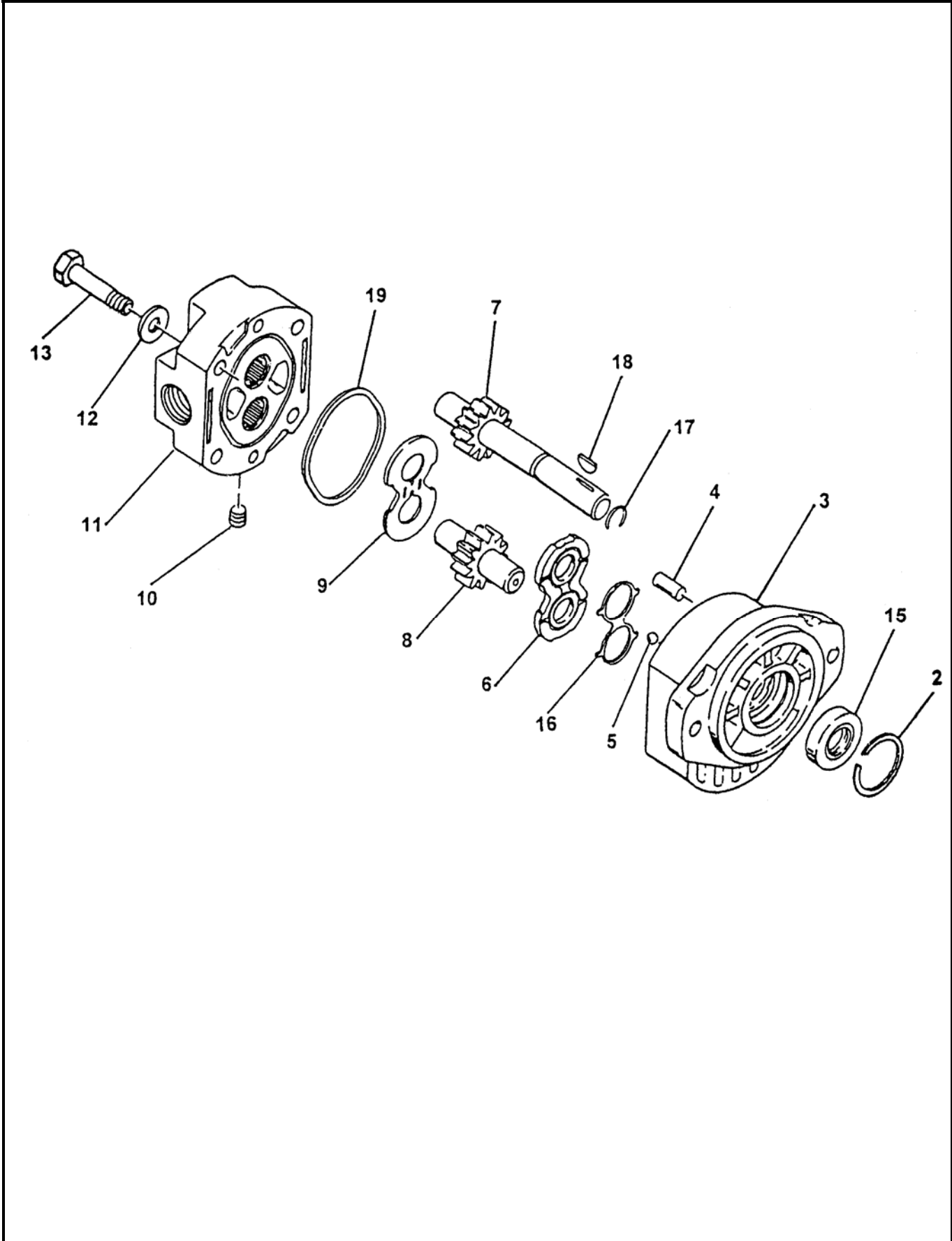
# WASH WATER PUMP ASSEMBLY

C50S  
PARTS  
GROUP 80  
FIGURE 09  
PAGE 02

ITEM NO.	REED'S PARTS NO.	DESCRIPTION	QTY
		1 2 3 4 5	
-1	78157	Assembly, Wash Water Pump (See Group 80, Figure 08 for NHA)	Ref
2		• Plate, Name	1
3		• Cover, Bearing Rear	1
4		• Bearing, Sealed Bowl	2
5		• Endplate, (Ni-Resist) with Seal	1
6		• Bolt, Hex (attaching parts)	6
7		• Rotor, (Ni-Resist) with Shaft	1
8		• Screw, Set (attaching parts)	1
9		• Roller, Teflon	1
10		• Shaft	1
11		• Key	1
12		• Body, (Ni-Resist) with Seal	1
13		• Cover, Bearing Shaft	1
-14	72329	• Kit, Seal	1
15		•• Seal, Buna	2
16		•• Gasket, End Plate O-Ring	1
		DASH (-) ITEM NOT ILLUSTRATED	

REVISION:

## WASH PUMP MOTOR ASSEMBLY



REVISION:





# WASH PUMP MOTOR ASSEMBLY

C50S  
PARTS  
GROUP 80  
FIGURE 10  
PAGE 02

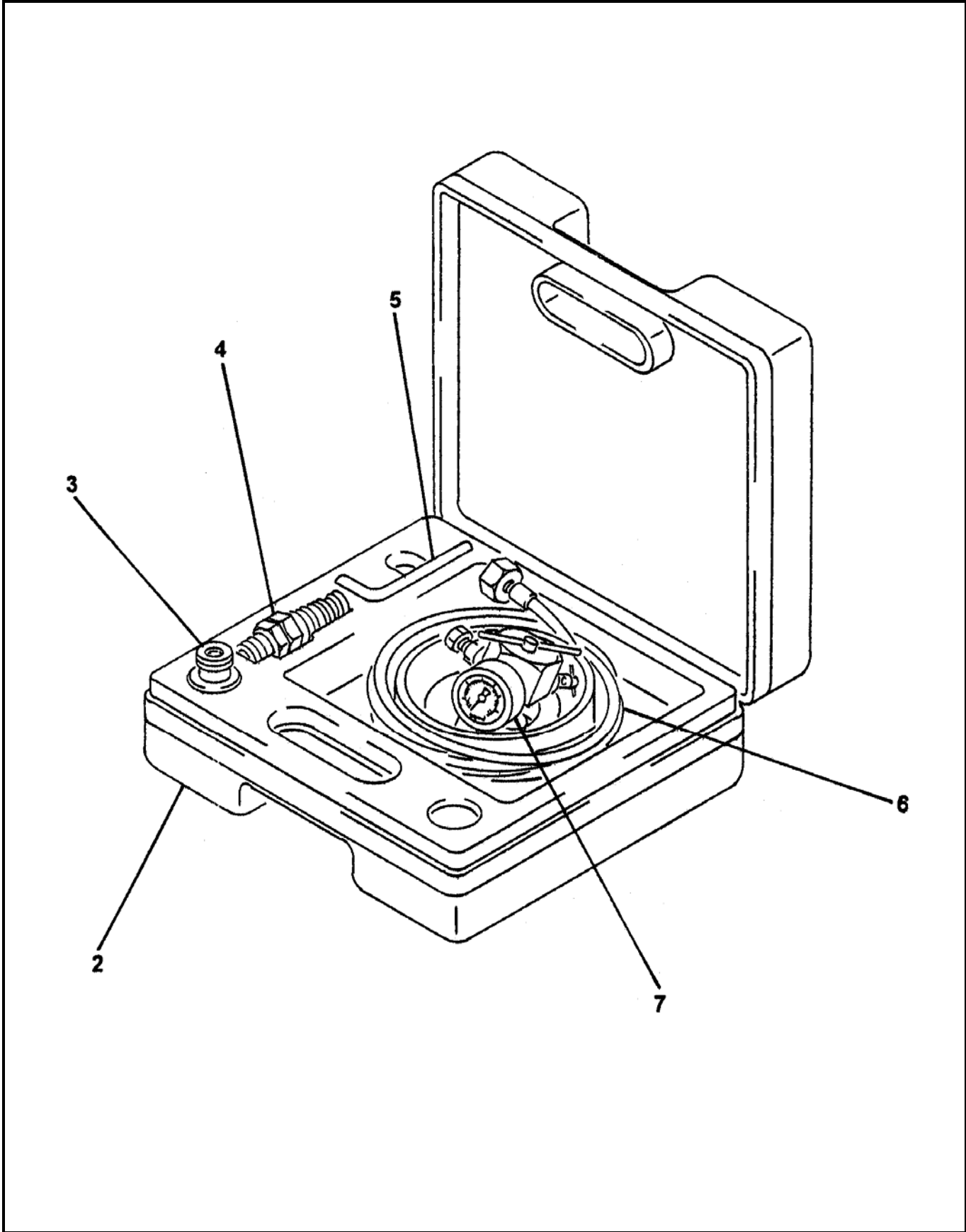
ITEM NO.	REED'S PARTS NO.	DESCRIPTION	QTY
		1 2 3 4 5	
-1	78152	Assembly, Wash Pump Motor (See Group 80, Figure 09 for NHA)	Ref
2		• Retainer	1
3		• Assembly, Body	1
4		• Pin, Dowel	2
5		• Bearing, Ball	2
6		• Plate, Wear	1
7		• Gear, Driven Wear	1
8		• Gear, Driven	1
9		• Plate, Thrust	1
10		• Plug, Pipe	4
11		• Assembly, Cover	1
12		• Washer (attaching parts)	4
13		• Screw, Hex (attaching parts)	4
14		• Kit, Seal	1
15		• • Brush	1
16		• • Cap, Brush	1
17		• • Gasket	1
18		• • Cover, Brush	1
		DASH (-) ITEM NOT ILLUSTRATED	

REVISION:



# ACCUMULATOR CHARGE KIT

C50S  
PARTS  
GROUP 80  
FIGURE 11  
PAGE 01



REVISION:



# ACCUMULATOR CHARGE KIT

C50S  
PARTS  
GROUP 80  
FIGURE 11  
PAGE 02

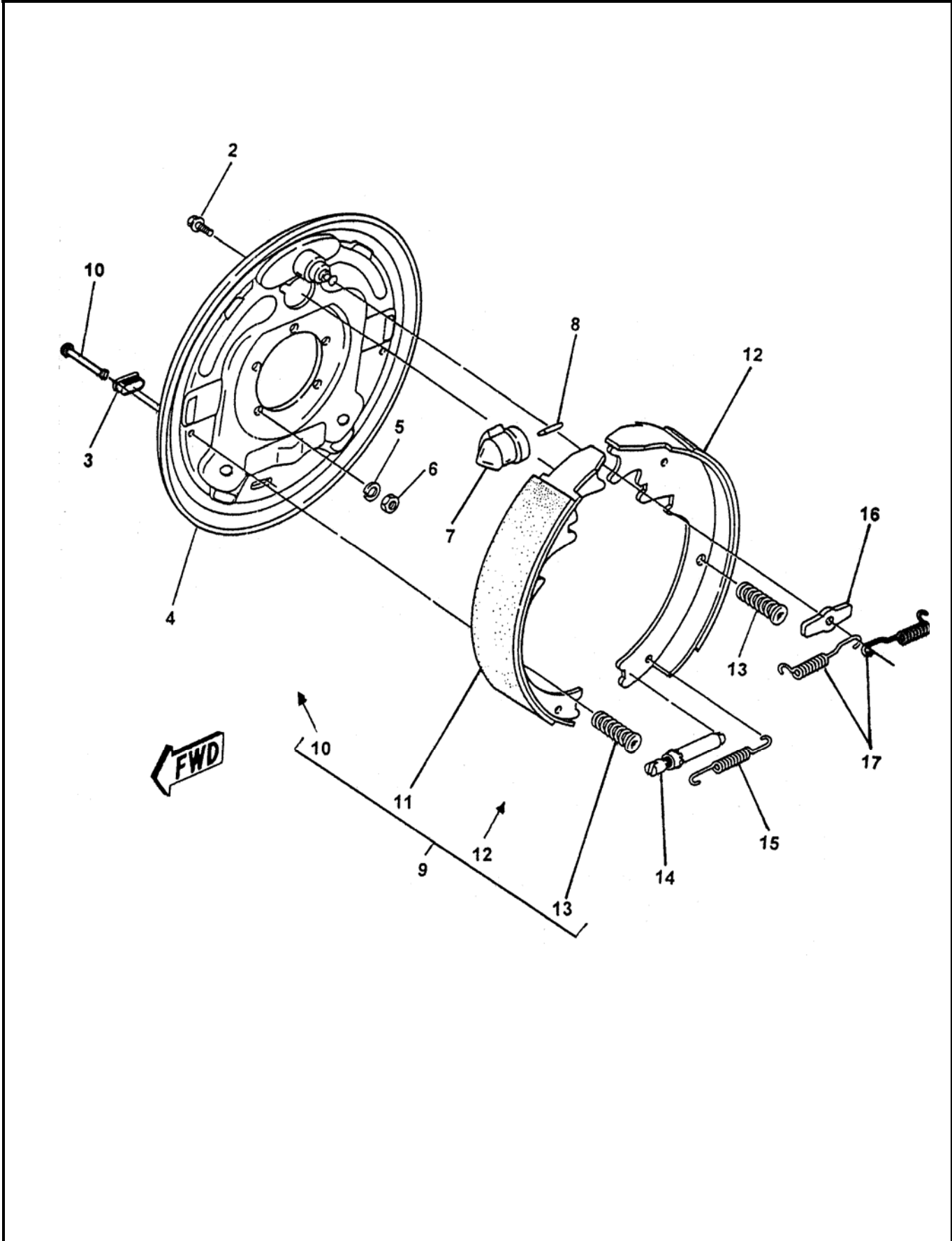
ITEM NO.	REED'S PARTS NO.	DESCRIPTION	QTY
-1	71460	Kit, Accumulator Charge (See Group 80, Figure 01 for NHA)	Ref
2		• Case, Charge Kit	1
3		• Adapter, FPK / SB	1
4		• Adapter, G4	1
5		• Wrench, Allen	1
6		• Hose, Charging	1
7		• Unit, FPK Charging and Gagging	1
		DASH (-) ITEM NOT ILLUSTRATED	

REVISION:



# NON-OPERATOR SIDE HYDRAULIC BRAKE ASSEMBLY

C50S  
PARTS  
GROUP 80  
FIGURE 12  
PAGE 01



REVISION:



# NON-OPERATOR SIDE HYDRAULIC BRAKE ASSEMBLY

**C50S**  
**PARTS**  
GROUP 80  
FIGURE 12  
PAGE 02

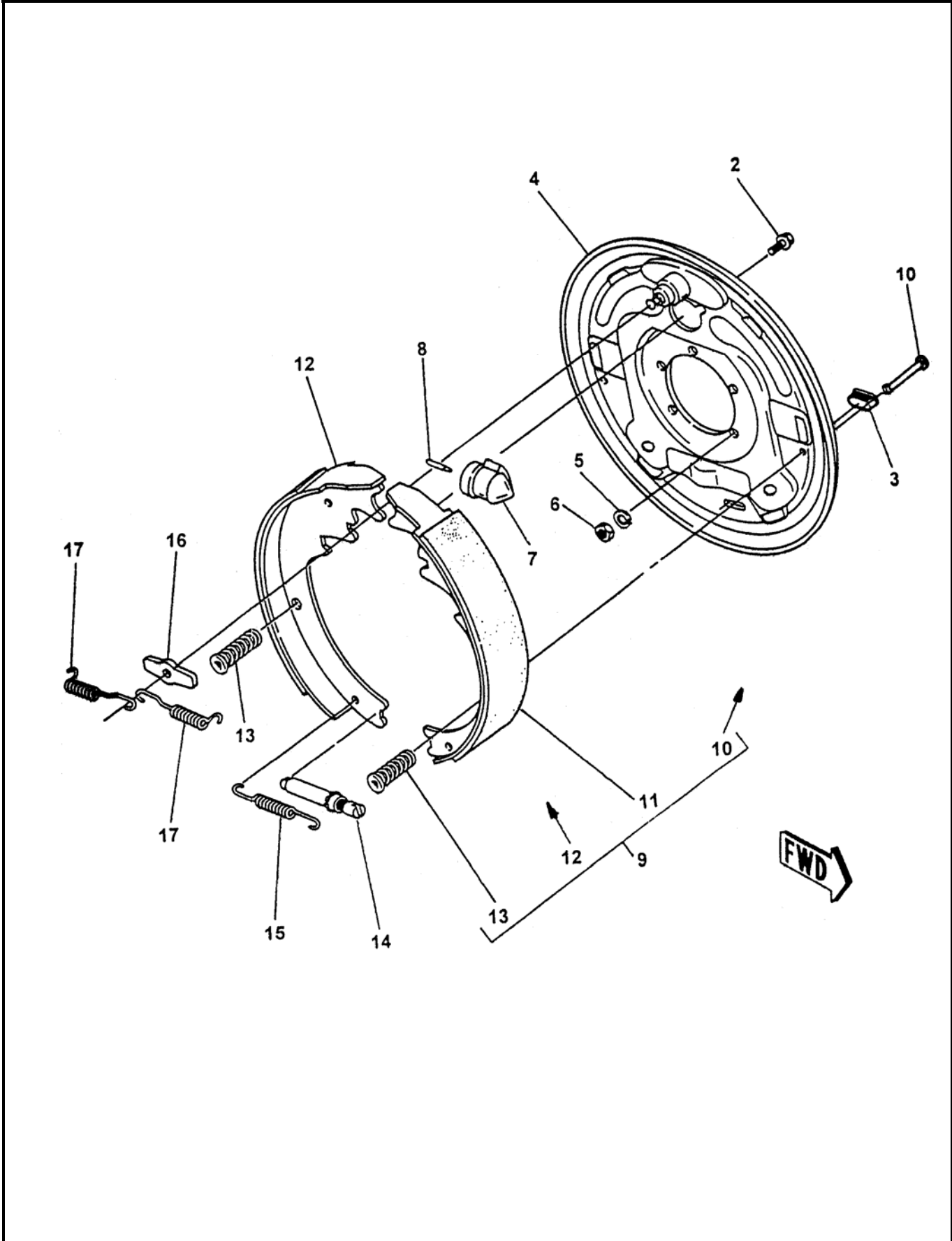
ITEM NO.	REED'S PARTS NO.	DESCRIPTION	QTY
		1 2 3 4 5	
-1	80-12	Assembly, Non-Operator Side Hydraulic Brake (See Group 80, Figure 01 for NHA)	Ref
2		• Screw, with Washer	1
3		• Plug	2
4		• Plate, Backing	1
5		• Washer, Lock (attaching parts)	5
6		• Nut, Brake Mounting (attaching parts)	5
7		• Cylinder, Non-Operator Side Brake	1
8		• Rod, Push	1
9		• Kit, Non-Operator Side Shoe and Lining	1
10		• • Pin, Shoe Hold Down	2
11		• • Primary, Non-Operator Side	1
12		• • Secondary, Non-Operator Side	1
13		• • Pin, Shoe Hold Down	2
14		• Assembly, Adjuster	1
15		• Spring, Adjusting Screw	1
16		• Washer, Anchor Post	1
17		• Spring, Retractor	2
		DASH (-) ITEM NOT ILLUSTRATED	

REVISION:



# OPERATOR SIDE HYDRAULIC BRAKE ASSEMBLY

C50S  
PARTS  
GROUP 80  
FIGURE 13  
PAGE 01



REVISION:



**OPERATOR SIDE  
HYDRAULIC BRAKE ASSEMBLY**

**C50S  
PARTS  
GROUP 80  
FIGURE 13  
PAGE 02**

ITEM NO.	REED'S PARTS NO.	DESCRIPTION	QTY
		1 2 3 4 5	
-1	80-13	Assembly, Operator Side Hydraulic Brake (See Group 80, Figure 01 for NHA)	Ref
2		• Screw, with Washer	1
3		• Plug	2
4		• Plate, Backing	1
5		• Washer, Lock (attaching parts)	5
6		• Nut, Brake Mounting (attaching parts)	5
7		• Cylinder, Operator Side Brake	1
8		• Rod, Push	1
9		• Kit, Operator Side Shoe and Lining	1
10		•• Pin, Shoe Hold Down	2
11		•• Primary, Operator Side	1
12		•• Secondary, Operator Side	1
13		•• Pin, Shoe Hold Down	2
14		• Assembly, Adjuster	1
15		• Spring, Adjusting Screw	1
16		• Washer, Anchor Post	1
17		• Spring, Retractor	2
		DASH (-) ITEM NOT ILLUSTRATED	

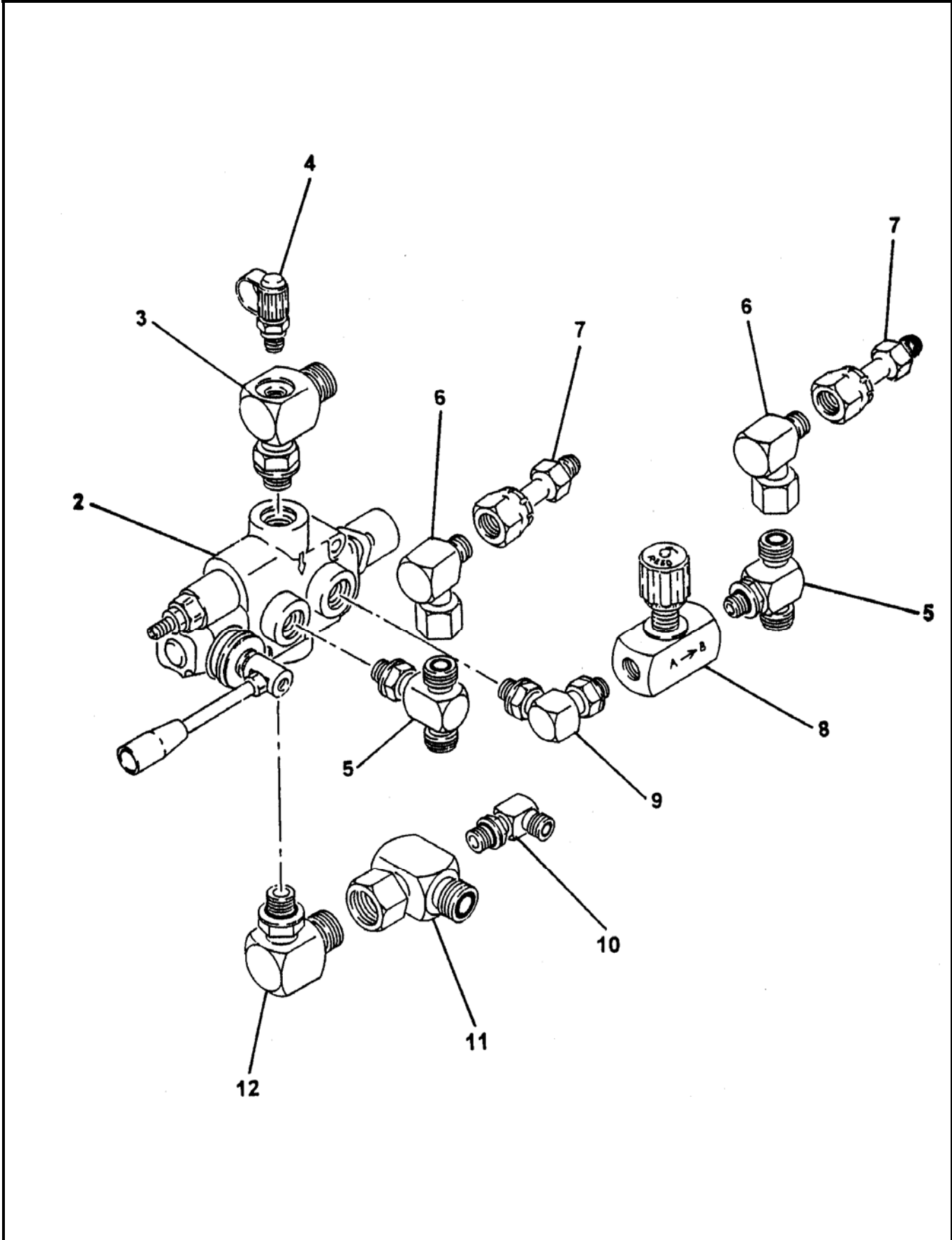
REVISION:





# 1 SPOOL VALVE ASSEMBLY

C50S  
PARTS  
GROUP 80  
FIGURE 14  
PAGE 01



REVISION:



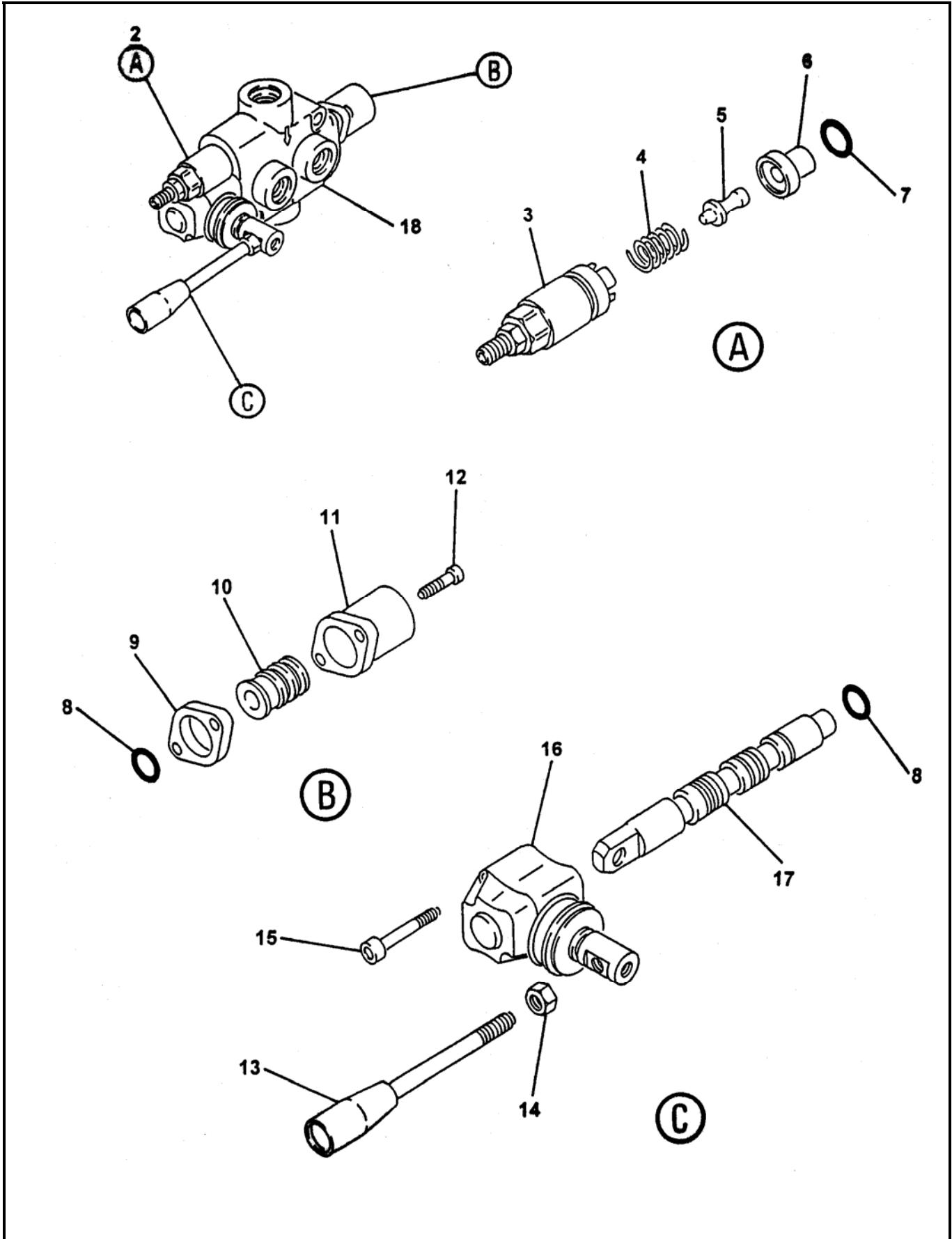
# 1 SPOOL VALVE ASSEMBLY

C50S  
PARTS  
GROUP 80  
FIGURE 14  
PAGE 02

ITEM NO.	REED'S PARTS NO.	DESCRIPTION	QTY
-1	80-15	1 2 3 4 5 Assembly, 1 Spool Valve (See Group 80, Figure 01 for NHA)	Ref
2	74584	• Sub-Assembly, 1 Spool Valve (See Group 80, Figure 15 for DET)	1
3		• Tee, Special Drill	1
4	78593	• Fitting, Mini Check (Port)	1
5		• Tee	2
6		• Fitting, 90	2
7		• Fitting, Connector	2
8		• Controller, Check	1
9		• Fitting, 90	1
10		• Fitting, 90	1
11		• Tee, Special Drill	1
12		• Fitting, 90	1
		DASH (-) ITEM NOT ILLUSTRATED	

REVISION:

## 1 SPOOL VALVE SUB-ASSEMBLY



REVISION:



# 1 SPOOL VALVE SUB-ASSEMBLY

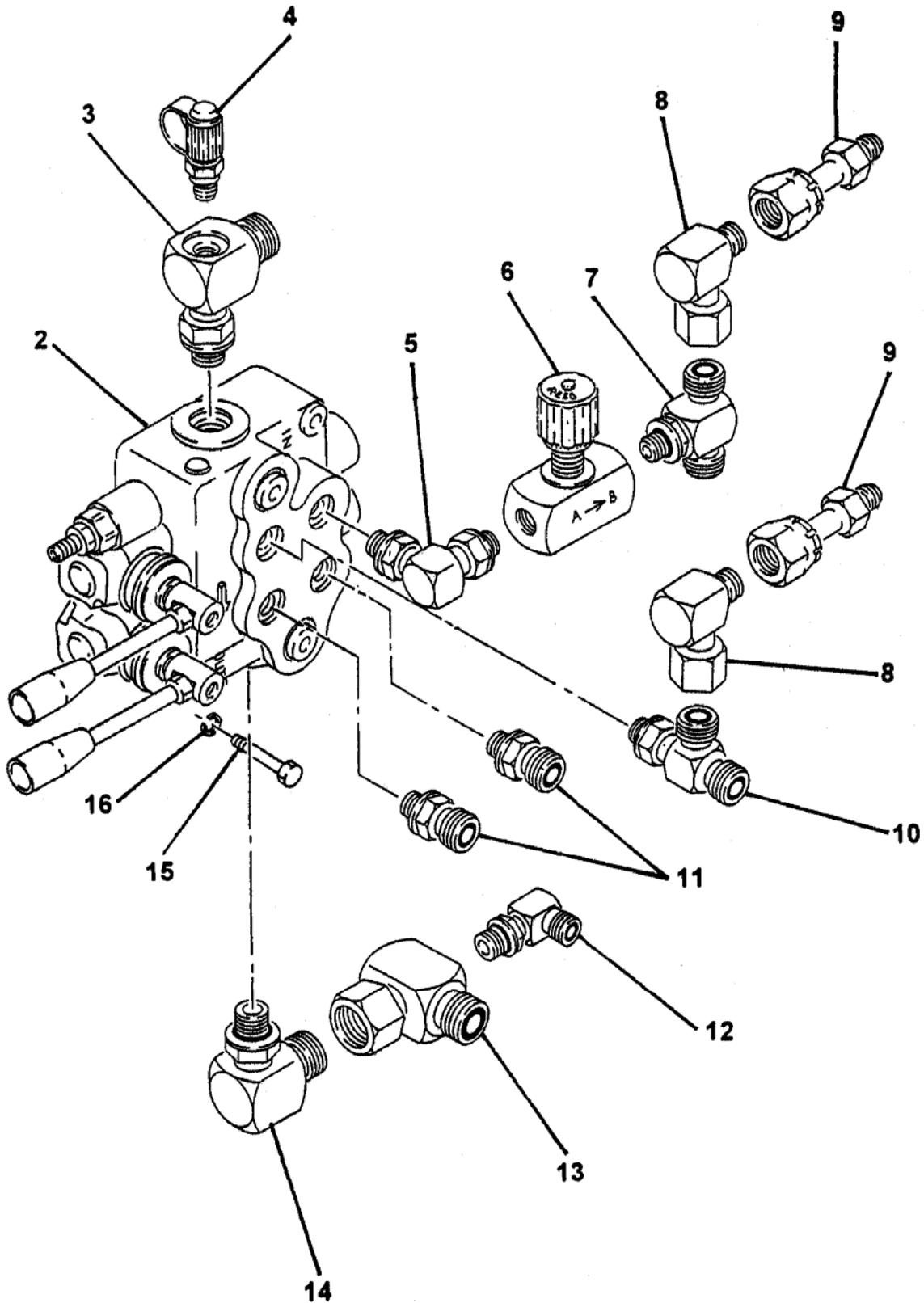
C50S  
PARTS  
GROUP 80  
FIGURE 15  
PAGE 02

ITEM NO.	REED'S PARTS NO.	DESCRIPTION	QTY
		1 2 3 4 5	
-1	74584	Sub-Assembly, 1 Spool Valve (See Group 80, Figure 14 for NHA)	Ref
2		• Body, Valve	1
3		• Kit, Screw	1
4		• Spring	1
5		• Pin, Screw Kit	1
6		• Ring	1
7		• O-Ring	1
8		• O-Ring	2
9		• Spacer	1
10		• Kit, Spool Control	1
11		• Cap, Spool	1
12		• Screw, SOC (attaching Parts)	2
13		• Handle, Remixer Valve	1
14		• Nut (attaching parts)	1
15		• Screw, SOC	2
16		• Lever, L	1
17		• Spool	1
		DASH (-) ITEM NOT ILLUSTRATED	

# REED

## 2 SPOOL VALVE ASSEMBLY

C50S  
PARTS  
GROUP 80  
FIGURE 16  
PAGE 01





## 2 SPOOL VALVE ASSEMBLY

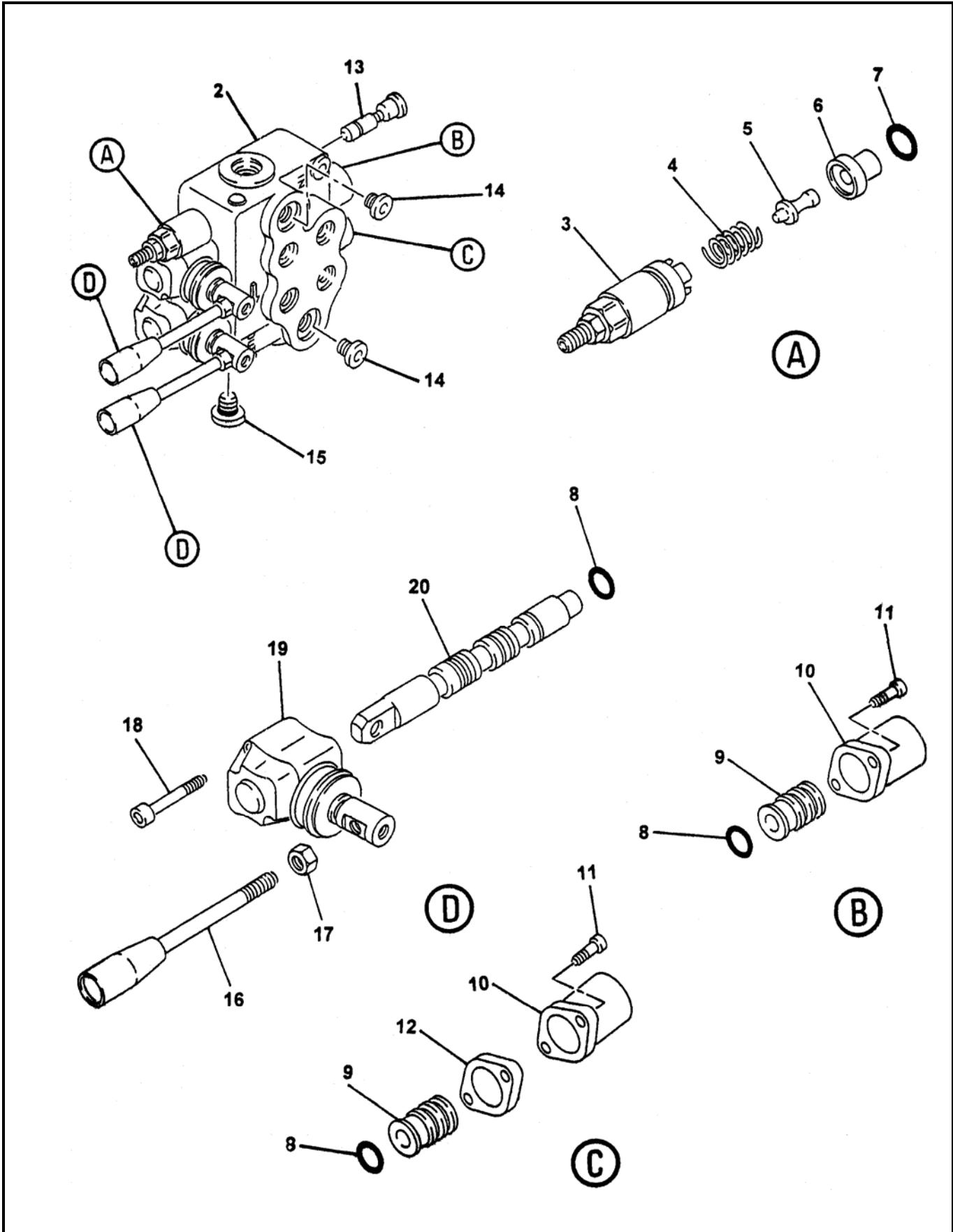
C50S  
PARTS  
GROUP 80  
FIGURE 16  
PAGE 02

ITEM NO.	REED'S PARTS NO.	DESCRIPTION					QTY
		1	2	3	4	5	
-1	80-17	Assembly, 2 Spool Valve (See Group 80, Figure 01 for NHA)					Ref
2	74585	• Sub-Assembly, 2 Spool Valve (See Group 80, Figure 17 for DET)					1
3		• Tee, Special Drill					1
4	78593	• Fitting, Mini Check (Port)					1
5		• Fitting, 90					1
6		• Controller, Check					1
7		• Tee					1
8		• Fitting					2
9		• Fitting, Connector					2
10		• Tee					1
11		• Fitting, 90					2
12		• Fitting, 90					1
13		• Tee, Special Drill					1
14		• Fitting, 90					1
15		• Bolt, Hex					2
16		• Washer, SPL Lock					2
		DASH(-) ITEM NOT ILLUSTRATED					



# 2 SPOOL VALVE SUB-ASSEMBLY

C50S  
PARTS  
GROUP 80  
FIGURE 17  
PAGE 01



REVISION:





## 2 SPOOL VALVE SUB-ASSEMBLY

C50S  
PARTS  
GROUP 80  
FIGURE 17  
PAGE 02

ITEM NO.	REED'S PARTS NO.	DESCRIPTION	QTY
		1 2 3 4 5	
-1	74585	Sub-Assembly, 2 Spool Valve (See Group 80, Figure 17 for NHA)	Ref
2		• Body, Valve	1
3		• Kit, Screw	1
4		• Spring	1
5		• Pin, Screw Kit	1
6		• Ring	1
7		• O-Ring	1
8		• O-Ring	4
9		• Kit, Spool Control	2
10		• Cap, Spool	2
11		• Screw, SOC (attaching Parts)	4
12		• Spacer	1
13		• Kit, VRS	1
14		• Plug	2
15		• Plug	1
16		• Handle, Remixer Valve	2
17		• Nut (attaching parts)	2
18		• Screw, SOC	4
19		• Lever, L	2
20		• Spool	2
		DASH (-) ITEM NOT ILLUSTRATED	