

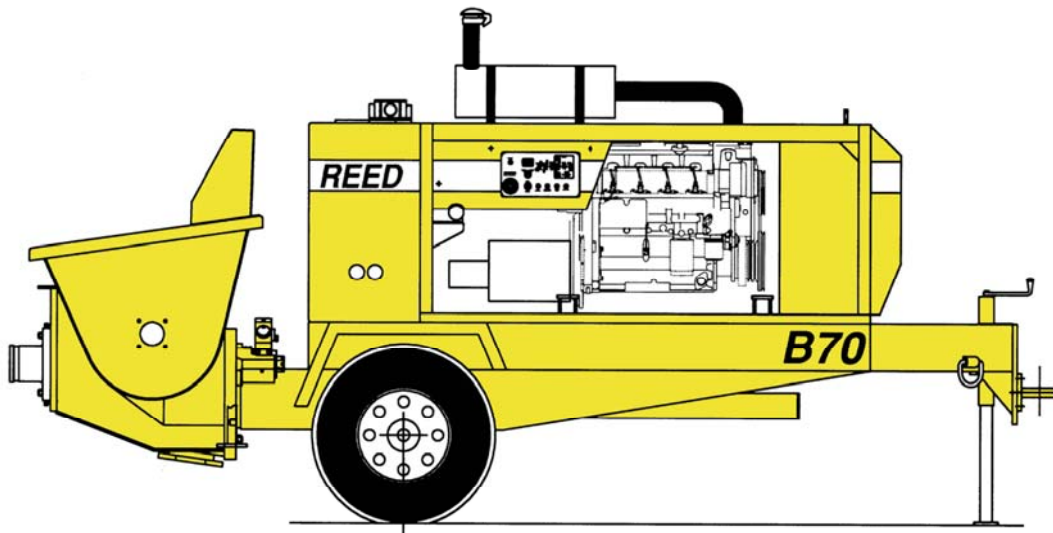


# TRAILER MOUNTED PUMP MODEL *B70* SCHEMATICS SECTION

SCMTC

FIGURE 00  
PAGE 00

**REED** TRAILER MOUNTED CONCRETE PUMP *05* MODEL *B70* ILLUSTRATED PARTS MANUAL SCHEMATICS SECTION CONTAINS THE FOLLOWING FIGURES:



- FIGURE 00 TABLE OF CONTENTS
- FIGURE 01 DRIVE CYLINDER CIRCUIT
- FIGURE 02 SINGLE SHIFT SWING TUBE CIRCUIT
- FIGURE 03 DUAL SHIFT SWING TUBE CIRCUIT
- FIGURE 04 AGITATOR / OUTRIGGERS OPTIONS CIRCUIT
- FIGURE 05 HYDRAULIC HOSE KIT
- FIGURE 06 ELECTRICAL COMPONENTS-CONTROL PANEL
- FIGURE 07 ELECTRICAL COMPONENTS-CABLE REMOTE CONTROL
- FIGURE 08 ENGINE WIRING HARNESS
- FIGURE 09 TRAILER WIRING HARNESS
- FIGURE 10 PN 87346-2 MAIN CONTROL BOX DATA
- FIGURE 11 PN 87425-2 MAIN CONTROL BOX SCHEMATIC
- FIGURE 12 PN 87347-1 PENDANT CONTROL BOX DATA & SCHEMATIC
- FIGURE 13 CONTROL PANEL MOD. FOR STROKE COUNTER OPTION
- FIGURE 14 DOCUMENT-TRANSMITTER RF I.D. TEACH PROCEDURE

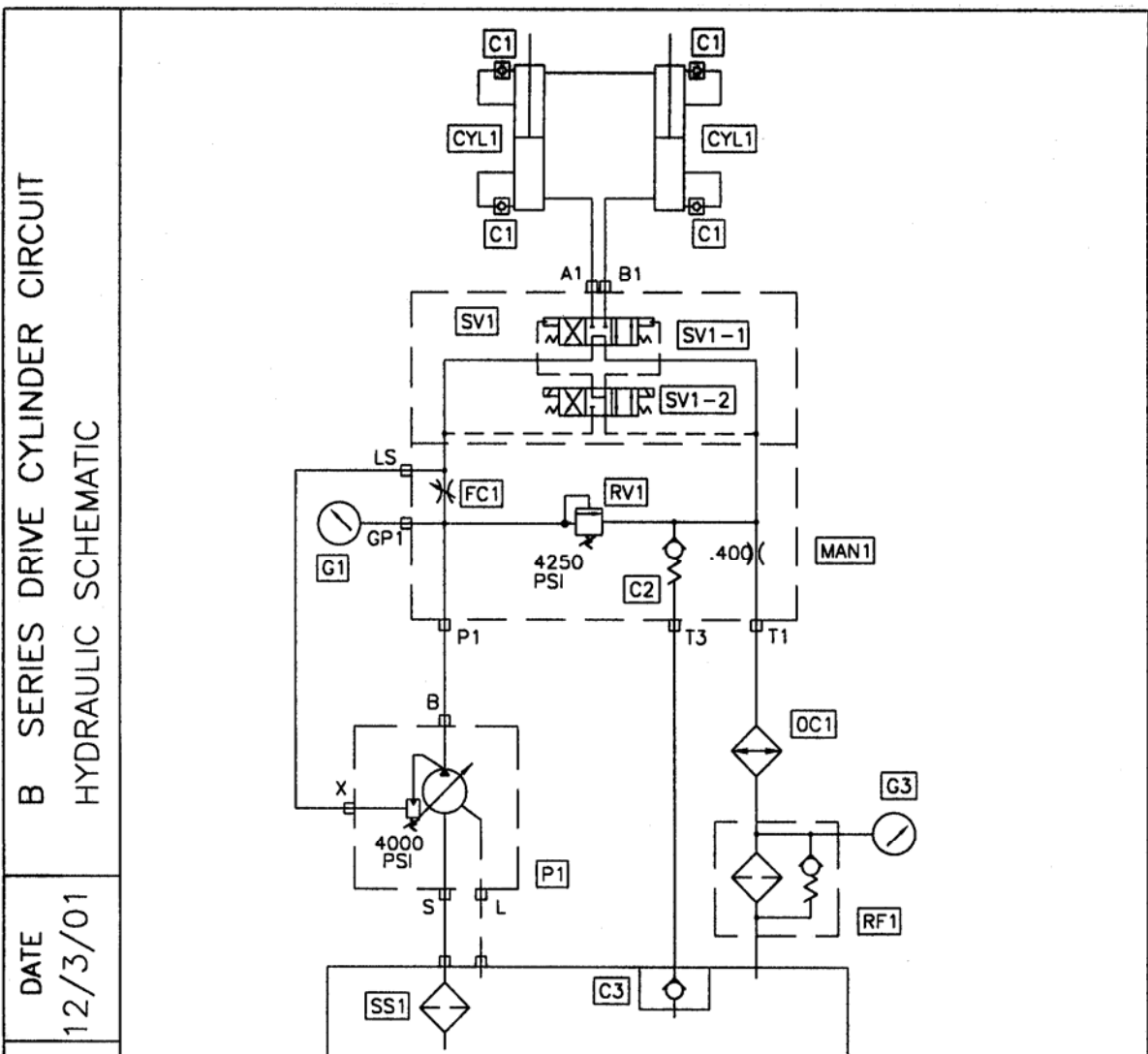
REVISION:



**TRAILER MOUNTED PUMP MODEL B70  
DRIVE CYLINDER CIRCUIT  
HYDRAULIC COMPONENTS & SCHEMATIC**

**SCMTC**

FIGURE 01  
PAGE 01



**B SERIES DRIVE CYLINDER CIRCUIT  
HYDRAULIC SCHEMATIC**

**DATE  
12/3/01**

**REV.**

**PART NO.  
86708**



CODE	DESCRIPTION	PART NO.	QTY.
P1	Main Pump, Parts, Group 40		
CYL1	Hydraulic Drive Cylinder, Parts Group 60		
MAN1	Manifold Drive Cylinder Circuit	85248	1
SV1	Solenoid Valve, Drive Cylinder Circuit	85689	1
SV1-1	Solenoid Valve Main	85690	1
SV2-2	Solenoid Valve Pilot	85691	1
	Coil For SV2-2	85692	2
RV1	Relief Valve Cartridge	85696	1
FC1	Flow Control Valve Cartridge	85697	1
C1	Check Valve	78961	4
C2	Check Valve Cartridge	85698	1
C3	Check Valve	85574	1
G1	Pressure Gauge 6000 psi	74562	1
G3	Pressure Gauge Return	85575	1
OC1	Oil Cooler	85713	1
RF1	Return Filter	85282	1
	Return Filter Element	85283	1
SS1	Magnetic Suction Strainer 2"	801024	1

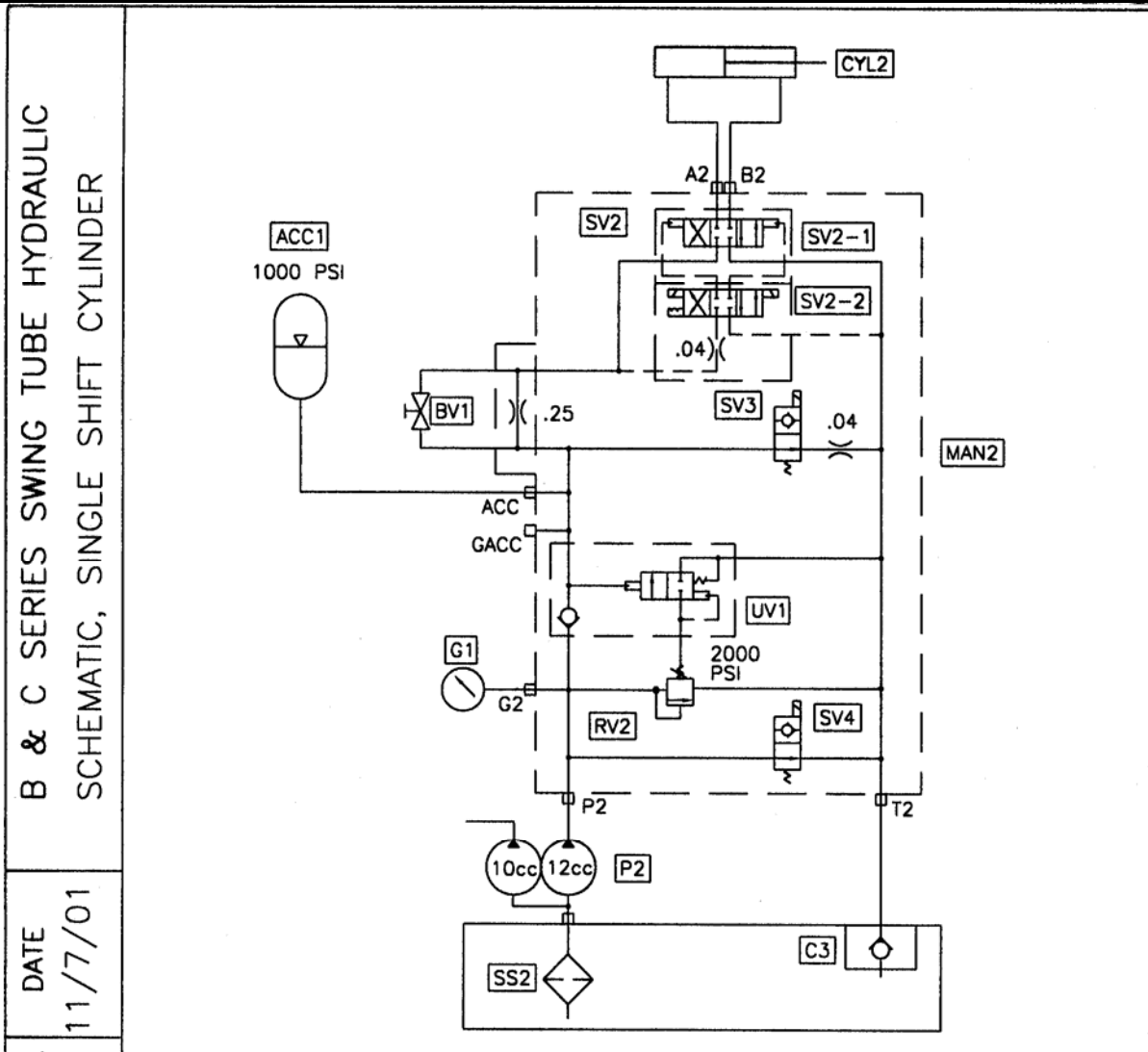
REVISION:



**TRAILER MOUNTED PUMP MODEL B70  
SINGLE SHIFT SWING TUBE CIRCUIT  
HYDRAULIC COMPONENTS & SCHEMATIC**

**SCMTC**

FIGURE 02  
PAGE 02



B & C SERIES SWING TUBE HYDRAULIC  
SCHEMATIC, SINGLE SHIFT CYLINDER

DATE  
11/7/01

REV.  
PART NO.  
86705



CODE	DESCRIPTION	PART NO.	QTY.
P2	Gear Pump, Parts, Group 40	73156	1
CYL2	S Tube Single Shift Cylinder	86221	1
MAN2	Manifold S Tube Circuit	85249	1
SV2	Solenoid Valve S Tube Circuit	85693	1
SV2-1	Solenoid Valve Main	85694	1
SV2-2	Solenoid Valve Pilot	85695	1
	Coil For SV2-2	85692	2
SV3	Solenoid Valve Cartridge	85699	1
	Coil For SV3	85700	1
SV4	Solenoid Valve Cartridge	85701	1
	Coil For SV4	85702	1
RV2	Relife Valve Cartridge	85703	1
UN1	Unlodng Valve Cartridge	85704	1
BV1	Ball Valve	85705	1
AAC1	Accumulator	74515	1
	Accumulator, Bladder	74516	1
G2	Pressure Gauge 3000 PSI	70366	1
SS2	Magnetic Suction Strainer 1 1/4"	79247	1
C3	Check Valve	85574	1

REVISION:

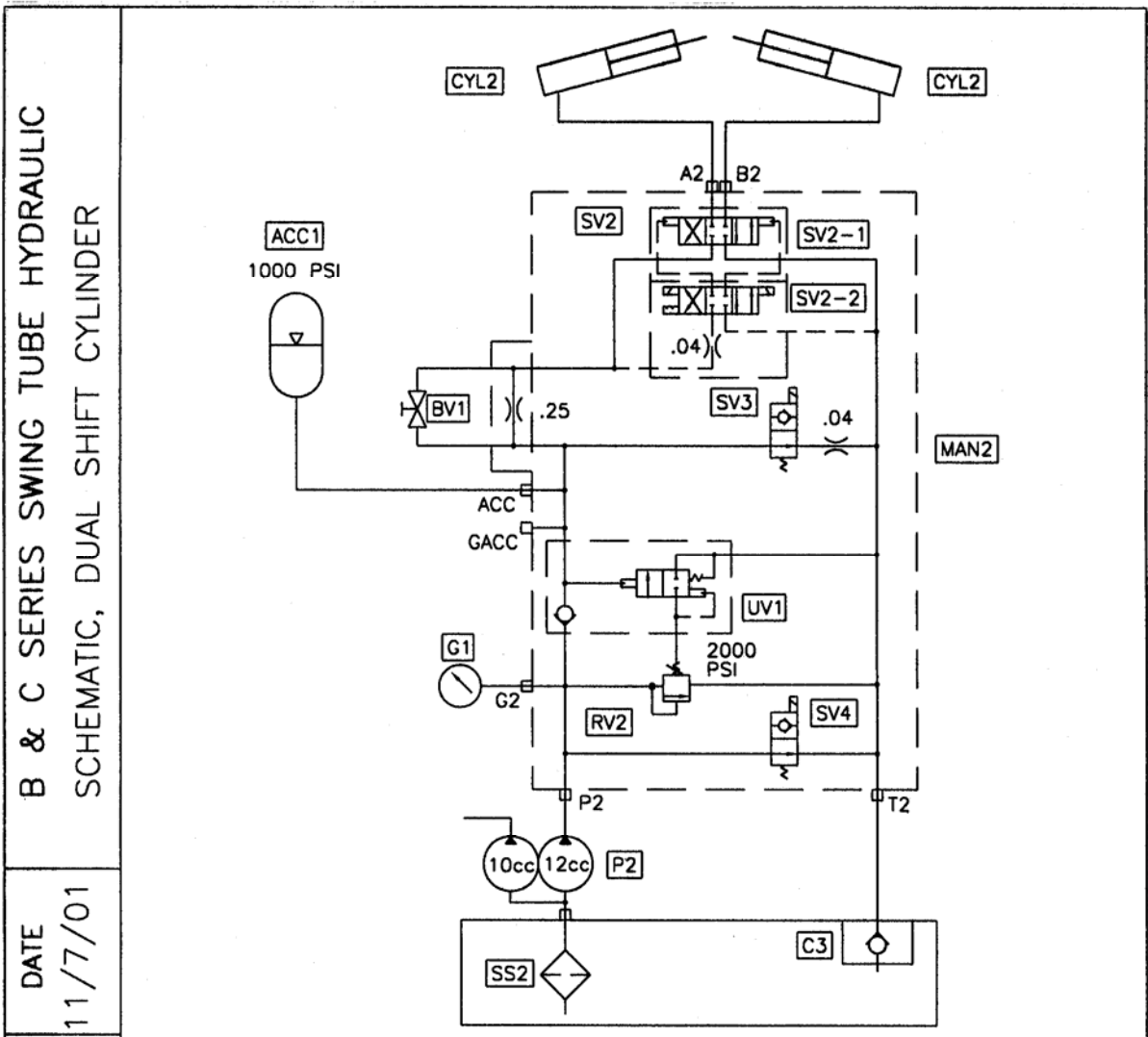




**TRAILER MOUNTED PUMP MODEL B70  
AGITATOR / OUTRIGGER OPTION CIRCUIT  
HYDRAULIC COMPONENTS & SCHEMATIC**

**SCMTC**

FIGURE 04  
PAGE 04



B & C SERIES SWING TUBE HYDRAULIC  
SCHEMATIC, DUAL SHIFT CYLINDER

DATE  
11/7/01

REV.

PART NO.  
86706



CODE	DESCRIPTION	PART NO.	QTY.
P2	Gear Pump, Parts, Group 40		
CYL2	S Tube Single Shift Cylinder	86220	2
MAN2	Manifold S Tube Circuit	85249	1
SV2	Solenoid Valve S Tube Circuit	85693	1
SV2-1	Solenoid Valve Main	85694	1
SV2-2	Solenoid Valve Pilot	85695	1
	Coil For SV2-2	85692	2
SV3	Solenoid Valve Cartridge	85699	1
	Coil For SV3	85700	1
SV4	Solenoid Valve Cartridge	85701	1
	Coil For SV4	85702	1
RV2	Relife Valve Cartridge	85703	1
UN1	Unloading Valve Cartridge	85704	1
BV1	Ball Valve	85705	1
AAC1	Accumulator	74515	1
	Accumulator, Bladder	74516	1
G2	Pressure Gauge 3000 PSI	70366	1
SS2	Magnetic Suction Strainer 1 1/4"	79247	1
C3	Check Valve	85574	1

REVISION:



**TRAILER MOUNTED PUMP MODEL B70  
HYDRAULIC HOSE KIT**

**SCMTC**

**FIGURE 05  
PAGE 05**

**HOSE KIT 86365**

Part No.	End #1	End #2
85666-001	Main Pump "P"	Cylinder Manifold "P1"
85666-001	Cylinder Bulkhead "A"	Cylinder "A"
85666-006	Cylinder Bulkhead "B"	Cylinder "B"
85659-001	Main pump load sense	Cylinder Manifold "LS"
85657-005	Main pump case drain	Tank return
85654-001	Cylinder Manifold "T1"	Oil Cooler "IN"
85654-001	Oil Cooler "OUT"	Return Filter Bulkhead
85659-002	Check Loop	
85659-002	Check Loop	
85659-002	Check Loop	
85659-002	Check Loop	
85659-002	Check Loop	
85663-002	Tank Suction	Tandem Pump "S"
85657-002	Tandem Pump 12cc"P"	S-Tube Manifold "P2"
85667-001	S-Tube Manifold "ACC"	Acumulator
85657-002	Bulkhead "A"	Left shift cylinder bore side
85657-002	Bulkhead "B"	Right shift cylinder bore side
85657-003	Tandem Pump 10cc"P"	Bulkhead Tee "P"
85657-002	Bulkhead Tee "P"	Bypass Valve "1"
85657-016	Bulkhead "T"	Bulkhead "P"
85657-004	Bulkhead "T"	Cylinder Manifold "T1"

**SUCTION HOSES - POWER TRAIN**

Part No.	End #1	End #2
85660-001	Tank Suction	Main Pump "S"
85661-001	Tank Suction	Main Pump "S"
85662-001	Tank Suction	Main Pump "S"

**FUEL HOSES - 86344 FUEL GROUP**

Part No.	End #1	End #2
85669-001	Fuel Tank Suction	Fuel Filter "IN"
85669-005	Fuel Filter "OUT"	Engine
74716	Engine	Fuel Tank Return

**CONTROL VALVE GROUP - 86329**

Part No.	End #1	End #2
85657-016	Bulkhead "P"	Agitator Valve "P"
85658-011	Agitator Valve "A"	Agitator Motor "A"
85658-010	Agitator Valve "B"	Agitator Motor "B"

**HYD OUTRIGGER GROUP - 86334**

Part No.	End #1	End #2
85659-010	O/R Valve "A"	RH Outrigger Bore
85659-010	O/R Valve "B"	RH Outrigger Rod
85659-010	O/R Valve Tube "A"	LH Outrigger Bore
85659-010	O/R Valve Tube "B"	LH Outrigger Rod

**WATER PUMP - 86400**

Part No.	End #1	End #2
85657-021	Agitator Valve "PB"	Bulkhead "P"
85657-023	Bulkhead "P"	Water Valve "P"
85657-023	Water Valve "T"	Tank
85658-002	Water Valve "B"	Motor "A"
85658-002	Water Valve "A"	Motor "B"
85657-022	Water Relief	Water Suction

REVISION:



**TRAILER MOUNTED PUMP MODEL B70  
ELECTRICAL COMPONENTS (1 OF 2)**

**SCMTC**

FIGURE 06  
PAGE 06

Code	Description	Part No.	Qty	Location
<b>SWITCHES</b>				
1S1	Key Switch	71154	1	Control Panel
2S2	Toggle Switch, Horn	85347	1	Control Panel
3S3	Toggle Switch, Local/Remote	78563	1	Control Panel
3S4	Toggle Switch, Pump On/Reverse	72003	1	Control Panel
3S5	Toggle Switch, Test A/B	85346	1	Control Panel
3S6	E-Stop Switch	85342	1	Control Panel
	Contact Block, 1NC for 3S6	85343	1	Control Panel
3S7	E-Stop Switch	85342	1	Remote Control
	Contact Block, 1NC for 3S7	85343	1	Remote Control
3S8	Toggle Switch, Horn	85347	1	Remote Control
3S9	Toggle Switch, Pump On/Reverse	72003	1	Remote Control
<b>RELAYS</b>				
1K1	Relay, Engine Start	85348	1	Engine
<b>LIGHTS</b>				
1L1	Light, Green, Control On	85355	1	Control Panel
1L2	Light, Red, Oil Temperature	73775	1	Control Panel
1L3	Light, Red, Coolant Level	73775	1	Control Panel
1L4	Light, Red, Oil Pressure	73775	1	Control Panel
1L5	Light, Red, Alternator	73775	1	Control Panel
	Bulb for 1L2, 1L3, 1L4, 1L5	72022	4	Control Panel
2L6	Bulb, E-Stop	85344	1	Control Panel
2L7	Light, Green, Local	85355	1	Control Panel
3L8	Light, Yellow, Remote	85356	1	Control Panel
3L9	Light, Green, Pump On	85355	1	Control Panel
3L10	Light, Green, Reverse	85355	1	Control Panel
3L11	Bulb, E-Stop	85344	1	Remote Control
3L12	Light, Green, Pump On	85355	1	Remote Control
<b>GAUGES</b>				
1G1	Hour Meter	74240	1	Control Panel
1G2	Tachometer	78687	1	Control Panel
1G3	Coolant Temperature Gauge	78203	1	Control Panel

REVISION:



# TRAILER MOUNTED PUMP MODEL B70 ELECTRICAL COMPONENTS (2 OF 2)

SCMTC

FIGURE 06  
PAGE 07

Code	Description	Part No.	Qty	Location
<b>FUSES</b>				
1F1	Fuse, 25A	800447	1	Control Panel
1F2	Fuse, 15A	90391	1	Control Panel
1F3	Fuse, 5A	90392	1	Control Panel
2F4	Fuse, 10A	800449	1	Control Panel
2F5	Fuse, 10A	800449	1	Control Panel
2F6	Fuse, 5A	90392	1	Control Panel
2F7	Fuse, 5A	90392	1	Control Panel
2F8	Fuse, 10A	800449	1	Control Panel
	Fuse Block, 8 Way	85354	1	Control Panel
<b>SOLENOID VALVE COILS</b>				
1Y1	Coil, Fuel Solenoid	Deutz	1	Engine
1Y2	Coil, Accumulator Bypass	85700	1	S-Tube Manifold
1Y3	Coil, S-Tube Bypass	85702	1	S-Tube Manifold
1Y4	Coil, Agitator Bypass	73184	1	Hyd. Tank
2Y5	Coil, Cylinder "B"	85692	1	S-Tube Manifold
2Y6	Coil, Cylinder "A"	85692	1	S-Tube Manifold
2Y7	Coil, S-Tube Shift "A"	85692	1	Pump Manifold
2Y8	Coil, S-Tube Shift "B"	85692	1	Pump Manifold
	Plugs for 1Y2 thru 2Y8	74597	7	Manifolds
<b>MISCELLANEOUS</b>				
2BB1	Black Box, Pump Control	85334	1	Control Box
2BB2	Black Box, E-Stop Logic	85596	1	Control Box
2P1	Proximity Switch, Cyl "B"	77998	1	Water Box
2P2	Proximity Switch, Cyl "A"	77998	1	Water Box
2H1	Horn	800347	1	Control Box
3R1	Resistor, 100 Ohm	72777	1	Remote Control
<b>CONNECTORS</b>				
X1	Connector Insert, 24 Pin, Female	78696	1	Control Box
X1	Connector Base	78697	1	Control Box
X1	Connector Insert, 24 Pin, Male	78695	1	Harness
X1	Connector Hood	800424	1	Harness
X2	Terminal Block	72820	8	Control Box
X3	Connector Insert, 10 Pin, Female	79963	1	Control Box
X3	Connector Base	79965	1	Control Box
X3	Connector Insert, 10 Pin, Male	79964	1	Remote Control
X3	Connector Hood	79966	1	Remote Control
X4	Connector, Engine, White	72926	1	Harness
X5	Connector, Engine, Yellow	76902	1	Harness

REVISION:

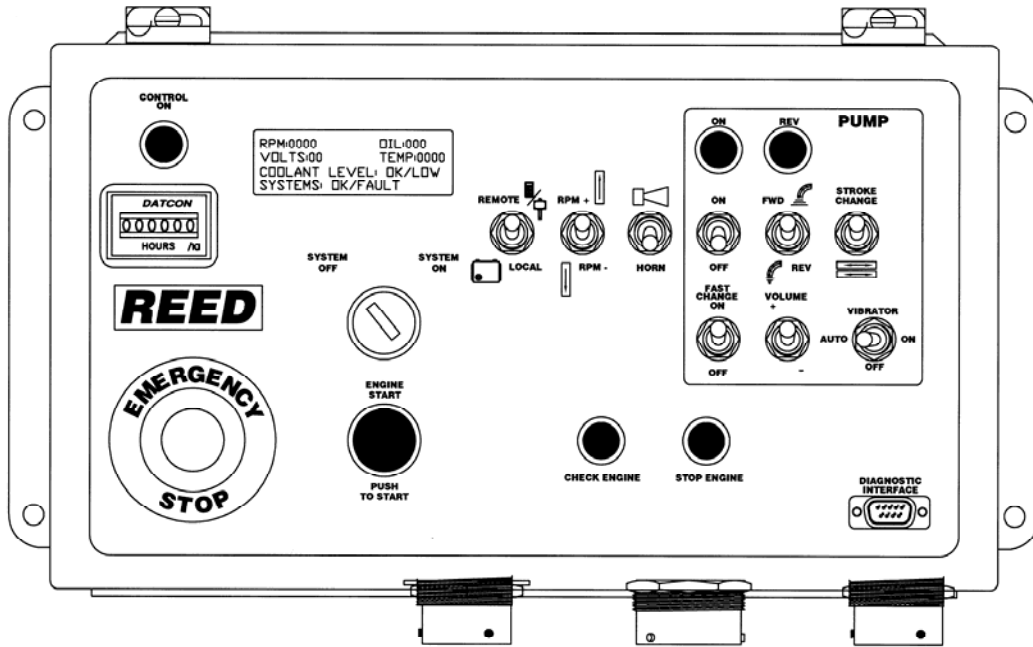




**TRAILER MOUNTED PUMP MODEL B70  
CONTROL PANEL  
ELECTRICAL COMPONENTS**

**SCMTC**

FIGURE 06  
PAGE 09



**CONTROL BOX WITH COVER REMOVED**

**VOLUME CONTROL**

**MAIN HYDRAULIC PUMP**

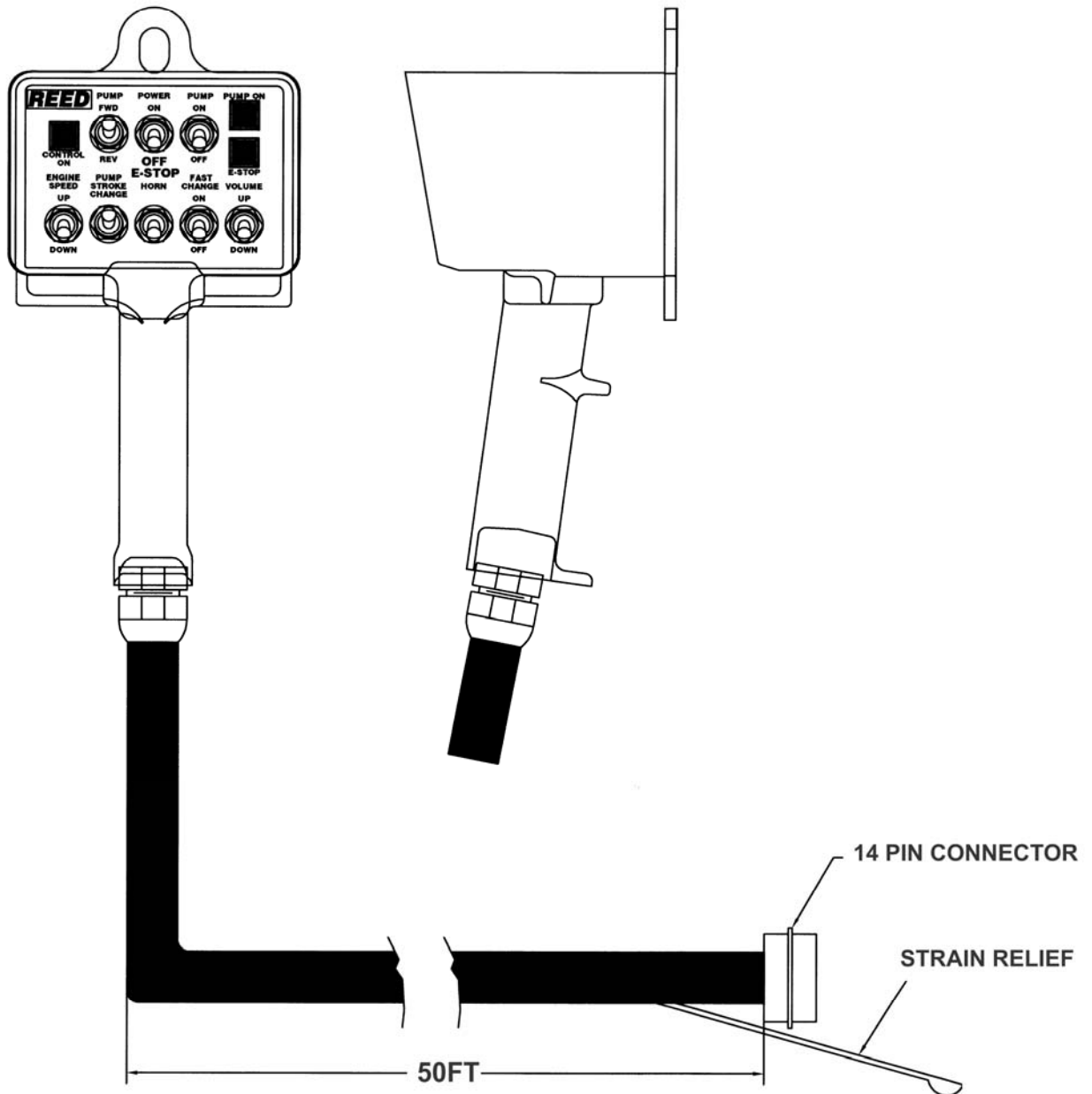


TRAILER MOUNTED PUMP MODEL *B70*  
CABLE REMOTE CONTROL  
ELECTRICAL COMPONENTS

OPER.

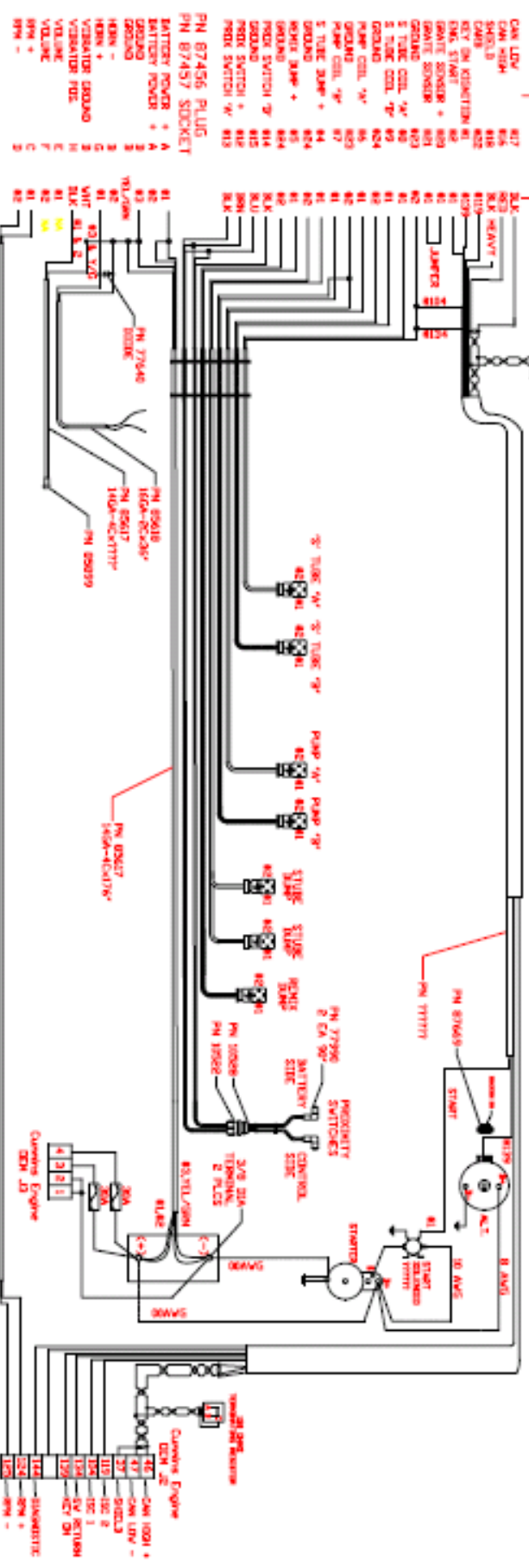
FIGURE 07  
PAGE 10

CONTROL BOX PENDANT - CABLE REMOTE CONTROL UNIT - PN 87347-1

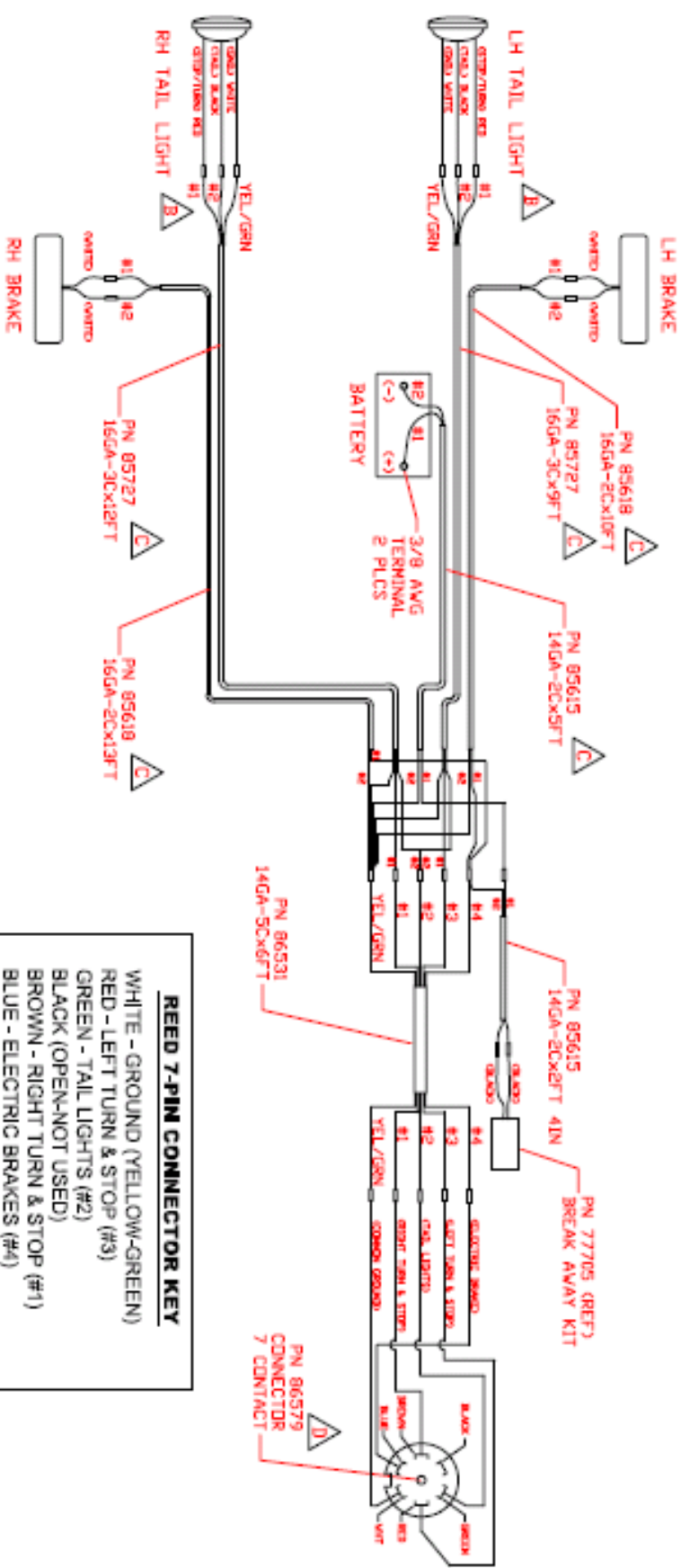


REVISION:

PN 8V1046 HOOD  
 PN 8V1045 INSERT  
 PN 8V10447 PINS  
 24 PIN  
 WIRE  
 PLUG  
 X1  
 NUMBERS



**REED**  
 DRAWING NO: 87734 REV: A DATE: 5/22/07  
 ELECTRICAL SCHEMATIC  
 B-SERIES  
 B-SERIES SCMTC  
 FIGURE 08



NOTES:  
 1. ALL CONNECTIONS SOLDERED AND INSULATED WITH HEAT SHRINK TUBING.

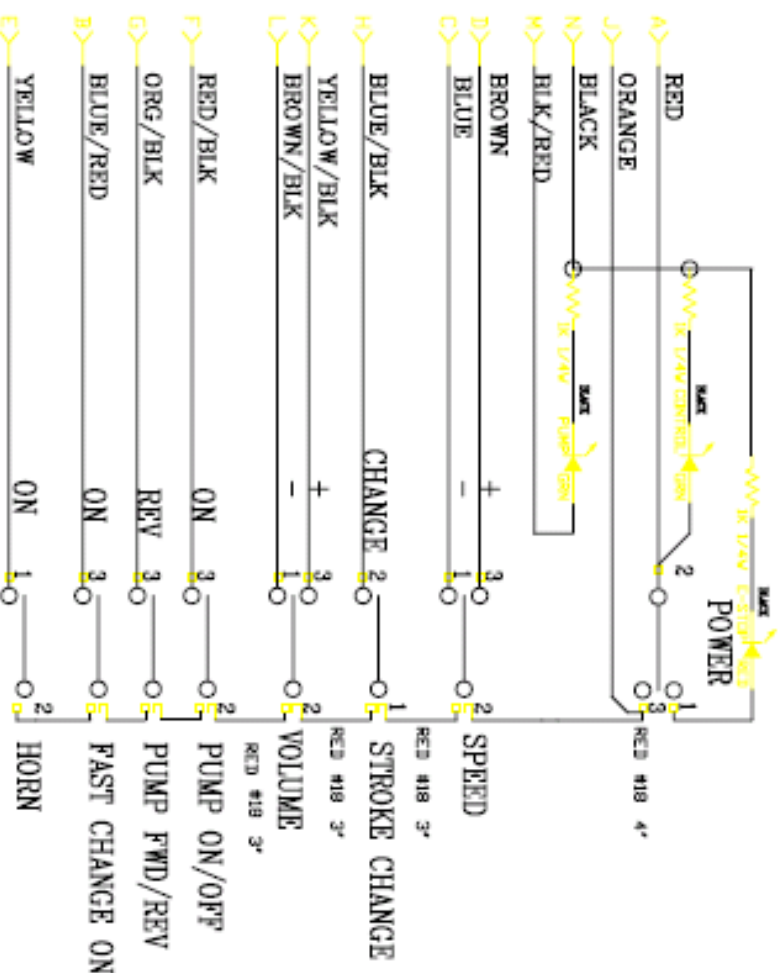
**REED 7-PIN CONNECTOR KEY**

WHITE - GROUND (YELLOW-GREEN)  
 RED - LEFT TURN & STOP (#3)  
 GREEN - TAIL LIGHTS (#2)  
 BLACK (OPEN-NOT USED)  
 BROWN - RIGHT TURN & STOP (#1)  
 BLUE - ELECTRIC BRAKES (#4)  
 CENTER - AUXILIARY (OPEN-NOT USED)

<b>REED</b>	ELECTRICAL SCHEMATIC		B-SERIES SCMT C FIGURE 09
	DRAWING NO. 86533	REV D	

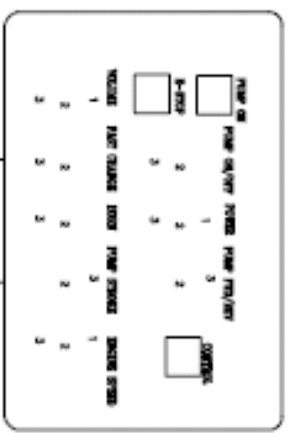




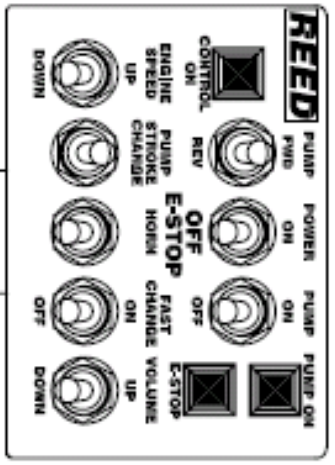


50 FEET 16 COND.  
P/N 020-050-1618  
SO THROUGH  
COMP. FITTING.  
CUT JACKET TO 6" INSIDE THE BOX  
CUT JACKET TO 1.5" ON THE OPPOSITE END  
SHRINK WRAP CONNECTOR TO CABLE

PIGGY BACK PUSHON  
STRAIGHT PUSHON



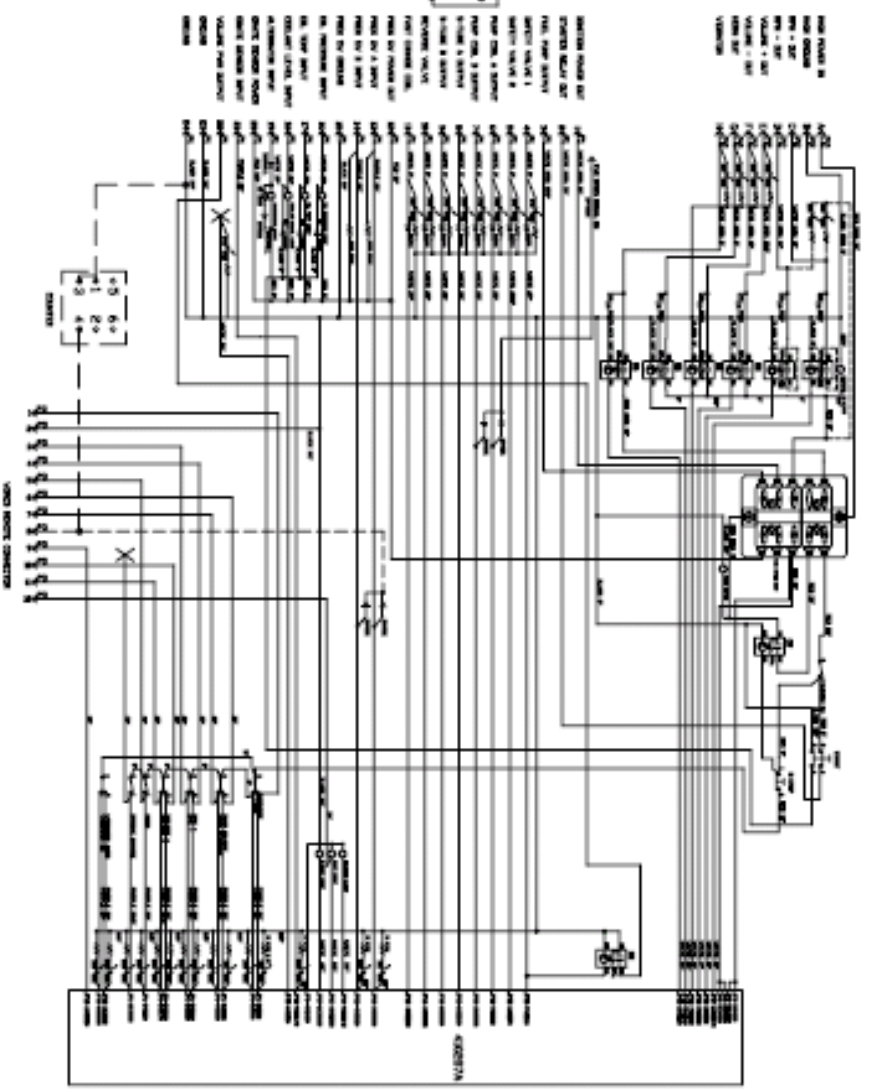
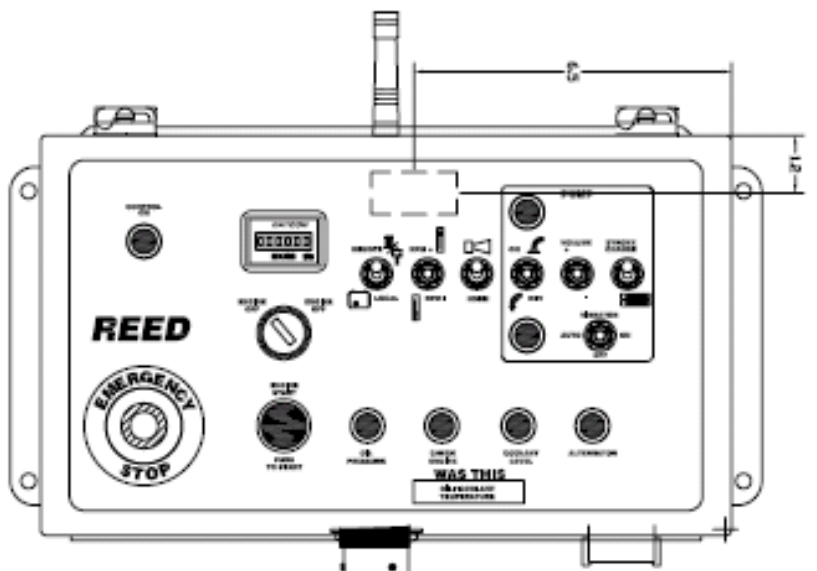
REAR VIEW



FRONT VIEW

VENDOR: KAR-TECH  
VENDOR P/N: 41-030-4-B-8  
WIRED REMOTE PENDANT WIRING DIAGRAM

<b>REED</b>	DRAWING NO.	REV	DATE	PENDANT-CONTROL-BDX ELECTRICAL-SCHEMATIC	B-SERIES
	87347-1	B	6/25/07		
					FIGURE12



<b>REED</b>	ELECTRICAL SCHEMATIC		B-SERIES SCMT C
	DRAWING NO. 87752	REV. -	
B-SERIES			FIGURE 13



# TRANSMITTER-TEACH/RESET PROCEDURES

## START HERE

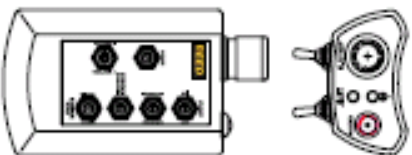
### TRANSMITTER SET UP

#### STEP 1

TURN OFF RADIO FIRST BY PUSHING AND HOLDING THE POWER BUTTON ON THE TOP OF THE TRANSMITTER.

#### SPECIAL NOTE:

IF THE TRANSMITTER IS STILL ON THE GREEN LED WILL LIGHT WHEN ANY SWITCH OTHER THAN THE POWER BUTTON IS PRESSED.



### TRANSMITTER

#### STEP 2

PRESS AND HOLD PUMP ON, RPM1, STROKE CHANGE, AND REVERSE SIMULTANEOUSLY, WHILE HOLDING THESE FOUR SWITCHES, TURN THE RADIO ON BY PRESSING THE POWER BUTTON. THEN RELEASE ALL SWITCHES, RETURN PUMP ON/OFF SWITCH TO OFF AND INVERSE SWITCH TO FORWARD. THE RED AND GREEN LED'S SHOULD FLASH ALTERNATELY. PROCEED TO THE CONTROL BOX SETUP NEXT.

### CONTROL BOX SET UP

#### STEP 3

SET THE CONTROL TO LOCAL.

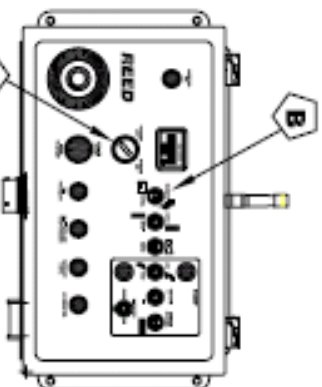
TURN ON IGNITION KEY **A**

#### SPECIAL NOTE:

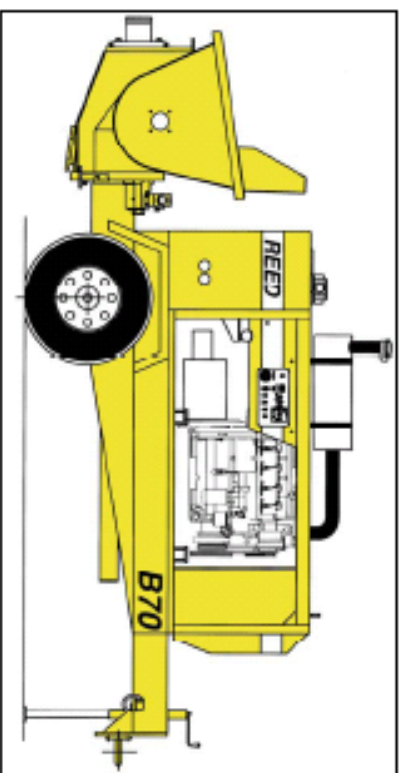
ENGINE DOES NOT NEED TO BE STARTED

#### STEP 4

THE TWO LEDs ON THE TRANSMITTER WILL STOP ALTERNATELY FLASHING. THEY WILL COME ON STEADY TOGETHER FOR A FEW SECONDS AND THEN GO OFF. WHEN THE TRANSMITTER AND RECEIVER ARE CORRECTLY SET UP FOR COMMUNICATION, SET THE CONTROL BOX TO REMOTE AND THE SYSTEM IS READY TO BE USED. IF THE CONTROL BOX DOES NOT SUCCESSFULLY RECEIVE COMMANDS FROM THE TRANSMITTER, REPEAT THE PROCEDURE FROM STEP 1.



### CONTROL BOX



<b>REED</b>	DRAWING NO.	REV.	DATE	TRANSMITTER-RF-1D TEACH-PROCEDURES	B-SERIES
	NPN	-	10/09/07		
					FIGURE14