



# B20HPC-SKE-V24

## PARTS

13822 Oaks Avenue  
Chino, CA 91710  
reedpumps.com  
909-287-2100

PARTS.....	3
PUMPING TRAIN ASSEMBLY .....	3
S-TUBE ASSEMBLY.....	5
4" OUTLET ASSEMBLY .....	5
4" OUTLET SEAL KIT INSTALLATION .....	5
WEAR PLATE ASSEMBLY .....	6
4" PISTION CUP ASSEMBLY .....	8
DRIVE CYLINDER ASSEMBLY .....	9
DUAL SHIFT BELL CRANK ASSEMBLY .....	10
SAFETY GRATE .....	13
GRATE ASSEMBLY .....	13
CLEAN OUT DOOR ASSEMBLY .....	14
POWER TRAIN .....	16
ELECTRIC MOTOR AND PUMP .....	16
ELECTRIC MOTOR COUPLING .....	18
HYDRAULIC PUMP, GEAR BOX DETAIL .....	19
HYDRAULIC TANK ASSEMBLY .....	19
MANIFOLDS.....	21
DRIVE CYLINDER CIRCUIT MANIFOLD ASSEMBLY.....	22
S-TUBE CIRCUIT MANIFOLD ASSEMBLY .....	23
ACCUMULATOR ASSEMBLY.....	26
ELECTRICAL GROUP.....	26
PROXIMITY SWITCHES .....	27
TEMPERTURE SENSOR.....	28
WIRING HARNESS .....	29
CONTROLS.....	31
MAIN CONTROL BOX PANEL .....	31
12VDC-35 AMP POWER SUPPLY .....	32
MOTOR CIRCUIT BREAKER .....	33
SOFT START .....	34
XC10 .....	35
MD3 DISPLAY MODULE .....	36
ESTOP, KEY ASSEMBLY, PLUGS .....	37
CAN PUSH BUTTON SWITCHES PLUGS .....	38
TRANSFORMER 250VA.....	41
TRANSFORMER 750VA.....	43
DEUTSCH 128 PLUG ASSEMBLY CONT.....	44
CONDUIT, FITTING.....	46
HYD TEMPERTURE SENSOR .....	47
OPTION 50FT CABLE REMOTE.....	47



# B20HPC-SKE-V24

## PARTS

13822 Oaks Avenue  
Chino, CA 91710  
reedpumps.com  
909-287-2100

FRAME ..... 48

    HOOD AND COVERS ..... 49

OPTIONS ..... 50

    HYDRAULIC AGITATOR ..... 50

    HYDRAULIC AGITATOR CONT..... 53

    PERIFLO CHEMICAL PUMP ..... 54

REV	DATE	DESCRIPTION	NAME
B20HPC-SKE-V24	2022	INITIAL	J.SLACK
1.1	5/9/2023	ADDED REPLACEMENT FAN P/N	J.SLACK



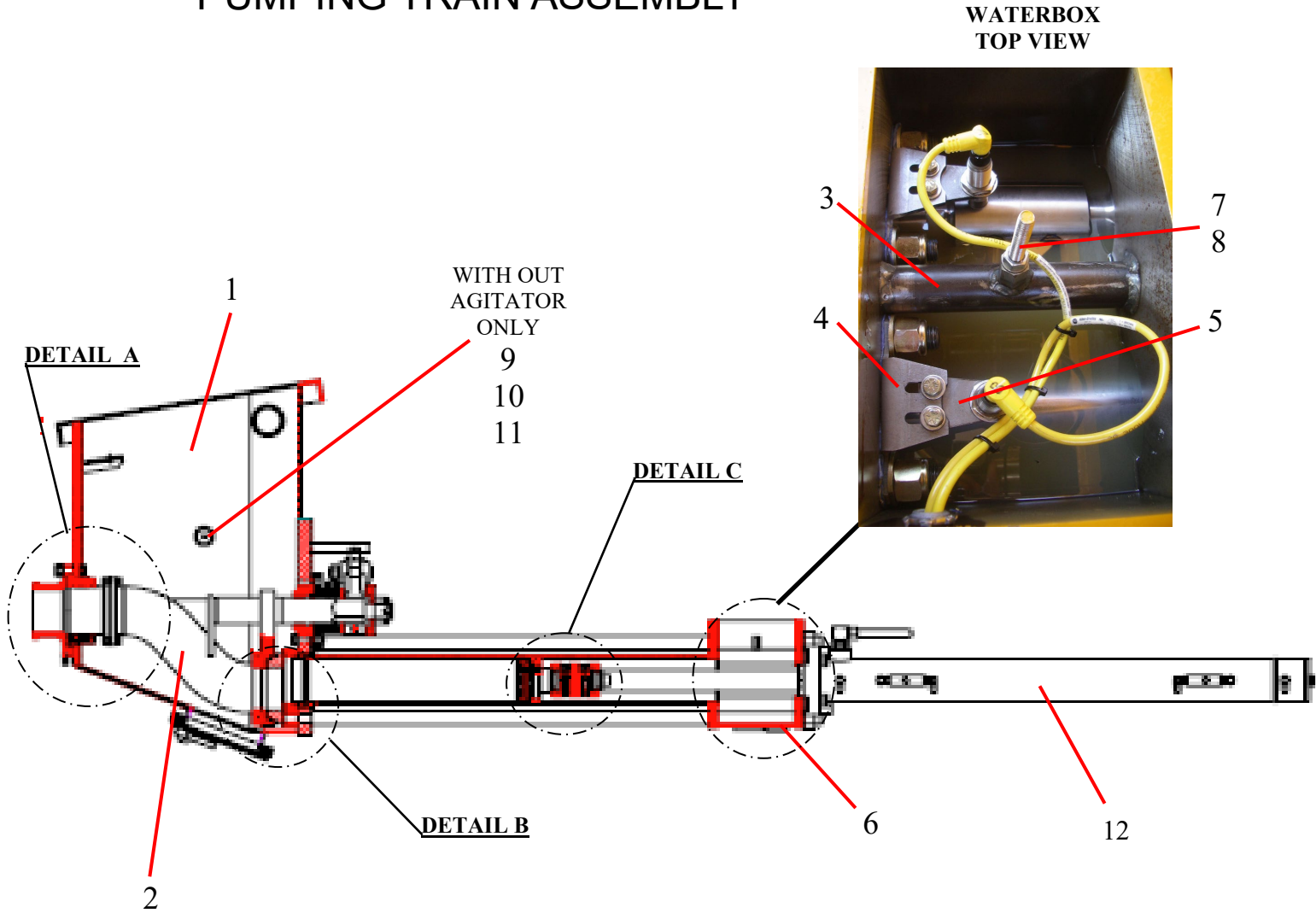
# B20HPC-SKE-V24

## PARTS

13822 Oaks Avenue  
 Chino, CA 91710  
 reedpumps.com  
 909-287-2100

### PARTS

### PUMPING TRAIN ASSEMBLY



ID #	PART #	PART DESCRIPTION	QUANTITY	
	87894-8	DUAL SHIFT PUMPING TRAIN ASSEMBLY	1	EA
1	87893	HOPPER WELD MOD-B20 STD DUAL	1	EA
2	71349	S TUBE WLD, 4X4	1	EA
3	88172	FLUSH BOX WELDMENT, B20/B20HP	1	EA
4	88180	BKT-PROX SENSOR, FLUSH BOX	2	EA
5	88179	BRACKET PROXIMITY SWITCH MOUNT	2	EA
6	10282	PLUGS-PIPE GALV 1"	1	EA
7	86665	STUD, 3/8-16 X3" LONG	1	EA
8		3/8-16 JAM NUT	1	EA
9	73433	COVER REMIX (OUTSIDE)	1	EA
10	73434	COVER PLATE (INSIDE)	1	EA
11	86623	SEAL, AGITATOR (INSIDE)	1	EA
12	86224HT	DRIVE CYLINDER -3.25 X 2.00 X 35.75	2	EA

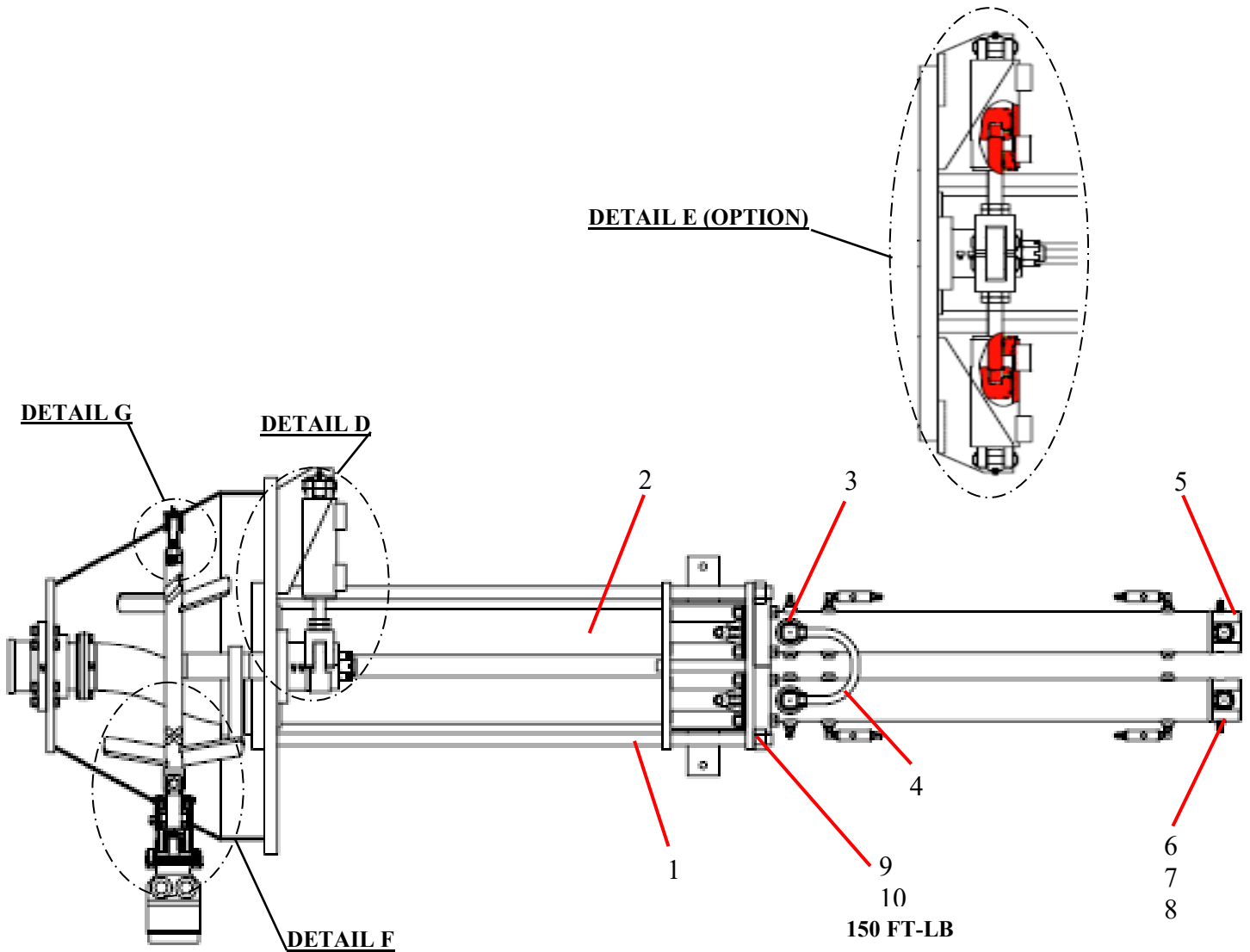


# B20HPC-SKE-V24

## PARTS

13822 Oaks Avenue  
 Chino, CA 91710  
 reedpumps.com  
 909-287-2100

### PUMPING TRAIN ASSEMBLY CONTINUED

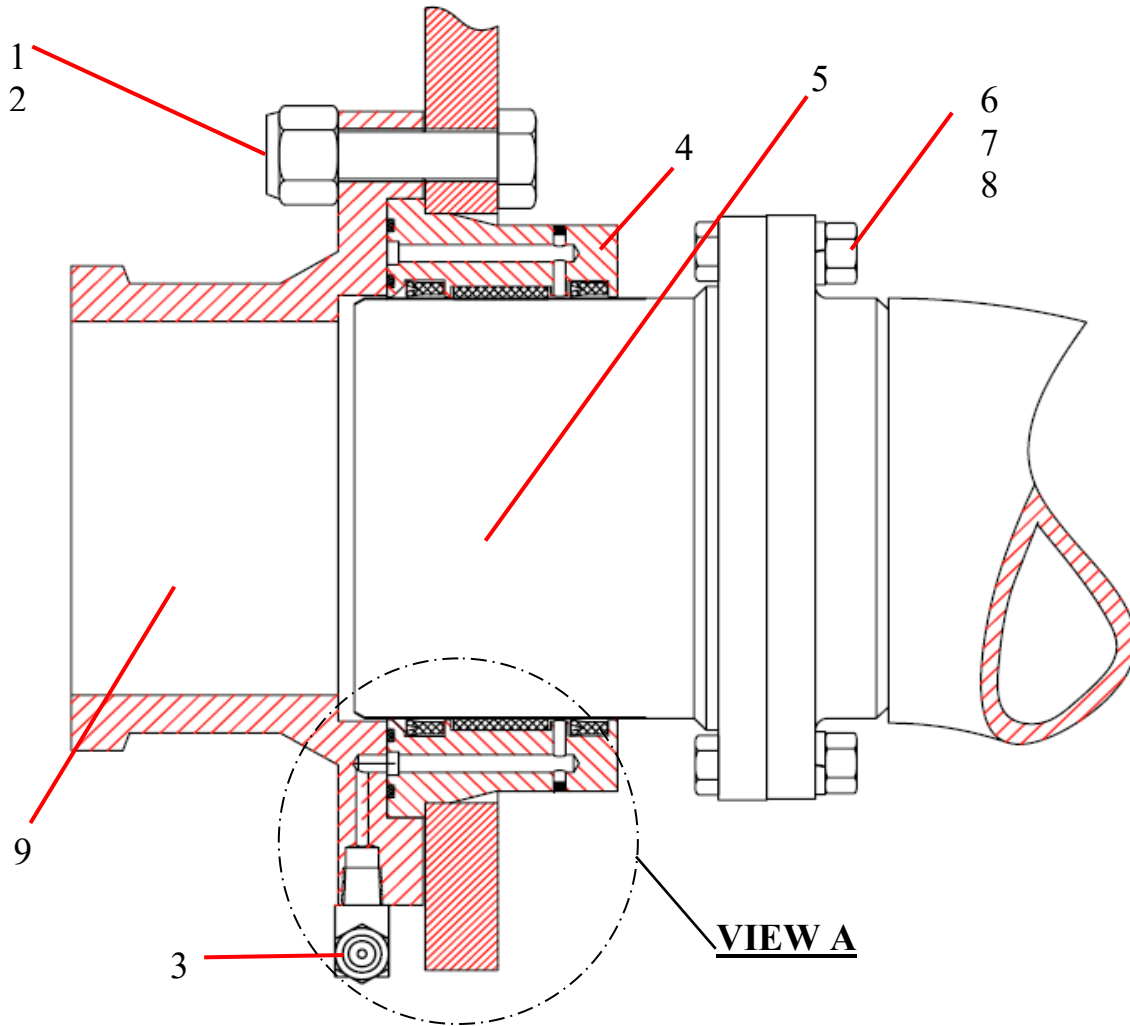


ID #	PART #	PART DESCRIPTION	QUANTITY	
1	70315	TIE ROD, 1¼" -12 X 48½"	4	EA
2	71232	CONCRETE CYLINDER, 4" X 36"	2	EA
3		ELBOW, MB – MJ-16-16	2	EA
4	85688	TUBE, HYD, LOOP LINE	1	EA
5	71401	END PLATE – HYD.CYL, PAINTED	1	EA
6		HHCS, ½" – 13X1 ¼" GR	4	EA
7		LOCK WASHER, 1/2	4	EA
8		FLATWASHER, 1/2	4	EA
9		HEX NUT 1 ¼" - 12	4	EA
10		LOCK WASHER, 1 ¼"	4	EA

### S-TUBE ASSEMBLY

### 4" OUTLET ASSEMBLY

### DETAIL A



ID #	PART #	PART DESCRIPTION	QUANTITY	
	86321	OUTLET ASSEMBLY	1	EA
1		HHCS, 9/16-12 X 2 1/2 GR/8	6	EA
2		LOCK NUT, 9/16 -12	6	EA
3		GREASE FITTING, 1/8" NPT 90°	2	EA
4	86335	OUTLET SEAL HOUSING- 4"	1	EA
5	71343	CHROMED OUTLET	1	EA
6		HHCS, 3/8 – 16X1 1/2" GR 8	6	EA
7		HEX NUT, 3/8" - 16	6	EA
8		LOCK WASHER, 3/8"	6	EA
9	86336	OUTLET, 4" (1-PIECE)	1	EA

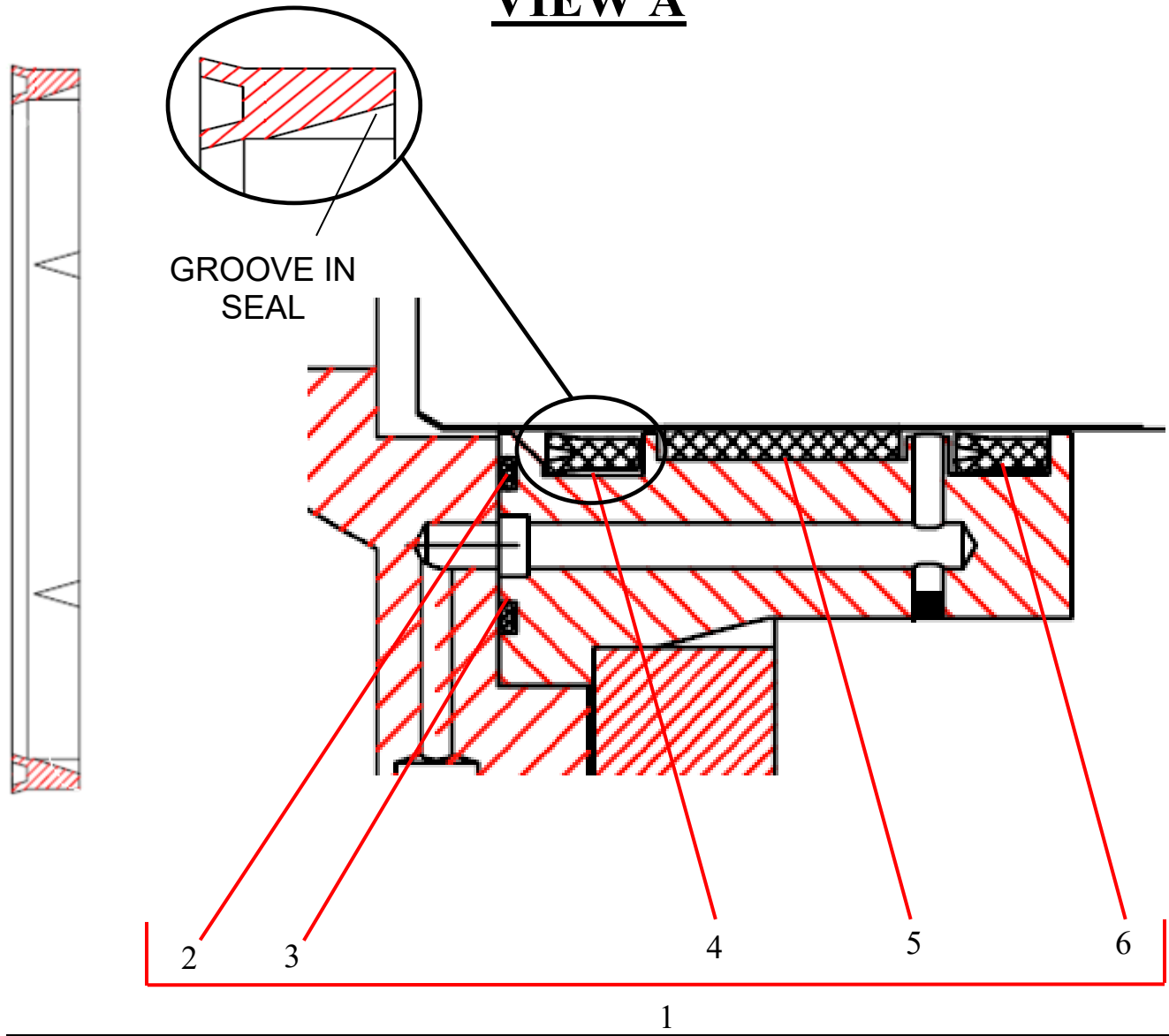


# B20HPC-SKE-V24 PARTS

13822 Oaks Avenue  
Chino, CA 91710  
reedpumps.com  
909-287-2100

## 4" OUTLET SEAL KIT INSTALLATION

### VIEW A



ID #	PART #	PART DESCRIPTION	QUANTITY		
1	86621	SEAL KIT	1		EA
2	86369	O-RING-#158 BUNA 90	1		EA
3	86370	O-RING-#163 BUNA 90	1		EA
4	86614	SEAL-MODIFIED- 4 IN OUTLET	1		EA
5	86371	GUIDE BAND - 4.75 OD X 1.00W	1		EA
6	86372	LIP SEAL -4.50 ID X 4.88 OD X.38	1		EA

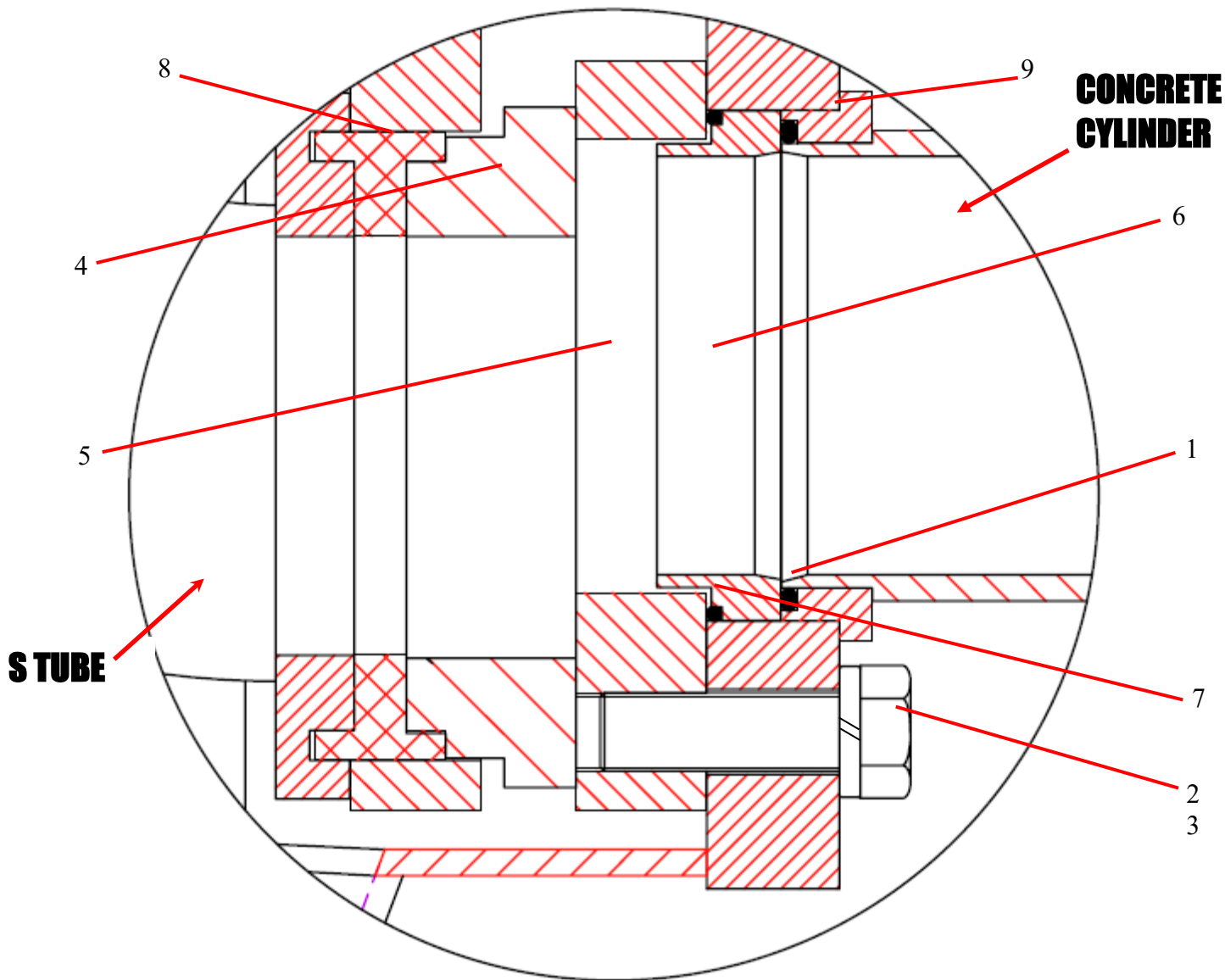
## WEAR PLATE ASSEMBLY



# B20HPC-SKE-V24

## PARTS

13822 Oaks Avenue  
 Chino, CA 91710  
 reedpumps.com  
 909-287-2100



ID #	PART #	PART DESCRIPTION	QUANTITY	
1	71249	O-RING, #347 BUENA 70	2	EA
2		HHCS, 3/4 - 10X 2 1/2" GR 8	5	EA
3		LOCK WASHER, 3/4"	5	EA
4	72384	WEAR RING, 4" DOUBLE LIP, 26% CHROME	1	EA
5	71251	WEAR PLATE-CAST 4" M20	1	EA
6	71254	ANTI CHIP RING, 4"	2	EA
7	71247	O-RING FOR CHIP RING	2	EA
8	72285	SEAL, DOUBLE LIP 4"	1	EA
9	71257	CONC, CYL. ADAPTER	2	EA



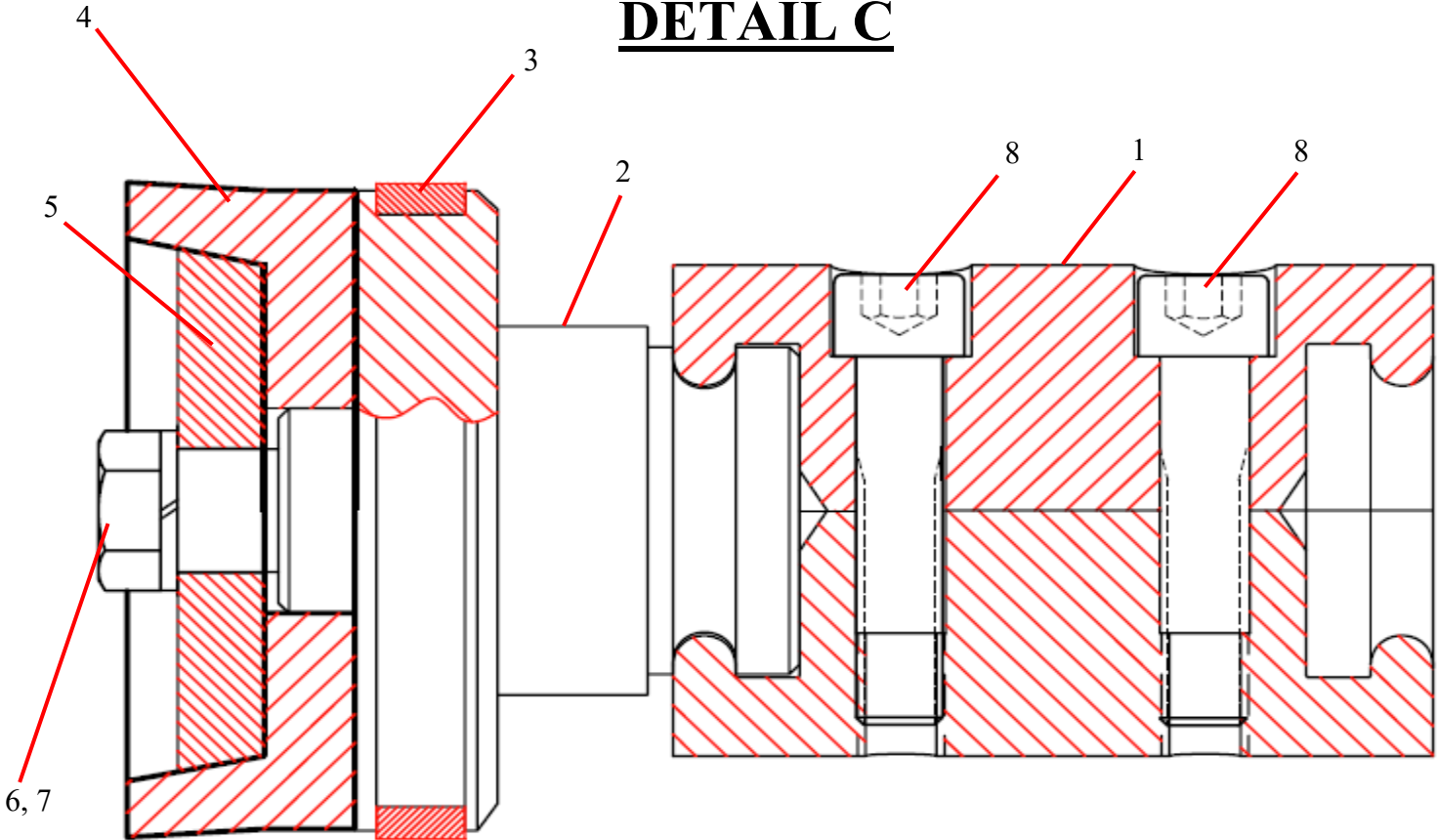
# B20HPC-SKE-V24

## PARTS

13822 Oaks Avenue  
 Chino, CA 91710  
 reedpumps.com  
 909-287-2100

### 4" PISTON CUP ASSEMBLY

### DETAIL C



ID #	PART #	PART DESCRIPTION	QUANTITY	
1	70077	PISTON COUPLING,	1	EA
2	87940	PISTON ADAPTER 4" WITH GUIDE BAND	1	EA
3	87994	WEAR RING (GUIDE BAND) 4"	1	EA
4	76500	PISTON CUP, 4 IN	1	EA
5	88011	PISTON PLATE 4" SINGLE BOLT	1	EA
6	87982	HHCS 3/4-16 1.5" LONG GR8 PLATED	1	EA
7	80010	LOCKWASHER-3/4 STL ZINC PLATED	1	EA
8		SHCS 1/2 - 13 X 2 1/4"	2	EA



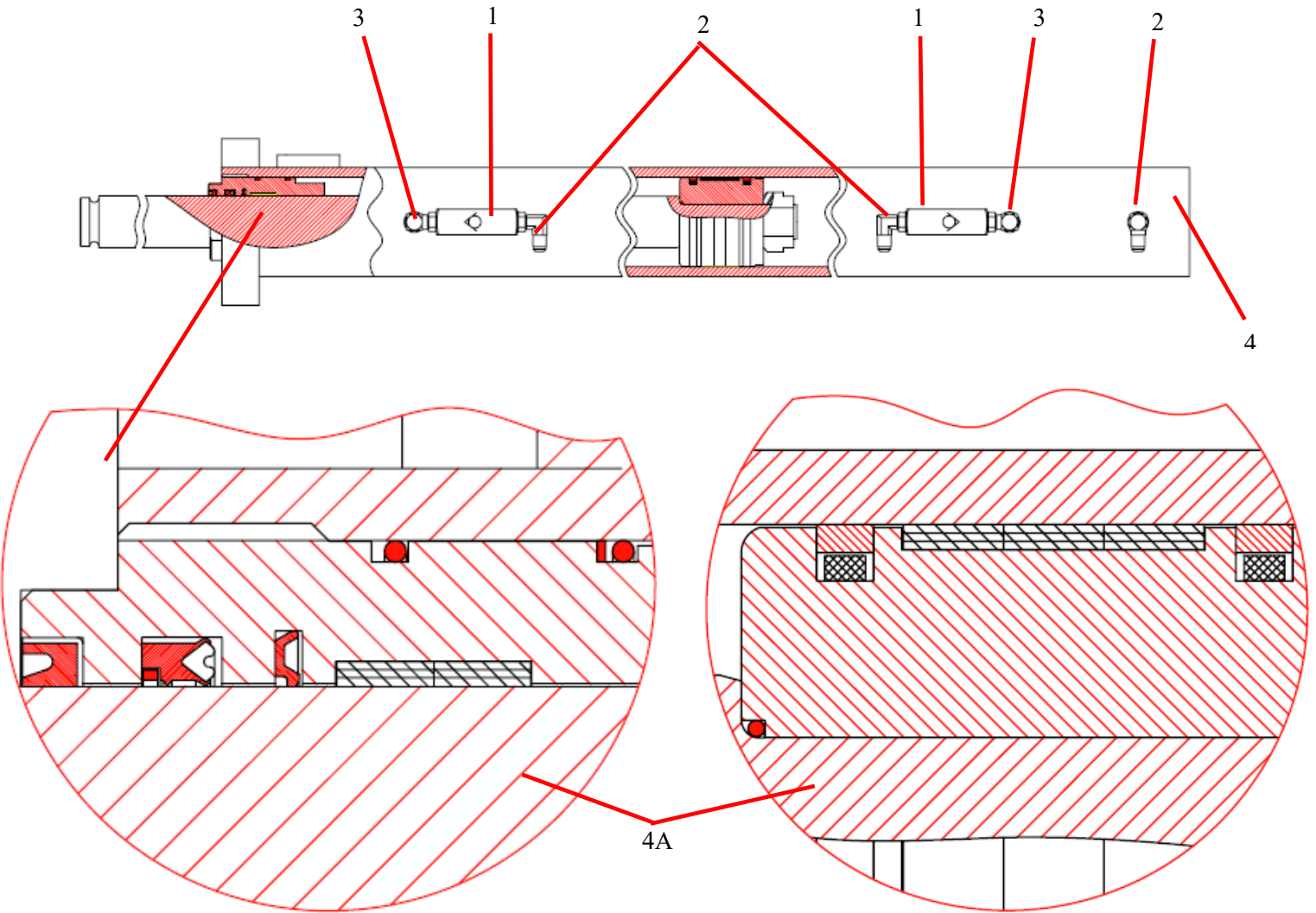


# B20HPC-SKE-V24

## PARTS

13822 Oaks Avenue  
 Chino, CA 91710  
 reedpumps.com  
 909-287-2100

### DRIVE CYLINDER ASSEMBLY



ID #	PART #	PART DESCRIPTION	QUANTITY	
	86304-2	HYD CYLINDER GROUP	REF	
1	78961	CHECK VALVE-5K PSI O-RING	2	EA
2	86748	FITTING-MB-MJ90-6-6	3	EA
3		ELBOW, MB-MB90-6-6	2	EA
4	86223HT	HYDRAULIC CYLINDER 3.50 X 2.00 X 35.75	1	EA
4A	86222A-SK	SEAL KIT	1	EA



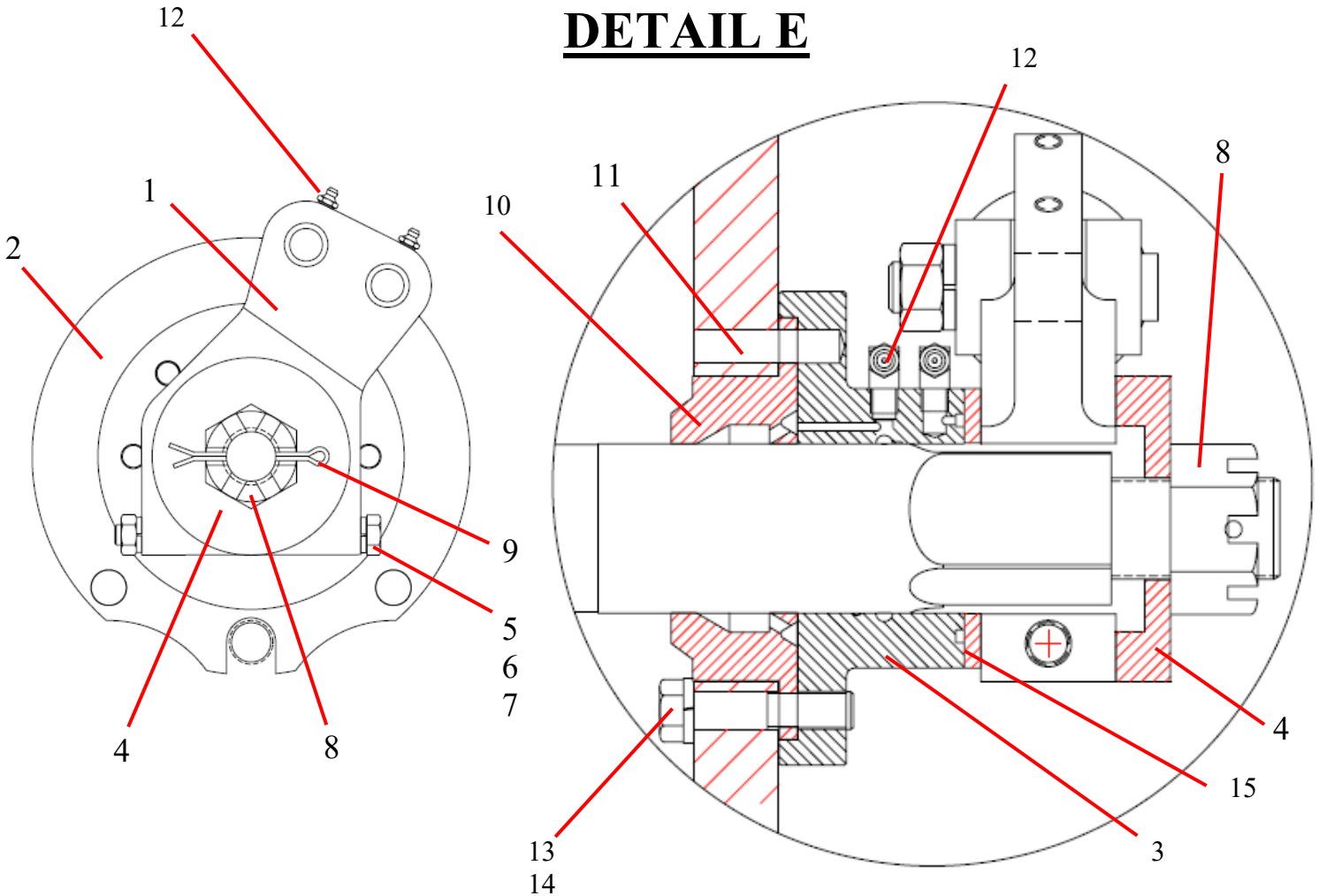
# B20HPC-SKE-V24

## PARTS

13822 Oaks Avenue  
 Chino, CA 91710  
 reedpumps.com  
 909-287-2100

### DUAL SHIFT BELL CRANK ASSEMBLY

### DETAIL E



ID #	PART #	PART DESCRIPTION	QUANTITY	
1	85604	BELL CRANK,	1	EA
2	86502	LOCATOR RING- FLANGE BEARING	1	EA
3	70124	FLANGED BEARING	1	EA
4	70125	SPACER, S-TUBE NUT	1	EA
5		HHCS, 5/8"-18X5 1/2" GR 8	1	EA
6		LOCK WASHER, 5/8"	1	EA
7		JAM NUT, 5/8"	1	EA
8	70825	NUT 1 1/2" - 12 CASTLE	1	EA
9		COTTER PIN, 1/4 X4"	1	EA
10	73564	SEAL, FLANGE BEARING 2.5 SHAFT	1	EA
11		DOWEL PIN, 1/2" DIA X 2"	2	EA
12		GREASE FITTING, 1/8" NPT	2	EA
13		HHCS, 9/16 - 12X3" GR 8	4	EA
14		LOCK WASHER, 9/16"	4	EA
15	70141	THRUST WASHER, S -TUBE	1	EA

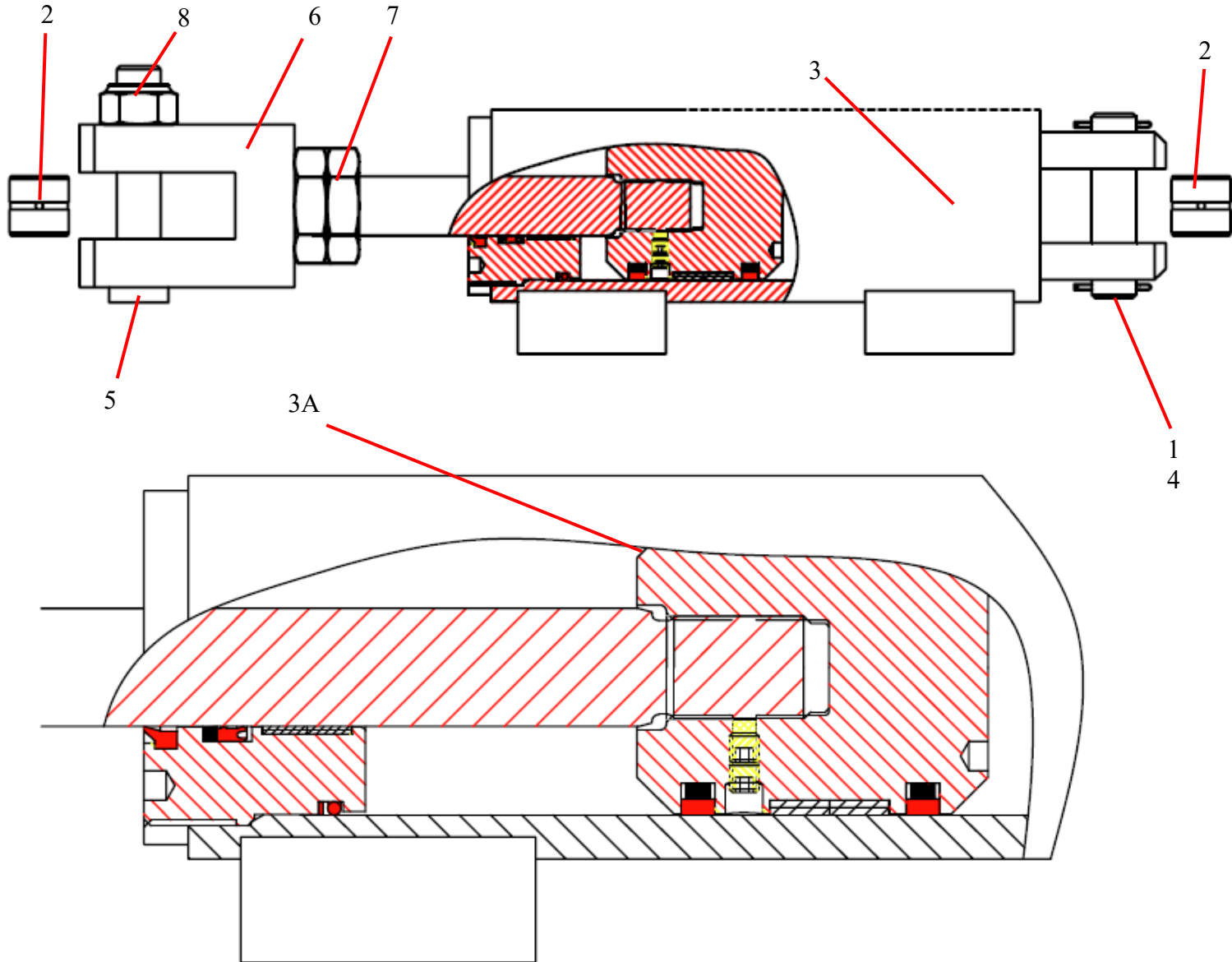


# B20HPC-SKE-V24

## PARTS

13822 Oaks Avenue  
 Chino, CA 91710  
 reedpumps.com  
 909-287-2100

### DUAL SHIFT CYLINDER ASSEMBLY



ID #	PART #	PART DESCRIPTION	QUANTITY	
1	74207	PIN - CLEVIS - .750 DIA	1	EA
2	71011	BUSHING - SHIFT CYLINDER	1	EA
3	86221-1HT	SWING CYLINDER 2.50 X 1.00 X 5.00	2	EA
3A	86221A-SK	SEAL KIT	2	EA
4		COTTER PIN, 3/32X1 3/4"	2	EA
5	70142	PIN, CLEVIS	1	EA
6	70143	CLEVIS, SHIFT CYLINDER	1	EA
7		1"X14 JAM NUT	2	EA
8		3/4 - 10 LOCK NUT	1	EA



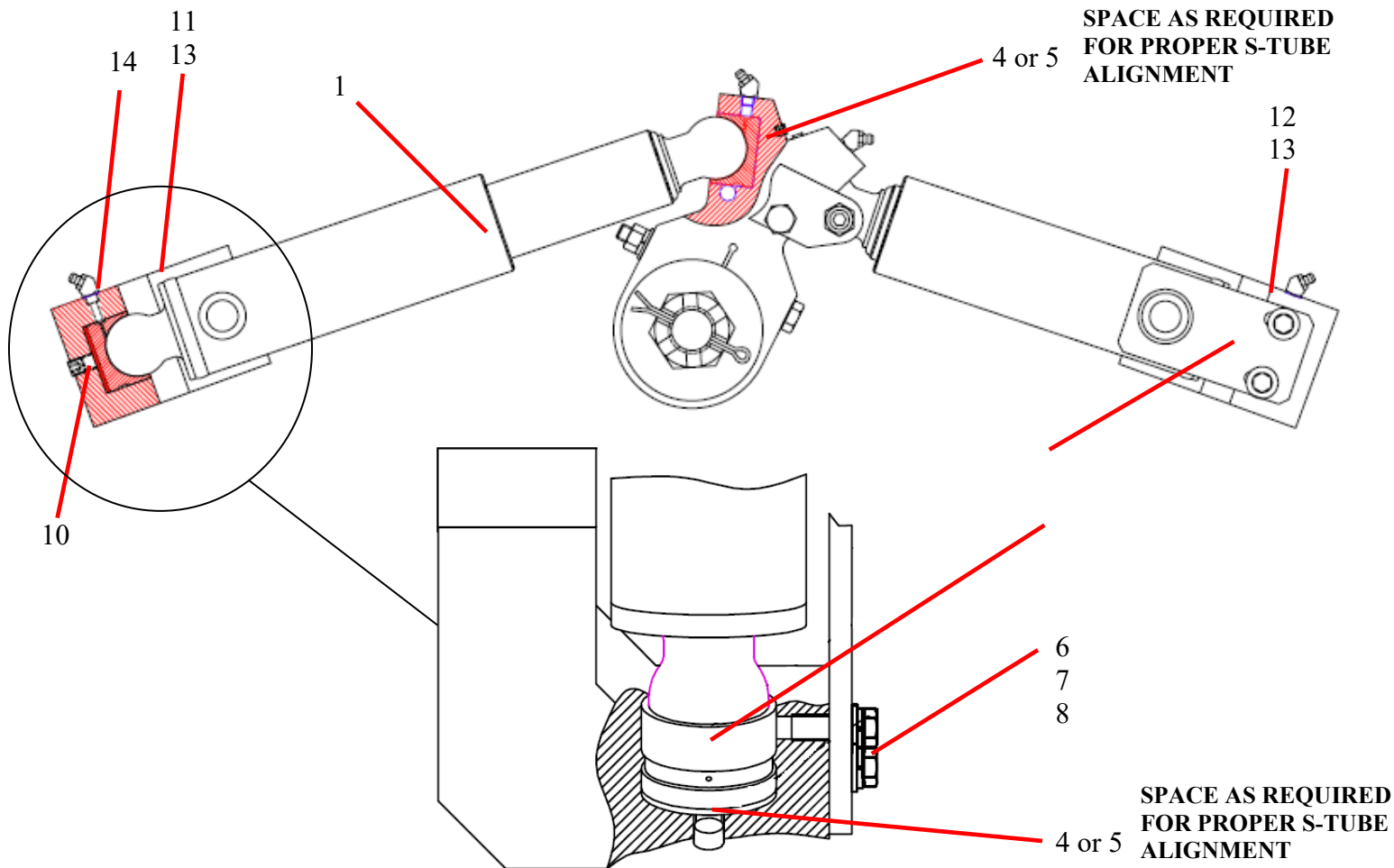
# B20HPC-SKE-V24

## PARTS

13822 Oaks Avenue  
Chino, CA 91710  
reedpumps.com  
909-287-2100

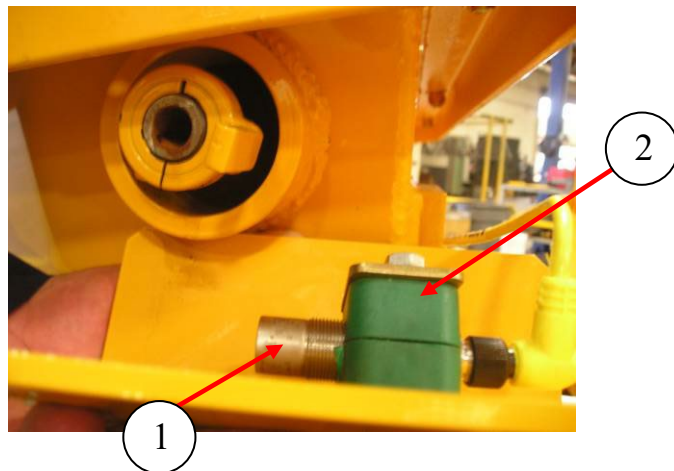
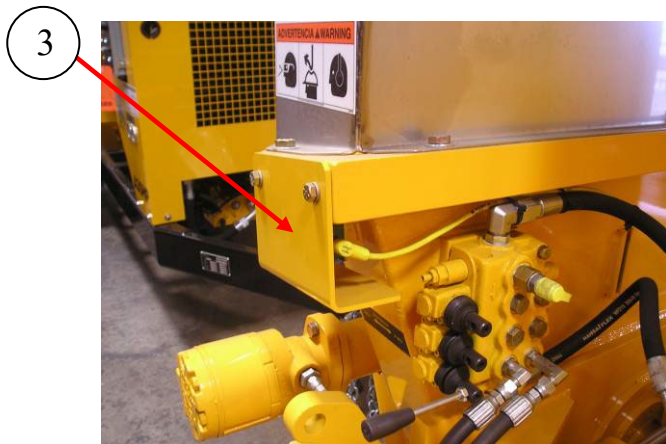
### DUAL SHIFT ASSEMBLY

### DETAIL E



ID #	PART #	PART DESCRIPTION	QUANTITY	
1	86220HT	SWING RAM – 2.5 X 5.75 STROKE	REF	
2	86441	RETAINER, SWING RAM	2	EA
3	76798-1	BALL SOCKET, NYLON	4	EA
4	75501	SPACER 1/8"	A/R	EA
5	75502	SPACER 1/16"	A/R	EA
6		HHCS, 3/8-24X1 1/4" GR8	4	EA
7		WASHER, 3/8"	4	EA
8		LOCK WASHER, 3/8"	4	EA
10	86283	SETSCREW – 5/8 -11X2.00 CUP	2	EA
11	85941	HOUSING, RH SWING RAM	1	EA
12	85942	HOUSING, LH SWING RAM	1	EA
13	86052	DOWEL PIN, 1/2" DIA X 2"	4	EA
14		GREASE FITTING, 1/8" NPT	2	EA

## SAFETY GRATE



ID #	PART #	PART DESCRIPTION	QUANTITY	
1	87369	PROXIMITY SENSOR PNP HOPPER GRATE	1	EA
2	801902-006	CLAMP,18MM TUBE CLAMP SET	1	EA
3	87997	COVER WELD PROX SWITCH HOPPER	1	EA

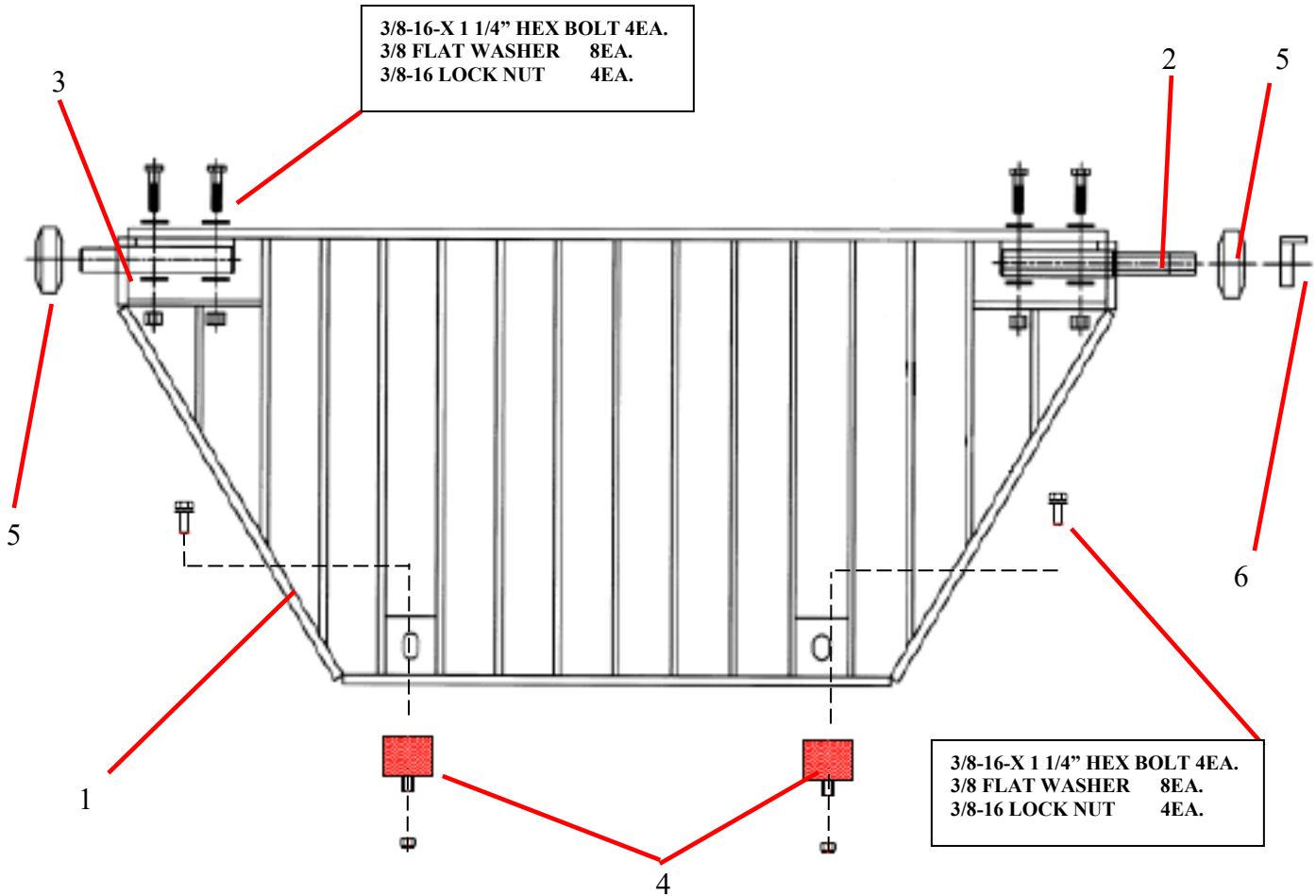


# B20HPC-SKE-V24

## PARTS

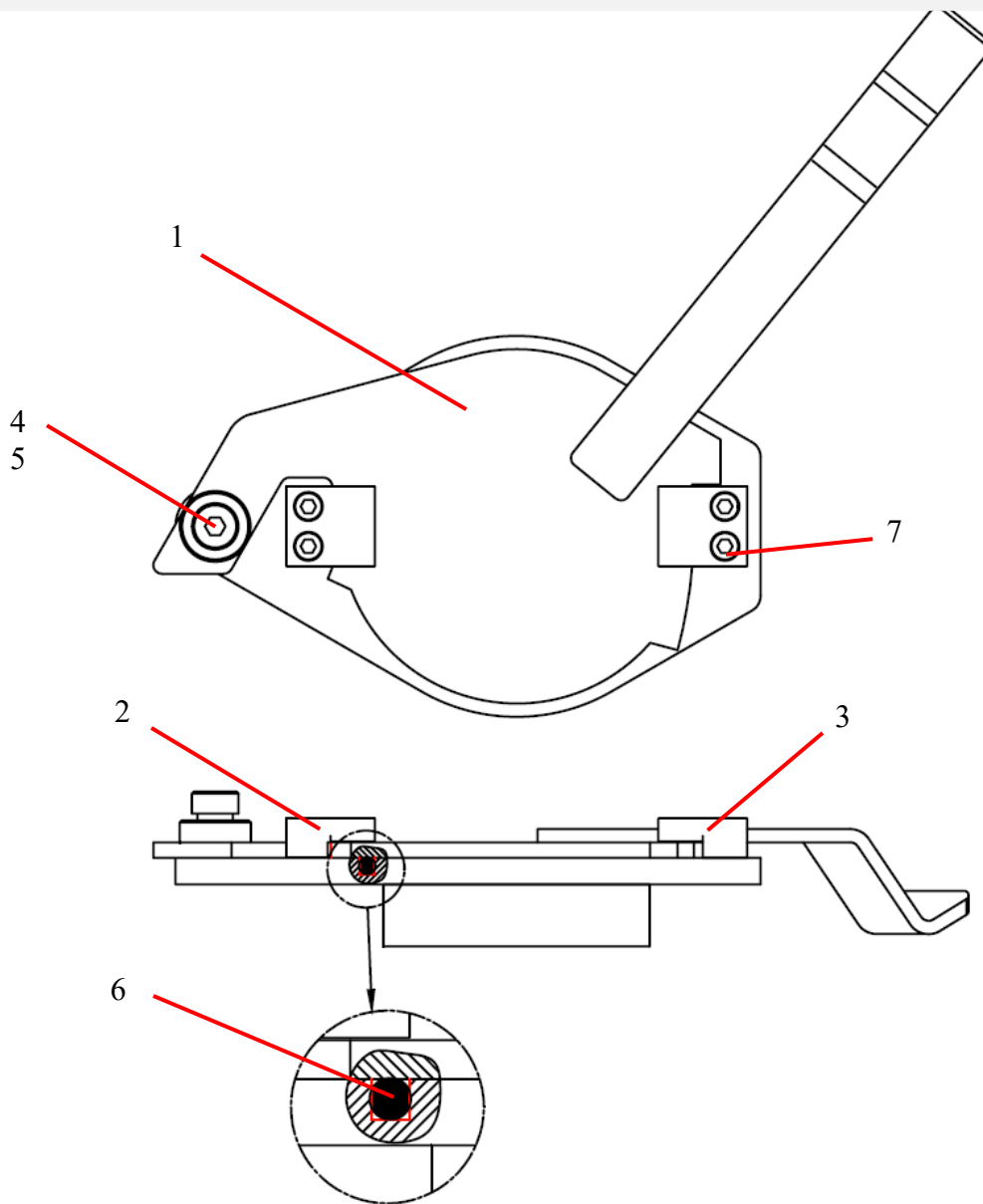
13822 Oaks Avenue  
Chino, CA 91710  
reedpumps.com  
909-287-2100

### GRATE ASSEMBLY



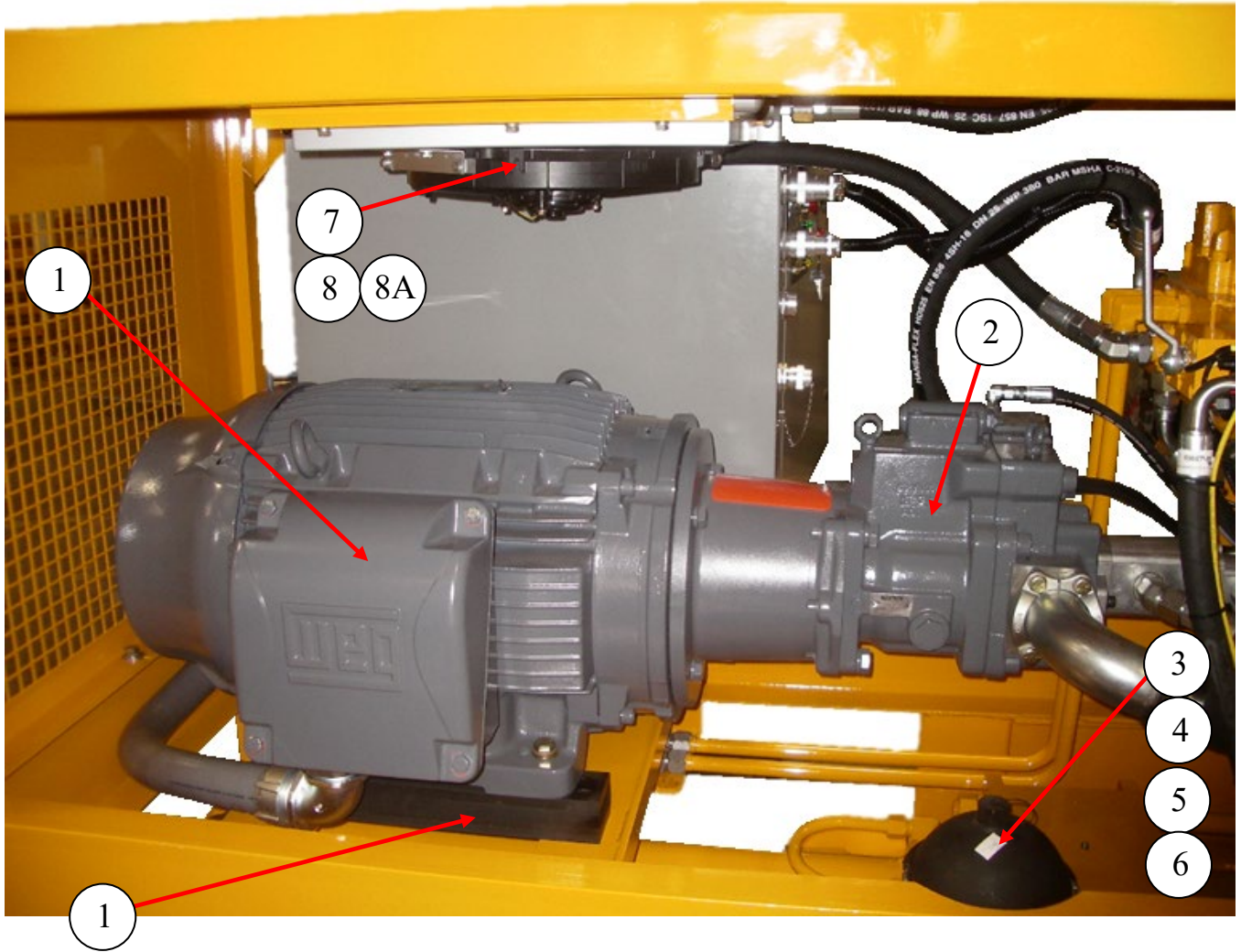
ID #	PART #	PART DESCRIPTION	QUANTITY	
1	87892	GRATE WELDMENT, STD HOPPER	1	EA
2	87857	PIN WELDMENT LONG	1	EA
3	87858	PIN WELDMENT SHORT	1	EA
4	86083	BUMPER, HOPPER GRATE	2	EA
5	W-102490	RUBBER BUFFER 65X22.5X26	2	EA
6	87769	COLLAR SHAFT, 7/8" DIA	1	EA

### CLEAN OUT DOOR ASSEMBLY



ID #	PART #	PART DESCRIPTION	QUANTITY	
	86542	CLEAN OUT DOOR WELDMENT PARTS KIT	REF	
1	86988	DOOR WELDMENT, CLEAN OUT	1	EA
2	86559	BLOCK, CLEAN OUT DOOR, LH	1	EA
3	86560	BLOCK, CLEAN OUT DOOR, RH	1	EA
4		SHOULDER SCREW 1" DIA-1 1/4"	1	EA
5	85367	BOSS, CLEAN OUT DOOR	1	EA
6	W-102908A	O-RING CORD, HOPPER DOOR	2.21	FT
7		SHCS 1/2"-13 X 1 1/4"	4	EA

### POWER TRAIN ELECTRIC MOTOR AND PUMP



ID #	PART #	PART DESCRIPTION	QUANTITY	
	88027-7	POWER TRAIN ASSY B20 SKE	REF	REF
1	90055	MOTOR, 50HP, 575V,60HZ,3PH	1	EA
2	87153-001	PUMP, KAWASAKI, KV3L112,75HP	1	EA
3	71360	ACCUMULATOR	1	EA
4	73171	ACCUMULATOR BRK.W/CLOSING HARDWARE	1	EA
5	801028	GROMMET, ACCUMULATOR	1	EA
6	88748	BRACKET ACCUMULATOR MOUNT	1	EA
7	88749	BRACKET OIL COOLER MOUNT	1	
8	88968	HYD. OIL COOLER-ELECTRIC 120VAC	1	EA
8A	88968-FAN	FAN/MOTOR ASSY 115/230V	SPARE	
9	86003	MOTOR MOUNTS	2	EA





# B20HPC-SKE-V24

PARTS

13822 Oaks Avenue  
Chino, CA 91710  
reedpumps.com  
909-287-2100

---

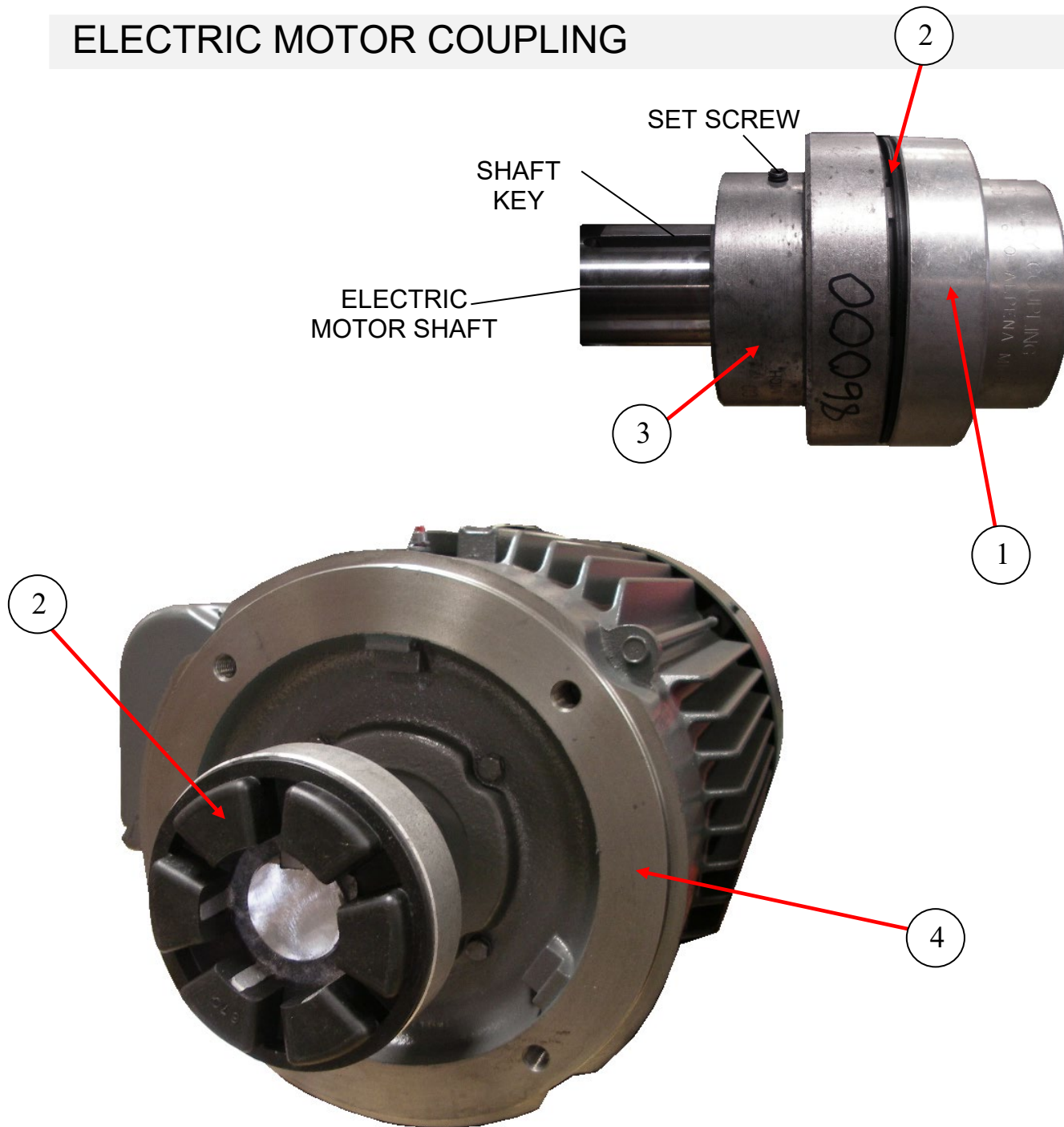


# B20HPC-SKE-V24

PARTS

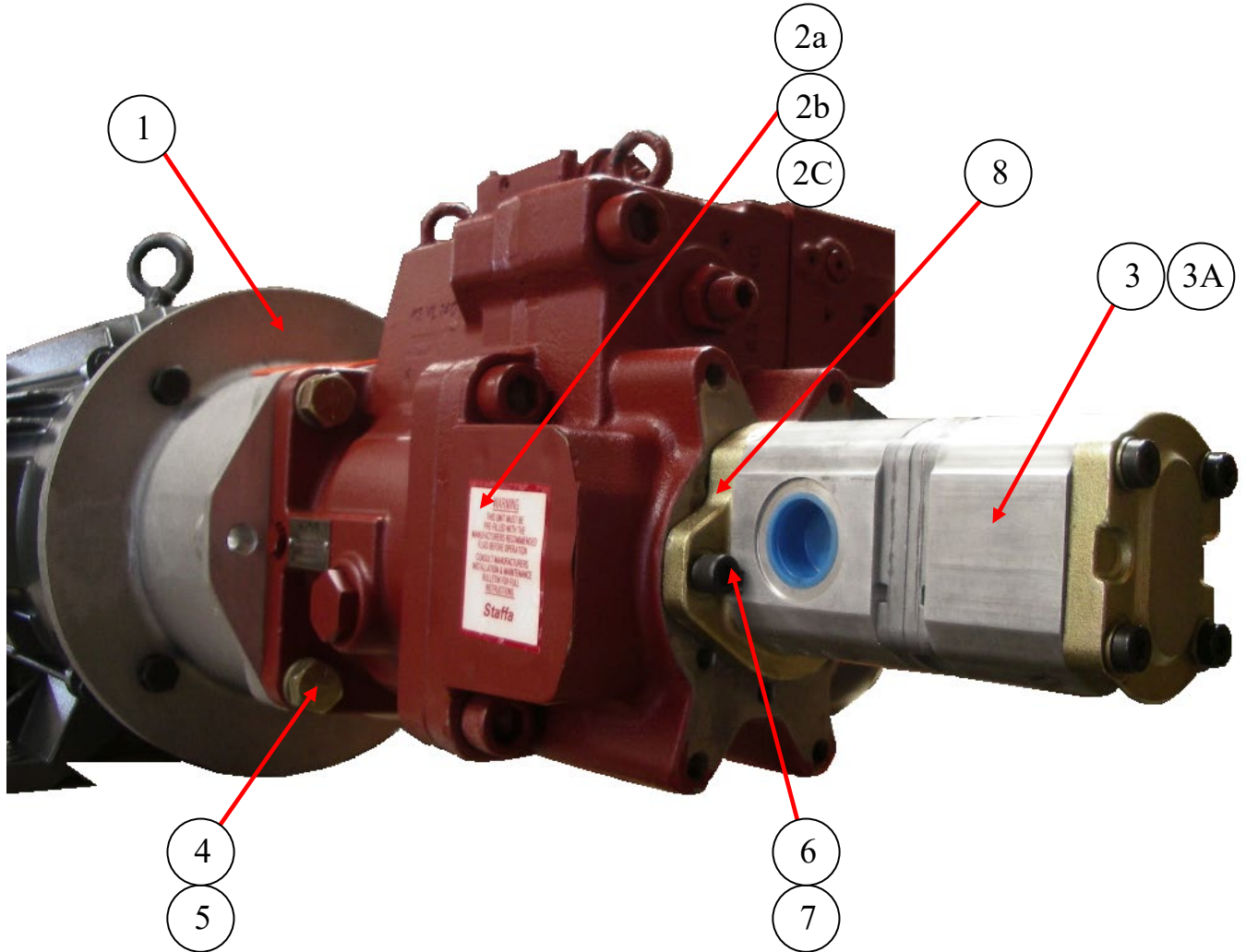
13822 Oaks Avenue  
Chino, CA 91710  
reedpumps.com  
909-287-2100

## ELECTRIC MOTOR COUPLING



ID #	PART #	PART DESCRIPTION	QUANTITY	
1	88450	COUPLING HALF, SPLINE SAE C, 14 TH 12/24	1	EA
2	86002	COUPLING SPIDER, L190-NBR (USE P/N 87041)	1	EA
3	86000	COUPLING HALF, L190-2 1/2X1/2 (USE P/N 87039)	1	EA
4	90055	MOTOR, 50HP, 575V, 60HZ, 3PH	REF	EA

### HYDRAULIC PUMP, GEAR BOX DETAIL



ID #	PART #	PART DESCRIPTION	QUANTITY	
1	87948	PUMP ADAPTER- FRAME 324/405TC X SAE-D	1	EA
2a	79560-K	PUMP, KAWASAKI, K3VL80, 62HP	REF	
2b	85124-004	PUMP, KAWASAKI, KV3L112,75HP	REF	
2c	85124-007	PUMP, PARKER, P2105	REF	
3	87153-001	PUMP-RH-DBLE GEAR, 11.3/8.2 CC BOSCH	1	EA
3A	88028	COUPLING, 13 TEETH 8/16 SAE-D	1	EA
4		3/4-2" BOLT	4	EA
5		3/4 LOCK WASHER	4	EA
6		M10 X 30 SHCS	2	EA
7		10MM HI COLLAR LOCK WASHER	2	EA
8	88174	O-RING	1	EA

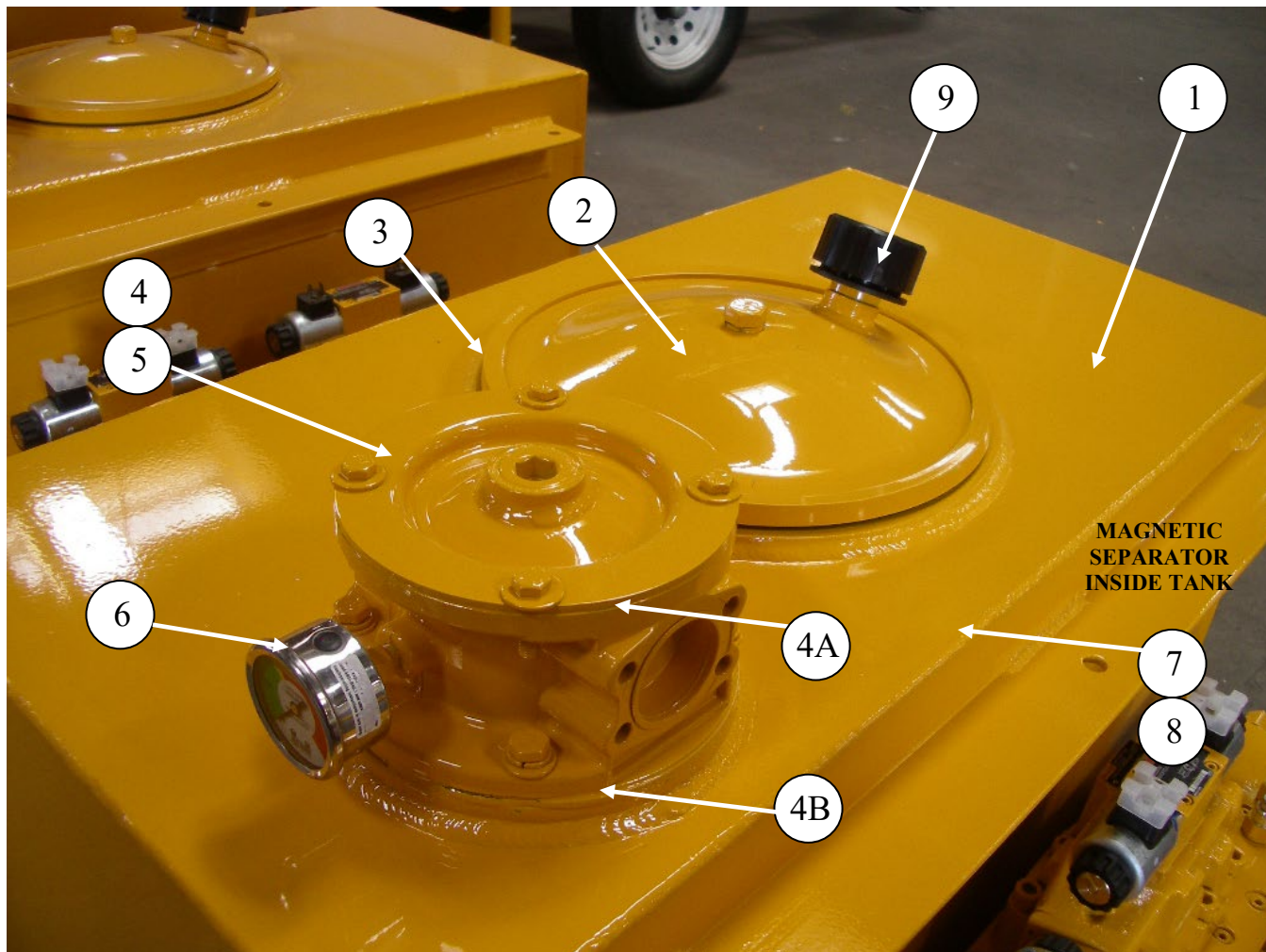


# B20HPC-SKE-V24

## PARTS

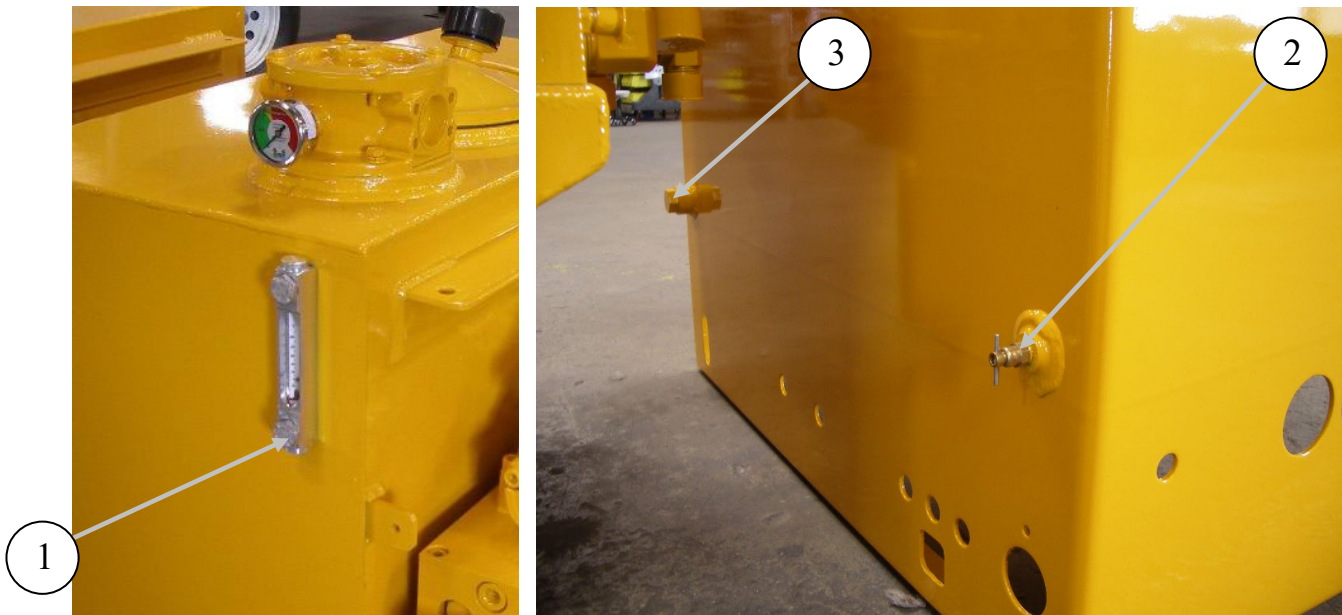
13822 Oaks Avenue  
 Chino, CA 91710  
 reedpumps.com  
 909-287-2100

### HYDRAULIC TANK ASSEMBLY



ID #	PART #	PART DESCRIPTION	QUANTITY	
	85361	HYD TANK ASSY B-SERIES	1	EA
1	85102	HYDRAULIC TANK WELDMENT, B-SERIES	1	EA
2	85529	ENDCOVER KIT, 12 IN W/DRAIN	1	EA
3	85867	GASKET- END COVER 12"	1	EA
4	85282	FILTER, RETURN, TANK MOUNTED	1	EA
4A	BW10241	SEAL KIT FOR 85282 FILTER RETURNS	1	EA
4B	85282-G	GASKET-CORK	1	EA
5	85283	FILTER ELEMENT, PN 85282 FILTER	1	EA
6	85575	GAUGE, PN 85282 RETURN FILTER	1	EA
7	79247	MAGNETIC SEPERATOR 1 1/4" NPT	1	EA
8	800230	MAGNETIC SEPARATOR, 3"NPT	1	EA
9	85537	FILLER BREATHER, 3/4 NPT	1	EA

### HYDRAULIC ASSEMBLY CONTINUE



ID #	PART #	PART DESCRIPTION	QUANTITY	
1	74509	GAUGE-SIGHT/TEMPERATURE	1	EA
2	801025	DRAIN COCK, 1/4 NPT	1	EA
3	BG-12	3/4" SAE PLUG	1	EA
4	70366	PRESSURE GAUGE, 3000 PSI/BAR	1	EA
5	74562	PRESSURE GAUGE, 6000 PSI/BAR	1	EA
6	78594	MINICHECK GAUGE ADAPTOR, 1/4 NPT	2	EA
7		HOFFMAN PLUG	1	A/R



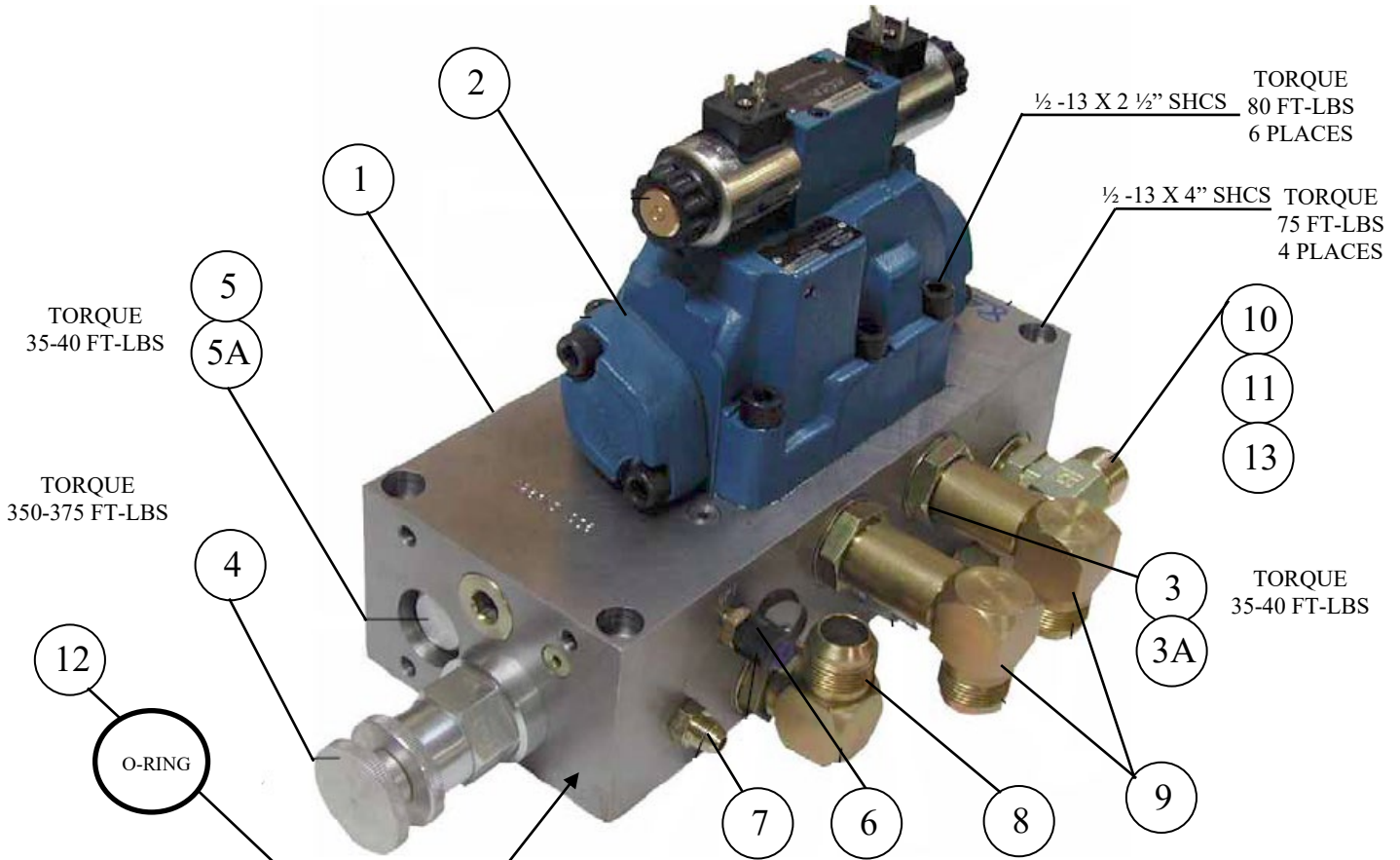
# B20HPC-SKE-V24

## PARTS

13822 Oaks Avenue  
Chino, CA 91710  
reedpumps.com  
909-287-2100

### MANIFOLDS

### DRIVE CYLINDER CIRCUIT MANIFOLD ASSEMBLY



ID #	PART #	PART DESCRIPTION	QUANTITY	
	85248-M	MANIFOLD, CYLINDER CIRCUIT ASSEMBLY	1	EA
1	86820	MANIFOLD, MACHINED CYLINDER CIRCUIT	1	EA
2	85689	SOLENOID VALVE, DRIVE CYLINDER	1	EA
3	85696	RELIEF VALVE CARTRIDGE	1	EA
3A	85696-SK	SEAL KIT		
4	86952-003	MOTORIZED FLOW CONTROL FOR B SER	1	EA
5	85698	CHECK VALVE CARTRIDGE	1	EA
5A	85698-SK	SEAL KIT		
6	78593	MINICHECK ADAPTOR, SAE 4	1	EA
7	86900-002	ADAPTOR, MB-MJ-4-6	1	EA
8	86728-023	ELBOW, MB-MJ45-16-16	1	EA
9	86904-012	ELBOW, MB-MJ90LL-16-16	2	EA
10	86945-001	TEE, MJ-MB-MJT-16	1	EA
11	86905-016	ELBOW, MJ-FJX90-16-16	1	EA
12	86946	O-RING #230 BUNA 90DUR	1	EA
13	86948-001	REDUCER, JIC MJ-FJ-10-16	1	EA

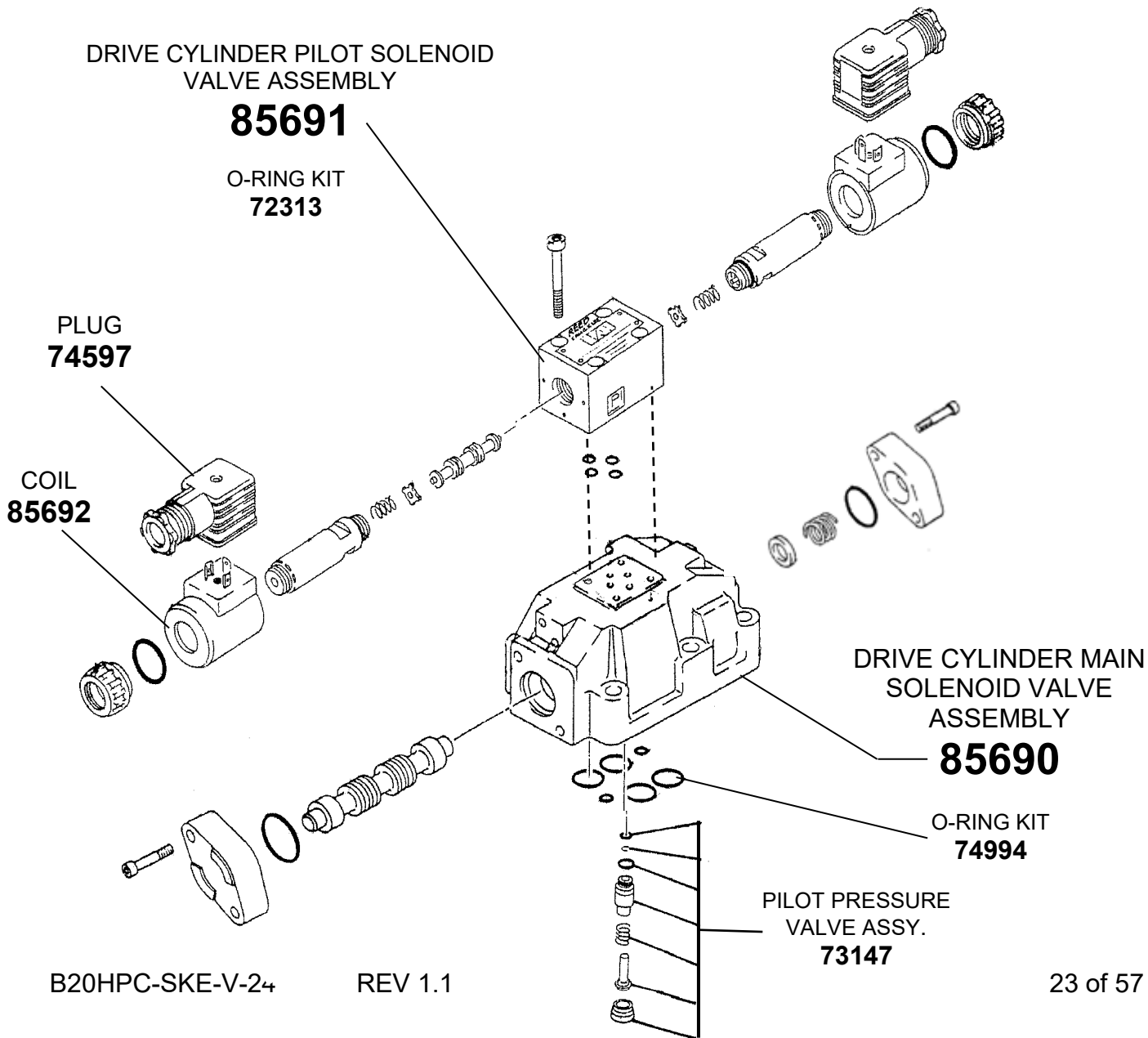
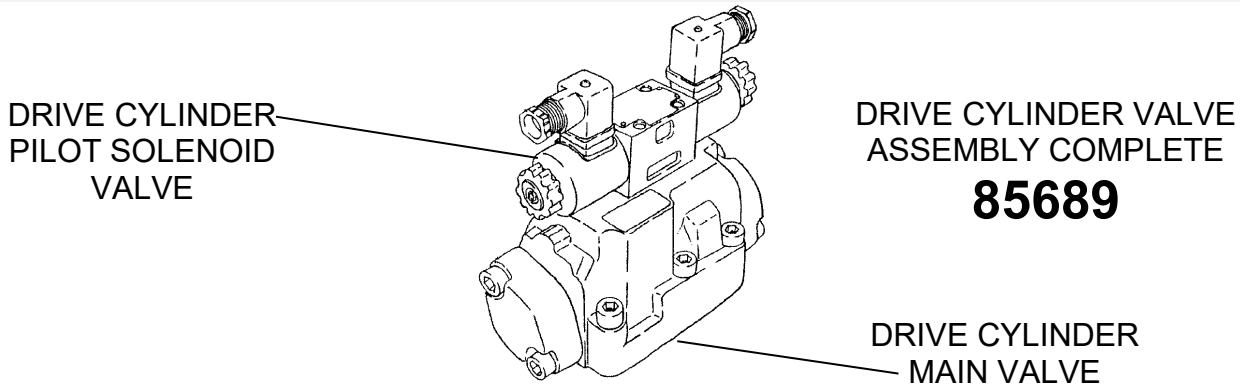


# B20HPC-SKE-V24

PARTS

13822 Oaks Avenue  
Chino, CA 91710  
reedpumps.com  
909-287-2100

## DRIVE CYLINDER CIRCUIT MANIFOLD ASSEMBLY CONT.



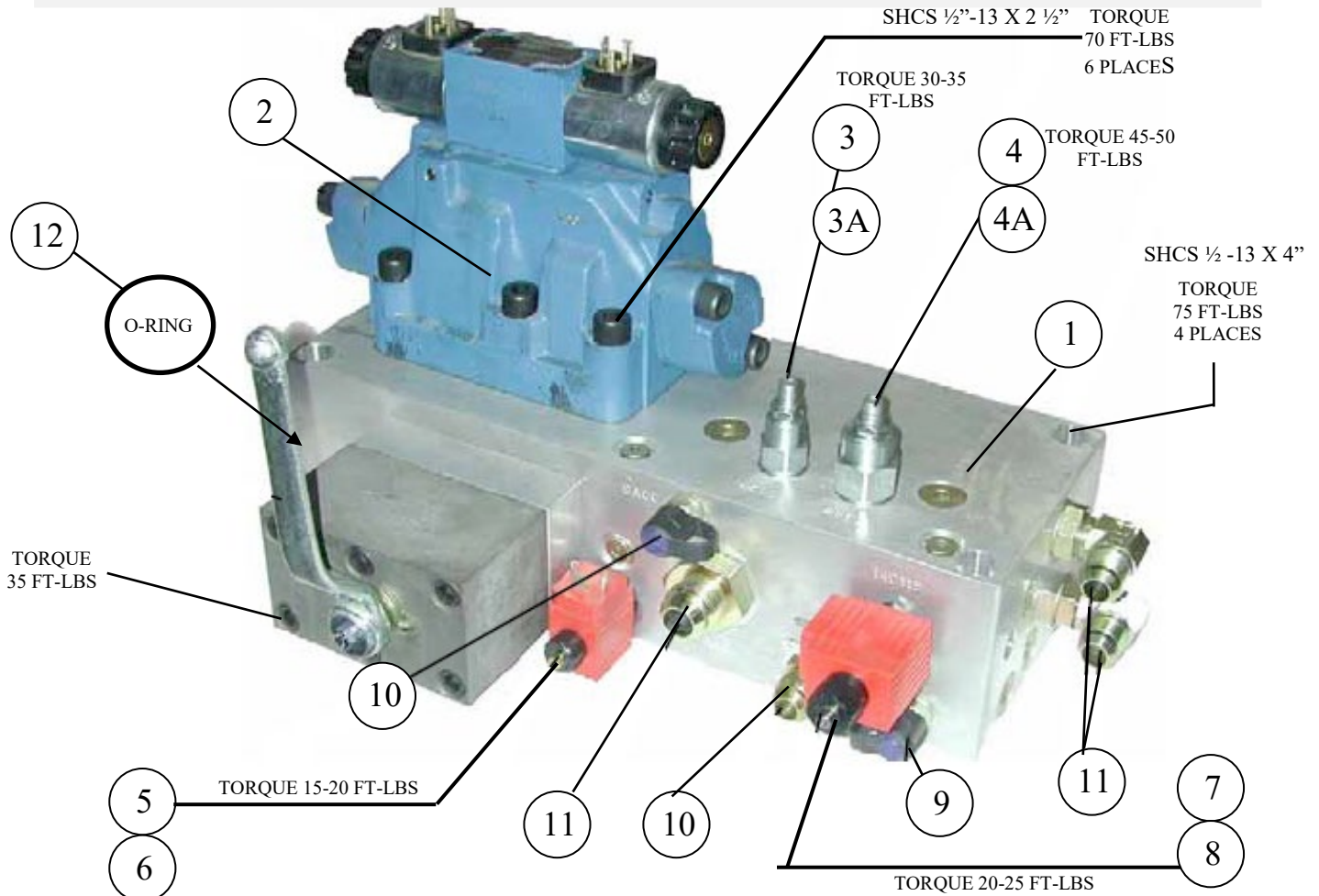


# B20HPC-SKE-V24

## PARTS

13822 Oaks Avenue  
Chino, CA 91710  
reedpumps.com  
909-287-2100

### S-TUBE CIRCUIT MANIFOLD ASSEMBLY



ID #	PART #	PART DESCRIPTION	QUANTITY	
	85249	MANIFOLD, S-TUBE CIRCUIT ASSEMBLY		
1	86821	MANIFOLD, MACHINED S-TUBE CIRCUIT	1	EA
2	85693	SOLENOID VALVE, S-TUBE SHIFT	1	EA
3	85704	UNLOADER VALVE CARTRIDGE, (QCDB)	1	EA
3A	85704-SK	SEAL KIT		
4	85703	RELIEF VALVE CARTRIDGE, (RVEA)	1	EA
4A	85703-SK	SEAL KIT		
5	87246	SOLENOID VALVE CARTRIDGE, (12CHS)	1	EA
6	87247	COIL, 12VDC,	1	EA
7	87248	SOLENOID VALVE CARTRIDGE, (14CHS)	1	EA
8	87249	COIL, 12V DC FOR PN-87248	1	EA
9	78593	MINICHECK ADAPTOR, SAE	2	EA
10	86728-014	ELBOW, MB-MJ90-10-10	2	EA
11	86900-027	ADAPTOR, MB-MJ-16-12	1	EA
12	86946	O-RING #230 BUNA 90DUR	1	EA



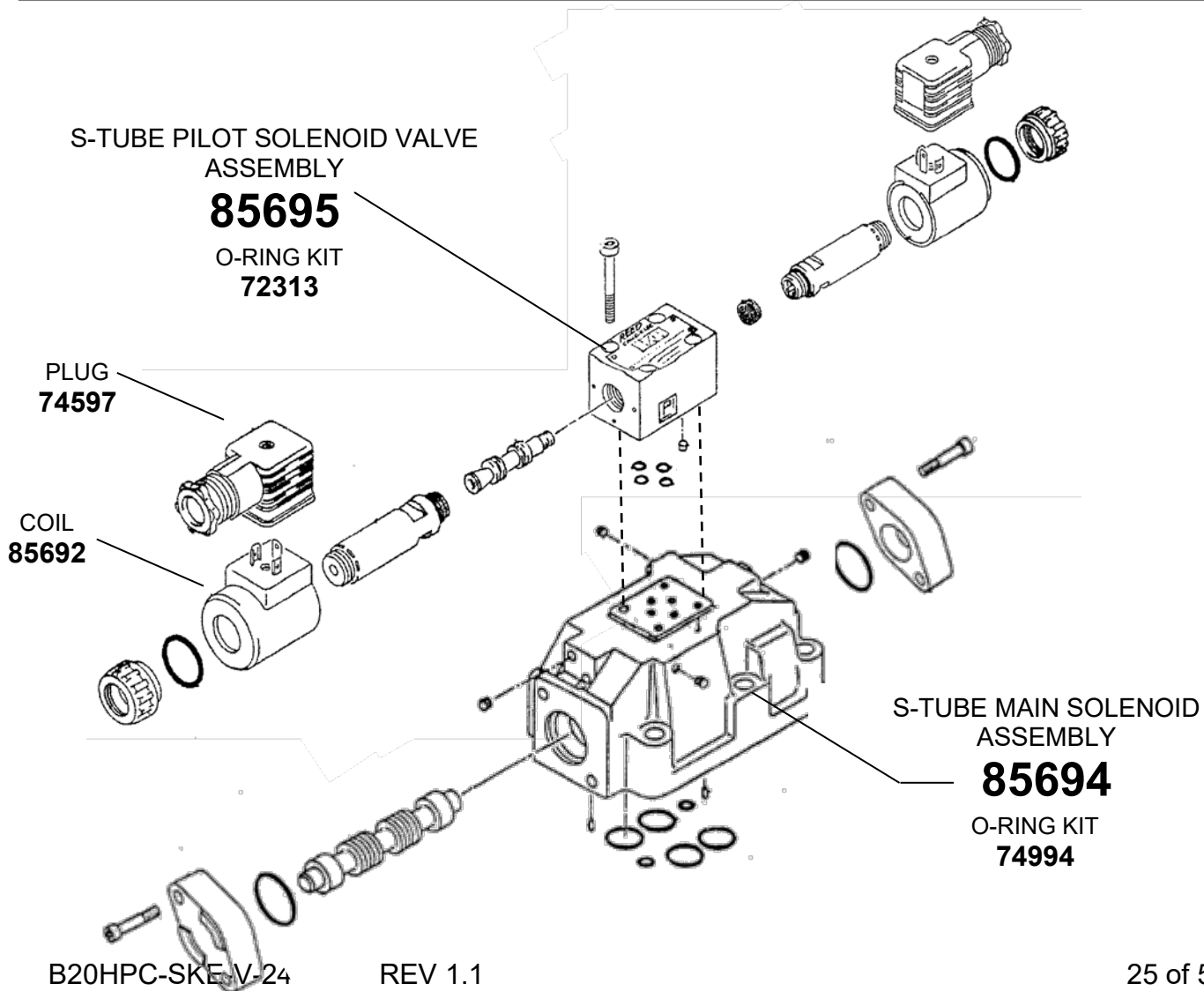
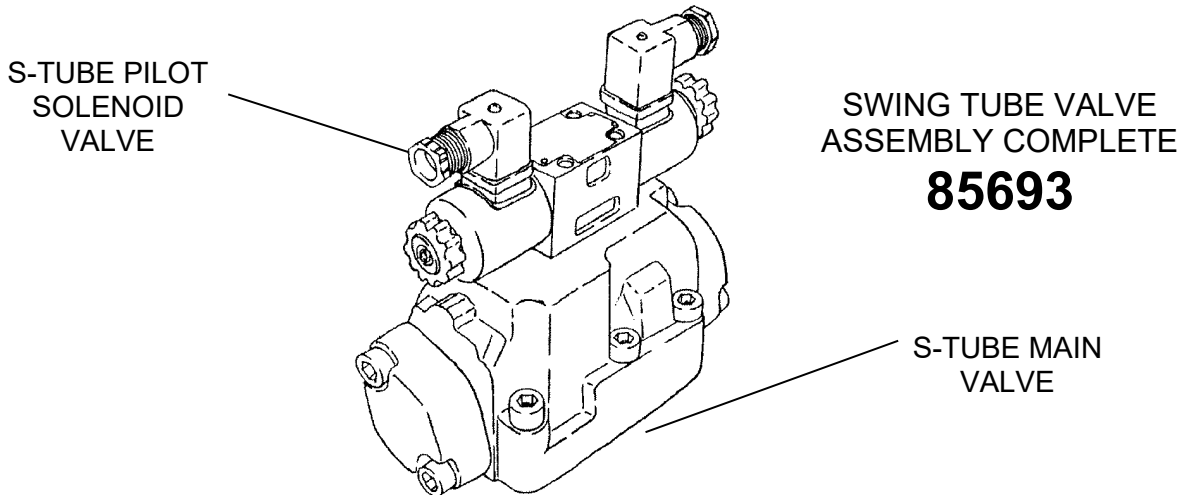


# B20HPC-SKE-V24

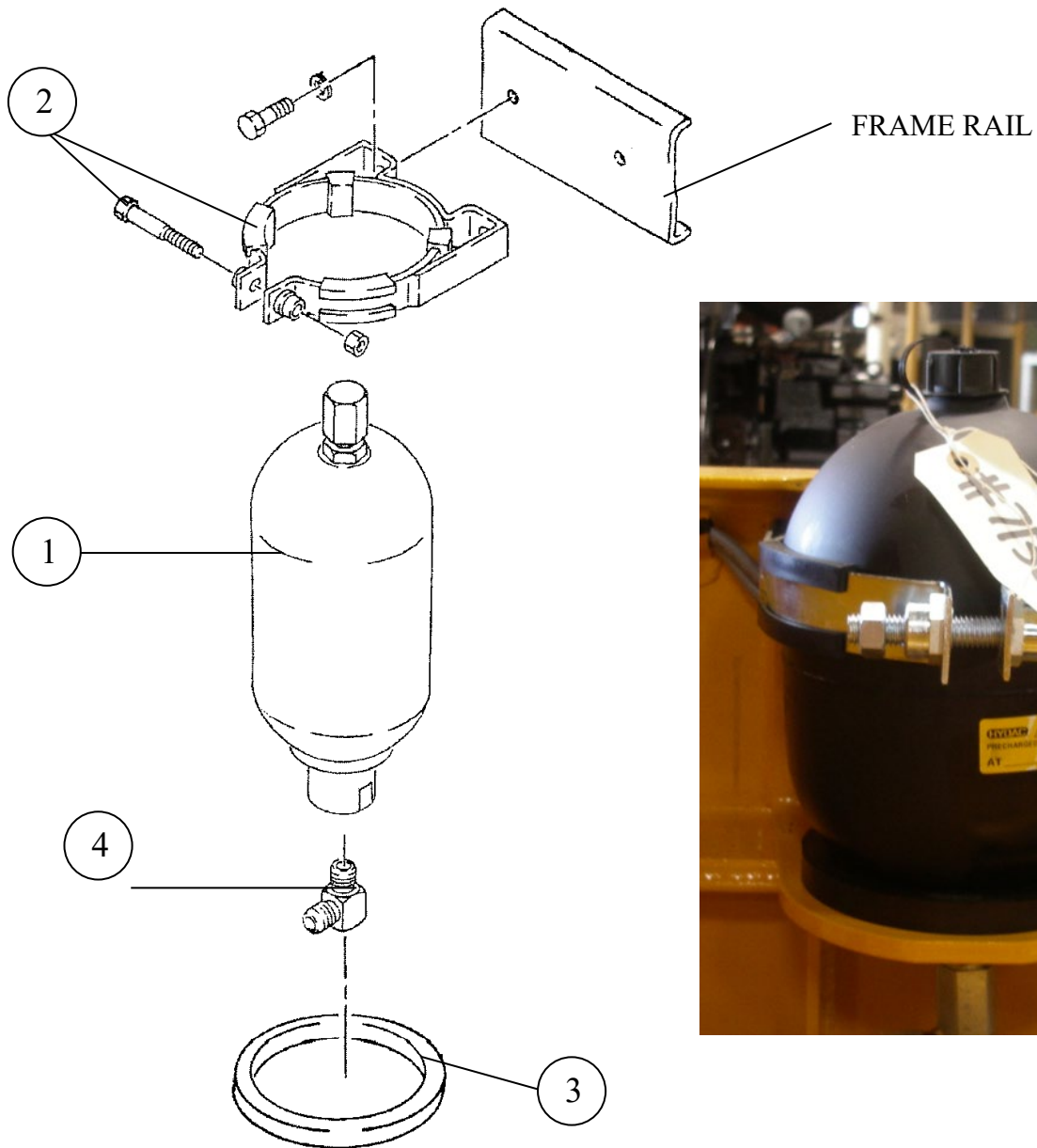
PARTS

13822 Oaks Avenue  
Chino, CA 91710  
reedpumps.com  
909-287-2100

## S-TUBE CIRCUIT MANIFOLD ASSEMBLY CONT.

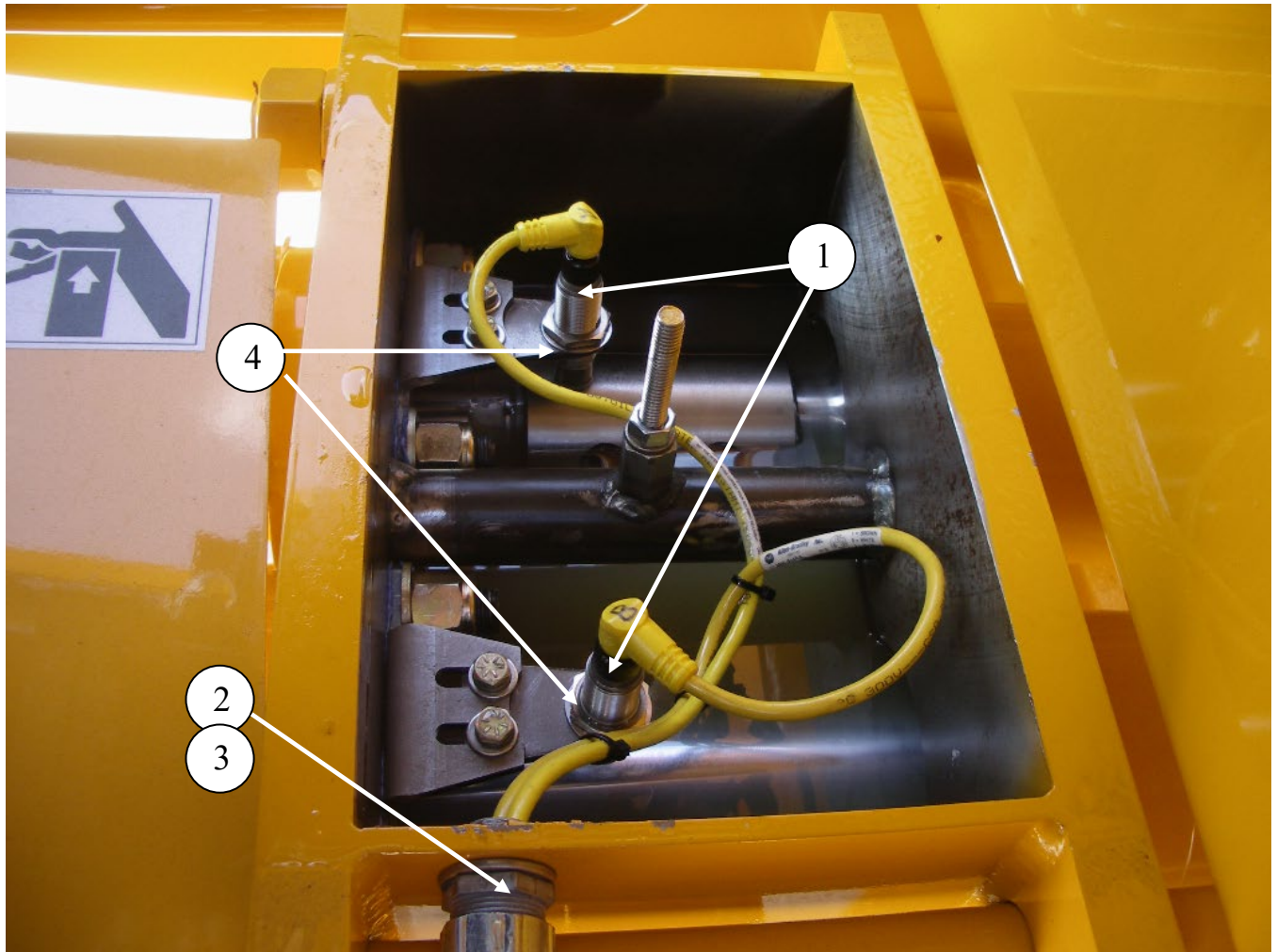


## ACCUMULATOR ASSEMBLY



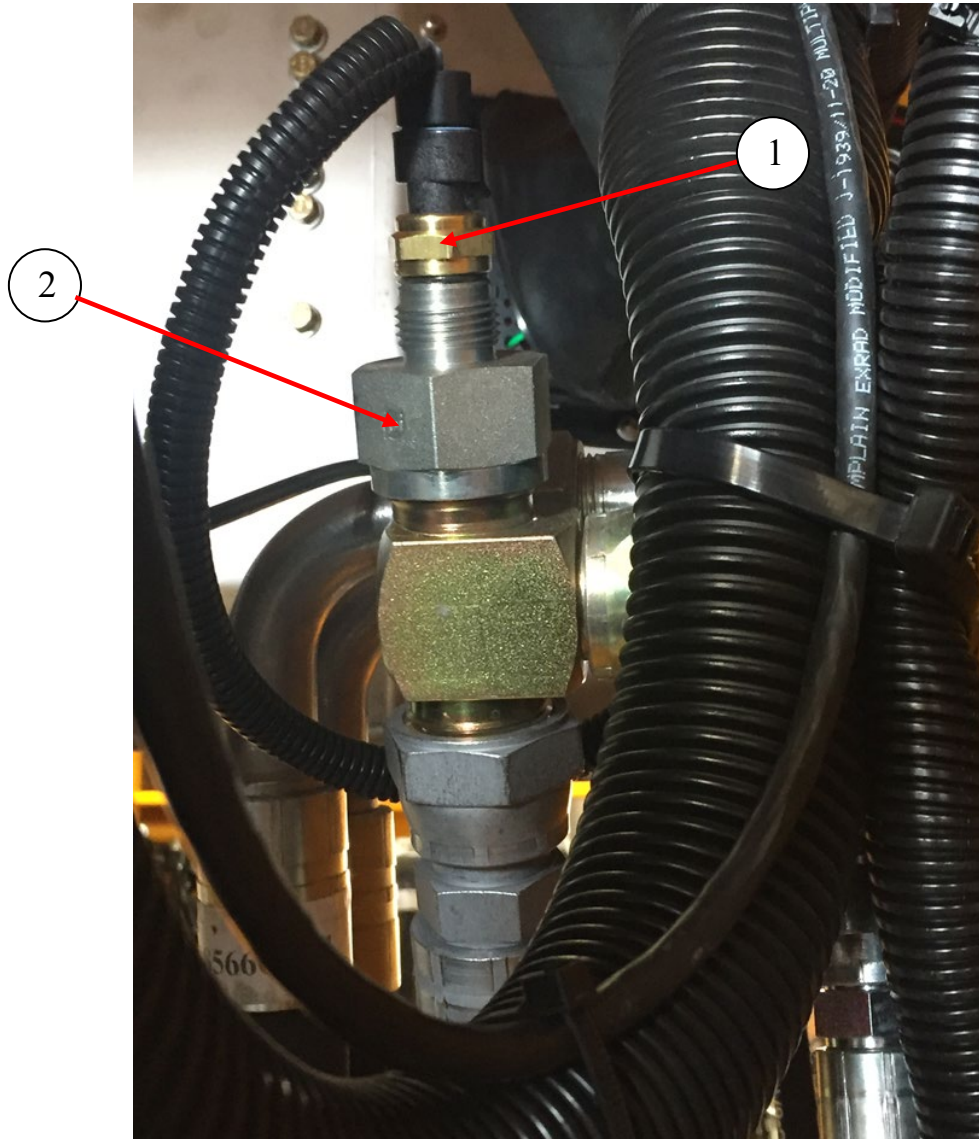
ID #	PART #	PART DESCRIPTION	QUANTITY	
1	71360	ACCUMULATOR	1	EA
2	73171	ACCUMULATOR BKT.W/CLOSING HARDWARE	1	EA
3	801028	GROMMET, ACCUMULATOR	1	EA
4	86728-019	ELBOW, MB-MJ90-12-12	1	EA

## ELECTRICAL GROUP PROXIMITY SWITCHES



ID #	PART #	PART DESCRIPTION	QUANTITY	
1	77990	CABLE, PROXIMITY SWITCH	2	EA
2	10522	STRAIN RELIEF	1	EA
3	10528	NUT 1/2" BONDING TYPE LOCK	1	EA
4	77998	PROXIMITY SENSOR NPN	2	EA

## TEMPERTURE SENSOR



ID #	PART #	PART DESCRIPTION	QUANTITY	
1	89279	SENSOR TEMPERTURE FOR TIER4 CUMMINS	1	EA
2	89633	ADAPTER TEMP SENSOR FOR 89279	1	EA

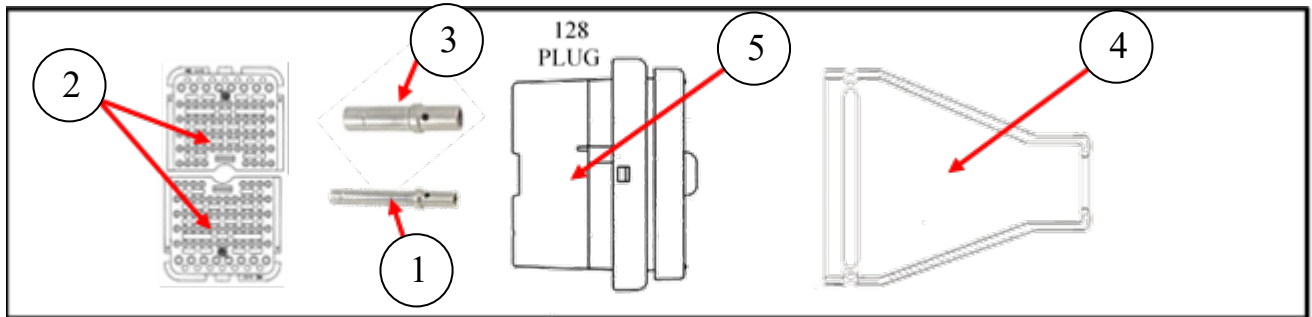
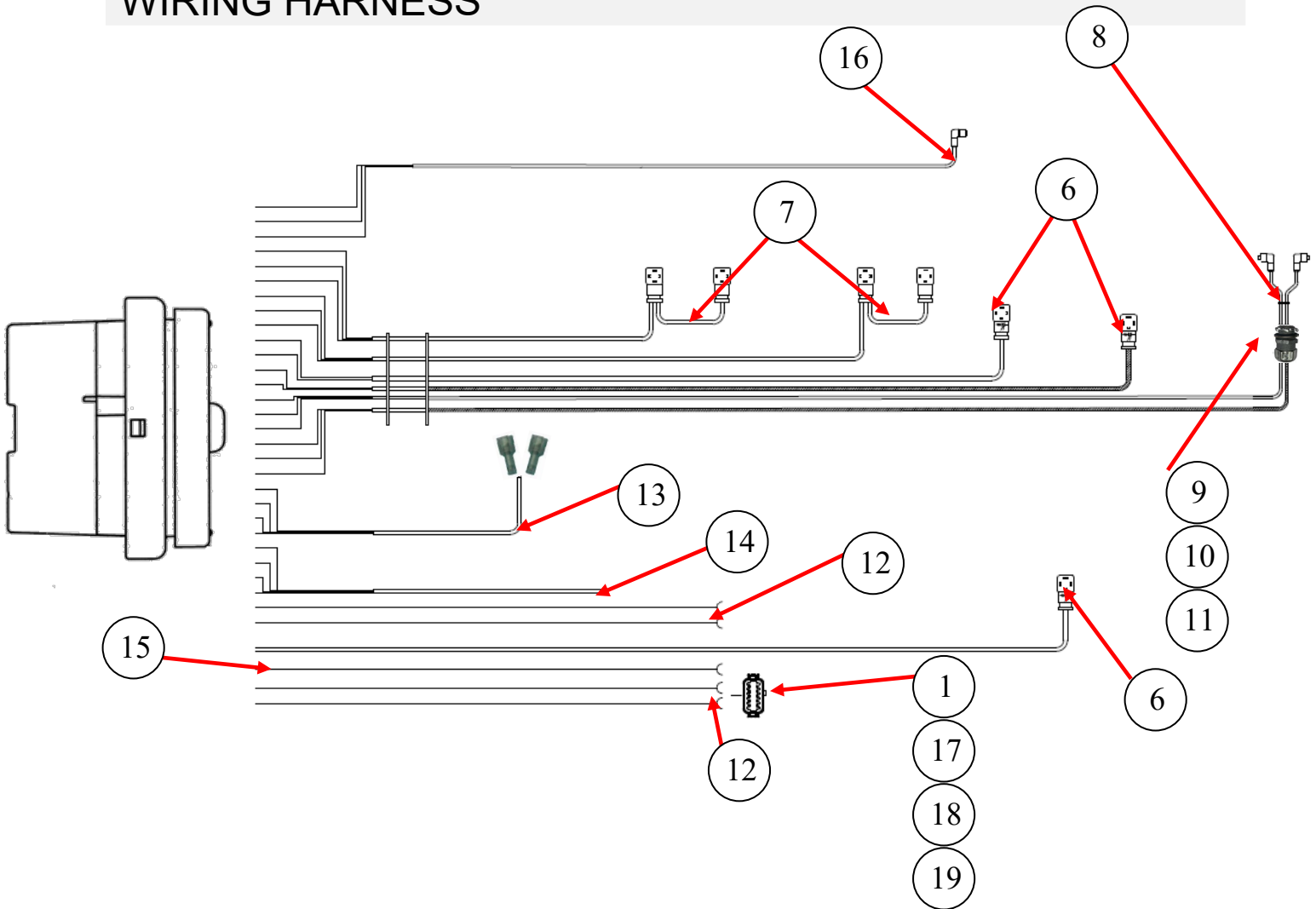


# B20HPC-SKE-V24

PARTS

13822 Oaks Avenue  
Chino, CA 91710  
reedpumps.com  
909-287-2100

## WIRING HARNESS



ENGINE HARNESS SIDE



# B20HPC-SKE-V24

## PARTS

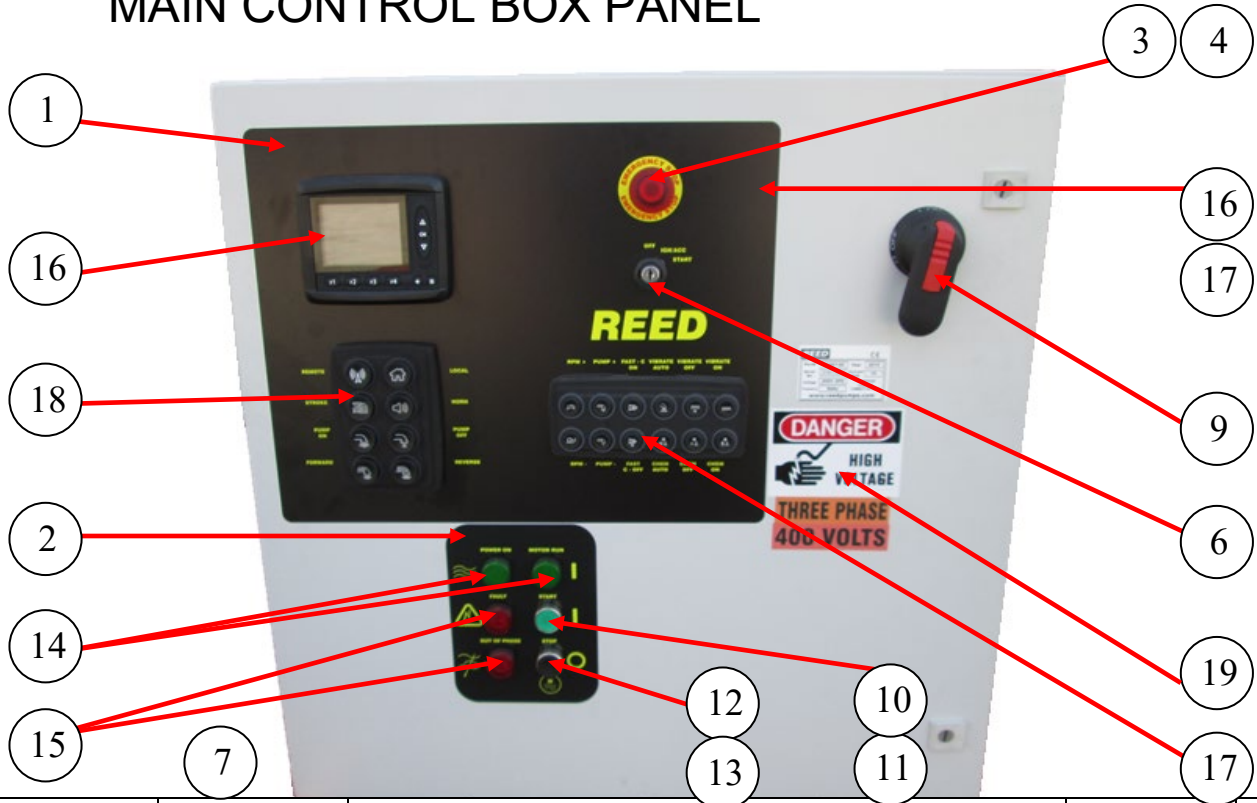
13822 Oaks Avenue  
Chino, CA 91710  
reedpumps.com  
909-287-2100

### WIRING HARNESS

ID #	PART #	PART DESCRIPTION	QUANTITY	
	89498	WIRING HARNESS B SER PLC, ELECTRIC	REF	
1	BW10147	CONTACT SOCKET SIZE 16	35	EA
2	89116	DEUTSCH WEDGE FOR 89109	2	EA
3	87457	PIN FOR 87456 PLUG	15	
4	89109-B	BOOT FOR 89109,89157	1	
5	89157	DEUTSCH RECEPTACLE 128 CONTACT	1	EA
6	87540	CABLE SOLENOID	3	EA
7	88243	CABLE WITH 2 DIN PLUGS 5M	2	EA
8	77990	CABLE, PROXIMITY SWITCH	3	EA
9	10522	STRAIN RELIEF	1	EA
10	10528	NUT 1/2" BONDING TYPE LOCK	1	FT
11	30240	GASKET-LIQUID 1/2"	1	FT
12	85615	CABLE, 14AWG-2C, PVC-GRY	6.5	EA
13	85617	CABLE, 14AWG-4C, PVC-GRY	8.1	FT
14	85619	CABLE, 16AWG-4C, PVC-GRY	9	EA
15	20169	CABLE, 18AWG-3C PVC BLACK	10	FT
16	88678	HOPPER GRATE CABLE (SHIELDED)	1	FT
17	89103	DEUTSCH DT04 BUS, 2X6	1	EA
18	89104	DEUTSH DT06 PLUG, 2X6	1	EA
19	89105	DEUTSH WEDGE FOR 89104	1	EA

### CONTROLS

### MAIN CONTROL BOX PANEL



ID #	PART #	PART DESCRIPTION	QUANTITY	
	85997-70	CONTROL PANEL PLC. 50 HP 460V-/60HZ/3PH	REF	
1	89123	DECAL PLC CONTROL, ELECTRIC PUMPS	1	EA
2	89255	DECAL, START-STOP, ELECTRIC MOTOR	1	EA
3	89090	EMERGENCY STOPBUTTON HEAVY DUTY	1	EA
4	89090-L	ILLUMINATED E-STOP RING	1	EA
5	89090-C	DC/DC CONVERTER 12VDC TO 24VDC	1	EA
6	89004	KEY SWITCH SEALED	1	EA
7	85997-60B	BOX MACHINING WITH PLC	1	EA
8	88045	PANEL FOR 88044 ENCLOSURE	1	EA
9	89577	HANDLE FOR 88098-2 CIRCUIT BREAKERS	1	EA
10	88060	PUSHBUTTON GREEN	1	EA
11	88062	CONTACT BLOCK N.O. FOR 88060	1	EA
12	88061	PUSHBUTTON BLACK	1	EA
13	88063	CONTACT BLOCK N.C. FOR 88062	1	EA
14	88148	LIGHT GREEN 120VAC 22M	2	EA
15	88149	LIGHT RED 120VAC 22M	2	EA
16	88918	MD3, PARKER DISPLAY MODULE	1	EA
17	88978	KEYPAD 2X6 SWITCH, PROGRAMMABLE	1	EA
18	88979	KEYPAD 2X4 SWITCH, PROGRAMMABLE	1	EA
19	74306	DECAL, HIGH VOLTAGE	1	EA



# B20HPC-SKE-V24

PARTS

13822 Oaks Avenue  
Chino, CA 91710  
reedpumps.com  
909-287-2100

## 12VDC-35 AMP POWER SUPPLY



ID #	PART #	PART DESCRIPTION	QUANTITY	
1	88059-2	POWER SUPPLY 12VDC 35 AMP (ACOPIAN) (PS1)	1	EA



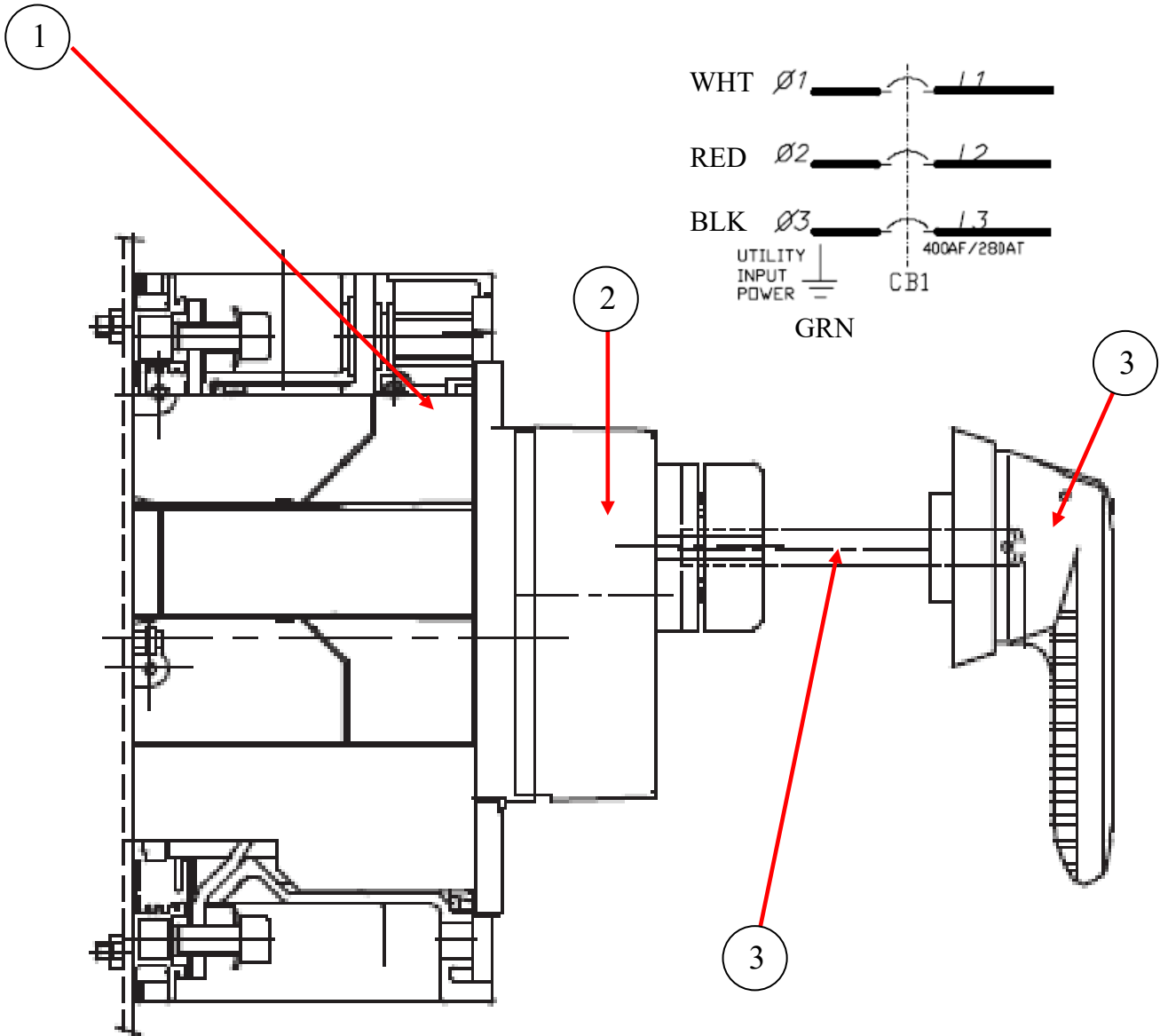


# B20HPC-SKE-V24

## PARTS

13822 Oaks Avenue  
 Chino, CA 91710  
 reedpumps.com  
 909-287-2100

### MOTOR CIRCUIT BREAKER



ID #	PART #	PART DESCRIPTION	QUANTITY	
1	88098-22	CIRCUIT BREAKER 100 AMP 3 POLE LS/IU (CB1)	1	EA
2	89576	MECHANISM FOR CIRCUIT BREAKER	1	EA
3	88109	SHAFT FOR 88047 HANDLE	1	EA
4	89577	HANDLE CIRCUIT BREAKER	1	EA

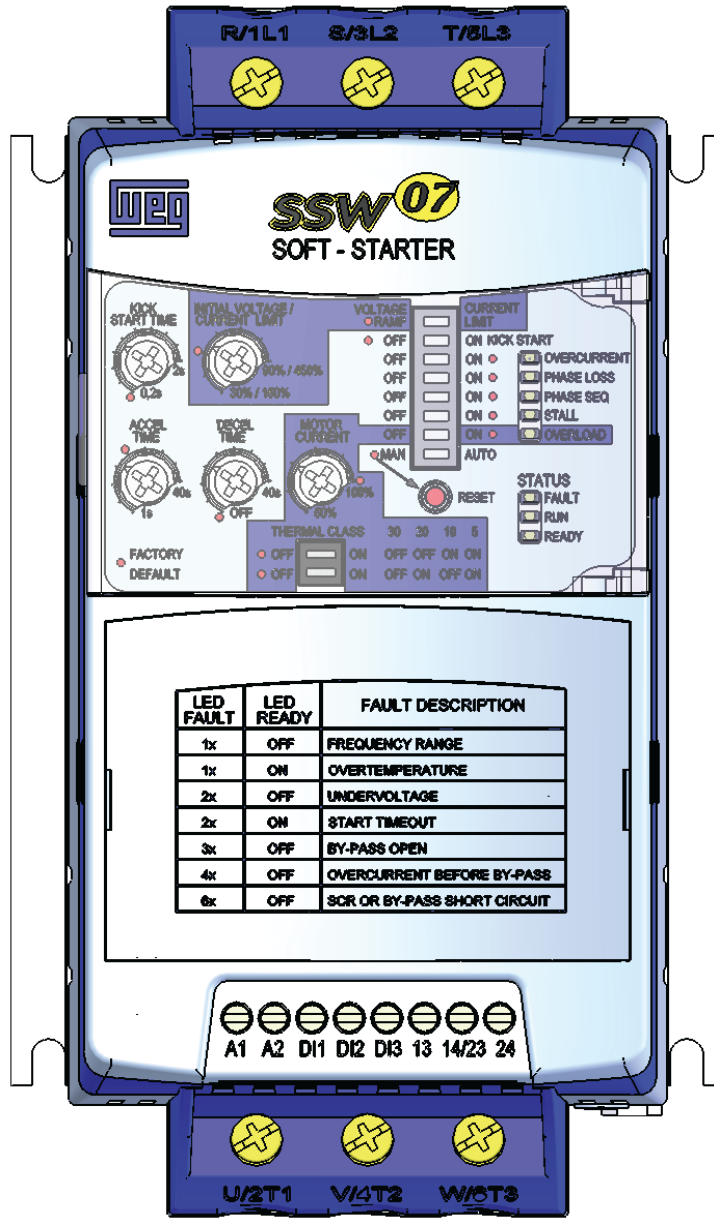


# B20HPC-SKE-V24

## PARTS

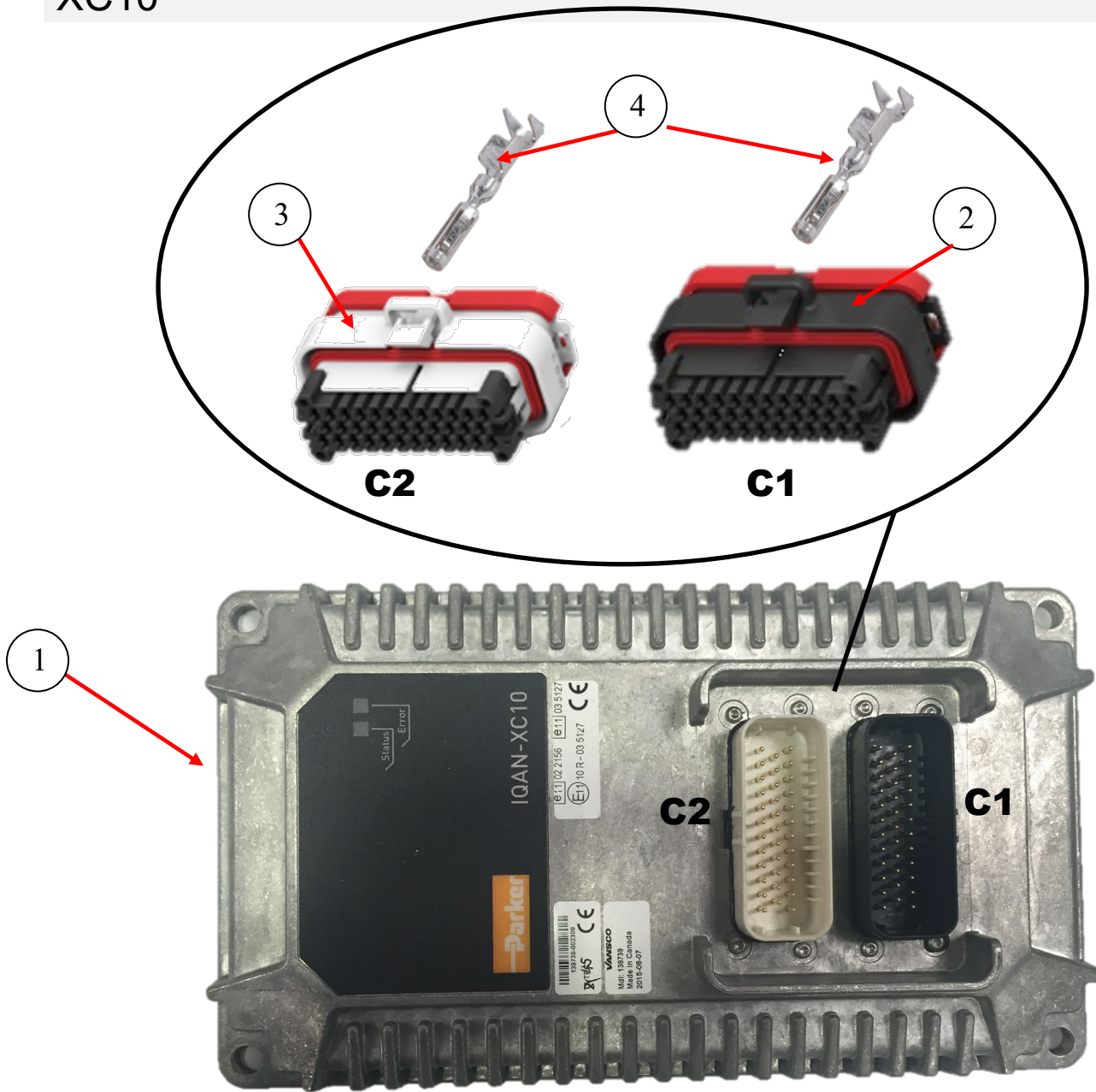
13822 Oaks Avenue  
 Chino, CA 91710  
 reedpumps.com  
 909-287-2100

### SOFT START



ID #	PART #	PART DESCRIPTION	QUANTITY	
1	88437-1	SOFT START (SS1)	1	EA

### XC10



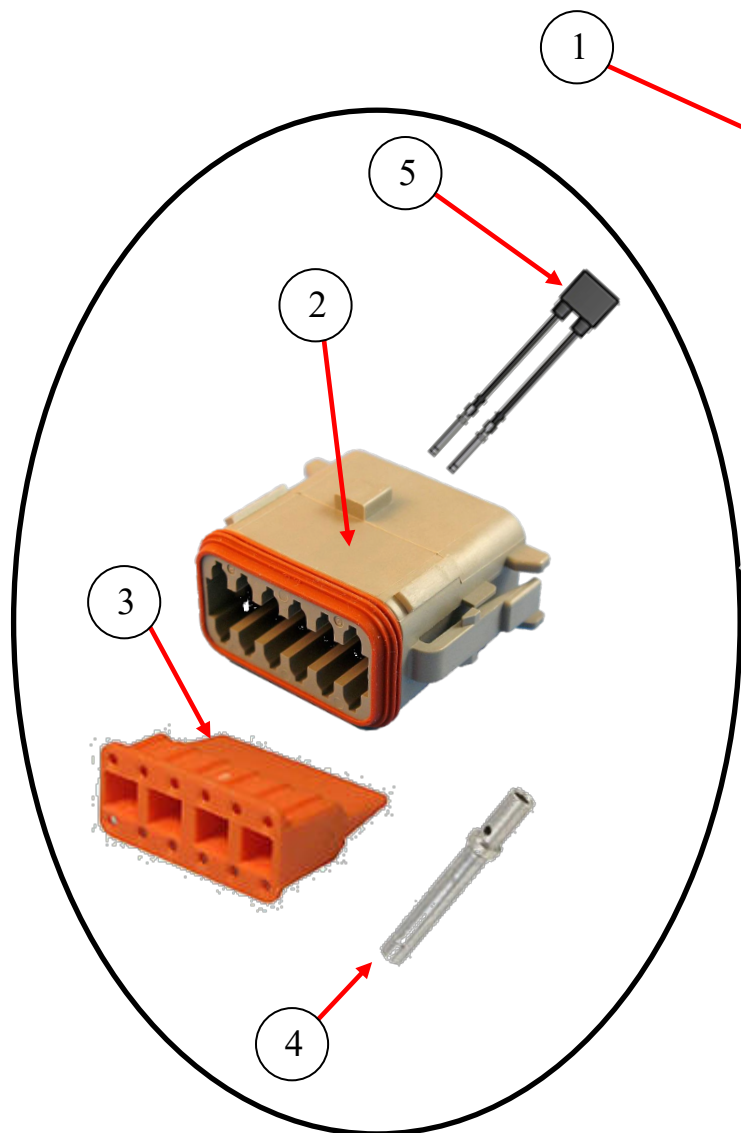
ID #	PART #	PART DESCRIPTION	QUANTITY	
1	88919	XC10, PARKER EXPANTION MODULE	1	EA
2	88945	AMP, 35 POS SEAL PLUG, BLACK (C1)	1	EA
3	88946	AMP, 35 POS SEAL PLUG, WHITE (C2)	1	EA
4	88945-S	AMP, CONTACT PIN (C1, C2)	38	EA

### MD3 DISPLAY MODULE

**FRONT**



**BACK**



ID #	PART #	PART DESCRIPTION	QUANTITY	
1	88918	MD3, PARKER DISPLAY	1	EA
2	88653	PLUG DTM 12 WAY A KEY, GREY (C1)	1	EA
3	88653-2	WEDGELOCK DTM 12 WAY PLUG (C1)	1	EA
4	88959	CONTACT SOCKET SIZE 20 (7.5 AMP) (C1)	9	EA
5	89136	ADDRESS 3 IDTAG WITH DEUTSCH TERMINALS (1K OHM)	1	EA

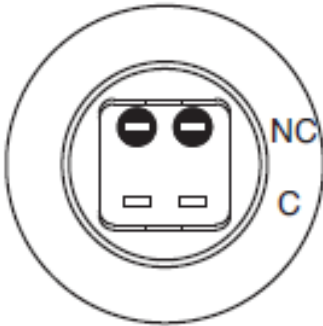


# B20HPC-SKE-V24

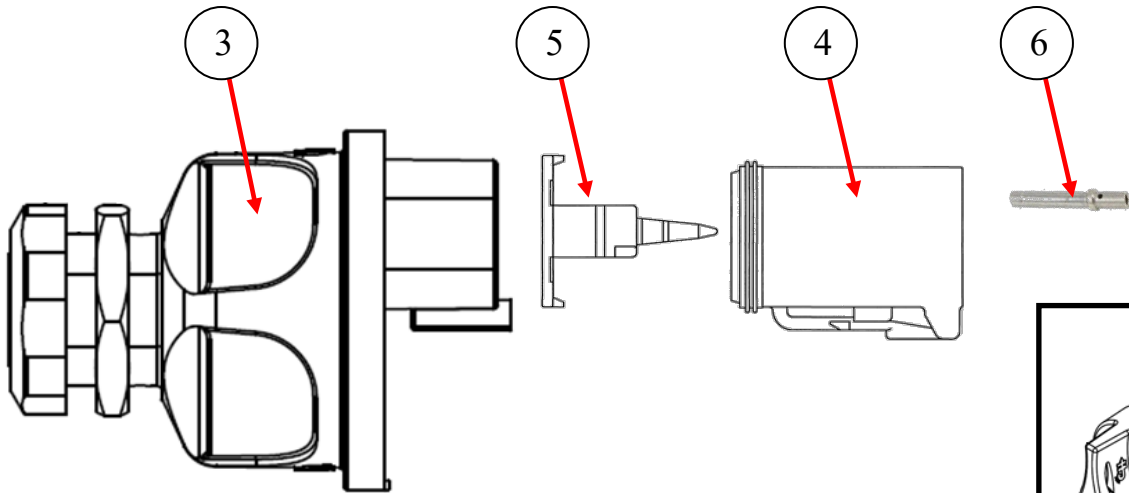
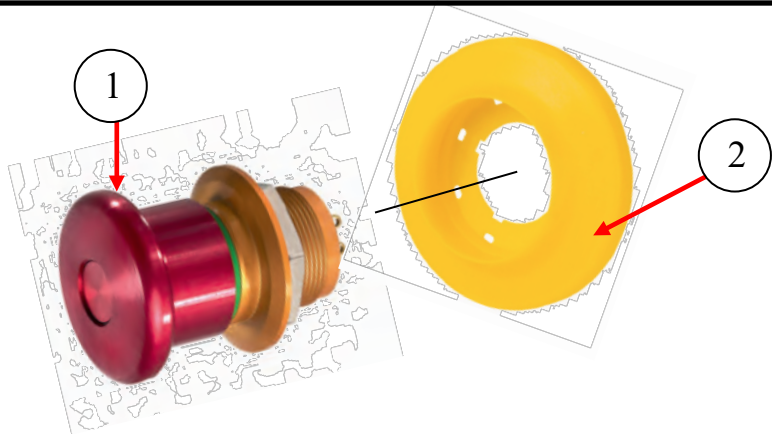
## PARTS

13822 Oaks Avenue  
 Chino, CA 91710  
 reedpumps.com  
 909-287-2100

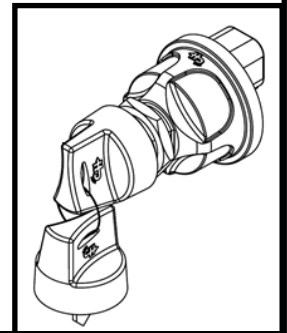
### ESTOP, KEY ASSEMBLY, PLUGS



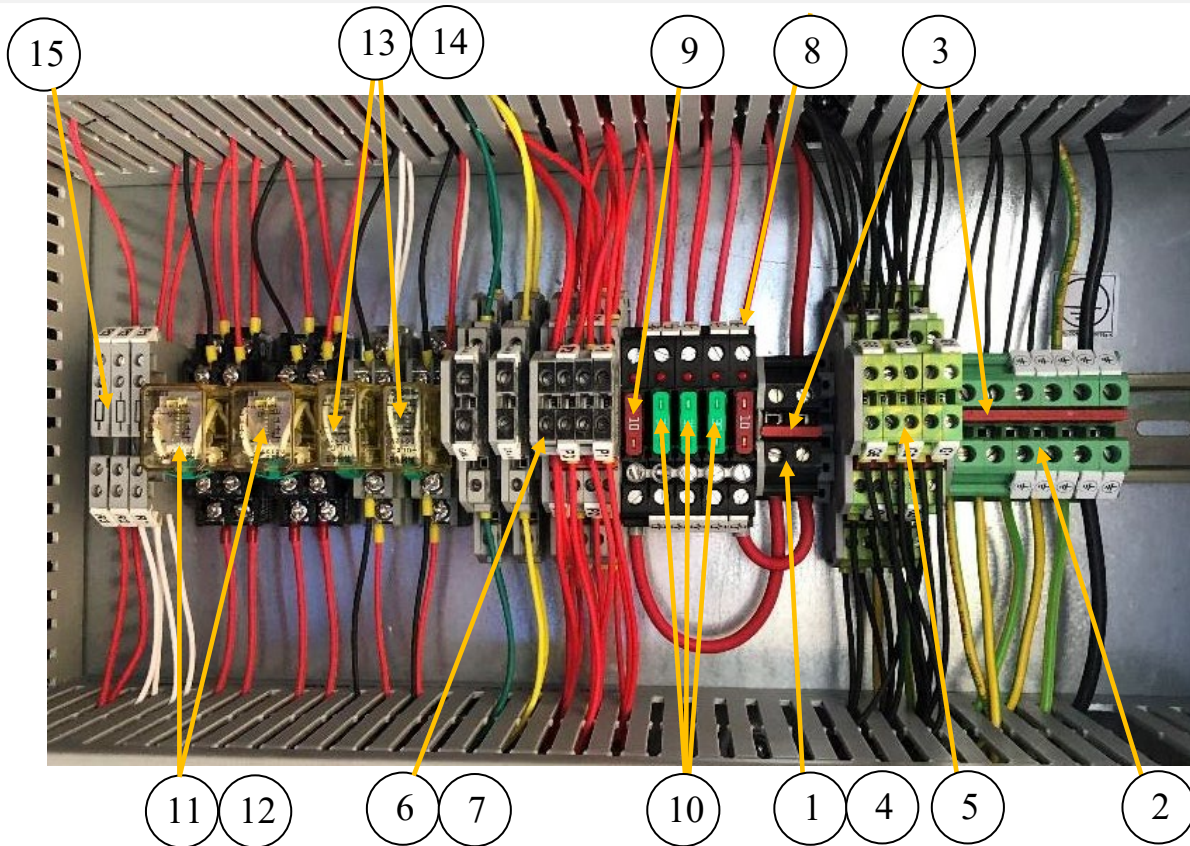
ESTOP ASSEMBLY



KEY ASSEMBLY

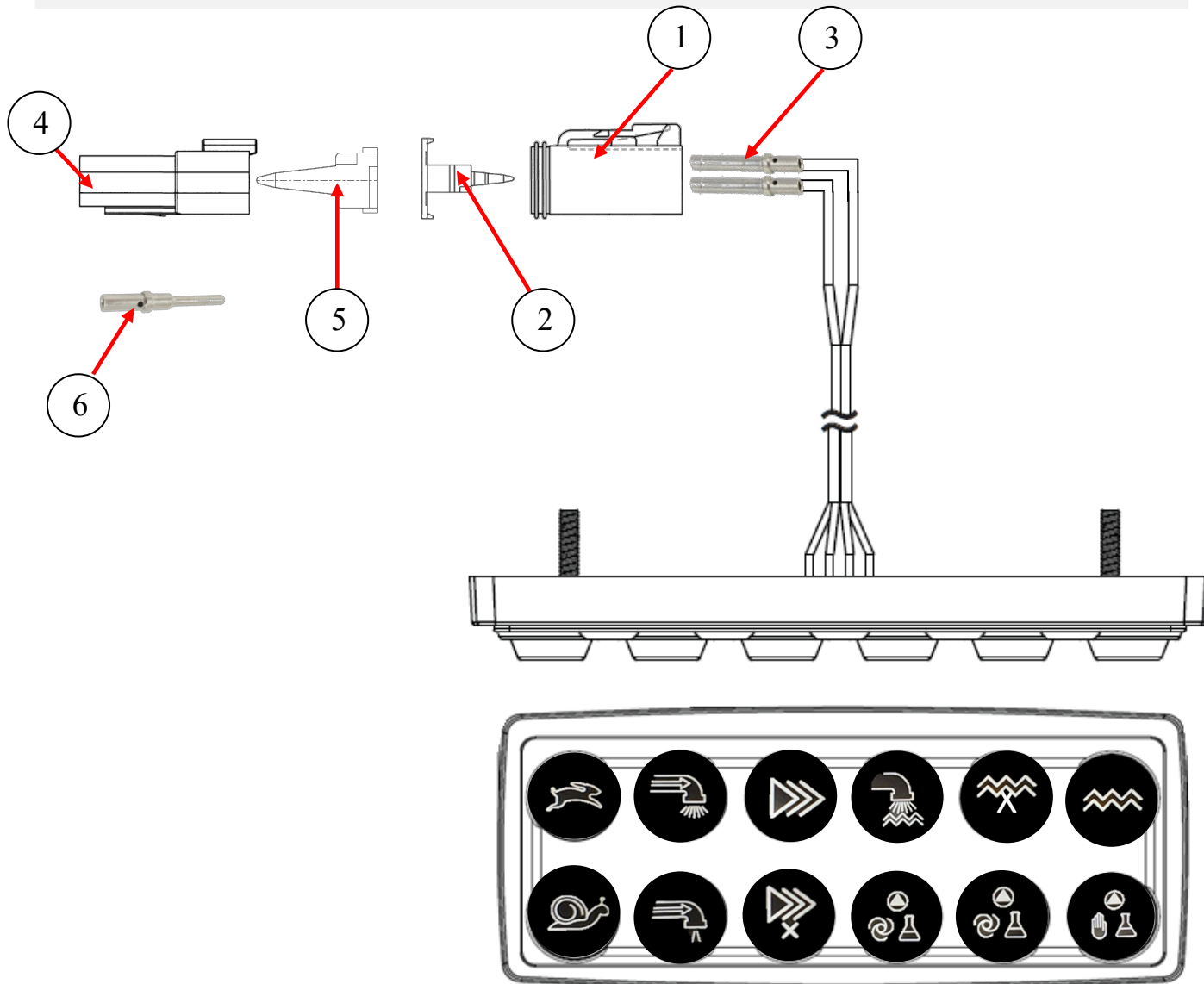


ID #	PART #	PART DESCRIPTION	QUANTITY	
1	89090	EMERGENCY STOP BUTTON HEAVY DUTY	1	REF
2	89090-L	ILLUMINATED E-STOP RING	1	REF
3	89004	KEY SWITCH SEALED	1	REF
4	89107	DEUSCH DT06, 1X6	1	QTY
5	89108	DEUSCH WEDGE LOCK FOR 89107	1	QTY
6	BW10147	DEUSCH CONTACT SOCKET, 16AWG	6	QTY



ID #	PART #	PART DESCRIPTION	QUANTITY	
1	89937	TERMINAL BLOCK, 2 POSITIONS	2	EA
2	89938	TERMINAL BLOCK, 2 POSITION, GND	6	EA
3	89939	BRIDGE, 8MM, FOR 89937	1	EA
4	89940	END COVER FOR 89937	2	EA
5	89922	TERMINAL BLOCK, 6 POSITION GND BUSS	5	EA
6	89921	TERMINAL BLOCK, 6 POSITION BUSS	6	EA
7	89926	END COVER FOR 89921	4	EA
8	88881	FUSE HOLDERS DIN RAIL MOUNT	5	EA
9	800449	FUSE, ATO 10 AMP	2	EA
10	90394	FUSE, ATO 30 AMP	3	EA
11	88346-1	RELAY, SPDT, 12VDC, W/CHECKBUTTON AND LED	2	EA
12	88348	BASE, RELAY FOR 88346	2	EA
13	88345	RELAY, 2PDT, 12VDC	2	EA
14	88347	BASE, RELAY FOR 88345	2	EA
15	89920	TERMINAL BLOCK, 249 OHM RESISTER	3	EA

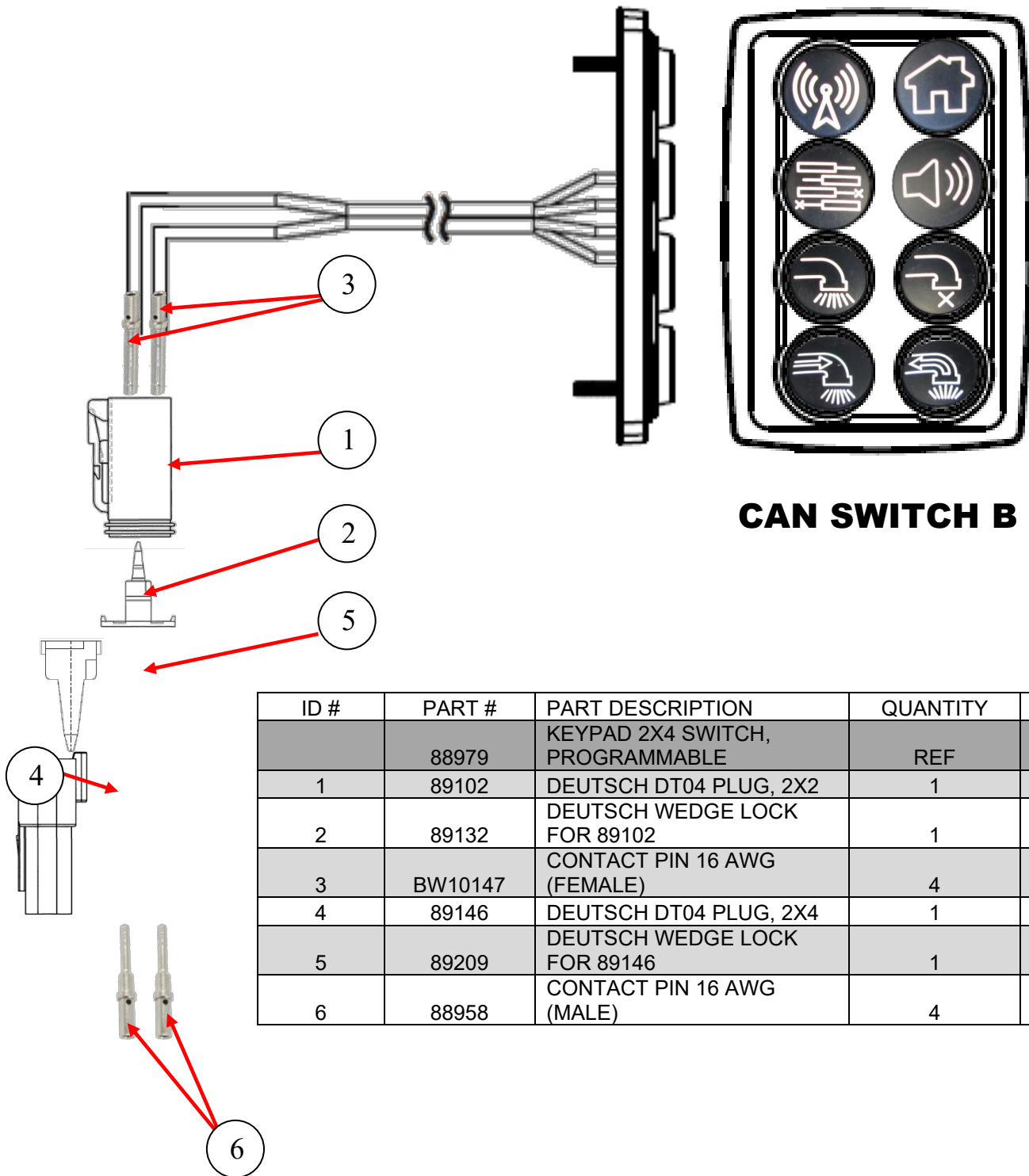
### CAN PUSH BUTTON SWITCHES PLUGS



### CAN SWITCH A

ID #	PART #	PART DESCRIPTION	QUANTITY	
	88978	KEYPAD 2X6 SWITCH, PROGRAMMABLE	REF	
1	89102	DEUTSCH DT04 PLUG, 2X2	1	EA
2	89132	DEUTSCH WEDGE LOCK FOR 89102	1	EA
3	BW10147	CONTACT PIN 16 AWG (FEMALE)	4	EA
4	89146	DEUTSCH DT04 PLUG, 2X4	1	EA
5	89209	DEUTSCH WEDGE LOCK FOR 89146	1	EA
6	88958	CONTACT PIN 16 AWG (MALE)	4	EA

### CAN PUSH BUTTON SWITCH PLUGS

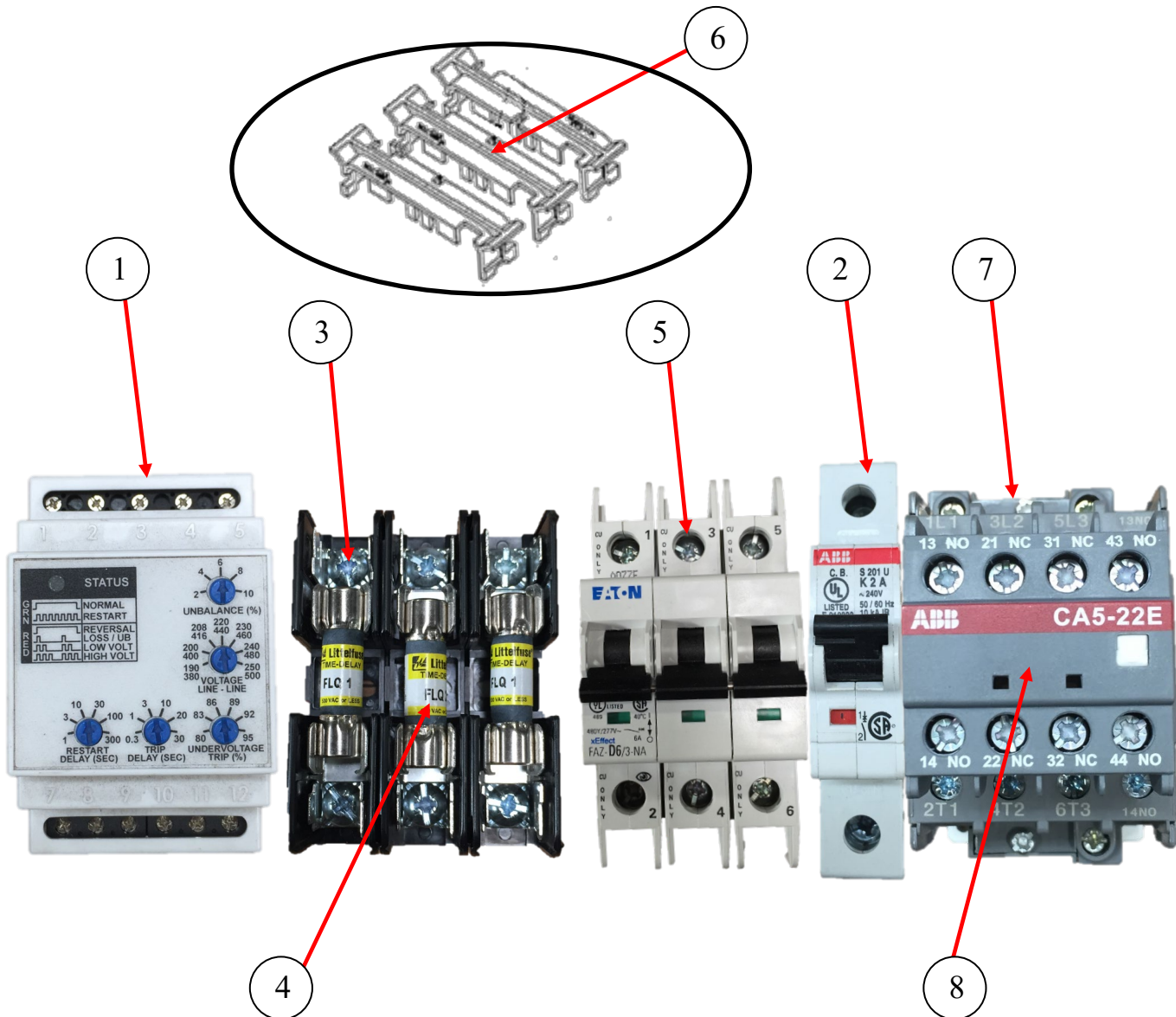


**CAN SWITCH B**

ID #	PART #	PART DESCRIPTION	QUANTITY	
	88979	KEYPAD 2X4 SWITCH, PROGRAMMABLE	REF	
1	89102	DEUTSCH DT04 PLUG, 2X2	1	EA
2	89132	DEUTSCH WEDGE LOCK FOR 89102	1	EA
3	BW10147	CONTACT PIN 16 AWG (FEMALE)	4	EA
4	89146	DEUTSCH DT04 PLUG, 2X4	1	EA
5	89209	DEUTSCH WEDGE LOCK FOR 89146	1	
6	88958	CONTACT PIN 16 AWG (MALE)	4	EA



### FUSES, CONTACTOR, PHASE MONITOR



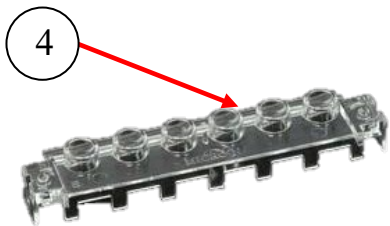
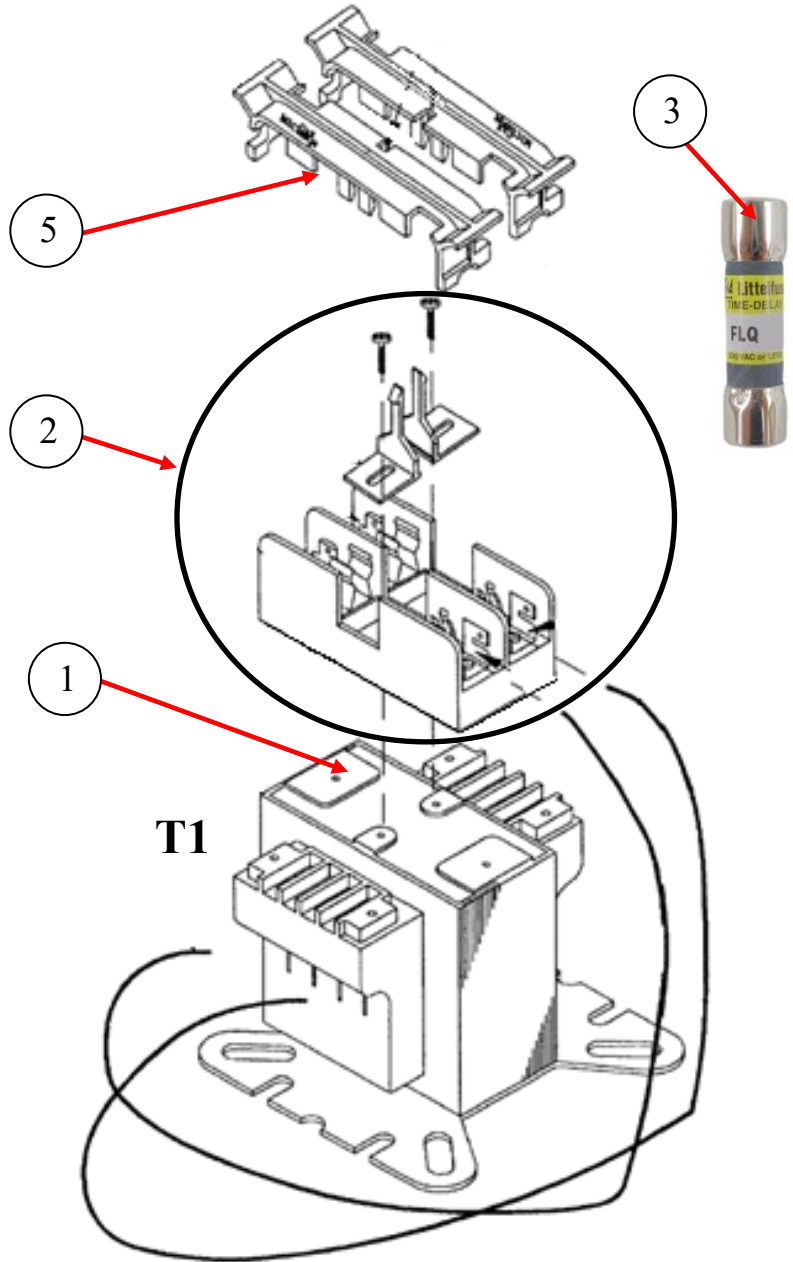
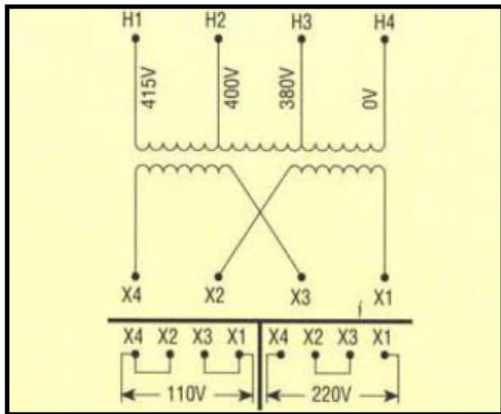
ID #	PART #	PART DESCRIPTION	QUANTITY	
1	88066	PHASE MONITOR 480 V (A1)	1	EA
2	88055	CIRCUIT BREAKER 2AMP (CB3)	1	EA
2A	88176	CIRCUIT BREAKER 8AMP (CB4)	1	EA
2B	88058-1	CIRCUIT BREAKER 40 AMP (CB2)	1	EA
3	88053	FUSE BLOCK	1	EA
4	88054-1	FUSE 1 AMP (FU7, FU8,FU9)	3	EA
5	88665	CIRCUIT BREAKER 3 POLE (ONLY FOR CEM PUMP)	REF	
6	88053-COVER	COVER FOR FUSE BLOCK KIT	3	EA
7	88067	CONTACTOR-CONTROL, 3 POL N/O	1	EA
8	89288	N/C CONTACT BLOCK (K1.1)		

## TRANSFORMER 250VA

**NOTE:** MICRON  
TRANSFORMER

FUSE KIT #FKTP-1001

COVER KIT #TPTC-2006



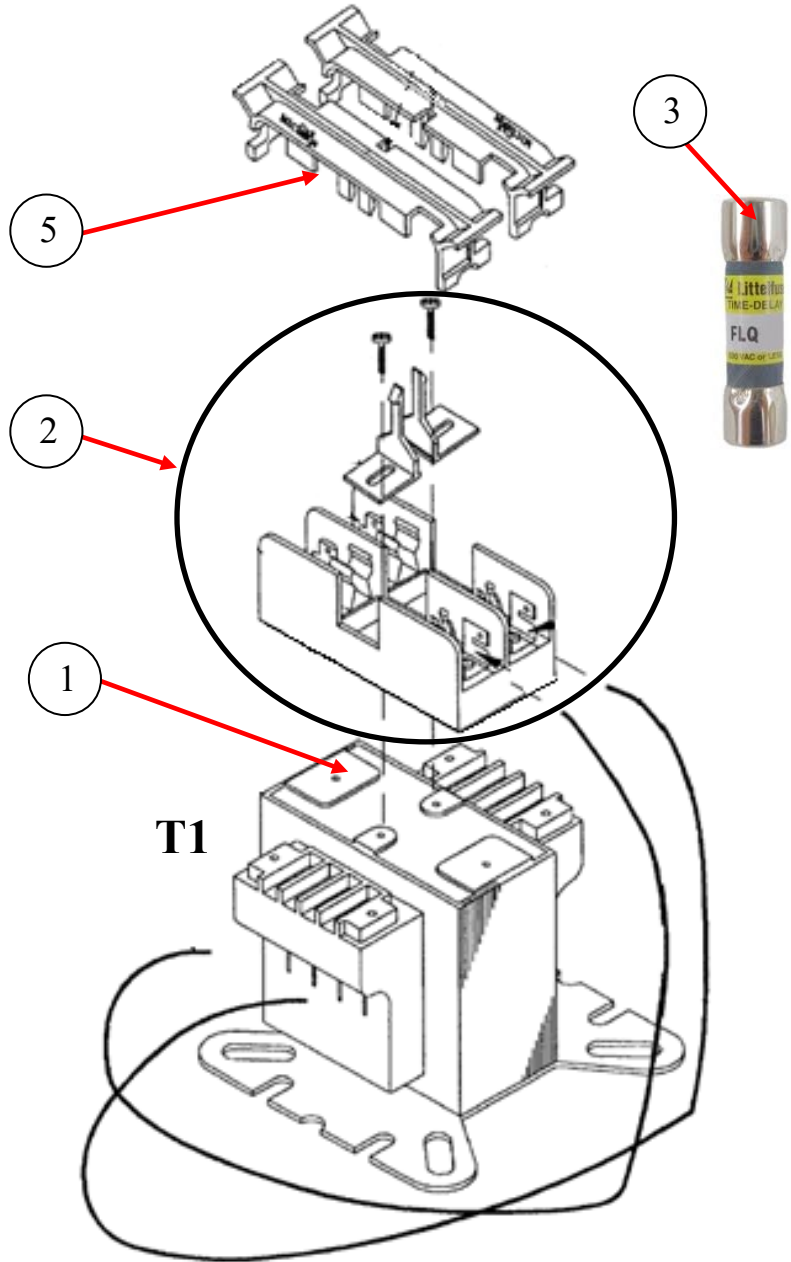
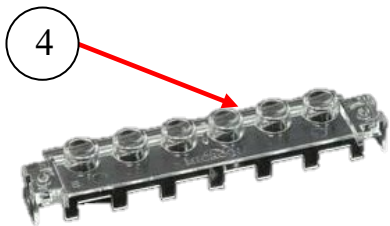
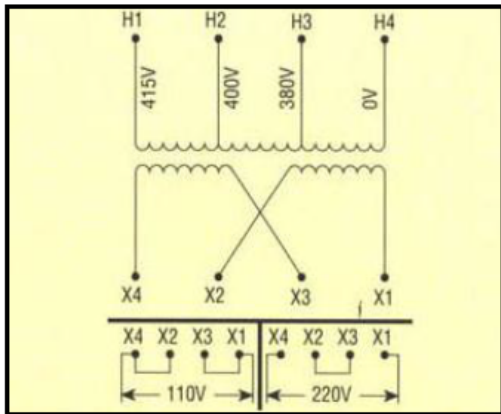
ID #	PART #	PART DESCRIPTION	QUANTITY	
1	89959	TRANSFORMER 250 KVA (460V/120V) (T1)	1	EA
2	88053	FUSE BLOCK KIT	1	EA
3	88054	FUSE 2 AMP	2	EA
4	88177-C	COVER KIT FOR TRANSFORMER	1	EA
5	88053-COVER	COVERKIT FOR 88053	1	EA

### TRANSFORMER 750VA

**NOTE:** MICRON  
TRANSFORMER

FUSE KIT #FKTP-1001

COVER KIT #TPTC-2006



ID #	PART #	PART DESCRIPTION	QUANTITY	
1	88177	TRANSFORMER 750 KVA (230/460-120V)	1	EA
2	88053	FUSE BLOCK KIT	1	EA
3	88175	FUZE 6 AMP	2	EA
4	88177-C	COVER KIT FOR TRANSFORMER	1	EA
5	88053-COVER	COVERKIT FOR 88053	1	EA

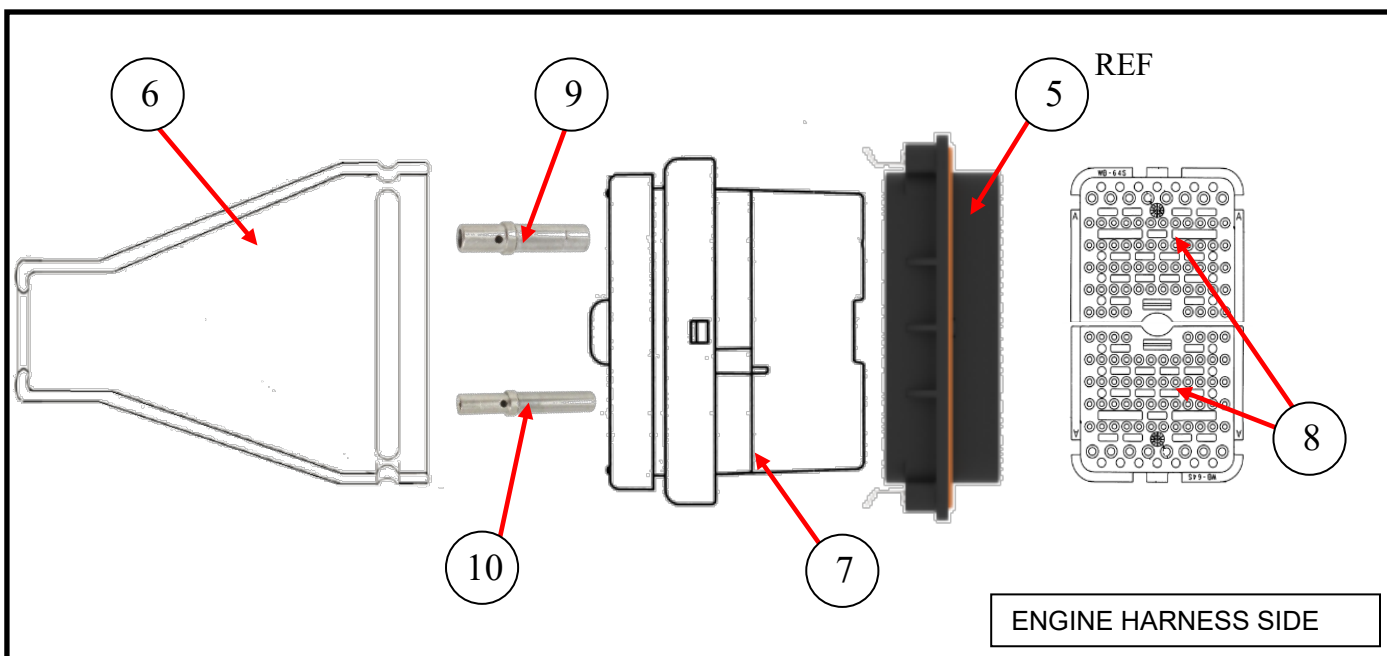
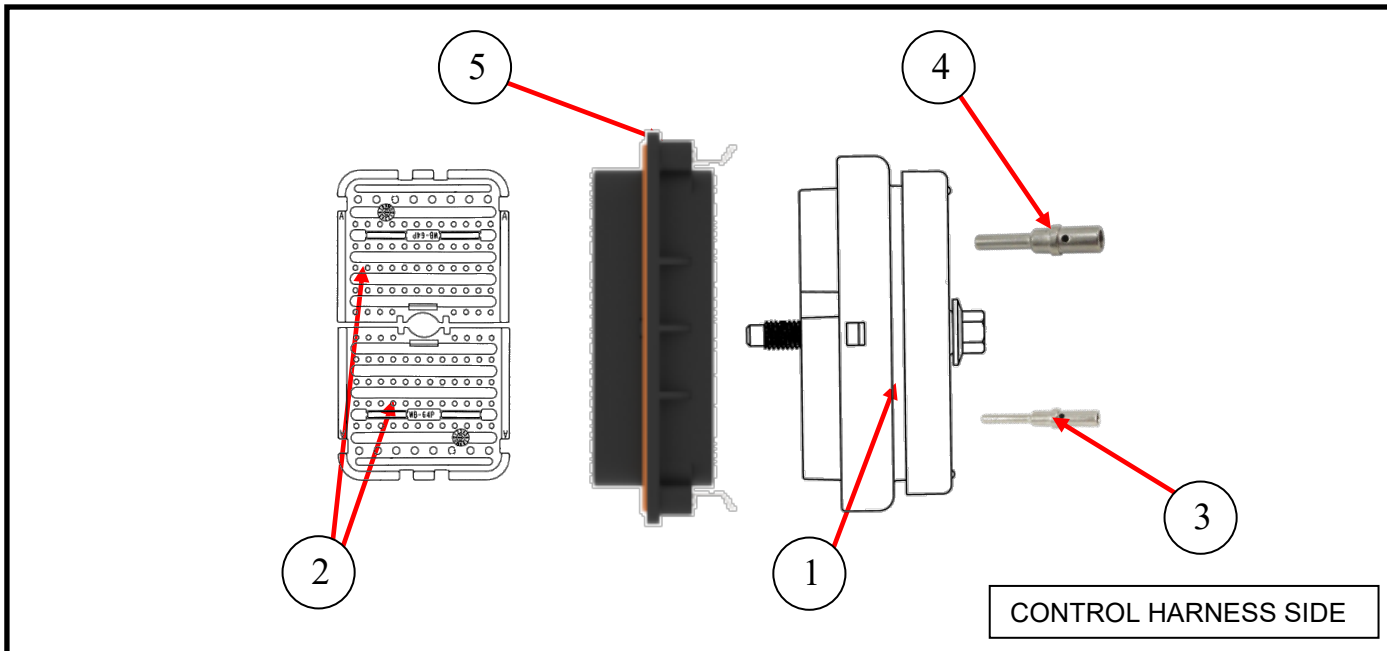


# B20HPC-SKE-V24

PARTS

13822 Oaks Avenue  
Chino, CA 91710  
reedpumps.com  
909-287-2100

## DEUTSCH 128 PLUG ASSEMBLY



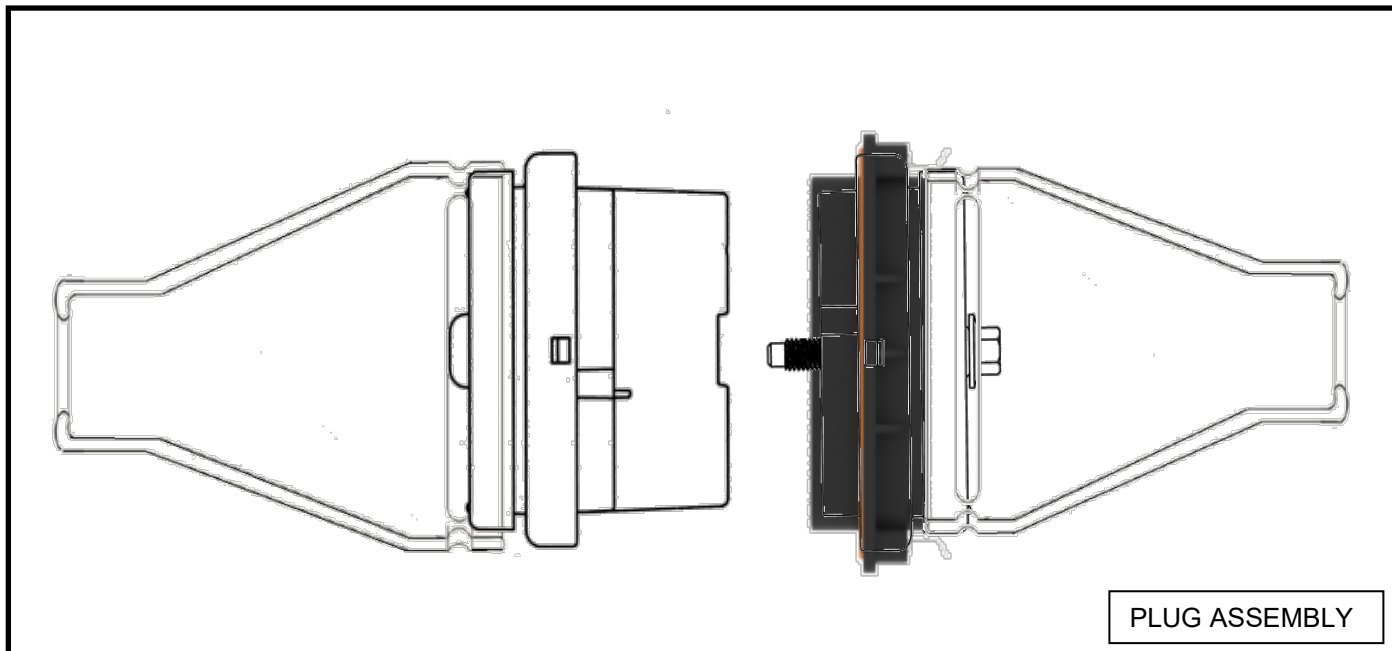


# B20HPC-SKE-V24

PARTS

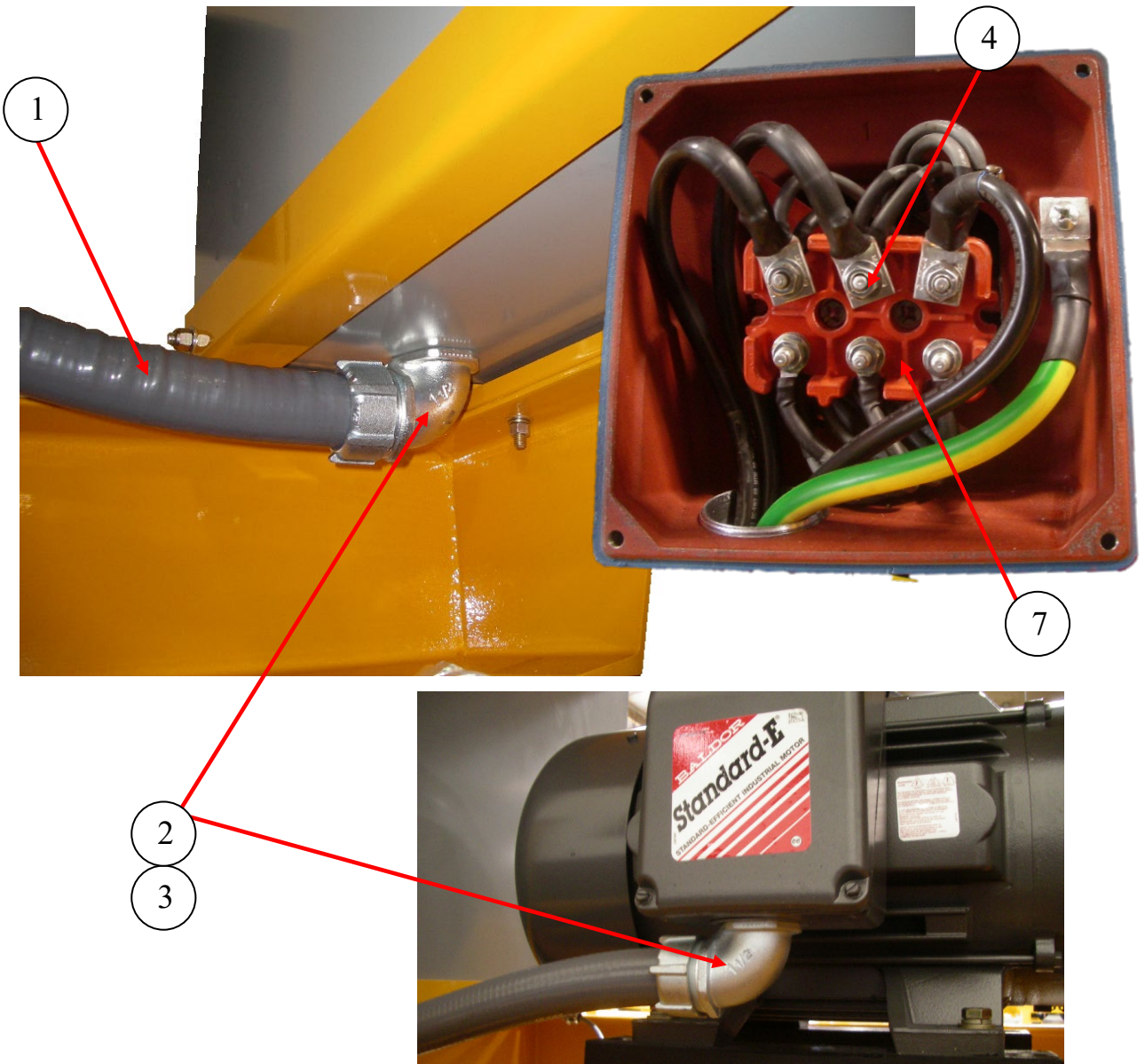
13822 Oaks Avenue  
Chino, CA 91710  
reedpumps.com  
909-287-2100

## DEUTSCH 128 PLUG ASSEMBLY CONT.



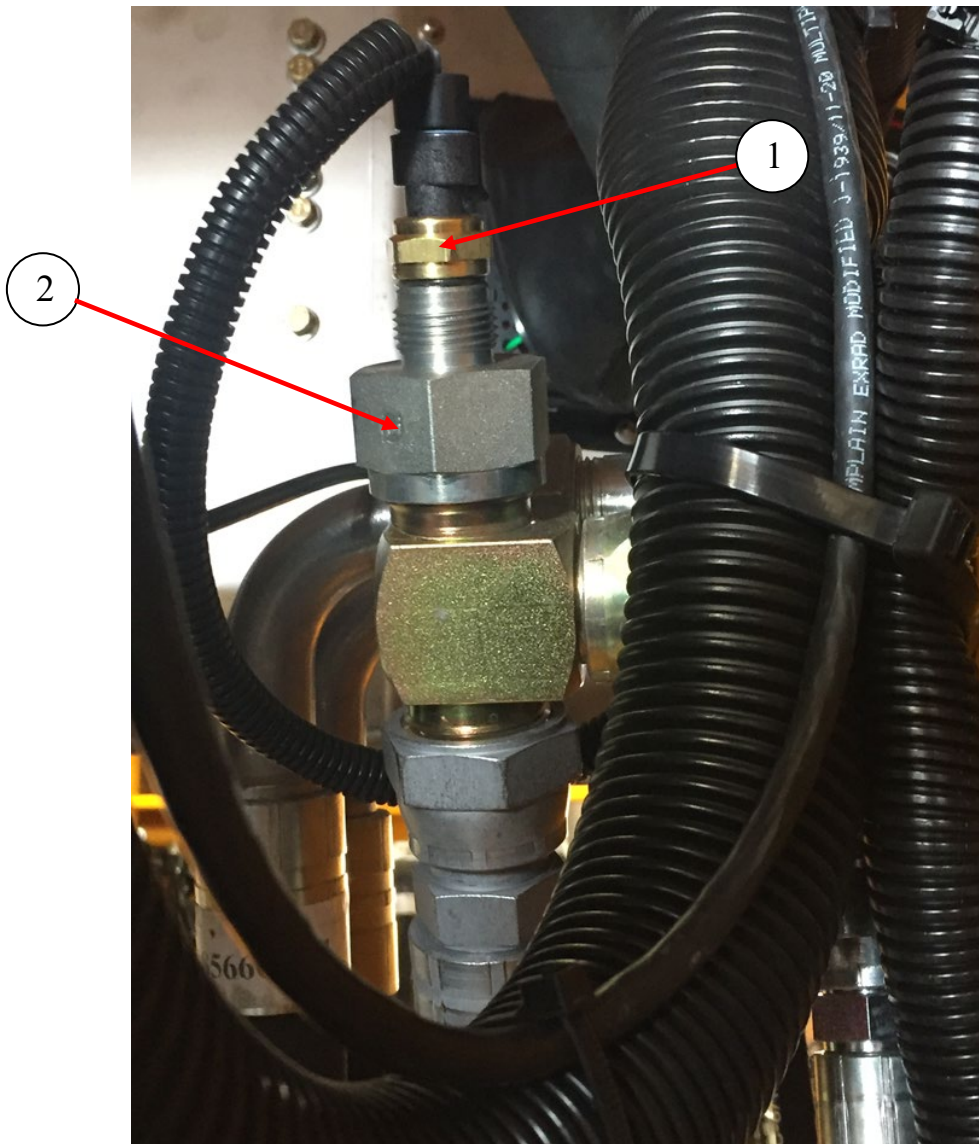
ID #	PART #	PART DESCRIPTION	QUANTITY	
1	89109	DEUTSCH RECEPTACLE 128 CONTACT, PIN	1	EA
2	89159	DEUTSCH WEDGE LOCK FOR 89157	2	EA
3	88958	CONTACT PIN SIZE 16 AWG, (MALE)	72	EA
4	87807	CONTACT PIN SIZE 12 AWG, (MALE)	16	EA
5	89158	DEUTSCH RECEPTACLE, FLANGE	1	EA
6	89109-B	DEUTSCH, BOOT COVER	1	EA
7	89157	DEUTSCH RECEPTACLE 128 CONTACT, SOCKET	1	EA
8	89116	DEUTSCH WEDGE LOCK FOR 89157	1	EA
9	87457	CONTACT SOCKET, SIZE 12 AWG, (FEMALE)	1	EA
10	BW10147	CONTACT SOCKET, SIZE 16 AWG, (FEMALE)	1	EA

### CONDUIT, FITTING



ID #	PART #	PART DESCRIPTION	QUANTITY	
1	86518-1	CONDUIT – 2" IN LIQUID TITE	3	FT
2	86519-1	CONNECTOR 2" ELBOW 90°	2	EA
3	86520-1	INSULATED BUSHING 2"	4	EA
4	89150-2	WIRE LUG – 1 AWG 3/8 HOLE	6	EA
5	89902	CABLE, 2 AWG ( <b>GROUND</b> )	9	FT
6	86523	CABLE, 2 AWG ( <b>POWER</b> )	20	FT
7	88928	TERMINAL BLOCK MOTOR CONNECTION	1	EA

### HYD TEMPERTURE SENSOR



ID #	PART #	PART DESCRIPTION	QUANTITY	
1	W-105568	SENSOR TEMPERTURE, 55 DEG	1	EA
2	89593	ADAPTER TEMP SENSOR	1	EA



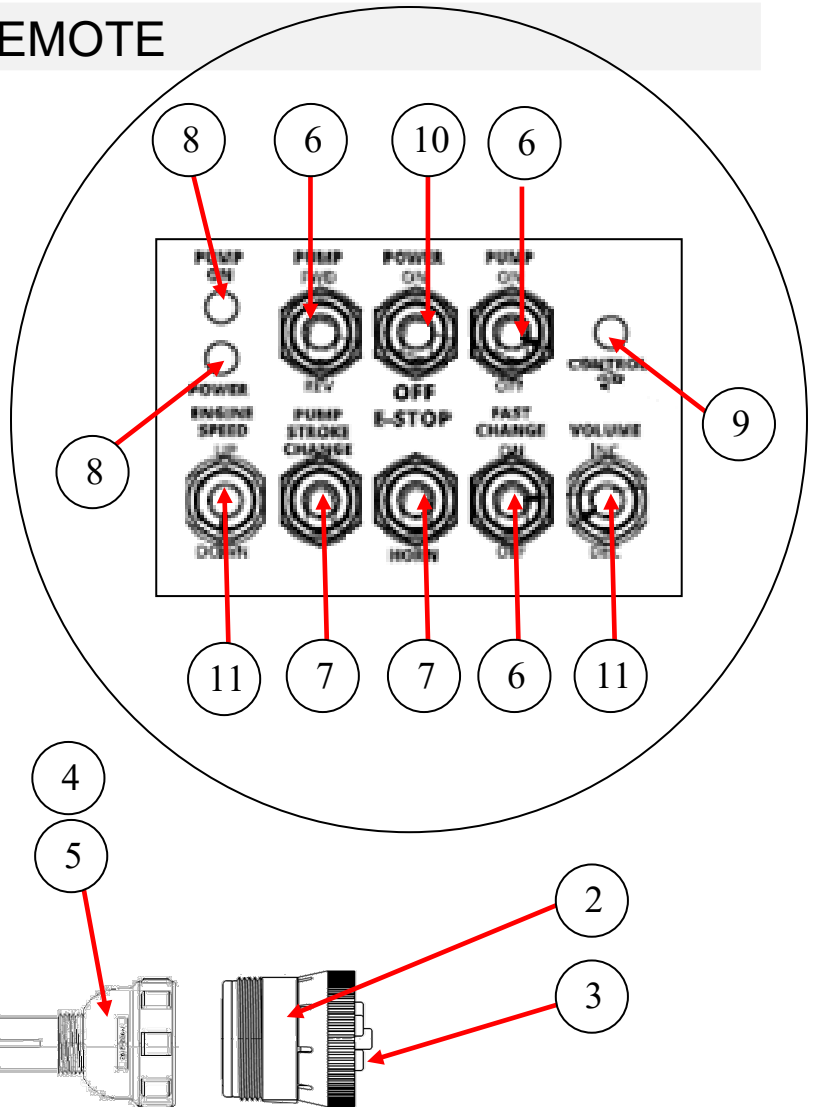
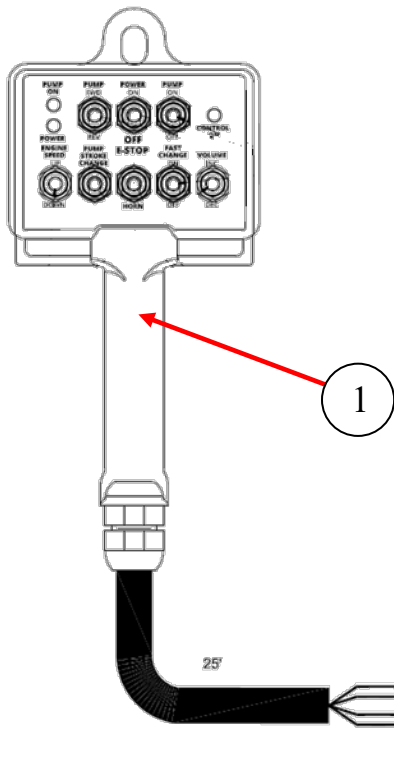
# B20HPC-SKE-V24

## PARTS

13822 Oaks Avenue  
Chino, CA 91710  
reedpumps.com  
909-287-2100

### OPTION 50FT CABLE REMOTE

COLOR	DESCRIPTION
RED	POWER (9-30VDC)
BLACK	GROUND
WHITE	CAN-H
GREEN	CAN-L



ID #	PART #	PART DESCRIPTION	QUANTITY	
1	89273	KAR TECH PLC REMOTE CONTROL, 25 FT	1	EA
2	89922	DEUTSCH CONNECTOR, 6 PIN	1	EA
3	BW10147	PINS (FEMALE)	6	EA
4	89222-CG	DEUTSCH BACK SHELL FOR 89922	1	EA
5	89223-CG	DEUTSCH COMPRESSION NUT FOR 89922	1	EA
6	BW10207	SW, TOGGLE, (ON-OFF) PUMP ON/OFF & FWD/REV FAST CHANGE	3	EA
7	BW10206	SW, TOGGLE, (ON-OFF) HORN & STROKE CHANGE	2	
8	88170	LED, CONTROL ON (GREEN)	2	EA
9	88171	LED, CONTROL ON (RED)	1	EA
10	BW10223	SW, POWER ON/ OFF	1	EA
11	BW10205	SW, TOGGLE, (ON-OFF-ON) RPM+/- & VOLUME+/-	2	EA
12	87875	SPRING SNAP	1	EA
REF	BW10361	SW, SEALING BOOT	8	EA





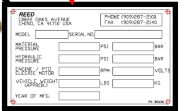
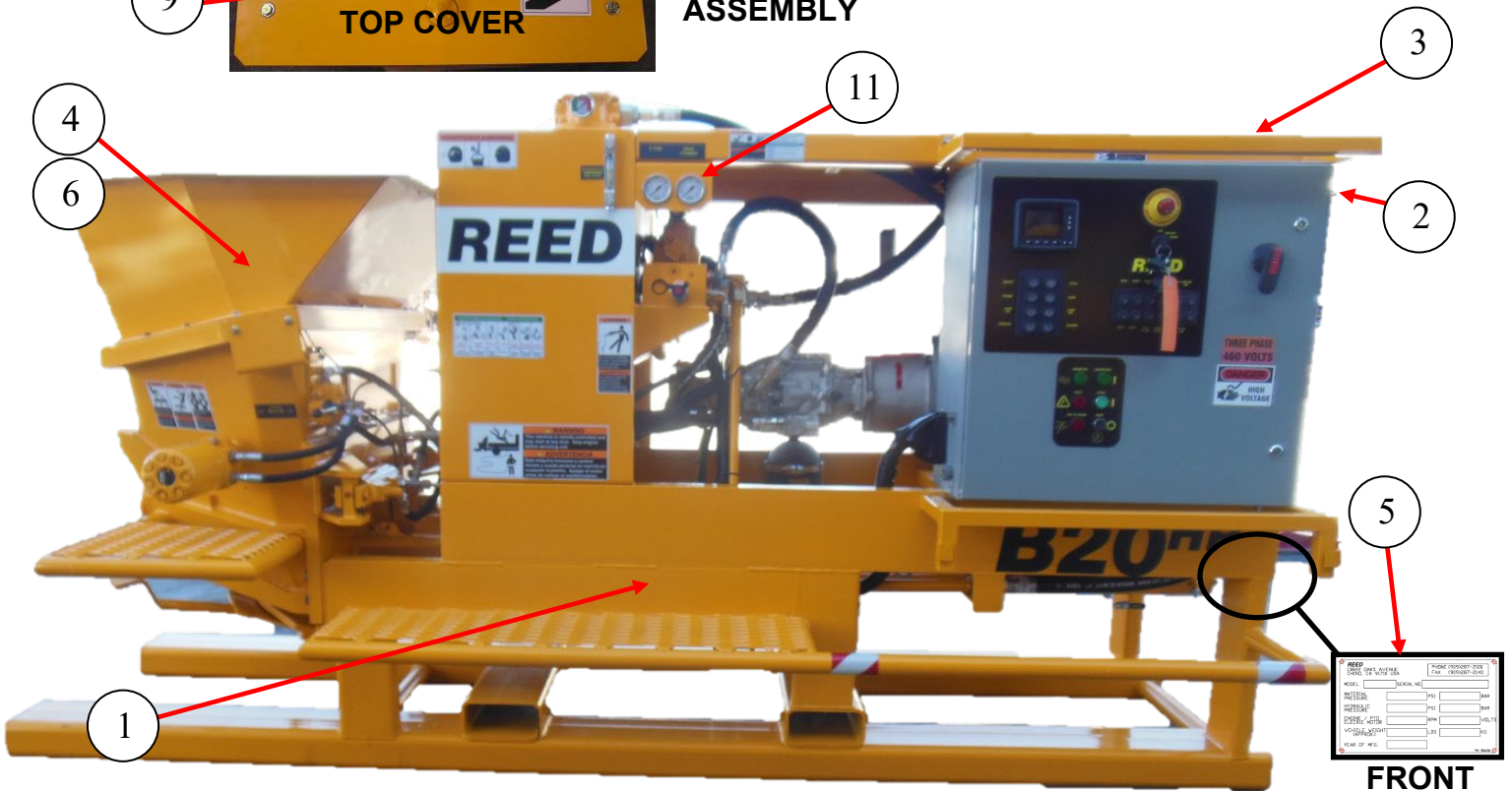
# B20HPC-SKE-V24

## PARTS

13822 Oaks Avenue  
Chino, CA 91710  
reedpumps.com  
909-287-2100

### FRAME

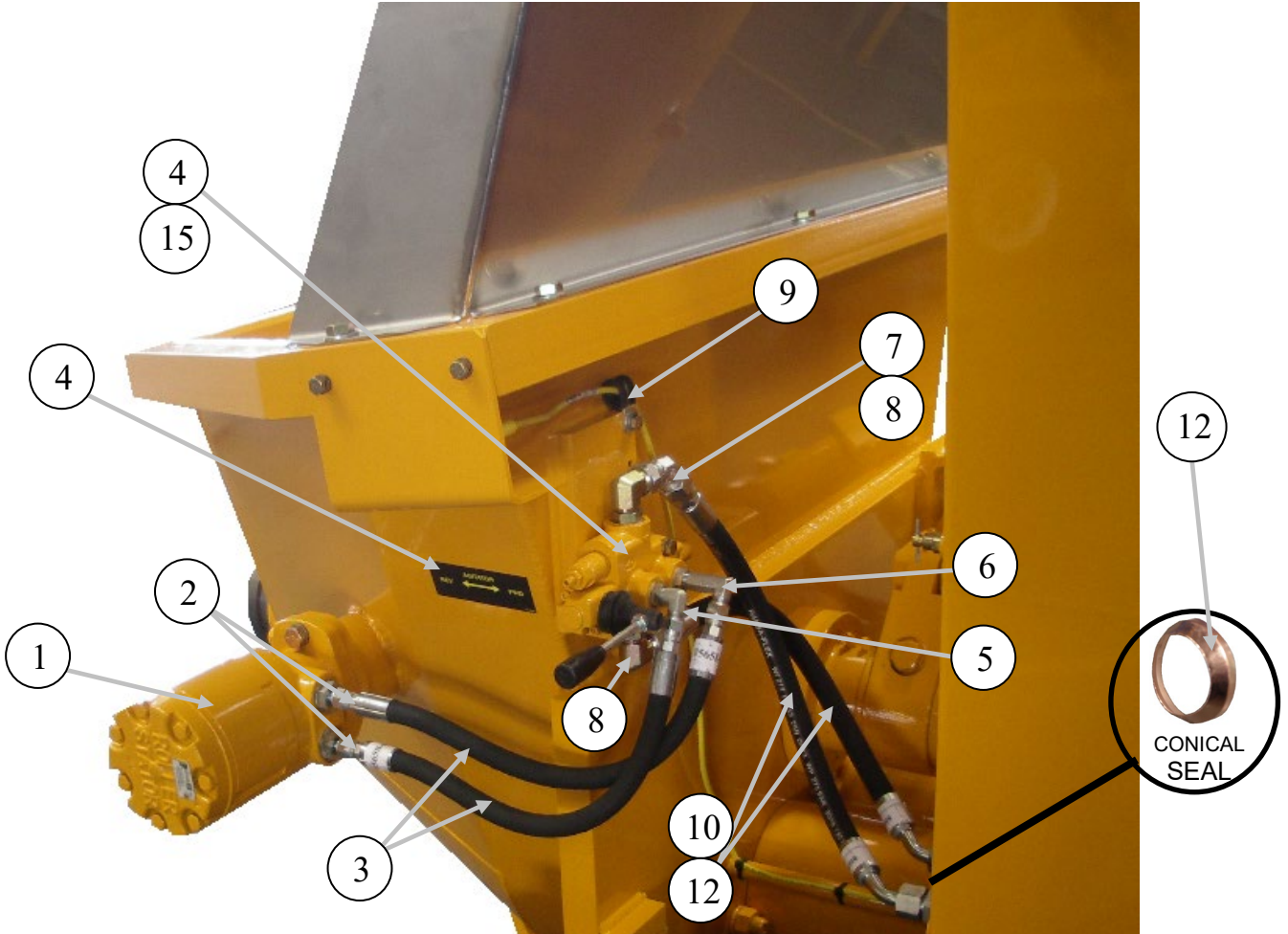
### HOOD AND COVERS



ID #	PART #	PART DESCRIPTION	QUANTITY	
1	88644	SKID FRAME WELDMENT, B20 SER ELECTRIC	REF	
2	87060	FRONT SKID MESH SCREEN	1	EA
3	89539	TOP, B20 SER ELECTRIC	1	EA
4	85714-1	SPLASH GUARD, WITH HOPPER SAFTY GRATE	1	EA
5	803326	SERIAL NUMBER PLATE (BLANK)	1	EA
6	87126	HOPPER EXTENTION (OPTION)	REF	
7	88187	COVER WELDMENT, FLUSH BOX	1	EA
8	86105	KNOB	1	EA
9	79056	HANDLE	1	EA
10	800418	LANYARD, Q/R PIN	1	EA
11	87147	BRACKET, HYD GAUGE	1	EA

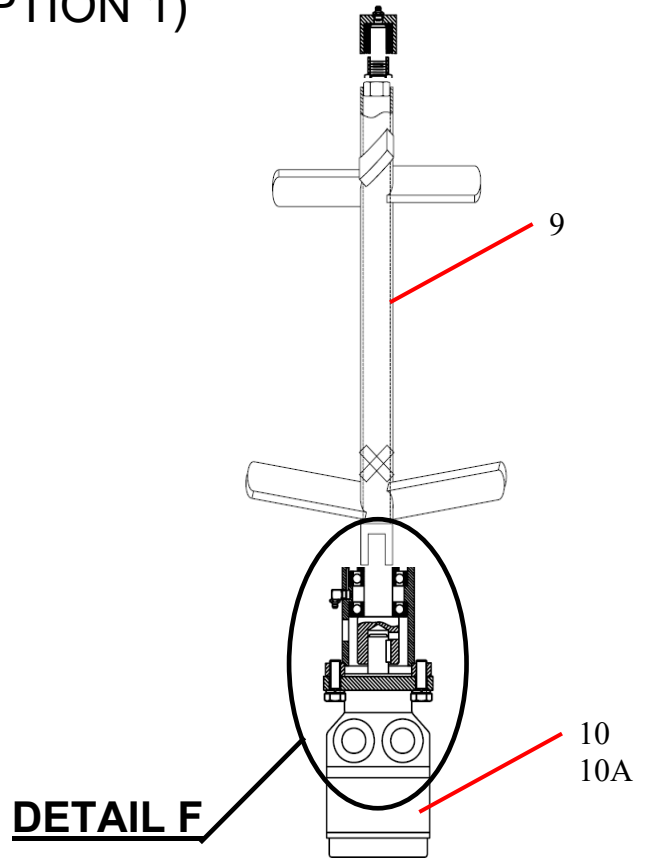
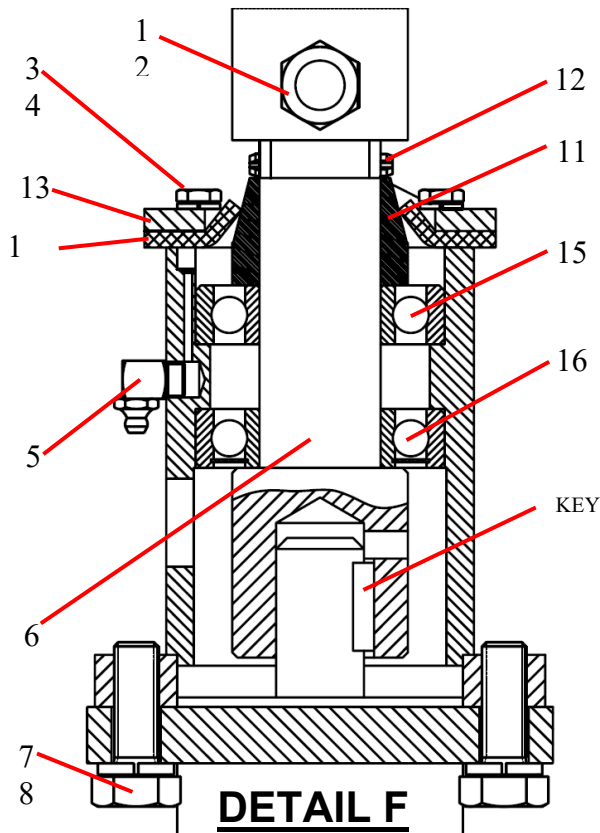
### OPTIONS

### HYDRAULIC AGITATOR



ID #	PART #	PART DESCRIPTION	QUANTITY	
	89504-A2	AGITATOR ASSEMBLY	REF	
1	89455	HYD MOTOR, 45.6 CID, 1" SHAFT-PARKER	1	EA
2	86866	FITTING-MB-MJ-10-6	2	EA
3	85658-002	HOSE, 6M2T-6FJX-6FJX-17.00	2	EA
4	74584	VALVE 1 SPOOL, MANUAL PAINTED	1	EA
5	86748	FITTING-MB-MJ90-6-6	1	EA
6	86747	FITTING-MB-MJ90LL-6-6	1	EA
7	86749	FITTING-MJ-FJX45-10-10	1	EA
8	86746	FITTING-MB-MJ90-8-10	2	EA
9	800897	CLAMP, 3/4" TUBE, SINGLE	1	EA
10	85657-016	HOSE, 8M2T-10FJX-10FJX45-20.00	2	EA
11	85846	DECAL, ADGITATOR	1	EA
12	BW10229	CONICAL SEAL, SIZE 12	4	EA
13	85657-024	HOSE, 8M2T-10FJX-10FJX90S-24.50 (UNDER TANK)	1	EA
14	BW10407	TUBE HYD. AGITATOR PRESSURE (UNDER TANK)	1	EA
15	74471-017	HANDLE, VALVE	1	EA

### OPTION HYDRAULIC AGITATOR (OPTION 1)



ID#	PART #	PART DESCRIPTION	QUANTITY	
	88041-A1	AGITATOR ASSEMBLY		
1		HHCS, 1/2"-13X2 1/4" GR 8	1	EA
2		LOCK NUT, 1/2" -13	1	EA
3		1/4-28X3/4"	6	EA
4		LOCK WASHER, 1/4"	6	EA
5		GREASE FITTING, 1/8" NPT 90°	1	EA
6	85923	SHAFT, AGITATOR	1	EA
7		HHCS, 1/2"-20X1 1/2" GR 8	2	EA
8		LOCK WASHER, 1/2"	2	EA
9	85717	AGITATOR, PADDLE-B20	1	EA
10	89455	HYD MOTOR, 45.6 CID, 1" SHAF, PARKER	1	EA
10A	85809SK	SEAL KIT	1	EA
11	85976	WEAR RING, AGITATOR	1	EA
12		SPRING PIN, 1/4" DIA X 1 3/4"	1	EA
13	70211	FLANGE SEAL S/W	1	EA
14	70212	SEAL REMIXER	1	EA
15	85978	BEARING, BALL, PLAIN	1	EA
16	85979	BEARING, BALL 1 SEAL	1	EA

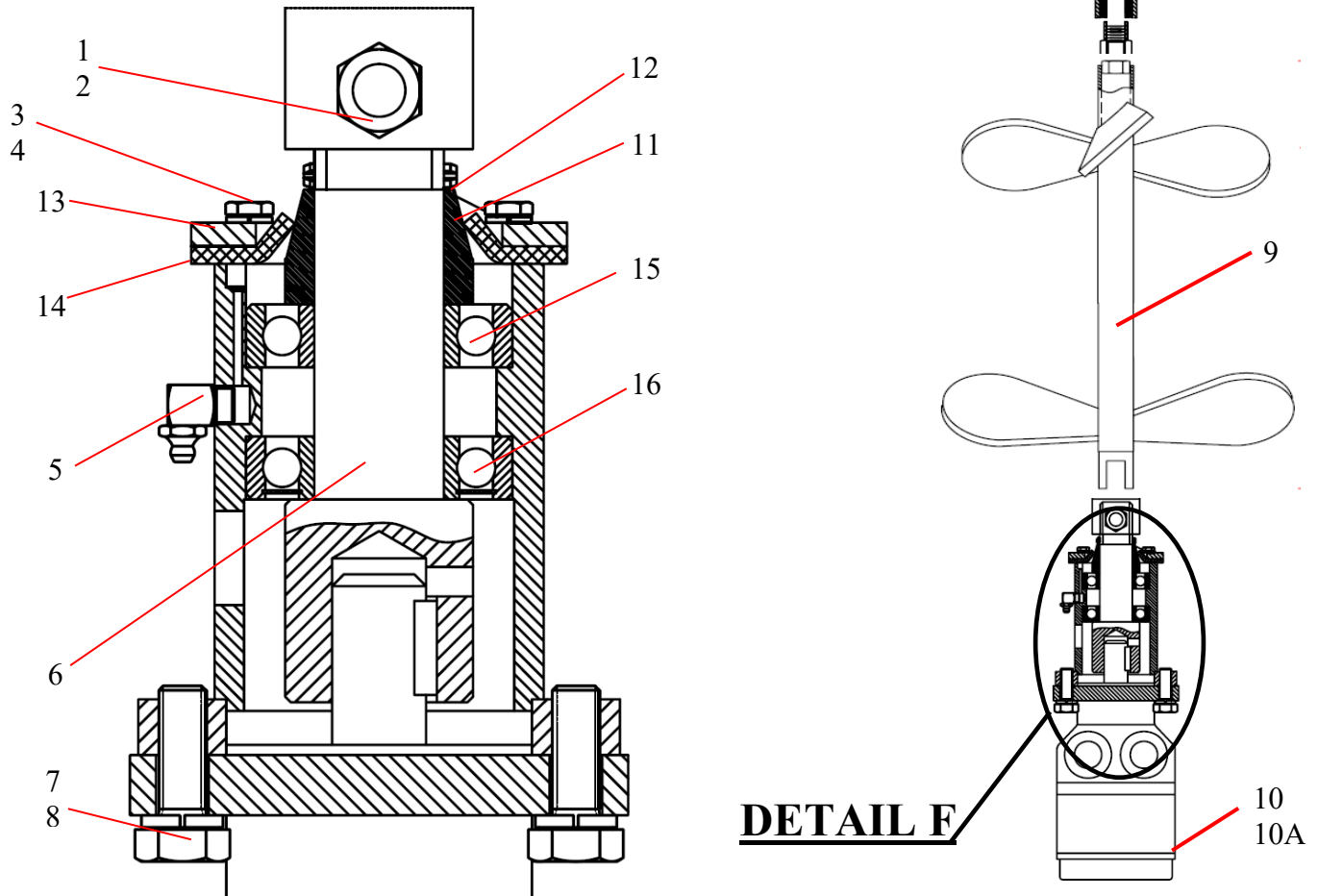


# B20HPC-SKE-V24

## PARTS

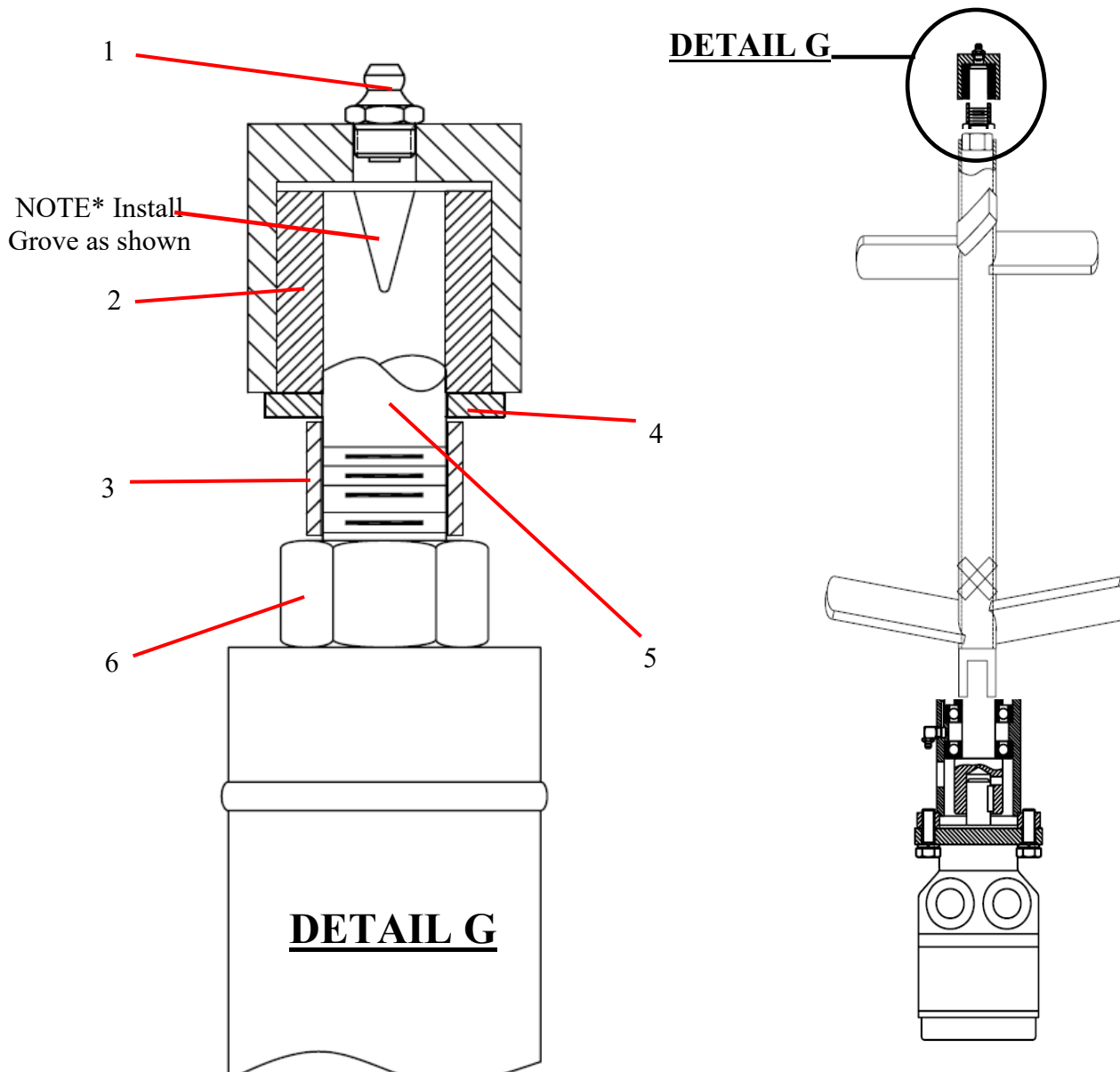
13822 Oaks Avenue  
Chino, CA 91710  
reedpumps.com  
909-287-2100

### OPTION HYDRAULIC AGITATOR (OPTION 2)



Part Number	Part Name	Quantity	Notes
85761	AGITATOR ASSEMBLY		
1	HHCS, 1/2"-13X2 1/4" GR 8	1	EA
2	LOCK NUT, 1/2" -13	1	EA
3	1/4"-28X3/4"	6	EA
4	LOCK WASHER, 1/4"	6	EA
5	GREASE FITTING, 1/8" NPT 90°	1	EA
6	85923	1	EA
7	HHCS, 1/2"-20X1 1/2" GR 8	2	EA
8	LOCK WASHER, 1/2"	2	EA
9	89948	1	EA
10	89455	1	EA
10A	85809SK	1	EA
11	85976	1	EA
12	SPRING PIN, 1/4" DIA X 1 3/4"	1	EA
13	70211	1	EA
14	70212	1	EA
15	85978	1	EA
16	85979	1	EA

## HYDRAULIC AGITATOR CONT.



ID #	PART #	PART DESCRIPTION	QUANTITY	
1		GREASE FITTING, 1/8" NPT STRAIT	1	EA
2	70219	REMIX SHAFT BUSHING	1	EA
3	77877	SPACER, REMIX	1	EA
4	86824	FLAT WASHER, 3/4" SAE	1	EA
5	70214	IDLER SHAFT, AGITATOR	1	EA
6	70210	IDLER BREARING HOUSING	1	EA
7	80030	HEX NUT-M20X2.5 PLATED	1	EA

### OPTION PERIFLO CHEMICAL PUMP



ID #	PART #	PART DESCRIPTION	QUANTITY	
	88421	PERISTALTIC PUMP 4380V, WITH VARIABLE FREQUENCY DRIVE	REF	EA
	88421-1	PERISTALTIC PUMP 460V, 115V INPUT TO X4, WITH VFD	REF	EA
	88421-1H	HOSE RUBBER	REF	EA
	88421-1-H-EPDM	HOSE, EPDM	REF	EA
	88421-1L	LUBRICATION GREASE FOR 88421/1 PUMPS		EA

### AVAILABLE OPTIONS

#### RADIO REMOTE

AARCOMM 2-WAY  
RADIO W/STROKE  
COUNTER AND  
VOLUME INDICATOR  
(IF EQUIPPED)

50' CABLE REMOTE,  
100' CABLE REMOTE  
AVAILABLE



#### LIFTING KIT



#### VIBRATOR KITS OLI KIT





# B20HPC-SKE-V24

PARTS

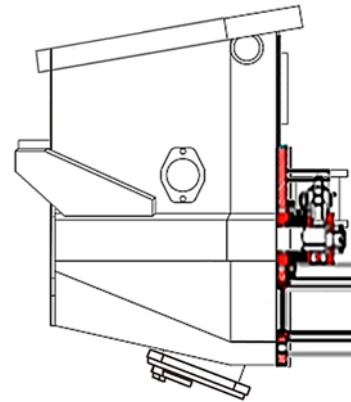
13822 Oaks Avenue  
Chino, CA 91710  
reedpumps.com  
909-287-2100

AUTO LUBE  
STEEL TUBING 12 PORT  
PLASTIC TUBING 12 PORT

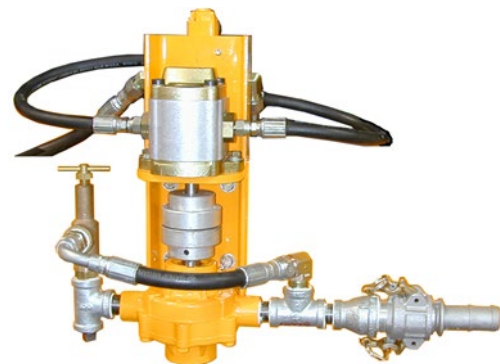


MANUAL LUBE BLOCK

REINFORCED HOPPER



WATER PUMP-WASH PUMP ASSY





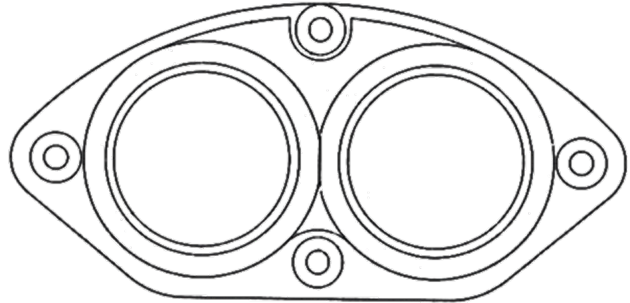


# B20HPC-SKE-V24

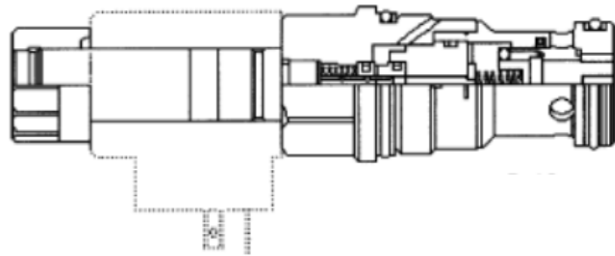
PARTS

13822 Oaks Avenue  
Chino, CA 91710  
reedpumps.com  
909-287-2100

CARBIDE WEAR PARTS  
WEAR RING/CARBIDE  
WEAR PLATE/CARBIDE



ELECTRIC VOLUME/FLOW CONTROL



E-STOP PLC KIT



HOPPER EXTENSION

