



# A40HP TIER 4

## PARTS

13822 Oaks Avenue  
Chino, CA 91710  
reedpumps.com  
909-287-2100

PUMPING TRAIN ASSEMBLY .....	3
5" OUTLET ASSEMBLY .....	5
5" OUTLET SEAL KIT INSTALLATION .....	6
WEAR PLATE ASSEMBLY .....	7
6" PISTON CUP ASSEMBLY .....	8
DRIVE CYLINDER ASSEMBLY .....	9
SINGLE SHIFT BELL CRANK ASSEMBLY .....	10
SINGLE SHIFT SWING CYLINDER ASSEMBLY .....	10
HOPPER GRATE WITH SAFETY SWITCH .....	12
GRATE ASSEMBLY .....	13
CLEAN OUT DOOR ASSEMBLY .....	14
POWER TRAIN .....	15
ENGINE TIER 4 PERKINS .....	15
MAIN HYDRAULIC PUMP .....	16
GEAR PUMP/PUMP DRIVE .....	16
EXHAUST .....	17
ENGINE MOUNTS .....	17
HYDRAULIC AND FUEL TANK ASSEMBLY .....	18
FLOW CONTROL VALVE .....	20
HYDRAULIC LINES, HOSES, AND FITTINGS .....	22
OIL COOLER ASSY .....	26
CONTROL MANIFOLD .....	26
SOLENIOD VALVE ASSEMBLIES .....	33
ELECTRICAL GROUP .....	34
BATTERY .....	34
PROXIMITY SWITCHES .....	35
TRAILER HARNESS AND BREAKAWAY .....	36
TAILLIGHTS .....	37
WIRING HARNESS .....	38
A-SERIES TIER 4 CONTROL BOX PLC .....	39
KEYPAD 2X6 .....	41
KEYPAD 2X4 .....	42
FUSE/RELAY .....	45
BUSSES, CONNECTORS, PINS .....	46
ESTOP, KEY ASSEMBLY, PLUGS .....	47
CONNECTORS .....	48
CONNECTORS .....	50
SERIAL PLATE IDENTIFICATION .....	50
PANEL MOUNT, BRACKET .....	51
FRAME INSTALLATION .....	52
FRAME, GAUGES, TIRES, JACK, AND TOW EYE .....	52



# A40HP TIER 4 PARTS

13822 Oaks Avenue  
Chino, CA 91710  
reedpumps.com  
909-287-2100

5200LB AXLE MOUNTING ASSEMBLY .....53  
 HOOD AND COVERS .....54  
 FENDERS AND OUTRIGGERS .....55  
 AVAILABLE OPTIONS .....56

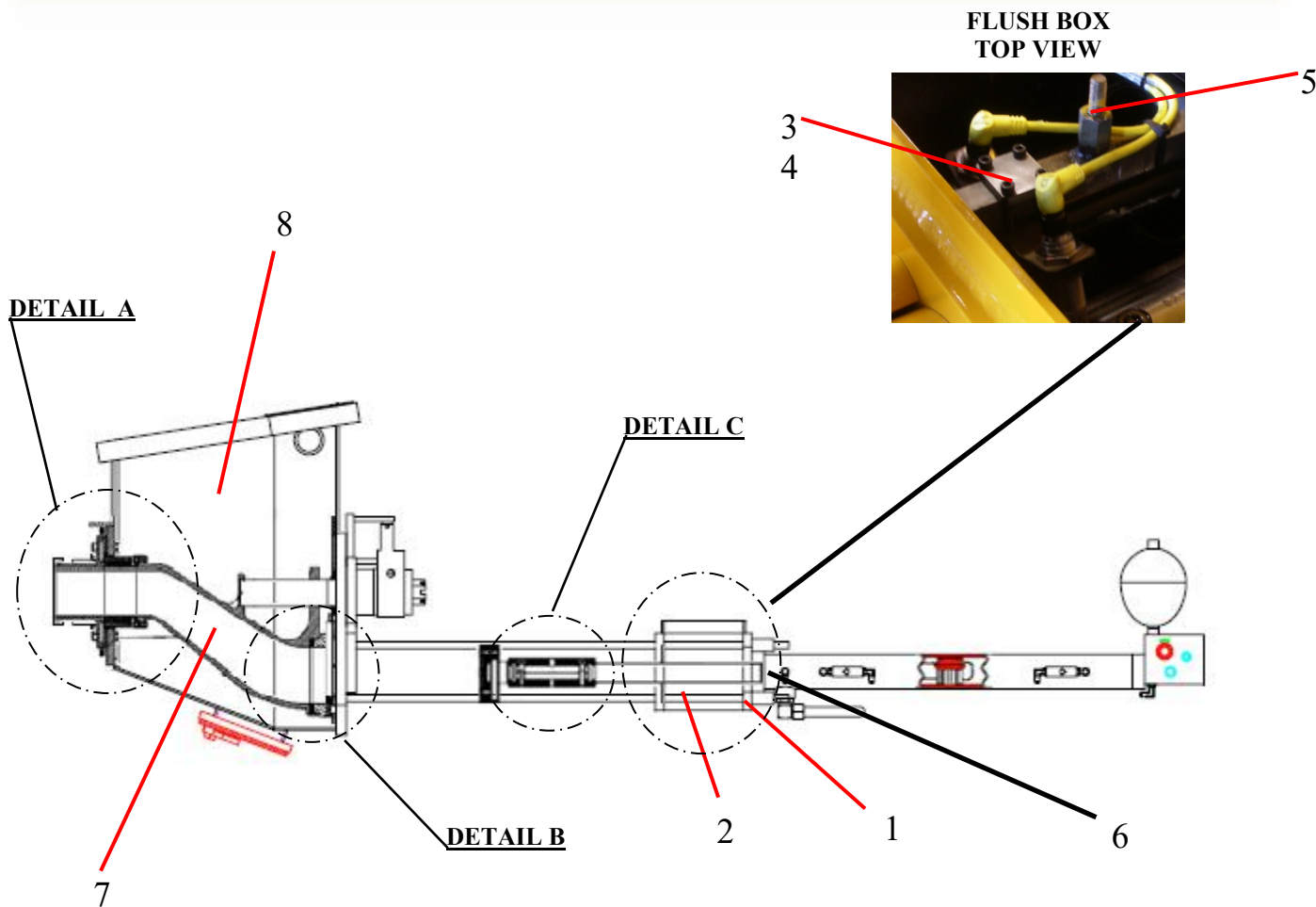
REV	DATE	DESCRIPTION	NAME
A40HP-V15-TIER-4	7/7/19	INITIAL	J. SLACK
A	7/7/2020	UPDATED PARTS	J. SLACK
B	8/4/2020	ADD FINGER GUARD P/N	J.SLACK



# A40HP TIER 4 PARTS

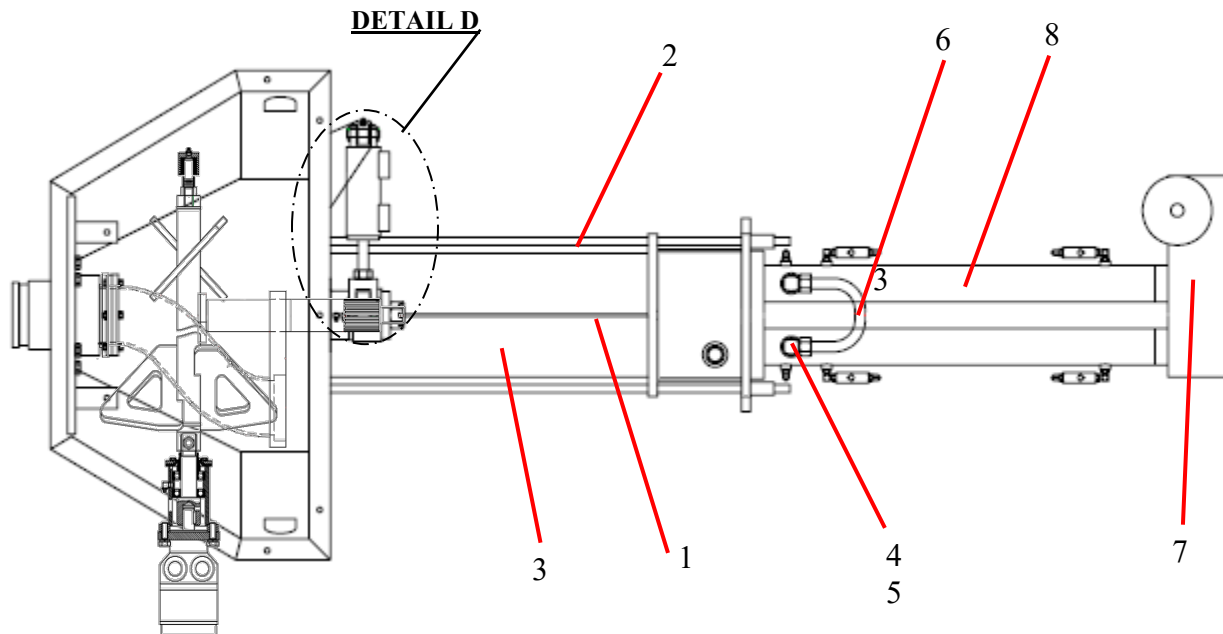
13822 Oaks Avenue  
Chino, CA 91710  
reedpumps.com  
909-287-2100

## PUMPING TRAIN ASSEMBLY



ID #	PART #	PART DESCRIPTION	QUANTITY	
	BW28045-5	PUMP CELL ASSEMBLY A40 W/SAFTY SWITCH, JARP-HYDATECH		REF
1	10282	PLUGS-PIPE GALV 1"	1	EA
2	BW10368	FLUSH BOX WELDMENT, A40	1	EA
3	BW10102	BRACKET, PROX SWITCH	1	EA
4	BW10383	BRACKET, PROX SWITCH	1	EA
5	BW10193	STUD, 3/8-16 X 2" LONG	1	EA
6	BW10379	SPACER, TIE ROD, A40	2	EA
7	BW10391	S TUBE WELDMENT, 6X5 A40	1	EA
8	BW10363A	HOPPER, WELDMENT A40 SAFETY SWITCH	1	EA

### PUMPING TRAIN ASSEMBLY CONTINUED

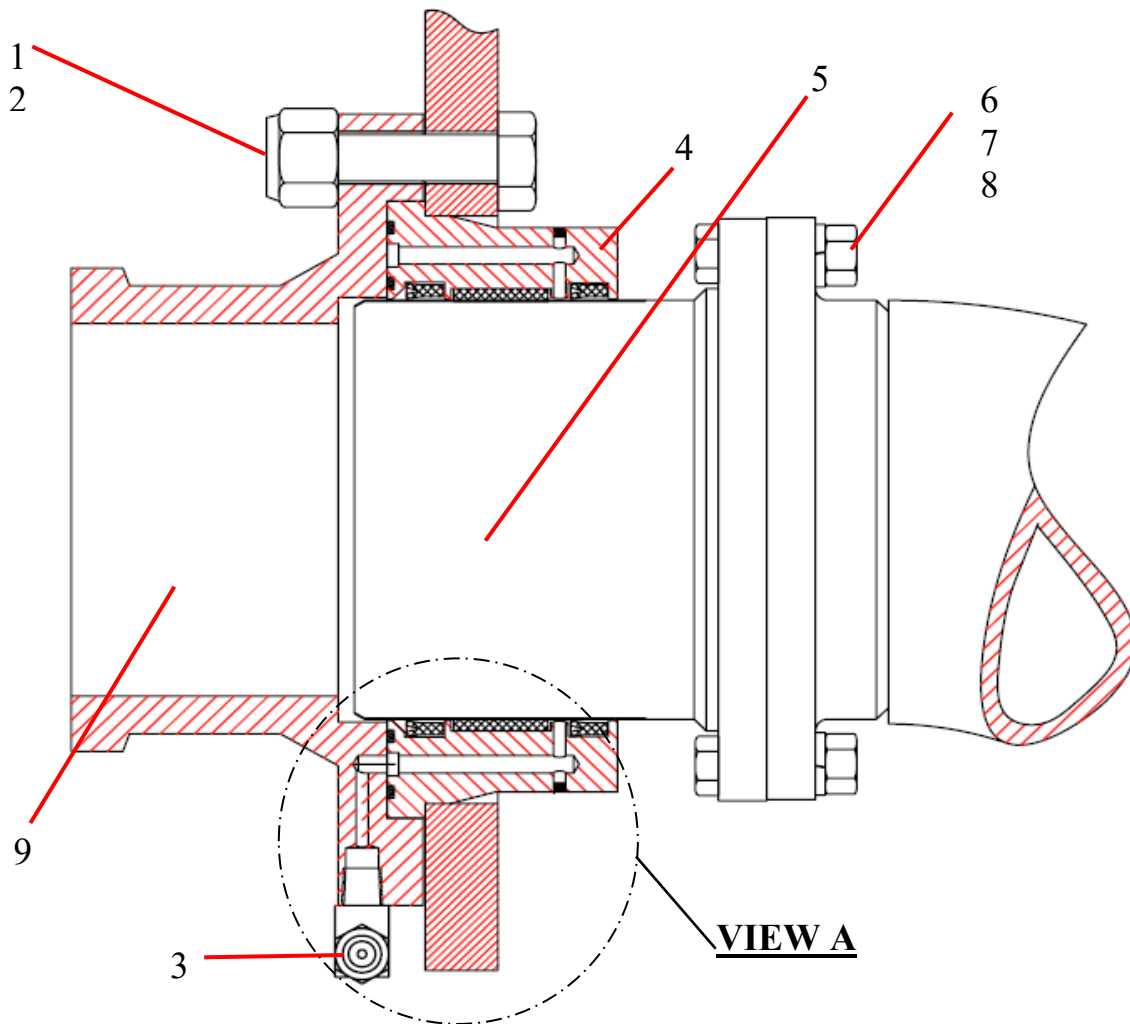


ID #	PART #	PART DESCRIPTION	QUANTITY	
1	BW10380	TIE ROD, SHORT, A40	4	EA
2	BW10381	TIE ROD, LONG, A40	2	EA
3	BW10376	CONCRETE CYLINDER, 6" X 30" A40	2	EA
4	86728-023	ELBOW, MB – MJ90-16-16	2	EA
5	87786	O-RING-348 BUNA 70	2	EA
6	BW10394	TUBE, HYD, LOOP LINE, A40	1	EA
7	BW10395	MANIFOLD CONTROL W/CARTRIDGES, A40	1	EA
8	BW10373HT	DRIVE CYLINDER 3.75 X 2.00 X 30.00 (HYDRATECH)	REF	

### S-TUBE ASSEMBLY

### 5" OUTLET ASSEMBLY

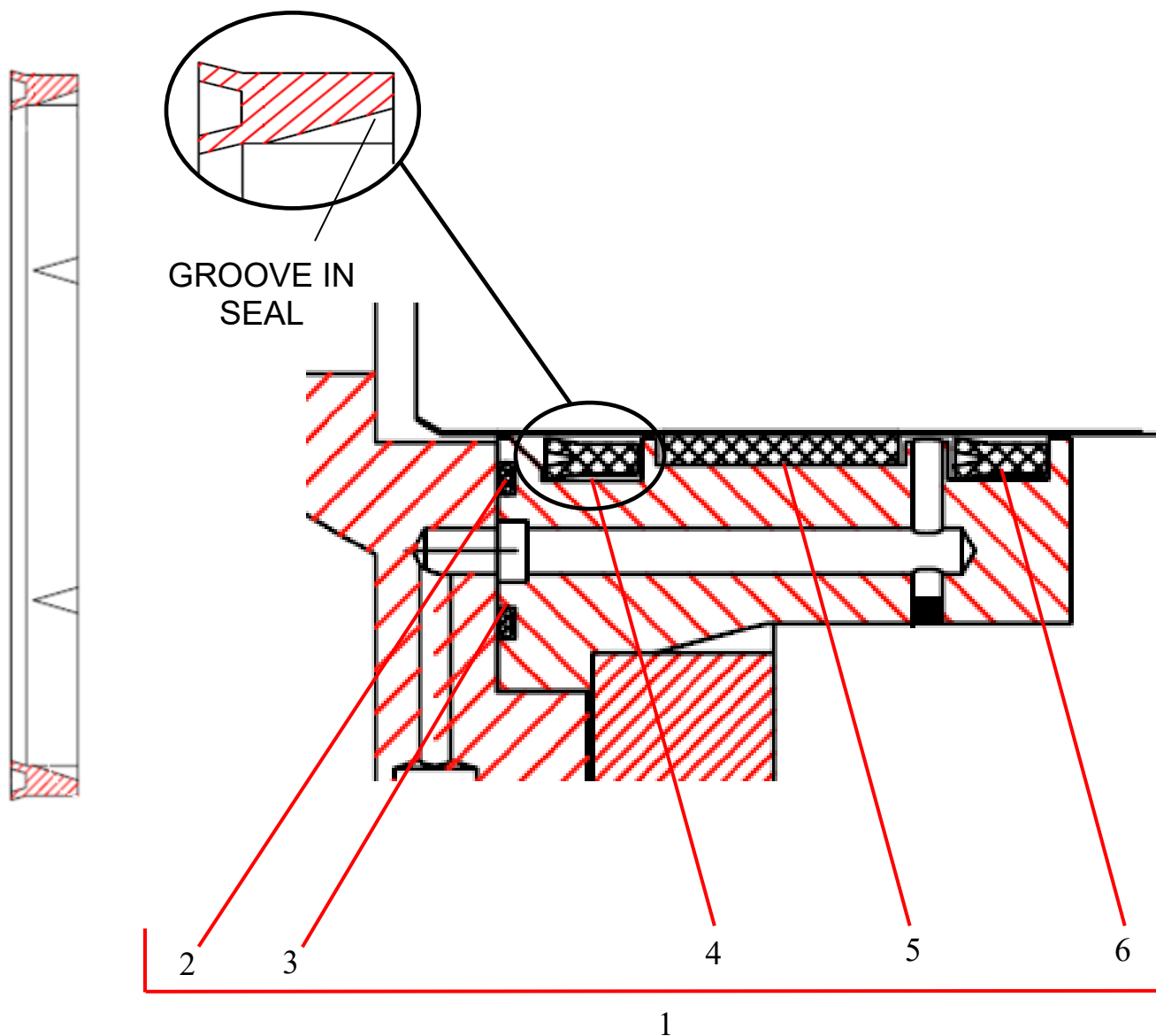
### DETAIL A



ID #	PART #	PART DESCRIPTION	QUANTITY	
	86321	OUTLET ASSEMBLY	1	EA
1		HHCS, 5/8-18 x 3" GR/8	6	EA
2		LOCK NUT, 5/8-18	6	EA
3		GREASE FITTING, 1/8" NPT 90°	2	EA
4	72309	OUTLET SEAL HOUSING	1	EA
5	70042	WELD. -CHROMED OUTLET	1	EA
6		HHCS, 3/8 - 16 X1 1/2" GR 8	6	EA
7		HEX NUT, 3/8" - 16	6	EA
8		LOCK WASHER, 3/8"	6	EA
9	72482	OUTLET, 5" (1-PIECE)	1	EA

## 5" OUTLET SEAL KIT INSTALLATION

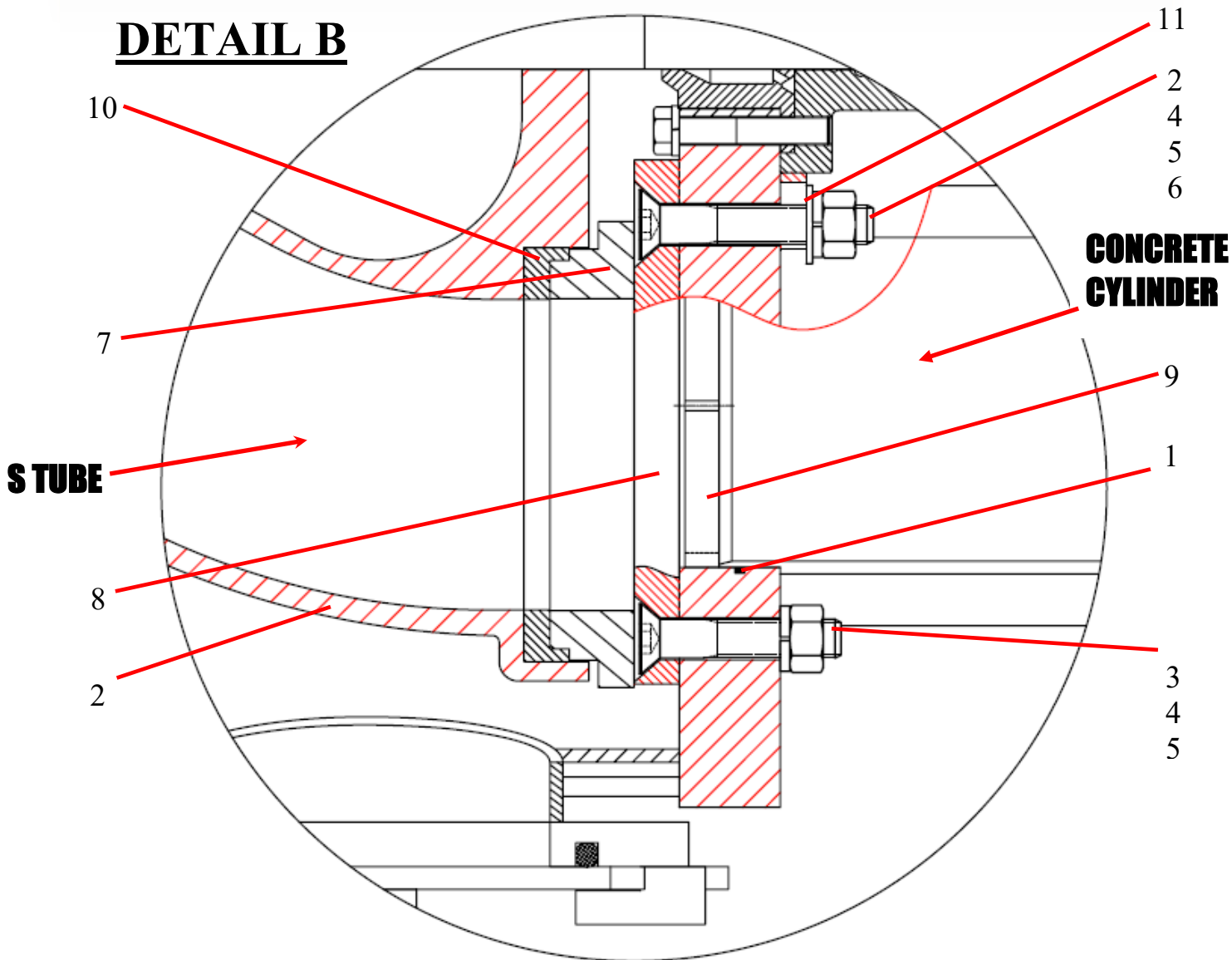
### VIEW A



ID #	PART #	PART DESCRIPTION	QUANTITY	
1	79895	SEAL KIT	1	EA
2	77762	O-RING-#257 BUNA 90	1	EA
3	77761	O-RING-#264 BUNA 90	1	EA
4	86504	SEAL-MODIFIED- 5 IN OUTLET	1	EA
5	77763	GUIDE BAND – 5.375 OD X 1.00W	1	EA
6	77765	LIP SEAL -5.50 ID X 6.00 OD X .56	1	EA

### WEAR PLATE ASSEMBLY

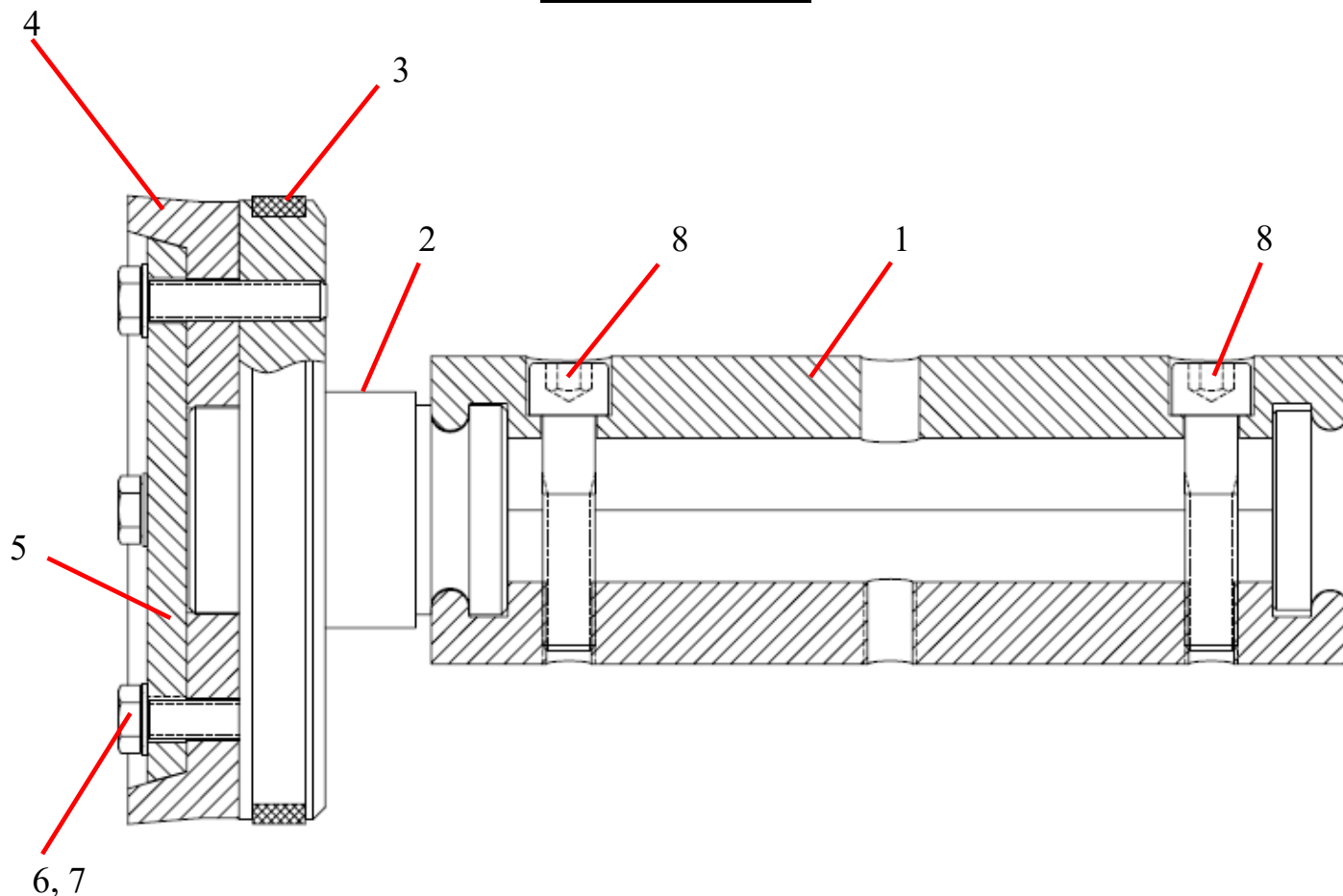
#### DETAIL B



ID #	PART #	PART DESCRIPTION	QUANTITY	
1	86149	O-RING, #259 BUENA 70	1	EA
2		FHCS, 3/4 - 10X 4 1/2" GR 8	1	EA
3		FHCS, 3/4 - 10X 3 1/2" GR 8	3	EA
4		HEX NUT, 3/4" - 10	4	EA
5		LOCK WASHER, 3/4"	4	EA
6		FLATWASHER, 3/4"	4	EA
7	72310	WEAR RING, CHROME, 6"-26% MACH'D	1	EA
8	BW10382	WEAR PLATE 6" A40 SELL W/2EA 86086 CHIP RING	1	EA
9	86086	CHIP RING, 6"	2	EA
10	86085	SEAL, SINGLE LIP, 6"	1	EA
11	86502	LOCATOR RING - FLANGE BEARING	1	EA

### 6" PISTON CUP ASSEMBLY

### DETAIL C



ID #	PART #	PART DESCRIPTION	QUANTITY	
1	73425	PISTON COUPLING	1	E/SIDE
2	77194	PISTON ADAPTER 6"	1	E/SIDE
3	77120	WEAR RING (GUIDE BAND) 6"	1	E/SIDE
4	70048	PISTON CUP, 6 IN.	1	E/SIDE
5	70057	PISTON PLATE 6"	1	E/SIDE
6		HHCS, 3/8-24 x1 3/4" GR 8	4	E/SIDE
7		INTERNAL LOCKWASHER 3/8	4	E/SIDE
8		SHCS 1/2 - 20 x 2 1/4"	2	E/SIDE



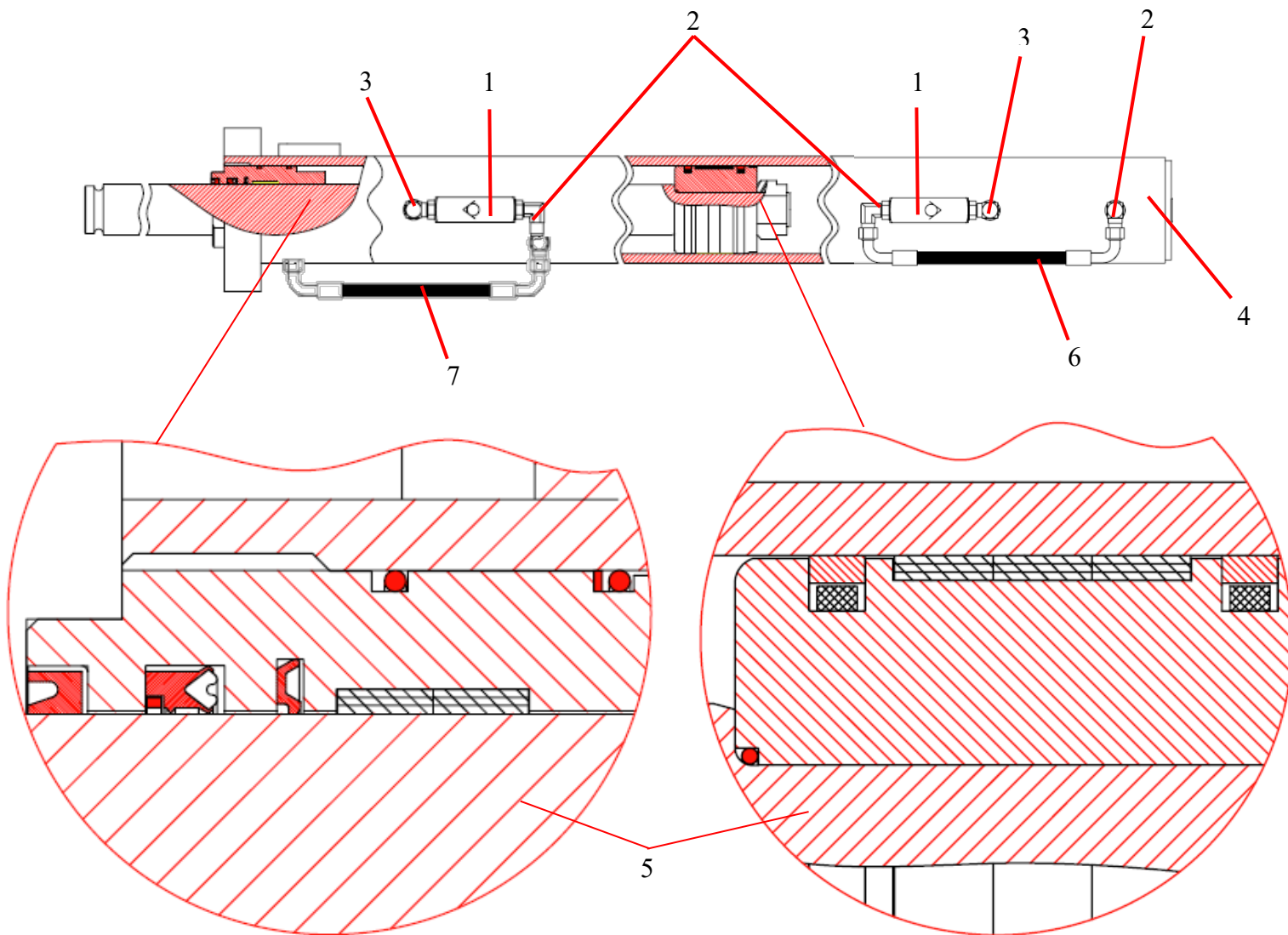


# A40HP TIER 4

## PARTS

13822 Oaks Avenue  
 Chino, CA 91710  
 reedpumps.com  
 909-287-2100

### DRIVE CYLINDER ASSEMBLY



ID #	PART #	PART DESCRIPTION	QUANTITY	
1	78961	CHECK VALVE-5K PSI O-RING	1	EA/SIDE
2	86748	FITTING-MB-MJ90-6-6	3	EA/SIDE
3		ELBOW, MB-MB90-6-6	1	EA/SIDE
4	BW10373HT	DRIVE CYL-3.75 X 2.00 X 30.00 (HYDRATECH)	1	EA/SIDE
5	BW10373A-SK	SEAL KIT FOR BW10373HT CYL	1	EA/SIDE
6	BW10051	HOSE-RT2-FJS90-FJS09-06-06-12"	1	EA/SIDE
7	BW10405	HOSE-RT2-FJS90-FJS09-06-06-14"	1	EA/SIDE

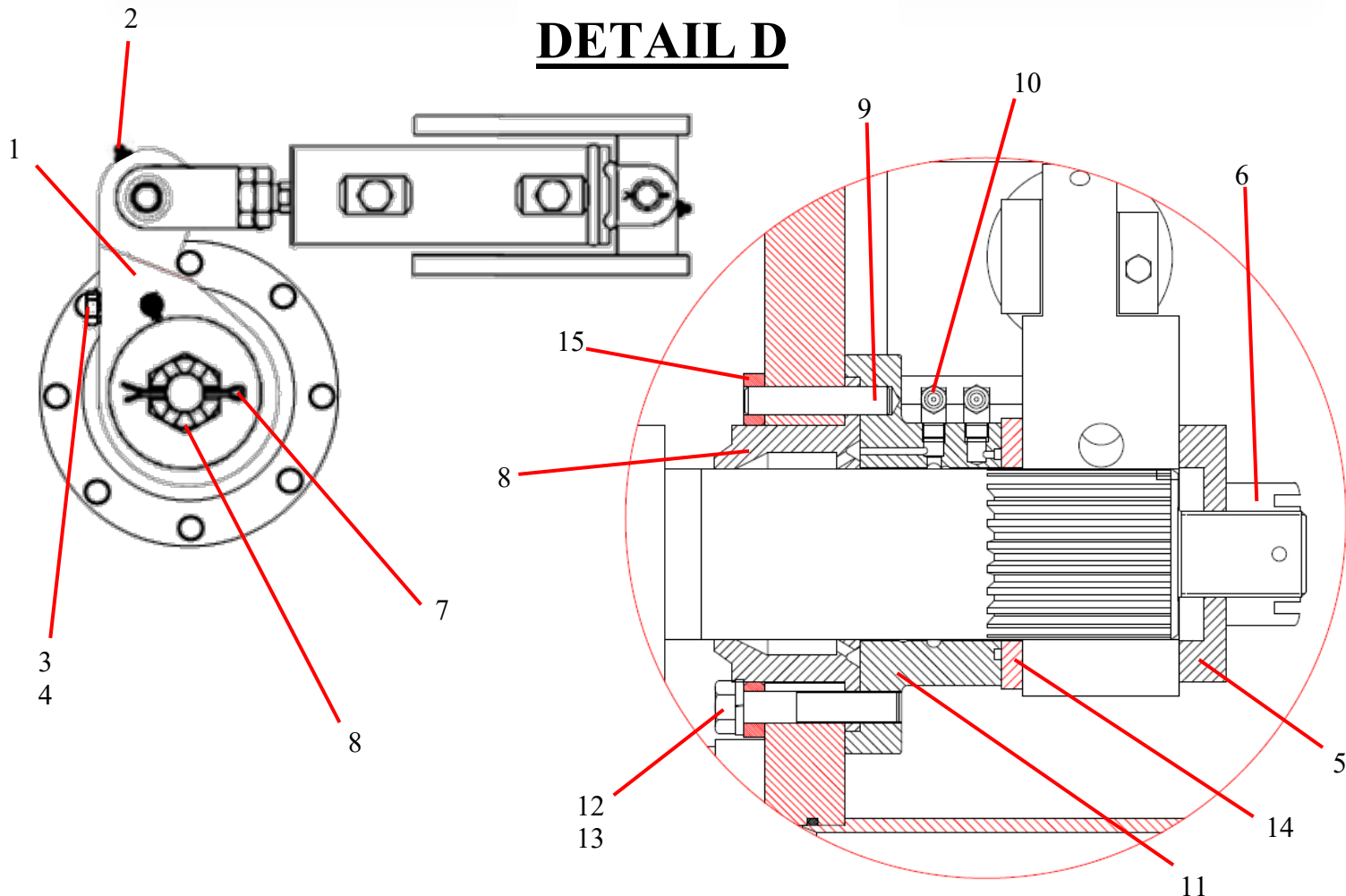


# A40HP TIER 4 PARTS

13822 Oaks Avenue  
Chino, CA 91710  
reedpumps.com  
909-287-2100

## SINGLE SHIFT BELL CRANK ASSEMBLY

### DETAIL D



ID #	PART #	PART DESCRIPTION	QUANTITY	
1	85131	BELL CRANK, 3 IN SPLINE, SINGLE	1	EA
2		GREASE FITTING, 1/8" NPT 45°	1	EA
3		HHCS, 3/4 x 4" GR 8	1	EA
4		LOCK WASHER, 3/4"	1	EA
5	85134	SPACER, S-TUBE NUT	1	EA
6	70825	NUT 1 1/2" - 12 CASTLE	1	EA
7		COTTER PIN, 1/4 x 4"	1	EA
8	85962	SEAL, FLANGE BEARING, 3" SHAFT	1	EA
9		DOWEL PIN, 1/2" DIA x 2"	2	EA
10		GREASE FITTING, 1/8" NPT	2	EA
11	85133	FLANGED BEARING, 3 IN SPLINE	1	EA
12		HHCS, 9/16 - 12x3" GR 8	4	EA
13		LOCK WASHER, 9/16"	4	EA
14	85294-1	THRUST WASHER, S -TUBE (NYLON)	1	EA
15	BW10384	SPACER RING A40	1	EA

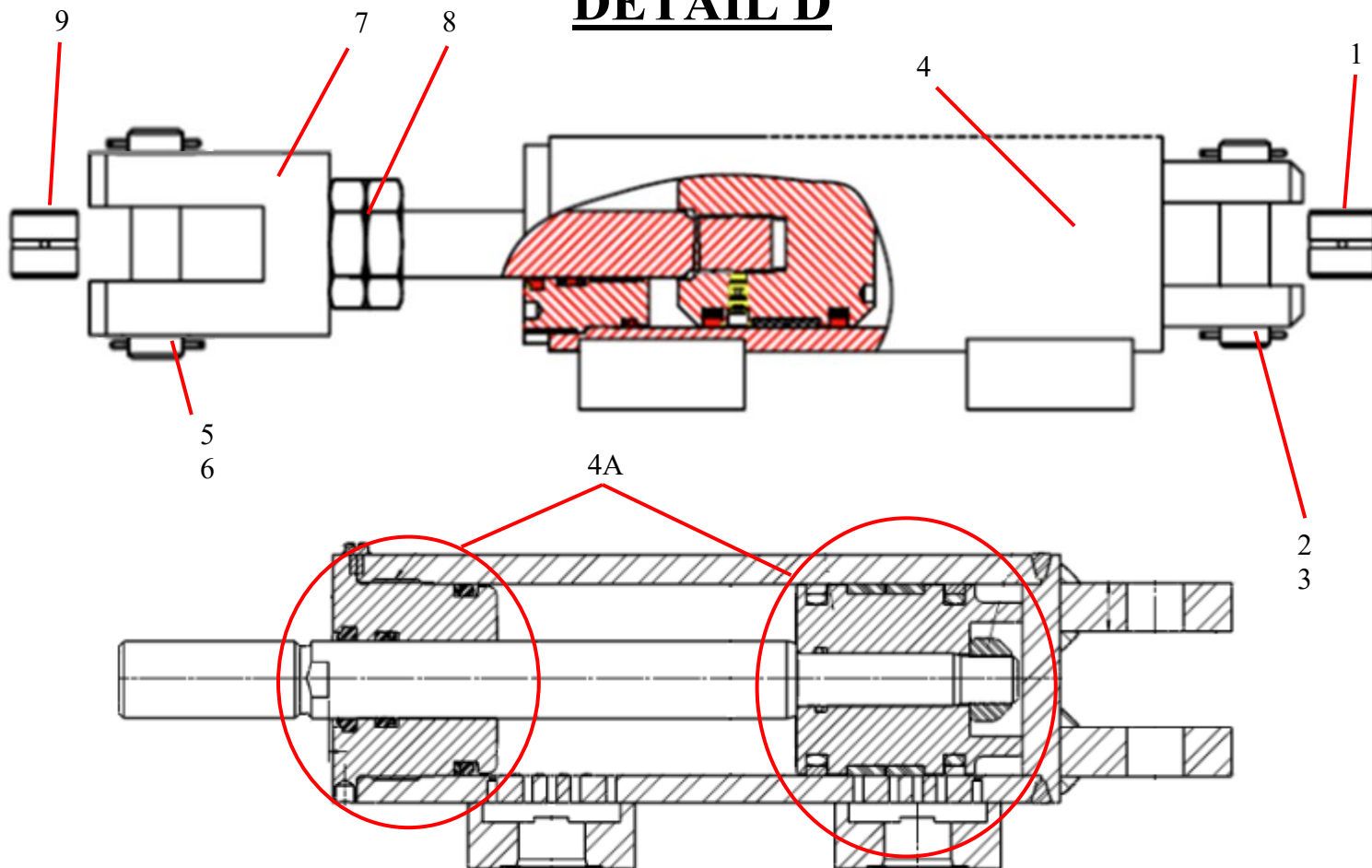


# A40HP TIER 4 PARTS

13822 Oaks Avenue  
Chino, CA 91710  
reedpumps.com  
909-287-2100

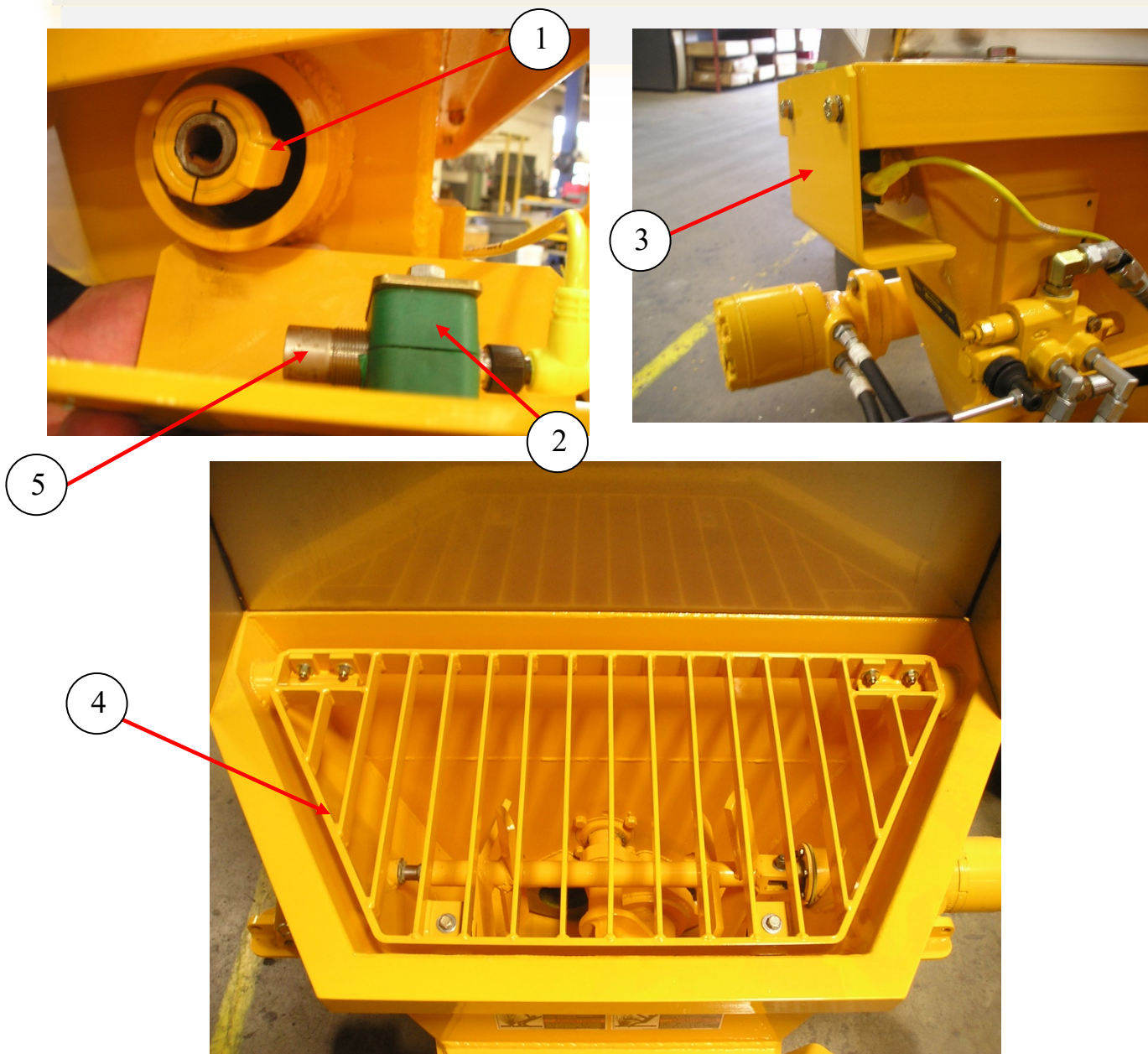
## SINGLE SHIFT SWING CYLINDER ASSEMBLY

### DETAIL D



ID #	PART #	PART DESCRIPTION	QUANTITY	
1	71011	BUSHING - SHIFT CYLINDER	1	EA
2	74207	PIN - CLEVIS - .750 DIA	1	EA
3		COTTER PIN, 3/32X1 3/4"	2	EA
4	BW10374HT	SWING CYLINDER - 2.50 X 1.00 X 5.15 HYDRATECH	1	EA
4A	86221A-SK	SEAL KIT FOR BW10374HT	1	EA
5	86150	PIN, CLEVIS 1.00 DIA	1	EA
6		COTTER PIN, 1/8X2.00	2	EA
7	86135	CLEVIS, SHIFT CYLINDER	1	EA
8		1"X14 JAM NUT	2	EA
9	85538	BUSHING, SHIFT CYLINDER	1	EA

### HOPPER GRATE WITH SAFETY SWITCH



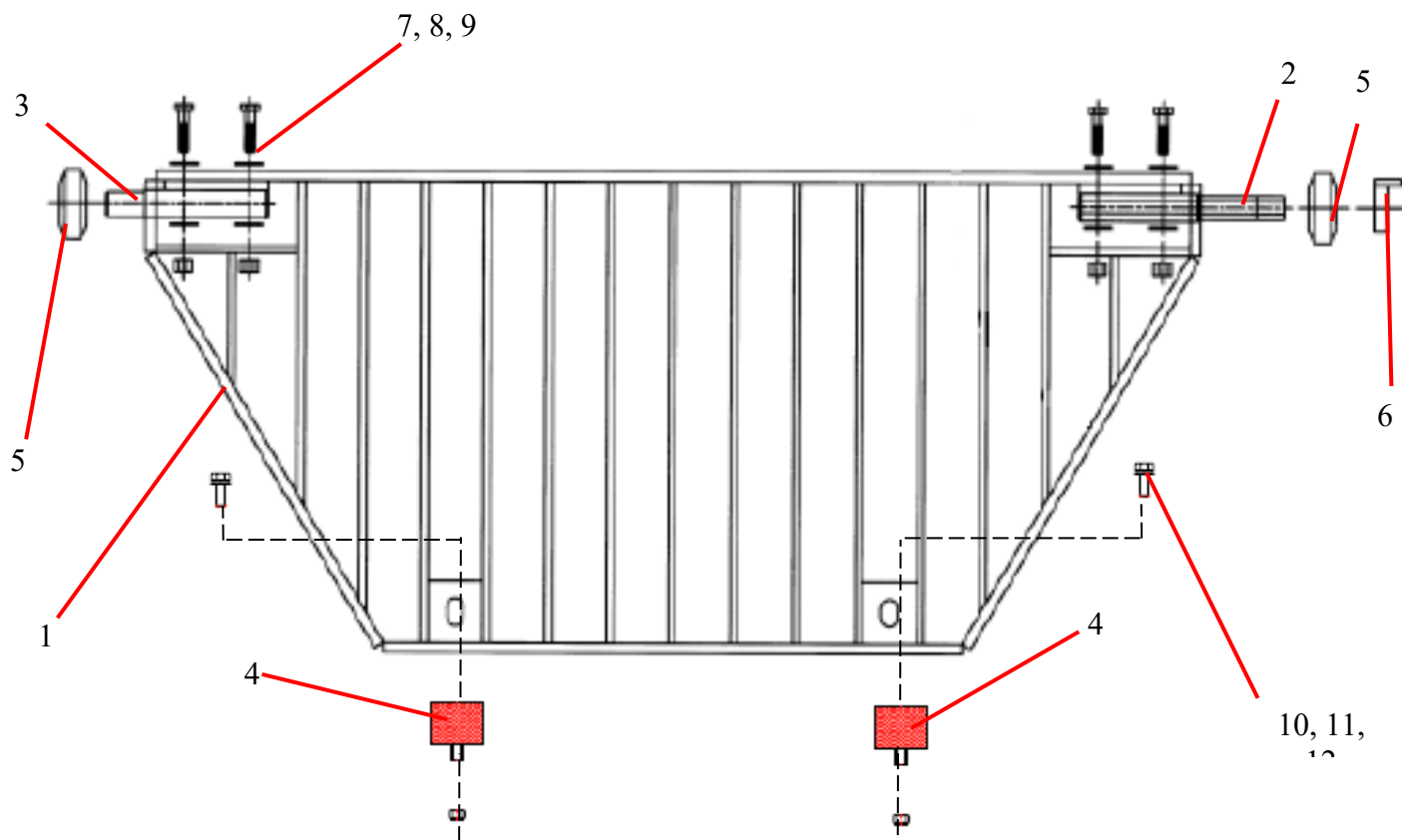
ID #	PART #	PART DESCRIPTION	QUANTITY	
1	87769	COLLAR SHAFT, 7/8" DIA	1	EA
2	801902-006	CLAMP, 18MM TUBE CLAMP SET	1	EA
3	87997	COVER WELD PROX SWITCH HOPPER	1	EA
4	BW10416	GRATE WELDMENT, A SER STD HOPPER	1	EA
5	87369	PROXIMITY SENSOR PMP	1	EA



# A40HP TIER 4 PARTS

13822 Oaks Avenue  
Chino, CA 91710  
reedpumps.com  
909-287-2100

## GRATE ASSEMBLY



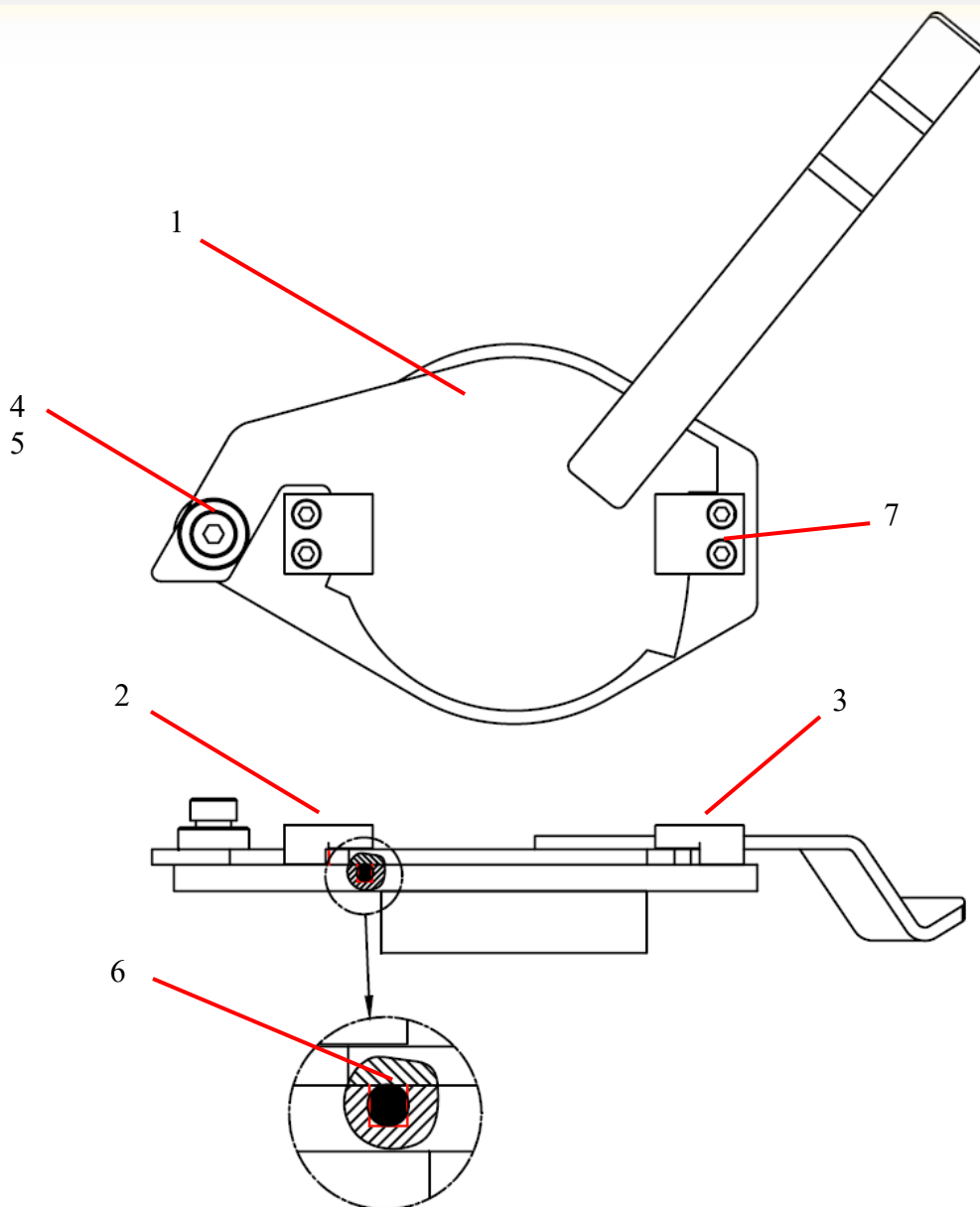
ID #	PART #	PART DESCRIPTION	QUANTITY	
1	BW10416	GRATE WELDMENT, A SER STD HOPPER		REF
2	87857	PIN WELDMENT LONG	1	EA
3	87858	PIN WELDMENT SHORT	1	EA
4	86083	BUMPER, HOPPER GRATE	2	EA
5	W-114850	RUBBER BUFFER 65X22.5X26	2	EA
6	87769	COLLAR SHAFT, 7/8" DIA	1	REF
7		3/8"-16 X 1 1/4" HEX BOLT	4	EA
8		3/8 FLAT WASHER	8	EA
9		3/8-16 LOCK NUT	4	EA
10		3/8"-16 X 1" HEX BOLT	2	EA
11		3/8" FLAT WASHER	2	EA
12		3/8" LOCK WASHER	2	EA



# A40HP TIER 4 PARTS

13822 Oaks Avenue  
Chino, CA 91710  
reedpumps.com  
909-287-2100

## CLEAN OUTDOOR ASSEMBLY



ID #	PART #	PART DESCRIPTION	QUANTITY	
1	85370	DOOR WELDMENT, CLEAN OUT	1	EA
2	86559	BLOCK, CLEAN OUTDOOR, LH	1	EA
3	86560	BLOCK, CLEAN OUTDOOR, RH	1	EA
4		SHOULDER SCREW 1" DIA-1 1/4"	1	EA
5	85367	BOSS, CLEAN OUTDOOR	1	EA
6	W102908A	O-RING CORD, HOPPER DOOR	2.21	FT
7		SHCS 1/2"-13 X 1 1/4"	4	EA

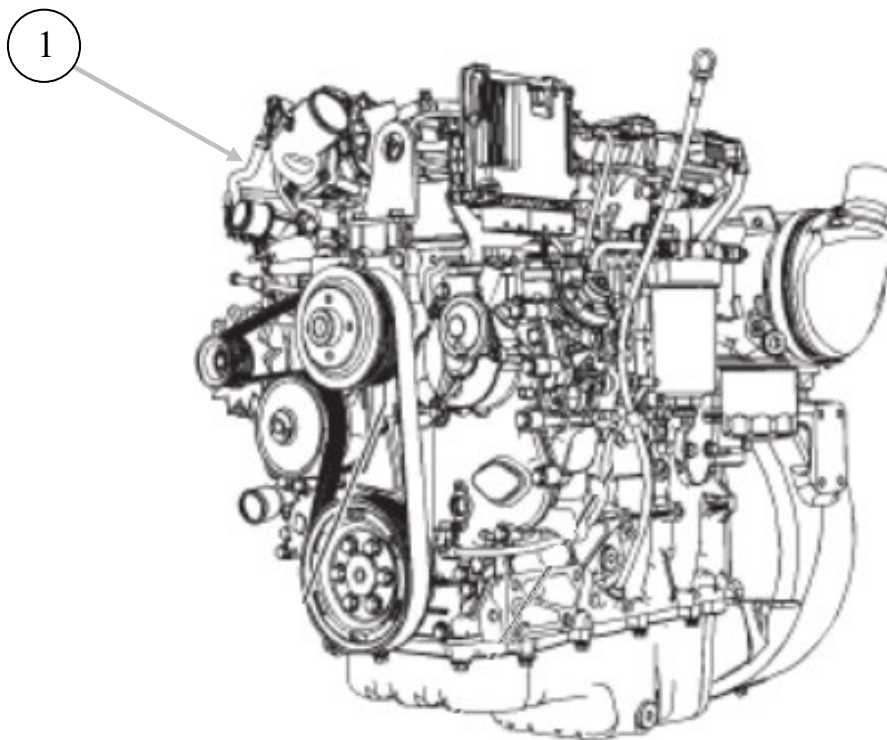


# A40HP TIER 4

## PARTS

13822 Oaks Avenue  
Chino, CA 91710  
reedpumps.com  
909-287-2100

### POWER TRAIN ENGINE TIER 4 PERKINS

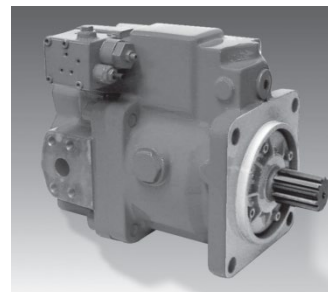


Designed to meet EU Stage IV/U.S. EPA Tier 4 Final emission standards  
(reference Perkins manual for maintenance and troubleshooting)

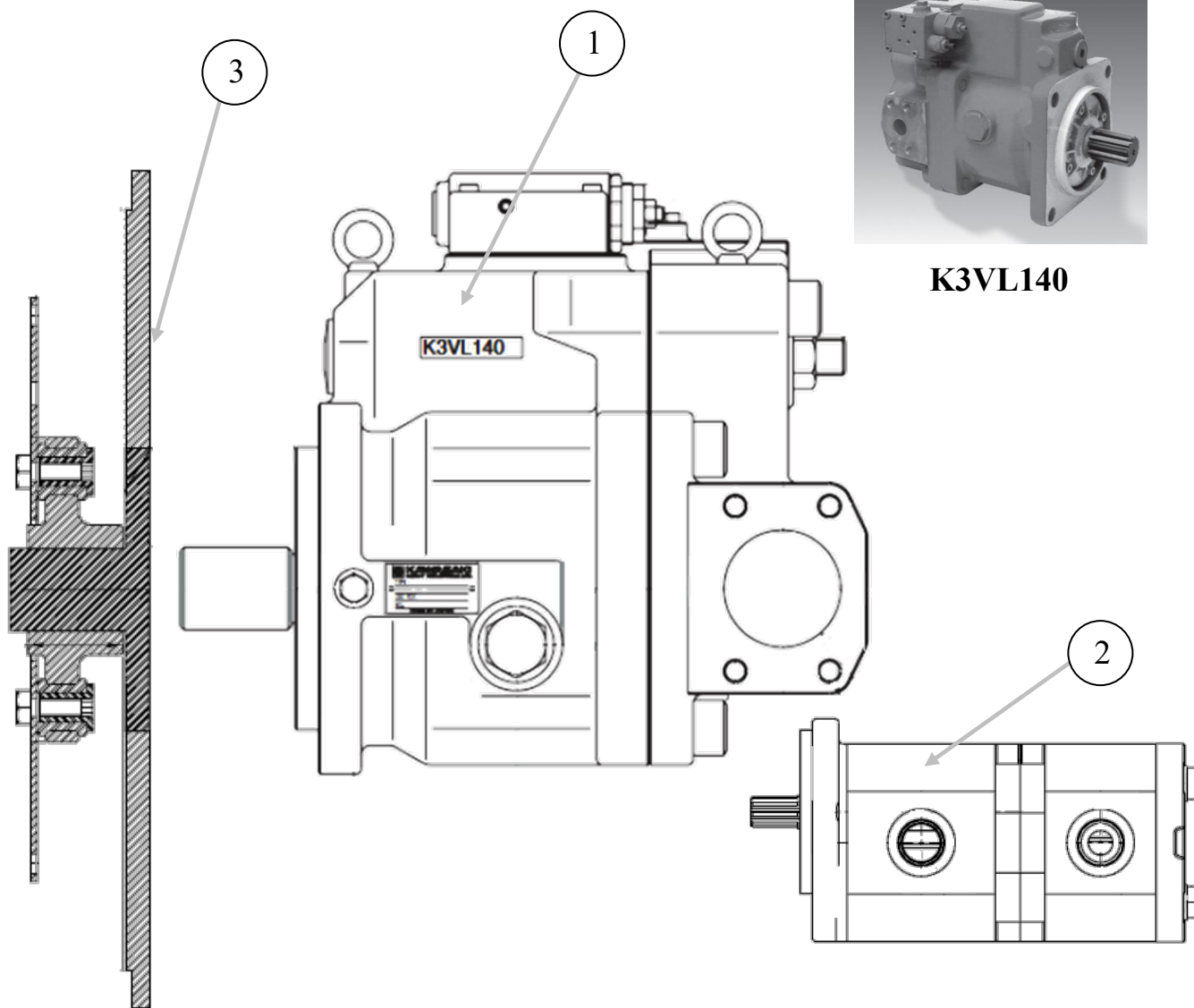
ID #	PART #	PART DESCRIPTION	QUANTITY	
	BW31055	POWER TRAIN ASSY. A40HP W/SFTY GRT, HDRA	ASSY	
1	BW10511	ENGINE – PERKINS 8544F-E34T TIER-4	1	EA

### MAIN HYDRAULIC PUMP GEAR PUMP/PUMP DRIVE

**Kawasaki**  
Hydraulics



**K3VL140**



ID #	PART #	PART DESCRIPTION	QUANTITY	
1	85124-004	PUMP, KV3L112 KAWASAKI, 75HP	1	EA
2	87153-001	PUMP-RH-DBLE GEAR, 11.3/8.2 CC	1	EA
3	87360	PUMP DRIVE -SAE 3 - SAE D	1	EA



### EXHAUST



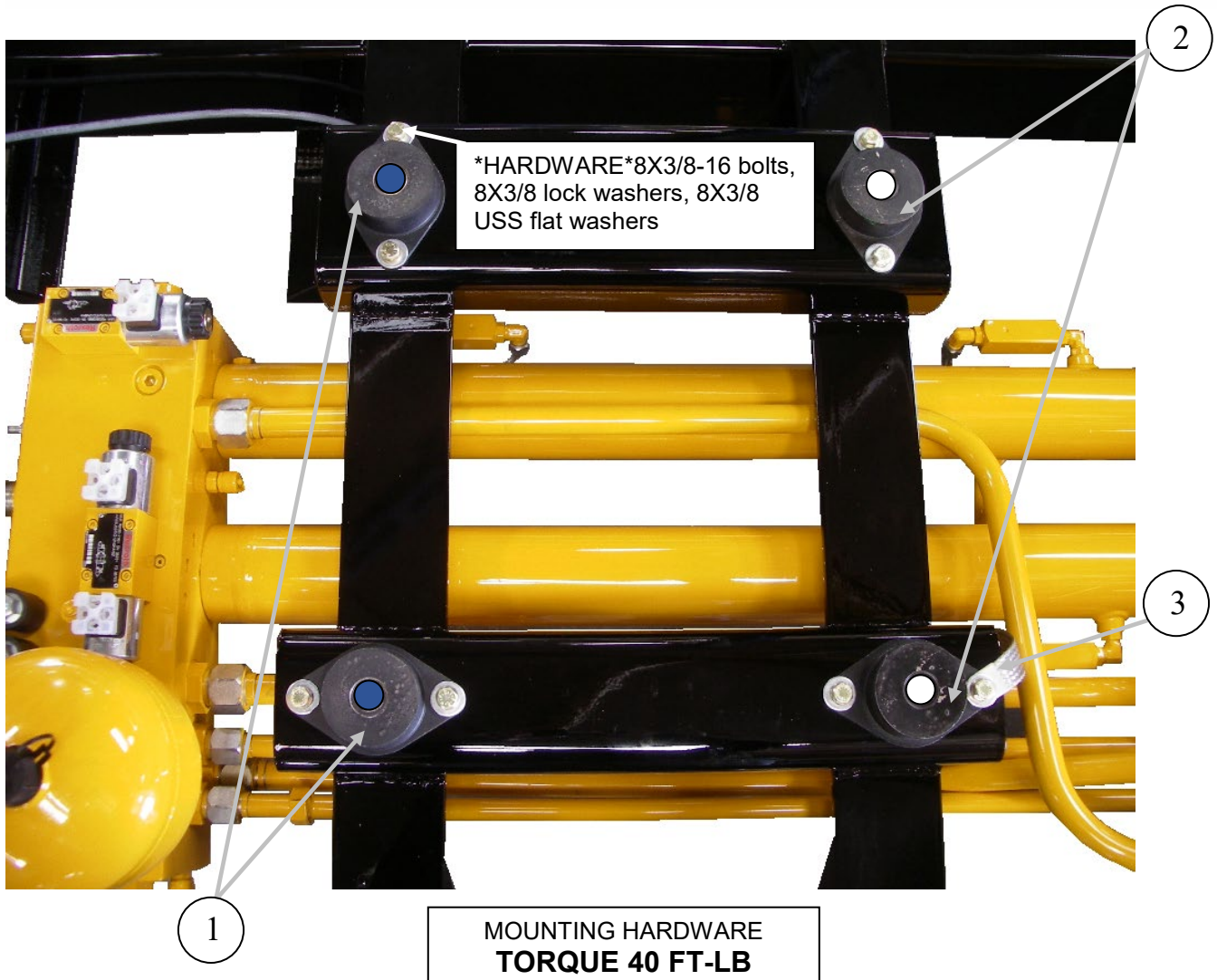
ID #	PART #	PART DESCRIPTION	QUANTITY	
1	77347A	HOSE- 5/16 SAE30R7 BLK (FUEL)	13	FT
2	10577	CLAMP-HOSE FOR 1/2" OD	6	EA
3	BW10540	RUBBER ELBOW 90 DEG 3.50" ID	1	EA
4	BW10541	ALUMINUM TUBING 3.50" ID	0.3	FT
5	74461	CLAMP #68H FOR R-4000	3	EA
6	74310	CLAMP - T-BOLT - 2.50 DIA	1	EA
7	70849	RAIN CAP 2.5"	1	EA
8	78213	CLAMP	1	EA
9	80003	3/8-16 NUT	4	EA
10	80043	FLATWASHER-3/8 USS PLATED	8	EA
11	80072	LOCKWASHER-3/8	8	EA
12	BW10179	SAFETY PLATE, EXHAUST PAINTED RED	1	EA
13	BW10554	EXHAUST PIPE T-4 PERKINS	1	EA



# A40HP TIER 4 PARTS

13822 Oaks Avenue  
Chino, CA 91710  
reedpumps.com  
909-287-2100

## ENGINE MOUNTS



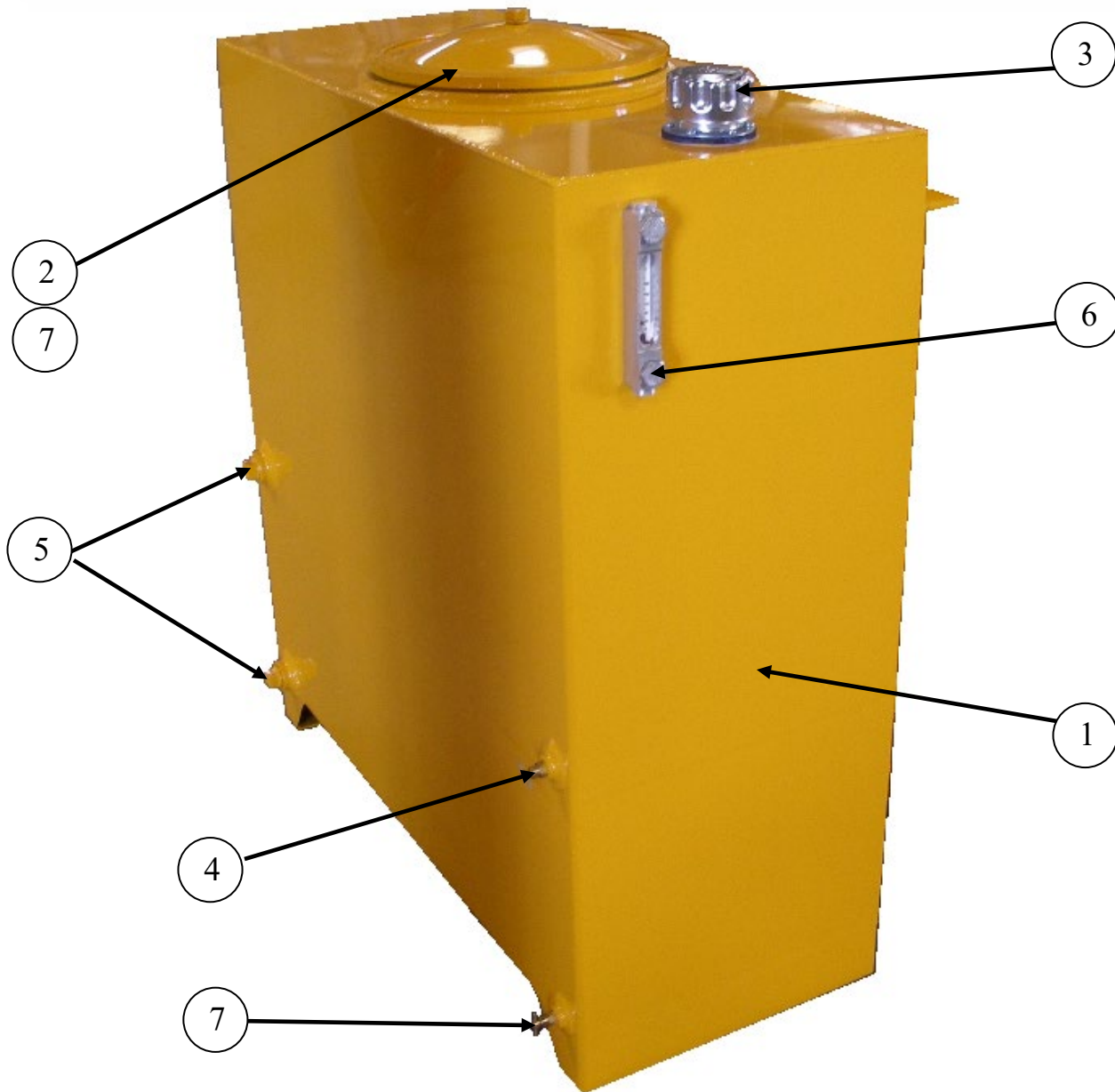
ID #	PART #	PART DESCRIPTION	QUANTITY	
1	BW10266	ENGINE MOUNT-FRT, 840 LB-BLUE DOT	2	EA
2	BW10270	ENGINE MOUNT-REAR, 1020 LB-WHITE DOT	2	EA
3	73269	GROUND STRAP	1	EA



# A40HP TIER 4 PARTS

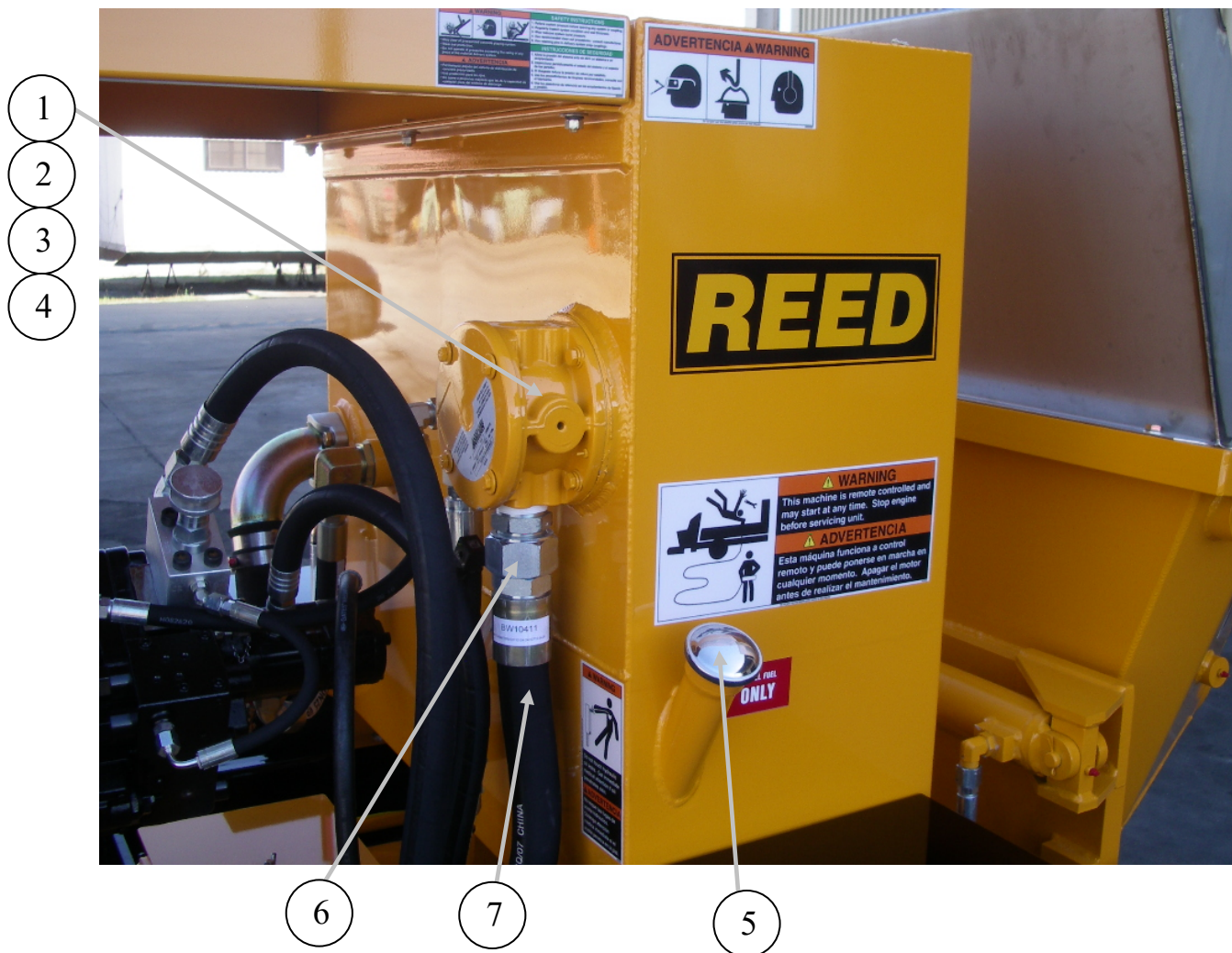
13822 Oaks Avenue  
Chino, CA 91710  
reedpumps.com  
909-287-2100

## HYDRAULIC AND FUEL TANK ASSEMBLY



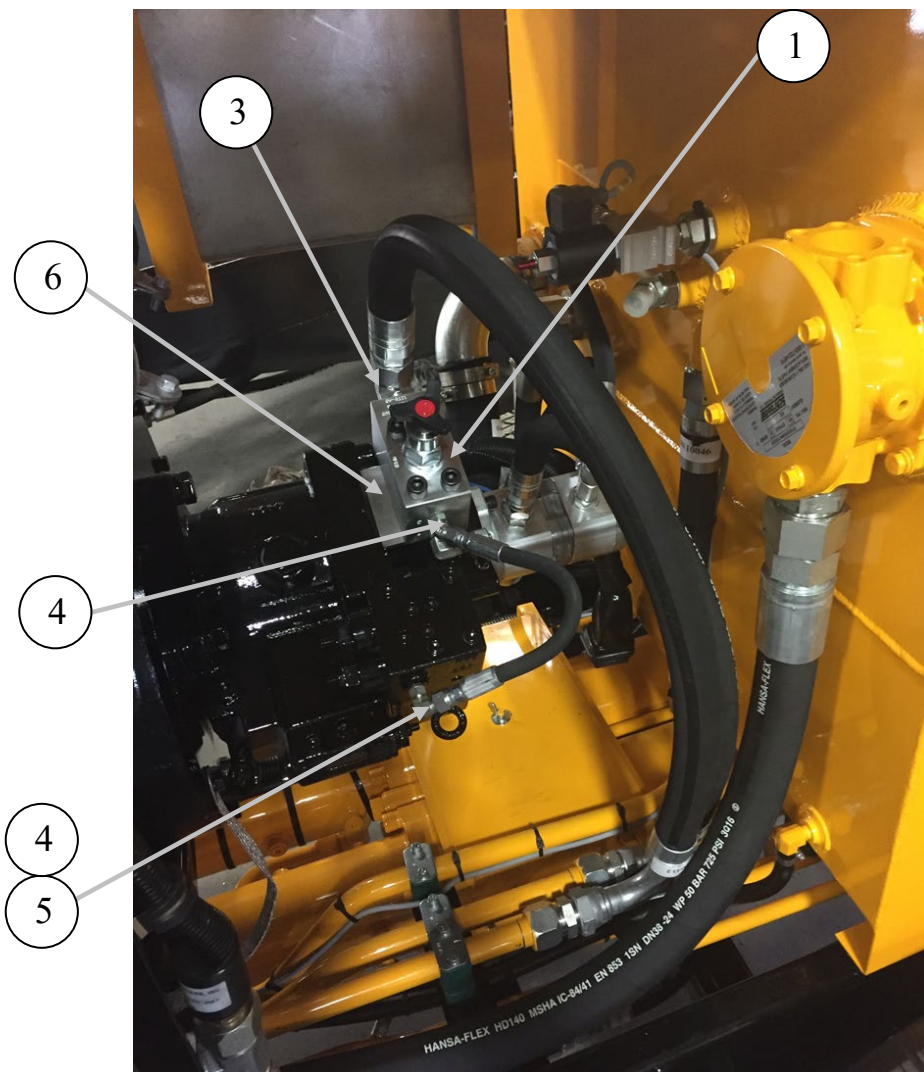
ID #	PART #	PART DESCRIPTION	QUANTITY	
	BW10432	HYD./FUEL TANK ASSY.	ASSY	
1	BW10386	HYD./FUEL TANK WELDMENT	1	EA
2	BW10171	KIT, 12 END COVER	1	EA
3	74508	FILLER BREATHER W/CAP	1	EA
4	801025	DRIAN COCK, ¼ NPT	2	EA
5	10282	PLUG-PIPE / GALV 1"	2	EA
6	74509	GAUGE-SIGHT/TEMPERATURE	1	EA
7	85867	GASKET, END COVER 12" (SPARE PART)	REF	EA

### HYDRAULIC AND FUEL TANK ASSEMBLY CONTINUED



ID #	PART #	PART DESCRIPTION	QUANTITY	
1	BW10027	FILTER, RETURN	1	EA
2	BW10241	SEAL KIT FOR BW10027 (RETURN FILTER)	1	EA
3	BW10242	GASKET FOR BW10027 (RETURN FILTER)	1	EA
4	BW10106-1	ELEMENT 25 MIKRON, FOR BW10027	1	EA
5	BW10256	CAP, FILLER	1	EA
6		FITTING, MP-MJ-24-24	1	EA
7	BW10411	HOSE, 24C1TH-24FJX-24FJX-70.00	1	EA

### FLOW CONTROL VALVE



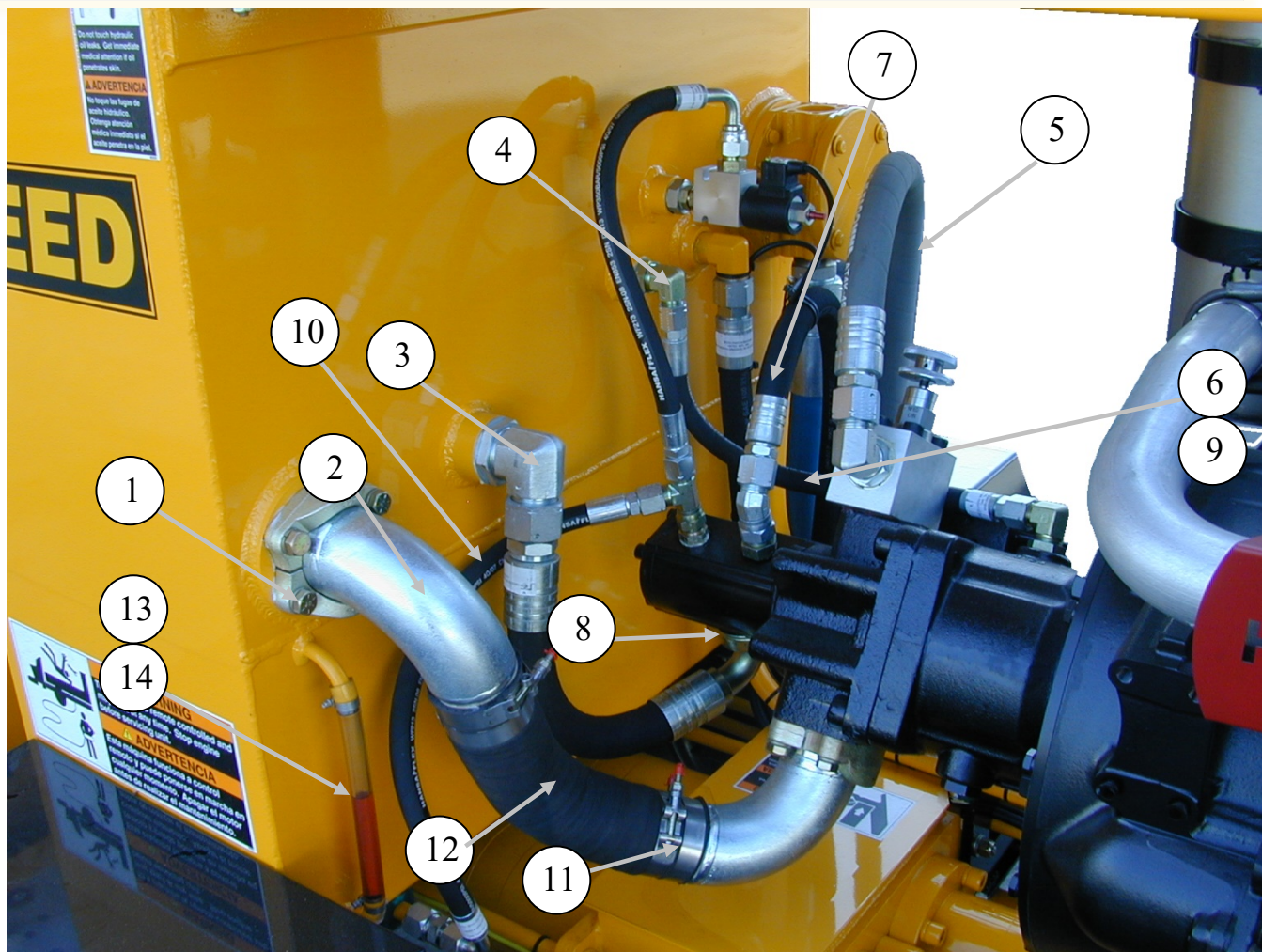
ID #	PART #	PART DESCRIPTION	QUANTITY	
1	85125	FLOW CONTROL, HV10V0100 PUMP (HI SPEED)	1	EA
	79543	VOLUME CONTROL CARTRIDGE	1	EA
2		ADAPTER, 45 DEGREE -MB-MJ-4-6	1	EA
3	86728-023	ELBOW, MB-MJ90-16-16	1	EA
4		ELBOW, MB-MJ90-4-6	1	EA
5	85659-014	HOSE, 4M2T-6FJX-6FJX90S-12.50"	1	EA
6	BW10477	SPACER 85125 FLOW VALVE SPACER	1	EA



# A40HP TIER 4 PARTS

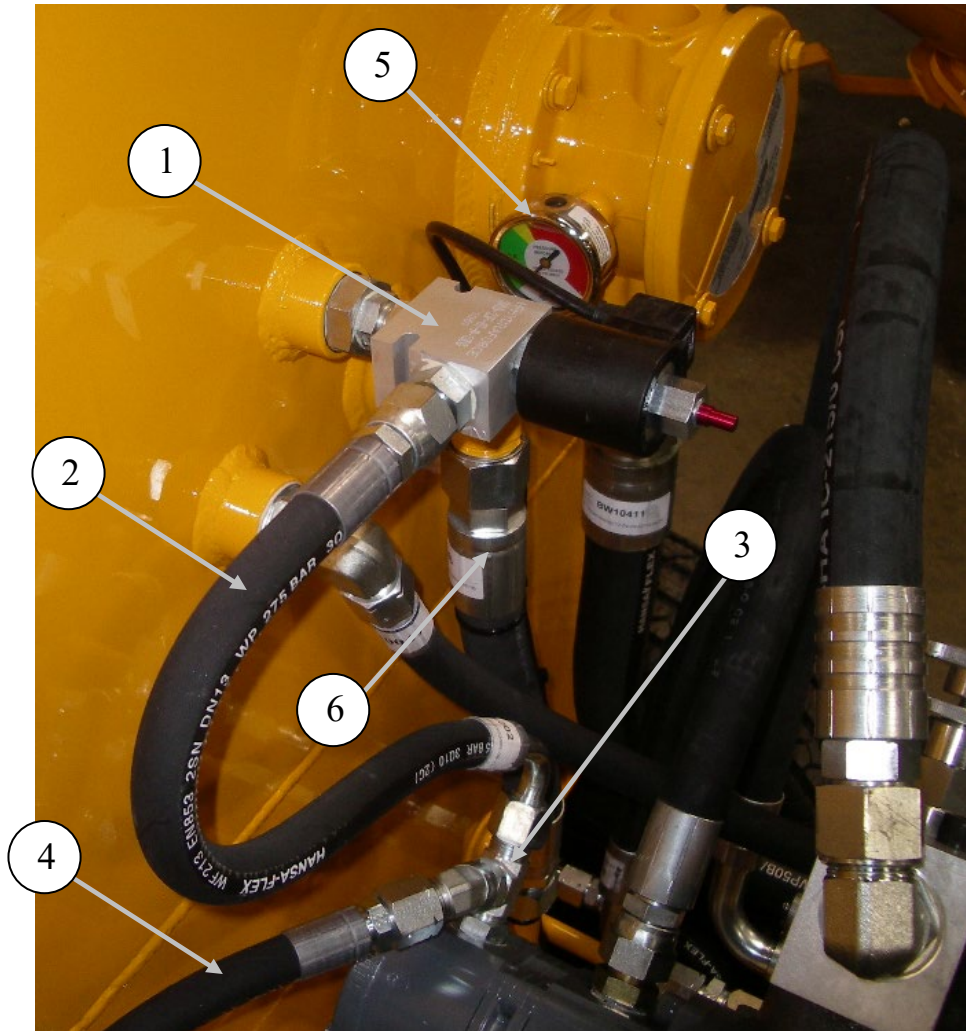
13822 Oaks Avenue  
Chino, CA 91710  
reedpumps.com  
909-287-2100

## HYDRAULIC LINES, HOSES, AND FITTINGS



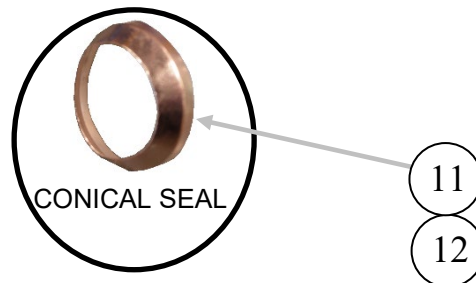
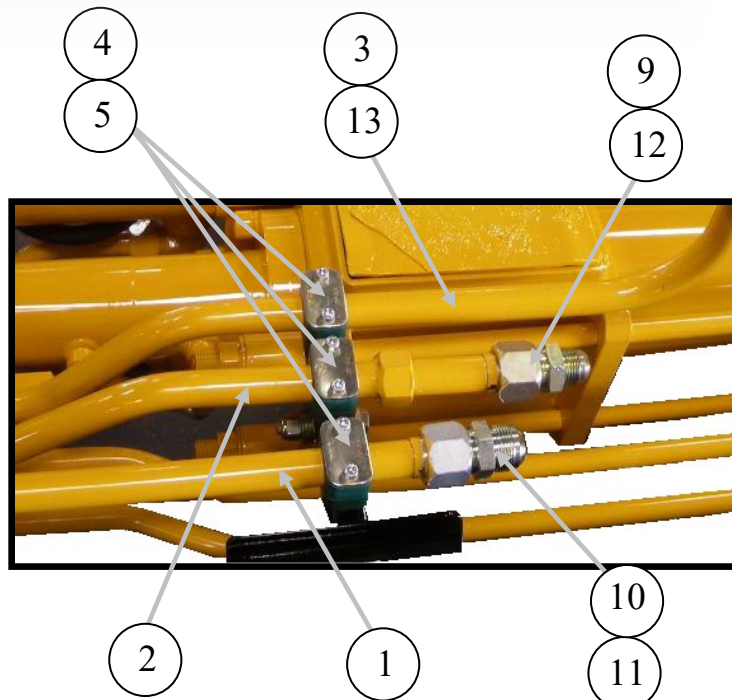
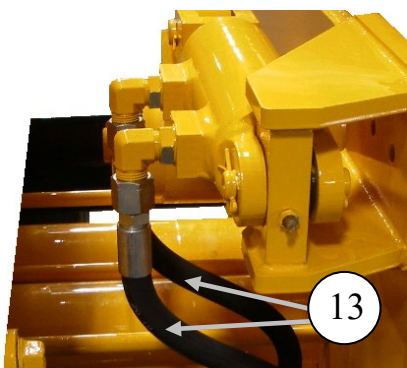
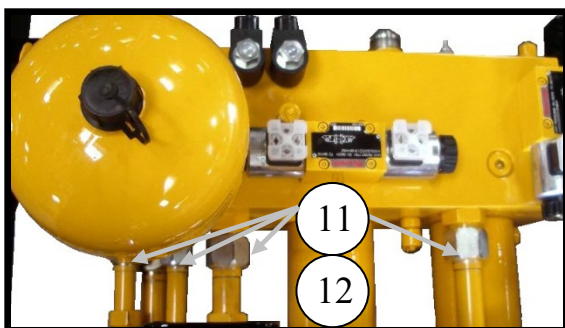
ID #	PART #	PART DESCRIPTION	QUANTITY	
1	86264-007	SPIT FLANGE-CODE 61 -40 SAE	2	EA
2	86911-009	STEM, 2 1/2 "90 DEG. 40C4-40FL90	2	EA
3	86728-019	ELBOW MB-MJ90-12-12	2	EA
4		FITTING, MJ-MP90-16-16	1	EA
5	BW10412	HOSE, R12-FJS-FJS90-16-16-41"	1	EA
6	85667-004	HOSE, 12G5K-12FJX-12FJX90-32.00	1	EA
7	85657-002	HOSE, 8M2T-10FJX-10FJX90S-19.50	1	EA
8		FITTING, MB-MJ-10-12 (STRAIGHT)	1	EA
9		ADAPTER, MB-MJ-12-16	1	EA
10	85664-008	HOSE, 16G4H-16FJX-16FJX45-20"	1	EA
11	79803	CLAMP - T- BOLT -3.00 DIA	4	EA
12	85660-001	HOSE, 40G4H-NO ENDS-	12.00	EA
13	801978	TUBING, CLEAR PVC 1/2 ID X 3/4 OD	0.83	FT
14	802289	CLAMP, WORM-0.38-0.68 DIA	2	EA

### HYDRAULIC LINES, HOSES, AND FITTINGS CONT



ID #	PART #	PART DESCRIPTION	QUANTITY	
1	87154	SOLENOID VALVE, 2P-2W, NO, 12V DIN	1	EA
2	85657-002	HOSE, 8M2T-10FJX-10FJX90S-19.50	1	EA
3		MJ-MB-MJT10	1	EA
4	85657-024	HOSE, 8M2T-10FJX-10FJX90S-24.50	1	EA
5	BW10249	GAUGE-RETURN FILTER BW10027	1	EA
6	BW10046	HOSE, R1T-FJS-MJ-16-16-16-14.5"	1	EA

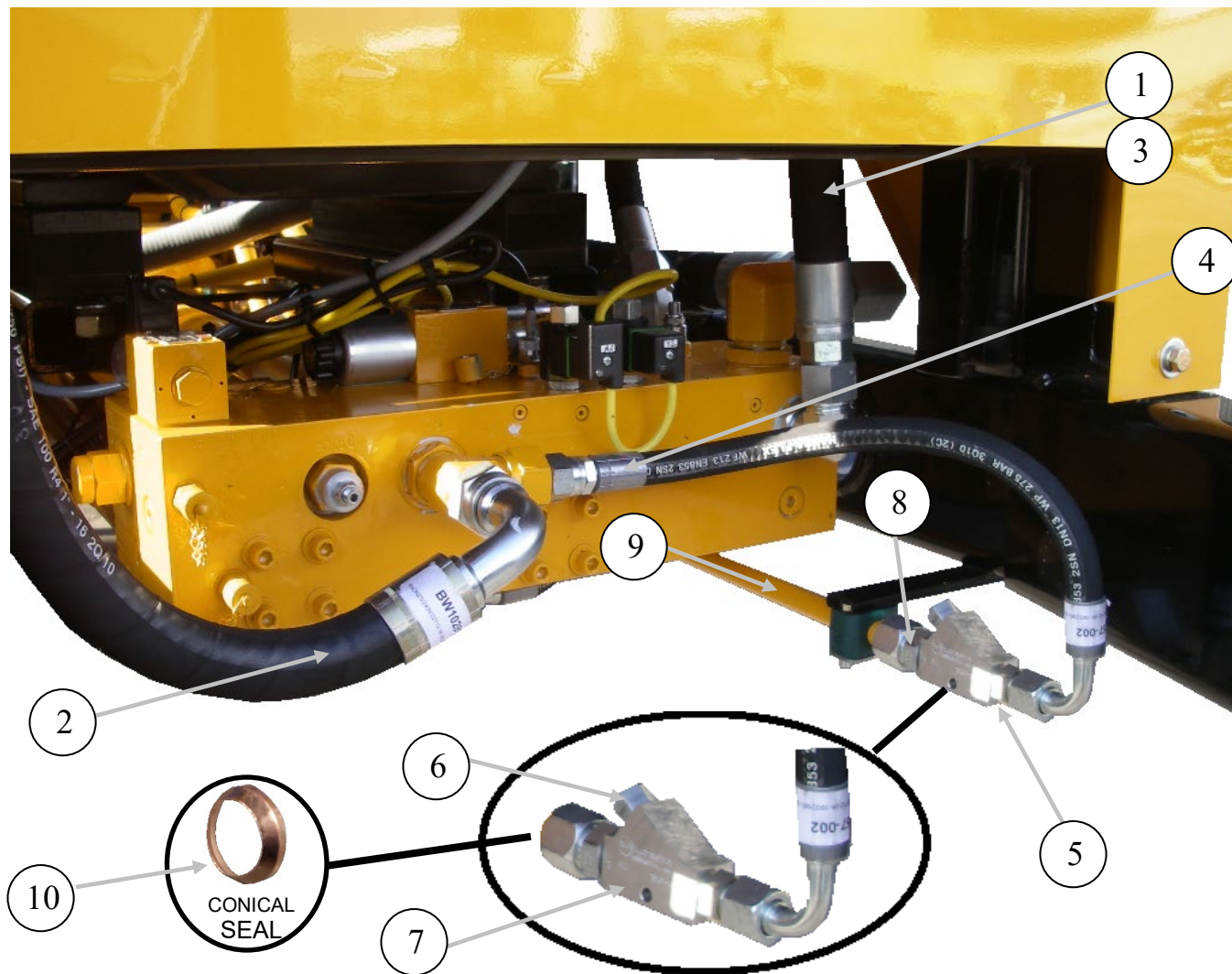
### HYDRAULIC LINES, HOSES, AND FITTINGS CONTINUED



ID #	PART #	PART DESCRIPTION	QUANTITY	
1	BW10151	TUBE HYD, ACC.PUMP, PRESSURE-PAINTED	1	EA
2	BW10403	TUBE HYD, MAIN PUMP PRESSURE PAINTED	1	EA
3	BW10153	TUBE HYD, RETURN LINE-PAINTED	1	EA
4	801902-007	CLAMP, 25MM TUBE CLAMP SET	3	EA
5	801902-001	NUT, TEE TUBE CLAMP	6	EA
6	800897	CLAMP, 3/4" TUBE, SINGLE	2	EA
7	BW10154	TUBE HYD, SWING CYLINDER-PAINTED	2	EA
8		UNION MALE, MJ-MJ-12-10	2	EA
9	87415-001	UNION MALE JIC, MJ-MJ-16-12	1	EA
10	87415-002	UNION MALE JIC, MJ-MJ-12-12	1	EA
11	BW10229	CONICAL SEAL, SIZE 12	5	EA
12	BW10230	CONICAL SEAL, SIZE 16	6	EA
13	BW10049	HOSE R2T-FJS-FJS-10-10-08-20"	2	EA

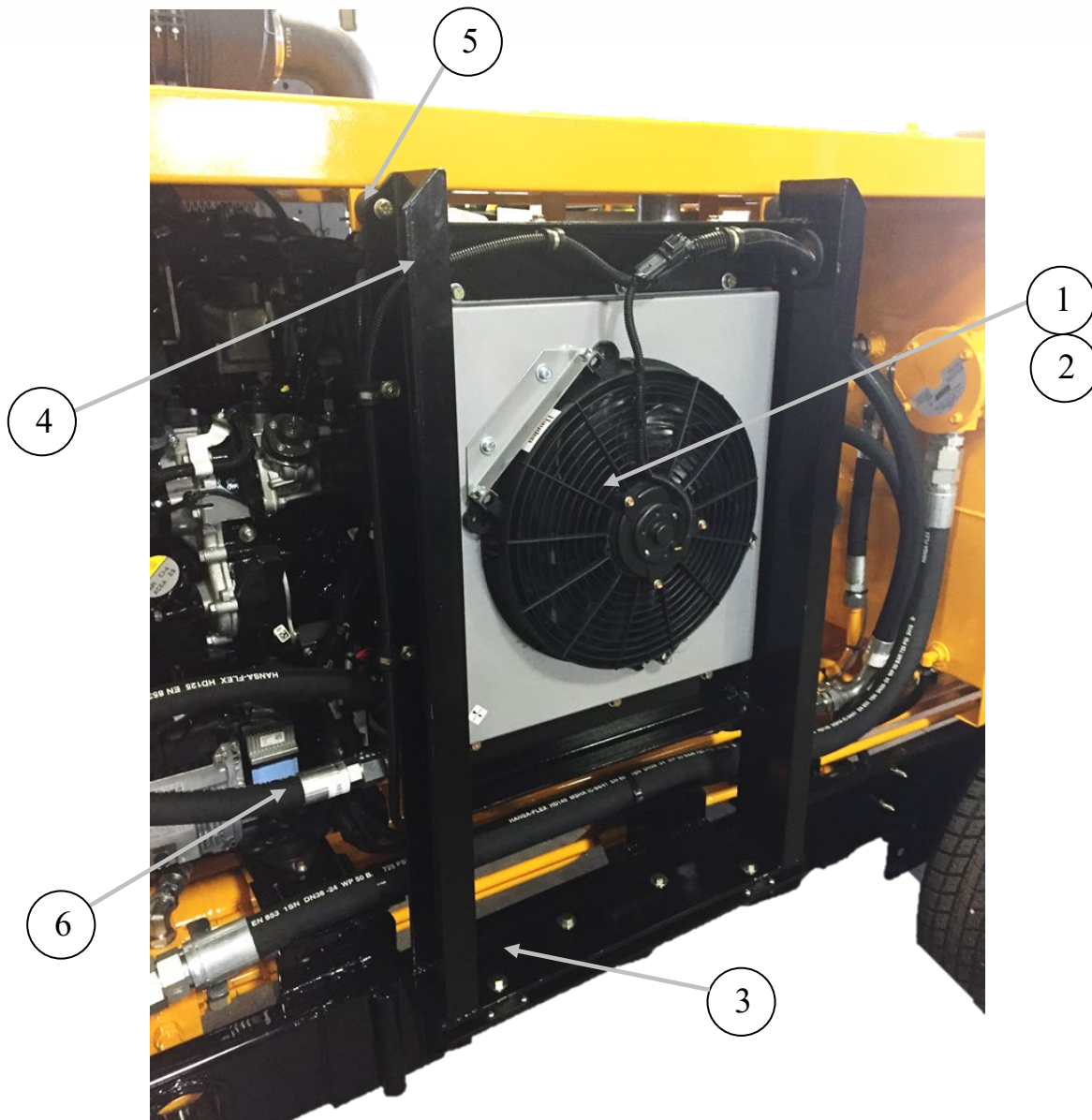


### HYDRAULIC LINES, HOSES, AND FITTINGS CONTINUED



ID #	PART #	PART DESCRIPTION	QUANTITY	
1	88138-008	HOSE, 16GMV=-20FJX-16FJX90S-24"	1	EA
2	88138-005	HOSE, 16GMV=-16FJX-16FJX	1	EA
3	86728-026	ELBOW, MB-MJ90-20-16	1	EA
4	85657-002	HOSE, 8M2T-10FJX-10FJX90S-19.50	1	EA
5	86900-018	MB-MJ-10-6	2	EA
6	BW10471	CHECK VALVE	1	EA
7	BW10472	MANIFOLD FOR BW10471 (MUST BE MODIFIED)	1	EA
8		MB-MJ-6-12	1	EA
9	BW10409	TUBE HYD. MIXER VALVE RETURN	1	EA
10	BW10229	CONICAL SEAL, SIZE 12	2	EA

### OIL COOLER ASSY



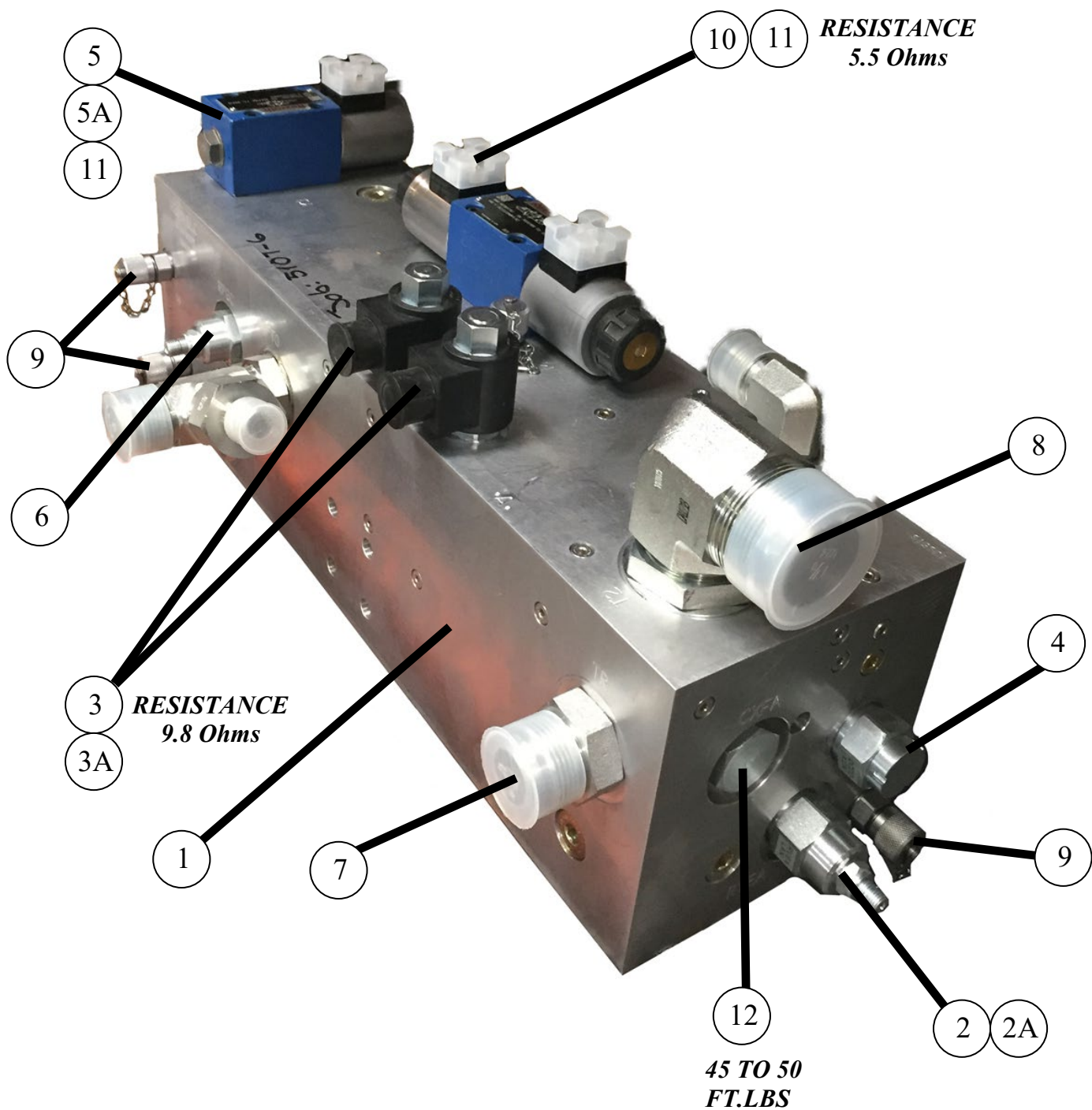
ID #	PART #	PART DESCRIPTION	QUANTITY	
	BW10537	OILCOOLER ASSY.	REF	
1	79433	OIL COOLER-ELECTRIC 12VDC	1	EA
2	89655	TEMPRATURE SWITICH 122-104F W/INTEG RELAY	1	EA
3	89653	MOUNT VIBRATION DAMPING	4	EA
4	BW10536	OIL COOLER MOUNTING BRACKET WELDMENT	1	EA
5	73748	BUMPERS	2	EA
6	88138-005	HOSE, 16M1T-16FJX-16FJX90-61.50"	1	EA
7	88138-008	HOSE, 16M1T-16FJX-16FJX90-32.0"	1	EA



# A40HP TIER 4 PARTS

13822 Oaks Avenue  
Chino, CA 91710  
reedpumps.com  
909-287-2100

## CONTROL MANIFOLD





# A40HP TIER 4 PARTS

13822 Oaks Avenue  
Chino, CA 91710  
reedpumps.com  
909-287-2100

## CONTROL MANIFOLD CONTINUED

ID #	PART #	PART DESCRIPTION	QUANTITY	
	BW10395	MANIFOLD, CYLINDER CIRCUIT ASSEMBLY, A40	1	EA
1	BW10375	MANIFOLD MACHINED, A40 SERIES	1	EA
2	85703	RELIEF VALVE CARTRIDGE, FOR 85249	1	EA
2A	85703SK	RELEIF VALVE CARTRIDGE SEAL KIT	1	EA
3	BW10185	VALVE POPET, 2 WAY N/O FORBW10186	2	EA
3A	87247	COIL, 12VDC, FOR 87246 (9.8 Ohms))	2	EA
4	BW10182	DIRECTIONAL CARTRIDGE VALVE 2 POSIT	1	EA
4A	BW10182-SK	DIRECTIONAL CARTRIDGE VALVE SEAL KIT	1	EA
5	BW10183	VALVE PILOT, 2 POSITION	1	EA
5A	BW10183-SK	DIRECTIONAL CARTRIDGE VALVE SEAL KIT	1	EA
6	BW10326	RELIEF VALVE CARTRIDGE, FOR BW1004	1	EA
7	BW10328	ADAPTER, MB-MB-12-12	1	EA
8	86728-028	ELBOW, MB-MJ90-20-24	1	EA
9	78593	MINICHECK ADAPTER, SAE 4	3	EA
10	85691	VALVE PILOT, FOR 85691 (5.5 Ohms)	1	EA
11	BW10329	10-24X2" SHCS (TORQE 6.5 FT. LBS.)	8	EA
12	BW10327	CHECK VALVE CARTRIDGE FOR BW10004	1	EA

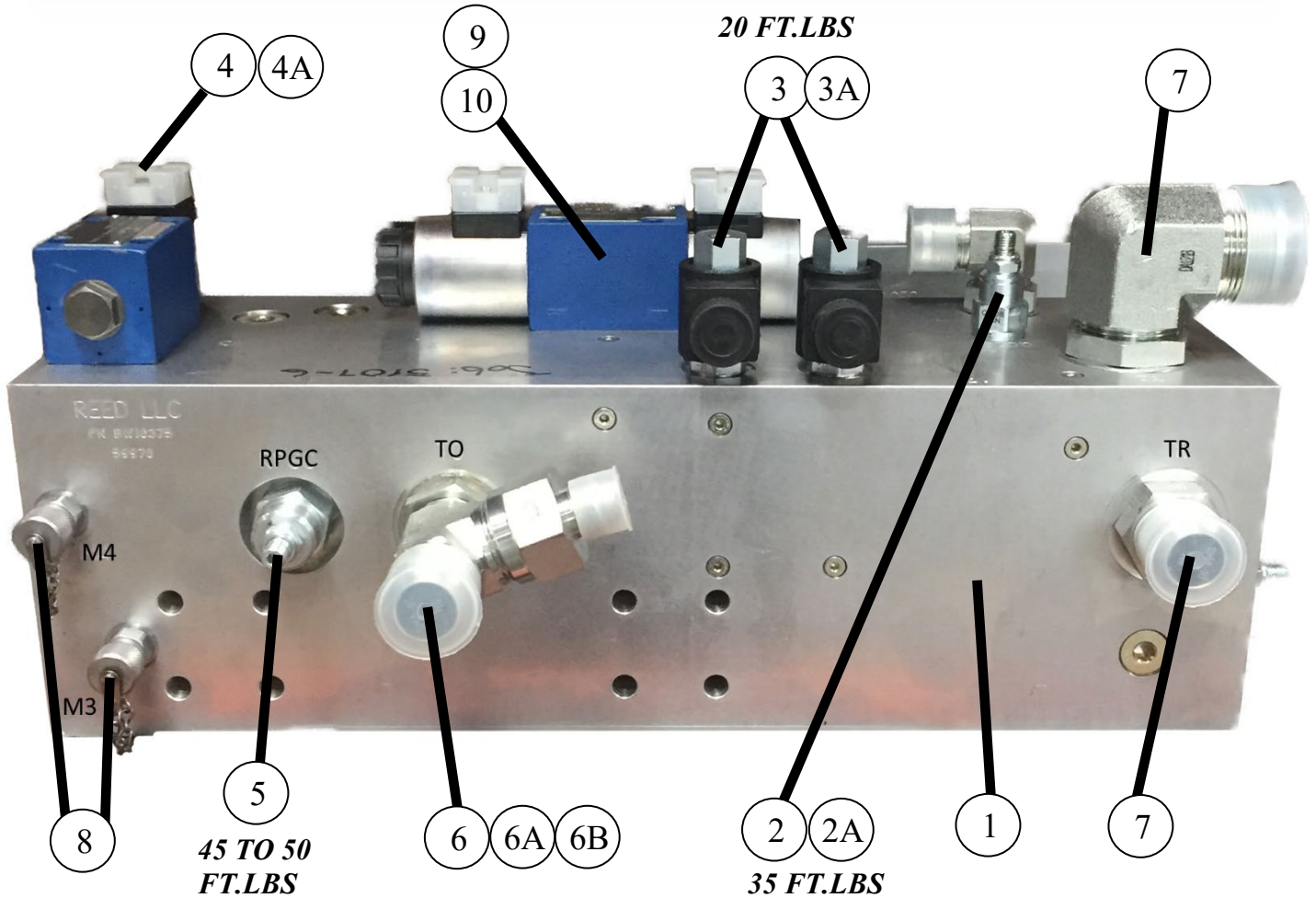
INSTALLATION TORQUE-CHART	
ITEM/CODE	TORQUE SETTING
RPGC	45 TO 50 FT. LBS.
CXFA	45 TO 50 FT. LBS.
RVEA	45 TO 50 FT. LBS.
QCDB	35 FT. LBS.
DCDD	50 FT. LBS.
DCEC	160 FT. LBS.
ITEM 4	20 FT. LBS.
ITEM 4A	5 FT. LBS.
ITEM 5&7	6.5 FT. LBS.



# A40HP TIER 4 PARTS

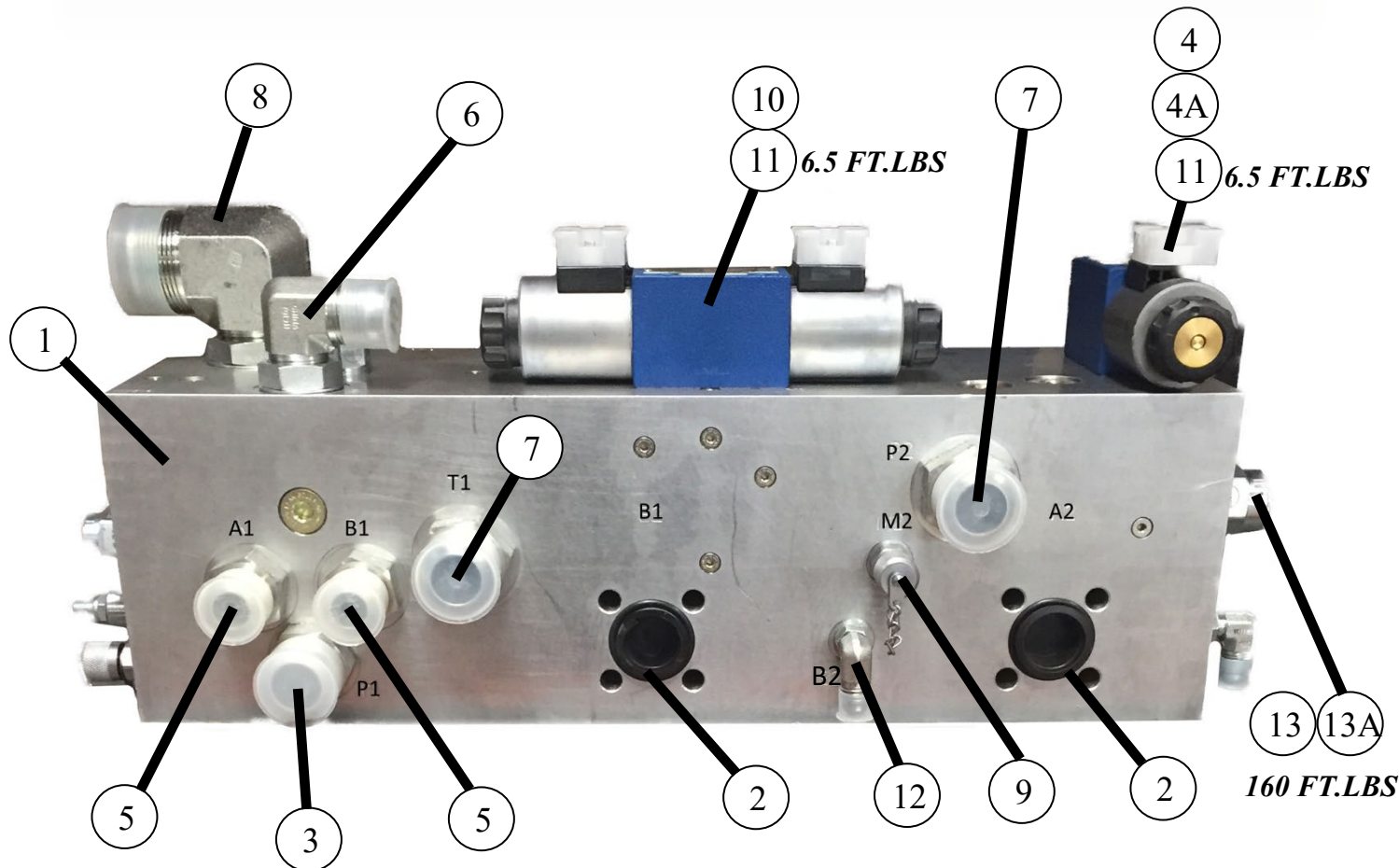
13822 Oaks Avenue  
Chino, CA 91710  
reedpumps.com  
909-287-2100

## CONTROL MANIFOLD FRONT SIDE



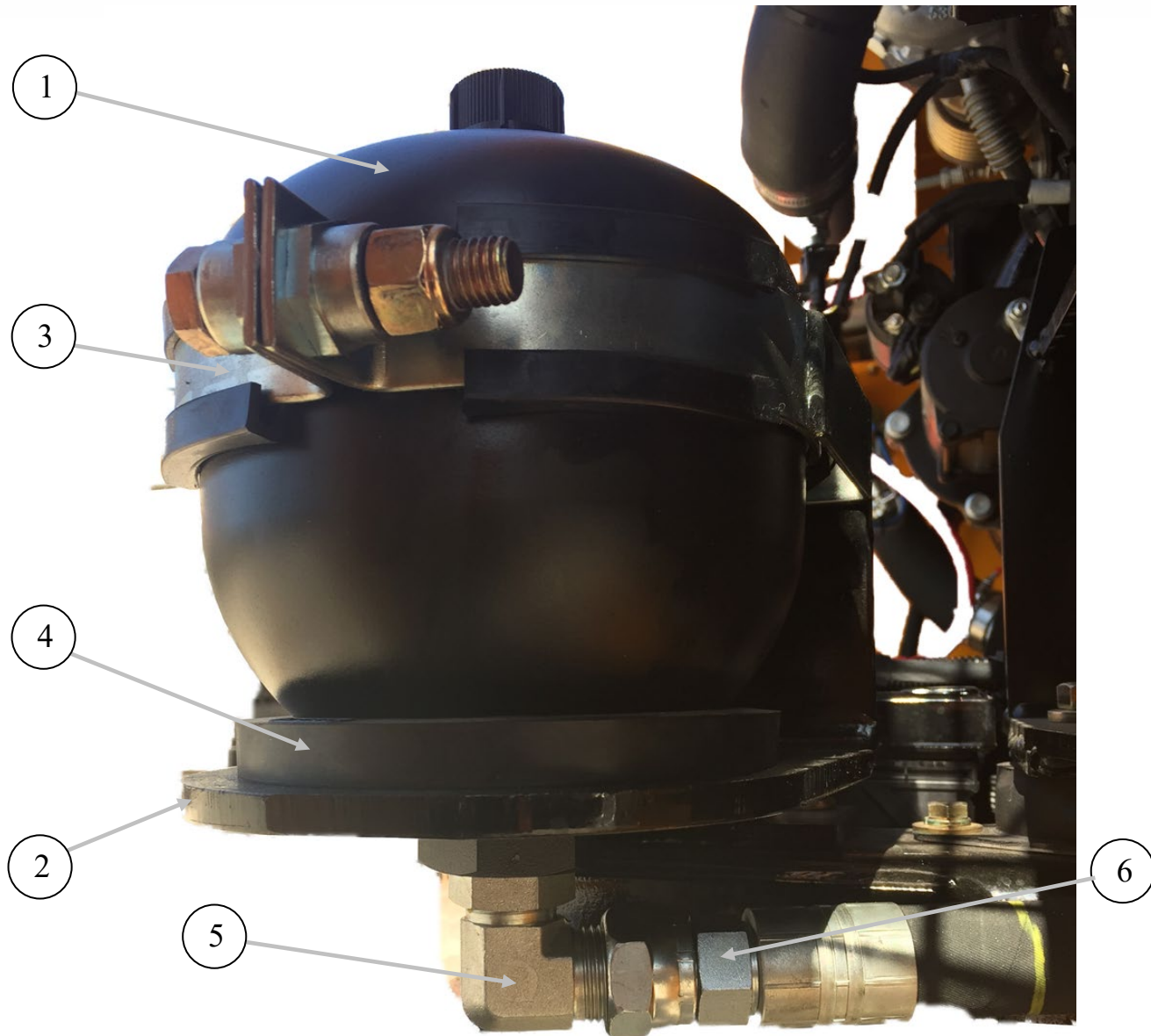
ID #	PART #	PART DESCRIPTION	QUANTITY	
1	BW10375	MANIFOLD MACHINED, A40 SERIES	1	REF
2	85704	UNLOADER VALVE CARTRIDGE, FOR 85249	1	REF
2A	85704-SK	UNLOADER VALVE CARTRIDGE SEAL KIT	1	EA
3	BW10185	VALVE POPET, 2 WAY N/O FORBW10186	2	REF
3A	87247	COIL, 12VDC, FOR 87246 (9.8 Ohms)	2	REF
4	BW10183	VALVE PILOT, 2 POSITION	1	REF
4A	BW10183-SK	DIRECTIONAL CARTRIDGE VALVE SEAL KIT	1	REF
5	BW10326	RELIEF VALVE CARTRIDGE, FOR BW1004	1	REF
6	86900-028	ADAPTER, MB-MJ-12-12	3	REF
6A	86945-001	TEE, MJ-MB-MJT-16	1	REF
6B	86948-001	REDUCER, JIC MJ-FJ-10-16	1	REF
7	86728-028	ELBOW, MB-MJ916-16	1	REF
8	78593	MINICHECK ADAPTER, SAE 4	2	REF
9	85691	VALVE PILOT, FOR 85689 (5.5 Ohms)	1	REF
10	BW10329	10-24X2" SHCS (TORQE 6.5 FT. LBS.)	8	REF

### CONTROL MANIFOLD CYLINDER SIDE



ID #	PART #	PART DESCRIPTION	QUANTITY	
1	BW10375	MANIFOLD MACHINED, A40 SERIES	1	REF
2	BW10177	O-RING, #219	2	EA
3	86900-024	ADAPTER, MB-MJ-12-16	1	EA
4	BW10183	VALVE PILOT, 2 POSITION	1	REF
4A	BW10183-SK	DIRECTIONAL CARTRIDGE VALVE SEAL KIT	1	REF
5	86900-23	ADAPTER, MB-MJ-12-12	2	EA
6	86728-019	MB-MJ-90-12-12, ELBOW	1	REF
7	86900-028	ADAPTER, MB-MJ-16-16	2	REF
8	86728-028	ELBOW, MB-MJ90-20-24	1	REF
9	78593	MINICHECK ADAPTER, SAE 4	2	REF
10	85691	VALVE PILOT, FOR 85689 (5.5 Ohms)	1	REF
11	BW10329	10-24X2" SHCS (TORQUE 6.5 FT. LBS.)	8	REF
12	86728-006	ELBOW, MB-MJ90-4-6	2	EA
13	BW10181	DIRECTIONAL CARTRIDGE VALVE 3 POSIT	1	EA
13A	BW10181-SK	DIRECTIONAL CARTRIDGE VALVE SEAL KIT	1	EA

### ACCUMULATOR



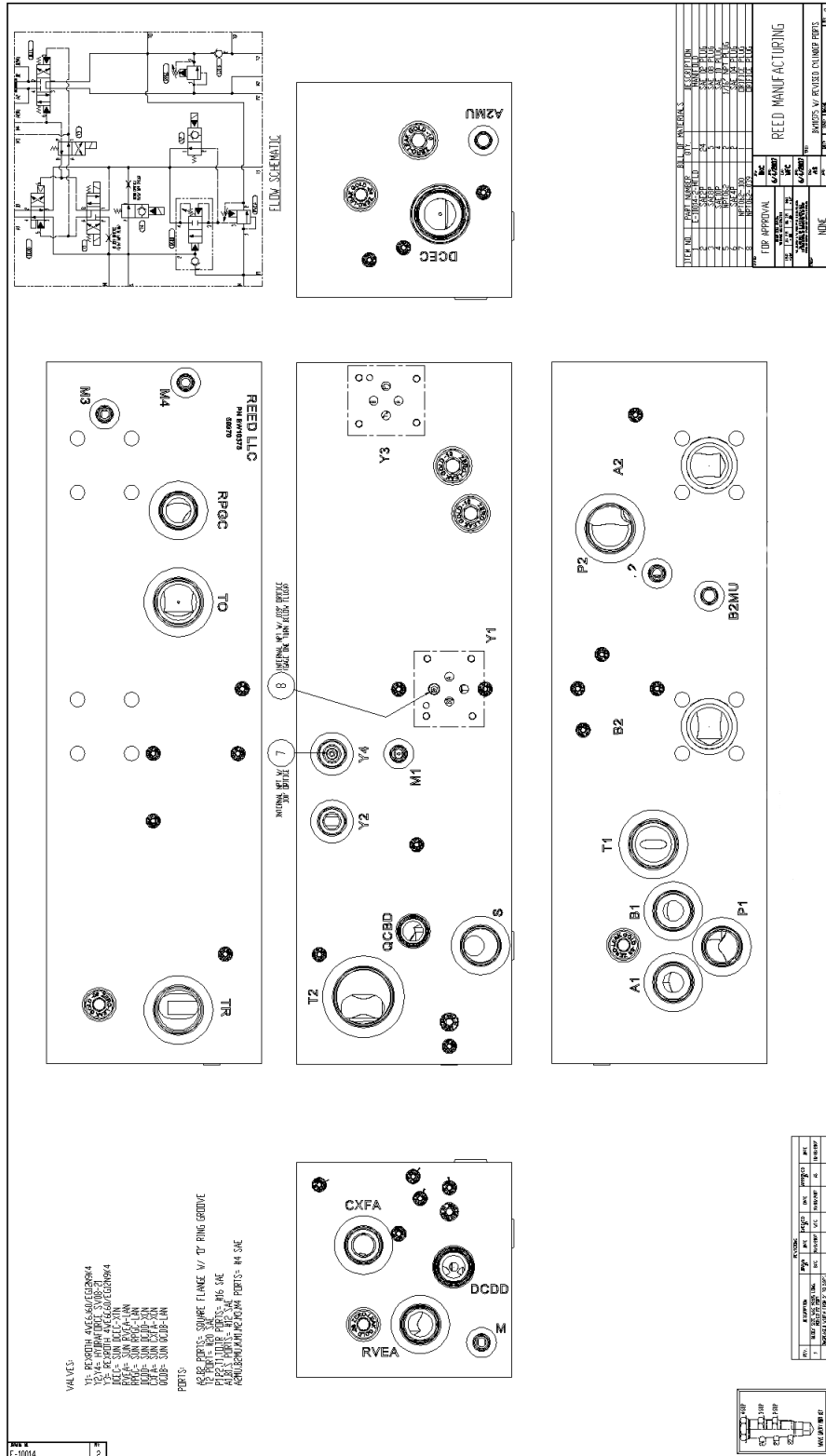
ID #	PART #	PART DESCRIPTION	QUANTITY	
1	BW10184	ACCUMULATOR, 2 LITERS	1	EA
2	BW10572	ACCUMULATOR MOUNTING BRACKET WELD T4	1	EA
3	73171	ACCUMULATOR BKT. W/HARDWARE	1	EA
4	801028	SUPPORT RING, ACCUMULATOR	1	EA
5	86728-019	MB-MJ-90-12-12, ELBOW	1	EA
6	85667-006	HOSE, 12G5K-12FJX-12FJX-23.00	1	EA



# A40HP TIER 4 PARTS

13822 Oaks Avenue  
Chino, CA 91710  
reedpumps.com  
909-287-2100

## CONTROL MANIFOLD PORTING







# A40HP TIER 4 PARTS

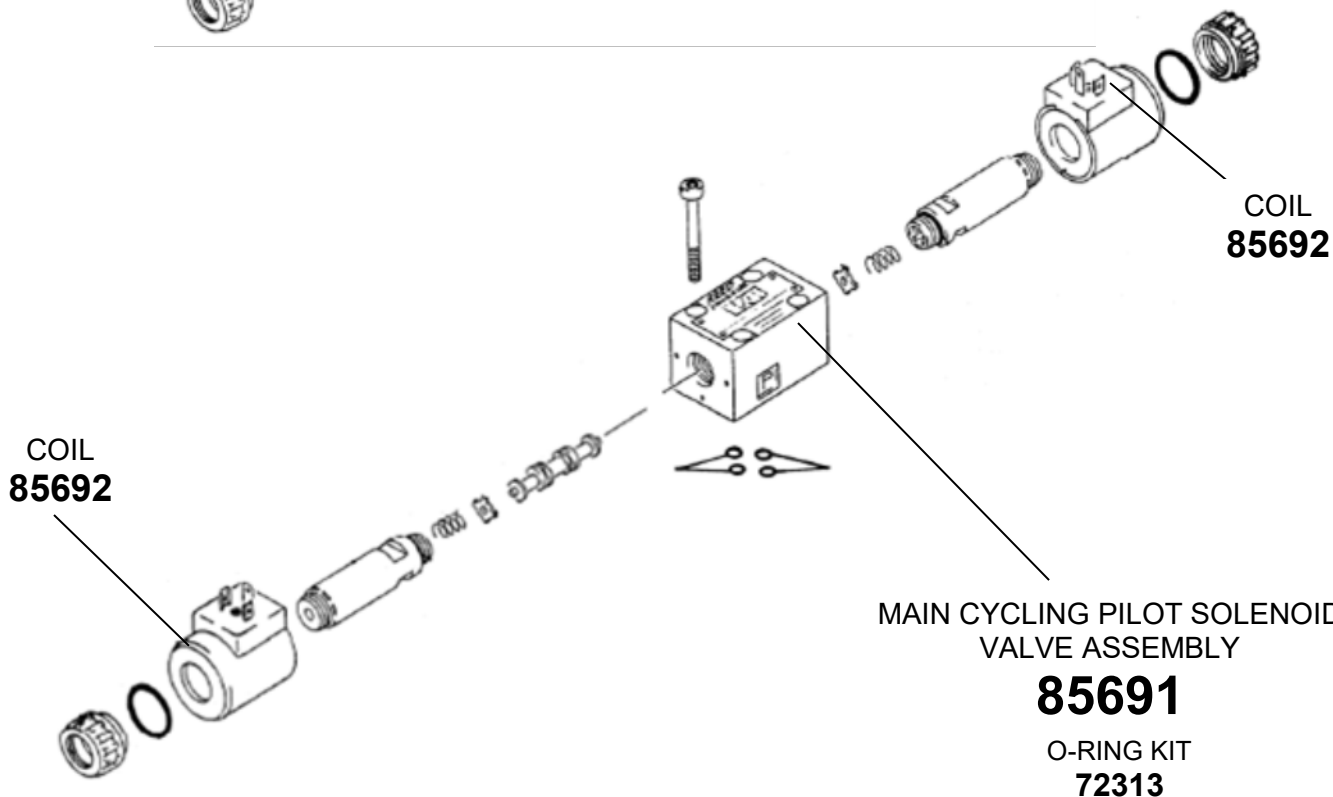
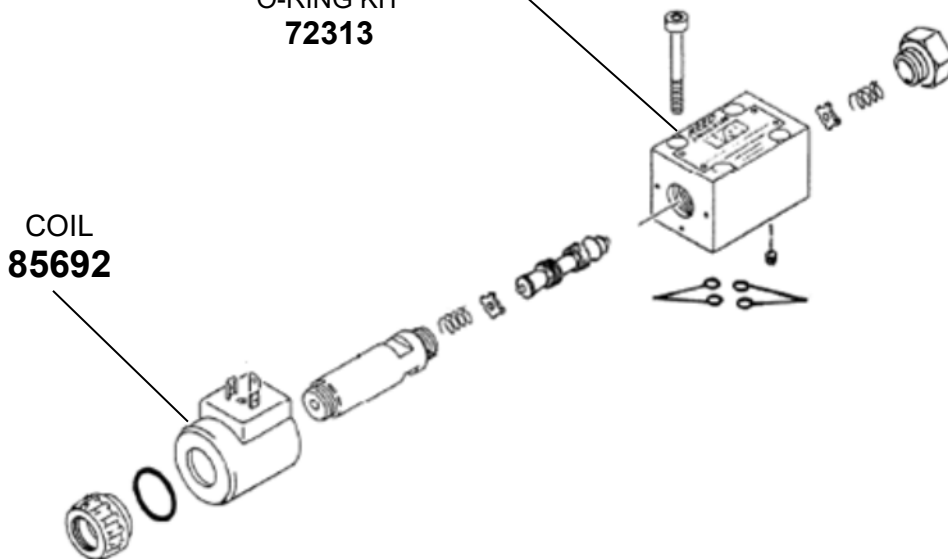
13822 Oaks Avenue  
Chino, CA 91710  
reedpumps.com  
909-287-2100

## SOLENIOD VALVE ASSEMBLIES

REVERSE CIRCUIT PILOT SOLENOID  
VALVE ASSEMBLY

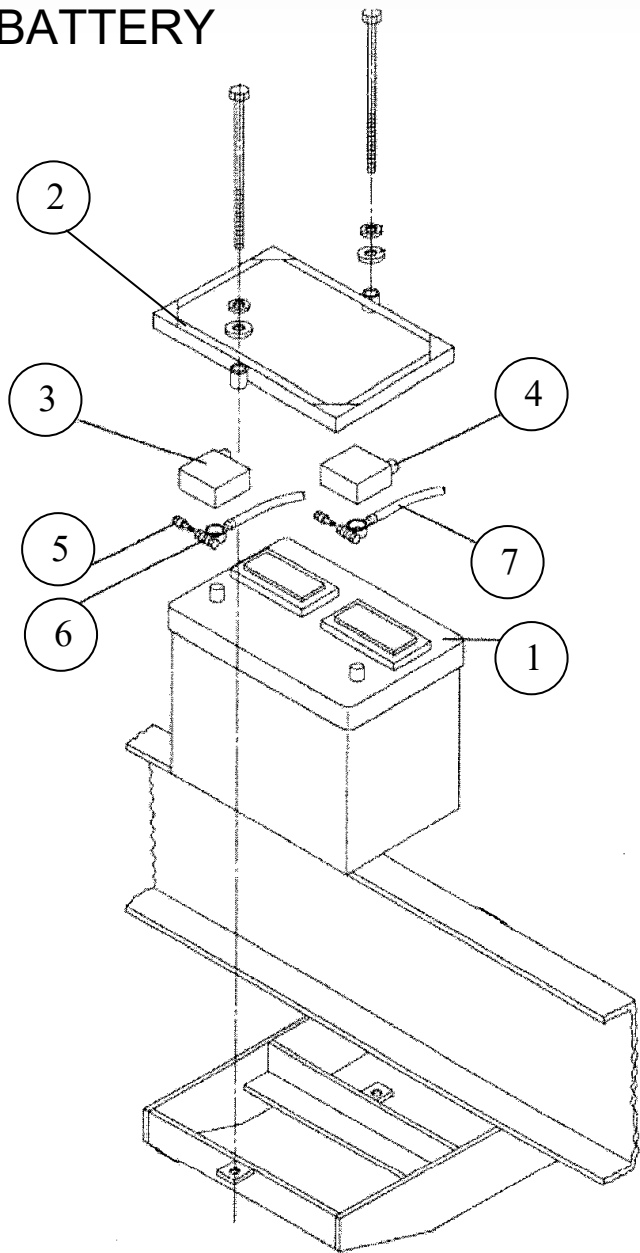
**BW10183**

O-RING KIT  
**72313**



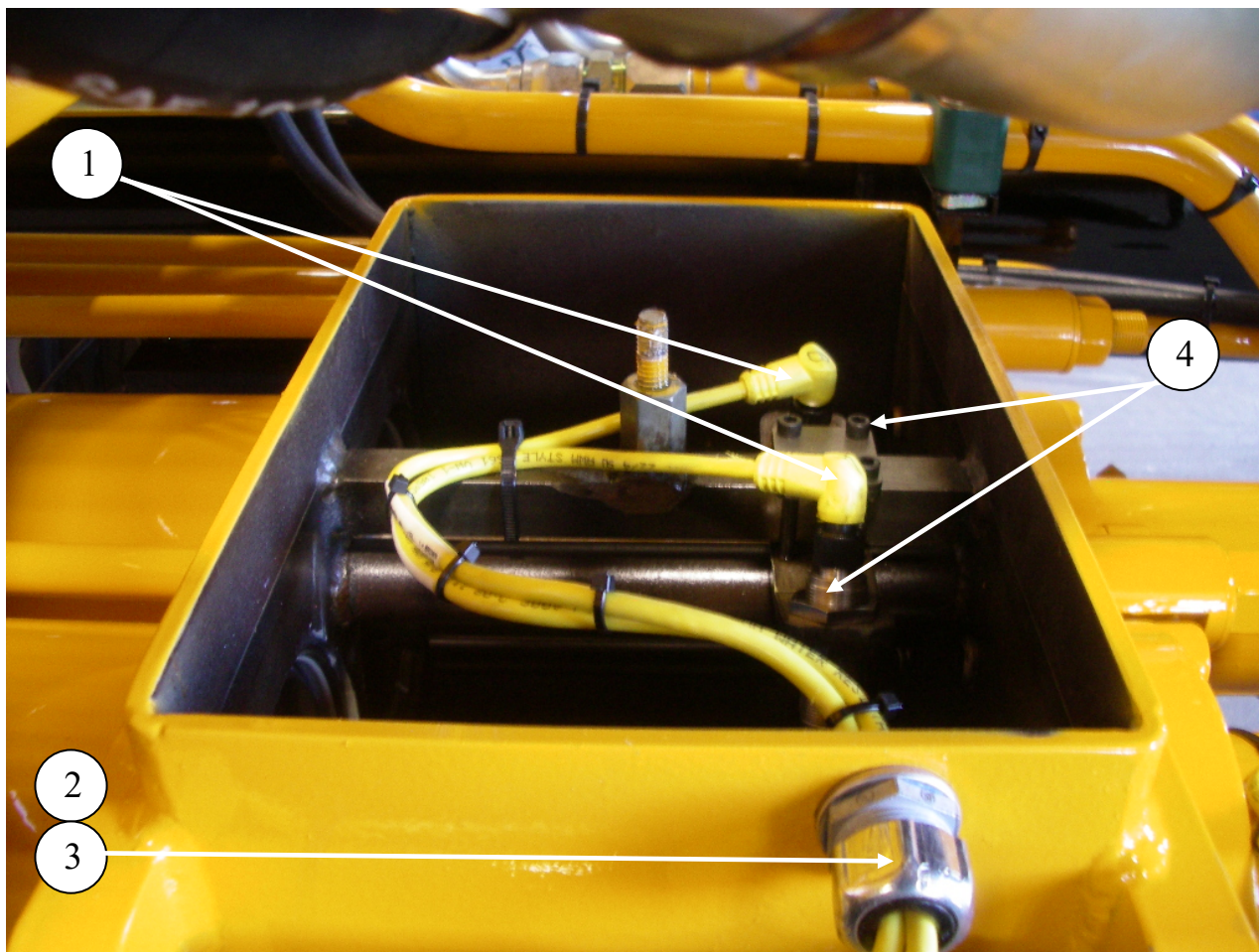
### ELECTRICAL GROUP

### BATTERY



ID #	PART #	PART DESCRIPTION	QUANTITY	
	BW44020	ELECTRICAL GROUP A SER BW10039-2	1	EA
1	77075	BATTERY-12V 1000 CCA31	1	EA
2	72945	BATTERY HOLD DOWN	1	EA
3	77719	COVER, POSITIVE BATT-RED	1	EA
4	77720	COVER, NEGATIVE BATT-BLACK	1	EA
5	87223	EXTENDER, TOP TERMINAL BOLT	2	EA
6	72014	CABLE-38" BATTERY-RED	1	EA
7	75116	CABLE-26" BATTERY-BLACK	1	EA

### PROXIMITY SWITCHES



ID #	PART #	PART DESCRIPTION	QUANTITY	
1	77990	CABLE, PROXIMITY SWITCH	2	EA
2	10522	STRAIN RELIEF	1	EA
3	10528	NUT ½" BONDING TYPE LOCK	1	EA
4	77998	PROXIMITY SENSOR NPN	2	EA

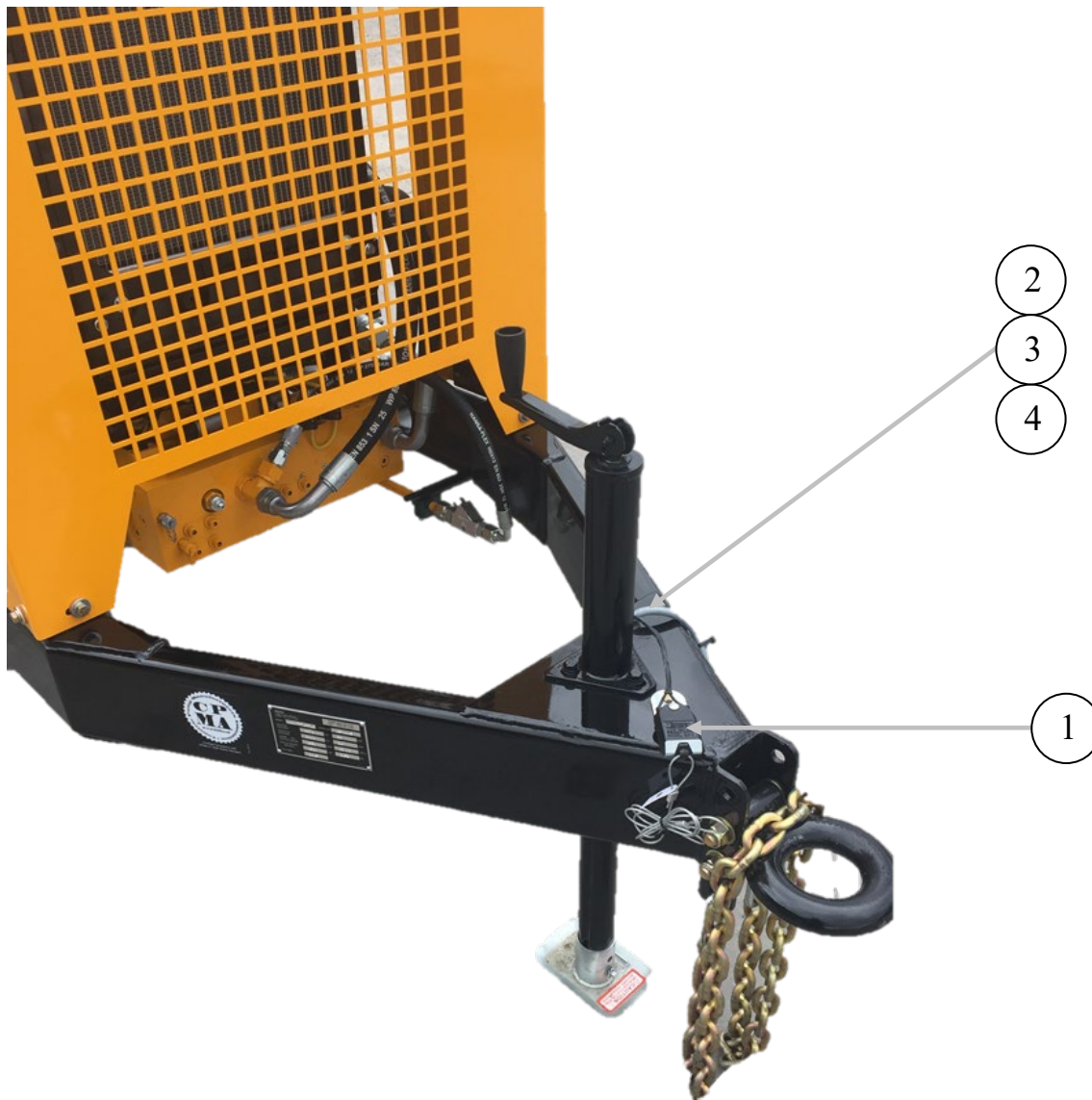


# A40HP TIER 4

## PARTS

13822 Oaks Avenue  
Chino, CA 91710  
reedpumps.com  
909-287-2100

### TRAILER HARNESS AND BREAKAWAY



ID #	PART #	PART DESCRIPTION	QUANTITY	
1	77705	BREAK-AWAY KIT 5000 SERIES	1	EA
2	86579	TRAILER PLUG 7C FLAT PI	1	EA
3	BW10139	WIRING HARNESS TRAILER A SERIES	1	EA
4	86759	GROMMET	1	EA



# A40HP TIER 4 PARTS

13822 Oaks Avenue  
Chino, CA 91710  
reedpumps.com  
909-287-2100

## TAILLIGHTS



UNDERNEATH  
FENDER

ID #	PART #	PART DESCRIPTION	QUANTITY	
1	72948	TAILLIGHT R3000 SERIES	2	EA
2	85981	LOOM CLAMP 5/8"	2	EA
3	86759	GROMMET	2	EA



# A40HP TIER 4 PARTS

13822 Oaks Avenue  
Chino, CA 91710  
reedpumps.com  
909-287-2100

## WIRING HARNESS

ID #	PART #	PART DESCRIPTION	QUANTITY	
	BW10534	WIRING HARNESS A SERIES, TIER 4 ASSY	1	EA
1	89651	PLUG, 48 SOCKET HARNESS SIDE	1	EA
2	89651-B	BOOT FOR 89651 PLUG	1	EA
3	89651-W	WEDGE FOR 89651 PLUG	24	EA
4	BW10147	CONTACT SOCKET SIZE-16,13 AMP	12	EA
5	88959	CONTACT SOCKET SIZ 20 7.5 AMP	24	EA
6	77990	CABLE, PROXIMITY SWITCH, 5M	3	EA
7	10528	NUT- 1/2" BONDING TYPE LOCK NUT	1	
8	30240	GASKET- LIQUID TITE- ELECT	1	EA
9	10522	STRAIN RELIEF	1	EA
10	87540	TURCK U7106-05 CABLES/CONNECTIVITY	6	EA
11	88935	3 WAY PLUG DT SER.	1	EA
12	88937	WEDGE LOCK, DT 3 PIN PLUG, BLUE	1	EA
13	88935-B	BOOT FOR 3 WAY DT SERIES PLUG	1	EA
14	89218	DEUSCH DT04 RECP, 12 PIN	1	EA
15	88958	CONTACT PIN SOLID SIZE 16	7	EA
16	89218-1	DEUTSCH WEDGE FOR 89218	1	EA
17	85617	CABLE, 14 AWG-4C, PVC-GRY	13	FT
18	89127	CABLE, BLUE HOSE, 20 AWG	13	FT
19	88678	CABLE SHIELD PROXIMITY SWITCH, 5M	1	EA
20	BW10254-125	1.25" DIA WIRING LOOM PLASTIC, SPLIT	3.5	FT
21	BW10254-062	.625" DIA WIRING LOOM PLASTIC, SPLIT	7	FT



# A40HP TIER 4 PARTS

13822 Oaks Avenue  
Chino, CA 91710  
reedpumps.com  
909-287-2100

## CONTROLS

### A-SERIES TIER 4 CONTROL BOX PLC



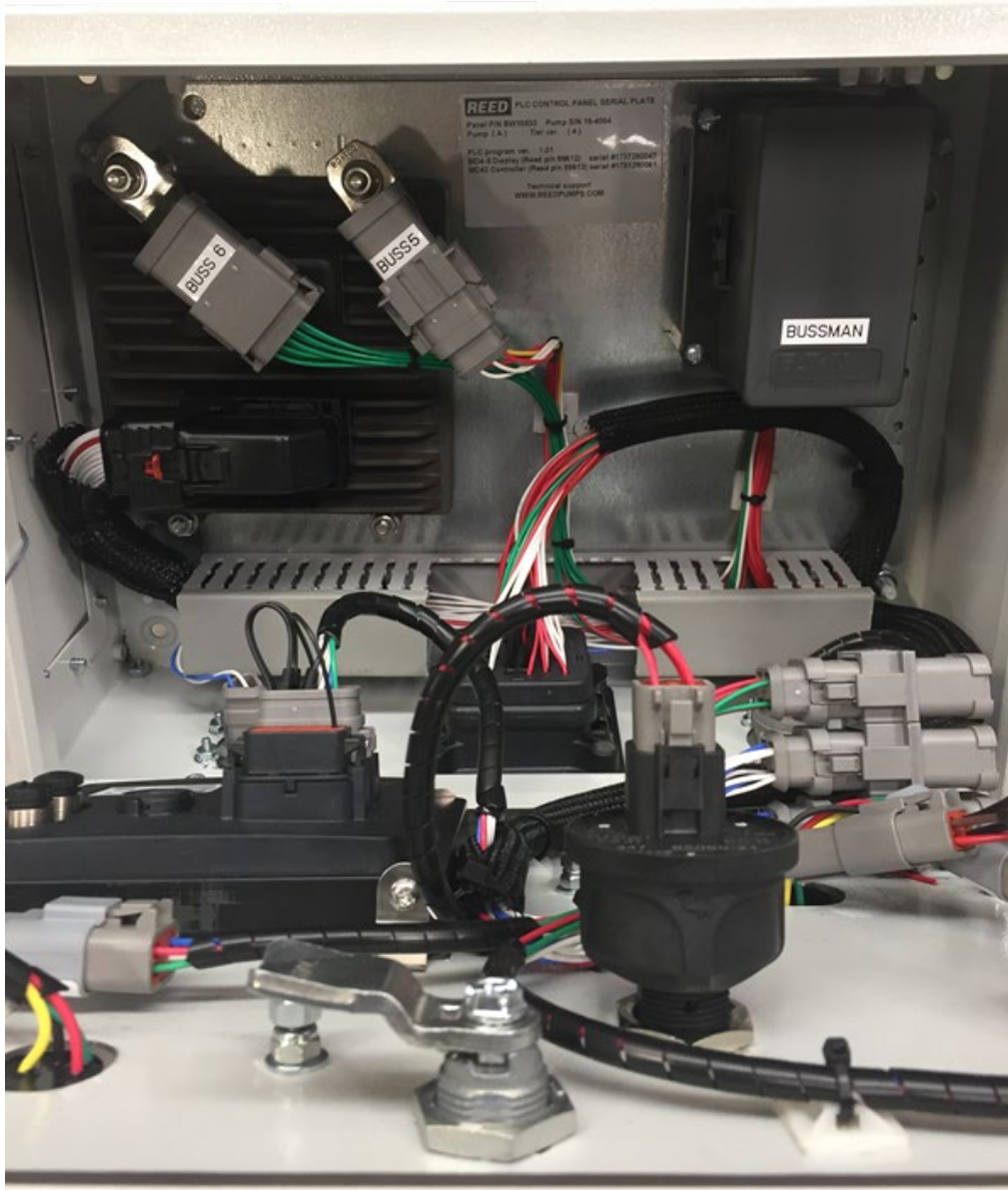
ID #	PART #	PART DESCRIPTION	QUANTITY	
	BW10533	CONTROL BOX ASSY A SERIES TIER-4 PERKINS	ASSY	
1	89612	DISPLAY, 5", MD4-5	1	EA
2	89615	KEYPAD 2X4, PKU	1	EA
3	89615-B	BACKPLATE, 2X4	1	EA
4	89616-FG	FINGER GUARD, 2X4	4	EA
5	89616	KEYPAD 2X6, PKU	1	EA
6	89616-B	BACKPLATE, 2X6	1	EA
7	89616-FG	FINGER GUARD, 2X6	6	EA
8	89090	EMERGENCY STOP PUSH BUTTON HEAVY DUTY	1	EA
9	89090-L	ILLUMINATED E-STOP RING	1	EA
10	89359	JAM NUT, FOR 89090 EMERGENCY SWITCH	1	EA
11	BW10514	INSERT KIT FOR PLC SWITCH FUNCTIONES	1	EA
13	BW10535	ELDON MM ENCLOSURE 400X300X155 MM	REF	
14	BW10559	ENCLOSURE MACHINED TIER-4	1	EA
15	72862	GAUGE FOR PROX.SENSOR SETTING	1	EA
16	BW10555	DECAL CONTROL PANEL A SER PLC TIER-4	1	EA
17	89004	KEY SWITCH	1	EA



# A40HP TIER 4 PARTS

13822 Oaks Avenue  
Chino, CA 91710  
reedpumps.com  
909-287-2100

## A-SERIES TIER 4 CONTROL BOX PLC CONTINUE



ID #	PART #	PART DESCRIPTION	QUANTITY	
1	89307	LANYARD, 18" – NYLON COATED	1	EA
2	89567	LOOM, BRAIDED, 1/2"		

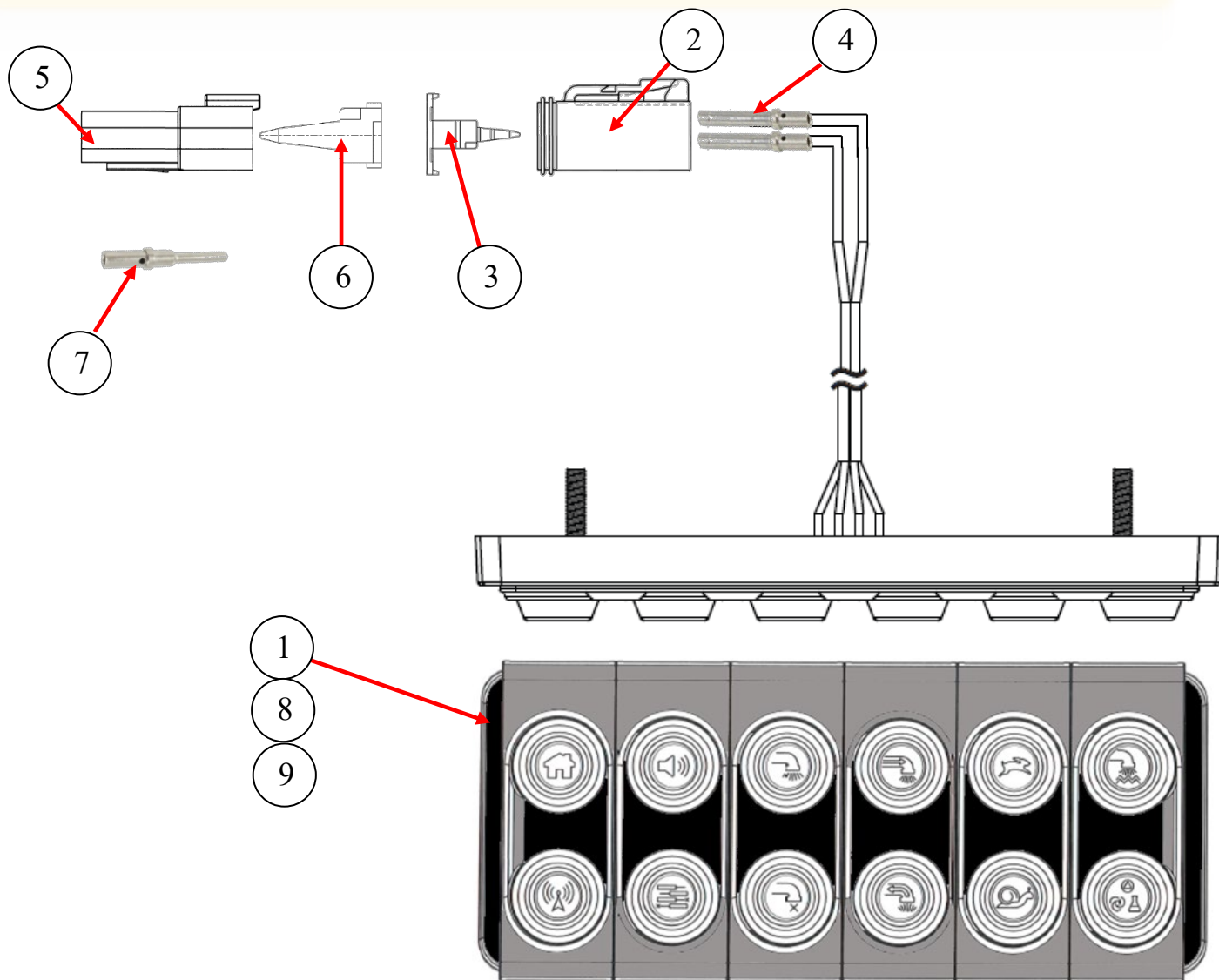




# A40HP TIER 4 PARTS

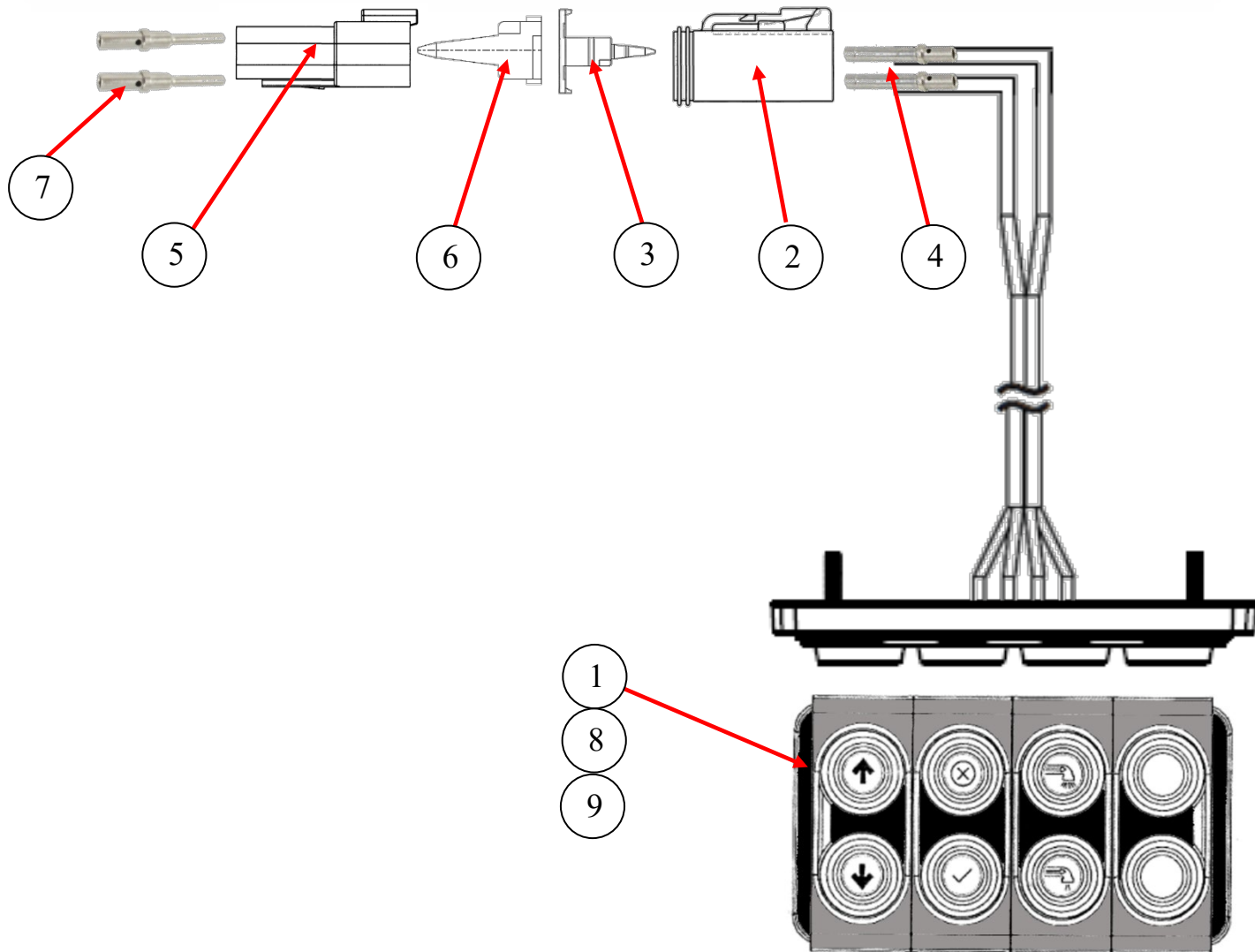
13822 Oaks Avenue  
Chino, CA 91710  
reedpumps.com  
909-287-2100

## KEYPAD 2X6



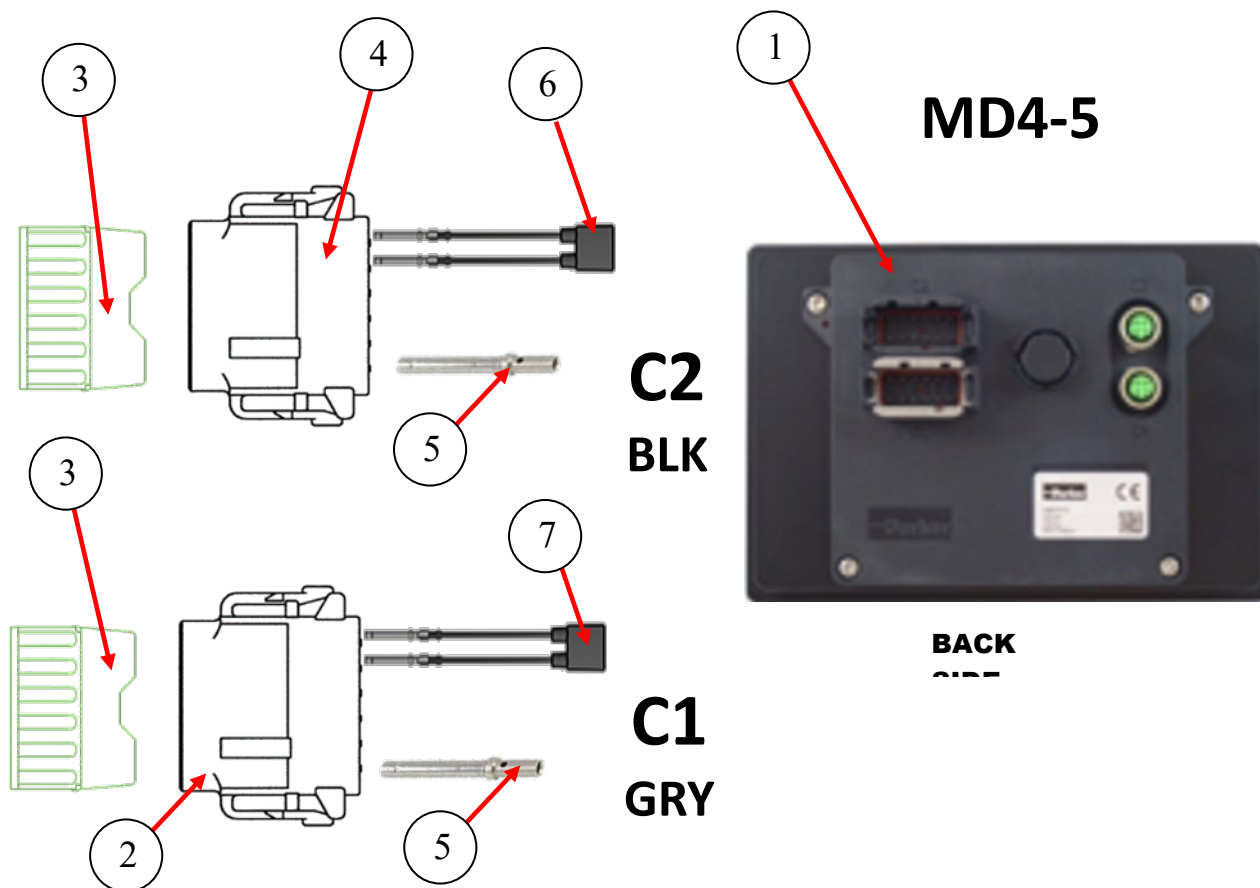
ID #	PART #	PART DESCRIPTION	QUANTITY	
1	89616	KEYPAD 2X6, PKU	ASSY	
2	89102	DEUTSCH DT04 PLUG, (FEMALE) 2X6	1	EA
3	89132	DEUTSCH WEDGE LOCK FOR 89102	1	EA
4	BW10147	CONTACT PIN 16 AWG (FEMALE)	4	EA
5	89146	DEUTSCH DT04 PLUG, (MALE) 2X6	1	EA
6	89209	DEUTSCH WEDGE LOCK FOR 89146	1	EA
7	88958	CONTACT PIN 16 AWG (MALE)	4	EA
8	89616-B	BACKPLATE, 2X6	1	EA
9	89616-FG	FINGER GUARD, 2X6	6	EA

### KEYPAD 2X2



ID #	PART #	PART DESCRIPTION	QUANTITY	
1	89614	KEYPAD 2X2, PKU	ASSY	
2	89102	DEUTSCH DT04 PLUG, (FEMALE) 2X4	1	EA
3	89132	DEUTSCH WEDGE LOCK FOR 89102	1	EA
4	BW10147	CONTACT PIN 16 AWG (FEMALE)	4	EA
5	89146	DEUTSCH DT04 PLUG, (MALE) 2X4	1	EA
6	89209	DEUTSCH WEDGE LOCK FOR 89146	1	
7	88958	CONTACT PIN 16 AWG (MALE)	4	EA
8	89614-B	BACKPLATE, 2X2	1	EA
9	89616-FG	FINGERGUARD	4	EA

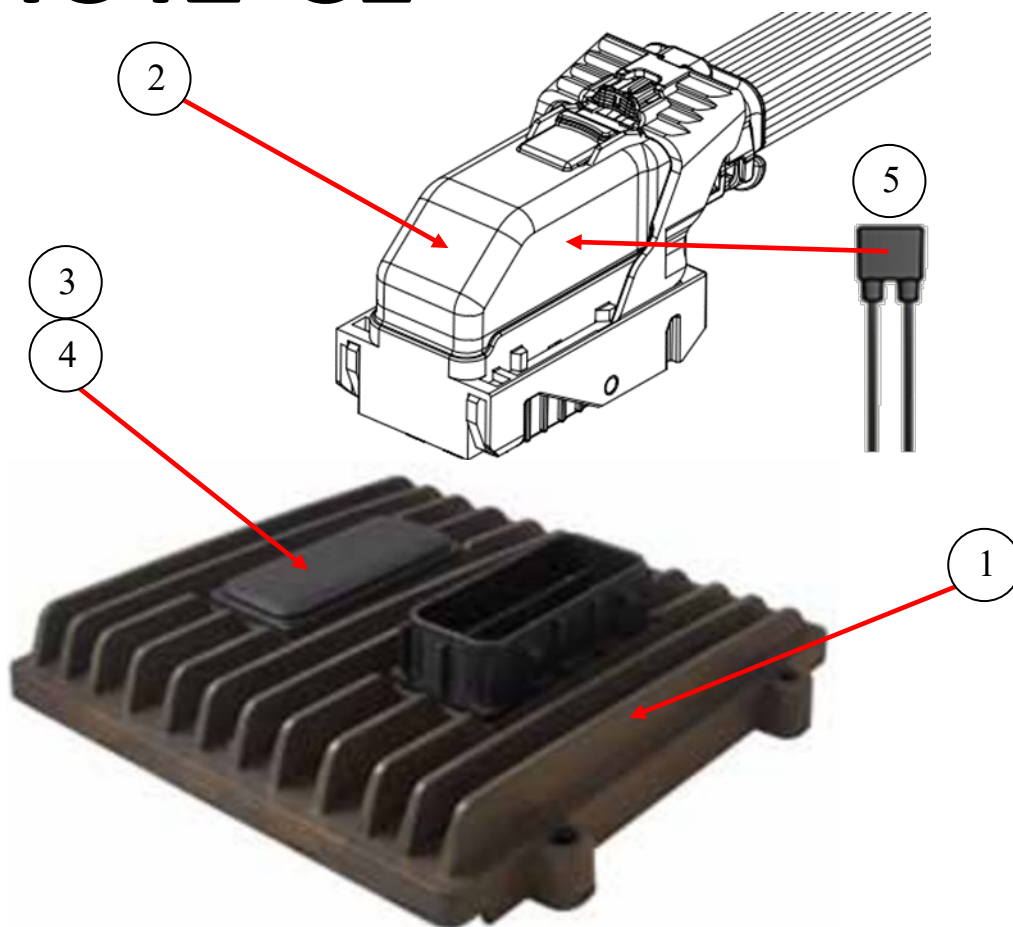
### MD4-5 DISPLAY MODULE



ID #	PART #	PART DESCRIPTION	QUANTITY	
1	89612	DISPLAY, 5", MD4-5	ASSY	
2	88653	GREY PLUG <b>C1</b> -GREY	1	EA
3	88653-2	WEDGE LOCK	2	EA
4	88652	BLACK PLUG <b>C2</b> -BLK?	1	EA
5	88959	PIN, SOLID (FEMALE)	9	EA
6	89136	MOLDED 1.5K RESISTOR, TAG #3	1	EA
7	89136-0	MOLDED 294 RESISTORS, TAG #0	1	EA

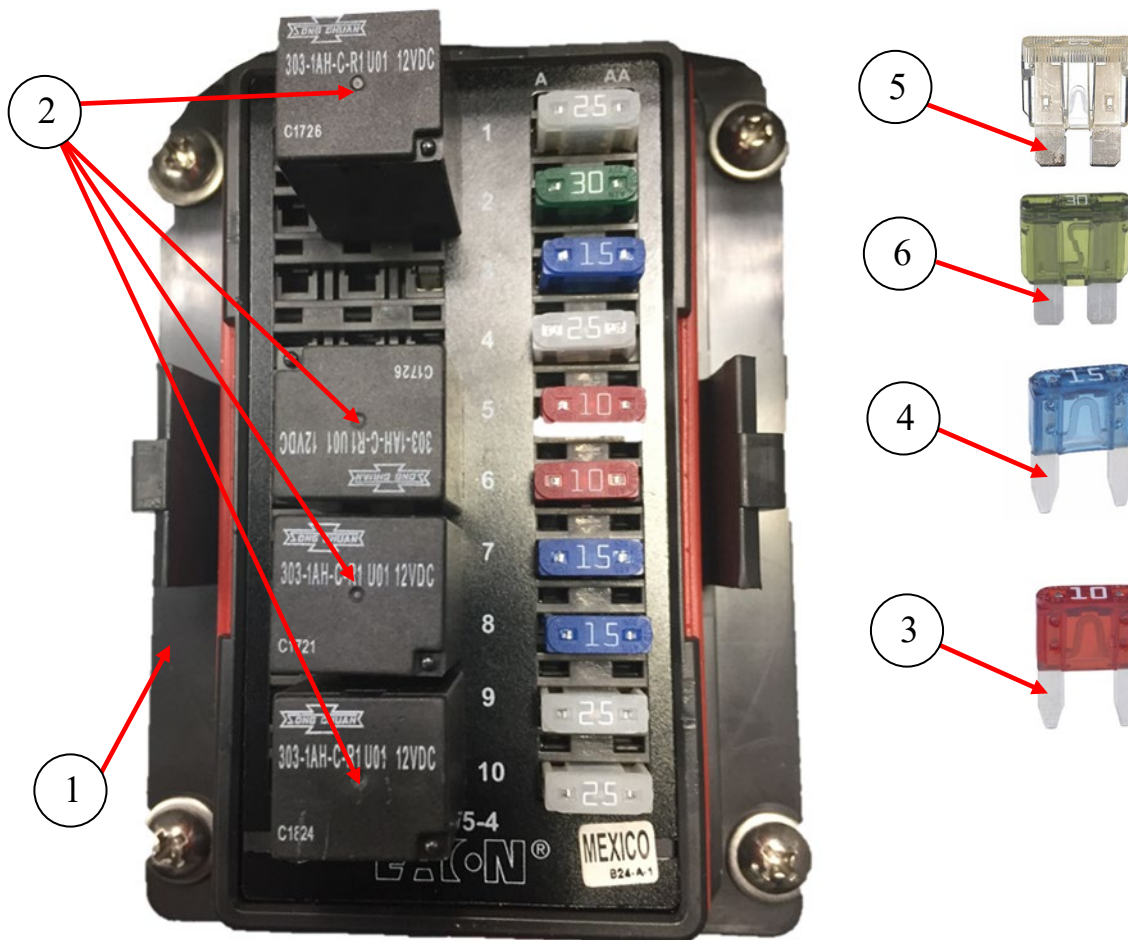
EXPANSION MODULE MC42

# MC42-C1



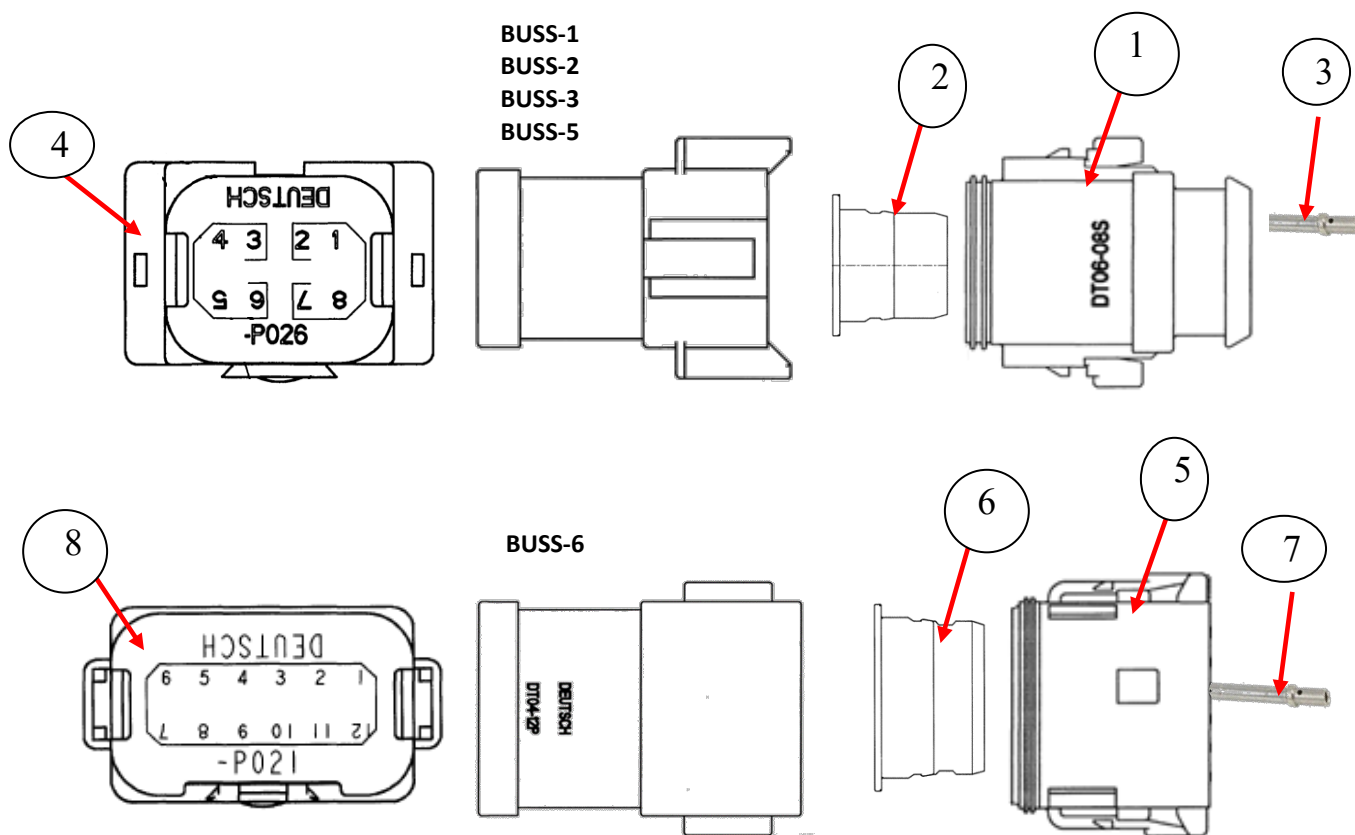
ID #	PART #	PART DESCRIPTION	QUANTITY	
1	89613	CONTROLLER, MC42	1	EA
2	BW10547	MC42 C1 CABLE HARNESS ASSY 2.5 M LONG	1	EA
3	89622	PLUG, FOR 89613 CONTROLLER	0	EA
4	89622-C	COVER, FOR 89622	0	EA
5	89136-1	MOLDED 590 RESISTORS, TAG #1	1	EA

### FUSE/RELAY



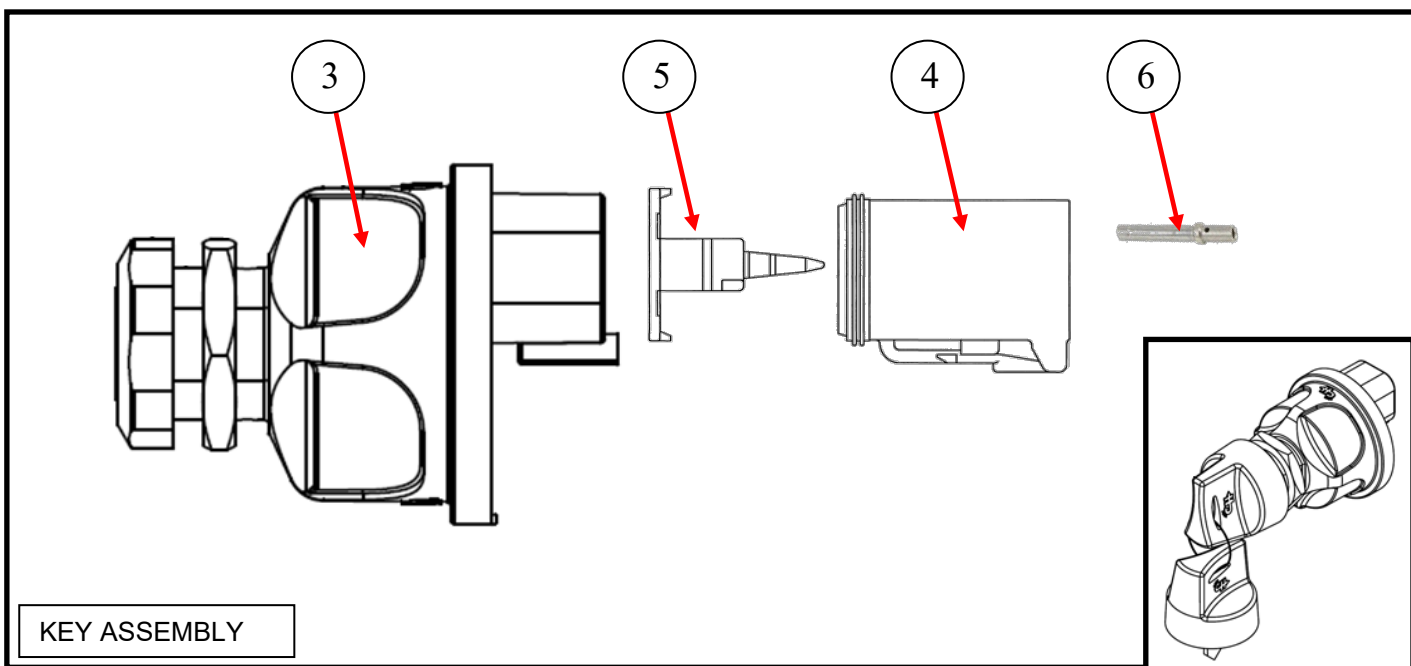
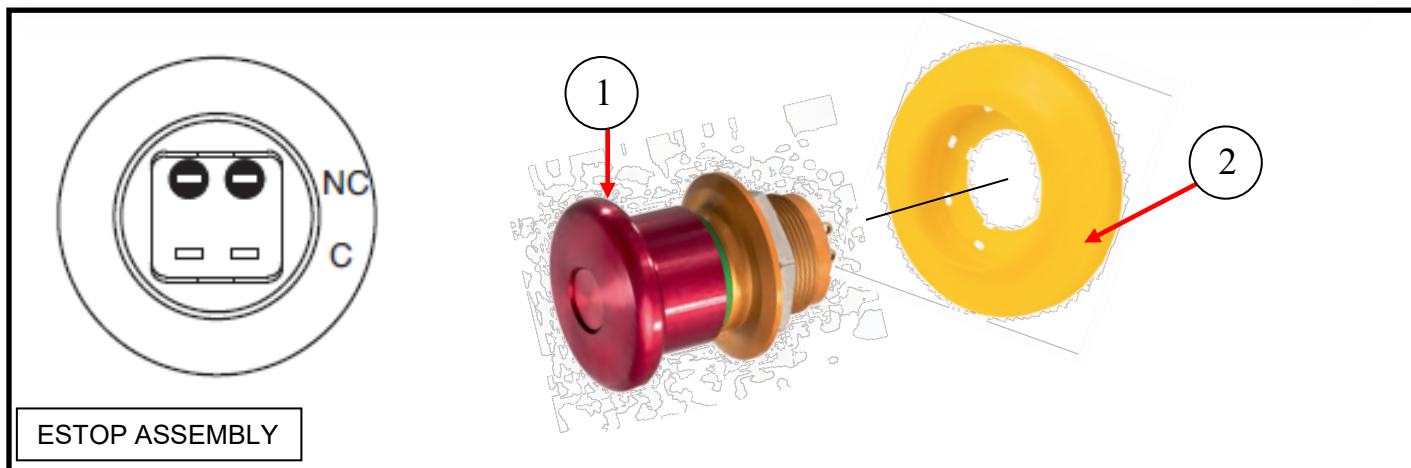
ID #	PART #	PART DESCRIPTION	QUANTITY	
1	89611	BOX, FUSE & RELAY	1	EA
2	89128	MICRO RELAY	4	EA
3	88953	FUSE 10AMP AUTOMOTIVE MINIATURE BLADE	2	EA
4	88954	FUSE 15AMP AUTOMOTIVE MINIATURE BLADE	3	EA
5	89697	FUSE 25AMP AUTOMOTIVE MINIATURE BLADE	4	EA
6	88956	FUSE 30AMP AUTOMOTIVE MINIATURE BLADE	1	EA
7	89686	TERMINAL FEMALE TANGLESS 22-22 GA.	20	EA
8	89687	TERMINAL FEMALE TANGLESS 14-16 GA.	16	EA
9	89624-1	WIRE SEAL, FOR 89624	36	EA

### BUSSES, CONNECTORS, PINS



ID #	PART #	PART DESCRIPTION	QUANTITY	
1	89179	DEUTSCH DT06 PLUG, 2X4	4	EA
2	88542-1	WEDGE LOCK FOR 89179	4	EA
3	BW10147	CONTACT SOCKET PIN, SIZE16, 13 AMP	32	EA
4	89181	DEUTSCH DT04 BUS, 2X4	4	EA
5	89104	DEUTSCH DT06 PLUG, 2X6	1	EA
6	89105	DEUTSCH WEDGE FOR 89104	1	EA
7	BW10147	CONTACT SOCKET PIN, SIZE16, 13 AMP	9	EA
8	89106	DEUTSCH DT04 BUS, 1X12	1	EA
9	89165	BRACKET	3	EA

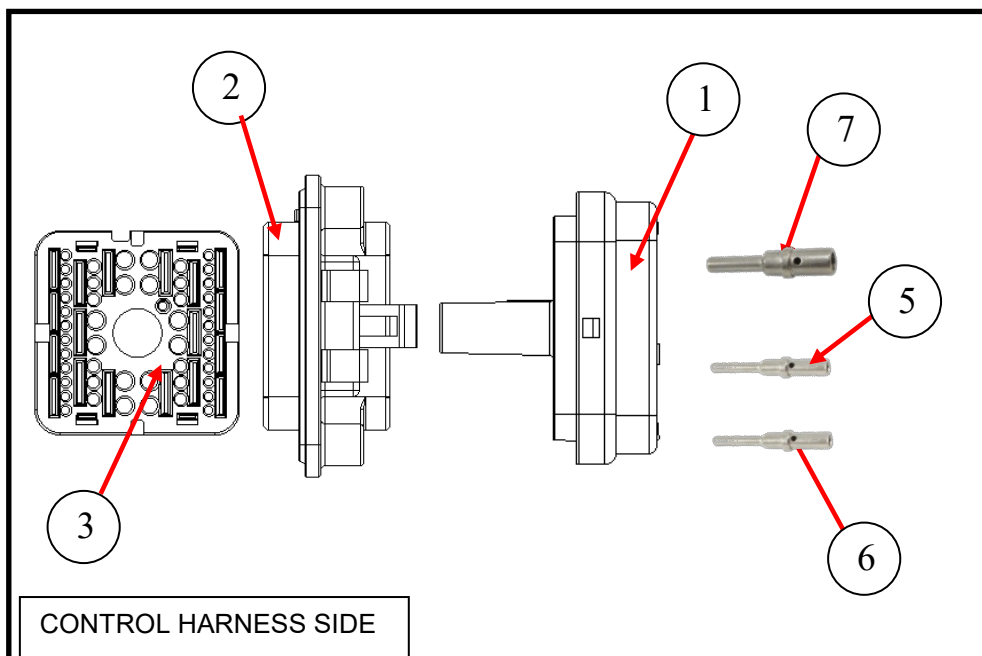
### ESTOP, KEY ASSEMBLY, PLUGS



ID #	PART #	PART DESCRIPTION	QUANTITY	
1	89090	EMERGENCY STOP BUTTON HEAVY DUTY	1	ASSY
2	89090-L	ILLUMINATED E-STOP RING	1	ASSY
3	89004	KEY SWITCH SEALED	1	ASSY
4	89107	DEUSCH DT06, 1X6	1	QTY
5	89108	DEUTSCH WEDGE LOCK FOR 89107	1	QTY
6	BW10147	DEUTSCH CONTACT SOCKET, 16AWG	5	QTY

### CONNECTORS

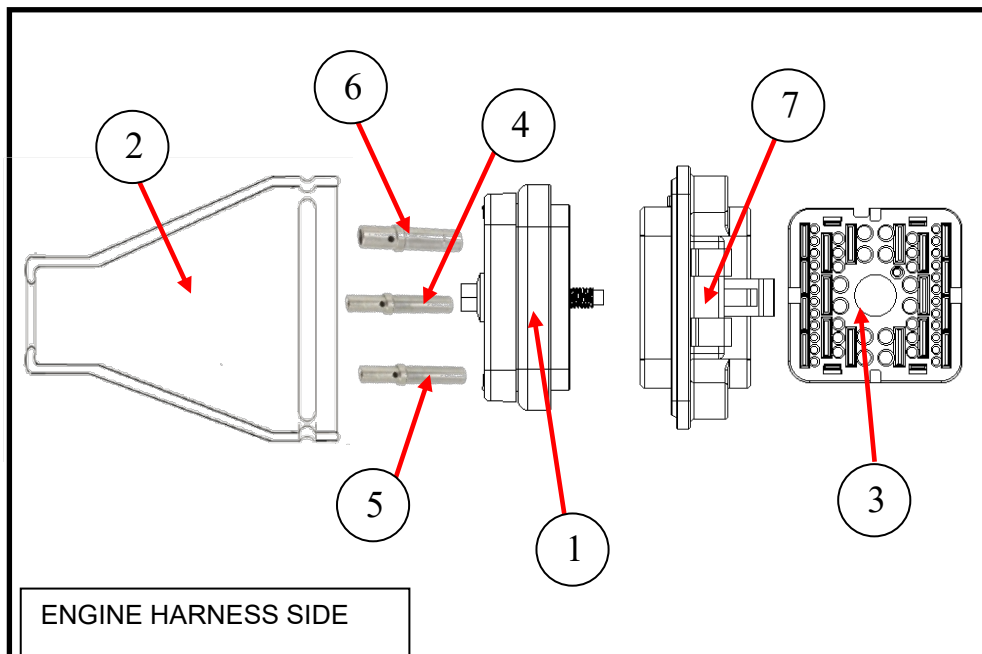
#### DUETSCH 48 MAIN PLUG PANEL SIDE



ID #	PART #	PART DESCRIPTION	QUANTITY	
1	89652	PLUG 48 PIN	1	EA
2	89652-F	FLANGE FOR 89651 PLUG	1	EA
3	89652-W	WEDGE FOR 89652 PLUG	1	EA
5	88958	CONTACT PIN SOLID SIZE 16	12	EA
6	88957	CONTACT PIN SOLID SIZE 20	24	EA
7	87807	CONTACT PIN SOLID SIZE 12	14	EA



### DUETSCH 48 MAIN PLUG HARNESS SIDE



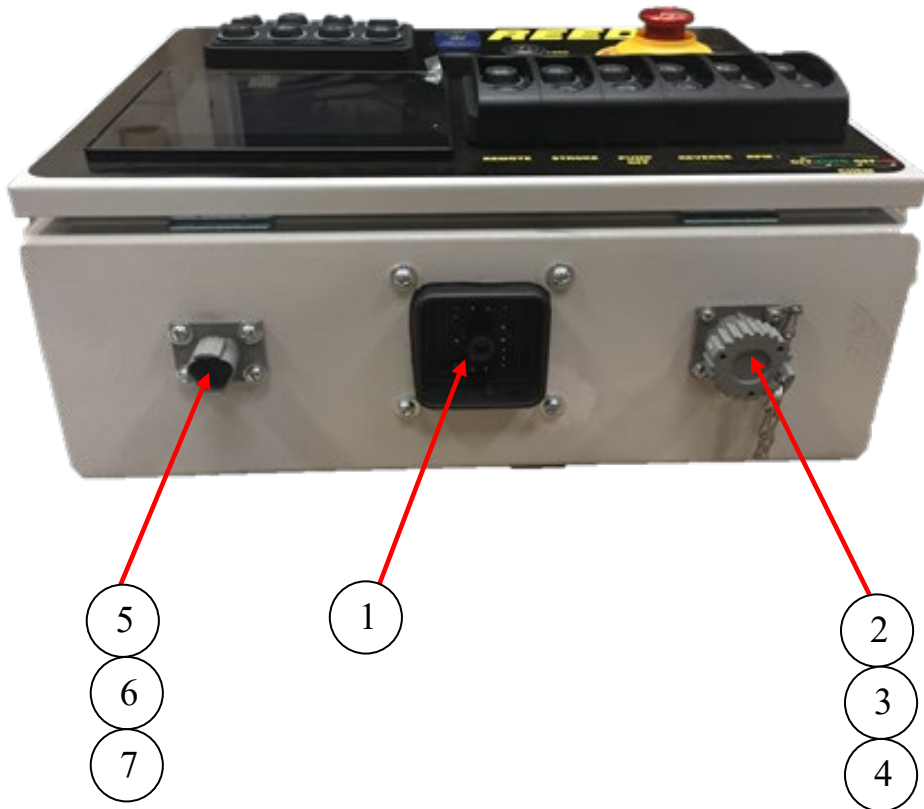
ID #	PART #	PART DESCRIPTION	QUANTITY	
1	89651	PLUG, 48 SOCKET HARNESS SIDE	1	EA
2	89651-B	BOOT FOR 89651 PLUG	1	EA
3	89651-W	WEDGE FOR 89651 PLUG	24	EA
4	BW10147	CONTACT SOCKET SIZE-16,13 AMP	12	EA
5	88959	CONTACT SOCKET SIZ 20 7.5 AMP	24	EA
6	87457	CONTACT SOCKET SIZ 12	?	EA
7	89652-F	CONNECTOR FOR 48 PIN PLUG	1	EA



# A40HP TIER 4 PARTS

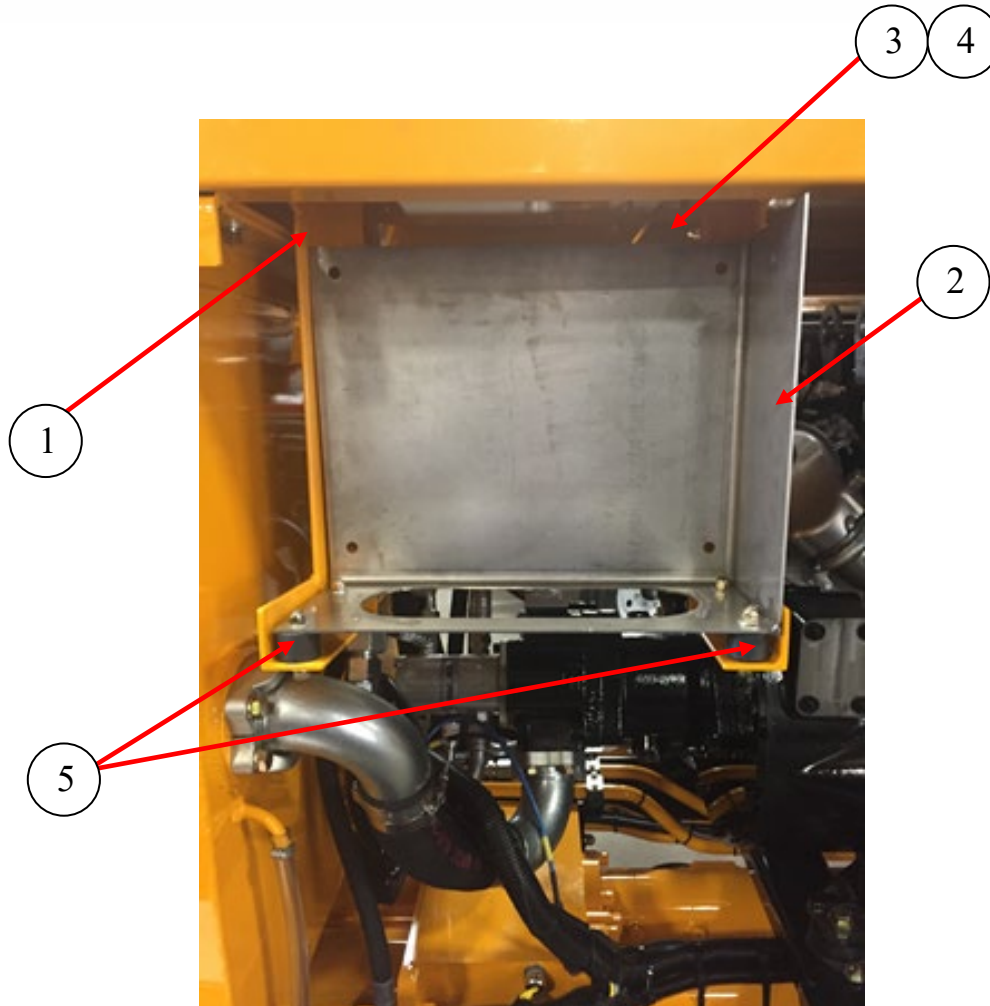
13822 Oaks Avenue  
Chino, CA 91710  
reedpumps.com  
909-287-2100

## CONNECTORS



ID #	PART #	PART DESCRIPTION	QUANTITY	
1	89652	PLUG 48 PIN	REF	
2	89223	DEUTSCH HD10 PLUG, FLANGED 6 PIN	1	EA
3	89402	CHAIN SASH LANYARD	1	EA
4	89223-C	CAP FOR 89223	1	EA
5	88932	3 WAY RECEPTACLE FLANGE MOUNT DT SER.	1	EA
6	88938	KEYED WEDGE LOCK FOR 3 WAY RECEPTACLE	1	EA
7	88958	CONTACT PIN SOLID SIZE 16	3	EA

### PANEL MOUNT, BRACKET



ID #	PART #	PART DESCRIPTION	QUANTITY	
1	BW10548	CONTROL BOX ASSY SUPPORT BRACKET	1	EA
2	BW10549	CONTROL BOX COVER A SER TIER-4	1	EA
3	BW10560	POLYETHYLEN BAR 2X2"	0.33	EA
4	80347	HORN, 12 V	1	EA
5	73748	BUMPER, MOUNT	4	EA



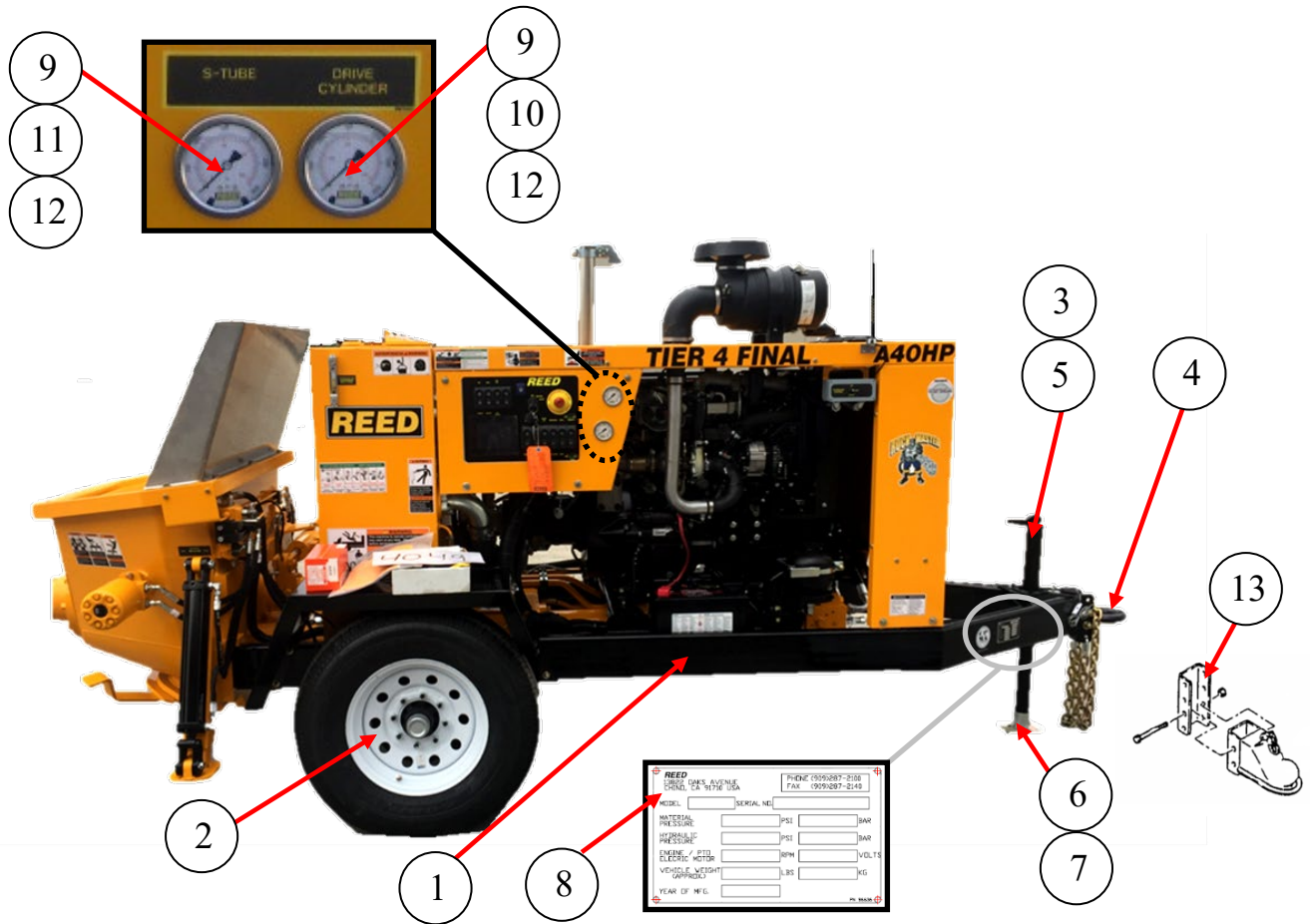
# A40HP TIER 4

## PARTS

13822 Oaks Avenue  
Chino, CA 91710  
reedpumps.com  
909-287-2100

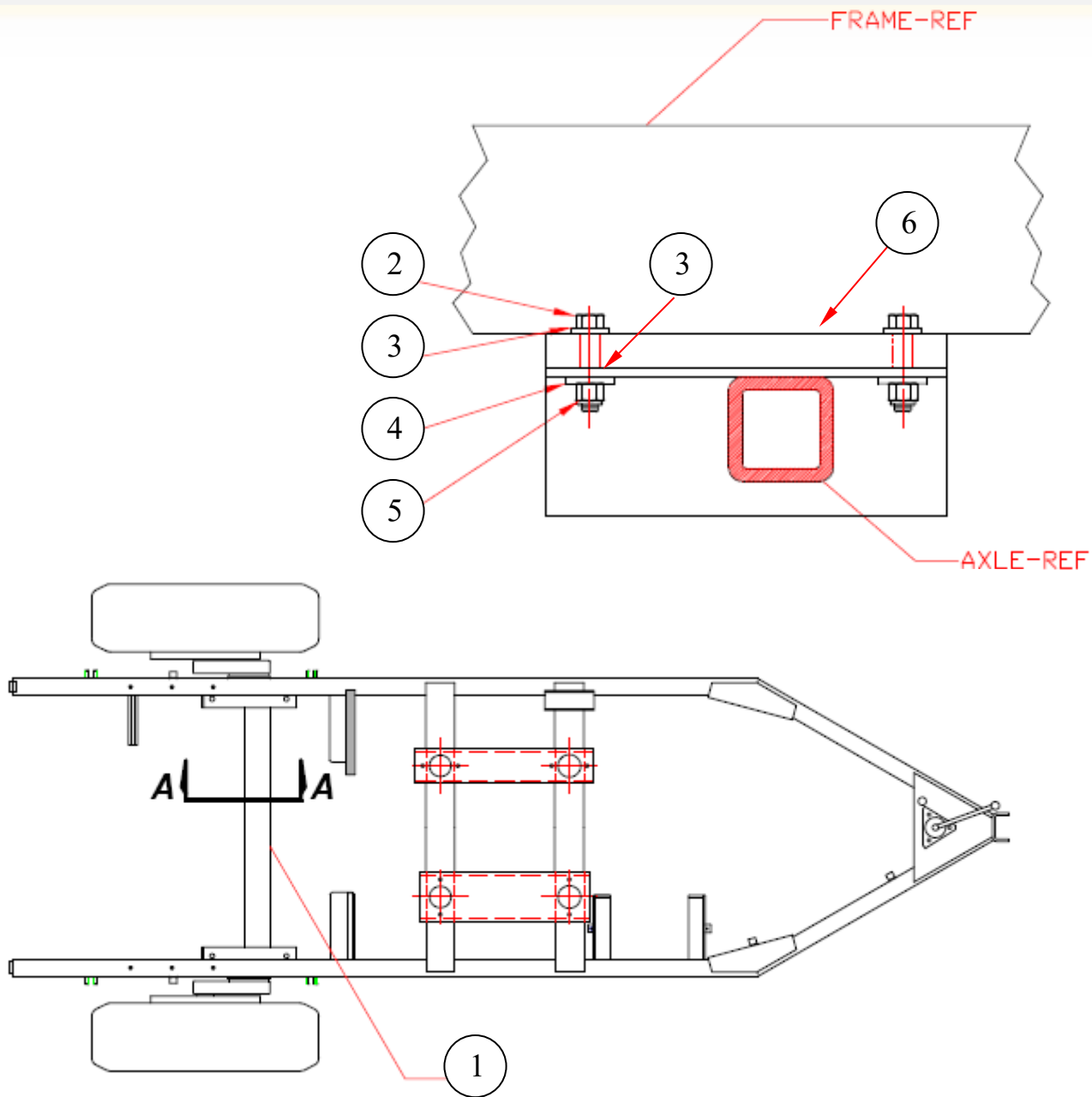
### FRAME INSTALLATION

### FRAME, GAUGES, TIRES, JACK, AND TOW EYE



ID #	PART #	PART DESCRIPTION	QUANTITY	
	BW10516	FRAME ASSY A-SERIES TIER-4 PERKINS	1	EA
1	BW10513	FRAME WELDMENT A SER TIER-4 PERKINS	1	EA
2	BW10096	TIRE & WHEEL ASSY	2	EA
3	BW10098	JACK FRAME	1	EA
4	71051	EYE-LUNETTE 3"	1	EA
5	BW10169	JACK, FOOT	1	EA
6	86242	CHAIN-3/8 PROOF COIL GR 30 ZINC	6	FT
7	86243	CONNECTOR - 3/8 CHAIN TREADED	2	EA
8	86636	SERIAL NUMBER PLATE (BLANK)	1	EA
9	78594	MINICHECK GAUGE ADAPTER, 1/4" NPT	2	EA
10	74562	PRESSURE GAUGE, 6000 PSI/BAR	1	EA
11	70366	PRESSURE GAUGE, 3000 PSI/BAR	1	EA
12	BW10318-1	MINICHECK HOSE, 90° 120"	2	EA
13	71099	ASSEMBLY, ADJUSTABLE BALL COUPLER 2-5/16"	1	EA

### 5200LB AXLE MOUNTING ASSEMBLY



ID #	PART #	PART DESCRIPTION	QUANTITY	
1	BW10095	AXLE, TORSTION, 5200 LB, 6 ON 5.5 BC (BRAKE 71056)	1	EA
2		BOLT, 1/2"-20X3", GRADE 8	4	EA
3	80054	WASHER -SAE 1/2"	8	EA
4	80044	WASHER, 1/2" USS HARDENED EXTRA THICK	4	EA
5	80075	NUT NYLOCK 1/2"-13 COARSE	4	EA
6	BW10450	FLAT AXLE MOUNT SPACER	2	EA

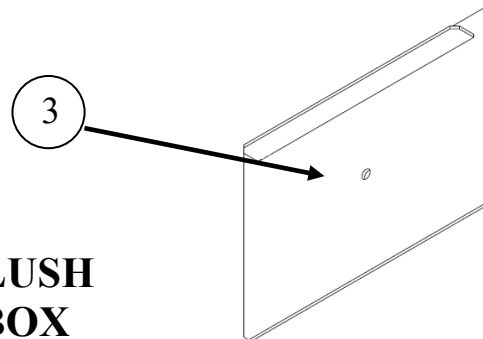
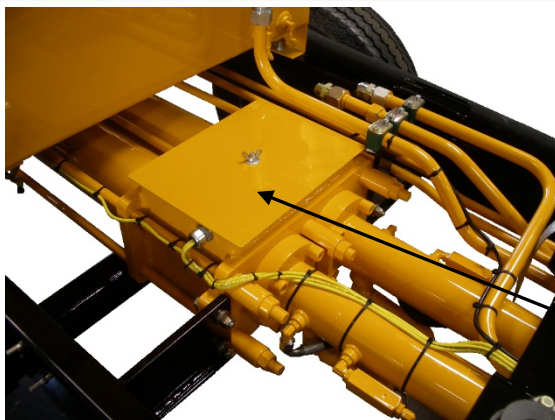
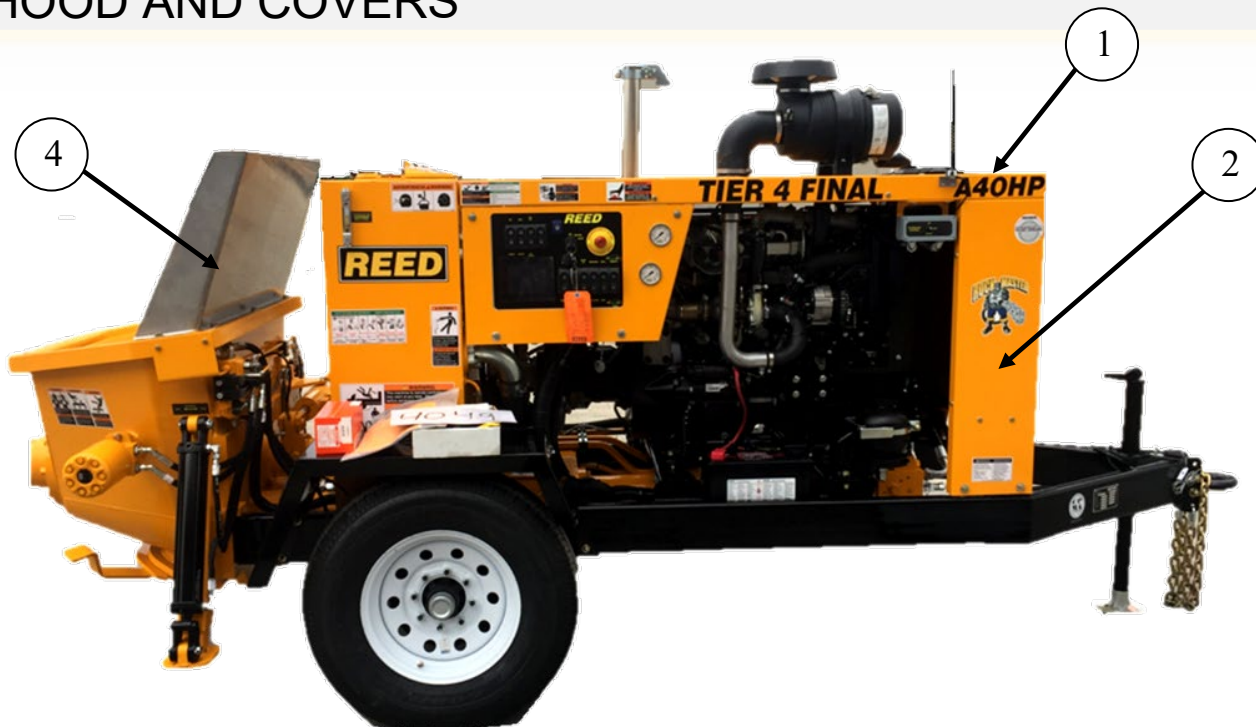


# A40HP TIER 4

## PARTS

13822 Oaks Avenue  
 Chino, CA 91710  
 reedpumps.com  
 909-287-2100

### HOOD AND COVERS



**FLUSH  
BOX**

ID #	PART #	PART DESCRIPTION	QUANTITY	
1	BW10557	COVER TOP, A SERIES, T4F, PAINTED	1	EA
2	BW10556	COVER FRONT WELD, A SERIES, T4F, PAINTED	1	EA
3	BW10387	COVER, FLUSHBOX, A40 SER.	1	EA
4	85714-1	SPLASH GUARD, WITH HOPPER SAFETY	1	EA

### FENDERS AND OUTRIGGERS



ID #	PART #	PART DESCRIPTION	QUANTITY	
1	BW10350	FENDER, LH, A SERIES PAINTED	1	EA
2	BW10349	FENDER, RH, A SERIES PAINTED	1	EA
3	BW10110	OUTRIGGER INNER LEG-PAINTED	2	EA
4	BW10114	OUTER TUBE, OUTRIGGER-PAINTED	2	EA
5	85595	PIN, Q/R, 5/8 DIA X 3 1/2 L	2	EA
6	800418	LANYARD, Q/R PIN	2	EA
7	BW10267	3/4 ID FENDER WASHER	4	EA
	BW10348	MANUAL OUTRIGGER (OPTION)		



# A40HP TIER 4 PARTS

13822 Oaks Avenue  
Chino, CA 91710  
reedpumps.com  
909-287-2100

## AVAILABLE OPTIONS

OUTRIGGER GROUP  
HYD OUTRIGGER  
OUTRIGGER/AGITATOR  
ELECTRIC OUTRIGGER



AGITATOR GROUP  
STD/PADDLE  
OPTION/PADDLE  
HYD/AGITATOR/SINGLE  
HYD/AGITATOR/TRIPLE



### RADIO REMOTE



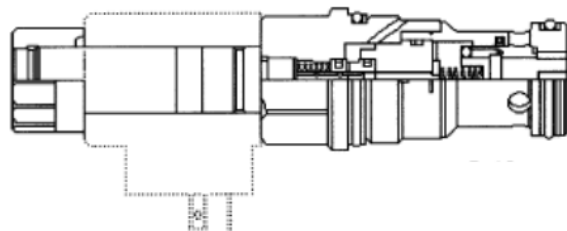
AARCOMM 2-WAY  
RADIO W/STROKE  
COUNTER AND  
VOLUME INDICATOR  
(IF EQUIPPED)

50' CABLE REMOTE,  
100' CABLE REMOTE  
AVAILABLE



### ELECTRIC VOLUME CONTROL

RADIO CONTROL OF  
VOLUME  
(IF EQUIPPED)





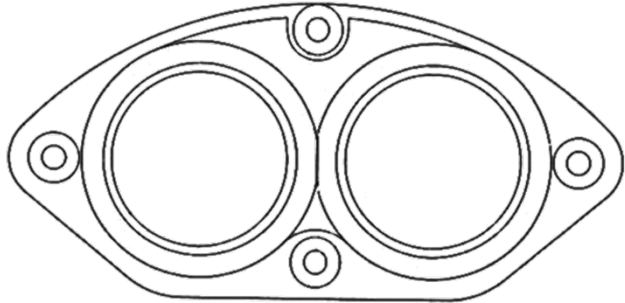


# A40HP TIER 4 PARTS

13822 Oaks Avenue  
Chino, CA 91710  
reedpumps.com  
909-287-2100

## AVAILABLE OPTIONS

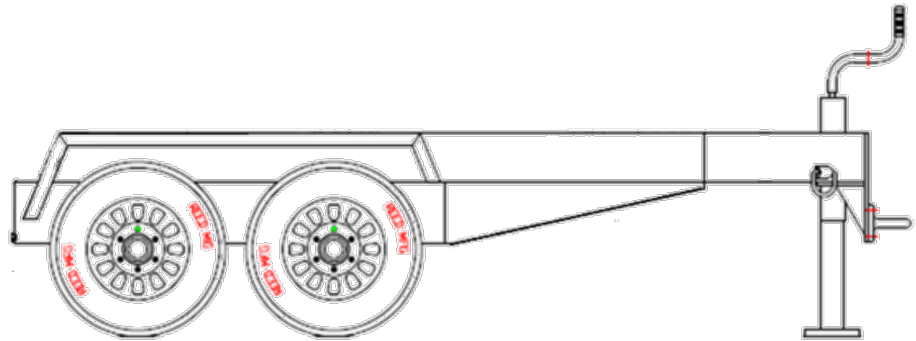
CARBIDE WEAR PARTS  
WEAR RING/CARBIDE  
WEAR PLATE/CARBIDE



VIBRATOR KIT  
OL



DUAL AXLE

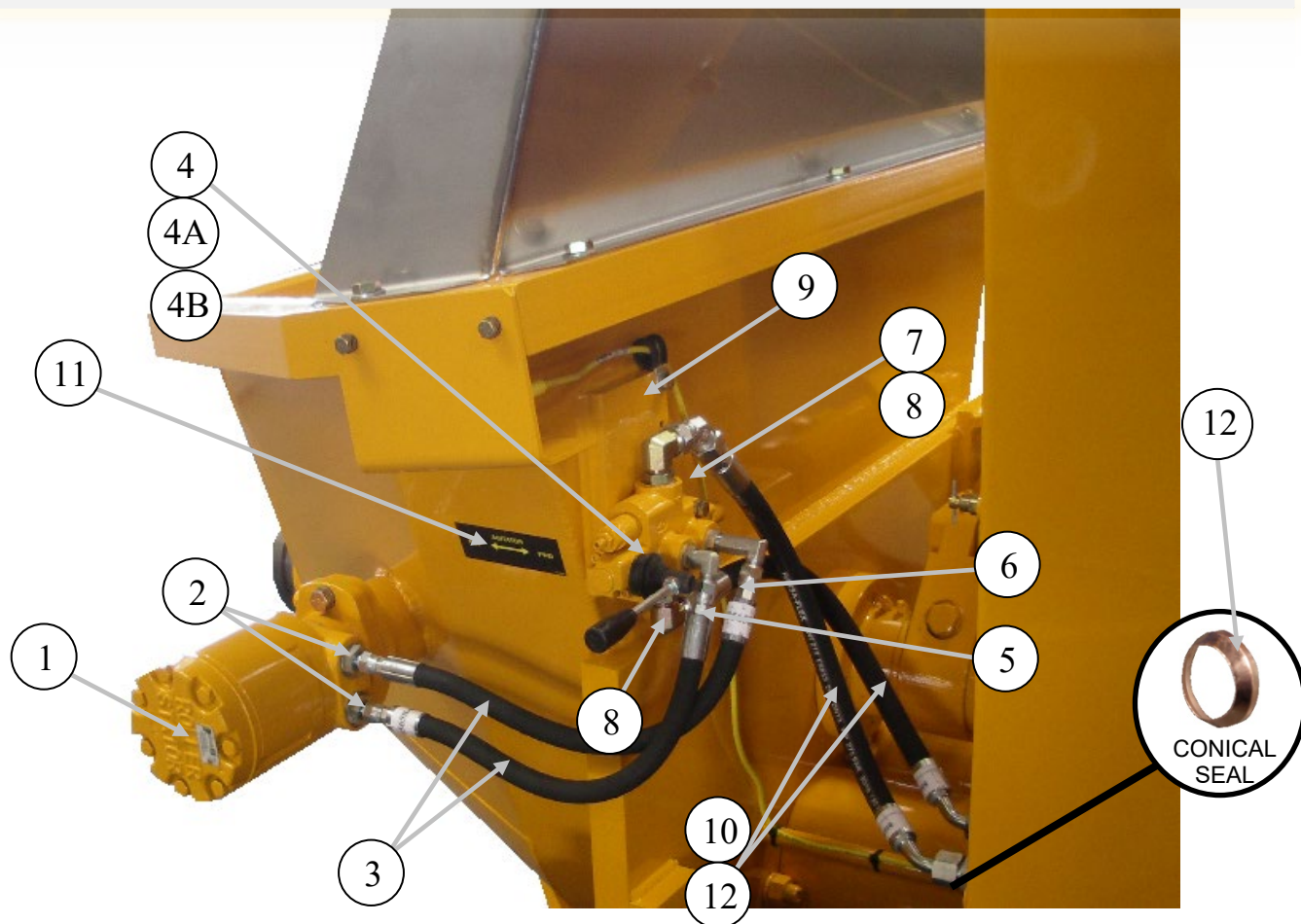


AUTO LUBE  
STEEL TUBING 12 PORT  
PLASTIC TUBING 12 PORT

MANUAL LUBE BLOCK



### AGITATOR GROUP



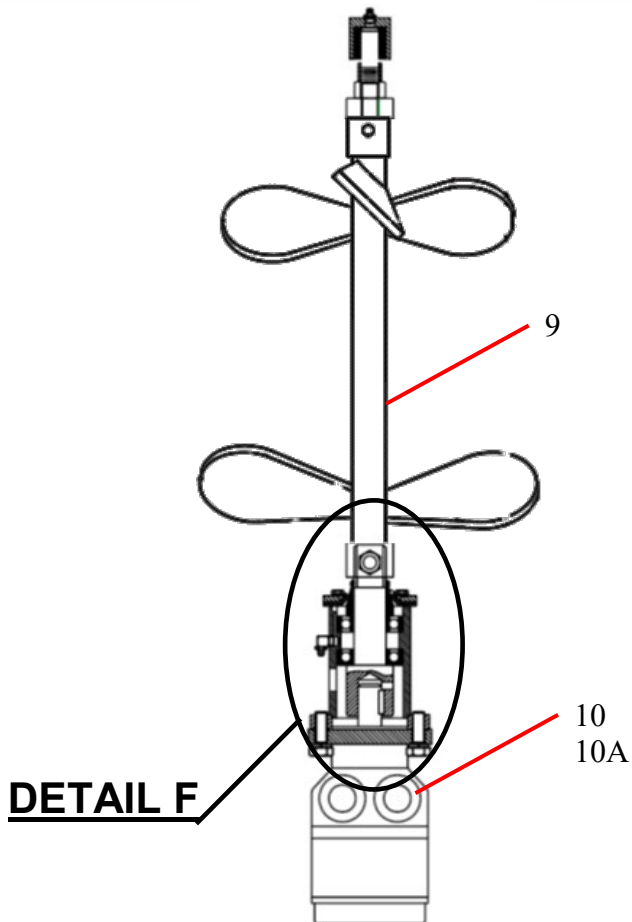
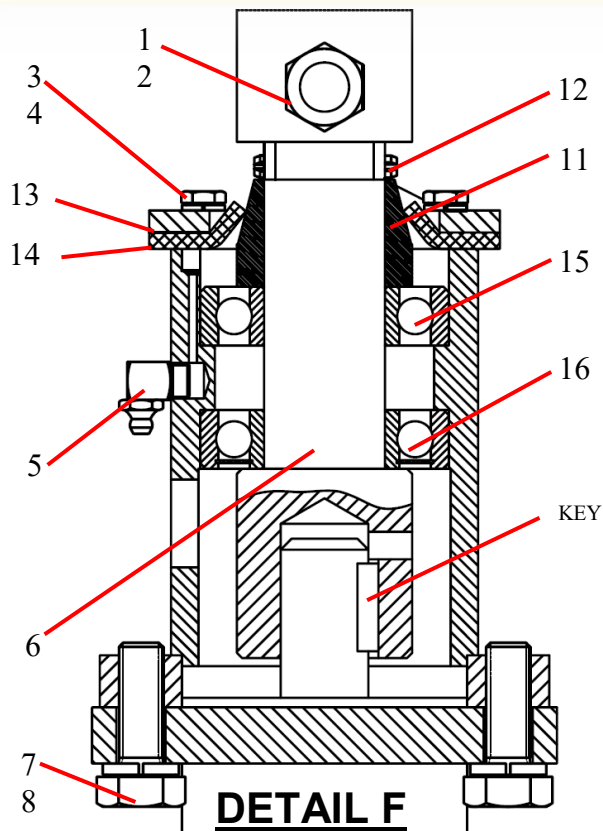
ID #	PART #	PART DESCRIPTION	QUANTITY	
	BW10396-2	AGITATOR ASSEMBLY, A40 (PARKER)		EA
1	89455	HYD MOTOR, 48 CID, 1" SHAFT-PAINTED	1	EA
2	81002	FITTING-MB-MJ-8-10	2	EA
3	85658-002	HOSE, 6M2T-6FJX-6FJX-17.00	2	EA
4	74584	VALVE 1 SPOOL, MANUAL PAINTED	1	EA
4A	89494	VALVE 1 SPOOL, MANUAL W/RELIEF (OPTION)	1	EA
4B	87154	VALVE, 2P-2W, NO, 12V,DIN (ELECTRIC OPTION)	1	EA
5	86748	FITTING-MB-MJ90-6-6	1	EA
6	86747	FITTING-MB-MJ90LL-6-6	1	EA
7	86749	FITTING-MJ-FJX45-10-10	1	EA
8	86746	FITTING-MB-MJ90-8-10	2	EA
9	800897	CLAMP, 3/4" TUBE, SINGLE	1	EA
10	85657-016	HOSE, 8M2T-10FJX-10FJX45-20.00	2	EA
11	85846	DECAL, ADGITATOR	1	EA
12	BW10229	CONICAL SEAL, SIZE 12	4	EA
13	85657-001	HOSE, 8M2T-10FJX-10FJX90S-26.00	2	EA
14	BW10407	TUBE HYD. AGITATOR PRESSURE (UNDER TANK)	1	EA



# A40HP TIER 4 PARTS

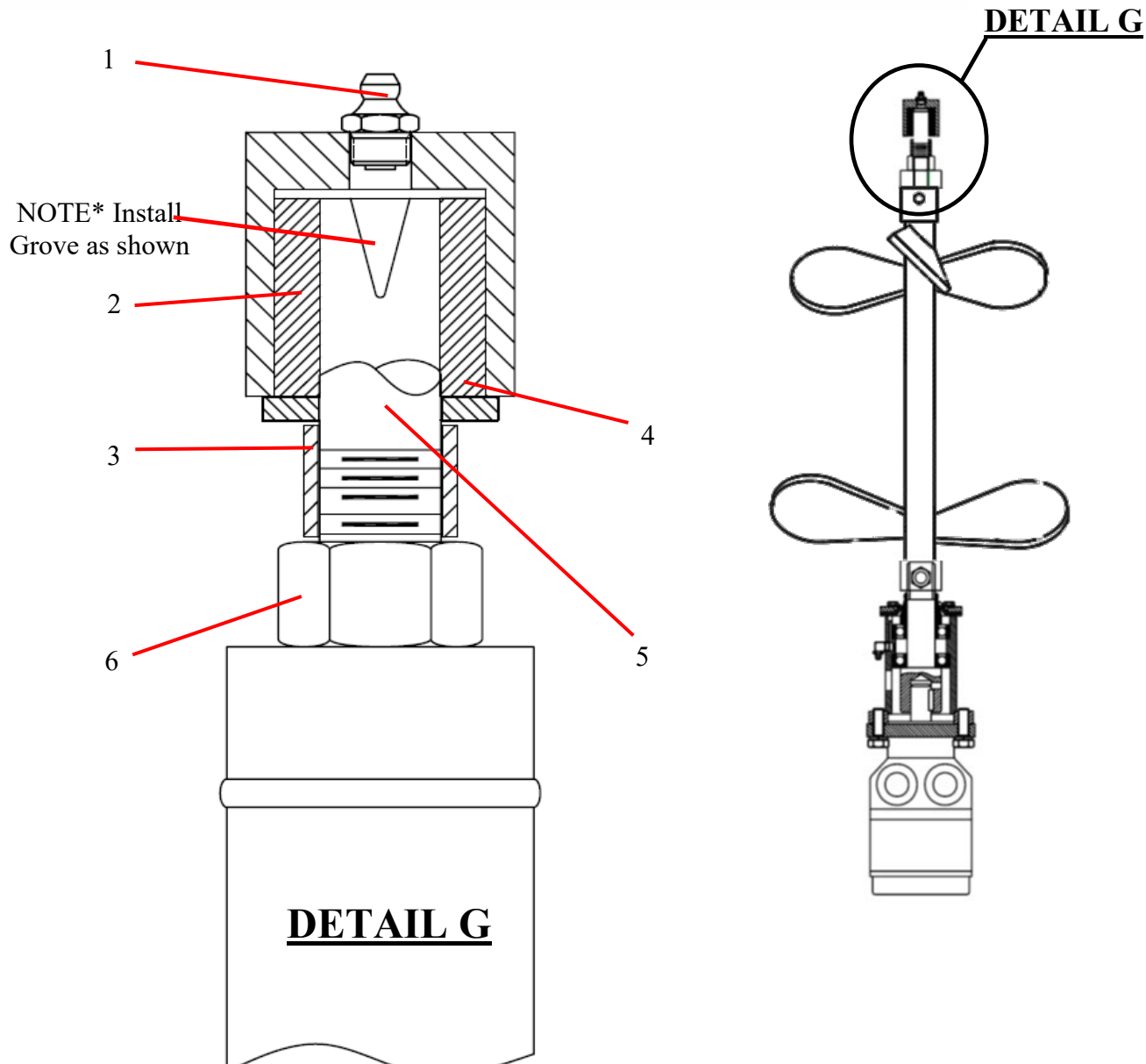
13822 Oaks Avenue  
Chino, CA 91710  
reedpumps.com  
909-287-2100

## HYDRAULIC AGITATOR ASSEMBLY



ID#	PART #	PART DESCRIPTION	QUANTITY	
1		HHCS, 1/2" -13X2 1/4" GR 8	1	EA
2	80075	LOCK NUT, 1/2" -13	1	EA
3		1/4"-28X3/4"	6	EA
4		LOCK WASHER, 1/4"	6	EA
5		GREASE FITTING, 1/8" NPT 90°	1	EA
6	85923	SHAFT, AGITATOR	1	EA
7		HHCS, 1/2" -20X1 1/2" GR 8	2	EA
8		LOCK WASHER, 1/2"	2	EA
9	87356	AGITATOR, PADDLE-A40-B20-M30	1	EA
10	89455	HYD MOTOR, 48 CID, 1" SHAFT	1	EA
10A	89455SK	SEAL KIT	1	EA
11	85976	WEAR RING, AGITATOR	1	EA
12	86758	SPRING PIN, 1/4" DIA X 1 3/4"	1	EA
13	70211	FLANGE SEAL SW	1	EA
14	70212	SEAL REMIXER	1	EA
15	85978	BEARING, BALL, PLAIN	1	EA
16	85979	BEARING, BALL 1 SEAL	1	EA

### HYDRAULIC AGITATOR ASSEMBLY



ID #	PART #	PART DESCRIPTION	QUANTITY	
1		GREASE FITTING, 1/8" NPT STRAITGHT	1	EA
2	70219	REMIX SHAFT BUSHING	1	EA
3	77877	SPACER, REMIX	1	EA
4	86824	FLAT WASHER, 3/4" SAE	1	EA
5	70214	IDLER SHAFT, AGITATOR	1	EA
6	80030	HEX NUT-M20X2.5 PLATED	1	EA