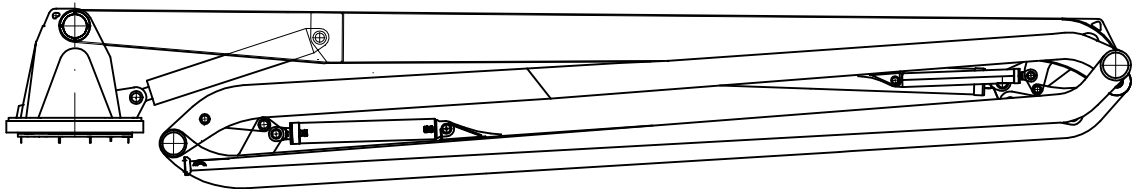


Waitzinger
Baumaschinen GmbH

Ersatzteilliste

spare part list

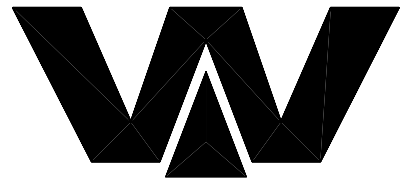


42 R 4
Masch.-Nr. 205247

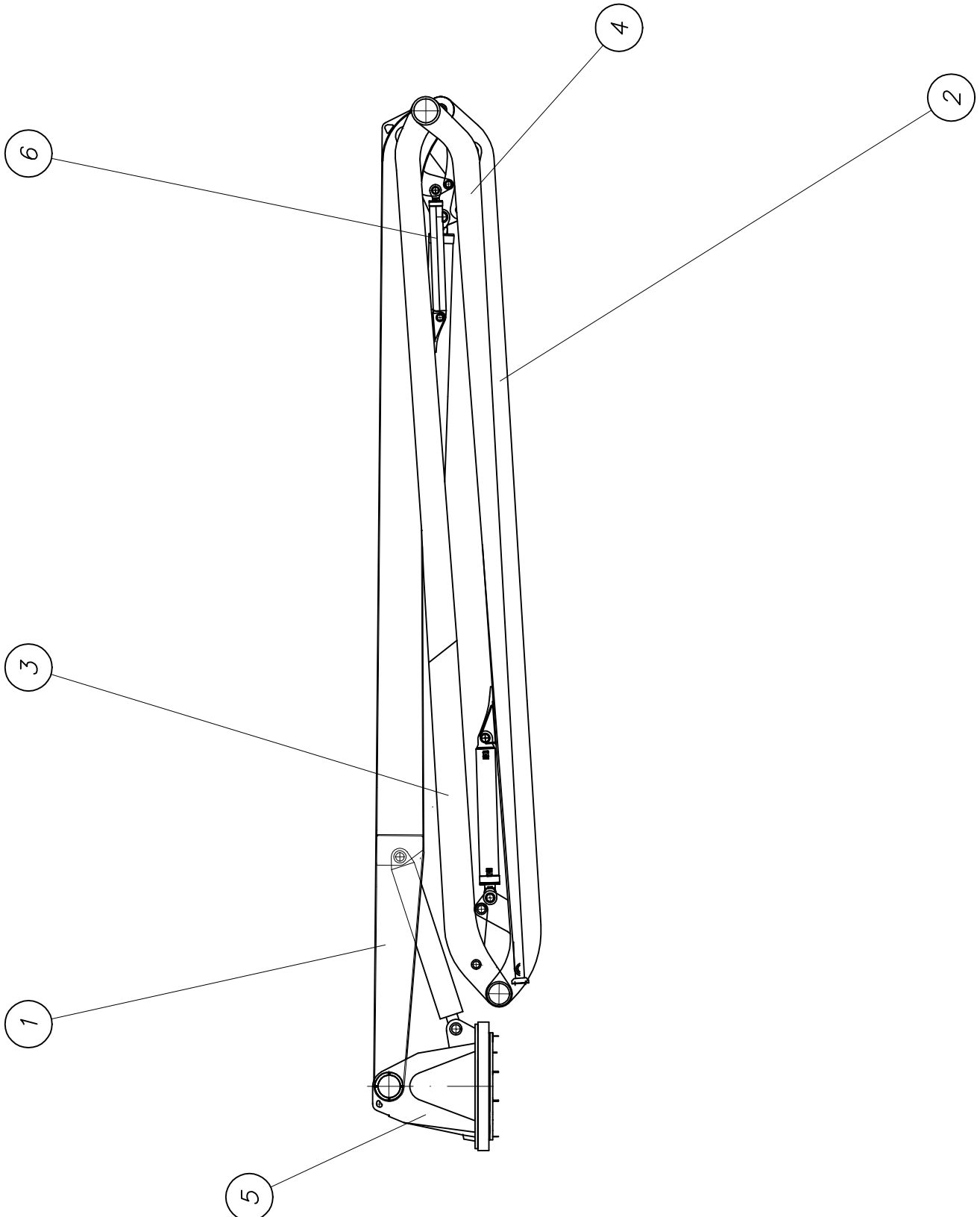
Armpaket W42-4 kpl.

boom W42-4 cpl.

B 66 2 100



*Waitzinger
Baumaschinen GmbH*



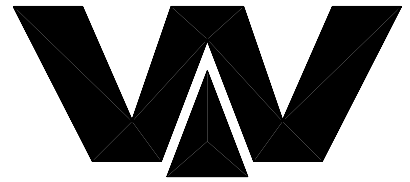


PARTS LIST

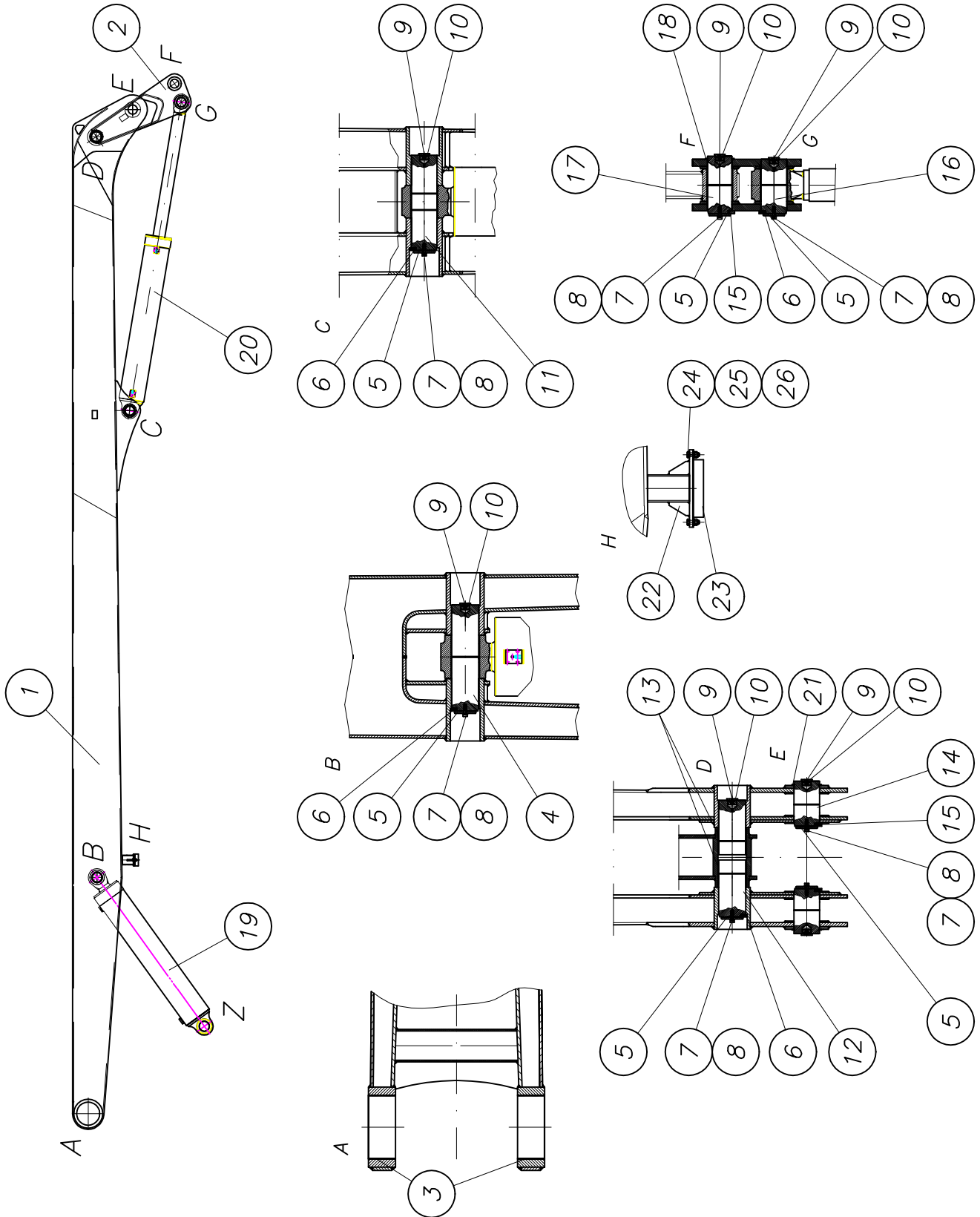
part list	description	created	index	valid from	valid to	
B662100	distribution boom 42.4 type plan	19.04.04 a				
pos	description stock	ident-no dimensions	DIN material	index	weigh Kg	quantity unit
1	boom arm 1 cpl. own parts list	B662110		a 10.02.05		1,00 Stk
2	boom arm 2 cpl. own parts list	B662120		b 22.04.05		1,00 Stk
3	boom arm 3 cpl. own parts list	B662130		b 10.02.05		1,00 Stk
4	boom arm 4 cpl. own parts list	B662140				1,00 Stk
5	rotating head unit 42 m own parts list	B682100			790,00	1,00 Stk
6	piping plan 42R4 boom own parts list	B712020		a 28.09.04		1,00 Stk

Mastarm 1 kpl.
 element 1 cpl.

B 66 2 110a



Waitzinger
 Baumaschinen GmbH





PARTS LIST

part list	description	created	index	valid from	valid to	
B662110	boom arm 1 cpl.	23.02.04 aaa	a	10.02.05		
pos	description stock	ident-no dimensions	DIN material	index	weigh Kg	quantity unit
1	boom arm 1 cpl. own parts list	B672100		a 24.08.04		1,00 Stk
2	beam "B" cpl. processing drawing own parts list	B672610		c 20.05.05	130,00	1,00 Stk
3	bushing	WAI108736				2,00 Stk
4	pin 100x 390	B662153 Rd 105x395	1013 42CrMo4V		24,00	1,00 Stk
5	washer d 90x06	B660054 Rd 95x10	1013 St37-2		0,20	7,00 Stk
6	pin holder	B660088 Bl 10x22x70	1543/EN10029 S235J2G3		0,10	3,00 Stk
7	cylinder head screw M 10 x 25	WAI106654				7,00 Stk
8	spring washer A10	WAI102070			0,00	7,00 Stk
9	grease nipple H1 M10 X 1 DIN 71412	WAI100805			0,01	7,00 Stk
10	locking screw M33x2 own parts list	B660085			0,10	7,00 Stk
11	pin 95 x 350	B660113 Rd 100x355	1013 42CrMo4V	a 31.07.02	19,00	1,00 Stk
12	pin 100x 430	B662154 Rd 105x435	1013 42CrMo4V		26,50	1,00 Stk
13	bushing	WAI108734				2,00 Stk
14	pin 95x 166	B662155 Rd 100x170	1013 42CrMo4V		9,20	2,00 Stk
15	pin holder	B660086 Fl 25x10x80	1017 S235J2G3		0,15	4,00 Stk
16	pin 95x 200	B662156 Rd 95x205	1013 42CrMo4V		11,00	1,00 Stk
17	pin 90x 216	B662157 Rd 95x220	1013 42CrMo4V	a 16.07.04	10,80	1,00 Stk
18	retaining ring A 85x4 DIN471	WAI106975			0,02	1,00 Stk
19	boom cylinder A cpl. with pipes own parts list	B660140		b 15.04.05		1,00 Stk
20	boom cylinder B cpl. with pipes own parts list	B660141		b 15.04.05		1,00 Stk
21	retaining ring A 90x4 DIN471	WAI108740			0,02	2,00 Stk

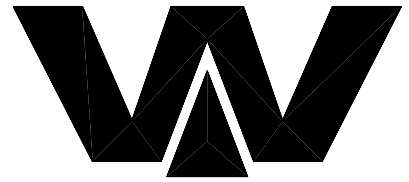


PARTS LIST

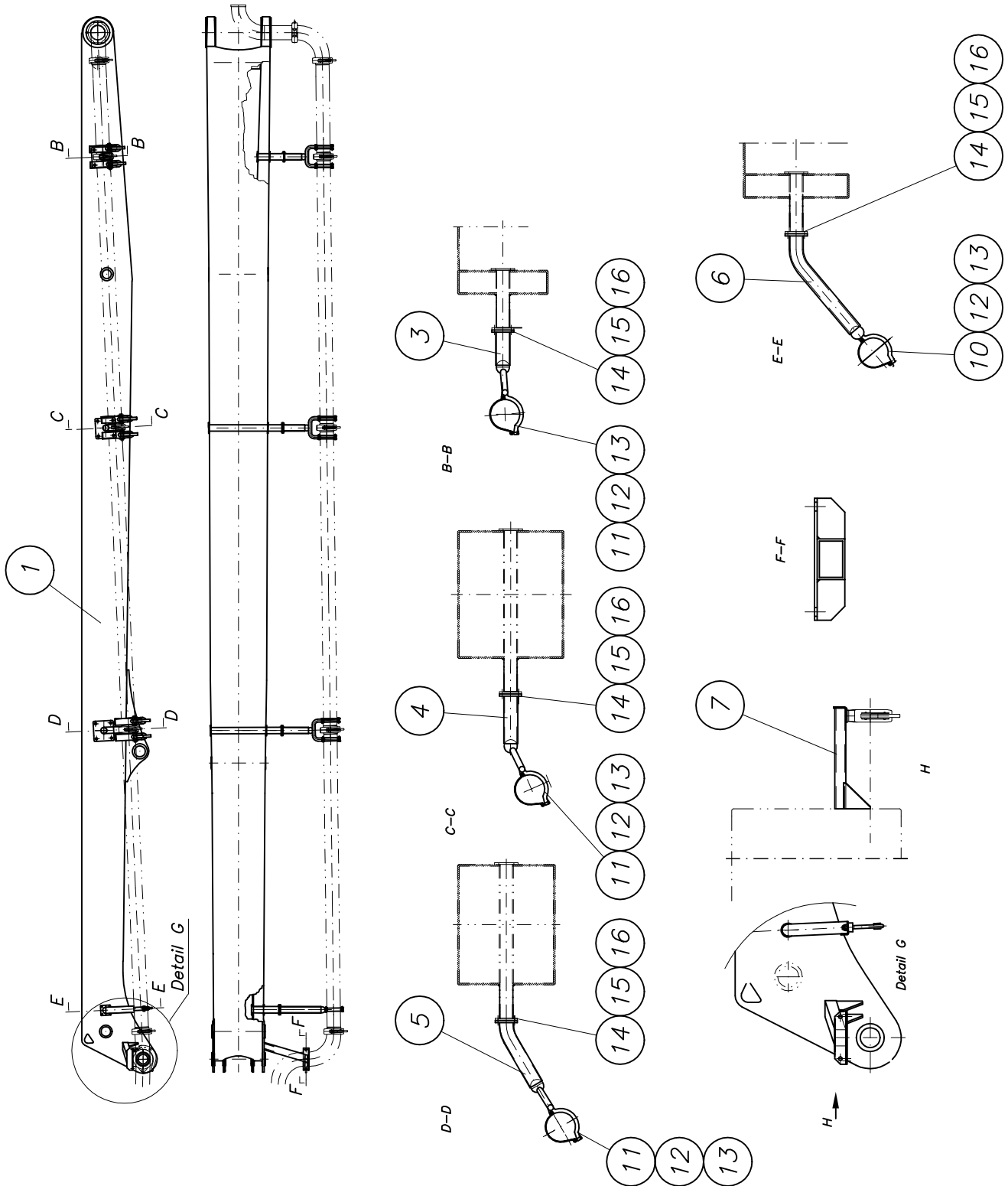
part list	description	created	index	valid from	valid to	
B662110	boom arm 1 cpl.	23.02.04 aaa	a	10.02.05		
pos	description stock	ident-no dimensions	DIN material	index	weigh Kg	quantity unit
22	holder for rubber buffer arm 1 cpl. own parts list	B662025		a 02.11.04	4,90	1,00 Stk
23	rubber cushion	WAI106715				1,00 Stk
24	hexagon bolt M 10 x 30	WAI101553			0,03	2,00 Stk
25	spring washer A10	WAI102070			0,00	2,00 Stk
26	hex. nut M10 DIN985 8.	WAI102125			0,01	2,00 Stk

Mastarm 1 kpl.
element 1 cpl.

B 67 2 100a



Waitzinger
Baumaschinen GmbH



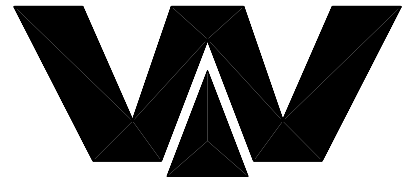


PARTS LIST

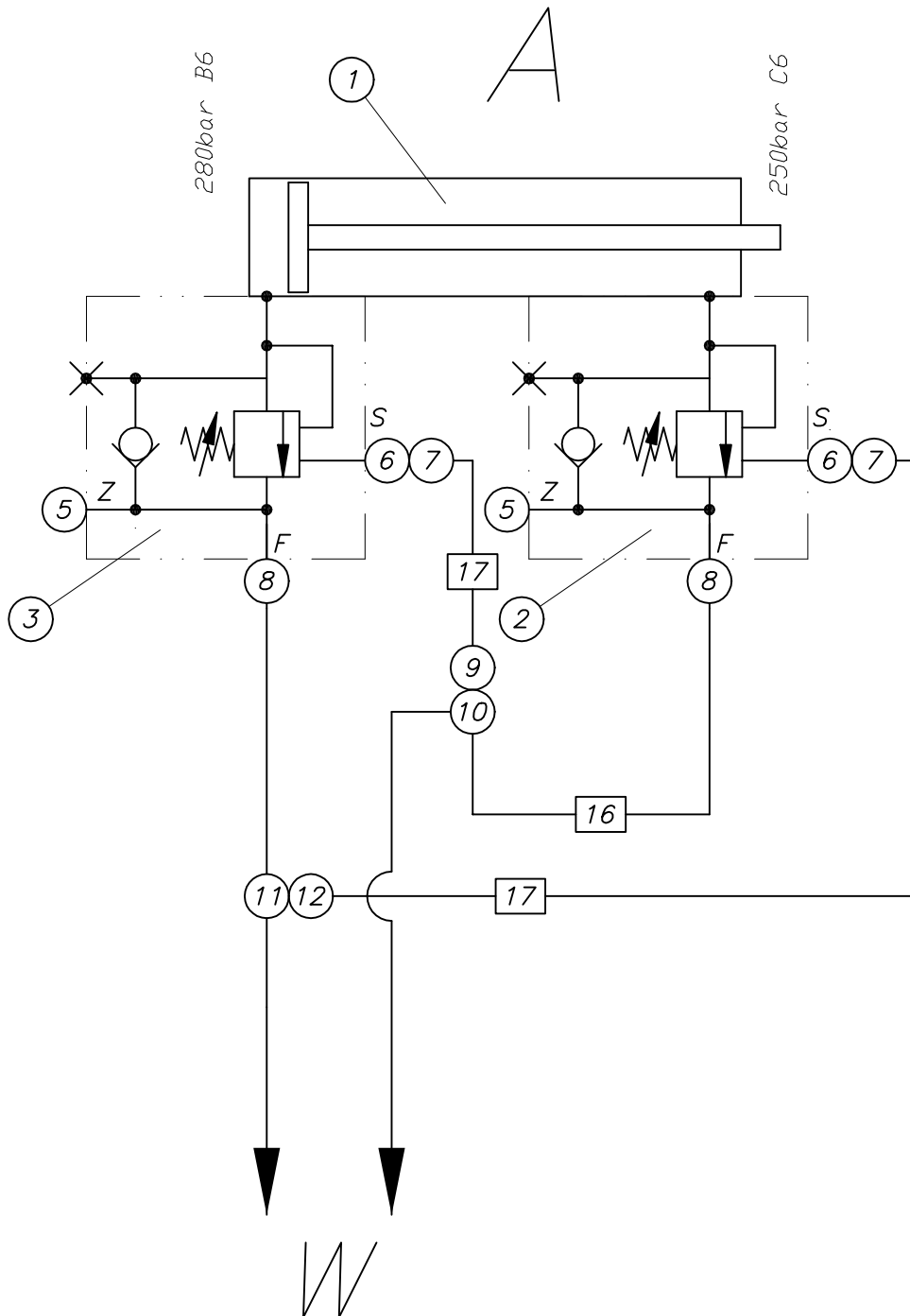
part list	description	created	index	valid from	valid to	
B672100	boom arm 1 cpl.	19.02.04 Mi	a	24.08.04		
pos	description stock	ident-no dimensions	DIN material	index	weigh Kg	quantity unit
1	boom arm 1 processing cpl. 42.4 own parts list	B672101		a 23.05.05	2140,00	1,00 Stk
3	holder 2 cpl., element 1 own parts list	B642012		a 24.08.04	1,70	1,00 Stk
4	holder 3 cpl., element 1 own parts list	B642014		a 24.08.04	2,30	1,00 Stk
5	holder 4 cpl., element 1 own parts list	B642016		a 24.08.04	3,00	1,00 Stk
6	holder 5 cpl., element 1 own parts list	B642018		a 24.08.04	4,00	1,00 Stk
7	holder 5 cpl., element 1 own parts list	B641039		a 22.04.05	5,70	1,00 Stk
10	pipe holder cpl. own parts list	WAI107108				1,00 Stk
11	pipe holder cpl. own parts list	WAI107109				3,00 Stk
12	conical spring washer 12 mm	WAI102877				7,00 Stk
13	hex. nut M12 DIN 985 8. VERZ.	WAI101626				7,00 Stk
14	hexagon bolt M 10 x 35	WAI101705			0,03	16,00 Stk
15	washer 10.5	WAI101559			0,00	16,00 Stk
16	nut M10 DIN 934	WAI101556			0,01	16,00 Stk

Mastzylinder A kpl.
boom cylinder A cpl.

B 66 0 140b



Waitzinger
Baumaschinen GmbH



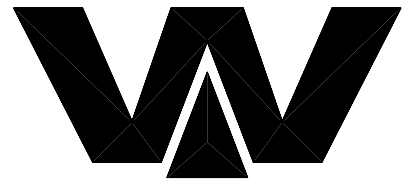


PARTS LIST

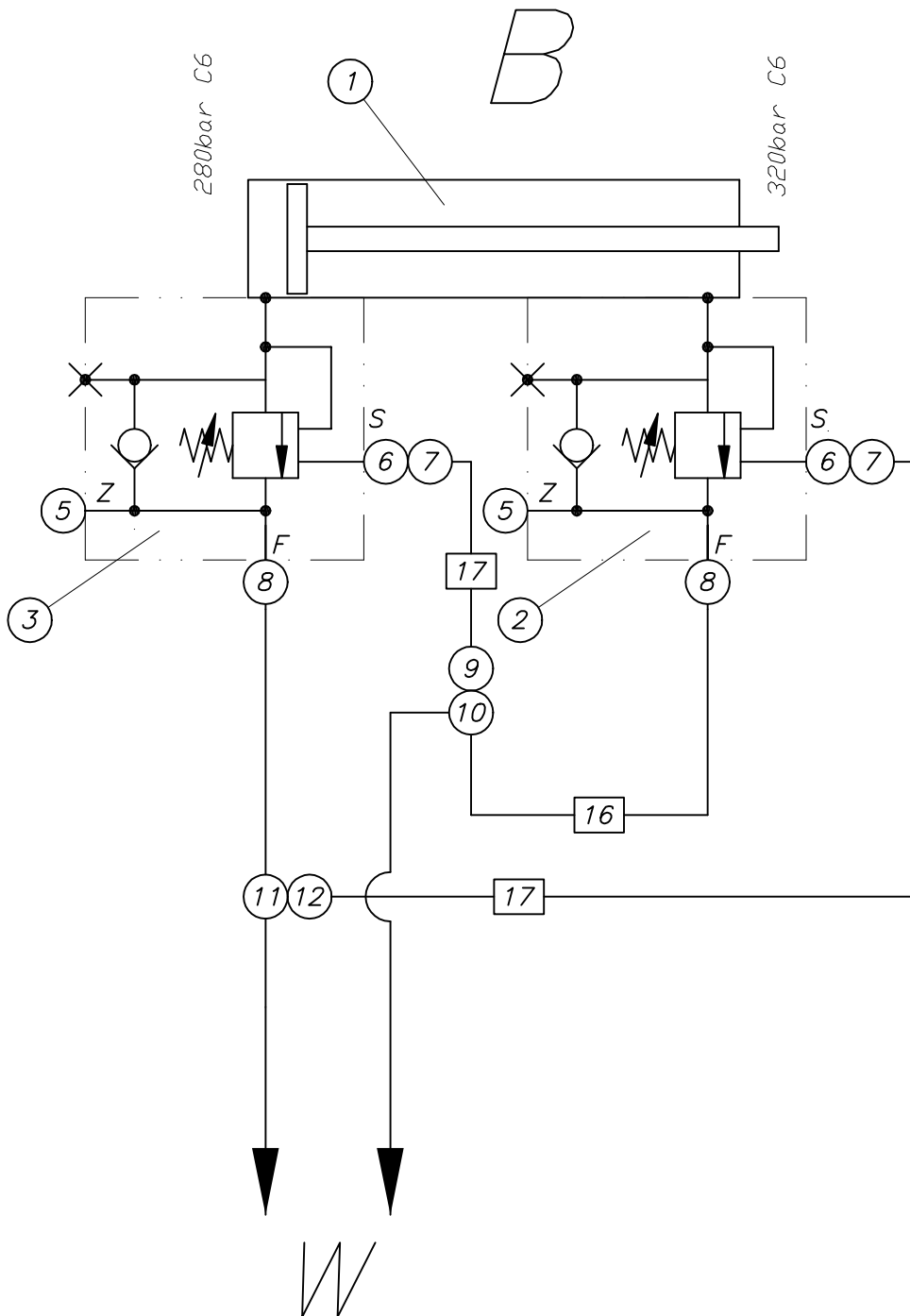
part list	description	created	index	valid from	valid to	
B660140	boom cylinder A cpl. with pipes	19.04.04 a	b	15.04.05		
pos	description stock	ident-no dimensions	DIN material	index	weigh Kg	quantity unit
1	boom cylinder for 42-mtr., section A	WAI109328				1,00 Stk
2	locking valve 250 bar	WAI106260				1,00 Stk
3	locking valve 280 bar	WAI108959				1,00 Stk
5	locking screw G 1/4	WAI100520				2,00 Stk
6	male stud couplings S12RB 1/4	WAI104042				2,00 Stk
7	adjustable male stud elbows	WAI100366			0,19	2,00 Stk
8	straight male stud couplings S16	WAI100543				2,00 Stk
9	straight reducing couplings S16-12	WAI101160				1,00 Stk
10	tee coupling S16	WAI100594				1,00 Stk
11	swivel barrel tee S16	wai100602				1,00 Stk
12	standpipe reducers S16-12V	WAI100355			0,18	1,00 Stk
16	hydr. pipe 16 x 2.5	WAI109029			0,83	2,00 Mtr
17	hydr. pipe 12 x 2	WAI102022			0,49	2,00 Mtr

Mastzylinder B kpl.
boom cylinder B cpl.

B 66 0 141b



Waitzinger
Baumaschinen GmbH



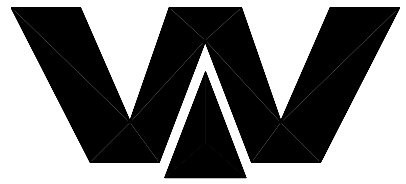


PARTS LIST

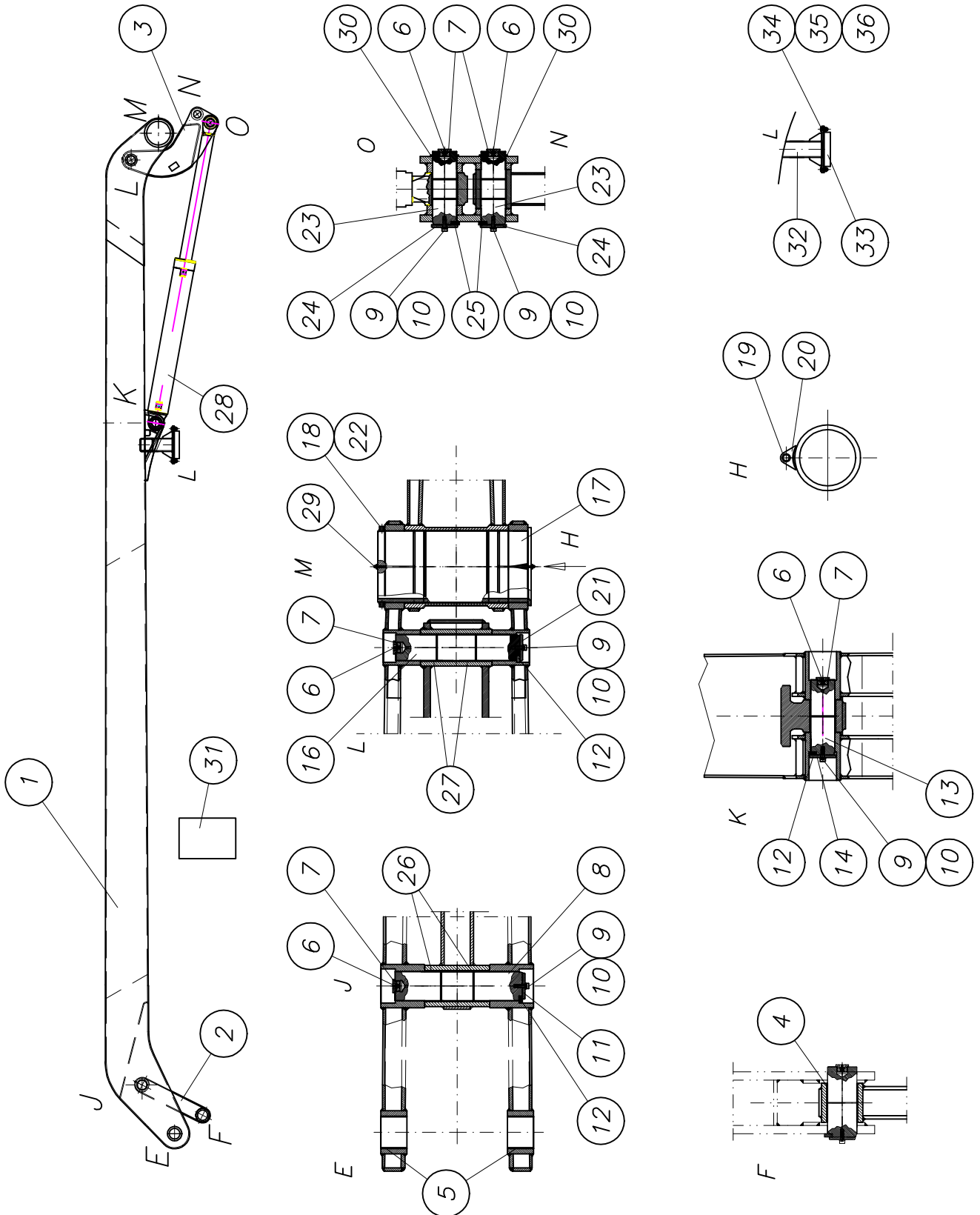
part list	description	created	index	valid from	valid to	
B660141	boom cylinder B cpl. with pipes	19.04.04 a	b	15.04.05		
pos	description stock	ident-no dimensions	DIN material	index	weigh Kg	quantity unit
1	boom cylinder for 42-mtr., section B	WAI109329				1,00 Stk
2	locking valve 320 bar	WAI106258				1,00 Stk
3	locking valve 280 bar	WAI106935				1,00 Stk
5	locking screw G 1/4	WAI100520				2,00 Stk
6	male stud couplings S12RB 1/4	WAI104042				2,00 Stk
7	adjustable male stud elbows	WAI100366			0,19	2,00 Stk
8	straight male stud couplings S16	WAI100543				2,00 Stk
9	straight reducing couplings S16-12	WAI101160				1,00 Stk
10	tee coupling S16	WAI100594				1,00 Stk
11	standpipe reducers S16-12V	WAI100355			0,18	1,00 Stk
12	swivel barrel tee S16	WAI100602				1,00 Stk
16	hydr. pipe 16 x 2.5	WAI109029			0,83	2,00 Mtr
17	hydr. pipe 12 x 2	WAI102022			0,49	2,00 Mtr

Mastarm 2 kpl.
element 2 cpl.

B 66 2 120b



Waitzinger
Baumaschinen GmbH





PARTS LIST

part list	description	created	index	valid from	valid to	
B662120	boom arm 2 cpl.	23.02.04 aaa	b	22.04.05		
pos	description stock	ident-no dimensions	DIN material	index	weigh Kg	quantity unit
1	boom arm 2 cpl. own parts list	B672200				1,00 Stk
2	forcing rod B cpl. own parts list	B672710		a 09.05.05	40,00	1,00 Stk
3	Lever C cpl. own parts list	B672620			120,00	1,00 Stk
4	bushing	WAI108732				1,00 Stk
5	bushing	WAI108733				2,00 Stk
6	grease nipple H1 M10 X 1 DIN 71412	WAI100805			0,01	5,00 Stk
7	locking screw M33x2 own parts list	B660085			0,10	5,00 Stk
8	pin 90x 390	B662158 Rd 95x395	1013 42CrMo4V		19,50	1,00 Stk
9	cylinder head screw M 10 x 25	WAI106654				5,00 Stk
10	spring washer A10	WAI102070			0,00	5,00 Stk
11	washer d 90x06	B660054 Rd 95x10	1013 St37-2		0,20	1,00 Stk
12	pin holder	B660088 Bl 10x22x70	1543/EN10029 S235J2G3		0,10	3,00 Stk
13	pin 75x 229	B662160 Rd 80x235	1013 42CrMo4V		8,00	1,00 Stk
14	washer d 70x05	B660065 Rd 75x10	1013 St37-2		0,10	1,00 Stk
16	pin 80x 380	B662159 Rd 85x385	1013 42CrMo4V		15,00	1,00 Stk
17	pin 220x 472	B662163			28,00	1,00 Stk
18	threaded ring	WAI105378				1,00 Stk
19	pipe	B660124 Rohr 51x6.3x30	2448 S355J2G3		0,20	1,00 Stk
20	pin protection	B660123 Bl 10x100x148	1543/EN10029 S355J2G3		0,45	1,00 Stk
21	washer d 80x06	B660058 Rd 85x10	1013 St37-2		0,20	1,00 Stk
22	set screw M 6 x 8	WAI103646				2,00 Stk

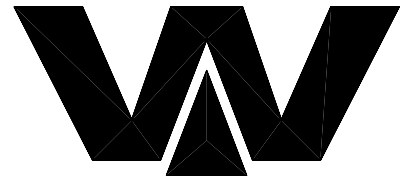


PARTS LIST

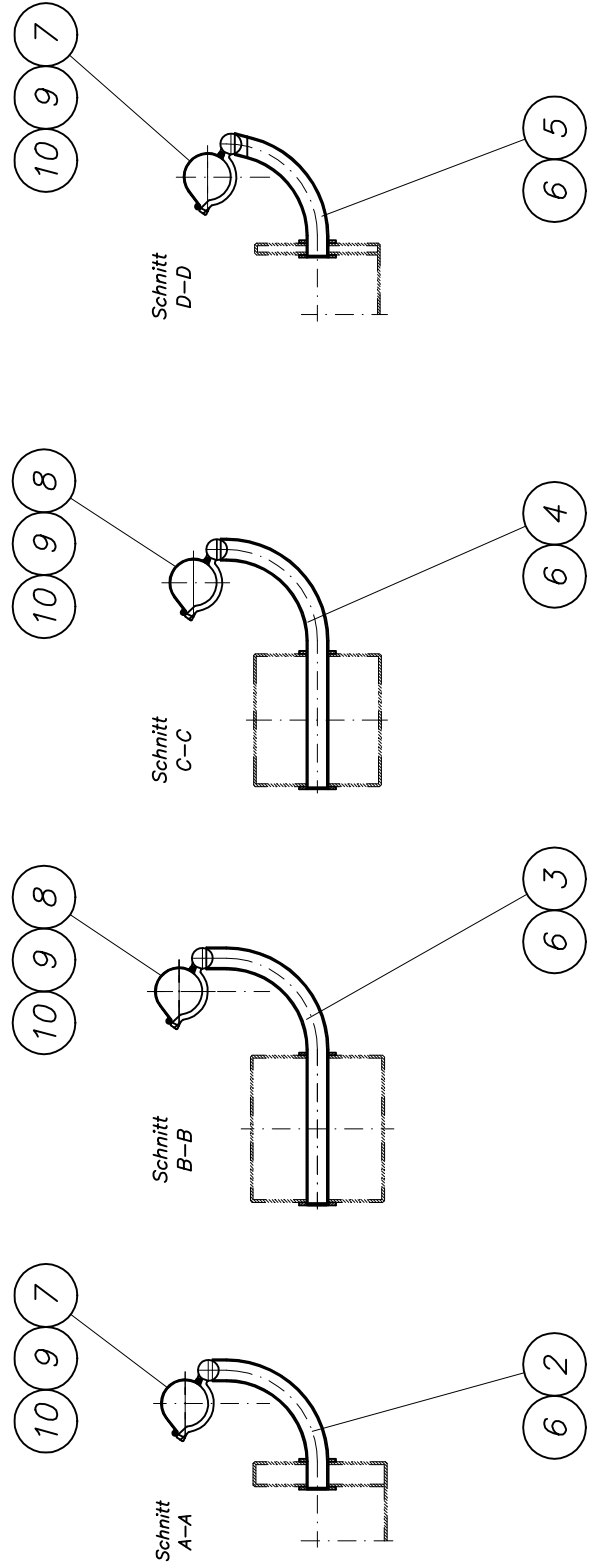
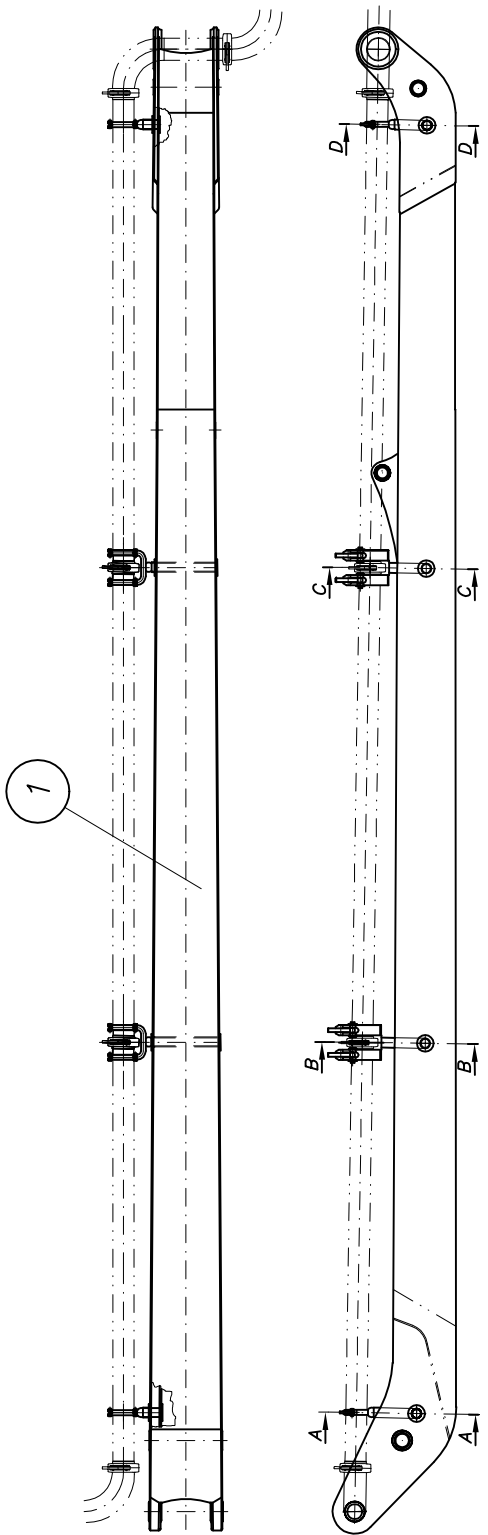
part list	description	created	index	valid from	valid to	
B662120	boom arm 2 cpl.	23.02.04 aaa	b	22.04.05		
pos	description stock	ident-no dimensions	DIN material	index	weigh Kg	quantity unit
23	pin 75x 209	B662162 Rd 80x215	1013 42CrMo4V		7,20	2,00 Stk
24	washer	B660089 Bl 8xd62	1543/EN10029 S235J2G3		0,20	2,00 Stk
25	pin holder	B660086 Fl 25x10x80	1017 S235J2G3		0,15	2,00 Stk
26	bushing	WAI108753				2,00 Stk
27	bushing	WAI108752				2,00 Stk
28	boom cylinder C cpl. with pipes own parts list	B660142		a 29.11.04		1,00 Stk
29	grease nipple	WAI102885				4,00 Stk
30	locking ring	WAI109034				2,00 Stk
31	reinforcement	B662101 Bl 8x250x430	1543/EN10029 S235J2G3		6,80	1,00 Stk
32	holder for rubber buffer arm 2 cpl. own parts list	B661120			4,50	1,00 Stk
33	rubber cushion	WAI106715				1,00 Stk
34	hexagon bolt M 10 x 30	WAI101553			0,03	2,00 Stk
35	spring washer A10	WAI102070			0,00	2,00 Stk
36	hex. nut M10 DIN985 8.	WAI102125			0,01	2,00 Stk

Mastarm 2 kpl.
element 2 cpl.

B 67 2 200



Waitzinger
Baumaschinen GmbH



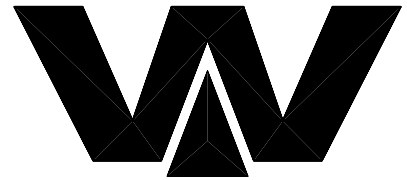


PARTS LIST

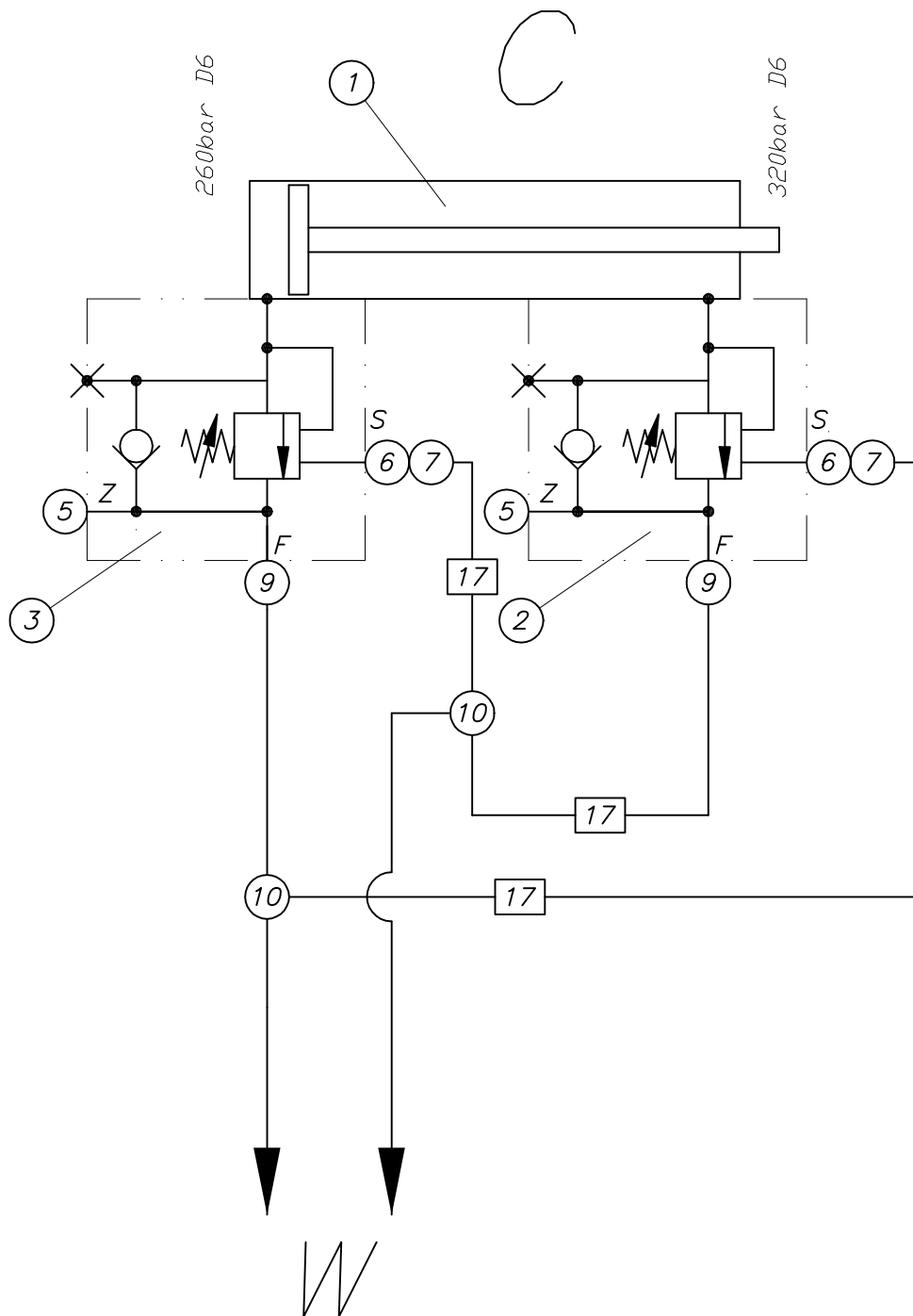
part list	description	created	index	valid from	valid to	
B672200	boom arm 2 cpl.	20.02.04 Mi				
pos	description stock	ident-no dimensions	DIN material	index	weigh Kg	quantity unit
1	boom arm 2 processing cpl. 42.4 own parts list	B672201		b 17.05.05	1250,00	1,00 Stk
2	pipe 1, Element 2	B642020 Rohr 63.5x4x552	2448 S355J2G3		3,20	1,00 Stk
3	pipe 2, Element 2	B642021 Rohr 63.5x4x929	2448 S355J2G3		5,40	1,00 Stk
4	pipe 3, Element 2	B642022 Rohr 63.5x4x869	2448 S355J2G3		5,10	1,00 Stk
5	pipe 4, Element 2	B642023 Rohr 63.5x4x465	2448 S355J2G3		2,70	1,00 Stk
6	washer	B672152 Bl 4xd 52	1543/EN10029 S355J2G3		0,10	4,00 Stk
7	pipe holder cpl. own parts list	WAI107108				2,00 Stk
8	pipe holder cpl. own parts list	WAI107109				2,00 Stk
9	conical spring washer 12 mm	WAI102877				6,00 Stk
10	hex. nut M12 DIN 985 8. VERZ.	WAI101626				6,00 Stk

Mastzylinder C kpl.
boom cylinder C cpl.

B 66 0 142a



Waitzinger
Baumaschinen GmbH



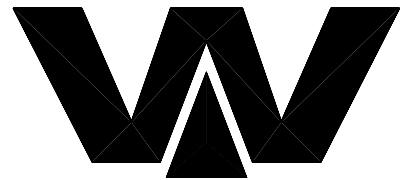


PARTS LIST

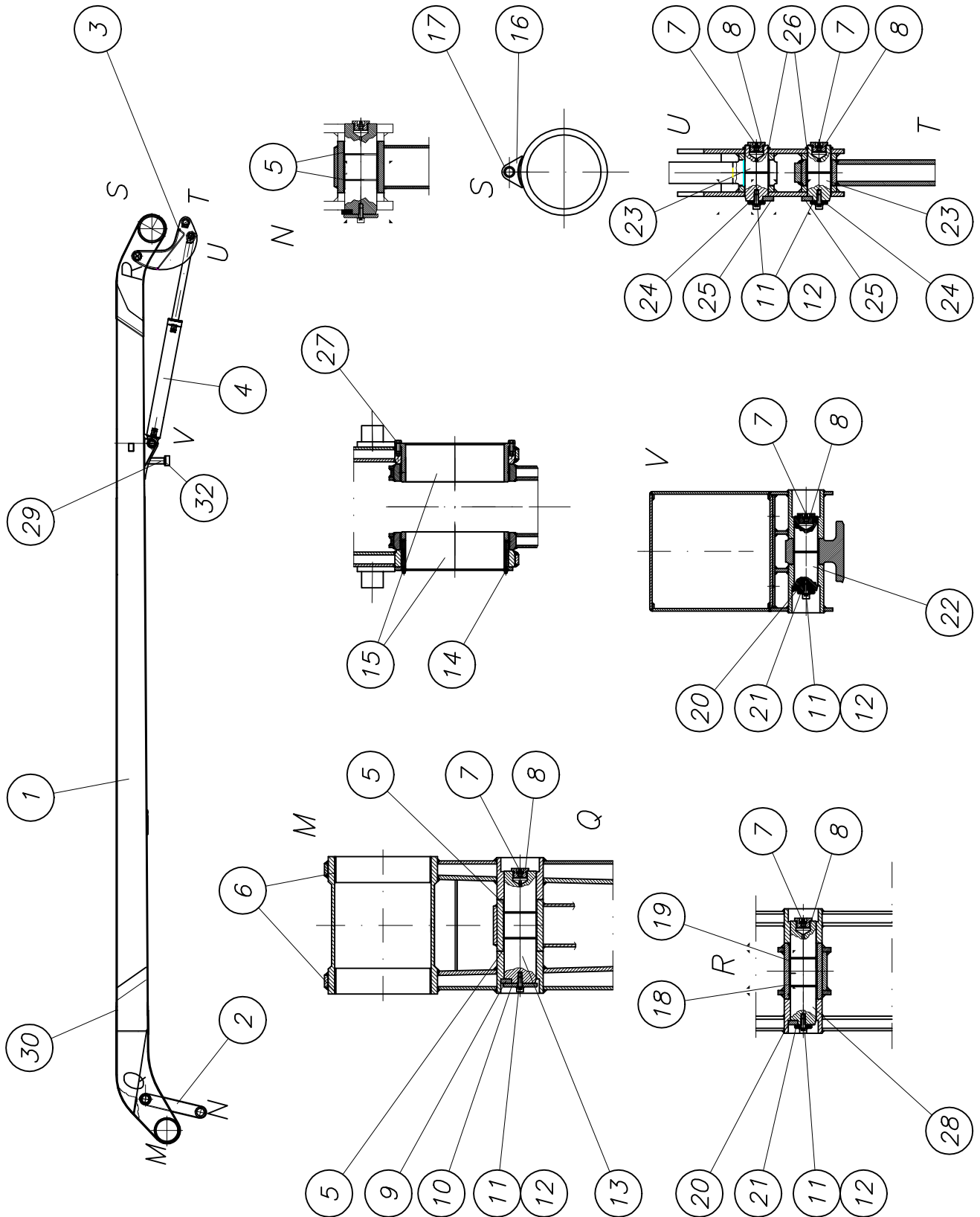
part list	description	created	index	valid from	valid to	
B660142	boom cylinder C cpl. with pipes	19.04.04 a	a	29.11.04		
pos	description stock	ident-no dimensions	DIN material	index	weigh Kg	quantity unit
1	boom cylinder for 42-mtr., section C	WAI109330				1,00 Stk
2	locking valve 320 bar	WAI106258				1,00 Stk
3	locking valve 260 bar	WAI106938				1,00 Stk
5	locking screw G 1/4	WAI100520				2,00 Stk
6	male stud couplings S12RB 1/4	WAI104042				2,00 Stk
7	adjustable male stud elbows	WAI100366			0,19	2,00 Stk
9	straight reducing couplings S16-12	WAI101160				2,00 Stk
10	tee coupling S12	WAI100593			0,28	2,00 Stk
17	hydr. pipe 12 x 2	WAI102022			0,49	2,00 Mtr

Mastarm 3 kpl.
element 3 cpl.

B 66 2 130b



Waitzinger
Baumaschinen GmbH





PARTS LIST

part list	description	created	index	valid from	valid to	
B662130	boom arm 3 cpl.	23.02.04 aaa	b	10.02.05		
pos	description stock	ident-no dimensions	DIN material	index	weigh Kg	quantity unit
1	boom arm 3 cpl. own parts list	B672300				1,00 Stk
2	forcing rod C cpl. own parts list	B672720		a 09.05.05	27,50	1,00 Stk
3	lever D cpl. own parts list	B672630		a 23.05.05	38,00	1,00 Stk
4	boom cylinder D cpl. with pipes own parts list	B660143		a 29.11.04		1,00 Stk
5	bushing 75 x 80 x 60	WAI106016				4,00 Stk
6	bushing	WAI108735				2,00 Stk
7	grease nipple H1 M10 X 1 DIN 71412	WAI100805			0,01	5,00 Stk
8	locking screw M33x2 own parts list	B660085			0,10	5,00 Stk
9	pin holder	B660088 Bl 10x22x70	1543/EN10029 S235J2G3		0,10	1,00 Stk
10	washer	B660087 Bl 8xd80	1543/EN10029 S235J2G3		0,20	1,00 Stk
11	cylinder head screw M 10 x 25	WAI106654				5,00 Stk
12	spring washer A10	WAI102070			0,00	5,00 Stk
13	pin 75x 258	B662164 Rd 80x260	1013 42CrMo4V		9,00	1,00 Stk
14	grease nipple	WAI102885				4,00 Stk
15	pin 250x 91.25	B662168 Ro 323.9x50x100	2448 S355J2G3	a 31.08.04	6,20	2,00 Stk
16	pin protection	B660123 Bl 10x100x148	1543/EN10029 S355J2G3		0,45	2,00 Stk
17	pipe	B660124 Rohr 51x6.3x30	2448 S355J2G3		0,20	2,00 Stk
18	bushing	WAI108730				1,00 Stk
19	bushing	WAI108729				1,00 Stk
20	pin holder	B660090 Bl 10x14x45	1543/EN10029 S235J2G3		0,10	2,00 Stk
21	washer d 55x05	B660077 Rd 60x10	1013 St37-2		0,10	2,00 Stk

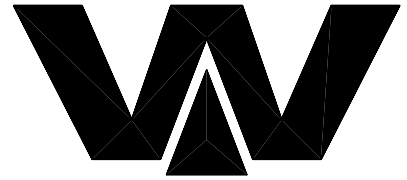


PARTS LIST

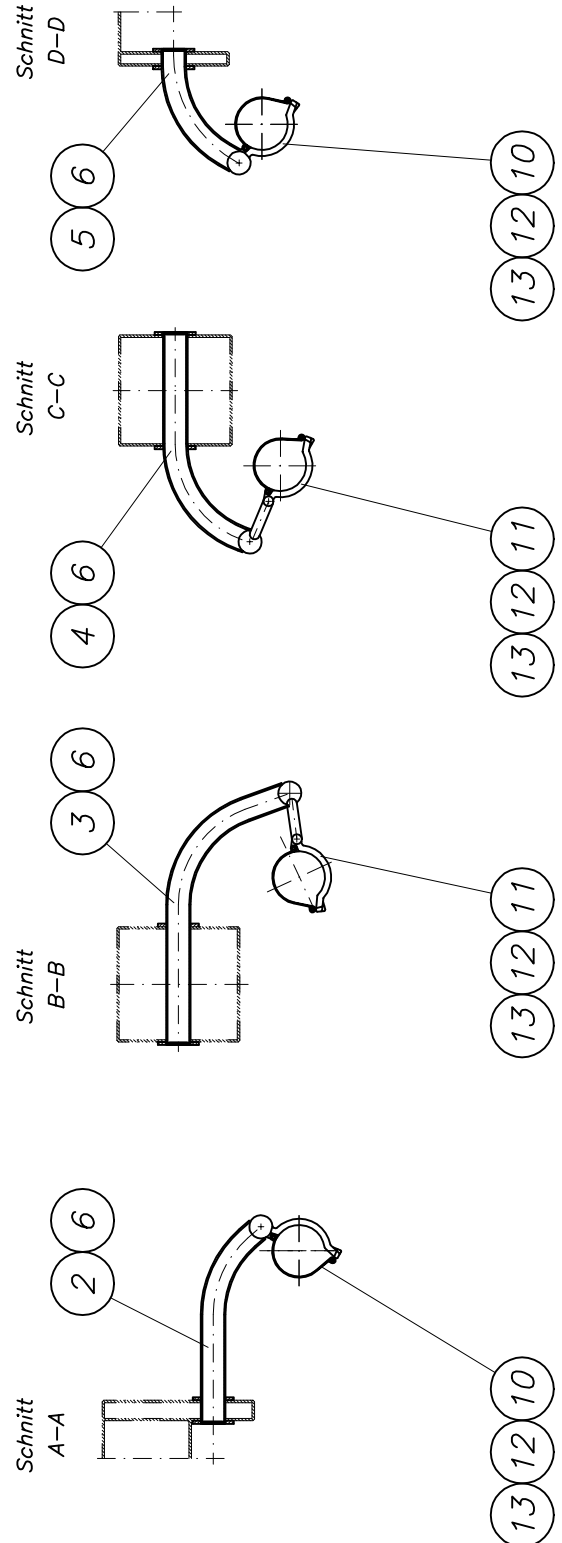
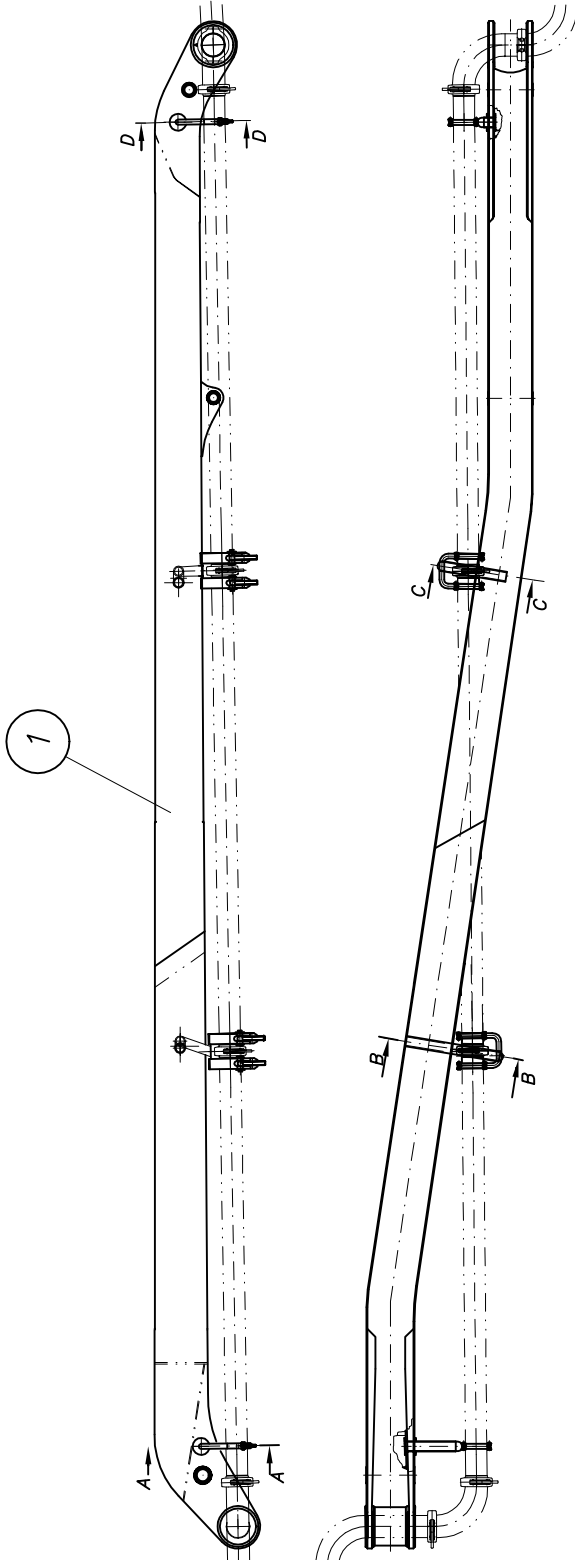
part list	description	created	index	valid from	valid to	
B662130	boom arm 3 cpl.	23.02.04 aaa	b	10.02.05		
pos	description stock	ident-no dimensions	DIN material	index	weigh Kg	quantity unit
22	pin 55x 172	B662166 Rd 60x180	1013 42CrMo4V		3,10	1,00 Stk
23	pin 55x 129	B662167 Rd 60x140	1013 42CrMo4V		2,50	2,00 Stk
24	washer	B660091 Bl 8xd42	1543/EN10029 S235J2G3		0,10	2,00 Stk
25	pin holder	B660086 Fl 25x10x80	1017 S235J2G3		0,15	2,00 Stk
26	ring	WAI109028				2,00 Stk
27	hexagon bolt M 8 x 20 DIN 931 10.9	WAI109085				8,00 Stk
28	pin 60x 238	B662165 Rd 65x240	1013 42CrMo4V		5,20	1,00 Stk
29	holder for rubber buffer arm 3 cpl. own parts list	B662010		a 02.11.04	1,90	1,00 Stk
30	reinforcement sheet	B662024 Bl 8x200x310	1543/EN 10029 S235J2G3		3,90	1,00 Stk
32	rubber buffer 100 x 50	WAI103478				1,00 Stk

Mastarm 3 kpl.
element 3 cpl.

B 67 2 300



Waitzinger
Baumaschinen GmbH



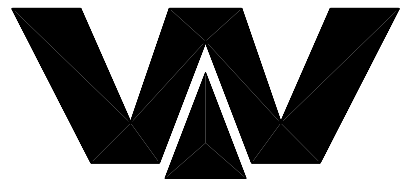


PARTS LIST

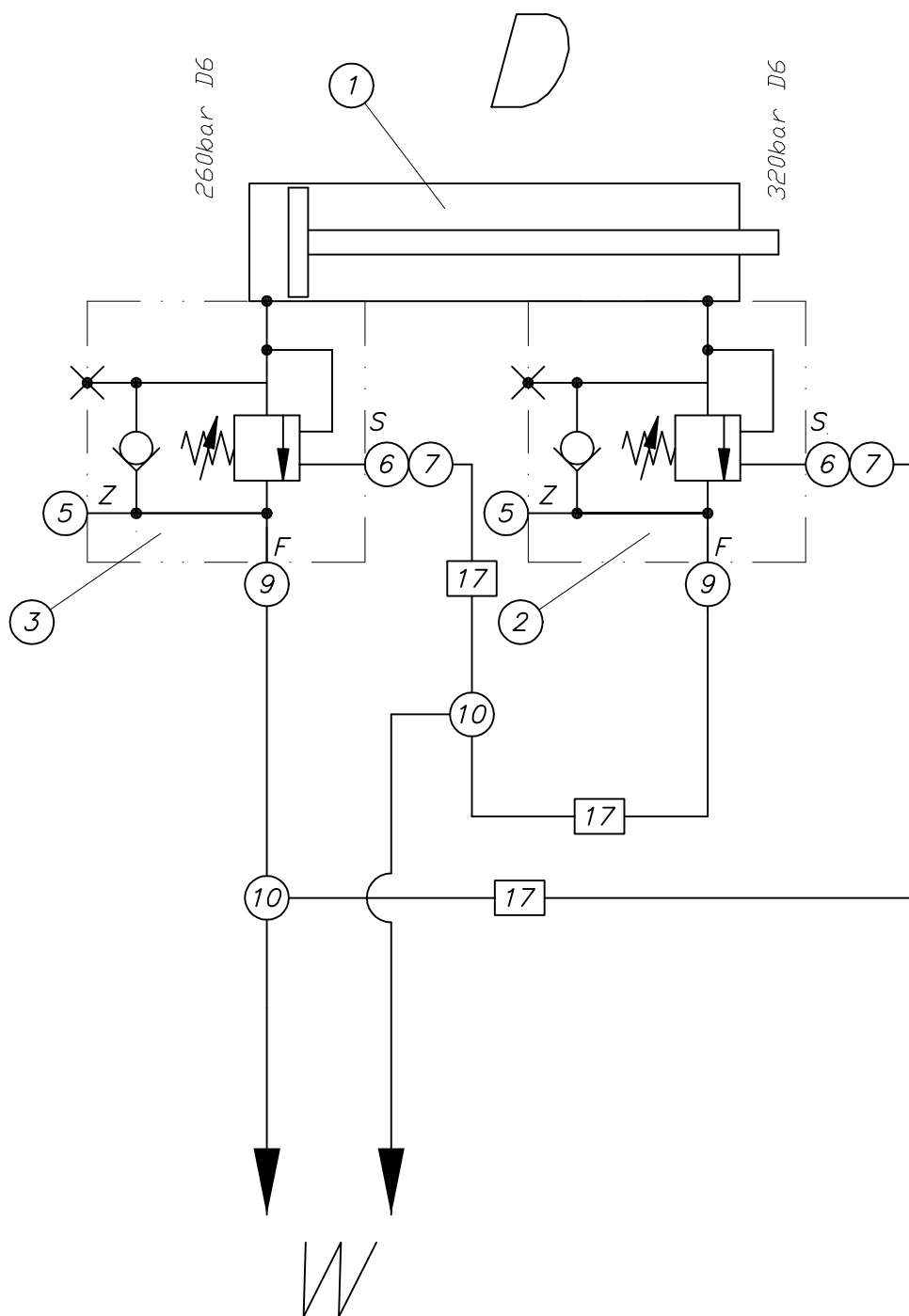
part list	description	created	index	valid from	valid to	
B672300	boom arm 3 cpl.	23.02.04 Mi				
pos	description stock	ident-no dimensions	DIN material	index	weigh Kg	quantity unit
1	boom arm 3 processing cpl. 42.4 own parts list	B672301		c 11.05.05	735,00	1,00 Stk
2	pipe 1, Element 3	B642024 Rohr 63.5x4x569	2448 S355J2G3		3,40	1,00 Stk
3	pipe 2, Element 3	B642025 Rohr 63.5x4x812	2448 S355J2G3		4,70	1,00 Stk
4	pipe 3, Element 3	B642026 Rohr 63.5x4xx63	2448 S355J2G3		3,70	1,00 Stk
5	pipe 4, Element 3	B642027 Rohr 63.5x4x370	2448 S355J2G3		2,10	1,00 Stk
6	washer	B672152 Bl 4xd 52	1543/EN10029 S355J2G3		0,10	4,00 Stk
10	pipe holder cpl. own parts list	WAI107108				2,00 Stk
11	pipe holder cpl. own parts list	WAI107109				2,00 Stk
12	conical spring washer 12 mm	WAI102877				6,00 Stk
13	hex. nut M12 DIN 985 8. VERZ.	WAI101626				6,00 Stk

Mastzylinder D kpl.
boom cylinder D cpl.

B 66 0 143a



Waitzinger
Baumaschinen GmbH



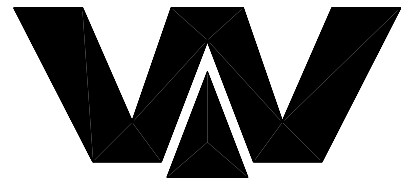


PARTS LIST

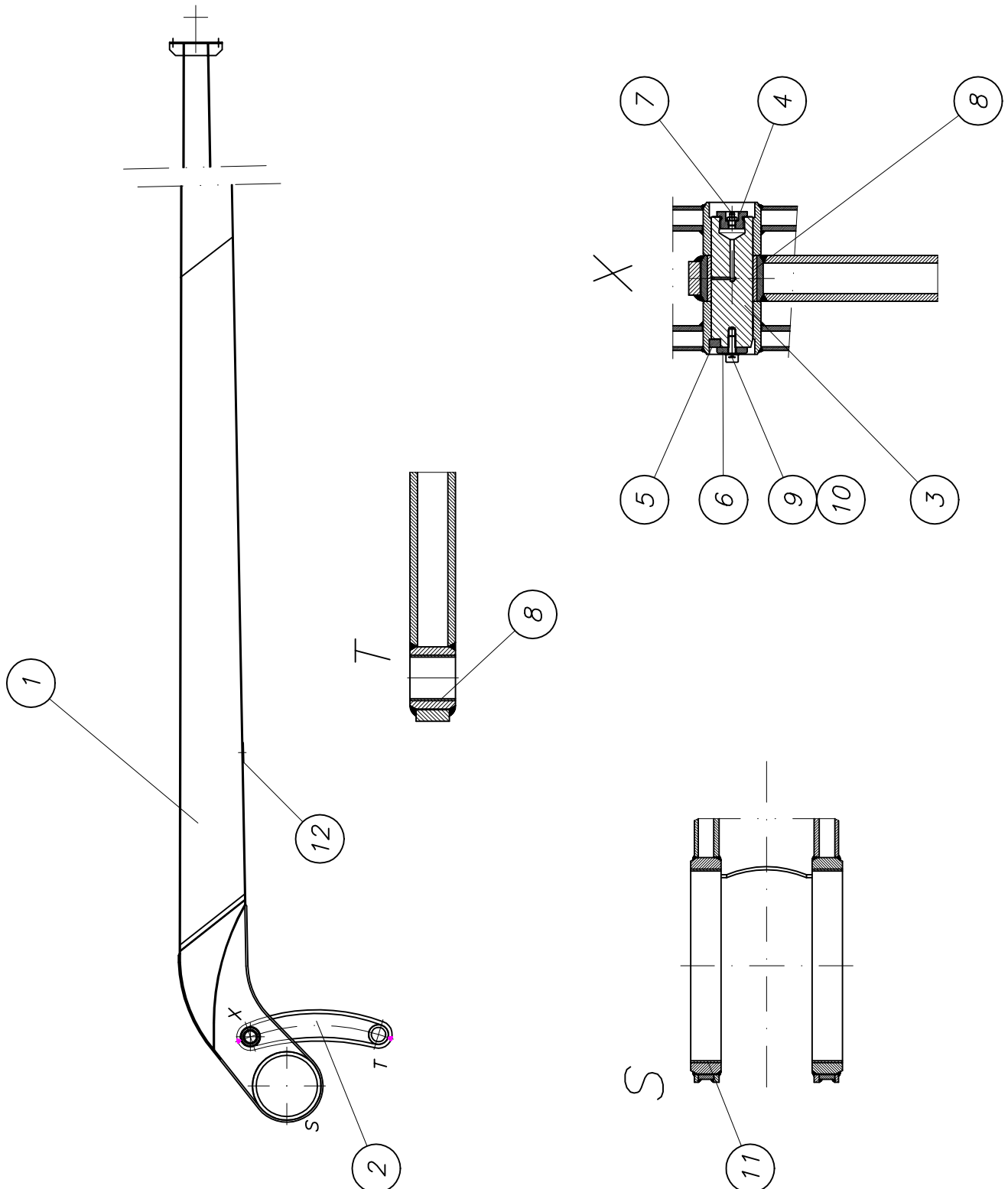
part list	description	created	index	valid from	valid to	
B660143	boom cylinder D cpl. with pipes	19.04.04 a	a	29.11.04		
pos	description stock	ident-no dimensions	DIN material	index	weigh Kg	quantity unit
1	boom cylinder for 42-mtr., section D	WAI109331				1,00 Stk
2	locking valve 320 bar	WAI106258				1,00 Stk
3	locking valve 260 bar	WAI106938				1,00 Stk
5	locking screw G 1/4	WAI100520				2,00 Stk
6	male stud couplings S12RB 1/4	WAI104042				2,00 Stk
7	adjustable male stud elbows	WAI100366			0,19	2,00 Stk
9	straight reducing couplings S16-12	WAI101160				2,00 Stk
10	tee coupling S12	WAI100593			0,28	2,00 Stk
17	hydr. pipe 12 x 2	WAI102022			0,49	2,00 Mtr

Mastarm 4 kpl.
element 4 cpl.

B 66 2 140



Waitzinger
Baumaschinen GmbH





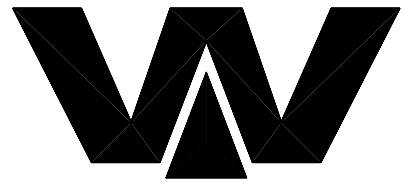
PARTS LIST

part list	description	created	index	valid from	valid to	
B662140	boom arm 4 cpl.	23.02.04 aaa				
pos	description stock	ident-no dimensions	DIN material	index	weigh Kg	quantity unit
1	boom arm 4 cpl. own parts list	B672400		a 19.07.05		1,00 Stk
2	forcing rod D cpl. own parts list	B672730			20,00	1,00 Stk
3	pin 55x 172	B662166 Rd 60x180	1013 42CrMo4V		3,10	1,00 Stk
4	locking screw M33x2 own parts list	B660085			0,10	1,00 Stk
5	pin holder	B660090 BI 10x14x45	1543/EN10029 S235J2G3		0,10	1,00 Stk
6	washer d 50x05	B660076 Rd 55x10	1013 St37-2		0,10	1,00 Stk
7	grease nipple H1 M10 X 1 DIN 71412	WAI100805			0,01	1,00 Stk
8	bushing 55 x 60 x 60	WAI106013				2,00 Stk
9	cylinder head screw M 10 x 25	WAI106654				1,00 Stk
10	spring washer A10	WAI102070			0,00	1,00 Stk
11	bushing	WAI108737				2,00 Stk
12	plate	B661089 BI 5x130x175	1543/EN10029 St37-2		0,80	1,00 Stk

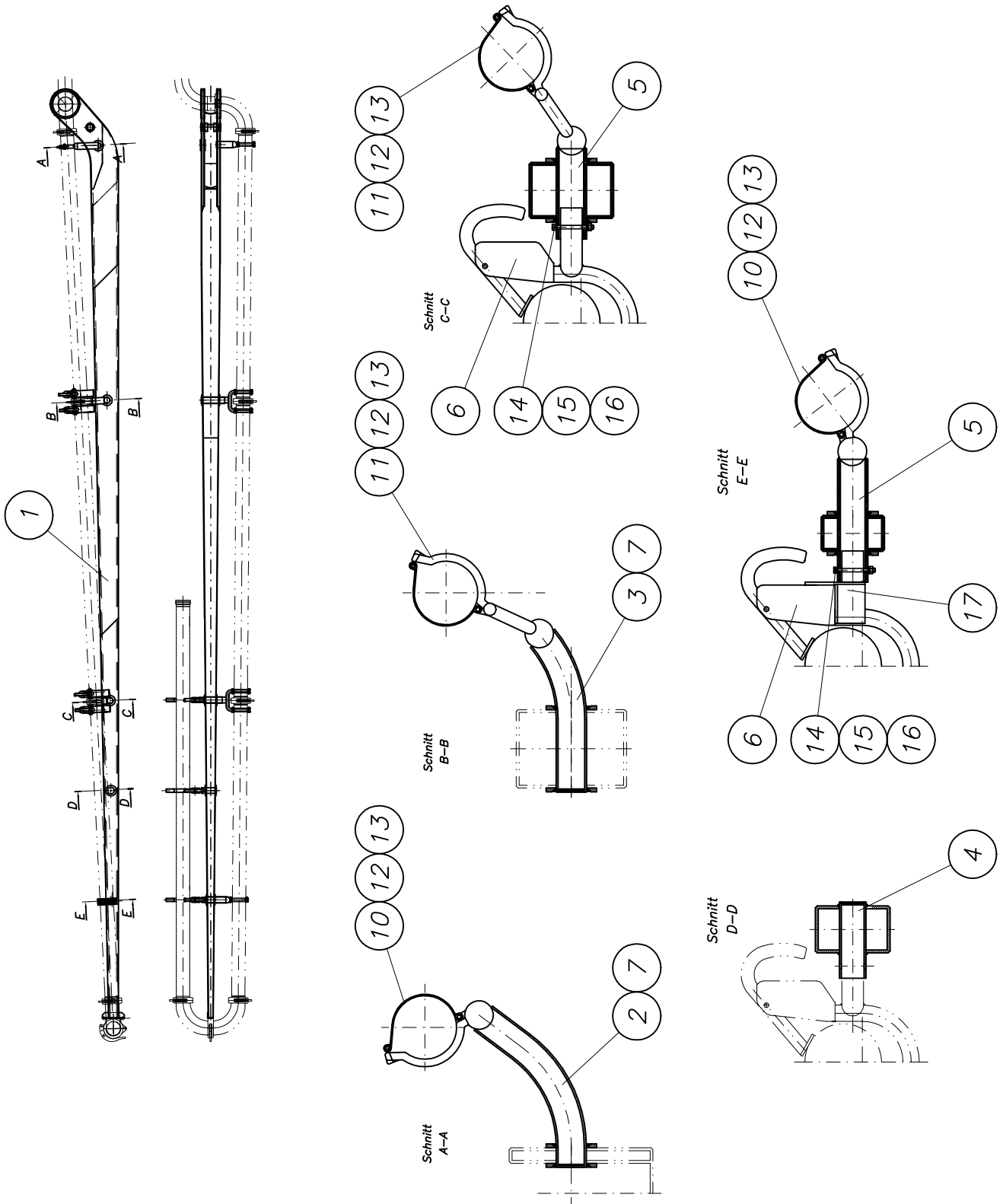
Mastarm 4 kpl.

element 4 cpl.

B 67 2 400a



Waitzinger
Baumaschinen GmbH



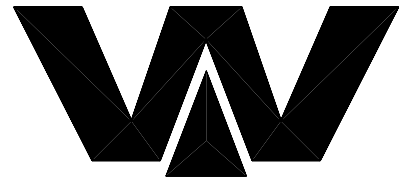


PARTS LIST

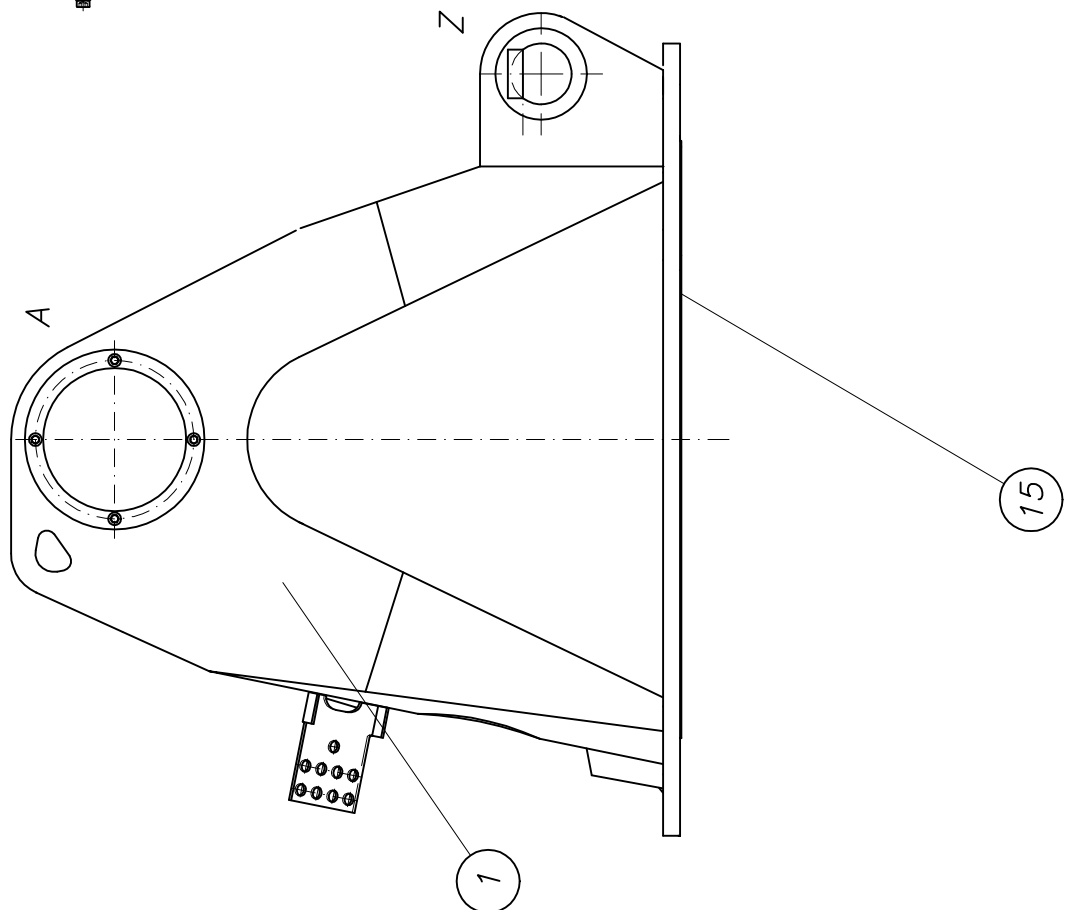
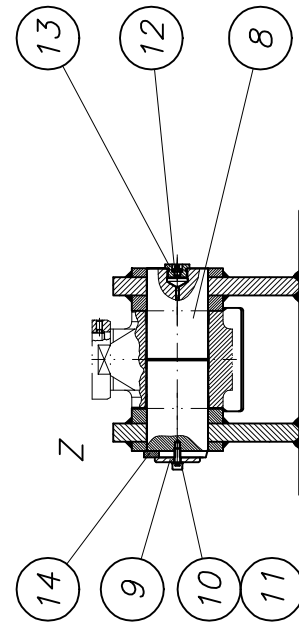
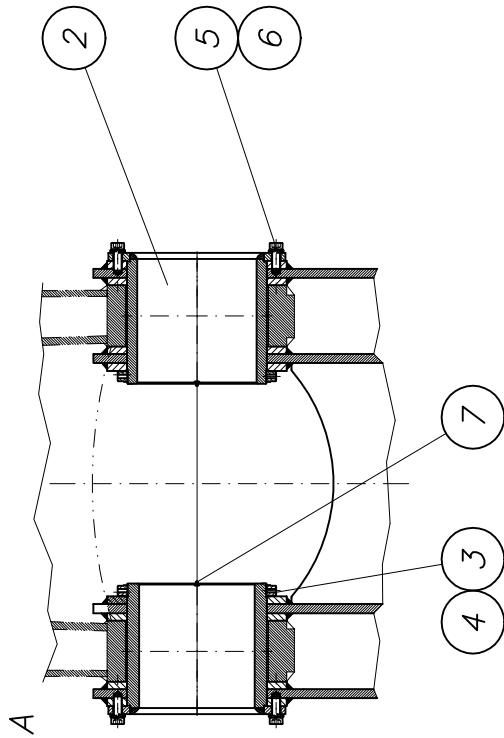
part list	description	created	index	valid from	valid to	
B672400	boom arm 4 cpl.	24.02.04 Mi	a	19.07.05		
pos	description stock	ident-no dimensions	DIN material	index	weigh Kg	quantity unit
1	arm own parts list	B672401		a 29.06.05	290,00	1,00 Stk
2	pipe 1, Element 4	B642028 Rohr 63.5x4x395	2448 S355J2G3		2,20	1,00 Stk
3	pipe 2, Element 4	B642029 Rohr 63.5x4x349	2448 S355J2G3		2,00	1,00 Stk
4	pipe 4, Element 4	B641059 Rohr 63.5x5x180	2448 S355J2G3	a 12.01.04	1,10	1,00 Stk
5	pipe 5, Element 4	B641060 Rohr 63.5x5x280	2448 S355J2G3		2,00	2,00 Stk
6	flexible hose support	WAI106989				1,00 Stk
7	washer	B672152 Bl 4xd 52	1543/EN10029 S355J2G3		0,10	2,00 Stk
10	pipe holder cpl. own parts list	WAI107108				2,00 Stk
11	pipe holder cpl. own parts list	WAI107109				2,00 Stk
12	conical spring washer 12 mm	WAI102877				6,00 Stk
13	hex. nut M12 DIN 985 8. VERZ.	WAI101626				6,00 Stk
14	alien bolt M 8x75 DIN 912 8.8	WAI107115				2,00 Stk
15	spring washer A8 DIN 127 VERZ.	WAI102205			0,00	2,00 Stk
16	hex. nut M8 DIN 934 8. VERZ.	WAI102880				2,00 Stk
17	holder own parts list	B642030			1,50	1,00 Stk

Drehkopf kpl.
rotating head cpl.

B 68 2 100



Waitzinger
Baumaschinen GmbH



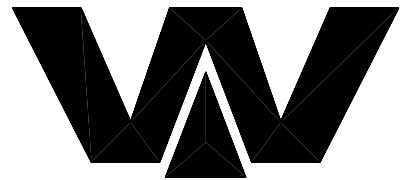


PARTS LIST

part list	description	created	index	valid from	valid to	
B682100	rotating head unit 42 m	23.02.04 aaa				
pos	description stock	ident-no dimensions	DIN material	index	weigh Kg	quantity unit
1	rotating head unit 42 m own parts list	B682010			720,00	1,00 Stk
2	pin 230x 215 own parts list	B662151			19,00	2,00 Stk
3	threaded ring	WAI106624				2,00 Stk
4	set screw M 6 x 8	WAI103646				2,00 Stk
5	cheese head screw	WAI106664				8,00 Stk
6	spring washer	WAI101976			0,00	8,00 Stk
7	grease nipple	WAI102885				4,00 Stk
8	pin 100x 310	B662152 Rd 105x315	1013 42CrMo4V		19,00	1,00 Stk
9	washer	B660087 Bl 8xd80	1543/EN10029 S235J2G3		0,20	1,00 Stk
10	cylinder head screw M 10 x 25	WAI106654				1,00 Stk
11	spring washer A10	WAI102070			0,00	1,00 Stk
12	grease nipple H1 M10 X 1 DIN 71412	WAI100805			0,01	1,00 Stk
13	locking screw M33x2 own parts list	B660085			0,10	1,00 Stk
14	pin holder	B660086 Fl 25x10x80	1017 S235J2G3		0,15	1,00 Stk
15	rotation bearing protection own parts list	B682070				1,00 Stk

Verrohrungsplan Armpaket kpl.
piping diagram boom cpl.

B 71 2 020a



Waitzinger
Baumaschinen GmbH





PARTS LIST

part list	description	created	index	valid from	valid to	
B712020	pipng plan 42R4 boom	23.07.04 hbk	a	28.09.04		
pos	description stock	ident-no dimensions	DIN material	index	weigh Kg	quantity unit
1	hydraulic hose DN 10 x 1250	WAI109038				6,00 Stk
2	hydraulic hose DN 10 x 700	WAI109039				4,00 Stk
3	hydraulic hose DN 12 x 700	WAI108472				2,00 Stk
4	hydraulic hose DN 12 x 900	WAI109062				2,00 Stk
5	hydraulic hose DN 12 x 1250	WAI109037				8,00 Stk
10	Pvc Hose 100mm, blue	WAI106517				1,00 Mtr
11	Pvc Hose 52mm, blue	WAI106516				1,00 Mtr
12	Pvc Hose 38mm, blue	WAI106827				1,00 Mtr
15	bulkhead straight couplings S16	WAI107043				9,00 Stk
16	straight couplings S16	WAI100536				12,00 Stk
17	straight reducing couplings S16-12	WAI101160				4,00 Stk
18	straight fitting S12	WAI100535				16,00 Stk
20	hexagon screw M 6 x 55	WAI103512				64,00 Stk
21	pipe clip 12mm	WAI108642				64,00 Stk
22	cover plate DP-1A	WAI108643				32,00 Stk
23	pipe clip 12 mm, own parts list	WAI105146			0,07	9,00 Stk
24	cover plate DP-2	WAI108943				14,00 Stk
25	pipe clip 16mm	WAI108942				18,00 Stk
26	hexagon screw	WAI102109			0,01	20,00 Stk
27	hexagon screw M 6 x 70	WAI104347				8,00 Stk
28	hydr. pipe 16 x 2.5	WAI109029			0,83	20,00 Mtr



PARTS LIST

part list	description	created	index	valid from	valid to	
B712020	pipng plan 42R4 boom	23.07.04 hbk	a	28.09.04		
pos	description stock	ident-no dimensions	DIN material	index	weigh Kg	quantity unit
29	hydr. pipe 12 x 2	WAI102022			0,49	90,00 Mtr