

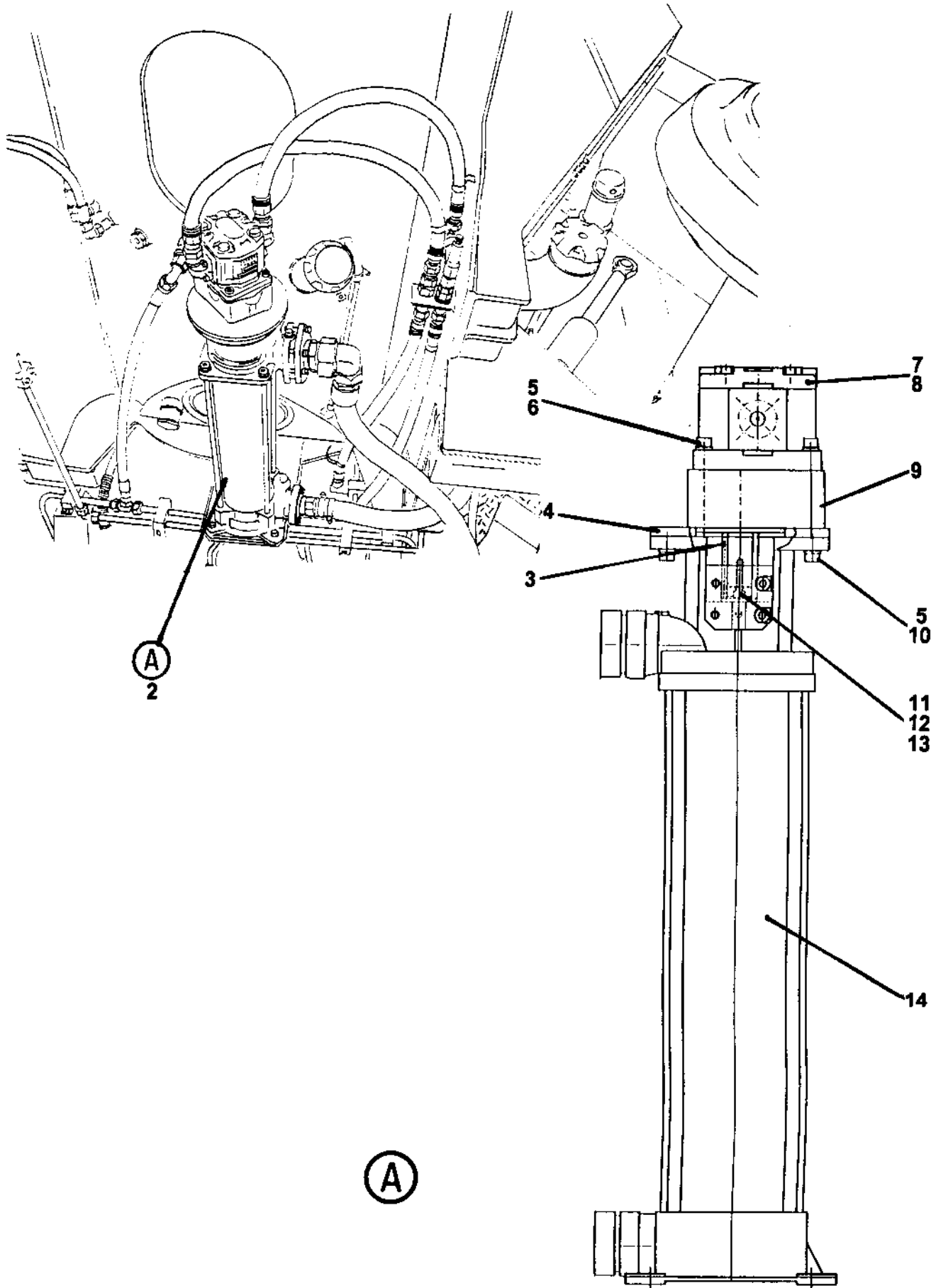
ITEM NO.	REED'S PARTS NO.	DESCRIPTION					QTY
		1	2	3	4	5	
-1	30-01	Installation, Tank (See Group 10, Figure 01 for NHA)					Ref
2	30-02	• Group, Water System (See Group 30, Figure 02 for DET)					1
3	W-105526	• Assembly, Boom High Pressure Filter					1
4	W-105527	• • Element, Boom High Pressure Filter					1
5	W-105556	• Indicator, Boom High Pressure Filter Visual Clogging					1
6	800654	• Assembly, Hydraulic Oil Cooler					1
7	801430	• • Modification, Hydraulic Oil Cooler					1
8	801629	• • Manifold, Hydraulic Oil Cooler					1
9	801496	• Assembly, Suction Filter					1
10	801498	• • Element, Suction Filter					2
11	W-105578	• Valve, Ball					1
12	W-104847	• Assembly, Swing Tube Manifold					1
13	W-105573	• Assembly, Swing Tube Circuit Solenoid Valve					1
-13A	W-105571	• • Kit, Seal					1
14	W-105581	• • Pilot, Solenoid Valve					1
15	W-105576	• • • Coil, Swing Tube Circuit Solenoid Valve					2
16	W-105572	• Cartridge, Solenoid Valve					1
17	W-105605	• • Coil					1
18	W-105579	• Valve, HP Limiter					1
-18A	W-105580	• • Kit, HP Limiter Valve Seal					1
19	W-103616	• Accumulator					1
20	71460	• Kit, Accumulator Charge (Optional Item) (See Group 80, Figure 02 for REF)					1
21	73171	• Bracket, Accumulator					A/R
22	W-105582	• Valve, Proportional Pilot					1
23	W-105606	• • Coil					1
24	W-105581	• Assembly, Pump Control Solenoid Valve					1
-24A	W-105575	• • Kit, Seal					1
25	W-105576	• • Coil, Pump Control Solenoid Valve					2
26	W-104846	• Assembly, Pump Control Manifold					1
27	W-105570	• Cartridge, Relief Valve					1
-27A	W-105571	• • Kit, Seal					1
28	W-105577	• Cartridge, Check Valve					1
29	W-104691	• Plug					4

DASH (-) ITEM NOT ILLUSTRATED

REED

WATER SYSTEM GROUP

XXT 42
PARTS
GROUP 30
FIGURE 02
PAGE 01



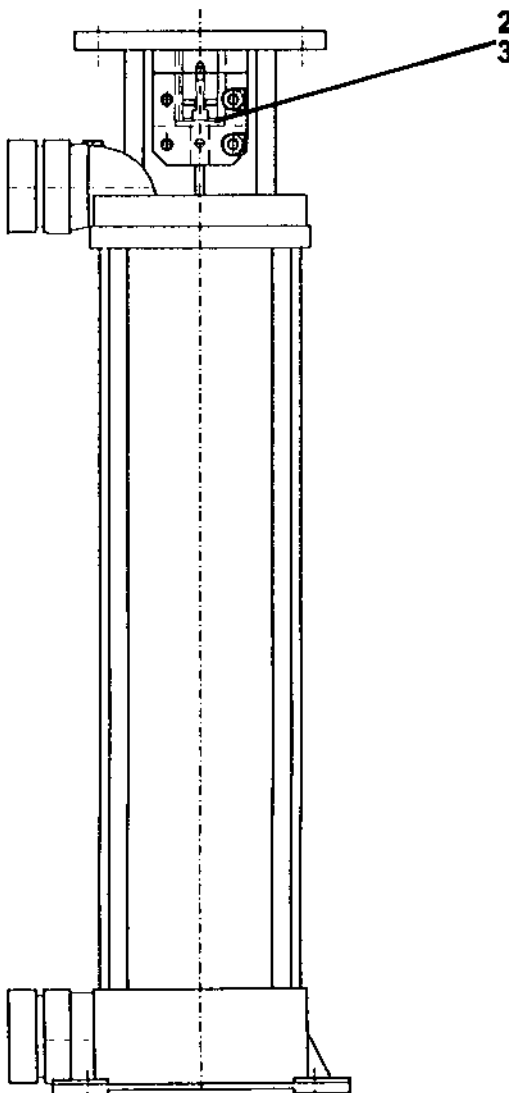
ITEM NO.	REED'S PARTS NO.	DESCRIPTION					QTY
		1	2	3	4	5	
-1	30-01	Group, Water System (See Group 30, Figure 01 for NHA)					Ref
2	B-323030	• Assembly, Water Pump And Drive					1
3	B-323019	• • Coupling					1
4	B-323016	• • Flange					1
5	W-105929	• • Screw, M8					4
6	W-100235	• • Washer, Spring					8
7	W-105922	• • Assembly, Water Pump Motor (See Group 30, Figure 03 for DET)					1
8	W-102916	• • Coupling, Splined					1
9	W-102915	• • Support, Belt Pulley					1
10	W-105930	• • Screw, M8					4
11	W-103673	• • Bolt, M6 Alien					1
12	W-105931	• • Ring, Locking					1
13	B-323021	• • Washer					1
14	W-101126	• • Assembly, Wash Water Pump (See Group 30, Figure 04 for DET)					1

DASH (-) ITEM NOT ILLUSTRATED

REED

WATER PUMP MOTOR ASSEMBLY

XXT 42
PARTS
GROUP 30
FIGURE 03
PAGE 01



REED**WATER PUMP MOTOR ASSEMBLY****XXT 42****PARTS**

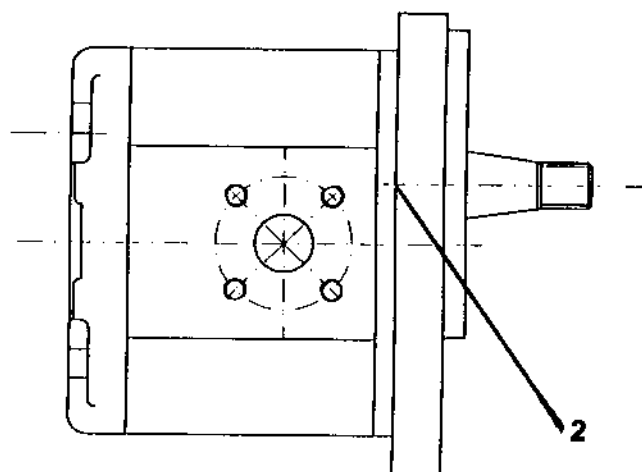
GROUP 30

FIGURE 03

PAGE 02

ITEM NO.	REED'S PARTS NO.	DESCRIPTION					QTY
		1	2	3	4	5	
-1	W-101126	Assembly, Water Pump Motor (See Group 30, Figure 02 for NHA)					Ref
2	W-105988	• Coupling					1
3	W-106043	• Kit, Seal					1

DASH (-) ITEM NOT ILLUSTRATED



REED**WASH WATER PUMP ASSEMBLY****XXT 42****PARTS****GROUP 30****FIGURE 04****PAGE 02**

ITEM NO.	REED'S PARTS NO.	DESCRIPTION					QTY
		1	2	3	4	5	
-1	W-105922	Assembly, Wash Water Pump (See Group 30, Figure 02 for NHA)					Ref
2	W-106044	• Kit, Seal					1

DASH (-) ITEM NOT ILLUSTRATED

REVISION:

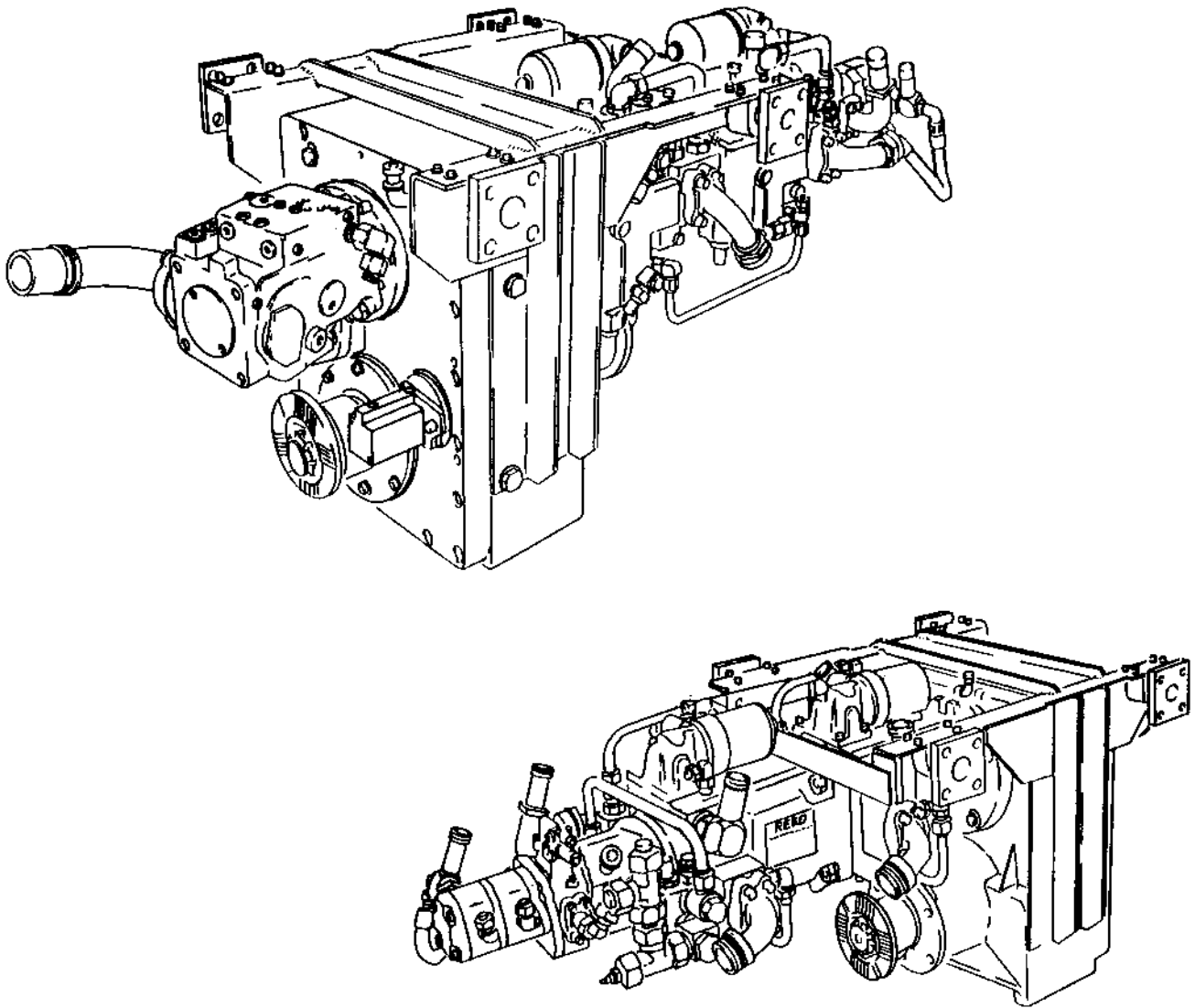
REED

**MODEL XXT 42 TRUCK MOUNTED
CONCRETE BOOM PUMP
ILLUSTRATED PARTS MANUAL**

**XXT 42
PARTS
GROUP 30
FIGURE 06
PAGE 01**

THIS PAGE INTENTIONALLY LEFT BLANK.

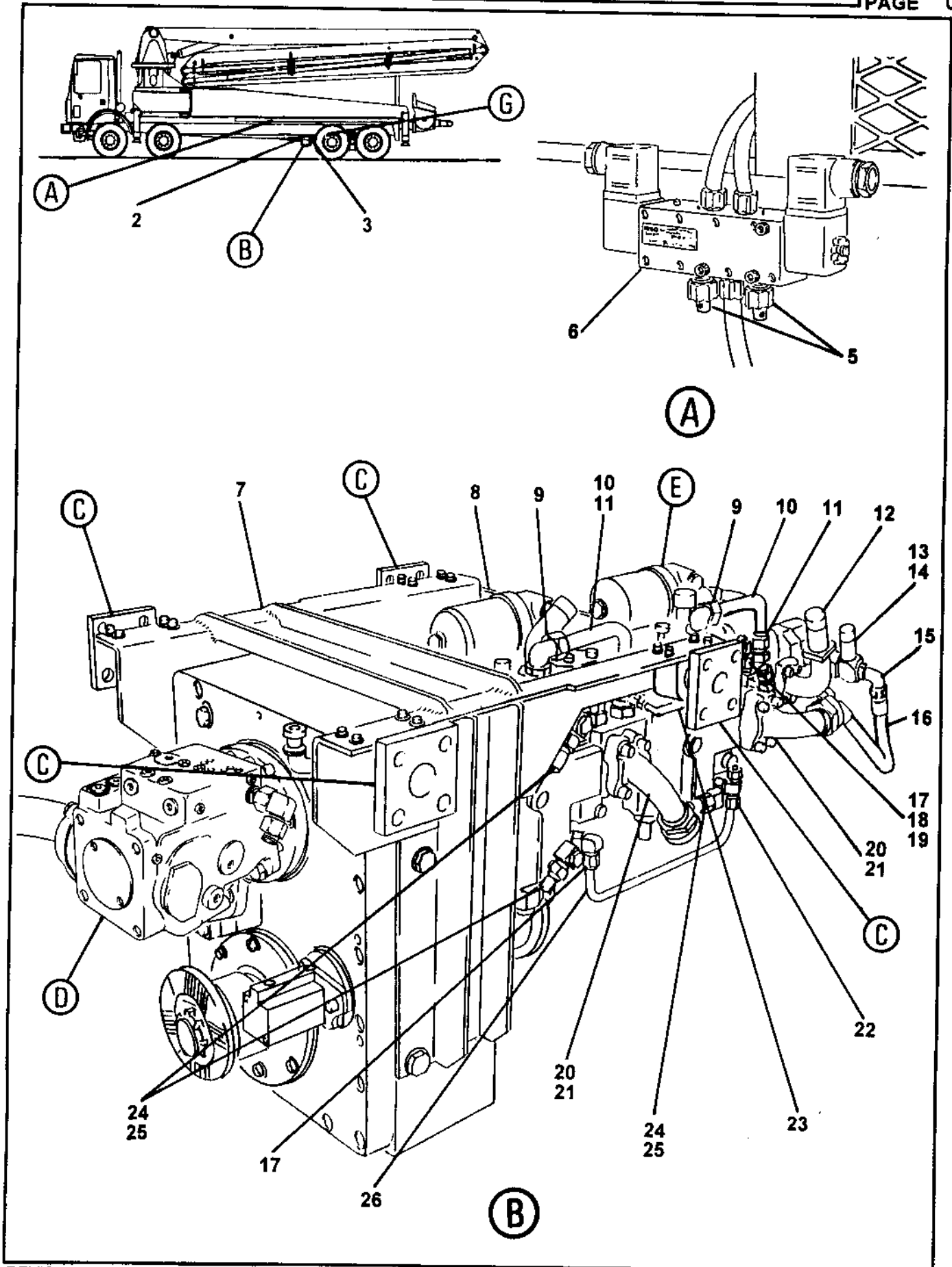




SHOWN MODEL: AFTER MARCH 2001

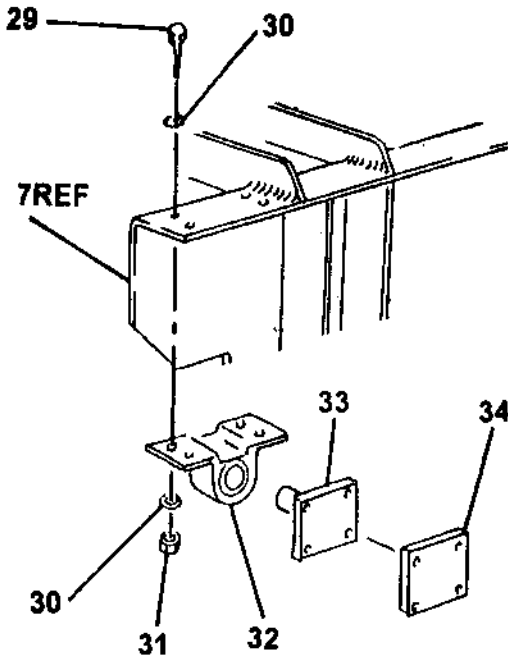
REED TRUCK MOUNTED CONCRETE BOOM PUMP MODEL XT 36 ILLUSTRATED PARTS MANUAL GROUP 40 POWER TRAIN INSTALLATION CONTAINS THE FOLLOWING FIGURES:

- FIGURE 00** TABLE OF CONTENTS
- FIGURE 01** POWER TRAIN INSTALLATION
- FIGURE 02** GEAR PUMP ASSEMBLY
- FIGURE 03** PTO GEARBOX ASSEMBLY

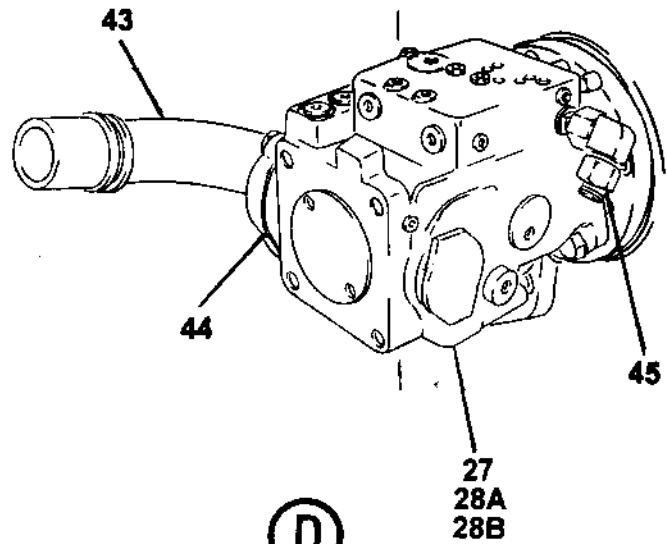


ITEM NO.	REED'S PARTS NO.	DESCRIPTION	QTY
-1	40-01	Installation, Power Train (See Group 10, Figure 01 for NHA)	Ref
2	801480	• Shaft, Front Drive	1
3	801481	• Shaft, Rear Drive	1
-4	800610	• Installation, XXT 42 PTO Gearbox	1
5	800064	• • Muffler, Air Valve	2
6	800063	• • Valve, Air	1
7	801788	• • Mount, PTO Gearbox with Rexroth	1
8	801792	• • Brace, PTO Mount	1
9	801888-005	• • Swivel, Elbow	7
10	801793	• • Assembly, Tube	2
11		• • Adapter, STR	2
12	801512	• • Adapter, 90L	1
13	801510	• • Adapter, 90L	1
14	801516	• • Adapter, STR	1
15	801888-014	• • Swivel, Elbow	3
16	801486-005	• • Assembly, Hose	1
17	801888-003	• • Swivel, Elbow	3
18	801890-003	• • Swivel, Tee	1
19	W-105076	• • Port, Pressure Test	3
20	801778	• • Manifold, Pump	2
21	801503	• • Adapter, 90L	4
22	801889-003	• • Swivel, Tee	1
23	802339	• • Assembly, Tube	1
24	801874-003	• • Banjo, Elbow	4
25	W-104831	• • Port, Pressure Test	4
26	801797	• • Assembly, Tube	1
27	W-104346	• • Assembly, Boom Pump	1
28A	W-105927	• • • Kit, Boom Pump Seal	1
28B	W-105928	• • • Seal, Boom Pump Shaft	1
29		• • Bolt, Hex	16
30		• • Washer	32
31		• • Nut, Lock	16
32	W-103414	• • Buffer, Rubber	4
33	800125	• • Axle, PTO Mount	4
34	800128	• • Plate, PTO Axle Mount	4
36	800061	• • • O-Ring, 4/4CC Pump	1
37	W-105650	• • Assembly, Gear Pump (See Group 40, Figure 02 for DET)	1

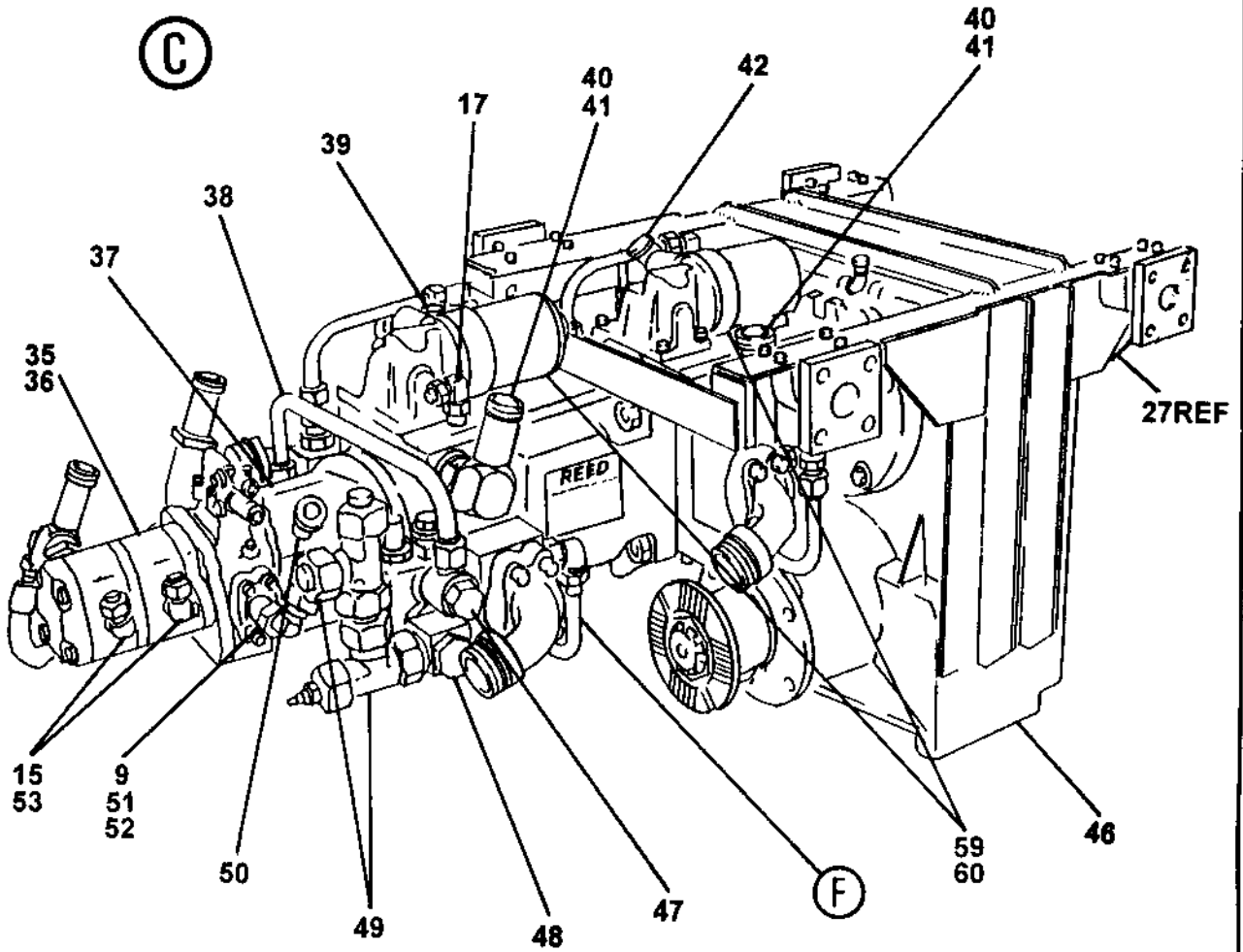
DASH (-) ITEM NOT ILLUSTRATED



(C)



(D)



(E)

(F)

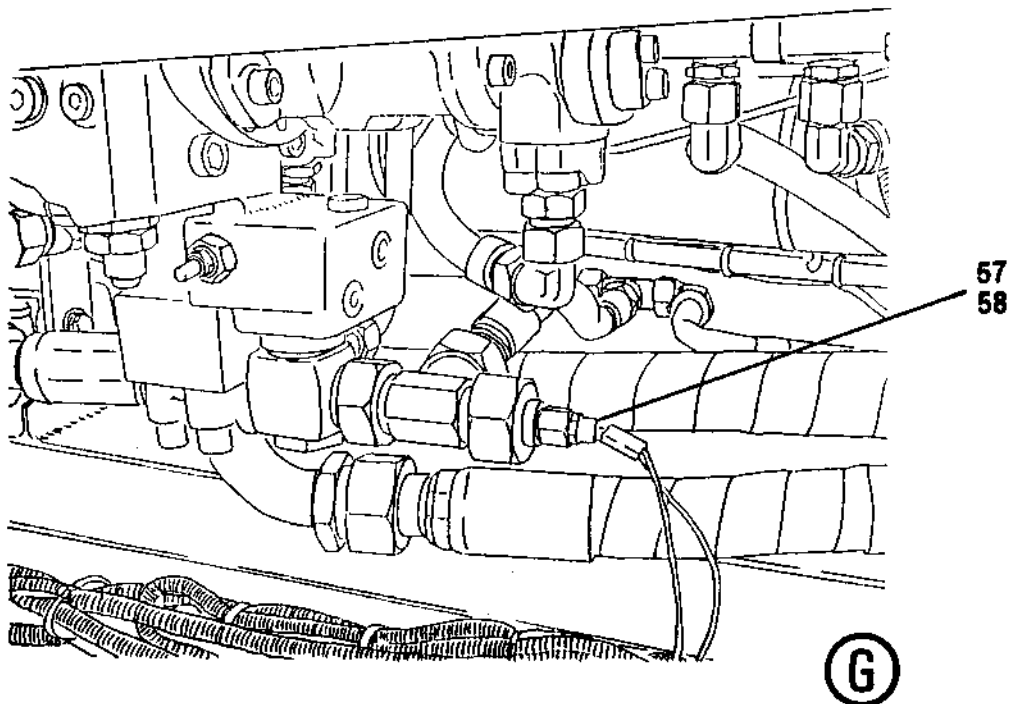
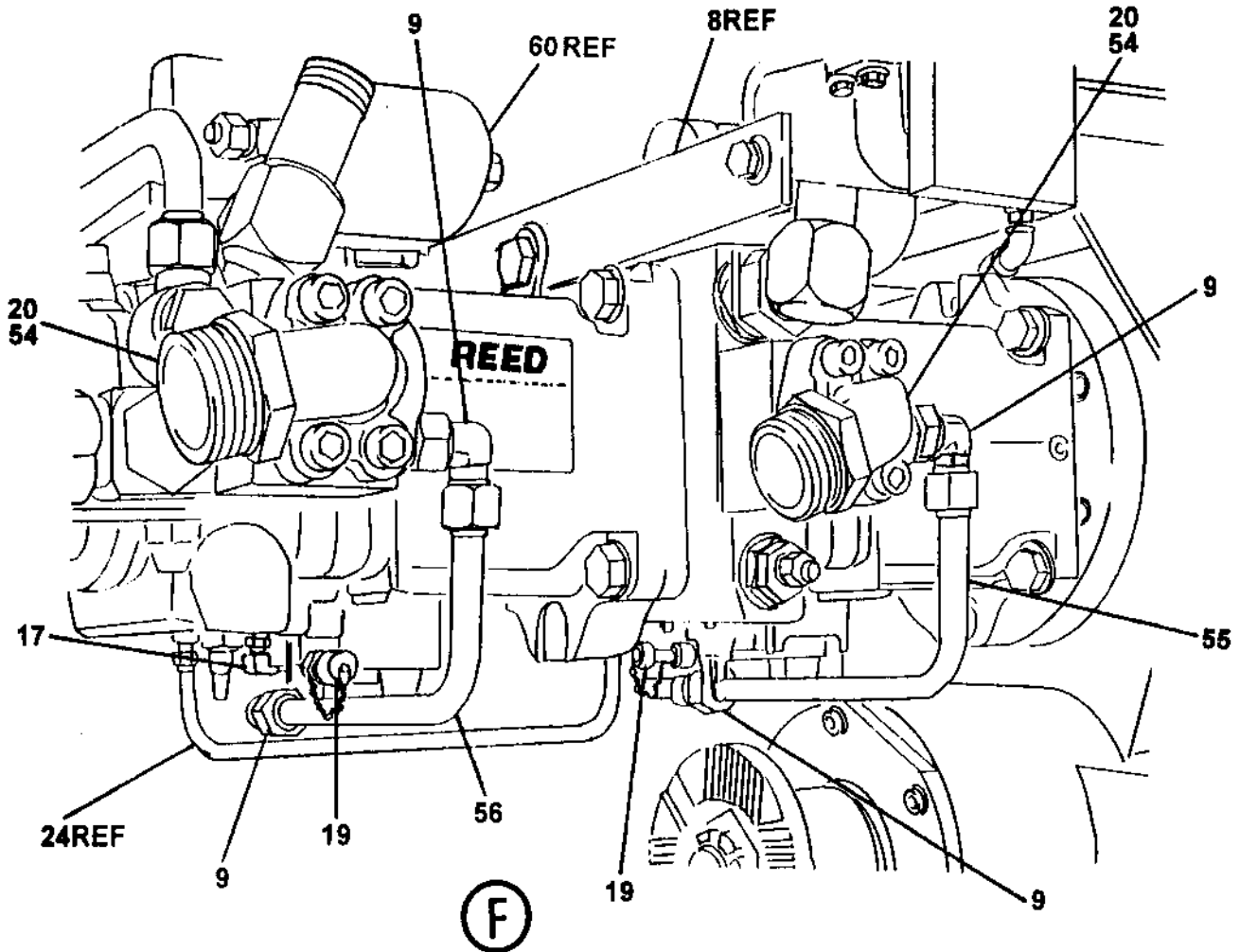
ITEM NO.	REED'S PARTS NO.	DESCRIPTION	QTY
24	801874-003	•• Banjo, Elbow	4
25	W-104831	•• Port, Pressure Test	4
26	801797	•• Assembly, Tube	1
27	W-104346	•• Assembly, Boom Pump	1
28A	W-105927	••• Kit, Boom Pump Seal	1
28B	W-105928	••• Seal, Boom Pump Shaft	1
29		•• Bolt, Hex	16
30		•• Washer	32
31		•• Nut, Lock	16
32	W-103414	•• Buffer, Rubber	4
33	800125	•• Axle, PTO Mount	4
34	800128	•• Plate, PTO Axle Mount	4
35	801684	•• Assembly, 4/4CC Pump	1
36	800061	••• O-Ring, 4/4CC Pump	1
37	W-105650	•• Assembly, Gear Pump (See Group 40, Figure 02 for DET)	1
38	801796	•• Assembly, Tube	1
39	W-105170	•• Adapter, STR	1
40	801506	•• Adapter, 90L	2
41	801526	•• Adapter, STR	2
42	W-105169	•• Adapter, 45	1
43	W-106581	•• Adapter, 90	1
44	86264-006	•• Flange, Split	1
45	801888-003	•• Swivel, Elbow	1
46	802242	•• Assembly, PTO Gear Box (See Group 40, Figure 03 for DET)	1
47	801527	•• Adapter, STR	1
48		•• Banjo	1
49	801890-006	•• Swivel, Tee	2
50	801876-005	•• Adapter, STR	1
51	86264-002	•• Flange, Split	1
52	W-105075	•• Adapter, STR	1
53	801876-003	•• Adapter	2
54	801057	•• Manifold, Pump	2
55	801794	•• Assembly, Tube	1
56	801795	•• Assembly, Tube	1
57	W-105567	•• Sensor, Thermal	1
58	801927	•• Adapter, Thermal Sensor	1
59	801499	•• Filter, A4VG125 Charge Pump	2
60	801500	••• Element, A4VG125 Charge Pump Filter	2

DASH (-) ITEM NOT ILLUSTRATED

REED

PTO GEAR BOX ASSEMBLY

XXT 42
PARTS
GROUP 40
FIGURE 01
PAGE 05



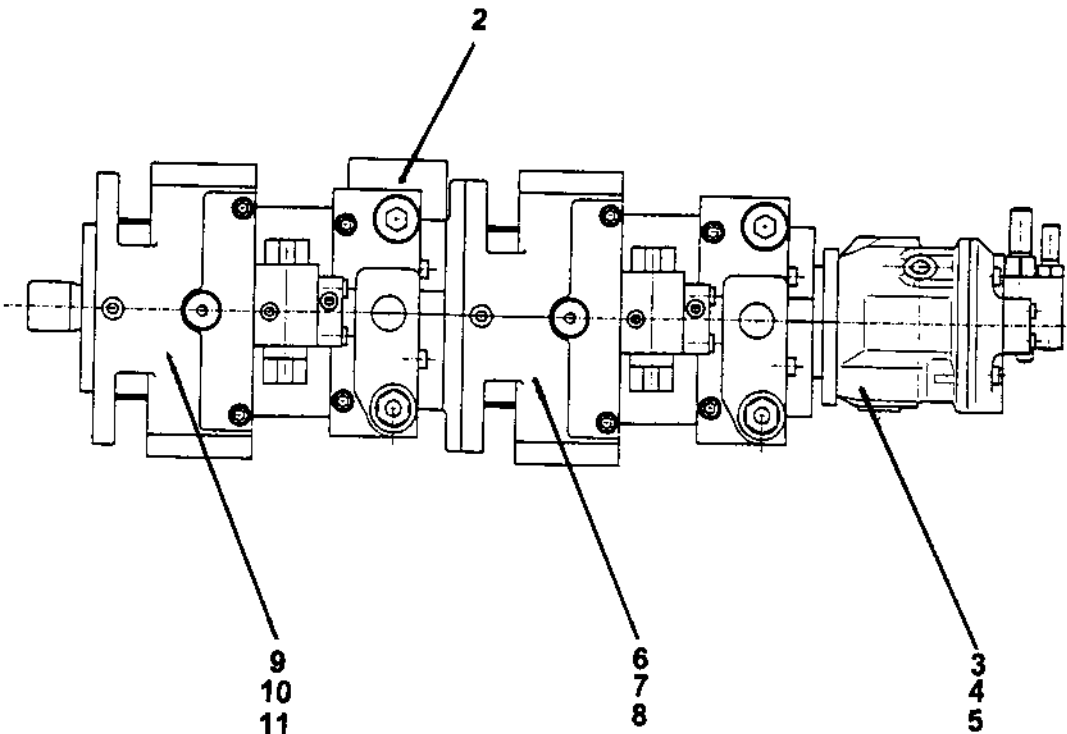
ITEM NO.	REED'S PARTS NO.	1 2 3 4 5	DESCRIPTION	QTY
24	801874-003	••	Banjo, Elbow	4
25	W-104831	••	Port, Pressure Test	4
26	801797	••	Assembly, Tube	1
27	W-104346	••	Assembly, Boom Pump	1
28A	W-105927	•••	Kit, Boom Pump Seal	1
28B	W-105928	•••	Seal, Boom Pump Shaft	1
29		••	Bolt, Hex	16
30		••	Washer	32
31		••	Nut, Lock	16
32	W-103414	••	Buffer, Rubber	4
33	800125	••	Axle, PTO Mount	4
34	800128	••	Plate, PTO Axle Mount	4
35	801684	••	Assembly, 4/4CC Pump	1
36	800061	•••	O-Ring, 4/4CC Pump	1
37	W-105650	••	Assembly, Gear Pump (See Group 40, Figure 02 for DET)	1
38	801796	••	Assembly, Tube	1
39	W-105170	••	Adapter, STR	1
40	801506	••	Adapter, 90L	2
41	801526	••	Adapter, STR	2
42	W-105169	••	Adapter, 45	1
43	W-106581	••	Adapter, 90	1
44	86264-006	••	Flange, Split	1
45	801888-003	••	Swivel, Elbow	1
46	802242	••	Assembly, PTO Gear Box (See Group 40, Figure 03 for DET)	1
47	801527	••	Adapter, STR	1
48		••	Banjo	1
49	801890-006	••	Swivel, Tee	2
50	801876-005	••	Adapter, STR	1
51	86264-002	••	Flange, Split	1
52	W-105075	••	Adapter, STR	1
53	801876-003	••	Adapter	2
54	801057	••	Manifold, Pump	2
55	801794	••	Assembly, Tube	1
56	801795	••	Assembly, Tube	1
57	W-105567	••	Sensor, Thermal	1
58	801927	••	Adapter, Thermal Sensor	1
59	801499	••	Filter, A4VG125 Charge Pump	2
60	801500	•••	Element, A4VG125 Charge Pump Filter	2

DASH (-) ITEM NOT ILLUSTRATED



GEAR PUMP ASSEMBLY

XXT 42
PARTS
GROUP 40
FIGURE 02
PAGE 01



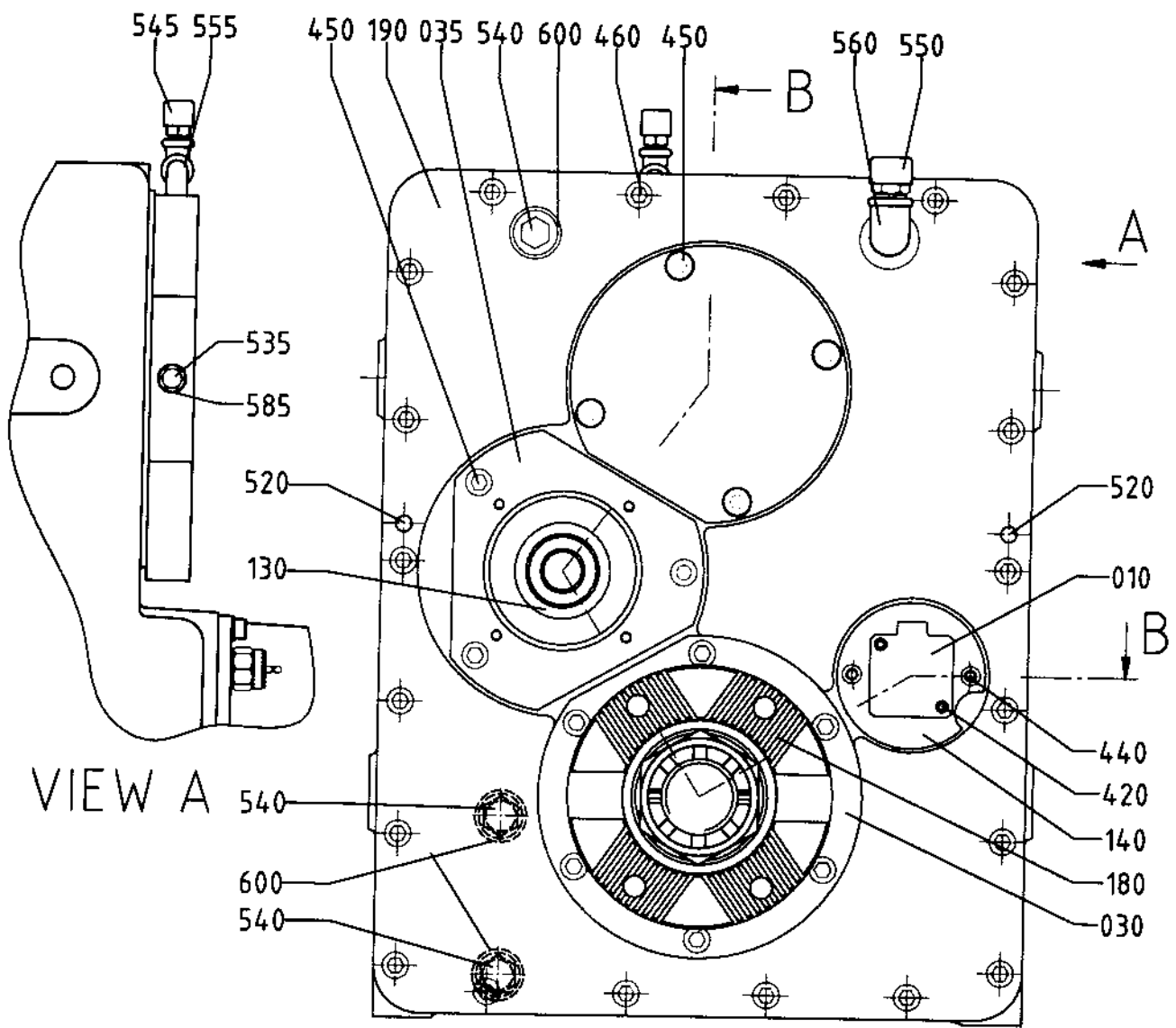
ITEM NO.	REED'S PARTS NO.	DESCRIPTION					QTY
		1	2	3	4	5	
-1	W-105650	Assembly, Gear Pump (See Group 40, Figure 01 for NHA)					1
2	W-104949	• Valve, Flushing					1
3	W-105651	• Assembly, A10VO28 Gear Pump					1
4	W-105789	• • Kit, A10VO28 Gear Pump Seal					1
5	W-105001	• Seal, Shaft					1
6	W-105592	• Assembly, A4VG125 Gear Pump					1
7	W-105787	• • Kit, A4VG125 Gear Pump Seal					1
8	W-105788	• Seal, Shaft					1
9	W-105591	• Assembly, A4VG125 Gear Pump					1
10	W-105785	• • Kit, A4VG125 Gear Pump Seal					1
11	W-105786	• Seal, Shaft					1

DASH (-) ITEM NOT ILLUSTRATED

ITEM NO.	REED'S PARTS NO.	DESCRIPTION					QTY
		1	2	3	4	5	
-1	802243	Assembly, XXT 42 PTO Gear Box (See Group 40, Figure 01 for NHA)					Ref
10	802160	• Cylinder, PTO Shift					1
20	802161	• Adapter, Shaft					1
30	802163	• Cap, Packing Ring					2
35	802164	• Flange, Mounting					1
40	802165	• Flange, Mounting					1
50	802166	• Cover					1
55	802332	• Cover					1
60	802168	• Gear, Coupling					1
70	802169	• Gear					1
80	802170	• Gear					1
90	802171	• Gear					1
100	802172	• Shaft, Toothed					1
110	802333	• Shaft, Coupling					1
120	802174	• Shaft, Toothed					1
130	802175	• Shaft, Splined Hollow					1
140	802176	• Flange, Mounting					1
150	802177	• Coupling					1
160	802178	• Spacer					1
170	802179	• Adapter, Shaft					1
175	802180	• Ring, Running					2
180	802181	• Flange					2
190	802182	• Housing, Gearbox					1
200	802183	• Fork, Gear					10
210	802184	• Bearing, Ball					1
220	802185	• Bearing, Ball					1
230	802186	• Bearing, Ball					1
240	802187	• Bearing, Ball					2
245	802188	• Bearing, Ball					1
250	802189	• Bearing					1
260	802190	• Bearing, Roller					1
270	802191	• Bearing, Roller					1
280	802192	• Seal, Radial Oil					1
290	802193	• Seal, Radial Oil					1
300	802194	• Seal, Radial Oil					2
310	802195	• O-Ring					1
315	802196	• O-Ring					1
320	802197	• O-Ring					1
330	802198	• O-Ring					1
335	802199	• O-Ring					2
340	802200	• O-Ring					1

DASH (-) ITEM NOT ILLUSTRATED

PTO GEARBOX ASSEMBLY

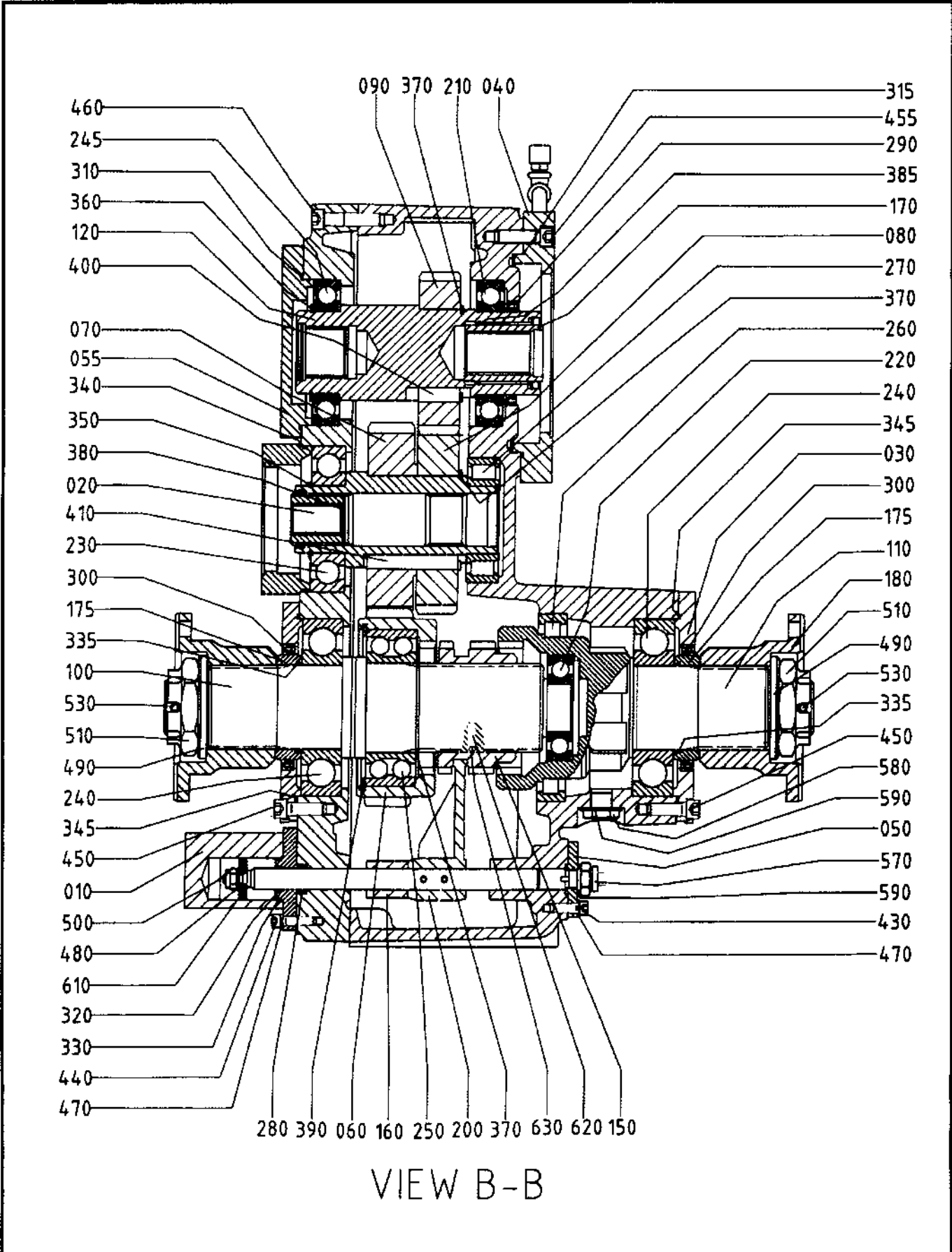


VIEW A



PTO GEARBOX ASSEMBLY

XXT42
PARTS
GROUP 40
FIGURE 03
PAGE 03



REED**PTO GEAR BOX ASSEMBLY****XXT 42
PARTS
GROUP 40
FIGURE 03
PAGE 04**

ITEM NO.	REED'S PARTS NO.	DESCRIPTION					QTY
		1	2	3	4	5	
340	802200	• O-Ring					1
345	802201	• O-Ring					2
350	802202	• Ring, Retaining					1
360	802203	• Ring, Retaining					1
370	802204	• Ring, Retaining					3
380	802205	• Ring, Retaining					2
385	802206	• Ring, Retaining					1
390	802207	• Ring, Retaining					1
392	802208	• Ring, Retaining					1
395	802209	• Disk, Support					1
398	802210	• Disk, Support					1
400	802211	• Key					2
410	802212	• Key					2
420	802213	• Screw, Socket Head Cap					2
430	802214	• Screw, Socket Head Cap					2
440	802215	• Screw, Socket Head Cap					2
450	802216	• Screw, Socket Head Cap					19
455	802217	• Screw, Socket Head Cap					8
460	802218	• Screw, Socket Head Cap					18
470	802219	• Washer, Lock					4
480	802220	• Disk					1
490	802221	• Disk					2
500	802222	• Nut, Hex					1
510	802223	• Nut, Castle					2
520	802224	• Pin					2
530	802225	• Pin, Spring					2
535	802226	• Plug, Hex Head					1
540	802227	• Plug, Hex Head					3
545	802228	• Filter, Vent					1
550	802229	• Filter, Vent					1
555	802230	• Elbow					2
560	802231	• Elbow					1
570	802232	• Switch, Limit					1
580	802233	• Plug, Hex Head					1
-585	802234	• Ring, Sealing					1
590	802235	• Ring, Sealing					2
600	802236	• Ring, Sealing					3
-605	802237	• Plug, Screw					2
610	802238	• Assembly, Piston					1
-615	802239	• Plug, Screw					1
620	802240	• Spring					1
630	802241	• Ball, 1/4 IN					1

DASH (-) ITEM NOT ILLUSTRATED

REED

**MODEL XXT 42 TRUCK MOUNTED
CONCRETE BOOM PUMP
ILLUSTRATED PARTS MANUAL**

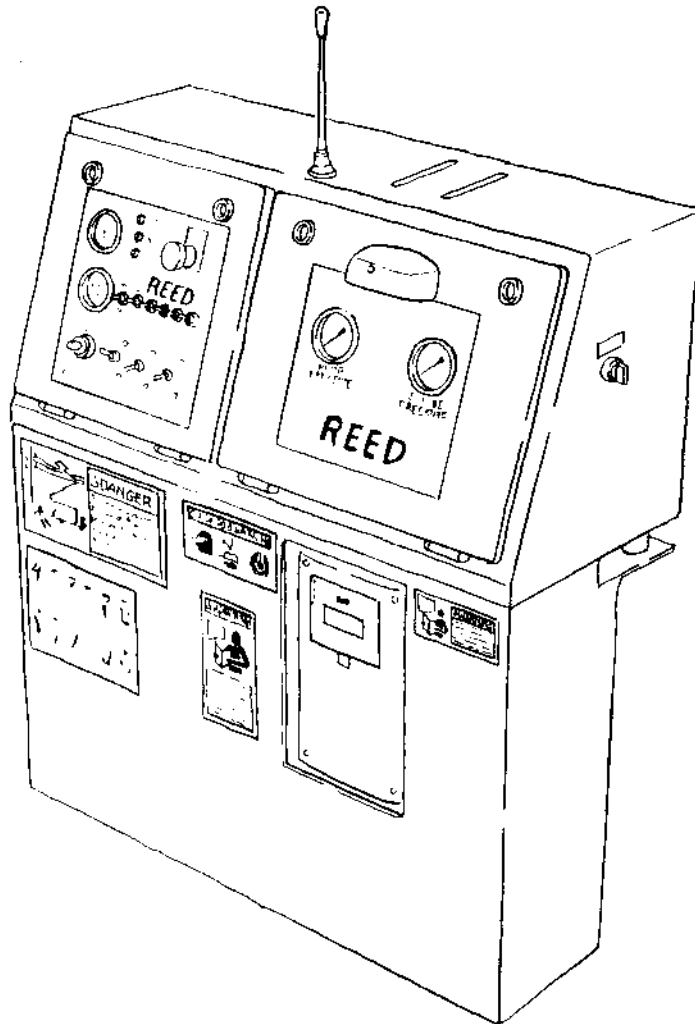
**XXT 42
PARTS
GROUP 40
FIGURE 04
PAGE 01**

THIS PAGE INTENTIONALLY LEFT BLANK.



REED TRUCK MOUNTED CONCRETE BOOM PUMP MODEL **XXT 42** ILLUSTRATED PARTS MANUAL GROUP 50 CONTROLS INSTALLATION CONTAINS THE FOLLOWING FIGURES:

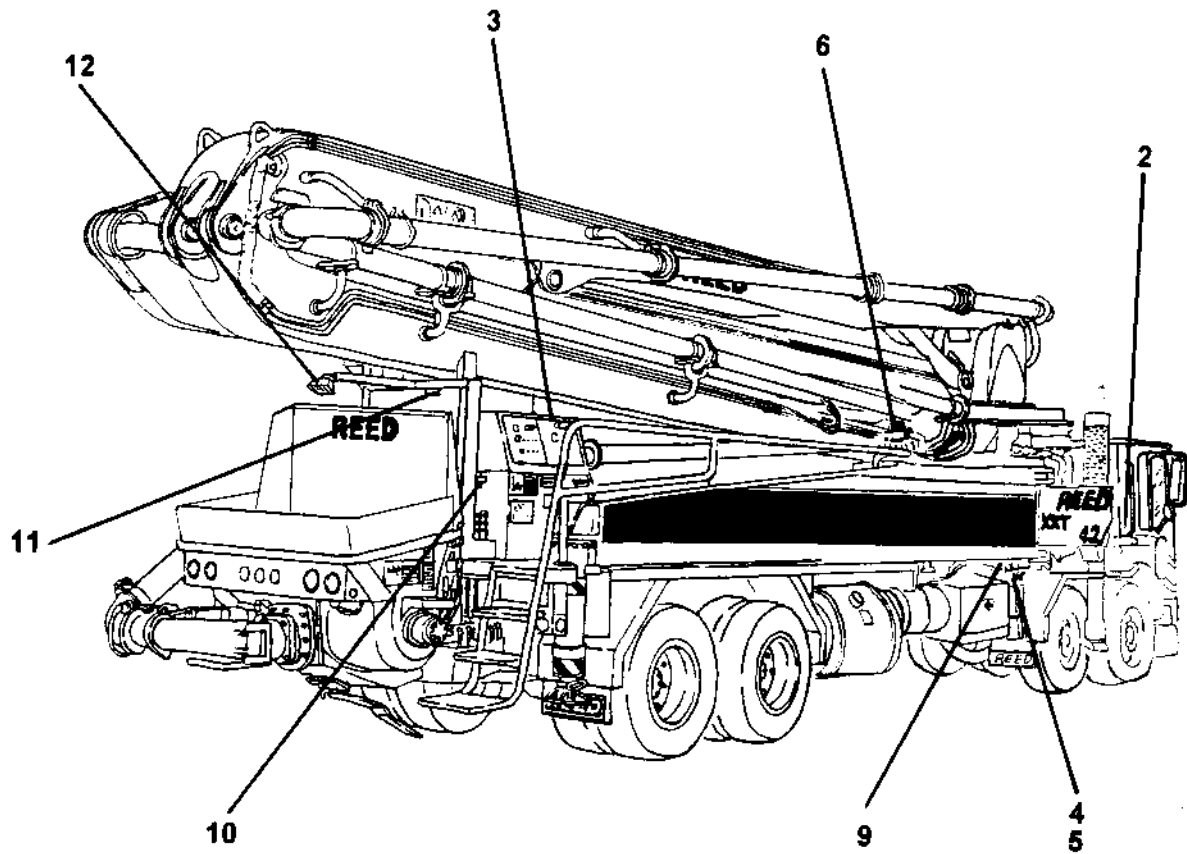
- FIGURE 00 TABLE OF CONTENTS
- FIGURE 01 CONTROLS INSTALLATION
- FIGURE 02 CAB CONTROLS ASSEMBLY
- FIGURE 03 MAIN CONTROLS ASSEMBLY
- FIGURE 04 DRIVER (L. H.) SIDE OUTRIGGER CONTROLS ASSEMBLY
- FIGURE 05 PASSENGER (R. H.) SIDE OUTRIGGER CONTROLS ASSEMBLY
- FIGURE 06 STATIONARY BOOM CONTROLS ASSEMBLY
- FIGURE 07 CABLED REMOTE CONTROL ASSEMBLY
- FIGURE 08 RADIO REMOTE CONTROL ASSEMBLY
- FIGURE 09 SHUNT ASSEMBLY





CONTROLS INSTALLATION

XXT 42
PARTS
GROUP 50
FIGURE 01
PAGE 01



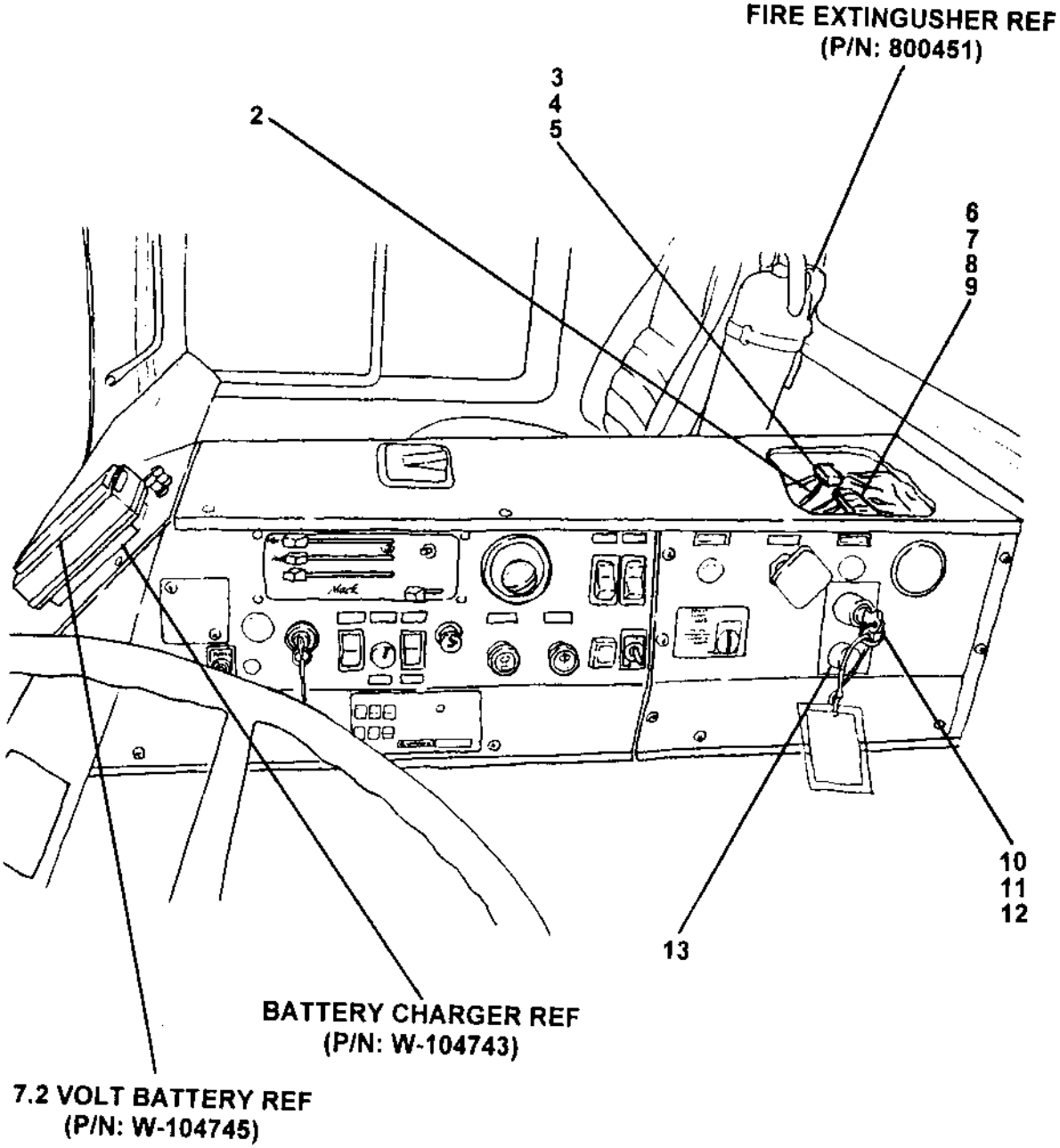
ITEM NO.	REED'S PARTS NO.	DESCRIPTION					QTY
		1	2	3	4	5	
-1	50-01	Installation, XXT 42 Controls (See Group 10, Figure 01 for NHA)					Ref
2	800710	• Assembly, Cab Controls (See Group 50, Figure 02 for DET)					1
3	50-03	• Assembly, Main Controls (See Group 50, Figure 03 for DET)					1
4	50-04	• Assembly, Driver (L. H.) Side Outrigger Controls (See Group 50, Figure 04 for DET)					1
5	50-05	• Assembly, Passenger (R. H.) Side Outrigger Controls (See Group 50, Figure 05 for DET)					1
6	C-DD103	• Assembly, Stationary Boom Controls (See Group 50, Figure 06 for DET)					1
-7	W-105565	• Assembly, Cabled Remote Control (See Group 50, Figure 07 for DET)					1
-8	W-105566	• Assembly, Radio Remote Control (See Group 50, Figure 08 for DET)					1
9	C-VW00587	• Assembly, Shunt (See Group 50, Figure 09 for DET)					1
10	800347	• Horn, 12V					1
11	800072	• Switch, Limit					1
12	800095	• Light, Floor Work					1

DASH (-) ITEM NOT ILLUSTRATED



CAB CONTROLS ASSEMBLY

XXT 42
PARTS
GROUP 50
FIGURE 02
PAGE 01



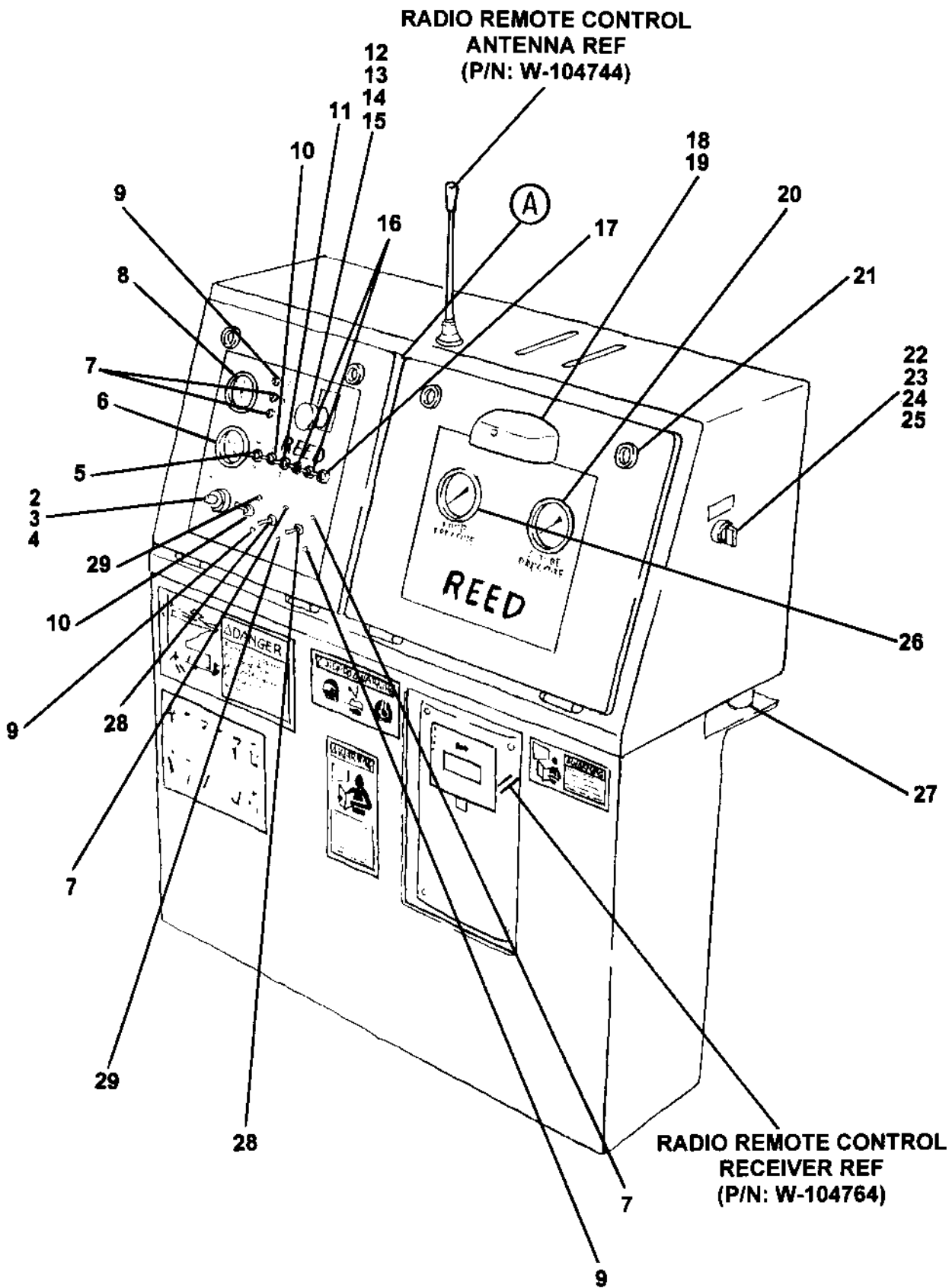


CAB CONTROLS ASSEMBLY

XXT 42
PARTS
GROUP 50
FIGURE 02
PAGE 02

ITEM NO.	REED'S PARTS NO.	1 2 3 4 5	DESCRIPTION	QTY
-1	800710		Assembly, Cab Controls (See Group 50, Figure 01 for NHA)	1
2	10194		• Cable, 50 FT	1
3	800433		• Block, Fuse	1
4	800448		• Fuse, ATO 20	2
5	90392		• Fuse, ATO 5	1
6	72820		• Terminal	13
7	75654		• End, Barrier	1
8	72821		• Rail, Terminal	1
9	72824		• Jumper	3
10	800369		• Operator, Key	1
11	800370		• Block, Contact	1
12	800864		• Block, Contact	2
13	800414		• Light, Green Pilot	1
-14	800965		• Switch, Pressure (Located Near Engine)	1
-15	800909		• Switch, Clutch Limit (Located under Clutch Pedal)	1

DASH (-) ITEM NOT ILLUSTRATED





MAIN CONTROLS ASSEMBLY

XXT 42
PARTS
GROUP 50
FIGURE 03
PAGE 02

ITEM NO.	REED'S PARTS NO.	DESCRIPTION					QTY
		1	2	3	4	5	
-1	50-03	Assembly, Main Controls (See Group 50, Figure 01 for NHA)					Ref
2		• Assembly, Volume Control					1
3	W-104103	• • Potentiometer					1
4	W-104104	• • Body, Mounting					1
5	W-103976	• Switch, RPM Toggle					1
6	W-100900	• Meter, Hour					1
7	W-105811	• Light, Red Indicator					4
8	W-105823	• Thermometer					1
9	W-105813	• Light, Green Indicator					3
10	W-104090	• Switch, Vibrator / Pump Rev Toggle					2
11	W-104089	• Switch, Light / S-Tube / Pump Rev Toggle					3
12	W-105094	• Button, Emergency Stop					1
13	W-105095	• Element, Emergency Stop Contact					1
14	W-102278	• Nameplate, Emergency Stop					1
15	W-104083	• Light, Emergency					1
16	W-104091	• Switch, Lube / Horn Toggle					1
17	W-104089	• Switch, Lever					1
18	W-101033	• Assembly, Light					1
19	W-104101	• • Bulb, Replacement					1
20	70366	• Gauge, 3000 PSI Pressure					1
21		• Lock, Twist					4
22	W-100968	• Switch, A & B Momentary Rotary					1
23	W-100969	• Contact, A & B Switch					3
24	W-103735	• Bridge, A & B Switch					1
25	W-100287	• Base, A & B Switch					1
26	79831	• Gauge, 6000 PSI Pressure					1
27		• Mount, Rubber					A/R
28	72826	• Switch, On - On					1
29	W-105812	• Light, Yellow Indicator					2

DASH (-) ITEM NOT ILLUSTRATED

MAIN CONTROLS ASSEMBLY

