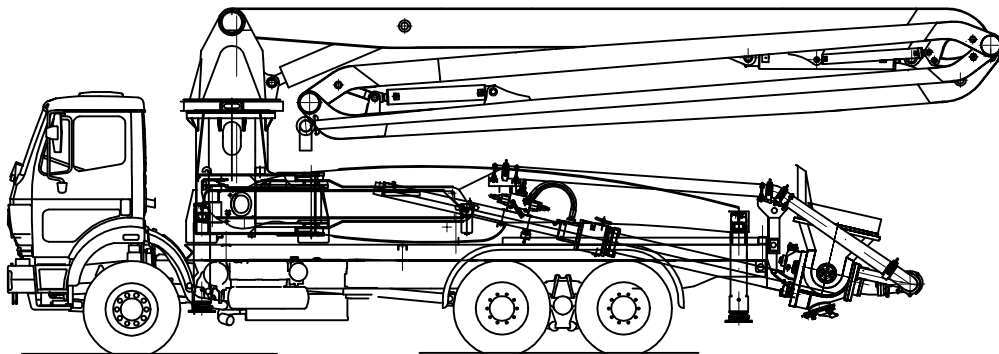


*Waitzinger  
Baumaschinen GmbH*

# *Ersatzteilliste*

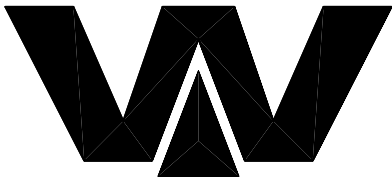
## *spare part list*



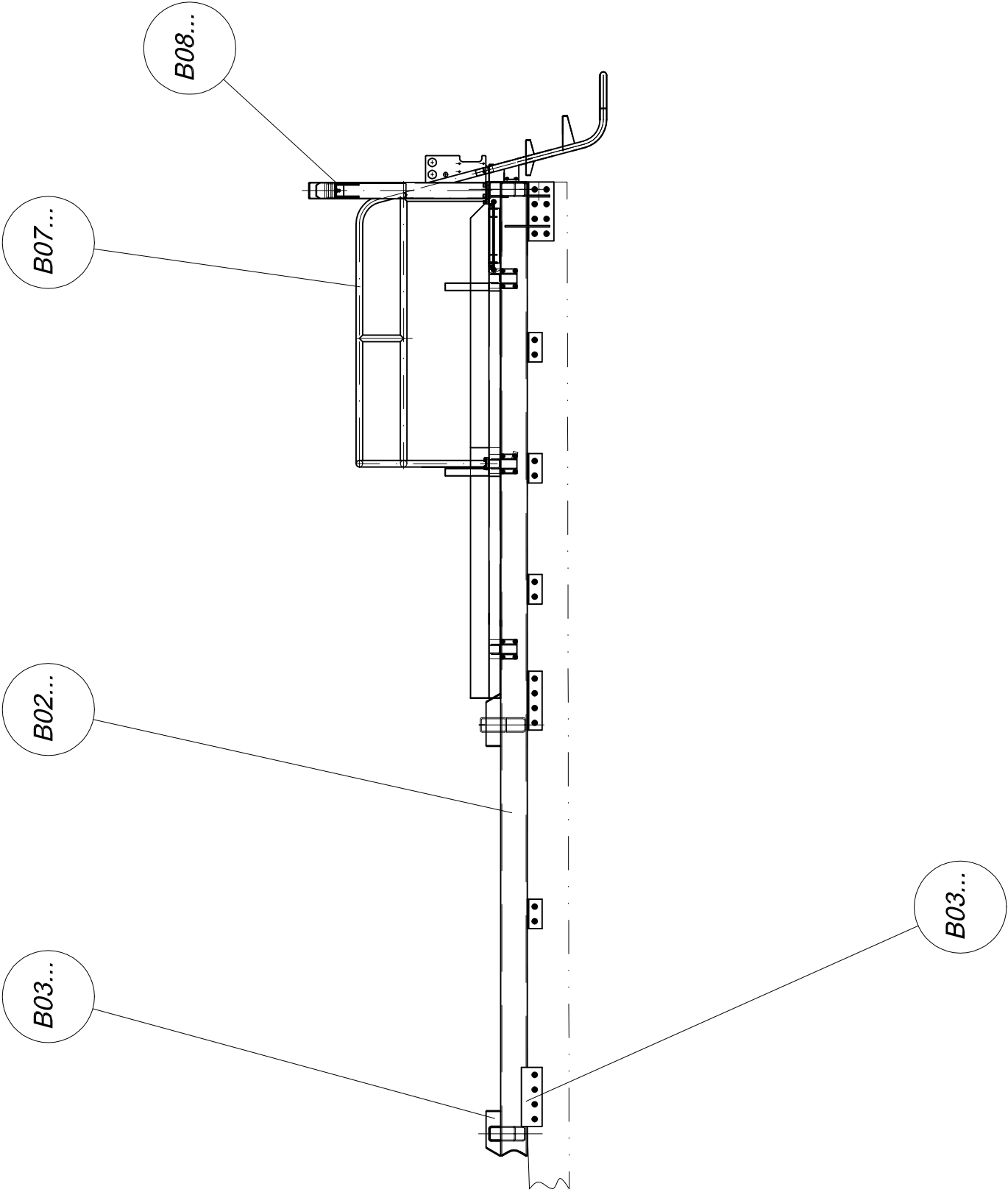
***42 R 4 XXT***  
***Masch.-Nr. 205246***

*Übersicht B 00 - B 09*

*over view B 00 - B 09*

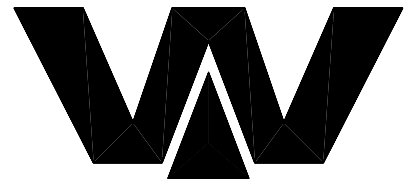


*Waitzinger  
Baumaschinen GmbH*

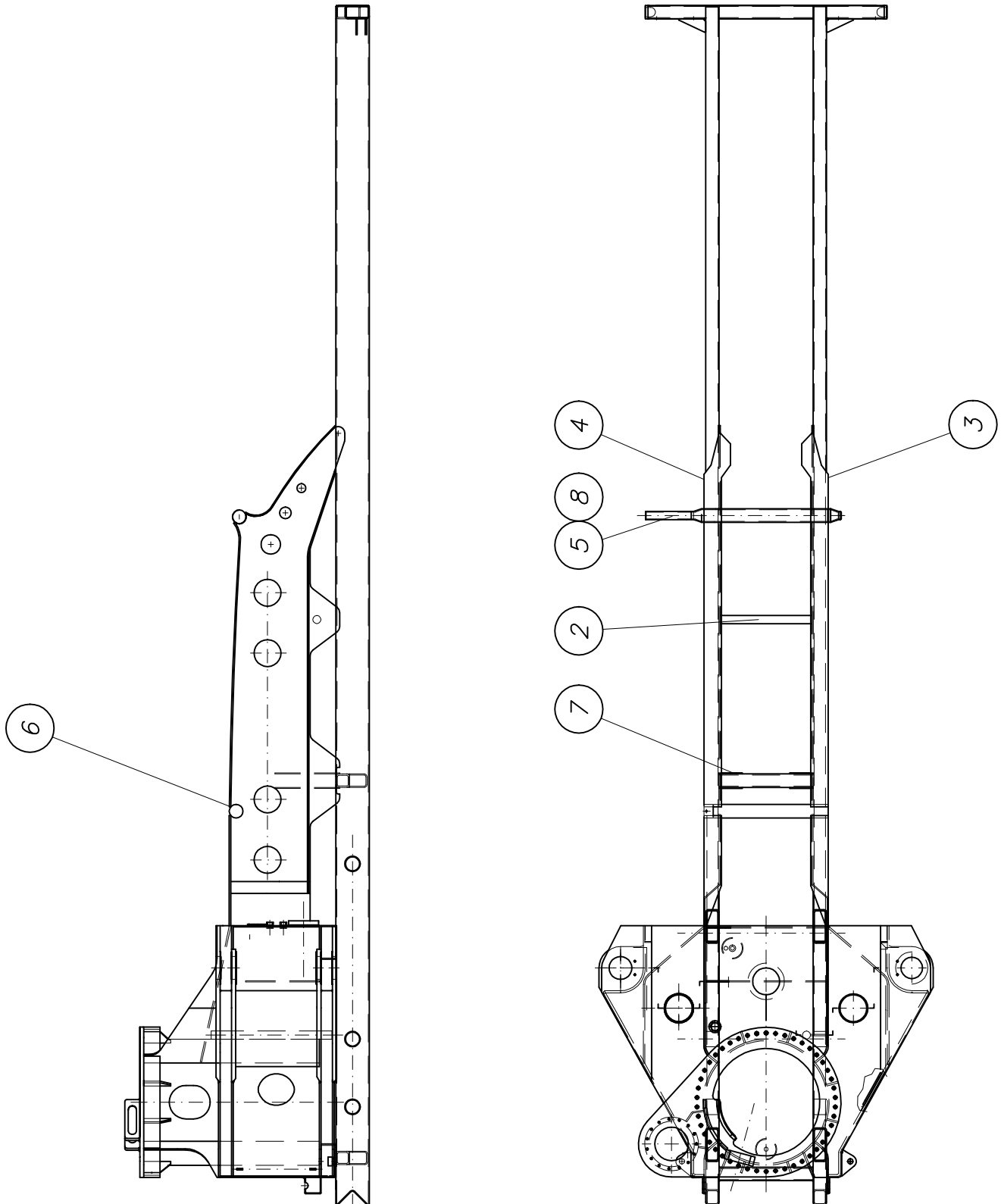


*Mastbockverbindung kpl.*  
*boom base connection cpl.*

*B 03 2 056a*



Waitzinger  
Baumaschinen GmbH

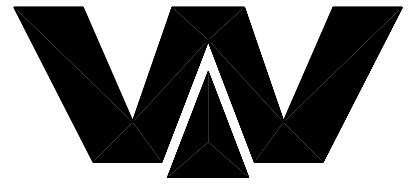




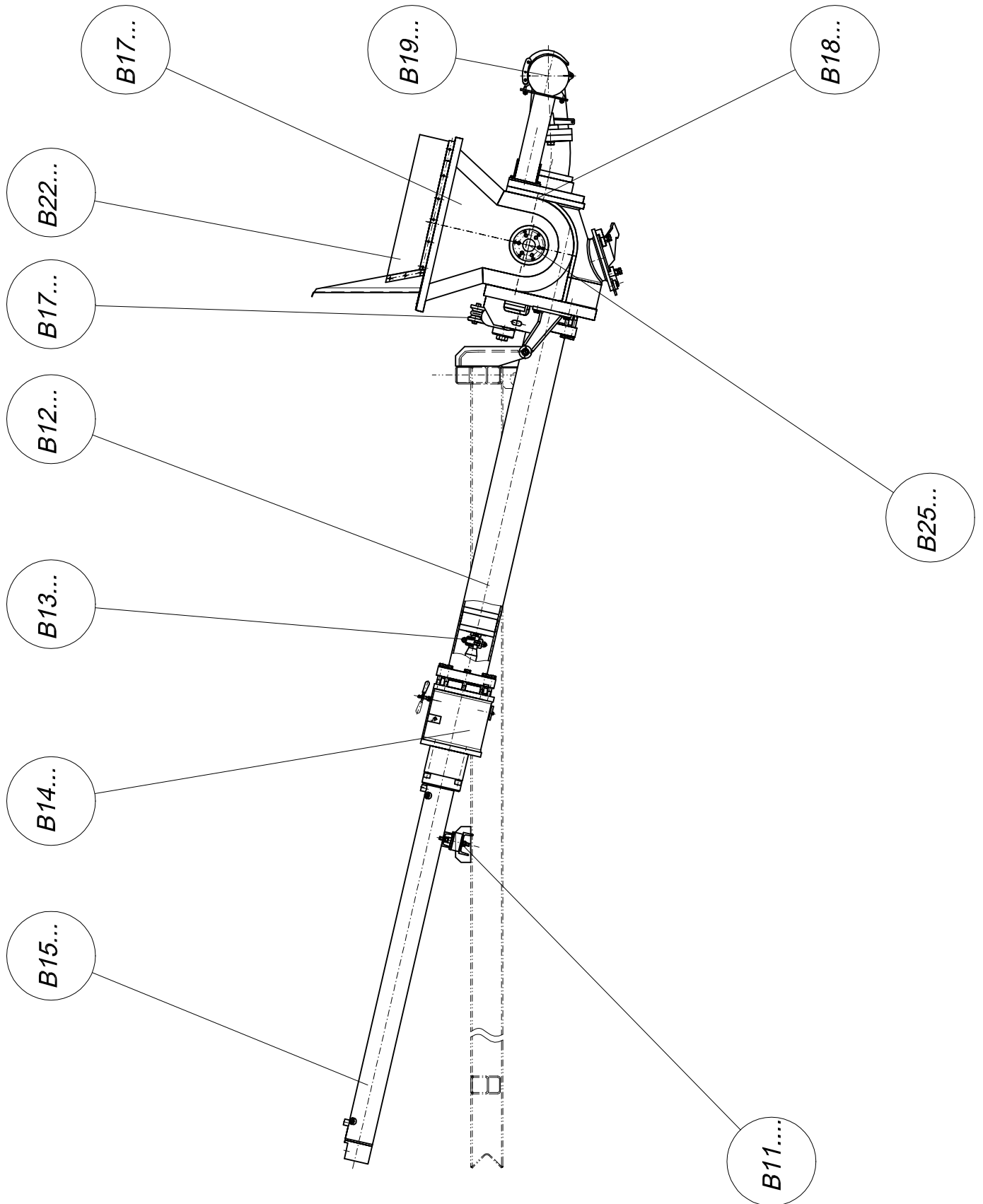
## PARTS LIST

part list	description	created	index	valid from	valid to	
B032056	boom connection cpl. 42R4XXT	03.08.04 HF	a	07.07.05		
pos	description stock	ident-no dimensions	DIN material	index	weighth Kg	quantity unit
2	pipe	B032031 4xd60,3x683	2448 S355J2G3		3,80	1,00 Stk
3	connection for boom own parts list	B032035			174,00	1,00 Stk
4	connection for boom own parts list	B032040			174,00	1,00 Stk
5	pipe (welding group) own parts list	B033161			20,00	1,00 Stk
6	pipe	B039009 Rohr 101.6x5.6x	2448 S355J2G3	b 02.08.04	12,20	1,00 Stk
7	rib	B039036 Bl 10x172x435	1543 S355J2G3		3,08	4,00 Stk
8	pipe	B039042 Rohr 60.3x4x336	2448 S355J2G3		2,00	0,00 Stk

Übersicht B 10 - B 29  
over view B 10 - B 29

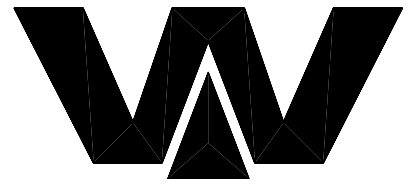


Waitzinger  
Baumaschinen GmbH

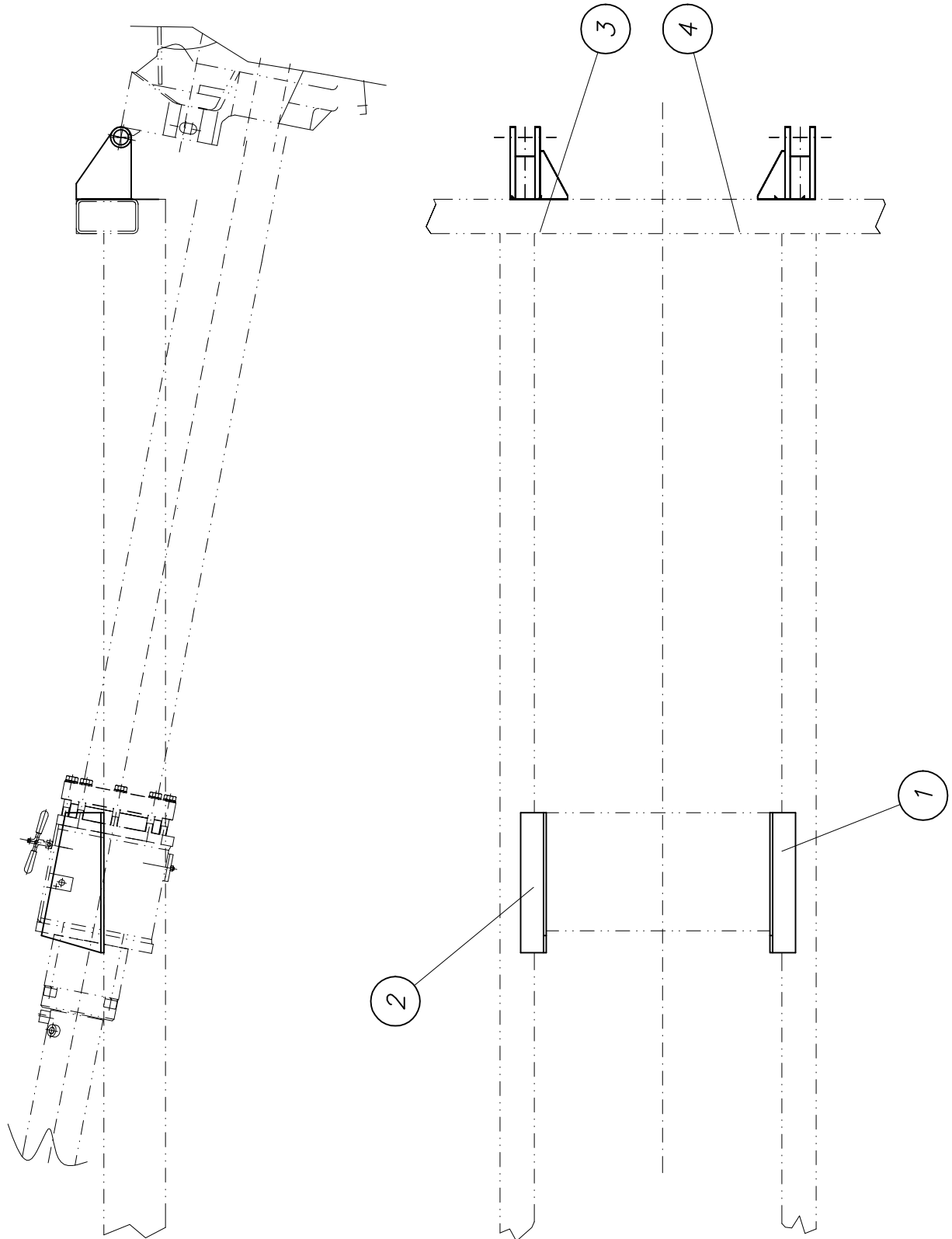


*Pumpenlagerung kpl.*  
*pump support cpl.*

**B 11 5 005**



Waitzinger  
Baumaschinen GmbH



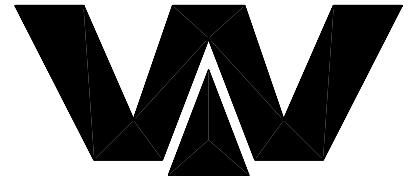


## PARTS LIST

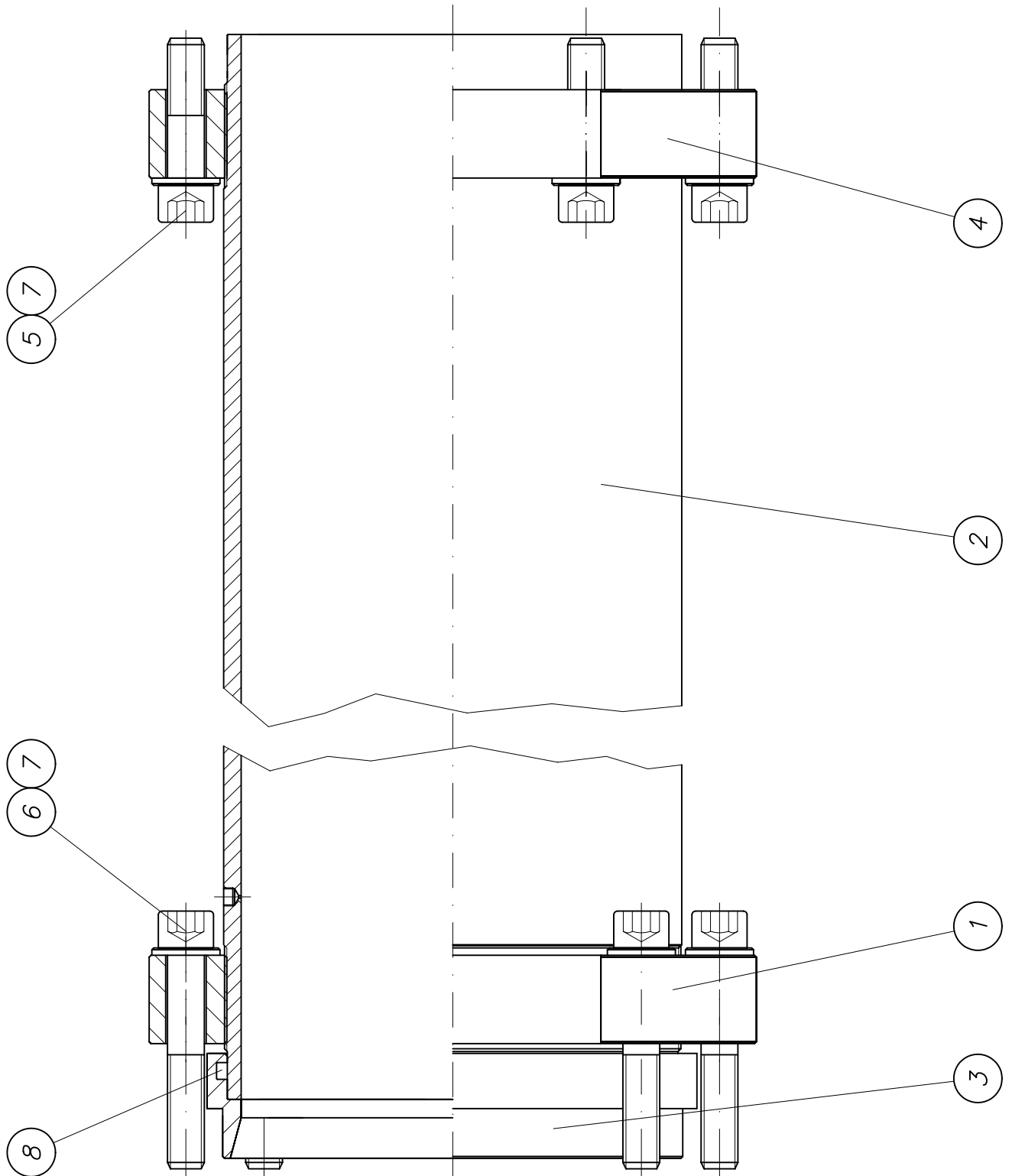
part list	description	created	index	valid from	valid to	
B115005	pump support funnel	22.01.04 HF				
pos	description stock	ident-no dimensions	DIN material	index	weigh Kg	quantity unit
1	holder for water box left	B114166 Bl 8x237x407	1543/EN10029 St37-2		5,00	1,00 Stk
2	holder for water box right	B114167 Bl 8x237x407	1543/EN10029 St37-2		5,00	1,00 Stk
3	bracket right cpl. -N own parts list	B113024		a 20.02.04	6,60	1,00 Stk
4	bracket left cpl. -N own parts list	B113025		a 20.02.04	6,60	1,00 Stk

*Förderzylinder kpl.*  
*conveying cylinder cpl.*

*B 12 5 010*



Waitzinger  
Baumaschinen GmbH





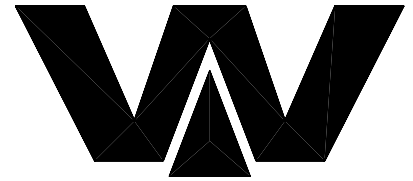


## PARTS LIST

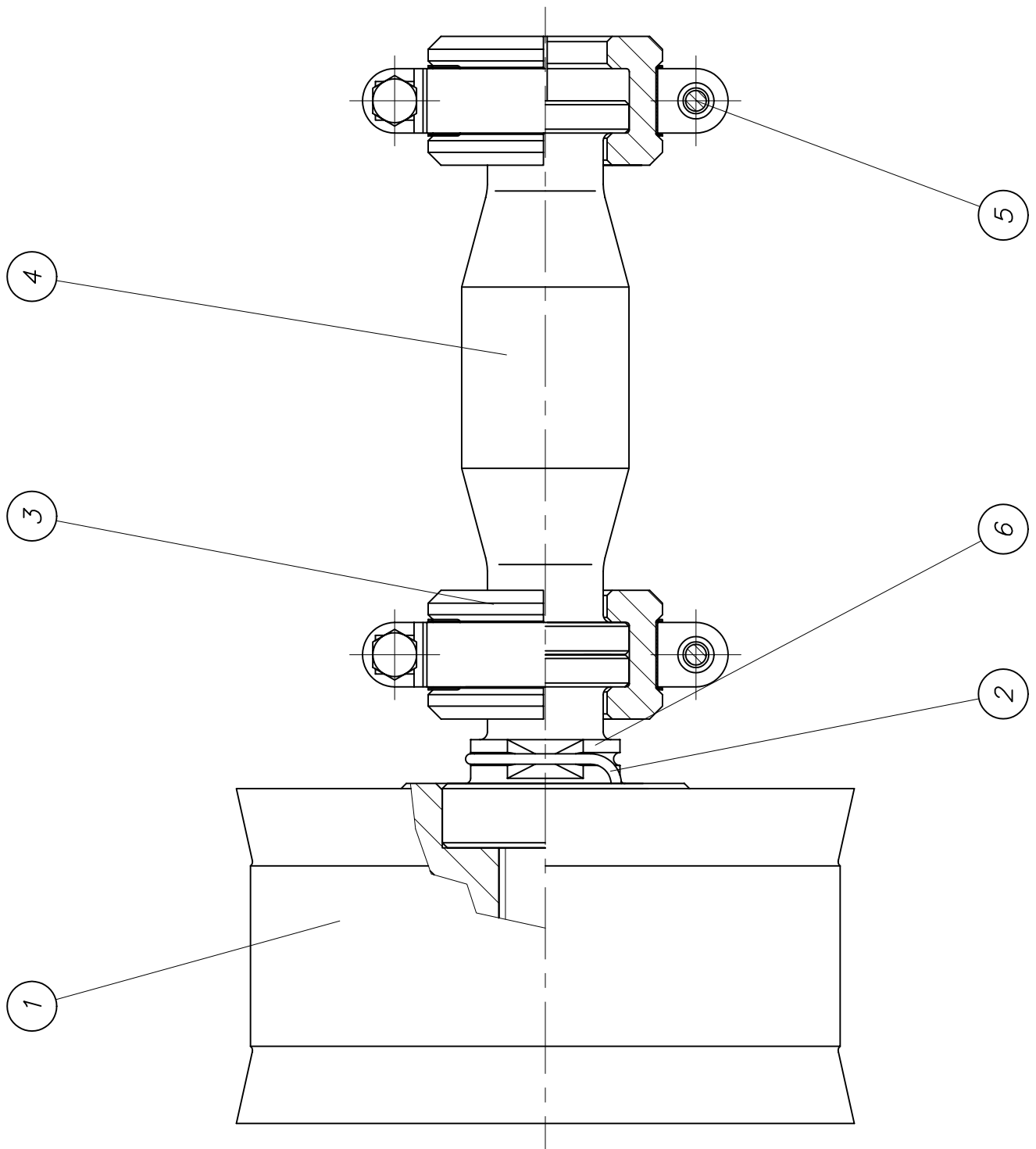
part list	description	created	index	valid from	valid to	
B125010	conveyor cylinder cpl. DN230/215x2000 w.	15.03.01 Mi				
pos	description stock	ident-no dimensions	DIN material	index	weighth Kg	quantity unit
1	flange ring DN 230 threaded	B124021 Bl 55xd330	1543/EN10029 St52-3		12,20	2,00 Stk
2	conveyor cylinder DN230x2000 chromized	B124019 Rohr 250x12.5x2	2448 St52.0		150,00	2,00 Stk
3	fitting ring DN 230 water box	B123012 Rohr 267x36x65	2448 St52.0		6,00	2,00 Stk
4	flange ring DN 230 threaded	B125014 Bl 55xd330	1543/EN10029 St52-3		12,20	2,00 Stk
5	cheese head screw M20 x 80	WAI106754				12,00 Stk
6	cheese head screw M20 x 120	WAI103970				14,00 Stk
7	washer HV	WAI100691			0,01	26,00 Stk
8	O-ring 244 x 7, NBR70	WAI102868				4,00 Stk

*Förderkolben kpl.*  
*conveying piston cpl.*

*B 13 3 020*



Waitzinger  
Baumaschinen GmbH



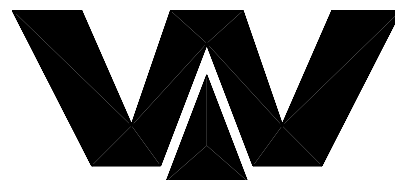
**PARTS LIST**

27.06.05 08:46:17

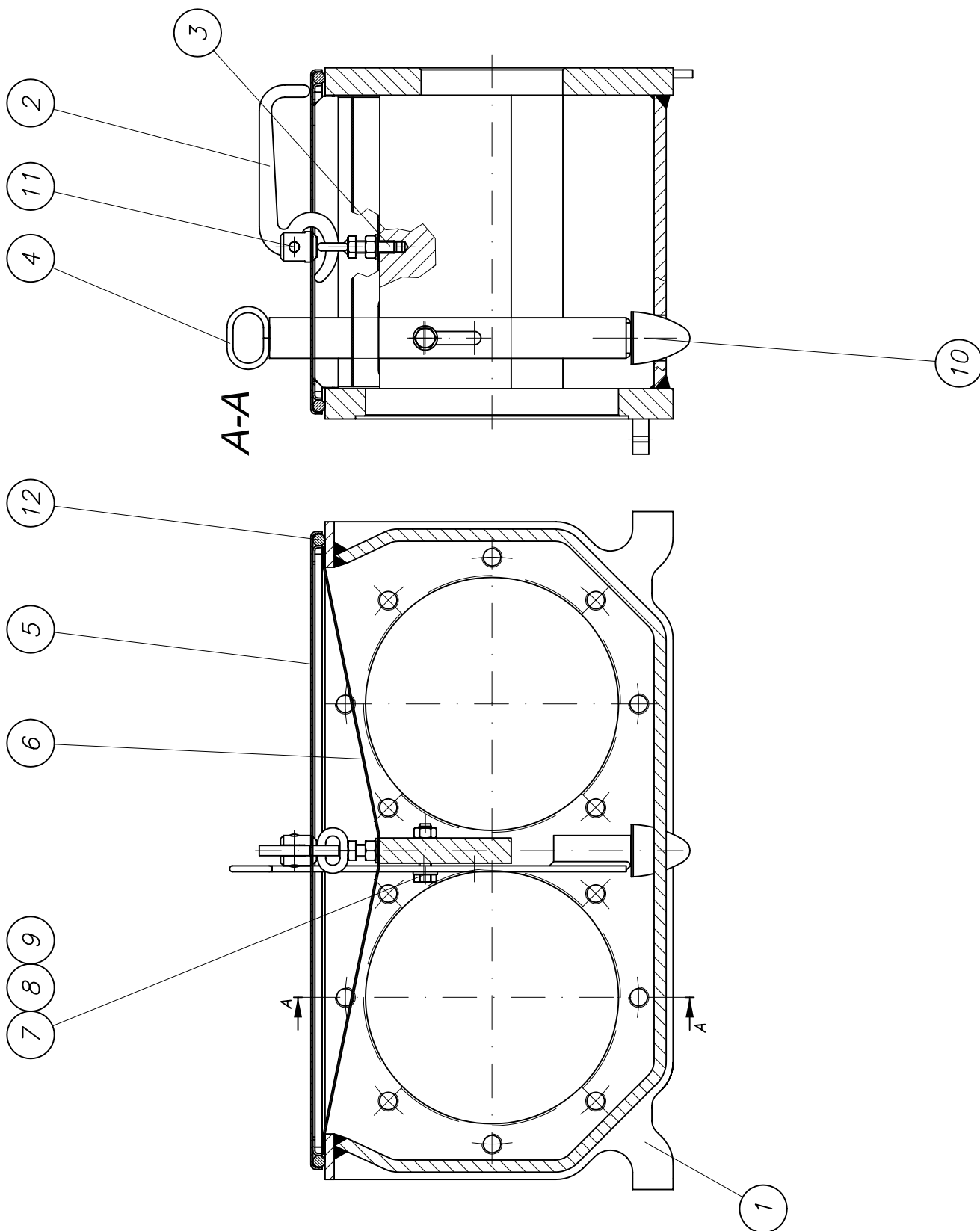
part list	description	created	index	valid from	valid to	
B133020	piston ram cpl. DN 230	08.07.98 Mi				
pos	description stock	ident-no dimensions	DIN material	index	weighth Kg	quantity unit
1	piston ram DN 230	WAI100175			19,90	2,00 Stk
2	protection ring	B133019 Federst. 4	17223			2,00 Stk
3	clamp coupling	B131004 Rd 95x50	1013 42CrMo4V			4,00 Stk
4	distance piece	B133003 Rd 70x225	1013 42CrMo4V			2,00 Stk
5	hose clamp S86/25	WAI101381			0,22	4,00 Stk
6	coupling bolt	B133018 Rd 82x120	1013 42CrMo4V		2,20	2,00 Stk

Spülkasten kpl.  
water box cpl.

B 14 3 000



Waitzinger  
Baumaschinen GmbH



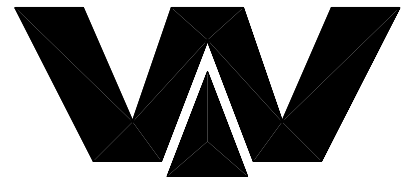


## PARTS LIST

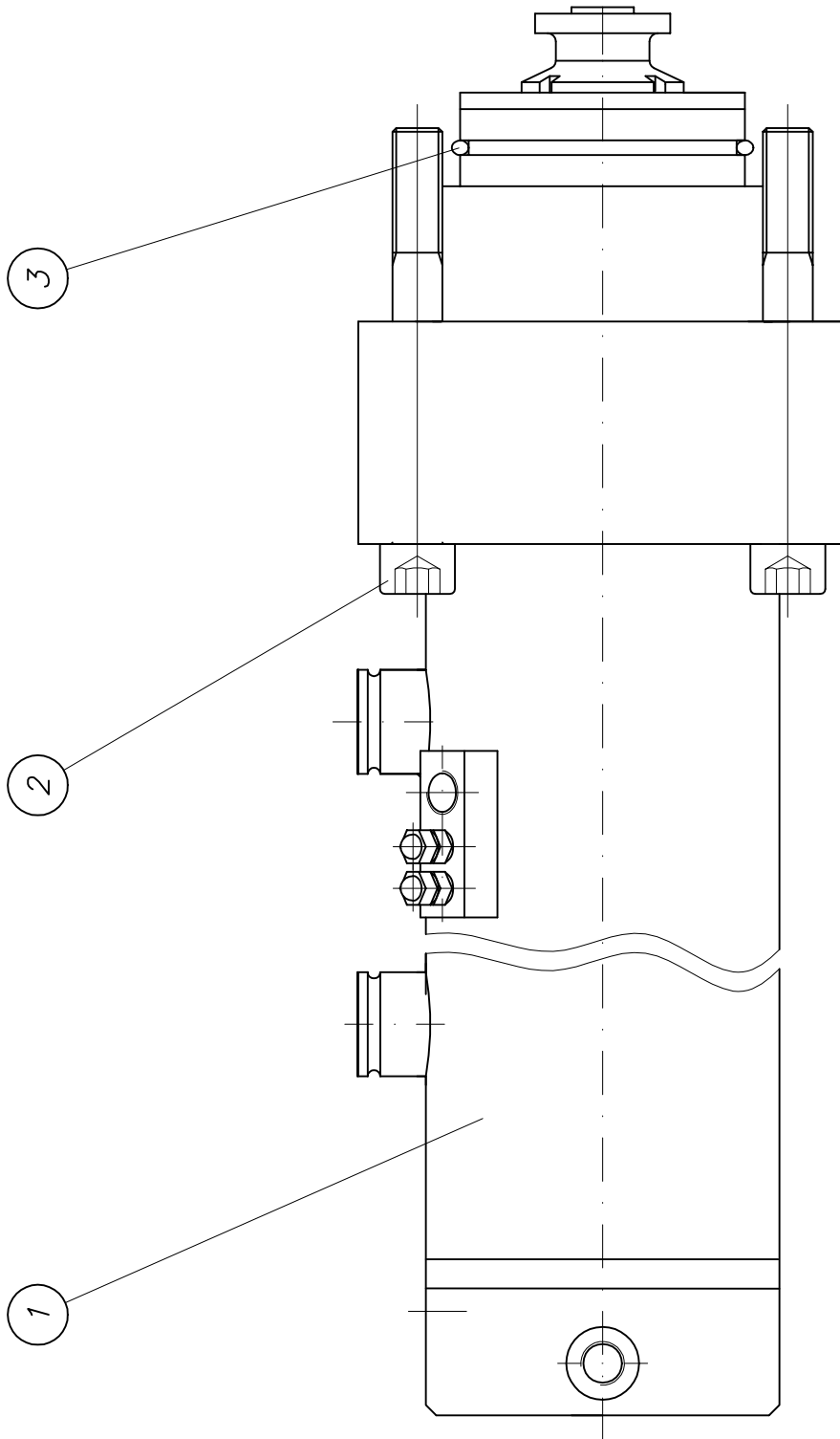
part list	description	created	index	valid from	valid to	
B143000	waterbox cpl. DN 200/230 plug	19.06.97 HG				
pos	description stock	ident-no dimensions	DIN material	index	weighth Kg	quantity unit
1	waterbox cpl. DN 200/230 (processing) own parts list	B143001		b 02.05.00		1,00 Stk
2	lever	B143007 Bl 10x195x78.5	1543/EN10029 St52-3			1,00 Stk
3	loop bolt cpl. own parts list	B143009			0,09	1,00 Stk
4	drain pin own parts list	B143011			1,14	1,00 Stk
5	cover for waterbox cpl. own parts list	B143015			4,55	1,00 Stk
6	savety lattice	B143020 Lochbl. 1.5x610	Rostfrei	a 28.05.03		1,00 Stk
7	hex. screw M12	WAI103688				1,00 Stk
8	nut M12 DIN 934	WAI101557			0,02	2,00 Stk
9	washer	WAI100504				2,00 Stk
10	rubber buffer 50 x 58	WAI102712				1,00 Stk
11	pin	WAI103387				1,00 Stk
12	O-ring cord 12mm	WAI101831				1,95 Mtr

*Antriebszylinder kpl.*  
*drive cylinder cpl.*

*B 15 4 031*



*Waitzinger*  
*Baumaschinen GmbH*



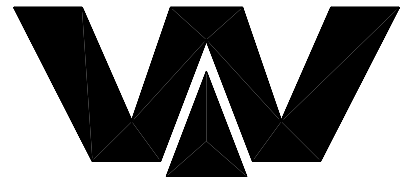


## PARTS LIST

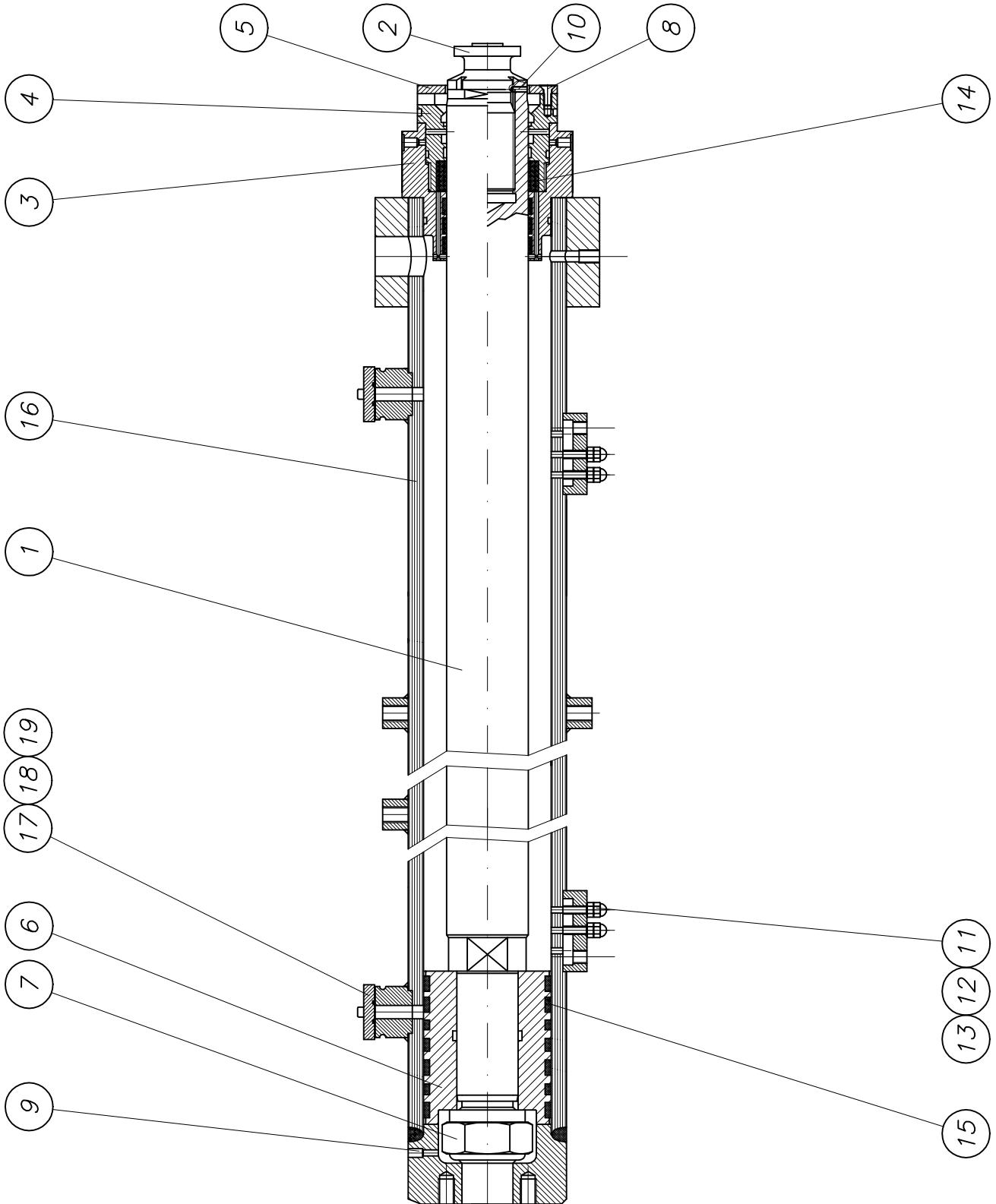
part list	description	created	index	valid from	valid to	
B154031	drive cylinder cpl. 140/80-2000	20.09.00 Mi				
pos	description stock	ident-no dimensions	DIN material	index	weigh Kg	quantity unit
1	drive cylinder 140/80-2000 REED own parts list	WAI106154		a 30.10.03	295,00	2,00 Stk
2	cylinder head screw M 24 x 200	WAI103828				8,00 Stk
3	O-ring 129,2 x 5,7	WAI101441				2,00 Stk

Antriebszylinder  
drive cylinder

WAI 106154a



Waitzinger  
Baumaschinen GmbH







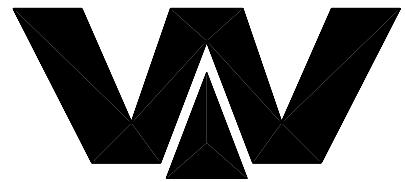
## PARTS LIST

part list	description	created	index	valid from	valid to	
WAI106154	drive cylinder 140/80-2000 REED	15.05.00 Mi	a	30.10.03		
pos	description stock	ident-no dimensions	DIN material	index	weighth Kg	quantity unit
1	piston rod for drive cylinder	WAI105724 Rd 90x2173	1013 Ck45			1,00 Stk
2	piston joint	WAI104146 Rd 80x131	1013 42CrMo4V		1,87	1,00 Stk
3	guide piece for drive cylinder 140	WAI105725 Rd 180x142	1013 St52	a 30.07.03		1,00 Stk
4	sealing carrier for drive cylinder	WAI104890	GGG 40	a 29.07.03		1,00 Stk
5	aperture for drive cylinder	WAI105726 8x d137	Polyamid			1,00 Stk
6	piston 140 REED	WAI106305		b 30.07.03		1,00 Stk
7	piston nut for drive cylinder	WAI105728				1,00 Stk
8	sunk screw M 8 x 20	WAI103397				3,00 Stk
9	locking screw G 1/8	WAI100528				3,00 Stk
10	set screw	WAI105739				1,00 Stk
11	hex. nut M8 DIN 934 8. VERZ.	WAI102880				4,00 Stk
12	cap nut M8	WAI104933				4,00 Stk
13	set screw	WAI105740				4,00 Stk
14	sealing set for drive cylinder 125/80 own parts list	WAI104690				1,00 Stk
15	sealing set for drive cylinder 140/80 own parts list	WAI106156				1,00 Stk
16	cylinder pipe cpl. 140 REED	WAI106153		a 30.07.03		1,00 Stk
17	cover for sensor connection	B154017 Rd 11x55	1013 S235J2G3		0,20	2,00 Stk
18	o-ring	WAI108533				2,00 Stk
19	alien bolt M 6x25	WAI103673				4,00 Stk

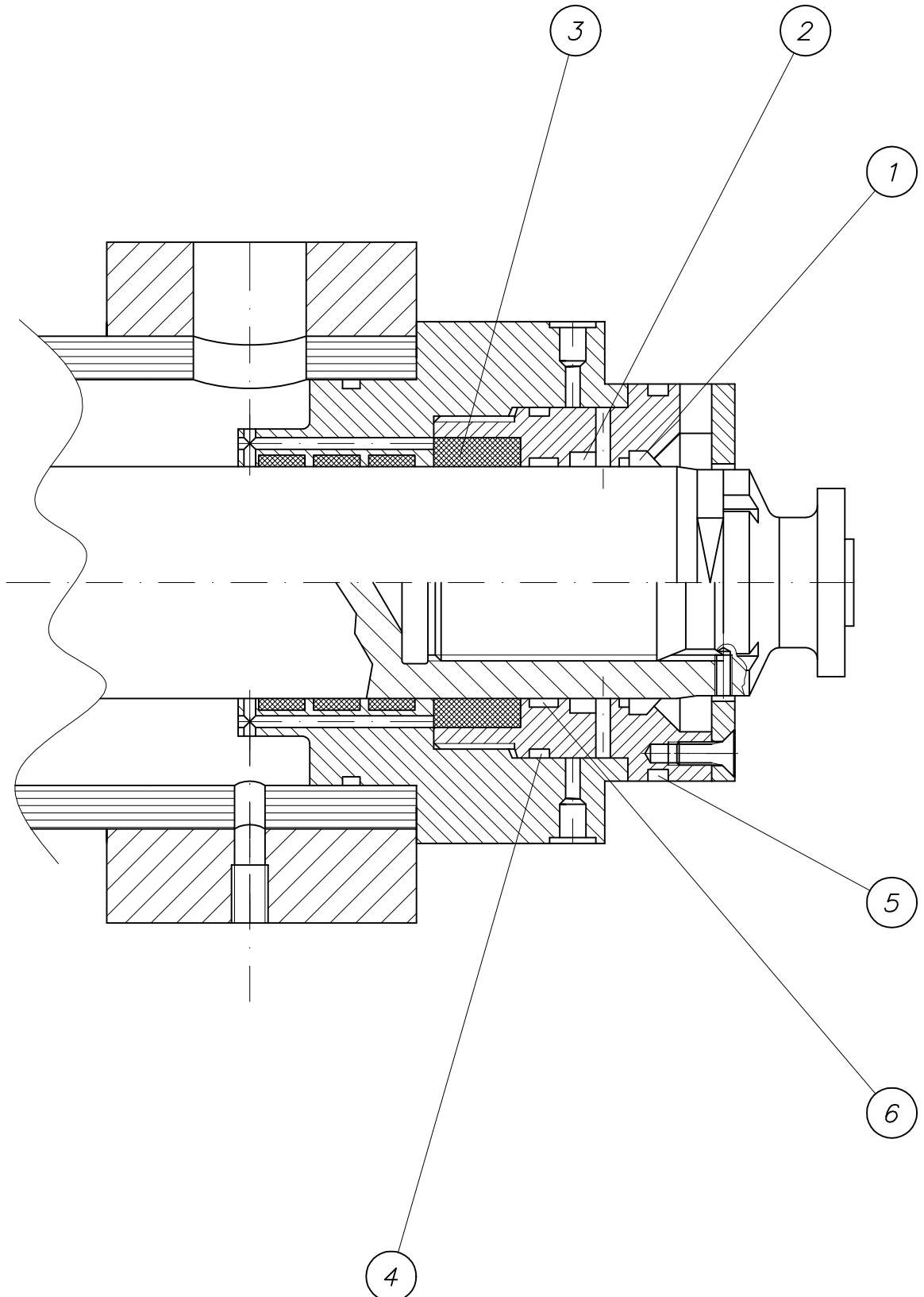
*Stangendichtsatz*

*rod sealing set*

*WAI 104690*



*Waitzinger  
Baumaschinen GmbH*



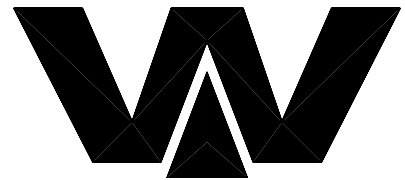


## PARTS LIST

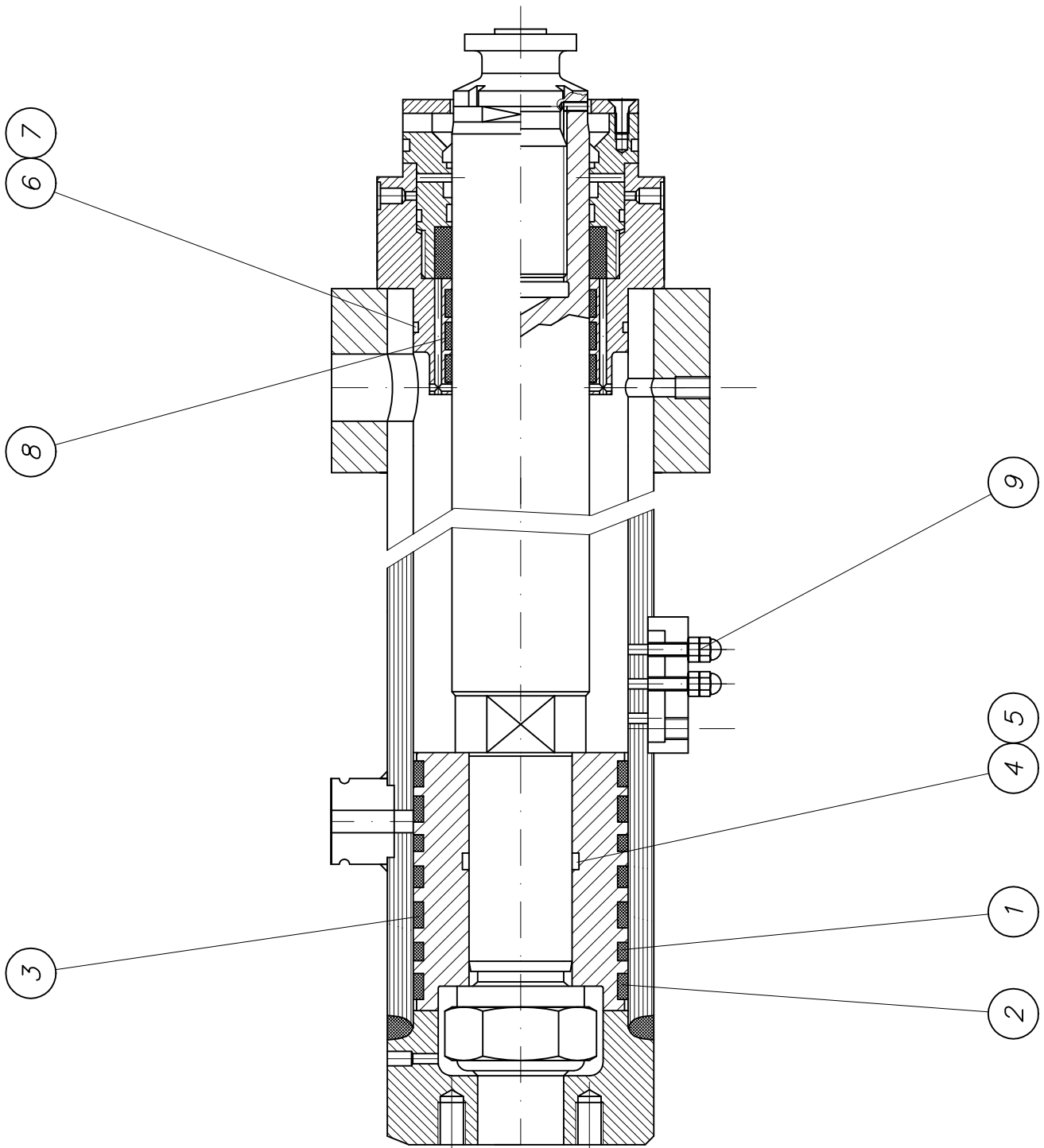
part list	description		created	index	valid from	valid to
WAI104690	sealing set for drive cylinder 125/80		30.08.99 Mi			
pos	description stock	ident-no dimensions	DIN material	index	weighth Kg	quantity unit
1	wiper	WAI100259			0,00	1,00 Stk
2	wiper	WAI105729				1,00 Stk
3	v-packing 80 x 100 x 30	WAI102584				1,00 Stk
4	sealing for drive cylinder	WAI105732				1,00 Stk
5	o-ring	WAI105731				1,00 Stk
6	rod support for drive cylinder	WAI105738				1,00 Stk

*Dichtsatz für Antriebszylinder*  
*sealing set for drive cylinder*

*WAI 106156*



*Waitzinger*  
*Baumaschinen GmbH*



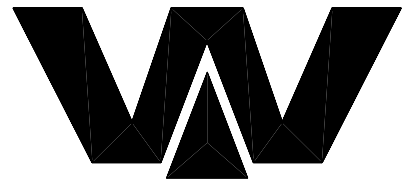


## PARTS LIST

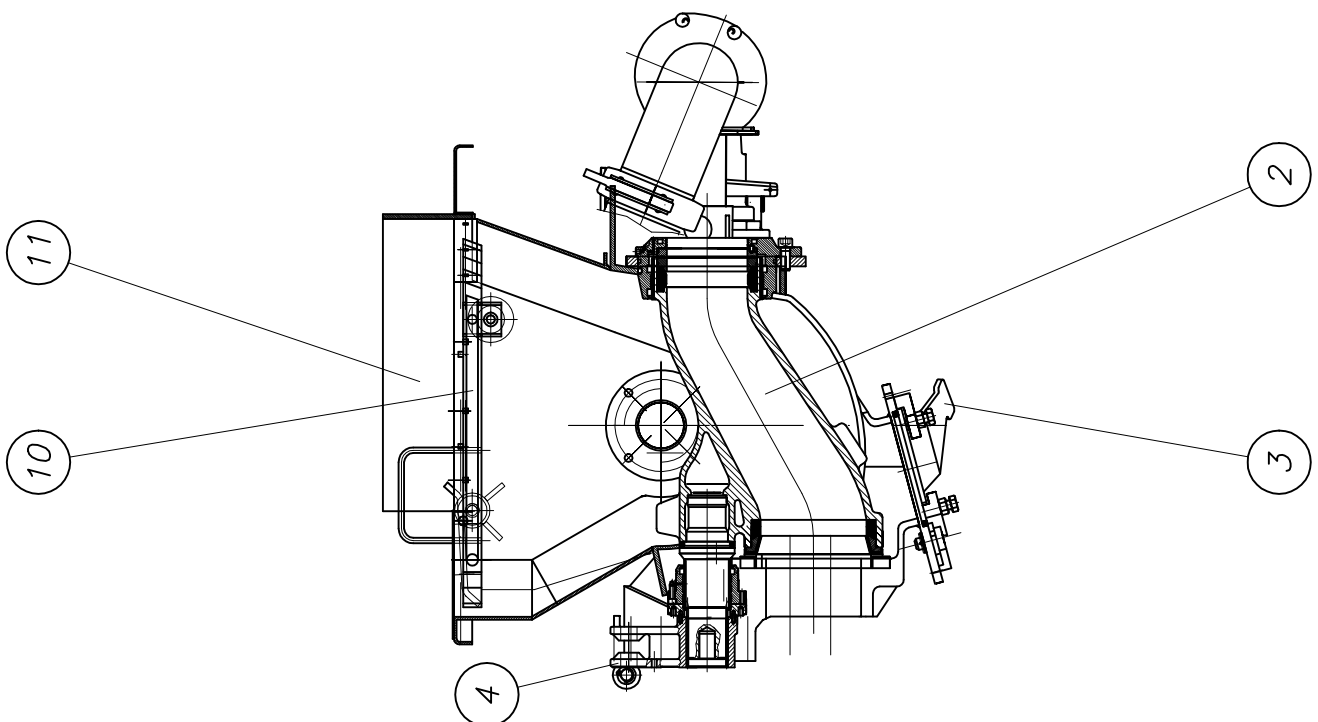
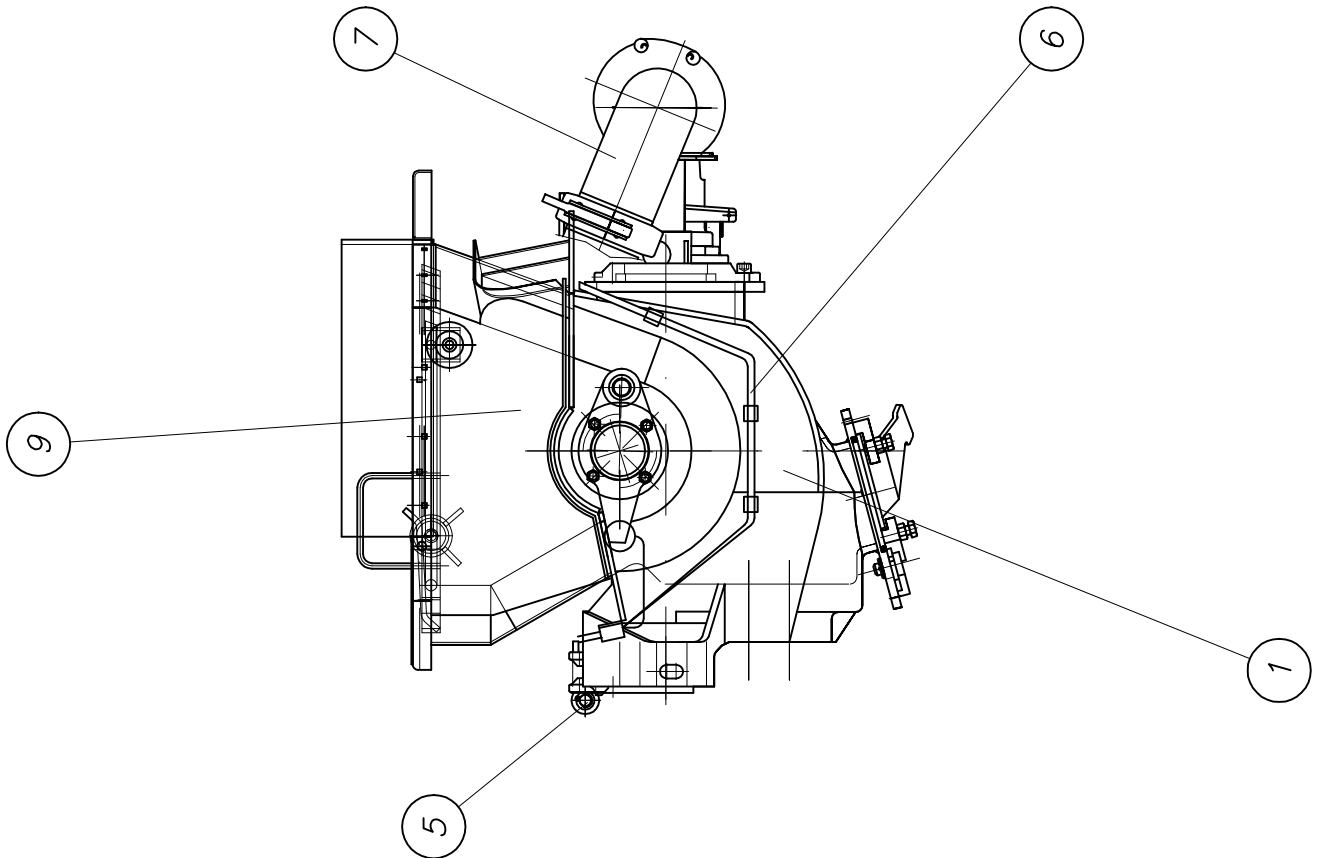
part list	description	created	index	valid from	valid to	
WAI106156	sealing set for drive cylinder 140/80	03.08.00 hbk				
pos	description stock	ident-no dimensions	DIN material	index	weighth Kg	quantity unit
1	piston guide	WAI105735				3,00 Stk
2	piston ring permassel DN140	WAI105049			0,05	2,00 Stk
3	piston ring DN 140	WAI106313				2,00 Stk
4	back-up ring	WAI105736				2,00 Stk
5	o-ring	WAI105734				1,00 Stk
6	O-ring 134 x 4	WAI106314				1,00 Stk
7	back-up ring	WAI106315				1,00 Stk
8	piston guide	WAI106316			5,00	3,00 Stk
9	usit-ring 8.7-14-1	WAI101269				8,00 Stk

*Schiebersystem kpl.*  
*s-valve system cpl.*

*B 17 5 200R1*



*Waitzinger*  
*Baumaschinen GmbH*



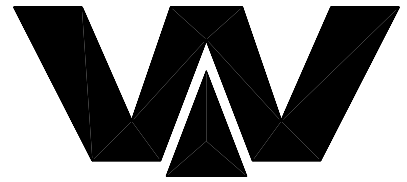


## PARTS LIST

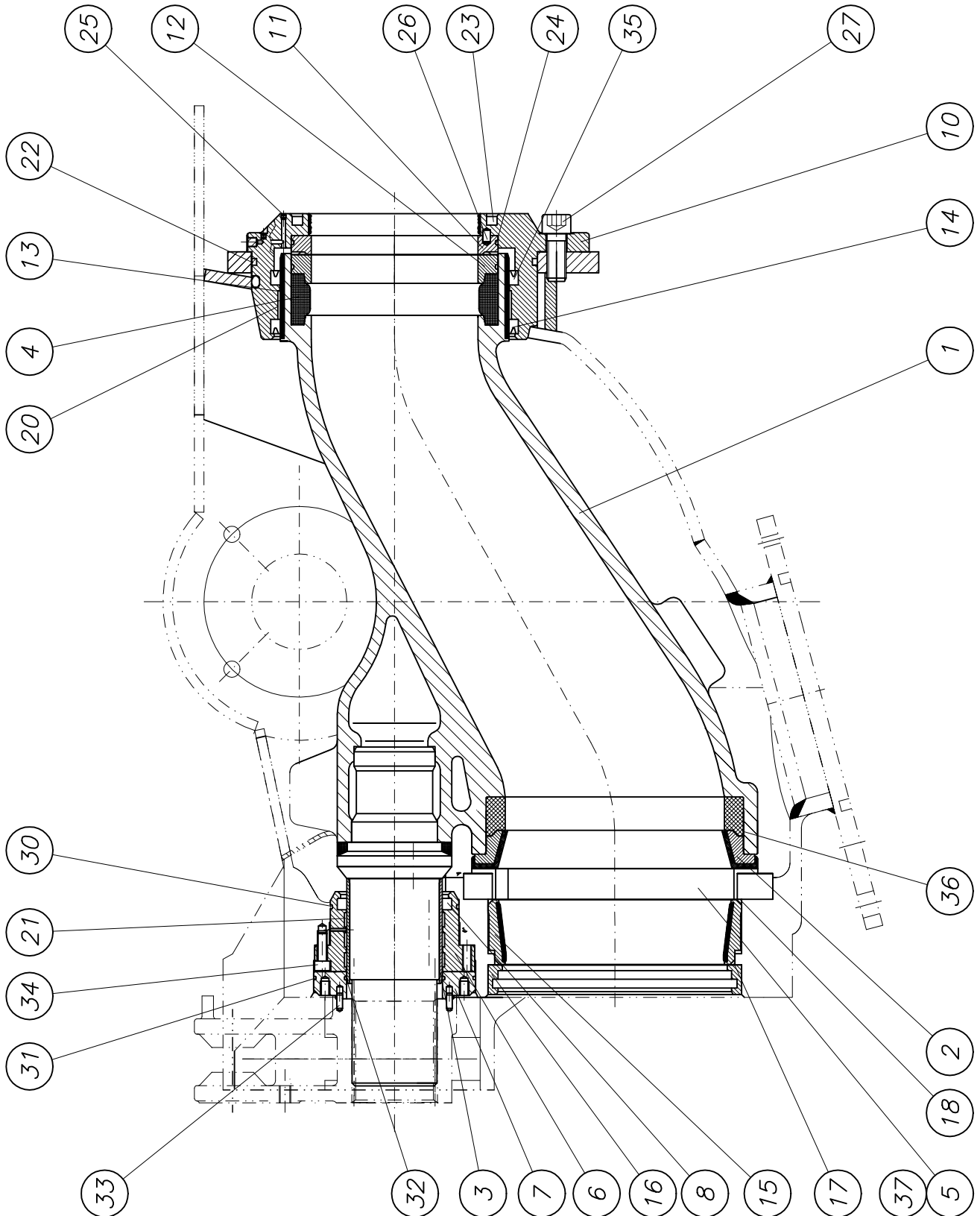
part list	description	created	index	valid from	valid to	
B175200R1	s-valve system w/o	20.07.05	TECHNIK			
pos	description stock	ident-no dimensions	DIN material	index	weighth Kg	quantity unit
1	s-valve housing cpl. (processing) DN 230 own parts list	B175025		e 25.05.05	572,00	1,00 Stk
2	s-valve system complete own parts list	B175006		b 25.02.05		1,00 Stk
3	cleaning hole assembly own parts list	B175050		a 21.03.03		1,00 Stk
4	shift drive system cpl. own parts list	B175020		b 02.08.05		1,00 Stk
5	pump support funnel own parts list	B115001				1,00 Stk
6	lubrication system complete own parts list	B185003		a 29.07.04		1,00 Stk
7	conveying pipe line 6" own parts list	B195065R1				1,00 Stk
9	hopper upper part own parts list	B225055				1,00 Stk
10	grid cpl. own parts list	B225040		b 29.11.04		1,00 Stk
11	rubber apron cpl own parts list	B225045		a 04.04.03		1,00 Stk

*Schiebersystem kpl.*  
*s-valve system cpl.*

**B 17 5 006b**



Waitzinger  
Baumaschinen GmbH







## PARTS LIST

part list	description	created	index	valid from	valid to	
B175006	s-valve system complete	21.01.04 ek	b	25.02.05		
pos	description stock	ident-no dimensions	DIN material	index	weigh Kg	quantity unit
1	s-valve cpl. own parts list	B175080			98,00	1,00 Stk
2	wear ring DN230	B175210 Bl 40xD300	1543/EN10029 S355J2G3		4,00	1,00 Stk
3	wear bushing small	B175175 Rohr 108x10x115	2448 StE690		1,70	1,00 Stk
4	tension ring DN217x64 / 70 shore	B175202 217x64	70 Shore			1,00 Stk
5	wear plate DN 250	B175177 Bl 30x400x644	1543/EN10029 St52-3	a 02.12.03	23,00	1,00 Stk
6	bearing housing small	B175178 Rd 180x90	1013 St52-3	b 24.07.03		1,00 Stk
7	axial bearing washer	B175179 Rd 180x35	1013 CuSn8P (2.18)	a 01.08.03		1,00 Stk
8	groove ring 100x120x12 own parts list	B175181			0,04	1,00 Stk
10	bearing housing big (processing) megahop own parts list	B175009		b 23.05.05		1,00 Stk
11	slide ring DN 217 x 20	B173013 d217x20				1,00 Stk
12	slide ring DN 217 x 30	B173014				1,00 Stk
13	wear bushing big	B173073 Rohr 244.5x12.5	2458 StE690	a 01.08.03	2,00	1,00 Stk
14	groove ring 240x260x15 own parts list	B173078			0,04	1,00 Stk
15	fitting ring with hardened surface own parts list	B175071			7,60	2,00 Stk
16	fitting ring	B175072 Bl 40xd275	DIN EN 10029 S235J2G3	a 01.07.04	2,90	2,00 Stk
17	O-Ring 243 x 4	WAI108633				2,00 Stk
18	O-Ring 258 x 4	WAI108634				2,00 Stk
20	rod wear-ring 240 x 245 x 15 mm	WAI102487			0,03	2,00 Stk
21	rod wear-ring 105 x100 x 15 mm	WAI106096			0,01	3,00 Stk
22	O-ring 290 x 5	WAI102539			0,02	1,00 Stk
23	O-ring 193 x 10	WAI103563			0,05	1,00 Stk
24	O-ring	WAI101808				2,00 Stk

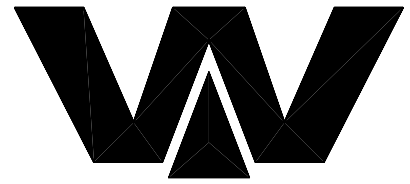


## PARTS LIST

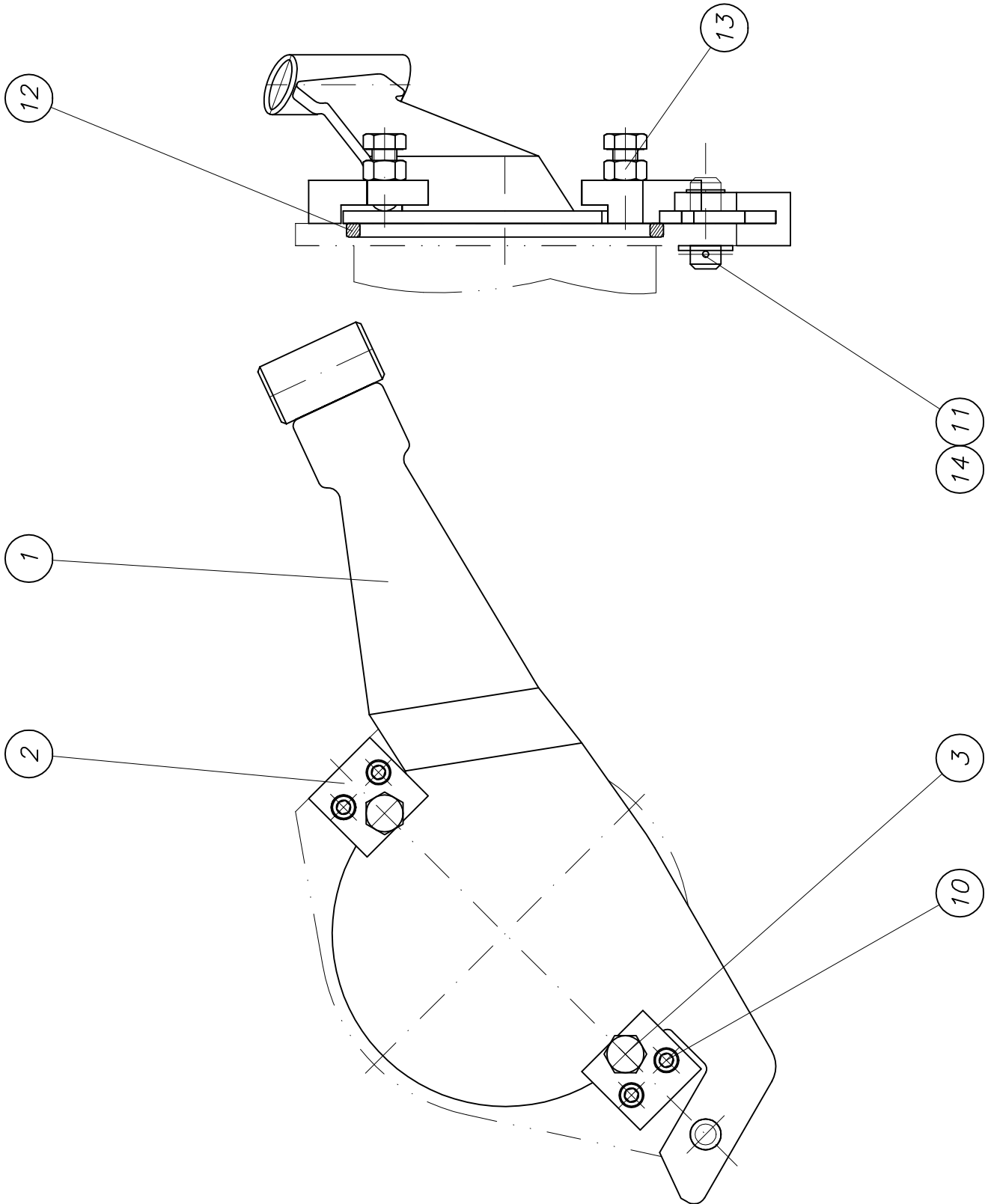
part list	description	created	index	valid from	valid to	
B175006	s-valve system complete	21.01.04 ek	b	25.02.05		
pos	description stock	ident-no dimensions	DIN material	index	weighth Kg	quantity unit
25	set screw M 8 x 8	WAI106824				4,00 Stk
26	straight pin	WAI103717				2,00 Stk
27	cheese head screw M20 x 50	WAI102854				4,00 Stk
30	O-ring 129,5 x 3 SH90	WAI102448				1,00 Stk
31	sealing ring 165 x 3	WAI103580				1,00 Stk
32	O-ring	WAI105771				1,00 Stk
33	straight pin	WAI103061				2,00 Stk
34	cheese head screw M 10 x 25	WAI109528				4,00 Stk
35	groove ring 240x260x15	WAI100479				1,00 Stk
36	tension ring	B175201 270x45	50 Shore		0,60	1,00 Stk
37	cheese head screw M20 x 130	WAI104885				4,00 Stk

*Reinigungsklappe kpl.*  
*cleaning cover cpl.*

*B 17 5 050a*



Waitzinger  
Baumaschinen GmbH



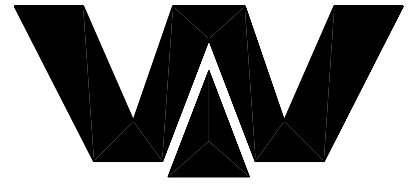


## PARTS LIST

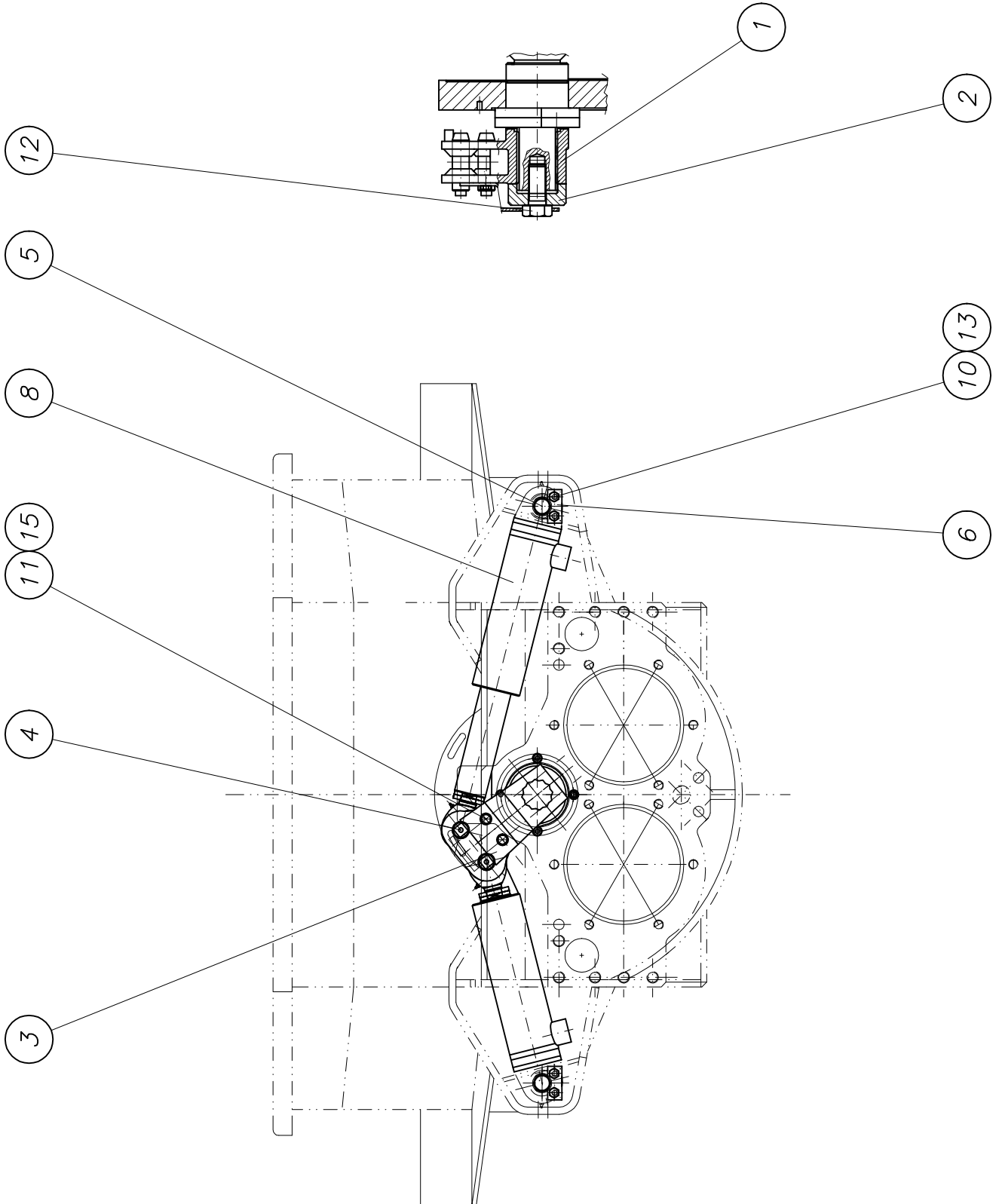
part list	description	created	index	valid from	valid to	
B175050	cleaning hole assembly	03.03.00 Mi	a	21.03.03		
pos	description stock	ident-no dimensions	DIN material	index	weighth Kg	quantity unit
1	cover cpl. for cleaning cover own parts list	B175051		b 15.06.04	9,00	1,00 Stk
2	plate	B172126 Bl 40x67x70	1543/EN10029 St52-3		0,89	2,00 Stk
3	screw M 20 (processing) own parts list	B172128 6-Kt.Schraube M	933-8.8		0,18	2,00 Stk
10	cheese head screw M 12 x 40	WAI102855				4,00 Stk
11	washer 25, DIN 125	WAI103298				1,00 Stk
12	O-ring cord 12mm	WAI102908				0,78 Mtr
13	nut M20 DIN 934	WAI102891				2,00 Stk
14	split pin	WAI105194				1,00 Stk

*Schwenkantrieb kpl.*  
*tilting device cpl.*

*B 17 5 020b*



Waitzinger  
Baumaschinen GmbH



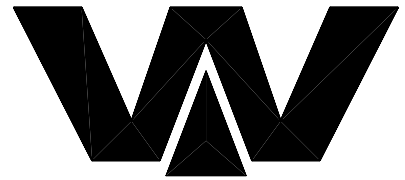


## PARTS LIST

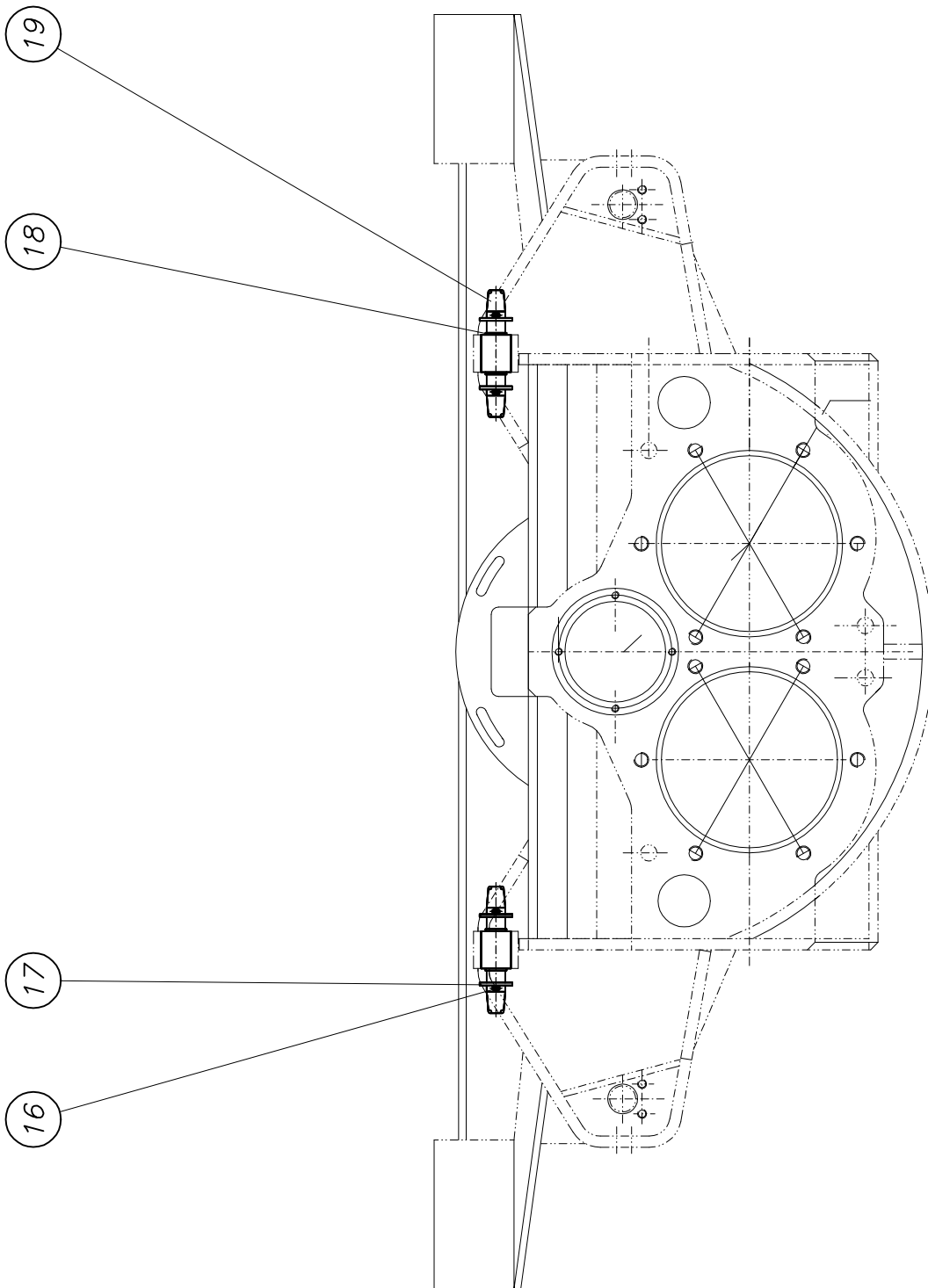
part list	description	created	index	valid from	valid to	
B175020	shift drive system cpl.	11.07.01 Mi	b	02.08.05		
pos	description stock	ident-no dimensions	DIN material	index	weigh Kg	quantity unit
1	tilting lever (processing) own parts list	B175180			13,00	1,00 Stk
2	pressure disc	B174103 Rd125x50	1013 42CrMo4V		2,70	1,00 Stk
3	locking plate	B174104 Bl 6x220x120	1543/EN10029 St52-3		1,00	1,00 Stk
4	bolt	B173019 Rd 40x125	1013 42CrMo4V		0,83	2,00 Stk
5	bolt	B173066 Rd 40x115	1013 42CrMo4V	a 06.04.00	0,80	2,00 Stk
6	axle retainer	B173067 FI 30x6x70	1017 St52-3		0,13	2,00 Stk
8	tilting cylinder D 65x220	WAI109491			23,00	2,00 Stk
10	hex. bolt M12 x 25 DIN 933 8.8	WAI101001			0,04	4,00 Stk
11	hex. bolt M12x30 DIN 933 8.8	WAI102107			0,04	2,00 Stk
12	hex.screw M 36 x 3 x 85	WAI103327		a 01.08.05		1,00 Stk
13	conical spring washer 12 mm	WAI102877				4,00 Stk
15	spring washer A12 DIN 127 VERZ.	WAI102896				2,00 Stk

*Pumpenlagerung Trichter kpl.*  
*pump support hopper cpl.*

**B 11 5 001**



*Waitzinger*  
*Baumaschinen GmbH*





## PARTS LIST

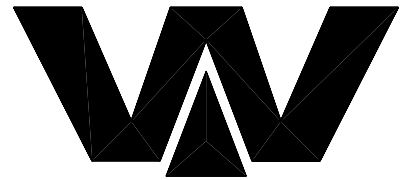
part list	description	created	index	valid from	valid to	
B115001	pump support funnel	13.10.03 ute				
pos	description stock	ident-no dimensions	DIN material	index	weighth Kg	quantity unit
16	pin	WAI100940				4,00 Stk
17	washer 26, DIN 126	WAI103411				4,00 Stk
18	rubber buffer 40 x 25 x 50	WAI102489			0,21	2,00 Stk
19	bolt	B113021 Rd 30x175	1013 42CrMo4V	a 13.02.02	0,65	2,00 Stk



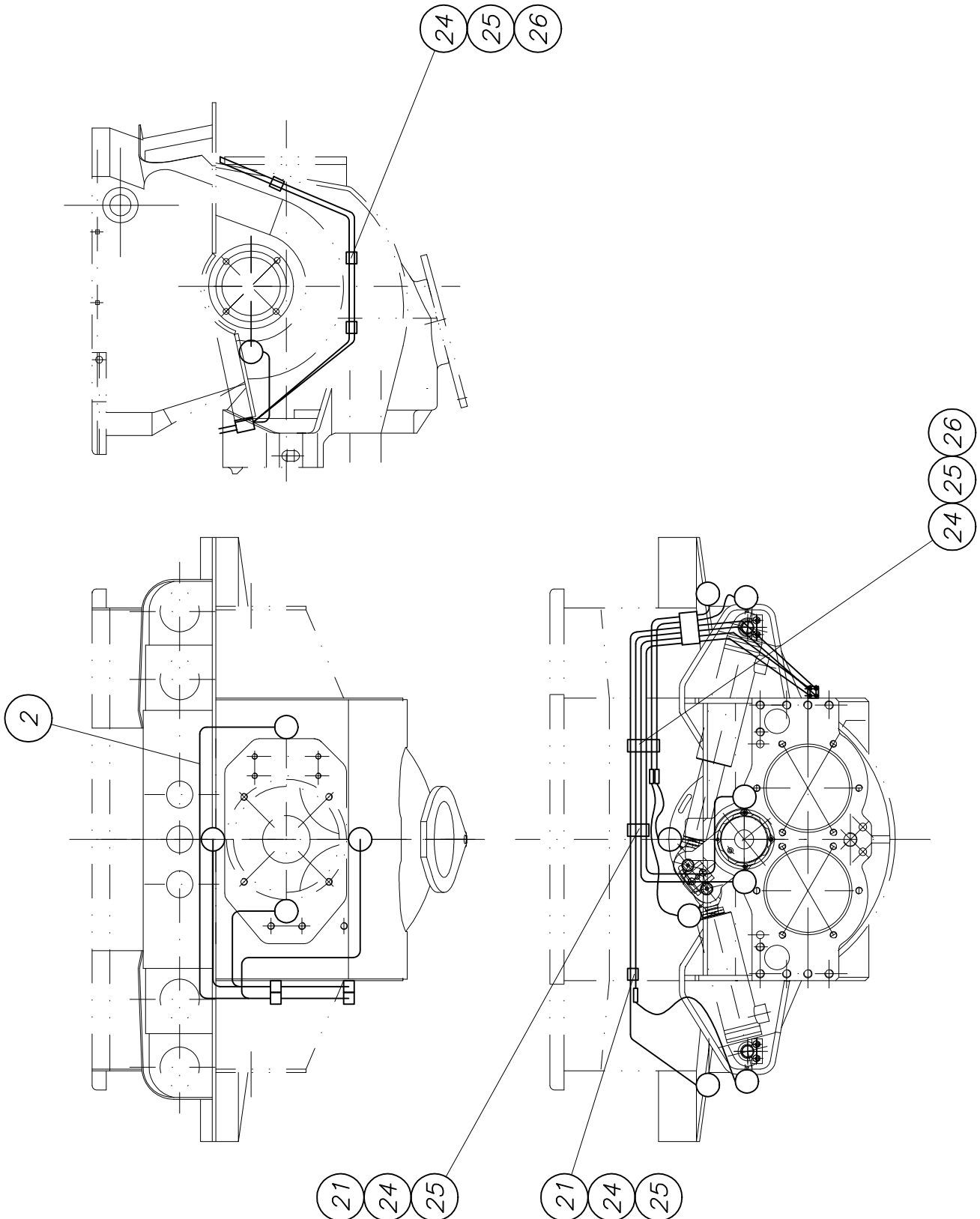
*Schmieranlage kpl.*  
*lubrication system cpl.*

*B 18 5 003a*

*1*



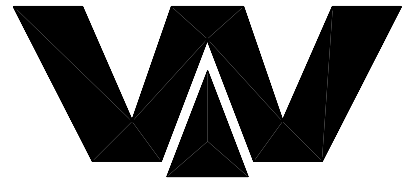
Waitzinger  
Baumaschinen GmbH



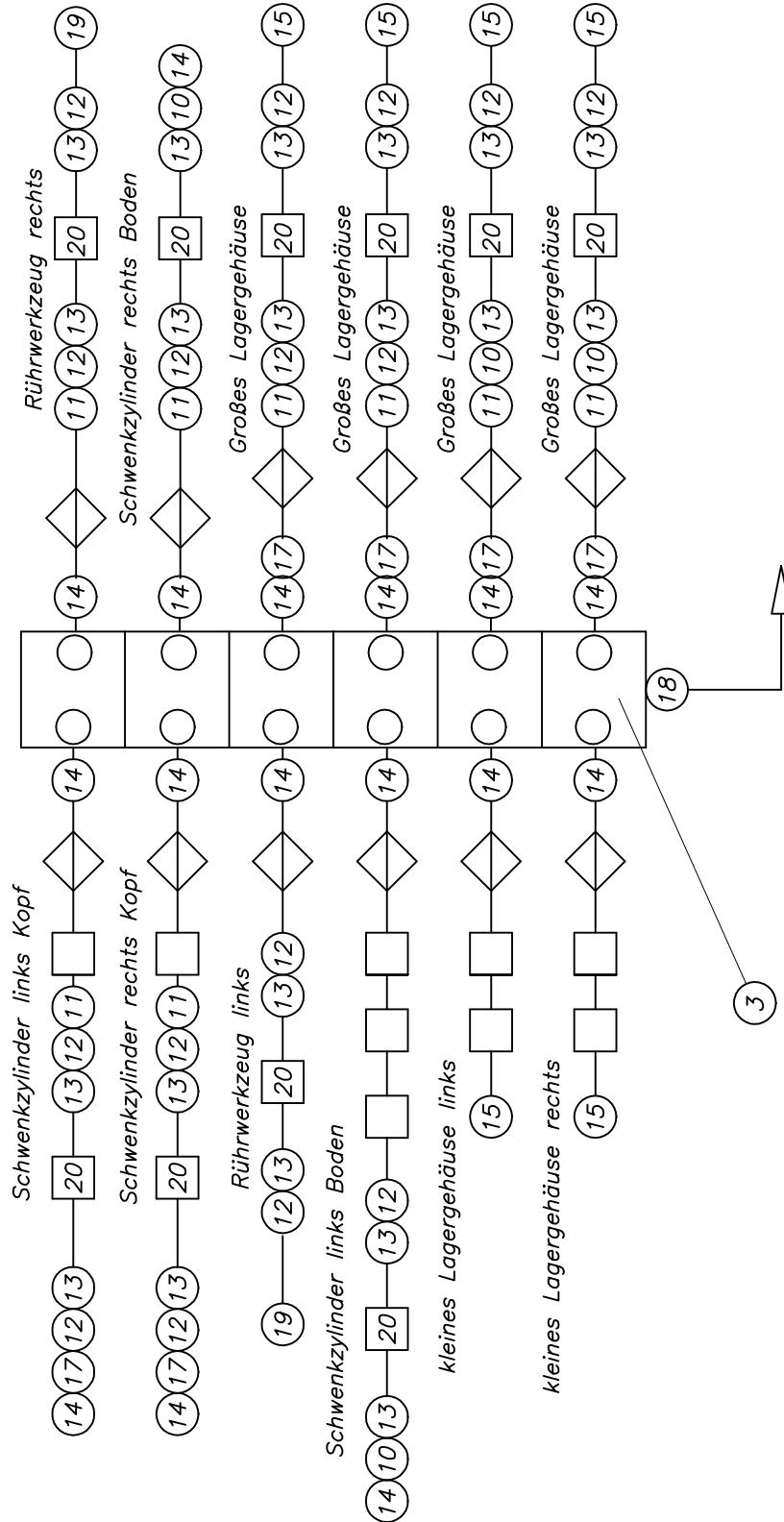
*Schmieranlage kpl.*  
*lubrication system cpl.*

**B 18 5 003a**

**2**



Waitzinger  
 Baumaschinen GmbH





## PARTS LIST

part list	description	created	index	valid from	valid to	
B185003	lubrication system complete	15.10.03 ek	a	29.07.04		
pos	description stock	ident-no dimensions	DIN material	index	weighth Kg	quantity unit
2	set of pipes for greasing system	WAI106760				1,00 Stk
3	lubrication distributor complete (12) own parts list	WAI105657			0,01	1,00 Stk
10	threaded sleeve, 90 degrees	WAI102643			0,02	4,00 Stk
11	straight couplings L6	WAI105282				8,00 Stk
12	hose connecting piece, DN6, short	WAI100253			0,01	16,00 Stk
13	threaded sleeve	WAI100254			0,01	20,00 Stk
14	straight male stud couplings L6M	WAI100546			0,03	16,00 Stk
15	throttlefree banjo elbows L6M	WAI102284				6,00 Stk
17	adjustable elbow bodies L6	WAI102664			0,02	8,00 Stk
18	straight male stud couplings L6M14 x 1,5	WAI102665			0,04	1,00 Stk
19	male stud LL6M 6 x 1	WAI102603				2,00 Stk
20	plastic pipe 8.4 x 2.1	WAI100255			0,05	6,00 Mtr
21	hexagon screw	WAI102109			0,01	2,00 Stk
24	pipe clip 6 mm (double)	WAI105281				8,00 Stk
25	welding plate for pipe clip	WAI105422			0,03	2,00 Stk
26	hexagon screw M 6 x 60 DIN 931 8.8	WAI104065				3,00 Stk
27	cable tie 200x3.6, black	WAI103137				10,00 Stk

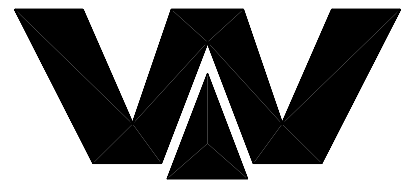


## PARTS LIST

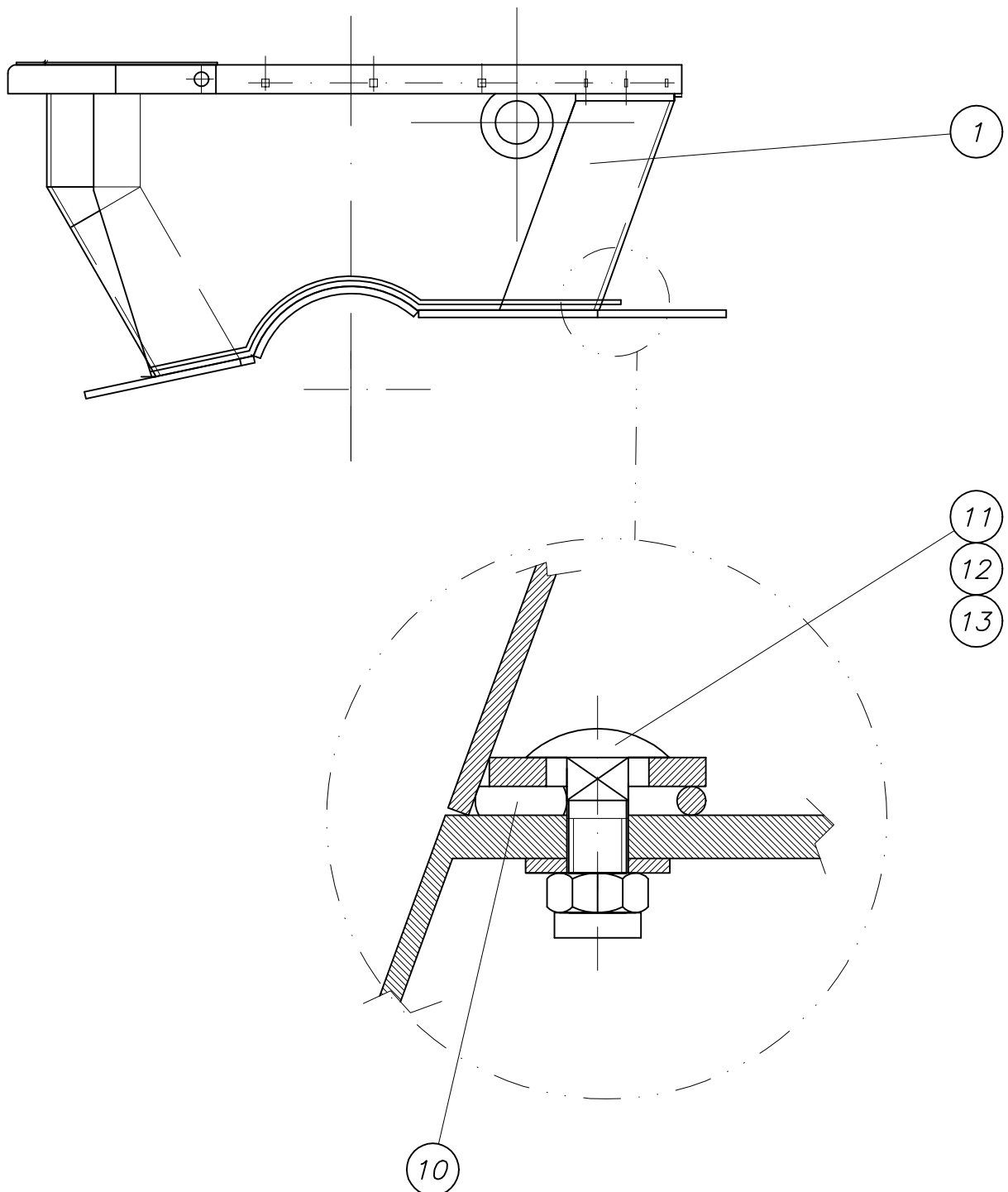
part list	description	created	index	valid from	valid to	
b195065R1	conveying pipe line 6"	20.07.05 TECHNIK				
pos	description stock	ident-no dimensions	DIN material	index	weight Kg	quantity unit
1	hinge own parts list	B190004			6,00	1,00 Stk
2	pin	B190008 Rd 40x315	1543 669		3,00	1,00 Stk
3	locking pin complete own parts list	B193008		a	3,00	1,00 Stk
4	locking wedge complete own parts list	B194046			1,85	1,00 Stk
10	cheese head screw M 16 x 40	WAI102859				4,00 Stk
11	spring washer A16	WAI103489			0,01	4,00 Stk
12	O-ring 193 x 10	WAI103563			0,05	1,00 Stk
13	cheese head screw M20 x 50	WAI102854				2,00 Stk
22	locking ring	WAI102865				2,00 Stk
23	key ring	WAI104636				2,00 Stk
24	chain 4mm	WAI103732				1,00 mtr

*Trichteroberteil kpl.*  
*hopper upper part cpl.*

**B 22 5 055**



Waitzinger  
Baumaschinen GmbH





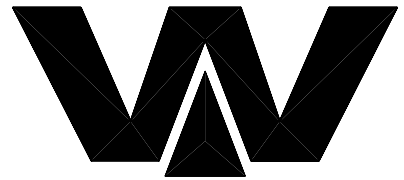
## PARTS LIST

part list	description	created	index	valid from	valid to	
B225055	hopper upper part	11.11.02 Mi				
pos	description stock	ident-no dimensions	DIN material	index	weighth Kg	quantity unit
1	kopper upper part own parts list	B175011		a 30.05.05	86,00	1,00 Stk
10	expanded rubber	WAI103309				4,00 Mtr
11	cup square neck bolt M 16 x 50	WAI105131				4,00 Stk
12	nut M16 DIN 985	WAI102330				4,00 Stk
13	washer DIN 6916 17	WAI101558			0,02	4,00 Stk

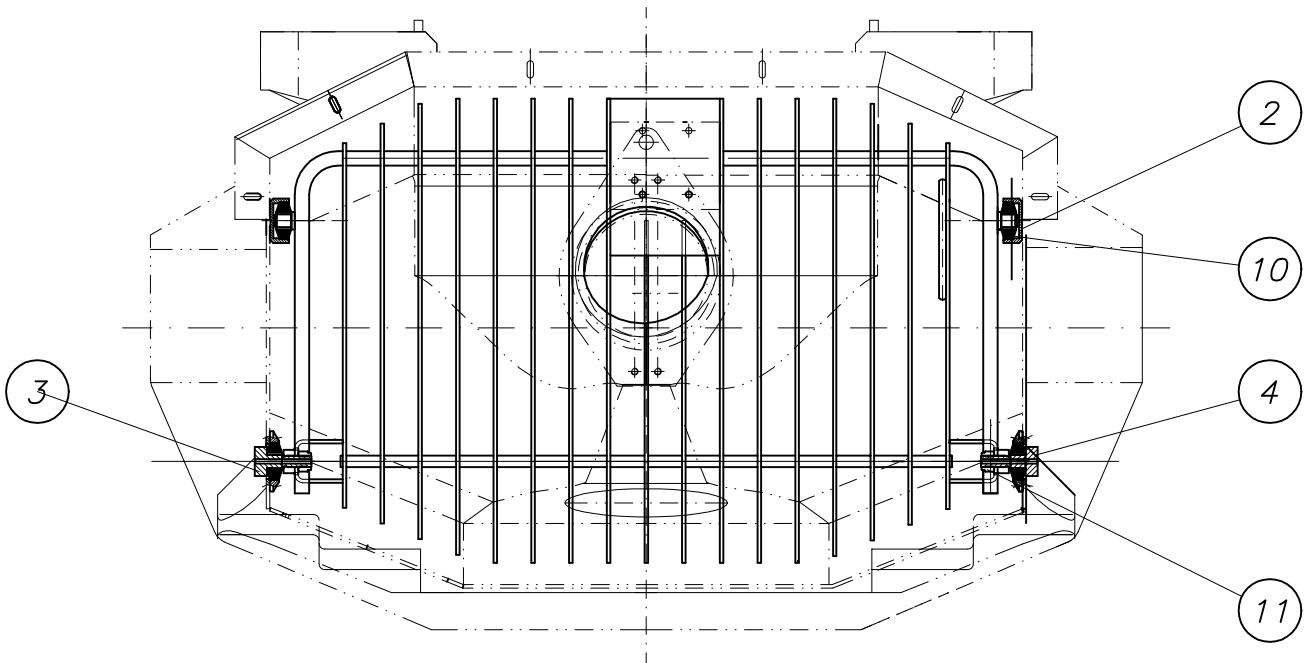
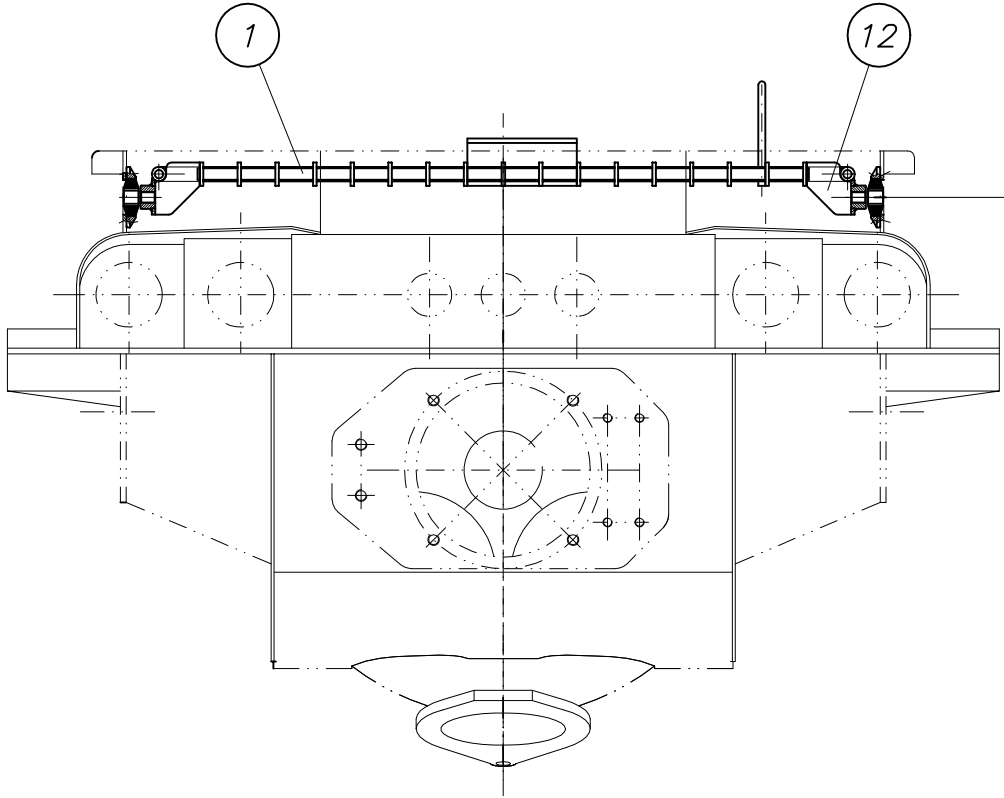
Gitterrost kpl.

grid cpl.

B 22 5 040b



Waitzinger  
Baumaschinen GmbH





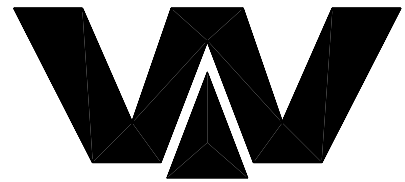
## PARTS LIST

part list	description	created	index	valid from	valid to	
B225040	grid cpl.	29.01.01 Mi	b	29.11.04		
pos	description stock	ident-no dimensions	DIN material	index	weighth Kg	quantity unit
1	grate own parts list	B225010		b 09.09.04	33,42	1,00 Stk
2	housing for grating	B223061 Rd 80x20	1013 S355J2G3		0,50	2,00 Stk
3	bolt	B225041 Rd 50x104	1013 St52-3	b 05.04.05	0,20	1,00 Stk
4	bolt	B225085 Rd 50x109	1013 St52-3	a 05.04.05	0,20	1,00 Stk
10	rubber buffer 65 x 22,5 x 26	WAI102490			0,17	4,00 Stk
11	nut M20 DIN 985	WAI106610				2,00 Stk
12	fixing sheet	B223057 Bl 10x32x50	1543/EN10029 St37-2		0,10	2,00 Stk

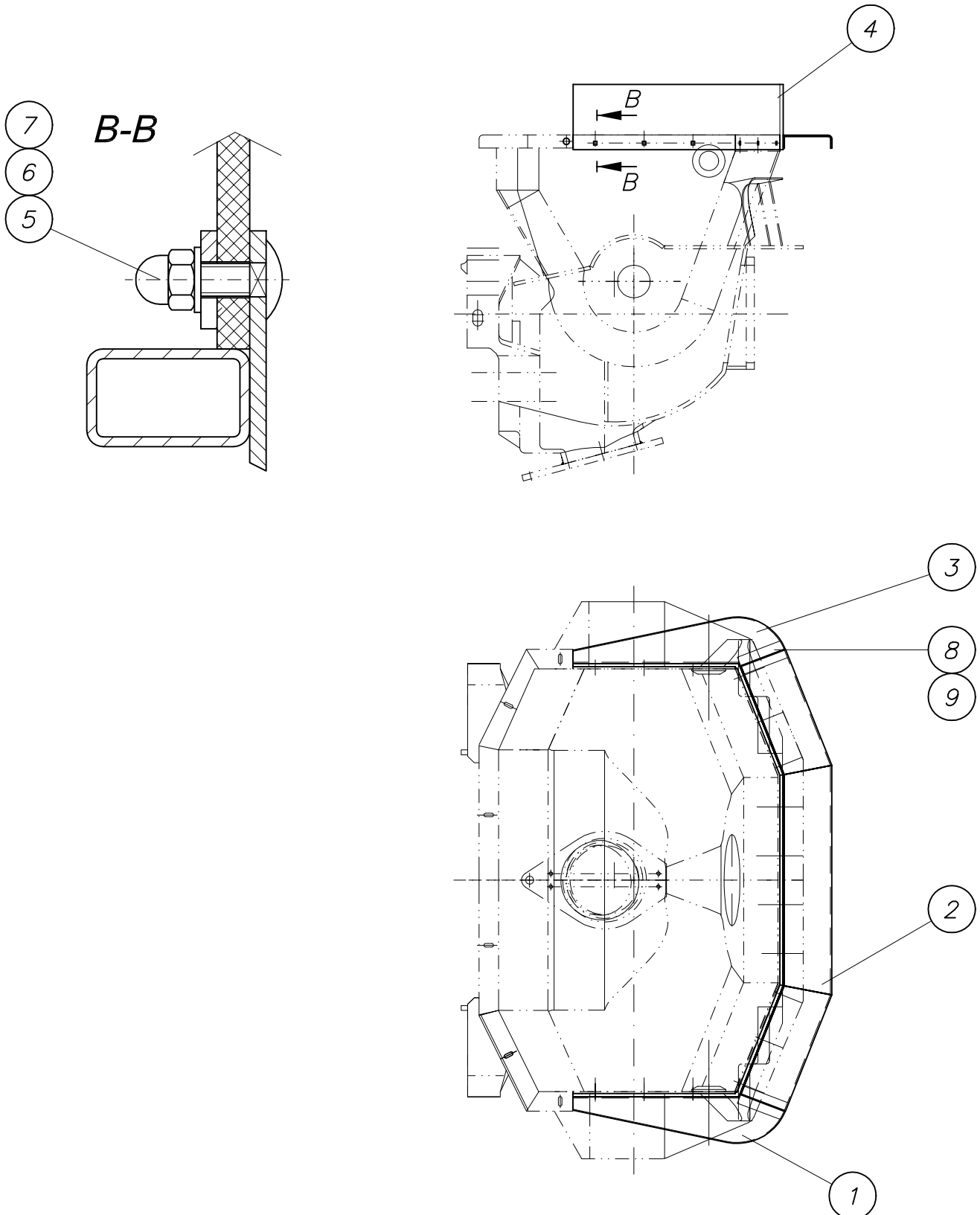


*Gummischürze kpl.*  
*rubber apron cpl.*

*B 22 5 045a*



Waitzinger  
Baumaschinen GmbH



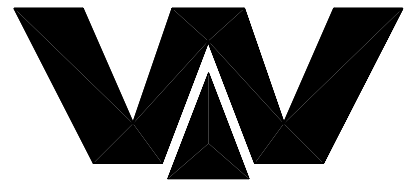


## PARTS LIST

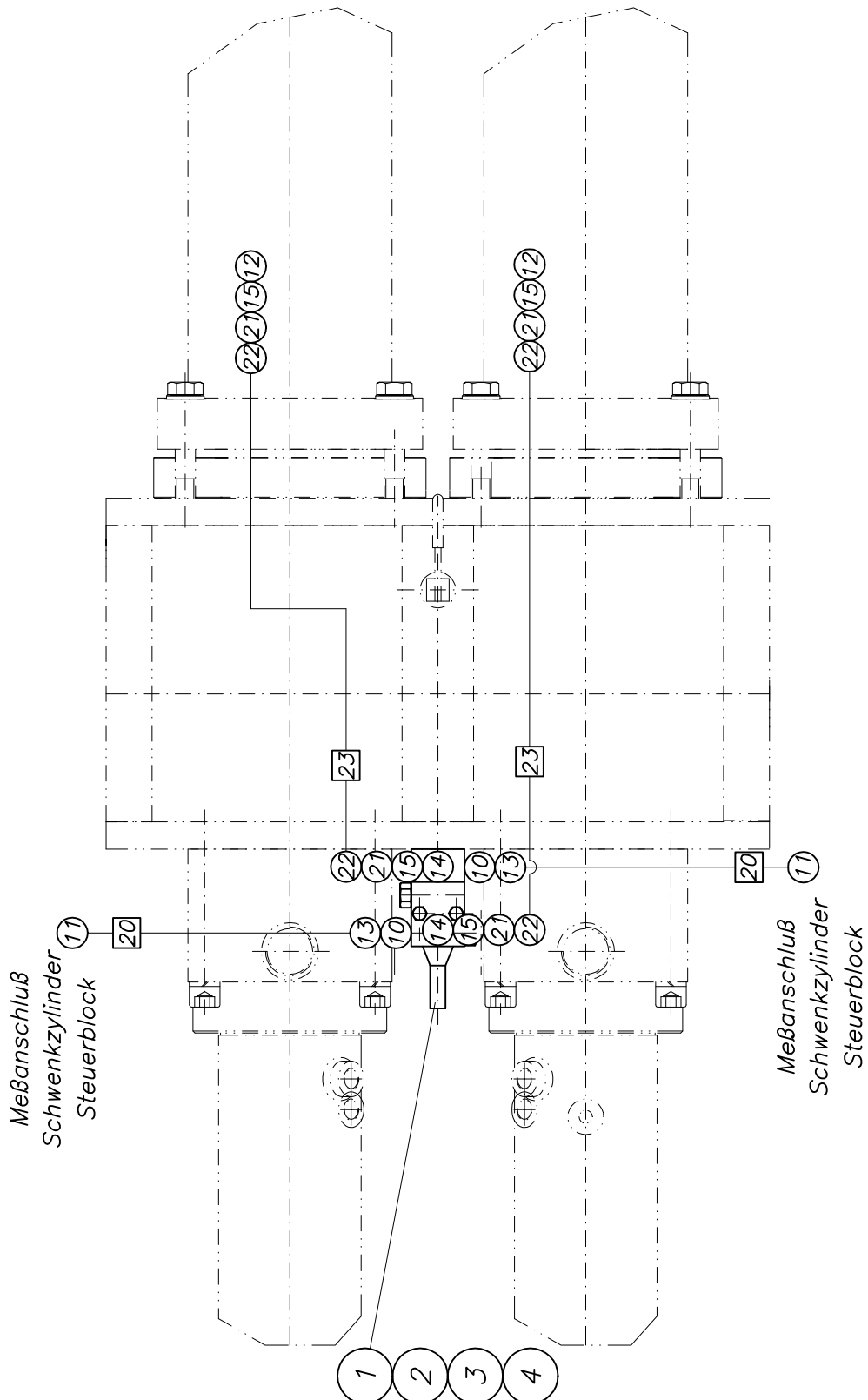
part list	description	created	index	valid from	valid to	
B225045	rubber apron cpl	07.03.01 Mi	a	04.04.03		
pos	description stock	ident-no dimensions	DIN material	index	weighth Kg	quantity unit
1	strip	B225042 Bl 4x220x701	1543/EN10029 St37-2	a 04.04.03	2,60	1,00 Stk
2	strip cpl. own parts list	B225053		b 02.03.04	10,00	1,00 Stk
3	strip	B225054 Bl 4x220x701	1543/EN10029 St37-2	b 30.11.04	2,60	1,00 Stk
4	rubber apron	B224013 Gummi 10x200x31		a 25.02.00		1,00 Stk
5	cup square neck bolt M 10 x 30	WAI103972				12,00 Stk
6	washer 10.5	WAI101559			0,00	12,00 Stk
7	cap nut M10	WAI101847				12,00 Stk
8	countersunk screw	WAI103176				4,00 Stk
9	hex. nut M6	WAI102998				4,00 Stk

Förderkolbensmierung kpl.  
conveying cyl. lubrication cpl.

B 18 3 006b



Waitzinger  
Baumaschinen GmbH



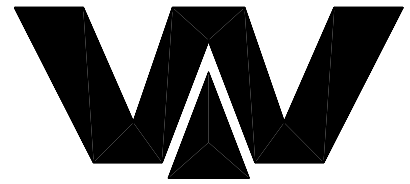


## PARTS LIST

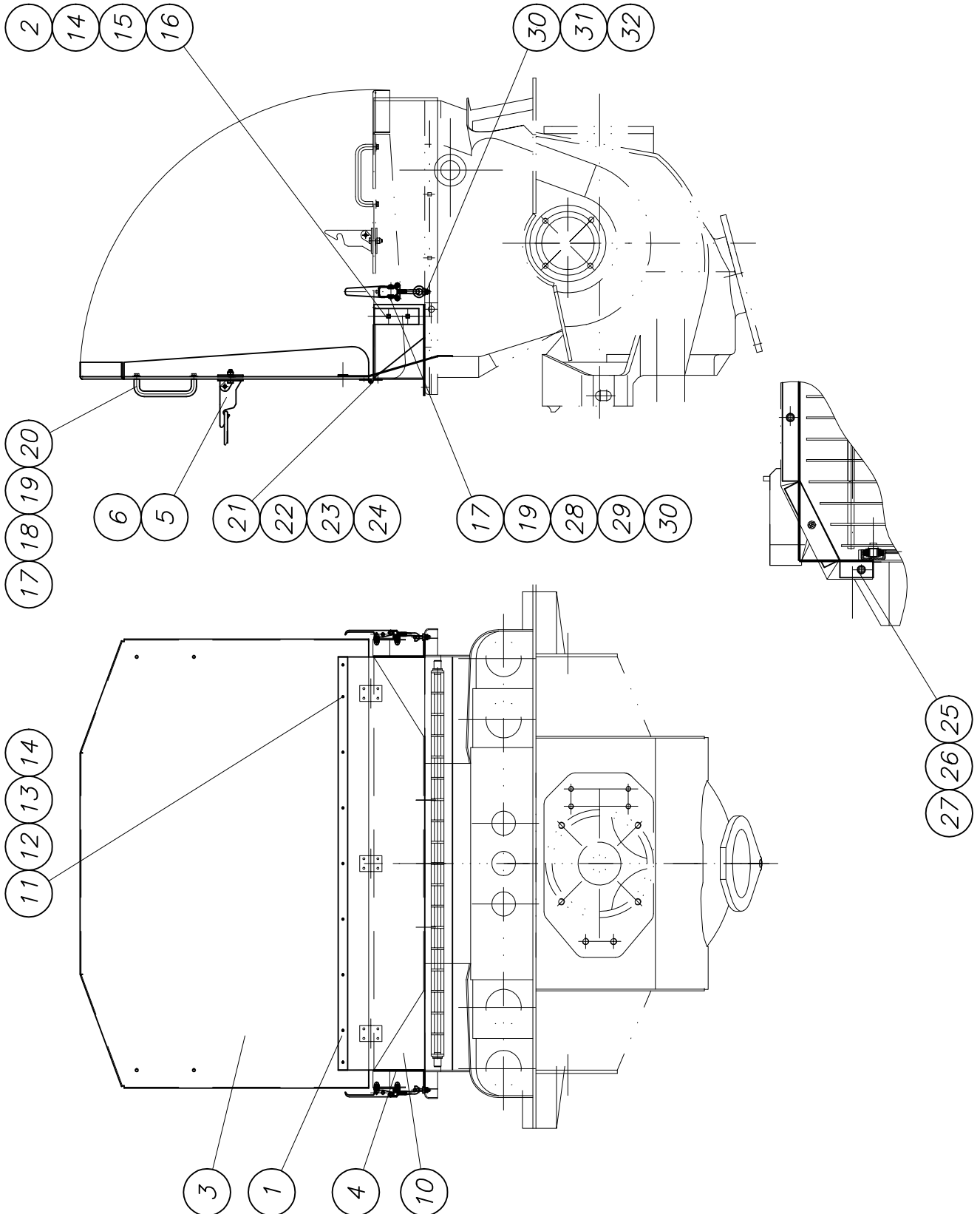
part list	description	created	index	valid from	valid to	
B183006	conveyor cyl. autom. cpl.	15.01.99 Mi	b	01.03.05		
pos	description stock	ident-no dimensions	DIN material	index	weighth Kg	quantity unit
1	holder for distributor	B183008 Bl 8x52x95	1543/EN10029 St37-2		0,30	1,00 Stk
2	distributor VSKH 2-D	WAI104402				1,00 Stk
3	hexagon bolt M 8 x 70	WAI105277				2,00 Stk
4	spring washer A8 DIN 127 VERZ.	WAI102205			0,00	2,00 Stk
10	straight male stud couplings L8R 1/4"	WAI105202				2,00 Stk
11	swivel barrel tee L8	WAI100556			0,08	2,00 Stk
12	straight male stud couplings L6M	WAI103737				2,00 Stk
13	adjustable elbow bodies L8	WAI100589				2,00 Stk
14	male stud couplings L6 R 1/4" WD	WAI105434				2,00 Stk
15	adjustable elbow bodies L6	WAI102664			0,02	4,00 Stk
20	hydraulic hose DN 6 x 1000	WAI103234				2,00 Stk
21	hose connecting piece, DN6, short	WAI100253			0,01	2,00 Stk
22	threaded sleeve	WAI100254			0,01	2,00 Stk
23	plastic pipe 8.4 x 2.1	WAI100255			0,05	3,00 Mtr

Trichterabdeckung kpl.  
cover for hopper cpl.

B 22 5 090a



Waitzinger  
Baumaschinen GmbH





## PARTS LIST

part list	description	created	index	valid from	valid to	
B225090	cover for hopper cpl.	18.05.05 hbk	a	26.10.05		
pos	description stock	ident-no dimensions	DIN material	index	weigh Kg	quantity unit
1	plate	B255063 Bl4x30x1280	10029 S235J2G3	a 19.07.05	1,20	1,00 Stk
2	plate	B255064 Bl5x50x140	10029 S235J2G3		0,27	2,00 Stk
3	splash board own parts list	B255065	Alu	c 27.07.05	12,00	1,00 Stk
4	splash board own parts list	B255075			15,00	1,00 Stk
5	hook cpl. own parts list	B224025		a 06.09.05	0,90	1,00 Stk
6	holder	B224021 Rd 10x1060	1013 S355J2G3	a 23.05.05	0,65	1,00 Stk
10	rubber apron	WAI107190				1,00 Stk
11	countersunk head screw M6x20	WAI103153				9,00 Stk
12	washer 6 mm	WAI106432				9,00 Stk
13	spring washer A6	WAI103000				9,00 Stk
14	cup square neck bolt M 10 x 30	WAI103972				4,00 Stk
15	washer 10.5	WAI101559			0,20	4,00 Stk
16	cap nut M10	WAI101847				4,00 Stk
17	hexagon bolt M 8 x 20	WAI101837				10,00 Stk
18	washer 8.4 DIN9021	WAI102882				4,00 Stk
19	spring washer A8 DIN 127 VERZ.	WAI102205			0,00	10,00 Stk
20	bow grip	WAI104441				2,00 Stk
21	hinge	WAI103237			0,10	3,00 Stk
22	countersunk screw	WAI103176				12,00 Stk
23	washer	WAI103572				12,00 Stk

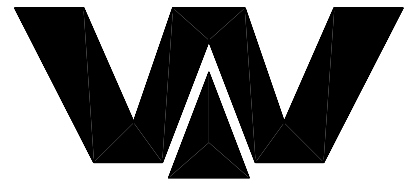


## PARTS LIST

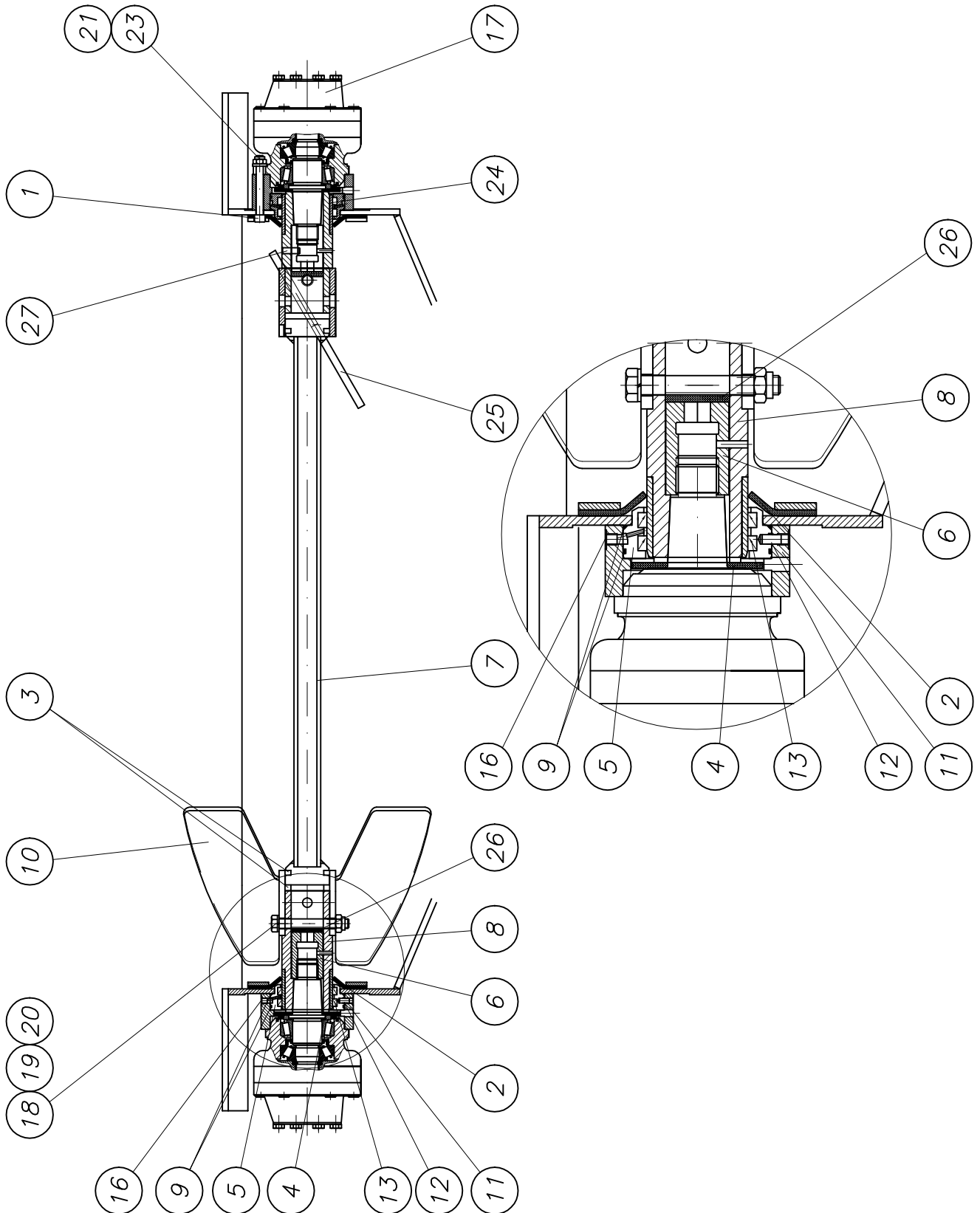
part list	description	created	index	valid from	valid to	
B225090	cover for hopper cpl.	18.05.05 hbk	a	26.10.05		
pos	description stock	ident-no dimensions	DIN material	index	weighth Kg	quantity unit
24	hex. nut M6	WAI101624				12,00 Stk
25	cup square neck bolt M 10 x 25	WAI103971				6,00 Stk
26	hex. nut M10 DIN985 8.	WAI102125			0,01	6,00 Stk
27	washer 10.5	WAI101559			0,20	6,00 Stk
28	excentric lever, TUB043050	WAI109856				2,00 Stk
29	cap nut M8	WAI104933				6,00 Stk
30	washer 8.4	WAI101625				8,00 Stk
31	ring screw M 08	WAI109871			0,10	2,00 Stk
32	stop nut M8 DIN985 8. VERZ.	WAI102111			0,05	2,00 Stk

*Rührwerk mit Antrieb kpl.*  
*agitator with drive cpl.*

**B 25 5 080**



Waitzinger  
Baumaschinen GmbH







## PARTS LIST

part list	description	created	index	valid from	valid to	
B255080	agitator with drive	13.06.05 TECHNIK				
pos	description stock	ident-no dimensions	DIN material	index	weighth Kg	quantity unit
1	washer cpl. own parts list	B255092			1,00	2,00 Stk
2	seal disc	B255044 5xd 240	Gummi 70 Shore	a 31.03.04		2,00 Stk
3	sealing	B255083 Gummi 8x 76x 76	Gummi 60Shore			4,00 Stk
4	seal disc	B254109 5xDurchm.110	Gummi 60 Sho			2,00 Stk
5	sealing carrier	B255078 Rd 140x 50	DIN 1013 S355J2G3		0,31	2,00 Stk
6	shell	B255025 Rd 50x84	1013 S355J2G3	a 17.09.03	0,70	2,00 Stk
7	agitat shaft complete own parts list	B255079				1,00 Stk
8	shaft	B255028 Rd 85x208	1013 S355J2G3	c 01.07.05	5,00	2,00 Stk
9	O-ring 120 x 3	WAI108298				4,00 Stk
10	agitator cpl. left own parts list	B255085			4,50	1,00 Stk
11	motor support	B255076 Bl. 70x 155x 15	DIN EN10029 S235J2G3		4,80	2,00 Stk
12	set screw M 10x1x 20	WAI109709				2,00 Stk
13	groove ring 85-100-11.5	WAI102544			0,02	4,00 Stk
16	male stud LL6M 6 x 1	WAI102603				2,00 Stk
17	hydraulic motor MCR 3D 280 own parts list	WAI101240			28,00	2,00 Stk
18	washer DIN 6916 17	WAI101558			0,02	4,00 Stk
19	nut M16 DIN 985	WAI102330				4,00 Stk
20	hexagon bolt	WAI107513			0,21	4,00 Stk
21	hex. nut M12 DIN 985 8. VERZ.	WAI101626				2,00 Stk
23	washer	WAI102962			0,01	8,00 Stk

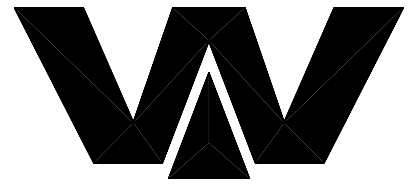


## PARTS LIST

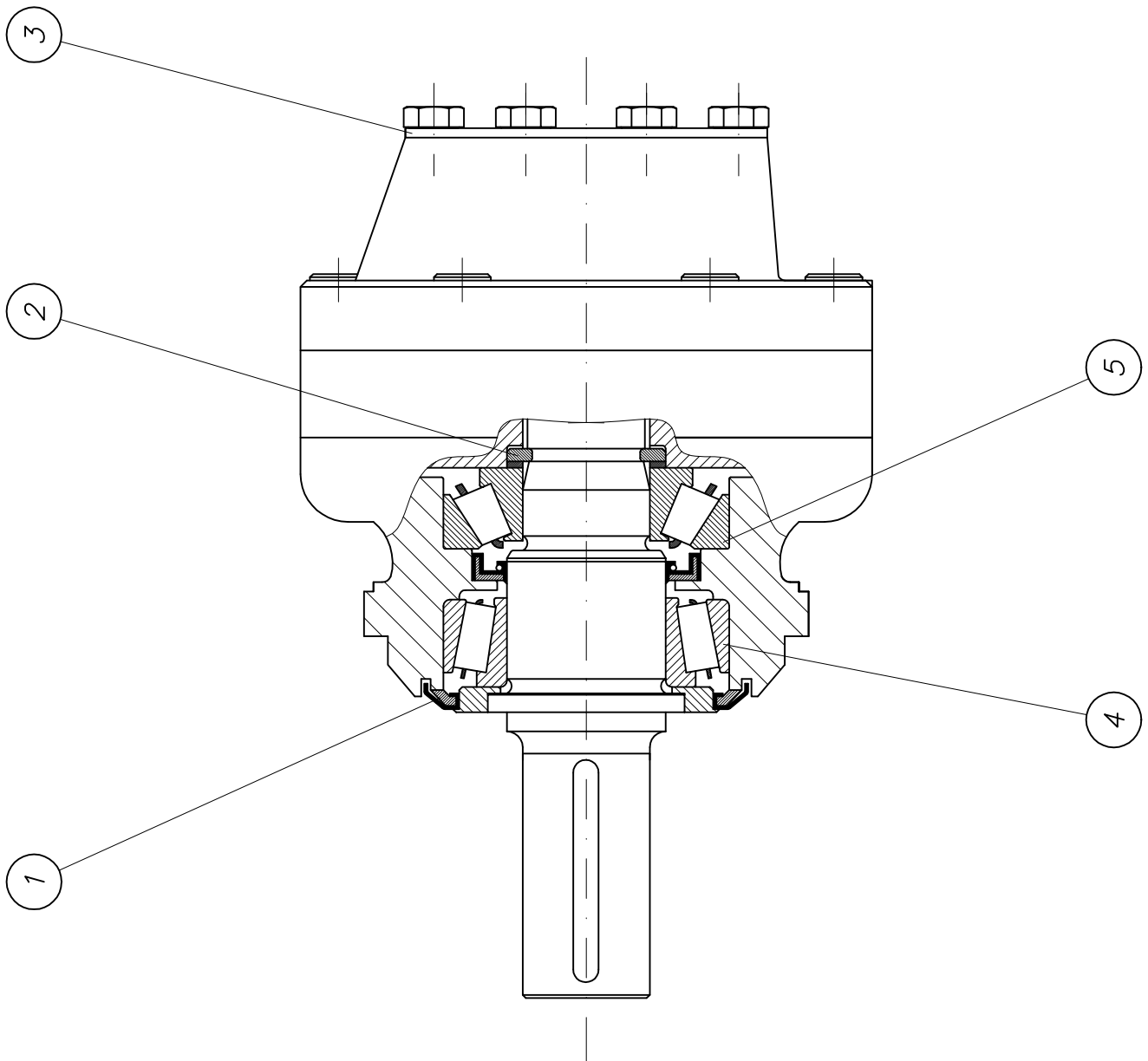
part list	description	created	index	valid from	valid to	
B255080	agitator with drive	13.06.05	TECHNIK			
pos	description stock	ident-no dimensions	DIN material	index	weighth Kg	quantity unit
24	wear sleeve	B253020 Rohr 101.6x13.5	2448 StE690	b 30.03.99	0,34	2,00 Stk
25	agitator cpl. right own parts list	B255088		a 28.07.05	4,50	1,00 Stk
26	seal disc	B255057 8xD53	Gummi 70 Shore			2,00 Stk
27	straight pin 10 H 6 x 30	WAI103065				2,00 Stk

*Hydraulikmotor*  
*hydraulic engine*

*WAI 101240*



*Waitzinger*  
*Baumaschinen GmbH*

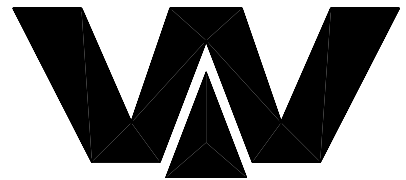




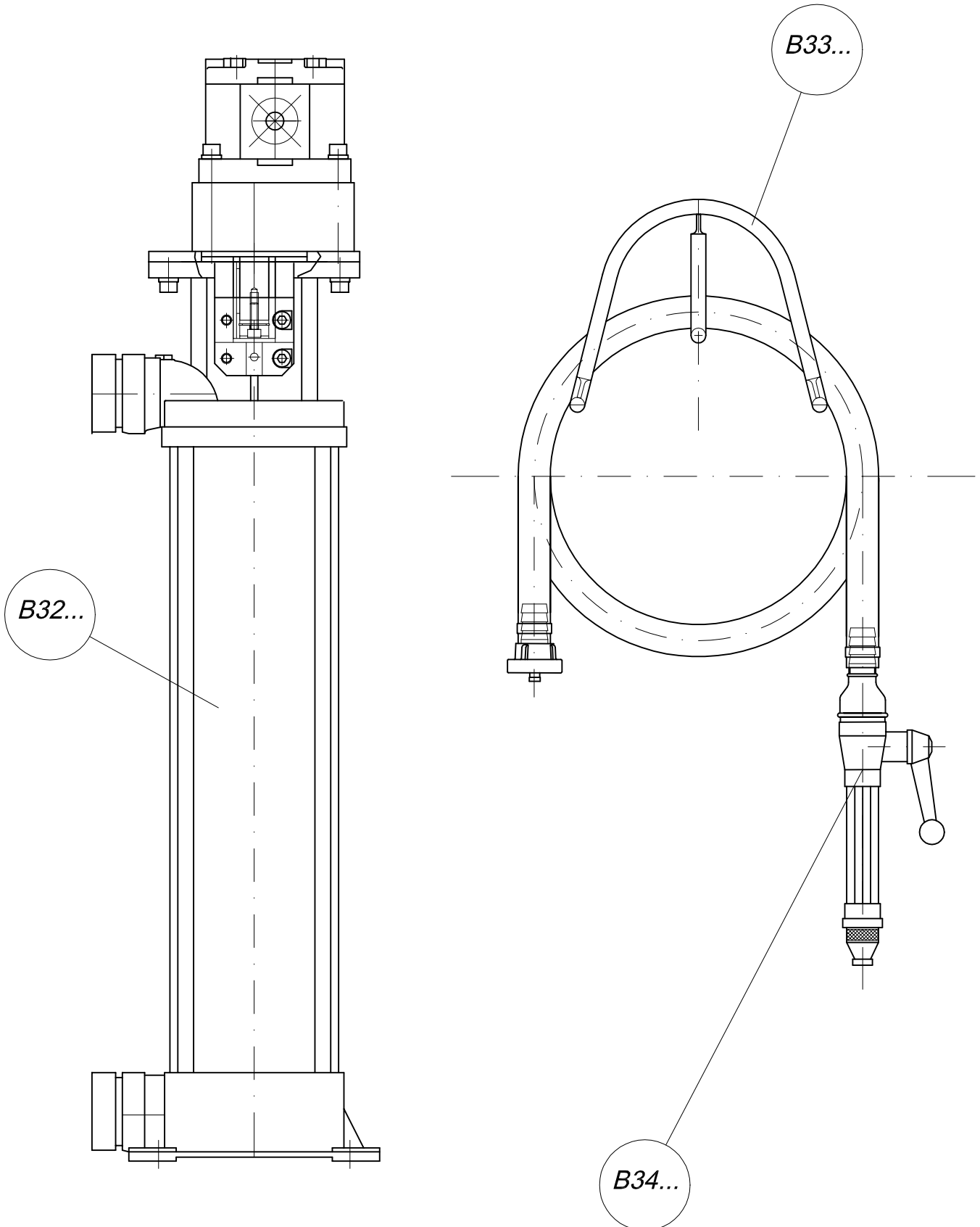
## PARTS LIST

<b>part list</b>	<b>description</b>	<b>created</b>	<b>index</b>	<b>valid from</b>	<b>valid to</b>	
WAI101240	hydraulic motor MCR 3D 280	27.08.99 Mi				
<b>pos</b>	<b>description stock</b>	<b>ident-no dimensions</b>	<b>DIN material</b>	<b>index</b>	<b>weighth Kg</b>	<b>quantity unit</b>
1	sealing set own parts list	WAI101241			0,10	1,00 Stk
2	split ring	WAI104395				1,00 Stk
3	cover f. mcr3 hydraulic motor	WAI104755				1,00 Stk
4	roller bearing 850717	WAI105715			0,70	1,00 Stk
5	roller bearing no. 851416	WAI105716			0,80	1,00 Stk

*Übersicht B 30 - B 39*  
*over view B 30 - B 39*



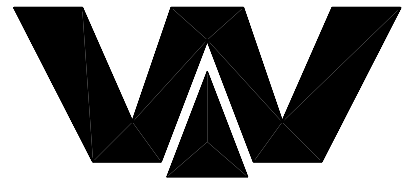
*Waitzinger  
Baumaschinen GmbH*



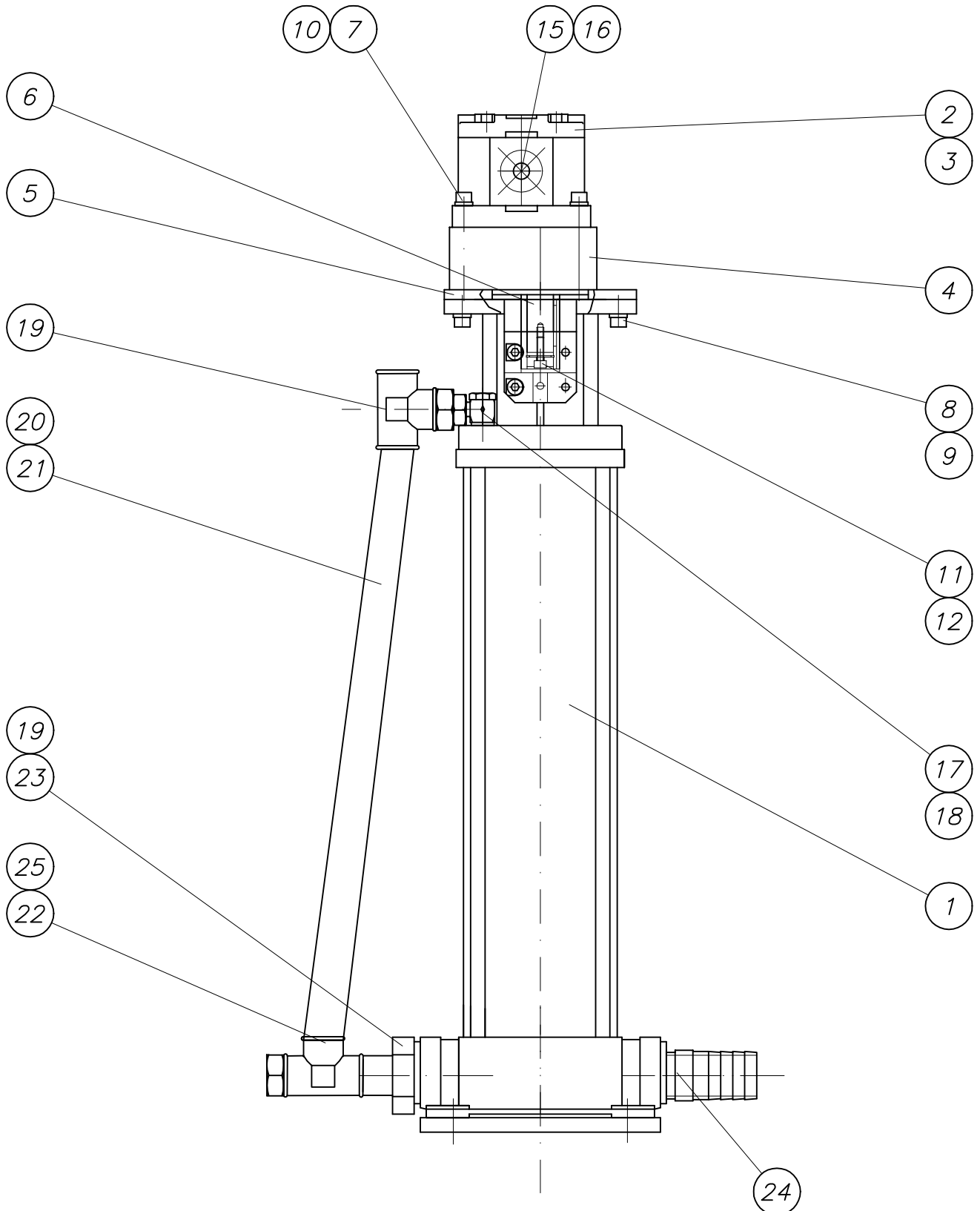
Wasserpumpe kpl.

water pump cpl.

B 32 3 070



Waitzinger  
Baumaschinen GmbH



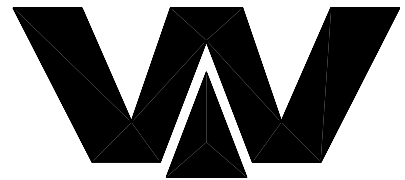


## PARTS LIST

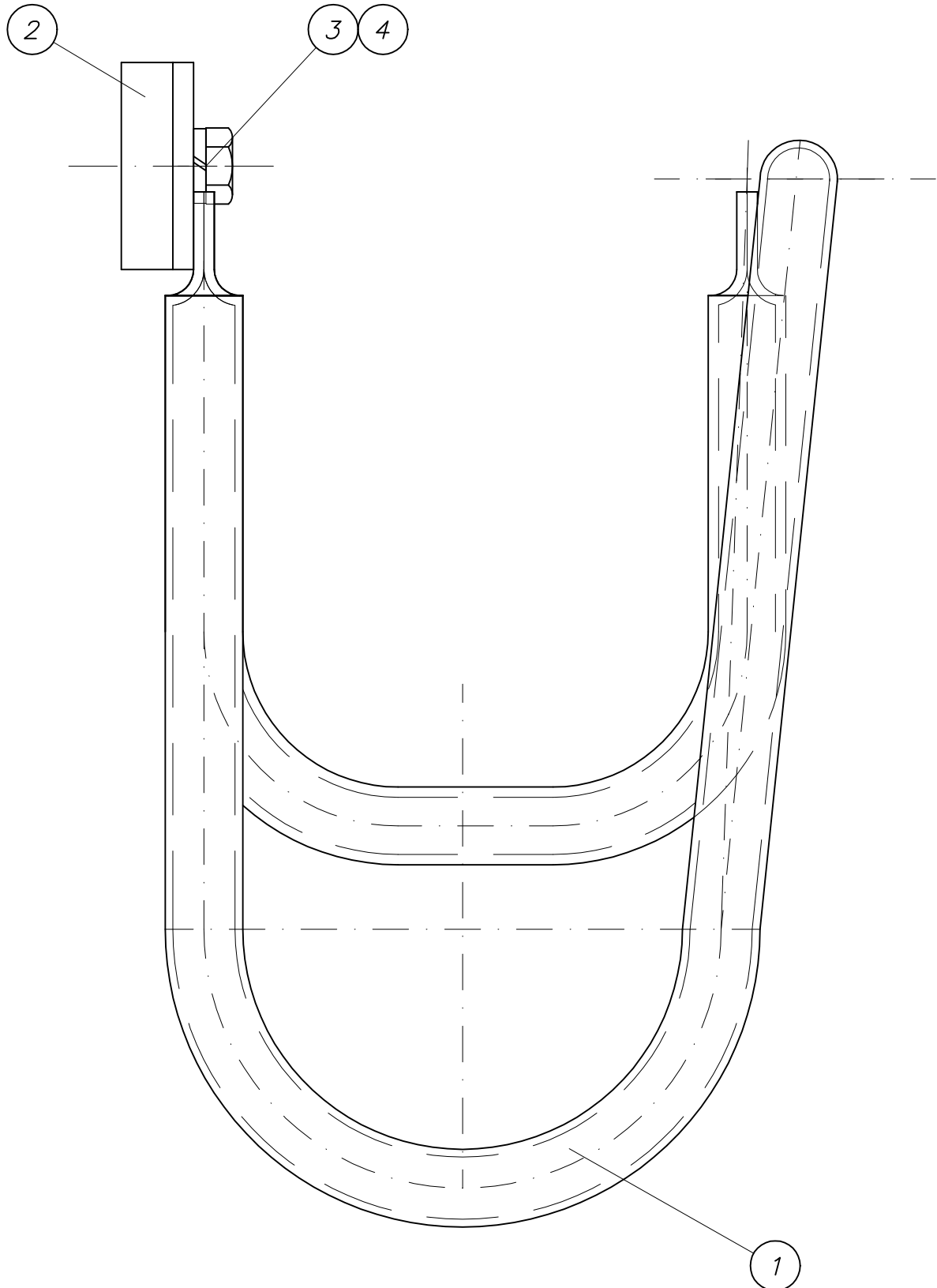
part list	description	created	index	valid from	valid to	
B323070	water pump with drive	02.04.03 rhbk				
pos	description stock	ident-no dimensions	DIN material	index	weighth Kg	quantity unit
1	water pump INV	WAI108082				1,00 Stk
2	gear motor own parts list	WAI105922				1,00 Stk
3	splined coupling	WAI102916				1,00 Stk
4	belt pulley support	WAI102915				1,00 Stk
5	flange	B323061 Rd 170 x12	1013 S235J2G3		1,35	1,00 Stk
6	coupling piece	B323019 Rd 38x58	670 ST50-k			1,00 Stk
7	alien bolt M 8x70	WAI105929				4,00 Stk
8	alien bolt M 8x25	WAI105930				5,00 Stk
10	spring washer	WAI100235			0,00	8,00 Stk
11	locking ring	WAI105931				1,00 Stk
12	washer	B323023 Rd 22x6	670 St50-2k		0,05	1,00 Stk
15	elbow flange coupling L15-40	WAI102678			0,23	1,00 Stk
16	elbow flange coupling L12-35	WAI105921			0,23	1,00 Stk
17	bow	WAI104163				1,00 Stk
18	thread red.adaptors"3/4-3/8"	WAI100347			0,09	1,00 Stk
19	t-piece	WAI103590				2,00 Stk
20	hose	WAI102117				0,50 Mtr
21	hose clamp 25-28 mm	WAI108309				4,00 Stk
22	hose socket	WAI105993				1,00 Stk
23	double nipple 3/4"	WAI103566				1,00 Stk
24	nipple	B323059 Rohr 42.4x4.5x9	2448 S235J2G3		0,30	1,00 Stk
25	connecting piece waterpump	B323062 Rohr 42,2x4.5x6	2448 S235J2G3		0,30	1,00 Stk

*Halter für Wasserschlauch kpl.*  
*holder for water pipe cpl.*

**B 33 0 020**



Waitzinger  
Baumaschinen GmbH



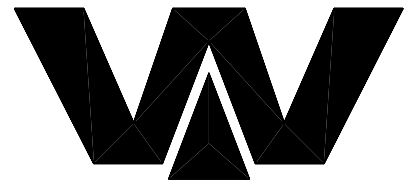




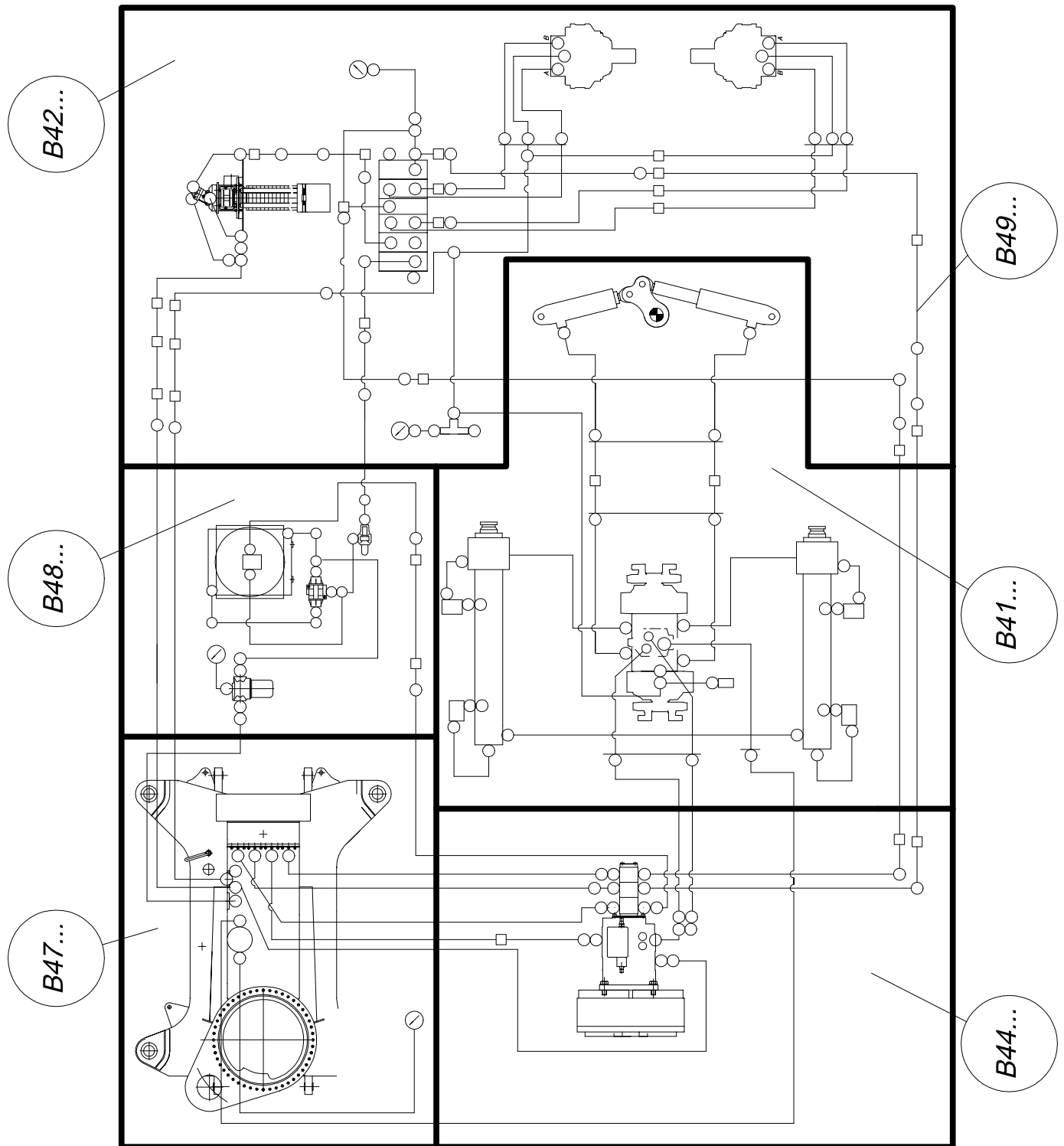
## PARTS LIST

part list	description	created	index	valid from	valid to	
B330020	holder for water hose	06.06.02 ek				
pos	description stock	ident-no dimensions	DIN material	index	weigh Kg	quantity unit
1	holder for water hose own parts list	B330015			1,00	1,00 Stk
2	flat bar	B330018 Bl 10x40x260	1543 St 37-2	a 27.09.02	0,30	1,00 Stk
3	hexagon bolt M 8 x 12 DIN 933 8.8	WAI103274				2,00 Stk
4	spring washer A8 DIN 127 VERZ.	WAI102205			0,00	2,00 Stk

*Übersicht B 40 - B 49*  
*over view B 40 - B 49*

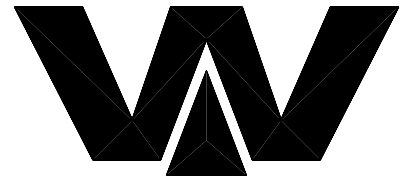


Waitzinger  
Baumaschinen GmbH

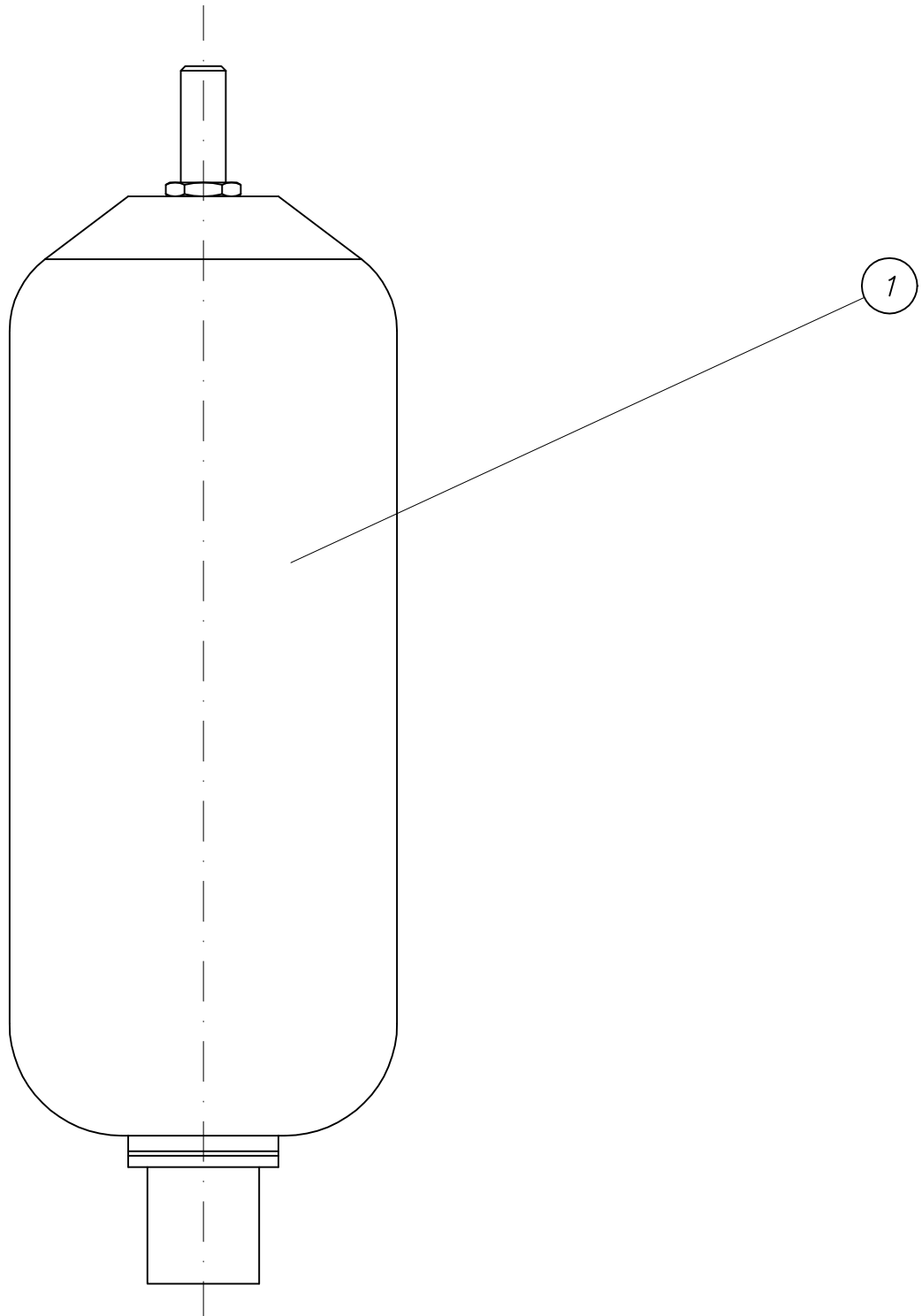


*Blasenspeicher*  
*hydraulic accumulator*

*WAI 103616*



*Waitzinger*  
*Baumaschinen GmbH*

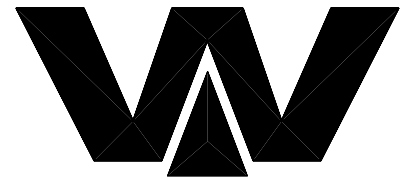




## PARTS LIST

<b>part list</b>	<b>description</b>	<b>created</b>	<b>index</b>	<b>valid from</b>	<b>valid to</b>	
WAI103616	hydraulic accumulator 6 liter	01.09.99 Mi				
<b>pos</b>	<b>description stock</b>	<b>ident-no dimensions</b>	<b>DIN material</b>	<b>index</b>	<b>weigh Kg</b>	<b>quantity unit</b>
1	spare bubble for hydraulic accumulator	WAI105555				1,00 Stk

*Übersicht B 50 - B 59*  
*over view B 50 - 59*



*Waitzinger*  
*Baumaschinen GmbH*

*B51...*

*Elektroschaltplan*  
*wiring diagram*

*B54...*

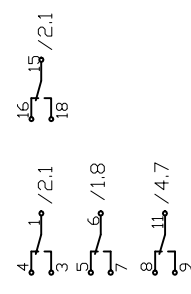
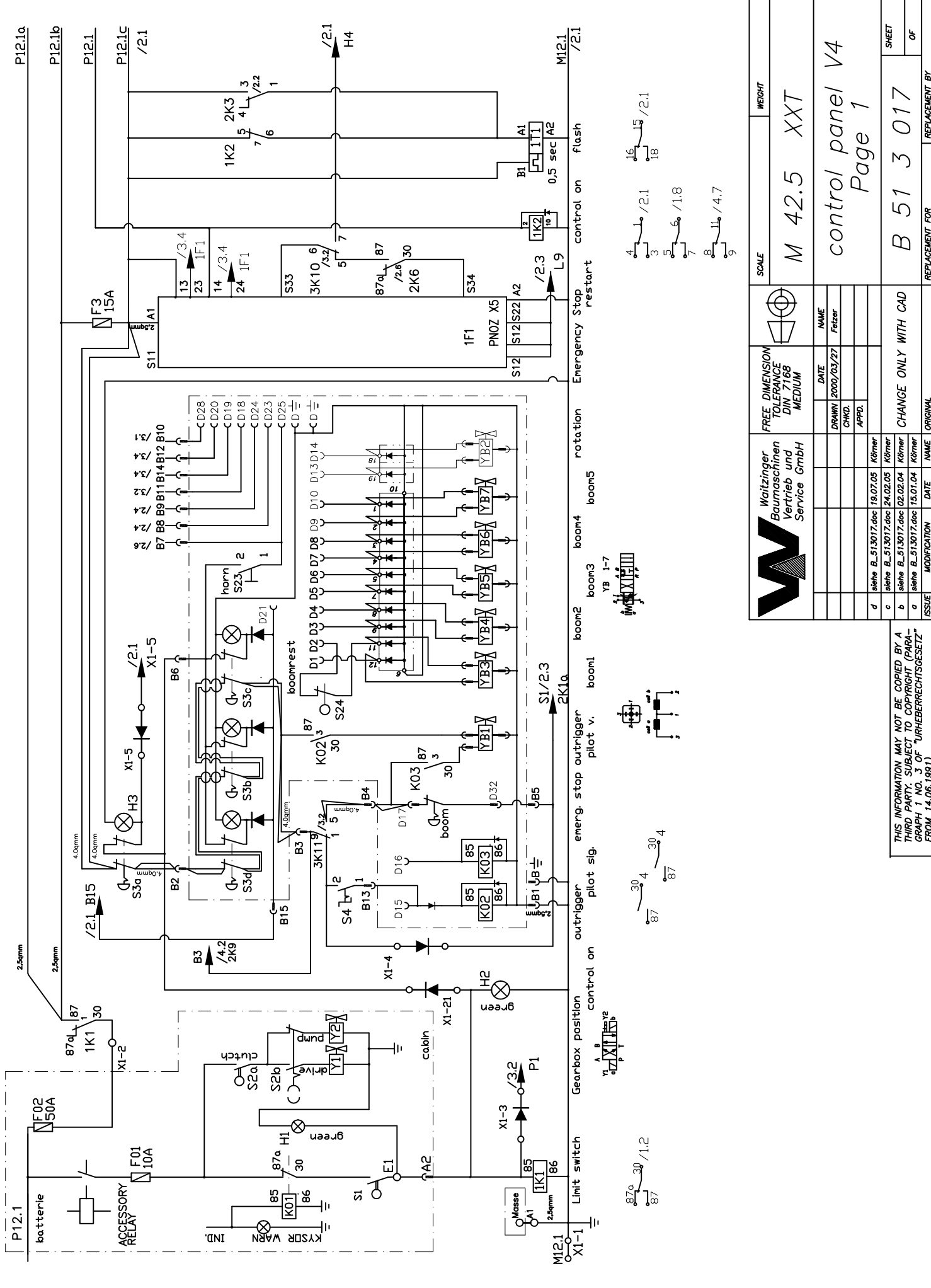
*Drehzahlverstellung*  
*rpm adjustment*

*B56...*

*Kabelbaum*  
*cable loop*

*B56...*

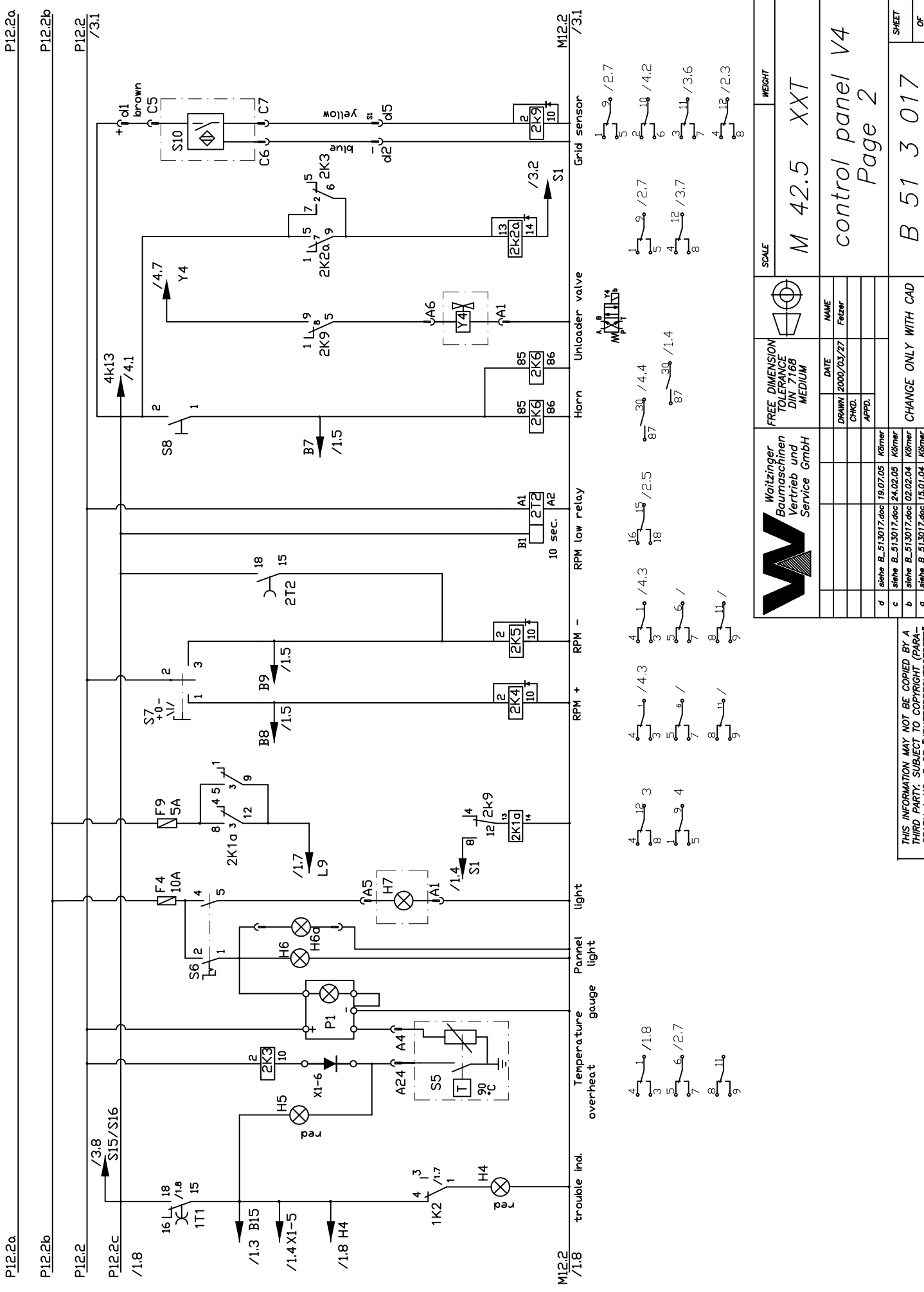
*Zubehör*  
*accessories*



SCALE		WEIGHT	
FREE DIMENSION TOLERANCE DIN 7168 MEDIUM		M 42.5 <b>XXT</b>	
		control panel V4 Page 1	
DATE	NAME	DATE	NAME
2000/03/27	Felzer		
CHKD.		APPD.	
d	siehe B. 513017.doc	19.07.05	Körner
c	siehe B. 513017.doc	24.02.05	Körner
b	siehe B. 513017.doc	02.02.04	Körner
a	siehe B. 513017.doc	15.01.04	Körner
ISSUE	MODIFICATION	DATE	NAME

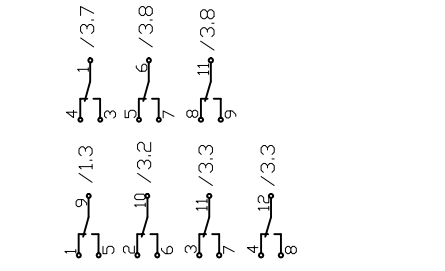
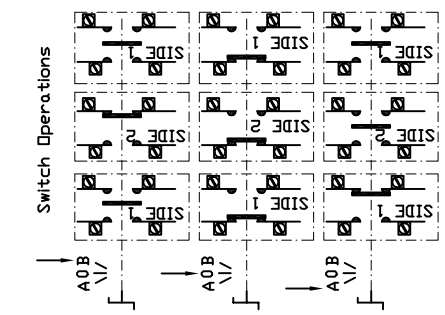
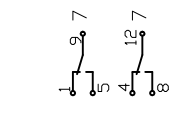
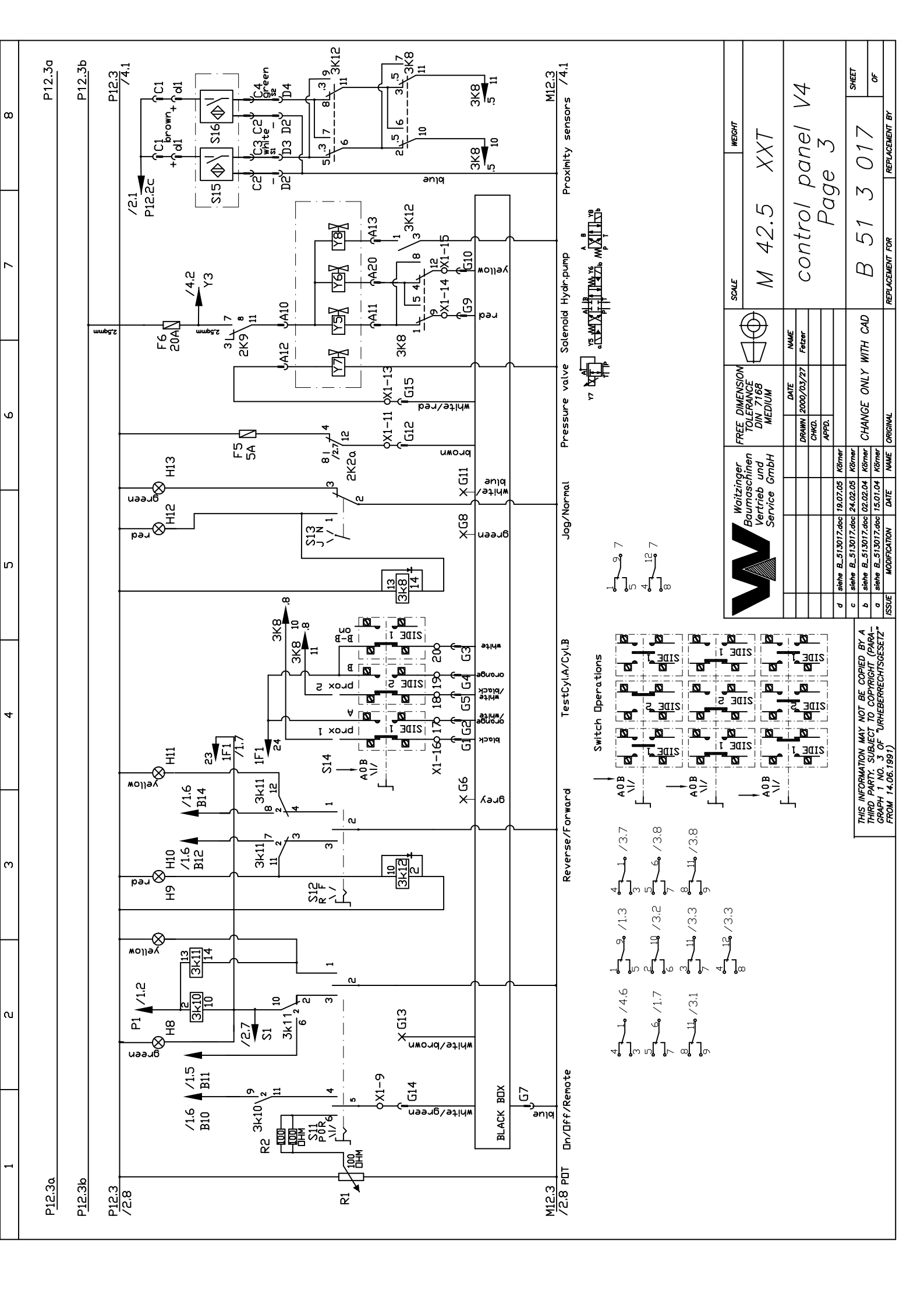
THIS INFORMATION MAY NOT BE COPIED BY A THIRD PARTY. SUBJECT TO COPYRIGHT (PARAGRAPH 1 NO. 3 OF "URheberRECHTSGESETZ" FROM 14.06.1991)

CHANGE ONLY WITH CAD		REPLACEMENT FOR	REPLACEMENT BY
B 51 3 017			
SHEET		OF	



SCALE		WEIGHT	
M 42.5		XXT	
control panel V4 Page 2			
FREE DIMENSION	DATE	NAME	
TOLERANCE	2000/03/27	Fetzer	
DIN 7168	CHKD.		
MEDIUM	APPD.		
d	siehe B_513017.doc	19.07.05	Körner
c	siehe B_513017.doc	24.02.05	Körner
b	siehe B_513017.doc	02.02.04	Körner
a	siehe B_513017.doc	15.01.04	Körner
ISSUE	MODIFICATION	DATE	NAME

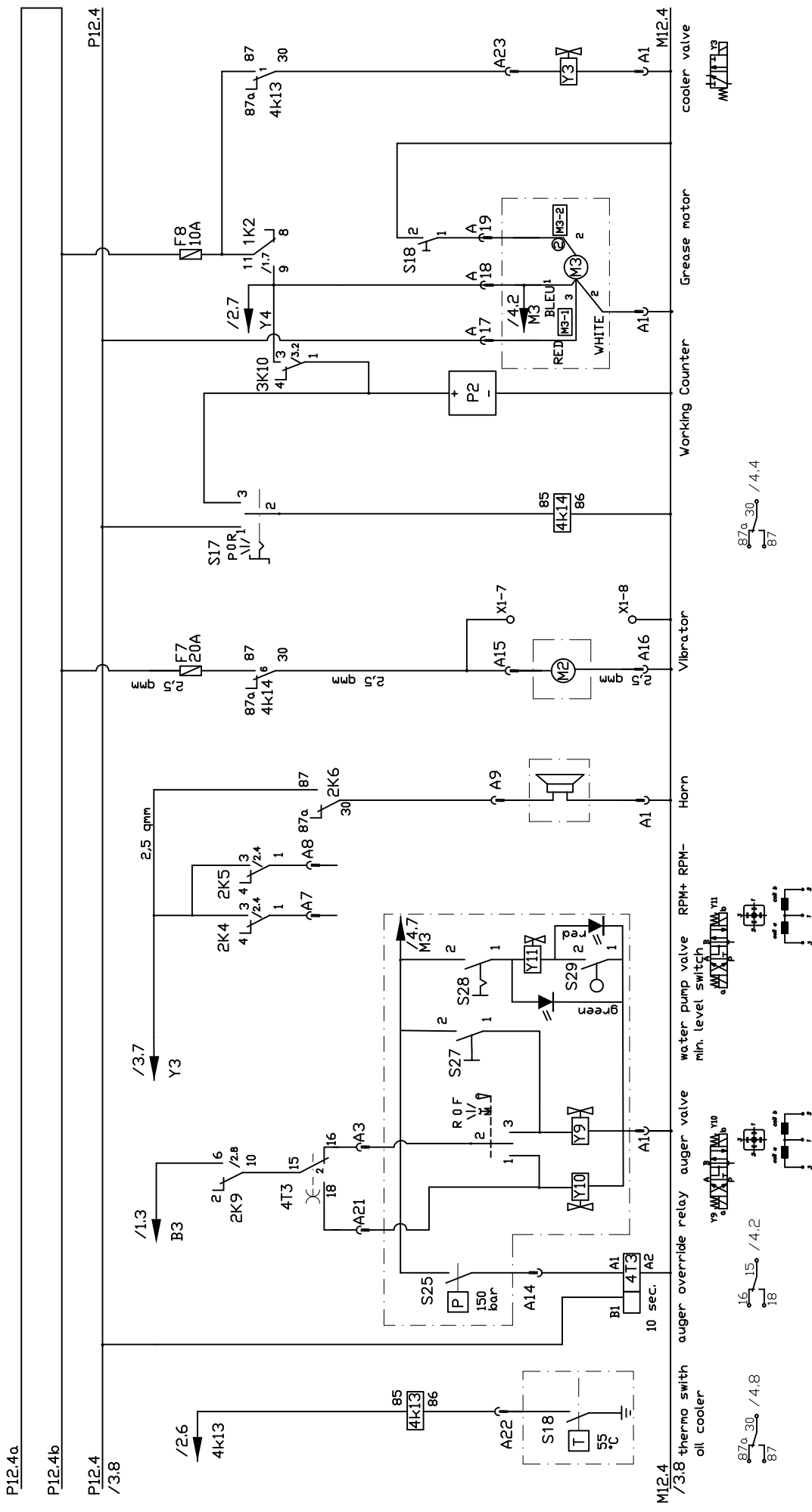
		THIS INFORMATION MAY NOT BE COPIED BY A THIRD PARTY. SUBJECT TO COPYRIGHT (PARA- GRAPH 1 NO. 3 OF "URheberRECHTSGESETZ" FROM 14.06.1991)	
CHANGE ONLY WITH CAD		REPLACEMENT FOR	REPLACEMENT BY
B 51 3 017			
SHEET		OF	
		SHEET	
		OF	



P12.3a	P12.3b	P12.3	M12.3
/2.8	/4.1	/4.1	/4.1
Reverse/Forward	TestCy/A/Cyl.B	Jog/Normal	Pressure valve Solenoid Hydr-pump
Drn/Dff/Remote			
SCALE	M 42.5		
WEIGHT	control panel V4		
	Page 3		
FREE DIMENSION TOLERANCE DIN 7168 MEDIUM	DATE	NAME	
	2000/03/27	Felzer	
	CHKD.		
	APPD.		
d	siehe B_513017.doc	19.07.05	Körner
c	siehe B_513017.doc	24.02.05	Körner
b	siehe B_513017.doc	02.02.04	Körner
a	siehe B_513017.doc	15.01.04	Körner
ISSUE	MODIFICATION	DATE	NAME
CHANGE ONLY WITH CAD	REPLACEMENT FOR		
B 51 3 017	REPLACEMENT BY		
SHEET	OF		

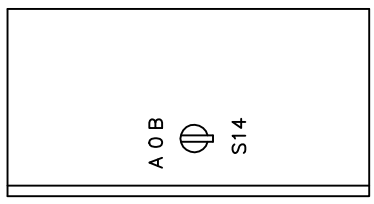
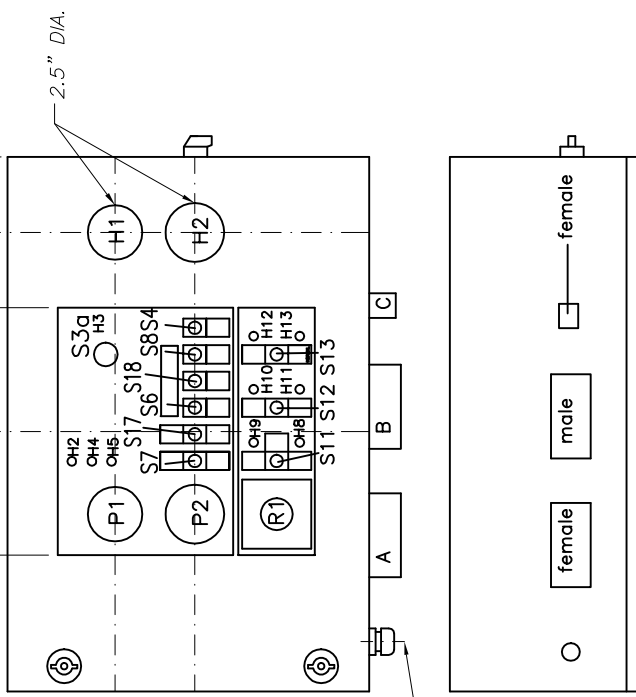
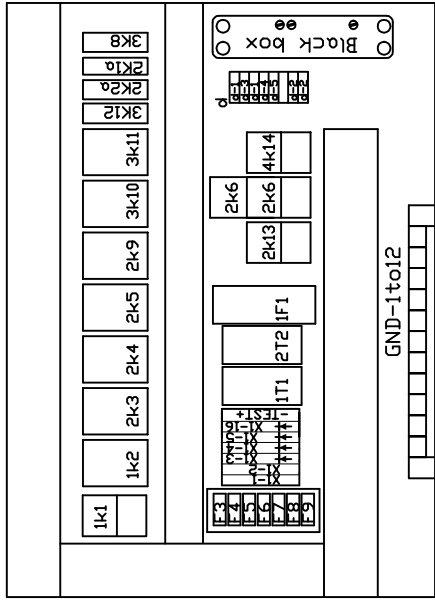
THIS INFORMATION MAY NOT BE COPIED BY A THIRD PARTY. SUBJECT TO COPYRIGHT (PARAGRAPH 1 NO. 3 OF "URheberRECHTSGESETZ" FROM 14.06.1997)



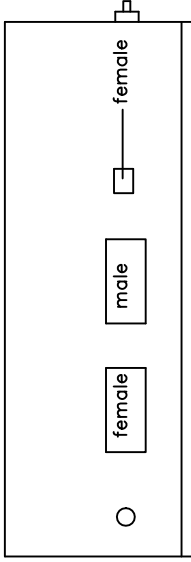


SCALE M 42.5 XXT		WEIGHT control panel V4 Page 4	
FREE DIMENSION TOLERANCE DIN 7168 MEDIUM		DATE 2000/03/27	NAME Felzer
Waizinger Baumaschinen Vertrieb und Service GmbH		CHKD. APPD.	ORIGINAL
d	siehe B_513017.doc	19.07.05	Körner
c	siehe B_513017.doc	24.02.05	Körner
b	siehe B_513017.doc	02.02.04	Körner
a	siehe B_513017.doc	15.01.04	Körner
ISSUE	MODIFICATION	DATE	NAME
CHANGE ONLY WITH CAD		REPLACEMENT FOR	
B 51 3 017		REPLACEMENT BY	
SHEET		OF	

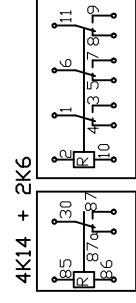
THIS INFORMATION MAY NOT BE COPIED BY A THIRD PARTY. SUBJECT TO COPYRIGHT (PARAGRAPH 1 NO. 3 OF "URheberRECHTSGESETZ" FROM 14.06.1991)



move toward the hinge 25mm



	FREE DIMENSION TOLERANCE	SCALE	WEIGHT
	DIN 7188 MEDIUM	M 42.5	XXT
	DATE	control panel V4	
	2000/03/27	Page 5	
	CHKD.		
	APPD.		
d	siehe B_513017.doc	19.07.05	Körner
c	siehe B_513017.doc	24.02.05	Körner
b	siehe B_513017.doc	02.02.04	Körner
a	siehe B_513017.doc	15.01.04	Körner
ISSUE	MODIFICATION	DATE	NAME
CHANGE ONLY WITH CAD		REPLACEMENT FOR	B 51 3 017
		ORIGINAL	SHEET
			OF



THIS INFORMATION MAY NOT BE COPIED BY A THIRD PARTY. SUBJECT TO COPYRIGHT (PARAGRAPH 1 NO. 3 OF "URheberRECHTSGESETZ" FROM 14.06.1991)



Stückliste	Benennung	Anlage	Änderungsindex	gültig ab	gültig bis	
B513017	SCHALTPULT WAI 106059 VERSION 4	07.02.01 Mi	c	24.02.05		
Pos	Bezeichnung Rohmaterial	Sach-Nr. Abmessung	DIN Werkstoff	Index	Gewicht Kg	Anzahl Einheit
1	Not-Stop Schalter	WAI105094				1,00 Stk
2	Kontaktblock m. Lampenfassung	WAI105095				1,00 Stk
3	Schild "emergency - stop" ZB2-BY9330	WAI102278				1,00 Stk
4	Lampe 12V-2W BA 9S	WAI104083			0,10	1,00 Stk
5	LED-Signalleuchte 12 VDC 14 mm, rot	WAI105811				4,00 Stk
6	LED-Signalleuchte 12 VDC 14 mm, gelb	WAI105812				2,00 Stk
7	LED-Signalleuchte 12 VDC 14 mm, grün	WAI105813				3,00 Stk
8	Hebelschalter - abged. MOM-OFF-MOM 2	WAI103976				1,00 Stk
9	Hebelschalter - abgedichtet ON-OFF-ON	WAI104090				2,00 Stk
10	Hebelschalter - abgedichtet MON-ON	WAI104091				2,00 Stk
11	Hebelschalter - abgedichtet ON-OFF	WAI104089				2,00 Stk
12	Hebelschalter - abgedichtet ON-ON	WAI104092			0,10	2,00 Stk
13	Relais - Industrie 3W, 12VDC	WAI104093				7,00 Stk
14	Relaissockel 11-pol. ohne Diode	WAI104859				2,00 Stk
15	Relaissockel 10A, 380V, 11 Pins	WAI100178				5,00 Stk
16	Haltebügel f. Industrirelais	WAI104094				7,00 Stk
17	Sicherungskasten	WAI101577				1,00 Stk
18	Stecksicherung 5 A	WAI101922				1,00 Stk
19	Stecksicherung 10 A	WAI101921				3,00 Stk
20	Stecksicherung 20 A	WAI104096				2,00 Stk



Stückliste	Benennung	Anlage	Änderungsindex	gültig ab	gültig bis	
B513017	SCHALTPULT WAI 106059 VERSION 4	07.02.01 Mi	c	24.02.05		
Pos	Bezeichnung Rohmaterial	Sach-Nr. Abmessung	DIN Werkstoff	Index	Gewicht Kg	Anzahl Einheit
21	Betriebsstundenzähler	WAI100900				1,00 Stk
22	Anbaugehäuse CNI 16	WAI104097				1,00 Stk
23	Steckereinsatz 1-16 pol.	WAI104022				1,00 Stk
24	Anbaugehäuse 24-pol. Gr. 8	WAI101533				1,00 Stk
25	Steckdoseneinsatz 24-pol.	WAI100710				1,00 Stk
26	Erdungsschiene für Steuerpult WAI100251	WAI102577				1,00 Stk
27	Schaltplantasche	WAI104099				1,00 Stk
28	Gummipuffer 25 x 20 2 Bolzen	WAI104100				4,00 Stk
29	Verteilersystem 4-fach MVP 12	WAI105998				1,00 Stk
30	Lampe 12V-5W	WAI104101			0,10	3,00 Stk
31	Potentiometer 100 Ohm	WAI104103				1,00 Stk
32	Potentiometer - Antrieb schwarz	WAI104104				1,00 Stk
33	Kabelverschraubung PG21	WAI104109				1,00 Stk
34	Kabelverschraubung PG11	WAI104110				1,00 Stk
35	Gegenmutter PG21	WAI104114				1,00 Stk
36	Stecker für UK 4-TG leer ST-BE	WAI106395				1,00 Stk
37	Relais 12 VDC, 1W	WAI104117				4,00 Stk
38	Relaissockel für Bosch Relais	WAI100986				4,00 Stk
39	Gegenmutter PG11	WAI104112				1,00 Stk
40	Relais - Hochl. 12VDC, 70A, 1S	WAI104122				1,00 Stk

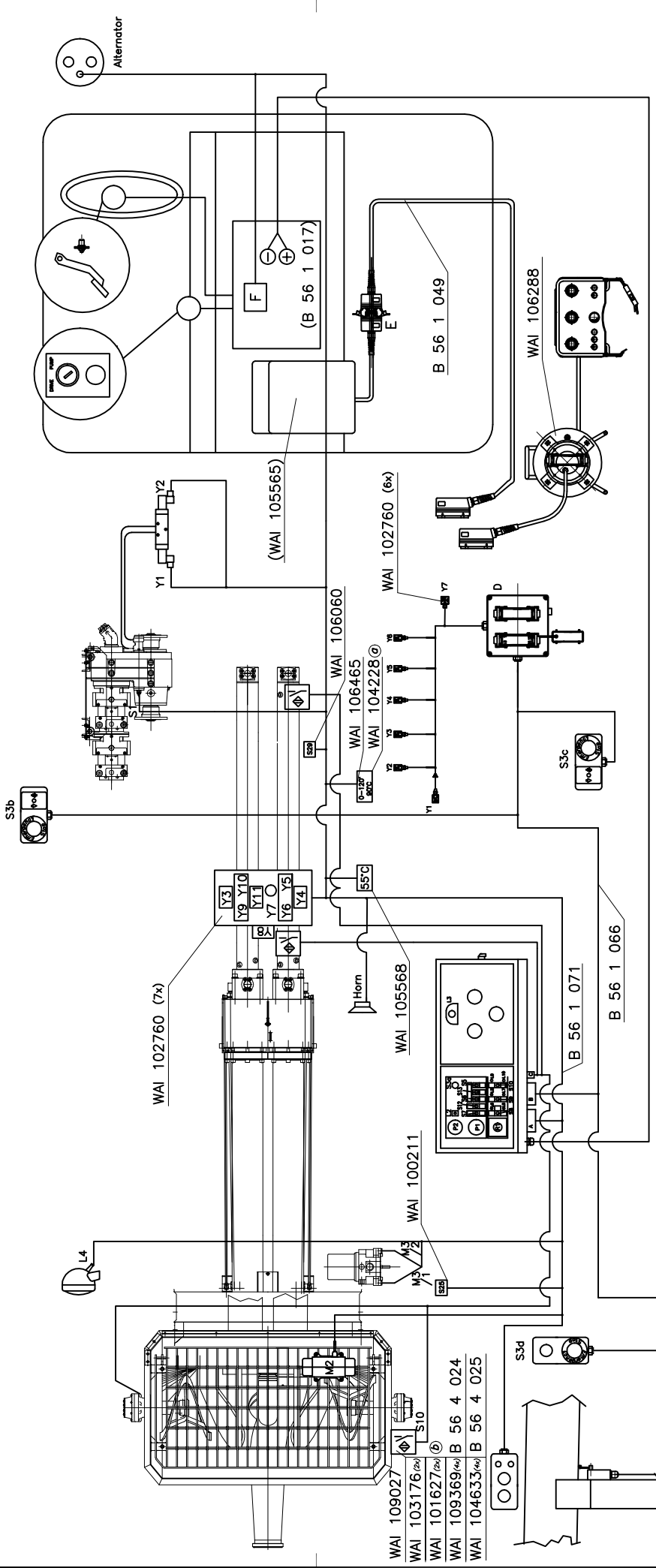


Stückliste	Benennung	Anlage	Änderungsindex	gültig ab	gültig bis	
B513017	SCHALTPULT WAI 106059 VERSION 4	07.02.01 Mi	c	24.02.05		
Pos	Bezeichnung Rohmaterial	Sach-Nr. Abmessung	DIN Werkstoff	Index	Gewicht Kg	Anzahl Einheit
41	Relaissockel	WAI105619				1,00 Stk
42	Kabelverschraubung PG16 vernickelt	WAI102933				1,00 Stk
43	Widerstand 100 Ohm, 4,5W	WAI104118				2,00 Stk
47	Durchgangsklemme grau 2-Leiter 6qmm	WAI105817				2,00 Stk
48	Abschluß- und Zwischenplatte orange	WAI105818				1,00 Stk
49	Knebel	WAI100968				1,00 Stk
50	Halter	WAI100287				1,00 Stk
51	Schaltelement	WAI100969				3,00 Stk
52	Schalter - Brücke 3SB1S12OAN	WAI103735				2,00 Stk
53	Relais - Miniatur DC 12V 4 Wechsler	WAI105046				4,00 Stk
54	Kondensatablauf	WAI104669				1,00 Stk
55	Klemme UK 4-TG	WAI104186				7,00 Stk
56	Stecker m. Diode, ST-1N4007	WAI104185				6,00 Stk
57	Crimpkontakt - Stift 0,75 - 1 qmm	WAI103695				2,00 Stk
59	Relais - Zeit blinkend RZ12Ti-01	WAI105331				1,00 Stk
60	Relais - Ausschalt-Wisch EZ12RV-001	WAI105815				1,00 Stk
61	Not-Aus-Schaltgerät PNOZ X5	WAI105814				1,00 Stk
62	Alu-Klebeschild m. Bohr. für WAI105542	WAI105819				1,00 Stk
63	Klemme UK 5 N f. Hutschiene	WAI104671				2,00 Stk
64	Fassung 14-pol. m. Freilaufdiode	WAI103974			0,02	4,00 Stk



# STÜCKLISTEN-DRUCK

Stückliste	Benennung	Anlage	Änderungsindex	gültig ab	gültig bis	
B513017	SCHALTPULT WAI 106059 VERSION 4	07.02.01 Mi	c	24.02.05		
Pos	Bezeichnung Rohmaterial	Sach-Nr. Abmessung	DIN Werkstoff	Index	Gewicht Kg	Anzahl Einheit
65	Haltebügel f. Miniaturrelais	WAI104860			0,02	4,00 Stk
66	Fernthermometer 12 Volt	WAI105823				1,00 Stk
67	Black box	WAI104442				1,00 Stk
68	Gegenmutter CE16 PA 6	WAI104519				1,00 Stk
69	Leuchte innen 2JA 001 330-001	WAI106402				1,00 Stk
71	Relais - Zeit 12V, Multifunktion	WAI106393				1,00 Stk
72	Kennzeichenleuchte klein 2KA 001 389-10	WAI106182				1,00 Stk



**PLUG A**

1	Y3/4+M3/1+	brn	
2	Y4+Y7+FM	blk/whi	
3	S1>F1	red/yel	
4	Y3-1	blk	
5	temp. switch	yel/whi	
6	Y4-1	grn/whi	
7	F3	blu	
8	F2	blk	
9	Horn	blk	
10	Y5-1/hopper	blk/grn	
11	Y5-2	blk/red	
12	Y7	grn/red	
13	Y8	whi/brn	
14	Y9	vio	
15	M2	blk	
16	M2	blu	
17	M3/1-1	grn	
18	M3/1-3	grn	
19	M3/2-2	yel	
20	Y6	whi	
21	temp switch	whi	
22	temp switch	whi	
23	Y10	grn	
24	free	grn	
F5		red	
F6		grn/blk	

**PLUG B**

1	D10-4h	brn	ground
2	S3b	gry	emergency stop
3	S3c	blk	emergency stop
4	D13	blu	emergency stop
5	D 22	gry/red	emergency stop
6	S3b-d	white	emergency stop
7	D 20	whi/grn	horn
8	D 15	grn	RPM +
9	D 16	blk/whi	RPM -
10	D 24	vio	Pot
11	D 17	blk/grn	pumping on
12	D 19	gry/blk	reverse
13	free	free	free
14	D 18	blu/whi	pumping
15	D 21	blk/red	flashing light
16	free	free	free

**PLUG C**

1	pin No.	Wire No.	function
2	1	brown +	
3	2	blue	-
4	3	black	Sensor 1
5	4	black	Sensor 2
6	5	black	
7	6	black	
8	7	black	

**PLUG D**

A 1	brn	ground	
1	Y3/3	brn/whi	boom 1 up
2	Y3/2	blu	boom 1 down
3	Y4/3	grn/whi	boom 2 up
4	Y4/2	blk/grn	boom 2 down
5	Y5/3	gry/blk	boom 3 up
6	Y5/2	blk/whi	boom 3 down
7	Y6/3	blk/red	boom 4 up
8	Y6/2	gry/red	boom 4 down
9	free	free	free
10	free	brn	ground
11	Y2/2	vio	turn clockwise
12	Y2/3	blu/whi	turn anticlockw.
13	B4	red	plus
14	Y1/2/3	gry	pilot valve
15	B 8	grn	RPM +
16	B 9	blk/whi	RPM -
17	B 11	blk/grn	pumping on
18	B 14	blu/whi	pumping
19	B 12	gry/blk	reverse
20	B 7	whi/grn	horn
21	B 15	blk/red	free
22	B 5	gry/red	emergency stop
23	Y7	brn/whi	free
24	B 10	vio	POT

**PLUG E**

pin No.	Wire No.	function	Wire No.	function
1	1	power supply 12V	17	boom 4 up
2	3	emergency stop	31	boom 3 down
3	4	12 V+	19	boom 3 up
4	5	RPM-	20	turn clockwise
5	6	free	21	turn anticlockw.
6	8	horn	22	boom 1 down
7	11	RPM+	23	boom 1 up
8	13	pump on	24	boom 2 down
9	9	GN	25	boom 2 up
10	14	reverse	26	free
11	25	pilot valve	27	free
12	-	free	28	pump speed pot
13	-	free	29	free
14	-	free	30	free
15	-	free	31	free
16	33	boom 4 down	32	free

**TERMINAL F**

blk/whi	A2
whi	S1
grn	Y1
gry/whi	Y2
blu	A7
blk	A8
vio	Lima D
brn	⊖
red	reserve
gry/blk	reserve

SCALE: without weight

own parts list

**Waltzinger Baumaschinen Vertrieb und Service GmbH**

FREE DIMENSION TOLERANCES DIN 7168 MEDIUM

DATE: 2002/03/28

NAME: M

DRWING: 2002/03/28

CHNGD: APPD.

CHANGE ONLY WITH CAD

REPLACEMENT FOR: B 56 1 070

REPLACEMENT BY:

Cable harness / accessories REED V4

SHEET OF

THIS INFORMATION MAY NOT BE COPIED BY A THIRD PARTY, SUBJECT TO COPYRIGHT (PATENT) FROM 14.06.1991

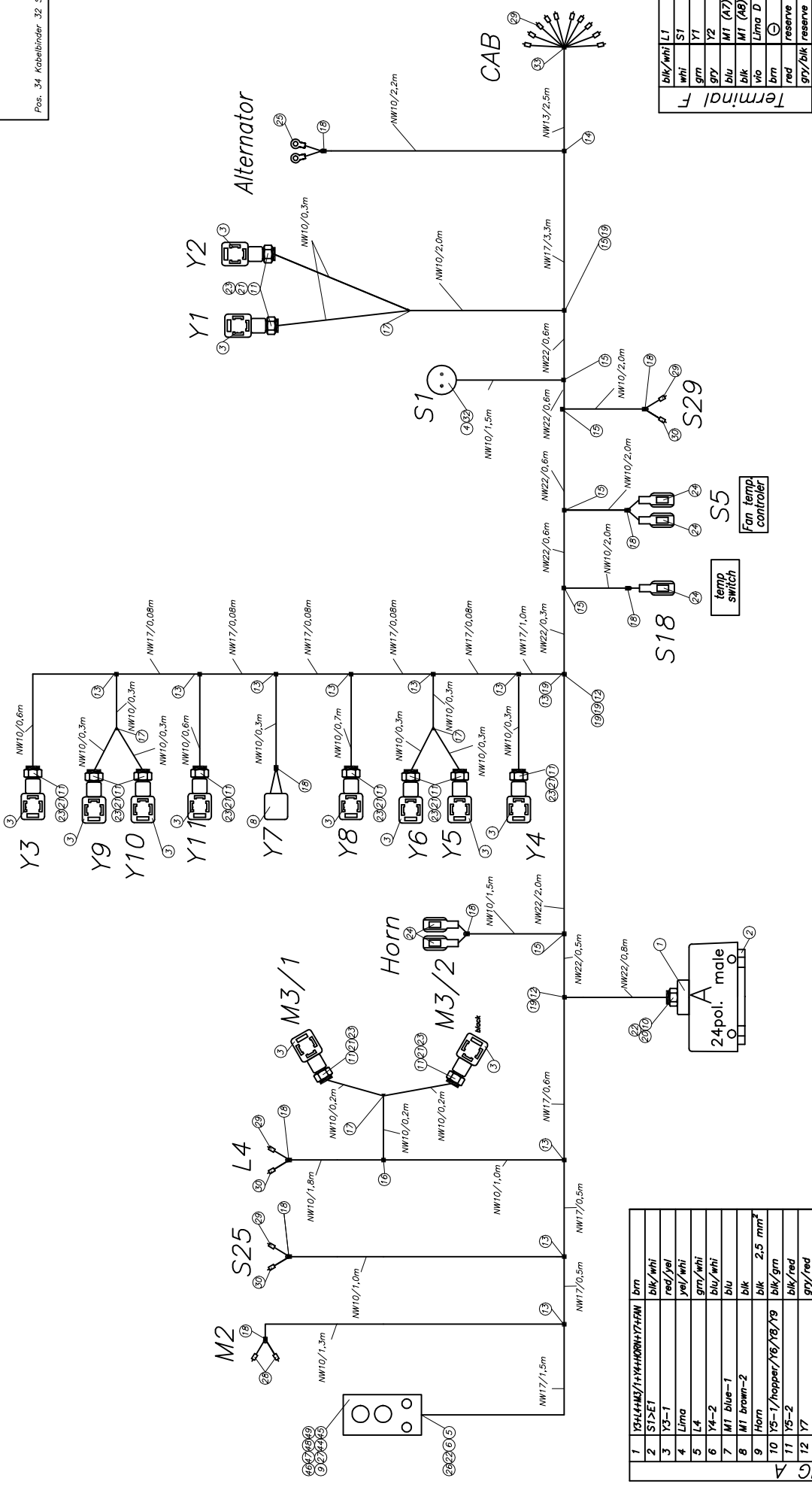


## PARTS LIST

part list	description	created	index	valid from	valid to	
B561070	cable harness closed loop version IV	28.03.00 Mi	b	07.11.05		
pos	description stock	ident-no dimensions	DIN material	index	weighth Kg	quantity unit
1	cable harness boom REED V III own parts list	B561066		e 09.11.05	9,00	1,00 Stk
2	cable harness pump REED CL 32/36 V IV own parts list	B561071				1,00 Stk
3	cable cpl. for cable control own parts list	B561049				1,00 Stk
4	cable drum + 35m cable (34 x 0,5) own parts list	WAI106288				1,00 Stk
5	anti-interference device	WAI102760				14,00 Stk
6	thermo sensor	WAI104228				1,00 Stk
7	thermo sensor 55 degrees C	WAI105568			0,10	1,00 Stk
8	pressure switch	WAI100211			0,87	1,00 Stk
9	switch swimmer	WAI106060				1,00 Stk
10	sealing ring 14x18x2	WAI106465				1,00 Stk
11	switch	WAI109027				1,00 Stk
12	countersunk screw	WAI103176				2,00 Stk
13	washer 6.4	WAI101627				2,00 Stk
14	cheese head screw M 4 x 30	WAI109369				4,00 Stk
15	washer 4	WAI104633				4,00 Stk
16	plate	B564024 Bl 6x45x80	1543/EN10029 S235J2G3		0,16	1,00 Stk
17	plate	B564025 Bl 3x180x183	1543/EN10029 S235J2G3		0,16	1,00 Stk



Loose Teil:  
Pos. 34 Kabelbinder 32 Stück



1	Y3H4M3/1+Y4HORN+Y7+Y8	brn
2	S1>E1	blk/whi
3	Y3-1	red/yel
4	L4	yel/whi
5	L4	grn/whi
6	Y4-2	blk/whi
7	M1 blue-1	blu
8	M1 brown-2	blk
9	Horn	blk 2.5 mm <sup>2</sup>
10	Y5-1/hopper/Y6/Y8/Y9	blk grn
11	Y5-2	blk/red
12	Y7	gry/red
13	Y8	whi/brn
14	Y9	vio
15	M2	blk 2.5 mm <sup>2</sup>
16	M2	blu 2.5 mm <sup>2</sup>
17	M3/1-1	gry
18	M3/1-3	grn
19	M3/2-2	yel
20	Y6	whi
21		
22		
23	Fan	grn
24	SS	yel/whi
	Res. F	red
	Res. F	gry/blk

	free dimension tolerance DIN 7168 medium	name MI		cable loop pump REED cl 37m	sheet 1 of 2
	date 1999/07/13	name MI			
	name Waitzinger Baumaschinen Vertrieb und Service GmbH	date	scale 1:1	weight 00 N	replacement for B 56 1 071
issue MODIFICATION	original change only with CAD	name 	semi-finished product Material		

this information may not be copied by a third party. Subject to copyright (patent law) no. 3 of (Urheberrechtsgesetz) From 14.06.1991



## PARTS LIST

part list	description	created	index	valid from	valid to	
B561071	cable harness pump REED CL 32/36 V IV	28.03.00 Mi				
pos	description stock	ident-no dimensions	DIN material	index	weigth Kg	quantity unit
1	housing upper part, 24-pol	WAI101542				1,00 Stk
2	plug insertion 24-pol.	WAI100714				1,00 Stk
3	plug	WAI104691				10,00 Stk
4	coupling	WAI104523				1,00 Stk
5	fitting PG16	WAI104510				1,00 Stk
6	sealing for cable fitting PG16	WAI104696				1,00 Stk
7	plate	WAI104735				12,00 Stk
8	plug 2-poles, AMP junior timer	WAI106058				1,00 Stk
9	housing agitator own parts list	B561072				1,00 Stk
10	fitting PG21	WAI104507				1,00 Stk
11	fitting PG9	WAI104506				12,00 Stk
12	t - piece 22-22-22	WAI104515				2,00 Stk
13	t - piece 17-10-17	WAI104332				8,00 Stk
14	t - piece	WAI104511				2,00 Stk
15	t - piece 22-10-22	WAI105263				6,00 Stk
16	t - piece 10-10-10	WAI104514				4,00 Stk
17	reducer	WAI104512				1,00 Stk
18	cap	WAI104513				8,00 Stk
19	reducer 22/17	WAI104509				5,00 Stk
20	sealing for cable fitting PG21	WAI104697				1,00 Stk



## PARTS LIST

part list	description	created	index	valid from	valid to	
B561071	cable harness pump REED CL 32/36 V IV	28.03.00 Mi				
pos	description stock	ident-no dimensions	DIN material	index	weighth Kg	quantity unit
21	sealing for cable fitting PG9	WAI104695				12,00 Stk
22	O-ring 15 x 1,5	WAI104701				2,00 Stk
23	O-ring 8.9 x 1.25	WAI104700				12,00 Stk
24	flat plug sleeve 2,5mm	WAI104785				15,00 Stk
25	thimble 2,5 qmm M6	WAI104693			0,02	5,00 Stk
26	nut CE 16	WAI104519				2,00 Stk
27	push button	WAI100569				1,00 Stk
28	cove end sleeve 2.5mm	WAI101997				4,00 Stk
29	cove end sleeve 1.5mm	WAI101996				36,00 Stk
30	cove end sleeve 1.5mm	WAI104692				6,00 Stk
31	shrink hose	WAI104677				0,10 Mtr
32	shrink hose	WAI104505				0,05 Mtr
33	cable tie 200x3.6, black	WAI103137				32,00 Stk
34	plug	WAI104530				2,00 Stk
40	cable pipe	WAI104520				6,00 Mtr
41	cable pipe	WAI104216				7,80 Mtr
42	cable pipe	WAI104215				2,50 Mtr
43	cable pipe	WAI104213				23,80 Mtr
44	sign AL agitator	WAI106030				1,00 Stk
45	sign AL water pump	WAI106031				1,00 Stk



## PARTS LIST

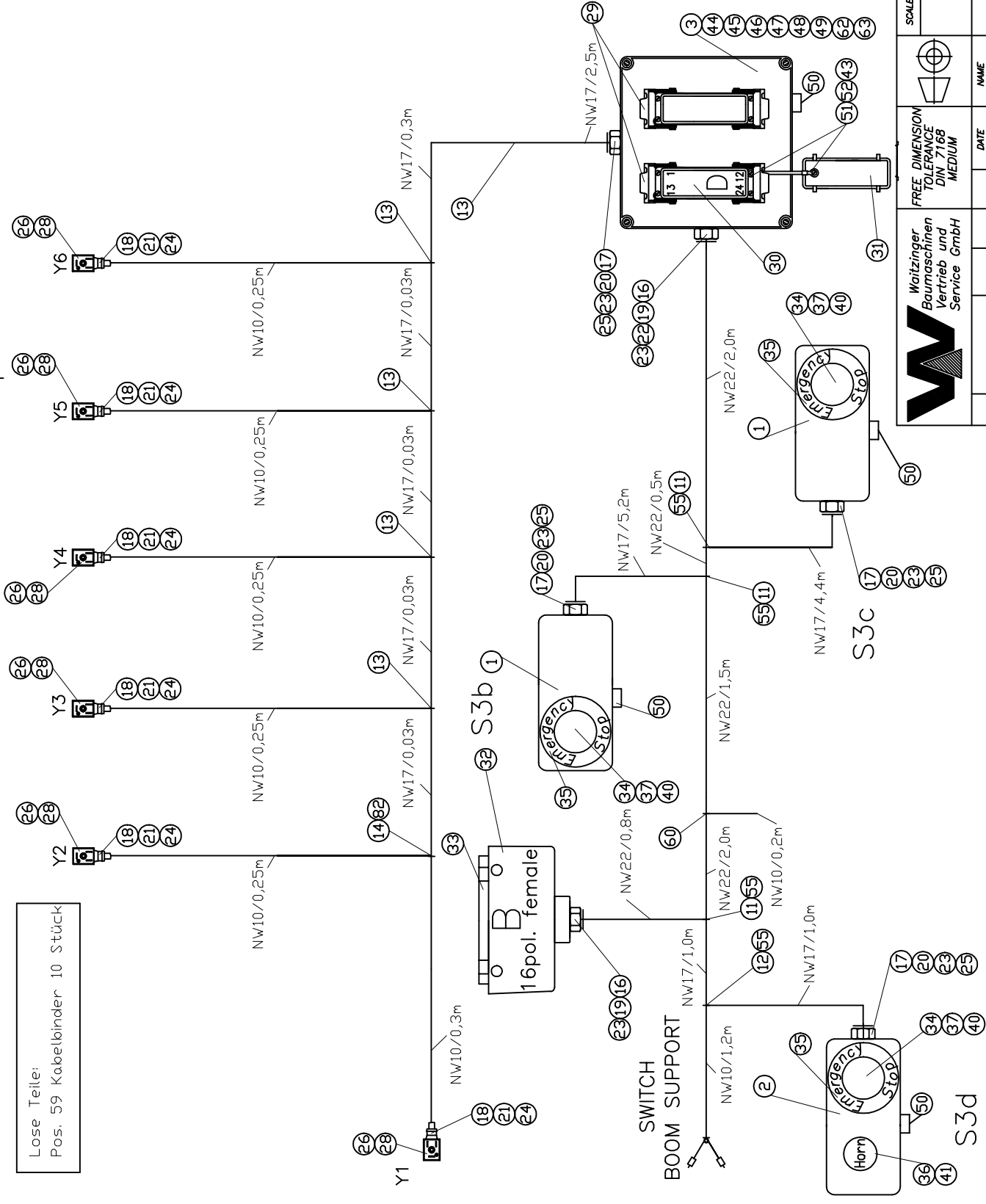
part list	description	created	index	valid from	valid to	
B561071	cable harness pump REED CL 32/36 V IV	28.03.00 Mi				
pos	description stock	ident-no dimensions	DIN material	index	weigh Kg	quantity unit
46	lever switch ON-OFF-ON	WAI104090				2,00 Stk
48	led-signal lamp, red	WAI105811				1,00 Stk
49	led-signal lamp, green	WAI105813				1,00 Stk
50	cable	WAI108059				270,00 Mtr

1	D10-ll	bm	ground
2	S3a	gry/bm	emergency stop
3	S3c	blk	emergency stop
4	D13	blu	emergency stop
5	D 22	gry/red	emergency stop
6	S3d	whi	emergency stop
7	D 20	whi/grn	horn
8	D 15	grn	RPM +
9	D 16	blk/whi	RPM -
10	D 24	vio	Pot.
11	D 17	blk/grn	pumping on
12	D 19	whi/gry	reverse
13	D 23	brn/whi	outrigger
14	D 18	blu/whi	pumping
15	D 21	blk/red	free
16			free

**PLUG B**

B 1	bm	ground
Y3/3	brn/whi	boom 1 up
Y3/2	blu	boom 1 down
Y4/3	grn/whi	boom 2 up
Y4/2	blk/grn	boom 2 down
Y5/3	gry/blk	boom 3 up
Y5/2	blk/whi	boom 3 down
Y6/3	blk/red	boom 4 up
Y6/2	gry/red	boom 4 down
free	free	free
ll	brn	ground
Y2/2	vio	turn clockwise
Y2/3	blu/whi	turn anticlockw.
B4	red	plus
Y1/3		pilot valve
Y1/2	gry	
Y7		
B 8	grn	RPM +
B 9	blk/whi	RPM -
B 11	blk/grn	pumping on
B 14	blu/whi	pumping
B 12	gry/blk	reverse
B 7	whi/grn	horn
B 15	blk/red	free
A 5	gry/red	emergency stop
B13	brn/whi	free
B 10	vio	POT

**PLUG D**

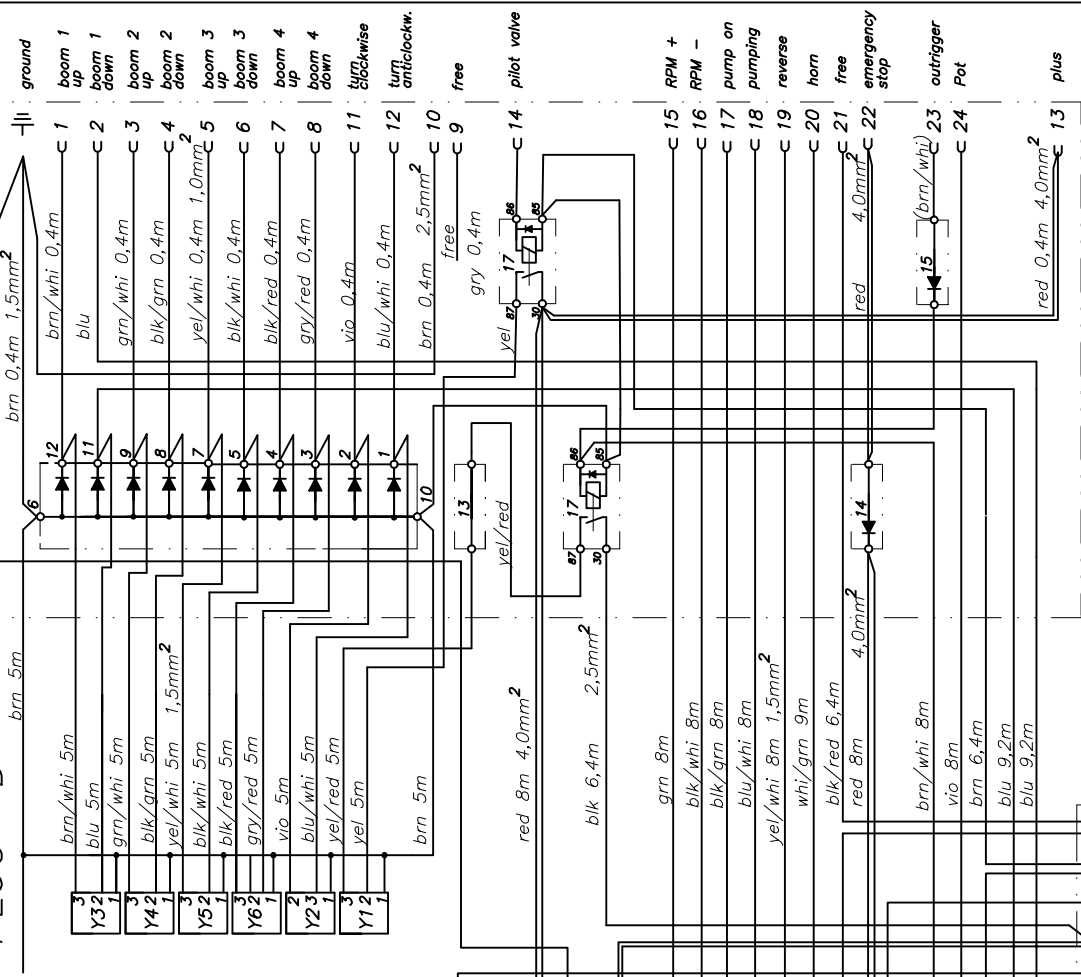


SCALE		WEIGHT	
FREE DIMENSION TOLERANCE DIN 7168 MEDIUM		DATE	NAME
Waitzinger Baumaschinen Vertrieb und Service GmbH		1998/10/05	Fetzer
e siehe B 561066.doc 08.11.05 Körner		CHKD.	
d siehe B 561066.doc 02.06.05 Körner		APPD.	
c siehe B 561066.doc 26.06.04 Körner		DATE	NAME
b siehe B 561066.doc 03/09/19 Hoh.		1998/10/05	Fetzer
a siehe B 561066.com 08/03/98 Mi		MODIFICATION	
ISSUE		ORIGINAL	
CHANGE ONLY WITH CAD		REPLACEMENT FOR	REPLACEMENT BY
B 56 1 066			
Cable harness boom			
REED 37m			
SHEET 1			
OF 3			

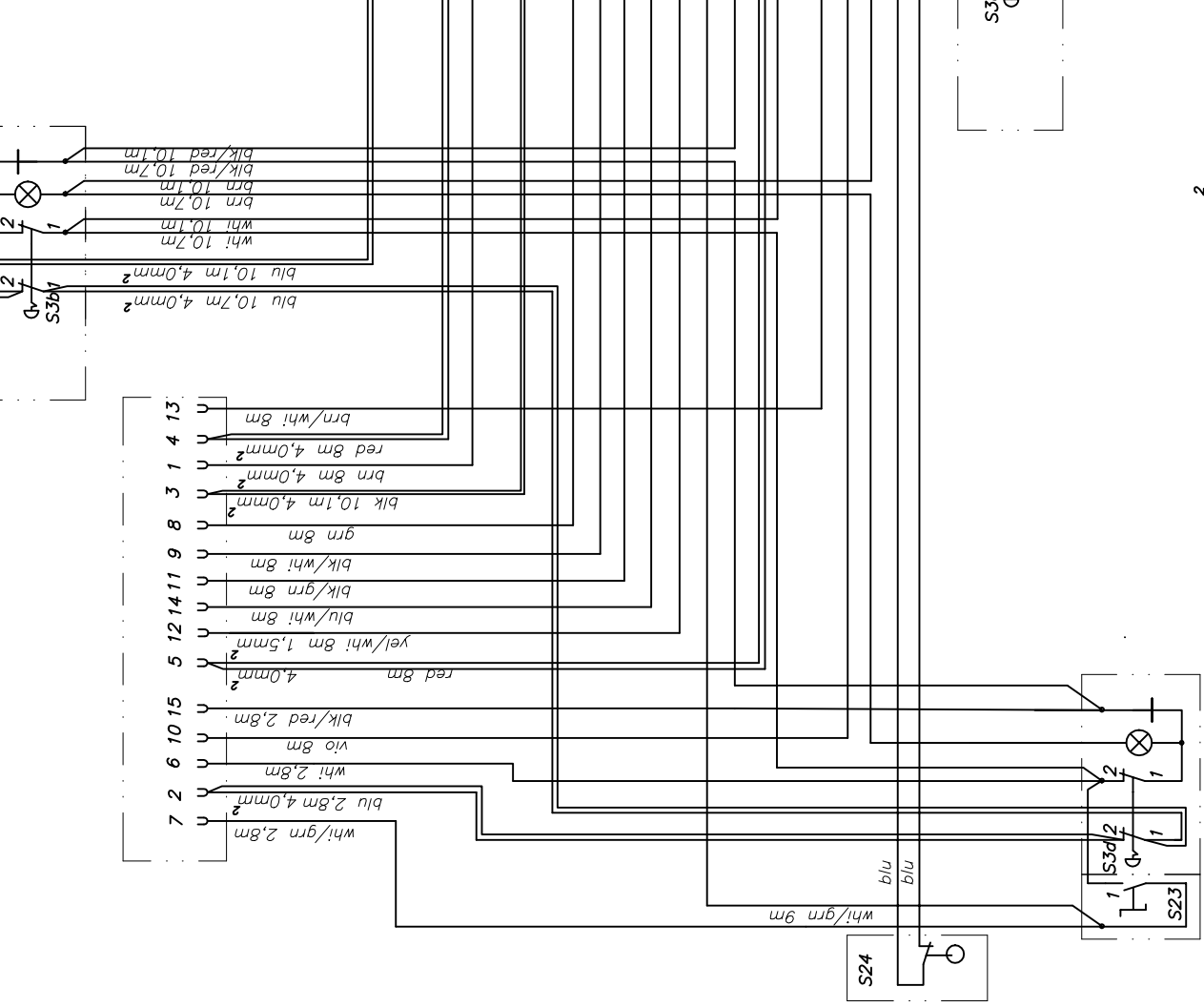
Lose Teile:  
Pos. 59 Kabelbinder 10 Stück

THIS INFORMATION MAY NOT BE COPIED BY A THIRD PARTY. SUBJECT TO COPYRIGHT (PARA-GRAPH 1 NO. 3 OF "URHBERRECHTSGESETZ" FROM 14.06.1997)

# PLUG D



# PLUG B

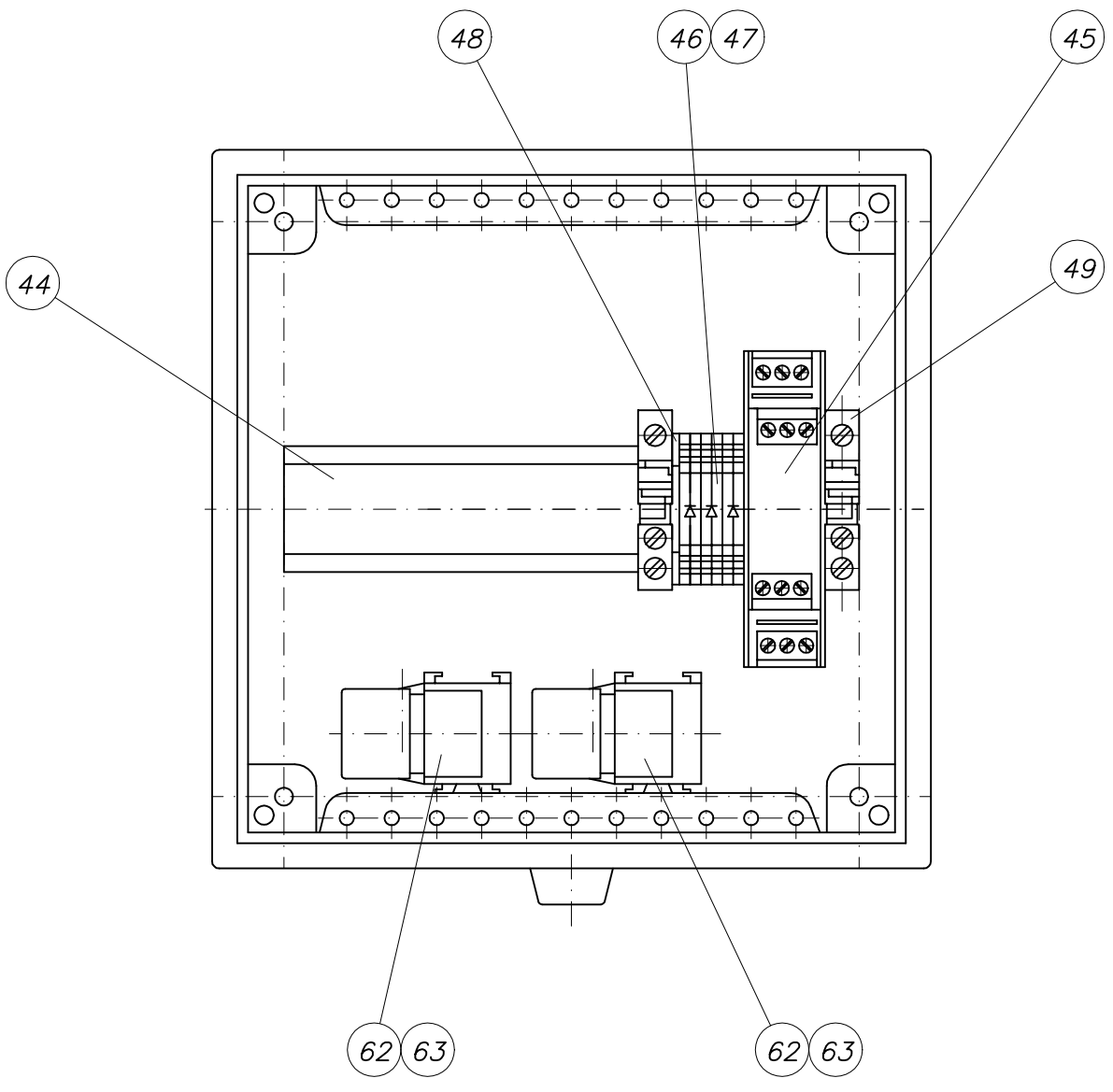


all cables which are not dimensioned are 1 mm<sup>2</sup>



SCALE		WEIGHT	
FREE DIMENSION TOLERANCE DIN 7185 MEDIUM		NAME Fetzer	
DATE	DATE	DATE	DATE
DRAWN 1998/10/05	CHKD.	APPD.	
e siehe B 561066.aen 08.11.05	Körner	Körner	
d siehe B 561066.aen 02.06.05	Körner	Körner	
c siehe B 561066.aen 26.08.04	Körner	Körner	
b siehe B 561066.aen 03/09/19	Hoh.	Hoh.	
a siehe B 561066.aen 08/03/2008	Mi	Mi	
ISSUE	MODIFICATION	DATE	NAME
CHANGE ONLY WITH CAD		ORIGINAL	
Cable harness boom REED 37m		REPLACEMENT FOR B 56 1 066	
SHEET 2 OF 3		REPLACEMENT BY	



THIS INFORMATION MAY NOT BE COPIED BY A THIRD PARTY. SUBJECT TO COPYRIGHT (PARAGRAPH 1 NO. 3 OF "URHBERRECHTSGESETZ FROM 14.06.1991)



THIS INFORMATION MAY NOT BE COPIED BY A  
 THIRD PARTY. SUBJECT TO COPYRIGHT (PARA-  
 GRAPH 1 NO. 3 OF "URHEBERRECHTSGESETZ"  
 FROM 14.06.1991)

 <b>Waitzinger Baumaschinen Vertrieb und Service GmbH</b>				FREE DIMENSION TOLERANCE DIN 7168 MEDIUM				SCALE	WEIGHT		
				DRAWN 1998/10/05 CHKD. APPD.		DATE NAME Fetzer		Cable harness boom REED V3  B 56 1 066			
e	siehe B 561066.aen	09.11.05	Körner	CHANGE ONLY WITH CAD		SHEET 3					
d	siehe B 561066.aen	05/06/02	Körner			OF 3					
c	siehe B 561066.aen	04/08/26	Körner								
b	siehe B 561066.aen	03/09/19	Hoh.								
a	siehe B 561066.aen	<del>02/03/20</del>	Mi								
ISSUE	MODIFICATION	DATE	NAME	ORIGINAL	REPLACEMENT FOR	REPLACEMENT BY					



## PARTS LIST

part list	description	created	index	valid from	valid to	
B561066	cable harness boom REED V III	18.05.99 Mi	e	09.11.05		
pos	description stock	ident-no dimensions	DIN material	index	weighth Kg	quantity unit
1	housing emergency stop own parts list	B561091				1,00 Stk
2	housing left own parts list	B561043		a 25.02.02		2,00 Stk
3	Clamp box for boom own parts list	B561029		a 15.01.02		1,00 Stk
11	t - piece 22-22-22	WAI104515				3,00 Stk
12	t - piece	WAI104508				1,00 Stk
13	t - piece 17-10-17	WAI104332				4,00 Stk
14	t - piece	WAI104511				1,00 Stk
16	fitting PG21	WAI104507				2,00 Stk
17	fitting PG16	WAI104510				4,00 Stk
18	fitting PG9	WAI104506				7,00 Stk
19	sealing for cable fitting PG21	WAI104697				2,00 Stk
20	sealing for cable fitting PG16	WAI104696				4,00 Stk
21	sealing for cable fitting PG9	WAI104695				7,00 Stk
22	lock nut PG21	WAI104114				1,00 Stk
23	O-ring 15 x 1,5	WAI104701				6,00 Stk
24	O-ring 8.9 x 1.25	WAI104700				7,00 Stk
25	nut CE 16	WAI104519				4,00 Stk
26	plate	WAI104735				7,00 Stk
28	plug	WAI104691				6,00 Stk
29	housing-body, lower part 24-pol	WAI101533				2,00 Stk





## PARTS LIST

part list	description	created	index	valid from	valid to	
B561066	cable harness boom REED V III	18.05.99 Mi	e	09.11.05		
pos	description stock	ident-no dimensions	DIN material	index	weighth Kg	quantity unit
30	socket insertion 24-pol.	WAI100710				1,00 Stk
31	protective cap	WAI101305				1,00 Stk
32	housing upper part 16-pol.	WAI104023				1,00 Stk
33	plugbox insert 1-16 pol.	WAI104121				1,00 Stk
34	emergency stop switch	WAI109803				3,00 Stk
35	label ZB2-BY9330	WAI102278				3,00 Stk
36	push button	WAI100569				1,00 Stk
37	contact block	WAI109804				3,00 Stk
40	led-signal lamp, red 12V	WAI109906				3,00 Stk
41	plate "horn"	WAI105415				1,00 Stk
42	diode, 1A	WAI105337				3,00 Stk
43	washer 4	WAI104633				9,00 Stk
44	rail	WAI104772				0,20 Mtr
45	diode, MKS-D10	WAI104541				1,00 Stk
46	clamp	WAI104186				2,00 Stk
47	plug with diode	WAI104185				2,00 Stk
48	end plate	WAI104833				1,00 Stk
49	clamp	WAI104672				2,00 Stk
50	condenser	WAI104669				4,00 Stk
51	hexagon bolt M 4 x 12	WAI104632				9,00 Stk

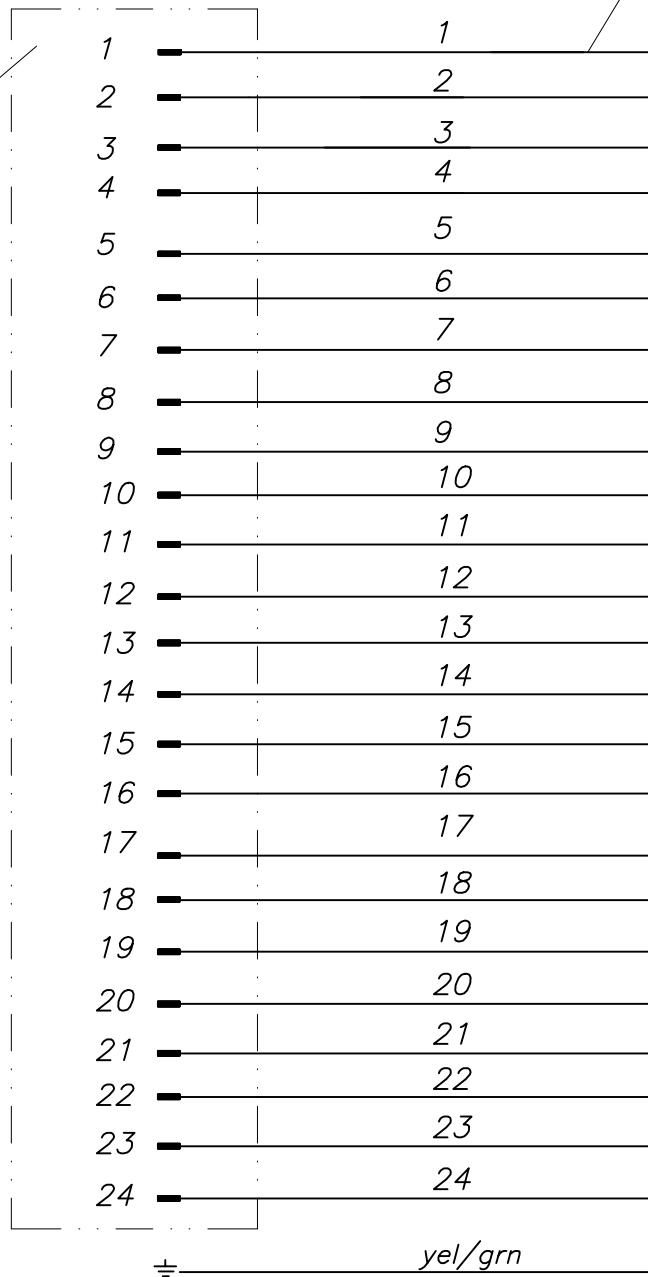


## PARTS LIST


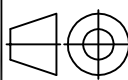
part list	description	created	index	valid from	valid to	
B561066	cable harness boom REED V III	18.05.99 Mi	e	09.11.05		
pos	description stock	ident-no dimensions	DIN material	index	weigh Kg	quantity unit
52	hex. nut M4	WAI104634				9,00 Stk
53	cove end sleeve 1.5mm	WAI101996				60,00 Stk
54	cove end sleeve 1.5mm	WAI104692				35,00 Stk
55	reducer 22/17	WAI104509				4,00 Stk
56	cable pipe	WAI104520				7,00 Mtr
57	cable pipe	WAI104216				12,50 Mtr
58	cable pipe	WAI104213				3,40 Mtr
59	cable tie 200x3.6, black	WAI103137				28,00 Stk
60	t - piece 22-10-22	WAI105263				1,00 Stk
62	relay socket	WAI100986				2,00 Stk
63	relay DC 12V, 30 A	WAI104845				2,00 Stk
81	flat plug sleeve 2,5mm	WAI104785				14,00 Stk
82	reducer	WAI104512				1,00 Stk
83	cable	WAI108059				300,00 Mtr
90	thimble 1,5 - 2,5 qmm	WAI102458				3,00 Stk
91	cove end sleeve 2.5mm	WAI101997				20,00 Stk
92	cove end sleeve 1.0mm	WAI101995				20,00 Stk
93	plate	WAI106435				3,00 Stk

cable 10m  
25x1,5  
WAI 101989

plug insertion  
24-polig  
WAI 100714  
housing  
24-polig  
WAI 101542  
cove end sleeve 50x  
1,5  
WAI 101996  
(25x unmounted)  
fitting  
PG 21  
WAI 105665



This information may not be copied by a third party. Subject to copyright (paragraph 1 no. 3 of "Urheberrechtsgesetz" from 14.06.1991

 <b>Waitzinger</b> Baumaschinen Vertrieb und Service GmbH	free dimension tolerance DIN 7168 medium			scale	weight
	own parts list				
				cable cpl. for cable control	
change only with CAD				B 56 1 049	
issue	modification	date	name	original	replacement by

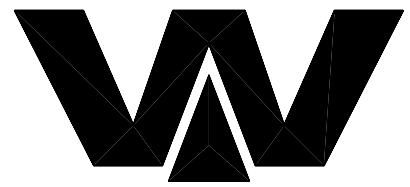


## PARTS LIST

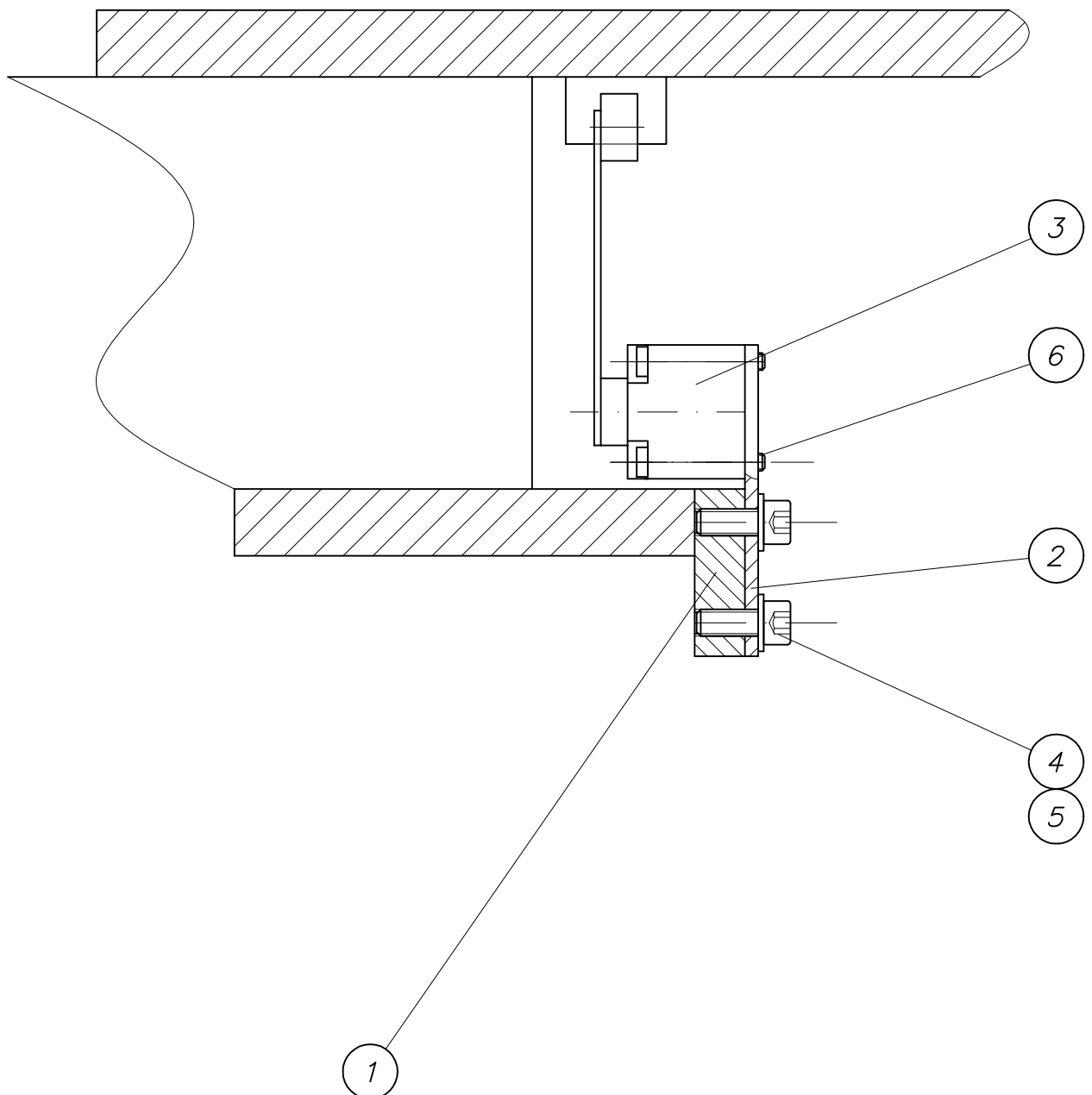
<b>part list</b>	<b>description</b>	<b>created</b>	<b>index</b>	<b>valid from</b>	<b>valid to</b>	
B561049	cable cpl. for cable control	20.07.99 Mi				
<b>pos</b>	<b>description stock</b>	<b>ident-no dimensions</b>	<b>DIN material</b>	<b>index</b>	<b>weighth Kg</b>	<b>quantity unit</b>
1	cable 25 x 1.5	WAI101989				10,00 Mtr
2	plug insertion 24-pol.	WAI100714				1,00 Stk
3	housing upper part, 24-pol	WAI101542				1,00 Stk
4	fitting PG21	WAI105665				1,00 Stk
5	cove end sleeve 1.5mm	WAI101996				50,00 Stk
6	sealing for cable fitting PG21	WAI104697				1,00 Stk

*Drehwerksabschaltung*  
*switch limit advice*

*B 57 0 015a*



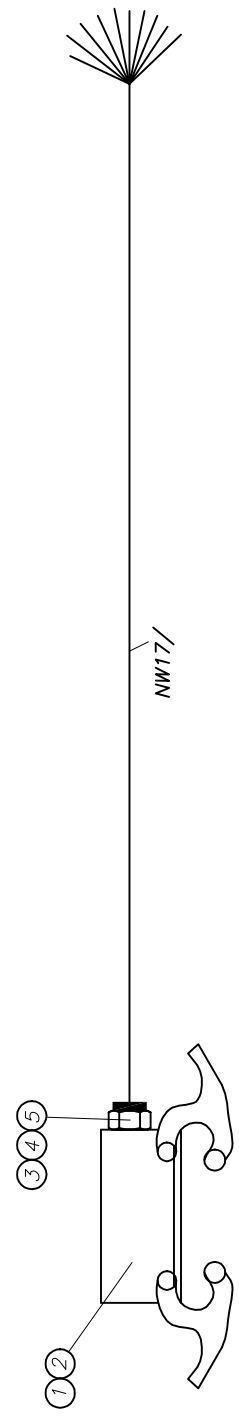
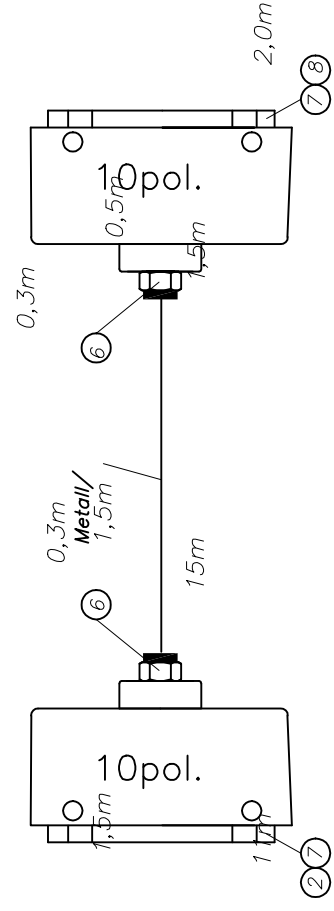
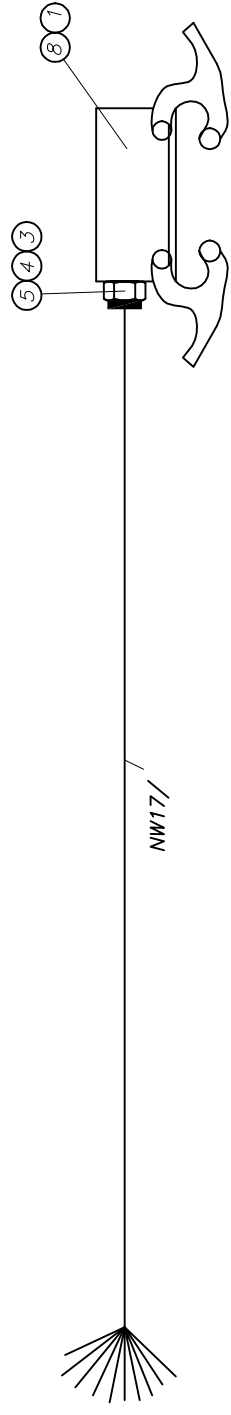
Waitzinger  
Baumaschinen GmbH





## PARTS LIST

<b>part list</b>	<b>description</b>	<b>created</b>	<b>index</b>	<b>valid from</b>	<b>valid to</b>	
B570015	turning stop unit	04.03.03 Mi	a	16.02.05		
<b>pos</b>	<b>description stock</b>	<b>ident-no dimensions</b>	<b>DIN material</b>	<b>index</b>	<b>weigh Kg</b>	<b>quantity unit</b>
1	plate	B570016 Bl 15x50x60	1543/EN10029 S235J2G3		0,30	1,00 Stk
2	plate	B570017 Bl 4x75x93	1543/EN10029 S235J2G3		0,20	1,00 Stk
3	position switch own parts list	WAI107186				1,00 Stk
4	cheese head screw M 8 x 20	WAI103273				4,00 Stk
5	washer 8.4	WAI101625				4,00 Stk
6	cheese head screw M5x35	WAI109456				4,00 Stk



	Freimaßtoleranz DIN 7168 mittel		Maßstab  eigene Stückliste	Gewicht	Blatt 2 von 2 Bl.
Bearbeit. 06.08.2004	Gepr.	Norm	Änderung nur auf CAD	Ers. für B 56 2 066	Ers. durch
Datum	Name	Urspr.	Änderung	Datum	Name

Ohne unsere Genehmigung darf diese Zeichnung weder vervielfältigt noch Dritten, Personen oder Konkurrenzfirmen mitgeteilt werden. (Paragraf 1 Nr.3 des Urheberrechtsgesetzes vom 14.06.1901)

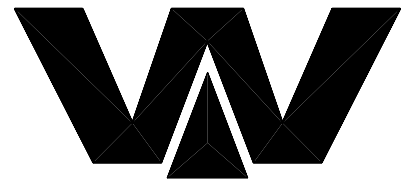


## PARTS LIST

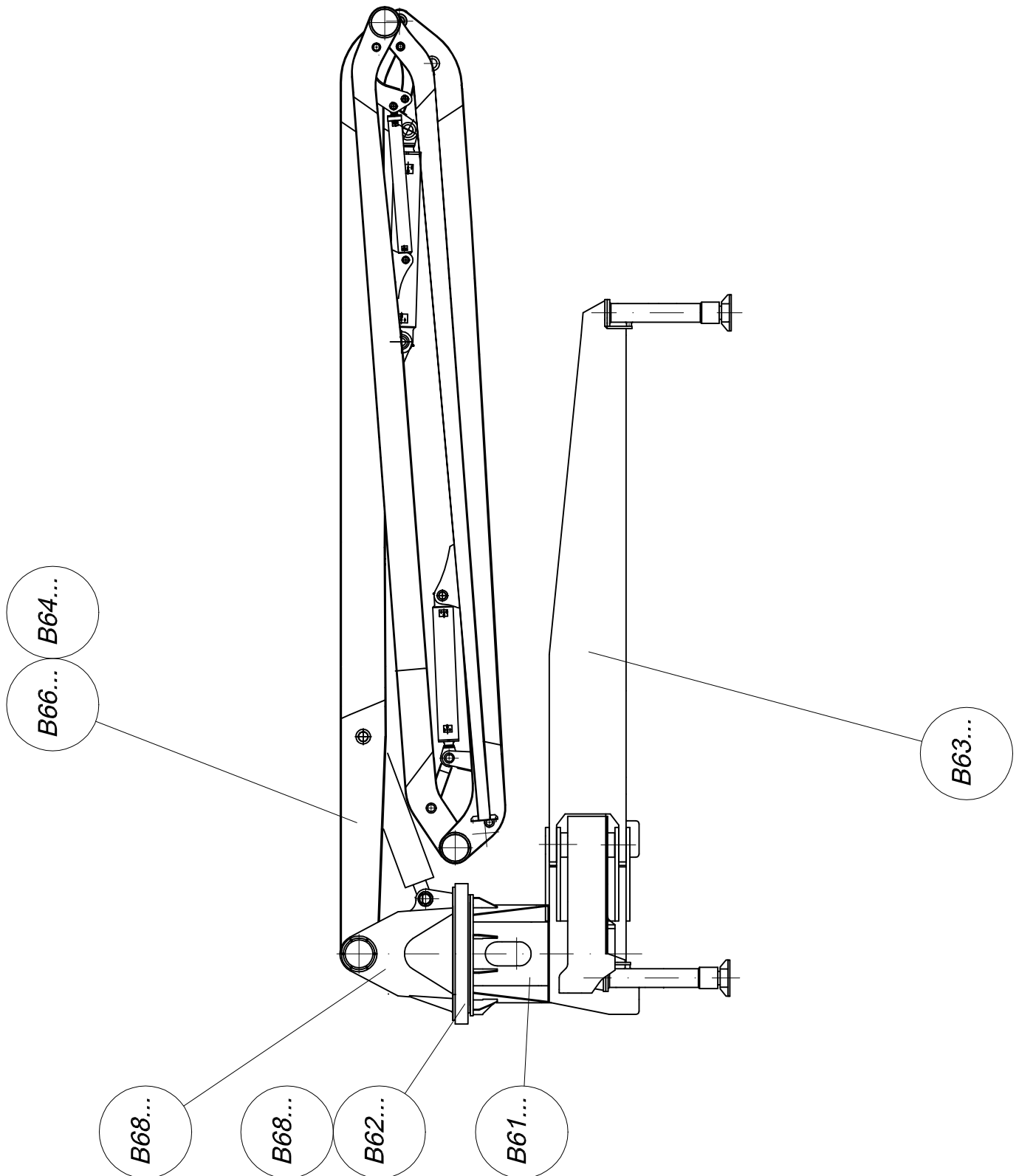
part list	description	created	index	valid from	valid to	
b562066	cable loop boom REED	06.10.04 ALEXAND				
pos	description stock	ident-no dimensions	DIN material	index	weighth Kg	quantity unit
1	housing 10 poles	WAI106688				2,00 Stk
2	plug insert 1-10 pin	WAI106687				2,00 Stk
3	fitting PG16	WAI104510				2,00 Stk
4	sealing for cable fitting PG16	WAI104696				2,00 Stk
5	O-ring 15 x 1,5	WAI104701				2,00 Stk
6	reduc. ring PG16 - 13,5	WAI107524				2,00 Stk
7	coupling housing 10-pole	WAI106689				2,00 Stk
8	plugbox insert 1-10 pol.	WAI106686				2,00 Stk
21	cable pipe	WAI104216				25,50 Mtr
22	cable	WAI108059				280,00 Mtr



*Übersicht B 60 - B 69*  
*over view B 60 - B 69*



Waitzinger  
Baumaschinen GmbH

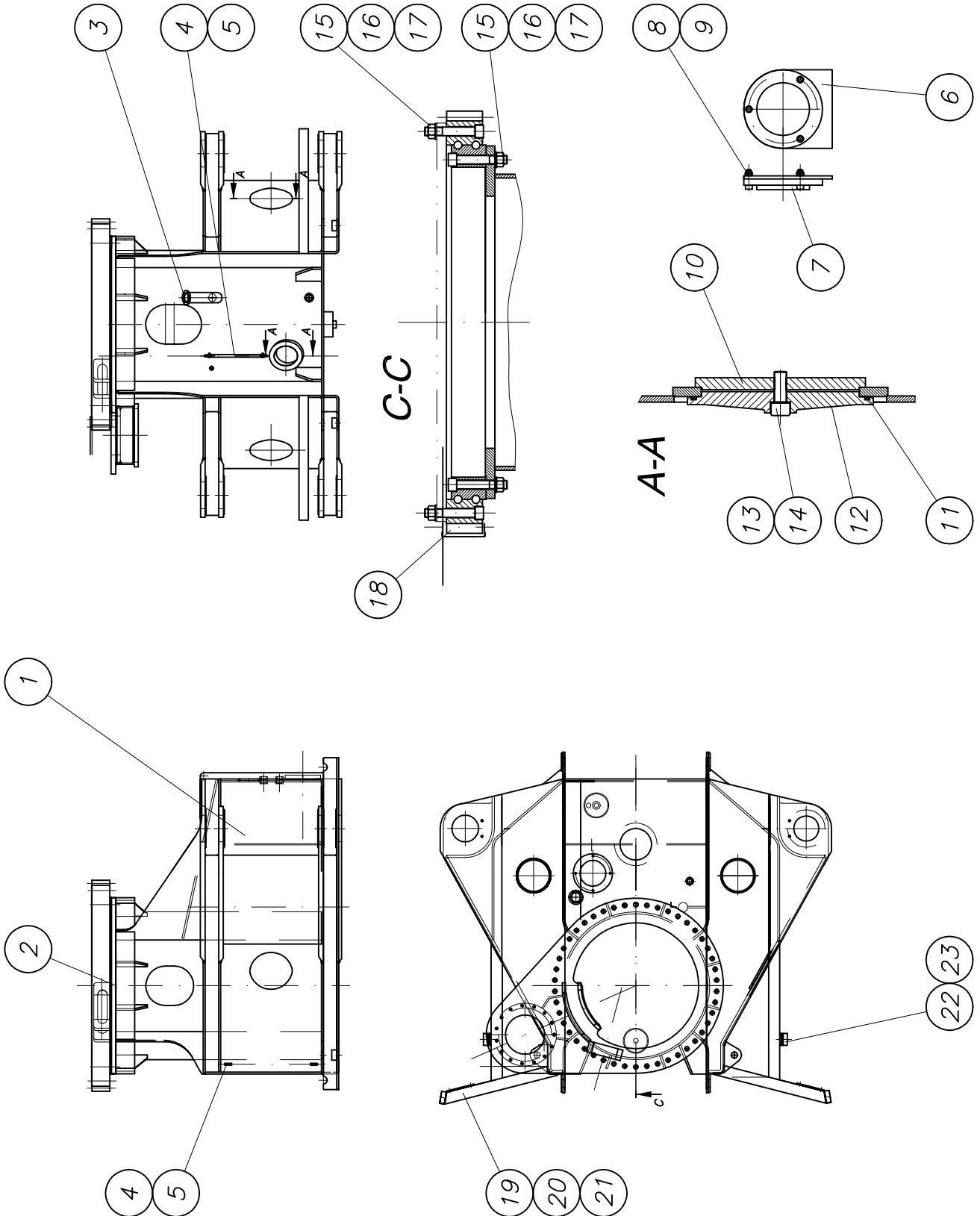


Mastbock kpl.  
boom base cpl.

B 61 2 205d



Waitzinger  
Baumaschinen GmbH





## PARTS LIST

part list	description	created	index	valid from	valid to	
B612205	pedestal 42 m xxt SHORT	05.12.03 HBK	d	27.10.04		
pos	description stock	ident-no dimensions	DIN material	index	weighth Kg	quantity unit
1	boom base 42XXT cpl. short own parts list	B612200				1,00 Stk
2	lubrication kit for rotation bearing cpl own parts list	WAI108646			3,00	1,00 Stk
3	filling and air filter	WAI106163				2,00 Stk
4	fuel hose DN 12	WAI103104				1,00 Mtr
5	hose clamp 15mm	WAI103103				4,00 Stk
6	holder for can drag and fly	B619093 Bl 5x100x112.5	1543/EN10029 S235J2G3	a 13.02.03	0,22	2,00 Stk
7	box level d80	WAI106237				2,00 Stk
8	cheese head screw M5x20 DIN 912 8.8	WAI103389				6,00 Stk
9	locking nut DIN 980	WAI102068				6,00 Stk
10	star for oilcover FL 15X 220X 220	B610034 Fl 220x220x15	1017 S235JR	a 12.02.03	2,00	5,00 Stk
11	O-ring 217x5, No. A0120.371	WAI106011				5,00 Stk
12	cover for oiltank D236 X 27 36XT	B610033 RD 240x30	1747 Al99		1,80	5,00 Stk
13	cheese head screw M 16 x 55	WAI104550				5,00 Stk
14	u-seal 16,7 x 24 x 1,5T	WAI101572				5,00 Stk
15	cheese head screw M27 x 160	WAI107371				92,00 Stk
16	nut M27 DIN 934	WAI107372				92,00 Stk
17	washer 28	WAI107373				92,00 Stk
18	rotation bearing	WAI107158			440,00	1,00 Stk
19	bracket own parts list	B612110				2,00 Stk
20	stop	B619111 30x60x75	Polyamid			2,00 Stk
21	cylinder head screw M 10 x 25	WAI106654				2,00 Stk
22	washer	B612115 Bl 8xd75	1543/EN10029 S235J2G3		0,27	6,00 Stk

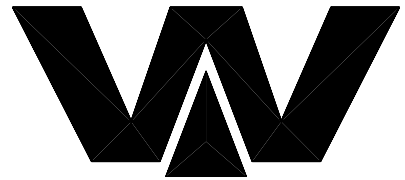


## PARTS LIST

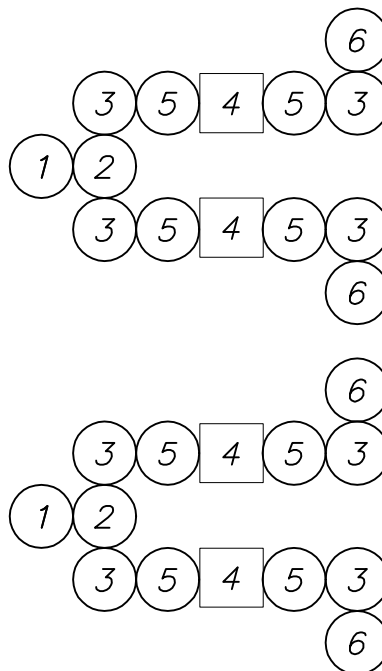
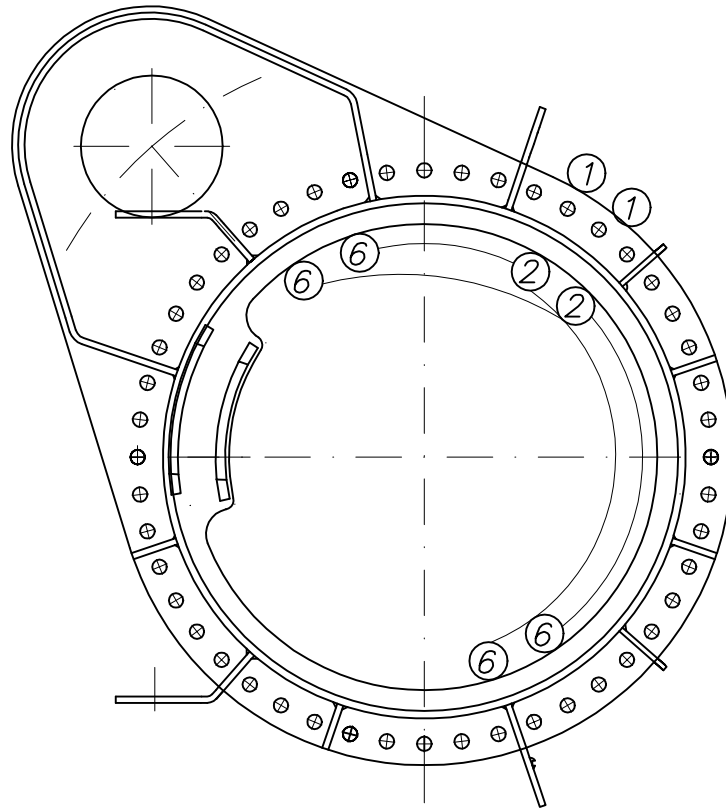
part list	description	created	index	valid from	valid to	
B612205	pedestal 42 m xxt SHORT	05.12.03 HBK	d	27.10.04		
pos	description stock	ident-no dimensions	DIN material	index	weigh Kg	quantity unit
23	rubber cushion	WAI107199			0,50	2,00 Stk

*Schmieranlage kpl.*  
*lubrication system cpl.*

**WAI 108646**



Waitzinger  
Baumaschinen GmbH





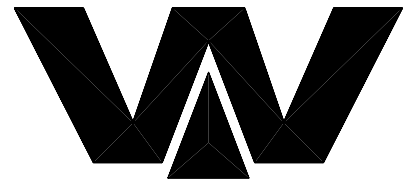
# STÜCKLISTEN-DRUCK

Stückliste	Benennung	Anlage	Änderungsindex	gültig ab	gültig bis	
WAI108646	SCHMIERANLAGE FÜR DREHKRANZ KP	29.01.04 a				
Pos	Bezeichnung Rohmaterial	Sach-Nr. Abmessung	DIN Werkstoff	Index	Gewicht Kg	Anzahl Einheit
1	Kegelschmiernippel	WAI100805			0,01	2,00 Stk
2	T-Einschraubverschraubung LL6	WAI106534				2,00 Stk
3	Schlauchstutzen, 90 Grd., lang	WAI102643			0,02	8,00 Stk
4	Kunststoffrohr 8.4x2.1	WAI100255			0,05	5,00 Mtr
5	Schraubhülse für Schlauchstutzen	WAI100254			0,01	8,00 Stk
6	Gerade Einschraubverschraubung LL6 M8	WAI108723				4,00 Stk

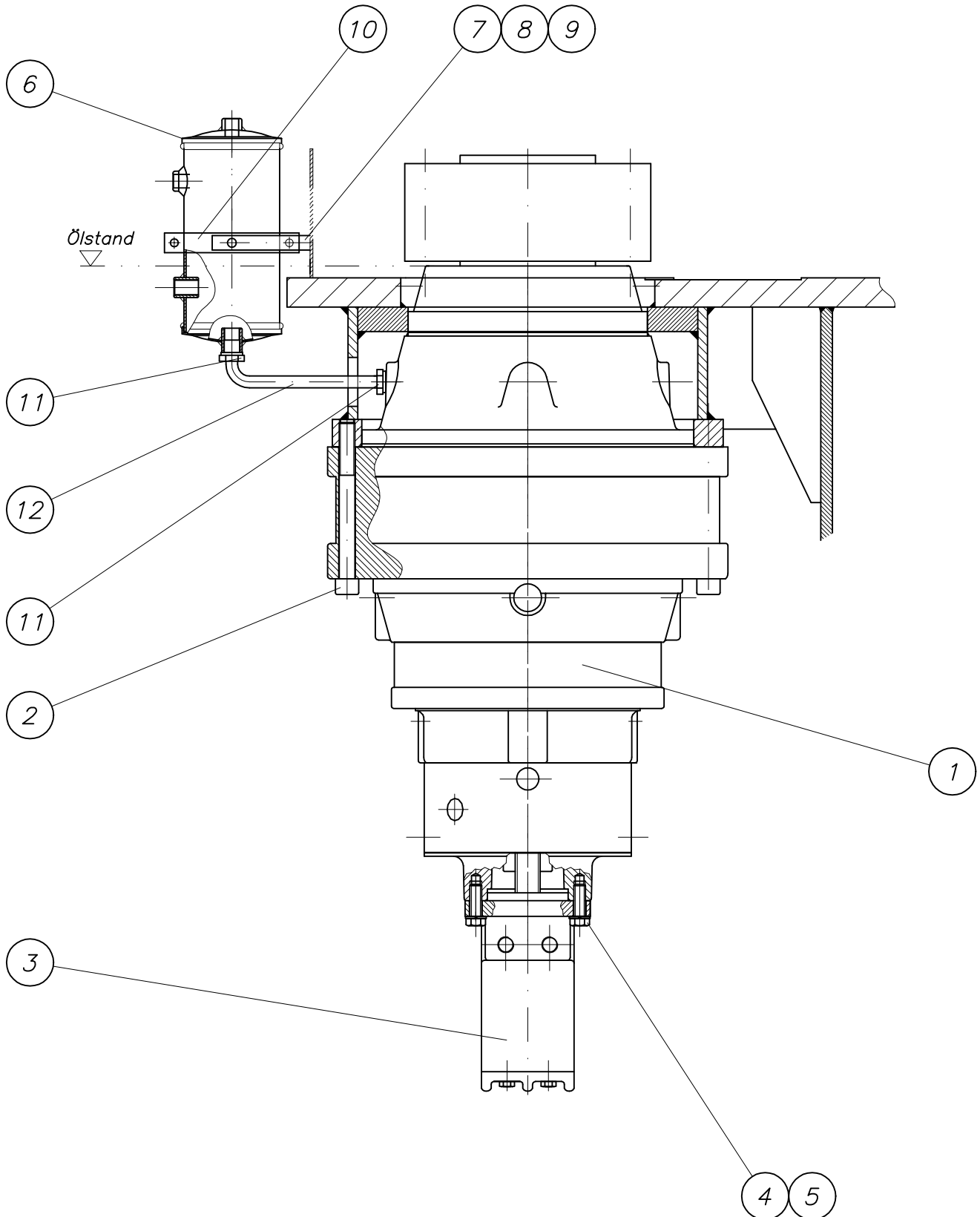
*Drehwerkseinheit kpl.*

*turning unit cpl.*

*B 62 2 010f*



Waitzinger  
Baumaschinen GmbH





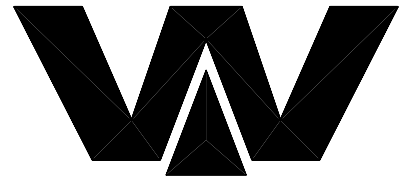
## PARTS LIST

part list	description	created	index	valid from	valid to	
B622010	turning unit 42 XXT	24.05.02 Mi	f	02.06.05		
pos	description stock	ident-no dimensions	DIN material	index	weighth Kg	quantity unit
1	gearbox PG2503-Pr r 106.2 own parts list	WAI107335			252,00	1,00 Stk
2	cheese head screw M16x160	WAI101255				15,00 Stk
3	hydraulic motor Char Lynn	WAI107338				1,00 Stk
4	hexagon bolt M12 x 35	WAI102122			0,04	2,00 Stk
5	spring washer A12 DIN 127 VERZ.	WAI102896				2,00 Stk
6	expansion tank	WAI109422			2,20	1,00 Stk
7	plate	B622013 Bl 5x15x100	1543/EN 10029 S235J2G3		0,06	1,00 Stk
8	hexagon bolt M 8 x 20	WAI101837				1,00 Stk
9	spring washer A8 DIN 127 VERZ.	WAI102205			0,00	1,00 Stk
10	pipe clamp 100 mm	WAI109545				1,00 Stk
11	straight male stud couplings L12D	WAI100548				2,00 Stk
12	hydr. pipe 12 x 2	WAI102022			0,49	0,40 Mtr

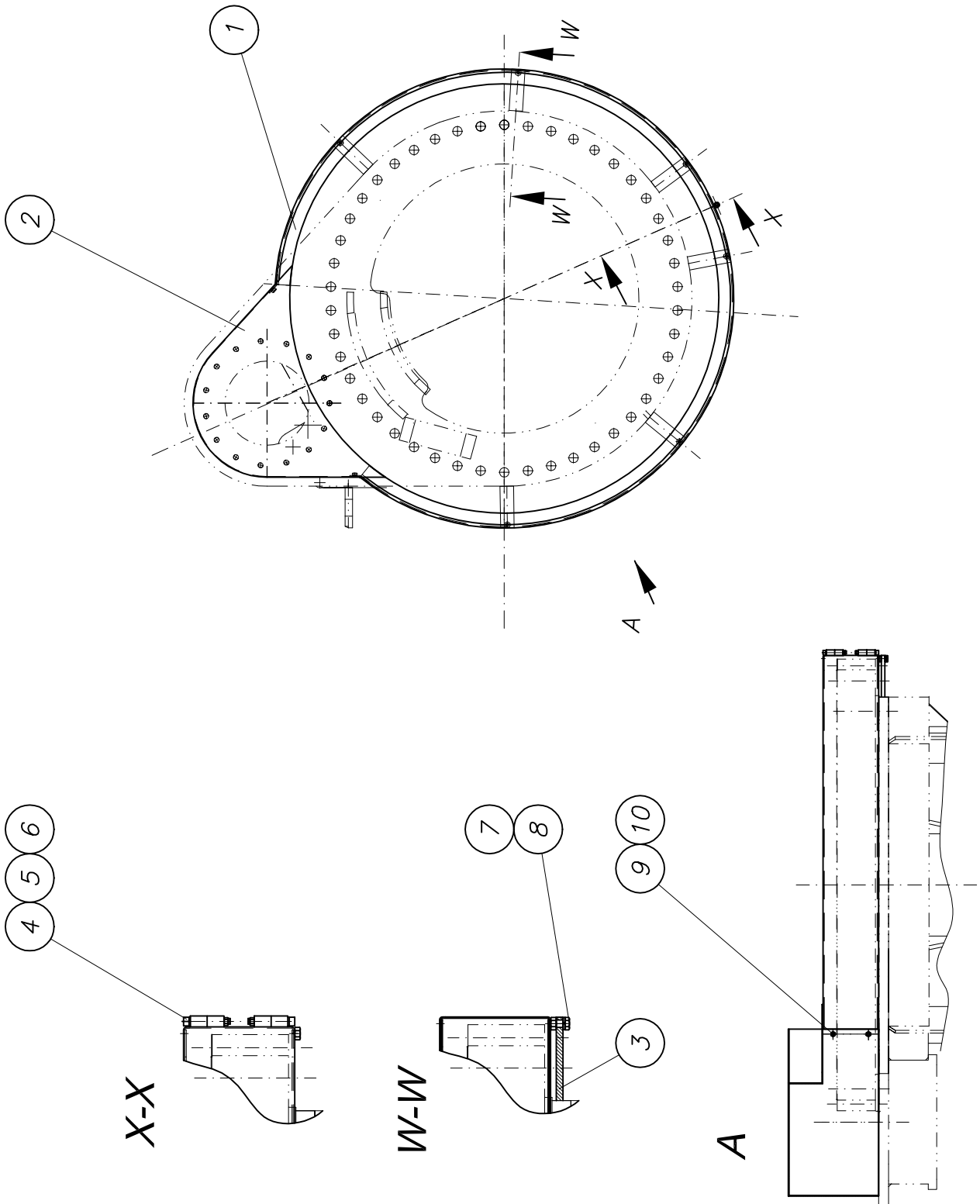


*Drehwerksschutzeinrichtung*  
*turning protection cpl.*

*B 62 2 025*



*Waitzinger*  
*Baumaschinen GmbH*





## PARTS LIST

part list	description	created	index	valid from	valid to	
B622025	turning unit protection parts 42 XXT	26.06.02 Mi				
pos	description stock	ident-no dimensions	DIN material	index	weighth Kg	quantity unit
1	cover cpl. own parts list	B622015			15,00	1,00 Stk
2	cover cpl. own parts list	B622020			5,50	1,00 Stk
3	holder	B622023 FL 40x10x114	1017 S235J2G3		0,40	6,00 Stk
4	alien bolt M 8x70	WAI105929				2,00 Stk
5	spring washer	WAI100235			0,00	2,00 Stk
6	stop nut M8 DIN985 8. VERZ.	WAI102111			5,00	2,00 Stk
7	hexagon bolt	WAI102244				6,00 Stk
8	spring washer A10	WAI102070			0,00	6,00 Stk
9	hexagon bolt M 8 x 20	WAI101837				4,00 Stk
10	spring washer A8 DIN 127 VERZ.	WAI102205			0,00	4,00 Stk

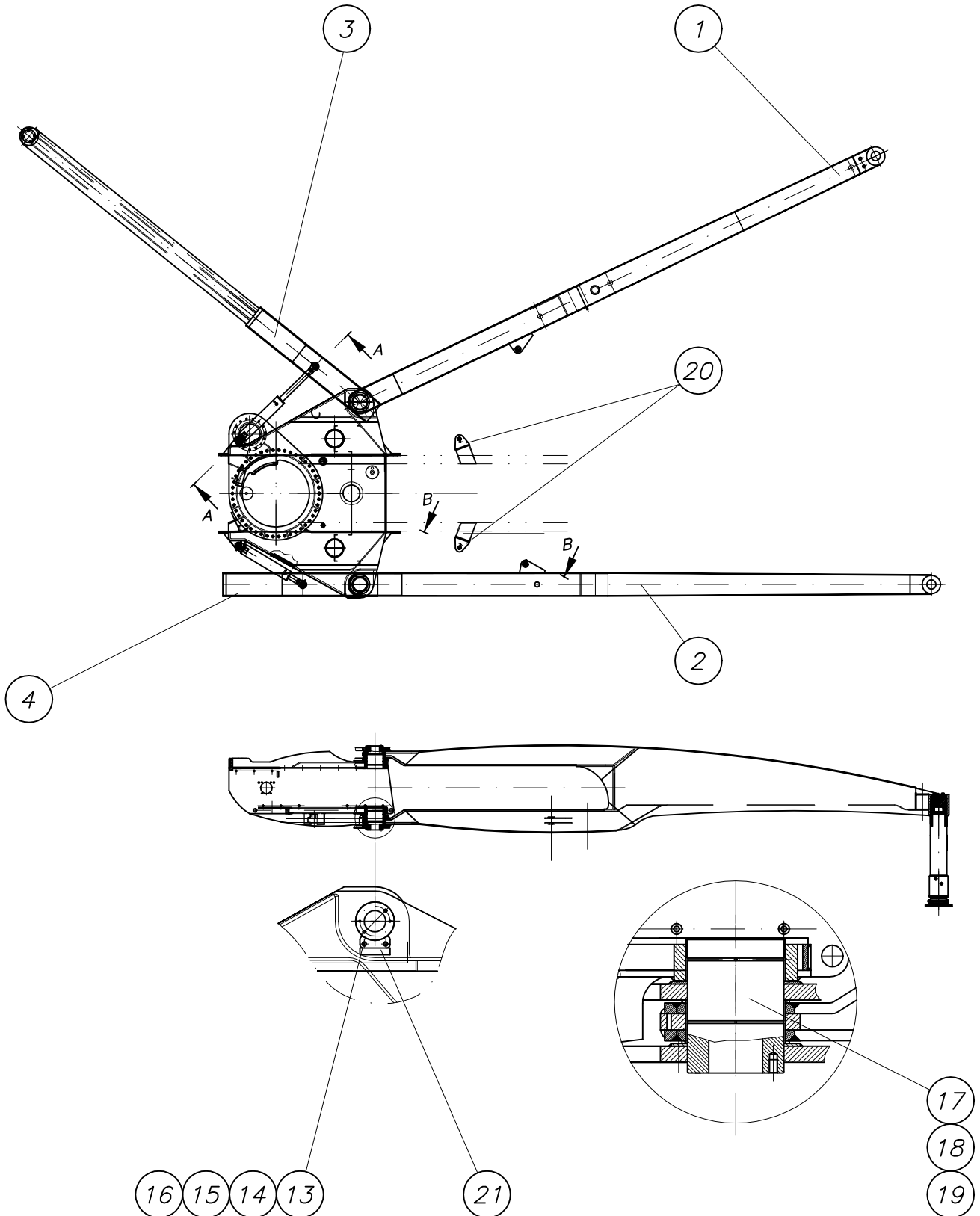
*Abstützung kpl.  
outrigger cpl.*

*B 63 2 340a*

*1*



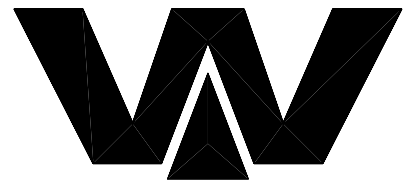
Waitzinger  
Baumaschinen GmbH



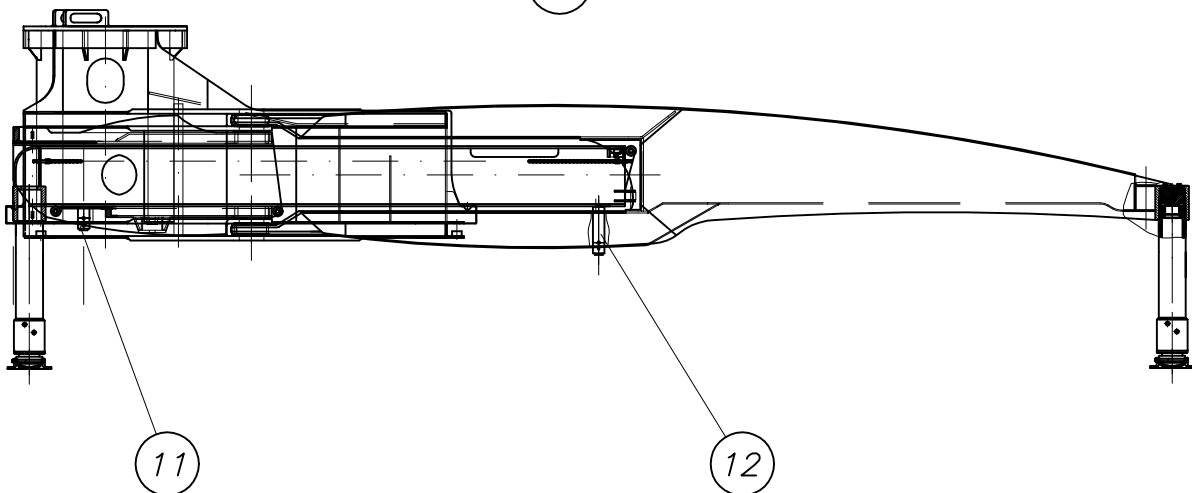
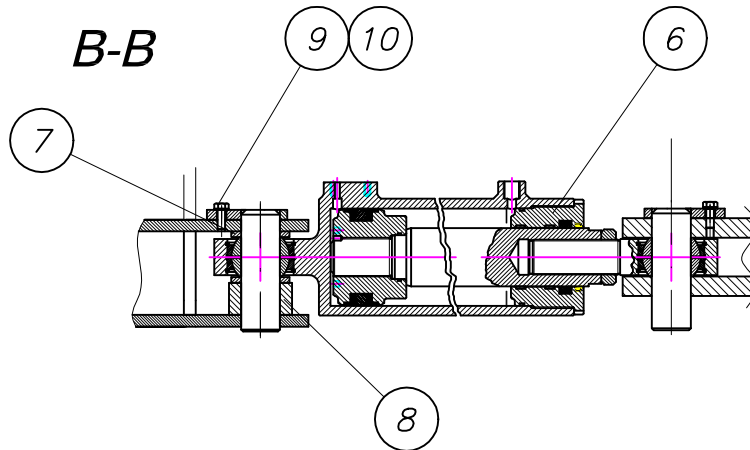
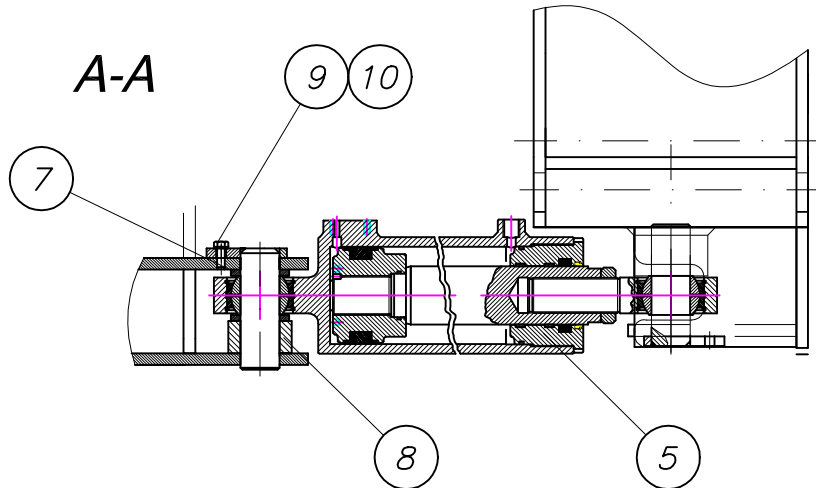
*Abstützung kpl.  
outrigger cpl.*

*B 63 2 340a*

*2*



*Waitzinger  
Baumaschinen GmbH*



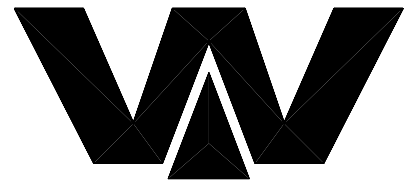


## PARTS LIST

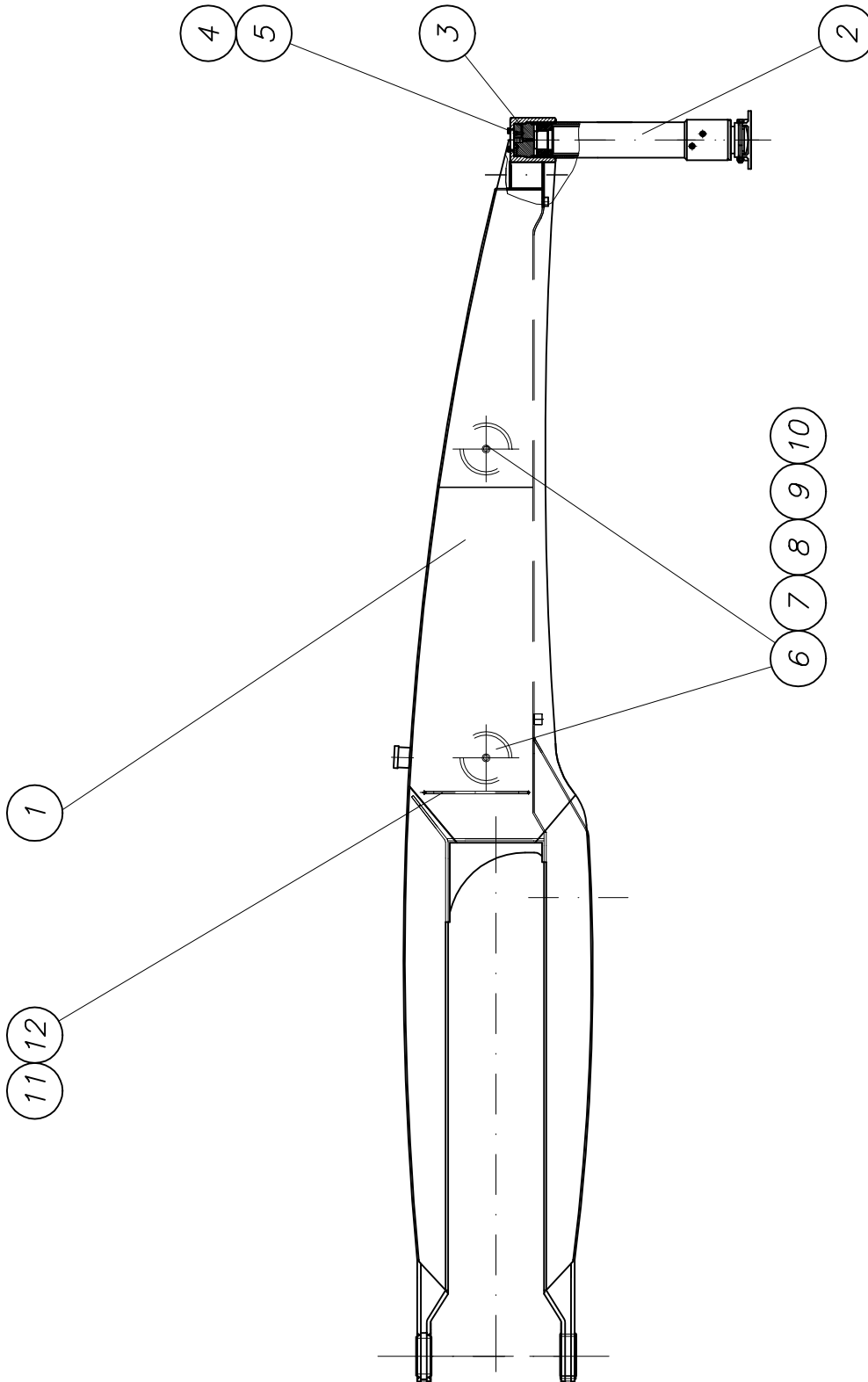
part list	description	created	index	valid from	valid to	
B632340	outrigger 42 xxt cpl	27.02.04 ek	a	13.07.04		
pos	description stock	ident-no dimensions	DIN material	index	weigh Kg	quantity unit
1	rear right stabilizer 42XXT cpl. own parts list	B632330		a 03.06.05	1021,00	1,00 Stk
2	rear left stabilizer 42XXT cpl. own parts list	B632325		a 03.06.05	1021,00	1,00 Stk
3	front outrigger 42 meter own parts list	B632050		f 12.07.05		1,00 Stk
4	front left stabilizer 42XXT cpl. own parts list	B632051		f 12.07.05		1,00 Stk
5	swing cylinder cpl. own parts list	B632036		a 02.06.05		2,00 Stk
6	swing cylinder cpl. own parts list	B632037		a 02.06.05		2,00 Stk
7	washer	B632038 Bl 6x d60	1543/EN10029 S355J2G3		0,07	4,00 Stk
8	pin cpl. own parts list	B632047		b 18.10.04	1,06	8,00 Stk
9	alien bolt M 8x25	WAI105930				8,00 Stk
10	spring washer A8 DIN 127 VERZ.	WAI102205			0,00	8,00 Stk
11	transport savety device own parts list	B639197		b 14.10.03		2,00 Stk
12	transport savety device own parts list	B639207		b 20.10.04		2,00 Stk
13	pin holder	B632054 Bl 12x55x140	1543/EN10029 S235J2G3		0,70	4,00 Stk
14	hex. bolt M12x30 DIN 933 8.8	WAI102107			0,04	8,00 Stk
15	spring washer A12 DIN 127 VERZ.	WAI102896				8,00 Stk
16	hexagon bolt M16 x 25	WAI103401				8,00 Stk
17	pin 180 x 251	B632064 Rd 190x225	1013 42 CrMo4V		30,00	4,00 Stk
18	grease nipple H1 M10 X 1 DIN 71412	WAI100805			0,01	8,00 Stk
19	sleeve DU 180x185x80	WAI107324				8,00 Stk
20	bracket for cylinder 42 XXT own parts list	B632175			3,00	2,00 stk
21	flat bar	B630013 Fl 30x10x140	1017 S235J2G3		0,30	4,00 Stk

*Abstützung hinten rechts kpl.  
outrigger right stabilizer cpl.*

*B 63 2 330a*



*Waitzinger  
Baumaschinen GmbH*



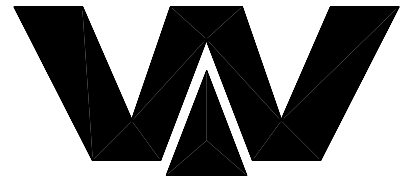


## PARTS LIST

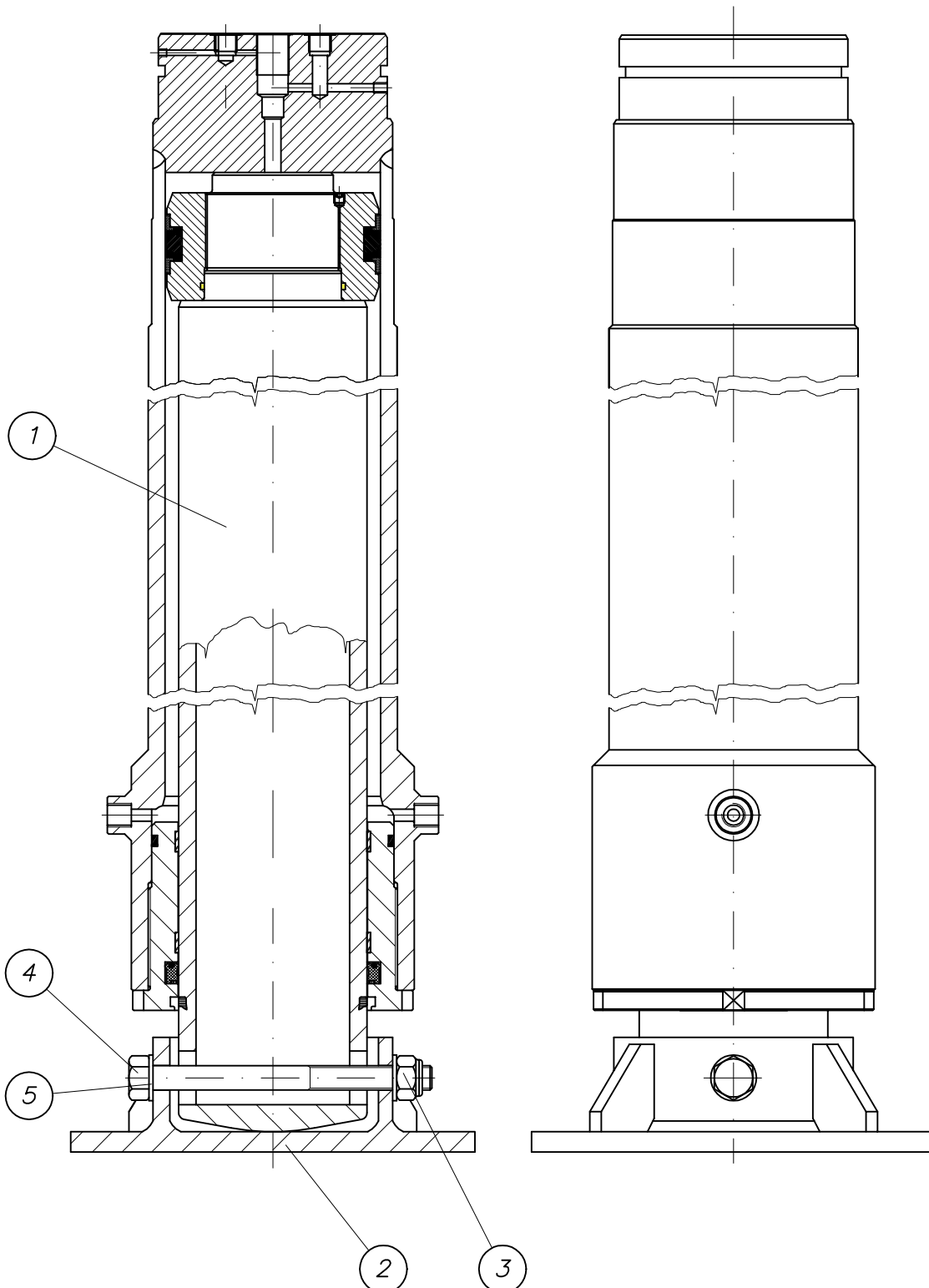
part list	description	created	index	valid from	valid to	
B632330	rear right stabilizer 42XXT cpl.	27.02.04 ek	a	03.06.05		
pos	description stock	ident-no dimensions	DIN material	index	weighth Kg	quantity unit
1	rear outrigger XXT 42 right process own parts list	B632315				1,00 Stk
2	jack cylinder own parts list	WAI109673				1,00 Stk
3	O-ring 129,2 x 5,7	WAI101441				1,00 Stk
4	hexagon bolt M16 x 50	WAI106269			0,17	4,00 Stk
5	spring washer A16	WAI102072			0,01	4,00 Stk
6	cover for oiltank D236 X 27 36XT	B610033 RD 240x30	1747 Al99		1,80	2,00 Stk
7	star for oilcover FL 15X 220X 220	B610034 FI 220x220x15	1017 S235JR	a 12.02.03	2,00	2,00 Stk
8	O-ring 217x5, No. A0120.371	WAI106011				2,00 Stk
9	cheese head screw M 16 x 65	WAI103388				2,00 Stk
10	u-seal 16,7 x 24 x 1,5T	WAI101572				2,00 Stk
11	fuel hose DN 12	WAI103104				1,00 Mtr
12	hose clamp 15mm	WAI103103				2,00 Stk

*Abstützylinder*  
*jack cylinder*

*WAI 109673*



*Waitzinger*  
*Baumaschinen GmbH*





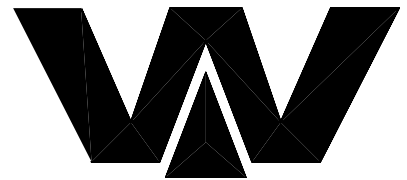


## PARTS LIST

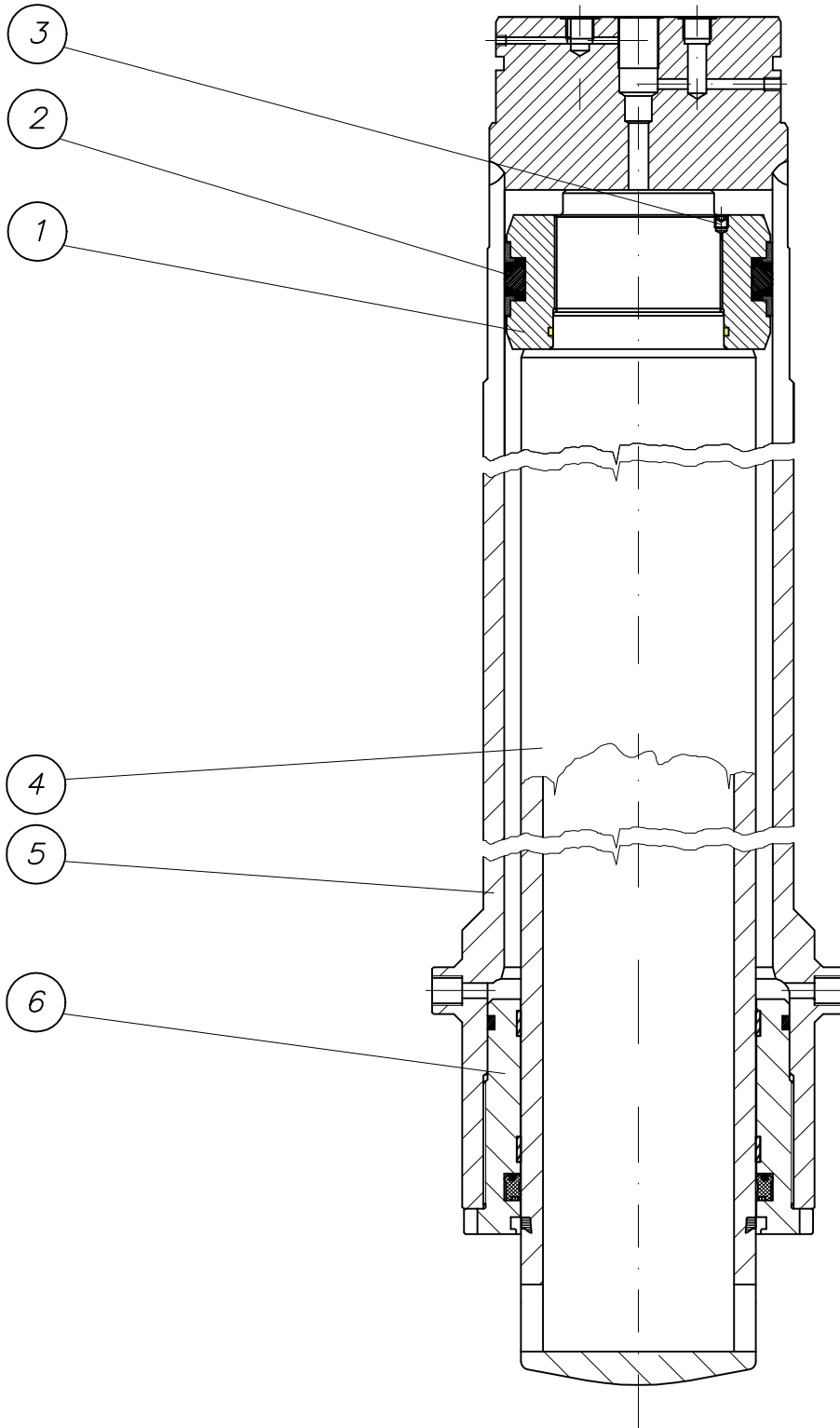
part list	description	created	index	valid from	valid to	
WAI109673	jack cylinder	31.05.05 RAINER				
pos	description stock	ident-no dimensions	DIN material	index	weighth Kg	quantity unit
1	jack cylinder own parts list	wai109669				1,00 Stk
2	foot	wai106778				1,00 Stk
3	hex. nut M18 DIN 985 8. VERZ.	wai109671				1,00 Stk
4	washer 19	wai109672				1,00 Stk
5	hexagon screw M 18 x 220	wai109670				1,00 Stk

*Abstützylinder*  
*jack cylinder*

*WAI 109669*



*Waitzinger*  
*Baumaschinen GmbH*



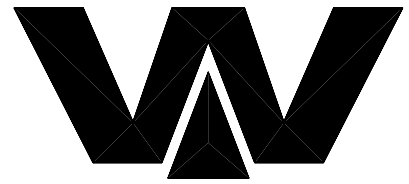


# PARTS LIST

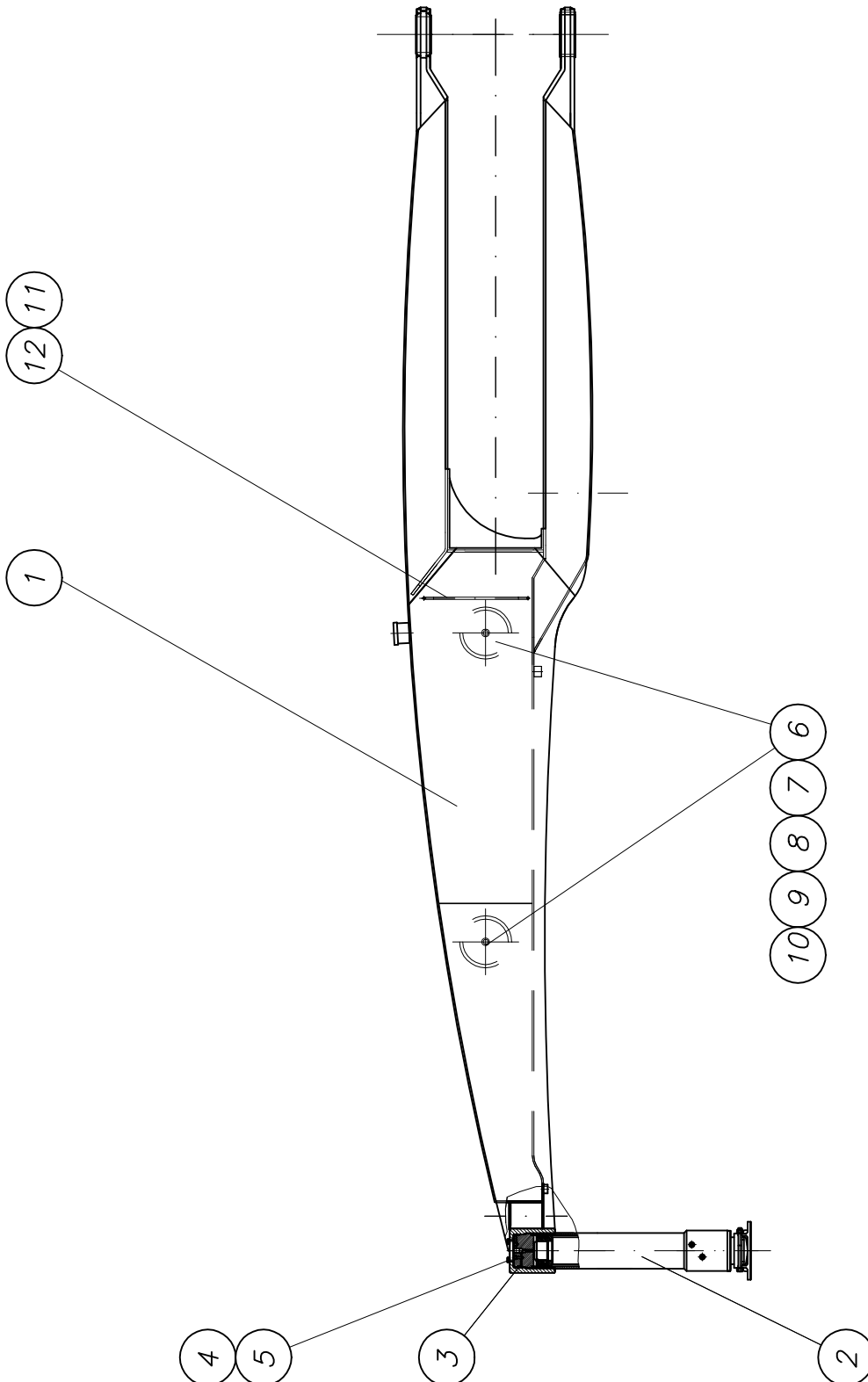
part list	description	created	index	valid from	valid to	
wai109669	jack cylinder	31.05.05 RAINER				
pos	description stock	ident-no dimensions	DIN material	index	weighth Kg	quantity unit
1	piston	WAI106770				1,00 Stk
2	sealing kit for front and rear	WAI104040				1,00 Stk
3	set screw	WAI106771				1,00 Stk
4	piston rod	WAI106772				1,00 Stk
5	cylinder	WAI106773				1,00 Stk
6	piston nut	WAI106774				1,00 Stk

*Abstützung hinten links kpl.  
outrigger left stabilizer cpl.*

*B 63 2 325a*



*Waitzinger  
Baumaschinen GmbH*





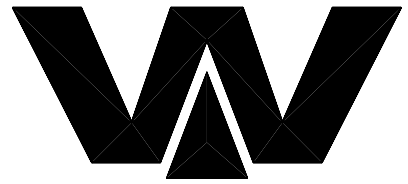
## PARTS LIST

part list	description	created	index	valid from	valid to	
B632325	rear left stabilizer 42XXT cpl.	27.02.04 ek	a	03.06.05		
pos	description stock	ident-no dimensions	DIN material	index	weighth Kg	quantity unit
1	rear outrigger XXT 42 left process own parts list	B632320				1,00 Stk
2	jack cylinder own parts list	WAI109673				1,00 Stk
3	O-ring 129,2 x 5,7	WAI101441				1,00 Stk
4	hexagon bolt M16 x 50	WAI106269			0,17	4,00 Stk
5	spring washer A16	WAI102072			0,01	4,00 Stk
6	cover for oiltank D236 X 27 36XT	B610033 RD 240x30	1747 Al99		1,80	2,00 Stk
7	star for oilcover FL 15X 220X 220	B610034 FI 220x220x15	1017 S235JR	a 12.02.03	2,00	2,00 Stk
8	O-ring 217x5, No. A0120.371	WAI106011				2,00 Stk
9	cheese head screw M 16 x 65	WAI103388				2,00 Stk
10	u-seal 16,7 x 24 x 1,5T	WAI101572				2,00 Stk
11	fuel hose DN 12	WAI103104				1,00 Mtr
12	hose clamp 15mm	WAI103103				2,00 Stk

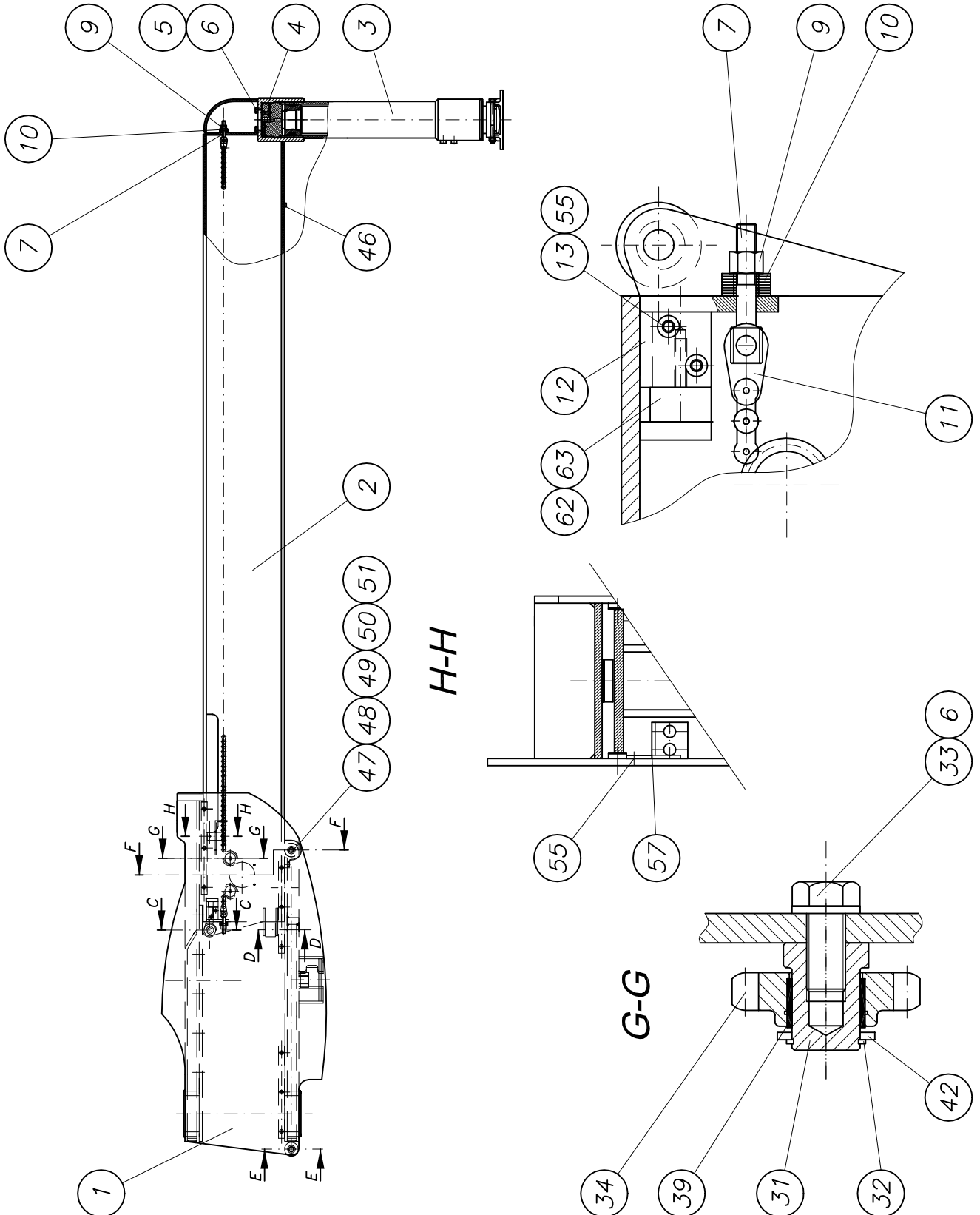
Abstützung vorne rechts kpl.  
outrigger front right cpl.

B 63 2 050f

1



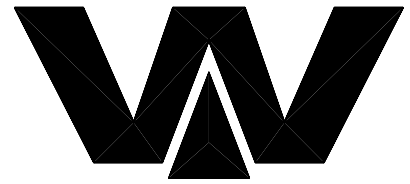
Waitzinger  
Baumaschinen GmbH



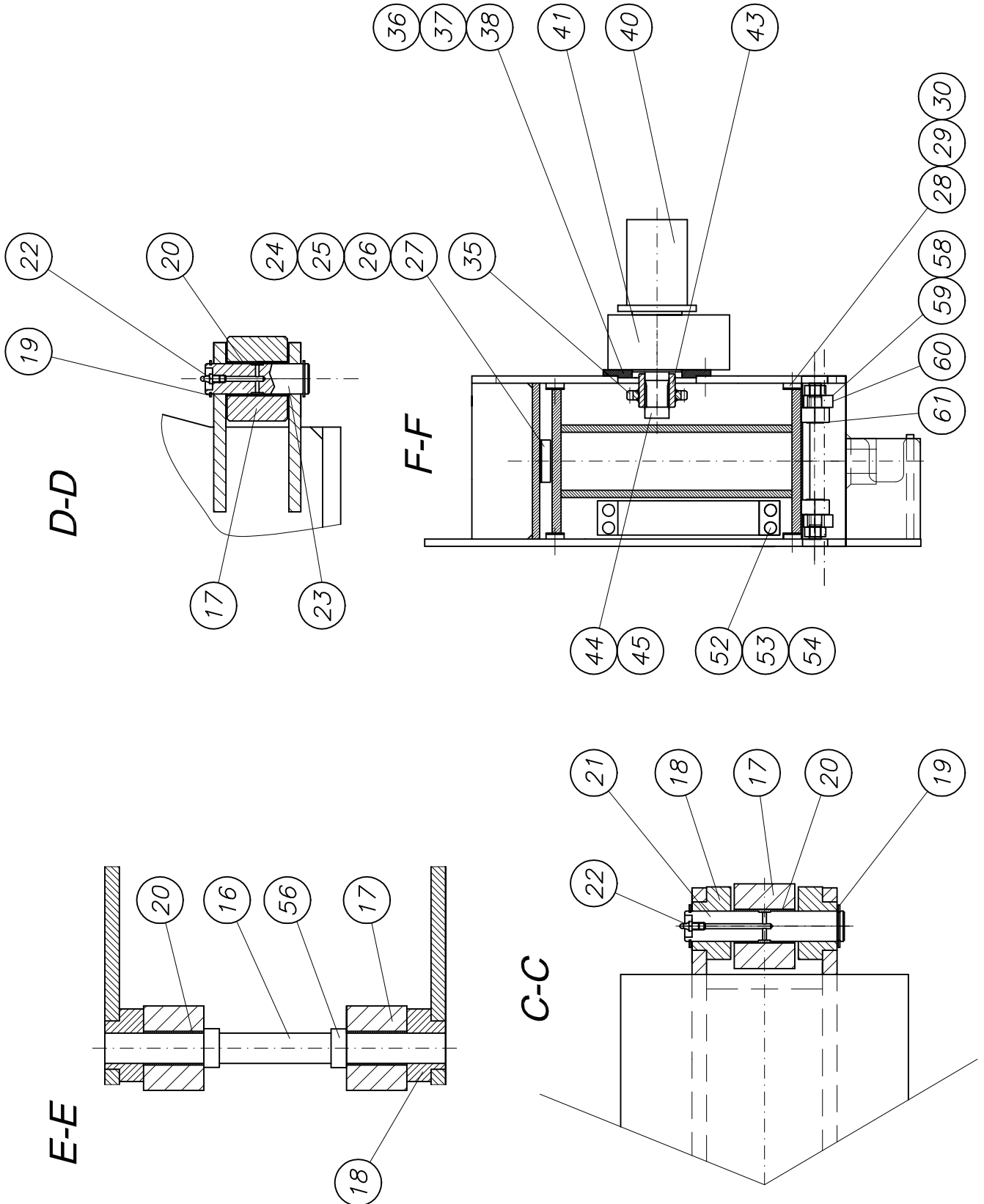
Abstützung vorne rechts kpl.  
outrigger front right cpl.

B 63 2 050f

2



Waitzinger  
Baumaschinen GmbH





## PARTS LIST

part list	description	created	index	valid from	valid to	
B632050	front outrigger 42 meter	21.05.02 Mi	f	12.07.05		
pos	description stock	ident-no dimensions	DIN material	index	weigh Kg	quantity unit
1	outrigger 42XXT front right processed own parts list	B632230			345,00	1,00 Stk
2	teleopic 42 XXT tooling own parts list	B632200		a 02.07.04	625,00	1,00 Stk
3	jack cylinder own parts list	WAI109673				1,00 Stk
4	O-ring 129,2 x 5,7	WAI101441				1,00 Stk
5	cheese head screw M 16 x 50	WAI102856				4,00 Stk
6	spring washer A16	WAI102072			0,01	6,00 Stk
7	bolt	B632053 Rd 36x115	1013 S355J2G3		0,20	2,00 Stk
9	nut M16 DIN 934	WAI101555				2,00 Stk
10	conical spring washer	WAI100506				16,00 Stk
11	chain own parts list	WAI107322				1,00 Stk
12	holder for chain cpl. right own parts list	B632068			2,20	1,00 Stk
13	alien bolt M 10 x 55	WAI105285			0,01	2,00 Stk
16	shaft	B639233 Rd 25x 290	669 S235J2G3	c 26.04.05	1,00	1,00 Stk
17	bolt	B632061 Rd 70x50	Lamigamid 320		1,00	4,00 Stk
18	eccenter	B632063 Rd 45x40	1013 S235J2G3		0,20	4,00 Stk
19	locking ring A 25 X 1.2 DIN 471	WAI103006				4,00 Stk
20	bushing DU 25 X 28 X 50	WAI106236				4,00 Stk
21	pin 25 x 136, 3P206	B610023 Rd 25 x 140	669 St50-2K		0,50	1,00 Stk
22	grease nipple M6 DIN 71412	WAI103355				2,00 Stk
23	pin 25 x 085 4P201	B610026 Rd 25 x 90	669 St50-2K		0,32	1,00 Stk
24	strip	B632093 Fl 70x15x1200	1017 S355J2G3		9,50	1,00 Stk





## PARTS LIST

part list	description	created	index	valid from	valid to	
B632050	front outrigger 42 meter	21.05.02 Mi	f	12.07.05		
pos	description stock	ident-no dimensions	DIN material	index	weigh Kg	quantity unit
25	PLATE	B632094 Bl 1X15X1200	1623/EN10131 ST02Z	a 15.02.05	0,10	3,00 Stk
26	cylinder head screw M 12 x 25	WAI103698				1,00 Stk
27	sunk screw M 12 x 25	WAI107333				4,00 Stk
28	guide profil	B632059 30x8x470	PEUHMW 1000		0,12	4,00 Stk
29	PLATE	B632096 Bl 1x30x470	1623/EN10131 ST02Z	a 15.02.05	0,10	8,00 Stk
30	sunk screw M 10 x 20	WAI104689				12,00 Stk
31	bolt	B632043 Rd 35x47	1013 S355J2G3			2,00 Stk
32	locking ring	WAI107339				2,00 Stk
33	hexagon bolt M12 x 35	WAI102122			0,04	2,00 Stk
34	free pinion 9K115	WAI106040				2,00 Stk
35	gear 9K116	WAI106041				1,00 Stk
36	flange	B632044 Bl 15xd180	1543/EN10029 S235J2G3		2,00	1,00 Stk
37	zylinder head screw M10 x 30	WAI103826				8,00 Stk
38	spring washer A10	WAI102070			0,00	8,00 Stk
39	bushing 28x32x20	WAI107340				2,00 Stk
40	hydraulic motor 250ccm	WAI107377			7,25	1,00 Stk
41	gearbox ODR 70	WAI107378				1,00 Stk
42	washer	B632042 Bl 3xd40	1543/EN10029 S355J2G3			2,00 Stk
43	conection piece	B632067 Rd 60x55	668 S355J2G3	a 23.02.04	1,50	1,00 Stk
44	cover f. telescop motor	WAI108739			0,20	1,00 Stk
45	countersunk screw	WAI103176				3,00 Stk



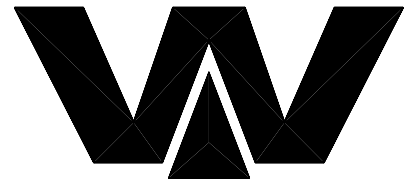
## PARTS LIST

part list	description	created	index	valid from	valid to	
B632050	front outrigger 42 meter	21.05.02 Mi	f	12.07.05		
pos	description stock	ident-no dimensions	DIN material	index	weight Kg	quantity unit
46	fixing sheet	B632104 FL 10x20x60	174 S355J2G3		0,10	1,00 Stk
47	housing	B951044 Bl 3x250x232	Alu	b 11.07.05	0,50	1,00 Stk
48	strip	B632108 FI 12x25x150	174 S355J2G3	b 11.07.05	0,29	1,00 Stk
49	cheese head screw M 8 x 10	WAI108302				2,00 Stk
50	washer 8.4	WAI101625				2,00 Stk
51	spring washer A8 DIN 127 VERZ.	WAI102205			0,00	2,00 Stk
52	energie chain	WAI108645			0,01	1,00 Stk
53	cheese head screw M 6x16	WAI101658				4,00 Stk
54	spring washer A6	WAI103000				4,00 Stk
55	sunk screw M 10 x 20	WAI104689				4,00 Stk
56	fixing ring	WAI108884 Di25 Da40 B16	DIN 705		0,05	2,00 Stk
57	bolt right own parts list	B632117		b 30.03.05		1,00 Stk
58	bracket	B632179 Bl 20x48x133	1543/EN10029 S355J2G3	a 11.07.05	0,70	2,00 Stk
59	spacer plate	B632181 Bl 1x75x20	1623/EN10131 S235J2G3		0,01	4,00 Stk
60	hexagon bolt M 8 x 50 DIN 931 8.8	wai108743				4,00 Stk
61	roller	wai109571 Rd 60 x 30	Polyamid		0,02	2,00 Stk
62	stop	B632182 50x28	Polyamid		0,10	1,00 Stk
63	cheese head screw	wai101567			0,01	1,00 Stk

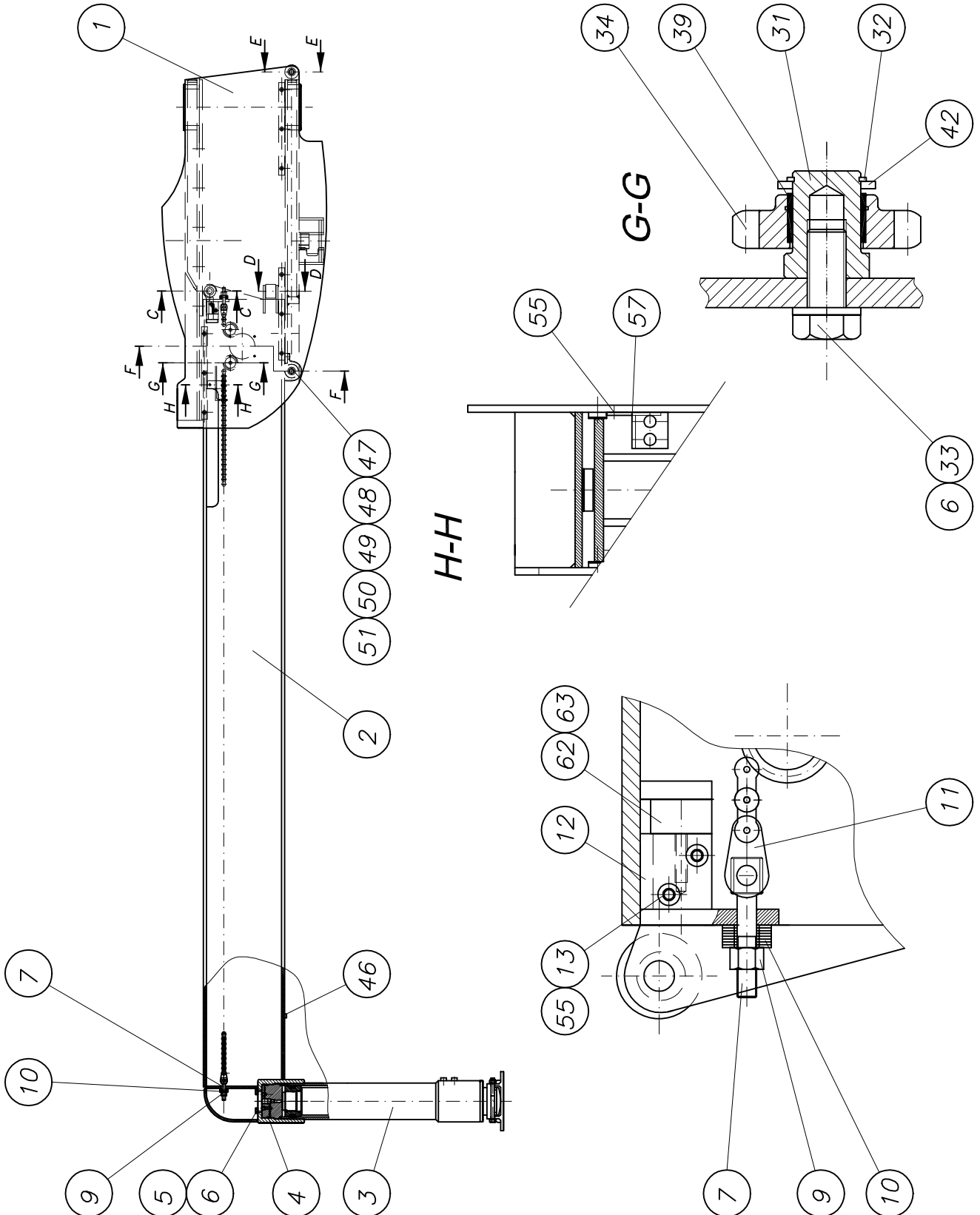
*Abstützung vorne links kpl.*  
*outrigger front left cpl.*

*B 63 2 051f*

1



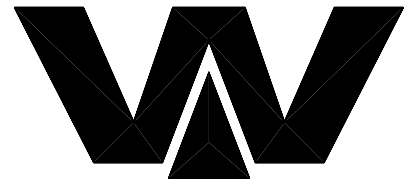
Waitzinger  
 Baumaschinen GmbH



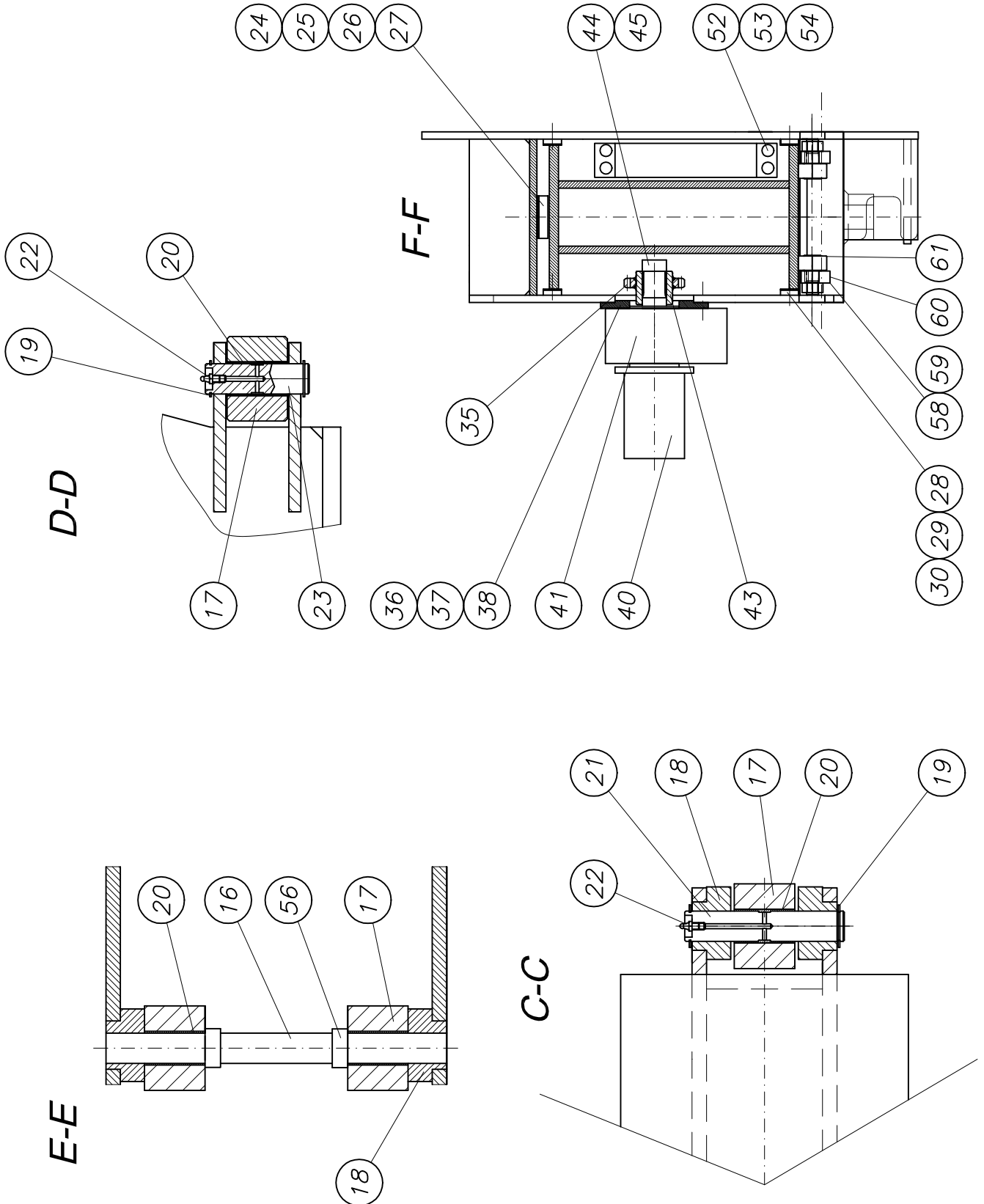
*Abstützung vorne links kpl.*  
*outrigger front left cpl.*

*B 63 2 051f*

*2*



Waitzinger  
Baumaschinen GmbH





## PARTS LIST

part list	description	created	index	valid from	valid to	
B632051	front left stabilizer 42XXT cpl.	22.05.02 Mi	f	12.07.05		
pos	description stock	ident-no dimensions	DIN material	index	weigh Kg	quantity unit
1	outrigger 42XXT front left processed own parts list	B632235			345,00	1,00 Stk
2	teleopic 42 XXT tooling own parts list	B632202		a 02.07.04	625,00	1,00 Stk
3	jack cylinder own parts list	WAI109673				1,00 Stk
4	O-ring 129,2 x 5,7	WAI101441				1,00 Stk
5	cheese head screw M 16 x 50	WAI102856				4,00 Stk
6	spring washer A16	WAI102072			0,01	6,00 Stk
7	bolt	B632053 Rd 36x115	1013 S355J2G3		0,20	2,00 Stk
9	nut M16 DIN 934	WAI101555				2,00 Stk
10	conical spring washer	WAI100506				16,00 Stk
11	chain own parts list	WAI107322				1,00 Stk
12	holder for chain cpl. left own parts list	B632048		a 02.07.04	2,20	1,00 Stk
13	alien bolt M 10 x 55	WAI105285			0,01	2,00 Stk
16	shaft	B639233 Rd 25x 290	669 S235J2G3	c 26.04.05	1,00	1,00 Stk
17	bolt	B632061 Rd 70x50	Lamigamid 320		1,00	4,00 Stk
18	eccenter	B632063 Rd 45x40	1013 S235J2G3		0,20	4,00 Stk
19	locking ring A 25 X 1.2 DIN 471	WAI103006				4,00 Stk
20	bushing DU 25 X 28 X 50	WAI106236				4,00 Stk
21	pin 25 x 136, 3P206	B610023 Rd 25 x 140	669 St50-2K		0,50	1,00 Stk
22	grease nipple M6 DIN 71412	WAI103355				2,00 Stk
23	pin 25 x 085 4P201	B610026 Rd 25 x 90	669 St50-2K		0,32	1,00 Stk
24	strip	B632093 Fl 70x15x1200	1017 S355J2G3		9,50	1,00 Stk



## PARTS LIST

part list	description	created	index	valid from	valid to	
B632051	front left stabilizer 42XXT cpl.	22.05.02 Mi	f	12.07.05		
pos	description stock	ident-no dimensions	DIN material	index	weigh Kg	quantity unit
25	PLATE	B632094 Bl 1X15X1200	1623/EN10131 ST02Z	a 15.02.05	0,10	3,00 Stk
26	cylinder head screw M 12 x 25	WAI103698				1,00 Stk
27	sunk screw M 12 x 25	WAI107333				4,00 Stk
28	guide profil	B632059 30x8x470	PEUHMW 1000		0,12	4,00 Stk
29	PLATE	B632096 Bl 1x30x470	1623/EN10131 ST02Z	a 15.02.05	0,10	8,00 Stk
30	sunk screw M 10 x 20	WAI104689				12,00 Stk
31	bolt	B632043 Rd 35x47	1013 S355J2G3			2,00 Stk
32	locking ring	WAI107339				2,00 Stk
33	hexagon bolt M12 x 35	WAI102122			0,04	2,00 Stk
34	free pinion 9K115	WAI106040				2,00 Stk
35	gear 9K116	WAI106041				1,00 Stk
36	flange	B632044 Bl 15xd180	1543/EN10029 S235J2G3		2,00	1,00 Stk
37	zylinder head screw M10 x 30	WAI103826				8,00 Stk
38	spring washer A10	WAI102070			0,00	8,00 Stk
39	bushing 28x32x20	WAI107340				2,00 Stk
40	hydraulic motor 250ccm	WAI107377			7,25	1,00 Stk
41	gearbox ODR 70	WAI107378				1,00 Stk
42	washer	B632042 Bl 3xd40	1543/EN10029 S355J2G3			2,00 Stk
43	conection piece	B632067 Rd 60x55	668 S355J2G3	a 23.02.04	1,50	1,00 Stk
44	cover f. telescop motor	WAI108739			0,20	1,00 Stk
45	countersunk screw	WAI103176				3,00 Stk

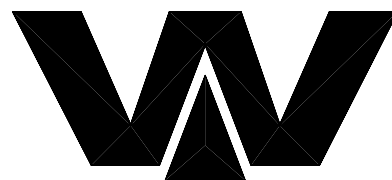


## PARTS LIST

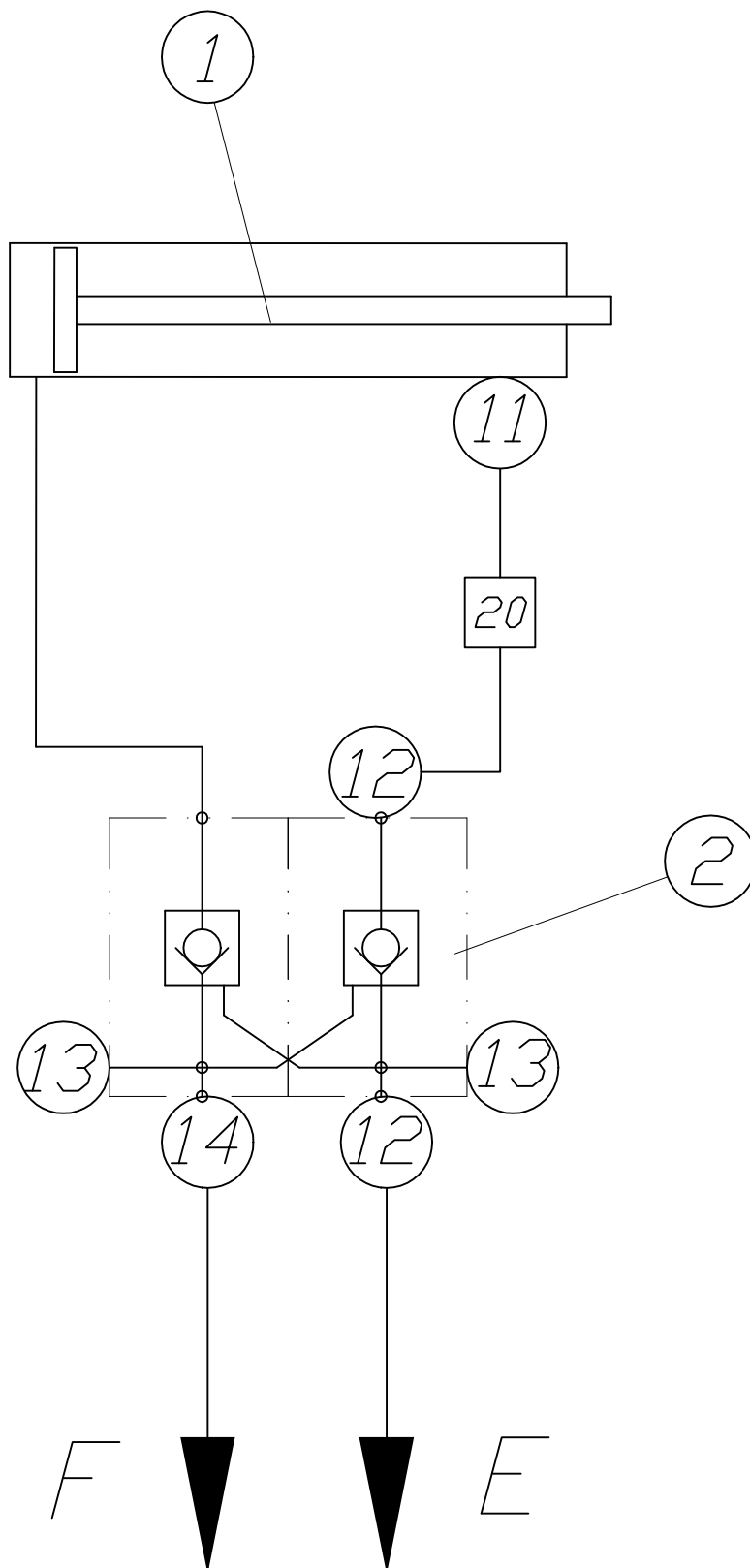
part list	description	created	index	valid from	valid to	
B632051	front left stabilizer 42XXT cpl.	22.05.02 Mi	f	12.07.05		
pos	description stock	ident-no dimensions	DIN material	index	weight Kg	quantity unit
46	fixing sheet	B632104 FL 10x20x60	174 S355J2G3		0,10	1,00 Stk
47	housing	B951044 Bl 3x250x232	Alu	b 11.07.05	0,50	1,00 Stk
48	strip	B632108 FI 12x25x150	174 S355J2G3	b 11.07.05	0,29	1,00 Stk
49	cheese head screw M 8 x 10	WAI108302				2,00 Stk
50	washer 8.4	WAI101625				2,00 Stk
51	spring washer A8 DIN 127 VERZ.	WAI102205			0,00	2,00 Stk
52	energie chain	WAI108645			0,01	1,00 Stk
53	cheese head screw M 6x16	WAI101658				4,00 Stk
54	spring washer A6	WAI103000				4,00 Stk
55	sunk screw M 10 x 20	WAI104689				4,00 Stk
56	fixing ring	WAI108884 Di25 Da40 B16	DIN 705		0,05	2,00 Stk
57	bolt left own parts list	B632114		b 30.03.05		1,00 Stk
58	bracket	B632179 Bl 20x48x133	1543/EN10029 S355J2G3	a 11.07.05	0,70	2,00 Stk
59	spacer plate	B632181 Bl 1x75x20	1623/EN10131 S235J2G3		0,01	4,00 Stk
60	hexagon bolt M 8 x 50 DIN 931 8.8	wai108743				4,00 Stk
61	roller	WAI109571 Rd 60 x 30	Polyamid		0,02	2,00 Stk
62	stop	B632182 50x28	Polyamid		0,10	1,00 Stk
63	cheese head screw	WAI101567			0,01	1,00 Stk

*Ausschwenkzylinder vorne kpl.*  
*swing cylinder front cpl.*

*B 63 2 036a*



*Waitzinger*  
*Baumaschinen GmbH*







## PARTS LIST

part list	description	created	index	valid from	valid to	
B632036	swing cylinder cpl.	11.11.03 Mi	a	02.06.05		
pos	description stock	ident-no dimensions	DIN material	index	weighth Kg	quantity unit
1	swing cylinder 100x 60 x 475 42XXT own parts list	WAI107364				1,00 Stk
2	pilot operated twin check valve	WAI106410				1,00 Stk
11	banjo coupling L12 RD	WAI103684				1,00 Stk
12	straight male stud couplings L12D	WAI100548				2,00 Stk
13	locking screw G 3/8	WAI100521				2,00 Stk
14	straight male stud couplings L12R 1.5 own parts list	WAI106427			0,13	1,00 Stk
20	hydr. pipe 12 x 2	WAI102022			0,49	0,30 Mtr

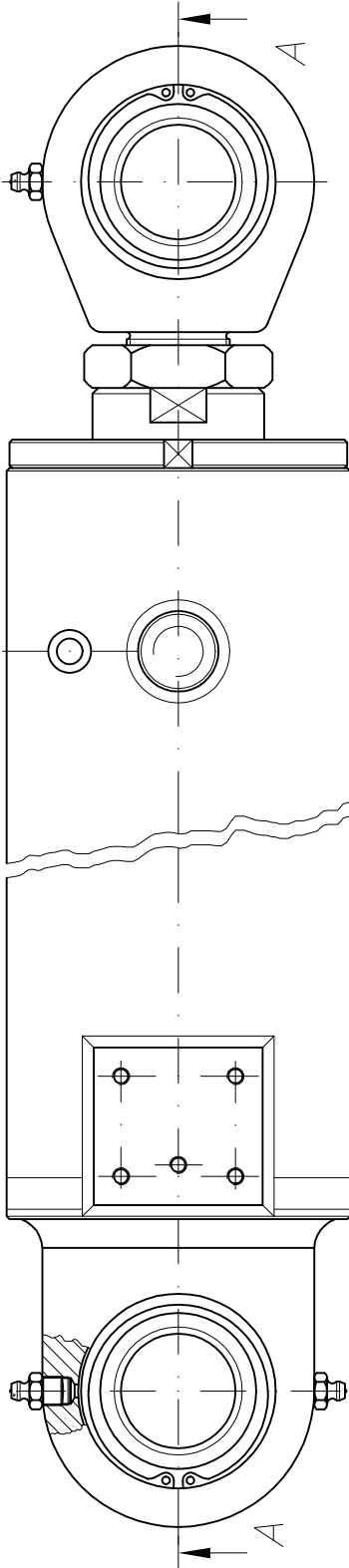
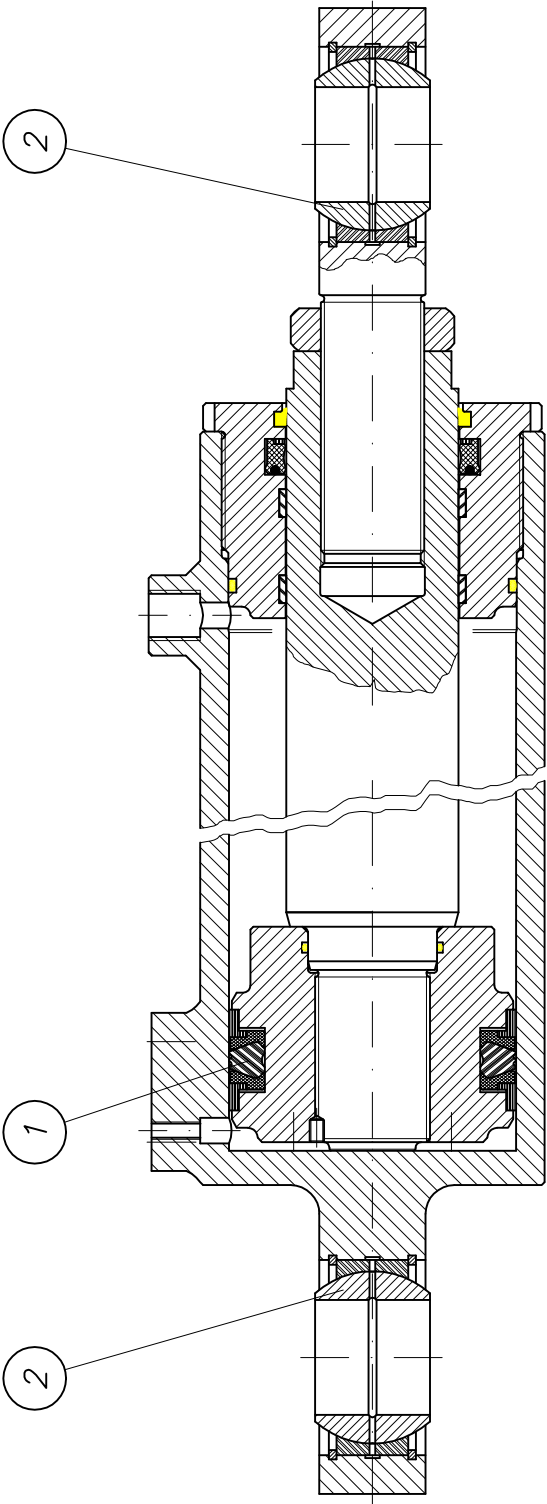
*Ausschwenkzylinder kpl.*

*swing cylinder cpl.*

**WAI 107364**



Waitzinger  
Baumaschinen GmbH





## PARTS LIST

part list	description	created	index	valid from	valid to	
WAI107364	swing cylinder 100x 60 x 475 42XXT	24.10.03 HG				
pos	description stock	ident-no dimensions	DIN material	index	weigh Kg	quantity unit
1	sealing kit for swing cylinder 42XXT	WAI108535				1,00 Stk
2	joint bearing	WAI100233			0,60	2,00 Stk

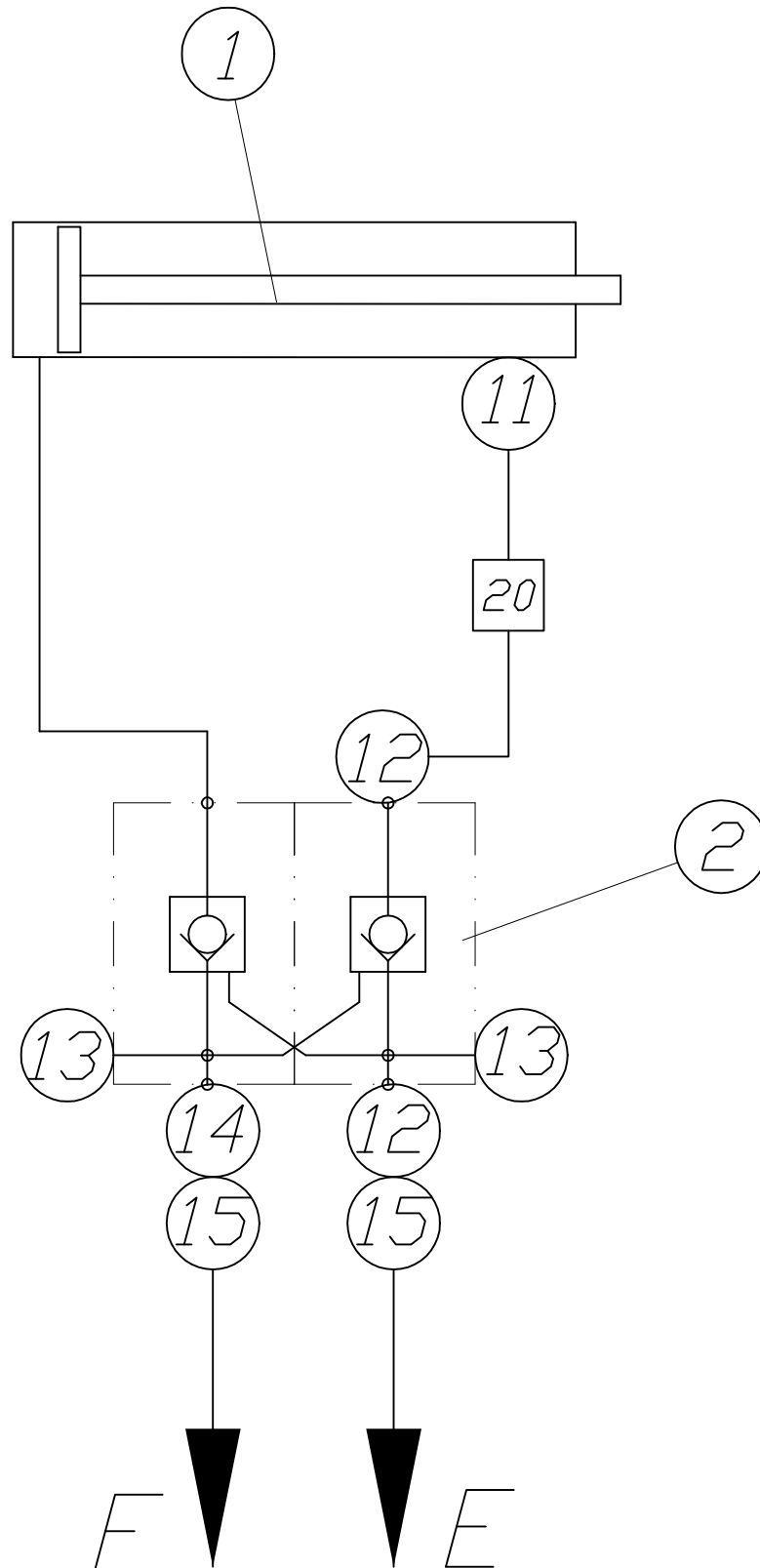
Ausschwenkzylinder hinten kpl.

swing cylinder cpl.

B 63 2 037a



Waitzinger  
Baumaschinen GmbH



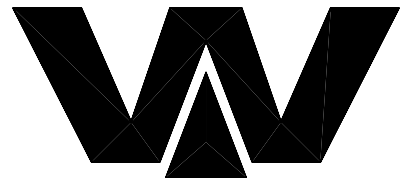


## PARTS LIST

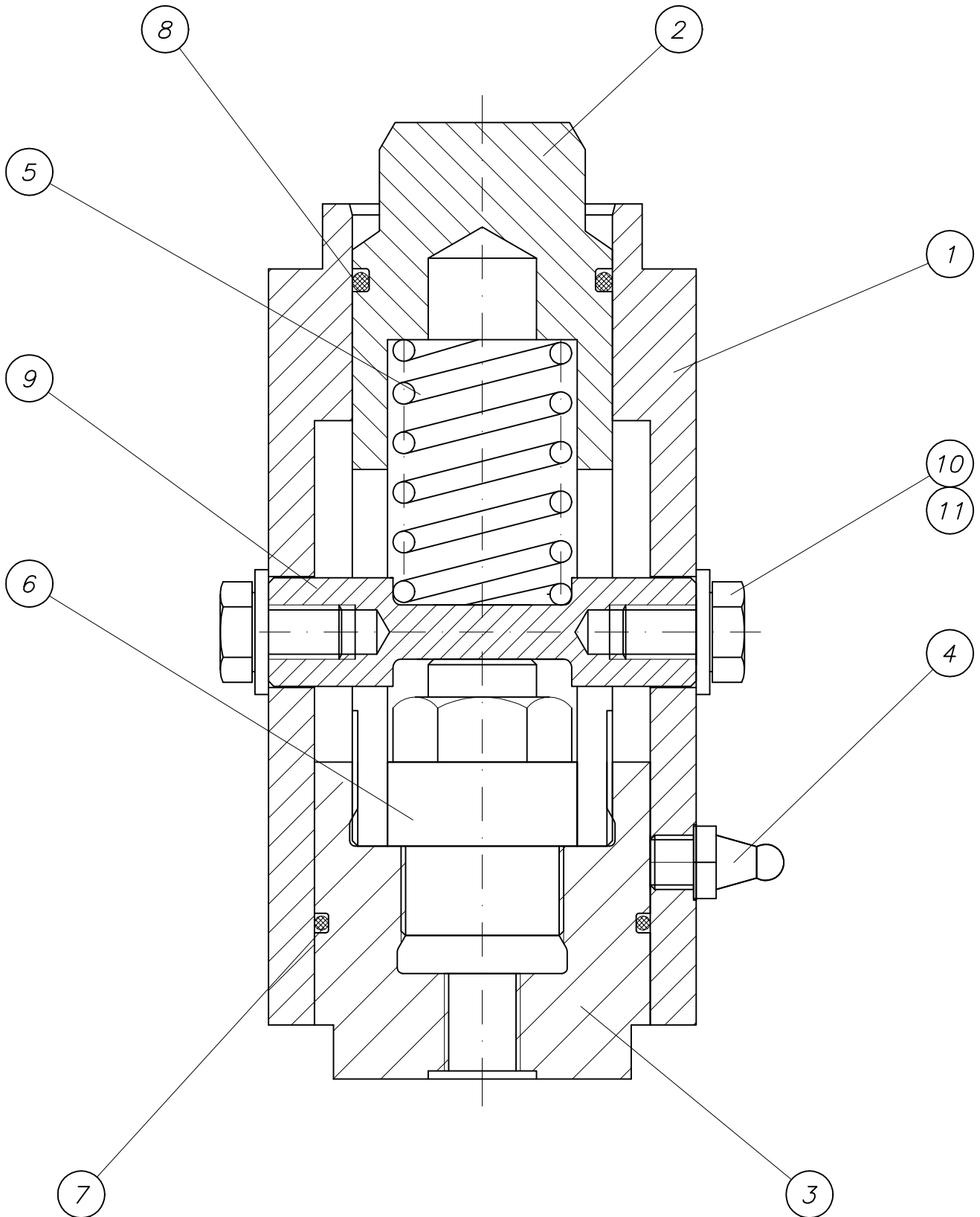
part list	description	created	index	valid from	valid to	
B632037	swing cylinder cpl.	11.11.03 Mi	a	02.06.05		
pos	description stock	ident-no dimensions	DIN material	index	weighth Kg	quantity unit
1	swing cylinder 100x 60 x 475 42XXT own parts list	WAI107364				1,00 Stk
2	pilot operated twin check valve	WAI106410				1,00 Stk
11	banjo coupling L12 RD	wai103684				1,00 Stk
12	straight male stud couplings L12D	WAI100548				2,00 Stk
13	locking screw G 3/8	WAI100521				2,00 Stk
14	straight male stud couplings L12R 1.2 own parts list	WAI107456			0,13	1,00 Stk
15	swivel elbow L12	WAI103794				2,00 Stk
20	hydr. pipe 12 x 2	WAI102022			0,49	0,30 Mtr

*Transportsicherung vorne*  
*transport safety device front*

*B 63 9 197b*



Waitzinger  
Baumaschinen GmbH



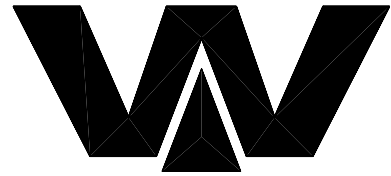


## PARTS LIST

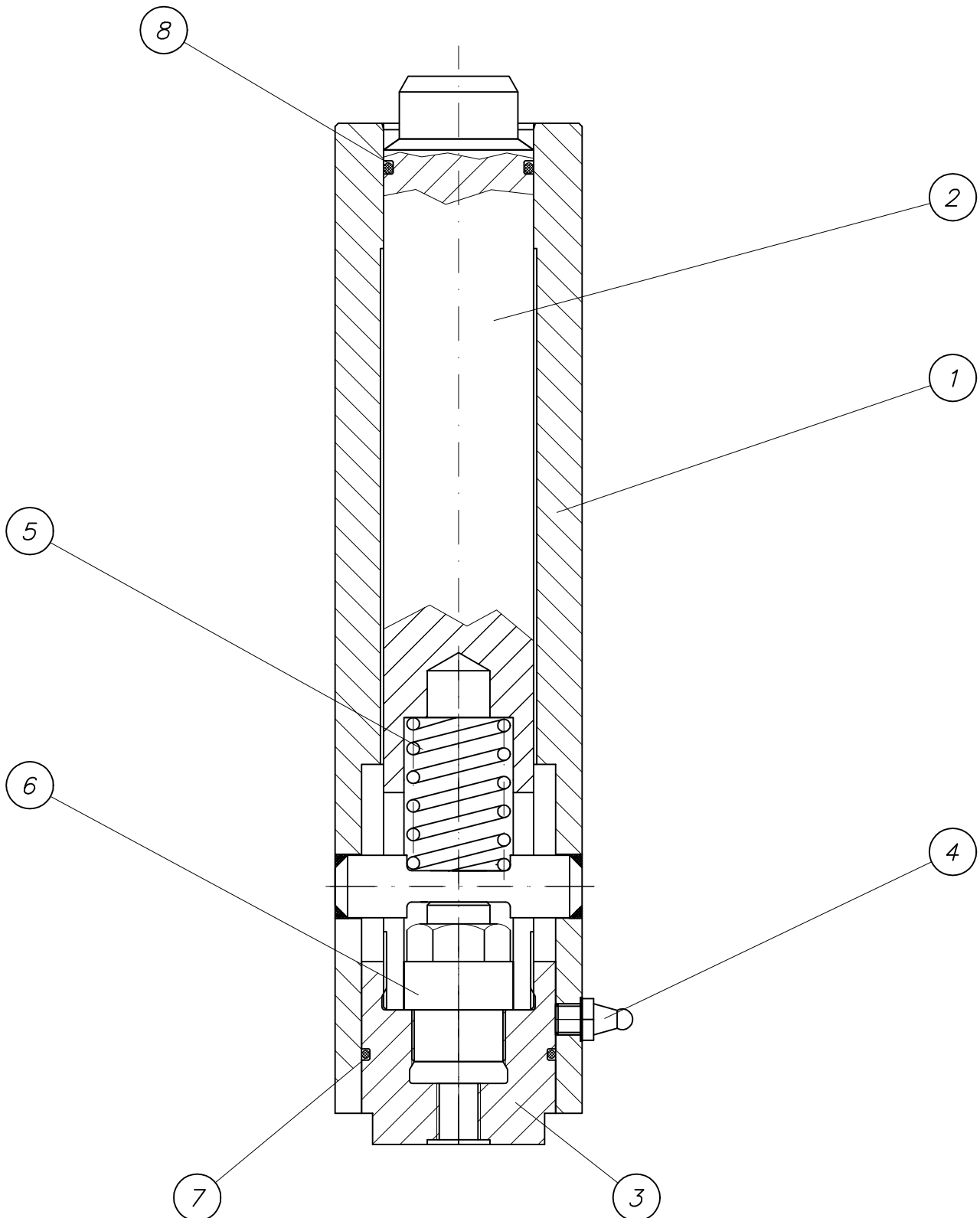
part list	description	created	index	valid from	valid to	
B639197	transport savety device	04.12.00 ek	b	14.10.03		
pos	description stock	ident-no dimensions	DIN material	index	weighth Kg	quantity unit
1	pipe	B639198 Ro D82.5x20x155	2448 St52-3	c 16.02.04		1,00 Stk
2	bolt	B639199 Rd 50x135	1013 St52-3	a 17.09.03		1,00 Stk
3	nut	B639201 Rd 70	1013 St52-3	a 17.12.02		1,00 Stk
4	grease nipple H1 M10 X 1 DIN 71412	WAI100805			0,01	1,00 Stk
5	pressure spring	WAI106537				1,00 Stk
6	cylinder	WAI106536				1,00 Stk
7	O-ring 56.74x3	WAI106538				1,00 Stk
8	O-ring	WAI101260				1,00 Stk
9	bolt	B639215 Rd 20x80	1013 S355J2G3		0,15	1,00 Stk
10	hexagon bolt M10 x 16	WAI102886				2,00 Stk
11	washer 10.5	WAI101559			0,00	2,00 Stk

*Transportsicherung hinten*  
*transport safety device rear*

*B 63 9 207b*



Waitzinger  
Baumaschinen GmbH







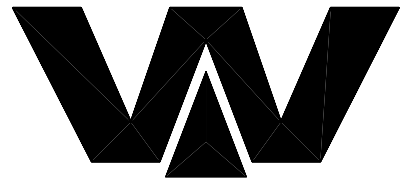
## PARTS LIST

part list	description	created	index	valid from	valid to	
B639207	transport savety device	04.12.00 ek	b	20.10.04		
pos	description stock	ident-no dimensions	DIN material	index	weigth Kg	quantity unit
1	pipe cpl. own parts list	B639218				1,00 Stk
2	bolt	B639209 Rd 50x320	1013 St52-3	b 20.10.04		1,00 Stk
3	nut	B639201 Rd 70	1013 St52-3	a 17.12.02		1,00 Stk
4	grease nipple H1 M10 X 1 DIN 71412	WAI100805			0,01	1,00 Stk
5	pressure spring	WAI106537				1,00 Stk
6	cylinder	WAI106536				1,00 Stk
7	O-ring 56.74x3	WAI106538				1,00 Stk
8	O-ring	WAI101260				1,00 Stk

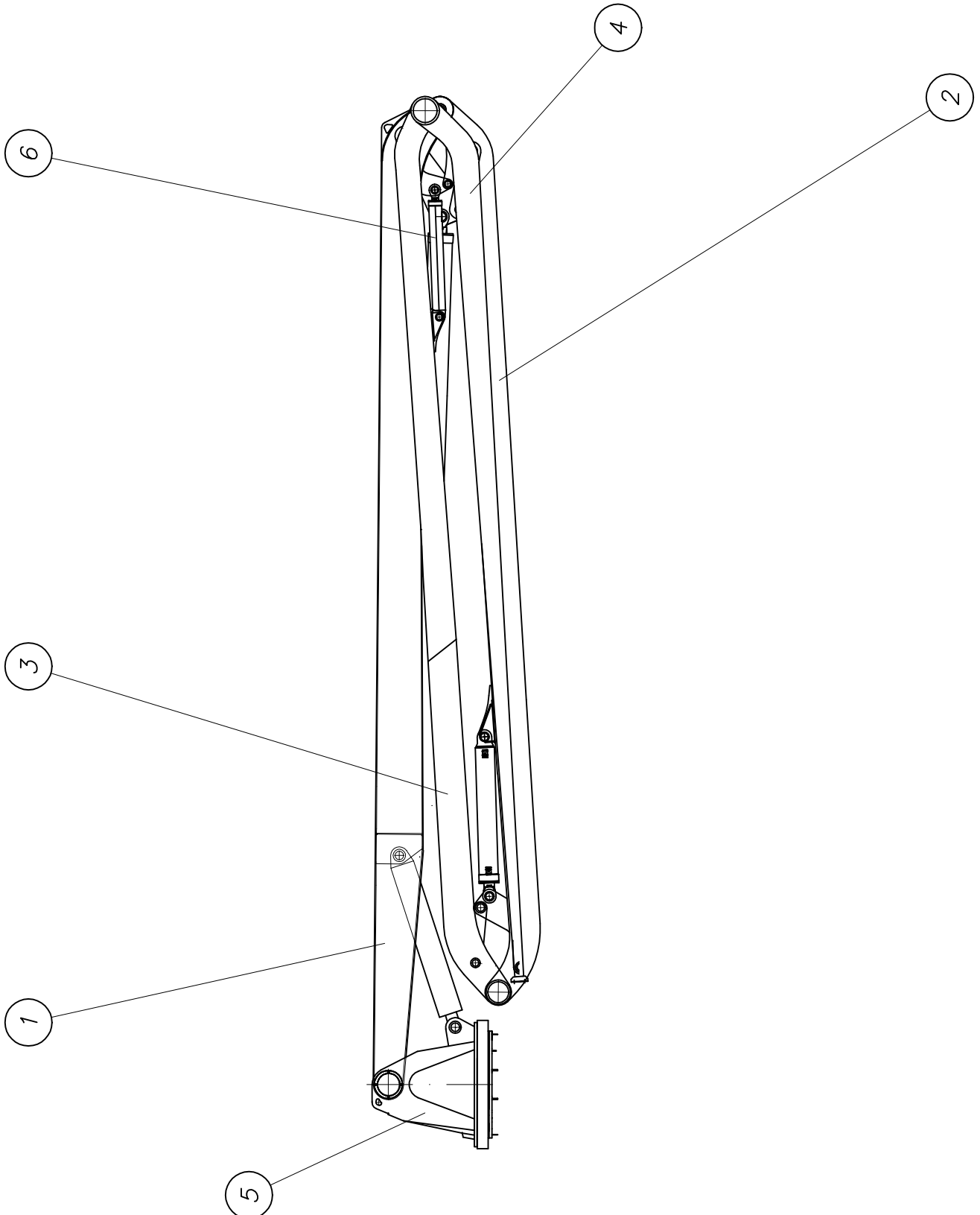
*Armpaket W42-4 kpl.*

*boom W42-4 cpl.*

*B 66 2 100*



*Waitzinger  
Baumaschinen GmbH*



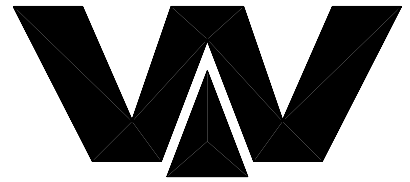


## PARTS LIST

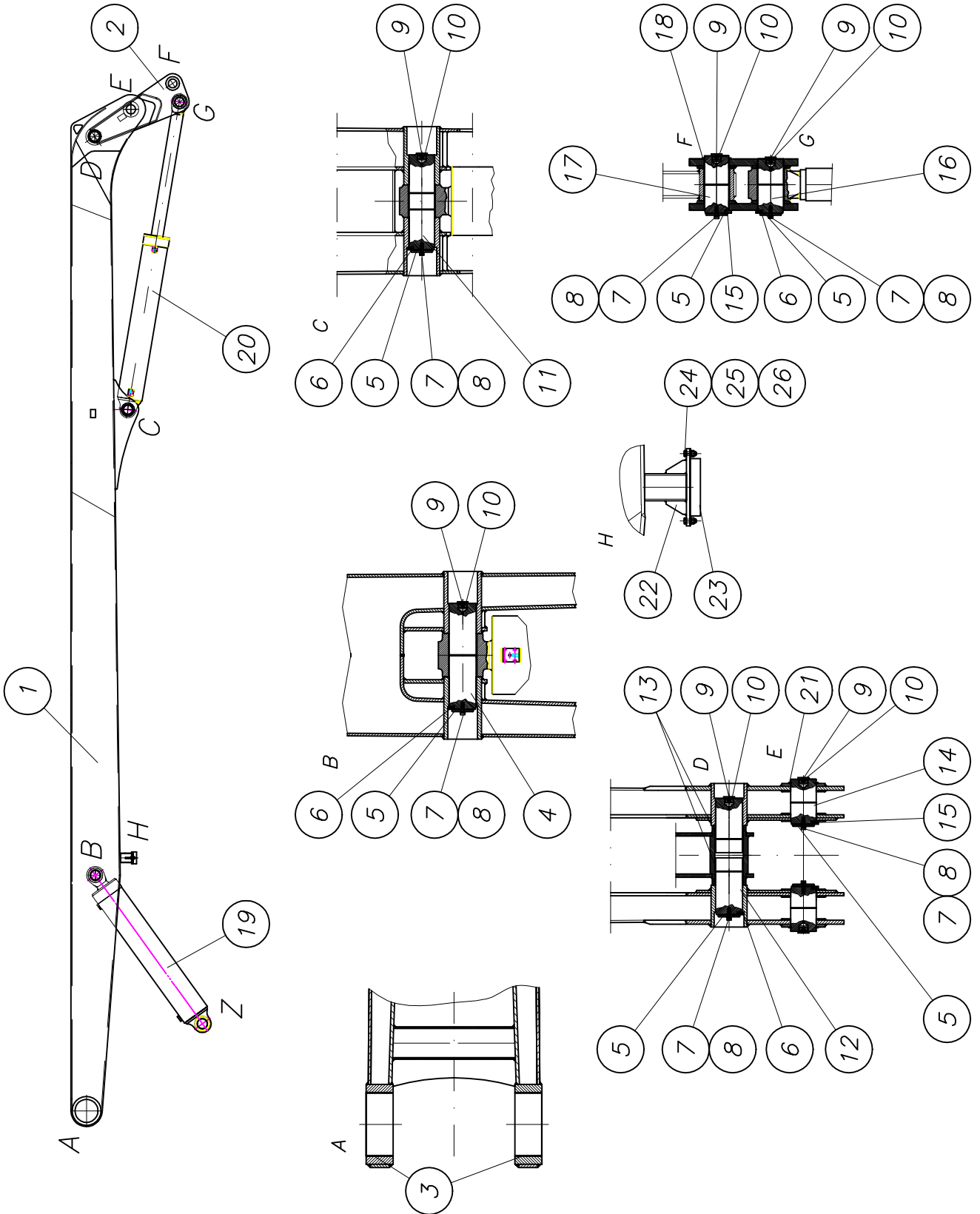
<b>part list</b>	<b>description</b>	<b>created</b>	<b>index</b>	<b>valid from</b>	<b>valid to</b>	
B662100	distribution boom 42.4 type plan	19.04.04 a				
<b>pos</b>	<b>description stock</b>	<b>ident-no dimensions</b>	<b>DIN material</b>	<b>index</b>	<b>weighth Kg</b>	<b>quantity unit</b>
1	boom arm 1 cpl. own parts list	B662110		a 10.02.05		1,00 Stk
2	boom arm 2 cpl. own parts list	B662120		c 23.09.05		1,00 Stk
3	boom arm 3 cpl. own parts list	B662130		b 10.02.05		1,00 Stk
4	boom arm 4 cpl. own parts list	B662140				1,00 Stk
5	rotating head unit 42 m own parts list	B682100			790,00	1,00 Stk
6	pipng plan 42R4 boom own parts list	B712020		a 28.09.04		1,00 Stk

Mastarm 1 kpl.  
element 1 cpl.

B 66 2 110a



Waitzinger  
Baumaschinen GmbH





## PARTS LIST

part list	description	created	index	valid from	valid to	
B662110	boom arm 1 cpl.	23.02.04 aaa	a	10.02.05		
pos	description stock	ident-no dimensions	DIN material	index	weigh Kg	quantity unit
1	boom arm 1 cpl. own parts list	B672100		a 24.08.04		1,00 Stk
2	beam "B" cpl. processing drawing own parts list	B672610		c 20.05.05	130,00	1,00 Stk
3	bushing	WAI108736				2,00 Stk
4	pin 100x 390	B662153 Rd 105x395	1013 42CrMo4V		24,00	1,00 Stk
5	washer d 90x06	B660054 Rd 95x10	1013 St37-2		0,20	7,00 Stk
6	pin holder	B660088 Bl 10x22x70	1543/EN10029 S235J2G3		0,10	3,00 Stk
7	cylinder head screw M 10 x 25	WAI106654				7,00 Stk
8	spring washer A10	WAI102070			0,00	7,00 Stk
9	grease nipple H1 M10 X 1 DIN 71412	WAI100805			0,01	7,00 Stk
10	locking screw M33x2 own parts list	B660085			0,10	7,00 Stk
11	pin 95 x 350	B660113 Rd 100x355	1013 42CrMo4V	a 31.07.02	19,00	1,00 Stk
12	pin 100x 430	B662154 Rd 105x435	1013 42CrMo4V		26,50	1,00 Stk
13	bushing	WAI108734				2,00 Stk
14	pin 95x 166	B662155 Rd 100x170	1013 42CrMo4V		9,20	2,00 Stk
15	pin holder	B660086 Fl 25x10x80	1017 S235J2G3		0,15	4,00 Stk
16	pin 95x 200	B662156 Rd 95x205	1013 42CrMo4V		11,00	1,00 Stk
17	pin 90x 216	B662157 Rd 95x220	1013 42CrMo4V	a 16.07.04	10,80	1,00 Stk
18	retaining ring A 85x4 DIN471	WAI106975			0,02	1,00 Stk
19	boom cylinder A cpl. with pipes own parts list	B660140		b 15.04.05		1,00 Stk
20	boom cylinder B cpl. with pipes own parts list	B660141		b 15.04.05		1,00 Stk
21	retaining ring A 90x4 DIN471	WAI108740			0,02	2,00 Stk

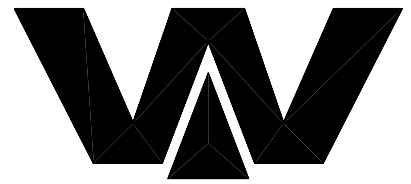


## PARTS LIST

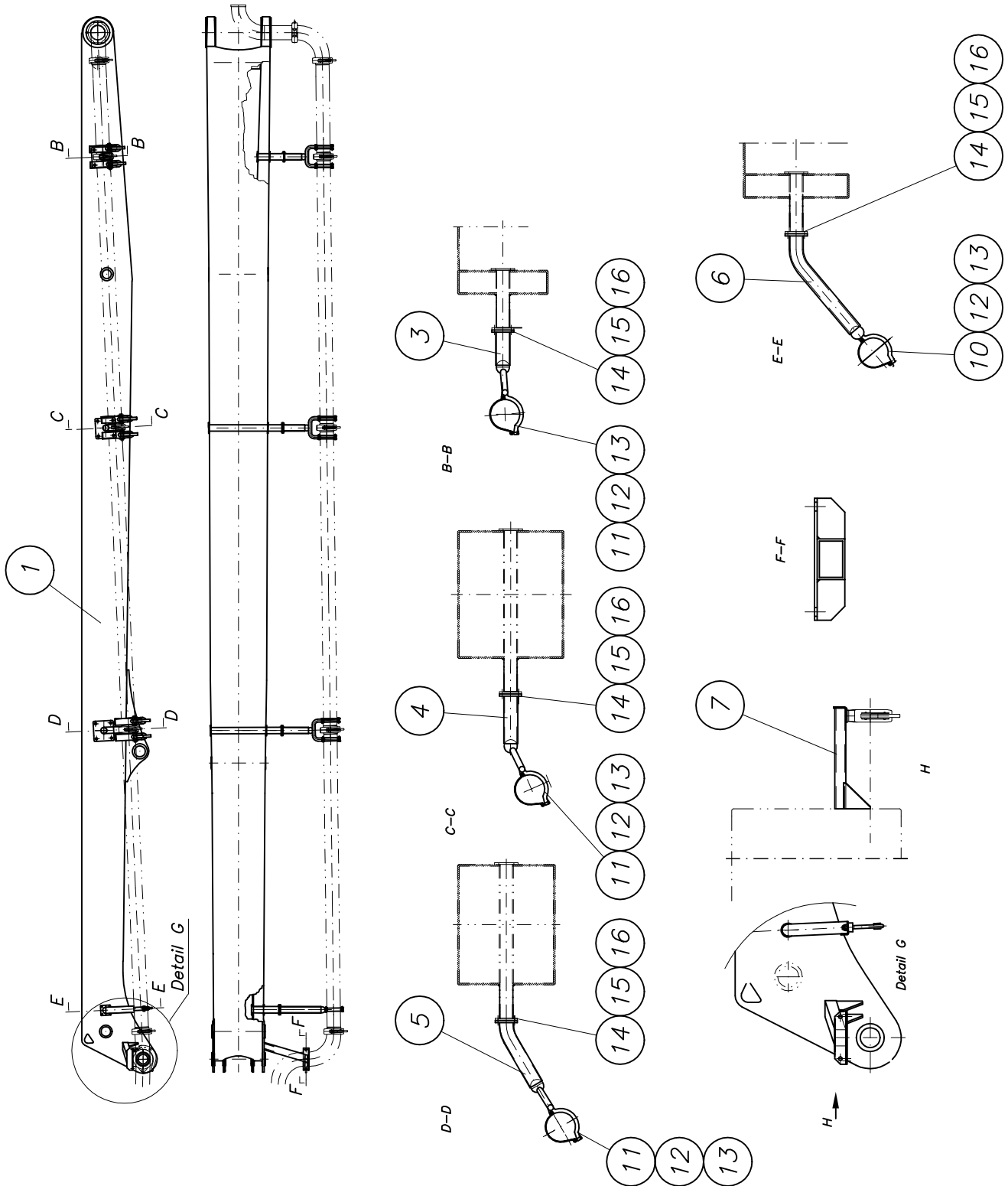
part list	description	created	index	valid from	valid to	
B662110	boom arm 1 cpl.	23.02.04 aaa	a	10.02.05		
pos	description stock	ident-no dimensions	DIN material	index	weigh Kg	quantity unit
22	holder for rubber buffer arm 1 cpl. own parts list	B662025		a 02.11.04	4,90	1,00 Stk
23	rubber cushion	WAI106715				1,00 Stk
24	hexagon bolt M 10 x 30	WAI101553			0,03	2,00 Stk
25	spring washer A10	WAI102070			0,00	2,00 Stk
26	hex. nut M10 DIN985 8.	WAI102125			0,01	2,00 Stk

Mastarm 1 kpl.  
element 1 cpl.

B 67 2 100a



Waitzinger  
Baumaschinen GmbH





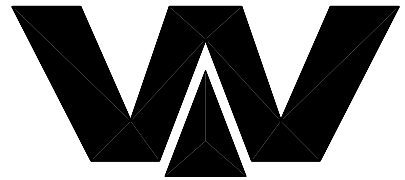
# PARTS LIST

part list	description	created	index	valid from	valid to	
B672100	boom arm 1 cpl.	19.02.04 Mi	a	24.08.04		
pos	description stock	ident-no dimensions	DIN material	index	weigh Kg	quantity unit
1	boom arm 1 processing cpl. 42.4 own parts list	B672101		a 23.05.05	2140,00	1,00 Stk
3	holder 2 cpl., element 1 own parts list	B642012		a 24.08.04	1,70	1,00 Stk
4	holder 3 cpl., element 1 own parts list	B642014		a 24.08.04	2,30	1,00 Stk
5	holder 4 cpl., element 1 own parts list	B642016		a 24.08.04	3,00	1,00 Stk
6	holder 5 cpl., element 1 own parts list	B642018		a 24.08.04	4,00	1,00 Stk
7	holder 5 cpl., element 1 own parts list	B641039		a 22.04.05	5,70	1,00 Stk
10	pipe holder cpl. own parts list	WAI107108				1,00 Stk
11	pipe holder cpl. own parts list	WAI107109				3,00 Stk
12	conical spring washer 12 mm	WAI102877				7,00 Stk
13	hex. nut M12 DIN 985 8. VERZ.	WAI101626				7,00 Stk
14	hexagon bolt M 10 x 35	WAI101705			0,03	16,00 Stk
15	washer 10.5	WAI101559			0,00	16,00 Stk
16	nut M10 DIN 934	WAI101556			0,01	16,00 Stk

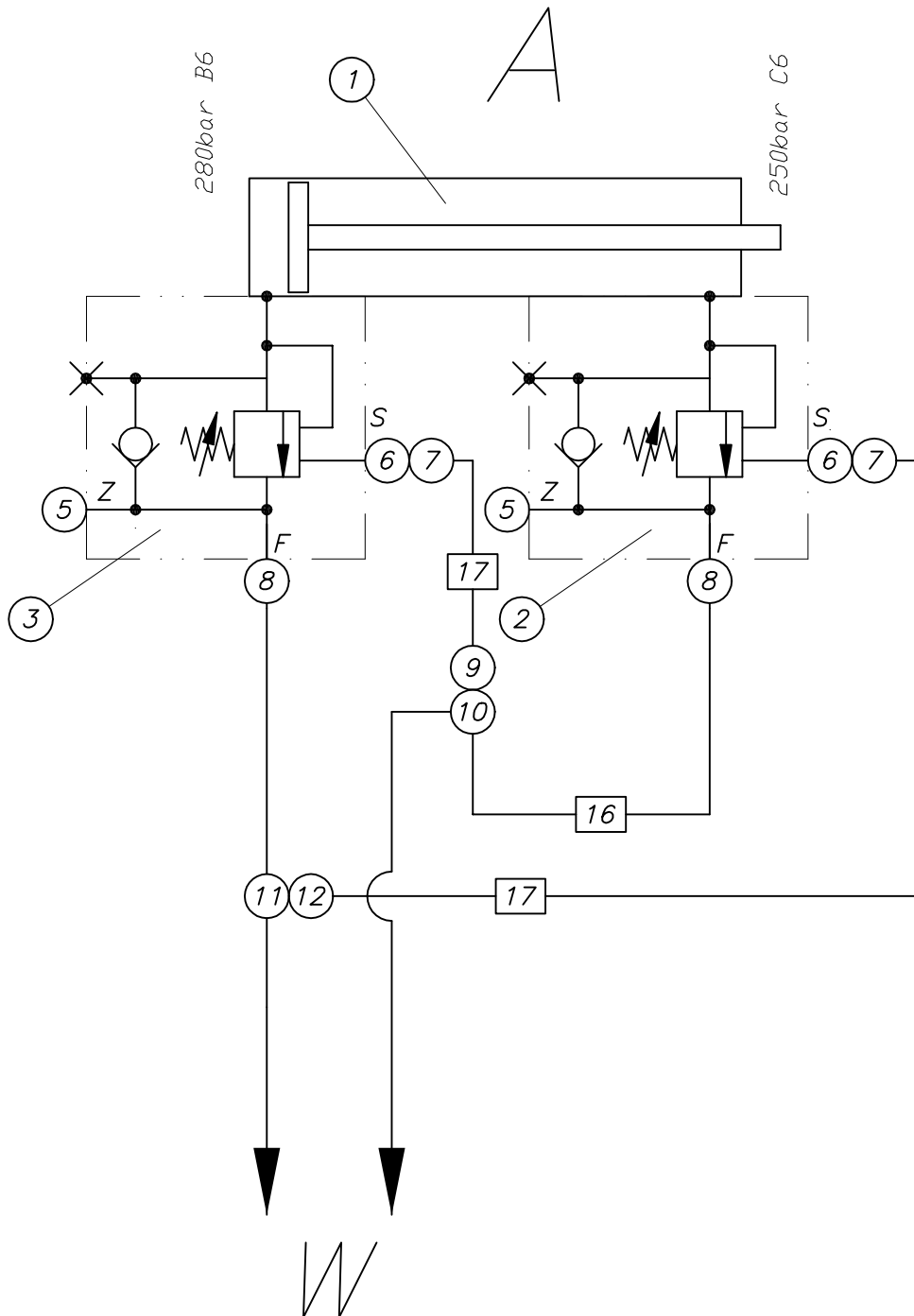


*Mastzylinder A kpl.*  
*boom cylinder A cpl.*

*B 66 0 140b*



Waitzinger  
Baumaschinen GmbH



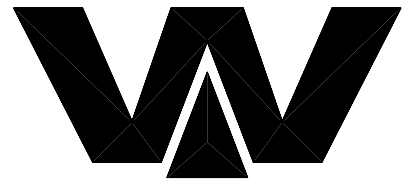


## PARTS LIST

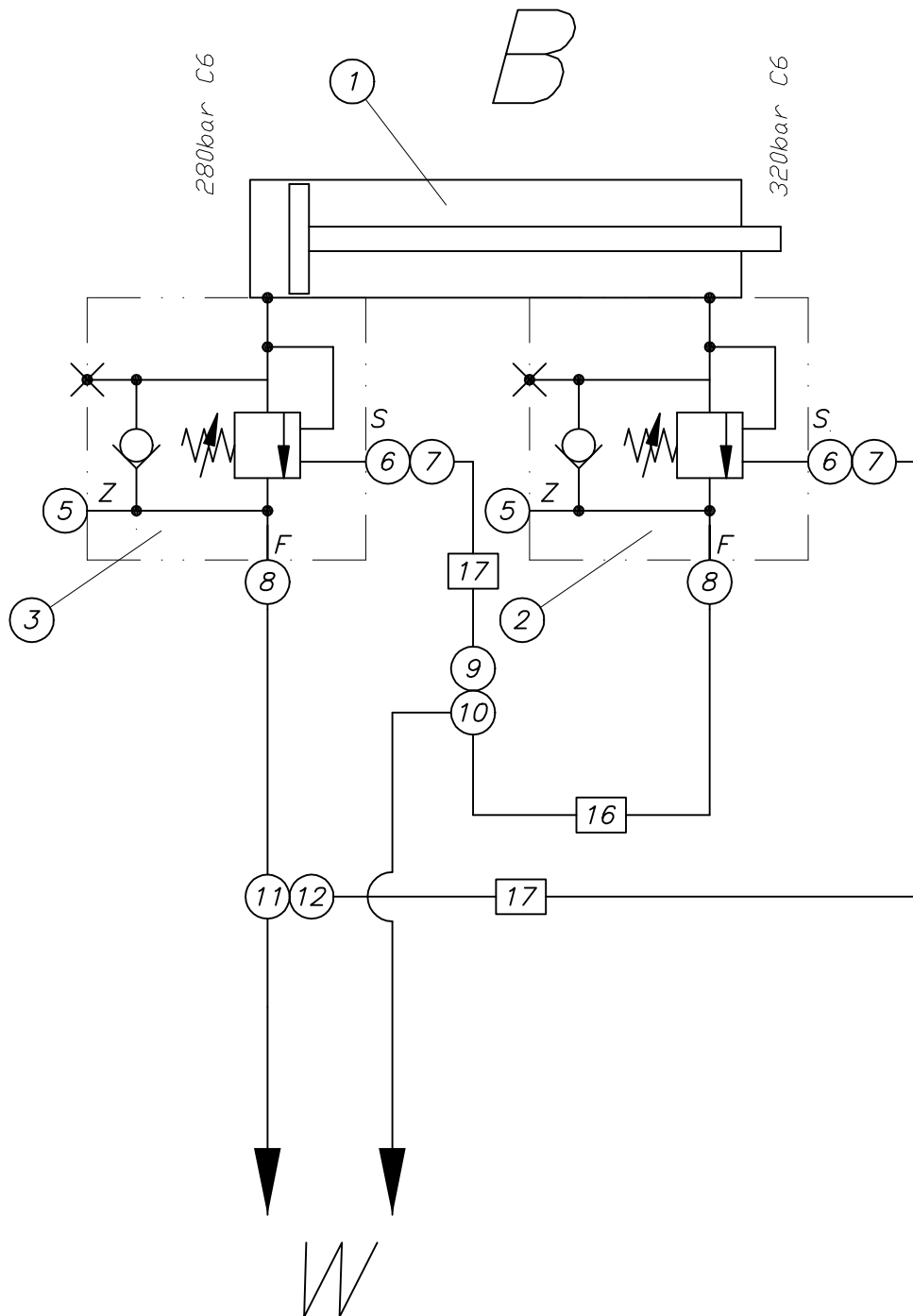
part list	description	created	index	valid from	valid to	
B660140	boom cylinder A cpl. with pipes	19.04.04 a	b	15.04.05		
pos	description stock	ident-no dimensions	DIN material	index	weigh Kg	quantity unit
1	boom cylinder for 42-mtr., section A	WAI109328				1,00 Stk
2	locking valve 250 bar	WAI106260				1,00 Stk
3	locking valve 280 bar	WAI108959				1,00 Stk
5	locking screw G 1/4	WAI100520				2,00 Stk
6	male stud couplings S12RB 1/4	WAI104042				2,00 Stk
7	adjustable male stud elbows	WAI100366			0,19	2,00 Stk
8	straight male stud couplings S16	WAI100543				2,00 Stk
9	straight reducing couplings S16-12	WAI101160				1,00 Stk
10	tee coupling S16	WAI100594				1,00 Stk
11	swivel barrel tee S16	wai100602				1,00 Stk
12	standpipe reducers S16-12V	WAI100355			0,18	1,00 Stk
16	hydr. pipe 16 x 2.5	WAI109029			0,83	2,00 Mtr
17	hydr. pipe 12 x 2	WAI102022			0,49	2,00 Mtr

*Mastzylinder B kpl.  
boom cylinder B cpl.*

*B 66 0 141b*



*Waitzinger  
Baumaschinen GmbH*



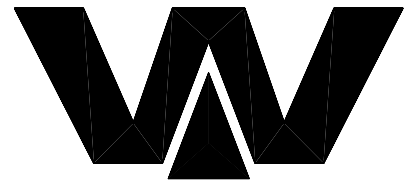


## PARTS LIST

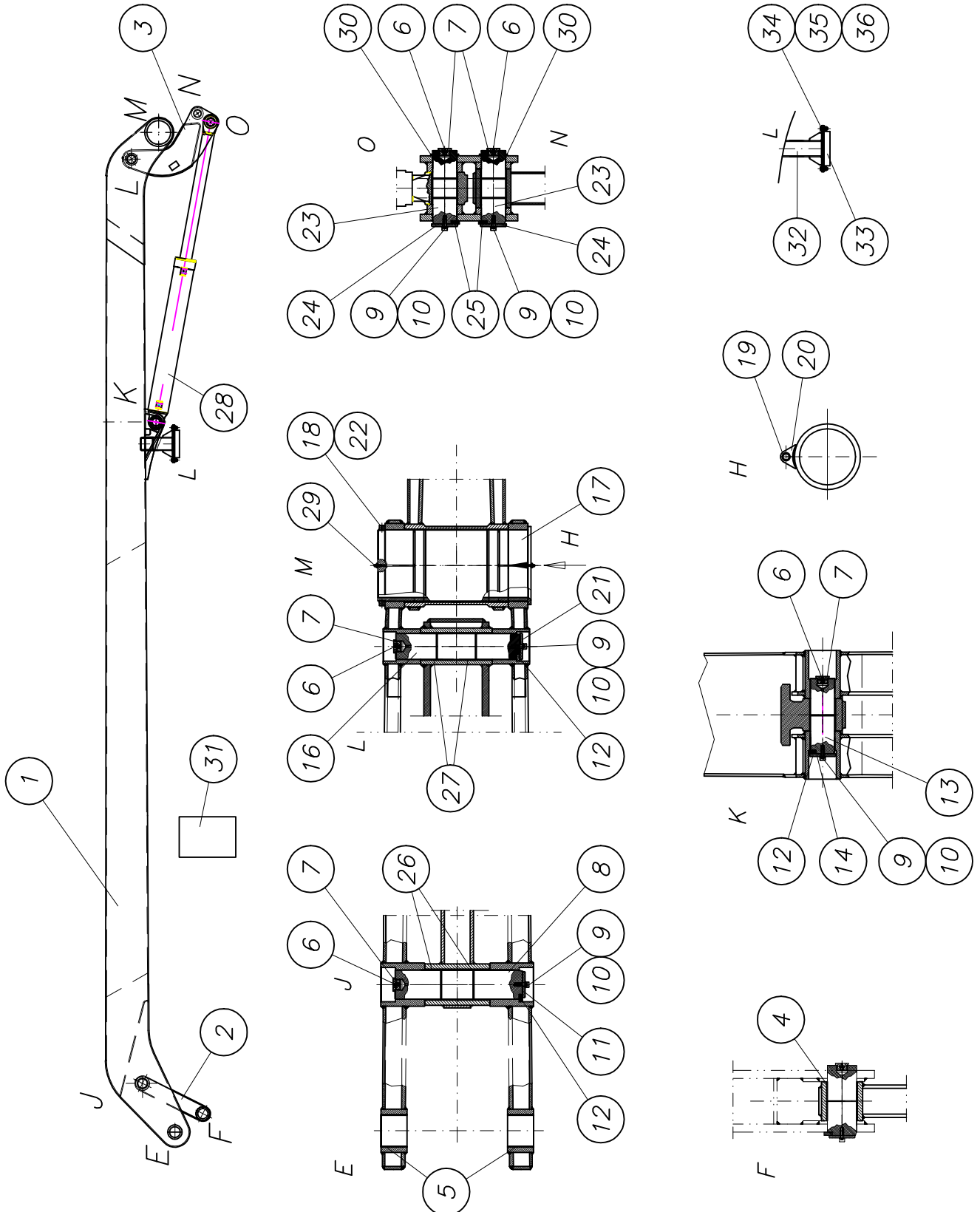
part list	description	created	index	valid from	valid to	
B660141	boom cylinder B cpl. with pipes	19.04.04 a	b	15.04.05		
pos	description stock	ident-no dimensions	DIN material	index	weigh Kg	quantity unit
1	boom cylinder for 42-mtr., section B	WAI109329				1,00 Stk
2	locking valve 320 bar	WAI106258				1,00 Stk
3	locking valve 280 bar	WAI106935				1,00 Stk
5	locking screw G 1/4	WAI100520				2,00 Stk
6	male stud couplings S12RB 1/4	WAI104042				2,00 Stk
7	adjustable male stud elbows	WAI100366			0,19	2,00 Stk
8	straight male stud couplings S16	WAI100543				2,00 Stk
9	straight reducing couplings S16-12	WAI101160				1,00 Stk
10	tee coupling S16	WAI100594				1,00 Stk
11	standpipe reducers S16-12V	WAI100355			0,18	1,00 Stk
12	swivel barrel tee S16	WAI100602				1,00 Stk
16	hydr. pipe 16 x 2.5	WAI109029			0,83	2,00 Mtr
17	hydr. pipe 12 x 2	WAI102022			0,49	2,00 Mtr

Mastarm 2 kpl.  
element 2 cpl.

B 66 2 120c



Waitzinger  
Baumaschinen GmbH





## PARTS LIST

part list	description	created	index	valid from	valid to	
B662120	boom arm 2 cpl.	23.02.04 aaa	c	23.09.05		
pos	description stock	ident-no dimensions	DIN material	index	weigh Kg	quantity unit
1	boom arm 2 cpl. own parts list	B672200				1,00 Stk
2	forcing rod B cpl. own parts list	B672710		a 09.05.05	40,00	1,00 Stk
3	Lever C cpl. own parts list	B672620			120,00	1,00 Stk
4	bushing	WAI108732				1,00 Stk
5	bushing	WAI108733				2,00 Stk
6	grease nipple H1 M10 X 1 DIN 71412	WAI100805			0,01	5,00 Stk
7	locking screw M33x2 own parts list	B660085			0,10	5,00 Stk
8	pin 90x 390	B662158 Rd 95x395	1013 42CrMo4V		19,50	1,00 Stk
9	cylinder head screw M 10 x 25	WAI106654				5,00 Stk
10	spring washer A10	WAI102070			0,00	5,00 Stk
11	washer d 90x06	B660054 Rd 95x10	1013 St37-2		0,20	1,00 Stk
12	pin holder	B660088 Bl 10x22x70	1543/EN10029 S235J2G3		0,10	3,00 Stk
13	pin 75x 229	B662160 Rd 80x235	1013 42CrMo4V		8,00	1,00 Stk
14	washer d 70x05	B660065 Rd 75x10	1013 St37-2		0,10	1,00 Stk
16	pin 80x 380	B662159 Rd 85x385	1013 42CrMo4V		15,00	1,00 Stk
17	pin 220x 472	B662163			28,00	1,00 Stk
18	threaded ring	WAI105378				1,00 Stk
19	pipe	B660124 Rohr 51x6.3x30	2448 S355J2G3		0,20	1,00 Stk
20	pin protection	B660123 Bl 10x100x148	1543/EN10029 S355J2G3		0,45	1,00 Stk
21	washer d 80x06	B660058 Rd 85x10	1013 St37-2		0,20	1,00 Stk

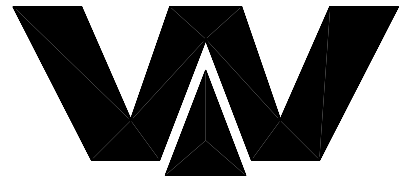


## PARTS LIST

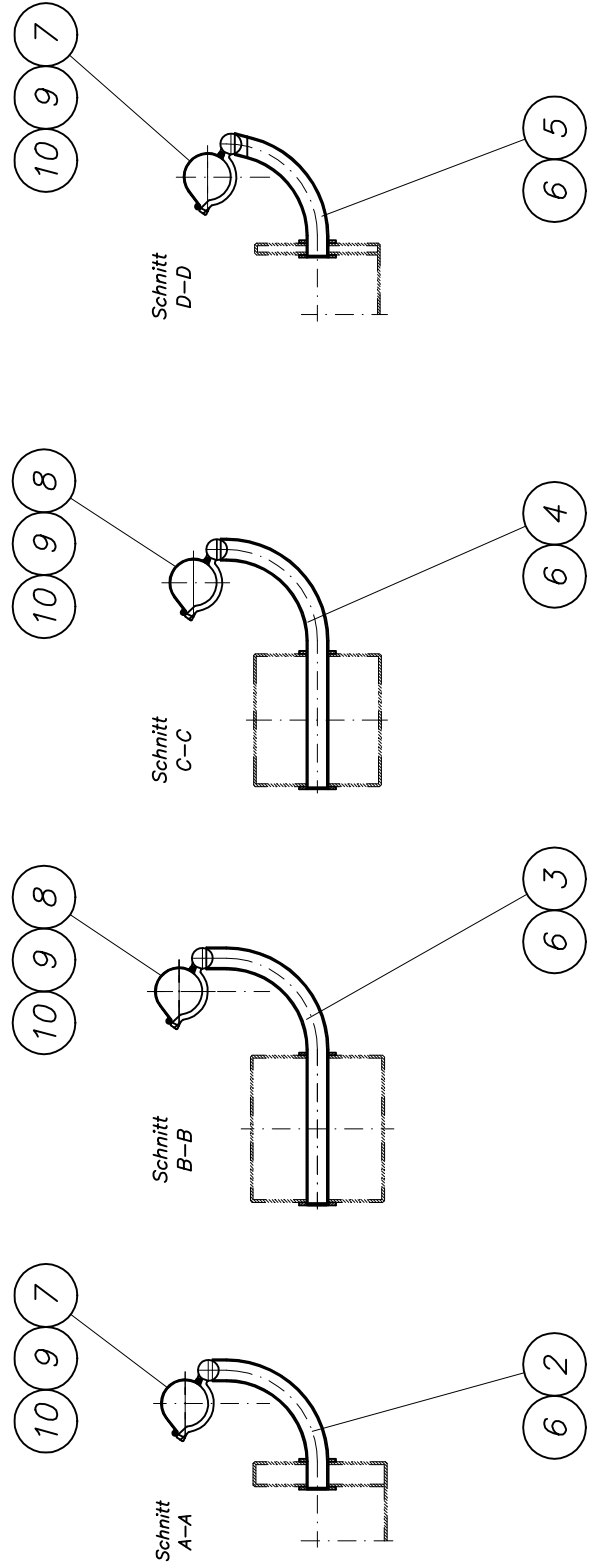
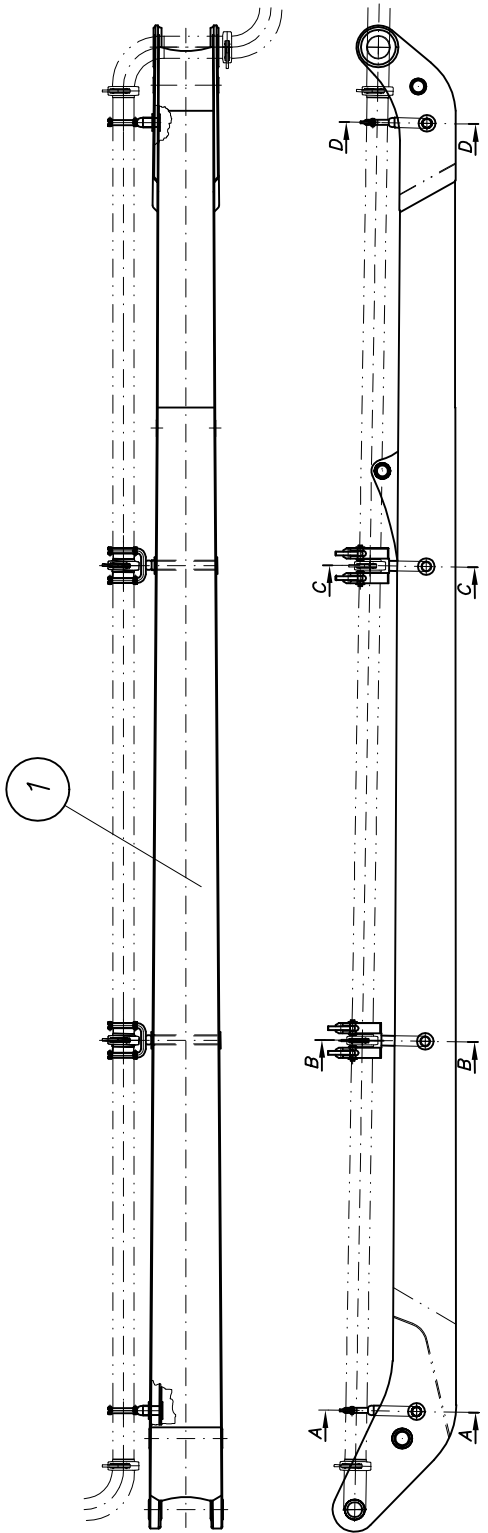
part list	description	created	index	valid from	valid to	
B662120	boom arm 2 cpl.	23.02.04 aaa	c	23.09.05		
pos	description stock	ident-no dimensions	DIN material	index	weighth Kg	quantity unit
22	set screw M 6 x 8	WAI109320				2,00 Stk
23	pin 75x 209	B662162 Rd 80x215	1013 42CrMo4V		7,20	2,00 Stk
24	washer	B660089 BI 8xd62	1543/EN10029 S235J2G3		0,20	2,00 Stk
25	pin holder	B660086 FI 25x10x80	1017 S235J2G3		0,15	2,00 Stk
26	bushing	WAI108753				2,00 Stk
27	bushing	WAI108752				2,00 Stk
28	boom cylinder C cpl. with pipes own parts list	B660142		a 29.11.04		1,00 Stk
29	grease nipple	WAI102885				4,00 Stk
30	locking ring	WAI109034				2,00 Stk
31	reinforcement	B662101 BI 8x250x430	1543/EN10029 S235J2G3		6,80	1,00 Stk
32	holder for rubber buffer arm 2 cpl. own parts list	B661120			4,50	1,00 Stk
33	rubber cushion	WAI106715				1,00 Stk
34	hexagon bolt M 10 x 30	WAI101553			0,03	2,00 Stk
35	spring washer A10	WAI102070			0,00	2,00 Stk
36	hex. nut M10 DIN985 8.	WAI102125			0,01	2,00 Stk

Mastarm 2 kpl.  
element 2 cpl.

B 67 2 200



Waitzinger  
Baumaschinen GmbH





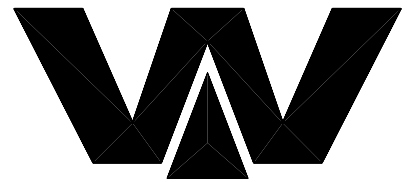


## PARTS LIST

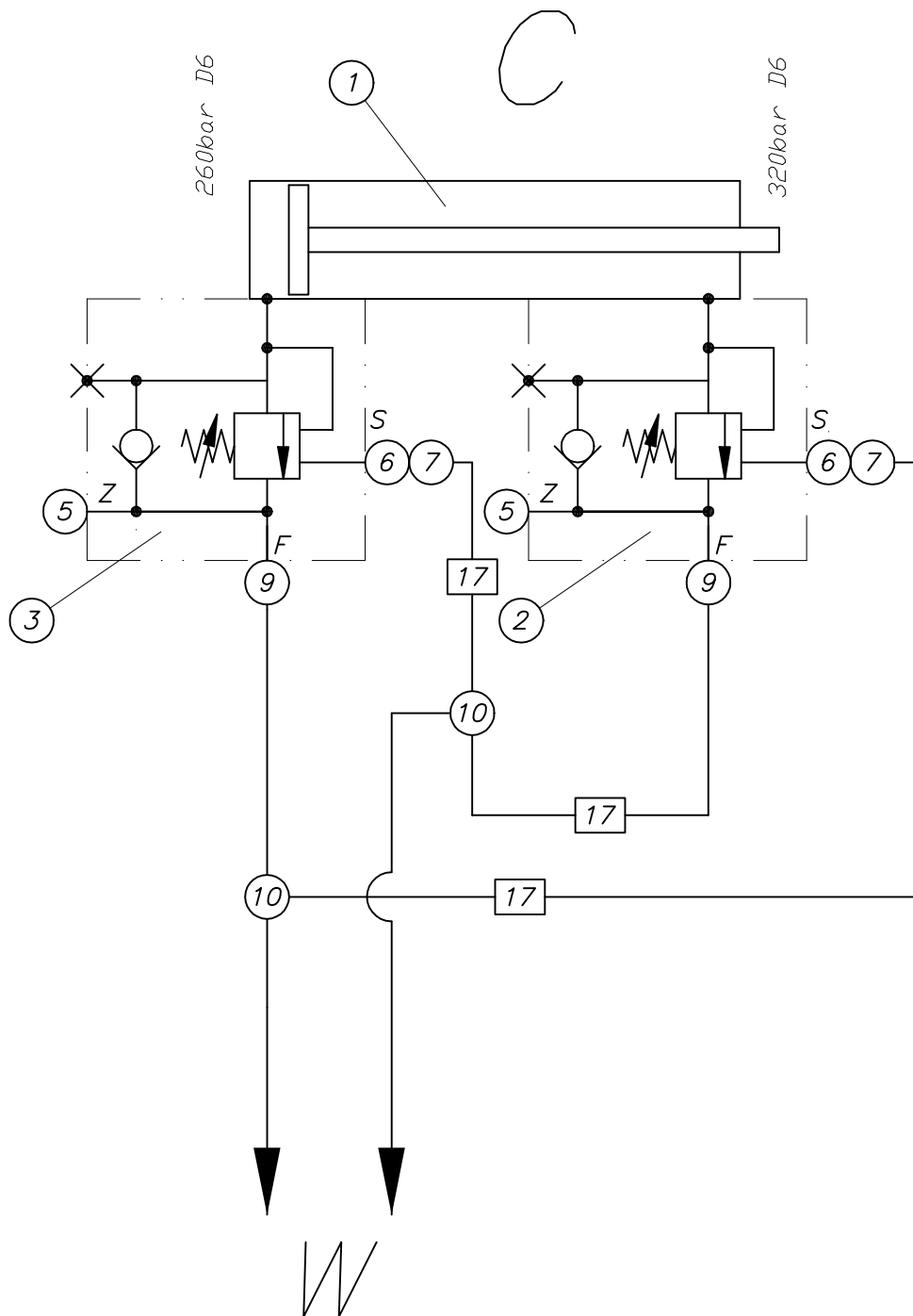
part list	description	created	index	valid from	valid to	
B672200	boom arm 2 cpl.	20.02.04 Mi				
pos	description stock	ident-no dimensions	DIN material	index	weigh Kg	quantity unit
1	boom arm 2 processing cpl. 42.4 own parts list	B672201		b 17.05.05	1250,00	1,00 Stk
2	pipe 1, Element 2	B642020 Rohr 63.5x4x552	2448 S355J2G3		3,20	1,00 Stk
3	pipe 2, Element 2	B642021 Rohr 63.5x4x929	2448 S355J2G3		5,40	1,00 Stk
4	pipe 3, Element 2	B642022 Rohr 63.5x4x869	2448 S355J2G3		5,10	1,00 Stk
5	pipe 4, Element 2	B642023 Rohr 63.5x4x465	2448 S355J2G3		2,70	1,00 Stk
6	washer	B672152 Bl 4xd 52	1543/EN10029 S355J2G3		0,10	4,00 Stk
7	pipe holder cpl. own parts list	WAI107108				2,00 Stk
8	pipe holder cpl. own parts list	WAI107109				2,00 Stk
9	conical spring washer 12 mm	WAI102877				6,00 Stk
10	hex. nut M12 DIN 985 8. VERZ.	WAI101626				6,00 Stk

*Mastzylinder C kpl.*  
*boom cylinder C cpl.*

*B 66 0 142a*



Waitzinger  
Baumaschinen GmbH



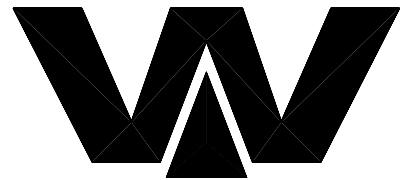


## PARTS LIST

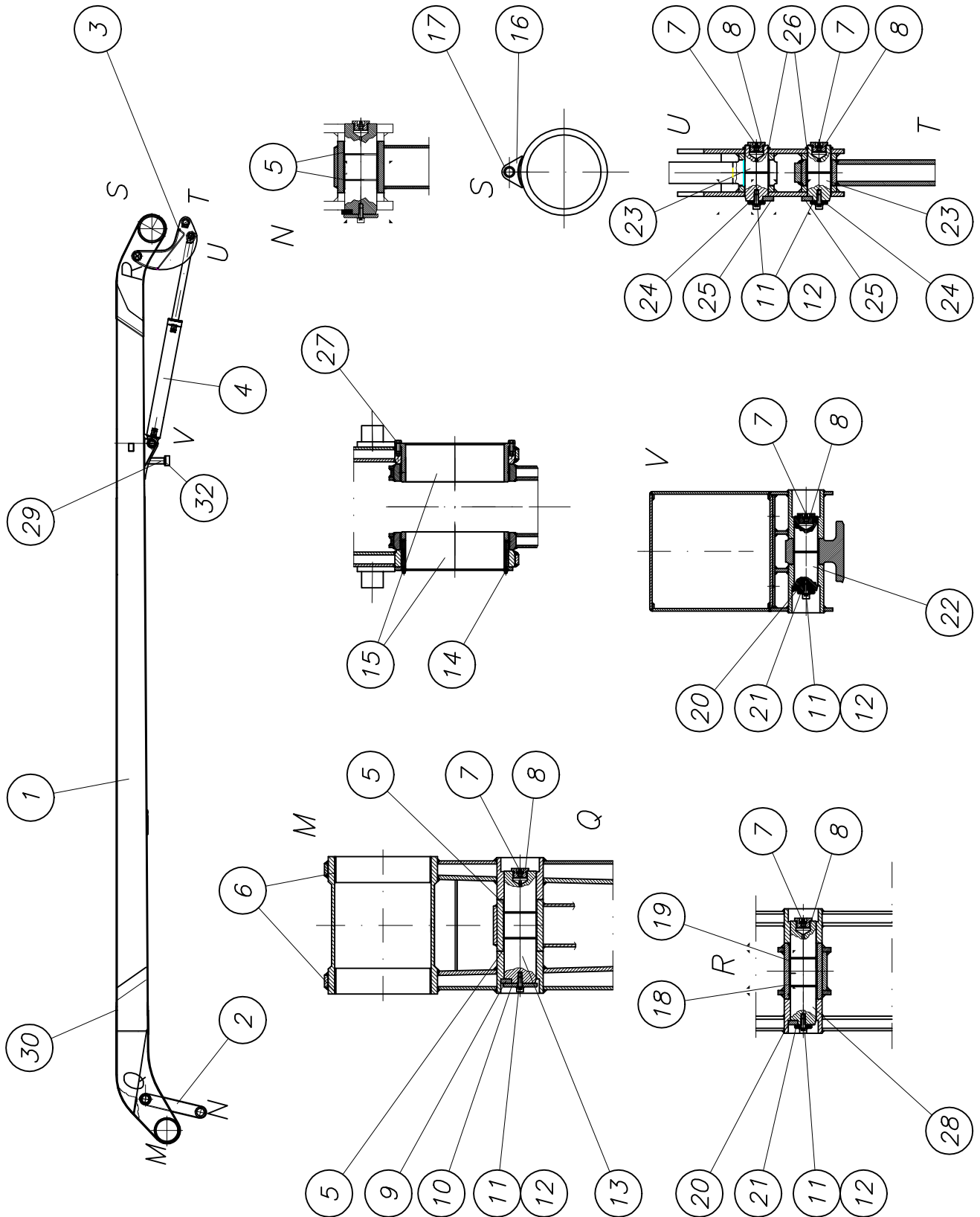
part list	description	created	index	valid from	valid to	
B660142	boom cylinder C cpl. with pipes	19.04.04 a	a	29.11.04		
pos	description stock	ident-no dimensions	DIN material	index	weigh Kg	quantity unit
1	boom cylinder for 42-mtr., section C	WAI109330				1,00 Stk
2	locking valve 320 bar	WAI106258				1,00 Stk
3	locking valve 260 bar	WAI106938				1,00 Stk
5	locking screw G 1/4	WAI100520				2,00 Stk
6	male stud couplings S12RB 1/4	WAI104042				2,00 Stk
7	adjustable male stud elbows	WAI100366			0,19	2,00 Stk
9	straight reducing couplings S16-12	WAI101160				2,00 Stk
10	tee coupling S12	WAI100593			0,28	2,00 Stk
17	hydr. pipe 12 x 2	WAI102022			0,49	2,00 Mtr

Mastarm 3 kpl.  
element 3 cpl.

B 66 2 130b



Waitzinger  
Baumaschinen GmbH





## PARTS LIST

part list	description	created	index	valid from	valid to	
B662130	boom arm 3 cpl.	23.02.04 aaa	b	10.02.05		
pos	description stock	ident-no dimensions	DIN material	index	weigh Kg	quantity unit
1	boom arm 3 cpl. own parts list	B672300				1,00 Stk
2	forcing rod C cpl. own parts list	B672720		a 09.05.05	27,50	1,00 Stk
3	lever D cpl. own parts list	B672630		a 23.05.05	38,00	1,00 Stk
4	boom cylinder D cpl. with pipes own parts list	B660143		a 29.11.04		1,00 Stk
5	bushing 75 x 80 x 60	WAI106016				4,00 Stk
6	bushing	WAI108735				2,00 Stk
7	grease nipple H1 M10 X 1 DIN 71412	WAI100805			0,01	5,00 Stk
8	locking screw M33x2 own parts list	B660085			0,10	5,00 Stk
9	pin holder	B660088 Bl 10x22x70	1543/EN10029 S235J2G3		0,10	1,00 Stk
10	washer	B660087 Bl 8xd80	1543/EN10029 S235J2G3		0,20	1,00 Stk
11	cylinder head screw M 10 x 25	WAI106654				5,00 Stk
12	spring washer A10	WAI102070			0,00	5,00 Stk
13	pin 75x 258	B662164 Rd 80x260	1013 42CrMo4V		9,00	1,00 Stk
14	grease nipple	WAI102885				4,00 Stk
15	pin 250x 91.25	B662168 Ro 323.9x50x100	2448 S355J2G3	a 31.08.04	6,20	2,00 Stk
16	pin protection	B660123 Bl 10x100x148	1543/EN10029 S355J2G3		0,45	2,00 Stk
17	pipe	B660124 Rohr 51x6.3x30	2448 S355J2G3		0,20	2,00 Stk
18	bushing	WAI108730				1,00 Stk
19	bushing	WAI108729				1,00 Stk
20	pin holder	B660090 Bl 10x14x45	1543/EN10029 S235J2G3		0,10	2,00 Stk
21	washer d 55x05	B660077 Rd 60x10	1013 St37-2		0,10	2,00 Stk

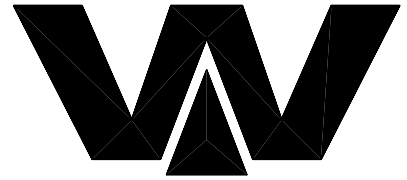


## PARTS LIST

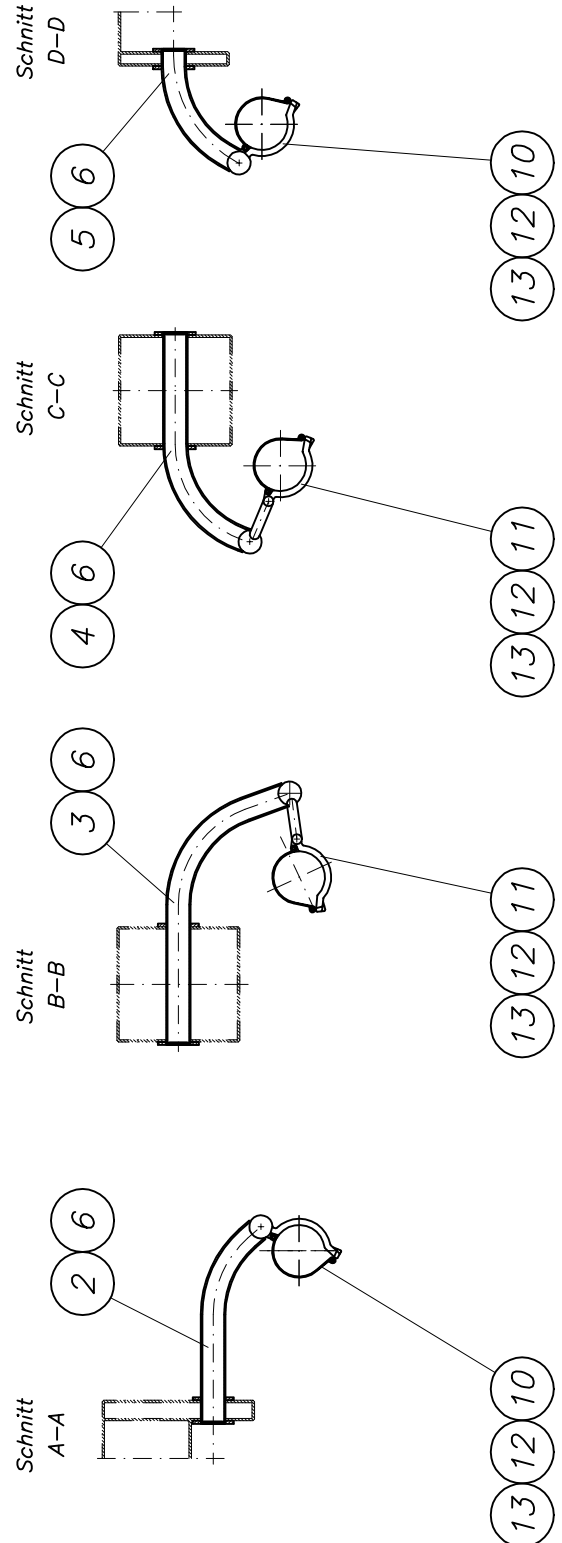
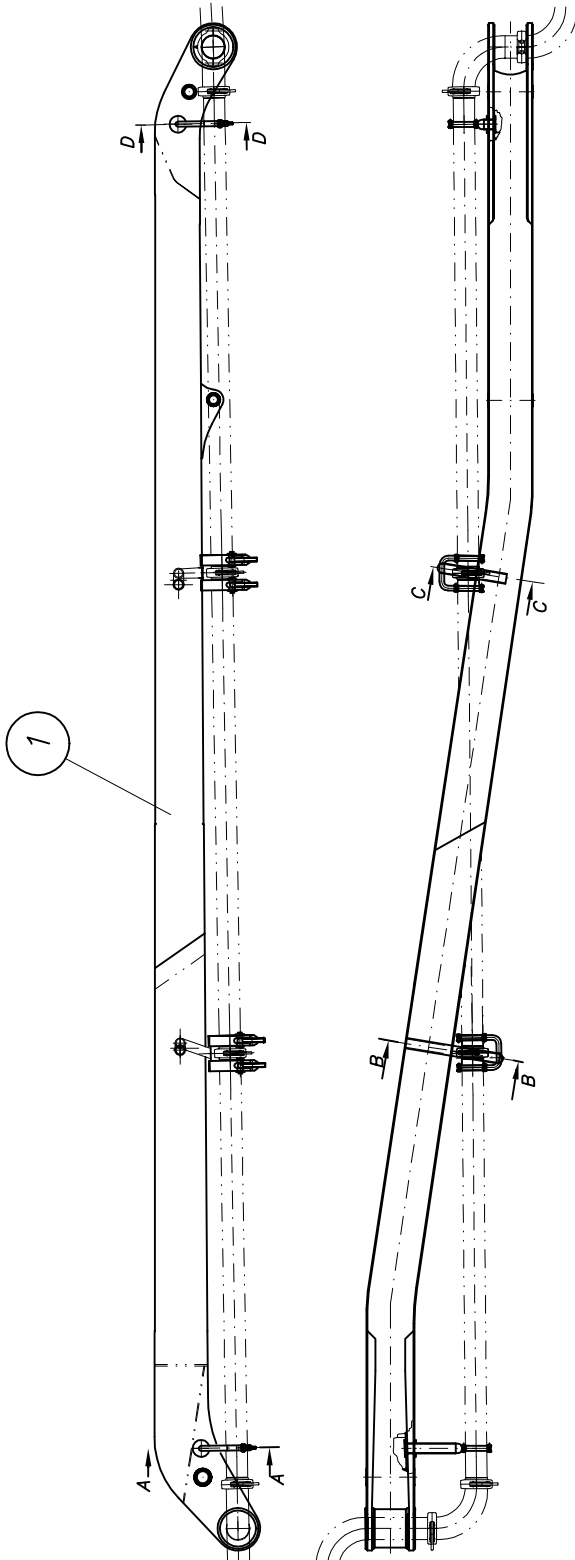
part list	description	created	index	valid from	valid to	
B662130	boom arm 3 cpl.	23.02.04 aaa	b	10.02.05		
pos	description stock	ident-no dimensions	DIN material	index	weigh Kg	quantity unit
22	pin 55x 172	B662166 Rd 60x180	1013 42CrMo4V		3,10	1,00 Stk
23	pin 55x 129	B662167 Rd 60x140	1013 42CrMo4V		2,50	2,00 Stk
24	washer	B660091 Bl 8xd42	1543/EN10029 S235J2G3		0,10	2,00 Stk
25	pin holder	B660086 Fl 25x10x80	1017 S235J2G3		0,15	2,00 Stk
26	ring	WAI109028				2,00 Stk
27	hexagon bolt M 8 x 20 DIN 931 10.9	WAI109085				8,00 Stk
28	pin 60x 238	B662165 Rd 65x240	1013 42CrMo4V		5,20	1,00 Stk
29	holder for rubber buffer arm 3 cpl. own parts list	B662010		a 02.11.04	1,90	1,00 Stk
30	reinforcement sheet	B662024 Bl 8x200x310	1543/EN 10029 S235J2G3		3,90	1,00 Stk
32	rubber buffer 100 x 50	WAI103478				1,00 Stk

Mastarm 3 kpl.  
element 3 cpl.

B 67 2 300



Waitzinger  
Baumaschinen GmbH





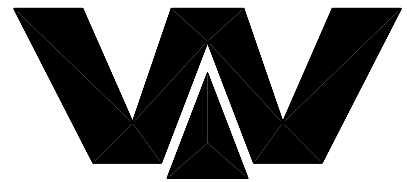
# PARTS LIST

part list	description	created	index	valid from	valid to	
B672300	boom arm 3 cpl.	23.02.04 Mi				
pos	description stock	ident-no dimensions	DIN material	index	weigh Kg	quantity unit
1	boom arm 3 processing cpl. 42.4 own parts list	B672301		c 11.05.05	735,00	1,00 Stk
2	pipe 1, Element 3	B642024 Rohr 63.5x4x569	2448 S355J2G3		3,40	1,00 Stk
3	pipe 2, Element 3	B642025 Rohr 63.5x4x812	2448 S355J2G3		4,70	1,00 Stk
4	pipe 3, Element 3	B642026 Rohr 63.5x4xx63	2448 S355J2G3		3,70	1,00 Stk
5	pipe 4, Element 3	B642027 Rohr 63.5x4x370	2448 S355J2G3		2,10	1,00 Stk
6	washer	B672152 Bl 4xd 52	1543/EN10029 S355J2G3		0,10	4,00 Stk
10	pipe holder cpl. own parts list	WAI107108				2,00 Stk
11	pipe holder cpl. own parts list	WAI107109				2,00 Stk
12	conical spring washer 12 mm	WAI102877				6,00 Stk
13	hex. nut M12 DIN 985 8. VERZ.	WAI101626				6,00 Stk

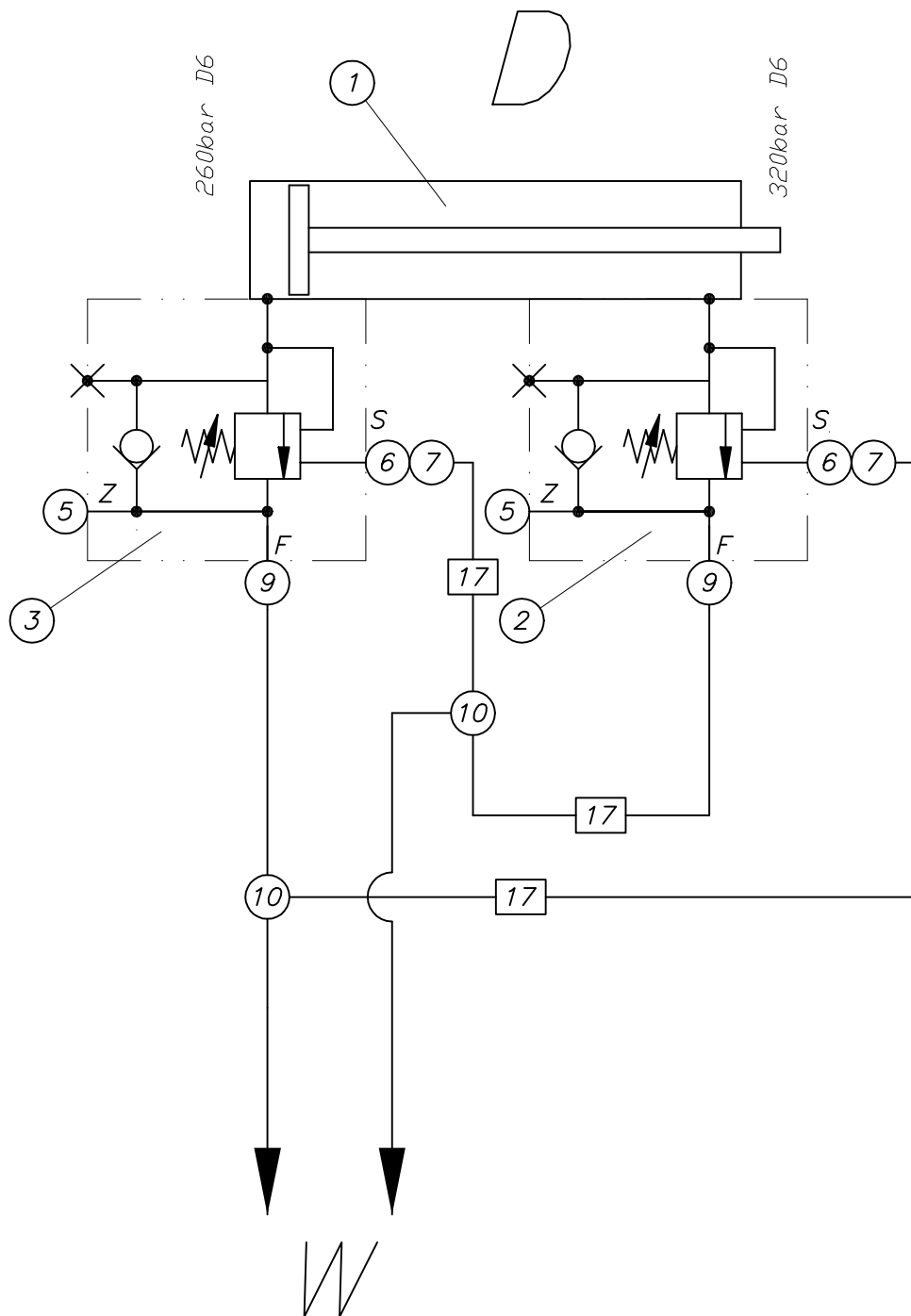


*Mastzylinder D kpl.*  
*boom cylinder D cpl.*

*B 66 0 143a*



Waitzinger  
Baumaschinen GmbH





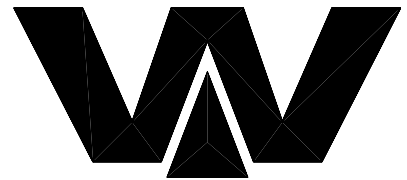
# PARTS LIST

part list	description	created	index	valid from	valid to	
B660143	boom cylinder D cpl. with pipes	19.04.04 a	a	29.11.04		
pos	description stock	ident-no dimensions	DIN material	index	weigh Kg	quantity unit
1	boom cylinder for 42-mtr., section D	WAI109331				1,00 Stk
2	locking valve 320 bar	WAI106258				1,00 Stk
3	locking valve 260 bar	WAI106938				1,00 Stk
5	locking screw G 1/4	WAI100520				2,00 Stk
6	male stud couplings S12RB 1/4	WAI104042				2,00 Stk
7	adjustable male stud elbows	WAI100366			0,19	2,00 Stk
9	straight reducing couplings S16-12	WAI101160				2,00 Stk
10	tee coupling S12	WAI100593			0,28	2,00 Stk
17	hydr. pipe 12 x 2	WAI102022			0,49	2,00 Mtr

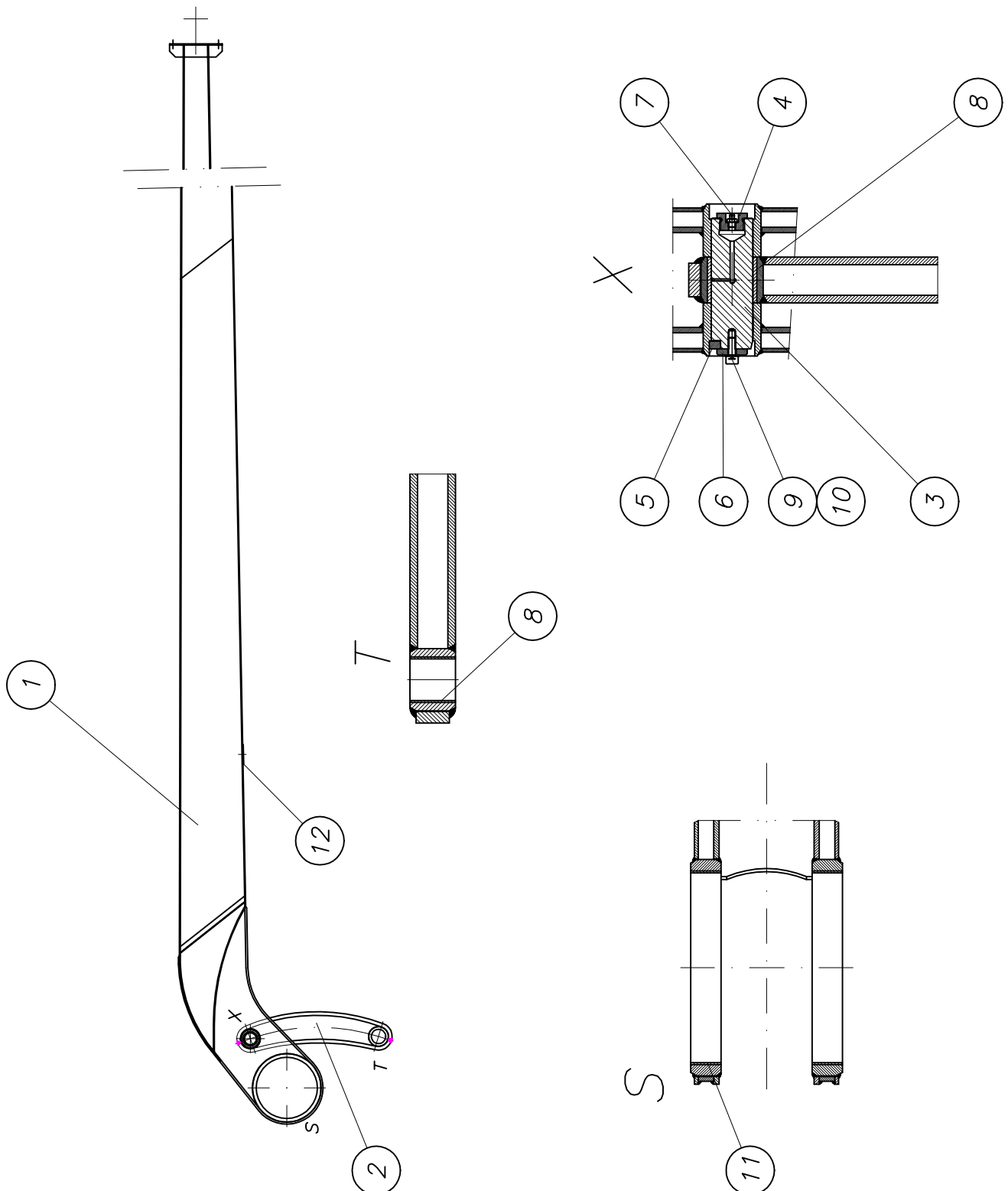
Mastarm 4 kpl.

element 4 cpl.

B 66 2 140



Waitzinger  
Baumaschinen GmbH





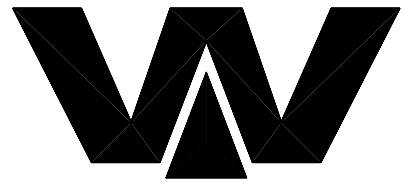
## PARTS LIST

part list	description	created	index	valid from	valid to	
B662140	boom arm 4 cpl.	23.02.04 aaa				
pos	description stock	ident-no dimensions	DIN material	index	weigh Kg	quantity unit
1	boom arm 4 cpl. own parts list	B672400		a 19.07.05		1,00 Stk
2	forcing rod D cpl. own parts list	B672730			20,00	1,00 Stk
3	pin 55x 172	B662166 Rd 60x180	1013 42CrMo4V		3,10	1,00 Stk
4	locking screw M33x2 own parts list	B660085			0,10	1,00 Stk
5	pin holder	B660090 BI 10x14x45	1543/EN10029 S235J2G3		0,10	1,00 Stk
6	washer d 50x05	B660076 Rd 55x10	1013 St37-2		0,10	1,00 Stk
7	grease nipple H1 M10 X 1 DIN 71412	WAI100805			0,01	1,00 Stk
8	bushing 55 x 60 x 60	WAI106013				2,00 Stk
9	cylinder head screw M 10 x 25	WAI106654				1,00 Stk
10	spring washer A10	WAI102070			0,00	1,00 Stk
11	bushing	WAI108737				2,00 Stk
12	plate	B661089 BI 5x130x175	1543/EN10029 St37-2		0,80	1,00 Stk

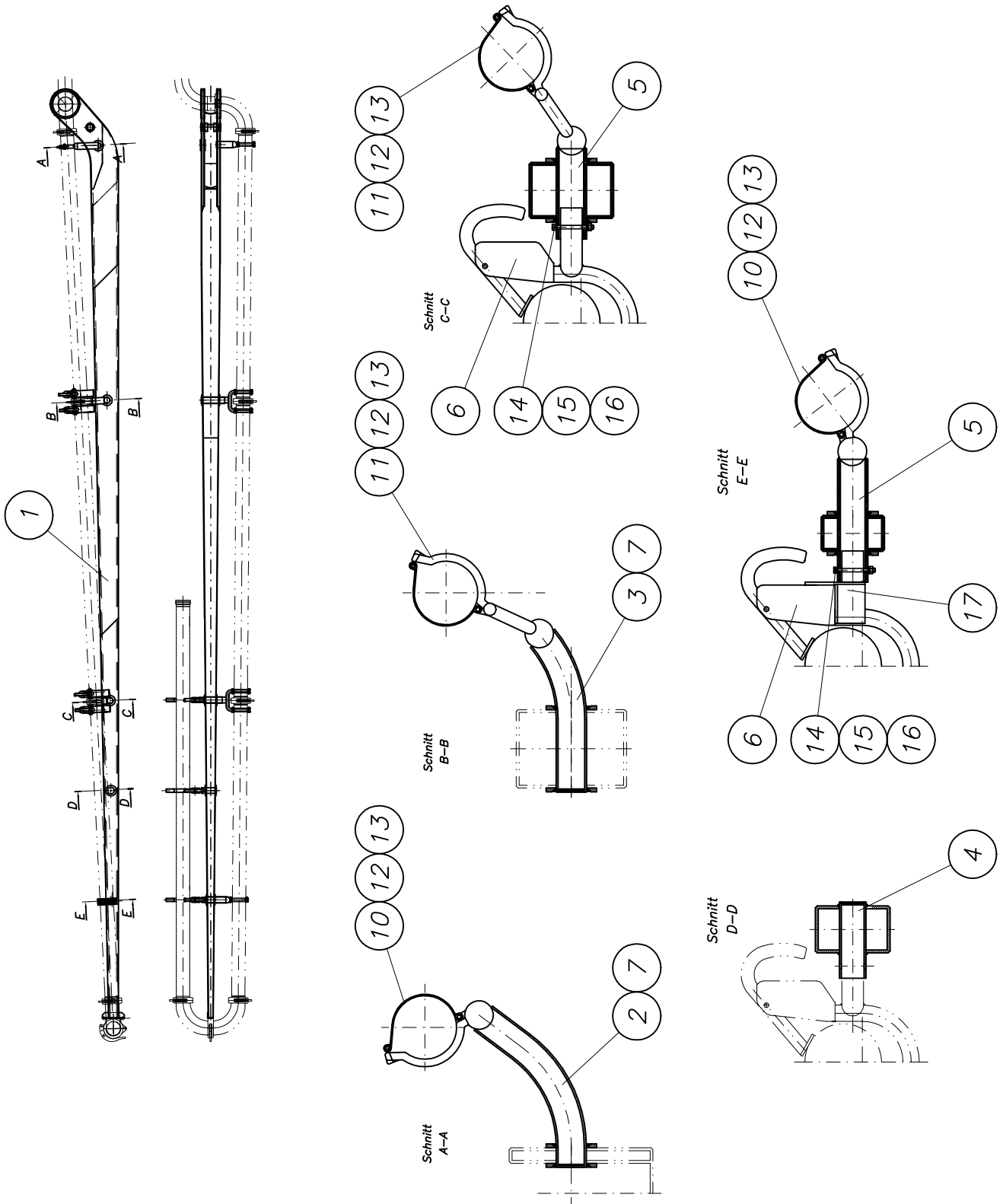
Mastarm 4 kpl.

element 4 cpl.

B 67 2 400a



Waitzinger  
Baumaschinen GmbH



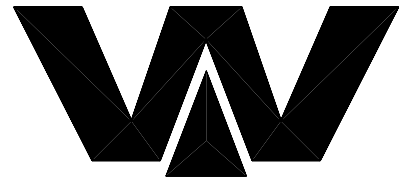


## PARTS LIST

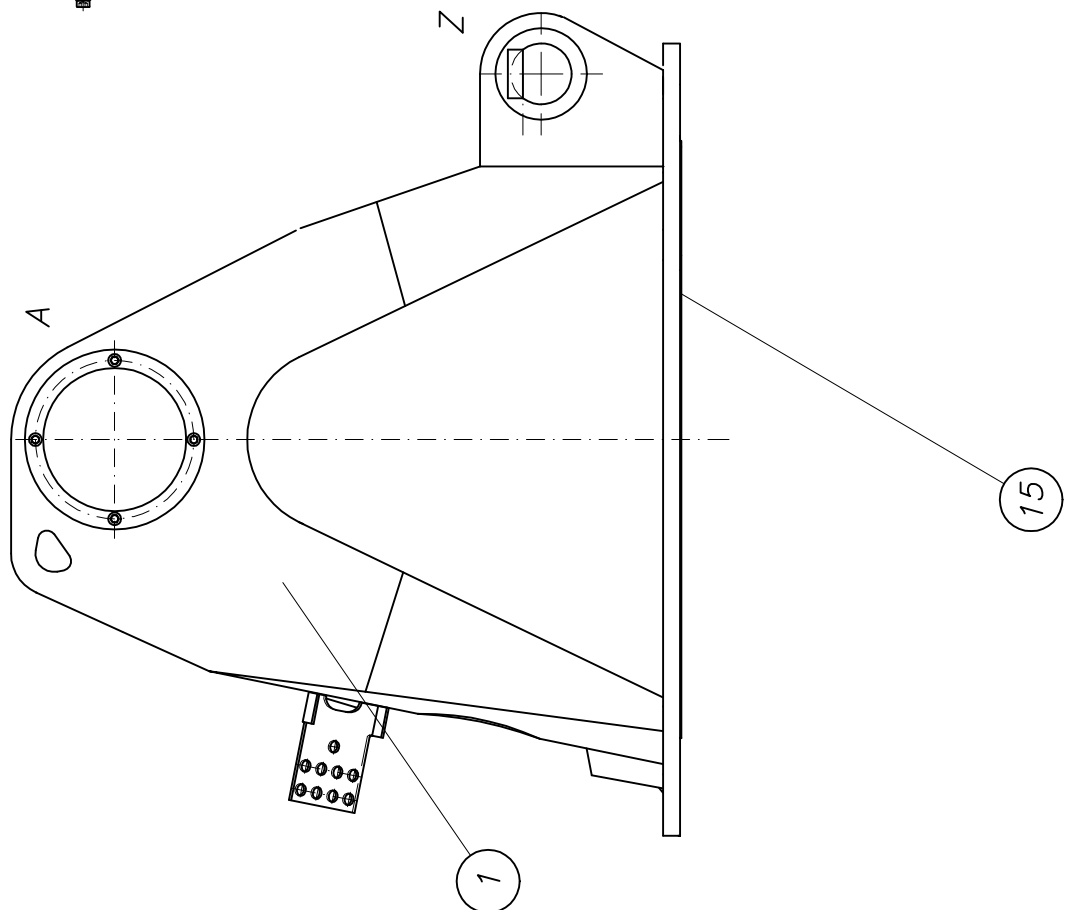
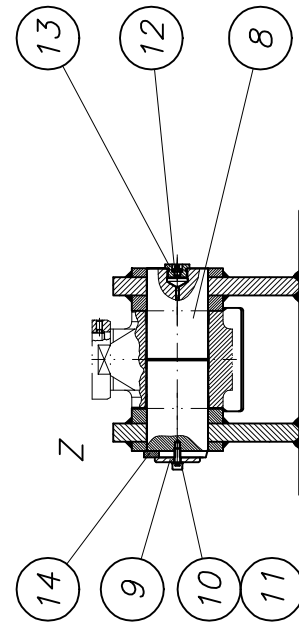
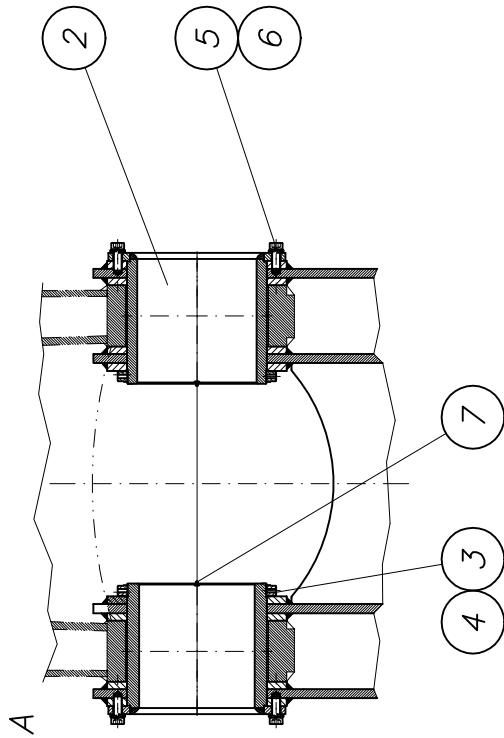
part list	description	created	index	valid from	valid to	
B672400	boom arm 4 cpl.	24.02.04 Mi	a	19.07.05		
pos	description stock	ident-no dimensions	DIN material	index	weigh Kg	quantity unit
1	arm own parts list	B672401		a 29.06.05	290,00	1,00 Stk
2	pipe 1, Element 4	B642028 Rohr 63.5x4x395	2448 S355J2G3		2,20	1,00 Stk
3	pipe 2, Element 4	B642029 Rohr 63.5x4x349	2448 S355J2G3		2,00	1,00 Stk
4	pipe 4, Element 4	B641059 Rohr 63.5x5x180	2448 S355J2G3	a 12.01.04	1,10	1,00 Stk
5	pipe 5, Element 4	B641060 Rohr 63.5x5x280	2448 S355J2G3		2,00	2,00 Stk
6	flexible hose support	WAI106989				1,00 Stk
7	washer	B672152 Bl 4xd 52	1543/EN10029 S355J2G3		0,10	2,00 Stk
10	pipe holder cpl. own parts list	WAI107108				2,00 Stk
11	pipe holder cpl. own parts list	WAI107109				2,00 Stk
12	conical spring washer 12 mm	WAI102877				6,00 Stk
13	hex. nut M12 DIN 985 8. VERZ.	WAI101626				6,00 Stk
14	alien bolt M 8x75 DIN 912 8.8	WAI107115				2,00 Stk
15	spring washer A8 DIN 127 VERZ.	WAI102205			0,00	2,00 Stk
16	hex. nut M8 DIN 934 8. VERZ.	WAI102880				2,00 Stk
17	holder own parts list	B642030			1,50	1,00 Stk

*Drehkopf kpl.*  
*rotating head cpl.*

**B 68 2 100**



Waitzinger  
Baumaschinen GmbH





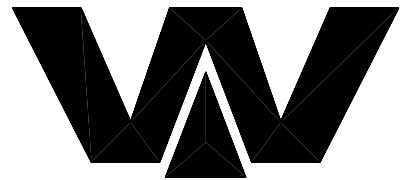
## PARTS LIST

part list	description	created	index	valid from	valid to	
B682100	rotating head unit 42 m	23.02.04 aaa				
pos	description stock	ident-no dimensions	DIN material	index	weigh Kg	quantity unit
1	rotating head unit 42 m own parts list	B682010			720,00	1,00 Stk
2	pin 230x 215 own parts list	B662151			19,00	2,00 Stk
3	threaded ring	WAI106624				2,00 Stk
4	set screw M 6 x 8	WAI103646				2,00 Stk
5	cheese head screw	WAI106664				8,00 Stk
6	spring washer	WAI101976			0,00	8,00 Stk
7	grease nipple	WAI102885				4,00 Stk
8	pin 100x 310	B662152 Rd 105x315	1013 42CrMo4V		19,00	1,00 Stk
9	washer	B660087 Bl 8xd80	1543/EN10029 S235J2G3		0,20	1,00 Stk
10	cylinder head screw M 10 x 25	WAI106654				1,00 Stk
11	spring washer A10	WAI102070			0,00	1,00 Stk
12	grease nipple H1 M10 X 1 DIN 71412	WAI100805			0,01	1,00 Stk
13	locking screw M33x2 own parts list	B660085			0,10	1,00 Stk
14	pin holder	B660086 Fl 25x10x80	1017 S235J2G3		0,15	1,00 Stk
15	rotation bearing protection own parts list	B682070				1,00 Stk

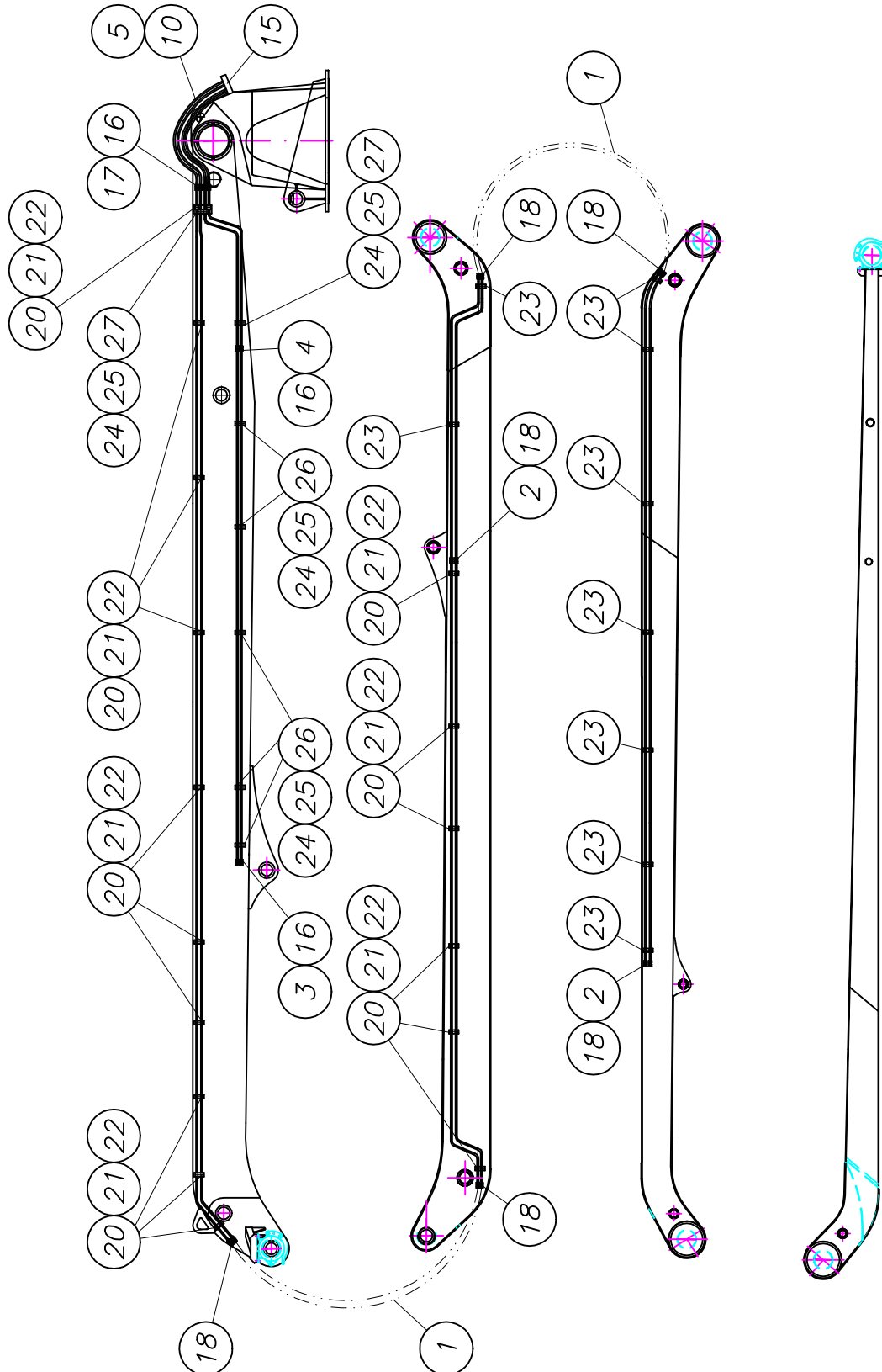


Verrohrungsplan Armpaket kpl.  
piping diagram boom cpl.

B 71 2 020a



Waitzinger  
Baumaschinen GmbH





## PARTS LIST

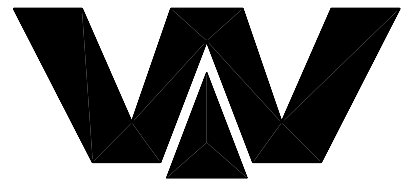
part list	description	created	index	valid from	valid to	
B712020	pipng plan 42R4 boom	23.07.04 hbk	a	28.09.04		
pos	description stock	ident-no dimensions	DIN material	index	weigh Kg	quantity unit
1	hydraulic hose DN 10 x 1250	WAI109038				6,00 Stk
2	hydraulic hose DN 10 x 700	WAI109039				4,00 Stk
3	hydraulic hose DN 12 x 700	WAI108472				2,00 Stk
4	hydraulic hose DN 12 x 900	WAI109062				2,00 Stk
5	hydraulic hose DN 12 x 1250	WAI109037				8,00 Stk
10	Pvc Hose 100mm, blue	WAI106517				1,00 Mtr
11	Pvc Hose 52mm, blue	WAI106516				1,00 Mtr
12	Pvc Hose 38mm, blue	WAI106827				1,00 Mtr
15	bulkhead straight couplings S16	WAI107043				9,00 Stk
16	straight couplings S16	WAI100536				12,00 Stk
17	straight reducing couplings S16-12	WAI101160				4,00 Stk
18	straight fitting S12	WAI100535				16,00 Stk
20	hexagon screw M 6 x 55	WAI103512				64,00 Stk
21	pipe clip 12mm	WAI108642				64,00 Stk
22	cover plate DP-1A	WAI108643				32,00 Stk
23	pipe clip 12 mm, own parts list	WAI105146			0,07	9,00 Stk
24	cover plate DP-2	WAI108943				14,00 Stk
25	pipe clip 16mm	WAI108942				18,00 Stk
26	hexagon screw	WAI102109			0,01	20,00 Stk
27	hexagon screw M 6 x 70	WAI104347				8,00 Stk
28	hydr. pipe 16 x 2.5	WAI109029			0,83	20,00 Mtr



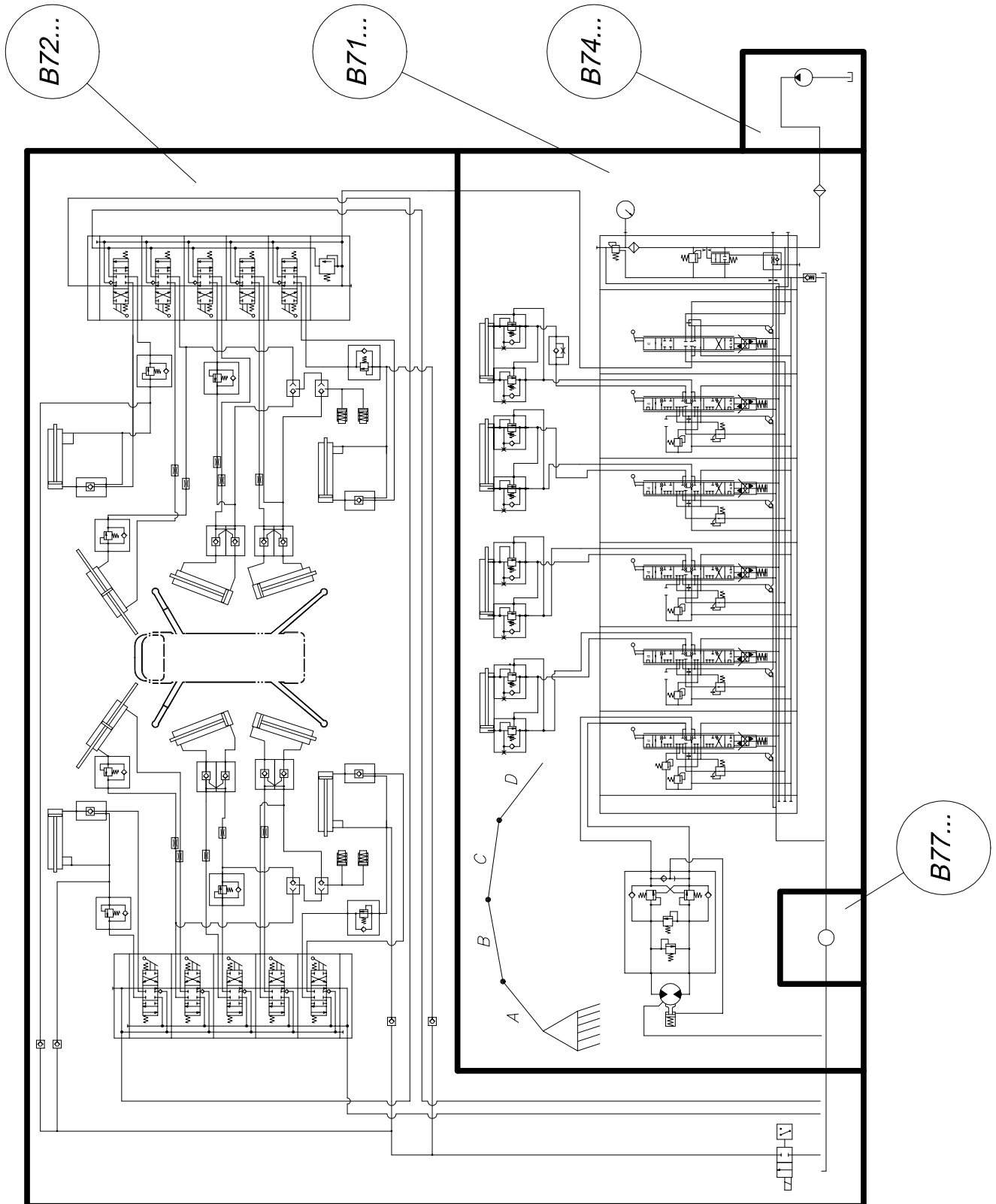
## PARTS LIST

<b>part list</b>	<b>description</b>	<b>created</b>	<b>index</b>	<b>valid from</b>	<b>valid to</b>	
B712020	pipng plan 42R4 boom	23.07.04 hbk	a	28.09.04		
<b>pos</b>	<b>description stock</b>	<b>ident-no dimensions</b>	<b>DIN material</b>	<b>index</b>	<b>weigh Kg</b>	<b>quantity unit</b>
29	hydr. pipe 12 x 2	WAI102022			0,49	90,00 Mtr

# Übersicht B 70 - B 79 over view B 70 - B 79



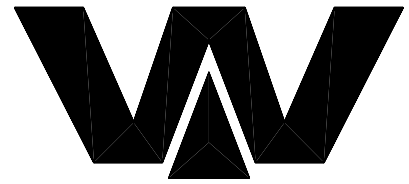
Waitzinger  
Baumaschinen GmbH



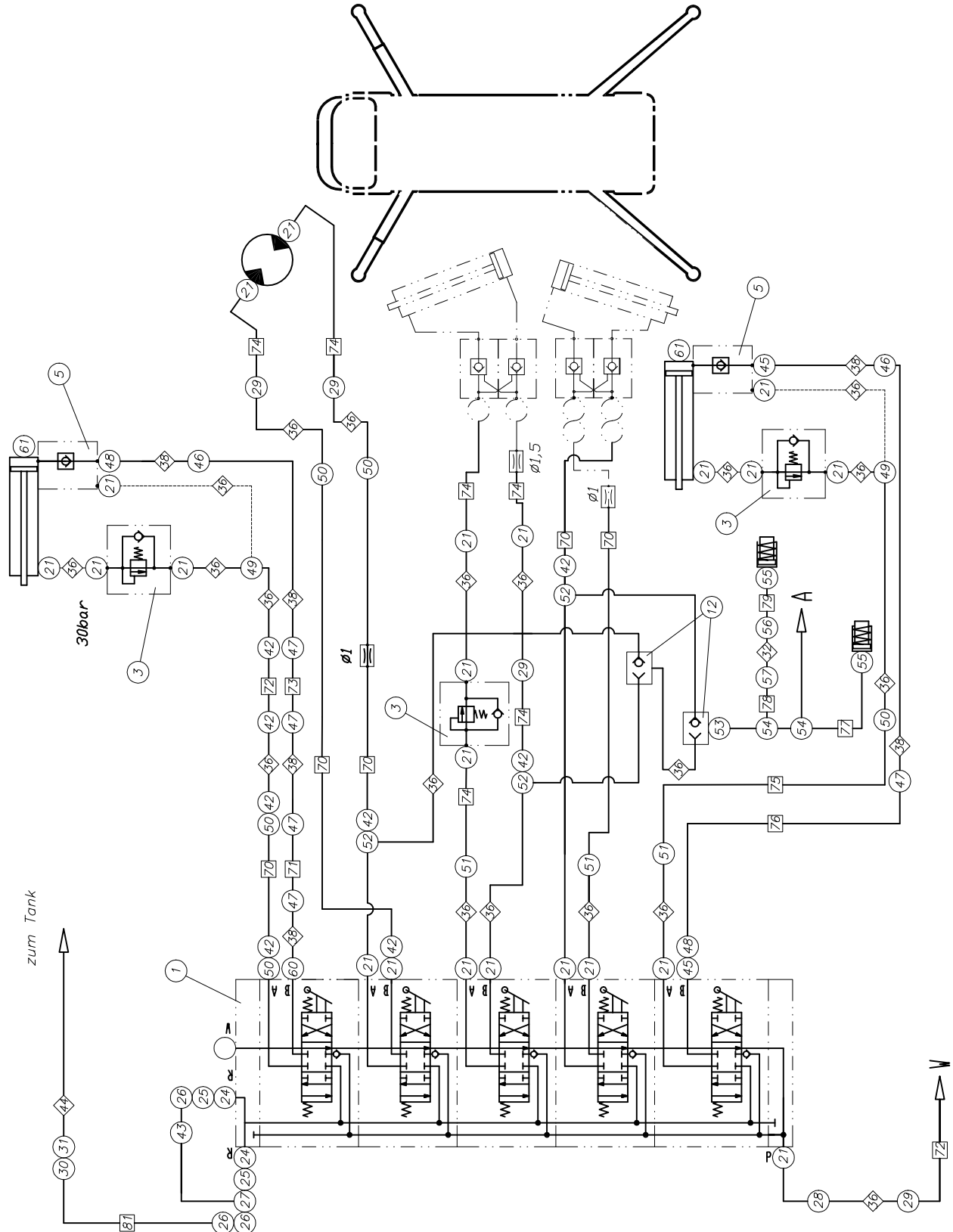
# Verrohrungsplan Abstützung piping diagram outrigger

B 72 2 010

1



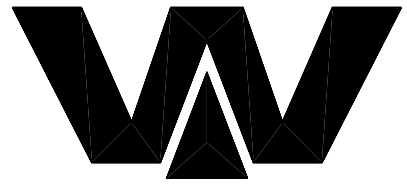
Waitzinger  
Baumaschinen GmbH



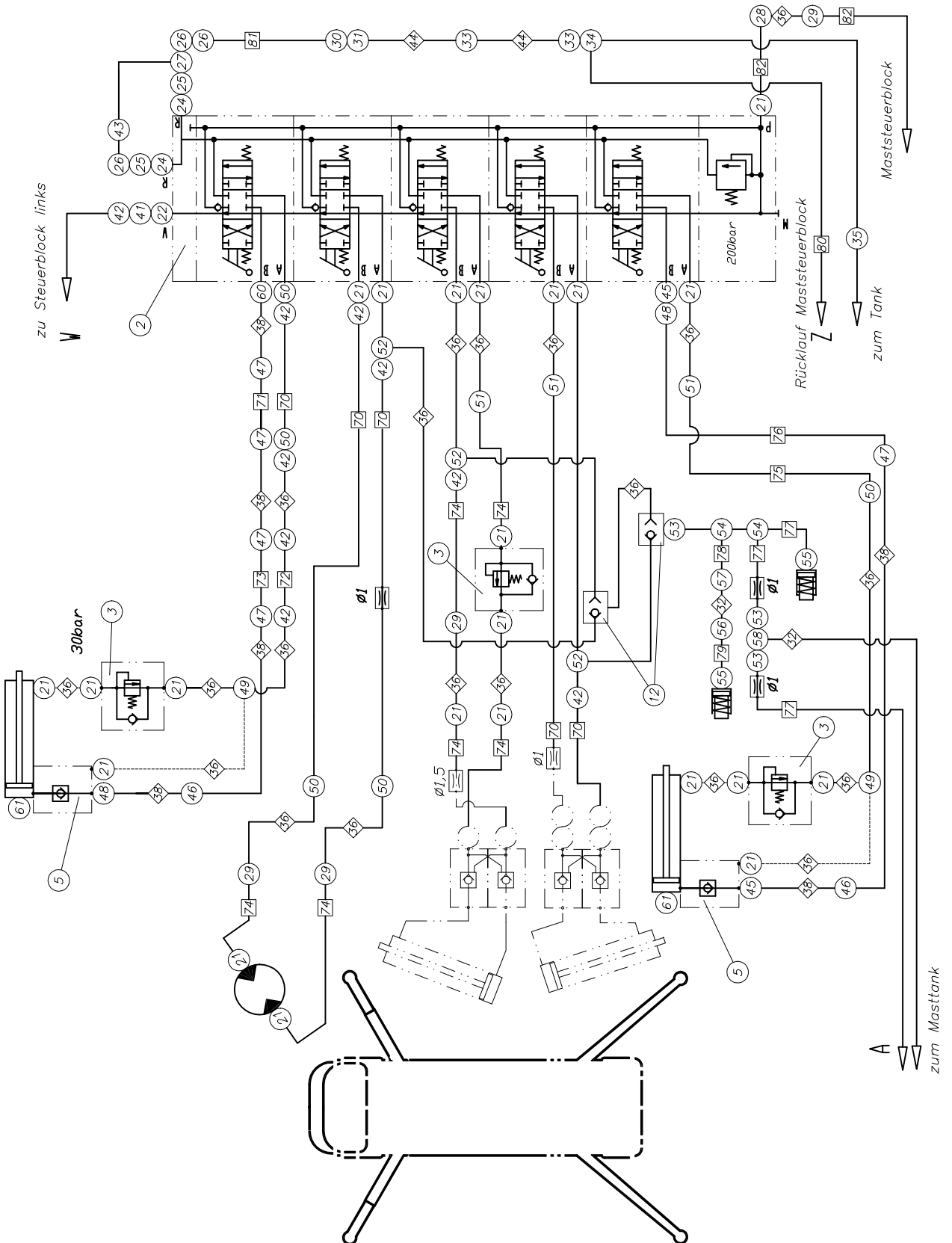
# Verrohrungsplan Abstützung piping diagram outrigger

B 72 2 010

2



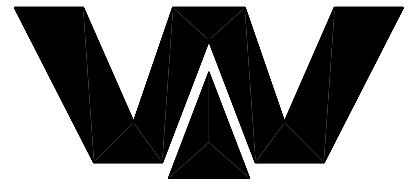
Waitzinger  
Baumaschinen GmbH



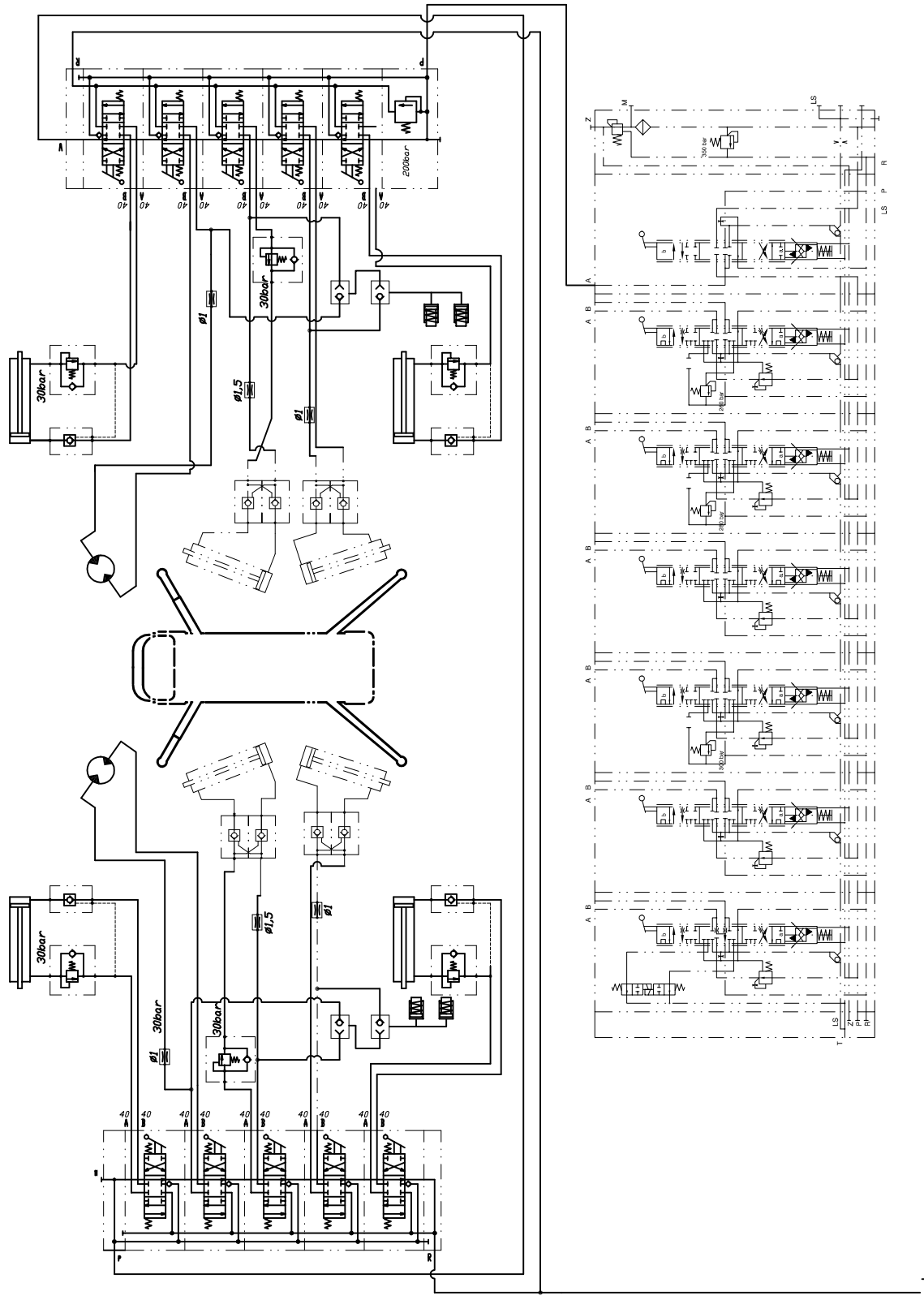
# Verrohrungsplan Abstützung piping diagram outrigger

B 72 2 010

3



Waitzinger  
Baumaschinen GmbH





## PARTS LIST

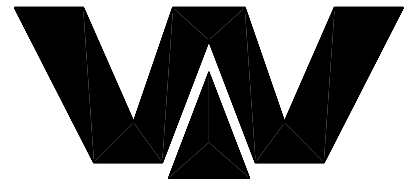
part list	description	created	index	valid from	valid to	
B722010R1	pipng diagram 42XXT boom	04.04.03 hbk				
pos	description stock	ident-no dimensions	DIN material	index	weigth Kg	quantity unit
3	valve SVC 46 F-30	WAI106335				8,00 Stk
4	pilot operated twin check valve	WAI106410				4,00 Stk
5	valve RHC 31	WAI106698				4,00 Stk
12	valve WV 8-S	WAI105212				4,00 Stk
13	socket head port plugs M24x1.5	WAI106699			0,04	4,00 Stk



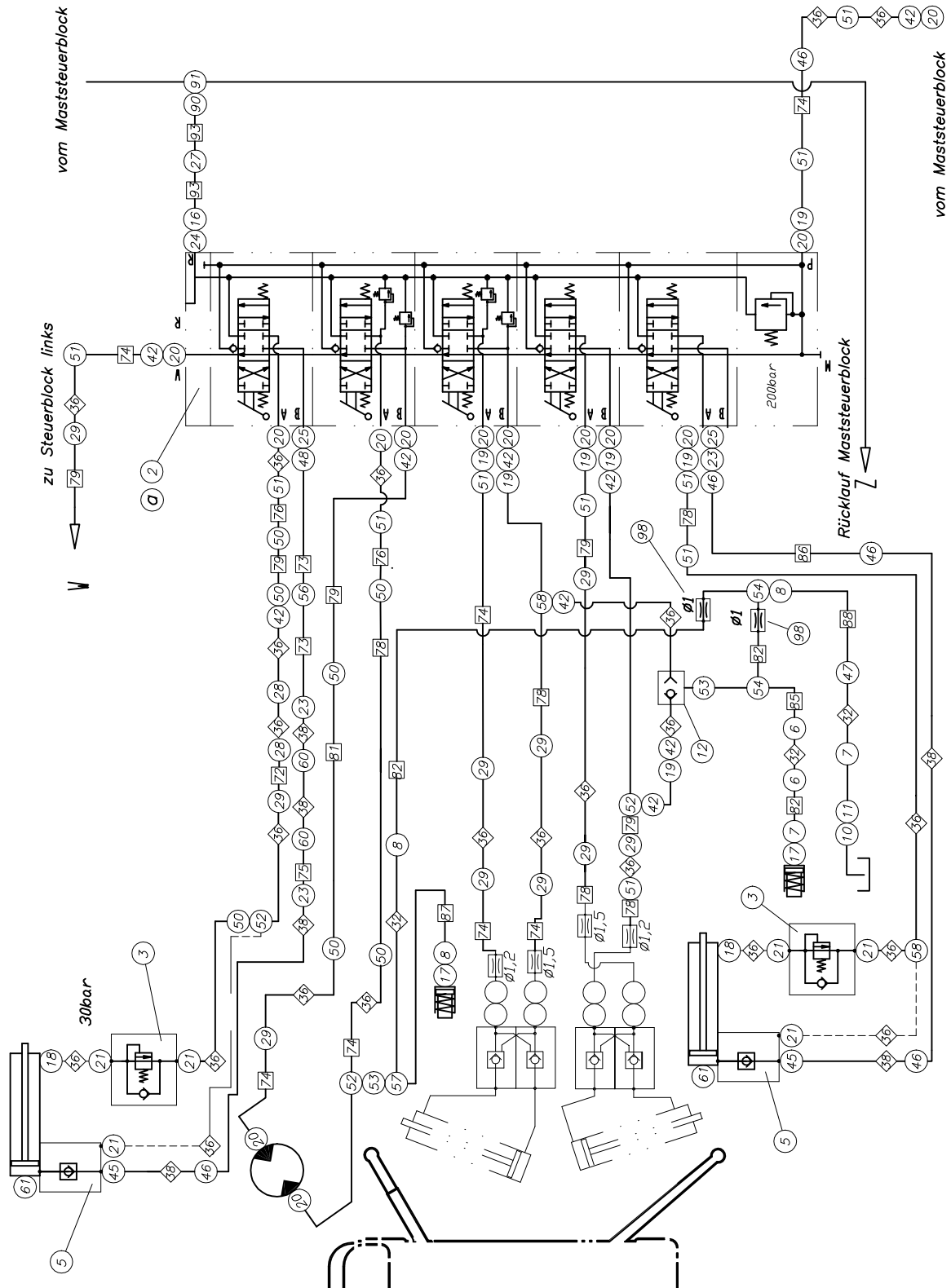
# Verrohrungsplan Mastbock kpl. piping diagram boom base cpl.

B 72 2 015b

1



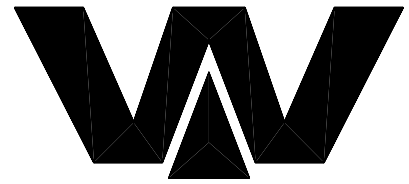
Waitzinger  
Baumaschinen GmbH



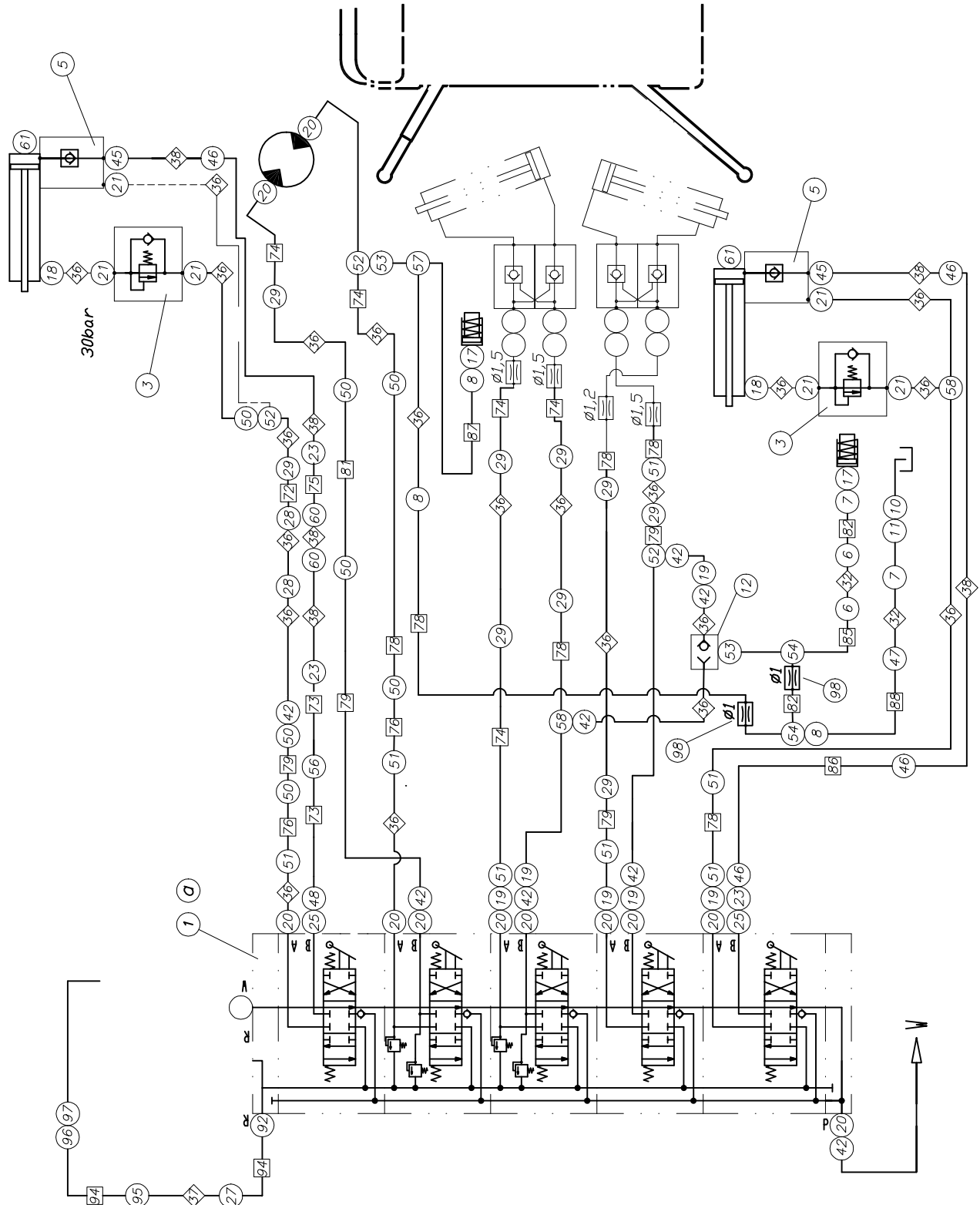
# Verrohrungsplan Mastbock kpl. piping diagram boom base cpl.

B 72 2 015b

2



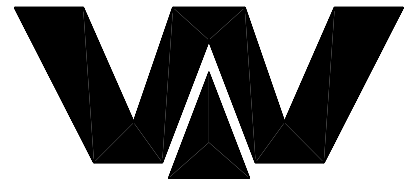
Waitzinger  
Baumaschinen GmbH



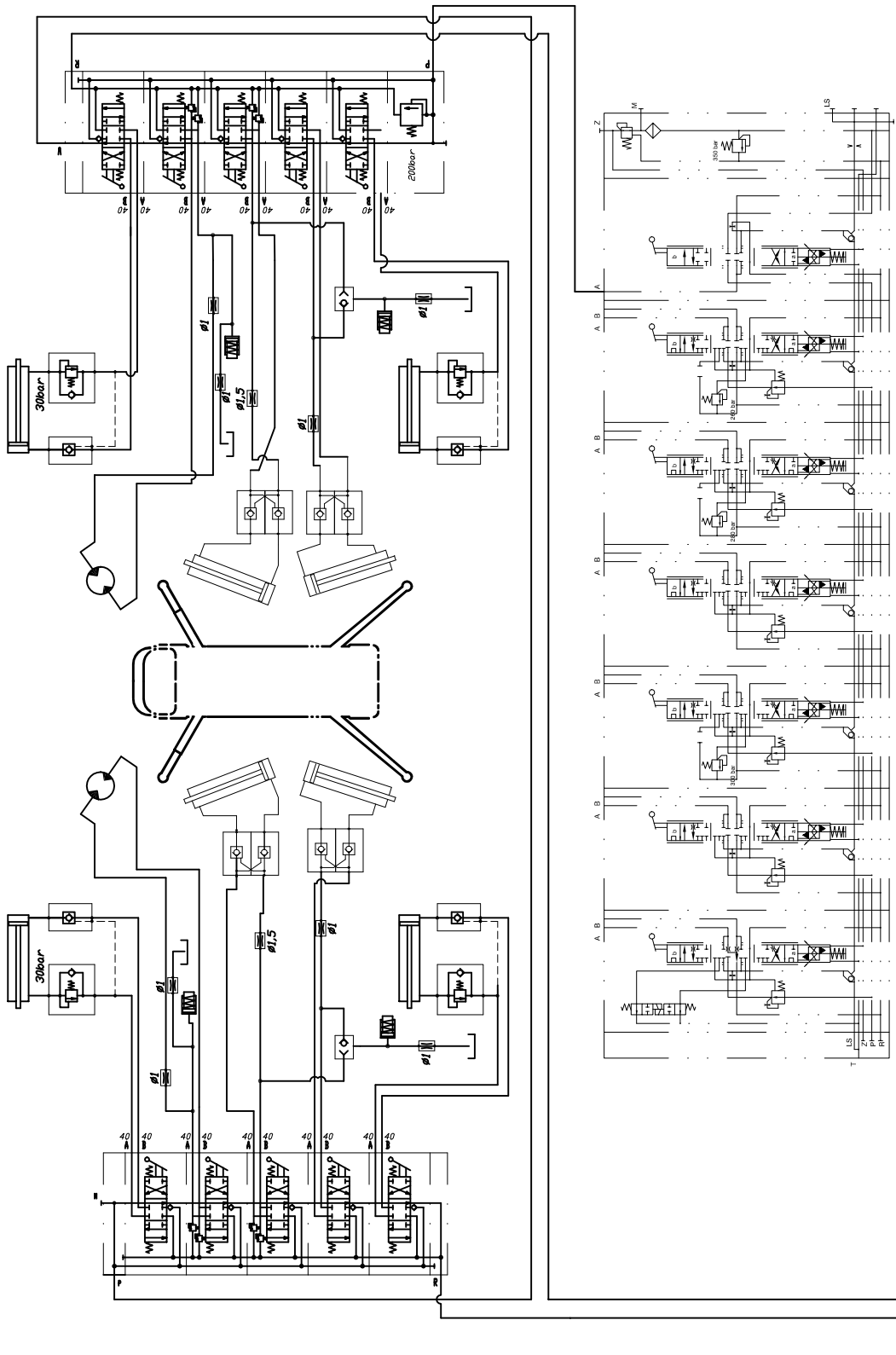
*Verrohrungsplan Mastbock kpl.  
piping diagram boom base cpl.*

*B 72 2 015b*

*3*



*Waitzinger  
Baumaschinen GmbH*





## PARTS LIST

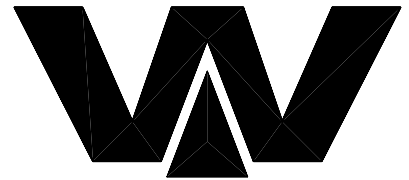
part list	description	created	index	valid from	valid to	
B722015R1	piping diagram 42XXT pedestal short	15.11.05	TECHNIK			
pos	description stock	ident-no dimensions	DIN material	index	weighth Kg	quantity unit
18	throttlefree banjo elbows L12 R	WAI103763				2,00 Stk
21	straight male stud couplings L12 3/8"	WAI103741				6,00 Stk
23	straight couplings L 15	WAI100828			0,14	4,00 Stk
28	bulkhead elbows L12	WAI103782				2,00 Stk
29	straight couplings L12	WAI100603				2,00 Stk
36	hydr. pipe 12 x 2	WAI102022			0,49	8,00 Mtr
38	hydr. pipe 15 x 2	WAI101717			0,65	8,00 Mtr
42	swivel elbow L12	WAI100590				2,00 Stk
45	straight male stud couplings L15-G 3/8"	WAI103704				2,00 Stk
46	elbow couplings L15	WAI100829				2,00 Stk
50	bulkhead coupling L12	WAI101384				4,00 Stk
52	swivel barrel tee L12	WAI101325				2,00 Stk
60	bulkhead elbows L15	WAI101390				2,00 Stk
72	hose DN10x2600	WAI108616				2,00 Stk
75	hose DN12x2600	WAI108617				2,00 Stk



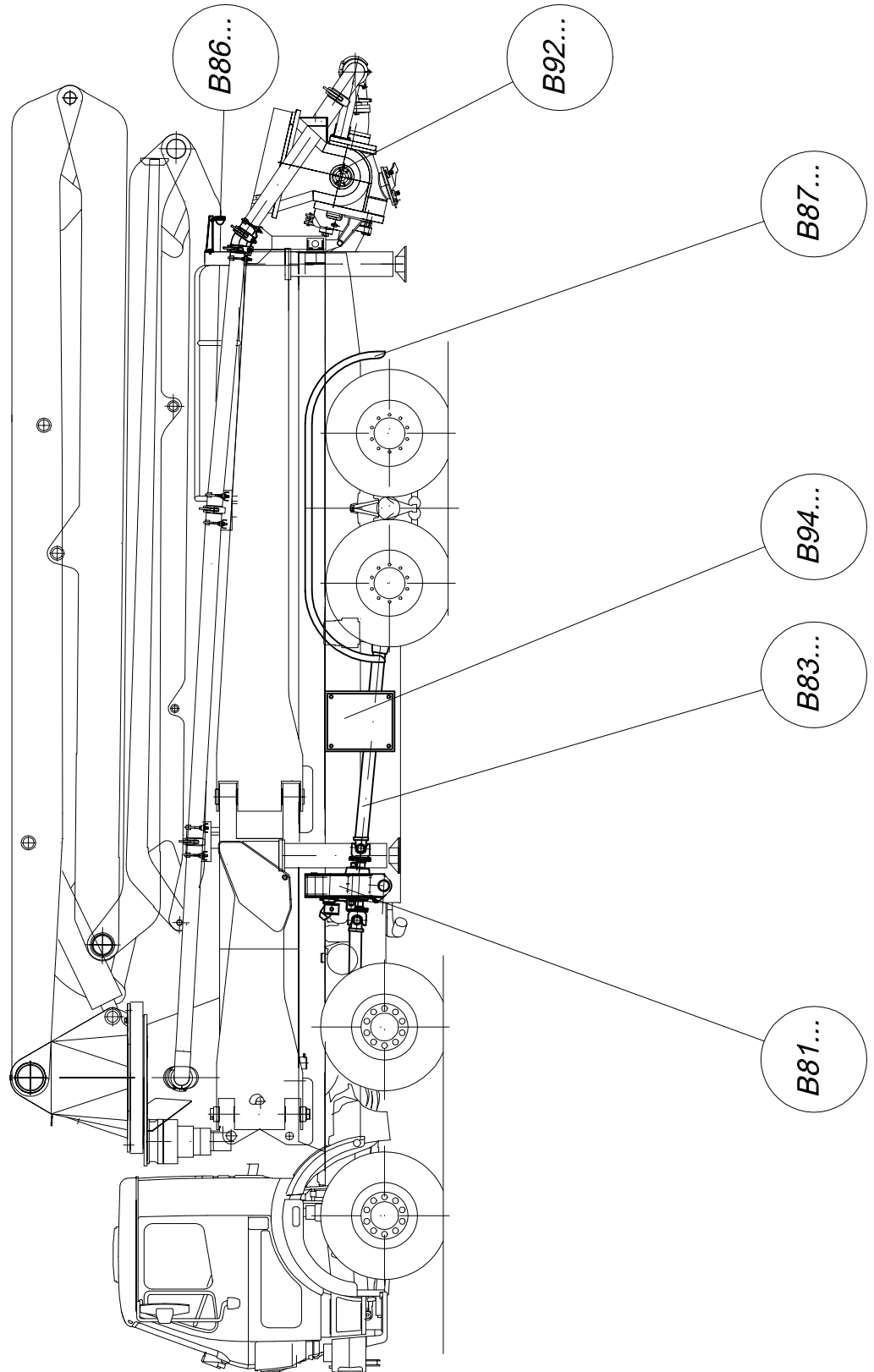
## PARTS LIST

part list	description	created	index	valid from	valid to	
B741031	hydraulic pump A11VO40/4496	04.04.02 ek				
pos	description stock	ident-no dimensions	DIN material	index	weigh Kg	quantity unit
1	pump A11VO40DRS/10L-NSC12N00 own parts list	WAI104346			31,60	1,00 Stk
2	O-ring	WAI104873				1,00 Stk
3	cheese head screw M 12 x 35	WAI102895				2,00 Stk
4	spring washer A12	WAI103113				2,00 Stk

*Übersicht B 80 - B 99*  
*over view B 80 - B 99*



*Waitzinger  
Baumaschinen GmbH*



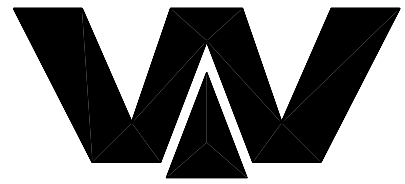


## PARTS LIST

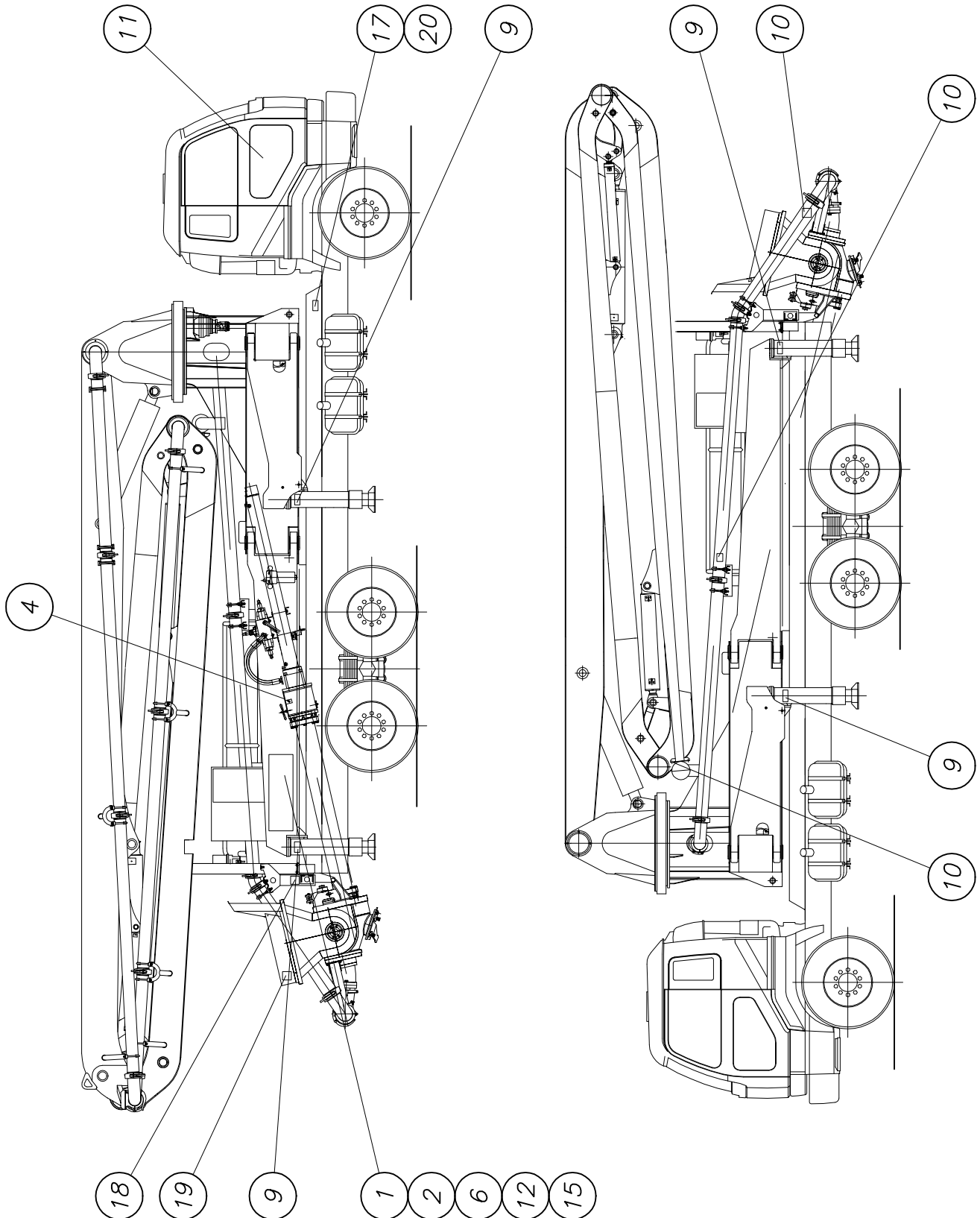
part list	description	created	index	valid from	valid to	
B814088R1	distributor gear box 4496.xx	09.06.04 HF				
pos	description stock	ident-no dimensions	DIN material	index	weight Kg	quantity unit
1	PTO gearbox 4400. own parts list	WAI107195				1,00 Stk
2	buffer	WAI103414				4,00 Stk
3	hexagon bolt M 20 x 50	WAI102860				14,00 Stk
6	sealing ring 165 x 5	WAI102903				1,00 Stk
7	O-ring	WAI105771				1,00 Stk
10	conical spring washer	WAI102110			0,05	11,00 Stk
11	hexagon bolt M8 x 25 DIN 933 8.8	WAI101621				16,00 Stk
12	stop nut M8 DIN985 8. VERZ.	WAI102111			5,00	16,00 Stk
13	washer 8.4	WAI101625				16,00 Stk

*Schildersatz Betonpumpe  
sticker set concrete pump*

*B 92 1 004*



*Waitzinger  
Baumaschinen GmbH*







## PARTS LIST

part list	description	created	index	valid from	valid to	
B921004	sticker set CP english without boom	21.09.00 hbk				
pos	description stock	ident-no dimensions	DIN material	index	weighth Kg	quantity unit
1	sticker operation eng.	WAI105932				1,00 Stk
2	sticker electrocution hazard d/e	WAI105934				1,00 Stk
4	sticker danger of bruise d/e	WAI105936				1,00 Stk
6	sticker remote control d/e	WAI105938				1,00 Stk
7	sticker hopper d/e	WAI105939				1,00 Stk
9	sticker outrigger d/e	WAI105941				4,00 Stk
10	sticker coupling d/e	WAI105942				3,00 Stk
11	sticker gearbox switch system d/e	WAI105943				1,00 Stk
12	sticker person protection d/e	WAI105944				1,00 Stk
15	sticker electrocution hazard 2 d/e	WAI105974				1,00 Stk
17	identification badge	WAI106179				1,00 Stk
18	sign AL agitator	WAI106030				1,00 Stk
19	sign AL water pump	WAI106031				1,00 Stk
20	sign AL delivery line	WAI106032				1,00 Stk