

PLUG A

1	Y3+4+M3/1+	brn
2	Y4+7+FM	blk/whi
3	S1>F1	red/yel
4	Y3-1	yel/whi
5	temp. switch	grn/whi
6	Y4-1	blk/whi
7	F3	blu
8	F2	blk
9	Horn	blk
10	Y5-1/hopper	blk/grn
11	Y5-2	blk/red
12	Y7	grn/red
13	Y8	whi/brn
14	Y9	vio
15	M2	blk
16	M2	blu
17	M3/1-1	grn
18	M3/1-3	grn
19	M3/2-2	yel
20	Y6	whi
21	temp switch	whi
22	temp switch	whi
23	Y10	grn
24	free	grn
F5		red
F6		grn/blk

PLUG B

1	D10-4h	brn	ground
2	S3b	gry	emergency stop
3	S3c	blk	emergency stop
4	D13	blu	emergency stop
5	D 22	gry/red	emergency stop
6	S3b-d	white	emergency stop
7	D 20	whi/grn	horn
8	D 15	grn	RPM +
9	D 16	blk/whi	RPM -
10	D 24	vio	Pot
11	D 17	blk/grn	pumping on
12	D 19	gry/blk	reverse
13	free	free	free
14	D 18	blu/whi	pumping
15	D 21	blk/red	flashing light
16	free	free	free

PLUG C

1	pin No.	wire No.	function
2	1	brown +	
3	2	blue -	
4	3	black	Sensor 1
5	4	black	Sensor 2
6	5		
7	6		
8	7		

PLUG D

A 1	brn	ground
Y3/3	brn/whi	boom 1 up
Y3/2	blu	boom 1 down
Y4/3	grn/whi	boom 2 up
Y4/2	blk/grn	boom 2 down
Y5/3	gry/blk	boom 3 up
Y5/2	blk/whi	boom 3 down
Y6/3	blk/red	boom 4 up
Y6/2	gry/red	boom 4 down
free	free	free
free	brn	ground
Y2/2	vio	turn clockwise
Y2/3	blu/whi	turn anticlockw.
B4	red	plus
Y1/2/3	gry	pilot valve
B 8	grn	RPM +
B 9	blk/whi	RPM -
B 11	blk/grn	pumping on
B 14	blu/whi	pumping
B 12	gry/blk	reverse
B 7	whi/grn	horn
B 15	blk/red	free
B 5	gry/red	emergency stop
Y7	brn/whi	free
B 10	vio	POT

PLUG F

pin No.	wire No.	function	pin No.	wire No.	function
1	1	power supply 12V	17	34	boom 4 up
2	3	emergency stop	18	31	boom 3 down
3	4	12 V+	19	32	boom 3 up
4	5	RPM-	20	29	turn clockwise
5	6	free	21	30	turn anticlockw.
6	8	horn	22	28	boom 1 down
7	11	RPM+	23	27	boom 1 up
8	13	pump on	24	39	boom 2 down
9	9	GNd	25	40	boom 2 up
10	14	reverse	26	-	free
11	25	pilot valve	27	-	free
12	-	free	28	35	pump speed pot
13	-	free	29	-	free
14	-	free	30	-	free
15	-	free	31	-	free
16	33	boom 4 down	32	-	free

TERMINAL F

blk/whi	A2
whi	S1
grn	Y1
gry/whi	Y2
blu	A7
blk	A8
vio	Lima D
brn	⊖
red	reserve
gry/blk	reserve

SCALE without WEIGHT

own parts list

Waltzinger Baumaschinen Vertrieb und Service GmbH

FREE DIMENSION TOLERANCES DIN 7168 MEDIUM

DATE: 2002/03/28

NAME: M

DRWN: 2002/03/28

CHKO: []

APPR: []

CHANGE ONLY WITH CAD

REPLACEMENT FOR: B 56 1 070

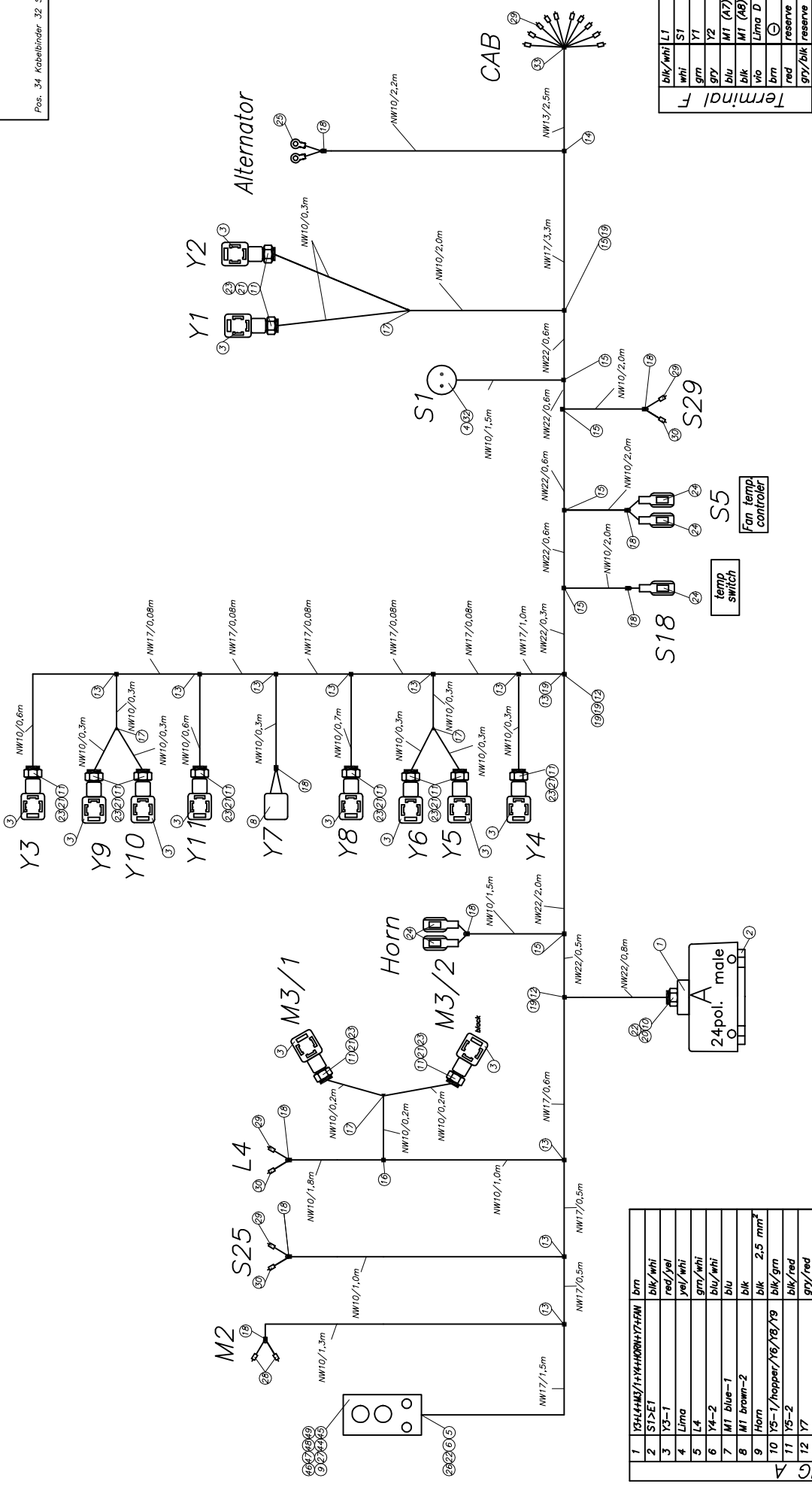
REPLACEMENT BY: []

Cable harness / accessories REED V4

SHEET OF

THIS INFORMATION MAY NOT BE COPIED BY A THIRD PARTY, SUBJECT TO COPYRIGHT (PATENT) FROM 14.06.1991

Loose Teil:
Pos. 34 Kabelbinder 32 Stück



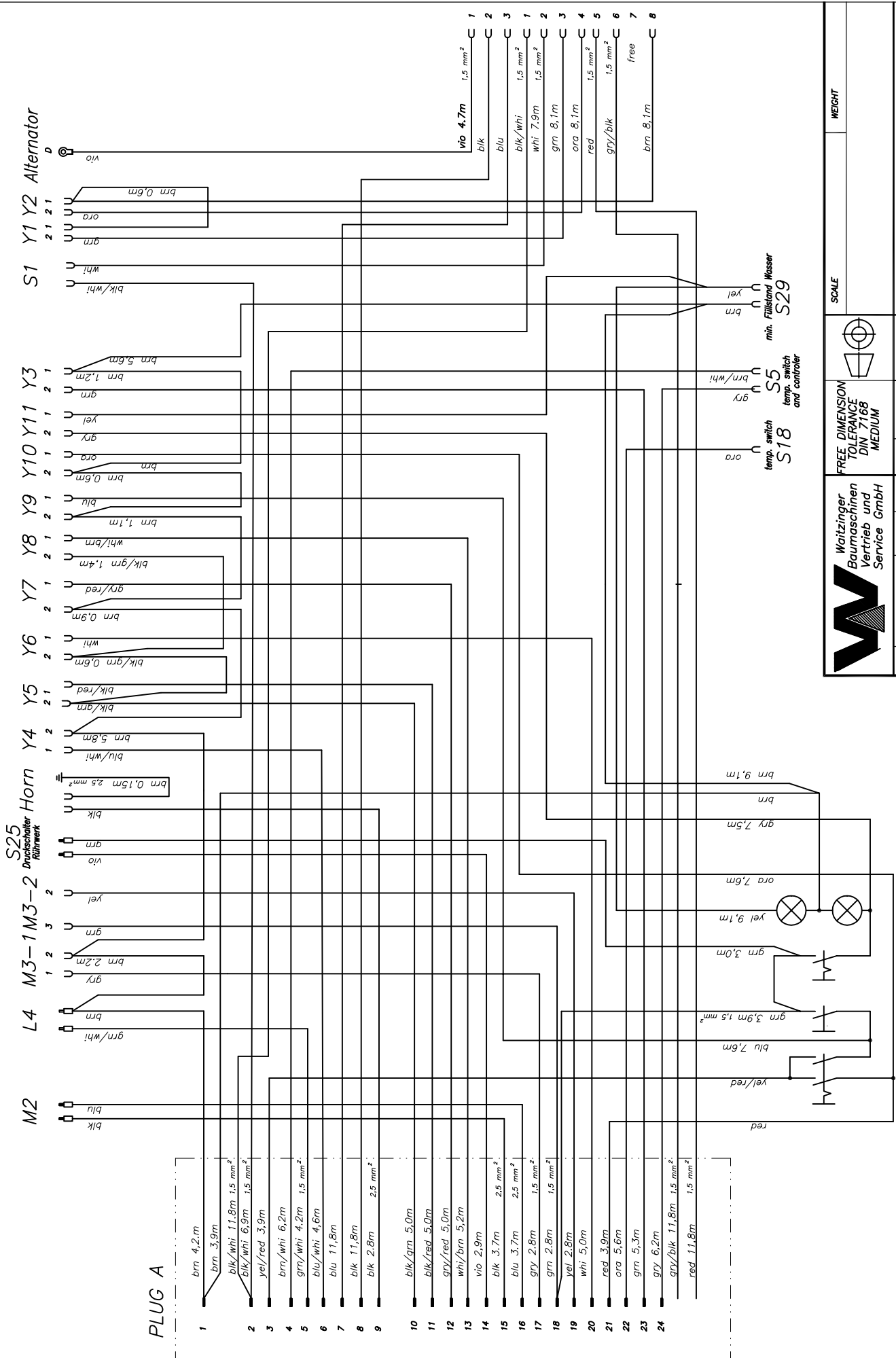
Terminal F	blk/whi L1
1	whi S1
2	grn Y1
3	gry Y2
4	blu M1 (A7)
5	blk M1 (A8)
6	vio Lima D
7	brn
8	red reserve
9	gry/blk reserve

1	Y34+4M3/1+Y4+HORN+Y7+FN	brn
2	S1>E1	blk/whi
3	Y3-1	red/yel
4	Lima	yel/whi
5	L4	grn/whi
6	Y4-2	blk/whi
7	M1 blue-1	blu
8	M1 brown-2	blk
9	Horn	blk 2,5 mm ²
10	Y5-1/hopper/Y6/Y8/Y9	blk/grn
11	Y5-2	blk/red
12	Y7	gry/red
13	Y8	whi/brn
14	Y9	vio
15	M2	blk 2,5 mm ²
16	M2	blu 2,5 mm ²
17	M3/1-1	gry
18	M3/1-3	grn
19	M3/2-2	yel
20	Y6	whi
21		
22		
23	Fan	grn
24	SS	yel/whi
	Res. F	red
	Res. F	gry/blk

	free dimension tolerance DIN 7168 medium	name MI
	date 1999/07/13	drawn MI
	scale 1:1	weight 00 N
	semi-finished product Material	
	cable loop pump REED cl 37m	
	change only with CAD	sheet 1
		of 2
	replacement for B 56 1 071	replacement by



this information may not be copied by a third party. Subject to copyright (patent law) no. 3 of (Urheberrechtsgesetz) from 14.06.1991



SCALE		WEIGHT	
FREE DIMENSION TOLERANCE DIN 7168 MEDIUM		cable loop pump	
DATE	NAME	REED cl 37m	
1999/03/24	Fetzer	B 56 1 071	
CHKD.		SHEET 2	
APPD.		OF 2	
CHANGE ONLY WITH CAD		REPLACEMENT FOR	
ISSUE	MODIFICATION	REPLACEMENT BY	

Waitzinger Baumaschinen Vertrieb und Service GmbH

DATE: 1999/03/24
NAME: Fetzer

SCALE: cable loop pump
PART: REED cl 37m

ISSUE: CHANGE ONLY WITH CAD
MODIFICATION: B 56 1 071
REPLACEMENT FOR: SHEET 2 OF 2
REPLACEMENT BY:

THIS INFORMATION MAY NOT BE COPIED BY A THIRD PARTY. SUBJECT TO COPYRIGHT (PARA-GRAPH 1 NO. 3 OF "URHEBERRECHTSGESZETZ" FROM 14.06.1991)

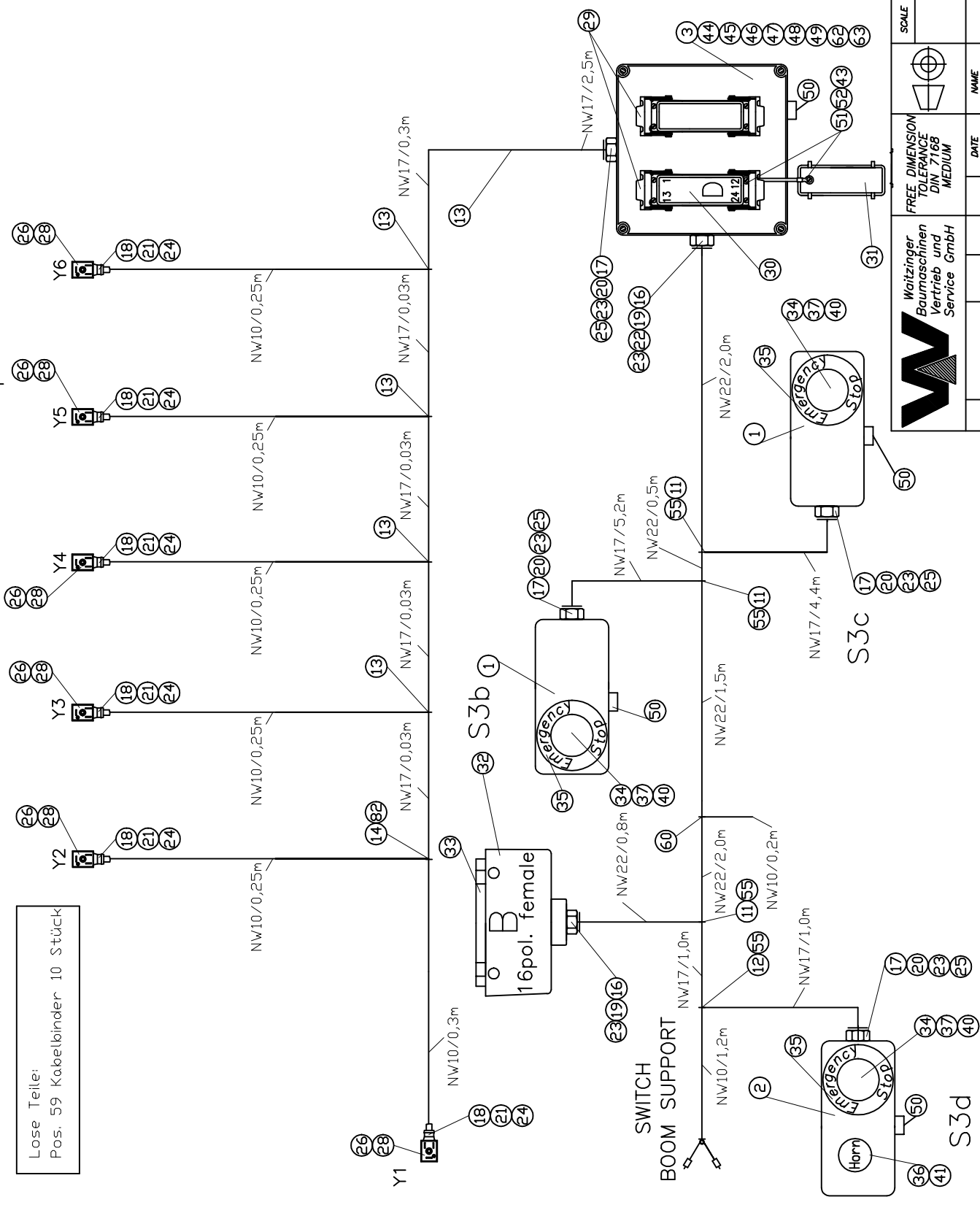
Alle nicht bezeichneten Kabel sind 1mm
Kabel um 10% länger als angegeben zuschneiden

1	D10-ll	bm	ground
2	S3a	gry/bm	emergency stop
3	S3c	blk	emergency stop
4	D13	blu	emergency stop
5	D 22	gry/red	emergency stop
6	S3d	whi	emergency stop
7	D 20	whi/grn	horn
8	D 15	grn	RPM +
9	D 16	blk/whi	RPM -
10	D 24	vio	Pot.
11	D 17	blk/grn	pumping on
12	D 19	whi/gry	reverse
13	D 23	brn/whi	outrigger
14	D 18	blu/whi	pumping
15	D 21	blk/red	free
16			free

PLUG B

B 1	bm	ground
Y3/3	brn/whi	boom 1 up
Y3/2	blu	boom 1 down
Y4/3	grn/whi	boom 2 up
Y4/2	blk/grn	boom 2 down
Y5/3	gry/blk	boom 3 up
Y5/2	blk/whi	boom 3 down
Y6/3	blk/red	boom 4 up
Y6/2	gry/red	boom 4 down
free	free	free
ll	brn	ground
Y2/2	vio	turn clockwise
Y2/3	blu/whi	turn anticlockw.
B4	red	plus
Y1/3		pilot valve
Y1/2	gry	
Y7		
B 8	grn	RPM +
B 9	blk/whi	RPM -
B 11	blk/grn	pumping on
B 14	blu/whi	pumping
B 12	gry/blk	reverse
B 7	whi/grn	horn
B 15	blk/red	free
A 5	gry/red	emergency stop
B13	brn/whi	free
B 10	vio	POT

PLUG D



Lose Teile:
Pos. 59 Kabelbinder 10 Stück

SCALE	WEIGHT			
FREE DIMENSION TOLERANCE DIN 7168 MEDIUM	NAME			
DATE	NAME			
DRAWN 1998/10/05	Fetzer			
CHKD.				
APPD.				
e siehe B 561066.doc 08.11.05 Körner				
d siehe B 561066.doc 02.06.05 Körner				
c siehe B 561066.doc 26.06.04 Körner				
b siehe B 561066.doc 03/09/19 Hoh.				
a siehe B 561066.com 08/03/2008 Mi				
ISSUE	MODIFICATION	DATE	NAME	ORIGINAL

Waitzinger Baumaschinen Vertrieb und Service GmbH

CHANGE ONLY WITH CAD

REPLACEMENT FOR B 56 1 066

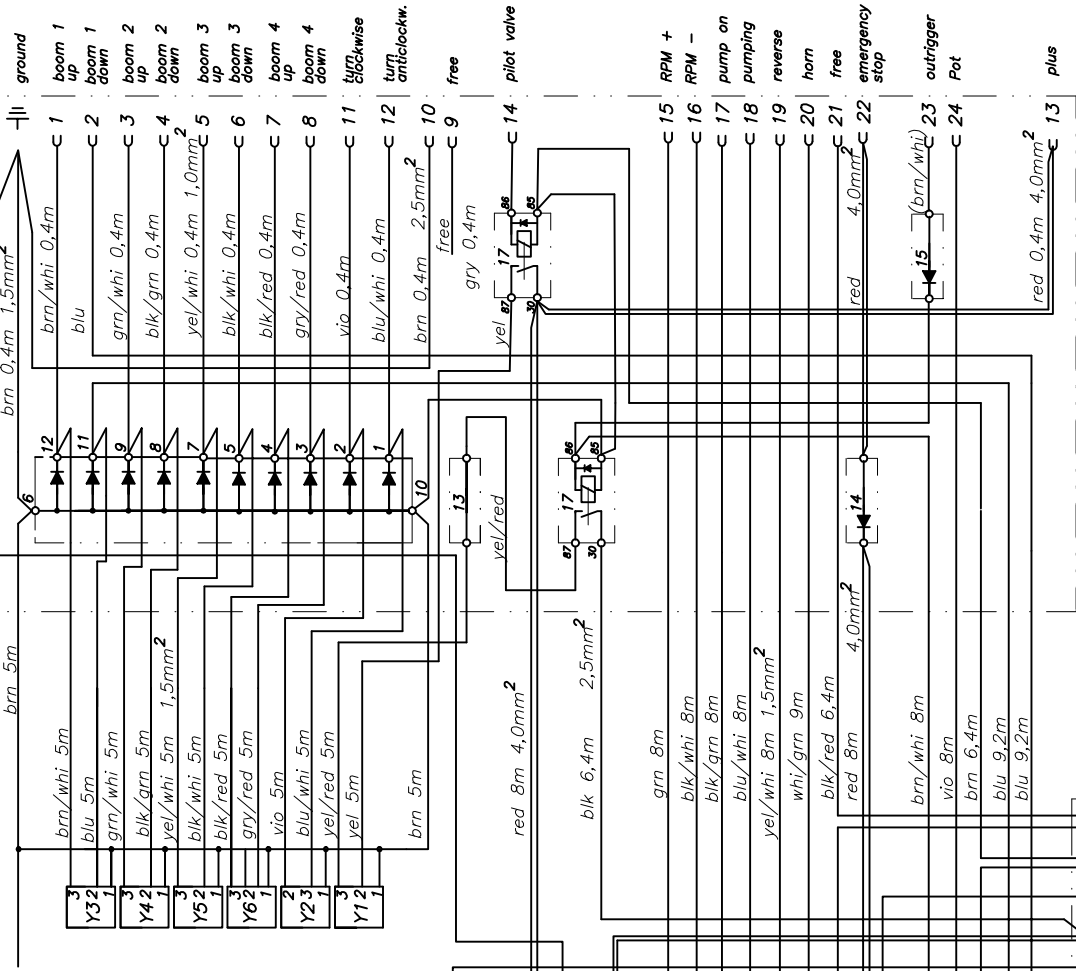
REPLACEMENT BY

Cable harness boom
REED 37m

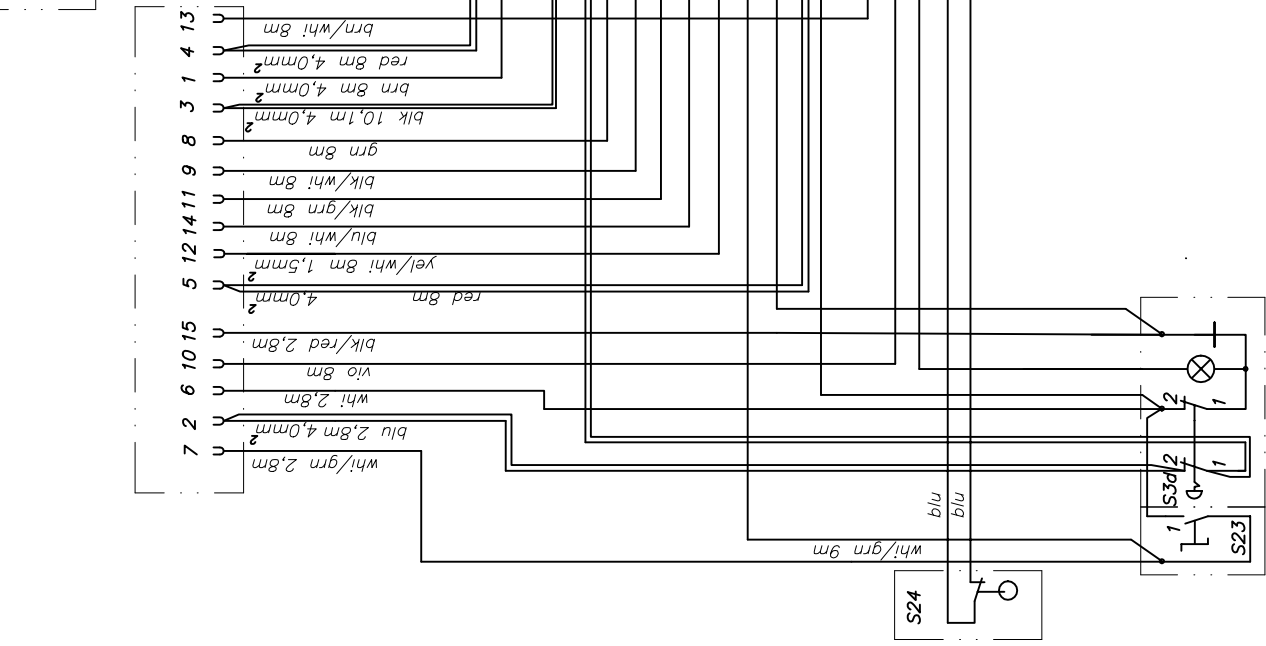
SHEET 1 OF 3

THIS INFORMATION MAY NOT BE COPIED BY A THIRD PARTY. SUBJECT TO COPYRIGHT (PARAGRAPH 1 NO. 3 OF "URHBERRECHTSGESETZ" FROM 14.06.1991)

PLUG D



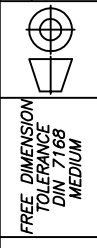
PLUG B



all cables which are not dimensioned are 1 mm²



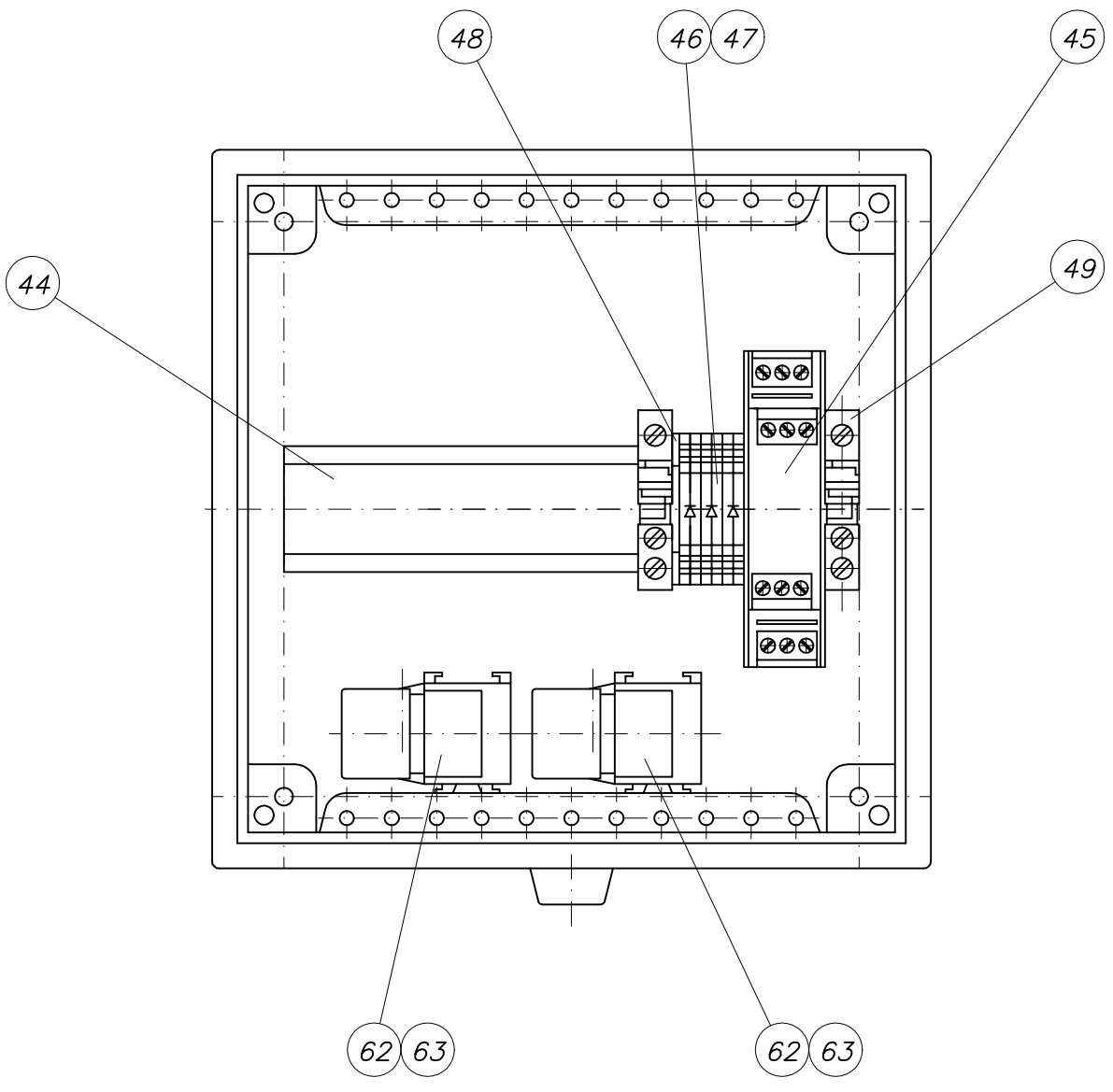
FREE DIMENSION TOLERANCE DIN 7185 MEDIUM	DATE	NAME
DRHW 1998/10/05	Fetzer	
CHKD.		
APPD.		
e siehe B 561066.aen	08.11.05	Körner
d siehe B 561066.aen	02.06.05	Körner
c siehe B 561066.aen	26.08.04	Körner
b siehe B 561066.aen	03/09/19	Hoh.
a siehe B 561066.aen	08/03/2008	Mi





SCALE	WEIGHT
Cable harness boom REED 37m	
REPLACEMENT FOR	REPLACEMENT BY
B 56 1 066	
SHEET 2	OF 3

THIS INFORMATION MAY NOT BE COPIED BY A THIRD PARTY. SUBJECT TO COPYRIGHT (PARAGRAPH 1 NO. 3 OF "URHBERRECHTSGESETZ FROM 14.06.1991)

CHANGE ONLY WITH CAD

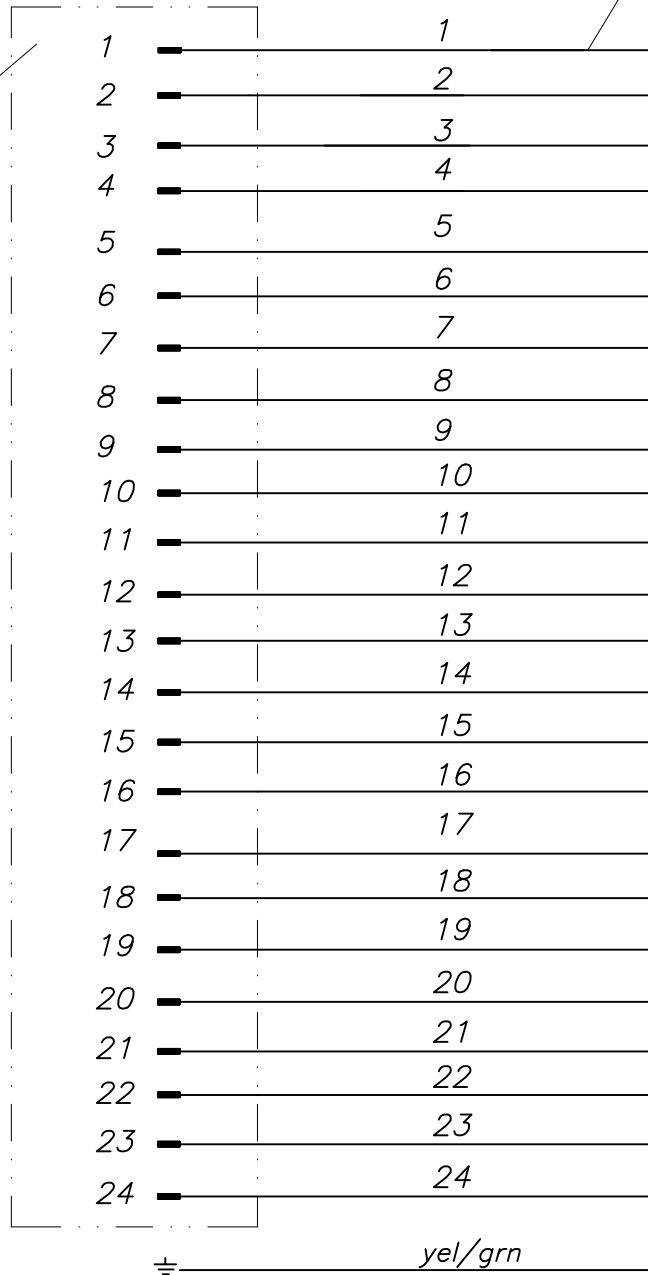


THIS INFORMATION MAY NOT BE COPIED BY A
 THIRD PARTY. SUBJECT TO COPYRIGHT (PARA-
 GRAPH 1 NO. 3 OF "URHEBERRECHTSGESETZ"
 FROM 14.06.1991)


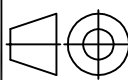
 Waitzinger Baumaschinen Vertrieb und Service GmbH				FREE DIMENSION TOLERANCE DIN 7168 MEDIUM				SCALE	WEIGHT	
				DATE	NAME	Cable harness boom REED V3 B 56 1 066				
				DRAWN	1998/10/05					Fetzer
				CHKD.						
e	siehe B 561066.aen	09.11.05	Körner	APPD.			CHANGE ONLY WITH CAD SHEET 3 OF 3			
d	siehe B 561066.aen	05/06/02	Körner							
c	siehe B 561066.aen	04/08/26	Körner							
b	siehe B 561066.aen	03/09/19	Hoh.							
a	siehe B 561066.aen	02/03/20	Mi							
ISSUE	MODIFICATION	DATE	NAME	ORIGINAL	REPLACEMENT FOR	REPLACEMENT BY				

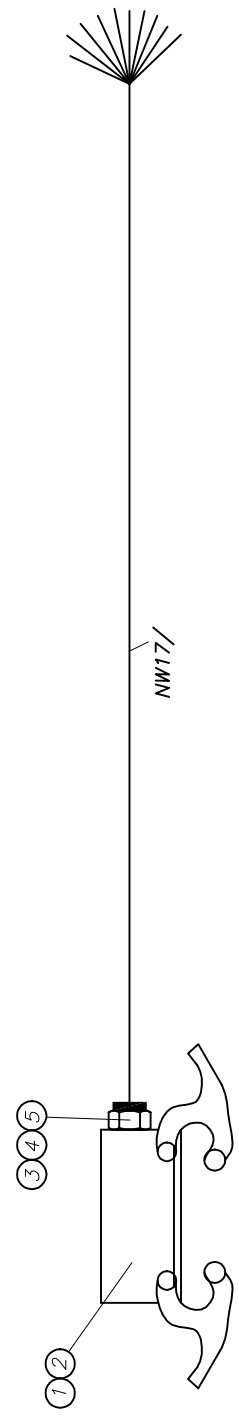
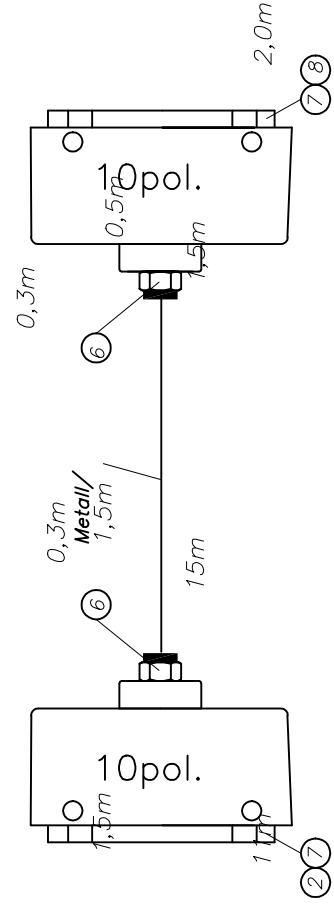
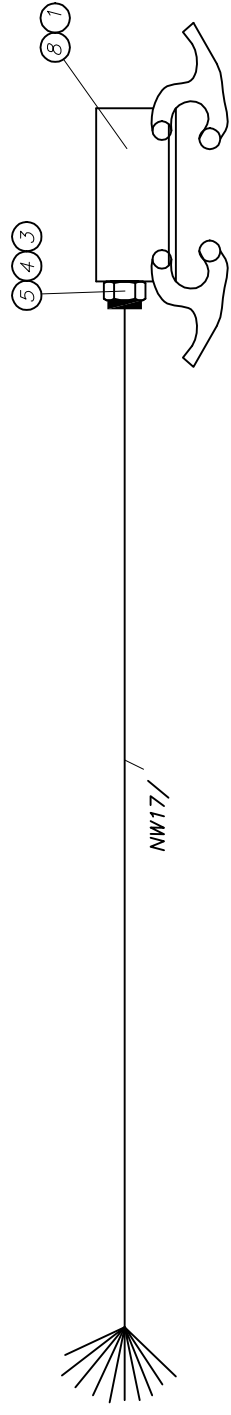
cable 10m
25x1,5
WAI 101989

plug insertion
24-polig
WAI 100714
housing
24-polig
WAI 101542
cove end sleeve 50x
1,5
WAI 101996
(25x unmounted)
fitting
PG 21
WAI 105665



This information may not be copied by a third party. Subject to copyright (paragraph 1 no. 3 of "Urheberrechtsgesetz" from 14.06.1991)

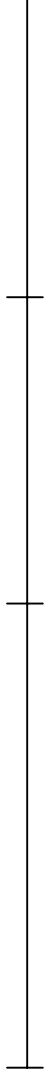
 Waitzinger Baumaschinen Vertrieb und Service GmbH	free dimension tolerance DIN 7168 medium			scale	weight
	own parts list				
				cable cpl. for cable control	
		date	name		
		drawn 1999/07/20	Mi		
		chekd.			
		appd.			
change only with CAD				B 56 1 049	
issue	modification	date	name	original	replacement for
					replacement by
				sheet	
				of	



	Freimaßtoleranz DIN 7168 mittel		Maßstab eigene Stückliste	Gewicht	Blatt 2 von 2 Bl.
Bearbeit. 06.08.2004	Gepr.	Norm	Änderung nur auf CAD	Ers. für B 56 2 066	Ers. durch
Datum	Name	Urspr.	Änderung	Datum	Name

Ohne unsere Genehmigung darf diese Zeichnung weder vervielfältigt noch Dritten, Personen oder Konkurrenzfirmen mitgeteilt werden. (Paragraf 1 Nr.3 des Urheberrechtsgesetzes vom 14.06.1901)

Drehkopf



1	blu	33m
2	yel/red	30m
3	vio	33m
4	blu/whi	30m
5	whi/grn	30m
6	red	14m
7	blk/grn	14m
8	grn	30m
9	whi	30m
10	brn	14m

PLUG

	Freimaßtoleranz DIN 7168 mittel		Maßstab eigene Stückliste	Gewicht
Bearb. Gepr. Norm	Datum 06.08.2004	Name K8mer	Maßstab Kabelbaum Mast 37m REED	Gewicht
Änderung	Datum	Name	Änderung nur auf CAD	Blatt 1 von 2 Bl.
Zust.	Urspr.	Ers. für	Ers. durch	B 56 2 066

Ohne unsere Genehmigung darf diese Zeichnung weder vervielfältigt noch Dritten, Personen oder Konkurrenzfirmen mitgeteilt werden. (Paragraf 1 Nr.3 des Urheberrechtsgesetzes vom 14.06.1901)