

PLUG A

1	Y3+4+M3/1+	brn
2	Y4+7+PAN	blk/whi
3	S1>F1	red/yel
4	Y3-1	red/yel
5	temp. switch	yel/whi
6	L4	grn/whi
7	Y4-1	blk/whi
8	F3	blu
9	F2	blk
10	Horn	blk
11	Y5-1/hopper	blk/grn
12	Y6/Y8/Y9	blk/grn
13	Y5-2	blk/red
14	Y7	grn/red
15	Y8	whi/brn
16	Y9	vio
17	M2	blk
18	M2	blu
19	M3/1-1	grn
20	M3/1-3	grn
21	M3/2-2	yel
22	Y6	whi
23	temp switch	whi
24	temp switch	whi
25	free	grn
26	F5	grn
27	F6	red
28	F6	grn/blk

PLUG B

1	D10-4h	brn	ground
2	S3b	gry	emergency stop
3	S3c	blk	emergency stop
4	D13	blu	emergency stop
5	D 22	gry/red	emergency stop
6	S3b-d	white	emergency stop
7	D 20	whi/grn	horn
8	D 15	grn	RPM +
9	D 16	blk/whi	RPM -
10	D 24	vio	Pot
11	D 17	blk/grn	pumping on
12	D 19	gry/blk	reverse
13	free	free	free
14	D 18	blu/whi	pumping
15	D 21	blk/red	flashing light
16	free	free	free

PLUG C

1	pin No.	Wire No.	function
2	1	brown +	
3	2	blue -	
4	3	black	Sensor 1
5	4	black	Sensor 2
6	5		
7	6		
8	7		

PLUG D

A 1	brn	ground	
1	Y3/3	brn/whi	boom 1 up
2	Y3/2	blu	boom 1 down
3	Y4/3	grn/whi	boom 2 up
4	Y4/2	blk/grn	boom 2 down
5	Y5/2	gry/blk	boom 3 up
6	Y5/3	blk/whi	boom 3 down
7	Y6/3	blk/red	boom 4 up
8	Y6/2	gry/red	boom 4 down
9	free	free	free
10	- -	brn	ground
11	Y2/2	vio	turn clockwise
12	Y2/3	blu/whi	turn anticlockw.
13	B4	red	plus
14	Y1/2/3	gry	pilot valve
15	B 8	grn	RPM +
16	B 9	blk/whi	RPM -
17	B 11	blk/grn	pumping on
18	B 14	blu/whi	pumping
19	B 12	gry/blk	reverse
20	B 7	whi/grn	horn
21	B 15	blk/red	free
22	B 5	gry/red	emergency stop
23	Y7	brn/whi	free
24	B 10	vio	POT

PLUG F

pin No.	Wire No.	function	pin No.	Wire No.	function
1	1	power supply 12V	17	34	boom 4 up
2	3	emergency stop	18	31	boom 3 down
3	4	12 V+	19	32	boom 3 up
4	5	RPM-	20	29	turn clockwise
5	6	free	21	30	turn anticlockw.
6	8	horn	22	28	boom 1 down
7	11	RPM+	23	27	boom 1 up
8	13	pump on	24	39	boom 2 down
9	9	GND	25	40	boom 2 up
10	14	reverse	26	-	free
11	25	pilot valve	27	-	free
12	-	free	28	35	pump speed pot
13	-	free	29	-	free
14	-	free	30	-	free
15	-	free	31	-	free
16	33	boom 4 down	32	-	free

PLUG F

blk/whi	A2
whi	S1
grn	Y1
gry/whi	Y2
blu	A7
blk	A8
vio	Lima D
brn	⊖
red	reserve
gry/blk	reserve

W Weitzinger Baumaschinen Vertrieb und Service GmbH

SCALE: without weight

own parts list

Cable harness / accessories REED 42XRT

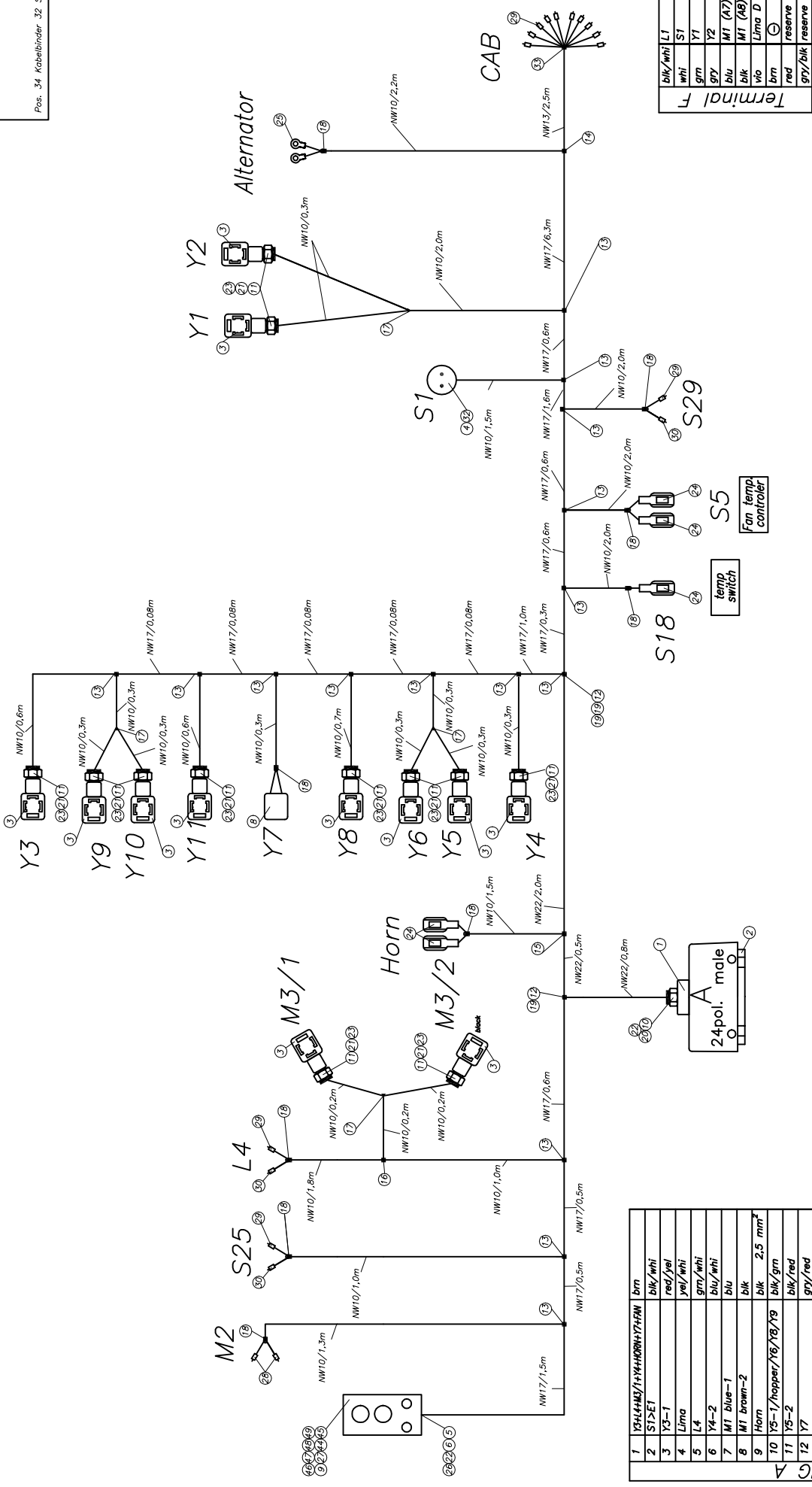
REPLACEMENT FOR: B 56 1 084

CHANGE ONLY WITH CAD

THIRD PARTY, SUBJECT TO COPYRIGHT (PATENT) FROM 14.06.1991

THIS INFORMATION MAY NOT BE COPIED BY A

Loose Teil:
Pos. 34 Kabelbinder 32 Stück



1	Y3H4M3/1+Y4HORN+Y7+Y8	brn
2	S1>E1	blk/whi
3	Y3-1	red/yel
4	L4	yel/whi
5	L4	grn/whi
6	Y4-2	blk/whi
7	M1 blue-1	blu
8	M1 brown-2	blk
9	Horn	blk 2.5 mm ²
10	Y5-1/hopper/Y6/Y8/Y9	blk/grn
11	Y5-2	blk/red
12	Y7	gry/red
13	Y8	whi/brn
14	Y9	vio
15	M2	blk 2.5 mm ²
16	M2	blu 2.5 mm ²
17	M3/1-1	gry
18	M3/1-3	grn
19	M3/2-2	yel
20	Y6	whi
21		
22		
23	Fan	grn
24	SS	yel/whi
	Res. F	red
	Res. F	gry/blk



free dimension tolerance DIN 7168 medium

drawn	date	name
2003/06/30		MI
chkd.		
appl.		

change only with CAD

issue	MODIFICATION	date	name	original

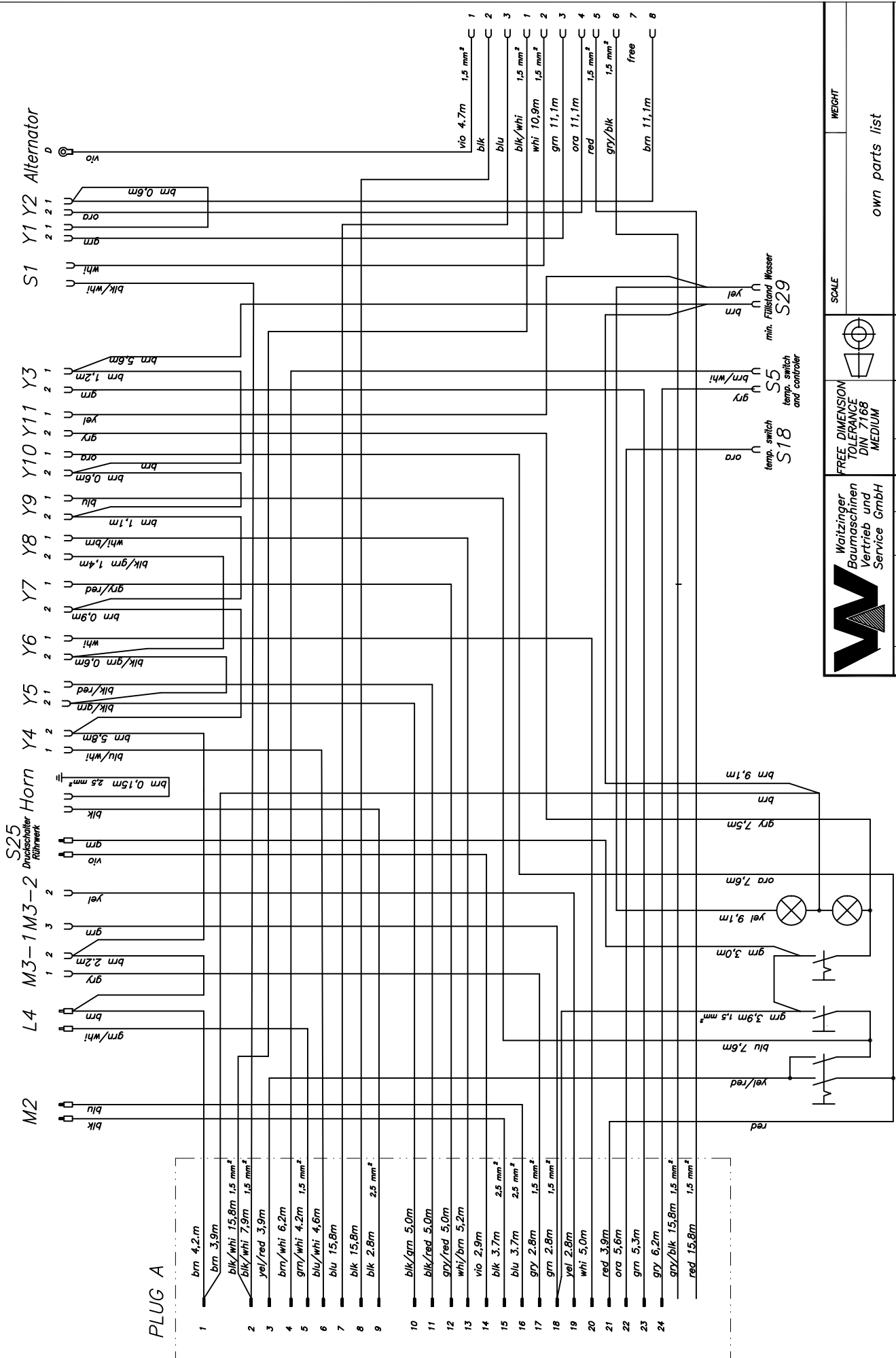
scale
own parts list
cable loop pump
REED cl 42XXT

sheet 1
of 2

replacement for
B 56 1 085

replacement by

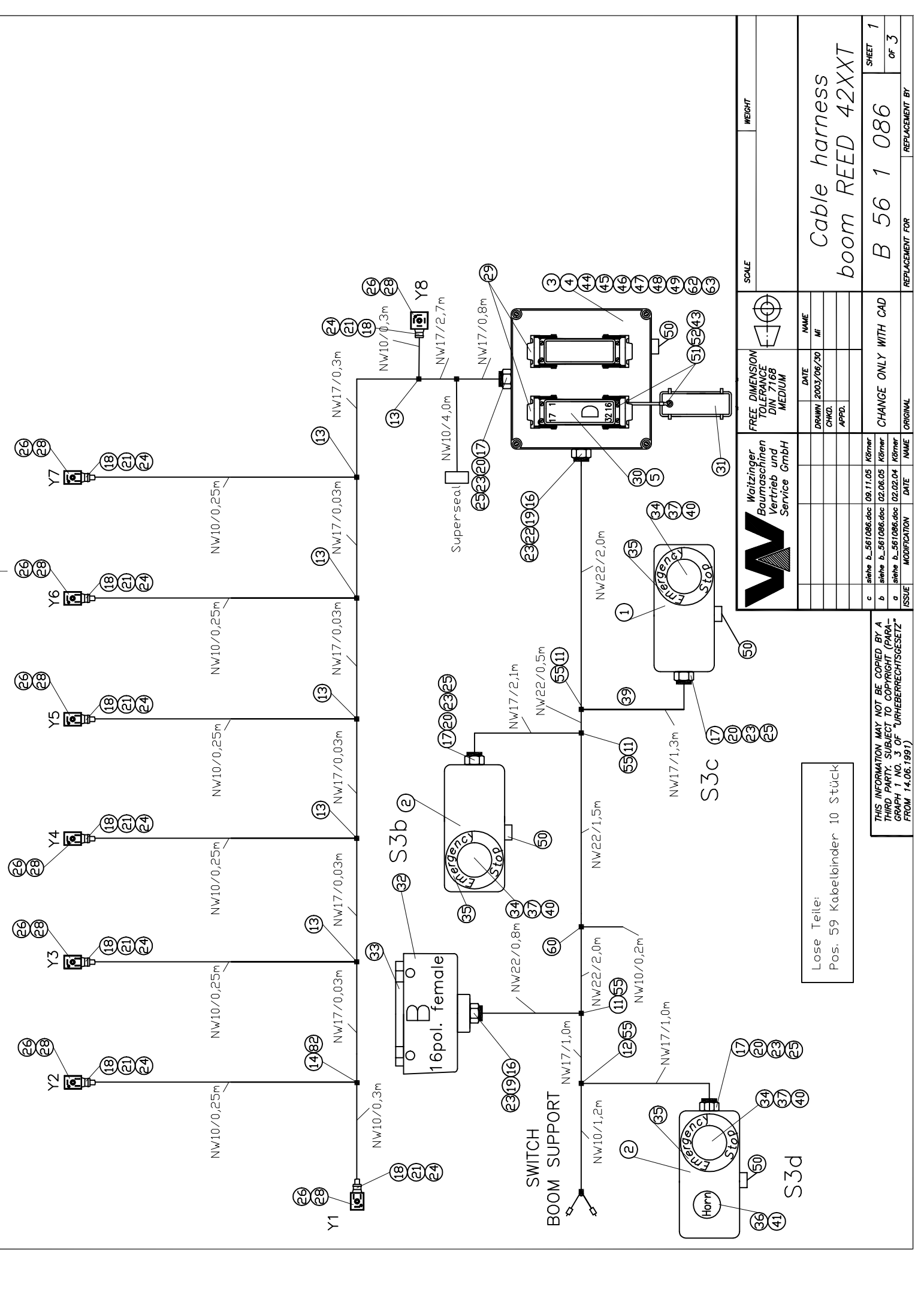
this information may not be copied by a third party. Subject to copyright (paragraph 1 no. 3 of Urheberrechtsgesetz) from 14.06.1991



	FREE DIMENSION TOLERANCE DIN 7168 MEDIUM	DATE DRAWN 2003/06/30	NAME Fetzer
		CHKD.	
		APPD.	
SCALE		WEIGHT	
own parts list		cable loop pump	
REPLACEMENT FOR		REPLACEMENT BY	
CHANGE ONLY WITH CAD		B 56 1 085	
ISSUE		SHEET 2	
MODIFICATION		OF 2	
DATE		REPLACEMENT FOR	
NAME		REPLACEMENT BY	
ORIGINAL		B 56 1 085	
ORIGINAL		REPLACEMENT BY	

THIS INFORMATION MAY NOT BE COPIED BY A THIRD PARTY. SUBJECT TO COPYRIGHT (PARA-GRAPH 1 NO. 3 OF "URheberRECHTSGESETZ" FROM 14.06.1991)

Alle nicht bezeichneten Kabel sind 1mm
Kabel um 10% länger als angegeben zuschneiden

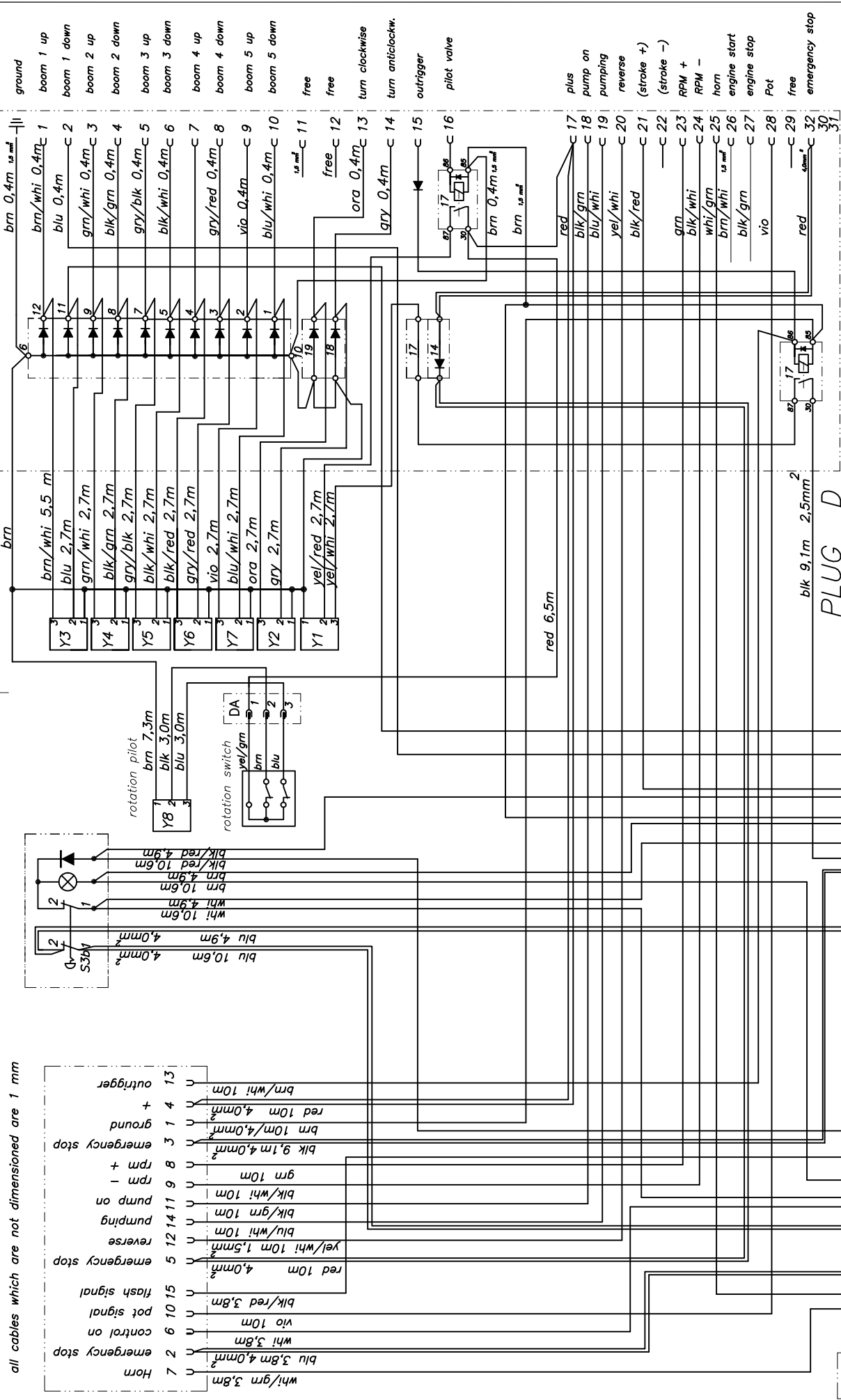


SCALE		WEIGHT	
FREE DIMENSION TOLERANCE DIN 7168 MEDIUM		DATE	NAME
		DRAWN/ 2003/06/30	MF
		CHKD.	
		APPD.	
		ISSUE	MODIFICATION
c	siehe b_561086.doc	09.11.05	Körner
b	siehe b_561086.doc	02.06.05	Körner
a	siehe b_561086.doc	02.02.04	Körner
CHANGE ONLY WITH CAD		ORIGINAL	REPLACEMENT BY
Cable harness boom REED 42XXT		REPLACEMENT FOR	
B 56 1 086		SHEET 1 OF 3	

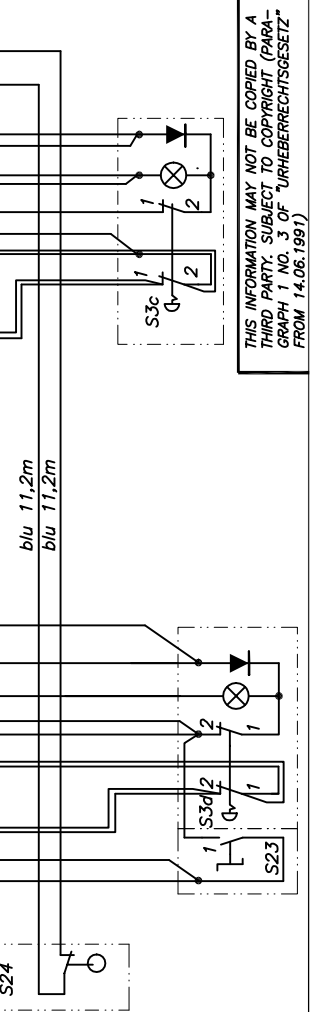
Lose Teile:
Pos. 59 Kabelbinder 10 Stück

THIS INFORMATION MAY NOT BE COPIED BY A THIRD PARTY. SUBJECT TO COPYRIGHT (PARAGRAPH 1 NO. 3 OF "URheberRECHTSGESETZ" FROM 14.06.1991)

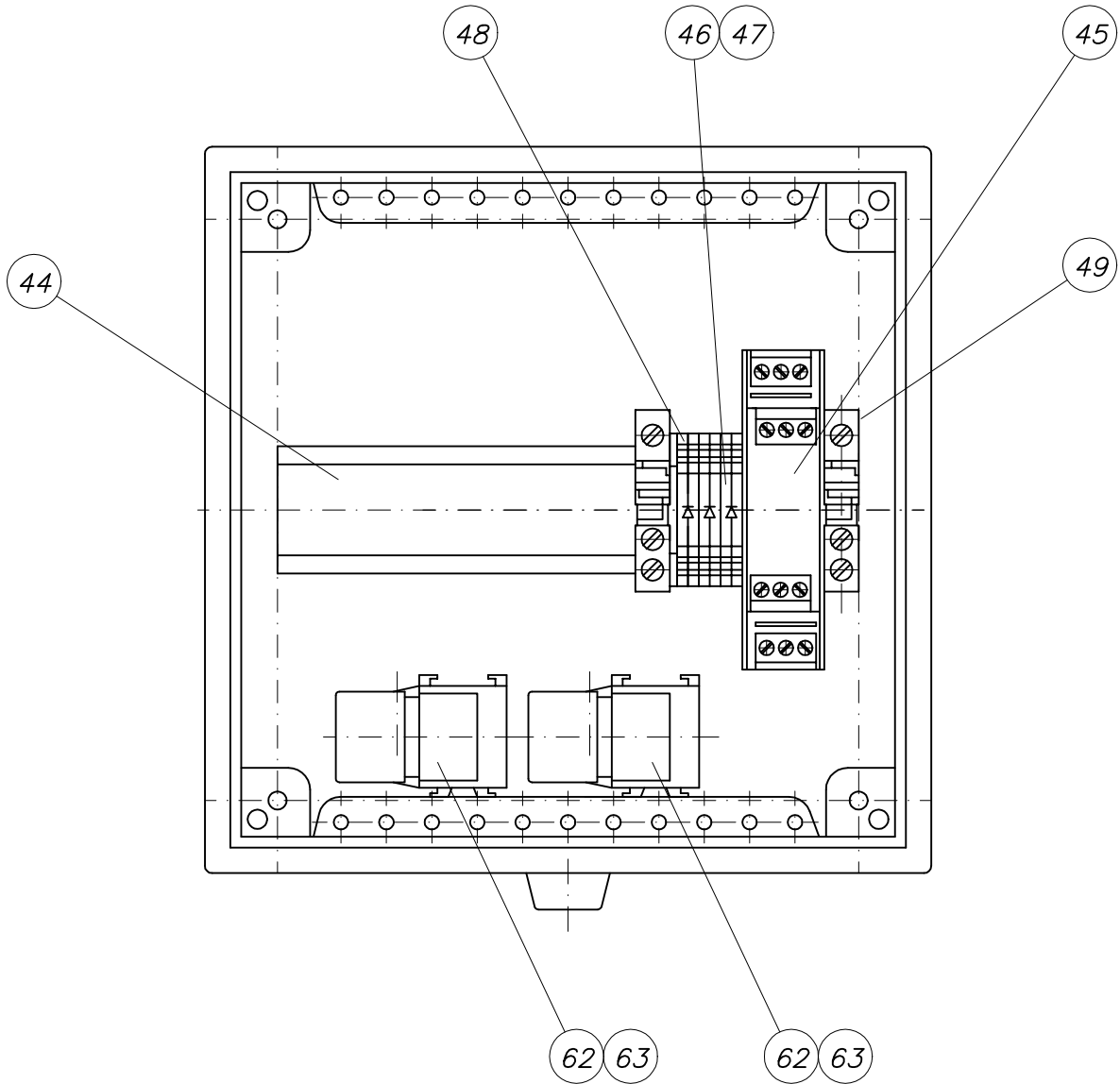
all cables which are not dimensioned are 1 mm





SCALE		WEIGHT	
FREE DIMENSION TOLERANCE DIN 7168 MEDIUM		DATE NAME	
DRAWN 30.06.2003		MI	
CHKD.		APPD.	
ISSUE		MODIFICATION	
DATE NAME		ORIGINAL	
c siehe b_561086.doc 09.11.05 Köhner		CHANGE ONLY WITH CAD	
b siehe b_561086.doc 02.06.05 Köhner		REPLACEMENT FOR	
a siehe b_561086.doc 02.02.04 Köhner		REPLACEMENT BY	
Cable harness		B 56 1 086	
boom REED 42XXT		SHEET 2	
		OF 3	

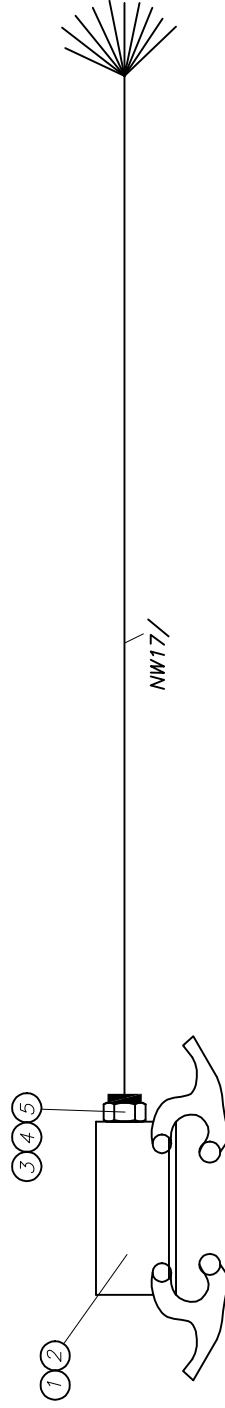
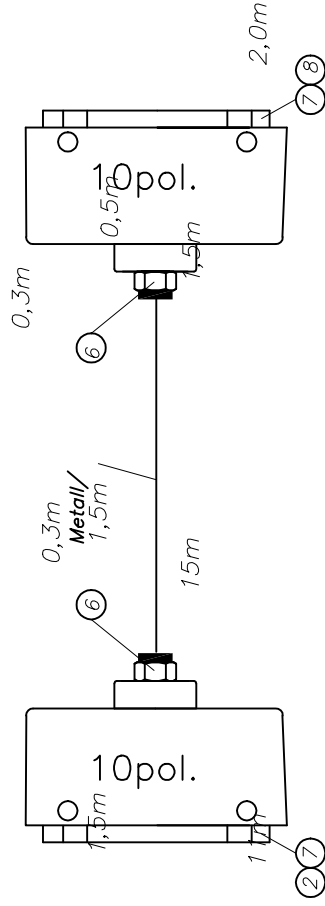
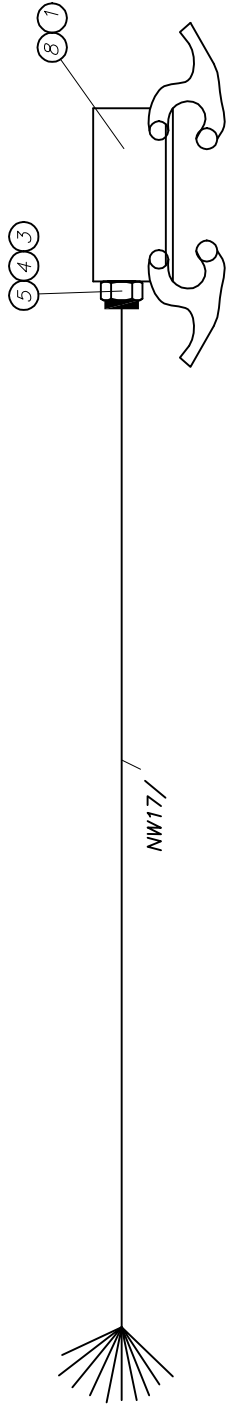


THIS INFORMATION MAY NOT BE COPIED BY A THIRD PARTY. SUBJECT TO COPYRIGHT (PARAGRAPH 1 NO. 3 OF "URheberRECHTSGESETZ" FROM 14.06.1991)



THIS INFORMATION MAY NOT BE COPIED BY A
 THIRD PARTY. SUBJECT TO COPYRIGHT (PARA-
 GRAPH 1 NO. 3 OF "URHEBERRECHTSGESETZ"
 FROM 14.06.1991)

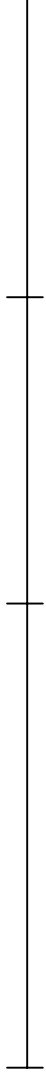
 Waitzinger Baumaschinen Vertrieb und Service GmbH		FREE DIMENSION TOLERANCE DIN 7168 MEDIUM				SCALE	WEIGHT										
		<table border="1"> <thead> <tr> <th></th> <th>DATE</th> <th>NAME</th> </tr> </thead> <tbody> <tr> <td>DRAWN</td> <td>2003/06/30</td> <td>Mi</td> </tr> <tr> <td>CHKD.</td> <td></td> <td></td> </tr> <tr> <td>APPD.</td> <td></td> <td></td> </tr> </tbody> </table>			DATE	NAME	DRAWN	2003/06/30	Mi	CHKD.			APPD.			<p style="font-size: 2em;">Cable harness boom REED 42XXT</p>	
	DATE	NAME															
DRAWN	2003/06/30	Mi															
CHKD.																	
APPD.																	
c	siehe B_561086.doc	09.11.05	Körner	<p style="font-size: 2em;">B 56 1 086</p>		SHEET 3											
b	siehe B_561086.doc	02.06.05	Körner			of 3											
a	siehe B_561086.doc	02.02.04	Körner														
ISSUE	MODIFICATION	DATE	NAME	ORIGINAL	REPLACEMENT FOR	REPLACEMENT BY											



	Freimaßtoleranz DIN 7168 mittel		Maßstab eigene Stückliste	Gewicht	Blatt 2 von 2 Bl.
Datum 06.08.2004	Bearb.	Gepr.	Norm	Änderung nur auf CAD	Ers. für B 56 2 066
Datum	Name	Urspr.	Ers. durch	37m REED	2
Änderung	Datum	Name	Urspr.	10pol.	2
0,3m Metall/ 1,5m	1,5m	0,3m	0,5 pol.	2,0m	2

Ohne unsere Genehmigung darf diese Zeichnung weder vervielfältigt noch Dritten, Personen oder Konkurrenzfirmen mitgeteilt werden. (Paragraf 1 Nr.3 des Urheberrechtsgesetzes vom 14.06.1901)

Drehkopf



1	blu	33m
2	yel/red	30m
3	vio	33m
4	blu/whi	30m
5	whi/grn	30m
6	red	14m
7	blk/grn	14m
8	grn	30m
9	whi	30m
10	brn	14m

PLUG

	Freimaßtoleranz DIN 7168 mittel			Maßstab eigene Stückliste	Gewicht
	Bearb. 06.08.2004 Gepr. Norm	Datum 06.08.2004 Name K8mer			
Änderung		Änderung nur auf CAD		Ers. für B 56 2 066	
Datum		Name		Ers. durch	
Änderung		Änderung nur auf CAD		Blatt 1 von 2 Bl.	

Ohne unsere Genehmigung darf diese Zeichnung weder vervielfältigt noch Dritten, Personen oder Konkurrenzfirmen mitgeteilt werden. (Paragraf 1 Nr.3 des Urheberrechtsgesetzes vom 14.06.1901)