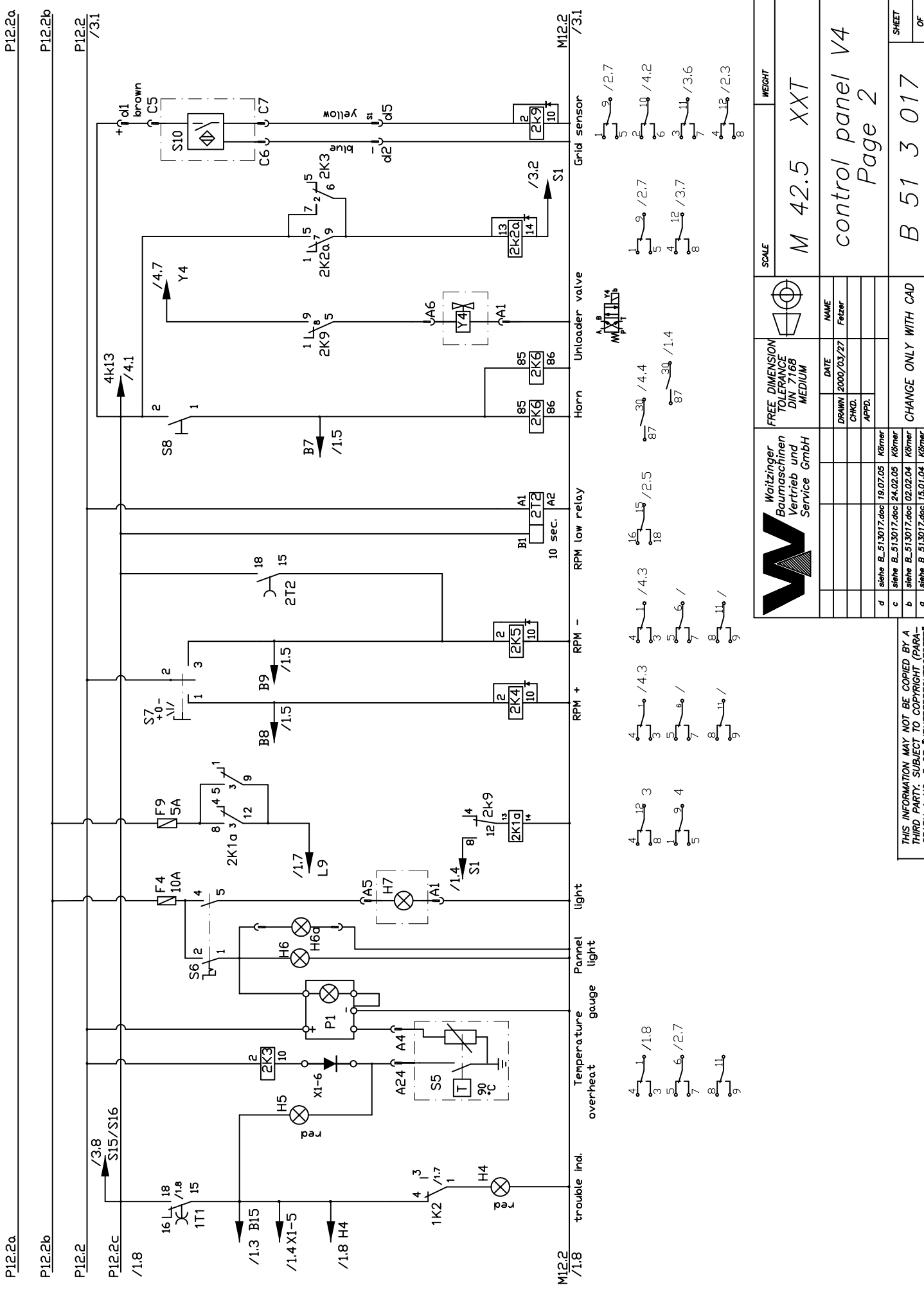


SCALE		WEIGHT	
M 42.5		XXT	
control panel V4		Page 1	
FREE DIMENSION TOLERANCE DIN 7168 MEDIUM		DATE	NAME
DRAWN 2000/03/27		CHKD.	Felzer
APPD.			
CHANGE ONLY WITH CAD		ISSUE	MODIFICATION
d	siehe B. 513017.doc	19.07.05	Körner
c	siehe B. 513017.doc	24.02.05	Körner
b	siehe B. 513017.doc	02.02.04	Körner
a	siehe B. 513017.doc	15.01.04	Körner
ORIGINAL		DATE	NAME
REPLACEMENT FOR		REPLACEMENT BY	
B 51 3 017			
SHEET		OF	

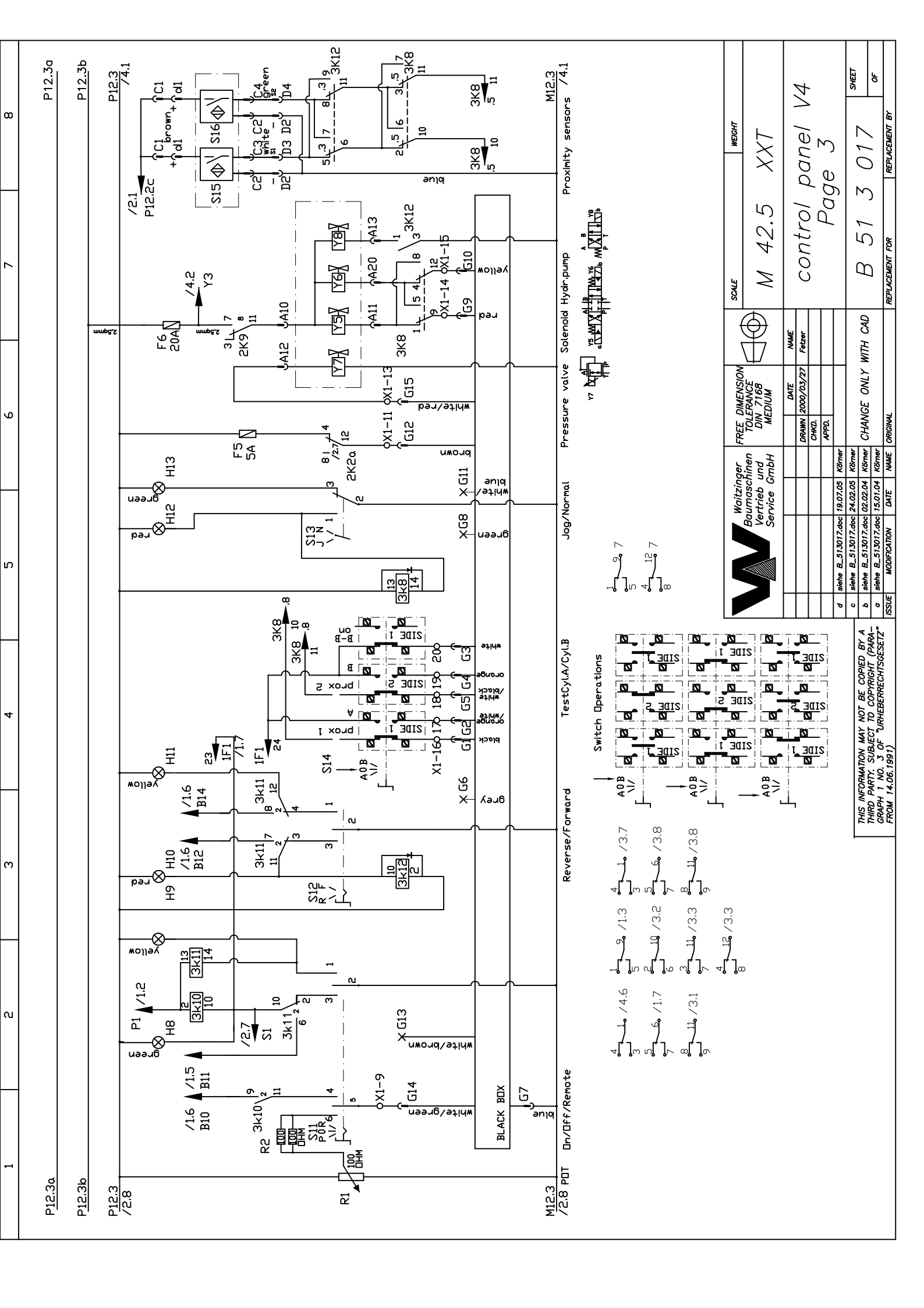
THIS INFORMATION MAY NOT BE COPIED BY A THIRD PARTY. SUBJECT TO COPYRIGHT (PARAGRAPH 1 NO. 3 OF "URheberRECHTSGESETZ" FROM 14.06.1991)



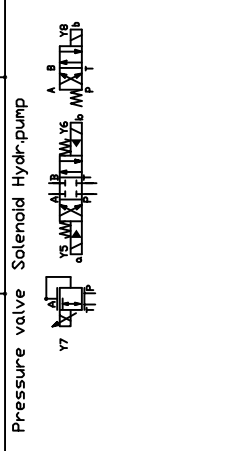
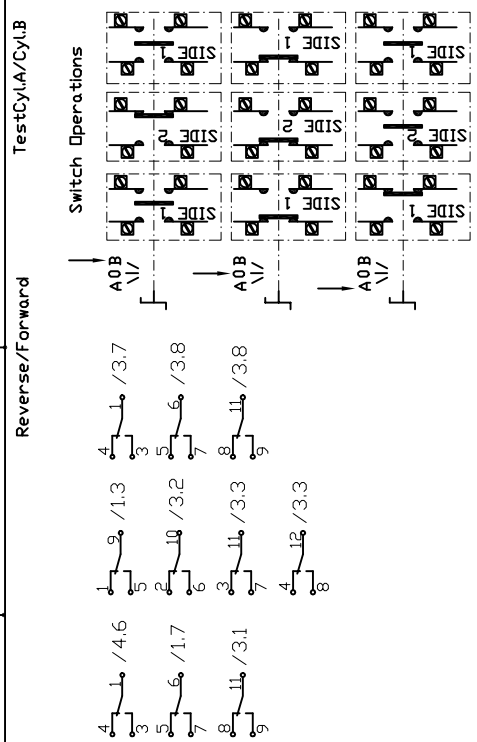
SCALE M 42.5 XXT		WEIGHT control panel V4 Page 2	
FREE DIMENSION TOLERANCE DIN 7168 MEDIUM		DATE DRAWN 2000/03/27 CHKD. APPD.	
Waizinger Baumaschinen Vertrieb und Service GmbH		NAME Felzer	
d	siehe B_513017.doc	19.07.05	Körner
c	siehe B_513017.doc	24.02.05	Körner
b	siehe B_513017.doc	02.02.04	Körner
a	siehe B_513017.doc	15.01.04	Körner
ISSUE	MODIFICATION	DATE	NAME
CHANGE ONLY WITH CAD		ORIGINAL	
REPLACEMENT FOR		REPLACEMENT BY	

THIS INFORMATION MAY NOT BE COPIED BY A THIRD PARTY. SUBJECT TO COPYRIGHT (PARAGRAPH 1 NO. 3 OF "URheberRECHTSGESETZ" FROM 14.06.1991)

- 4-12 / 3
- 4-18 / 1.8
- 4-15 / 2.5
- 4-16 / 4.3
- 4-17 / 1.5
- 4-18 / 1.5
- 4-19 / 1.5
- 4-20 / 1.5
- 4-21 / 1.5
- 4-22 / 1.5
- 4-23 / 1.5
- 4-24 / 1.5
- 4-25 / 1.5
- 4-26 / 1.5
- 4-27 / 1.5
- 4-28 / 1.5
- 4-29 / 1.5
- 4-30 / 1.5
- 4-31 / 1.5
- 4-32 / 1.5
- 4-33 / 1.5
- 4-34 / 1.5
- 4-35 / 1.5
- 4-36 / 1.5
- 4-37 / 1.5
- 4-38 / 1.5
- 4-39 / 1.5
- 4-40 / 1.5
- 4-41 / 1.5
- 4-42 / 1.5
- 4-43 / 1.5
- 4-44 / 1.5
- 4-45 / 1.5
- 4-46 / 1.5
- 4-47 / 1.5
- 4-48 / 1.5
- 4-49 / 1.5
- 4-50 / 1.5
- 4-51 / 1.5
- 4-52 / 1.5
- 4-53 / 1.5
- 4-54 / 1.5
- 4-55 / 1.5
- 4-56 / 1.5
- 4-57 / 1.5
- 4-58 / 1.5
- 4-59 / 1.5
- 4-60 / 1.5
- 4-61 / 1.5
- 4-62 / 1.5
- 4-63 / 1.5
- 4-64 / 1.5
- 4-65 / 1.5
- 4-66 / 1.5
- 4-67 / 1.5
- 4-68 / 1.5
- 4-69 / 1.5
- 4-70 / 1.5
- 4-71 / 1.5
- 4-72 / 1.5
- 4-73 / 1.5
- 4-74 / 1.5
- 4-75 / 1.5
- 4-76 / 1.5
- 4-77 / 1.5
- 4-78 / 1.5
- 4-79 / 1.5
- 4-80 / 1.5
- 4-81 / 1.5
- 4-82 / 1.5
- 4-83 / 1.5
- 4-84 / 1.5
- 4-85 / 1.5
- 4-86 / 1.5
- 4-87 / 1.5
- 4-88 / 1.5
- 4-89 / 1.5
- 4-90 / 1.5
- 4-91 / 1.5
- 4-92 / 1.5
- 4-93 / 1.5
- 4-94 / 1.5
- 4-95 / 1.5
- 4-96 / 1.5
- 4-97 / 1.5
- 4-98 / 1.5
- 4-99 / 1.5
- 4-100 / 1.5

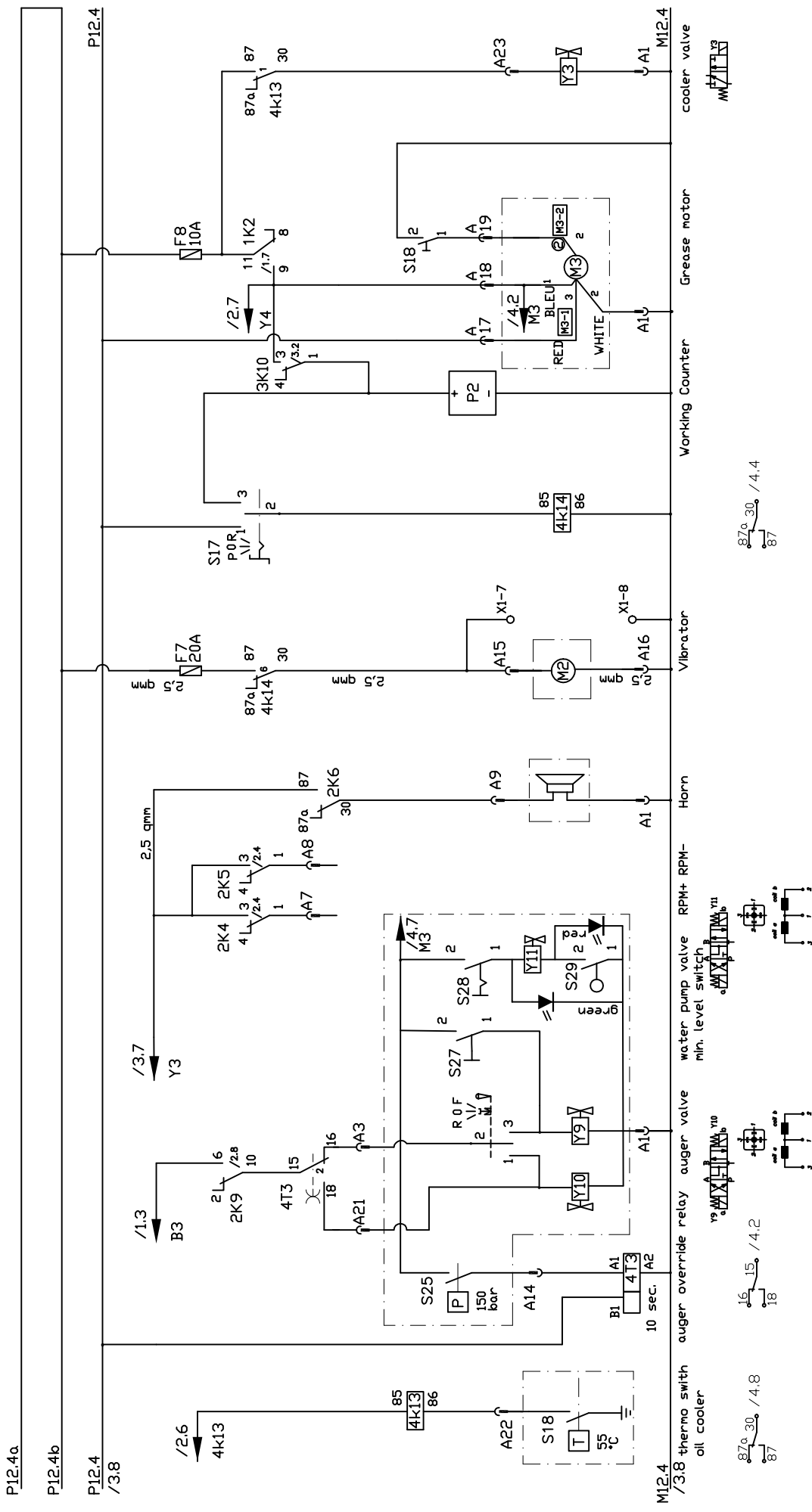


P12.3a P12.3b P12.3 /2.8 P12.3 /4.1 M12.3 /2.8 POT Drn/Dff/Remote M12.3 Proximity sensors /4.1



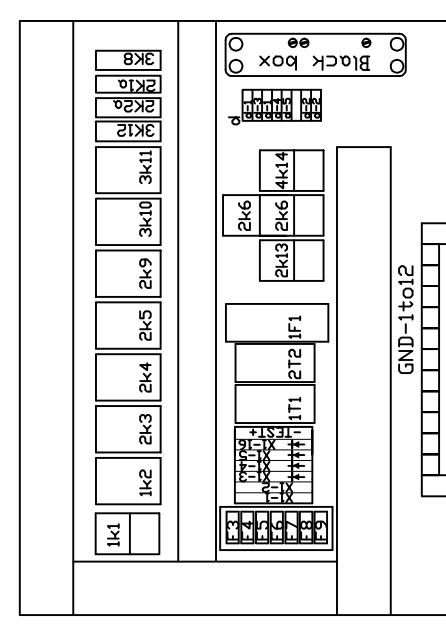
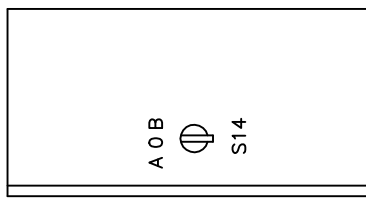
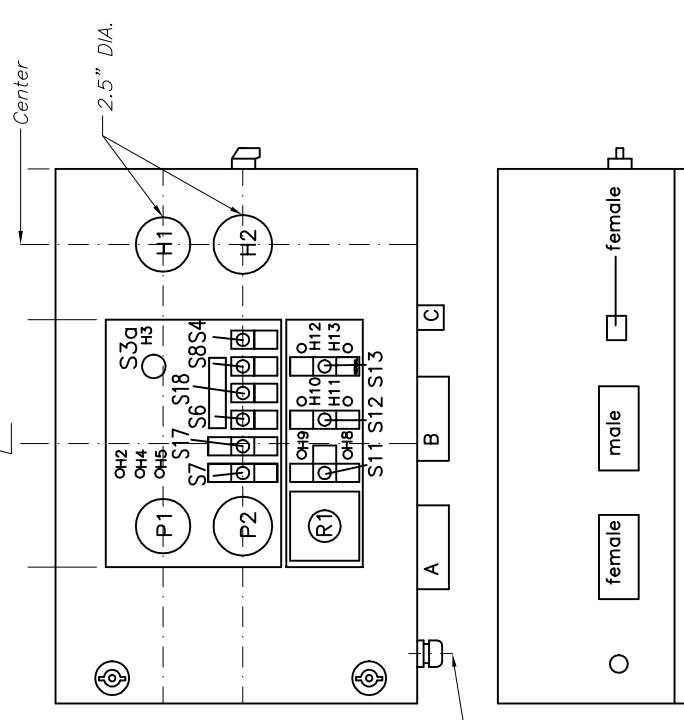
		FREE DIMENSION TOLERANCE DIN 7168 MEDIUM		SCALE M 42.5 XXT		WEIGHT	
DATE 2000/03/27		NAME Felzer		control panel V4 Page 3		SHEET OF	
DRAWN		CHECKD.		APPD.		REPLACEMENT FOR	
siehe B_513017.doc		19.07.05		Kömer		B 51 3 017	
siehe B_513017.doc		24.02.05		Kömer		CHANGE ONLY WITH CAD	
siehe B_513017.doc		02.02.04		Kömer		ORIGINAL	
siehe B_513017.doc		15.01.04		Kömer		REPLACEMENT BY	

THIS INFORMATION MAY NOT BE COPIED BY A THIRD PARTY. SUBJECT TO COPYRIGHT (PARAGRAPH 1 NO. 3 OF "URheberRECHTSGESETZ" FROM 14.06.1997)

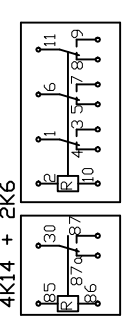


		FREE DIMENSION TOLERANCE DIN 7168 MEDIUM		SCALE M 42.5 XXT	WEIGHT
DATE 2000/03/27	NAME Felzer				
DRAWN	CHKD.				
APPD.					
d siehe B_513017.doc 19.07.05 Körner	DATE 15.01.04	NAME Körner	ORIGINAL	REPLACEMENT FOR	REPLACEMENT BY
c siehe B_513017.doc 24.02.05 Körner	DATE 02.02.04	NAME Körner	CHANGE ONLY WITH CAD	B 51 3 017	SHEET OF
b siehe B_513017.doc 02.02.04 Körner					
a siehe B_513017.doc 15.01.04 Körner					

THIS INFORMATION MAY NOT BE COPIED BY A THIRD PARTY. SUBJECT TO COPYRIGHT (PARAGRAPH 1 NO. 3 OF "URheberRECHTSGESETZ" FROM 14.06.1991)



4K14 + 2K6



THIS INFORMATION MAY NOT BE COPIED BY A THIRD PARTY. SUBJECT TO COPYRIGHT (PARAGRAPH 1 NO. 3 OF "URheberRECHTSGESETZ" FROM 14.06.1991)

	FREE DIMENSION TOLERANCE DIN 7168 MEDIUM	SCALE	WEIGHT
	DATE DRAWN 2000/03/27 CHKD. APPD.	NAME Fetzer	M 42.5 XXT
d siehe B_513017.doc 19.07.05 Körner c siehe B_513017.doc 24.02.05 Körner b siehe B_513017.doc 02.02.04 Körner a siehe B_513017.doc 15.01.04 Körner	MODIFICATION	NAME	DATE
CHANGE ONLY WITH CAD		control panel V4 Page 5	
ISSUE	REPLACEMENT FOR	SHEET	
	B 51 3 017	OF	