

THIS INFORMATION MAY NOT BE COPIED BY A THIRD PARTY, SUBJECT TO COPYRIGHT (PATENT) FROM 14.06.1991)

PLUG A

1	Y3+4+M3/1+	brn
2	Y4+7+FN	blk/whi
3	S1>F1	red/yel
4	Y3-1	yel/whi
5	temp. switch	gry/whi
6	Y4-1	blu/whi
7	F3	blu
8	F2	blk
9	Horn	blk
10	Y5-1/hopper Y6/Y8/Y9	blk/grn
11	Y5-2	blk/red
12	Y7	gry/red
13	Y8	whi/brn
14	Y9	vio
15	M2	blk
16	M2	blu
17	M3/1-1	gry
18	M3/1-3	grn
19	M3/2-2	yel
20	Y6	whi
21	temp switch	whi
22	temp switch	whi
23	Y10	grn
24	free	grn
F5		red
F6		gry/blk

PLUG B

1	D10-4h	brn	ground
2	S3b	gry	emergency stop
3	S3c	blk	emergency stop
4	D13	blu	emergency stop
5	D 22	gry/red	emergency stop
6	S3b-d	white	emergency stop
7	D 20	whi/grn	horn
8	D 15	grn	RPM +
9	D 16	blk/whi	RPM -
10	D 24	vio	Pot
11	D 17	blk/grn	pumping on
12	D 19	gry/blk	reverse
13	free	free	free
14	D 18	blu/whi	pumping
15	D 21	blk/red	flashing light
16	free	free	free

PLUG C

pin No.	wire No.	function
1	brown +	
2	blue -	
3	black	Sensor 1
4	black	Sensor 2
5		
6		
7		
8		

PLUG D

A 1	brn	ground
1	Y3/3	boom 1 up
2	Y3/2	boom 1 down
3	Y4/3	boom 2 up
4	Y4/2	boom 2 down
5	Y5/3	boom 3 up
6	Y5/2	boom 3 down
7	Y6/3	boom 4 up
8	Y6/2	boom 4 down
9	free	free
10	- -	ground
11	Y2/2	turn clockwise
12	Y2/3	turn anticlockw.
13	B4	plus
14	Y1/2/3	Y1 pilot valve
15	B 8	RPM +
16	B 9	RPM -
17	B 11	pumping on
18	B 14	pumping
19	B 12	reverse
20	B 7	horn
21	B 15	free
22	B 5	emergency stop
23	Y7	free
24	B 10	POT

PLUG F

pin No.	wire No.	function
1	1	power supply 12V
2	3	emergency stop
3	4	12 V+
4	5	RPM-
5	6	free
6	8	horn
7	11	RPM+
8	13	pump on
9	9	GROUND
10	14	reverse
11	25	pilot valve
12	-	free
13	-	free
14	-	free
15	-	free
16	33	boom 4 down
17	-	free
18	-	free
19	-	free
20	-	free
21	-	free
22	-	free
23	-	free
24	-	free
25	-	free
26	-	free
27	-	free
28	35	pump speed pot
29	-	free
30	-	free
31	-	free
32	-	free

TERMINAL F

blk/whi	A2
whi	S1
grn	Y1
gry/whi	Y2
blu	A7
blk	A8
vio	Lima D
brn	⊖
red	reserve
gry/blk	reserve

SCALE without WEIGHT

own parts list

W Walzinger Baumaschinen Vertrieb und Service GmbH

FREE DIMENSION TOLERANCES DIN 7168 MEDIUM

DATE	NAME
1900/03/28	M
CHKO.	
APPO.	

CHANGE ONLY WITH CAD

REPLACEMENT FOR

Cable harness / accessories REED V4

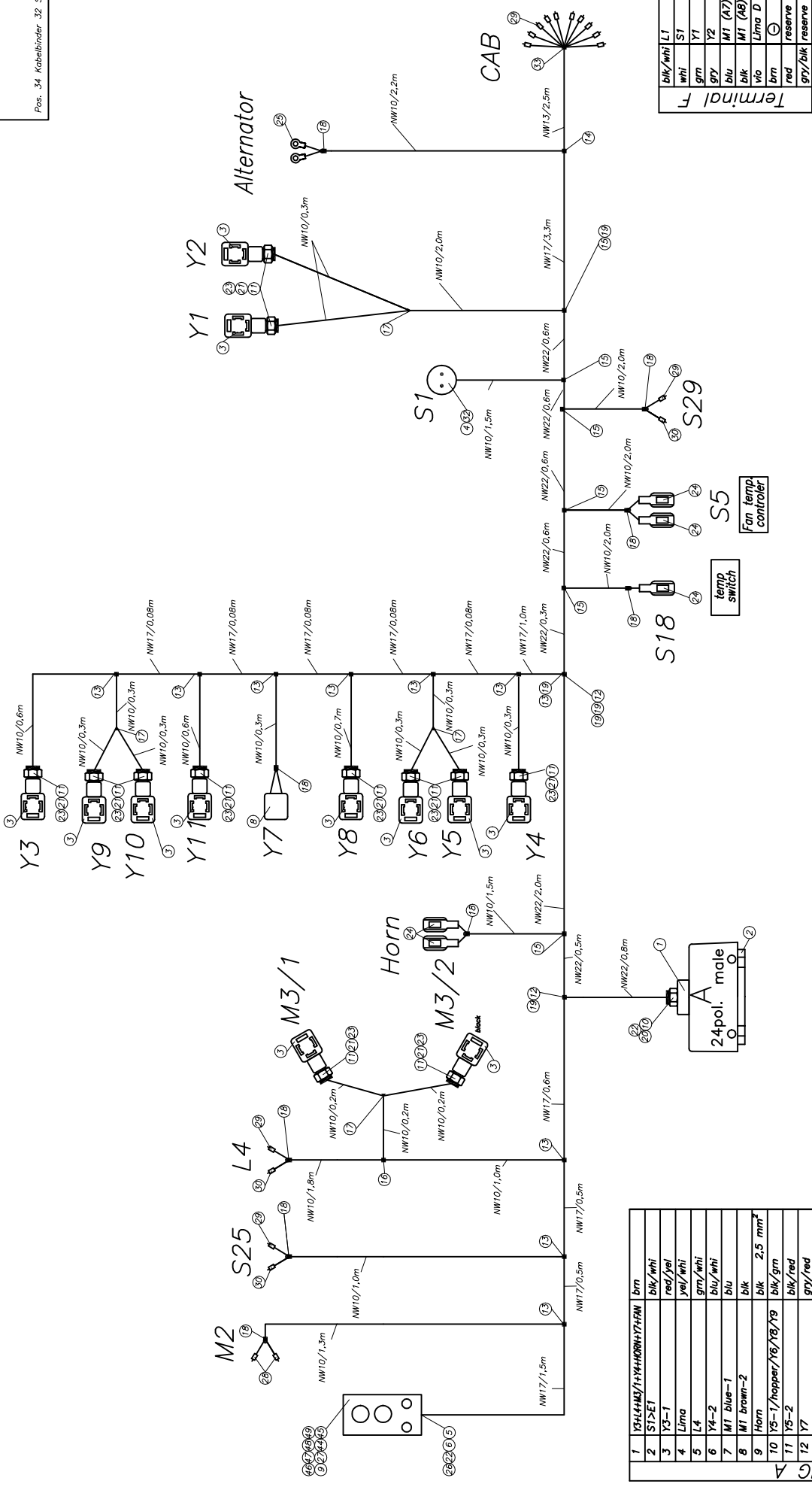
B 56 1 070

SHEET OF

DATE	NAME
07.11.00	W
20.08.00	W

MODIFICATION

Loose Teile:
Pos. 34 Kabelbinder 32 Stück



Terminal F	blk/whi	L1
1	whi	S1
2	grn	Y1
3	gry	Y2
4	blu	M1 (A7)
5	blk	M1 (AB)
6	vio	Lima D
7	brn	⊖
8	red	reserve
9	gry/blk	reserve

PLUG A	1	2	3	4	5	6	7	8	9	10	11	12	13	14	15	16	17	18	19	20	21	22	23	24	Res. F	Res. F	
	Y34+4M3/1+Y4+HORN+Y7+FN	brn	blk/whi	red/yel	yel/whi	grn/whi	blk/whi	blk	blk	Y5-1/hopper/Y6/Y8/Y9	blk/grn	blk/red	gry/red	whi/brn	vio	blk	blk	M3/1-1	M3/1-3	M3/2-2	whi	↑	Fan	grn	yel/whi	red	gry/blk
	S1>E1	red/yel	yel/whi	grn/whi	blk/whi	blk	blk	2.5 mm ²	2.5 mm ²																		
	Y3-1	red/yel	yel/whi	grn/whi	blk/whi	blk	blk	2.5 mm ²	2.5 mm ²																		
	L4	grn/whi	blk/whi	blk	blk	2.5 mm ²	2.5 mm ²																				
	Y4-2	blk/whi	blk	blk	blk	2.5 mm ²	2.5 mm ²																				
	M1 blue-1	blk	blk	blk	blk	2.5 mm ²	2.5 mm ²																				
	M1 brown-2	blk	blk	blk	blk	2.5 mm ²	2.5 mm ²																				
	Horn	blk	blk	blk	blk	2.5 mm ²	2.5 mm ²																				
	Y5-1/hopper/Y6/Y8/Y9	blk/grn	blk/red	gry/red	whi/brn	vio	blk	blk	2.5 mm ²																		
	Y5-2	blk/red	gry/red	whi/brn	vio	blk	blk	2.5 mm ²																			
	Y7	blk/red	gry/red	whi/brn	vio	blk	blk	2.5 mm ²																			
	Y8	gry/red	whi/brn	vio	blk	blk	2.5 mm ²																				
	Y9	blk	blk	2.5 mm ²																							
	M2	blk	blk	2.5 mm ²																							
	M2	blk	blk	2.5 mm ²																							
	M3/1-1	grn	grn																								
	M3/1-3	grn	grn																								
	M3/2-2	yel	yel																								
	Y6	whi	whi																								
	↑																										
	Fan	grn	grn																								
	SS	yel/whi	red																								
	Res. F	red	red																								
	Res. F	gry/blk	gry/blk																								



free dimension tolerance DIN 7188 medium

drawn	1999/07/13	MI
chkd.		
appl.		

name MI

scale 1:1

weight 00 N

semi-finished product Material

cable loop pump REED cl 37m

change only with CAD

B 56 1 071

replacement for

original

issue

MODIFICATION

date

name

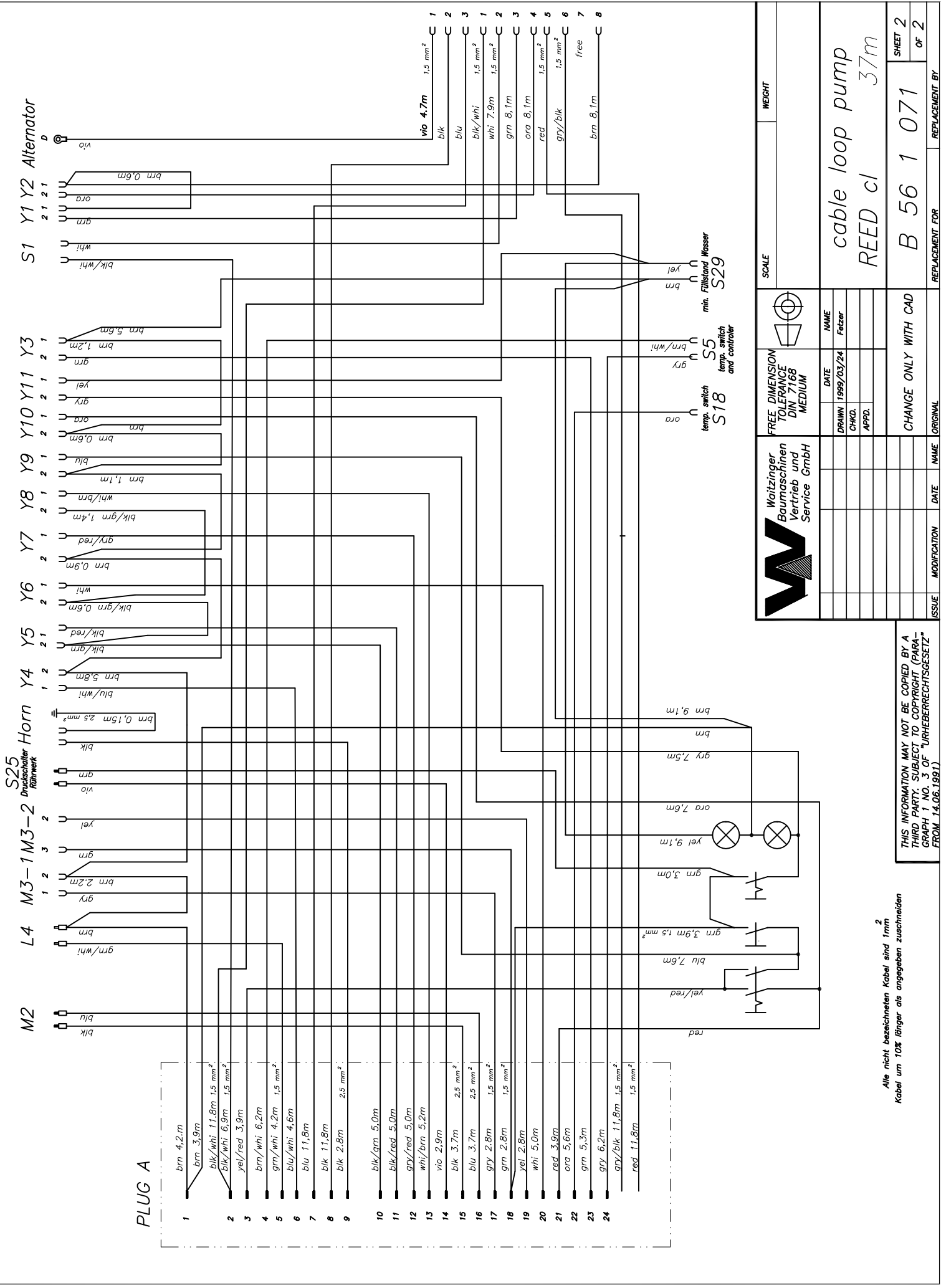
date

name

MI

this information may not be copied by a third party. Subject to copyright (patent law) no. 3 of (Urheberrechtsgesetz) from 14.06.1991

sheet 1 of 2



		SCALE cable loop pump REED cl 37m	
FREE DIMENSION TOLERANCE DIN 7168 MEDIUM		WEIGHT	
DATE DRAWN 1999/03/24 CHKD. APPD.	NAME Fetzer	REPLACEMENT FOR B 56 1 071	
CHANGE ONLY WITH CAD		REPLACEMENT BY SHEET 2 OF 2	
ISSUE	MODIFICATION	DATE	NAME
ORIGINAL			

THIS INFORMATION MAY NOT BE COPIED BY A
 THIRD PARTY. SUBJECT TO COPYRIGHT (PARA-
 GRAPH 1 NO. 3 OF "URHEBERRECHTSGESETZ"
 FROM 14.06.1991)

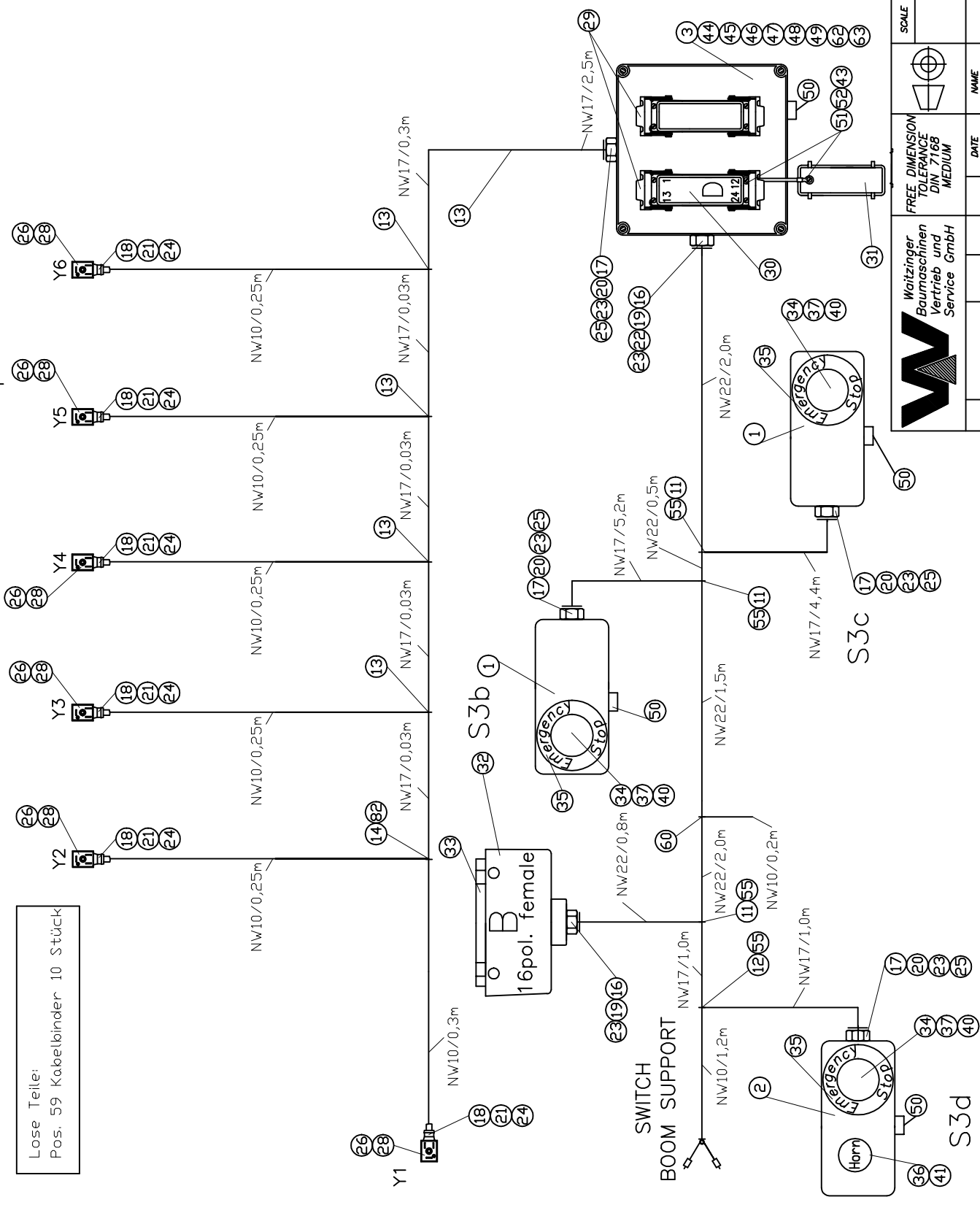
Alle nicht bezeichneten Kabel sind 1mm
 Kabel um 10% länger als angegeben zuschneiden

1	D10 -ll-	bm	ground
2	S3a	gry/bm	emergency stop
3	S3c	blk	emergency stop
4	D13	blu	emergency stop
5	D 22	gry/red	emergency stop
6	S3d	whi	emergency stop
7	D 20	whi/grn	horn
8	D 15	grn	RPM +
9	D 16	blk/whi	RPM -
10	D 24	vio	Pot.
11	D 17	blk/grn	pumping on
12	D 19	whi/gry	reverse
13	D 23	brn/whi	outrigger
14	D 18	blu/whi	pumping
15	D 21	blk/red	free
16			free

PLUG B

B 1	bm	ground
Y3/3	brn/whi	boom 1 up
Y3/2	blu	boom 1 down
Y4/3	grn/whi	boom 2 up
Y4/2	blk/grn	boom 2 down
Y5/3	gry/blk	boom 3 up
Y5/2	blk/whi	boom 3 down
Y6/3	blk/red	boom 4 up
Y6/2	gry/red	boom 4 down
free	free	free
-ll-	brn	ground
Y2/2	vio	turn clockwise
Y2/3	blu/whi	turn anticlockw.
B4	red	plus
Y1/3		pilot valve
Y1/2	gry	
Y7		
B 8	grn	RPM +
B 9	blk/whi	RPM -
B 11	blk/grn	pumping on
B 14	blu/whi	pumping
B 12	gry/blk	reverse
B 7	whi/grn	horn
B 15	blk/red	free
A 5	gry/red	emergency stop
B13	brn/whi	free
B 10	vio	POT

PLUG D



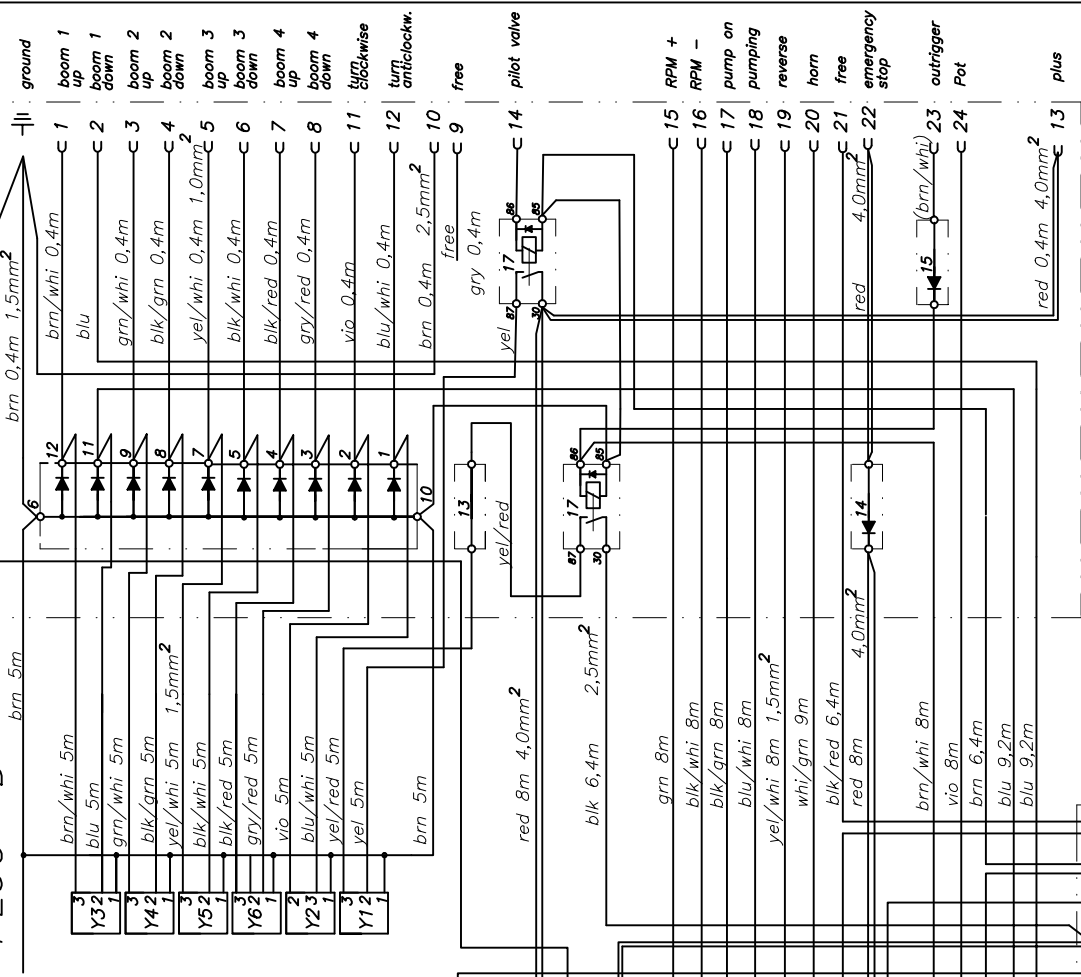
Loose Teile:
Pos. 59 Kabelbinder 10 Stück

SCALE		WEIGHT	
FREE DIMENSION TOLERANCE DIN 7168 MEDIUM		DATE	NAME
Waitzinger Baumaschinen Vertrieb und Service GmbH		1998/10/05	Fetzer
e siehe B 561066.doc 08.11.05 Körner		CHKD.	
d siehe B 561066.doc 02.06.05 Körner		APPD.	
c siehe B 561066.doc 26.06.04 Körner		DATE	NAME
b siehe B 561066.doc 03/09/19 Hoh.			
a siehe B 561066.com 08/03/2008 Mi		MODIFICATION	ORIGINAL

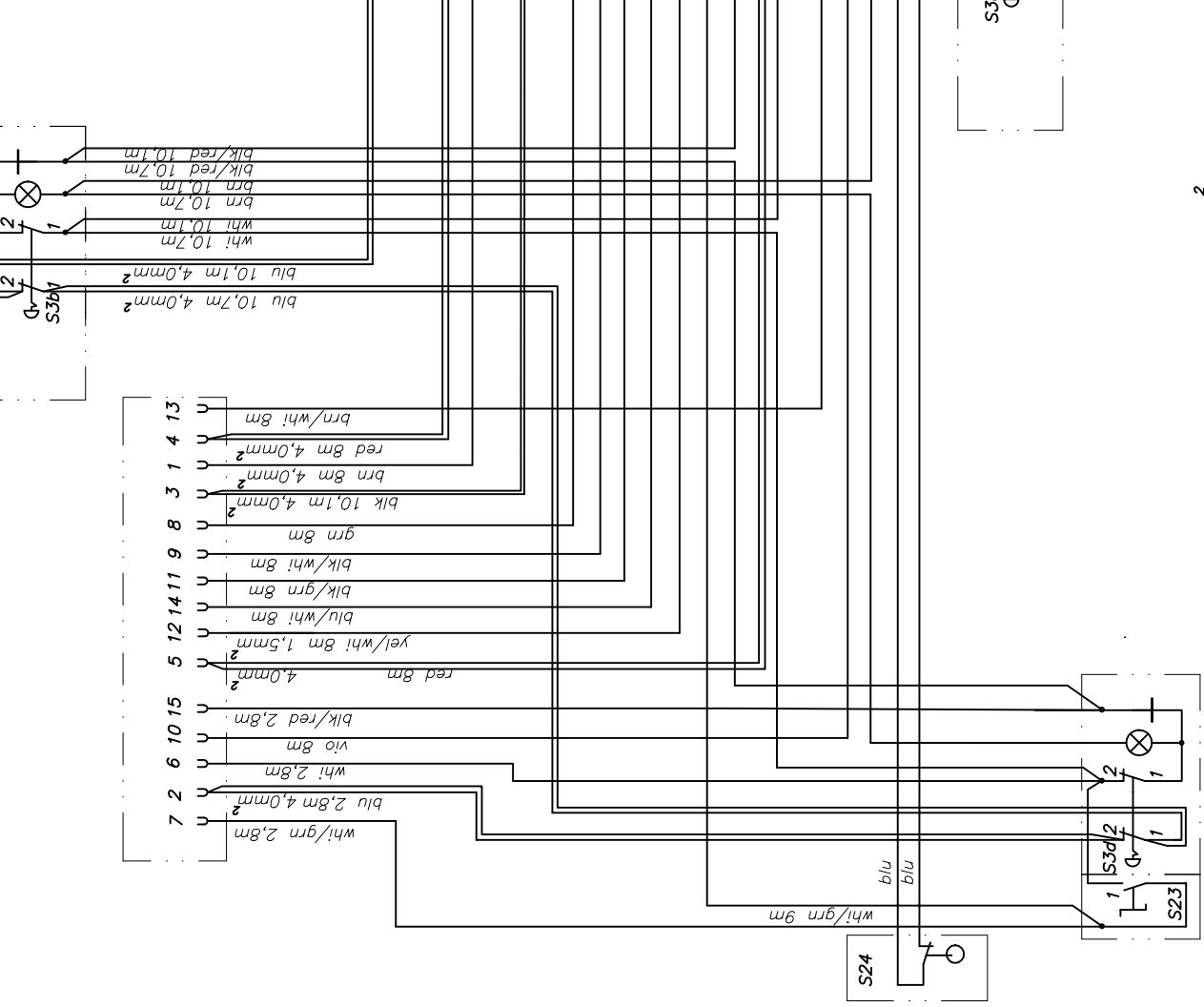
Cable harness boom
REED 37m
B 56 1 066
REPLACEMENT FOR

THIS INFORMATION MAY NOT BE COPIED BY A THIRD PARTY. SUBJECT TO COPYRIGHT (PARAGRAPH 1 NO. 3 OF "URheberRECHTSGESETZ" FROM 14.06.1991)

PLUG D



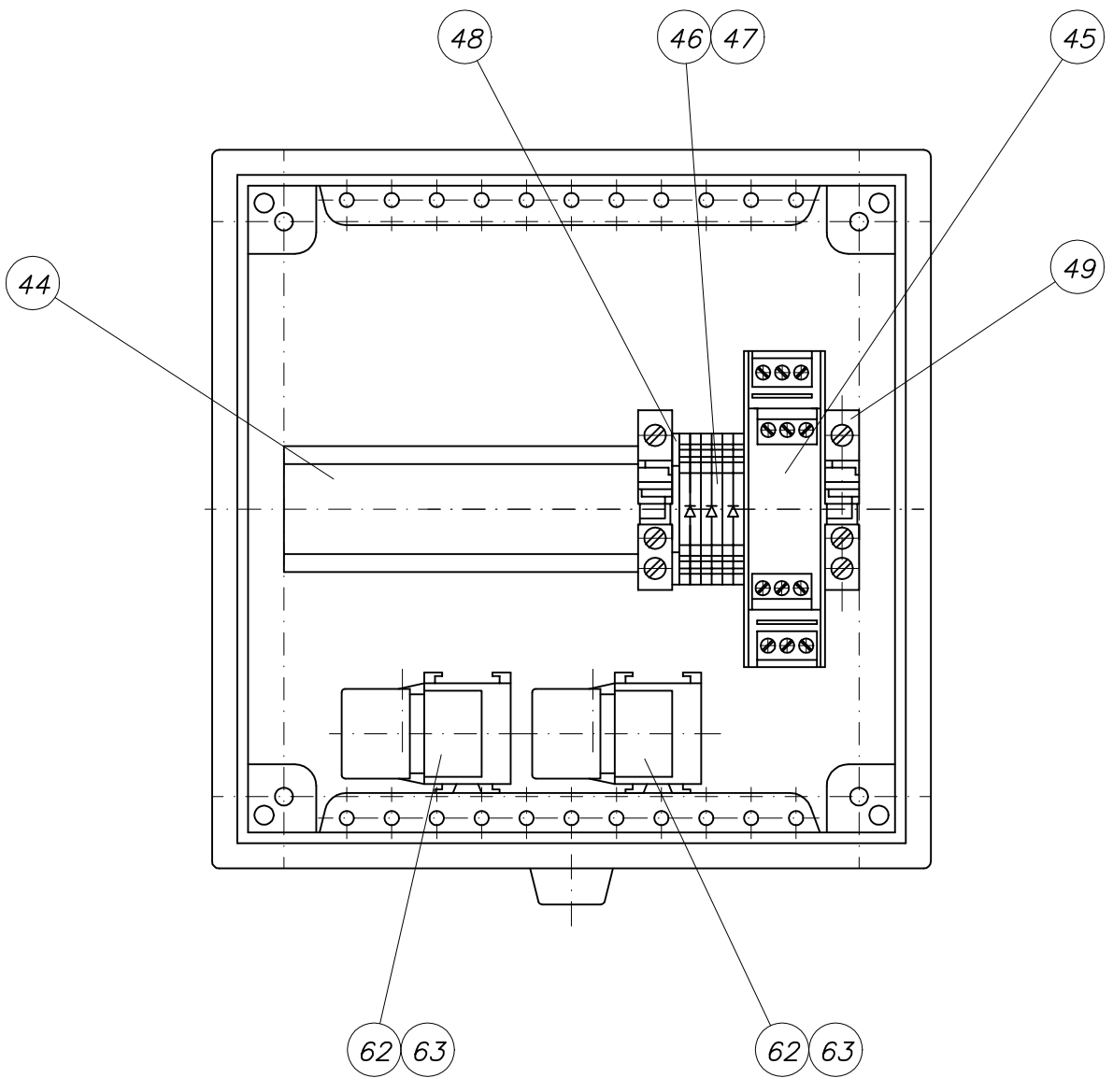
PLUG B





all cables which are not dimensioned are 1 mm²

		SCALE	WEIGHT
		FREE DIMENSION TOLERANCE DIN 7185 MEDIUM	
	DATE	NAME	
	DRAWN 1998/10/05	Fetzer	
	CHKD.		
	APPD.		
e	siehe B 561066.aen 08.11.05	Körner	
d	siehe B 561066.aen 02.06.05	Körner	
c	siehe B 561066.aen 26.08.04	Körner	
b	siehe B 561066.aen 03/09/19	Hoh.	
a	siehe B 561066.aen 08/03/2008	Mi	
ISSUE	MODIFICATION	DATE	NAME
CHANGE ONLY WITH CAD		ORIGINAL	REPLACEMENT FOR
Cable harness boom REED 37m			B 56 1 066
SHEET 2	OF 3	REPLACEMENT BY	

THIS INFORMATION MAY NOT BE COPIED BY A THIRD PARTY. SUBJECT TO COPYRIGHT (PARAGRAPH 1 NO. 3 OF "URHBERRECHTSGESETZ FROM 14.06.1991)

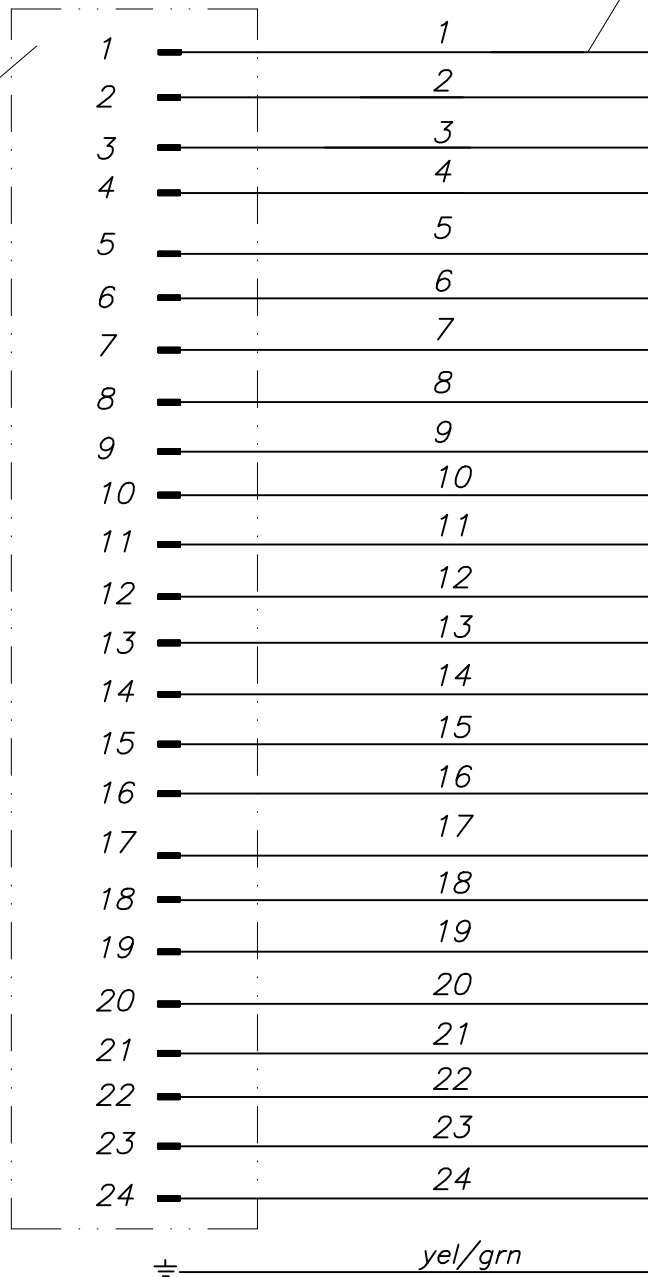


THIS INFORMATION MAY NOT BE COPIED BY A
 THIRD PARTY. SUBJECT TO COPYRIGHT (PARA-
 GRAPH 1 NO. 3 OF "URHEBERRECHTSGESETZ"
 FROM 14.06.1991)


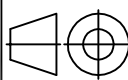
 Waitzinger Baumaschinen Vertrieb und Service GmbH				FREE DIMENSION TOLERANCE DIN 7168 MEDIUM				SCALE	WEIGHT		
				DRAWN 1998/10/05 CHKD. APPD.		DATE NAME Fetzer		Cable harness boom REED V3 B 56 1 066			
e	siehe B 561066.aen	09.11.05	Körner	CHANGE ONLY WITH CAD		SHEET 3					
d	siehe B 561066.aen	05/06/02	Körner			OF 3					
c	siehe B 561066.aen	04/08/26	Körner								
b	siehe B 561066.aen	03/09/19	Hoh.								
a	siehe B 561066.aen	02/03/20	Mi								
ISSUE	MODIFICATION	DATE	NAME	ORIGINAL	REPLACEMENT FOR	REPLACEMENT BY					

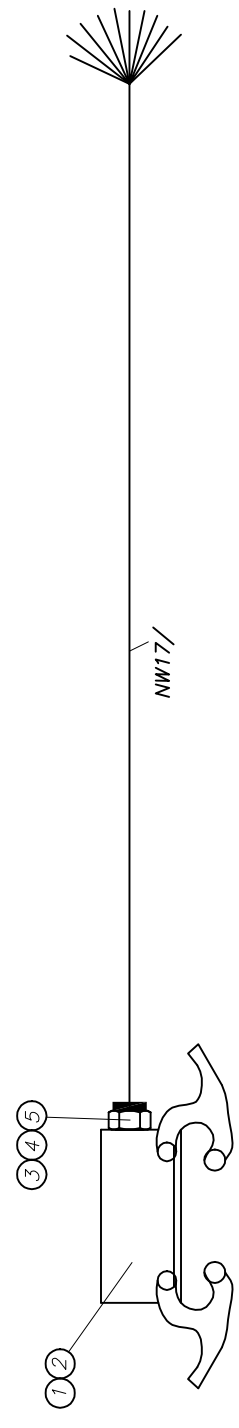
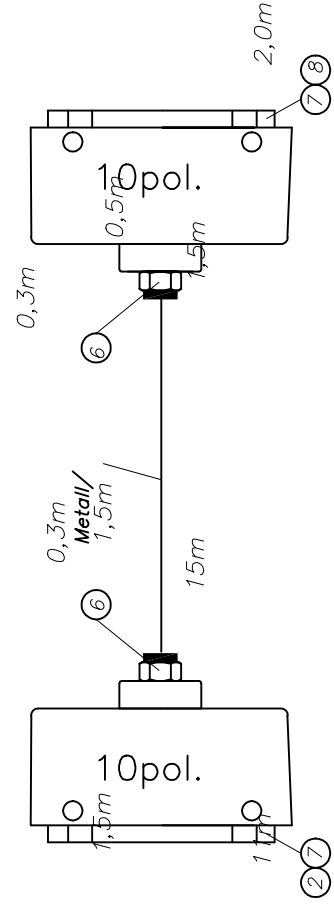
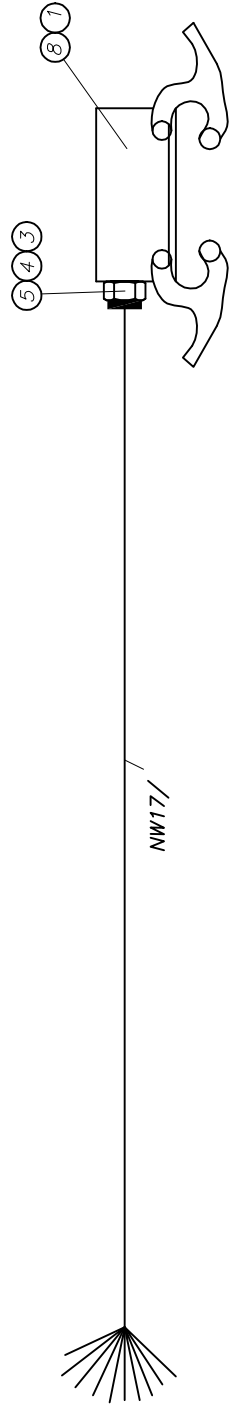
cable 10m
25x1,5
WAI 101989

plug insertion
24-polig
WAI 100714
housing
24-polig
WAI 101542
cove end sleeve 50x
1,5
WAI 101996
(25x unmounted)
fitting
PG 21
WAI 105665



This information may not be copied by a third party. Subject to copyright (paragraph 1 no. 3 of "Urheberrechtsgesetz" from 14.06.1991

 Waitzinger Baumaschinen Vertrieb und Service GmbH	free dimension tolerance DIN 7168 medium			scale	weight
	own parts list				
				cable cpl. for cable control	
		date	name		
	drawn	1999/07/20	Mi		
	chekd.				
	appd.				
change only with CAD				B 56 1 049	
issue	modification	date	name	original	replacement for
					replacement by
				sheet	
				of	



	Freimaßtoleranz DIN 7168 mittel		Maßstab eigene Stückliste	Gewicht
Bearb. 06.08.2004	Datum	Name	Kabelbaum Mast 37m REED	Blatt 2 von 2 Bl.
Gepr.	Norm	Änderung nur auf CAD	B 56 2 066	Ers. für Ers. durch
Urspr.	Datum	Name	Änderung	Zust.



Ohne unsere Genehmigung darf diese Zeichnung weder vervielfältigt noch Dritten, Personen oder Konkurrenzfirmen mitgeteilt werden. (Paragraf 1 Nr.3 des Urheberrechtsgesetzes vom 14.06.1901)

Drehkopf



1	blu	33m
2	yel/red	30m
3	vio	33m
4	blu/whi	30m
5	whi/grn	30m
6	red	14m
7	blk/grn	14m
8	grn	30m
9	whi	30m
10	brn	14m

PLUG

	Freimaßtoleranz DIN 7168 mittel			Maßstab eigene Stückliste	Gewicht
	Bearb. 06.08.2004 Gepr. Norm	Datum 06.08.2004 Name K8mer			
Änderung		Änderung nur auf CAD		Ers. für B 56 2 066	
Datum		Name		Ers. durch	
Änderung		Änderung nur auf CAD		Blatt 1 von 2 Bl.	

Ohne unsere Genehmigung darf diese Zeichnung weder vervielfältigt noch Dritten, Personen oder Konkurrenzfirmen mitgeteilt werden. (Paragraf 1 Nr.3 des Urheberrechtsgesetzes vom 14.06.1901)