

| | | |
|--|-------------------------------|----------------|
| Baugruppenübersicht construction group survey | Betonpumpe: concrete pump: | Mast: boom: |
| Typenplan type parts list | THP 150 | 37R4XXT |

| | | | |
|----------------------|-------------|-----------------------------|---------------|
| Kunde: / customer: | REED | Auftrags.-Nr.: / order no.: | 205242 |
| Fahrzeug: / vehicle: | Mack | Bestellnr.: / purchase no.: | Semi |

| | | | | |
|------------------------------|---------------------------------|------------------|--------------|-----------|
| Zusammenstellung | assemble cpl. | (B 00 4 171) | | |
| Aufbaurahmen | sub frame | B 01 | | |
| Rahmen | base frame | 802613a | Reed Zeichn. | |
| Rahmenverbindung kpl. | frame connection cpl. | B 03 | | |
| Mastbockverbindung | boom connection cpl. | B 03 9 045 | | |
| Aufbau | housing | B 04 | | |
| Abstützung hinten | outrigger cpl. | B 05 | | |
| | | B 06 | | |
| Podeste / Aufstiege | pedestal / ladder | B 07 | | |
| Mastauflegebock | boom support | B 08 0 003 | Reed Zeichn. | |
| Gegengewicht | counter weight | B 09 | | |
| Pumpeneinheit kpl. | pump unit cpl. | B 10 | | |
| Pumpenlagerung | pump mounting | B 11 5 005 | 10,5 bis 11° | |
| Förderzylinder kpl. | conveying cylinder cpl. | B 12 5 010 | | |
| Förderkolben kpl. | conveying piston cpl. | B 13 3 020 | | |
| Spülkasten kpl. | water box cpl. | B 14 3 000 | | |
| Antriebszylinder | drive cylinder | B 15 4 031 | | |
| Schiebersystem | s-valve system | 1: B 17 5 200 R1 | Eigener | Typenplan |
| Schwenkantrieb | tilting device cpl. | | | |
| Zentral / Schmieranlage | central lubrication unit | | | |
| Förderkolbensmierung | lubrication f. conveying piston | B 18 3 006 b | | |
| Förderleitung Pumpeinheit | conveying pipe pump unit | B 19 | | |
| Förderleitung 6" | conveying pipe 6" | | | |
| | | | | |
| Trichteroberteil | Hopper top part | | | |
| Trichterzubehör | hopper accessories | | | |
| Trichteroberteil | hopper upper part | B 22 5 090 | | |
| | | B 23 | | |
| | | B 24 | | |
| Rührwerk mit Antrieb | agitator with drive | B 25 5 080 | 2x Nutring | |
| | | B 26 | | |
| | | B 27 | | |
| Rüttleinrichtung | vibrating equipment | B 28 | | |
| | | B 29 | | |
| Wasseranlage | water system | B 30 | | |
| Wassertank kpl. | Water tank cpl. | B 31 | | |
| Wasserpumpe mit Antrieb | Water pump with drive | B 32 3 070 | | |
| Halter für Wasserschlauch | Holder for water hose | B 33 | | |
| Halter für Wasserschlauch | Holder for water hose | B 33 0 020 | (2x) | |
| Schlauchleitung | Hose line | B 34 | | |
| Druckluftanlage | Compressed air unit | B 35 | | |
| Hochdruckreiniger | High pressure cleaner | B 36 | | |
| Kompressor mit Antrieb | Compressor with drive | B 37 | | |
| | | B 38 | | |
| Schlauchleitung | Hose line | B 39 | | |
| Hydraulikanlage BP | Hydraulic system | Wai 106474 | | |
| Hydrauliks. Pumpe/Rührwerk | Control block | WAI 108404 | | |
| | | WAI 108403 | | |
| Blasenspeicher | | WAI 103616 | | |
| Hydraulikpumpe | hydraulik pump | WAI 104777 | | |
| | | WAI 100 938 | 4x | |
| | | WAI 101 332 | 8x | |
| Hydrauliktank / Zubehör | hydraulic tank / accessories | WAI 101 950 | 4x | |
| Ölkühlung | oil cooler | WAI 101 979 | 4x | |
| Schläuche / Zubehör | hoses / accessories | WAI 103 207 | 4x | |
| | | | | |
| Elektroanlage | wiring diagram | WAI 106059 | B 51 3 017 d | |
| Steuerpult | control panel | | | |
| Motorabstellung | engine stop | B 52 | | |
| Pumpenverstellung elektrisch | pump adjustment electrical | B 53 | | |
| Drehzahlverstellung | rpm adjustment | B 54 | | |

| | | | | | |
|-----------------------------|---------------------------------|---------------|---------------|--------------|--------------|
| Elektroanlage Mast | wiring diagram boom | B 55 | | | |
| Kabelbaum / Zubehör | wiring harness / accessories | B 56 1 070 a | B 56 1 071 | B 56 1 066 d | B 56 1 049 |
| Zubehör | accessories | B 57 | Auf Layer | achten | |
| extra Mastkabelbaum | | B 56 2 066 | | | |
| Kabelfernsteuerung | cable remote control | WAI 105983 | | | |
| Funkfernsteuerung | radio remote control | WAI 105982 | | | |
| Verteilermast | distributor boom | B 66 7 120 | | | |
| Mastbock | boom support | B 61 9 000 d | WAI 106535 | | |
| Drehwerk | rotating unit | B 62 8 010 | B 62 8 011 a | B 62 8 012 c | WAI 106266 |
| Abstützung kpl. | outrigger cpl. | B 63 9 150 e | WAI 106210 | | |
| Abstützung vorne rechts | outrigger front right | 2: | B 63 9 170 c | WAI 109673 | B 63 9 090 b |
| | | | B 63 9 246 a | B 63 0 104 a | WAI 106512 |
| Abstützung vorne links | outrigger front left | 2: | B 63 9 180 c | WAI 109673 | B 63 9 090 |
| | | | | | WAI 106512 |
| Abstützung hinten rechts | outrigger rear right | 2: | B 63 9 190 a | WAI 109673 | |
| Abstützung hinten links | outrigger rear left | 2: | B 63 9 210 b | WAI 109673 | |
| Transportsicherung vorne | transportation safety device f. | | B 63 9 197 b | | |
| Transportsicherung hinten | transportation safety device r. | | B 63 9 207 b | | |
| Förderleitung | delivery line | B 64 | | | |
| Endschlauchhalter | end hose holder | B 64 | | | |
| Endschlauch | end hose | WAI | | | |
| | | B 65 | | | |
| Arm 1 | boom element 1 | B 66 | | | |
| Arm 2 | boom element 2 | B 66 | | | |
| Arm 3 | boom element 3 | B 66 | | | |
| Arm 4 | boom element 4 | B 66 | | | |
| Arm 5 | boom element 5 | B 66 | | | |
| | | B 67 | | | |
| Drehkopf | rotating head | B 68 | | | |
| | | B 69 | | | |
| Hydraulikanlage Mast | hydraulic system boom | WAI106 261 | | | 12Volt |
| Hydraulikanlage Mast | hydraulic system boom | B 71 9 001aR1 | | | |
| Hydraulikanlage Mastbock | hydraulic sys. boom support | B 72 9 011aR2 | Steuerbl. von | Fa. REED | |
| | | B 73 | | | |
| Hydraulikanlage Pumpeinheit | hydraulic sys. pump unit | WAI101529 | | | |
| | | B 75 | | | |
| | | B 76 | | | |
| Hydrauliktank Mast | hydrauliktank boom | B 77 | | | |
| | | B 78 | | | |
| | | B 79 | | | |
| | | | | | |
| Antrieb | drive | B 80 | | | |
| Verteilergetriebe 4496 | distribution gear | B 81 4 077aR1 | i = 1:1,51 | | |
| Antriebsaggregat | engine | B 82 | | | |
| Wellenstrang | lineshaft | B 83 | | | |
| Unterfahrerschutz | chassis protection | B 84 | | | |
| Zubehör Beleuchtung | additional parts lightning | | | | |
| Trichterbeleuchtung | lightning for hopper | B 86 | | | |
| Beleuchtung | lightning | B 56 | | | |
| Kotflügel | fender | B 87 | | | |
| Federblockierung | spring lock | B 56 | | | |
| Achse kpl. | axle cpl. | B 89 | | | |
| | | | | | |
| Zubehör | accessories | B 90 | | | |
| Standardzubehör | standard accessories | B 91 | | | |
| Schilder Pumpe | sticker pump | B 92 1 004 | | | |
| Schilder Mastbock | sticker boom support | | | | |
| Schilder Mast | sicker boom | | | | |
| | | B 93 | | | |
| Werkzeugkasten | tool box | B 94 | | | |
| Zusatzteile Europa | additional parts europe | B 95 | | | |
| Rohrmagazin | conveying pipe magazine | B 96 | | | |

Bemerkung / comment:

| |
|--|
| 1 : ohne Klappbogen |
| 2 : Abstützylinder mit flexiblem Teller- Umbuchung nötig |
| Achtung : Tanks müssen abgedrückt sein ! |



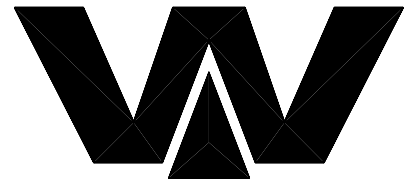
Waitzinger
Baumaschinen GmbH

MODEL **XXT37R**

PARTS LIST



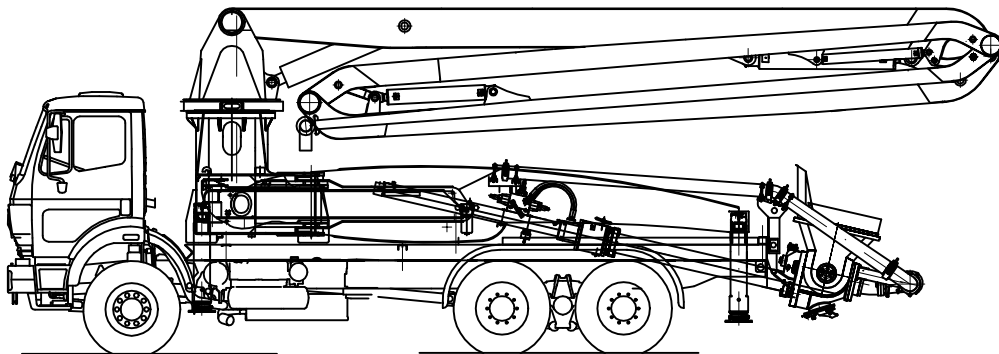
SN06-253



*Waitzinger
Baumaschinen GmbH*

Ersatzteilliste

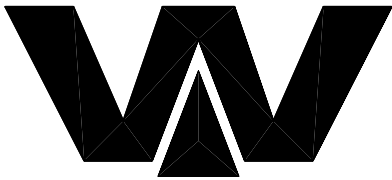
spare part list



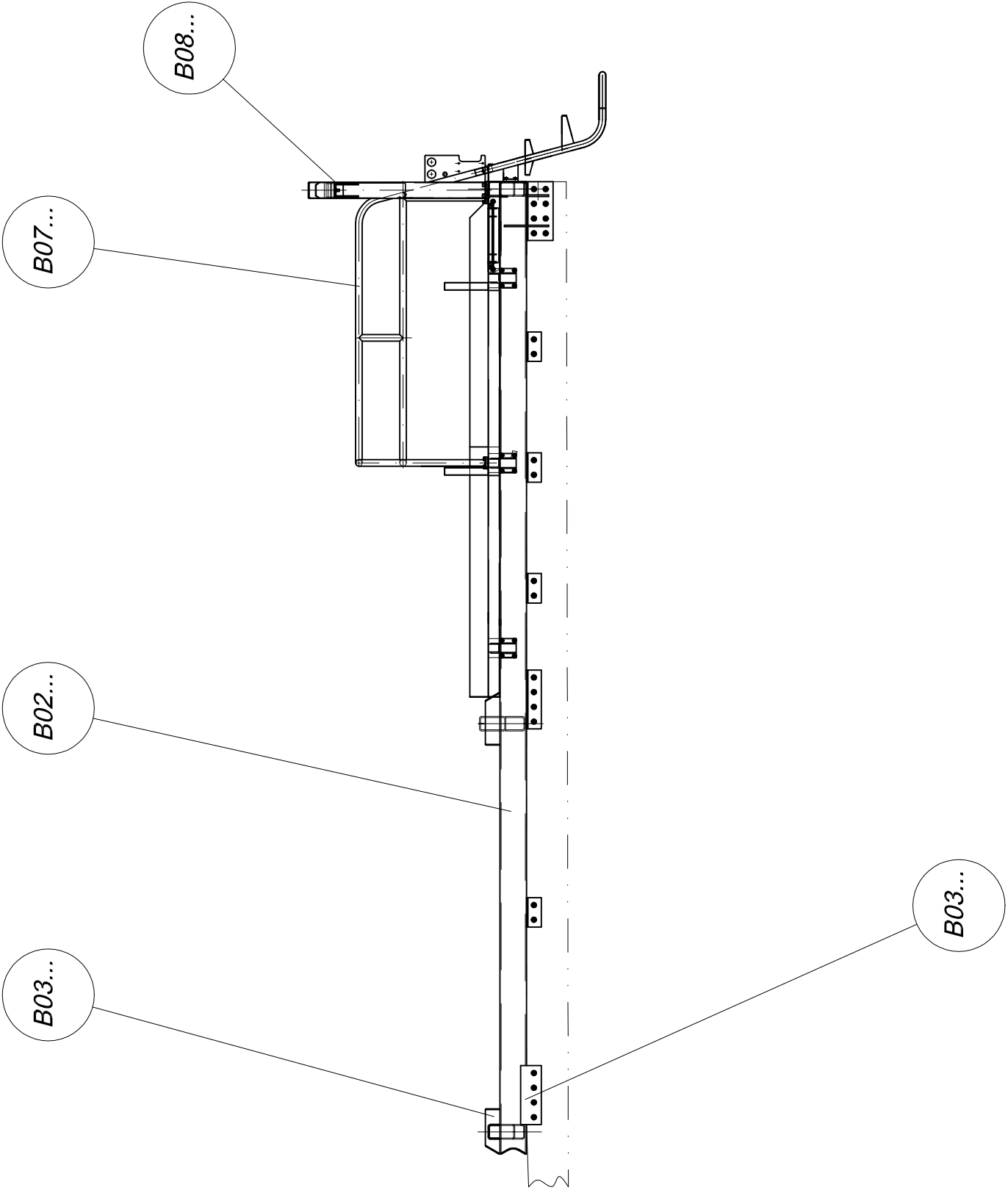
37 R 4 XXT
Masch.-Nr. 205242

Übersicht B 00 - B 09

over view B 00 - B 09

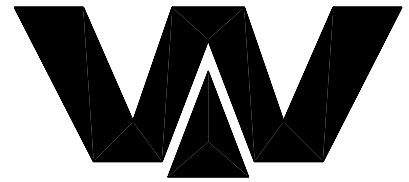


*Waitzinger
Baumaschinen GmbH*

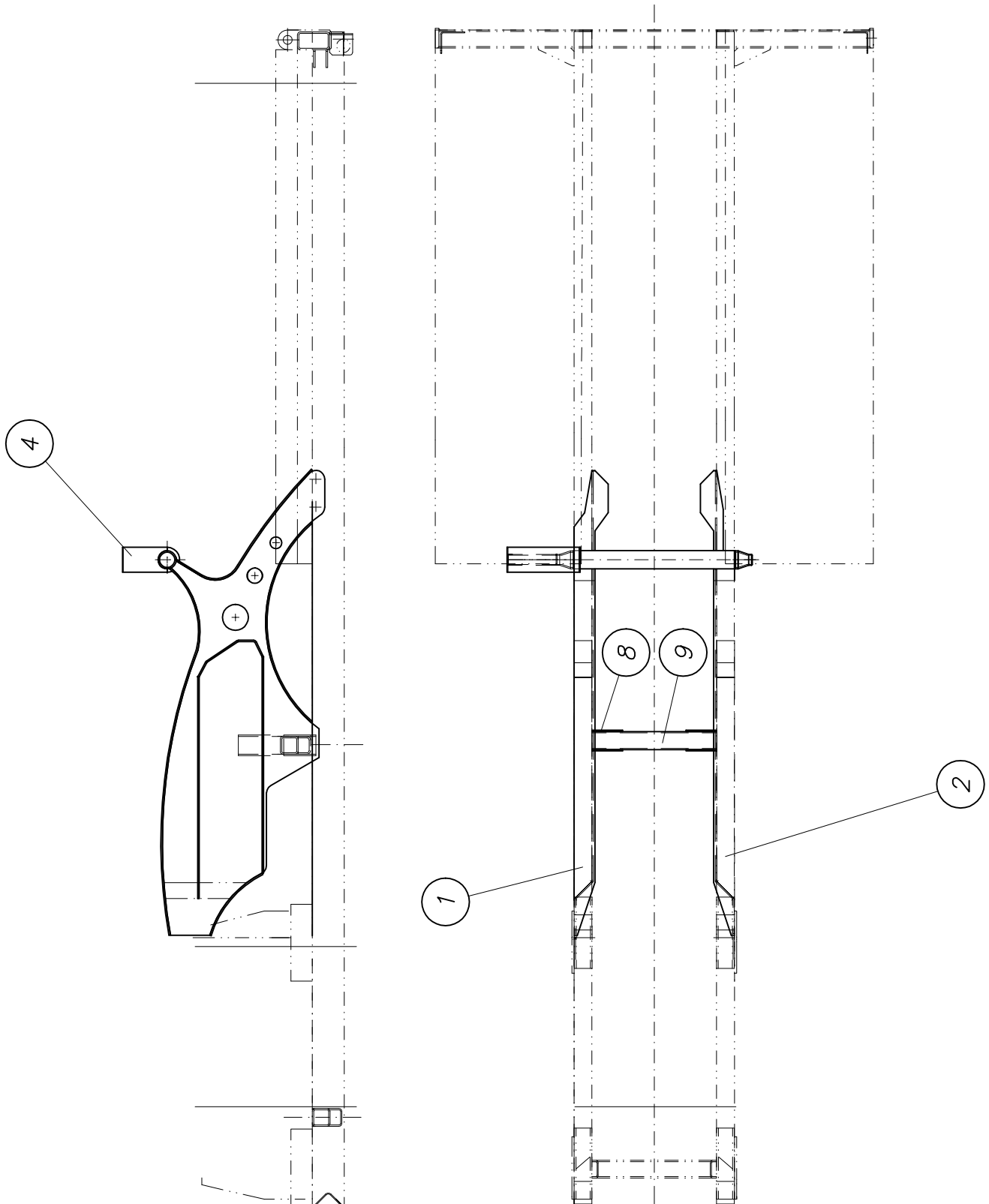


*Mastbockverbindung kpl.
connection for boom base cpl.*

B 03 9 045



*Waitzinger
Baumaschinen GmbH*





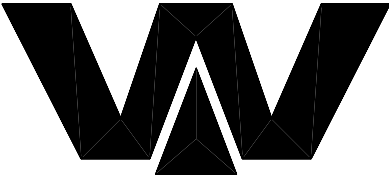
PARTS LIST

| part list | description | created | index | valid from | valid to | |
|------------------|--|--------------------------------|-------------------------|-------------------|---------------------|--------------------------|
| B039045 | connection for boom base cpl 37 XXT Reed | 04.08.04 ak | | | | |
| pos | description stock | ident-no dimensions | DIN material | index | weigh Kg | quantity unit |
| 1 | connection for boom base 36XXT own parts list | B039104 | | a 26.04.05 | 80,00 | 1,00 Stk |
| 2 | connection for boom base 36XXT own parts list | B039101 | | a 26.04.05 | 80,00 | 1,00 Stk |
| 4 | pipe (welding group) own parts list | B039035 | | | 28,00 | 1,00 Stk |
| 8 | strut own parts list | B039037 | | | 7,00 | 2,00 Stk |
| 9 | cross profile | B023083 MSH 100x100x8x6 | 59410 S355J2G3 | | 15,90 | 1,00 Stk |

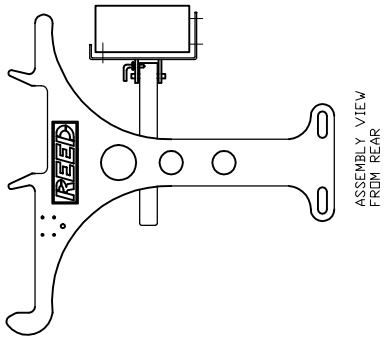
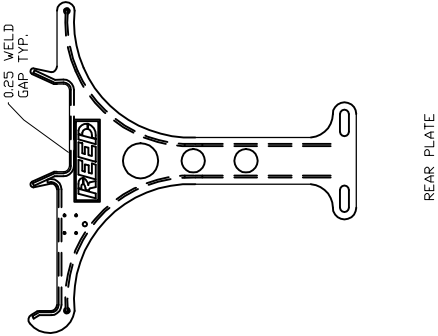
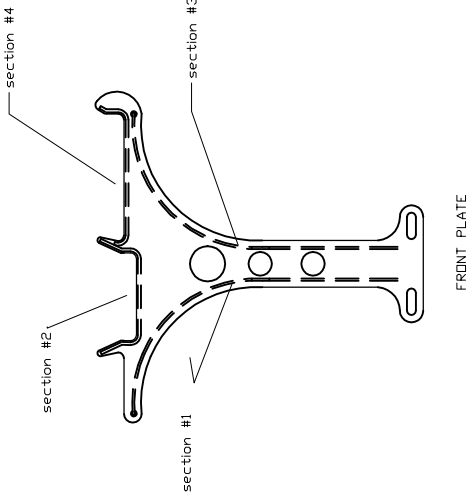
Mastauflagebock kpl.

boom support cpl.

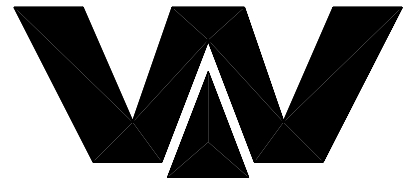
B 08 0 003



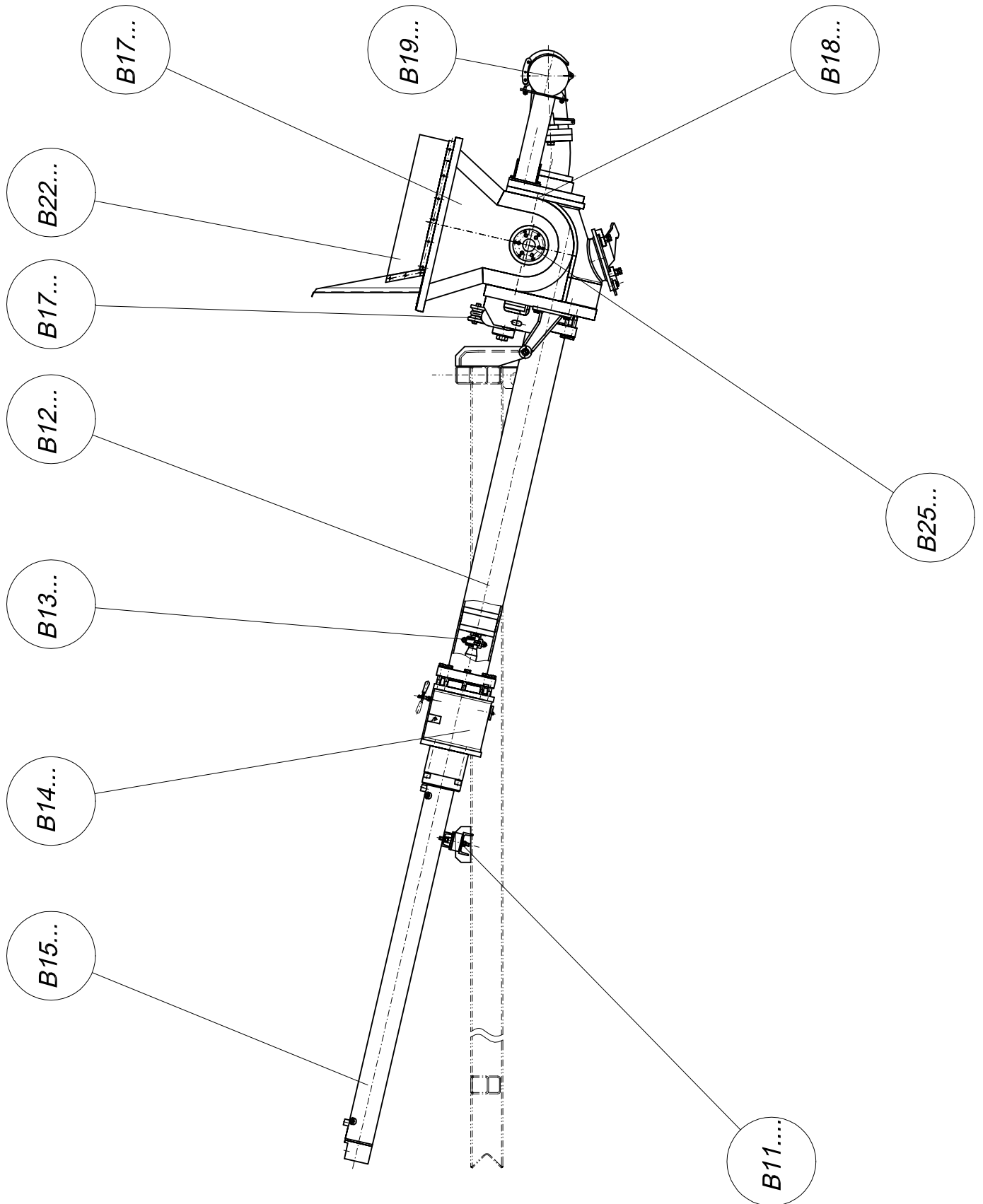
Waitzinger
Baumaschinen GmbH



Übersicht B 10 - B 29
over view B 10 - B 29



Waltzinger
Baumaschinen GmbH

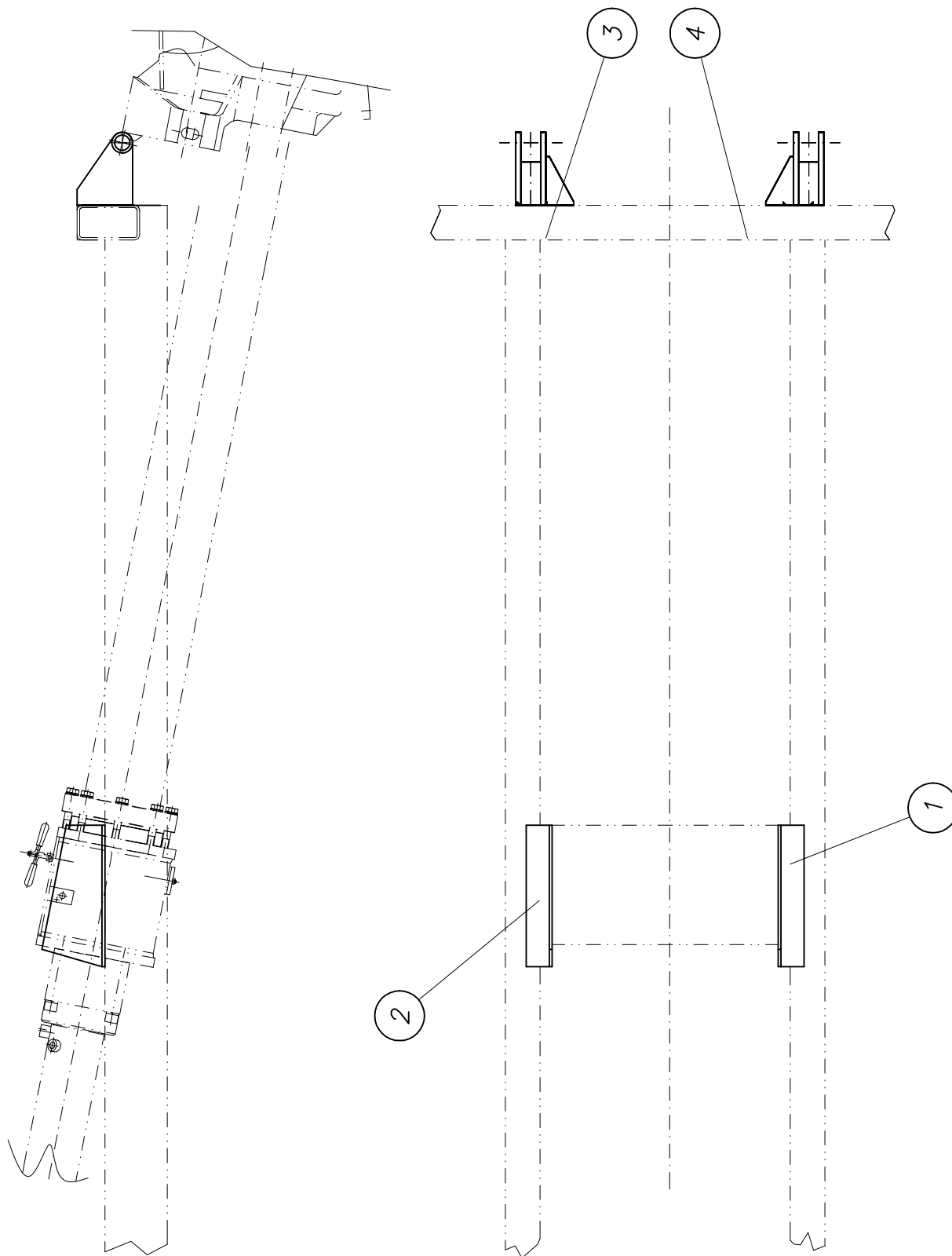


Pumpenlagerung kpl.
pump support cpl.

B 11 5 005



Waitzinger
Baumaschinen GmbH



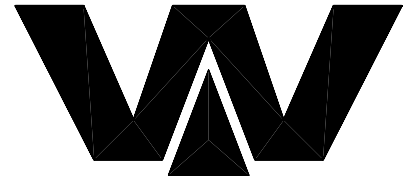


PARTS LIST

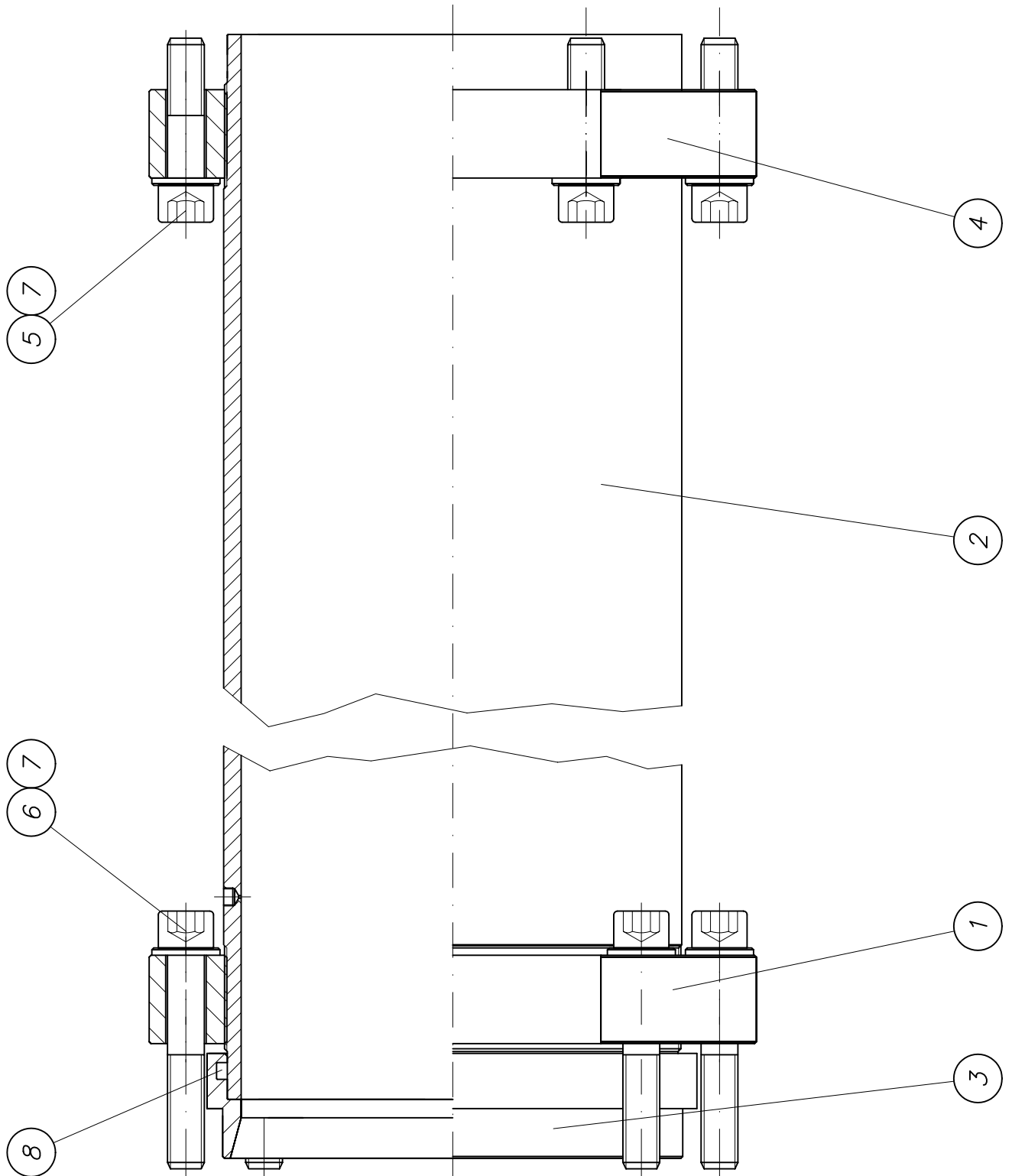
| part list | description | created | index | valid from | valid to | |
|------------------|---|--------------------------------|-------------------------|-------------------|---------------------|--------------------------|
| B115005 | pump support funnel | 22.01.04 HF | | | | |
| pos | description stock | ident-no dimensions | DIN material | index | weigh Kg | quantity unit |
| 1 | holder for water box left | B114166 Bl 8x237x407 | 1543/EN10029 St37-2 | | 5,00 | 1,00 Stk |
| 2 | holder for water box right | B114167 Bl 8x237x407 | 1543/EN10029 St37-2 | | 5,00 | 1,00 Stk |
| 3 | bracket right cpl. -N own parts list | B113024 | | a 20.02.04 | 6,60 | 1,00 Stk |
| 4 | bracket left cpl. -N own parts list | B113025 | | a 20.02.04 | 6,60 | 1,00 Stk |

Förderzylinder kpl.
conveying cylinder cpl.

B 12 5 010



Waitzinger
Baumaschinen GmbH



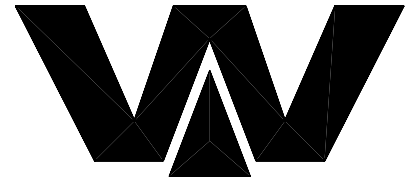


PARTS LIST

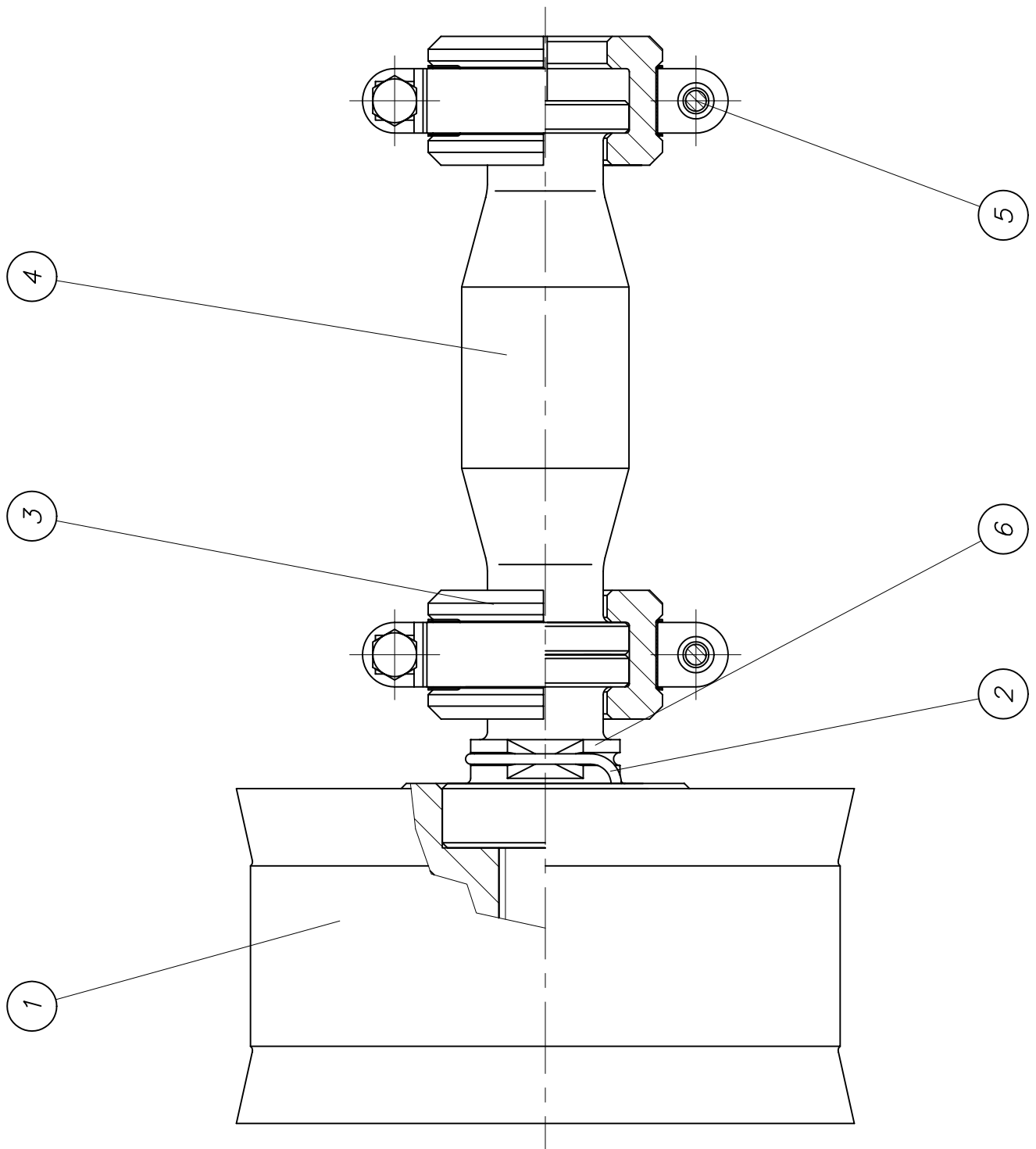
| part list | description | created | index | valid from | valid to | |
|-----------|--|----------------------------|------------------------|------------|---------------|------------------|
| B125010 | conveyor cylinder cpl. DN230/215x2000 w. | 15.03.01 Mi | | | | |
| pos | description stock | ident-no dimensions | DIN material | index | weighth Kg | quantity unit |
| 1 | flange ring DN 230 threaded | B124021 Bl 55xd330 | 1543/EN10029 St52-3 | | 12,20 | 2,00 Stk |
| 2 | conveyor cylinder DN230x2000 chromized | B124019 Rohr 250x12.5x2 | 2448 St52.0 | | 150,00 | 2,00 Stk |
| 3 | fitting ring DN 230 water box | B123012 Rohr 267x36x65 | 2448 St52.0 | | 6,00 | 2,00 Stk |
| 4 | flange ring DN 230 threaded | B125014 Bl 55xd330 | 1543/EN10029 St52-3 | | 12,20 | 2,00 Stk |
| 5 | cheese head screw M20 x 80 | WAI106754 | | | | 12,00 Stk |
| 6 | cheese head screw M20 x 120 | WAI103970 | | | | 14,00 Stk |
| 7 | washer HV | WAI100691 | | | 0,01 | 26,00 Stk |
| 8 | O-ring 244 x 7, NBR70 | WAI102868 | | | | 4,00 Stk |

Förderkolben kpl.
conveying piston cpl.

B 13 3 020



Waitzinger
Baumaschinen GmbH



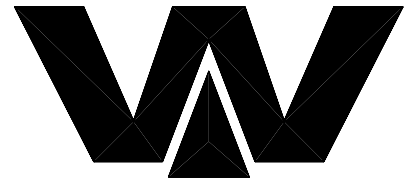
**PARTS LIST**

27.06.05 08:46:17

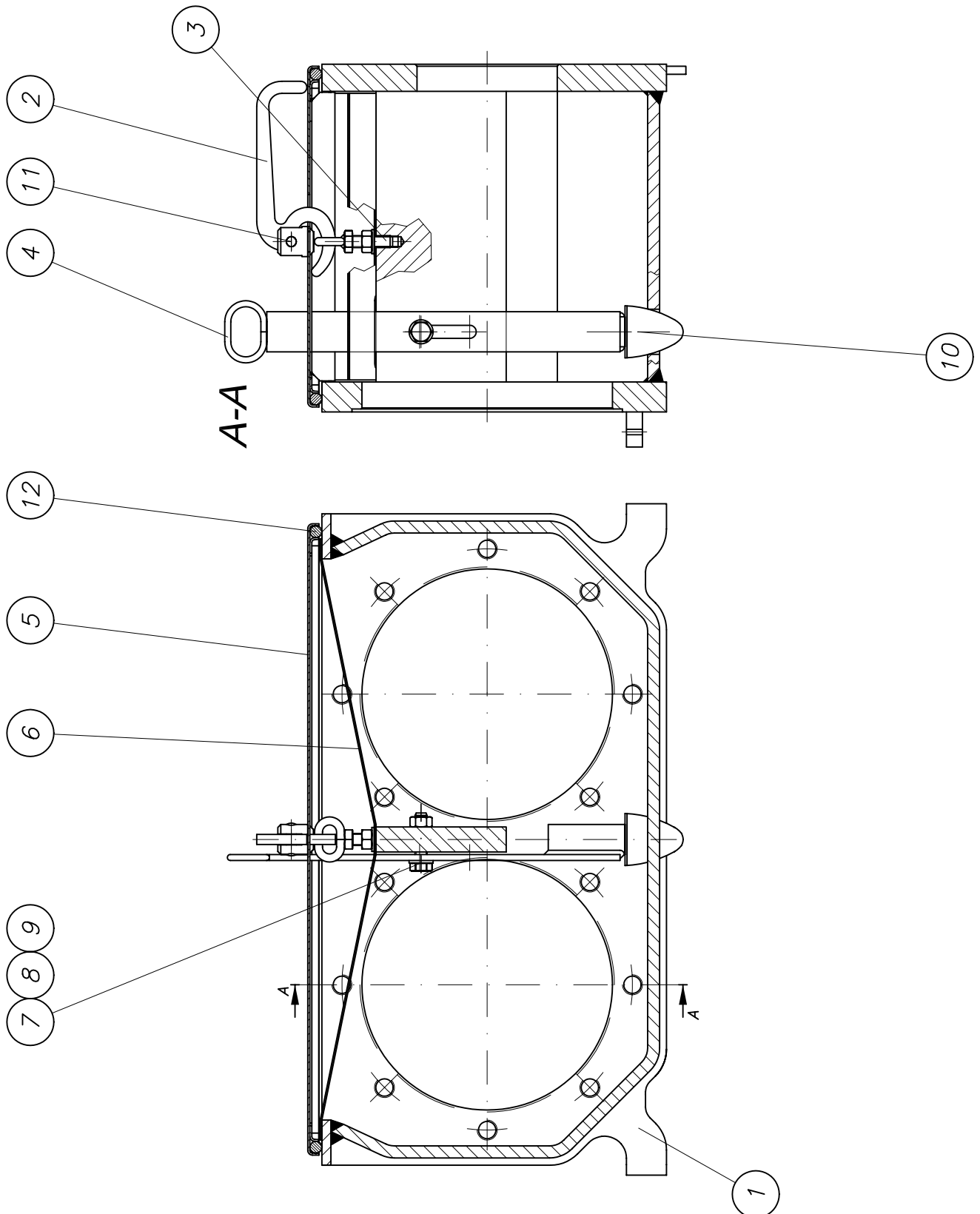
| part list | description | created | index | valid from | valid to | |
|-----------|------------------------|------------------------|------------------|------------|--------------|------------------|
| B133020 | piston ram cpl. DN 230 | 08.07.98 Mi | | | | |
| pos | description stock | ident-no dimensions | DIN material | index | weigth Kg | quantity unit |
| 1 | piston ram DN 230 | WAI100175 | | | 19,90 | 2,00 Stk |
| 2 | protection ring | B133019 Federst. 4 | 17223 | | | 2,00 Stk |
| 3 | clamp coupling | B131004 Rd 95x50 | 1013 42CrMo4V | | | 4,00 Stk |
| 4 | distance piece | B133003 Rd 70x225 | 1013 42CrMo4V | | | 2,00 Stk |
| 5 | hose clamp S86/25 | WAI101381 | | | 0,22 | 4,00 Stk |
| 6 | coupling bolt | B133018 Rd 82x120 | 1013 42CrMo4V | | 2,20 | 2,00 Stk |

Spülkasten kpl.
water box cpl.

B 14 3 000



Waitzinger
Baumaschinen GmbH



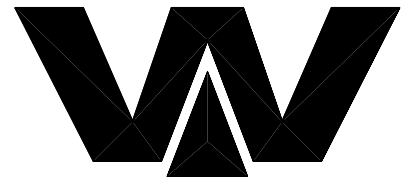


PARTS LIST

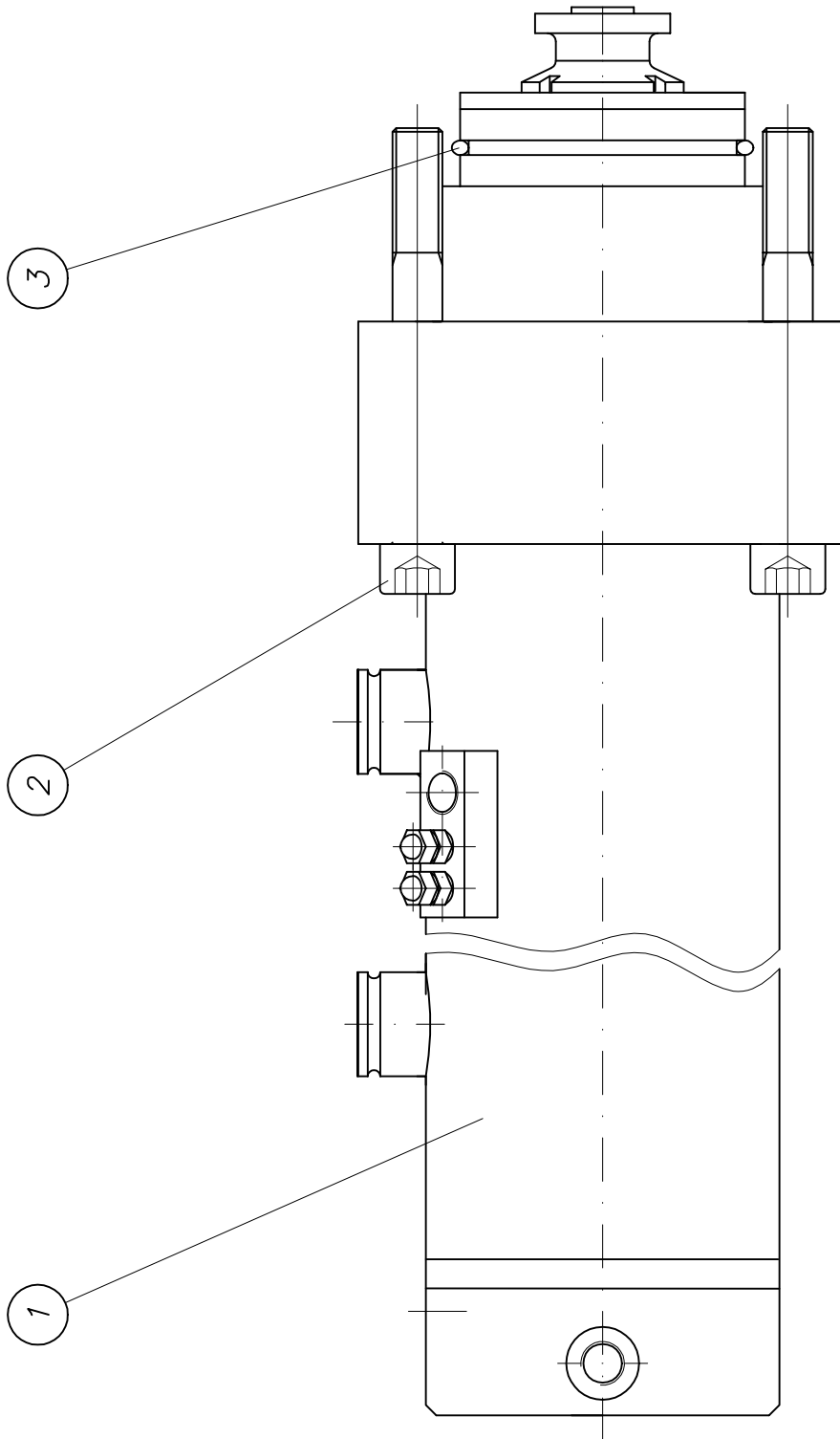
| part list | description | created | index | valid from | valid to | |
|-----------|---|----------------------------|------------------------|---------------|---------------|------------------|
| B143000 | waterbox cpl. DN 200/230 plug | 19.06.97 HG | | | | |
| pos | description stock | ident-no dimensions | DIN material | index | weighth Kg | quantity unit |
| 1 | waterbox cpl. DN 200/230 (processing) own parts list | B143001 | | b 02.05.00 | | 1,00 Stk |
| 2 | lever | B143007 Bl 10x195x78.5 | 1543/EN10029 St52-3 | | | 1,00 Stk |
| 3 | loop bolt cpl. own parts list | B143009 | | | 0,09 | 1,00 Stk |
| 4 | drain pin own parts list | B143011 | | | 1,14 | 1,00 Stk |
| 5 | cover for waterbox cpl. own parts list | B143015 | | | 4,55 | 1,00 Stk |
| 6 | savety lattice | B143020 Lochbl. 1.5x610 | Rostfrei | a 28.05.03 | | 1,00 Stk |
| 7 | hex. screw M12 | WAI103688 | | | | 1,00 Stk |
| 8 | nut M12 DIN 934 | WAI101557 | | | 0,02 | 2,00 Stk |
| 9 | washer | WAI100504 | | | | 2,00 Stk |
| 10 | rubber buffer 50 x 58 | WAI102712 | | | | 1,00 Stk |
| 11 | pin | WAI103387 | | | | 1,00 Stk |
| 12 | O-ring cord 12mm | WAI101831 | | | | 1,95 Mtr |

Antriebszylinder kpl.
drive cylinder cpl.

B 15 4 031



Waitzinger
Baumaschinen GmbH



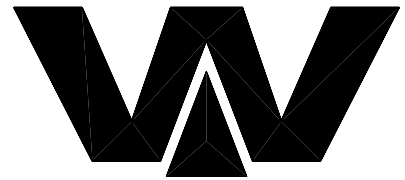


PARTS LIST

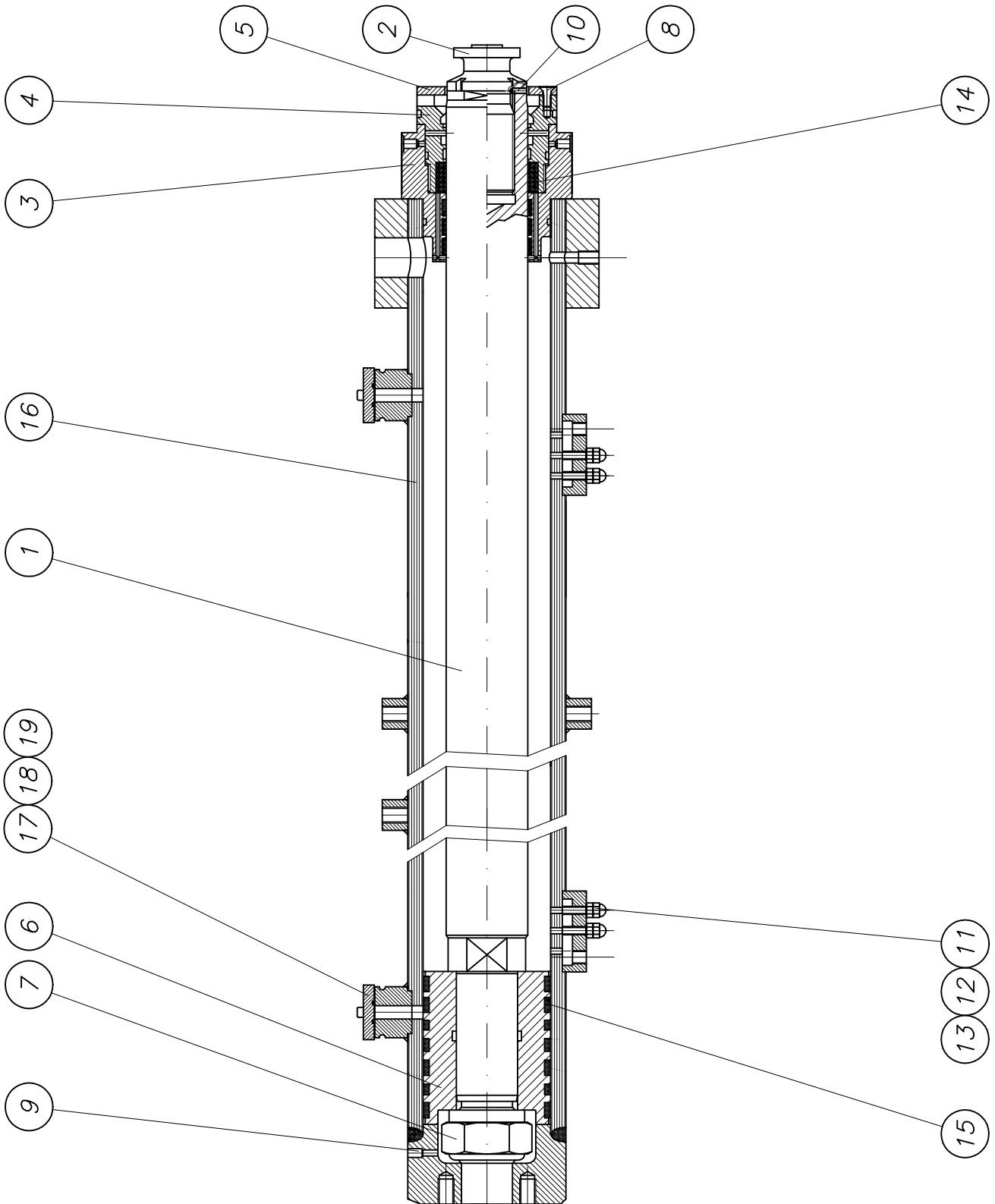
| part list | description | created | index | valid from | valid to | |
|-----------|---|------------------------|-----------------|---------------|-------------|------------------|
| B154031 | drive cylinder cpl. 140/80-2000 | 20.09.00 Mi | | | | |
| pos | description stock | ident-no dimensions | DIN material | index | weigh Kg | quantity unit |
| 1 | drive cylinder 140/80-2000 REED own parts list | WAI106154 | | a 30.10.03 | 295,00 | 2,00 Stk |
| 2 | cylinder head screw M 24 x 200 | WAI103828 | | | | 8,00 Stk |
| 3 | O-ring 129,2 x 5,7 | WAI101441 | | | | 2,00 Stk |

Antriebszylinder
drive cylinder

WAI 106154a



Waitzinger
Baumaschinen GmbH





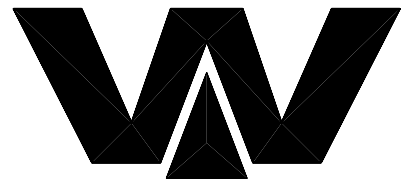
PARTS LIST

| part list | description | created | index | valid from | valid to | |
|-----------|---|-------------------------|------------------|---------------|---------------|------------------|
| WAI106154 | drive cylinder 140/80-2000 REED | 15.05.00 Mi | a | 30.10.03 | | |
| pos | description stock | ident-no dimensions | DIN material | index | weighth Kg | quantity unit |
| 1 | piston rod for drive cylinder | WAI105724 Rd 90x2173 | 1013 Ck45 | | | 1,00 Stk |
| 2 | piston joint | WAI104146 Rd 80x131 | 1013 42CrMo4V | | 1,87 | 1,00 Stk |
| 3 | guide piece for drive cylinder 140 | WAI105725 Rd 180x142 | 1013 St52 | a 30.07.03 | | 1,00 Stk |
| 4 | sealing carrier for drive cylinder | WAI104890 | GGG 40 | a 29.07.03 | | 1,00 Stk |
| 5 | aperture for drive cylinder | WAI105726 8x d137 | Polyamid | | | 1,00 Stk |
| 6 | piston 140 REED | WAI106305 | | b 30.07.03 | | 1,00 Stk |
| 7 | piston nut for drive cylinder | WAI105728 | | | | 1,00 Stk |
| 8 | sunk screw M 8 x 20 | WAI103397 | | | | 3,00 Stk |
| 9 | locking screw G 1/8 | WAI100528 | | | | 3,00 Stk |
| 10 | set screw | WAI105739 | | | | 1,00 Stk |
| 11 | hex. nut M8 DIN 934 8. VERZ. | WAI102880 | | | | 4,00 Stk |
| 12 | cap nut M8 | WAI104933 | | | | 4,00 Stk |
| 13 | set screw | WAI105740 | | | | 4,00 Stk |
| 14 | sealing set for drive cylinder 125/80 own parts list | WAI104690 | | | | 1,00 Stk |
| 15 | sealing set for drive cylinder 140/80 own parts list | WAI106156 | | | | 1,00 Stk |
| 16 | cylinder pipe cpl. 140 REED | WAI106153 | | a 30.07.03 | | 1,00 Stk |
| 17 | cover for sensor connection | B154017 Rd 11x55 | 1013 S235J2G3 | | 0,20 | 2,00 Stk |
| 18 | o-ring | WAI108533 | | | | 2,00 Stk |
| 19 | alien bolt M 6x25 | WAI103673 | | | | 4,00 Stk |

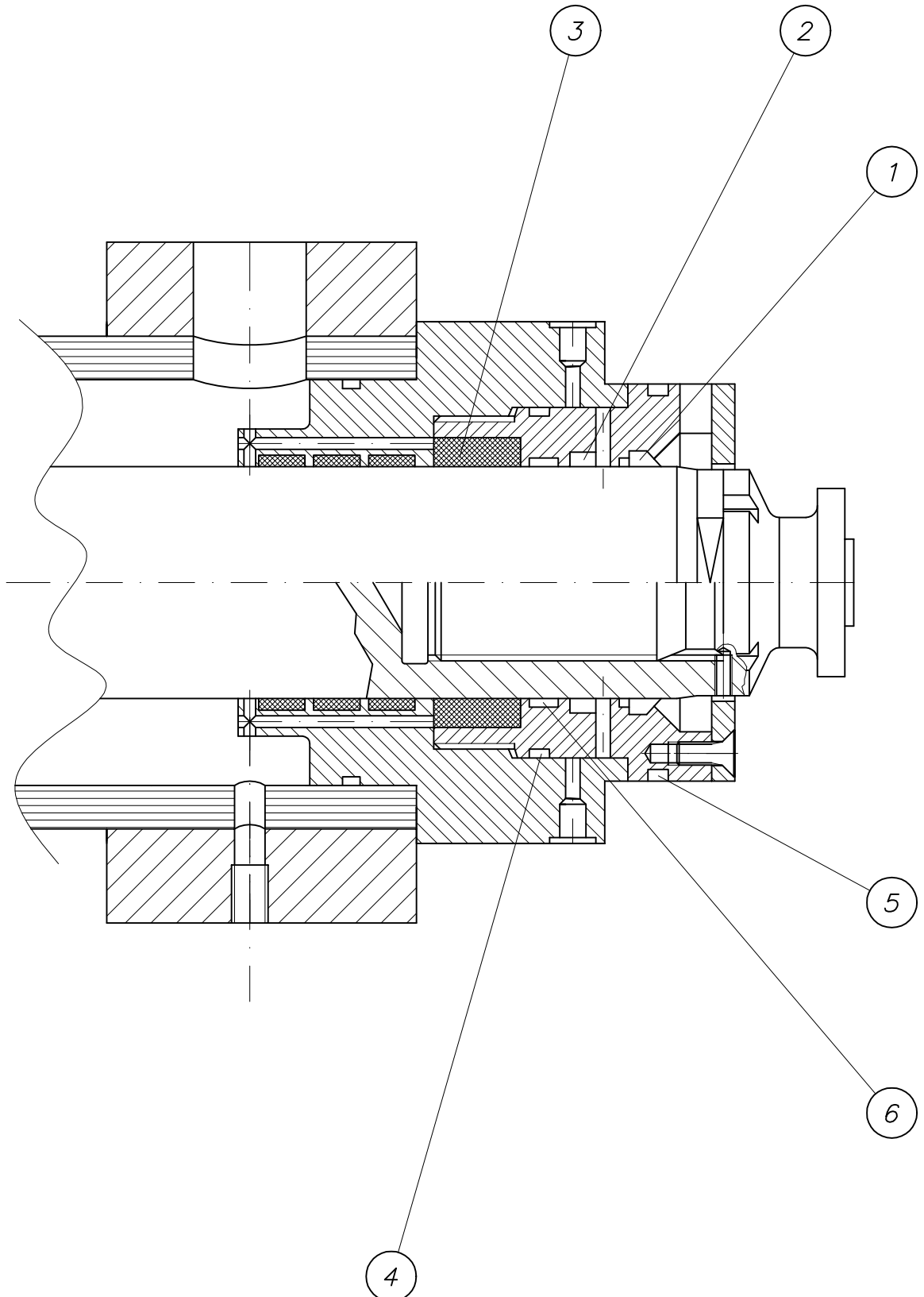
Stangendichtsatz

rod sealing set

WAI 104690



*Waitzinger
Baumaschinen GmbH*



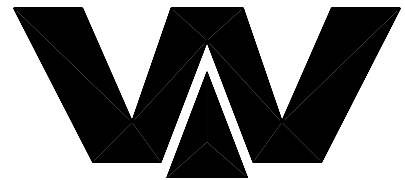


PARTS LIST

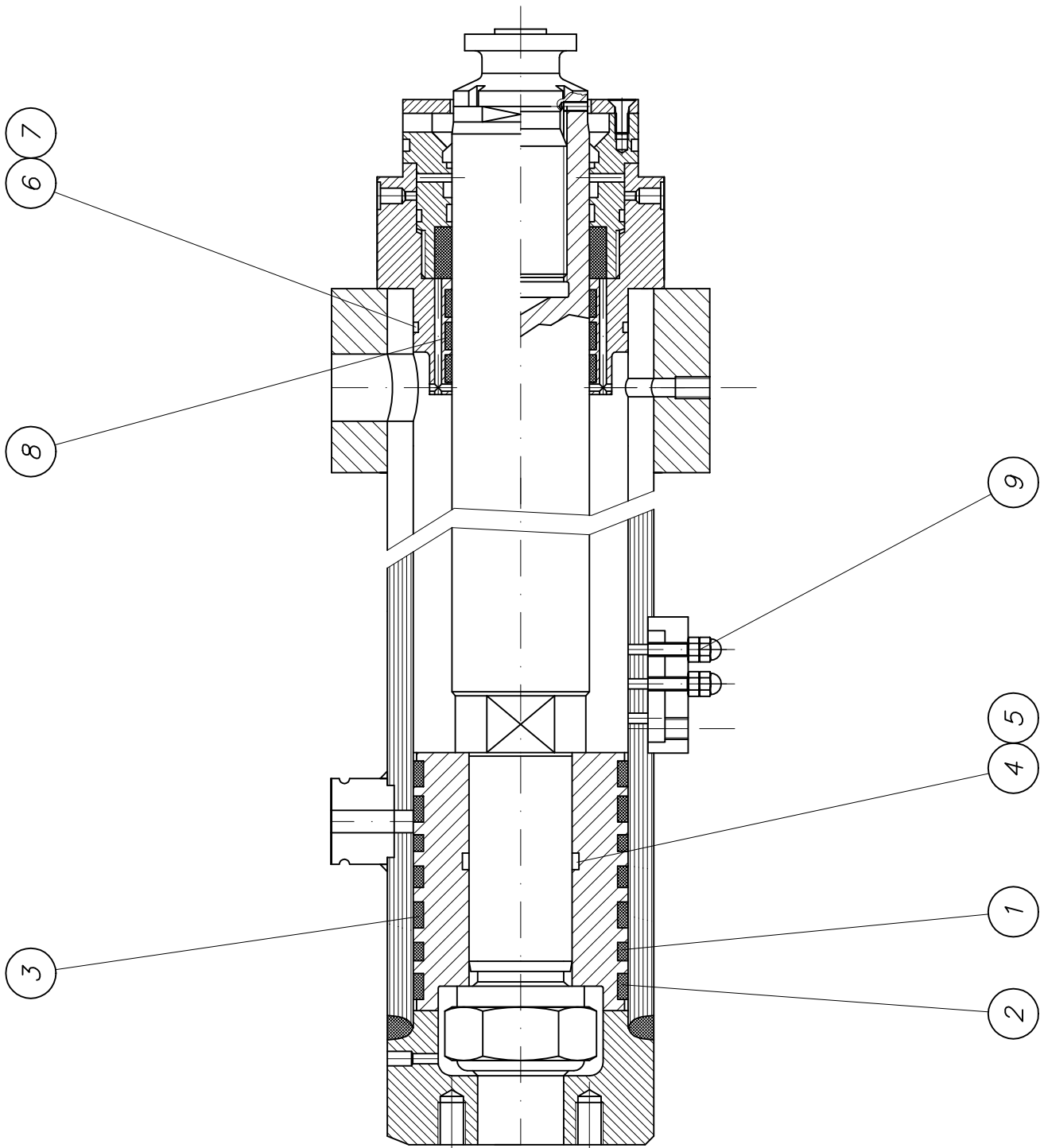
| part list | description | created | index | valid from | valid to | |
|-----------|---------------------------------------|------------------------|-----------------|------------|---------------|------------------|
| WAI104690 | sealing set for drive cylinder 125/80 | 30.08.99 Mi | | | | |
| pos | description stock | ident-no dimensions | DIN material | index | weighth Kg | quantity unit |
| 1 | wiper | WAI100259 | | | 0,00 | 1,00 Stk |
| 2 | wiper | WAI105729 | | | | 1,00 Stk |
| 3 | v-packing 80 x 100 x 30 | WAI102584 | | | | 1,00 Stk |
| 4 | sealing for drive cylinder | WAI105732 | | | | 1,00 Stk |
| 5 | o-ring | WAI105731 | | | | 1,00 Stk |
| 6 | rod support for drive cylinder | WAI105738 | | | | 1,00 Stk |

Dichtsatz für Antriebszylinder
sealing set for drive cylinder

WAI 106156



Waitzinger
Baumaschinen GmbH



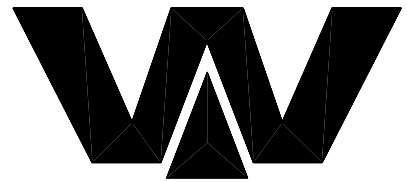


PARTS LIST

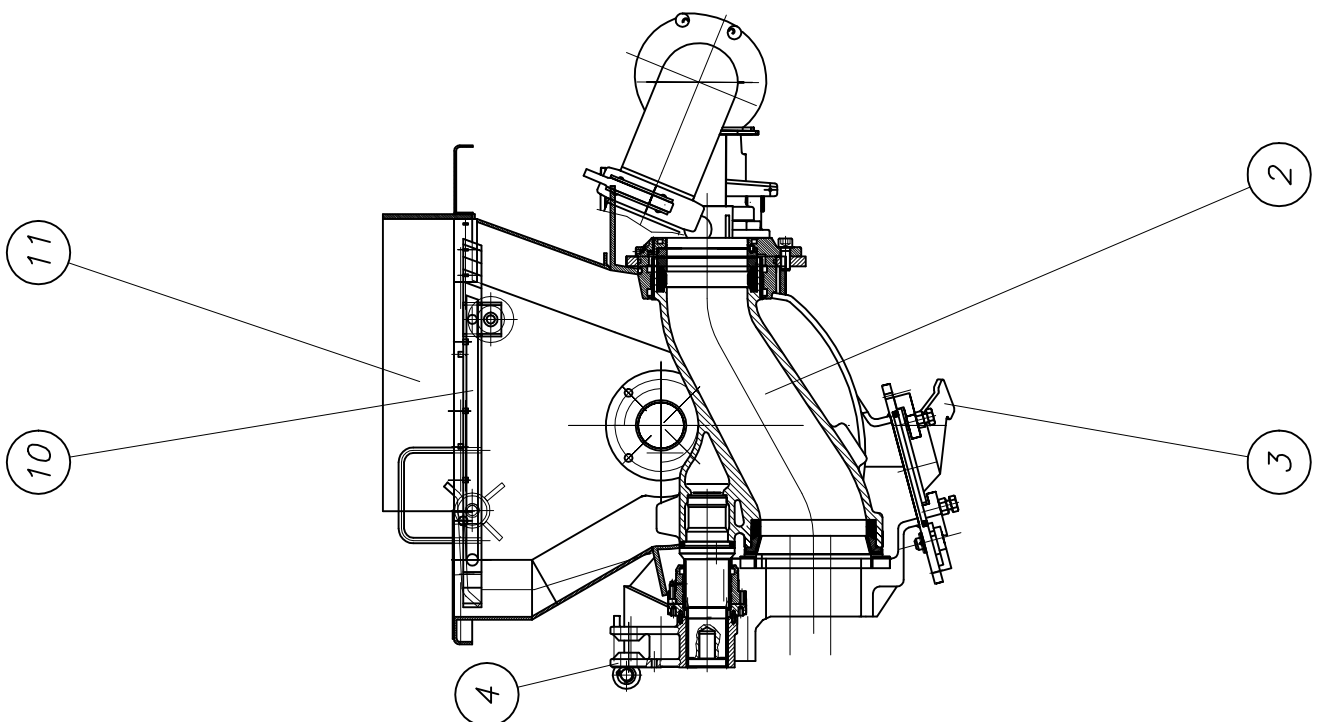
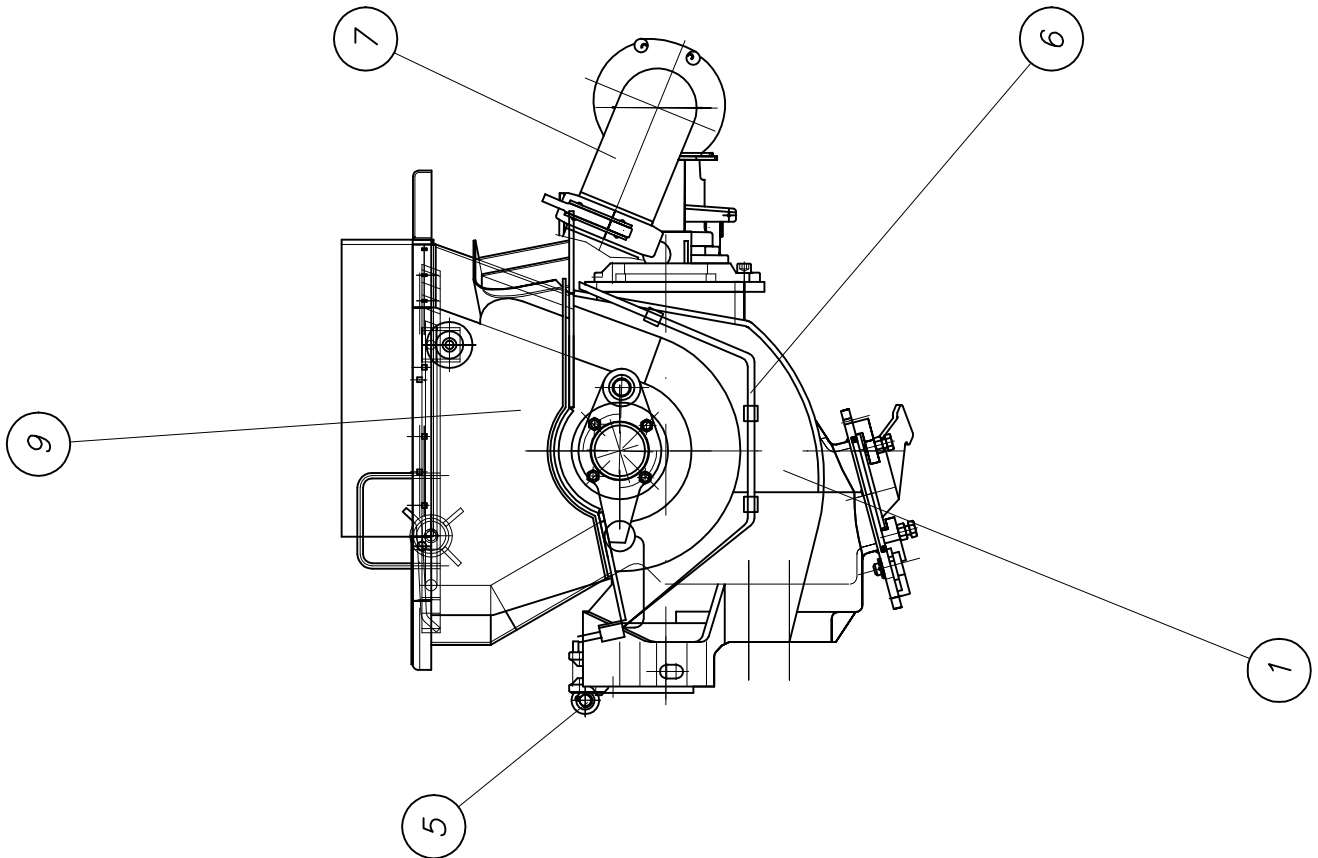
| part list | description | created | index | valid from | valid to | |
|-----------|---------------------------------------|------------------------|-----------------|------------|---------------|------------------|
| WAI106156 | sealing set for drive cylinder 140/80 | 03.08.00 hbk | | | | |
| pos | description stock | ident-no dimensions | DIN material | index | weighth Kg | quantity unit |
| 1 | piston guide | WAI105735 | | | | 3,00 Stk |
| 2 | piston ring permassel DN140 | WAI105049 | | | 0,05 | 2,00 Stk |
| 3 | piston ring DN 140 | WAI106313 | | | | 2,00 Stk |
| 4 | back-up ring | WAI105736 | | | | 2,00 Stk |
| 5 | o-ring | WAI105734 | | | | 1,00 Stk |
| 6 | O-ring 134 x 4 | WAI106314 | | | | 1,00 Stk |
| 7 | back-up ring | WAI106315 | | | | 1,00 Stk |
| 8 | piston guide | WAI106316 | | | 5,00 | 3,00 Stk |
| 9 | usit-ring 8.7-14-1 | WAI101269 | | | | 8,00 Stk |

Schiebersystem kpl.
s-valve system cpl.

B 17 5 200R1



Waitzinger
Baumaschinen GmbH



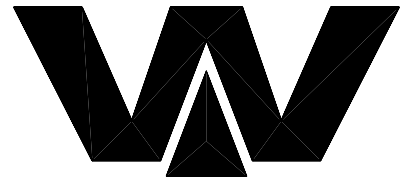


PARTS LIST

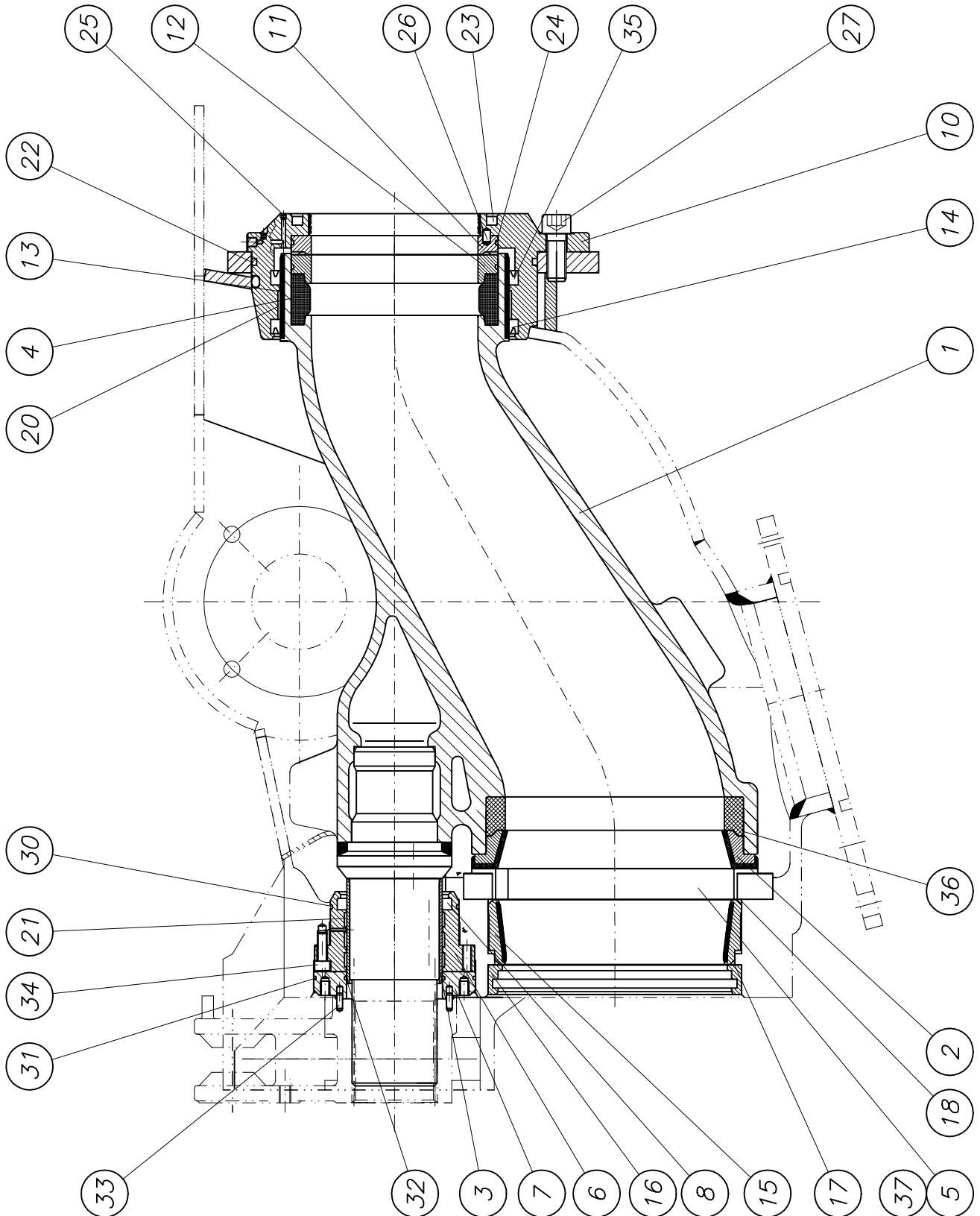
| part list | description | created | index | valid from | valid to | |
|-----------|--|------------------------|-----------------|---------------|---------------|------------------|
| B175200R1 | s-valve system w/o | 20.07.05 | TECHNIK | | | |
| pos | description stock | ident-no dimensions | DIN material | index | weighth Kg | quantity unit |
| 1 | s-valve housing cpl. (processing) DN 230 own parts list | B175025 | | e 25.05.05 | 572,00 | 1,00 Stk |
| 2 | s-valve system complete own parts list | B175006 | | b 25.02.05 | | 1,00 Stk |
| 3 | cleaning hole assembly own parts list | B175050 | | a 21.03.03 | | 1,00 Stk |
| 4 | shift drive system cpl. own parts list | B175020 | | b 02.08.05 | | 1,00 Stk |
| 5 | pump support funnel own parts list | B115001 | | | | 1,00 Stk |
| 6 | lubrication system complete own parts list | B185003 | | a 29.07.04 | | 1,00 Stk |
| 7 | conveying pipe line 6" own parts list | B195065R1 | | | | 1,00 Stk |
| 9 | hopper upper part own parts list | B225055 | | | | 1,00 Stk |
| 10 | grid cpl. own parts list | B225040 | | b 29.11.04 | | 1,00 Stk |
| 11 | rubber apron cpl own parts list | B225045 | | a 04.04.03 | | 1,00 Stk |

Schiebersystem kpl.
s-valve system cpl.

B 17 5 006b



Waitzinger
Baumaschinen GmbH





PARTS LIST

| part list | description | created | index | valid from | valid to | |
|-----------|--|----------------------------|--------------------------|---------------|-------------|------------------|
| B175006 | s-valve system complete | 21.01.04 ek | b | 25.02.05 | | |
| pos | description stock | ident-no dimensions | DIN material | index | weigh Kg | quantity unit |
| 1 | s-valve cpl. own parts list | B175080 | | | 98,00 | 1,00 Stk |
| 2 | wear ring DN230 | B175210 Bl 40xD300 | 1543/EN10029 S355J2G3 | | 4,00 | 1,00 Stk |
| 3 | wear bushing small | B175175 Rohr 108x10x115 | 2448 StE690 | | 1,70 | 1,00 Stk |
| 4 | tension ring DN217x64 / 70 shore | B175202 217x64 | 70 Shore | | | 1,00 Stk |
| 5 | wear plate DN 250 | B175177 Bl 30x400x644 | 1543/EN10029 St52-3 | a 02.12.03 | 23,00 | 1,00 Stk |
| 6 | bearing housing small | B175178 Rd 180x90 | 1013 St52-3 | b 24.07.03 | | 1,00 Stk |
| 7 | axial bearing washer | B175179 Rd 180x35 | 1013 CuSn8P (2.18) | a 01.08.03 | | 1,00 Stk |
| 8 | groove ring 100x120x12 own parts list | B175181 | | | 0,04 | 1,00 Stk |
| 10 | bearing housing big (processing) megahop own parts list | B175009 | | b 23.05.05 | | 1,00 Stk |
| 11 | slide ring DN 217 x 20 | B173013 d217x20 | | | | 1,00 Stk |
| 12 | slide ring DN 217 x 30 | B173014 | | | | 1,00 Stk |
| 13 | wear bushing big | B173073 Rohr 244.5x12.5 | 2458 StE690 | a 01.08.03 | 2,00 | 1,00 Stk |
| 14 | groove ring 240x260x15 own parts list | B173078 | | | 0,04 | 1,00 Stk |
| 15 | fitting ring with hardened surface own parts list | B175071 | | | 7,60 | 2,00 Stk |
| 16 | fitting ring | B175072 Bl 40xd275 | DIN EN 10029 S235J2G3 | a 01.07.04 | 2,90 | 2,00 Stk |
| 17 | O-Ring 243 x 4 | WAI108633 | | | | 2,00 Stk |
| 18 | O-Ring 258 x 4 | WAI108634 | | | | 2,00 Stk |
| 20 | rod wear-ring 240 x 245 x 15 mm | WAI102487 | | | 0,03 | 2,00 Stk |
| 21 | rod wear-ring 105 x100 x 15 mm | WAI106096 | | | 0,01 | 3,00 Stk |
| 22 | O-ring 290 x 5 | WAI102539 | | | 0,02 | 1,00 Stk |
| 23 | O-ring 193 x 10 | WAI103563 | | | 0,05 | 1,00 Stk |
| 24 | O-ring | WAI101808 | | | | 2,00 Stk |

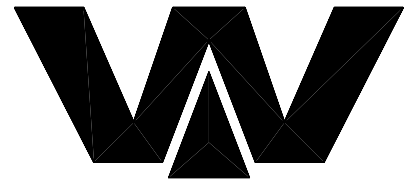


PARTS LIST

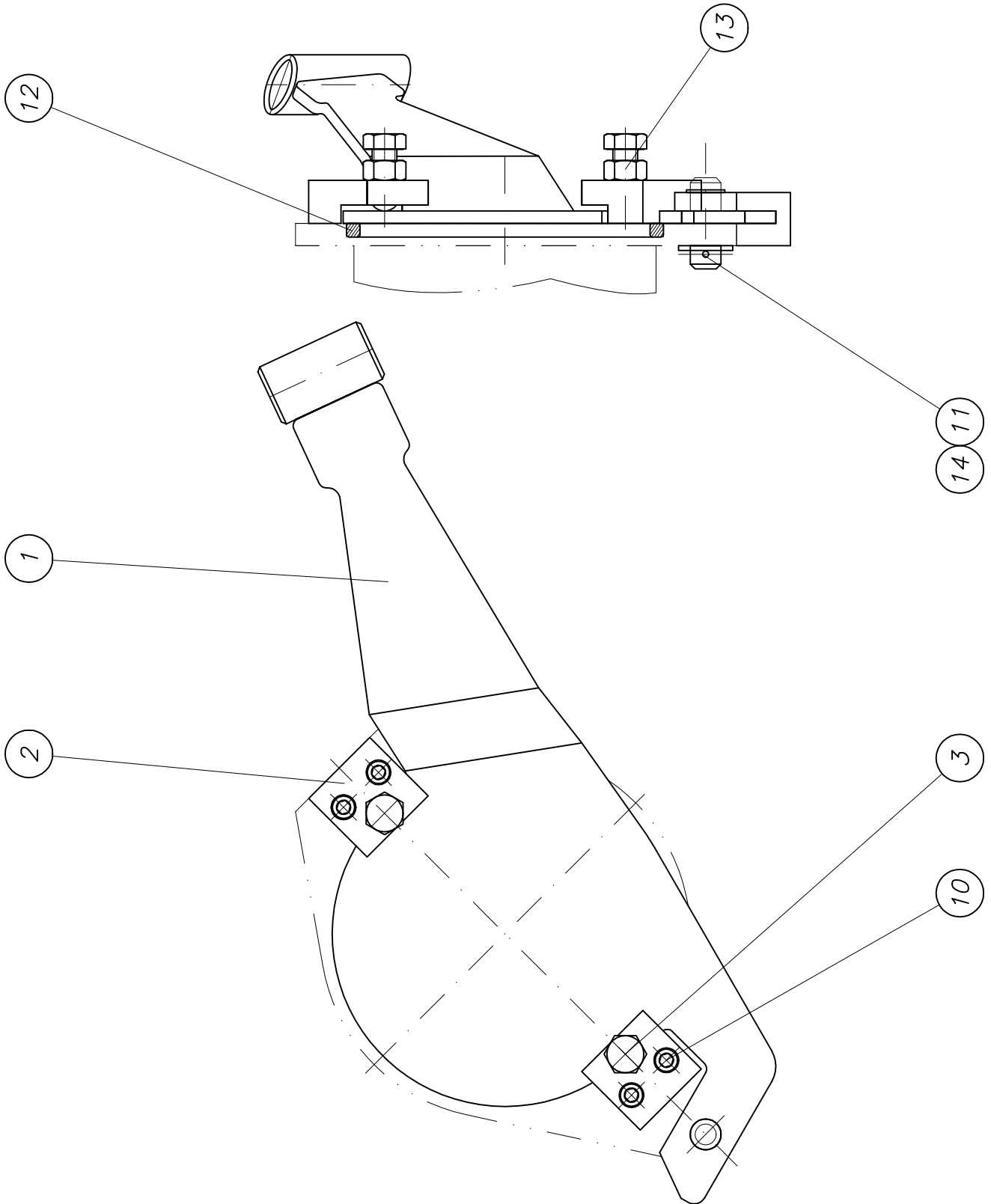
| part list | description | created | index | valid from | valid to | |
|-----------|-----------------------------|------------------------|-----------------|------------|---------------|------------------|
| B175006 | s-valve system complete | 21.01.04 ek | b | 25.02.05 | | |
| pos | description stock | ident-no dimensions | DIN material | index | weighth Kg | quantity unit |
| 25 | set screw M 8 x 8 | WAI106824 | | | | 4,00 Stk |
| 26 | straight pin | WAI103717 | | | | 2,00 Stk |
| 27 | cheese head screw M20 x 50 | WAI102854 | | | | 4,00 Stk |
| 30 | O-ring 129,5 x 3 SH90 | WAI102448 | | | | 1,00 Stk |
| 31 | sealing ring 165 x 3 | WAI103580 | | | | 1,00 Stk |
| 32 | O-ring | WAI105771 | | | | 1,00 Stk |
| 33 | straight pin | WAI103061 | | | | 2,00 Stk |
| 34 | cheese head screw M 10 x 25 | WAI109528 | | | | 4,00 Stk |
| 35 | groove ring 240x260x15 | WAI100479 | | | | 1,00 Stk |
| 36 | tension ring | B175201 270x45 | 50 Shore | | 0,60 | 1,00 Stk |
| 37 | cheese head screw M20 x 130 | WAI104885 | | | | 4,00 Stk |

Reinigungsklappe kpl.
cleaning cover cpl.

B 17 5 050a



Waitzinger
Baumaschinen GmbH



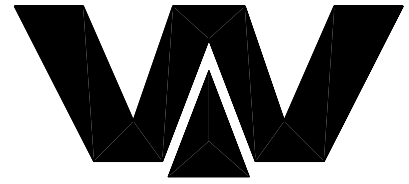


PARTS LIST

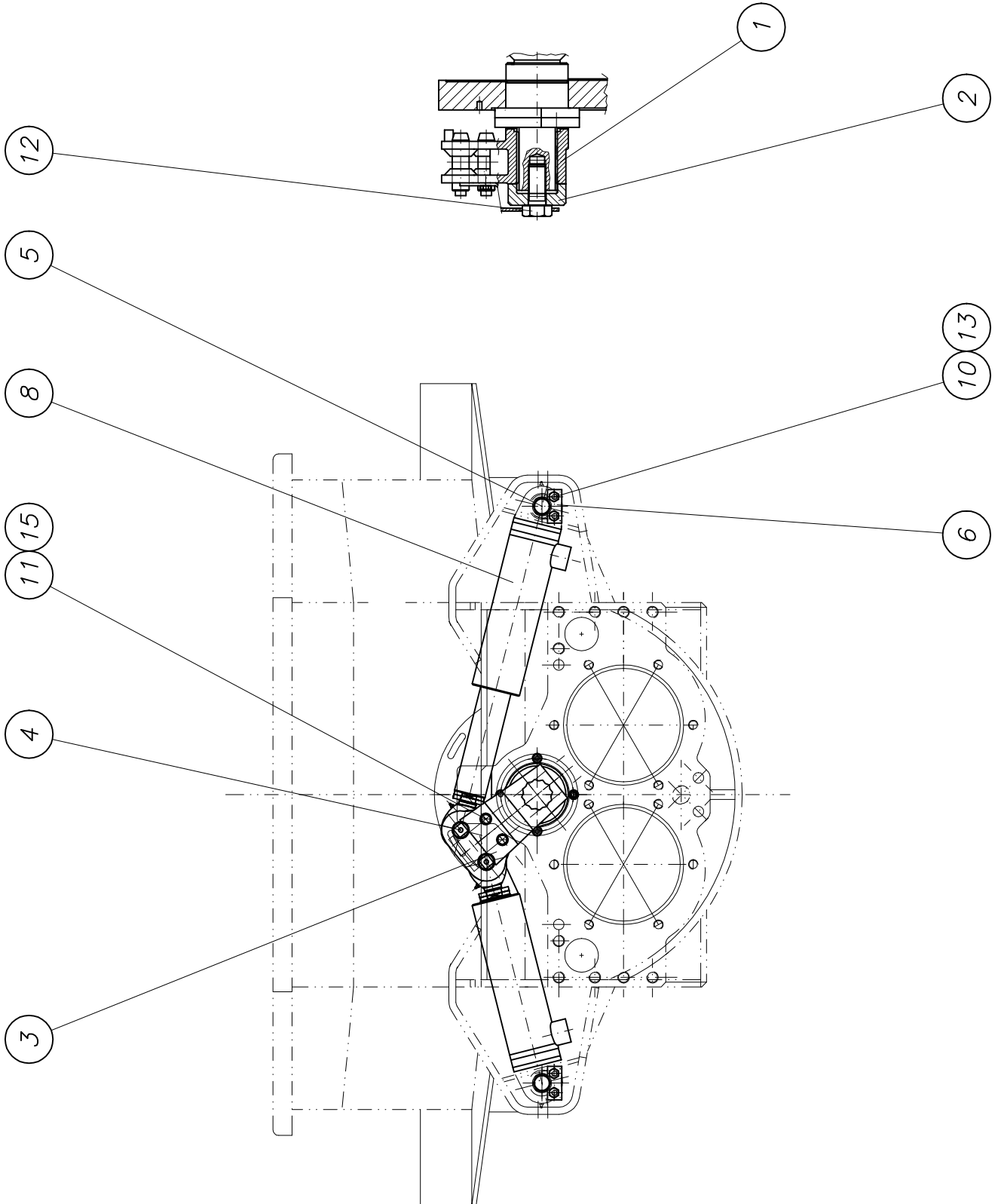
| part list | description | created | index | valid from | valid to | |
|-----------|---|----------------------------|------------------------|---------------|---------------|------------------|
| B175050 | cleaning hole assembly | 03.03.00 Mi | a | 21.03.03 | | |
| pos | description stock | ident-no dimensions | DIN material | index | weighth Kg | quantity unit |
| 1 | cover cpl. for cleaning cover own parts list | B175051 | | b 15.06.04 | 9,00 | 1,00 Stk |
| 2 | plate | B172126 Bl 40x67x70 | 1543/EN10029 St52-3 | | 0,89 | 2,00 Stk |
| 3 | screw M 20 (processing) own parts list | B172128 6-Kt.Schraube M | 933-8.8 | | 0,18 | 2,00 Stk |
| 10 | cheese head screw M 12 x 40 | WAI102855 | | | | 4,00 Stk |
| 11 | washer 25, DIN 125 | WAI103298 | | | | 1,00 Stk |
| 12 | O-ring cord 12mm | WAI102908 | | | | 0,78 Mtr |
| 13 | nut M20 DIN 934 | WAI102891 | | | | 2,00 Stk |
| 14 | split pin | WAI105194 | | | | 1,00 Stk |

Schwenkantrieb kpl.
tilting device cpl.

B 17 5 020b



Waitzinger
Baumaschinen GmbH



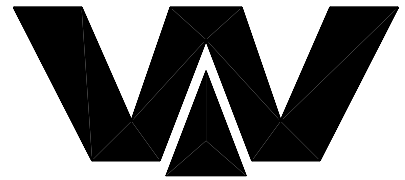


PARTS LIST

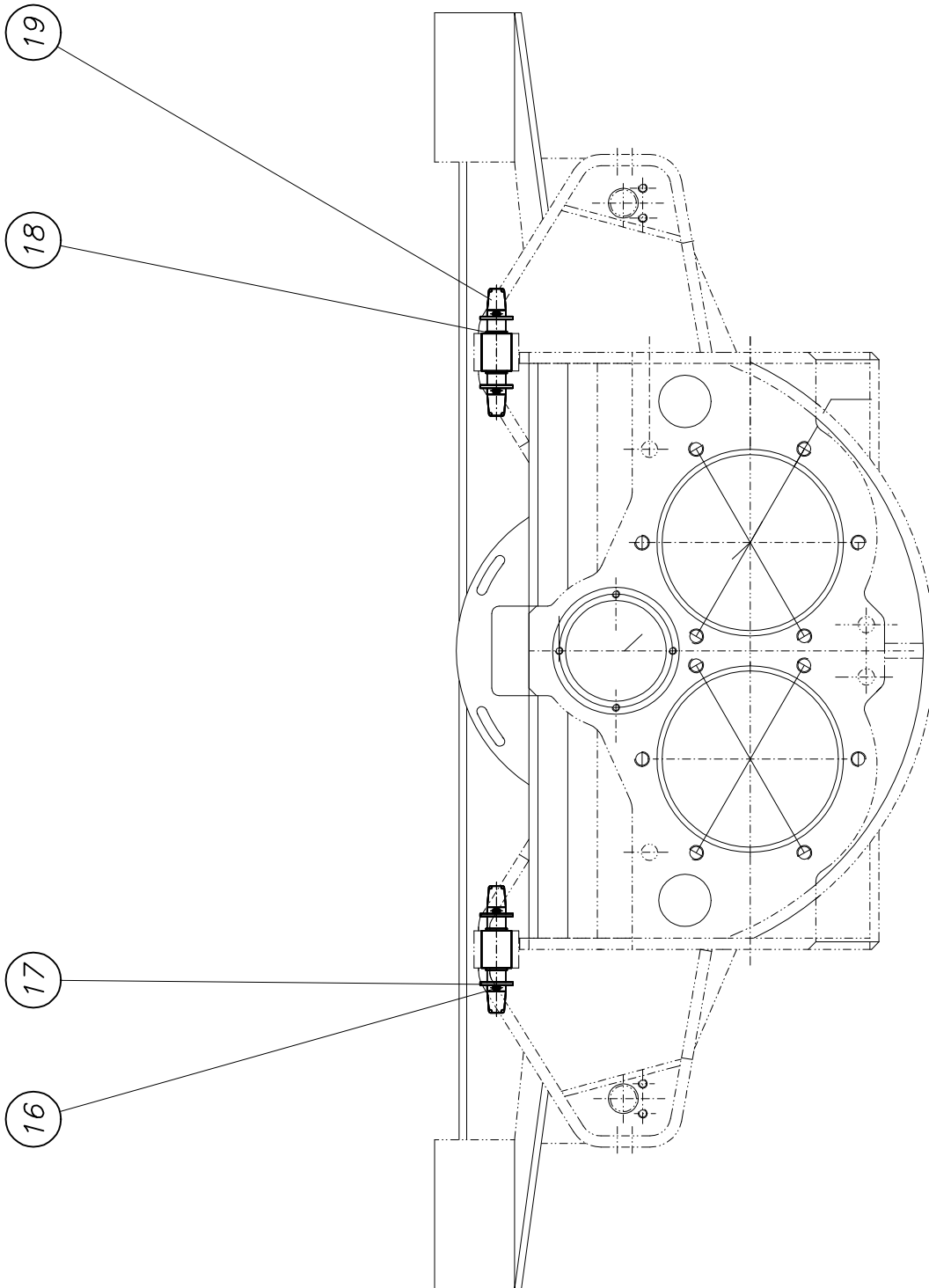
| part list | description | created | index | valid from | valid to | |
|-----------|--|-------------------------|------------------------|---------------|-------------|------------------|
| B175020 | shift drive system cpl. | 11.07.01 Mi | b | 02.08.05 | | |
| pos | description stock | ident-no dimensions | DIN material | index | weigh Kg | quantity unit |
| 1 | tilting lever (processing) own parts list | B175180 | | | 13,00 | 1,00 Stk |
| 2 | pressure disc | B174103 Rd125x50 | 1013 42CrMo4V | | 2,70 | 1,00 Stk |
| 3 | locking plate | B174104 Bl 6x220x120 | 1543/EN10029 St52-3 | | 1,00 | 1,00 Stk |
| 4 | bolt | B173019 Rd 40x125 | 1013 42CrMo4V | | 0,83 | 2,00 Stk |
| 5 | bolt | B173066 Rd 40x115 | 1013 42CrMo4V | a 06.04.00 | 0,80 | 2,00 Stk |
| 6 | axle retainer | B173067 FI 30x6x70 | 1017 St52-3 | | 0,13 | 2,00 Stk |
| 8 | tilting cylinder D 65x220 | WAI109491 | | | 23,00 | 2,00 Stk |
| 10 | hex. bolt M12 x 25 DIN 933 8.8 | WAI101001 | | | 0,04 | 4,00 Stk |
| 11 | hex. bolt M12x30 DIN 933 8.8 | WAI102107 | | | 0,04 | 2,00 Stk |
| 12 | hex.screw M 36 x 3 x 85 | WAI103327 | | a 01.08.05 | | 1,00 Stk |
| 13 | conical spring washer 12 mm | WAI102877 | | | | 4,00 Stk |
| 15 | spring washer A12 DIN 127 VERZ. | WAI102896 | | | | 2,00 Stk |

Pumpenlagerung Trichter kpl.
pump support hopper cpl.

B 11 5 001



Waitzinger
Baumaschinen GmbH





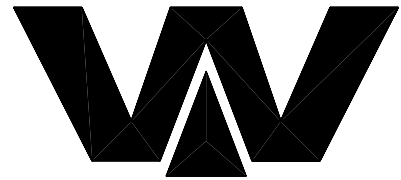
PARTS LIST

| part list | description | created | index | valid from | valid to | |
|-----------|----------------------------|------------------------|------------------|---------------|---------------|------------------|
| B115001 | pump support funnel | 13.10.03 ute | | | | |
| pos | description stock | ident-no dimensions | DIN material | index | weighth Kg | quantity unit |
| 16 | pin | WAI100940 | | | | 4,00 Stk |
| 17 | washer 26, DIN 126 | WAI103411 | | | | 4,00 Stk |
| 18 | rubber buffer 40 x 25 x 50 | WAI102489 | | | 0,21 | 2,00 Stk |
| 19 | bolt | B113021 Rd 30x175 | 1013 42CrMo4V | a 13.02.02 | 0,65 | 2,00 Stk |

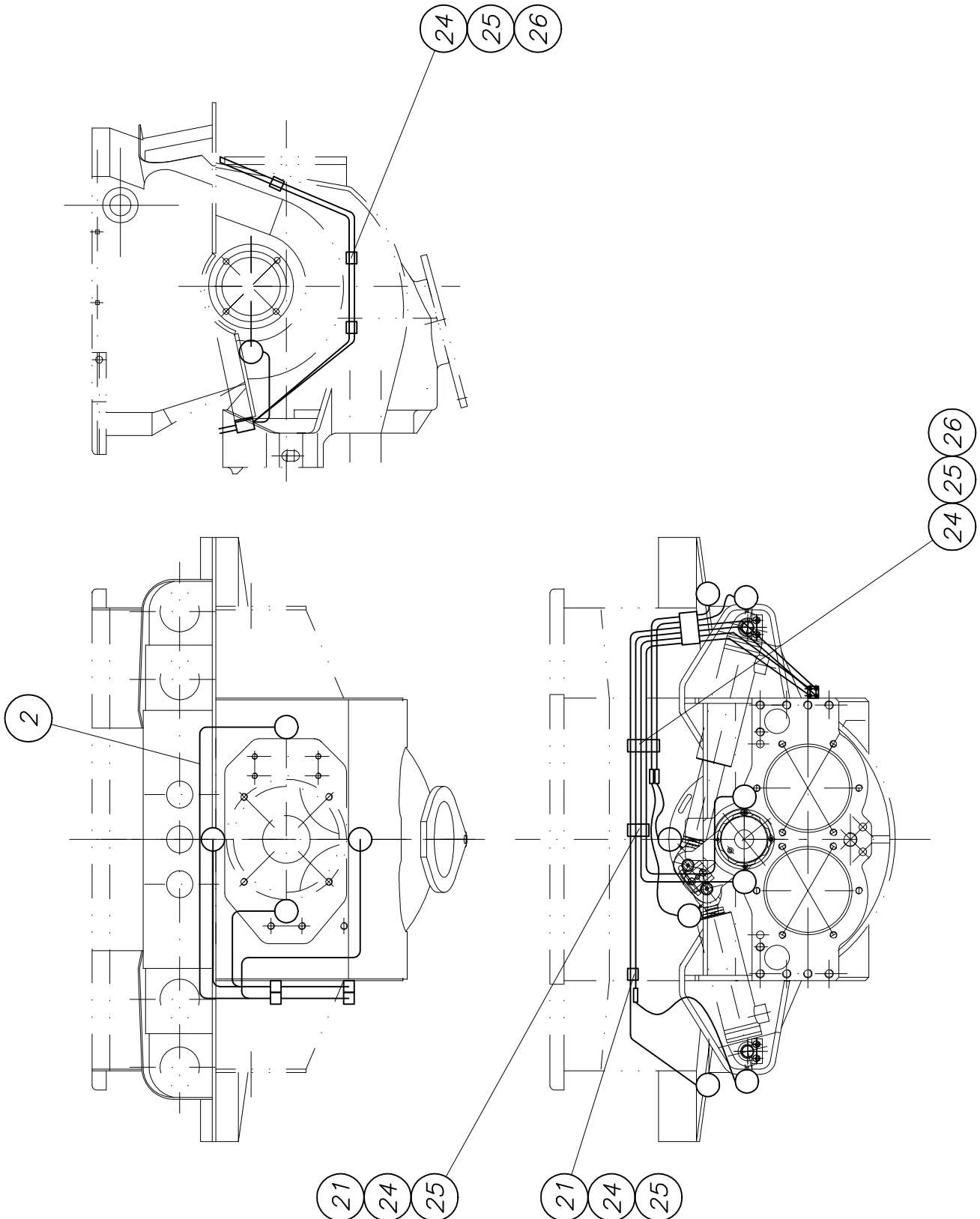
Schmieranlage kpl.
lubrication system cpl.

B 18 5 003a

1



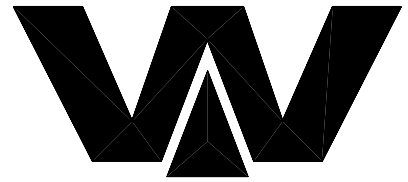
Waitzinger
Baumaschinen GmbH



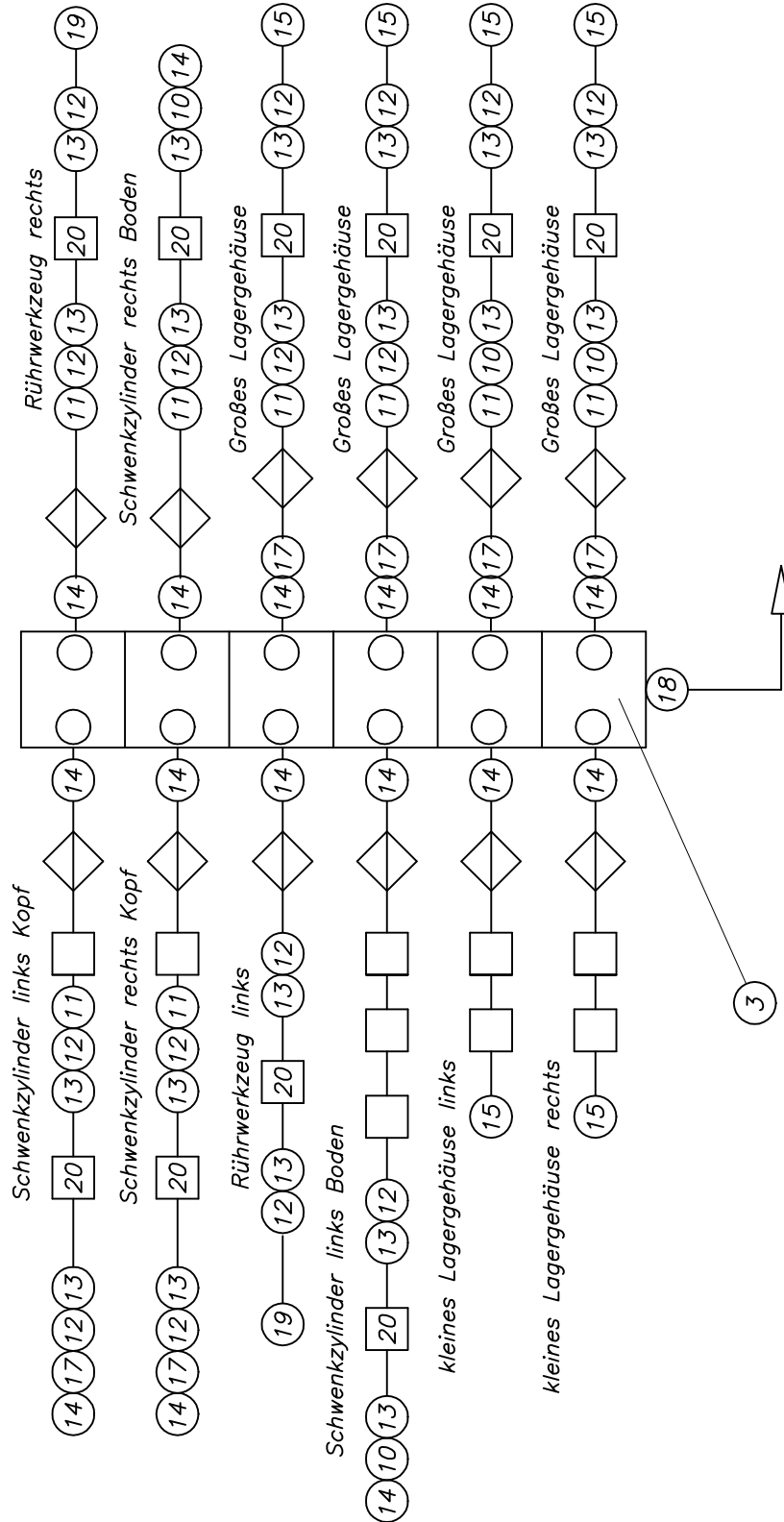
Schmieranlage kpl.
lubrication system cpl.

B 18 5 003a

2



Waitzinger
 Baumaschinen GmbH





PARTS LIST

| part list | description | created | index | valid from | valid to | |
|-----------|---|------------------------|-----------------|------------|---------------|------------------|
| B185003 | lubrication system complete | 15.10.03 ek | a | 29.07.04 | | |
| pos | description stock | ident-no dimensions | DIN material | index | weighth Kg | quantity unit |
| 2 | set of pipes for greasing system | WAI106760 | | | | 1,00 Stk |
| 3 | lubrication distributor complete (12) own parts list | WAI105657 | | | 0,01 | 1,00 Stk |
| 10 | threaded sleeve, 90 degrees | WAI102643 | | | 0,02 | 4,00 Stk |
| 11 | straight couplings L6 | WAI105282 | | | | 8,00 Stk |
| 12 | hose connecting piece, DN6, short | WAI100253 | | | 0,01 | 16,00 Stk |
| 13 | threaded sleeve | WAI100254 | | | 0,01 | 20,00 Stk |
| 14 | straight male stud couplings L6M | WAI100546 | | | 0,03 | 16,00 Stk |
| 15 | throttlefree banjo elbows L6M | WAI102284 | | | | 6,00 Stk |
| 17 | adjustable elbow bodies L6 | WAI102664 | | | 0,02 | 8,00 Stk |
| 18 | straight male stud couplings L6M14 x 1,5 | WAI102665 | | | 0,04 | 1,00 Stk |
| 19 | male stud LL6M 6 x 1 | WAI102603 | | | | 2,00 Stk |
| 20 | plastic pipe 8.4 x 2.1 | WAI100255 | | | 0,05 | 6,00 Mtr |
| 21 | hexagon screw | WAI102109 | | | 0,01 | 2,00 Stk |
| 24 | pipe clip 6 mm (double) | WAI105281 | | | | 8,00 Stk |
| 25 | welding plate for pipe clip | WAI105422 | | | 0,03 | 2,00 Stk |
| 26 | hexagon screw M 6 x 60 DIN 931 8.8 | WAI104065 | | | | 3,00 Stk |
| 27 | cable tie 200x3.6, black | WAI103137 | | | | 10,00 Stk |

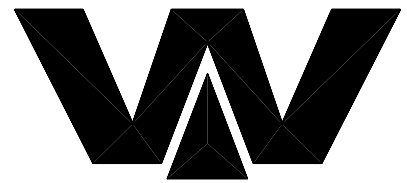


PARTS LIST

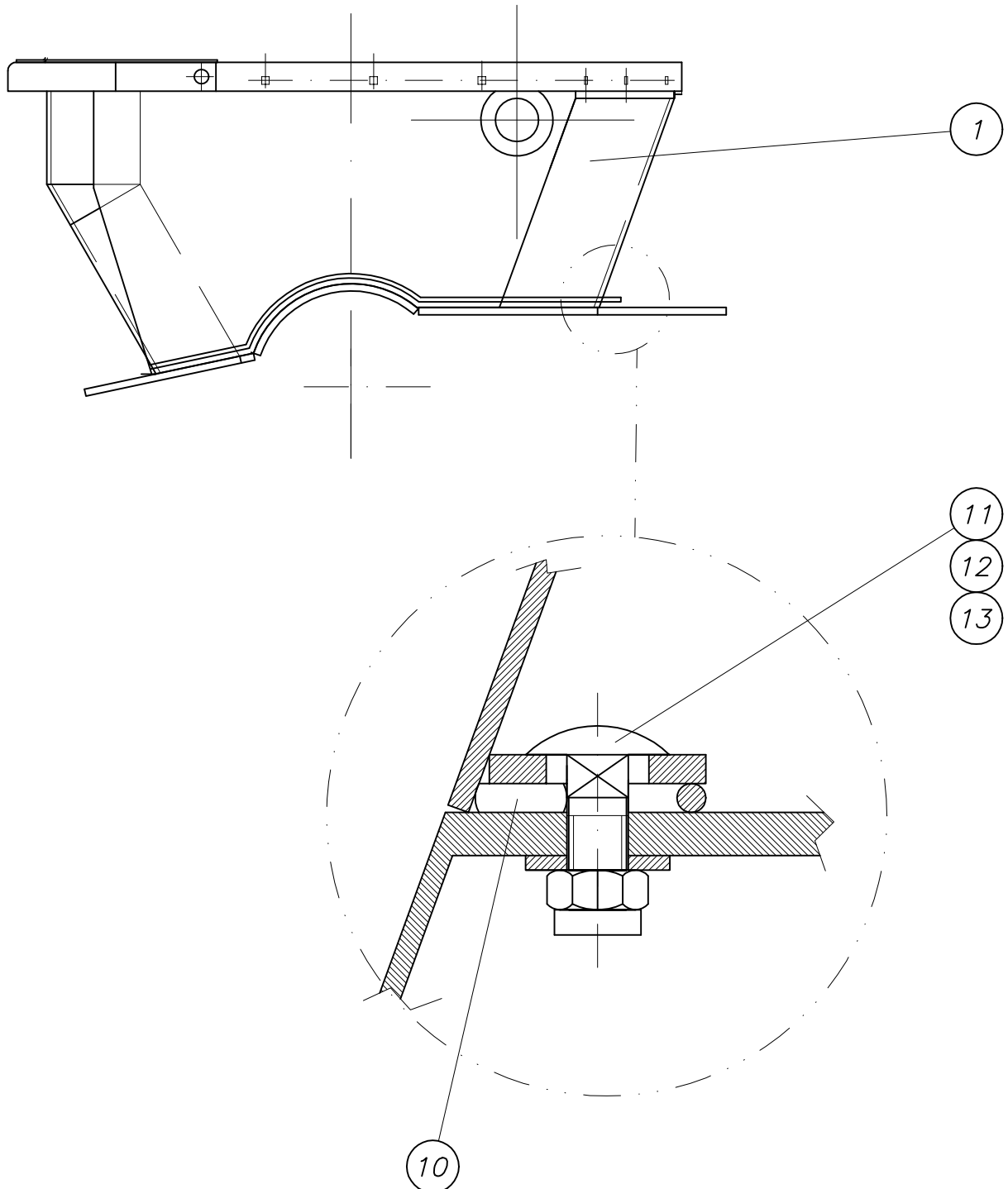
| part list | description | created | index | valid from | valid to | |
|-----------|--|------------------------|-----------------|------------|--------------|------------------|
| b195065R1 | conveying pipe line 6" | 20.07.05 TECHNIK | | | | |
| pos | description stock | ident-no dimensions | DIN material | index | weight Kg | quantity unit |
| 1 | hinge own parts list | B190004 | | | 6,00 | 1,00 Stk |
| 2 | pin | B190008 Rd 40x315 | 1543 669 | | 3,00 | 1,00 Stk |
| 3 | locking pin complete own parts list | B193008 | | a | 3,00 | 1,00 Stk |
| 4 | locking wedge complete own parts list | B194046 | | | 1,85 | 1,00 Stk |
| 10 | cheese head screw M 16 x 40 | WAI102859 | | | | 4,00 Stk |
| 11 | spring washer A16 | WAI103489 | | | 0,01 | 4,00 Stk |
| 12 | O-ring 193 x 10 | WAI103563 | | | 0,05 | 1,00 Stk |
| 13 | cheese head screw M20 x 50 | WAI102854 | | | | 2,00 Stk |
| 22 | locking ring | WAI102865 | | | | 2,00 Stk |
| 23 | key ring | WAI104636 | | | | 2,00 Stk |
| 24 | chain 4mm | WAI103732 | | | | 1,00 mtr |

Trichteroberteil kpl.
hopper upper part cpl.

B 22 5 055



Waitzinger
Baumaschinen GmbH





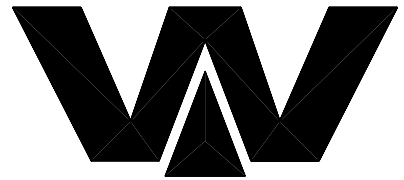
PARTS LIST

| part list | description | created | index | valid from | valid to | |
|-----------|-------------------------------------|------------------------|-----------------|---------------|-------------|------------------|
| B225055 | hopper upper part | 11.11.02 Mi | | | | |
| pos | description stock | ident-no dimensions | DIN material | index | weigh Kg | quantity unit |
| 1 | kopper upper part own parts list | B175011 | | a 30.05.05 | 86,00 | 1,00 Stk |
| 10 | expanded rubber | WAI103309 | | | | 4,00 Mtr |
| 11 | cup square neck bolt M 16 x 50 | WAI105131 | | | | 4,00 Stk |
| 12 | nut M16 DIN 985 | WAI102330 | | | | 4,00 Stk |
| 13 | washer DIN 6916 17 | WAI101558 | | | 0,02 | 4,00 Stk |

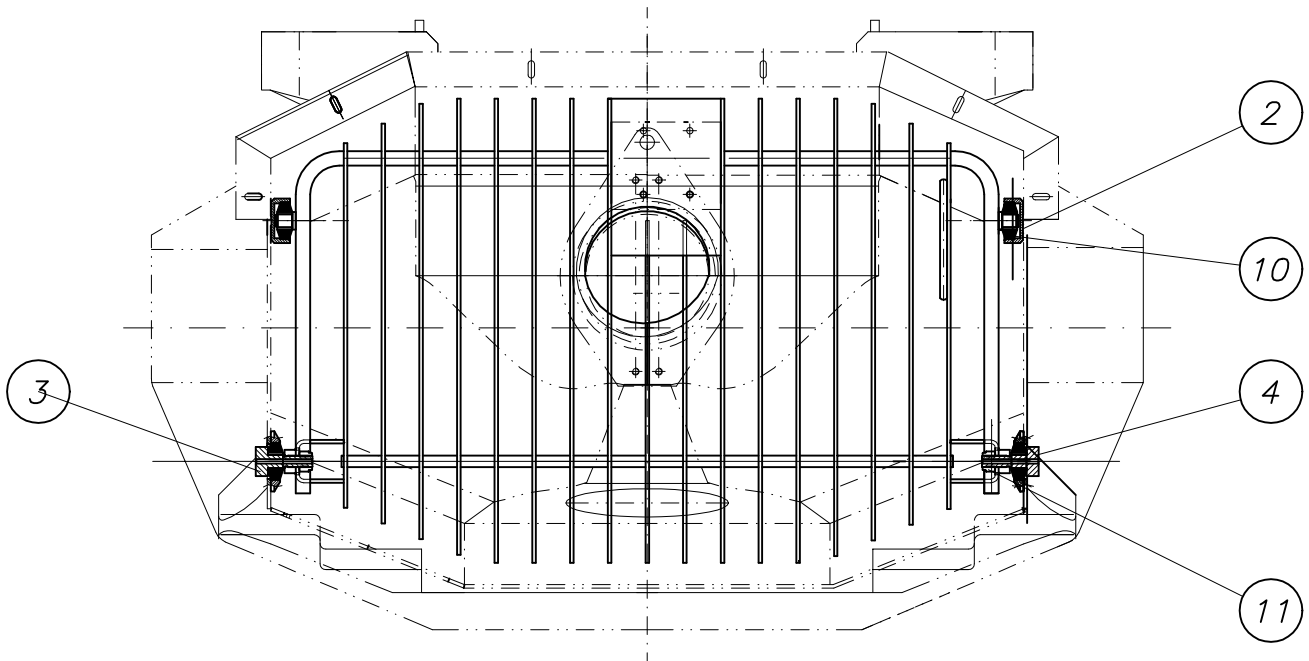
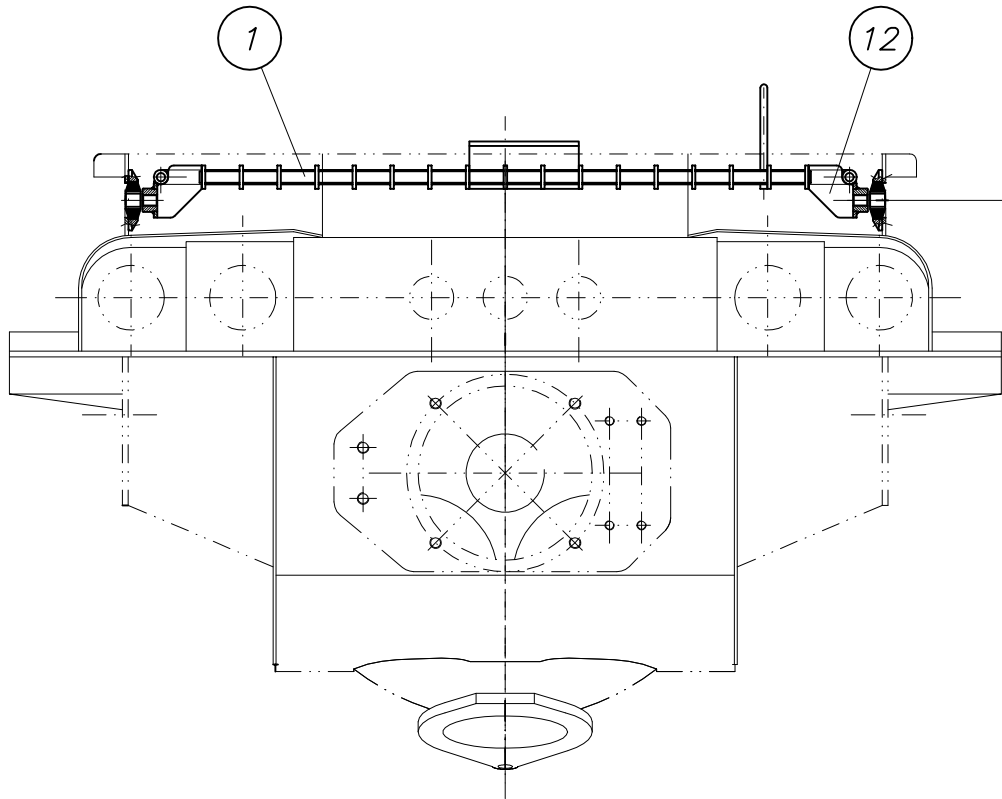
Gitterrost kpl.

grid cpl.

B 22 5 040b



Waitzinger
Baumaschinen GmbH



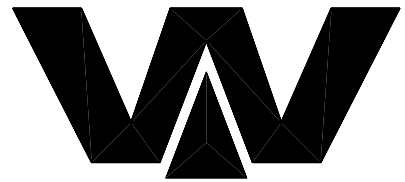


PARTS LIST

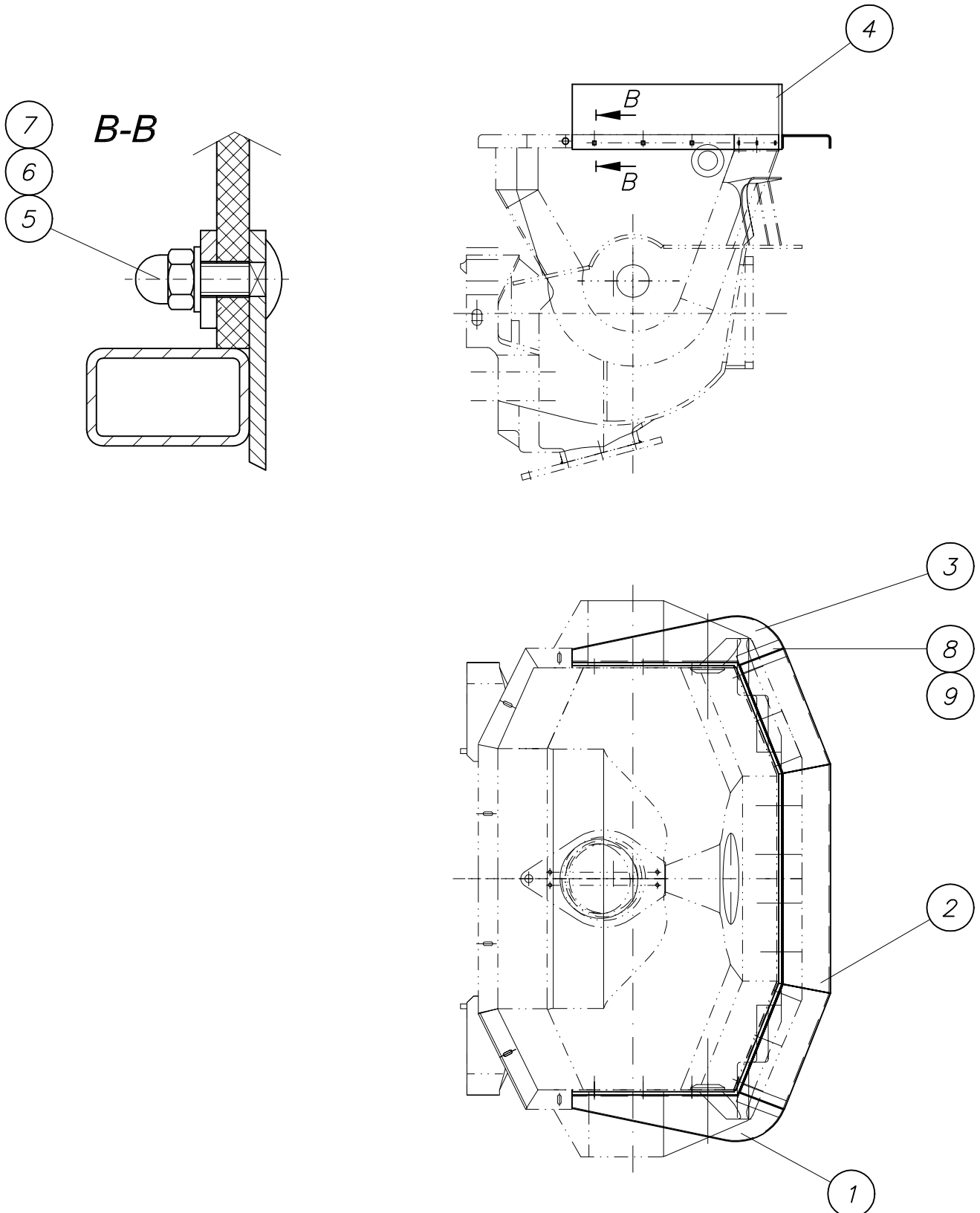
| part list | description | created | index | valid from | valid to | |
|-----------|------------------------------|------------------------|------------------------|---------------|---------------|------------------|
| B225040 | grid cpl. | 29.01.01 Mi | b | 29.11.04 | | |
| pos | description stock | ident-no dimensions | DIN material | index | weighth Kg | quantity unit |
| 1 | grate own parts list | B225010 | | b 09.09.04 | 33,42 | 1,00 Stk |
| 2 | housing for grating | B223061 Rd 80x20 | 1013 S355J2G3 | | 0,50 | 2,00 Stk |
| 3 | bolt | B225041 Rd 50x104 | 1013 St52-3 | b 05.04.05 | 0,20 | 1,00 Stk |
| 4 | bolt | B225085 Rd 50x109 | 1013 St52-3 | a 05.04.05 | 0,20 | 1,00 Stk |
| 10 | rubber buffer 65 x 22,5 x 26 | WAI102490 | | | 0,17 | 4,00 Stk |
| 11 | nut M20 DIN 985 | WAI106610 | | | | 2,00 Stk |
| 12 | fixing sheet | B223057 Bl 10x32x50 | 1543/EN10029 St37-2 | | 0,10 | 2,00 Stk |

Gummischürze kpl.
rubber apron cpl.

B 22 5 045a



Waitzinger
Baumaschinen GmbH



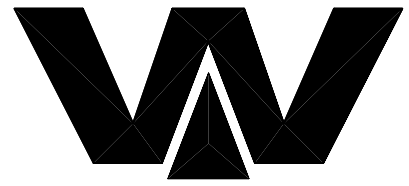


PARTS LIST

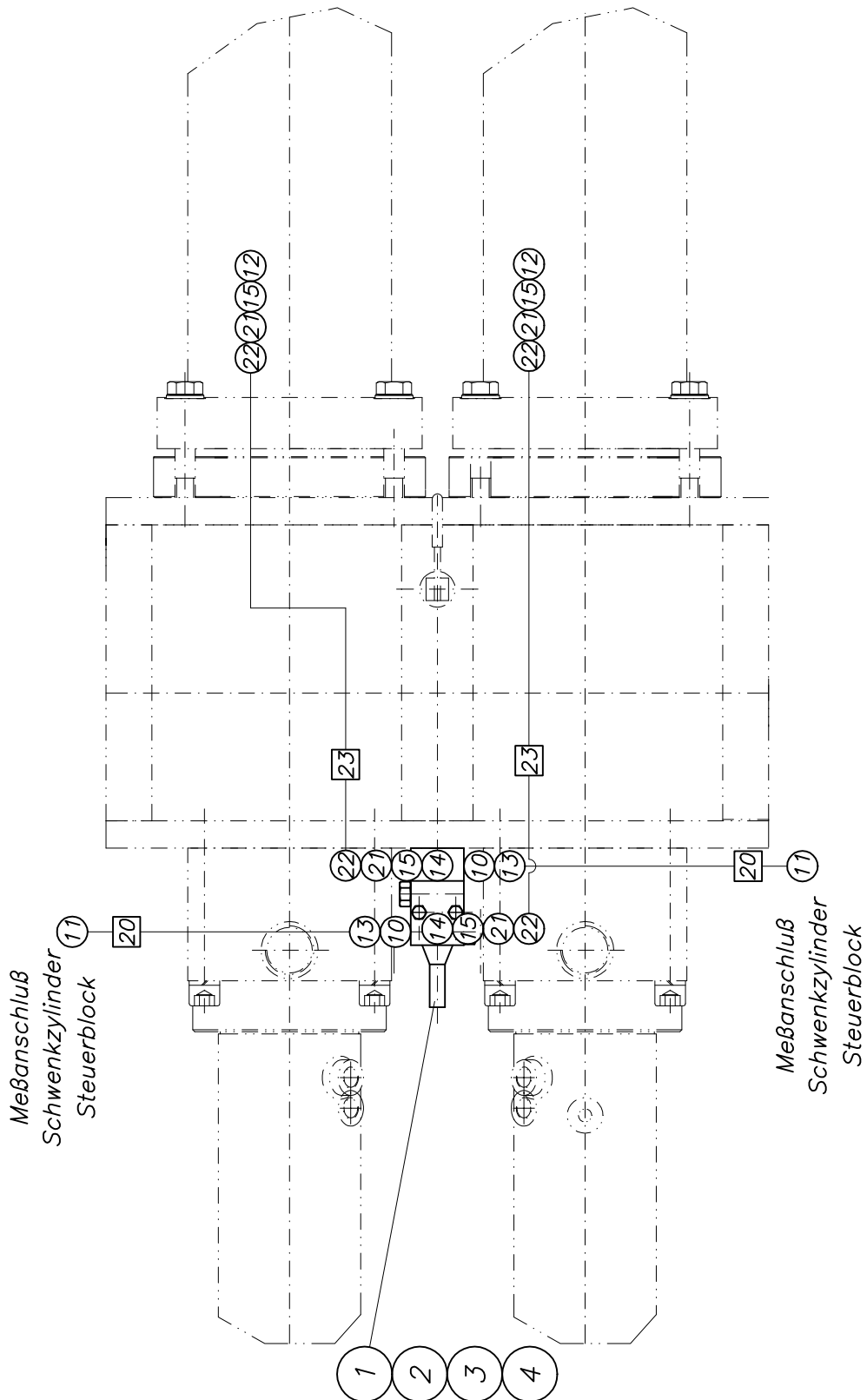
| part list | description | created | index | valid from | valid to | |
|-----------|--------------------------------|----------------------------|------------------------|---------------|---------------|------------------|
| B225045 | rubber apron cpl | 07.03.01 Mi | a | 04.04.03 | | |
| pos | description stock | ident-no dimensions | DIN material | index | weighth Kg | quantity unit |
| 1 | strip | B225042 Bl 4x220x701 | 1543/EN10029 St37-2 | a 04.04.03 | 2,60 | 1,00 Stk |
| 2 | strip cpl. own parts list | B225053 | | b 02.03.04 | 10,00 | 1,00 Stk |
| 3 | strip | B225054 Bl 4x220x701 | 1543/EN10029 St37-2 | b 30.11.04 | 2,60 | 1,00 Stk |
| 4 | rubber apron | B224013 Gummi 10x200x31 | | a 25.02.00 | | 1,00 Stk |
| 5 | cup square neck bolt M 10 x 30 | WAI103972 | | | | 12,00 Stk |
| 6 | washer 10.5 | WAI101559 | | | 0,00 | 12,00 Stk |
| 7 | cap nut M10 | WAI101847 | | | | 12,00 Stk |
| 8 | countersunk screw | WAI103176 | | | | 4,00 Stk |
| 9 | hex. nut M6 | WAI102998 | | | | 4,00 Stk |

Förderkolbensmierung kpl.
conveying cyl. lubrication cpl.

B 18 3 006b



Waitzinger
Baumaschinen GmbH



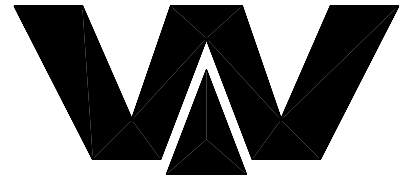


PARTS LIST

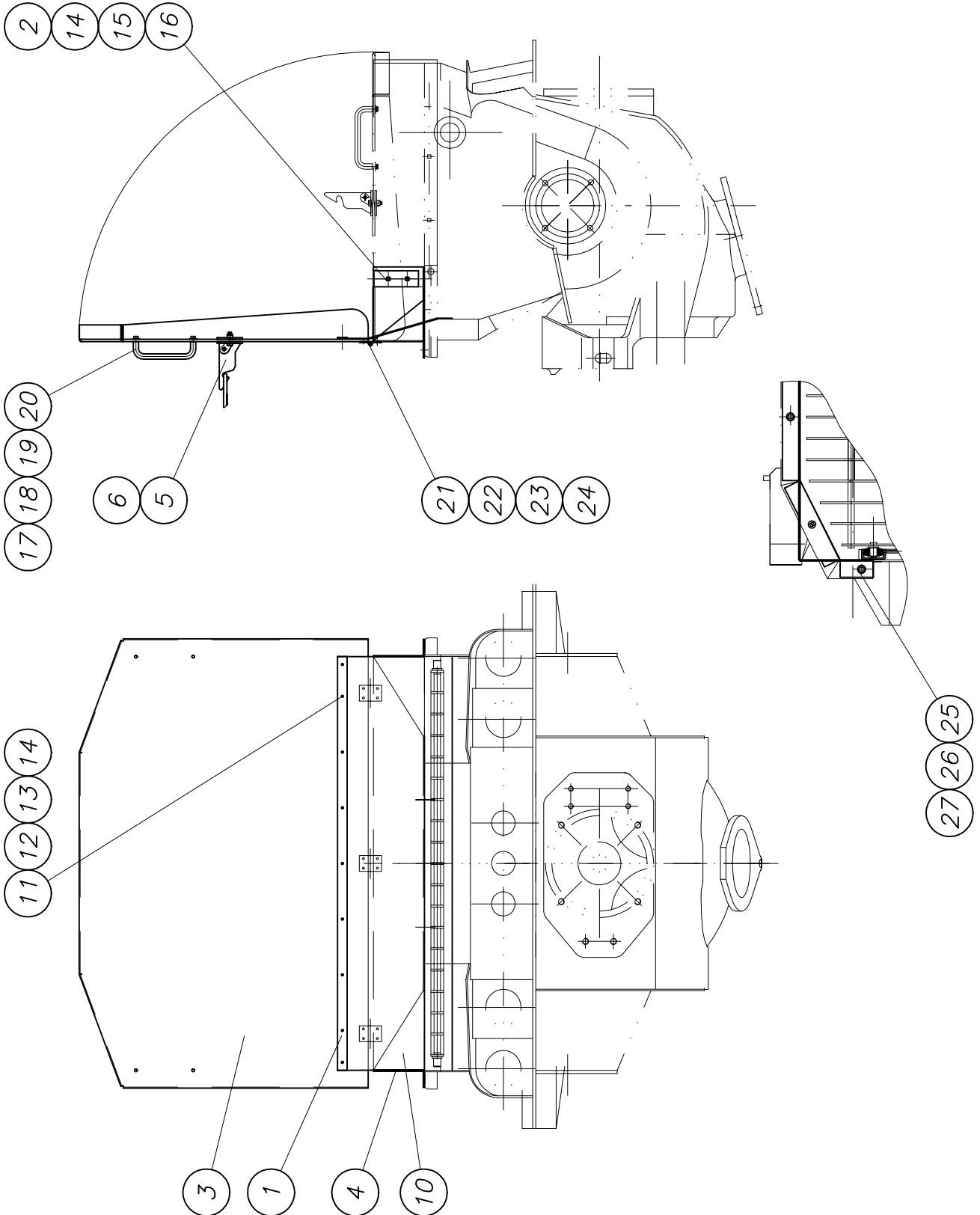
| part list | description | created | index | valid from | valid to | |
|-----------|---------------------------------------|------------------------|------------------------|------------|---------------|------------------|
| B183006 | conveyor cyl. autom. cpl. | 15.01.99 Mi | b | 01.03.05 | | |
| pos | description stock | ident-no dimensions | DIN material | index | weighth Kg | quantity unit |
| 1 | holder for distributor | B183008 Bl 8x52x95 | 1543/EN10029 St37-2 | | 0,30 | 1,00 Stk |
| 2 | distributor VSKH 2-D | WAI104402 | | | | 1,00 Stk |
| 3 | hexagon bolt M 8 x 70 | WAI105277 | | | | 2,00 Stk |
| 4 | spring washer A8 DIN 127 VERZ. | WAI102205 | | | 0,00 | 2,00 Stk |
| 10 | straight male stud couplings L8R 1/4" | WAI105202 | | | | 2,00 Stk |
| 11 | swivel barrel tee L8 | WAI100556 | | | 0,08 | 2,00 Stk |
| 12 | straight male stud couplings L6M | WAI103737 | | | | 2,00 Stk |
| 13 | adjustable elbow bodies L8 | WAI100589 | | | | 2,00 Stk |
| 14 | male stud couplings L6 R 1/4" WD | WAI105434 | | | | 2,00 Stk |
| 15 | adjustable elbow bodies L6 | WAI102664 | | | 0,02 | 4,00 Stk |
| 20 | hydraulic hose DN 6 x 1000 | WAI103234 | | | | 2,00 Stk |
| 21 | hose connecting piece, DN6, short | WAI100253 | | | 0,01 | 2,00 Stk |
| 22 | threaded sleeve | WAI100254 | | | 0,01 | 2,00 Stk |
| 23 | plastic pipe 8.4 x 2.1 | WAI100255 | | | 0,05 | 3,00 Mtr |

Trichterabdeckung kpl.
cover for hopper cpl.

B 22 5 090



Waitzinger
Baumaschinen GmbH





PARTS LIST

| part list | description | created | index | valid from | valid to | |
|-----------|--------------------------------|------------------------|-------------------|---------------|---------------|------------------|
| B225090 | cover for hopper cpl. | 18.05.05 hbk | | | | |
| pos | description stock | ident-no dimensions | DIN material | index | weighth Kg | quantity unit |
| 1 | plate | B255063 Bl4x30x1280 | 10029 S235J2G3 | a 19.07.05 | 1,20 | 1,00 Stk |
| 2 | plate | B255064 Bl5x50x140 | 10029 S235J2G3 | | 0,27 | 2,00 Stk |
| 3 | splash board own parts list | B255065 | Alu | c 27.07.05 | 12,00 | 1,00 Stk |
| 4 | splash board own parts list | B255075 | | | 15,00 | 1,00 Stk |
| 5 | hook cpl. own parts list | B224025 | | a 06.09.05 | 0,90 | 1,00 Stk |
| 6 | holder | B224021 Rd 10x1060 | 1013 S355J2G3 | a 23.05.05 | 0,65 | 1,00 Stk |
| 10 | rubber apron | WAI107190 | | | | 1,00 Stk |
| 11 | countersunk head screw M6x20 | WAI103153 | | | | 9,00 Stk |
| 12 | washer 6 mm | WAI106432 | | | | 9,00 Stk |
| 13 | spring washer A6 | WAI103000 | | | | 9,00 Stk |
| 14 | cup square neck bolt M 10 x 30 | WAI103972 | | | | 4,00 Stk |
| 15 | washer 10.5 | WAI101559 | | | 0,20 | 4,00 Stk |
| 16 | cap nut M10 | WAI101847 | | | | 4,00 Stk |
| 17 | hexagon bolt M 8 x 20 | WAI101837 | | | | 4,00 Stk |
| 18 | washer 8.4 DIN9021 | WAI102882 | | | | 4,00 Stk |
| 19 | spring washer A8 DIN 127 VERZ. | WAI102205 | | | 0,00 | 4,00 Stk |
| 20 | bow grip | WAI104441 | | | | 2,00 Stk |
| 21 | hinge | WAI103237 | | | 0,10 | 3,00 Stk |
| 22 | countersunk screw | WAI103176 | | | | 12,00 Stk |
| 23 | washer | WAI103572 | | | | 12,00 Stk |



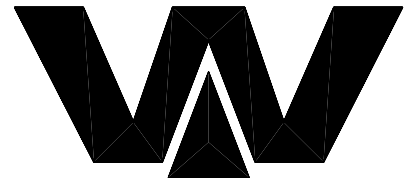
PARTS LIST

| part list | description | created | index | valid from | valid to | |
|-----------|--------------------------------|------------------------|-----------------|------------|---------------|------------------|
| B225090 | cover for hopper cpl. | 18.05.05 hbk | | | | |
| pos | description stock | ident-no dimensions | DIN material | index | weighth Kg | quantity unit |
| 24 | hex. nut M6 | WAI101624 | | | | 12,00 Stk |
| 25 | cup square neck bolt M 10 x 25 | WAI103971 | | | | 6,00 Stk |
| 26 | hex. nut M10 DIN985 8. | WAI102125 | | | 0,01 | 6,00 Stk |
| 27 | washer 10.5 | WAI101559 | | | 0,20 | 6,00 Stk |

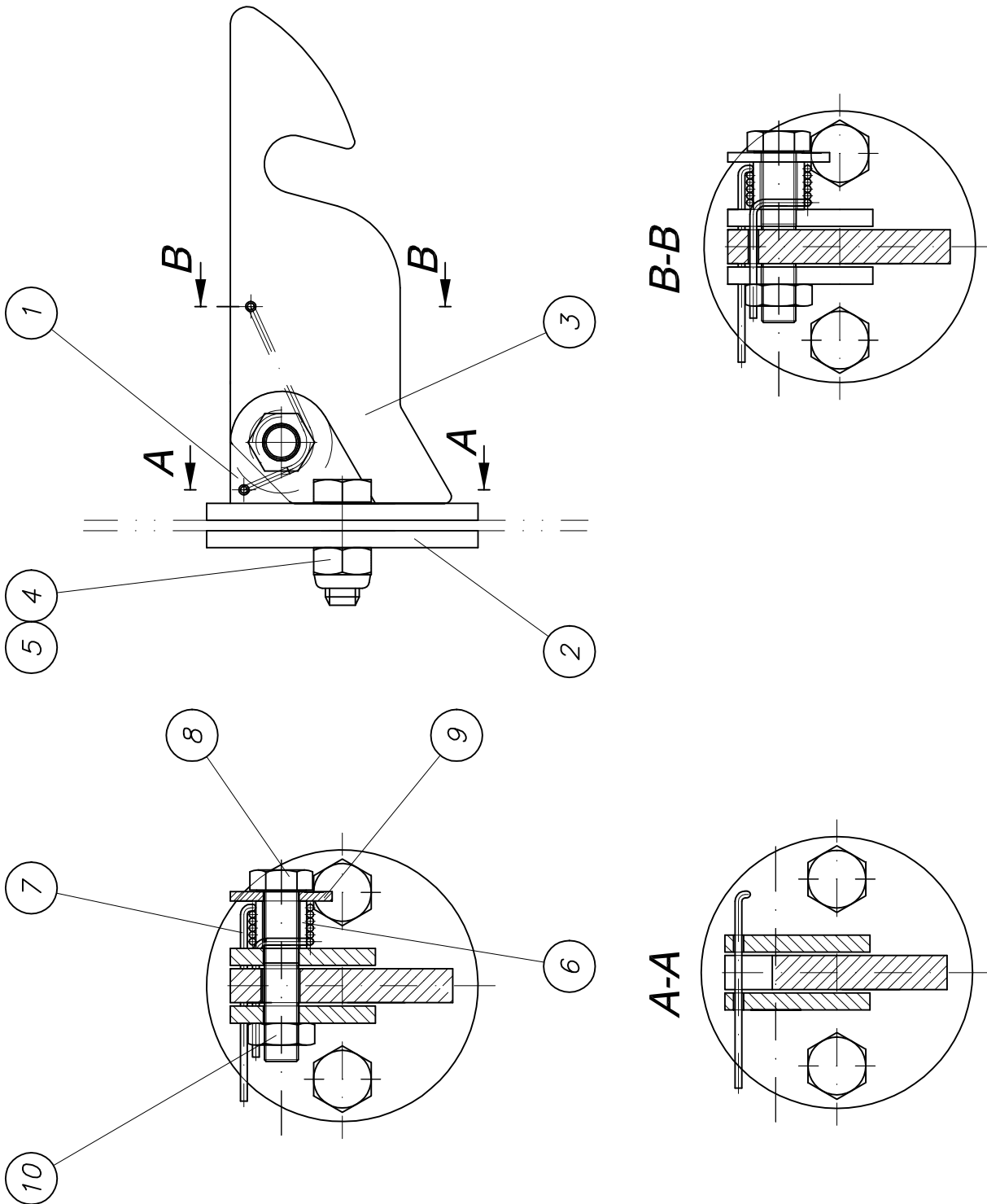
Haken kpl.

hook cpl.

B 22 4 025a



Waitzinger
Baumaschinen GmbH



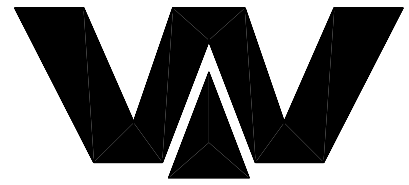


PARTS LIST

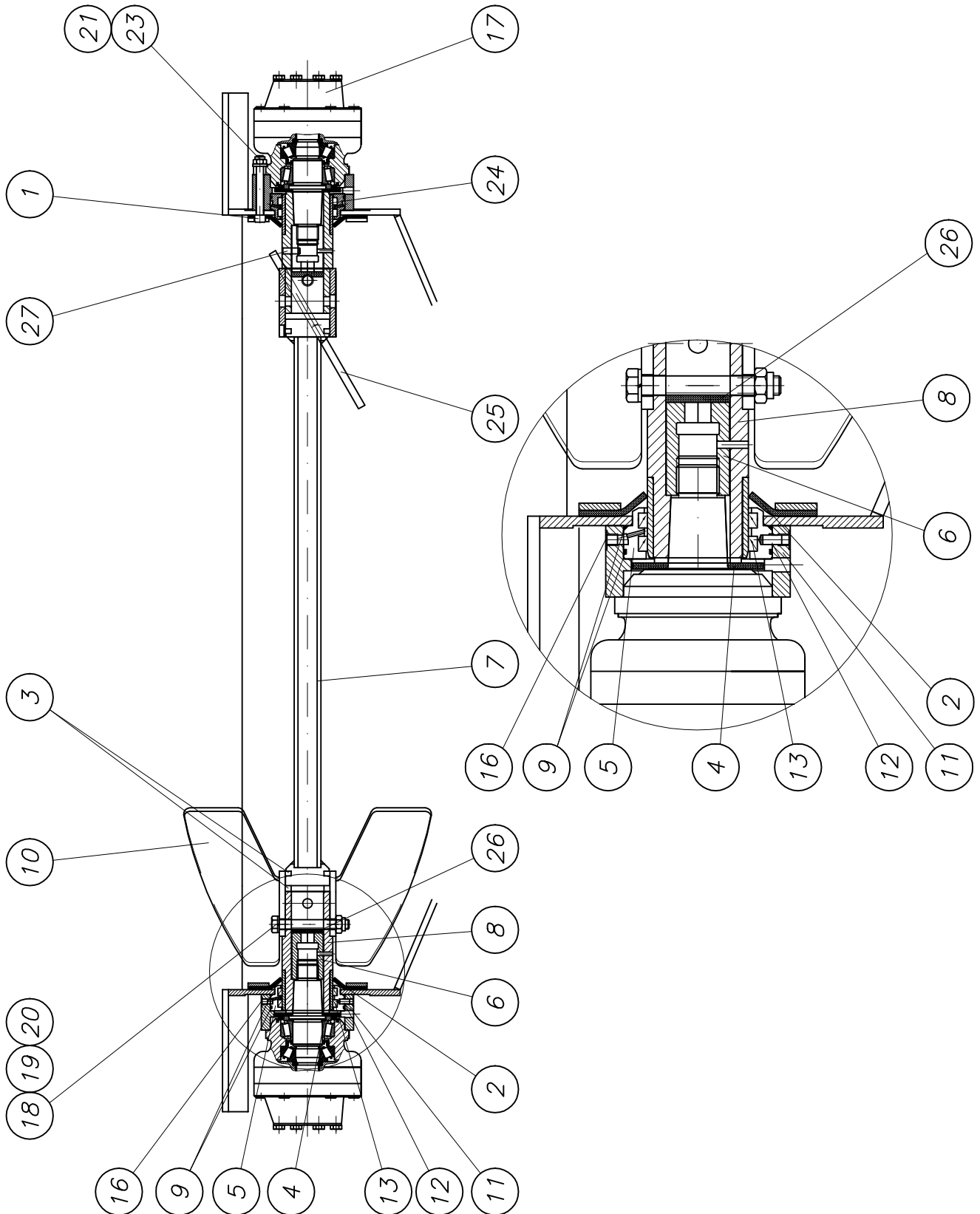
| part list | description | created | index | valid from | valid to | |
|-----------|-------------------------------|----------------------------|------------------------|---------------|---------------|------------------|
| B224025 | hook cpl. | 14.01.98 RH | a | 06.09.05 | | |
| pos | description stock | ident-no dimensions | DIN material | index | weighth Kg | quantity unit |
| 1 | basic plate own parts list | B224026 | | a 07.09.05 | 0,27 | 1,00 Stk |
| 2 | plate | B224027 5xDurchm.80 | 1543/EN10029 St37-2 | | 0,19 | 1,00 Stk |
| 3 | hook | B224030 Bl 10x66.6x160. | 1543/EN10029 St37-2 | b 05.09.05 | 0,42 | 1,00 Stk |
| 4 | nut M10 DIN 934 | WAI101556 | | | 0,01 | 2,00 Stk |
| 5 | hexagon bolt M 10 x 30 | WAI101553 | | | 0,03 | 2,00 Stk |
| 6 | hydr. pipe 15x2x12 | B224031 Hydr.Ro15x2x14 | | | 0,01 | 1,00 Stk |
| 7 | spring | WAI109678 | | | | 1,00 Stk |
| 8 | hex. bolt M10x50 | WAI102124 | | | 0,04 | 1,00 Stk |
| 9 | washer 10.5 | WAI103288 | | | 0,00 | 1,00 Stk |
| 10 | hex. nut M10 DIN985 8. | WAI102125 | | | 0,01 | 1,00 Stk |

Rührwerk mit Antrieb kpl.
agitator with drive cpl.

B 25 5 080



Waitzinger
Baumaschinen GmbH





PARTS LIST

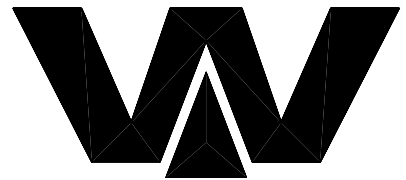
| part list | description | created | index | valid from | valid to | |
|-----------|--|----------------------------|-------------------------|---------------|-------------|------------------|
| B255080 | agitator with drive | 13.06.05 | TECHNIK | | | |
| pos | description stock | ident-no dimensions | DIN material | index | weigh Kg | quantity unit |
| 1 | washer cpl. own parts list | B255092 | | | 1,00 | 2,00 Stk |
| 2 | seal disc | B255044 5xd 240 | Gummi 70 Shore | a 31.03.04 | | 2,00 Stk |
| 3 | sealing | B255083 Gummi 8x 76x 76 | Gummi 60Shore | | | 4,00 Stk |
| 4 | seal disc | B254109 5xDurchm.110 | Gummi 60 Sho | | | 2,00 Stk |
| 5 | sealing carrier | B255078 Rd 140x 50 | DIN 1013 S355J2G3 | | 0,31 | 2,00 Stk |
| 6 | shell | B255025 Rd 50x84 | 1013 S355J2G3 | a 17.09.03 | 0,70 | 2,00 Stk |
| 7 | agitat shaft complete own parts list | B255079 | | | | 1,00 Stk |
| 8 | shaft | B255028 Rd 85x208 | 1013 S355J2G3 | c 01.07.05 | 5,00 | 2,00 Stk |
| 9 | O-ring 120 x 3 | WAI108298 | | | | 4,00 Stk |
| 10 | agitator cpl. left own parts list | B255085 | | | 4,50 | 1,00 Stk |
| 11 | motor support | B255076 Bl. 70x 155x 15 | DIN EN10029 S235J2G3 | | 4,80 | 2,00 Stk |
| 12 | set screw M 10x1x 20 | WAI109709 | | | | 2,00 Stk |
| 13 | groove ring 85-100-11.5 | WAI102544 | | | 0,02 | 4,00 Stk |
| 16 | male stud LL6M 6 x 1 | WAI102603 | | | | 2,00 Stk |
| 17 | hydraulic motor MCR 3D 280 own parts list | WAI101240 | | | 28,00 | 2,00 Stk |
| 18 | washer DIN 6916 17 | WAI101558 | | | 0,02 | 4,00 Stk |
| 19 | nut M16 DIN 985 | WAI102330 | | | | 4,00 Stk |
| 20 | hexagon bolt | WAI107513 | | | 0,21 | 4,00 Stk |
| 21 | hex. nut M12 DIN 985 8. VERZ. | WAI101626 | | | | 2,00 Stk |
| 23 | washer | WAI102962 | | | 0,01 | 8,00 Stk |



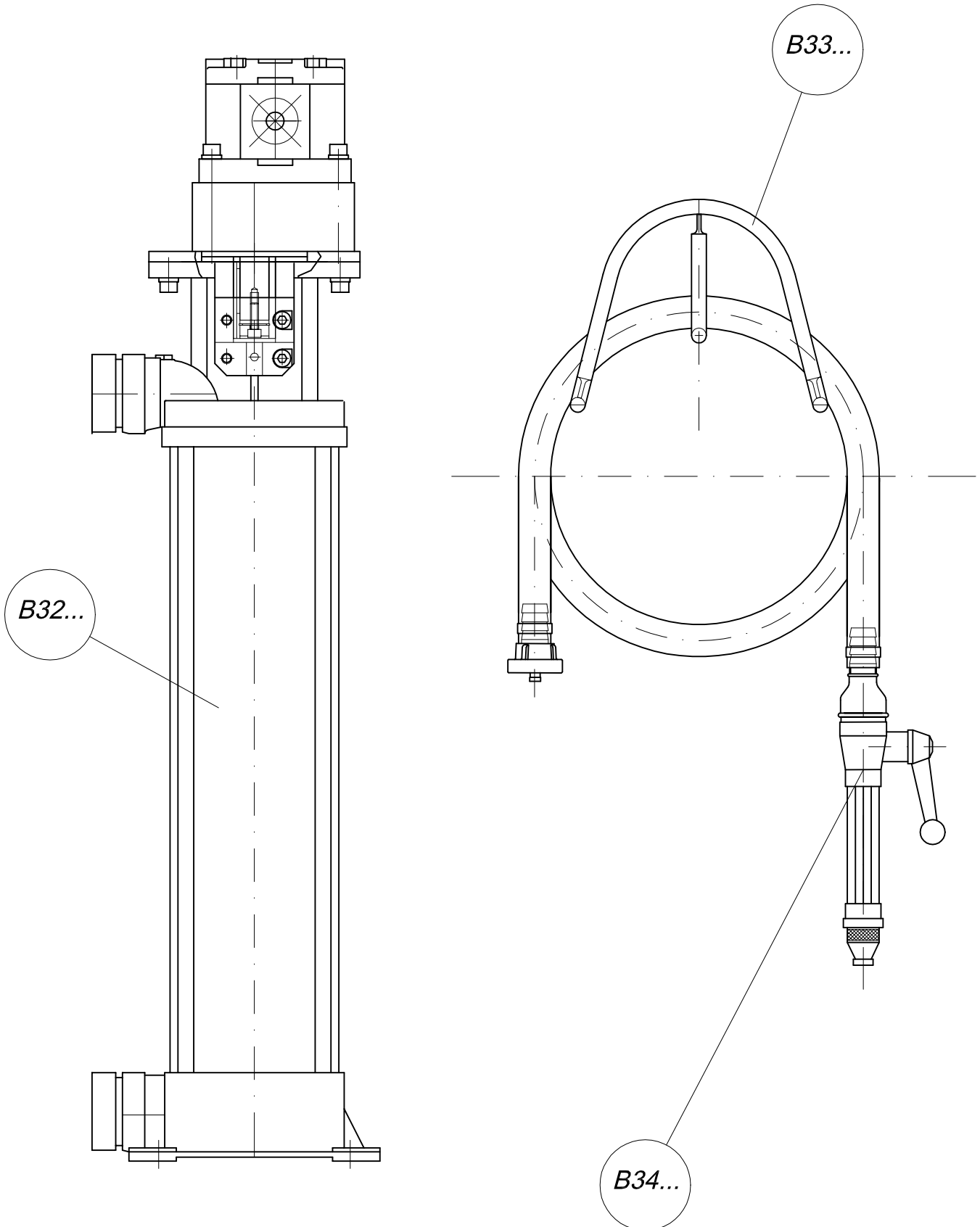
PARTS LIST

| part list | description | created | index | valid from | valid to | |
|-----------|---------------------------------------|----------------------------|-------------------|---------------|---------------|------------------|
| B255080 | agitator with drive | 13.06.05 TECHNIK | | | | |
| pos | description stock | ident-no dimensions | DIN material | index | weighth Kg | quantity unit |
| 24 | wear sleeve | B253020 Rohr 101.6x13.5 | 2448 StE690 | b 30.03.99 | 0,34 | 2,00 Stk |
| 25 | agitator cpl. right own parts list | B255088 | | a 28.07.05 | 4,50 | 1,00 Stk |
| 26 | seal disc | B255057 8xD53 | Gummi 70 Shore | | | 2,00 Stk |
| 27 | straight pin 10 H 6 x 30 | WAI103065 | | | | 2,00 Stk |

Übersicht B 30 - B 39
over view B 30 - B 39



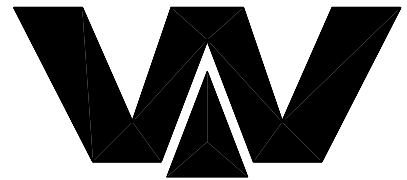
*Waitzinger
Baumaschinen GmbH*



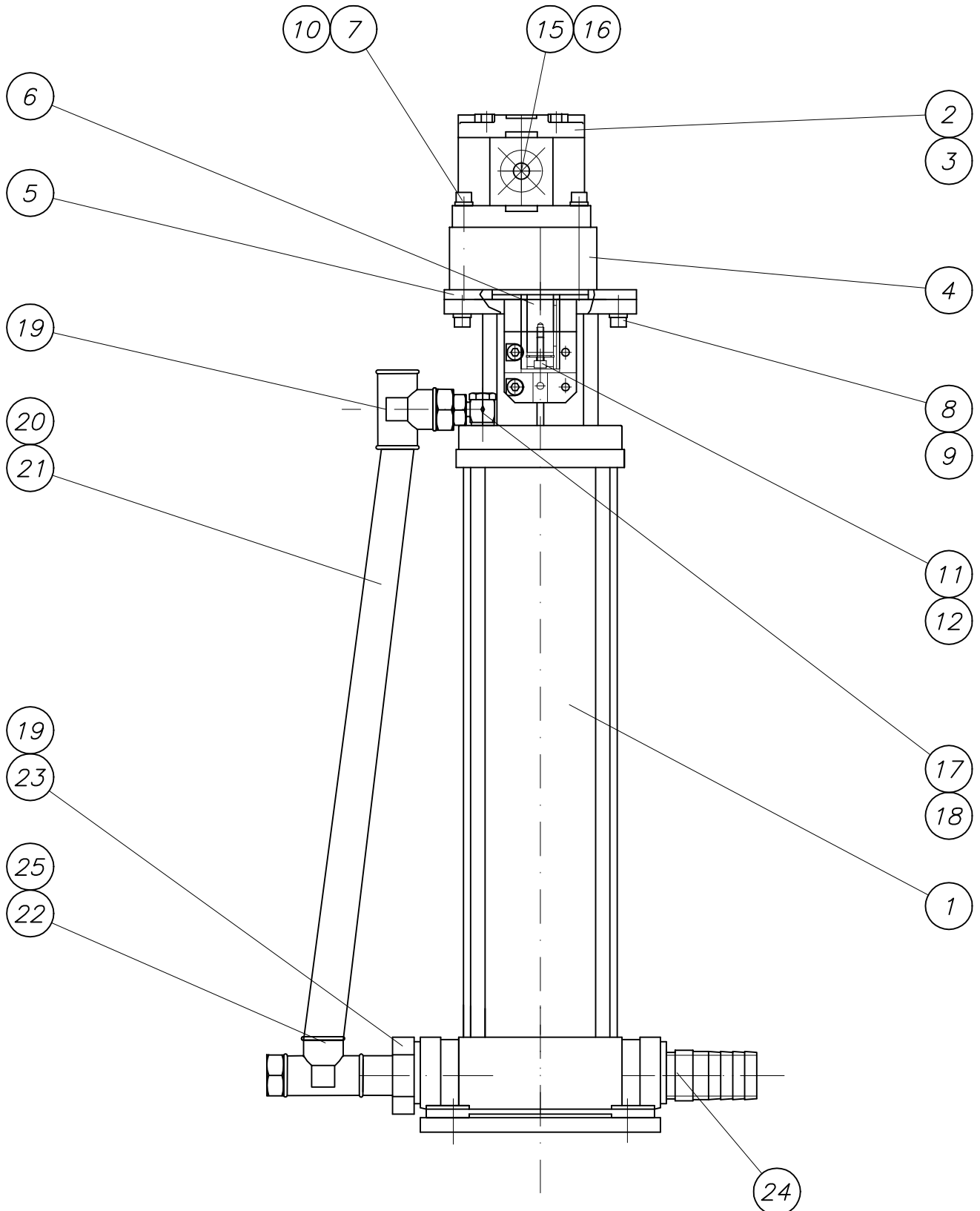
Wasserpumpe kpl.

water pump cpl.

B 32 3 070



Waitzinger
Baumaschinen GmbH



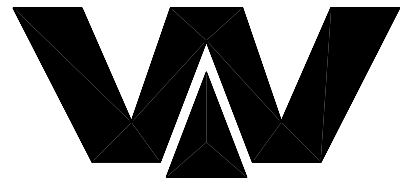


PARTS LIST

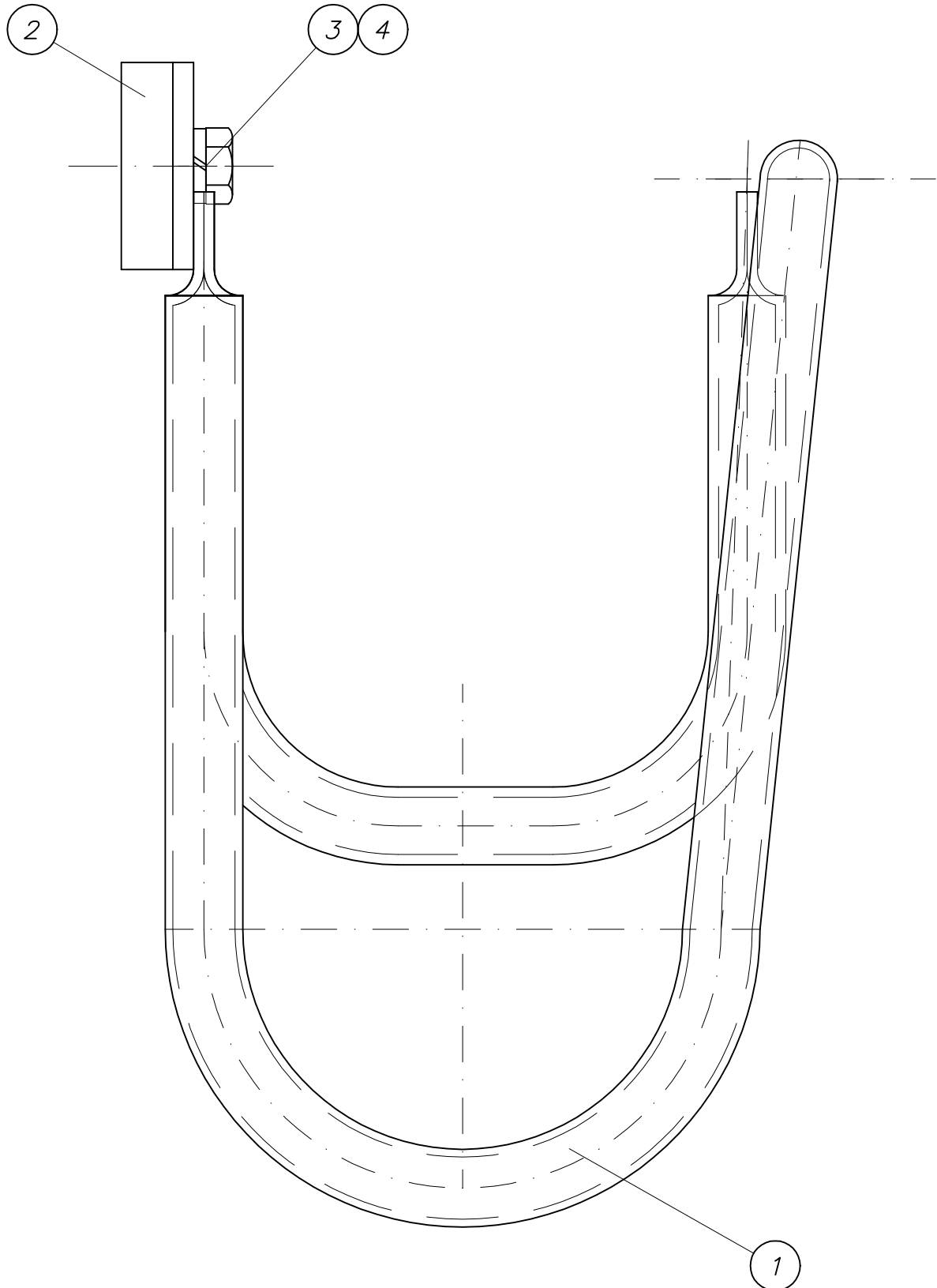
| part list | description | created | index | valid from | valid to | |
|-----------|------------------------------|----------------------------|------------------|------------|---------------|------------------|
| B323070 | water pump with drive | 02.04.03 rhbk | | | | |
| pos | description stock | ident-no dimensions | DIN material | index | weighth Kg | quantity unit |
| 1 | water pump INV | WAI108082 | | | | 1,00 Stk |
| 2 | gear motor own parts list | WAI105922 | | | | 1,00 Stk |
| 3 | splined coupling | WAI102916 | | | | 1,00 Stk |
| 4 | belt pulley support | WAI102915 | | | | 1,00 Stk |
| 5 | flange | B323061 Rd 170 x12 | 1013 S235J2G3 | | 1,35 | 1,00 Stk |
| 6 | coupling piece | B323019 Rd 38x58 | 670 ST50-k | | | 1,00 Stk |
| 7 | alien bolt M 8x70 | WAI105929 | | | | 4,00 Stk |
| 8 | alien bolt M 8x25 | WAI105930 | | | | 5,00 Stk |
| 10 | spring washer | WAI100235 | | | 0,00 | 8,00 Stk |
| 11 | locking ring | WAI105931 | | | | 1,00 Stk |
| 12 | washer | B323023 Rd 22x6 | 670 St50-2k | | 0,05 | 1,00 Stk |
| 15 | elbow flange coupling L15-40 | WAI102678 | | | 0,23 | 1,00 Stk |
| 16 | elbow flange coupling L12-35 | WAI105921 | | | 0,23 | 1,00 Stk |
| 17 | bow | WAI104163 | | | | 1,00 Stk |
| 18 | thread red.adaptors"3/4-3/8" | WAI100347 | | | 0,09 | 1,00 Stk |
| 19 | t-piece | WAI103590 | | | | 2,00 Stk |
| 20 | hose | WAI102117 | | | | 0,50 Mtr |
| 21 | hose clamp 25-28 mm | WAI108309 | | | | 4,00 Stk |
| 22 | hose socket | WAI105993 | | | | 1,00 Stk |
| 23 | double nipple 3/4" | WAI103566 | | | | 1,00 Stk |
| 24 | nipple | B323059 Rohr 42.4x4.5x9 | 2448 S235J2G3 | | 0,30 | 1,00 Stk |
| 25 | connecting piece waterpump | B323062 Rohr 42,2x4.5x6 | 2448 S235J2G3 | | 0,30 | 1,00 Stk |

Halter für Wasserschlauch kpl.
holder for water pipe cpl.

B 33 0 020



Waitzinger
Baumaschinen GmbH

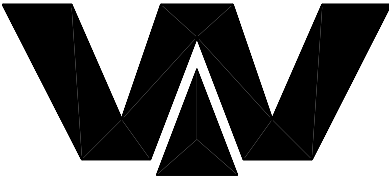




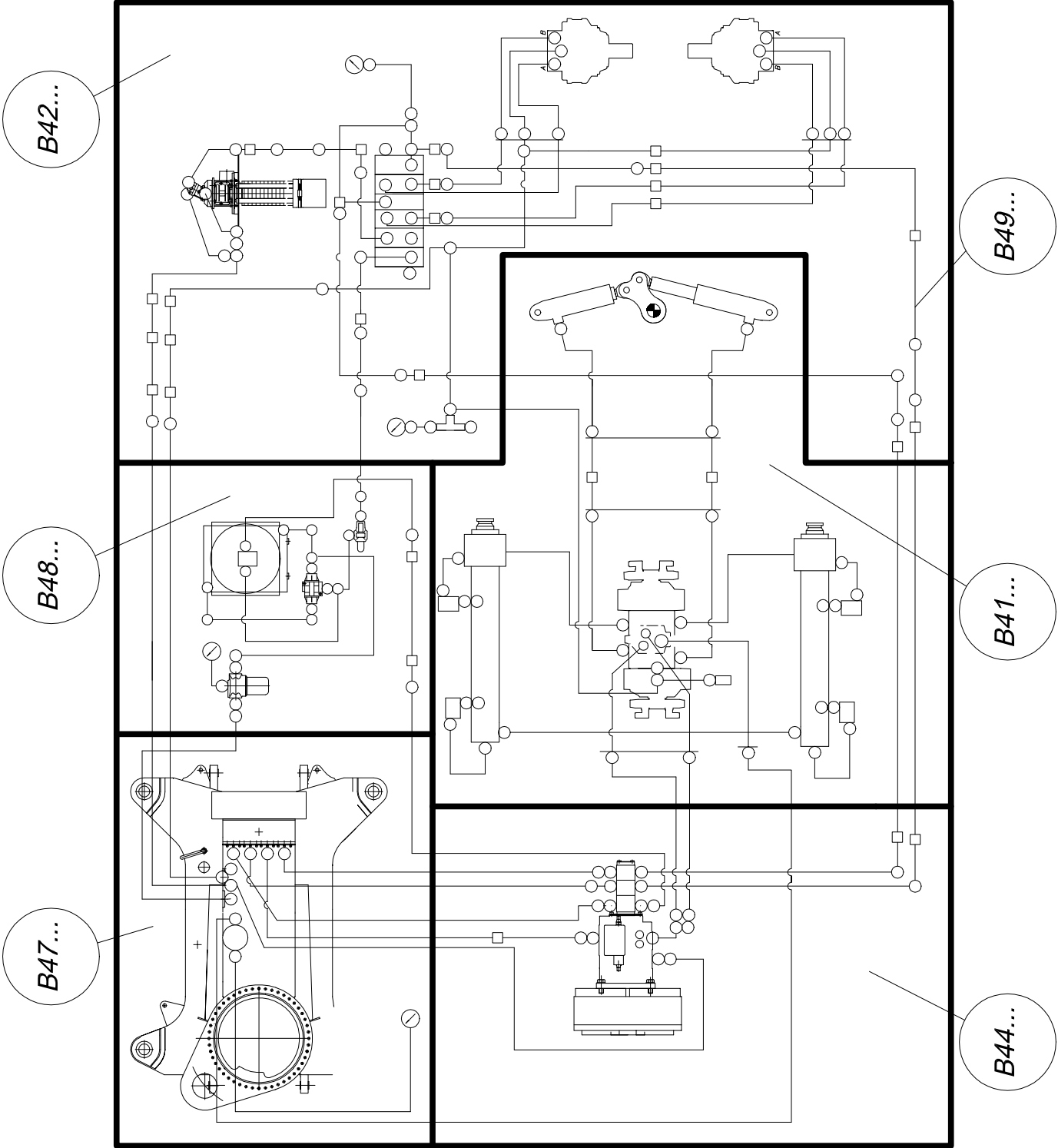
PARTS LIST

| part list | description | created | index | valid from | valid to | |
|-----------|---|-------------------------|-----------------|---------------|-------------|------------------|
| B330020 | holder for water hose | 06.06.02 ek | | | | |
| pos | description stock | ident-no dimensions | DIN material | index | weigh Kg | quantity unit |
| 1 | holder for water hose own parts list | B330015 | | | 1,00 | 1,00 Stk |
| 2 | flat bar | B330018 Bl 10x40x260 | 1543 St 37-2 | a 27.09.02 | 0,30 | 1,00 Stk |
| 3 | hexagon bolt M 8 x 12 DIN 933 8.8 | WAI103274 | | | | 2,00 Stk |
| 4 | spring washer A8 DIN 127 VERZ. | WAI102205 | | | 0,00 | 2,00 Stk |

Übersicht B 40 - B 49
over view B 40 - B 49

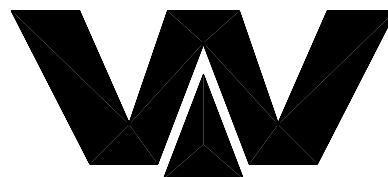


Waitzinger
Baumaschinen GmbH

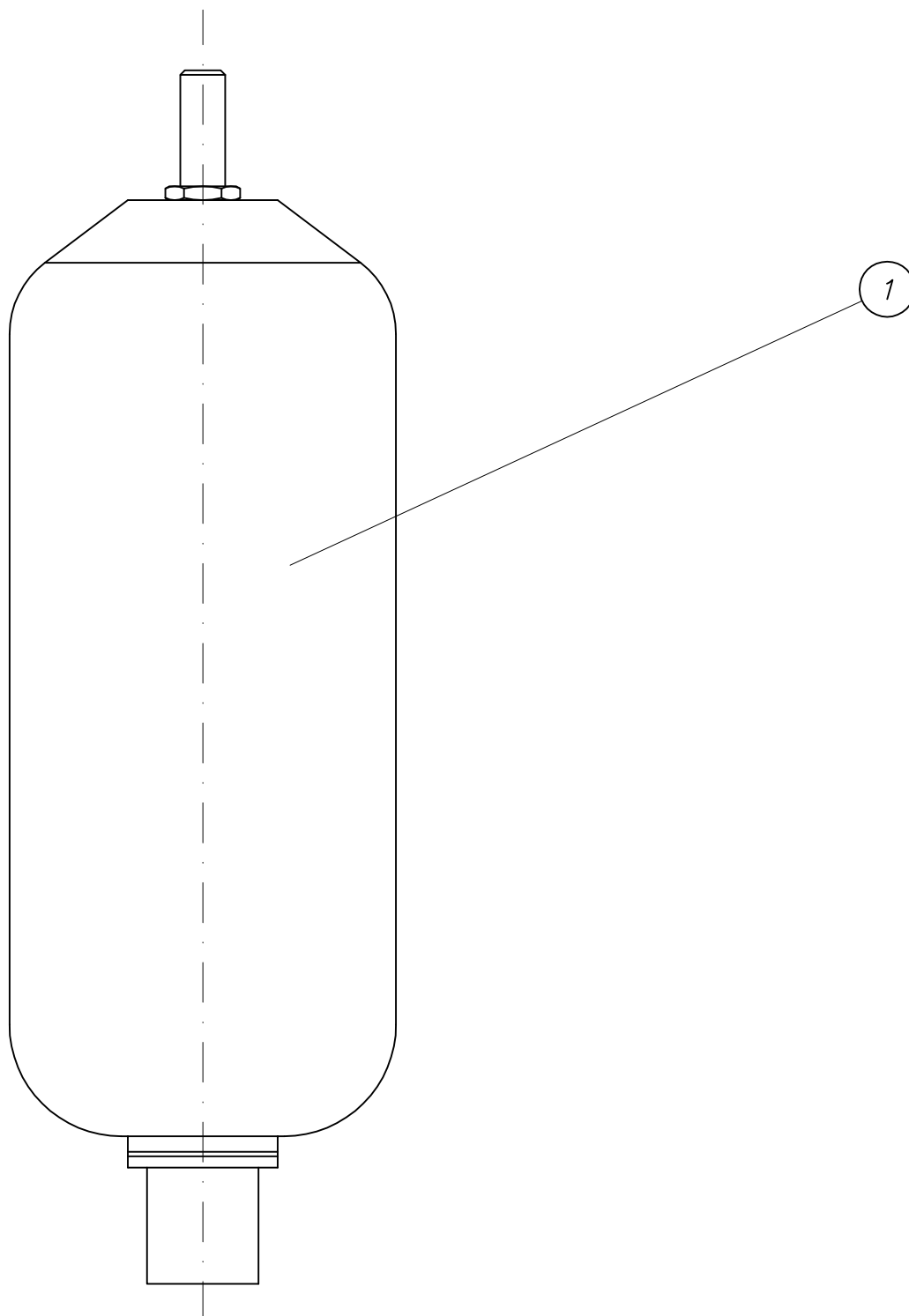


Blasenspeicher
hydraulic accumulator

WAI 103616



Waitzinger
Baumaschinen GmbH

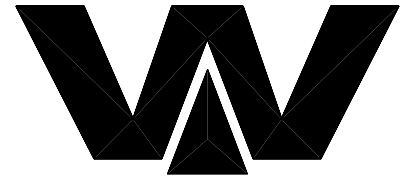




PARTS LIST

| part list | description | created | index | valid from | valid to | |
|------------------|--|--------------------------------|-------------------------|-------------------|---------------------|--------------------------|
| WAI103616 | hydraulic accumulator 6 liter | 01.09.99 Mi | | | | |
| pos | description stock | ident-no dimensions | DIN material | index | weigh Kg | quantity unit |
| 1 | spare bubble for hydraulic accumulator | WAI105555 | | | | 1,00 Stk |

Übersicht B 50 - B 59
over view B 50 - 59



Waitzinger
Baumaschinen GmbH

B51...

Elektroschaltplan
wiring diagram

B54...

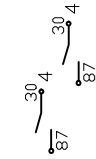
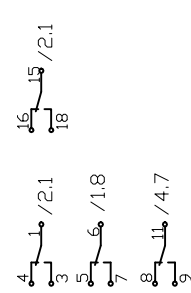
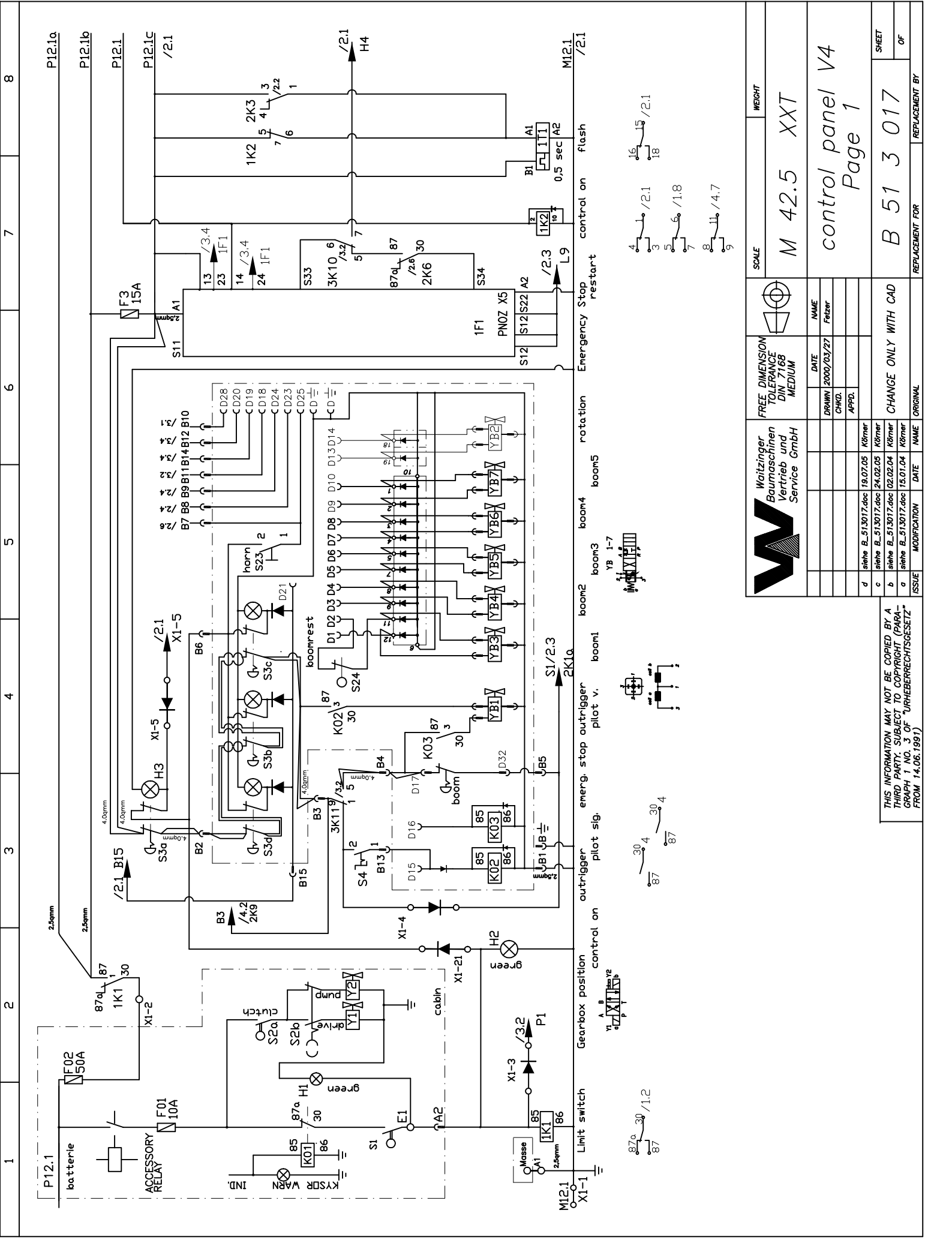
Drehzahlverstellung
rpm adjustment

B56...

Kabelbaum
cable loop

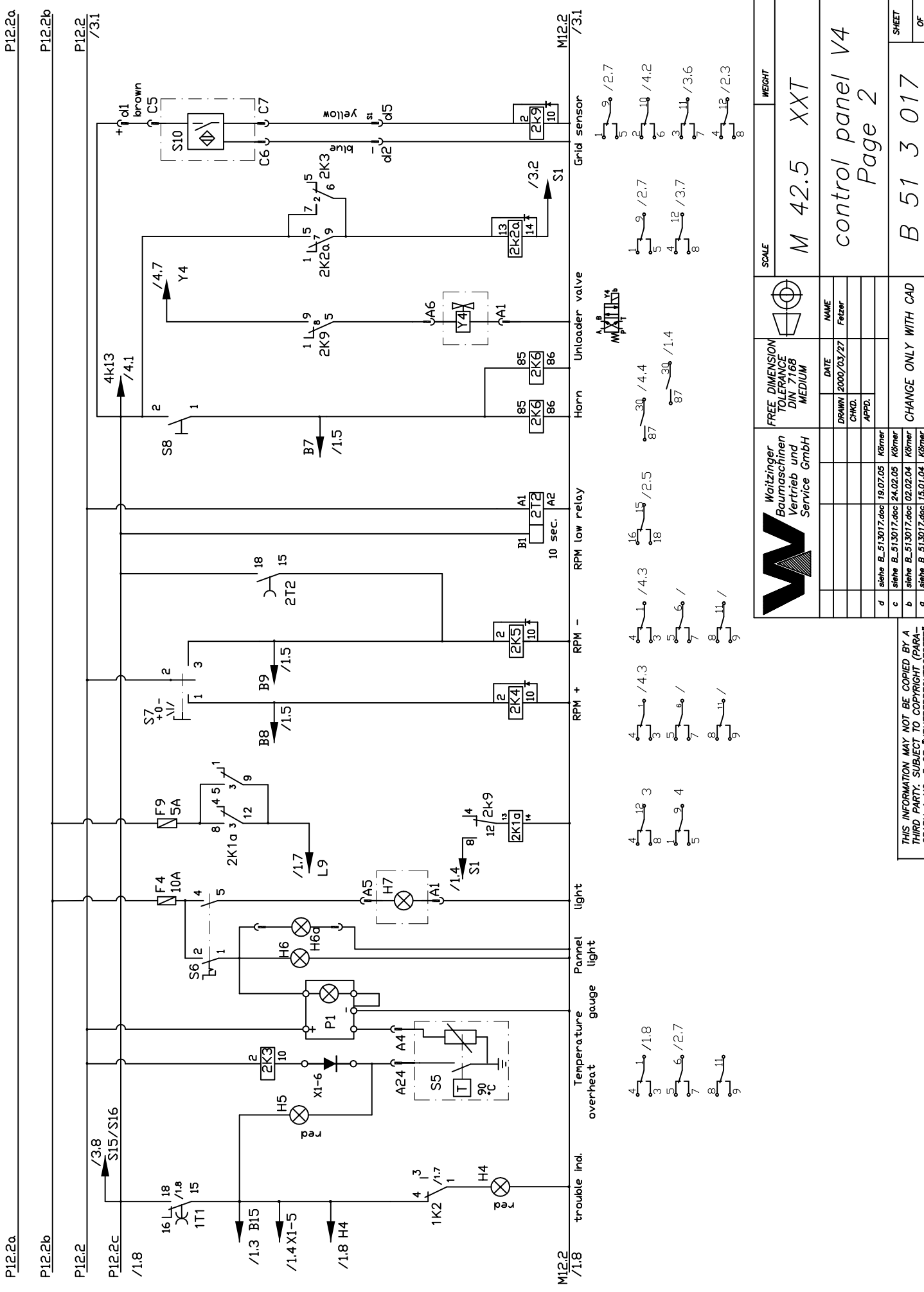
B56...

Zubehör
accessories



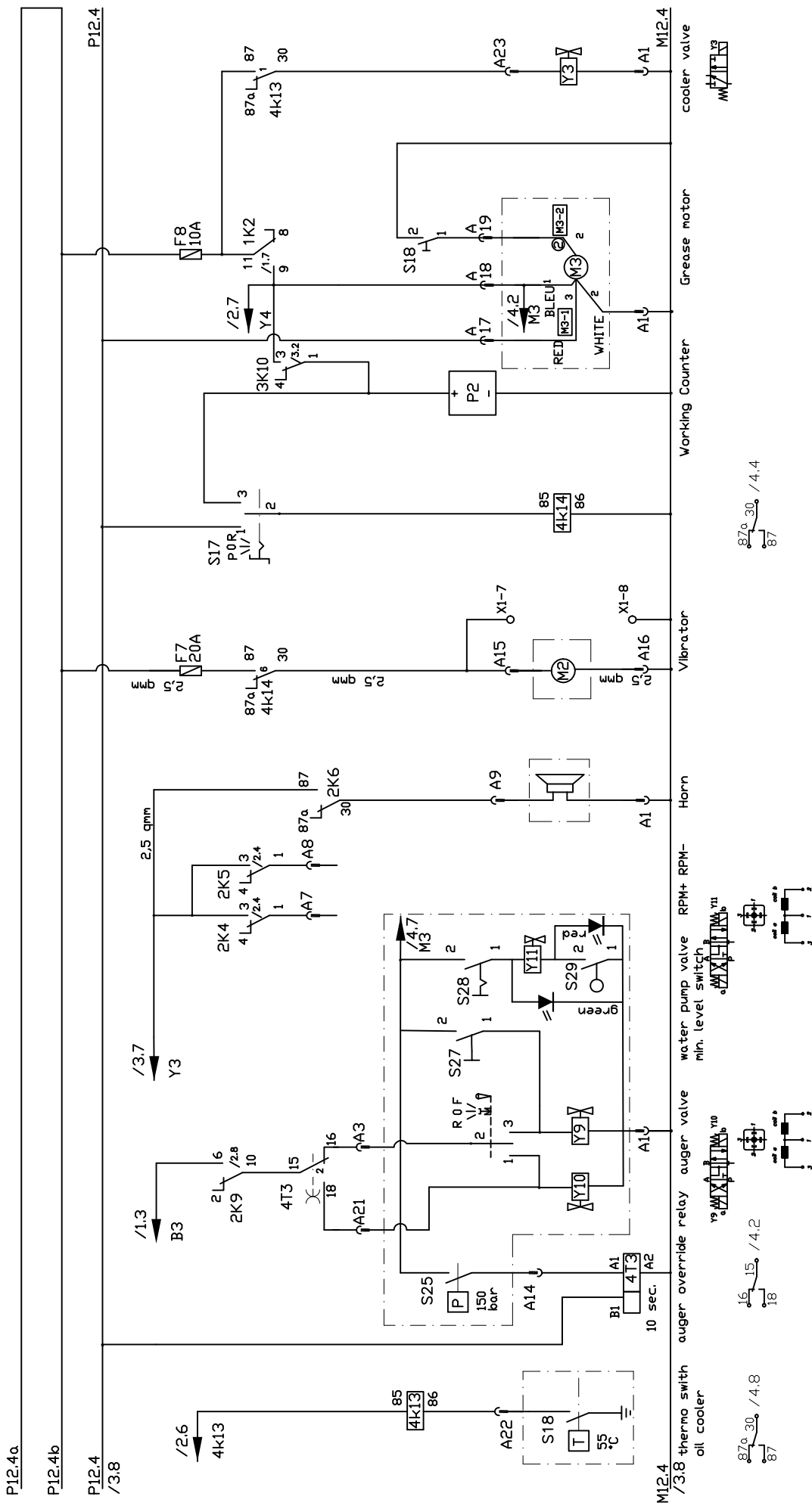
| | | | |
|--|------------------------------|---|-------------------------------|
| | | FREE DIMENSION TOLERANCE DIN 7168 MEDIUM | SCALE WEIGHT |
| DATE 2000/03/27 | NAME Felzer | M 42.5 XXT | |
| CHKD. APPD. | control panel V4 Page 1 | | |
| d siehe B_513017.doc 19.07.05 Körner c siehe B_513017.doc 24.02.05 Körner b siehe B_513017.doc 02.02.04 Körner a siehe B_513017.doc 15.01.04 Körner | MODIFICATION DATE NAME | ORIGINAL | REPLACEMENT FOR B 51 3 017 |
| CHANGE ONLY WITH CAD | | | SHEET OF |

THIS INFORMATION MAY NOT BE COPIED BY A THIRD PARTY. SUBJECT TO COPYRIGHT (PARAGRAPH 1 NO. 3 OF "URheberRECHTSGESETZ" FROM 14.06.1991)



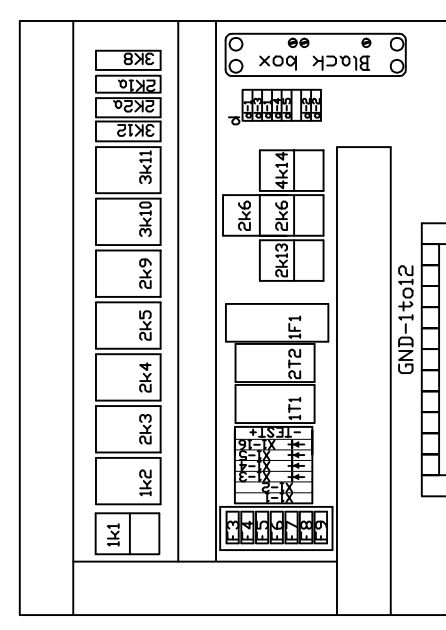
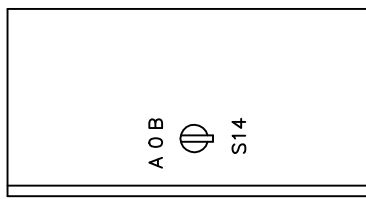
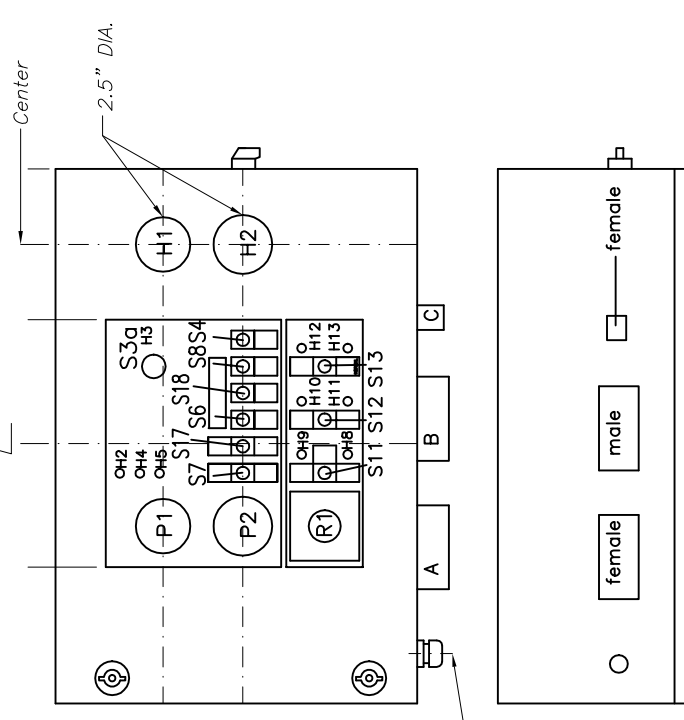
| | | | |
|---|--|--|------------------------------------|
| SCALE M 42.5 XXT | | WEIGHT control panel V4 Page 2 | |
| FREE DIMENSION TOLERANCE DIN 7168 MEDIUM | | DATE DRAWN 2000/03/27 CHKD. APPD. | NAME Felzer |
| Waizinger Baumaschinen Vertrieb und Service GmbH | | MODIFICATION d siehe B_513017.doc 19.07.05 c siehe B_513017.doc 24.02.05 b siehe B_513017.doc 02.02.04 a siehe B_513017.doc 15.01.04 | NAME Körrer Körrer Körrer |
| CHANGE ONLY WITH CAD | | ORIGINAL | REPLACEMENT BY |
| SHEET OF | | B 51 3 017 | REPLACEMENT FOR |

THIS INFORMATION MAY NOT BE COPIED BY A THIRD PARTY. SUBJECT TO COPYRIGHT (PARAGRAPH 1 NO. 3 OF "URheberRECHTSGESETZ" FROM 14.06.1991)

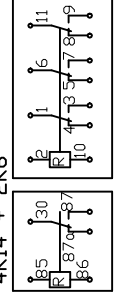


| | | | |
|----------------------------------|--|--|-------------------------------|
| | | FREE DIMENSION TOLERANCE DIN 7168 MEDIUM | SCALE M 42.5 XXT |
| DATE 2000/03/27 | NAME Felzer | control panel V4 Page 4 | |
| DRAWN CHKD. APPD. | DATE 19.07.05 24.02.05 02.02.04 15.01.04 | NAME Köbner Köbner Köbner Köbner | REPLACEMENT FOR B 51 3 017 |
| MODIFICATION d c b a | DATE 19.07.05 24.02.05 02.02.04 15.01.04 | NAME Köbner Köbner Köbner Köbner | REPLACEMENT BY B 51 3 017 |
| CHANGE ONLY WITH CAD | | SHEET OF | |

THIS INFORMATION MAY NOT BE COPIED BY A THIRD PARTY. SUBJECT TO COPYRIGHT (PARAGRAPH 1 NO. 3 OF "URheberRECHTSGESETZ" FROM 14.06.1991)



4K14 + 2K6



THIS INFORMATION MAY NOT BE COPIED BY A THIRD PARTY. SUBJECT TO COPYRIGHT (PARAGRAPH 1 NO. 3 OF "URheberRECHTSGESETZ" FROM 14.06.1991)

| | | | |
|----------------------|--------------------------|------------------|--------|
| | FREE DIMENSION TOLERANCE | SCALE | WEIGHT |
| | DIN 7168 MEDIUM | M 42.5 | XXT |
| | DATE | control panel V4 | |
| | 2000/03/27 | Page 5 | |
| | CHKD. | | |
| | APPD. | | |
| d | siehe B_513017.doc | 19.07.05 | Körner |
| c | siehe B_513017.doc | 24.02.05 | Körner |
| b | siehe B_513017.doc | 02.02.04 | Körner |
| a | siehe B_513017.doc | 15.01.04 | Körner |
| ISSUE | MODIFICATION | DATE | NAME |
| | | | |
| CHANGE ONLY WITH CAD | | | SHEET |
| B 51 3 017 | | | OF |
| REPLACEMENT FOR | | REPLACEMENT BY | |



| Stückliste | Benennung | Anlage | Änderungsindex | gültig ab | gültig bis | |
|------------|---------------------------------------|--------------------|----------------|-----------|------------|----------------|
| B513017 | SCHALTPULT WAI 106059 VERSION 4 | 07.02.01 Mi | c | 24.02.05 | | |
| Pos | Bezeichnung Rohmaterial | Sach-Nr. Abmessung | DIN Werkstoff | Index | Gewicht Kg | Anzahl Einheit |
| 1 | Not-Stop Schalter | WAI105094 | | | | 1,00 Stk |
| 2 | Kontaktblock m. Lampenfassung | WAI105095 | | | | 1,00 Stk |
| 3 | Schild "emergency - stop" ZB2-BY9330 | WAI102278 | | | | 1,00 Stk |
| 4 | Lampe 12V-2W BA 9S | WAI104083 | | | 0,10 | 1,00 Stk |
| 5 | LED-Signalleuchte 12 VDC 14 mm, rot | WAI105811 | | | | 4,00 Stk |
| 6 | LED-Signalleuchte 12 VDC 14 mm, gelb | WAI105812 | | | | 2,00 Stk |
| 7 | LED-Signalleuchte 12 VDC 14 mm, grün | WAI105813 | | | | 3,00 Stk |
| 8 | Hebelschalter - abged. MOM-OFF-MOM 2 | WAI103976 | | | | 1,00 Stk |
| 9 | Hebelschalter - abgedichtet ON-OFF-ON | WAI104090 | | | | 2,00 Stk |
| 10 | Hebelschalter - abgedichtet MON-ON | WAI104091 | | | | 2,00 Stk |
| 11 | Hebelschalter - abgedichtet ON-OFF | WAI104089 | | | | 2,00 Stk |
| 12 | Hebelschalter - abgedichtet ON-ON | WAI104092 | | | 0,10 | 2,00 Stk |
| 13 | Relais - Industrie 3W, 12VDC | WAI104093 | | | | 7,00 Stk |
| 14 | Relaissockel 11-pol. ohne Diode | WAI104859 | | | | 2,00 Stk |
| 15 | Relaissockel 10A, 380V, 11 Pins | WAI100178 | | | | 5,00 Stk |
| 16 | Haltebügel f. Industrirelais | WAI104094 | | | | 7,00 Stk |
| 17 | Sicherungskasten | WAI101577 | | | | 1,00 Stk |
| 18 | Stecksicherung 5 A | WAI101922 | | | | 1,00 Stk |
| 19 | Stecksicherung 10 A | WAI101921 | | | | 3,00 Stk |
| 20 | Stecksicherung 20 A | WAI104096 | | | | 2,00 Stk |



| Stückliste | Benennung | Anlage | Änderungsindex | gültig ab | gültig bis | |
|------------|---|--------------------|----------------|-----------|------------|----------------|
| B513017 | SCHALTPULT WAI 106059 VERSION 4 | 07.02.01 Mi | c | 24.02.05 | | |
| Pos | Bezeichnung Rohmaterial | Sach-Nr. Abmessung | DIN Werkstoff | Index | Gewicht Kg | Anzahl Einheit |
| 21 | Betriebsstundenzähler | WAI100900 | | | | 1,00 Stk |
| 22 | Anbaugehäuse CNI 16 | WAI104097 | | | | 1,00 Stk |
| 23 | Steckereinsatz 1-16 pol. | WAI104022 | | | | 1,00 Stk |
| 24 | Anbaugehäuse 24-pol. Gr. 8 | WAI101533 | | | | 1,00 Stk |
| 25 | Steckdoseneinsatz 24-pol. | WAI100710 | | | | 1,00 Stk |
| 26 | Erdungsschiene für Steuerpult WAI100251 | WAI102577 | | | | 1,00 Stk |
| 27 | Schaltplantasche | WAI104099 | | | | 1,00 Stk |
| 28 | Gummipuffer 25 x 20 2 Bolzen | WAI104100 | | | | 4,00 Stk |
| 29 | Verteilersystem 4-fach MVP 12 | WAI105998 | | | | 1,00 Stk |
| 30 | Lampe 12V-5W | WAI104101 | | | 0,10 | 3,00 Stk |
| 31 | Potentiometer 100 Ohm | WAI104103 | | | | 1,00 Stk |
| 32 | Potentiometer - Antrieb schwarz | WAI104104 | | | | 1,00 Stk |
| 33 | Kabelverschraubung PG21 | WAI104109 | | | | 1,00 Stk |
| 34 | Kabelverschraubung PG11 | WAI104110 | | | | 1,00 Stk |
| 35 | Gegenmutter PG21 | WAI104114 | | | | 1,00 Stk |
| 36 | Stecker für UK 4-TG leer ST-BE | WAI106395 | | | | 1,00 Stk |
| 37 | Relais 12 VDC, 1W | WAI104117 | | | | 4,00 Stk |
| 38 | Relaissockel für Bosch Relais | WAI100986 | | | | 4,00 Stk |
| 39 | Gegenmutter PG11 | WAI104112 | | | | 1,00 Stk |
| 40 | Relais - Hochl. 12VDC, 70A, 1S | WAI104122 | | | | 1,00 Stk |

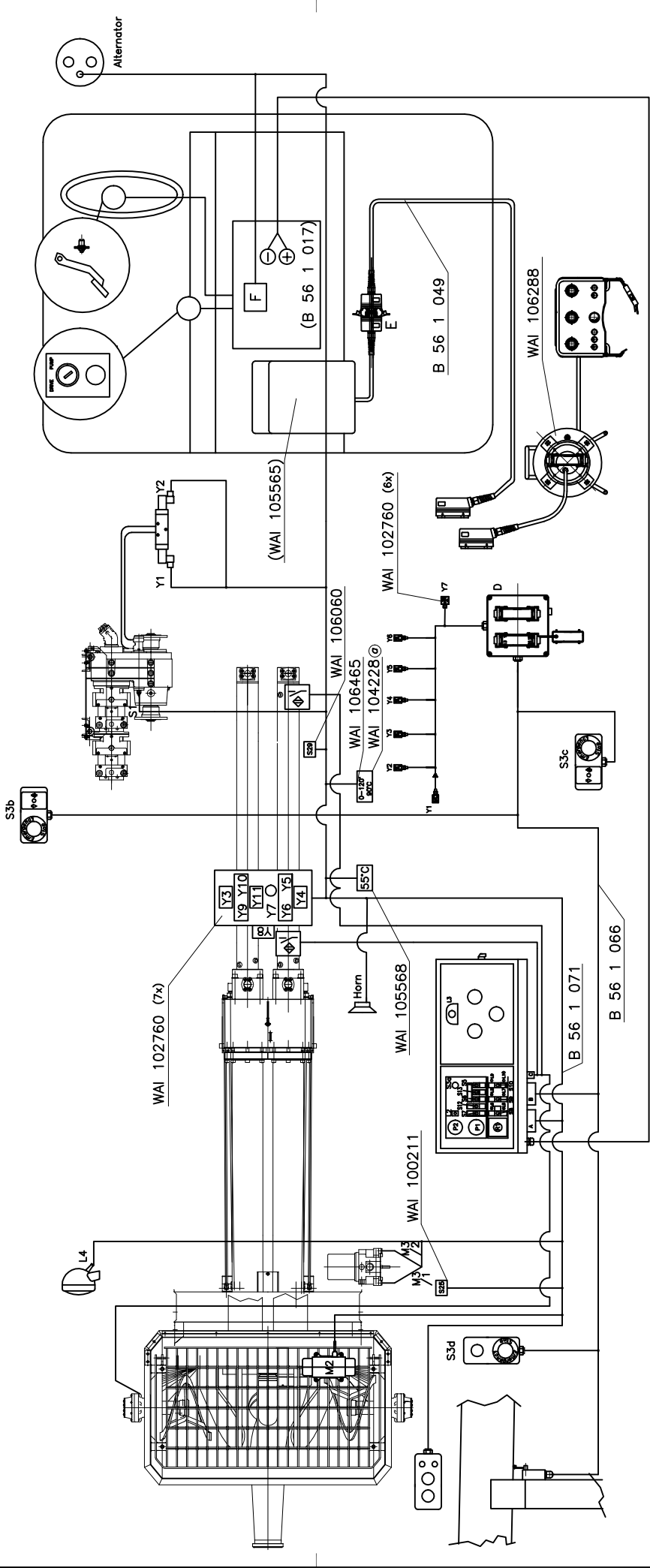


| Stückliste | Benennung | Anlage | Änderungsindex | gültig ab | gültig bis | |
|------------|--|-----------------------|------------------|-----------|---------------|-------------------|
| B513017 | SCHALTPULT WAI 106059 VERSION 4 | 07.02.01 Mi | c | 24.02.05 | | |
| Pos | Bezeichnung Rohmaterial | Sach-Nr. Abmessung | DIN Werkstoff | Index | Gewicht Kg | Anzahl Einheit |
| 41 | Relaissockel | WAI105619 | | | | 1,00 Stk |
| 42 | Kabelverschraubung PG16 vernickelt | WAI102933 | | | | 1,00 Stk |
| 43 | Widerstand 100 Ohm, 4,5W | WAI104118 | | | | 2,00 Stk |
| 47 | Durchgangsklemme grau 2-Leiter 6qmm | WAI105817 | | | | 2,00 Stk |
| 48 | Abschluß- und Zwischenplatte orange | WAI105818 | | | | 1,00 Stk |
| 49 | Knebel | WAI100968 | | | | 1,00 Stk |
| 50 | Halter | WAI100287 | | | | 1,00 Stk |
| 51 | Schaltelement | WAI100969 | | | | 3,00 Stk |
| 52 | Schalter - Brücke 3SB1S12OAN | WAI103735 | | | | 2,00 Stk |
| 53 | Relais - Miniatur DC 12V 4 Wechsler | WAI105046 | | | | 4,00 Stk |
| 54 | Kondensatablauf | WAI104669 | | | | 1,00 Stk |
| 55 | Klemme UK 4-TG | WAI104186 | | | | 7,00 Stk |
| 56 | Stecker m. Diode, ST-1N4007 | WAI104185 | | | | 6,00 Stk |
| 57 | Crimpkontakt - Stift 0,75 - 1 qmm | WAI103695 | | | | 2,00 Stk |
| 59 | Relais - Zeit blinkend RZ12Ti-01 | WAI105331 | | | | 1,00 Stk |
| 60 | Relais - Ausschalt-Wisch EZ12RV-001 | WAI105815 | | | | 1,00 Stk |
| 61 | Not-Aus-Schaltgerät PNOZ X5 | WAI105814 | | | | 1,00 Stk |
| 62 | Alu-Klebeschild m. Bohr. für WAI105542 | WAI105819 | | | | 1,00 Stk |
| 63 | Klemme UK 5 N f. Hutschiene | WAI104671 | | | | 2,00 Stk |
| 64 | Fassung 14-pol. m. Freilaufdiode | WAI103974 | | | 0,02 | 4,00 Stk |



STÜCKLISTEN-DRUCK

| Stückliste | Benennung | Anlage | Änderungsindex | gültig ab | gültig bis | |
|------------|---|-----------------------|------------------|-----------|---------------|-------------------|
| B513017 | SCHALTPULT WAI 106059 VERSION 4 | 07.02.01 Mi | c | 24.02.05 | | |
| Pos | Bezeichnung Rohmaterial | Sach-Nr. Abmessung | DIN Werkstoff | Index | Gewicht Kg | Anzahl Einheit |
| 65 | Haltebügel f. Miniaturrelais | WAI104860 | | | 0,02 | 4,00 Stk |
| 66 | Fernthermometer 12 Volt | WAI105823 | | | | 1,00 Stk |
| 67 | Black box | WAI104442 | | | | 1,00 Stk |
| 68 | Gegenmutter CE16 PA 6 | WAI104519 | | | | 1,00 Stk |
| 69 | Leuchte innen 2JA 001 330-001 | WAI106402 | | | | 1,00 Stk |
| 71 | Relais - Zeit 12V, Multifunktion | WAI106393 | | | | 1,00 Stk |
| 72 | Kennzeichenleuchte klein 2KA 001 389-10 | WAI106182 | | | | 1,00 Stk |



THIS INFORMATION MAY NOT BE COPIED BY A THIRD PARTY, SUBJECT TO COPYRIGHT (PATENT) FROM 14.06.1991

PLUG A

| Pin No. | Wire No. | Wire Color | Function |
|---------|--------------|------------|----------|
| 1 | Y3+4+M3/1+ | brn | |
| 2 | Y4+Y7+PAN | blk/whi | |
| 3 | S1>F1 | red/yel | |
| 4 | Y3-1 | red/yel | |
| 5 | Temp. switch | yel/whi | |
| 6 | L4 | grn/whi | |
| 7 | Y4-1 | grn/whi | |
| 8 | F3 | blu | |
| 9 | F2 | blu | |
| 10 | Horn | blk | |
| 11 | Y5-1/hopper | blk | |
| 12 | Y6/Y8/Y9 | blk/grn | |
| 13 | Y5-2 | blk/red | |
| 14 | Y7 | grn/red | |
| 15 | Y8 | whi/brn | |
| 16 | Y9 | vio | |
| 17 | M2 | blk | |
| 18 | M2 | blu | |
| 19 | M3/1-1 | grn | |
| 20 | M3/1-3 | grn | |
| 21 | M3/2-2 | yel | |
| 22 | Y6 | whi | |
| 23 | temp switch | whi | |
| 24 | temp switch | whi | |
| 25 | Y10 | grn | |
| 26 | free | grn | |
| 27 | F5 | red | |
| 28 | F6 | grn/blk | |

PLUG B

| Pin No. | Wire No. | Wire Color | Function |
|---------|----------|------------|----------------|
| 1 | D10-ll | brn | ground |
| 2 | S3b | gry | emergency stop |
| 3 | S3c | blk | emergency stop |
| 4 | D13 | blu | emergency stop |
| 5 | D 22 | gry/red | emergency stop |
| 6 | S3b-d | white | emergency stop |
| 7 | D 20 | whi/grn | horn |
| 8 | D 15 | grn | RPM + |
| 9 | D 16 | blk/whi | RPM - |
| 10 | D 24 | vio | Pot |
| 11 | D 17 | blk/grn | pumping on |
| 12 | D 19 | gry/blk | reverse |
| 13 | free | free | free |
| 14 | D 18 | blu/whi | pumping |
| 15 | D 21 | blk/red | flashing light |
| 16 | free | free | free |

PLUG C

| Pin No. | Wire No. | Wire Color | Function |
|---------|----------|------------|------------------|
| 1 | Y3/3 | brn/whi | ground |
| 2 | Y3/2 | blu | boom 1 up |
| 3 | Y4/3 | grn/whi | boom 1 down |
| 4 | Y4/2 | blk/grn | boom 2 up |
| 5 | Y5/2 | gry/blk | boom 2 down |
| 6 | Y6/2 | blk/whi | boom 3 up |
| 7 | Y6/3 | blk/red | boom 3 down |
| 8 | Y6/2 | gry/red | boom 4 up |
| 9 | free | free | boom 4 down |
| 10 | -ll | brn | free |
| 11 | Y2/2 | vio | turn clockwise |
| 12 | Y2/3 | blu/whi | turn anticlockw. |
| 13 | B4 | red | plus |
| 14 | Y1/2/3 | gry | pilot valve |
| 15 | B 8 | grn | RPM + |
| 16 | B 9 | blk/whi | RPM - |
| 17 | B 11 | blk/grn | pumping on |
| 18 | B 14 | blu/whi | pumping |
| 19 | B 12 | gry/blk | reverse |
| 20 | B 7 | whi/grn | horn |
| 21 | B 15 | blk/red | free |
| 22 | B 5 | gry/red | emergency stop |
| 23 | Y7 | brn/whi | free |
| 24 | B 10 | vio | POT |

PLUG D

| Pin No. | Wire No. | Wire Color | Function |
|---------|----------|---------------------|------------------|
| 1 | 1 | power supply 12V | boom 4 up |
| 2 | 2 | emergency stop | boom 3 down |
| 3 | 3 | 12 V+ | boom 3 up |
| 4 | 4 | RPM- | turn clockwise |
| 5 | 5 | free | turn anticlockw. |
| 6 | 6 | horn | boom 1 down |
| 7 | 7 | RPM+ | boom 1 up |
| 8 | 8 | 13 pump on | boom 2 down |
| 9 | 9 | GND | boom 2 up |
| 10 | 10 | 14 reverse | free |
| 11 | 11 | 25 pilot valve | free |
| 12 | 12 | free | pump speed pot |
| 13 | 13 | free | free |
| 14 | 14 | free | free |
| 15 | 15 | free | free |
| 16 | 16 | 33 boom 4 down | free |
| 17 | 17 | 31 boom 4 down | free |
| 18 | 18 | 32 boom 4 down | free |
| 19 | 19 | 34 boom 4 up | free |
| 20 | 20 | 31 boom 3 down | free |
| 21 | 21 | 32 boom 3 up | free |
| 22 | 22 | 29 turn clockwise | free |
| 23 | 23 | 30 turn anticlockw. | free |
| 24 | 24 | 28 boom 1 down | free |
| 25 | 25 | 27 boom 1 up | free |
| 26 | 26 | 40 boom 2 up | free |
| 27 | 27 | 26 free | free |
| 28 | 28 | 35 pump speed pot | free |
| 29 | 29 | free | free |
| 30 | 30 | free | free |
| 31 | 31 | free | free |
| 32 | 32 | free | free |

PLUG F

| Pin No. | Wire No. | Wire Color | Function |
|---------|----------|---------------------|------------------|
| 1 | 1 | power supply 12V | boom 4 up |
| 2 | 2 | emergency stop | boom 3 down |
| 3 | 3 | 12 V+ | boom 3 up |
| 4 | 4 | RPM- | turn clockwise |
| 5 | 5 | free | turn anticlockw. |
| 6 | 6 | horn | boom 1 down |
| 7 | 7 | RPM+ | boom 1 up |
| 8 | 8 | 13 pump on | boom 2 down |
| 9 | 9 | GND | boom 2 up |
| 10 | 10 | 14 reverse | free |
| 11 | 11 | 25 pilot valve | free |
| 12 | 12 | free | pump speed pot |
| 13 | 13 | free | free |
| 14 | 14 | free | free |
| 15 | 15 | free | free |
| 16 | 16 | 33 boom 4 down | free |
| 17 | 17 | 31 boom 4 down | free |
| 18 | 18 | 32 boom 4 down | free |
| 19 | 19 | 34 boom 4 up | free |
| 20 | 20 | 31 boom 3 down | free |
| 21 | 21 | 32 boom 3 up | free |
| 22 | 22 | 29 turn clockwise | free |
| 23 | 23 | 30 turn anticlockw. | free |
| 24 | 24 | 28 boom 1 down | free |
| 25 | 25 | 27 boom 1 up | free |
| 26 | 26 | 40 boom 2 up | free |
| 27 | 27 | 26 free | free |
| 28 | 28 | 35 pump speed pot | free |
| 29 | 29 | free | free |
| 30 | 30 | free | free |
| 31 | 31 | free | free |
| 32 | 32 | free | free |

TERMINAL F

| Terminal | Wire Color |
|----------|------------|
| A2 | blk/whi |
| S1 | whi |
| Y1 | grn |
| Y2 | gry/whi |
| A7 | blu |
| AB | blk |
| Lima D | vio |
| reserve | brn |
| reserve | red |
| reserve | gry/blk |

Waltinger Baumaschinen Vertrieb und Service GmbH

SCALE: without weight

own parts list

Cable harness / accessories REED V4

REPLACEMENT FOR: B 56 1 070

CHANGE ONLY WITH CAD

DATE: 10/02/2018

NAME: M

DRAMA: 1002/03/20

CHKO: APPD.

ORIGINAL

DATE: NAME: VALUE: WEIGHT:

MODIFICATION: DATE: NAME: WEIGHT:

FREE DIMENSION TOLERANCE DIN 7168 MEDIUM

THIRD PARTY, SUBJECT TO COPYRIGHT (PATENT) FROM 14.06.1991

REPLACEMENT BY: B 56 1 070

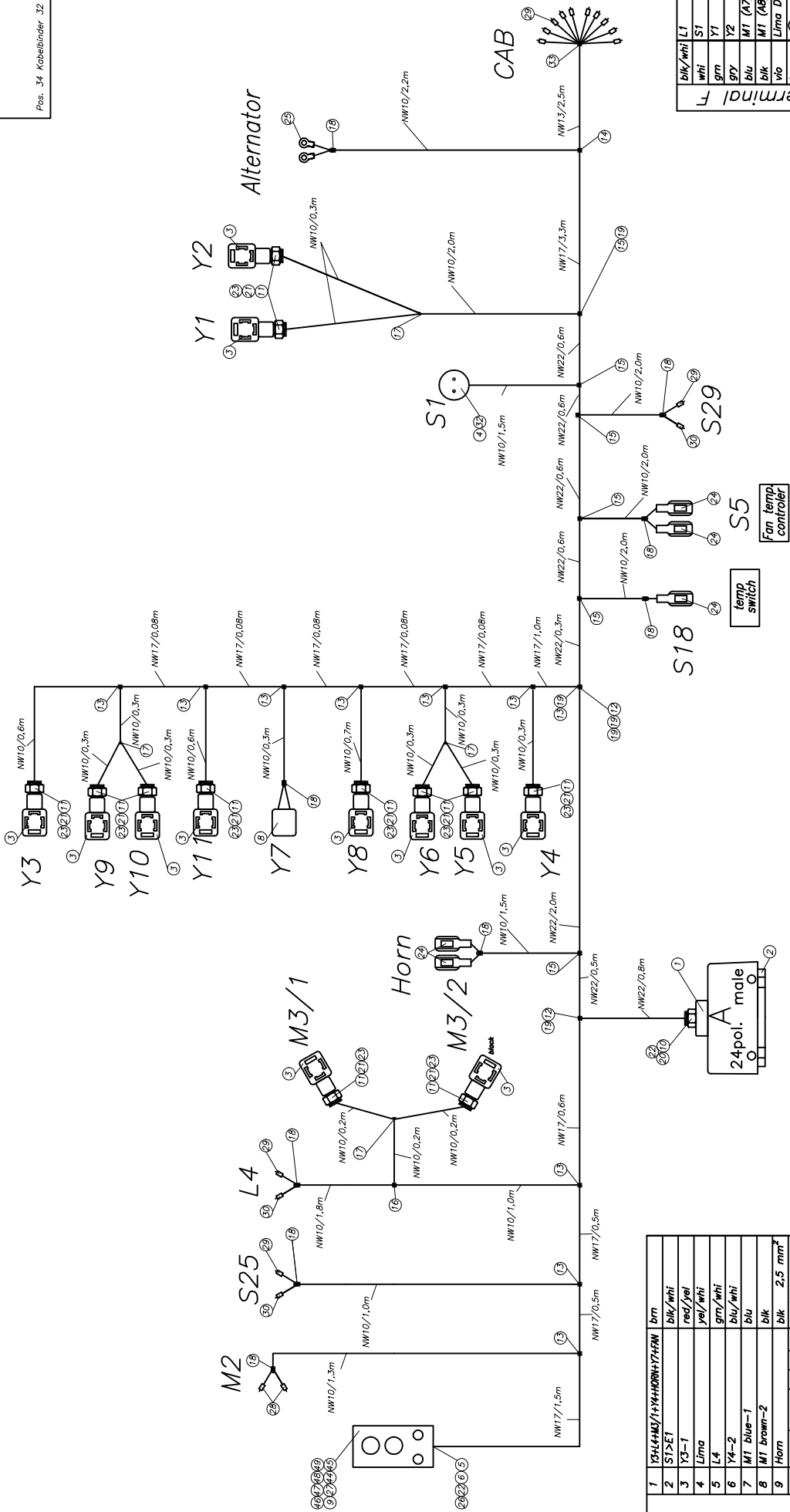
SHEET OF: REED V4



PARTS LIST

| part list | description | created | index | valid from | valid to | |
|-----------|---|------------------------|-----------------|---------------|---------------|------------------|
| B561070 | cable harness closed loop version IV | 28.03.00 Mi | a | 29.08.05 | | |
| pos | description stock | ident-no dimensions | DIN material | index | weighth Kg | quantity unit |
| 1 | cable harness boom REED V III own parts list | B561066 | | c 26.08.04 | 9,00 | 1,00 Stk |
| 2 | cable harness pump REED CL 32/36 V IV own parts list | B561071 | | | | 1,00 Stk |
| 3 | cable cpl. for cable control own parts list | B561049 | | | | 1,00 Stk |
| 4 | cable drum + 35m cable (34 x 0,5) own parts list | WAI106288 | | | | 1,00 Stk |
| 5 | anti-interference device | WAI102760 | | | | 14,00 Stk |
| 6 | thermo sensor | WAI104228 | | | | 1,00 Stk |
| 7 | thermo sensor 55 degrees C | WAI105568 | | | 0,10 | 1,00 Stk |
| 8 | pressure switch | WAI100211 | | | 0,87 | 1,00 Stk |
| 9 | switch swimmer | WAI106060 | | | | 1,00 Stk |
| 10 | sealing ring 14x18x2 | WAI106465 | | | | 1,00 Stk |

Loose Teile:
Pos. 34 Kabelbinder 32 Stück



| | |
|---------|---------|
| blk/whi | L1 |
| whi | S1 |
| grn | Y1 |
| gry | Y2 |
| blu | MT (A7) |
| blk | MT (A8) |
| vio | Lima D |
| brn | ⊖ |
| red | reserve |
| gry/blk | reserve |

| | | |
|----|-------------------------|-------------------------|
| 1 | Y34+4M3/1+Y4+HORN+Y7+FN | brn |
| 2 | S1>E1 | blk/whi |
| 3 | Y3-1 | red/yel |
| 4 | Lima | yel/whi |
| 5 | L4 | grn/whi |
| 6 | Y4-2 | blk/whi |
| 7 | M1 blue-1 | blu |
| 8 | M1 brown-2 | blk |
| 9 | Horn | blk 2,5 mm ² |
| 10 | Y5-1/hopper/Y6/Y8/Y9 | blk/grn |
| 11 | Y5-2 | blk/red |
| 12 | Y7 | gry/red |
| 13 | Y8 | whi/brn |
| 14 | Y9 | vio |
| 15 | M2 | blk 2,5 mm ² |
| 16 | M2 | blu 2,5 mm ² |
| 17 | M3/1-1 | gry |
| 18 | M3/1-3 | grn |
| 19 | M3/2-2 | yel |
| 20 | Y6 | whi |
| 21 | | |
| 22 | | |
| 23 | Fan | grn |
| 24 | SS | yel/whi |
| | Res. F | red |
| | Res. F | gry/blk |



free dimension tolerance DIN 7188 medium

| | | |
|-------|------------|----|
| drawn | 1999/07/13 | MI |
| chkd. | | |
| appl. | | |

| | |
|--------------|--|
| name | |
| date | |
| original | |
| modification | |
| date | |
| name | |

scale 1:1
weight 00 N
semi-finished product
Material

cable loop pump
REED cl 37m

change only with CAD

B 56 1 071

sheet 1 of 2

replacement for

this information may not be copied by a third party. Subject to copyright (paragraph 1 no. 3 of Urheberrechtsgesetz - From 14.06.1991)



PARTS LIST

| part list | description | created | index | valid from | valid to | |
|-----------|---------------------------------------|------------------------|-----------------|------------|---------------|------------------|
| B561071 | cable harness pump REED CL 32/36 V IV | 28.03.00 Mi | | | | |
| pos | description stock | ident-no dimensions | DIN material | index | weighth Kg | quantity unit |
| 1 | housing upper part, 24-pol | WAI101542 | | | | 1,00 Stk |
| 2 | plug insertion 24-pol. | WAI100714 | | | | 1,00 Stk |
| 3 | plug | WAI104691 | | | | 10,00 Stk |
| 4 | coupling | WAI104523 | | | | 1,00 Stk |
| 5 | fitting PG16 | WAI104510 | | | | 1,00 Stk |
| 6 | sealing for cable fitting PG16 | WAI104696 | | | | 1,00 Stk |
| 7 | plate | WAI104735 | | | | 12,00 Stk |
| 8 | plug 2-poles, AMP junior timer | WAI106058 | | | | 1,00 Stk |
| 9 | housing agitator own parts list | B561072 | | | | 1,00 Stk |
| 10 | fitting PG21 | WAI104507 | | | | 1,00 Stk |
| 11 | fitting PG9 | WAI104506 | | | | 12,00 Stk |
| 12 | t - piece 22-22-22 | WAI104515 | | | | 2,00 Stk |
| 13 | t - piece 17-10-17 | WAI104332 | | | | 8,00 Stk |
| 14 | t - piece | WAI104511 | | | | 2,00 Stk |
| 15 | t - piece 22-10-22 | WAI105263 | | | | 6,00 Stk |
| 16 | t - piece 10-10-10 | WAI104514 | | | | 4,00 Stk |
| 17 | reducer | WAI104512 | | | | 1,00 Stk |
| 18 | cap | WAI104513 | | | | 8,00 Stk |
| 19 | reducer 22/17 | WAI104509 | | | | 5,00 Stk |
| 20 | sealing for cable fitting PG21 | WAI104697 | | | | 1,00 Stk |



PARTS LIST

| part list | description | created | index | valid from | valid to | |
|-----------|---------------------------------------|------------------------|-----------------|------------|---------------|------------------|
| B561071 | cable harness pump REED CL 32/36 V IV | 28.03.00 Mi | | | | |
| pos | description stock | ident-no dimensions | DIN material | index | weighth Kg | quantity unit |
| 21 | sealing for cable fitting PG9 | WAI104695 | | | | 12,00 Stk |
| 22 | O-ring 15 x 1,5 | WAI104701 | | | | 2,00 Stk |
| 23 | O-ring 8.9 x 1.25 | WAI104700 | | | | 12,00 Stk |
| 24 | flat plug sleeve 2,5mm | WAI104785 | | | | 15,00 Stk |
| 25 | thimble 2,5 qmm M6 | WAI104693 | | | 0,02 | 5,00 Stk |
| 26 | nut CE 16 | WAI104519 | | | | 2,00 Stk |
| 27 | push button | WAI100569 | | | | 1,00 Stk |
| 28 | cove end sleeve 2.5mm | WAI101997 | | | | 4,00 Stk |
| 29 | cove end sleeve 1.5mm | WAI101996 | | | | 36,00 Stk |
| 30 | cove end sleeve 1.5mm | WAI104692 | | | | 6,00 Stk |
| 31 | shrink hose | WAI104677 | | | | 0,10 Mtr |
| 32 | shrink hose | WAI104505 | | | | 0,05 Mtr |
| 33 | cable tie 200x3.6, black | WAI103137 | | | | 32,00 Stk |
| 34 | plug | WAI104530 | | | | 2,00 Stk |
| 40 | cable pipe | WAI104520 | | | | 6,00 Mtr |
| 41 | cable pipe | WAI104216 | | | | 7,80 Mtr |
| 42 | cable pipe | WAI104215 | | | | 2,50 Mtr |
| 43 | cable pipe | WAI104213 | | | | 23,80 Mtr |
| 44 | sign AL agitator | WAI106030 | | | | 1,00 Stk |
| 45 | sign AL water pump | WAI106031 | | | | 1,00 Stk |



PARTS LIST

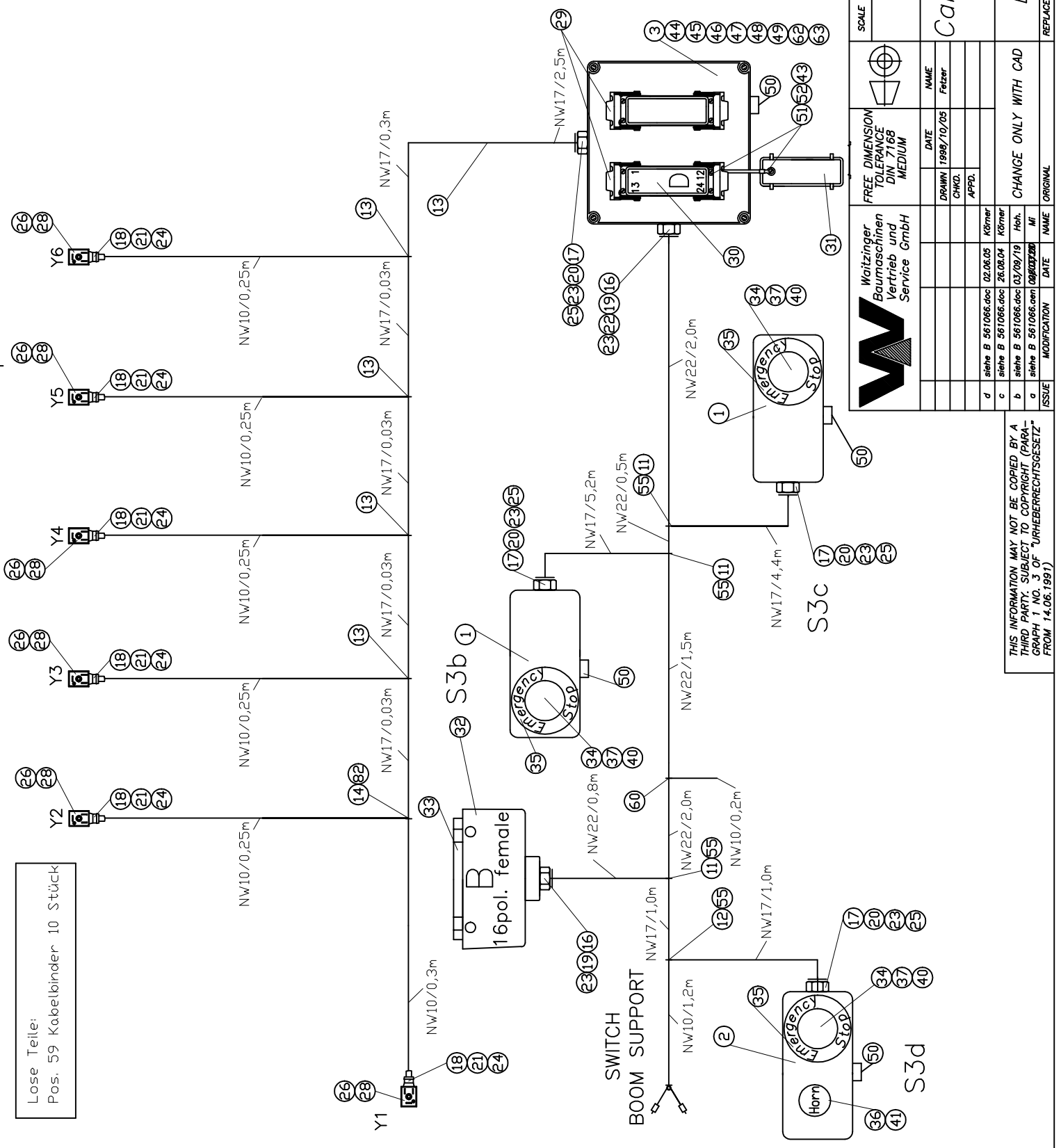
| part list | description | created | index | valid from | valid to | |
|-----------|---------------------------------------|------------------------|-----------------|------------|-------------|------------------|
| B561071 | cable harness pump REED CL 32/36 V IV | 28.03.00 Mi | | | | |
| pos | description stock | ident-no dimensions | DIN material | index | weigh Kg | quantity unit |
| 46 | lever switch ON-OFF-ON | WAI104090 | | | | 2,00 Stk |
| 48 | led-signal lamp, red | WAI105811 | | | | 1,00 Stk |
| 49 | led-signal lamp, green | WAI105813 | | | | 1,00 Stk |
| 50 | cable | WAI108059 | | | | 270,00 Mtr |

| | | | |
|----|----------|---------|----------------|
| 1 | D10 -ll- | bm | ground |
| 2 | S3a | gry/bm | emergency stop |
| 3 | S3c | blk | emergency stop |
| 4 | D13 | blu | emergency stop |
| 5 | D 22 | gry/red | emergency stop |
| 6 | S3d | whi | emergency stop |
| 7 | D 20 | whi/grn | horn |
| 8 | D 15 | grn | RPM + |
| 9 | D 16 | blk/whi | RPM - |
| 10 | D 24 | vio | Pot. |
| 11 | D 17 | blk/grn | pumping on |
| 12 | D 19 | whi/gry | reverse |
| 13 | D 23 | brn/whi | outrigger |
| 14 | D 18 | blu/whi | pumping |
| 15 | D 21 | blk/red | free |
| 16 | | | free |

PLUG B

| | | |
|------|---------|------------------|
| B 1 | bm | ground |
| Y3/3 | brn/whi | boom 1 up |
| Y3/2 | blu | boom 1 down |
| Y4/3 | grn/whi | boom 2 up |
| Y4/2 | blk/grn | boom 2 down |
| Y5/3 | gry/blk | boom 3 up |
| Y5/2 | blk/whi | boom 3 down |
| Y6/3 | blk/red | boom 4 up |
| Y6/2 | gry/red | boom 4 down |
| free | free | free |
| -ll- | brn | ground |
| Y2/2 | vio | turn clockwise |
| Y2/3 | blu/whi | turn anticlockw. |
| B4 | red | plus |
| Y1/3 | | pilot valve |
| Y1/2 | gry | |
| Y7 | | |
| B 8 | grn | RPM + |
| B 9 | blk/whi | RPM - |
| B 11 | blk/grn | pumping on |
| B 14 | blu/whi | pumping |
| B 12 | gry/blk | reverse |
| B 7 | whi/grn | horn |
| B 15 | blk/red | free |
| A 5 | gry/red | emergency stop |
| B13 | brn/whi | free |
| B 10 | vio | POT |

PLUG D



Lose Teile:
Pos. 59 Kabelbinder 10 Stück

| | | | |
|---|--|--------------|----------|
| SCALE | | WEIGHT | |
| FREE DIMENSION TOLERANCE DIN 7168 MEDIUM | | DATE | NAME |
| Waitzinger Baumaschinen Vertrieb und Service GmbH | | 1998/10/05 | Fetzer |
| DRAWN | | CHKD. | APPD. |
| d siehe B 561066.doc 02.06.05 Körner | | DATE | NAME |
| c siehe B 561066.doc 26.06.04 Körner | | MODIFICATION | ORIGINAL |
| b siehe B 561066.doc 03/09/19 Hoh. | | | |
| a siehe B 561066.doc 08/03/2008 Mi | | | |

Cable harness boom
REED 37m
B 56 1 066

THIS INFORMATION MAY NOT BE COPIED BY A THIRD PARTY. SUBJECT TO COPYRIGHT (PARAGRAPH 1 NO. 3 OF "URheberRECHTSGESETZ" FROM 14.06.1997)

CHANGE ONLY WITH CAD



PARTS LIST

| part list | description | created | index | valid from | valid to | |
|-----------|--|------------------------|-----------------|---------------|--------------|------------------|
| B561066 | cable harness boom REED V III | 18.05.99 Mi | c | 26.08.04 | | |
| pos | description stock | ident-no dimensions | DIN material | index | weigth Kg | quantity unit |
| 1 | housing emergency stop own parts list | B561091 | | | | 1,00 Stk |
| 2 | housing left own parts list | B561043 | | a 25.02.02 | | 2,00 Stk |
| 3 | Clamp box for boom own parts list | B561029 | | a 15.01.02 | | 1,00 Stk |
| 11 | t - piece 22-22-22 | WAI104515 | | | | 3,00 Stk |
| 12 | t - piece | WAI104508 | | | | 1,00 Stk |
| 13 | t - piece 17-10-17 | WAI104332 | | | | 4,00 Stk |
| 14 | t - piece | WAI104511 | | | | 1,00 Stk |
| 16 | fitting PG21 | WAI104507 | | | | 2,00 Stk |
| 17 | fitting PG16 | WAI104510 | | | | 4,00 Stk |
| 18 | fitting PG9 | WAI104506 | | | | 7,00 Stk |
| 19 | sealing for cable fitting PG21 | WAI104697 | | | | 2,00 Stk |
| 20 | sealing for cable fitting PG16 | WAI104696 | | | | 4,00 Stk |
| 21 | sealing for cable fitting PG9 | WAI104695 | | | | 7,00 Stk |
| 22 | lock nut PG21 | WAI104114 | | | | 1,00 Stk |
| 23 | O-ring 15 x 1,5 | WAI104701 | | | | 6,00 Stk |
| 24 | O-ring 8.9 x 1.25 | WAI104700 | | | | 7,00 Stk |
| 25 | nut CE 16 | WAI104519 | | | | 4,00 Stk |
| 26 | plate | WAI104735 | | | | 7,00 Stk |
| 28 | plug | WAI104691 | | | | 6,00 Stk |
| 29 | housing-body, lower part 24-pol | WAI101533 | | | | 2,00 Stk |



PARTS LIST

| part list | description | created | index | valid from | valid to | |
|-----------|-------------------------------|------------------------|-----------------|------------|---------------|------------------|
| B561066 | cable harness boom REED V III | 18.05.99 Mi | c | 26.08.04 | | |
| pos | description stock | ident-no dimensions | DIN material | index | weighth Kg | quantity unit |
| 30 | socket insertion 24-pol. | WAI100710 | | | | 1,00 Stk |
| 31 | protective cap | WAI101305 | | | | 1,00 Stk |
| 32 | housing upper part 16-pol. | WAI104023 | | | | 1,00 Stk |
| 33 | plugbox insert 1-16 pol. | WAI104121 | | | | 1,00 Stk |
| 34 | emergency stop switch | WAI105094 | | | | 3,00 Stk |
| 35 | label ZB2-BY9330 | WAI102278 | | | | 3,00 Stk |
| 36 | push button | WAI100569 | | | | 1,00 Stk |
| 37 | contact block | WAI105095 | | | | 3,00 Stk |
| 40 | lamp 12V | WAI104083 | | | 0,10 | 3,00 Stk |
| 41 | plate "horn" | WAI105415 | | | | 1,00 Stk |
| 42 | diode, 1A | WAI105337 | | | | 3,00 Stk |
| 43 | washer 4 | WAI104633 | | | | 9,00 Stk |
| 44 | rail | WAI104772 | | | | 0,20 Mtr |
| 45 | diode, MKS-D10 | WAI104541 | | | | 1,00 Stk |
| 46 | clamp | WAI104186 | | | | 2,00 Stk |
| 47 | plug with diode | WAI104185 | | | | 2,00 Stk |
| 48 | end plate | WAI104833 | | | | 1,00 Stk |
| 49 | clamp | WAI104672 | | | | 2,00 Stk |
| 50 | condenser | WAI104669 | | | | 4,00 Stk |
| 51 | hexagon bolt M 4 x 12 | WAI104632 | | | | 9,00 Stk |

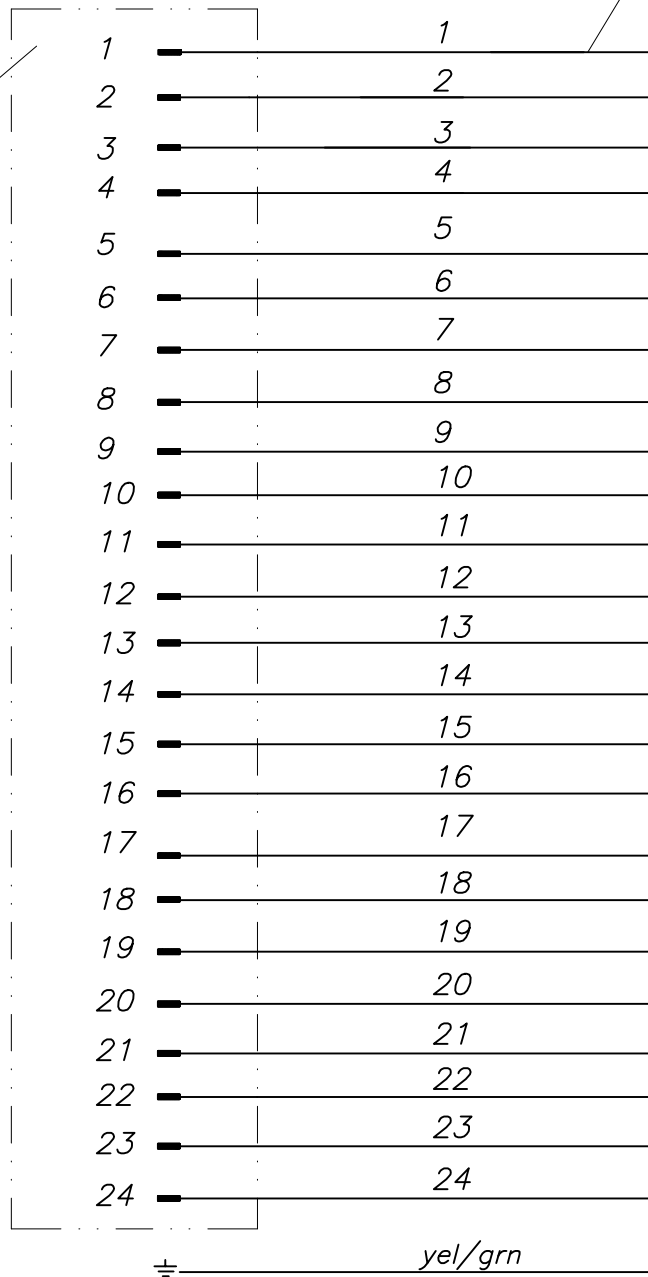


PARTS LIST


| part list | description | created | index | valid from | valid to | |
|-----------|-------------------------------|------------------------|-----------------|------------|-------------|------------------|
| B561066 | cable harness boom REED V III | 18.05.99 Mi | c | 26.08.04 | | |
| pos | description stock | ident-no dimensions | DIN material | index | weigh Kg | quantity unit |
| 52 | hex. nut M4 | WAI104634 | | | | 9,00 Stk |
| 53 | cove end sleeve 1.5mm | WAI101996 | | | | 60,00 Stk |
| 54 | cove end sleeve 1.5mm | WAI104692 | | | | 35,00 Stk |
| 55 | reducer 22/17 | WAI104509 | | | | 4,00 Stk |
| 56 | cable pipe | WAI104520 | | | | 7,00 Mtr |
| 57 | cable pipe | WAI104216 | | | | 12,50 Mtr |
| 58 | cable pipe | WAI104213 | | | | 3,40 Mtr |
| 59 | cable tie 200x3.6, black | WAI103137 | | | | 28,00 Stk |
| 60 | t - piece 22-10-22 | WAI105263 | | | | 1,00 Stk |
| 62 | relay socket | WAI100986 | | | | 2,00 Stk |
| 63 | relay DC 12V, 30 A | WAI104845 | | | | 2,00 Stk |
| 81 | flat plug sleeve 2,5mm | WAI104785 | | | | 14,00 Stk |
| 82 | reducer | WAI104512 | | | | 1,00 Stk |
| 83 | cable | WAI108059 | | | | 300,00 Mtr |
| 90 | thimble 1,5 - 2,5 qmm | WAI102458 | | | | 3,00 Stk |
| 91 | cove end sleeve 2.5mm | WAI101997 | | | | 20,00 Stk |
| 92 | cove end sleeve 1.0mm | WAI101995 | | | | 20,00 Stk |
| 93 | plate | WAI106435 | | | | 3,00 Stk |

cable 10m
25x1,5
WAI 101989

plug insertion
24-polig
WAI 100714
housing
24-polig
WAI 101542
cove end sleeve 50x
1,5
WAI 101996
(25x unmounted)
fitting
PG 21
WAI 105665



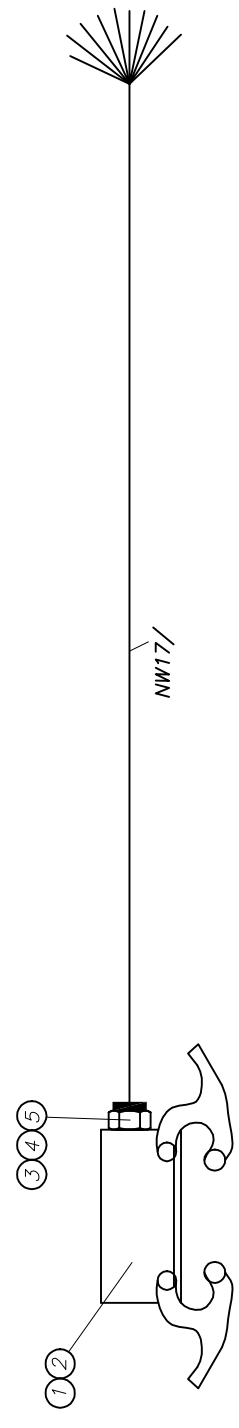
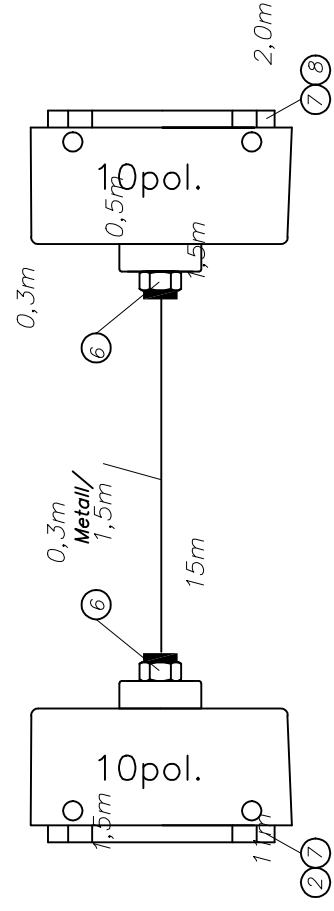
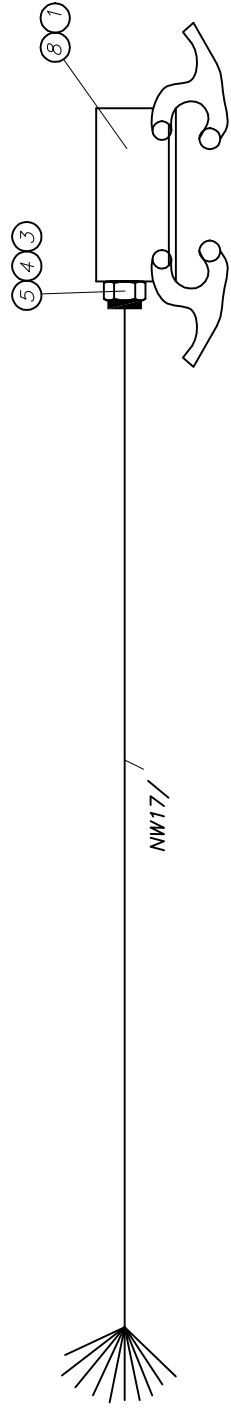
This information may not be copied by a third party. Subject to copyright (paragraph 1 no. 3 of "Urheberrechtsgesetz" from 14.06.1991

| | | | | | | | | | |
|---|--------------|------|------|---|-----------------|----------------|--|---------------------------------|--|
|  Waitzinger Baumaschinen Vertrieb und Service GmbH | | | | free dimension tolerance DIN 7168 medium | | scale | | weight | |
| | | | | | | own parts list | | | |
| | | | | drawn | | date | | cable cpl. for cable control | |
| | | | | 1999/07/20 | | Mi | | | |
| | | | | checkd. | | | | | |
| | | | | appd. | | | | | |
| | | | | change only with CAD | | B 56 1 049 | | | |
| | | | | | | | | sheet | |
| | | | | | | | | of | |
| issue | modification | date | name | original | replacement for | | | replacement by | |



PARTS LIST

| part list | description | created | index | valid from | valid to | |
|------------------|--------------------------------|--------------------------------|-------------------------|-------------------|-----------------------|--------------------------|
| B561049 | cable cpl. for cable control | 20.07.99 Mi | | | | |
| pos | description stock | ident-no dimensions | DIN material | index | weighth Kg | quantity unit |
| 1 | cable 25 x 1.5 | WAI101989 | | | | 10,00 Mtr |
| 2 | plug insertion 24-pol. | WAI100714 | | | | 1,00 Stk |
| 3 | housing upper part, 24-pol | WAI101542 | | | | 1,00 Stk |
| 4 | fitting PG21 | WAI105665 | | | | 1,00 Stk |
| 5 | cove end sleeve 1.5mm | WAI101996 | | | | 50,00 Stk |
| 6 | sealing for cable fitting PG21 | WAI104697 | | | | 1,00 Stk |



| | | | | |
|-------------------------|---------------------------------------|------------|----------------------------------|------------------------|
| | Freimaßtoleranz DIN 7168 mittel | | Maßstab eigene Stückliste | Gewicht |
| | | | | |
| Bearbeit. 06.08.2004 | Gepr. | Norm | Kabelbaum Mast 37m REED | Blatt 2 von 2 Bl. |
| Änderung | Datum | Name | Änderung nur auf CAD | Ers. für B 56 2 066 |
| Zus. | Urspr. | Ers. durch | | |

Ohne unsere Genehmigung darf diese Zeichnung weder vervielfältigt noch Dritten, Personen oder Konkurrenzfirmen mitgeteilt werden. (Paragraf 1 Nr.3 des Urheberrechtsgesetzes vom 14.06.1901)

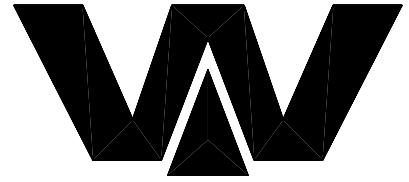


PARTS LIST

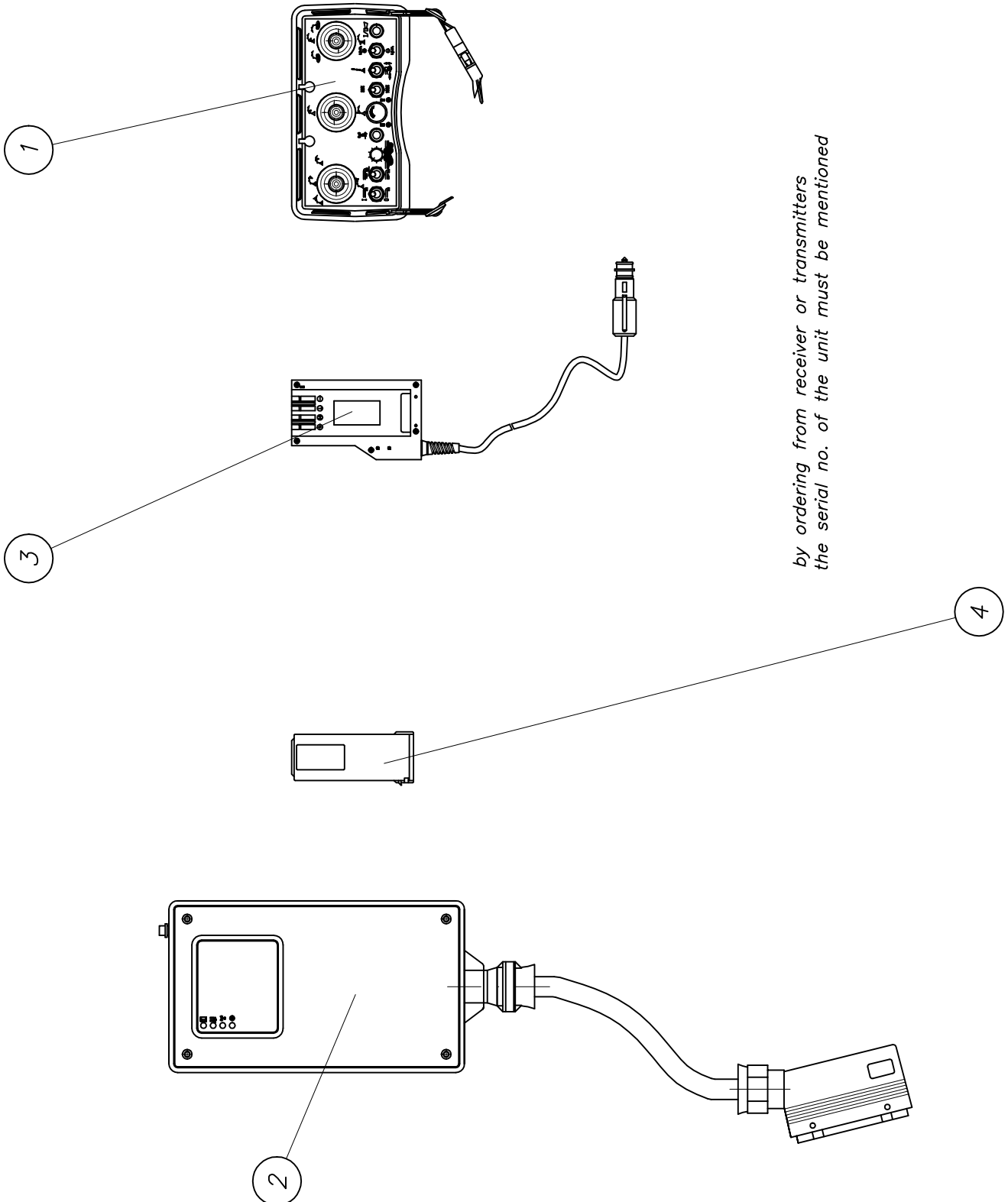
| part list | description | created | index | valid from | valid to | |
|-----------|--------------------------------|------------------------|-----------------|------------|---------------|------------------|
| b562066 | cable loop boom REED | 06.10.04 ALEXAND | | | | |
| pos | description stock | ident-no dimensions | DIN material | index | weighth Kg | quantity unit |
| 1 | housing 10 poles | WAI106688 | | | | 2,00 Stk |
| 2 | plug insert 1-10 pin | WAI106687 | | | | 2,00 Stk |
| 3 | fitting PG16 | WAI104510 | | | | 2,00 Stk |
| 4 | sealing for cable fitting PG16 | WAI104696 | | | | 2,00 Stk |
| 5 | O-ring 15 x 1,5 | WAI104701 | | | | 2,00 Stk |
| 6 | reduc. ring PG16 - 13,5 | WAI107524 | | | | 2,00 Stk |
| 7 | coupling housing 10-pole | WAI106689 | | | | 2,00 Stk |
| 8 | plugbox insert 1-10 pol. | WAI106686 | | | | 2,00 Stk |
| 21 | cable pipe | WAI104216 | | | | 25,50 Mtr |
| 22 | cable | WAI108059 | | | | 280,00 Mtr |

*Funkfernsteuerung kpl.
radio control cpl.*

WAI 105982



*Waitzinger
Baumaschinen GmbH*



*by ordering from receiver or transmitters
the serial no. of the unit must be mentioned*

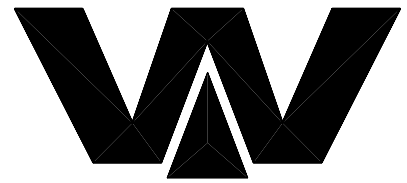


PARTS LIST

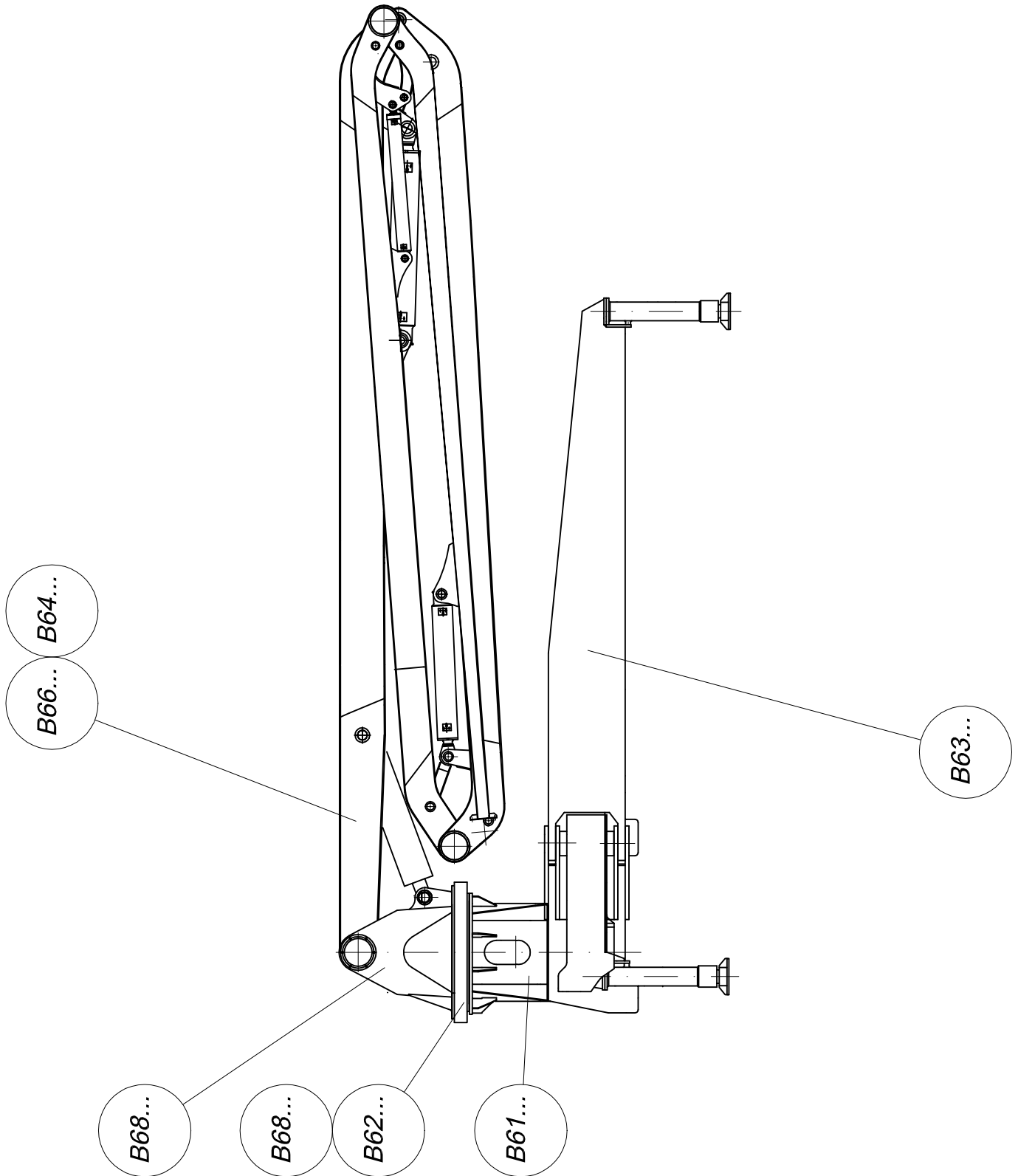
| part list | description | created | index | valid from | valid to | |
|------------------|---------------------------------------|--------------------------------|-------------------------|-------------------|-----------------------|--------------------------|
| WAI105982 | radio control | 16.03.00 Mi | | | | |
| pos | description stock | ident-no dimensions | DIN material | index | weighth Kg | quantity unit |
| 1 | transmitter for remote control Reed 6 | WAI106051 | | | | 1,00 Stk |
| 2 | receiver for remote control REED 6 | WAI106052 | | | | 1,00 Stk |
| 3 | battery charger PNN-System | WAI104743 | | | | 1,00 Stk |
| 4 | accumulator for remote control | WAI104745 | | | | 1,00 Stk |

Übersicht B 60 - B 69

over view B 60 - B 69

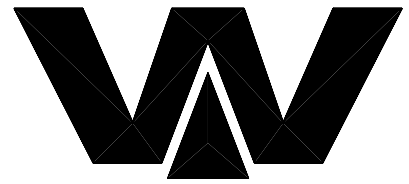


*Waitzinger
Baumaschinen GmbH*

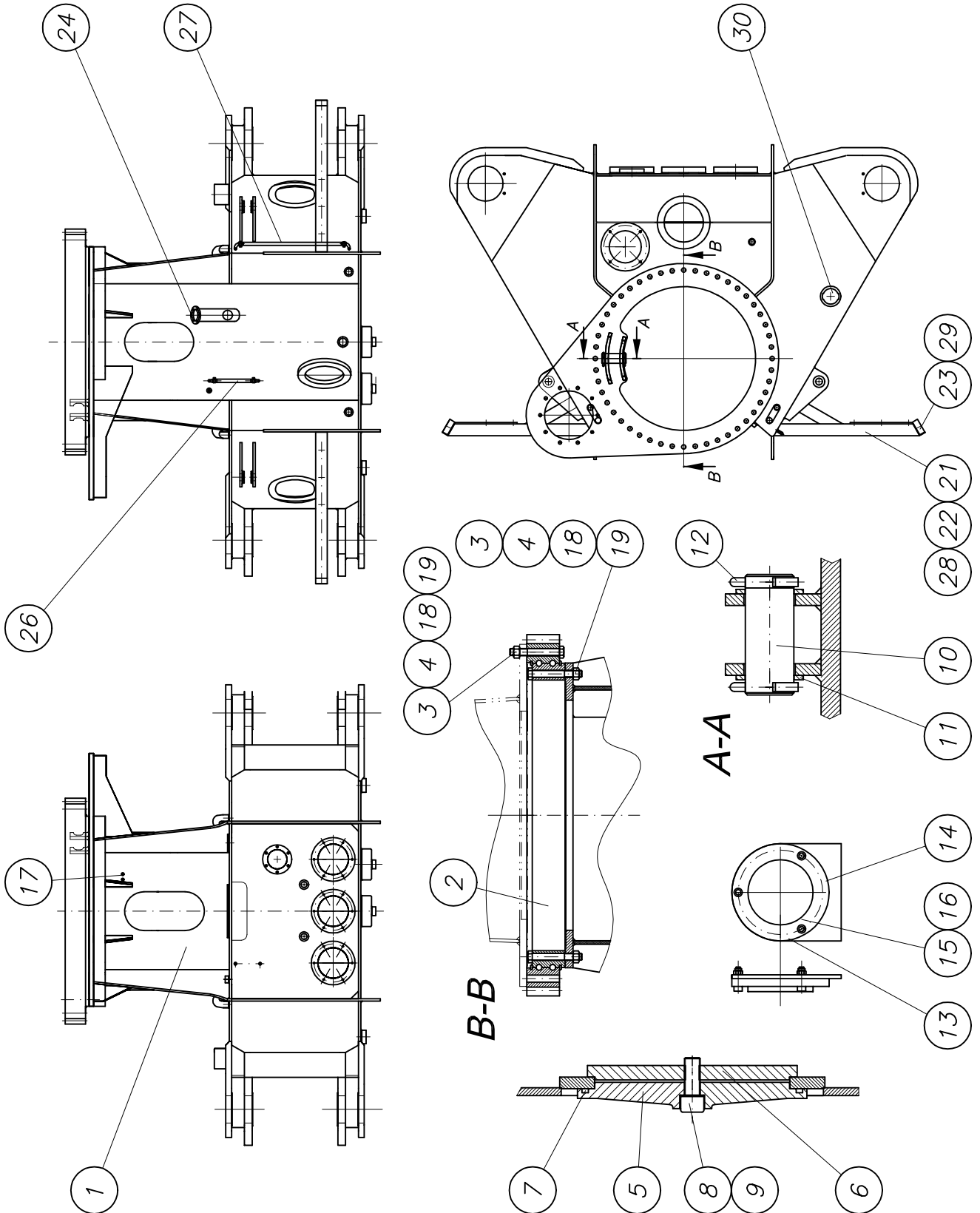


Mastbock kpl.
boom base cpl.

B 61 9 000d



Waitzinger
Baumaschinen GmbH





PARTS LIST

| part list | description | created | index | valid from | valid to | |
|-----------|--|---------------------------|--------------------------|---------------|---------------|------------------|
| B619000 | boom base 32/36XXT cpl. | 07.11.00 hbk | d | 31.10.03 | | |
| pos | description stock | ident-no dimensions | DIN material | index | weighth Kg | quantity unit |
| 1 | boom base 32/36XXT cpl. own parts list | B619010 | | b 17.04.02 | | 1,00 Stk |
| 2 | rotation bearing | WAI106168 | | | 300,00 | 1,00 Stk |
| 3 | hexagon bolt M 22 x 160 | WAI105029 | | | | 96,00 Stk |
| 4 | nut M22 DIN 934 10. | WAI104827 | | | | 96,00 Stk |
| 5 | cover for oiltank D236 X 27 36XT | B610033 RD 240x30 | 1747 Al99 | | 1,80 | 4,00 Stk |
| 6 | star for oilcover FL 15X 220X 220 | B610034 FI 220x220x15 | 1017 S235JR | a 12.02.03 | 2,00 | 4,00 Stk |
| 7 | O-ring 217x5, No. A0120.371 | WAI106011 | | | | 4,00 Stk |
| 8 | u-seal 16,7 x 24 x 1,5T | WAI101572 | | | | 4,00 Stk |
| 9 | cheese head screw M 16 x 55 | WAI104550 | | | | 4,00 Stk |
| 10 | pin 50 x 128 | B610022 Rd 55 x 130 | 1013 39NiCrMo3/b | a 03.08.04 | 1,90 | 1,00 Stk |
| 11 | spacer ring RD 70X 4.5 | B610025 Rd 70 x 4.5 | 1013 S235JR | | 0,10 | 2,00 Stk |
| 12 | split pin 8 x 63 VERZ. DIN 94 | WAI102875 | | | | 2,00 Stk |
| 13 | box level d80 | WAI106237 | | | | 2,00 Stk |
| 14 | holder for can drag and fly | B619093 BI 5x100x112.5 | 1543/EN10029 S235J2G3 | a 13.02.03 | 0,22 | 2,00 Stk |
| 15 | cheese head screw M5x20 DIN 912 8.8 | WAI103389 | | | | 6,00 Stk |
| 16 | locking nut DIN 980 | WAI102068 | | | | 6,00 Stk |
| 17 | lubrication kit for rotation bearing cpl own parts list | WAI106535 | | | 3,00 | 1,00 Stk |
| 18 | washer HV DIN 6916 23 C45 | WAI101566 | | | | 66,00 Stk |
| 19 | washer HV 6916 21 C45 tooled | WAI107180 | | | 0,01 | 30,00 Stk |
| 21 | guide profil | B619109 8x30x320 | Polyamid | | | 2,00 Stk |
| 22 | stop cpl. own parts list | B619110 | | | 8,00 | 2,00 Stk |
| 23 | stop | B619111 30x60x75 | Polyamid | | | 2,00 Stk |

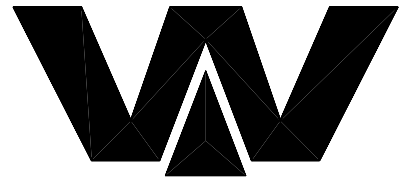


PARTS LIST

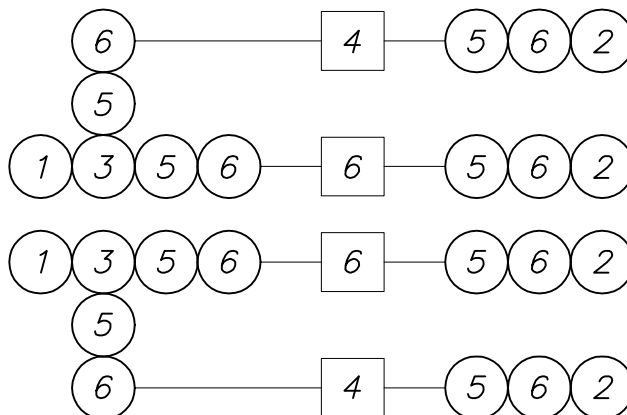
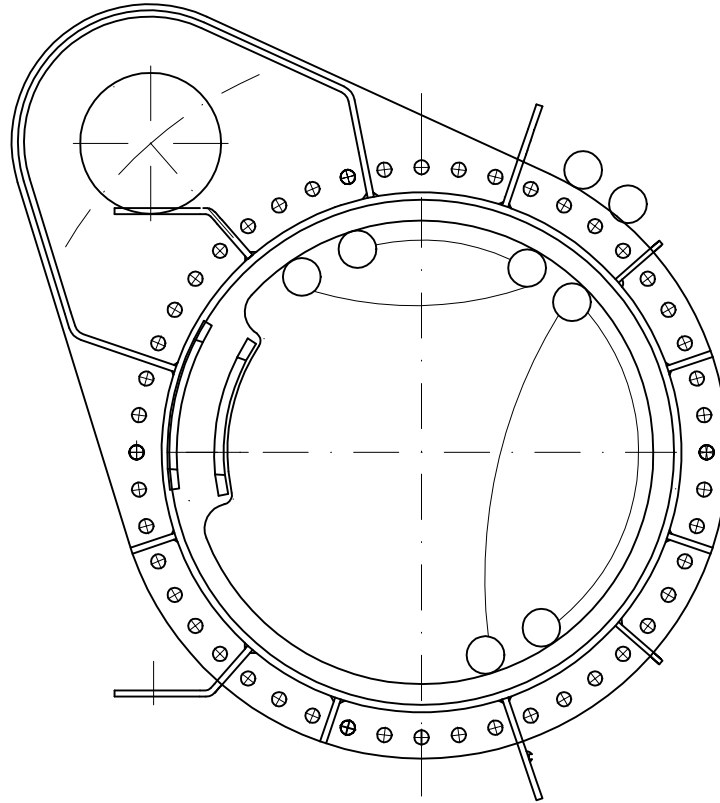
| part list | description | created | index | valid from | valid to | |
|-----------|-------------------------|------------------------|-----------------|------------|---------------|------------------|
| B619000 | boom base 32/36XXT cpl. | 07.11.00 hbk | d | 31.10.03 | | |
| pos | description stock | ident-no dimensions | DIN material | index | weighth Kg | quantity unit |
| 24 | filling and air filter | WAI106163 | | | | 1,00 Stk |
| 26 | fuel hose DN 12 | WAI103104 | | | | 1,70 Mtr |
| 27 | hose clamp 15mm | WAI103103 | | | | 6,00 Stk |
| 28 | sunk screw M 10 x 20 | WAI104689 | | | | 6,00 Stk |
| 29 | cheese head screw | WAI102243 | | | 0,00 | 2,00 Stk |
| 30 | tank cover | WAI103102 | | | 0,80 | 1,00 Stk |

Schmieranlage für Drehkranz
lubrication for turning unit

WAI 106535



Waitzinger
Baumaschinen GmbH



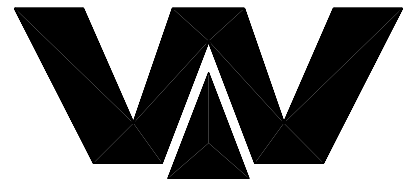


PARTS LIST

| part list | description | created | index | valid from | valid to | |
|-----------|--|------------------------|-----------------|------------|---------------|------------------|
| WAI106535 | lubrication kit for rotation bearing cpl | 04.12.00 Mi | | | | |
| pos | description stock | ident-no dimensions | DIN material | index | weighth Kg | quantity unit |
| 1 | grease nipple H1 M10 X 1 DIN 71412 | WAI100805 | | | 0,01 | 2,00 Stk |
| 2 | male stud coupling LL6M | WAI100305 | | | | 4,00 Stk |
| 3 | t-fitting LL6 | WAI106534 | | | | 2,00 Stk |
| 4 | plastic pipe 8.4 x 2.1 | WAI100255 | | | 0,05 | 3,50 Mtr |
| 5 | hose connecting piece, DN6, short | WAI100253 | | | 0,01 | 8,00 Stk |
| 6 | threaded sleeve | WAI100254 | | | 0,01 | 8,00 Stk |

*Drehwerk kpl.
turning unit cpl.*

B 62 8 010



*Waitzinger
Baumaschinen GmbH*

- ① *Drehwerkseinheit kpl.
turning unit cpl.
B 62 8 011a*
- ② *Schutzeinrichtung kpl.
protection unit cpl.
B 62 8 012c*

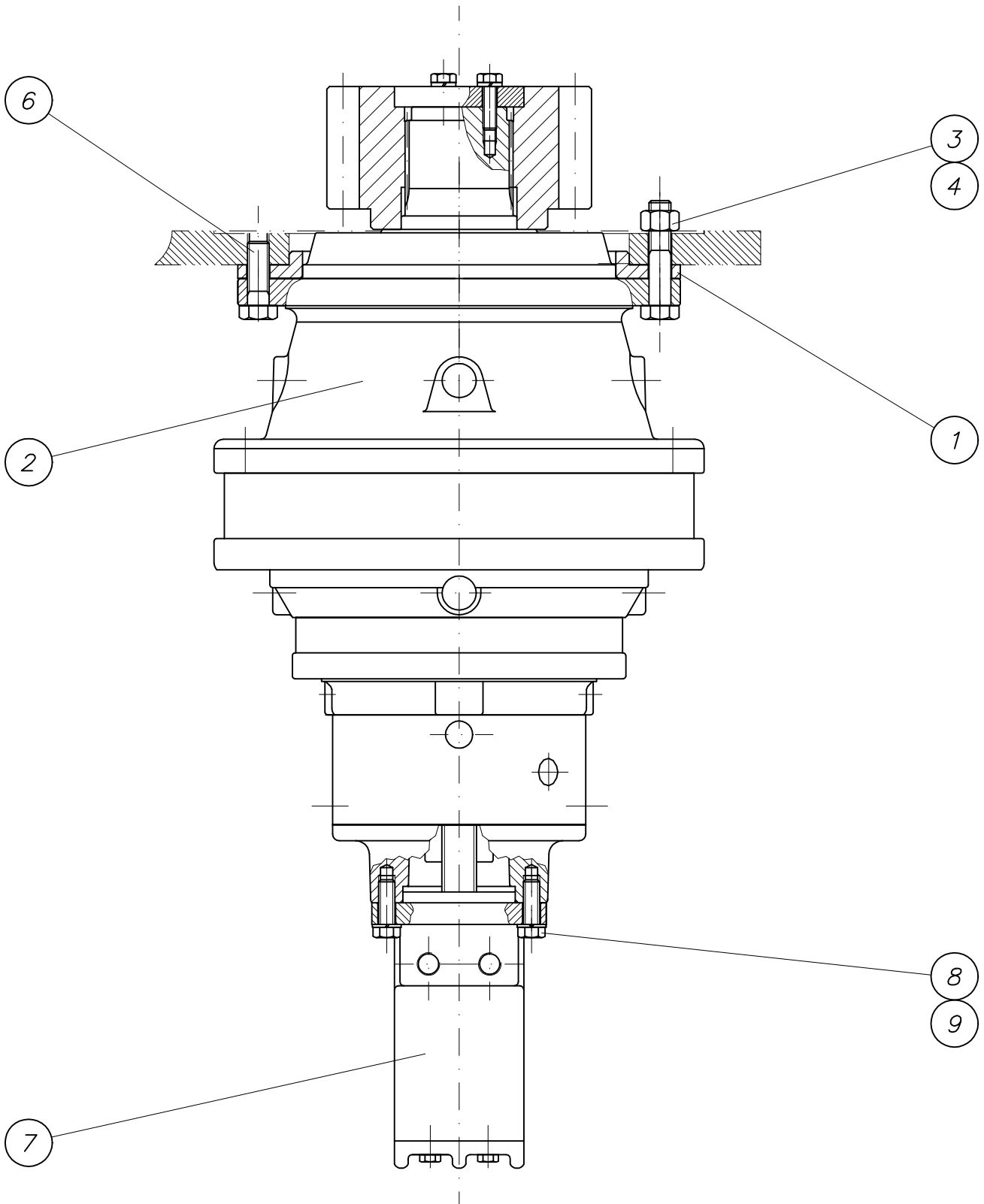
Drehwerkseinheit kpl.

turning unit cpl.

B 62 8 011a



Waitzinger
Baumaschinen GmbH





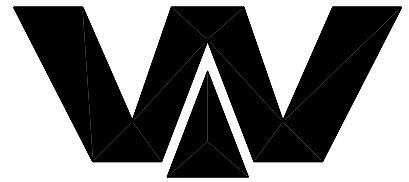
PARTS LIST

| part list | description | created | index | valid from | valid to | |
|-----------|--|----------------------------|-----------------|---------------|-------------|------------------|
| B628011 | turning unit cpl.36XT AND 36ST | 27.06.00 hbk | a | 17.06.04 | | |
| pos | description stock | ident-no dimensions | DIN material | index | weigh Kg | quantity unit |
| 1 | eccentric flange for turning unit | B620049 Rohr 323.9 x 50 | 2448 S355JR | a 04.01.01 | 3,60 | 1,00 Stk |
| 2 | gearbox PG1602-MFS SOM own parts list | WAI106266 | | | 151,60 | 1,00 Stk |
| 3 | hexagon bolt M16 x 80 | WAI106268 | | | 0,17 | 7,00 Stk |
| 4 | nut M16 DIN 934 | WAI101555 | | | | 7,00 Stk |
| 6 | hexagon bolt M16 x 50 | WAI106269 | | | 0,17 | 3,00 Stk |
| 7 | hydraulic motor Char Lynn | WAI106301 | | | | 1,00 Stk |
| 8 | hexagon bolt M12 x 35 | WAI102122 | | | 0,04 | 2,00 Stk |
| 9 | spring washer A12 DIN 127 VERZ. | WAI102896 | | | | 2,00 Stk |

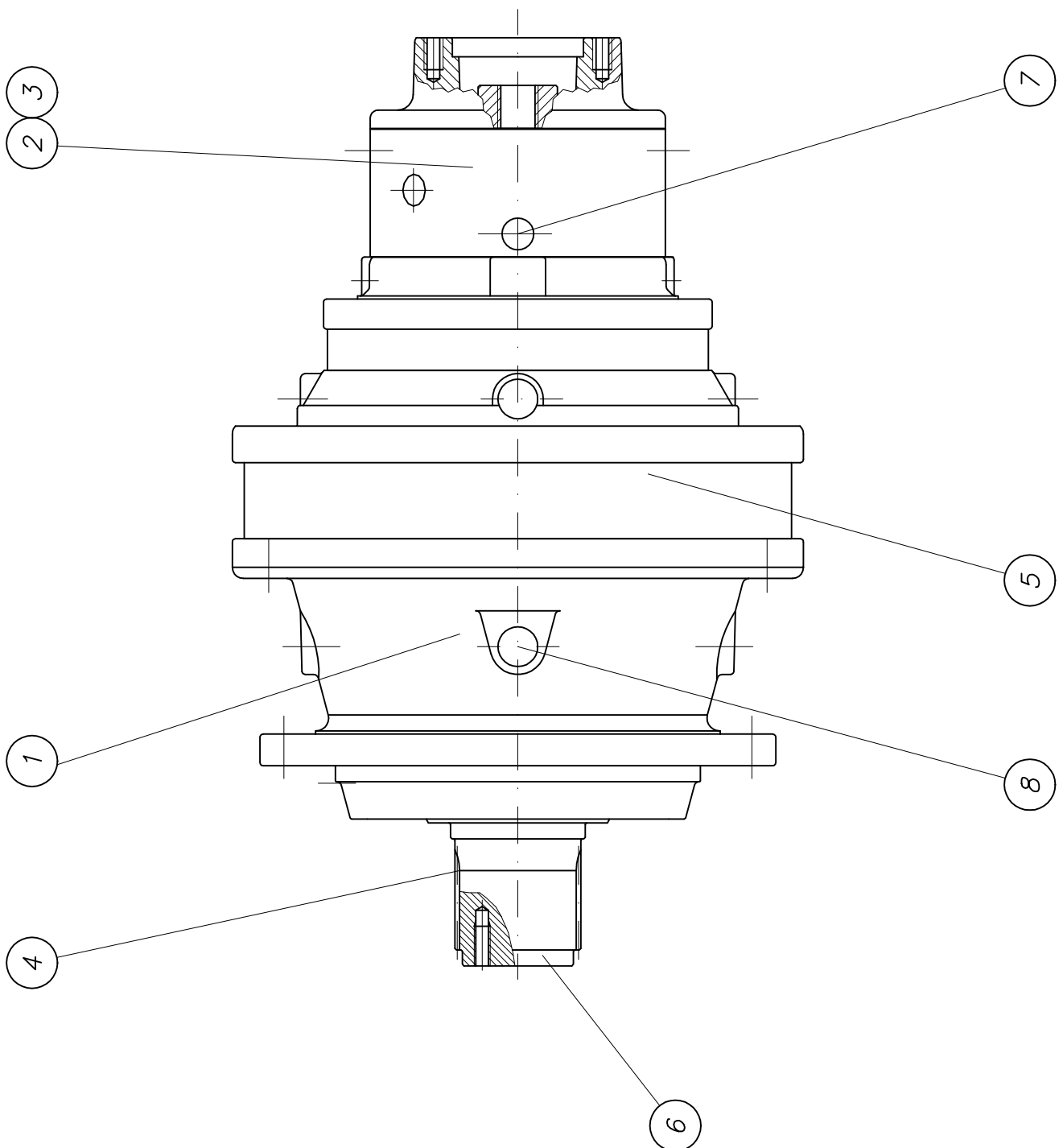
Drehwerksgetriebe

rotating gear box

WAI 106266



*Waitzinger
Baumaschinen GmbH*



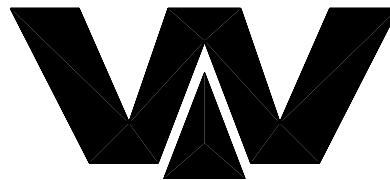


PARTS LIST

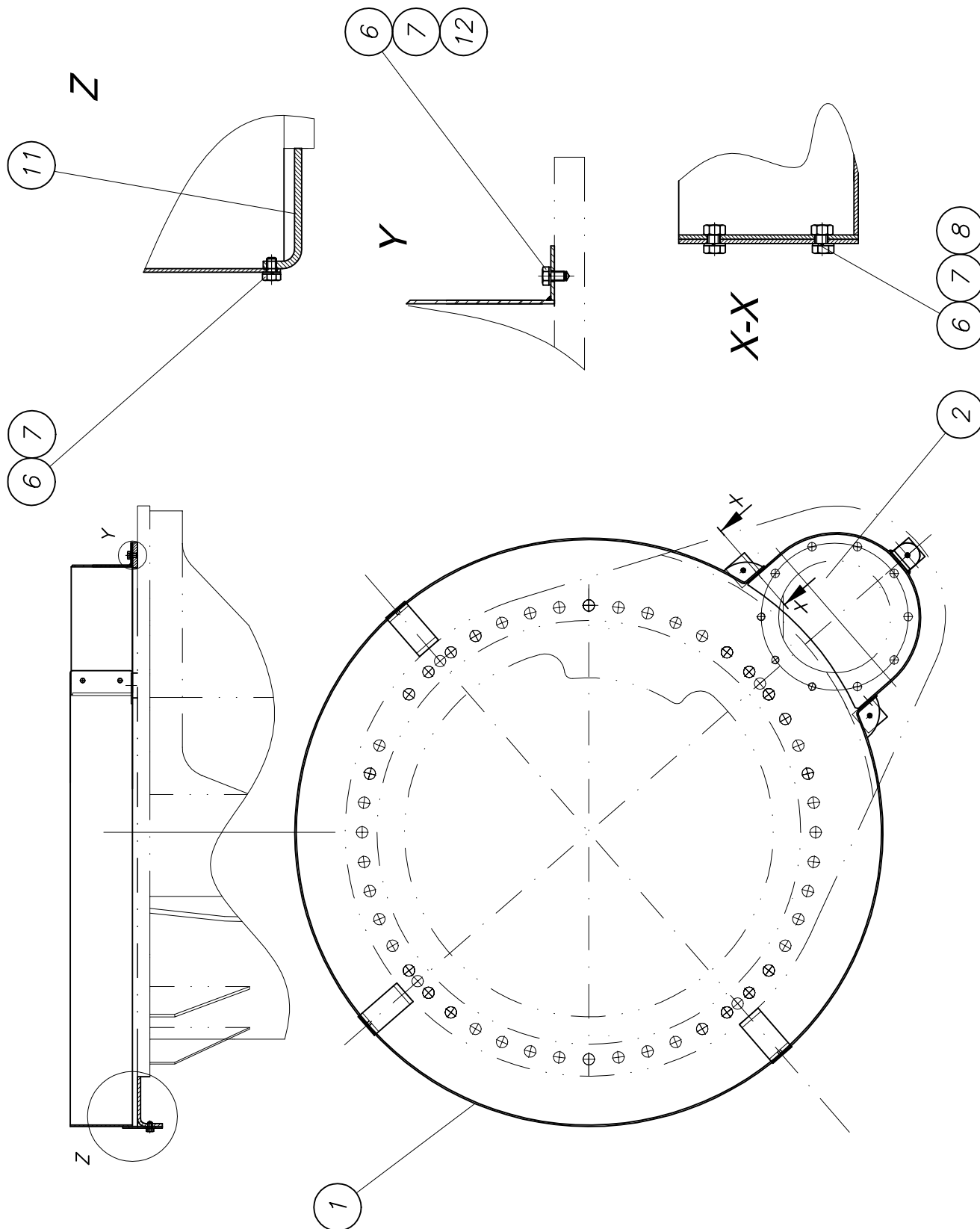
| part list | description | created | index | valid from | valid to | |
|-----------|---|------------------------|-----------------|------------|-------------|------------------|
| WAI106266 | gearbox PG1602-MFS SOM | 08.03.01 Mi | | | | |
| pos | description stock | ident-no dimensions | DIN material | index | weigh Kg | quantity unit |
| 1 | lamina | WAI106712 | | | | 4,00 Stk |
| 2 | lamina | WAI106713 | | | | 5,00 Stk |
| 3 | sealing set for rotation gearbox 36 mtr | WAI106272 | | | 0,50 | 1,00 Stk |
| 4 | gear 14 | WAI106511 | | | 10,00 | 1,00 Stk |
| 5 | gearbox RE040.11201 | WAI106748 | | | 140,00 | 1,00 Stk |
| 6 | cap RP100 | WAI106749 | | | | 1,00 Stk |
| 7 | gauge LL301 | WAI106750 | | | 0,00 | 1,00 Stk |
| 8 | breather FS020 | WAI106751 | | | 1,50 | 1,00 Stk |

Schutzeinrichtung kpl.
protection unit cpl.

B 62 8 012c



Waitzinger
Baumaschinen GmbH



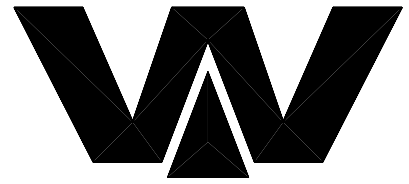


PARTS LIST

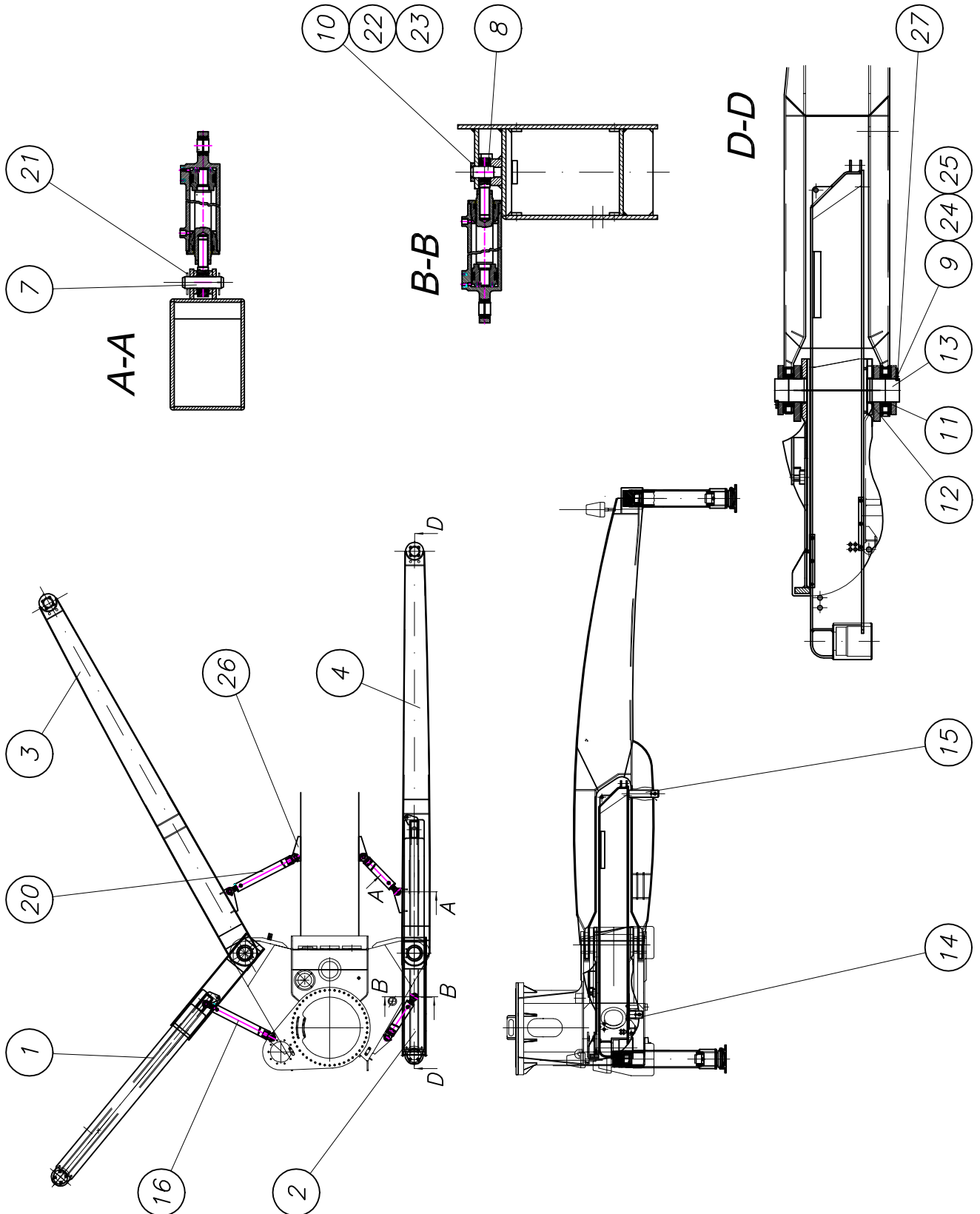
| part list | description | created | index | valid from | valid to | |
|-----------|--|------------------------|------------------------|---------------|-------------|------------------|
| B628012 | turning unit protection partsKPL.36XT/ST | 27.06.00 hbk | c | 24.02.04 | | |
| pos | description stock | ident-no dimensions | DIN material | index | weigh Kg | quantity unit |
| 1 | rotation bearing protection own parts list | B620050 | | | 13,00 | 1,00 Stk |
| 2 | pinion cover f. 36 mtr. KPL. own parts list | B620055 | | | | 1,00 Stk |
| 6 | hexagon bolt M 8 x 12 DIN 933 8.8 | WAI103274 | | | | 9,00 Stk |
| 7 | spring washer A8 DIN 127 VERZ. | WAI102205 | | | 0,00 | 11,00 Stk |
| 8 | hex. nut M8 DIN 934 8. VERZ. | WAI102880 | | | | 4,00 Stk |
| 11 | holder BL 6X 50X 119 | B620058 Bl 6x50x119 | 1543/EN10029 St37-2 | b 27.01.03 | 0,30 | 4,00 Stk |
| 12 | hexagon bolt M 8 x 50 DIN 931 8.8 | WAI108743 | | | | 2,00 Stk |

Abstützung kpl.
outrigger cpl.

B 63 9 150e



Waitzinger
Baumaschinen GmbH



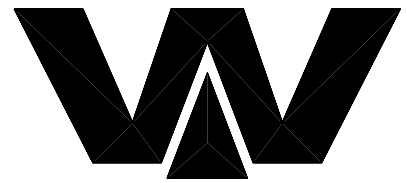


PARTS LIST

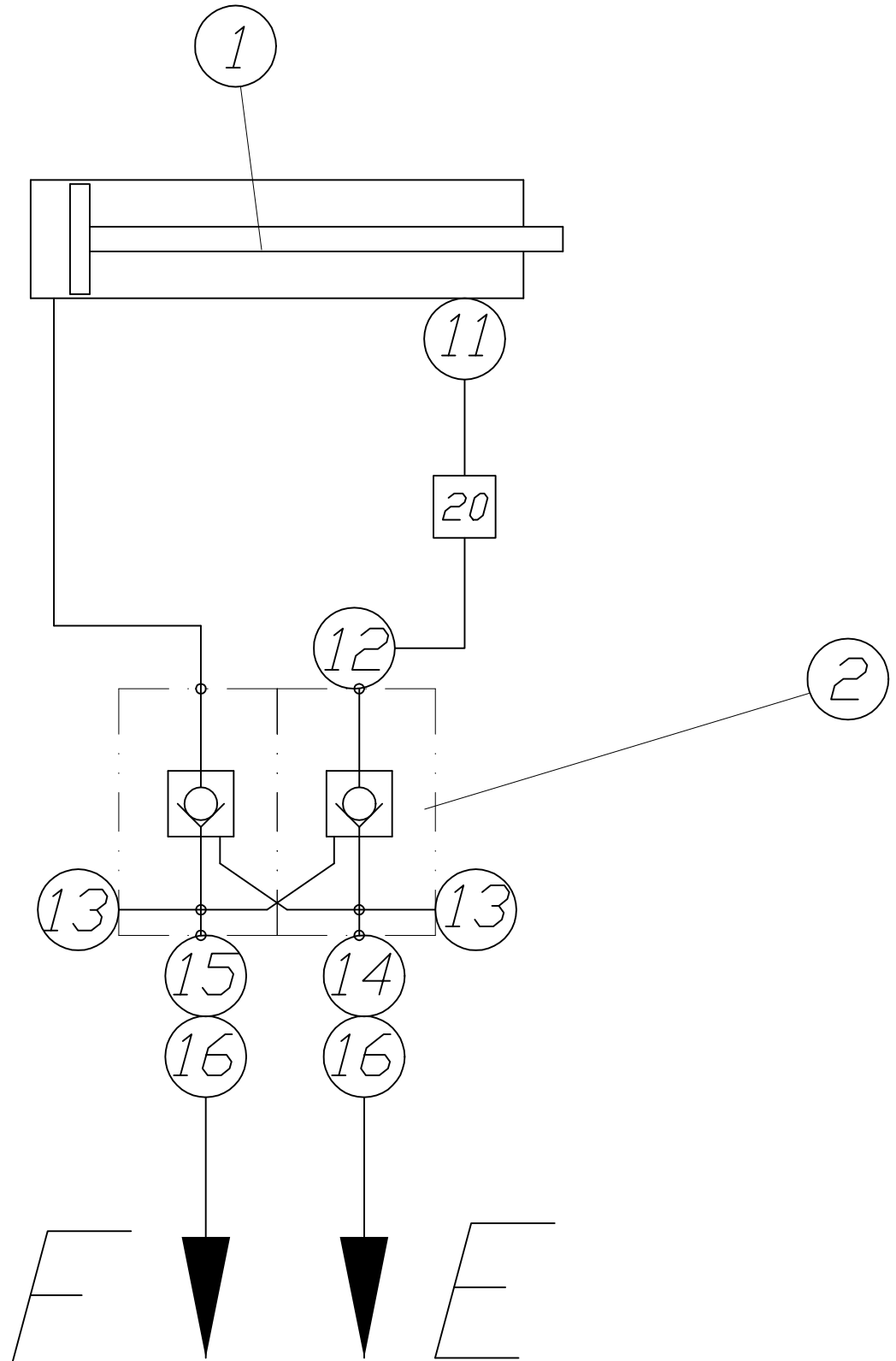
| part list | description | created | index | valid from | valid to | |
|-----------|--|---------------------------|--------------------|---------------|---------------|------------------|
| B639150 | outrigger 32/36 xxt cpl | 04.01.01 Mi | e | 01.06.05 | | |
| pos | description stock | ident-no dimensions | DIN material | index | weighth Kg | quantity unit |
| 1 | front right stabilizer 32/36XXT cpl. own parts list | B639170 | | c 01.06.04 | | 1,00 Stk |
| 2 | front left stabilizer 32/36XXT cpl. own parts list | B639180 | | c 01.06.04 | | 1,00 Stk |
| 3 | rear right stabilizer 32/36XXT cpl. own parts list | B639190 | | a 02.12.03 | 820,00 | 1,00 Stk |
| 4 | rear left stabilizer 32/36XXT cpl. own parts list | B639210 | | b 14.03.05 | 820,00 | 1,00 Stk |
| 7 | pin 35 x 124 | B610020 Rd 40 x 130 | 1013 C40 | | 1,00 | 6,00 Stk |
| 8 | pin | B639183 Rd 35 x 92.5 | 1017 ST52-2 | a 09.02.01 | 0,50 | 2,00 Stk |
| 9 | embed plate | B639184 FI 12x140x65 | 1017 St37-2 | a 07.11.02 | 0,90 | 4,00 Stk |
| 10 | embed plate | B639185 FI 12x100x55 | 1017 St37-2 | | 0,50 | 2,00 Stk |
| 11 | bushing | B639191 Ro D159x12.5 | 2448 STE770 | | 2,30 | 4,00 Stk |
| 12 | bushing | B639251 Rohr D159*12.5 | DIN 2448 STE770 | | 1,50 | 4,00 Stk |
| 13 | pin 140 x 194 | B639193 Rd D150x200 | 1013 42CrMo4V | b 26.02.04 | 23,50 | 4,00 Stk |
| 14 | transport savety device own parts list | B639197 | | b 14.10.03 | | 2,00 Stk |
| 15 | transport savety device own parts list | B639207 | | b 20.10.04 | | 2,00 Stk |
| 16 | swing cylinder cpl. own parts list | B630104 | | a 02.06.05 | 155,00 | 2,00 Stk |
| 20 | swing cylinder cpl. own parts list | B639246 | | a 02.06.05 | 155,00 | 2,00 Stk |
| 21 | split pin 8 x 63 VERZ. DIN 94 | WAI102875 | | | | 12,00 Stk |
| 22 | hexagon bolt M 8 x 20 | WAI101837 | | | | 4,00 Stk |
| 23 | spring washer A8 DIN 127 VERZ. | WAI102205 | | | 0,00 | 4,00 Stk |
| 24 | hex. bolt M12x30 DIN 933 8.8 | WAI102107 | | | 0,04 | 8,00 Stk |
| 25 | spring washer A12 DIN 127 VERZ. | WAI102896 | | | | 8,00 Stk |
| 26 | bracket own parts list | B639241 | | | 1,50 | 2,00 Stk |
| 27 | flat bar | B630013 FI 30x10x140 | 1017 S235J2G3 | | 0,30 | 4,00 Stk |

Ausschwenkzylinder kpl.
swing cylinder cpl.

B 63 9 246a



Waitzinger
Baumaschinen GmbH



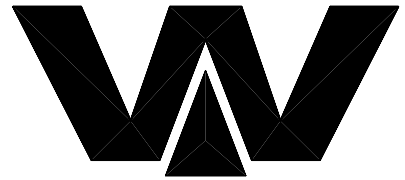


PARTS LIST

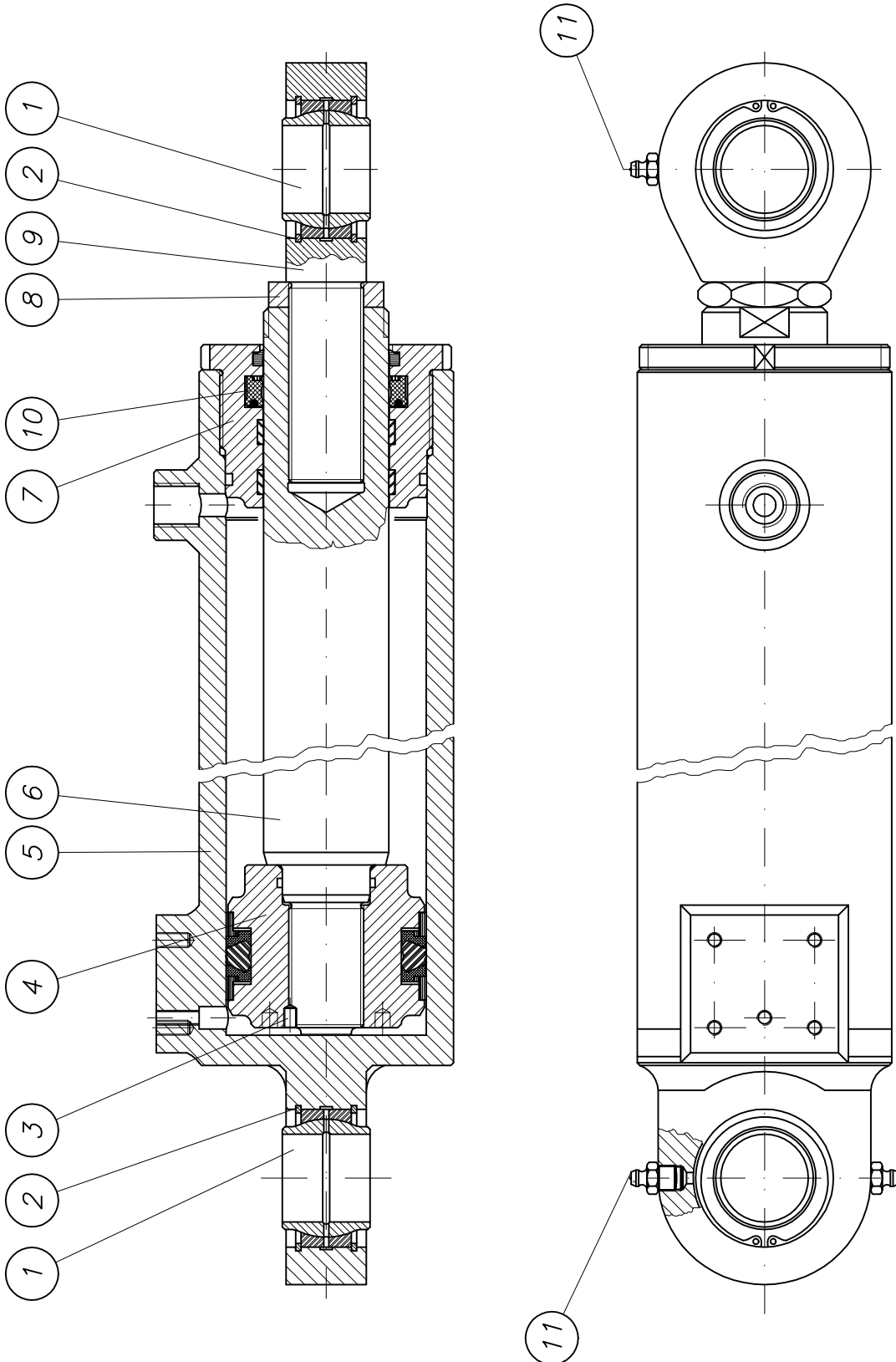
| part list | description | created | index | valid from | valid to | |
|-----------|---|------------------------|-----------------|------------|---------------|------------------|
| B639246 | swing cylinder cpl. | 07.10.03 Mi | a | 02.06.05 | | |
| pos | description stock | ident-no dimensions | DIN material | index | weighth Kg | quantity unit |
| 1 | swing cylinder 80/50 x 305 own parts list | WAI106210 | | | 22,50 | 1,00 Stk |
| 2 | pilot operated twin check valve | WAI106410 | | | | 1,00 Stk |
| 11 | banjo coupling L12 RD | WAI103684 | | | | 1,00 Stk |
| 12 | straight male stud couplings L12D | WAI100548 | | | | 1,00 Stk |
| 13 | locking screw G 3/8 | WAI100521 | | | | 2,00 Stk |
| 14 | straight male stud couplings L12R 1.2 own parts list | WAI107456 | | | 0,13 | 1,00 Stk |
| 15 | straight male stud couplings L12R 1.5 own parts list | WAI106427 | | | 0,13 | 1,00 Stk |
| 16 | swivel elbow L12 | WAI103794 | | | | 2,00 Stk |
| 20 | hydr. pipe 12 x 2 | WAI102022 | | | 0,49 | 0,30 Mtr |

Ausschwenkzylinder
swing cylinder

WAI 106210



Waitzinger
Baumaschinen GmbH





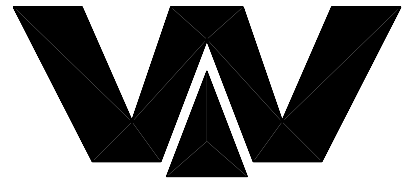
PARTS LIST

| part list | description | created | index | valid from | valid to | |
|-----------|------------------------------------|------------------------|-----------------|------------|---------------|------------------|
| WAI106210 | swing cylinder 80/50 x 305 | 26.03.01 Mi | | | | |
| pos | description stock | ident-no dimensions | DIN material | index | weighth Kg | quantity unit |
| 1 | joint bearing | WAI103626 | | | 1,50 | 2,00 Stk |
| 2 | clamping ring | WAI106780 | | | 0,02 | 4,00 Stk |
| 3 | set screw M 6 x 8 | WAI103646 | | | | 1,00 Stk |
| 4 | piston | WAI106781 | | | | 1,00 Stk |
| 5 | housing | WAI106782 | | | | 1,00 Stk |
| 6 | piston rod | WAI106783 | | | | 1,00 Stk |
| 7 | head for drive cylinder | WAI106784 | | | | 1,00 Stk |
| 8 | piston nut | WAI106785 | | | | 1,00 Stk |
| 9 | piston head | WAI106786 | | | | 1,00 Stk |
| 10 | SEALING SET FOR SWING CYLINDER 32 | WAI106574 | | | | 1,00 Stk |
| 11 | grease nipple H1 M10 X 1 DIN 71412 | WAI100805 | | | 0,01 | 3,00 Stk |

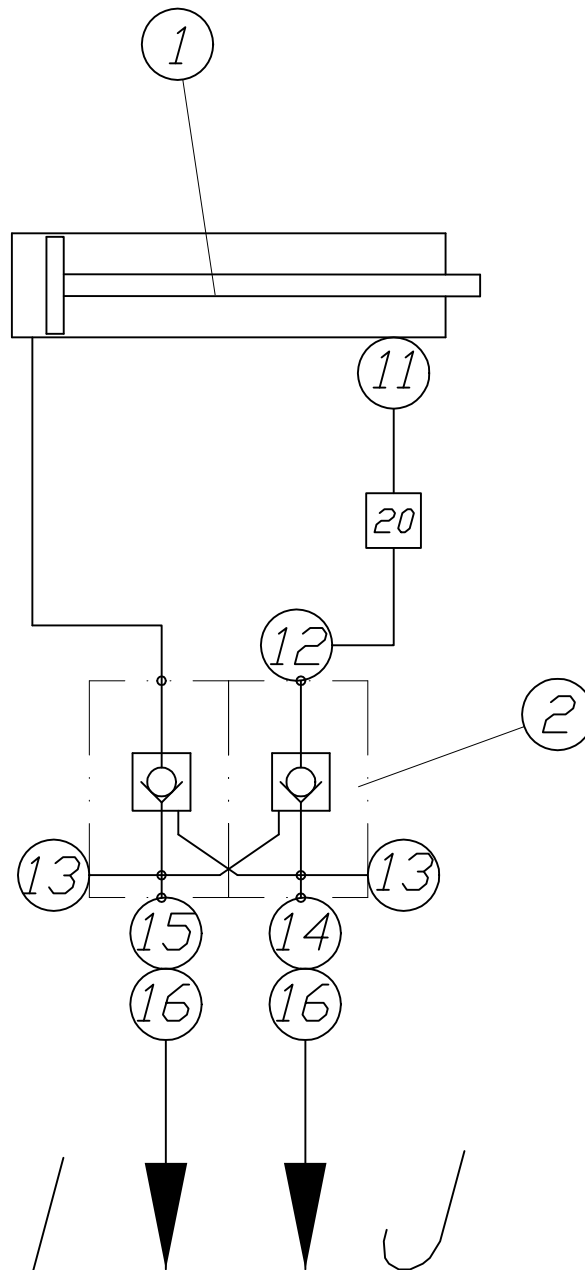
Ausschwenkzylinder hinten kpl.

swing cylinder rear cpl.

B 63 0 104



*Waitzinger
Baumaschinen GmbH*



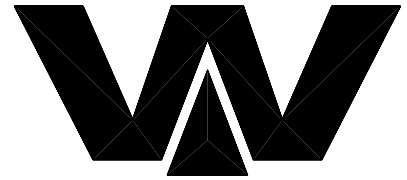


PARTS LIST

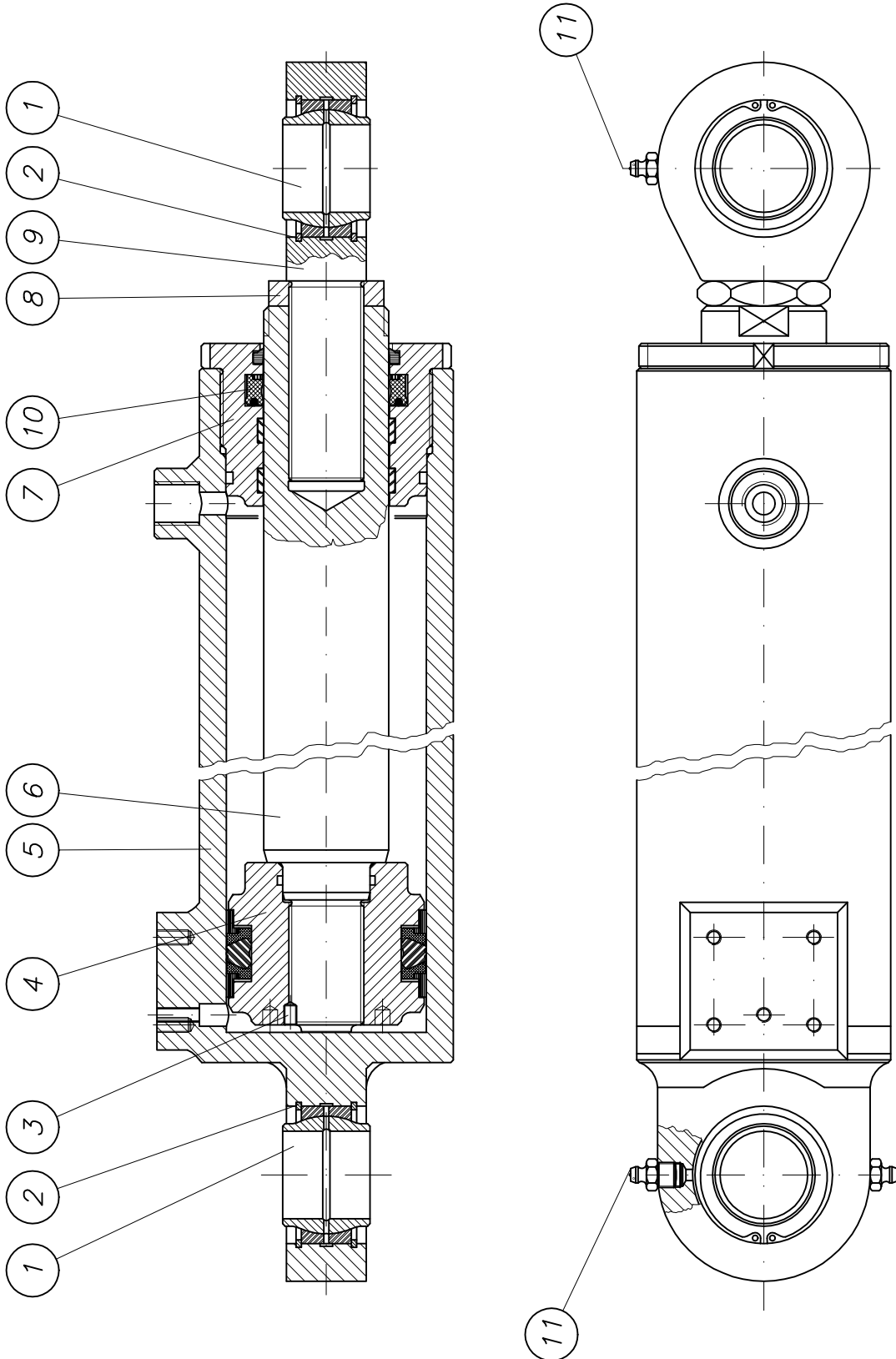
| part list | description | created | index | valid from | valid to | |
|-----------|---|------------------------|-----------------|------------|-------------|------------------|
| B630104 | swing cylinder cpl. | 16.09.03 Mi | a | 02.06.05 | | |
| pos | description stock | ident-no dimensions | DIN material | index | weigh Kg | quantity unit |
| 1 | swing cylinder 80 x 50 x 370 St36 own parts list | WAI106235 | | | 27,00 | 1,00 Stk |
| 2 | pilot operated twin check valve | WAI106410 | | | | 1,00 Stk |
| 11 | banjo coupling L12 RD | WAI103684 | | | | 1,00 Stk |
| 12 | straight male stud couplings L12D | WAI100548 | | | | 1,00 Stk |
| 13 | locking screw G 3/8 | WAI100521 | | | | 2,00 Stk |
| 14 | straight male stud couplings L12R 1.2 own parts list | WAI107456 | | | 0,13 | 1,00 Stk |
| 15 | straight male stud couplings L12R 1.5 own parts list | WAI106427 | | | 0,13 | 1,00 Stk |
| 16 | swivel elbow L12 | WAI103794 | | | | 2,00 Stk |
| 20 | hydr. pipe 12 x 2 | WAI102022 | | | 0,49 | 0,40 Mtr |

Ausschwenkzylinder
swing cylinder

WAI 106235



Waitzinger
Baumaschinen GmbH



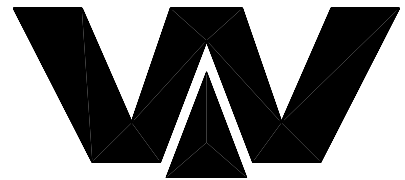


PARTS LIST

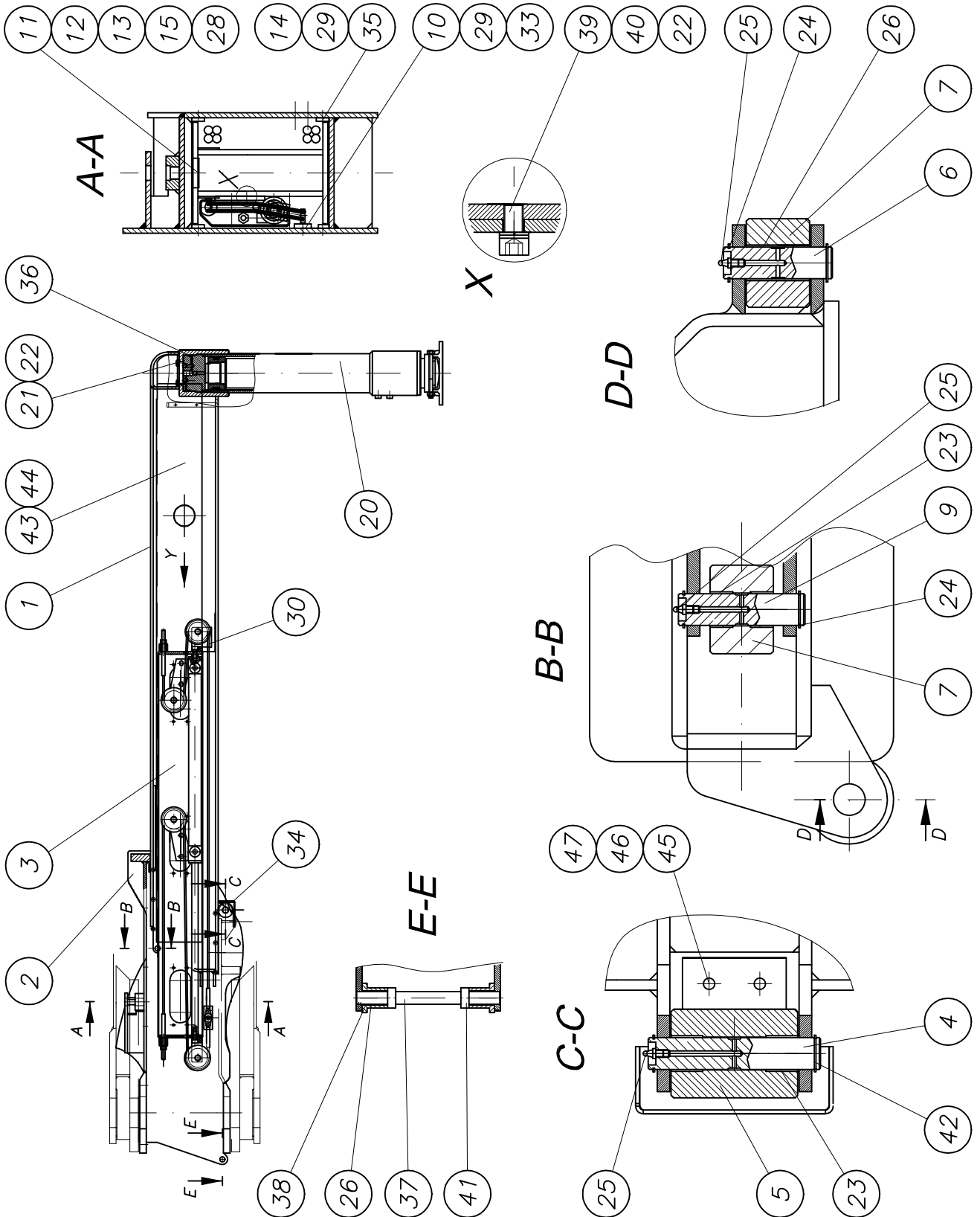
| part list | description | created | index | valid from | valid to | |
|-----------|-------------------------------------|------------------------|-----------------|------------|-------------|------------------|
| WAI106235 | swing cylinder 80 x 50 x 370 St36 | 26.03.01 Mi | | | | |
| pos | description stock | ident-no dimensions | DIN material | index | weigh Kg | quantity unit |
| 1 | joint bearing | WAI103626 | | | 1,50 | 2,00 Stk |
| 2 | clamping ring | WAI106780 | | | 0,02 | 4,00 Stk |
| 3 | set screw M 6 x 8 | WAI103646 | | | | 1,00 Stk |
| 4 | piston | WAI106781 | | | | 1,00 Stk |
| 5 | housing | WAI106794 | | | | 1,00 Stk |
| 6 | piston rod | WAI106795 | | | | 1,00 Stk |
| 7 | head for drive cylinder | WAI106796 | | | | 1,00 Stk |
| 8 | piston nut | WAI106785 | | | | 1,00 Stk |
| 9 | piston head | WAI106797 | | | | 1,00 Stk |
| 10 | sealing kit for rear swing cylinder | WAI104039 | | | | 1,00 Stk |
| 11 | grease nipple H1 M10 X 1 DIN 71412 | WAI100805 | | | 0,01 | 3,00 Stk |

Abstützung vorne rechts kpl.
outrigger front right cpl.

B 63 9 170c



Waitzinger
 Baumaschinen GmbH





PARTS LIST

| part list | description | created | index | valid from | valid to | |
|-----------|--|--------------------------|--------------------------|---------------|---------------|------------------|
| B639170 | front right stabilizer 32/36XXT cpl. | 04.01.01 Mi | c | 01.06.04 | | |
| pos | description stock | ident-no dimensions | DIN material | index | weighth Kg | quantity unit |
| 1 | teleopic 32/36 XXT tooling own parts list | B639051 | | | 314,00 | 1,00 Stk |
| 2 | outrigger XXT tooled own parts list | B639070 | | a 31.10.03 | 216,00 | 1,00 Stk |
| 3 | synchron cylinder cpl. own parts list | B639090 | | b 25.11.04 | | 1,00 Stk |
| 4 | pin 25 x 136, 3P206 | B610023 Rd 25 x 140 | 669 St50-2K | | 0,50 | 1,00 Stk |
| 5 | roller 70 x 100, 2H105 | B610024 Rd 70 x 105 | 669 St50-2K | | 2,50 | 1,00 Stk |
| 6 | pin 25 x 085 4P201 | B610026 Rd 25 x 90 | 669 St50-2K | | 0,32 | 1,00 Stk |
| 7 | roller 70 x 050, 4H102 | B610027 Rd 70 x 55 | 669 St50-2K | | 0,80 | 2,00 Stk |
| 9 | pin 25 x 100 | B610068 Rd 25x105 | 669 St50-2K | | 0,50 | 1,00 Stk |
| 10 | holder for rope own parts list | B639074 | | | 0,50 | 1,00 Stk |
| 11 | strip | B639211 FI 70x15x1190 | 1017 St52-3 | | 1,16 | 1,00 Stk |
| 12 | spacer plate 2,0 mm | B639212 Bl 2x70x880 | 1623/EN10131 ST02Z | a 15.02.05 | 0,96 | 2,00 Stk |
| 13 | spacer plate 2,0 mm | B639214 Bl 2x70x110 | 1541 St52-3 | | 0,12 | 2,00 Stk |
| 14 | guide profil | B639217 | | | | 4,00 Stk |
| 15 | sheet | B639243 Bl 1x70x150 | 1541/EN10121 S355J2G3 | | | 5,00 Stk |
| 20 | jack cylinder own parts list | WAI106344 | | c 25.07.05 | 150,00 | 1,00 Stk |
| 21 | hexagon bolt M16 x 50 | WAI106269 | | | 0,17 | 4,00 Stk |
| 22 | spring washer A16 | WAI102072 | | | 0,01 | 8,00 Stk |
| 23 | bushing CD025-028025 | WAI105017 | | | | 2,00 Stk |
| 24 | locking ring A 25 X 1.2 DIN 471 | WAI103006 | | | | 4,00 Stk |
| 25 | grease nipple M6 DIN 71412 | WAI103355 | | | | 3,00 Stk |



PARTS LIST

| part list | description | created | index | valid from | valid to | |
|-----------|--------------------------------------|----------------------------|----------------------|---------------|--------------|------------------|
| B639170 | front right stabilizer 32/36XXT cpl. | 04.01.01 Mi | c | 01.06.04 | | |
| pos | description stock | ident-no dimensions | DIN material | index | weigth Kg | quantity unit |
| 26 | bushing DU 25 X 28 X 50 | WAI106236 | | | | 4,00 Stk |
| 28 | cylinder head screw M 12 x 25 | WAI103698 | | | | 5,00 Stk |
| 29 | sunk screw M 10 x 20 | WAI104689 | | | | 14,00 Stk |
| 30 | bracket | B639248 Bl 3x129.1x44 | EN 10029 S235J2G3 | | 0,10 | 1,00 Stk |
| 33 | clamping sleeve 10 x 20 | WAI102881 | | | | 1,00 Stk |
| 34 | cover for roller | B951043 Bl 3x238.1x192. | Alu | a 30.04.04 | 0,20 | 1,00 Stk |
| 35 | plate | B639219 Bl 30x320x1 | 1541 S235 J2G3 | | | 4,00 Stk |
| 36 | O-ring 129,2 x 5,7 | WAI101441 | | | | 1,00 Stk |
| 37 | shaft | B639233 Rd 25x 290 | 669 S235J2G3 | c 26.04.05 | 1,00 | 1,00 Stk |
| 38 | roller | B639235 Rd50x60 | 1013 S235J2G3 | | 0,20 | 2,00 Stk |
| 39 | cheese head screw M 16 x 25 | WAI103488 | | | | 4,00 Stk |
| 40 | washer 17, DIN 125 | WAI102893 | | | | 4,00 Stk |
| 41 | fixing ring | WAI108884 Di25 Da40 B16 | DIN 705 | | 0,05 | 2,00 Stk |
| 42 | locking ring A 25 X 1.2 DIN 471 | WAI103006 | | | | 2,00 Stk |
| 43 | side cover 36 xxt telescope | B951035 Bl 3x255,5x2794 | EN10029 Alu | b 22.03.04 | 6,50 | 1,00 Stk |
| 44 | sunk screw M 8 x 25 | WAI104070 | | | | 2,00 Stk |
| 45 | hexagon bolt M 8 x 20 | WAI101837 | | | | 2,00 Stk |
| 46 | hex. nut M8 DIN 934 8. VERZ. | WAI102880 | | | | 2,00 Stk |
| 47 | spring washer A8 DIN 127 VERZ. | WAI102205 | | | 0,00 | 2,00 Stk |
| 48 | sunk screw M 10 x 20 | WAI104689 | | | | 2,00 Stk |

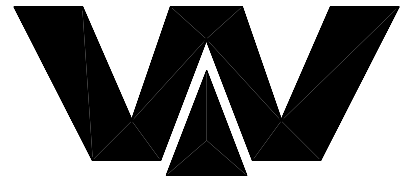


PARTS LIST

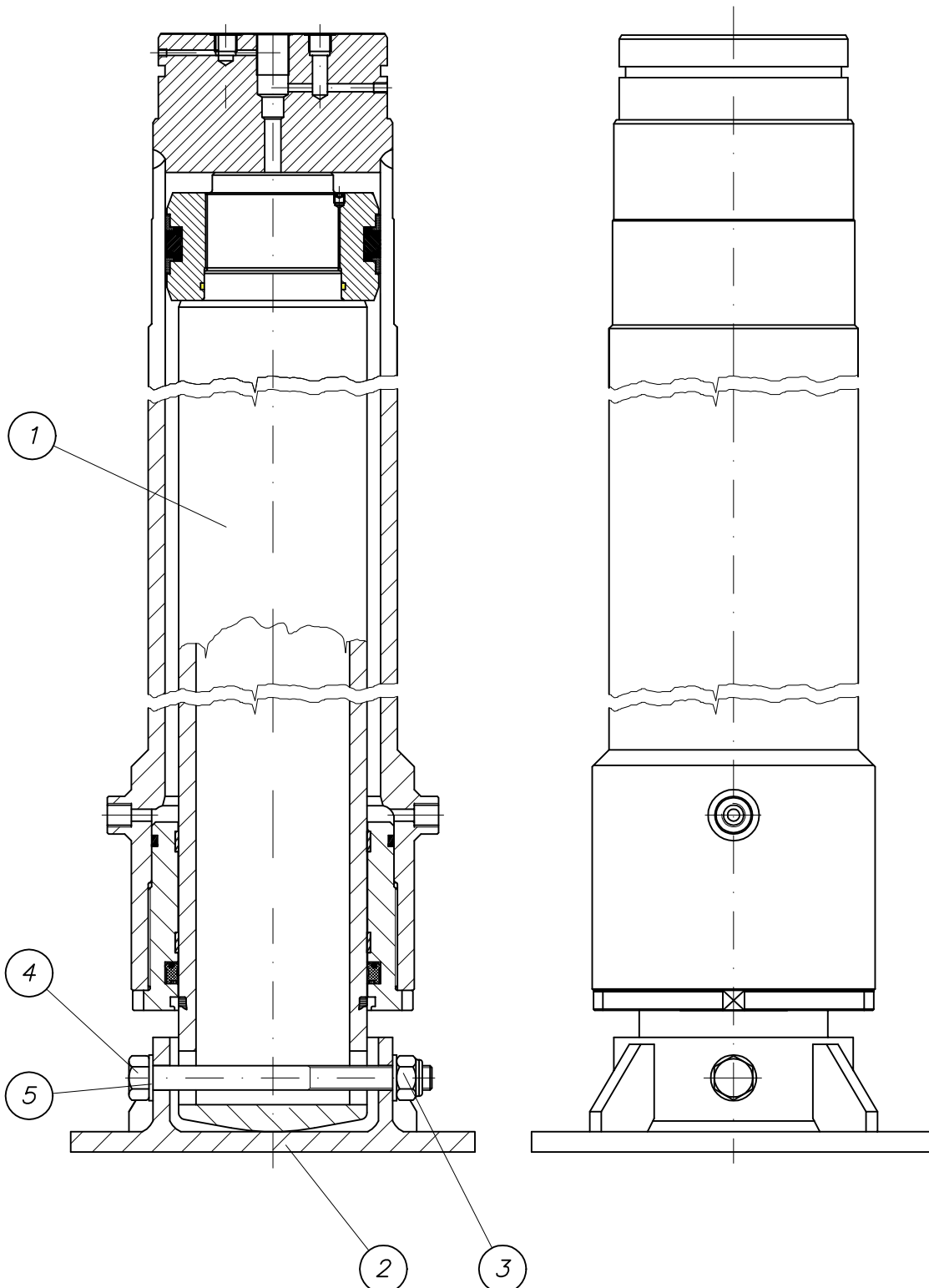
| part list | description | created | index | valid from | valid to | |
|-----------|--------------------------------------|------------------------|-----------------|------------|-------------|------------------|
| B639170 | front right stabilizer 32/36XXT cpl. | 04.01.01 Mi | c | 01.06.04 | | |
| pos | description stock | ident-no dimensions | DIN material | index | weigh Kg | quantity unit |
| 49 | cheese head screw M 6x10 | WAI103324 | | | | 4,00 Stk |
| 50 | spring washer A6 | WAI103000 | | | | 4,00 Stk |
| 51 | bolt right own parts list | B639254 | | | | 1,00 Stk |
| 52 | energie chain | WAI109227 | | | 0,01 | 1,00 Stk |

Abstützylinder
jack cylinder

WAI 109673



Waitzinger
Baumaschinen GmbH



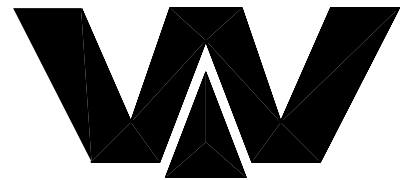


PARTS LIST

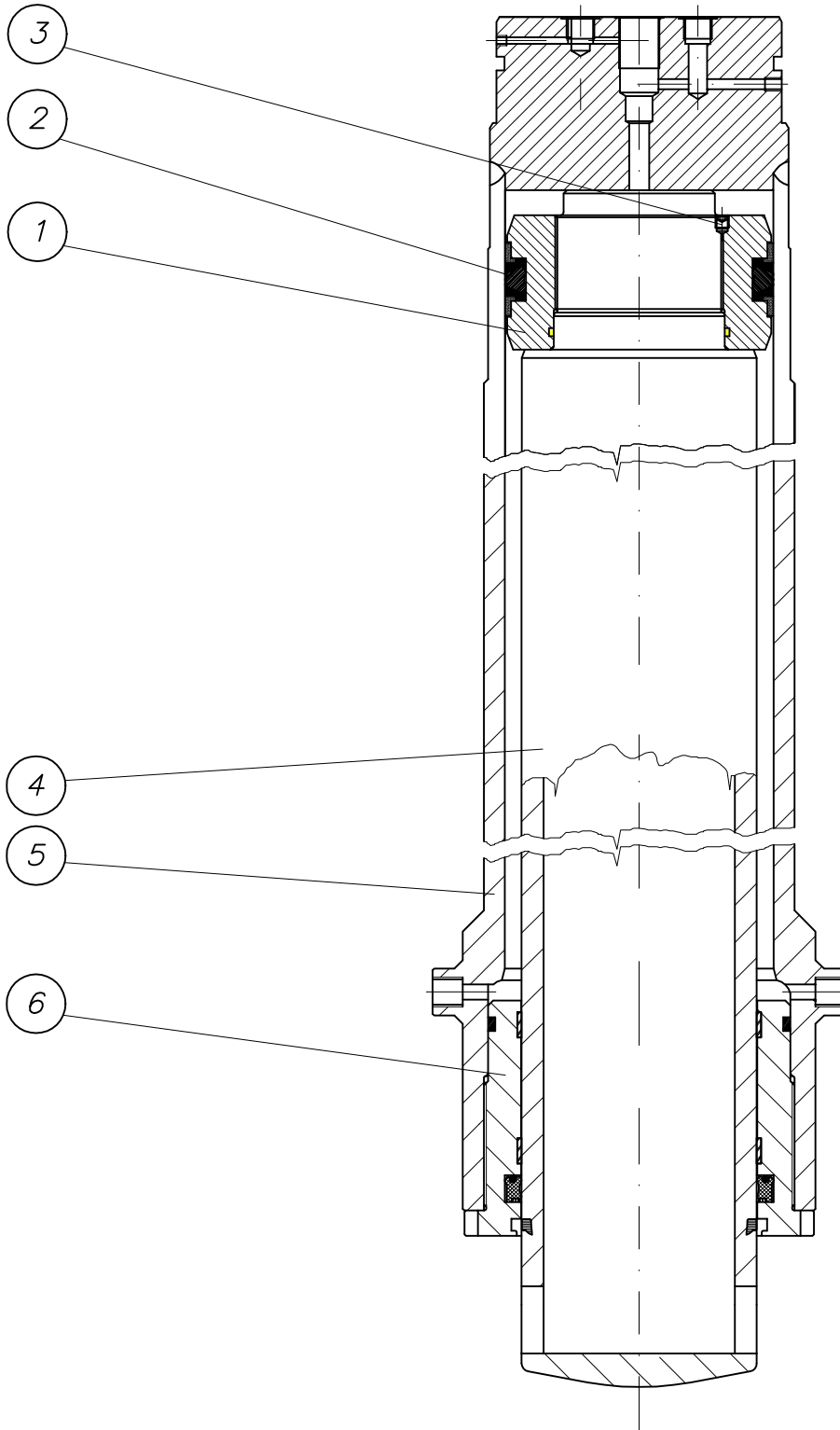
| part list | description | created | index | valid from | valid to | |
|-----------|---------------------------------|------------------------|-----------------|------------|---------------|------------------|
| WAI109673 | jack cylinder | 31.05.05 RAINER | | | | |
| pos | description stock | ident-no dimensions | DIN material | index | weighth Kg | quantity unit |
| 1 | jack cylinder own parts list | wai109669 | | | | 1,00 Stk |
| 2 | foot | wai106778 | | | | 1,00 Stk |
| 3 | hex. nut M18 DIN 985 8. VERZ. | wai109671 | | | | 1,00 Stk |
| 4 | washer 19 | wai109672 | | | | 1,00 Stk |
| 5 | hexagon screw M 18 x 220 | wai109670 | | | | 1,00 Stk |

Abstützylinder
jack cylinder

WAI 109669



Waitzinger
Baumaschinen GmbH



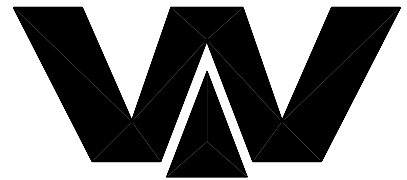


PARTS LIST

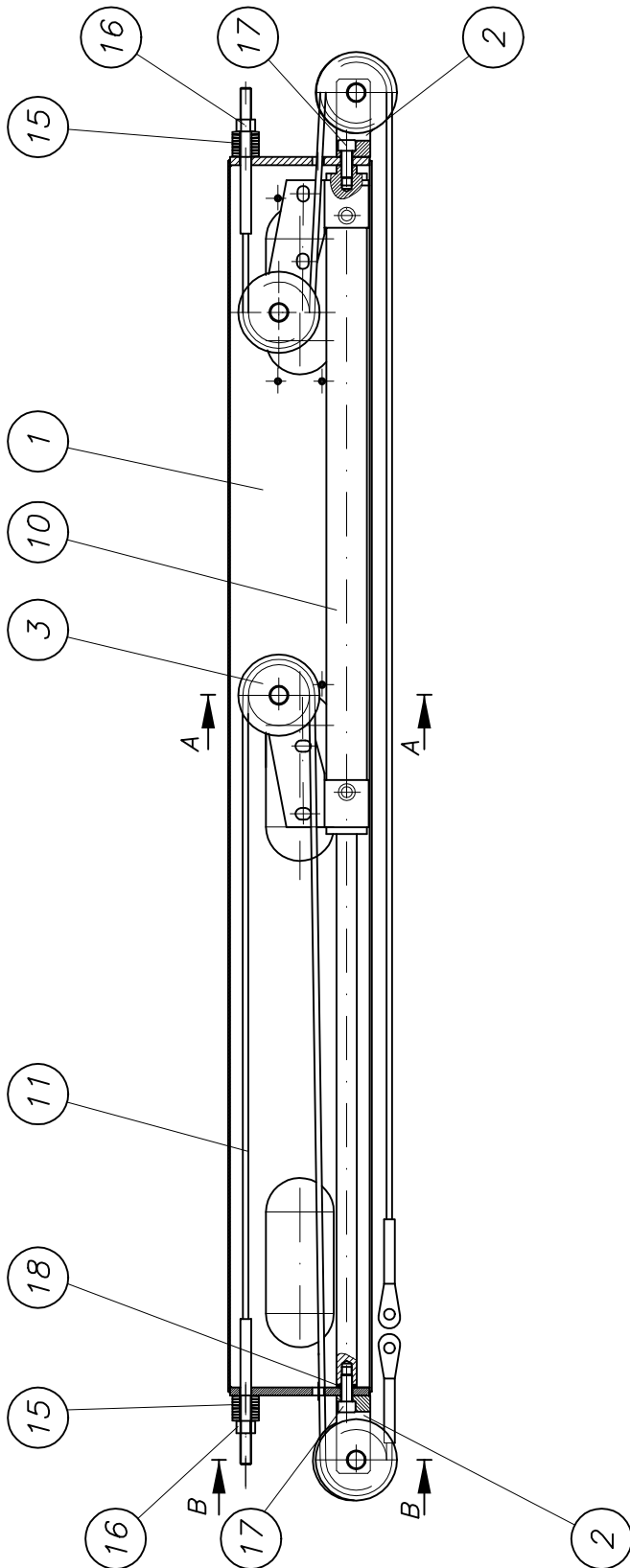
| part list | description | created | index | valid from | valid to | |
|-----------|--------------------------------|------------------------|-----------------|------------|---------------|------------------|
| wai109669 | jack cylinder | 31.05.05 RAINER | | | | |
| pos | description stock | ident-no dimensions | DIN material | index | weighth Kg | quantity unit |
| 1 | piston | WAI106770 | | | | 1,00 Stk |
| 2 | sealing kit for front and rear | WAI104040 | | | | 1,00 Stk |
| 3 | set screw | WAI106771 | | | | 1,00 Stk |
| 4 | piston rod | WAI106772 | | | | 1,00 Stk |
| 5 | cylinder | WAI106773 | | | | 1,00 Stk |
| 6 | piston nut | WAI106774 | | | | 1,00 Stk |

Gleichlaufzylinder kpl.
synchron cylinder cpl.

B 63 9 090b

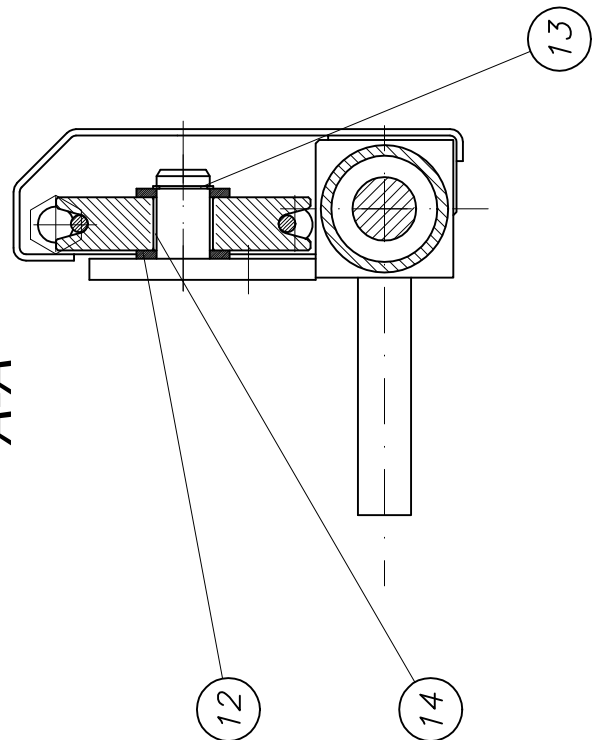
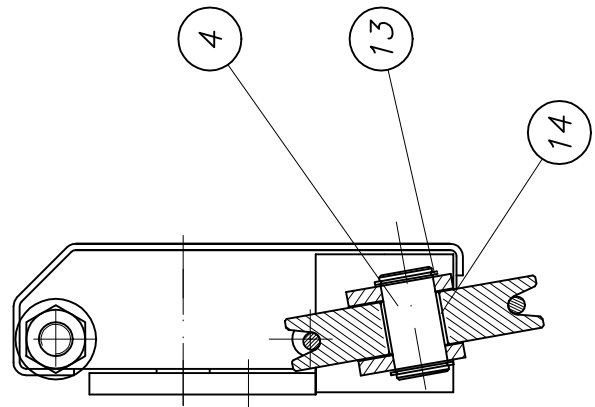


Waitzinger
Baumaschinen GmbH



B-B

A-A



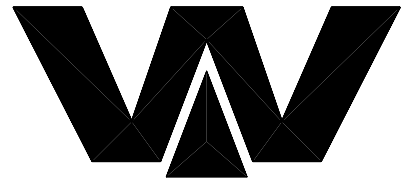


PARTS LIST

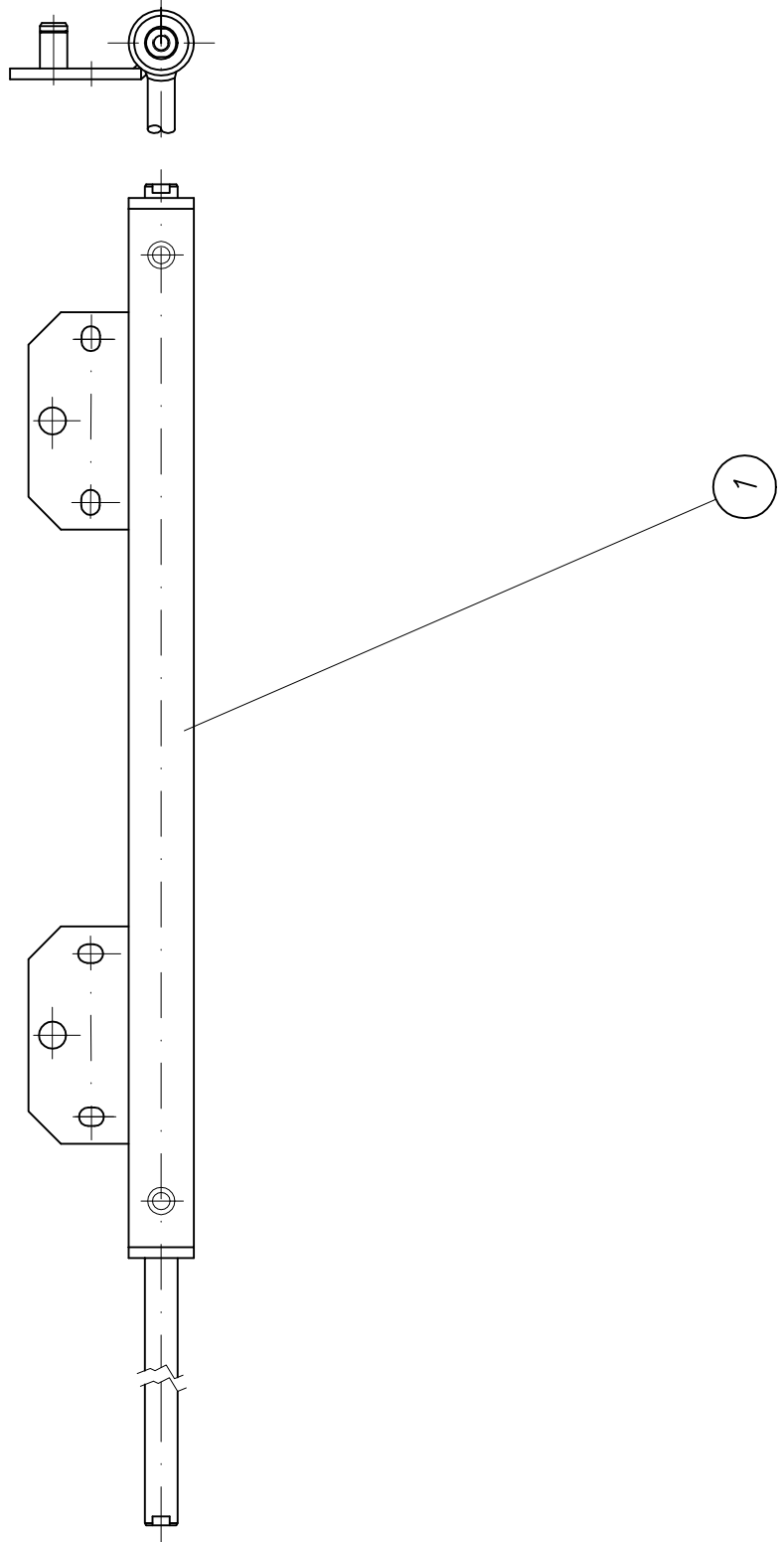
| part list | description | created | index | valid from | valid to | |
|-----------|--|-------------------------|-----------------|------------|---------------|------------------|
| B639090 | synchron cylinder cpl. | 14.12.00 Mi | b | 25.11.04 | | |
| pos | description stock | ident-no dimensions | DIN material | index | weighth Kg | quantity unit |
| 1 | cover cpl. own parts list | B639085 | | | | 1,00 Stk |
| 2 | fork | B639082 VK 50x50x115 | 1014 St52-3 | | 1,00 | 2,00 Stk |
| 3 | rope roller | B639084 Rd 120x25 | PA6+MoS2 | | 0,02 | 4,00 Stk |
| 4 | pin 25 x 050 | B639086 Rd 25x55 | 669 St50-2K | | 0,25 | 2,00 Stk |
| 10 | synchron cylinder 50 x 30 x 800 St36 own parts list | WAI106512 | | | | 1,00 Stk |
| 11 | rope 8mm complete, L=2750 mm | WAI106548 | | | | 2,00 Stk |
| 12 | washer 25, DIN 125 | WAI103298 | | | | 4,00 Stk |
| 13 | locking ring A 25 X 1.2 DIN 471 | WAI103006 | | | | 6,00 Stk |
| 14 | bushing CD025-028025 | WAI105017 | | | | 4,00 Stk |
| 15 | conical spring washer | WAI100506 | | | | 16,00 Stk |
| 16 | nut M16 DIN 934 | WAI101555 | | | | 2,00 Stk |
| 17 | cheese head screw M 16 x 40 | WAI102859 | | | | 2,00 Stk |
| 18 | washer DIN 6916 17 | WAI101558 | | | 0,02 | 1,00 Stk |

*Gleichlaufzylinder
synchron cylinder*

WAI 106512



*Waitzinger
Baumaschinen GmbH*



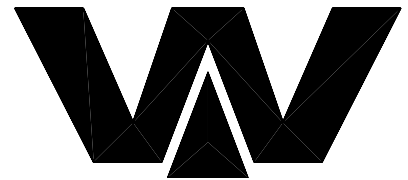


PARTS LIST

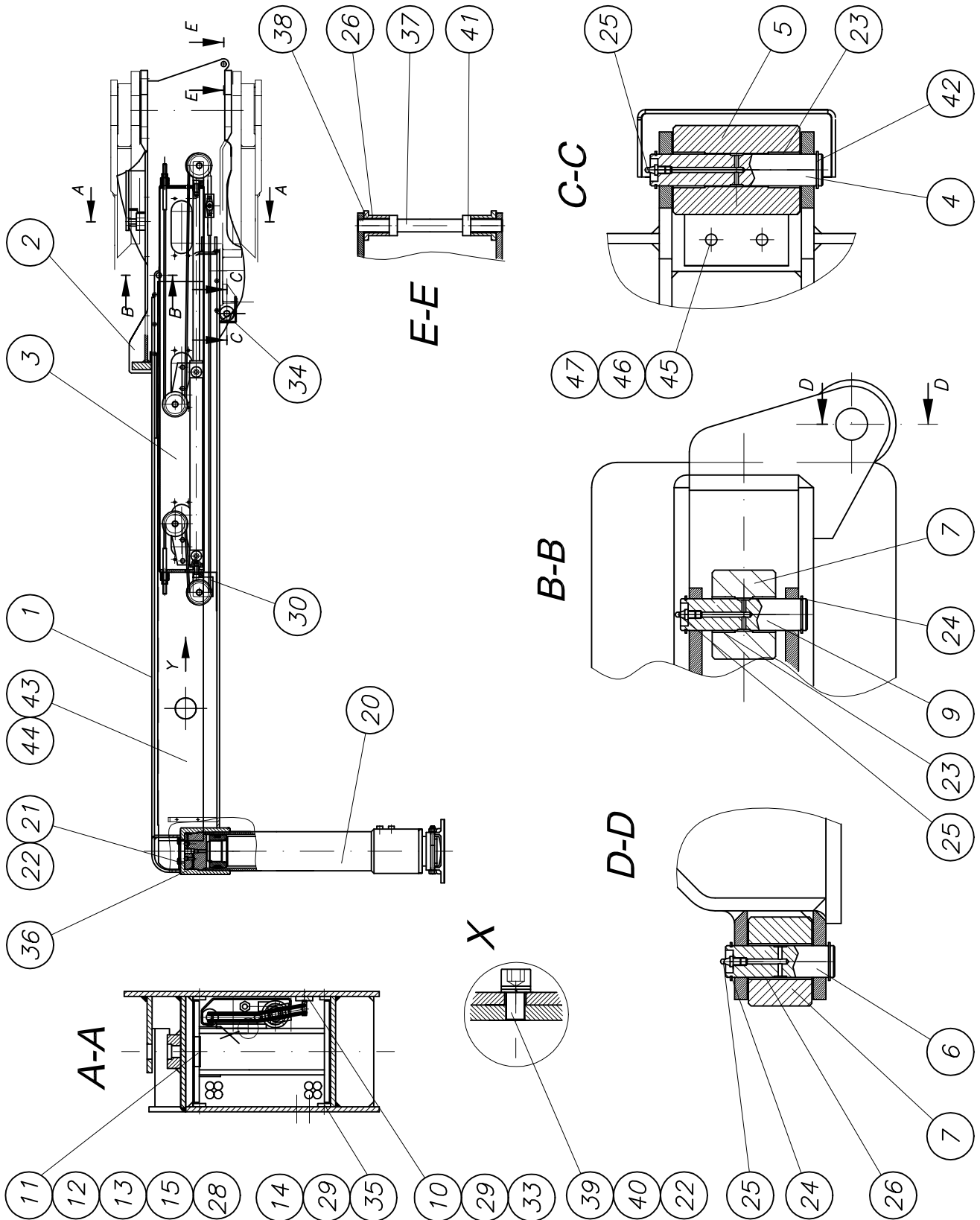
| part list | description | created | index | valid from | valid to | |
|-----------|--------------------------------------|------------------------|-----------------|------------|-------------|------------------|
| WAI106512 | synchron cylinder 50 x 30 x 800 St36 | 26.03.01 Mi | | | | |
| pos | description stock | ident-no dimensions | DIN material | index | weigh Kg | quantity unit |
| 1 | sealing set for synchron cylinder | WAI106787 | | | | 1,00 Stk |

Abstützung vorne links kpl.
outrigger front left cpl.

B 63 9 180c



Waitzinger
 Baumaschinen GmbH





PARTS LIST

| part list | description | created | index | valid from | valid to | |
|-----------|---|--------------------------|--------------------------|---------------|---------------|------------------|
| B639180 | front left stabilizer 32/36XXT cpl. | 04.01.01 Mi | c | 01.06.04 | | |
| pos | description stock | ident-no dimensions | DIN material | index | weighth Kg | quantity unit |
| 1 | teleskope 32/36 XXT tooling own parts list | B639041 | | | 314,00 | 1,00 Stk |
| 2 | outrigger XXT left tooled own parts list | B639071 | | a 31.10.03 | 216,00 | 1,00 Stk |
| 3 | synchron cylinder cpl. own parts list | B639090 | | b 25.11.04 | | 1,00 Stk |
| 4 | pin 25 x 136, 3P206 | B610023 Rd 25 x 140 | 669 St50-2K | | 0,50 | 1,00 Stk |
| 5 | roller 70 x 100, 2H105 | B610024 Rd 70 x 105 | 669 St50-2K | | 2,50 | 1,00 Stk |
| 6 | pin 25 x 085 4P201 | B610026 Rd 25 x 90 | 669 St50-2K | | 0,32 | 1,00 Stk |
| 7 | roller 70 x 050, 4H102 | B610027 Rd 70 x 55 | 669 St50-2K | | 0,80 | 2,00 Stk |
| 9 | pin 25 x 100 | B610068 Rd 25x105 | 669 St50-2K | | 0,50 | 1,00 Stk |
| 10 | holder for rope own parts list | B639074 | | | 0,50 | 1,00 Stk |
| 11 | strip | B639211 FI 70x15x1190 | 1017 St52-3 | | 1,16 | 1,00 Stk |
| 12 | spacer plate 2,0 mm | B639212 Bl 2x70x880 | 1623/EN10131 ST02Z | a 15.02.05 | 0,96 | 2,00 Stk |
| 13 | spacer plate 2,0 mm | B639214 Bl 2x70x110 | 1541 St52-3 | | 0,12 | 2,00 Stk |
| 14 | guide profil | B639217 | | | | 4,00 Stk |
| 15 | sheet | B639243 Bl 1x70x150 | 1541/EN10121 S355J2G3 | | | 5,00 Stk |
| 20 | jack cylinder own parts list | WAI106344 | | c 25.07.05 | 150,00 | 1,00 Stk |
| 21 | hexagon bolt M16 x 50 | WAI106269 | | | 0,17 | 4,00 Stk |
| 22 | spring washer A16 | WAI102072 | | | 0,01 | 8,00 Stk |
| 23 | bushing CD025-028025 | WAI105017 | | | | 2,00 Stk |
| 24 | locking ring A 25 X 1.2 DIN 471 | WAI103006 | | | | 6,00 Stk |
| 25 | grease nipple M6 DIN 71412 | WAI103355 | | | | 3,00 Stk |



PARTS LIST

| part list | description | created | index | valid from | valid to | |
|-----------|-------------------------------------|----------------------------|----------------------|---------------|--------------|------------------|
| B639180 | front left stabilizer 32/36XXT cpl. | 04.01.01 Mi | c | 01.06.04 | | |
| pos | description stock | ident-no dimensions | DIN material | index | weigth Kg | quantity unit |
| 26 | bushing DU 25 X 28 X 50 | WAI106236 | | | | 4,00 Stk |
| 28 | cylinder head screw M 12 x 25 | WAI103698 | | | | 5,00 Stk |
| 29 | sunk screw M 10 x 20 | WAI104689 | | | | 14,00 Stk |
| 30 | bracket | B639247 Bl 3x129.1x44 | EN 10029 S235J2G3 | | 0,10 | 1,00 Stk |
| 33 | clamping sleeve 10 x 20 | WAI102881 | | | | 2,00 Stk |
| 34 | cover for roller | B951043 Bl 3x238.1x192. | Alu | a 30.04.04 | 0,20 | 1,00 Stk |
| 35 | plate | B639219 Bl 30x320x1 | 1541 S235 J2G3 | | | 4,00 Stk |
| 36 | O-ring 129,2 x 5,7 | WAI101441 | | | | 1,00 Stk |
| 37 | shaft | B639233 Rd 25x 290 | 669 S235J2G3 | c 26.04.05 | 1,00 | 1,00 Stk |
| 38 | roller | B639235 Rd50x60 | 1013 S235J2G3 | | 0,20 | 2,00 Stk |
| 39 | cheese head screw M 16 x 25 | WAI103488 | | | | 4,00 Stk |
| 40 | washer 17, DIN 125 | WAI102893 | | | | 4,00 Stk |
| 41 | fixing ring | WAI108884 Di25 Da40 B16 | DIN 705 | | 0,05 | 2,00 Stk |
| 42 | locking ring A 25 X 1.2 DIN 471 | WAI103006 | | | | 2,00 Stk |
| 43 | side cover 36 xxt telescope | B951036 Bl 3x255,5x2794 | EN10029 ALU | b 22.03.04 | 6,50 | 1,00 Stk |
| 44 | sunk screw M 8 x 25 | WAI104070 | | | | 2,00 Stk |
| 45 | hexagon bolt M 8 x 20 | WAI101837 | | | | 2,00 Stk |
| 46 | hex. nut M8 DIN 934 8. VERZ. | WAI102880 | | | | 2,00 Stk |
| 47 | spring washer A8 DIN 127 VERZ. | WAI102205 | | | 0,00 | 2,00 Stk |
| 48 | sunk screw M 10 x 20 | WAI104689 | | | | 2,00 Stk |

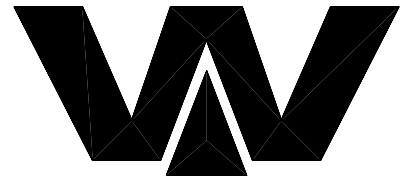


PARTS LIST

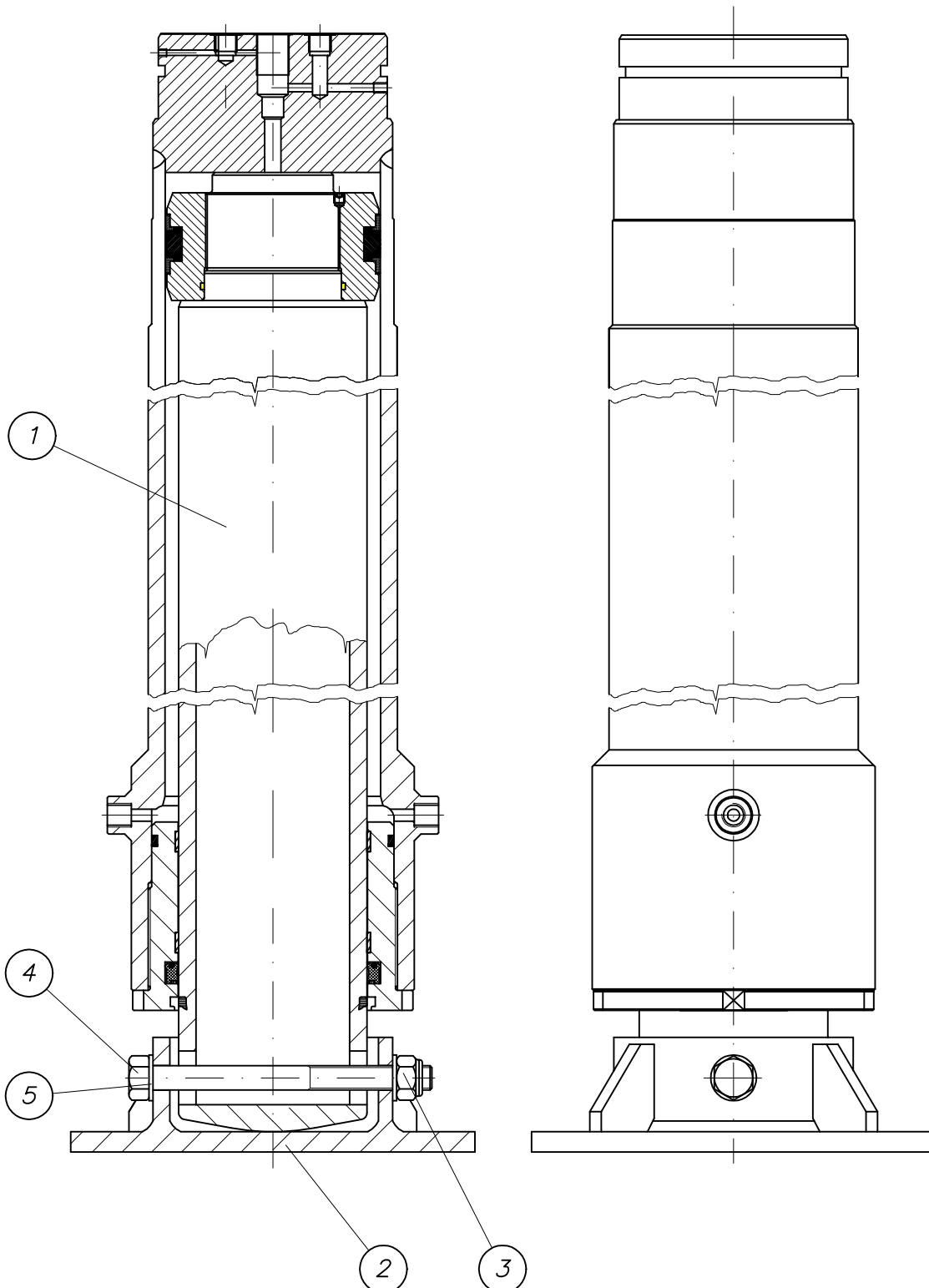
| part list | description | created | index | valid from | valid to | |
|-----------|-------------------------------------|------------------------|-----------------|------------|-------------|------------------|
| B639180 | front left stabilizer 32/36XXT cpl. | 04.01.01 Mi | c | 01.06.04 | | |
| pos | description stock | ident-no dimensions | DIN material | index | weigh Kg | quantity unit |
| 49 | cheese head screw M 6x10 | WAI103324 | | | | 4,00 Stk |
| 50 | spring washer A6 | WAI103000 | | | | 4,00 Stk |
| 51 | bolt right own parts list | B639254 | | | | 1,00 Stk |
| 52 | energie chain | WAI109227 | | | 0,01 | 1,00 Stk |

Abstützylinder
jack cylinder

WAI 109673



Waitzinger
Baumaschinen GmbH



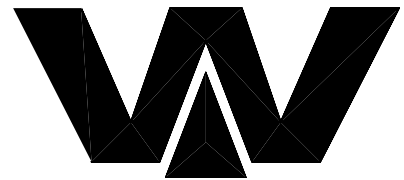


PARTS LIST

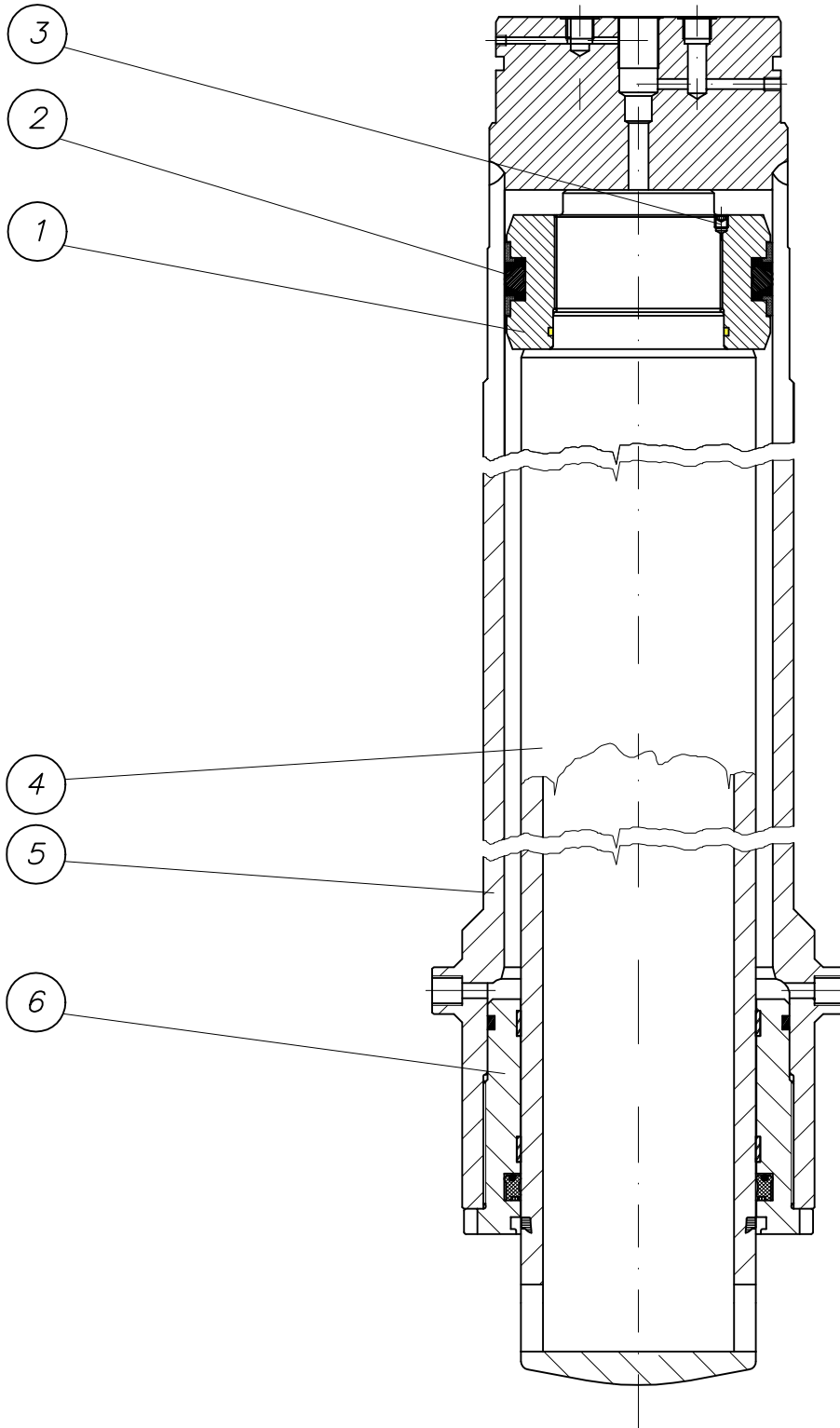
| part list | description | created | index | valid from | valid to | |
|------------------|---------------------------------|--------------------------------|-------------------------|-------------------|-----------------------|--------------------------|
| WAI109673 | jack cylinder | 31.05.05 RAINER | | | | |
| pos | description stock | ident-no dimensions | DIN material | index | weighth Kg | quantity unit |
| 1 | jack cylinder own parts list | wai109669 | | | | 1,00 Stk |
| 2 | foot | wai106778 | | | | 1,00 Stk |
| 3 | hex. nut M18 DIN 985 8. VERZ. | wai109671 | | | | 1,00 Stk |
| 4 | washer 19 | wai109672 | | | | 1,00 Stk |
| 5 | hexagon screw M 18 x 220 | wai109670 | | | | 1,00 Stk |

Abstützylinder
jack cylinder

WAI 109669



Waitzinger
Baumaschinen GmbH



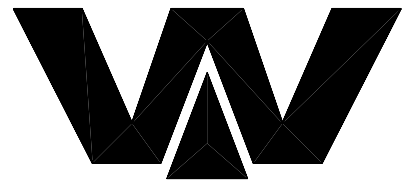


PARTS LIST

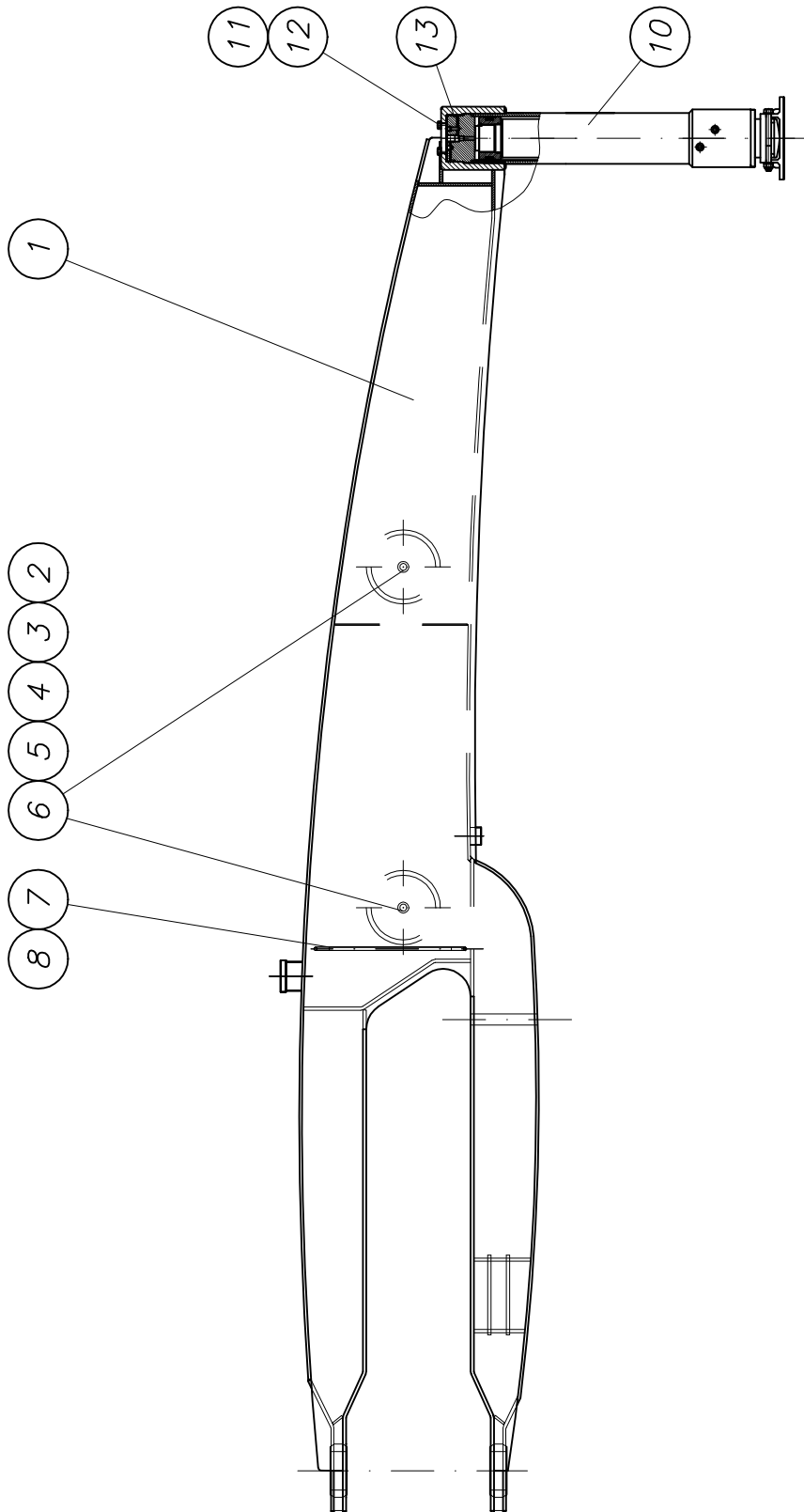
| part list | description | | created | index | valid from | valid to |
|-----------|--------------------------------|------------------------|-----------------|-------|---------------|------------------|
| wai109669 | jack cylinder | | 31.05.05 RAINER | | | |
| pos | description stock | ident-no dimensions | DIN material | index | weighth Kg | quantity unit |
| 1 | piston | WAI106770 | | | | 1,00 Stk |
| 2 | sealing kit for front and rear | WAI104040 | | | | 1,00 Stk |
| 3 | set screw | WAI106771 | | | | 1,00 Stk |
| 4 | piston rod | WAI106772 | | | | 1,00 Stk |
| 5 | cylinder | WAI106773 | | | | 1,00 Stk |
| 6 | piston nut | WAI106774 | | | | 1,00 Stk |

Abstützung hinten rechts kpl.
outrigger rear right cpl.

B 63 9 190a



Waitzinger
Baumaschinen GmbH



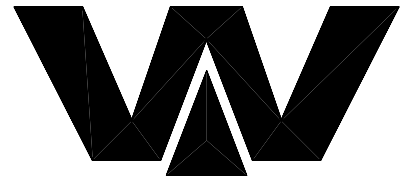


PARTS LIST

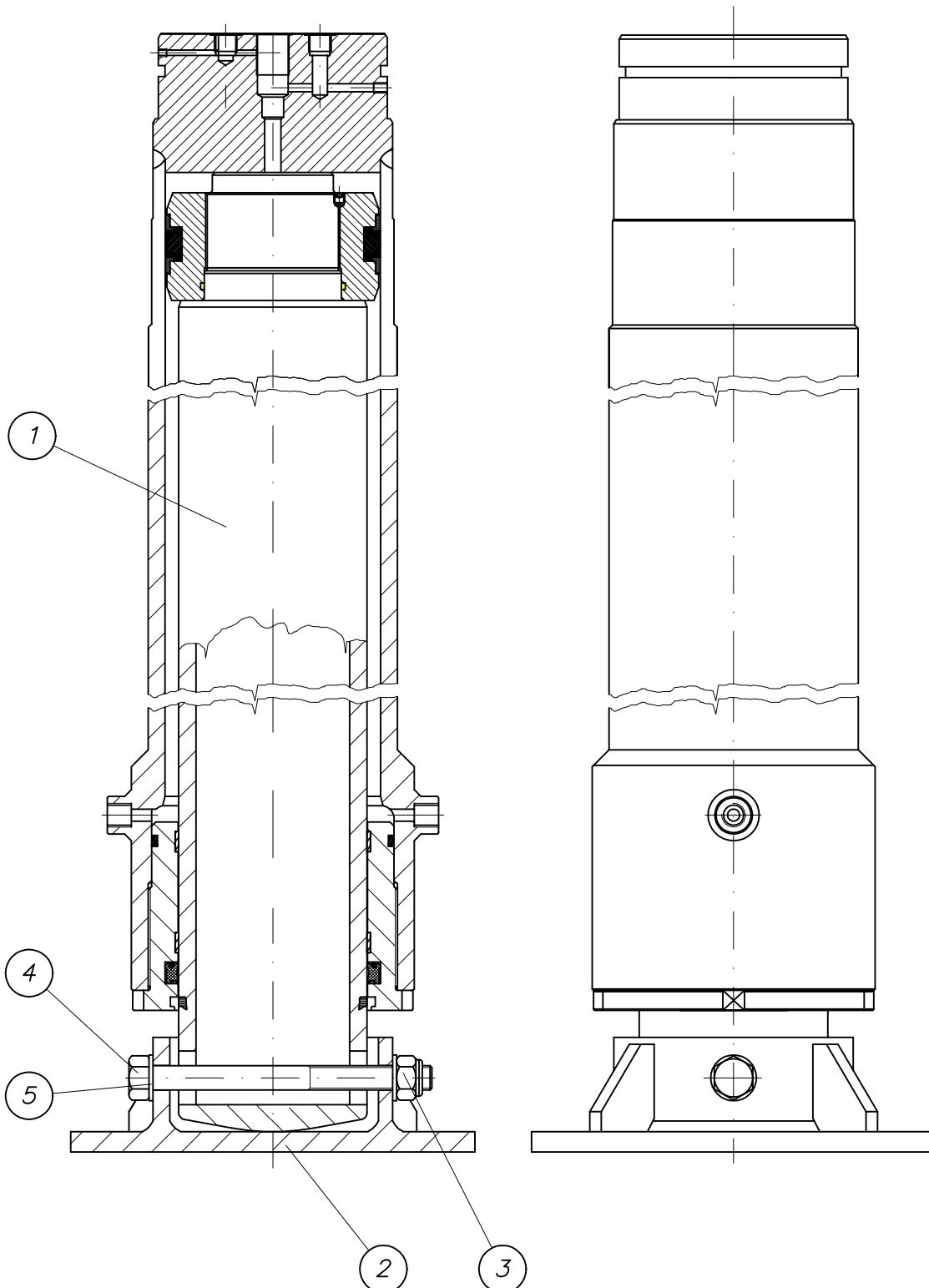
| part list | description | created | index | valid from | valid to | |
|-----------|--|--------------------------|-----------------|---------------|-------------|------------------|
| B639190 | rear right stabilizer 32/36XXT cpl. | 04.01.01 Mi | a | 02.12.03 | | |
| pos | description stock | ident-no dimensions | DIN material | index | weigh Kg | quantity unit |
| 1 | rear outrigger XXT 36/32 right own parts list | B639160 | | a 18.07.05 | 655,00 | 1,00 Stk |
| 2 | cover for oiltank D236 X 27 36XT | B610033 RD 240x30 | 1747 Al99 | | 1,80 | 2,00 Stk |
| 3 | star for oilcover FL 15X 220X 220 | B610034 FI 220x220x15 | 1017 S235JR | a 12.02.03 | 2,00 | 2,00 Stk |
| 4 | O-ring 217x5, No. A0120.371 | WAI106011 | | | | 2,00 Stk |
| 5 | cheese head screw M 16 x 65 | WAI103388 | | | | 2,00 Stk |
| 6 | u-seal 16,7 x 24 x 1,5T | WAI101572 | | | | 2,00 Stk |
| 7 | fuel hose DN 12 | WAI103104 | | | | 1,00 Mtr |
| 8 | hose clamp 15mm | WAI103103 | | | | 2,00 Stk |
| 10 | jack cylinder own parts list | WAI106344 | | c 25.07.05 | 150,00 | 1,00 Stk |
| 11 | hexagon bolt M16 x 50 | WAI106269 | | | 0,17 | 4,00 Stk |
| 12 | spring washer A16 | WAI102072 | | | 0,01 | 4,00 Stk |
| 13 | O-ring 129,2 x 5,7 | WAI101441 | | | | 1,00 Stk |

Abstützylinder
jack cylinder

WAI 109673



Waitzinger
Baumaschinen GmbH



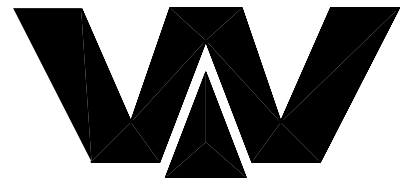


PARTS LIST

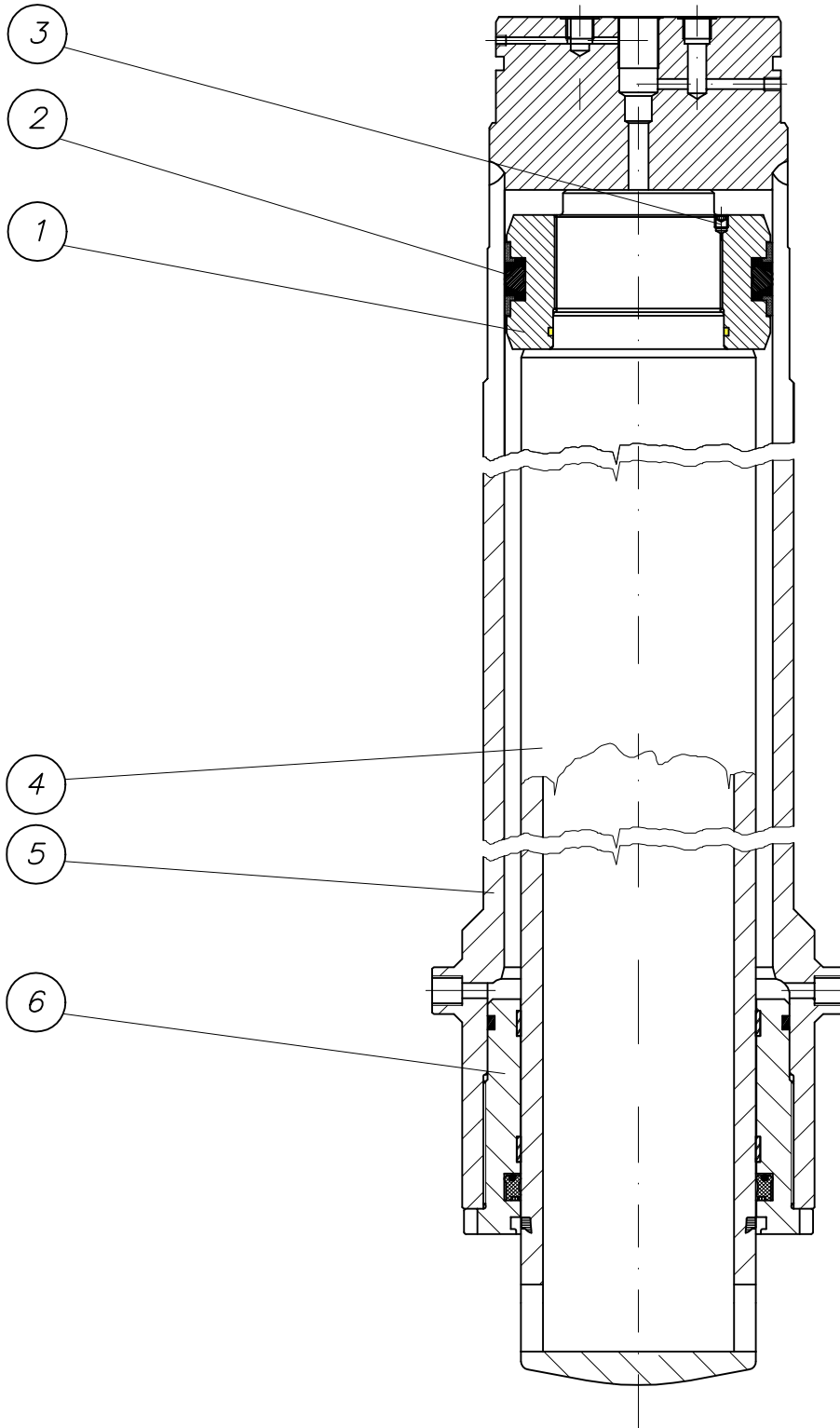
| part list | description | created | index | valid from | valid to | |
|-----------|---------------------------------|------------------------|-----------------|------------|---------------|------------------|
| WAI109673 | jack cylinder | 31.05.05 RAINER | | | | |
| pos | description stock | ident-no dimensions | DIN material | index | weighth Kg | quantity unit |
| 1 | jack cylinder own parts list | wai109669 | | | | 1,00 Stk |
| 2 | foot | wai106778 | | | | 1,00 Stk |
| 3 | hex. nut M18 DIN 985 8. VERZ. | wai109671 | | | | 1,00 Stk |
| 4 | washer 19 | wai109672 | | | | 1,00 Stk |
| 5 | hexagon screw M 18 x 220 | wai109670 | | | | 1,00 Stk |

Abstützylinder
jack cylinder

WAI 109669



Waitzinger
Baumaschinen GmbH



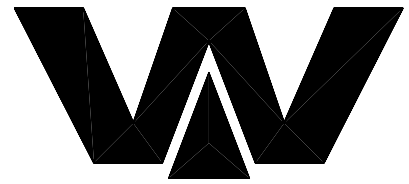


PARTS LIST

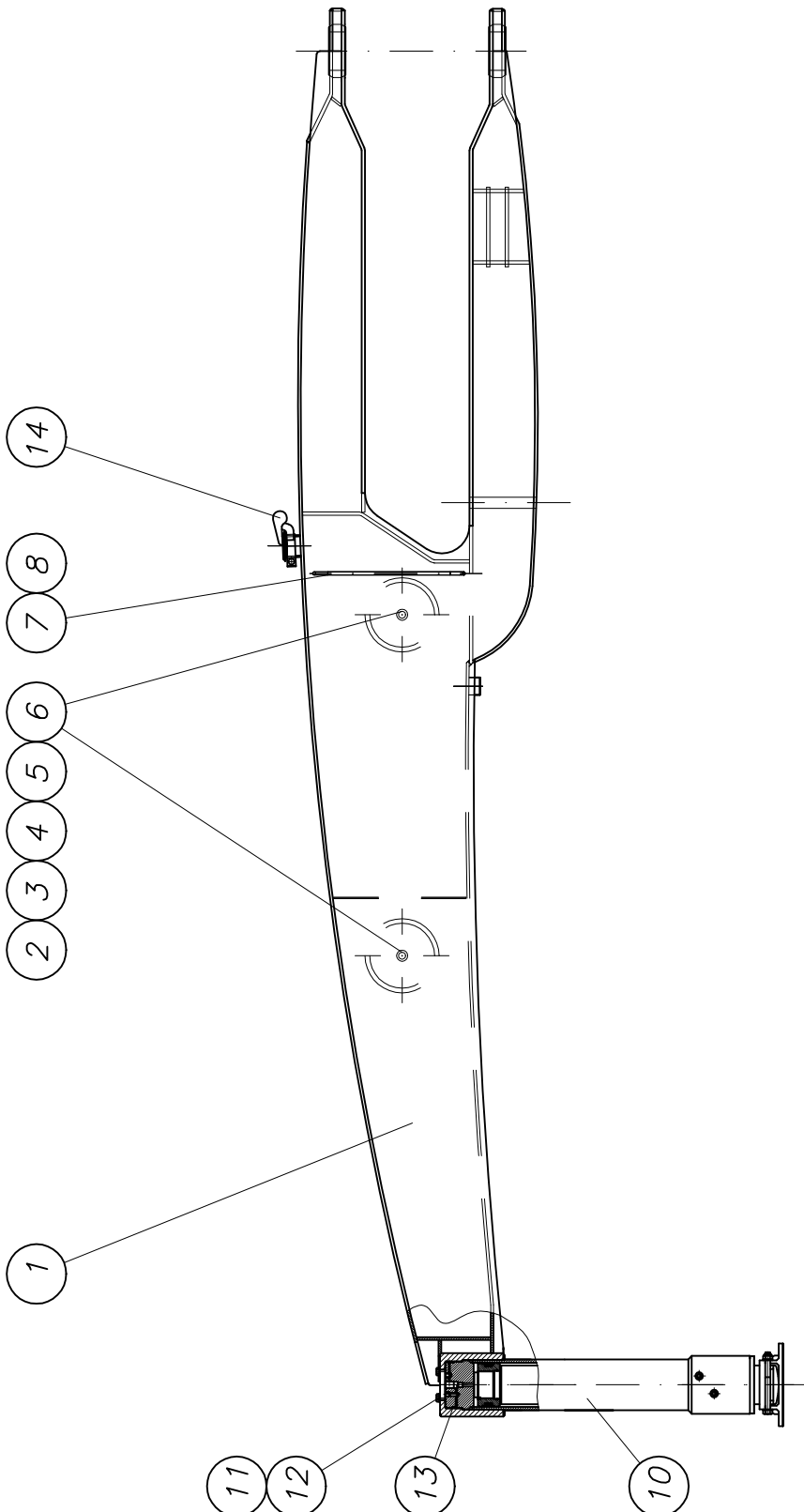
| part list | description | created | index | valid from | valid to | |
|-----------|--------------------------------|------------------------|-----------------|------------|---------------|------------------|
| wai109669 | jack cylinder | 31.05.05 RAINER | | | | |
| pos | description stock | ident-no dimensions | DIN material | index | weighth Kg | quantity unit |
| 1 | piston | WAI106770 | | | | 1,00 Stk |
| 2 | sealing kit for front and rear | WAI104040 | | | | 1,00 Stk |
| 3 | set screw | WAI106771 | | | | 1,00 Stk |
| 4 | piston rod | WAI106772 | | | | 1,00 Stk |
| 5 | cylinder | WAI106773 | | | | 1,00 Stk |
| 6 | piston nut | WAI106774 | | | | 1,00 Stk |

Abstützung hinten links kpl.
outrigger rear left cpl.

B 63 9 210b



Waitzinger
Baumaschinen GmbH



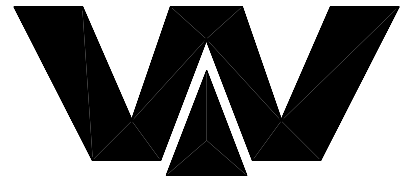


PARTS LIST

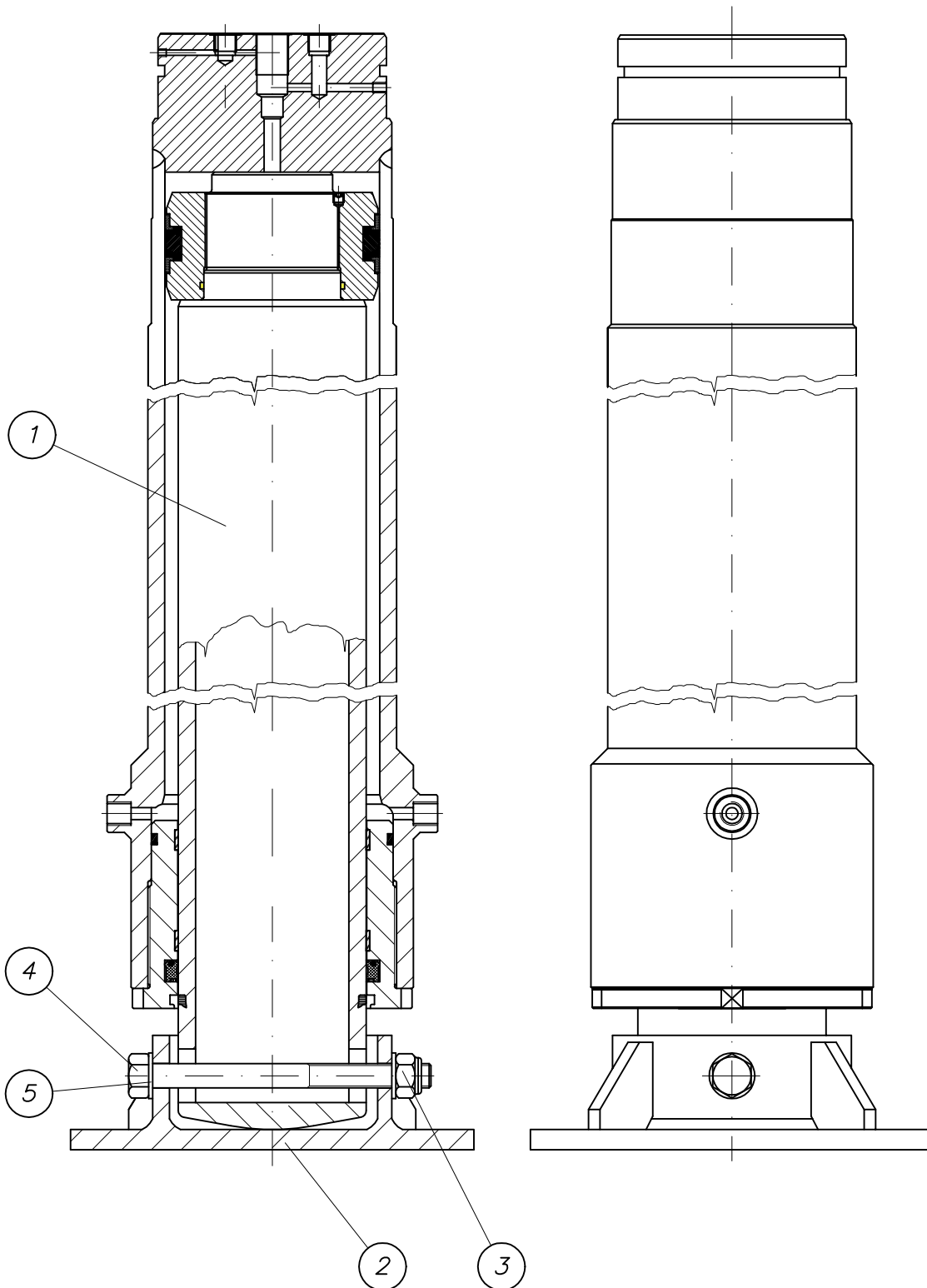
| part list | description | created | index | valid from | valid to | |
|-----------|--|--------------------------|-----------------|---------------|-------------|------------------|
| B639210 | rear left stabilizer 32/36XXT cpl. | 04.01.01 Mi | b | 14.03.05 | | |
| pos | description stock | ident-no dimensions | DIN material | index | weigh Kg | quantity unit |
| 1 | rear outrigger XXT 32 left own parts list | B639130 | | a 18.07.05 | 655,00 | 1,00 Stk |
| 2 | cover for oiltank D236 X 27 36XT | B610033 RD 240x30 | 1747 Al99 | | 1,80 | 2,00 Stk |
| 3 | star for oilcover FL 15X 220X 220 | B610034 FI 220x220x15 | 1017 S235JR | a 12.02.03 | 2,00 | 2,00 Stk |
| 4 | O-ring 217x5, No. A0120.371 | WAI106011 | | | | 2,00 Stk |
| 5 | cheese head screw M 16 x 65 | WAI103388 | | | | 2,00 Stk |
| 6 | u-seal 16,7 x 24 x 1,5T | WAI101572 | | | | 2,00 Stk |
| 7 | fuel hose DN 12 | WAI103104 | | | | 1,00 Mtr |
| 8 | hose clamp 15mm | WAI103103 | | | | 2,00 Stk |
| 10 | jack cylinder own parts list | WAI106344 | | c 25.07.05 | 150,00 | 1,00 Stk |
| 11 | hexagon bolt M16 x 50 | WAI106269 | | | 0,17 | 4,00 Stk |
| 12 | spring washer A16 | WAI102072 | | | 0,01 | 4,00 Stk |
| 13 | O-ring 129,2 x 5,7 | WAI101441 | | | | 1,00 Stk |
| 14 | exhaust flap | WAI102971 | | | | 1,00 Stk |

Abstützylinder
jack cylinder

WAI 109673



Waitzinger
Baumaschinen GmbH



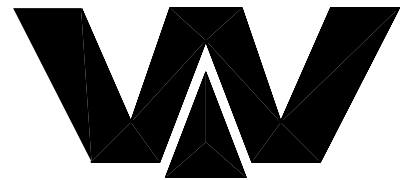


PARTS LIST

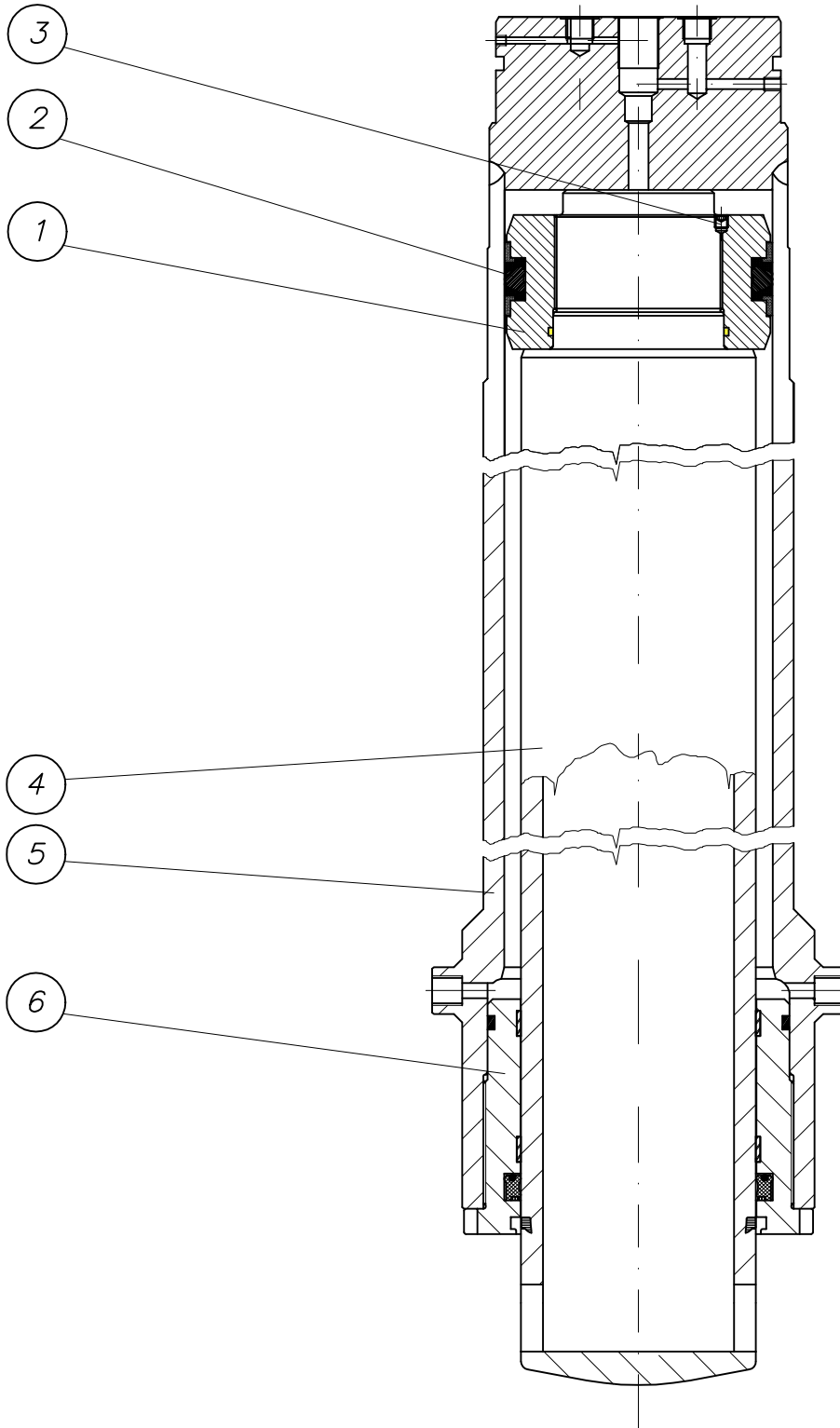
| part list | description | created | index | valid from | valid to | |
|------------------|---------------------------------|--------------------------------|-------------------------|-------------------|-----------------------|--------------------------|
| WAI109673 | jack cylinder | 31.05.05 RAINER | | | | |
| pos | description stock | ident-no dimensions | DIN material | index | weighth Kg | quantity unit |
| 1 | jack cylinder own parts list | wai109669 | | | | 1,00 Stk |
| 2 | foot | wai106778 | | | | 1,00 Stk |
| 3 | hex. nut M18 DIN 985 8. VERZ. | wai109671 | | | | 1,00 Stk |
| 4 | washer 19 | wai109672 | | | | 1,00 Stk |
| 5 | hexagon screw M 18 x 220 | wai109670 | | | | 1,00 Stk |

Abstützylinder
jack cylinder

WAI 109669



Waitzinger
Baumaschinen GmbH



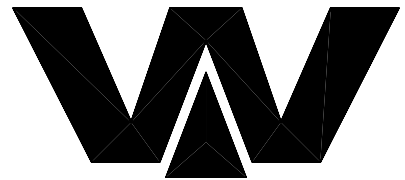


PARTS LIST

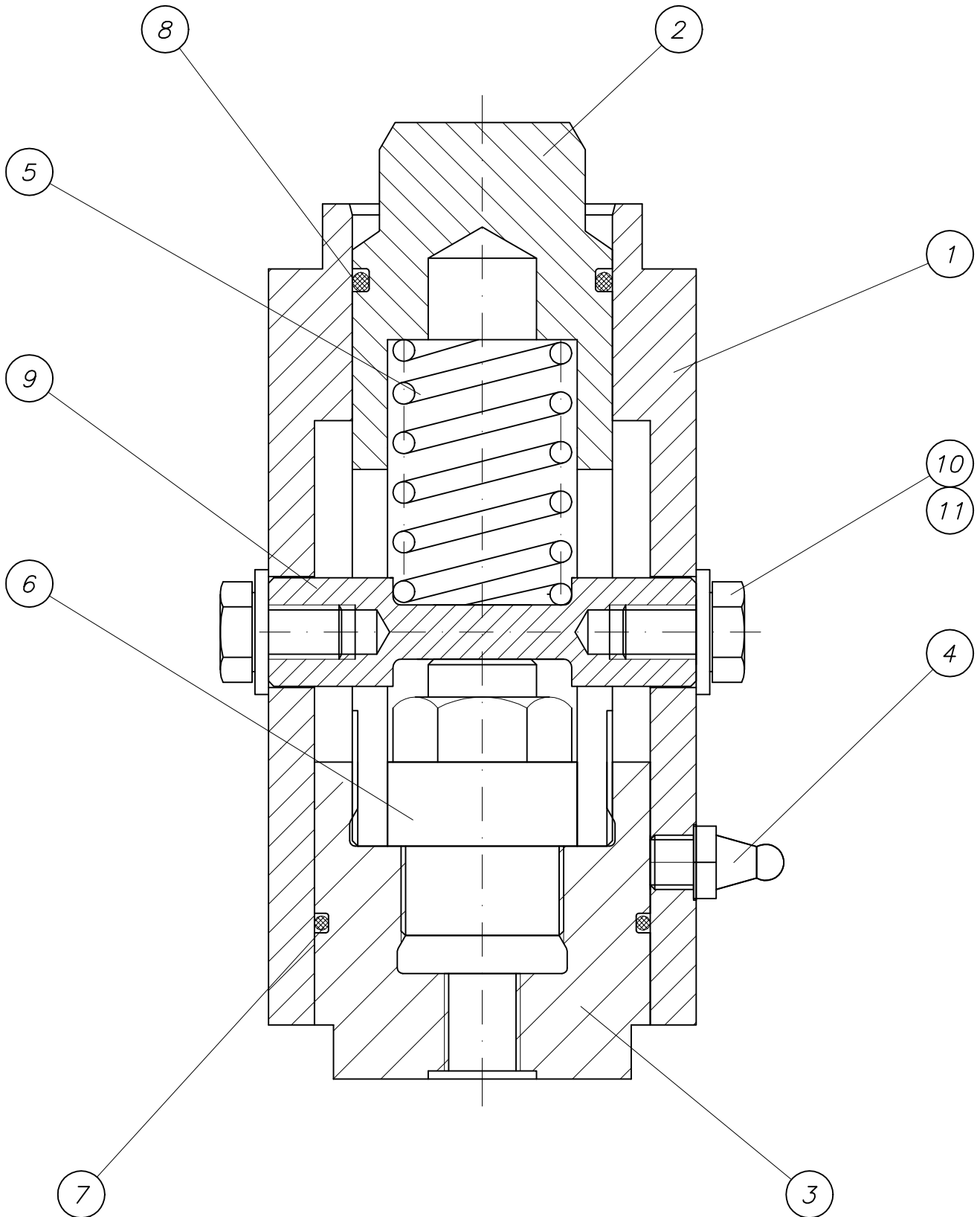
| part list | description | created | index | valid from | valid to | |
|-----------|--------------------------------|------------------------|-----------------|------------|---------------|------------------|
| wai109669 | jack cylinder | 31.05.05 RAINER | | | | |
| pos | description stock | ident-no dimensions | DIN material | index | weighth Kg | quantity unit |
| 1 | piston | WAI106770 | | | | 1,00 Stk |
| 2 | sealing kit for front and rear | WAI104040 | | | | 1,00 Stk |
| 3 | set screw | WAI106771 | | | | 1,00 Stk |
| 4 | piston rod | WAI106772 | | | | 1,00 Stk |
| 5 | cylinder | WAI106773 | | | | 1,00 Stk |
| 6 | piston nut | WAI106774 | | | | 1,00 Stk |

Transportsicherung vorne
transport safety device front

B 63 9 197b



Waitzinger
Baumaschinen GmbH



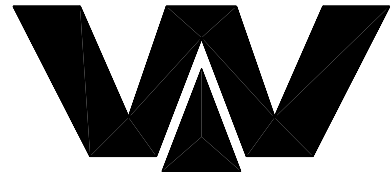


PARTS LIST

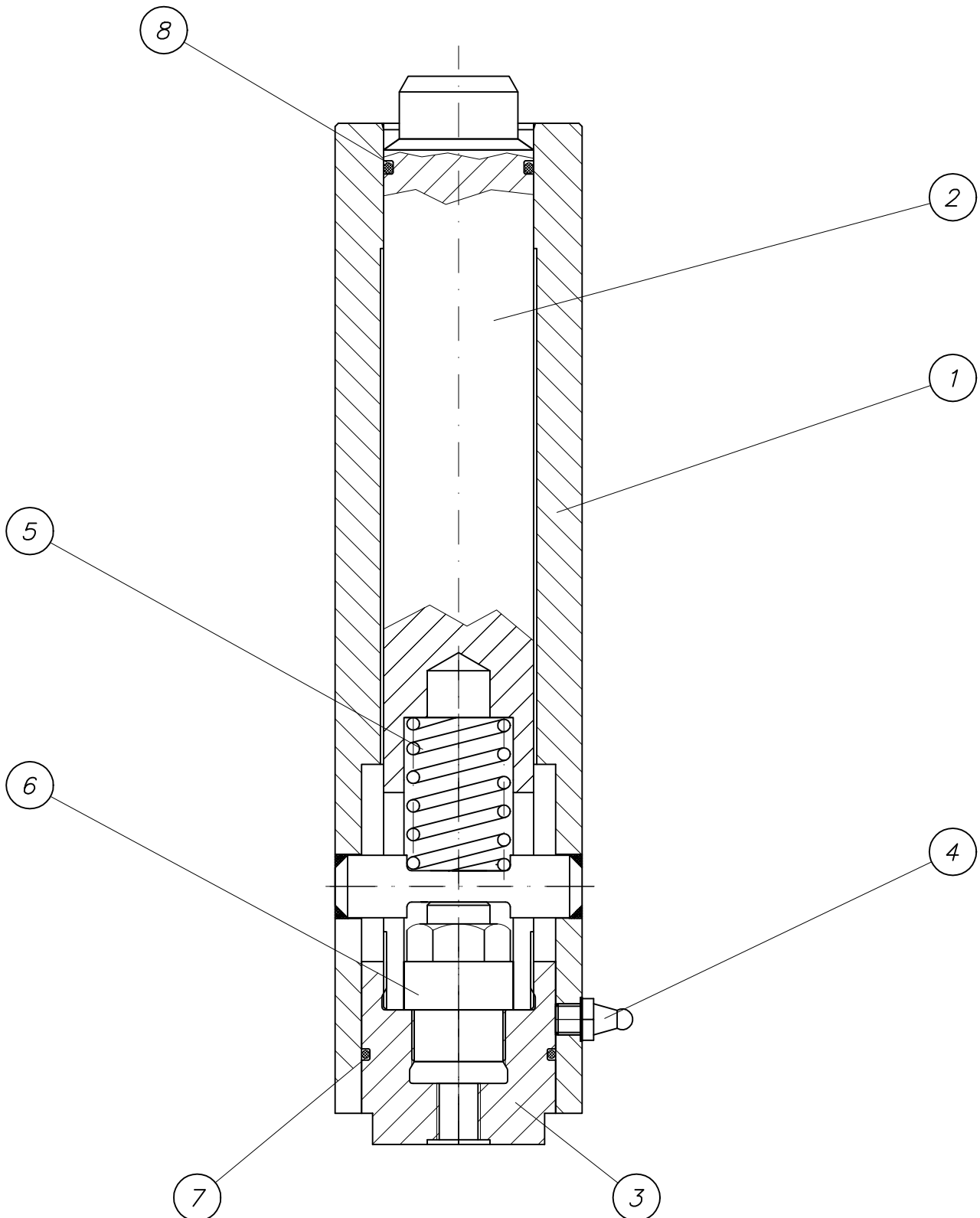
| part list | description | created | index | valid from | valid to | |
|-----------|------------------------------------|----------------------------|------------------|---------------|---------------|------------------|
| B639197 | transport savety device | 04.12.00 ek | b | 14.10.03 | | |
| pos | description stock | ident-no dimensions | DIN material | index | weighth Kg | quantity unit |
| 1 | pipe | B639198 Ro D82.5x20x155 | 2448 St52-3 | c 16.02.04 | | 1,00 Stk |
| 2 | bolt | B639199 Rd 50x135 | 1013 St52-3 | a 17.09.03 | | 1,00 Stk |
| 3 | nut | B639201 Rd 70 | 1013 St52-3 | a 17.12.02 | | 1,00 Stk |
| 4 | grease nipple H1 M10 X 1 DIN 71412 | WAI100805 | | | 0,01 | 1,00 Stk |
| 5 | pressure spring | WAI106537 | | | | 1,00 Stk |
| 6 | cylinder | WAI106536 | | | | 1,00 Stk |
| 7 | O-ring 56.74x3 | WAI106538 | | | | 1,00 Stk |
| 8 | O-ring | WAI101260 | | | | 1,00 Stk |
| 9 | bolt | B639215 Rd 20x80 | 1013 S355J2G3 | | 0,15 | 1,00 Stk |
| 10 | hexagon bolt M10 x 16 | WAI102886 | | | | 2,00 Stk |
| 11 | washer 10.5 | WAI101559 | | | 0,00 | 2,00 Stk |

Transportsicherung hinten
transport safety device rear

B 63 9 207b



Waitzinger
Baumaschinen GmbH





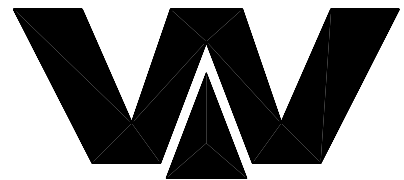
PARTS LIST

| part list | description | created | index | valid from | valid to | |
|-----------|------------------------------------|------------------------|-----------------|---------------|--------------|------------------|
| B639207 | transport savety device | 04.12.00 ek | b | 20.10.04 | | |
| pos | description stock | ident-no dimensions | DIN material | index | weigth Kg | quantity unit |
| 1 | pipe cpl. own parts list | B639218 | | | | 1,00 Stk |
| 2 | bolt | B639209 Rd 50x320 | 1013 St52-3 | b 20.10.04 | | 1,00 Stk |
| 3 | nut | B639201 Rd 70 | 1013 St52-3 | a 17.12.02 | | 1,00 Stk |
| 4 | grease nipple H1 M10 X 1 DIN 71412 | WAI100805 | | | 0,01 | 1,00 Stk |
| 5 | pressure spring | WAI106537 | | | | 1,00 Stk |
| 6 | cylinder | WAI106536 | | | | 1,00 Stk |
| 7 | O-ring 56.74x3 | WAI106538 | | | | 1,00 Stk |
| 8 | O-ring | WAI101260 | | | | 1,00 Stk |

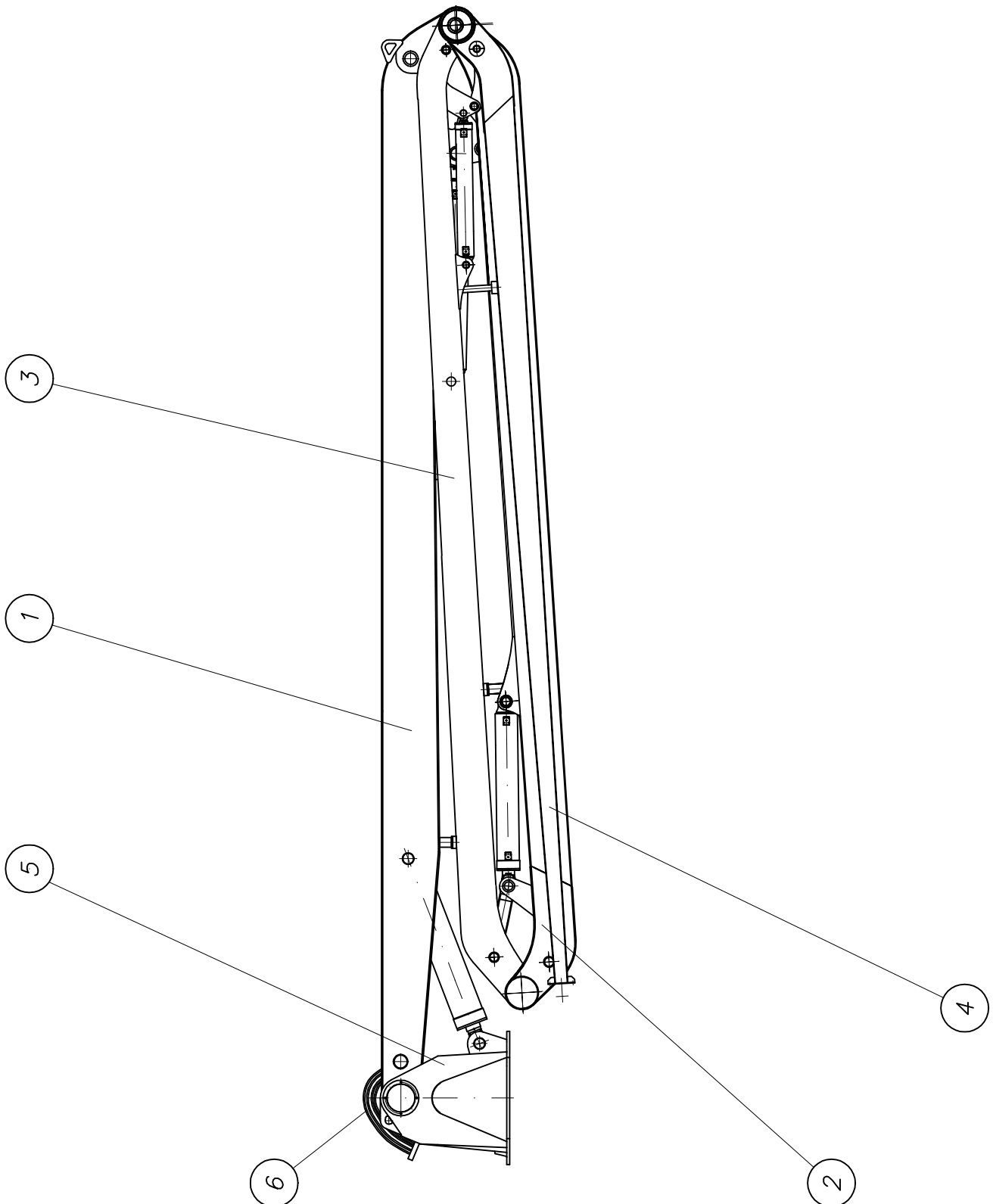
Armpaket W 37-4 kpl.

boom W 37-4 cpl.

B 66 7 120



*Waitzinger
Baumaschinen GmbH*



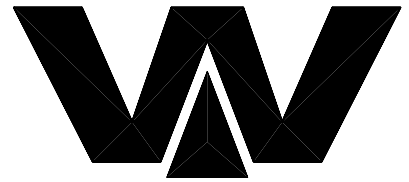


PARTS LIST

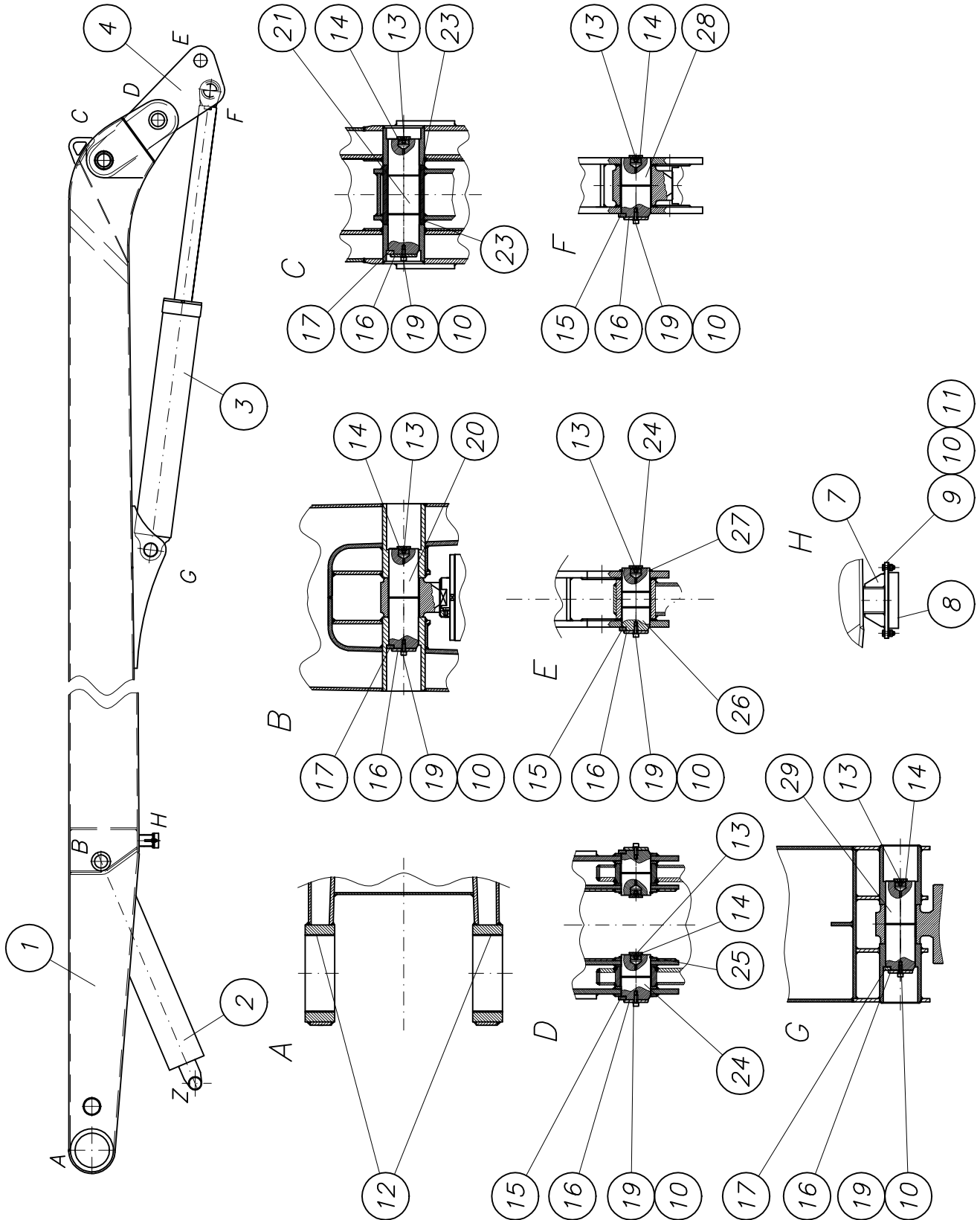
| part list | description | created | index | valid from | valid to | |
|------------------|---------------------------------------|--------------------------------|-------------------------|-------------------|-----------------------|--------------------------|
| B667120 | distribution boom 37.4 | 11.12.03 hbk | | | | |
| pos | description stock | ident-no dimensions | DIN material | index | weighth Kg | quantity unit |
| 1 | boom arm 1 cpl. own parts list | B667010 | | a 10.02.05 | | 1,00 Stk |
| 2 | boom arm 2 cpl. own parts list | B667011 | | | | 1,00 Stk |
| 3 | boom arm 3 cpl. own parts list | B667012 | | b 10.02.05 | | 1,00 Stk |
| 4 | boom arm 4 cpl. own parts list | B661072 | | | | 1,00 Stk |
| 5 | rotating head unit own parts list | B681002 | | | | 1,00 Stk |
| 6 | piping diagram boom own parts list | B711065 | | c 02.09.03 | 77,00 | 1,00 Stk |

Mastarm 1 kpl.
element 1 cpl.

B 66 7 010a



Waitzinger
Baumaschinen GmbH





PARTS LIST

| part list | description | created | index | valid from | valid to | |
|-----------|---|------------------------|--------------------------|---------------|---------------|------------------|
| B667010 | boom arm 1 cpl. | 14.10.02 hbk | a | 10.02.05 | | |
| pos | description stock | ident-no dimensions | DIN material | index | weighth Kg | quantity unit |
| 1 | boom arm 1 cpl. own parts list | B677160 | | | | 1,00 Stk |
| 2 | boom cylinder A cpl. with pipes own parts list | B660130 | | | | 1,00 Stk |
| 3 | boom cylinder B cpl. with pipes own parts list | B660131 | | | | 1,00 Stk |
| 4 | beam "B" cpl. processing drawing own parts list | B671610 | | a 26.01.05 | 98,00 | 1,00 Stk |
| 7 | holder for rubber buffer arm 1 cpl. own parts list | B661080 | | | 3,30 | 1,00 Stk |
| 8 | rubber cushion | WAI106715 | | | | 1,00 Stk |
| 9 | hexagon bolt M 10 x 30 | WAI101553 | | | 0,03 | 2,00 Stk |
| 10 | spring washer A10 | WAI102070 | | | 0,00 | 9,00 Stk |
| 11 | hex. nut M10 DIN985 8. | WAI102125 | | | 0,01 | 2,00 Stk |
| 12 | bushing CD230.235090 | WAI106020 | | | | 2,00 Stk |
| 13 | grease nipple H1 M10 X 1 DIN 71412 | WAI100805 | | | 0,01 | 7,00 Stk |
| 14 | locking screw M33x2 own parts list | B660085 | | | 0,10 | 7,00 Stk |
| 15 | pin holder | B660086 FI 25x10x80 | 1017 S235J2G3 | | 0,15 | 4,00 Stk |
| 16 | washer | B660087 BI 8xd80 | 1543/EN10029 S235J2G3 | | 0,20 | 7,00 Stk |
| 17 | pin holder | B660088 BI 10x22x70 | 1543/EN10029 S235J2G3 | | 0,10 | 3,00 Stk |
| 19 | cylinder head screw M 10 x 25 | WAI106654 | | | | 7,00 Stk |
| 20 | pin 90 x 304 | B660115 Rd 95x310 | 1013 42CrMo4V | a 31.07.02 | 15,00 | 1,00 Stk |
| 21 | pin 95 x 350 | B660113 Rd 100x355 | 1013 42CrMo4V | a 31.07.02 | 19,00 | 1,00 Stk |
| 23 | bushing 90 x 100 x 60 | WAI106019 | | | | 2,00 Stk |
| 24 | pin 90 x 137 | B660118 Rd 95x141 | 1013 42CrMo4V | b 31.07.02 | 7,00 | 2,00 Stk |
| 25 | retaining ring A 90x4 DIN471 | WAI106974 | | | 0,02 | 2,00 Stk |
| 26 | pin 85 x 190 | B660110 Rd 90x195 | 1013 42CrMo4V | a 31.07.02 | 8,50 | 1,00 Stk |

**PARTS LIST**

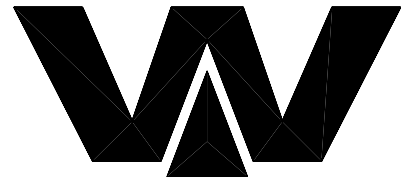
24.06.05 09:02:16

| part list | description | created | index | valid from | valid to | |
|-----------|------------------------------|------------------------|------------------|---------------|-------------|------------------|
| B667010 | boom arm 1 cpl. | 14.10.02 hbk | a | 10.02.05 | | |
| pos | description stock | ident-no dimensions | DIN material | index | weigh Kg | quantity unit |
| 27 | retaining ring A 85x4 DIN471 | WAI106975 | | | 0,02 | 1,00 Stk |
| 28 | pin 90 x 180 | B660112 Rd 95x180 | 1013 42CrMo4V | a 31.07.02 | 10,00 | 1,00 Stk |
| 29 | pin 90 x 271 | B660114 Rd 95x275 | 1013 42CrMo4V | a 31.07.02 | 14,00 | 1,00 Stk |

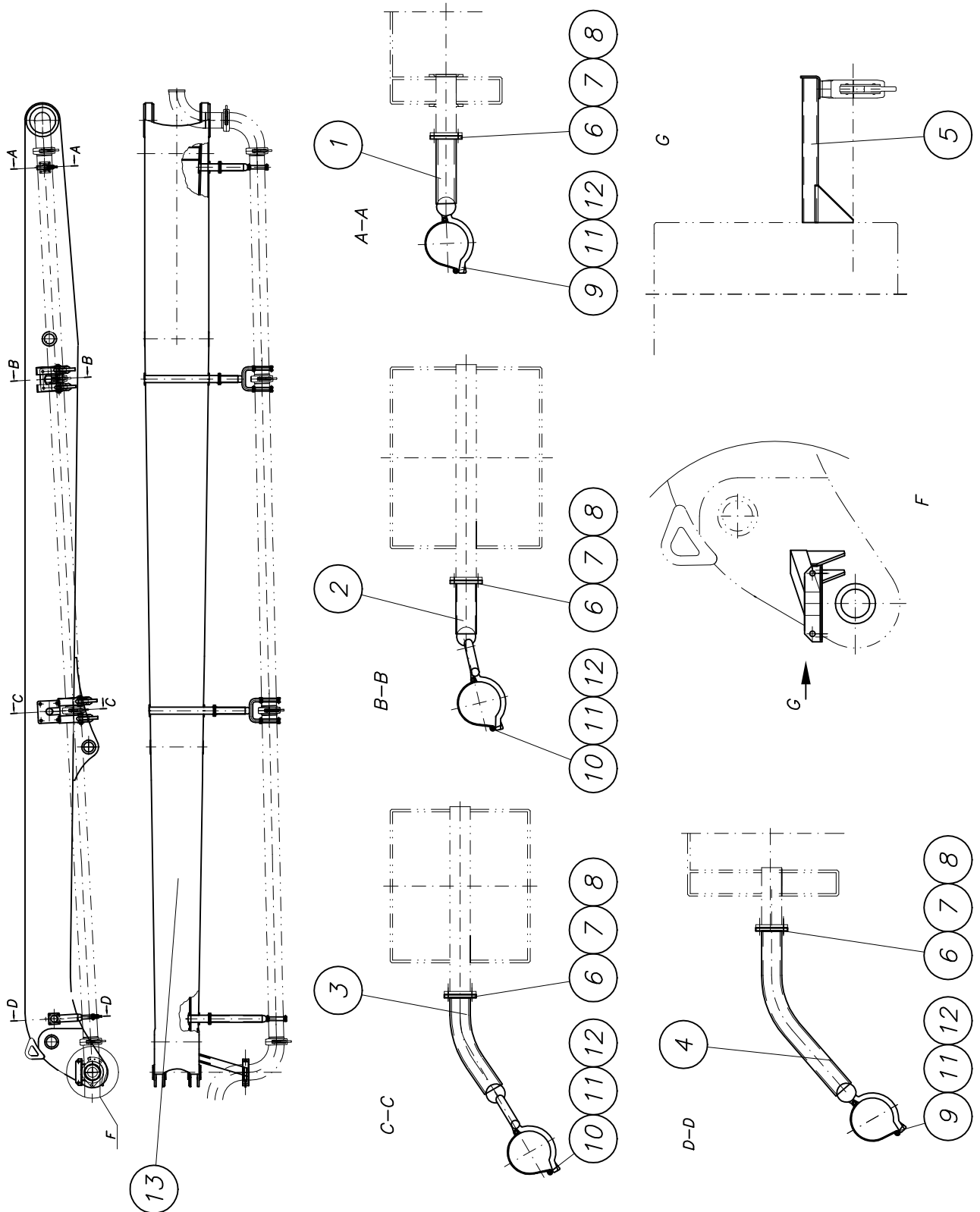
Mastarm 1

boom element 1

B 67 7 160



Waitzinger
Baumaschinen GmbH



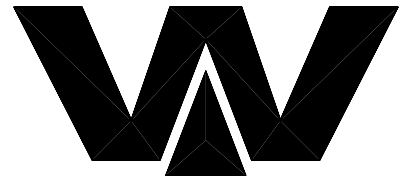


PARTS LIST

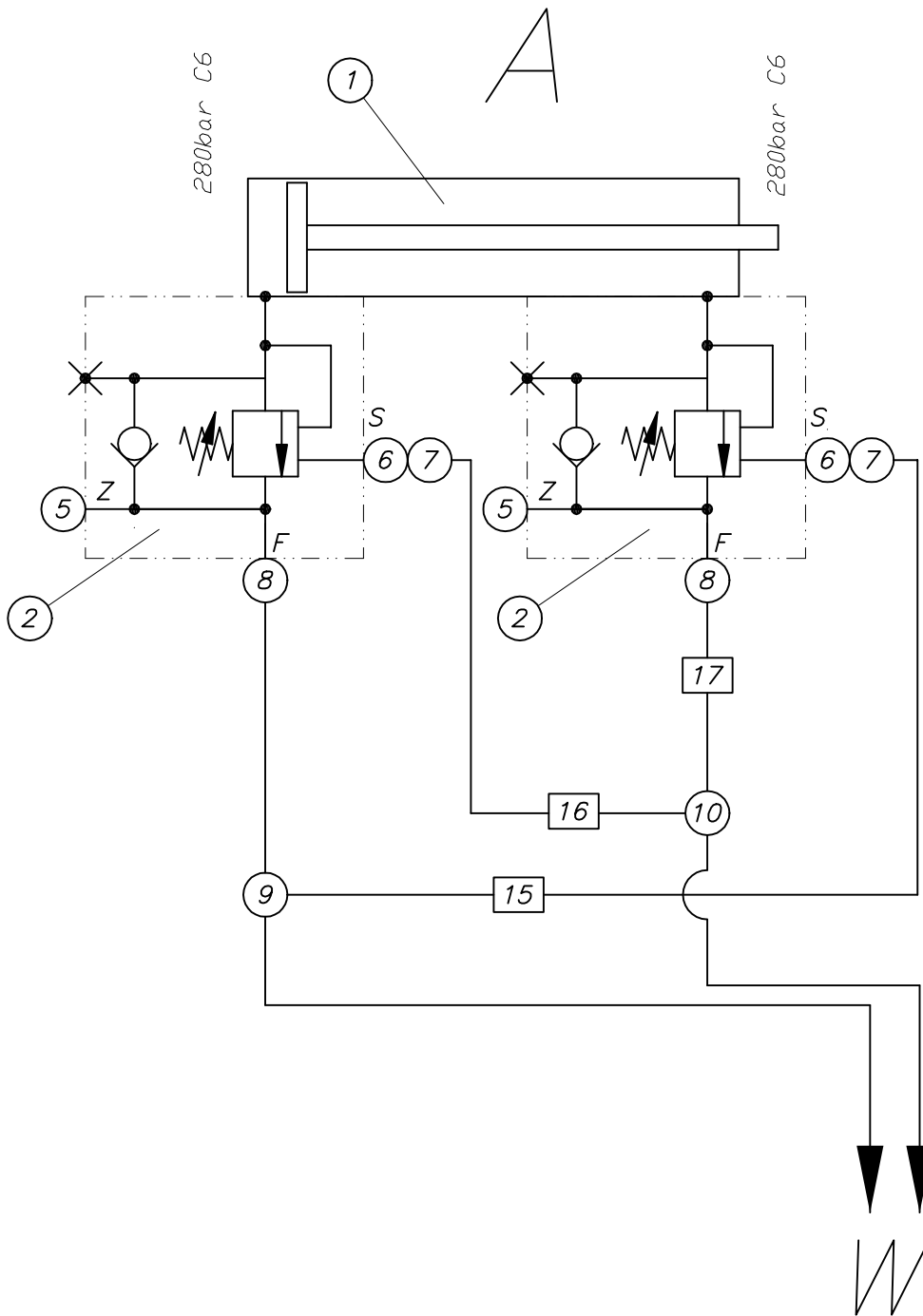
| part list | description | created | index | valid from | valid to | |
|-----------|--|------------------------|-----------------|---------------|-------------|------------------|
| B677160 | boom arm 1 cpl. | 09.10.02 hbk | | | | |
| pos | description stock | ident-no dimensions | DIN material | index | weigh Kg | quantity unit |
| 1 | holder 1 cpl., element 1 own parts list | B641040 | | | 2,30 | 1,00 Stk |
| 2 | holder 2 cpl., element 1 own parts list | B641044 | | | 2,10 | 1,00 Stk |
| 3 | holder 3 cpl., element 1 own parts list | B641046 | | | 3,00 | 1,00 Stk |
| 4 | holder 4 cpl., element 1 own parts list | B641050 | | | 4,70 | 1,00 Stk |
| 5 | holder 5 cpl., element 1 own parts list | B641039 | | a 22.04.05 | 5,70 | 1,00 Stk |
| 6 | hexagon bolt M 10 x 35 | WAI101705 | | | 0,03 | 16,00 Stk |
| 7 | washer 10.5 | WAI101559 | | | 0,00 | 16,00 Stk |
| 8 | nut M10 DIN 934 | WAI101556 | | | 0,01 | 16,00 Stk |
| 9 | pipe holder cpl. own parts list | WAI107108 | | | | 2,00 Stk |
| 10 | pipe holder cpl. own parts list | WAI107109 | | | | 2,00 Stk |
| 11 | conical spring washer 12 mm | WAI102877 | | | | 6,00 Stk |
| 12 | hex. nut M12 DIN 985 8. VERZ. | WAI101626 | | | | 6,00 Stk |
| 13 | boom arm 1 cpl. own parts list | B677150 | | | 1650,00 | 1,00 Stk |

Mastzylinder A kpl.
boom cylinder A cpl.

B 66 0 130



Waitzinger
Baumaschinen GmbH



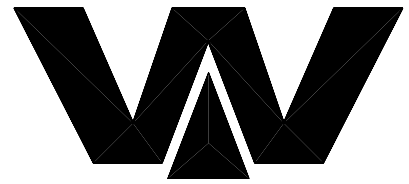


PARTS LIST

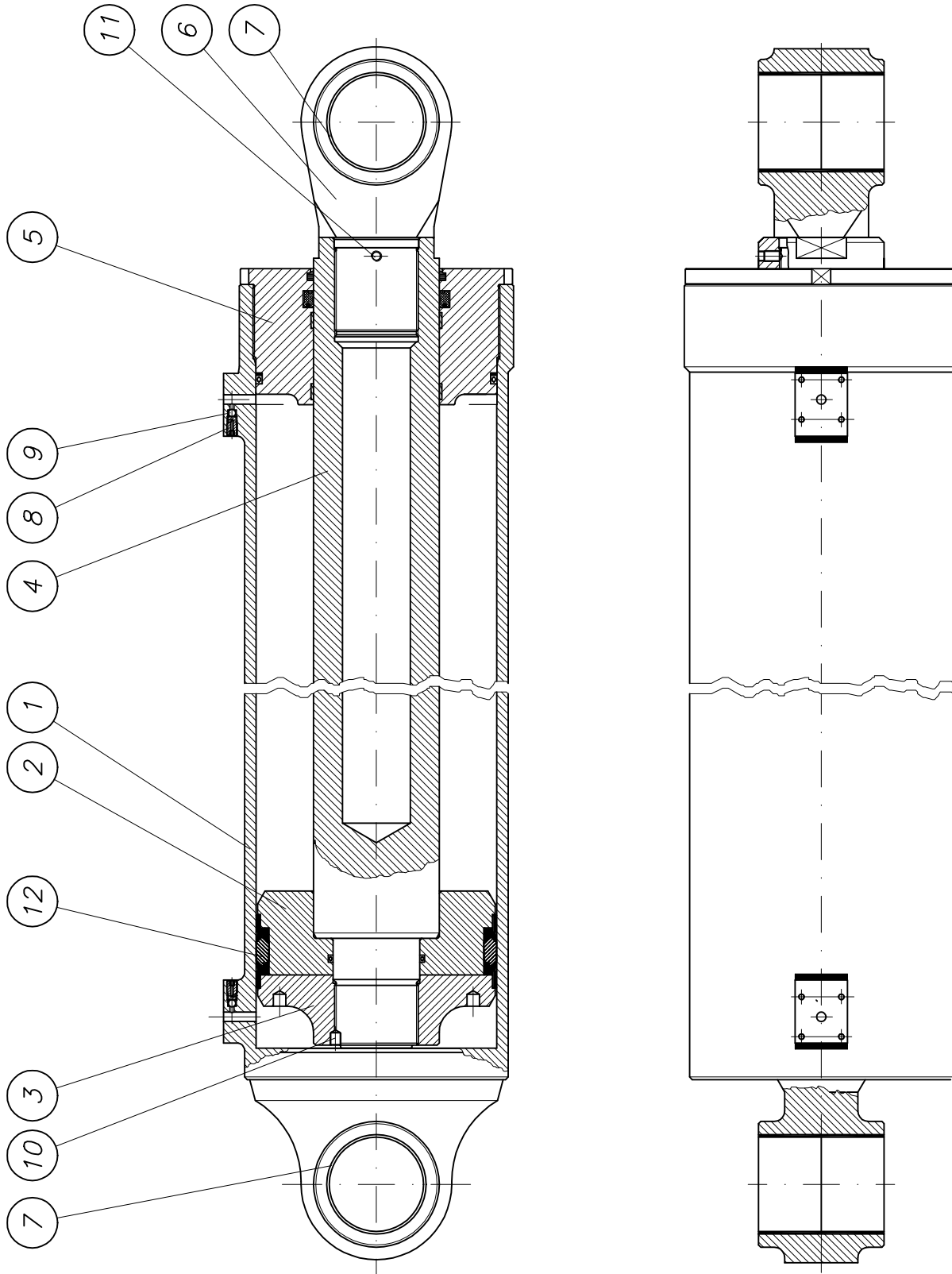
| part list | description | created | index | valid from | valid to | |
|-----------|--|------------------------|-----------------|------------|---------------|------------------|
| B660130 | boom cylinder A cpl. with pipes | 12.09.03 Mi | | | | |
| pos | description stock | ident-no dimensions | DIN material | index | weighth Kg | quantity unit |
| 1 | boom cylinder for 36-mtr., section A own parts list | WAI106189 | | | 342,00 | 1,00 Stk |
| 2 | locking valve 280 bar | WAI106935 | | | | 2,00 Stk |
| 5 | locking screw G 1/4 | WAI100520 | | | | 2,00 Stk |
| 6 | straight male stud couplings L12 | WAI101383 | | | | 2,00 Stk |
| 7 | swivel elbow L12 | WAI100590 | | | | 2,00 Stk |
| 8 | straight male stud couplings L12 | WAI101386 | | | | 2,00 Stk |
| 9 | swivel barrel tee L12 | WAI101325 | | | | 1,00 Stk |
| 10 | tee coupling L12 | WAI100598 | | | | 1,00 Stk |
| 15 | pipe | WAI108452 | | | | 1,00 Stk |
| 16 | pipe | WAI108453 | | | | 1,00 Stk |
| 17 | hydr. pipe 12 x 2 | WAI102022 | | | 0,49 | 0,20 Mtr |

Mastzylinder A
boom cylinder A

WAI 106189



Waitzinger
Baumaschinen GmbH





PARTS LIST

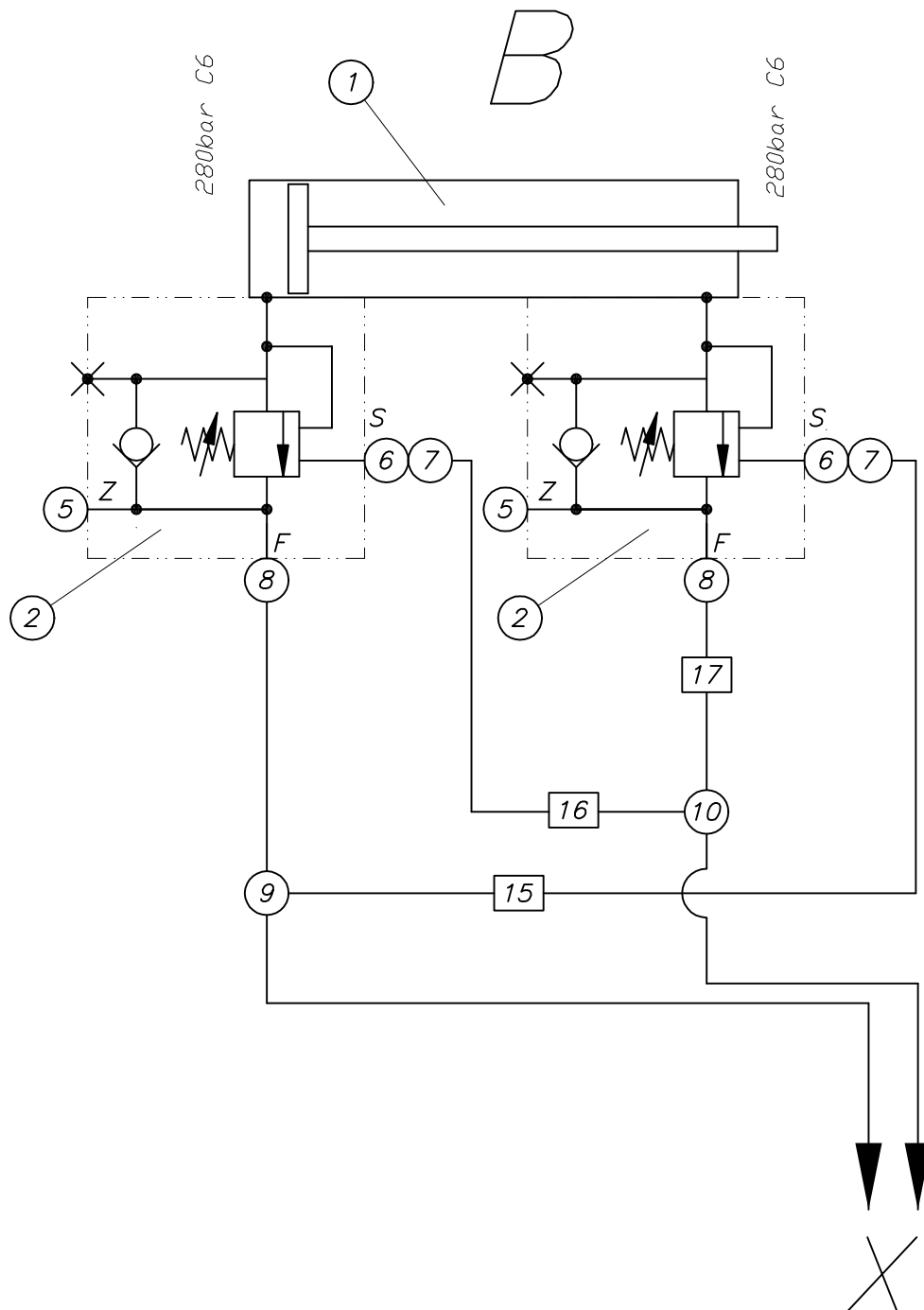
| part list | description | created | index | valid from | valid to | |
|-----------|--------------------------------------|------------------------|-----------------|------------|---------------|------------------|
| WAI106189 | boom cylinder for 36-mtr., section A | 09.03.01 Mi | | | | |
| pos | description stock | ident-no dimensions | DIN material | index | weighth Kg | quantity unit |
| 1 | cylinder | WAI106716 | | | | 1,00 Stk |
| 2 | piston | WAI106717 | | | | 1,00 Stk |
| 3 | piston nut | WAI106718 | | | | 1,00 Stk |
| 4 | piston rod | WAI106719 | | | | 1,00 Stk |
| 5 | piston guide | WAI106720 | | | | 1,00 Stk |
| 6 | piston head | WAI106721 | | | | 1,00 Stk |
| 7 | bushing 90 x 95 x 60 | WAI106018 | | | | 4,00 Stk |
| 8 | Valve | WAI106722 | | | | 2,00 Stk |
| 9 | steel ball | WAI106723 | | | | 2,00 Stk |
| 10 | set screw | WAI106724 | | | | 1,00 Stk |
| 11 | set screw | WAI106725 | | | | 1,00 Stk |
| 12 | sealing set for 1st. boom cylinder | WAI104033 | | | | 1,00 Stk |

Mastzylinder B kpl.
boom cylinder B cpl.

B 66 0 131



Waitzinger
Baumaschinen GmbH



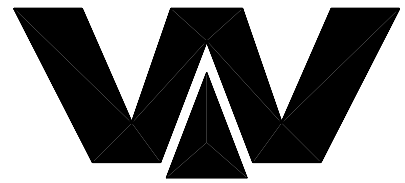


PARTS LIST

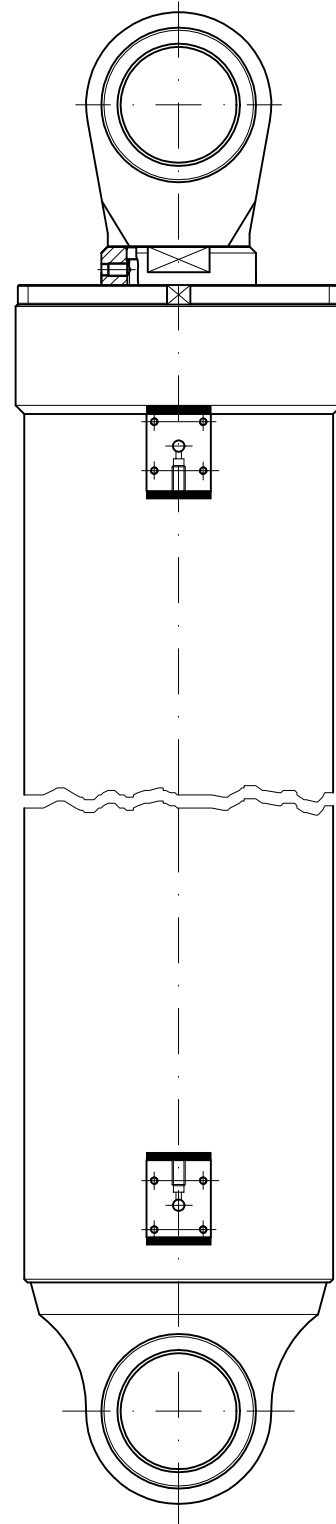
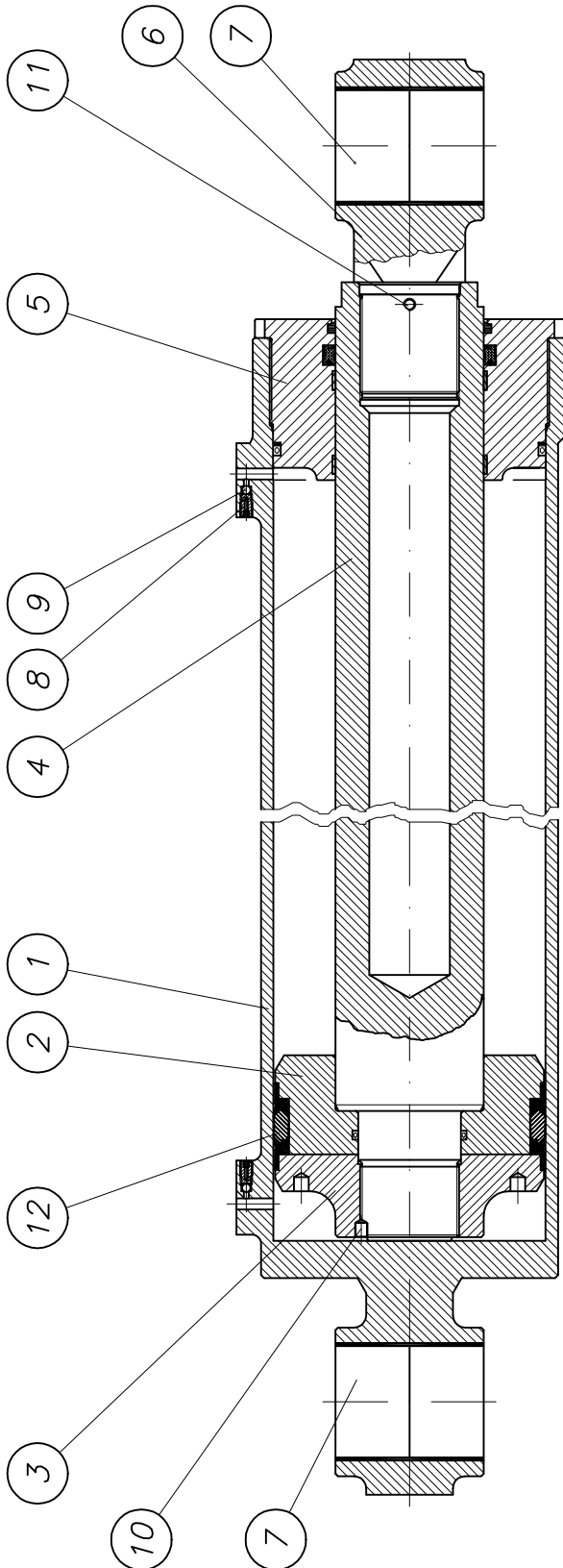
| part list | description | created | index | valid from | valid to | |
|-----------|--|------------------------|-----------------|------------|---------------|------------------|
| B660131 | boom cylinder B cpl. with pipes | 12.09.03 Mi | | | | |
| pos | description stock | ident-no dimensions | DIN material | index | weighth Kg | quantity unit |
| 1 | boom cylinder for 36-mtr., section B own parts list | WAI106190 | | | | 1,00 Stk |
| 2 | locking valve 280 bar | WAI106935 | | | | 2,00 Stk |
| 5 | locking screw G 1/4 | WAI100520 | | | | 2,00 Stk |
| 6 | straight male stud couplings L12 | WAI101383 | | | | 2,00 Stk |
| 7 | swivel elbow L12 | WAI100590 | | | | 2,00 Stk |
| 8 | straight male stud couplings L12 | WAI101386 | | | | 2,00 Stk |
| 9 | swivel barrel tee L12 | WAI101325 | | | | 1,00 Stk |
| 10 | tee coupling L12 | WAI100598 | | | | 1,00 Stk |
| 15 | pipe | WAI108454 | | | | 1,00 Stk |
| 16 | pipe | WAI108455 | | | | 1,00 Stk |
| 17 | hydr. pipe 12 x 2 | WAI102022 | | | 0,49 | 0,20 Mtr |

Mastzylinder B
boom cylinder B

WAI 106190



Waitzinger
Baumaschinen GmbH



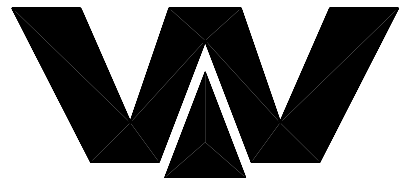


PARTS LIST

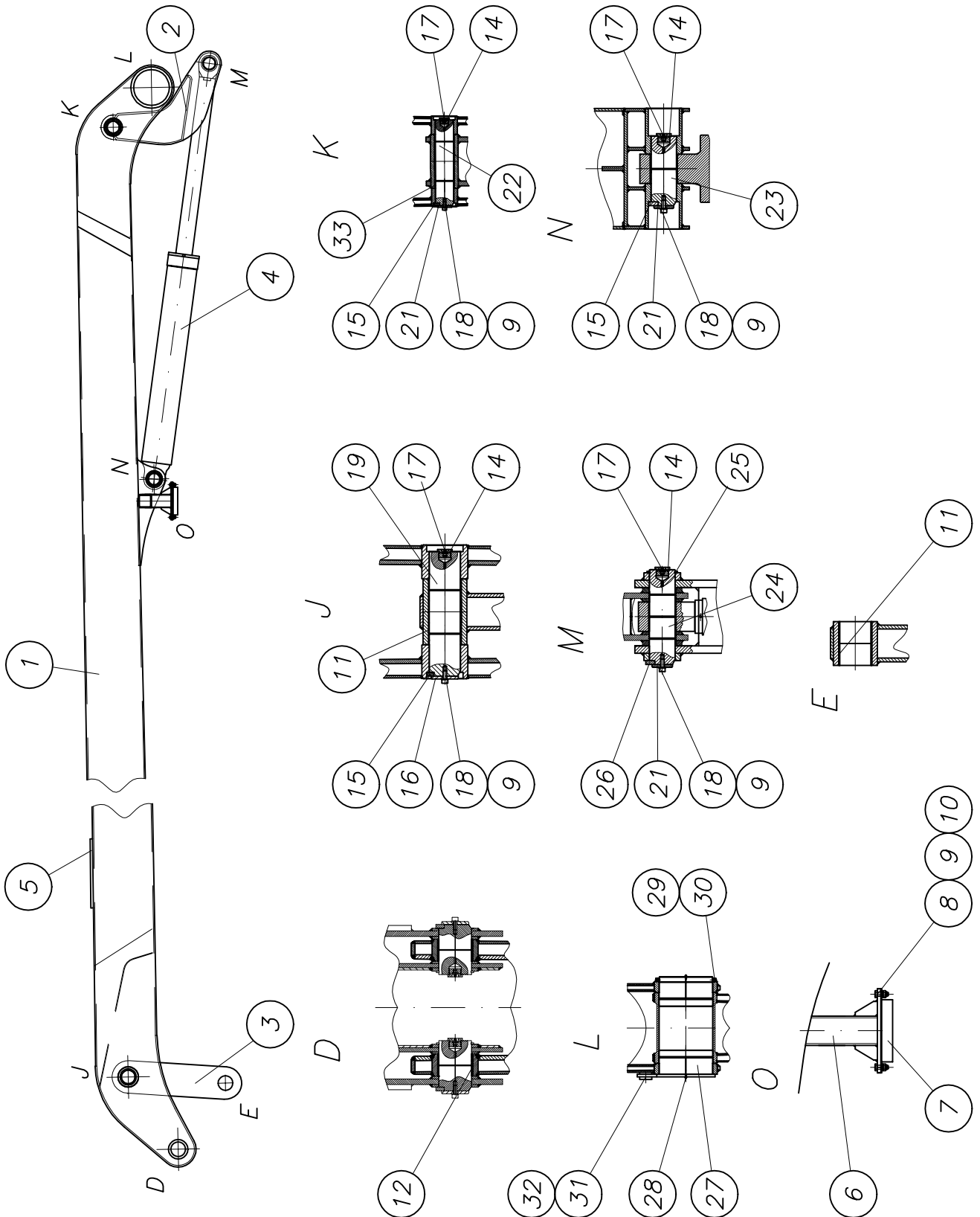
| part list | description | created | index | valid from | valid to | |
|-----------|--|------------------------|-----------------|------------|---------------|------------------|
| WAI106190 | boom cylinder for 36-mtr., section B | 09.03.01 Mi | | | | |
| pos | description stock | ident-no dimensions | DIN material | index | weighth Kg | quantity unit |
| 1 | cylinder | WAI106727 | | | | 1,00 Stk |
| 2 | piston | WAI106728 | | | | 1,00 Stk |
| 3 | piston nut | WAI106729 | | | | 1,00 Stk |
| 4 | piston rod | WAI106730 | | | | 1,00 Stk |
| 5 | piston guide | WAI106731 | | | | 1,00 Stk |
| 6 | piston head | WAI106721 | | | | 1,00 Stk |
| 7 | bushing 90 x 95 x 60 | WAI106018 | | | | 4,00 Stk |
| 8 | Valve | WAI106722 | | | | 2,00 Stk |
| 9 | steel ball | WAI106723 | | | | 2,00 Stk |
| 10 | set screw | WAI106724 | | | | 1,00 Stk |
| 11 | set screw | WAI106725 | | | | 1,00 Stk |
| 12 | sealing set for 2nd. boom cylinder own parts list | WAI104034 | | | | 1,00 Stk |

Mastarm 2 kpl.
element 2 cpl.

B 66 7 011



Waitzinger
Baumaschinen GmbH





PARTS LIST

| part list | description | created | index | valid from | valid to | |
|-----------|---|-------------------------|--------------------------|---------------|---------------|------------------|
| B667011 | boom arm 2 cpl. | 14.10.02 hbk | | | | |
| pos | description stock | ident-no dimensions | DIN material | index | weighth Kg | quantity unit |
| 1 | boom arm 2 cpl. own parts list | B677200 | | a 10.03.03 | | 1,00 Stk |
| 2 | Lever C cpl. own parts list | B671620 | | | 75,00 | 1,00 Stk |
| 3 | forcing rod B cpl. own parts list | B671710 | | | 45,00 | 1,00 Stk |
| 4 | boom cylinder C cpl. with pipes own parts list | B660132 | | | 165,00 | 1,00 Stk |
| 5 | reinforcement | B660092 Bl 8x250x350 | 1543/EN10029 S235J2G3 | | 0,54 | 1,00 Stk |
| 6 | holder for rubber buffer arm 2 cpl. own parts list | B661085 | | | 4,20 | 1,00 Stk |
| 7 | rubber cushion | WAI106715 | | | | 1,00 Stk |
| 8 | hexagon bolt M 10 x 30 | WAI101553 | | | 0,03 | 2,00 Stk |
| 9 | spring washer A10 | WAI102070 | | | 0,00 | 6,00 Stk |
| 10 | hex. nut M10 DIN985 8. | WAI102125 | | | 0,01 | 2,00 Stk |
| 11 | bushing 85 x 90 x 60 | WAI106017 | | | 0,20 | 4,00 Stk |
| 12 | bushing 90 x 95 x 60 | WAI106018 | | | | 2,00 Stk |
| 14 | locking screw M33x2 own parts list | B660085 | | | 0,10 | 4,00 Stk |
| 15 | pin holder | B660088 Bl 10x22x70 | 1543/EN10029 S235J2G3 | | 0,10 | 3,00 Stk |
| 16 | washer | B660087 Bl 8xd80 | 1543/EN10029 S235J2G3 | | 0,20 | 1,00 Stk |
| 17 | grease nipple H1 M10 X 1 DIN 71412 | WAI100805 | | | 0,01 | 4,00 Stk |
| 18 | cylinder head screw M 10 x 25 | WAI106654 | | | | 4,00 Stk |
| 19 | pin 85 x 340 | B660111 Rd 90x345 | 1013 42CrMo4V | a 31.07.02 | 15,00 | 1,00 Stk |
| 21 | washer | B660089 Bl 8xd62 | 1543/EN10029 S235J2G3 | | 0,20 | 3,00 Stk |
| 22 | pin 75 x 350 | B660109 Rd 80x355 | 1013 42CrMo4V | a 31.07.02 | 12,00 | 1,00 Stk |
| 23 | pin 70 x 190 | B660107 Rd 75x195 | 1013 42CrMo4V | a 31.07.02 | 5,50 | 1,00 Stk |
| 24 | pin 70 x 259 | B660106 Rd 75x264 | 1013 42CrMo4V | a 31.07.02 | 8,00 | 1,00 Stk |

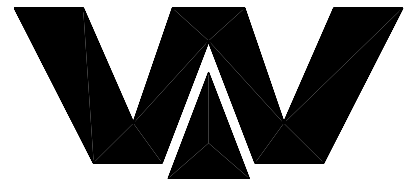
**PARTS LIST**

24.06.05 09:16:25

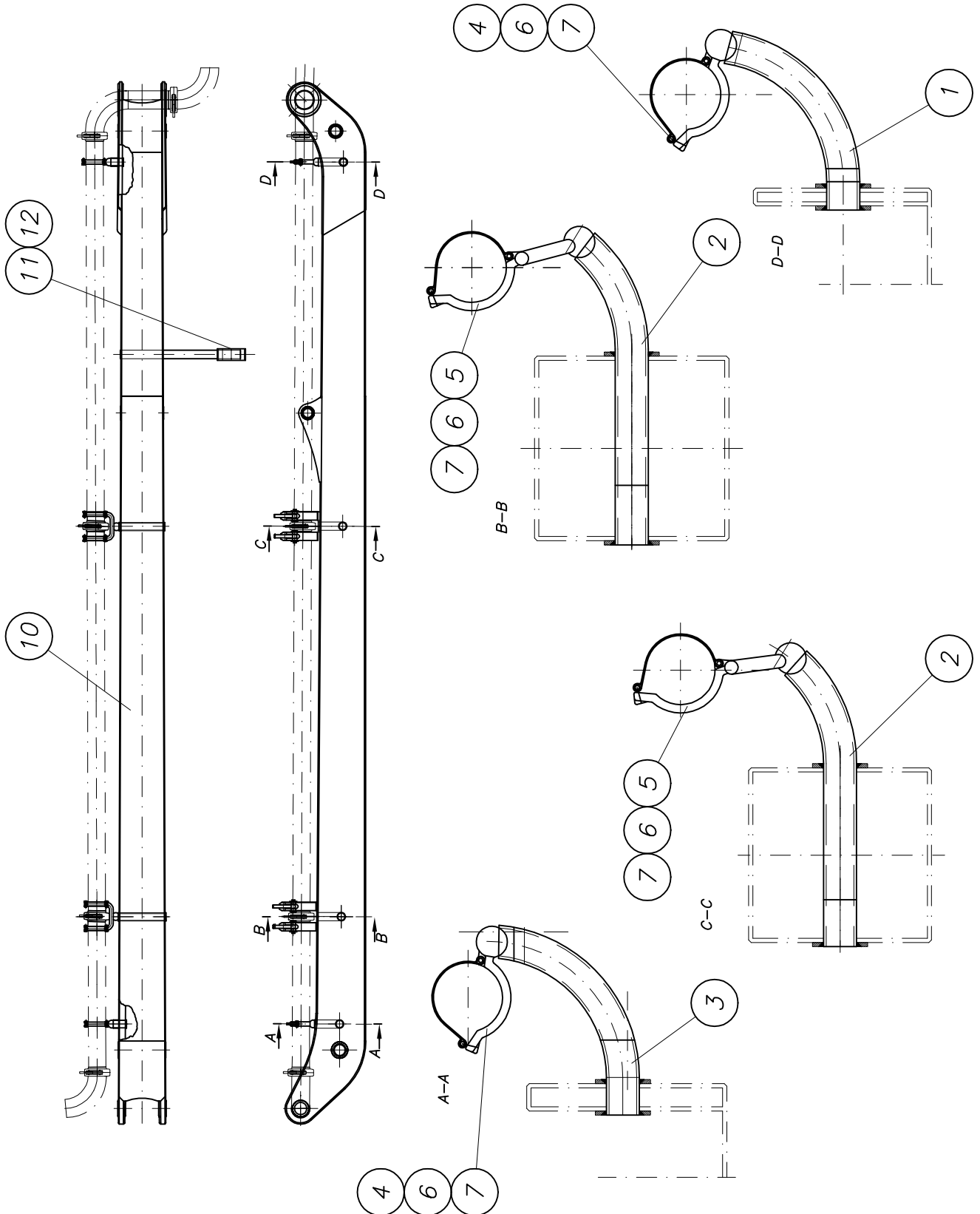
| part list | description | created | index | valid from | valid to | |
|-----------|------------------------------|----------------------------|--------------------------|------------|---------------|------------------|
| B667011 | boom arm 2 cpl. | 14.10.02 hbk | | | | |
| pos | description stock | ident-no dimensions | DIN material | index | weighth Kg | quantity unit |
| 25 | retaining ring A 70x4 DIN471 | WAI106981 | | | 0,02 | 1,00 Stk |
| 26 | pin holder | B660086 FI 25x10x80 | 1017 S235J2G3 | | 0,15 | 1,00 Stk |
| 27 | pin 220x 400 | B660108 Rohr 244.5x25x4 | 2448 S355J2G3 | | | 1,00 Stk |
| 28 | grease nipple | WAI102885 | | | | 4,00 Stk |
| 29 | threaded ring | WAI105378 | | | | 1,00 Stk |
| 30 | set screw M 6 x 8 | WAI103646 | | | | 2,00 Stk |
| 31 | pin protection | B660123 BI 10x100x148 | 1543/EN10029 S355J2G3 | | 0,45 | 1,00 Stk |
| 32 | pipe | B660124 Rohr 51x6.3x30 | 2448 S355J2G3 | | 0,20 | 1,00 Stk |
| 33 | bushing 75 x 80 x 60 | WAI106016 | | | | 2,00 Stk |

Mastarm 2
boom element 2

B 67 7 200a



Waitzinger
Baumaschinen GmbH



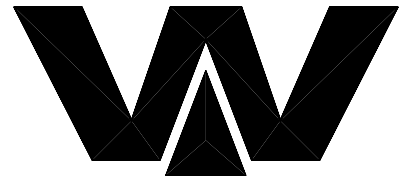


PARTS LIST

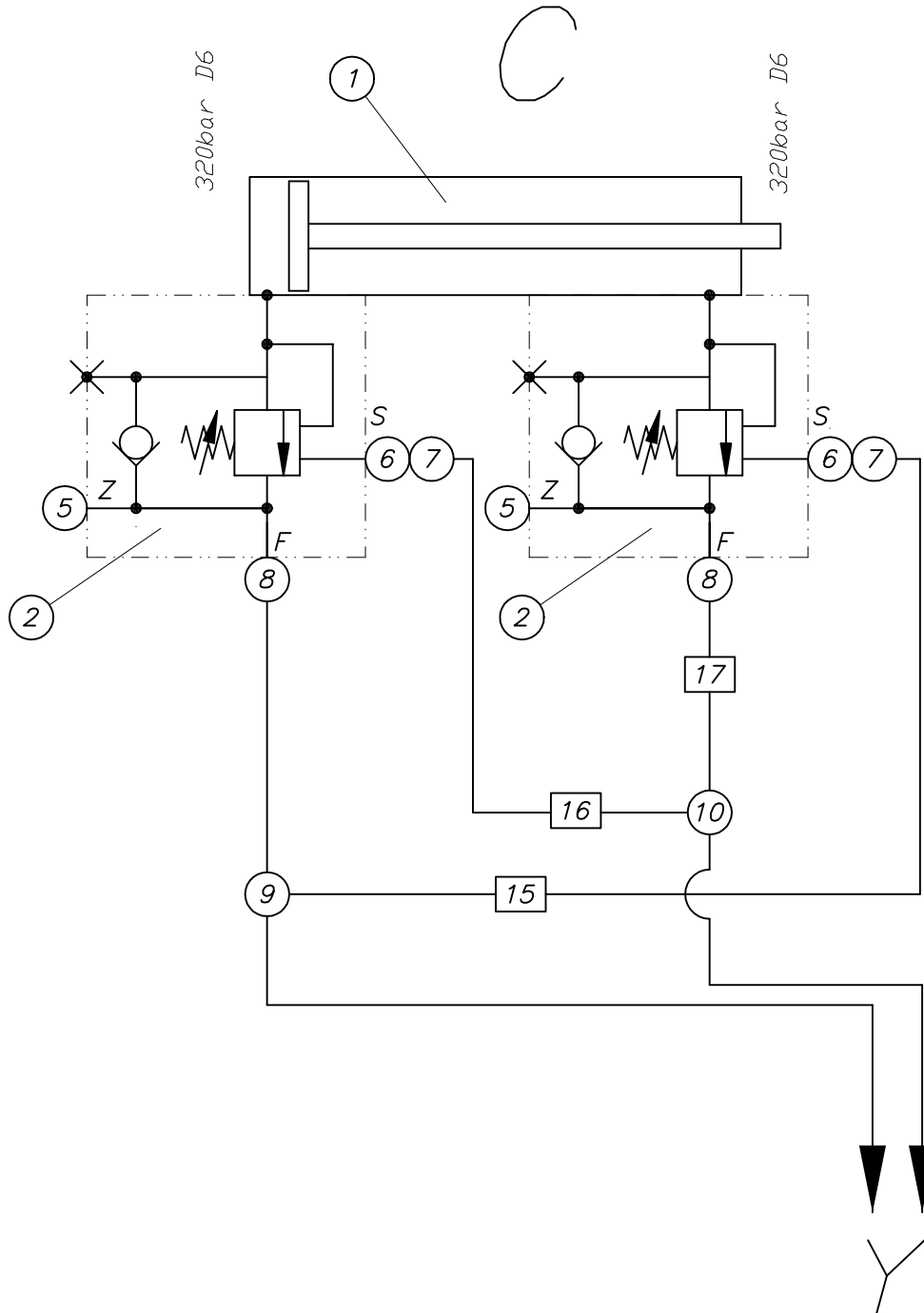
| part list | description | created | index | valid from | valid to | |
|-----------|--|----------------------------|------------------|---------------|-------------|------------------|
| B677200 | boom arm 2 cpl. | 09.10.02 hbk | a | 10.03.03 | | |
| pos | description stock | ident-no dimensions | DIN material | index | weigh Kg | quantity unit |
| 1 | pipe 1, Element 2 | B641041 Rohr 63.5x4x440 | 2448 S355J2G3 | a 22.01.03 | 2,60 | 1,00 Stk |
| 2 | pipe 2+3, Element 2 | B641047 Rohr 63.5x4x649 | 2448 S355J2G3 | a 22.01.03 | 3,80 | 2,00 Stk |
| 3 | pipe 4, Element 2 | B641049 Rohr 63.5x4x485 | 2448 S355J2G3 | a 22.01.03 | 2,80 | 1,00 Stk |
| 4 | pipe holder cpl. own parts list | WAI107108 | | | | 2,00 Stk |
| 5 | pipe holder cpl. own parts list | WAI107109 | | | | 2,00 Stk |
| 6 | conical spring washer 12 mm | WAI102877 | | | | 6,00 Stk |
| 7 | hex. nut M12 DIN 985 8. VERZ. | WAI101626 | | | | 6,00 Stk |
| 10 | boom arm 2 processing cpl. own parts list | B677201 | | a 12.12.02 | 810,00 | 1,00 Stk |
| 11 | pipe for arm holder 4 own parts list | B671250 | | a 12.01.04 | 10,00 | 1,00 Stk |
| 12 | rubber cushion | WAI107199 | | | 0,50 | 1,00 Stk |

Mastzylinder C kpl.
boom cylinder C cpl.

B 66 0 132



Waitzinger
Baumaschinen GmbH



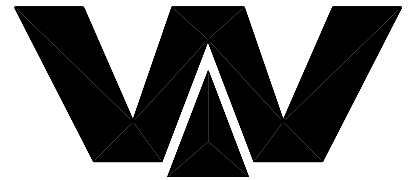


PARTS LIST

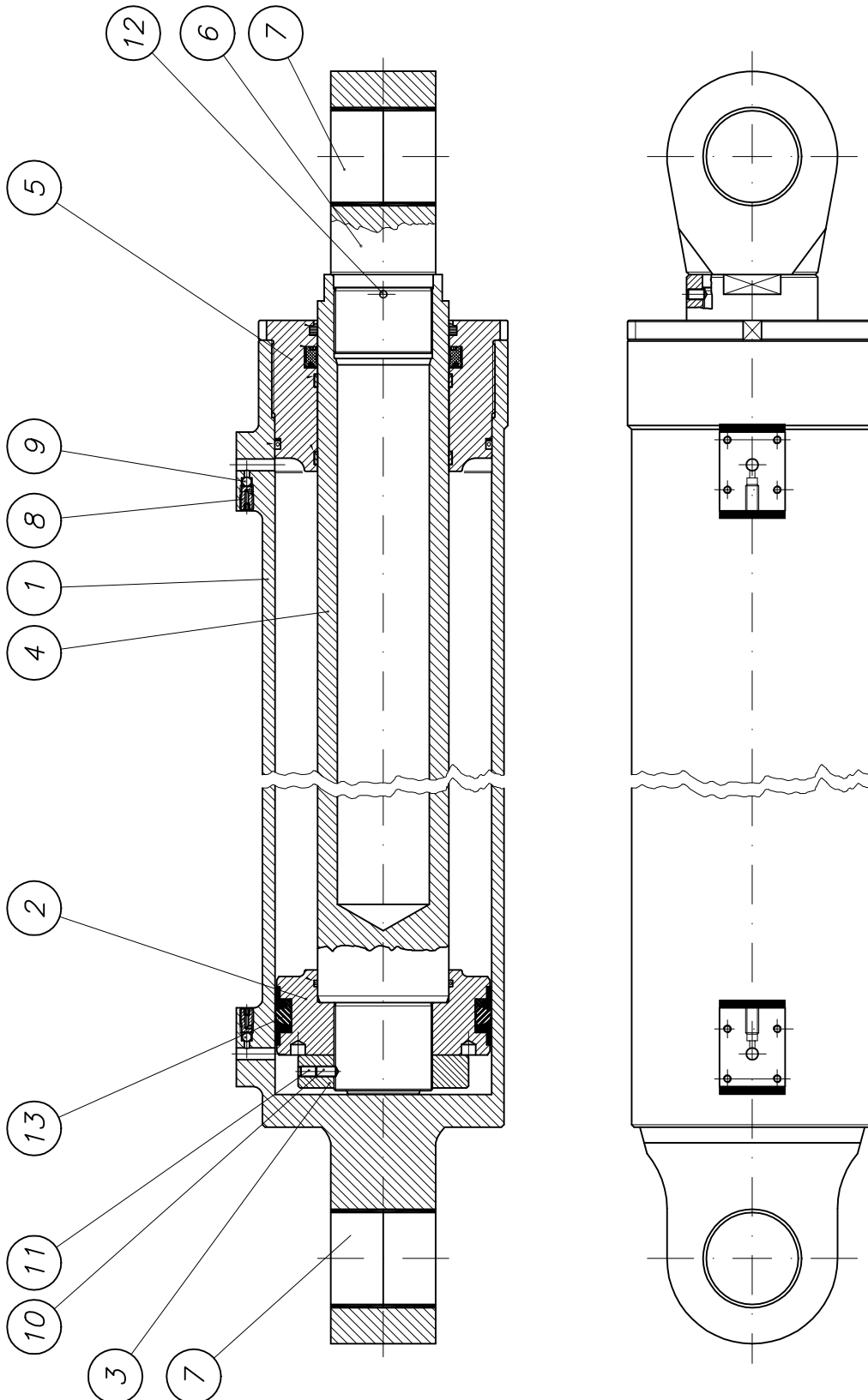
| part list | description | created | index | valid from | valid to | |
|-----------|--|------------------------|-----------------|------------|---------------|------------------|
| B660132 | boom cylinder C cpl. with pipes | 12.09.03 Mi | | | | |
| pos | description stock | ident-no dimensions | DIN material | index | weighth Kg | quantity unit |
| 1 | boom cylinder for 36-mtr., section C own parts list | WAI106191 | | | | 1,00 Stk |
| 2 | locking valve 320 bar | WAI106258 | | | | 2,00 Stk |
| 5 | locking screw G 1/4 | WAI100520 | | | | 2,00 Stk |
| 6 | straight male stud couplings L12 | WAI101383 | | | | 2,00 Stk |
| 7 | swivel elbow L12 | WAI100590 | | | | 2,00 Stk |
| 8 | straight male stud couplings L12 | WAI101386 | | | | 2,00 Stk |
| 9 | swivel barrel tee L12 | WAI101325 | | | | 1,00 Stk |
| 10 | tee coupling L12 | WAI100598 | | | | 1,00 Stk |
| 15 | pipe | WAI108456 | | | | 1,00 Stk |
| 16 | pipe | WAI108457 | | | | 1,00 Stk |
| 17 | hydr. pipe 12 x 2 | WAI102022 | | | 0,49 | 0,20 Mtr |

Mastzylinder C
boom cylinder C

WAI 106191



Waitzinger
Baumaschinen GmbH



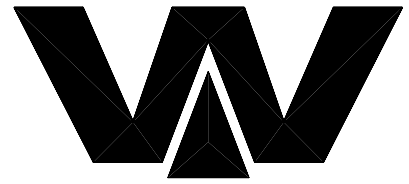


PARTS LIST

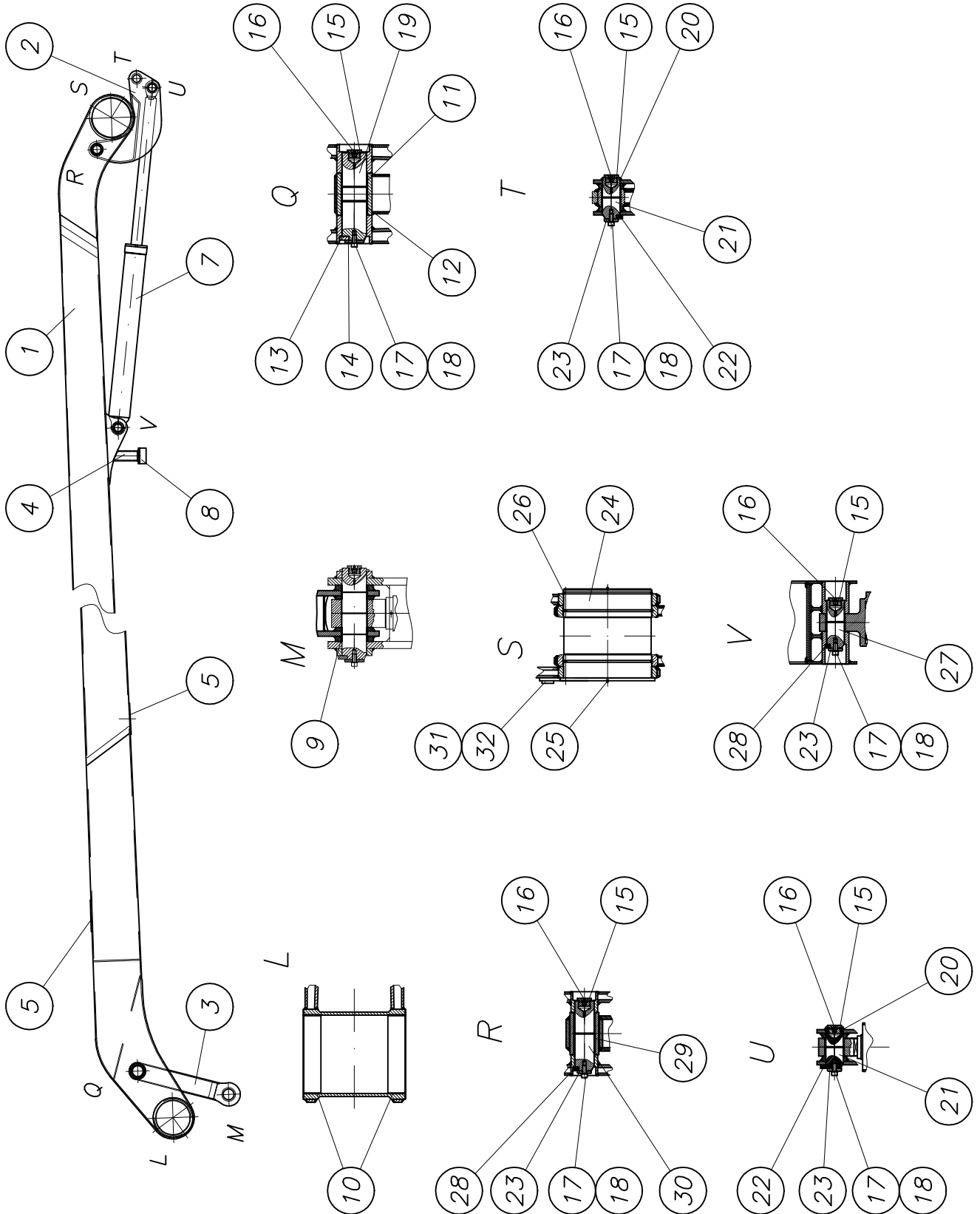
| part list | description | | created | index | valid from | valid to |
|-----------|--|------------------------|-----------------|-------|---------------|------------------|
| WAI106191 | boom cylinder for 36-mtr., section C | | 09.03.01 Mi | | | |
| pos | description stock | ident-no dimensions | DIN material | index | weighth Kg | quantity unit |
| 1 | cylinder | WAI106732 | | | | 1,00 Stk |
| 2 | piston | WAI106733 | | | | 1,00 Stk |
| 3 | piston nut | WAI106734 | | | | 1,00 Stk |
| 4 | piston rod | WAI106735 | | | | 1,00 Stk |
| 5 | piston guide | WAI106736 | | | | 1,00 Stk |
| 6 | piston head | WAI106737 | | | | 1,00 Stk |
| 7 | bushing 70 x 75 x 40 | WAI106014 | | | | 4,00 Stk |
| 8 | Valve | WAI106722 | | | | 2,00 Stk |
| 9 | steel ball | WAI106723 | | | | 2,00 Stk |
| 10 | set screw | WAI106738 | | | | 1,00 Stk |
| 11 | set screw | WAI106739 | | | | 1,00 Stk |
| 12 | set screw | WAI106740 | | | | 1,00 Stk |
| 13 | sealing set for 3th. boom cylinder own parts list | WAI104035 | | | | 1,00 Stk |

Mastarm 3 kpl.
element 3 cpl.

B 66 7 012b



Waitzinger
Baumaschinen GmbH





PARTS LIST

| part list | description | created | index | valid from | valid to | |
|-----------|---|-------------------------|--------------------------|---------------|---------------|------------------|
| B667012 | boom arm 3 cpl. | 14.10.02 hbk | b | 10.02.05 | | |
| pos | description stock | ident-no dimensions | DIN material | index | weighth Kg | quantity unit |
| 1 | boom arm 3 cpl. own parts list | B677300 | | | | 1,00 Stk |
| 2 | lever D cpl. own parts list | B671630 | | a 25.02.03 | 30,00 | 1,00 Stk |
| 3 | forcing rod C cpl. own parts list | B671720 | | | 25,00 | 1,00 Stk |
| 4 | holder for rubber buffer arm 3 cpl. own parts list | B661090 | | | 2,00 | 1,00 Stk |
| 5 | plate | B661091 Bl 5x200x280 | 1543/EN10029 ST37-2 | a 17.06.02 | 2,00 | 2,00 Stk |
| 7 | boom cylinder D cpl. with pipes own parts list | B660133 | | | | 1,00 Stk |
| 8 | rubber buffer 100 x 50 | WAI103478 | | | | 1,00 Stk |
| 9 | bushing 70 x 75 x 40 | WAI106014 | | | | 2,00 Stk |
| 10 | bushing 220 x 225 x 50 | WAI106023 | | | | 2,00 Stk |
| 11 | bushing 70 x 75 x 70 | WAI106015 | | | | 1,00 Stk |
| 12 | bushing 70 x 75 x 50 | WAI106659 | | | | 1,00 Stk |
| 13 | pin holder | B660088 Bl 10x22x70 | 1543/EN10029 S235J2G3 | | 0,10 | 1,00 Stk |
| 14 | washer | B660089 Bl 8xd62 | 1543/EN10029 S235J2G3 | | 0,20 | 1,00 Stk |
| 15 | locking screw M33x2 own parts list | B660085 | | | 0,10 | 5,00 Stk |
| 16 | grease nipple H1 M10 X 1 DIN 71412 | WAI100805 | | | 0,01 | 5,00 Stk |
| 17 | cylinder head screw M 10 x 25 | WAI106654 | | | | 5,00 Stk |
| 18 | spring washer A10 | WAI102070 | | | 0,00 | 5,00 Stk |
| 19 | pin 70 x 249 | B660105 Rd 75x255 | 1013 42CrMo4V | b 05.11.03 | 7,50 | 1,00 Stk |
| 20 | locking ring | WAI106988 | | | | 2,00 Stk |
| 21 | pin 50 x 117 | B660103 Rd 55x122 | 1013 42CrMo4V | a 31.07.02 | 1,90 | 2,00 Stk |
| 22 | pin holder | B660086 Fl 25x10x80 | 1017 S235J2G3 | | 0,15 | 2,00 Stk |
| 23 | washer | B660091 Bl 8xd42 | 1543/EN10029 S235J2G3 | | 0,10 | 4,00 Stk |

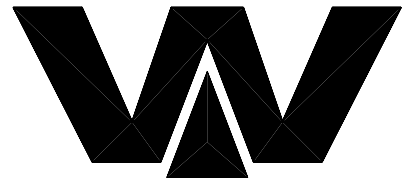


PARTS LIST

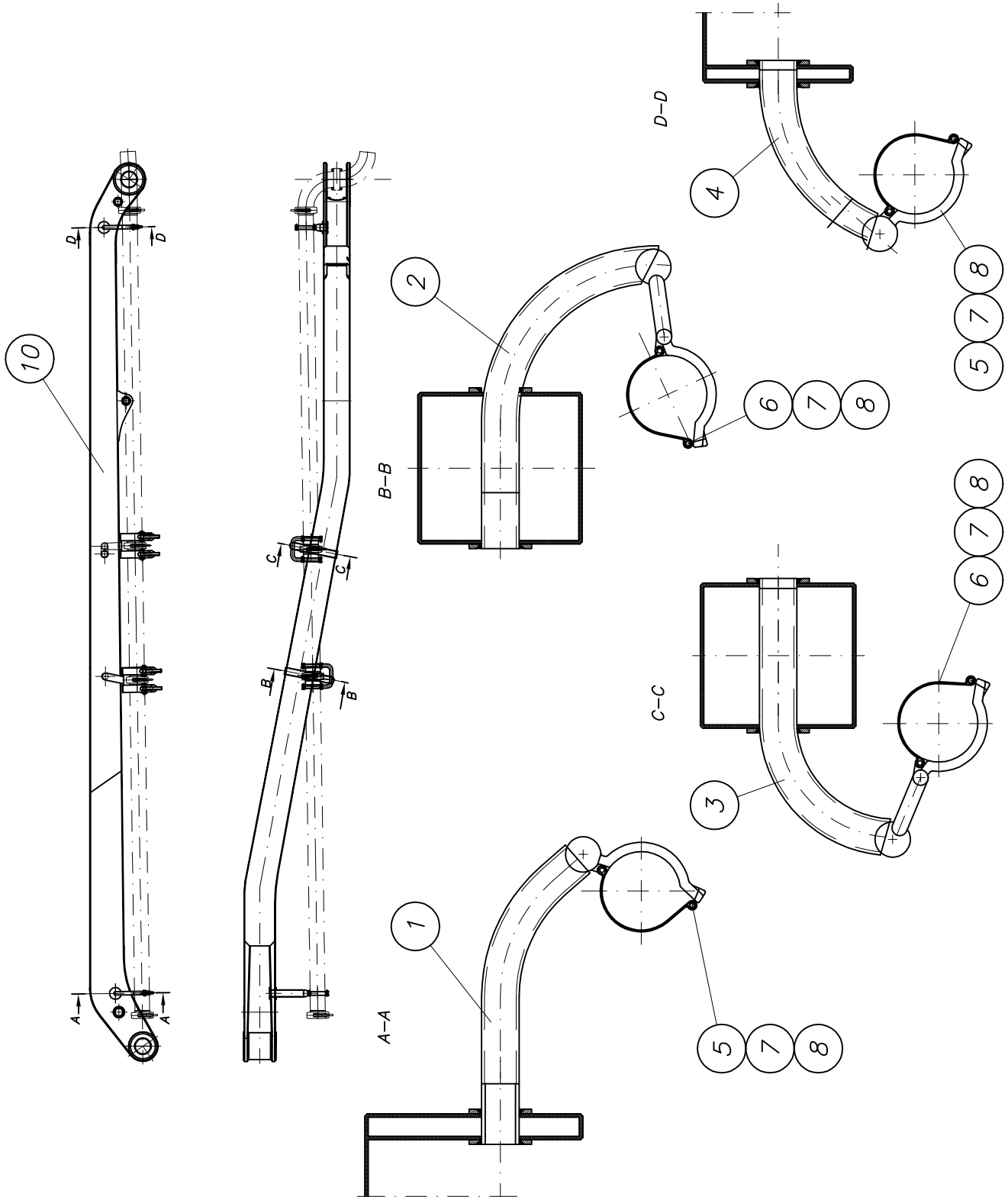
| part list | description | created | index | valid from | valid to | |
|-----------|----------------------|----------------------------|--------------------------|---------------|---------------|------------------|
| B667012 | boom arm 3 cpl. | 14.10.02 hbk | b | 10.02.05 | | |
| pos | description stock | ident-no dimensions | DIN material | index | weighth Kg | quantity unit |
| 24 | pin 250x 261 | B660104 Rohr 273x25x265 | 2448 S355J2G3 | a 17.06.02 | 23,50 | 1,00 Stk |
| 25 | grease nipple | WAI102885 | | | | 4,00 Stk |
| 26 | circlip | WAI107121 | | | | 1,00 Stk |
| 27 | pin | B660101 Rd 55x140 | 1013 42CrMo4V | a 31.07.02 | 2,00 | 1,00 Stk |
| 28 | pin holder | B660090 Bl 10x14x45 | 1543/EN10029 S235J2G3 | | 0,10 | 2,00 Stk |
| 29 | bushing 55 x 60 x 60 | WAI106013 | | | | 2,00 Stk |
| 30 | pin 55 x 199 | B660102 Rd 60x205 | 1013 42CrMo4V | a 31.07.02 | 3,50 | 1,00 Stk |
| 31 | pin protection | B660123 Bl 10x100x148 | 1543/EN10029 S355J2G3 | | 0,45 | 1,00 Stk |
| 32 | pipe | B660124 Rohr 51x6.3x30 | 2448 S355J2G3 | | 0,20 | 1,00 Stk |

Mastarm 3
boom element 3

B 67 7 300



Waitzinger
Baumaschinen GmbH



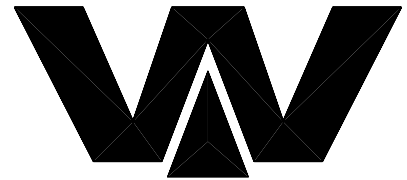


PARTS LIST

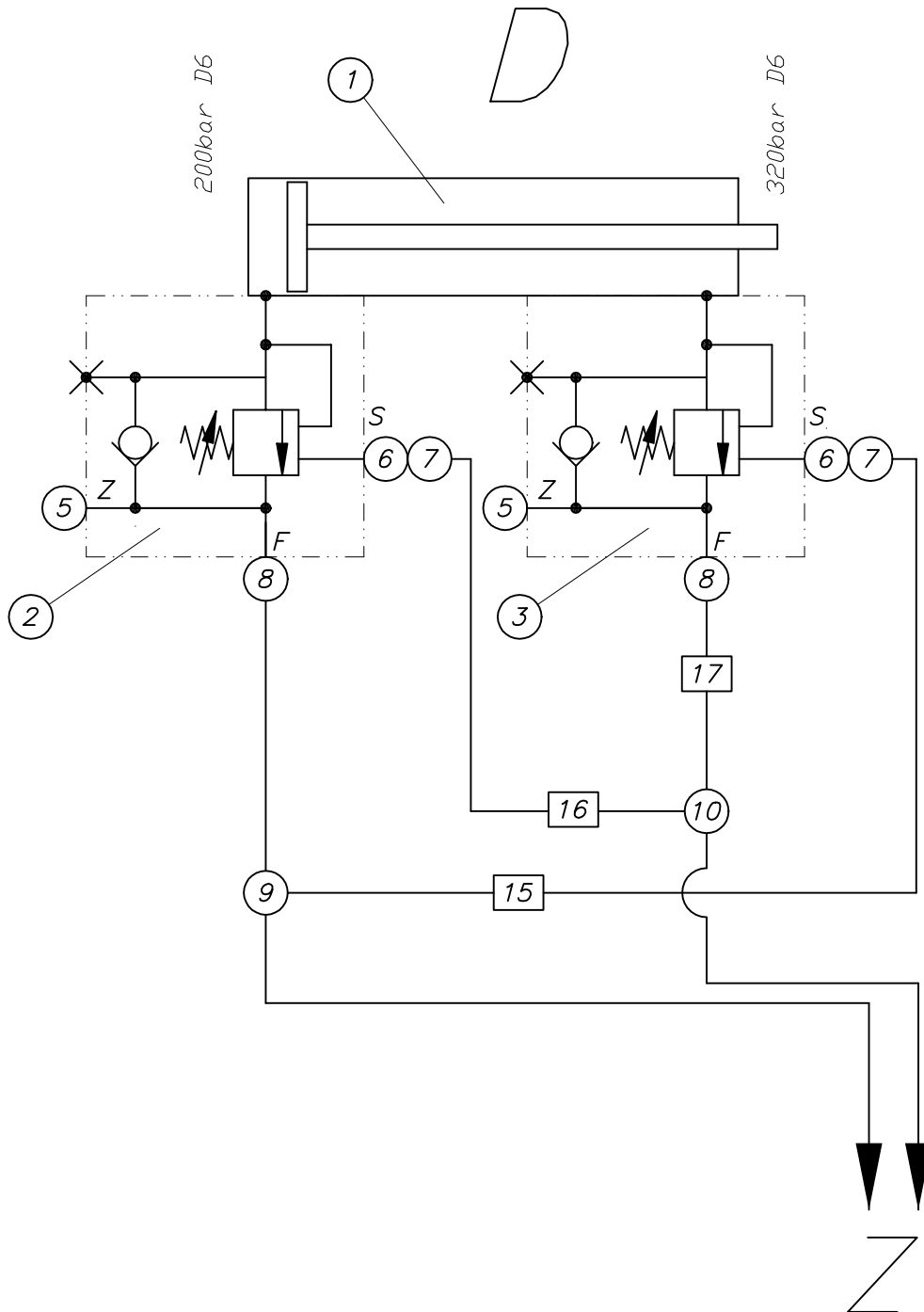
| part list | description | created | index | valid from | valid to | |
|------------------|--|--------------------------------|-------------------------|-------------------|---------------------|--------------------------|
| B677300 | boom arm 3 cpl. | 09.10.02 hbk | | | | |
| pos | description stock | ident-no dimensions | DIN material | index | weigh Kg | quantity unit |
| 1 | pipe 1, Element 3 | B641051 Rohr 63.5x4x540 | 2448 S355J2G3 | a 22.01.03 | 3,20 | 1,00 Stk |
| 2 | pipe 2, Element 3 | B641052 Rohr 63.5x4x648 | 2448 S355J2G3 | a 22.01.03 | 3,80 | 1,00 Stk |
| 3 | pipe 3, Element 3 | B641053 Rohr 63.5x4x600 | 2448 S355J2G3 | a 22.01.03 | 3,50 | 1,00 Stk |
| 4 | pipe 4, Element 3 | B641054 Rohr 63.5x4x370 | 2448 S355J2G3 | a 22.01.03 | 2,20 | 1,00 Stk |
| 5 | pipe holder cpl. own parts list | WAI107108 | | | | 2,00 Stk |
| 6 | pipe holder cpl. own parts list | WAI107109 | | | | 2,00 Stk |
| 7 | conical spring washer 12 mm | WAI102877 | | | | 6,00 Stk |
| 8 | hex. nut M12 DIN 985 8. VERZ. | WAI101626 | | | | 6,00 Stk |
| 10 | boom arm 3 processing cpl. own parts list | B677301 | | | 485,00 | 1,00 Stk |

Mastzylinder D kpl.
boom cylinder D cpl.

B 66 0 133



Waitzinger
Baumaschinen GmbH



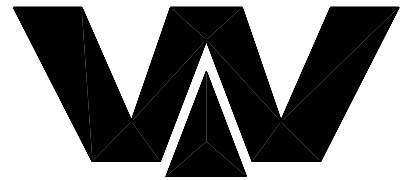


PARTS LIST

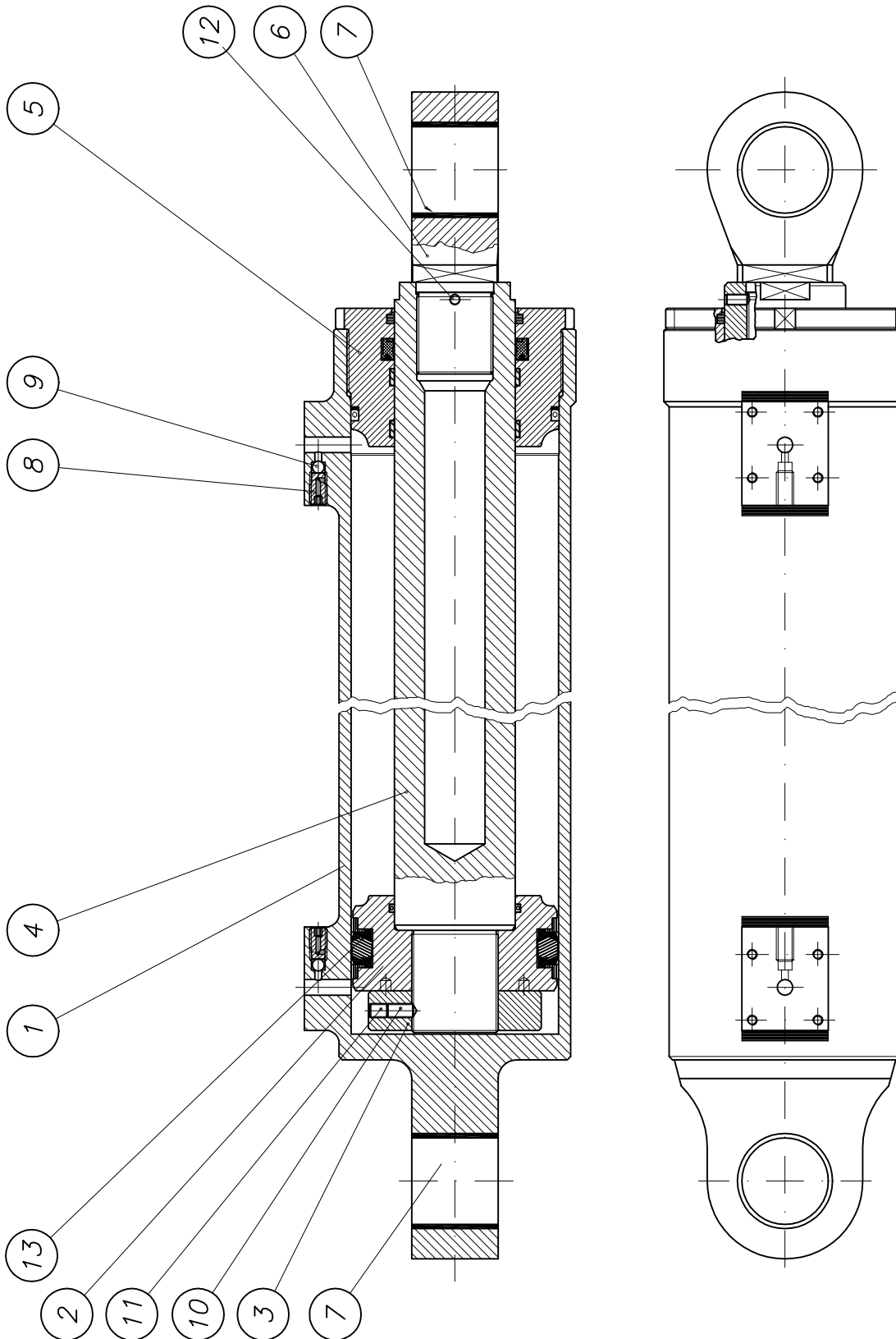
| part list | description | created | index | valid from | valid to | |
|-----------|--|------------------------|-----------------|------------|---------------|------------------|
| B660133 | boom cylinder D cpl. with pipes | 12.09.03 Mi | | | | |
| pos | description stock | ident-no dimensions | DIN material | index | weighth Kg | quantity unit |
| 1 | boom cylinder for 36-mtr., section D own parts list | WAI106192 | | | | 1,00 Stk |
| 2 | locking valve 200 bar | WAI106259 | | | | 1,00 Stk |
| 3 | locking valve 320 bar | WAI106258 | | | | 1,00 Stk |
| 5 | locking screw G 1/4 | WAI100520 | | | | 2,00 Stk |
| 6 | straight male stud couplings L12 | WAI101383 | | | | 2,00 Stk |
| 7 | swivel elbow L12 | WAI100590 | | | | 2,00 Stk |
| 8 | straight male stud couplings L12 | WAI101386 | | | | 2,00 Stk |
| 9 | swivel barrel tee L12 | WAI101325 | | | | 1,00 Stk |
| 10 | tee coupling L12 | WAI100598 | | | | 1,00 Stk |
| 15 | pipe | WAI108458 | | | | 1,00 Stk |
| 16 | pipe | WAI108459 | | | | 1,00 Stk |
| 17 | hydr. pipe 12 x 2 | WAI102022 | | | 0,49 | 0,20 Mtr |

Mastzylinder D
boom cylinder D

WAI 106192



Waitzinger
Baumaschinen GmbH



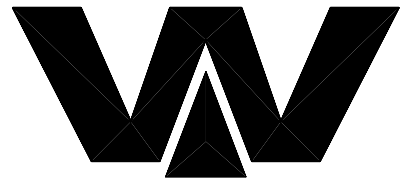


PARTS LIST

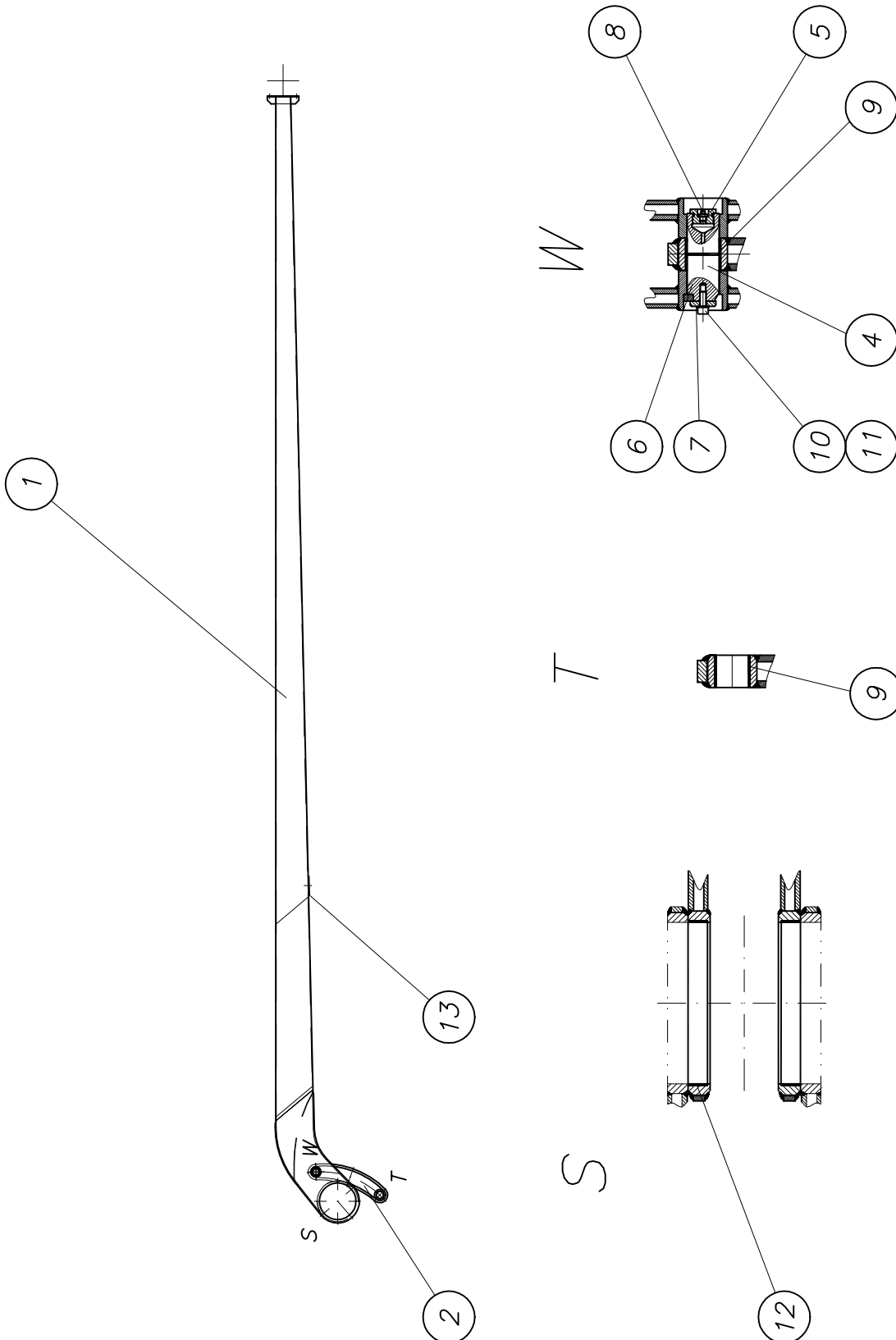
| part list | description | | created | index | valid from | valid to |
|-----------|--------------------------------------|------------------------|-----------------|-------|---------------|------------------|
| WAI106192 | boom cylinder for 36-mtr., section D | | 09.03.01 Mi | | | |
| pos | description stock | ident-no dimensions | DIN material | index | weighth Kg | quantity unit |
| 1 | cylinder | WAI106741 | | | | 1,00 Stk |
| 2 | piston | WAI106742 | | | | 1,00 Stk |
| 3 | piston nut | WAI106743 | | | | 1,00 Stk |
| 4 | piston rod | WAI106744 | | | | 1,00 Stk |
| 5 | piston guide | WAI106745 | | | | 1,00 Stk |
| 6 | piston head | WAI106746 | | | | 1,00 Stk |
| 7 | bushing 50 x 55 x 50 | WAI106012 | | | | 2,00 Stk |
| 8 | Valve | WAI106722 | | | | 2,00 Stk |
| 9 | steel ball | WAI106723 | | | | 2,00 Stk |
| 10 | set screw | WAI106738 | | | | 1,00 Stk |
| 11 | set screw | WAI106739 | | | | 1,00 Stk |
| 12 | set screw | WAI106747 | | | | 1,00 Stk |
| 13 | sealing set for 4th. boom cylinder | WAI104036 | | | | 1,00 Stk |

Mastarm 4 kpl.
element 4 cpl.

B 66 1 072



Waitzinger
Baumaschinen GmbH



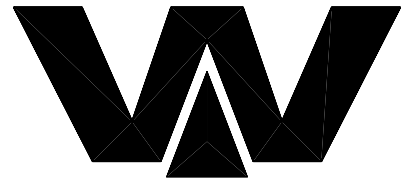


PARTS LIST

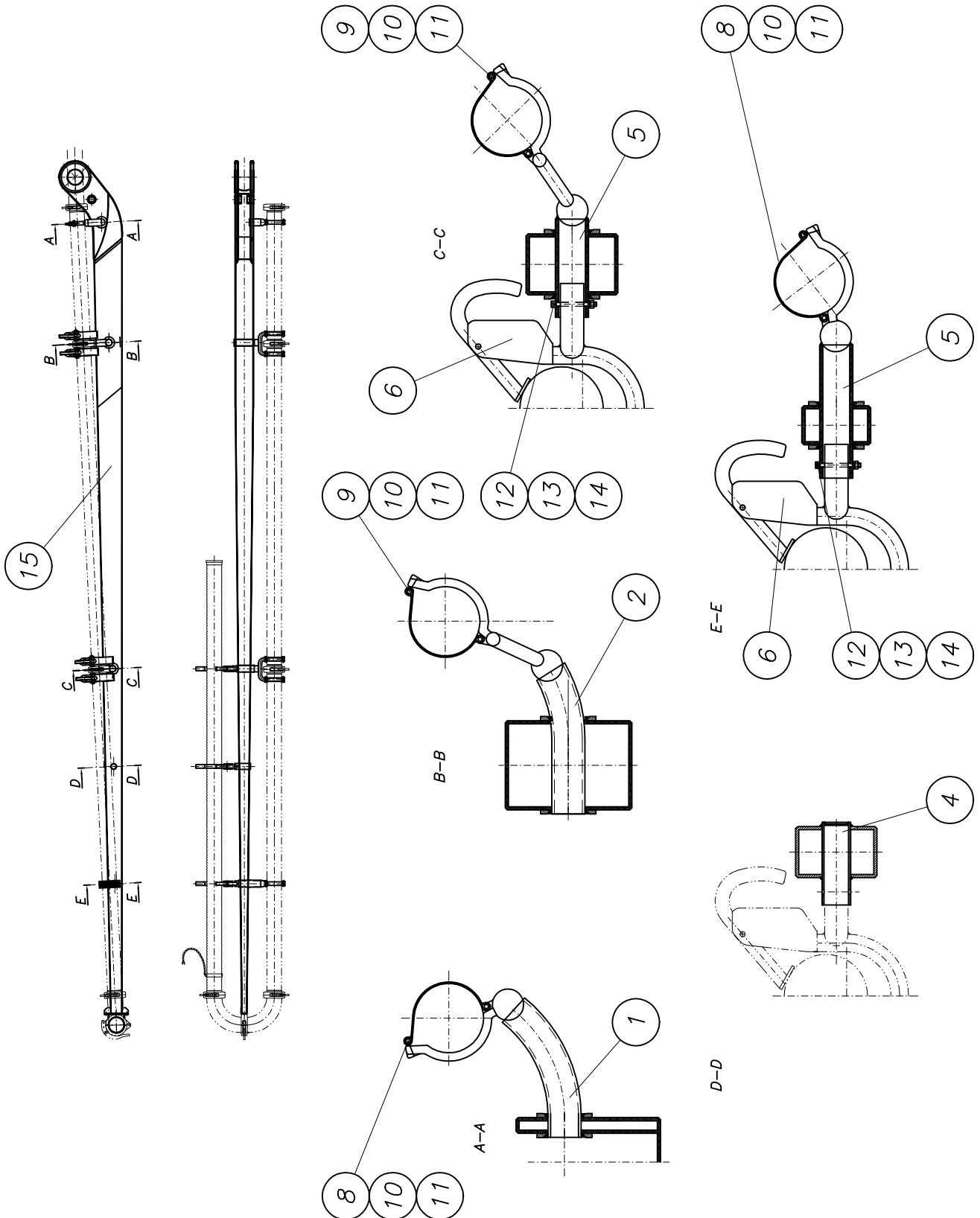
| part list | description | created | index | valid from | valid to | |
|-----------|---------------------------------------|-------------------------|--------------------------|---------------|---------------|------------------|
| B661072 | boom arm 4 cpl. | 11.12.03 hbk | | | | |
| pos | description stock | ident-no dimensions | DIN material | index | weighth Kg | quantity unit |
| 1 | boom arm 4 cpl. own parts list | B671430 | | a 12.01.04 | | 1,00 Stk |
| 2 | forcing rod D cpl. own parts list | B671730 | | | 14,00 | 1,00 Stk |
| 4 | pin | B660101 Rd 55x140 | 1013 42CrMo4V | a 31.07.02 | 2,00 | 1,00 Stk |
| 5 | locking screw M33x2 own parts list | B660085 | | | 0,10 | 1,00 Stk |
| 6 | pin holder | B660090 Bl 10x14x45 | 1543/EN10029 S235J2G3 | | 0,10 | 1,00 Stk |
| 7 | washer | B660091 Bl 8xd42 | 1543/EN10029 S235J2G3 | | 0,10 | 1,00 Stk |
| 8 | grease nipple H1 M10 X 1 DIN 71412 | WAI100805 | | | 0,01 | 1,00 Stk |
| 9 | bushing 50 x 55 x 50 | WAI106012 | | | | 2,00 Stk |
| 10 | cylinder head screw M 10 x 25 | WAI106654 | | | | 1,00 Stk |
| 11 | spring washer A10 | WAI102070 | | | 0,00 | 1,00 Stk |
| 12 | bushing 250 x 255 x 30 | WAI106022 | | | 2,00 | 2,00 Stk |
| 13 | plate | B661089 Bl 5x130x175 | 1543/EN10029 St37-2 | | 0,80 | 1,00 Stk |

Mastarm 4
boom element 4

B 67 1 430a



Waitzinger
Baumaschinen GmbH



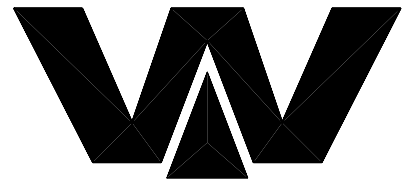


PARTS LIST

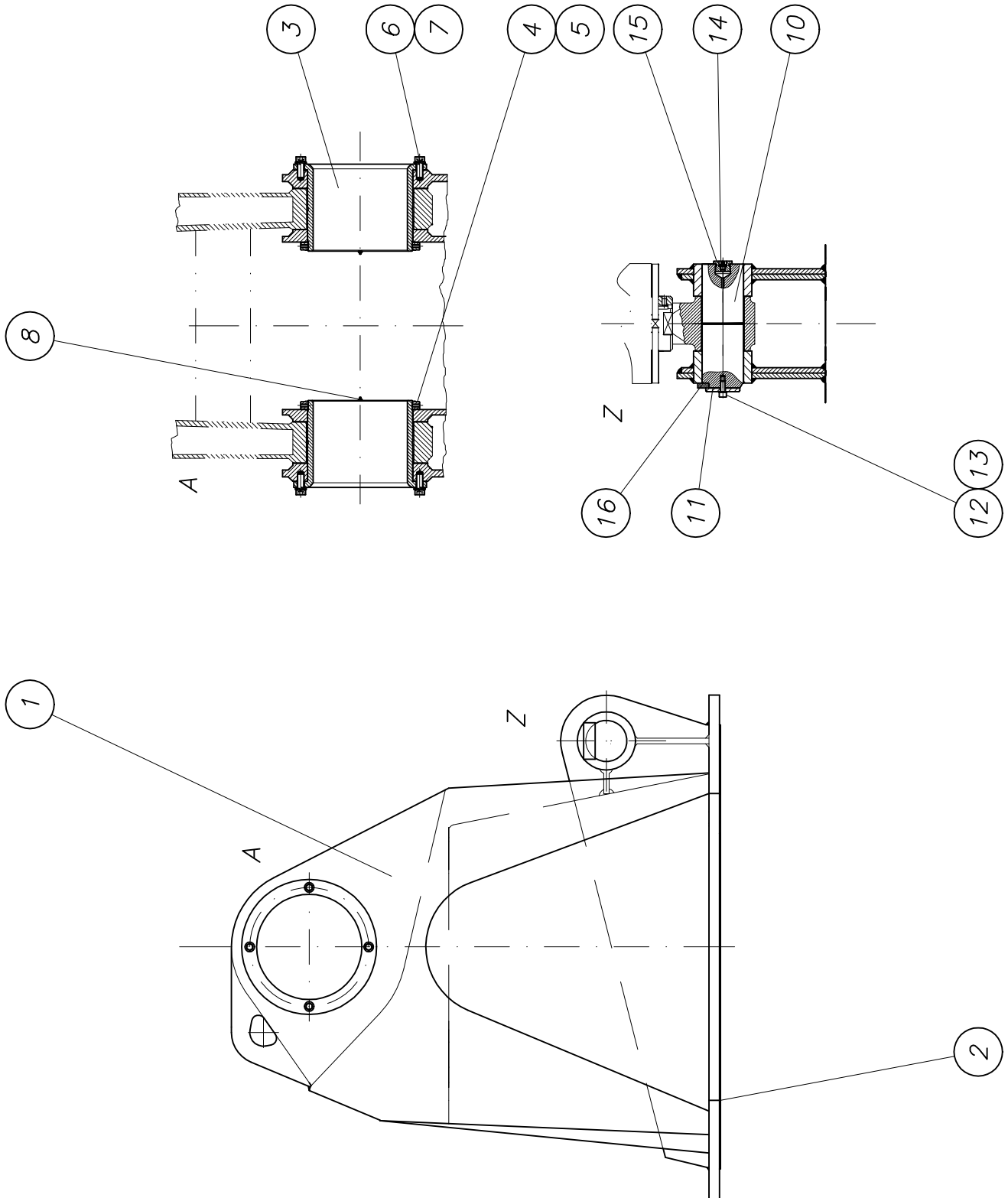
| part list | description | created | index | valid from | valid to | |
|-----------|--|----------------------------|------------------|---------------|-------------|------------------|
| B671430 | boom arm 4 cpl. | 11.12.03 hbk | a | 12.01.04 | | |
| pos | description stock | ident-no dimensions | DIN material | index | weigh Kg | quantity unit |
| 1 | pipe 1, Element 4 | B641056 Rohr 63.5x4x310 | 2448 S355J2G3 | a 22.01.03 | 1,80 | 1,00 Stk |
| 2 | pipe 2, Element 4 | B641057 Rohr 63.5x4x339 | 2448 S355J2G3 | a 22.01.03 | 2,00 | 1,00 Stk |
| 4 | pipe 4, Element 4 | B641059 Rohr 63.5x5x180 | 2448 S355J2G3 | a 12.01.04 | 1,10 | 1,00 Stk |
| 5 | pipe 5, Element 4 | B641060 Rohr 63.5x5x280 | 2448 S355J2G3 | | 2,00 | 2,00 Stk |
| 6 | flexible hose support cpl own parts list | B641061 | | | | 2,00 Stk |
| 8 | pipe holder cpl. own parts list | WAI107108 | | | | 2,00 Stk |
| 9 | pipe holder cpl. own parts list | WAI107109 | | | | 2,00 Stk |
| 10 | conical spring washer 12 mm | WAI102877 | | | | 6,00 Stk |
| 11 | hex. nut M12 DIN 985 8. VERZ. | WAI101626 | | | | 10,00 Stk |
| 12 | alien bolt M 8x75 DIN 912 8.8 | WAI107115 | | | | 2,00 Stk |
| 13 | spring washer A8 DIN 127 VERZ. | WAI102205 | | | 0,00 | 2,00 Stk |
| 14 | hex. nut M8 DIN 934 8. VERZ. | WAI102880 | | | | 2,00 Stk |
| 15 | boom arm 4 processing cpl. own parts list | B671431 | | | 158,00 | 1,00 Stk |

Drehkopf kpl.
rotating head cpl.

B 68 1 002



Waitzinger
Baumaschinen GmbH



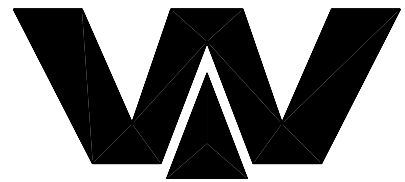


PARTS LIST

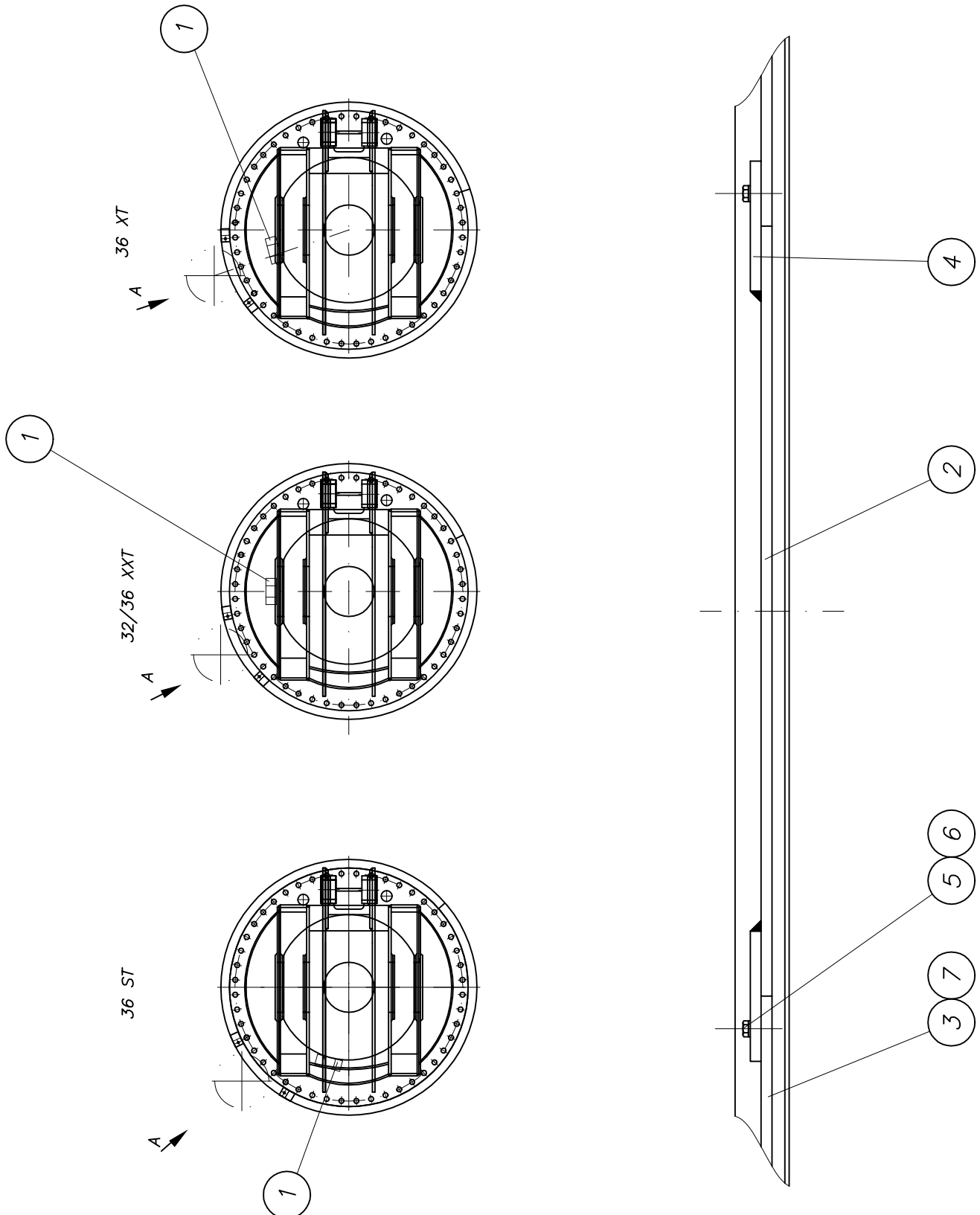
| part list | description | created | index | valid from | valid to | |
|-----------|---------------------------------------|------------------------|--------------------------|---------------|---------------|------------------|
| B681002 | rotating head unit | 04.12.01 Mi | | | | |
| pos | description stock | ident-no dimensions | DIN material | index | weighth Kg | quantity unit |
| 1 | rotating head unit own parts list | B681010 | | | 530,00 | 1,00 Stk |
| 2 | turning unit cpl. own parts list | B681045 | | a 09.12.04 | | 1,00 Stk |
| 3 | pin 230x190 own parts list | B660117 | | | | 2,00 Stk |
| 4 | threaded ring | WAI106624 | | | | 2,00 Stk |
| 5 | set screw M 6 x 8 | WAI103646 | | | | 4,00 Stk |
| 6 | cheese head screw | WAI106664 | | | | 8,00 Stk |
| 7 | spring washer | WAI101976 | | | 0,00 | 8,00 Stk |
| 8 | grease nipple | WAI102885 | | | | 4,00 Stk |
| 10 | pin 90 x 271 | B660114 Rd 95x275 | 1013 42CrMo4V | a 31.07.02 | 14,00 | 1,00 Stk |
| 11 | washer | B660087 Bl 8xd80 | 1543/EN10029 S235J2G3 | | 0,20 | 1,00 Stk |
| 12 | cylinder head screw M 10 x 25 | WAI106654 | | | | 1,00 Stk |
| 13 | spring washer A10 | WAI102070 | | | 0,00 | 1,00 Stk |
| 14 | grease nipple H1 M10 X 1 DIN 71412 | WAI100805 | | | 0,01 | 1,00 Stk |
| 15 | locking screw M33x2 own parts list | B660085 | | | 0,10 | 1,00 Stk |
| 16 | pin holder | B660086 Fl 25x10x80 | 1017 S235J2G3 | | 0,15 | 1,00 Stk |

Drehwerk Schutz kpl.
turning unit safety device cpl.

B 68 1 045a



Waitzinger
Baumaschinen GmbH



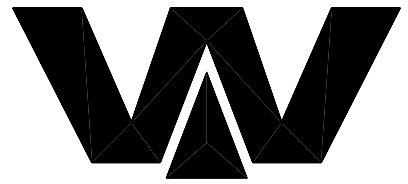
**PARTS LIST**

24.06.05 09:22:01

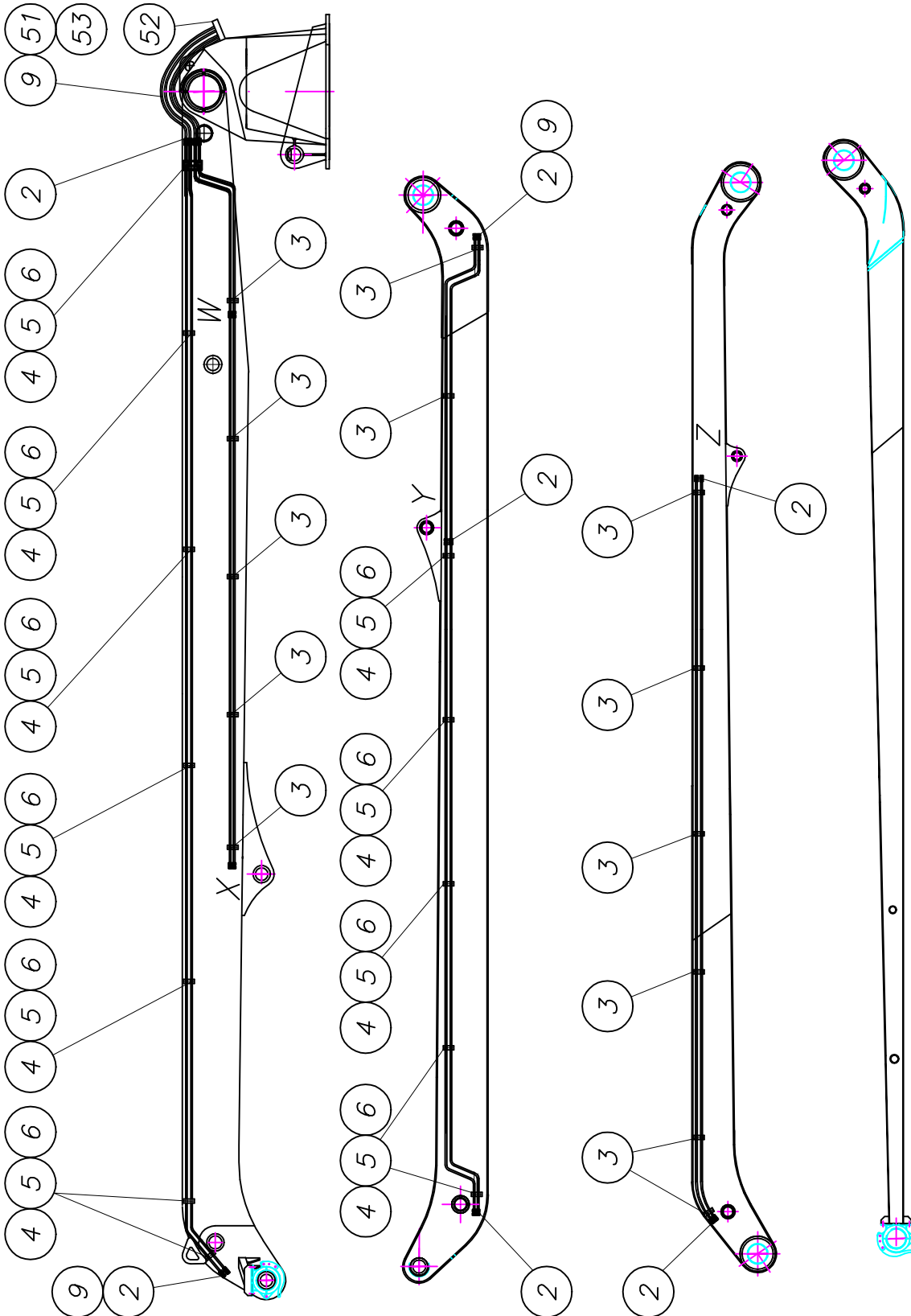
| part list | description | created | index | valid from | valid to | |
|-----------|-----------------------------------|----------------------------|--------------------------|---------------|---------------|------------------|
| B681045 | turning unit cpl. | 25.09.01 Mi | a | 09.12.04 | | |
| pos | description stock | ident-no dimensions | DIN material | index | weighth Kg | quantity unit |
| 1 | stop | B661087 Bl 50x93x120 | 1543/EN10029 St52-3 | a 25.02.02 | 3,00 | 1,00 Stk |
| 2 | bow | B661107 Bl 5 x 80 x 400 | 1543/EN10029 S355J2G3 | a 25.09.01 | 0,40 | 1,00 Stk |
| 3 | bow | B661124 Bl 5 xR550xR590 | 1543/EN10029 S355J2G3 | | 0,50 | 2,00 Stk |
| 4 | plate | B661109 Bl 5 x 60 x 40 | 1543/EN10029 S355J2G3 | | 0,10 | 2,00 Stk |
| 5 | hexagon bolt M 8 x 12 DIN 933 8.8 | WAI103274 | | | | 2,00 Stk |
| 6 | spring washer A8 DIN 127 VERZ. | WAI102205 | | | 0,00 | 2,00 Stk |
| 7 | bow | B661123 Bl 5 xR550xR590 | 1543/EN10029 S355J2G3 | | 0,50 | 2,00 Stk |

Verrohrung Armpaket
piping diagram arms

B 71 1 065c



Waitzinger
Baumaschinen GmbH

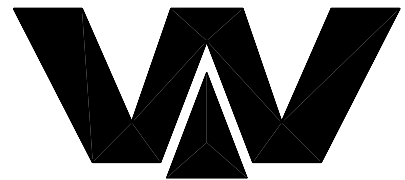




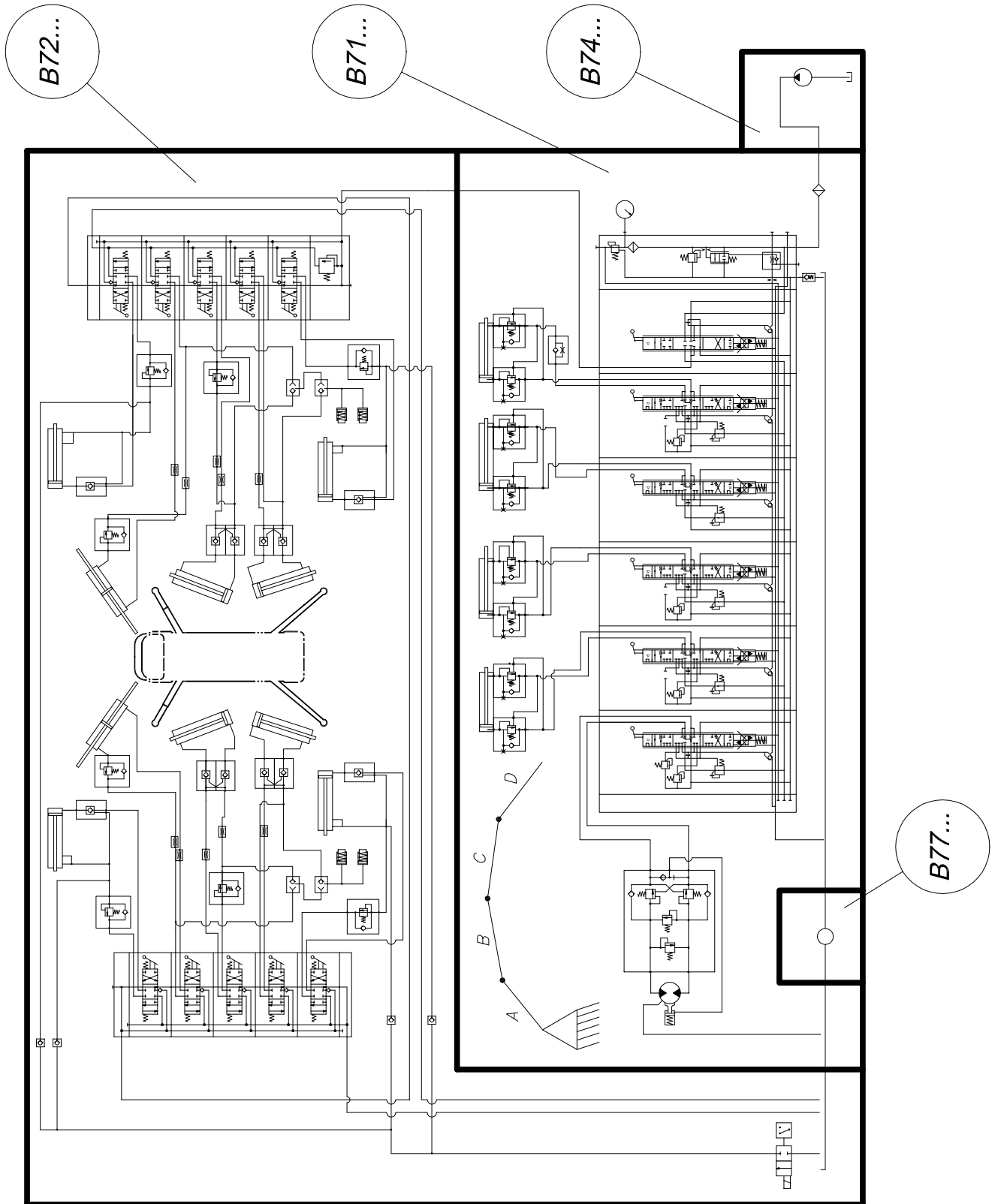
PARTS LIST

| part list | description | created | index | valid from | valid to | |
|-----------|------------------------------------|------------------------|-----------------|------------|--------------|------------------|
| B711065 | pipng diagram boom | 10.07.01 ek | c | 02.09.03 | | |
| pos | description stock | ident-no dimensions | DIN material | index | weigth Kg | quantity unit |
| 2 | straight couplings L12 | WAI100603 | | | | 30,00 Stk |
| 3 | pipe clip 12 mm, own parts list | WAI105146 | | | 0,07 | 40,00 Stk |
| 4 | pipe clip 12mm | WAI108642 | | | | 60,00 Stk |
| 5 | cover plate DP-1A | WAI108643 | | | | 30,00 Stk |
| 6 | hexagon screw M 6 x 55 | WAI103512 | | | | 60,00 Stk |
| 9 | hydraulic hose DN10 x 1250 | WAI106508 | | | | 14,00 Stk |
| 49 | hydr. pipe 12 x 2 | WAI102022 | | | 0,49 | 90,00 Mtr |
| 51 | hydraulic hose DN10 x 700 | WAI101605 | | | | 8,00 Stk |
| 52 | bulkhead coupling L12 | WAI101384 | | | | 9,00 Stk |
| 53 | Pvc Hose 100mm, blue | WAI106517 | | | | 1,00 Mtr |

Übersicht B 70 - B 79 over view B 70 - B 79

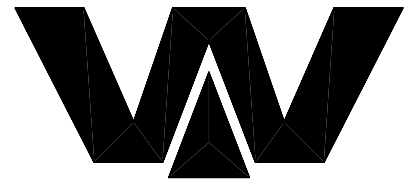


Waitzinger
Baumaschinen GmbH

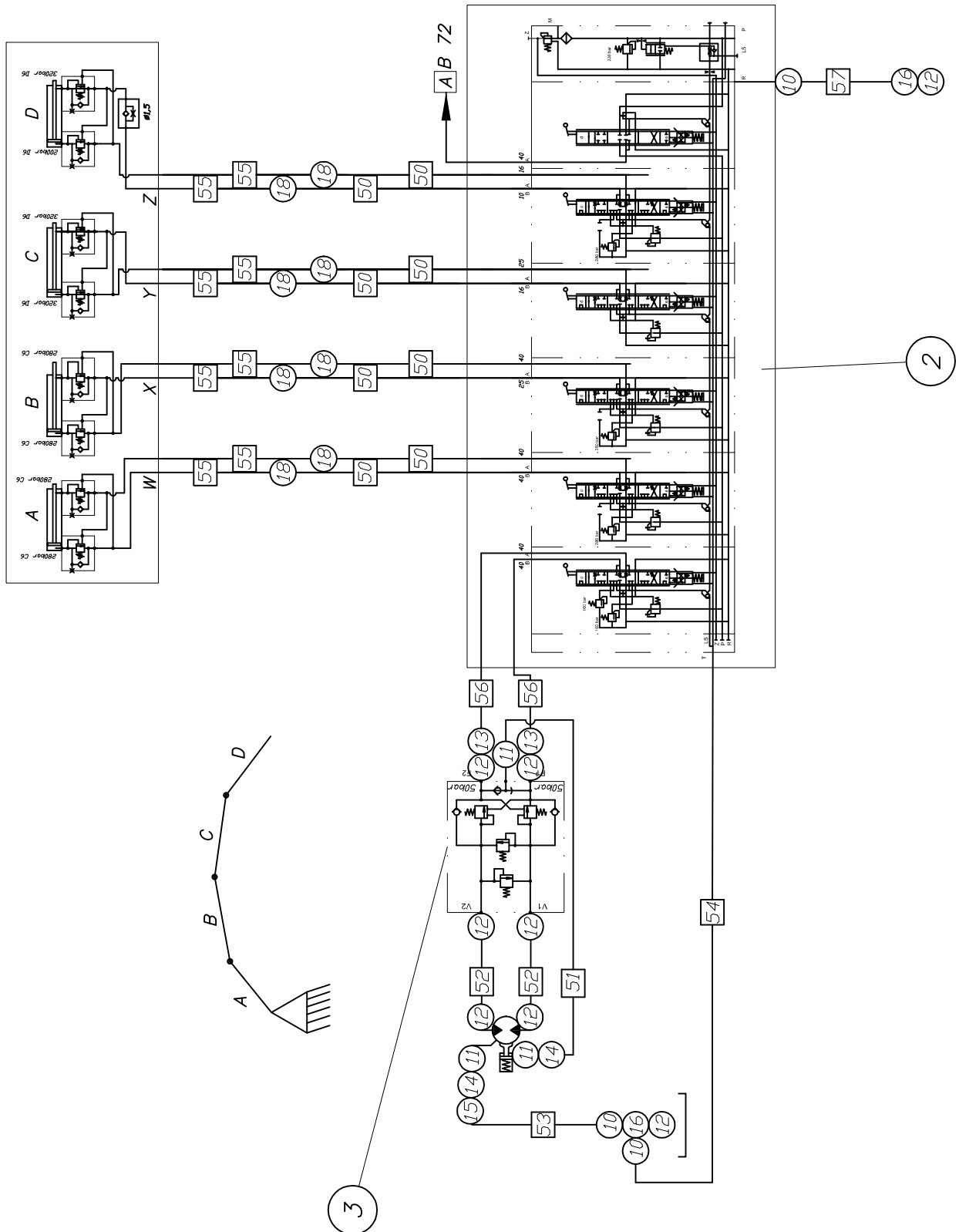


Hydrauliksystem Mast kpl.
hydraulic system boom cpl.

B 71 9 001c



Waitzinger
Baumaschinen GmbH





PARTS LIST

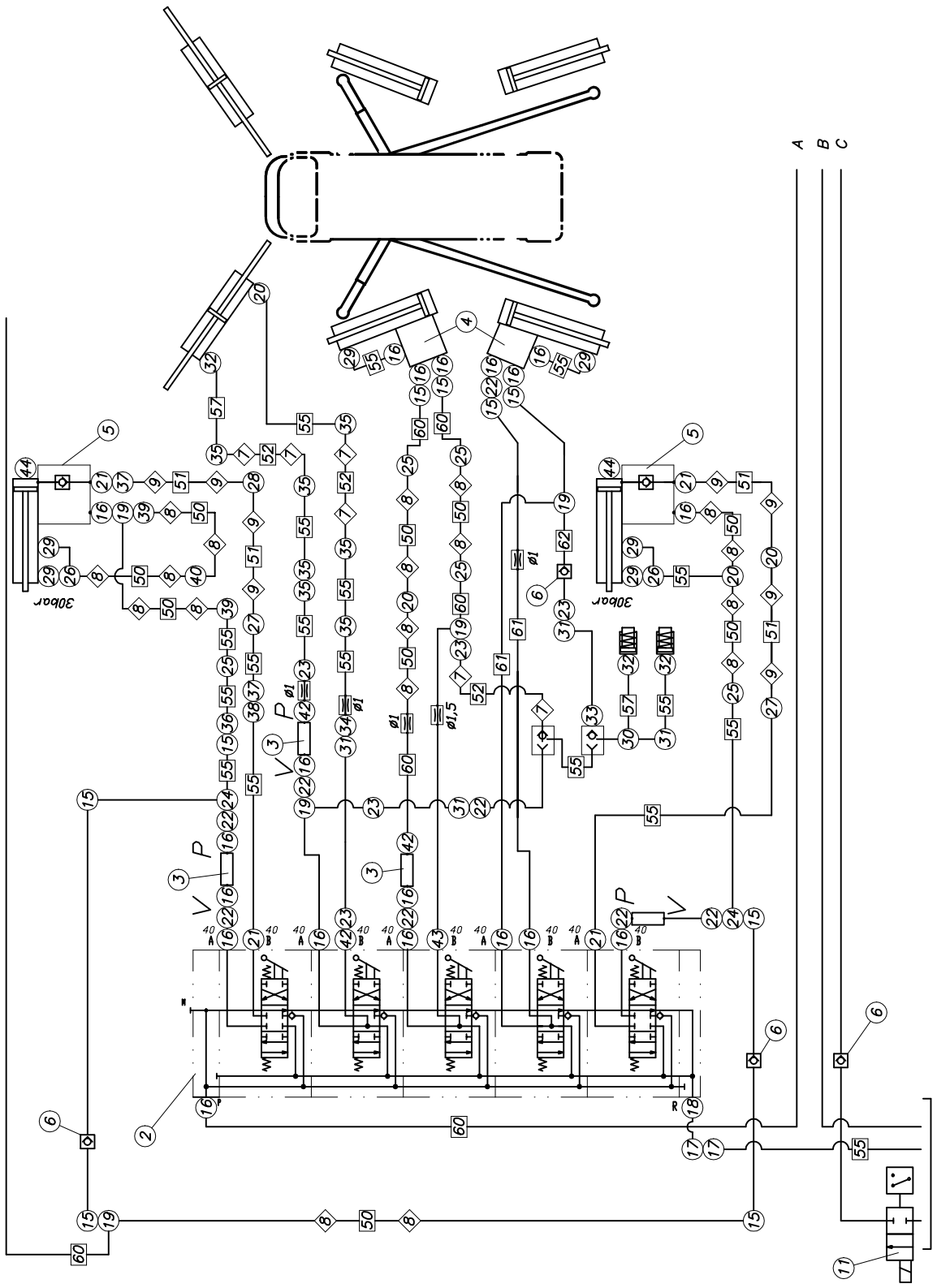
| part list | description | created | index | valid from | valid to | |
|-----------|--|------------------------|-----------------|------------|---------------|------------------|
| B719001R1 | hydr. system boom 36m XXT cpl. | 01.09.04 HF | | | | |
| pos | description stock | ident-no dimensions | DIN material | index | weighth Kg | quantity unit |
| 3 | locking valve LHDV33H-25W-B6-150/150- | WAI106290 | | | | 1,00 Stk |
| 10 | standpipe reducers L12-8 | WAI101727 | | | | 1,00 Stk |
| 11 | straight male stud couplings L8 | WAI103740 | | | | 3,00 Stk |
| 12 | straight male stud couplings L12 RD 1/2" | WAI105400 | | | | 7,00 Stk |
| 13 | swivel elbow L12 | WAI103794 | | | | 2,00 Stk |
| 14 | adjustable elbow bodies L8 | WAI103793 | | | | 2,00 Stk |
| 15 | swivel barrel tee L8 | WAI103787 | | | | 1,00 Stk |
| 16 | swivel barrel tee L12 | WAI103788 | | | | 1,00 Stk |
| 17 | straight couplings L12 | WAI103752 | | | | 1,00 Stk |
| 18 | bulkhead coupling L12 | WAI103778 | | | | 8,00 Stk |
| 50 | hydraulic hose DN10 x 3400 | WAI106869 | | | | 8,00 Stk |
| 51 | hydraulic hose DN06 x 450 | WAI106504 | | | | 1,00 Stk |
| 52 | hydraulic hose DN10 x 700 | WAI101605 | | | | 2,00 Stk |
| 53 | hydraulic hose DN06 x 900 | WAI106506 | | | | 1,00 Stk |
| 55 | hydraulic hose DN10 x 1250 | WAI106508 | | | | 8,00 Stk |



Waitzinger
Baumaschinen GmbH

Hydraulikplan Mastbock
piping diagram boom

B 72 9 011a
1



A
B
C

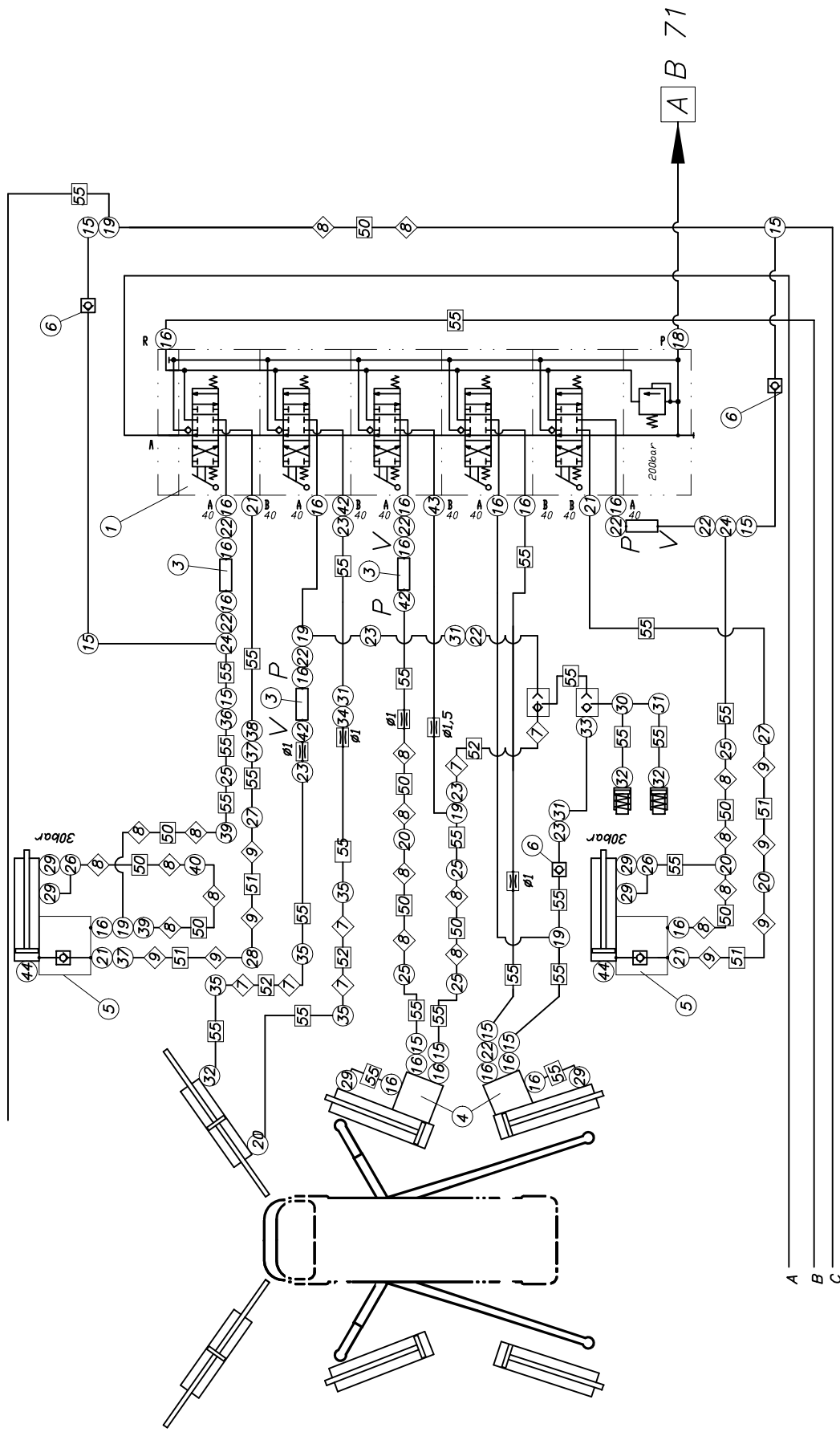


Waizinger
Baumaschinen GmbH

Hydraulikplan Mastbock
piping diagram boom

B 72 9 011a

2





PARTS LIST

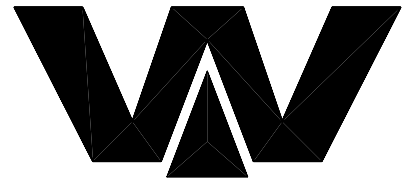
| part list | description | created | index | valid from | valid to | |
|-----------|---|------------------------|-----------------|------------|---------------|------------------|
| B729011R2 | piping diagram 36XXT boom | 03.08.04 HF | | | | |
| pos | description stock | ident-no dimensions | DIN material | index | weighth Kg | quantity unit |
| 3 | valve SVC 46 F-30 | WAI106335 | | | | 6,00 Stk |
| 4 | pilot operated twin check valve | WAI106410 | | | | 4,00 Stk |
| 5 | valve RHC 31 | WAI106698 | | | | 4,00 Stk |
| 6 | non return valve | WAI106598 | | | | 8,00 Stk |
| 7 | pipe clip 8mm complete | WAI103396 | | | | 20,00 Stk |
| 8 | pipe clip 12mm complete | WAI102295 | | | | 40,00 Stk |
| 9 | pipe clip 15mm complete | WAI102296 | | | | 24,00 Stk |
| 10 | mounting for control block cpl. own parts list | B721008 | | | | 1,00 Stk |
| 11 | valve BVG 1 RK-G24-3/8 | WAI106617 | | | | 1,00 Stk |
| 12 | valve WV 8-S | WAI105212 | | | | 4,00 Stk |
| 15 | swivel elbow L12 | WAI103794 | | | | 8,00 Stk |
| 16 | straight male stud couplings L12D | WAI100548 | | | | 20,00 Stk |
| 17 | standpipe elbows L22V | WAI101207 | | | 0,42 | 2,00 Stk |
| 18 | straight male stud couplings L22-G 3/4" | WAI101407 | | | | 1,00 Stk |
| 19 | swivel barrel tee L12 | WAI101325 | | | | 5,00 Stk |
| 20 | swivel elbow L12 | WAI100590 | | | | 1,00 Stk |
| 21 | straight male stud couplings L15-G 1/2" | WAI103742 | | | | 4,00 Stk |
| 22 | straight coupling SNV 12L | WAI101949 | | | | 8,00 Stk |
| 23 | standpipe reducers L12-8 | WAI101727 | | | | 5,00 Stk |
| 24 | swivel branch tee L12 | WAI101774 | | | | 1,00 Stk |



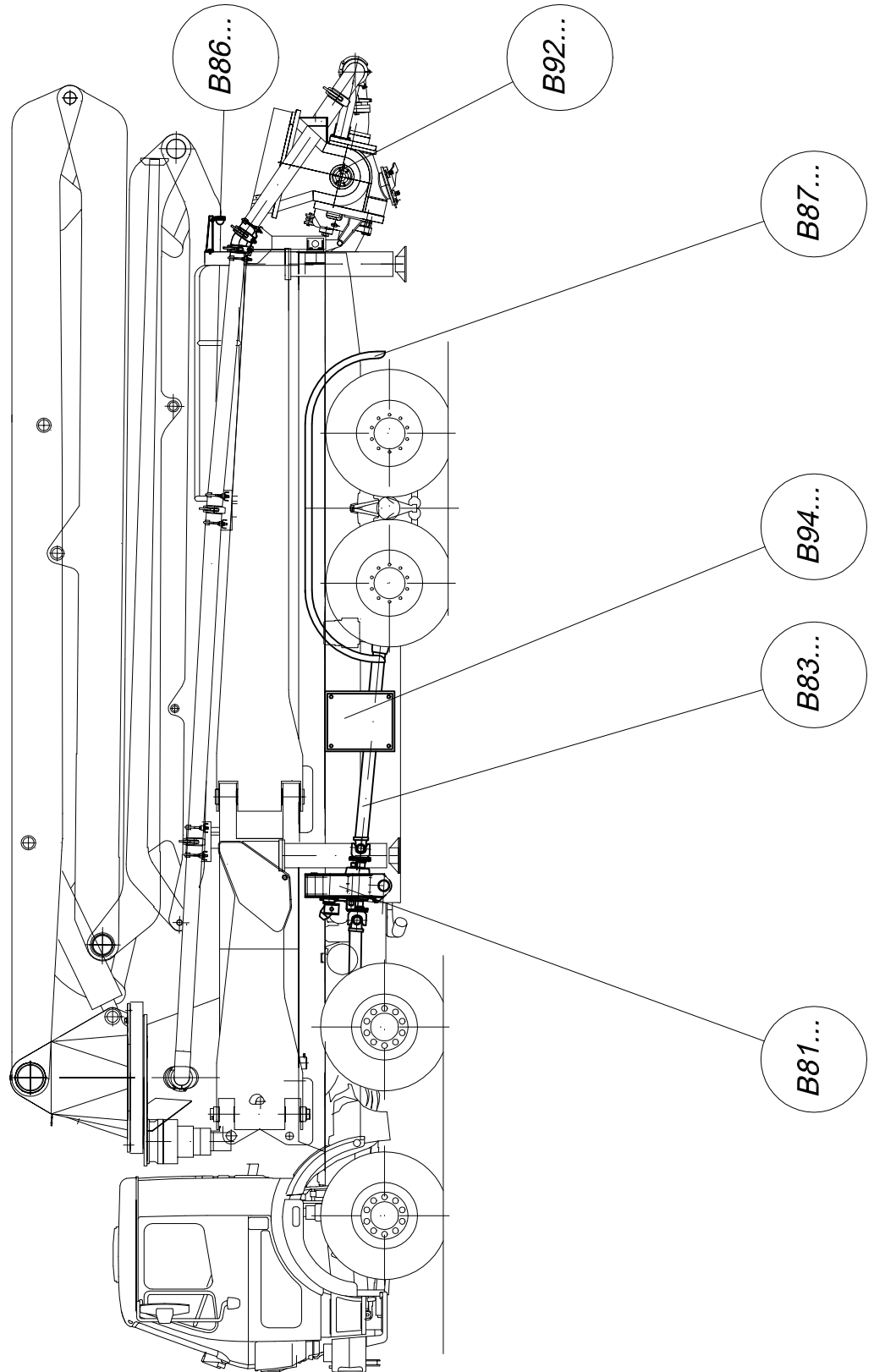
PARTS LIST

| part list | description | created | index | valid from | valid to | |
|-----------|---|------------------------|-----------------|------------|--------------|------------------|
| B729011R2 | pipng diagram 36XXT boom | 03.08.04 HF | | | | |
| pos | description stock | ident-no dimensions | DIN material | index | weigth Kg | quantity unit |
| 25 | straight couplings L12 | WAI100603 | | | | 6,00 Stk |
| 26 | tee coupling L12 | WAI100598 | | | | 3,00 Stk |
| 27 | straight couplings L 15 | WAI100828 | | | 0,14 | 2,00 Stk |
| 28 | elbow couplings L15 | WAI100829 | | | | 2,00 Stk |
| 29 | banjo coupling L12 RD | WAI103684 | | | | 6,00 Stk |
| 30 | swivel barrel tee L8 | WAI103787 | | | | 1,00 Stk |
| 31 | adjustable elbow bodies L8 | WAI103793 | | | | 4,00 Stk |
| 32 | banjo coupling L8R | WAI101196 | | | | 4,00 Stk |
| 33 | straight coupling SNV 8L | WAI101938 | | | | 1,00 Stk |
| 34 | bulkhead elbows L8 | WAI101380 | | | | 1,00 Stk |
| 35 | straight couplings L8 | WAI100538 | | | | 4,00 Stk |
| 36 | bulkhead elbows L12 | WAI101385 | | | | 1,00 Stk |
| 37 | swivel elbow L15 | WAI101333 | | | | 2,00 Stk |
| 38 | bulkhead elbows L15 | WAI101390 | | | | 1,00 Stk |
| 39 | elbow couplings L12 | WAI100604 | | | | 2,00 Stk |
| 40 | bulkhead coupling L12 | WAI101384 | | | | 1,00 Stk |
| 42 | straight male stud couplings L12R 1.0 own parts list | WAI106426 | | | 0,13 | 3,00 Stk |
| 43 | straight male stud couplings L12R 1.5 own parts list | WAI106427 | | | 0,13 | 1,00 Stk |
| 44 | socket head port plugs M24x1.5 | WAI106699 | | | 0,04 | 4,00 Stk |
| 45 | energie chain | WAI108645 | | | 0,01 | 2,00 Stk |

Übersicht B 80 - B 99
over view B 80 - B 99

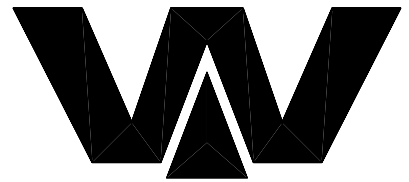


Waitzinger
Baumaschinen GmbH

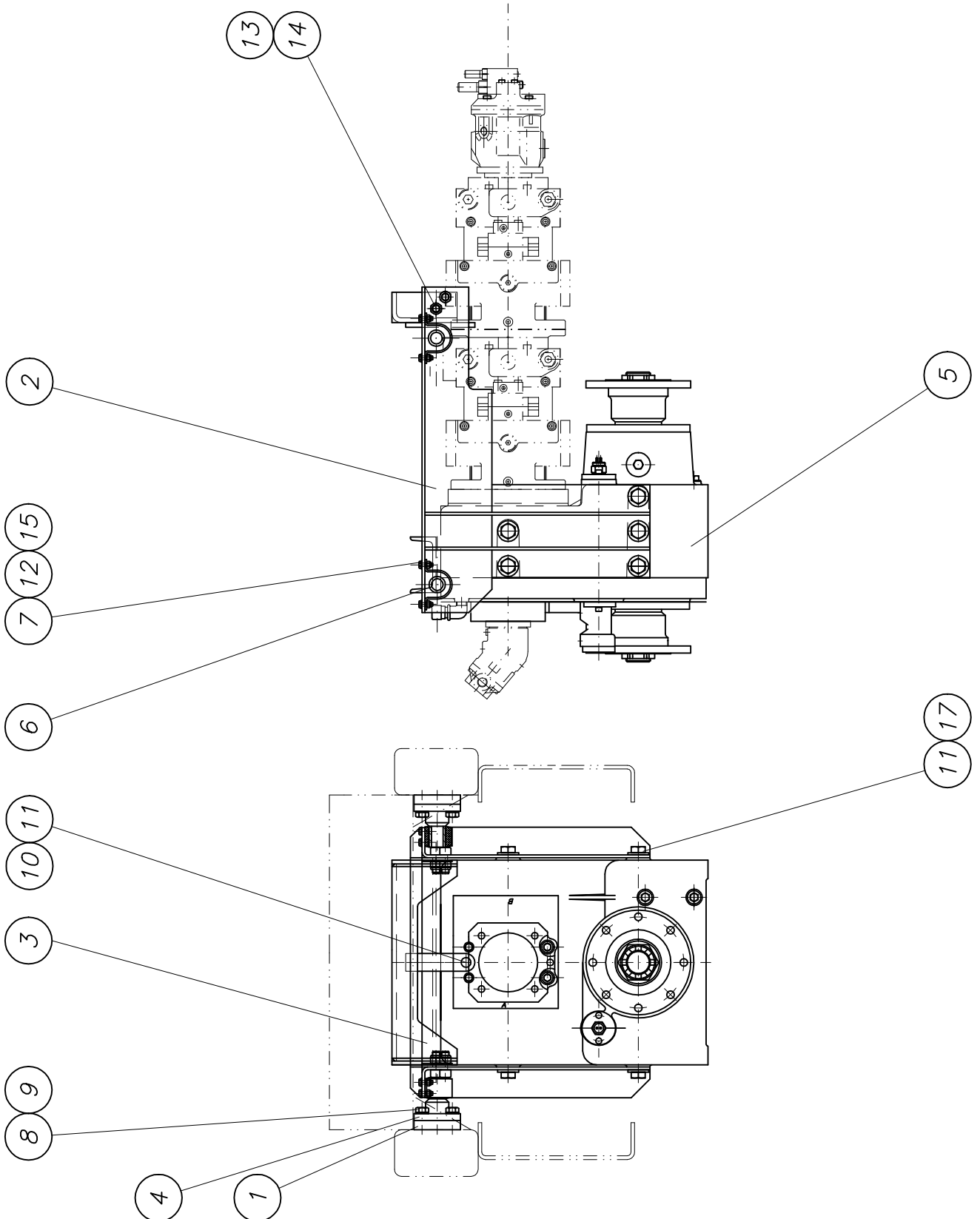


Verteilergetriebe kpl.
gear box cpl.

B 81 4 077a



Waitzinger
Baumaschinen GmbH



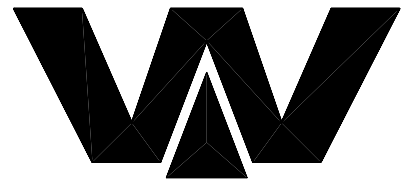


PARTS LIST

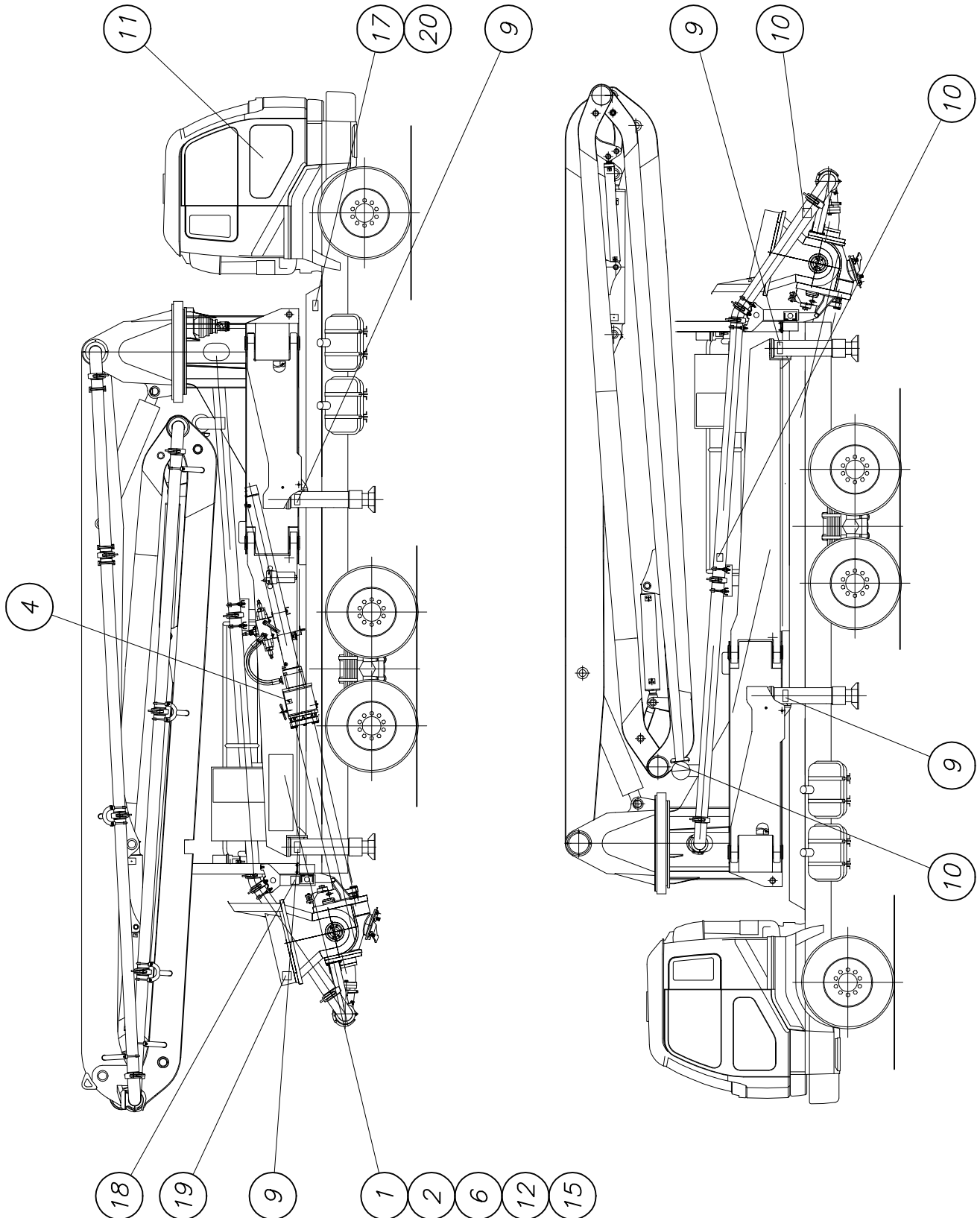
| part list | description | created | index | valid from | valid to | |
|-----------|-------------------------------------|------------------------|-----------------|------------|---------------|------------------|
| B814077R1 | distributor gear box 4496.xx | 29.01.04 hbk | | | | |
| pos | description stock | ident-no dimensions | DIN material | index | weighth Kg | quantity unit |
| 5 | PTO gearbox 4496. own parts list | WAI107139 | | | | 1,00 Stk |
| 6 | buffer | WAI103414 | | | | 4,00 Stk |
| 7 | hexagon bolt M8 x 25 DIN 933 8.8 | WAI101621 | | | | 16,00 Stk |
| 11 | hexagon bolt M 20 x 50 | WAI102860 | | | | 11,00 Stk |
| 12 | stop nut M8 DIN985 8. VERZ. | WAI102111 | | | 5,00 | 16,00 Stk |
| 15 | washer 8.4 | WAI101625 | | | | 16,00 Stk |
| 17 | conical spring washer | WAI102110 | | | 0,05 | 11,00 Stk |
| 18 | sealing ring 165 x 5 | WAI102903 | | | | 1,00 Stk |
| 19 | O-ring | WAI105771 | | | | 1,00 Stk |

*Schildersatz Betonpumpe
sticker set concrete pump*

B 92 1 004



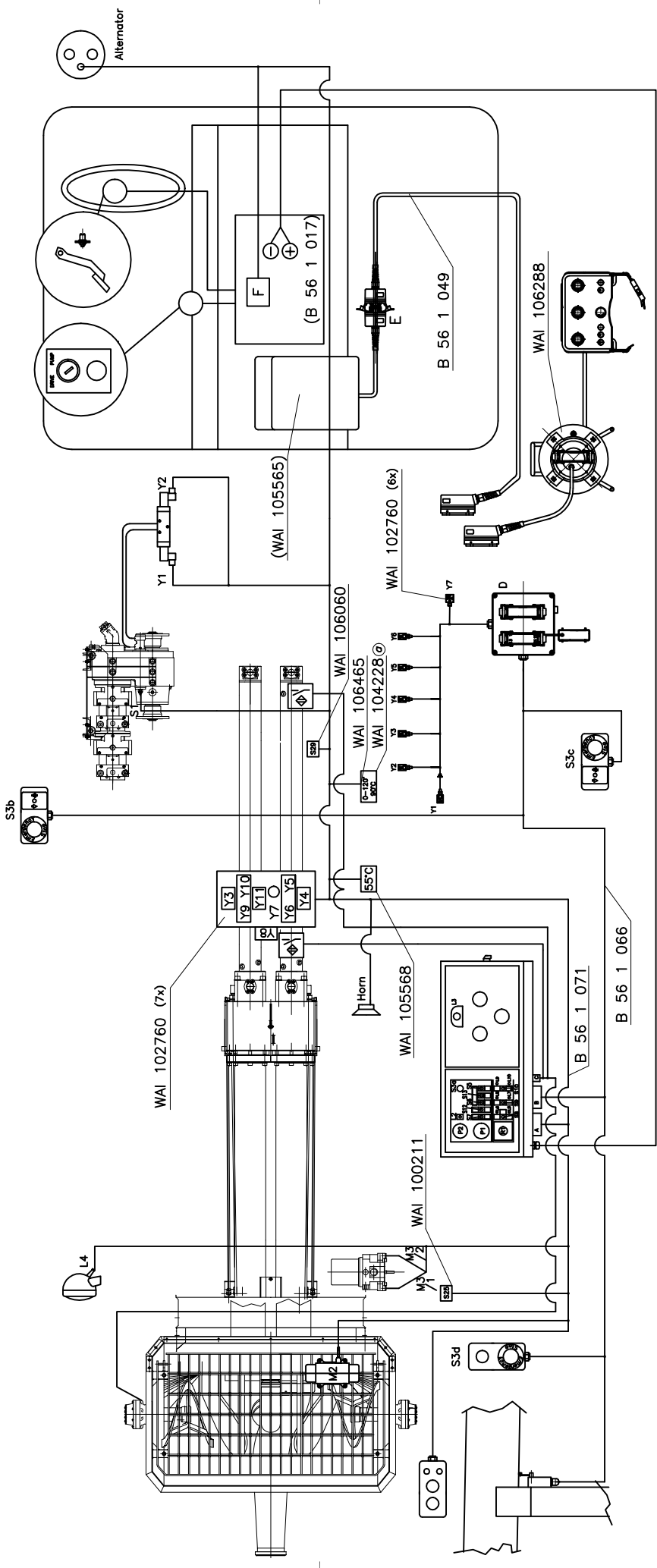
*Waitzinger
Baumaschinen GmbH*





PARTS LIST

| part list | description | created | index | valid from | valid to | |
|-----------|-------------------------------------|------------------------|-----------------|------------|---------------|------------------|
| B921004 | sticker set CP english without boom | 21.09.00 hbk | | | | |
| pos | description stock | ident-no dimensions | DIN material | index | weighth Kg | quantity unit |
| 1 | sticker operation eng. | WAI105932 | | | | 1,00 Stk |
| 2 | sticker electrocution hazard d/e | WAI105934 | | | | 1,00 Stk |
| 4 | sticker danger of bruise d/e | WAI105936 | | | | 1,00 Stk |
| 6 | sticker remote control d/e | WAI105938 | | | | 1,00 Stk |
| 7 | sticker hopper d/e | WAI105939 | | | | 1,00 Stk |
| 9 | sticker outrigger d/e | WAI105941 | | | | 4,00 Stk |
| 10 | sticker coupling d/e | WAI105942 | | | | 3,00 Stk |
| 11 | sticker gearbox switch system d/e | WAI105943 | | | | 1,00 Stk |
| 12 | sticker person protection d/e | WAI105944 | | | | 1,00 Stk |
| 15 | sticker electrocution hazard 2 d/e | WAI105974 | | | | 1,00 Stk |
| 17 | identification badge | WAI106179 | | | | 1,00 Stk |
| 18 | sign AL agitator | WAI106030 | | | | 1,00 Stk |
| 19 | sign AL water pump | WAI106031 | | | | 1,00 Stk |
| 20 | sign AL delivery line | WAI106032 | | | | 1,00 Stk |



PLUG A

| Pin No. | Wire No. | Wire Color | Function |
|---------|--------------|------------|----------|
| 1 | Y3+4+M3/1+ | brn | |
| 2 | S1>F1 | blk/whi | |
| 3 | Y3-1 | red/yel | |
| 4 | Temp. switch | yel/whi | |
| 5 | L4 | grn/whi | |
| 6 | Y4-1 | blk/whi | |
| 7 | F3 | blu | |
| 8 | F2 | blk | |
| 9 | Horn | blk | |
| 10 | Y5-1/hopper | blk/grn | |
| 11 | Y5-2 | blk/red | |
| 12 | Y7 | grn/red | |
| 13 | Y8 | whi/brn | |
| 14 | Y9 | vio | |
| 15 | M2 | blk | |
| 16 | M2 | blu | |
| 17 | M3/1-1 | grn | |
| 18 | M3/1-3 | grn | |
| 19 | M3/2-2 | yel | |
| 20 | Y6 | whi | |
| 21 | temp switch | whi | |
| 22 | temp switch | whi | |
| 23 | Y10 | grn | |
| 24 | free | grn | |
| F5 | | red | |
| F6 | | grn/blk | |

PLUG B

| Pin No. | Wire No. | Wire Color | Function |
|---------|----------|------------|----------------|
| 1 | D10-4h | brn | ground |
| 2 | S3b | grn | emergency stop |
| 3 | S3c | blk | emergency stop |
| 4 | D13 | blu | emergency stop |
| 5 | D 22 | grn/red | emergency stop |
| 6 | S3b-d | white | emergency stop |
| 7 | D 20 | whi/grn | horn |
| 8 | D 15 | grn | RPM + |
| 9 | D 16 | blk/whi | RPM - |
| 10 | D 24 | vio | Pot |
| 11 | D 17 | blk/grn | pumping on |
| 12 | D 19 | grn/blk | reverse |
| 13 | free | free | free |
| 14 | D 18 | blu/whi | pumping |
| 15 | D 21 | blk/red | flashing light |
| 16 | free | free | free |

PLUG C

| Pin No. | Wire No. | Wire Color | Function |
|---------|----------|------------|------------------|
| 1 | Y3/3 | brn/whi | ground |
| 2 | Y3/2 | blu | boom 1 up |
| 3 | Y4/3 | grn/whi | boom 2 up |
| 4 | Y4/2 | blk/grn | boom 2 down |
| 5 | Y5/2 | grn/blk | boom 3 up |
| 6 | Y5/3 | blk/whi | boom 3 down |
| 7 | Y6/3 | blk/red | boom 4 up |
| 8 | Y6/2 | grn/red | boom 4 down |
| 9 | free | free | free |
| 10 | - - | brn | ground |
| 11 | Y2/2 | vio | turn clockwise |
| 12 | Y2/3 | blu/whi | turn anticlockw. |
| 13 | B4 | red | plus |
| 14 | Y1/2/3 | grn | pilot valve |
| 15 | B 8 | grn | RPM + |
| 16 | B 9 | blk/whi | RPM - |
| 17 | B 11 | blk/grn | pumping on |
| 18 | B 14 | blu/whi | pumping |
| 19 | B 12 | grn/blk | reverse |
| 20 | B 7 | whi/grn | horn |
| 21 | B 15 | blk/red | free |
| 22 | B 5 | grn/red | emergency stop |
| 23 | Y7 | brn/whi | free |
| 24 | B 10 | vio | POT |

PLUG D

| Pin No. | Wire No. | Wire Color | Function |
|---------|----------|------------|------------------|
| 1 | Y3/3 | brn/whi | ground |
| 2 | Y3/2 | blu | boom 1 up |
| 3 | Y4/3 | grn/whi | boom 2 up |
| 4 | Y4/2 | blk/grn | boom 2 down |
| 5 | Y5/2 | grn/blk | boom 3 up |
| 6 | Y5/3 | blk/whi | boom 3 down |
| 7 | Y6/3 | blk/red | boom 4 up |
| 8 | Y6/2 | grn/red | boom 4 down |
| 9 | free | free | free |
| 10 | - - | brn | ground |
| 11 | Y2/2 | vio | turn clockwise |
| 12 | Y2/3 | blu/whi | turn anticlockw. |
| 13 | B4 | red | plus |
| 14 | Y1/2/3 | grn | pilot valve |
| 15 | B 8 | grn | RPM + |
| 16 | B 9 | blk/whi | RPM - |
| 17 | B 11 | blk/grn | pumping on |
| 18 | B 14 | blu/whi | pumping |
| 19 | B 12 | grn/blk | reverse |
| 20 | B 7 | whi/grn | horn |
| 21 | B 15 | blk/red | free |
| 22 | B 5 | grn/red | emergency stop |
| 23 | Y7 | brn/whi | free |
| 24 | B 10 | vio | POT |

PLUG F

| Pin No. | Wire No. | Wire Color | Function |
|---------|----------|------------------|------------------|
| 1 | 1 | power supply 12V | boom 4 up |
| 2 | 3 | emergency stop | boom 3 down |
| 3 | 4 | 12 V+ | boom 3 up |
| 4 | 5 | RPM- | turn clockwise |
| 5 | 6 | free | turn anticlockw. |
| 6 | 8 | horn | boom 1 down |
| 7 | 11 | RPM+ | boom 1 up |
| 8 | 13 | pump on | boom 2 down |
| 9 | 9 | GND | boom 2 up |
| 10 | 14 | reverse | free |
| 11 | 25 | pilot valve | free |
| 12 | - | free | pump speed pot |
| 13 | - | free | free |
| 14 | - | free | free |
| 15 | - | free | free |
| 16 | 33 | boom 4 down | free |
| 17 | 31 | - | free |
| 18 | 32 | - | free |

TERMINAL F

| Terminal | Wire Color | Function |
|----------|------------|------------------|
| A2 | blk/whi | reserve |
| S1 | whi | reserve |
| Y1 | grn | boom 4 up |
| Y2 | grn/whi | boom 3 down |
| A7 | blu | boom 3 up |
| AB | blk | turn clockwise |
| Lima D | vio | turn anticlockw. |
| brn | brn | boom 1 down |
| red | red | boom 1 up |
| gry/blk | gry/blk | boom 2 down |
| reserve | reserve | boom 2 up |

Waltinger Baumaschinen Vertrieb und Service GmbH

FREE DIVISION TOLERANCE DIN 7165 MEDIUM

SCALE: without weight

own parts list

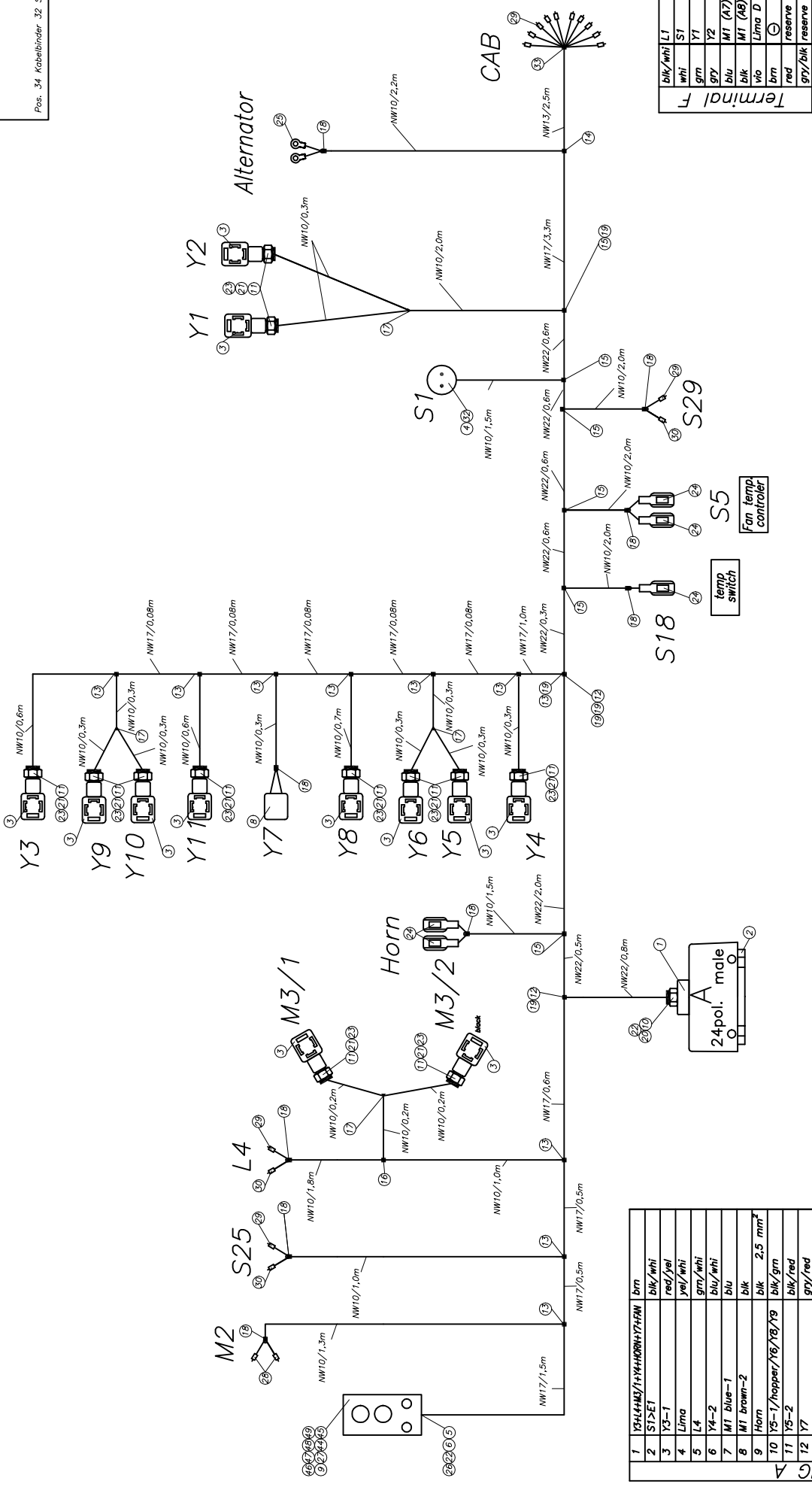
Cable harness / accessories REED V4


REPLACEMENT FOR: B 56 1 070

CHANGE ONLY WITH CAD

THIRD PARTY, SUBJECT TO COPYRIGHT (PATENT) FROM 14.06.1991

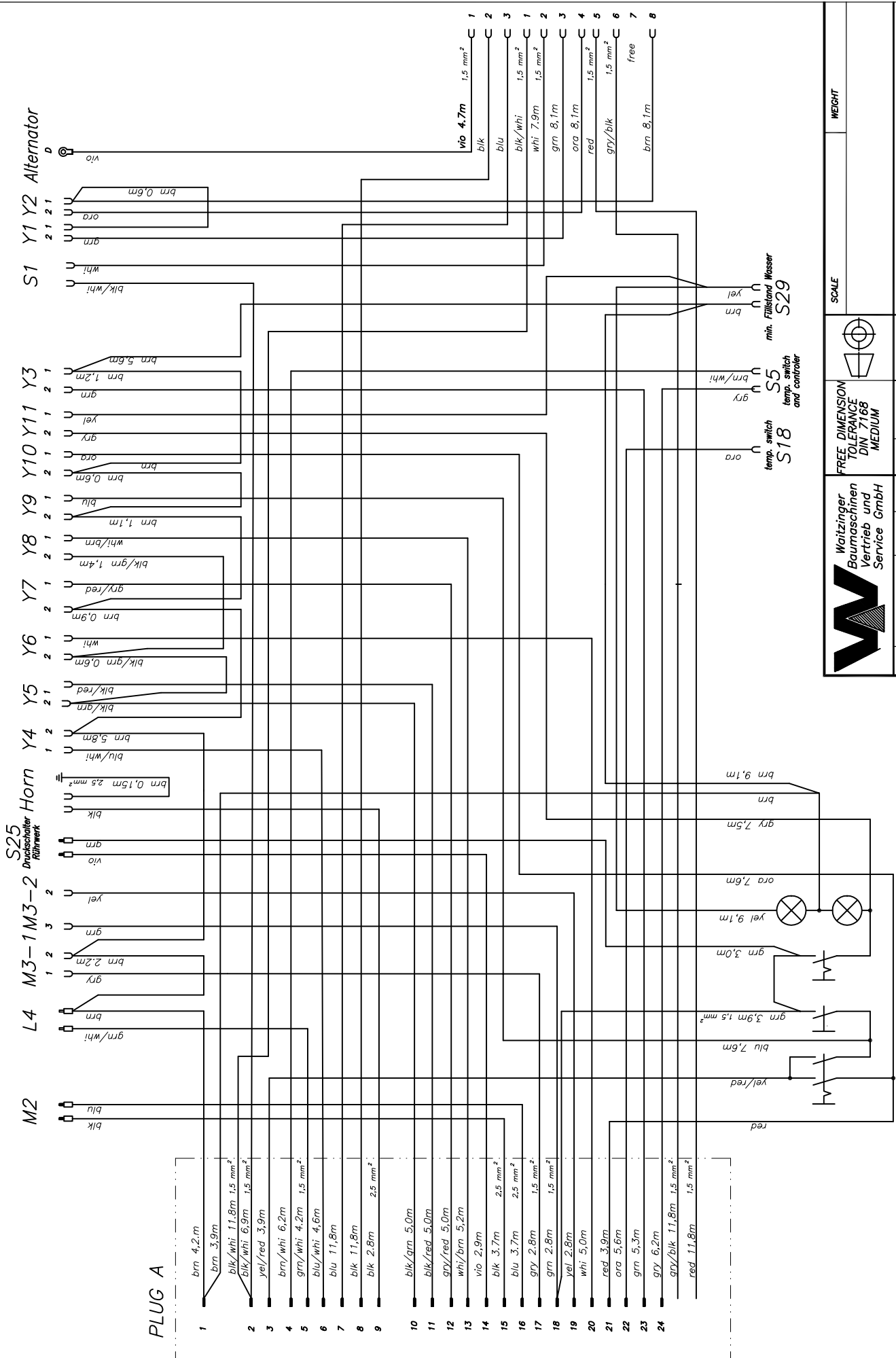
Loose Teile:
Pos. 34 Kabelbinder 32 Stück



| | | | |
|--|--------------------------|------|--|
|  | free dimension tolerance | name | scale 1:1 semi-finished product Material cable loop pump REED cl 37m |
| | DIN 7168 medium | MI | |
| drawn | date | name | change only with CAD B 56 1 071 |
| 1999/07/13 | MI | | |
| chkd. | date | name | issue MODIFICATION date name original replacement for replacement by |
| appd. | | | |

this information may not be copied by a third party. Subject to copyright (patent law) graph 1 no. 3 of (Urheberrechtsgesetz) From 14.06.1991

| 1 | Y34+4M3/1+Y4+HORN+Y7+FN | brn |
|----|-------------------------|-------------------------|
| 2 | S1>E1 | blk/whi |
| 3 | Y3-1 | red/yel |
| 4 | Lima | yel/whi |
| 5 | L4 | grn/whi |
| 6 | Y4-2 | blk/whi |
| 7 | M1 blue-1 | blu |
| 8 | M1 brown-2 | blk |
| 9 | Horn | blk 2,5 mm ² |
| 10 | Y5-1/hopper/Y6/Y8/Y9 | blk/grn |
| 11 | Y5-2 | blk/red |
| 12 | Y7 | gry/red |
| 13 | Y8 | whi/brn |
| 14 | Y9 | vio |
| 15 | M2 | blk 2,5 mm ² |
| 16 | M2 | blu 2,5 mm ² |
| 17 | M3/1-1 | gry |
| 18 | M3/1-3 | grn |
| 19 | M3/2-2 | yel |
| 20 | Y6 | whi |
| 21 | | |
| 22 | | |
| 23 | Fan | grn |
| 24 | SS | yel/whi |
| | Res. F | red |
| | Res. F | gry/blk |

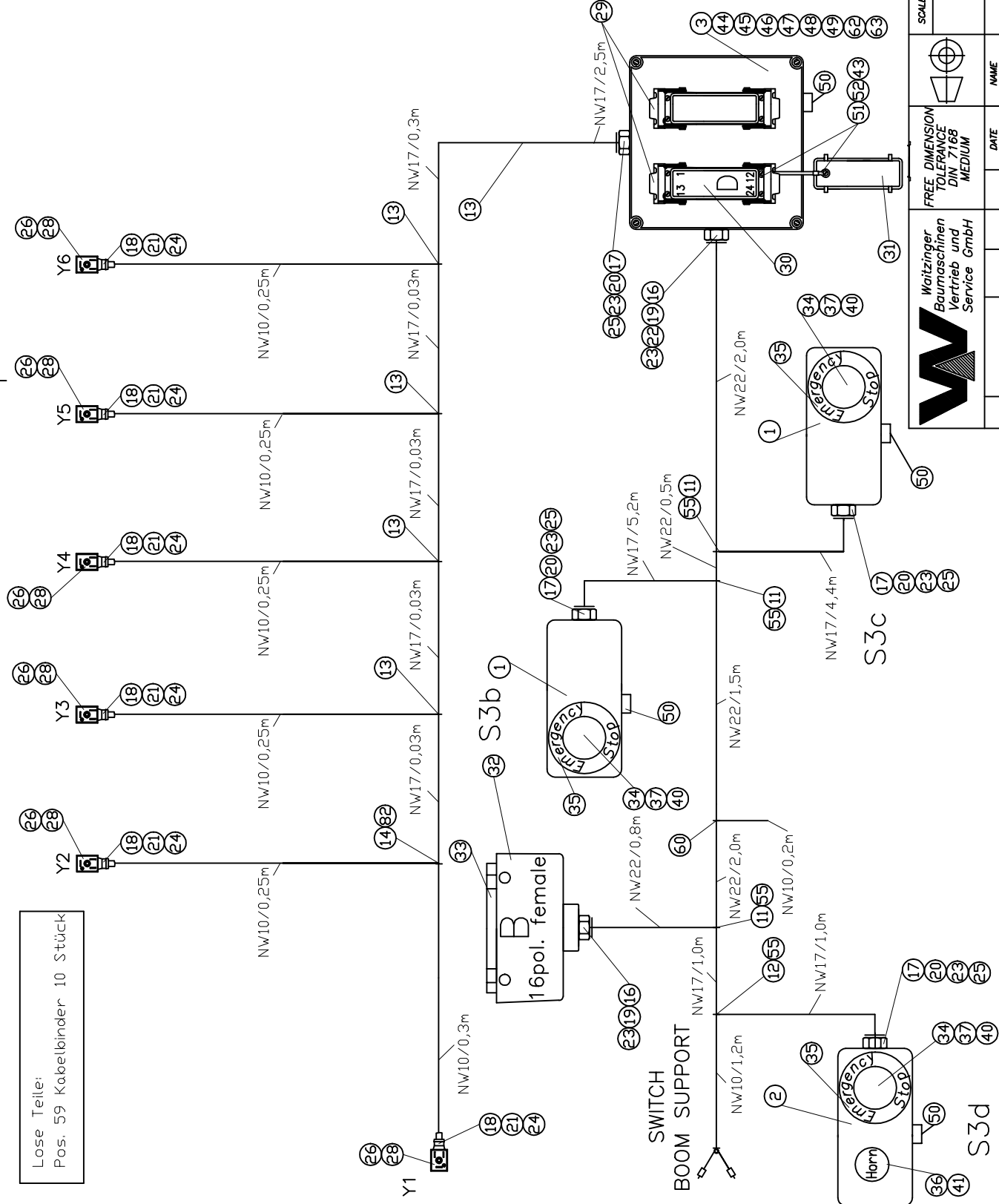


| | | | |
|----------------------|--|--------------------------|----------------|
| | FREE DIMENSION TOLERANCE DIN 7168 MEDIUM | DATE DRAWN 1999/03/24 | NAME Fetzer |
| | | CHKD. | |
| | | APPD. | |
| SCALE | | WEIGHT | |
| cable loop pump | | REED cl 37m | |
| CHANGE ONLY WITH CAD | | B 56 1 071 | |
| ISSUE | MODIFICATION | DATE | NAME |
| | | | |
| ORIGINAL | | REPLACEMENT FOR | |
| FROM 14.06.1991 | | REPLACEMENT BY | |
| SHEET 2 | | OF 2 | |

THIS INFORMATION MAY NOT BE COPIED BY A THIRD PARTY. SUBJECT TO COPYRIGHT (PARA-GRAPH 1 NO. 3 OF "URHEBERRECHTSGESZETZ" FROM 14.06.1991)

Alle nicht bezeichneten Kabel sind 1mm
Kabel um 10% länger als angegeben zuschneiden

Lose Teile:
Pos. 59 Kabelbinder 10 Stück



PLUG B

| | | | |
|----|---------|---------|----------------|
| 1 | D10-lll | bm | ground |
| 2 | S3a | gry/bm | emergency stop |
| 3 | S3c | blk | emergency stop |
| 4 | D13 | blu | emergency stop |
| 5 | D 22 | gry/red | emergency stop |
| 6 | S3d | whi | emergency stop |
| 7 | D 20 | whi/grm | horn |
| 8 | D 15 | grm | RPM + |
| 9 | D 16 | blk/whi | RPM - |
| 10 | D 24 | vio | Pot. |
| 11 | D 17 | blk/grm | pumping on |
| 12 | D 19 | whi/gry | reverse |
| 13 | D 23 | brn/whi | outrigger |
| 14 | D 18 | blu/whi | pumping |
| 15 | D 21 | blk/red | free |
| 16 | | | free |

PLUG D

| | | |
|------|---------|------------------|
| B 1 | bm | ground |
| Y3/3 | brn/whi | boom 1 up |
| Y3/2 | blu | boom 1 down |
| Y4/3 | grn/whi | boom 2 up |
| Y4/2 | blk/grm | boom 2 down |
| Y5/3 | gry/blk | boom 3 up |
| Y5/2 | blk/whi | boom 3 down |
| Y6/3 | blk/red | boom 4 up |
| Y6/2 | gry/red | boom 4 down |
| free | free | free |
| lll | brn | ground |
| Y2/2 | vio | turn clockwise |
| Y2/3 | blu/whi | turn anticlockw. |
| B4 | red | plus |
| Y1/3 | | pilot valve |
| Y1/2 | gry | |
| Y7 | | |
| B 8 | grm | RPM + |
| B 9 | blk/whi | RPM - |
| B 11 | blk/grm | pumping on |
| B 14 | blu/whi | pumping |
| B 12 | gry/blk | reverse |
| B 7 | whi/grm | horn |
| B 15 | blk/red | free |
| A 5 | gry/red | emergency stop |
| B13 | brn/whi | free |
| B 10 | vio | POT |

SCALE

WEIGHT

FREE DIMENSION TOLERANCE DIN 7168 MEDIUM

| | | | |
|-------|------------|------|--------|
| DRAWN | 1998/10/05 | NAME | Fetzer |
| CHKD. | | | |
| APPD. | | | |

Waitzinger Baumaschinen Vertrieb und Service GmbH

| ISSUE | MODIFICATION | DATE | NAME | ORIGINAL |
|-------|--------------------|----------|--------|----------|
| d | siehe B 561066.doc | 02.06.05 | Körner | |
| c | siehe B 561066.doc | 26.06.04 | Körner | |
| b | siehe B 561066.doc | 03/09/19 | Hoh. | |
| a | siehe B 561066.doc | 08/03/98 | Mi | |

CHANGE ONLY WITH CAD

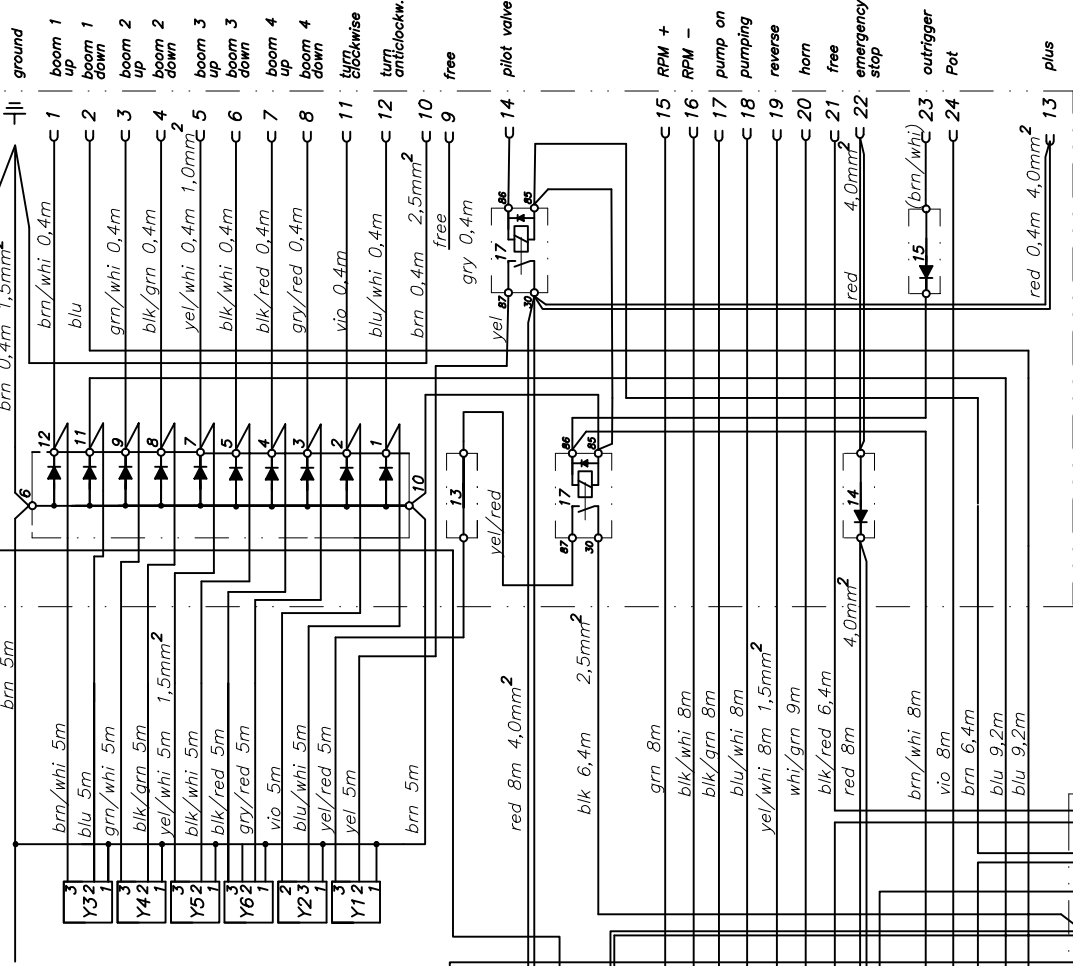
REPLACEMENT FOR

REPLACEMENT BY

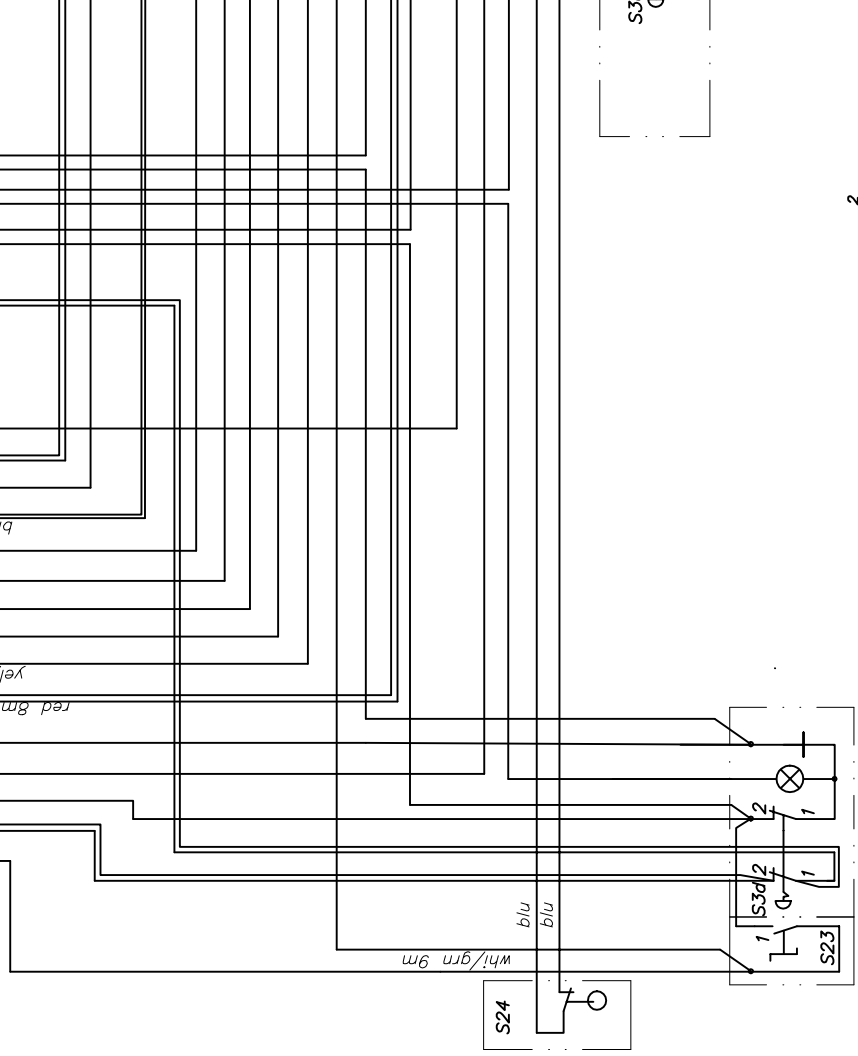
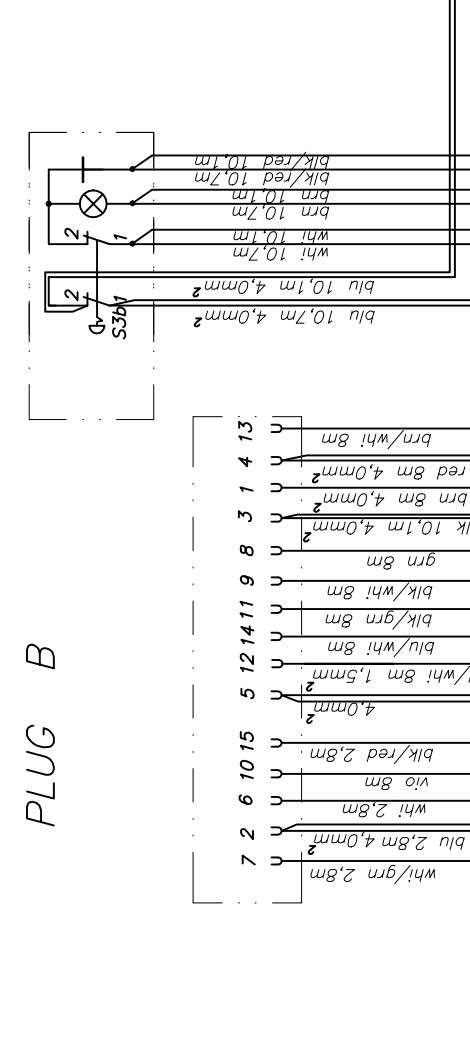
Cable harness boom
REED 37m
B 56 1 066
SHEET 1 OF 3

THIS INFORMATION MAY NOT BE COPIED BY A THIRD PARTY. SUBJECT TO COPYRIGHT (PARA-GRAPH 1 NO. 3 OF "URheberRECHTSGESETZ" FROM 14.06.1991)

PLUG D



PLUG B



all cables which are not dimensioned are 1 mm²



| FREE DIMENSION TOLERANCE DIN 7185 MEDIUM | DATE | NAME | |
|--|--------------------|------------|--------|
| | DRAWN 1998/10/05 | Fetzer | |
| | CHKD. | | |
| | APPD. | | |
| d | siehe B 561066.aen | 02.06.05 | Körner |
| c | siehe B 561066.aen | 26.02.04 | Körner |
| b | siehe B 561066.aen | 03/09/19 | Hoh. |
| a | siehe B 561066.aen | 08/03/2008 | Mi |

| SCALE | WEIGHT |
|-------|--------|
| | |

Cable harness boom
REED 37m

REPLACEMENT FOR
B 56 1 066

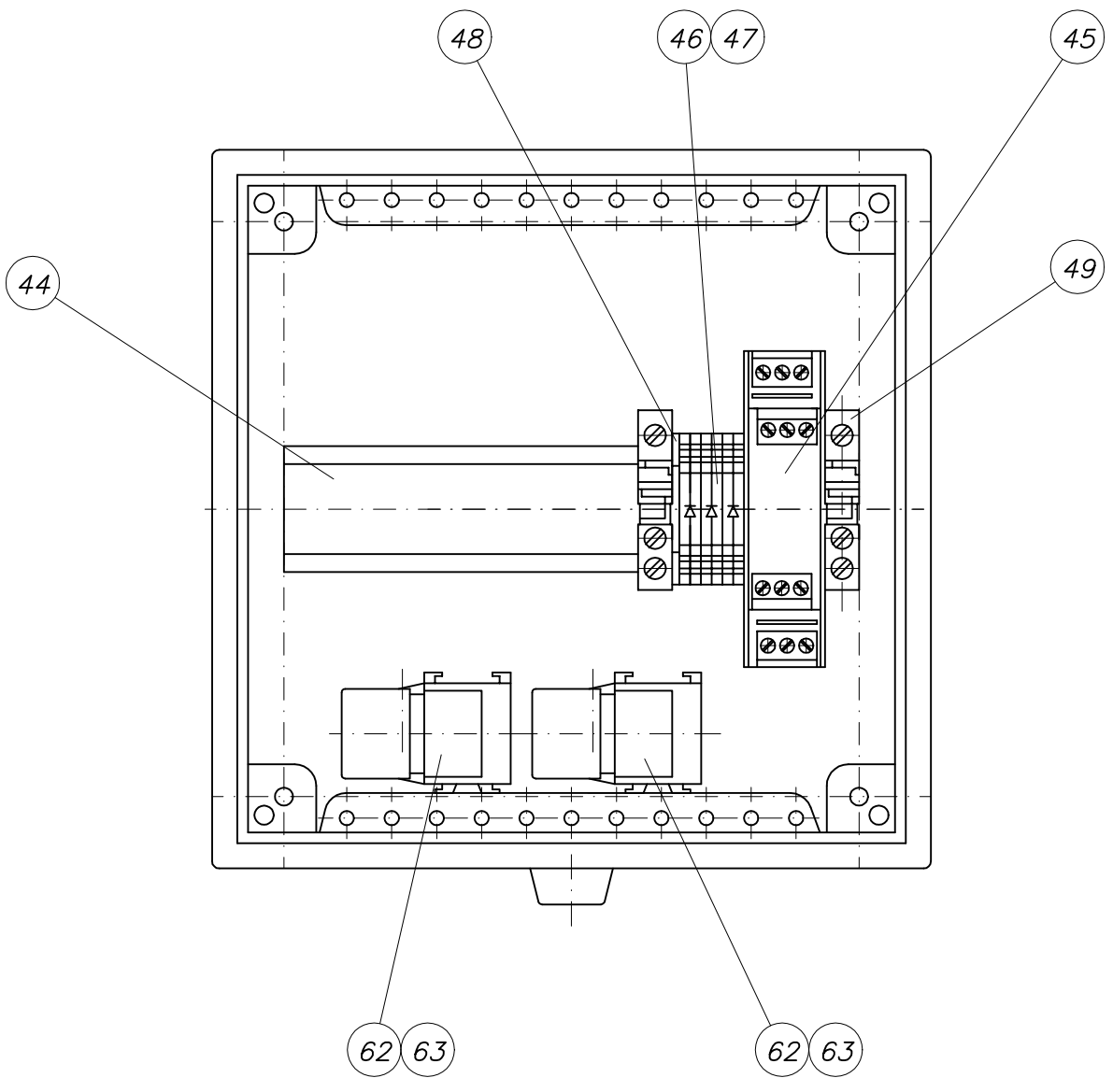
CHANGE ONLY WITH CAD

ISSUE
MODIFICATION
DATE
NAME
ORIGINAL



SHEET 2
OF 3

REPLACEMENT BY

THIS INFORMATION MAY NOT BE COPIED BY A THIRD PARTY. SUBJECT TO COPYRIGHT (PARAGRAPH 1 NO. 3 OF "URHBERRECHTSGESETZ FROM 14.06.1991)

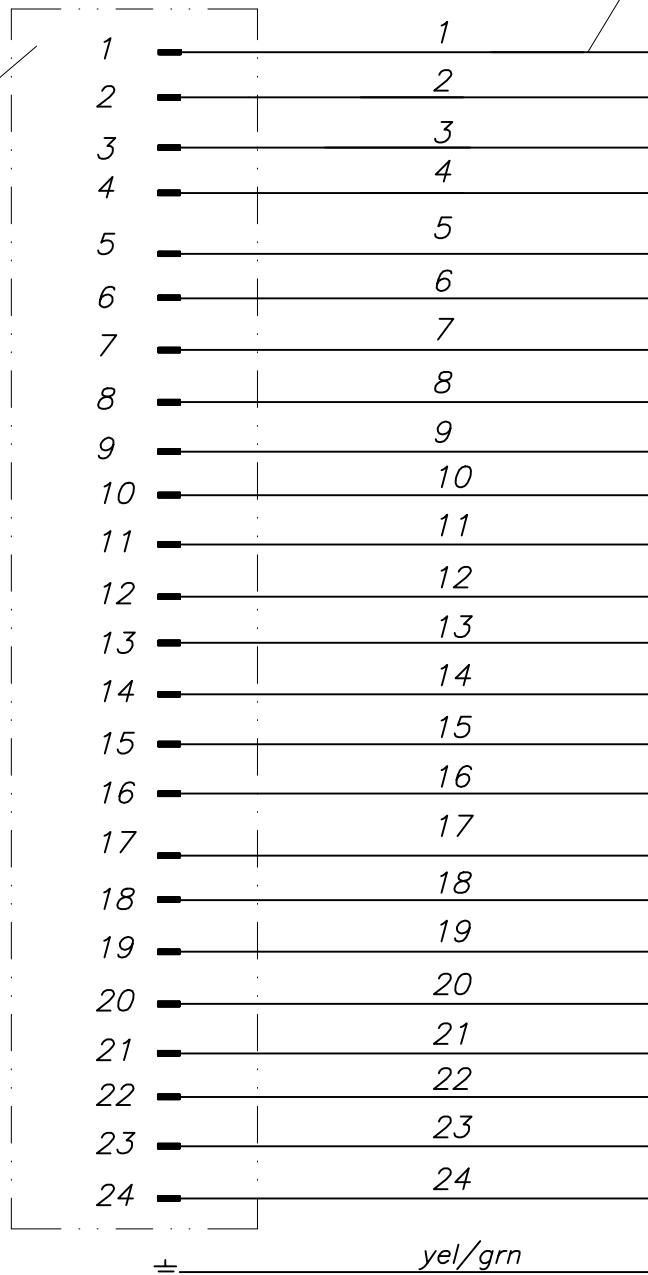


THIS INFORMATION MAY NOT BE COPIED BY A
 THIRD PARTY. SUBJECT TO COPYRIGHT (PARA-
 GRAPH 1 NO. 3 OF "URHEBERRECHTSGESETZ"
 FROM 14.06.1991)


| | | | | | | | |
|---|--------------|---|------|---|-----------------|---|--------|
|  | | FREE DIMENSION TOLERANCE DIN 7168 MEDIUM | |  | | SCALE | WEIGHT |
| | | DRAWN 1998/10/05 CHKD. APPD. | | NAME Fetzer | | Cable harness boom REED V3 B 56 1 066 | |
| d siehe B 561066.aen 05/06/02 Körner | | CHANGE ONLY WITH CAD | | SHEET 3 | | | |
| c siehe B 561066.aen 04/08/26 Körner | | | | OF 3 | | | |
| b siehe B 561066.aen 03/09/19 Hoh. | | | | | | | |
| a siehe B 561066.aen 02/03/20 Mi | | | | | | | |
| ISSUE | MODIFICATION | DATE | NAME | ORIGINAL | REPLACEMENT FOR | REPLACEMENT BY | |

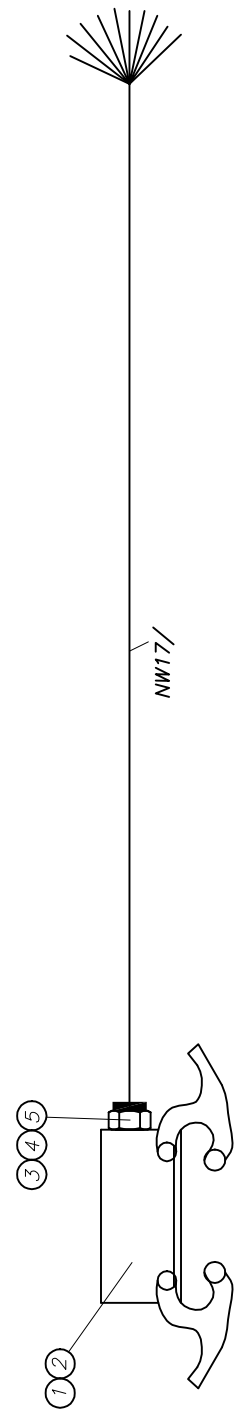
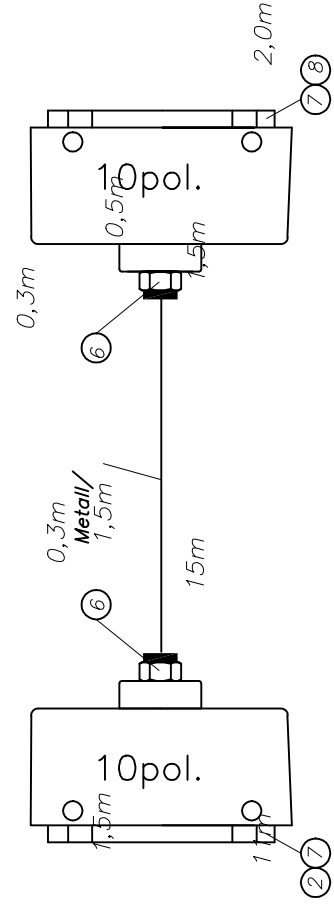
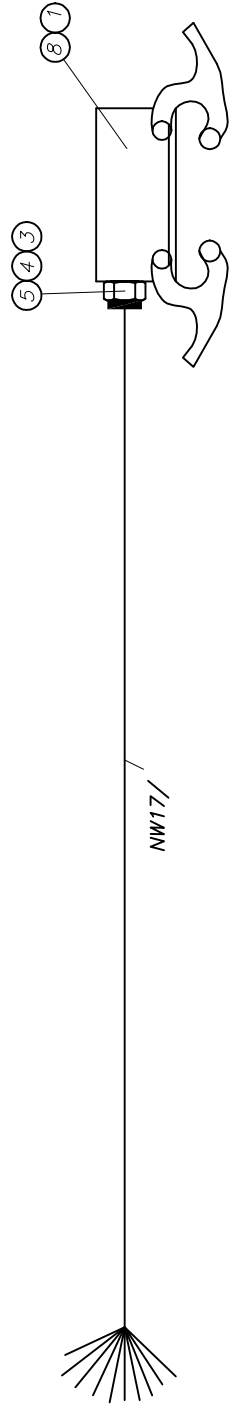
cable 10m
25x1,5
WAI 101989

plug insertion
24-polig
WAI 100714
housing
24-polig
WAI 101542
cove end sleeve 50x
1,5
WAI 101996
(25x unmounted)
fitting
PG 21
WAI 105665



This information may not be copied by a third party. Subject to copyright (paragraph 1 no. 3 of "Urheberrechtsgesetz" from 14.06.1991

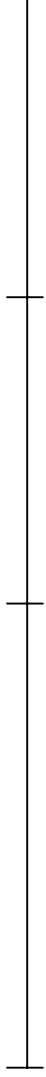
| | | | | | | | | | |
|---|--------------|------|------|---|-----------------|----------------|----------------|---------------------------------|--|
|  Waitzinger Baumaschinen Vertrieb und Service GmbH | | | | free dimension tolerance DIN 7168 medium | | scale | | weight | |
| | | | | | | own parts list | | | |
| | | | | date | | name | | cable cpl. for cable control | |
| | | | | drawn 1999/07/20 | | Mi | | | |
| | | | | chekd. | | | | | |
| | | | | appd. | | | | | |
| | | | | change only with CAD | | B 56 1 049 | | sheet | |
| | | | | | | | | of | |
| issue | modification | date | name | original | replacement for | | replacement by | | |



| | | | | | |
|---------------------|---------------------------------------|--------|------------------------------|----------------------|------------------------|
| | Freimaßtoleranz DIN 7168 mittel | | Maßstab eigene Stückliste | Gewicht | Blatt 2 von 2 Bl. |
| | | | | | |
| Datum 06.08.2004 | Bearb. | Gepr. | Norm | Änderung nur auf CAD | Ers. für B 56 2 066 |
| Datum | Name | Urspr. | Ers. durch | 37m REED | 2 |
| Änderung | Datum | Name | Urspr. | 37m REED | 2 |
| Zust. | Änderung | Datum | Name | Urspr. | 2 |

Ohne unsere Genehmigung darf diese Zeichnung weder vervielfältigt noch Dritten, Personen oder Konkurrenzfirmen mitgeteilt werden. (Paragraf 1 Nr.3 des Urheberrechtsgesetzes vom 14.06.1901)

Drehkopf

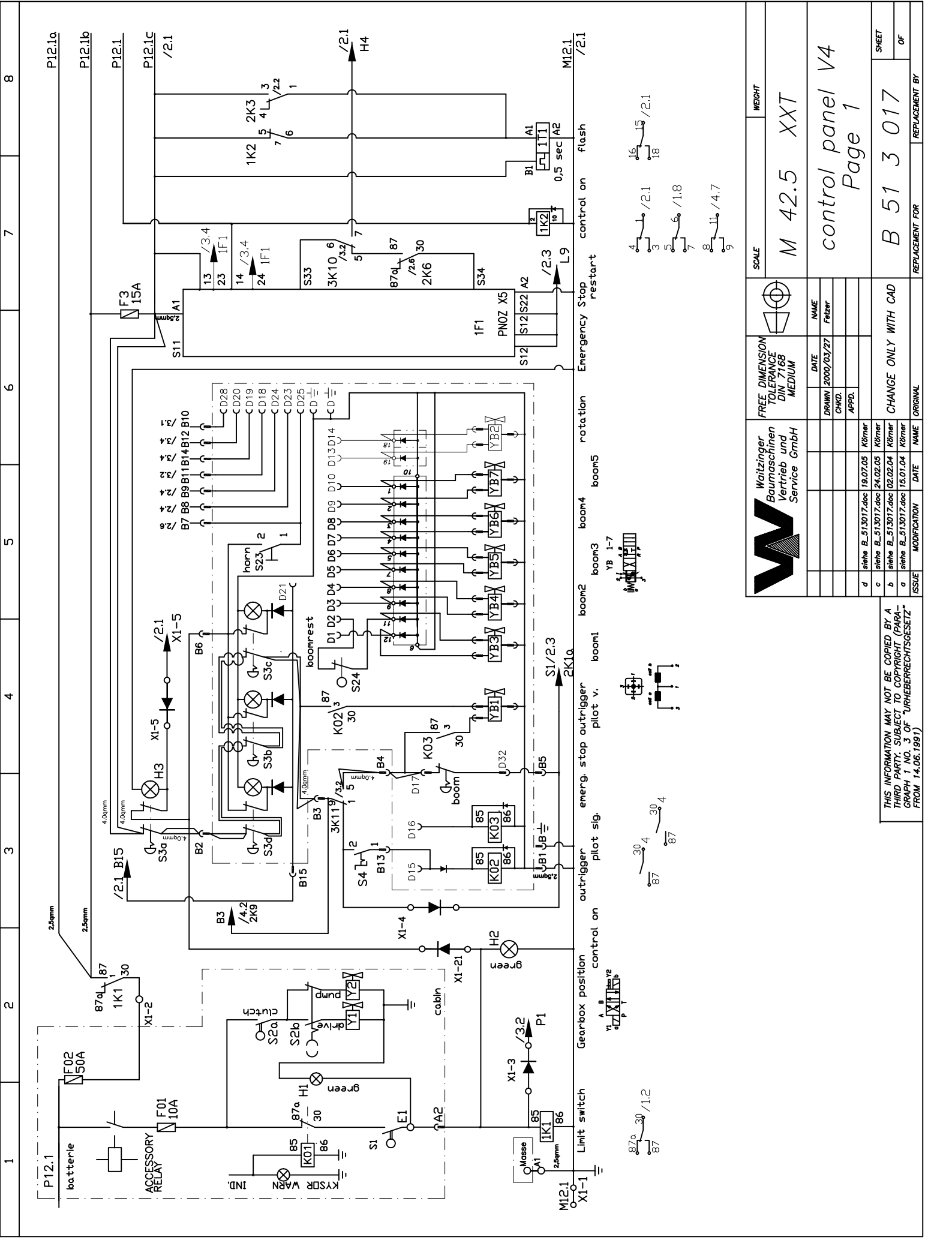


| | | |
|----|---------|-----|
| 1 | blu | 33m |
| 2 | yel/red | 30m |
| 3 | vio | 33m |
| 4 | blu/whi | 30m |
| 5 | whi/grn | 30m |
| 6 | red | 14m |
| 7 | blk/grn | 14m |
| 8 | grn | 30m |
| 9 | whi | 30m |
| 10 | brn | 14m |

PLUG

| | | | | | |
|----------|---------------------------------------|--------------------------------|------|----------------------------------|------------------------|
| | Freimaßtoleranz DIN 7168 mittel | | | Maßstab eigene Stückliste | Gewicht |
| | Bearb. 06.08.2004 Gepr. Norm | Datum 06.08.2004 Name K8mer | | | |
| Änderung | | Datum | Name | Kabelbaum Mast 37m REED | |
| Änderung | | Datum | Name | B 56 2 066 | Blatt 1 von 2 Bl. |
| Änderung | | Datum | Name | Änderung nur auf CAD | Ers. für Ers. durch |
| Änderung | | Datum | Name | Urspr. | Ers. für Ers. durch |

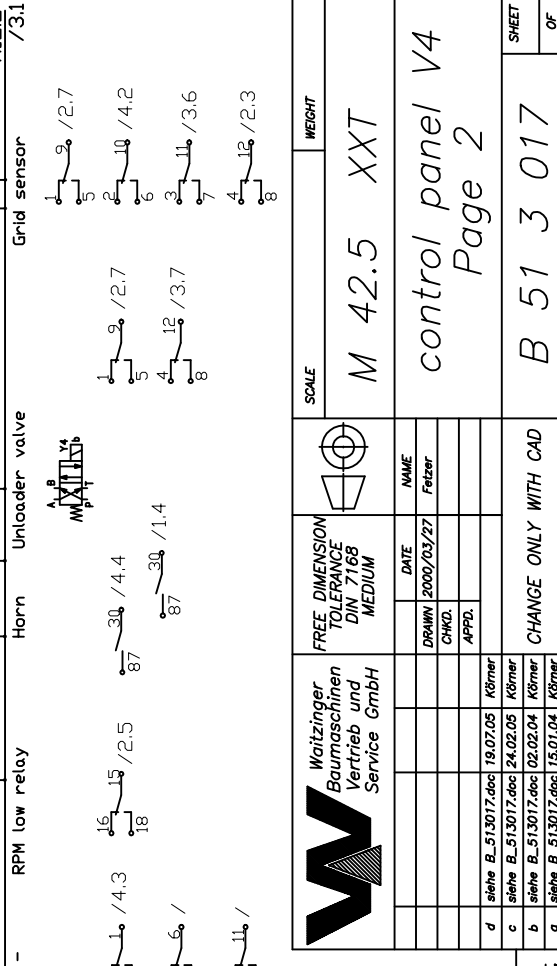
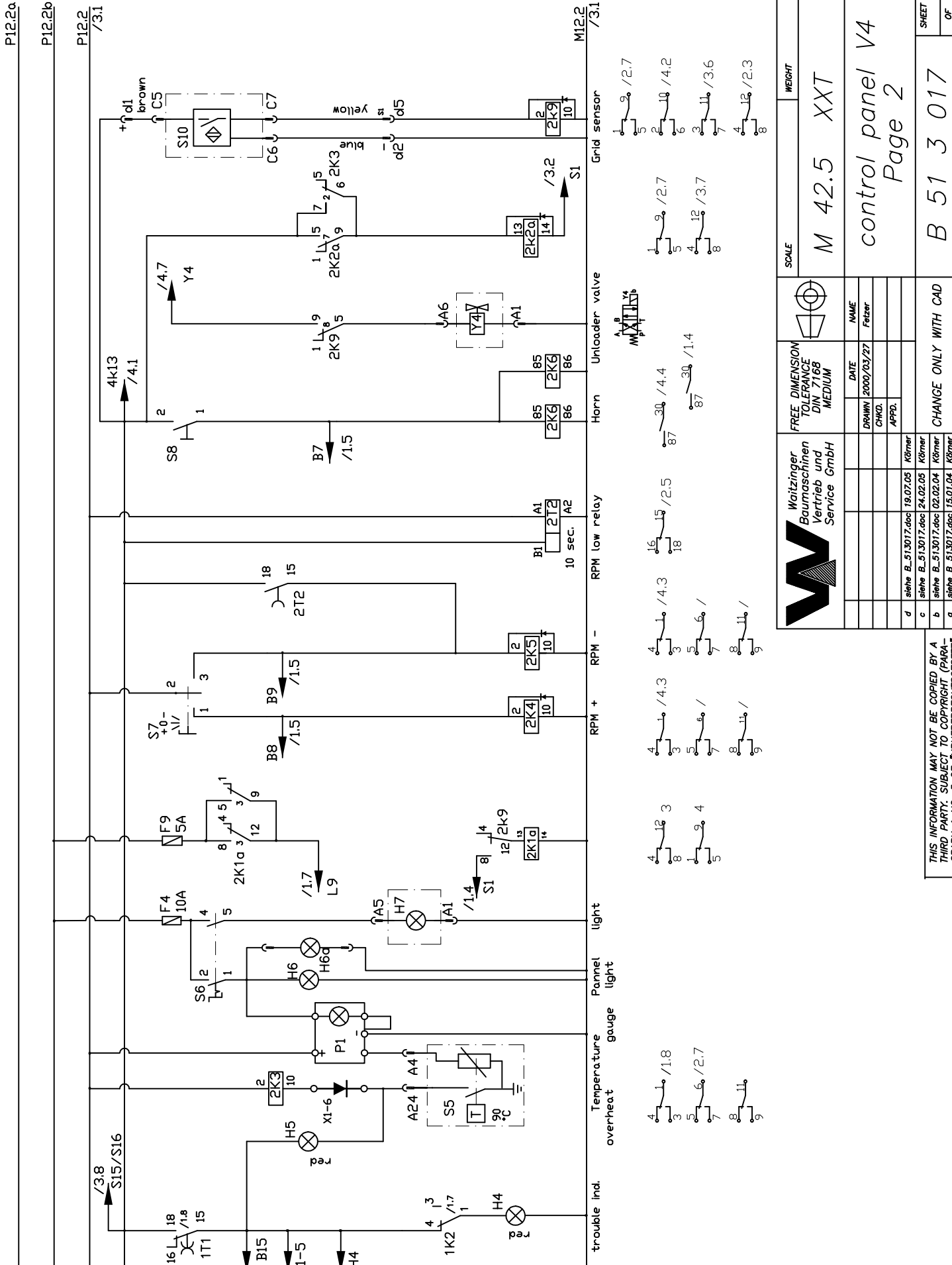
Ohne unsere Genehmigung darf diese Zeichnung weder vervielfältigt noch Dritten, Personen oder Konkurrenzfirmen mitgeteilt werden. (Paragraf 1 Nr.3 des Urheberrechtsgesetzes vom 14.06.1901)



| | | | |
|--|---------------------|----------------|--------|
| SCALE | | WEIGHT | |
| M 42.5 | | XXT | |
| control panel V4 | | Page 1 | |
| FREE DIMENSION TOLERANCE DIN 7168 MEDIUM | | DATE | |
| DRAWN 2000/03/27 | | NAME | |
| CHKD. | | Fetzer | |
| APPD. | | | |
| CHANGE ONLY WITH CAD | | ORIGINAL | |
| ISSUE | | MODIFICATION | DATE |
| d | siehe B. 513017.doc | 19.07.05 | Körner |
| c | siehe B. 513017.doc | 24.02.05 | Körner |
| b | siehe B. 513017.doc | 02.02.04 | Körner |
| a | siehe B. 513017.doc | 15.01.04 | Körner |
| REPLACEMENT FOR | | REPLACEMENT BY | |
| B 51 3 017 | | SHEET | |
| | | OF | |

THIS INFORMATION MAY NOT BE COPIED BY A THIRD PARTY. SUBJECT TO COPYRIGHT (PARAGRAPH 1 NO. 3 OF "URheberRECHTSGESETZ" FROM 14.06.1991)

P12.2a P12.2b P12.2c P12.2 P12.2a /3.1 P12.2b /3.1 P12.2c /1.8 M12.2 /1.8

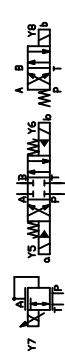
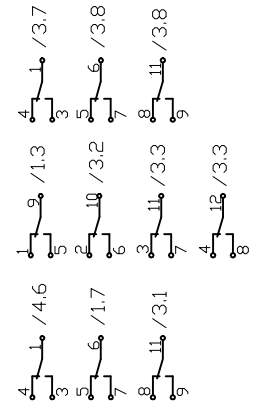
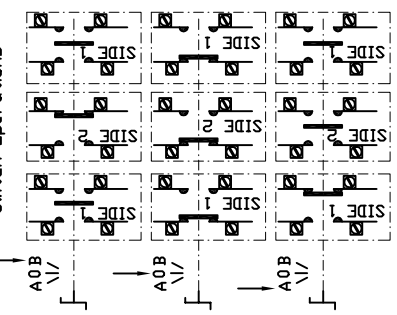
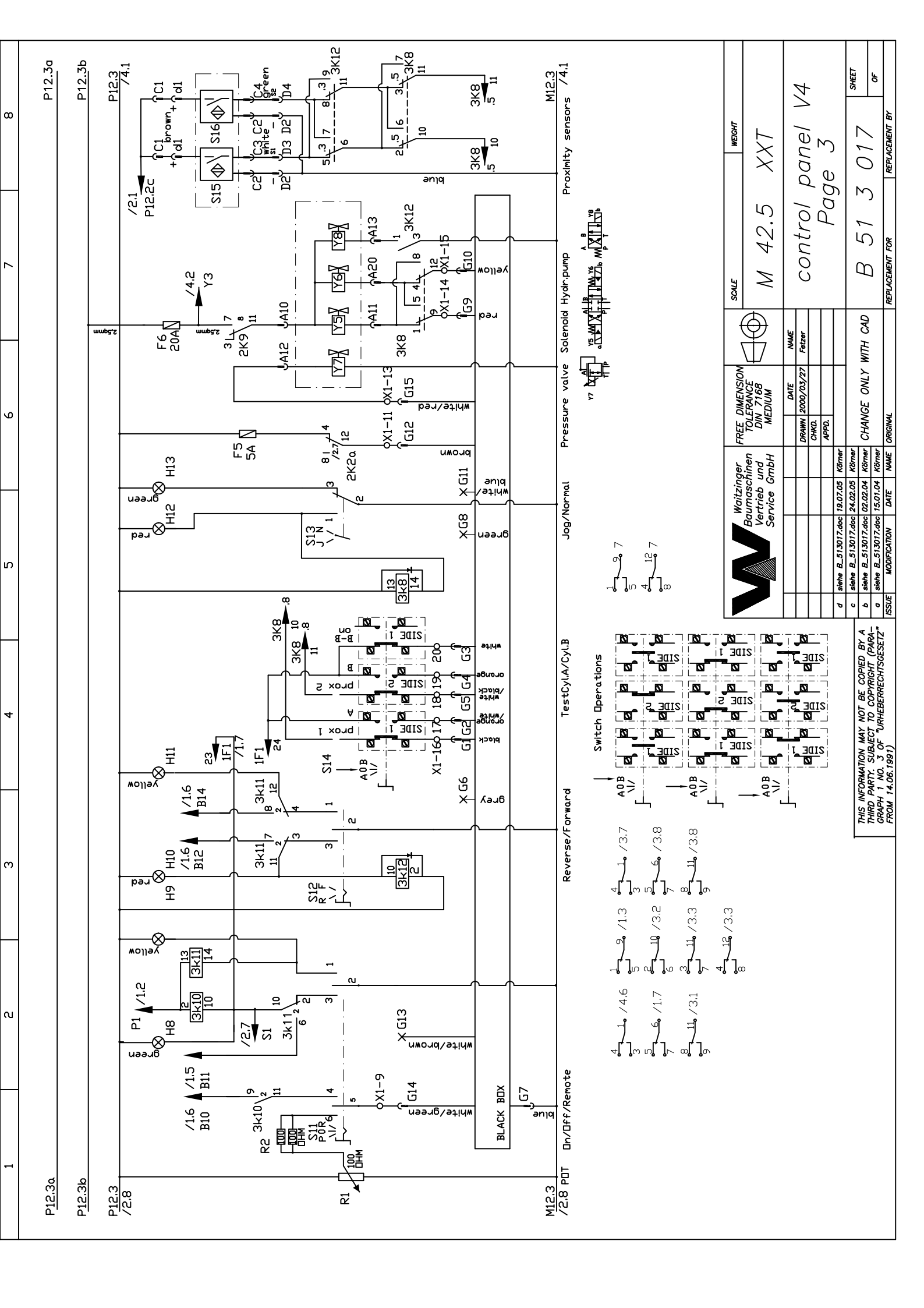


| SCALE | WEIGHT |
|---|-----------------------|
| M 42.5 | XXT |
| control panel V4 Page 2 | |
| FREE DIMENSION TOLERANCE DIN 7168 MEDIUM | DATE 2000/03/27 |
| | NAME Fetzer |
| | CHKD. APPD. |
| d siehe B_513017.doc 19.07.05 Körner | ISSUE MODIFICATION |
| c siehe B_513017.doc 24.02.05 Körner | DATE 15.01.04 |
| b siehe B_513017.doc 02.02.04 Körner | NAME Körner |
| a siehe B_513017.doc 15.01.04 Körner | ORIGINAL |

THIS INFORMATION MAY NOT BE COPIED BY A THIRD PARTY. SUBJECT TO COPYRIGHT (PARAGRAPH 1 NO. 3 OF "URHBERRECHTSGESETZ" FROM 14.06.1991)

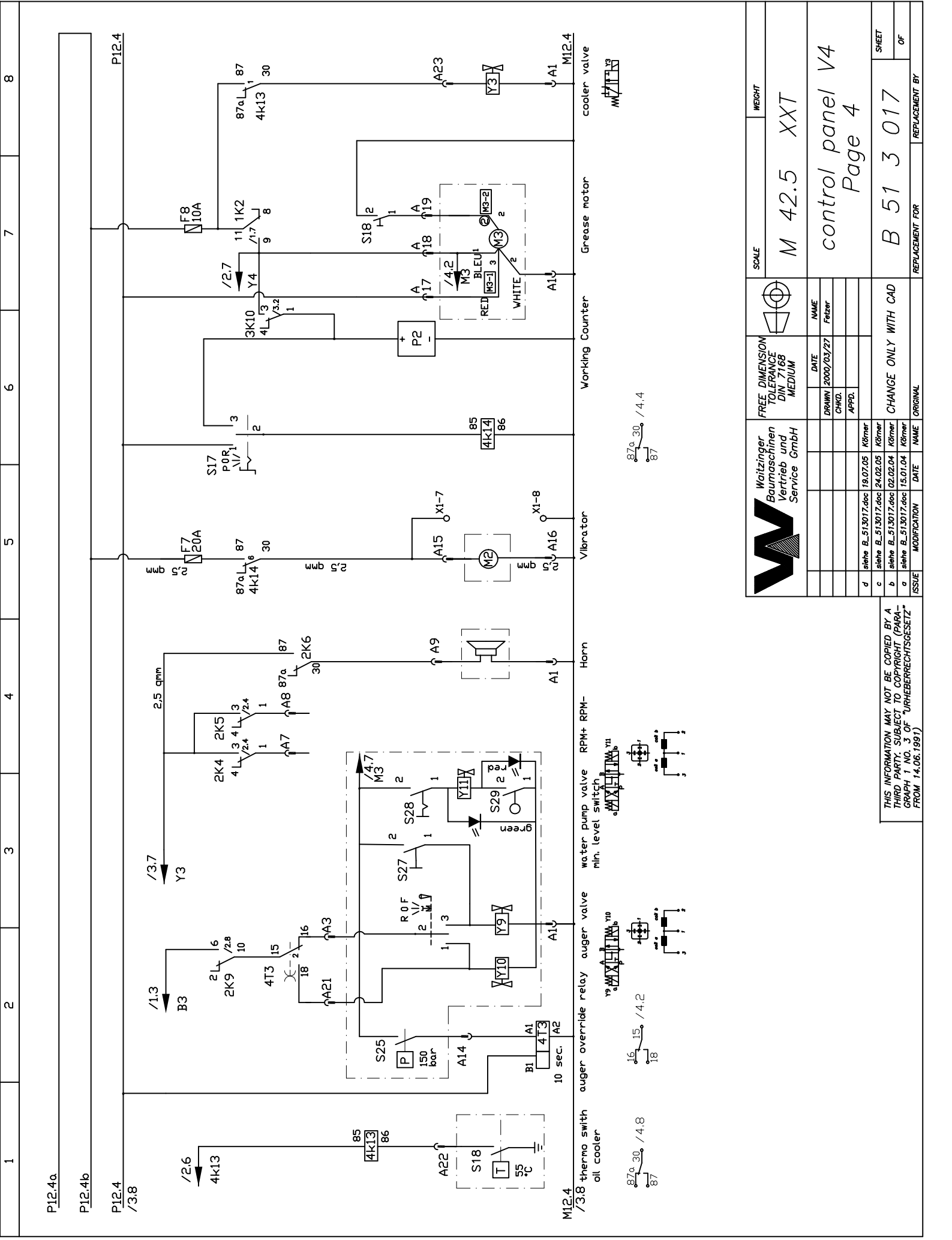
M12.2 /1.8 trouble ind. overheated gauge light Pannel light light RPM + RPM - RPM low relay Horn Unloader valve Grid sensor

REPLACEMENT FOR B 51 3 017 SHEET OF



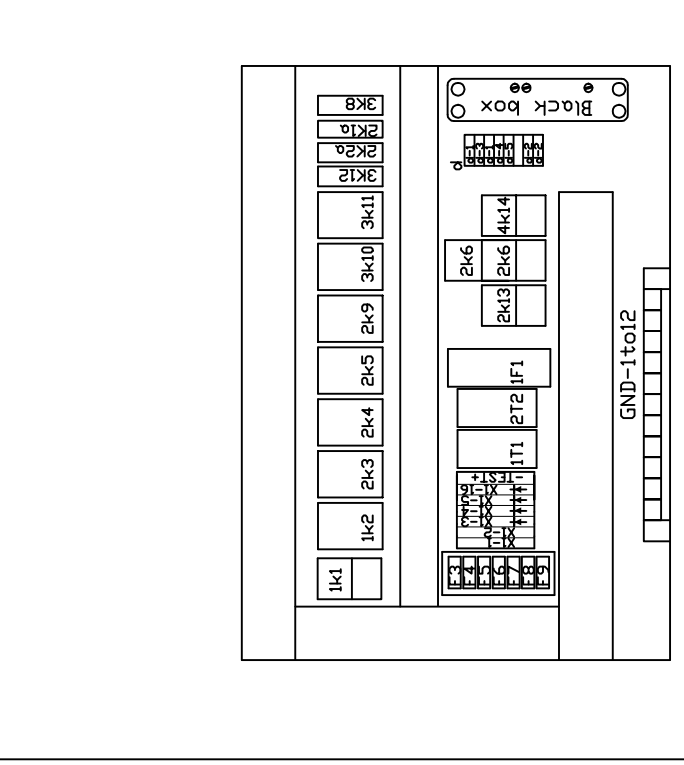
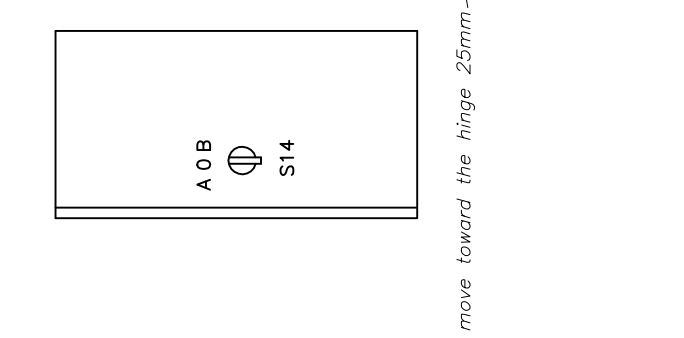
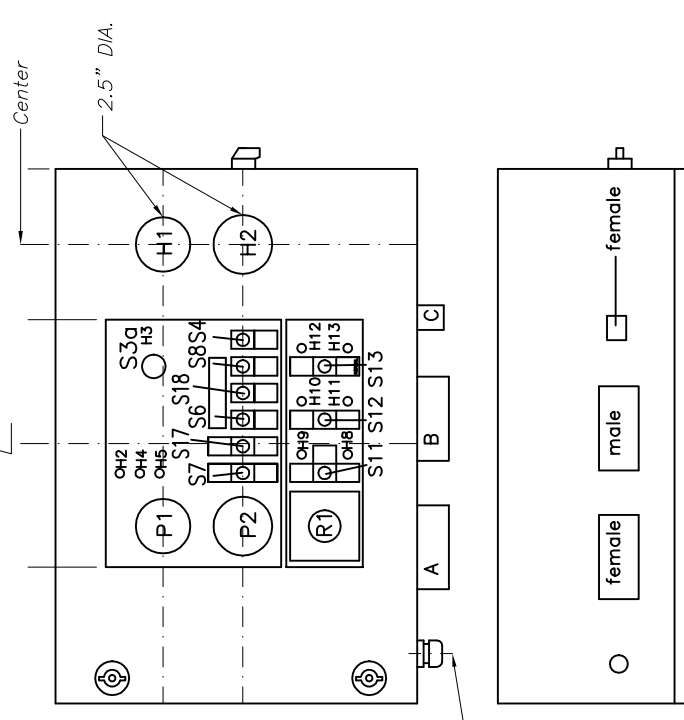
| | | | | | | | | | |
|--------------------------|--------|--------------------|-------|-----------------|----------------|------------------|-----------------------------------|-------------------|--|
| P12.3a | P12.3b | P12.3 | M12.3 | Reverse/Forward | TestCy/A/Cyl.B | Jog/Normal | Pressure valve Solenoid Hydr-pump | Proximity sensors | |
| /2.8 | /2.8 | /4.1 | /4.1 | Black BDX | Orange | White | White/red | Blue | |
| P12.3a | P12.3b | P12.3 | M12.3 | Reverse/Forward | TestCy/A/Cyl.B | Jog/Normal | Pressure valve Solenoid Hydr-pump | Proximity sensors | |
| /2.8 | /2.8 | /4.1 | /4.1 | Black BDX | Orange | White | White/red | Blue | |
| SCALE | | M 42.5 | | XXT | | control panel V4 | | Page 3 | |
| FREE DIMENSION TOLERANCE | | DIN 7168 | | MEDIUM | | NAME | | Fetzer | |
| DATE | | 2000/03/27 | | CHKD. | | APPD. | | | |
| d | | siehe B_513017.doc | | 19.07.05 | | Körner | | | |
| c | | siehe B_513017.doc | | 24.02.05 | | Körner | | | |
| b | | siehe B_513017.doc | | 02.02.04 | | Körner | | | |
| a | | siehe B_513017.doc | | 15.01.04 | | Körner | | | |
| ISSUE | | MODIFICATION | | DATE | | NAME | | ORIGINAL | |
| CHANGE ONLY WITH CAD | | | | | | | | | |
| REPLACEMENT FOR | | B 51 3 017 | | REPLACEMENT BY | | | | SHEET | |
| | | | | | | | | OF | |

THIS INFORMATION MAY NOT BE COPIED BY A THIRD PARTY. SUBJECT TO COPYRIGHT (PARAGRAPH 1 NO. 3 OF "URheberRECHTSGESETZ" FROM 14.06.1997)

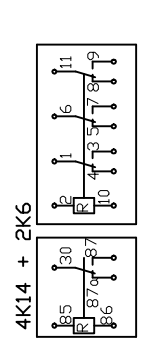


| | | | |
|--------------------------------------|---------------------------------|----------------------------|----------------------|
| | FREE DIMENSION | SCALE | WEIGHT |
| | TOLERANCE DIN 7168 MEDIUM | M 42.5 | XXT |
| | NAME Fetzer | control panel V4 Page 4 | |
| DATE 2000/03/27 | DATE | NAME | REPLACEMENT BY |
| CHKD. | | | B 51 3 017 |
| APPD. | | | REPLACEMENT FOR |
| | | | ORIGINAL |
| d siehe B_513017.doc 19.07.05 Körner | | | CHANGE ONLY WITH CAD |
| c siehe B_513017.doc 24.02.05 Körner | | | |
| b siehe B_513017.doc 02.02.04 Körner | | | |
| a siehe B_513017.doc 15.01.04 Körner | | | |
| ISSUE | MODIFICATION | DATE | NAME |

THIS INFORMATION MAY NOT BE COPIED BY A THIRD PARTY. SUBJECT TO COPYRIGHT (PARAGRAPH 1 NO. 3 OF "URheberRECHTSGESETZ" FROM 14.06.1991)



| | | | |
|--|--------------------|------------------|---------------|
| | | SCALE | WEIGHT |
| FREE DIMENSION TOLERANCE DIN 7168 MEDIUM | | | M 42.5 XXT |
| DATE | NAME | control panel V4 | |
| 2000/03/27 | Felzer | Page 5 | |
| CHKD. | | | |
| APPD. | | | |
| d | siehe B_513017.doc | 19.07.05 | Körner |
| c | siehe B_513017.doc | 24.02.05 | Körner |
| b | siehe B_513017.doc | 02.02.04 | Körner |
| a | siehe B_513017.doc | 15.01.04 | Körner |
| ISSUE | MODIFICATION | DATE | NAME |
| CHANGE ONLY WITH CAD | | | |
| REPLACEMENT FOR | | B 51 3 017 | |
| REPLACEMENT BY | | SHEET | |
| | | OF | |



THIS INFORMATION MAY NOT BE COPIED BY A THIRD PARTY. SUBJECT TO COPYRIGHT (PARAGRAPH 1 NO. 3 OF "URheberRECHTSGESETZ" FROM 14.06.1991)