

PLUG A

1	Y3+4+M3/1+	brn
2	Y4+Y7+PAN	blk/whi
3	S1>F1	red/yel
4	Y3-1	red/yel
5	temp. switch	yel/whi
6	L4	grn/whi
7	Y4-1	blu/whi
8	F3	blu
9	F2	blk
10	Horn	blk
11	Y5-1/hopper	blk/grn
12	Y6/Y8/Y9	blk/grn
13	Y5-2	blk/red
14	Y7	grn/red
15	Y8	whi/brn
16	Y9	vio
17	M2	blk
18	M2	blu
19	M3/1-1	grn
20	M3/1-3	grn
21	M3/2-2	yel
22	Y6	whi
23	temp switch	whi
24	temp switch	whi
25	Y10	grn
26	free	grn
27	F5	red
28	F6	grn/blk

PLUG B

1	D10-4h	brn	ground
2	S3b	gry	emergency stop
3	S3c	blk	emergency stop
4	D13	blu	emergency stop
5	D 22	gry/red	emergency stop
6	S3b-d	white	emergency stop
7	D 20	whi/grn	horn
8	D 15	grn	RPM +
9	D 16	blk/whi	RPM -
10	D 24	vio	Pot
11	D 17	blk/grn	pumping on
12	D 19	gry/blk	reverse
13	free	free	free
14	D 18	blu/whi	pumping
15	D 21	blk/red	flashing light
16	free	free	free

PLUG C

1	pin No.	wire No.	function
2	1	brown	+
3	2	blue	-
4	3	black	Sensor 1
5	4	black	Sensor 2
6	5	black	
7	6	black	
8	7	black	

PLUG D

1	A 1	brn	ground
2	Y3/3	brn/whi	boom 1 up
3	Y3/2	blu	boom 1 down
4	Y4/3	grn/whi	boom 2 up
5	Y4/2	blk/grn	boom 2 down
6	Y5/2	gry/blk	boom 3 up
7	Y6/3	blk/whi	boom 3 down
8	Y6/2	gry/red	boom 4 up
9	free	free	boom 4 down
10	- -	brn	free
11	Y2/2	vio	turn clockwise
12	Y2/3	blu/whi	turn anticlockw.
13	B4	red	plus
14	Y1/2/3	gry	pilot valve
15	B 8	grn	RPM +
16	B 9	blk/whi	RPM -
17	B 11	blk/grn	pumping on
18	B 14	blu/whi	pumping
19	B 12	gry/blk	reverse
20	B 7	whi/grn	horn
21	B 15	blk/red	free
22	B 5	gry/red	emergency stop
23	Y7	brn/whi	free
24	B 10	vio	POT

PLUG F

pin No.	wire No.	function	pin No.	wire No.	function
1	1	power supply 12V	17	34	boom 4 up
2	3	emergency stop	18	31	boom 3 down
3	4	12 V+	19	32	boom 3 up
4	5	RPM-	20	29	turn clockwise
5	6	free	21	30	turn anticlockw.
6	8	horn	22	28	boom 1 down
7	11	RPM+	23	27	boom 1 up
8	13	pump on	24	39	boom 2 down
9	9	GND	25	40	boom 2 up
10	14	reverse	26	-	free
11	25	pilot valve	27	-	free
12	-	free	28	35	pump speed pot
13	-	free	29	-	free
14	-	free	30	-	free
15	-	free	31	-	free
16	33	boom 4 down	32	-	free

TERMINAL F

blk/whi	A2
whi	S1
grn	Y1
gry/whi	Y2
blu	A7
blk	A8
vio	Lima D
brn	⊖
red	reserve
gry/blk	reserve

SCALE: without weight

own parts list

Waltinger Baumaschinen Vertrieb und Service GmbH

FREE DIVISION TOLENCAN DIN 7165 MEDIUM

DATE: 2002/03/28

NAME: M

DRWN: 1002/03/28

CHKD:

APPD:

CHANGE ONLY WITH CAD

REPLACEMENT FOR: B 56 1 070

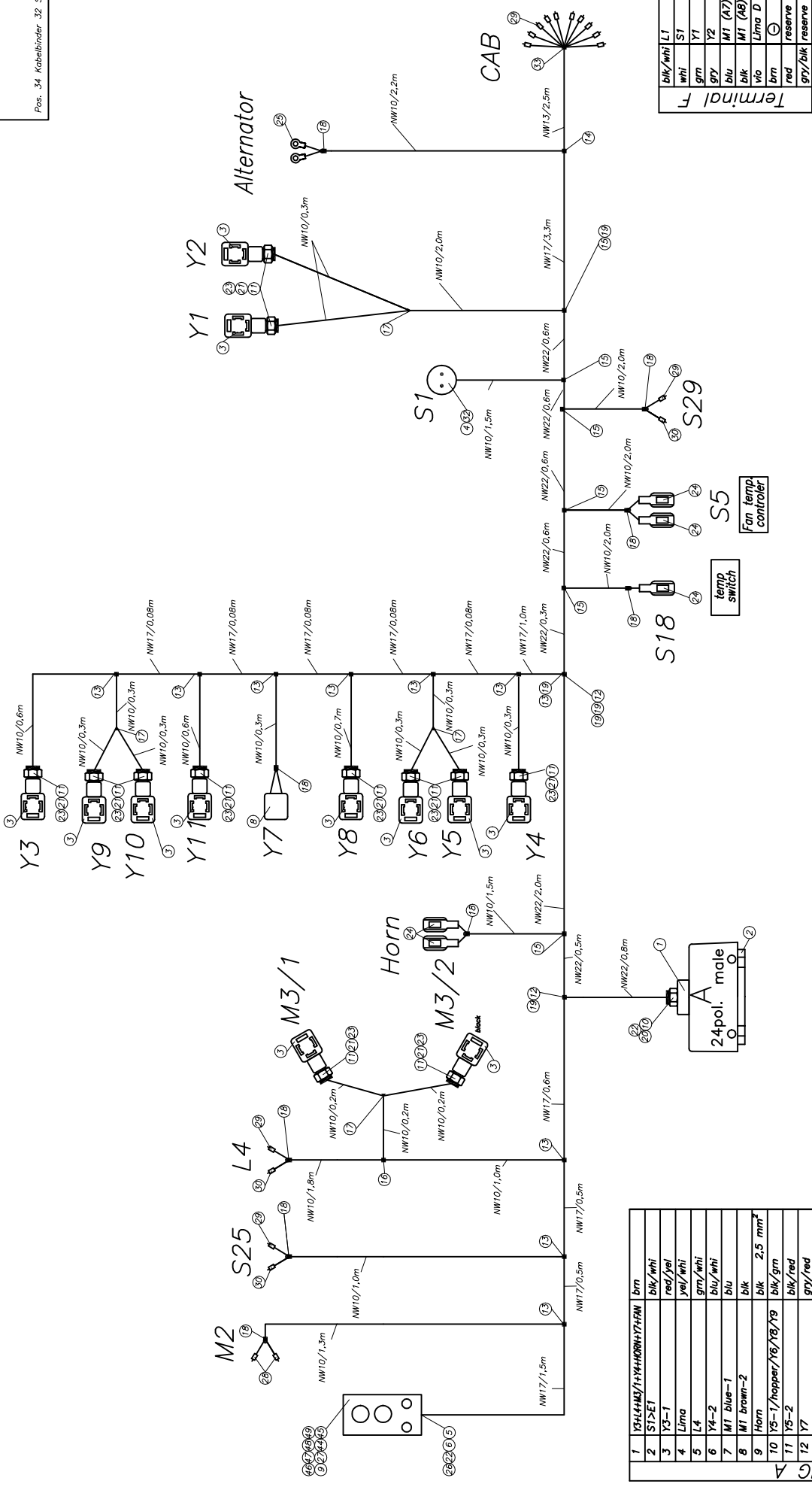
REPLACEMENT BY:

Cable harness / accessories REED V4

SHEET OF

THIS INFORMATION MAY NOT BE COPIED BY A THIRD PARTY, SUBJECT TO COPYRIGHT (PATENT) FROM 14.06.1991

Loose Teile:
Pos. 34 Kabelbinder 32 Stück



Terminal F	blk/whi L1
1	whi S1
2	grn Y1
3	gry Y2
4	blu M1 (A7)
5	blk M1 (A8)
6	vio Lima D
7	brn
8	red reserve
9	gry/blk reserve

PLUG A	1	2	3	4	5	6	7	8	9	10	11	12	13	14	15	16	17	18	19	20	21	22	23	24	Res. F	Res. F
	Y34+4M3/1+Y4+HORN+Y7+FN	brn	blk/whi	red/yel	yel/whi	grn/whi	blu/whi	blk	blk	Y5-1/hopper/Y6/Y8/Y9	blk/grn	gry/red	whi/brn	vio	blk	blk	blu	gry	yel	whi			grn	yel/whi	red	gry/blk
	S1>E1																									
	Y3-1																									
	Lima																									
	L4																									
	Y4-2																									
	M1 blue-1																									
	M1 brown-2																									
	Horn																									
	Y5-1/hopper/Y6/Y8/Y9																									
	Y5-2																									
	Y7																									
	Y8																									
	Y9																									
	M2																									
	M2																									
	M3/1-1																									
	M3/1-3																									
	M3/2-2																									
	Y6																									
	Y6																									
	Y7																									
	Fan																									
	SS																									
	Res. F																									
	Res. F																									



free dimension tolerance DIN 7188 medium

drawn	date	name
1999/07/13	MI	
chkd.		
appl.		

scale 1:1
weight 00 N
semi-finished product
Material

cable loop pump
REED cl 37m

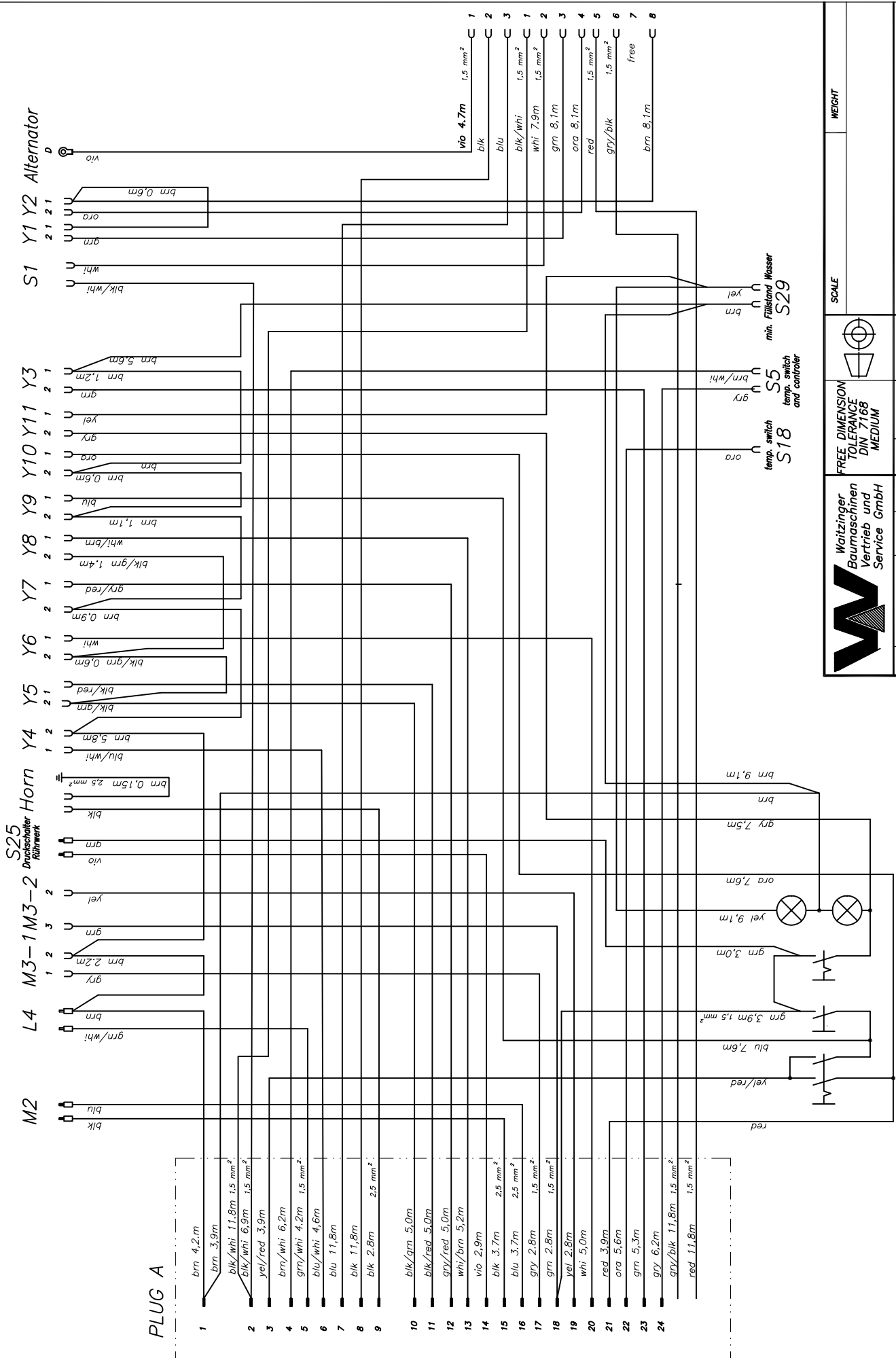
change only with CAD
B 56 1 071

sheet 1 of 2

replacement for

issue MODIFICATION date name original

this information may not be copied by a third party. Subject to copyright (patent law) no. 3 of (Urheberrechtsgesetz) from 14.06.1991



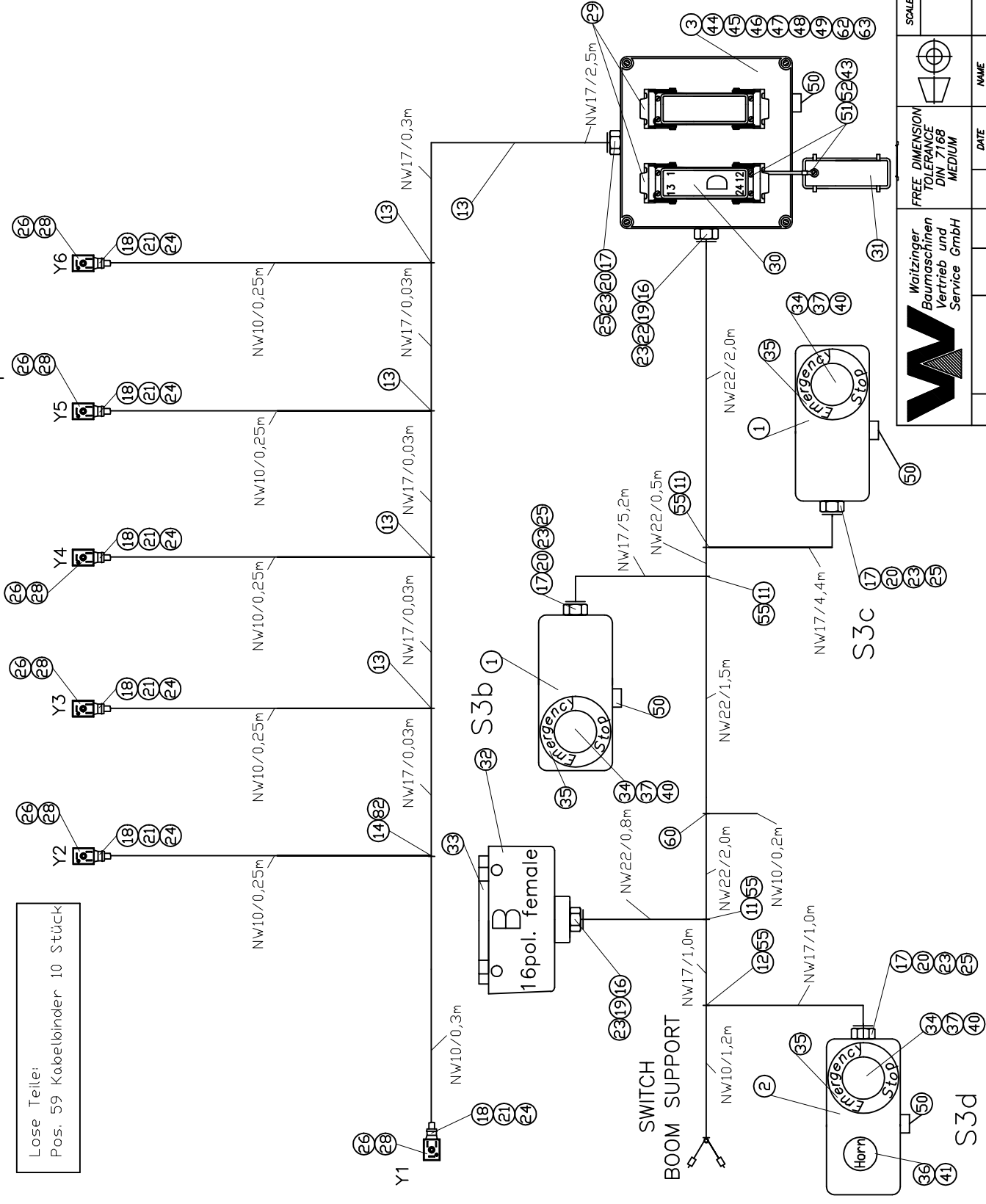
SCALE		WEIGHT	
FREE DIMENSION TOLERANCE DIN 7168 MEDIUM		cable loop pump	
DATE	NAME	REED cl 37m	
1999/03/24	Fetzer	B 56 1 071	
CHKD.		SHEET 2	
APPD.		OF 2	
CHANGE ONLY WITH CAD		REPLACEMENT FOR	
ISSUE	MODIFICATION	REPLACEMENT BY	



THIS INFORMATION MAY NOT BE COPIED BY A THIRD PARTY. SUBJECT TO COPYRIGHT (PARA-GRAPH 1 NO. 3 OF "URHEBERRECHTSGESZETZ" FROM 14.06.1991)

Alle nicht bezeichneten Kabel sind 1mm
Kabel um 10% länger als angegeben zuschneiden

Lose Teile:
Pos. 59 Kabelbinder 10 Stück



PLUG B

1	D10 -ll-	bm	ground
2	S3a	gry/bm	emergency stop
3	S3c	blk	emergency stop
4	D13	blu	emergency stop
5	D 22	gry/red	emergency stop
6	S3d	whi	emergency stop
7	D 20	whi/grn	horn
8	D 15	grn	RPM +
9	D 16	blk/whi	RPM -
10	D 24	vio	Pot.
11	D 17	blk/grn	pumping on
12	D 19	whi/gry	reverse
13	D 23	bry/whi	outrigger
14	D 18	blu/whi	pumping
15	D 21	blk/red	free
16			free

PLUG D

B 1	bm	ground
Y3/3	bry/whi	boom 1 up
Y3/2	blu	boom 1 down
Y4/3	gry/whi	boom 2 up
Y4/2	blk/grn	boom 2 down
Y5/3	gry/blk	boom 3 up
Y5/2	blk/whi	boom 3 down
Y6/3	blk/red	boom 4 up
Y6/2	gry/red	boom 4 down
free	free	free
-ll-	bm	ground
Y2/2	vio	turn clockwise
Y2/3	blu/whi	turn anticlockw.
B4	red	plus
Y1/3		pilot valve
Y1/2	gry	
Y7		
B 8	grn	RPM +
B 9	blk/whi	RPM -
B 11	blk/grn	pumping on
B 14	blu/whi	pumping
B 12	gry/blk	reverse
B 7	whi/grn	horn
B 15	blk/red	free
A 5	gry/red	emergency stop
B13	bry/whi	free
B 10	vio	POT

Waitzinger Baumaschinen Vertrieb und Service GmbH

FREE DIMENSION TOLERANCE DIN 7168 MEDIUM

DATE: 1998/10/05
DRAWN: Fetzer
NAME: Fetzer

DATE: 02.06.05
Körner
NAME: Körner

DATE: 26.06.04
Körner
NAME: Körner

DATE: 08.03.2008
MI
NAME: MI

CHANGE ONLY WITH CAD

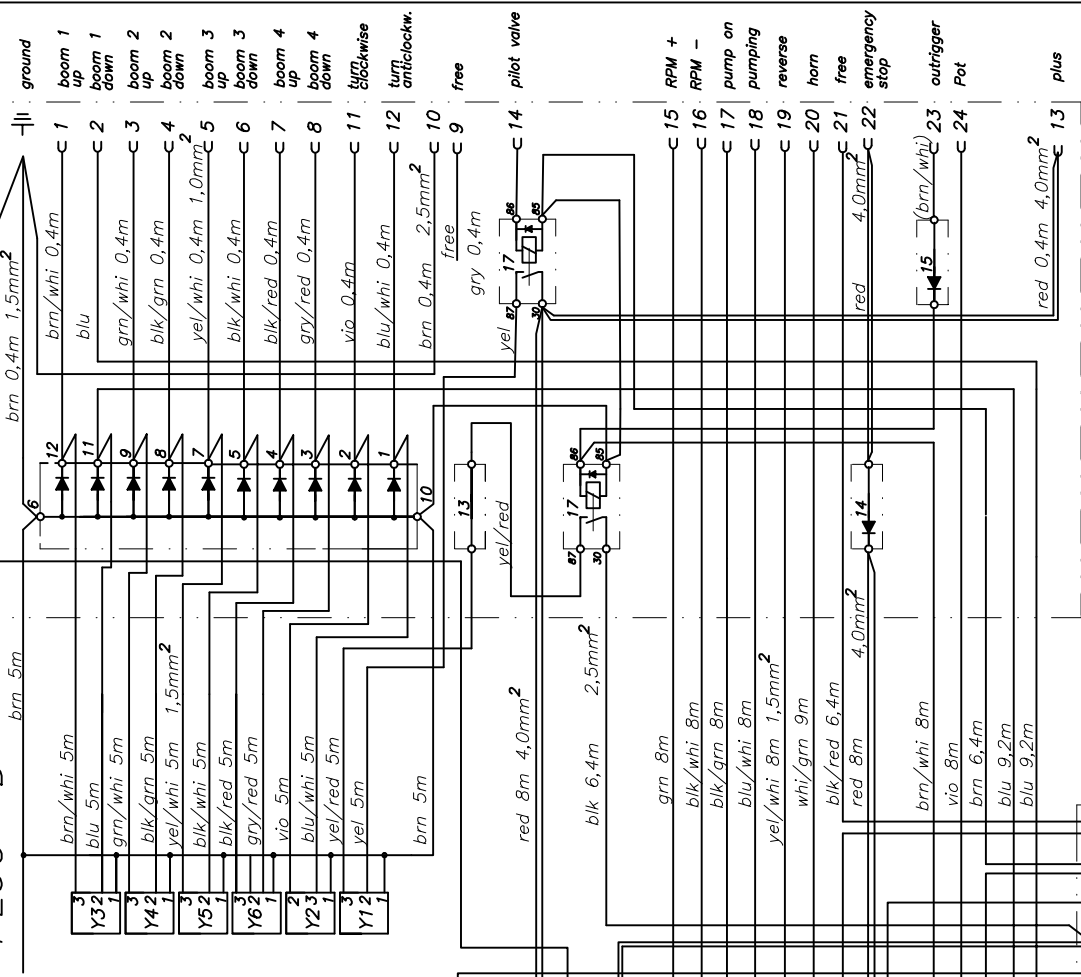
REPLACEMENT FOR: B 56 1 066

REPLACEMENT BY: REED 37m

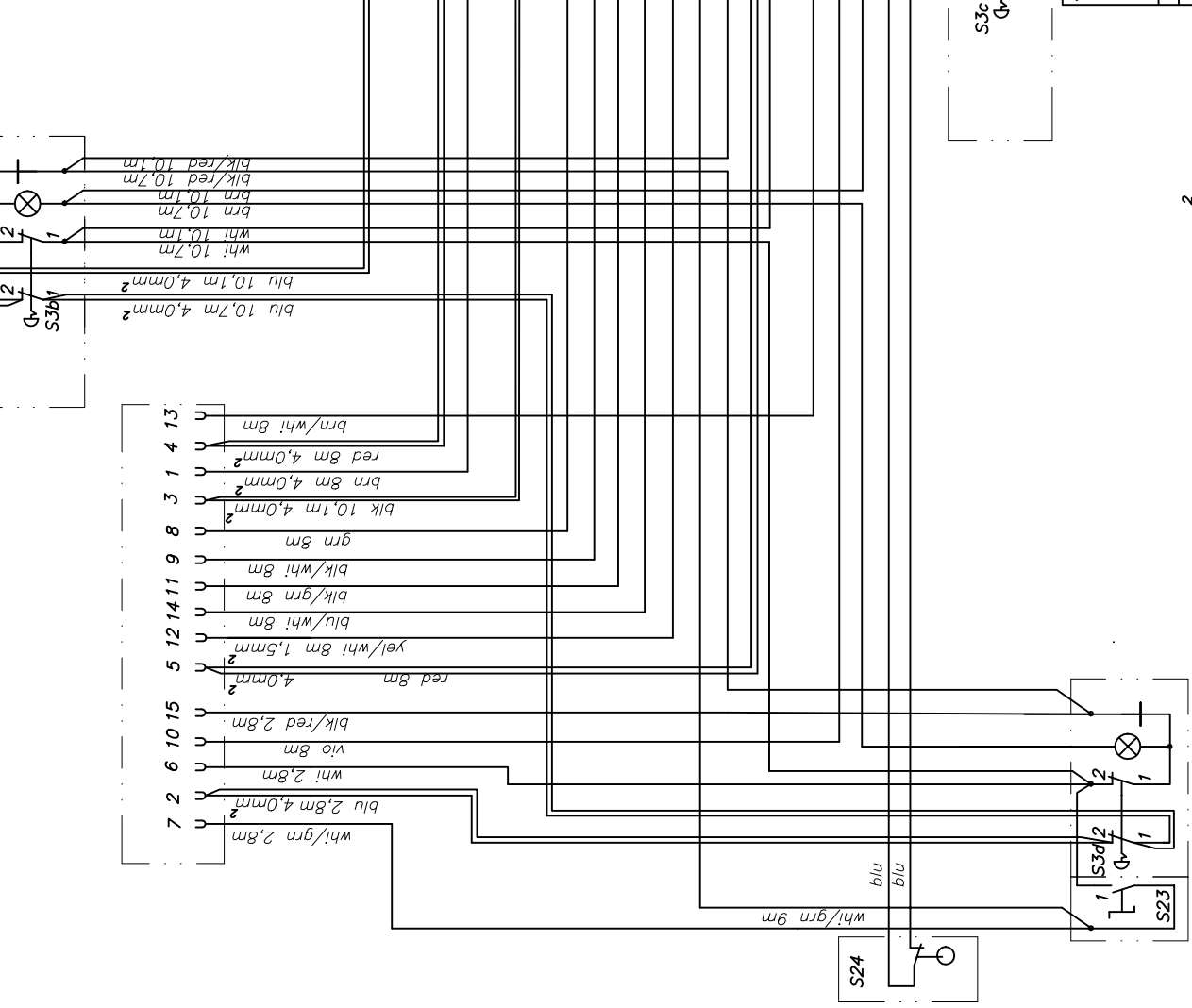
SCALE: WEIGHT:

THIS INFORMATION MAY NOT BE COPIED BY A THIRD PARTY. SUBJECT TO COPYRIGHT (PARAGRAPHS 1 NO. 3 OF "URheberRECHTSGESETZ" FROM 14.06.1997)

PLUG D



PLUG B



all cables which are not dimensioned are 1 mm²



Waitzinger
Baumaschinen
Vertriebs und
Service GmbH

FREE DIMENSION TOLERANCE DIN 7185 MEDIUM	DATE	NAME
	DRAHW 1998/10/05	Fetzer
	CHKD.	
	APPD.	

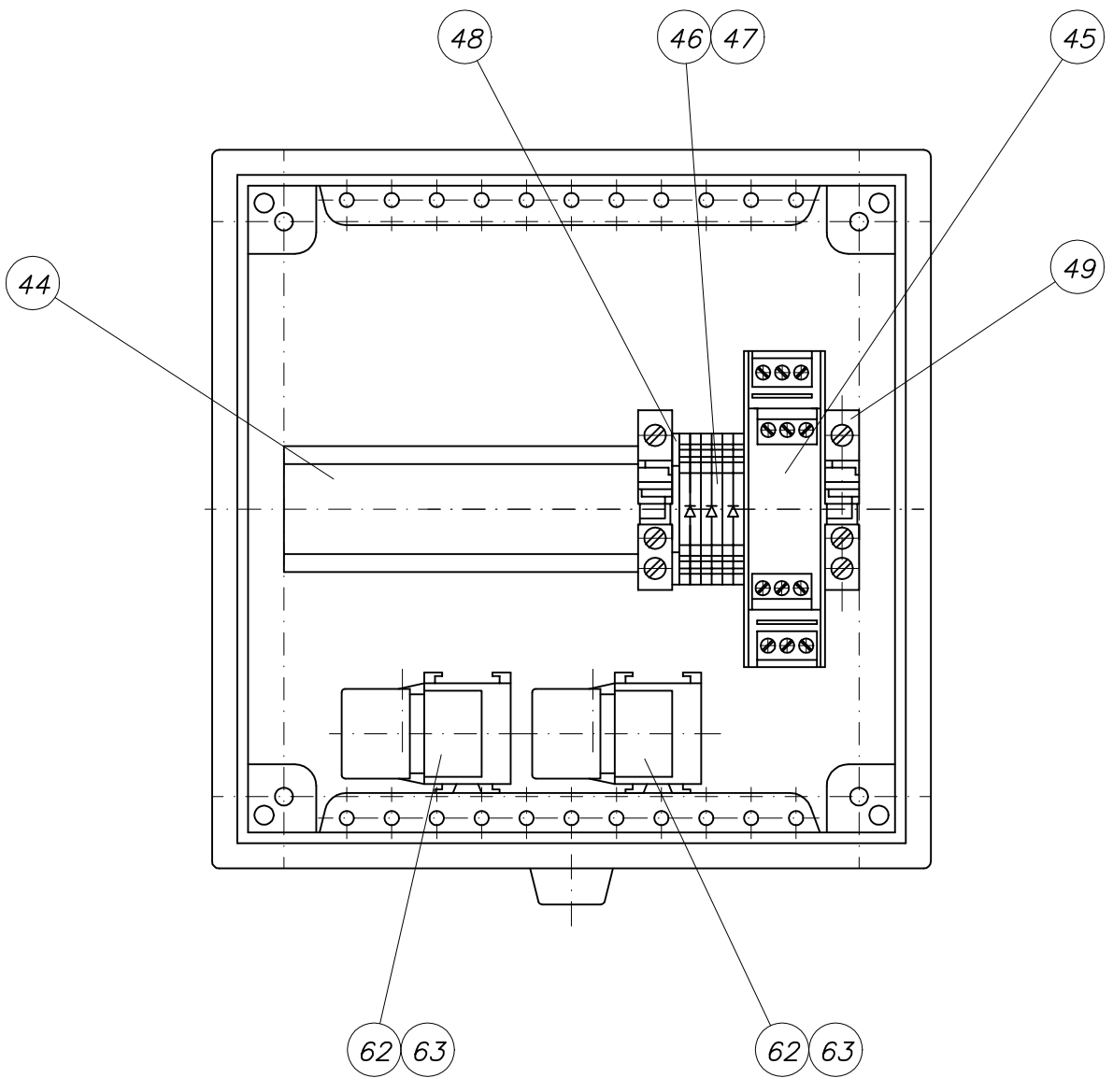


SCALE



WEIGHT

Cable harness boom REED 37m	
CHANGE ONLY WITH CAD	REPLACEMENT FOR
B 56 1 066	
SHEET 2	OF 3

THIS INFORMATION MAY NOT BE COPIED BY A
THIRD PARTY. SUBJECT TO COPYRIGHT (PARA-
GRAPH 1 NO. 3 OF "URHBERRECHTSGESETZ"
FROM 14.06.1991)

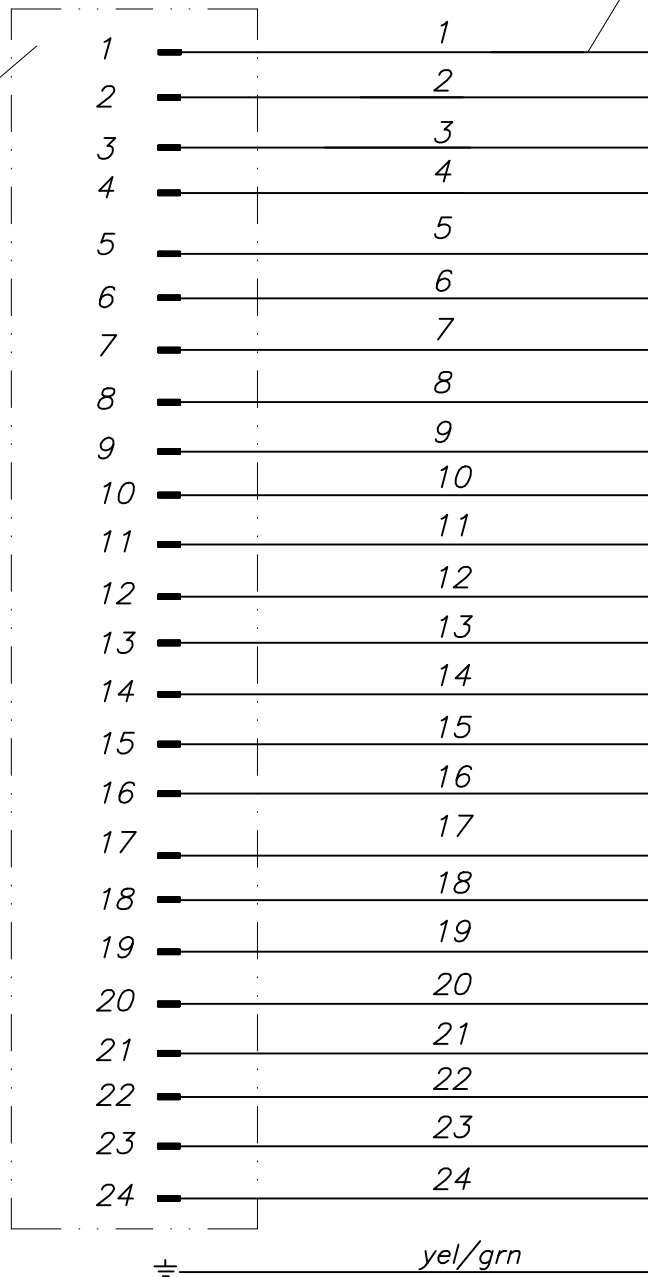


THIS INFORMATION MAY NOT BE COPIED BY A
 THIRD PARTY. SUBJECT TO COPYRIGHT (PARA-
 GRAPH 1 NO. 3 OF "URHEBERRECHTSGESETZ"
 FROM 14.06.1991)


 Waitzinger Baumaschinen Vertrieb und Service GmbH			FREE DIMENSION TOLERANCE DIN 7168 MEDIUM			SCALE	WEIGHT
			DATE	NAME	Cable harness boom REED V3		
			DRAWN 1998/10/05	Fetzer			
			CHKD.				
			APPD.				
d	siehe B 561066.aen	05/06/02	Körner	B 56 1 066			SHEET 3
c	siehe B 561066.aen	04/08/26	Körner				
b	siehe B 561066.aen	03/09/19	Hoh.				
a	siehe B 561066.aen	02/03/20	Mi				
CHANGE ONLY WITH CAD				OF 3			
ISSUE	MODIFICATION	DATE	NAME				REPLACEMENT FOR

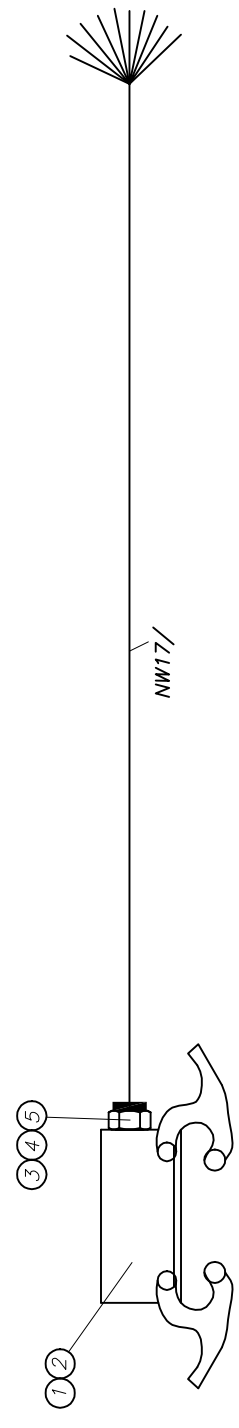
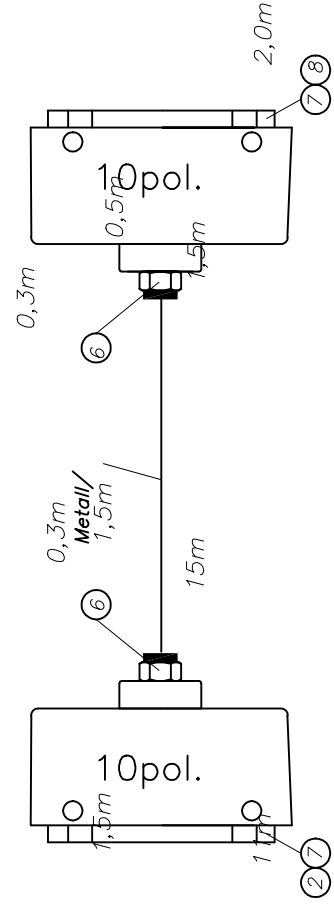
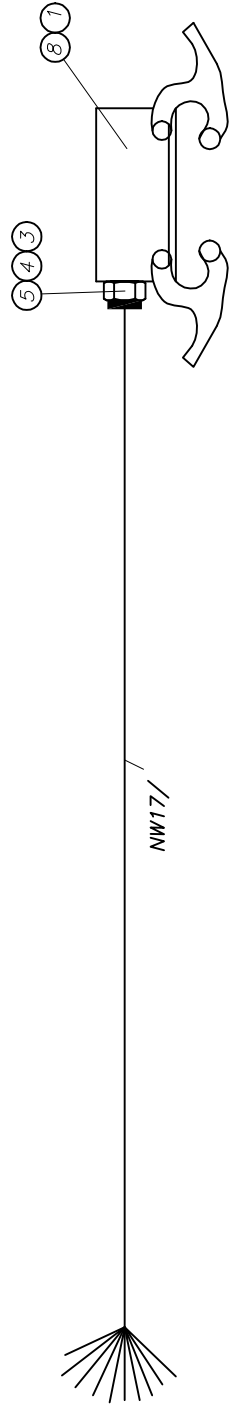
cable 10m
25x1,5
WAI 101989

plug insertion
24-polig
WAI 100714
housing
24-polig
WAI 101542
cove end sleeve 50x
1,5
WAI 101996
(25x unmounted)
fitting
PG 21
WAI 105665



This information may not be copied by a third party. Subject to copyright (paragraph 1 no. 3 of "Urheberrechtsgesetz" from 14.06.1991)

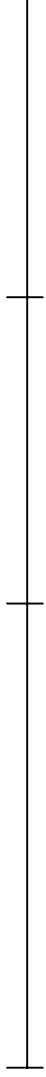
 Waitzinger Baumaschinen Vertrieb und Service GmbH				free dimension tolerance DIN 7168 medium		scale		weight
						own parts list		
				drawn	1999/07/20	name	cable cpl. for cable control	
				chekd.		Mi		
				appd.				
				change only with CAD			sheet	
				B 56 1 049			of	
issue	modification	date	name	original	replacement for	replacement by		



	Freimaßtoleranz DIN 7168 mittel		Maßstab eigene Stückliste	Gewicht	Blatt 2 von 2 Bl.
Datum 06.08.2004	Bearb.	Gepr.	Norm	Änderung nur auf CAD	Ers. für B 56 2 066
Datum	Name	Urspr.	Ers. durch	37m REED	2
Änderung	Datum	Name	Urspr.	37m REED	2
Zus.	Änderung	Datum	Name	37m REED	2



Ohne unsere Genehmigung darf diese Zeichnung weder vervielfältigt noch Dritten, Personen oder Konkurrenzfirmen mitgeteilt werden. (Paragraf 1 Nr.3 des Urheberrechtsgesetzes vom 14.06.1901)

Drehkopf



1	blu	33m
2	yel/red	30m
3	vio	33m
4	blu/whi	30m
5	whi/grn	30m
6	red	14m
7	blk/grn	14m
8	grn	30m
9	whi	30m
10	brn	14m

PLUG

	Freimaßtoleranz DIN 7168 mittel			Maßstab eigene Stückliste	Gewicht
	Bearb. 06.08.2004 Gepr. Norm	Datum 06.08.2004 Name K8mer			
				Kabelbaum Mast 37m REED	
			Änderung nur auf CAD		Blatt 1 von 2 Bl.
				Ers. für	Ers. durch

Ohne unsere Genehmigung darf diese Zeichnung weder vervielfältigt noch Dritten, Personen oder Konkurrenzfirmen mitgeteilt werden. (Paragraf 1 Nr.3 des Urheberrechtsgesetzes vom 14.06.1901)