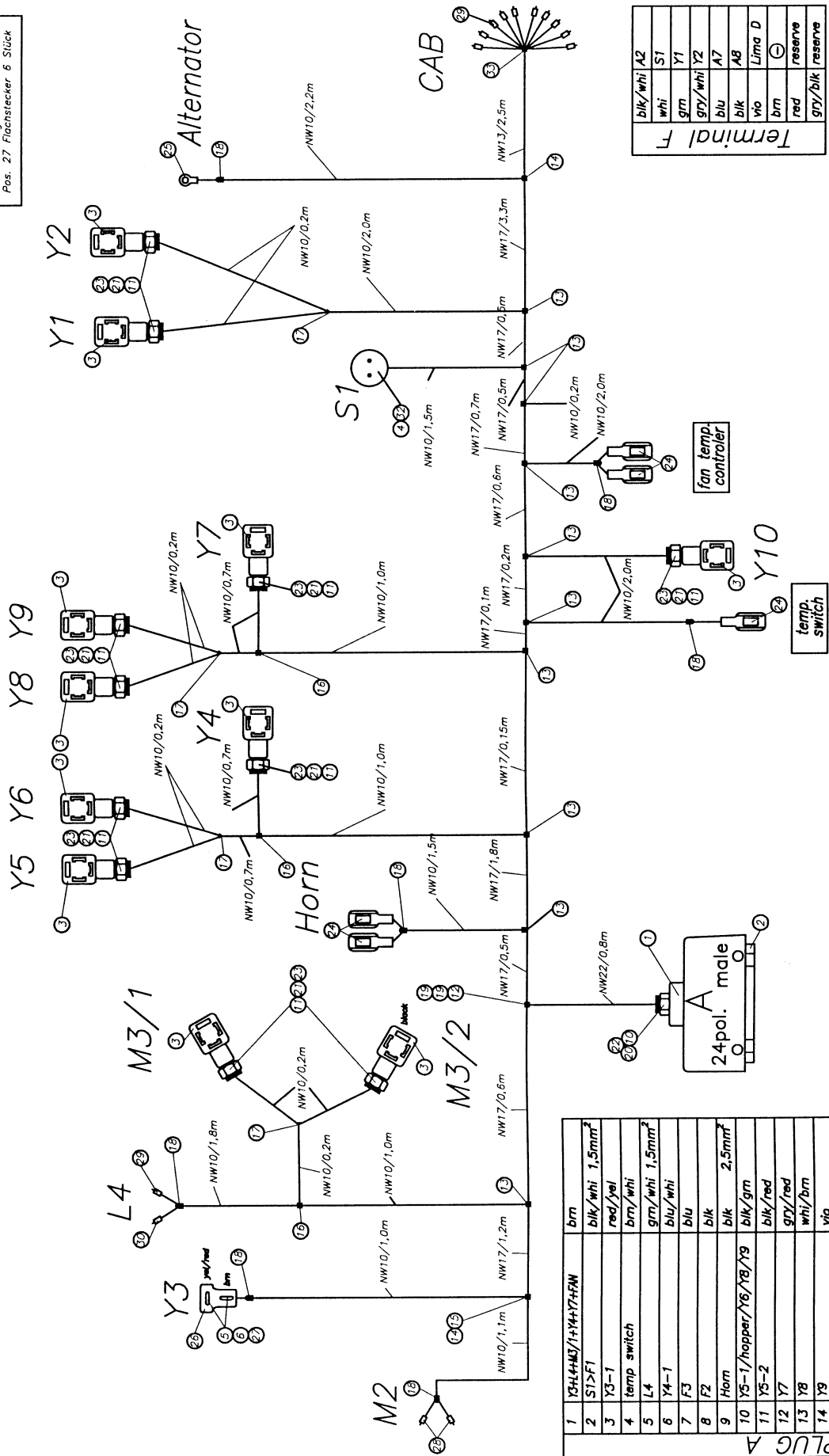


Lose Teile:
 Pos. 35 Halteclip 10 Stück
 Pos. 36 Halteclip 10 Stück
 Pos. 34 Kabelbinder 32 Stück
 Pos. 6 Gegenstecker 3 Stück
 Pos. 27 Flachstecker 6 Stück



blk/whi	A2
whi	S1
grn	Y1
grn/whi	Y2
blu	A7
blk	A8
vio	Lima D
brn	reserve
red	reserve
grn/blk	reserve

PLUG A		
1	Y2H+M3/1+Y4+7+FW	brn
2	S1>F1	blk/whi 1,5mm ²
3	Y3-1	red/yel
4	temp switch	brn/whi
5	L4	grn/whi 1,5mm ²
6	Y4-1	blu/whi
7	F3	blu
8	F2	blk
9	Horn	blk 2,5mm ²
10	Y5-1/hopper/Y6/Y8/Y9	blk/grn
11	Y5-2	blk/red
12	Y7	grn/red
13	Y8	whi/brn
14	Y9	vio
15	M2	blk 2,5mm ²
16	M2	blu 2,5mm ²
17	M3/1 -1	grn 1,5mm ²
18	M3/1-3	grn 1,5mm ²
19	M3/2 -2	yel 1,5mm ²
20	Y6	whi
21	temp switch	
22	temp switch	
23	Y10	grn
24	free	grn
F5		red
F6		grn/blk

Waitzinger Baumaschinen Vertrieb und Service GmbH
 SCALE: _____ WEIGHT: _____
 FREE DIMENSION TOLERANCE DIN 7168 MEDIUM
 DRAWN: 1998/05/08 NAME: Schöner
 CHGD: _____ DATE: _____
 APPL: _____
 CHANGE ONLY WITH CAD
 cable loop pump
 REED cl 32/36 m V3
 B 56 1 067
 REPLACEMENT FOR: _____
 SHEET 1 OF 2

THIS INFORMATION MAY NOT BE COPIED BY A THIRD PARTY, SUBJECT TO COPYRIGHT (PARAGRAPHS 10, 3 OF URHBERRECHTSGESETZ FROM 14.06.1991)