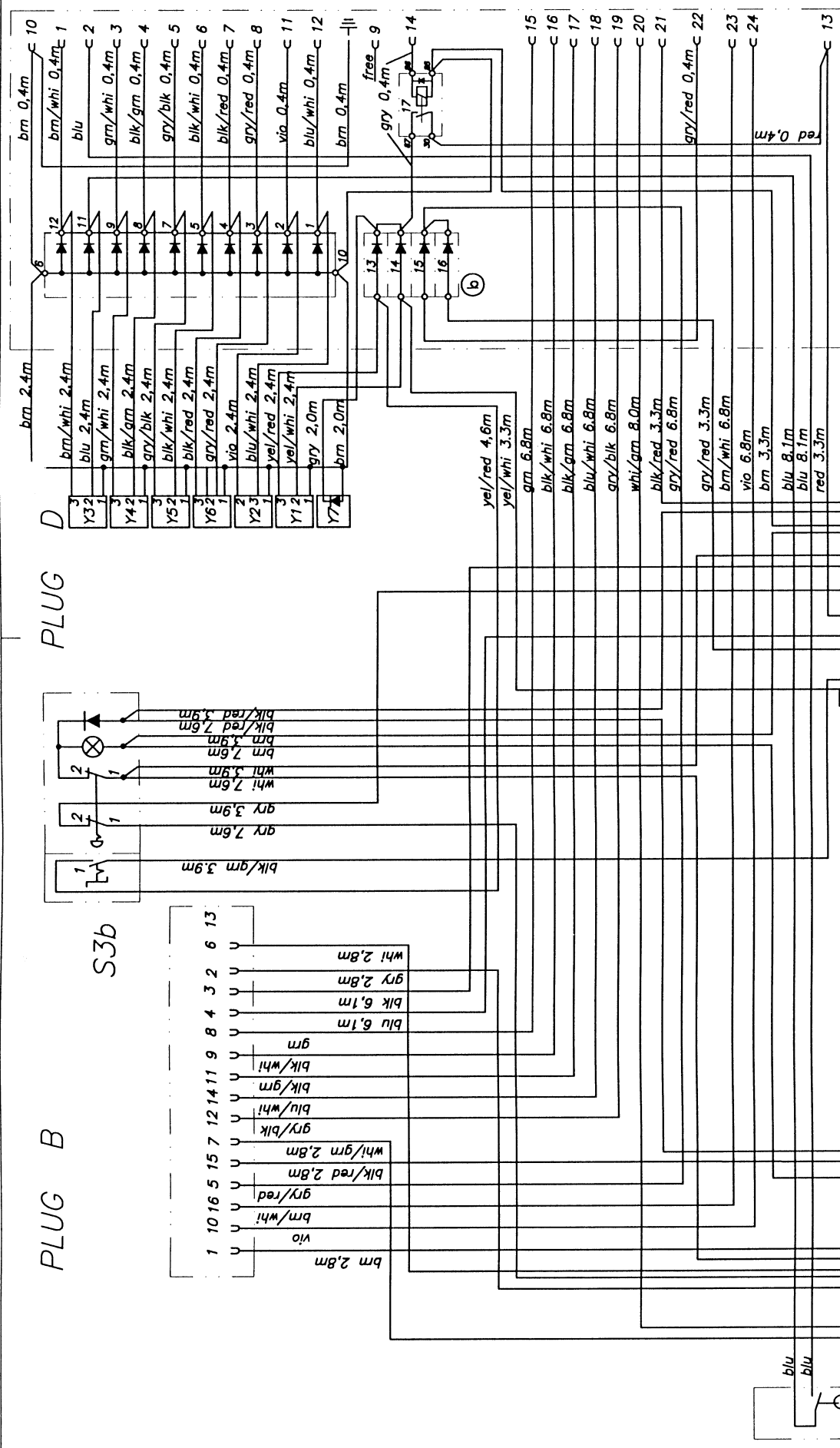
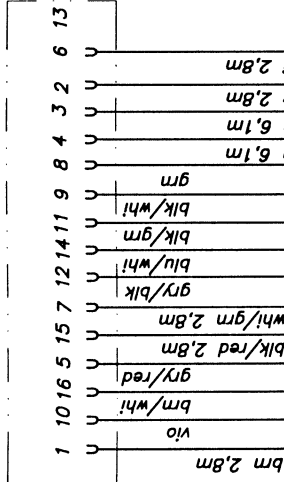


PLUG B

PLUG D

S3b



W		Waizinger Baumaschinen Vertrieb und Service GmbH	
FREE DIMENSION TOLERANCE DIN 7165 MEDIUM	SCALE	WEIGHT	
DATE	NAME		
DRAWN 1998/10/05	Felber		
CHGD.			
APPD.			
ISSUE	MODIFICATION	DATE	NAME
b		89/04/27	Felber
a		89/04/28	M
CHANGE ONLY WITH CAD		REPLACEMENT FOR	
B 56 1 046		Cable harness boom REED	
REPLACEMENT BY		SHEET 2 of 3	

THIS INFORMATION MAY NOT BE COPIED BY A
THIRD PARTY: SUBJECT TO COPYRIGHT (PAPA)
GRAPH. NO. 3 OF URHEBERRECHTSGESETZ
FROM 14.06.1987)