

87<sup>a</sup> 30 /1.2  
87

87<sup>a</sup> 30 /1.4  
87

4 1 /1.8  
3  
5 6 /4.7  
7  
8 11 /4.2  
9  
15 18  
16

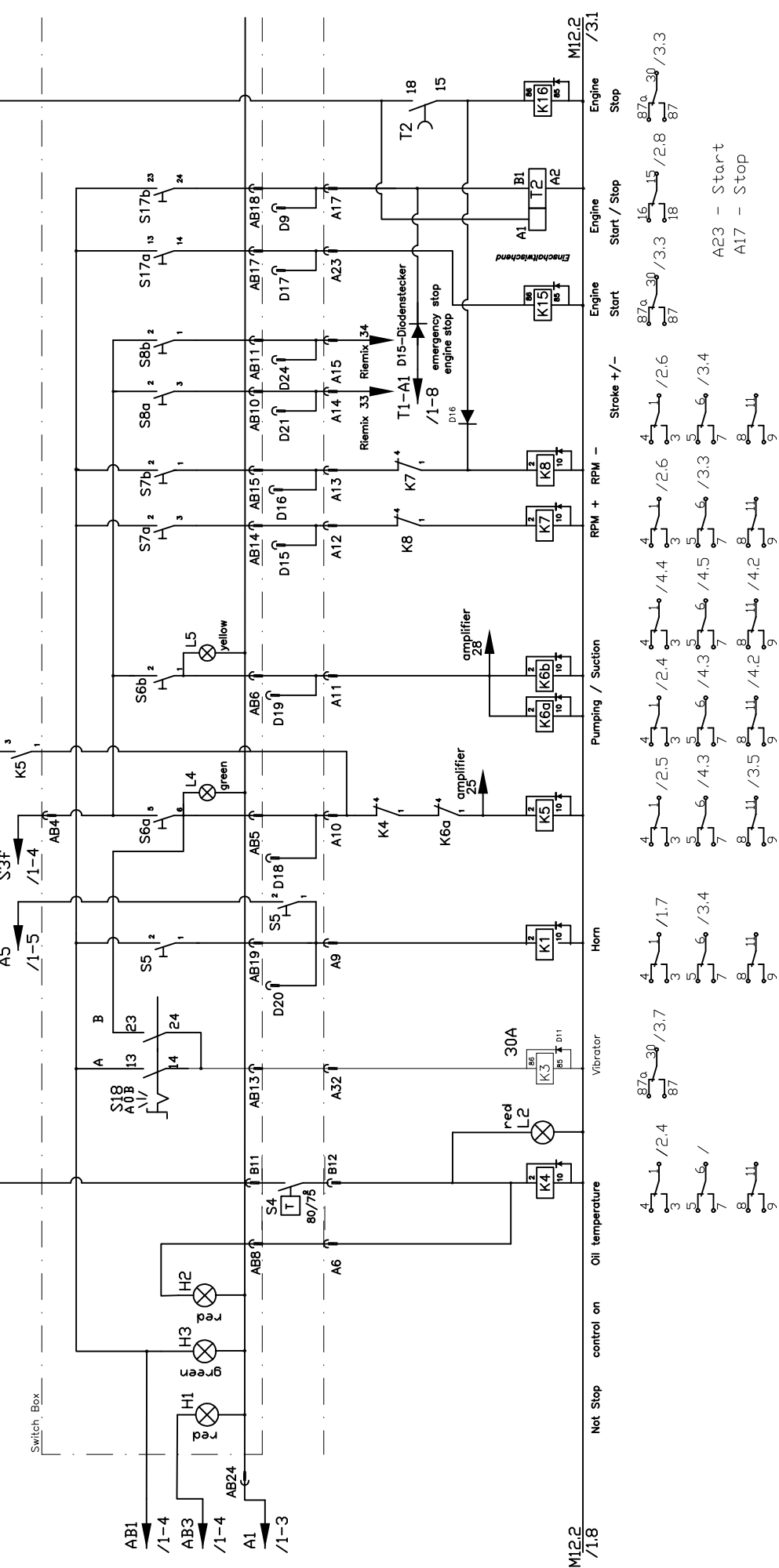
		SCALE	WEIGHT
FREE DIMENSION TOLERANCE DIN 7168 MEDIUM		Seite 1	
DATE	NAME	Bedienpult	
23.03.04	Felzer		
CHKD.	APPD.		
ISSUE	MODIFICATION	DATE	NAME
d	siehe B_513023.doc	01.06.05	Körner
c	siehe B_513023.doc	24.03.05	Körner
b	siehe B_513023.doc	01.03.05	Körner
a	siehe B_513023.doc	02.06.04	Körner

THIS INFORMATION MAY NOT BE COPIED BY A THIRD PARTY. SUBJECT TO COPYRIGHT (PARAGRAPH 1 NO. 3 OF "URheberRECHTSGESETZ" FROM 14.06.1991)

CHANGE ONLY WITH CAD ORIGINAL

REPLACEMENT FOR B 51 3 022 SHEET OF

P12.2a  
 P12.2b  
 P12.2c



SCALE		WEIGHT	
Seite 2		Bedienpult	
FREE DIMENSION TOLERANCE DIN 7185 MEDIUM	DATE	NAME	
	23.03.04	Fetzer	
	CHKD.		
	APPD.		
d siehe B_513023.doc	01.06.05	Körner	
c siehe B_513023.doc	24.03.05	Körner	
b siehe B_513023.doc	01.03.05	Körner	
a siehe B_513023.doc	02.06.04	Körner	
ISSUE	MODIFICATION	DATE	NAME ORIGINAL

THIS INFORMATION MAY NOT BE COPIED BY A THIRD PARTY. SUBJECT TO COPYRIGHT (PARAGRAPH 1 NO. 3 OF "URheberRECHTSGESETZ" FROM 14.06.1991)

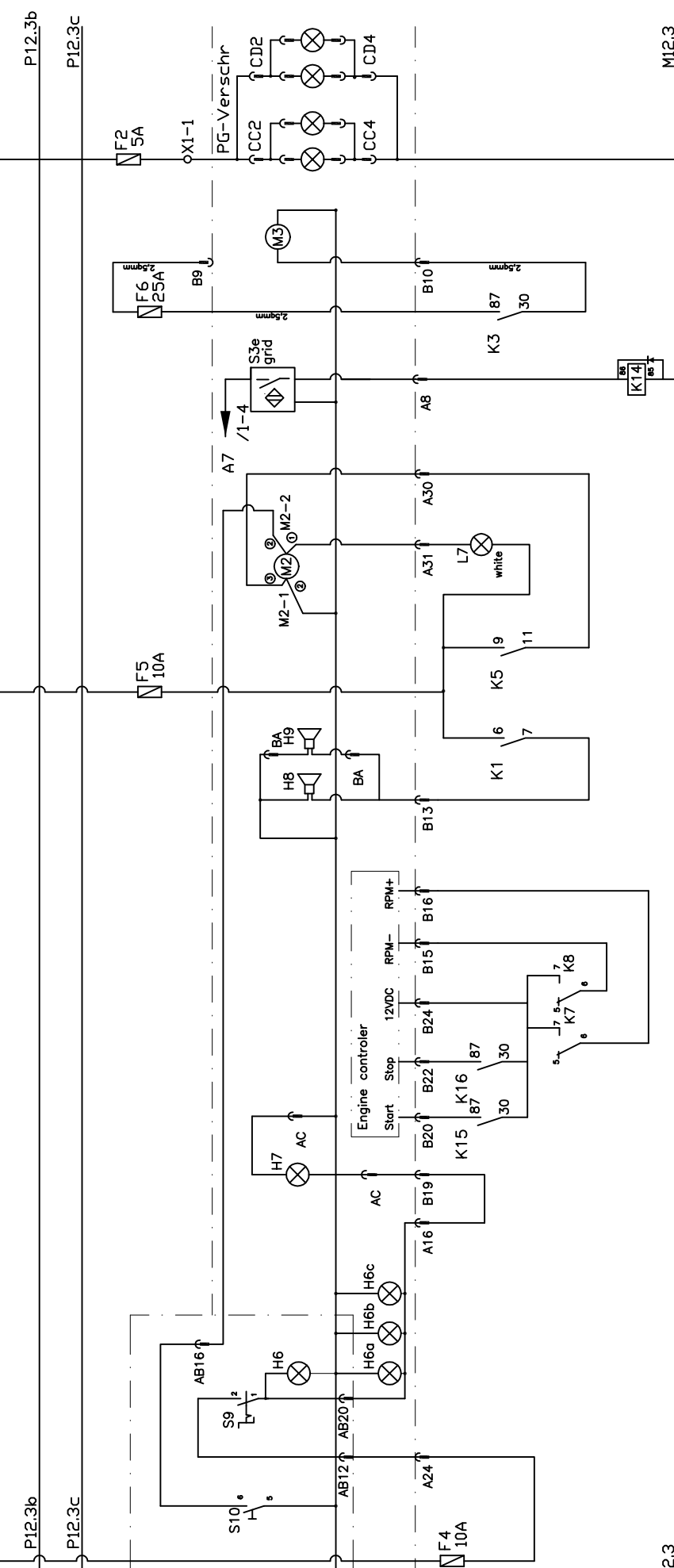
CHANGE ONLY WITH CAD

REPLACEMENT FOR

B 51 3 022

SHEET OF

P12.3a P12.3b P12.3c

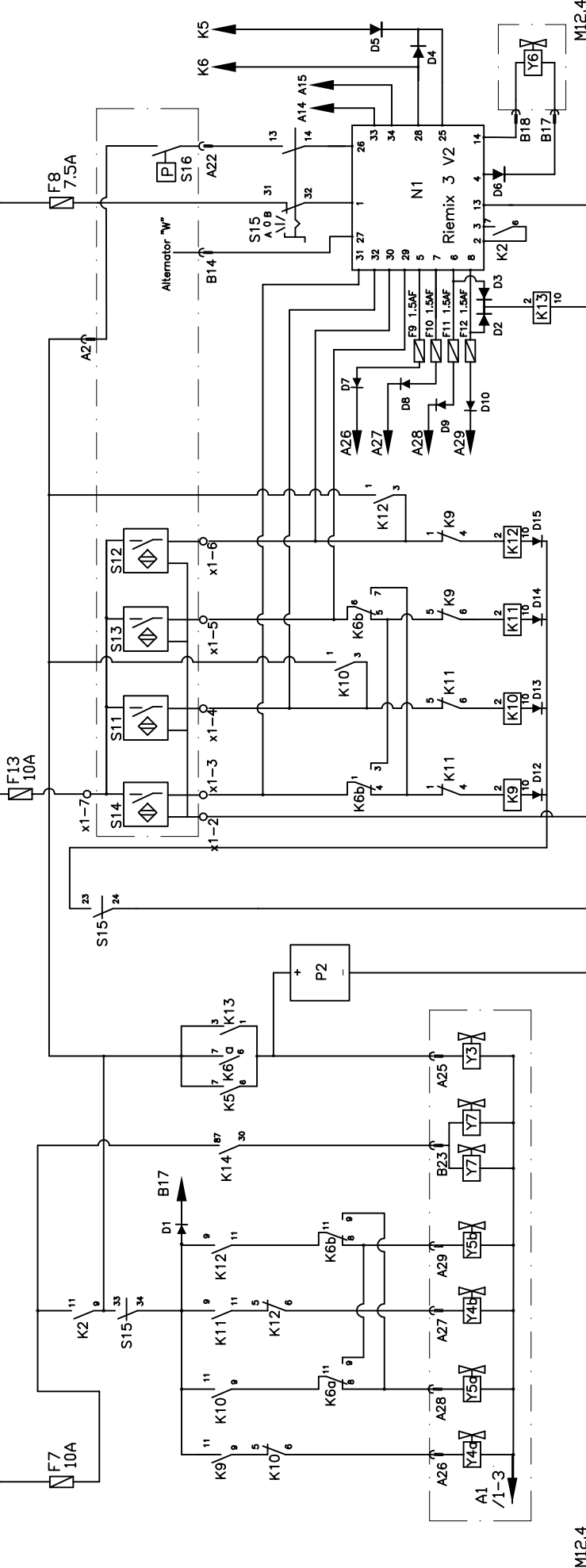


M12.3 / 2.8 Pannel Light Light cable harness  
 M12.3 / 4.1 Rundumbeleuchtung optional  
 Grease motor  
 Horn  
 Engine Start Stop  
 RPM motor  
 Light boom  
 Engine  
 RPM  
 Stop  
 Start  
 Engine controller  
 12VDC  
 RPM+  
 RPM-  
 B20 B22 B24 B15 B16  
 B19  
 B13  
 B10  
 B9  
 B8  
 B7  
 B6  
 B5  
 B4  
 B3  
 B2  
 B1  
 A24 A16 A15 A14 A13 A12 A11 A10 A9 A8 A7 A6 A5 A4 A3 A2 A1  
 A31 A30 A29 A28 A27 A26 A25 A24 A23 A22 A21 A20 A19 A18 A17 A16 A15 A14 A13 A12 A11 A10 A9 A8 A7 A6 A5 A4 A3 A2 A1  
 A7 /1-4  
 A33e grid  
 M2-1 M2-2  
 M3  
 M2  
 M1  
 M0  
 M-1  
 M-2  
 M-3  
 M-4  
 M-5  
 M-6  
 M-7  
 M-8  
 M-9  
 M-10  
 M-11  
 M-12  
 M-13  
 M-14  
 M-15  
 M-16  
 M-17  
 M-18  
 M-19  
 M-20  
 M-21  
 M-22  
 M-23  
 M-24  
 M-25  
 M-26  
 M-27  
 M-28  
 M-29  
 M-30  
 M-31  
 M-32  
 M-33  
 M-34  
 M-35  
 M-36  
 M-37  
 M-38  
 M-39  
 M-40  
 M-41  
 M-42  
 M-43  
 M-44  
 M-45  
 M-46  
 M-47  
 M-48  
 M-49  
 M-50  
 M-51  
 M-52  
 M-53  
 M-54  
 M-55  
 M-56  
 M-57  
 M-58  
 M-59  
 M-60  
 M-61  
 M-62  
 M-63  
 M-64  
 M-65  
 M-66  
 M-67  
 M-68  
 M-69  
 M-70  
 M-71  
 M-72  
 M-73  
 M-74  
 M-75  
 M-76  
 M-77  
 M-78  
 M-79  
 M-80  
 M-81  
 M-82  
 M-83  
 M-84  
 M-85  
 M-86  
 M-87  
 M-88  
 M-89  
 M-90  
 M-91  
 M-92  
 M-93  
 M-94  
 M-95  
 M-96  
 M-97  
 M-98  
 M-99  
 M-100  
 M-101  
 M-102  
 M-103  
 M-104  
 M-105  
 M-106  
 M-107  
 M-108  
 M-109  
 M-110  
 M-111  
 M-112  
 M-113  
 M-114  
 M-115  
 M-116  
 M-117  
 M-118  
 M-119  
 M-120  
 M-121  
 M-122  
 M-123  
 M-124  
 M-125  
 M-126  
 M-127  
 M-128  
 M-129  
 M-130  
 M-131  
 M-132  
 M-133  
 M-134  
 M-135  
 M-136  
 M-137  
 M-138  
 M-139  
 M-140  
 M-141  
 M-142  
 M-143  
 M-144  
 M-145  
 M-146  
 M-147  
 M-148  
 M-149  
 M-150  
 M-151  
 M-152  
 M-153  
 M-154  
 M-155  
 M-156  
 M-157  
 M-158  
 M-159  
 M-160  
 M-161  
 M-162  
 M-163  
 M-164  
 M-165  
 M-166  
 M-167  
 M-168  
 M-169  
 M-170  
 M-171  
 M-172  
 M-173  
 M-174  
 M-175  
 M-176  
 M-177  
 M-178  
 M-179  
 M-180  
 M-181  
 M-182  
 M-183  
 M-184  
 M-185  
 M-186  
 M-187  
 M-188  
 M-189  
 M-190  
 M-191  
 M-192  
 M-193  
 M-194  
 M-195  
 M-196  
 M-197  
 M-198  
 M-199  
 M-200  
 M-201  
 M-202  
 M-203  
 M-204  
 M-205  
 M-206  
 M-207  
 M-208  
 M-209  
 M-210  
 M-211  
 M-212  
 M-213  
 M-214  
 M-215  
 M-216  
 M-217  
 M-218  
 M-219  
 M-220  
 M-221  
 M-222  
 M-223  
 M-224  
 M-225  
 M-226  
 M-227  
 M-228  
 M-229  
 M-230  
 M-231  
 M-232  
 M-233  
 M-234  
 M-235  
 M-236  
 M-237  
 M-238  
 M-239  
 M-240  
 M-241  
 M-242  
 M-243  
 M-244  
 M-245  
 M-246  
 M-247  
 M-248  
 M-249  
 M-250  
 M-251  
 M-252  
 M-253  
 M-254  
 M-255  
 M-256  
 M-257  
 M-258  
 M-259  
 M-260  
 M-261  
 M-262  
 M-263  
 M-264  
 M-265  
 M-266  
 M-267  
 M-268  
 M-269  
 M-270  
 M-271  
 M-272  
 M-273  
 M-274  
 M-275  
 M-276  
 M-277  
 M-278  
 M-279  
 M-280  
 M-281  
 M-282  
 M-283  
 M-284  
 M-285  
 M-286  
 M-287  
 M-288  
 M-289  
 M-290  
 M-291  
 M-292  
 M-293  
 M-294  
 M-295  
 M-296  
 M-297  
 M-298  
 M-299  
 M-300  
 M-301  
 M-302  
 M-303  
 M-304  
 M-305  
 M-306  
 M-307  
 M-308  
 M-309  
 M-310  
 M-311  
 M-312  
 M-313  
 M-314  
 M-315  
 M-316  
 M-317  
 M-318  
 M-319  
 M-320  
 M-321  
 M-322  
 M-323  
 M-324  
 M-325  
 M-326  
 M-327  
 M-328  
 M-329  
 M-330  
 M-331  
 M-332  
 M-333  
 M-334  
 M-335  
 M-336  
 M-337  
 M-338  
 M-339  
 M-340  
 M-341  
 M-342  
 M-343  
 M-344  
 M-345  
 M-346  
 M-347  
 M-348  
 M-349  
 M-350  
 M-351  
 M-352  
 M-353  
 M-354  
 M-355  
 M-356  
 M-357  
 M-358  
 M-359  
 M-360  
 M-361  
 M-362  
 M-363  
 M-364  
 M-365  
 M-366  
 M-367  
 M-368  
 M-369  
 M-370  
 M-371  
 M-372  
 M-373  
 M-374  
 M-375  
 M-376  
 M-377  
 M-378  
 M-379  
 M-380  
 M-381  
 M-382  
 M-383  
 M-384  
 M-385  
 M-386  
 M-387  
 M-388  
 M-389  
 M-390  
 M-391  
 M-392  
 M-393  
 M-394  
 M-395  
 M-396  
 M-397  
 M-398  
 M-399  
 M-400  
 M-401  
 M-402  
 M-403  
 M-404  
 M-405  
 M-406  
 M-407  
 M-408  
 M-409  
 M-410  
 M-411  
 M-412  
 M-413  
 M-414  
 M-415  
 M-416  
 M-417  
 M-418  
 M-419  
 M-420  
 M-421  
 M-422  
 M-423  
 M-424  
 M-425  
 M-426  
 M-427  
 M-428  
 M-429  
 M-430  
 M-431  
 M-432  
 M-433  
 M-434  
 M-435  
 M-436  
 M-437  
 M-438  
 M-439  
 M-440  
 M-441  
 M-442  
 M-443  
 M-444  
 M-445  
 M-446  
 M-447  
 M-448  
 M-449  
 M-450  
 M-451  
 M-452  
 M-453  
 M-454  
 M-455  
 M-456  
 M-457  
 M-458  
 M-459  
 M-460  
 M-461  
 M-462  
 M-463  
 M-464  
 M-465  
 M-466  
 M-467  
 M-468  
 M-469  
 M-470  
 M-471  
 M-472  
 M-473  
 M-474  
 M-475  
 M-476  
 M-477  
 M-478  
 M-479  
 M-480  
 M-481  
 M-482  
 M-483  
 M-484  
 M-485  
 M-486  
 M-487  
 M-488  
 M-489  
 M-490  
 M-491  
 M-492  
 M-493  
 M-494  
 M-495  
 M-496  
 M-497  
 M-498  
 M-499  
 M-500  
 M-501  
 M-502  
 M-503  
 M-504  
 M-505  
 M-506  
 M-507  
 M-508  
 M-509  
 M-510  
 M-511  
 M-512  
 M-513  
 M-514  
 M-515  
 M-516  
 M-517  
 M-518  
 M-519  
 M-520  
 M-521  
 M-522  
 M-523  
 M-524  
 M-525  
 M-526  
 M-527  
 M-528  
 M-529  
 M-530  
 M-531  
 M-532  
 M-533  
 M-534  
 M-535  
 M-536  
 M-537  
 M-538  
 M-539  
 M-540  
 M-541  
 M-542  
 M-543  
 M-544  
 M-545  
 M-546  
 M-547  
 M-548  
 M-549  
 M-550  
 M-551  
 M-552  
 M-553  
 M-554  
 M-555  
 M-556  
 M-557  
 M-558  
 M-559  
 M-560  
 M-561  
 M-562  
 M-563  
 M-564  
 M-565  
 M-566  
 M-567  
 M-568  
 M-569  
 M-570  
 M-571  
 M-572  
 M-573  
 M-574  
 M-575  
 M-576  
 M-577  
 M-578  
 M-579  
 M-580  
 M-581  
 M-582  
 M-583  
 M-584  
 M-585  
 M-586  
 M-587  
 M-588  
 M-589  
 M-590  
 M-591  
 M-592  
 M-593  
 M-594  
 M-595  
 M-596  
 M-597  
 M-598  
 M-599  
 M-600  
 M-601  
 M-602  
 M-603  
 M-604  
 M-605  
 M-606  
 M-607  
 M-608  
 M-609  
 M-610  
 M-611  
 M-612  
 M-613  
 M-614  
 M-615  
 M-616  
 M-617  
 M-618  
 M-619  
 M-620  
 M-621  
 M-622  
 M-623  
 M-624  
 M-625  
 M-626  
 M-627  
 M-628  
 M-629  
 M-630  
 M-631  
 M-632  
 M-633  
 M-634  
 M-635  
 M-636  
 M-637  
 M-638  
 M-639  
 M-640  
 M-641  
 M-642  
 M-643  
 M-644  
 M-645  
 M-646  
 M-647  
 M-648  
 M-649  
 M-650  
 M-651  
 M-652  
 M-653  
 M-654  
 M-655  
 M-656  
 M-657  
 M-658  
 M-659  
 M-660  
 M-661  
 M-662  
 M-663  
 M-664  
 M-665  
 M-666  
 M-667  
 M-668  
 M-669  
 M-670  
 M-671  
 M-672  
 M-673  
 M-674  
 M-675  
 M-676  
 M-677  
 M-678  
 M-679  
 M-680  
 M-681  
 M-682  
 M-683  
 M-684  
 M-685  
 M-686  
 M-687  
 M-688  
 M-689  
 M-690  
 M-691  
 M-692  
 M-693  
 M-694  
 M-695  
 M-696  
 M-697  
 M-698  
 M-699  
 M-700  
 M-701  
 M-702  
 M-703  
 M-704  
 M-705  
 M-706  
 M-707  
 M-708  
 M-709  
 M-710  
 M-711  
 M-712  
 M-713  
 M-714  
 M-715  
 M-716  
 M-717  
 M-718  
 M-719  
 M-720  
 M-721  
 M-722  
 M-723  
 M-724  
 M-725  
 M-726  
 M-727  
 M-728  
 M-729  
 M-730  
 M-731  
 M-732  
 M-733  
 M-734  
 M-735  
 M-736  
 M-737  
 M-738  
 M-739  
 M-740  
 M-741  
 M-742  
 M-743  
 M-744  
 M-745  
 M-746  
 M-747  
 M-748  
 M-749  
 M-750  
 M-751  
 M-752  
 M-753  
 M-754  
 M-755  
 M-756  
 M-757  
 M-758  
 M-759  
 M-760  
 M-761  
 M-762  
 M-763  
 M-764  
 M-765  
 M-766  
 M-767  
 M-768  
 M-769  
 M-770  
 M-771  
 M-772  
 M-773  
 M-774  
 M-775  
 M-776  
 M-777  
 M-778  
 M-779  
 M-780  
 M-781  
 M-782  
 M-783  
 M-784  
 M-785  
 M-786  
 M-787  
 M-788  
 M-789  
 M-790  
 M-791  
 M-792  
 M-793  
 M-794  
 M-795  
 M-796  
 M-797  
 M-798  
 M-799  
 M-800  
 M-801  
 M-802  
 M-803  
 M-804  
 M-805  
 M-806  
 M-807  
 M-808  
 M-809  
 M-810  
 M-811  
 M-812  
 M-813  
 M-814  
 M-815  
 M-816  
 M-817  
 M-818  
 M-819  
 M-820  
 M-821  
 M-822  
 M-823  
 M-824  
 M-825  
 M-826  
 M-827  
 M-828  
 M-829  
 M-830  
 M-831  
 M-832  
 M-833  
 M-834  
 M-835  
 M-836  
 M-837  
 M-838  
 M-839  
 M-840  
 M-841  
 M-842  
 M-843  
 M-844  
 M-845  
 M-846  
 M-847  
 M-848  
 M-849  
 M-850  
 M-851  
 M-852  
 M-853  
 M-854  
 M-855  
 M-856  
 M-857  
 M-858  
 M-859  
 M-860  
 M-861  
 M-862  
 M-863  
 M-864  
 M-865  
 M-866  
 M-867  
 M-868  
 M-869  
 M-870  
 M-871  
 M-872  
 M-873  
 M-874  
 M-875  
 M-876  
 M-877  
 M-878  
 M-879  
 M-880  
 M-881  
 M-882  
 M-883  
 M-884  
 M-885  
 M-886  
 M-887  
 M-888  
 M-889  
 M-890  
 M-891  
 M-892  
 M-893  
 M-894  
 M-895  
 M-896  
 M-897  
 M-898  
 M-899  
 M-900  
 M-901  
 M-902  
 M-903  
 M-904  
 M-905  
 M-906  
 M-907  
 M-908  
 M-909  
 M-910  
 M-911  
 M-912  
 M-913  
 M-914  
 M-915  
 M-916  
 M-917  
 M-918  
 M-919  
 M-920  
 M-921  
 M-922  
 M-923  
 M-924  
 M-925  
 M-926  
 M-927  
 M-928  
 M-929  
 M-930  
 M-931  
 M-932  
 M-933  
 M-934  
 M-935  
 M-936  
 M-937  
 M-938  
 M-939  
 M-940  
 M-941  
 M-942  
 M-943  
 M-944  
 M-945  
 M-946  
 M-947  
 M-948  
 M-949  
 M-950  
 M-951  
 M-952  
 M-953  
 M-954  
 M-955  
 M-956  
 M-957  
 M-958  
 M-959  
 M-960  
 M-961  
 M-962  
 M-963  
 M-964  
 M-965  
 M-966  
 M-967  
 M-968  
 M-969  
 M-970  
 M-971  
 M-972  
 M-973  
 M-974  
 M-975  
 M-976  
 M-977  
 M-978  
 M-979  
 M-980  
 M-981  
 M-982  
 M-983  
 M-984  
 M-985  
 M-986  
 M-987  
 M-988  
 M-989  
 M-990  
 M-991  
 M-992  
 M-993  
 M-994  
 M-995  
 M-996  
 M-997  
 M-998  
 M-999  
 M-1000

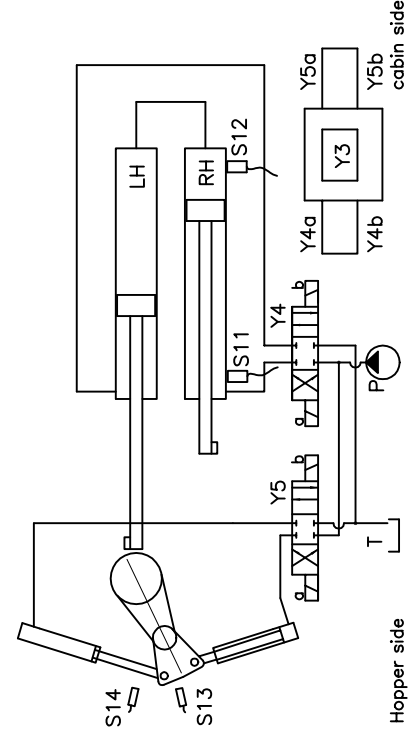
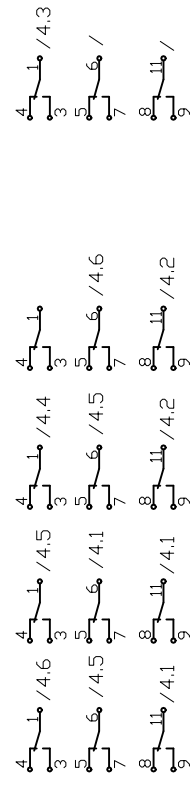
SCALE		WEIGHT	
Seite 3			
Bedienpult			
B 51 3 022			
REPLACEMENT FOR			
REPLACEMENT BY			
FREE DIMENSION TOLERANCE DIN 7188 MEDIUM		NAME	
DATE		Fetzer	
DRAWN		23.03.04	
CHKD.			
APPD.			
NAME		DATE	
Körner		01.06.05	
Körner		24.03.05	
Körner		01.03.05	
Körner		02.06.04	
NAME		DATE	
ORIGINAL			
CHANGE ONLY WITH CAD		SHEET	
		OF	

THIS INFORMATION MAY NOT BE COPIED BY A THIRD PARTY. SUBJECT TO COPYRIGHT (PARAGRAPH 1 NO. 3 OF "URheberRECHTSGESETZ" FROM 14.06.1991)

P12.4a P12.4b P12.4c P12.4d



M12.4 / 3.8 Directional valves Agitator valves Pressure valve Working Counter Amplifier Spare func S/W Prop. pressure valve



SCALE		Seite 4	
FREE DIMENSION TOLERANCE DIN 7185 MEDIUM		Bedienpult	
DATE	NAME	REPLACEMENT FOR	
23.03.04	Fetzer	B 51 3 022	
DRAWN	CHKD.	SHEET	
	APPD.	OF	
CHANGE ONLY WITH CAD		REPLACEMENT BY	
NAME ORIGINAL		DATE	
Waizinger Baumaschinen Vertrieb und Service GmbH		02.08.04	
NAME		DATE	
Körner		01.06.05	
Körner		24.03.05	
Körner		01.03.05	
Körner		02.08.04	
Körner		02.08.04	

THIS INFORMATION MAY NOT BE COPIED BY A THIRD PARTY. SUBJECT TO COPYRIGHT (PARAGRAPH 1 NO. 3 OF "URheberRECHTSGESETZ" FROM 14.06.1991)