



XT39R4

REED
13822 Oaks Avenue
Chino, CA 91710
909-287-2100
www.reedpumps.com

CHAPTER 1 MACHINE OVERVIEW.....	3
CHAPTER 2 BOOM.....	4
2.1 MASTHEAD	4
2.2 BOOM SECTION 1	6
2.2.1 SECTION 1	6
2.2.1-1 CYLINDER 1 OF SECTION 1	10
2.2.1-2 CYLINDER 2 OF SECTION 1	12
2.3 BOOM SECTION 2.....	14
2.3.1 SECTION 2	14
2.3.1-1 CYLINDER OF SECTION 2	18
2.4 BOOM SECTION 3.....	20
2.4.1 SECTION 3	20
2.4.1-1 CYLINDER OF SECTION 3.....	24
2.5 BOOM SECTION 4.....	26
2.5.1 SECTION 4	26
2.6 DELIVERY PIPE.....	28
2.6.1 BOOM PIPE	28
2.6.2 DECK PIPE.....	42
CHAPTER 3 PEDESTAL AND OUTRIGGERS.....	49
3.1 ROTATION ASSEMBLY AND DRIVE	52
3.2 HYDRAULIC JACK CYLINDER.....	54
3.3 HYDRAULIC SWINGOUT CYLINDER	56
3.4 HYDRAULIC EXTEND CYLINDER	58
3.5 HYDRAULIC TANK.....	60
3.6 WATER TANK.....	62
CHAPTER 4 PUMPING SYSTEM	64
4.1 WATER BOX.....	66
4.2 HOPPER ASSEMBLY	68
4.3 CONCRETE PISTON	70
4.4 DRIVE CYLINDER	72
4.5 SHIFT CYLINDER	75
4.6 S-TUBE ASSEMBLY	77
CHAPTER 5 SUB-FRAME	81
5.1 BOOM REST	83
5.2 REAR OUTRIGGER LOCK	84
5.3 GEARBOX ASSEMBLY	85

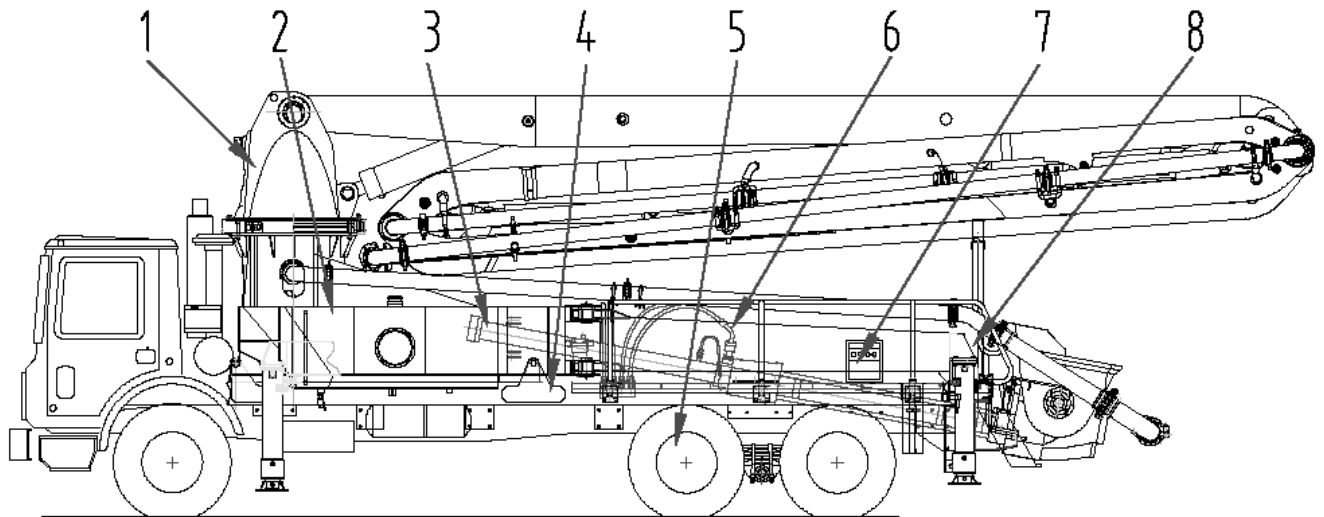


XT39R4

REED
13822 Oaks Avenue
Chino, CA 91710
909-287-2100
www.reedpumps.com

CHAPTER 6 HYDRAULIC SYSTEM	87
6.1 PUMPING.....	87
6.2 SHIFTING.....	90
6.3 AUXILARY	95
6.4 BOOM	96
6.5 OUTRIGGER.....	98
CHAPTER 7 ELECTRICAL CONTROL SYSTEM.....	100
7.1 CONTROL SYSTEM	100
7.2 CONTROL BOX.....	101
CHAPTER 8 LUBRICATION SYSTEM	102
8.1 LUBRICATION OF PUMPING SYSTEM.....	102

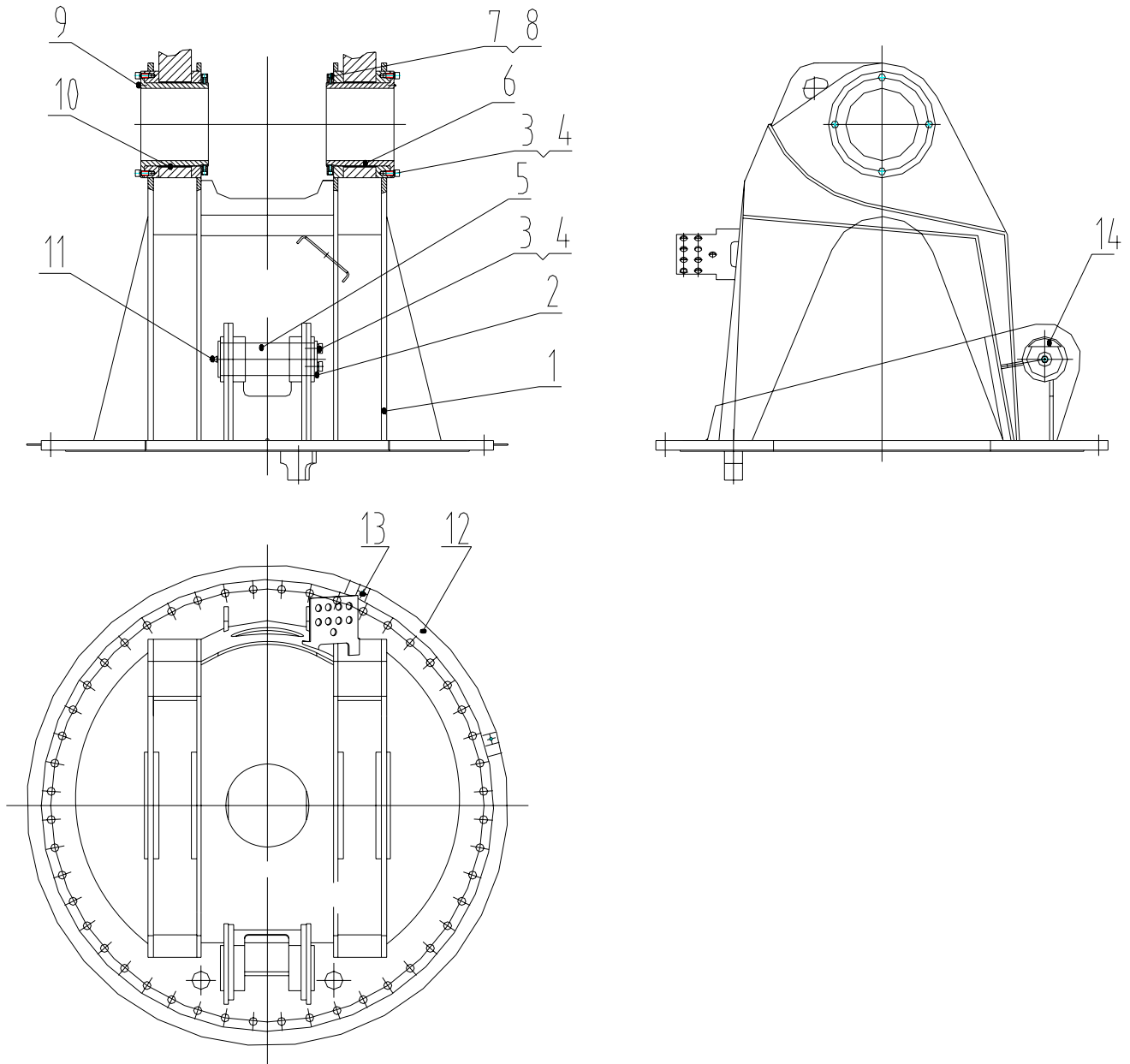
CHAPTER 1 MACHINE OVERVIEW



No.	Description	Group Number	Material	Parent	Weight	Quantity
1	boom	XBC39.1				1
2	pedestal	XBC39.2				1
3	pumping system	XBC39.3				1
4	subframe	XBC39.4				1
5	chassis	XBC39.5				1
6	hydraulic system	XBC39.6				1
7	electrical system	XBC39.7				1
8	lubrication system	XBC39.8				1

CHAPTER 2 BOOM

2.1 MASTHEAD ASSEMBLY





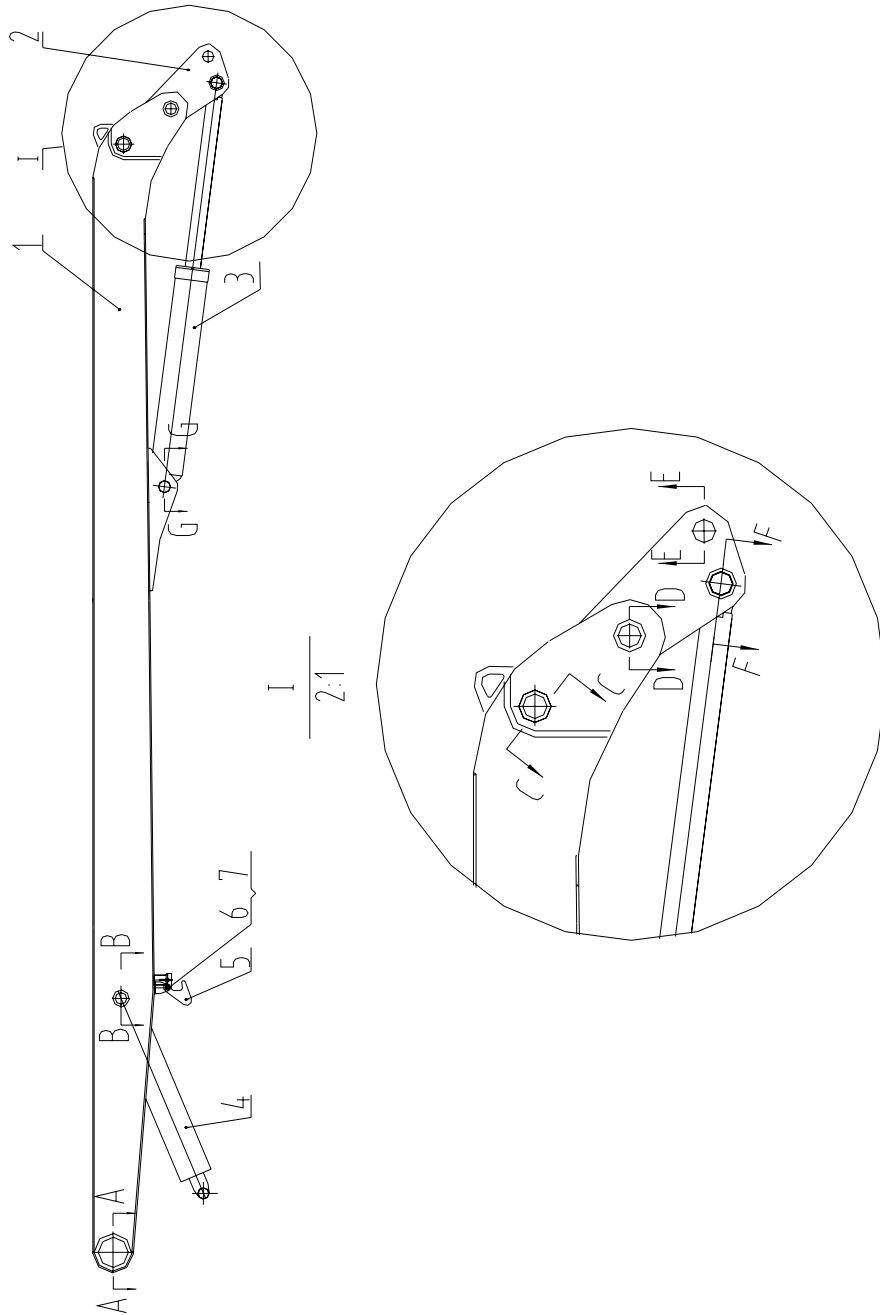
XT39R4

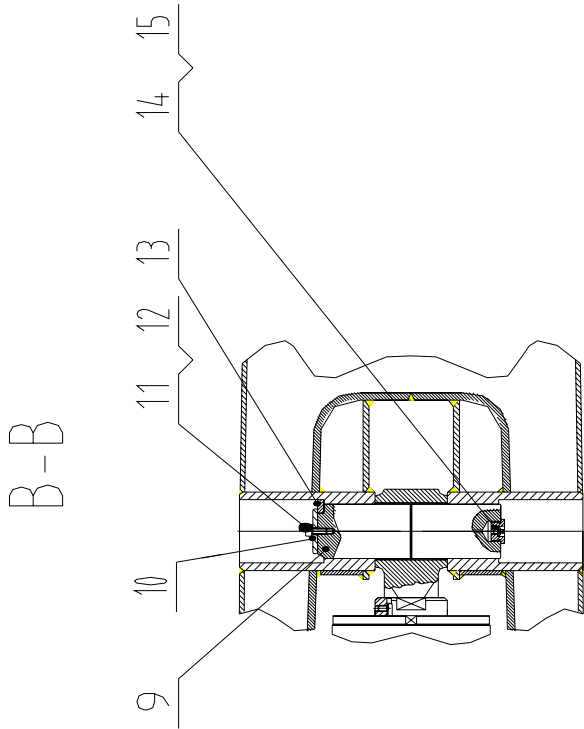
REED
13822 Oaks Avenue
Chino, CA 91710
909-287-2100
www.reedpumps.com

No.	Description	Part Number	Material	Parent	Weight	Quantity
1	masthead weldment	XBC39.2.9.1				1
2	plate,guide plate	ZBC37.2.1-1				1
3	bolt M12X25	GB70-85				15
4	washer 12	GB93-87				15
5	pin	ZBC37.2.1-2				1
6	pin,hollow pin	ZBC37.2.1-3				2
7	bolt M8 x 25	GB70-85				4
8	nut M230	ZBC37.2.1-4				2
9	bolt M6 x 1	GB1152-89				2
10	bearing	ZBC37.2.1-5				2
11	bolt M8 x 1	GB1152-89				1
12	cover,protection	ZBC37.2.1-6				1
13	bolt M5 x 8	GB65-85				2
14	plate	ZBC37.2.1-7				1

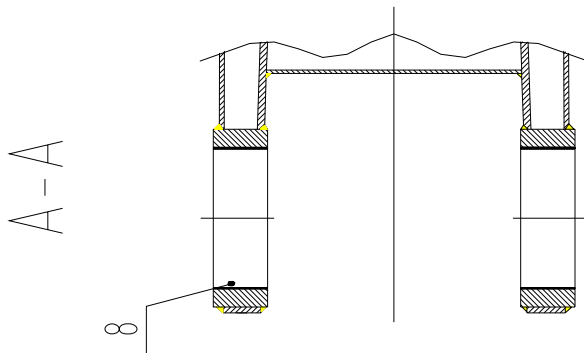
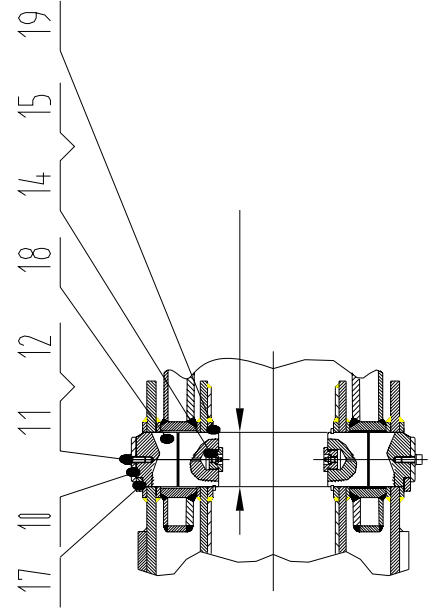
2.2 BOOM SECTION 1

2.2.1 SECTION 1

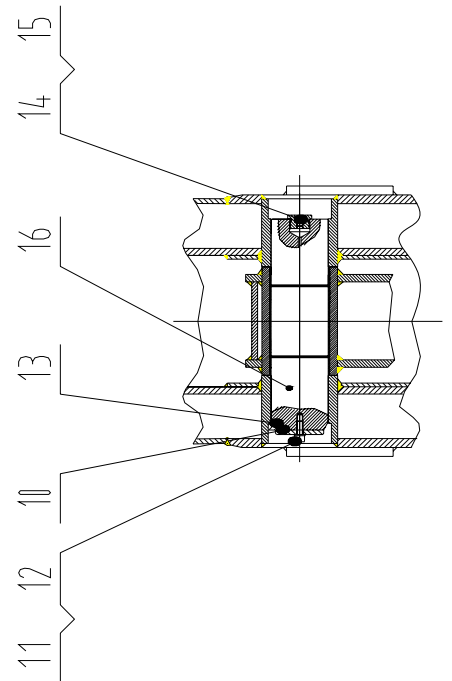


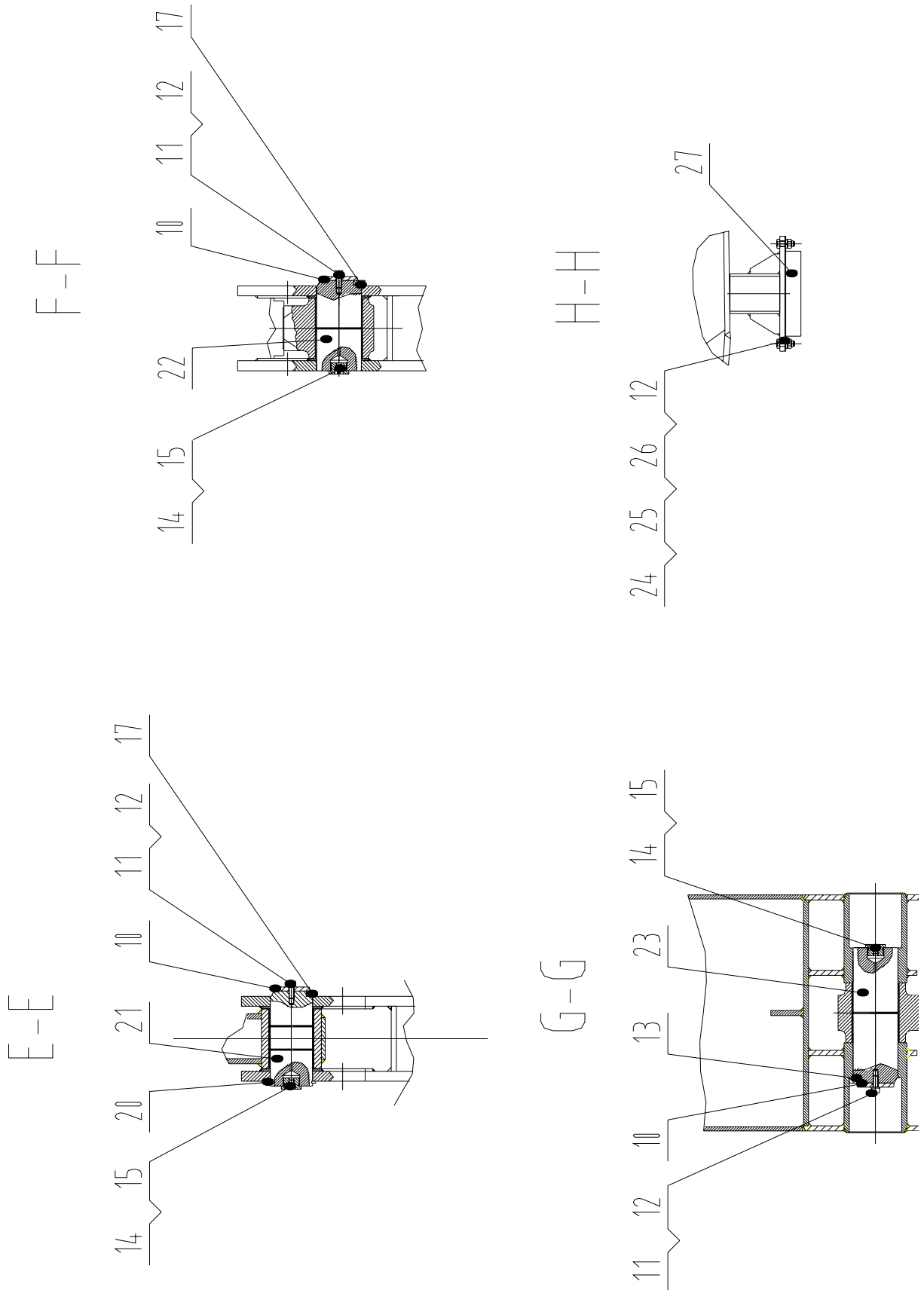


D-D



C-C





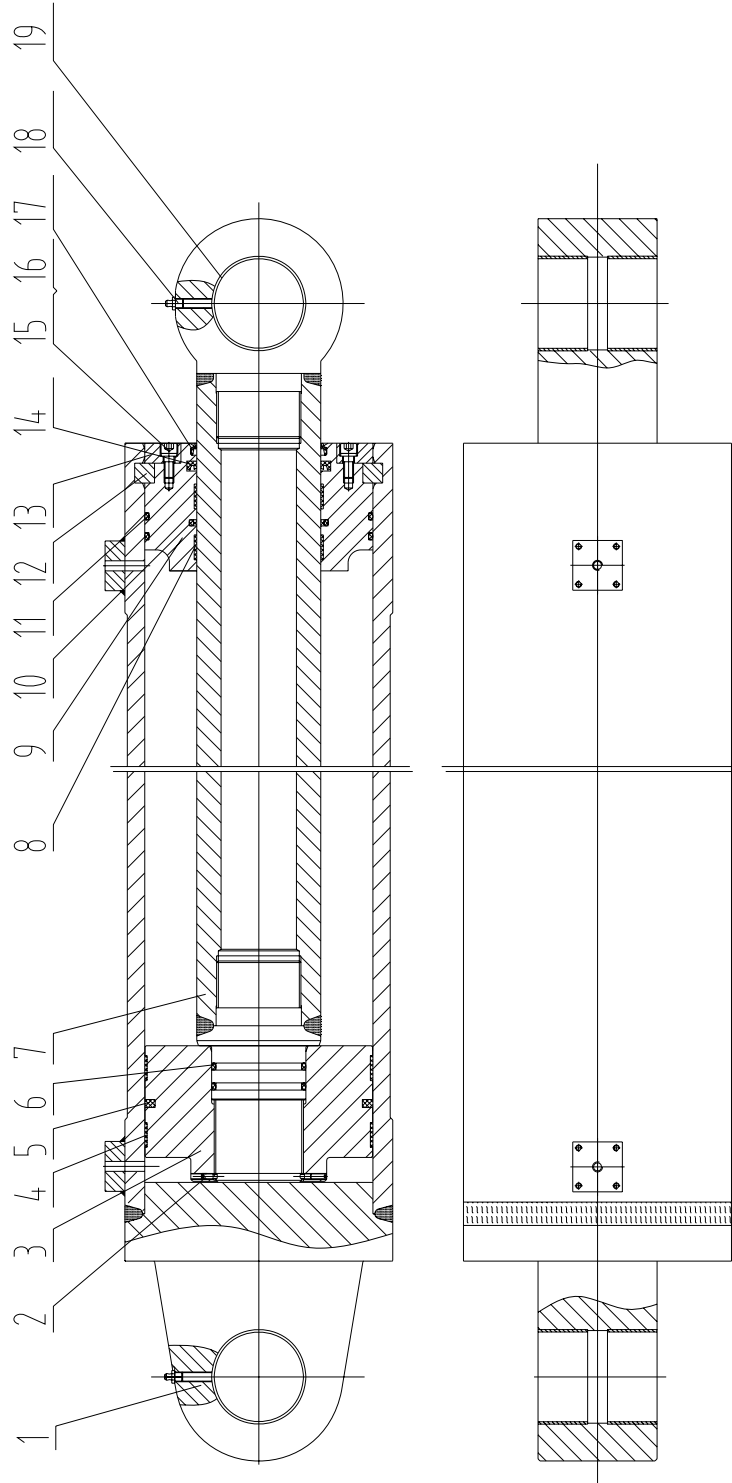


XT39R4

REED
13822 Oaks Avenue
Chino, CA 91710
909-287-2100
www.reedpumps.com

No.	Description	Part Number	Material	Parent	Weight	Quantity
1	section 1	XBC39.1.1.1				1
2	link,lever link	ZBC37.1.1.2				1
3	cylinder 1 section 1	ZBC37.1.1.3				1
4	cylinder 2 section 1	ZBC39.1.11				1
5	hook	ZBC37.1.1-1				1
6	pin 30 × 60	ZBC37.1.1-2				1
7	pin,cotter pin 6.3 × 55	GB91-86				1
8	boss,pin boss	ZBC37.1.1.5				1
9	bushingΦ235×Φ230×90	ZBC37.1.1-3				2
10	pin Φ90 × 304	ZBC37.1.1-4				1
11	ring,snap ring	ZBC37.1.1-5				7
12	bolt M10 × 25	GB70-85				7
13	washer 10	GB93-87				13
14	plate 1	ZBC37.1.1-6				3
15	plug,screw plug	ZBC37.1.1-7				7
16	nipple,grease	GB1152-89				7
17	pin Φ95 × 350	ZBC37.1.1-8				1
18	plate 2	ZBC37.1.1-9				4
19	pin Φ90 × 137	ZBC37.1.1-10				2
20	ring,snap ring shaft 90	GB894.1-86				2
21	ring,snap ring shaft 85	GB894.1-86				1
22	pin Φ85 × 190	ZBC37.1.1-11				1
23	pin Φ90 × 180	ZBC37.1.1-12				1
24	pin Φ90 × 271	ZBC37.1.1-13				1
25	bolt M10 × 30	GB70-85				2
26	washer 10	GB95-85				2
27	nut M10	GB6170-86				2

2.2.1-1 CYLINDER 1 OF SECTION 1 ZBC37.1.1.3



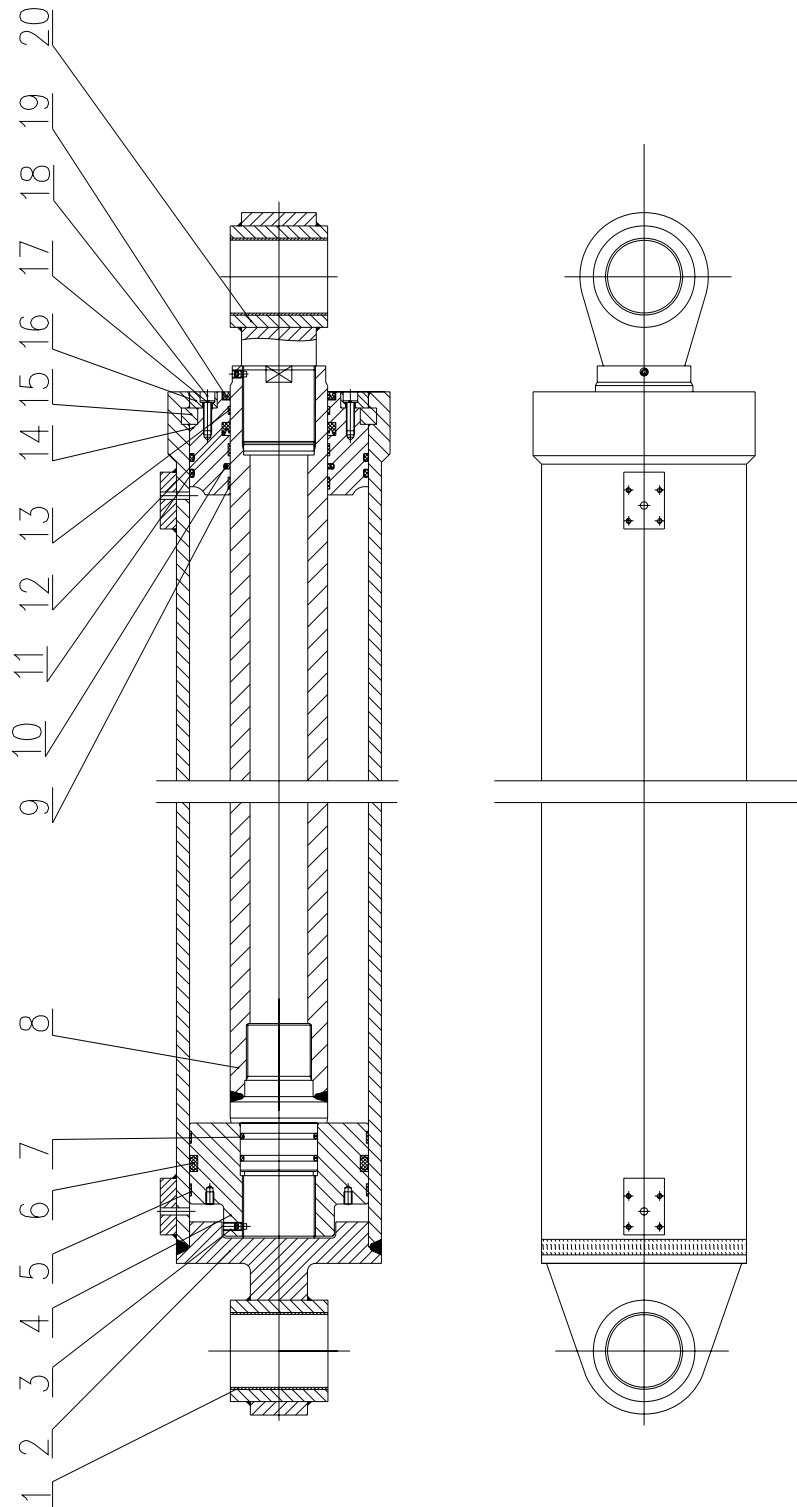


XT39R4

REED
13822 Oaks Avenue
Chino, CA 91710
909-287-2100
www.reedpumps.com

No.	Description	Part Number	Material	Parent	Weight	Quantity
1	cylinder body	0-01	weldment			1
2	bolt M6 x 16	GB/T79-2000		ZBC37.1.1.3s		2
3	piston	0-1				1
4	ring,guide ring 230 × 225 ×15	GP7302300		ZBC37.1.1.3s		2
5	seal,bearing seal 230 x 209 x 8.1	PGP402300		ZBC37.1.1.3s		1
6	O-ring 85.09 × 5.33	2-340		ZBC37.1.1.3s		2
7	rod,piston rod	0-02				1
8	ring,guide ring 120×125×15	GR7301200		ZBC37.1.1.3s		2
9	carrier,seal carrier	0-02				1
10	seal,bearing seal 125 x 140.1 x 6.3	RSK301250		ZBC37.1.1.3s		1
11	O-ring 221.62 x 5.33	2-372		ZBC37.1.1.3s		1
12	ring,key ring	0-3		ZBC37.1.1.3s		1
13	ring,snap ring	0-4		ZBC37.1.1.3s		1
14	seal,bearing seal 125 x 140.1 x 10	RUJ301250		ZBC37.1.1.3s		1
15	bolt M10 × 25	GB/T70.1-2000		ZBC37.1.1.3s		6
16	washer 10	GB/T93-87		ZBC37.1.1.3s		6
17	seal,ring 125 x 137.2 x 8.1	WD2401250		ZBC37.1.1.3s		1
18	nipple M10	GB1152-89		ZBC37.1.1.3s		2
19	bearing 90 x 95 x 50	SF-1 × 9050		ZBC37.1.1.3s		4

2.2.1-2 CYLINDER 2 OF SECTION 1 ZBC39.1.11





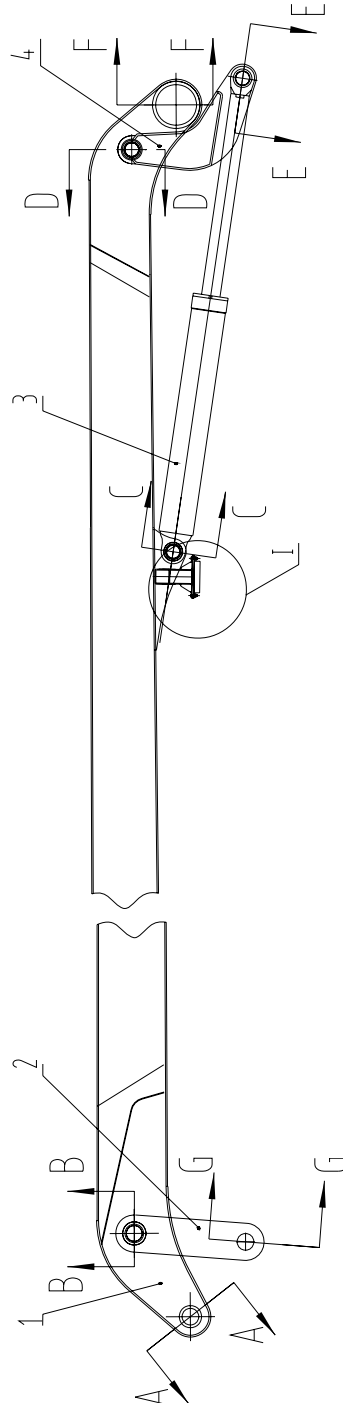
XT39R4

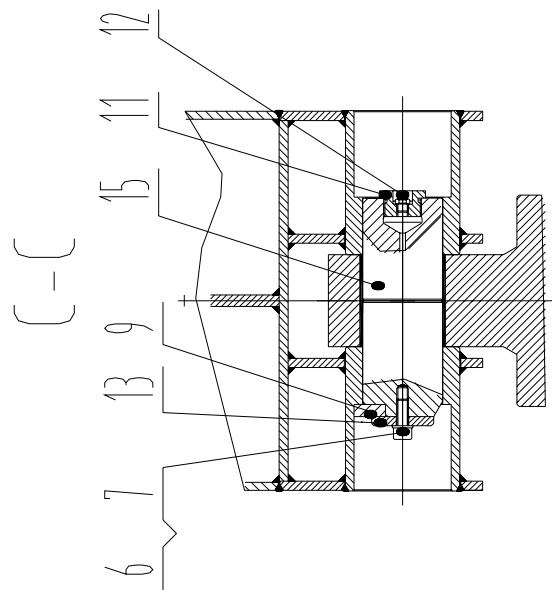
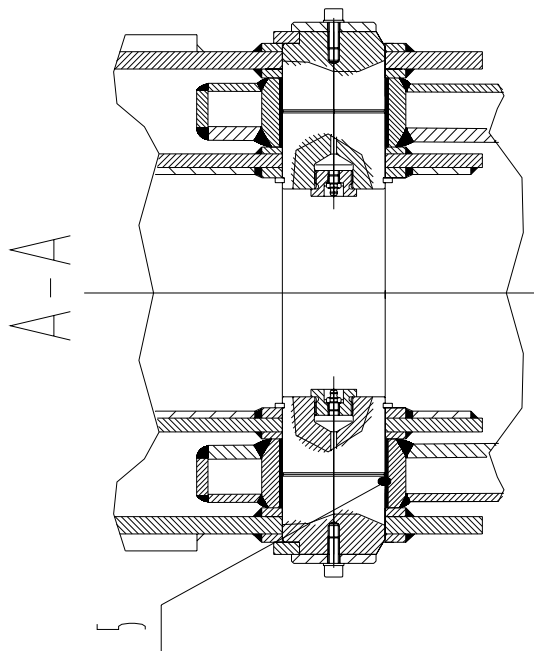
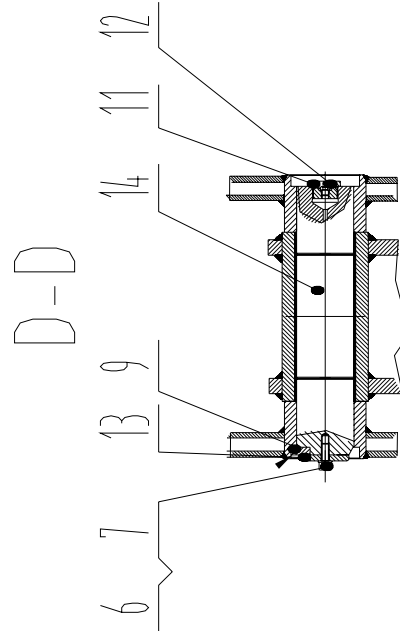
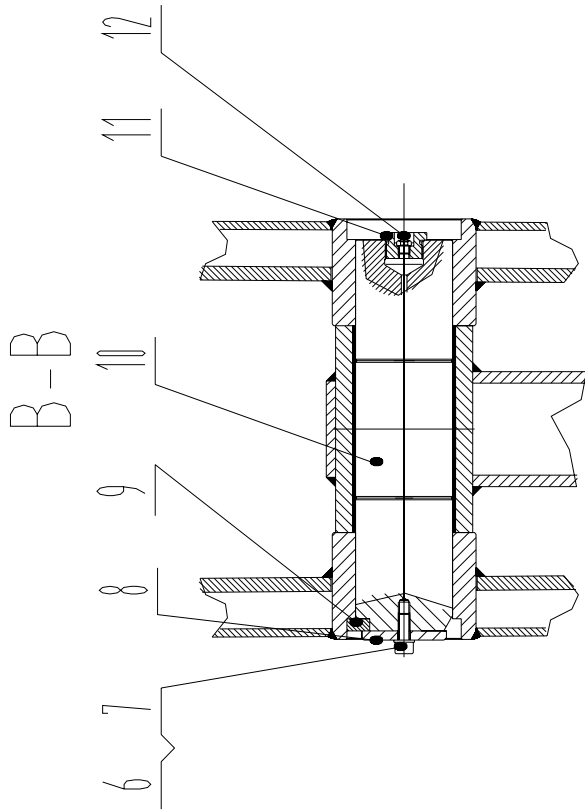
REED
13822 Oaks Avenue
Chino, CA 91710
909-287-2100
www.reedpumps.com

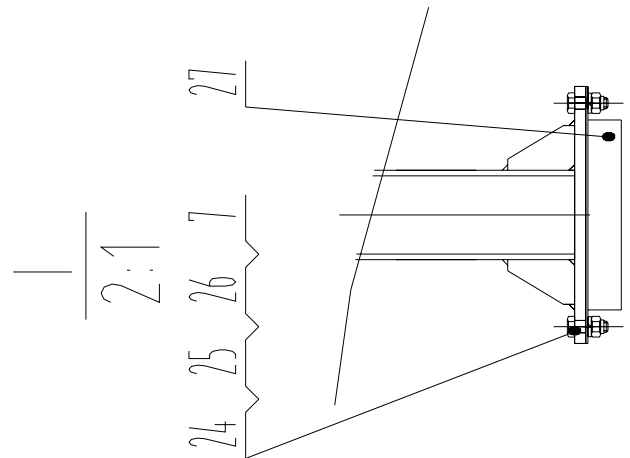
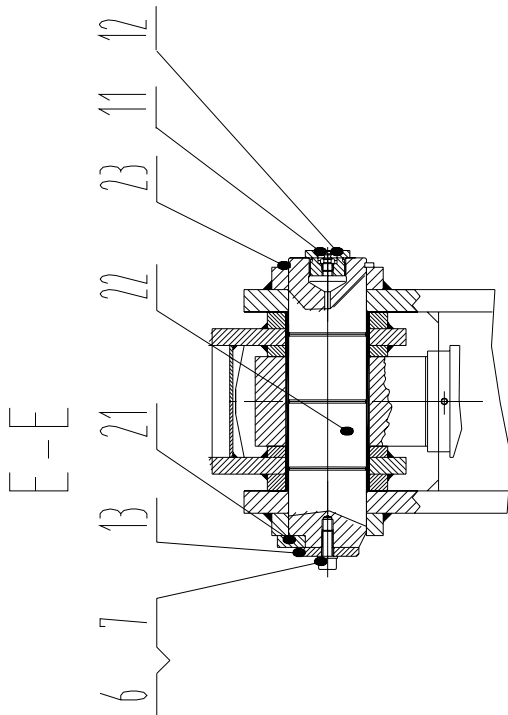
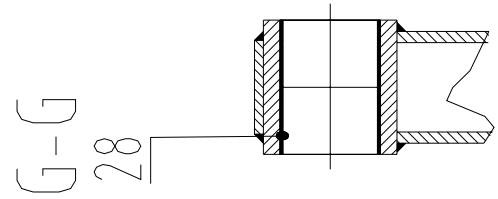
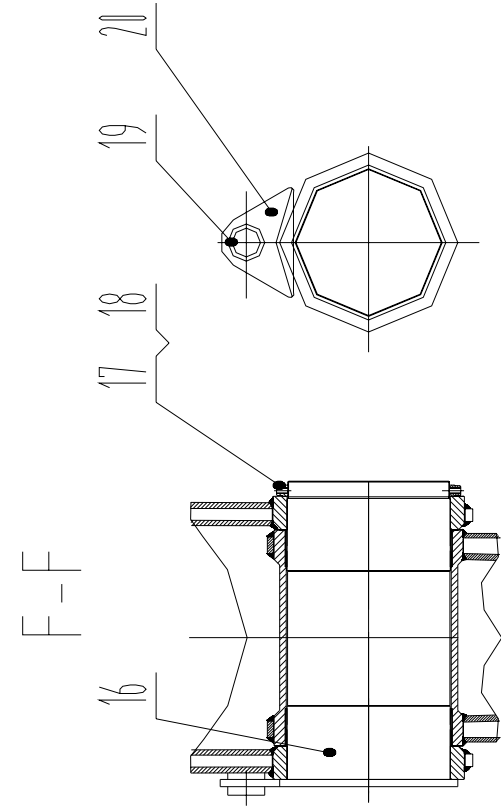
No.	Description	Part Number	Material	Parent	Weight	Quantity
1	bearing 90 × 95 × 120	SF-2		ZBC39.1.11s		2
2	cylinder body					1
3	bolt M10 × 15	GB/T79-2000		ZBC39.1.11s		2
4	piston					1
5	ring,guide ring 220 × 215 × 15	GP7302200		ZBC39.1.11s		2
6	seal,piston seal 220 × 200 × 16	CR GHT220 × 200 × 16-MF1		ZBC39.1.11s		1
7	O-ring 85 × 5.3	GB/T3452.1-92		ZBC39.1.11s		2
8	rod,piston rod assembly					1
9	ring,guide ring 120 × 125 × 15	GR7301200		ZBC39.1.11s		2
10	seal,bearing seal120 × 6.3	OD 1200 052 00171D		ZBC39.1.11s		1
11	O-ring 206 × 7	GB/T3452.1-92		ZBC39.1.11s		2
12	seal,bearing seal120 × 140 × 14.5	B3 C040		ZBC39.1.11s		1
13	ring,supporting ring 120 × 125 × 9.7	GR6901200		ZBC39.1.11s		1
14	carrier,seal carrier					1
15	ring,key ring			ZBC39.1.11s		1
16	ring,snap ring			ZBC39.1.11s		1
17	washer 10	GB/T93-87		ZBC39.1.11s		6
18	bolt M10 × 25	GB/T70.1-2000		ZBC39.1.11s		6
19	seal, ring 120 × 140 × 10	AF C024		ZBC39.1.11s		1
20	clevis,rod end clevis					1

2.3 BOOM SECTION 2

2.3.1 SECTION 2







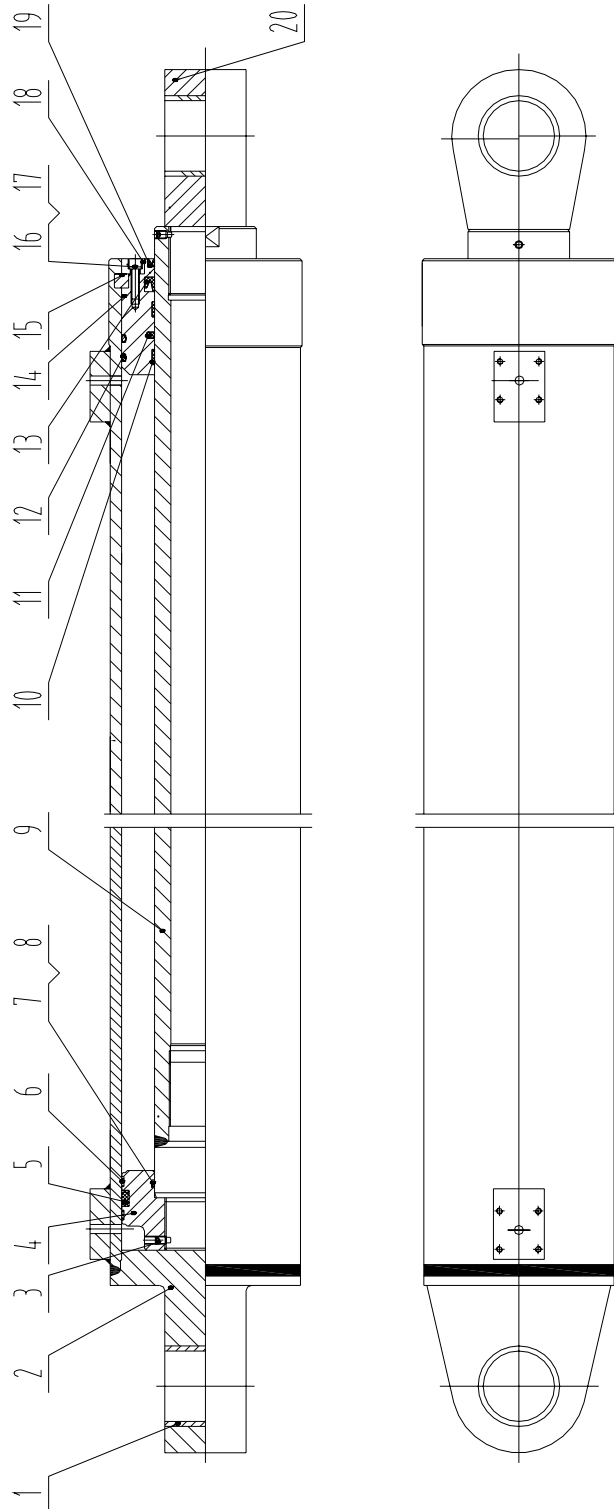


XT39R4

REED
13822 Oaks Avenue
Chino, CA 91710
909-287-2100
www.reedpumps.com

No.	Description	Part Number	Material	Parent	Weight	Quantity
1	section 2	XBC39.1.2.1				1
2	link,pressure link	ZBC37.1.2.2				1
3	cylinder of section 2	ZBC37.1.2.3				1
4	link,lever link	ZBC37.1.2.4				1
5	bushing $\phi 95 \times \phi 90 \times 60$	ZBC37.1.2-1				2
6	bolt M10 \times 25	GB70-85				4
7	washer 10	GB93-87				10
8	ring,snap ring	ZBC37.1.1-5				1
9	plate 1	ZBC37.1.1-6				3
10	pin $\phi 85 \times 340$	ZBC37.1.2-2				1
11	plug,screw plug	ZBC37.1.1-7				4
12	nipple M10 \times 1	GB1152-89				4
13	ring,snap ring	ZBC37.1.2-3				3
14	pin $\phi 75 \times 350$	ZBC37.1.2-4				1
15	pin $\phi 70 \times 190$	ZBC37.1.2-5				1
16	bushing	ZBC37.1.2-6				1
17	nut M218 \times 3	ZBC37.1.2-7				1
18	bolt M6 \times 8	GB71-85				2
19	pipe	ZBC37.1.2-8				1
20	plate,position plate	ZBC37.1.2-9				1
21	plate 2	ZBC37.1.1-9				1
22	pin $\phi 70 \times 259$	ZBC37.1.2-10				1
23	ring,snap ring for shaft 70	GB984.1-86				1
24	bolt M10 \times 30	GB70-85				2
25	washer 10	GB95-85				2
26	nut M10	GB6170-86				2
27	block,bumper block	ZBC38.1.1.7				1
28	bushing $\phi 85 \times \phi 90 \times 60$	ZBC37.1.2-11				2

2.3.1-1 CYLINDER OF SECTION 2 ZBC37.1.2.3





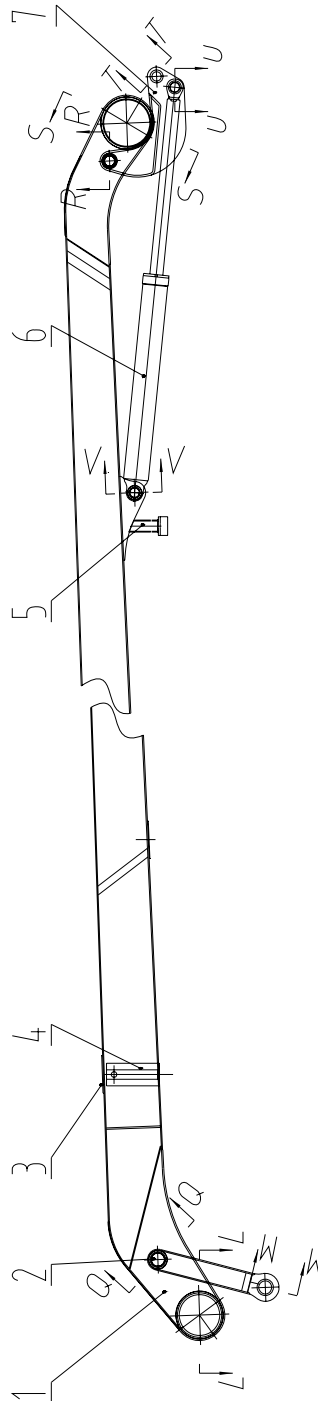
XT39R4

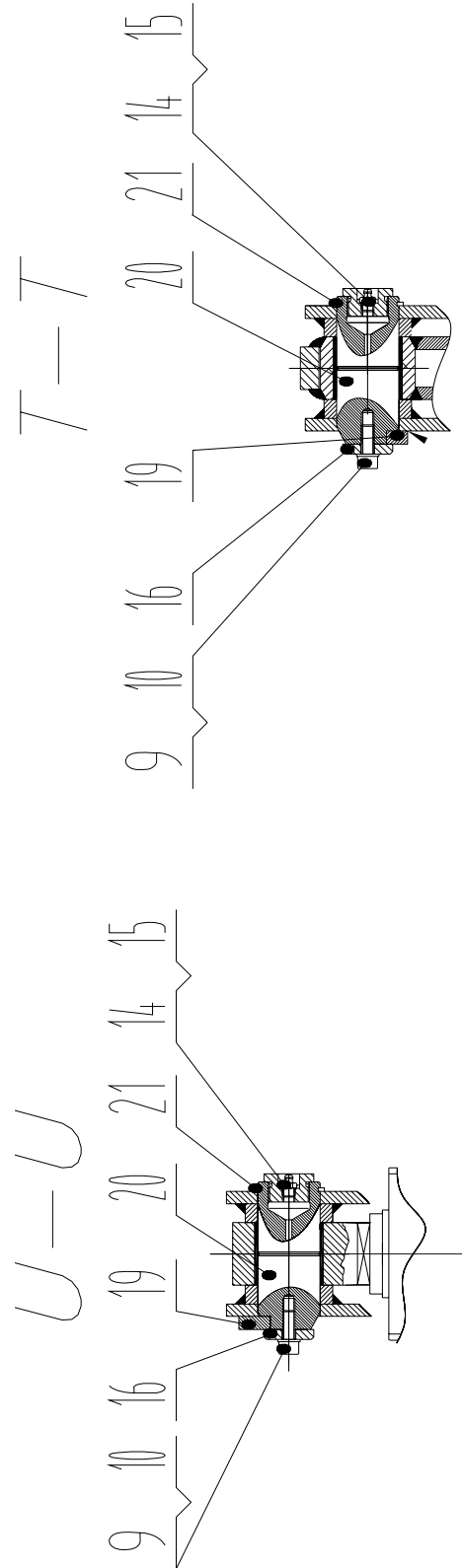
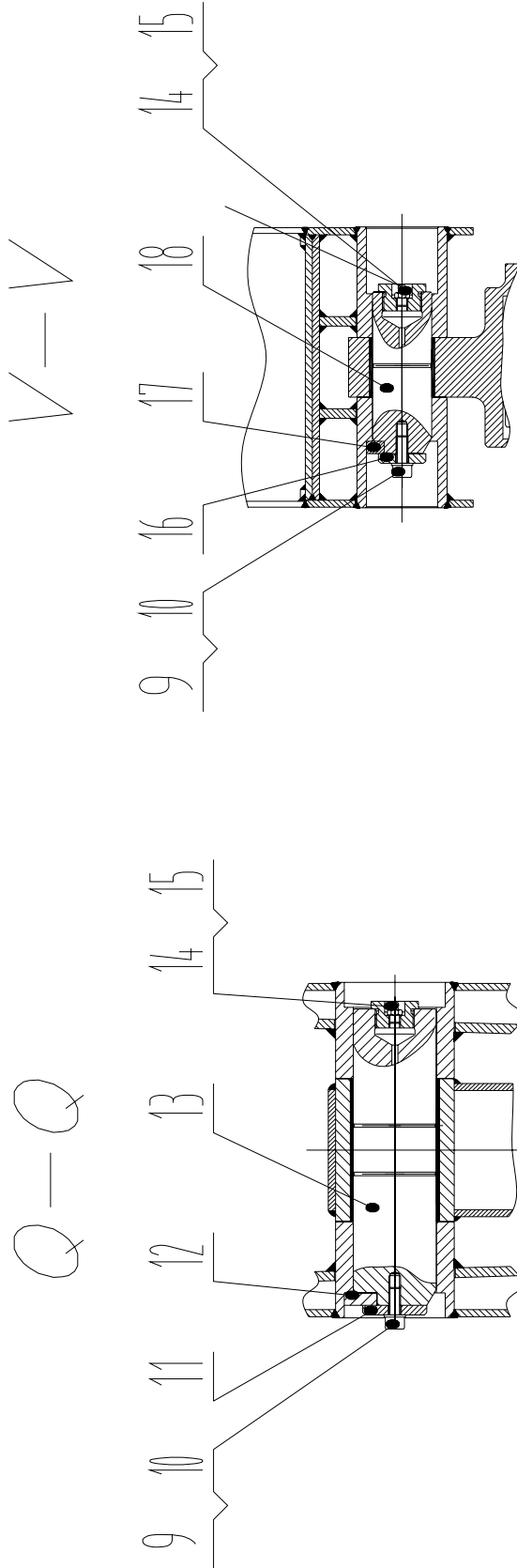
REED
13822 Oaks Avenue
Chino, CA 91710
909-287-2100
www.reedpumps.com

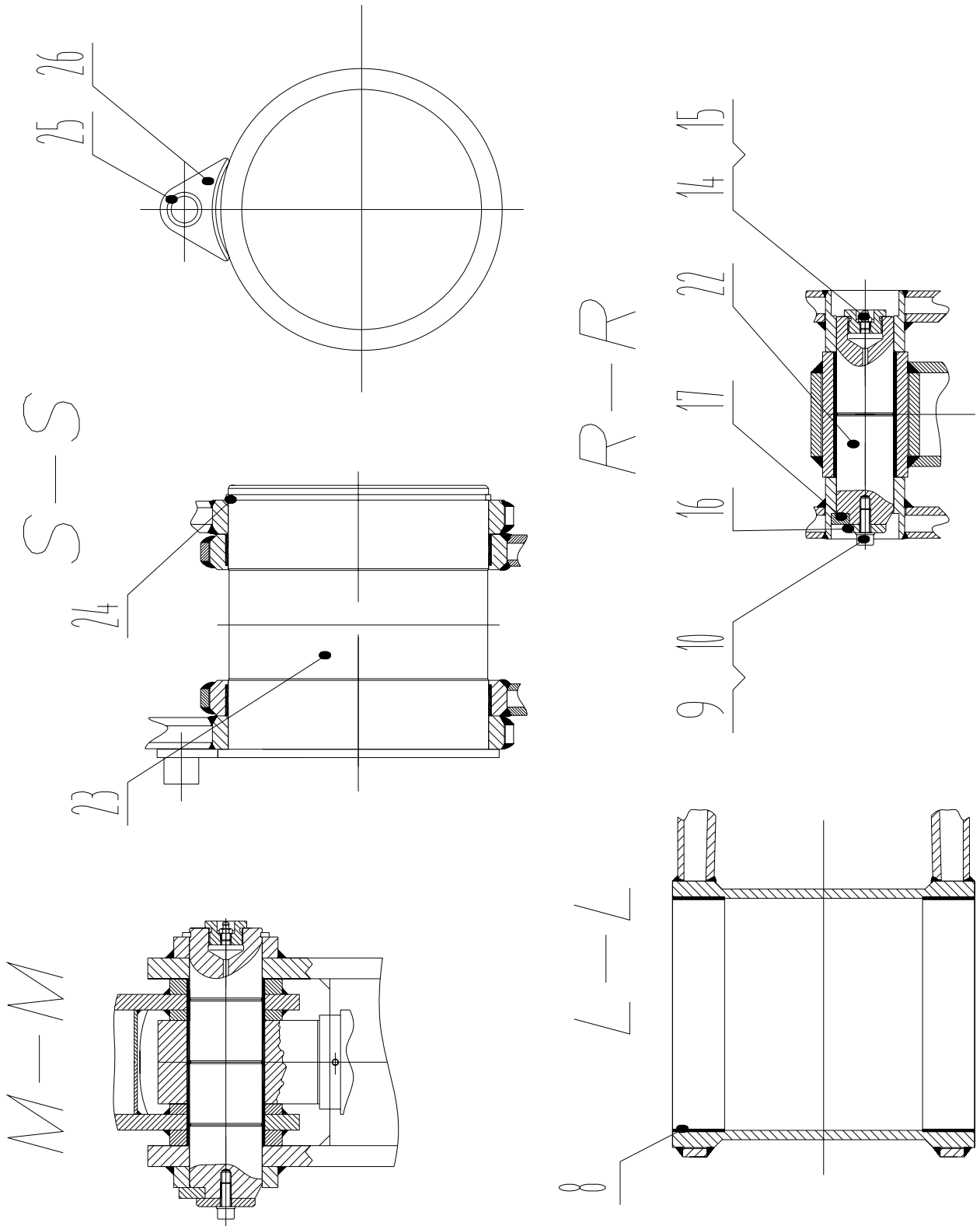
No.	Description	Part Number	Material	Parent	Weight	Quantity
1	bearing 70 × 75 × 80	SF-2		ZBC37.1.2.3s		2
2	cylinder body					1
3	bolt M8 × 15	GB/T79-2000		ZBC37.1.2.3s		2
4	piston					1
5	seal,piston seal 165 × 142 × 15.5	CR GHT165MF1		ZBC37.1.2.3s		1
6	ring,guide ring 165 x 160 x 9.7	GP6901200		ZBC37.1.2.3s		2
7	O-ring 98.02 x 3.53	2-241		ZBC37.1.2.3s		1
8	ring,snap ring	8-241		ZBC37.1.2.3s		2
9	rod,piston rod assembly					1
10	ring,guide ring 100 × 105 × 15	GR 73 01000		ZBC37.1.2.3s		2
11	seal,bearing seal 100 × 6.3	OD 1000 052 00171D		ZBC37.1.2.3s		1
12	O-ring 155 x 5.3	GB/T3452.1-92		ZBC37.1.2.3s		2
13	seal,bearing seal100 × 120 × 14.5	B3 A020		ZBC37.1.2.3s		1
14	carrier,seal carrier					1
15	ring,thermal ring 8	GB/T93-87		ZBC37.1.2.3s		6
16	ring,snap ring			ZBC37.1.2.3s		1
17	seal,ring 100 × 114 × 8	AF A014		ZBC37.1.2.3s		1
18	clevis,rod end clevis					1
19	ring,key ring			ZBC37.1.2.3s		1
20	bolt M8 x 20	GB/T70.1-2000		ZBC37.1.2.3s		6

2.4 BOOM SECTION 3

2.4.1 SECTION 3







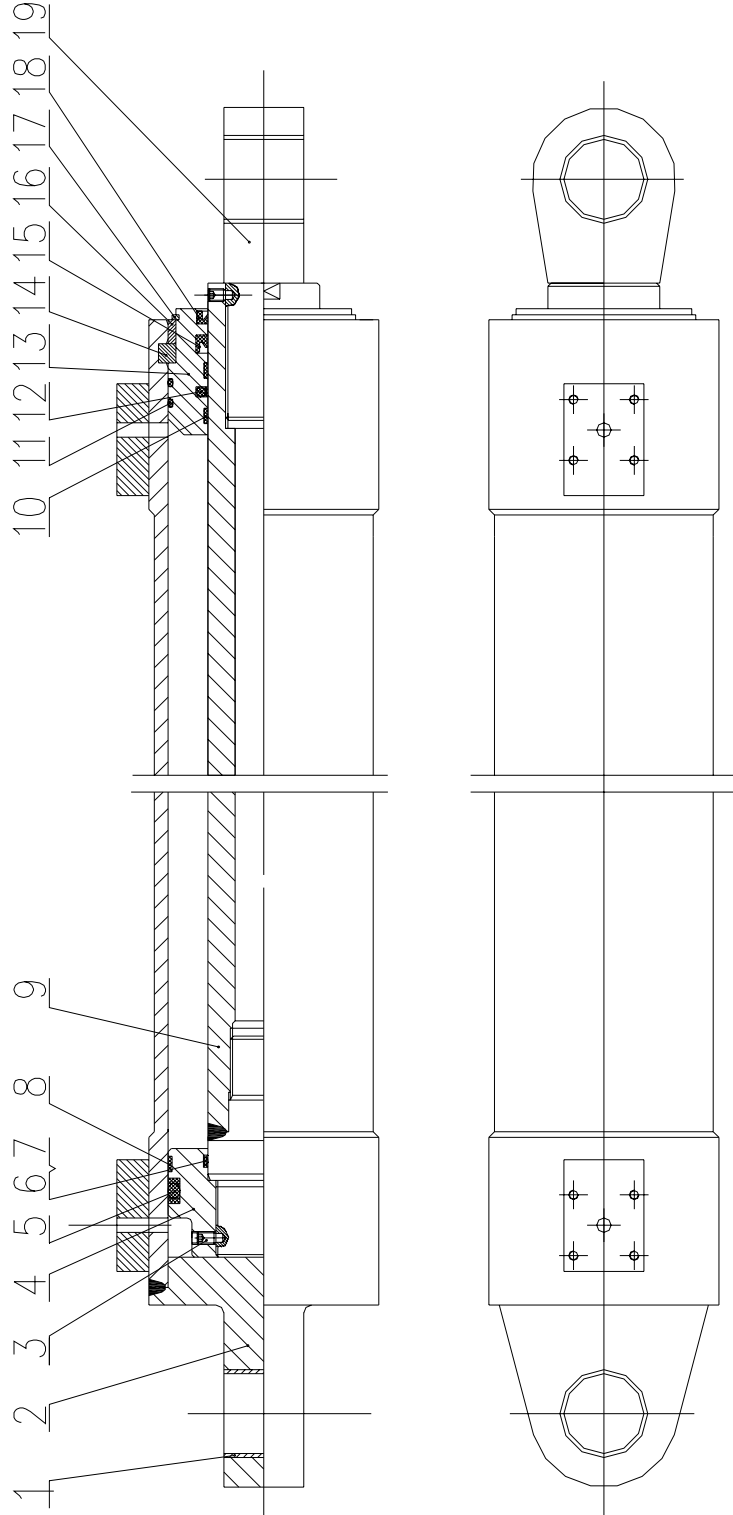


XT39R4

REED
13822 Oaks Avenue
Chino, CA 91710
909-287-2100
www.reedpumps.com

No.	Description	Part Number	Material	Parent	Weight	Quantity
1	section 3	XBC39.1.3.1				1
2	link,pressure link	ZBC37.1.3.2				1
3	plate 5 × 200 × 280	ZBC37.1.3-1				2
4	base,hook base	XBC39.1.3.3				1
5	block,bumper block	XBC39.1.3.4				1
6	cylinder section 3	ZBC37.1.3.5				1
7	link,lever link	ZBC37.1.3.6				1
8	bushing $\Phi 225 \times \Phi 220$ × 50	ZBC37.1.3-2				2
9	bolt M10 * 25	GB70-85				5
10	washer 10	GB93-87				5
11	ring,snap ring	ZBC37.1.2-3				1
12	plate 1	ZBC37.1.1-6				1
13	pin $\Phi 70 \times 249$	ZBC37.1.3-3				1
14	plug,screw plug	ZBC37.1.1-7				5
15	nipple M10 × 1	GB1152-89				5
16	ring,snap ring	ZBC37.1.3-4				3
17	plate	ZBC37.1.3-5				2
18	pin $\Phi 50 \times 136$	ZBC37.1.3-6				2
19	plate 2	ZBC37.1.1-9				2
20	pin $\Phi 50 \times 118$	ZBC37.1.3-7				2
21	ring,snap ring for shaft 50	GB984.1-86				2
22	pin $\Phi C55 \times 199$	ZBC37.1.3-8				1
23	pin,hollow	ZBC37.1.3-9				1
24	ring,snap ring for shaft 250	ZBC37.1.3-10				1
25	plate	ZBC37.1.2-8				1
26	plate,position plate	ZBC37.1.2-9				1

2.4.1-1 CYLINDER OF SECTION 3 ZBC37.1.3.5





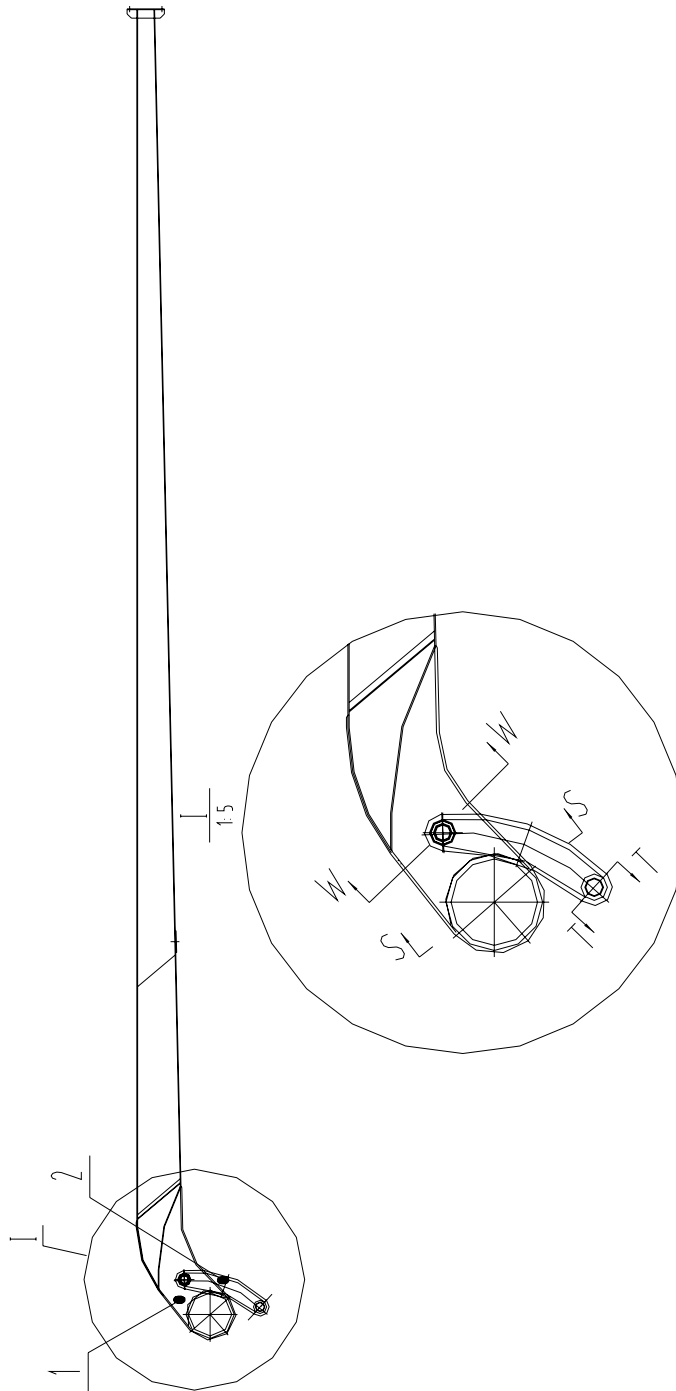
XT39R4

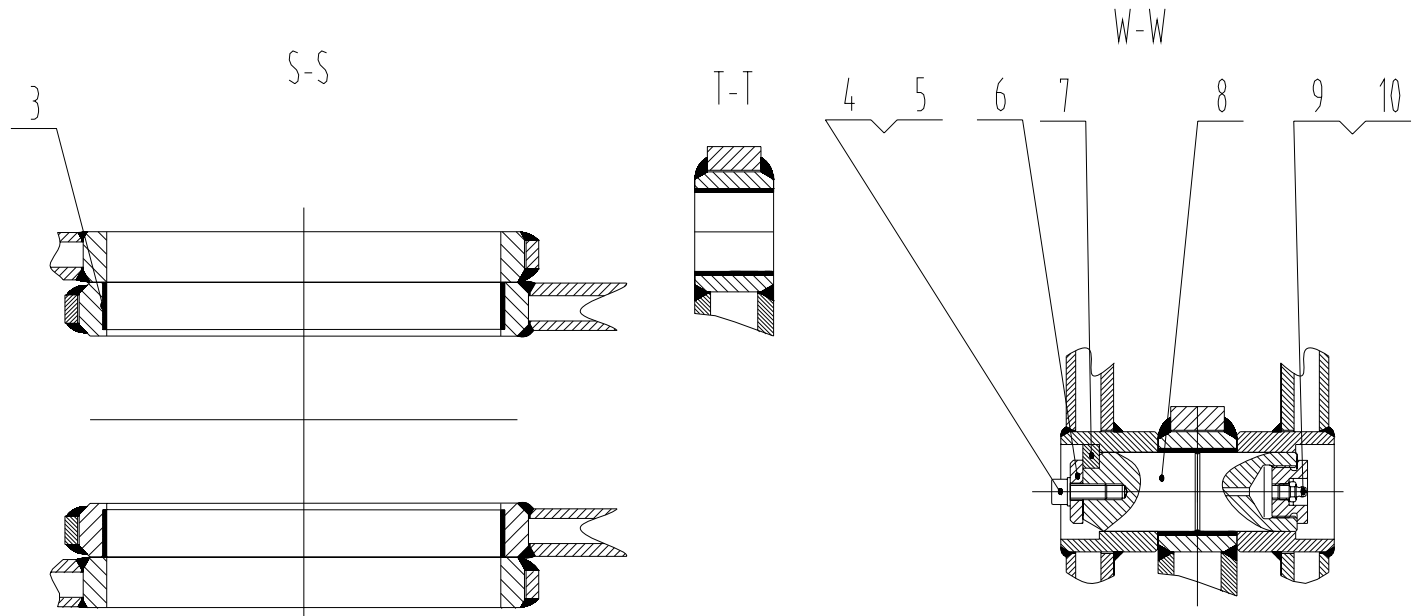
REED
13822 Oaks Avenue
Chino, CA 91710
909-287-2100
www.reedpumps.com

No.	Description	Part Number	Material	Parent	Weight	Quantity
1	bearing	SF-2		ZBC37.1.3.5s		2
2	cylinder body					1
3	bolt M8 × 15	GB/T79-2000		ZBC37.1.3.5s		2
4	piston					1
5	seal,bearing seal 120 × 105 × 16	CR GHT165MF1		ZBC37.1.3.5s		1
6	O-ring 71 × 3.55	2-241		ZBC37.1.3.5s		1
7	ring,snap ring 75.66 × 70 × 1.5	JB4224-86		ZBC37.1.3.5s		2
8	ring,guide ring 120 x 105 x 9.7	FRB051		ZBC37.1.3.5s		2
9	rod,piston rod assembly	0-02/G78A				1
10	ring,guide ring 70 x 75 x 9.7	GR 73 01000		ZBC37.1.3.5s		2
11	O-ring 112 x 3.55	GB/T3452.1-92		ZBC37.1.3.5s		2
12	seal,combination seal 70 x 6.3	OD 0700 052 00171D		ZBC37.1.3.5s		1
13	carrier,seal	0-2/G78A				1
14	seal,bearing seal 70 x 85 x 11.4	B3 7085		ZBC37.1.3.5s		1
15	ring,key ring	0-3/G78A		ZBC37.1.3.5s		1
16	ring,spacer ring	0-4/G78A		ZBC37.1.3.5s		1
17	ring,snap ring 10	GB/T894.1-1986		ZBC37.1.3.5s		1
18	seal,ring 70 x 84 x 8	AF 7016		ZBC37.1.3.5s		
19	clevis,rod end clevis	0-3/GB78				1

2.5 BOOM SECTION 4

2.5.1 SECTION 4

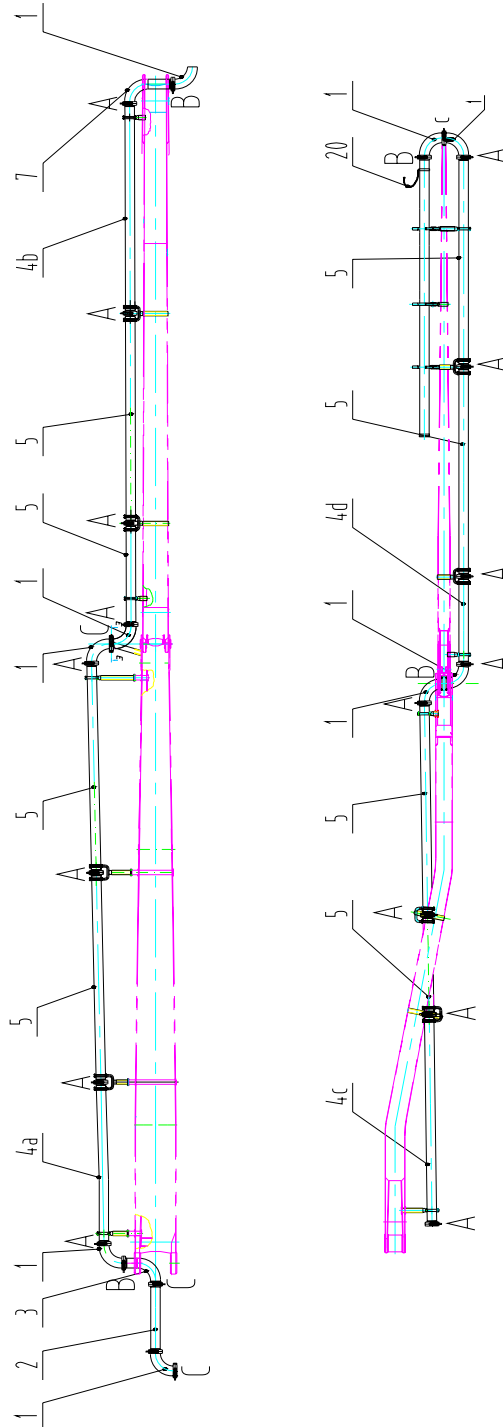


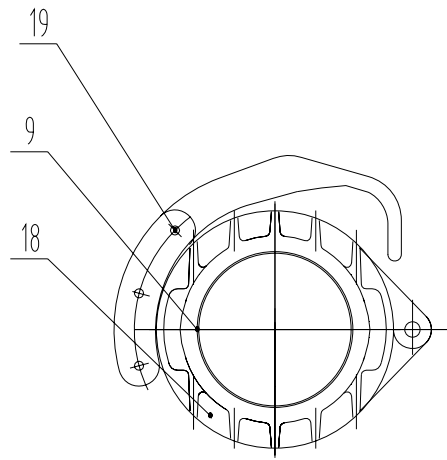


No.	Description	Part Number	Material	Parent	Weight	Quantity
1	section 4	ZBC39.1.4.1				1
2	link,pressure link	ZBC37.1.4.2				1
3	bushing $\Phi 250 \times 255 \times 30$	ZBC37.1.4-1				2
4	bolt M10 \times 25	GB70-85				1
5	washer 10	GB93-87				1
6	ring,snap ring	ZBC37.1.3-4				1
7	plate	ZBC37.1.3-5				1
8	pin $\Phi 50 \times 136$	ZBC37.1.4-2				1
9	plug,screw plug	ZBC37.1.1-7				1
10	nipple M10 \times 1	GB1152-89				1

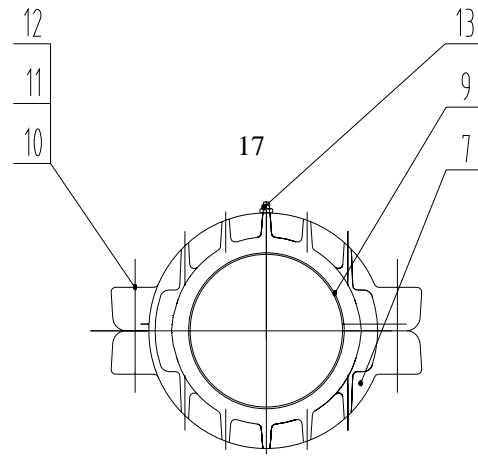
2.6 DELIVERY PIPE

2.6.1 BOOM DELIVERY PIPE

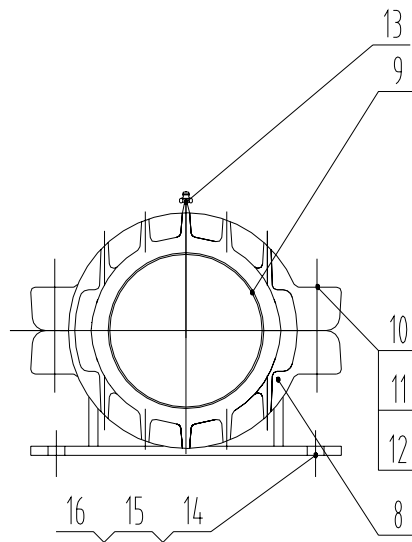




A



B



C

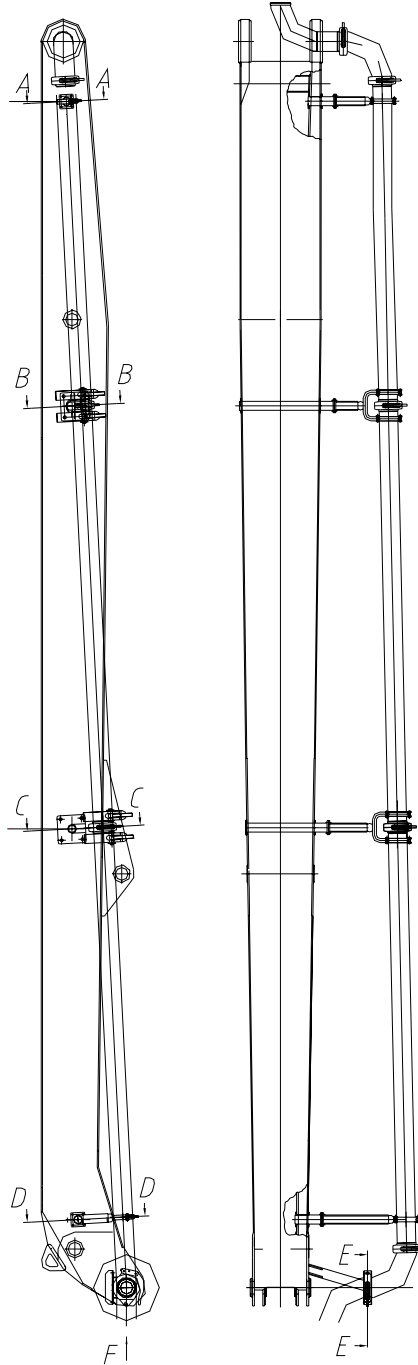


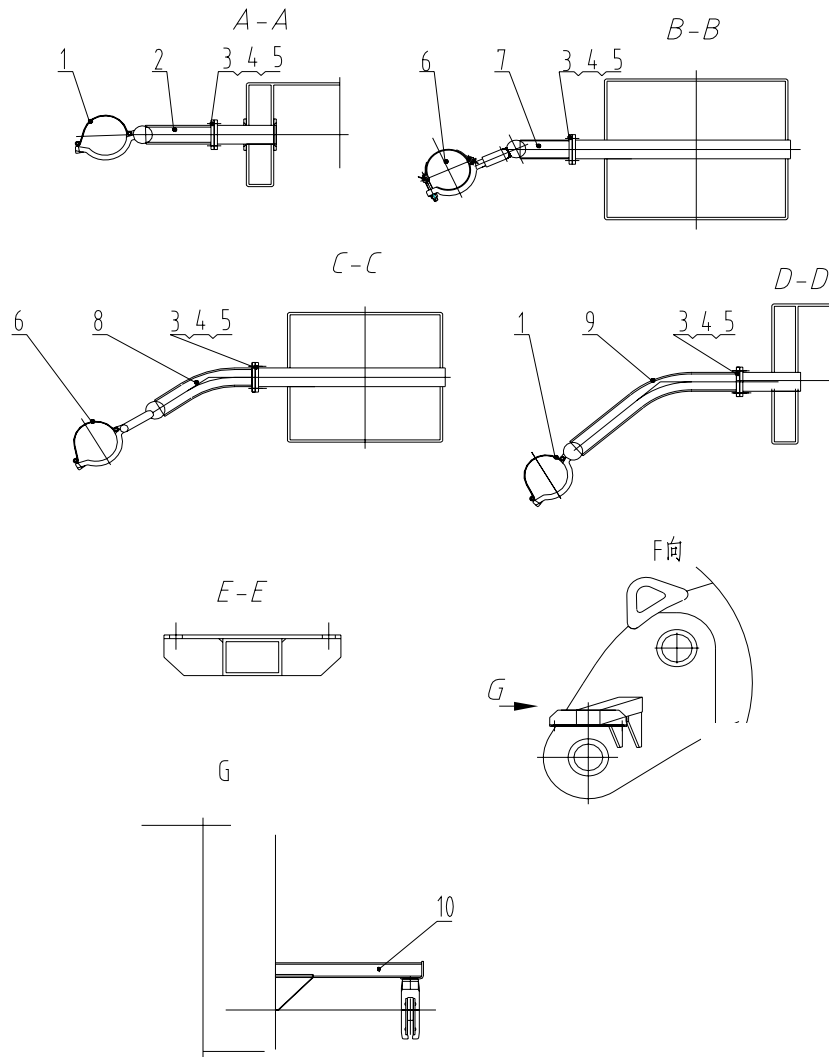
XT39R4

REED
13822 Oaks Avenue
Chino, CA 91710
909-287-2100
www.reedpumps.com

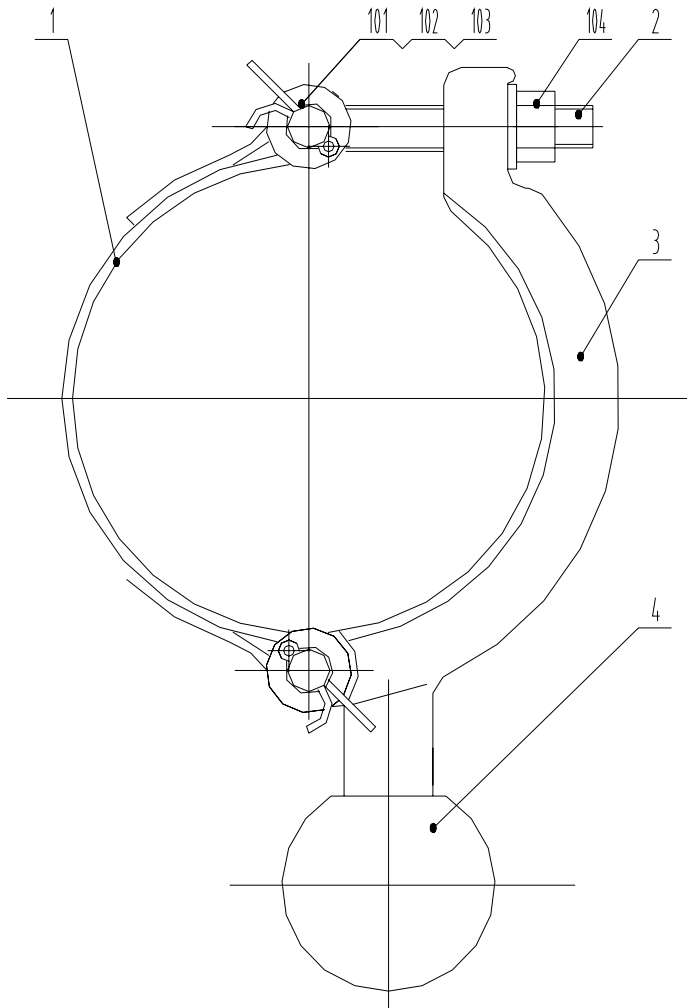
No.	Description	Part Number	Material	Parent	Weight	Quantity
1	elbow, 125mmx90, br275 lp	125BR275mm×90				9
2	pipe, makeup 125x1015mm lp	125B×1015				1
3	elbow, 125mmx90, br190 lp	125BR190×90				1
4a	pipe, makeup 125x2754mm lp	125B×2754				1
4b	pipe, makeup 125x1832mm lp	125B×1832				1
4c	pipe, makeup 125x1803mm lp	125B×1803				1
4d	pipe, makeup 125x2045mm lp	125B×2045				1
5	pipe, straight 125x3000mm lp	125Bx3000				1
7	elbow, extended 345mm, 125mmx90, br275	125BR275×90, xtr345mm				1
8	clamp, base, 2bolt 125mm lp	125B				5
9	gasket, clamp 125mm hp	125A				25
10	bolt M12 × 50	GB70-85				16
11	washer 12	GB93-87				16
12	nut 12	GB6170-86				16
13	nipple, grease M10 × 1	GB1152-89				8
14	bolt M16 × 55	GB70-85				14
15	washer 12	GB93-87				14
16	nut M16	GB6170-86				14
17	clamp, pipe 2 bolt 125mm lp	125B				1
18	clamp, snap 125 mm lp	125B				19
19	pin Φ6					19
20	chain, hose chain					1

SUPPORT OF SECTION 1 DELIVERY PIPE

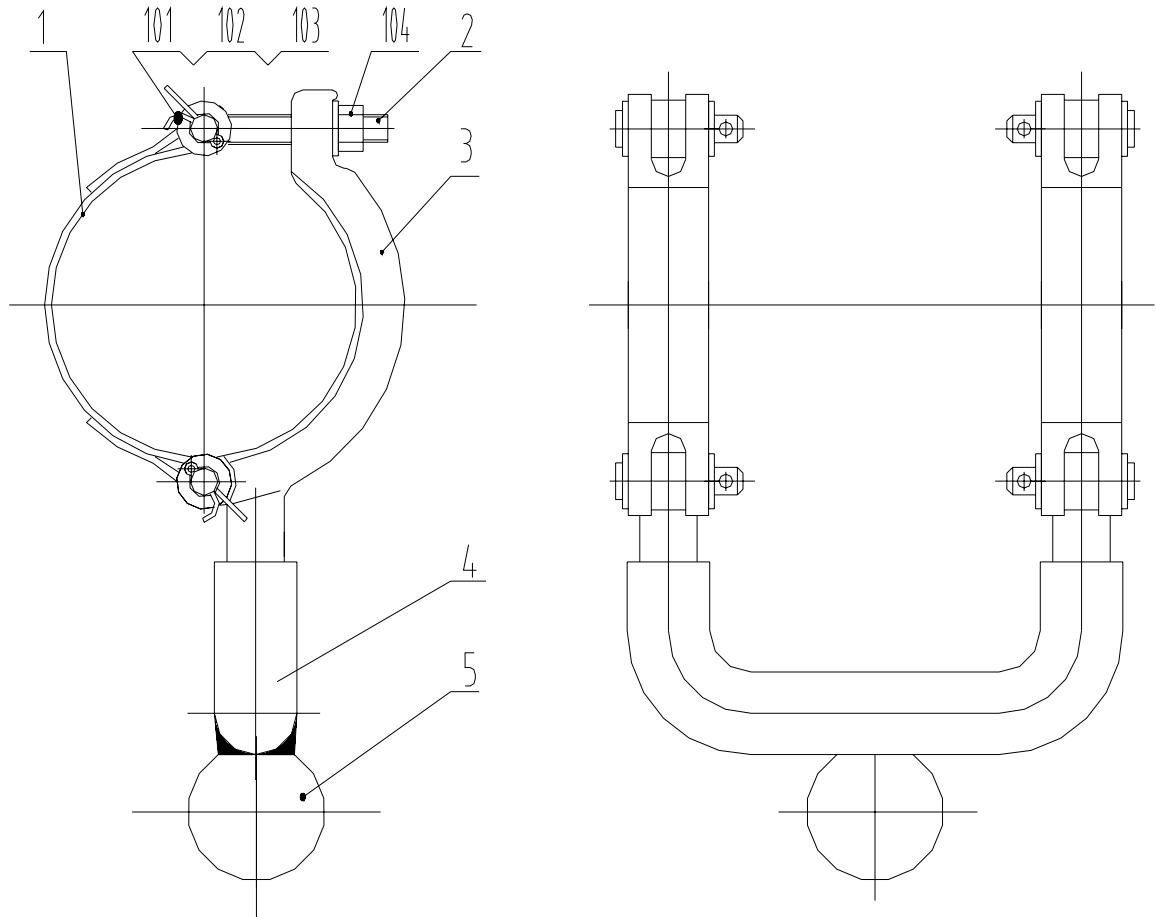




No.	Description	Part Number	Material	Parent	Weight	Quantity
1	support,single	ZBC37.11.1.1	component			2
2	base,support base 1	XBC39.11.1.2	weldment			1
3	bolt M12*60	GB5782-86	8.8			18
4	nut M12	GB41-86	5			18
5	plate,weld plate 12	GB93-87	65Mn			18
6	support,double	ZBC37.11.1.3	component			2
7	support base 2	XBC39.11.1.4	weldment			1
8	support base 3	XBC39.11.1.5	weldment			1
9	support base 4	XBC39.11.1.6	weldment			1
10	support base 5	XBC39.11.1.7	weldment			1

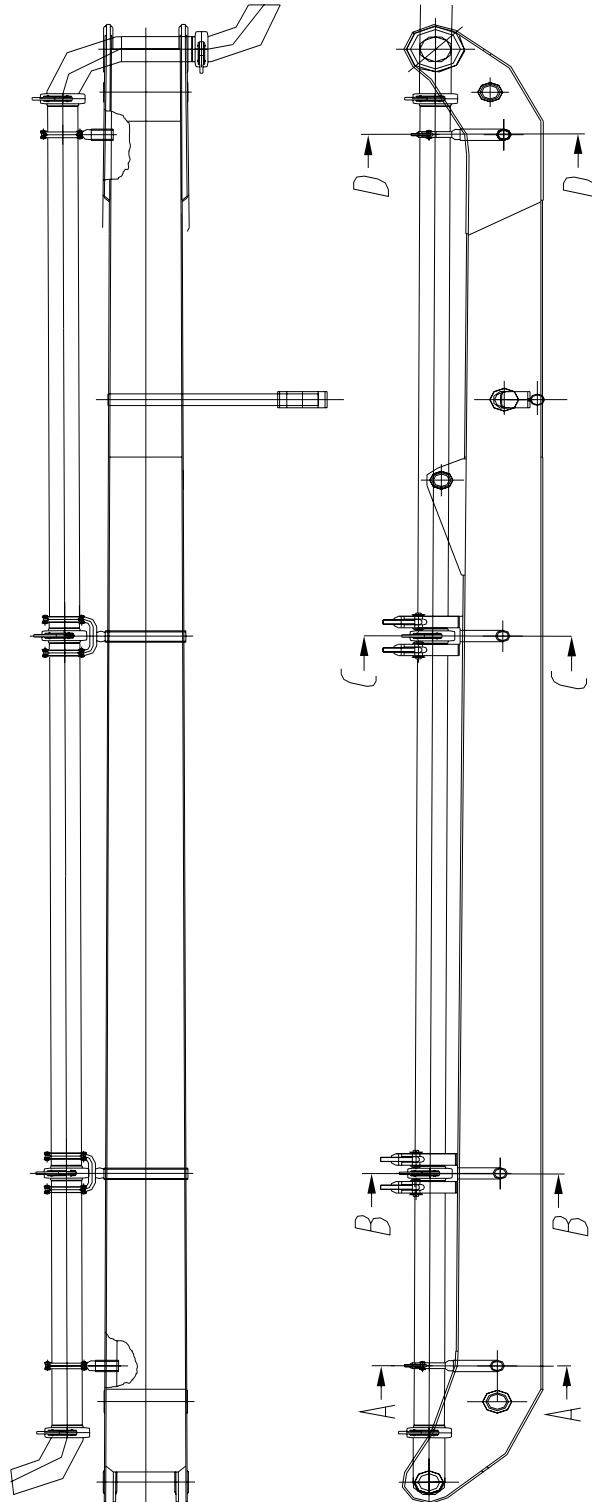


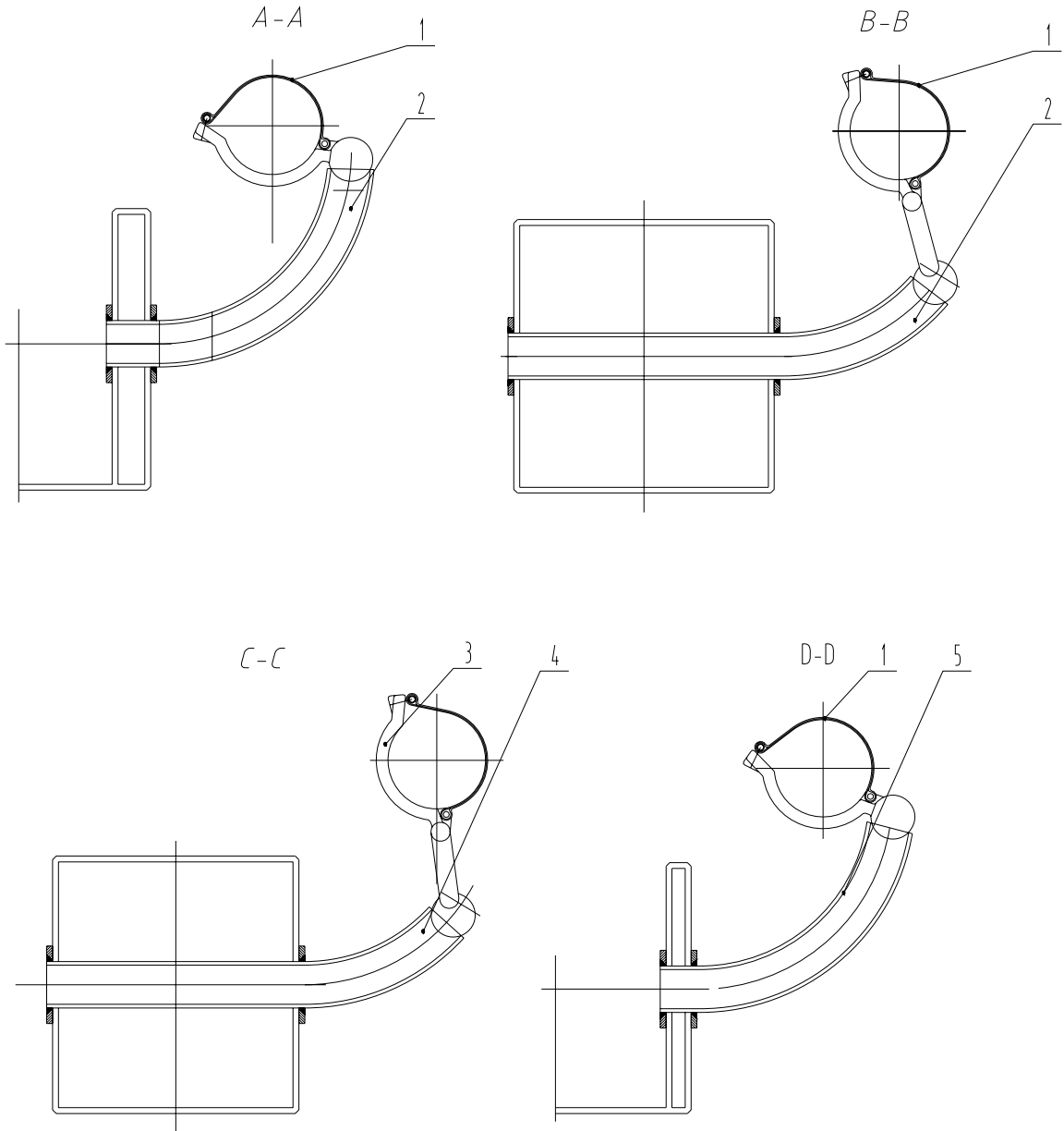
No.	Description	Part Number	Material	Parent	Weight	Quantity
1	strap	ZBC37.11.1.1-1	Q235			1
2	bolt	ZBC37.11.1.1-2	35			1
3	support,pipe	ZBC37.11.1.1-3	ZG230-450			1
4	ball,steel ball $\Phi 60$	ZBC37.11.1.1-4	Q235			1
101	pin,cylindrical pin 12x 50	GB882-86	35			2
102	pin,cotter pin 4 x 25	GB91-86	Q195			2
103	washer 12	GB95-85	100HV			5
104	nut 12	GB6170-86	5			1



No.	Description	Part Number	Material	Parent	Weight	Quantity
1	strap	ZBC37.11.1.1-1	Q235			2
2	bolt	ZBC37.11.1.1-2	35			2
3	support, pipe	ZBC37.11.1.1-3	ZG35			1
4	pipe, steel pipe	ZBC37.11.1.3-1	20			1
5	ball, steel ball $\Phi 60$	ZBC37.11.1.1-4	Q235			1
101	pin, cylindrical pin 12 × 50	GB882-86	35			4
102	pin, cotter pin 4 × 25	GB91-86	Q195			4
103	washer 12	GB95-85	100HV			10
104	nut 12	GB6170-86	5			2

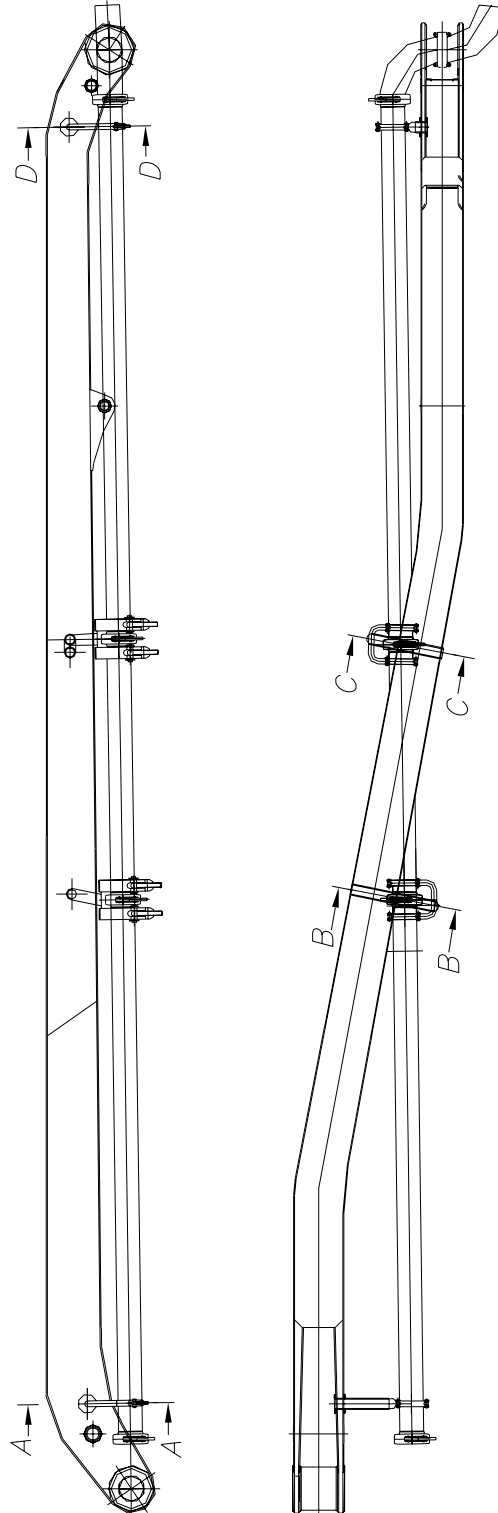
SUPPORT OF SECTION 2 DELIVERY PIPE

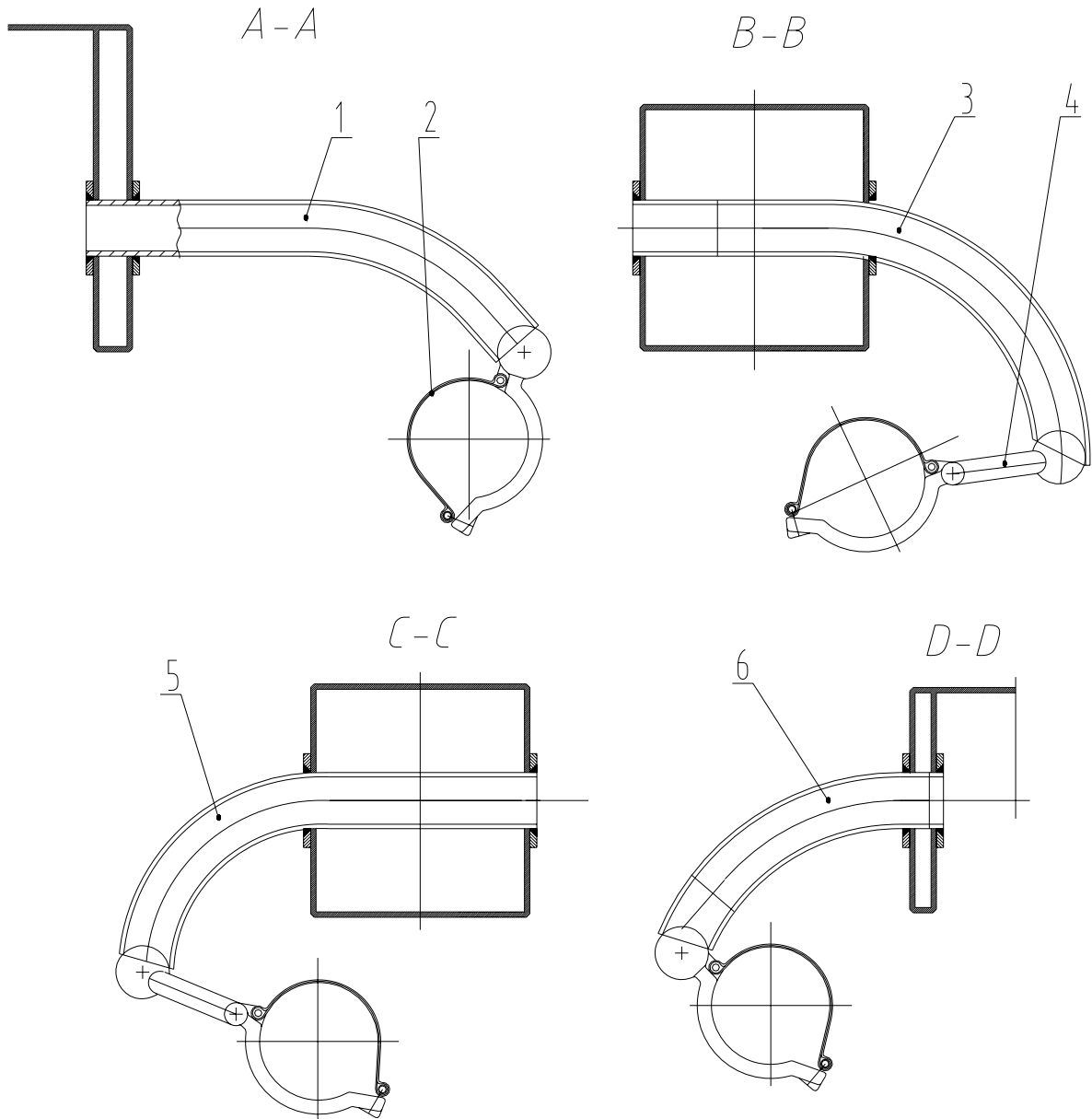




No.	Description	Part Number	Material	Parent	Weight	Quantity
1	support,single	ZBC37.11.1.1	component			2
2	support base 1	XBC39.11.2-1	Q345-A			1
3	support,double	ZBC37.11.1.3	component			2
4	support base 2	XBC39.11.2-2	Q345-A			2
5	support base 3	XBC39.11.2-3	Q345-A			1

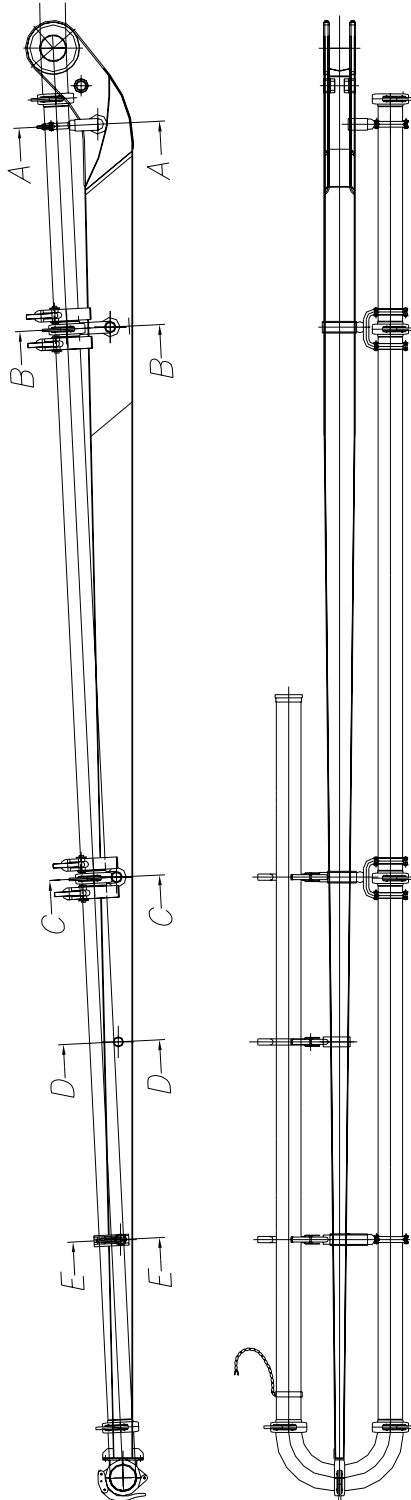
SUPPORT OF SECTION 3 DELIVERY PIPE

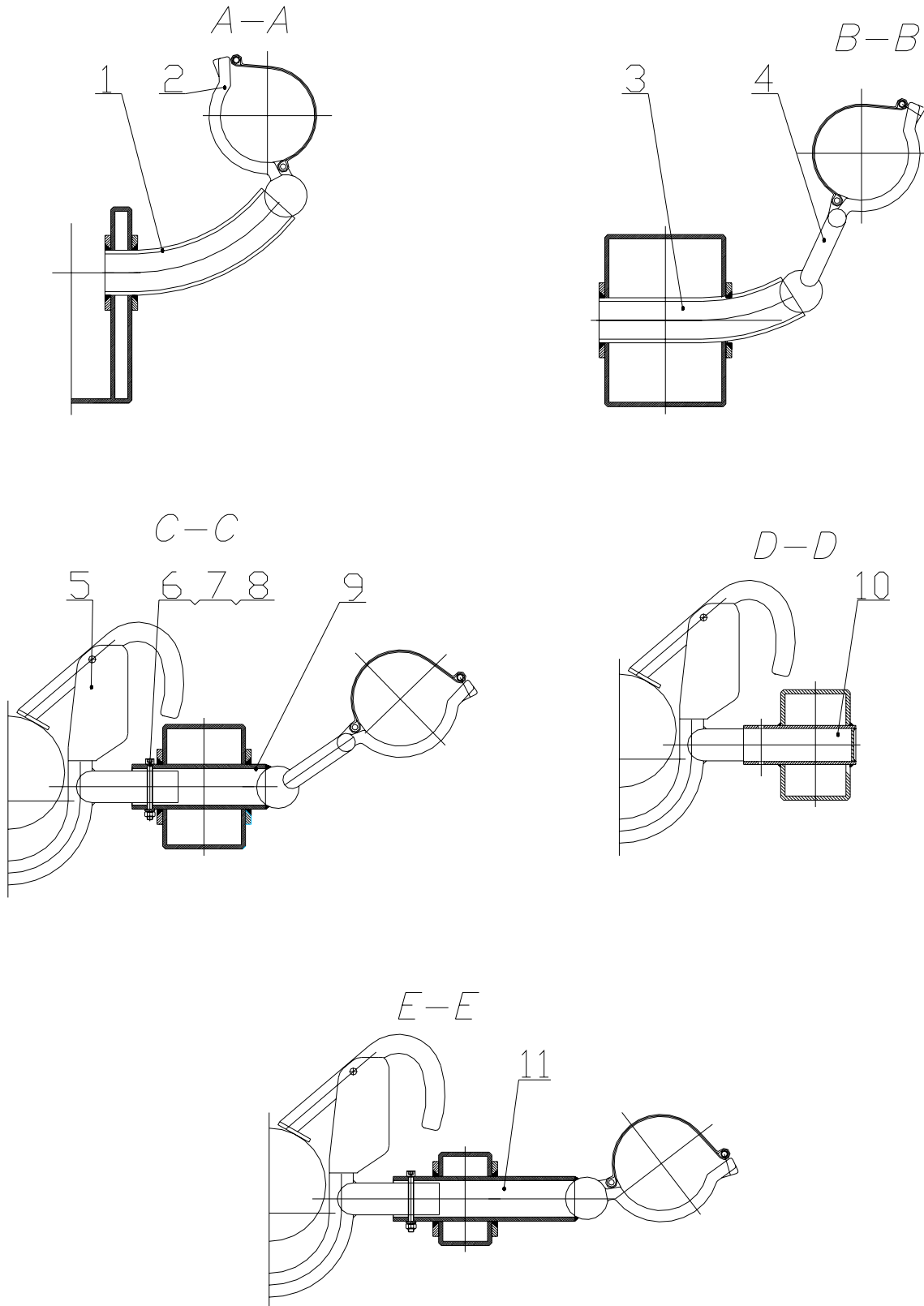




No.	Description	Part Number	Material	Parent	Weight	Quantity
1	support base 1	XBC39.11.3-1	Q345-A			1
2	support,single	ZBC37.11.1.1	component			2
3	support base 2	XBC39.11.3-2	Q345-A			1
4	support,double	ZBC37.11.1.3	component			2
5	support base 3	XBC39.11.3-3	Q345-A			1
6	support base 4	XBC39.11.3-4	Q345-A			1

SUPPORT OF SECTION 4 DELIVERY PIPE





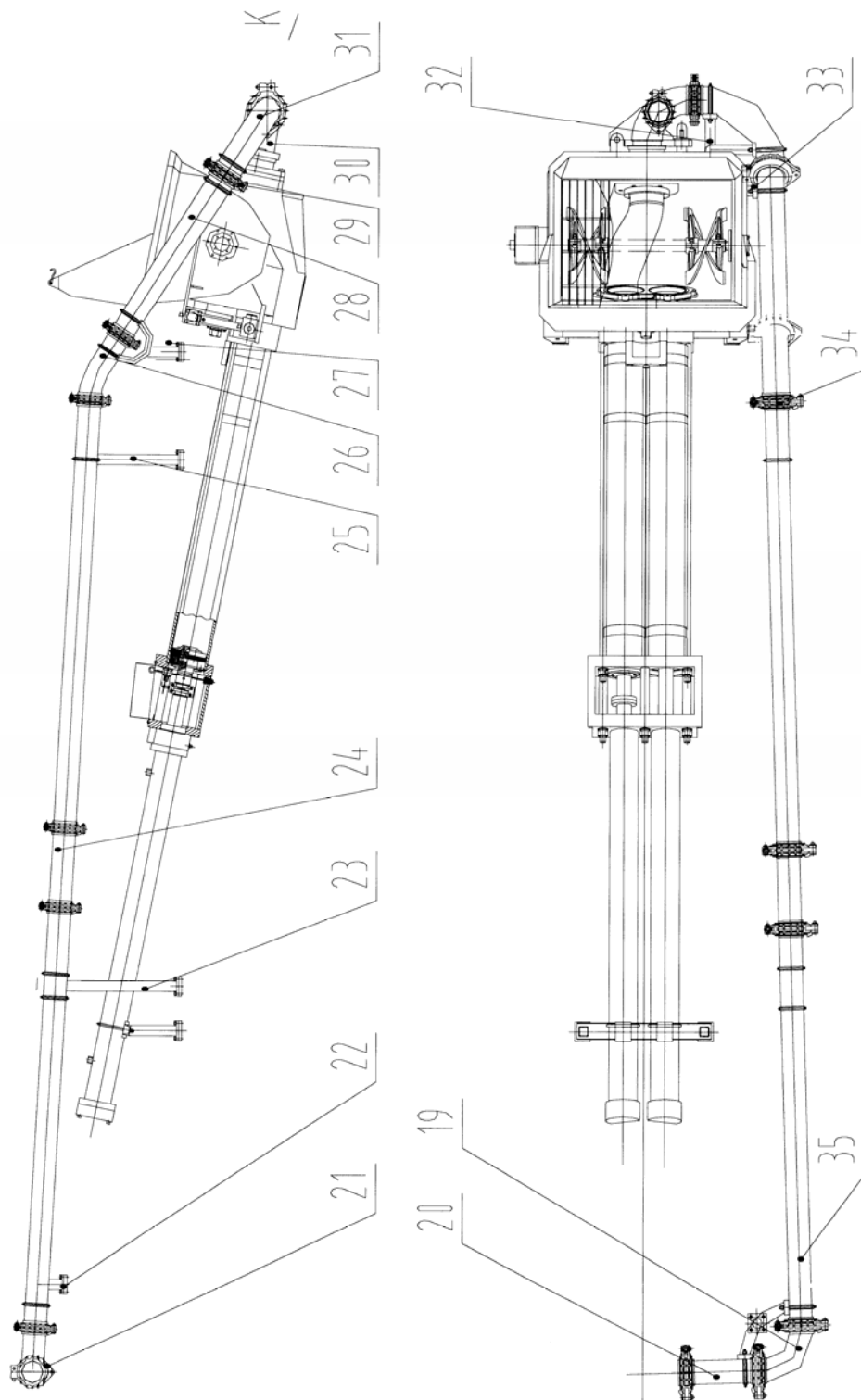


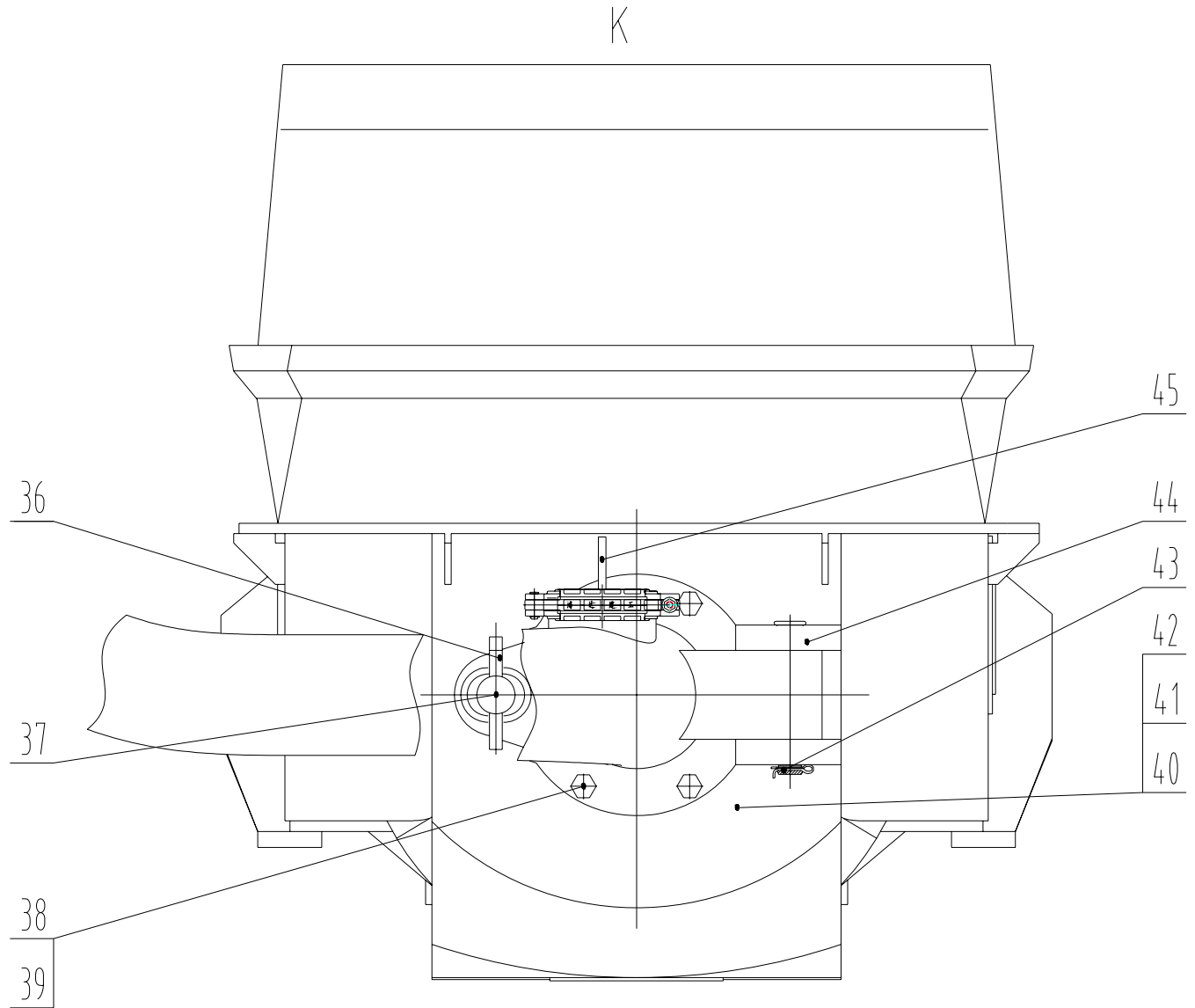
XT39R4

REED
13822 Oaks Avenue
Chino, CA 91710
909-287-2100
www.reedpumps.com

No.	Description	Part Number	Material	Parent	Weight	Quantity
1	support base 1	XBC39.11.4-1	Q345-A			1
2	support,single	ZBC37.11.1.1	component			1
3	support base 2	XBC39.11.4-2	Q345			1
4	support,double	ZBC37.11.1.3	component			2
5	support,hose support	ZBC37.11.4.1	component			3
6	bolt M8 x 75	GB70-85	8.8			3
7	nut M8	GB6170-86	6			3
8	washer 8	GB93-87	65Mn			1
9	support base 3	XBC39.11.4-3	Q345-A			1
10	support base 4	XBC39.11.4.2	weldment			1
11	support base 5	XBC39.11.4-4	Q345			1

2.6.2 DECK DELIVERY PIPE





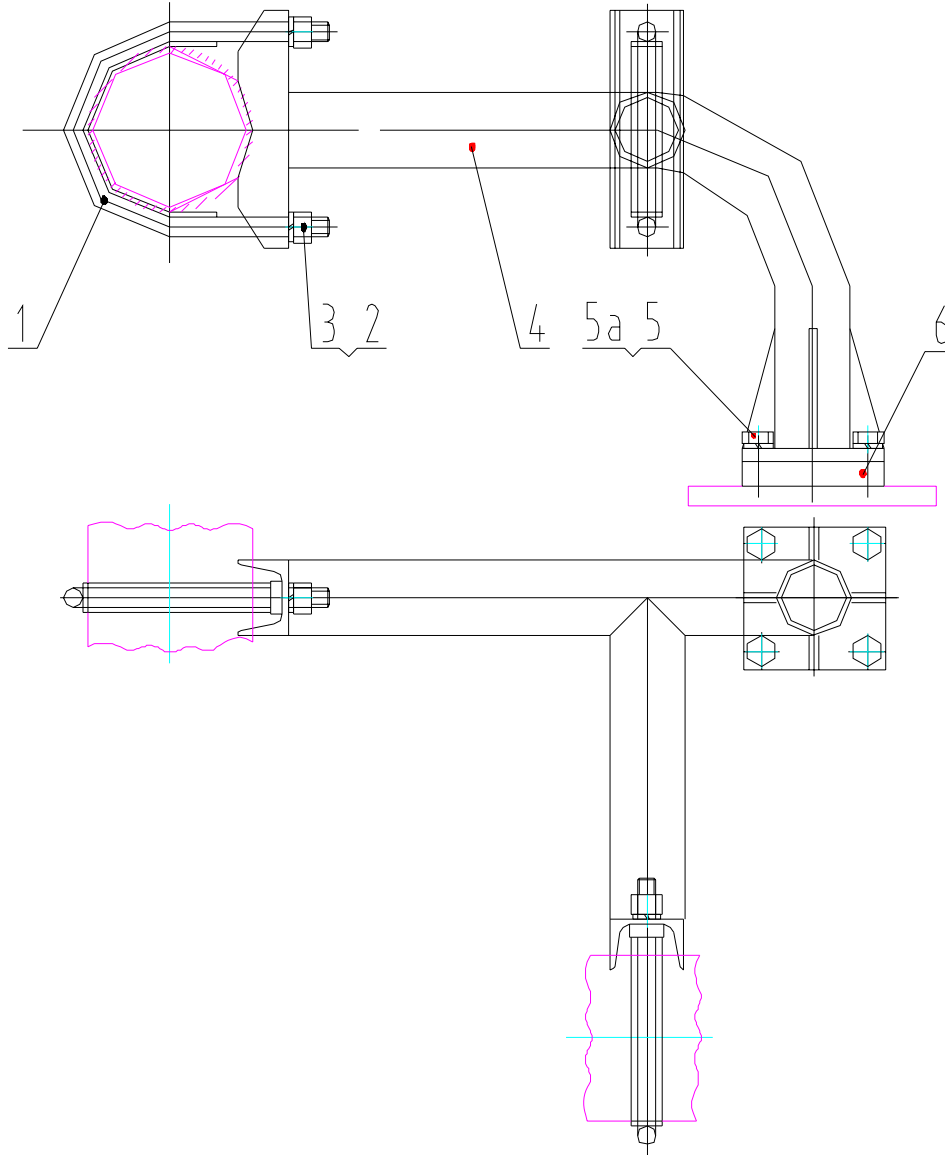


XT39R4

REED
13822 Oaks Avenue
Chino, CA 91710
909-287-2100
www.reedpumps.com

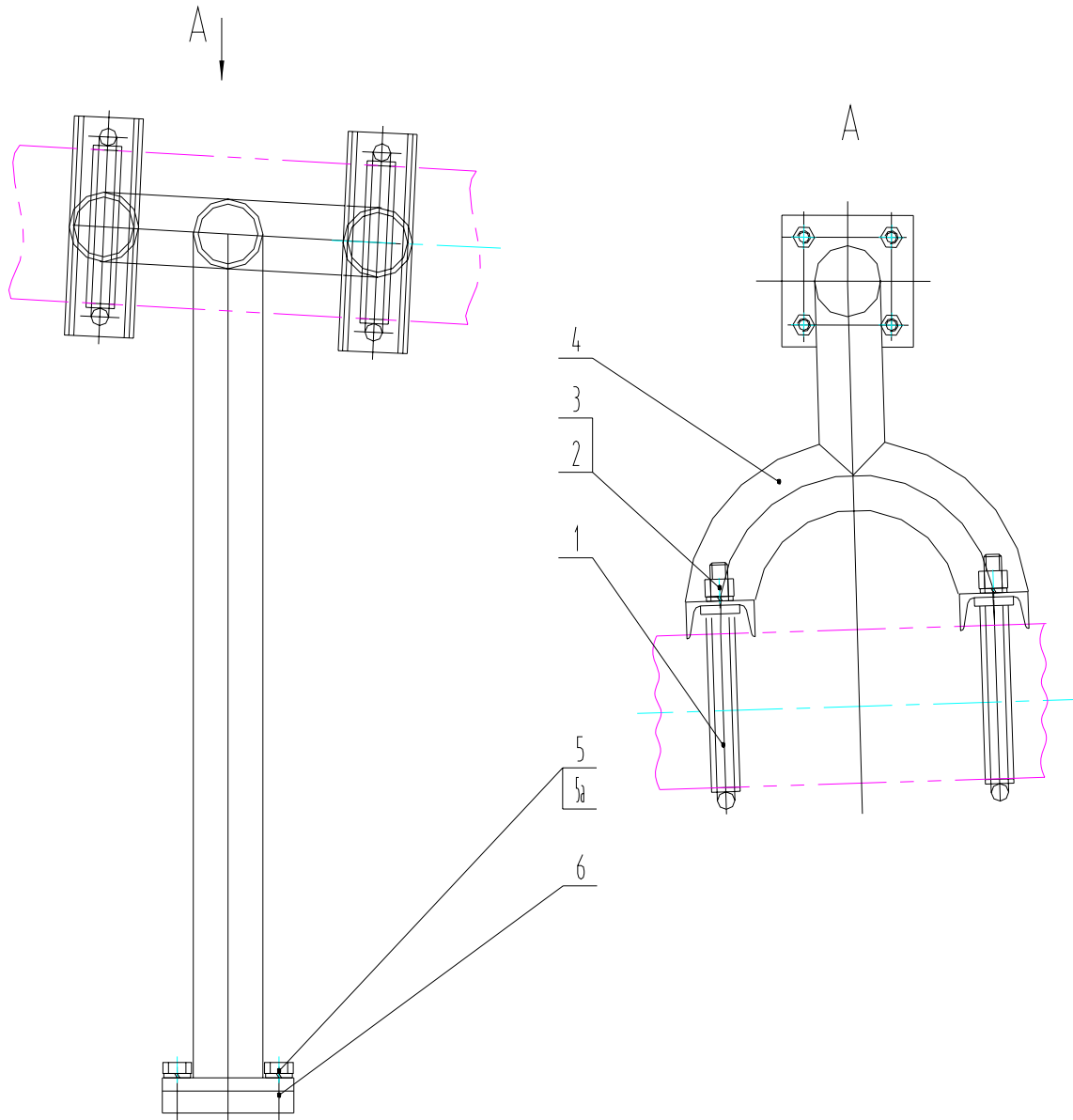
No.	Name	Code	Material	Parent	Weight	Quantity
19	elbow 125mmx90	BC37.3.6				1
20	pipe,makeup125x460mm	BC37.3.7				1
21	clamp,pipe 125mm (Φ148)	BC37.3.8				2
22	support 1	BC37.3.9				1
23	support 2	BC37.3.10				1
24	pipe,makeup 125x3661mm	BC37.3.11				1
25	support 3	BC37.3.12				1
26	elbow 125mmx30	BC37.3.13				1
27	support 4	BC37.3.14				1
28	reducer 150-125mm	BC37.3.15				1
29	clamp,pipe 150mm	60S1816.14.1				3
30	elbow,hinged elbow	BC37.3.16				1
31	elbow,150mmx90	BC37.3.17				1
32	support 5	BC37.3.18				1
33	support 6	BC37.3.19				1
34	clamp,125mm hp (157mm)	60S1816.14.13				4
35	pipe,makeup 125x2127mm	BC37.3.20				1
36	wedge	BC37.3-6				1
37	pin,slotted	BC37.3-7				1
38	bolt M24x125	GB70-85				6
39	washer 24	GB93-87				6
40	outlet,concrete outlet	BC37.3.21				1
41	O-ring Φ205x7	GB3452.1-82				1
42	O-ring Φ258x7	GB3452.1-82				1
43	pin,cotter pinΦ5x56	GB/T91-2000				1
44	pin Φ35x210	BC37.3-8				1
45	cover,cleanout port cover	BC37.3.22				1

SUPPORT 1 OF DECK DELIVERY PIPE



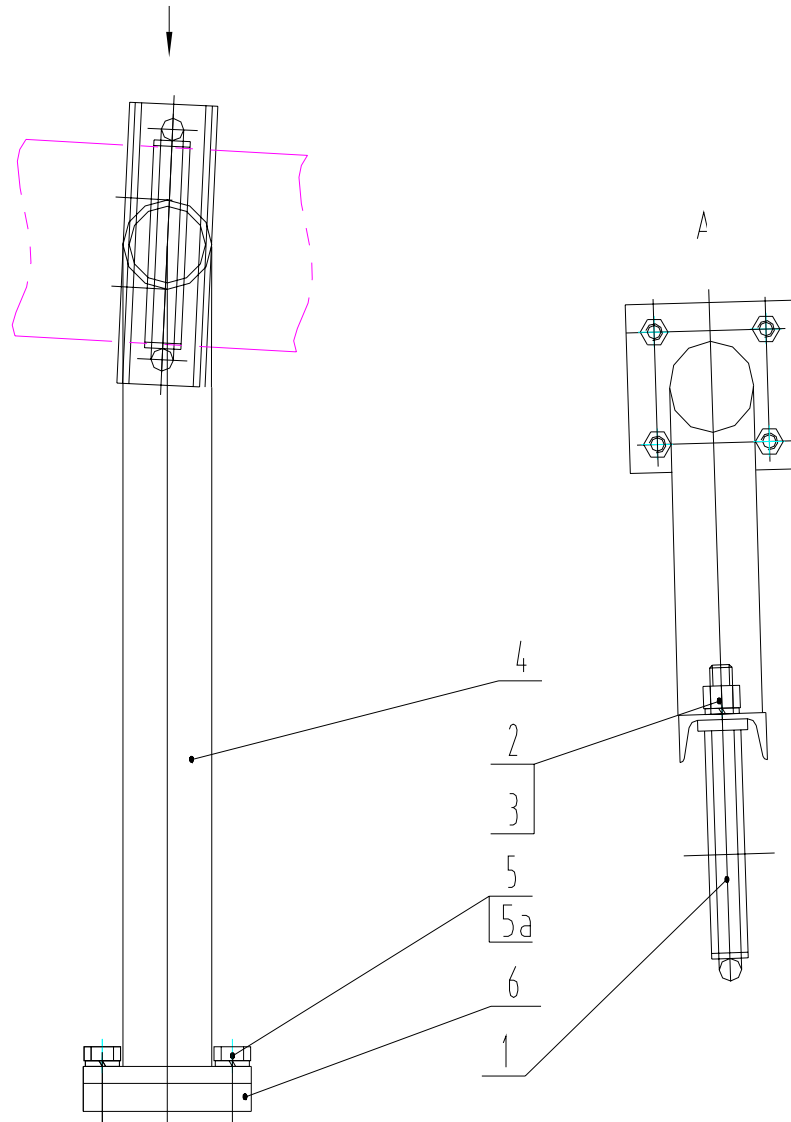
No.	Description	Part Number	Material	Parent	Weight	Quantity
1	U bolt	BC37.3.9.1				2
2	washer 14	GB93-87				8
3	nut M14	GB41-86				4
4	support rod	BC37.3.9.2				1
5	bolt M16×30	GB5780-86				4
5a	washer 16	GB93-87				4
6	plate,base plate	BC37.3.9-1				1

SUPPORT 2 OF DECK DELIVERY PIPE



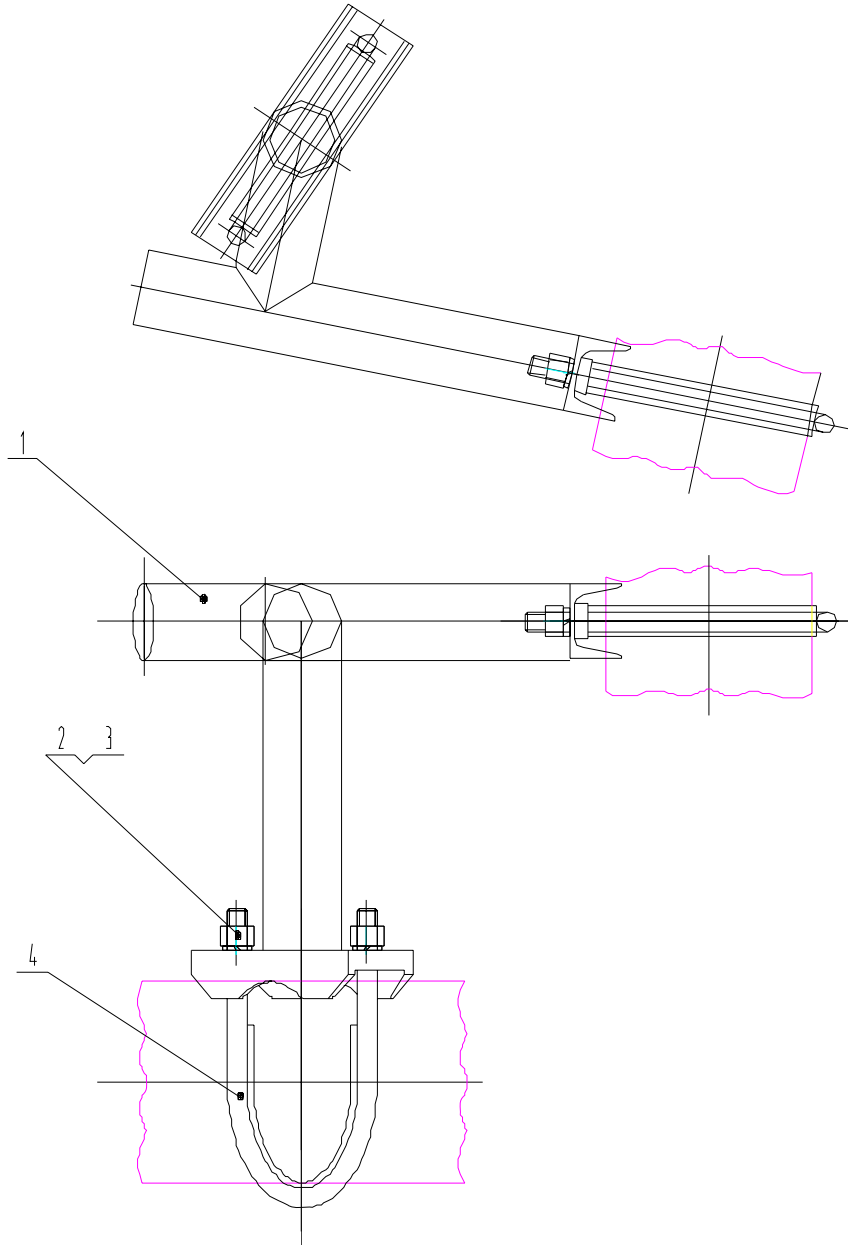
No.	Description	Part Number	Material	Parent	Weight	Quantity
1	U bolt	BC37.3.9.1				2
2	washer 14	GB93-87				8
3	nut M14	GB41-86				4
4	support rod	BC37.3.10.1				1
5	bolt M16 × 30	GB5780-86				4
5a	washer 16	GB93-87				4
6	plate,base plate	BC37.3.9-1				1

SUPPORT 3 OF DECK DELIVERY PIPE



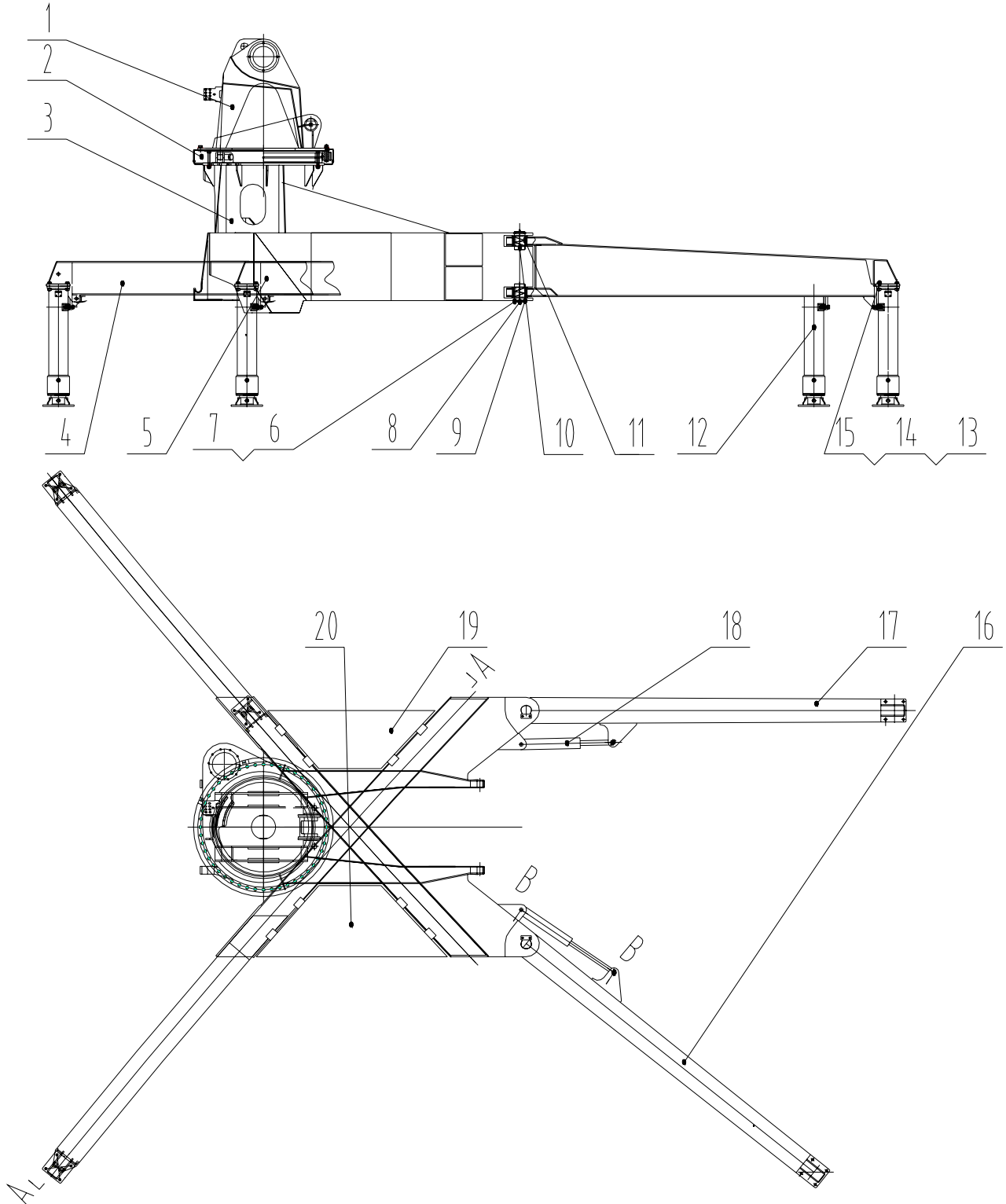
No.	Description	Part Number	Material	Parent	Weight	Quantity
1	U bolt	BC37.3.9.1				2
2	washer 14	GB93-87				8
3	nut M14	GB41-86				4
4	support rod	BC37.3.12.1				1
5	bolt M16 × 30	GB5780-86				4
5a	washer 16	GB93-87				4
6	plate,base plate	BC37.3.9-1				1

SUPPORT 4 OF DECK DELIVERY PIPE

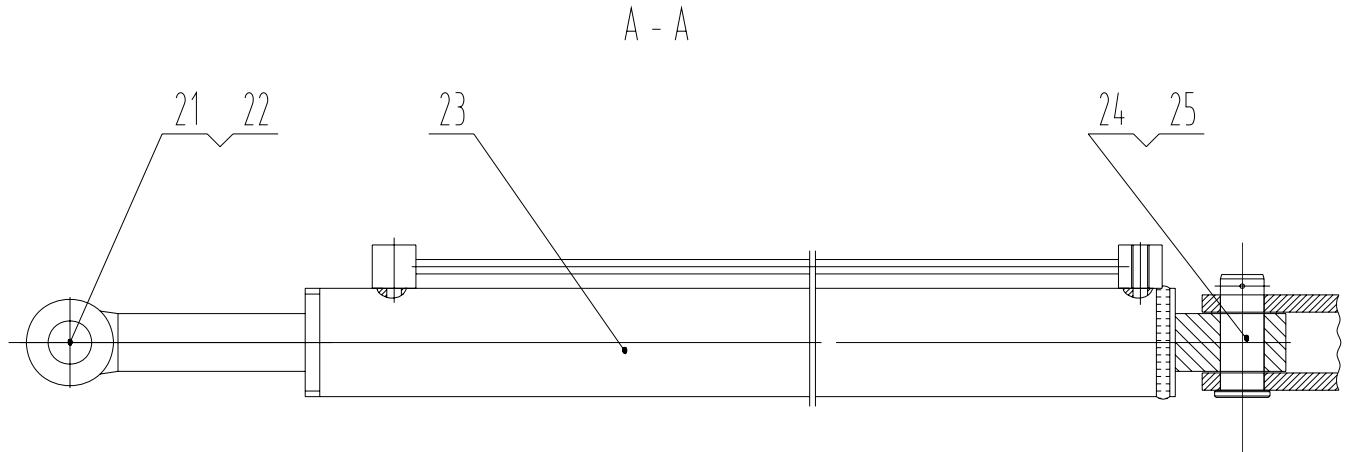


No.	Description	Part Number	Material	Parent	Weight	Quantity
1	bar	BC37.3.18.1				1
2	washer 14	GB93-87				4
3	nut M14	GB41-86				4
4	U bolt	BC37.3.18.2				2

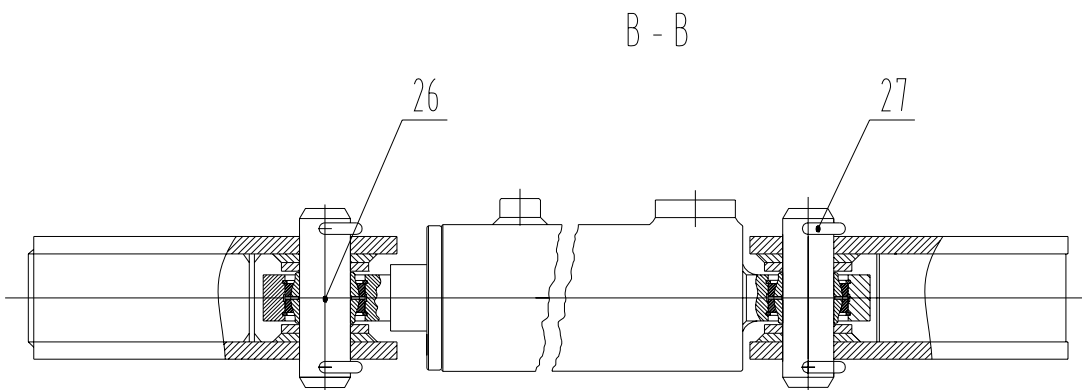
CHAPTER 3 PEDESTAL AND OUTRIGGERS



EXTEND CYLINDER XBC39.2.8



SWINGOUT CYLINDER ZBC37.2.7



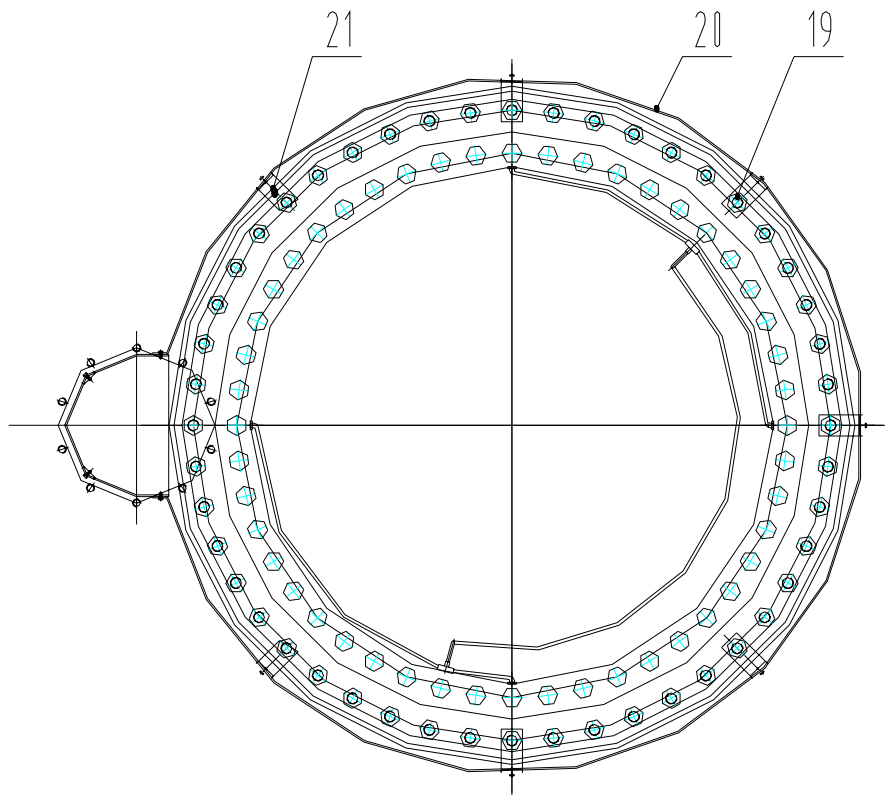
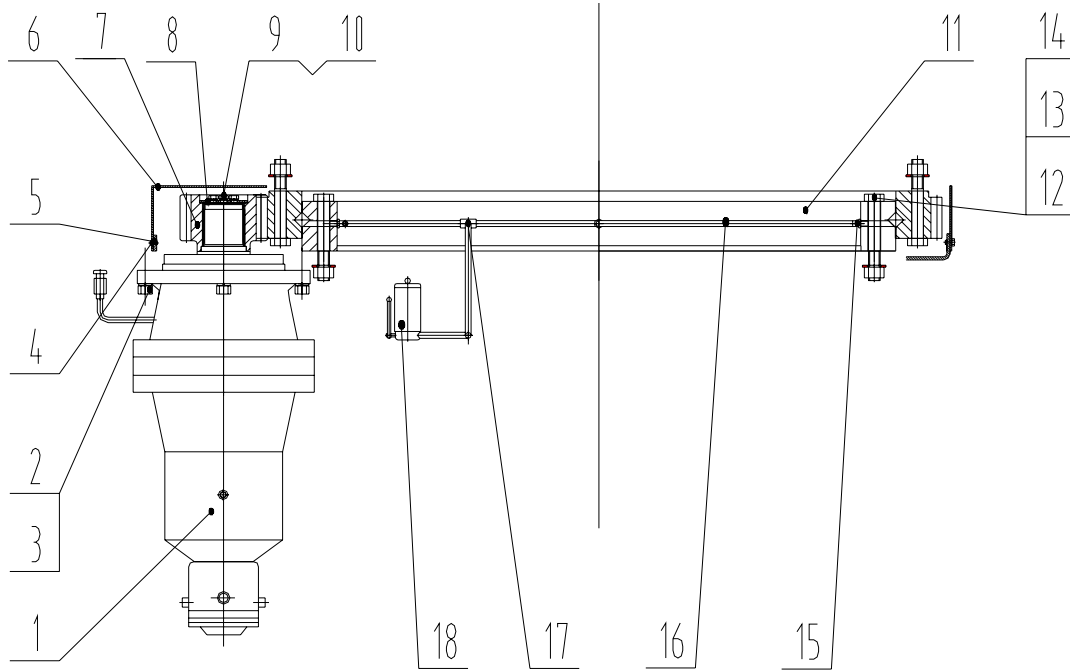


XT39R4

REED
13822 Oaks Avenue
Chino, CA 91710
909-287-2100
www.reedpumps.com

No.	Description	Part Number	Material	Parent	Weight	Quantity
1	masthead	XBC39.2.9				1
2	rotation assembly	ZBC37.2.2				1
3	pedestal	XBC39.2.1				1
4	outrigger,front left	XBC39.2.2				1
5	outrigger,front right	XBC39.2.3				1
6	bolt M12 × 20	GB5783-86				8
7	washer 12	GB93-87				8
8	bolt M10 × 1	GB1152-89				4
9	plate	ZBC37.2-2				4
10	pin	ZBC37.2-3				4
11	bearing	ZBC37.2-4				4
12	cylinder,jack	XBC39.00-3012				4
13	bolt M22×70	GB5782-86				8
14	washer 22	GB93-87				8
15	nut M22	GB6170-86				8
16	outrigger,rear left	XBC38.2.4				1
17	outrigger,rear right	XBC38.2.5				1
18	cylinder,swingout	ZBC37.2.7				2
19	tank,hydraulic tank	XBC39.2.6				1
20	tank,water tank	XBC39.2.7				1
21	pin 1	XBC39.2-1				2
22	ring,snap ring for shaft 30	GB894.1-86				2
23	cylinder,extend	XBC39.2.8				2
24	pin 2	XBC39.2-2				2
25	pin,cotter pin 6.3 × 55	GB91-86				2
26	pin	ZBC37.2-1				8
27	pin,cotter pin 8 × 60	GB91-86				16

3.1 ROTATION ASSEMBLY AND DRIVE ZBC37.2.2



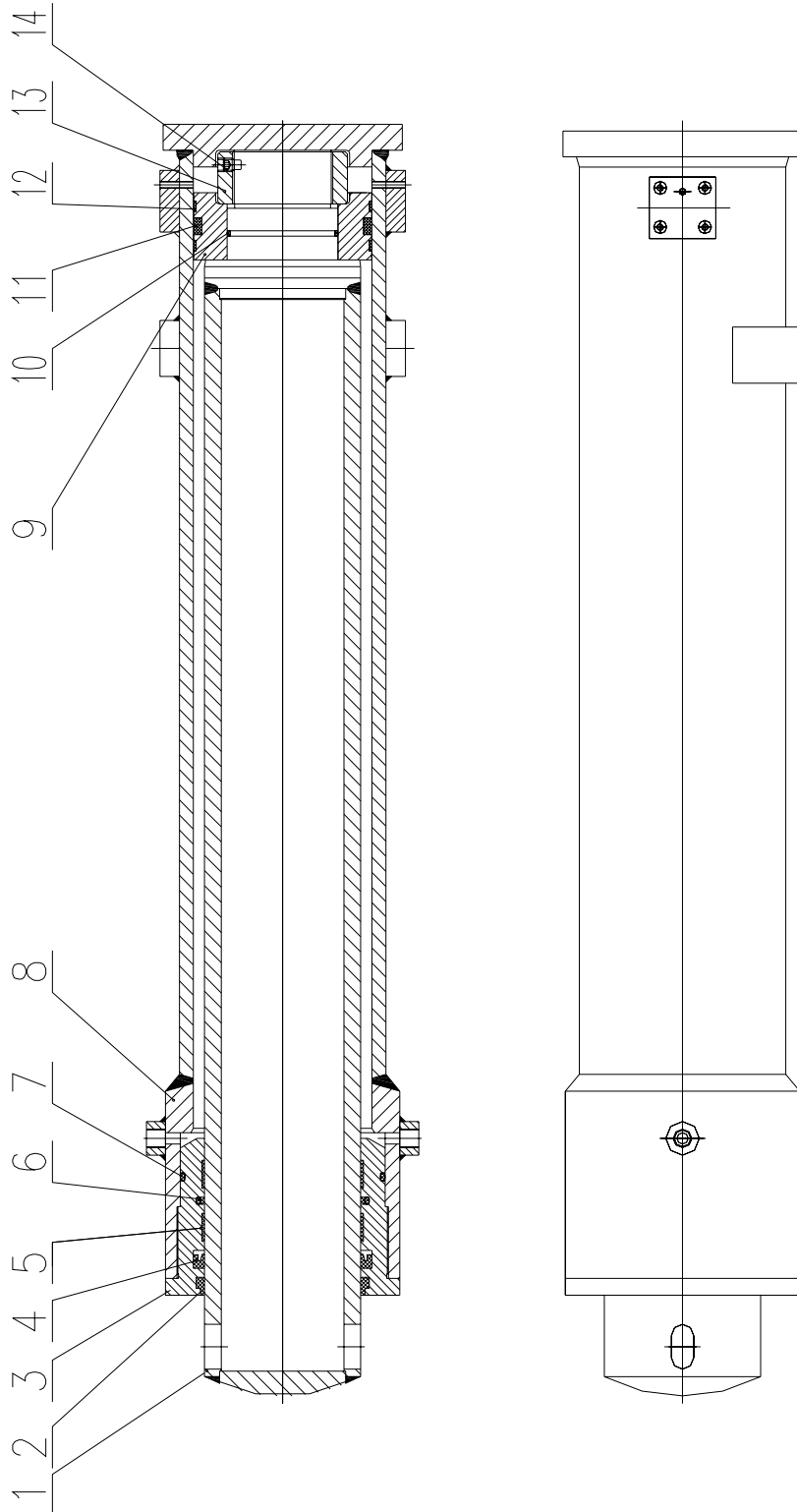


XT39R4

REED
13822 Oaks Avenue
Chino, CA 91710
909-287-2100
www.reedpumps.com

No.	Description	Part Number	Material	Parent	Weight	Quantity
1	gearbox	ET3150/MN-S9				1
2	washer 16	GB93-87				10
3	bolt M16 × 55-10.9	GB5783-86				10
4	bolt M8 × 12	GB5783-86				13
5	plate,position plate	ZBC37.2.2-1				2
6	cover,small gear	ZBC37.2.2.1				1
7	gear,drive gear	ZBC37.2.2-2				1
8	cover	BC42.2.3-5				1
9	bolt M10 × 30	GB70-85				3
10	washer 10	GB93-87				3
11	bearing,rotation bearing	06.1116.21				1
12	bolt M22 × 150	GB5782-86				96
13	nut M22	GB6170-86				96
14	washer 22	GB/T1230-91				96
15	fitting,tube-to-tube	25436-1				4
16	tube,copper tube φ6 x1 (internal diameter φ4)	XBC39.00-3216				5 m
17	fitting,tube-to-tube,tee connector	25442-1				2
18	pump,lubrication manual pump	XBC39.00-3218				1
19	plate,position plate 1	ZBC37.2.2-3				5
20	cover,gear protecting	ZBC37.2.2-4				1
21	plate,position plate 2	ZBC37.2.2-5				2

3.2 HYDRAULIC JACK CYLINDER XBC39.00-3012



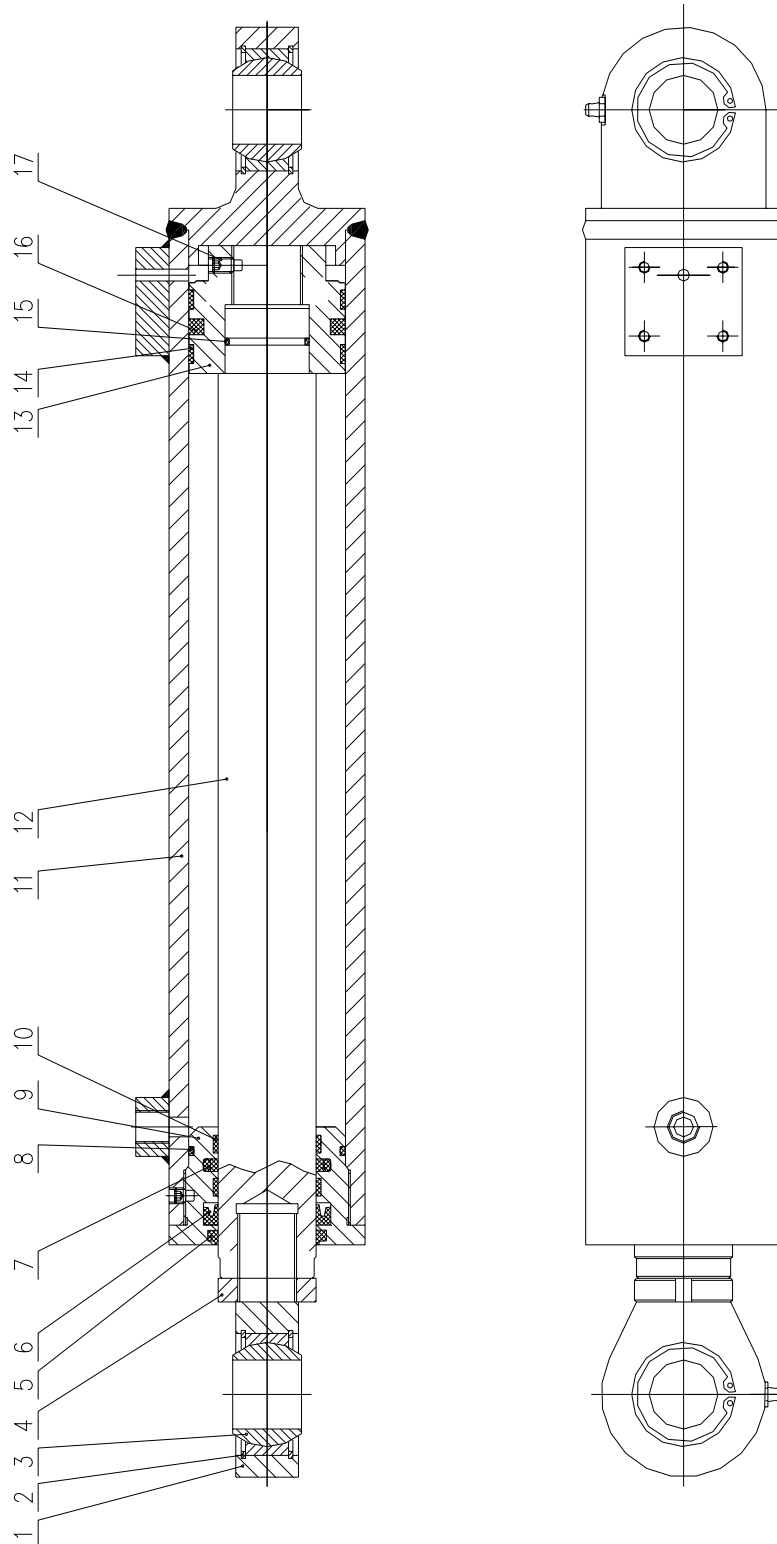


XT39R4

REED
13822 Oaks Avenue
Chino, CA 91710
909-287-2100
www.reedpumps.com

No.	Description	Part Number	Material	Parent	Weight	Quantity
1	rod,piston rod					1
2	seal,ring 40 × 155.1 × 6.3	A5 EO30		XBC39.00-3012s		1
3	ring,guide ring	0-1		XBC39.00-3012s		1
4	seal,bearing seal 40 × 160 × 14.5 bs	ES E060		XBC39.00-3012s		1
5	O-ring 140 x 145 x 25	GR751400		XBC39.00-3012s		2
6	seal,bearing seal 140 × 155.1 × 6.3 od	OD 1400 052		XBC39.00-3012s		1
7	O-ring	2-364		XBC39.00-3012s		1
8	cylinder body					1
9	piston					1
10	O-ring 91.67 × 3.53	2-239		XBC39.00-3012s		1
11	ring,snap ring 160 x 114.5 x 16			XBC39.00-3012s		1
12	ring,guide ring 160 x 155 x 15			XBC39.00-3012s		2
13	nut,lock nut			XBC39.00-3012s		1
14	bolt M12 × 16	GB/T79-2000		XBC39.00-3012s		1

3.3 HYDRAULIC SWINGOUT CYLINDER ZBC37.2.7



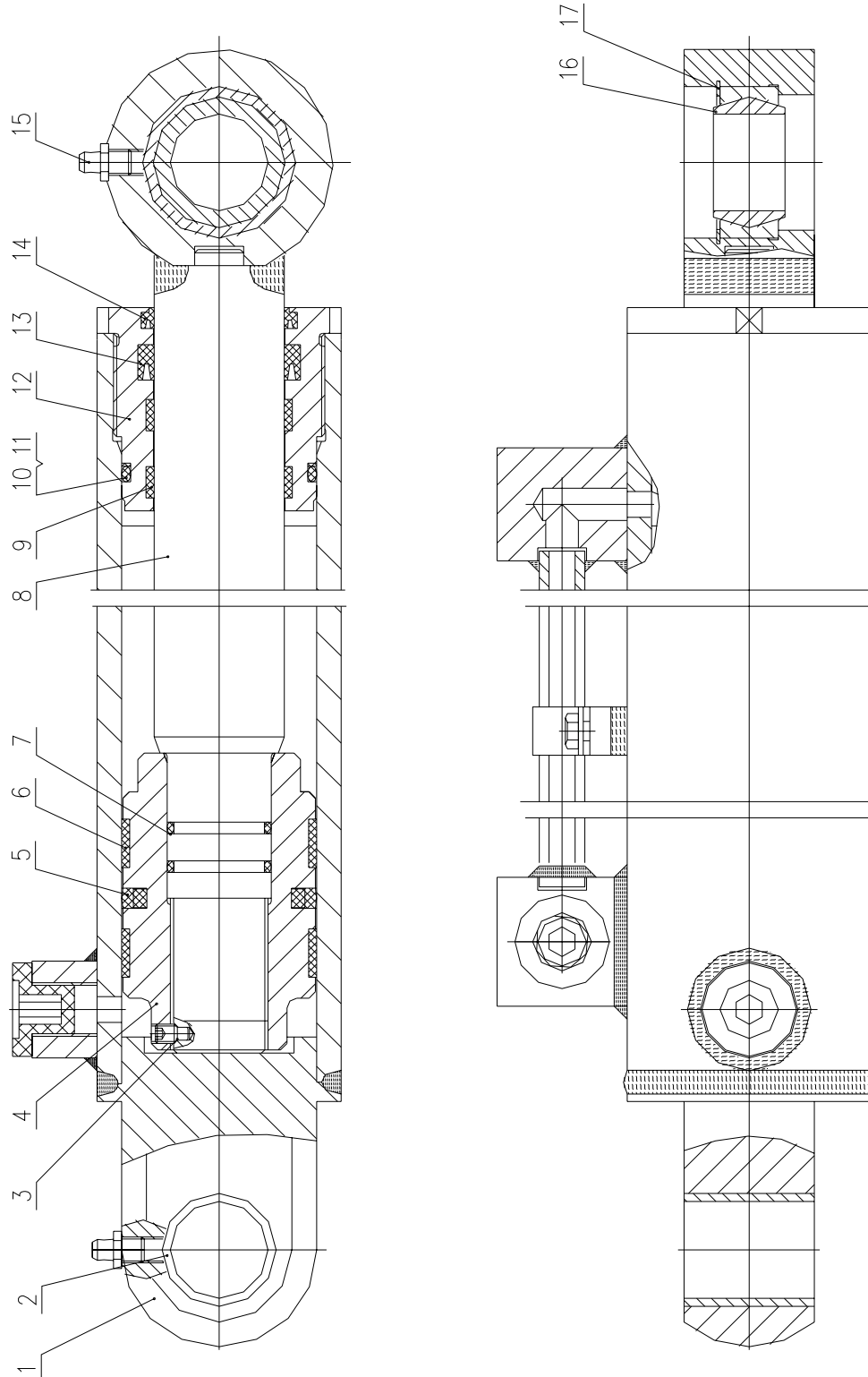


XT39R4

REED
13822 Oaks Avenue
Chino, CA 91710
909-287-2100
www.reedpumps.com

No.	Description	Part Number	Material	Parent	Weight	Quantity
1	clevis,rod end clevis					1
2	ring,snap ring 55	GB893.1-86		ZBC37.2.7s		4
3	bearing,joint bearing 35	EEM35ES-2RS		ZBC37.2.7s		2
4	nut			ZBC37.2.7s		1
5	seal,ring 50 × 60 × 7	A5 5002		ZBC37.2.7s		1
6	seal,bearing seal 50 × 65 × 11.4	BS 5065		ZBC37.2.7s		1
7	seal,bearing seal 50 × 6.3	OD 0500		ZBC37.2.7s		1
8	O-ring 72.63 × 3.53	2-233		ZBC37.2.7s		1
9	carrier,seal carrier					1
10	ring,guide ring 50 × 55 × 5.6	FR 5015		ZBC37.2.7s		2
11	cylinder body					1
12	rod,piston rod					1
13	piston					1
14	ring,guide ring 80 × 759.7	FR 7506		ZBC37.2.7s		2
15	O-ring 37.77 × 2.62	2-128		ZBC37.2.7s		1
16	seal,bearing seal 80 × 64.6 × 6.3	OK 0083 00701		ZBC37.2.7s		1
17	bolt M8 × 8	GB/T79-2000		ZBC37.2.7s		2

3.4 HYDRAULIC EXTEND CYLINDER XBC39.2.8



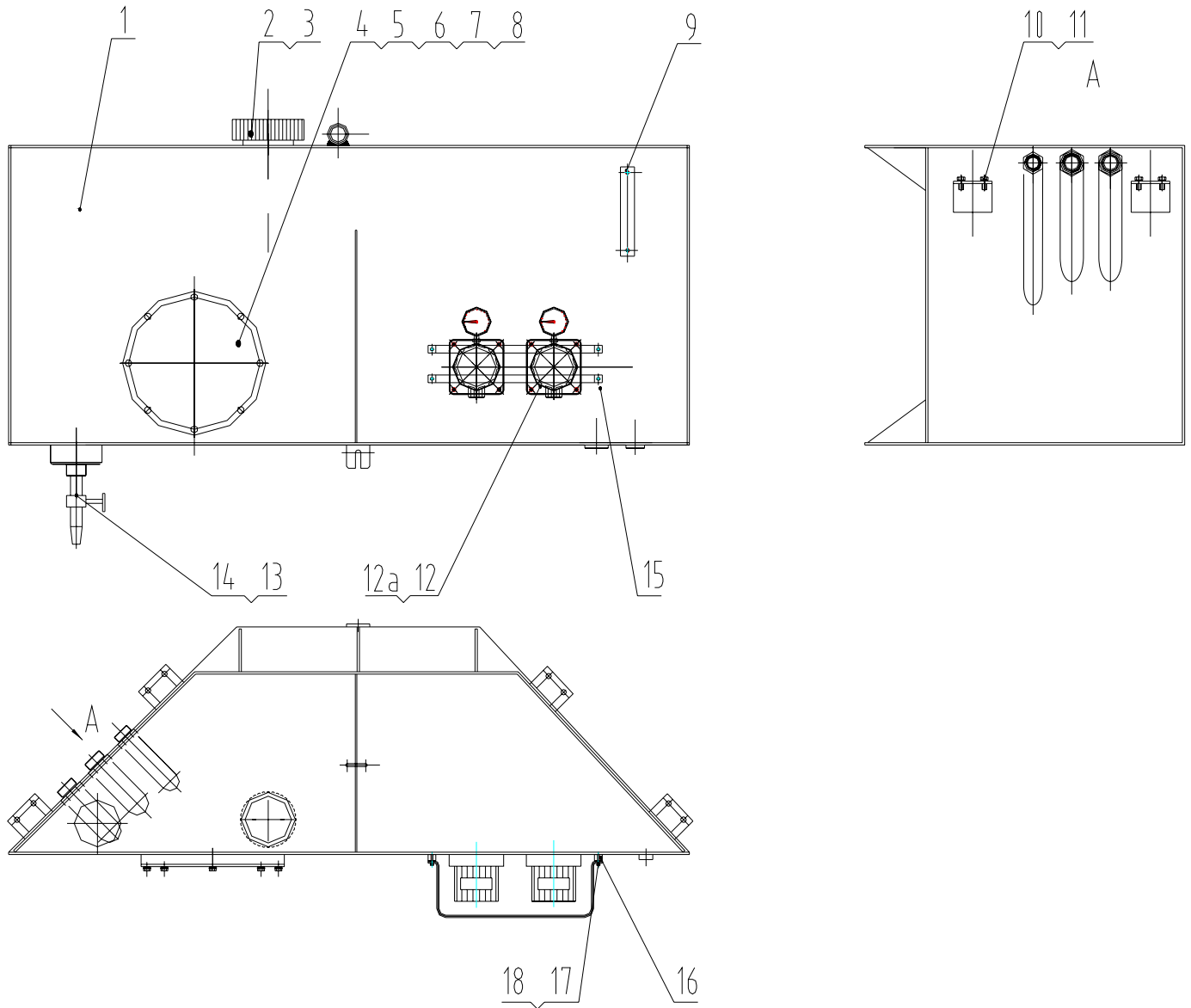


XT39R4

REED
13822 Oaks Avenue
Chino, CA 91710
909-287-2100
www.reedpumps.com

No.	Description	Part Number	Material	Parent	Weight	Quantity
1	cylinder body					1
2	bushing 30 × 34 × 40	CSB-30 30 x 40		XBC39.2.8s		1
3	bolt M6 × 10	GB/T79-2000		XBC39.2.8s		1
4	piston					1
5	seal,bearing seal 60 × 44.5 × 6.3	KR 0060 00701		XBC39.2.8s		1
6	ring,guide ring 55 × 60 × 15	GP 730 0600		XBC39.2.8s		2
7	O-ring 26.64 × 2.62	2-121		XBC39.2.8s		2
8	rod,piston rod					1
9	ring,guide ring 40 × 45 × 9.7	GR 690 0400		XBC39.2.8s		2
10	O-ring 53.57 × 3.53	2-227		XBC39.2.8s		1
11	ring,snap ring	8-227		XBC39.2.8s		1
12	carrier,seal carrier					1
13	seal,piston rod seal 40 × 50 × 11	BS 4005		XBC39.2.8s		1
14	seal,ring 40 × 48 × 5.8	AY 4002		XBC39.2.8s		1
15	nipple M8	GB1152-89		XBC39.2.8s		1
16	bearing,joint bearing	GE30ES-2RS		XBC39.2.8s		1
17	ring,snap ring for holes 47	GB893.2-86		XBC39.2.8s		1

3.5 HYDRAULIC TANK



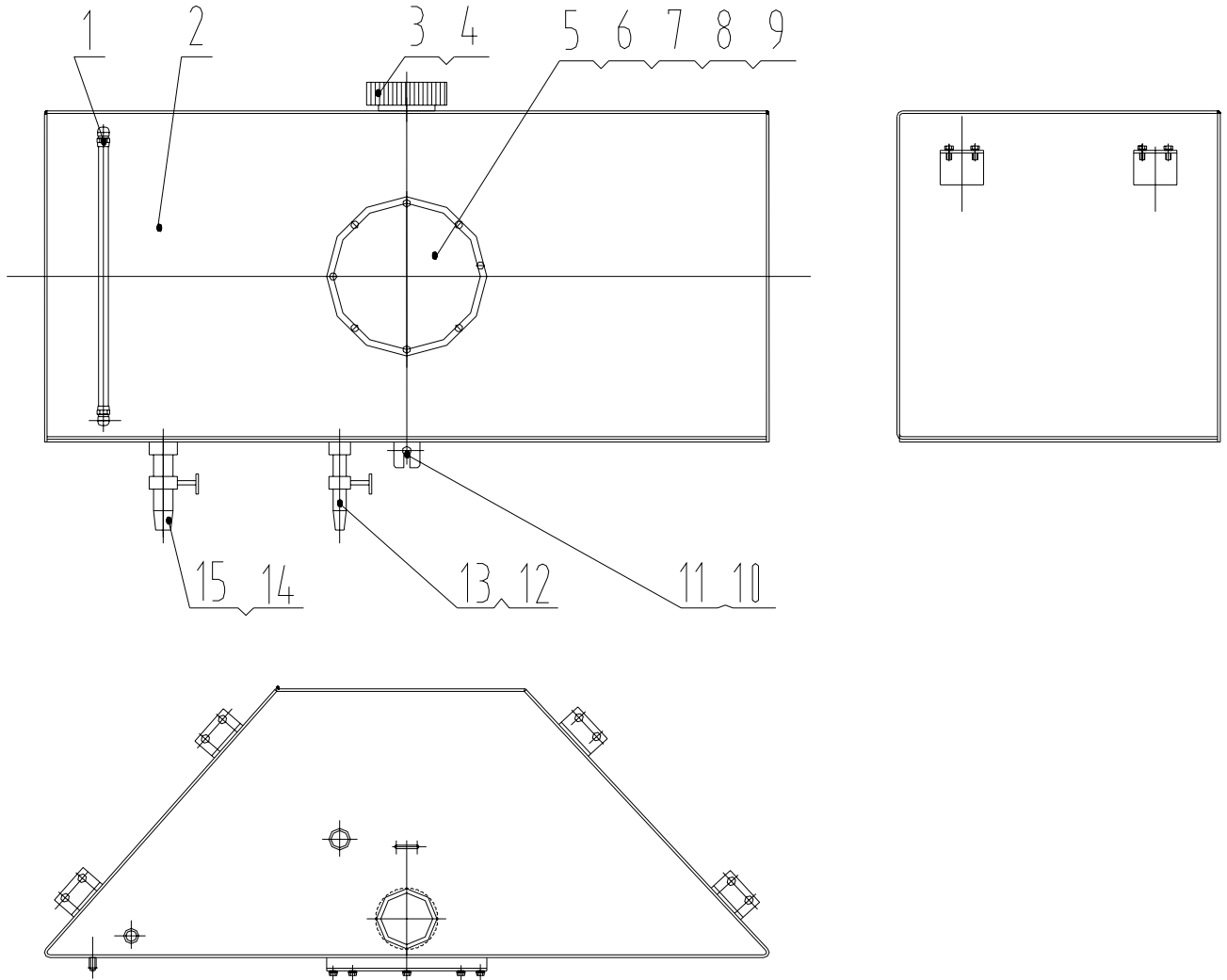


XT39R4

REED
13822 Oaks Avenue
Chino, CA 91710
909-287-2100
www.reedpumps.com

No.	Description	Part Number	Material	Parent	Weight	Quantity
1	tank,hydraulic	XBC39.2.6.1				1
2	filter	LE0827-91				1
3	bolt M5 × 12	GB5781-86				4
4	flange	BC42.2-1				1
5	o-ring 307 × 5.3	GB3452.1-82				1
6	bolt M10 × 16	GB5781-86				8
7	washer 10	GB95-85				8
8	washer 10	GB93-87				8
9	gauge,level and temperature	YWZ-200T				1
10	bolt M12 × 25	GB5783-86				9
11	washer 12	GB93-87				9
12	filter,oil assembly	ES094				2
12a	element,filter oil	P20933-01				2
13	pipe,1"	GB3289.26-82				1
14	valve,1" copper ball valve					1
15	cover,filter cover	XBC39.2.6.1-11				2
16	plate	XBC39.2.6.1-12				4
17	washer 5	GB95-85				4
18	bolt M5 x 25	GB5780-86				4

3.6 WATER TANK



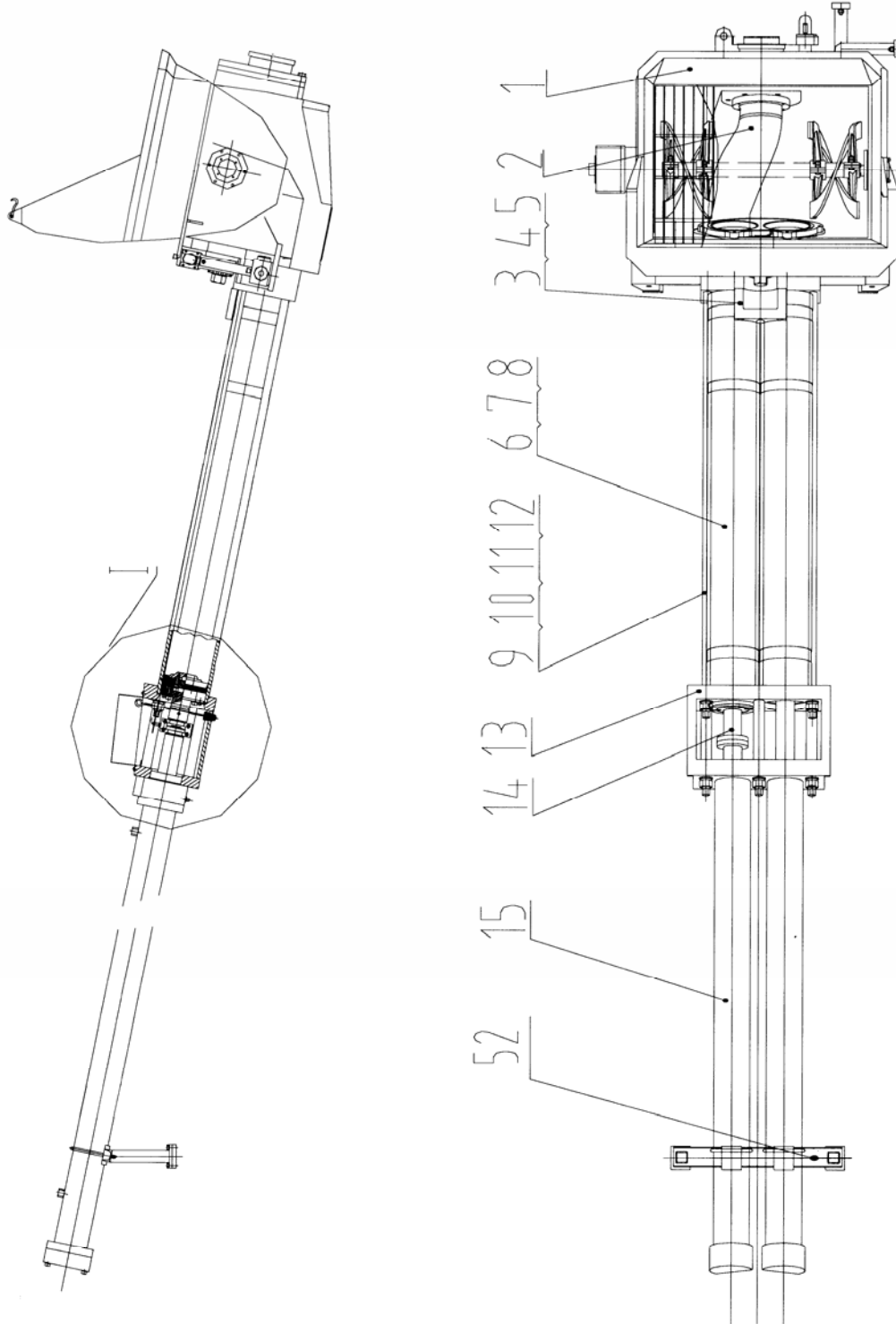


XT39R4

REED
13822 Oaks Avenue
Chino, CA 91710
909-287-2100
www.reedpumps.com

No.	Description	Part Number	Material	Parent	Weight	Quantity
1	tube,transparent nylon tube $\Phi 16 \times 1$ PA11	lever tube L = 660				1
2	tank,water	XBC38.2.7.1				1
3	filter,water	EF-80				1
4	bolt M8 \times 30	GB70-85				4
5	flange	BC42.2-1				1
6	o-ring 307 \times 5.3	GB3452.1-82				1
7	bolt M10 \times 16	GB5781-86				8
8	washer 10	GB95-85				8
9	washer 10	GB93-87				8
10	bolt M12 \times 25	GB5783-86				9
11	washer 12	GB93-87				9
12	pipe,1"	GB3289.26-82				1
13	valve,1" ball valve	XBC39.00-3613				1
14	pipe,1 1/2"	GB3289.26-82				1
15	valve,1 1/2" ball valve	XBC39.00-3615				1

CHAPTER 4 PUMPING SYSTEM



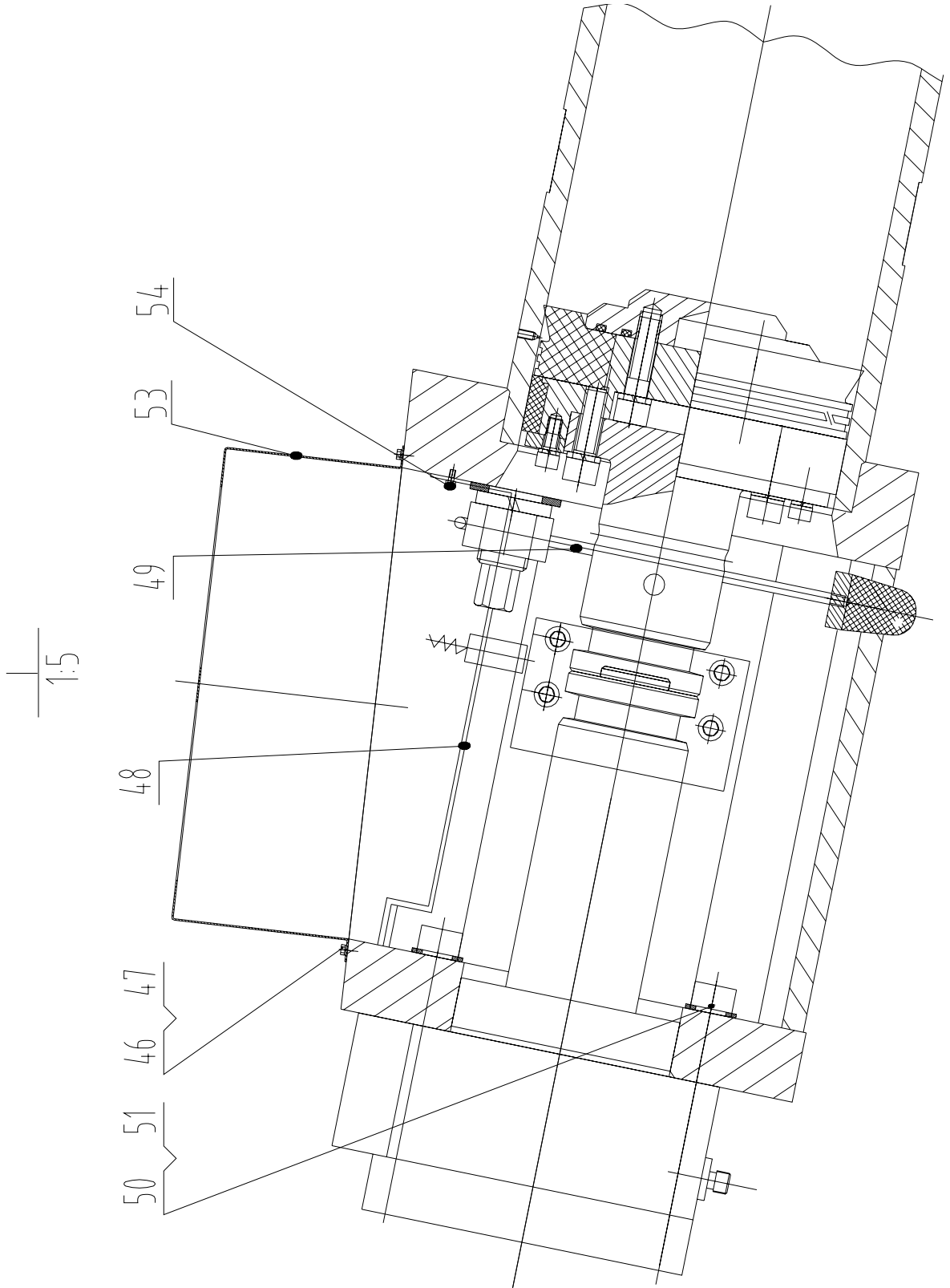


XT39R4

REED
13822 Oaks Avenue
Chino, CA 91710
909-287-2100
www.reedpumps.com

No.	Name	Code	Material	Parent	Weight	Quantity
1	hopper assembly	BC37.3.1				1
2	s-tube assembly	BC37.3.2				1
3	base,tie-rod base	BC37.3-1				1
4	washer 20	GB93-87				3
5	bolt M20×145	GB80-75				3
6	o-ring Φ243×7	GB3452.1-82				2
7	cylinder,concrete cylinder	BC37.3-2				2
8	tie-rod	BC37.3-3				6
9	shield	BC37.3-4				2
10	nut M36	GB6170-86				6
11	washer 36	GB97.1-86				6
12	bolt 36	GB93-87				6
13	water box	BC37.3.3				1
14	piston,concrete piston	BC37.3.4				2
15	cylinder,drive cylinder	BC37.3.5				2

4.1 WATER BOX BC37.3.3



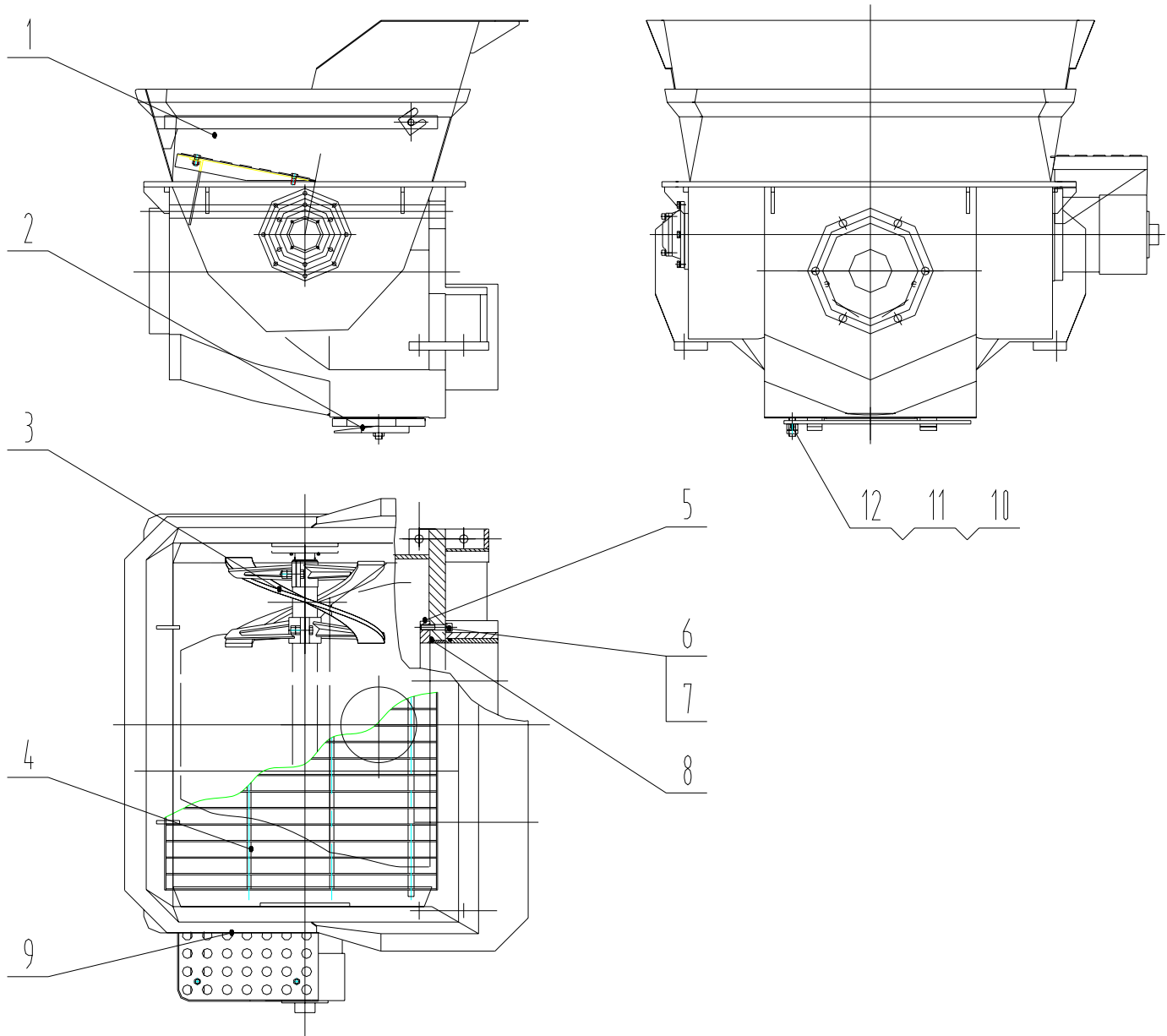


XT39R4

REED
13822 Oaks Avenue
Chino, CA 91710
909-287-2100
www.reedpumps.com

No.	Name	Code	Material	Parent	Weight	Quantity
46	bolt M8 x 12	GB5781-86				4
47	washer 8	GB93-87				4
48	bracket,proximity switch	BC37.3.26				2
49	plug,waterbox	BC37.3.23				2
50	bolt M22 x 185	GB70-85				18
51	washer 22	GB95-85				18
52	support,drive cylinder	BC37.3.24				1
53	cover,water box	BC37.3-12				1
54	bolt M8 x 16	GB5781-86				4

4.2 HOPPER ASSEMBLY



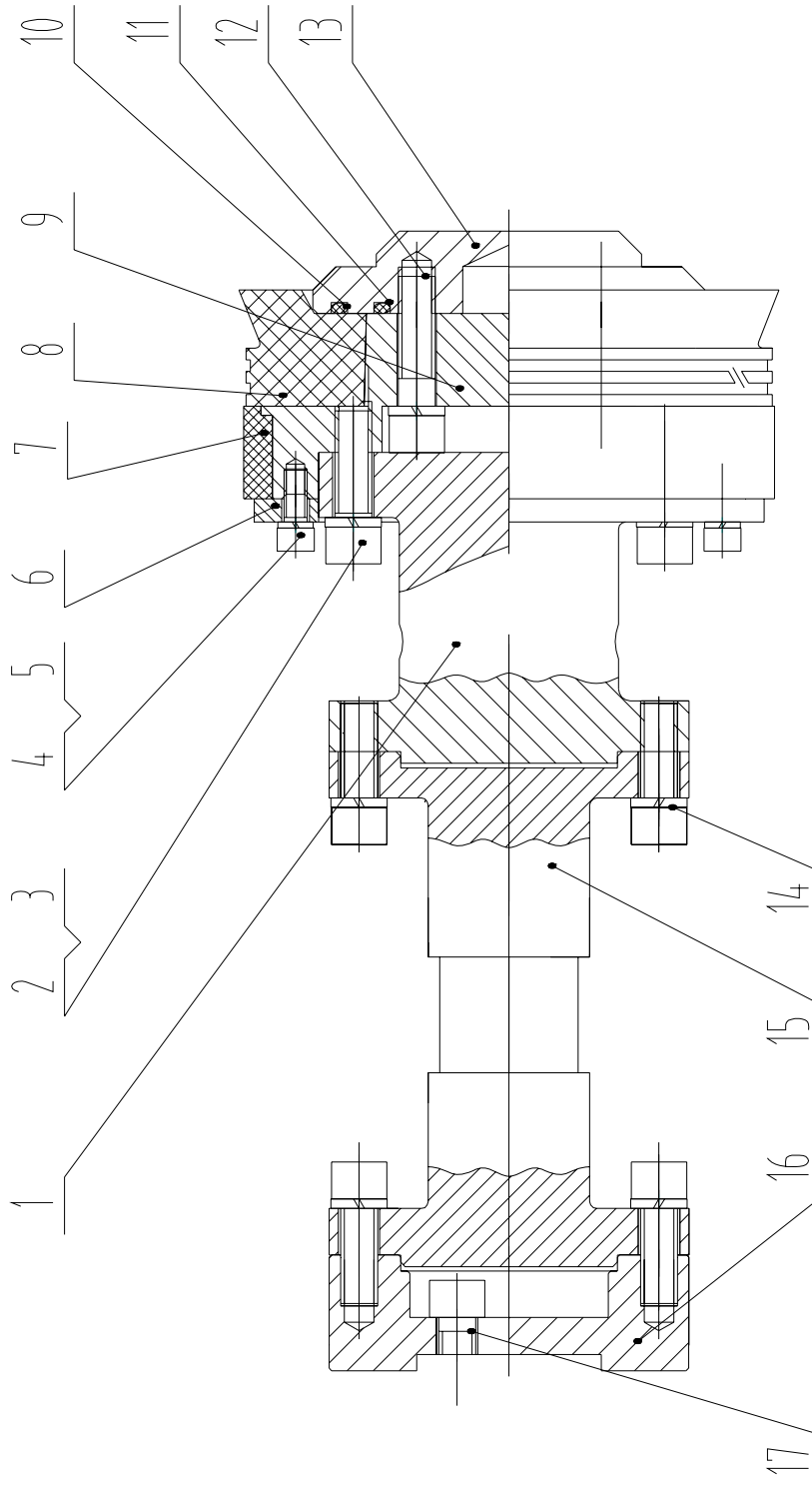


XT39R4

REED
13822 Oaks Avenue
Chino, CA 91710
909-287-2100
www.reedpumps.com

No.	Description	Part Number	Material	Parent	Weight	Quantity
1	hopper weldment	BC37.3.1.1				1
2	door,hopper door	60S1816.3.4-2				1
3	agitator	BC37.3.1.5				1
4	grate,hopper grate	BC37.3.1.2				1
5	plate,wear plate	BC37.3.1-1				1
6	bolt M16 × 75	GB70-85				6
7	washer 16	GB93-87				2
8	o-ring 243 × 5.3	GB3452.1-82				2
9	step	BC37.3.1.4				1
10	stud	60S1816.3.4-4				1
11	bolt M20	GB6170-86				1
12	washer M20	GB6184-86				1

4.3 CONCRETE PISTON ASSEMBLY



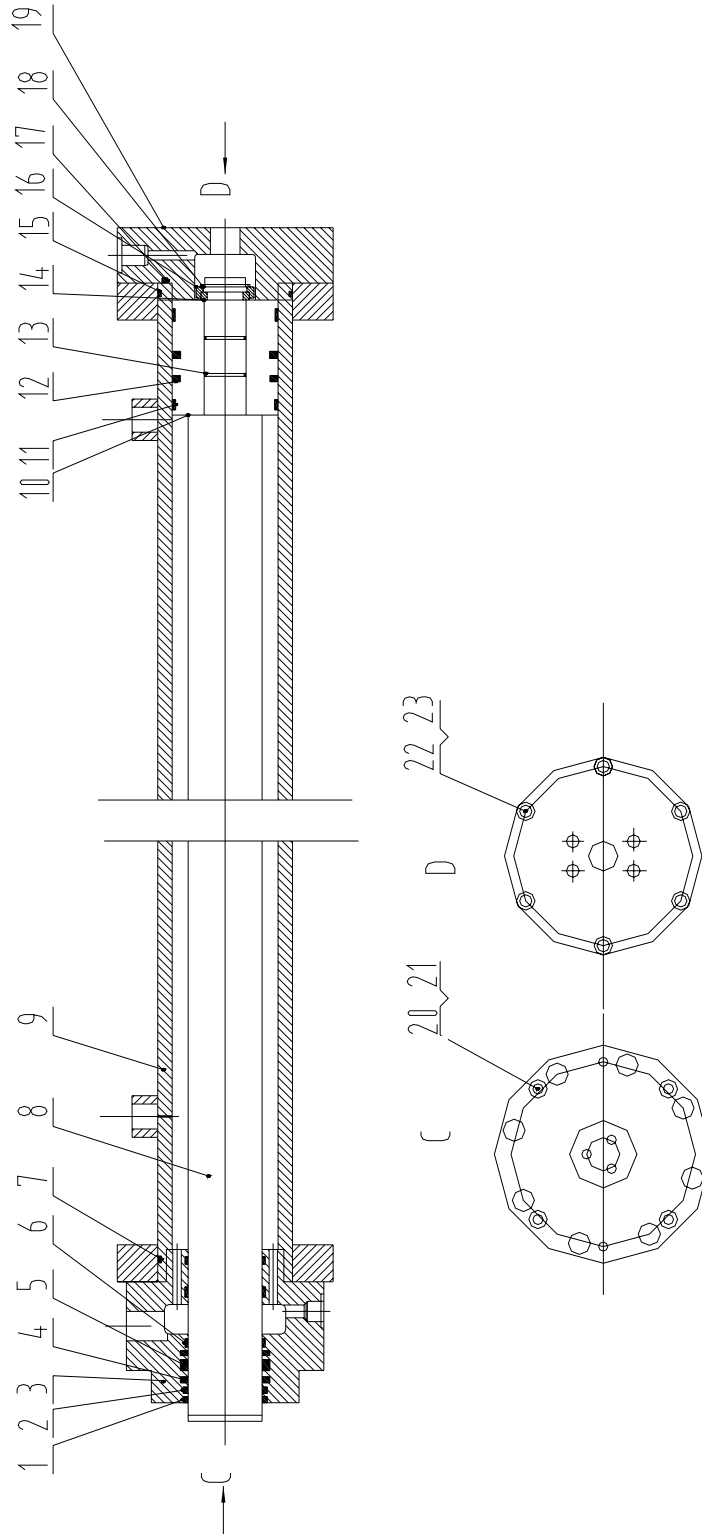


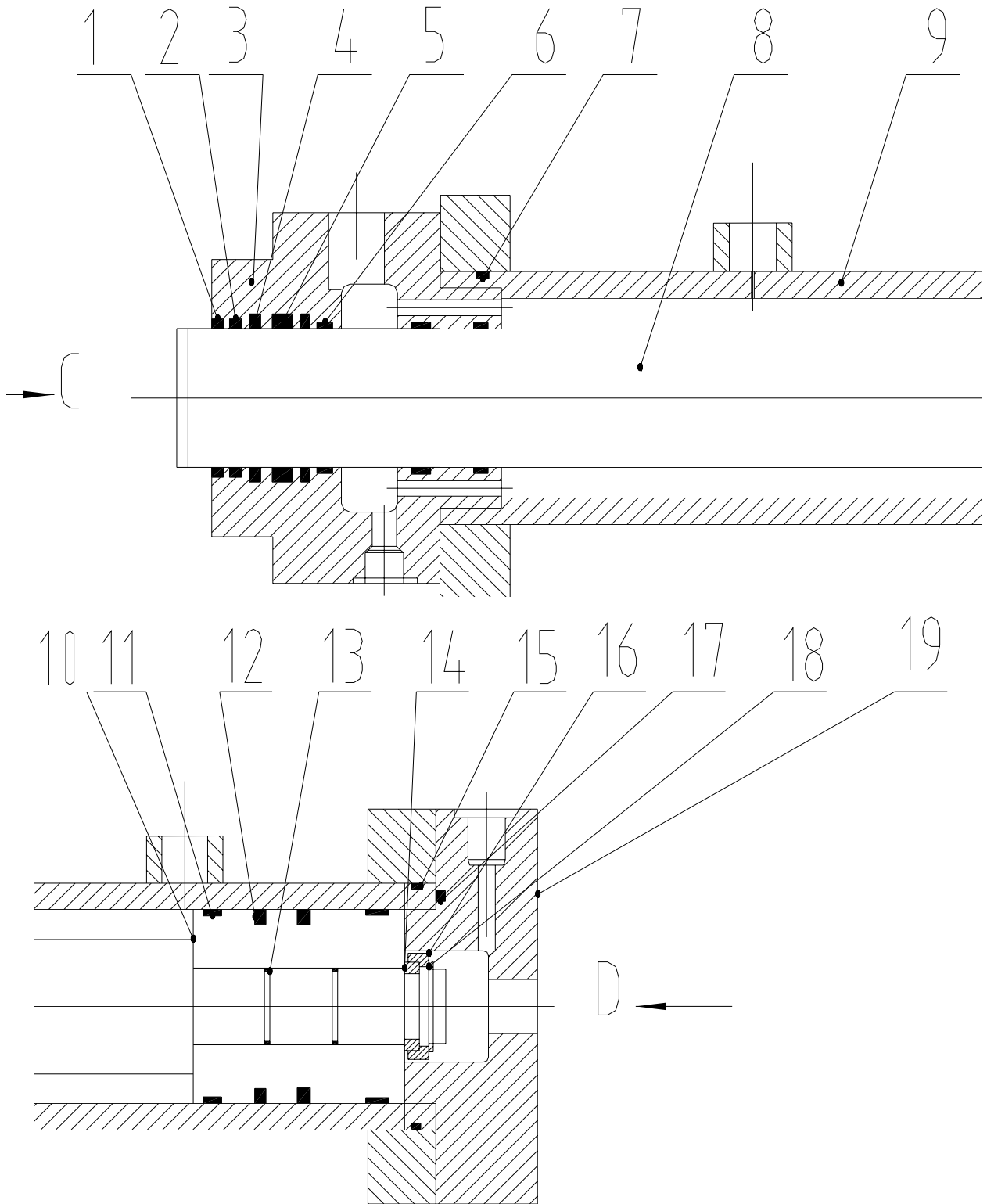
XT39R4

REED
13822 Oaks Avenue
Chino, CA 91710
909-287-2100
www.reedpumps.com

No.	Name	Code	Material	Parent	Weight	Quantity
1	connecting rod	CZB90.03.1-1	45			1
2	bolt m16x50	GB70-85	8.8			4
3	washer 16	GB93-87	65Mn			16
4	bolt m10x25	GB70-85	8.8			4
5	washer 10	GB93-87	65Mn			4
6	plate,retaining plate	BC37.3.4-2	Q235-A			1
7	band,guide band	BC37.3.4-3				1
8	seal,concrete seal	BC37.3.4-4	Polyurethane			1
9	piston body	BC37.3.4-5	45			1
10	o-ring 140x5.3	GB3452.1-82	Rubber			1
11	o-ring 103x5.3	GB3452.1-82	Rubber			1
12	bolt m16x60	GB70-85	8.8			4
13	plate,retaining plate	BC37.3.4-6	45			1
14	bolt m16*45	GB70-85	8.8			8
15	rod,connecting rod	60S1816.5-5	45			1
16	flange,transition flange	60S1416.5-3	45			1
17	bolt m12x40	GB70-85	8.8-grade			3

4.4 DRIVE CYLINDER BC37.3.5





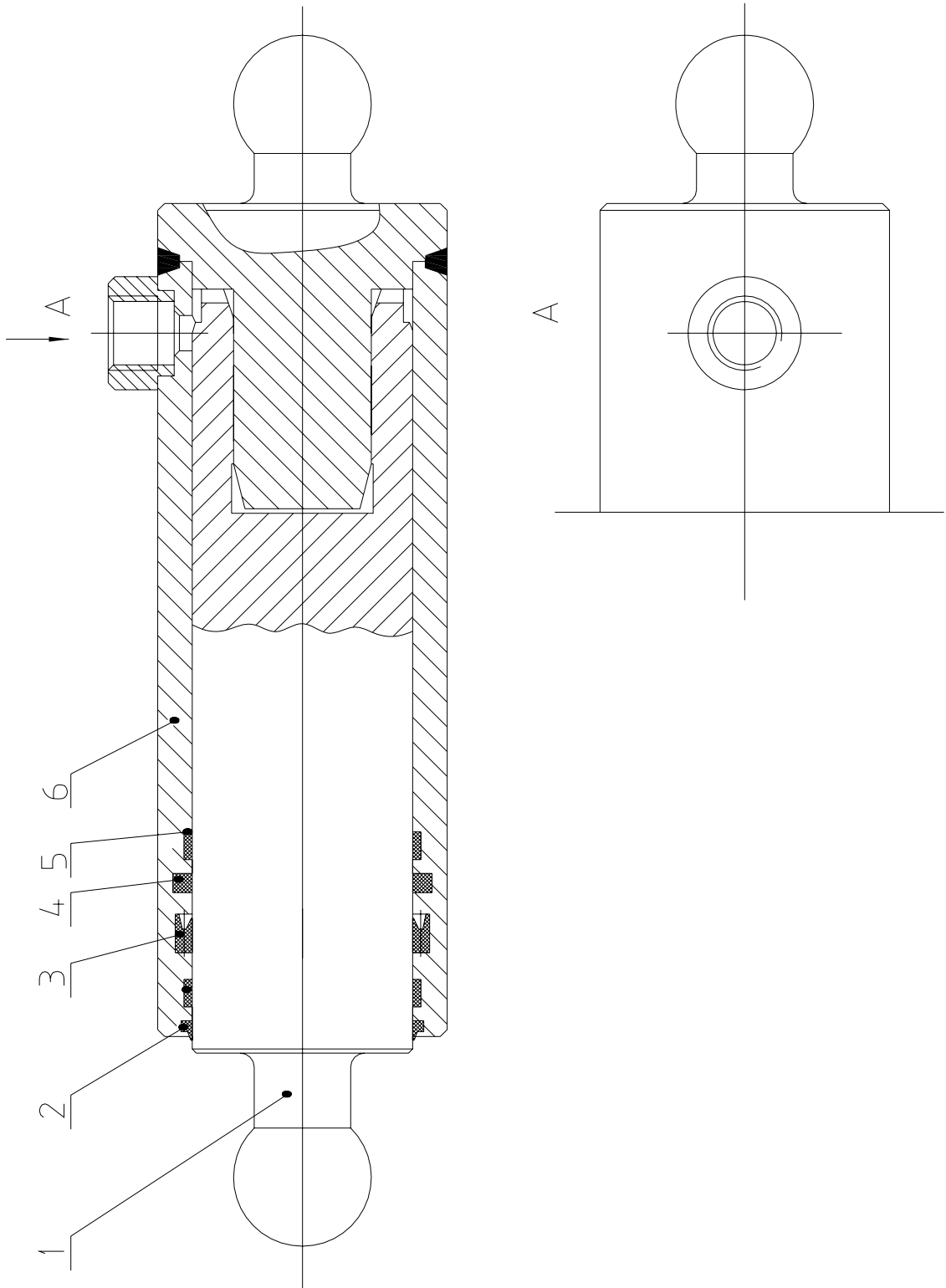


XT39R4

REED
13822 Oaks Avenue
Chino, CA 91710
909-287-2100
www.reedpumps.com

No.	Description	Part Number	Material	Parent	Weight	Quantity
1	ring,snap ring 90	GB895.1-86		BC37.3.5s		1
2	ring,anti-dust ring	AM8009 A5053		BC37.3.5s		1
3	carrier,seal carrier					1
4	seal,OD piston rod seal	OD 0800 052 00171 D		BC37.3.5s		2
5	seal,BS piston rod seal	BS 8095 P5008		BC37.3.5s		1
6	ring,guide ring	FR 8010 Q5029		BC37.3.5s		3
7	O-ring 125 x 3.1	GB1235-76-125 x 3.1		BC37.3.5s		2
8	rod,piston rod					1
9	cylinder body					1
10	piston					1
11	ring,guide ring	FR 8009 Q5029		BC37.3.5s		2
12	seal,piston seal	OK 0115 00701		BC37.3.5s		2
13	O-ring 66x3.1	GB1235-76-66x3.1		BC37.3.5s		2
14	ring,key ring for shaft			BC37.3.5s		1
15	O-ring 115X3.1	GB1235-76-115X3.1		BC37.3.5s		1
16	ring,snap ring cap			BC37.3.5s		1
17	O-ring 130X3.1	GB1235-76-130X3.1		BC37.3.5s		1
18	ring,snap ring	GB94.1-86-65		BC37.3.5s		1
19	cylinder body					3
20	bolt M10 x 100	GB70-85-M10 x 100 - 8.8		BC37.3.5s		4
21	washer	GB93-87-10		BC37.3.5s		4
22	bolt M24 x 65	GB70-85-M24 x 65 - 8.8		BC37.3.5s		6
23	washer M24	GB93-87-24		BC37.3.5s		6

4.5 SHIFT CYLINDER XBCY39.00-6233



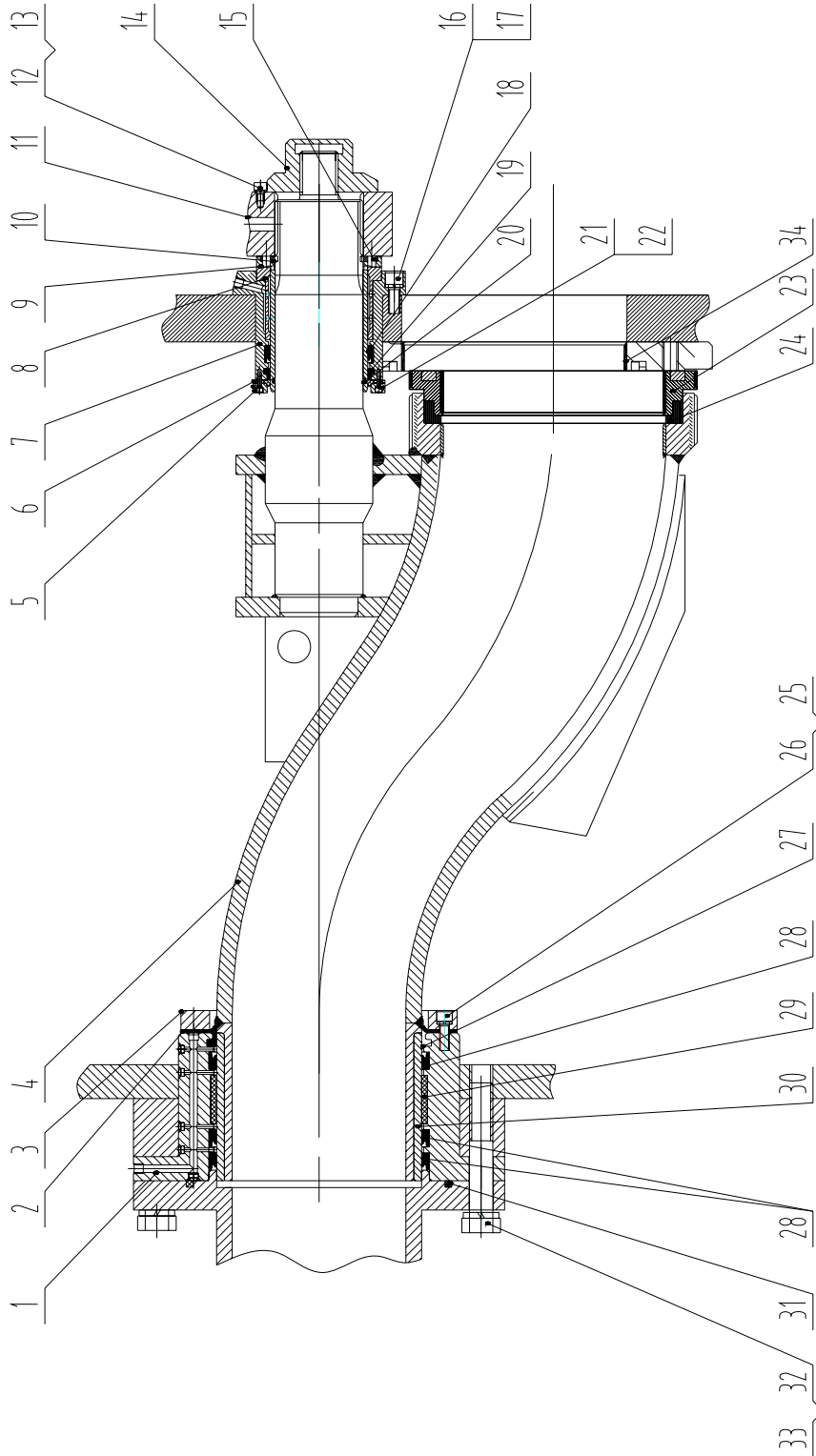


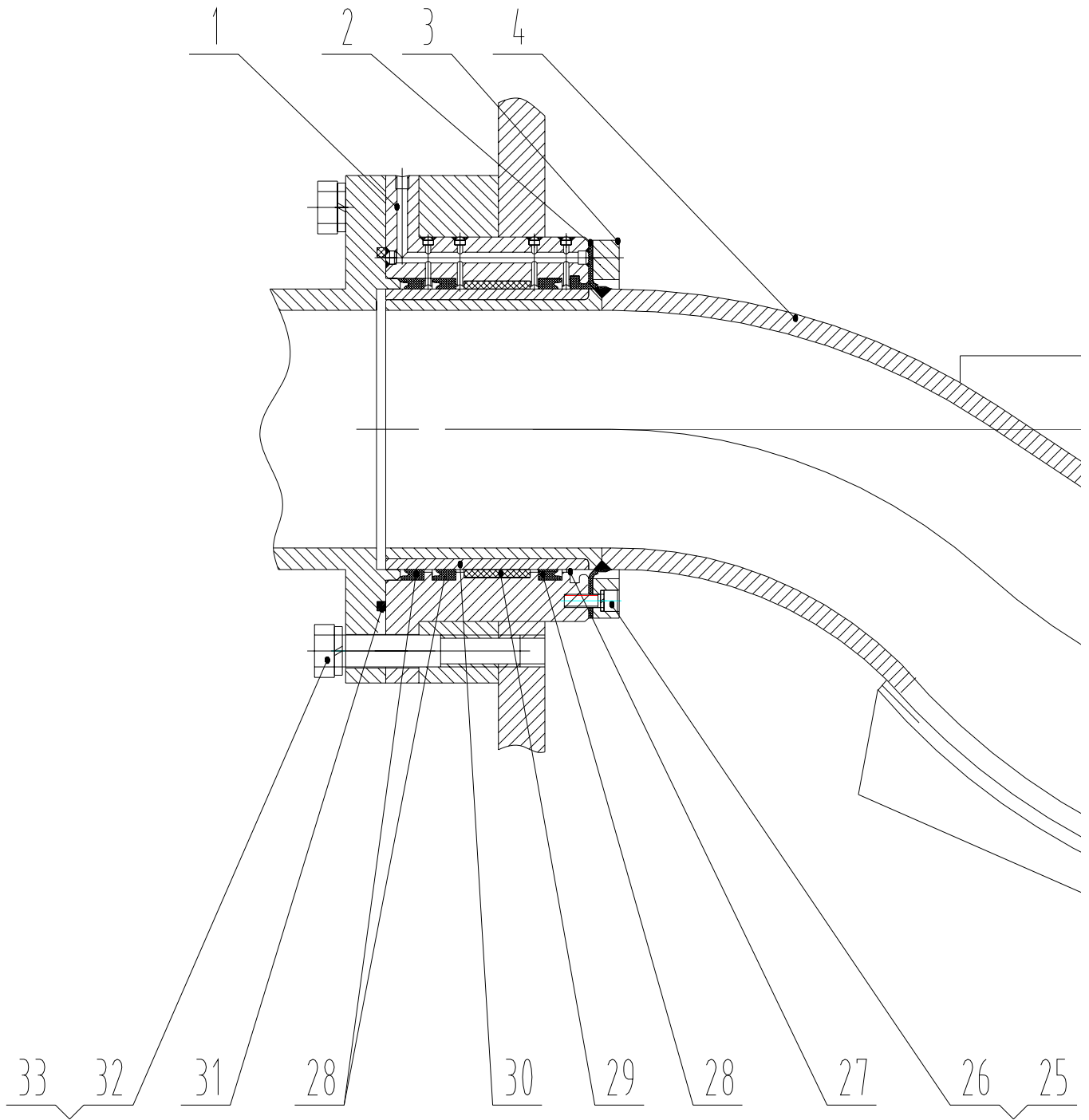
XT39R4

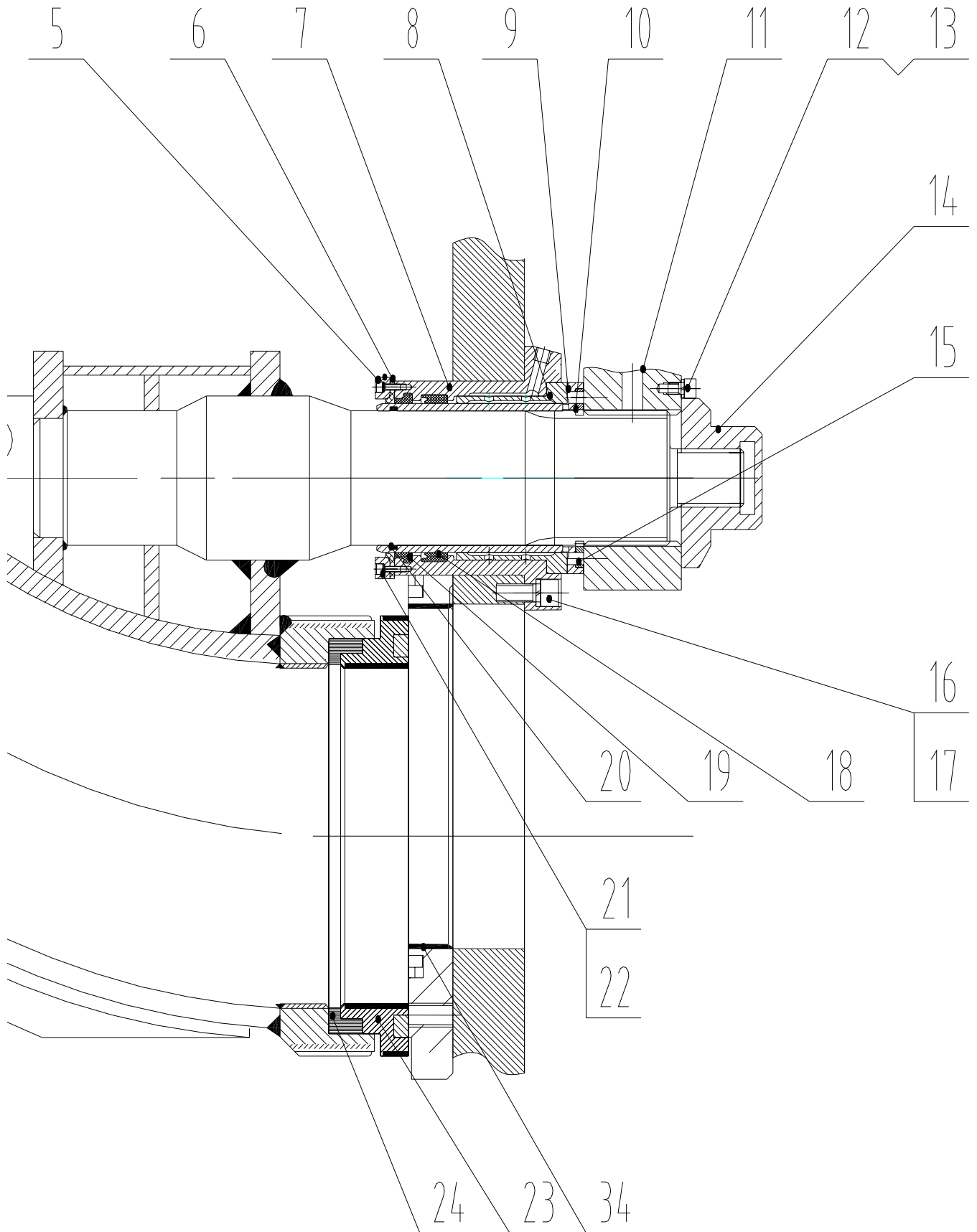
REED
13822 Oaks Avenue
Chino, CA 91710
909-287-2100
www.reedpumps.com

No.	Description	Part Number	Material	Parent	Weight	Quantity
1	rod,piston rod					1
2	ring,AY anti-dust d80	AY 8030 P5008		XBCY39.00-6233s		1
3	ring,BS bearing ring d80	BS 8095 P5008		XBCY39.00-6233s		1
4	seal,PTEE OD rod seal d80	OD 0800 052 00171		XBCY39.00-6233s		1
5	ring,FR guide ring	FR 8010 Q5029		XBCY39.00-6233s		2
6	cylinder assembly					1

4.6 S-TUBE ASSEMBLY BC37.3.2







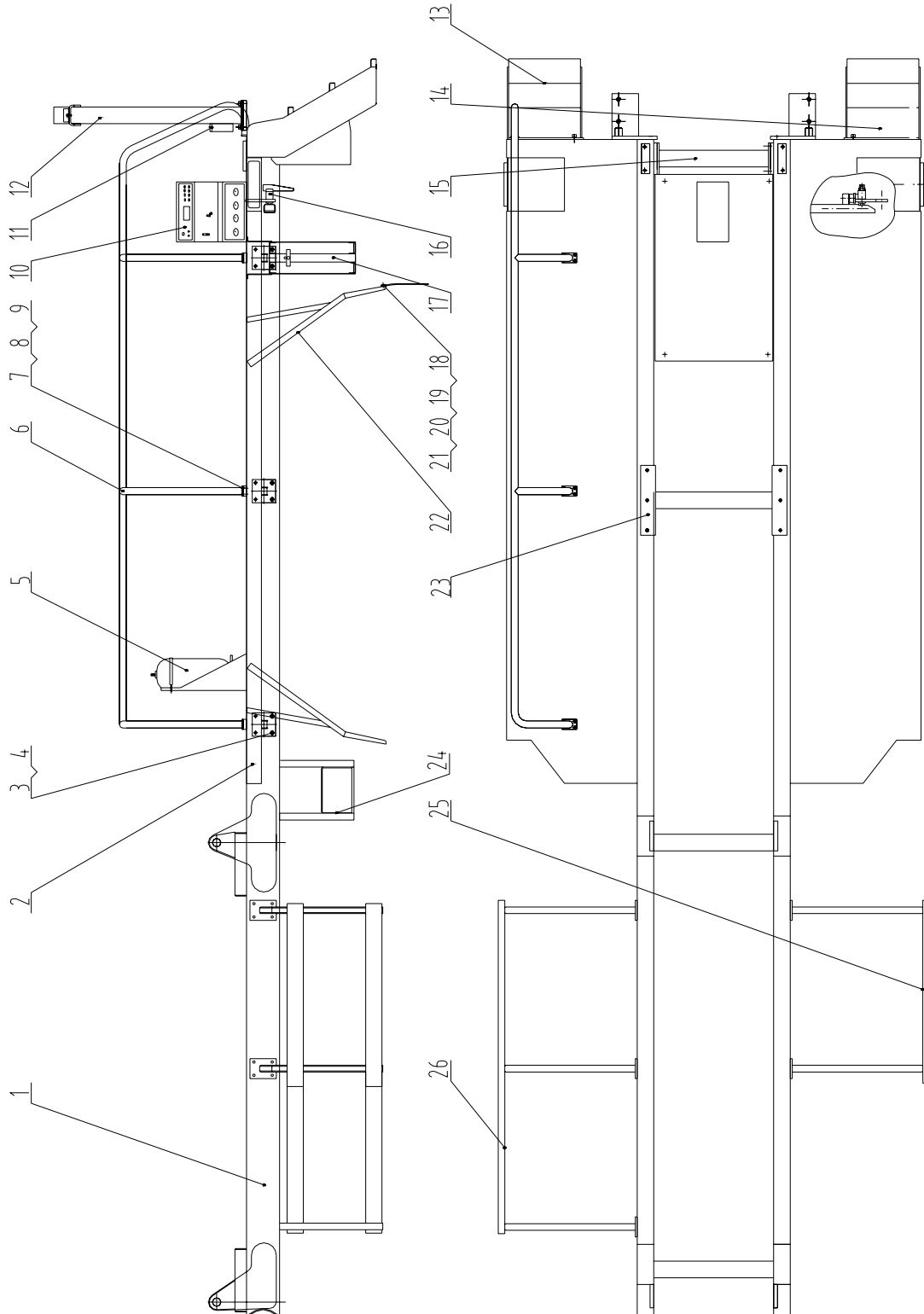


XT39R4

REED
13822 Oaks Avenue
Chino, CA 91710
909-287-2100
www.reedpumps.com

No.	Description	Part Number	Material	Parent	Weight	Quantity
1	housing,bearing outlet	60S1816.1.2.2				1
2	seal,housing	60S1816.1.2-1				1
3	plate,retaining plate	60S1816.1.2-2				1
4	s-tube	BC37.3.2.1				1
5	plate,retaining plate	60S1816.1.2-3				1
6	seal,bearing housing	60S1816.1.2-4				1
7	housing,bearing shaft	60S1816.1.2-15				1
8	bearing,copper bearing	60S1816.1.2-5				1
9	bearing,thrust bearing	60S1816.1.2-6				1
10	spline ring	60S1816.1.2-7				1
11	lever,drive lever	60S1816.1.2-8				1
12	bolt M8 x 16	GB70-85				1
13	washer 8	GB93-87				1
14	nut,tension nut	60S1816.1.2-9				1
15	pin,positioning pin	60S1816.1.2-10				1
16	bolt M12 x 30	GB70-85				6
17	washer 12	GB93-87				6
18	seal,lip seal		C1A015N3571			1
19	seal,ring		A5A018N3587			1
20	o-ring 88.49x3.53					1
21	bolt M4 x 12	GB70-85				6
22	washer 4	GB93-87				6
23	ring,cutting ring	BC37.3.2-11				1
24	ring,tension ring	BC37.3.2-12				1
25	bolt M10 x 30	GB70-85				6
26	washer 10	GB93-87				6
27	seal,ring J210					
28	seal,lip seal YXd210					
29	bearing,nylon bearing	60S1816.1.2-13				1
30	sleeve,wear sleeve	60S1816.1.2-14				1
31	o-ring 258 x 7	GB3452.1-82				1
32	bolt M24 x 150	GB70-85				6
33	washer 24	GB93-87				6
34	plate,wear plate	BC37.3.2-13				1

CHAPTER 5 SUBFRAME ASSEMBLY



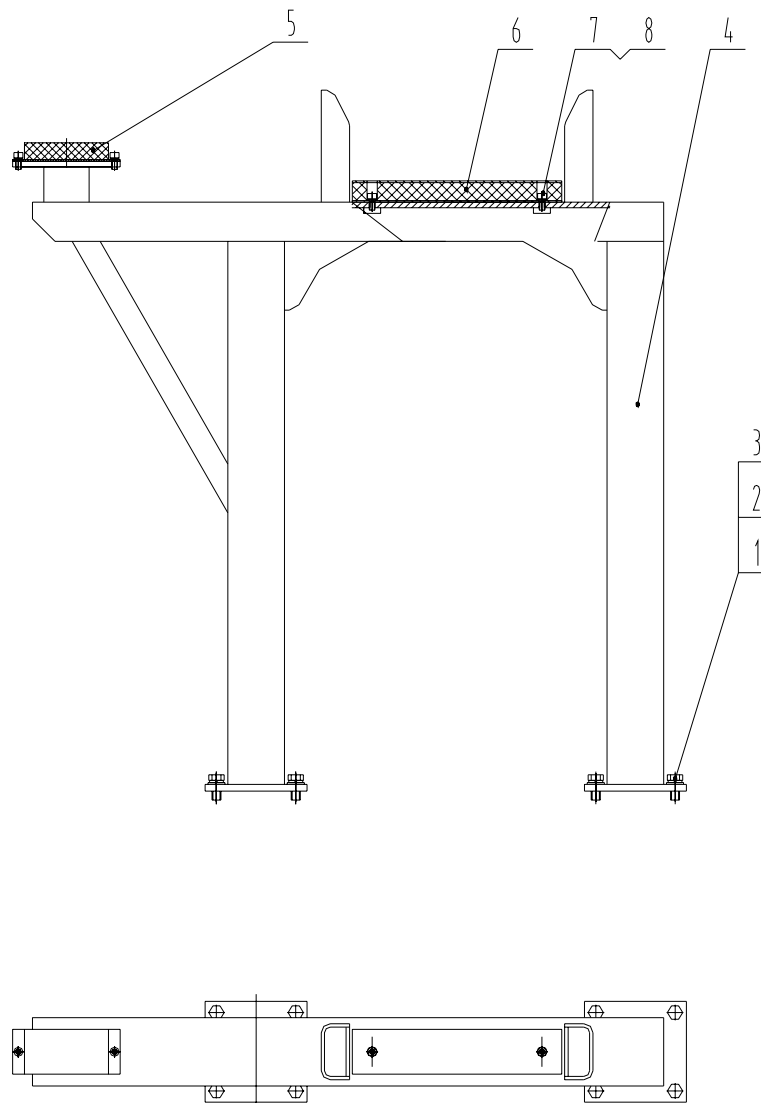


XT39R4

REED
13822 Oaks Avenue
Chino, CA 91710
909-287-2100
www.reedpumps.com

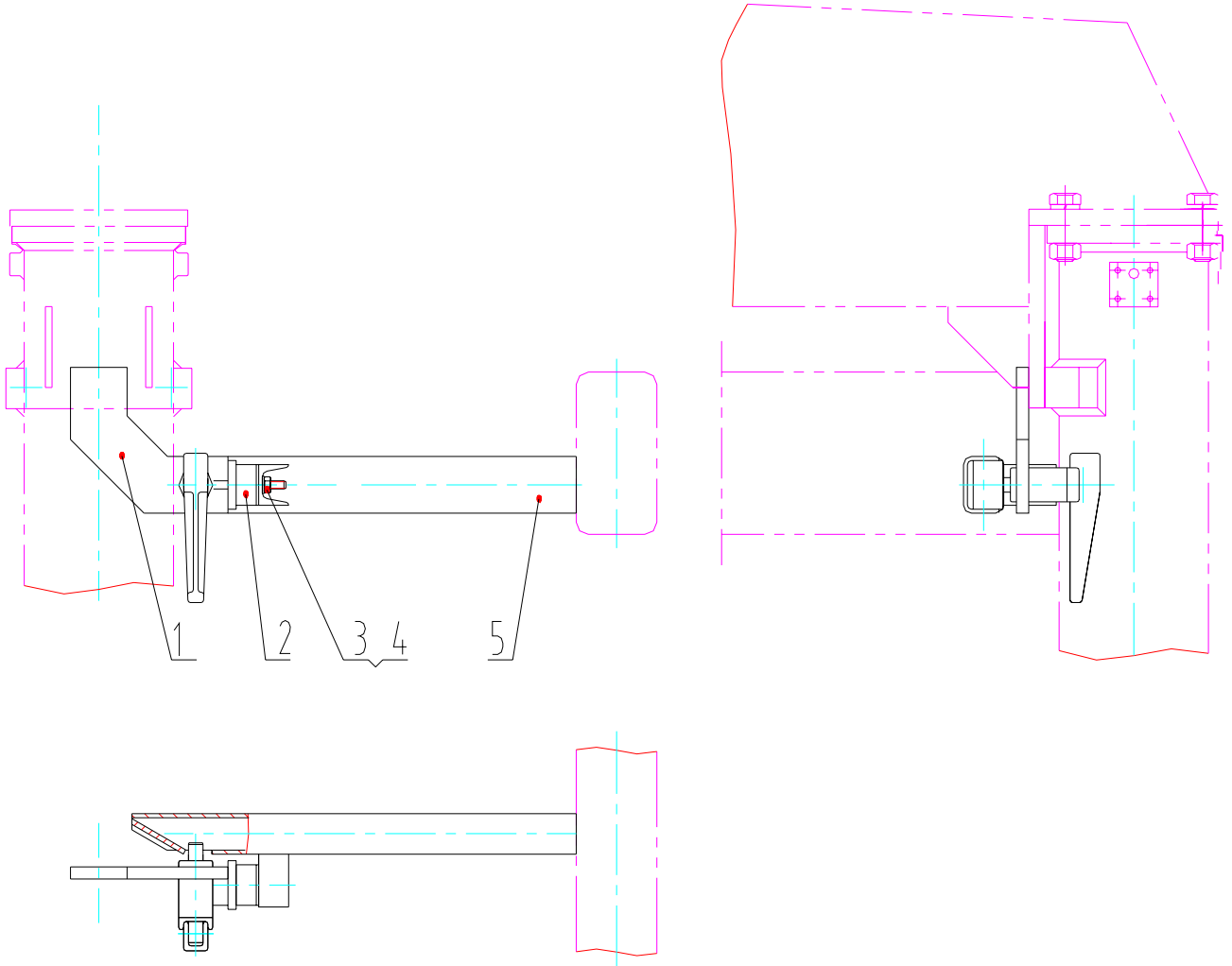
No.	Description	Part Number	Material	Parent	Weight	Quantity
1	subframe	XBC39.4.1				1
2	deck	XBC39.4.2				1
3	bolt M16 x 35	GB5783-86				32
4	washer 16	GB93-87				32
5	support,accumulator	XBC39.4.20				1
6	rail,deck rail	ZBC39.4.4				1
7	base,rail	BC42.4.10-1				3
8	bolt M12 x 25	GB5783-86				12
9	washer 12	GB93-87				12
10	control box	XBC39.4.21				1
11	lubrication reservoir	XBC39.4.22				1
12	rest,boom rest	ZBC37.4.7				1
13	steps,right	BC42.4.16				1
14	steps,left	BC42.4.15				1
15	brace,subframe base	ZBC39.4.7				1
16	lock,rear outrigger	ZBC37.4.5				2
17	bracket,outrigger pad	BC42.4.13				2
18	flap,rubber mudflap	800999				2
19	plate	BC42.4.5-4				2
20	bolt M8 x 20	GB5783-86				8
21	washer M8	GB6170-80				8
22	fender,wheel	BC42.4.5				1
23	bracket,pumping system	BC42.4.6				1
24	toolbox	802719				1
25	guardrail,left	NA				1
26	guardrail,right	NA				1

5.1 BOOM REST



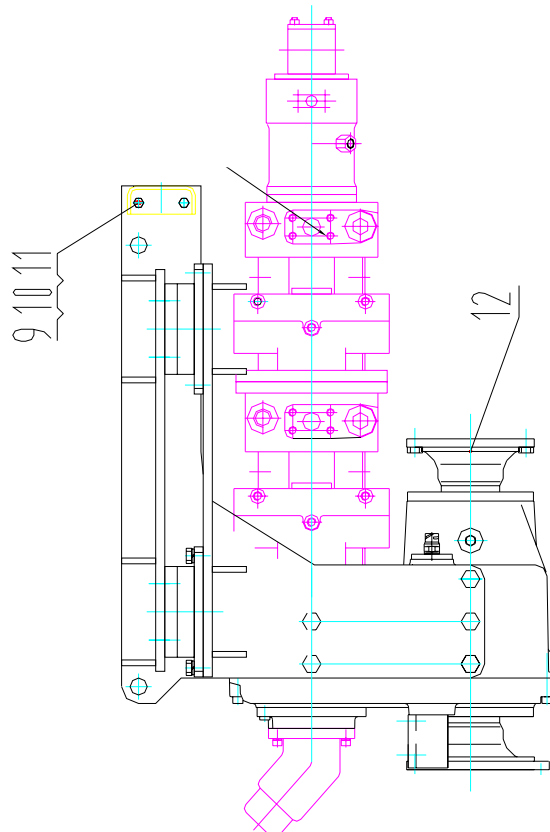
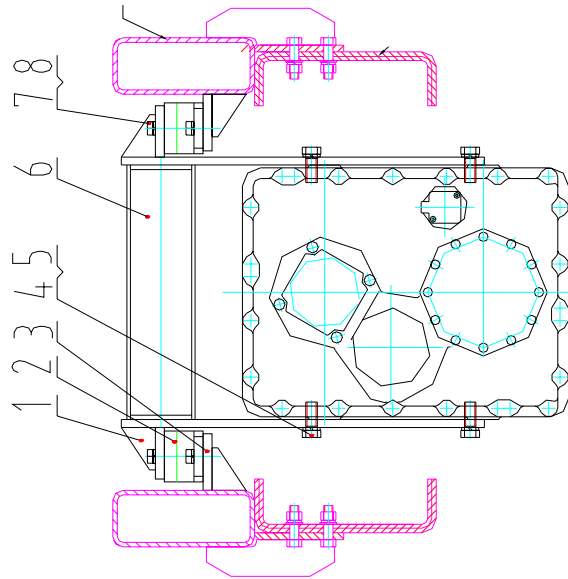
No.	Description	Part Number	Material	Parent	Weight	Quantity
1	bolt M16 × 35	GB5783-86				4
2	washer 16	GB93-87				8
3	washer 16	GB97.1-85				8
4	rest,boom frame	BC37D.4.7.1				1
5	pad,rest pad	BC42.1.7.1.1				1
6	pad,rest pad	BC42.4.4.7				1
7	bolt M10 × 20	GB5783-86				4
8	washer 10	GB93-87				4

5.2 REAR OUTRIGGER LOCK ZBC37.4.5



No.	Description	Part Number	Material	Parent	Weight	Quantity
1	plate, rear bracket	BC37D.4.5.1				1
2	pad, bumper pad	WAI 103494				1
3	nut M10	GB6170-86				1
4	washer 10	GB93-87				1
5	tube, rear rectangular	BC37D.4.5.2				1

5.3 GEARBOX ASSEMBLY





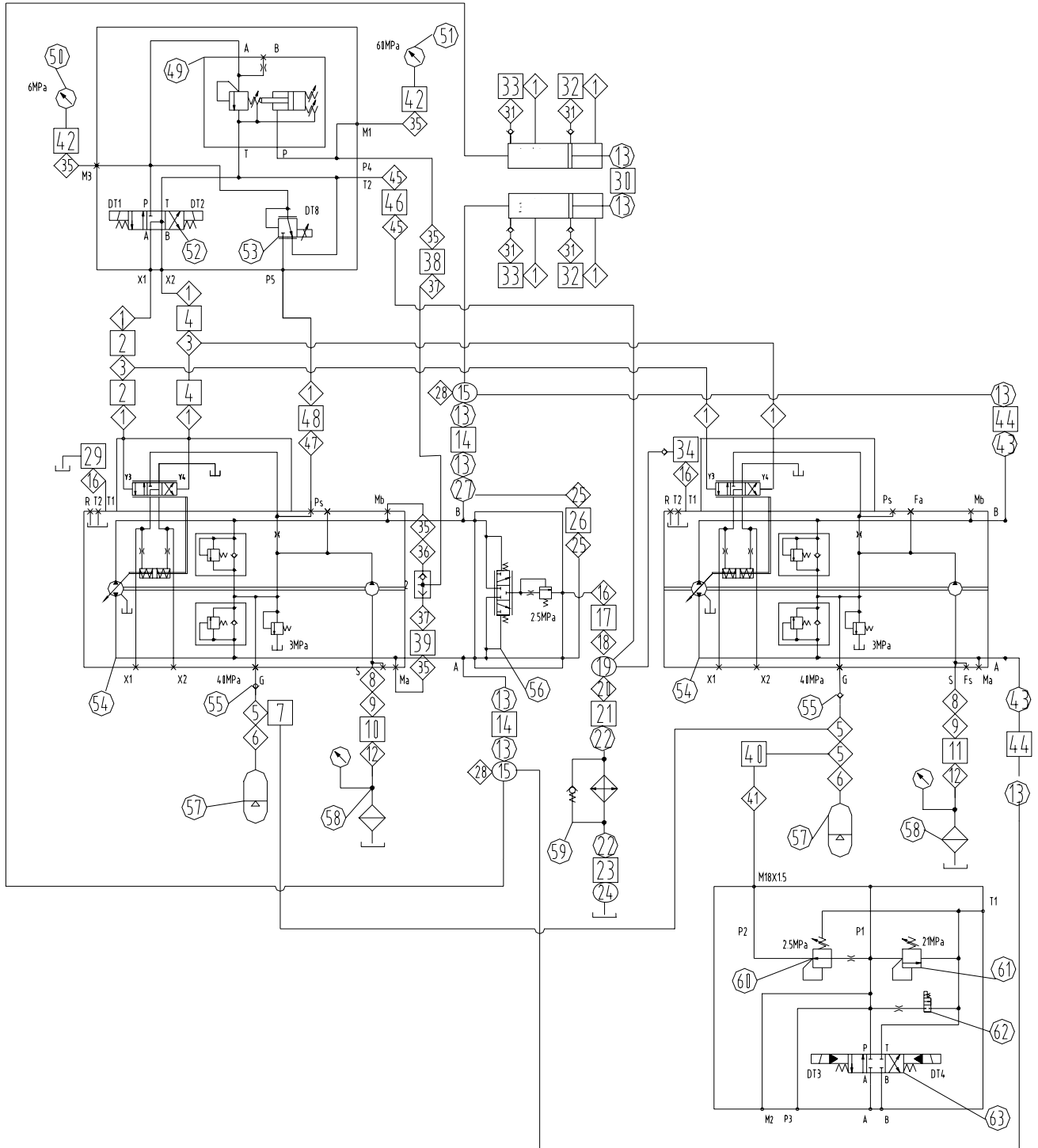
XT39R4

REED
13822 Oaks Avenue
Chino, CA 91710
909-287-2100
www.reedpumps.com

No.	Description	Part Number	Material	Parent	Weight	Quantity
1	bracket,gearbox pto	BC42.5.2.1				2
2	mount pad	SH-500				4
3	bracket,frame pto	BC42.5.2.2				2
4	bolt M20 × 50	GB/T1228-91				10
5	washer 20	GB/T1228-91				10
6	brace,pto	BC42.5.2.3				1
7	bolt M16 × 35	GB5783-86				16
8	washer 16	GB93-87				16
9	bolt M10 × 30	GB5783-86				4
10	washer 10	GB93-87				4
11	nut M10	GB6170-86				4
12	gearbox assembly	XBC39.00-5412				1

CHAPTER 6 HYDRAULIC SYSTEM

6.1 PUMPING SYSTEM





XT39R4

REED
13822 Oaks Avenue
Chino, CA 91710
909-287-2100
www.reedpumps.com

No.	Description	Part Number	Material	Parent	Weight	Quantity
1	straight thread connector	XBCY39.00-6101		XBC39.6.1		11
2	hose	XBCY39.00-6102		XBC39.6.1		2
3	tee connector	XBCY39.00-6103		XBC39.6.1		2
4	hose	XBCY39.00-6104		XBC39.6.1		2
5	tee connector	XBCY39.00-6105		XBC39.6.1		3
6	straight thread connector	XBCY39.00-6106		XBC39.6.1		2
7	hose	XBCY39.00-6107		XBC39.6.1		1
8	straight thread connector	XBCY39.00-6108		XBC39.6.1		2
9	union elbow	XBCY39.00-6109		XBC39.6.1		2
10	hose	XBCY39.00-6110		XBC39.6.1		1
11	hose	XBCY39.00-6111		XBC39.6.1		1
12	oil absorption joint	XBCY39.00-6112		XBC39.6.1		2
13	flange,split flange	XBCY39.00-6113		XBC39.6.1		16
14	hose	XBCY39.00-6114		XBC39.6.1		2
15	tee block	XBCY39.00-6115		XBC39.6.1		2
16	straight thread connector	XBCY39.00-6116		XBC39.6.1		3
17	hose	XBCY39.00-6117		XBC39.6.1		1
18	straight thread connector	XBCY39.00-6118		XBC39.6.1		1
19	fluid gathering block	XBCY39.00-6119		XBC39.6.1		1
20	straight thread connector	XBCY39.00-6120		XBC39.6.1		1
21	hose	XBCY39.00-6121		XBC39.6.1		1
22	flange joint component	XBCY39.00-6122		XBC39.6.1		2
23	hose	XBCY39.00-6123		XBC39.6.1		1
24	oil return block	XBCY39.00-6124		XBC39.6.1		1
25	hinged joint	XBCY39.00-6125		XBC39.6.1		2
26	hose	XBCY39.00-6126		XBC39.6.1		1
27	flange FS20	XBCY39.00-6127		XBC39.6.1		1
28	bulkhead	XBCY39.00-6128		XBC39.6.1		2
29	hose	XBCY39.00-6129		XBC39.6.1		1
30	hose	XBCY39.00-6130		XBC39.6.1		1
31	transitional joint	XBCY39.00-6131		XBC39.6.1		4
32	hose	XBCY39.00-6132		XBC39.6.1		2
33	hose	XBCY39.00-6133		XBC39.6.1		2
34	hose	XBCY39.00-6134		XBC39.6.1		1
35	straight thread connector	XBCY39.00-6135		XBC39.6.1		5
36	straight thread connector	XBCY39.00-6136		XBC39.6.1		1
37	straight thread connector	XBCY39.00-6137		XBC39.6.1		2

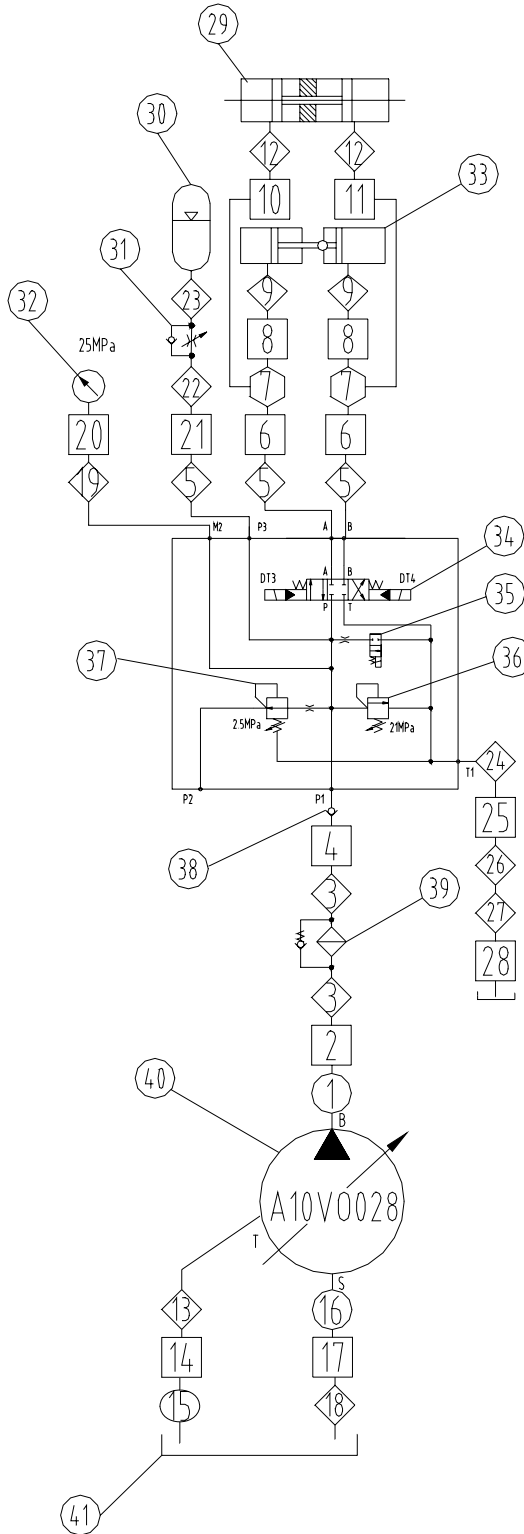


XT39R4

REED
13822 Oaks Avenue
Chino, CA 91710
909-287-2100
www.reedpumps.com

38	hose	XBCY39.00-6138		XBC39.6.1		1
39	hose	XBCY39.00-6139		XBC39.6.1		1
40	hose	XBCY39.00-6140		XBC39.6.1		1
41	straight thread connector	XBCY39.00-6141		XBC39.6.1		1
42	pressure-testing tube	XBCY39.00-6142		XBC39.6.1		2
43	component of flange joint	XBCY39.00-6143		XBC39.6.1		2
44	hose	XBCY39.00-6144		XBC39.6.1		2
45	straight thread connector	XBCY39.00-6145		XBC39.6.1		1
46	hose	XBCY39.00-6146		XBC39.6.1		1
47	straight thread connector	XBCY39.00-6147		XBC39.6.1		1
48	hose	XBCY39.00-6148		XBC39.6.1		1
49	valve, hp limiter valve	XBCY39.00-6149		XBC39.6.1		1
50	gauge, pressure gauge	XBCY39.00-6150		XBC39.6.1		1
51	gauge, pressure gauge	XBCY39.00-6151		XBC39.6.1		1
52	valve, directional 4/3 valve	XBCY39.00-6152		XBC39.6.1		1
53	valve, proportional valve	XBCY39.00-6153		XBC39.6.1		1
54	pump, A4VG125	XBCY39.00-6154		XBC39.6.1		2
55	valve, check valve	XBCY39.00-6155		XBC39.6.1		2
56	valve, flushing valve	XBCY39.00-6156		XBC39.6.1		1
57	accumulator	XBCY39.00-6157		XBC39.6.1		2
58	filter, oil suction filter	ES094		XBC39.6.1		2
59	cooler, oil	XBCY39.00-6159		XBC39.6.1		1
60	valve, pressure reducing	XBCY39.00-6160		XBC39.6.1		1
61	valve, relief valve	XBCY39.00-6161		XBC39.6.1		1
62	valve, dump valve	XBCY39.00-6162		XBC39.6.1		1
63	valve, directional 4/3 valve	XBCY39.00-6163		XBC39.6.1		1

6.2 SHIFTING SYSTEM





XT39R4

REED
13822 Oaks Avenue
Chino, CA 91710
909-287-2100
www.reedpumps.com

No.	Description	Part Number	Material	Parent	Weight	Quantity
1	flange,split flange	XBCY39.00-6201		XBC39.6.2		2
2	hose	XBCY39.00-6202		XBC39.6.2		1
3	straight thread connector	XBCY39.00-6203		XBC39.6.2		2
4	hose	XBCY39.00-6204		XBC39.6.2		1
5	straight thread connector	XBCY39.00-6205		XBC39.6.2		2
6	hose	XBCY39.00-6206		XBC39.6.2		2
7	pipe,steel pipe	XBCY39.00-6207		XBC39.6.2		2
8	hose	XBCY39.00-6208		XBC39.6.2		2
9	joint	XBCY39.00-6209		XBC39.6.2		2
10	hose	XBCY39.00-6210		XBC39.6.2		1
11	hose	XBCY39.00-6211		XBC39.6.2		1
12	straight thread connector	XBCY39.00-6212		XBC39.6.2		2
13	straight thread connector	XBCY39.00-6213		XBC39.6.2		1
14	hose	XBCY39.00-6214		XBC39.6.2		1
15	oil return block	XBCY39.00-6215		XBC39.6.2		1
16	flange joint FL20/L42	XBCY39.00-6216		XBC39.6.2		1
17	hose	XBCY39.00-6217		XBC39.6.2		1
18	straight thread connector	XBCY39.00-6218		XBC39.6.2		1
19	straight thread connector	XBCY39.00-6219		XBC39.6.2		1
20	pressure-testing tube	XBCY39.00-6220		XBC39.6.2		1
21	hose	XBCY39.00-6221		XBC39.6.2		1
22	straight thread connector	XBCY39.00-6222		XBC39.6.2		1
23	joint M60/S30	XBCY39.00-6223		XBC39.6.2		1
24	straight thread connector	XBCY39.00-6224		XBC39.6.2		1
25	hose	XBCY39.00-6225		XBC39.6.2		1
26	joint of changeable diameter	XBCY39.00-6226		XBC39.6.2		1
27	bulkhead union elbow	XBCY39.00-6227		XBC39.6.2		1
28	hose	XBCY39.00-6228		XBC39.6.2		1
29	pump,grease pump	XBCY39.00-6229		XBC39.6.2		1
30	accumulator	XBCY39.00-6230		XBC39.6.2		1
31	valve,throttle check valve	XBCY39.00-6231		XBC39.6.2		1
32	gauge,pressure gauge	XBCY39.00-6232		XBC39.6.2		1
33	cylinder,shift	XBCY39.00-6233		XBC39.6.2		2
34	valve,directional 4/3	XBCY39.00-6234		XBC39.6.2		1
35	valve,dump valve	XBCY39.00-6235		XBC39.6.2		1
36	valve,relief valve	XBCY39.00-6236		XBC39.6.2		1

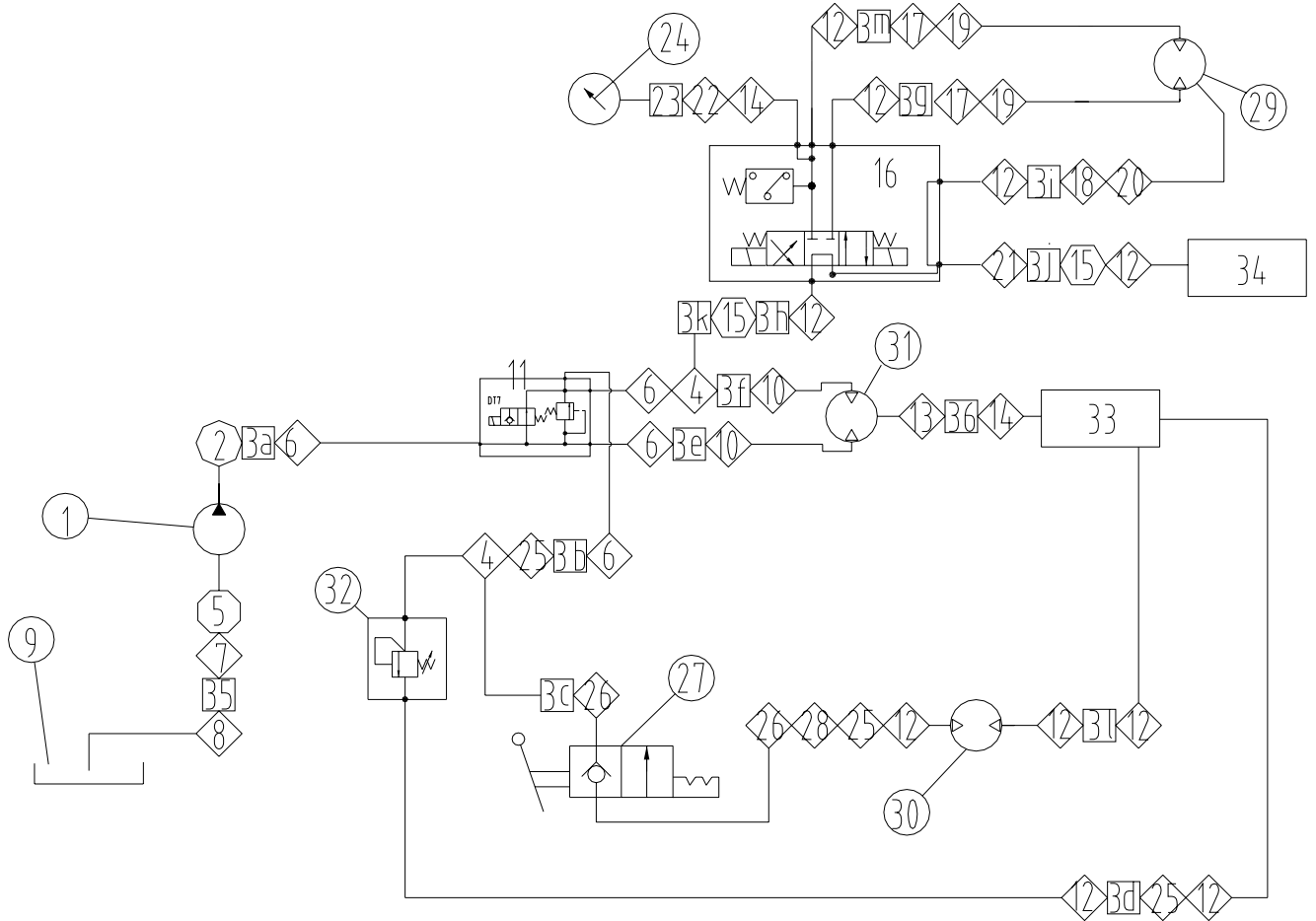


XT39R4

REED
13822 Oaks Avenue
Chino, CA 91710
909-287-2100
www.reedpumps.com

37	valve,pressure reducing	XBCY39.00-6237		XBC39.6.2		1
38	valve,check valve	XBCY39.00-6238		XBC39.6.2		1
39	filter,pressure filter	XBCY39.00-6239		XBC39.6.2		1
40	pump,A10	XBCY39.00-6240		XBC39.6.2		1
41	tank,hydraulic tank	XBC39.2.6		XBC39.6.2		1

6.3 AUXILIARY SYSTEM





XT39R4

REED
13822 Oaks Avenue
Chino, CA 91710
909-287-2100
www.reedpumps.com

No.	Description	Part Number	Material	Parent	Weight	Quantity
1	pump,gear pump	G		XBC39.6.3		1
2	flange,square flange	GF35LK-L15-250K		XBC39.6.3		1
3a	hose	2SN12		XBC39.6.3		1
3b	hose	2SN12		XBC39.6.3		1
3c	hose	2SN12		XBC39.6.3		1
3d	hose	2SN12		XBC39.6.3		1
3e	hose	2SN12		XBC39.6.3		1
3f	hose	2SN12		XBC39.6.3		1
3g	hose	2SN12		XBC39.6.3		1
3h	hose	2SN12		XBC39.6.3		1
3i	hose	2SN12		XBC39.6.3		1
3j	hose	2SN12		XBC39.6.3		1
3k	hose	2SN12		XBC39.6.3		1
3l	hose	2SN12		XBC39.6.3		1
3m	hose	2SN12		XBC39.6.3		1
4	tee	XVDDKO15-L		XBC39.6.3		1
5	square flange	GF40LK-L28-100K		XBC39.6.3		1
6	joint	XA15-L/3/4-16UF		XBC39.6.3		3
7	union elbow	XVBDJO28-L		XBC39.6.3		1
8	joint	XA28-ML/WD		XBC39.6.3		1
9	tank,hydraulic	XBC39.2.6		XBC39.6.3		1
10	joint	XA15-RL/WD		XBC39.6.3		2
11	manifold,cooling valve	XBCY39.00-6311		XBC39.6.3		1
12	joint	XA15-ML/WD		XBC39.6.3		13
13	joint	XA10-RL/WD		XBC39.6.3		1
14	joint	XA10-WL/WD		XBC39.6.3		2
15	pipe,steel pipe	φ15		XBC39.6.3		2
16	manifold,agitator valve	XBCY39.00-6316		XBC39.6.3		1
17	joint	L15/M33*2		XBC39.6.3		2
18	joint	L15/M16*1.5		XBC39.6.3		1
19	combination pad	33		XBC39.6.3		2
20	combination pad	16		XBC39.6.3		1
21	joint	XA15-L-M26*1.5		XBC39.6.3		1
22	pressure-testing joint	CSHM10-L		XBC39.6.3		1
23	pressure-testing hose	3000mm		XBC39.6.3		1
24	gauge,pressure gauge	25MPa		XBC39.6.3		1
25	union elbow	XVBDKO15-L		XBC39.6.3		2

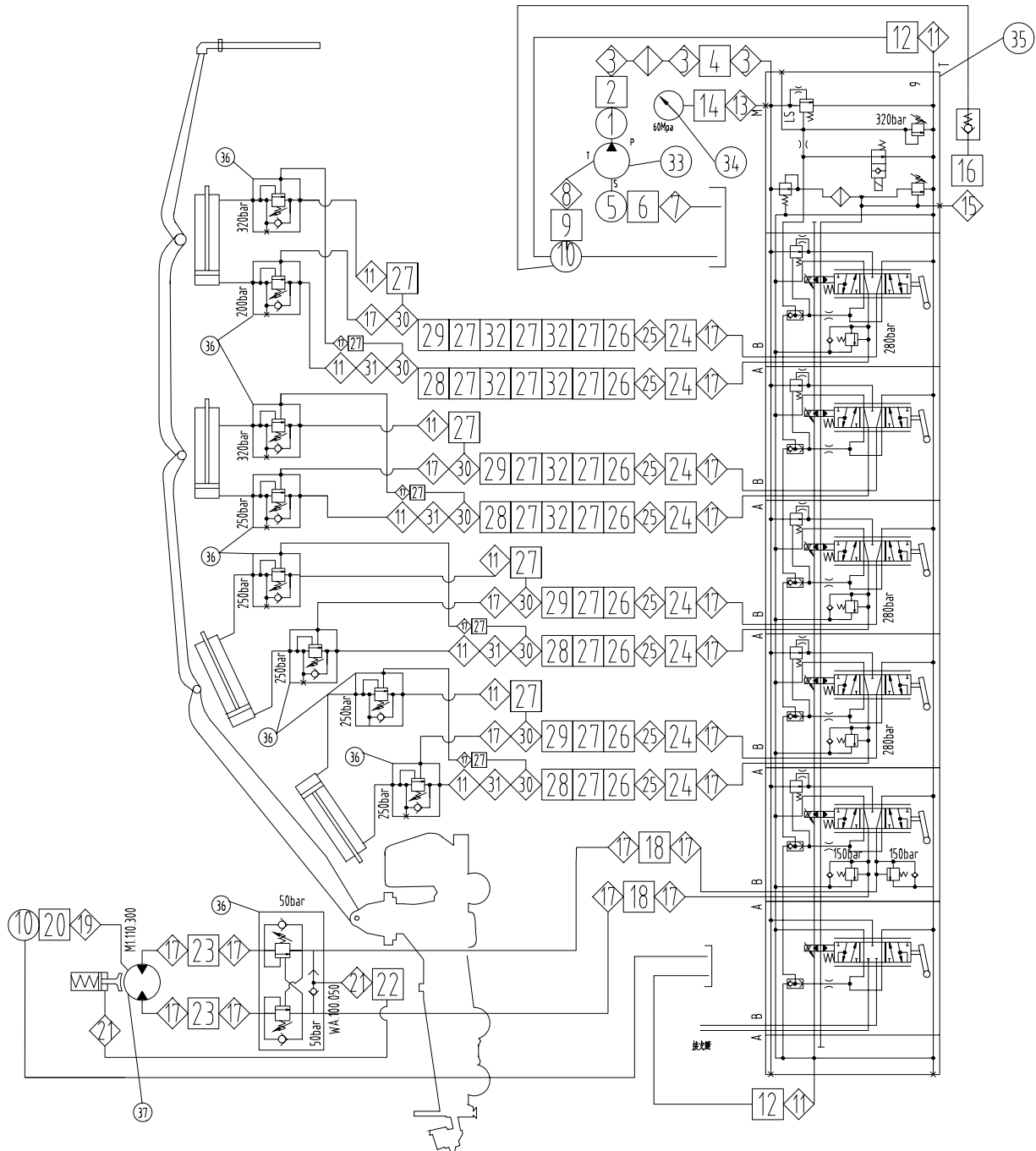


XT39R4

REED
13822 Oaks Avenue
Chino, CA 91710
909-287-2100
www.reedpumps.com

26	joint	XA15-L-R3/8-WD		XBC39.6.3		2
27	valve,ball valve	XBCY39.00-6327		XBC39.6.3		1
28	movable straight tee	XBCY39.00-6328		XBC39.6.3		1
29	motor,agitator motor	XBCY39.00-6329		XBC39.6.3		1
30	motor,water motor	XBCY39.00-6330				1
31	motor,radiator motor	XBCY39.00-6331				1
32	manifold,pressure valve	XBCY39.00-6332				1
33	return flow block	XBCY39.00-6333				1
34	fluid gathering block	XBCY39.00-6334				1
35	hose	1SN25				1
36	hose	2SN8				1

6.4 BOOM SYSTEM



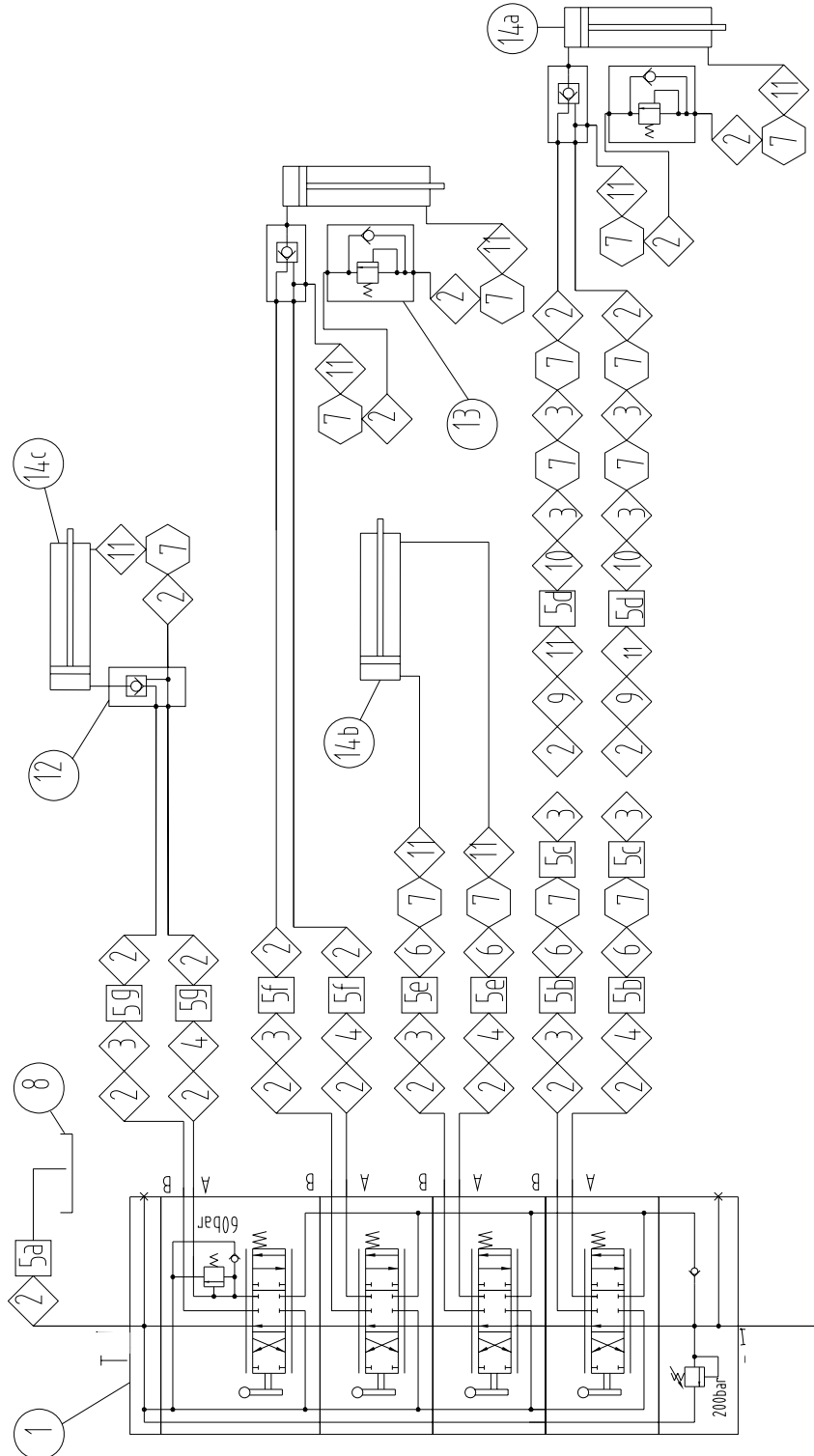


XT39R4

REED
13822 Oaks Avenue
Chino, CA 91710
909-287-2100
www.reedpumps.com

No.	Description	Part Number	Material	Parent	Weight	Quantity
1	flange,split flange	XBCY39.00-6401		XBC39.6.4		2
2	hose	XBCY39.00-6402		XBC39.6.4		1
3	straight thread connector	XBCY39.00-6403		XBC39.6.4		3
4	hose	XBCY39.00-6404		XBC39.6.4		1
5	flange joint FL12/L42	XBCY39.00-6405		XBC39.6.4		1
6	hose	XBCY39.00-6406		XBC39.6.4		1
7	straight thread connector	XBCY39.00-6407		XBC39.6.4		1
8	straight thread connector	XBCY39.00-6408		XBC39.6.4		1
9	hose	XBCY39.00-6409		XBC39.6.4		1
10	oil return flange of boom	XBCY39.00-6410		XBC39.6.4		1
11	straight thread connector	XBCY39.00-6411		XBC39.6.4		9
12	hose	XBCY39.00-6412		XBC39.6.4		1
13	pressure-testing joint	XBCY39.00-6413		XBC39.6.4		1
14	pressure-testing tube	XBCY39.00-6414		XBC39.6.4		1
15	straight thread connector	XBCY39.00-6415		XBC39.6.4		1
16	hose	XBCY39.00-6416		XBC39.6.4		1
17	straight thread connector	XBCY39.00-6417		XBC39.6.4		20
18	hose	XBCY39.00-6418		XBC39.6.4		2
19	straight thread connector	XBCY39.00-6419		XBC39.6.4		1
20	hose	XBCY39.00-6420		XBC39.6.4		1
21	straight thread connector	XBCY39.00-6421		XBC39.6.4		2
22	hose	XBCY39.00-6422		XBC39.6.4		1
23	hose	XBCY39.00-6423		XBC39.6.4		2
24	hose	XBCY39.00-6424		XBC39.6.4		8
25	neighboring straight thread connector	XBCY39.00-6425		XBC39.6.4		8
26	hose	XBCY39.00-6426		XBC39.6.4		8
27	pipe,steel pipe ϕ 12x2	XBCY39.00-6427		XBC39.6.4		40
28	hose	XBCY39.00-6428		XBC39.6.4		4
29	hose	XBCY39.00-6429		XBC39.6.4		4
30	tee connector	XBCY39.00-6430		XBC39.6.4		8
31	union elbow	XBCY39.00-6431		XBC39.6.4		4
32	hose	XBCY39.00-6432		XBC39.6.4		6
33	pump,boom pump	XBCY39.00-6433		XBC39.6.4		1
34	gauge,pressure gauge	XBCY39.00-6434		XBC39.6.4		1
35	valve,boom control valve	XBCY39.00-6435		XBC39.6.4		1
36	valve,balancing valve	XBCY39.00-6436		XBC39.6.4		10
37	motor,rotation motor	XBCY39.00-6437		XBC39.6.4		1

6.5 OUTRIGGER SYSTEM





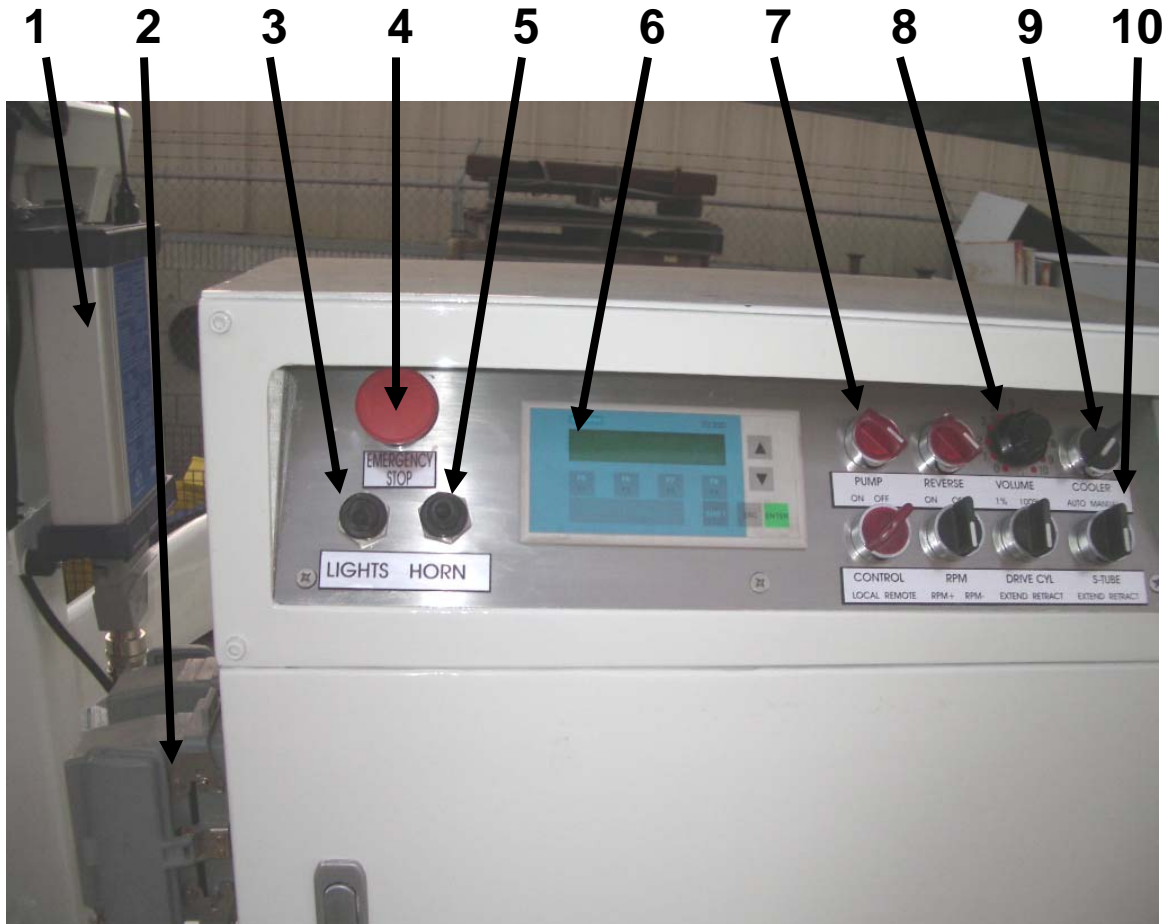
XT39R4

REED
13822 Oaks Avenue
Chino, CA 91710
909-287-2100
www.reedpumps.com

No.	Description	Part Number	Material	Parent	Weight	Quantity
1	valve,outrigger control	XBCY39.00-6501		XBC39.6.5		2
2	joint	XA15-RL/WD		XBC39.6.5		44
3	union elbow	XVBDKO12-L		XBC39.6.5		20
4	joint	F12-L		XBC39.6.5		8
5a	hose	2SN16		XBC39.6.5		2
5b	hose	2SN10		XBC39.6.5		4
5c	hose	2SN10		XBC39.6.5		4
5d	hose	2SN10		XBC39.6.5		4
5e	hose	2SN10		XBC39.6.5		4
5f	hose	2SN10		XBC39.6.5		4
5g	hose	2SN10		XBC39.6.5		4
6	joint	E12-L		XBC39.6.5		8
7	pipe,steel pipe	φ12x2		XBC39.6.5		22
8	tank,hydraulic	XBC39.2.6		XBC39.6.5		1
9	rotating joint	XBCY39.00-6509		XBC39.6.5		4
10	joint	K12-L		XBC39.6.5		4
11	hinged joint	SBE12-RLEDE		XBC39.6.5		18
12	valve,check valve	XBCY39.00-6512		XBC39.6.5		6
13	valve,holding valve	XBCY39.00-6513		XBC39.6.5		4
14a	cylinder,jack cylinder	XBC39.00-3012		XBC39.6.5		4
14b	cylinder,extend cylinder	XBC39.2.8		XBC39.6.5		2
14c	cylinder,swingout cylinder	ZBC37.2.7		XBC39.6.5		2

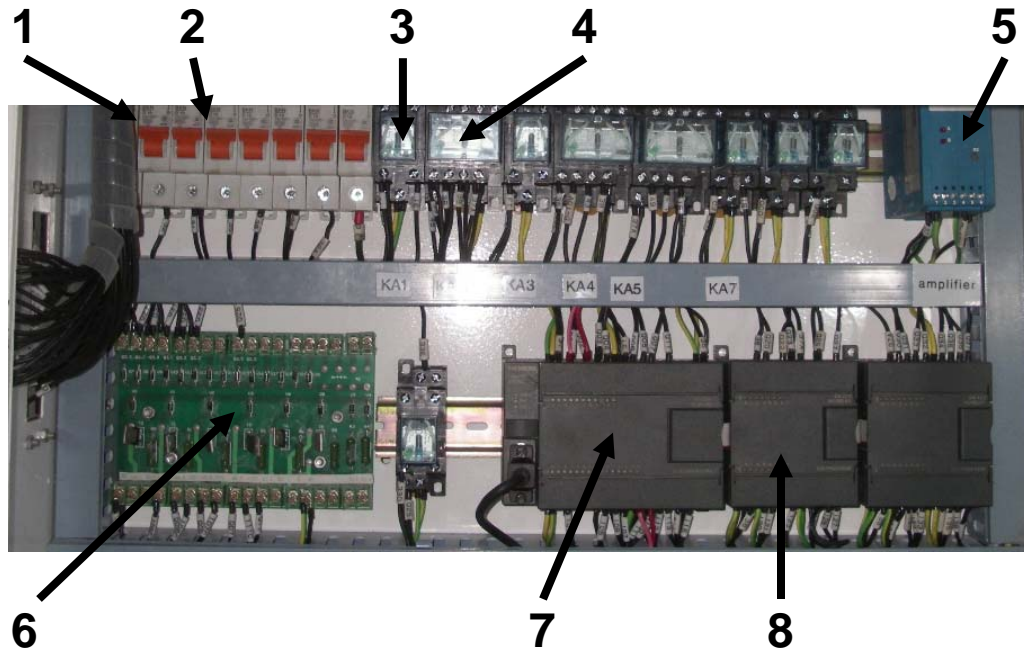
CHAPTER 7 ELECTRICAL CONTROL SYSTEM

7.1 CONTROL SYSTEM



No.	Description	Part Number	Material	Parent	Weight	Quantity
1	receiver,radio receiver	FST719				1
2	plug	ACJ3X-16A/24				2
3	switch,toggle	201				1
4	emergency stop button	ZB2BS54C				1
5	switch,momentary toggle	212				1
6	display,text display	TD200				1
7	switch,2 position knob	ZB2BD3C				3
8	potentiometer	2-2K				1
9	switch,2 position knob	ZB2BD2C				1
10	switch,3 position knob	ZB2BD5C				3

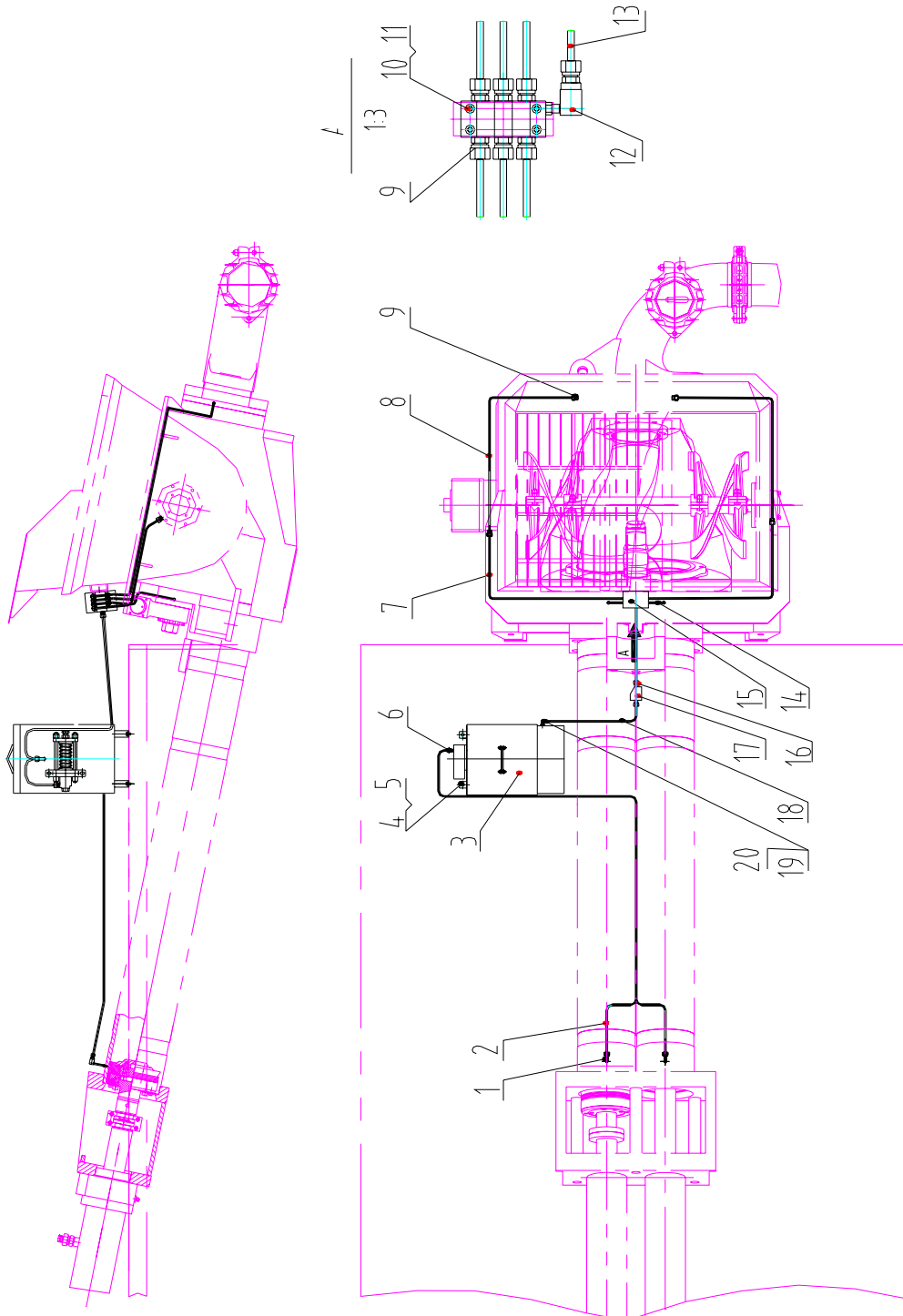
7.2 CONTROL BOX



No.	Description	Part Number	Material	Parent	Weight	Quantity
1	breaker,circuit breaker	BKNIP/16A				1
2	breaker,circuit breaker	BKNIP/10A				7
3	relay	LY2NJ24V				5
4	relay	LY4NJ24V				2
5	amplifier	VT11015-11UB24V				1
6	board,amplifier board	BC37/42				1
7	PLC	CPU224				1
8	module,expansion module	EM223				2

CHAPTER 8 LUBRICATION SYSTEM

8.1 LUBRICATION SYSTEM





XT39R4

REED
13822 Oaks Avenue
Chino, CA 91710
909-287-2100
www.reedpumps.com

No.	Description	Part Number	Material	Parent	Weight	Quantity
1	elbow,union Z1/8	22646T				2
2	tube,copper tube $\phi 6 \times 1$	BC37.8-1				2
3	lubricant reservoir	HA5923800A				1
4	bolt M8 \times 15	GB5781-86				4
5	washer 8	GB93-87				4
6	elbow,union Z1/8	22646T				2
7	tube,copper tube $\phi 6 \times 1$	BC37.8-2				2
8	tube,copper tube $\phi 6 \times 1$	BC37.8-3				2
9	straight thread connector	22587-1T				6
10	bolt M6 \times 65	GB70-85				4
11	washer 6	GB93-87				4
12	elbow,union M10 \times 1	22646-1T				1
13	tube,copper tube $\phi 6 \times 1$	BC37.8-4				1
14	tube,copper tube $\phi 6 \times 1$	BC37.8-5				2
15	distributor block	28835-37-022				1
16	straight thread connector	25732T				2
17	filter,oil and grease filter	28985-2				1
18	tube,copper tube $\phi 6 \times 1$	BC37.8-6				1
19	joint	BC37.8-7				1
20	elbow,union M10 \times 1	22646-1T				1