

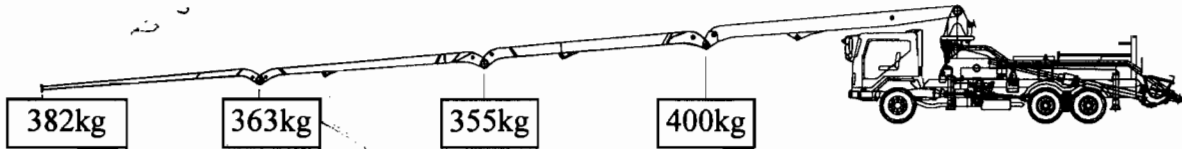
JOB #	<del>XT39R4</del> XT39R4 #3 SN #071003XT39R4V00	
	customer:	
VL-9790	BOOM MAKE UP PIPE LENGTHS	
	ARM	LENGTH
	A	109"
	B	72 3/4"
	B-C	
	C	71"
	C-D	
	D	80 1/2"
	E	
	PIPE TYPE (Ultra III or Normal?)	
	TIP HOSE SIZE	
	SPECIAL ELBOWS	
	Turret	A sect
	A sect	B sect
	B sect	C sect
	C sect	D sect
	D sect	E sect
	DECK MAKE UP PIPE LENGTHS	
	PIPE	LENGTH
	#1	107 1/2"
	#2	14"
	#3	
	SPECIAL ELBOWS	
	TURRET PIPE	
	40"	
	DECK DELIVERY LINE COMPONENTS	
	PART #	
	HOPPER ELBOW	
	ELBOW 6"	
	REDUCER	
	SPECIAL TURRET ELBOW	
	RADIO REMOTE SERIAL NUMBER	
	SERIAL #	
	RADIO REMOTE	719-0712049
	CABLE REMOTE	
	TRUCK	
	SERIAL #	
	1M2K189C77M036512	
	BOOM SIZE	
	SERIAL #	
	<del>XT39R4</del> XT39R4	
	BOOM SIZE---	
	SERIAL #	
	PEDESTAL	
	A SECTION	
	B SECTION	
	C SECTION	
	D SECTION	
	E SECTION	

# STABILITY TESTS XT39R4 BOOM AND OUTRIGGERS

Date: <b>8-19-08</b>	Verify Machine Model: <b>XT39R4</b>	Machine Serial #: <b>071008XT39R4V00</b>
Customer: <b>LAZARUS &amp; LAZARUS</b>	Truck VIN: <b>1M2K189C77M036512</b>	Work Order #: <b>VL-9790</b>

## BOOM STABILITY TEST

Boom Manufacturer:	Boom Serial #: <b>HONRA</b>
Pedestal Manufacturer:	Pedestal Serial #:



STABILITY TEST ACTUAL WEIGHTS (With Pipe / Without Tip Hose in kg)

4 772    3 666    2 701    1 708

Checked: *DR*

## TIME AND PRESSURE TESTS

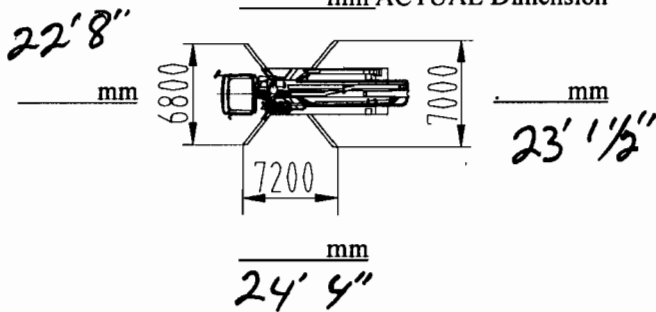
	Element 4	Element 3	Element 2	Element 1	Rotation
Theoretical Time	sec	sec	sec	sec	sec
Time UP					
Time DOWN					
Head Side Pressure	MPa	MPa	MPa	MPa	
Rod Side Pressure	MPa	MPa	MPa	MPa	
Rotation Time					

Check for Section Minimum Drift and Holding Valve Leakage Under Load

Checked: *DR*

## 24'5 1/2"    OUTRIGGER STABILITY TESTS

mm ACTUAL Dimension



Outrigger Foot Lift		
FRONT	REAR	
in	in	RIGHT <i>2/0</i>
in	in	LEFT

	Leakage Check		Leakage Check
Right Front Jack		Left Front Jack	
Right Front Telescope		Left Front Telescope	
Right Front Swing Out		Left Front Swing Out	
Right Rear Swing Out		Left Rear Swing Out	
Right Rear Jack		Left Rear Jack	

Checked: *DR*

TEST RESULTS:	DATE: <b>8/18/08</b>
NAME: _____	DATE: _____
SIGNATURE: <u><i>[Signature]</i></u>	



VEHICLE IDENTIFICATION NUMBER-FORM  
FOR BOOM PUMP TRUCK - (YELLOW)

DATE: 8/19/2008

CUSTOMER: LAZARUS - ACOPRECA

REED MODEL NUMBER: XT39R4

REED SERIAL NUMBER: 071003XT39R4V00

VEHICLE IDENTIFICATION NUMBER: 1M2K189C77M036512

LABEL INFORMATION - (AREAS TO FILL)

1. MFD. BY: REED LLC
2. DATE OF MFR: MO. 08 YR. 2008
3. GVWR: 29030KG ( 64000 LB)
4. GAWR-FRONT 9072 KG ( 20000LB)
5. WITH 425/65R22.5L TIRES,
6. 22.5X12.25 RIMS, @ 827 KPA
7. ( 120 PSI) COLD SINGLE
8. GAWR-INTERMEDIATE (1) 9979 KG ( 22000 LB)
9. WITH 11R22.5G TIRES,
10. 22.5x8.25 RIMS, @ 724 KPA  
( 105 PSI) COLD DUAL
11. GAWR-INTERMEDIATE (2)                    KG (                    LB)
12. WITH                    TIRES,
13.                    RIMS, @                    KPA  
(                    PSI) COLD DUAL
14. GAWR-REAR 9979 KG ( 22000 LB)
15. WITH 11R22.5G TIRES,
16. 22.5x8.25 RIMS, @ 724 KPA  
( 105 PSI) COLD DUAL
17. MONTH 08 YEAR 2008
18. VEHICLE IDENTIFICATION NUMBER:
19. VEHICLE TYPE: TRUCK

MFD. BY: REED LLC

DATE OF MFR:MO. 08 YR. 2008  
GAWR: 29,030 KG( 64,000 LB)

GAWR-FRONT:  
9,072 KG( 20,000 LB)  
WITH 425/65R22.5L TIRES,  
22.5X12.25 RIMS, @ 827 KPA  
( 120 PSI) COLD SINGLE

GAWR-INTERMEDIATE (1):  
9,979 KG( 22,000 LB)  
WITH 11R22.5G TIRES,  
22.5X8.25 RIMS, @ 724 KPA  
( 105 PSI) COLD DUAL

GAWR-INTERMEDIATE (2):  
KG( LB)  
WITH RIMS, @ TIRES,  
( PSI) COLD KPA

GAWR-REAR:  
9,979 KG( 22,000 LB)  
WITH 11R22.5G TIRES,  
22.5X8.25 RIMS, @ 724 KPA  
( 105 PSI) COLD DUAL

THIS VEHICLE HAS BEEN COMPLETED  
IN ACCORDANCE WITH THE PRIOR  
MANUFACTURERS' IVD, WHERE  
APPLICABLE. THIS VEHICLE  
CONFORMS TO ALL APPLICABLE  
FEDERAL MOTOR VEHICLE SAFETY  
STANDARDS, [AND BUMPER AND  
THEFT PREVENTION STANDARDS, IF  
APPLICABLE] IN EFFECT IN:  
MO. 08 YR. 2008  
VEHICLE IDENTIFICATION NUMBER:  
1M2K189C77M036512  
VEHICLE TYPE: TRUCK

10:30:35

REED, LLC

Page 1 of 1

Function: BILI

Single Level Bill

08/19/2008

Option: A In Eff: 081908 Out Eff: 123179

Parent: XT39R4V00

Desc: XT39R4 VERSION 00

Rv: Um: EA Run Lt: 30 Fixed Lt: 0

Plnr: BT Lt: N Pln Pol: N Drwg:

Pt Use Seqn Component

Starting:

Pt	Use	Seqn	Component	Description	C	Q	M	L
					T	Quantity	T	Um B T
ASSY	001	XT39R4SV00		XT39R4 HD SEMI VERSION 00	N	1	I	EA B N
ASSY	002	803297		CHASSIS PREP, XT39R4V00	N	1	I	EA M N
ASSY	003	803299		MODULE CHASSIS ASSY, XT39R4V00	N	1	I	EA M N

10:31:12

REED, LLC

Page 1 of 1

Function: BILI

Single Level Bill

08/19/2008

Option: A In Eff: 081908 Out Eff: 123179

Parent: 803297

Desc: CHASSIS PREP, XT39R4V00

Rv: Um: EA Run Lt: 30 Fixed Lt: 0

Plnr: BT Lt: N Pln Pol: N Drwg:

Pt Use Seqn Component

Starting:

Pt	Use	Seqn	Component	Description	C	Q	M	L
					T	Quantity	T	Um B T
ASSY	001	800203		TRUCK, MACK MR688S, 215" WB S.CA	N	1	I	EA B N
ASSY	001	801730		STACK PIPE-5 X 18-CHROME-CURVED	N	1	I	EA B N
ASSY	001	803288		DRIVE SHAFT-FRONT-1810T X 23.25	N	1	I	EA S N
ASSY	001	803289		DRIVE SHAFT REAR -1810T X 56.75	N	1	I	EA S N
ASSY	002	802659		PLATE, SHEAR INST XXT32-XT39	N	1	I	EA M N
ASSY	002	802901		BRACKET WELDMENT, AXLE STOP, LH	N	1	I	EA B N
ASSY	002	802899		BRACKET WELDMENT, AXLE STOP, RH	N	1	I	EA B N

Parent: 803299 Desc: MODULE CHASSIS ASSY,XT39R4V00  
 Rv: Um: EA Run Lt: 30 Fixed Lt: 0  
 Plnr: BT Lt: N Pln Pol: N Drwg:

Pt Use Seqn Component  
 Starting:

Pt Use	Seqn	Component	Description	C T	Q T	M U	L B	L T
ASSY	001	800174	RIB,SHEAR RIB, SUBFRAME	N	12	I	EA	B N
ASSY	001	800173	SHEAR RIB, SUBFRAME	N	4	I	EA	M N
ASSY	001	802608	D RING	N	2	I	EA	B N
ASSY	001	801123	SHEAR RIB, SUBFRAME	N	2	I	EA	B N
ASSY	002	802976	BRACKET MUDFLAP SUPPORT	N	2	I	EA	B N
ASSY	002	800999	MUDFLAP, REED LOGO	N	2	I	EA	B N
ASSY	002	801954	BRACKET - MARKER LIGHT	N	2	I	EA	B N
ASSY	003	801572	BRACKET,MOUNT TOOL BOX MOUNT WLD	N	2	I	EA	M N
ASSY	004	802719	TOOLBOX, ALUMINUM, 36X18X18	N	2	I	EA	B N
ASSY	005	801577	BRACKET,SUPPORT OUTRIGGER PAD	N	2	I	EA	S N
ASSY	005	803104	PAD,OUTRIGGER PAD 24X24X3" WOOD	N	4	I	EA	B N
ASSY	006	802443	WATERLINE ASSY 19.5 INCH PIPE	N	1	I	EA	M N
ASSY	006	74584	VALVE-MANUAL-1 SPOOL PAINTED	N	1	I	EA	M N
ASSY	007	803318	GUARD,OUTRIGGER ALLEN XT39	N	4	I	EA	B N
ASSY	008	803319	BOLT,M6X12 SOCKET CAP SCREWS	N	16	I	EA	B N
ASSY	009	803220	NAMEPLATE,INVERTER PTO24VDC SWIT	N	1	I	EA	B N
FINAL	999	800766	DECAL SET CPMA CERTIFIED	N	1	I	EA	M N
FINAL	999	86636	SERIAL NUMBER PLATE	N	1	I	EA	B N

10:32:33

REED, LLC

Page 1 of 1

Function: BILI

Single Level Bill

08/19/2008

Option: A In Eff: 081908 Out Eff: 123179

Parent: 802443 Desc: WATERLINE ASSY 19.5 INCH PIPE  
 Rv: Um: EA Run Lt: 0 Fixed Lt: 0  
 Plnr: BT Lt: N Pln Pol: N Drwg:

Pt Use Seqn Component

Starting:

Pt	Use	Seqn	Component	Description	C	Q	M	L
					T	Quantity	T	Um B T
TRUCK 010	802310			PIPE - WATER LINE - XT36	N	1	I	EA M N
TRUCK 020	802311			ANGLE - MOUNTING - WATER LINE	N	3	I	EA B N
TRUCK 030	802312			U-CLAMP - 1 1/4 PIPE	N	3	I	EA B N
TRUCK 040	10199			VALVE-1-1/4 IN DYNA-QUIP COMBO	N	1	I	EA B N
TRUCK 050	20125			NIPPLE, 3/4 NPT X 9 IN GALV	N	1	I	EA B N
TRUCK 060	10266			NIPPLE-CLOSE 1 1/4 NPT HW SCH 80	N	1	I	EA B N
TRUCK 070	801483			BUSHING-HEX 1 1/4 X 3/4 NPT BLK	N	1	I	EA B N
TRUCK 080	10299			TEE, 1 1/4 NPT GALV	N	1	I	EA B N
TRUCK 090	20325			PIPE COUPLING-1 1/4"	N	1	I	EA B N
TRUCK 100	801896-004			ADAPTOR - 35L X 1 1/4 NPT	N	1	I	EA B N
TRUCK 110	85663-009			HOSE - 20G4H-35FDLX-35FDLX-78.00	N	1	I	EA B N



Parent: 800766

Desc: DECAL SET CPMA CERTIFIED

Rv: Um: EA Run Lt: 1 Fixed Lt: 0

Plnr: BT Lt: N Pln Pol: N Drwg:

Pt Use Seqn Component

Starting:

Pt	C	Q	M	L					
Use	Seqn	Component	Description	T	Quantity	T	Um	B	T
TRUCK 001	802618		NAMEPLATE, LH, OUTRIGGER	N	1	I	EA	B	N
TRUCK 001	803240		DECAL, BLOCKAGE HAZARD	N	1	I	EA	B	N
TRUCK 001	801441		DECAL, XXT RANGE	N	1	I	EA	B	N
TRUCK 002	802619		NAMEPLATE, RH, OUTRIGGER	N	1	I	EA	B	N
TRUCK 005	800875		NAMEPLATE, AGITATOR/WATER PUMP	N	1	I	EA	B	N
TRUCK 005	803219		DECAL, HYD AND S TUBE GAUGE	N	1	I	EA	B	N
TRUCK 006	800033		DECAL, WATER	N	2	I	EA	B	N
TRUCK 006	800925		DECAL, WARNING, TRAINING - HORIZ	D	3	I	EA	B	N
TRUCK 007	800034		DECAL, OIL LEVEL	N	2	I	EA	B	N
TRUCK 008	800913		DECAL, DANGER, ELECT HAZARD, LAR	N	8	I	EA	B	N
TRUCK 009	800914		DECAL, DANGER, ELECT HAZARD, SMA	N	1	I	EA	B	N
TRUCK 010	800915		DECAL, DANGER, ELECT CONTACT	N	4	I	EA	B	N
TRUCK 011	800916		DECAL, WARNING, NO HANDS - WATER	N	1	I	EA	B	N
TRUCK 012	800917		DECAL, WARNING, NO HANDS - HOPPE	N	2	I	EA	B	N
TRUCK 013	800918		DECAL, WARNING, NO STAND - HOPPE	N	2	I	EA	B	N
TRUCK 014	800919		DECAL, WARNING, STAND CLEAR - O/	N	4	I	EA	B	N
TRUCK 016	800921		DECAL, WARNING, DELIV PRESSURE	N	1	I	EA	B	N
TRUCK 017	800922		DECAL, WARNING, BLOCKED PIPELINE	N	1	I	EA	B	N
TRUCK 018	800923		DECAL, WARNING, RETAINING PIN-DE	N	1	I	EA	B	N
TRUCK 019	800924		DECAL, WARNING, REMOTE START	N	1	I	EA	B	N
TRUCK 022	800927		DECAL, WARNING, DO NOT USE AS CR	N	1	I	EA	B	N
TRUCK 023	800928		DECAL, WARNING, TOT WEIGHT 376 L	N	1	I	EA	B	N
TRUCK 024	800929A		DECAL, WARNING, EYE/EAR PROTECTI	N	1	I	EA	B	N
TRUCK 025	800930		DECAL, ACPA HAND SIGNALS	N	1	I	EA	B	N
TRUCK 026	800931		DECAL, ACPA MEMBER	N	1	I	EA	B	N
TRUCK 027	802319		TAPE - NON SKID - 4 IN BLACK	N	4	I	FT	B	N
TRUCK 028	803223		DECAL, TIPPING HAZARD	N	2	I	EA	B	N
TRUCK 028	803224		DECAL, DO NOT STEP	N	2	I	EA	B	N
TRUCK 028	803225		DECAL, LEAKS HAZARD	N	8	I	EA	B	N
TRUCK 028	803226		DECAL, HOW TO ORDER	N	1	I	EA	B	N
TRUCK 028	803227		DECAL, MISSING GUARD	N	1	I	EA	B	N
TRUCK 028	803228		DECAL, OFF PLATFORM	N	4	I	EA	B	N
TRUCK 028	803229		DECAL, CPMA	N	1	I	EA	B	N
TRUCK 028	803230		DECAL, STARTING DISCHARGE	N	1	I	EA	B	N
TRUCK 028	803231		DECAL, TOXIC DUST	N	2	I	EA	B	N
TRUCK 028	803232		DECAL, EXTENDING OUTRIGGER	N	2	I	EA	B	N
TRUCK 028	803233		DECAL, SAFETY INSTRUCTIONS	N	1	I	EA	B	N
TRUCK 028	803234		DECAL, OUTRIGGERS	N	2	I	EA	B	N
TRUCK 028	803236		DECAL, CPMA	N	1	I	EA	B	N
TRUCK 028	803237		DECAL, PRESSURIZED PIPES	N	25	I	EA	B	N
TRUCK 028	803238		DECAL, PRESSURIZED HOSES	N	25	I	EA	B	N
TRUCK 028	803239		SAFETY TAGS	N	25	I	EA	B	N
TRUCK 990	WC [R] BOOM		BOOM ASSEMBLY LABOR	R	.083	I	HR	M	N

10:32:47

REED, LLC

Page 2 of 2

Function: BILI

Single Level Bill

08/19/2008

Option: A In Eff: 081908 Out Eff: 123179

Parent: 800766

Desc: DECAL SET CPMA CERTIFIED

Rv: Um: EA Run Lt: 1 Fixed Lt: 0

Plnr: BT Lt: N Pln Pol: N Drwg:

Pt Use Seqn Component

Starting:

Pt	Use	Seqn	Component	Description	C	Q	M	L
					T	Quantity	T	Um B T

ZZOB	005	803243		DECAL LEGEND CPMA CERT 2006	D	1	I	EA B N
------	-----	--------	--	-----------------------------	---	---	---	--------