

87^a 30 / 1.2
87

87^a 30 / 1.4
87

4 1 / 1.8
3
5 6 / 4.7
7
8 11 / 4.2
9
15 18 / 1.8
16 18

SCALE		WEIGHT	
Seite 1			
Bedienpult			
FREE DIMENSION TOLERANCE DIN 7185 MEDIUM	DATE DRAWN 23.03.04 CHKD. APPD.	NAME Felzer	
d siehe B_513023.doc 01.06.05 Köhner			
c siehe B_513023.doc 24.03.05 Köhner			
b siehe B_513023.doc 01.03.05 Köhner			
a siehe B_513023.doc 02.06.04 Köhner			
ISSUE	MODIFICATION	DATE	NAME ORIGINAL

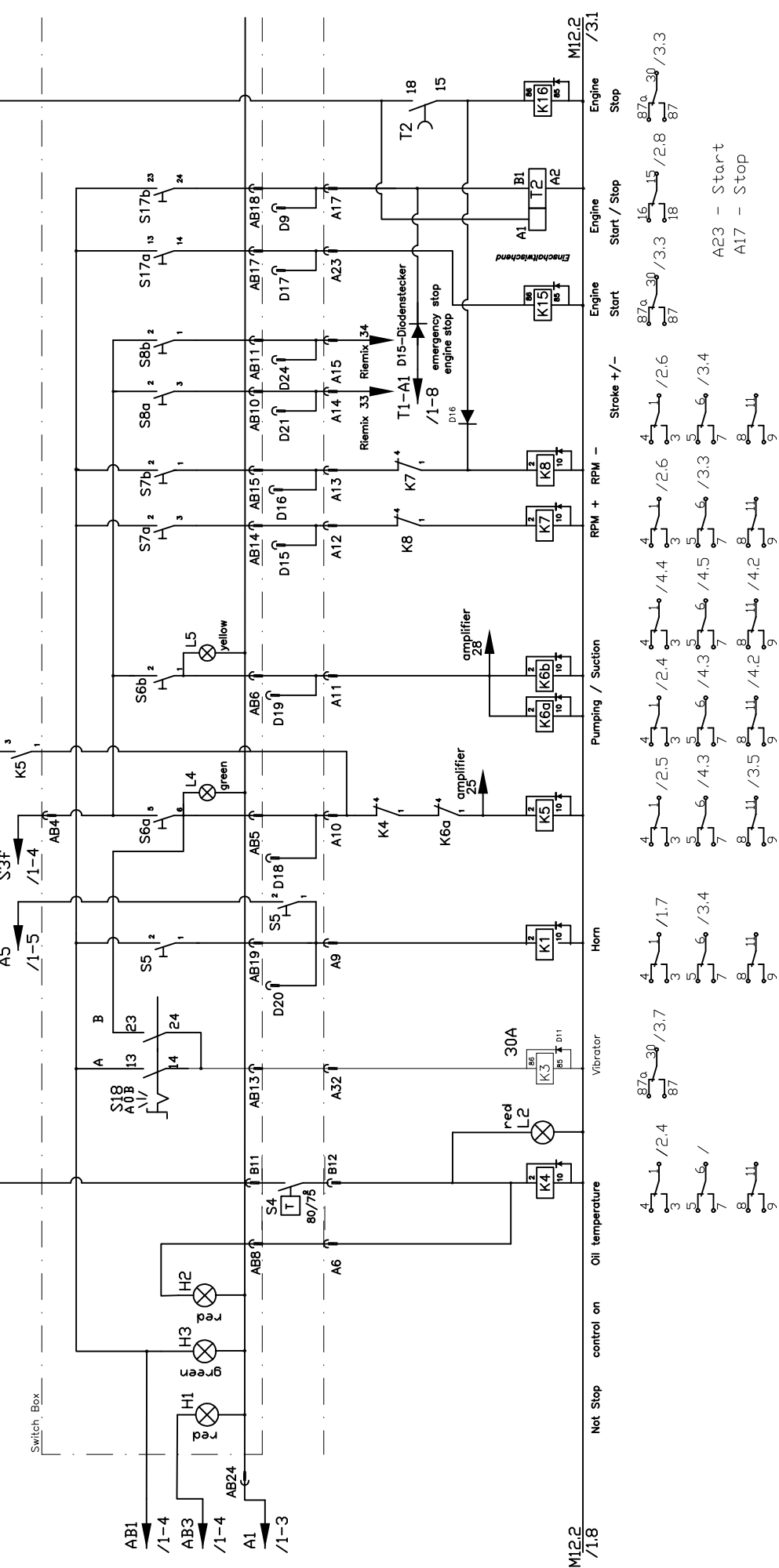
THIS INFORMATION MAY NOT BE COPIED BY A THIRD PARTY. SUBJECT TO COPYRIGHT (PARAGRAPH 1 NO. 3 OF "URheberRECHTSGESETZ" FROM 14.06.1991)

CHANGE ONLY WITH CAD

REPLACEMENT FOR B 51 3 022

SHEET OF

P12.2a
P12.2b
P12.2c



SCALE		WEIGHT	
Seite 2		Bedienpult	
FREE DIMENSION TOLERANCE DIN 7185 MEDIUM	DATE	NAME	
	23.03.04	Fetzer	
	CHKD.		
	APPD.		
d siehe B_513023.doc	01.06.05	Körner	
c siehe B_513023.doc	24.03.05	Körner	
b siehe B_513023.doc	01.03.05	Körner	
a siehe B_513023.doc	02.06.04	Körner	
ISSUE	MODIFICATION	DATE	NAME ORIGINAL

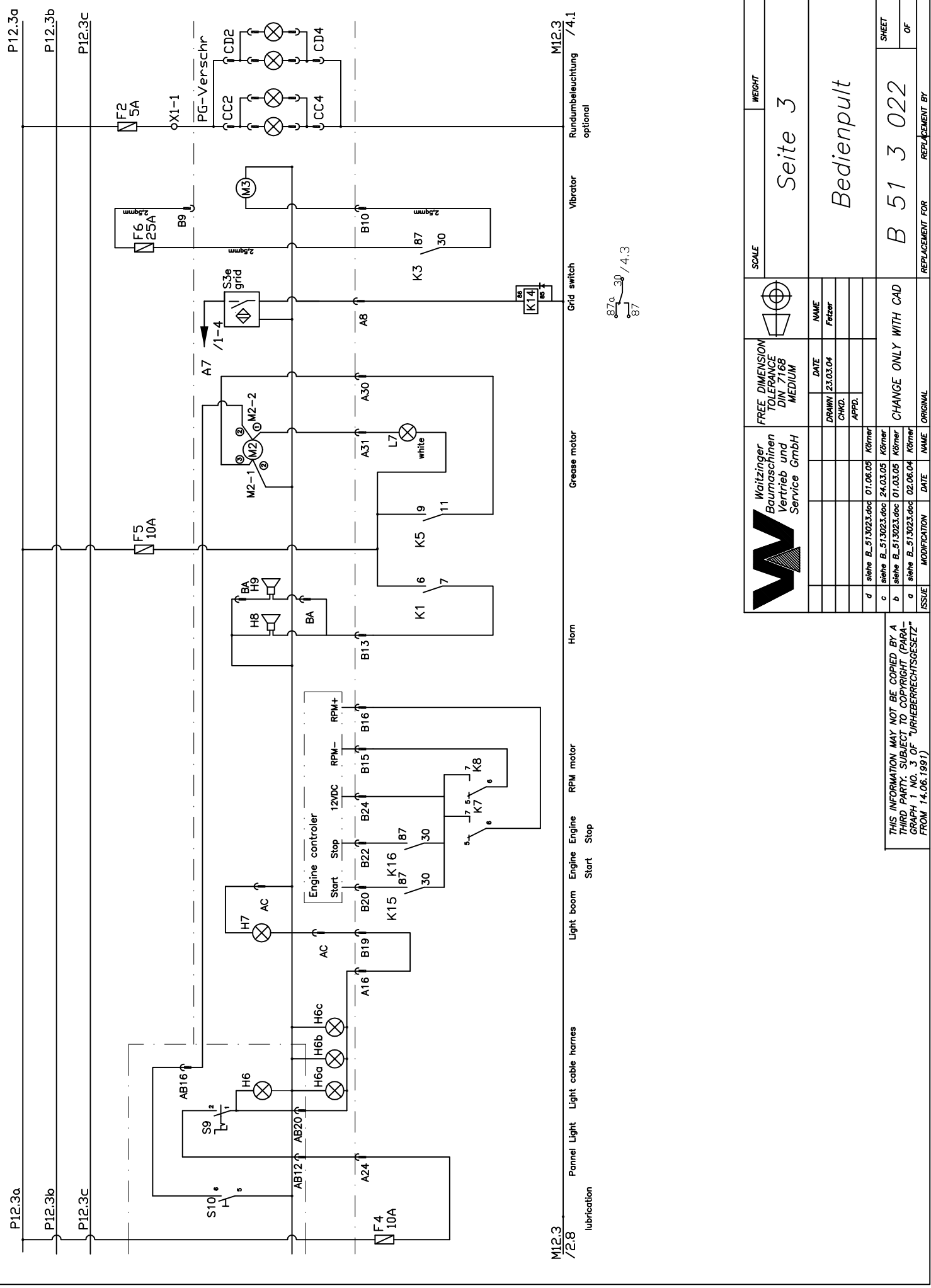
THIS INFORMATION MAY NOT BE COPIED BY A THIRD PARTY. SUBJECT TO COPYRIGHT (PARAGRAPH 1 NO. 3 OF "URheberRECHTSGESETZ" FROM 14.06.1991)

CHANGE ONLY WITH CAD

REPLACEMENT FOR

B 51 3 022

SHEET OF

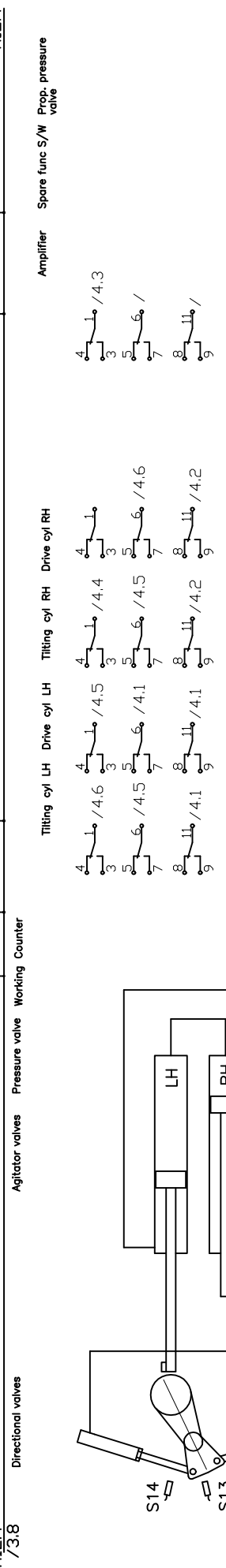
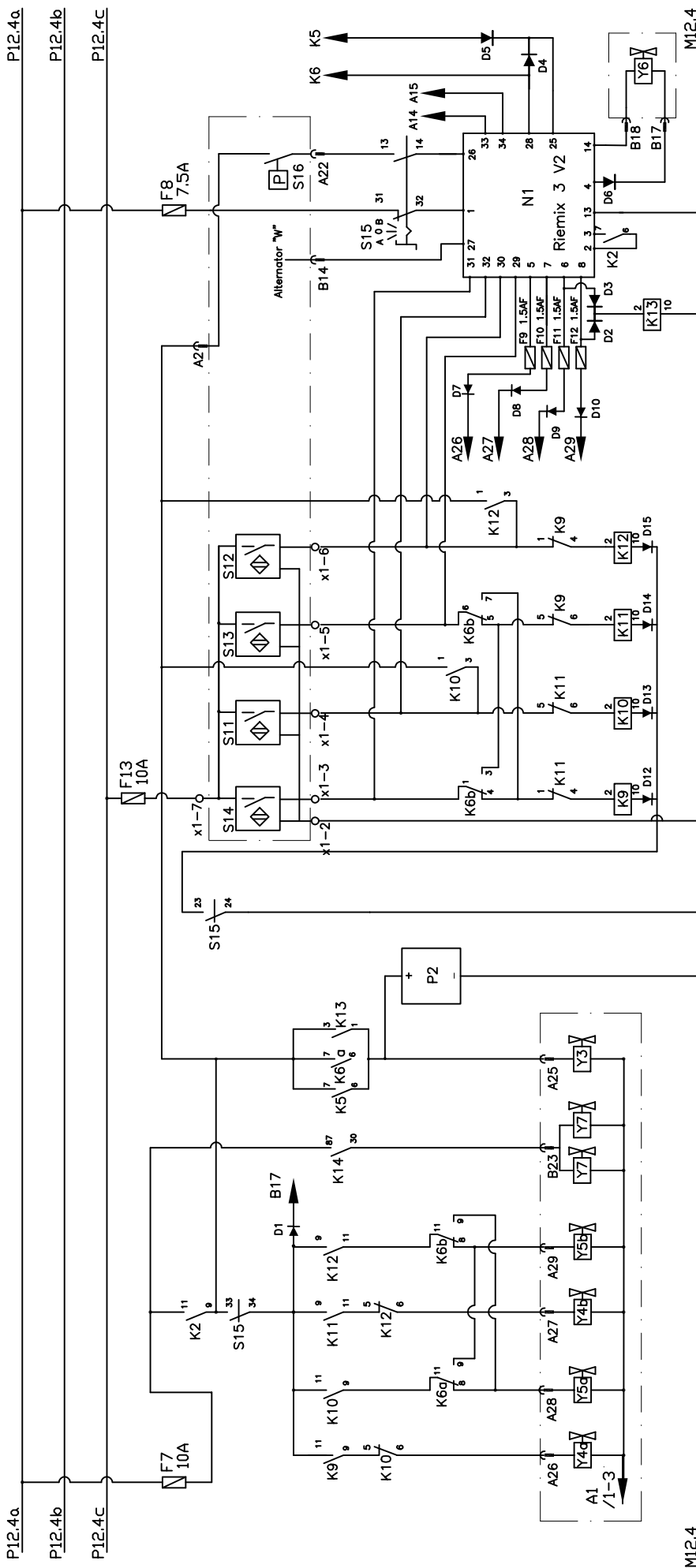


		SCALE	WEIGHT
FREE DIMENSION TOLERANCE DIN 7185 MEDIUM		Seite 3	
DATE	NAME	Bedienpult	
23.03.04	Felzer		
CHKD.	APPD.		
DATE	NAME	REPLACEMENT FOR	
01.06.05	Körner		
24.03.05	Körner		
DATE	NAME	ORIGINAL	
01.03.05	Körner		
02.06.04	Körner		
ISSUE	MODIFICATION	CHANGE ONLY WITH CAD	
d	siehe B_513023.doc	B 51 3 022	
c	siehe B_513023.doc	SHEET	
b	siehe B_513023.doc	OF	
a	siehe B_513023.doc		

THIS INFORMATION MAY NOT BE COPIED BY A THIRD PARTY. SUBJECT TO COPYRIGHT (PARA-GRAPH 1 NO. 3 OF "URheberRECHTSGESETZ" FROM 14.06.1991)

M12.3 / 2.8 Pannel Light lubrication
 Light boom Engine Engine RPM motor
 Start Stop Start Stop
 Horn Grease motor
 Vibrator
 Rundumbeleuchtung / 4.1 optional





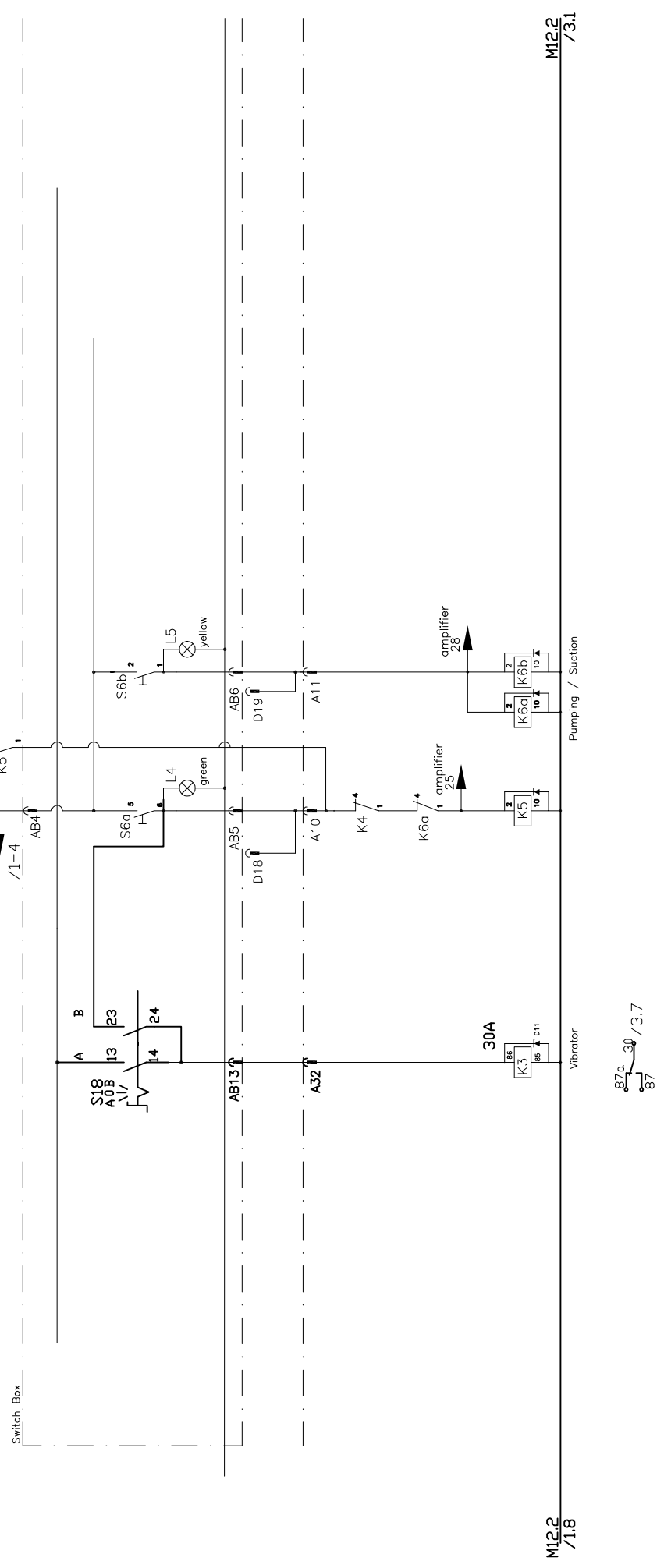
SCALE		WEIGHT	
Seite 4		Bedienpult	
FREE DIMENSION TOLERANCE DIN 7168 MEDIUM		CHANGE ONLY WITH CAD	
DATE	NAME	DATE	NAME
23.03.04	Fetzer	01.06.05	Körner
DRAWN	CHKD.	24.03.05	Körner
	APPD.	01.03.05	Körner
		02.06.04	Körner
REPLACEMENT FOR		REPLACEMENT BY	
B 51 3 022		B 51 3 022	
SHEET		OF	
		8	

THIS INFORMATION MAY NOT BE COPIED BY A THIRD PARTY. SUBJECT TO COPYRIGHT (PARAGRAPH 1 NO. 3 OF "URHBERRECHTSGESETZ" FROM 14.06.1991)

P12.2a P12.2a

P12.2b P12.2b

P12.2c P12.2c



	SCALE	WEIGHT
	FREE DIMENSION TOLERANCE DIN 7168 MEDIUM	NAME
	DATE	NAME
DRAWN	DATE	NAME
CHKD.	10.07.2006	Fetzer
APPD.		
CHANGE ONLY WITH CAD	Option Rüttler vorbereitet B513022	
ISSUE	MODIFICATION	DATE
NAME	ORIGINAL	REPLACEMENT FOR
REPLACEMENT BY	B 51 3 027	SHEET
		OF

THIS INFORMATION MAY NOT BE COPIED BY A THIRD PARTY. SUBJECT TO COPYRIGHT (PARAGRAPH 1 NO. 3 OF "URheberRECHtSGESETZ" FROM 14.06.1991)

M12.2 /1.8

M12.2 /3.1