

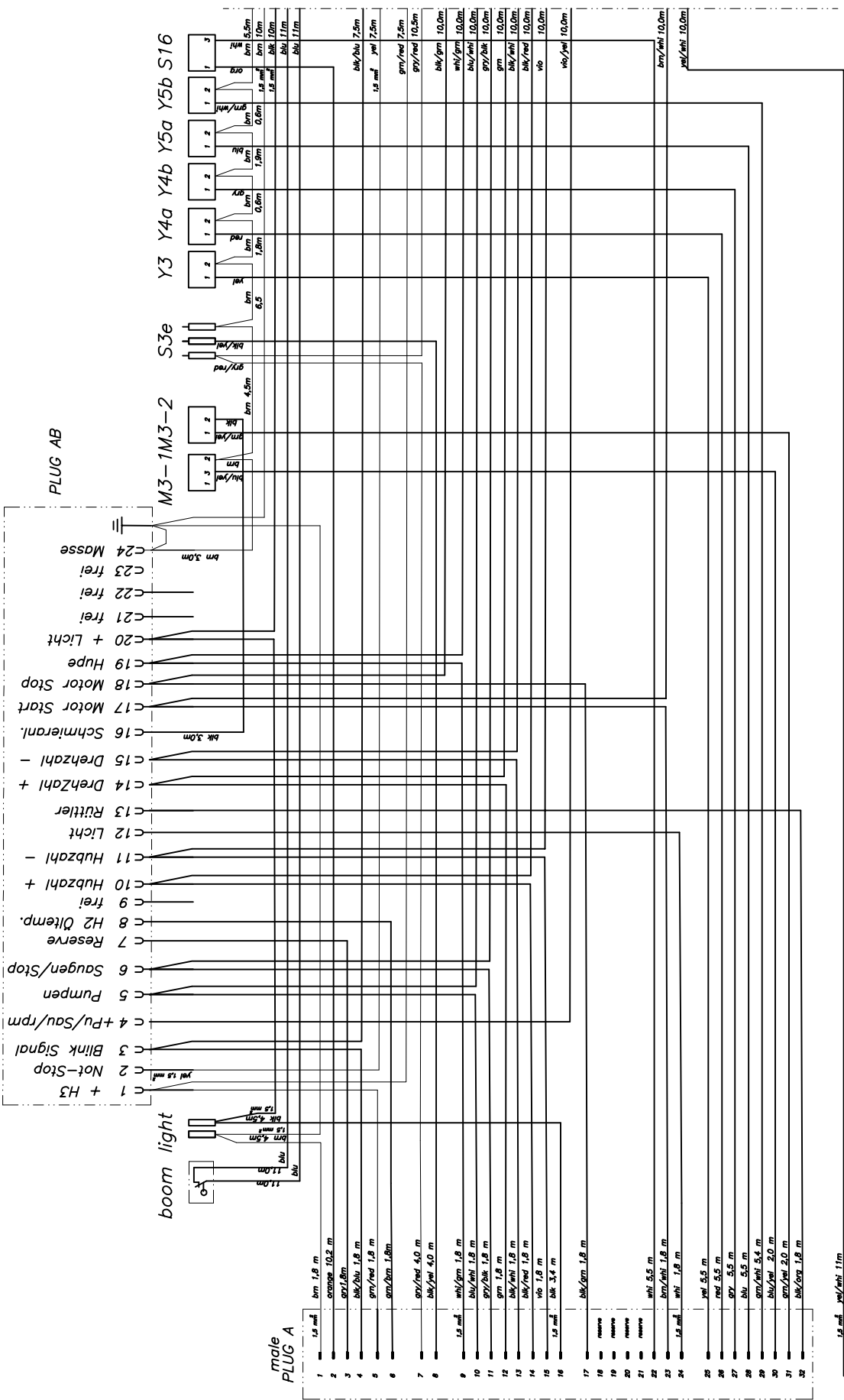
		scale	weight
free dimension tolerance DIN 7188 medium		own parts list	
		cable loop pump	
name Körner	date 21.09.2004	change only with CAD	
chkd. 	appd. 	original	replacement for
d siehe B 562063.doc 08.03.06 K.Kühn	c siehe B 562063.doc 13.10.05 Körner	B 56 2 063	sheet 1 of 4
b siehe B 562063.doc 21.07.05 Körner	a siehe B 562063.doc 17.01.05 Hoh.	replacement by	
issue MODIFICATION		name original	

PLUG A

1	Masse
2	S11-S14
3	Reserve
4	AB/3
5	AB/1
6	AB/8
7	S3e
8	S3e
9	D/20
10	D/18
11	AB/6
12	AB/14
13	AB/15
14	AB/10
15	AB/11
16	light
17	AB/18
18	S11
19	S12
20	S13
21	S14
22	S16
23	AB/17
24	AB/12
25	Y3
26	Y4a
27	Y4b
28	Y5a
29	Y5b
30	M3-1
31	M3-2
32	AB/13

this information may not be copied by a third party. Subject to copyright (paragraph 1 no. 3 of Urheberrechtsgesetz-From 14.06.1991)

kein Stecker! O.P.

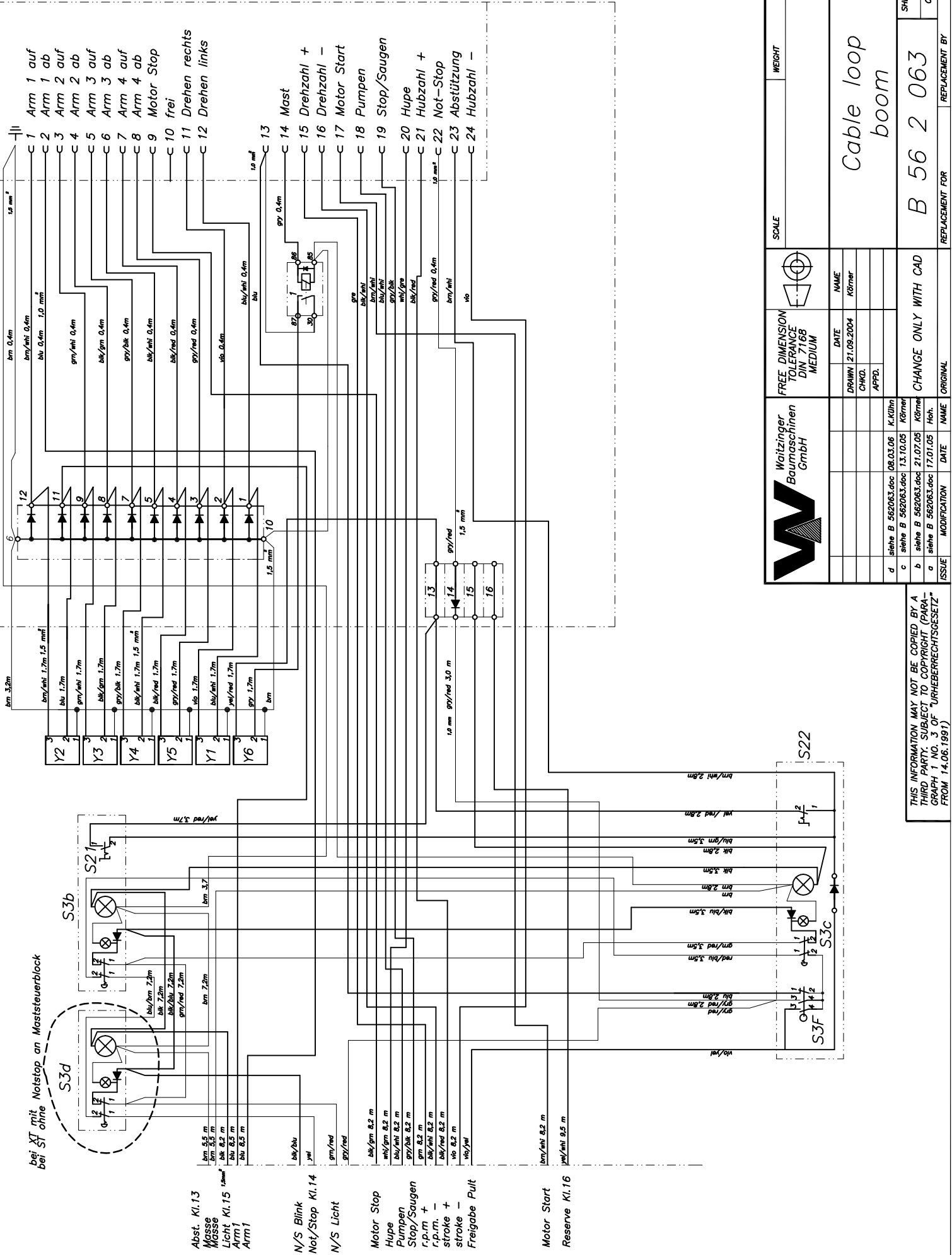


PLUG A

1	9	17	25
8	16	24	32

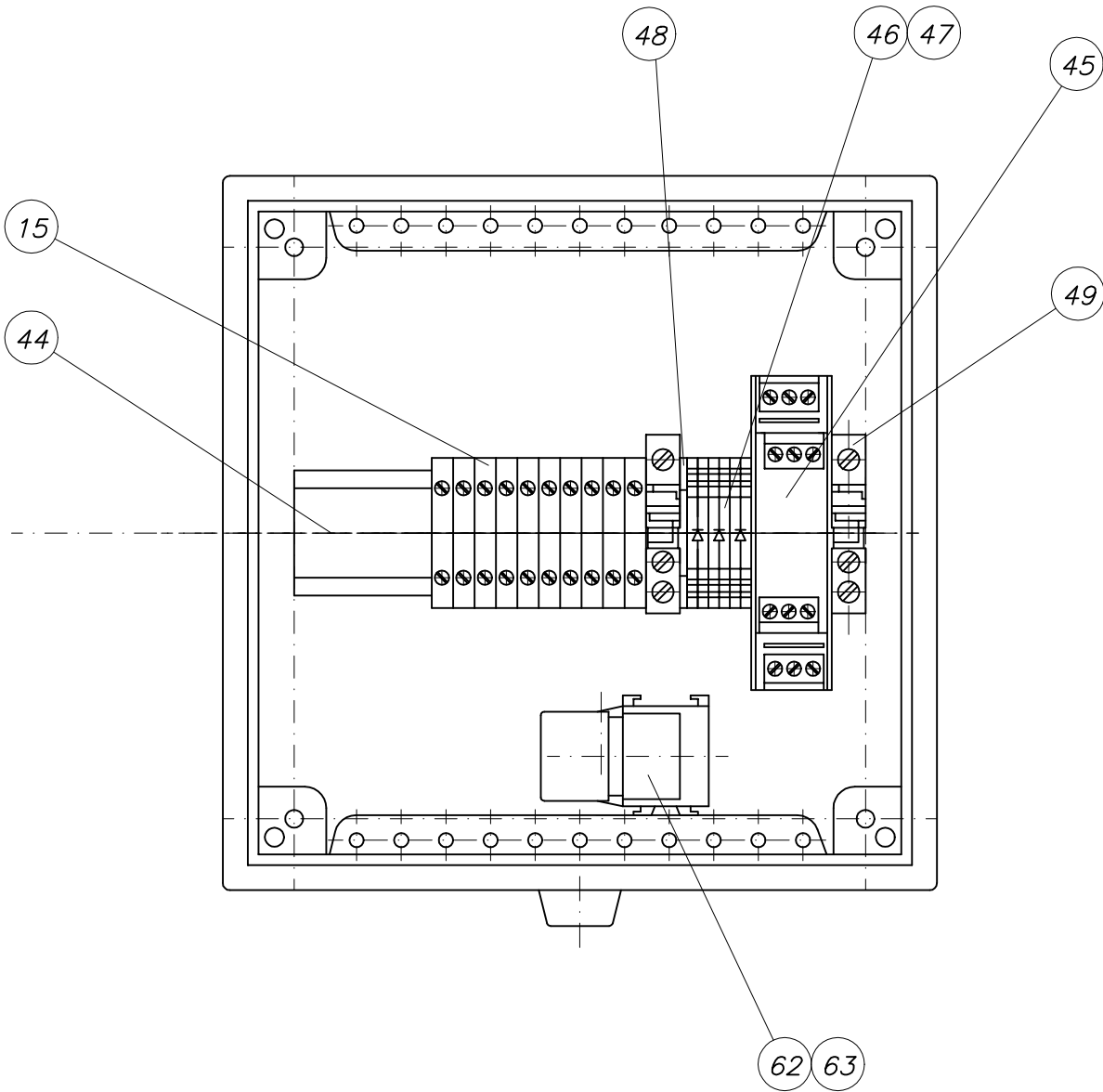
		scale	weight
free dimension tolerance DIN 7188 medium		name Körner	own parts list
drawn 21.09.2004	date 21.09.2004	name Körner	cable loop pump
chkd.	appl.		
d siehe B 562063.doc 08.03.06	K.Kühn	change only with CAD	B 56 2 063
c siehe B 562063.doc 13.10.05	Körner	replacement for	
b siehe B 562063.doc 21.07.05	Körner	original	sheet 2 of 4
a siehe B 562063.doc 17.10.05	Hoh.		
issue	MODIFICATION	date	replacement by

this information may not be copied by a third party. Subject to copyright (paragraph 1 no. 3 of Urheberrechtsgesetz) from 14.06.1991





SCALE		WEIGHT	
FREE DIMENSION TOLERANCE DIN 7168 MEDIUM		NAME Körner	
DATE 21.09.2004	DRAWN	DATE 08.03.06	NAME K. Köllh
CHKD.	APPD.	DATE 13.10.05	NAME Körner
CHANGE ONLY WITH CAD		DATE 21.07.05	NAME Körner
REPLACEMENT FOR		DATE 17.01.05	NAME Hoh.
REPLACEMENT BY		ORIGINAL	
B 56 2 063		Cable loop boom	
SHEET 3 OF 4			

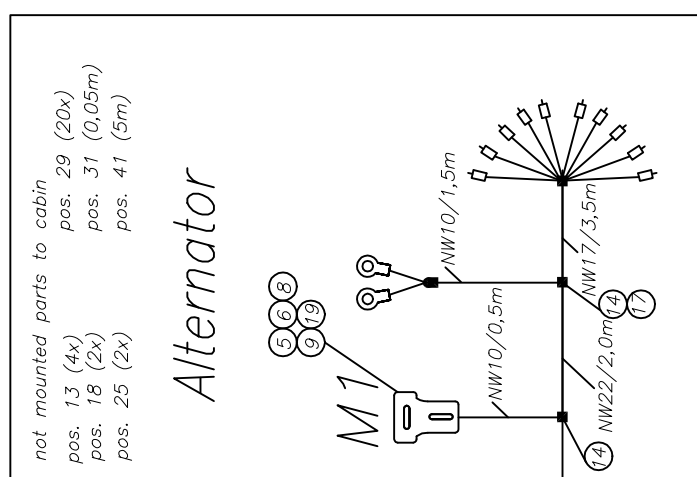
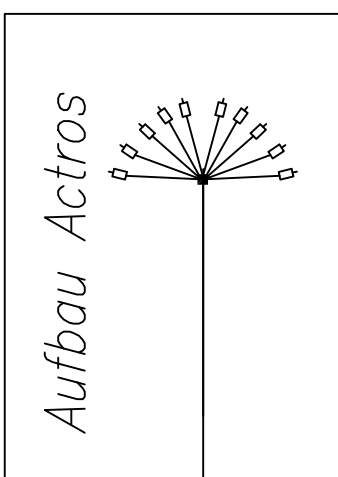
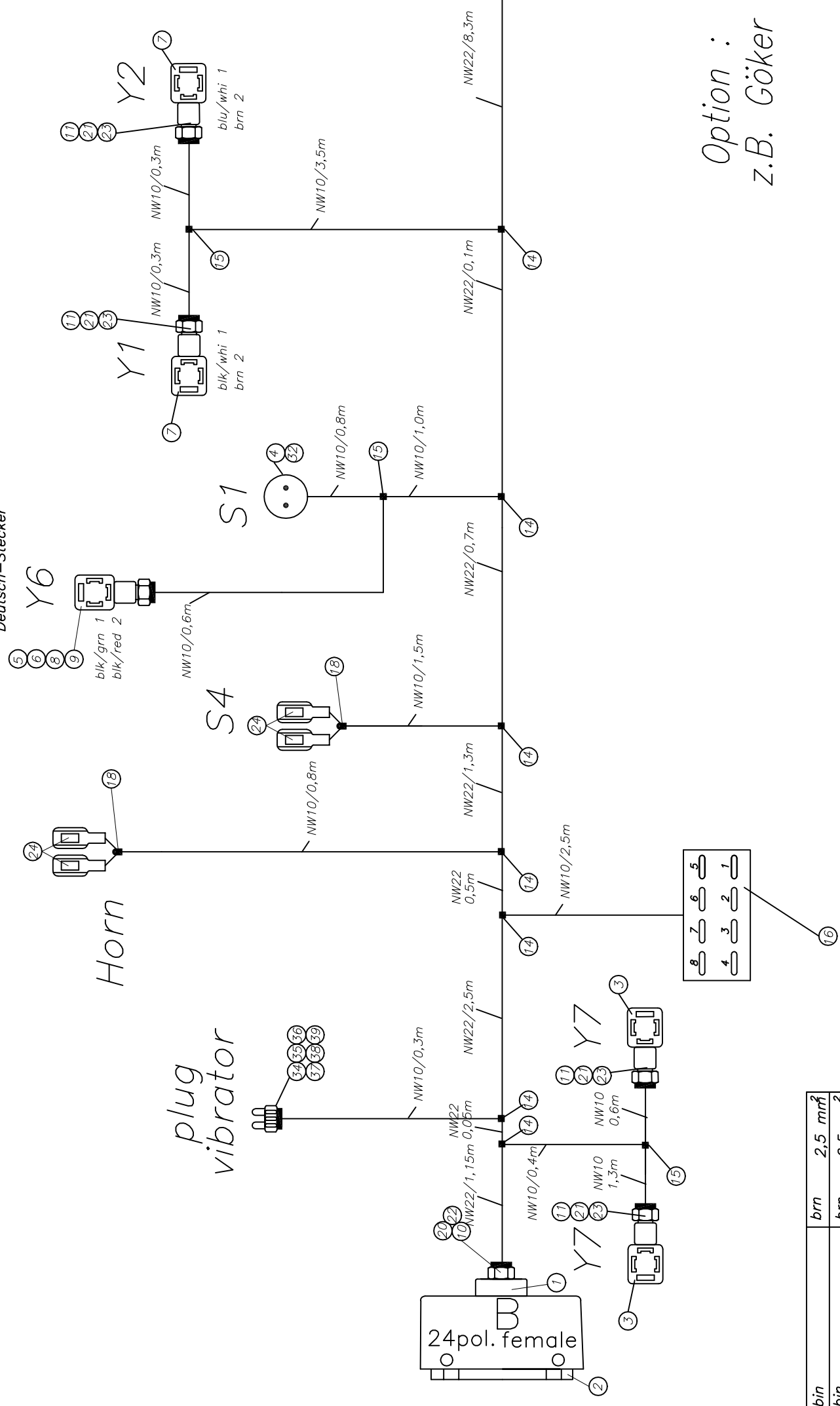
THIS INFORMATION MAY NOT BE COPIED BY A THIRD PARTY. SUBJECT TO COPYRIGHT (PARAGRAPH 1 NO. 3 OF "URheberRECHTSGESETZ" FROM 14.06.1991)



THIS INFORMATION MAY NOT BE COPIED BY A
 THIRD PARTY. SUBJECT TO COPYRIGHT (PARA-
 GRAPH 1 NO. 3 OF "URHEBERRECHTSGESETZ"
 FROM 14.06.1991)

 Waitzinger Baumaschinen GmbH				FREE DIMENSION TOLERANCE DIN 7168 MEDIUM				SCALE	WEIGHT	
				DRAWN 21.09.2004 CHKD. APPD.		DATE NAME Körner		Cable loop boom		
d	siehe B 562063.doc	08.03.06	K.Kühn	CHANGE ONLY WITH CAD		B 56 2 063				
c	siehe B 562063.doc	13.10.05	Körner						OF 4	
b	siehe B 562063.doc	21.07.05	Körner						REPLACEMENT FOR	REPLACEMENT BY
a	siehe B 562063.doc	17.01.05	Hoh.							
ISSUE	MODIFICATION	DATE	NAME	ORIGINAL						

Deutsch-Stecker



not mounted parts to cabin
 pos. 13 (4x)
 pos. 18 (2x)
 pos. 25 (2x)
 pos. 29 (20x)
 pos. 31 (0,05m)
 pos. 41 (5m)

Option :
 z.B. Göker

PLUG B

1	cabin	brn	2,5 mm ²
2	cabin	brn	2,5 mm ²
3	+ 24V cabin	blu	2,5 mm ²
4	+ 24V cabin	blu	2,5 mm ²
5	+ 12V vibrator	blk	2,5 mm ²
6	- Vibrator	red	2,5 mm ²
7	S1 / cabin S1 +	whi	1,0 mm ²
8	S1 / cabin S1 -	grn	1,0 mm ²
9	+ 12V vibrator	blk	2,5 mm ²
10	vibrator	red	2,5 mm ²
11	oil temp. +	ora	1,5 mm ²
12	oil temp. signal	ora/blk	
13	Horn	blu/whi	
14	Alternator W	yel/whi	
15	rpm -	gry/red	1,5 mm ²
16	rpm +	brn/blu	1,5 mm ²
17	Y6 +	blk/grn	
18	Y6 -	blk/red	
19	light	vio	
20	engine start	red	1,0 mm ²
21			
22	engine stop	brn/whi	1,0 mm ²
23	agf-tätigerksabschaltung	blk/yel	1,0 mm ²
24	+ 12V	red/yel	1,0 mm ²
	reserve	vio/yel	1,0 mm ²

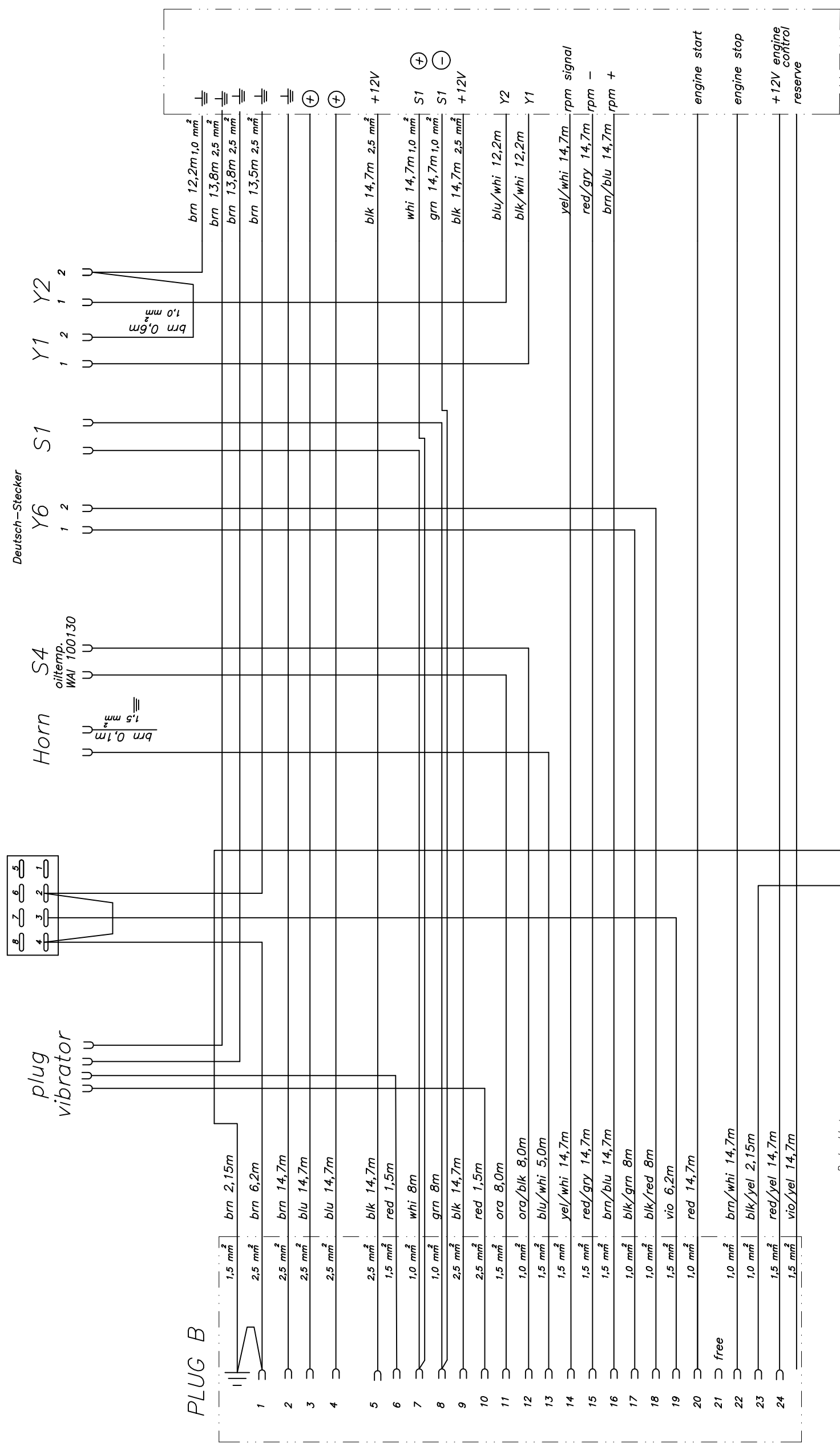
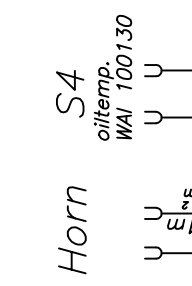
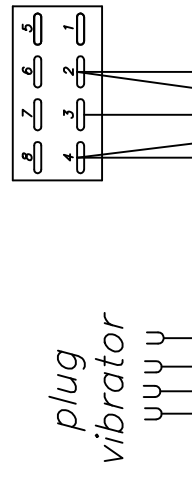


Waitzinger
 Baumaschinen
 Vertrieb und
 Service GmbH

free dimension tolerance DIN 7168 medium	drawn	date	name
	chkd.	08.04.2004	Körner
	appd.		

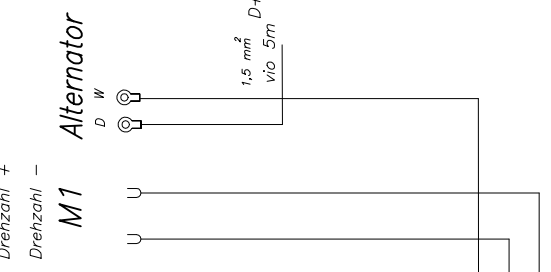
scale	without	weight
own parts list		
cable loop truck for B_513022 37m		
issue	MODIFICATION	date
change only with CAD	original	name
replacement for	B 56 2 048	sheet 1 of 2

this information may not be copied by a
 third party. Subject to copyright (para-
 graph 1 no. 3 of (Urheberrechtsgesetz)
 from 14.06.1991)



PLUG B

- 1 1,5 mm² brn 2,15m
- 2 2,5 mm² brn 6,2m
- 3 2,5 mm² brn 14,7m
- 4 2,5 mm² blu 14,7m
- 5 2,5 mm² blu 14,7m
- 6 2,5 mm² blk 14,7m
- 7 1,5 mm² red 1,5m
- 8 1,0 mm² whi 8m
- 9 1,0 mm² grn 8m
- 10 2,5 mm² blk 14,7m
- 11 2,5 mm² red 1,5m
- 12 1,5 mm² ora 8,0m
- 13 1,0 mm² ora/blk 8,0m
- 14 1,5 mm² blu/whi 5,0m
- 15 1,5 mm² yel/whi 14,7m
- 16 1,5 mm² red/ggy 14,7m
- 17 1,5 mm² brn/blu 14,7m
- 18 1,0 mm² blk/grn 8m
- 19 1,0 mm² blk/red 8m
- 20 1,5 mm² vio 6,2m
- 21 1,0 mm² red 14,7m
- 22 free
- 23 1,0 mm² brn/whi 14,7m
- 24 1,0 mm² blk/yel 2,15m
- 25 1,5 mm² red/yel 14,7m
- 26 1,5 mm² vio/yel 14,7m



Option :
z.B. Göker

- 14 1,5 mm² yel/whi 14,7m
- 15 1,5 mm² blu 14,7m
- 16 1,5 mm² blk 14,7m

Längen alle genaues Maß --> Zugabe ca. 1m

		FREE DIMENSION TOLERANCE DIN 7168 MEDIUM				SCALE	without	WEIGHT
Waitzinger Baumaschinen Vertrieb und Service GmbH		DRAWN 08.04.2004	DATE 08.04.2004	NAME Körner	own parts list			
CHKD.	APPD.	CHANGE ONLY WITH CAD		ORIGINAL		cable loop truck for B_513022		
ISSUE	MODIFICATION	DATE	NAME	REPLACEMENT FOR		B 56 2 048		
THIS INFORMATION MAY NOT BE COPIED BY A THIRD PARTY. SUBJECT TO COPYRIGHT (PARA- GRAPH 1 NO. 3 OF "URHEBERRECHTSGESETZ" FROM 14.06.1991)				SHEET 2 OF 2		REPAIRMENT BY		