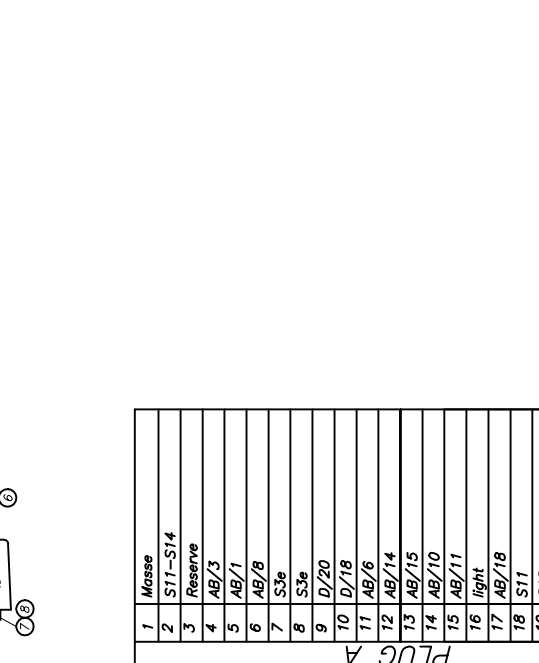
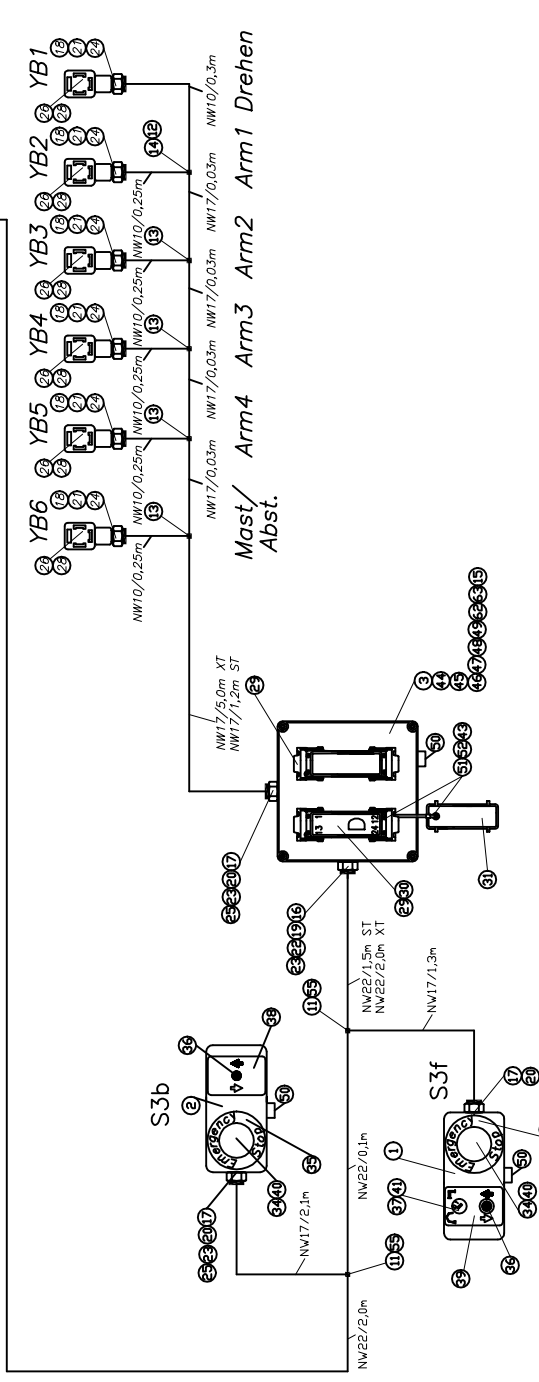
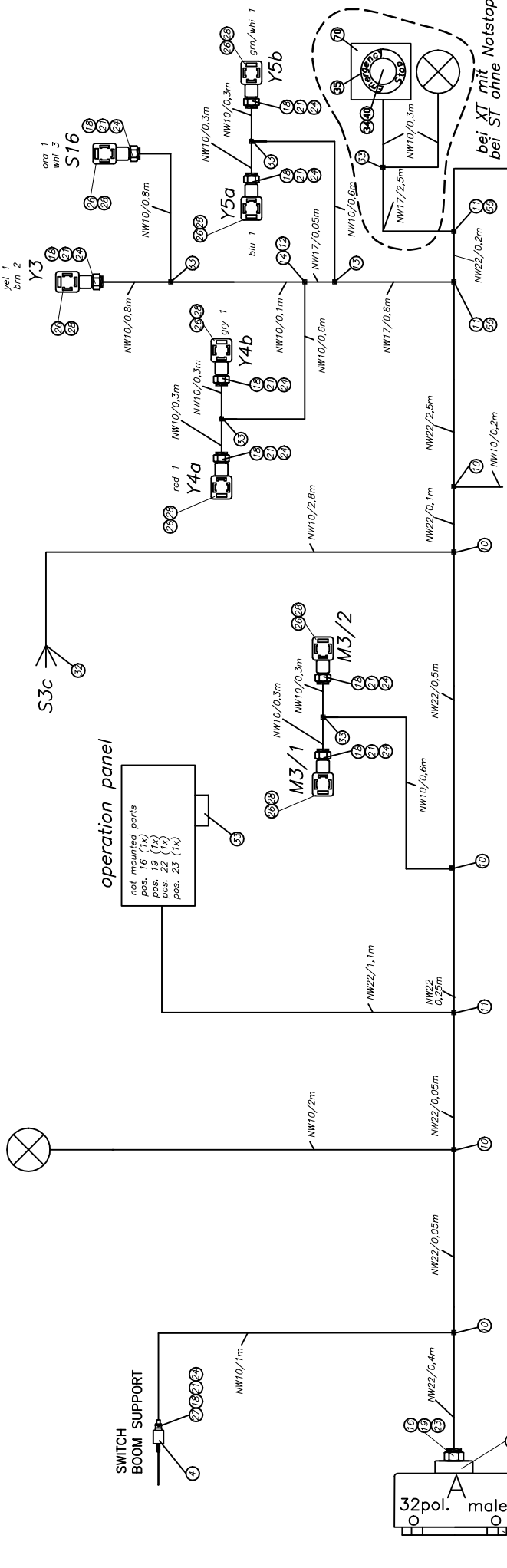


THIS INFORMATION MAY NOT BE COPIED BY A  
 THIRD PARTY, SUBJECT TO COPYRIGHT (PARA  
 GRAPH 1 NO. 3 OF URHEBERRECHTSGESETZ  
 FROM 14.06.1991)

 <b>Waltzinger</b> Baumaschinen Vertrieb und Service GmbH	FREE DIMENSION TOLERANCE DIN 7168 MEDIUM	 SCALE without	WEIGHT own parts list
	DATE 08.04.2004	NAME KÖrner	Cable harness / for B513022
DRAWN CHKD. APPD.	DATE 22.09.04 26.07.04	NAME KÖrner KÖrner	CHANGE ONLY WITH CAD
b siehe B_562050.doc a siehe B_562050.doc	DATE 22.09.04 26.07.04	NAME KÖrner KÖrner	B 56 2 050 SHEET OF
MODIFICATION	DATE	NAME	REPLACEMENT FOR

Stecker A	Stecker B
1 Masse	1 0 VDC
2 Spannung Sensoren	2 0 VDC
3 Not Stop blinken	3 + 24 VDC
4 Not Stop +	4 + 12 V für Rüttler
5 Öltemp. Warnung	5 Rüttler
6 Not Stop Signal	6 S1 Prüflüftung
7 Öltemp. Signal	7 + 12 V für Rüttler
8 Glührost Signal	8 Rüttler
9 Hupe Signal	9 Öltemp. +
10 Pumpen Signal	10 Rüttler
11 Drehzahl - Signal	11 Öltemp. +
12 Drehzahl + Signal	12 Öltemp. +
13 Hupe - Signal	13 Drehzahl - Signal
14 Hupe + Signal	14 Drehzahl + Signal
15 Licht Brücke zu B19	15 Drehzahl +
16 Motor Stop Signal	16 Drehzahl +
17 S11	17 +
18 S12	18 -
19 S13	19 Licht
20 S14	20 Motor Start
21 S16	21 Motor Stop
22 Motor Start Signal	22 Rührwerkschaltung
23 Licht + (F4)	23 + 12 VDC
24 Y3	
25 Y4	
26 Y4a	
27 Y4b	
28 Y5a	
29 Y5b	
30 Schmieranlage +	
31 Schmieranlage +	
32 Vibrator Signal	

THIS INFORMATION MAY NOT BE COPIED BY A  
 THIRD PARTY, SUBJECT TO COPYRIGHT (PARA  
 GRAPH 1 NO. 3 OF URHEBERRECHTSGESETZ  
 FROM 14.06.1991)



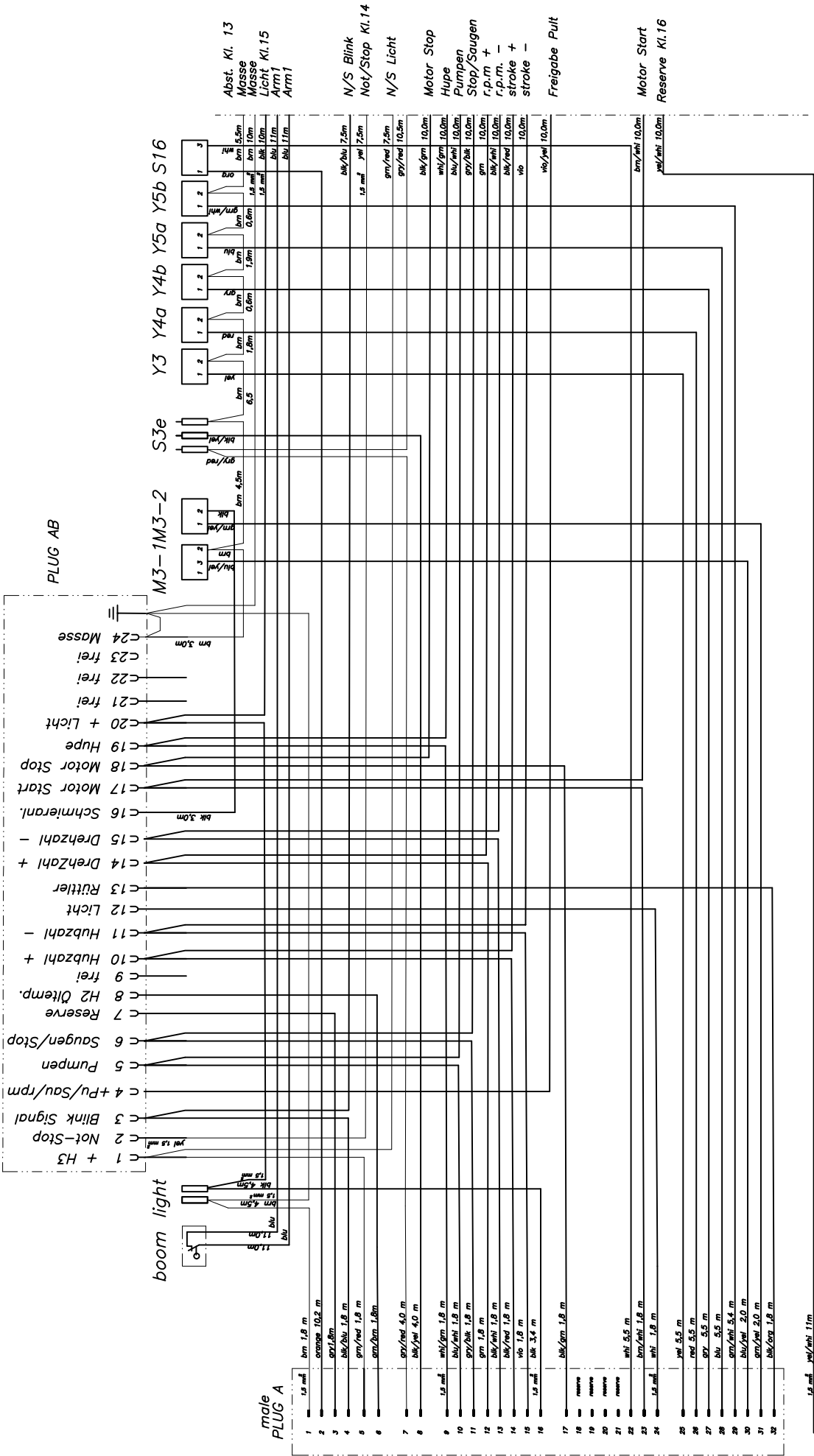
1	Masse
2	S11-S14
3	Reserve
4	AB/3
5	AB/1
6	AB/8
7	S3e
8	S3e
9	D/20
10	D/18
11	AB/6
12	AB/14
13	AB/15
14	AB/10
15	AB/11
16	light
17	AB/18
18	S11
19	S12
20	S13
21	S14
22	S16
23	AB/17
24	AB/12
25	Y3
26	Y4a
27	Y4b
28	Y5a
29	Y5b
30	M3-1
31	M3-2
32	AB/13

scale		weight	
free dimension tolerance DIN 7188 medium		own parts list	
drawn	date	name	
chkd.	21.08.2004	Körner	
appd.			
change only with CAD		cable loop pump	
B 56 2 063		sheet 1 of 4	
replacement for		replacement by	

MODIFICATION		name	
issue		original	
b	siehe B 562063.doc	21.07.05	Körner
a	siehe B 562063.doc	17.01.05	Hoh.

this information may not be copied by a third party. Subject to copyright (paragraph 1 no. 3 of Urheberrechtsgesetz) from 14.06.1991

kein Stecker! O.P.

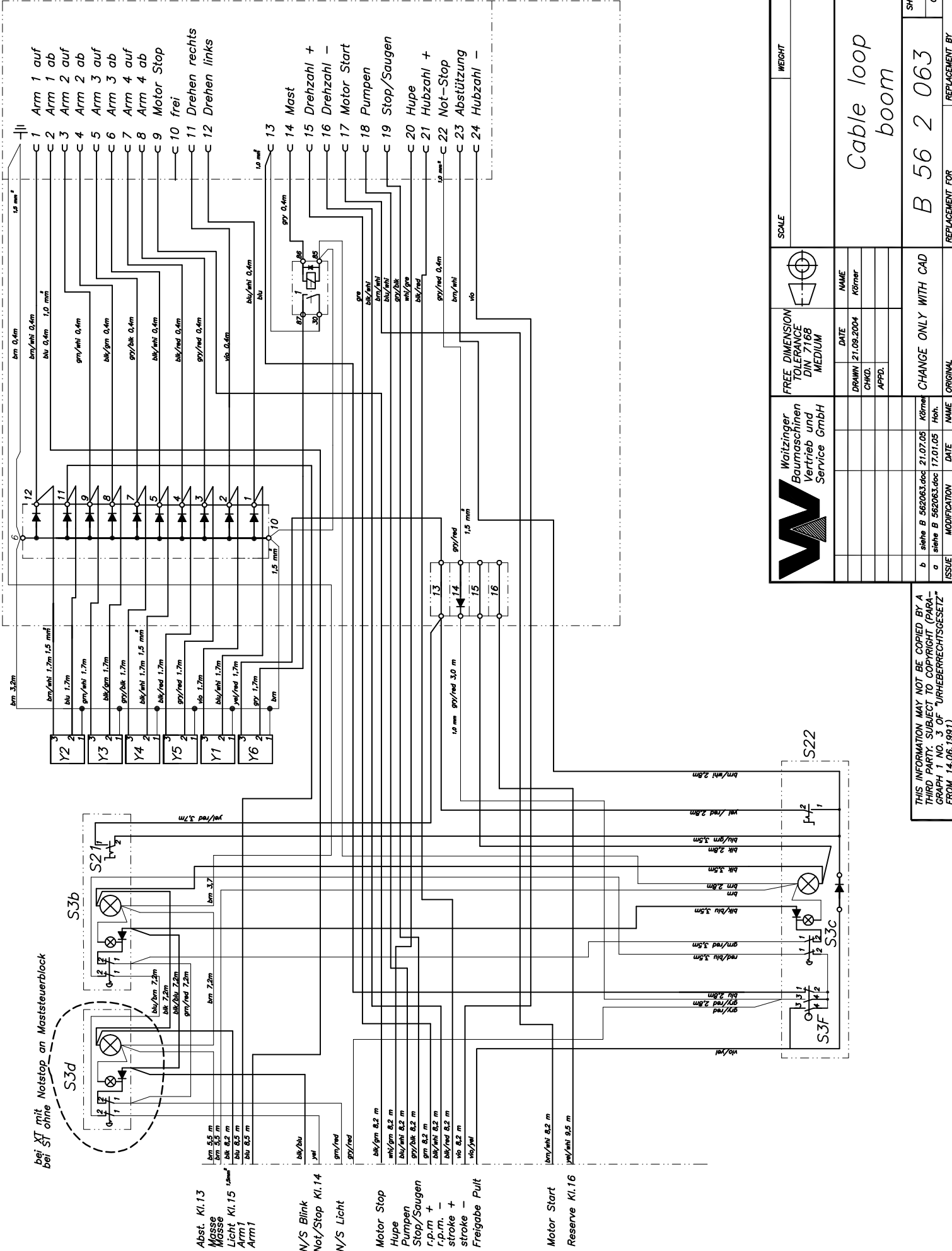


PLUG A

1	9	17	25
8	16	24	32

	free dimension tolerance	tolerance	DIN 7188	medium
	date	21.09.2004	name	Körner
drawn	chkd.	appd.		
issue	MODIFICATION	date	name	original
b	siehe B 562063.doc	21.07.05	Körner	
a	siehe B 562063.doc	17.01.05	Hoh.	
change only with CAD		replacement for		sheet 2 of 4
B 56 2 063		replacement by		
cable loop pump		own parts list		
scale		weight		

this information may not be copied by a third party. Subject to copyright (paragraph 1 no. 3 of Urheberrechtsgesetz) from 14.06.1991



Abst. Kl.13  
 Masse  
 Licht Kl.15  
 Arm1

N/S Blink  
 Not/Stop Kl.14  
 N/S Licht

Motor Stop  
 Hupe  
 Pumpen  
 Stop/Saugen  
 r.p.m. +  
 r.p.m. -  
 stroke +  
 stroke -  
 Freigabe Pult

Motor Start  
 Reserve Kl.16

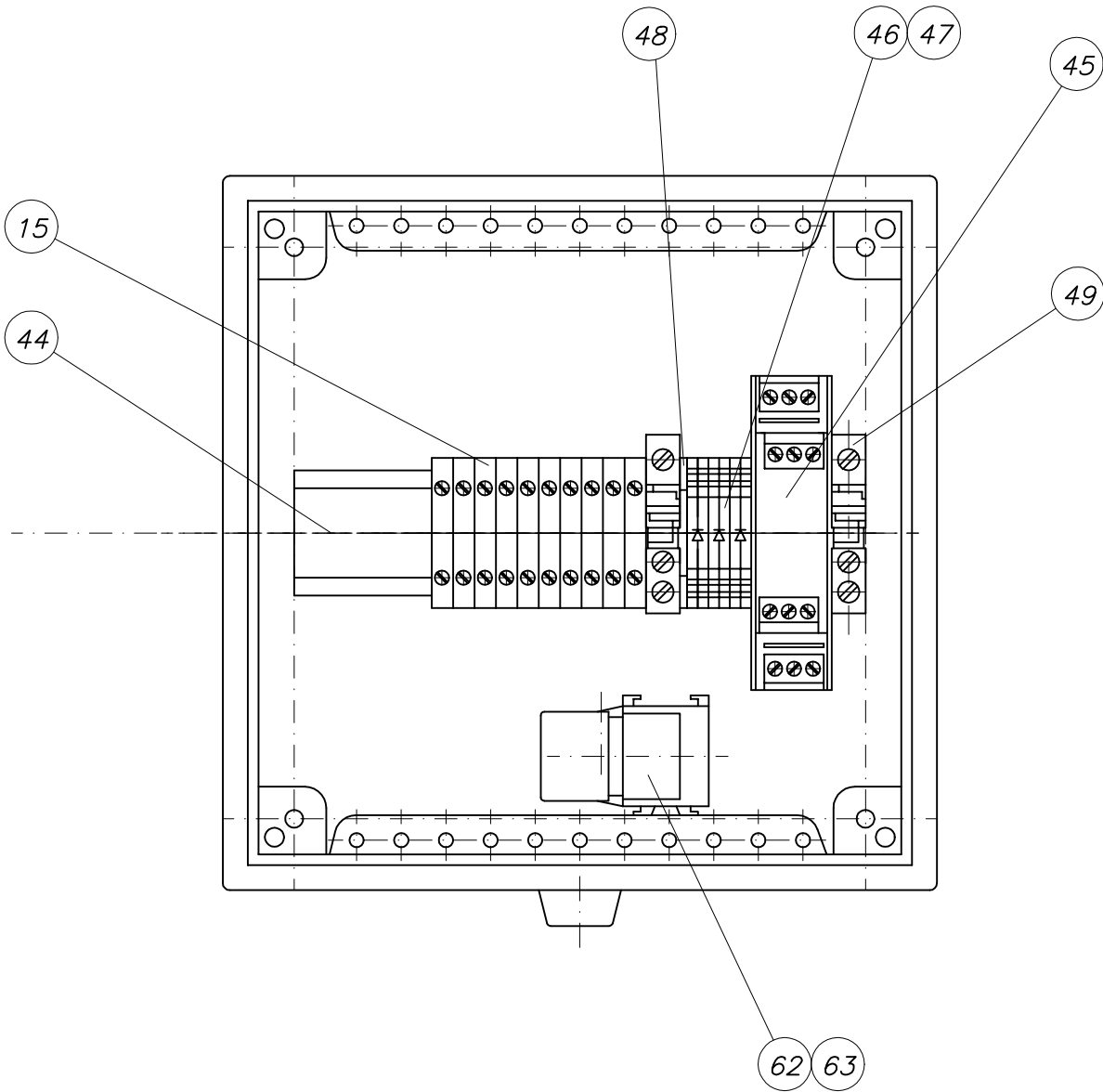
	FREE DIMENSION TOLERANCE	DATE	NAME
	DIN 7188 MEDIUM	21.09.2004	Körner
		CHKD.	
		APPD.	

Cable loop boom

SCALE	WEIGHT
REPLACEMENT FOR	
REPLACEMENT BY	
CHANGE ONLY WITH CAD	B 56 2 063
ORIGINAL	SHEET 3 OF 4

THIS INFORMATION MAY NOT BE COPIED BY A THIRD PARTY. SUBJECT TO COPYRIGHT (PARAGRAPH 1 NO. 3 OF "URheberRECHTSGESETZ" FROM 14.06.1991)

ISSUE	MODIFICATION	DATE	NAME
b	siehe B 562063.doc	21.07.05	Körner
a	siehe B 562063.doc	17.01.05	Hob.



THIS INFORMATION MAY NOT BE COPIED BY A THIRD PARTY. SUBJECT TO COPYRIGHT (PARA-GRAPH 1 NO. 3 OF "URHEBERRECHTSGESETZ" FROM 14.06.1991)



**Waitzinger**  
Baumaschinen  
Vertrieb und  
Service GmbH

FREE DIMENSION  
TOLERANCE  
DIN 7168  
MEDIUM



SCALE

WEIGHT

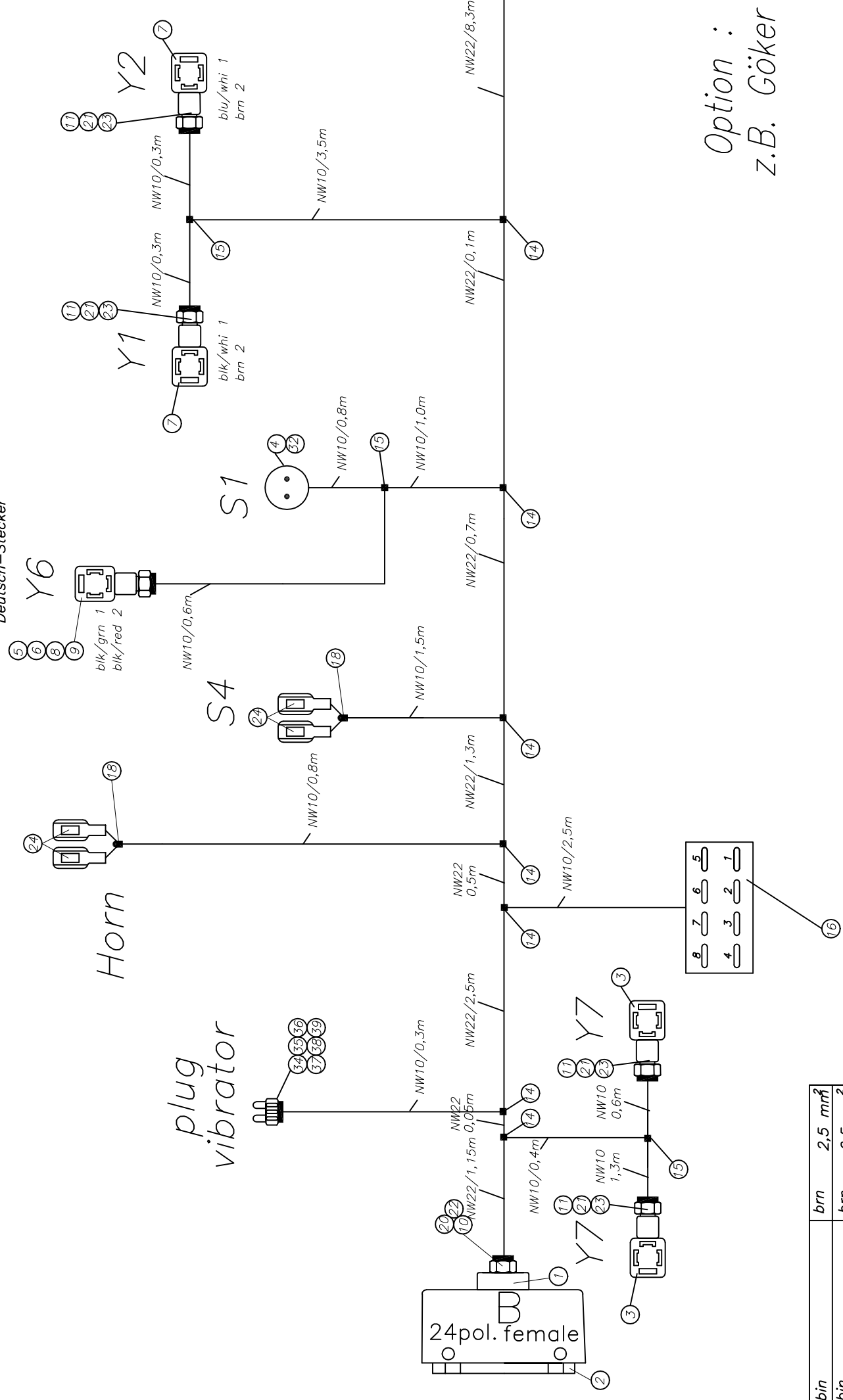
ISSUE	MODIFICATION	DATE	NAME
b	siehe B 562063.doc	21.07.05	Körner
a	siehe B 562063.doc	17.01.05	Hoh.

	DATE	NAME
DRAWN	21.09.2004	Körner
CHKD.		
APPD.		

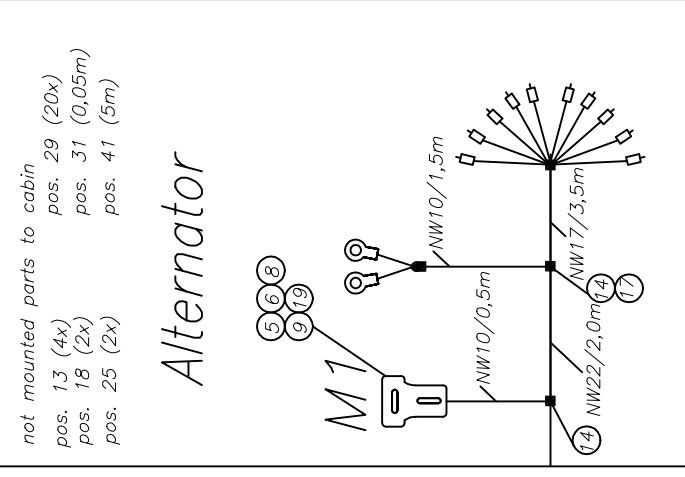
<p><i>Cable loop boom</i></p>	
<p><i>B 56 2 063</i></p>	<p>SHEET 4 OF 4</p>
REPLACEMENT FOR	REPLACEMENT BY

CHANGE ONLY WITH CAD

Deutsch-Stecker



Option :  
z.B. Göker



**PLUG B**

1	cabin	brn	2,5 mm <sup>2</sup>
2	cabin	brn	2,5 mm <sup>2</sup>
3	+ 24V cabin	blu	2,5 mm <sup>2</sup>
4	+ 24V cabin	blu	2,5 mm <sup>2</sup>
5	+ 12V vibrator	blk	2,5 mm <sup>2</sup>
6	- Vibrator	red	2,5 mm <sup>2</sup>
7	S1 / cabin S1 +	whi	1,0 mm <sup>2</sup>
8	S1 / cabin S1 -	grn	1,0 mm <sup>2</sup>
9	+ 12V vibrator	blk	2,5 mm <sup>2</sup>
10	vibrator	red	2,5 mm <sup>2</sup>
11	oil temp. +	ora	1,5 mm <sup>2</sup>
12	oil temp. signal	ora/blk	
13	Horn	blu/whi	
14	Alternator W	yel/whi	
15	rpm -	gry/red	1,5 mm <sup>2</sup>
16	rpm +	brn/blu	1,5 mm <sup>2</sup>
17	Y6 +	blk/grn	
18	Y6 -	blk/red	
19	light	vio	
20	engine start	red	1,0 mm <sup>2</sup>
21			
22	engine stop	brn/whi	1,0 mm <sup>2</sup>
23	agfütterwerksabschaltung	blk/yel	1,0 mm <sup>2</sup>
24	+ 12V	red/yel	1,0 mm <sup>2</sup>
	reserve	vio/yel	1,0 mm <sup>2</sup>

Aufbau Actros

not mounted parts to cabin  
pos. 13 (4x)  
pos. 18 (2x)  
pos. 25 (2x)

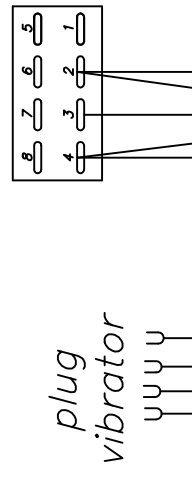
Alternator



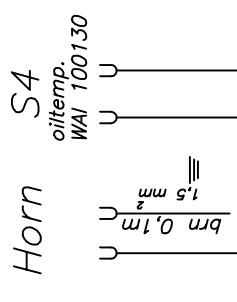
free dimension tolerance  
DIN 7168  
medium

scale	without	weight
own parts list		
cable loop truck for B_513022 37m		
replacement for		sheet 1 of 2

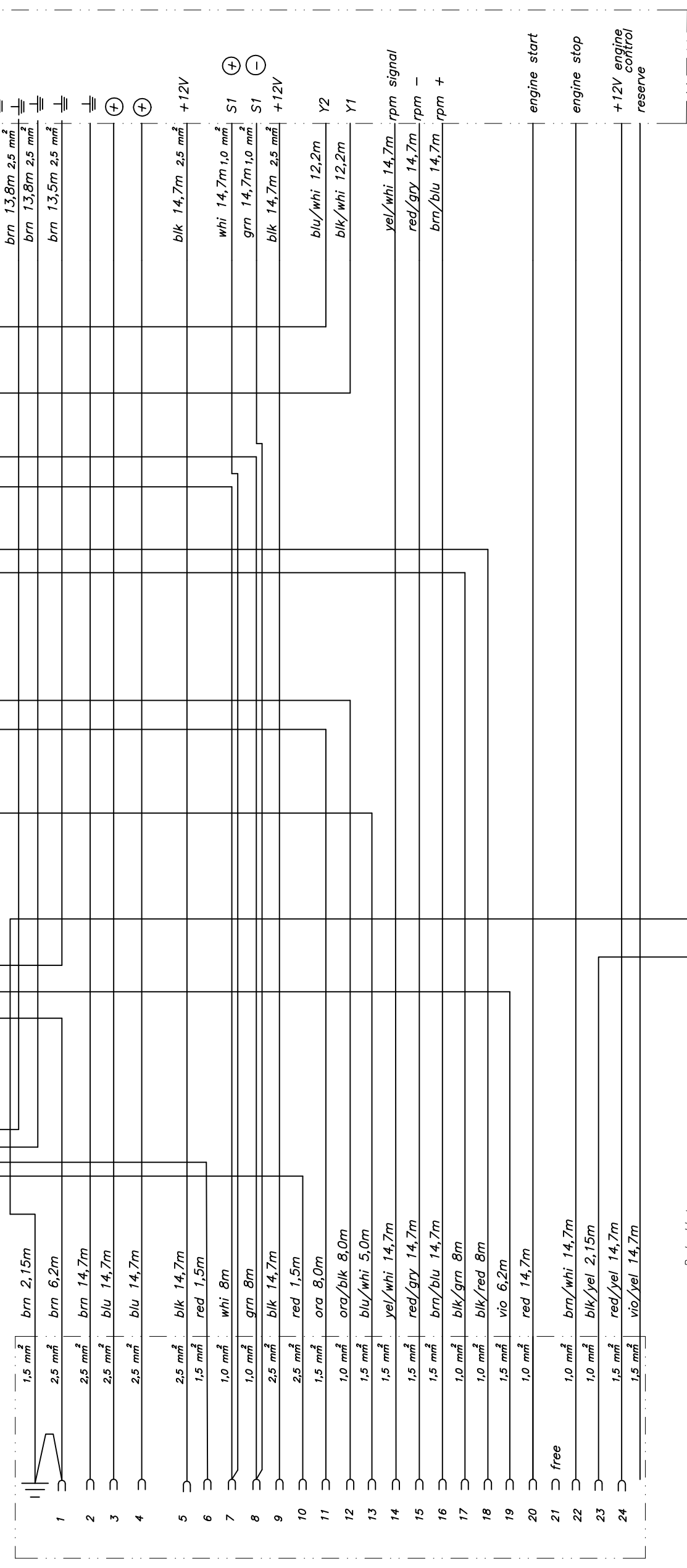
this information may not be copied by a third party. Subject to copyright (paragraph 1 no. 3 of (Urheberrechtsgesetz) from 14.06.1991)



Deutsch-Stecker

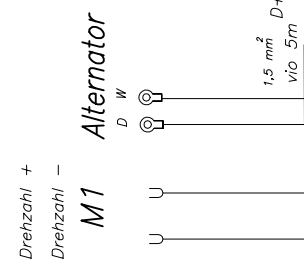


**PLUG B**



Längen alle genaues Maß --> Zugabe ca. 1m

Option :  
z.B. Göker



FREE DIMENSION TOLERANCE DIN 7168 MEDIUM		SCALE without		WEIGHT	
DATE	NAME	own parts list			
DRAWN 08.04.2004	Körner				
CHKD.					
APPD.					

- 14 1.5 mm² yel/whi 14,7m
- 15 1.5 mm² blu 14,7m
- 16 1.5 mm² blk 14,7m

THIS INFORMATION MAY NOT BE COPIED BY A  
THIRD PARTY. SUBJECT TO COPYRIGHT (PARA-  
GRAPH 1 NO. 3 OF "URHEBERRECHTSGESETZ"  
FROM 14.06.1991)

ISSUE	MODIFICATION	DATE	NAME	ORIGINAL
CHANGE ONLY WITH CAD				