

THIS INFORMATION MAY NOT BE COPIED BY A THIRD PARTY, SUBJECT TO COPYRIGHT (PARA 17, 18, 19, 20, 21, 22, 23, 24, 25, 26, 27, 28, 29, 30, 31, 32, 33, 34, 35, 36, 37, 38, 39, 40, 41, 42, 43, 44, 45, 46, 47, 48, 49, 50, 51, 52, 53, 54, 55, 56, 57, 58, 59, 60, 61, 62, 63, 64, 65, 66, 67, 68, 69, 70, 71, 72, 73, 74, 75, 76, 77, 78, 79, 80, 81, 82, 83, 84, 85, 86, 87, 88, 89, 90, 91, 92, 93, 94, 95, 96, 97, 98, 99, 100).  
 FROM 14.06.1991

 <b>Wälzlager</b> <b>Baummaschinen</b> <b>Vertrieb und</b> <b>Service GmbH</b>	FREE DIMENSION TOLERANCE DIN 7168 MEDIUM	 SCALE without	WEIGHT own parts list
	DATE: 08.04.2004 DRAWN: KÖrmer CHKD.: APPD.:	NAME: KÖrmer	CHANGE ONLY WITH CAD
a siehe B. 562050.doc: 22.09.04 KÖrmer b siehe B. 562050.doc: 26.07.04 KÖrmer	DATE:	NAME:	SHEET OF: B 56 2 050
MODIFICATION:	ORIGINAL:	CABLE HARNESS for B513022	REVISION:

Stecker B

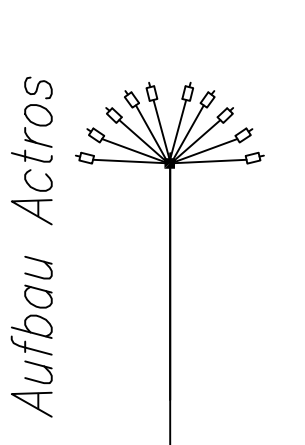
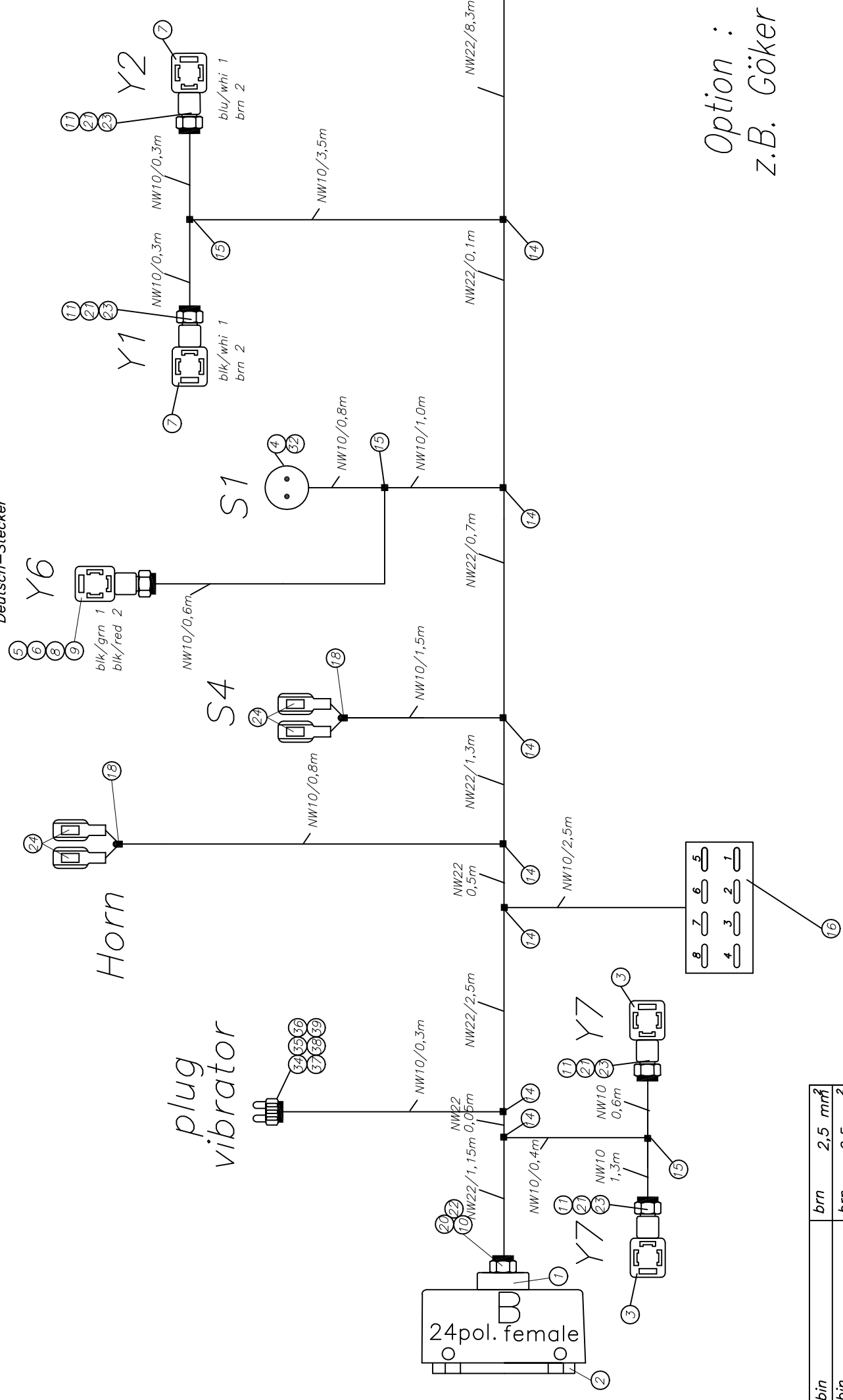
1	0 VDC
2	0 VDC
3	+ 24 VDC
4	+ 12 V für Rüttler
5	+ 12 V für Rüttler
6	Rüttler
7	S1 Prüflüftung
8	S1
9	+ 12 V für Rüttler
10	Rüttler
11	Öltemp. +
12	Öltemp. Signal
13	Hupe
14	Drehzahl - Signal
15	Drehzahl + Signal
16	Drehzahl -
17	Drehzahl +
18	Y6 +
19	Y6 -
20	Licht
21	Motor Start
22	Motor Stop
23	Rührwerkschaltung
24	+ 12 VDC

Stecker A

1	Masse
2	Spannung Sensoren
3	Not Stop blinken
4	Not Stop +
5	Öltemp. Warnung
6	Not Stop Signal
7	Gitterrost Signal
8	Hupe Signal
9	Pumpen Signal
10	Saugen Signal
11	Drehzahl - Signal
12	Drehzahl + Signal
13	Hubzahl - Signal
14	Hubzahl + Signal
15	Licht Brücke zu B19
16	Motor Stop Signal
17	S11
18	S12
19	S13
20	S14
21	S16
22	Motor Start Signal
23	Licht + (F4)
24	Y3
25	Y4a
26	Y4b
27	Y5a
28	Y5b
29	Schmieranlage Pumpe ein
30	Schmieranlage +
31	Motor Signal
32	Motor Signal

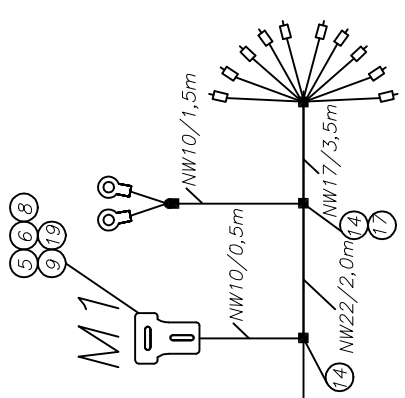
WAI 107316, WAI 104217, WAI 106922, WAI 107549, WAI 107316, WAI 104217, WAI 106922, WAI 107549, WAI 105513, WAI 102760, WAI 109053, WAI 103130, WAI 105999, WAI 102436, WAI 109027, WAI 103176 (2x), WAI 101627 (2x), WAI 109369 (4x), WAI 104633 (4x), B 56 4 024, B 56 4 025, WAI 101625, WAI 102111, WAI 104866, B 56 1 082, B 56 1 081, WAI 102436, Horn, S3e, S3b, S3c, S3d, Y1, Y2, Y3, Y4, Y5, Y6, S1, S4, S5, S6, S7, S8, S9, S10, S11, S12, S13, S14, S15, S16, S17, M2, M3, M3/1, M3/2, L4, Alternator, DRIVE PUMP, E, D, S3c, S3b, B 56 1 078, WAI 103389, WAI 102068, B 56 1 077, WAI 102111, WAI 101625, B 56 2 063, B 56 2 048, (B 51 3 022)

Deutsch-Stecker



not mounted parts to cabin  
 pos. 13 (4x)  
 pos. 18 (2x)  
 pos. 25 (2x)

Alternator



Option :  
 z.B. Göker

1	cabin	brn	2,5 mm <sup>2</sup>
2	cabin	brn	2,5 mm <sup>2</sup>
3	+ 24V cabin	blu	2,5 mm <sup>2</sup>
4	+ 24V cabin	blu	2,5 mm <sup>2</sup>
5	+ 12V vibrator	blk	2,5 mm <sup>2</sup>
6	- Vibrator	red	2,5 mm <sup>2</sup>
7	S1 / cabin S1 +	whi	1,0 mm <sup>2</sup>
8	S1 / cabin S1 -	grn	1,0 mm <sup>2</sup>
9	+ 12V vibrator	blk	2,5 mm <sup>2</sup>
10	vibrator	red	2,5 mm <sup>2</sup>
11	oil temp. +	ora	1,5 mm <sup>2</sup>
12	oil temp. signal	ora/blk	
13	Horn	blu/whi	
14	Alternator W	yel/whi	
15	rpm -	gry/red	1,5 mm <sup>2</sup>
16	rpm +	brn/blu	1,5 mm <sup>2</sup>
17	Y6 +	blk/grn	
18	Y6 -	blk/red	
19	light	vio	
20	engine start	red	1,0 mm <sup>2</sup>
21			
22	engine stop	brn/whi	1,0 mm <sup>2</sup>
23	agfütterwerksabschaltung	blk/yel	1,0 mm <sup>2</sup>
24	+ 12V	red/yel	1,0 mm <sup>2</sup>
	reserve	vio/yel	1,0 mm <sup>2</sup>

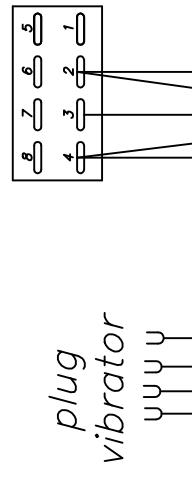
PLUG B



free dimension tolerance	name
DIN 7168 medium	Körner
date	
drawn	08.04.2004
chkd.	
appd.	
change only with CAD	
issue	
MODIFICATION	
date	
name	
original	

scale	without	weight
	own parts list	
cable loop truck for B_513022 37m		
B 56 2 048		sheet 1 of 2
replacement for		

this information may not be copied by a third party. Subject to copyright (paragraph 1 no. 3 of (Urheberrechtsgesetz) from 14.06.1991)

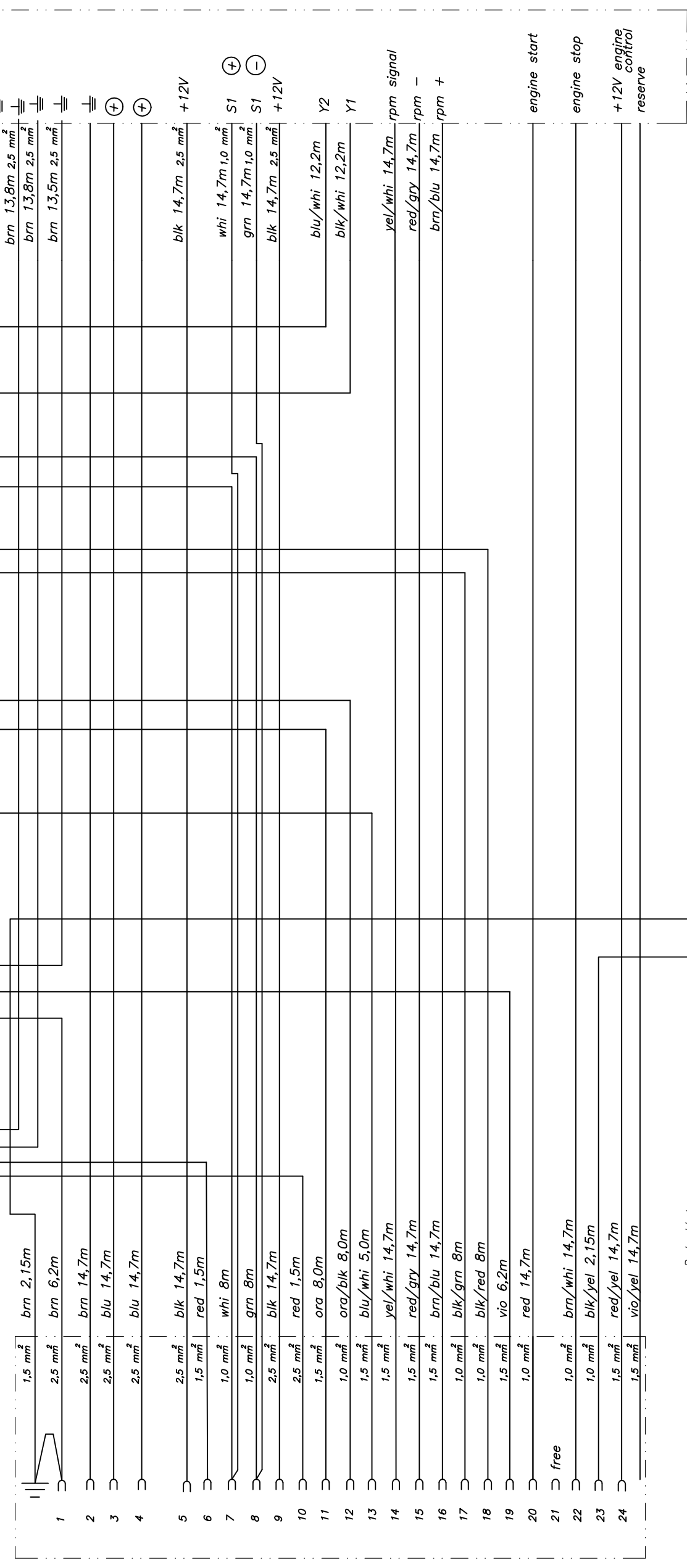


Deutsch-Stecker

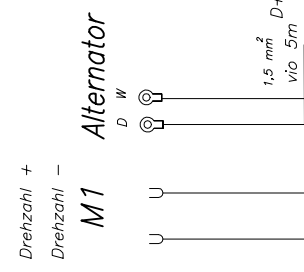
Horn  
oiltemp  
WAI 100130

Y1  
Y2

**PLUG B**



Längen alle genaues Maß --> Zugabe ca. 1m

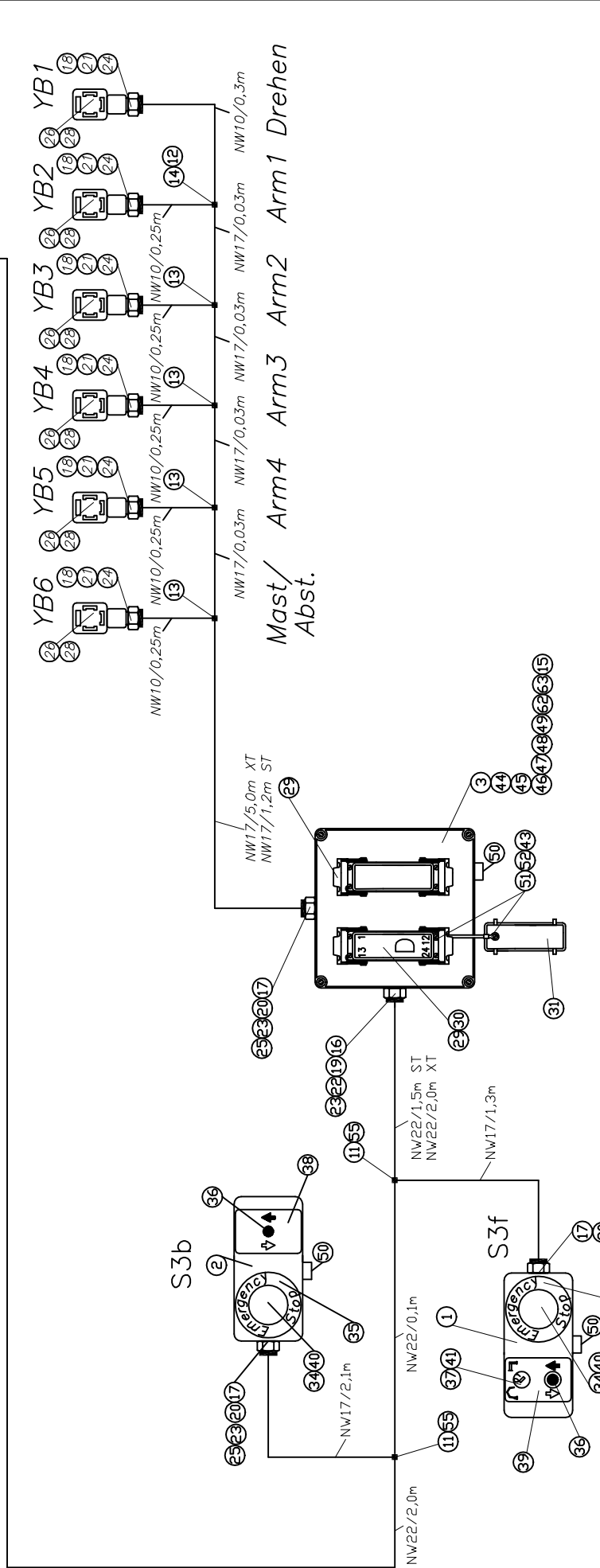
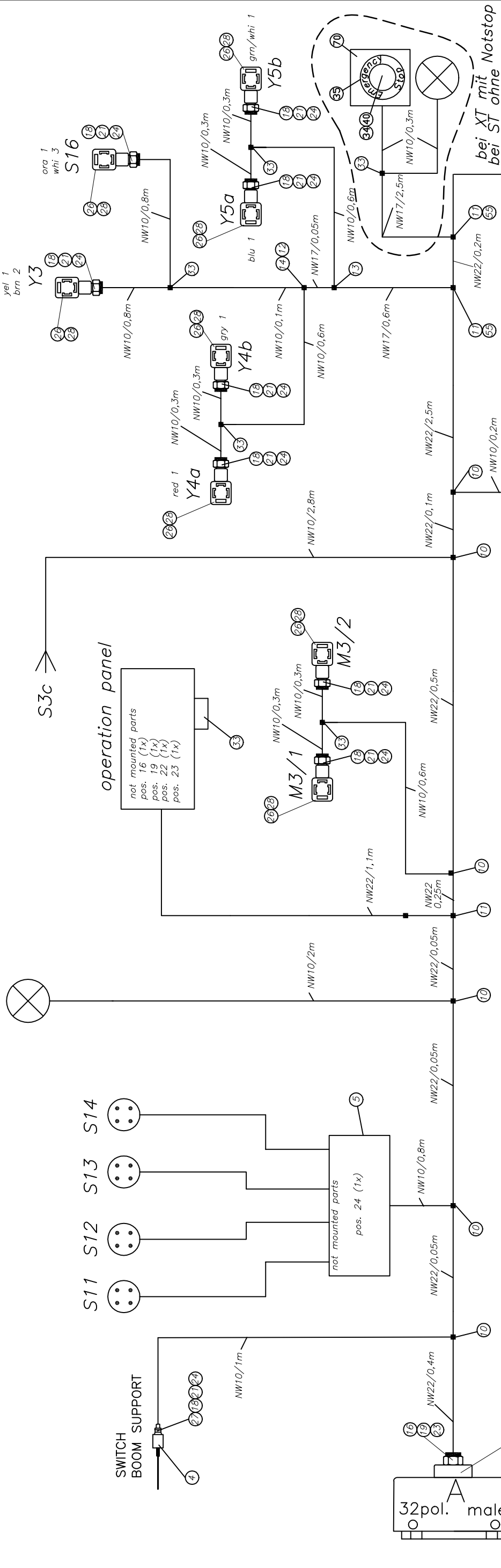


Option :  
z.B. Göker

- 14 1.5 mm² yel/whi 14,7m
- 15 1.5 mm² blu 14,7m
- 16 1.5 mm² blk 14,7m

	FREE DIMENSION TOLERANCE DIN 7168 MEDIUM		SCALE without		WEIGHT		
	DRAWN	DATE	own parts list				
	CHKD.	NAME	cable loop truck for B_513022				
APPD.	Körner	REPLACEMENT FOR				SHEET 2 OF 2	
CHANGE ONLY WITH CAD		B 56 2 048				REPLACEMENT BY	
ISSUE	MODIFICATION	DATE	NAME	ORIGINAL			

THIS INFORMATION MAY NOT BE COPIED BY A THIRD PARTY. SUBJECT TO COPYRIGHT (PARA-GRAPH 1 NO. 3 OF "URHEBERRECHTSGESETZ" FROM 14.06.1991)



PLUG A

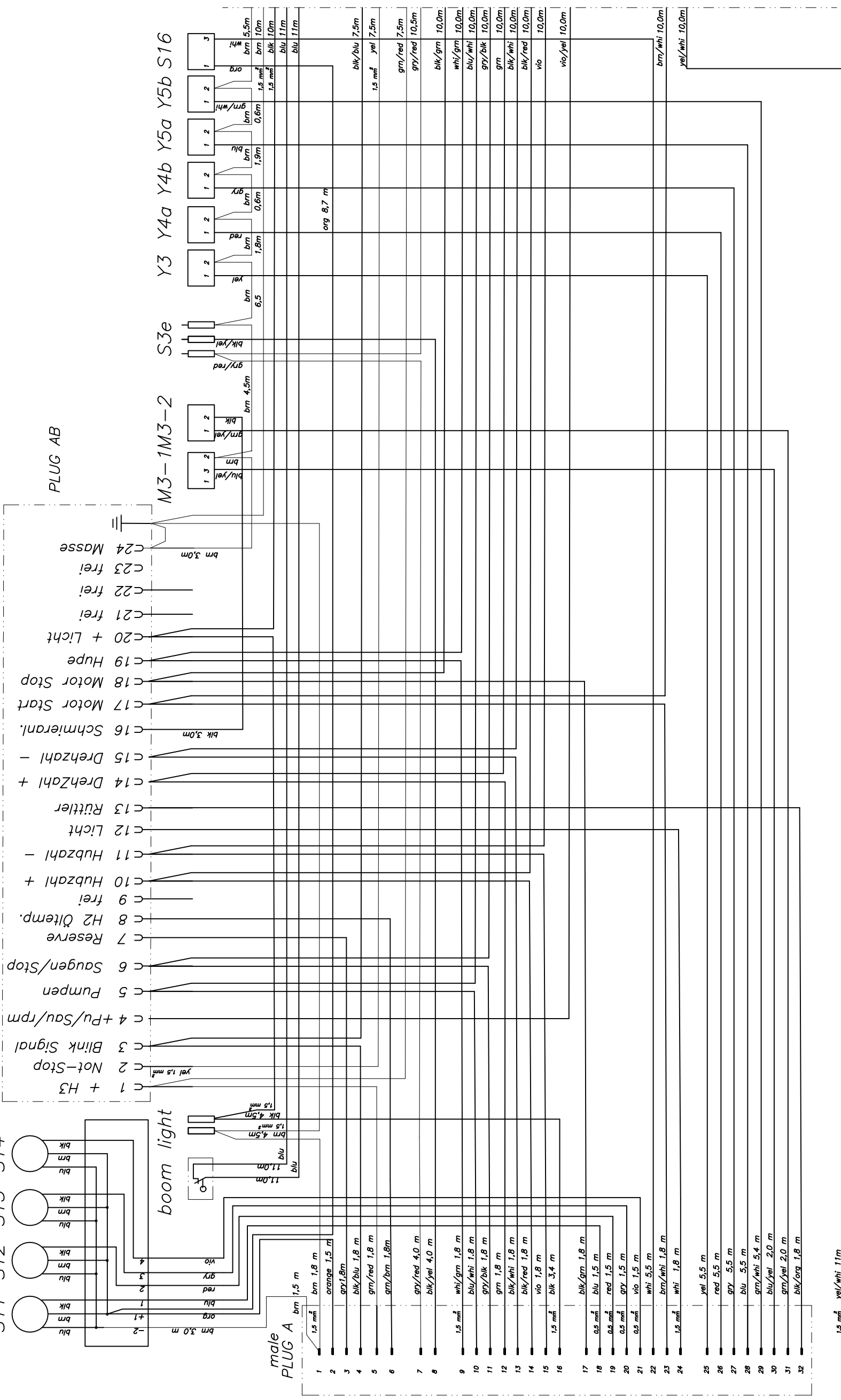
1	Masse
2	S11-S14
3	Reserve
4	AB/3
5	AB/1
6	AB/8
7	S3e
8	S3e
9	D/20
10	D/18
11	AB/6
12	AB/14
13	AB/15
14	AB/10
15	AB/11
16	light
17	AB/18
18	S11
19	S12
20	S13
21	S14
22	S16
23	AB/17
24	AB/12
25	Y3
26	Y4a
27	Y4b
28	Y5a
29	Y5b
30	M3-1
31	M3-2
32	AB/13

	scale	weight	
	own parts list		
	free dimension tolerance	cable loop pump B 56 2 063	
	DIN 7168		
	medium		
	name	change only with CAD	
	drawn		21.09.2004
	chkd.		Körner
	date	original	
	appd.		
	issue		
	name	name date date	
	date		17.01.05
	date		
a siehe B 562063.doc		name date	
MODIFICATION		name date	
this information may not be copied by a third party. Subject to copyright (paragraph 1 no. 3 of (Urheberrechtsgesetz) from 14.06.1991)		sheet 1 of 4	

this information may not be copied by a third party. Subject to copyright (paragraph 1 no. 3 of (Urheberrechtsgesetz) from 14.06.1991)

kein Stecker! O.P.

S11 S12 S13 S14



Abst. Kl. 13  
Masse  
Masse  
Licht Kl.15  
Arm 1  
Arm 1

N/S Blink  
Not/Stop Kl.14

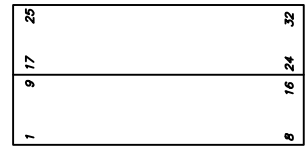
N/S Licht

Motor Stop  
Hupe  
Pumpen  
Stop/Saugen  
r.p.m +  
r.p.m. -  
stroke +  
stroke -

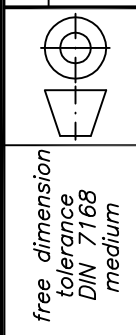
Freigabe Pult

Motor Start  
Reserve Kl.16

PLUG A



Waitzinger  
Baumaschinen  
Vertrieb und  
Service GmbH



free dimension  
tolerance  
DIN 7168  
medium

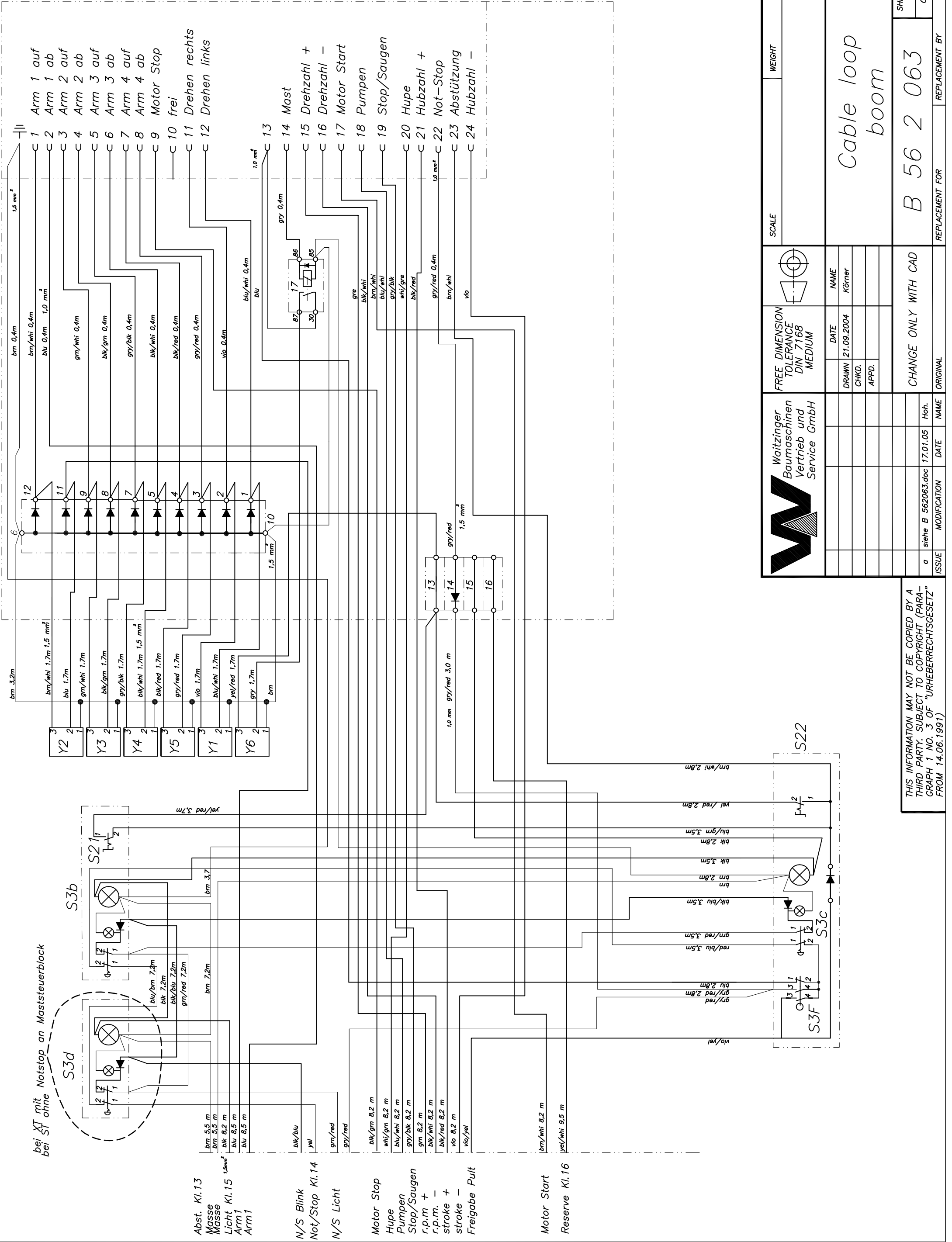
scale  
weight  
own parts list

cable loop  
pump

drawn	21.09.2004	name	Körner
chkd.			
appd.			
change only with CAD			
issue	MODIFICATION	date	name
a	siehe B 562063.doc	17.01.05	Hoh.
			original
			replacement for
			B 56 2 063
			sheet 2
			of 4

this information may not be copied by a  
third party. Subject to copyright (para-  
graph 1 no. 3 of (Urheberrechtsgesetz)  
from 14.06.1991)

PLUG D



Waitzinger  
Baumaschinen  
Vertrieb und  
Service GmbH

FREE DIMENSION  
TOLERANCE  
DIN 7168  
MEDIUM

SCALE

WEIGHT

Cable loop  
boom

CHANGE ONLY WITH CAD

ISSUE	MODIFICATION	DATE	NAME
a	siehe B 562063.doc	17.01.05	Hoh.

DATE 21.09.2004  
NAME Körner  
DRAWN CHKD. APPD.

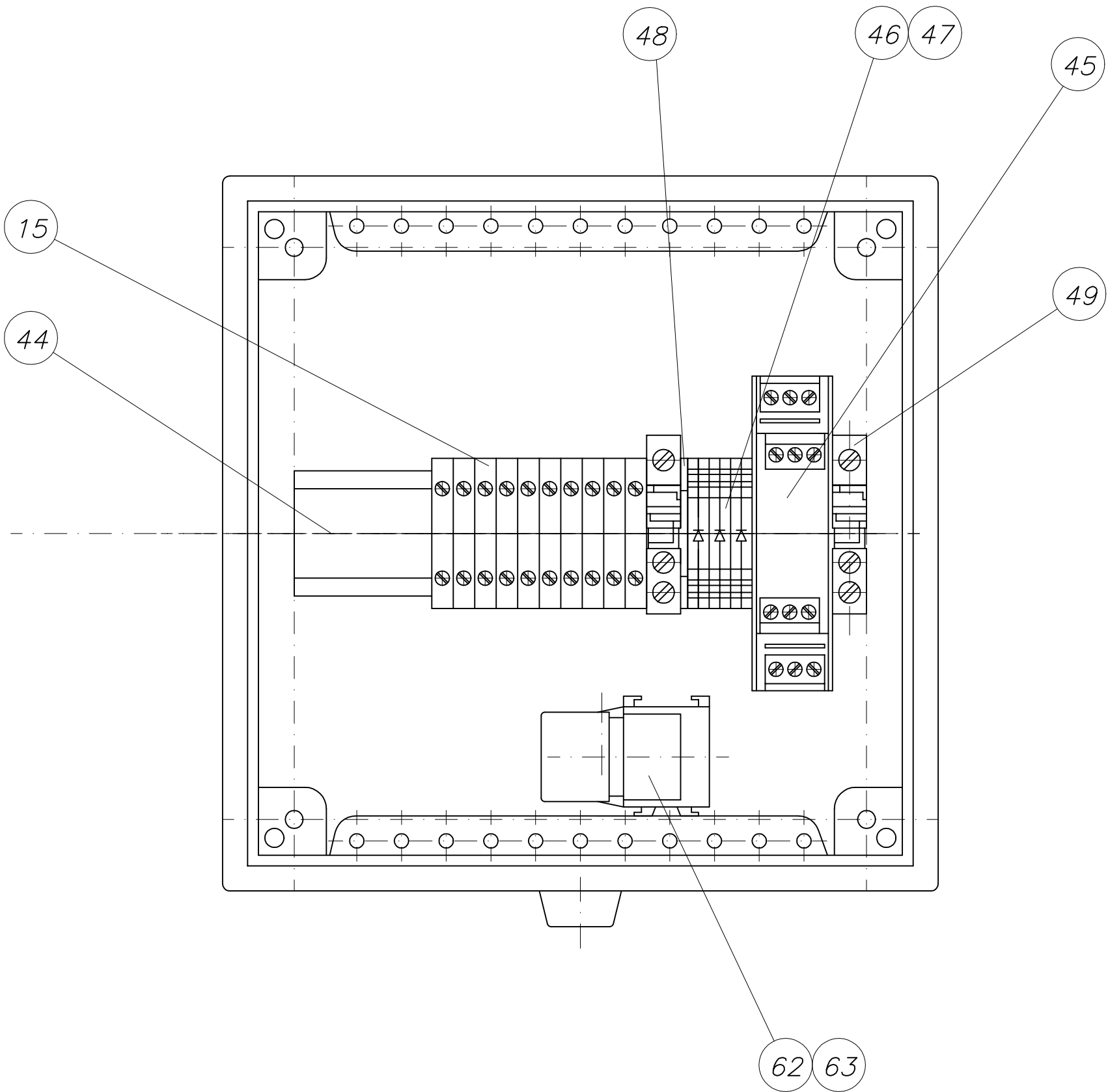
SHEET 3  
OF 4

REPLACEMENT FOR  
B 56 2 063


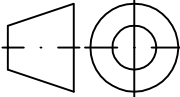
ORIGINAL

REPLACEMENT BY

THIS INFORMATION MAY NOT BE COPIED BY A  
THIRD PARTY. SUBJECT TO COPYRIGHT (PARA-  
GRAPH 1 NO. 3 OF "URheberRECHTSGESETZ"  
FROM 14.06.1991)



THIS INFORMATION MAY NOT BE COPIED BY A  
 THIRD PARTY. SUBJECT TO COPYRIGHT (PARA-  
 GRAPH 1 NO. 3 OF "URHEBERRECHTSGESETZ"  
 FROM 14.06.1991)

		Waitzinger Baumaschinen Vertrieb und Service GmbH		FREE DIMENSION TOLERANCE DIN 7168 MEDIUM				SCALE		WEIGHT	
					DATE	NAME		Cable loop boom			
				DRAWN	21.09.2004	Körner					
				CHKD.							
				APPD.							
				CHANGE ONLY WITH CAD				B 56 2 063			
								SHEET 4			
								OF 4			
ISSUE	MODIFICATION	DATE	NAME	ORIGINAL	REPLACEMENT FOR			REPLACEMENT BY			
a	siehe B 562063.doc	17.01.05	Hoh.								