

**REED TRUCK MOUNTED CONCRETE BOOM PUMP MODEL XT 36 ILLUSTRATED PARTS MANUAL CONTAINS THE FOLLOWING GROUPS AND FIGURES:**

**GROUP 00 HOW TO USE PARTS MANUAL**

- FIGURE 00** TABLE OF CONTENTS
- FIGURE 01** HOW TO USE PARTS MANUAL
- FIGURE 02** HOW TO ORDER PARTS

**GROUP 10 FINAL INSTALLATION**

- FIGURE 00** TABLE OF CONTENTS
- FIGURE 01** FINAL INSTALLATION
- FIGURE 02** DECAL ASSEMBLY

**GROUP 20 HOPPER INSTALLATION**

- FIGURE 00** TABLE OF CONTENTS
- FIGURE 01** HOPPER INSTALLATION
- FIGURE 02** LUBRICATION PUMP ASSEMBLY
- FIGURE 03** CENTRAL LUBRICATION SYSTEM
- FIGURE 04** HOPPER VIBRATION ASSEMBLY
- FIGURE 05** AGITATOR ASSEMBLY
- FIGURE 06** AGITATOR DRIVE MOTOR ASSEMBLY
- FIGURE 07** HOPPER OUTLET ASSEMBLY



**MODEL XT 36 TRUCK MOUNTED  
CONCRETE BOOM PUMP  
ILLUSTRATED PARTS MANUAL**

**XT 36  
PARTS  
GROUP 00  
FIGURE 00  
PAGE 02**

**GROUP 30 TANK INSTALLATION**

<b>FIGURE 00</b>	<b>TABLE OF CONTENTS</b>
<b>FIGURE 01</b>	<b>TANK INSTALLATION</b>
<b>FIGURE 02</b>	<b>WATER SYSTEM GROUP</b>
<b>FIGURE 03</b>	<b>WASH WATER PUMP ASSEMBLY</b>
<b>FIGURE 04</b>	<b>WATER PUMP MOTOR ASSEMBLY</b>
<b>FIGURE 05</b>	<b>HYDRAULIC TANK ASSEMBLY</b>
<b>FIGURE 06</b>	<b>OIL COOLER MANIFOLD ASSEMBLY</b>

**GROUP 40 POWER TRAIN INSTALLATION**

<b>FIGURE 00</b>	<b>TABLE OF CONTENTS</b>
<b>FIGURE 01</b>	<b>POWER TRAIN INSTALLATION</b>
<b>FIGURE 02</b>	<b>GEAR PUMP ASSEMBLY</b>
<b>FIGURE 03</b>	<b>PTO GEARBOX ASSEMBLY</b>

**GROUP 50 CONTROLS INSTALLATION**

<b>FIGURE 00</b>	<b>TABLE OF CONTENTS</b>
<b>FIGURE 01</b>	<b>CONTROLS INSTALLATION</b>
<b>FIGURE 02</b>	<b>CAB CONTROLS ASSEMBLY</b>
<b>FIGURE 03</b>	<b>MAIN CONTROLS ASSEMBLY</b>
<b>FIGURE 04</b>	<b>LH SIDE OUTRIGGER CONTROLS ASSEMBLY</b>
<b>FIGURE 05</b>	<b>RH SIDE OUTRIGGER CONTROLS ASSEMBLY</b>
<b>FIGURE 06</b>	<b>STATIONARY BOOM CONTROLS ASSEMBLY</b>
<b>FIGURE 07</b>	<b>CABLED REMOTE CONTROL ASSEMBLY</b>
<b>FIGURE 08</b>	<b>RADIO REMOTE CONTROL ASSEMBLY</b>
<b>FIGURE 09</b>	<b>SHUNT ASSEMBLY</b>

**GROUP 60 PUMPING TRAIN INSTALLATION**

<b>FIGURE 00</b>	<b>TABLE OF CONTENTS</b>
<b>FIGURE 01</b>	<b>PUMPING TRAIN INSTALLATION</b>
<b>FIGURE 02</b>	<b>SWING VALVE ASSEMBLY</b>
<b>FIGURE 03</b>	<b>TILTING DRIVE ASSEMBLY</b>
<b>FIGURE 04</b>	<b>TILTING CYLINDER ASSEMBLY</b>
<b>FIGURE 05</b>	<b>CONCRETE CYLINDER ASSEMBLY</b>
<b>FIGURE 06</b>	<b>WATER BOX ASSEMBLY</b>
<b>FIGURE 07</b>	<b>HYDRAULIC DRIVE CYLINDER ASSEMBLY</b>
<b>FIGURE 08</b>	<b>DRIVE CYLINDER SUB-ASSEMBLY</b>

**GROUP 70 FRAME AND SUPPORT INSTALLATION**

<b>FIGURE 00</b>	<b>TABLE OF CONTENTS</b>
<b>FIGURE 01</b>	<b>FRAME AND SUPPORT INSTALLATION</b>
<b>FIGURE 02</b>	<b>TURRET ASSEMBLY</b>
<b>FIGURE 03</b>	<b>MOTOR AND REDUCTION ASSEMBLY</b>
<b>FIGURE 04</b>	<b>ROTATION UNIT ASSEMBLY</b>
<b>FIGURE 05</b>	<b>PEDESTAL ASSEMBLY</b>
<b>FIGURE 06</b>	<b>FRONT OUTRIGGER GROUP ASSEMBLY</b>
<b>FIGURE 07</b>	<b>REAR OUTRIGGER GROUP ASSEMBLY</b>
<b>FIGURE 08</b>	<b>OUTRIGGER EXTEND CYLINDER ASSEMBLY</b>
<b>FIGURE 09</b>	<b>OUTRIGGER JACK CYLINDER ASSEMBLY</b>
<b>FIGURE 10</b>	<b>SWING OUT CYLINDER ASSEMBLY</b>
<b>FIGURE 11</b>	<b>RIGHT HAND SIDE HOSE REEL ASSEMBLY</b>
<b>FIGURE 12</b>	<b>OUTRIGGER HOLDING VALVE ASSEMBLY</b>

**GROUP 80 OPTIONAL INSTALLATION**

<b>FIGURE 00</b>	<b>TABLE OF CONTENTS</b>
<b>FIGURE 01</b>	<b>OPTIONAL INSTALLATION</b>
<b>FIGURE 02</b>	<b>ACCUMULATOR CHARGE KIT</b>
<b>FIGURE 03</b>	<b>OPTIONAL TOO KIT ASSEMBLY</b>

**GROUP 90 BOOM INSTALLATION**

<b>FIGURE 00</b>	<b>TABLE OF CONTENTS</b>
<b>FIGURE 01</b>	<b>BOOM INSTALLATION</b>
<b>FIGURE 02</b>	<b>BOOM SECTION "A" ASSEMBLY</b>
<b>FIGURE 03</b>	<b>BOOM CYLINDER "1" ASSEMBLY</b>
<b>FIGURE 04</b>	<b>BOOM CYLINDER "2" ASSEMBLY</b>
<b>FIGURE 05</b>	<b>BOOM SECTION "B" ASSEMBLY</b>
<b>FIGURE 06</b>	<b>BOOM CYLINDER "3" ASSEMBLY</b>
<b>FIGURE 07</b>	<b>BOOM SECTION "C" ASSEMBLY</b>
<b>FIGURE 08</b>	<b>BOOM CYLINDER "4" ASSEMBLY</b>
<b>FIGURE 09</b>	<b>BOOM SECTION "D" ASSEMBLY</b>
<b>FIGURE 10</b>	<b>BOOM DELIVERY LINE ASSEMBLY</b>
<b>FIGURE 11</b>	<b>DECK DELIVERY LINE ASSEMBLY</b>

**I. PURPOSE**

This parts manual is prepared, issued and/or revised by **REED** Manufacturing, for the exclusive use of its customers and is intended for use in provisioning, requisitioning, storing and issuing replaceable **REED** truck mounted concrete boom pump model **XT 36**. The contents are proprietary to **REED** and are subject to change without notice. The use of any part of this document by any other person or persons or for any other purpose without the written consent of **REED** is expressly prohibited. In addition, **REED** expressly disclaims any and all responsibility arising in or any way related to such **REED'S** prior written consent thereto.

The parts number content of this document, arrangement and breakdown sequence of items is compatible with Military Standard (**MS**) and Air Transport Association Specification (**ATA**).

**II. GENERAL SYSTEM OF ASSEMBLY ORDER - Detailed Parts List (Refer to Next Page)**

1. This area refers to the corresponding illustration

**MODEL - GROUP - FIGURE - PAGE**

A. **MODEL** shows which is **REED'S** model number.

B. **GROUP** should be divided with:

<b>00</b>	<b>MODEL XT 36 ILLUSTRATED PARTS MANUAL</b>
<b>10</b>	<b>FINAL INSTALLATION</b>
<b>20</b>	<b>HOPPER INSTALLATION</b>
<b>30</b>	<b>TANK INSTALLATION</b>
<b>40</b>	<b>POWER TRAIN INSTALLATION</b>
<b>50</b>	<b>CONTROL INSTALLATION</b>
<b>60</b>	<b>PUMPING TRAIN INSTALLATION</b>
<b>70</b>	<b>FRAME AND SUPPORT INSTALLATION</b>
<b>80</b>	<b>OPTIONAL INSTALLATION</b>
<b>90</b>	<b>BOOM INSTALLATION</b>

C. **FIGURE** belong to the group. Please see page of contents and each group.

D. **PAGE** numbers follow to the right of each figure number.

2. The **ITEM NUMBER** corresponds to the item number shown for the part in illustration. Parts with item number preceded by a dash (such as: -1, -5, -12 etc.) are not illustrated.

3. **PARTS NUMBERS** that carry a **REED** part number.



### HYDRAULIC PUMPING ASSEMBLY

**XT 36**  
**PARTS**  
GROUP 60  
FIGURE 06  
PAGE 02

ITEM NO.	REED'S PARTS NO.	DESCRIPTION					QTY
		1	2	3	4	5	
-1	60-06	Assembly, Hydraulic Pumping (See Group 20, Figure 01 for NHA)					Ref
2	78354	• Cup, Piston					2
3	78444	• Coupler					2
4	78352	• Coupling, Dog bone					4
5		• Bolt 1/2 x 4 (attaching parts)					8
6		• Nut, 1/2 (attaching parts)					8
7	78443	• Bone, Dog					2
8		• Bolt 5/8 x 2					6
9	78442	• Coupler					2
10	78438	• Assembly, Hydraulic Cylinder (See Group 60, Figure 07 for DET)					1
11		• Nut (attaching parts)					16
12		• Washer (attaching parts)					16
13	77617	• Bolt (attaching parts)					16
14		• Elbow, 90 FS6802-16-16					4
15	79343	• Assembly, Hose					2
16	78593	• Fitting, MiniCheck (Port)					2
17		• Elbow, 90 FS6802-06-06					4
18		• Fitting, STR FS6400-06-06					4
19	79344	• Assembly, Hose					2
20		• Elbow, 90 FS6801-06-06					4
21		• Valve, Check					4
22		• Elbow, 90 MBMB90-06-06					4
23		• Clamp					3
24	79326	• Tube, Wire					1
25	79345	• Assembly, Tube					2
26	78417	• Cable					2
27	72010	• Loom, 1/2 Flex					A/R
28		• Pin, 1/4 x 20					4
29	79285	• Cover, Proximity Switch					2
30	78416	• Switch, Proximity					2
31	79327	• Plate, End					1
32		• Washer, 1 Lock (attaching parts)					8
33		• Bolt, 1 x 2 Course (attaching parts)					8

DASH (-) ITEM NOT ILLUSTRATED

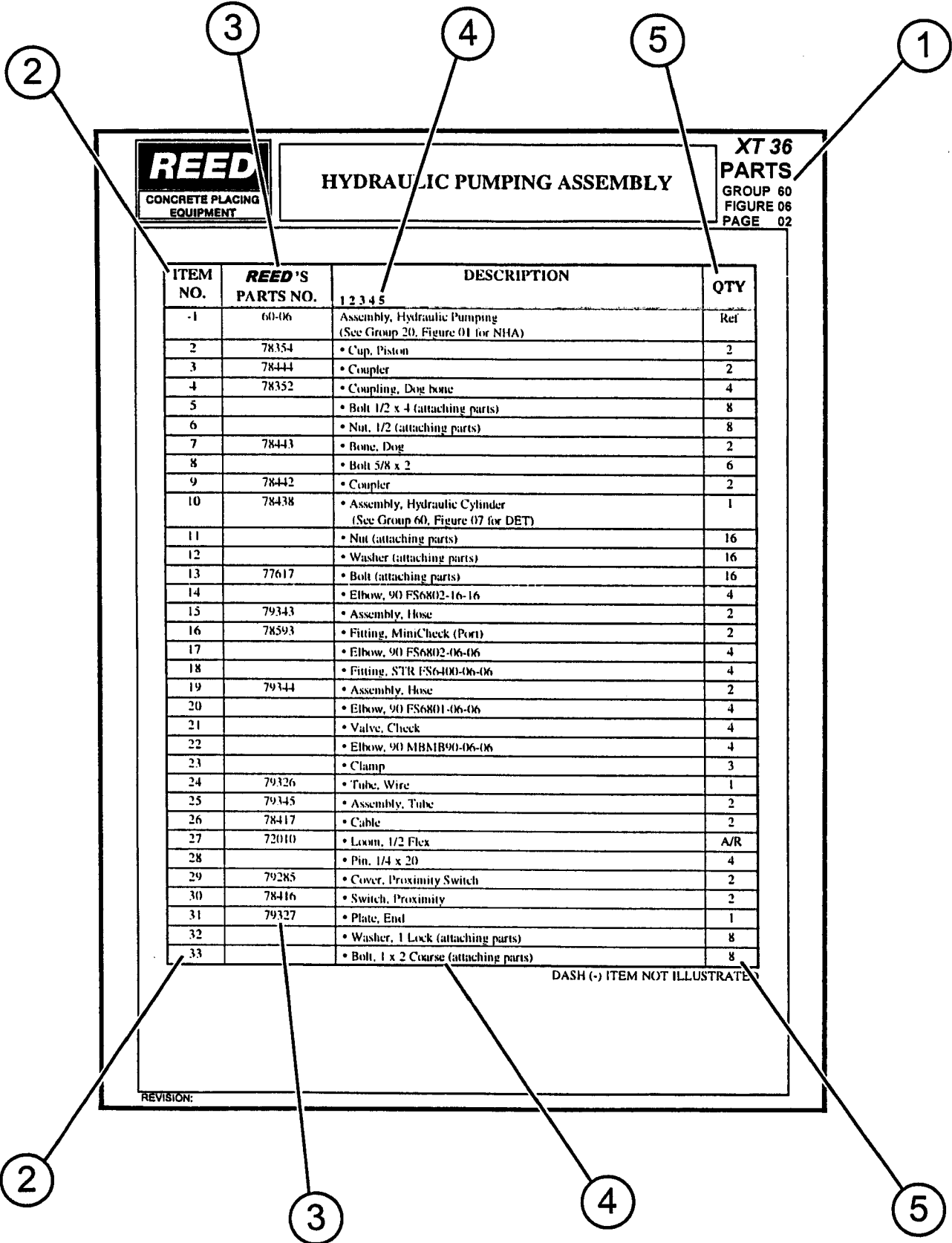
REVISION:



# REED

## MODEL XT 36 TRUCK MOUNTED CONCRETE BOOM PUMP HOW TO USE PARTS MANUAL

**XT 36**  
**PARTS**  
GROUP 00  
FIGURE 01  
PAGE 03



#### 4. DESCRIPTION

- A. The **INDENTURE SYSTEM** used in the parts list shows the relationship of one part to another. For a given item, the number of indentures depicts the relationship of the item to the components of the item as follows:

1 2 3 4 5

Assembly (or Installation)

- Detail part of assembly
- Sub-assembly
- Attaching parts for sub-assembly
- ● Detail part of sub-assembly
- ● Sub-sub-assembly
- ● Attaching parts for sub-sub-assembly
- ● ● Detail part of sub-sub-assembly
- ● ● Sub-sub-sub-assembly
- ● ● Attaching parts of sub-sub-sub-assembly
- ● ● ● Detail part of sub-sub-sub-assembly

- B. "See Group 20, Figure 01 For **NHA**"  
Identifies the illustrated parts chapter location; indicates where the Next Higher Assembly (**NHA**) of the item shown.
- C. "See Group 60, Figure 07 For **DET**"  
Identifies the illustrated parts chapter location; indicates where the item and its Detailed Breakdown (**DET**) is shown.
- D. "See Group 30, Figure 05 for **REF**" or "See Vendor Chapter For **REF**"  
Identifies the illustrated parts chapter where the part is, and if listed and illustrated in Vendor Chapter. It is used as a cross-reference (**REF**).

#### 5. QUANTITY

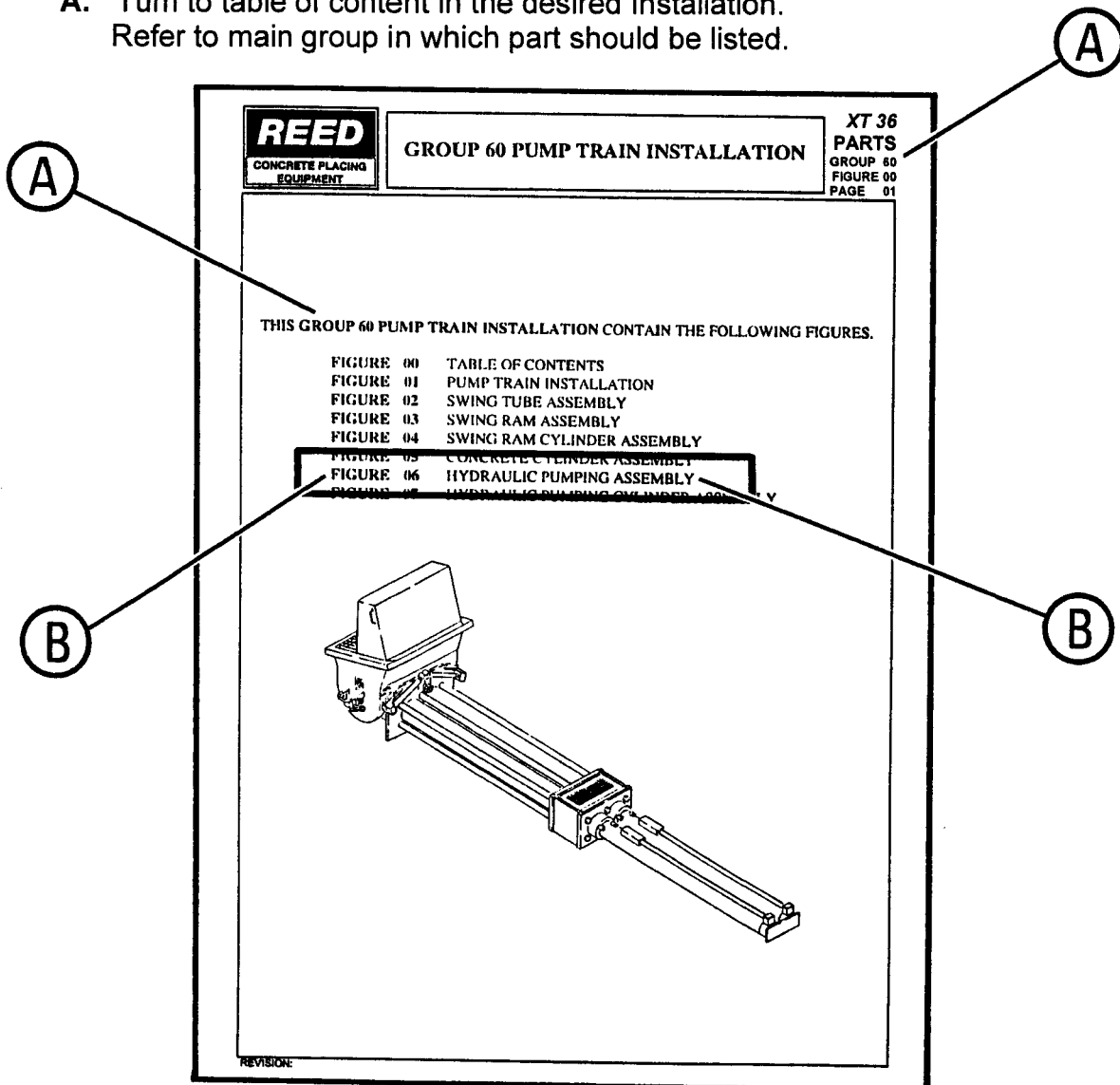
- A. Reference (**REF**) indicates the items that is listed previously in the Next Higher Assembly (**NHA**) and then again in this figure.
- B. As Required (**A/R**) indicates the parts that is used in a quantity as required.
- C. A number entry indicates the quantity of the part used in its next higher application.
6. Functionally related assemblies are illustrated in phantom ( \_\_\_\_\_ ) but not listed on the detail parts list page.

1. Always give serial number and model of **REED** truck mounted concrete boom pump model: **XT 36**. (Refer to each unit name plate shown below). NOTE: This manual is being released to cover unit starting with serial number **01 - 211 - XT 36** to current production. Some components used on earlier units differ from current productions. Where this occurs, the part is identified by a serial number.

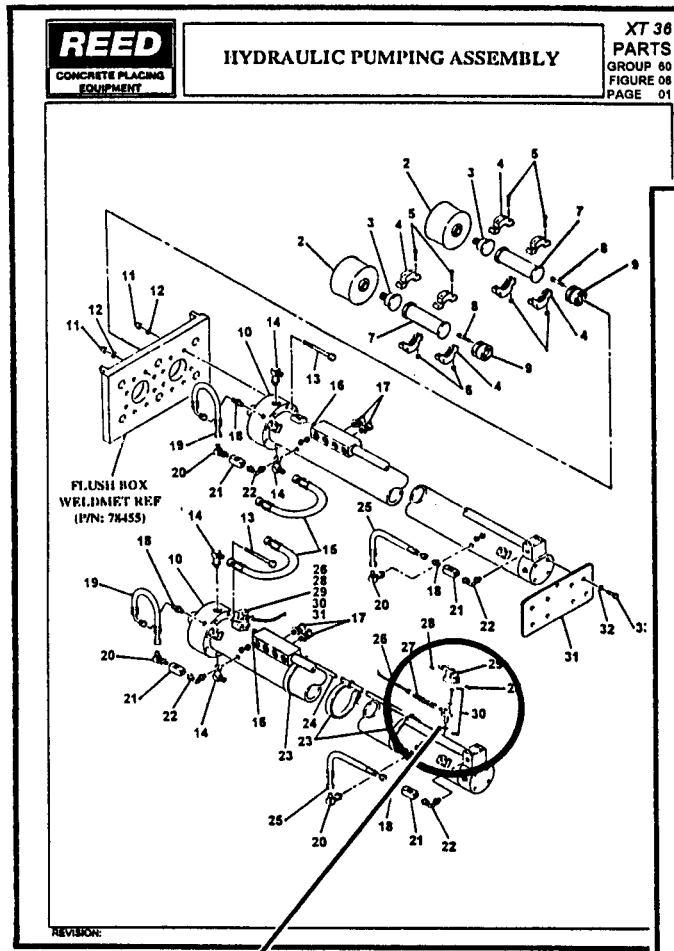
<b>REED</b>		PHONE (909) 364-2100		CE
13822 OAKS AVENUE		FAX (909) 364-2140		
CHINO, CA 90710 USA				
MODEL	<input type="text"/>	SERIAL NO.	<input type="text"/>	
HYD. PRESSURE	<input type="text"/>	PSI	<input type="text"/>	BAR
ELECTRIC MOTOR/ ENGINE SPEED	<input type="text"/>	RPM	<input type="text"/>	VOLTS
VEHICLE WEIGHT (APPROX.)	<input type="text"/>	LBS	<input type="text"/>	KG

75009A

2. Always specify part number and complete name of parts ordered.
- A. Turn to table of content in the desired Installation.  
Refer to main group in which part should be listed.







ITEM NO.	REED'S PARTS NO.	DESCRIPTION	QTY
1	60-06	Assembly, Hydraulic Pumping (See Group 20, Figure 1 for NHA)	Ref
2	78154	* Cup, Piston	2
3	78444	* Coupler	2
4	78152	* Coupling, Dog	4
5		* Bolt 1/2 x 4 (attaching parts)	8
6		* Nut, 1/2 (attaching parts)	8
7	78441	* Bone, Dog	2
8		* Bolt 5/8 x 2	6
9	78442	* Coupler	2
10	78438	* Assembly, Hydraulic Cylinder (See Group 60, Figure 07 for DET)	1
11		* Nut (attaching parts)	16
12		* Washer (attaching parts)	16
13	77617	* Bolt (attaching parts)	16
14		* Elbow, 90 F56802-06-16	4
15	79143	* Assembly, Hose	2
16	78593	* Fitting, Minicheck (Port)	2
17		* Elbow, 90 F56802-06-06	4
18		* Fitting, STD F56801-06-06	4
19	79144	* Assembly, Hose	2
20		* Elbow, 90 F56801-06-06	4
21		* Valve, Check	4
22		* Elbow, 90 M18M1091-06-06	4
23		* Clamp	3
24	79126	* Tube, Wire	1
25	79345	* Assembly, Tube	2
26	78417	* Cable	2
27	72010	* Loxon, 1/2 Flex	A/R
28		* Pin, 1/4 x 20	4
29	79285	* Switch, Proximity	2
30	78416	* Switch, Proximity	2
31	78455	* Flush Box Weldment	1
32		* Washer, 1 Lock (attaching parts)	8
33		* Bolt, 1 x 2 Course (attaching parts)	8

- B. Find title of figure in which the part should be shown. Note figure number.
- C. Turn to corresponding page, find the group and figure.
- D. Check your required part and its attaching parts and match with illustration page.
- E. Refer to corresponding item number in the part list page. Part numbers are located in the part number column.
- F. When ordering variable or optional miscellaneous parts which are not found this in parts chapter, follow the above outlined procedure of how to order parts.
  - 1). When applicable, give model and serial number of the component for which parts are desired.
  - 2). In a specific, difficult to describe situation, a marked-up photograph or detailed sketch would be helpful.

3. Do not designate quantity by "set". State specifically how many parts are wanted.
4. Always give complete address and full shipping instructions. Specify shipping instructions, truck freight, air freight. United Parcel Service (UPS), or Air Borne Express and DHL are available in designated areas.

**5. TO ORDER****A. BY MAIL**

Attention: Parts Department  
**REED**  
13822 Oaks Avenue  
Chino, CA. 91710 - 7008

**B. BY FAX**

(909) 287 - 2141

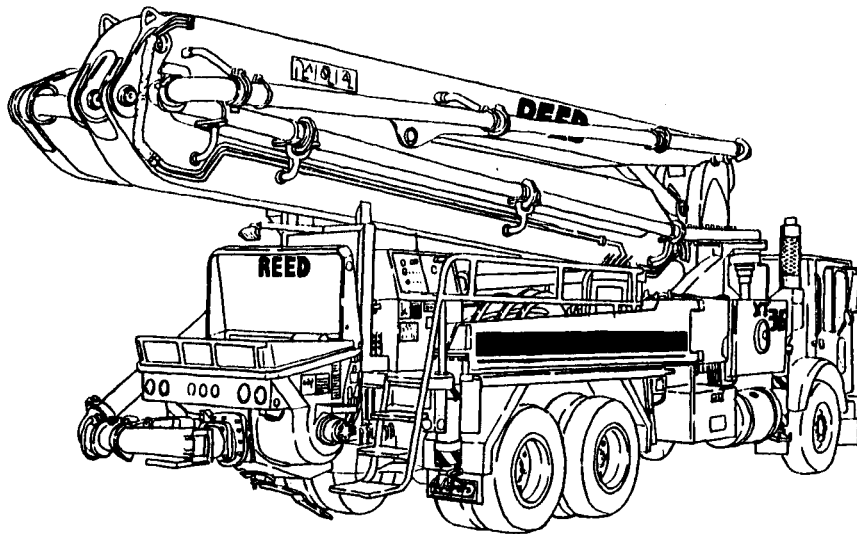
**C. BY PHONE**

(909) 287 - 2100

6. Parts return without authorization will not be accepted. If it is necessary to return parts for any reason, written authorization may be obtained from **REED** Parts Department, Chino, CA. 91710-7008. A Parts Return Authorization form is provided when **REED** deems its necessary to have the part returned for evaluation. The form is issued by the Warranty of Parts Department of **REED**.
  - A. The form will be filled by **REED** unless requesting necessary information and you will receive a copy as well as shipping tag.
  - B. Attach shipping tag to part insert return original invoice.
  - C. Ship part to **REED PREPAID**.
  - D. Part must be returned to **REED** within 30 days from date of authorization.

**REED TRUCK MOUNTED CONCRETE BOOM PUMP MODEL XT 36 ILLUSTRATED PARTS MANUAL GROUP 10 FINAL INSTALLATION CONTAINS THE FOLLOWING FIGURES:**

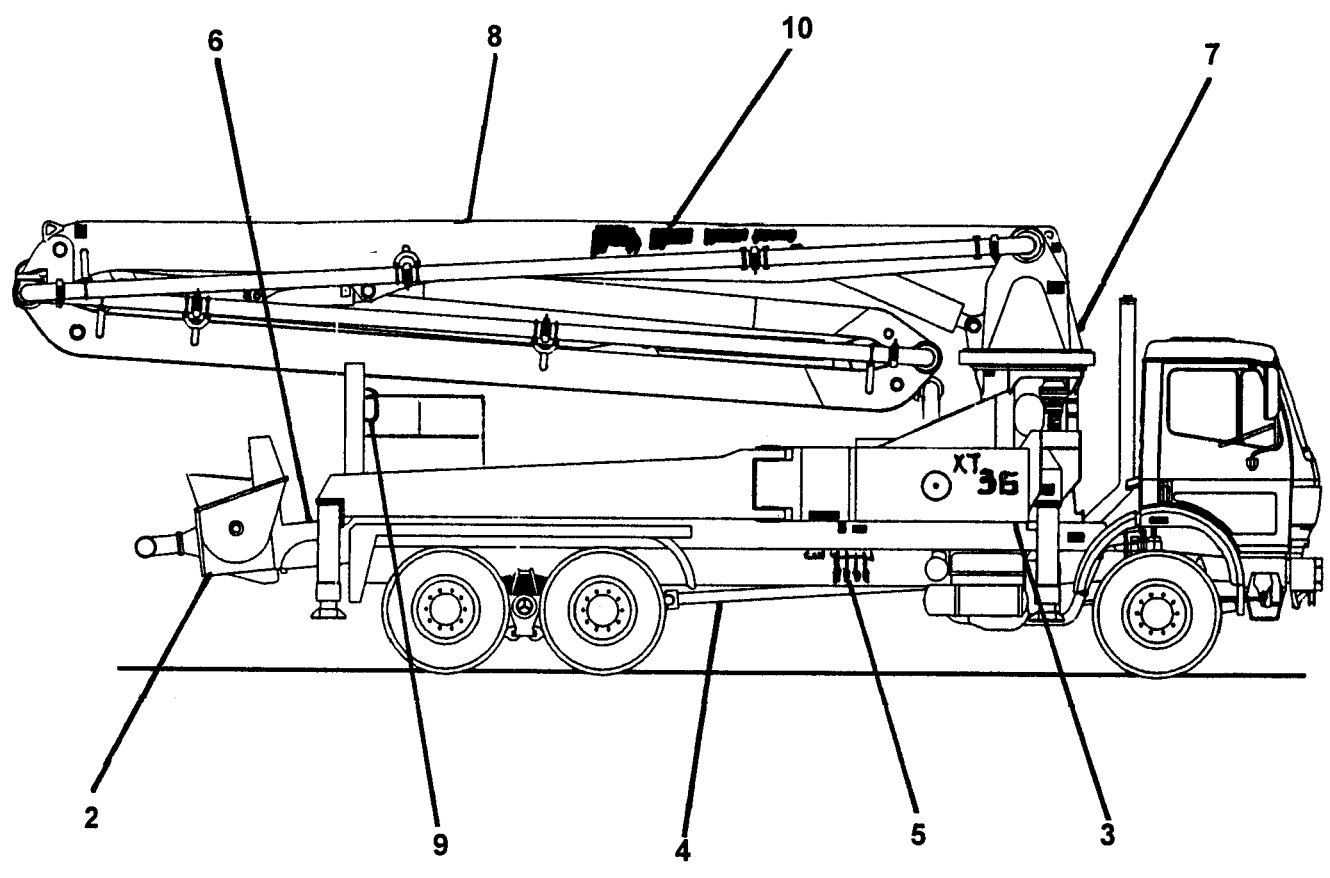
- FIGURE 00** TABLE OF CONTENTS
- FIGURE 01** FINAL INSTALLATION
- FIGURE 02** DECAL ASSEMBLY





# XT 36 FINAL INSTALLATION

XT 36  
PARTS  
GROUP 10  
FIGURE 01  
PAGE 01



REVISION:



# XT 36 FINAL INSTALLATION

**XT 36**  
**PARTS**  
GROUP 10  
FIGURE 01  
PAGE 02

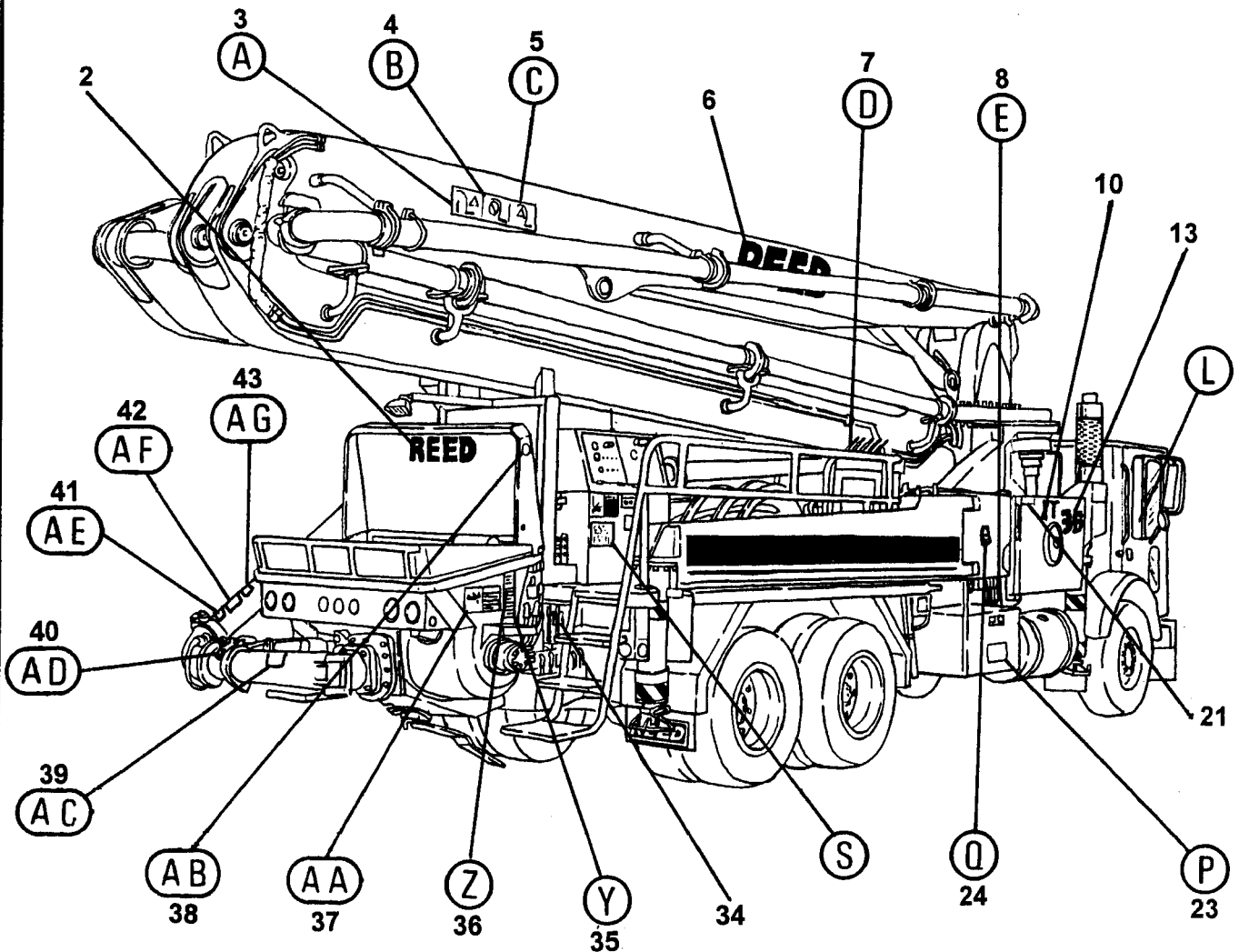
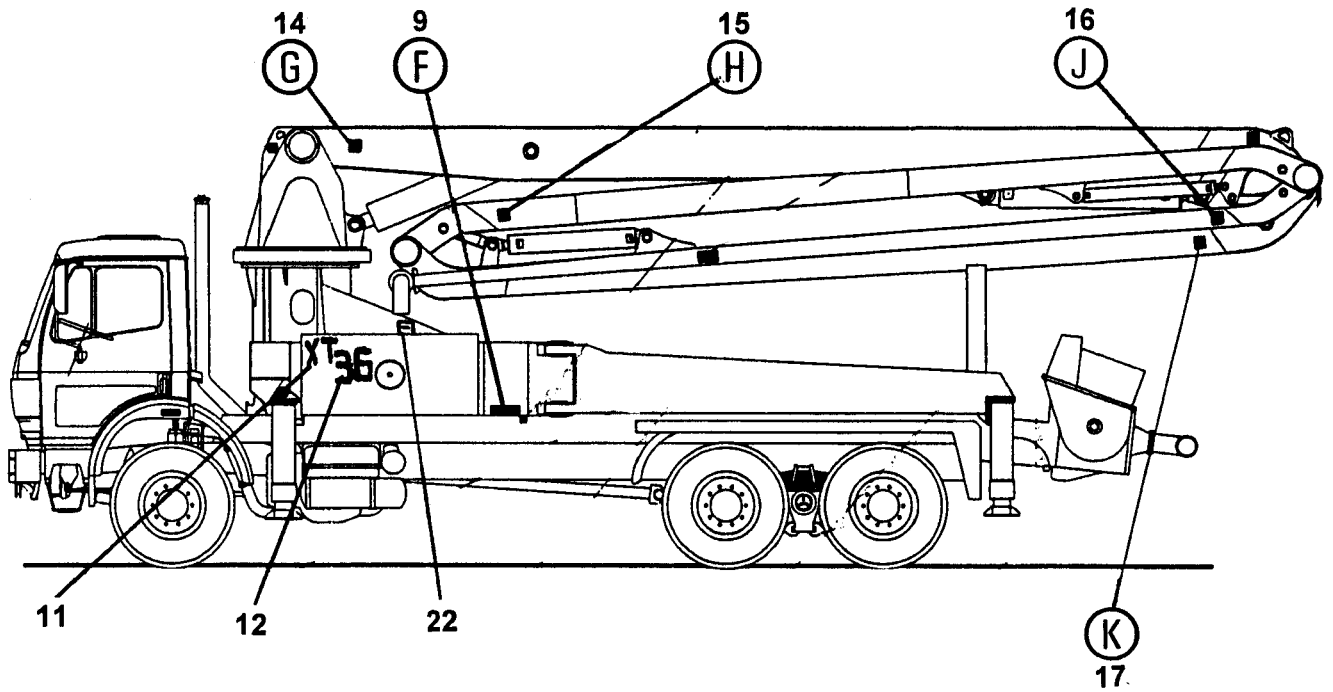
ITEM NO.	REED'S PARTS NO.	DESCRIPTION					QTY
		1	2	3	4	5	
-1	XT 36 - V03	Installation, XT 36 Final					Ref
2	20-01	• Installation, Hopper (See Group 20, Figure 01 for DET)					1
3	30-01	• Installation, Tank (See Group 30, Figure 01 for DET)					1
4	40-01	• Installation, Power Train (See Group 40, Figure 01 for DET)					1
5	50-01	• Installation, Control (See Group 50, Figure 01 for DET)					1
6	60-01	• Installation, Pumping Train (See Group 60, Figure 01 for DET)					1
7	70-01	• Installation, Frame and Support (See Group 70, Figure 01 for DET)					1
8	80-01	• Installation, Optional (See Group 80, Figure 01 for DET)					1
9	802431	• Installation, Boom (See Group 90, Figure 01 for DET)					1
10	10-02	• Assembly, Decal (See Group 10, Figure 02 for DET)					1

DASH (-) ITEM NOT ILLUSTRATED

# REED

## DECAL ASSEMBLY

**XT 36**  
**PARTS**  
GROUP 10  
FIGURE 02  
PAGE 01



REVISION:



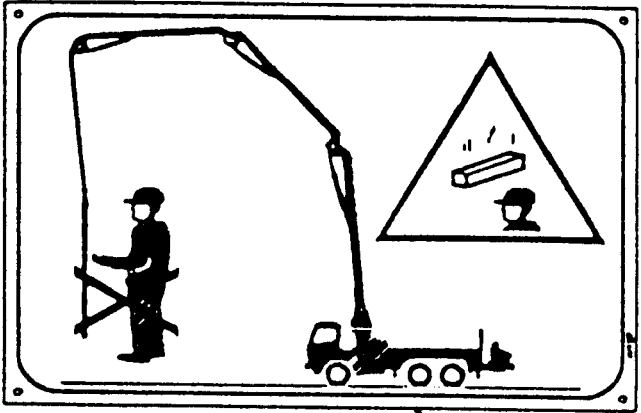
# DECAL ASSEMBLY

**XT 36**  
**PARTS**  
 GROUP 10  
 FIGURE 02  
 PAGE 02

ITEM NO.	REED'S PARTS NO.	DESCRIPTION	QTY
-1	10-02	Assembly, Decal (See Group 10, Figure 01 for NHA)	Ref
2	800442	• Decal, <b>REED</b> , 6 Inch Black	1
3	C-4V107	• Plate, Danger Of Falling Object	1
4	C-4V106	• Plate, Never Use As Crane	1
5	C-4V105	• Plate, Death Hazard	1
6	801069	• Decal, <b>REED</b> , 12 Inch White	2
7	802272	• Nameplate, Boom Valve	1
8	802271	• Nameplate, <b>XT 36</b> Right Side Outrigger	1
9	802270	• Nameplate, <b>XT 36</b> Left Side Outrigger	1
10	801066	• Decal, <b>XT</b> , 4 Inch White	1
	801246	• Decal, <b>XT</b> , 4 Inch Black	1
11	801067	• Decal, <b>XT</b> , 5 Inch White	1
	801246	• Decal, <b>XT</b> , 4 Inch Black	1
12	801071	• Decal, <b>36</b> , 8 Inch White	1
	801248	• Decal, <b>36</b> , 7 Inch Black	1
13	801072	• Decal, <b>36</b> , 7 Inch White	1
	801248	• Decal, <b>36</b> , 7 Inch Black	1
14	C-4V113	• Decal, <b>A</b> Letter Adhesive	1
15	C-4V115	• Decal, <b>C</b> Letter Adhesive	1
16	C-4V116	• Decal, <b>D</b> Letter Adhesive	1
17	C-4V114	• Decal, <b>B</b> Letter Adhesive	1
-18	800766	• Kit, <b>XT 36 / XXT 32</b> Decal	1
19	800051	•• Nameplate, PTO	1
20	800059	•• Plate, PTO Operation	1
21	800034	•• Decal, Oil Level	2
22	800033	•• Decal, Water	1
23	800915	•• Decal, Danger, Stay Clear	1
24	800919	•• Decal, Warning, Stand Clear of Outriggers when activating	4
-25	800920	•• Decal, Warning, Clear Area Before Activating Outriggers	2
26	800439	•• Decal, Control Box Panel	1
27	801113	•• Decal, Gauge	1
28		•• Decal, A B	1
29	800926	•• Decal, Warning, Do Not Operate This Machine without	1
30	800929	•• Decal, Warning	1
31	800925	•• Decal, Warning, Do Not Operate This Machine without	1
32	800930	•• Decal, <b>ACPA</b> Hand Signals	1
33	800913	•• Decal, Danger, Electrocutation Hazard	1
34	800875	•• Nameplate, Agitator / Water	1
35	800918	•• Decal, Warning, Do Not Stand on Hopper Grate	2
36	800917	•• Decal, Warning, Keep Hand Out of Hopper and Valve	2
37	800924	•• Decal, Warning, This Machine is Remote Controlled and May	1
38	800931	•• Decal, <b>ACPA</b> Member	1
39	800922	•• Decal, Warning, Before Opening a Blocked Pipeline, Relieve	1
40	800923	•• Decal, Warning, Use Retaining Pins in all Delivery System	1
41	800928	•• Decal, Warning, Total Weight of all Hanging Hoses, Reducers	1
42	800927	•• Decal, Warning, Do Not Use the Boom as a Crane or Hoist.	1
43	800921	•• Decal, Warning, Do Not Operate at Pressures Exceeding	1
-44	800914	•• Decal, Danger, Electrocutation Hazard	1
-45	800916	•• Decal, Warning, Keep Hand Out of Water Box	1
46	75009	•• Nameplate, <b>REED</b> , Serial No.	1

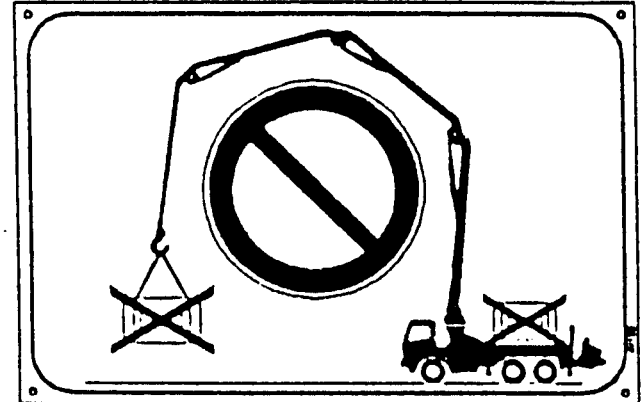
DASH (-) ITEM NOT ILLUSTRATED

REVISION:



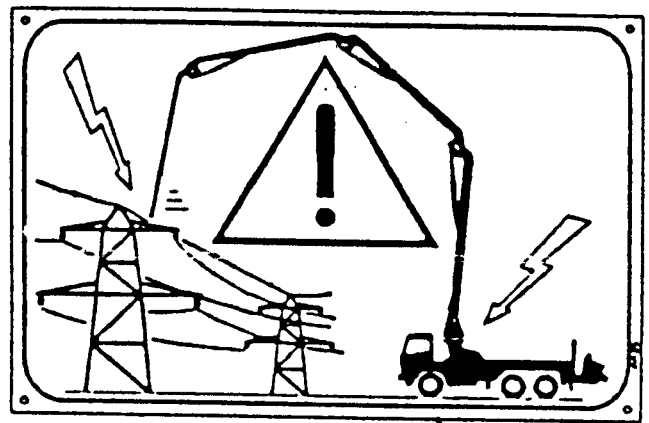
(A)

3



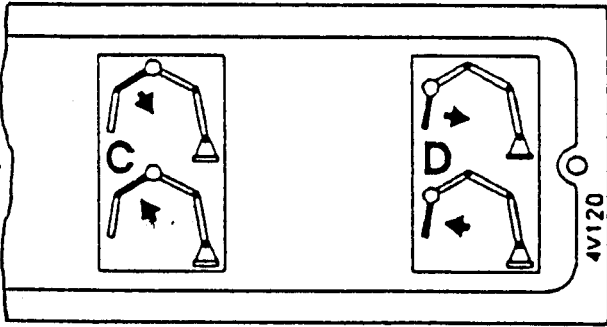
(B)

4



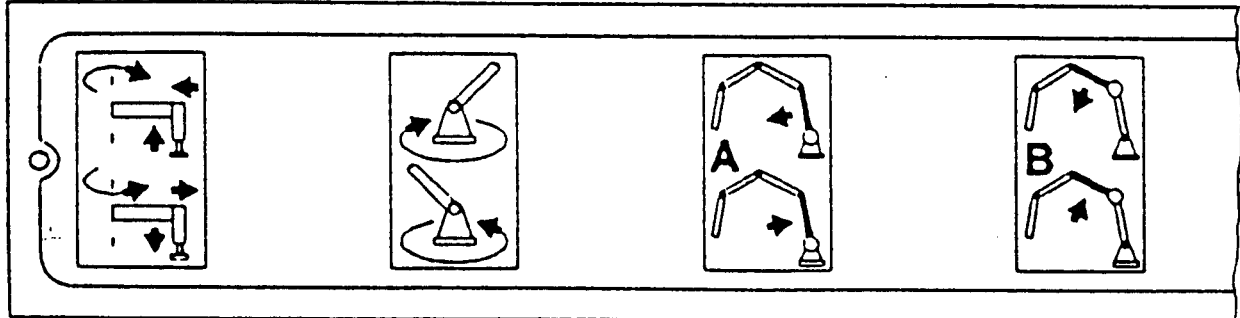
(C)

5

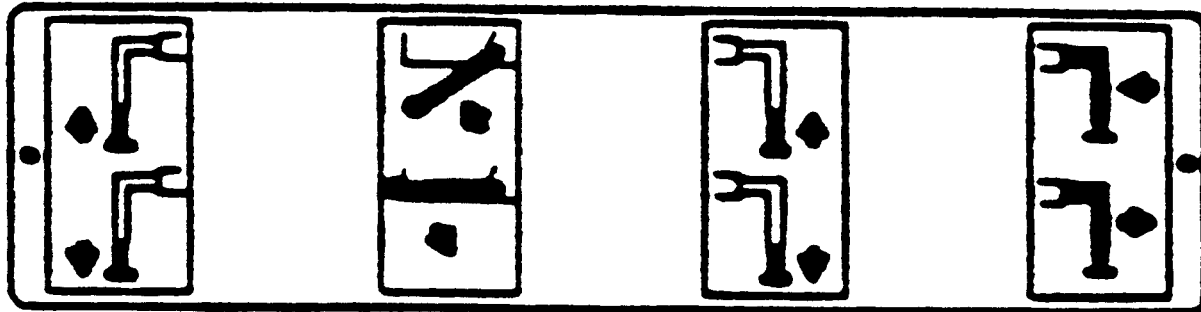


(D)

7

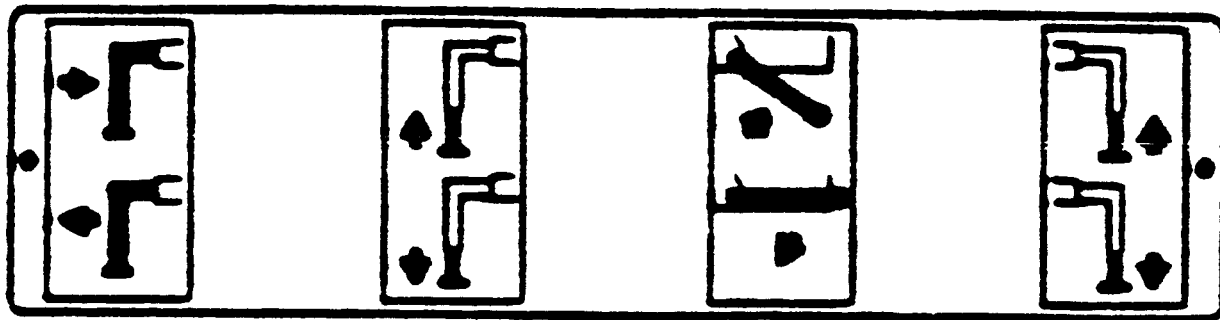






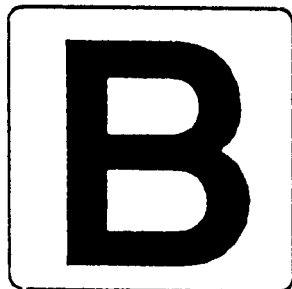
(E)

8



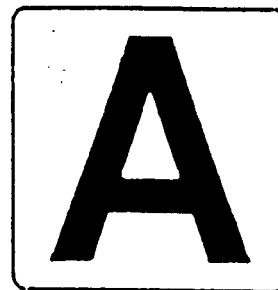
9

(F)



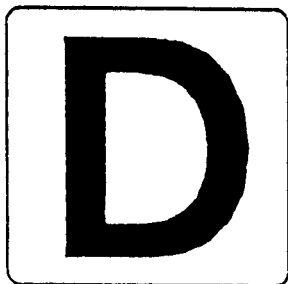
17

(K)



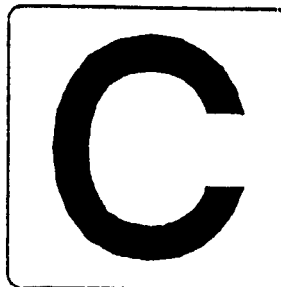
14

(G)



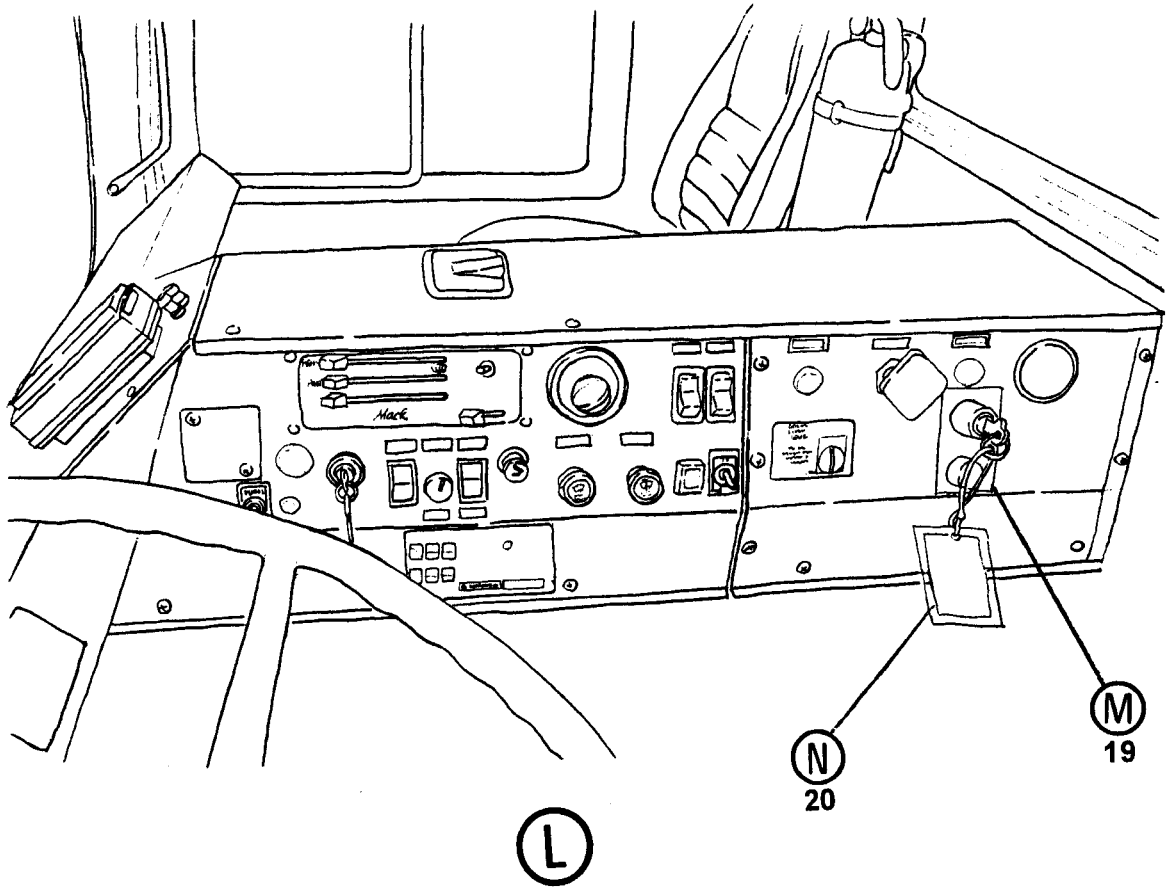
16

(J)



(H)

15

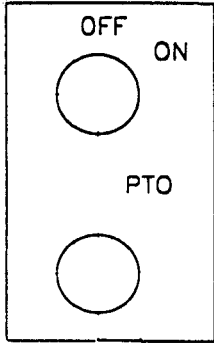


TO OPERATE PUMP AND BOOM

1. POSITION TRUCK AND SET PARKING BRAKE.
2. DEPRESS CLUTCH AND SHIFT TO 7TH GEAR HIGH.
3. TURN PTO ON.
4. RELEASE CLUTCH TO ENGAGE PUMPS.
5. SET THROTTLE AT 1600 RPM MAXIMUM.

TO RETURN TO DRIVING MODE

1. RETURN THROTTLE TO IDLE.
2. DEPRESS CLUTCH AND TURN PTO OFF.
3. SHIFT TO NUETRAL AND RELEASE CLUTCH.



20

19

(N)

(M)

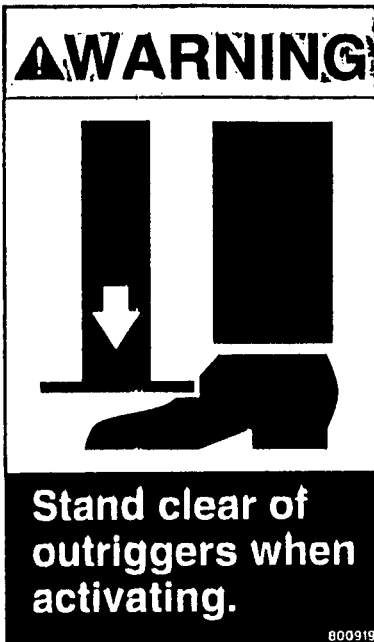


# ⚠ DANGER

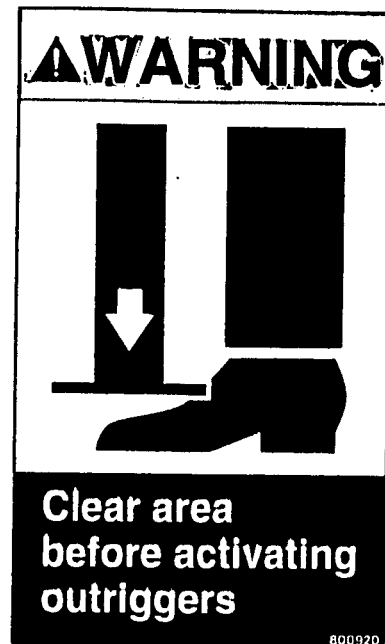
Stay clear.  
Contact will result in  
death or serious injury  
if the unit becomes  
electrically charged.

800915

23

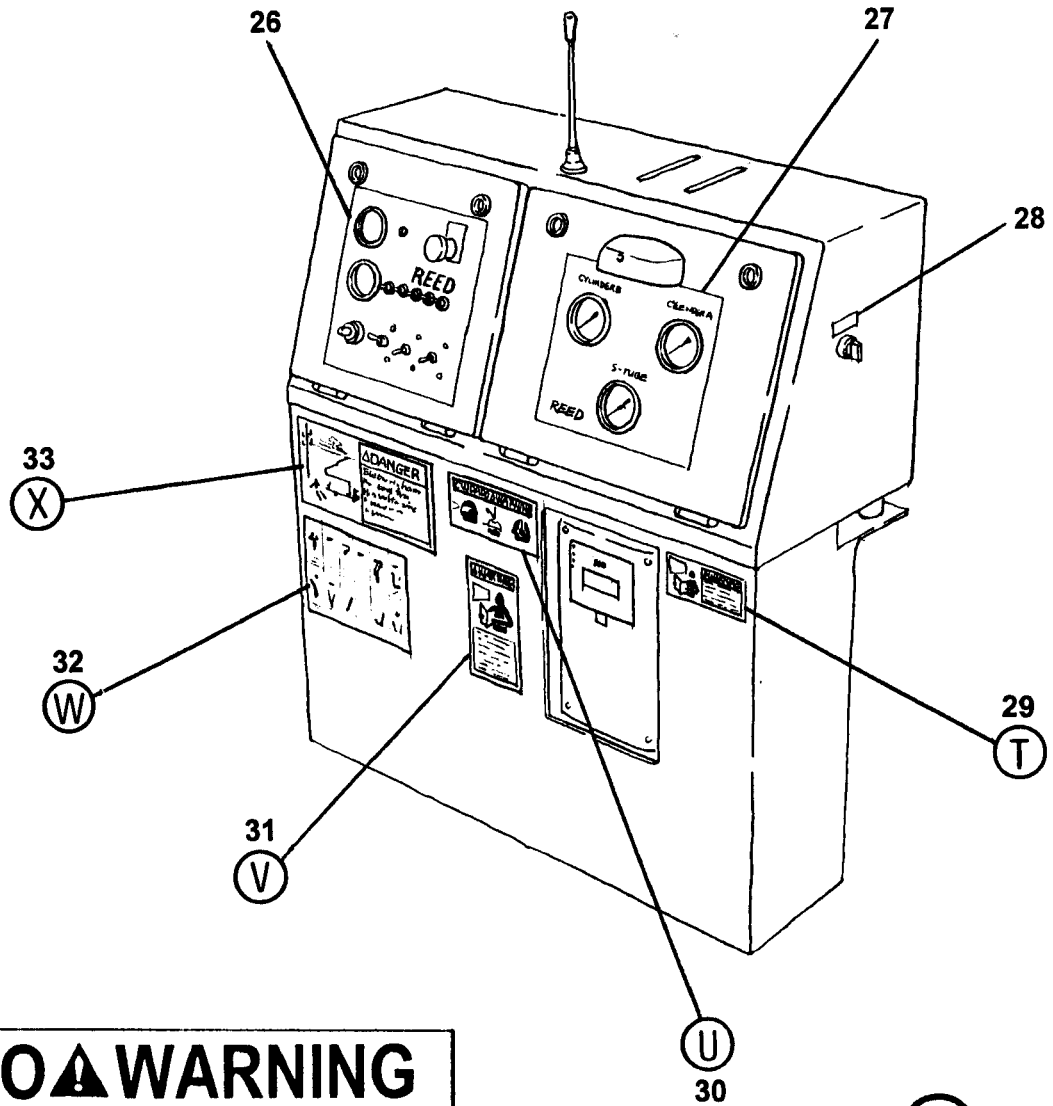


25

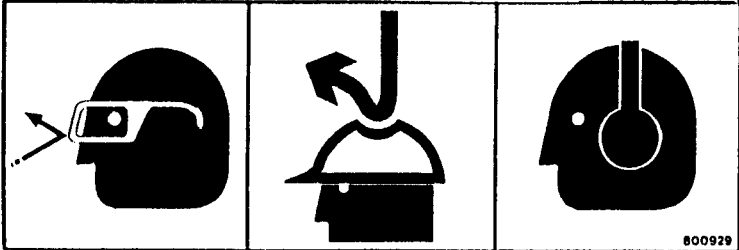


24





### CUIDADO ⚠ WARNING



U

30

29

T

**⚠ WARNING**  
Do not operate this machine without training. Understand the warnings in safety manuals and on decals.  
800926

### ▲ WARNING



31

**Do not operate this machine without training. Understand the warnings in safety manuals and on decals.**

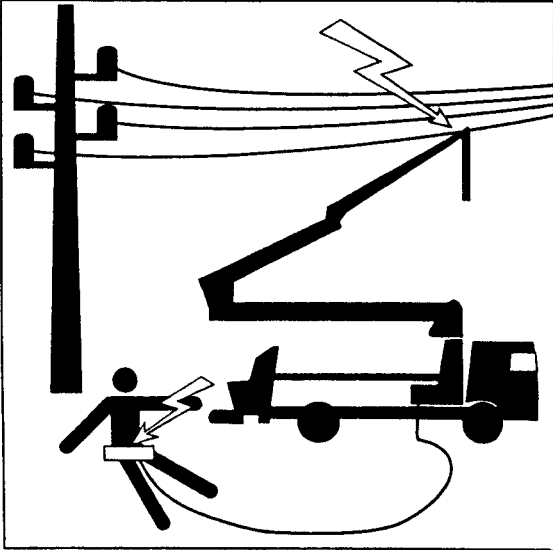


800925



32

	<p>1. BOOM UP</p>	<p>2. BOOM DOWN</p>	<p>3. BOOM LEFT</p>	<p>4. BOOM RIGHT</p>	<p>5. OPEN OR EXTEND BOOM</p>	<p>6. CLOSE OR RETRACT BOOM</p>	
	<p>7. STOP BOOM</p>	<p>8. START PUMP SPEED UP</p>	<p>9. SLOW PUMP DOWN</p>	<p>10. STOP PUMP</p>	<p>11. LITTLE BIT</p>	<p>12. ADD WATER 4-GALLONS</p>	<p>13. ALL DONE CLEAN UP</p>



# ⚠ DANGER

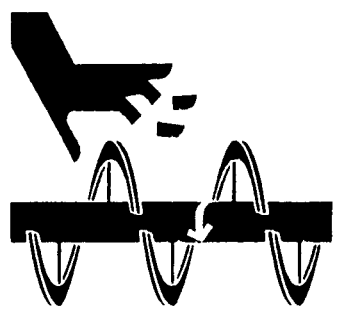
Electrocution hazard.  
Stay back from  
high voltage wires  
at least 17 feet  
(5 meters).

800913

(X)

33

# ⚠ WARNING



Keep hands out  
of hopper and  
valve assembly.  
See operation  
manual if access  
is required.

800917

(Z)

36

# ⚠ WARNING

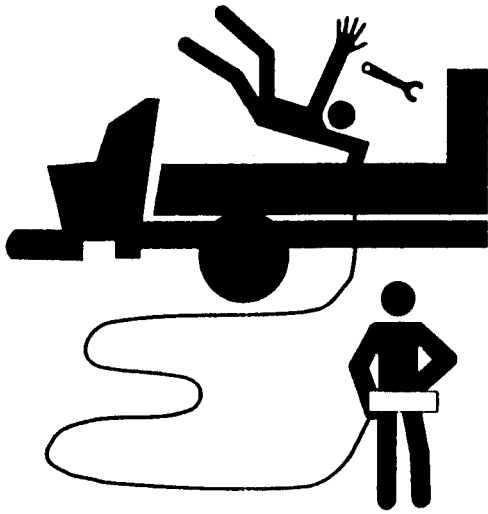


Do not stand on  
hopper grates.

800918

(Y)

35



### **! WARNING**

This machine is remote controlled and may start at any time. Stop engine before servicing unit.

800924

AA

37



### **! WARNING**

Use retaining pins in all delivery system snap clamps.

800923

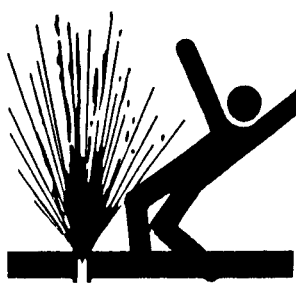
AD

40



38

AB



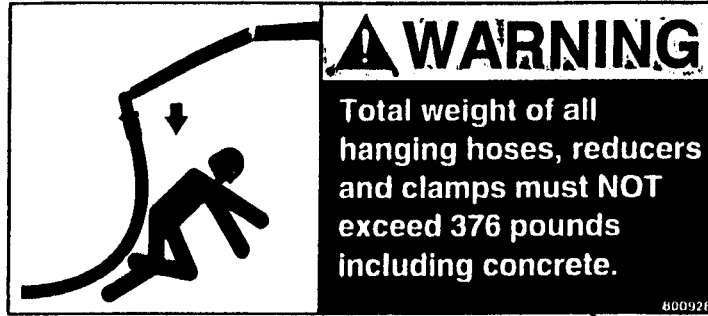
### **! WARNING**

Before opening a blocked pipeline, relieve pressure by reversing pump. See manual.

800922

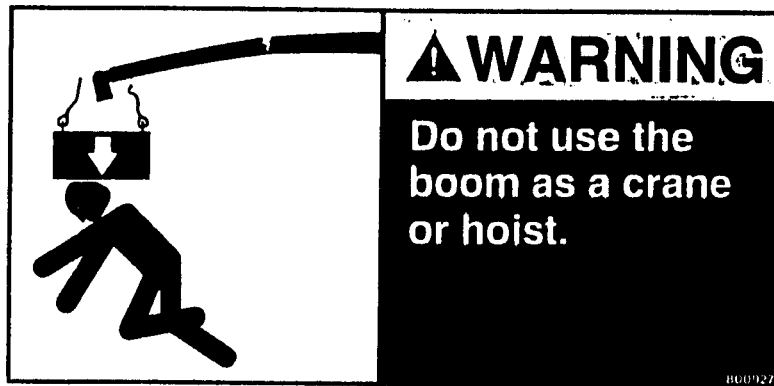
AC

39



AE

41



AF

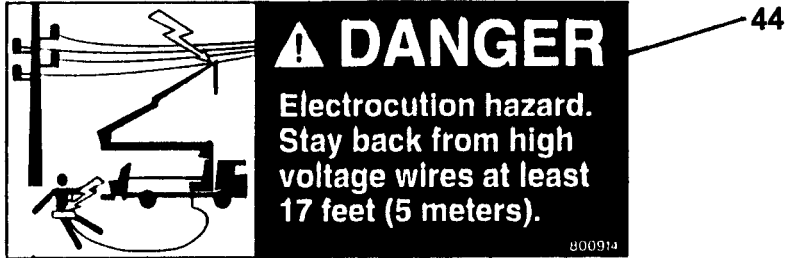
42



AG

43

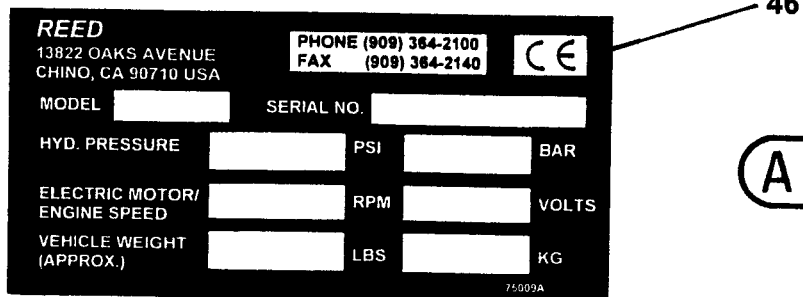




AH



AJ



AK



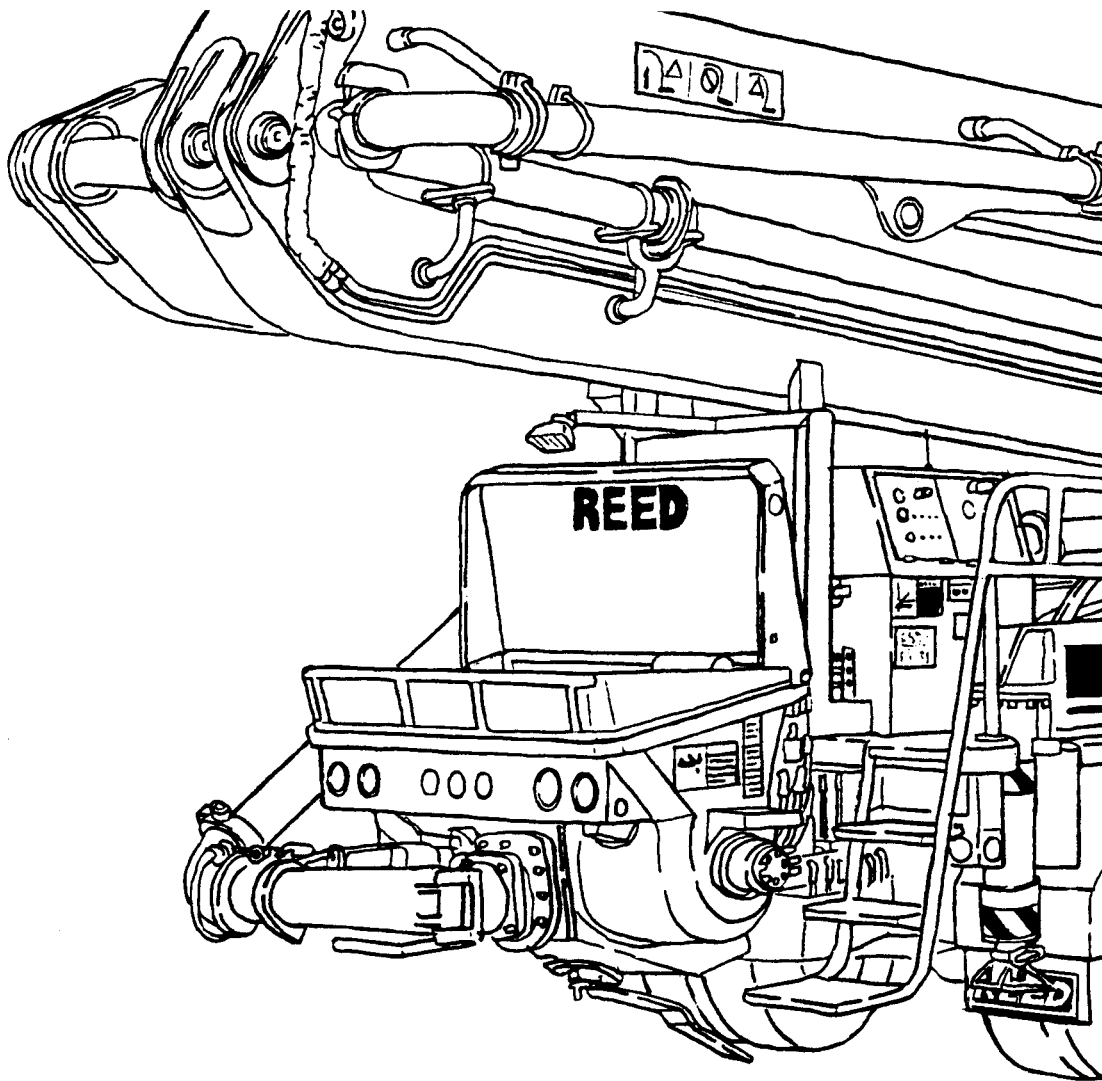
# DECAL ASSEMBLY

**XT 36**  
**PARTS**  
 GROUP 10  
 FIGURE 02  
 PAGE 13

ITEM NO.	REED'S PARTS NO.	DESCRIPTION	QTY
-1	10-02	Assembly, Decal (See Group 10, Figure 01 for NHA)	Ref
2	800442	• Decal, <b>REED</b> , 6 Inch Black	1
3	C-4V107	• Plate, Danger Of Falling Object	1
4	C-4V106	• Plate, Never Use As Crane	1
5	C-4V105	• Plate, Death Hazard	1
6	801069	• Decal, <b>REED</b> , 12 Inch White	2
7	802272	• Nameplate, Boom Valve	1
8	802271	• Nameplate, <b>XT 36</b> Right Side Outrigger	1
9	802270	• Nameplate, <b>XT 36</b> Left Side Outrigger	1
10	801066	• Decal, <b>XT</b> , 4 Inch White	1
	801246	• Decal, <b>XT</b> , 4 Inch Black	1
11	801067	• Decal, <b>XT</b> , 5 Inch White	1
	801246	• Decal, <b>XT</b> , 4 Inch Black	1
12	801071	• Decal, <b>36</b> , 8 Inch White	1
	801248	• Decal, <b>36</b> , 7 Inch Black	1
13	801072	• Decal, <b>36</b> , 7 Inch White	1
	801248	• Decal, <b>36</b> , 7 Inch Black	1
14	C-4V113	• Decal, <b>A</b> Letter Adhesive	1
15	C-4V115	• Decal, <b>C</b> Letter Adhesive	1
16	C-4V116	• Decal, <b>D</b> Letter Adhesive	1
17	C-4V114	• Decal, <b>B</b> Letter Adhesive	1
-18	800766	• Kit, <b>XT 36 / XXT 32</b> Decal	1
19	800051	• • Nameplate, PTO	1
20	800059	• • Plate, PTO Operation	1
21	800034	• • Decal, Oil Level	2
22	800033	• • Decal, Water	1
23	800915	• • Decal, Danger, Stay Clear	1
24	800919	• • Decal, Warning, Stand Clear of Outriggers when activating	4
-25	800920	• • Decal, Warning, Clear Area Before Activating Outriggers	2
26	800439	• • Decal, Control Box Panel	1
27	801113	• • Decal, Gauge	1
28		• • Decal, A B	1
29	800926	• • Decal, Warning, Do Not Operate This Machine without	1
30	800929	• • Decal, Warning	1
31	800925	• • Decal, Warning, Do Not Operate This Machine without	1
32	800930	• • Decal, <b>ACPA</b> Hand Signals	1
33	800913	• • Decal, Danger, Electrocution Hazard	1
34	800875	• • Nameplate, Agitator / Water	1
35	800918	• • Decal, Warning, Do Not Stand on Hopper Grate	2
36	800917	• • Decal, Warning, Keep Hand Out of Hopper and Valve	2
37	800924	• • Decal, Warning, This Machine is Remote Controlled and May	1
38	800931	• • Decal, <b>ACPA</b> Member	1
39	800922	• • Decal, Warning, Before Opening a Blocked Pipeline, Relieve	1
40	800923	• • Decal, Warning, Use Retaining Pins in all Delivery System	1
41	800928	• • Decal, Warning, Total Weight of all Hanging Hoses, Reducers	1
42	800927	• • Decal, Warning, Do Not Use the Boom as a Crane or Hoist.	1
43	800921	• • Decal, Warning, Do Not Operate at Pressures Exceeding	1
-44	800914	• • Decal, Danger, Electrocution Hazard	1
-45	800916	• • Decal, Warning, Keep Hand Out of Water Box	1
46	75009	• • Nameplate, <b>REED</b> , Serial No.	1

DASH (-) ITEM NOT ILLUSTRATED

REVISION:



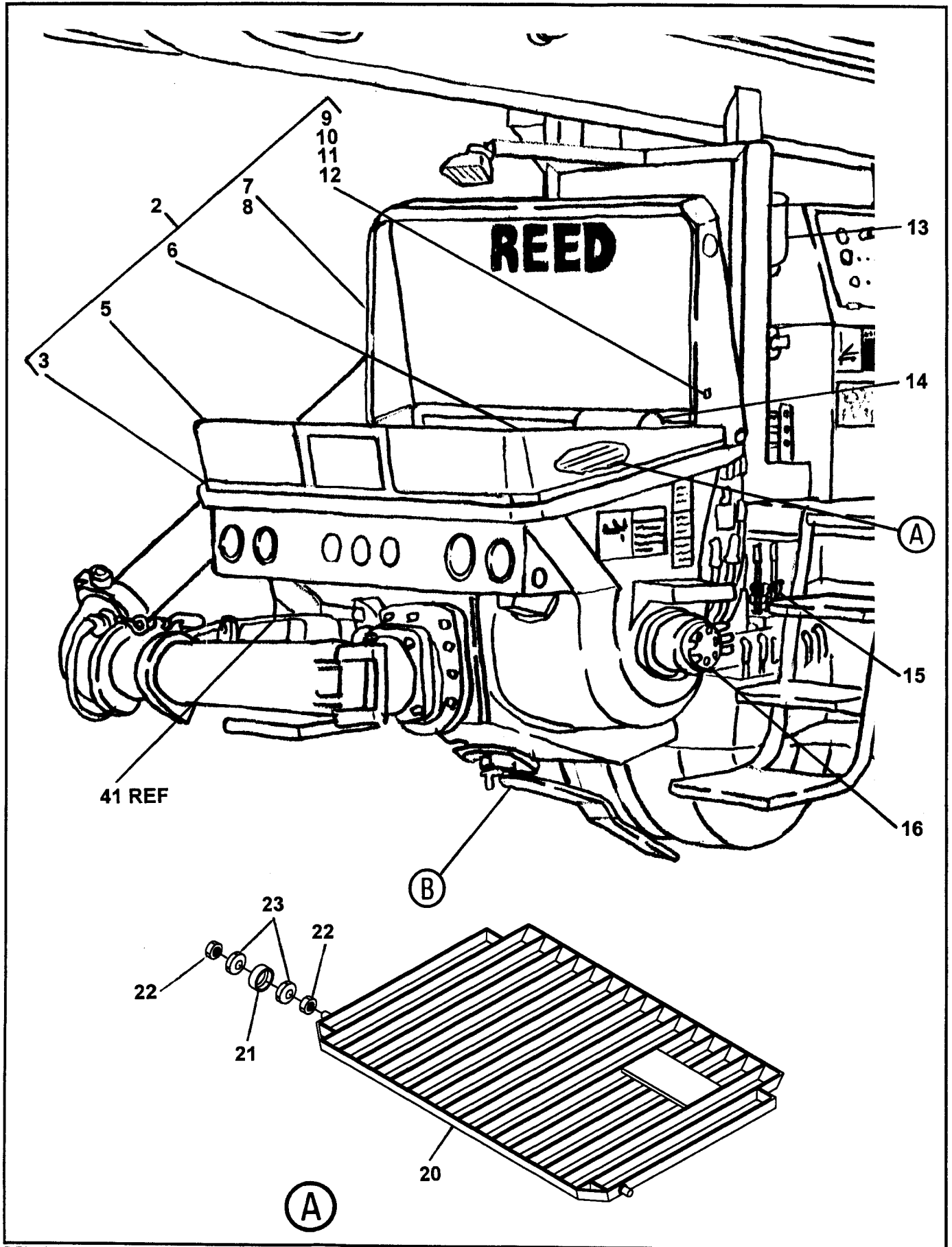
**REED TRUCK MOUNTED CONCRETE BOOM PUMP MODEL XT 36 ILLUSTRATED PARTS MANUAL GROUP 20 HOPPER INSTALLATION CONTAINS THE FOLLOWING FIGURES:**

- |                  |                                      |
|------------------|--------------------------------------|
| <b>FIGURE 00</b> | <b>TABLE OF CONTENTS</b>             |
| <b>FIGURE 01</b> | <b>HOPPER INSTALLATION</b>           |
| <b>FIGURE 02</b> | <b>LUBRICATION PUMP ASSEMBLY</b>     |
| <b>FIGURE 03</b> | <b>CENTRAL LUBRICATION SYSTEM</b>    |
| <b>FIGURE 04</b> | <b>HOPPER VIBRATION ASSEMBLY</b>     |
| <b>FIGURE 05</b> | <b>AGITATOR ASSEMBLY</b>             |
| <b>FIGURE 06</b> | <b>AGITATOR DRIVE MOTOR ASSEMBLY</b> |
| <b>FIGURE 07</b> | <b>HOPPER OUTLET ASSEMBLY</b>        |

# REED

## HOPPER INSTALLATION

XT 36  
PARTS  
GROUP 20  
FIGURE 01  
PAGE 01

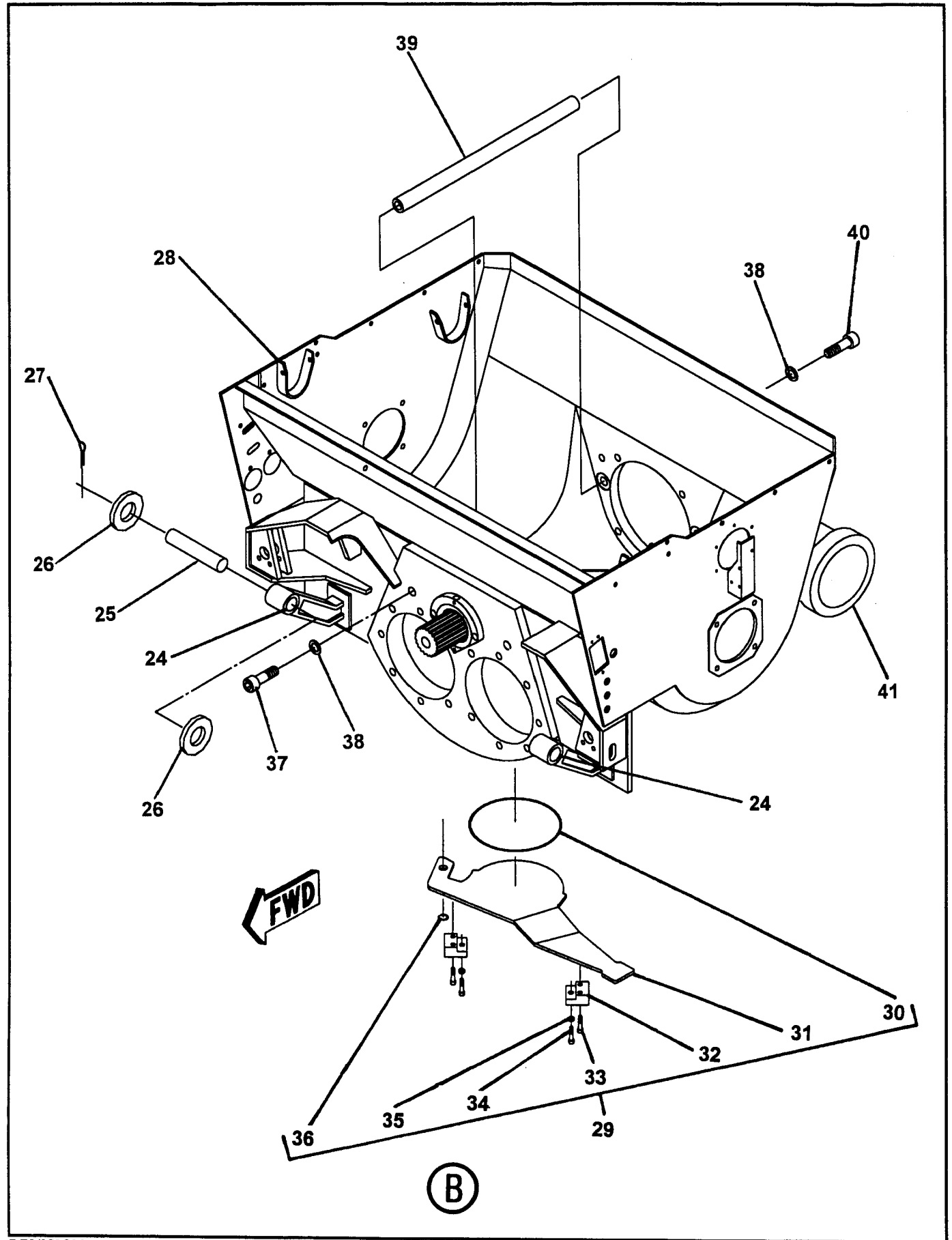


REVISION:

ITEM NO.	REED'S PARTS NO.	DESCRIPTION	QTY
-1	20-01	Installation, Hopper (See Group 10, Figure 01 for NHA)	Ref
2	800419	• Group, Splash Guard	1
3	800398	• • Bar, Splash Guard	1
-4	800402	• • Strip, Silicon 0.53	1
5	800399	• • Rubber Flap, Splash Guard	1
6	800416	• • Rubber, Splash Guard 10 FT	1
7	79056	• • Handle, Splash Guard	1
8	800395	• • Weldment, Splash Guard	1
9	800400	• • Pivot plate, Splash Guard	2
10	800401	• • Plunger, Spring	2
11	800417	• • Pin	1
12	800418	• • Lanyard	1
13	B-184000	• Assembly, Central Lubrication System (See Group 20, Figure 02 for DET)	1
14	71429	• Assembly, Hopper Vibration (See Group 20, Figure 04 for DET)	1
15	W-100124	• Assembly, Agitator/Wash Control Valve	1
-16	B-254120	• Assembly, Agitator (See Group 20, Figure 05 for DET)	1
-17	W-104067	• Buffer, Grid Rubber	4
-18	W-101559	• Washer (attaching parts)	4
19	W-101847	• Nut, Cap (attaching parts)	8
20	B-224035	• Grid	1
21	W101849	• Buffer, Rubber	2
22	W-101559	• Washer	4
23	B-223011	• Nut, Cap	4

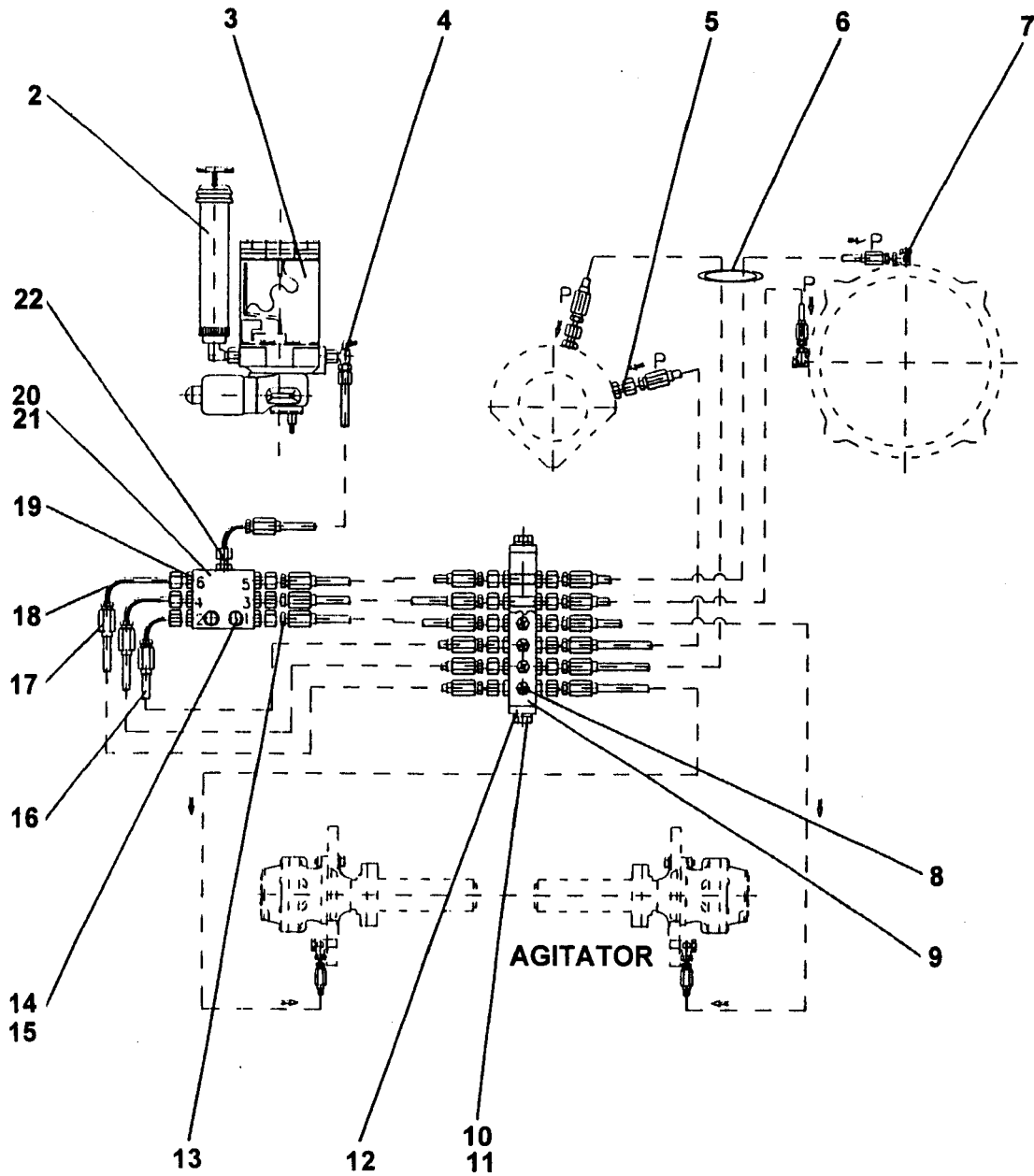
DASH (-) ITEM NOT ILLUSTRATED

## HOPPER INSTALLATION



ITEM NO.	REED'S PARTS NO.	DESCRIPTION					QTY
		1	2	3	4	5	
24	W-102489	• Buffer, Rubber					2
25	W-100940	• Pin					2
26	W-103411	• Washer					4
27		• Pin, Cotter					4
28	B-173021	• Weldment, Hopper					1
29	B-173085	• Assembly, Cleaning Cover					1
30	W-102908	• • O-Ring, Round Cord					1
31	B-172130	• • Cover, Cleaning					1
32	B-172126	• • Block, Clamping					2
33	W-102855	• • Screw, M20 (attaching parts)					4
34	B-172218	• • Screw, M20 (attaching parts)					2
35	W-102891	• • Nut, Hex M20 (attaching parts)					2
36	W-102864	• • Ring, Lock					1
37	W-103074	• Screw, Hex					2
38	W-102331	• Washer					4
39	B-174075	• Rod, Tie					2
40	W-103073	• Screw, Hex M24					2
41	20-07	• Assembly, Hopper Outlet (See Group 20, Figure 07 for DET)					1

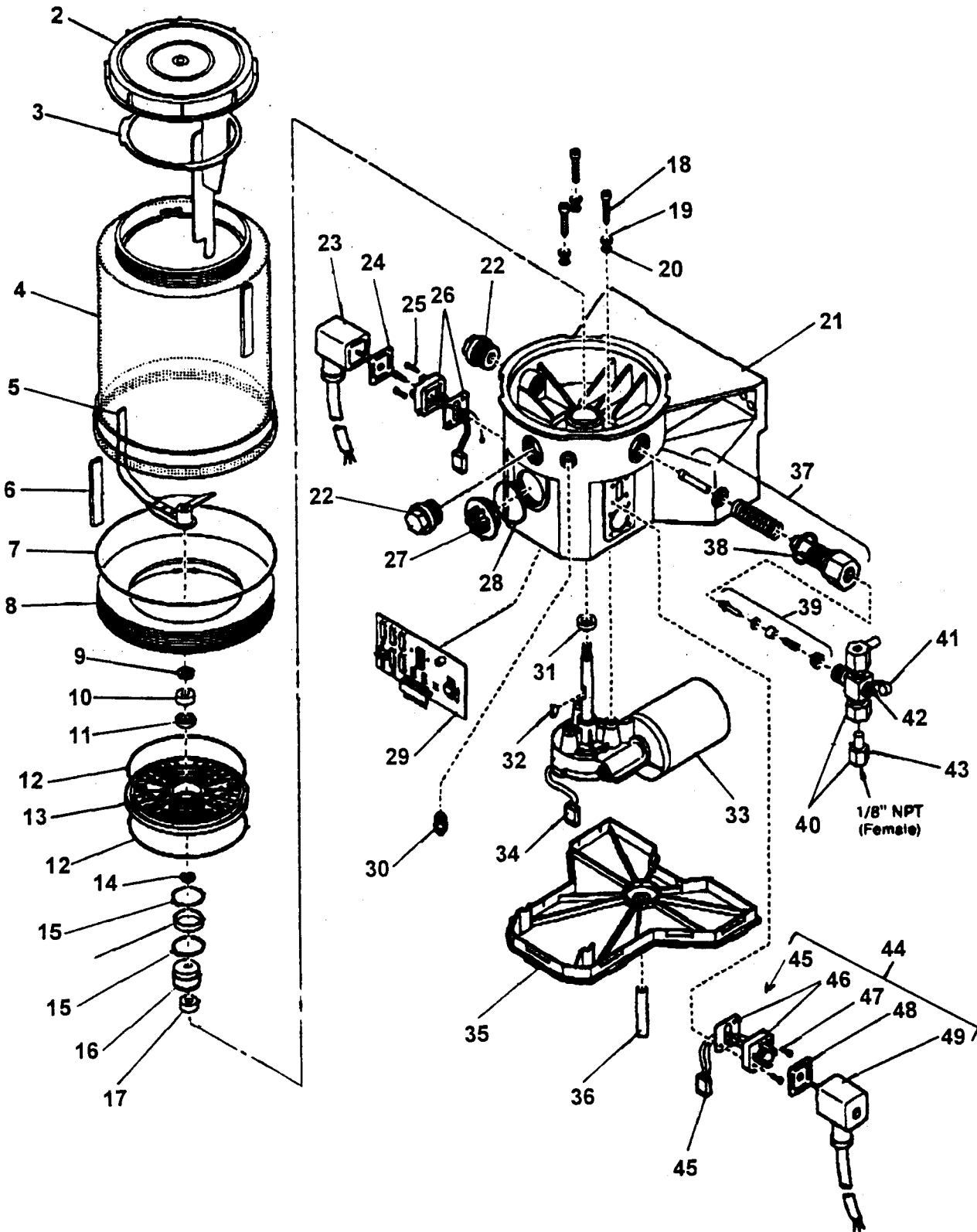
DASH (-) ITEM NOT ILLUSTRATED





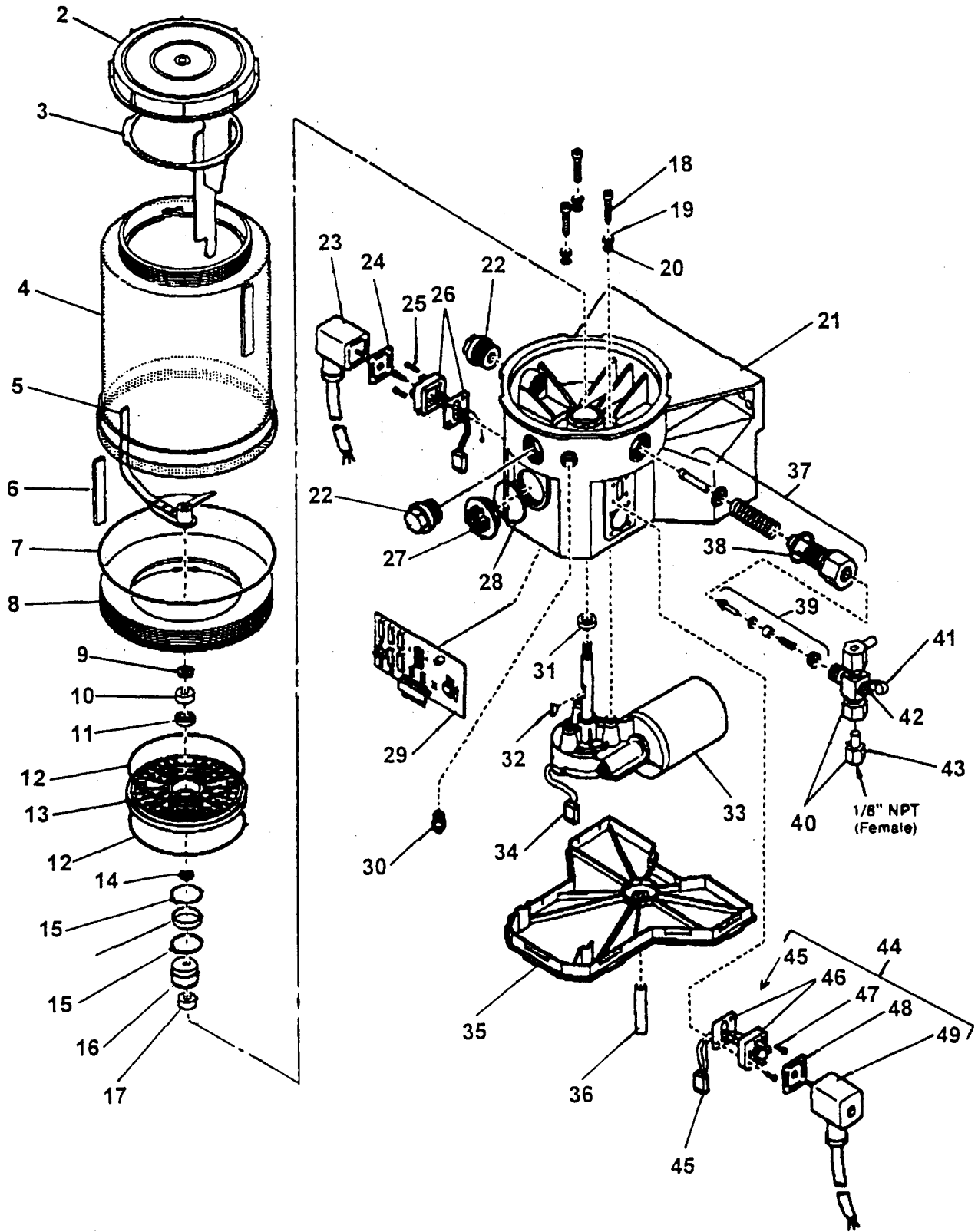
ITEM NO.	REED'S PARTS NO.	DESCRIPTION					QTY
		1	2	3	4	5	
-1	B-184000	System, Central Lubrication (See Group 20, Figure 01 for NHA)					Ref
2	78532	• Gun, Grease					1
3	800065	• Assembly, Lubrication Pump (See Group 20, Figure 03 for DET)					1
4	W-103198	• Valve, Safety					1
5	W-100546	• Coupling, Straight Male Stud					14
6	W-103107	• Tie, Cable					30
7	W-102884	• Elbow, Throttle Free benjo					4
8	W-100303	• Nipple, Grease					6
9	B-184001	• Strip, Lubrication					1
10	W-102873	• Screw, M8					2
11	W-102205	• Washer, A8 Spring					2
12	B-184002	• Plate, Lubrication Mechanism					2
13	W-100253	• Piece, Hose Connection					24
14	W-103847	• Screw, M6 Hex					2
15	W-103000	• Washer, A6 Spring					2
16	W-100255	• Pipe, Plastic					
17	W-100254	• Sleeve, Threaded					30
18	W -102643	• Sleeve, 90 Threaded					30
19	W100299	• Valve, Pipe Stroke					6
20	W-100298	• Distributor, Lubrication					1
21	B-184003	• Plate, Lubrication Distributor Tap					1
22	W-100302	• Coupling, Straight Male Stud					1

DASH (-) ITEM NOT ILLUSTRATED



ITEM NO.	REED'S PARTS NO.	DESCRIPTION					QTY
		1	2	3	4	5	
-1	800065	Assembly, Lubrication Pump (See Group 20, Figure 02 for NHA)					Ref
2		• Lid					1
3		• Paddle, Fixed					1
4		• Reservoir					1
5		• Paddle, Stirring					1
6		• Hose					1
7		• O-Ring					1
8		• Adapter					1
9		• Washer					1
10		• Ring, Bearing					2
11		• Bearing					1
12		• O-Ring					2
13		• Plate, Intermediate					1
14		• Shim					1
15		• Ring, Snap					2
16		• Ring, Inner					1
17		• Cam, Eccentric					1
18		• Screw					3
19		• Washer					3
20		• O-Ring					3
21		• Housing, Pump					1
22		• Plug, Closure					2
23		• Socket with Cord					1
24		• Packing, Flat					1
25		• Screw					4
26		• Plug					1
27		• Plug, Sealing					1
28		• O-Ring					1
29		• Board, Printed Circuit					1
30		• Fitting, Grease					1
31		• Seal, Radial					1
32		• Key, Wood Ruff					1
33		• Motor, 12 VDC					1
34		• Plug, Motor					1
35		• Cover, Housing					1

DASH (-) ITEM NOT ILLUSTRATED



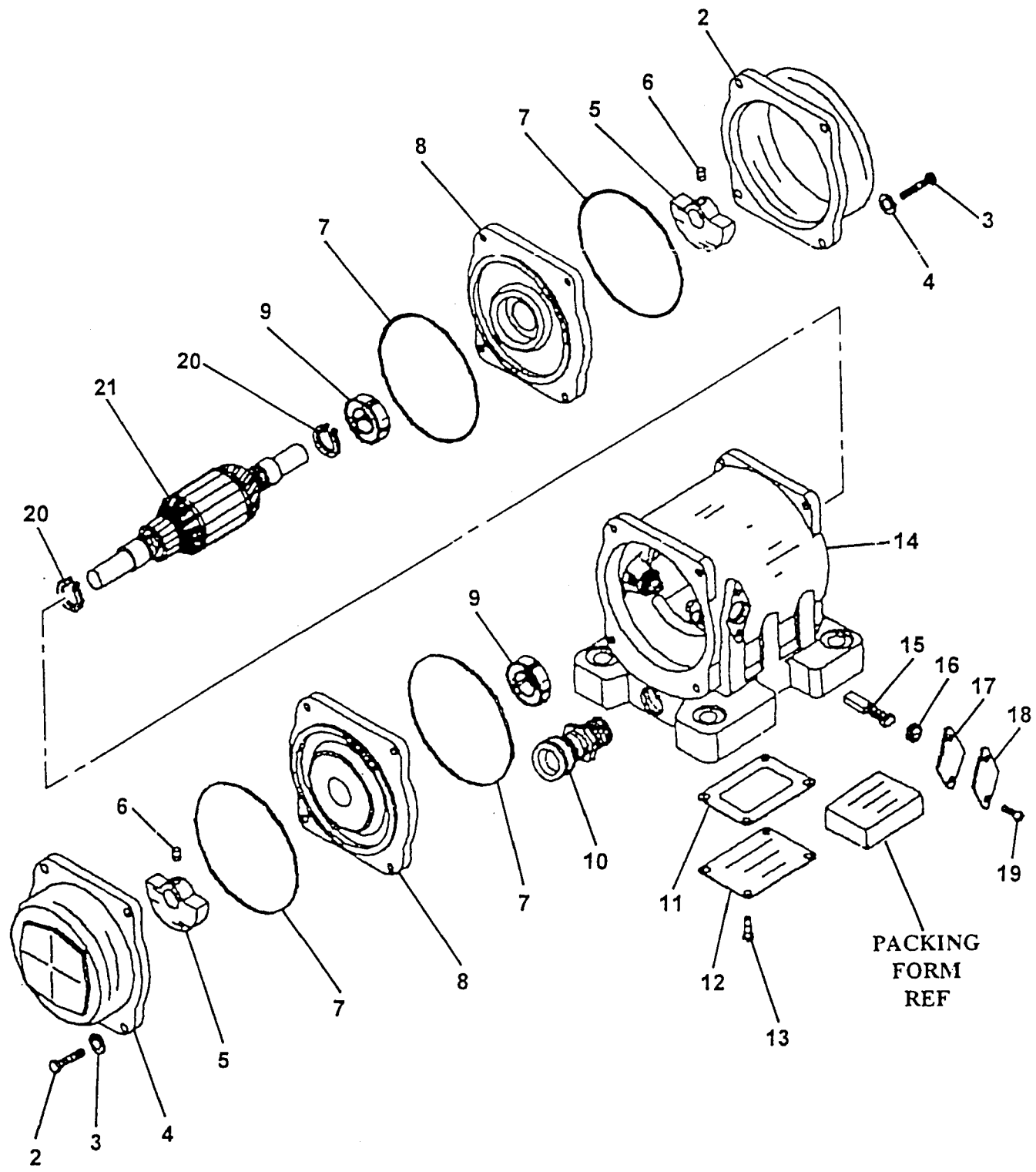
ITEM NO.	REED'S PARTS NO.	1 2 3 4 5	DESCRIPTION	QTY
36		•	Hose	1
37		•	Element, Pump	1
38		•	Gasket	1
39		•	Valve, Check	1
40		•	Assembly, Pressure Release	1
41		•	Cap, Grease	1
42		•	Fitting, Grease	1
43		•	Adapter for Relief	1
44		•	Assembly, Optional Pressure Relief Valve	1
45		• •	Cord, Optional Power	1
46		• •	Plug, Optional	1
47		• •	Screw, Optional	4
48		• •	Packing, Optional Flat	1
49		• •	Socket, Optional	1

DASH (-) ITEM NOT ILLUSTRATED



# HOPPER VIBRATOR ASSEMBLY

XT 36  
PARTS  
GROUP 20  
FIGURE 04  
PAGE 01



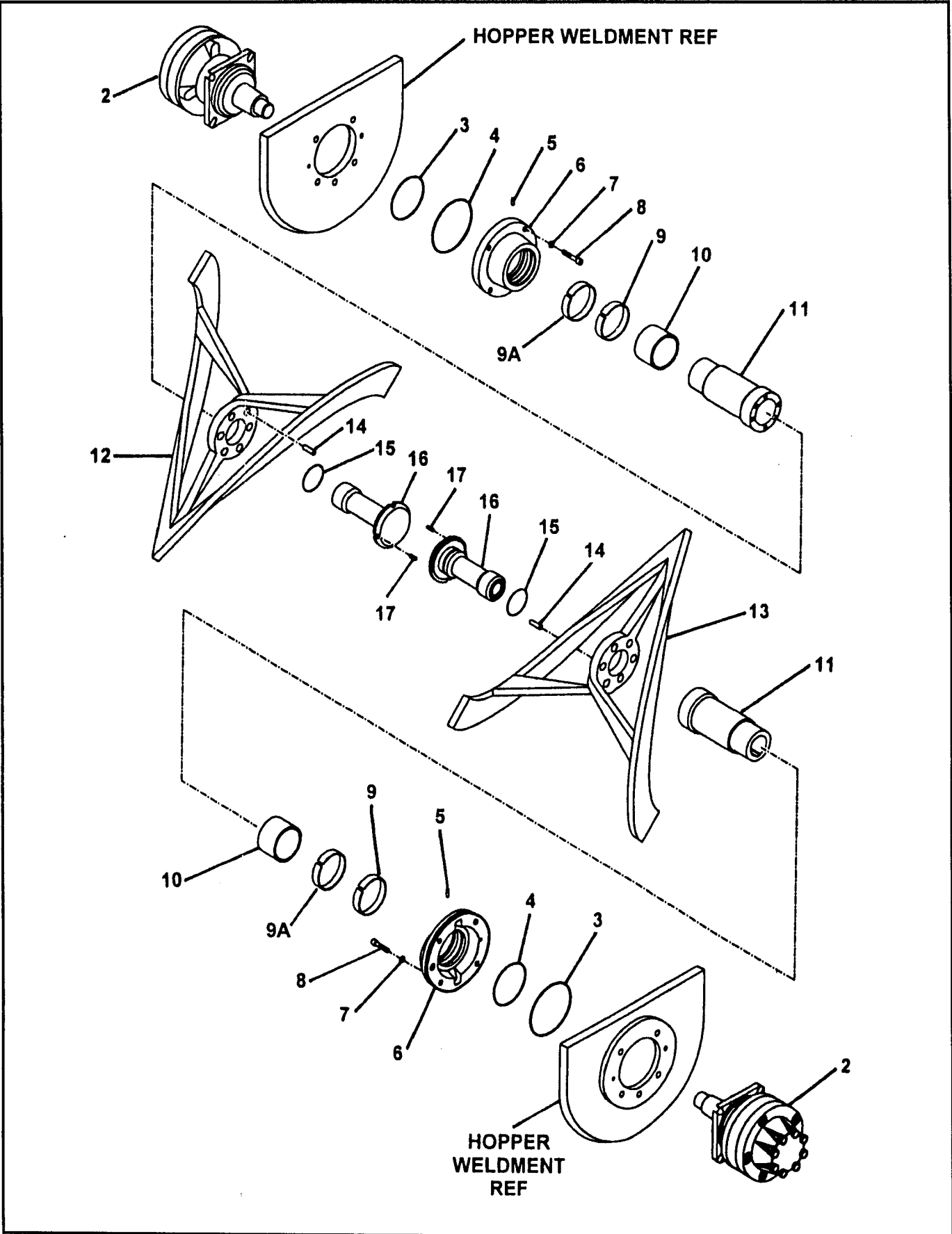
ITEM NO.	REED'S PARTS NO.	DESCRIPTION	QTY
-1	71429	Assembly, Hopper Vibrator (See Group 20, Figure 01 for NHA)	Ref
2		• Cap, End	2
3		• Bolt (attaching parts)	8
4		• Washer, Lock (attaching parts)	8
5		• Weight	2
6		• Screw, Set (attaching parts)	2
7		• O-Ring	4
8		• Bell, End	2
9		• Bearing	2
10		• Holder, Cord	1
11		• Gasket	1
12		• Cover, Box	1
13		• Screw (attaching parts)	4
14		• Sub-Assembly, Housing	1
15		• Brush	1
16		• Cap, Brush	2
17		• Gasket	2
18		• Cover, Brush	2
19		• Screw (attaching parts)	4
20		• Ring, Snap	2
21		• Assembly, Armature	1

DASH (-) ITEM NOT ILLUSTRATED



# AGITATOR ASSEMBLY

XT36  
PARTS  
GROUP 20  
FIGURE 05  
PAGE 01







# AGITATOR ASSEMBLY

**XT36**  
**PARTS**  
GROUP 20  
FIGURE 05  
PAGE 02

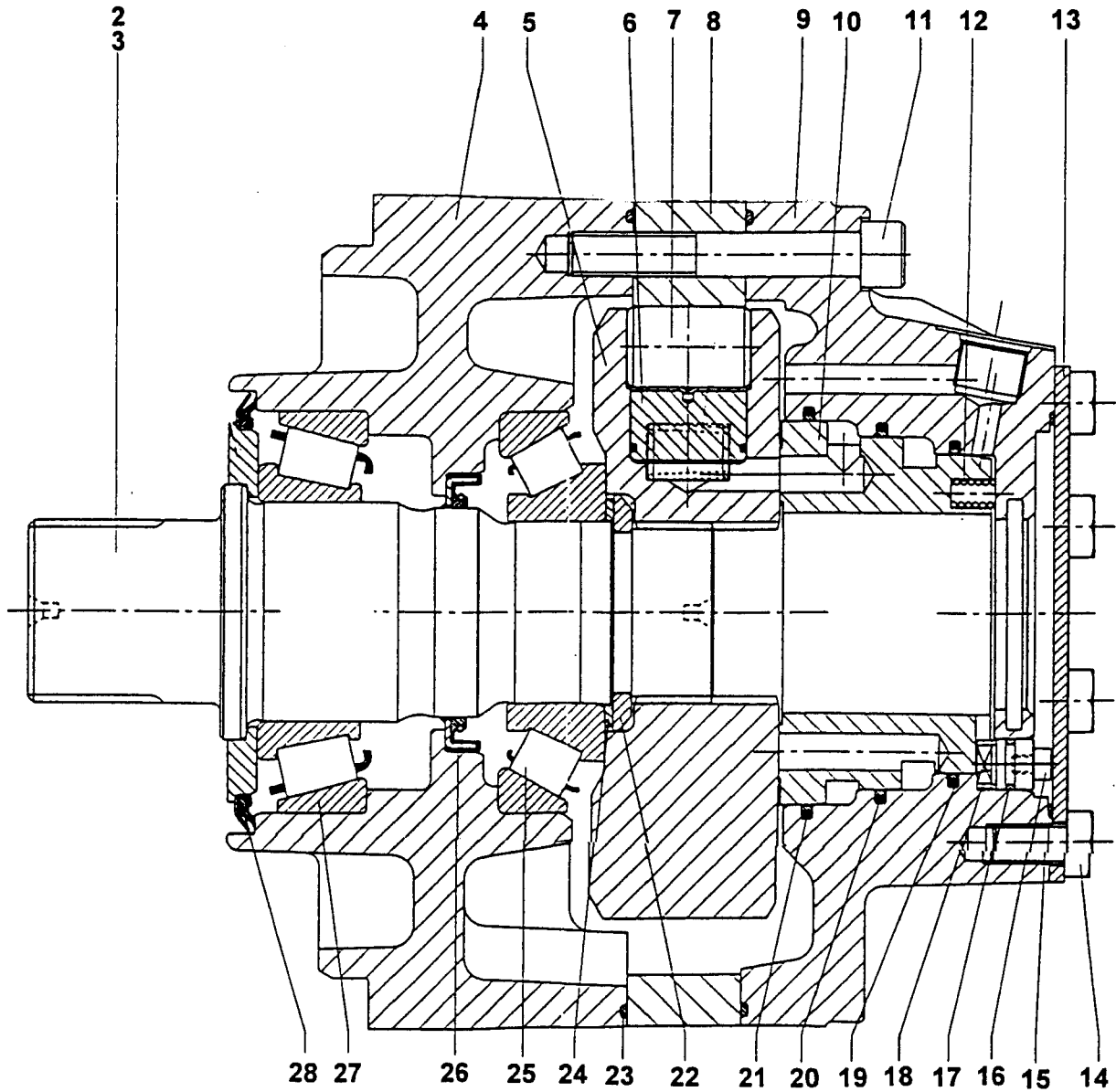
ITEM NO.	REED'S PARTS NO.	DESCRIPTION	QTY
-1	B-254120	Assembly, Agitator (See Group 20, Figure 01 for NHA)	Ref
2	W-101240	• Assembly, Agitator Drive Motor (See Group 20, Figure 08 for DET)	1
3	W-103064	• O-Ring	2
4	W-103063	• O-Ring	2
5	W-1004909	• Screw, M5 Set	2
6	B-254101	• Assembly, Flange	2
7	W-102962	• Washer	8
8	W-103062	• Screw, M12 Hex	8
9	W-102544	• Ring, Groove-Outer	2
9A	B-253029	• Ring, Groove-Inner	2
10	B-254104	• Sleeve, Wear	2
11	B-254102	• Shaft	2
12	B-254105	• Agitator, Left	1
13	B-254106	• Agitator, Right	1
14	W-103065	• Pin 10m	12
15	W-103249	• O-Ring	2
16	B-254103	• Nut	2
17	W-103106	• Sleeve, Clamping	4

DASH (-) ITEM NOT ILLUSTRATED



# AGITATOR DRIVE MOTOR ASSEMBLY

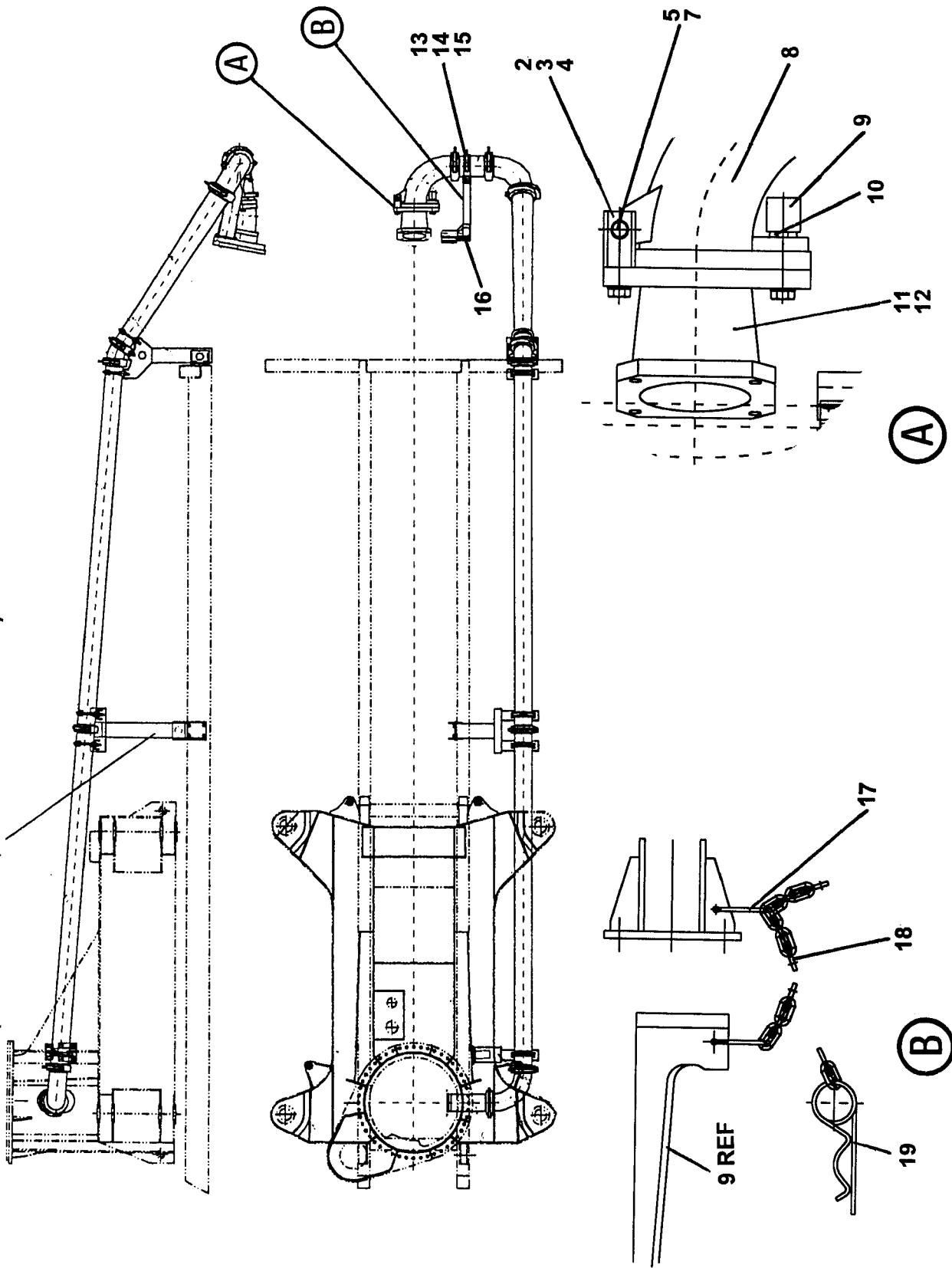
XT 36  
PARTS  
GROUP 20  
FIGURE 06  
PAGE 01



ITEM NO.	REED'S PARTS NO.	1 2 3 4 5	DESCRIPTION	QTY
-1	W-101240		Assembly, Agitator Drive Motor (See Group 20, Figure 05 for NHA)	Ref
2			• Assembly, Auger Drive Motor	1
3			• Shaft	1
4			• Case, Front	1
5			• Block, Cylinder	1
6			• Piston	8
7			• Roller	8
8			• Cam	1
9			• Case, Rear	1
10			• Ring, Distributor	1
11			• Screw, Cap M12	12
12			• Spring	6
13			• Plate, Cover	1
14			• Screw, Hex M10	8
15			• O-Ring	1
16			• Screw, Cap M5	1
17			• O-Ring	1
18			• Pin, Stop	1
19			• Seal, Rod	1
20			• Seal, Rod	1
21			• Seal, Rod	1
22			• Ring, Split	1
23			• O-Ring	2
24			• Washer	1
25			• Bearing	1
26			• Seal, Shaft	1
27			• Bearing	1
28			• Seal, Face	1

DASH (-) ITEM NOT ILLUSTRATED

CONCRETE DECK PIPE LINE ASSEMBLY  
(SEE GROUP 90, FIGURE 11 FOR REF)



ITEM NO.	REED'S PARTS NO.	DESCRIPTION					QTY
		1	2	3	4	5	
-1	20-07	Assembly, Hopper Outlet (See Group 20, Figure 01 for NHA)					Ref
2	B-194049	• Hinge					2
3	W-102848	• Screw, M24 Hex Head					3
4	W-102331	• Washer					3
5	W-100694	• Ring, Snap					2
-6	B-194065	• Sub- Assembly, Hopper Outlet					1
7	B-194050	• • Bolt					1
8	B-191015	• • Elbow, Reducer					1
9	B-194046	• • Wedge, Locking					1
10	B-194045	• • Bolt, Locking					1
11	B-191010	• • Reducer					1
12	W-104025	• • O-Ring, Hopper Elbow					1
13	W-101779	• • Coupling, 6 Inch Clamp					3
14	W-100690	• • Elbow, 6 Inch					1
15	W-101545	• • O-Ring					3
16	B-194053	• • Coupling, Delivery Line Snap					1
17	W-103731	• S-Hook					2
18	W-103732	• Chain					1
19	W-103733	• Pin, Spring					1

DASH (-) ITEM NOT ILLUSTRATED



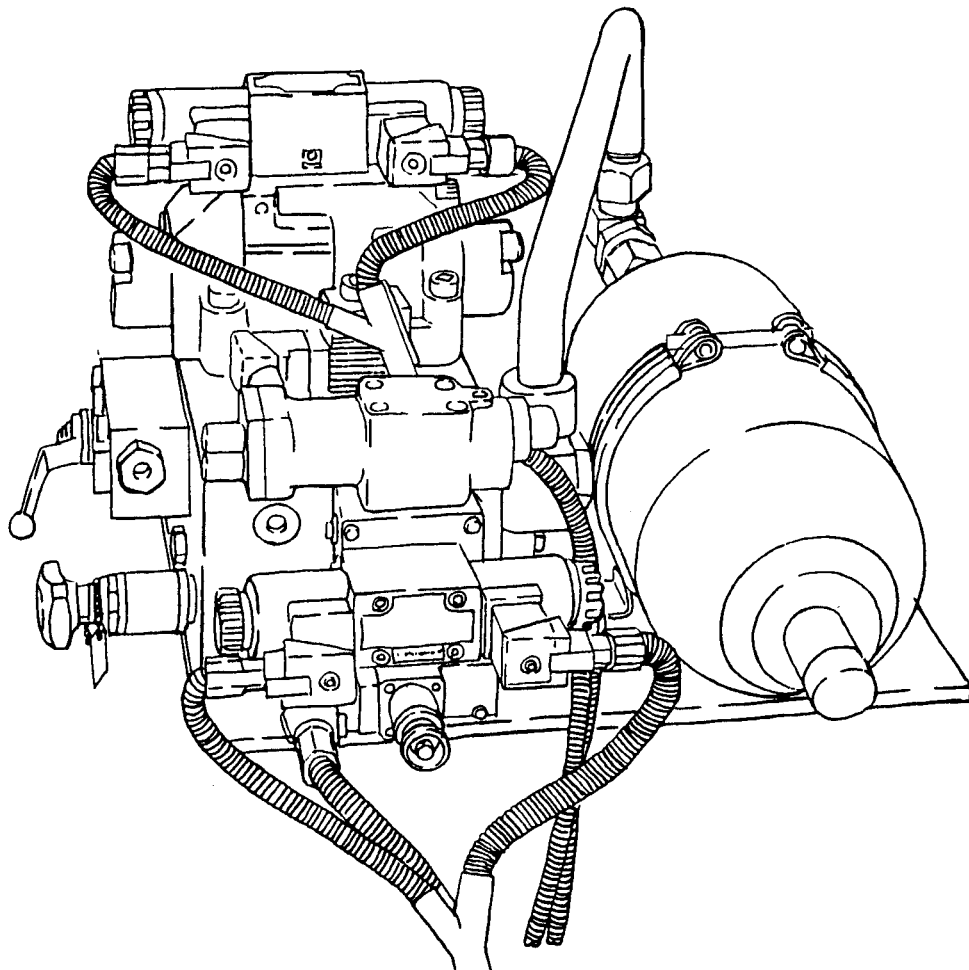
**MODEL XT 36 TRUCK MOUNTED  
CONCRETE BOOM PUMP  
ILLUSTRATED PARTS MANUAL**

**XT 36  
PARTS  
GROUP 20  
FIGURE 08  
PAGE 01**

THIS PAGE INTENTIONALLY LEFT BLANK.

**REED TRUCK MOUNTED CONCRETE BOOM PUMP MODEL XT 36 ILLUSTRATED PARTS MANUAL GROUP 30 HYDRAULIC TANK INSTALLATION CONTAINS THE FOLLOWING FIGURES:**

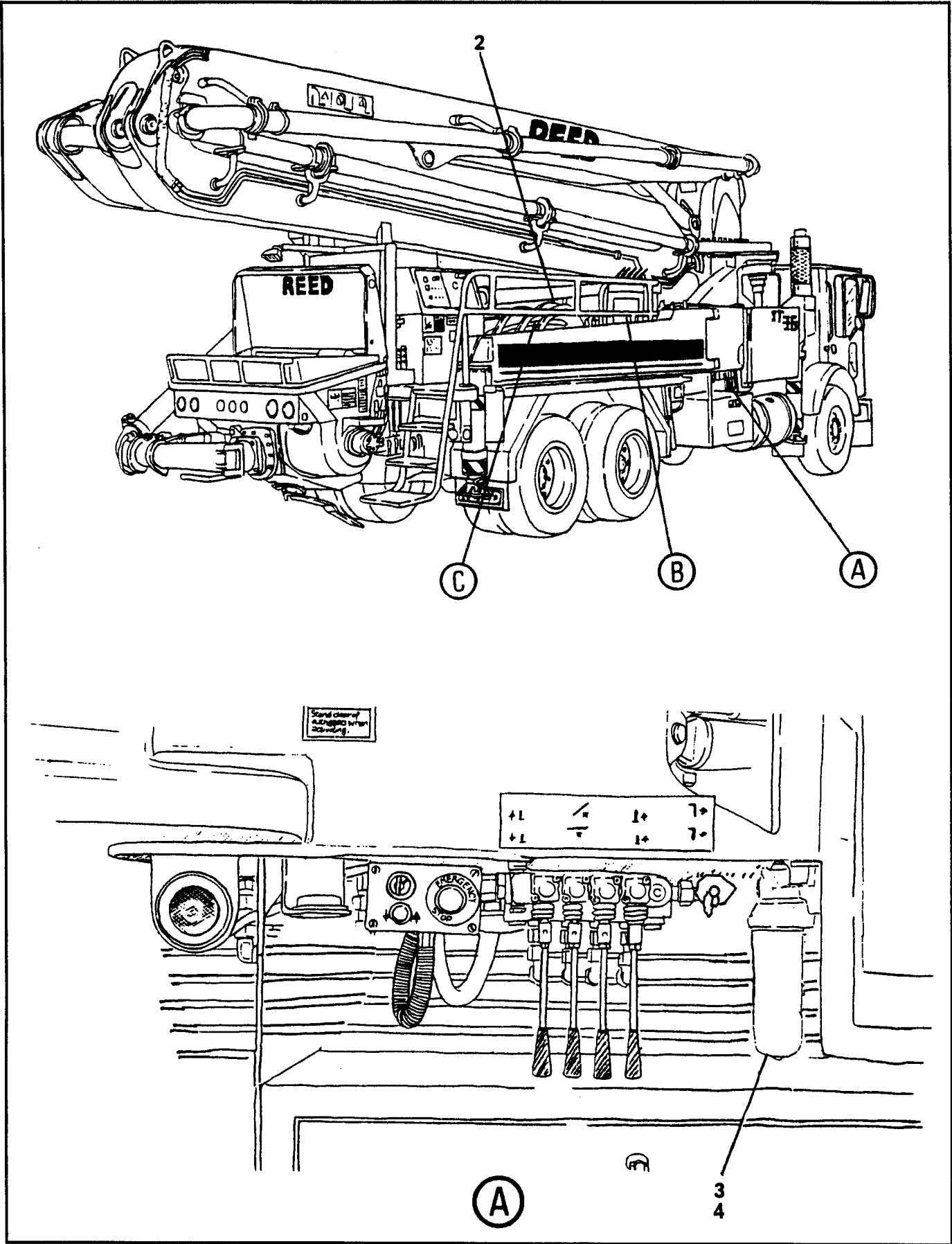
- FIGURE 00** TABLE OF CONTENTS
- FIGURE 01** TANK INSTALLATION
- FIGURE 02** WATER SYSTEM GROUP
- FIGURE 03** WASH WATER PUMP ASSEMBLY
- FIGURE 04** WATER PUMP MOTOR ASSEMBLY
- FIGURE 05** HYDRAULIC TANK ASSEMBLY
- FIGURE 06** OIL COOLER MANIFOLD ASSEMBLY





# TANK INSTALLATION

XT 36  
PARTS  
GROUP 30  
FIGURE 01  
PAGE 01



REVISION:

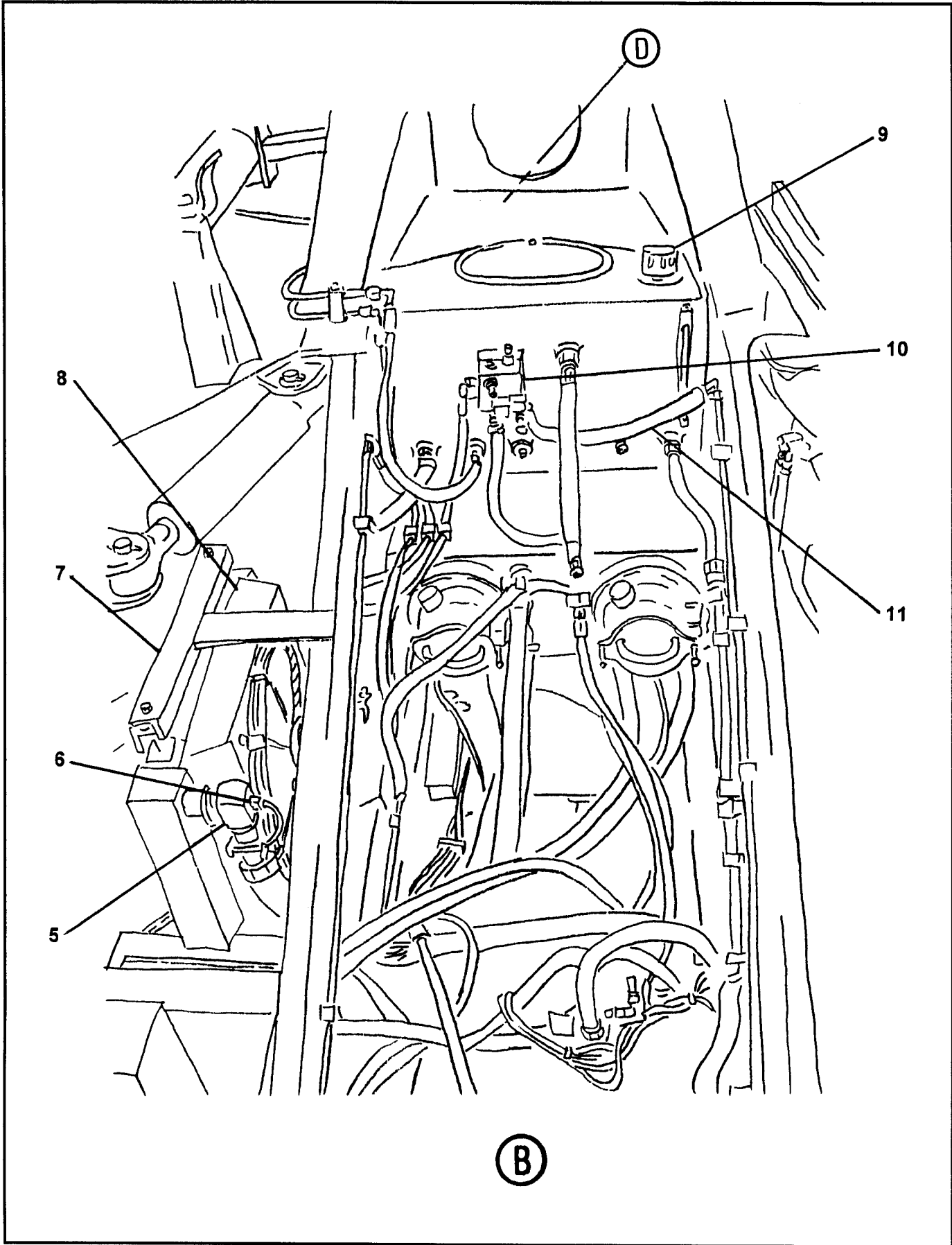


ITEM NO.	REED'S PARTS NO.	DESCRIPTION	QTY
-1	30-01	Installation, Tank (See Group 10, Figure 01 for NHA)	Ref
2	30-02	• Group, Water System (See Group 30, Figure 02 for DET)	1
3	W-105526	• Assembly, Boom High Pressure Filter	1
4	800446	• • Element, Boom High Pressure Filter	1
5	801925	• Elbow, Temperature Sensor	1
6	W-105568	• Sensor, 55 C Temperature	1
7	801814	• Channel, Oil Cooler Bracket	1
8	801868	• Assembly, Hydraulic Oil Cooler	1
9	801935	• Assembly, Hydraulic Tank (See Group 30, Figure 05 for DET)	1
10	802281	• Assembly, Oil Cooler Manifold (See Group 30, Figure 06 for DET)	1
11	801487-006	• Assembly, Tube	1
12	W-104847	• Assembly, Swing Tube Manifold	1
13	W-105573	• Assembly, Swing Tube Circuit Solenoid Valve	1
14	W-105581	• • Pilot, Solenoid Valve	1
15	W-105576	• • • Coil, Swing Tube Circuit Solenoid Valve	2
16	W-105572	• Cartridge, Solenoid Valve	1
17	W-105605	• • Coil	1
18	W-105579	• Valve, HP Limiter	1
19	W-103616	• Accumulator	1
20	71460	• Kit, Accumulator Charge (Optional Item) (See Group 80, Figure 02 for REF)	1
21	73171	• Bracket, Accumulator	A/R
22	W-105582	• Valve, Proportional Pilot	1
23	W-105606	• • Coil	1
24	W-105581	• Assembly, Pump Control Solenoid Valve	1
25	W-105576	• • Coil, Pump Control Solenoid Valve	2
26	W-104846	• Assembly, Pump Control Manifold	1
27	W-105570	• Cartridge, Relief Valve	1
28	W-105577	• Cartridge, Check Valve	1
29	W-105578	• Valve, Ball	1
30	W-104691	• Plug	4
31	801496	• Assembly, Suction Filter	1
32	801498	• • Element, Suction Filter	1
33		• • Gauge, Suction Filter	1
34	801871-003	• Plug	3
35	801026	• Gauge, Level / Temperature 10 Inch	1
36	80264-016	• Flange, Split	1
37	801508	• Adapter, 45	1
38	801526	• Adapter, STR	1

DASH (-) ITEM NOT ILLUSTRATED

REVISION:

## TANK INSTALLATION



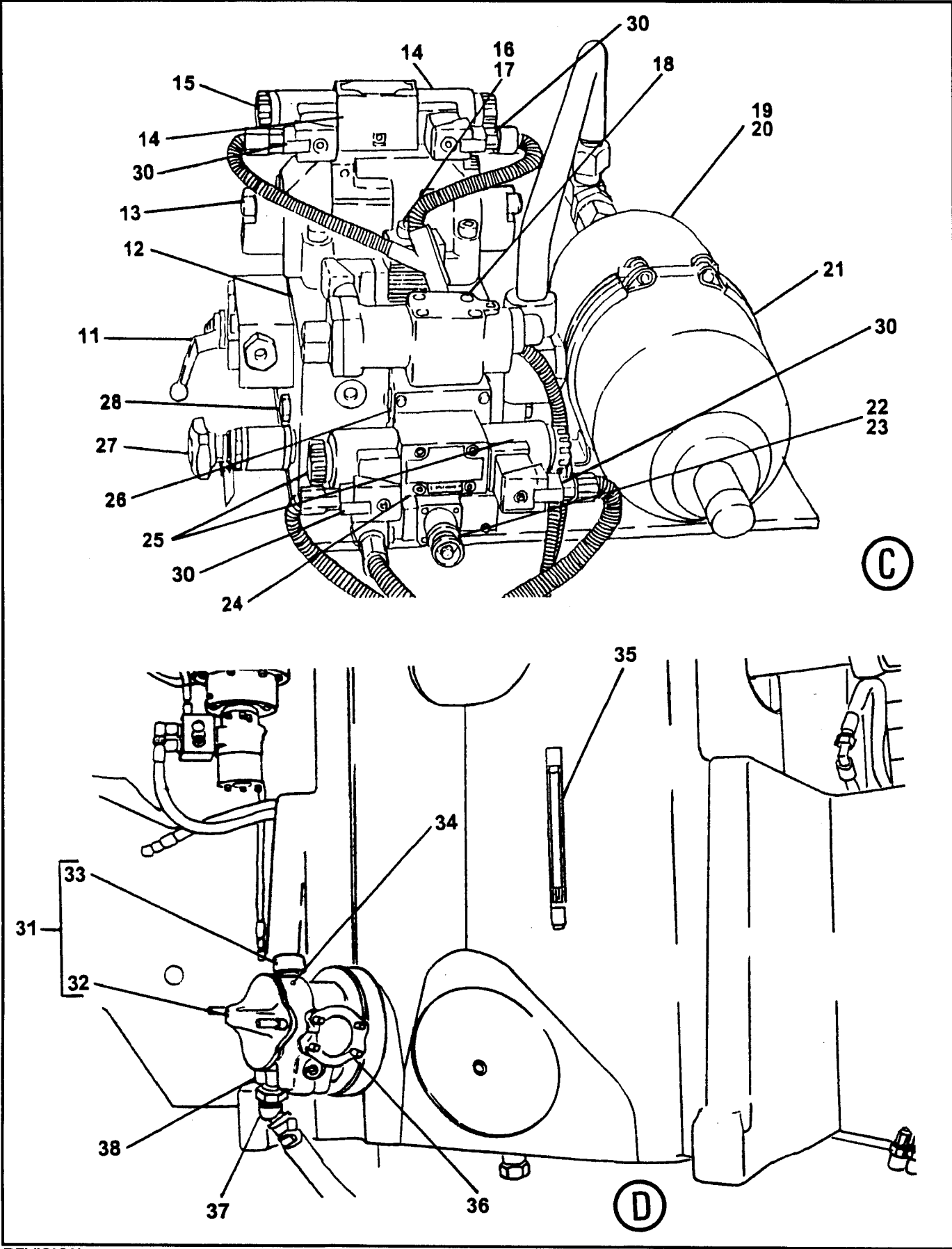
REVISION:

ITEM NO.	REED'S PARTS NO.	DESCRIPTION					QTY
		1	2	3	4	5	
-1	30-01	Installation, Tank (See Group 10, Figure 01 for NHA)					Ref
2	30-02	• Group, Water System (See Group 30, Figure 02 for DET)					1
3	W-105526	• Assembly, Boom High Pressure Filter					1
4	800446	• • Element, Boom High Pressure Filter					1
5	801925	• Elbow, Temperature Sensor					1
6	W-105568	• Sensor, 55 C Temperature					1
7	801814	• Channel, Oil Cooler Bracket					1
8	801868	• Assembly, Hydraulic Oil Cooler					1
9	801935	• Assembly, Hydraulic Tank (See Group 30, Figure 05 for DET)					1
10	802281	• Assembly, Oil Cooler Manifold (See Group 30, Figure 06 for DET)					1
11	801487-006	• Assembly, Tube					1
12	W-104847	• Assembly, Swing Tube Manifold					1
13	W-105573	• Assembly, Swing Tube Circuit Solenoid Valve					1
14	W-105581	• • Pilot, Solenoid Valve					1
15	W-105576	• • • Coil, Swing Tube Circuit Solenoid Valve					2
16	W-105572	• Cartridge, Solenoid Valve					1
17	W-105605	• • Coil					1
18	W-105579	• Valve, HP Limiter					1
19	W-103616	• Accumulator					1
20	71460	• Kit, Accumulator Charge (Optional Item) (See Group 80, Figure 02 for REF)					1
21	73171	• Bracket, Accumulator					A/R
22	W-105582	• Valve, Proportional Pilot					1
23	W-105606	• • Coil					1
24	W-105581	• Assembly, Pump Control Solenoid Valve					1
25	W-105576	• • Coil, Pump Control Solenoid Valve					2
26	W-104846	• Assembly, Pump Control Manifold					1
27	W-105570	• Cartridge, Relief Valve					1
28	W-105577	• Cartridge, Check Valve					1
29	W-105578	• Valve, Ball					1
30	W-104691	• Plug					4
31	801496	• Assembly, Suction Filter					1
32	801498	• • Element, Suction Filter					1
33		• • Gauge, Suction Filter					1
34	801871-003	• Plug					3
35	801026	• Gauge, Level / Temperature 10 Inch					1
36	80264-016	• Flange, Split					1
37	801508	• Adapter, 45					1
38	801526	• Adapter, STR					1

DASH (-) ITEM NOT ILLUSTRATED

REVISION:

## TANK INSTALLATION



REVISION:

ITEM NO.	REED'S PARTS NO.	DESCRIPTION					QTY
		1	2	3	4	5	
-1	30-01	Installation, Tank (See Group 10, Figure 01 for NHA)					Ref
2	30-02	• Group, Water System (See Group 30, Figure 02 for DET)					1
3	W-105526	• Assembly, Boom High Pressure Filter					1
4	800446	• • Element, Boom High Pressure Filter					1
5	801925	• Elbow, Temperature Sensor					1
6	W-105568	• Sensor, 55 C Temperature					1
7	801814	• Channel, Oil Cooler Bracket					1
8	801868	• Assembly, Hydraulic Oil Cooler					1
9	801935	• Assembly, Hydraulic Tank (See Group 30, Figure 05 for DET)					1
10	802281	• Assembly, Oil Cooler Manifold (See Group 30, Figure 06 for DET)					1
11	801487-006	• Assembly, Tube					1
12	W-104847	• Assembly, Swing Tube Manifold					1
13	W-105573	• Assembly, Swing Tube Circuit Solenoid Valve					1
14	W-105581	• • Pilot, Solenoid Valve					1
15	W-105576	• • • Coil, Swing Tube Circuit Solenoid Valve					2
16	W-105572	• Cartridge, Solenoid Valve					1
17	W-105605	• • Coil					1
18	W-105579	• Valve, HP Limiter					1
19	W-103616	• Accumulator					1
20	71460	• Kit, Accumulator Charge (Optional Item) (See Group 80, Figure 02 for REF)					1
21	73171	• Bracket, Accumulator					A/R
22	W-105582	• Valve, Proportional Pilot					1
23	W-105606	• • Coil					1
24	W-105581	• Assembly, Pump Control Solenoid Valve					1
25	W-105576	• • Coil, Pump Control Solenoid Valve					2
26	W-104846	• Assembly, Pump Control Manifold					1
27	W-105570	• Cartridge, Relief Valve					1
28	W-105577	• Cartridge, Check Valve					1
29	W-105578	• Valve, Ball					1
30	W-104691	• Plug					4
31	801496	• Assembly, Suction Filter					1
32	801498	• • Element, Suction Filter					1
33		• • Gauge, Suction Filter					1
34	801871-003	• Plug					3
35	801026	• Gauge, Level / Temperature 10 Inch					1
36	80264-016	• Flange, Split					1
37	801508	• Adapter, 45					1
38	801526	• Adapter, STR					1

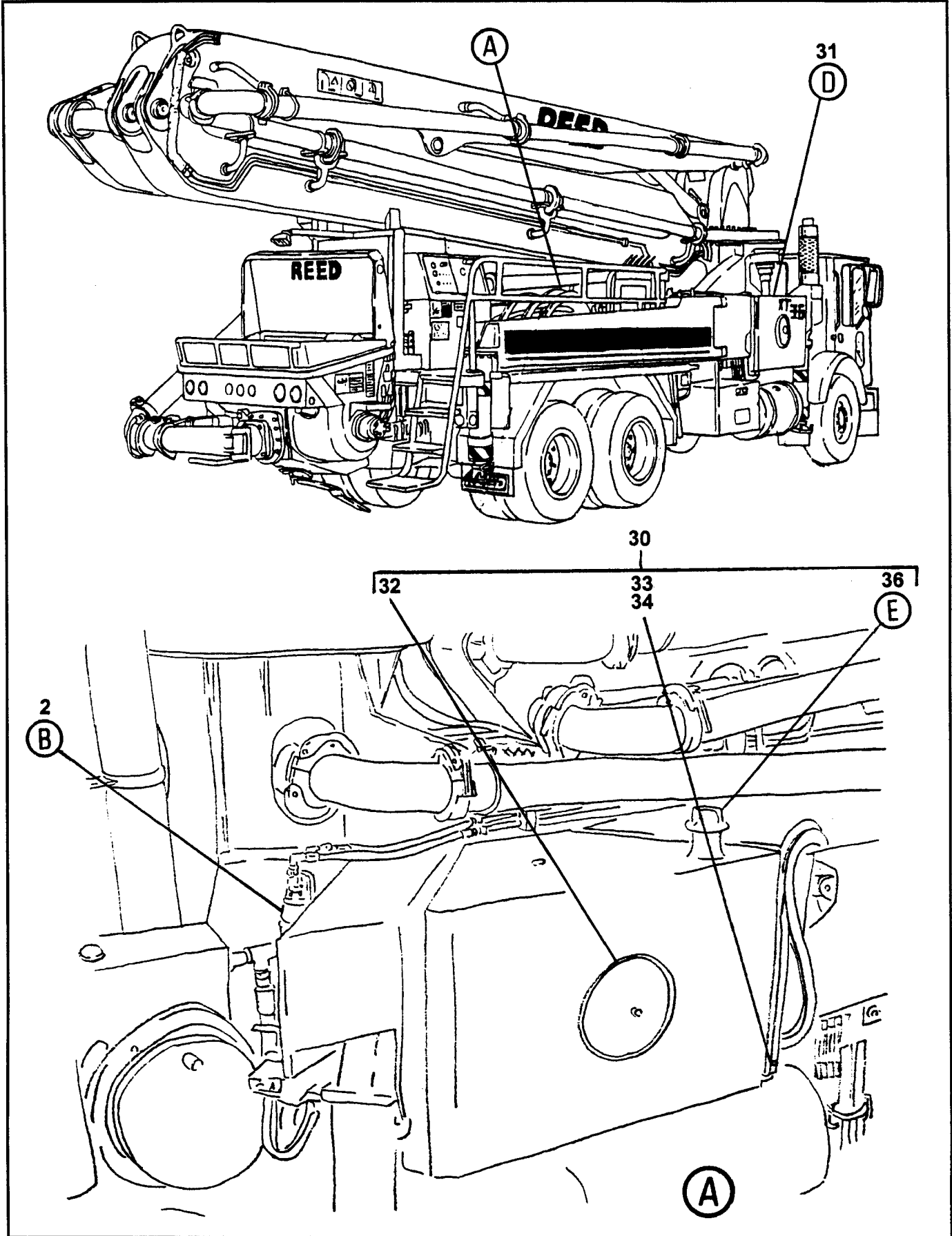
DASH (-) ITEM NOT ILLUSTRATED

REVISION:



# WATER SYSTEM GROUP

**XT 36**  
**PARTS**  
GROUP 30  
FIGURE 02  
PAGE 01



REVISION:

ITEM NO.	REED'S PARTS NO.	DESCRIPTION					QTY
		1	2	3	4	5	
-1	30-02	Group, Water System (See Group 30, Figure 01 for NHA)					Ref
2	802247	• Kit, Water Pump Retro-Fit					1
3	801740	• • Plate, Water Pump					1
4	85663-008	• • Assembly, Hose					1
5	801896-004	• • Fitting, STR					1
6	801487-012	• • Assembly, Hose					1
7	801896-003	• • Fitting, STR					1
8	78128	• • Valve, Relief					1
9		• • Tee					1
10	802295	• • Adapter, Water pump Flange					1
11	802294	• • Adapter, Water pump Flange					1
12	801899-003	• • Union, Swivel					2
13	801877-004	• • Union, Tube					2
14	801888-004	• • Elbow, Swivel					2
15	801486-001	• • Assembly, Hose					2
16	802325	• • Plate, Water Pump Cover					1
17	B-323030	• • Assembly, Water Pump And Drive					1
18	W-101126	• • • Assembly, Wash Water Pump (See Group 30, Figure 03 for DET)					1
19	B-323019	• • • Coupling					1
20	B-323016	• • • Flange					1
21	W-105929	• • • Screw, M8					4
22	W-100235	• • • Washer, Spring					8
23	W-105922	• • • Assembly, Water Pump Motor (See Group 30, Figure 04 for DET)					1
24	W-102916	• • • Coupling, Splined					1
25	W-102915	• • • Support, Belt Pulley					1
26	W-105930	• • • Screw, M8					4
27	W-103673	• • • Bolt, M6 Alien					1
28	W-105931	• • • Ring, Locking					1
29	B-323021	• • • Washer					1
30	801959	• Assembly, LH Water Tank					1
31	801960	• Assembly, RH Water Tank					1
32	801023	• • Kit, Endcover					1
33	801978	• • Tubing, Clear 28 Inch					1
34	802289	• • Clamp, Hose					2
-35	W-104496	• • Buffer, Rubber					4
36	801708	• • Weldment, Water tank					1
37		• • • Screw, Socket head Cap					2
38	801682	• • • Weldment, Water Tank cap					1
39	30214	• • • Chain, 12 inch					1

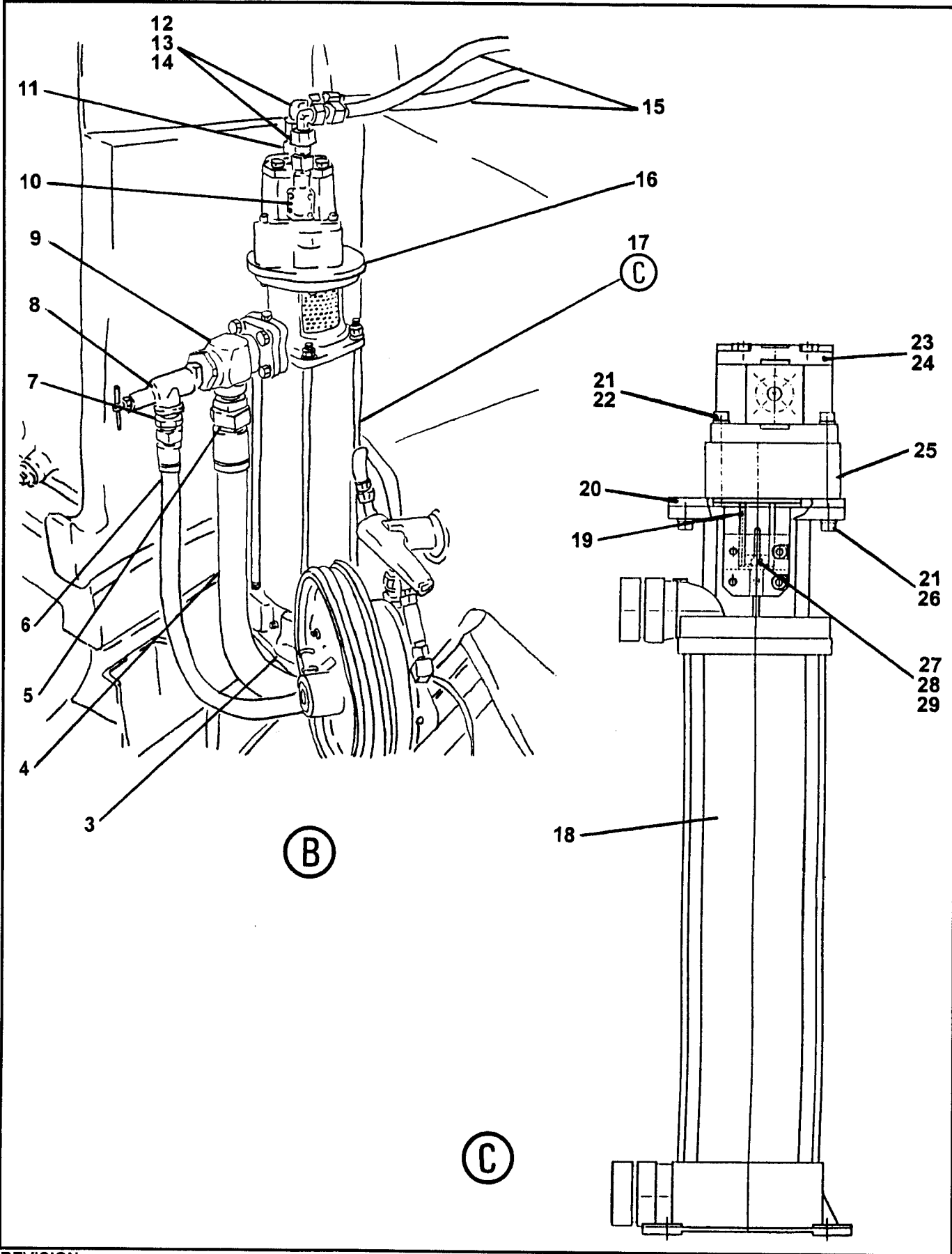
DASH (-) ITEM NOT ILLUSTRATED

REVISION:



# WATER SYSTEM GROUP

XT 36  
PARTS  
GROUP 30  
FIGURE 02  
PAGE 03



REVISION:



ITEM NO.	REED'S PARTS NO.	DESCRIPTION					QTY
		1	2	3	4	5	
-1	30-02	Group, Water System (See Group 30, Figure 01 for NHA)					Ref
2	802247	• Kit, Water Pump Retro-Fit					1
3	801740	• • Plate, Water Pump					1
4	85663-008	• • Assembly, Hose					1
5	801896-004	• • Fitting, STR					1
6	801487-012	• • Assembly, Hose					1
7	801896-003	• • Fitting, STR					1
8	78128	• • Valve, Relief					1
9		• • Tee					1
10	802295	• • Adapter, Water pump Flange					1
11	802294	• • Adapter, Water pump Flange					1
12	801899-003	• • Union, Swivel					2
13	801877-004	• • Union, Tube					2
14	801888-004	• • Elbow, Swivel					2
15	801486-001	• • Assembly, Hose					2
16	802325	• • Plate, Water Pump Cover					1
17	B-323030	• • Assembly, Water Pump And Drive					1
18	W-101126	• • • Assembly, Wash Water Pump (See Group 30, Figure 03 for DET)					1
19	B-323019	• • • Coupling					1
20	B-323016	• • • Flange					1
21	W-105929	• • • Screw, M8					4
22	W-100235	• • • Washer, Spring					8
23	W-105922	• • • Assembly, Water Pump Motor (See Group 30, Figure 04 for DET)					1
24	W-102916	• • • Coupling, Splined					1
25	W-102915	• • • Support, Belt Pulley					1
26	W-105930	• • • Screw, M8					4
27	W-103673	• • • Bolt, M6 Alien					1
28	W-105931	• • • Ring, Locking					1
29	B-323021	• • • Washer					1
30	801959	• Assembly, LH Water Tank					1
31	801960	• Assembly, RH Water Tank					1
32	801023	• • Kit, Endcover					1
33	801978	• • Tubing, Clear 28 Inch					1
34	802289	• • Clamp, Hose					2
-35	W-104496	• • Buffer, Rubber					4
36	801708	• • Weldment, Water tank					1
37		• • • Screw, Socket head Cap					2
38	801682	• • • Weldment, Water Tank cap					1
39	30214	• • • Chain, 12 inch					1

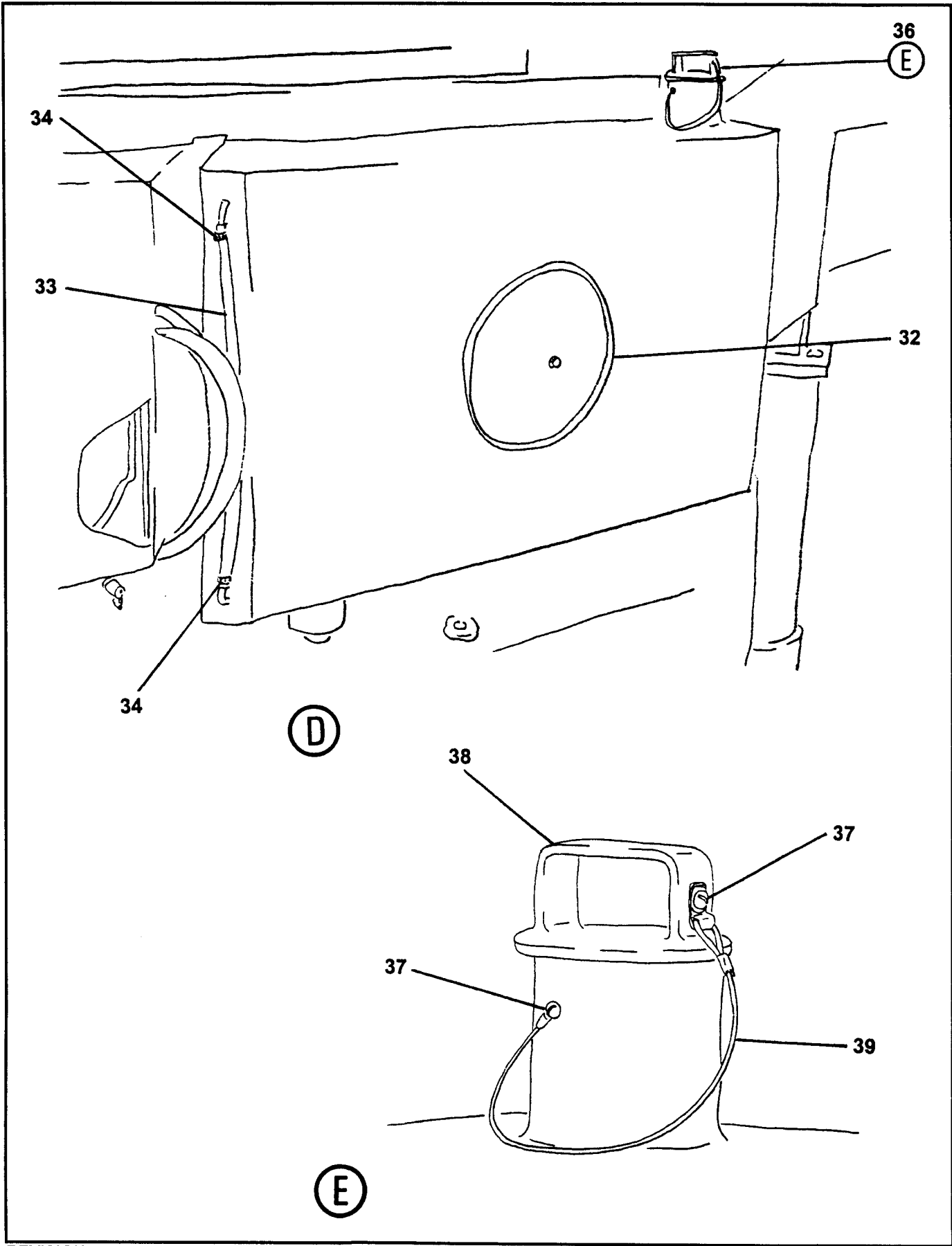
DASH (-) ITEM NOT ILLUSTRATED

REVISION:



# WATER SYSTEM GROUP

**XT 36**  
**PARTS**  
GROUP 30  
FIGURE 02  
PAGE 05



REVISION:

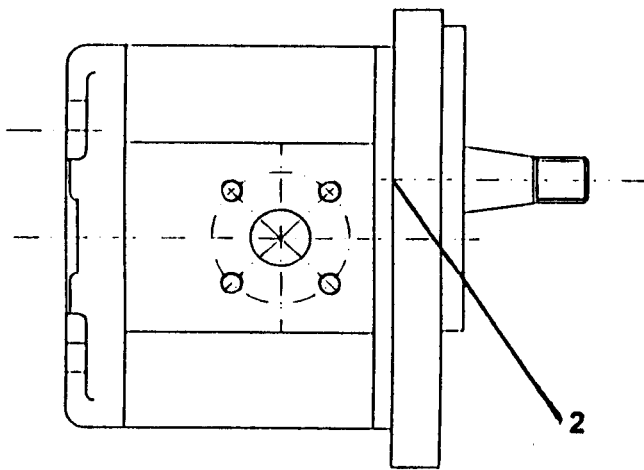
ITEM NO.	REED'S PARTS NO.	DESCRIPTION					QTY
		1	2	3	4	5	
-1	30-02	Group, Water System (See Group 30, Figure 01 for NHA)					Ref
2	802247	• Kit, Water Pump Retro-Fit					1
3	801740	• • Plate, Water Pump					1
4	85663-008	• • Assembly, Hose					1
5	801896-004	• • Fitting, STR					1
6	801487-012	• • Assembly, Hose					1
7	801896-003	• • Fitting, STR					1
8	78128	• • Valve, Relief					1
9		• • Tee					1
10	802295	• • Adapter, Water pump Flange					1
11	802294	• • Adapter, Water pump Flange					1
12	801899-003	• • Union, Swivel					2
13	801877-004	• • Union, Tube					2
14	801888-004	• • Elbow, Swivel					2
15	801486-001	• • Assembly, Hose					2
16	802325	• • Plate, Water Pump Cover					1
17	B-323030	• • Assembly, Water Pump And Drive					1
18	W-101126	• • • Assembly, Wash Water Pump (See Group 30, Figure 03 for DET)					1
19	B-323019	• • • Coupling					1
20	B-323016	• • • Flange					1
21	W-105929	• • • Screw, M8					4
22	W-100235	• • • Washer, Spring					8
23	W-105922	• • • Assembly, Water Pump Motor (See Group 30, Figure 04 for DET)					1
24	W-102916	• • • Coupling, Splined					1
25	W-102915	• • • Support, Belt Pulley					1
26	W-105930	• • • Screw, M8					4
27	W-103673	• • • Bolt, M6 Alien					1
28	W-105931	• • • Ring, Locking					1
29	B-323021	• • • Washer					1
30	801959	• Assembly, LH Water Tank					1
31	801960	• Assembly, RH Water Tank					1
32	801023	• • Kit, Endcover					1
33	801978	• • Tubing, Clear 28 Inch					1
34	802289	• • Clamp, Hose					2
-35	W-104496	• • Buffer, Rubber					4
36	801708	• • Weldment, Water tank					1
37		• • • Screw, Socket head Cap					2
38	801682	• • • Weldment, Water Tank cap					1
39	30214	• • • Chain, 12 inch					1

DASH (-) ITEM NOT ILLUSTRATED



# WASH WATER PUMP ASSEMBLY

**XT 36**  
**PARTS**  
GROUP 30  
FIGURE 03  
PAGE 01



REVISION:

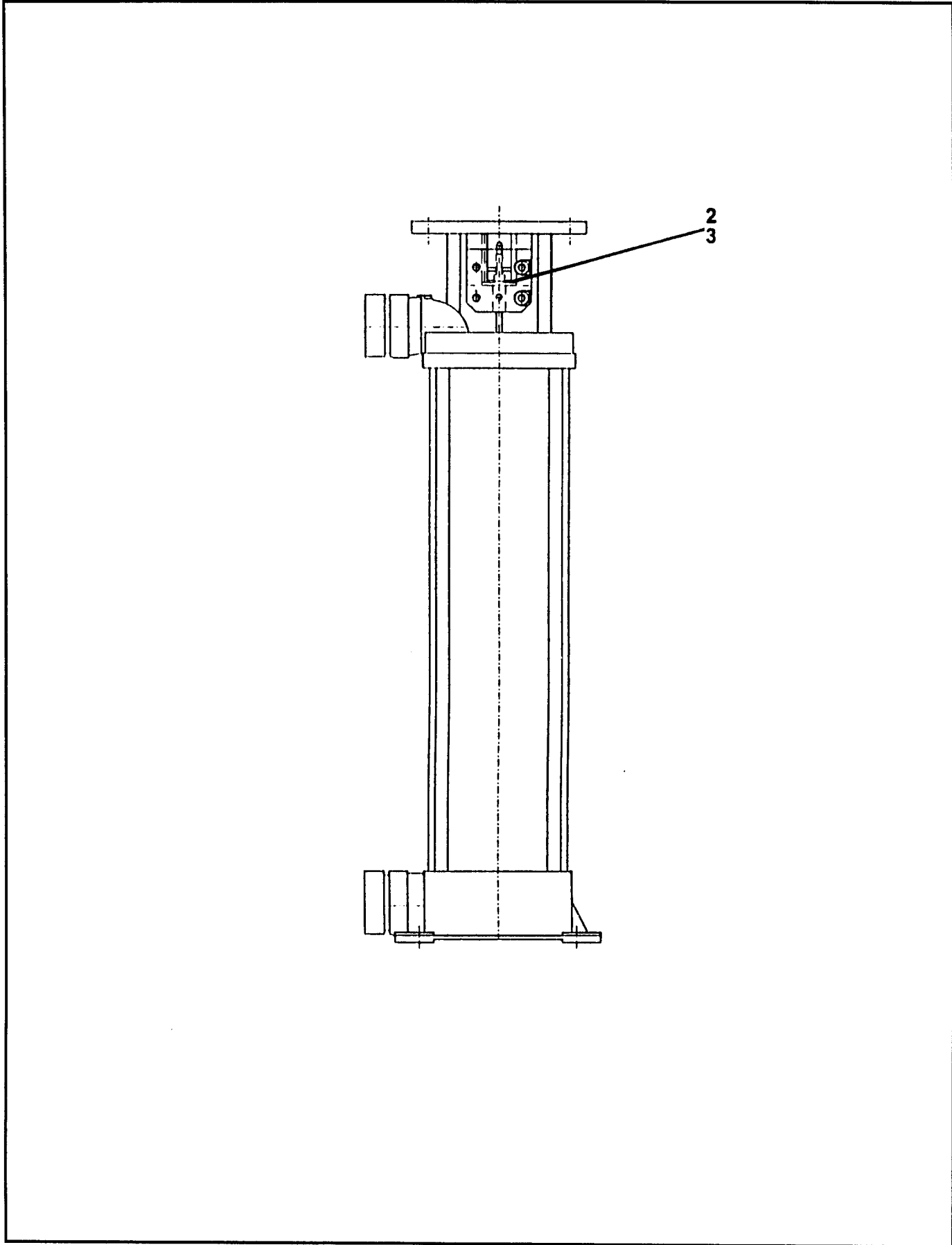
ITEM NO.	REED'S PARTS NO.	DESCRIPTION					QTY
		1	2	3	4	5	
-1	W-105922	Assembly, Wash Water Pump (See Group 30, Figure 02 for NHA)					Ref
2	W-106044	• Kit, Seal					1

DASH (-) ITEM NOT ILLUSTRATED



WATER PUMP MOTOR ASSEMBLY

XT 36  
PARTS  
GROUP 30  
FIGURE 04  
PAGE 01



REVISION:



# WATER PUMP MOTOR ASSEMBLY

**XT 36**  
**PARTS**  
GROUP 30  
FIGURE 04  
PAGE 02

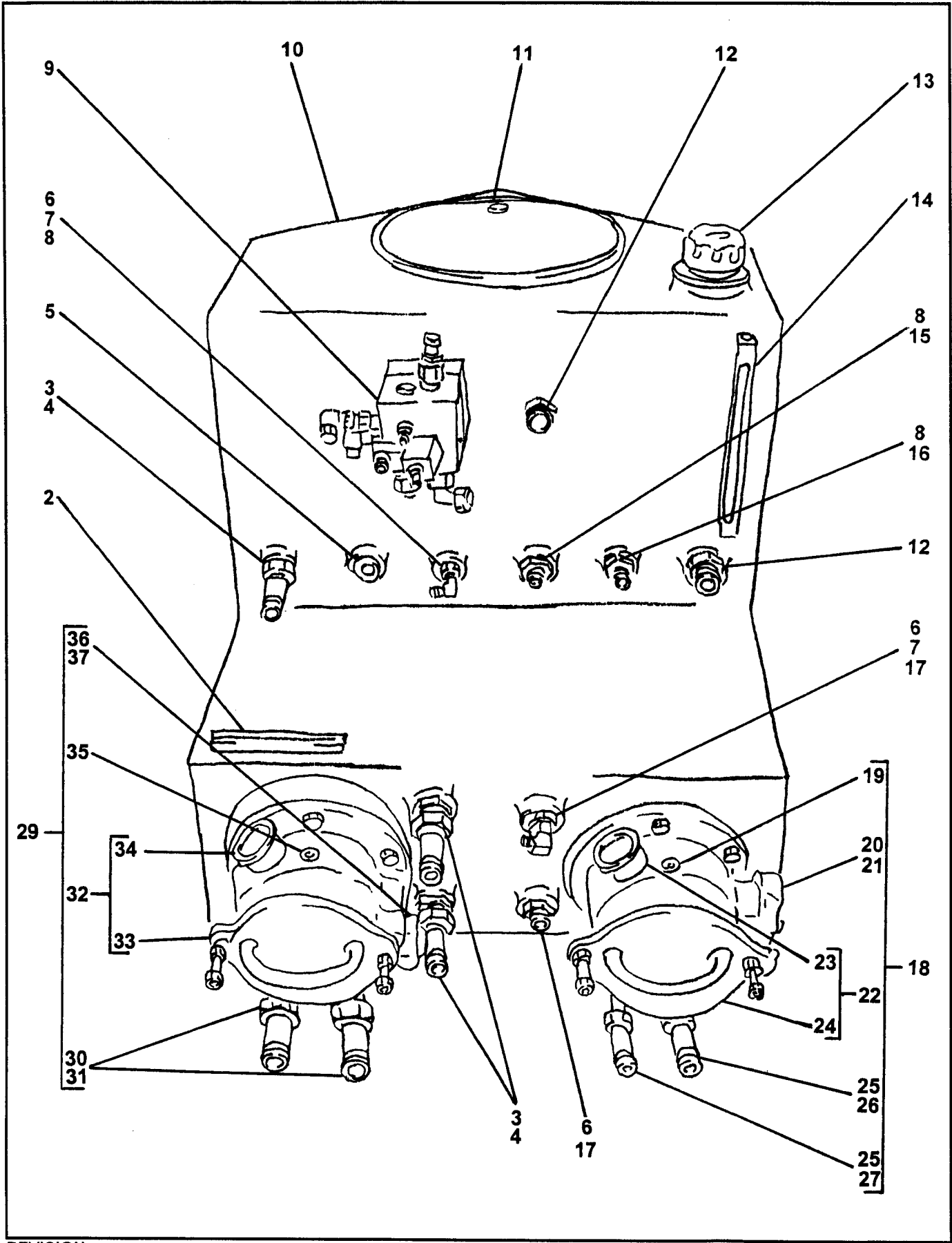
ITEM NO.	REED'S PARTS NO.	1 2 3 4 5	DESCRIPTION	QTY
-1	W-101126		Assembly, Water Pump Motor (See Group 30, Figure 02 for NHA)	Ref
2	W-105988		• Coupling	1
3	W-106043		• Kit, Seal	1

DASH (-) ITEM NOT ILLUSTRATED



# HYDRAULIC TANK ASSEMBLY

**XT 36**  
**PARTS**  
GROUP 30  
FIGURE 05  
PAGE 01



REVISION:



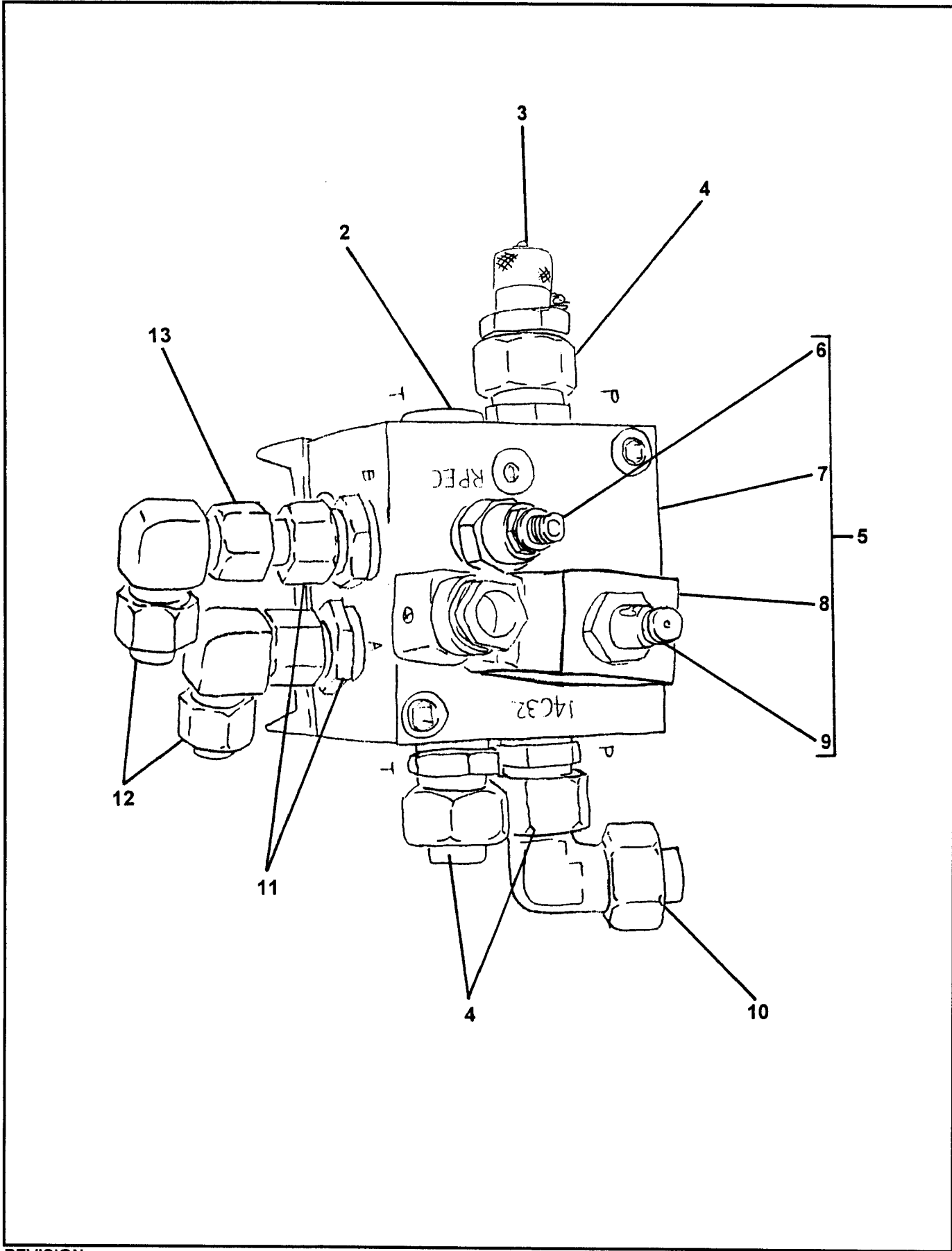
ITEM NO.	REED'S PARTS NO.	DESCRIPTION					QTY
		1	2	3	4	5	
-1	801935	Assembly, Hydraulic Tank (See Group 30, Figure 01 for NHA)					Ref
2	801171-007	• C-Rail, 6.5 Inch					1
3	W-105170	• Adapter, STR					3
4		• Fitting, STR					3
5	801871-006	• Plug					1
6	801888-003	• Elbow, Swivel					2
7	801873-006	• Adapter, STR					2
8	801895-001	• Reducer					3
9	802281	• Assembly, Oil Cooler Manifold (See Group 30, Figure 06 for DET)					1
10	801700	• Weldment, Hydraulic Tank					1
11	801023	• • Kit, End Cover					1
12	801872-008	• Adapter, STR					2
13	74508	• Breather, Filler					1
14	801026	• Gauge, Level / Temperature 10 Inch					1
15	801873-008	• Adapter, STR					1
16	801873-010	• Adapter, STR					1
17	801895-001	• Reducer					2
18	802370	• Assembly, RH Suction Filter					1
19	801871-003	• • Plug					3
20	801937	• • Plug, Flange					1
21	86264-016	• • Flange, Split					1
22	801496	• • Assembly, Suction Filter					1
23		• • • Gauge, Suction Filter					1
24	801498	• • • Element, Suction Filter					1
25	801526	• • Adapter, STR					2
26	801506	• • Adapter, 90					1
27	801509	• • Adapter, 90					1
-28	W-104496	• Buffer, Rubber					4
29	802371	• Assembly, LH Suction Filter					1
30	801526	• • Adapter, STR					2
31	801506	• • Adapter, 90					2
32	801496	• • Assembly, Suction Filter					1
33	801498	• • • Element, Suction Filter					1
34		• • • Gauge, Suction Filter					1
35	801871-003	• • Plug					3
36	801937	• • Plug, Flange					1
37	86264-016	• • Flange, Split					1

DASH (-) ITEM NOT ILLUSTRATED



# OIL COOLER MANIFOLD ASSEMBLY

XT 36  
PARTS  
GROUP 30  
FIGURE 06  
PAGE 01



REVISION:



# OIL COOLER MANIFOLD ASSEMBLY

**XT 36**  
**PARTS**  
GROUP 30  
FIGURE 06  
PAGE 02

ITEM NO.	REED'S PARTS NO.	DESCRIPTION					QTY
		1	2	3	4	5	
-1	802281	Assembly, Oil Cooler Manifold (See Group 30, Figure 01 and Figure 05 for NHA)					Ref
2	801871-004	• Plug					1
3	W-104831	• Fitting, L15 Gauge					1
4	801873-010	• Adapter, STR					3
5	801629	• Manifold, Oil Cooler					1
6	801837	• • Cartridge, Relief					1
7		• • Block, Manifold					1
8	801839	• • Coil, Manifold					1
9	801838	• • Cartridge, Manifold Solenoid					1
10	801888-005	• Elbow, Swivel					1
11	801873-006	• Adapter, STR					2
12	801888-002	• Elbow, Swivel					2
13	801899-002	• Union, Swivel					1

DASH (-) ITEM NOT ILLUSTRATED

REVISION:

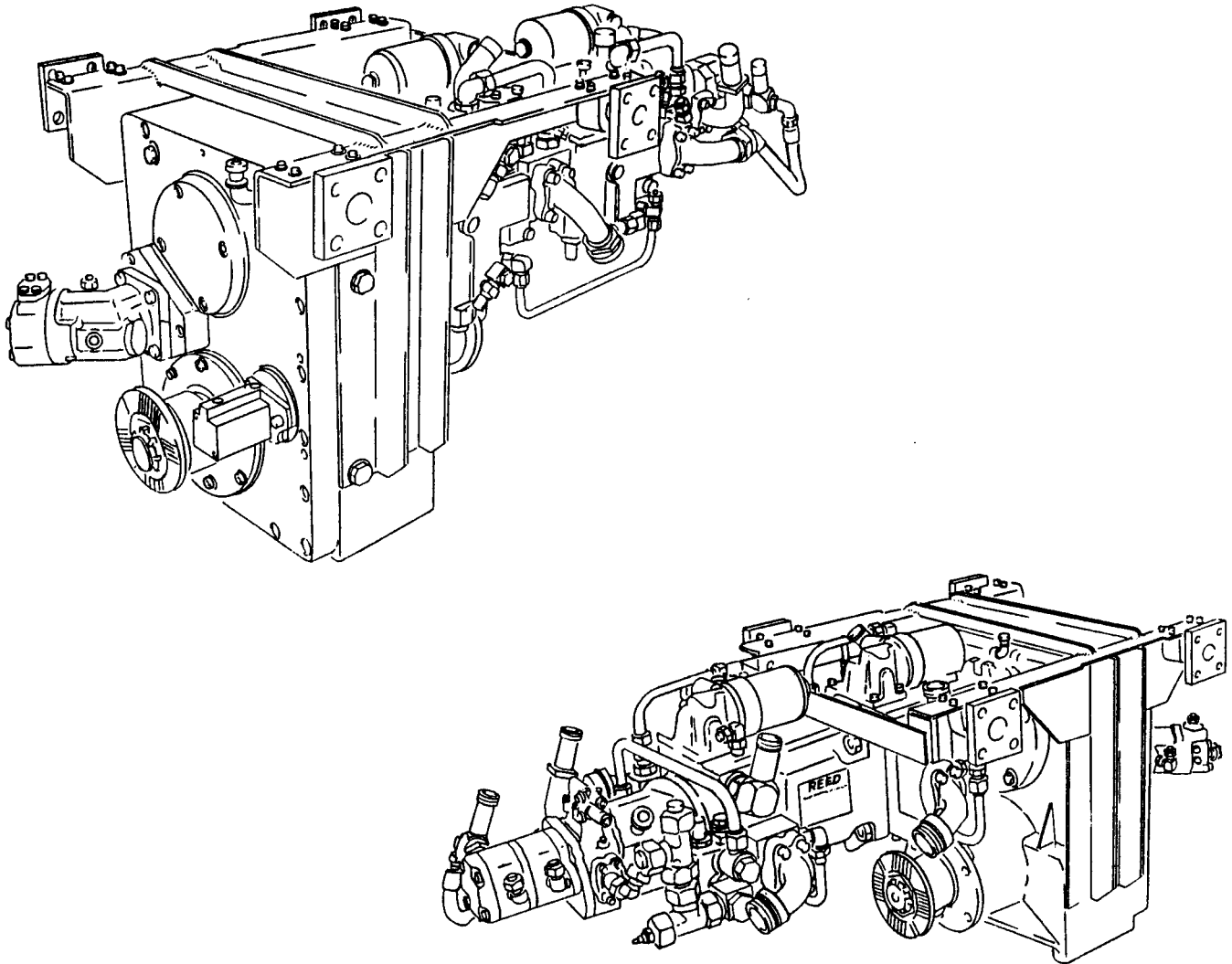


**MODEL XT 36 TRUCK MOUNTED  
CONCRETE BOOM PUMP  
ILLUSTRATED PARTS MANUAL**

**XT 36  
PARTS  
GROUP 30  
FIGURE 07  
PAGE 01**

THIS PAGE INTENTIONALLY LEFT BLANK.

REVISION:



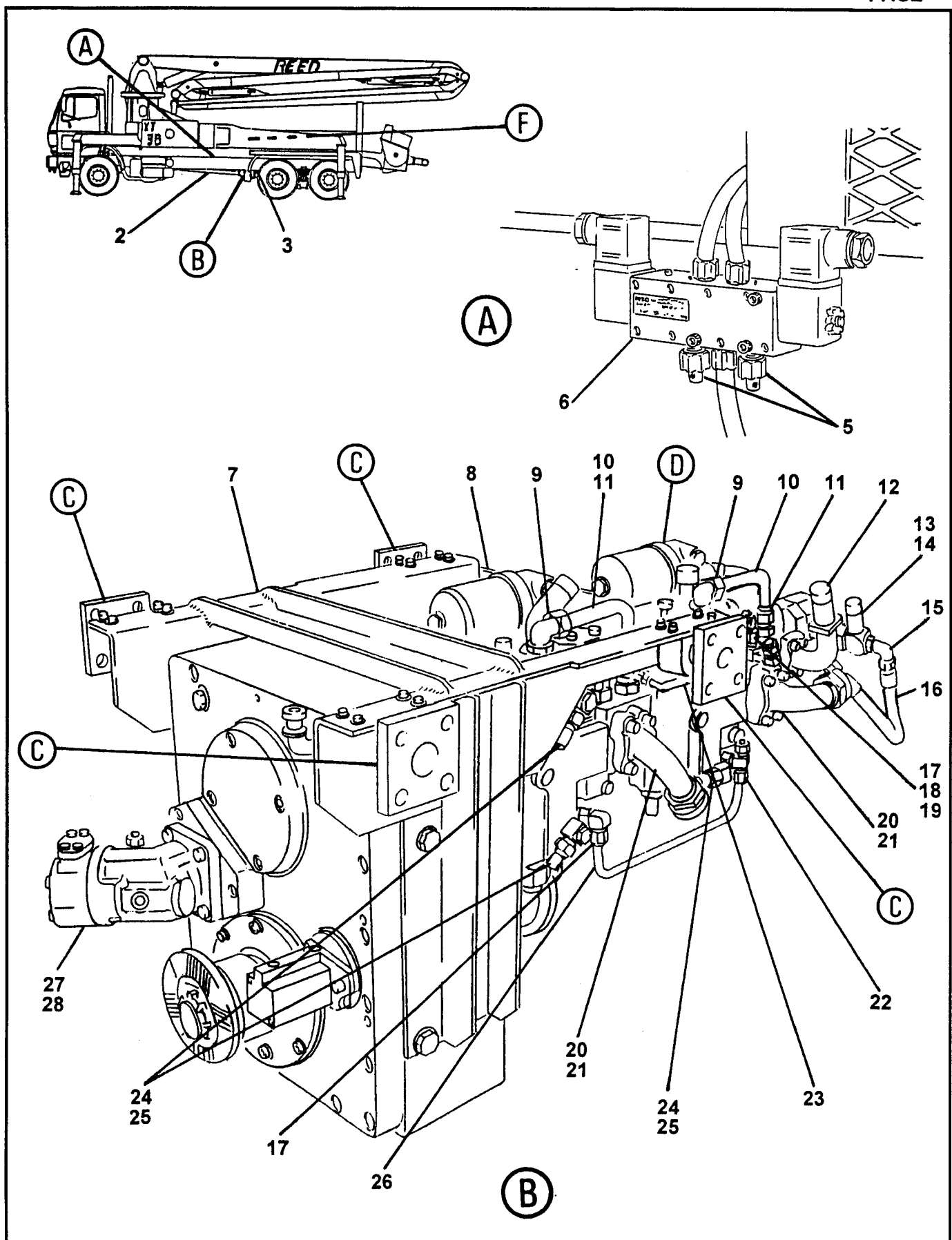
**REED TRUCK MOUNTED CONCRETE BOOM PUMP MODEL XT 36 ILLUSTRATED PARTS MANUAL GROUP 40 POWER TRAIN INSTALLATION CONTAINS THE FOLLOWING FIGURES:**

- |                  |                                 |
|------------------|---------------------------------|
| <b>FIGURE 00</b> | <b>TABLE OF CONTENTS</b>        |
| <b>FIGURE 01</b> | <b>POWER TRAIN INSTALLATION</b> |
| <b>FIGURE 02</b> | <b>GEAR PUMP ASSEMBLY</b>       |
| <b>FIGURE 03</b> | <b>PTO GEARBOX ASSEMBLY</b>     |



# POWER TRAIN INSTALLATION

**XT 36**  
**PARTS**  
GROUP 40  
FIGURE 01  
PAGE 01



REVISION:



# POWER TRAIN INSTALLATION

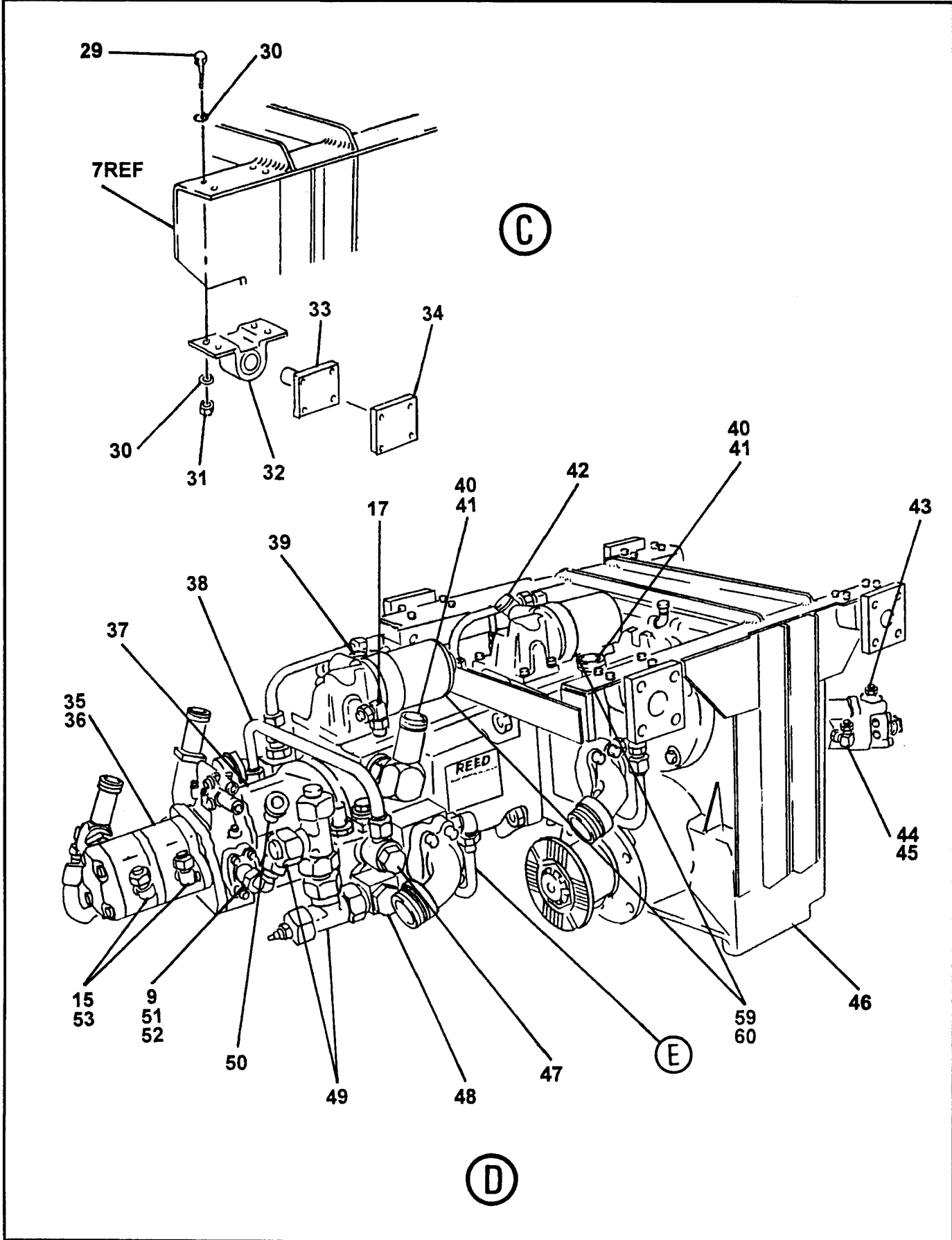
**XT 36**  
**PARTS**  
GROUP 40  
FIGURE 01  
PAGE 02

ITEM NO.	REED'S PARTS NO.	DESCRIPTION					QTY
		1	2	3	4	5	
-1	40-04	Installation, Power Train (See Group 10, Figure 01 for NHA)					Ref
2	801480	• Shaft, Front Drive					1
3	801481	• Shaft, Rear Drive					1
-4	800610	• Installation, <b>XT 36</b> PTO Gearbox					1
5	800064	• • Muffler, Air Valve					2
6	800063	• • Valve, Air					1
7	801788	• • Mount, PTO Gearbox with Rexroth					1
8	801792	• • Brace, PTO Mount					1
9	801888-005	• • Swivel, Elbow					7
10	801793	• • Assembly, Tube					2
11		• • Adapter, STR					2
12	801512	• • Adapter, 90L					1
13	801510	• • Adapter, 90L					1
14	801516	• • Adapter, STR					1
15	801888-014	• • Swivel, Elbow					3
16	801486-005	• • Assembly, Hose					1
17	801888-003	• • Swivel, Elbow					3
18	801890-003	• • Swivel, Tee					1
19	W-105076	• • Port, Pressure Test					3
20	801778	• • Manifold, Pump					2
21	801503	• • Adapter, 90L					4
22	801889-003	• • Swivel, Tee					1
23	802339	• • Assembly, Tube					1
24	801874-003	• • Banjo					4
25	W-104831	• • Port, Pressure Test					4
26	801797	• • Assembly, Tube					1
27	W-103623	• • Assembly, Boom Pump					1
28	W-105925	• • • Seal, Boom Pump Shaft					1

DASH (-) ITEM NOT ILLUSTRATED

REVISION:

## POWER TRAIN INSTALLATION







# POWER TRAIN INSTALLATION

**XT 36**  
**PARTS**  
GROUP 40  
FIGURE 01  
PAGE 04

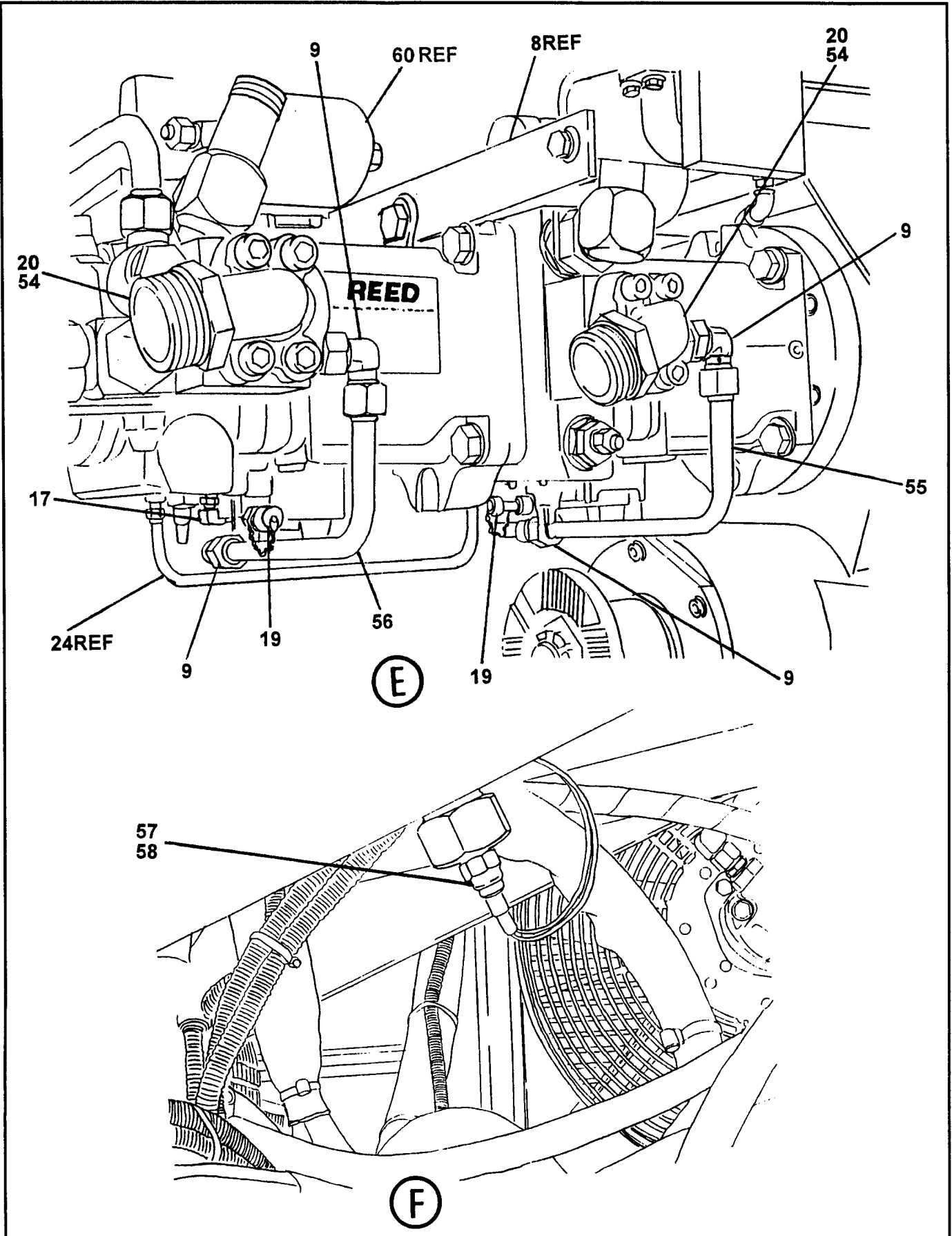
ITEM NO.	REED'S PARTS NO.	1 2 3 4 5	DESCRIPTION	QTY
29		• •	Bolt, Hex	16
30		• •	Washer	32
31		• •	Nut, Lock	16
32	W-103414	• •	Buffer, Rubber	4
33	800125	• •	Axle, PTO Mount	4
34	800128	• •	Plate, PTO Axle Mount	4
35	801684	• •	Assembly, 4/4CC Gear Pump	1
36	800061	• • •	O-Ring, Gear Pump	1
37	W-105650	• •	Assembly, Gear Pump (See Group 40, Figure 03 for DET)	1
38	801796	• •	Assembly, Tube	1
39	W-105170	• •	Adapter, STR	1
40	801506	• •	Adapter, 90L	2
41	801526	• •	Adapter, STR	2
42	W-105169	• •	Adapter, 45	1
43	801873-011	• •	Adapter	1
44	801524	• •	Adapter, STR	1
45	801509	• •	Adapter, 90L	1
46	802242	• •	Assembly, PTO Gear Box (See Group 40, Figure 04 for DET)	1
47	801527	• •	Adapter, STR	1
48		• •	Banjo	1
49	801890-006	• •	Swivel, Tee	2
50	801876-005	• •	Adapter, STR	1
51	86264-002	• •	Flange, Split	1
52	W-105075	• •	Adapter, STR	1
53	801876-003	• •	Adapter	2
54	801057	• •	Manifold, Pump	2
55	801794	• •	Assembly, Tube	1
56	801795	• •	Assembly, Tube	1
57	W-105567	• •	Sensor, Thermal	1
58	801927	• •	Adapter, Thermal Sensor	1
59	801499	• •	Filter, A4VG125 Charge Pump	2
60	801500	• • •	Element, A4VG125 Charge Pump Filter	2

DASH (-) ITEM NOT ILLUSTRATED



# POWER TRAIN INSTALLATION

**XT 36**  
**PARTS**  
GROUP 40  
FIGURE 01  
PAGE 05





# POWER TRAIN INSTALLATION

**XT 36**  
**PARTS**  
GROUP 40  
FIGURE 01  
PAGE 06

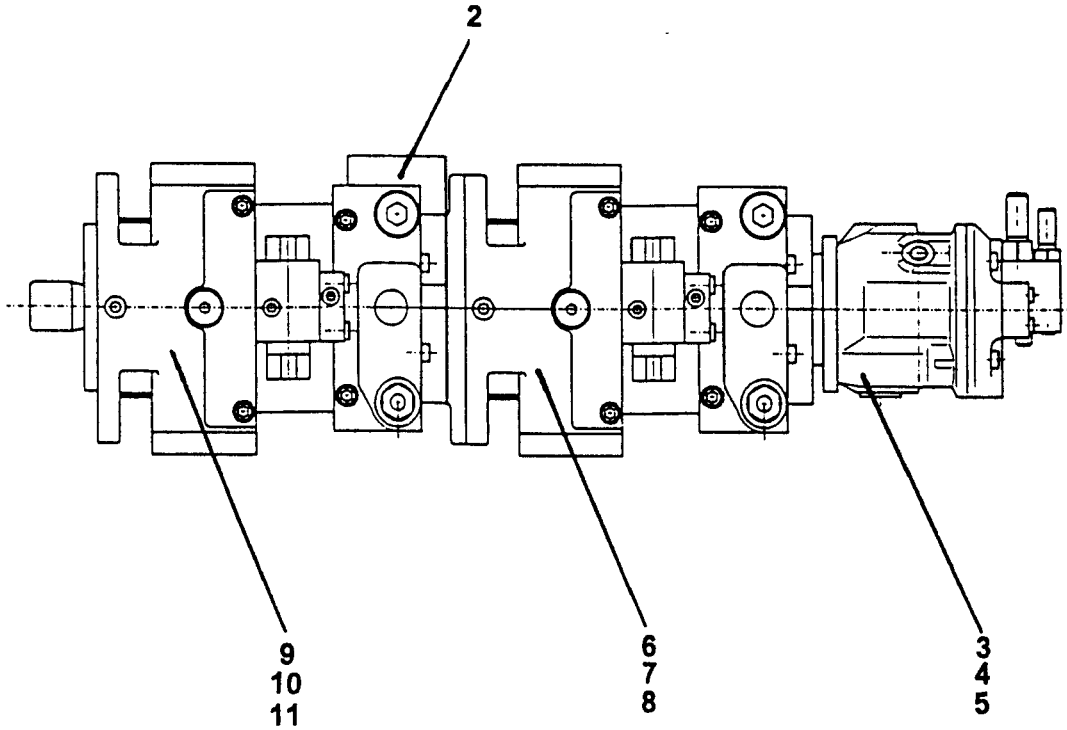
ITEM NO.	REED'S PARTS NO.	DESCRIPTION					QTY
		1	2	3	4	5	
29					• • Bolt, Hex	16	
30					• • Washer	32	
31					• • Nut, Lock	16	
32	W-103414				• • Buffer, Rubber	4	
33	800125				• • Axle, PTO Mount	4	
34	800128				• • Plate, PTO Axle Mount	4	
35	801684				• • Assembly, 4/4CC Pump	1	
36	800061				• • • O-Ring, 4/4CC Pump	1	
37	W-105650				• • Assembly, Gear Pump (See Group 40, Figure 02 for DET)	1	
38	801796				• • Assembly, Tube	1	
39	W-105170				• • Adapter, STR	1	
40	801506				• • Adapter, 90L	2	
41	801526				• • Adapter, STR	2	
42	W-105169				• • Adapter, 45	1	
43	801873-011				• • Adapter	1	
44	801524				• • Adapter, STR	1	
45	801509				• • Adapter, 90L	1	
46	802242				• • Assembly, PTO Gear Box (See Group 40, Figure 03 for DET)	1	
47	801527				• • Adapter, STR	1	
48					• • Banjo	1	
49	801890-006				• • Swivel, Tee	2	
50	801876-005				• • Adapter, STR	1	
51	86264-002				• • Flange, Split	1	
52	W-105075				• • Adapter, STR	1	
53	801876-003				• • Adapter	2	
54	801057				• • Manifold, Pump	2	
55	801794				• • Assembly, Tube	1	
56	801795				• • Assembly, Tube	1	
57	W-105567				• • Sensor, Thermal	1	
58	801927				• • Adapter, Thermal Sensor	1	
59	801499				• • Filter, A4VG125 Charge Pump	2	
60	801500				• • • Element, A4VG125 Charge Pump Filter	2	

DASH (-) ITEM NOT ILLUSTRATED



# GEAR PUMP ASSEMBLY

XT 36  
PARTS  
GROUP 40  
FIGURE 02  
PAGE 01



REVISION:



# GEAR PUMP ASSEMBLY

**XT 36**  
**PARTS**  
GROUP 40  
FIGURE 02  
PAGE 02

ITEM NO.	REED'S PARTS NO.	DESCRIPTION					QTY
		1	2	3	4	5	
-1	W-105650	Assembly, Gear Pump (See Group 40, Figure 01 for NHA)					1
2	W-104949	• Valve, Flushing					1
3	W-105651	• Assembly, A10VO28 Gear Pump					1
4	W-105789	• • Kit, A10VO28 Gear Pump Seal					1
5	W-105001	• • Seal, Shaft					1
6	W-105592	• Assembly, A4VG125 Gear Pump					1
7	W-105787	• • Kit, A4VG125 Gear Pump Seal					1
8	W-105788	• • Seal, Shaft					1
9	W-105591	• Assembly, A4VG125 Gear Pump					1
10	W-105785	• • Kit, A4VG125 Gear Pump Seal					1
11	W-105786	• • Seal, Shaft					1

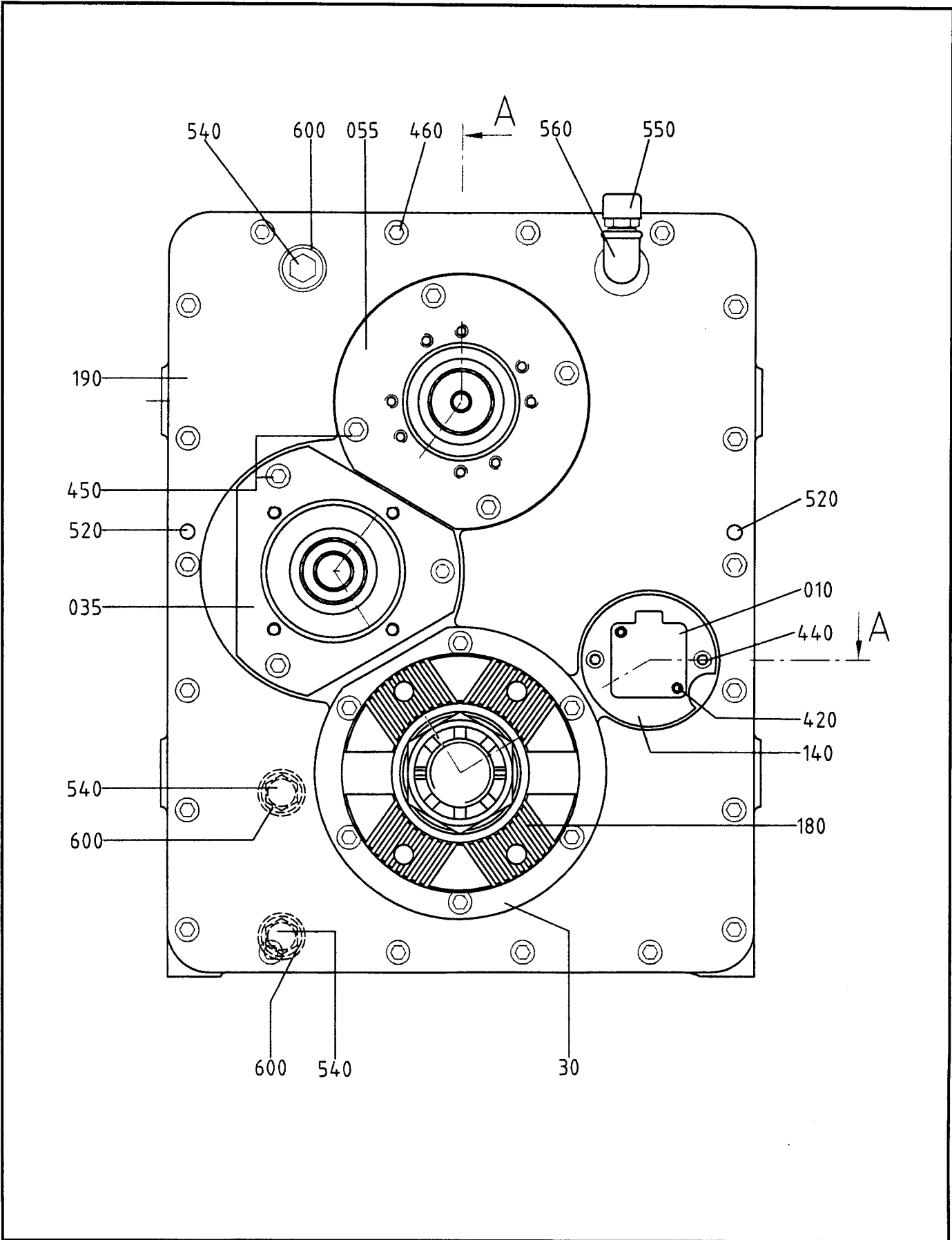
DASH (-) ITEM NOT ILLUSTRATED

ITEM NO.	REED'S PARTS NO.	DESCRIPTION					QTY
		1	2	3	4	5	
-1	802242	Assembly, PTO Gear Box (See Group 40, Figure 01 for NHA)					1
10	802160	• Cylinder, PTO Shift					1
20	802161	• Adapter, Shaft					1
25	802162	• Adapter, Shaft					1
30	802163	• Cap, Packing Ring					2
35	802164	• Flange, Mounting					1
40	802165	• Flange, Mounting					1
50	802166	• Cover					1
55	802167	• Flange, Mounting					1
60	802168	• Gear, Coupling					1
70	802169	• Gear					1
80	802170	• Gear					1
90	802171	• Gear					1
100	802172	• Shaft, Toothed					1
110	802173	• Shaft, Coupling					1
120	802174	• Shaft, Toothed					1
130	802175	• Shaft, Splined Hollow					1
140	802176	• Flange, Mounting					1
150	802177	• Coupling					1
160	802178	• Spacer					1
170	802179	• Adapter, Shaft					1
175	802180	• Ring, Running					2
180	802181	• Flange					2
190	802182	• Housing, Gearbox					1
200	802183	• Fork, Gear					10
210	802184	• Bearing, Ball					1
220	802185	• Bearing, Ball					1
230	802186	• Bearing, Ball					1
240	802187	• Bearing, Ball					2
245	802188	• Bearing, Ball					1
250	802189	• Bearing					1
260	802190	• Bearing, Roller					1
270	802191	• Bearing, Roller					1
280	802192	• Seal, Radial Oil					1
290	802193	• Seal, Radial Oil					1
300	802194	• Seal, Radial Oil					2
310	802195	• O-Ring					1
315	802196	• O-Ring					1
320	802197	• O-Ring					1
330	802198	• O-Ring					1
335	802199	• O-Ring					2

DASH (-) ITEM NOT ILLUSTRATED

REVISION:

## PTO GEAR BOX ASSEMBLY

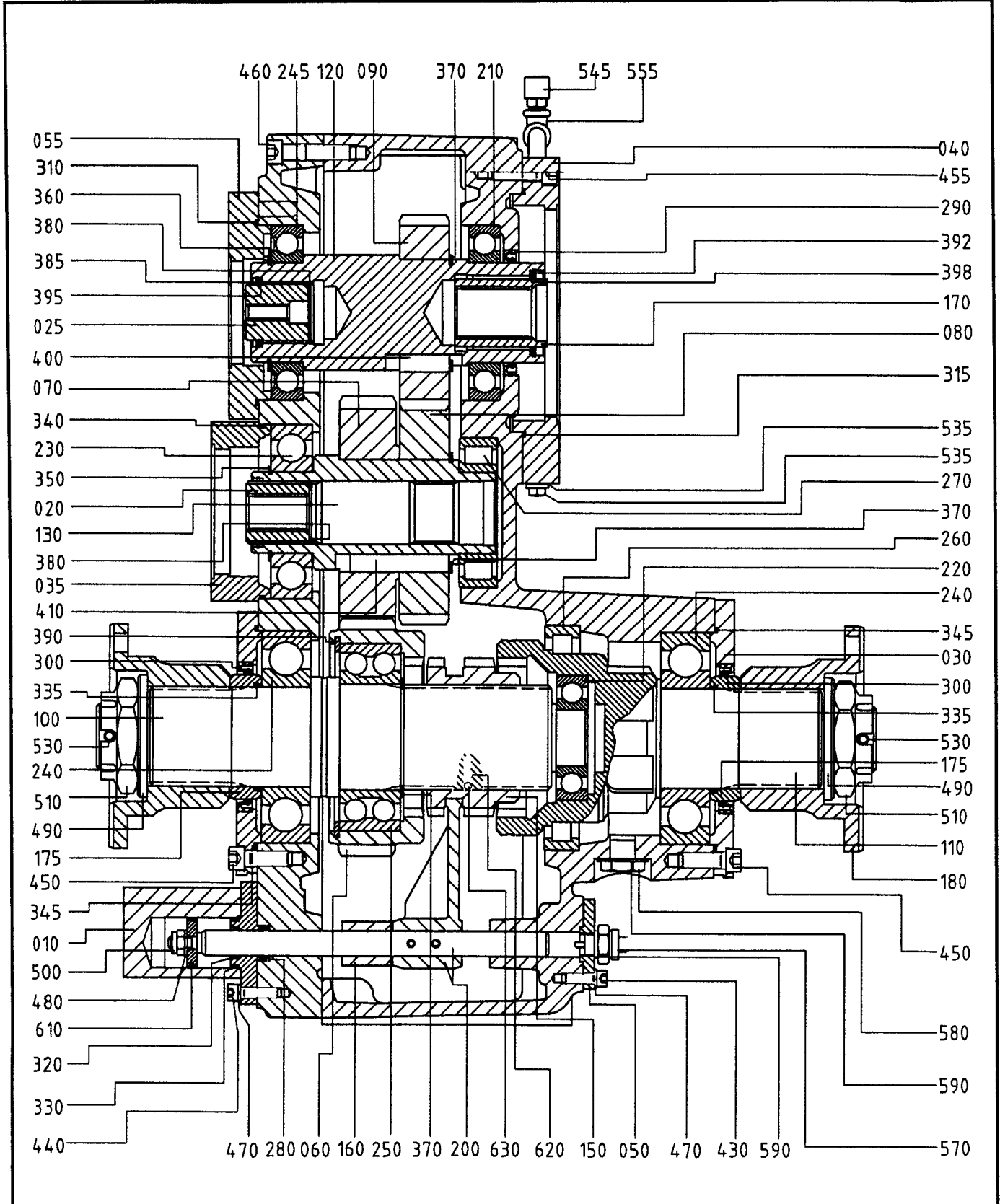


REVISION:



# PTO GEAR BOX ASSEMBLY

XT 36  
PARTS  
GROUP 40  
FIGURE 03  
PAGE 03



VIEW A-A

REVISION:



ITEM NO.	REED'S PARTS NO.	1 2 3 4 5	DESCRIPTION	QTY
340	802200	•	O-Ring	1
345	802201	•	O-Ring	2
350	802202	•	Ring, Retaining	1
360	802203	•	Ring, Retaining	1
370	802204	•	Ring, Retaining	3
380	802205	•	Ring, Retaining	2
385	802206	•	Ring, Retaining	1
390	802207	•	Ring, Retaining	1
392	802208	•	Ring, Retaining	1
395	802209	•	Disk, Support	1
398	802210	•	Disk, Support	1
400	802211	•	Key	2
410	802212	•	Key	2
420	802213	•	Screw, Socket Head Cap	2
430	802214	•	Screw, Socket Head Cap	2
440	802215	•	Screw, Socket Head Cap	2
450	802216	•	Screw, Socket Head Cap	19
455	802217	•	Screw, Socket Head Cap	8
460	802218	•	Screw, Socket Head Cap	18
470	802219	•	Washer, Lock	4
480	802220	•	Disk	1
490	802221	•	Disk	2
500	802222	•	Nut, Hex	1
510	802223	•	Nut, Castle	2
520	802224	•	Pin	2
530	802225	•	Pin, Spring	2
535	802226	•	Plug, Hex Head	1
540	802227	•	Plug, Hex Head	3
545	802228	•	Filter, Vent	1
550	802229	•	Filter, Vent	1
555	802230	•	Elbow	2
560	802231	•	Elbow	1
570	802232	•	Switch, Limit	1
580	802233	•	Plug, Hex Head	1
-585	802234	•	Ring, Sealing	1
590	802235	•	Ring, Sealing	2
600	802236	•	Ring, Sealing	3
-605	802237	•	Plug, Screw	2
610	802238	•	Assembly, Piston	1
-615	802239	•	Plug, Screw	1
620	802240	•	Spring	1
630	802241	•	Ball, 1/4 IN	1

DASH (-) ITEM NOT ILLUSTRATED

REVISION:



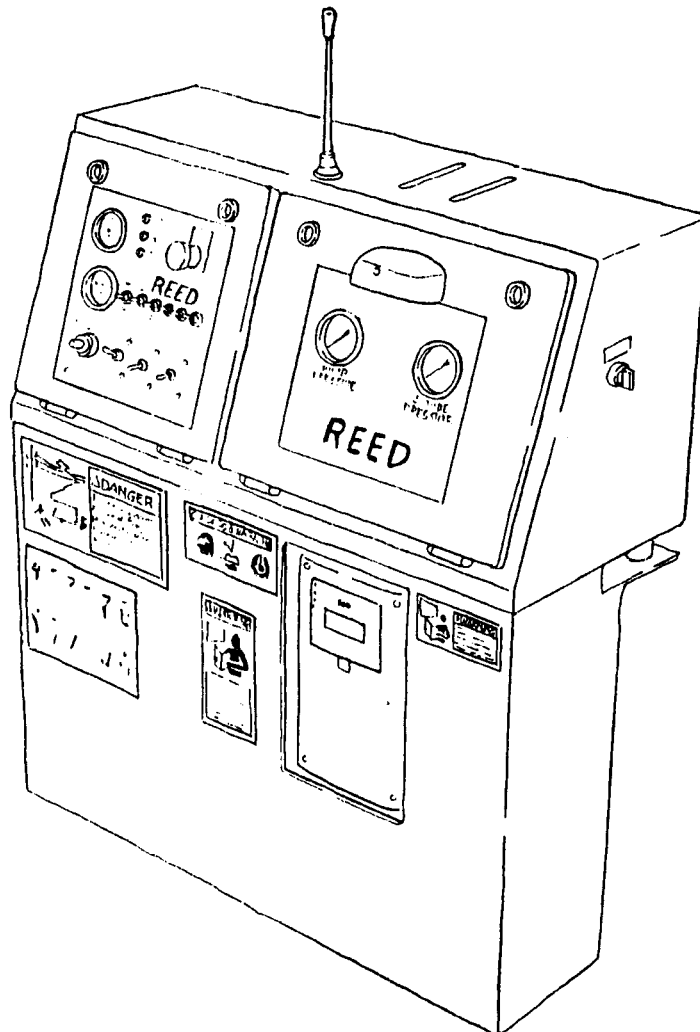
**MODEL XT 36 TRUCK MOUNTED  
CONCRETE BOOM PUMP  
ILLUSTRATED PARTS MANUAL**

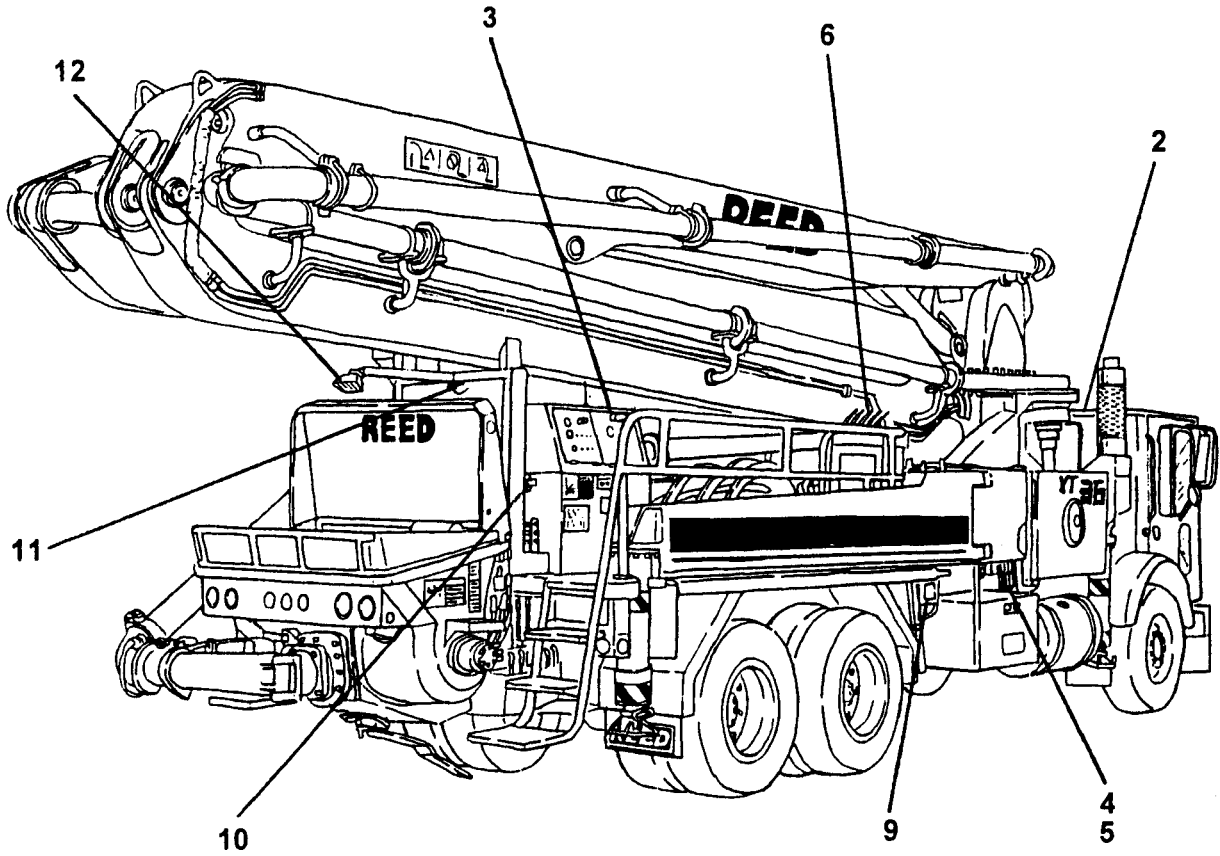
**XT 36  
PARTS  
GROUP 40  
FIGURE 04  
PAGE 01**

THIS PAGE INTENTIONALLY LEFT BLANK.

**REED TRUCK MOUNTED CONCRETE BOOM PUMP MODEL XT 36 ILLUSTRATED PARTS MANUAL GROUP 50 CONTROLS INSTALLATION CONTAINS THE FOLLOWING FIGURES:**

- FIGURE 00** TABLE OF CONTENTS
- FIGURE 01** CONTROLS INSTALLATION
- FIGURE 02** CAB CONTROLS ASSEMBLY
- FIGURE 03** MAIN CONTROLS ASSEMBLY
- FIGURE 04** LH SIDE OUTRIGGER CONTROLS ASSEMBLY
- FIGURE 05** RH SIDE OUTRIGGER CONTROLS ASSEMBLY
- FIGURE 06** STATIONARY BOOM CONTROLS ASSEMBLY
- FIGURE 07** CABLED REMOTE CONTROL ASSEMBLY
- FIGURE 08** RADIO REMOTE CONTROL ASSEMBLY
- FIGURE 09** SHUNT ASSEMBLY





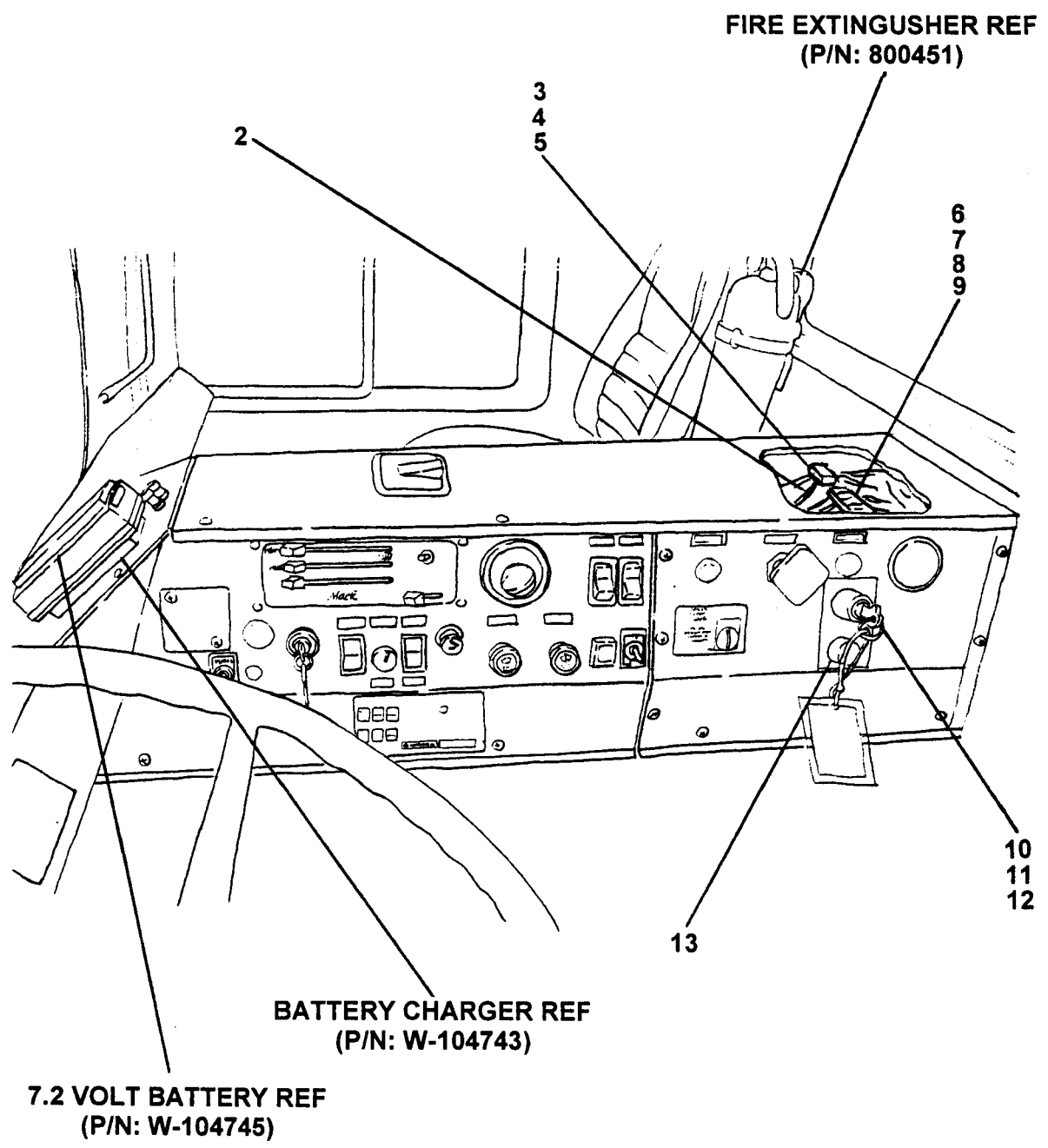
ITEM NO.	REED'S PARTS NO.	DESCRIPTION					QTY
		1	2	3	4	5	
-1	50-01	Installation, <b>XT 36</b> Controls (See Group 10, Figure 01 for NHA)					Ref
2	800710	• Assembly, Cab Controls (See Group 50, Figure 02 for DET)					1
3	50-03	• Assembly, Main Controls (See Group 50, Figure 03 for DET)					1
4	50-04	• Assembly, Driver (L. H.) Side Outrigger Controls (See Group 50, Figure 04 for DET)					1
5	50-05	• Assembly, Passenger (R. H.) Side Outrigger Controls (See Group 50, Figure 05 for DET)					1
6	802135	• Assembly, Stationary Boom Controls (See Group 50, Figure 06 for DET)					1
-7	W-105983	• Assembly, Cabled Remote Control (See Group 50, Figure 07 for DET)					1
-8	W-105982	• Assembly, Radio Remote Control (See Group 50, Figure 08 for DET)					1
9	C-VW00587	• Assembly, Shunt (See Group 50, Figure 09 for DET)					1
10	800347	• Horn, 12V					1
11	800072	• Switch, Limit					1
12	800095	• Light, Floor Work					1

DASH (-) ITEM NOT ILLUSTRATED



# CAB CONTROLS ASSEMBLY

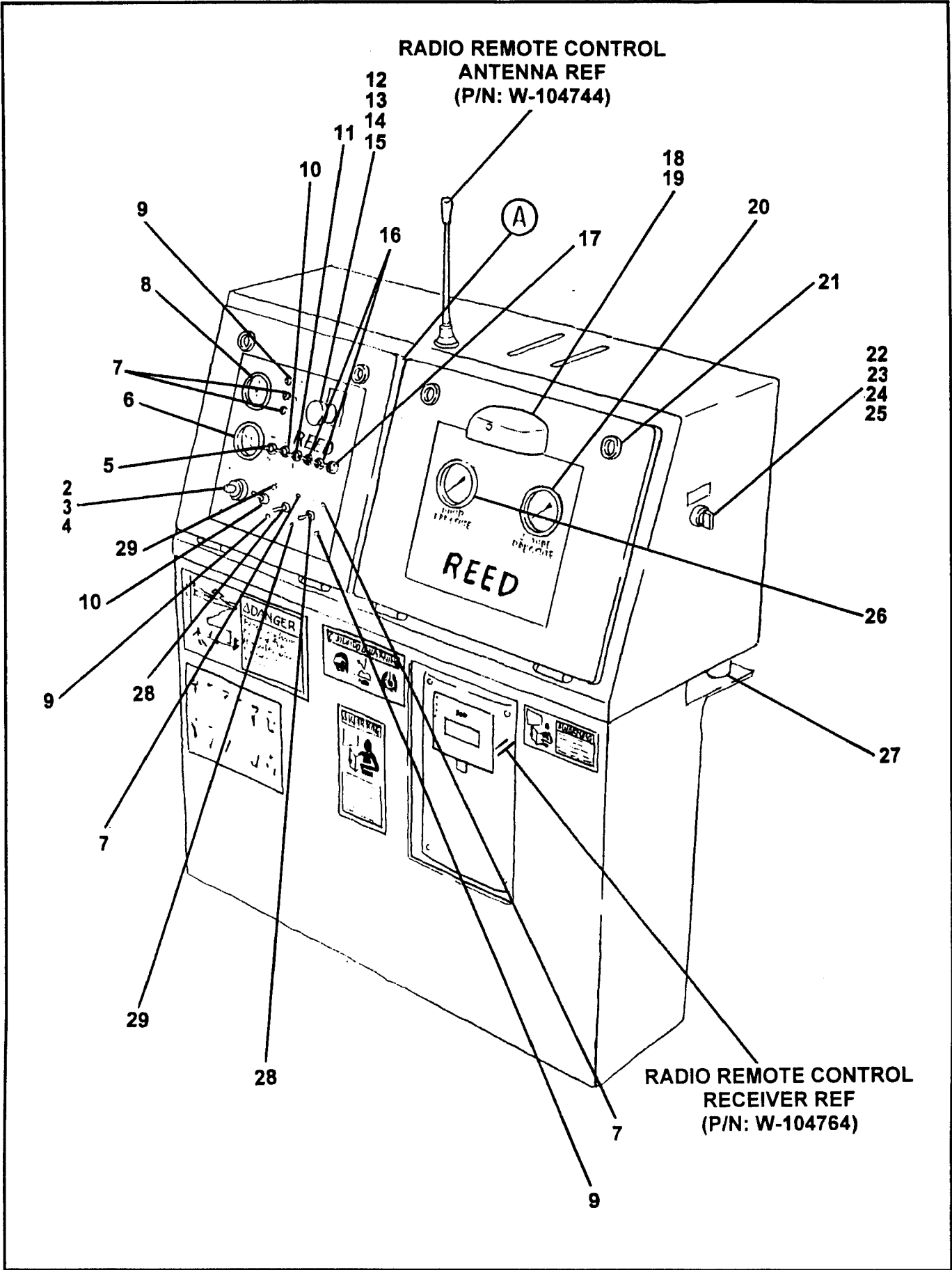
XT 36  
PARTS  
GROUP 50  
FIGURE 02  
PAGE 01



ITEM NO.	REED'S PARTS NO.	DESCRIPTION					QTY
		1	2	3	4	5	
-1	800710	Assembly, Cab Controls (See Group 50, Figure 01 for NHA)					1
2	10194	• Cable, 50 FT					1
3	800433	• Block, Fuse					1
4	800448	• Fuse, ATO 20					2
5	90392	• Fuse, ATO 5					1
6	72820	• Terminal					13
7	75654	• End, Barrier					1
8	72821	• Rail, Terminal					1
9	72824	• Jumper					3
10	800369	• Operator, Key					1
11	800370	• Block, Contact					1
12	800864	• Block, Contact					2
13	800414	• Light, Green Pilot					1
-14	800965	• Switch, Pressure (Located Near Engine)					1
-15	800909	• Switch, Clutch Limit (Located under Clutch Pedal)					1

DASH (-) ITEM NOT ILLUSTRATED

## MAIN CONTROLS ASSEMBLY

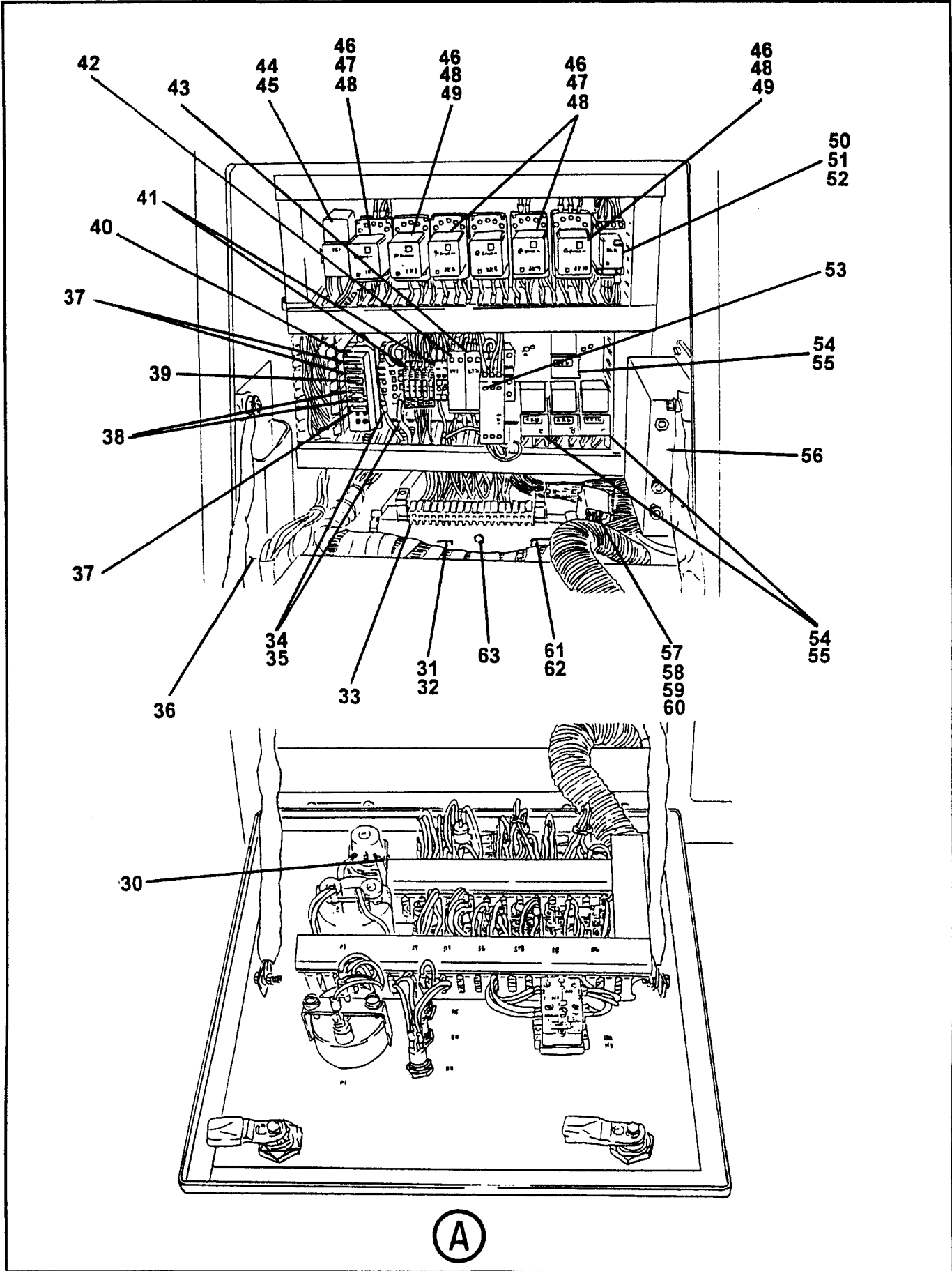




ITEM NO.	REED'S PARTS NO.	DESCRIPTION					QTY
		1	2	3	4	5	
-1	50-03	Assembly, Main Controls (See Group 50, Figure 01 for NHA)					Ref
2		• Assembly, Volume Control					1
3	W-104103	• • Potentiometer					1
4	W-104104	• • Body, Mounting					1
5	W-103976	• Switch, RPM Toggle					1
6	W-100900	• Meter, Hour					1
7	W-105811	• Light, Red Indicator					4
8	W-105823	• Thermometer					1
9	W-105813	• Light, Green Indicator					3
10	W-104090	• Switch, Vibrator / Pump Rev Toggle					2
11	W-104089	• Switch, Light / S-Tube / Pump Rev Toggle					3
12	W-105094	• Button, Emergency Stop					1
13	W-105095	• Element, Emergency Stop Contact					1
14	W-102278	• Nameplate, Emergency Stop					1
15	W-104083	• Light, Emergency					1
16	W-104091	• Switch, Lube / Horn Toggle					1
17	W-104089	• Switch, Lever					1
18	W-101033	• Assembly, Light					1
19	W-104101	• • Bulb, Replacement					1
20	70366	• Gauge, 3000 PSI Pressure					1
21		• Lock, Twist					4
22	W-100968	• Switch, A & B Momentary Rotary					1
23	W-100969	• Contact, A & B Switch					3
24	W-103735	• Bridge, A & B Switch					1
25	W-100287	• Base, A & B Switch					1
26	79831	• Gauge, 6000 PSI Pressure					1
27		• Mount, Rubber					A/R
28	72826	• Switch, On - On					1
29	W-105812	• Light, Yellow Indicator					2

DASH (-) ITEM NOT ILLUSTRATED

## MAIN CONTROLS ASSEMBLY

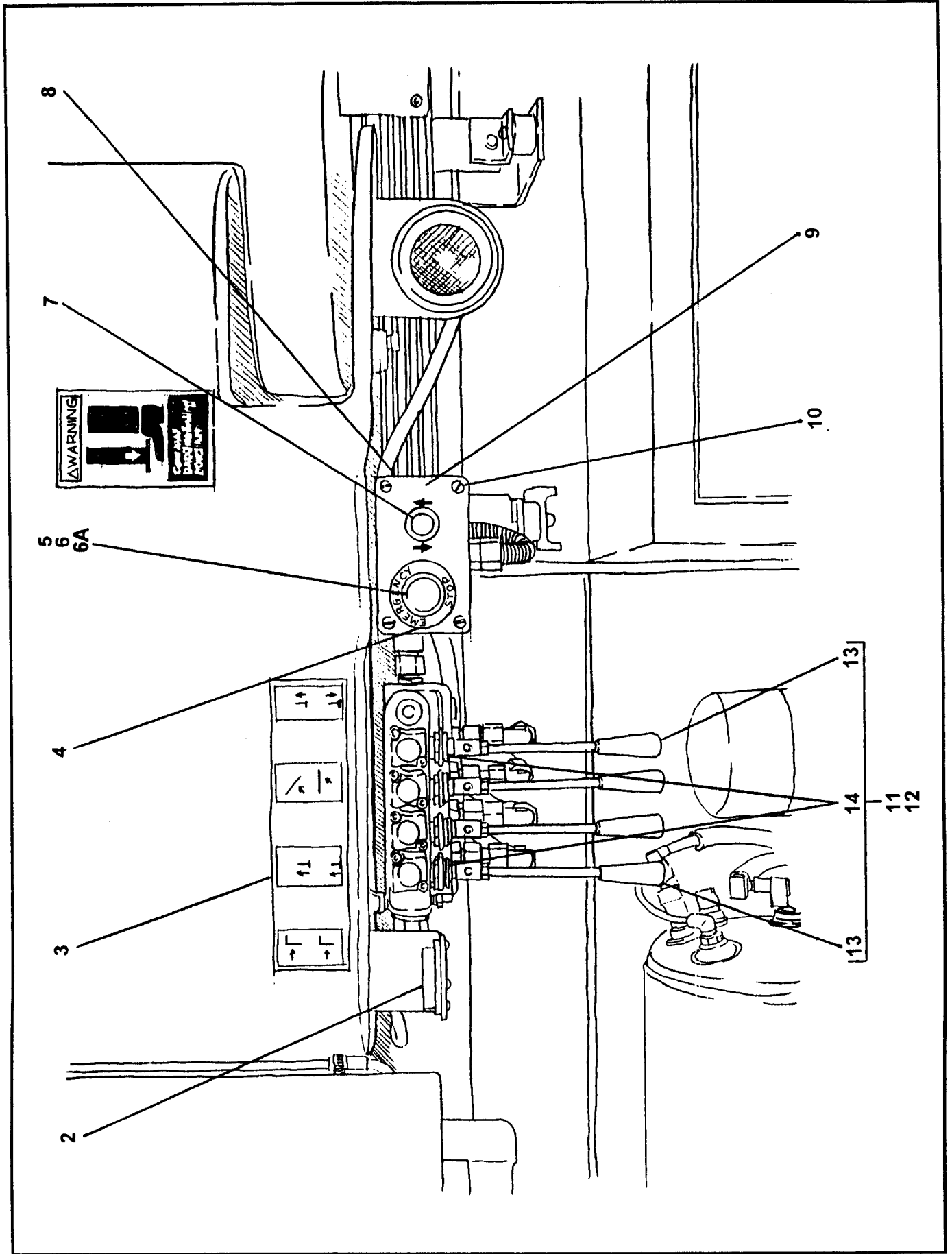


ITEM NO.	REED'S PARTS NO.	DESCRIPTION	QTY
30	W-104118	• Resistor, 100 OHM	1
31	W-100710	• Contact, 24 Pin Female (A)	1
32	W-101553	• Contact, 24 Pin Housing (A)	1
33	W-102577	• Block, Terminal	1
34	W-105817	• Clamp	2
35	W-105818	• Plate, End	2
36	W-104099	• Bag, Circuit Diagram	1
37	W-101921	• Fuse, 10 AMP	3
38	W-104096	• Fuse, 20 AMP	2
39	W-101922	• Fuse, 5 AMP	1
40	W-101577	• Holder, 8 Type Fuse	1
41	W-104185	• Diode	4
42	W-105331	• Relay, Time	1
43	W-105815	• Relay	1
44	W-105619	• Socket, Relay	1
45	W-104122	• Relay	1
46	W-104094	• Clip	6
47	W-100178	• Clip	4
48	W-104093	• Relay	6
49	W-104895	• Clip	2
50	W-103974	• Socket, Relay	1
51	W-105046	• Relay, Type 55.34	1
52	W-104860	• Clip	1
53	W-105814	• Element, Emergency Stop	1
54	W-100986	• Socket, Relay Bosch	4
55	W-104117	• Relay, Bosch	4
56	800461	• Box, Black	1
57	W-103693	• Contact, 8 Pin Female (C)	1
58	W-105816	• Contact, 8 Pin Housing (C)	1
59	W-103695	• Contact, Crimp (C)	1
60	W-103697	• Contact, Crimp (C)	1
61	W-104022	• Contact, 16 Pin Female (B)	1
62	W-104097	• Contact, 16 Pin Housing (B)	1
63	W-104669	• Condenser	1

DASH (-) ITEM NOT ILLUSTRATED

## DRIVER SIDE (LEFT HAND) OUTRIGGER CONTROLS ASSEMBLY

XT 36  
PARTS  
GROUP 50  
FIGURE 04  
PAGE 01



ITEM NO.	REED'S PARTS NO.	DESCRIPTION					QTY
		1	2	3	4	5	
-1	50-04	Assembly, Driver (L. H.) Side Outrigger Controls (See Group 50, Figure 01 for NHA)					Ref
2	800099	• Level, Bubble					1
3	802270	• Nameplate, XT 36 Left Side Outrigger					1
4	W-102278	• Nameplate, Emergency					1
5	W-105094	• Button, Emergency Stop					1
6	W-105095	• Element, Emergency Stop Contact					1
6A	W-104083	• Light, Emergency					1
7	W-100569	• Button, Push Operation					1
8		• Box, Non-Keyed Junction					1
9		• Decal, Non-Keyed Junction Box					1
10	W-103735	• Screw, Twist Lock Spring (attaching parts)					4
11	802143	• Assembly, L. H. Outrigger Control Valve					1
12		• • Lever					4
13		• • • Lever, Knob					1
14		• • • Boot, Rubber					1

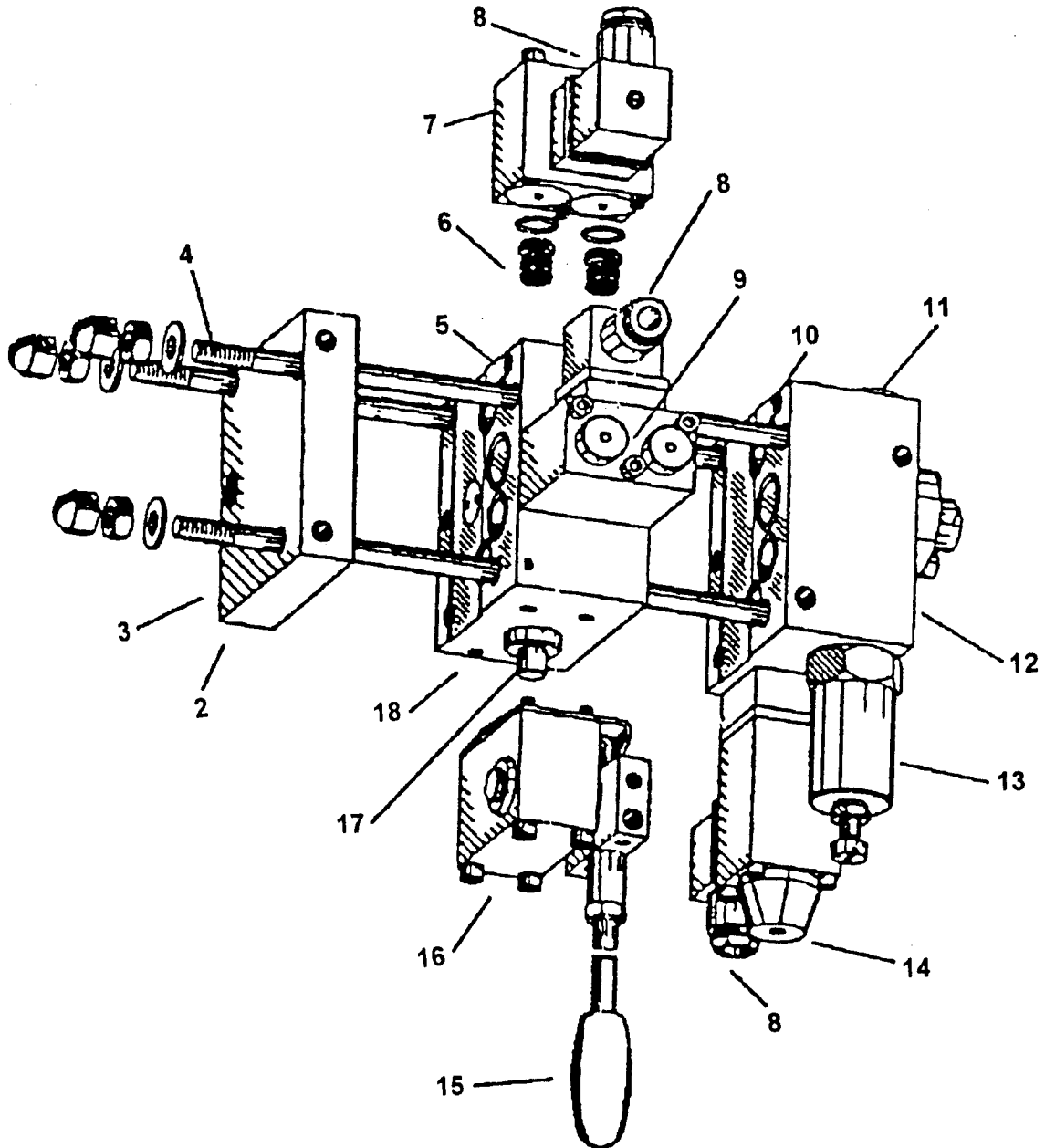
DASH (-) ITEM NOT ILLUSTRATED



ITEM NO.	REED'S PARTS NO.	DESCRIPTION					QTY
		1	2	3	4	5	
-1	50-05	Assembly, Passenger (R. H.) Side Outrigger Controls (See Group 50, Figure 01 for NHA)					Ref
2		• Box, Keyed Junction					1
3	W-103735	• Screw, Twist Lock Spring (attaching parts)					4
4	C-EI001	• Button, Push Operation					1
5		• Decal, Keyed Junction Box					1
6	W-105094	• Button, Emergency Stop					1
7	W-105095	• Element, Emergency Stop Contact					1
7A	W-104083	• Light, Emergency					1
8	W-102278	• Nameplate, Emergency					1
9	802271	• Nameplate, XT 36 Right Side Outrigger					1
10	800099	• Level, Bubble					1
11	802142	• Assembly, R. H. Outrigger Control Valve					1
12		•• Lever					4
13		••• Lever, Knob					1
14		••• Boot, Rubber					1

DASH (-) ITEM NOT ILLUSTRATED

## STATIONARY BOOM CONTROLS ASSEMBLY





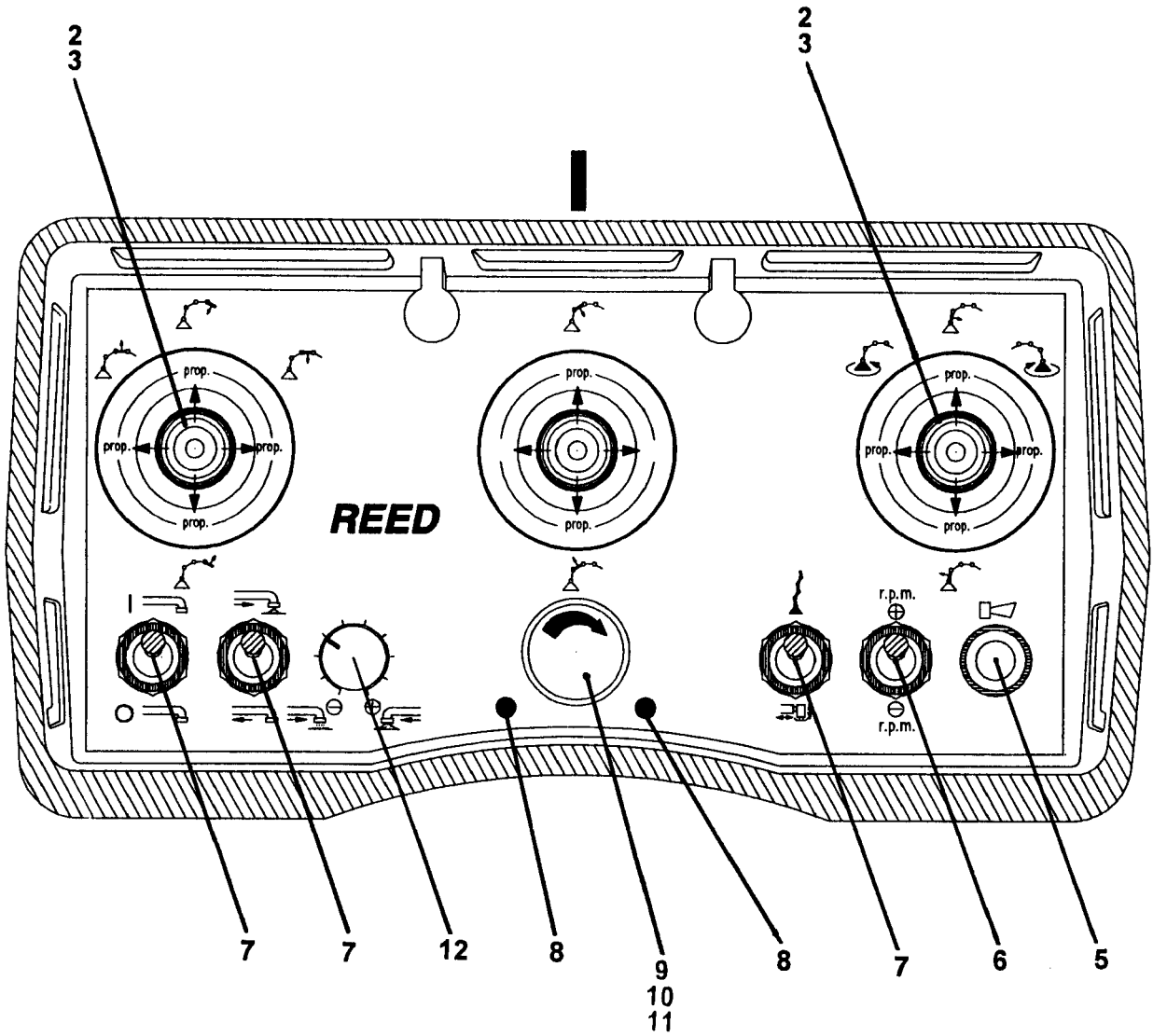
ITEM NO.	REED'S PARTS NO.	DESCRIPTION					QTY
		1	2	3	4	5	
-1	802135	Assembly, Boom Controls (See Group 50, Figure 01 for NHA)					Ref
2					• Plate, End	1	
3					• Valve, Check	1	
4					• Set, Tension Rod	1	
5					• Kit, Valve Section Seal	6	
6					• Valve, Press Reducing	6	
7					• Solenoid, Actuation	6	
8					• Plug, Solenoid	13	
9					• Solenoid, Function	6	
10					• Kit, Connection Block Seal	1	
11					• Valve, Pilot Press Reducing	1	
12					• Block, Connection	1	
13					• Valve, Pressure Limiting	1	
14					• Valve, Directional Seated	1	
15					• Lever, Hand	6	
16					• Housing, Actuation	6	
17					• Spool	6	
18					• Valve, Section	6	
-19	802272				• Nameplate, Boom Valve	1	

DASH (-) ITEM NOT ILLUSTRATED

# REED

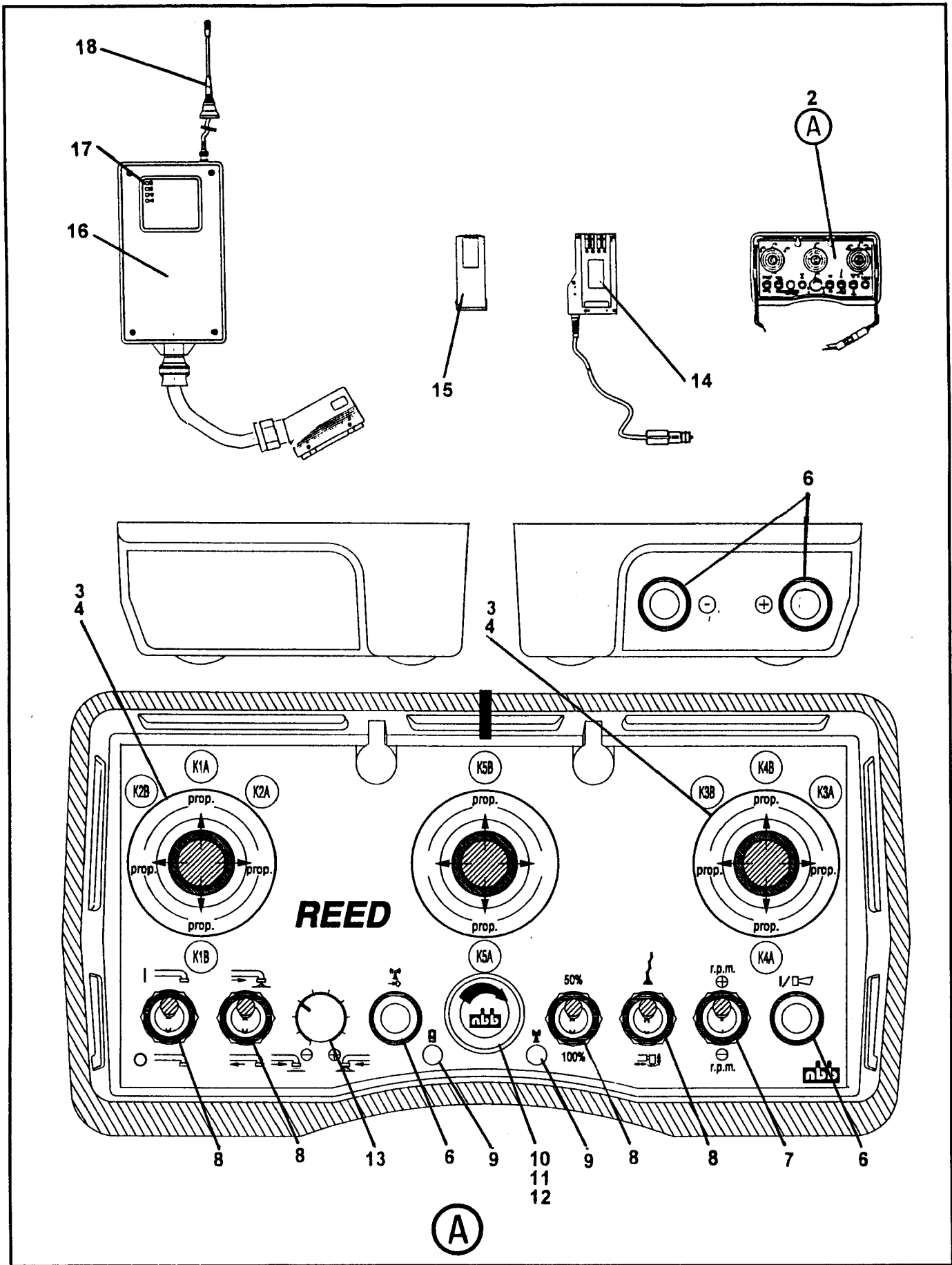
## CABLED REMOTE CONTROL ASSEMBLY

XT 36  
PARTS  
GROUP 50  
FIGURE 07  
PAGE 01



ITEM NO.	REED'S PARTS NO.	DESCRIPTION					QTY
		1	2	3	4	5	
-1	W-105983	Assembly, Cabled Remote Control (See Group 50, Figure 01 for NHA)					Ref
2		• Switch, Joy Stick Control					3
3		• • Boot, Rubber					3
-4		• Strap, Shoulder					1
5	3.740.1020	• Switch, O - Mom Push Button					1
6	3.740.1017	• Switch, Mom - O - Mom Toggle					1
7	3.740.1016	• Switch, On - O - On Toggle					3
8		• • Indicator, Light					2
9		• • Switch, Emergency Stop					1
10		• • • Knob, with Key					1
11		• • • Switch, Contact					1
12	3.980.1156	• • Potentiometer, with Knob					1

DASH (-) ITEM NOT ILLUSTRATED



ITEM NO.	REED'S PARTS NO.	DESCRIPTION					QTY
		1	2	3	4	5	
-1	W-105983	Assembly, Radio Remote Control (See Group 50, Figure 01 for NHA)					Ref
2	W-106051	• Transmitter, Radio Remote Control					1
3		• • Switch, Joy Stick Control					3
4		• • • Boot, Rubber					1
-5		• • Strap, Shoulder					1
6	3.740.1020	• • Switch, O – Mom Push Button					2
7	3.740.1017	• • Switch, O – Mom Toggle					1
8	3.740.1016	• • Switch, On – O - On Toggle					4
9		• • Indicator, Light					2
10		• • Switch, Emergency Stop					1
11		• • • Knob, with Key					1
12		• • • Switch, Contact					1
13	3.980.1156	• • Potentiometer, with Knob					1
14	W-104743	• Charger, Battery (See Group 50, Figure 02 for REF)					1
15	W-104745	• Battery, 7.2V (See Group 50, Figure 02 for REF)					1
16	W-106052	• Receiver, Radio Remote Control (See Group 50, Figure 03 for REF)					1
17		• • Indicator, Light					5
18	W-104744	• Antenna, Radio Remote Control (See Group 50, Figure 03 for REF)					1

DASH (-) ITEM NOT ILLUSTRATED



ITEM NO.	REED'S PARTS NO.	DESCRIPTION					QTY
		1	2	3	4	5	
-1	C-VW00587	Assembly, Shunt (See Group 50, Figure 01 for NHA)					Ref
2	C-WW00230	• • Box, Connector 214 X 162 X 92					1
3		• • Plug, 24 Points Contact					1
-4	C-WW00154	• • • Plug					1
-5	C-WW00167	• • • Case, Plug					1
6	C-WW00116	• • Cable, Electric 1.6 m					1
7	C-WW00265	• • Cable, Electric 4 m					3
8	C-ES001	• • Box, Junction					2
9	C-EI001	• • Switch					2
10	C-WW00190	• • Switch, 2 Position Key					1
11		• • Plug, 10 Points Auxiliary Contact					1
-12	C-WW00011	• • • Plug					1
-13	C-WW00037	• • • Case, Plug					1
14	C-WW00065	• • Plug, Rectangular with Cable					12
15	C-WW00175	• • Plug, Square with Electric Cable					1
16	C-WW00100	• • Cable, 1.5 m Sheath					1

DASH (-) ITEM NOT ILLUSTRATED



**MODEL XT 36 TRUCK MOUNTED  
CONCRETE BOOM PUMP  
ILLUSTRATED PARTS MANUAL**

**XT 36  
PARTS  
GROUP 50  
FIGURE 10  
PAGE 01**

THIS PAGE INTENTIONALLY LEFT BLANK.