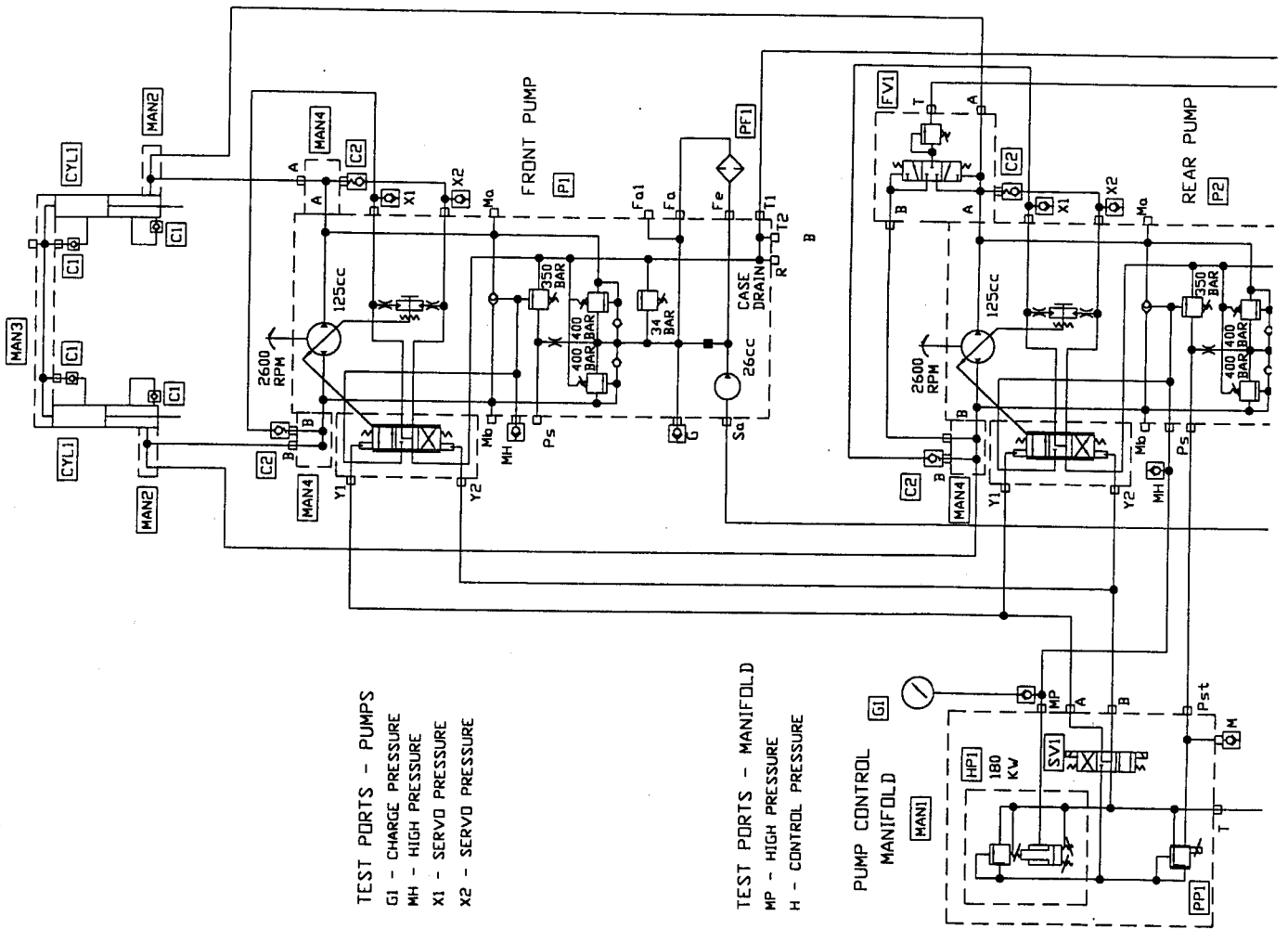


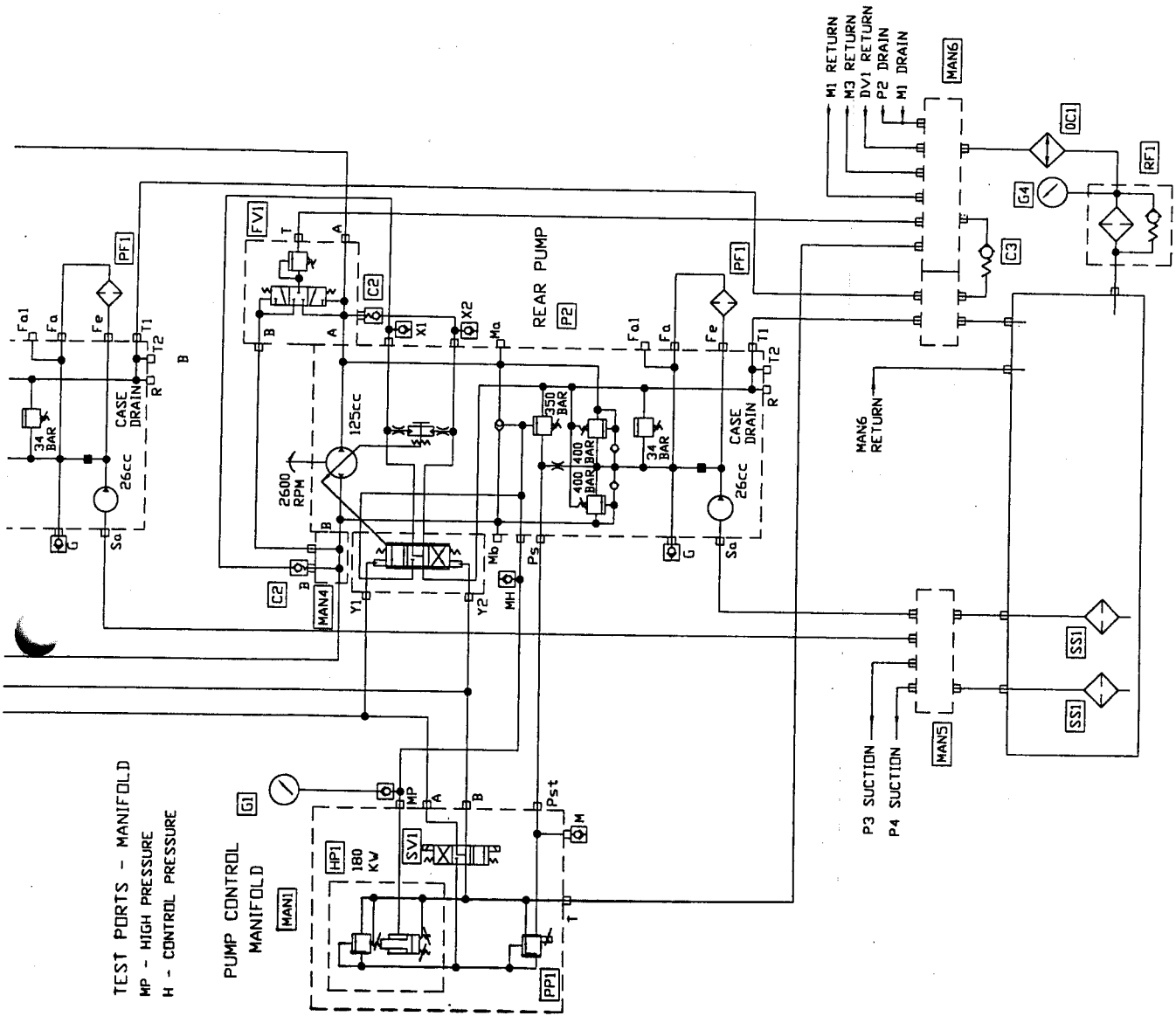
| CODE NO. | REED'S PARTS NO. | DESCRIPTION                    | QTY |
|----------|------------------|--------------------------------|-----|
| P1       |                  | Front Main Pump – 125 cc       | 1   |
| P2       |                  | Rear Main Pump – 125 cc        | 1   |
| CYL1     | W-104939         | Hydraulic Drive Cylinder       | 2   |
| MAN1     | W-104846         | Pump Control Manifold          | 1   |
| SV1      |                  | Solenoid Valve – Pump Control  | 1   |
|          |                  | Coil for SV1                   | 2   |
| HP1      |                  | HP Limiter Valve               | 1   |
| PP2      |                  | Proportional Pilot Valve       | 1   |
| MAN2     | 801114           | Manifold – Cylinder Rod Side   | 2   |
| MAN3     | 801115           | Manifold – Cylinder Bore Side  | 1   |
| MAN4     | 801057           | Manifold – Pump                | 3   |
| MAN5     | 801048           | Manifold – Return              | 1   |
| MAN6     | 801047           | Manifold – Suction             | 1   |
| FV1      |                  | Flushing Valve                 | 1   |
| C1       | W-105210         | Check Valve – Cylinder Makeup  | 4   |
| C2       | W-105109         | Check Valve – Servo Nulling    | 2   |
| C3       | W-105437         | Check Valve – Return           | 1   |
| G1       | 74562            | Pressure Gauge – 6000 psi      | 1   |
| OC1      | 800054           | Oil Cooler                     | 1   |
| PF1      | 73300            | Pressure Filter                | 2   |
|          | 73303            | Pressure Filter Element        | 2   |
| RF1      | 79245            | Return Filter                  | 1   |
|          | 79269            | Return Filter Element          | 2   |
| G4       | 79276            | Pressure Gauge – Return        | 1   |
| SS1      | 801024           | Magnetic Suction Strainer – 2" | 2   |



TEST PORTS - PUMPS  
 G1 - CHARGE PRESSURE  
 MH - HIGH PRESSURE  
 X1 - SERVO PRESSURE  
 X2 - SERVO PRESSURE

TEST PORTS - MANIFOLD  
 MP - HIGH PRESSURE  
 H - CONTROL PRESSURE

PUMP CONTROL  
 MANIFOLD



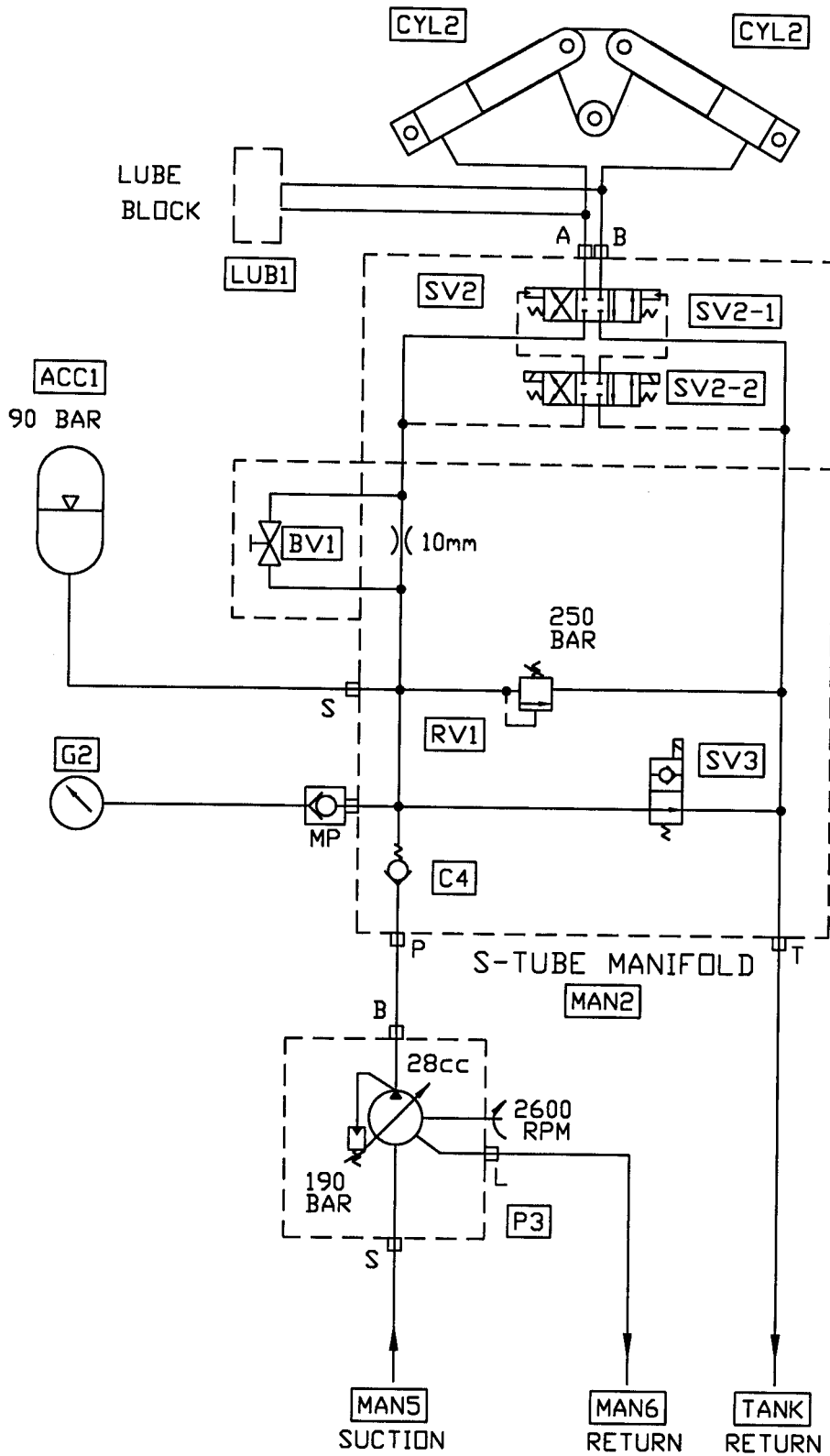
TEST PORTS - MANIFOLD  
MP - HIGH PRESSURE  
H - CONTROL PRESSURE

PUMP CONTROL  
MANIFOLD

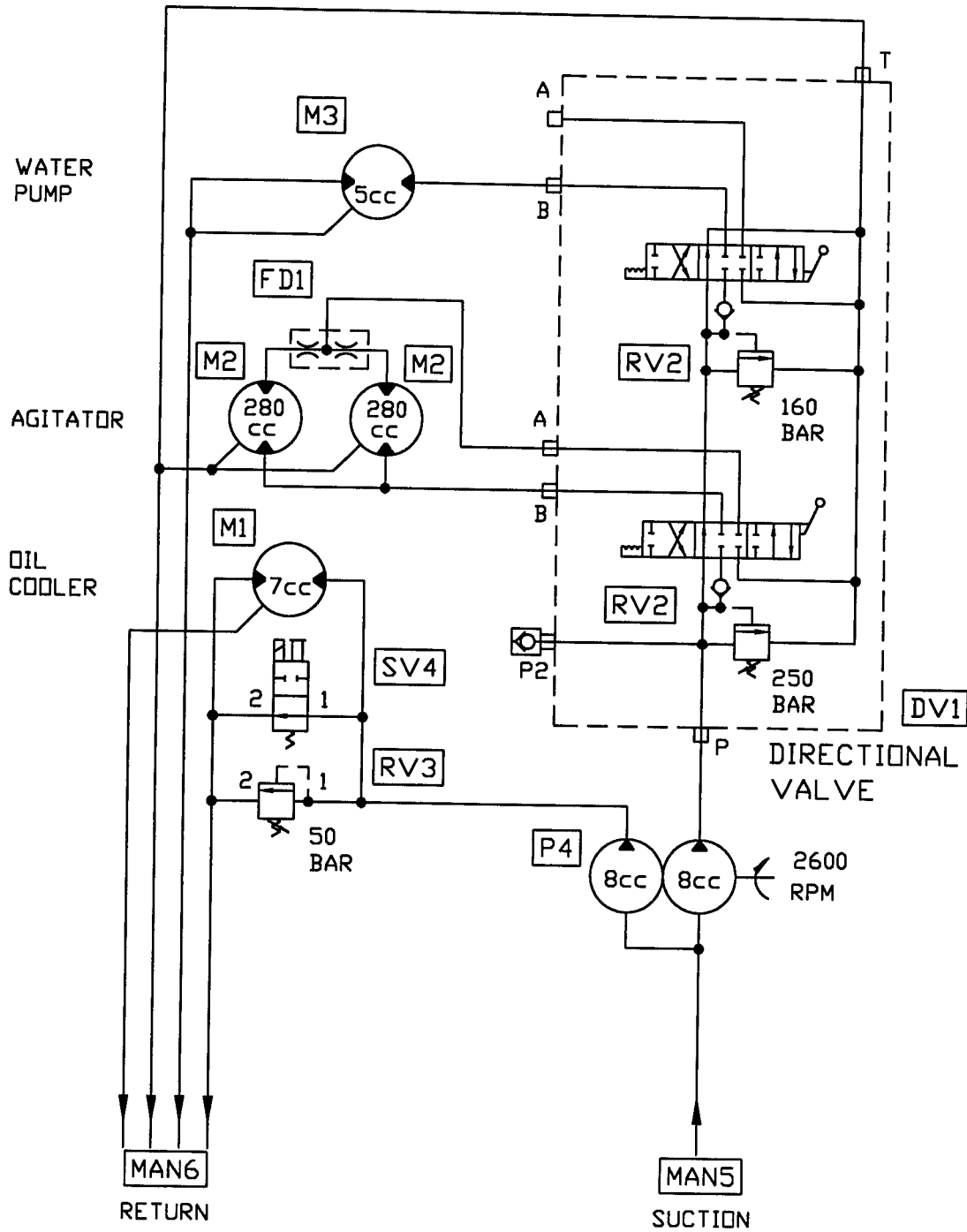
REAR PUMP

MANGS  
MANG RETURN

| CODE NO. | REED'S PARTS NO. | DESCRIPTION                     | QTY |
|----------|------------------|---------------------------------|-----|
| P3       |                  | Pump - S-Tube Circuit - 28 cc   | 1   |
| CYL2     | W-103363         | S-Tube Shift Cylinder           | 1   |
| MAN6     | W-104847         | Manifold - S-Tube Circuit       | 1   |
| SV2      |                  | Solenoid Valve - S-Tube Circuit | 1   |
| SV2-1    |                  | Solenoid Valve - Main           | 1   |
| SV2-2    |                  | Solenoid Valve - Pilot          | 1   |
|          |                  | Coil for SV2-2                  | 2   |
| SV3      |                  | Solenoid Valve Cartridge        | 1   |
|          |                  | Coil for SV3                    | 1   |
| RV1      |                  | Relief Valve Cartridge          | 1   |
| C4       |                  | Check Valve Cartridge           | 1   |
| BV1      |                  | Ball Valve                      | 1   |
| ACC1     | W-103616         | Accumulator                     | 1   |
| G2       | 70366            | Pressure Gauge - 3000 psi       | 1   |
| LUB1     | W-104402         | Lube Block                      | 1   |



| CODE NO. | REED'S PARTS NO. | DESCRIPTION                               | QTY |
|----------|------------------|---|-----|
| P4       | 801022           | Tandem Gear Pump - 8/8 cc                 | 1   |
| DV1      | W-100124         | Directional Valve - Agitator / Water Pump | 1   |
| RV1      | W-105559         | Relief Valve Cartridge                    | 2   |
| SV4      | 800087           | Solenoid Valve - Cooler Bypass            | 1   |
|          |                  | Coil for SV5                              | 1   |
| RV3      | 78973            | Relief Valve - Cooler                     | 1   |
| M1       |                  | Motor - Oil Cooler - 7 cc                 | 1   |
| M2       | W-101240         | Motor - Agitator - 280 cc                 | 2   |
| M3       | W-100121         | Motor - Water Pump - 5 cc                 | 1   |
| FD1      | W-100159         | Flow Divider - Agitator                   | 1   |



| CODE NO. | REED'S PARTS NO. | DESCRIPTION         |   |   |   |    | QTY |
|----------|------------------|---------------------|---|---|---|----|-----|
|          |                  | 1                   | 2 | 3 | 4 | 5  |     |
| 1        | C-.SE            | Tank, Hydraulic Oil |   |   |   |    | 1   |
| 2        | C-.WR            | Valve, Inlet        |   |   |   |    | 1   |
| 3        | C-.FF1           | Hose, Flexible      |   |   |   |    | 1   |
| 4        | C-.MP            | Pump, Hydraulic     |   |   |   |    | 1   |
| 5        | C-.FF2           | Hose, Flexible      |   |   |   |    | 1   |
| 6        | C-DF101          | Filter, Hydraulic   |   |   |   |    | 1   |
| 7        | C-DM000          | Gauge, Pressure     |   |   |   |    | 1   |
| 8        | C-FF143.100      | Hose, Flexible      |   |   |   |    | 1   |
| 9        | C-DD003/DD004    | Distributor         |   |   |   |    | 1   |
| 10       | C-FF101.100      | Hose, Flexible      |   |   |   |    | 1   |
| 11       | C-FF122.440      | Hose, Flexible      |   |   |   |    | 1   |
| 12       | C-FF122.125      | Hose, Flexible      |   |   |   |    | 8   |
| 13       | C-WL210          | Valve, Flow Limiter |   |   |   |    | 8   |
| 14       | C-WL213          | Valve, Flow Limiter |   |   |   |    | 1   |
| 15       | C-FF122.070      | Hose, Flexible      |   |   |   |    | 1   |
| 16       | C-WC120          | Valve, Check        |   |   |   |    | 26  |
| 17       | C-WC132          | Valve, Check        |   |   |   |    | 1   |
| 18       | C-.B4            | Piston, Hydraulic   |   |   |   |    | 2   |
| 19       | C-WL215          | Valve, Flow Limiter |   |   |   |    | 1   |
| 20       | C-WL125          | Valve, Check        |   |   |   |    | 1   |
| 21       | C-.B3            | Piston, Hydraulic   |   |   |   |    | 5   |
| 22       | C-WL220          | Valve, Flow Limiter |   |   |   |    | 1   |
| 23       | C-.B2            | Piston, Hydraulic   |   |   |   |    | 1   |
| 24       | C-WL218          | Valve, Flow Limiter |   |   |   |    | 1   |
| 25       | C-.B1            | Piston, Hydraulic   |   |   |   |    | 1   |
| 26       | C-WA105          | Valve, Over Center  |   |   |   |    | 1   |
| 27       | C-.MI            | Motor, Hydraulic    |   |   |   |    | 1   |
| 28       | C-FF101.045      | Hose, Flexible      |   |   |   |    | 1   |
| 29       | C-WL125          | Valve, Flow Limiter |   |   |   |    | 2   |
| 30       | C-FF134.070      | Hose, Flexible      |   |   |   |    | 2   |
|          |                  |                     |   |   |   | 14 |     |