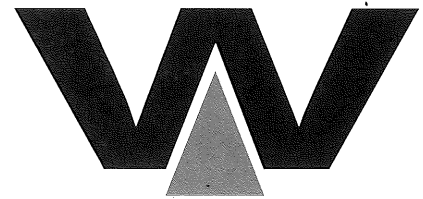


Typenplan type parts list	Betonpumpe: concrete pump:	Mast: boom:
Baugruppenübersicht construction group survey	HP 12523	CB36.4/125X (85009)



Waitzinger Baumaschinen
Vertrieb und Service GmbH

09-189-x736

Kunde: customer:	Reed	Auftrags-Nr.: order no.:	980507
Fahrzeug: vehicle:		Bestellnr.: purchase no.:	36XT/No. 9 51533

Zusammenstellung	assemble cpl.	(B 00 4 013)
Aufbaurahmen	sub frame	01
Rahmen	base frame	B 02 3 045 b
Rahmenverbindung kpl.	frame connection cpl.	B 03 3 075
Aufbau	housing	04
Abstützung hinten	outrigger cpl.	05
		06
Podeste / Aufstiege	pedestal / ladder	B 07 4 220
Mastauflagebock	boom support	B 08 4 150
Gegengewicht	counter weight	09
Pumpeneinheit kpl.	pump unit cpl.	10
Pumpenlagerung	pump mounting	B 11 4 180
Förderzylinder kpl.	conveying cylinder cpl.	B 12 4 017 a
Förderkolben kpl.	conveying piston cpl.	B 13 3 022
Spülkasten kpl.	water box cpl.	B 14 3 000
Antriebszylinder	drive cylinder	B 15 4 022
		16
Schiebersystem	s-valve system	B 17 4 006 a
Zentral / Schmieranlage	central lubrication unit	B 18 3 005
Förderleitung Pumpeinheit	conveying pipe pump unit	B 19 4 066
		20
		21
Trichterzubehör	hopper accessories	B 22 4 050
		23
		24
Rührwerk mit Antrieb	agitator with drive	B 25 4 120
		26
		27
Rütteleinrichtung	vibrating equipment	28
		29
Wasseranlage	water system	30
Wassertank kpl.	water tank cpl.	31
Wasserpumpe mit Antrieb	water pump with drive	WAI 104176 a
		33
Schlauchleitung	hose line	34
Druckluftanlage	compressed air unit	35
		36
Kompressor mit Antrieb	compressor with drive	37
		38
Schlauchleitung	hose line	39
Hydraulikanlage BP	hydraulic system	(B 40 2001)
Hydrauliks. Pumpe/Rührwerk	control block *1	WAI 104 869
		42
		43
Hydraulikpumpe	hydraulik pump	44
		45
		46
Hydrauliktank / Zubehör	hydraulic tank / accessories	47
Ölkühlung	oil cooler	48
Schläuche / Zubehör	hoses / accessories	49

Elektroanlage Pumpe	wiring diagram	50
Steuerpult	control panel	WAI 105328
Motorabstellung	engine stop	52
Pumpenverstellung elektr.	pump adjustment electr.	53
Drehzahlverstellung	rpm adjustment	54
Elektroanlage Mast	wiring diagram boom	55
Kabelbaum / Zubehör	wiring harness / accessories	B 56 1 048
		57
Kabelfernsteuerung	cable remote control	WAI 104429
Funkfernsteuerung	radio remote control	WAI 104428
Verteilermast	distributor boom	(B 60 1 011)
Mastbock	boom base	B 60 1 014
Drehwerk	swing gear unit	62
Abstützung	outrigger	B 63 1100 c
Förderleitung am Mast	conveying pipeline at boom	64
		65
Armpaket	boom unit	B 60 1 013
		67
Förderleitung am Mastbock	conveying pipeline at boom base	68
		69
Hydraulikanlage Verteilermast	hydraulic system distributor boom	70
Hydrauliksystem Mast	hydraulic system boom	71
Hydrauliksystem Abstützung	hydraulic system outrigger	72
		73
Pumpeneinheit	hydraulik pump	74
		75
		76
Hydrauliktank Mast	hydraulic tank boom	77
		78
		79
Antrieb	drive	80
Verteilergetriebe	distribution gear	WAI 104870
Antriebsaggregat	engine	82
Wellenstrang	lineshaft	83
		84
Straßenfahrwerk	chassis	85
Beleuchtung	lightning	86
Kotflügel	fender	87
Federblockierung	spring lock	88
Achse kpl.	axle cpl.	89
Zubehör	accessories	90
Standardzubehör	standard accessories	WAI 104670
Schilder	sticker	92
Transportzubehör	shipping accessories	WAI 105186
		94
		95
		96
		97
		98
		99

Bemerkung / comment:

*1	A10VO28DR with UNF-thread
	Datum/Date: 22.12.98 Bearbeiter/Name: JR / Fetzer Dateiname/file name: 980507

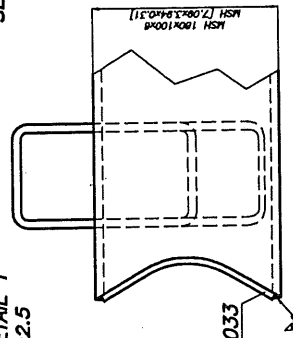
pos	description	ident-no	DIN	change-index	chg. dat	weight	quant
	stock	dimensions	material	valid from	val.unt.		unit
1	cross profile	B023021	59410			22.500	2.00
		MSH 180x100x8x719	St52-3				stk
2	cross profile	B023022	59410	a	18.06.98	25.200	1.00
		MSH 180x100x8x903	St52-3				stk
3	cover	B023023	1543/EN10029			0.040	2.00
		B1 8x74x90	St52-3				stk
4	cross profile left	B023024	59410	b	19.06.98	23.300	1.00
		MSH 180x100x750	St52-3				stk
5	cross profile right	B023025	59410	b	19.06.98	23.300	1.00
		MSH 180x100x8x750	St52-3				stk
6	cover	B023026	1543/EN10029			2.000	2.00
		B1 20x100x180	St52-3				stk
7	longitudinal profile	B023035	59410			211.000	2.00
		180x100x8x6750	St52-3				stk
8	gusset plate	B023028	1543/EN10029			0.650	4.00
		B1 8x84x167	St52-3				stk

description	drawing-no	ID	date	chg.-index	chg-date	val.from	val.unti
frame f. 36-Mtr. boom X USA	B023045	RH	19.06.98	b	05.10.98		

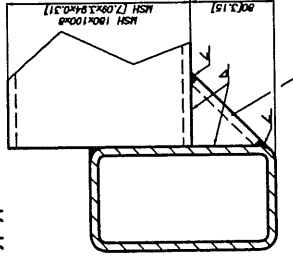
pos	description	ident-no	DIN	change-index	chg. dat	weight	quant
	stock	dimensions	material	valid from	val.unt.		unit
9	bulkhead plate	B023029	1543/EN10029			0.700	4.00
		B1 8x82x162	St52-3				Stk
10	cover	B023033	1543/EN10029			0.750	2.00
		B1 6x181x88	St52-3				Stk
11	gusset plate	B023046	1543/EN10029			1.600	2.00
		Blech 8x266x119	St52-3				Stk
12	bracket right for marker red	B023036	1543/EN10029			1.000	1.00
		B1 6x130x245	st37-2				Stk
13	bracket left for marker red	B023037	1543/EN10029			1.000	1.00
		B1 6x130x245	St37-2				Stk
14	rib	B114163	1543/EN10029			0.870	4.00
		B1 10x100x200	St37-2				Stk
15	base plate	B314034	1543/EN10029			0.220	1.00
		B1 8x60x60	St37-2				Stk

description	drawing-no	ID	date	chg.-index	chg-date	val.from	val.unti
frame f. 36-Mtr. boom X USA	B023045	RH	19.06.98	b	05.10.98		

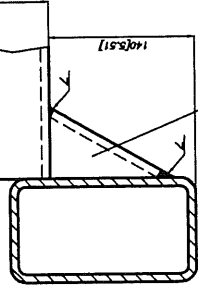
DETAIL Y
1:2.5



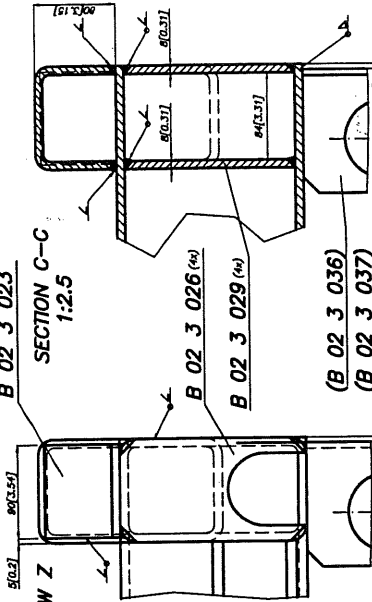
SECTION A-A
1:2.5



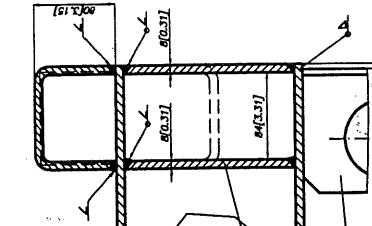
SECTION B-B
1:2.5



VIEW Z
1:2.5



SECTION C-C
1:2.5



B 02 3 033

Y

B 02 3 028

B 02 3 046

B 02 3 023

B 02 3 026

B 02 3 029

(B 02 3 036)

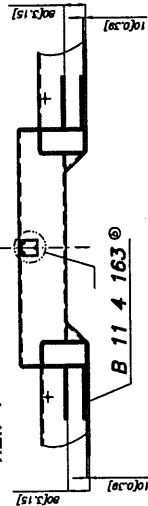
(B 02 3 037)

4000(103.46)

0750(001.7)

1920(77.56)

VIEW V



B 02 3 035

B 02 3 021

B

A

A

A

C

C

C

C

C

C

C

C

C

C

C

C

C

C

C

C

C

C

X

X

X

X

X

X

X

X

X

X

X

X

X

X

X

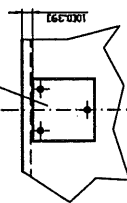
X

X

X

X

B 31 4 034



DETAIL U

WELDING DETAILS:
WELDING METHOD: ACTIVE GAS ARC WELDING
FILLER WIRE: MASSIVE WIRE 303M10
WELDING GAS: ARGON
PREHEAT: NONE
INTERMITTENT SEAM TEMPERATURE:
AS PER WELDING PROCEDURE
WELDING PROCEDURE: P-170
WELDING OF INSULATION: METHOD P-170
SUPERSONIC INSPECTION: AS REQUIRED
QUAL. CONTROL: DNY 18018

B 02 3 025

B 02 3 036

B 02 3 022

B 02 3 037

B 02 3 024

VIEW X

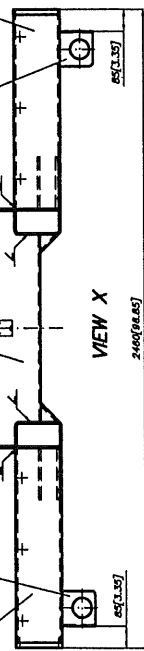


Table with technical specifications and drawing information.

Scale	1:10 (1:2.5)	Sheet	5802 N
Author		Drawn	
Checked		Reviewed	
Approved		Part No.	
Material		Quantity	
Notes		Revision	
		1	
		2	
		3	
		4	
		5	
		6	
		7	
		8	
		9	
		10	
		11	
		12	
		13	
		14	
		15	
		16	
		17	
		18	
		19	
		20	

Frame 36 Mtr.X USA

B 02 3 045

Welding and Fabrication Division

Quality Control

Inspection

Supervision

Design

Engineering

Management

Production

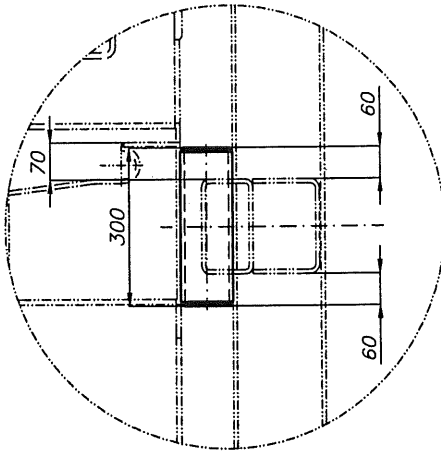
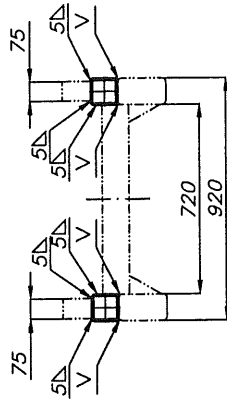
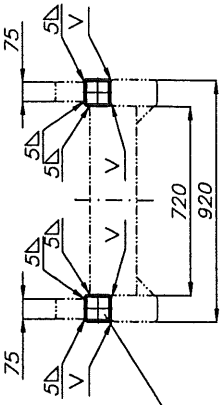
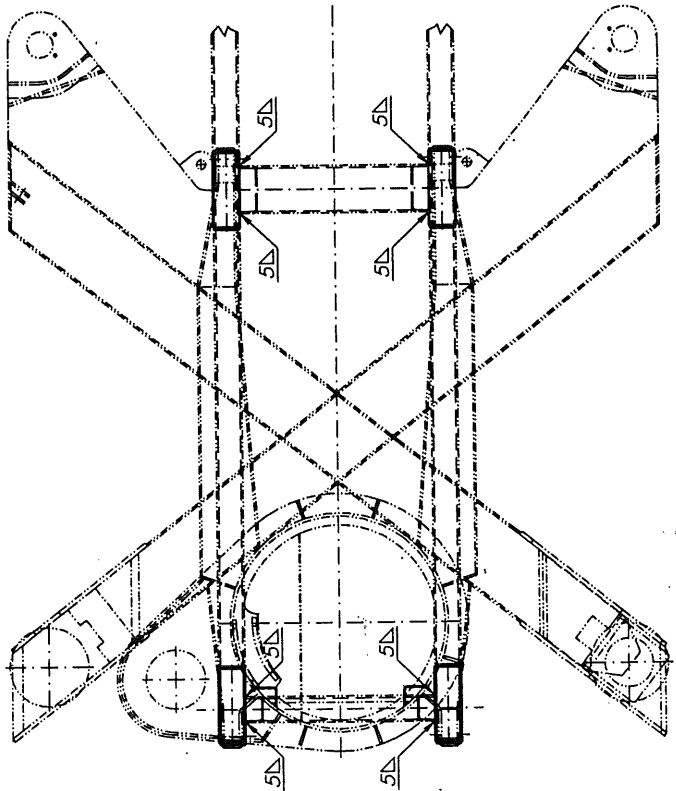
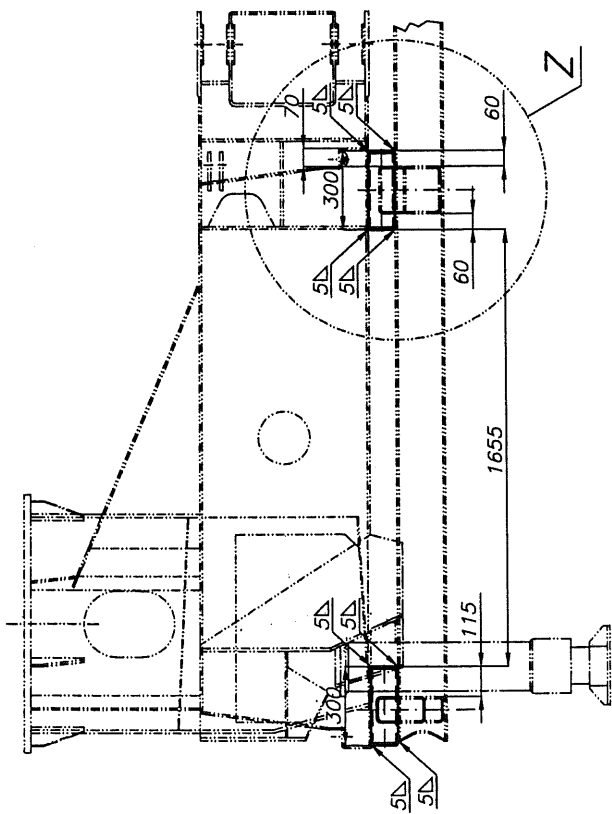
STÜCKLISTEN - DRUCK

pos	description	ident-no	DIN	change-index	chg. dat	weight	quant
	stock	dimensions	material	valid from	val.unt.		unit

1	profil for boom connection	B033071				8.000	4.00
	own parts list						Stk

description	drawing-no	ID	date	chg.-index	chg-date	val.from	val.unti
fixing of boom base for 36m X-type	B033075	RH	07.07.98				

*** Liste beendet am 08/04/99/10.44 ***



DETAIL Z

B 03 3 071

WELDING DETAILS:

WELDING METHOD: ACTIV GAS ARC WELDING
 FILLER WIRE: MASSIVE WIRE SG3φ1.0
 WELDING GAS: M21
 PREHEATING TEMPERATURE:
 INTERMEDIATE SEAM TEMPERATURE:
 ADMISSIBLE DISTANCE ENERGY:
 SEAM QUALITY, RATING GROUP:
 DIN 15018, DIN 8563 P.3 BS
 WELDING SEAM INSPECTION: VISUAL CONTROL
 **)PIGMENT PENETRATION METHODE P-100 }
 **)SUPERSONIC INSPECTION D. } DIN 15018

	FREE DIMENSION TOLERANCE DIN 7168 MEDIUM		SCALE 1:20	WEIGHT 320 N
	DATE DRAWN 1988/07/07	NAME R. H&B	OWN PARTS LIST	
	CHKD.	APPR.	FIXING OF BOOM BASE FOR 36M X-TYPE	
ISSUE	MODIFICATION	DATE	NAME	REPLACEMENT BY
				CHANGE ONLY WITH CAD
				B 03 3 075
				SHEET
				OF

THIS INFORMATION MAY NOT BE COPIED BY A THIRD PARTY SUBJECT TO COPYRIGHT (PARA-GRAPH NO. 3 OF "URHEBERRECHTSGESETZ" FROM 14.06.1991)

pos	description	ident-no	DIN	change-index	chg. dat	weight	quant
	stock	dimensions	material	valid from	val.unt.		unit
1	pedestal left cpl. 36-Mtr. boom REED	B074201		b	21.12.98	150.000	1.00
	own parts list						Stk
2	pedestal right cpl. 36-Mtr. boom REED	B074202		b	21.12.98	130.000	1.00
	own parts list						Stk
3	railing cpl. 36-Mtr. boom (REED)	B074213				43.000	1.00
	own parts list						Stk
4	staircase flat 36-Mtr. boom	B074155		b	03.08.98	0.000	1.00
	own parts list						Stk
5	staircase flat 36-Mtr. boom left	B074156				25.000	1.00
	own parts list						Stk
6	flap cpl. 36-Mtr. boom	B074150				9.000	2.00
	own parts list						Stk
7	thread plate	B074102	1543/EN10029			1.800	6.00
		B1 15x110x130	St37-2				Stk
8	profil cpl.	B074145				1.500	2.00
	own parts list						Stk

description	drawing-no	ID	date	chg.-index	chg-date	val.from	val.unti
pedestal a.ladder ri.le 36-Mtr boom REED	B074220	RH	22.12.98				

STÜCKLISTEN - DRUCK

pos	description	ident-no	DIN	change-index	chg. dat	weight	quant
	stock	dimensions	material	valid from	val.unt.		unit
9	cheese head screw M 16 x 25	WAI103488				0.000	24.00
							Stk
10	washer	WAI102962				0.013	6.00
							Stk
11	spring washer A16	WAI102072				0.008	24.00
							Stk
12	hex. bolt M 12 x 20 DIN 933 8.8	WAI102999				0.000	8.00
							Stk
13	spring washer A12	WAI102896				0.000	8.00
							Stk
14	hex. bolt M12 x 25 DIN 933 8.8	WAI101001				0.035	6.00
							Stk

description	drawing-no	ID	date	chg.-index	chg-date	val.from	val.unti
pedestal a.ladder ri.le 36-Mtr boom REED	B074220	RH	22.12.99				

*** Liste beendet am 08/04/99/10.44 ***

S T Ü C K L I S T E N - D R U C K

pos	description	ident-no	DIN	change-index	chg. dat	weight	quant
	stock	dimensions	material	valid from	val.unt.		unit

1	boom support (weld.) Reed	B084151				64.350	1.00
	own parts list						Stk
2	console cpl. for boom support	B084122				7.000	1.00
	own parts list						Stk
3	flange	B084102	1017			2.200	2.00
		Fl 150x15x130	St37-2				Stk
4	rubber buffer 100 x 50	WAI103478				0.000	1.00
							Stk
5	cheese head screw M 16 x 25	WAI103488				0.000	8.00
							Stk
6	nut M16 DIN 982	WAI103046				0.000	1.00
							Stk
7	hex. nut M10 DIN985 8.	WAI102125				0.010	2.00
							Stk
8	hex. bolt M 10 x 25	WAI101014				0.024	2.00
							Stk

description	drawing-no	ID	date	chg.-index	chg-date	val.from	val.unti
boom support cpl. REED (version No.6)	B084150	RH	14.01.99				

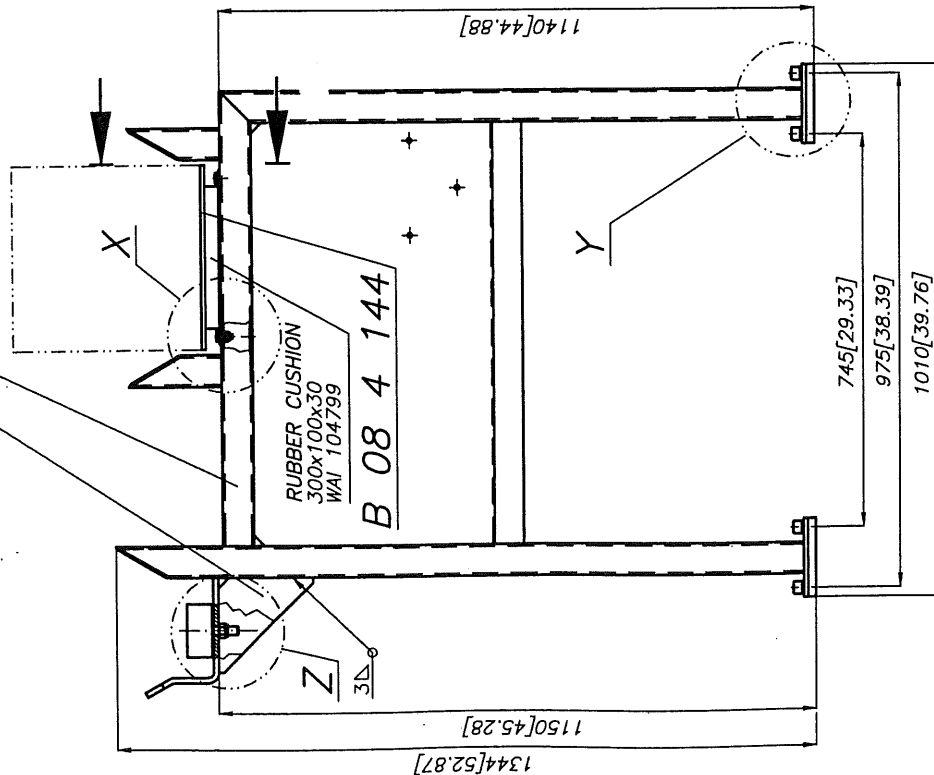
STÜCKLISTEN - DRUCK

pos	description	ident-no	DIN	change-index		weight	quant
				valid from	val.unt.		
	stock	dimensions	material				unit
9	sunk screw M 8 x 20	WAI103397				0.000	8.00
							Stk
10	reinforcement	B084144	1543/EN10029			0.530	1.00
		Blech 8x350x250	St 37-2				Stk
11	spring washer A16	WAI103489				0.008	8.00
							Stk

description	drawing-no	ID	date	chg.-index	chg-date	val.from	val.unti
boom support cpl.REED (version No.6)	B084150	RH	14.01.99				

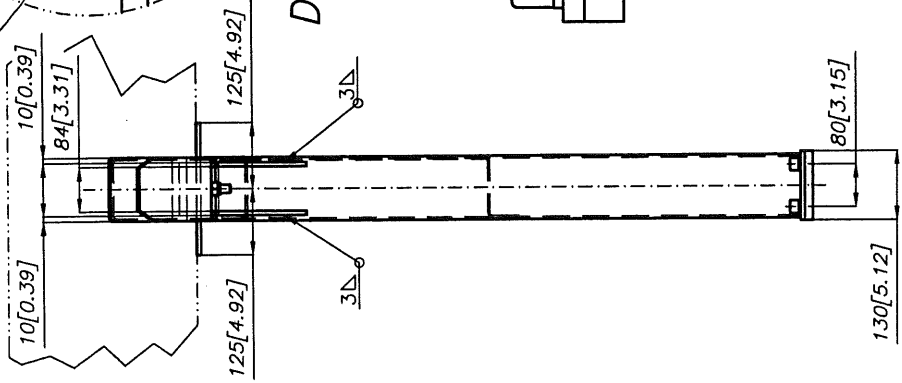
*** Liste beendet am 08/04/99/10.44 ***

B 08 4 122
AFTER BOOM ASSEMBLY
TO ADJUST AND TO WELD
B 08 4 151



RUBBER BUFFER
100x50 M16 1x
WAI 103478

LOCKING NUT
M16 DIN 982
WAI 103046



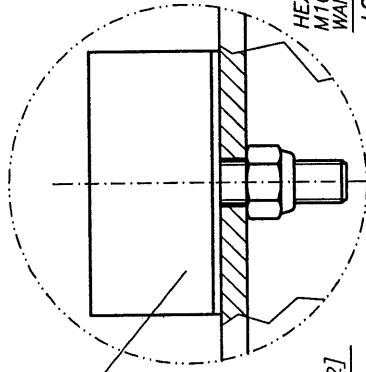
SECTION W-W
1:2

REINFORCEMENT ON BOTH SIDES
WELDING WITH SHORT SEAMS !

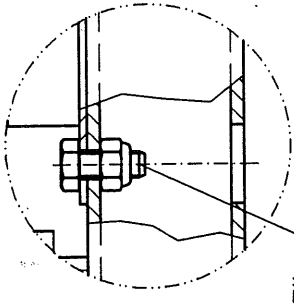
ATTENTION !
NO WELDING SEAMS
CROSSWISE !
HEX. SOCKET COUNT HEAD SCREW
M8x20 DIN 7991 8.8
WAI 103397 (8x)

THIS INFORMATION MAY NOT BE COPIED BY A
THIRD PARTY. SUBJECT TO COPYRIGHT (PARA-
GRAPH 1 NO. 3 OF "URHEBERRECHTSGESETZ"
FROM 14.06.1991)

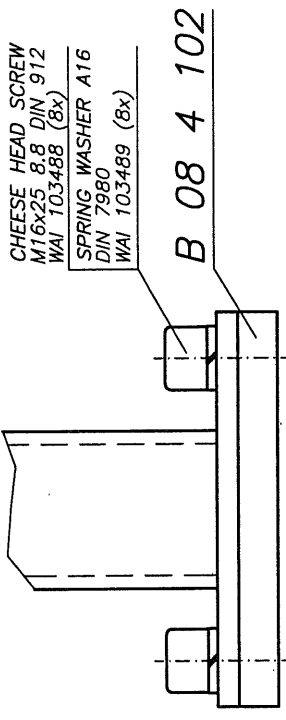
DETAIL Z 1:2



DETAIL X 1:2



DETAIL Y 1:2



WELDING DETAILS:

WELDING METHOD: ACTV GAS ARC WELDING
FILLER WIRE: MASSIVE WIRE SG3Ø1.0
WELDING GAS: M21
PREHEATING TEMPERATURE: INTERMETATE SEAM TEMPERATURE:
ADMISSIBLE DISTANCE ENERGY: SEAM QUALITY, RATING GROUP:
DIN 15018, DIN 8563 P.3 BS
WELDING SEAM INSPECTION: VISUAL CONTROL
***)PIGMENT PENETRATION METHODE P-100 }
D. } DIN 15018

	FREE DIMENSION TOLERANCE DIN 7168 MEDIUM	DATE 1999/07/13	NAME R. Höhn	SCALE 1:10 (1:2)	WEIGHT 770 N
	DRWING 	CHKD. 	APPD. 	own parts list	
	ISSUE 	MODIFICATION 	DATE 	NAME 	REPLACEMENT FOR
Waizinger Baumaschinen Vertrieb und Service GmbH			Boom support cpl. REED (Version No.6)		
CHANGE ONLY WITH CAD			B 08 4 150		
ORIGINAL			SHEET		
OF			OF		

S T Ü C K L I S T E N - D R U C K

pos	description	ident-no	DIN	change-index	chg. dat	weight	quant
	stock	dimensions	material	valid from	val.unt.		unit
1	holder cpl.	B114165				0.000	2.00
	own parts list						stk
2	bracket cpl.	B114153				10.700	2.00
	own parts list						stk
3	bolt	B113021	1013			0.650	2.00
		Rd 30x175	42CrMo4V				stk
10	washer 26, DIN 126	WA1103411				0.000	4.00
							stk
11	pin	WA1100940				0.000	4.00
							stk

description	drawing-no	ID	date	chg.-index	chg-date	val.from	val.unti
mounting cpl.	B114180	Mi	10.03.99				

*** Liste beendet am 08/04/99/10.45 ***

S T Ü C K L I S T E N - D R U C K

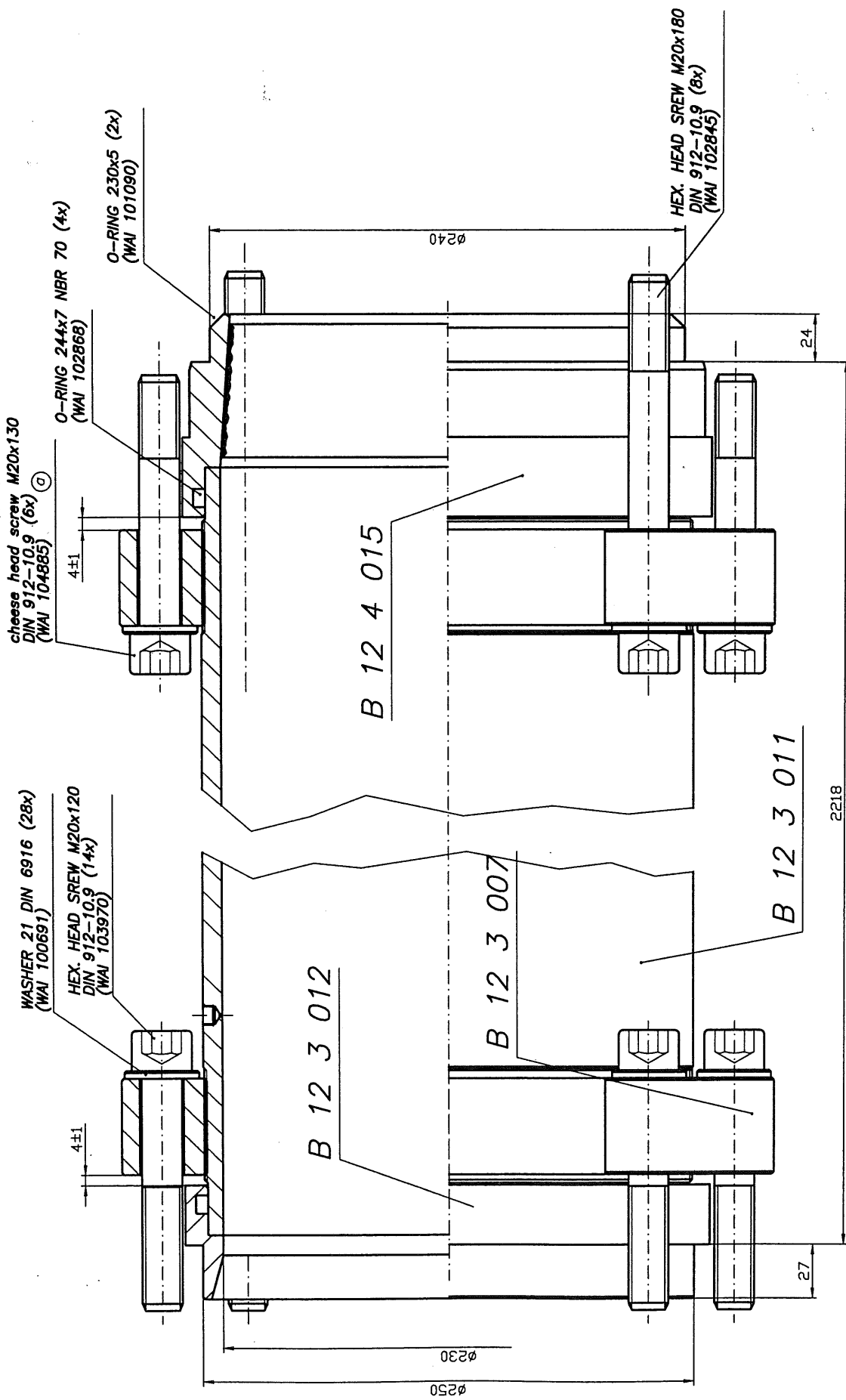
pos	description	ident-no	DIN	change-index		weight	quant
				valid from	val.unt.		
	stock	dimensions	material				unit
1	fitting ring DN 230 water box	B123012	2448			6.000	2.00
		Rohr 267x36x65	St52.0				stk
2	flange ring DN 230 threaded	B123007	1543/EN10029	b	17.09.97	12.200	4.00
		B1 55xd330	St52-3				stk
3	conveyor cylinder DN230x2000 chromized	B123011	2448	b	23.04.98	150.000	2.00
	with thread	Rohr 250x12.5x2160	St52-3				stk
4	fitting ring DN230/215 with hardened	B124015	2448			8.880	2.00
	surface	Rohr 267x35x108	St52.0				stk
5	cheese head screw M20 x 120	WAI103970				0.000	14.00
							stk
6	cheese head screw M20 x 130	WAI104885				0.000	6.00
							stk
7	washer HV	WAI100691				0.013	28.00
							stk
8	O-ring 244 x 7, NBR70	WAI102868				0.000	4.00
							stk



description	drawing-no	ID	date	chg.-index	chg-date	val.from	val.unti
conveyor cylinder cpl. DN230/215x2000	B124017	Mi	27.02.98	a	21.07.98		

pos	description	ident-no	DIN	change-index	chg. dat	weight	quant
	stock	dimensions	material	valid from	val.unt.		unit
9	O-ring 230x5	W11101090				0.000	2.00
							stk
10	cheese head screw M20 x 180	W1102845				0.000	8.00
							stk

description	drawing-no	ID	date	chg.-index	chg-date	val.from	val.unti
conveyor cylinder cpl. DN230/215x2000	B124017	Mi	27.02.98	a	21.07.98		

*** Liste beendet am 08/04/99/10.45 ***



 Waitzinger Baumaschinen Vertrieb und Service GmbH	FREE DIMENSION TOLERANCE DIN 7168 MEDIUM		SCALE 1:2	WEIGHT OWN PARTS LIST
	DATE 1998/02/27 CHKD. MI APPD.	NAME MI	CHANGE ONLY WITH CAD	DN 230/215x2000 (threaded / cromized)
DATE 98/07/21 NAME MI	MODIFICATION	ORIGINAL	REPLACEMENT FOR	SHEET OF
ISSUE	DATE	NAME	B 12 4 017	REPLACEMENT BY

THIS INFORMATION MAY NOT BE COPIED BY A THIRD PARTY. SUBJECT TO COPYRIGHT (PARAGRAPH 1 NO. 3 OF "URHBERRECHTSGESSETZ" FROM 14.06.1991)

STÜCKLISTEN - DRUCK

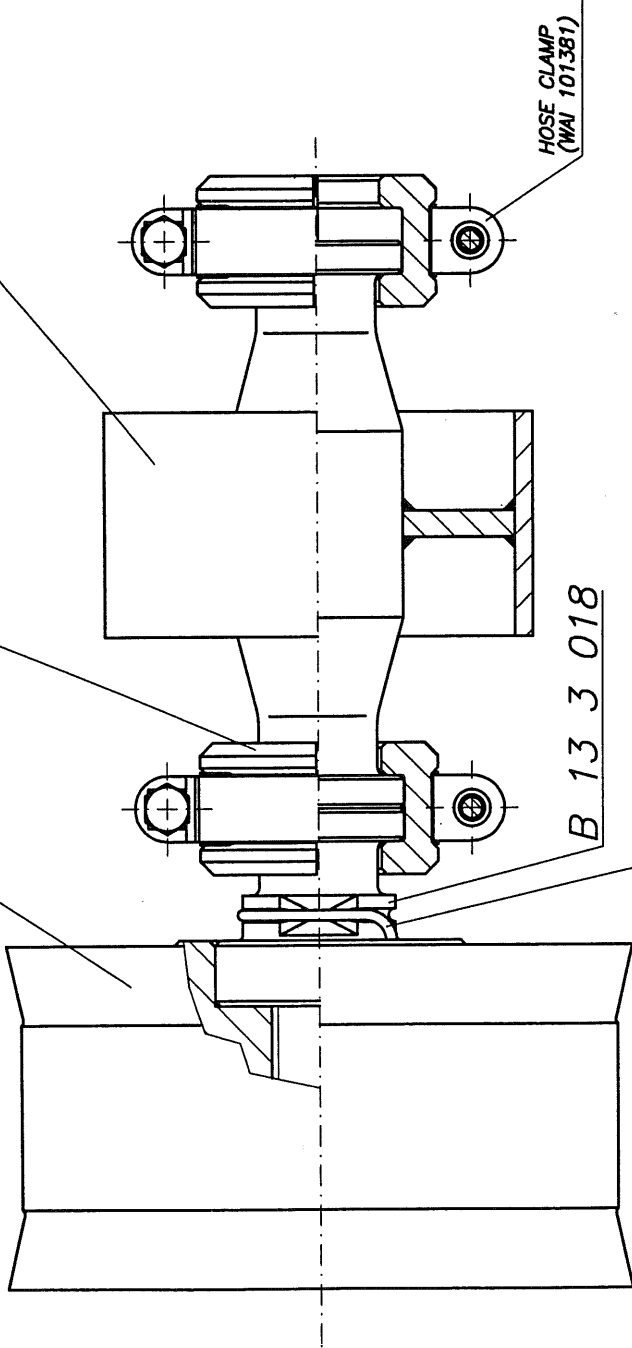
pos	description	ident-no	DIN	change-index		chg. dat	weight	quant
				valid from	val.unt.			
	stock	dimensions	material					unit
1	piston ram DN 230	WAI100175					19.900	2.00
								stk
2	coupling bolt	B133018	1013				2.200	2.00
		Rd 82x120	42CrMo4V					stk
3	clamp coupling	B131004	1013				0.000	4.00
		Rd 95x50	42CrMo4V					stk
4	distance piece complete	B133005					7.200	2.00
	own parts list							stk
5	hose clamp S86/25	WAI101381					0.216	4.00
								stk
6	protection ring	B133019	17223				0.000	2.00
		Federst. 4						stk

description	drawing-no	ID	date	chg.-index	chg-date	val.from	val.unti
piston ram cpl.DN 230	B133022	RH	21.01.99				

B 13 3 005

B 13 1 004

PISTON RING DN230
(WAI 100175)



HOSE CLAMP
(WAI 101381)

B 13 3 018

B 13 3 019

SCALE 1:2		WEIGHT	
OWN PARTS LIST			
Conveying piston cpl. DN 230 with switch ring			
FREE DIMENSION TOLERANCE DIN 7168 MEDIUM		DRAWN 1998/07/08 DATE	
WAI logo		NAME	
Waitzinger Baumaschinen Vertrieb und Service GmbH		DATE	
DATE		NAME	
DRAWN		DATE	
CHKD.		NAME	
APPD.		DATE	
CHANGE ONLY WITH CAD		REPLACEMENT FOR	
ORIGINAL		REPLACEMENT BY	
ISSUE		SHEET	
MODIFICATION		OF	
DATE		B 13 3 022	
NAME		REPLACEMENT BY	

THIS INFORMATION MAY NOT BE COPIED BY A
THIRD PARTY. SUBJECT TO COPYRIGHT (PARA-
GRAPH 1 NO. 3 OF URHBERRECHTSGESSETZ
FROM 14.06.1997)

pos	description	ident-no	DIN	change-index	chg. dat	weight	quant
	stock	dimensions	material	valid from	val.unt.		unit
1	waterbox cpl. DN 200/230 (processing)	B143001		a	22.09.97	0.000	1.00
	own parts list						Stk
2	lever	B143007	1543/EN10029			0.000	1.00
		B1 10x195x78.5	St52-3				Stk
3	loop bolt cpl.	B143009				0.090	1.00
	own parts list						Stk
4	drain pin	B143011				1.140	1.00
	own parts list						Stk
5	cover for waterbox cpl.	B143015				4.550	1.00
	own parts list						Stk
6	safety lattice	B143020				0.000	1.00
		Lochbl. 1.5x610x286	Rostfrei				Stk
7	hex. screw M12	WA1103688				0.000	1.00
							Stk
8	nut M12 DIN 934	WA1101557				0.015	2.00
							Stk

description	drawing-no	ID	date	chg.-index	chg-date	val.from	val.unti
waterbox cpl. DN 200/230 plug	B143000	HG	19.06.97				

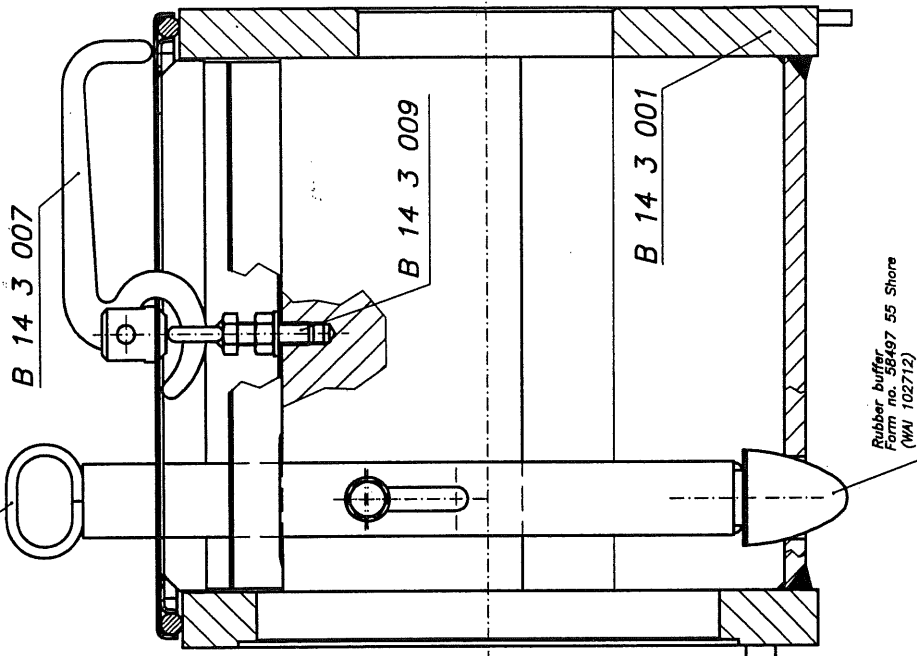
pos	description	ident-no	DIN	change-index	chg. dat	weight	quant
	stock	dimensions	material	valid from	val.unt.		unit
9	washer	WAI100504				0.000	2.00 Stk
10	rubber buffer 50 x 58	WAI102712				0.000	1.00 Stk
11	pin	WAI103387				0.000	1.00 Stk
12	O-ring cord 12mm	WAI101831				0.000	1.95 Mtr

description	drawing-no	ID	date	chg.-index	chg-date	val.from	val.unti
waterbox cpl. DN 200/230 plug	B143000	HG	19.06.97				

*** Liste beendet am 08/04/99/10.48 ***

Schnitt A-A

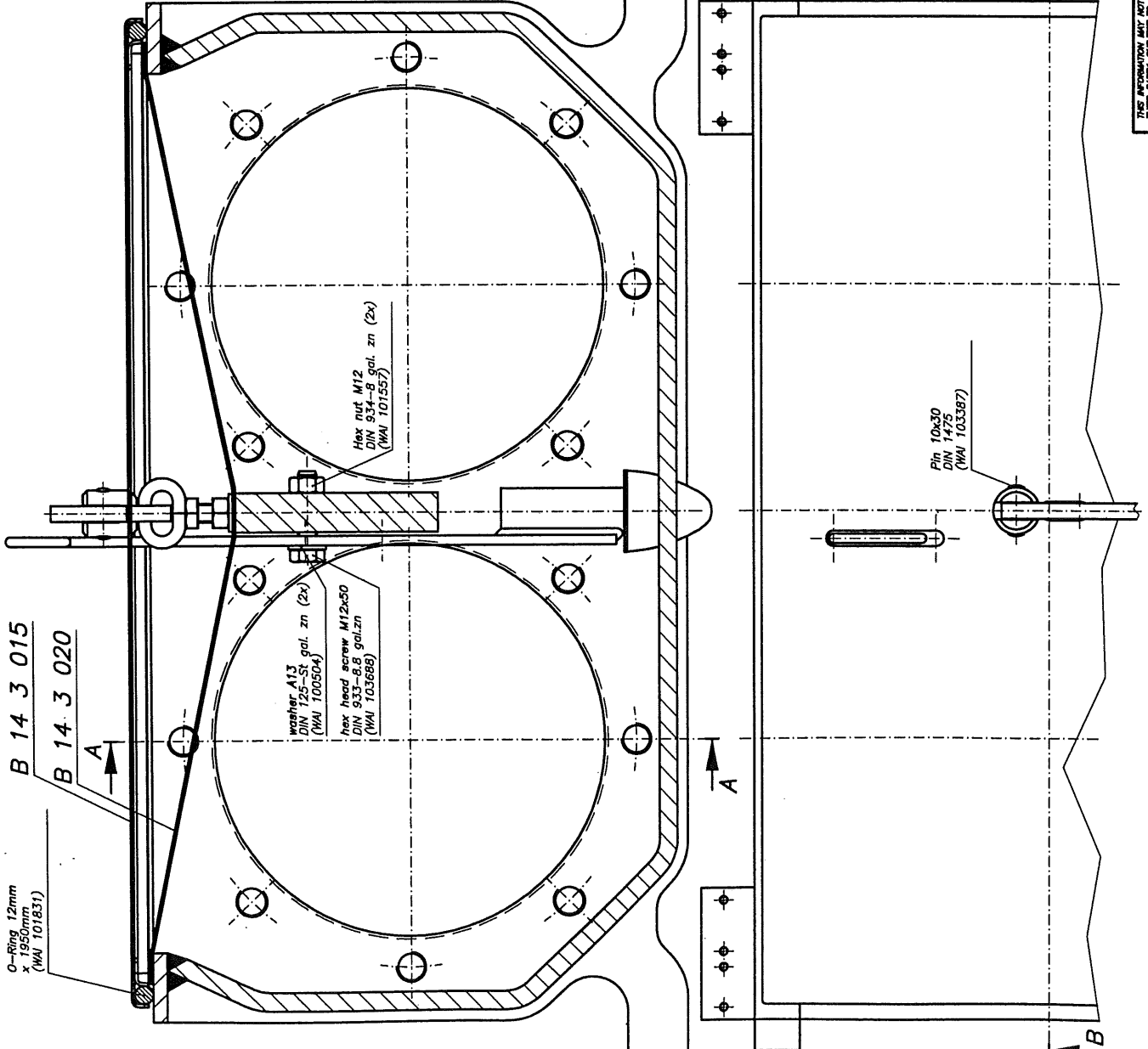
B 14 3 011



Schnitt B-B

B 14 3 015

B 14 3 020



 Wälzlager Baumaschinen Vertrieb und Service GmbH	SCALE 1:2	WEIGHT 00 N
	own parts list	
FREE DIMENSION TA 1500 DN 7100 MEDIUM	NAME DATE DRAWN / ENGINEERED / I. ENG. CHECK APPR.	CHANGE ONLY WITH CAD
TITLE DATE MODIFICATION	NAME DATE	REPLACEMENT BY SHEET OF
Water box cpl. DN 200/230 plug		B 14 3 000

THIS INFORMATION MAY NOT BE COPIED BY A
THIRD PARTY, SUBJECT TO COPYRIGHT (WAI-
GROUP) / NO. 3 OF "LÄRMERRECHT"RESETZ
ZEITUNG (1985/1987)

STÜCKLISTEN - DRUCK

pos	description	ident-no	DIN	change-index	chg. dat	weight	quant
	stock	dimensions	material	valid from	val.unt.		unit
1	drive cylinder 140/80-2000	WAI104939				295.000	2.00
	50my chromized, with sensorport						stk
2	cylinder head screw M 24 x 200	WAI103828				0.000	8.00
							stk
3	O-ring 1801-0047	WAI101441				0.000	2.00
							stk

description	drawing-no	ID	date	chg.-index	chg-date	val.from	val.unti
drive cylinder cpl. 140/80-2000	B154022	JR	26.11.98				

*** Liste beendet am 08/04/99/10.48 ***

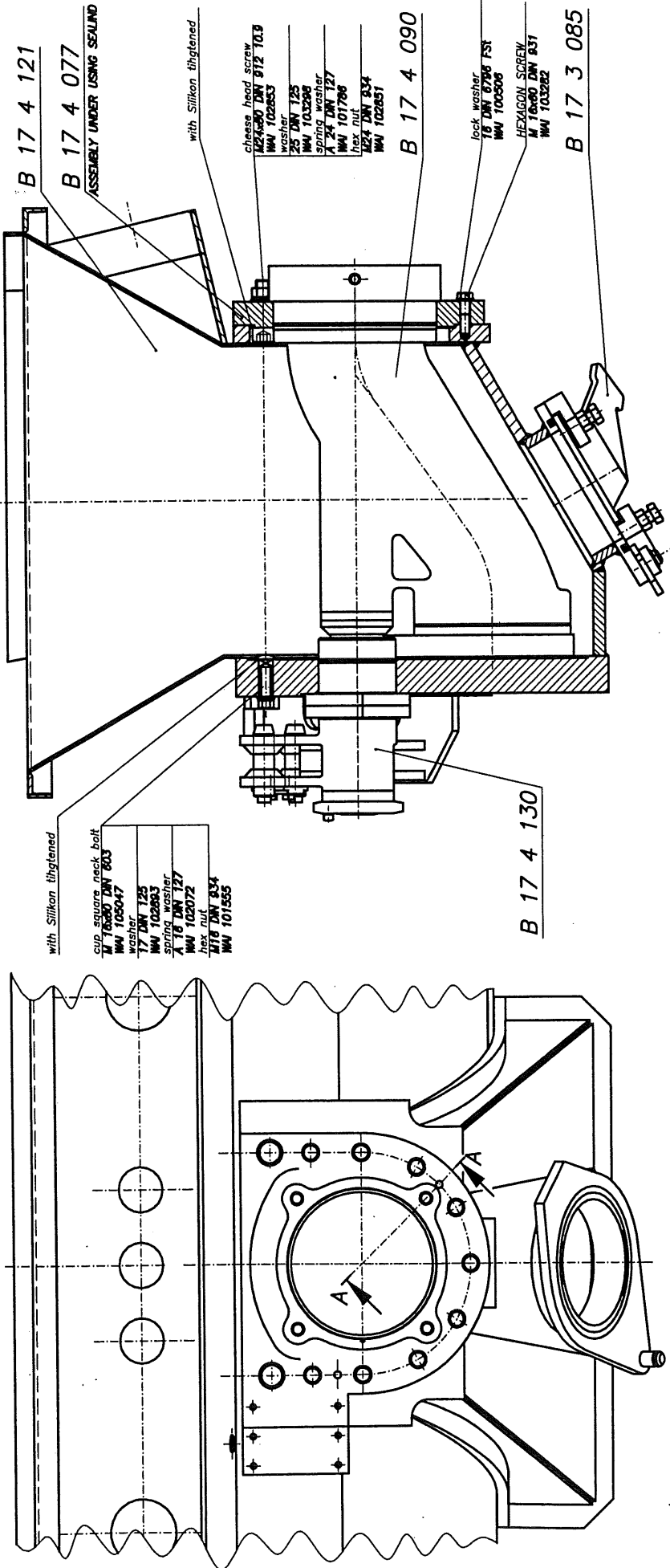
S T Ü C K L I S T E N - D R U C K

pos	description	ident-no	DIN	change-index	chg. dat	weight	quant
	stock	dimensions	material	valid from	val.unt.		unit
1	s-valve housing with light panel	B174121				0.000	1.00
	own parts list						stk
2	s-valve system cpl. DN 200 w/o ring app.	B174090				0.000	1.00
	own parts list						stk
3	cleaning hole assembly	B173085				0.000	1.00
	own parts list						stk
4	rear plate	B174077	1543/EN10029		04.08.98	40.000	1.00
			St52-3				stk
5	shift drive system w/o sensor	B174130				0.000	1.00
	own parts list						stk
6	cup square neck bolt M 16 x 80	WAI105047				0.000	2.00
							stk
7	washer 17, DIN 125	WAI102893				0.000	1.00
							stk
8	spring washer A16	WAI102072				0.008	1.00
							stk

description	drawing-no	ID	date	chg.-index	chg-date	val.from	val.unti
s-valve system complete	B174006	HF	15.10.98	a	15.01.99		

pos	description	ident-no	DIN	change-index		weight	quant
				valid from	val.unt.		
	stock	dimensions	material				unit
9	hexagon bolt M 16 x 60	WAI103282			0.115	9.00	Stk
10	nut M16 DIN 934	WAI101555			0.000	2.00	Stk
11	conical spring washer	WAI100506			0.000	9.00	Stk
12	cheese head screw M 24 x 80	WAI102853			0.000	2.00	Stk
13	spring washer	WAI101786			0.001	1.00	Stk
14	washer 25, DIN 125	WAI103298			0.000	1.00	Stk
15	nut M24 DIN 934	WAI102851			0.000	1.00	Stk

description	drawing-no	ID	date	chg.-index	chg-date	val.from	val.unti
s-valve system complete	B174006	HF	15.10.98	a	15.01.99		



B 17 4 121
B 17 4 077
ASSEMBLY UNDER USING SEALING AGENT I

with Silikon tightened

- cheese head screw
M24x90 DN 812 10.9
WAU 102853
- washer
25 DN 125
WAU 103296
- spring washer
A 24 DN 127
WAU 101786
- hex nut
M24 DN 834
WAU 102851

B 17 4 090

- lock washer
18 DN 8786 F5T
WAU 100506
- HEXAGON SCREW
M 16x90 DN 831
WAU 103282


B 17 3 085

with Silikon tightened

- cup square neck bolt
M 16x90 DN 803
WAU 105047
- washer
17 DN 125
WAU 102803
- spring washer
A 16 DN 127
WAU 102072
- hex nut
M16 DN 834
WAU 101555

B 17 4 130

A - A 1:1

 Walzinger Bauteile Vertrieb und Service GmbH		SCALE 1:5 DRAWN CHECK DATE	NAME DATE DATE	PRICE DIMENSION DN 215 DN 215 MEDIUM	own partlist
THIS INFORMATION MAY NOT BE COVERED BY A COMPANY'S PATENT RIGHTS IN THE UNITED STATES FROM 15.03.1991		CHANGE ONLY WITH CAD		S-valve system cpl. with lightning DN 215	
SHEET OF		REF. C.		B 17 4 006	

S T Ü C K L I S T E N - D R U C K

pos	description	ident-no	DIN	change-index	chg. dat.	weight	quant
	stock	dimensions	material	valid from	val.unt.		unit
1	conveyor cyl. autom. cpl.	B183006				0.000	1.00
	own parts list						stk
2	lubrication system complete	B183007			29.03.99	0.000	1.00
	own parts list						stk

description	drawing-no	ID	date	chg.-index	chg-date	val.from	val.unti
lubrication system cpl. VPMS	B183005	Mi	18.01.99				

*** Liste beendet am 08/04/99/10.48 ***

S T Ü C K L I S T E N - D R U C K

pos	description	ident-no	DIN	change-index	chg. dat	weight	quant
	stock	dimensions	material	valid from	val.unt.		unit
1	reducer DN 200-180	B191010		a	06.03.97	0.000	1.00
	own parts list						Stk
2	reducer elbow DN 180-150	B191015		a	14.12.98	0.000	1.00
	own parts list						Stk
3	flange	B193017	1543 /EN 10029			3.200	1.00
		B1 50x D200	St52-3				Stk
4	O-ring	WAI105164				0.000	1.00
							Stk
5	wedge coupling 6"	WAI105165				0.000	1.00
							Stk
10	locking wedge complete	B194046				1.850	1.00
	own parts list						Stk
13	locking bolt	B194045	1013			1.050	1.00
		Rundstahl 50x125	St52-3				Stk
14	hinge	B194049	1013			1.700	2.00
		Rundstahl d60x100	St52-3				Stk

description	drawing-no	ID	date	chg.-index	chg-date	val.from	val.unti
conveying pipe line cpl. HP9420/12523	B194066	Mi	15.12.98				

pos	description stock	ident-no dimensions	DIN material	change-index		weight	quant
				valid from	val.unt.		
15	bolt	B194050	671	a	12.02.98	0.000	1.00
		Rundstahl d30h9x230	St52-3				Stk
16	snap coupling 5 1/2"	B194053				0.000	1.00
	own parts list						Stk
26	O-ring	WAI104025				0.000	1.00
							Stk
27	clamp coupling 6"	WAI101779				0.000	2.00
							Stk
28	bend DN 150	WAI100690				0.000	1.00
							Stk
29	O-ring	WAI101545				0.052	3.00
							Stk
30	spring pin 8 mm	WAI102622			22.09.97	0.000	4.00
							Stk
31	snap ring	WAI100694				0.004	2.00
							Stk

description	drawing-no	ID	date	chg.-index	chg-date	val.from	val.unti
conveying pipe line cpl. HP9420/12523	B194066	Mi	15.12.98				

STÜCKLISTEN - DRUCK

pos	description stock	ident-no dimensions	DIN material	change-index		chg. dat val.unt.	weight	quant
				valid from				
32	hexagon bolt M 24 x 65	WAI102848					0.000	3.00 Stk
35	washer HV25	WAI102331					0.000	3.00 Stk
39	chain 4mm	WAI103732					0.000	1.00 mtr
40	cotter pin	WAI101266					0.060	1.00 Stk
41	key ring	WAI104636					0.000	2.00 Stk
42	cheese head screw	WAI101792					0.000	6.00 Stk
43	spring washer A12	WAI103113					0.000	6.00 Stk
44	grease nipple	WAI100805					0.005	1.00 Stk

description	drawing-no	ID	date	chg.-index	chg-date	val.from	val.unti
conveying pipe line cpl. HP9420/12523	B194066	Mi	15.12.98				

WAITZINGER BAUMASCHINEN 89278 NERSINGEN

08/04/99-10.50 Mi

STÜCKLISTEN - DRUCK

Seite: 4

*** Liste beendet am 08/04/99/10.50 ***

S T Ü C K L I S T E N - D R U C K

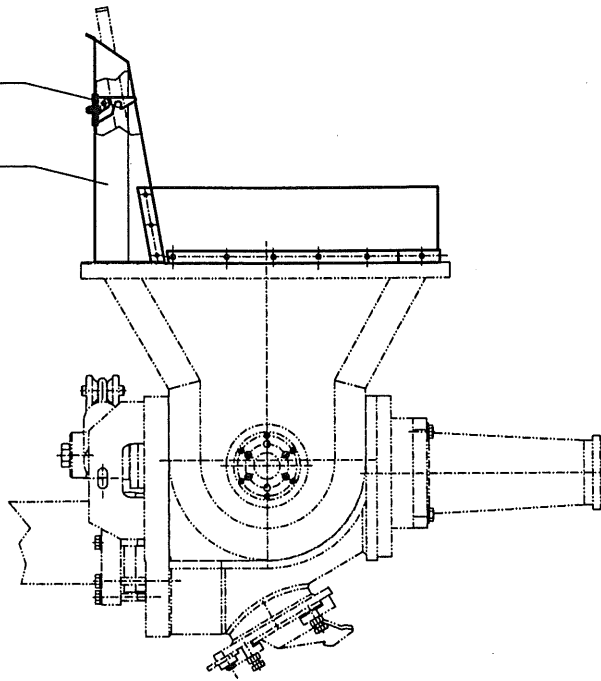
pos	description	ident-no	DIN	change-index	chg. dat	weight	quant
	stock	dimensions	material	valid from	val.unt.		unit
1	splash board trailer	B224005				0.000	1.00
	own parts list						Stk
2	concrete grid cpl. light version	B224046				0.000	1.00
	own parts list						Stk
3	hook cpl.	B224025				0.490	1.00
	own parts list						Stk

description	drawing-no	ID	date	chg.-index	chg-date	val.from	val.unti
hopper accessories REED	B224050	jr	13.01.99				

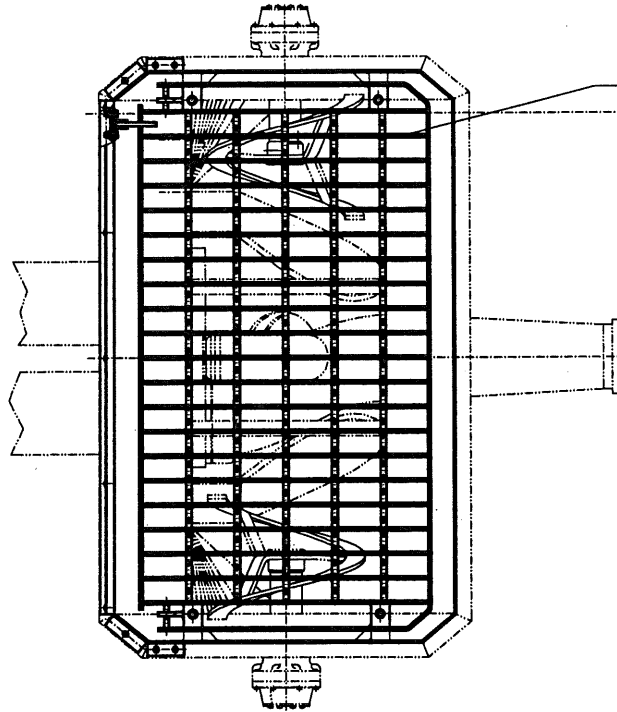
*** Liste beendet am 08/04/99/10.50 ***

B 22 4 025

B 22 4 005



B 22 4 046

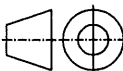


THIS INFORMATION MAY NOT BE COPIED BY A
 THIRD PARTY. SUBJECT TO COPYRIGHT (PARA-
 GRAPH 1 NO. 3 OF "URHEBERRECHTSGESETZ"
 FROM 14.06.1991)



Waitzinger
Baumaschinen
Vertrieb und
Service GmbH

FREE DIMENSION
TOLERANCE
DIN 7168
MEDIUM



SCALE 1:20

WEIGHT

own part list

HOPPER ACCESSORIES
REED cpl.

DATE	NAME
DRAWN 1996/10/29	G.Weinmann
CHKD.	
APPD.	

CHANGE ONLY WITH CAD

B 22 4 050

SHEET
OF

ISSUE	MODIFICATION	DATE	NAME	ORIGINAL	REPLACEMENT FOR	REPLACEMENT BY

pos	description	ident-no	DIN	change-index	chg. dat	weight	quant
	stock	dimensions	material	valid from	val.unt.		unit
1	flange	B254101		a	23.01.97	0.000	2.00
	own parts list						Stk
2	shaft	B254102	1013	a	23.04.97	0.000	2.00
		Rd 100x199	St52				Stk
3	nut	B254103	1013			0.000	2.00
		Rd 110x165	ST52				Stk
4	wear sleeve	B254104	2448	a	01.12.97	0.490	2.00
		Rohr 88.9x8.8x50	StE 690				Stk
5	agitator shaft, left	B254105		a	15.09.98	0.000	1.00
	own parts list						Stk
6	agitator shaft, right	B254106		a	15.09.98	0.000	1.00
	own parts list						Stk
7	hexagon bolt	WA1103062				0.000	8.00
							Stk
8	set screw	WA1100499				0.000	2.00
							Stk

description	drawing-no	ID	date	chg.-index	chg-date	val.from	val.unti
agitator with drive	B254120	rh	24.04.98				

pos	description	ident-no dimensions	DIN material	change-index		weight	quant
				valid from	chg. dat val.unt.		
9	clamping sleeve 6 x 18	WAI103106				0.000	4.00 Stk
10	straight pin 10 H 6 x 30	WAI103065				0.000	12.00 Stk
11	washer	WAI102962				0.013	8.00 Stk
12	groove ring 85-100-11.5	WAI102544				0.024	4.00 Stk
13	O-ring 174 x 3	WAI103063				0.000	2.00 Stk
14	O-ring 13 x 2	WAI103064				0.000	2.00 Stk
15	O-ring 59 x 3	WAI103249				0.000	2.00 Stk
16	hydraulic motor MCR 3D 280	WAI101240				20.000	2.00 Stk

description	drawing-no	ID	date	chg.-index	chg.date	val.from	val.unti
agitator with drive	B254120	rh	24.04.98				

WAITZINGER BAUMASCHINEN 89278 NERSINGEN

08/04/99-10.50 Mi

S T Ü C K L I S T E N - D R U C K

Seite: 3

*** Liste beendet am 08/04/99/10.50 ***

S T Ü C K L I S T E N - D R U C K

pos	description	ident-no	DIN	change-index	chg. dat	weight	quant
	stock	dimensions	material	valid from	val.unt.		unit
1	coupling for waterpump	B321502	1013			0.010	1.00
		Rundstahl 30x26	St52-3				Stk
2	flange for water pump	B321505	1013			2.950	1.00
		Rd 120x55	St37				Stk
4	waterpump hydromotor	WAI100121				2.300	1.00
	type: A2F 5 W 6.0 B.3						Stk
5	water pump CRK 4-160	WAI100122				12.700	1.00
							Stk
6	hex. bolt M6x20	WAI101838				0.000	8.00
							Stk
7	spring washer A6	WAI103000			12.05.98	0.000	8.00
							Stk
8	set screw M 6 x 8	WAI103646				0.000	2.00
							Stk

description	drawing-no	ID	date	chg.-index	chg-date	val.from	val.unti
water pump with drive (A2F5-motor)	WAI104176	JR	11.11.97 a		17.11.97		

©
 HEX SCREW
 M6x20 DIN 933 8.8
 WAI 101838 8x
 SPRING WASHER
 A6 DIN 7980
 WAI 103674 8x

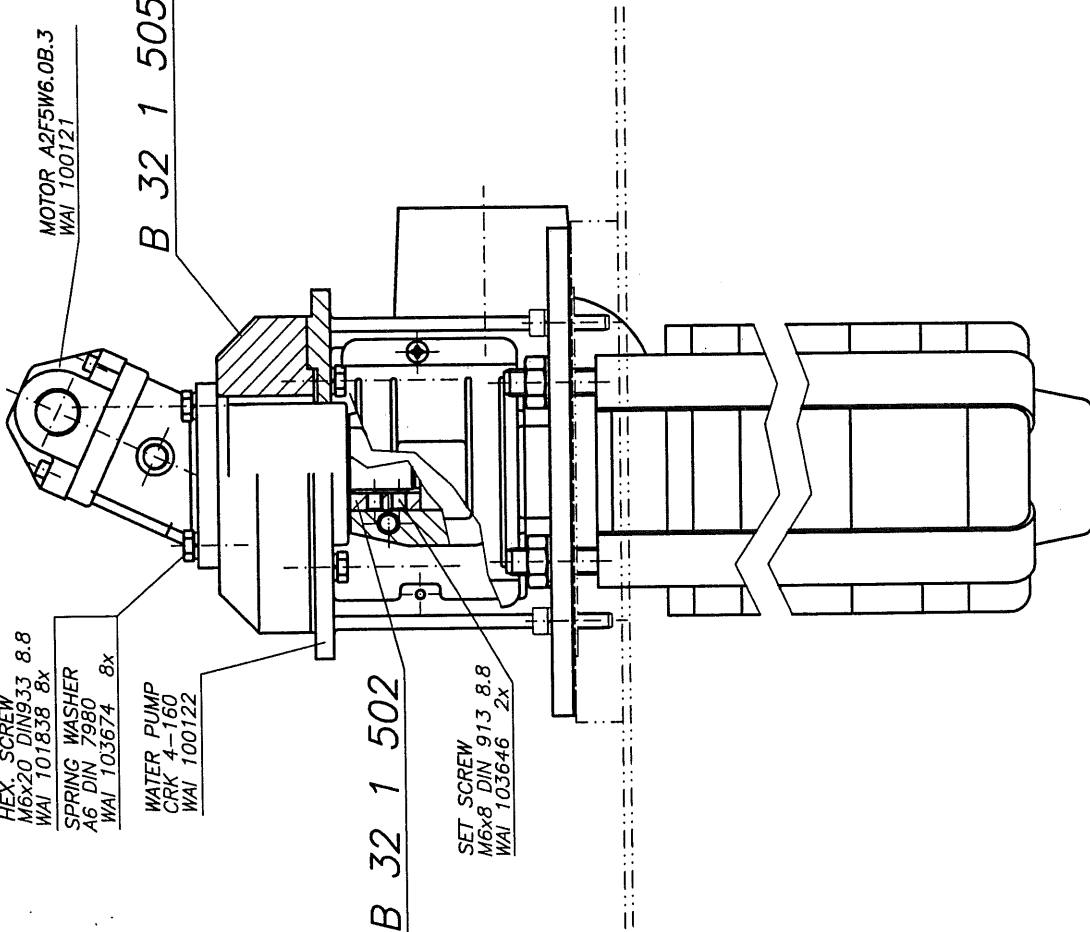
WATER PUMP
 CRK 4-160
 WAI 100122

MOTOR A2F5W6.0B.3
 WAI 100121


B 32 1 505

B 32 1 502

SET SCREW
 M6x8 DIN 913 8.8
 WAI 103646 2x



ATTENTION!
 YOU HAVE TO LIFT
 THE PUMP SHAFT
 AT HALF OF THE AXIAL
 GAP DURING ASSEMBLING

 Waitzinger Baumaschinen Vertrieb und Service GmbH		FREE DIMENSION TOLERANCE DIN 7168 MEDIUM	SCALE 1:2	WEIGHT 175 N
DATE 1997/11/11	NAME J.R.	DRAWN CHVD.	OWN PARTS LIST	
DATE 97/11/17	NAME M		WATER PUMP WITH DRIVE	
ISSUE 0	MODIFICATION	CHANGE ONLY WITH CAD	REPLACEMENT FOR WAI 104176	SHEET OF
THIS INFORMATION MAY NOT BE COPIED BY A THIRD PARTY, SUBJECT TO COPYRIGHT (PARA- GRAPH 1 NO. 3 OF "URHBERRECHTSGESETZ" FROM 14.06.1991)		REPLACEMENT BY		

pos	description	ident-no	DIN	change-index	chg. dat	weight	quant
	stock	dimensions	material	valid from	val.unt.		unit
1	pump A4VG125HDXM1/32R-NSF02F691D-S+	WAI104704				0.000	1.00
	+A4VG125HDXM1/32R-NSF02F001D-S						Stk
2	pump A10VO28DR/31L-PSC12K01	WAI104703				15.000	1.00
							Stk
3	control block close loop, 12V	WAI104846				0.000	1.00
	pump control						Stk
4	control block close loop, 12V	WAI104847				0.000	1.00
	shift drive						Stk
5	hydraulic accumulator 6 liter	WAI103616				0.000	1.00
							Stk
6	clamp	WAI104165			09.02.99	0.000	2.00
							Stk
9	flow devider	WAI100159				1.400	1.00
							Stk
10	mobil control block	WAI100124				6.900	1.00
	LT 30-23.0-4-F 250 bar						Stk

description	drawing-no	ID	date	chg.-index	chg-date	val.from	val.unti
hydraulic system closed loop	WAI104869	HF	10.07.98				

STÜCKLISTEN - DRUCK

pos	description	ident-no	DIN	change-index	chg. dat	weight	quant
	stock	dimensions	material	valid from	val.unt.		unit
11	pressure limiting valve MV53F	WAI104777				0.000	1.00
							Stk
12	check valve LT-35B23.0-K	WAI100938				0.834	4.00
	including valve and housing						Stk
13	straight male stud couplings L15-G 1/2"	WAI101332				0.000	8.00
							Stk
14	throttlefree banjo elbows L15 R	WAI101950				0.000	4.00
							Stk
15	straight stud standpipe adaptor L15 G1/2	WAI101979				0.000	4.00
							Stk
16	hydraulic hose DN 12 x 700	WAI103207				0.000	4.00
							Stk

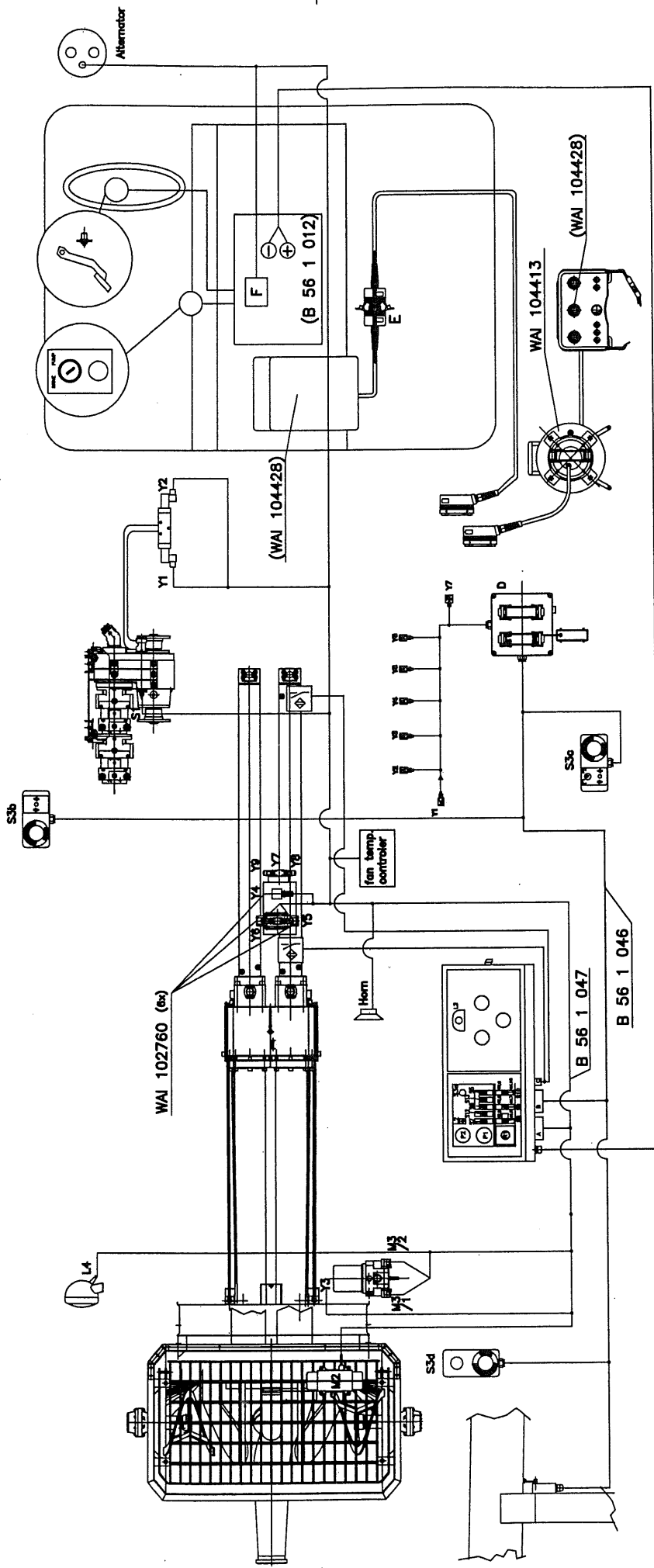
description	drawing-no	ID	date	chg.-index	chg-date	val.from	val.unti
hydraulic system closed loop	WAI104869	HF	10.07.98				

S T Ü C K L I S T E N - D R U C K

pos	description	ident-no	DIN	change-index	chg. dat	weight	quant
	stock	dimensions	material	valid from	val.unt.		unit
1	cable harness boom REED	B561046				0.000	1.00
	own parts list						Stk
2	cable harness pump REED CL 32/36 M	B561047				0.000	1.00
	own parts list						Stk
3	cable drum + 35m cable	WAI104413				0.000	1.00
							Stk
4	anti-interference device	WAI102760				0.000	6.00
							Stk

description	drawing-no	ID	date	chg.-index	chg-date	val.from	val.unti
cable harness closed loop	B561048	HF	09.02.99				

*** Liste beendet am 08/04/99/10.52 ***



THIS INFORMATION MAY NOT BE COPIED BY A THIRD PARTY, SUBJECT TO COPYRIGHT PROTECTION FROM 1981.

TERMINAL F

blk/whi	LT
whi	ST
gry	Y1
gry	Y2
blu	M1 (A7)
blk	M1 (A8)
vio	Lima D
brn	⊖
red	reserve
gry/bik	reserve

PLUG E

pin No.	wire No.	function	pin No.	wire No.	function
1	1	power supply 12V	17	34	boom 4 up
2	3	emergency stop	18	31	boom 3 down
3	4	12 V4	19	32	boom 3 up
4	5	RPM-	20	29	turn clockwise
5	6	free	21	30	turn anticlockw.
6	8	horn	22	28	boom 1 down
7	11	RPM+	23	27	boom 1 up
8	13	pump on	24	39	boom 2 down
9	9	GND	25	40	boom 2 up
10	14	reverse	26	-	free
11	25	pilot valve	27	-	free
12	-	free	28	35	pump speed pot
13	-	free	29	-	free
14	-	free	30	-	free
15	-	free	31	-	free
16	33	boom 4 down	32	-	free

PLUG D

pin No.	wire No.	function	pin No.	wire No.	function
1	Y3/3	boom 1 up	16	B 8	RPM +
2	Y3/2	boom 1 down	17	B 9	RPM -
3	Y4/3	boom 2 up	18	B 14	pumping on
4	Y4/2	boom 2 down	19	B 12	pumping
5	Y5/3	boom 3 up	20	B 7	reverse
6	Y5/2	boom 3 down	21	B 15	horn
7	Y6/3	boom 4 up	22	B 5	free
8	Y6/2	boom 4 down	23	B 16	emergency stop
9	free	free	24	B 10	free
10	-	free			POT
11	Y2/2	turn clockwise			
12	Y2/3	turn anticlockw.			
13	S3c	plus			
14	Y1/2/3	pilot valve			
15	B 8	RPM +			
16	B 9	RPM -			
17	B 11	pumping on			
18	B 14	pumping			
19	B 12	reverse			
20	B 7	horn			
21	B 15	free			
22	B 5	emergency stop			
23	B 16	free			
24	B 10	POT			

PLUG C

pin No.	wire No.	function
1	brown +	
2	blue -	
3	black	Sensor 1
4	black	Sensor 2
5		
6		
7		
8		

PLUG B

pin No.	wire No.	function
1	D10-ll	ground
2	S3b	emergency stop
3	S3c	emergency stop
4	S3c	emergency stop
5	D 22	emergency stop
6	S3b-d	emergency stop
7	D 20	horn
8	D 15	RPM +
9	D 16	RPM -
10	D 24	Pot
11	D 17	pumping on
12	D 19	reverse
13	free	free
14	D 18	pumping
15	D 21	flashing light
16	D 23	free

PLUG A

pin No.	wire No.	function
1	Y3+M3/1+	brn
2	S1S-E1	blk/whi
3	Y3-1	red/yel
4	Lima	yel/whi
5	L4	gry/whi
6	Y4-2	blu/whi
7	M1 blue-1	blu
8	M1 brown-2	blk
9	Horn	blk
10	Y5-1/hopper	blk/gm
11	Y6/Y8/Y9	blk/gm
12	Y5-2	blk/red
13	Y8	gry/red
14	Y9	whi/brn
15	M2	vio
16	M2	blk
17	M3/1-1	blu
18	M3/1-3	gry
19	M3/2-2	gm
20	Y6	yel
21		whi
22		whi
23	Fan	gm
24	Res. F	yel/whi
	Res. F	red
		gry/blk

SCALE without

own parts list

W Weitzinger Baumaschinen Vertrieb und Service GmbH

FREE DIMENSION TOLERANCE 1/100 mm 1/32 inch

DATE	NAME
DESIGN	
CHG	
APPR	

CHANGE ONLY WITH C/D

REVISION

DATE

NAME

ORIGIN

REPLACEMENT FOR

REF. NO. B 56 1 048

SHEET

OF

Cable harness / accessories REED

B 56 1 048

STÜCKLISTEN - DRUCK

pos	description	ident-no	DIN	change-index	chg. dat	weight	quant
	stock	dimensions	material	valid from	val. unt.		unit
1	holder	B631101		a	08.04.97	0.000	2.00
	own parts list						Stk
2	mounting left	B631108				0.000	1.00
	own parts list						Stk
3	mounting right	B631112				3.800	1.00
	own parts list						Stk
4	plate	B073045	1543/EN10029			0.550	2.00
		B1 15x100x100	St37-2				Stk
5	rubber cushion	WAI103494				0.000	4.00
							Stk
6	cheese head screw M 16 x 25	WAI103488				0.000	8.00
							Stk
7	spring washer A16	WAI103489				0.008	8.00
							Stk
8	spring washer A10	WAI102070				0.002	2.00
							Stk

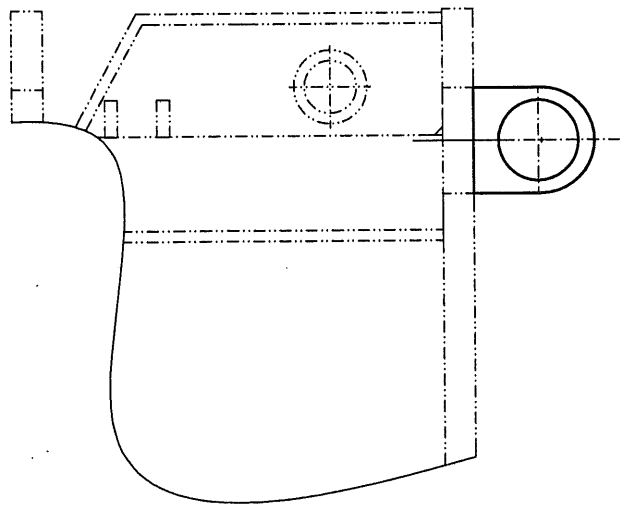
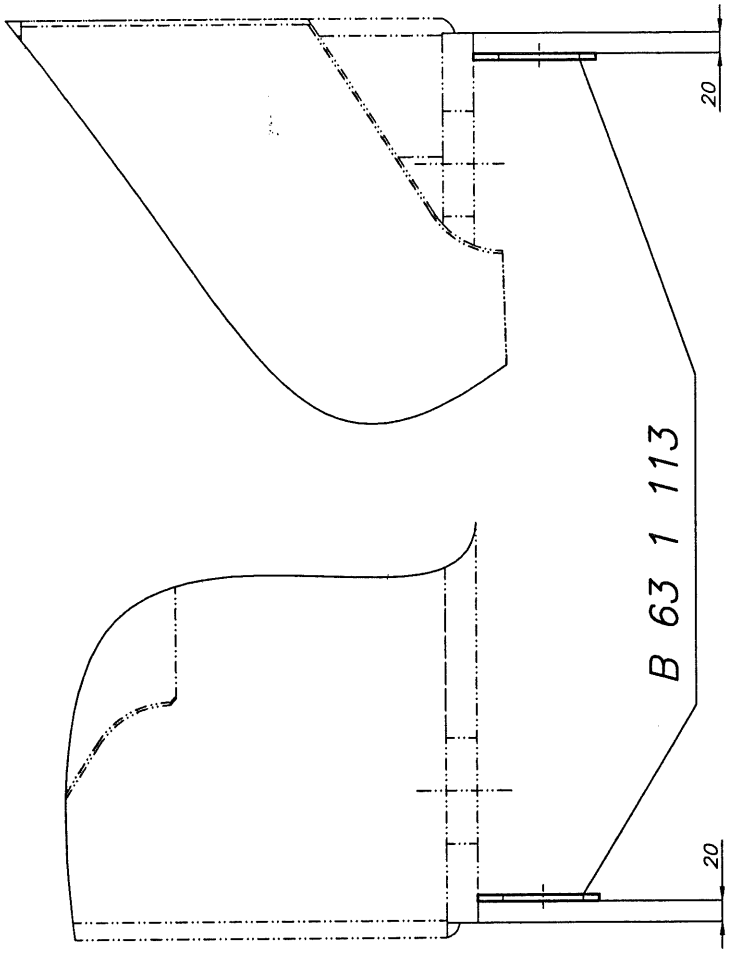
description	drawing-no	ID	date	chg.-index	chg-date	val.from	val.unti
transport savety device	B631100	HG	10.07.97	c	21.09.98		




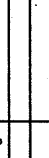
S T Ü C K L I S T E N - D R U C K

pos	description	ident-no	DIN	change-index		weight	quant
				valid from	val.unt.		
	stock	dimensions	material				unit
9	nut M10 DIN 934	WAI101556			0.010	2.00	Stk
10	holding fixture for rubber buffer	B631127	174		0.050	2.00	Stk
		Fl 20x16x20	St 37k				
11	bracket for marker yellow	B631113	1543/EN10029		0.100	2.00	Stk
		B1 6x100x115	St37-2				

description	drawing-no	ID	date	chg.-index	chg-date	val.from	val.unti
transport safety device	B631100	HG	10.07.97	c	21.09.98		

*** Liste beendet am 08/04/99/10.53 ***



SCALE 1:5		WEIGHT	
OWN PARTS LIST			
TRANSPORTATION SAFETY DEVICE REAR			
B 63 1 100		SHEET 2 OF 2	
REPLACEMENT FOR		REPLACEMENT BY	
			
FREE DIMENSION TOLERANCE DIN 7168 MEDIUM		CHANGE ONLY WITH CAD	
			
Waitzinger Baumaschinen Vertrieb und Service GmbH		Waitzinger Baumaschinen Vertrieb und Service GmbH	
DRAWN 1998/09/16 CHRD. APPD.		DATE 98/09/21 NAME MI	
ISSUE c		MODIFICATION DATE NAME	

THIS INFORMATION MAY NOT BE COPIED BY A
THIRD PARTY, SUBJECT TO COPYRIGHT (PARA-
GRAPH 1 NO. 3 OF "URHEBERRECHTSGESZT"
FROM 14.06.1991)

S T Ü C K L I S T E N - D R U C K

pos	description	ident-no	DIN	change-index	chg. dat	weight	quant
	stock	dimensions	material	valid from	val.unt.		unit
5	distribution gearbox 4400.13	WAI104526				0.000	1.00
							stk
6	buffer	WAI103414				0.000	4.00
							stk
7	hexagon bolt M 20 x 50	WAI102860				0.000	10.00
							stk
8	pump A2FO23/61 R-PAB 05	WAI103623			15.07.97	10.200	1.00
							stk
9	O-ring 80 x 3 SH90	WAI102449			15.07.97	0.000	1.00
							stk
10	O-ring	WAI104872				0.000	1.00
							stk
11	O-ring	WAI104873				0.000	1.00
							stk
12	hexagon bolt M 20 x 50	WAI103316				0.000	4.00
							stk

description	drawing-no	ID	date	chg.-index	chg-date	val.from	val.unti
distribution gear 4400cp1.36m CL	WAI104870	HF	10.07.98				

pos	description	ident-no	DIN	change-index	chg. dat	weight	quant
	stock	dimensions	material	valid from	val.unt.		unit
13	hexagon bolt M 10 x 35	WAI101705			15.07.97	0.030	4.00
							Stk
14	hex. bolt M12x30	WAI102107				0.039	2.00
							Stk
15	washer HV	WAI100691				0.013	4.00
							Stk
16	washer	WAI102962				0.013	2.00
							Stk

description	drawing-no	ID	date	chg.-index	chg-date	val.from	val.unti
distribution gear 4400cpl.36m CL	WAI104870	HF	10.07.98				

*** Liste beendet am 08/04/99/10.53 ***

pos	description	ident-no	DIN	change-index	chg. dat	weight	quant	change-index	
								valid from	val.unt.
	stock	dimensions	material					val.unt.	unit
1	socket wrench 13 x 17 mm	WAI104663				0.000	1.00		Stk
2	open-end wrench set, 6-30 mm	WAI104664				0.000	1.00		Stk
3	open-end wrench 32/36 mm	WAI104665				0.000	1.00		Stk
4	allenwrench - set 2 - 14 mm	WAI104666				0.000	1.00		Stk
5	allenwrench 17 mm	WAI104667				0.000	1.00		Stk
6	hexagon bolt M24 x 120	WAI104659				0.000	2.00		Stk
7	hexagon bolt M20 x 150	WAI104660				0.000	2.00		Stk
8	nut M20 DIN 934	WAI102891				0.000	2.00		Stk

description	drawing-no	ID	date	chg.-index	chg-date	val.from	val.unti
ship away kit, boom pump	WAI104670	HG	04.05.98				

S T Ü C K L I S T E N - D R U C K

pos	description stock	ident-no dimensions	DIN material	change-index		chg. dat val.unt.	weight	quant
				valid from				
9	washer 21, DIN 125	WAI102941				0.000	2.00	stk
10	hexagon bolt M 14x90	WAI102533				0.000	2.00	stk
11	hexagon bolt M10x140	WAI104661				0.000	2.00	stk
12	nut M10 DIN 934	WAI101556			08.05.98	0.010	2.00	stk
13	washer 10.5	WAI101559				0.003	2.00	stk
14	hexagon bolt M10x100	WAI104662				0.000	2.00	stk
15	tool box	WAI104668				0.000	1.00	stk
16	piston ram DN 230	WAI100175				19.900	2.00	stk

description	drawing-no	ID	date	chg.-index	chg-date	val.from	val.unti
ship away kit, boom pump	WAI104670	HG	04.05.98				

S T Ü C K L I S T E N - D R U C K

pos	description	ident-no	DIN	change-index	chg. dat	weight	quant
	stock	dimensions	material	valid from	val.unt.		unit
17	sponge ball (soft) DN150	WAI100266				0.500	1.00
							stk
18	sponge ball (hard) DN150	WAI100267				0.500	1.00
							stk
19	outrigger pad	B913017				0.000	4.00
	own parts list						stk
20	hook spanner 90-155 mm	WAI104982				0.000	1.00
							stk

description	drawing-no	ID	date	chg.-index	chg-date	val.from	val.unti
ship away kit, boom pump	WAI104670	HG	04.05.98				

*** Liste beendet am 08/04/99/10.53 ***

pos	description	ident-no	DIN	change-index		chg. dat	weight	quant
				valid from	val.unt.			
	stock	dimensions	material					unit
1	cover for drive cylinder	B491002					0.000	2.00
								Stk
2	O-ring 1901-0029	WAI101447					0.000	2.00
								Stk
3	cheese head screw M 12 x 40	WAI102855					0.000	8.00
								Stk
4	spring washer A12	WAI103113					0.000	8.00
								Stk
5	SAE flange	WAI101222					0.000	4.00
								Stk
7	cover for drive cylinder	B491001				26.11.98	0.000	2.00
								Stk
8	SAE flange	WAI101216				26.11.98	0.000	4.00
								Stk
9	O-ring	WAI102014				26.11.98	0.000	2.00
								Stk

description	drawing-no	ID	date	chg.-index	chg-date	val.from	val.unti
shipping parts for 36mx	WAI105186	JR	26.11.98				

pos	description	ident-no	DIN	change-index	chg. dat	weight	quant
	stock	dimensions	material	valid from	val.unt.		unit
10	cheese head screw M 16 x 55	WAI103670			27.11.98	0.000	8.00
							Stk
11	spring washer A16	WAI103489			27.11.98	0.008	8.00
							Stk
12	cover for sensorconnection	B153008	1013			0.150	4.00
		Rd 50x12	St37-2				Stk
13	O-ring 17 x 2,62	WAI104901				0.000	4.00
							Stk
14	hex. bolt M6x20	WAI101838				0.000	8.00
							Stk
15	spring washer A6	WAI103000				0.000	8.00
							Stk

description	drawing-no	ID	date	chg.-index	chg-date	val.from	val.unti
shipping parts for 36mX	WAI105186	JR	26.11.98				

*** Liste beendet am 08/04/99/10.54 ***