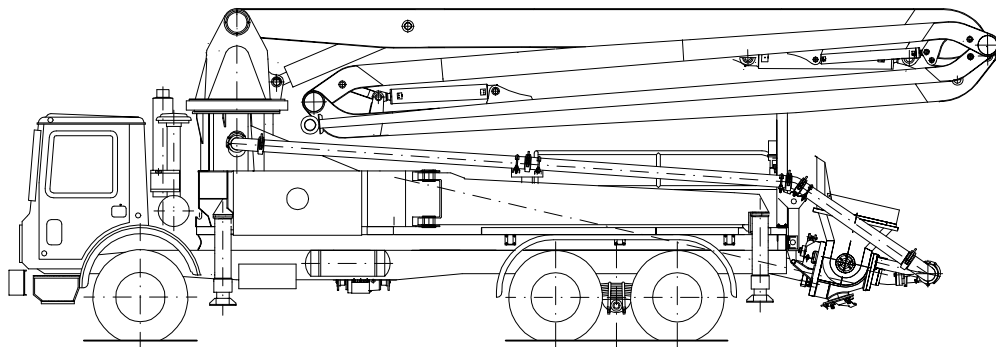


*Waitzinger
Baumaschinen GmbH*

Ersatzteilliste

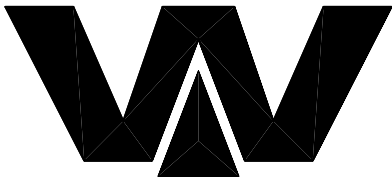
spare part list



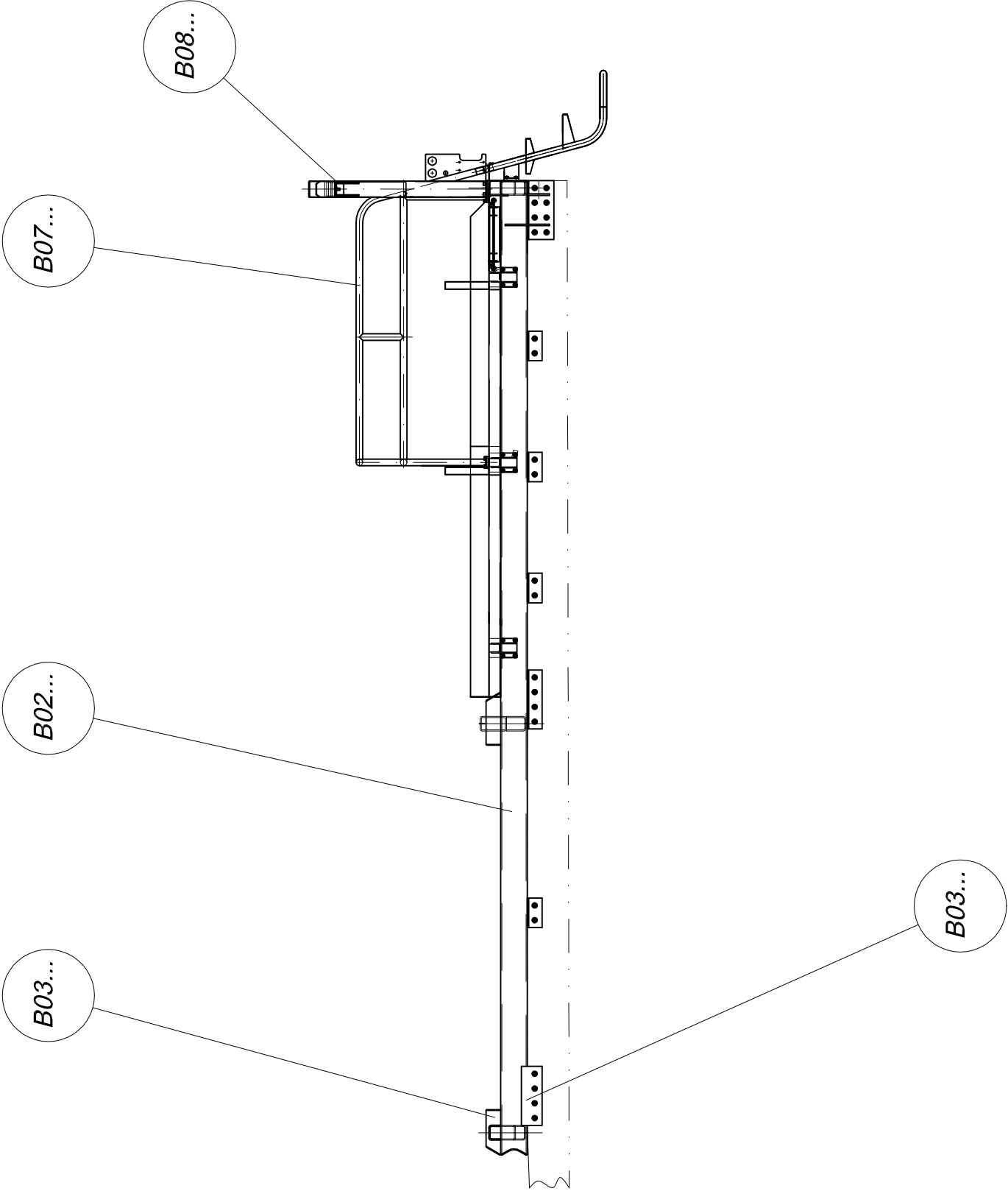
36 R 4 XT
Masch.-Nr. 204460

Übersicht B 00 - B 09

over view B 00 - B 09



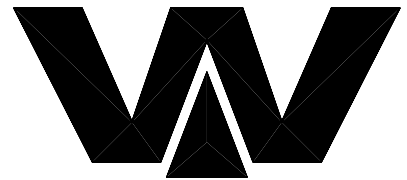
*Waitzinger
Baumaschinen GmbH*



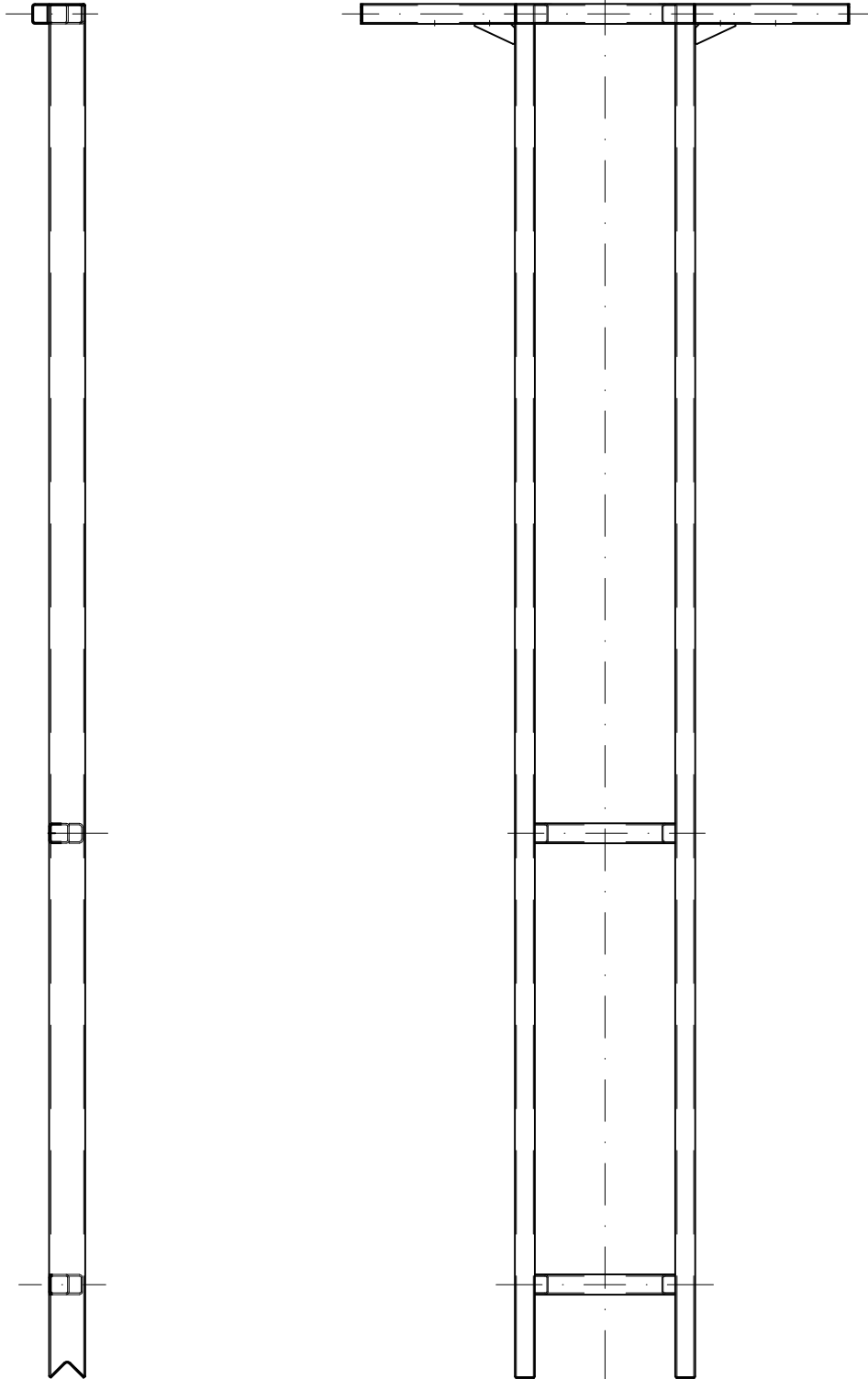
Rahmen kpl.

frame cpl.

B 02 3 105

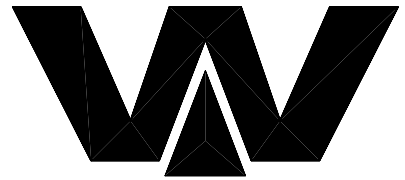


*Waitzinger
Baumaschinen GmbH*

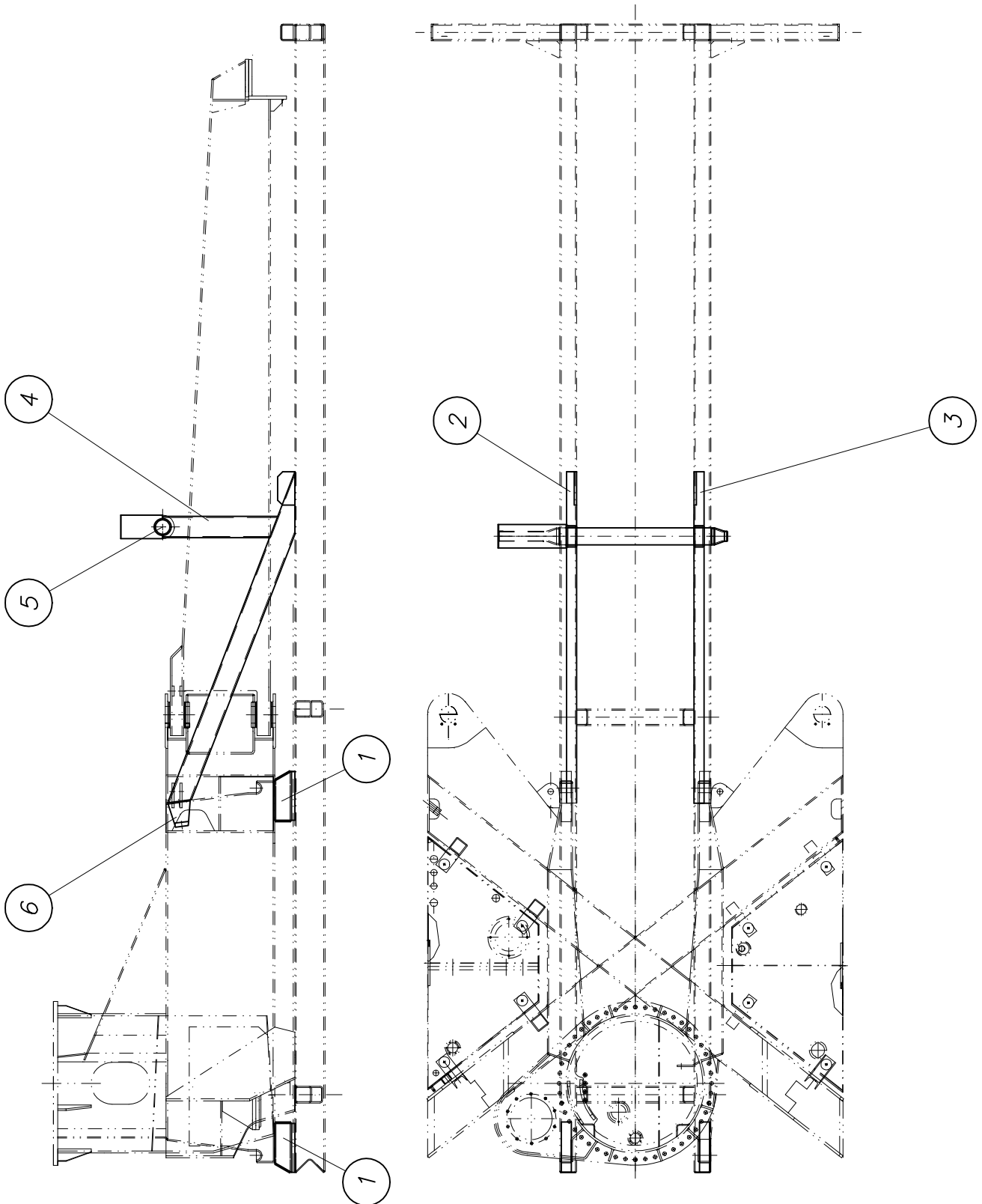


Rahmenverbindung kpl.
connection for boom base cpl.

B 03 8 010a



Waitzinger
Baumaschinen GmbH



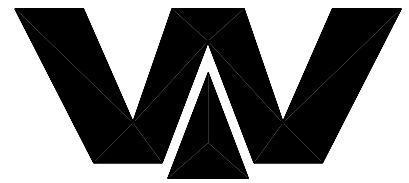


PARTS LIST

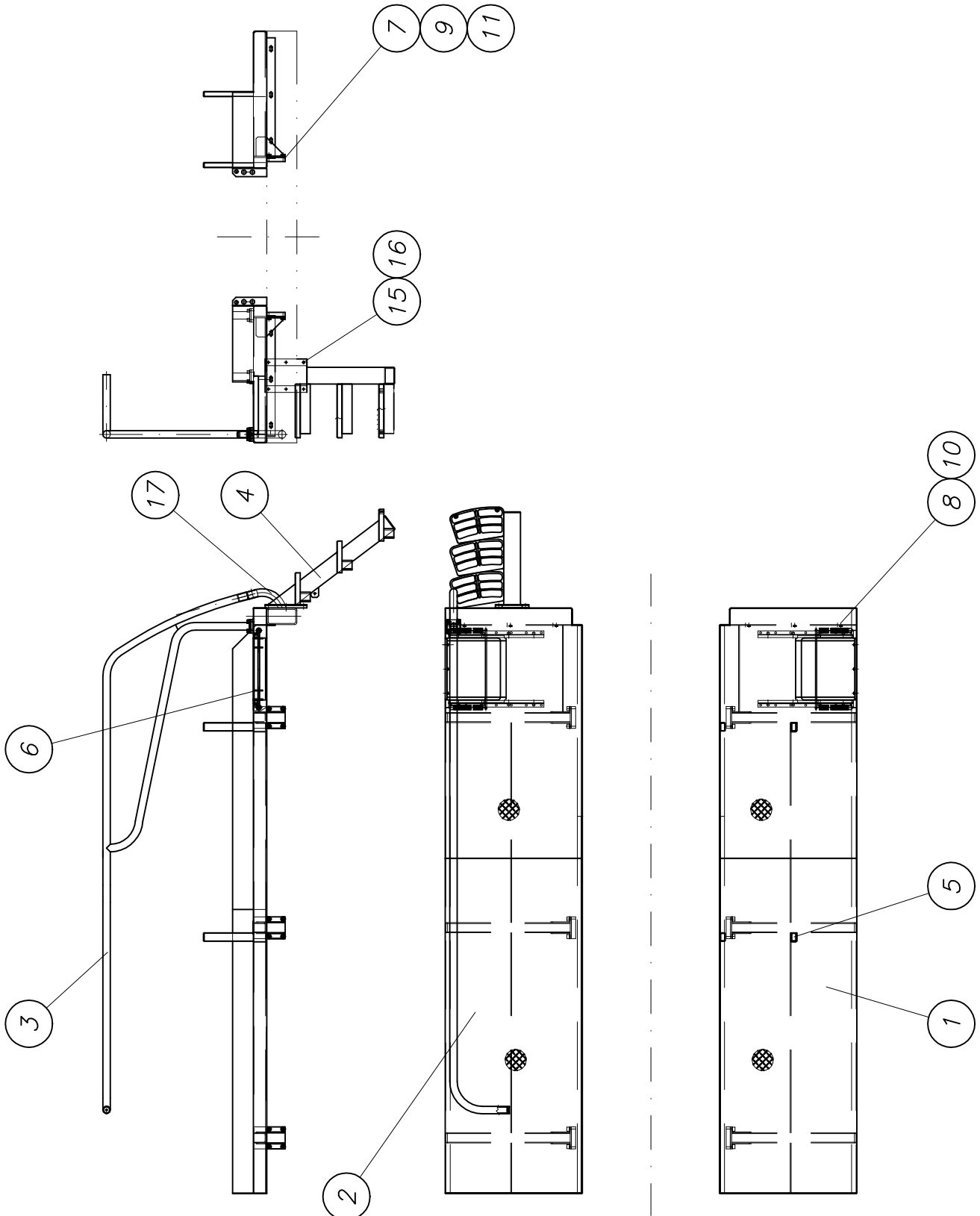
part list	description	created	index	valid from	valid to	
B038010	connection for boom base col. xt	27.11.03 ute	a	04.02.05		
pos	description stock	ident-no dimensions	DIN material	index	weigh Kg	quantity unit
1	profil for boom support mounting own parts list	B033082				4,00 Stk
2	strut	B038001 MSH 120x60x8-21	59410 S355J2G3		45,00	1,00 Stk
3	strut	B038002 MSH 120x60x8x21	59410 S355J2G3		45,00	1,00 Stk
4	support	B038034 MSH 120x60x8x68	59410 S355J2G3		13,30	2,00 Stk
5	pipe (welding group) own parts list	B039035			28,00	1,00 Stk
6	bracket	b038003 BI 30x136x150	1543/EN10029 S355J2G3		3,70	2,00 Stk

*Podest und Aufstieg kpl.
pedestal and ladder cpl.*

B 07 4 465a



Waitzinger
Baumaschinen GmbH





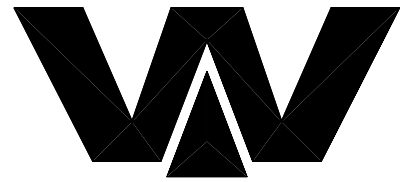
PARTS LIST

part list	description	created	index	valid from	valid to	
B074465	pedestal a. ladder flat 37-Mtr XT boom	16.01.04 HF	a	23.03.04		
pos	description stock	ident-no dimensions	DIN material	index	weigh Kg	quantity unit
1	pedestal left cpl. 36-Mtr. boom REED own parts list	B074201		e 24.01.02	150,00	1,00 Stk
2	pedestal right cpl. 36-Mtr. boom REED own parts list	B074202		g 05.06.03	130,00	1,00 Stk
3	railing 37R4XXT own parts list	B074280				1,00 Stk
4	step cpl. own parts list	B074345		b 23.09.04	30,00	1,00 Stk
5	profil cpl. own parts list	B074145			1,50	2,00 Stk
6	flap cpl. own parts list	B074150		a 21.02.02	9,00	2,00 Stk
7	thread plate	B074247 BI 25x110x130	1543/EN10029 St37-2		2,50	6,00 Stk
8	hex. bolt M12 x 25 DIN 933 8.8	WAI101001			0,04	6,00 Stk
9	cheese head screw M 16 x 30	WAI102857				24,00 Stk
10	washer	WAI102962			0,01	6,00 Stk
11	spring washer A16	WAI102072			0,01	24,00 Stk
15	thread plate	B074346 BI 15x40x250	1543/EN10029 S355J2G3	a 23.03.04	1,20	2,00 Stk
16	hex. bolt M 12 x 20 DIN 933 8.8	WAI102999				6,00 Stk
17	pipe own parts list	B074470		a 22.03.04	2,00	1,00 Stk

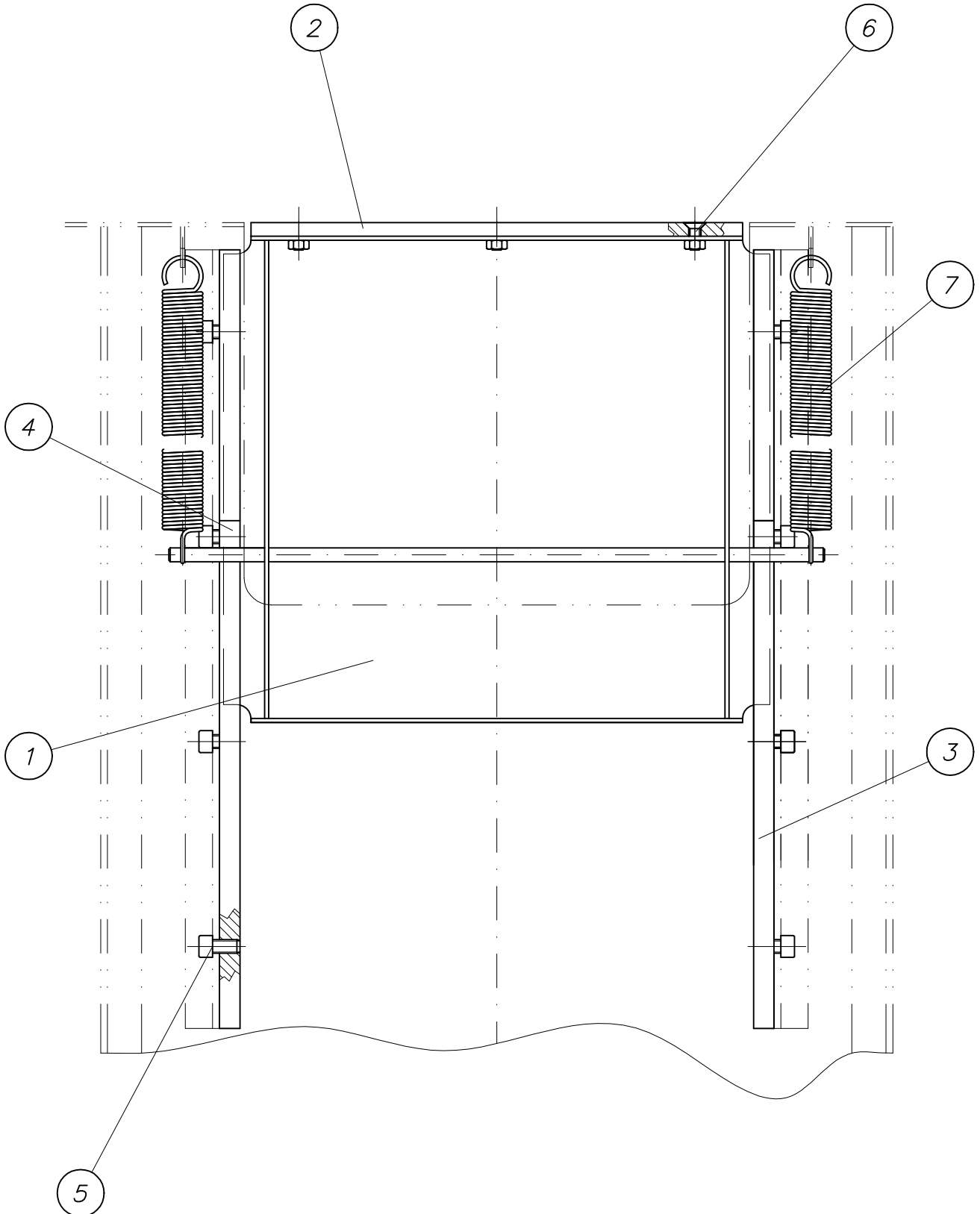
Klappe kpl.

flap cpl.

B 07 4 150a



Waitzinger
Baumaschinen GmbH



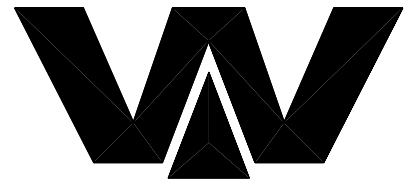


PARTS LIST

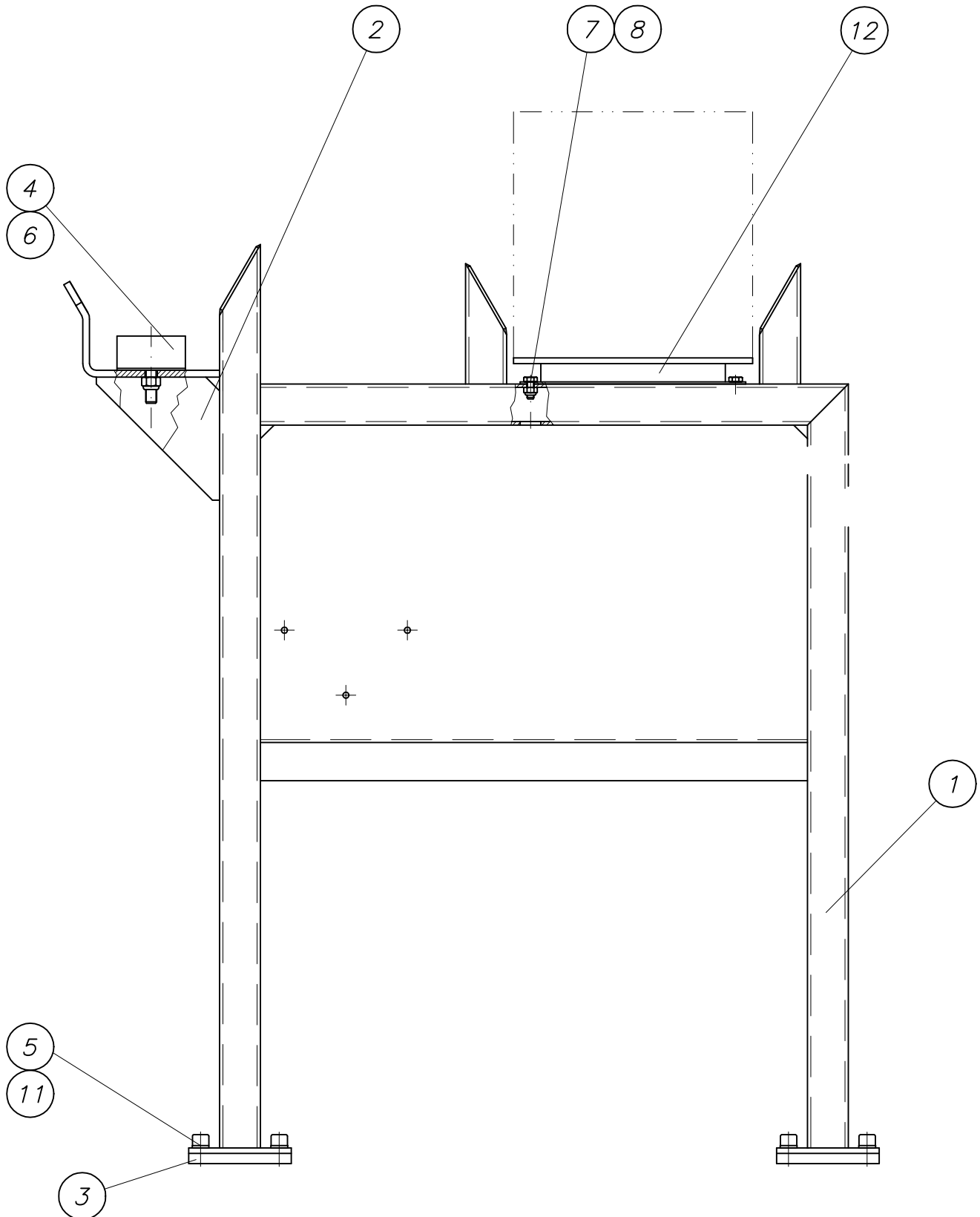
part list	description	created	index	valid from	valid to	
B074150	flap cpl.	26.06.97 HG	a	21.02.02		
pos	description stock	ident-no dimensions	DIN material	index	weigh Kg	quantity unit
1	flap (welding group) for 32/36-Mtr. boom own parts list	B073121		a 18.04.97	5,10	1,00 Stk
2	contact strip	B074151 Platte 10x360x8	Polyamid		0,30	1,00 Stk
3	strip	B073124 Flachstahl 20x1	174 St37 K		1,40	2,00 Stk
4	stop	B073125 Flachstahl 20x1	174		0,05	2,00 Stk
5	cheese head screw M 10 x 20	WAI103287				8,00 Stk
6	sunk screw M 8 x 20	WAI103397				3,00 Stk
7	spring	WAI107209				2,00 Stk

Mastauflagebock kpl.
boom support cpl.

B 08 4 185



Waitzinger
Baumaschinen GmbH

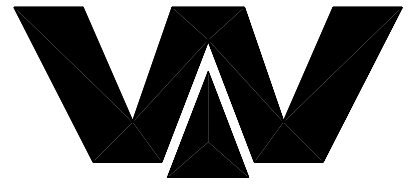




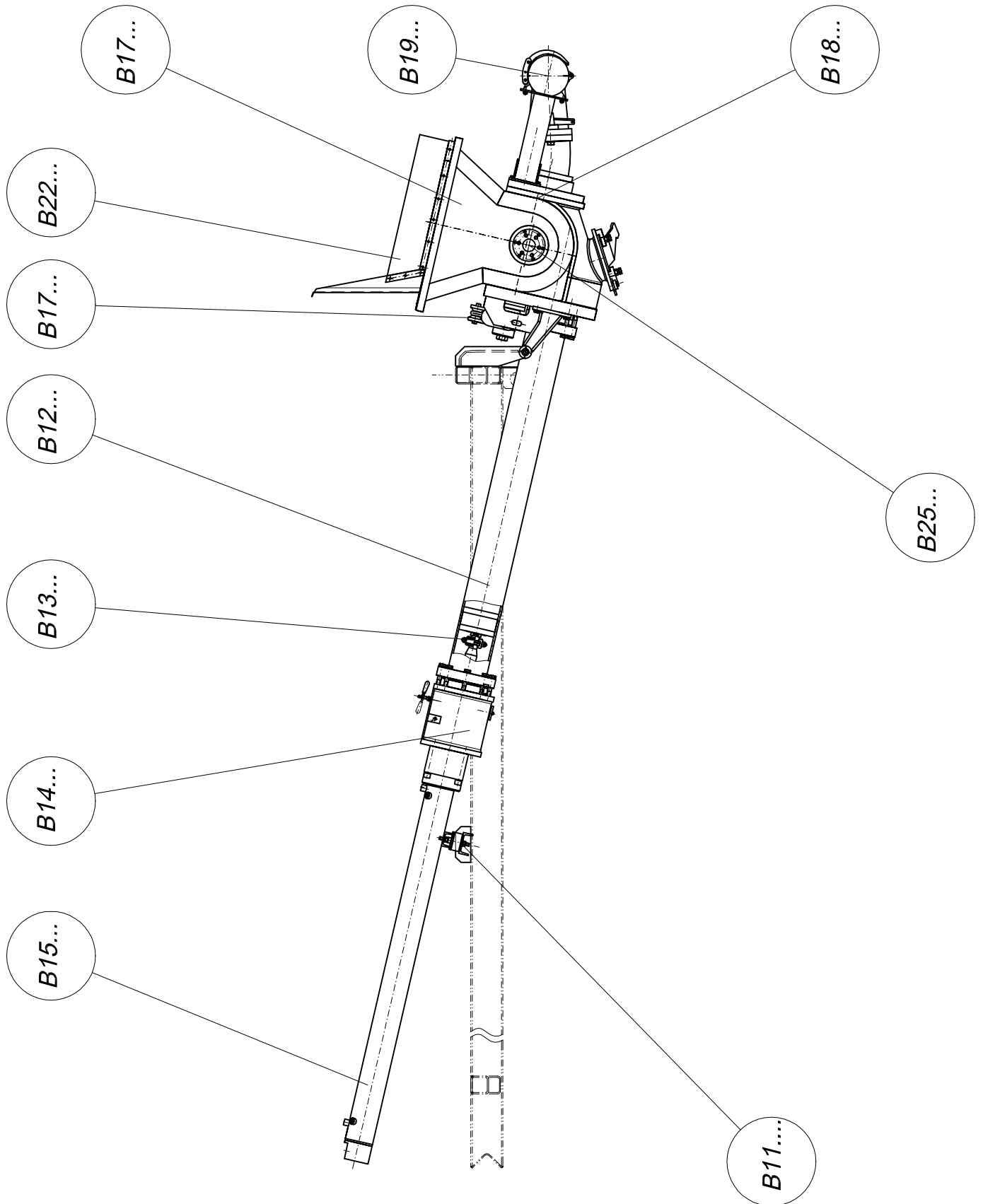
PARTS LIST

part list	description	created	index	valid from	valid to	
B084185	boom support cpl.	14.03.01 Mi				
pos	description stock	ident-no dimensions	DIN material	index	weighth Kg	quantity unit
1	boom support (weld.) 36XXT own parts list	B084184		a 17.07.02	64,35	1,00 Stk
2	console cpl. for boom support own parts list	B084122			7,00	1,00 Stk
3	flange	B084102 FI 150x15x130	1017 St37-2		2,20	2,00 Stk
4	rubber buffer 100 x 50	WAI103478				1,00 Stk
5	cheese head screw M 16 x 25	WAI103488				8,00 Stk
6	nut M16 DIN 982	WAI103046				1,00 Stk
7	hex. nut M10 DIN985 8.	WAI102125			0,01	2,00 Stk
8	hex. bolt M 10 x 25	WAI101014			0,02	2,00 Stk
11	spring washer A16	WAI103489			0,01	8,00 Stk
12	rubber cushion	WAI104799				1,00 Stk

Übersicht B 10 - B 29
over view B 10 - B 29

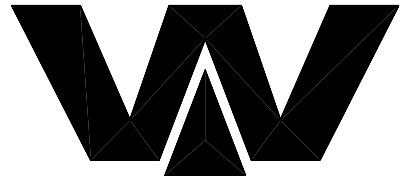


Waltzinger
Baumaschinen GmbH

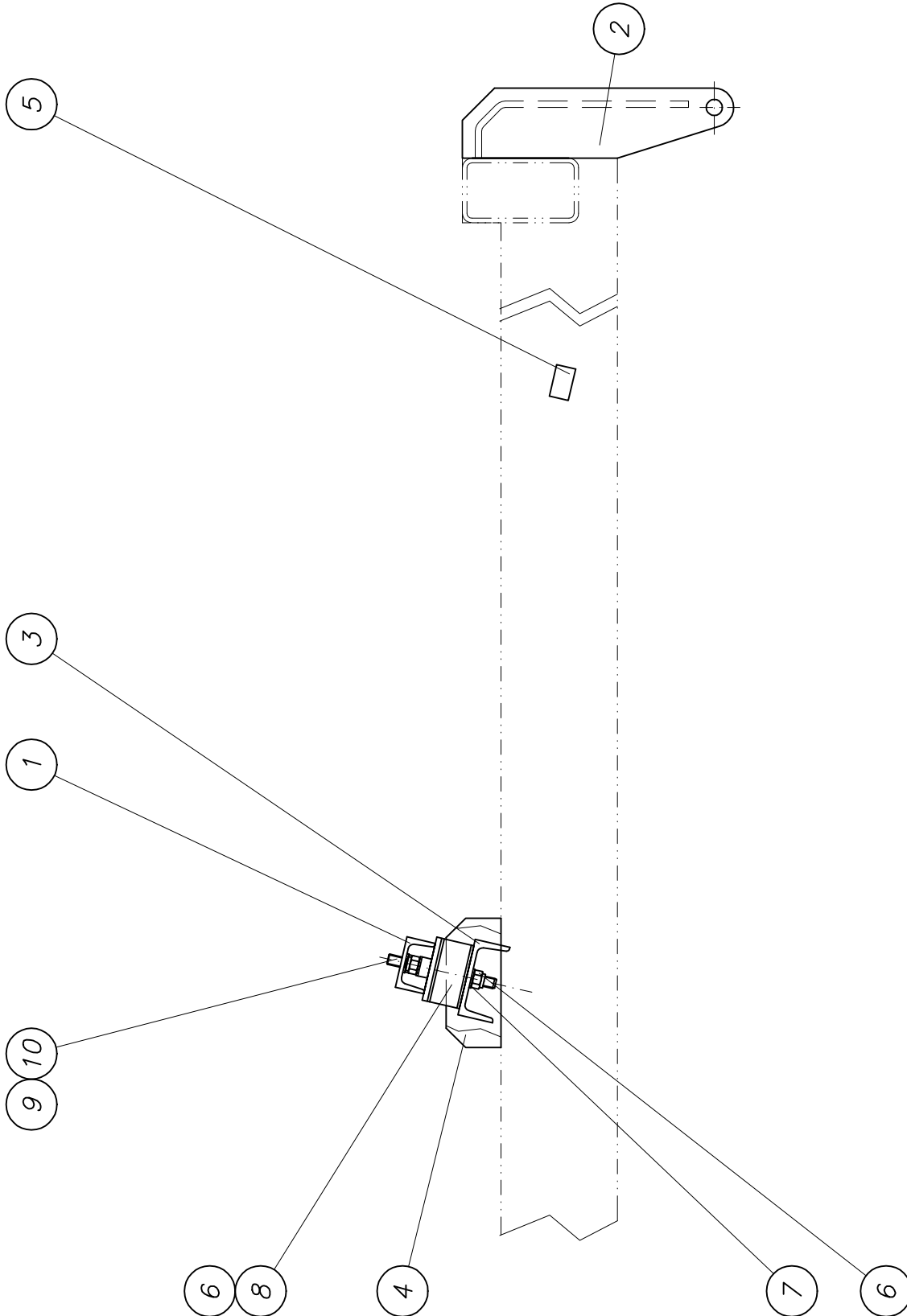


Pumpenlagerung Steuerblock
pump support control block

B 11 4 215



Waitzinger
Baumaschinen GmbH



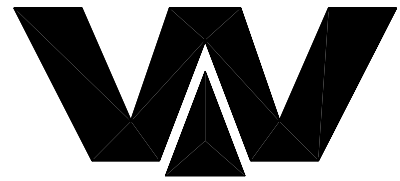


PARTS LIST

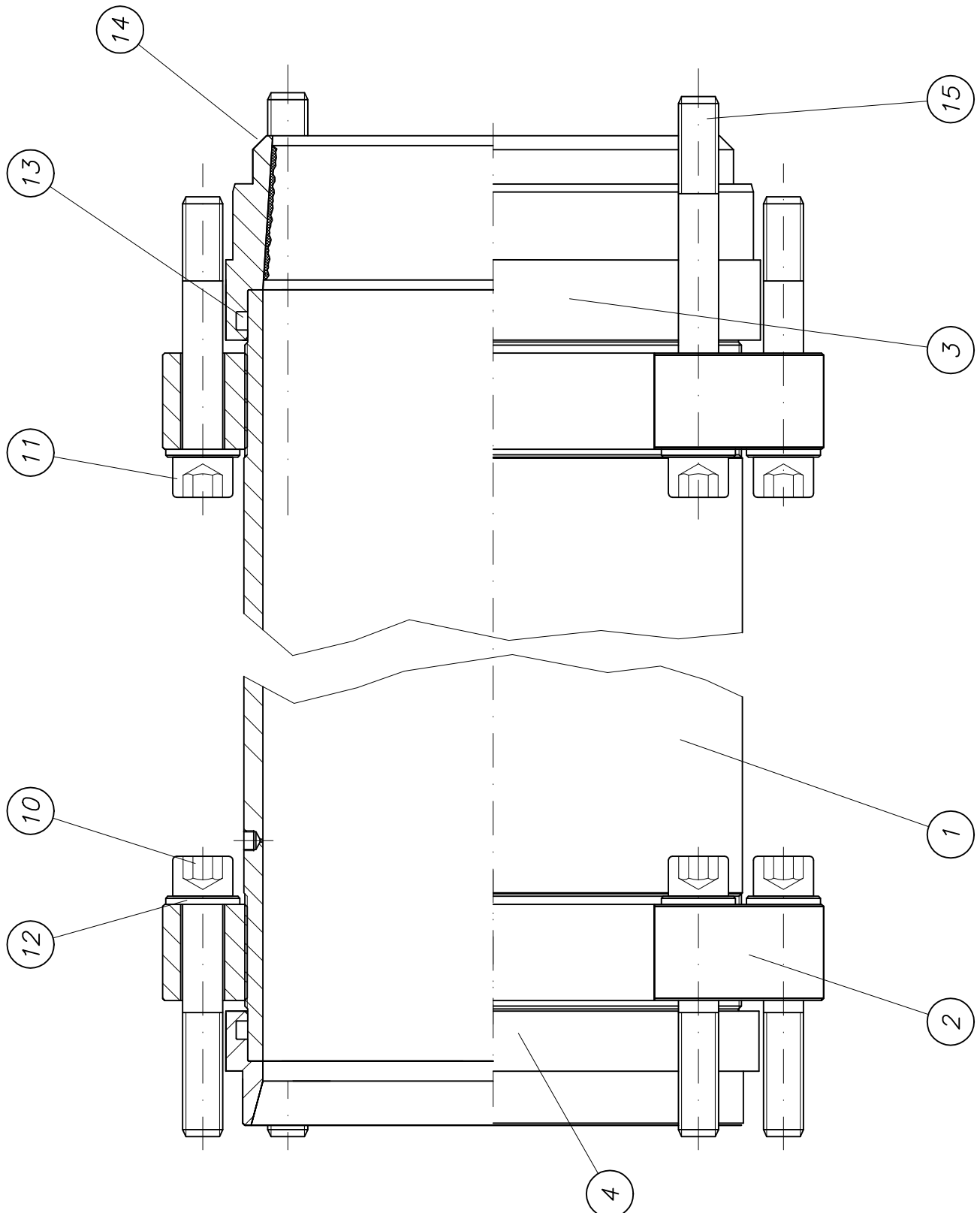
part list	description	created	index	valid from	valid to	
B114215	pump support cpl. for control block	16.09.03 ute				
pos	description stock	ident-no dimensions	DIN material	index	weigh Kg	quantity unit
1	beam cpl. own parts list	B113015			6,30	1,00 Stk
2	bracket cpl. own parts list	B114153			10,70	2,00 Stk
3	cross profile	B114191 U 120x55x7x699	1026 St52-3		9,10	1,00 Stk
4	bracket	B114157 Bl 15x85x200	1543/EN10029 St52-3		1,86	2,00 Stk
5	lock bracket	B114158 Bl 25x30x50	1543/EN10029 St37-2		0,30	2,00 Stk
6	nut M16 DIN 985	WAI102330				4,00 Stk
7	washer 17, DIN 125	WAI102893				2,00 Stk
8	rubber buffer 100 x 55	WAI102713				2,00 Stk
9	hexagon bolt M16 x 30	WAI102892				2,00 Stk
10	spring washer A16	WAI102072			0,01	2,00 Stk

Förderzylinder kpl.
conveying cylinder cpl.

B 12 4 020



Waitzinger
Baumaschinen GmbH



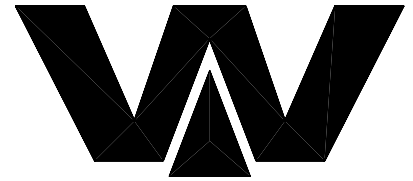


PARTS LIST

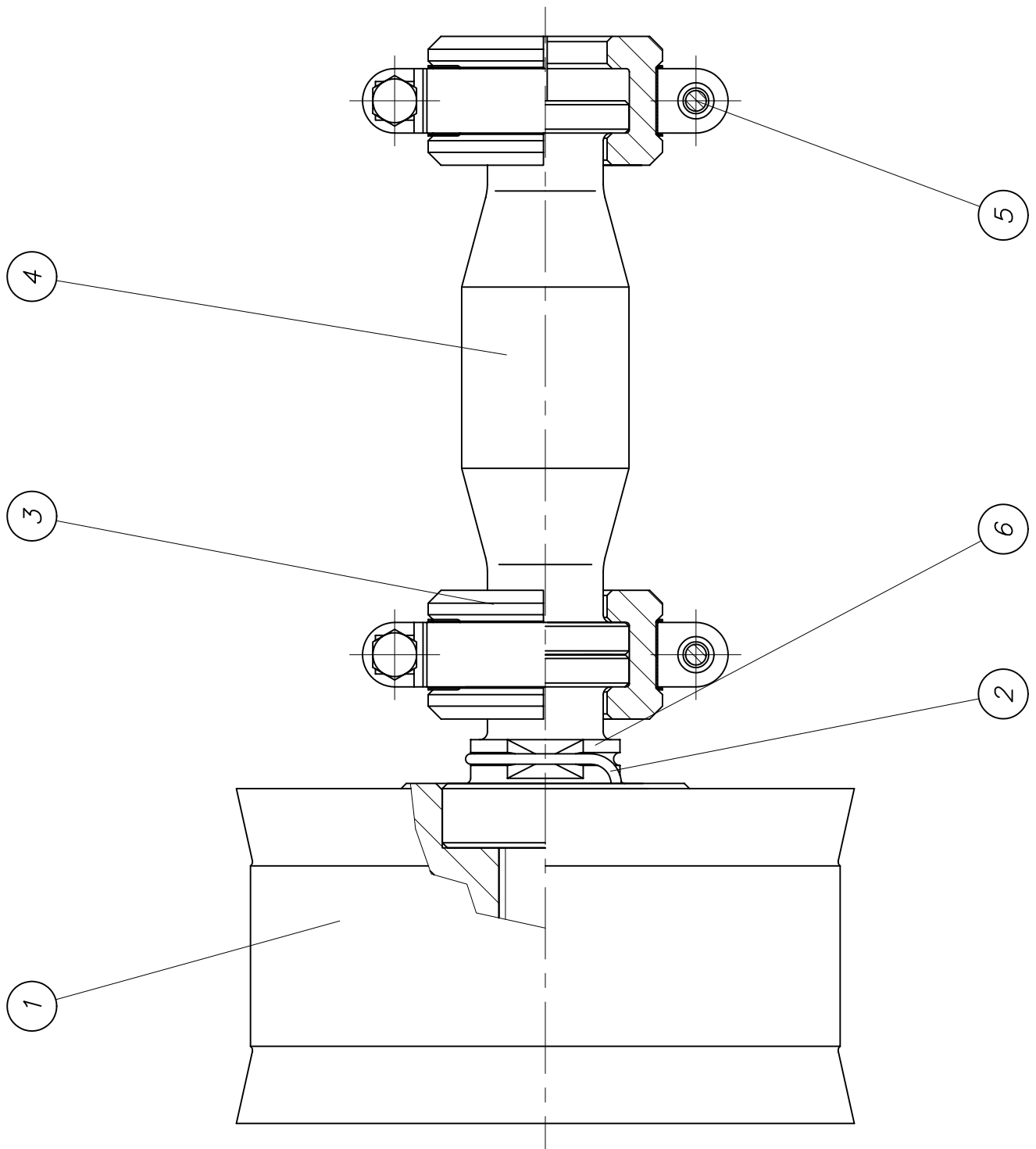
part list	description	created	index	valid from	valid to	
B124020	conveyor cylinder cpl. DN230/215x2000	17.03.00 Mi				
pos	description stock	ident-no dimensions	DIN material	index	weighth Kg	quantity unit
1	conveyor cylinder DN230x2000 chromized	B124019 Rohr 250x12.5x2	2448 St52.0		150,00	2,00 Stk
2	flange ring DN 230 threaded	B124021 Bl 55xd330	1543/EN10029 St52-3		12,20	4,00 Stk
3	fitting ring DN230/215 with hardened	B124015 Rohr 267x35x108	2448 St52.0		8,88	2,00 Stk
4	fitting ring DN 230 water box	B123012 Rohr 267x36x65	2448 St52.0		6,00	2,00 Stk
10	cheese head screw M20 x 120	WAI103970				14,00 Stk
11	cheese head screw M20 x 130	WAI104885				6,00 Stk
12	washer HV	WAI100691			0,01	28,00 Stk
13	O-ring 244 x 7, NBR70	WAI102868				4,00 Stk
14	O-ring 230x5	WAI101090				2,00 Stk
15	cheese head screw M20 x 180	WAI102845				8,00 Stk

Förderkolben kpl.
conveying piston cpl.

B 13 3 020



Waitzinger
Baumaschinen GmbH



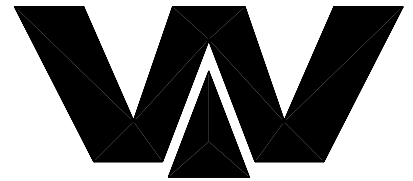
**PARTS LIST**

27.06.05 08:46:17

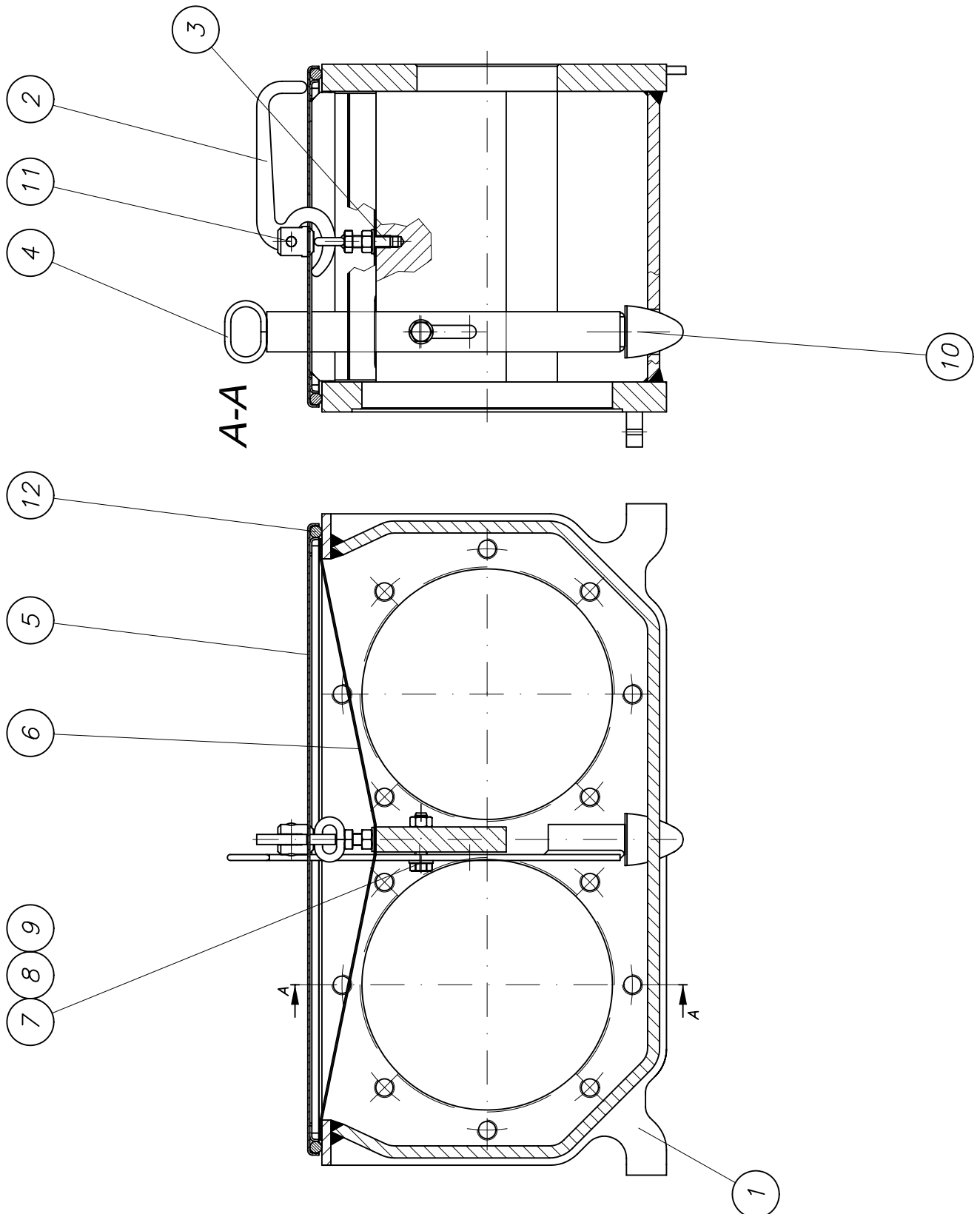
part list	description	created	index	valid from	valid to	
B133020	piston ram cpl. DN 230	08.07.98 Mi				
pos	description stock	ident-no dimensions	DIN material	index	weigth Kg	quantity unit
1	piston ram DN 230	WAI100175			19,90	2,00 Stk
2	protection ring	B133019 Federst. 4	17223			2,00 Stk
3	clamp coupling	B131004 Rd 95x50	1013 42CrMo4V			4,00 Stk
4	distance piece	B133003 Rd 70x225	1013 42CrMo4V			2,00 Stk
5	hose clamp S86/25	WAI101381			0,22	4,00 Stk
6	coupling bolt	B133018 Rd 82x120	1013 42CrMo4V		2,20	2,00 Stk

Spülkasten kpl.
water box cpl.

B 14 3 000



Waitzinger
Baumaschinen GmbH



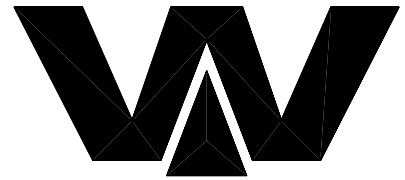


PARTS LIST

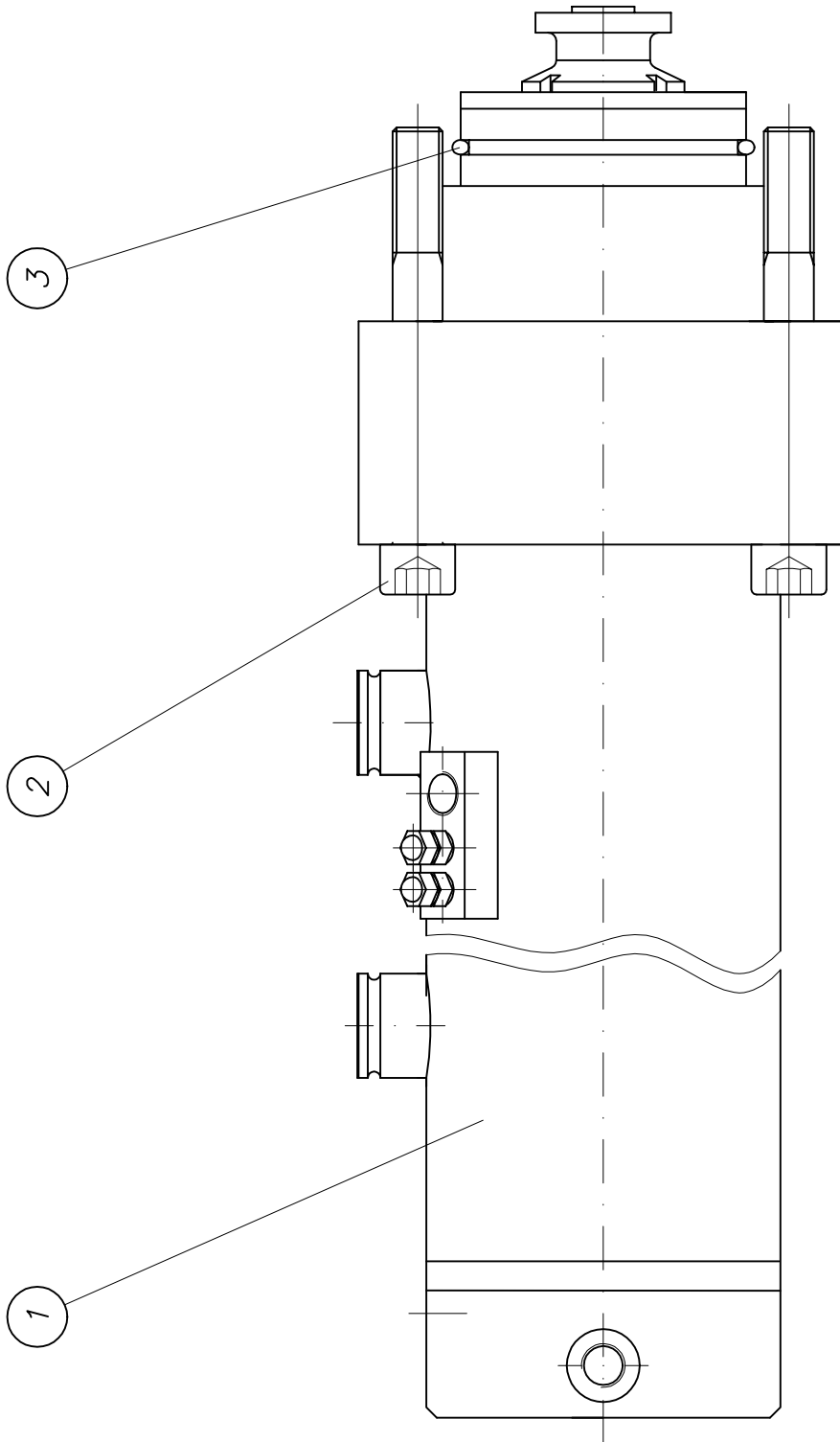
part list	description	created	index	valid from	valid to	
B143000	waterbox cpl. DN 200/230 plug	19.06.97 HG				
pos	description stock	ident-no dimensions	DIN material	index	weighth Kg	quantity unit
1	waterbox cpl. DN 200/230 (processing) own parts list	B143001		b 02.05.00		1,00 Stk
2	lever	B143007 Bl 10x195x78.5	1543/EN10029 St52-3			1,00 Stk
3	loop bolt cpl. own parts list	B143009			0,09	1,00 Stk
4	drain pin own parts list	B143011			1,14	1,00 Stk
5	cover for waterbox cpl. own parts list	B143015			4,55	1,00 Stk
6	savety lattice	B143020 Lochbl. 1.5x610	Rostfrei	a 28.05.03		1,00 Stk
7	hex. screw M12	WAI103688				1,00 Stk
8	nut M12 DIN 934	WAI101557			0,02	2,00 Stk
9	washer	WAI100504				2,00 Stk
10	rubber buffer 50 x 58	WAI102712				1,00 Stk
11	pin	WAI103387				1,00 Stk
12	O-ring cord 12mm	WAI101831				1,95 Mtr

Antriebszylinder kpl.
drive cylinder cpl.

B 15 4 032



Waitzinger
Baumaschinen GmbH



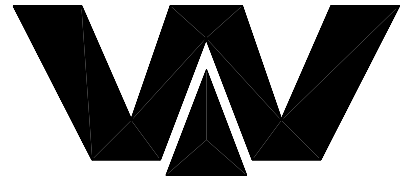


PARTS LIST

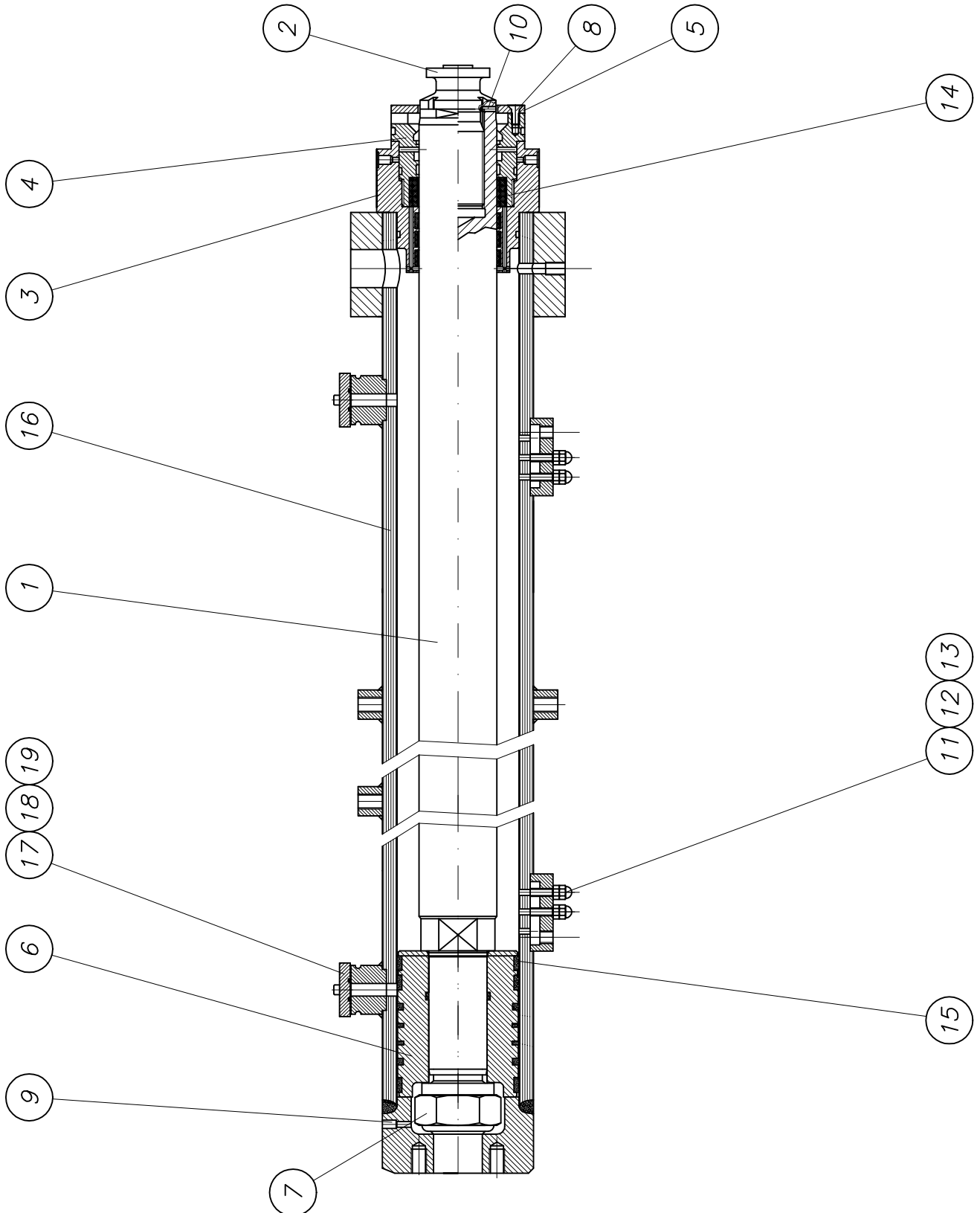
part list	description	created	index	valid from	valid to	
B154032	drive cylinder cpl. 125/80-2000	20.09.00 Mi				
pos	description stock	ident-no dimensions	DIN material	index	weigh Kg	quantity unit
1	drive cylinder 125/80-2000 own parts list	WAI106355		a 30.10.03	280,00	2,00 Stk
2	cylinder head screw M 24 x 200	WAI103828				8,00 Stk
3	O-ring 129,2 x 5,7	WAI101441				2,00 Stk

Antriebszylinder kpl.
drive cylinder cpl.

WAI 106355a



Waitzinger
Baumaschinen GmbH





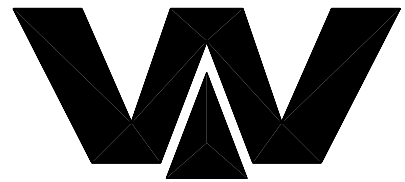
PARTS LIST

part list	description	created	index	valid from	valid to	
WAI106355	drive cylinder 125/80-2000	06.09.00 hbk	a	30.10.03		
pos	description stock	ident-no dimensions	DIN material	index	weigh Kg	quantity unit
1	piston rod for drive cylinder	WAI105724 Rd 90x2173	1013 Ck45			1,00 Stk
2	piston joint	WAI104146 Rd 80x131	1013 42CrMo4V		1,87	1,00 Stk
3	guide piece for drive cylinder 125	WAI105950 Rd 180x142	1013 St52	a 21.07.03		1,00 Stk
4	sealing carrier for drive cylinder	WAI104890	GGG 40	a 29.07.03		1,00 Stk
5	aperture for drive cylinder	WAI105726 8x d137	Polyamid			1,00 Stk
6	piston 125	WAI106353		b 21.07.03	13,00	1,00 Stk
7	piston nut for drive cylinder	WAI105728				1,00 Stk
8	sunk screw M 8 x 20	WAI103397				3,00 Stk
9	locking screw G 1/8	WAI100528				3,00 Stk
10	set screw	WAI105739				1,00 Stk
11	hex. nut M8 DIN 934 8. VERZ.	WAI102880				4,00 Stk
12	cap nut M8	WAI104933				4,00 Stk
13	set screw	WAI105740				4,00 Stk
14	sealing set for drive cylinder 125/80 own parts list	WAI104690				1,00 Stk
15	sealing set for drive cylinder 125/80 own parts list	WAI106354				1,00 Stk
16	cylinder pipe cpl. 125	WAI106148		b 21.07.03		1,00 Stk
17	cover for sensor connection	B154017 Rd 11x55	1013 S235J2G3		0,20	2,00 Stk
18	o-ring	WAI108533				2,00 Stk
19	alien bolt M 6x25	WAI103673				4,00 Stk

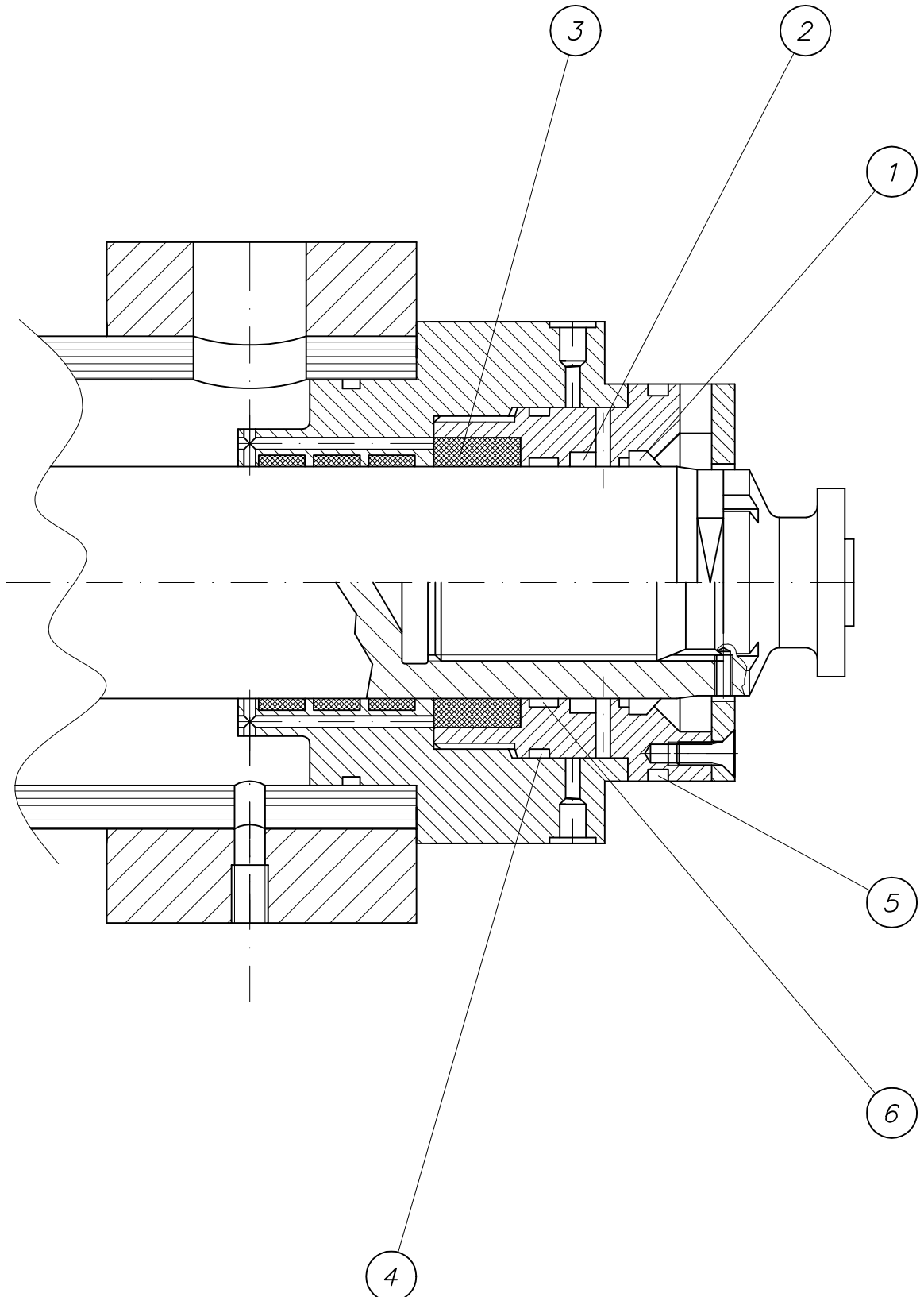
Stangendichtsatz

rod sealing set

WAI 104690



*Waitzinger
Baumaschinen GmbH*





PARTS LIST

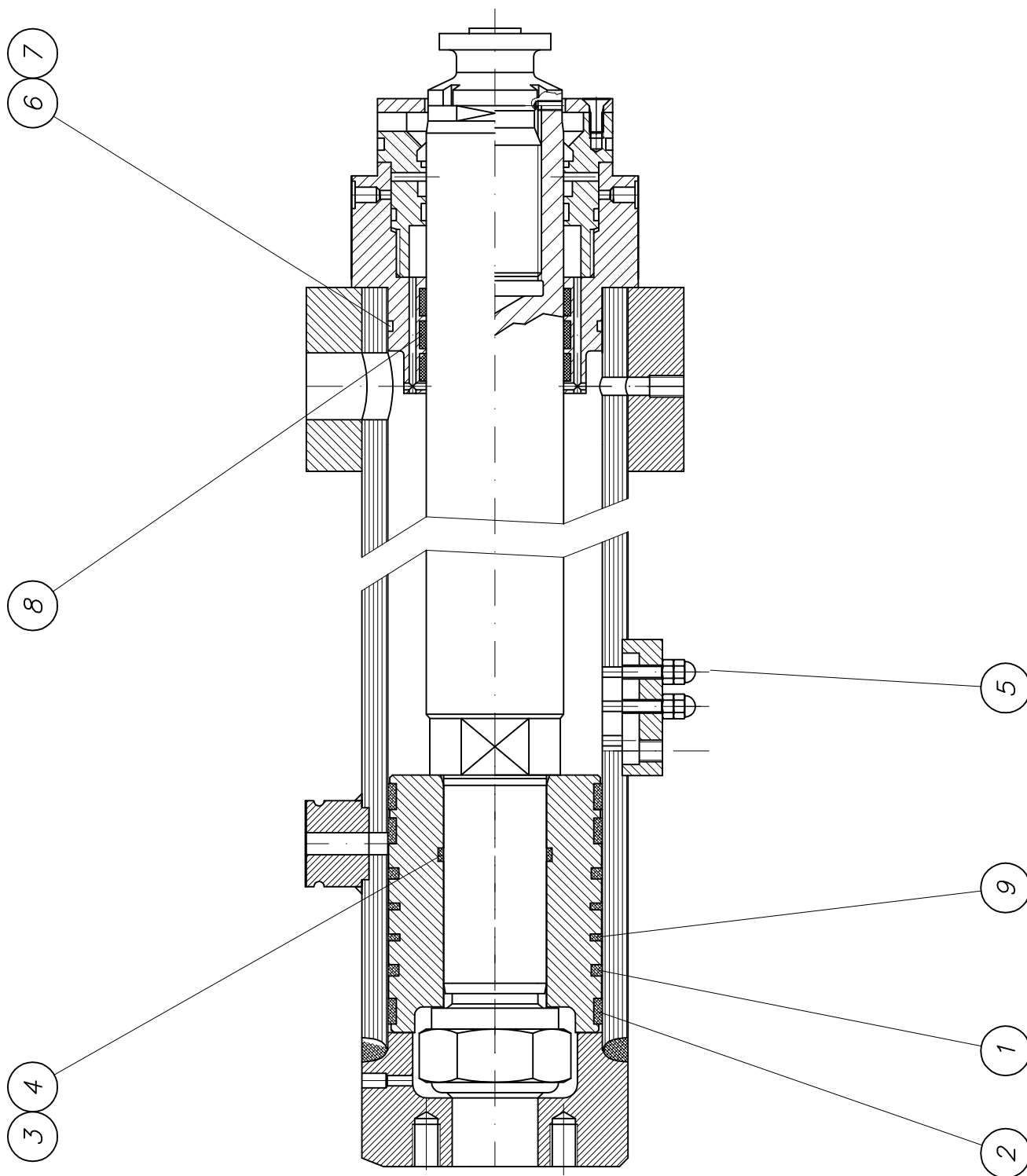
part list	description		created	index	valid from	valid to
WAI104690	sealing set for drive cylinder 125/80		30.08.99 Mi			
pos	description stock	ident-no dimensions	DIN material	index	weighth Kg	quantity unit
1	wiper	WAI100259			0,00	1,00 Stk
2	wiper	WAI105729				1,00 Stk
3	v-packing 80 x 100 x 30	WAI102584				1,00 Stk
4	sealing for drive cylinder	WAI105732				1,00 Stk
5	o-ring	WAI105731				1,00 Stk
6	rod support for drive cylinder	WAI105738				1,00 Stk

Dichtsatz für Antriebszylinder
sealing set for drive cylinder

WAI 106354



Waitzinger
Baumaschinen GmbH



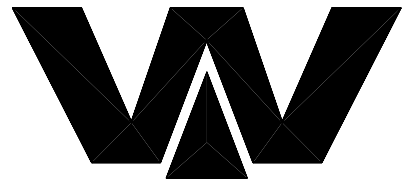


PARTS LIST

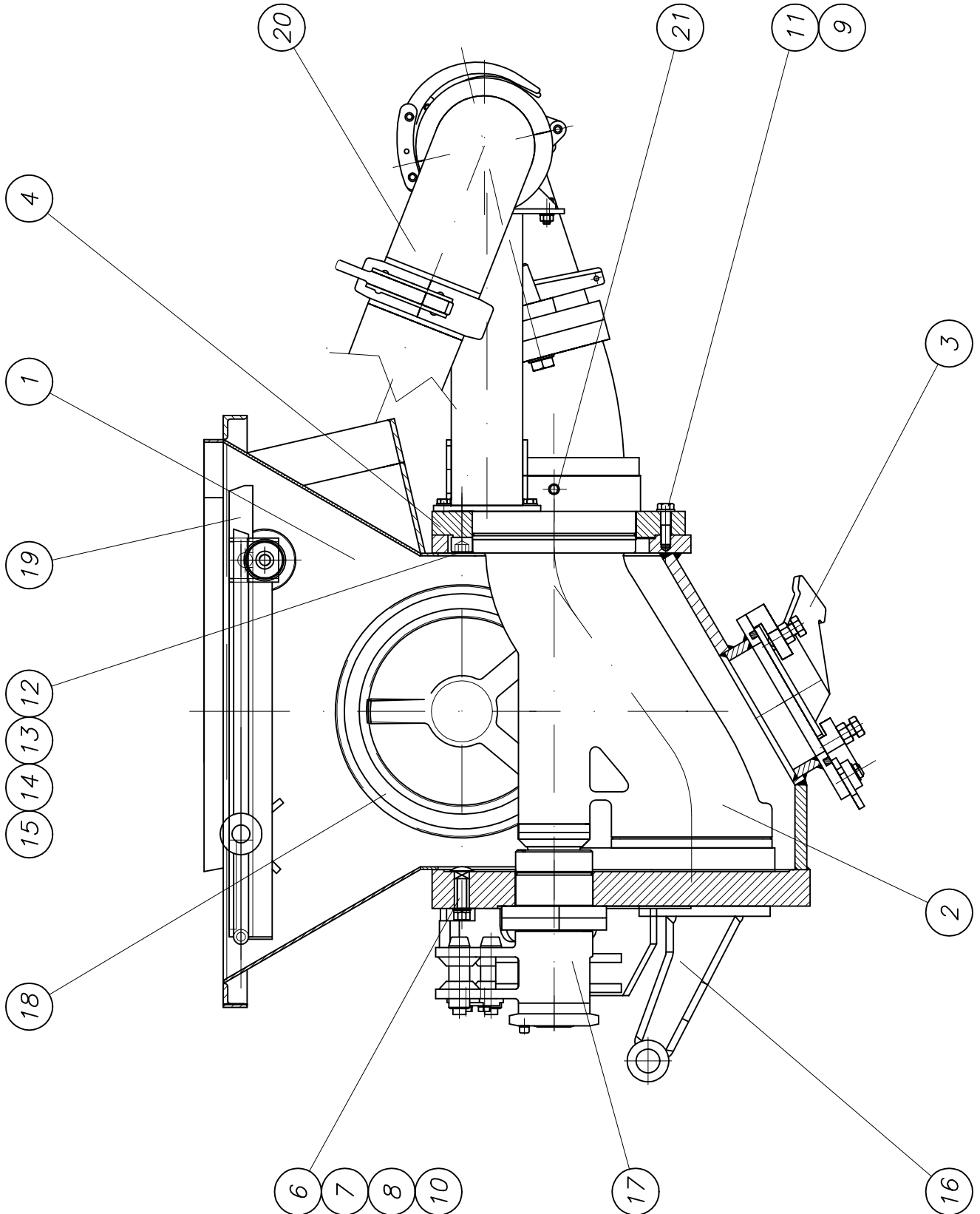
part list	description	created	index	valid from	valid to	
WAI106354	sealing set for drive cylinder 125/80	06.09.00 hbk				
pos	description stock	ident-no dimensions	DIN material	index	weigh Kg	quantity unit
1	piston ring permasel DN125	WAI100260			0,05	2,00 Stk
2	rod support for drive cylinder	WAI105738				3,00 Stk
3	back-up ring	WAI105736				2,00 Stk
4	o-ring	WAI105734				1,00 Stk
5	usit-ring 8.7-14-1	WAI101269				8,00 Stk
6	back-up ring	WAI105951				1,00 Stk
7	o-ring	WAI105952				1,00 Stk
8	rod support for drive cylinder	WAI105730				3,00 Stk
9	piston ring	WAI106357				2,00 Stk

Schiebersystem kpl.
s-valve system cpl.

B 17 4 155



Waitzinger
Baumaschinen GmbH





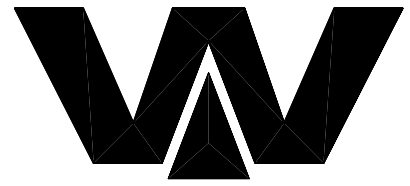
PARTS LIST

part list	description	created	index	valid from	valid to	
B174155	s-valve system cpl.	17.09.03 HF				
pos	description stock	ident-no dimensions	DIN material	index	weigh Kg	quantity unit
1	s-valve housing with light panel own parts list	B174139				1,00 Stk
2	s-valve system cpl. own parts list	B174090		d 02.04.03		1,00 Stk
3	cleaning hole assembly own parts list	B173085				1,00 Stk
4	rear plate	B174077 Blech45x575x440	1543/EN10029 St52-3	a 04.08.98	40,00	1,00 Stk
6	cup square neck bolt M 16 x 80	WAI105047				2,00 Stk
7	washer 17, DIN 125	WAI102893				2,00 Stk
8	spring washer A16	WAI102072			0,01	2,00 Stk
9	hexagon bolt M 16 x 60	WAI103282			0,12	9,00 Stk
10	nut M16 DIN 934	WAI101555				2,00 Stk
11	conical spring washer	WAI100506				9,00 Stk
12	cheese head screw M 24 x 80	WAI102853				2,00 Stk
13	spring washer	WAI101786			0,00	2,00 Stk
14	washer 25, DIN 125	WAI103298				2,00 Stk
15	nut M24 DIN 934	WAI102851				2,00 Stk
16	pump support cpl. for hopper own parts list	B114216		a 16.06.04		1,00 Stk
17	shift drive system cpl. own parts list	B174030		b 31.05.05		1,00 Stk
18	agitator with drive own parts list	B254120		b 05.10.99		1,00 Stk
19	grid cpl. own parts list	B224065				1,00 Stk
20	conveying pipe line cpl. HP9420/12523 own parts list	B194140		b 29.06.05		1,00 Stk
21	lubrication system complete own parts list	B183007		c 14.10.03		1,00 Stk

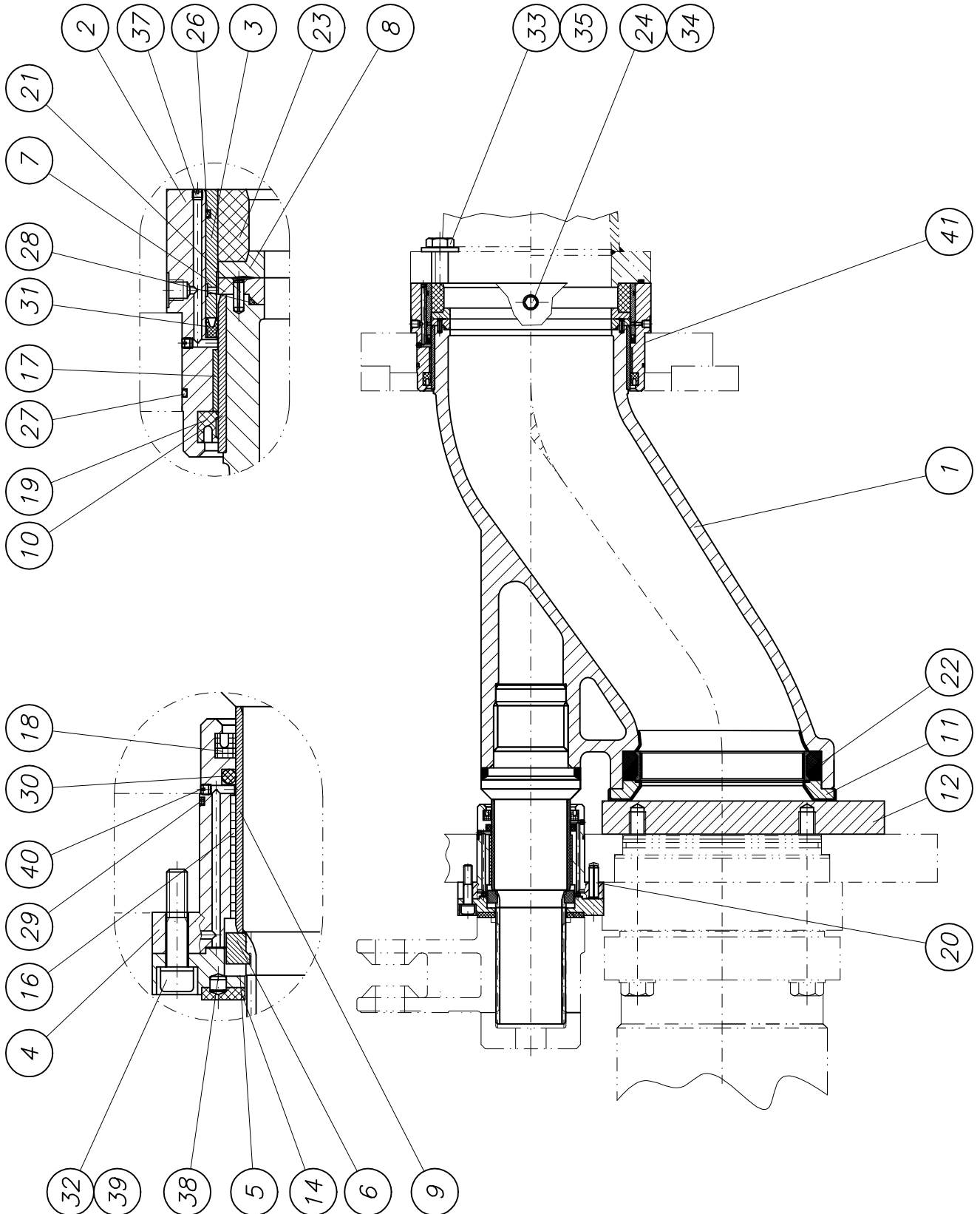
S-Rohr kpl.

s-valve cpl.

B 17 4 090d



Waitzinger
Baumaschinen GmbH





PARTS LIST

part list	description	created	index	valid from	valid to	
B174090	s-valve system cpl.	26.01.98 Mi	d	02.04.03		
pos	description stock	ident-no dimensions	DIN material	index	weighth Kg	quantity unit
1	s-valve cpl. DN 200 w/o ring appendix own parts list	B174089				1,00 Stk
2	bearing housing big (processing) own parts list	B174022		a 23.05.05	18,50	1,00 Stk
3	distance ring	B174023 Rohr 273x20x65	2448 St37	a 16.06.04	2,20	1,00 Stk
4	bearing housing small	B174024 Rd 180x120	1013 St52-3	a 09.01.97	5,05	1,00 Stk
5	flange	B174025 Rd 180x25	1013 St52-3	b 17.06.04		1,00 Stk
6	profile	B174026 Rd 110x21	GG-25	a 06.06.97	2,50	1,00 Stk
7	sliding ring DN 200 S-valveside	B174027 Modell WAI 1004	G-X CrMo 15 3		1,10	1,00 Stk
8	slide ring DN 200 clampringside	B174028			1,10	1,00 Stk
9	wear bushing small	B172105 Rohr 101.6x8x11	2448 StE690	b 30.07.99	0,80	1,00 Stk
10	wear bushing big	B172107 Rohr 244.5x15.2	2458 StE 690	c 30.07.99	1,80	1,00 Stk
11	wear ring DN 200	B174087 BI 30xd270	1543/EN10029 St52-3		4,30	1,00 Stk
12	wear plate DN 215	B174091 BI 40x350x590	1543/EN10029 St52-3	a 05.08.98	31,00	1,00 Stk
14	axial bearing washer	B173012	Orkot TLG	a 17.06.04		1,00 Stk
16	bushing 95x100x60 BO9	WAI100237			0,39	1,00 Stk
17	bushing 240x245x30 BO 9	WAI100236			0,48	1,00 Stk
18	groove ring 95x115x12 own parts list	B173077			0,04	1,00 Stk
19	groove ring 240x260x15 own parts list	B173078			0,04	1,00 Stk
20	clamping sleeve 12 x 40	WAI103076				1,00 Stk
21	clamping sleeve 5 x 15	WAI103077				2,00 Stk
22	tension ring	WAI103378			0,60	1,00 Stk
23	tension ring hard	WAI100262			0,52	1,00 Stk
24	usit-ring 8.7-14-1	WAI101269				1,00 Stk

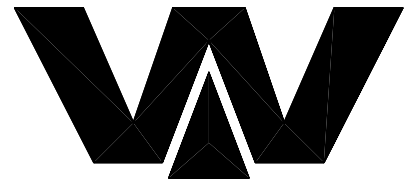


PARTS LIST

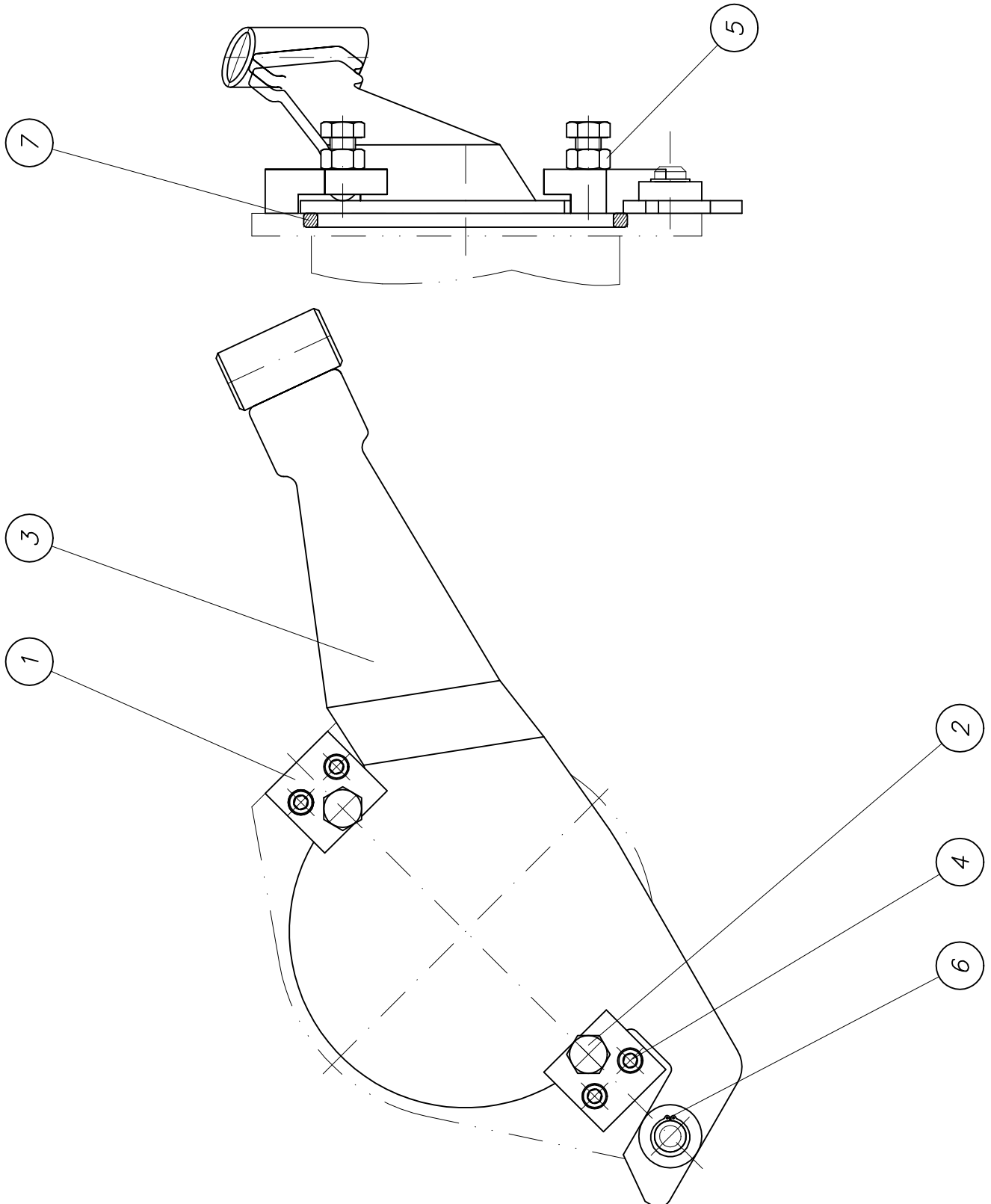
part list	description	created	index	valid from	valid to	
B174090	s-valve system cpl.	26.01.98 Mi	d	02.04.03		
pos	description stock	ident-no dimensions	DIN material	index	weighth Kg	quantity unit
26	O-ring 244 x 3	WAI103365				1,00 Stk
27	O-ring	WAI100481				1,00 Stk
28	O-ring 205x3	WAI100625				1,00 Stk
29	O-ring 124x3	WAI100486			0,00	1,00 Stk
30	O-ring 95x7	WAI100485			0,02	1,00 Stk
31	forseal 240	WAI103078			0,20	1,00 Stk
32	cheese head screw M12x45	WAI103151				3,00 Stk
33	hexagon bolt M20 x 120	WAI101589				4,00 Stk
34	hexagon bolt M8 x 25 DIN 933 8.8	WAI101621				1,00 Stk
35	conical spring washer	WAI102110			0,05	4,00 Stk
37	set screw	WAI100499				2,00 Stk
38	straight pin	WAI103080				1,00 Stk
39	spring washer A12	WAI103113				3,00 Stk
40	set screw	WAI102710				4,00 Stk
41	washer	B174093 Bl 1x145x290	1543/EN10029 S235J2G3			2,00 Stk

Reinigungsklappe kpl.
cleaning cover cpl.

B 17 3 085



Waitzinger
Baumaschinen GmbH



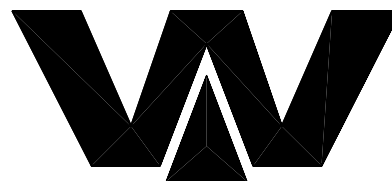


PARTS LIST

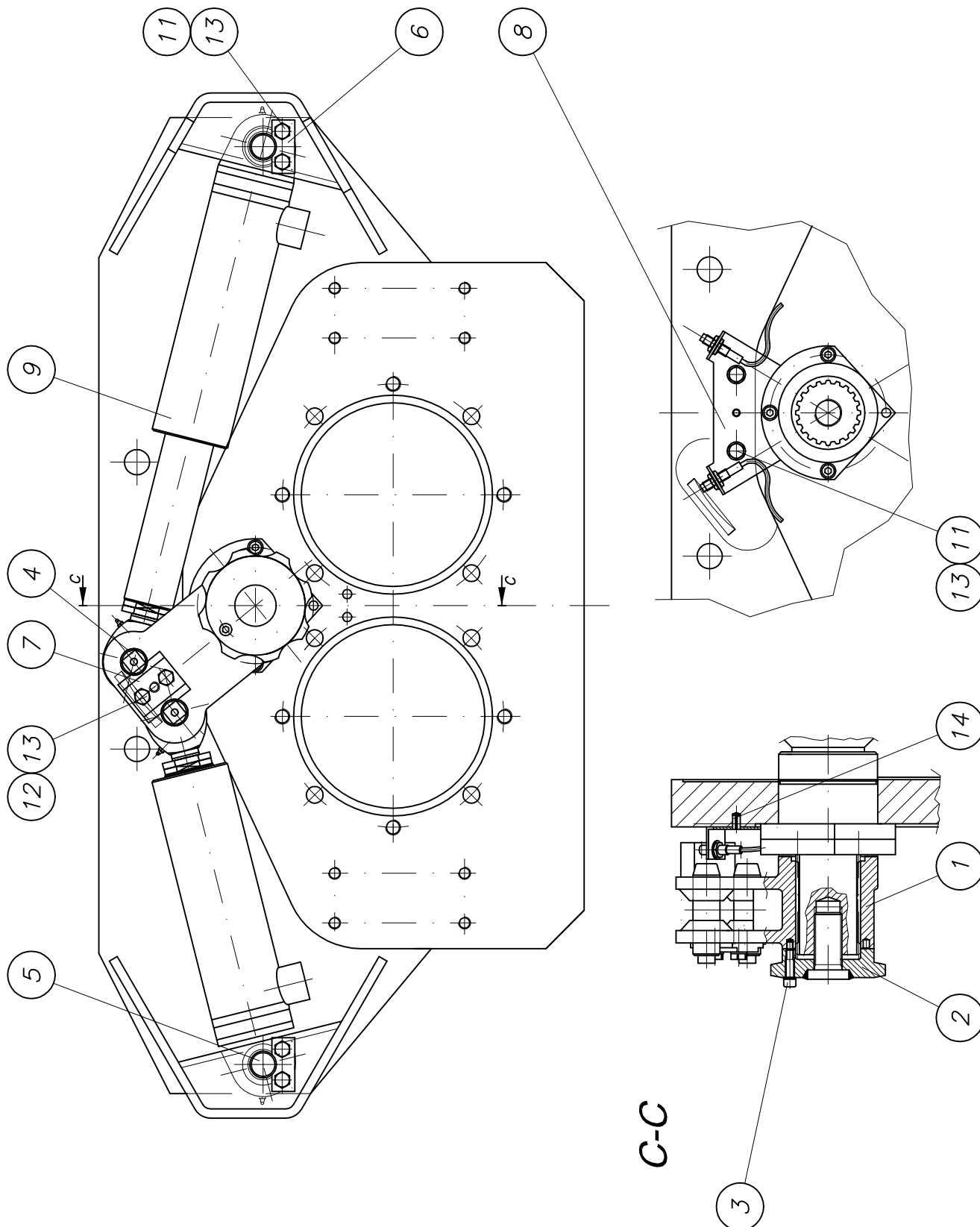
part list	description	created	index	valid from	valid to	
B173085	cleaning hole assembly	22.10.96 JR				
pos	description stock	ident-no dimensions	DIN material	index	weigh Kg	quantity unit
1	plate	B172126 Bl 40x67x70	1543/EN10029 St52-3		0,89	2,00 Stk
2	screw M 20 (processing) own parts list	B172128 6-Kt.Schraube M	933-8.8		0,18	2,00 Stk
3	cover cpl. for cleaning cover own parts list	B172130		a 15.06.04	9,00	1,00 Stk
4	cheese head screw M 12 x 40	WAI102855				4,00 Stk
5	nut M20 DIN 934	WAI102891				2,00 Stk
6	locking ring	WAI102864				1,00 Stk
7	O-ring cord 12mm	WAI102908				0,78 Mtr

Schwenkantrieb kpl.
tilting drive cpl.

B 17 4 030b



Waitzinger
Baumaschinen GmbH



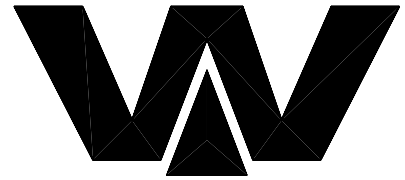


PARTS LIST

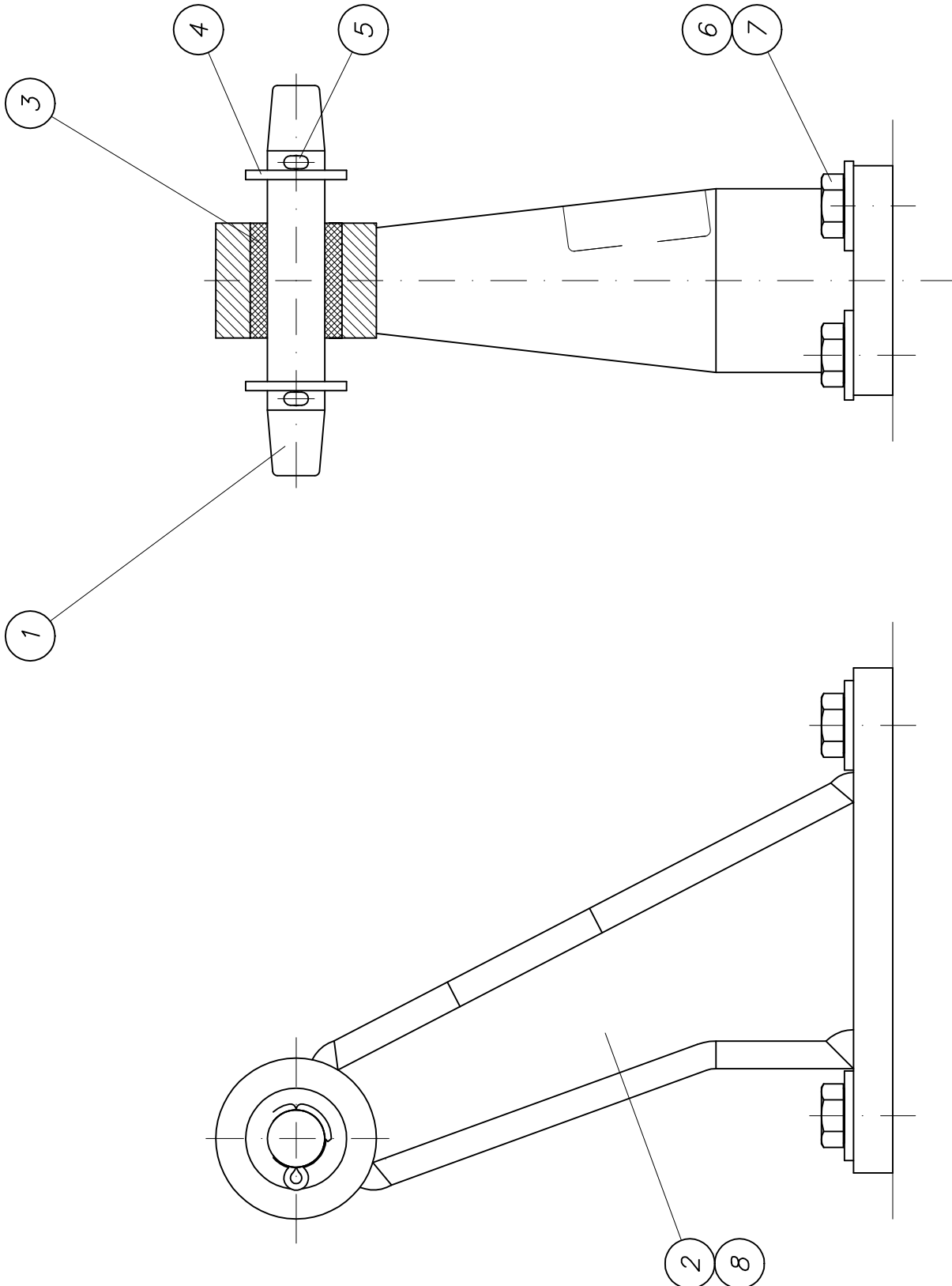
part list	description	created	index	valid from	valid to	
B174030	shift drive system cpl. own parts list	26.06.97 HG	b	31.05.05		
pos	description stock	ident-no dimensions	DIN material	index	weighth Kg	quantity unit
1	lever arm (processing) own parts list	B174031		a 21.02.97	13,00	1,00 Stk
2	adjusting screw cpl. own parts list	B174032		a 14.07.98		1,00 Stk
3	screw M 10 x 50 (processing) own parts list	B174035				1,00 Stk
4	bolt	B173019 Rd 40x125	1013 42CrMo4V		0,83	2,00 Stk
5	bolt	B173066 Rd 40x115	1013 42CrMo4V	a 06.04.00	0,80	2,00 Stk
6	axle retainer	B173067 FI 30x6x70	1017 St52-3		0,13	2,00 Stk
7	axle retainer	B174083 BI 12x64x70	1543/EN10029 St37		0,31	1,00 Stk
8	sensor support	B174084 BI 3x212x257	1543/EN10029 St37-2		0,04	1,00 Stk
9	tilting cylinder D 65x220	WAI109491			23,00	2,00 Stk
11	hex. bolt M12 x 25 DIN 933 8.8	WAI101001			0,04	6,00 Stk
12	hex. bolt M12x30 DIN 933 8.8	WAI102107			0,04	2,00 Stk
13	conical spring washer 12 mm	WAI102877				8,00 Stk
14	clamping sleeve 10 x 20	WAI102881				1,00 Stk

Pumpenlagerung Trichter
pump support hopper

B 11 4 216a



Waitzinger
Baumaschinen GmbH





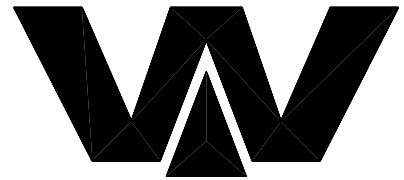
PARTS LIST

part list	description	created	index	valid from	valid to	
B114216	pump support cpl. for hopper	16.09.03 ute	a	16.06.04		
pos	description stock	ident-no dimensions	DIN material	index	weighth Kg	quantity unit
1	bolt	B113021 Rd 30x175	1013 42CrMo4V	a 13.02.02	0,65	2,00 Stk
2	bracket cpl. (processing drawing) own parts list	B114205			8,70	1,00 Stk
3	rubber buffer 40 x 25 x 50	WAI102489			0,21	2,00 Stk
4	washer 26, DIN 126	WAI103411				4,00 Stk
5	pin	WAI100940				4,00 Stk
6	hexagon bolt M 16 x 50	WAI103278				8,00 Stk
7	conical spring washer	WAI100506				8,00 Stk
8	bracket cpl. (processing drawing) own parts list	B114206			8,70	1,00 Stk

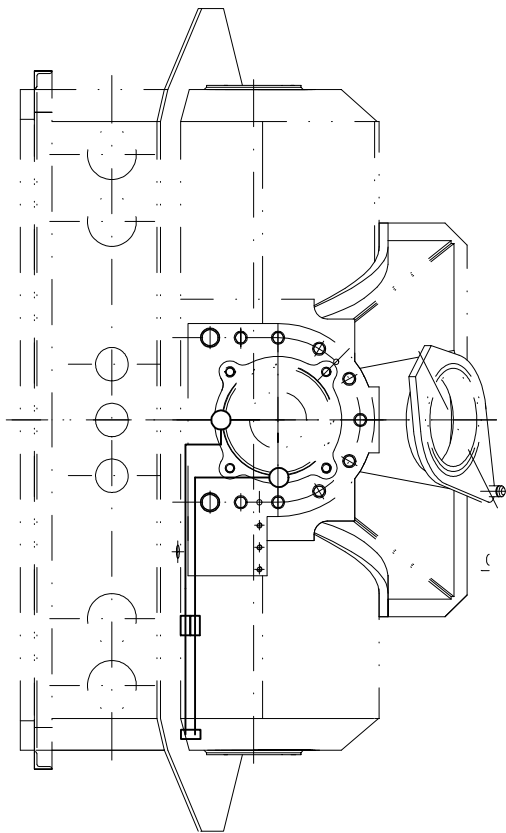
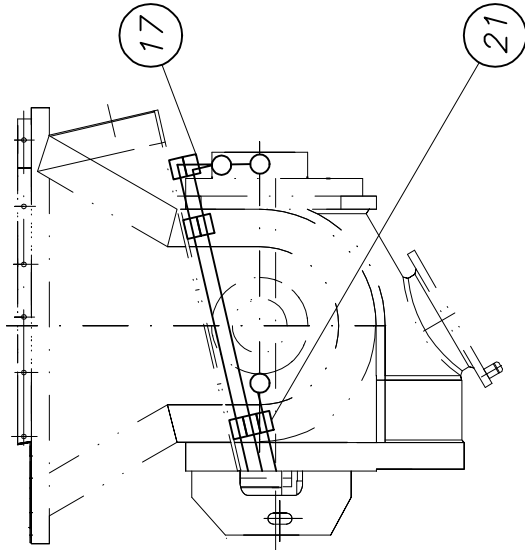
Schmieranlage kpl
lubrication system cpl.

B 18 3 007c

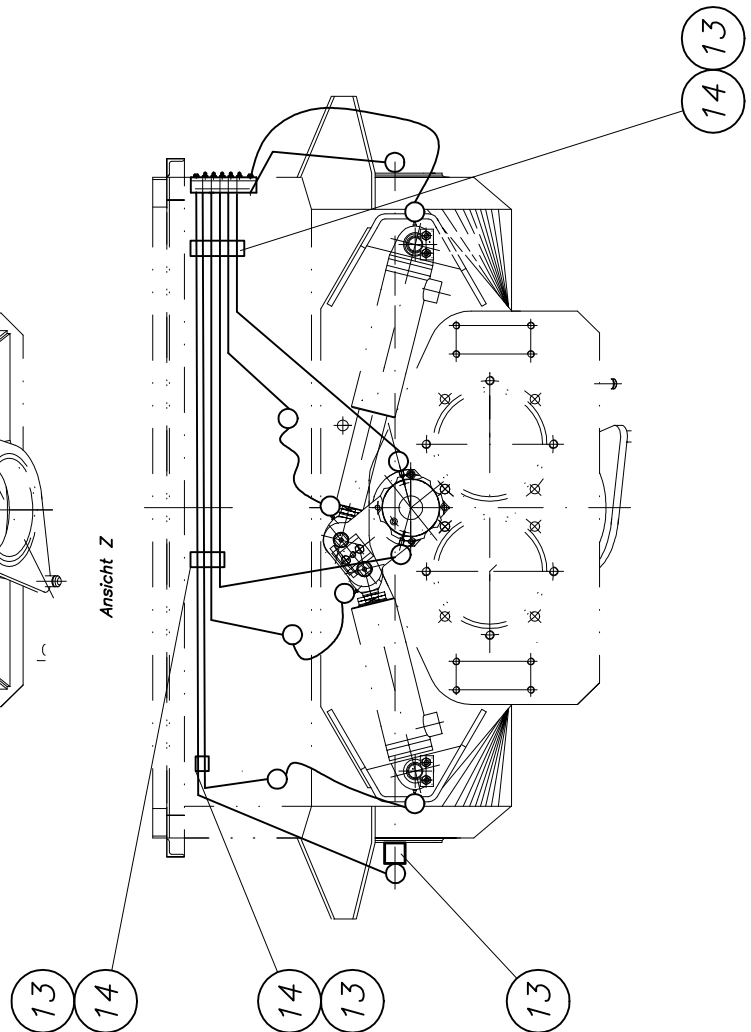
1



Waitzinger
Baumaschinen GmbH



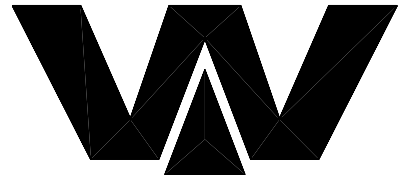
Ansicht Z



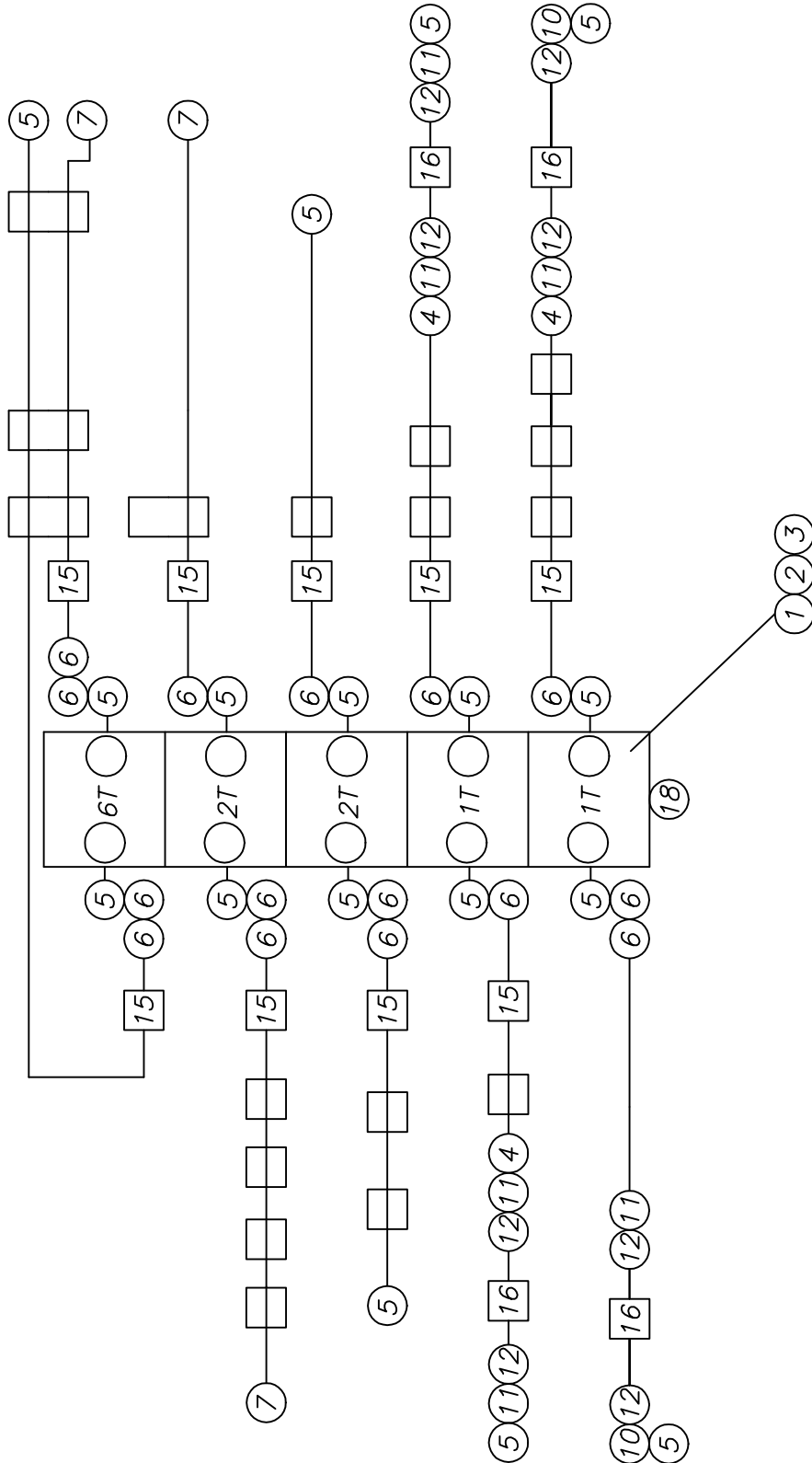
Schmieranlage kpl
lubrication system cpl.

B 18 3 007c

2



Waitzinger
 Baumaschinen GmbH



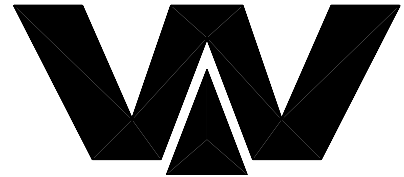


PARTS LIST

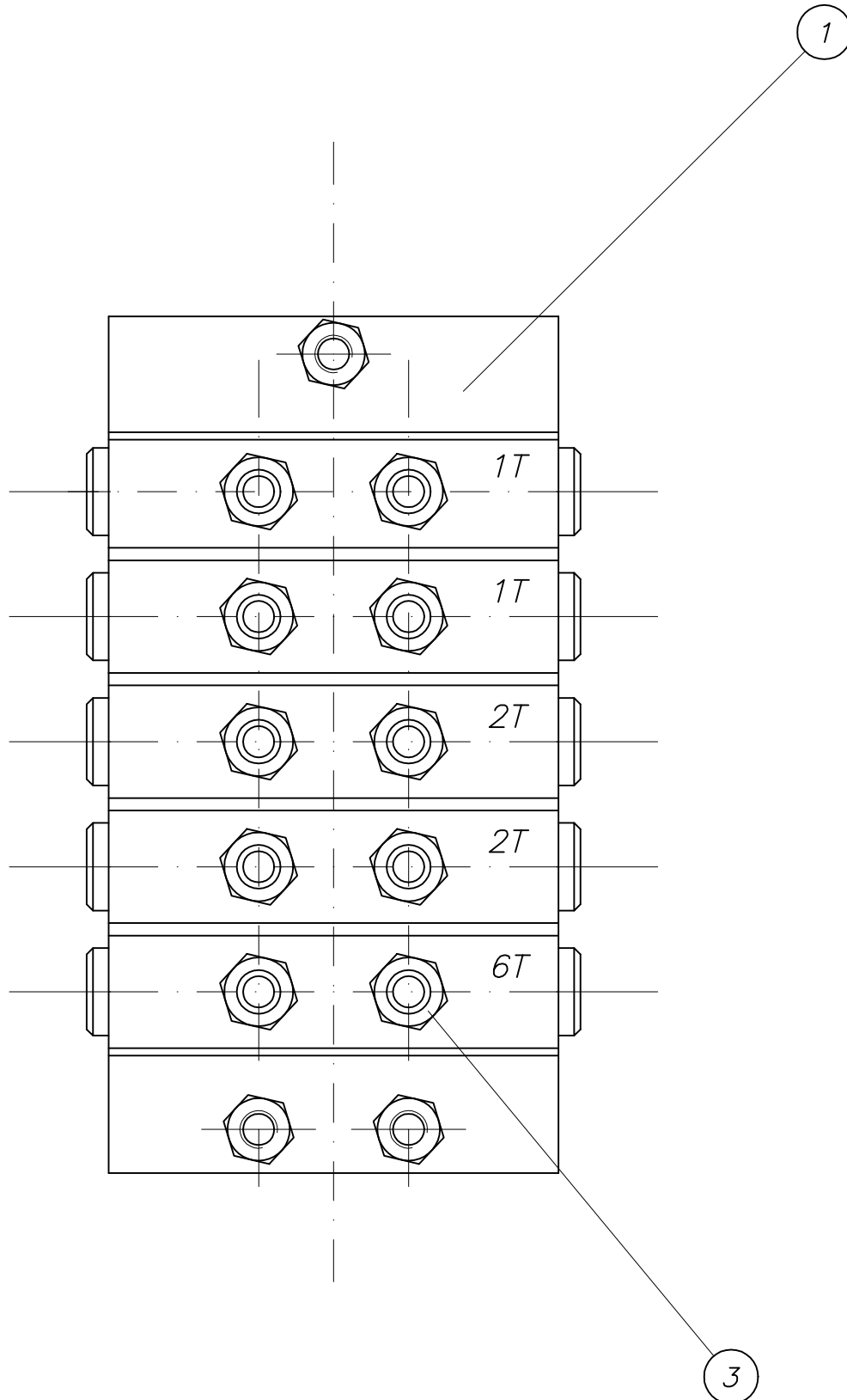
part list	description	created	index	valid from	valid to	
B183007	lubrication system complete	18.01.99 Mi	c	14.10.03		
pos	description stock	ident-no dimensions	DIN material	index	weighth Kg	quantity unit
1	lubrication distributor complete (10) own parts list	WAI102602			0,01	1,00 Stk
2	hexagon bolt M 6 x 50	WAI104338				3,00 Stk
3	locking nut	WAI102131			0,00	3,00 Stk
4	straight couplings L6	WAI105282				3,00 Stk
5	straight male stud couplings L6M	WAI100546			0,03	17,00 Stk
6	adjustable elbow bodies L6	WAI102664			0,02	15,00 Stk
7	throttlefree banjo elbows L6M	WAI102284				3,00 Stk
10	threaded sleeve, 90 degrees	WAI102643			0,02	2,00 Stk
11	hose connecting piece, DN6, short	WAI100253			0,01	6,00 Stk
12	threaded sleeve	WAI100254			0,01	8,00 Stk
13	pipe clip 6 mm,	WAI105144			0,07	13,00 Stk
14	Tee-Nut for pipe clamps	WAI105151			0,07	24,00 Stk
15	set of pipes for greasing system	WAI105416				1,00 Stk
16	plastic pipe 8.4 x 2.1	WAI100255			0,05	3,00 Mtr
17	pipe clip 6 mm,	WAI108327			0,07	4,00 Stk
18	straight male stud couplings L6M14 x 1,5	WAI102665			0,04	1,00 Stk
20	cable tie 200x3.6, black	WAI103137				10,00 Stk
21	hexagon screw M 6 x 60 DIN 931 8.8	WAI104065				1,00 Stk
22	washer 6.4	WAI101627				3,00 Stk

Schmierverteiler kpl.
lubrication distributor cpl.

WAI 102602



Waitzinger
Baumaschinen GmbH



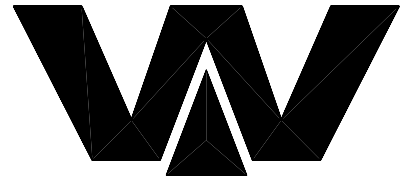


PARTS LIST

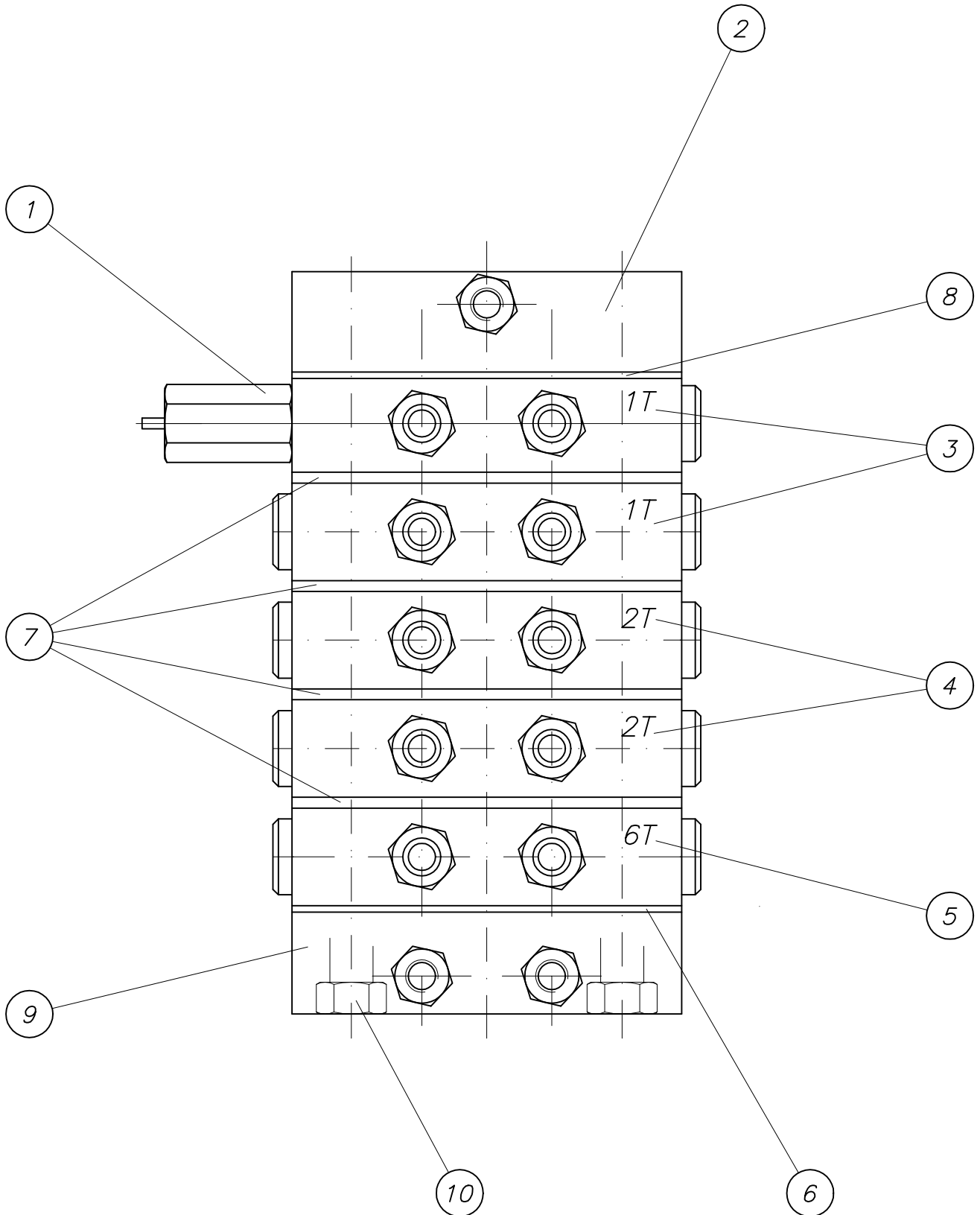
part list	description	created	index	valid from	valid to	
WAI102602	lubrication distributor complete (10)	21.03.96 HG		21.03.96		
pos	description stock	ident-no dimensions	DIN material	index	weigh Kg	quantity unit
1	distributor VPM 5 own parts list	WAI102585			2,40	1,00 Stk
3	grease nipple	WAI100303			0,19	10,00 Stk

*Progressivverteiler
distributor*

WAI 102585



*Waitzinger
Baumaschinen GmbH*



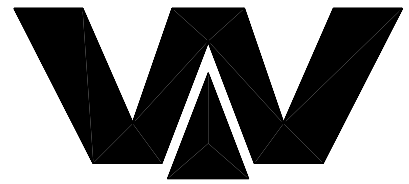


PARTS LIST

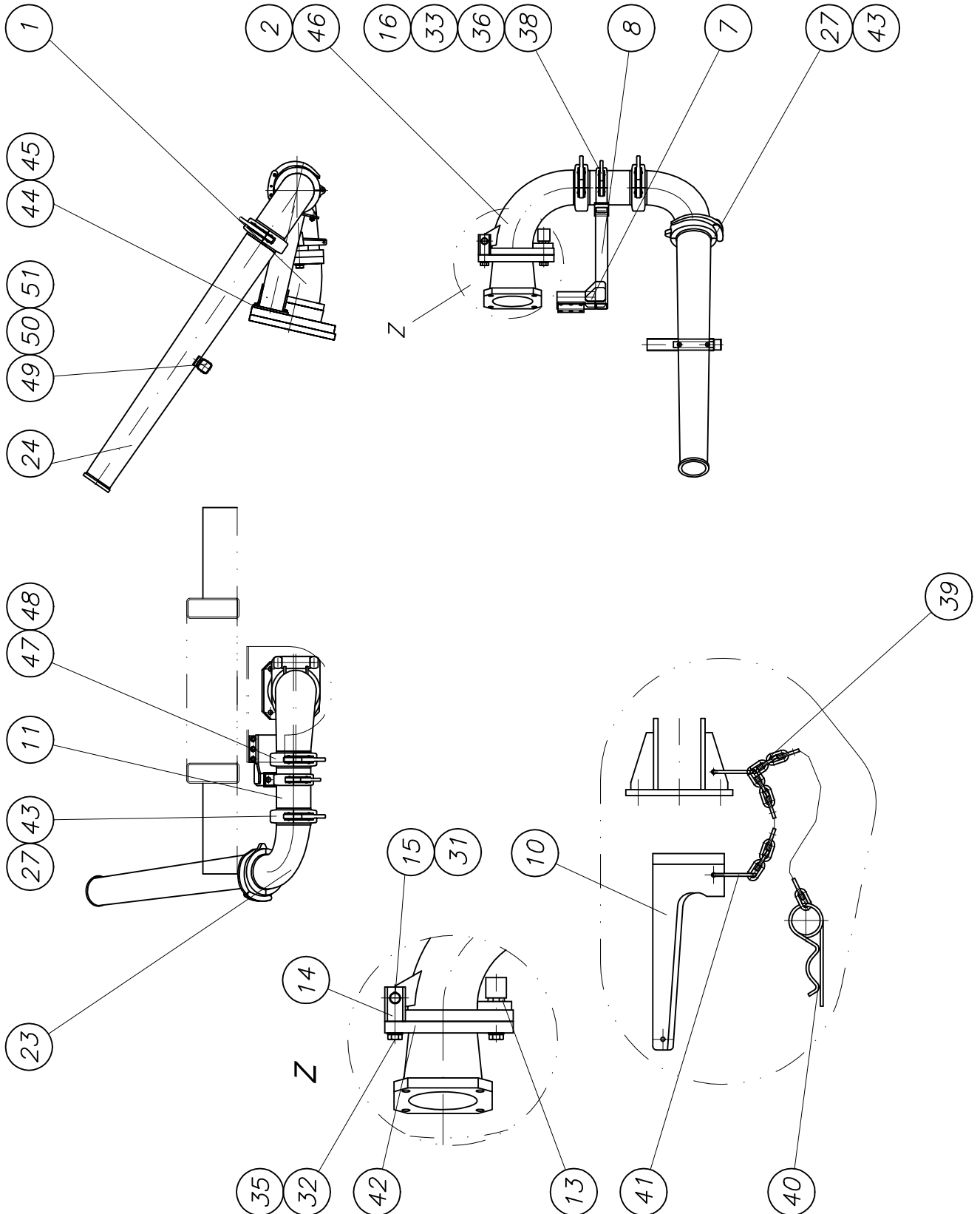
part list	description	created	index	valid from	valid to	
WAI102585	distributor VPM 5	31.08.99 Mi				
pos	description stock	ident-no dimensions	DIN material	index	weighth Kg	quantity unit
1	cycle indicator	WAI102586				1,00 Stk
2	endplate	WAI105757				1,00 Stk
3	distributor plate	WAI105758				2,00 Stk
4	distributor plate	WAI105759				2,00 Stk
5	distributor plate	WAI105760				1,00 Stk
6	input modul	WAI105761				1,00 Stk
7	distance modul	WAI105762				4,00 Stk
8	end modul	WAI105763				1,00 Stk
9	input plate	WAI105764				1,00 Stk
10	tension rod	WAI105765				2,00 Stk

Förderleitung kpl.
conveying pipe line cpl.

B 19 4 140b



Waitzinger
Baumaschinen GmbH





PARTS LIST

part list	description	created	index	valid from	valid to	
B194140	conveying pipe line cpl. HP9420/12523	10.03.03 ek	b	29.06.05		
pos	description stock	ident-no dimensions	DIN material	index	weigh Kg	quantity unit
1	reducer DN 200-180 own parts list	B191010		a 06.03.97	38,00	1,00 Stk
2	reducer elbow DN 180-150 own parts list	B191015		b 17.05.99	41,50	1,00 Stk
7	bracket own parts list	B194033		a 25.09.97	5,40	1,00 Stk
8	strut cpl. own parts list	B194037		a 19.04.02	8,20	1,00 Stk
10	locking wedge complete own parts list	B194046			1,85	1,00 Stk
11	conveying pipe cpl. own parts list	B194062			12,85	1,00 Stk
13	locking bolt	B194045 Rundstahl 50x12	1013 St52-3		1,05	1,00 Stk
14	hinge	B194049 Rundstahl d60x1	1013 St52-3		1,70	2,00 Stk
15	bolt	B194050 Rundstahl d30h9	671 St52-3	a 12.02.98		1,00 Stk
16	snap coupling 5 1/2" own parts list	B194053				1,00 Stk
23	bend DN 150	WAI100690				1,00 Stk
24	reducer DN 150-125	WAI102041				1,00 Stk
27	clamp coupling 6"	WAI101779				2,00 Stk
31	snap ring	WAI100694			0,00	2,00 Stk
32	hexagon bolt M 24 x 65	WAI102848				3,00 Stk
33	hexagon bolt M16 x 40	WAI101634				4,00 Stk
35	washer HV25	WAI102331				3,00 Stk
36	washer 17, DIN 125	WAI102893				4,00 Stk
38	nut M16 DIN 934	WAI101555				4,00 Stk
39	chain 4mm	WAI103732				1,00 mtr
40	cotter pin	WAI101266			0,06	1,00 Stk



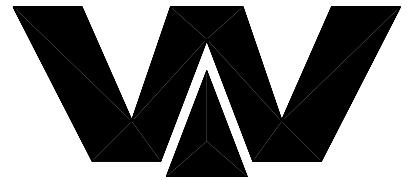
PARTS LIST

part list	description	created	index	valid from	valid to	
B194140	conveying pipe line cpl. HP9420/12523	10.03.03 ek	b	29.06.05		
pos	description stock	ident-no dimensions	DIN material	index	weigh Kg	quantity unit
41	key ring	WAI104636				2,00 Stk
42	O-ring	WAI104025				1,00 Stk
43	O-ring 159 x 11	WAI108307			0,05	2,00 Stk
44	cheese head screw	WAI101792				6,00 Stk
45	spring washer A12	WAI103113				6,00 Stk
46	grease nipple H1 M10 X 1 DIN 71412	WAI100805			0,01	1,00 Stk
47	wedge coupling 6"	WAI105165			5,00	1,00 Stk
48	O-ring	WAI105164			0,05	1,00 Stk
49	profil cpl. own parts list	B195033		a 22.06.05	3,00	1,00 Stk
50	strip	B190019 8x30x200	Polyamid			1,00 Stk
51	sunk screw M 10 x 20	WAI104689				2,00 Stk

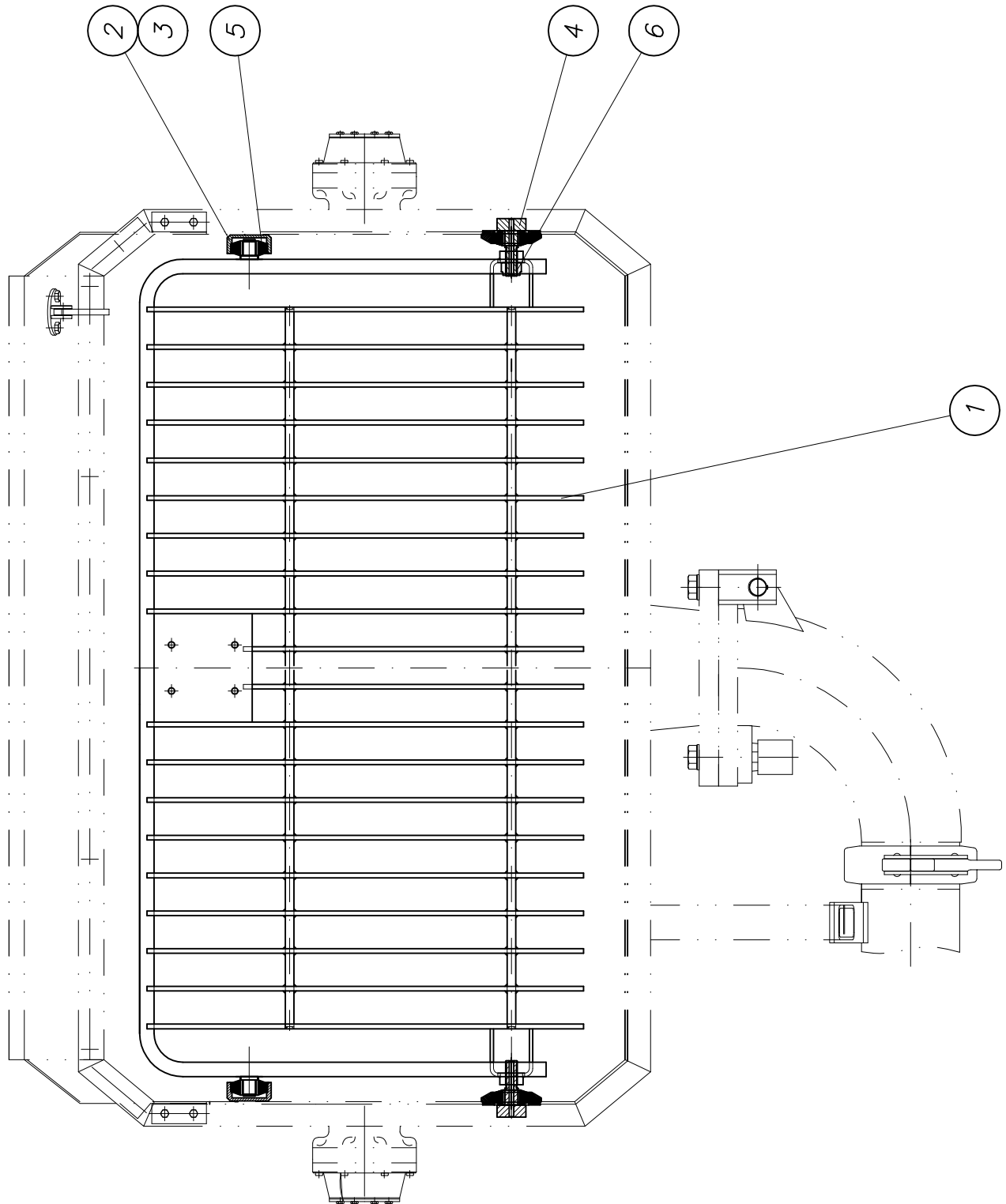
Gitterrost kpl.

grid cpl.

B 22 4 065



*Waitzinger
Baumaschinen GmbH*



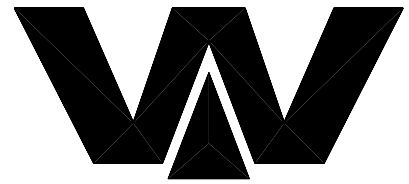


PARTS LIST

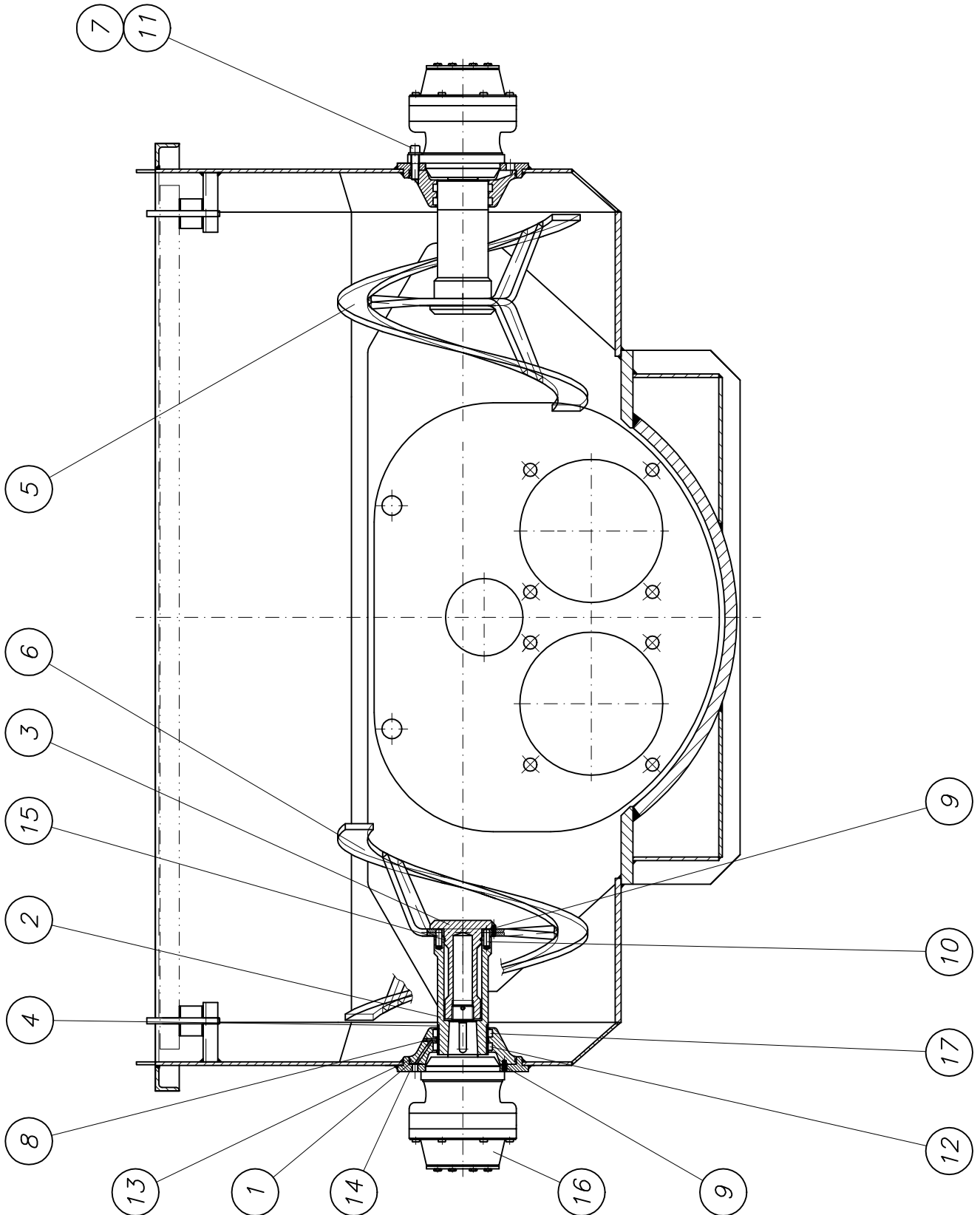
part list	description	created	index	valid from	valid to	
B224065	grid cpl.	07.02.02 Mi				
pos	description stock	ident-no dimensions	DIN material	index	weighth Kg	quantity unit
1	grate own parts list	B224060		b 26.05.03	60,00	1,00 Stk
2	housing for grating	B223061 Rd 80x20	1013 S355J2G3		0,50	2,00 Stk
3	fixing sheet	B223057 Bl 10x32x50	1543/EN10029 St37-2		0,10	4,00 Stk
4	bolt	B225041 Rd 50x104	1013 St52-3	b 05.04.05	0,20	2,00 Stk
5	rubber buffer 65 x 22,5 x 26	WAI102490			0,17	4,00 Stk
6	nut M20 DIN 985	WAI106610				2,00 Stk

Rührwerk mit Antrieb kpl.
agitator with drive cpl.

B 25 4 120b



Waitzinger
Baumaschinen GmbH



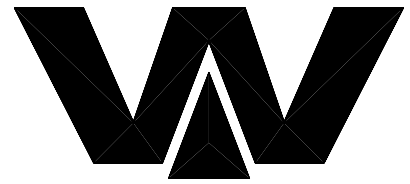


PARTS LIST

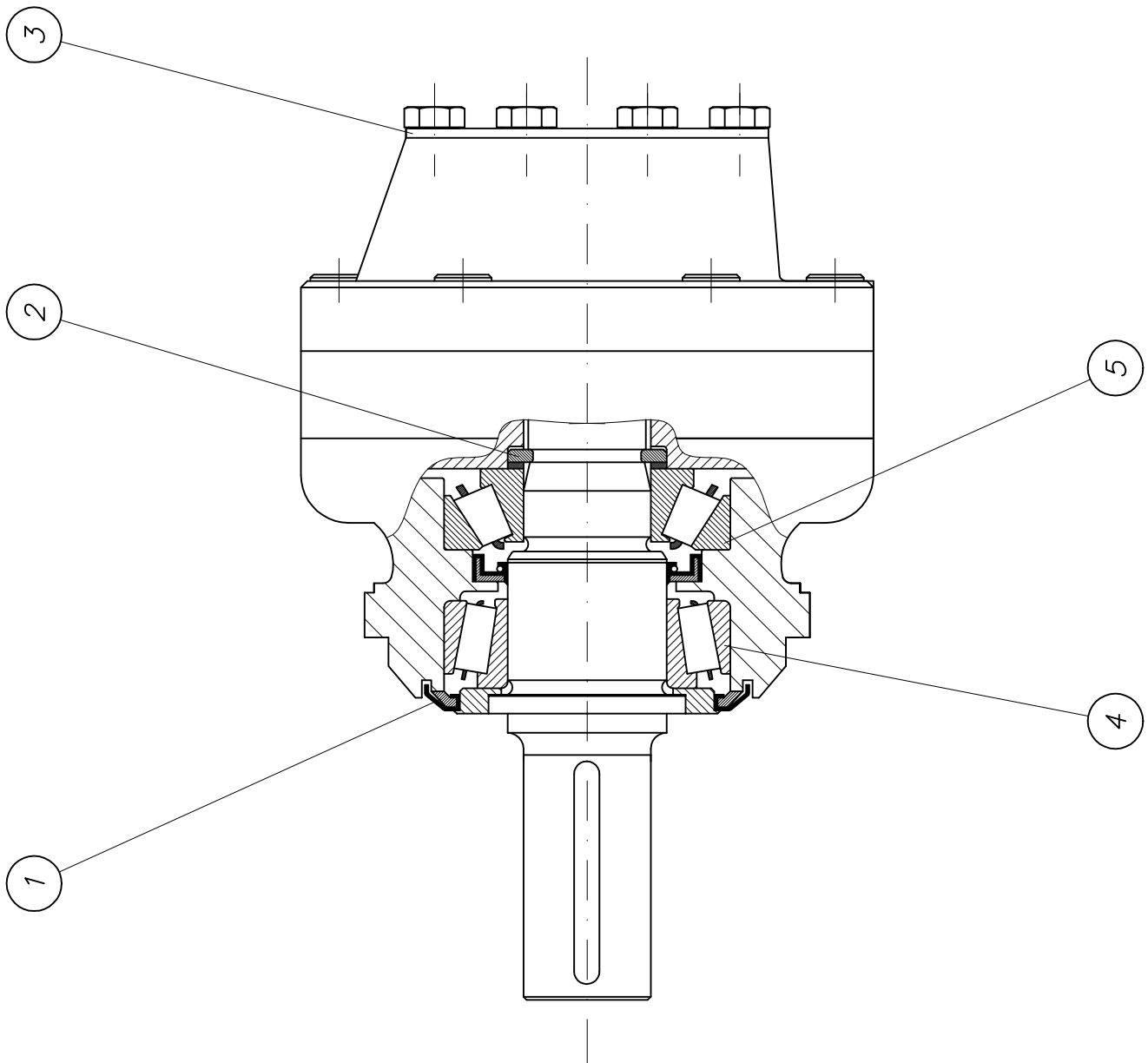
part list	description	created	index	valid from	valid to	
B254120	agitator with drive	24.04.98 rh	b	05.10.99		
pos	description stock	ident-no dimensions	DIN material	index	weighth Kg	quantity unit
1	flange own parts list	B254101		a 23.01.97		2,00 Stk
2	shaft	B254102 Rd 100x199	1013 St52	c 02.04.03	1,50	2,00 Stk
3	nut	B254103 Rd 110x165	1013 ST52			2,00 Stk
4	wear sleeve	B254104 Rohr 88.9x8.8x5	2448 StE 690	a 01.12.97	0,49	2,00 Stk
5	agitator shaft, right own parts list	B254105		c 08.04.03	10,00	1,00 Stk
6	agitator shaft, left own parts list	B254106		c 08.04.03	10,00	1,00 Stk
7	hexagon bolt	WAI103062				8,00 Stk
8	set screw	WAI100499				2,00 Stk
9	clamping sleeve 6 x 18	WAI103106				4,00 Stk
10	straight pin 10 H 6 x 30	WAI103065				12,00 Stk
11	washer	WAI102962			0,01	8,00 Stk
12	groove ring 85-100-11.5	WAI102544			0,02	2,00 Stk
13	O-ring 174 x 3	WAI103063				2,00 Stk
14	O-ring 13 x 2	WAI103064				2,00 Stk
15	O-ring 59 x 3	WAI103249				2,00 Stk
16	hydraulic motor MCR 3D 280 own parts list	WAI101240			28,00	2,00 Stk
17	tongue ring own parts list	B253029			0,02	2,00 Stk

Hydraulikmotor
hydraulic engine

WAI 101240



Waitzinger
Baumaschinen GmbH





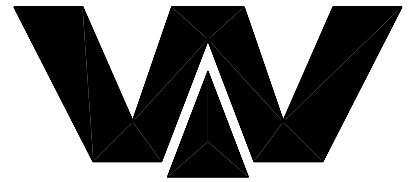
PARTS LIST

part list	description	created	index	valid from	valid to	
WAI101240	hydraulic motor MCR 3D 280	27.08.99 Mi				
pos	description stock	ident-no dimensions	DIN material	index	weigh Kg	quantity unit
1	sealing set own parts list	WAI101241			0,10	1,00 Stk
2	split ring	WAI104395				1,00 Stk
3	cover f. mcr3 hydraulic motor	WAI104755				1,00 Stk
4	roller bearing 850717	WAI105715			0,70	1,00 Stk
5	roller bearing no. 851416	WAI105716			0,80	1,00 Stk

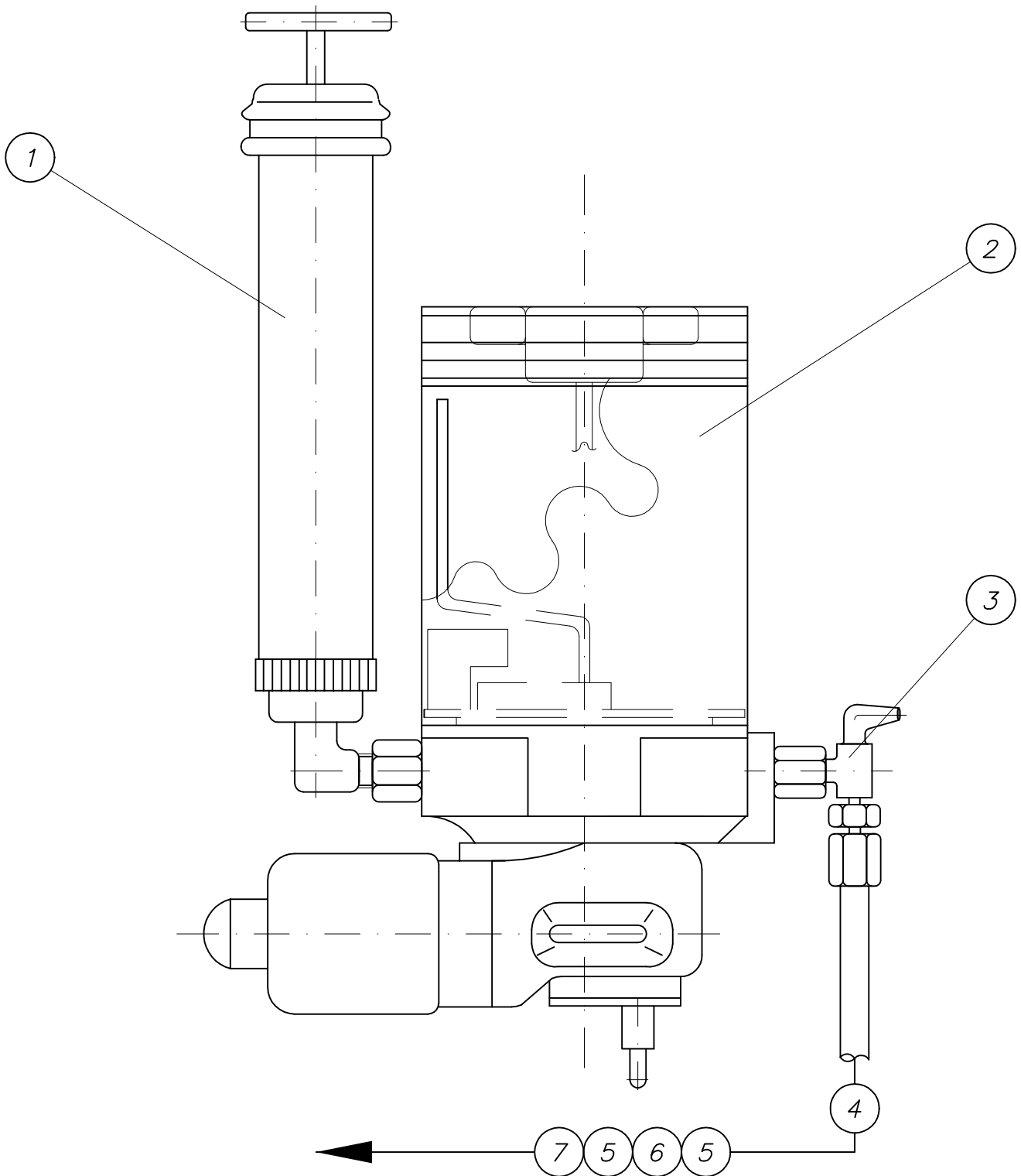
Schmieranlage Pumpe kpl.

lubrication pump cpl.

B 18 3 016



Waitzinger
Baumaschinen GmbH



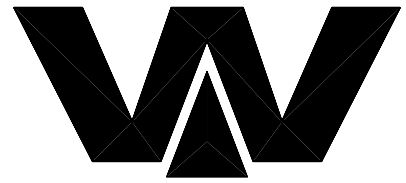


PARTS LIST

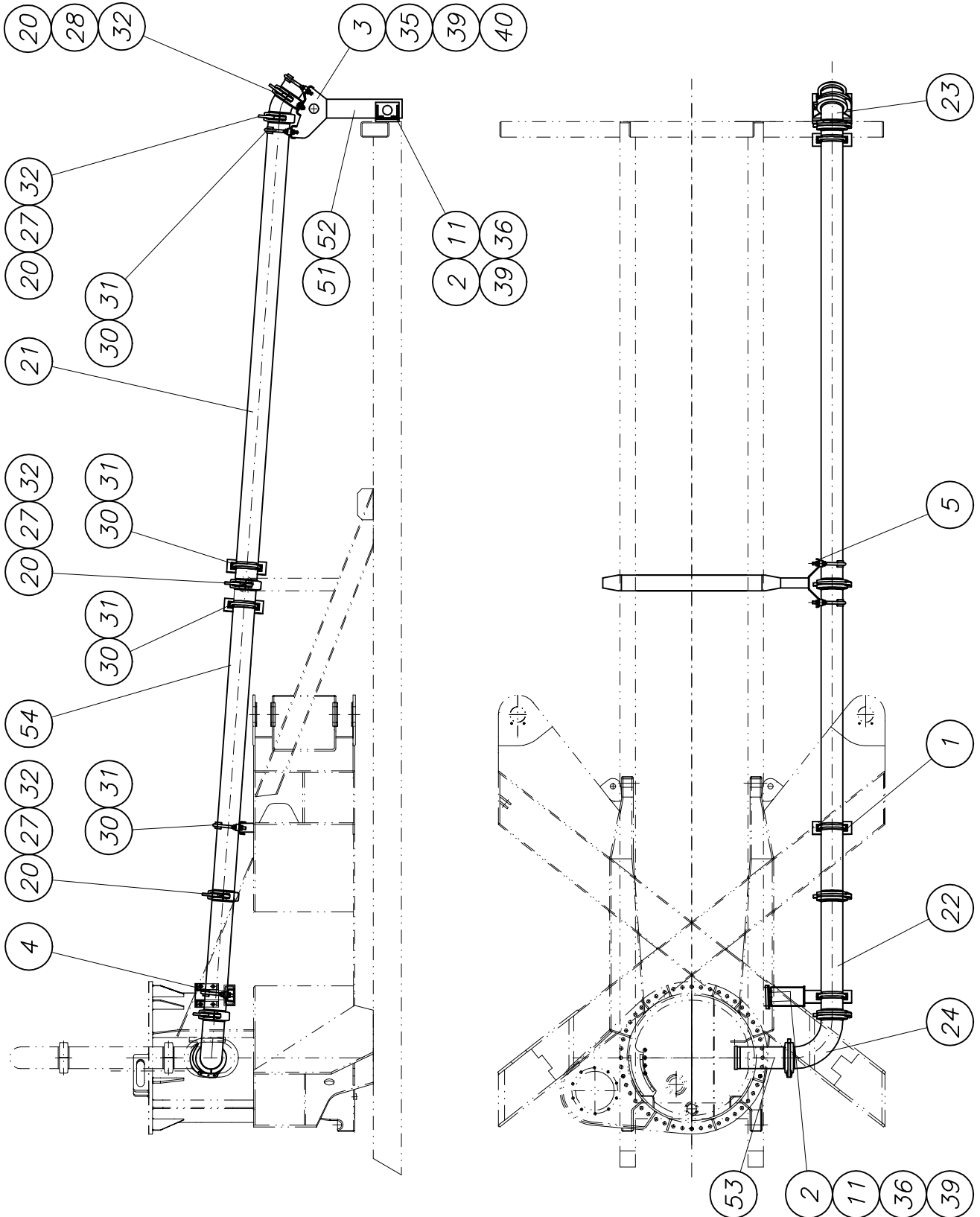
part list	description	created	index	valid from	valid to	
B183016	lubrication pump cpl.	18.09.03 ute				
pos	description stock	ident-no dimensions	DIN material	index	weighth Kg	quantity unit
1	fill pump, hand used	WAI100297			1,16	1,00 Stk
2	pump for kit	WAI106697				1,00 Stk
3	savety valve	WAI103198			0,12	1,00 Stk
4	plastic pipe 8.4 x 2.1	WAI100255			0,05	2,00 Mtr
5	threaded sleeve	WAI100254			0,01	2,00 Stk
6	hose connecting piece, DN6, short	WAI100253			0,01	1,00 Stk
7	threaded sleeve, 90 degrees	WAI102643			0,02	1,00 Stk

Förderleitung kpl.
conveying pipe line cpl.

B 19 8 001



Waitzinger
Baumaschinen GmbH





PARTS LIST

part list	description	created	index	valid from	valid to	
B198001	conveying pipe line cpl. 36 XXT	28.04.04 ek				
pos	description stock	ident-no dimensions	DIN material	index	weigh Kg	quantity unit
1	holder own parts list	B193061			2,50	1,00 Stk
2	bracket own parts list	B194013		a 06.08.97	3,80	2,00 Stk
3	support own parts list	B194092			6,20	1,00 Stk
4	holder own parts list	B194073		b 22.07.02	7,60	1,00 Stk
5	support cpl. own parts list	B193066			3,00	1,00 Stk
11	thread plate	B194012 Bl 15x150x150	1543/EN10029 St37-2		2,60	2,00 Stk
20	sealing for coupling	WAI101267			0,20	5,00 Stk
21	pipe DN 125 x 3000	WAI100965			38,00	1,00 Stk
22	pipe DN 125 x 1500	WAI108515				1,00 Stk
23	bend DN 125 - 30 degree	WAI100963			8,00	1,00 Stk
24	concrete elbow 90 degrees	WAI100218			15,40	1,00 Stk
27	snap coupling 5 1/2"	WAI101547				4,00 Stk
28	snap coupling 5 1/2"	WAI103399				1,00 Stk
30	pipe support	WAI103448				5,00 Stk
31	bow	WAI103400				5,00 Stk
32	spring pin 8 mm	WAI102622				5,00 Stk
35	hexagon bolt M16 x 40	WAI101634				2,00 Stk
36	cheese head screw M 16 x 25	WAI103488				8,00 Stk
38	washer 17, DIN 125	WAI102893				2,00 Stk
39	spring washer A16	WAI103489			0,01	10,00 Stk
40	nut M16 DIN 934	WAI101555				2,00 Stk

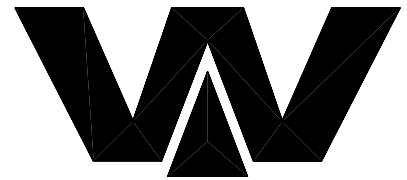


PARTS LIST

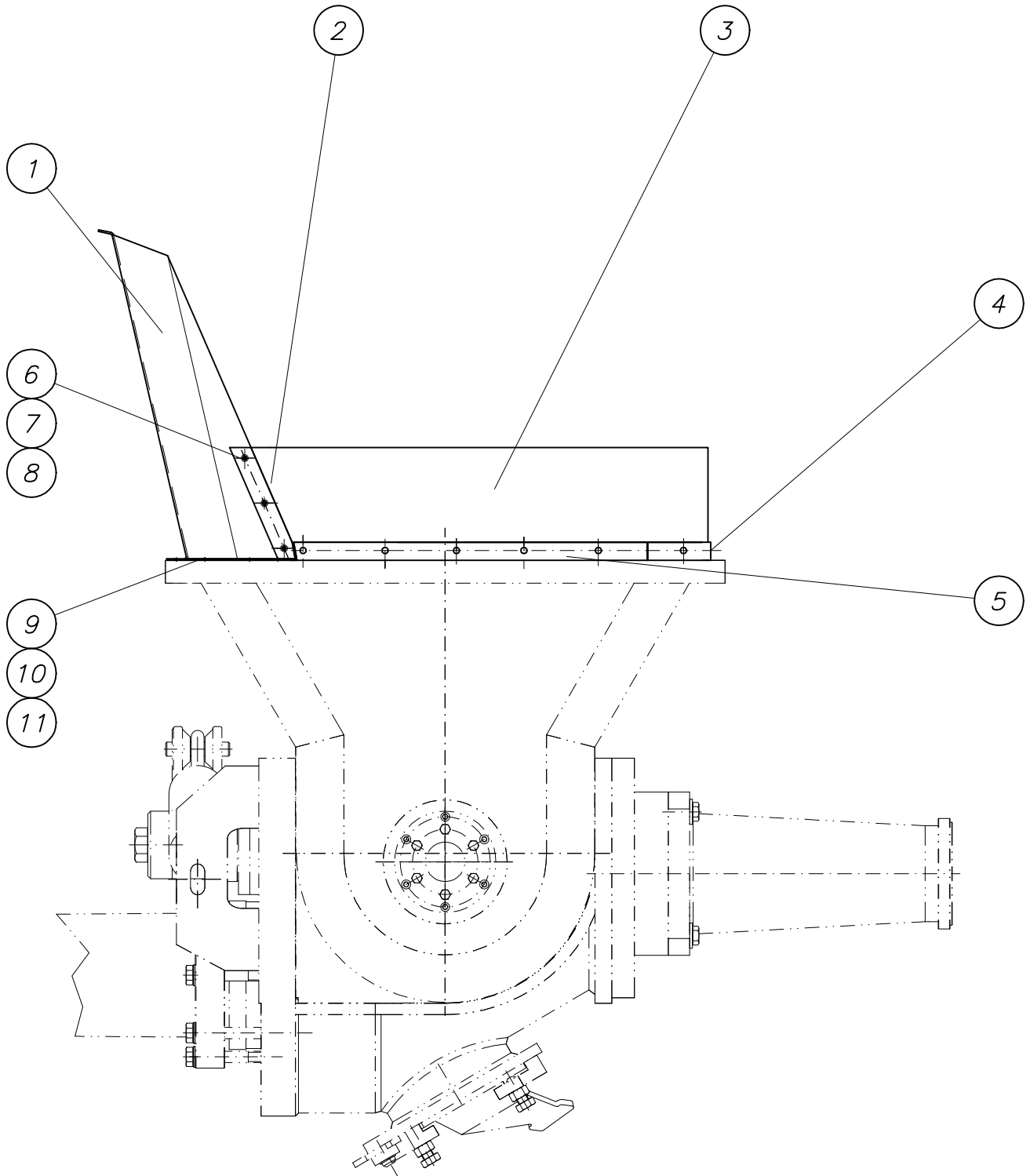
part list	description	created	index	valid from	valid to	
B198001	conveying pipe line cpl. 36 XXT	28.04.04 ek				
pos	description stock	ident-no dimensions	DIN material	index	weigh Kg	quantity unit
51	profile	B194093 MSH 120x60x5x70	59410 S235J2G3		9,10	1,00 Stk
52	cover	B084193 Bl 4x52x112	1543/EN10029 S355J2G3		0,20	2,00 Stk
53	pipe DN 125 x 350	WAI103445				1,00 Stk
54	pipe DN 125 x 2000	WAI101780			28,00	1,00 Stk

Spritzschutz kpl.
splash board cpl.

B 22 4 006



Waitzinger
Baumaschinen GmbH



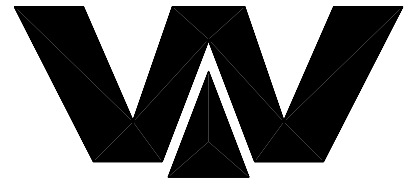


PARTS LIST

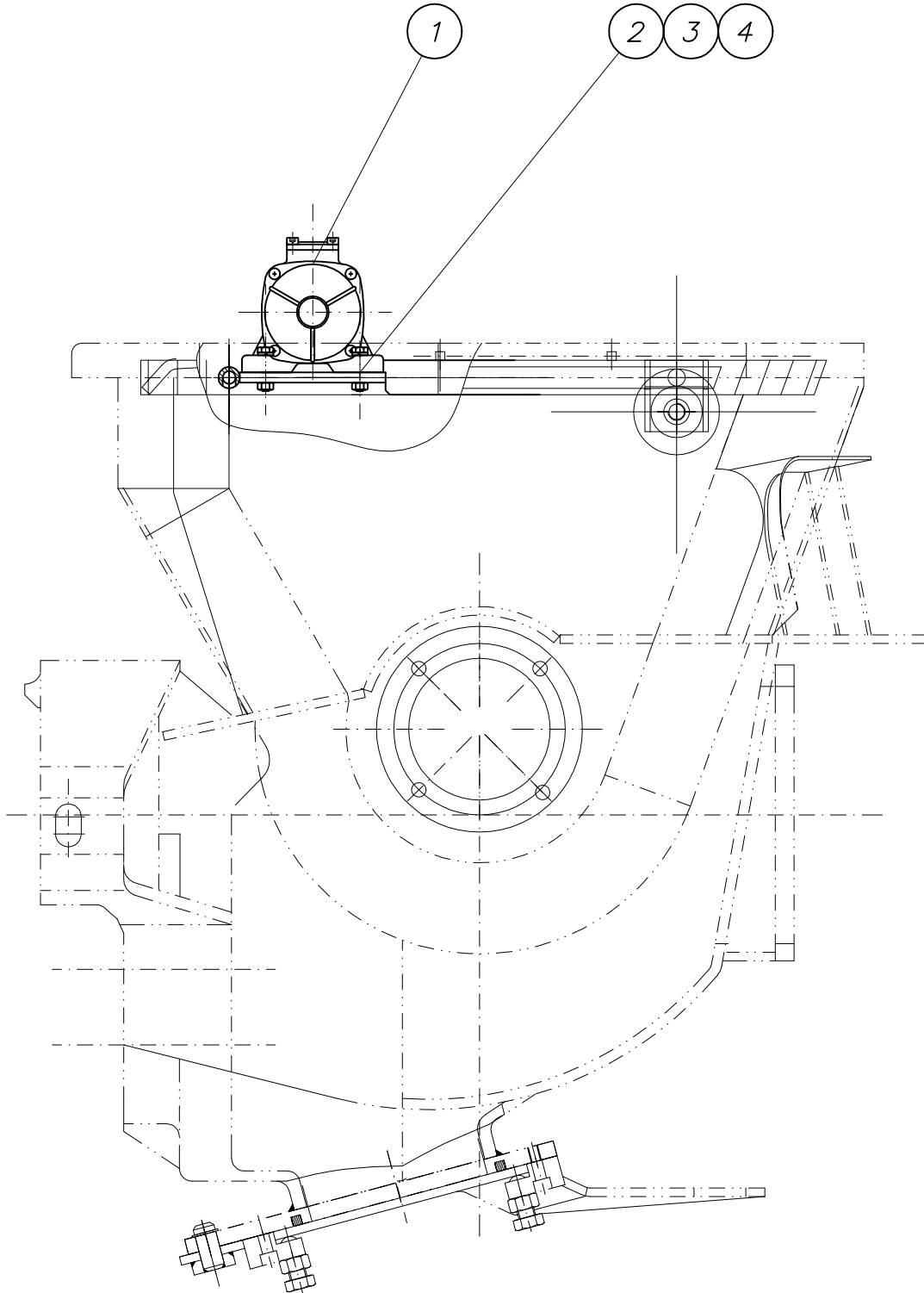
part list	description	created	index	valid from	valid to	
B224006	splash board trailer 13 degrees	16.10.97 BW				
pos	description stock	ident-no dimensions	DIN material	index	weigh Kg	quantity unit
1	splash board	B224011 Bl 3x691x1773	1543/EN10029 St37-2	c 29.01.02	25,10	1,00 Stk
2	clamping strip	B224012 Fl 35x5x227	1017 St37-2	a 30.04.97		2,00 Stk
3	rubber apron	B224013 Gummi 10x200x31		a 25.02.00		1,00 Stk
4	strip side	B224015 Fl 30x5x755	1017 St37-2	a 24.07.00	0,85	2,00 Stk
5	strip back side	B224014 Fl 30x5x1355	1017 St37-2		1,50	1,00 Stk
6	cap screw	WAI103579				28,00 Stk
7	cap nut M6	WAI101848				28,00 Stk
8	washer 6.4	WAI101627				28,00 Stk
9	hexagon bolt M8 x 25 DIN 933 8.8	WAI101621				11,00 Stk
10	stop nut M8 DIN985 8. VERZ.	WAI102111			5,00	11,00 Stk
11	washer 8.4	WAI101625				11,00 Stk

Rütteleinrichtung kpl.
vibrating equipment cpl.

B 28 5 001



Waitzinger
Baumaschinen GmbH

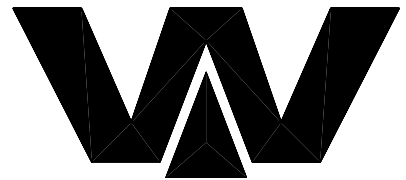




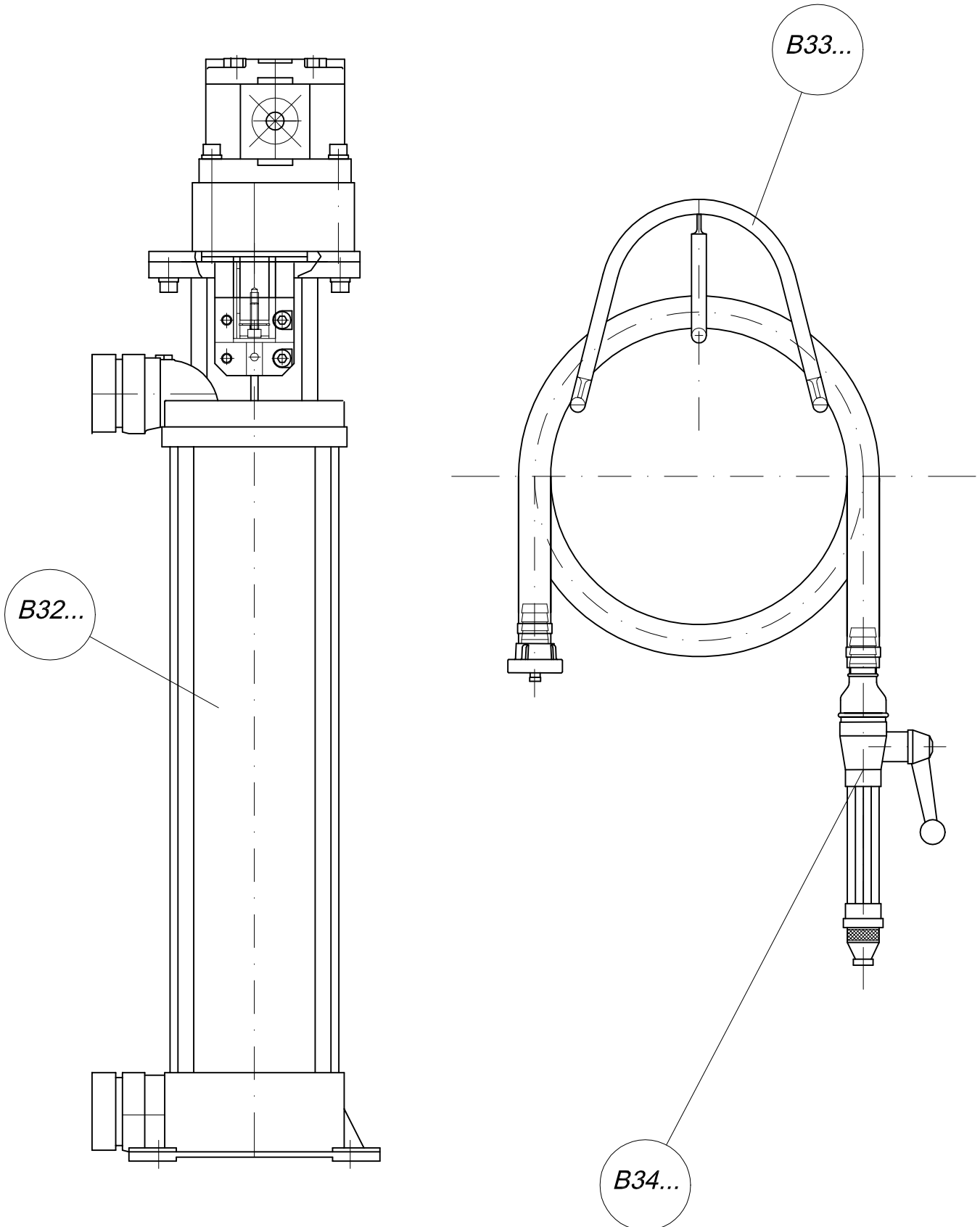
PARTS LIST

part list	description	created	index	valid from	valid to	
B285001	vibrating equipment	20.03.01 Mi				
pos	description stock	ident-no dimensions	DIN material	index	weighth Kg	quantity unit
1	vibrator own parts list	WAI105646			6,75	1,00 Stk
2	hexagon bolt	WAI102105			0,03	4,00 Stk
3	spring washer A10	WAI102070			0,00	4,00 Stk
4	hex. nut M10 DIN985 8.	WAI102125			0,01	4,00 Stk

Übersicht B 30 - B 39
over view B 30 - B 39

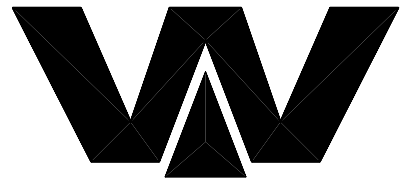


*Waitzinger
Baumaschinen GmbH*

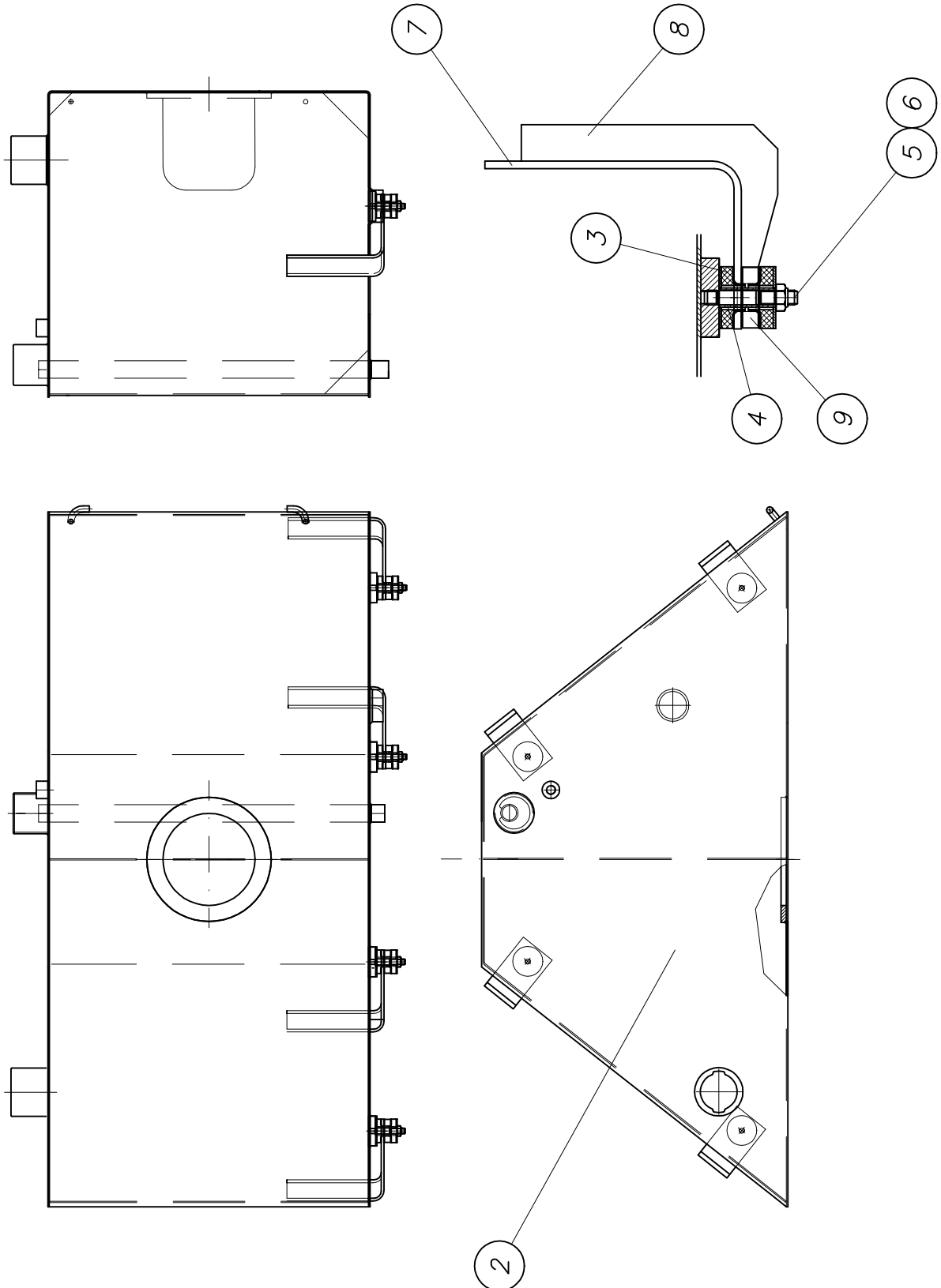


Wassertank kpl.
water tank cpl.

B 31 8 020



Waitzinger
Baumaschinen GmbH



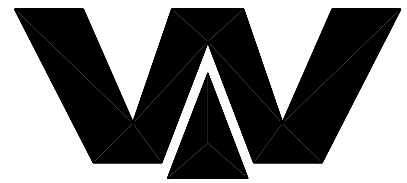


PARTS LIST

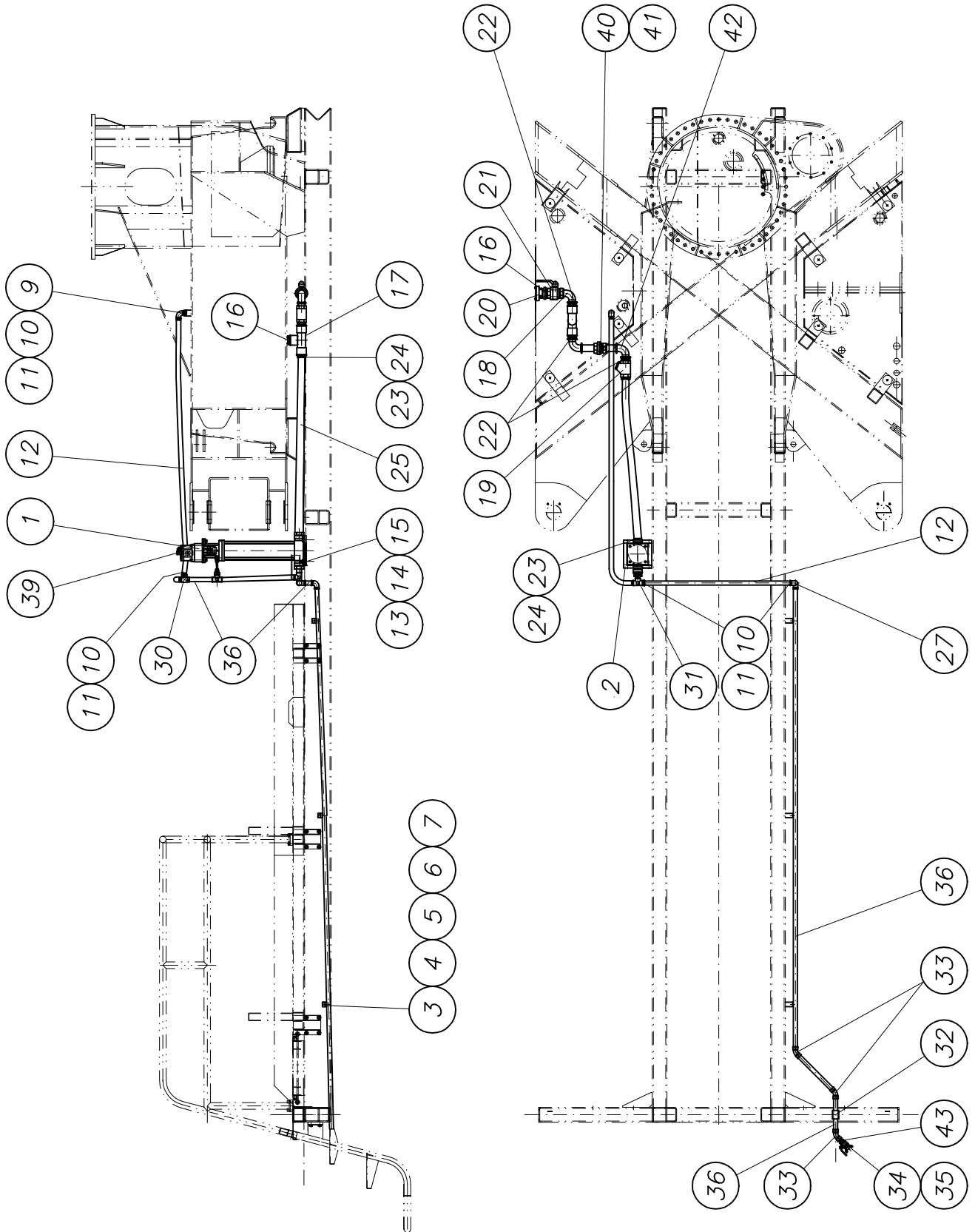
part list	description	created	index	valid from	valid to	
B318020	water tank	28.11.03 ute				
pos	description stock	ident-no dimensions	DIN material	index	weigh Kg	quantity unit
2	water tank own parts list	B318010		a 07.02.05		1,00 Stk
3	rubber buffer 50 x 16,5 x 13	WAI102491			0,06	8,00 Stk
4	pipe	B474066 Hydr.rohr 16x2x	2391 St37		0,05	4,00 Stk
5	stop nut M12	WAI102121			0,02	4,00 Stk
6	pin bolt	WAI103177				4,00 Stk
7	angle	B478031 FI 80x10	1017 S235J2G3		2,00	4,00 Stk
8	rib	B478032 Bl 8x211x117	1543 S235J2G3		0,75	4,00 Stk
9	disk	B478028 Rd 15x50	DIN 1013 S235J2G3		0,20	4,00 Stk

Wasserpumpe mit Antrieb kpl.
water pump with drive cpl.

B 32 8 010b



Waitzinger
Baumaschinen GmbH





PARTS LIST

part list	description	created	index	valid from	valid to	
B328010	water pump with drive	12.03.04 ek	b	07.02.05		
pos	description stock	ident-no dimensions	DIN material	index	weigh Kg	quantity unit
1	water pump with drive own parts list	B323070				1,00 Stk
2	holder for water pump	B323063 B112x330x150	EN 10029 S235J2G3		4,00	1,00 Stk
3	holder own parts list	B323048			0,20	3,00 Stk
4	pipe clamp	WAI107219				3,00 Stk
5	hex. bolt M6 x 10	WAI104005				3,00 Stk
6	spring washer A6	WAI103000				3,00 Stk
7	hex. nut M6	WAI102998				3,00 Stk
9	bow	WAI101735				1,00 Stk
10	hose socket	WAI105993				4,00 Stk
11	hose clamp 25-28 mm	WAI108309				4,00 Stk
12	hose	WAI102117				3,25 Mtr
13	hexagon bolt	WAI100503			0,05	4,00 Stk
14	washer	WAI100504				4,00 Stk
15	nut M12 DIN 934	WAI101557			0,02	4,00 Stk
16	reducer 2" - 1 1/2"	WAI107010				2,00 Stk
17	t-piece 1 1/2"	WAI107181				1,00 Stk
18	angle section	WAI107011				2,00 Stk
19	dirt catcher 1 1/2"	WAI105231				1,00 Stk
20	c-coupling 2" DIN 14307	WAI100797				1,00 Stk
21	ball tap 1 1/2" DN 10	WAI100378			1,03	1,00 Stk
22	double nipple 1 1/2"	WAI103702				3,00 Stk



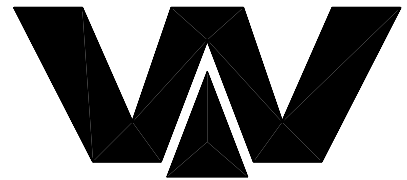
PARTS LIST

part list	description	created	index	valid from	valid to	
B328010	water pump with drive	12.03.04 ek	b	07.02.05		
pos	description stock	ident-no dimensions	DIN material	index	weigh Kg	quantity unit
23	hose socket	WAI107182				2,00 Stk
24	hose clamp 50/20	WAI105369			0,22	2,00 Stk
25	hose DN40 suction	WAI102321				0,60 mtr
27	bow	WAI105992				2,00 Stk
30	relief valve 3/4" 20bar	WAI100274			0,56	1,00 Stk
31	t-piece	WAI103590				1,00 Stk
32	pipe clip 28mm complete	WAI105977				1,00 Stk
33	bow	WAI107208				3,00 Stk
34	ball valve 3/4"	WAI103571				1,00 Stk
35	coupling	WAI109498				1,00 Stk
36	pipe	WAI106807			1,65	6,00 Mtr
39	banjo coupling L8-G	WAI103762				1,00 Stk
40	fitting 1 1/2"	WAI107916				1,00 Stk
41	pipe	B323071 Rohr 48.3x3.25x	2440 S235J2G3		0,20	2,00 Stk
42	angle section	WAI103574				1,00 Stk
43	double nipple 3/4"	WAI103566				1,00 Stk

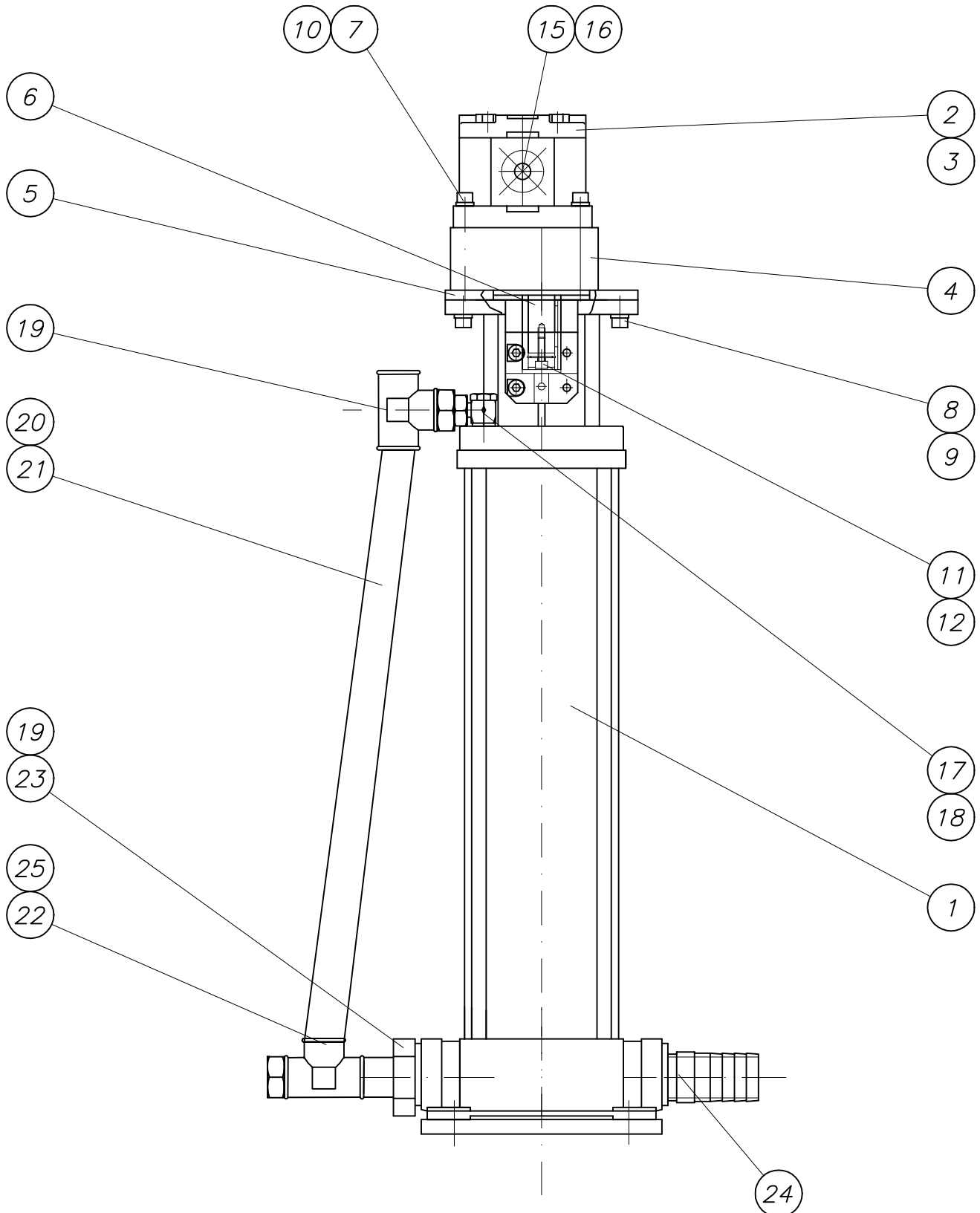
Wasserpumpe kpl.

water pump cpl.

B 32 3 070



Waitzinger
Baumaschinen GmbH



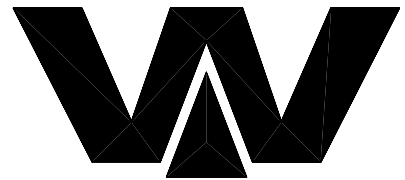


PARTS LIST

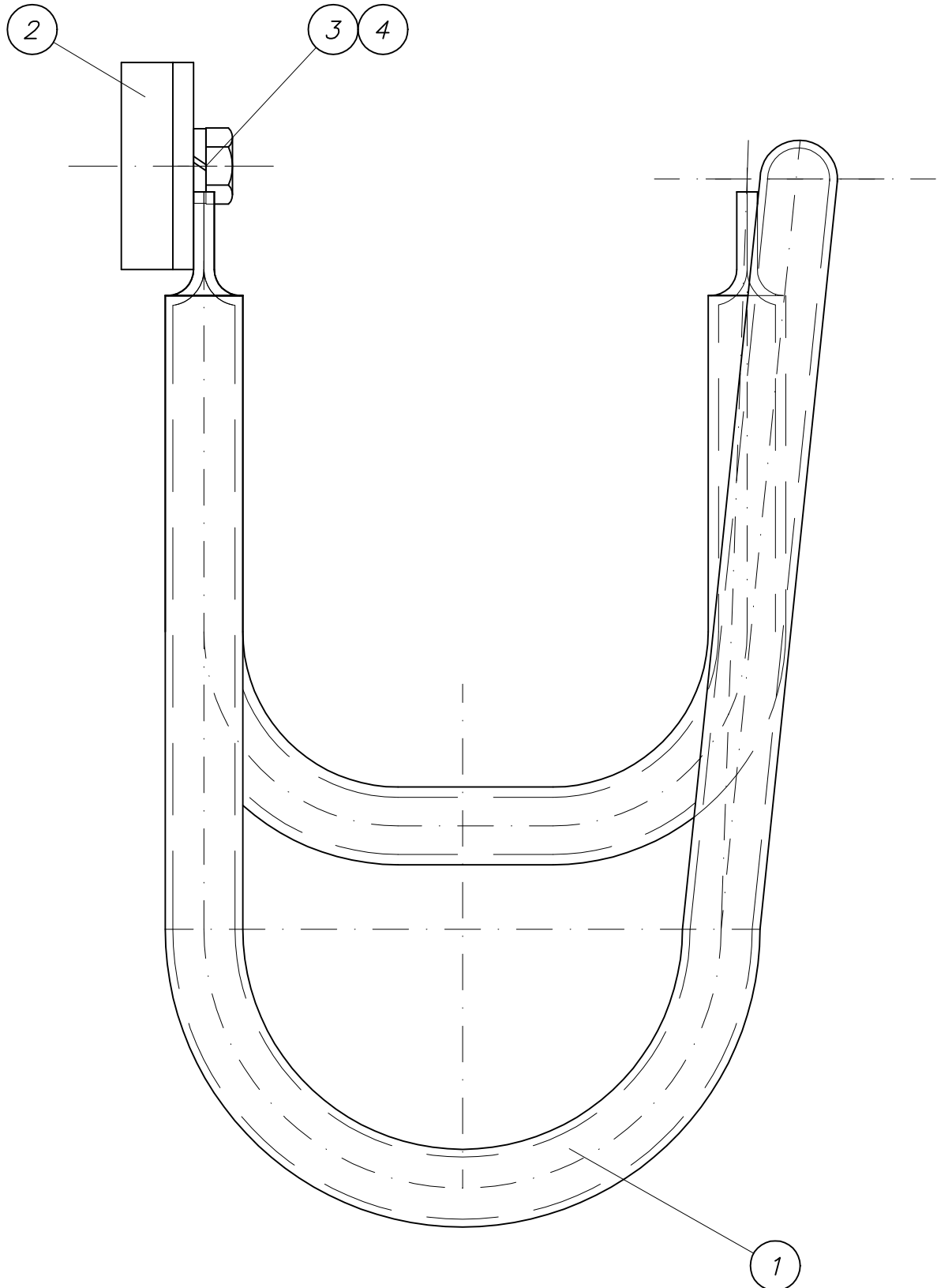
part list	description	created	index	valid from	valid to	
B323070	water pump with drive	02.04.03 rhbk				
pos	description stock	ident-no dimensions	DIN material	index	weighth Kg	quantity unit
1	water pump INV	WAI108082				1,00 Stk
2	gear motor own parts list	WAI105922				1,00 Stk
3	splined coupling	WAI102916				1,00 Stk
4	belt pulley support	WAI102915				1,00 Stk
5	flange	B323061 Rd 170 x12	1013 S235J2G3		1,35	1,00 Stk
6	coupling piece	B323019 Rd 38x58	670 ST50-k			1,00 Stk
7	alien bolt M 8x70	WAI105929				4,00 Stk
8	alien bolt M 8x25	WAI105930				5,00 Stk
10	spring washer	WAI100235			0,00	8,00 Stk
11	locking ring	WAI105931				1,00 Stk
12	washer	B323023 Rd 22x6	670 St50-2k		0,05	1,00 Stk
15	elbow flange coupling L15-40	WAI102678			0,23	1,00 Stk
16	elbow flange coupling L12-35	WAI105921			0,23	1,00 Stk
17	bow	WAI104163				1,00 Stk
18	thread red.adaptors"3/4-3/8"	WAI100347			0,09	1,00 Stk
19	t-piece	WAI103590				2,00 Stk
20	hose	WAI102117				0,50 Mtr
21	hose clamp 25-28 mm	WAI108309				4,00 Stk
22	hose socket	WAI105993				1,00 Stk
23	double nipple 3/4"	WAI103566				1,00 Stk
24	nipple	B323059 Rohr 42.4x4.5x9	2448 S235J2G3		0,30	1,00 Stk
25	connecting piece waterpump	B323062 Rohr 42,2x4.5x6	2448 S235J2G3		0,30	1,00 Stk

Halter für Wasserschlauch kpl.
holder for water pipe cpl.

B 33 0 020



Waitzinger
Baumaschinen GmbH



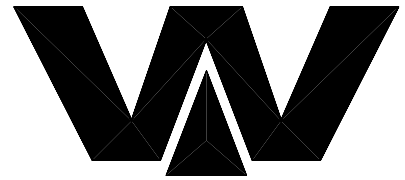


PARTS LIST

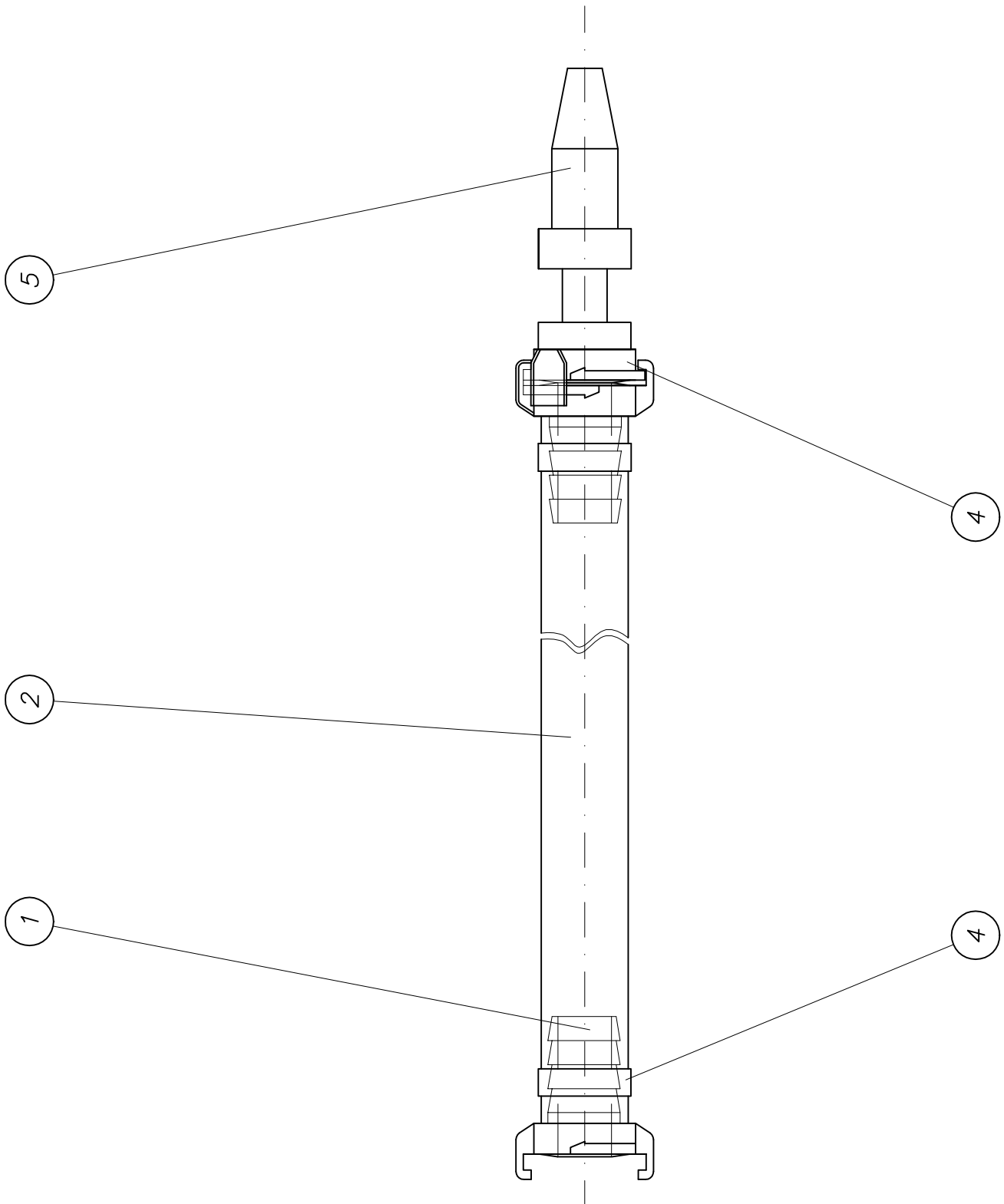
part list	description	created	index	valid from	valid to	
B330020	holder for water hose	06.06.02 ek				
pos	description stock	ident-no dimensions	DIN material	index	weigh Kg	quantity unit
1	holder for water hose own parts list	B330015			1,00	1,00 Stk
2	flat bar	B330018 Bl 10x40x260	1543 St 37-2	a 27.09.02	0,30	1,00 Stk
3	hexagon bolt M 8 x 12 DIN 933 8.8	WAI103274				2,00 Stk
4	spring washer A8 DIN 127 VERZ.	WAI102205			0,00	2,00 Stk

Schlauchleitung kpl.
splash hose cpl.

B 34 1 005



Waitzinger
Baumaschinen GmbH





PARTS LIST

part list	description	created	index	valid from	valid to	
B341005	splash hose cpl.	10.12.04 19400002				
pos	description stock	ident-no dimensions	DIN material	index	weighth Kg	quantity unit
1	hose piece	WAI102114				2,00 Stk
2	hose	WAI102117				5,00 Mtr
4	hose clamp 25-28 mm	WAI108309				2,00 Stk
5	nozzle 3/4"	WAI109368				1,00 Stk