

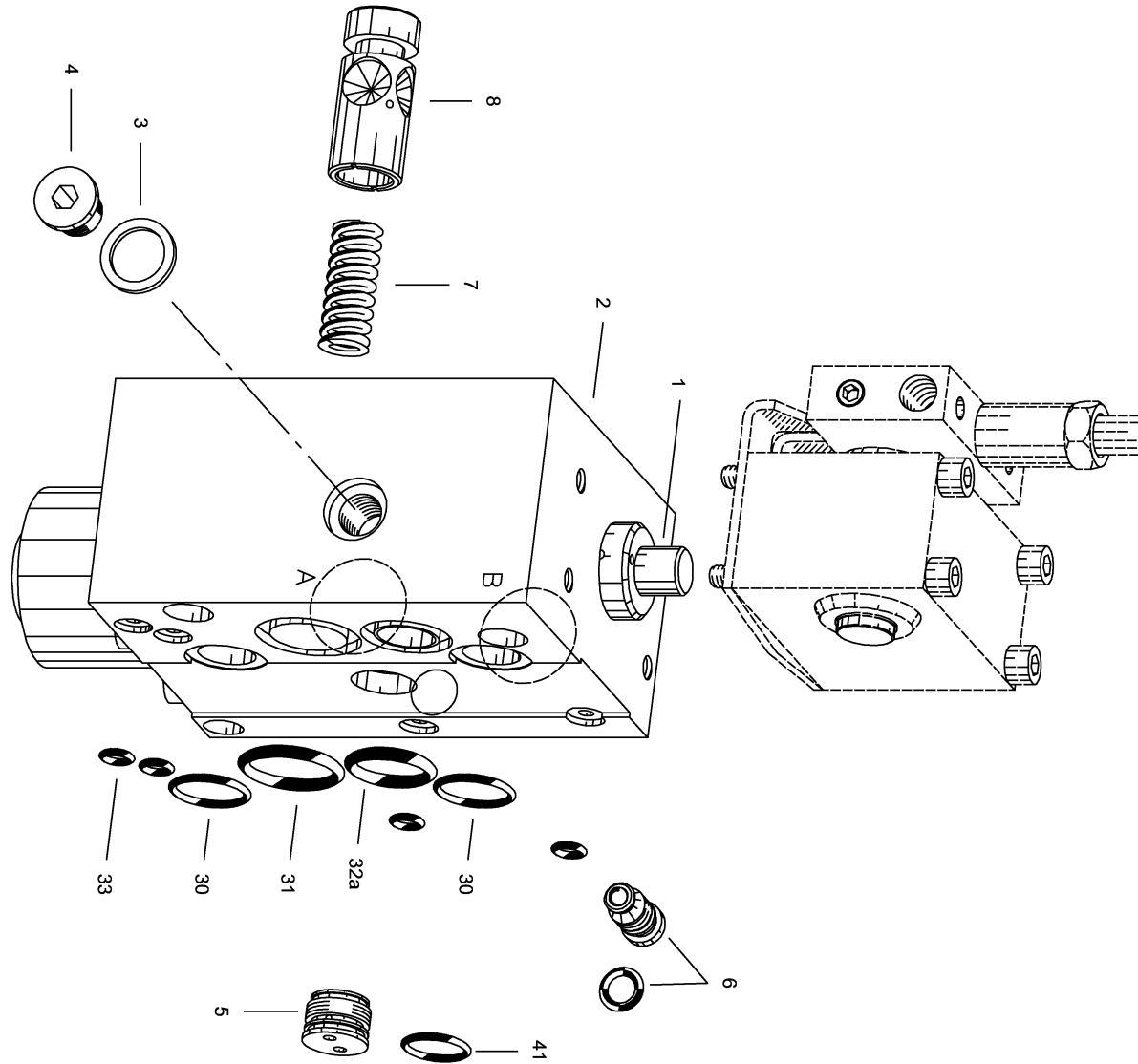
PSL 4../...-3

Part No.	Qty.	Item	Nomenclature	Drawing No.	Add. Information
6900 601301	1	F; D	WN 1 D-G 12	7470 000 C	acc. D 7470A/1; max. torque 4Nm
6900 601302	1	F; D	WN 1 D-G 24	7470 000 C	acc. D 7470A/1; max. torque 4Nm
6900 602701	1	F; D	WN 1 F-G 12	7470 000 D	acc. D 7470A/1; max. torque 4Nm
6900 602702	1	F; D	WN 1 F-G 24	7470 000 D	acc. D 7470A/1; max. torque 4Nm
2. DRUCKSTUFE FÜR WN 1	1	F...; D...	2. pressure step for WN 1	SK 7470 104	
PA, PB, PD	1	PA; PB; PC; PD	PA, PB, PD		
MVJ 6	1	2	MVJ 6		acc. D 7000E/1; max. torque 100Nm
6801 071100	1	22-42B	DS 7700-31/2 SEAL KIT FOR CONN.BLOCK PSL 3		Seal kit for inlet section
3408 411100	1	1	CONN.BLOCK COMPL.	7778 051/1	
6800 823200	1	3	CONTROLLER SPOOL COMPL.	7778 040	
3008 421600	1	4	SPRING	7650 011	standard
3008 465000	1	4	SPRING	7778 034	with coding H
3001 456800	1	5	SPRING HOUSING	7778 023	standard
6800 838201	1	5	T- BLOCKING SCREW FOR 3-WAY-CO	7778 146 A	Spring cover with setting screw for blocking the compensator spool
3001 462200	1	5	SPRING HOUSING	7778 082	with coding H
6800 838202	1	5	HT-BLOCKING SCREW FOR 3-WAY-CO	7778 146 B	Spring cover with setting screw for blocking the compensator spool
6005 016900	4	6	SKT.-HEAD SCREW		max. torque 9Nm
4708 404200	1	7	TYPE PLATE	7778 029	blank
6140 400000	6	8	GROOVED DRIVE STUD ISO 8746 2,3X4 A 2-70		
6095 110100	2	9	COPPER RING SHAPE A DIN 7603-CU 4 X 8 X1		omitted with coding D and F
6000 422700	2	10	HEX.HEAD SCREW 6-KT. SCREW		omitted with coding D and F
3004 433200	1	12	PLUG	7625 110	complete with seals part 38, 39
3014 447200	1	13	SCREW 13,16X3,5 9 S MN 28 K	7625 172	complete with seal part 40; max. torque 15Nm
7500 030000	1	14	AM 1-20 INDIV. COMPONENTS IN PLASTIC B	7625 200 A	with coding 1; max. torque 15Nm
6800 344600	1	14	AM 1 D- .	7625 200 C	with coding 2; max. torque 15Nm
3047 408800	1	15	GAP TYPE FILTER	7778 048/1	with coding 1 or 2 at port M
6013 250600	3	16	TAPPED PLUG COMPL. WITH ELASTIC SEAL G 1		
6800 819200	1	17	SEQUENCE AND DAMPENING VALVE COMPL. PSL 3 & 5	7778 301	standard
6800 819000	1	17	DAMPENING VALVE COMPL. PSL 3 & 5	7778 303	with coding G

PSL 4../...-3

Part No.	Qty.	Item	Nomenclature	Drawing No.	Add. Information
6800 883600	1	17	SEQUENCE AND DAMPENING VALVE COMPL. PSL 3 & 5	7778 301/9.6	with coding W

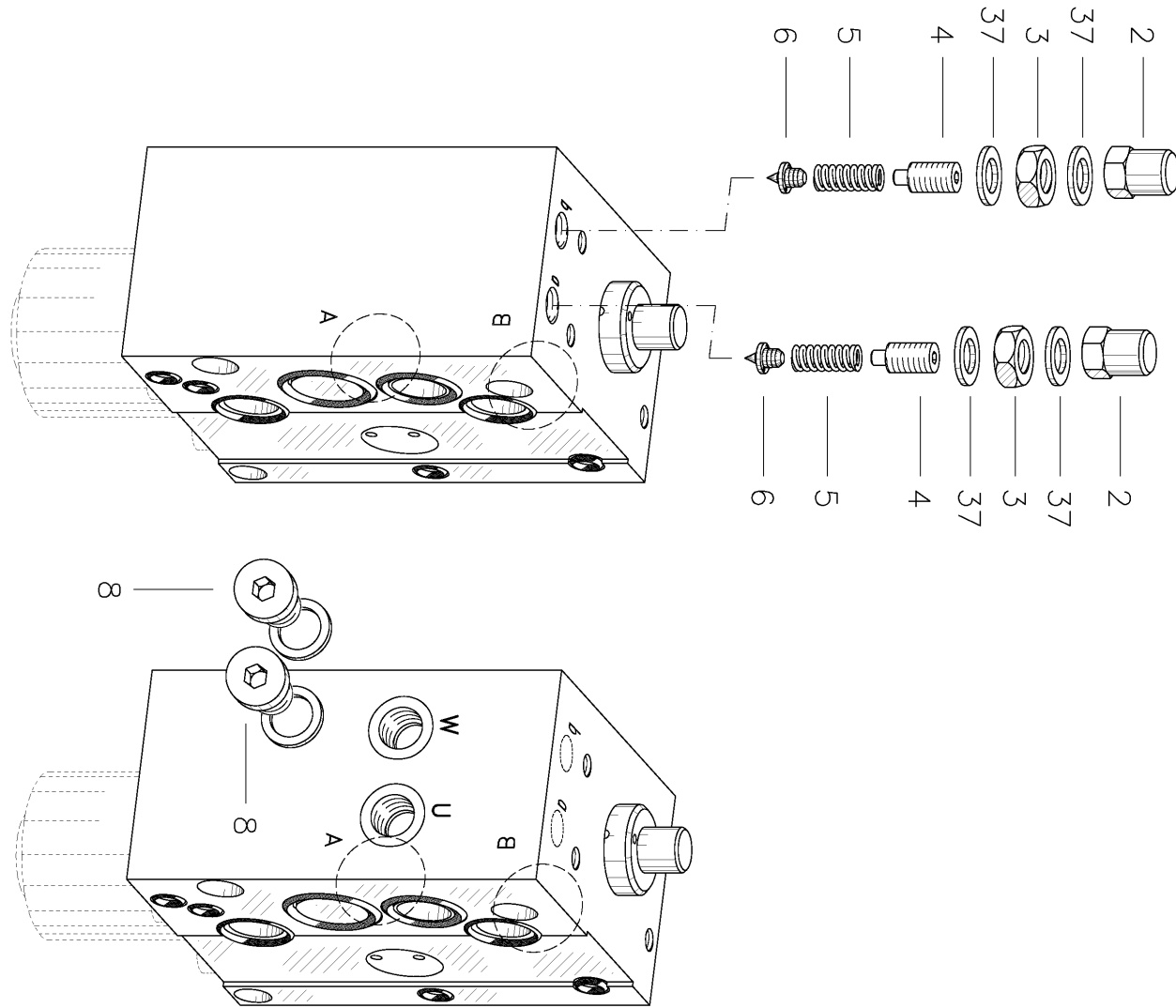
(SL3)-(UNF) 32.(35.) without add. function



(SL3)-(UNF) 32.(35.) without add. function

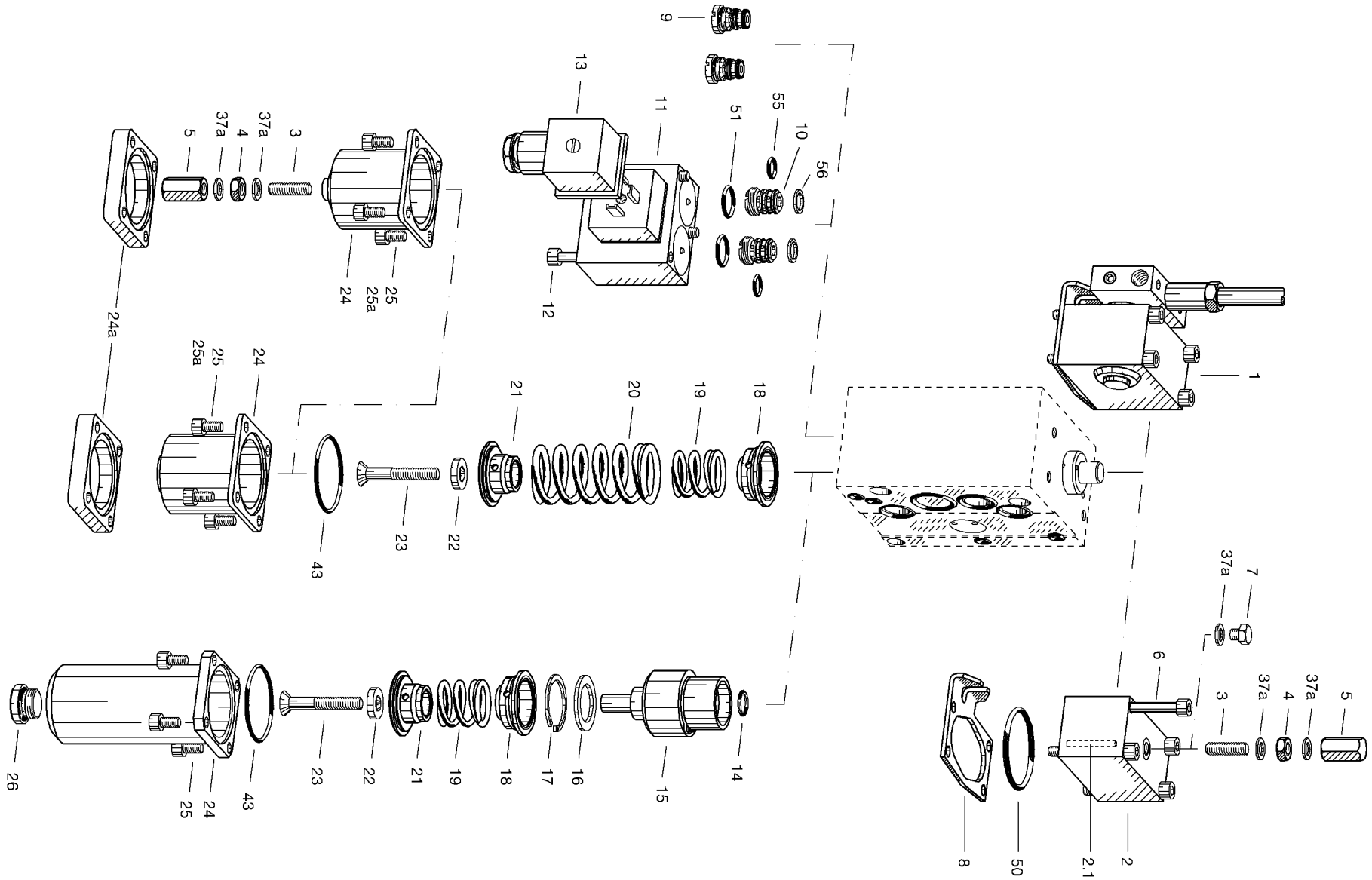
Part No.	Qty.	Item	Nomenclature	Drawing No.	Add. Information
PSL/PSV-3-Schieber	1	1	PSL(F)/PSV(F)-3 Spools		
6801 071800	1	11-57	DS 7700-32/2 SEAL KIT FOR ADD-ON SECT.		Seal kit for valve section
3406 100100	1	2	SPOOL VALVE BODY COMPL.	7700 151 C	
3406 425600	1	2	SPOOL VALVE BODY COMPL.	7700 156 C	with actuation type E and EA
3406 558700	1	2	SPOOL VALVE BODY	7700 956	with actuation type E and EA; UNF thread
6095 121200	1	3	COPPER RING DIN 7603 12X16X1,5		omitted after June 2000
3014 445300	1	4	SCREW 12X7,5 9 S MN 28 K	7700 043	omitted after June 2000
3016 419000	1	5	TAPPED PLUG	7700 044	
6800 407800	1	6	SHUTTLE VALVE (PSL-	7700 041	complete with O-ring part 54 and ball part 6.1
6190 010500	1	6.1	BALL CLASS I DIN 5401 4 1.3505		
3008 459500	1	7	SPRING	7700 048	standard
3008 465100	1	7	SPRING	7700 050	with coding 5 (35; 45; 356; 456)
6800 354600	1	8	INFLOW CONTROLLER WITH DAMPENING VIA ORIFICE	7700 049/1	standard
6800 447900	1	8	INFLOW CONTROLLER WITH DAMPENING VIA ORIFICE DU	7700 046	with coding 4 (324; 424; 354; 454)
6800 367400	1	8	INFLOW CONTROLLER WITH REBOUND DAMPENING	7700 037	with coding 6 (326; 426; 356; 456)

SL3 - ...A...B... (secondary pressure lim. at port A,B)



SL3 - ...A...B... (secondary pressure lim. at port A,B)

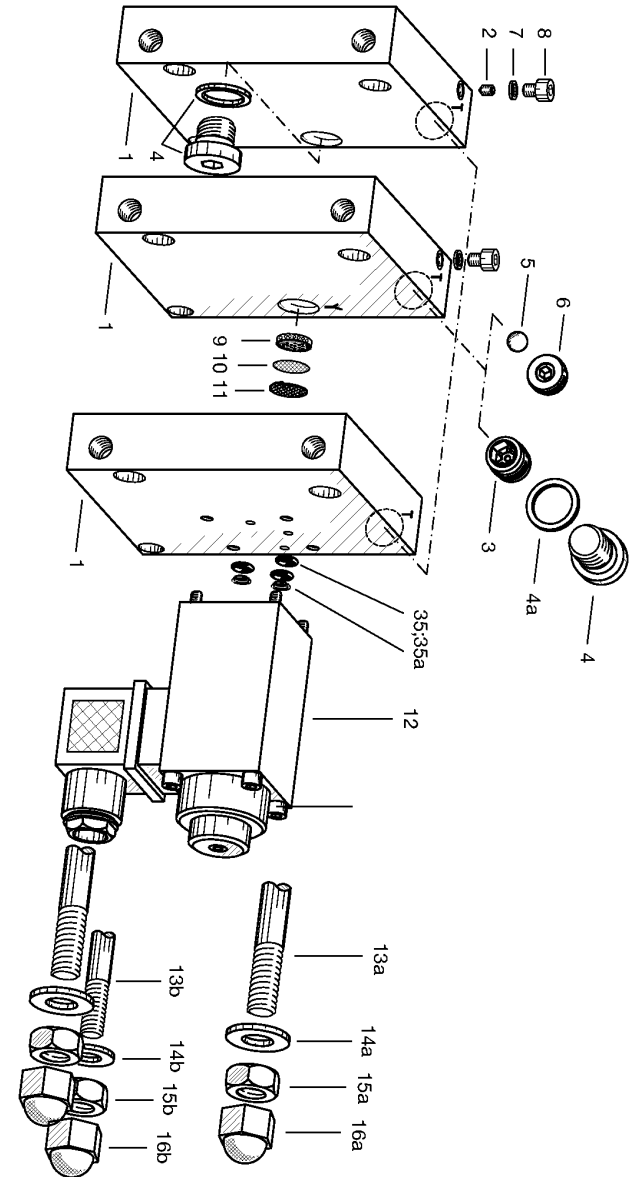
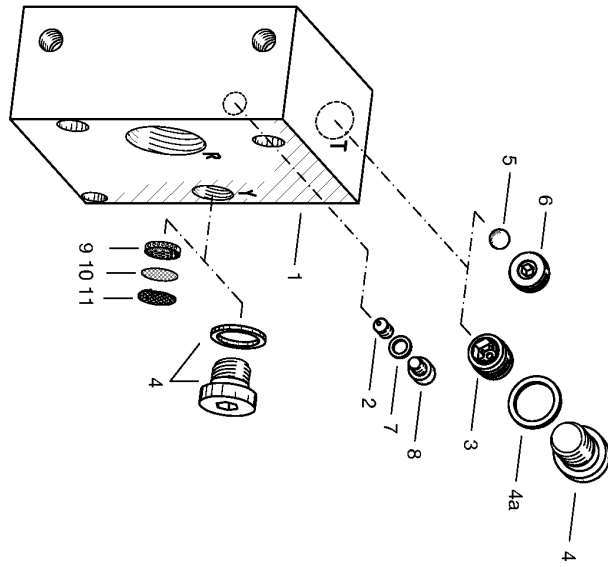
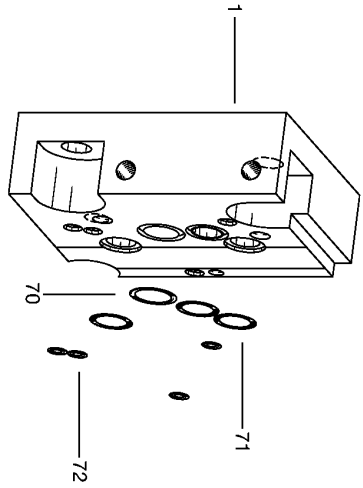
Part No.	Qty.	Item	Nomenclature	Drawing No.	Add. Information
3604 405200	2	2	CAP NUT	7700 054	
6065 540700	2	3	HEXAGON NUT TURNED SW 12 SHAPE B WITH SW		
3014 448000	2	4	SCREW 8X20,5 9 S MN 28 K	7700 058	
3008 459600	2	5	SPRING	7700 051	
3037 419900	2	6	VALVE CONE	7700 057/1	
6801 071800	1	11-57	DS 7700-32/2 SEAL KIT FOR ADD-ON SECT.		Seal kit for valve section



SL3 - E(0)A;E9A

Part No.	Qty.	Item	Nomenclature	Drawing No.	Add. Information
6800 144603	1		EA 1-G 12 FOR PSL 3	7709 104 C	actuation complete
6800 144604	1		EA 1-G 24 FOR PSL 3	7709 104 D	actuation complete
6800 144202	1	1	MANU.ACT. SL SIZE 3 FOR TYPE A 1	7709 100 B	lever housing complete, no hand lever
7709 100a-c neu	1	1	SL(F)3 - Lever housing since 06.05		
7709 100a-c	1	1	SL(F)3 - Lever housing up to 05.05		
6800 398200	2	9	NO SURFACE TREATMENTING SCREW COMPL.	7709 047	with coding E0A
3408 806900	2	10	PM 1-11 NBR INSERT WITHOUT SOLENOID	7625 150 E	with coding EA; complete with O-ring, seal ring part 55,56
3408 807200	2	10	PM 1-19	7625 150 G	with coding E9A; complete with O-ring, seal ring part 55,56
4704 859100	1	11	TWIN SOLENOID PROP.	7709 050-12 V	12V DC
4704 859200	1	11	TWIN SOLENOID PROP.	7709 050-24 V	24V DC
4704 868300	1	11	PROP. TWIN SOLENOID ND WITH MAN.EMERGENCY ACTUATION	7709 050 B/HS-12 V	with emergency actuation; 12V DC
4704 868400	1	11	PROP. TWIN SOLENOID ND WITH MAN.EMERGENCY ACTUATION	7709 050 B/HS-24 V	with emergency actuation; 24V DC
4704 890200	1	11	TWIN SOLENOID PROP. EEX LEAD LENGTH 3 METER	7709 050 A-24 V EEX	24V DC; Please follow the operation manual B ATEX, B 01/2002!
6005 042400	3	12	SKT.-HEAD SCREW NEW VERS.		
6217 000200	1	13	MSD 3-309 BLACK PLUG BLACK	SCHWARZ	
3001 454600	1	18	SPRING CAP	7709 026	complete with sleeve part-no. 7709 028
3008 459200	1	19	SPRING	7709 030	
3008 459300	1	20	SPRING	7709 031	with coding EA
3008 459400	1	20	SPRING	7709 032	with coding E9A
3001 455000	1	21	SPRING CAP	7709 027	complete with sleeve part-no. 7709 028
3001 456600	1	22	WASHER 7,2X14,5X3 9 S MN PB 28 K	7709 029	
6005 320300	1	23	FLAT HEAD SCREW DIN 7991 6X35 8.8 A2K		
3701 400100	1	24	SPRING HOUSING	7709 021/1	
4703 423600	1	24a	FLANGE	7709 048	with coding G, enforced version
6005 042300	4	25	SKT.-HEAD SCREW ISO 4762 5X8 A 2-70		
6005 014000	4	25a	SKT.-HEAD SCREW ISO 4762 5X16 12.9 ZINC PLATED		with coding G, enforced version
6801 071800	1	43-56	DS 7700-32/2 SEAL KIT FOR ADD-ON SECT.		Seal kit for valve section

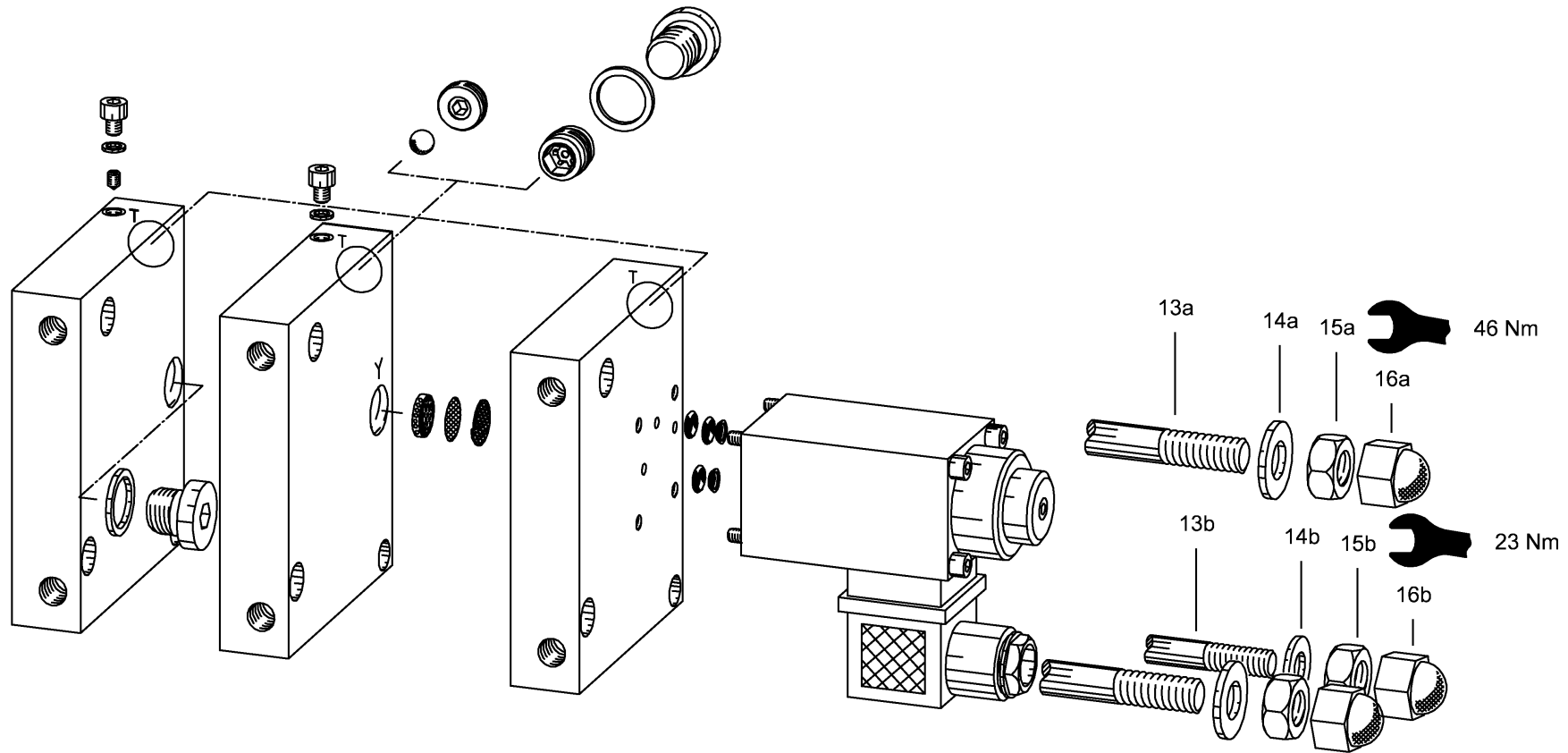
SL3 - E1 (UNF)



SL3 - E1 (UNF)

Part No.	Qty.	Item	Nomenclature	Drawing No.	Add. Information
6800 151820	1		SL 3-E 1 WITHOUT TENSION ROD	7778 121/1 A	end plate complete
6800 531431	1		SL 3-E 1 UNF	7778 521 A	end plate complete
3407 503200	1	1	END PLATE	7778 081	with coding E1
3407 429800	1	1	END PLATE	7778 531	with coding E1 UNF
6013 250600	1	4	TAPPED PLUG COMPL. WITH ELASTIC SEAL G 1		with coding E1
6013 251300	1	4	TAPPED PLUG SAE 090109B -4 WITH O-RING ACO-568-904		with coding E1 UNF
6190 029800	1	5	BALL CLASS I DIN 5401 7 1.3505		
3011 505600	1	6	THREADED RING 9 S MN 28 K	7271 234	with coding E1
3011 508600	1	6	THREADED DISC	7778 534	with coding E1 UNF

SL3 - Tie rods E1,E2,E3,E4,E5,E6 (UNF)



SL3 - Tie rods E1,E2,E3,E4,E5,E6 (UNF)

Part No.	Qty.	Item	Nomenclature	Drawing No.	Add. Information
6005 043100	2	13a	SKT.-HEAD SCREW CYL.SCREW NO SURFACE TREATMENT		with end plate type E1-E6; 1 add-on valve section
3024 420500	2	13a	TENSION ROD M 10 X 145	7778 910	with end plate type E1-E6; 2 add-on valve sections
3024 420600	2	13a	TENSION ROD M 10 X 195	7778 910	with end plate type E1-E6; 3 add-on valve sections
3024 420700	2	13a	TENSION ROD M 10 X 245	7778 910	with end plate type E1-E6; 4 add-on valve sections
3024 420800	2	13a	TENSION ROD M 10 X 293	7778 910	with end plate type E1-E6; 5 add-on valve sections
3024 420900	2	13a	TENSION ROD M 10 X 343	7778 910	with end plate type E1-E6; 6 add-on valve sections
3024 421000	2	13a	TENSION ROD M 10 X 393	7778 910	with end plate type E1-E6; 7 add-on valve sections
3024 421100	2	13a	TENSION ROD M 10 X 442	7778 910	with end plate type E1-E6; 8 add-on valve sections
3024 421200	2	13a	TENSION ROD M 10 X 490	7778 910	with end plate type E1-E6; 9 add-on valve sections
3024 421300	2	13a	TENSION ROD M 10 X 540	7778 910	with end plate type E1-E6; 10 add-on valve sections
3024 421400	2	13a	TENSION ROD M 10 X 590	7778 910	with end plate type E1-E6; 11 add-on valve sections
3024 421500	2	13a	TENSION ROD M 10 X 640	7778 910	with end plate type E1-E6; 12 add-on valve sections
3024 421600	2	13a	TENSION ROD M 10 X 690	7778 910	with end plate type E1-E6; 13 add-on valve sections
3024 421700	2	13a	TENSION ROD M 10 X 740	7778 910	with end plate type E1-E6; 14 add-on valve sections
3024 421800	2	13a	TENSION ROD M 10 X 790	7778 910	with end plate type E1-E6; 15 add-on valve sections
6005 043000	1	13b	SKT.-HEAD SCREW NO SURFACE TREATMENT		with end plate type E1-E6; 1 add-on valve section
3024 409000	1	13b	TENSION ROD M 8 X 140	7778 908	with end plate type E1-E6; 2 add-on valve sections
3024 409100	1	13b	TENSION ROD M 8 X 190	7778 908	with end plate type E1-E6; 3 add-on valve sections
3024 409200	1	13b	TENSION ROD M 8 X 240	7778 908	with end plate type E1-E6; 4 add-on valve sections
3024 409300	1	13b	TENSION ROD M 8 X 288	7778 908	with end plate type E1-E6; 5 add-on valve sections
3024 409400	1	13b	TENSION ROD M 8 X 337	7778 908	with end plate type E1-E6; 6 add-on valve sections
3024 409500	1	13b	TENSION ROD M 8 X 387	7778 908	with end plate type E1-E6; 7 add-on valve sections
3024 409600	1	13b	TENSION ROD M 8 X 436	7778 908	with end plate type E1-E6; 8 add-on valve sections
3024 409700	1	13b	TENSION ROD M 8 X 486	7778 908	with end plate type E1-E6; 9 add-on valve sections
3024 409800	1	13b	TENSION ROD M 8 X 535	7778 908	with end plate type E1-E6; 10 add-on valve sections
3024 409900	1	13b	TENSION ROD M 8 X 585	7778 908	with end plate type E1-E6; 11 add-on valve sections
3024 420100	1	13b	TENSION ROD M 8 X 635	7778 908	with end plate type E1-E6; 12 add-on valve sections
3024 420200	1	13b	TENSION ROD M 8 X 685	7778 908	with end plate type E1-E6; 13 add-on valve sections
3024 420300	1	13b	TENSION ROD M 8 X 733	7778 908	with end plate type E1-E6; 14 add-on valve sections
3024 420400	1	13b	TENSION ROD M 8 X 783	7778 908	with end plate type E1-E6; 15 add-on valve sections
6075 020400	2	14a	DISC SHAPE B 140 HV		
6075 020300	1	14b	DISC SHAPE B 140 HV		

SL3 - Tie rods E1,E2,E3,E4,E5,E6 (UNF)

Part No.	Qty.	Item	Nomenclature	Drawing No.	Add. Information
6065 520500	2	15a	HEXAGON NUT A 2 K		Max. torque 46Nm
6065 520400	1	15b	HEXAGON NUT		Max. torque 23Nm
6392 900100	2	16a	PROTECTIVE CAP CO.KORREX M 10 PART NO. 610 BL		
6392 900200	1	16b	PROTECTIVE CAP CO.KORREX M 8 PART NO. 608/13		