



ST48R5

REED
13822 Oaks Avenue
Chino, CA 91710
909-287-2100
www.reedpumps.com

CHAPTER 1 MACHINE OVERVIEW	3
CHAPTER 2 BOOM	4
2.1 MASTHEAD	4
2.2 BOOM SECTION 1	6
2.2.1 SECTION 1	6
2.2.1-1 CYLINDER 1 OF SECTION 1	9
2.2.1-2 CYLINDER 2 OF SECTION 1	11
2.3 BOOM SECTION 2	13
2.3.1 SECTION 2	13
2.3.1-1 CYLINDER OF SECTION 2	16
2.4 BOOM SECTION 3	21
2.4.1 SECTION 3	21
2.4.1-1 CYLINDER OF SECTION 3	21
2.5 BOOM SECTION 4	26
2.5.1-1 CYLINDER OF SECTION 4	26
2.6 BOOM SECTION 5	28
2.6.1 SECTION 5	28
2.7 DELIVERY PIPE	31
2.7.1 DELIVERY PIPE OF BOOM	31
2.7.6 DELIVERY PIPE OF DECK	44
CHAPTER 3 PEDESTAL, ROTATION ASSEMBLY, AND OUTRIGGERS	51
3.1 PEDESTAL	54
3.3 ROTATION ASSEMBLY	56
3.4 FRONT OUTRIGGER	58
3.4.1 OUTRIGGER EXTEND CYLINDER	60
3.5 SWINGOUT CYLINDER OF FRONT OUTRIGGER	62
3.6 SWINGOUT CYLINDER OF REAR OUTRIGGER	64
3.7 LEFT-REAR OUTRIGGER	66
3.7.1 OUTRIGGER CYLINDER	68
3.8 RIGHT-REAR OUTRIGGER	70
CHAPTER 4 PUMPING SYSTEM AND PIPE ACCESSORIES	72
4.1 HOPPER ASSEMBLY	108
4.2 CONCRETE PISTON	108
4.3 DRIVER CYLINDER	108
4.8 SHIFT CYLINDER	108
4.9 S-TUBE ASSEMBLY	108

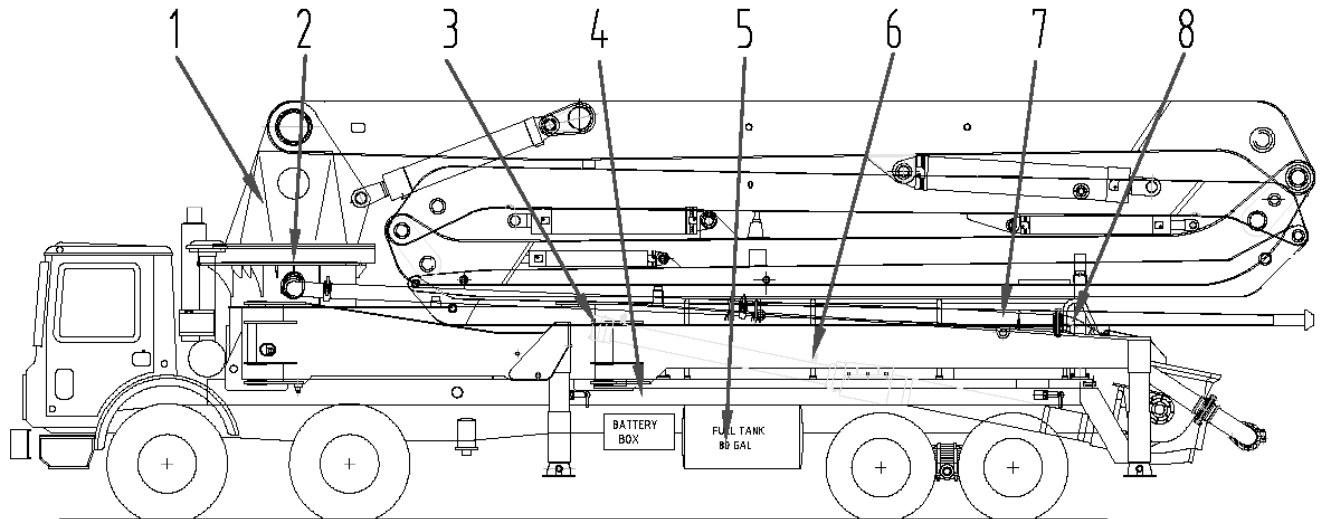


ST48R5

REED
13822 Oaks Avenue
Chino, CA 91710
909-287-2100
www.reedpumps.com

CHAPTER 5 SUB-FRAME ASSEMBLY	108
5.1 BOOM REST	108
5.2 LOCK OF REAR OUTRIGGER	108
5.4 GEARBOX ASSEMBLY	108
CHAPTER 6 HYDRAULIC SYSTEM	108
6.1 PUMPING SYSTEM	108
6.2 SHIFTING SYSTEM	108
6.3 AGITATOR SYSTEM	108
6.4 BOOM SYSTEM.....	108
6.5 MOVEMENT OF OUTRIGGER	108
CHAPTER 7 ELECTRICAL CONTROL SYSTEM	108
7.1 ELECTRICAL SYSTEM	108
7.2 ELECTRICAL SYSTEM	108
CHAPTER 8 LUBRICATION SYSTEM	108
8.1 LUBRICATION OF PUMPING SYSTEM	108

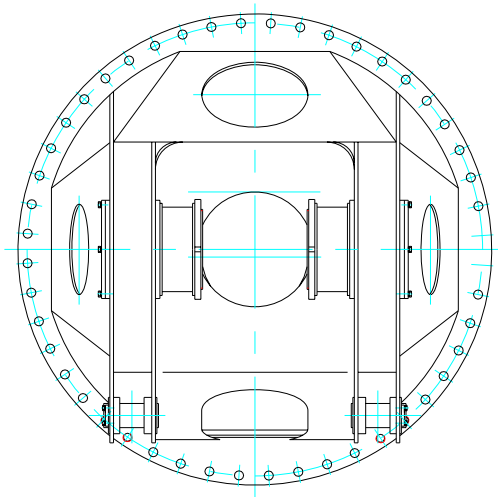
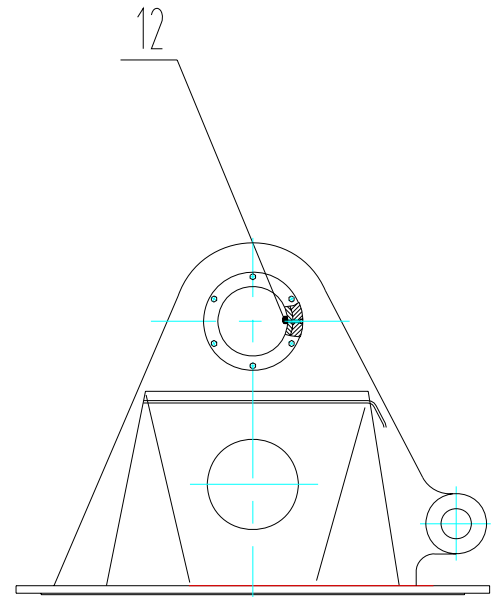
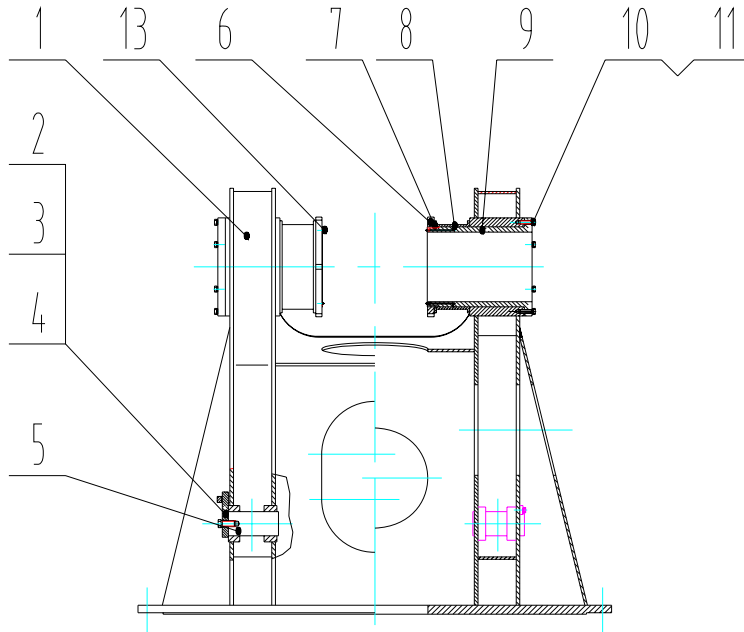
CHAPTER 1 MACHINE OVERVIEW



No.	Name	Code	Material	Parent	Weight	Quantity
1	boom	BC48.1				1
2	pedestal	BC48.2				1
3	pumping system	BC48.3				1
4	sub-frame assembly	BC48.4				1
5	chassis modification	BC48.5				1
6	hydraulic system	BC48.6				1
7	electrical system	BC48.7				1
8	lubrication system	BC48.8				1

CHAPTER 2 BOOM

2.1 MASTHEAD





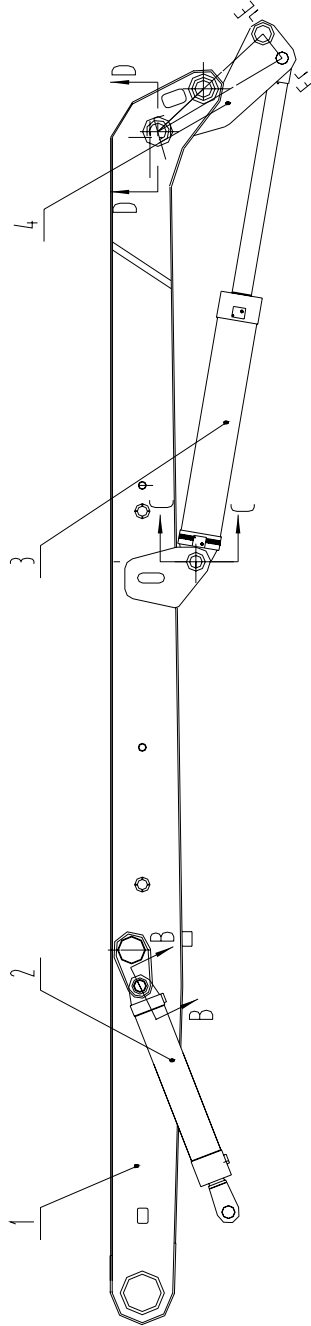
ST48R5

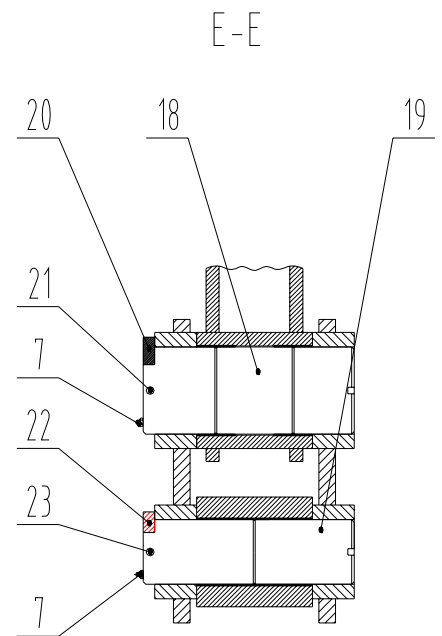
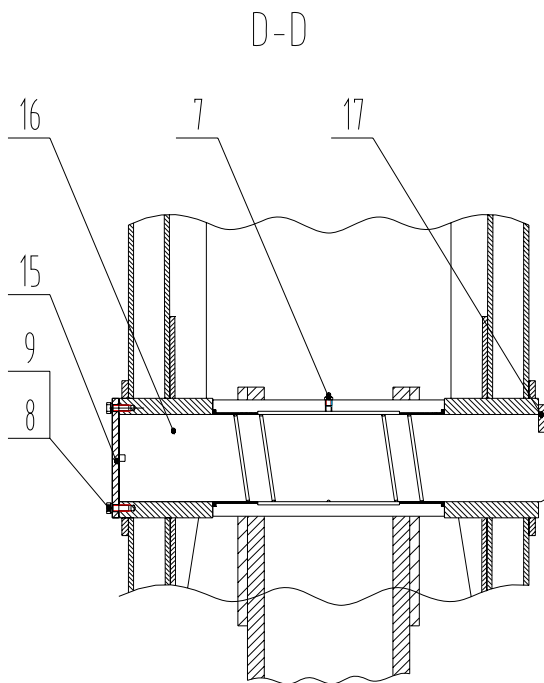
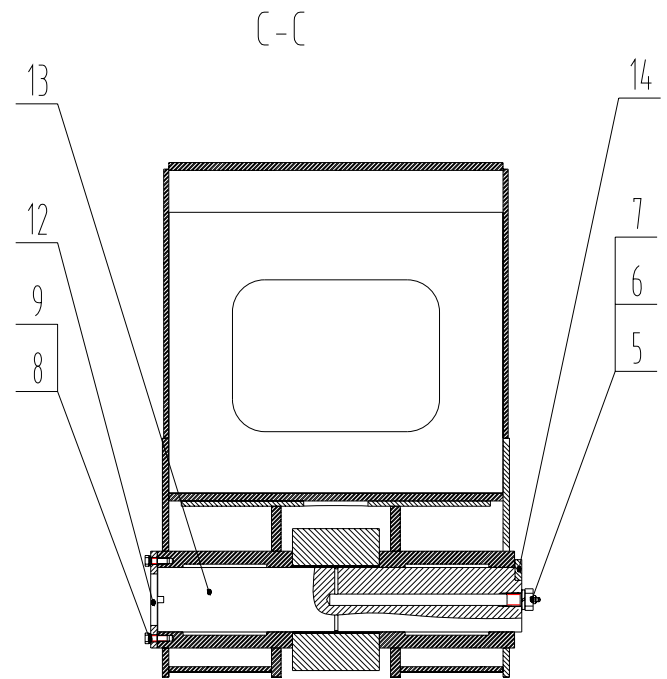
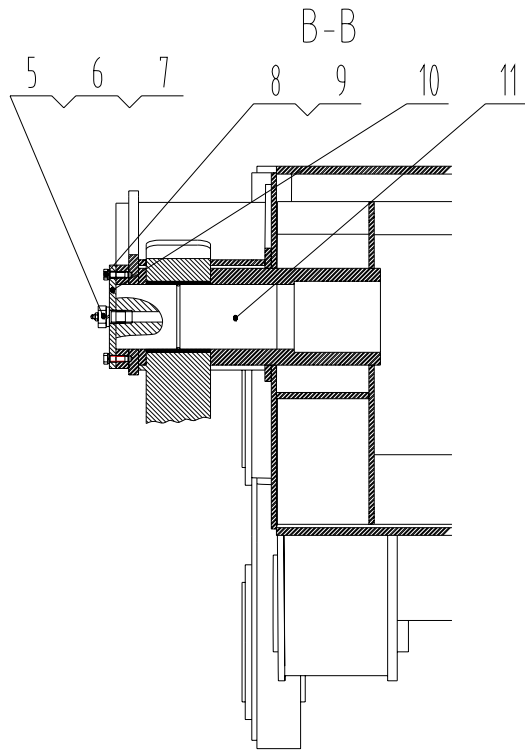
REED
13822 Oaks Avenue
Chino, CA 91710
909-287-2100
www.reedpumps.com

No.	Name	Code	Material	Parent	Weight	Quantity
1	masthead	BC48.2.3.1				1
2	plate	BC42.2.2-1				22
3	bolt m20×40-10.9	GB5783-86				22
4	washer 20	GB93-87				22
5	pin	BC48.2.3-6				22
6	nut	BC48.2.3-3				2
7	washer	BC48.2.3-4				2
8	bushing 1	BC48.2.3-5				2
9	bushing 2	BC48.2.3-1				2
10	bolt m12×45-8.8	GB5783-86				12
11	washer 12	GB7244-87				12
12	bolt m8×22	GB75-85				22
13	nipple,grease m6×1	GB1152-89				4

2.2 BOOM SECTION 1

2.2.1 SECTION 1





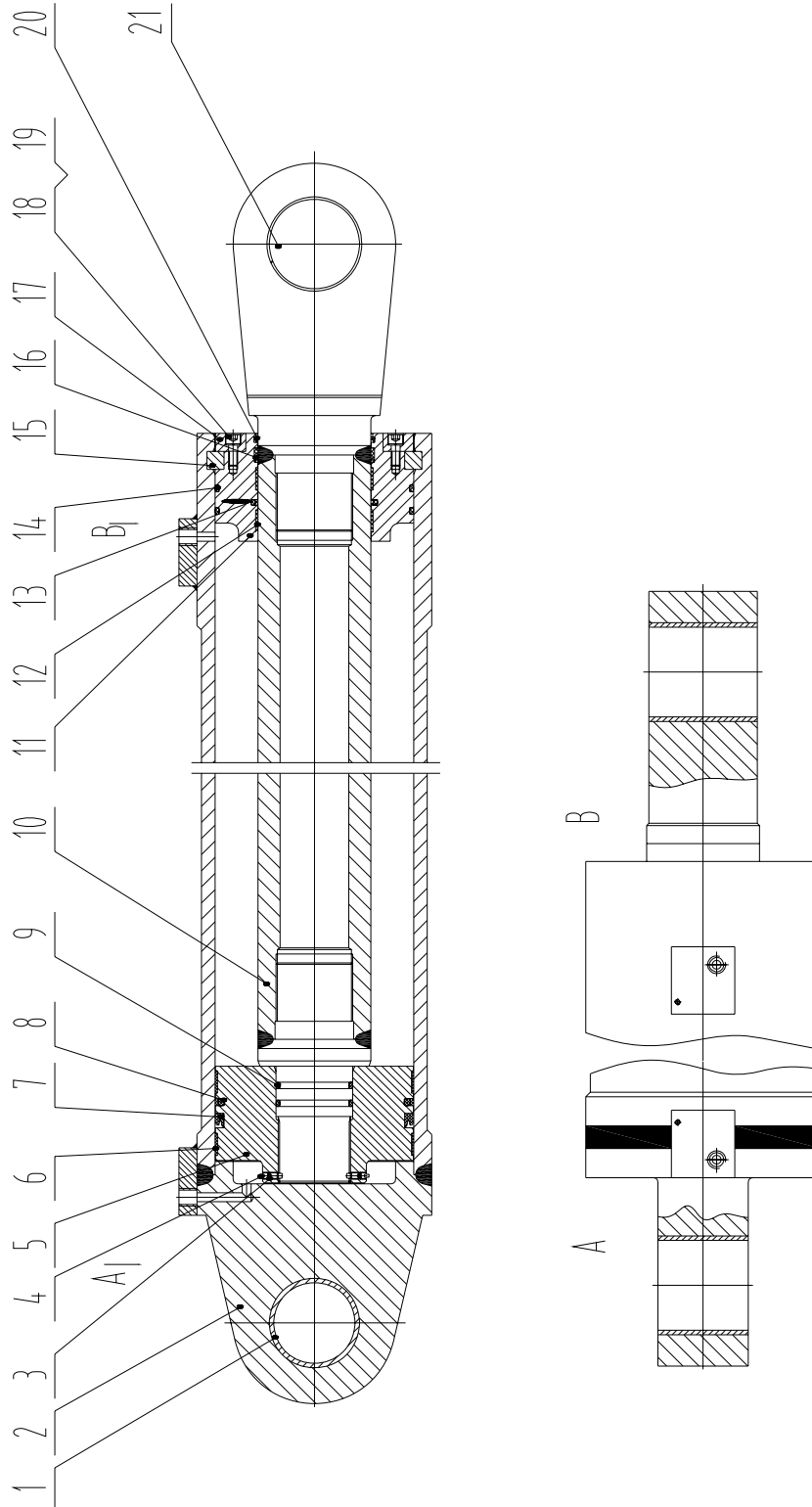


ST48R5

REED
13822 Oaks Avenue
Chino, CA 91710
909-287-2100
www.reedpumps.com

No.	Name	Code	Material	Parent	Weight	Quantity
1	section 1	BC48.1.1.1				1
2	cylinder1,section1	BC48.1.1.2				2
3	cylinder2,section1	BC48.1.1.3				1
4	lever,link lever	BC48.1.1.4				1
5	bolt m20×30	BC48.1.1-1				3
6	gasket 20	GB93-87				3
7	nipple,grease m10×1	GB1152-89				6
8	bolt m10×30	GB5783-86				16
9	washer 10	GB93-87				16
10	plate	BC48.1.1-2				2
11	pin	BC48.1.1-3				2
12	plate	BC48.1.1-4				1
13	pin	BC48.1.1-5				1
14	plate	BC48.1.1-6				1
15	plate	BC48.1.2-5				1
16	pin	BC48.1.1-7				1
17	plate	BC48.1.2-2				1
18	pin	BC48.1.1-8				1
19	pin	BC48.1.1-9				1
20	plate	BC48.1.1-10				1
21	pin,cotter pin 12 × 200	GB91-86				1
22	plate	BC48.1.1-11				1
23	pin,cotter pin 12 × 160	GB91-86				1

2.2.1-1 CYLINDER 1 OF SECTION 1



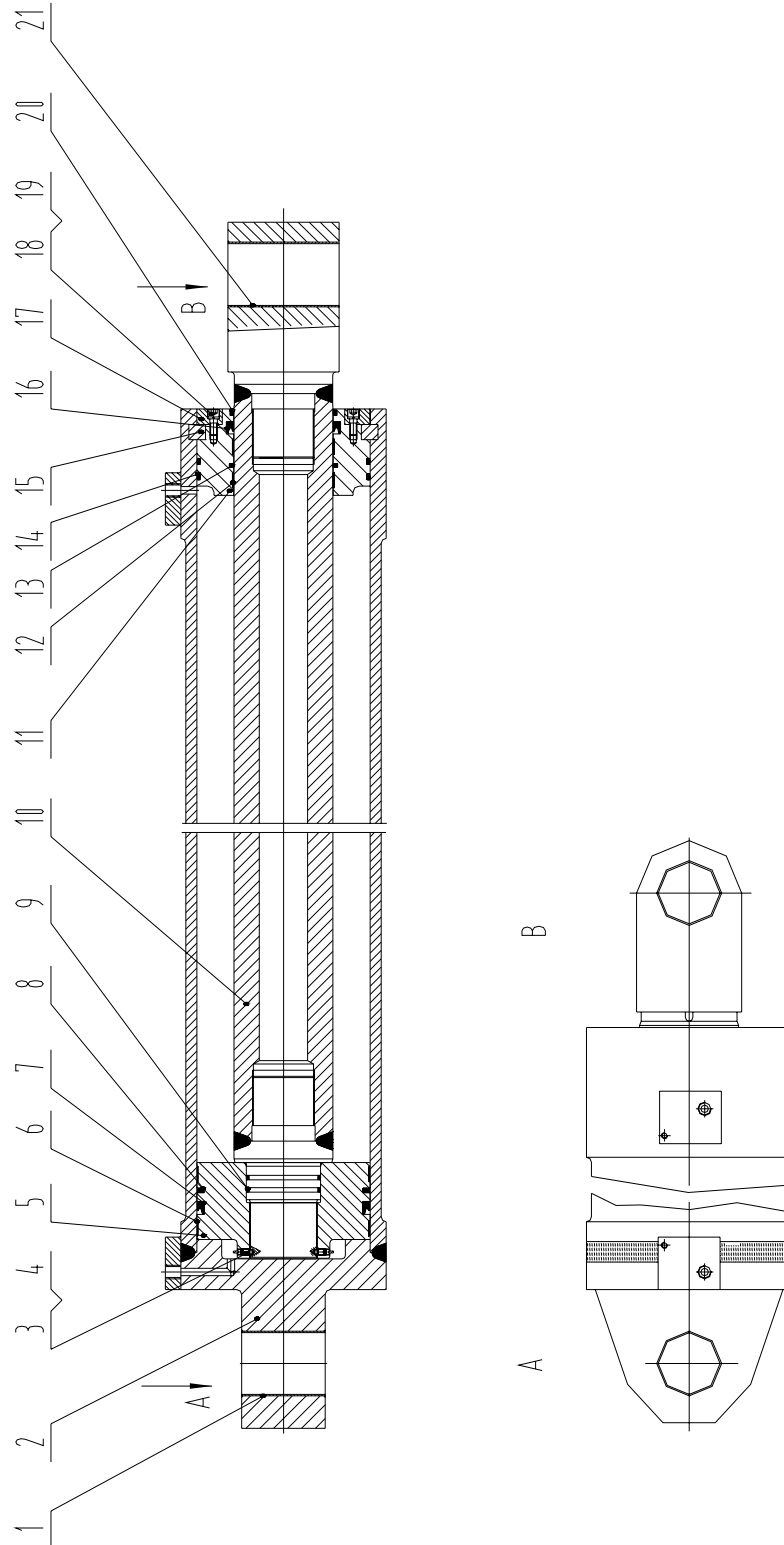


ST48R5

REED
13822 Oaks Avenue
Chino, CA 91710
909-287-2100
www.reedpumps.com

No.	Name	Code	Material	Parent	Weight	Quantity
1	bushing,bi-metal	SJ-1				1
2	body,cylinder body	0-01				1
3	bolt m8×20	GB/T79-2000				2
4	ring,snap ring 115	GB/T894.1-1986				1
5	piston	0-1/G15C				1
6	ring,guide ring 215 ×220 × 25	GP 7502200				2
7	band,guide band 220	B7 M020				1
8	seal,bearing seal 220	OK 0220				1
9	o-ring 75 ×5.3	GB/T3452.1-1992				2
10	rod,piston rod	0-02				1
11	carrier,seal carrier	0-2/G15A				1
12	ring,guide ring 125 ×130× 25	GR 7501250				2
13	seal 125	PO-55-171-1250				1
14	o-ring 206 ×7	GB/T3452.1-1992				2
15	ring,key ring	0-3/G15A				1
16	seal,bearing seal 125	BS C233				1
17	ring,snap ring	0-4/G15A				1
18	bolt m10×25	GB/T70.1-2000				6
19	washer 10	GB/T93-1987				6
20	seal,ring 125	AD 0125				1
21	bushing,bi-metal	SJ-2				1

2.2.1-2 CYLINDER 2 OF SECTION 1





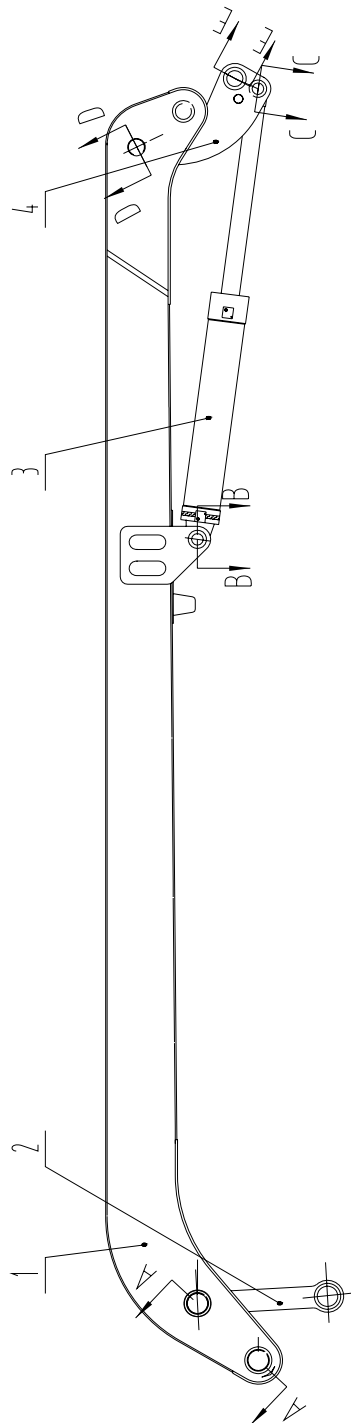
ST48R5

REED
13822 Oaks Avenue
Chino, CA 91710
909-287-2100
www.reedpumps.com

No.	Name	Code	Material	Parent	Weight	Quantity
1	bushing	SJ-1				1
2	body,cylinder body	0-01/G16D				1
3	bolt m10 ×20	GB/T79-2000				2
4	ring,snap ring 150	GB/T894.1-1986				1
5	piston	0-1/G16C				1
6	ring,guide ring 275 ×280 ×25	GP7502800C380				2
7	seal,bearing seal	B8280AP5008				1
8	seal,bearing seal	OK028000701				1
9	o-ring 109× 5.3	GB/T3452.1-1992				2
10	rod,piston rod	0-01				1
11	carrier,seal carrier	0-2/G16A				1
12	ring,guide ring 160 × 165 × 25	GR7501600C380				2
13	seal,bearing seal	OD160005200171D				1
14	o-ring 265× 7	GB/T3452.1-1992				2
15	ring,key ring	0-3/G16A				1
16	seal,bearing seal	BSG085P5008				1
17	ring,snap ring	0-4/G16A				1
18	bolt m12 ×30	GB/T70.1-2000				6
19	washer 12	GB/T93-1987				6
20	seal,ring	AY160A P5008				1
21	bushing II	SJ-2				1

2.3 SECTION 2

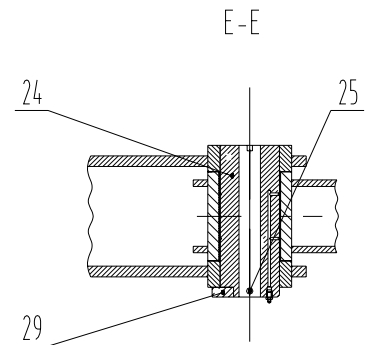
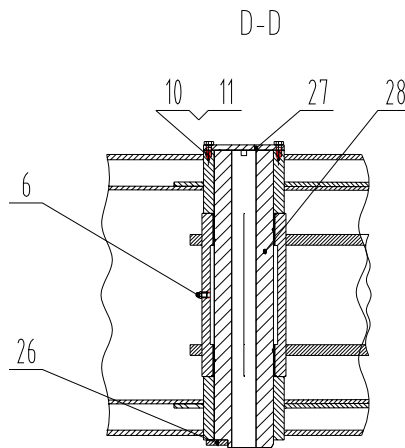
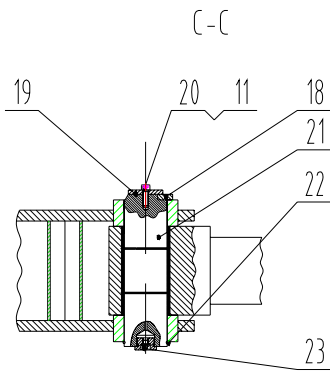
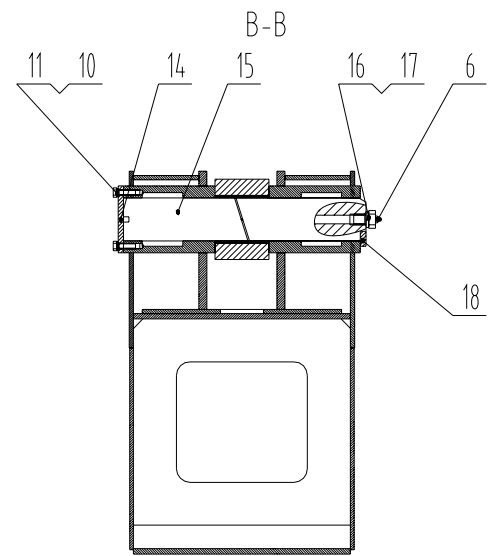
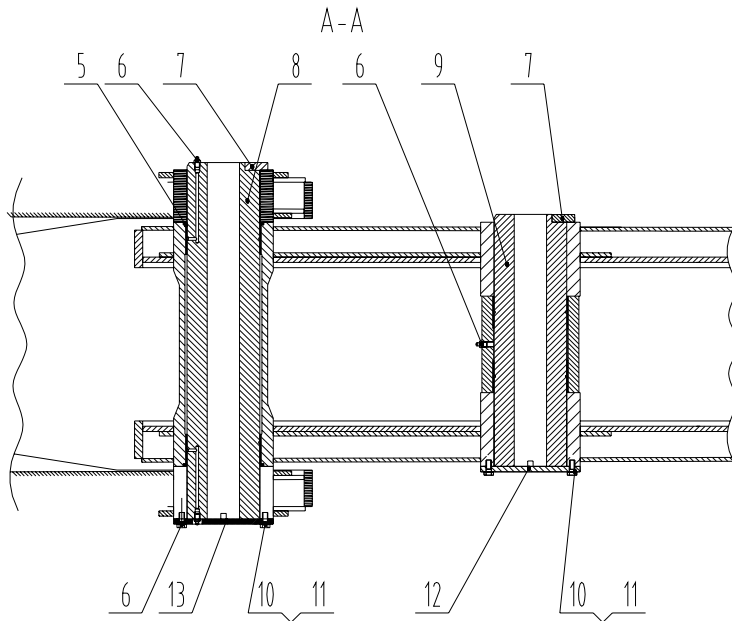
2.3.1 SECTION 2





ST48R5

REED
13822 Oaks Avenue
Chino, CA 91710
909-287-2100
www.reedpumps.com



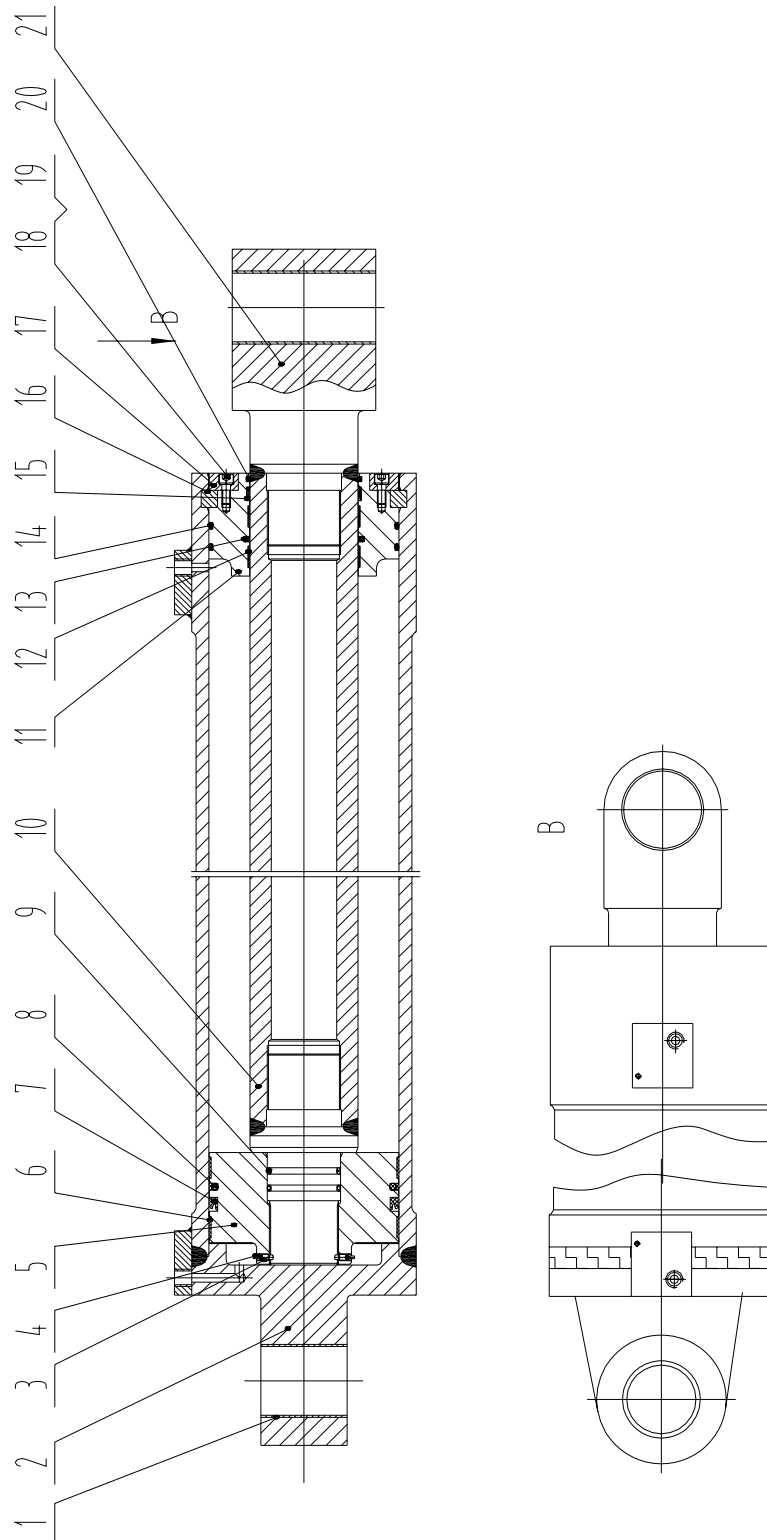


ST48R5

REED
13822 Oaks Avenue
Chino, CA 91710
909-287-2100
www.reedpumps.com

No.	Name	Code	Material	Parent	Weight	Quantity
1	section 2	BC48.1.2.1				1
2	link,lever link i	BC48.1.2.2				1
3	cylinder,section2	BC48.1.2.3				1
4	link,lever link 2	BC48.1.2.4				1
5	bushing	BC48.1.2-1				2
6	nipple,grease m10×1	GB1152-89				7
7	plate	BC48.1.2-2				2
8	pin	BC48.1.2-3				1
9	pin	BC48.1.2-4				1
10	bolt m10×35	GB5783-86				16
11	washer 10	GB93-87				13
12	plate	BC48.1.2-5				1
13	plate	BC48.1.2-6				1
14	plate	BC48.1.2-7				1
15	pin	BC48.1.2-8				1
16	bolt m20×30	BC48.1.1-1				1
17	washer 20	GB93-87				1
18	plate	BC48.1.4-5				2
19	ring,snap ring	BC48.1.4-4				2
20	bolt m10×25	GB70-85				1
21	pin	BC48.1.2-9				1
22	ring,snap ring 80	GB894.1-86				1
23	screw plug	ZBC37.1.1-7				1
24	pin	BC48.1.2-10				1
25	pin,cotter pin12×180	GB91-86				1
26	plate	BC48.1.3-2				1
27	plate	BC48.1.3-4				1
28	pin	BC48.1.2-11				1
29	plate	BC48.1.2-12				1

2.3.1-1 CYLINDER OF SECTION 2





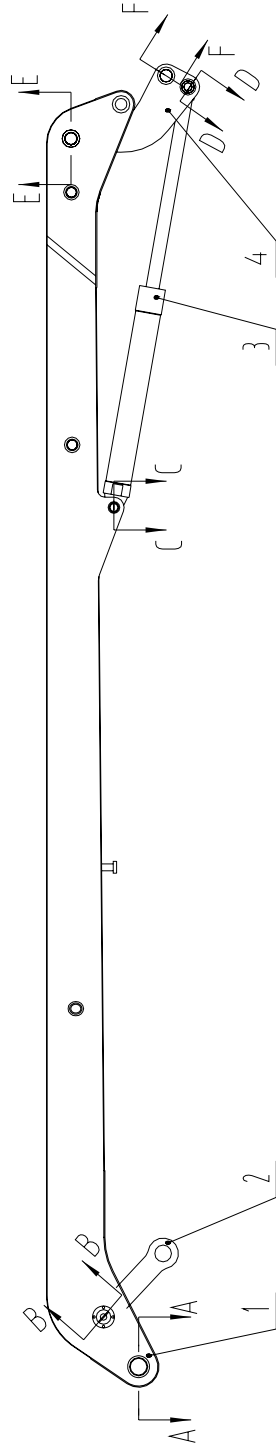
ST48R5

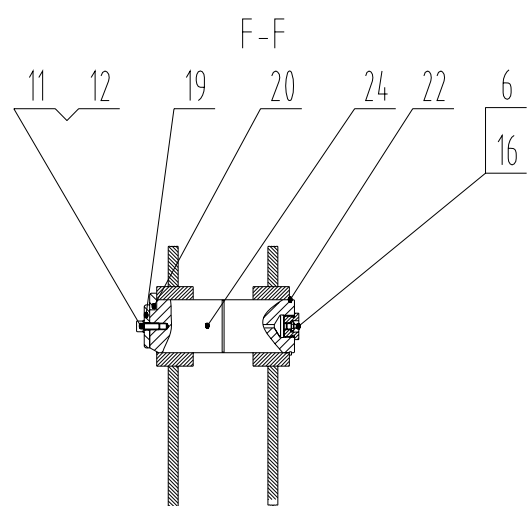
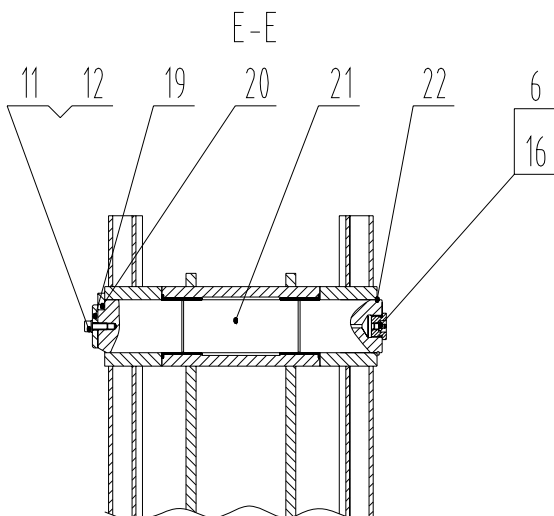
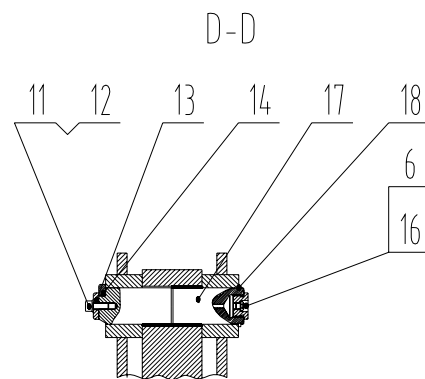
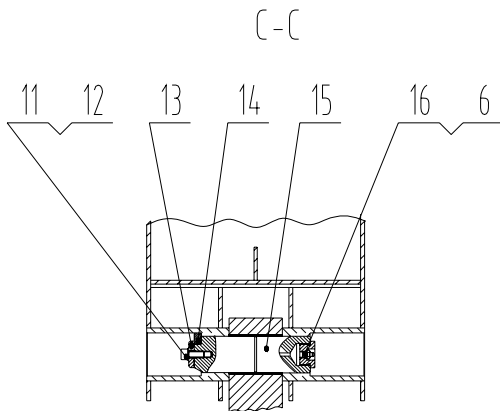
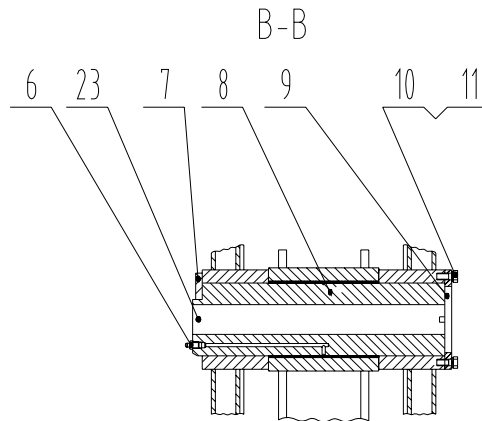
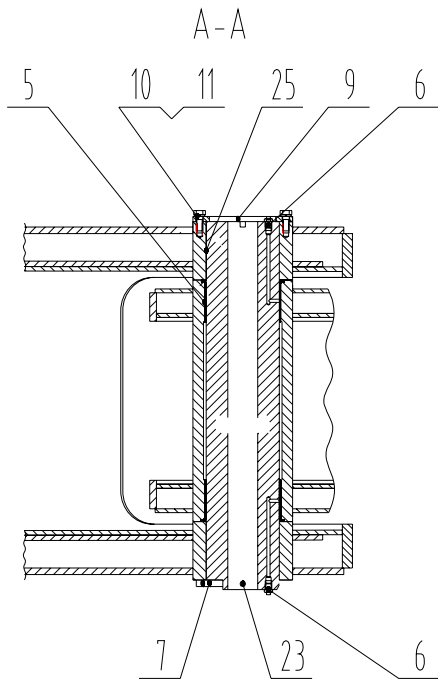
REED
13822 Oaks Avenue
Chino, CA 91710
909-287-2100
www.reedpumps.com

No.	Name	Code	Material	Parent	Weight	Quantity
1	bushing,bi-metal bushing	SJ-1				1
2	cylinder body	0-01/G17				1
3	bolt m8 ×16	GB/T79-2000				2
4	ring,snap ring 110	GB/T894.1-1986				1
5	piston	0-1/G17C				1
6	ring,guide ring 220× 215× 25	GP 750 2200				2
7	seal,bearing seal 220× 200 ×15	B7 M020				1
8	seal,bearing seal 220× 199 ×8	OK 0220				2
9	o-ring 75 ×5.3	GB/T3452.1-1992				2
10	rod,piston rod	0-01				1
11	carrier,seal carrier	0-2/G15A				1
12	ring,guide ring 125× 130× 25	GR 7501250				2
13	seal,bearing seal 125	P0-55-171-1250				1
14	o-ring 206 ×7	GB/T3452.1-1992				2
15	seal,bearing seal 125	BS C233				1
16	ring,key ring for hole	0-3/G15A				1
17	ring,snap ring	0-4/G15A				1
18	bolt m10×25	GB/T70.1-2000				6
19	washer 10	GB/T93-1987				6

2.4 SECTION 3

2.4.1 SECTION 3





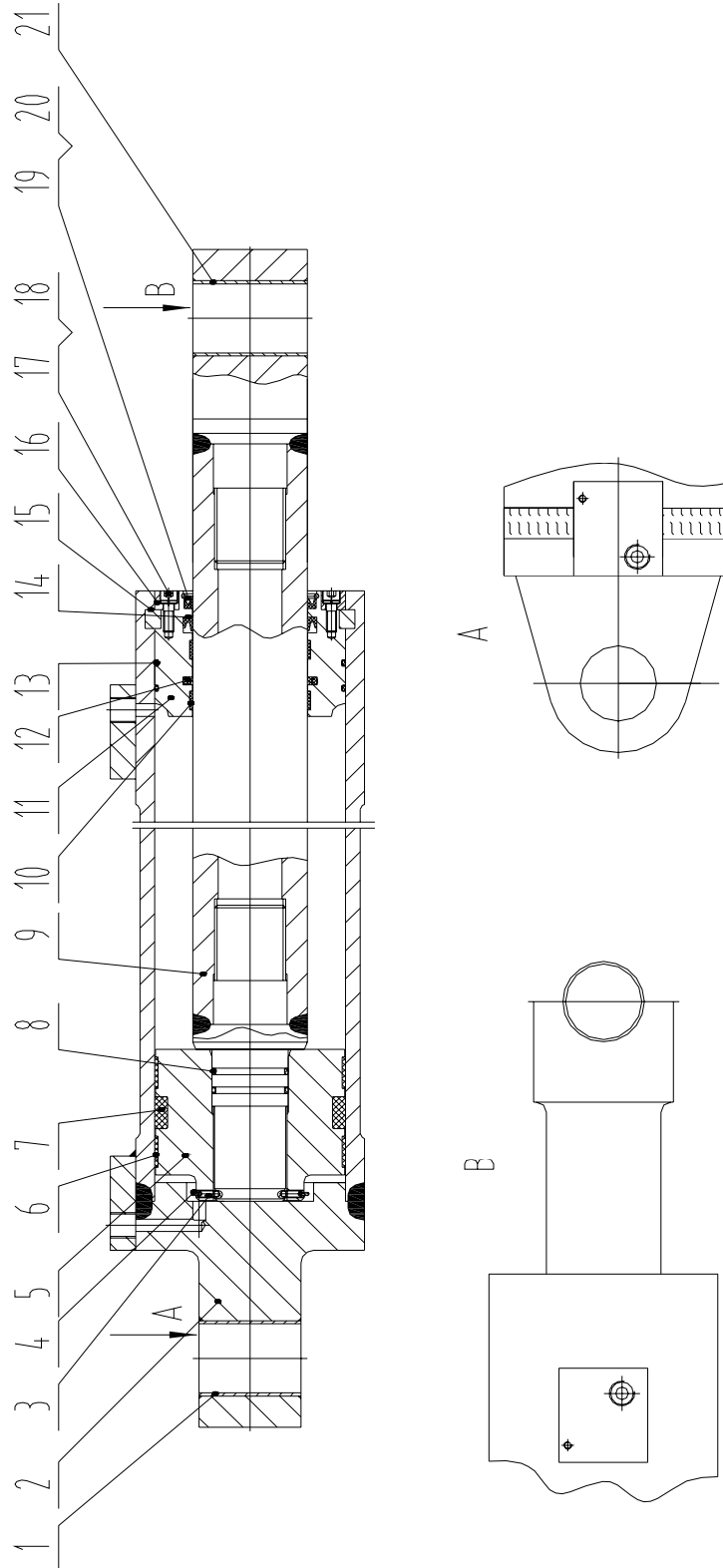


ST48R5

REED
13822 Oaks Avenue
Chino, CA 91710
909-287-2100
www.reedpumps.com

No.	Name	Code	Material	Parent	Weight	Quantity
1	section 3	BC48.1.3.1				1
2	link,lever link 1	BC48.1.3.2				1
3	cylinder,section3	BC48.1.3.3				1
4	link,lever link 2	BC48.1.3.4				1
5	bushing φ115×φ110×60	BC48.1.3-1				2
6	nipple,grease nipple m10×1	GB1152-89				7
7	plate	BC48.1.3-2				2
8	pin φ110×380	BC48.1.3-3				1
9	plate	BC48.1.3-4				2
10	bolt m10×25	GB5783-83				8
11	washer 10	GB93-87				12
12	bolt m10×25	GB70-85				4
13	ring,snap ring	BC48.1.3-5				2
14	plate	BC48.1.3-6				2
15	pin φ55×175	BC48.1.3-7				1
16	plug,screw plug	ZBC37.1.1-7				4
17	pin φ55×218.5	BC48.1.3-8				1
18	ring,snap ring shaft 55	GB894.1-86				1
19	ring,snap ring	BC48.1.3-9				2
20	plate	BC48.1.3-10				2
21	pin φ80×430	BC48.1.3-11				1
22	ring,snap ring shaft 80	GB894.1-86				2
23	pin,cotter pin8×140	GB91-86				2
24	pin φ80×218	BC48.1.3-12				1
25	pin φ110×556	BC48.1.3-13				1

2.4.1-1 CYLINDER OF SECTION 3





ST48R5

REED
13822 Oaks Avenue
Chino, CA 91710
909-287-2100
www.reedpumps.com

No.	Name	Code	Material	Parent	Weight	Quantity
1	bushing	SJ-1				1
2	assembly of cylinder body	0-01				1
3	bolt m6×16	GB/T79-2000				2
4	ring,snap ring 85	GB/T894.1-1986				1
5	piston	0-1				1
6	ring,guide ring 145 ×150× 25	GP 7501500C380				2
7	seal,bearing seal 150	ZC015100250				1
8	o-ring 53×5.33	GB/T3452.1-1992				2
9	rod,piston rod assembly	0-02				1
10	ring,guide ring 90 ×95 ×15	GR7300900C380				2
11	carrier,seal carrier	0-2				1
12	seal,bearing seal 90	PO-55-171-1250				1
13	o-ring 142.47 ×3.53	AS568-255				2
14	seal,bearing seal 90	BS 9005				1
15	ring,key ring for hole	0-4/G18A				1
16	ring,snap ring	0-5/G18A				1
17	bolt m8×25	GB/T70.1-2000				6
18	washer 8	GB/T93-1987				6
19	seal,lip 90× 104× 8	AF 9033 Z5071				6
20	ring,snap ring 105	GB/T895.1-1986				1
21	bushing	SJ-2				1

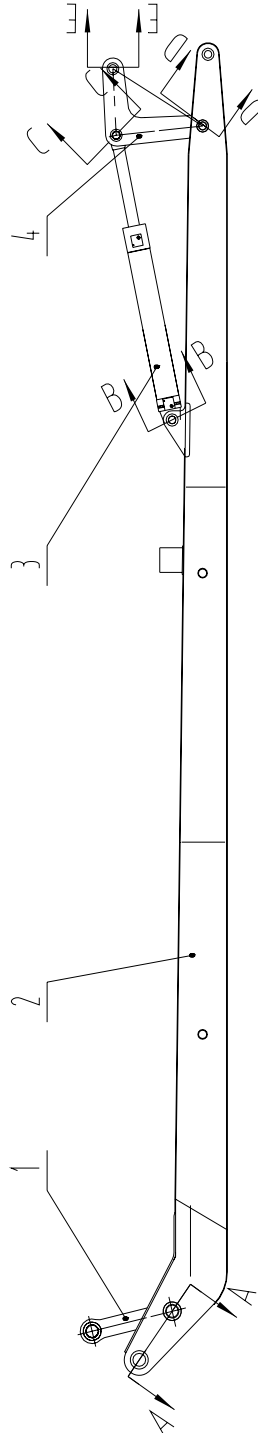


ST48R5

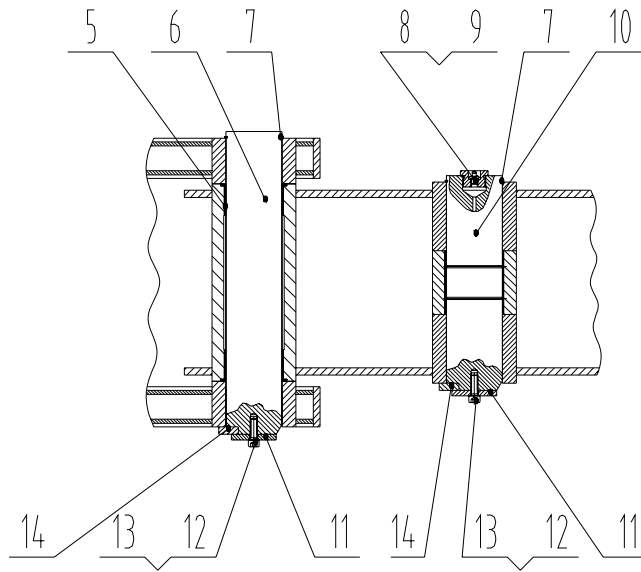
REED
13822 Oaks Avenue
Chino, CA 91710
909-287-2100
www.reedpumps.com

2.5 SECTION 4

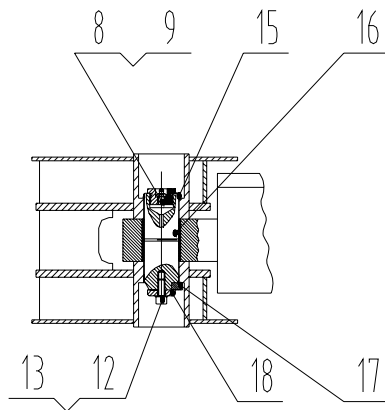
2.5.1 SECTION 4



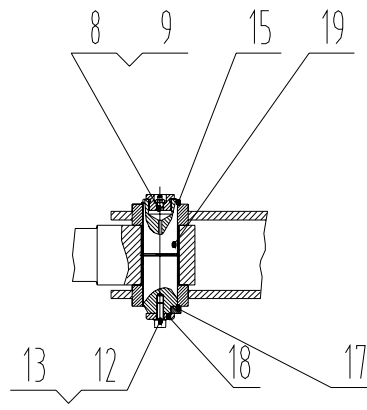
A-A



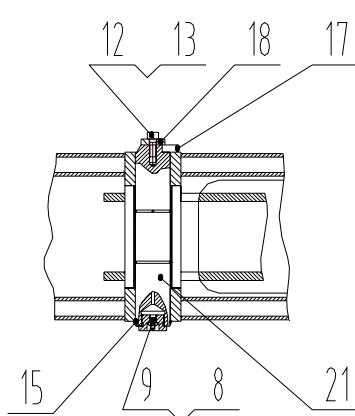
B-B



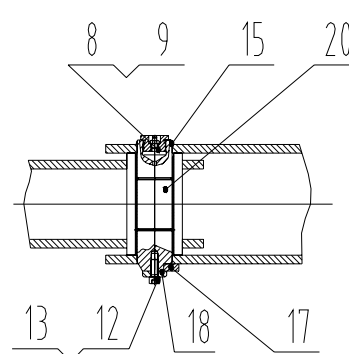
C-C



D-D



E-E



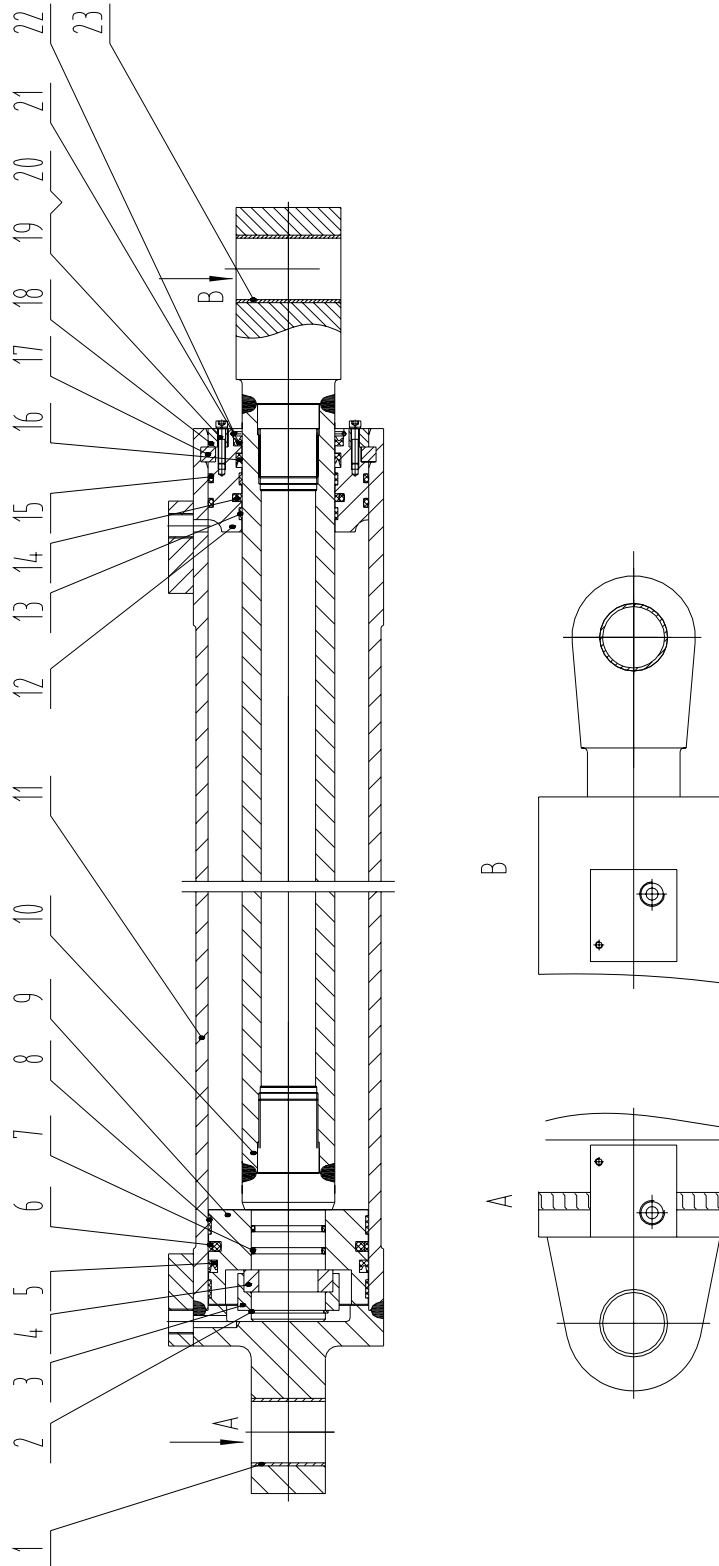


ST48R5

REED
13822 Oaks Avenue
Chino, CA 91710
909-287-2100
www.reedpumps.com

No.	Name	Code	Material	Parent	Weight	Quantity
1	link,lever link	BC48.1.4.1				1
2	section 4	BC48.1.4.2				1
3	cylinder,section4	BC48.1.4.3				1
4	link,lever link	BC48.1.4.4				1
5	bushing	BC48.1.4-1				2
6	pin	BC48.1.4-2				1
7	ring,snap ring 80	GB894.1-86				2
8	plug,screw plug	BC37.1.1-7				5
9	nipple,grease m10×1	GB1152-89				5
10	pin	BC48.1.4-3				1
11	ring,snap ring	BC48.1.4-4				2
12	bolt m10×25	GB70-85				5
13	washer 10	GB93-87				5
14	plate	BC48.1.4-5				2
15	ring,snap ring 50	GB894.1-86				4
16	pin	BC48.1.4-6				1
17	plate	BC48.1.5-3				3
18	ring,snap ring	BC48.1.5-4				3
19	pin	BC48.1.4-7				1
20	pin	BC48.1.4-8				1
21	pin	BC48.1.4-9				1

2.5.1-1 CYLINDER OF SECTION 4





ST48R5

REED
13822 Oaks Avenue
Chino, CA 91710
909-287-2100
www.reedpumps.com

No.	Name	Code	Material	Parent	Weight	Quantity
1	bushing	SJ-2				1
2	ring,snap ring 60	GB/T894.1-1986				1
3	ring,key ring cap	0-1/G19A				1
4	ring,key ring shaft	0-2/G19A				1
5	seal,bearing b7130a	B7 130A				1
6	seal,bearing ok0130	OK013000701				1
7	o-ring 53×3.55	GB/T3452.1-1992				2
8	ring,guide 125×130×15	FR C055				2
9	piston	0-3/G19A				1
10	rod,piston rod (g)	0-01				1
11	cylinder body	0-01/G19A				1
12	carrier,seal carrier	0-5/G19A				1
13	ring,guide 75 ×80× 9.7	FR 7506				2
14	seal,bearing seal	OD075005200171D				1
15	o-ring 118 ×5.3	GB/T3452.1-1992				2
16	seal,bearing seal bs7590	BS 7590				1
17	ring,key ring	0-3A/G19				1
18	ring,snap ring	0-6/G19				1
19	bolt m5 ×30	GB/T70.1-2000				8
20	washer 5	GB/T93-1987				8
21	seal,ring af7537	AF 7537				1
22	ring,snap ring 90	GB/T895.1-1986				1
23	bushing	SJ-2				1

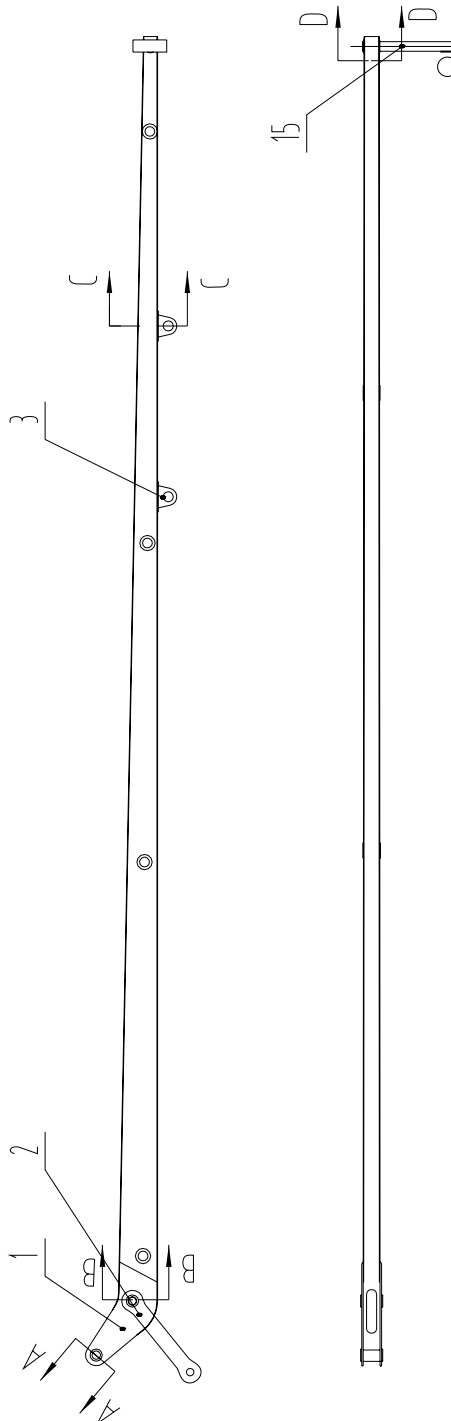


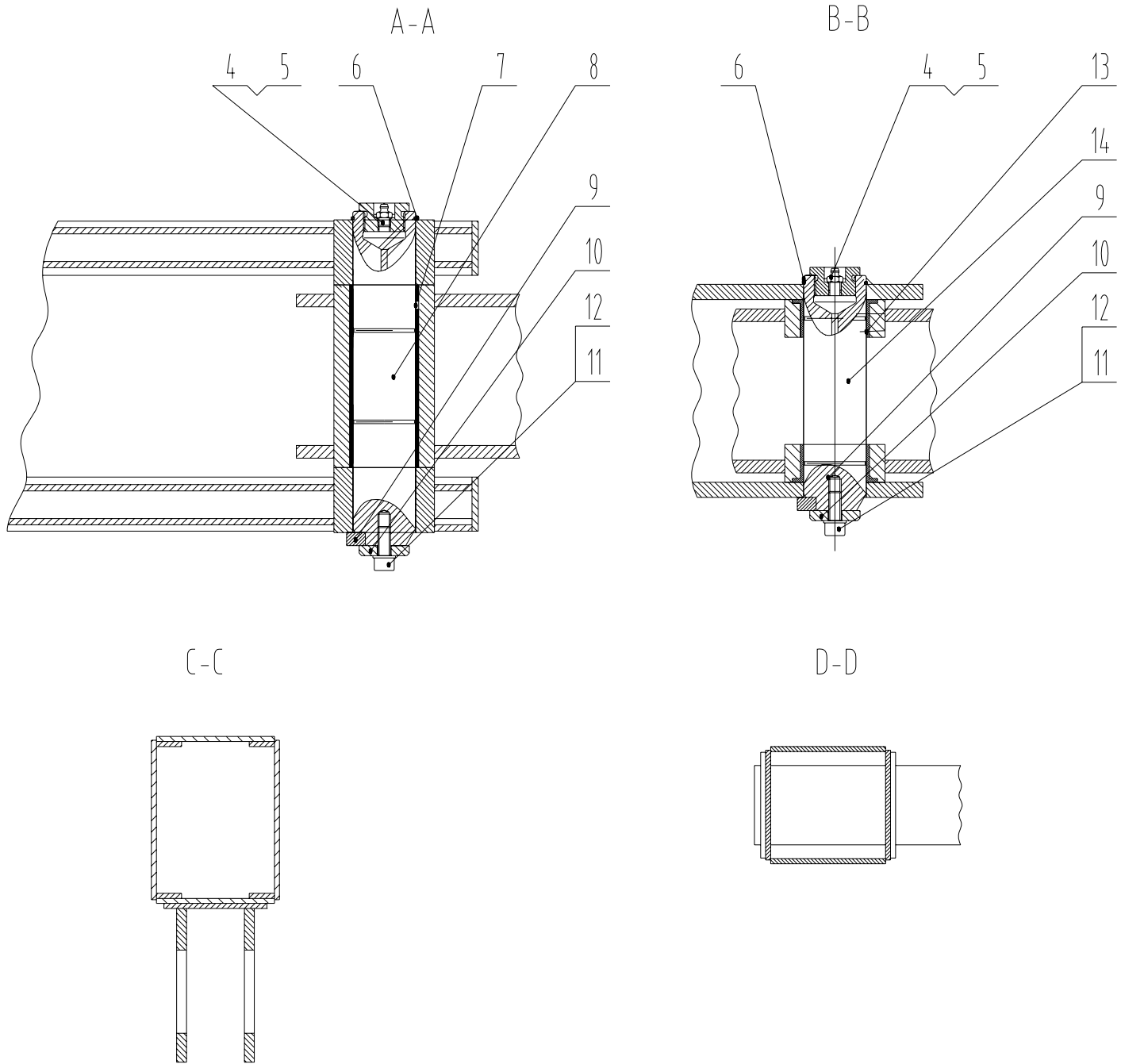
ST48R5

REED
13822 Oaks Avenue
Chino, CA 91710
909-287-2100
www.reedpumps.com

2.6 SECTION 5

2.6.1 SECTION 5







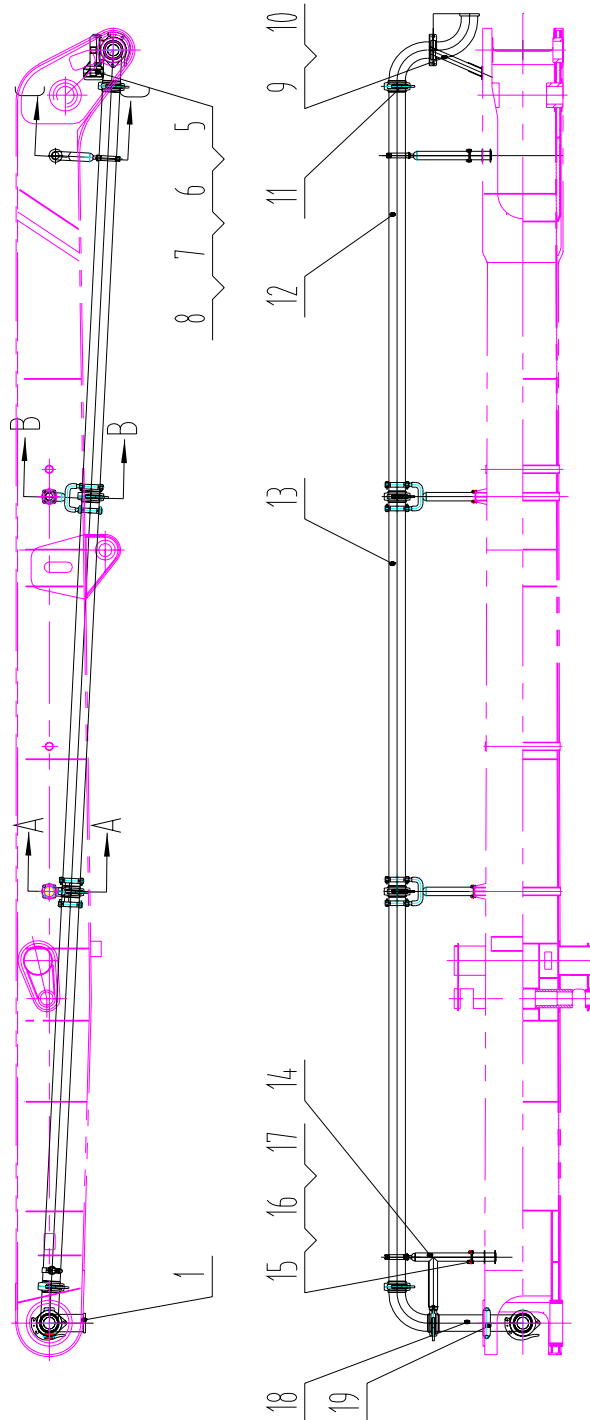
ST48R5

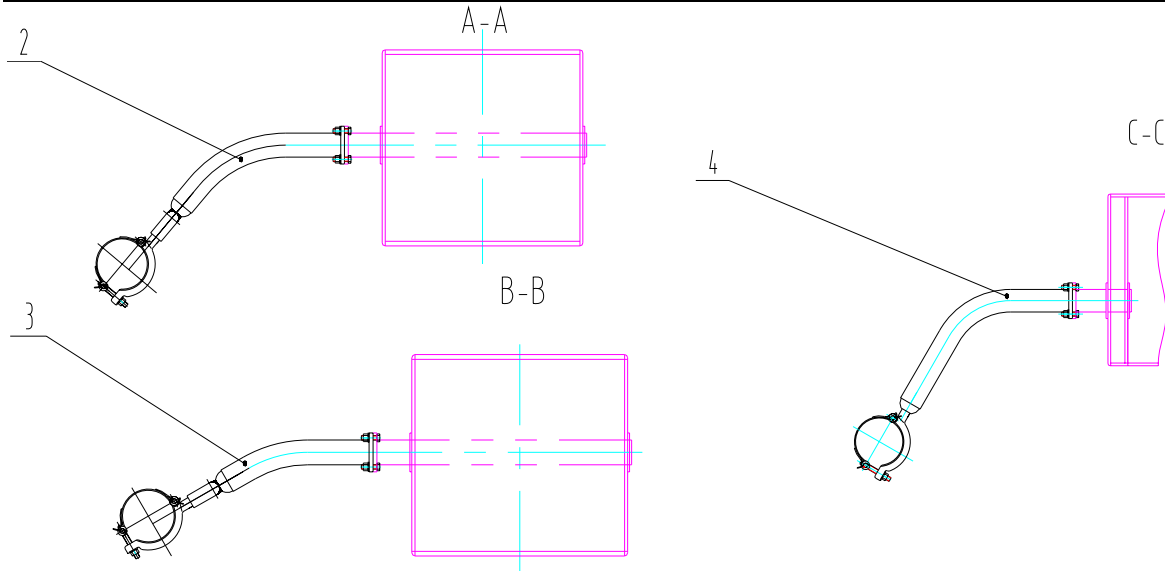
REED
13822 Oaks Avenue
Chino, CA 91710
909-287-2100
www.reedpumps.com

No.	Name	Code	Material	Parent	Weight	Quantity
1	section 5	BC18.1.5.1				1
2	link,lever link	BC48.1.5.2				1
3	support,hose support	BC48.1.5.3				2
4	plug,screw plug	ZBC37.1.1-7				2
5	nipple,grease nipple m10×1	GB1152-89				2
6	ring,snap ring 50	GB894.1-86				2
7	bushing 1	BC48.1.5-1				2
8	shaft 1	BC48.1.5-2				1
9	plate	BC48.1.5-3				2
10	ring,snap ring	BC48.1.5-4				2
11	bolt m10×25	GB70-85				2
12	washer 10	GB93-87				2
13	bushing 2	BC48.1.5-5				2
14	shaft 2	BC48.1.5-6				1
15	pipe,tip	BC48.1.5.4				1

2.7 DELIVERY PIPE

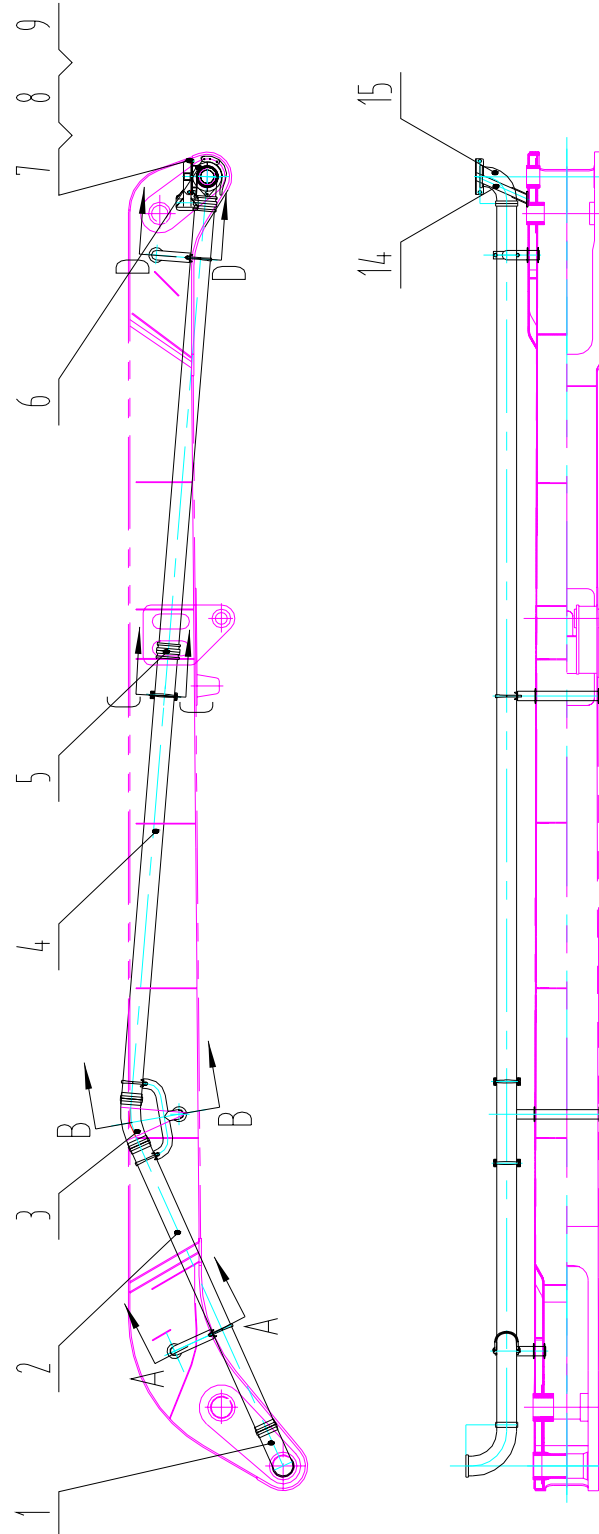
2.7.1 DELIVERY PIPE OF SECTION 1

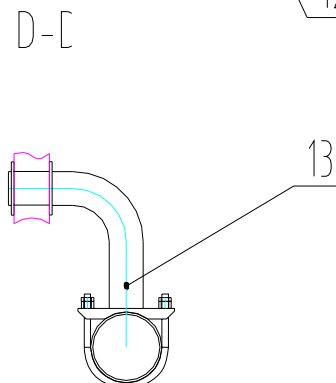
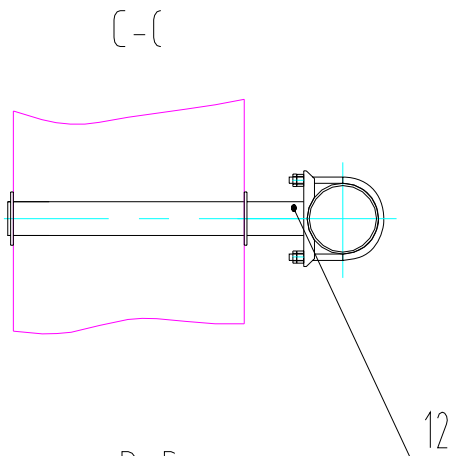
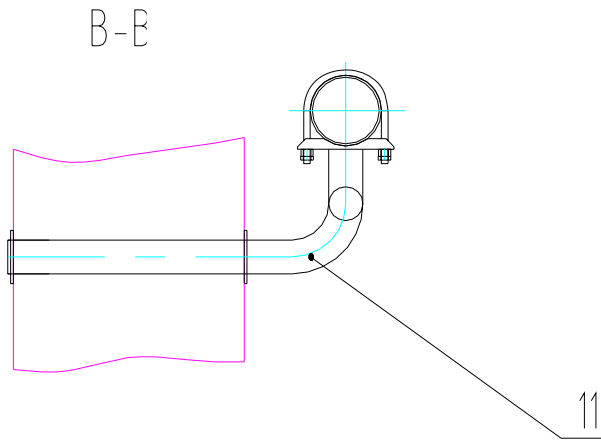
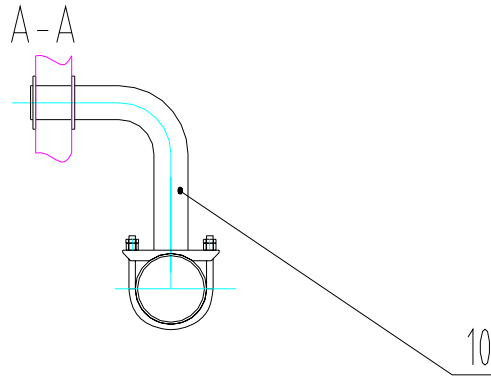




No.	Name	Code	Material	Belongs	Weight	Quantity
1	Elbow, 125mm Ip R275/90°	ZBC37.10.1				3
2	Pipe, support pipe 1	BC48.8.1.1				1
3	Pipe, support pipe 2	BC48.8.1.2				1
4	Pipe, support pipe 3	BC48.8.1.3				1
5	Bolt M14×45	GB5782-86				2
6	Nut M14	GB6170-86				2
7	Plate, base plate	BC48.8.1-1				2
8	Washer 14	GB97.1—85				2
9	Pipe, support pipe 4	BC48.8.1.4				1
10	Clamp, pipe 125mm hp pipe clip	ZBC37.10.8				2
11	Clamp, pipe clamp 125mm hp	60Z1407.14.17				6
12	Pipe, 125mm hp straight L=3114	BC48.8.1.5				1
13	Pipe, 125mmx3000 hp	ZBC37.10.6				2
14	Pipe, support pipe 5	BC48.8.1.6				1
15	Bolt M12×40	GB5782-86				12
16	Nut M12	GB6170-86				12
17	Washer 12	GB97.1—85				12
18	Pipe, 125mmx404.7 hp	BC48.8.1.7				1
19	125A pipe clamp	ZBC37.10.10				1

2.7.2 DELIVERY PIPE OF SECTION 2





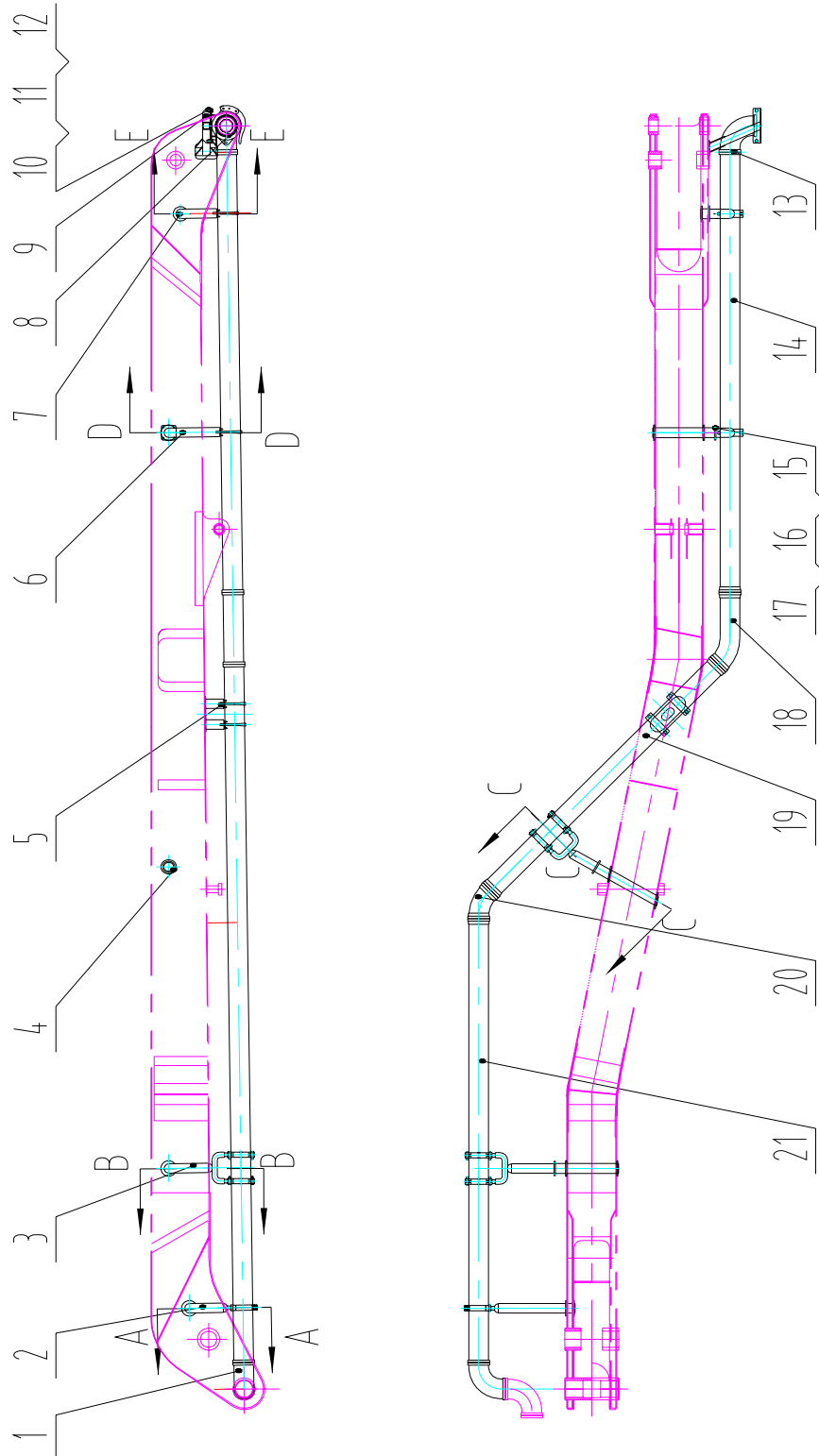


ST48R5

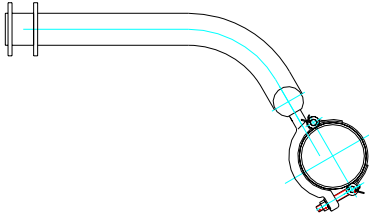
REED
13822 Oaks Avenue
Chino, CA 91710
909-287-2100
www.reedpumps.com

No.	Name	Code	Material	Parent	Weight	Quantity
1	elbow,125a r275/90°	ZBC37.10.1				1
2	pipe,125a straight l=2079	BC48.8.2.1				1
3	elbow,125a r300/29°	BC48.00-2203				1
4	pipe,125a straight l=3000	ZBC37.10.6				2
5	clamp,pipe 125a (for truck mounted pump)	60Z1407.14.17				5
6	special 125a pipe clip assembly	ZBC37.10.8				1
7	bolt m14×35	GB5782-86				2
8	nut m14	GB6170-86				2
9	washer 14	GB97.1—85				2
10	pipe,support pipe 1	BC48.8.2.2				1
11	pipe,support pipe 2	BC48.8.2.3				1
12	pipe,support pipe 3	BC48.8.2.4				1
13	pipe,support pipe 4	BC48.8.2.5				1
14	pipe,support pipe 5	BC48.8.2.6				1
15	elbow,125a r180/90°	BC48.00-2215				1

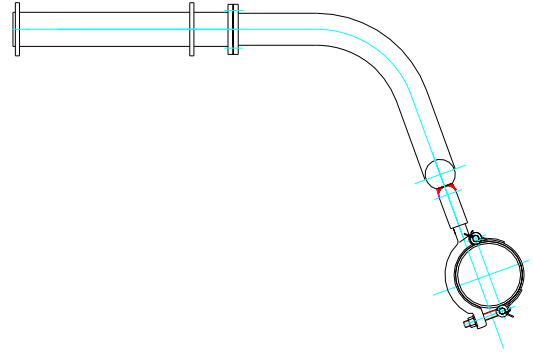
2.7.3 DELIVERY PIPE OF SECTION 3



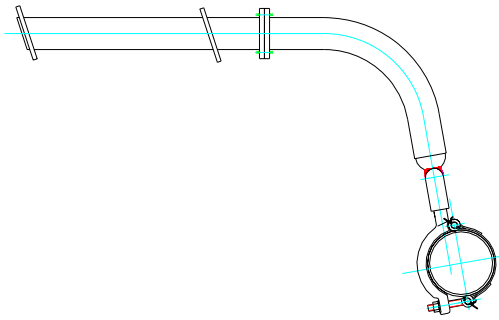
A-A



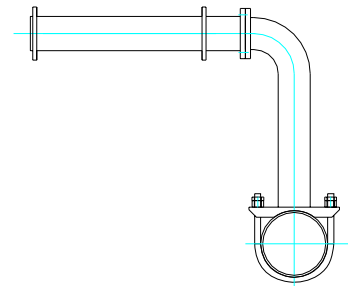
B-B



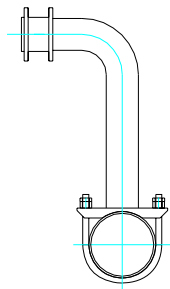
C-C



D-D



E-E



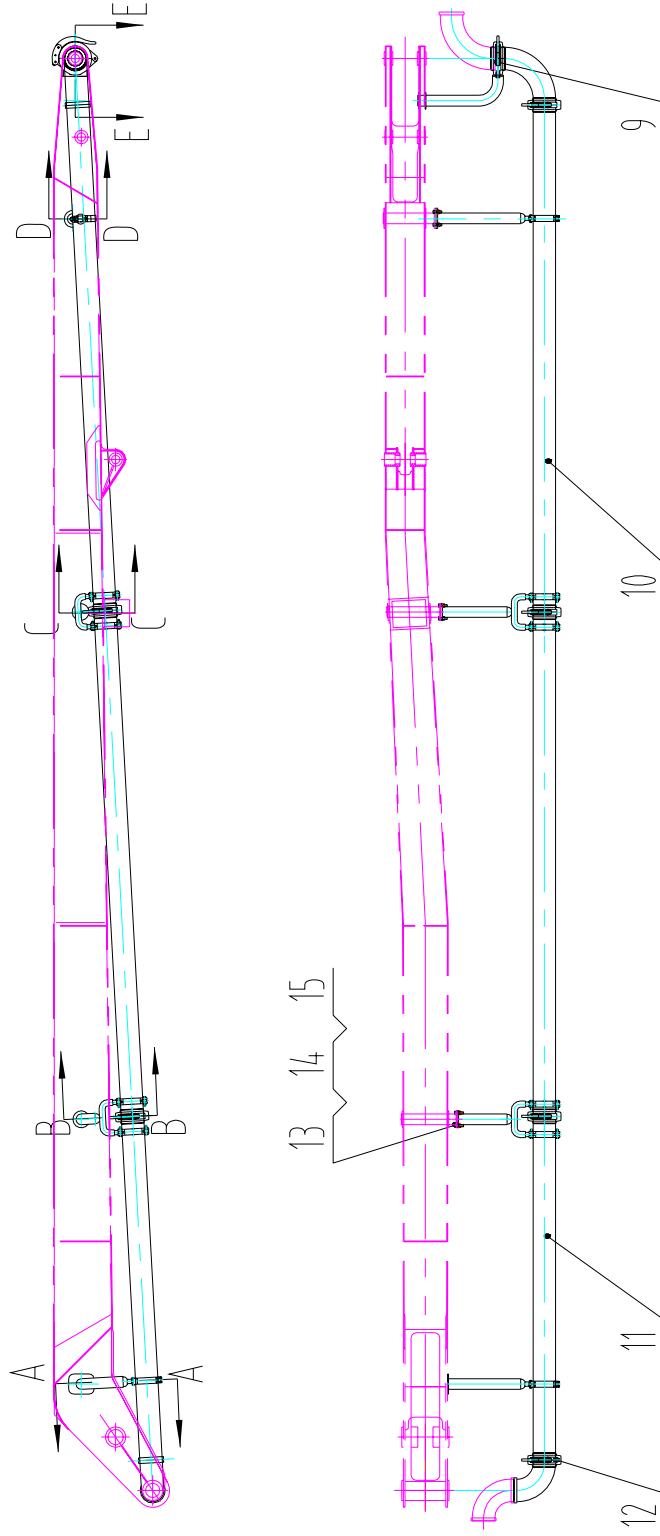


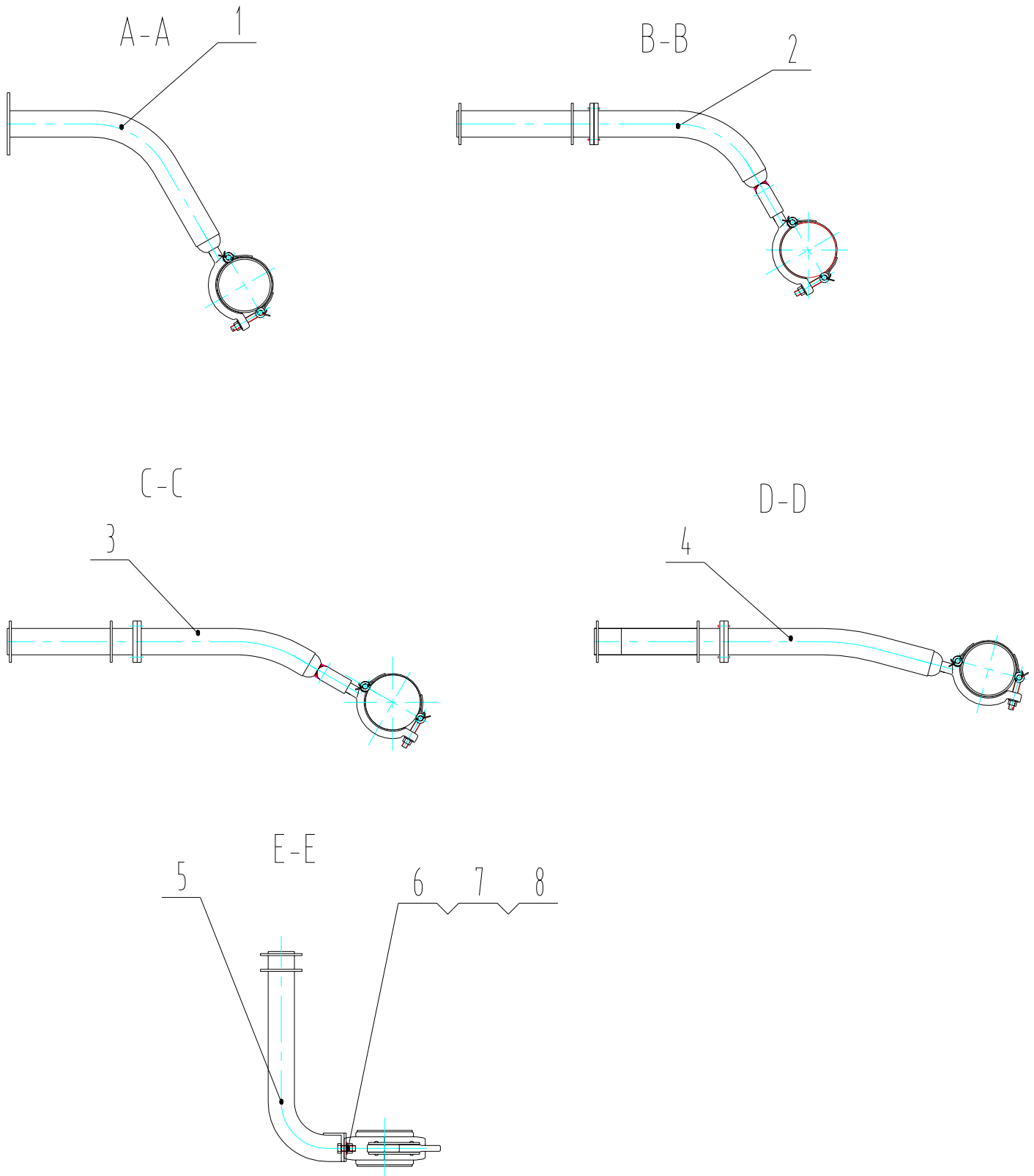
ST48R5

REED
13822 Oaks Avenue
Chino, CA 91710
909-287-2100
www.reedpumps.com

No.	Name	Code	Material	Parent	Weight	Quantity
1	elbow,125a r180/90°	BC48.8.2.8				2
2	pipe,support pipe 1	BC48.8.3.1				1
3	pipe,support pipe 2	BC48.8.3.2				1
4	pipe,support pipe 3	BC48.8.3.3				1
5	pipe,support pipe 4	BC48.8.3.4				1
6	pipe,support pipe 5	BC48.8.3.5				1
7	pipe,support pipe 6	BC48.8.3.6				1
8	special 125a pipe clip assembly	ZBC37.10.8				1
9	pipe,support pipe 7	BC48.8.3.7				1
10	bolt m14×35	GB5782-86				2
11	nut m14	GB6170-86				2
12	washer 14	GB97.1-85				2
13	clamp,pipe 125a (for truck mounted pump)	60Z1407.14.17				6
14	pipe,125a straight l=3000	ZBC37.10.6				1
15	bolt m12×40	GB5782-86				12
16	nut m12	GB6170-86				12
17	washer 12	GB97.1-85				12
18	elbow,125a special 45°	BC48.8.3.8				1
19	pipe,125a straight l=2193.8	BC48.8.3.9				1
20	elbow,125a r275/45°	BC48.8.3.10				1
21	pipe,125a straight l=3042.8	BC48.8.3.11				1

2.7.4 DELIVERY PIPE OF SECTION 4





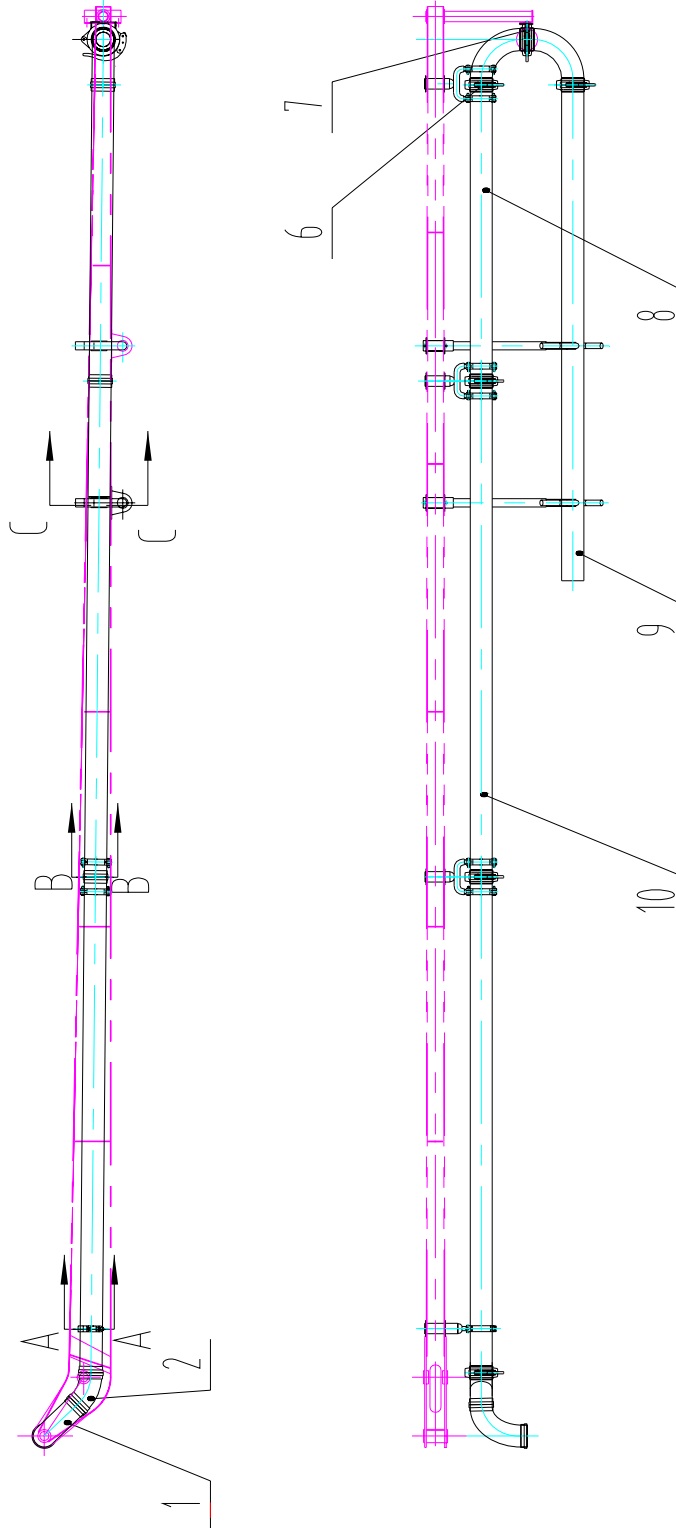


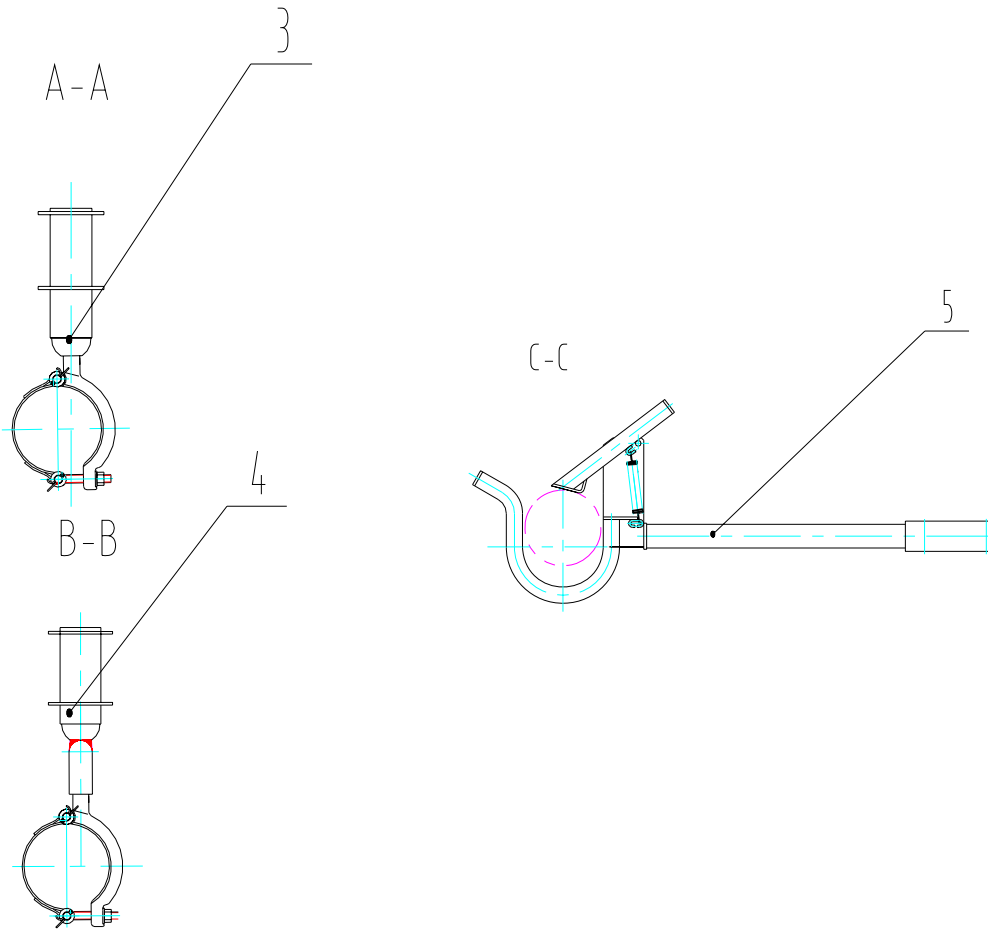
ST48R5

REED
13822 Oaks Avenue
Chino, CA 91710
909-287-2100
www.reedpumps.com

No.	Name	Code	Material	Parent	Weight	Quantity
1	pipe, support pipe 1	BC48.8.4.1				1
2	pipe, support pipe 2	BC48.8.4.2				1
3	pipe, support pipe 3	BC48.8.4.3				1
4	pipe, support pipe 4	BC48.8.4.4				1
5	pipe, support pipe 5	BC48.8.4.5				1
6	bolt m14×35	GB5782-86				2
7	nut m14	GB6170-86				2
8	washer 14	GB97.1—85				2
9	special 125a pipe clip assembly	ZBC37.10.8				1
10	pipe, 125a straight l=3000	ZBC37.10.6				2
11	pipe, 125a straight l=2035	BC48.8.4.6				1
12	clamp, pipe 125a (for truck mounted pump)	60Z1047.14.17				4
13	bolt m12×40	GB5882-86				12
14	nut m12	GB6170-86				12
15	washer 12	GB97.1-85				12

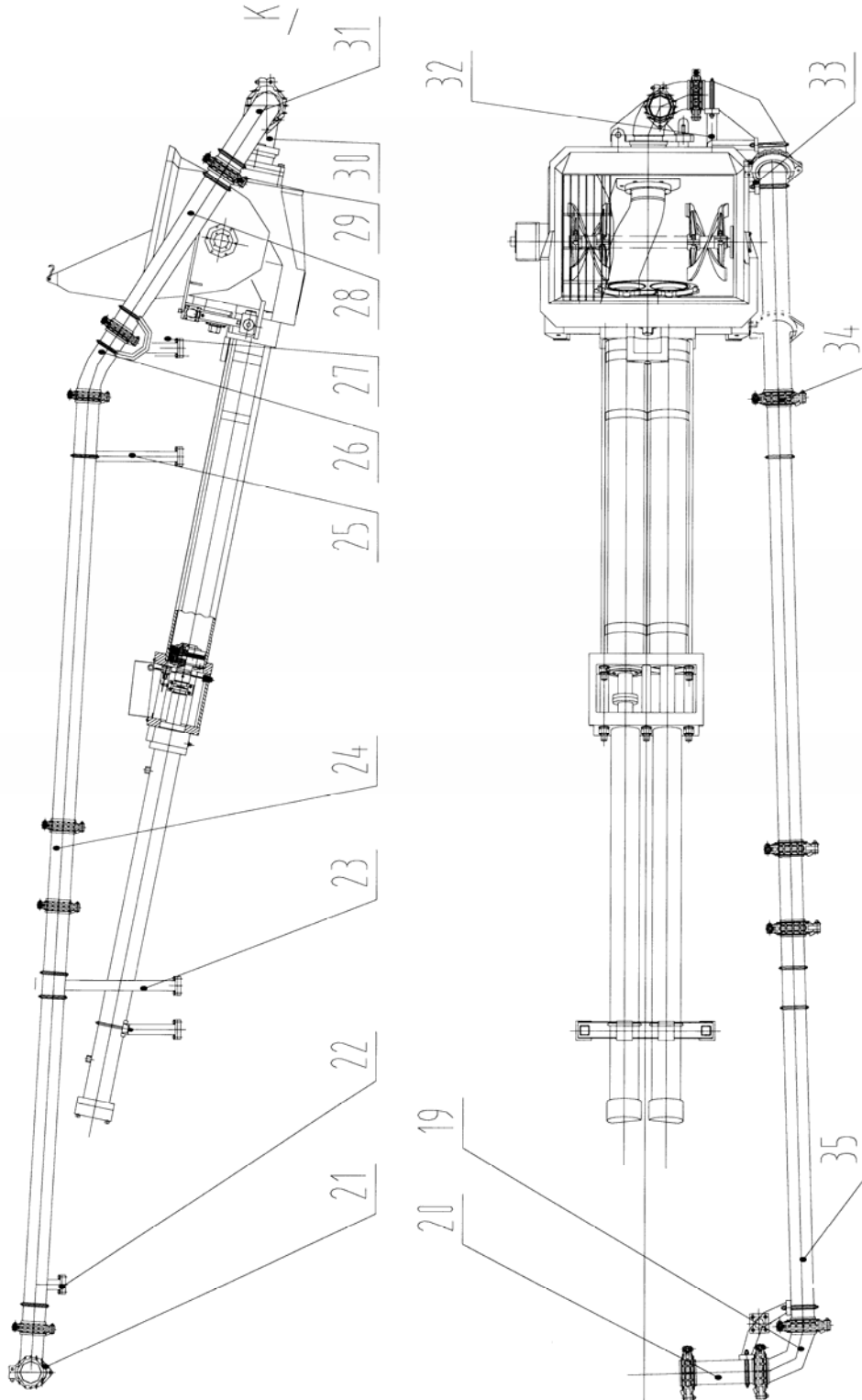
2.7.5 DELIVERY PIPE OF SECTION 5

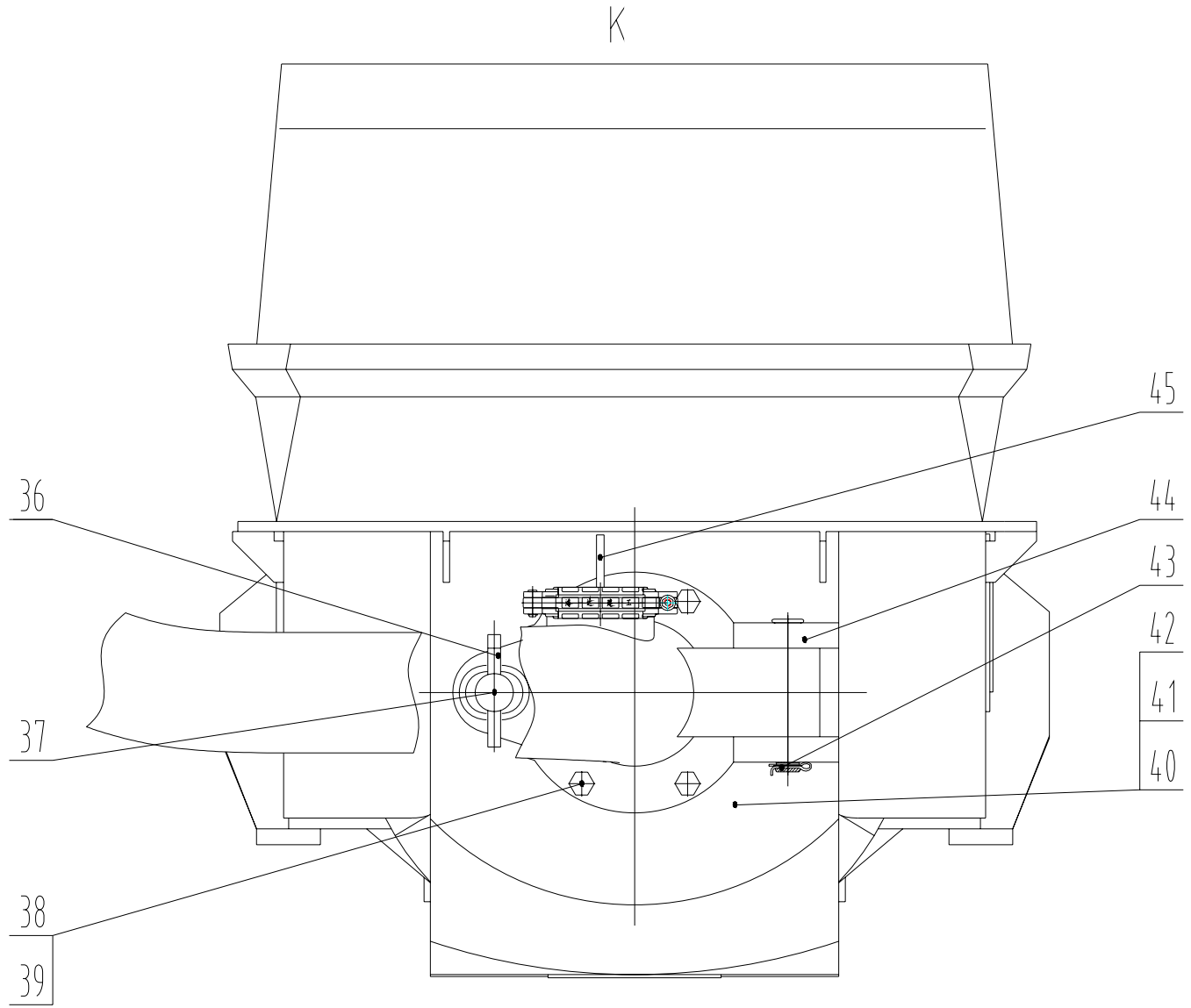




No.	Name	Code	Material	Parent	Weight	Quantity
1	elbow ,125a r275/90°	ZBC37.10.1				3
2	elbow,125a r275/45°	BC48.8.3.10				1
3	pipe,support pipe 1	BC48.8.5.1				1
4	pipe,support pipe 2	BC48.8.5.2				3
5	pipe,support pipe 3	BC48.8.5.3				2
6	125a pipe clamp (for truck mounted pump)	60Z1407.14.17				6
7	special 125a pipe clamp assembly	ZBC37.10.8				1
8	pipe,125a straight l=1785	BC48.8.5.4				1
9	tube	BC48.8.5.5				1
10	pipe,125a straight l=3000	ZBC37.10.6				2

2.7.6 DELIVERY PIPE OF DECK





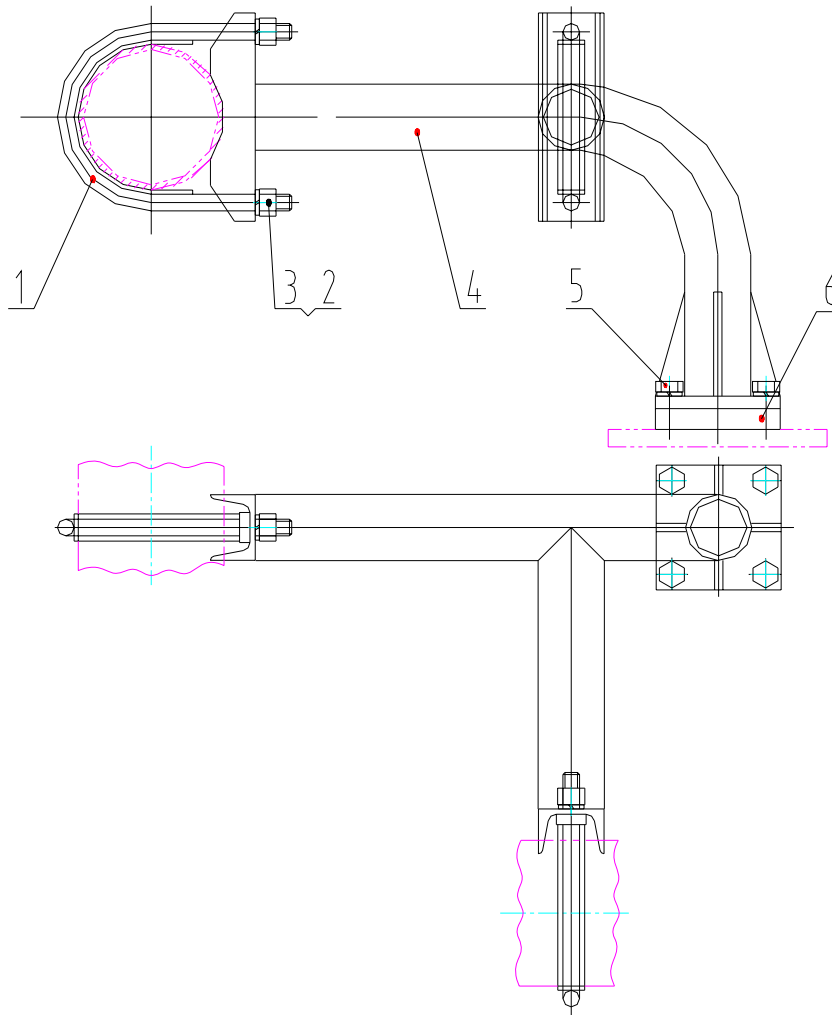


ST48R5

REED
13822 Oaks Avenue
Chino, CA 91710
909-287-2100
www.reedpumps.com

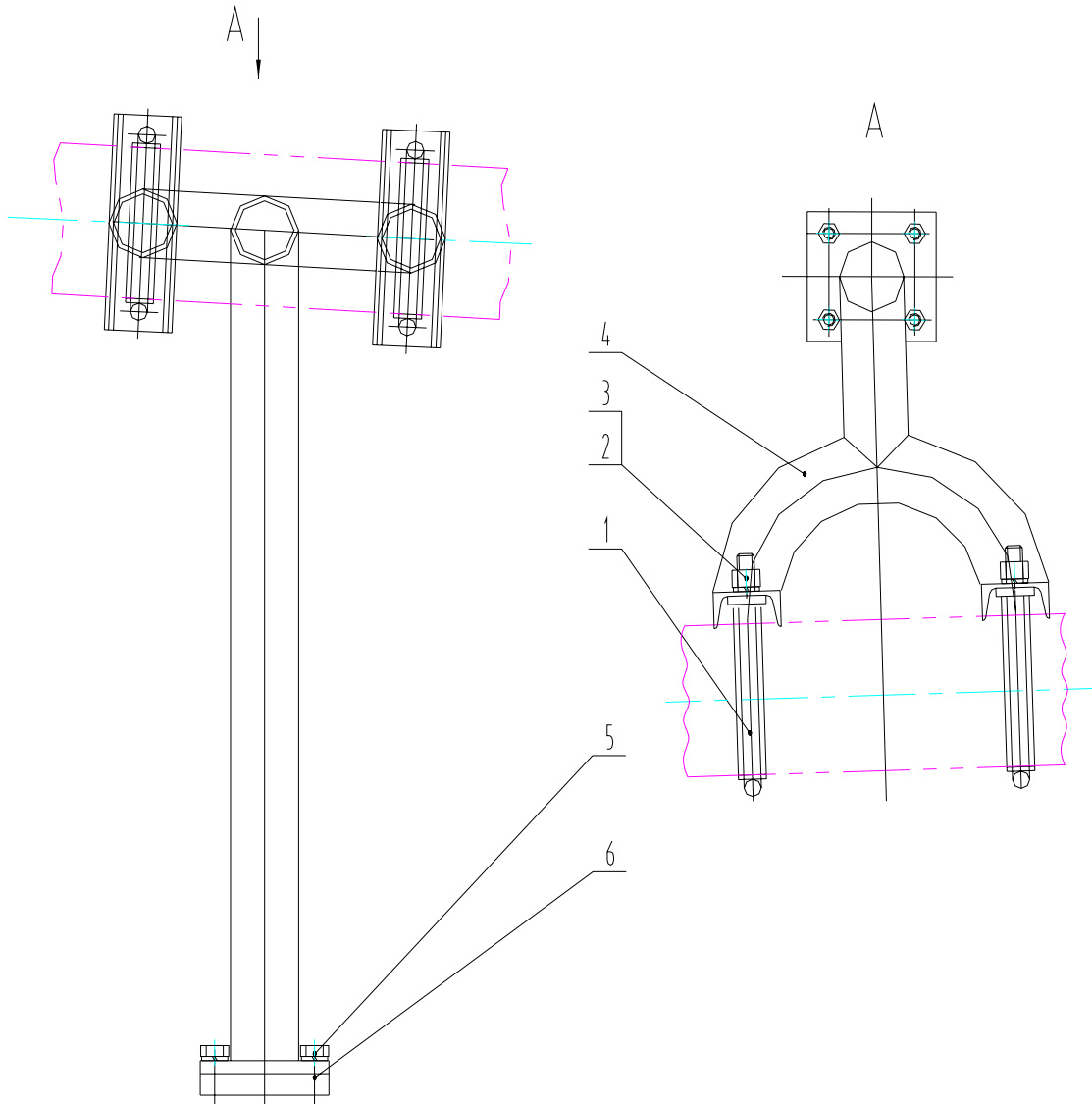
no.	name	code	material	parent	weight	quantity
19	elbow,90-degree ϕ 125	bc37.3.6				1
20	pipe, straight ϕ 125 \times 460	bc37.3.7				1
21	clamp, 125 (ϕ 148)	bc37.3.8				2
22	support 1	bc37.3.9				1
23	support 2	bc37.3.10				1
24	straight pipe ϕ 125 (l=3661)	bc37.3.11				1
25	support 3	bc37.3.12				1
26	30-degree elbow ϕ 125	bc37.3.13				1
27	support 4	bc37.3.14				1
28	straight reducer pipe ϕ 150-125	bc37.3.15				1
29	ϕ 150 pipe clip assembly	60s1816.14.1				3
30	elbow, swingout	bc37.3.16				1
31	90-degree ϕ 150 elbow	bc37.3.17				1
32	support 5	bc37.3.18				1
33	support 6	bc37.3.19				1
34	125 a pipe clip assembly ϕ 157)	60s1816.14.13				4
35	straight pipe ϕ 125 (l=2127)	bc37.3.20				1
36	wedge	bc37.3-6				1
37	angle pin	bc37.3-7				1
38	bolt m24 \times 125	gb70-85				6
39	washer 24	gb93-87				6
40	concrete outlet	bc37.3.21				1
41	o-ring ϕ 205 \times 7	gb3452.1-82				1
42	o-ring ϕ 258 \times 7	gb3452.1-82				1
43	cotter pin ϕ 5 \times 56	gb/t91-2000				1
44	pin ϕ 35 \times 210	bc37.3-8				1
45	cleanout cover	bc37.3.22				1

Support 1



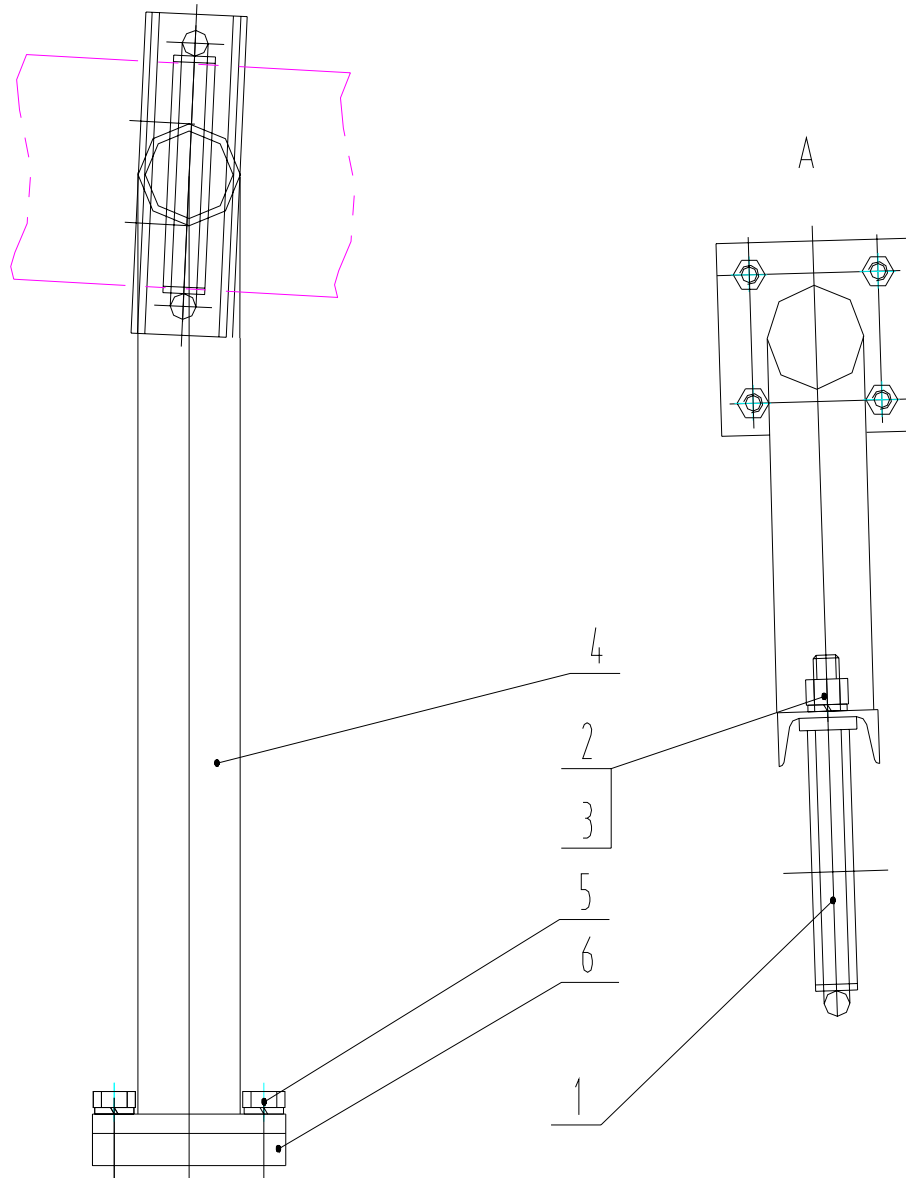
no.	name	Code	Material	Parent	Weight	Quantity
1	bolt,u-bolt	BC37.3.9.1				2
2	washer 16	GB93-87				8
3	nut m16	GB41-86				4
4	pipe, support pipe	BC37.3.9.2				1
5	bolt m16×30	GB5780-86				4
6	plate, base plate	BC37.3.9-1				1

Support 2



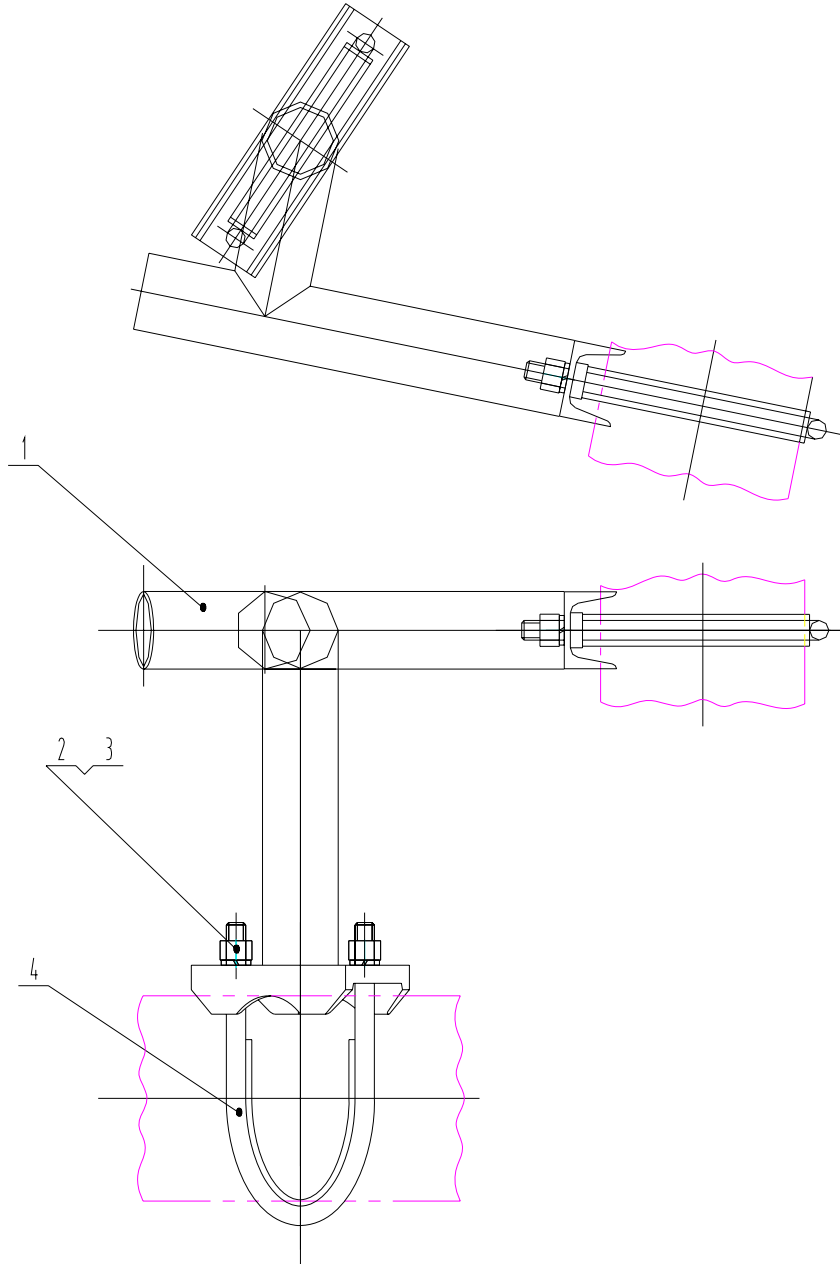
No.	Name	Code	Material	Parent	Weight	Quantity
1	Bolt,U-bolt	BC37.3.9.1				2
2	Washer 16	GB93-87				8
3	Nut M16	GB41-86				4
4	Pipe,support pipe	BC37.3.10.1				1
5	Bolt M16x30	GB5780-86				4
6	Plate,base plate	BC37.3.9-1				1

Support 3



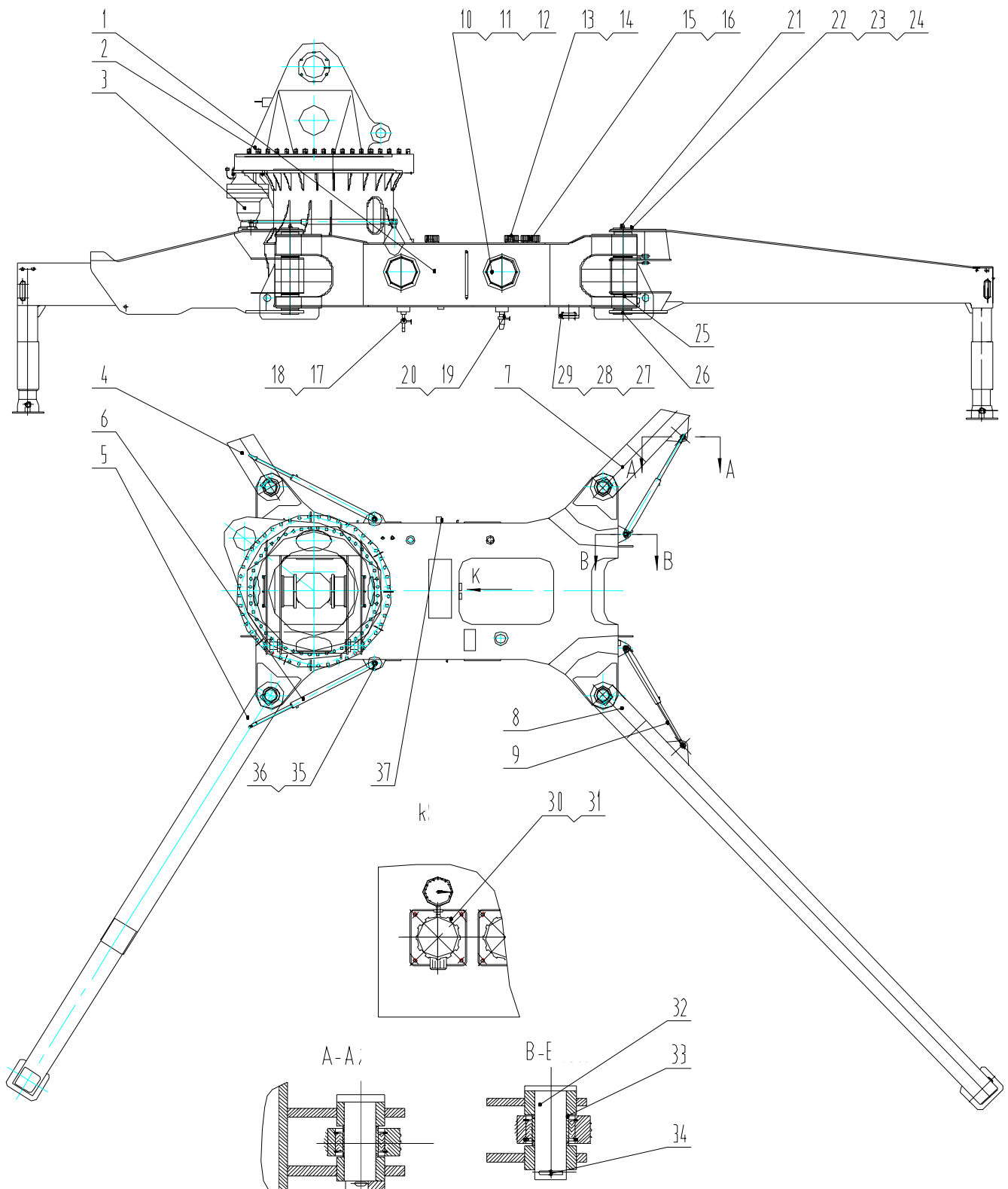
No.	Name	Code	Material	Parent	Weight	Quantity
1	bolt,u-bolt	BC37.3.9.1				2
2	washer 16	GB93-87				8
3	nut m16	GB41-86				4
4	pipe,support pipe	BC37.3.12.1				1
5	bolt m16×30	GB5780-86				4
6	plate,base plate	BC37.3.9-1				1

Support 5



No.	Name	Code	Material	Parent	Weight	Quantity
1	pipe, support pipe	BC37.3.18.1				1
2	washer 16	GB93-87				4
3	nut m16	GB41-86				4
4	bolt, u-bolt	BC37.3.18.2				2

CHAPTER 3 MASTHEAD, PEDESTAL, AND OUTRIGGERS





ST48R5

REED
13822 Oaks Avenue
Chino, CA 91710
909-287-2100
www.reedpumps.com

No.	Name	Code	Material	Parent	Weight	Quantity
1	pedestal	BC48.2.1				1
2	masthead	BC48.2.2				1
3	rotation drive assembly	BC48.2.3				1
4	outrigger, driver front	BC48.2.4				1
5	outrigger, passenger front	BC48.2.5				1
6	swingout cylinder of front outrigger	BC48.2.6				2
7	swingout cylinder of rear outrigger	BC48.2.7				2
8	outrigger, driver rear	BC48.2.8				1
9	outrigger, passenger rear	BC48.2.9				1
10	flange	BC48.2-1				5
11	o-ring 307×5.3	GB3452.1-82				5
12	bolt m10×16	GB5781-86				52
13	cap,oil tank cap	LE0827-91				2
14	bolt m5×12	GB5781-86				12
15	filter,air filter	EF-80				1
16	bolt m8×30	GB70-85				4
17	pipe,1" pipe	GB3289.26-82				2
18	valve,ball 1"	BC48.00-3018				2
19	pipe,1 1/2" pipe	GB3289.26-82				1
20	valve,ball 1 1/2"	BC48.00-3020				1
21	nipple, grease nipple m10×1	JT7490.1-1995				4
22	bolt m12×20	GB5783-86				32
23	washer 12	GB93-87				32
24	plate	BC42.2-2				8
25	shaft	BC48.2-1				4
26	copper packing 铜垫	BC42.2-4				8
27	level,bubble 30	BC48.00-3027				2
28	nut m6	GB6170-86				16
29	bolt m6×50	GB5783-86				8
31	bolt m10×20	GB5783-86				16

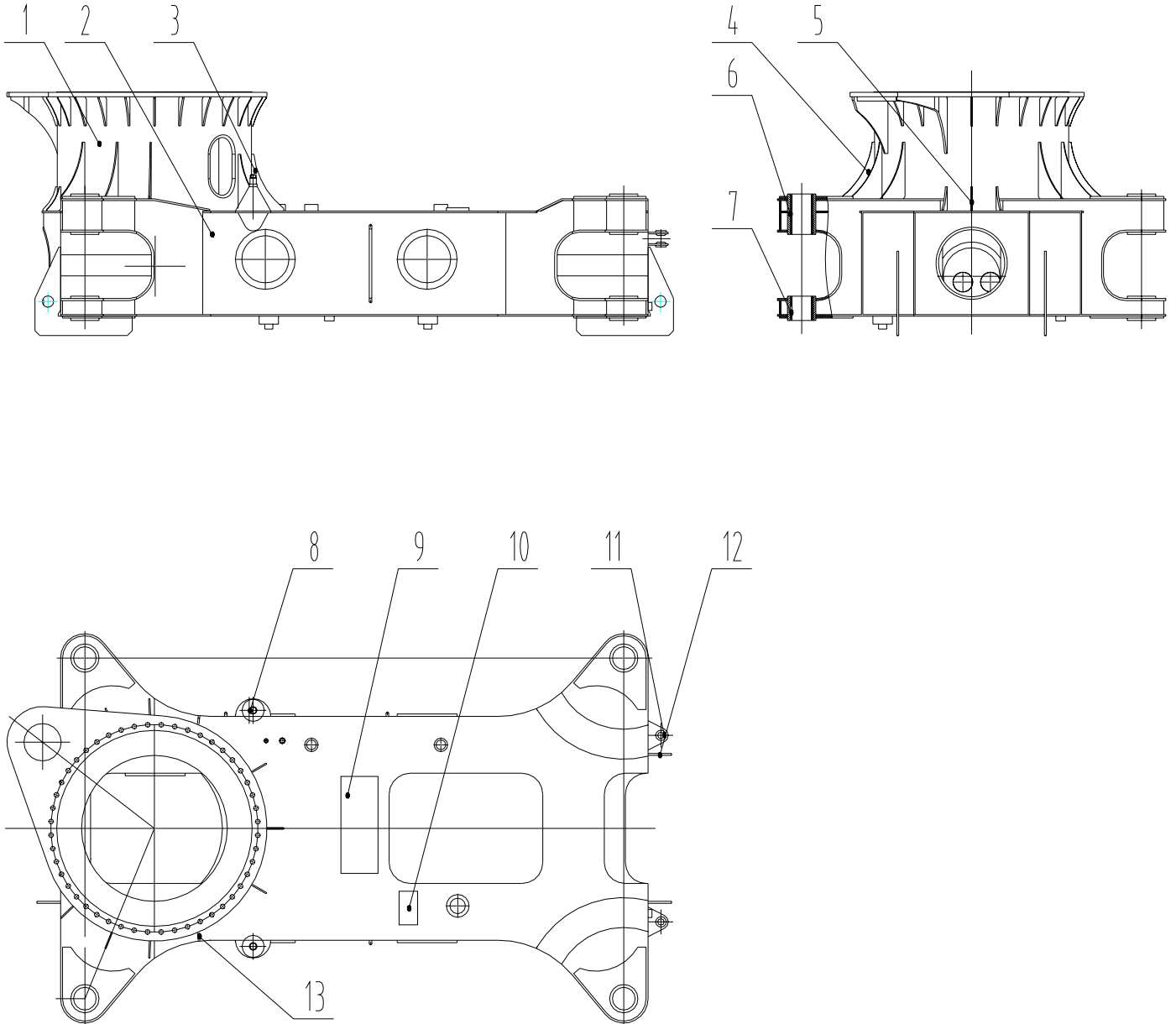


ST48R5

REED
13822 Oaks Avenue
Chino, CA 91710
909-287-2100
www.reedpumps.com

32	shaft		BC42.2-5				4
33	spacer		BC42.2-6				8
34	pin 6.3×70		GB91-86				4
35	nut m36×1.5		BC42.2-9				4
36	pin 4×50		GB91-86				4
37	level,fluid thermometer	level	CYW-160				1

3.1 PEDESTAL OF MASTHEAD



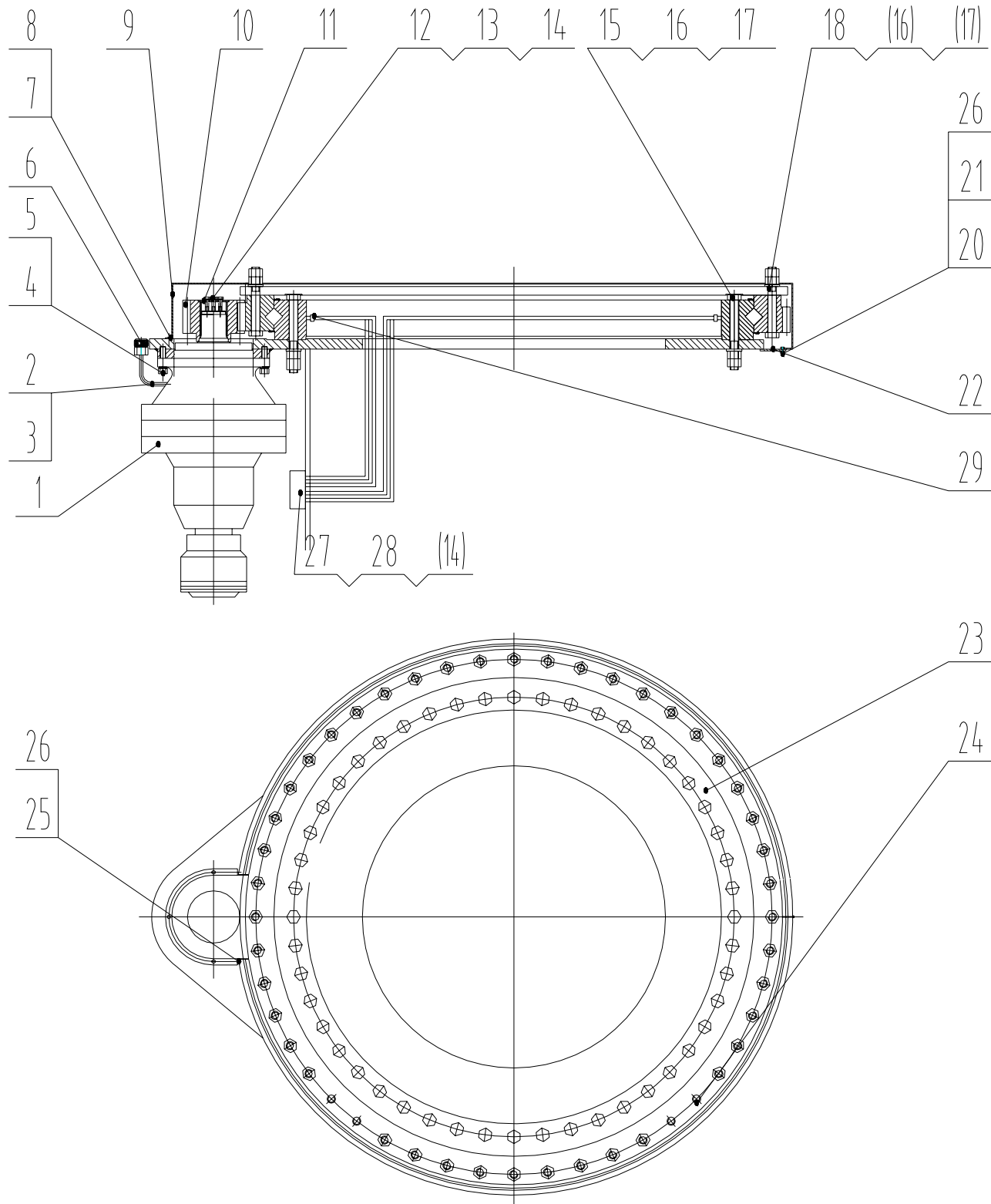


ST48R5

REED
13822 Oaks Avenue
Chino, CA 91710
909-287-2100
www.reedpumps.com

No.	Name	Code	Material	Parent	Weight	Quantity
1	Pedestal of Masthead	BC48.2.4.1				1
2	Tank, oil water assembly	BC48.2.4.2				2
3	Gusset gusset 1	BC48.2.4-1				3
4	Gusset 2	BC48.2.4-2				6
5	Gusset 3	BC48.2.4-3				3
6	Bearing 1	BC48.2.4-4				4
7	Bearing 2	BC48.2.4-5				4
8	Support of swingout cylinder to front outrigger	BC48.2.4.1				2
9	Rest,section 1 rest	BC48.2.4.2				1
10	Rest,section 5 rest	BC48.2.4.8				1
11	Pedestal spherical ball	BC42.2.1.3				4
12	Rib	BC42.2.1-3				4
13	Gusset 4	BC48.2.4-6				2

3.3 ROTATION ASSEMBLY



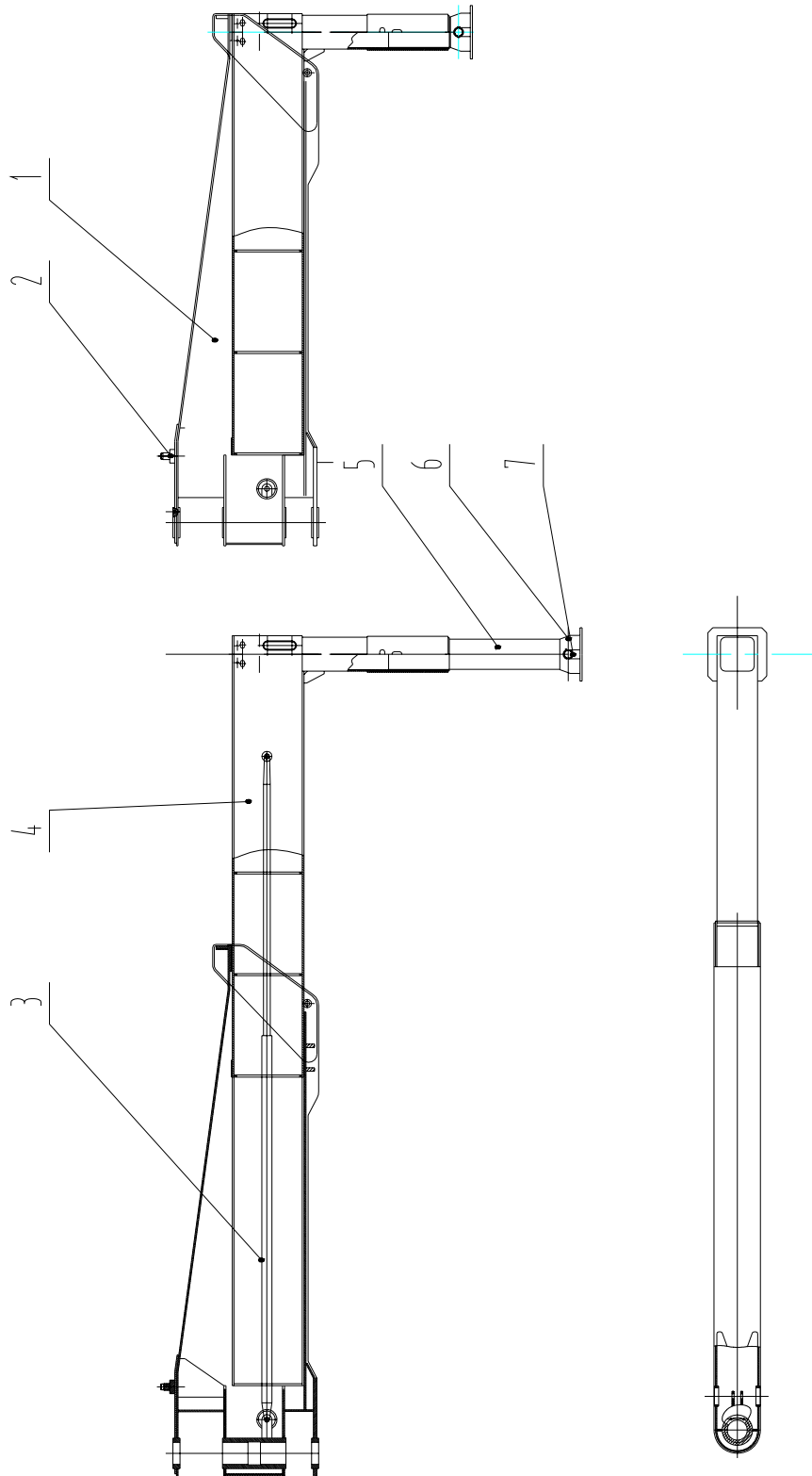


ST48R5

REED
13822 Oaks Avenue
Chino, CA 91710
909-287-2100
www.reedpumps.com

No.	Name	Code	Material	Parent	Weight	Quantity
1	gearbox	BC48.00-3301				1
2	oil transmission tube	BC42.2.3-1				1
3	oil transmission joint	BC42.2.3-2				1
4	washer 16	GB93-87				10
5	bolt m16×55-10.9	GB5783-86				10
6	ventilation cap	BC42.2.3-3				1
7	bolt m6×10	GB70-85				3
8	washer 6	GB93-87				3
9	shield	BC42.2.3.1				1
10	gear	BC42.2.3-4				1
11	cover	BC42.2.3-5				1
12	bolt m10×30	GB70-85				3
13	washer 10	GB93-87				3
14	nipple,grease m10×1	GB1152-89				3
15	bolt m27×200-10.9	GB5782-86				48
16	nut m27-10	GB6170-86				184
17	washer 27	GB/T1230-91				96
18	bolt m27×190-10.9	GB5782-86				44
20	bolt m8×25	GB5783-86				8
21	nut m8	GB41-86				8
22	plate	BC42.2.3-10				8
23	bearing, rotation bearing	06.139003ZZ10				1
24	bolt m27×140-10.9	GB5782-86				4
25	bolt m8×10	GB5782-86				4
26	washer 8	GB93-87				12
27	joint	BC42.2.3-6				1
28	copper tube	BC42.2.3-7				4
29	joint body	BC42.2.3-8				4

3.4 FRONT OUTRIGGER



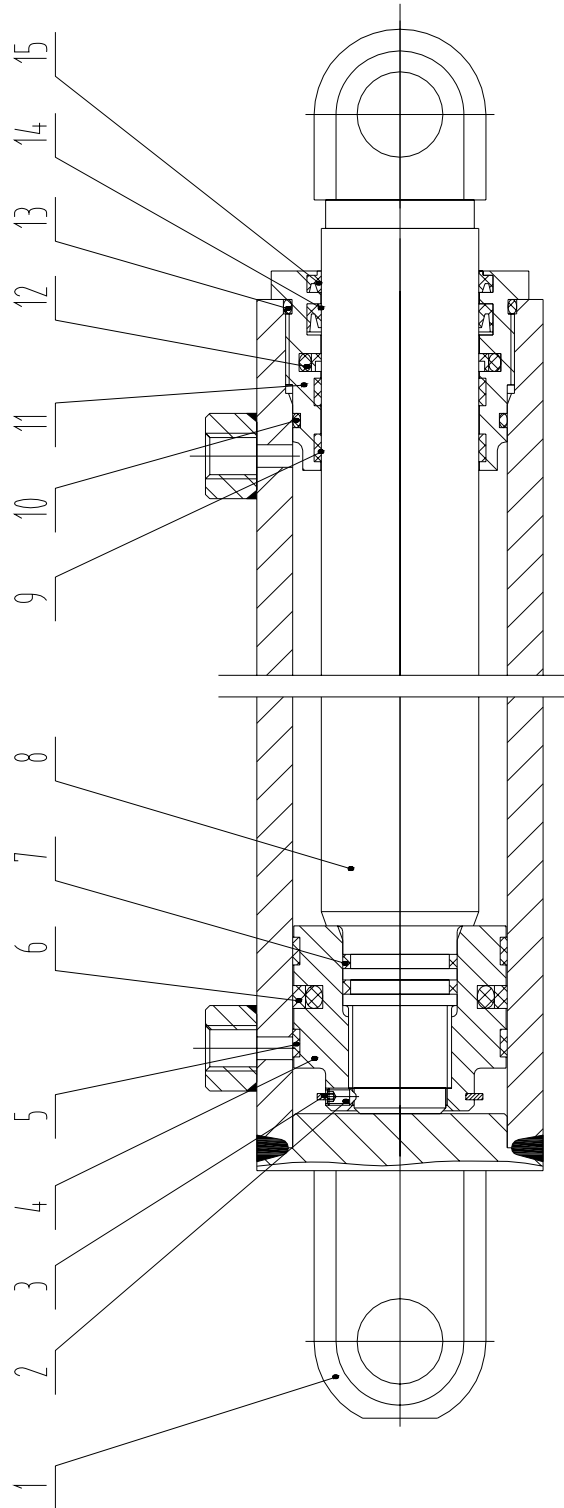


ST48R5

REED
13822 Oaks Avenue
Chino, CA 91710
909-287-2100
www.reedpumps.com

No.	Name	Code	Material	Parent	Weight	Quantity
1	front outrigger arm	BC48.2.1.1				2
2	support of swingout cylinder to outrigger	BC42.2.4-4				2
3	outrigger extend cylinder	BC48.00-3403				2
4	extend arm	BC48.2.4.3				2
5	internal support	BC42.2.4.6				4
6	outrigger support	BC42.2.4.7				4
7	pin	BC42.2.4-6				4
8	cotter pin	BC48.2.1-1				4

3.4.1 OUTRIGGER EXTEND CYLINDER



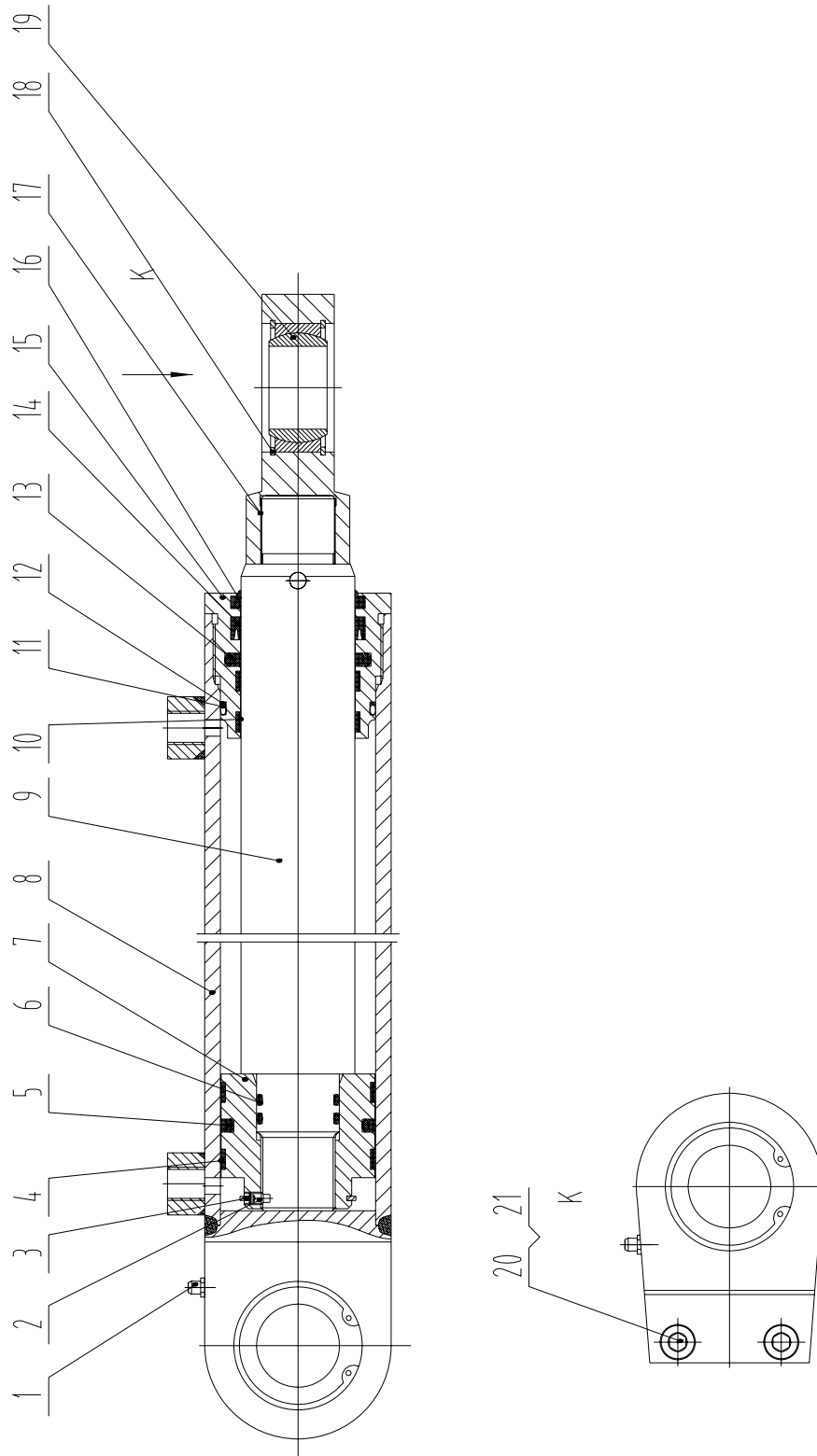


ST48R5

REED
13822 Oaks Avenue
Chino, CA 91710
909-287-2100
www.reedpumps.com

No.	Name	Code	Material	Parent	Weight	Quantity
1	assembly of cylinder body	0-01/G26				1
2	bolt m6 ×10	GB/T79-2000				1
3	ring,snap ring	GB/T894.2-1986				1
4	piston	0-1/G6A				1
5	ring,guide ring 70 ×75 ×9.7	FR7005Q5029				2
6	seal,bearing seal 75 ×62× 6.3	KR2075 00701				1
7	o-ring 33.5 ×3.55	GB/T3452.1-1992				2
8	rod,piston rod	0-1/G26				1
9	ring,guide ring 55 ×60 ×9.7	FR5507Q5029				2
10	o-ring 67×3.55	GB/T3452.1-1992				1
11	carrier,seal carrier	0-3/G6				1
12	seal,bearing seal	PO-55-171-0550				1
13	o-ring 75 ×3.55	GB/T3452.1-1992				1
14	seal,bearing seal	BS5564P5008				1
15	anti-dust ring	AY5050 P5008				1

3.5 SWINGOUT CYLINDER OF FRONT OUTRIGGER



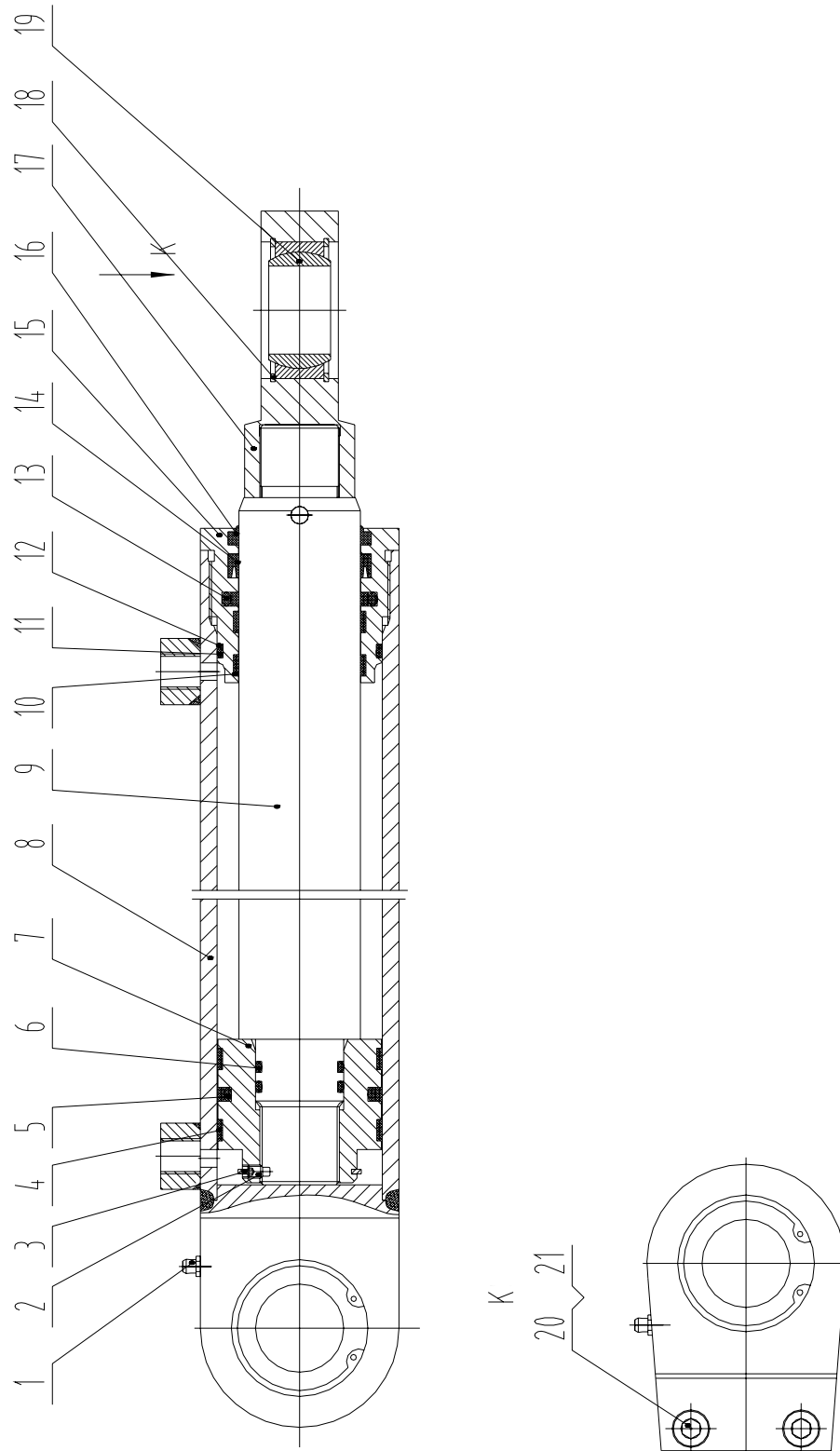


ST48R5

REED
13822 Oaks Avenue
Chino, CA 91710
909-287-2100
www.reedpumps.com

No.	Name	Code	Material	Parent	Weight	Quantity
1	Nipple,grease nipple M8 ×1	GB1152-1989				
2	Bolt M6×10	GB/T79-2000				
3	Ring,snap ring 50	GB/T894.1-1986				
4	Ring,guide ring 70 ×75× 9.7	FR 7005				
5	Seal,bearing seal 75 ×62× 6.3	KR 2075				
6	O-ring 33.5 ×3.55	GB/T3452.1-1992				
7	Piston	0-1				
8	Assembly of cylinder body	0-01/G6				
9	Rod,piston rod	0-2/G6				
10	Ring,guide ring 55 ×60 ×9.7	FR 5507				
11	O-ring 69 ×3.55	GB/T3452.1-1992				
12	Ring,snap ring	0-2				
13	Seal of rod,piston rod assembly	PO-55-171-0550				
14	Seal,bearing seal 55 ×65× 10	BS 5564				
15	Carrier,seal carrier	0-3/G6				
16	Anti-dust ring 55× 65 ×6.8	AY 5050				
17	Spherical ball 耳环	0-4/G6A				
18	Ring,snap ring 62	GB/T893.1-1986				4
19	Joint bearing	GE40ES				2
20	Bolt M10× 30	GB/T70.1-2000				2
21	Washer 10	GB/T70.1-2000				2

3.6 SWINGOUT CYLINDER OF REAR OUTRIGGER



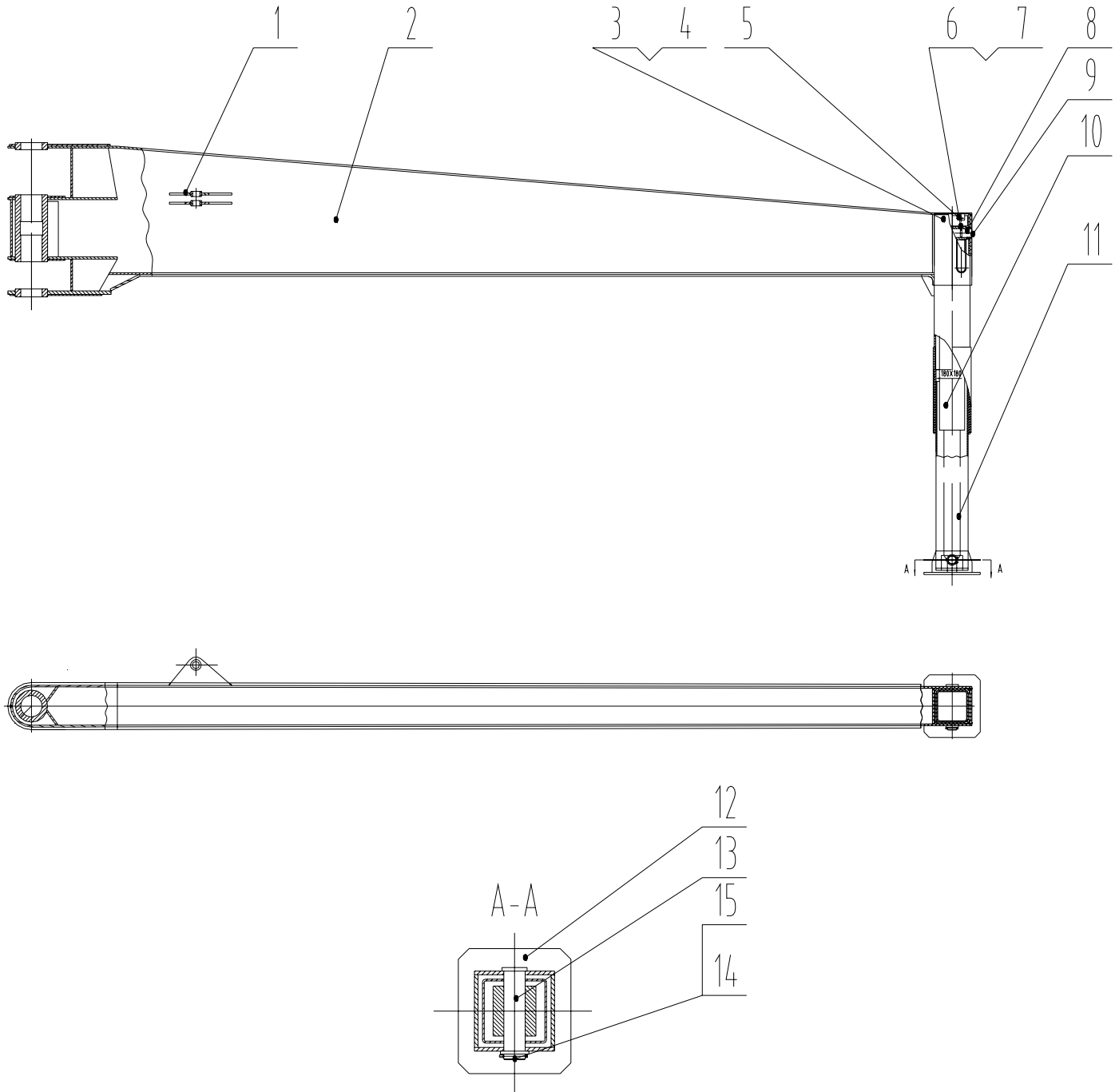


ST48R5

REED
13822 Oaks Avenue
Chino, CA 91710
909-287-2100
www.reedpumps.com

No.	Name	Code	Material	Parent	Weight	Quantity
1	Nipple,grease nipple M8 ×1	BC48.00-3301				2
2	Bolt M6×10	GB/T79-2000				1
3	Ring,snap ring 50	GB/T894.1-1986				1
4	Ring,guide ring 70 ×75× 9.7	FR 7005				2
5	Seal,bearing seal 75 ×62× 6.3	KR 2075				1
6	O-ring 33.5 ×3.55	GB/T3452.1-1992				2
7	Piston	0-1/G6A				1
8	Assembly of cylinder body	0-01/G7				1
9	Rod,piston rod	0-2/G7				1
10	Ring,guide ring 55 ×60 ×9.7	FR 5507				2
11	O-ring 69 ×3.55	GB/T3452.1-1992				1
12	Ring,snap ring	0-2/G6A				1
13	Rod,piston rod assembly seal	PO-55-171-0550				1
14	Seal,bearing seal 55 ×65× 10	BS 5564				1
15	Carrier,seal carrier	0-3/G6				1
16	Anti-dust ring 55× 65 ×6.8	AY 5050				1
17	Spherical ball	0-4/G6A				1
18	Ring,snap ring 62	GB/T893.1-1986				4
19	Joint bearing	GE40ES				2
20	Bolt M10× 30	GB/T70.1-2000				2
21	Washer 10	GB/T70.1-2000				2

3.7 LEFT-REAR OUTRIGGER



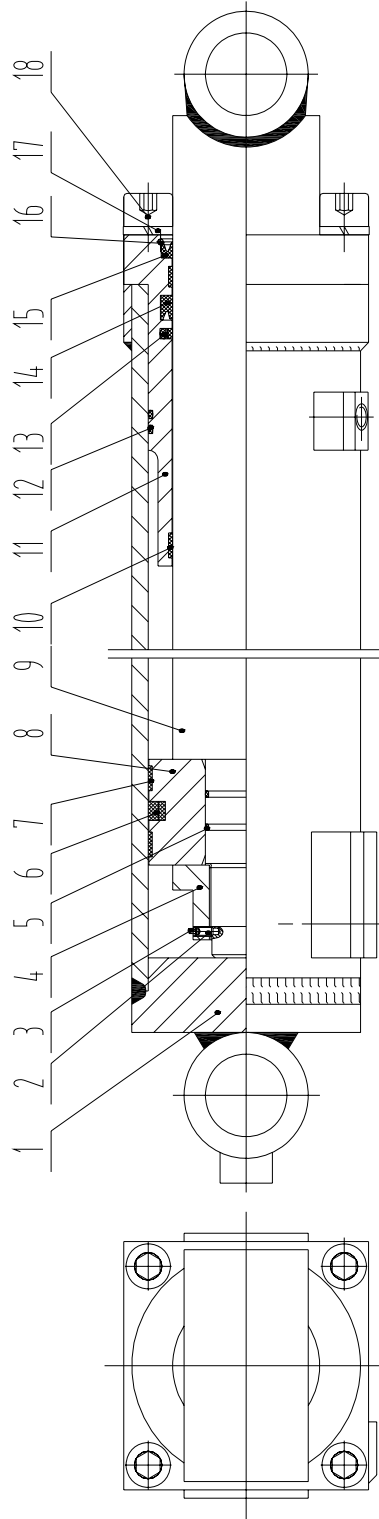


ST48R5

REED
13822 Oaks Avenue
Chino, CA 91710
909-287-2100
www.reedpumps.com

No.	Name	Code	Material	Parent	Weight	Quantity
1	mount plate	BC48.2.5.1				2
2	outrigger arm	BC48.2.6.1				1
3	bolt m8×30	GB70-85				2
4	washer 8	GB93-87				2
5	cover	BC42.2.4.5				1
6	bolt m8×40	GB77-85				2
7	nut m8	GB41-86				2
8	shaft	BC42.2.4-5				1
9	bolt m10×30	GB5783-86				1
10	left outrigger cylinder	BC42.2.5.2				1
11	internal support	BC42.2.4.6				1
12	outrigger support	BC42.2.4.7				1
13	pin	BC42.2.4-6				1
14	ring,snap ring	BC42.2.4-7				1
15	cotter pin8×60	GB91-86				1

3.7.1 OUTRIGGER CYLINDER



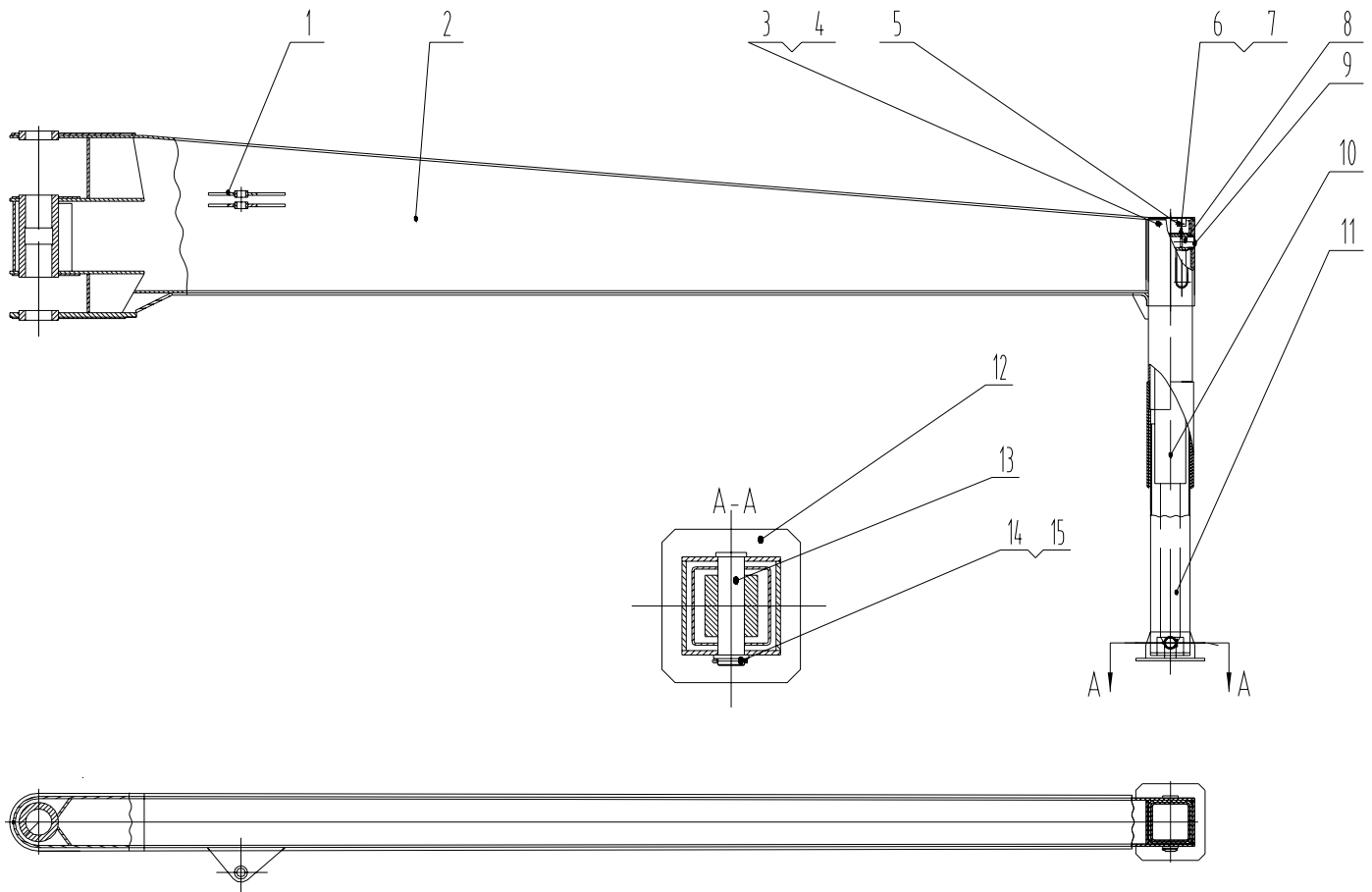


ST48R5

REED
13822 Oaks Avenue
Chino, CA 91710
909-287-2100
www.reedpumps.com

No.	Name	Code	Material	Parent	Weight	Quantity
1	assembly of cylinder body	0-01/G9				1
2	bolt m6×14	GB/T79-2000				1
3	ring,snap ring 65	GB894.2-86				1
4	nut	0-01				1
5	o ring 45×2.65	GB/T3452.1-92				2
6	piston seal,bearing seal 120×99×10.5	KR11200070				1
7	ring,guide ring 115×120×15	FR B053				2
8	piston	0-2				1
9	rod,piston rod assembly	0-02/G9				1
10	ring,guide ring 90×95×15	FR 9095				2
11	carrier,seal carrier	0-3/G9				1
12	o ring 12×3.55	GB/T3452.1-92				2
13	seal of rod,piston rod assembly	PO-55-171-0900				1
14	rod,piston rod seal,bearing seal	BS 9005				1
15	anti-dust ring 90×104×8	AF 9033				1
16	ring,snap ring 105	GB/T895.1-86				1
17	bolt m20×60	GB/T70.1-2000				4
18	washer 20	GB/T93-87				4

3.8 RIGHT-REAR OUTRIGGER



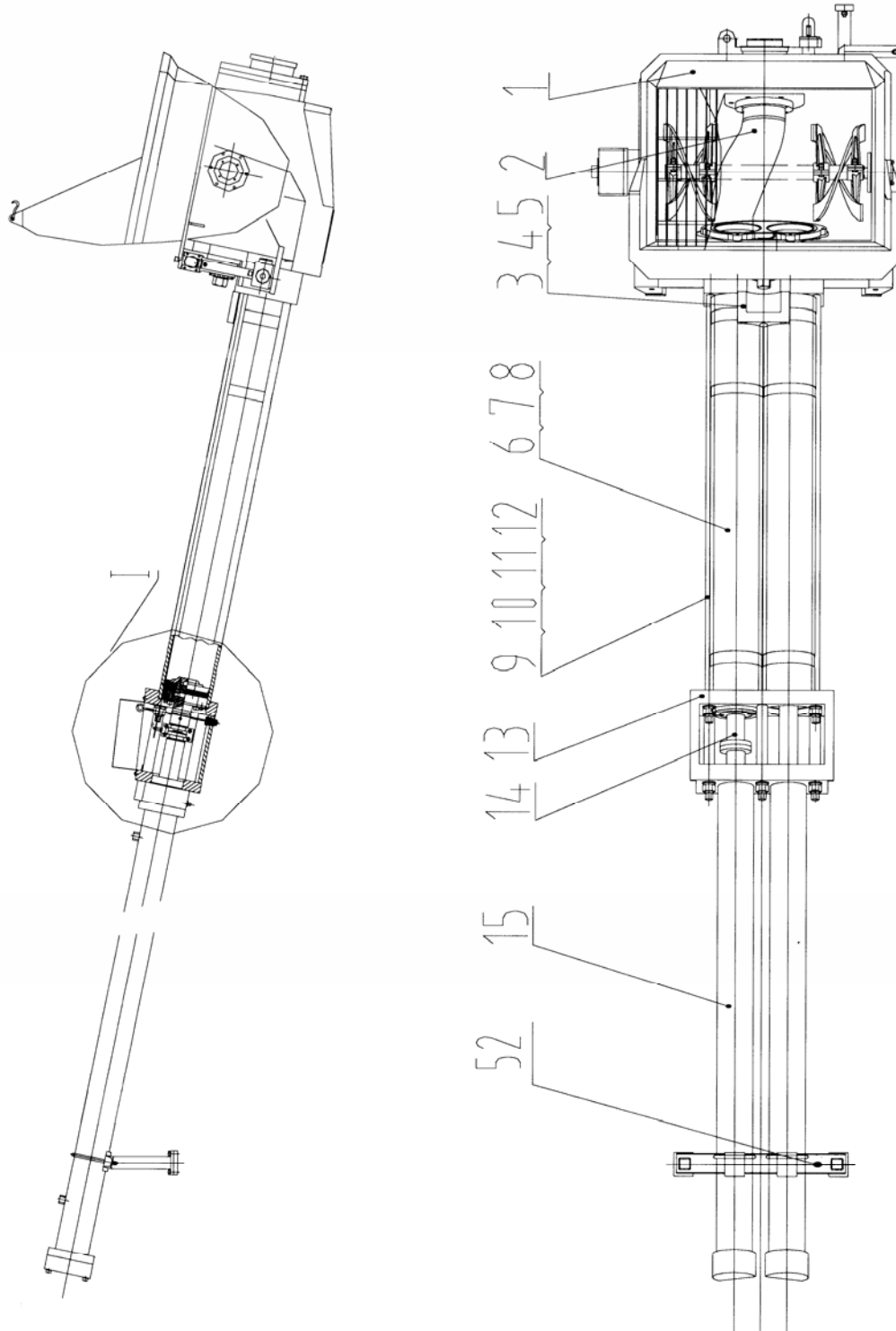


ST48R5

REED
13822 Oaks Avenue
Chino, CA 91710
909-287-2100
www.reedpumps.com

No.	Name	Code	Material	Parent	Weight	Quantity
1	pedestal	BC48.2.5.1				2
2	outrigger arm	BC48.2.5.2				1
3	bolt m8×30	GB70-85				2
4	washer 8	GB93-87				2
5	cover	BC48.2.5.3				1
6	bolt m8×40	GB77-85				2
7	nut m8	GB41-86				2
8	shaft	BC42.2.4-5				1
9	bolt m10×30	GB5783-86				1
10	right outrigger cylinder	BC42.2.4.4				1
11	internal support	BC42.2.4.6				1
12	outrigger support	BC42.2.4.7				1
13	pin	BC42.2.4-6				1
14	ring,snap ring	BC42.2.4-7				1
15	cotter pin8×60	GB91-86				1

CHAPTER 4 PUMPING SYSTEM



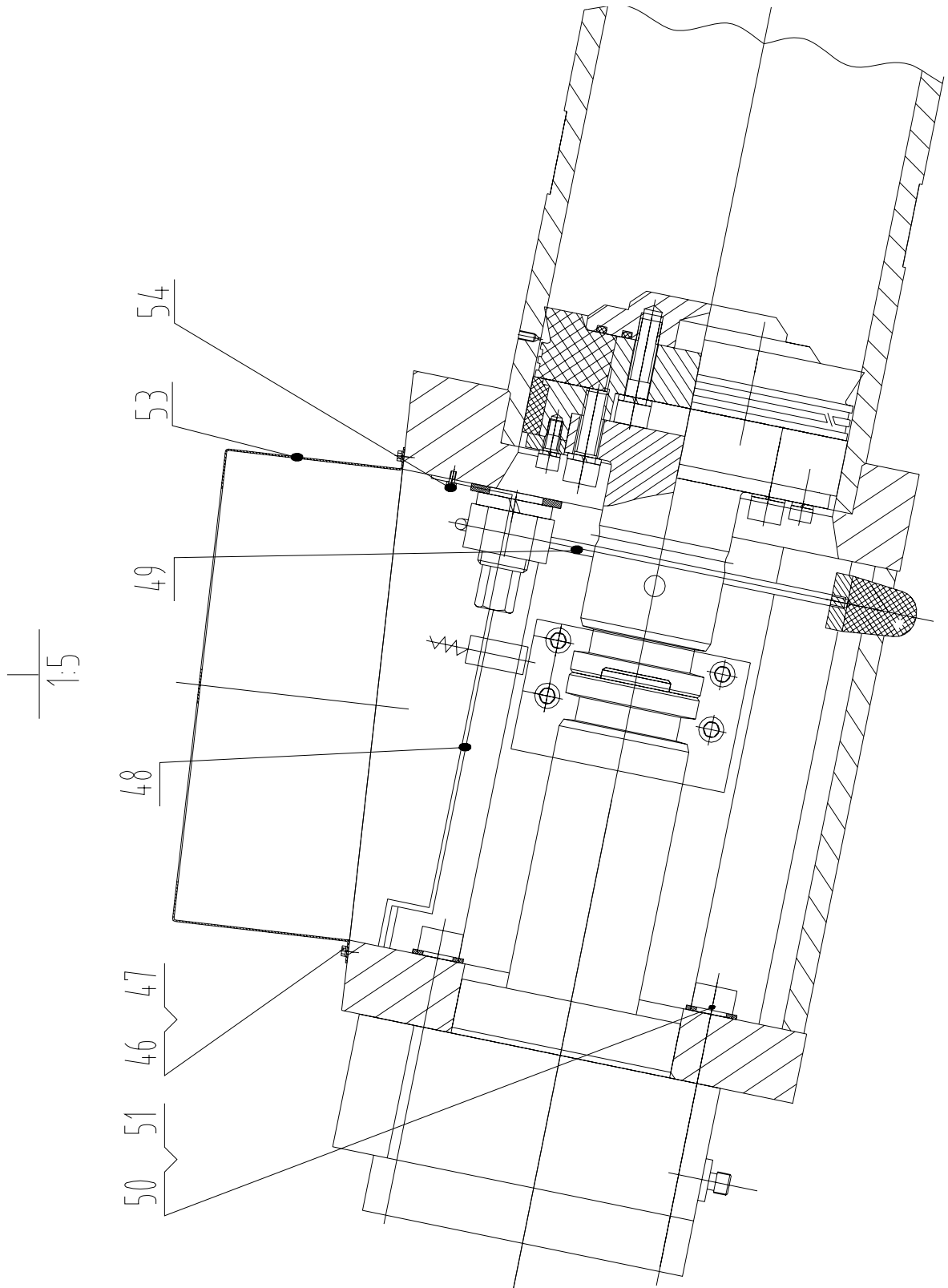


ST48R5

REED
13822 Oaks Avenue
Chino, CA 91710
909-287-2100
www.reedpumps.com

No.	Name	Code	Material	Parent	Weight	Quantity
1	hopper assembly	BC37.3.1				1
2	s-tube assembly	BC37.3.2				1
3	base,tie-rod base	BC37.3-1				1
4	washer 20	GB93-87				3
5	bolt M20×145	GB80-75				3
6	o-ring Φ243×7	GB3452.1-82				2
7	cylinder,concrete cylinder	BC37.3-2				2
8	tie-rod	BC37.3-3				6
9	shield	BC37.3-4				2
10	nut M36	GB6170-86				6
11	washer 36	GB97.1-86				6
12	bolt 36	GB93-87				6
13	water box	BC37.3.3				1
14	piston,concrete piston	BC37.3.4				2
15	cylinder,drive cylinder	BC37.3.5				2

4.1 WATER BOX BC37.3.3



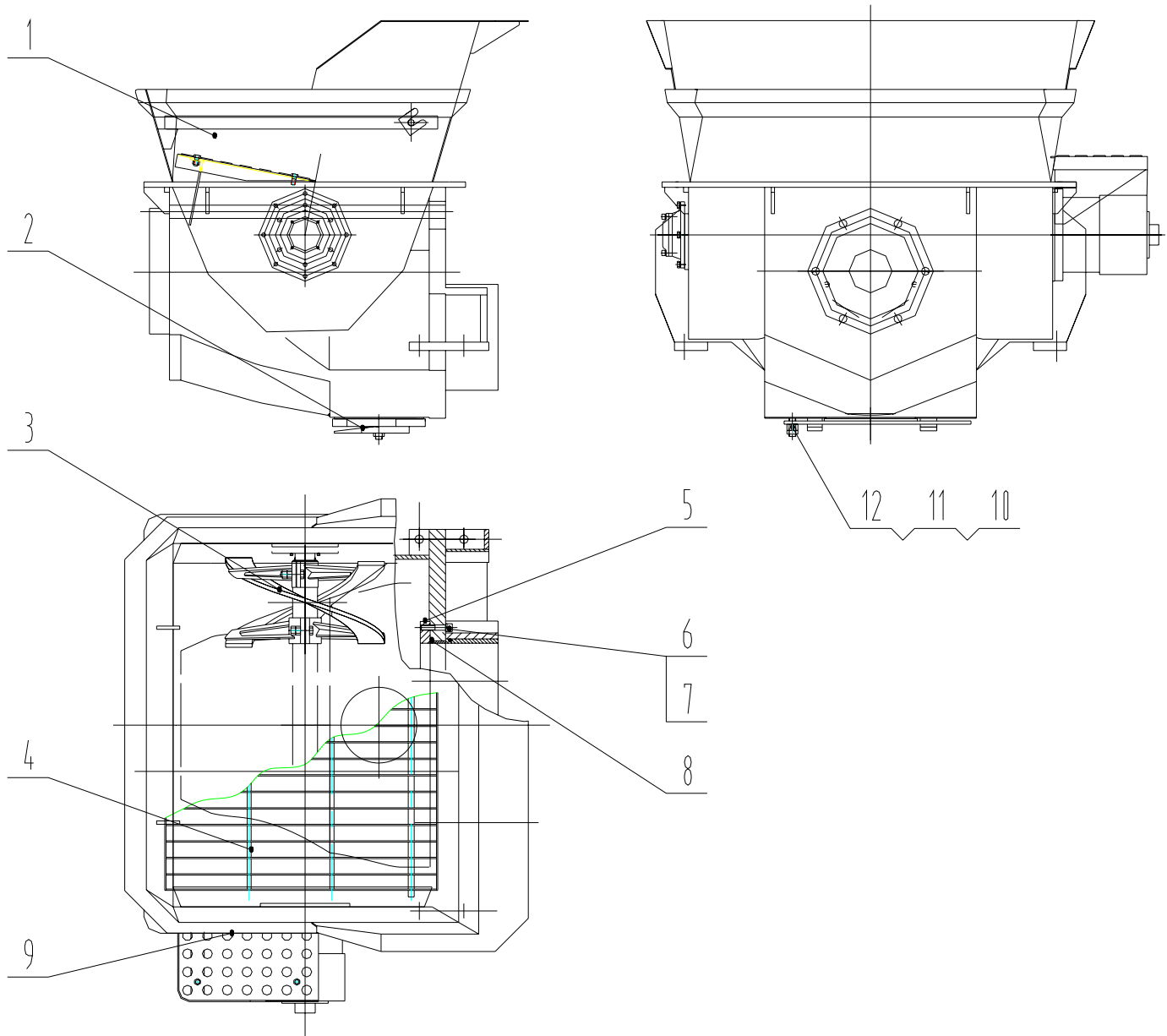


ST48R5

REED
13822 Oaks Avenue
Chino, CA 91710
909-287-2100
www.reedpumps.com

No.	Name	Code	Material	Parent	Weight	Quantity
46	bolt M8 x 12	GB5781-86				4
47	washer 8	GB93-87				4
48	bracket,proximity switch	BC37.3.26				2
49	plug,waterbox	BC37.3.23				2
50	bolt M22 x 185	GB70-85				18
51	washer 22	GB95-85				18
52	support,drive cylinder	BC37.3.24				1
53	cover,water box	BC37.3-12				1
54	bolt M8 x 16	GB5781-86				4

4.2 HOPPER ASSEMBLY



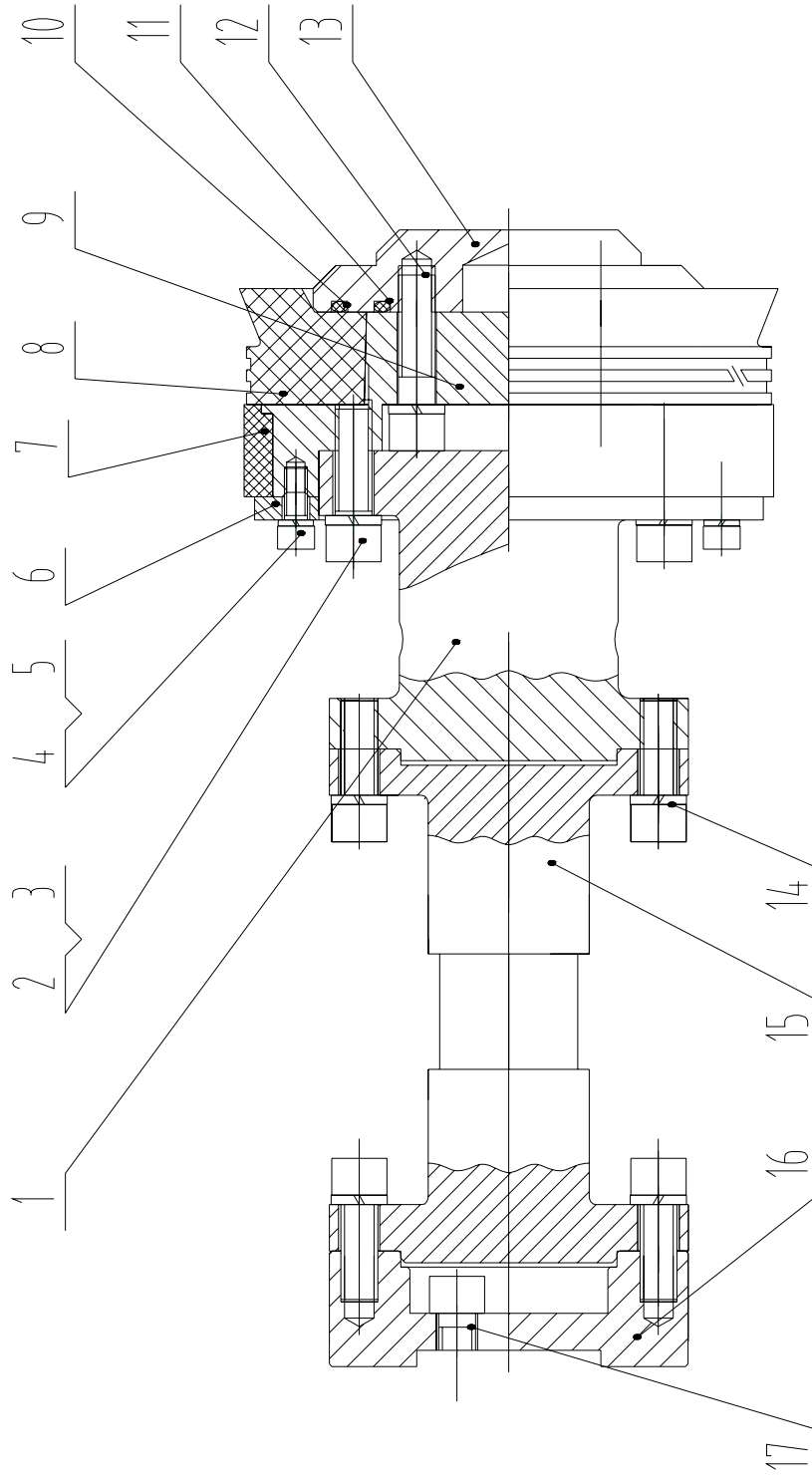


ST48R5

REED
13822 Oaks Avenue
Chino, CA 91710
909-287-2100
www.reedpumps.com

No.	Description	Part Number	Material	Parent	Weight	Quantity
1	hopper weldment	BC37.3.1.1				1
2	door,hopper door	60S1816.3.4-2				1
3	agitator	BC37.3.1.5				1
4	grate,hopper grate	BC37.3.1.2				1
5	plate,wear plate	BC37.3.1-1				1
6	bolt M16 × 75	GB70-85				6
7	washer 16	GB93-87				2
8	o-ring 243 × 5.3	GB3452.1-82				2
9	step	BC37.3.1.4				1
10	stud	60S1816.3.4-4				1
11	bolt M20	GB6170-86				1
12	washer M20	GB6184-86				1

4.3 CONCRETE PISTON ASSEMBLY



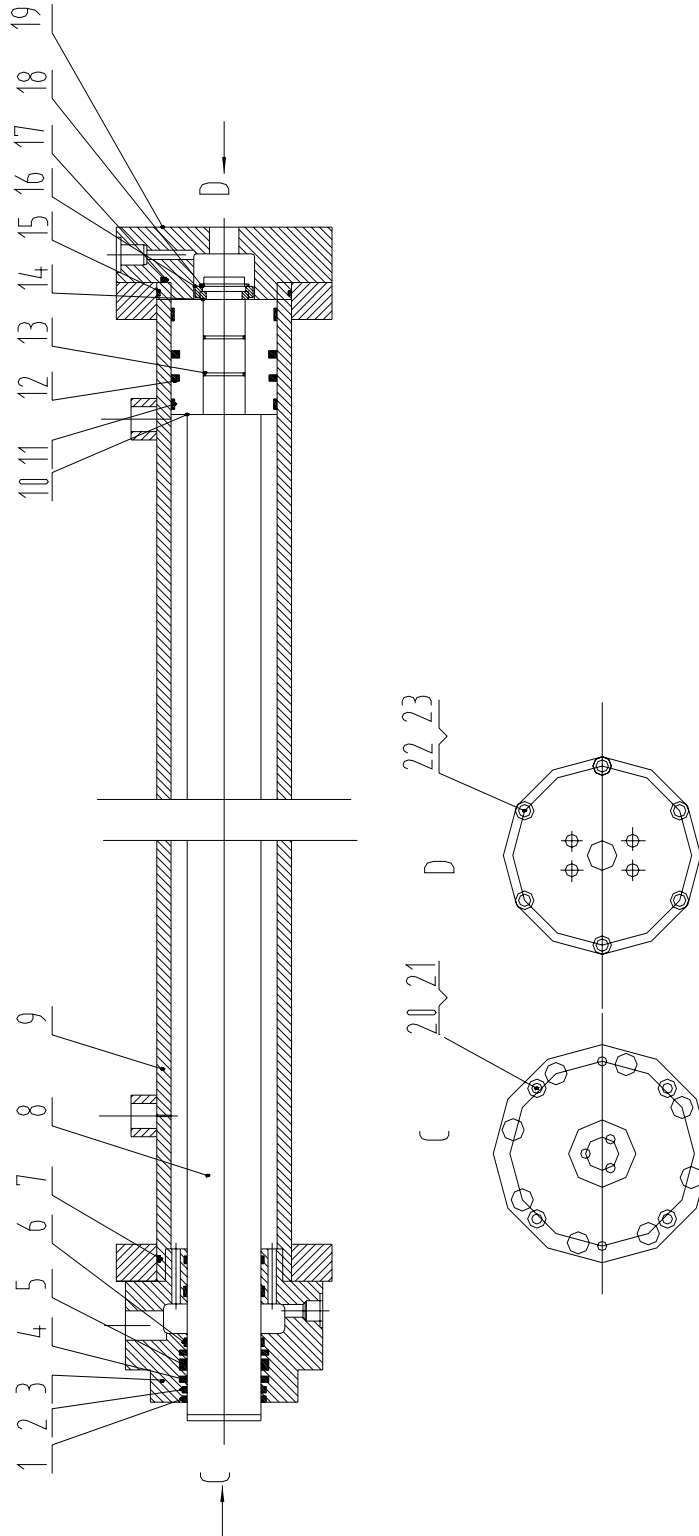


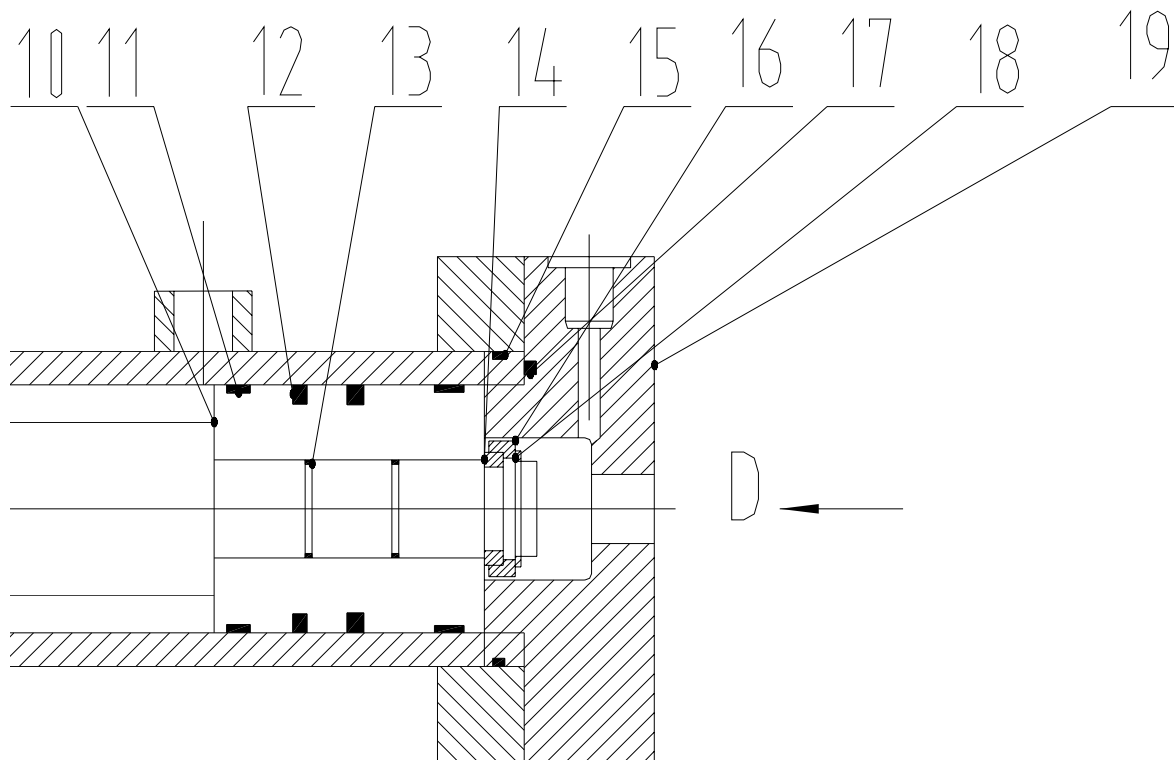
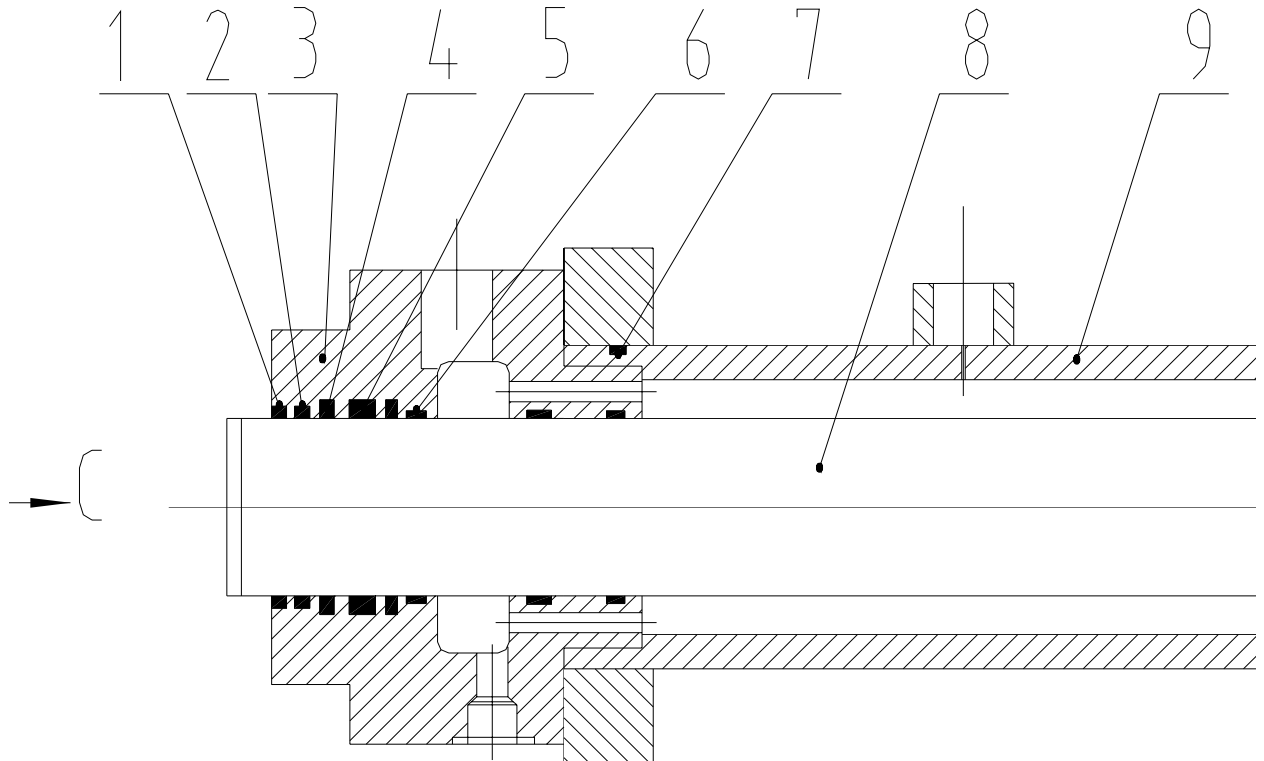
ST48R5

REED
13822 Oaks Avenue
Chino, CA 91710
909-287-2100
www.reedpumps.com

No.	Name	Code	Material	Parent	Weight	Quantity
1	connecting rod	CZB90.03.1-1	45			1
2	bolt m16x50	GB70-85	8.8			4
3	washer 16	GB93-87	65Mn			16
4	bolt m10x25	GB70-85	8.8			4
5	washer 10	GB93-87	65Mn			4
6	plate,retaining plate	BC37.3.4-2	Q235-A			1
7	band,guide band	BC37.3.4-3				1
8	seal,concrete seal	BC37.3.4-4	Polyurethane			1
9	piston body	BC37.3.4-5	45			1
10	o-ring 140x5.3	GB3452.1-82	Rubber			1
11	o-ring 103x5.3	GB3452.1-82	Rubber			1
12	bolt m16x60	GB70-85	8.8			4
13	plate,retaining plate	BC37.3.4-6	45			1
14	bolt m16*45	GB70-85	8.8			8
15	rod,connecting rod	60S1816.5-5	45			1
16	flange,transition flange	60S1416.5-3	45			1
17	bolt m12x40	GB70-85	8.8-grade			3

4.4 DRIVE CYLINDER BC37.3.5





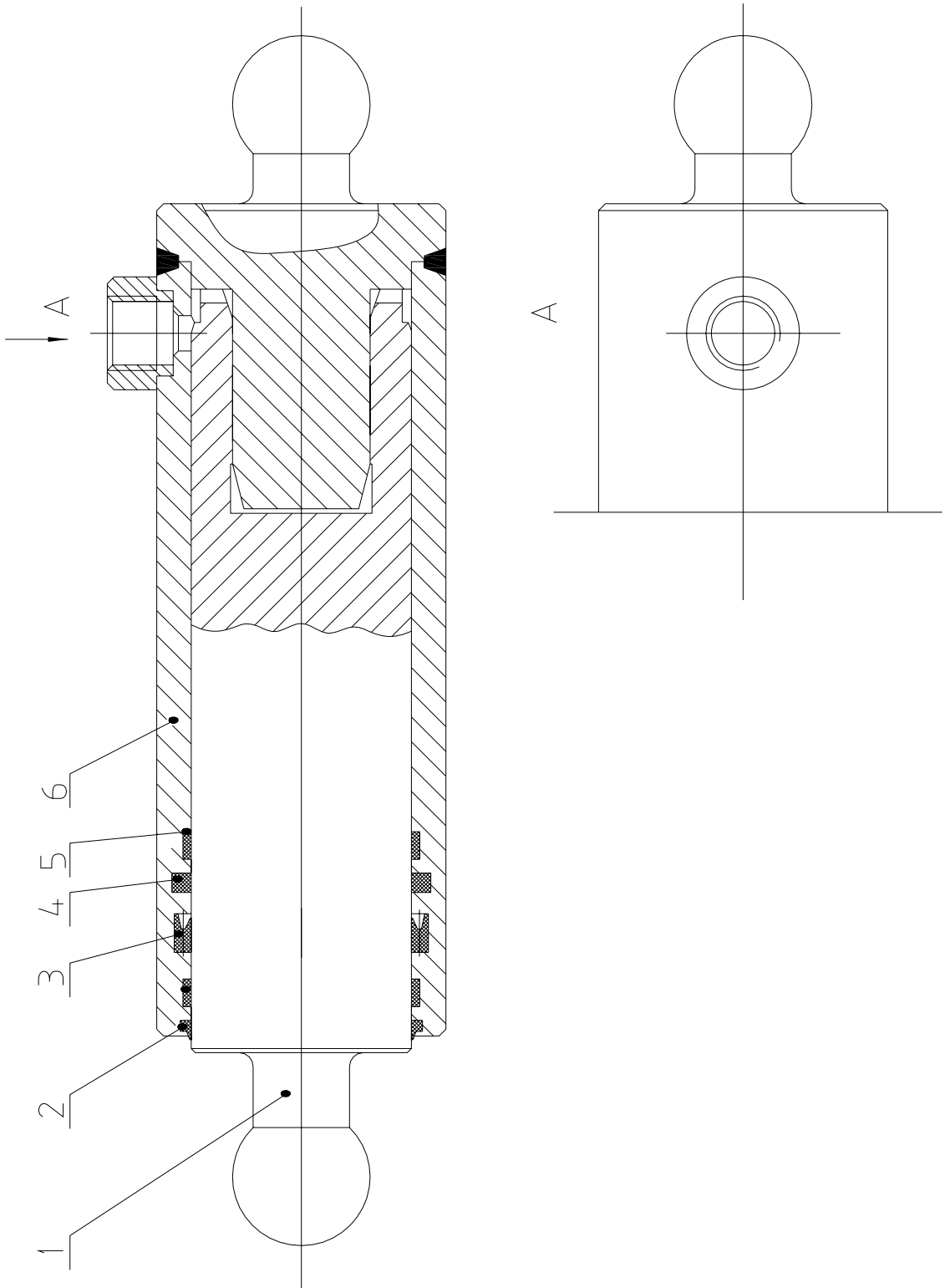


ST48R5

REED
13822 Oaks Avenue
Chino, CA 91710
909-287-2100
www.reedpumps.com

No.	Description	Part Number	Material	Parent	Weight	Quantity
1	ring,snap ring 90	GB895.1-86		BC37.3.5s		1
2	ring,anti-dust ring	AM8009 A5053		BC37.3.5s		1
3	carrier,seal carrier					1
4	seal,OD piston rod seal	OD 0800 052 00171 D		BC37.3.5s		2
5	seal,BS piston rod seal	BS 8095 P5008		BC37.3.5s		1
6	ring,guide ring	FR 8010 Q5029		BC37.3.5s		3
7	O-ring 125 x 3.1	GB1235-76-125 x 3.1		BC37.3.5s		2
8	rod,piston rod					1
9	cylinder body					1
10	piston					1
11	ring,guide ring	FR 8009 Q5029		BC37.3.5s		2
12	seal,piston seal	OK 0115 00701		BC37.3.5s		2
13	O-ring 66x3.1	GB1235-76-66x3.1		BC37.3.5s		2
14	ring,key ring for shaft			BC37.3.5s		1
15	O-ring 115X3.1	GB1235-76-115X3.1		BC37.3.5s		1
16	ring,snap ring cap			BC37.3.5s		1
17	O-ring 130X3.1	GB1235-76-130X3.1		BC37.3.5s		1
18	ring,snap ring	GB94.1-86-65		BC37.3.5s		1
19	cylinder body					3
20	bolt M10 x 100	GB70-85-M10 x 100 - 8.8		BC37.3.5s		4
21	washer	GB93-87-10		BC37.3.5s		4
22	bolt M24 x 65	GB70-85-M24 x 65 - 8.8		BC37.3.5s		6
23	washer M24	GB93-87-24		BC37.3.5s		6

4.5 SHIFT CYLINDER XBCY39.00-6233



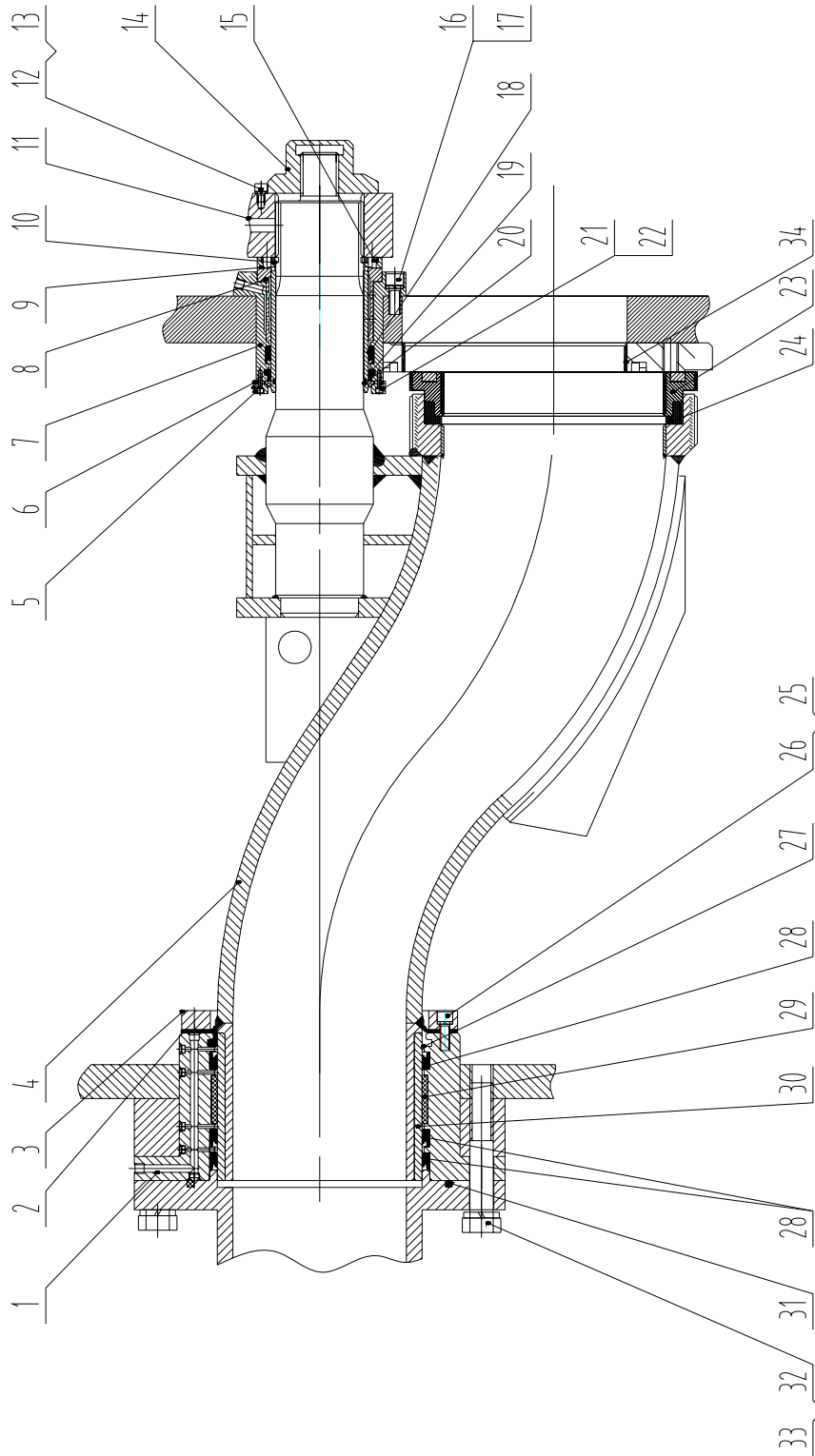


ST48R5

REED
13822 Oaks Avenue
Chino, CA 91710
909-287-2100
www.reedpumps.com

No.	Description	Part Number	Material	Parent	Weight	Quantity
1	rod,piston rod					1
2	ring,AY anti-dust d80	AY 8030 P5008		XBCY39.00-6233s		1
3	ring,BS bearing ring d80	BS 8095 P5008		XBCY39.00-6233s		1
4	seal,PTEE OD rod seal d80	OD 0800 052 00171		XBCY39.00-6233s		1
5	ring,FR guide ring	FR 8010 Q5029		XBCY39.00-6233s		2
6	cylinder assembly					1

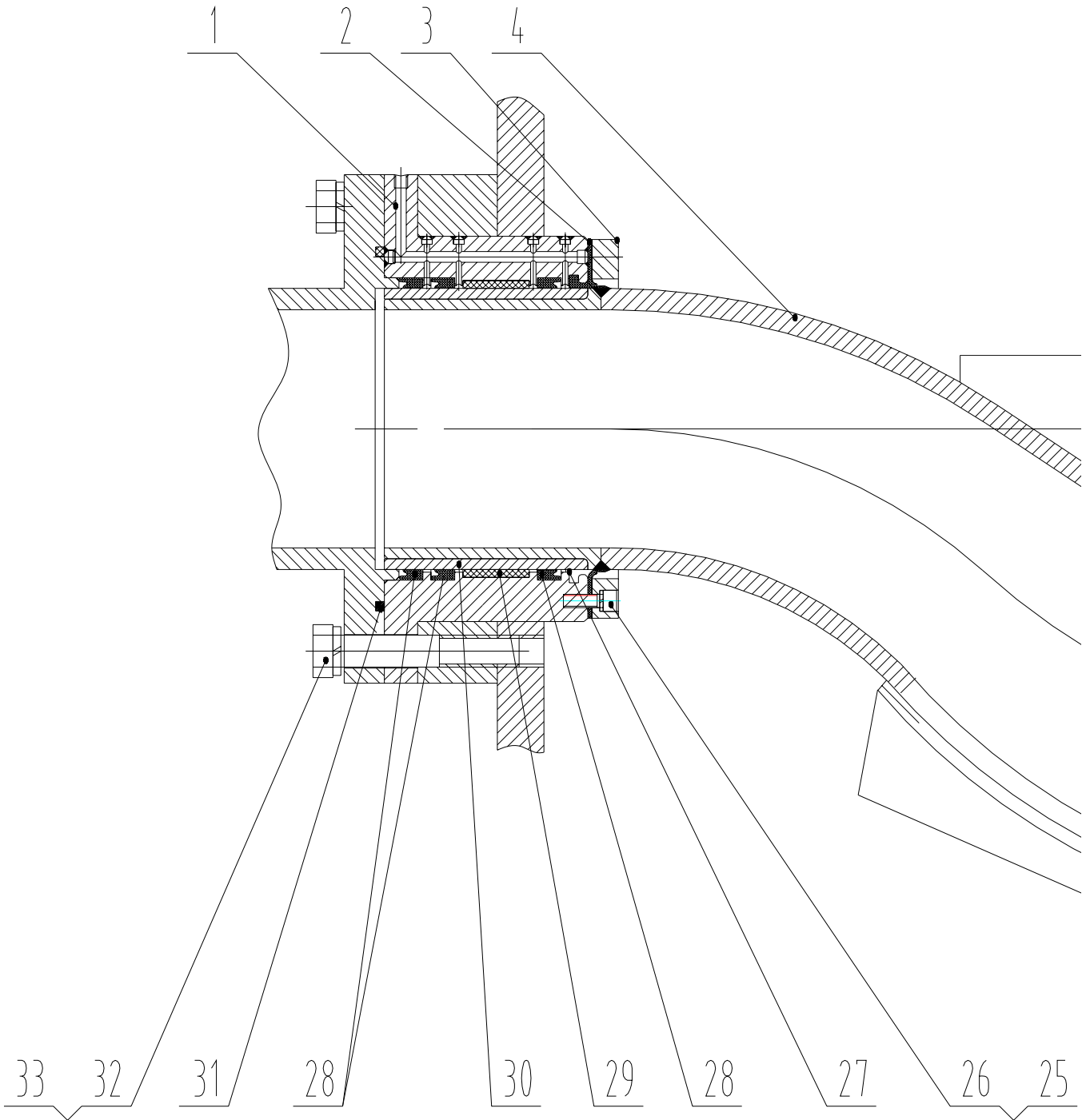
4.6 S-TUBE ASSEMBLY BC37.3.2

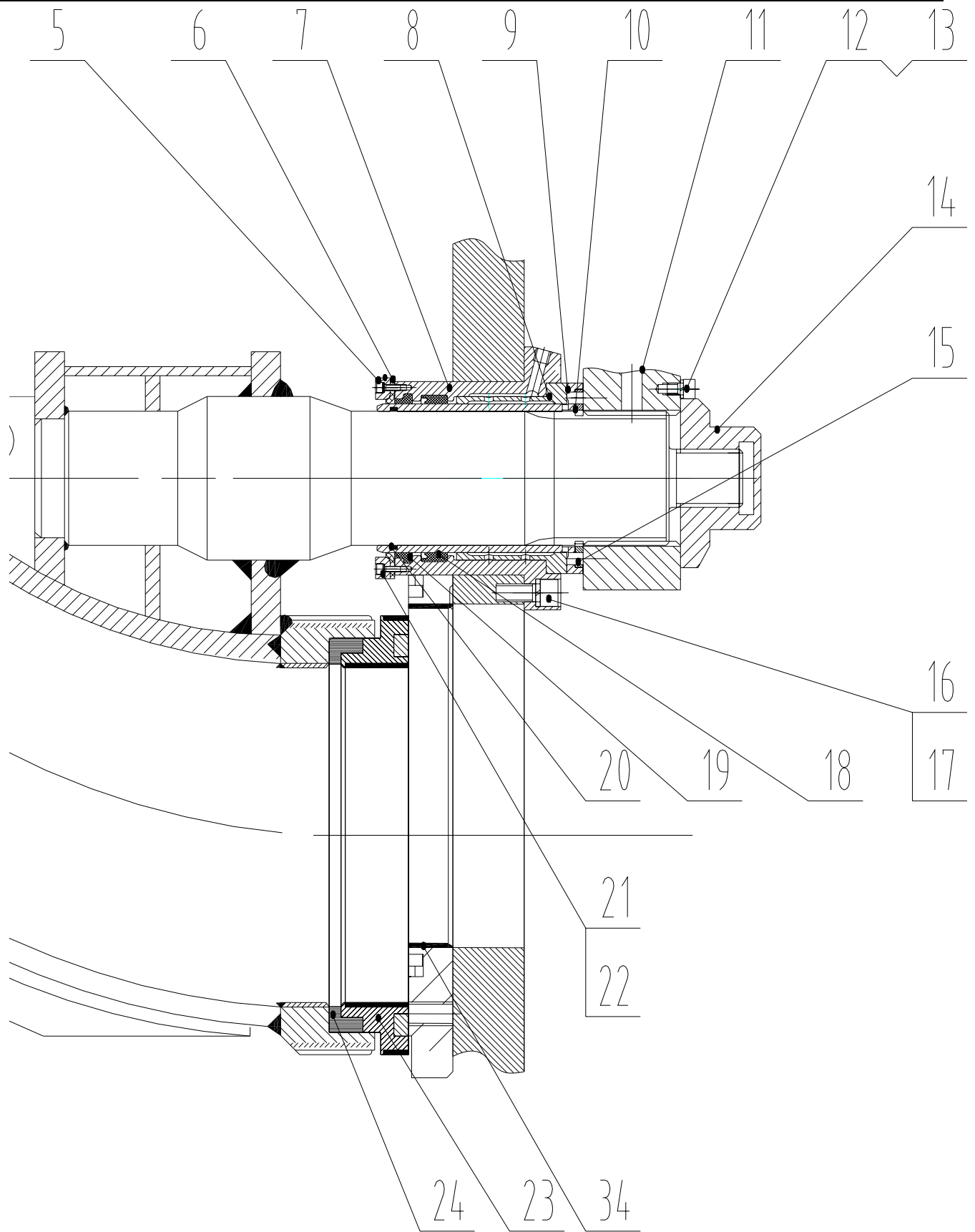




ST48R5

REED
13822 Oaks Avenue
Chino, CA 91710
909-287-2100
www.reedpumps.com





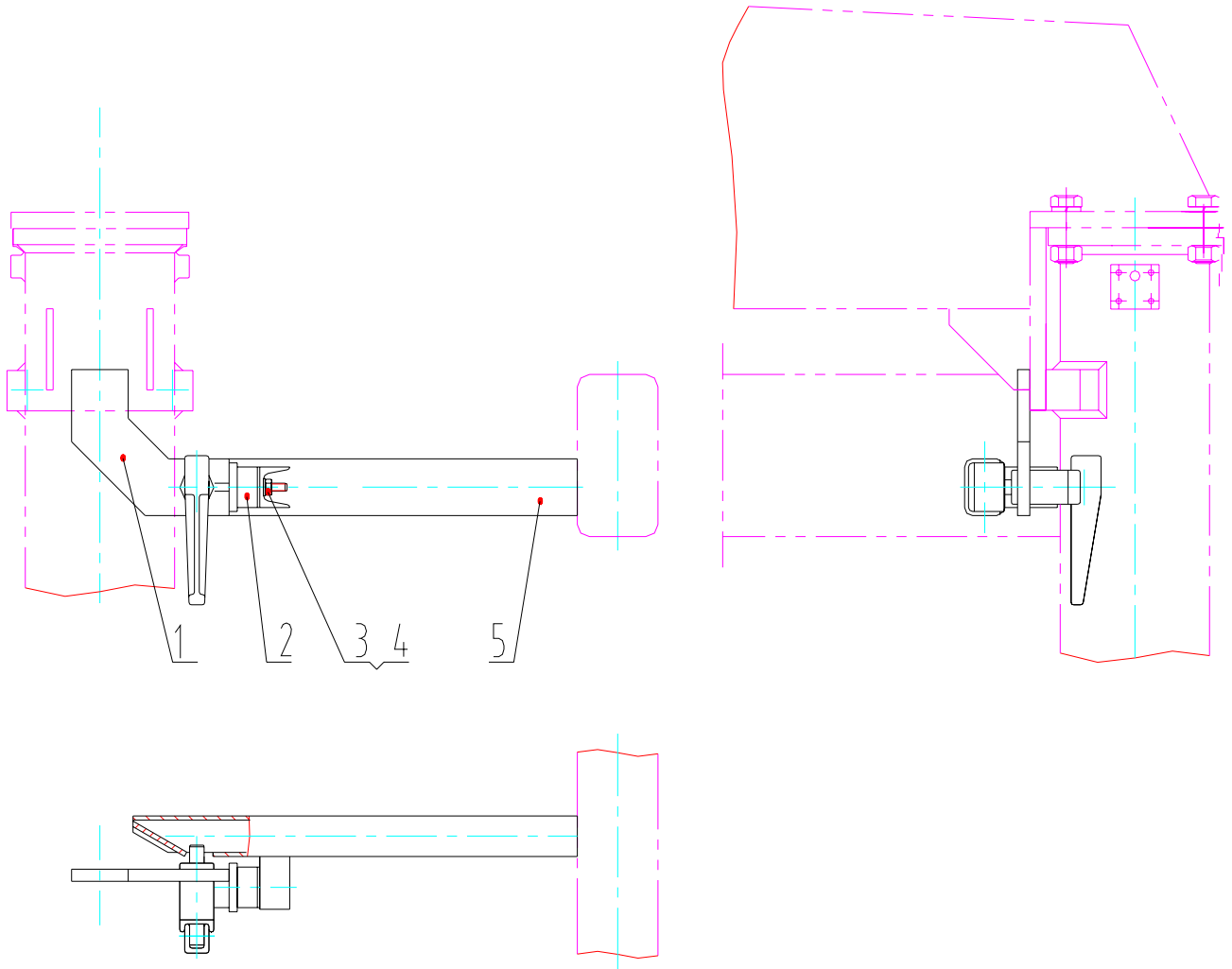


ST48R5

REED
13822 Oaks Avenue
Chino, CA 91710
909-287-2100
www.reedpumps.com

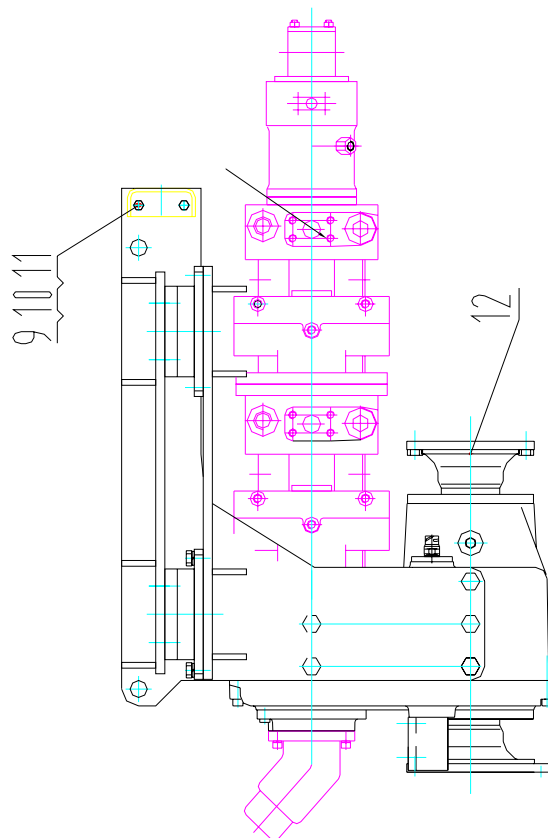
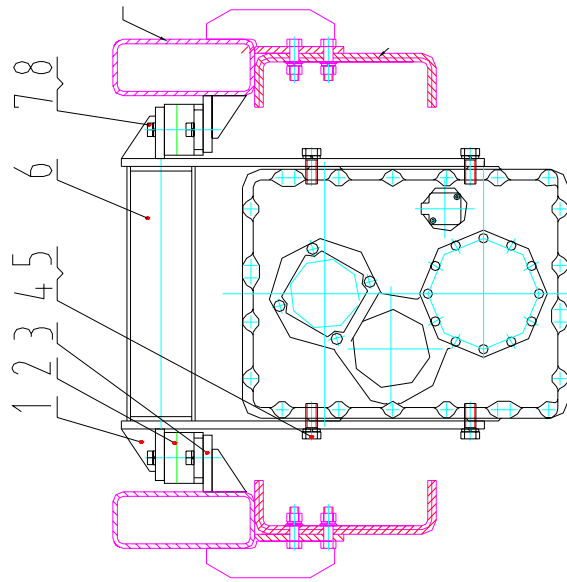
No.	Description	Part Number	Material	Parent	Weight	Quantity
1	housing,bearing outlet	60S1816.1.2.2				1
2	seal,housing	60S1816.1.2-1				1
3	plate,retaining plate	60S1816.1.2-2				1
4	s-tube	BC37.3.2.1				1
5	plate,retaining plate	60S1816.1.2-3				1
6	seal,bearing housing	60S1816.1.2-4				1
7	housing,bearing shaft	60S1816.1.2-15				1
8	bearing,copper bearing	60S1816.1.2-5				1
9	bearing,thrust bearing	60S1816.1.2-6				1
10	spline ring	60S1816.1.2-7				1
11	lever,drive lever	60S1816.1.2-8				1
12	bolt M8 x 16	GB70-85				1
13	washer 8	GB93-87				1
14	nut,tension nut	60S1816.1.2-9				1
15	pin,positioning pin	60S1816.1.2-10				1
16	bolt M12 x 30	GB70-85				6
17	washer 12	GB93-87				6
18	seal,lip seal		C1A015N3571			1
19	seal,ring		A5A018N3587			1
20	o-ring 88.49x3.53					1
21	bolt M4 x 12	GB70-85				6
22	washer 4	GB93-87				6
23	ring,cutting ring	BC37.3.2-11				1
24	ring,tension ring	BC37.3.2-12				1
25	bolt M10 x 30	GB70-85				6
26	washer 10	GB93-87				6
27	seal,ring J210					
28	seal,lip seal YXd210					
29	bearing,nylon bearing	60S1816.1.2-13				1
30	sleeve,wear sleeve	60S1816.1.2-14				1
31	o-ring 258 x 7	GB3452.1-82				1
32	bolt M24 x 150	GB70-85				6
33	washer 24	GB93-87				6
34	plate,wear plate	BC37.3.2-13				1

5.2 REAR OUTRIGGER LOCK ZBC37.4.5



No.	Description	Part Number	Material	Parent	Weight	Quantity
1	plate, rear bracket	BC37D.4.5.1				1
2	pad, bumper pad	WAI 103494				1
3	nut M10	GB6170-86				1
4	washer 10	GB93-87				1
5	tube, rear rectangular	BC37D.4.5.2				1

5.3 GEARBOX ASSEMBLY





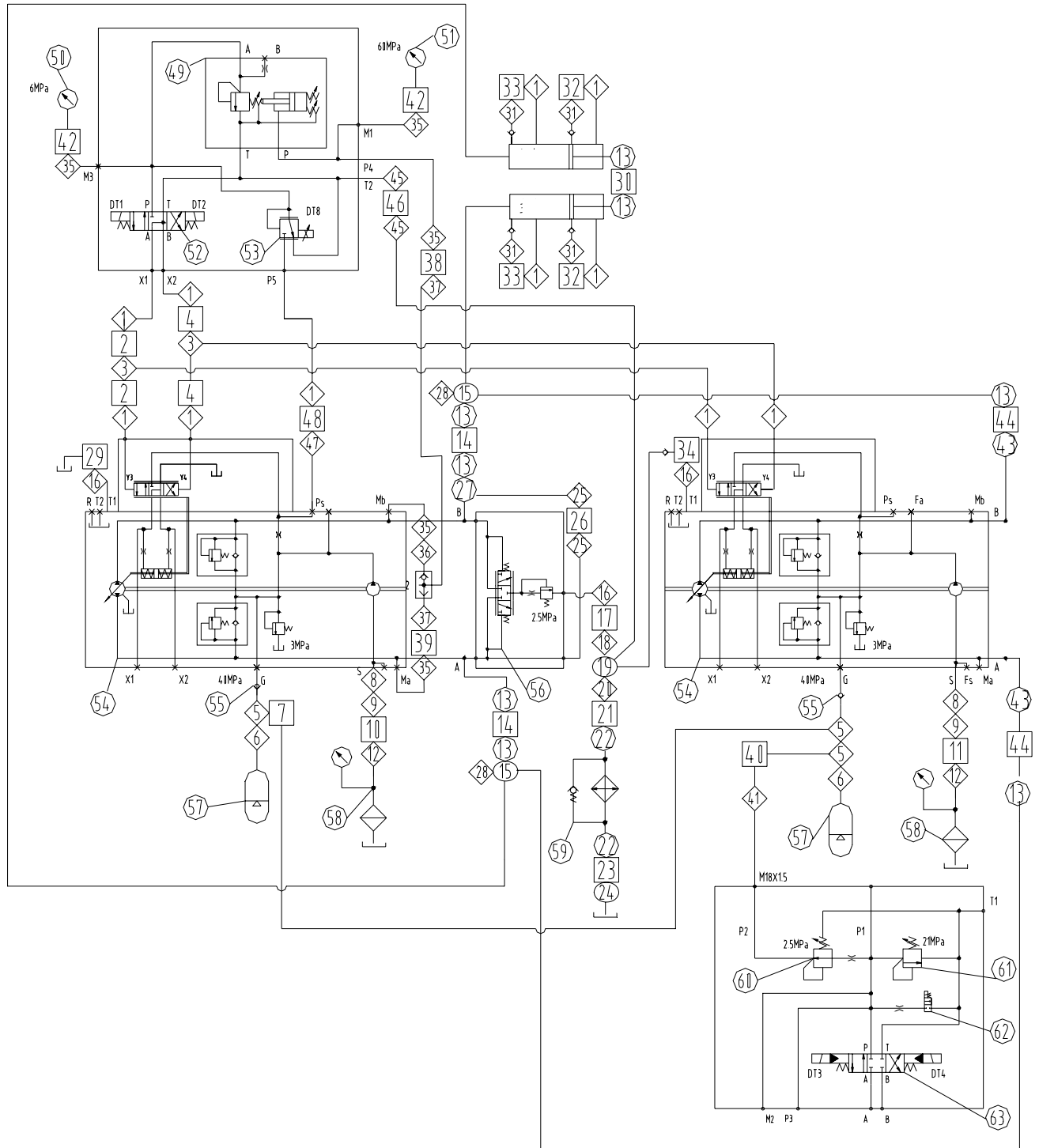
ST48R5

REED
13822 Oaks Avenue
Chino, CA 91710
909-287-2100
www.reedpumps.com

No.	Description	Part Number	Material	Parent	Weight	Quantity
1	bracket,gearbox pto	BC42.5.2.1				2
2	mount pad	SH-500				4
3	bracket,frame pto	BC42.5.2.2				2
4	bolt M20 × 50	GB/T1228-91				10
5	washer 20	GB/T1228-91				10
6	brace,pto	BC42.5.2.3				1
7	bolt M16 × 35	GB5783-86				16
8	washer 16	GB93-87				16
9	bolt M10 × 30	GB5783-86				4
10	washer 10	GB93-87				4
11	nut M10	GB6170-86				4
12	gearbox assembly	XBC39.00-5412				1

CHAPTER 6 HYDRAULIC SYSTEM

6.1 PUMPING SYSTEM





ST48R5

REED
13822 Oaks Avenue
Chino, CA 91710
909-287-2100
www.reedpumps.com

No.	Description	Part Number	Material	Parent	Weight	Quantity
1	straight thread connector	XBCY39.00-6101		XBC39.6.1		11
2	hose	XBCY39.00-6102		XBC39.6.1		2
3	tee connector	XBCY39.00-6103		XBC39.6.1		2
4	hose	XBCY39.00-6104		XBC39.6.1		2
5	tee connector	XBCY39.00-6105		XBC39.6.1		3
6	straight thread connector	XBCY39.00-6106		XBC39.6.1		2
7	hose	XBCY39.00-6107		XBC39.6.1		1
8	straight thread connector	XBCY39.00-6108		XBC39.6.1		2
9	union elbow	XBCY39.00-6109		XBC39.6.1		2
10	hose	XBCY39.00-6110		XBC39.6.1		1
11	hose	XBCY39.00-6111		XBC39.6.1		1
12	oil absorption joint	XBCY39.00-6112		XBC39.6.1		2
13	flange,split flange	XBCY39.00-6113		XBC39.6.1		16
14	hose	XBCY39.00-6114		XBC39.6.1		2
15	tee block	XBCY39.00-6115		XBC39.6.1		2
16	straight thread connector	XBCY39.00-6116		XBC39.6.1		3
17	hose	XBCY39.00-6117		XBC39.6.1		1
18	straight thread connector	XBCY39.00-6118		XBC39.6.1		1
19	fluid gathering block	XBCY39.00-6119		XBC39.6.1		1
20	straight thread connector	XBCY39.00-6120		XBC39.6.1		1
21	hose	XBCY39.00-6121		XBC39.6.1		1
22	flange joint component	XBCY39.00-6122		XBC39.6.1		2
23	hose	XBCY39.00-6123		XBC39.6.1		1
24	oil return block	XBCY39.00-6124		XBC39.6.1		1
25	hinged joint	XBCY39.00-6125		XBC39.6.1		2
26	hose	XBCY39.00-6126		XBC39.6.1		1
27	flange FS20	XBCY39.00-6127		XBC39.6.1		1
28	bulkhead	XBCY39.00-6128		XBC39.6.1		2
29	hose	XBCY39.00-6129		XBC39.6.1		1
30	hose	XBCY39.00-6130		XBC39.6.1		1
31	transitional joint	XBCY39.00-6131		XBC39.6.1		4
32	hose	XBCY39.00-6132		XBC39.6.1		2
33	hose	XBCY39.00-6133		XBC39.6.1		2
34	hose	XBCY39.00-6134		XBC39.6.1		1
35	straight thread connector	XBCY39.00-6135		XBC39.6.1		5
36	straight thread connector	XBCY39.00-6136		XBC39.6.1		1
37	straight thread connector	XBCY39.00-6137		XBC39.6.1		2

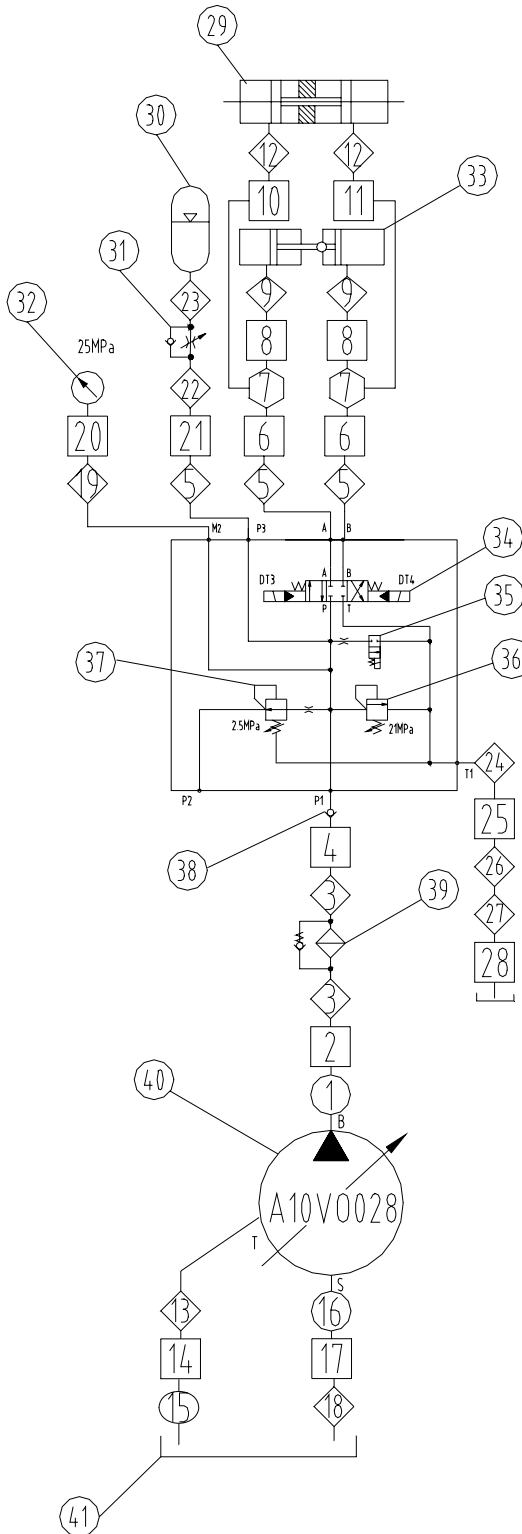


ST48R5

REED
13822 Oaks Avenue
Chino, CA 91710
909-287-2100
www.reedpumps.com

38	hose	XBCY39.00-6138		XBC39.6.1		1
39	hose	XBCY39.00-6139		XBC39.6.1		1
40	hose	XBCY39.00-6140		XBC39.6.1		1
41	straight thread connector	XBCY39.00-6141		XBC39.6.1		1
42	pressure-testing tube	XBCY39.00-6142		XBC39.6.1		2
43	component of flange joint	XBCY39.00-6143		XBC39.6.1		2
44	hose	XBCY39.00-6144		XBC39.6.1		2
45	straight thread connector	XBCY39.00-6145		XBC39.6.1		1
46	hose	XBCY39.00-6146		XBC39.6.1		1
47	straight thread connector	XBCY39.00-6147		XBC39.6.1		1
48	hose	XBCY39.00-6148		XBC39.6.1		1
49	valve, hp limiter valve	XBCY39.00-6149		XBC39.6.1		1
50	gauge, pressure gauge	XBCY39.00-6150		XBC39.6.1		1
51	gauge, pressure gauge	XBCY39.00-6151		XBC39.6.1		1
52	valve, directional 4/3 valve	XBCY39.00-6152		XBC39.6.1		1
53	valve, proportional valve	XBCY39.00-6153		XBC39.6.1		1
54	pump, A4VG125	XBCY39.00-6154		XBC39.6.1		2
55	valve, check valve	XBCY39.00-6155		XBC39.6.1		2
56	valve, flushing valve	XBCY39.00-6156		XBC39.6.1		1
57	accumulator	XBCY39.00-6157		XBC39.6.1		2
58	filter, oil suction filter	ES094		XBC39.6.1		2
59	cooler, oil	XBCY39.00-6159		XBC39.6.1		1
60	valve, pressure reducing	XBCY39.00-6160		XBC39.6.1		1
61	valve, relief valve	XBCY39.00-6161		XBC39.6.1		1
62	valve, dump valve	XBCY39.00-6162		XBC39.6.1		1
63	valve, directional 4/3 valve	XBCY39.00-6163		XBC39.6.1		1

6.2 SHIFTING SYSTEM





ST48R5

REED
13822 Oaks Avenue
Chino, CA 91710
909-287-2100
www.reedpumps.com

No.	Description	Part Number	Material	Parent	Weight	Quantity
1	flange,split flange	XBCY39.00-6201		XBC39.6.2		2
2	hose	XBCY39.00-6202		XBC39.6.2		1
3	straight thread connector	XBCY39.00-6203		XBC39.6.2		2
4	hose	XBCY39.00-6204		XBC39.6.2		1
5	straight thread connector	XBCY39.00-6205		XBC39.6.2		2
6	hose	XBCY39.00-6206		XBC39.6.2		2
7	pipe,steel pipe	XBCY39.00-6207		XBC39.6.2		2
8	hose	XBCY39.00-6208		XBC39.6.2		2
9	joint	XBCY39.00-6209		XBC39.6.2		2
10	hose	XBCY39.00-6210		XBC39.6.2		1
11	hose	XBCY39.00-6211		XBC39.6.2		1
12	straight thread connector	XBCY39.00-6212		XBC39.6.2		2
13	straight thread connector	XBCY39.00-6213		XBC39.6.2		1
14	hose	XBCY39.00-6214		XBC39.6.2		1
15	oil return block	XBCY39.00-6215		XBC39.6.2		1
16	flange joint FL20/L42	XBCY39.00-6216		XBC39.6.2		1
17	hose	XBCY39.00-6217		XBC39.6.2		1
18	straight thread connector	XBCY39.00-6218		XBC39.6.2		1
19	straight thread connector	XBCY39.00-6219		XBC39.6.2		1
20	pressure-testing tube	XBCY39.00-6220		XBC39.6.2		1
21	hose	XBCY39.00-6221		XBC39.6.2		1
22	straight thread connector	XBCY39.00-6222		XBC39.6.2		1
23	joint M60/S30	XBCY39.00-6223		XBC39.6.2		1
24	straight thread connector	XBCY39.00-6224		XBC39.6.2		1
25	hose	XBCY39.00-6225		XBC39.6.2		1
26	joint of changeable diameter	XBCY39.00-6226		XBC39.6.2		1
27	bulkhead union elbow	XBCY39.00-6227		XBC39.6.2		1
28	hose	XBCY39.00-6228		XBC39.6.2		1
29	pump,grease pump	XBCY39.00-6229		XBC39.6.2		1
30	accumulator	XBCY39.00-6230		XBC39.6.2		1
31	valve,throttle check valve	XBCY39.00-6231		XBC39.6.2		1
32	gauge,pressure gauge	XBCY39.00-6232		XBC39.6.2		1
33	cylinder,shift	XBCY39.00-6233		XBC39.6.2		2
34	valve,directional 4/3	XBCY39.00-6234		XBC39.6.2		1
35	valve,dump valve	XBCY39.00-6235		XBC39.6.2		1
36	valve,relief valve	XBCY39.00-6236		XBC39.6.2		1

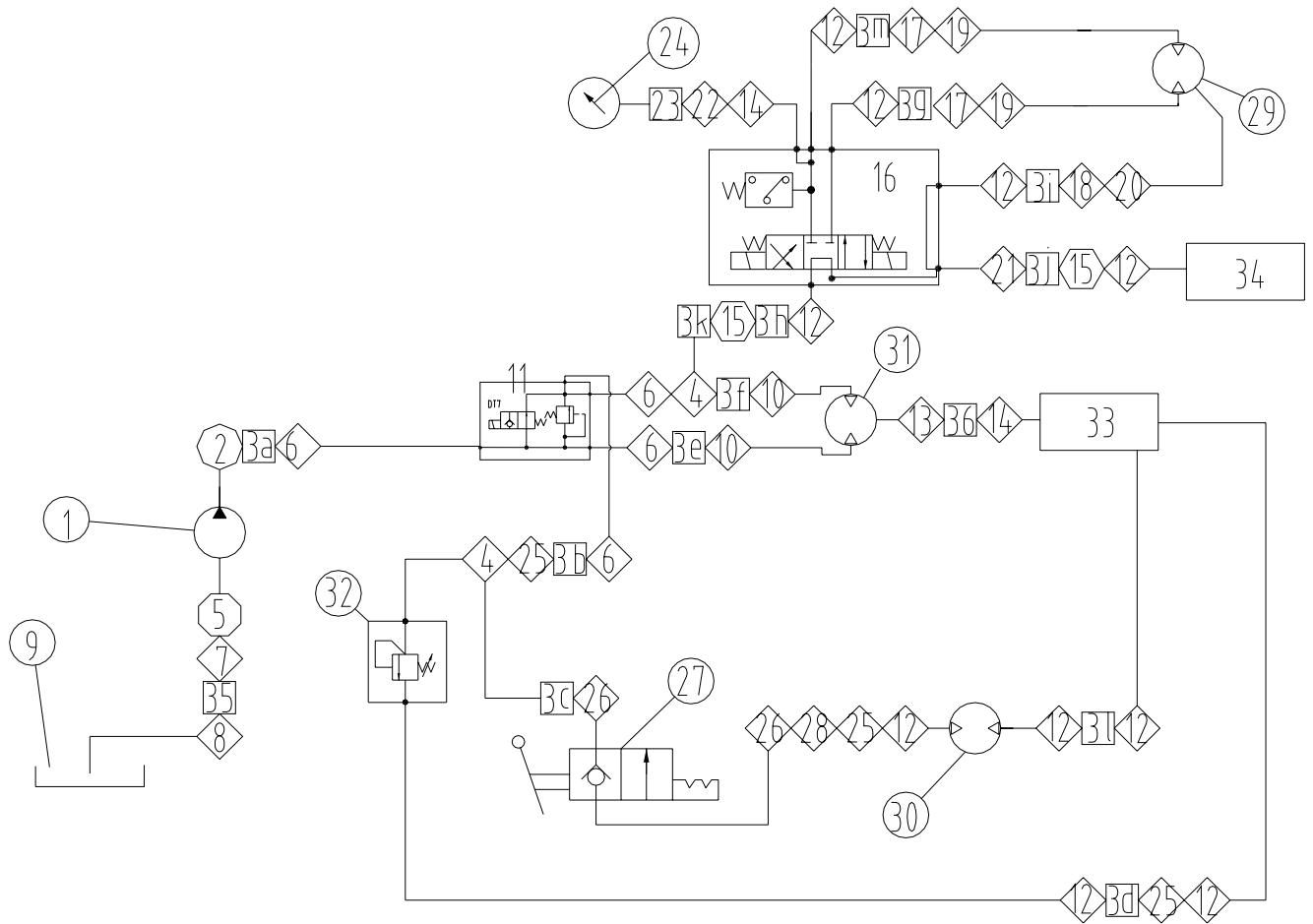


ST48R5

REED
13822 Oaks Avenue
Chino, CA 91710
909-287-2100
www.reedpumps.com

37	valve,pressure reducing	XBCY39.00-6237		XBC39.6.2		1
38	valve,check valve	XBCY39.00-6238		XBC39.6.2		1
39	filter,pressure filter	XBCY39.00-6239		XBC39.6.2		1
40	pump,A10	XBCY39.00-6240		XBC39.6.2		1
41	tank,hydraulic tank	XBC39.2.6		XBC39.6.2		1

6.3 AUXILIARY SYSTEM





ST48R5

REED
13822 Oaks Avenue
Chino, CA 91710
909-287-2100
www.reedpumps.com

No.	Description	Part Number	Material	Parent	Weight	Quantity
1	pump,gear pump	G		XBC39.6.3		1
2	flange,square flange	GF35LK-L15-250K		XBC39.6.3		1
3a	hose	2SN12		XBC39.6.3		1
3b	hose	2SN12		XBC39.6.3		1
3c	hose	2SN12		XBC39.6.3		1
3d	hose	2SN12		XBC39.6.3		1
3e	hose	2SN12		XBC39.6.3		1
3f	hose	2SN12		XBC39.6.3		1
3g	hose	2SN12		XBC39.6.3		1
3h	hose	2SN12		XBC39.6.3		1
3i	hose	2SN12		XBC39.6.3		1
3j	hose	2SN12		XBC39.6.3		1
3k	hose	2SN12		XBC39.6.3		1
3l	hose	2SN12		XBC39.6.3		1
3m	hose	2SN12		XBC39.6.3		1
4	tee	XVDDKO15-L		XBC39.6.3		1
5	square flange	GF40LK-L28-100K		XBC39.6.3		1
6	joint	XA15-L/3/4-16UF		XBC39.6.3		3
7	union elbow	XVBDJO28-L		XBC39.6.3		1
8	joint	XA28-ML/WD		XBC39.6.3		1
9	tank,hydraulic	XBC39.2.6		XBC39.6.3		1
10	joint	XA15-RL/WD		XBC39.6.3		2
11	manifold,cooling valve	XBCY39.00-6311		XBC39.6.3		1
12	joint	XA15-ML/WD		XBC39.6.3		13
13	joint	XA10-RL/WD		XBC39.6.3		1
14	joint	XA10-WL/WD		XBC39.6.3		2
15	pipe,steel pipe	φ15		XBC39.6.3		2
16	manifold,agitator valve	XBCY39.00-6316		XBC39.6.3		1
17	joint	L15/M33*2		XBC39.6.3		2
18	joint	L15/M16*1.5		XBC39.6.3		1
19	combination pad	33		XBC39.6.3		2
20	combination pad	16		XBC39.6.3		1
21	joint	XA15-L-M26*1.5		XBC39.6.3		1
22	pressure-testing joint	CSHM10-L		XBC39.6.3		1
23	pressure-testing hose	3000mm		XBC39.6.3		1
24	gauge,pressure gauge	25MPa		XBC39.6.3		1
25	union elbow	XVBDKO15-L		XBC39.6.3		2
26	joint	XA15-L-R3/8-WD		XBC39.6.3		2

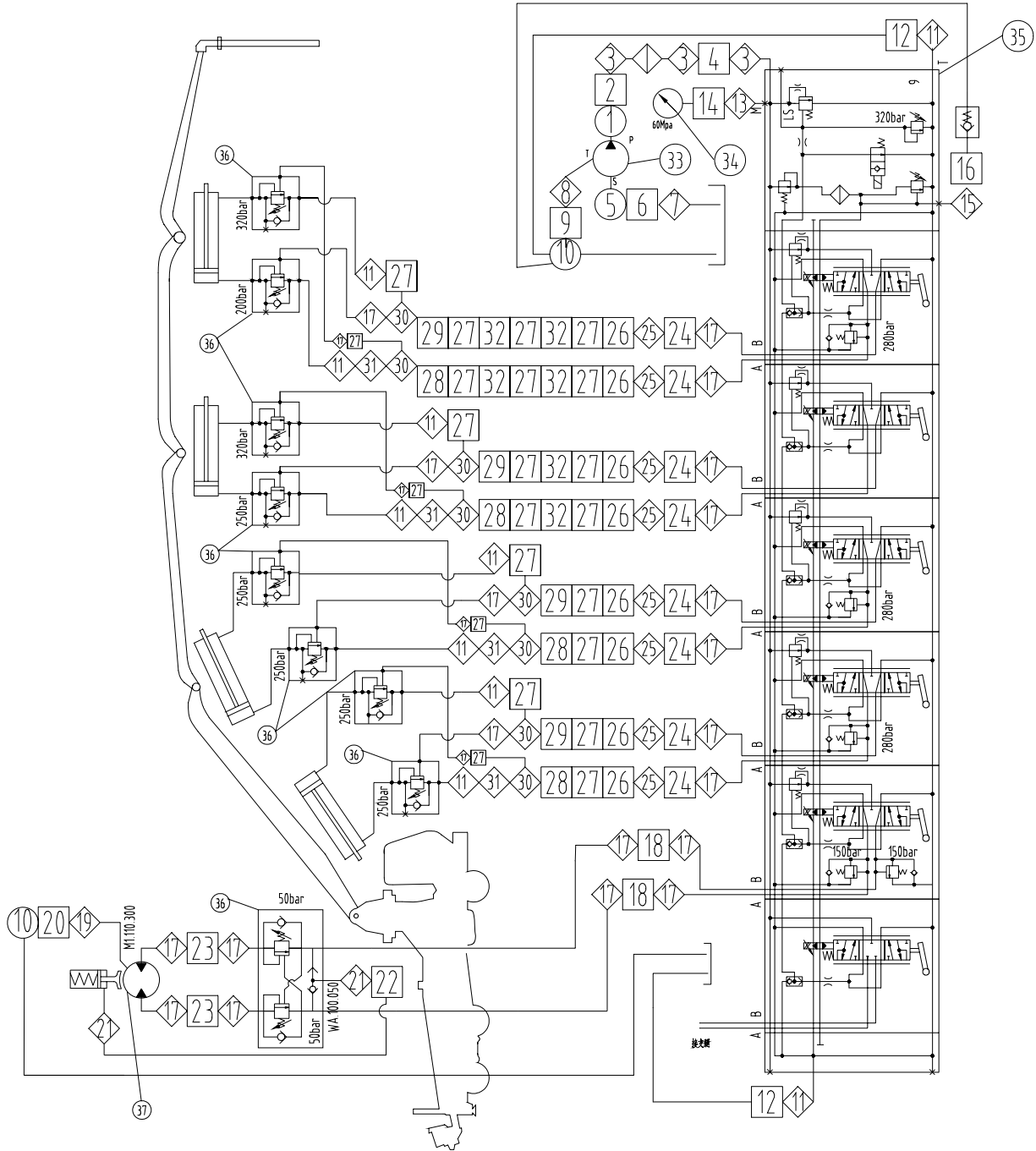


ST48R5

REED
13822 Oaks Avenue
Chino, CA 91710
909-287-2100
www.reedpumps.com

27	valve,ball valve	XBCY39.00-6327		XBC39.6.3		1
28	movable straight tee	XBCY39.00-6328		XBC39.6.3		1
29	motor,agitator motor	XBCY39.00-6329		XBC39.6.3		1
30	motor,water motor	XBCY39.00-6330				1
31	motor,radiator motor	XBCY39.00-6331				1
32	manifold,pressure valve	XBCY39.00-6332				1
33	return flow block	XBCY39.00-6333				1
34	fluid gathering block	XBCY39.00-6334				1
35	hose	1SN25				1
36	hose	2SN8				1

6.4 BOOM SYSTEM



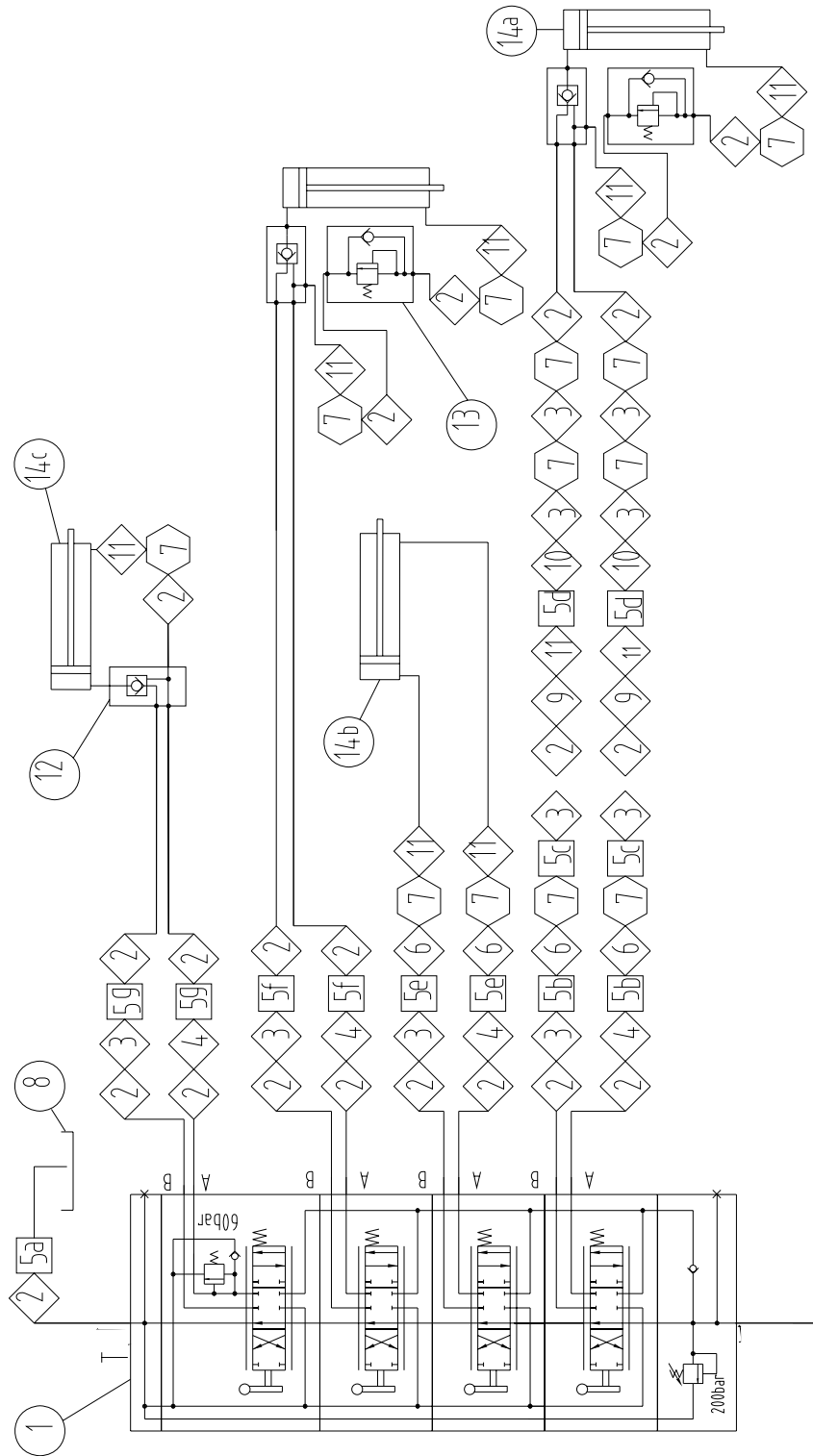


ST48R5

REED
13822 Oaks Avenue
Chino, CA 91710
909-287-2100
www.reedpumps.com

No.	Description	Part Number	Material	Parent	Weight	Quantity
1	flange,split flange	XBCY39.00-6401		XBC39.6.4		2
2	hose	XBCY39.00-6402		XBC39.6.4		1
3	straight thread connector	XBCY39.00-6403		XBC39.6.4		3
4	hose	XBCY39.00-6404		XBC39.6.4		1
5	flange joint FL12/L42	XBCY39.00-6405		XBC39.6.4		1
6	hose	XBCY39.00-6406		XBC39.6.4		1
7	straight thread connector	XBCY39.00-6407		XBC39.6.4		1
8	straight thread connector	XBCY39.00-6408		XBC39.6.4		1
9	hose	XBCY39.00-6409		XBC39.6.4		1
10	oil return flange of boom	XBCY39.00-6410		XBC39.6.4		1
11	straight thread connector	XBCY39.00-6411		XBC39.6.4		9
12	hose	XBCY39.00-6412		XBC39.6.4		1
13	pressure-testing joint	XBCY39.00-6413		XBC39.6.4		1
14	pressure-testing tube	XBCY39.00-6414		XBC39.6.4		1
15	straight thread connector	XBCY39.00-6415		XBC39.6.4		1
16	hose	XBCY39.00-6416		XBC39.6.4		1
17	straight thread connector	XBCY39.00-6417		XBC39.6.4		20
18	hose	XBCY39.00-6418		XBC39.6.4		2
19	straight thread connector	XBCY39.00-6419		XBC39.6.4		1
20	hose	XBCY39.00-6420		XBC39.6.4		1
21	straight thread connector	XBCY39.00-6421		XBC39.6.4		2
22	hose	XBCY39.00-6422		XBC39.6.4		1
23	hose	XBCY39.00-6423		XBC39.6.4		2
24	hose	XBCY39.00-6424		XBC39.6.4		8
25	neighboring straight thread connector	XBCY39.00-6425		XBC39.6.4		8
26	hose	XBCY39.00-6426		XBC39.6.4		8
27	pipe,steel pipe ϕ 12x2	XBCY39.00-6427		XBC39.6.4		40
28	hose	XBCY39.00-6428		XBC39.6.4		4
29	hose	XBCY39.00-6429		XBC39.6.4		4
30	tee connector	XBCY39.00-6430		XBC39.6.4		8
31	union elbow	XBCY39.00-6431		XBC39.6.4		4
32	hose	XBCY39.00-6432		XBC39.6.4		6
33	pump,boom pump	XBCY39.00-6433		XBC39.6.4		1
34	gauge,pressure gauge	XBCY39.00-6434		XBC39.6.4		1
35	valve,boom control valve	XBCY39.00-6435		XBC39.6.4		1
36	valve,balancing valve	XBCY39.00-6436		XBC39.6.4		10
37	motor,rotation motor	XBCY39.00-6437		XBC39.6.4		1

6.5 OUTRIGGER SYSTEM





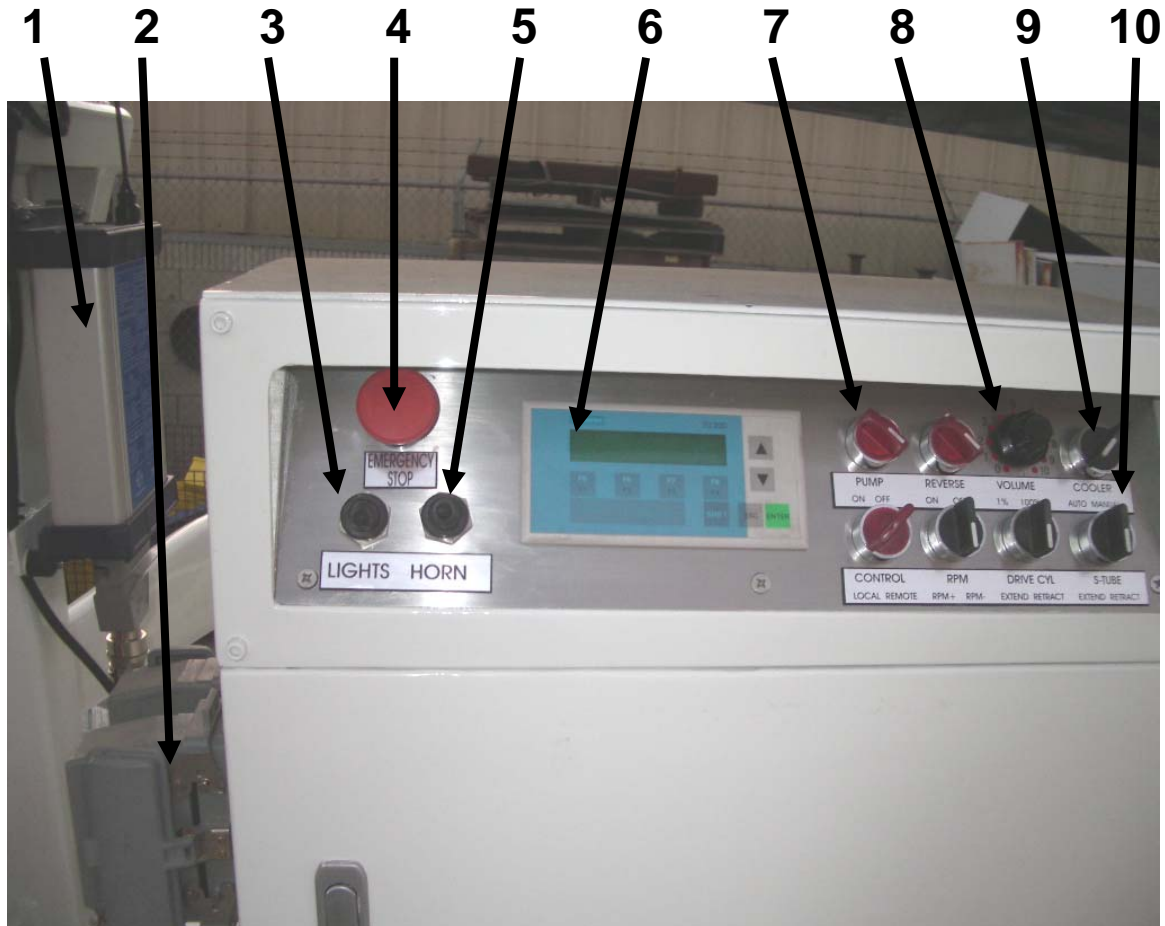
ST48R5

REED
13822 Oaks Avenue
Chino, CA 91710
909-287-2100
www.reedpumps.com

No.	Description	Part Number	Material	Parent	Weight	Quantity
1	valve,outrigger control	XBCY39.00-6501		XBC39.6.5		2
2	joint	XA15-RL/WD		XBC39.6.5		44
3	union elbow	XVBDKO12-L		XBC39.6.5		20
4	joint	F12-L		XBC39.6.5		8
5a	hose	2SN16		XBC39.6.5		2
5b	hose	2SN10		XBC39.6.5		4
5c	hose	2SN10		XBC39.6.5		4
5d	hose	2SN10		XBC39.6.5		4
5e	hose	2SN10		XBC39.6.5		4
5f	hose	2SN10		XBC39.6.5		4
5g	hose	2SN10		XBC39.6.5		4
6	joint	E12-L		XBC39.6.5		8
7	pipe,steel pipe	φ12x2		XBC39.6.5		22
8	tank,hydraulic	XBC39.2.6		XBC39.6.5		1
9	rotating joint	XBCY39.00-6509		XBC39.6.5		4
10	joint	K12-L		XBC39.6.5		4
11	hinged joint	SBE12-RLEDE		XBC39.6.5		18
12	valve,check valve	XBCY39.00-6512		XBC39.6.5		6
13	valve,holding valve	XBCY39.00-6513		XBC39.6.5		4
14a	cylinder,jack cylinder	XBC39.00-3012		XBC39.6.5		4
14b	cylinder,extend cylinder	XBC39.2.8		XBC39.6.5		2
14c	cylinder,swingout cylinder	ZBC37.2.7		XBC39.6.5		2

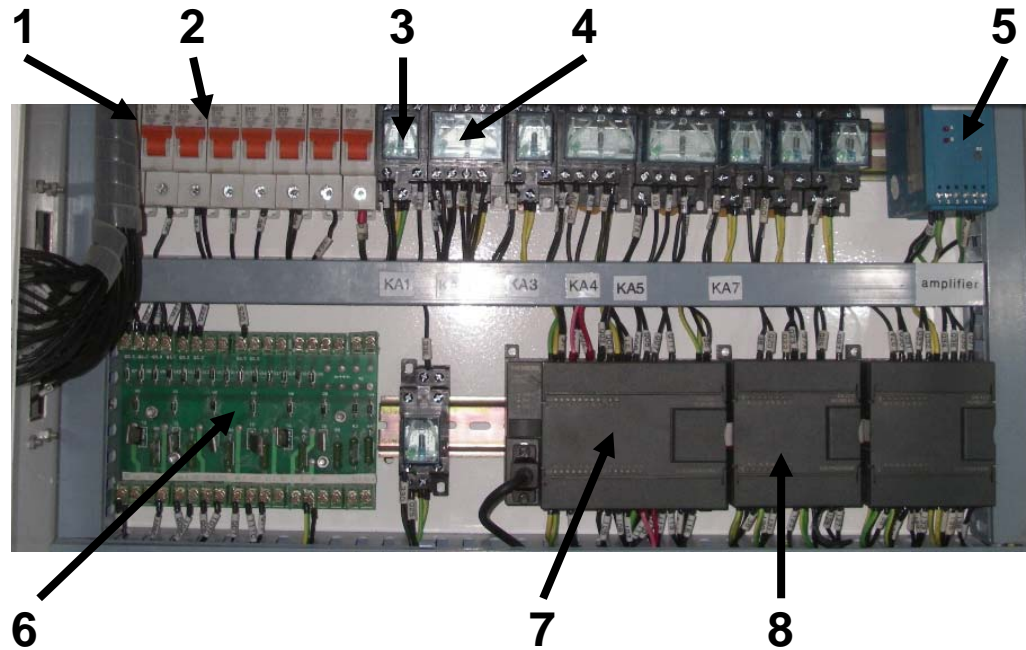
CHAPTER 7 ELECTRICAL CONTROL SYSTEM

7.1 CONTROL SYSTEM



No.	Description	Part Number	Material	Parent	Weight	Quantity
1	receiver,radio receiver	FST719				1
2	plug	ACJ3X-16A/24				2
3	switch,toggle	201				1
4	emergency stop button	ZB2BS54C				1
5	switch,momentary toggle	212				1
6	display,text display	TD200				1
7	switch,2 position knob	ZB2BD3C				3
8	potentiometer	2-2K				1
9	switch,2 position knob	ZB2BD2C				1
10	switch,3 position knob	ZB2BD5C				3

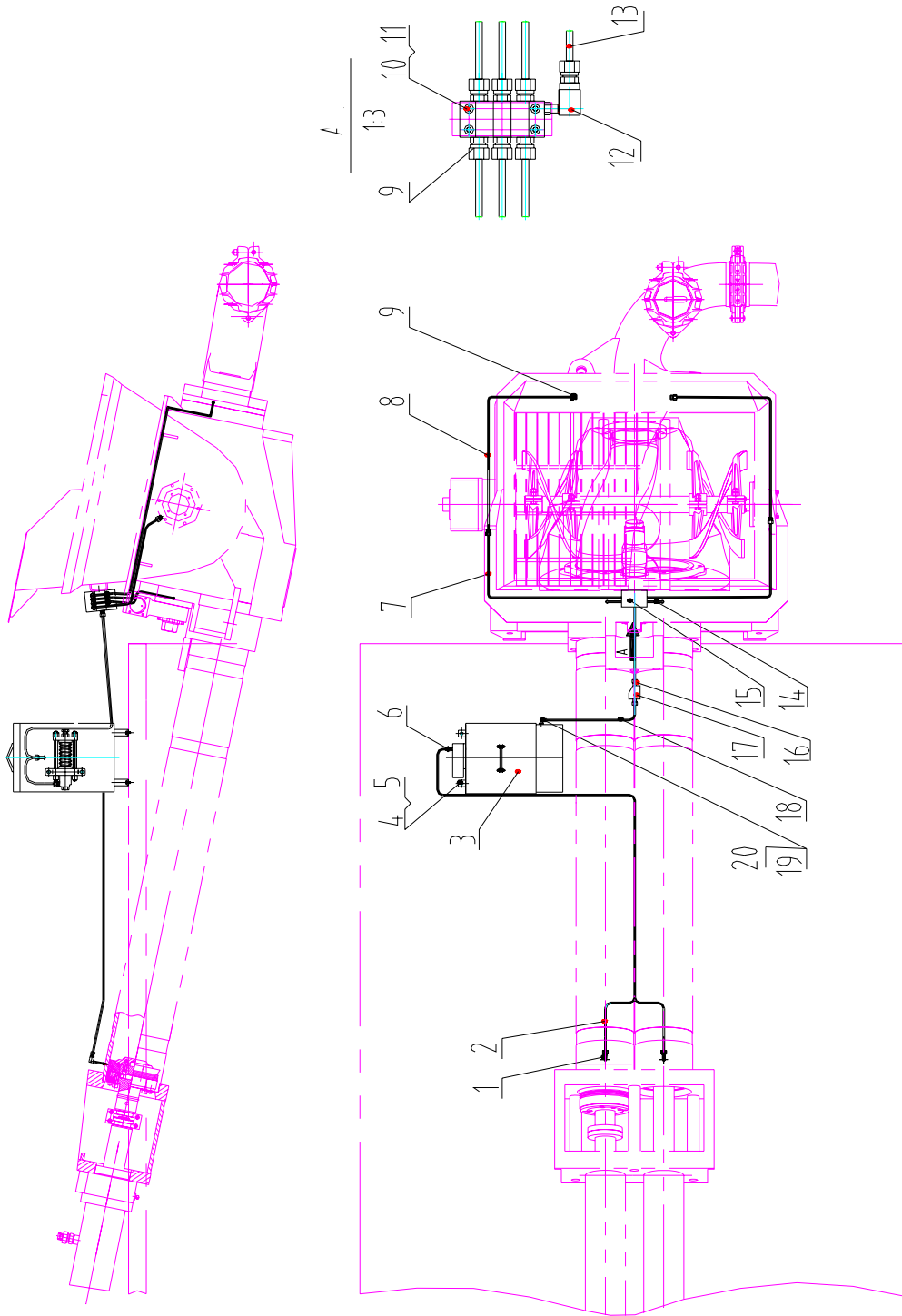
7.2 CONTROL BOX



No.	Description	Part Number	Material	Parent	Weight	Quantity
1	breaker,circuit breaker	BKNIP/16A				1
2	breaker,circuit breaker	BKNIP/10A				7
3	relay	LY2NJ24V				5
4	relay	LY4NJ24V				2
5	amplifier	VT11015-11UB24V				1
6	board,amplifier board	BC37/42				1
7	PLC	CPU224				1
8	module,expansion module	EM223				2

CHAPTER 8 LUBRICATION SYSTEM

8.1 LUBRICATION SYSTEM





ST48R5

REED
13822 Oaks Avenue
Chino, CA 91710
909-287-2100
www.reedpumps.com

No.	Description	Part Number	Material	Parent	Weight	Quantity
1	elbow,union Z1/8	22646T				2
2	tube,copper tube $\phi 6 \times 1$	BC37.8-1				2
3	lubricant reservoir	HA5923800A				1
4	bolt M8 \times 15	GB5781-86				4
5	washer 8	GB93-87				4
6	elbow,union Z1/8	22646T				2
7	tube,copper tube $\phi 6 \times 1$	BC37.8-2				2
8	tube,copper tube $\phi 6 \times 1$	BC37.8-3				2
9	straight thread connector	22587-1T				6
10	bolt M6 \times 65	GB70-85				4
11	washer 6	GB93-87				4
12	elbow,union M10 \times 1	22646-1T				1
13	tube,copper tube $\phi 6 \times 1$	BC37.8-4				1
14	tube,copper tube $\phi 6 \times 1$	BC37.8-5				2
15	distributor block	28835-37-022				1
16	straight thread connector	25732T				2
17	filter,oil and grease filter	28985-2				1
18	tube,copper tube $\phi 6 \times 1$	BC37.8-6				1
19	joint	BC37.8-7				1
20	elbow,union M10 \times 1	22646-1T				1