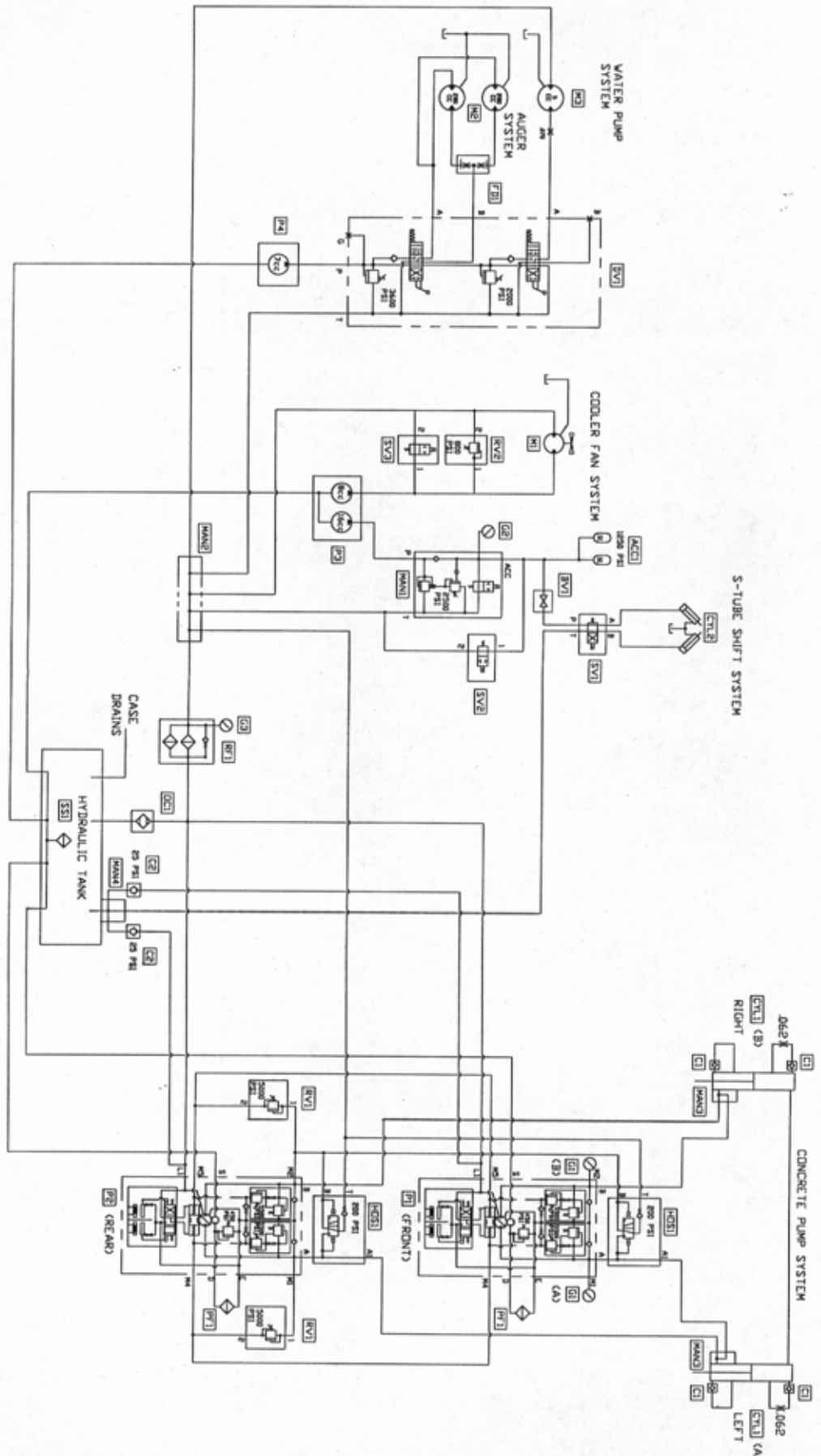


REED

98-172-ST36
HYDRAULIC SCHEMATIC

SCMTC
PAGE 01

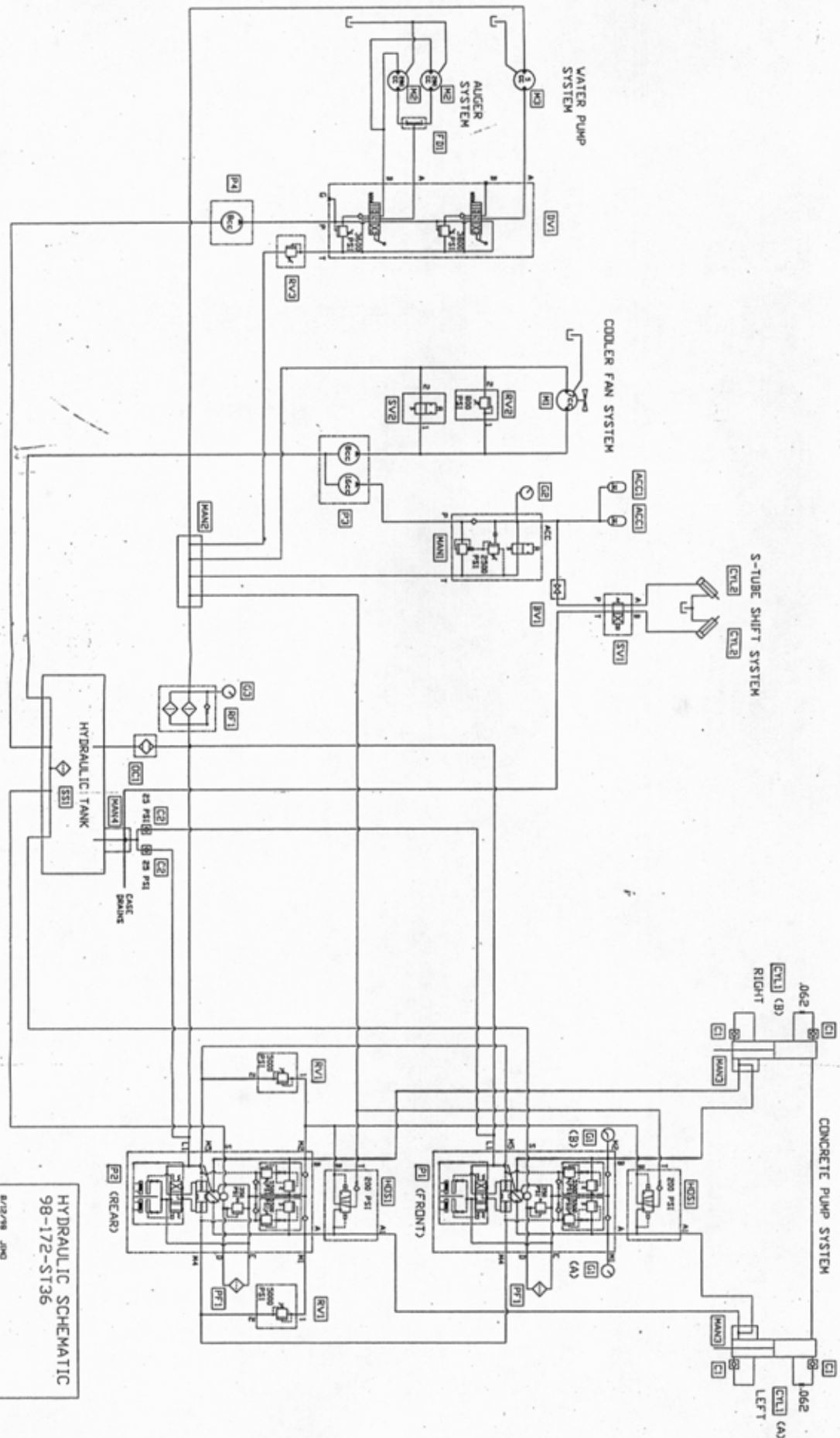


REVISION

Code	Description	Part No.	Qty
P1	Front main pump	800052	1
P2	Rear main pump	800053	1
P3	Tandem gear pump - 16/8cc	800411	1
P4	Gear pump - 8cc	78000	1
CYL1	Hydraulic drive cylinder	W-103981	2
CYL2	S-Tube shift cylinder	90532	2
M1	Cooler fan motor	***	1
M2	Agitator motor	W-101240	2
m3	Water pump motor	W-100121	1
SV1	S-Tube shift solenoid valve	74991	1
SV2	Unloader Bypass Solenoid Valve	800087	1
SV3	Cooler Bypass Solenoid Valve	800087	1
DV1	Agitator directional valve	W-100124	1
BV1	Ball valve- S-Tube	75369	1
RV1	Pressure limiter relief valve	800074	2
RV2	Cooler fan motor relief valve	78973	1
C1	Loop line check valve	W-100938	4
C2	Return check valve	79297	2
FD1	Flow Divider	W-100159	1
MAN1	Unloader manifold	72803	1
MAN2	Return manifold	800243	1
MAN3	Cylinder manifold	800408	2
MAN4	Tank Return Manifold	800848	1
ACC1	Accumulator	74515	2
HOS1	Hot oil shuttle valve	72980	2
OC1	Oil cooler	800054	1
RF1	Return filter	79245	1
	Element	79269	2
PF1	Pressure filter	73300	2
	Element	73303	2
SS1	Suction strainer	W-102288	1
G1	Pressure gauge - 6000 psi	79831	2
G2	Pressure gauge - 3000 psi	70366	1
G3	Pressure gauge - Return filter	79276	1

HYDRAULIC COMPONENTS

98-172-ST36			
Code	Description	Part No.	Qty
P1	Front main pump	800052	1
P2	Rear main pump	800053	1
P3	Tandem gear pump - 16/8cc	800411	1
P4	Gear pump - 8cc	78000	1
CYL1	Hydraulic drive cylinder	W-103981	2
CYL2	S-Tube shift cylinder	90532	2
M1	Cooler fan motor	***	1
M2	Agitator motor	W-101240	2
M3	Water pump motor	W-100121	1
SV1	S-Tube shift solenoid valve	74991	1
SV2	Solenoid Valve	800087	1
DV1	Agitator / Water pump directional valve	W-100124	1
BV1	Ball valve- S-Tube	75369	1
RV1	Pressure limiter relief valve	800074	2
RV2	Cooler fan motor relief valve	78973	1
RV3	Auger return relief valve	W-104777	1
C1	Loop line check valve	W-100938	4
C2	Return check valve	79297	2
FD1	Flow Divider	W-100159	1
MAN1	Unloader manifold	72803	1
MAN2	Return manifold	800243	1
MAN3	Cylinder manifold	800408	2
MAN4	Tank return manifold	800848	1
ACC1	Accumulator	74515	2
HOS1	Hot oil shuttle valve	72980	2
OC1	Oil cooler	800054	1
RF1	Return filter	79245	1
	Element	79269	2
PF1	Pressure filter	73300	2
	Element	73310	2
SS1	Suction strainer	W-102288	1
G1	Pressure gauge - 6000 psi	79831	2
G2	Pressure gauge - 3000 psi	70366	1
G3	Pressure gauge - Return filter	79276	1



HYDRAULIC SCHEMATIC
98-172-ST36

8/12/98 JMD

HOSE LIST

REED

TITLE: HOSE KIT - 98-172-ST36

PN 800688

REV

No.	Status	Hose	End #1	End #2	Length	Usage	End #1	End #2
H01		16C13	16FJX	16FJX	74"	5000 psi	Front main pump (A)	Bulkhead A - Front
H02		16C13	16FJX	16FJX	27"	5000 psi	Bulkhead A - Front	Left cyl. rod side block
H03		16C13	16FJX	16FJX	60"	5000 psi	Rear main pump (A)	Bulkhead A - Rear
H04		16C13	16FJX	16FJX	27"	5000 psi	Bulkhead A - Rear	Left cyl. rod side block
H05		16C13	16FJX	16FJX	74"	5000 psi	Front main pump (B)	Bulkhead B - Front
H06		16C13	16FJX	16FJX	27"	5000 psi	Bulkhead B - Front	Right cyl. rod side block
H07		16C13	16FJX	16FJX	60"	5000 psi	Rear main pump (B)	Bulkhead B - Rear
H08		16C13	16FJX	16FJX	27"	5000 psi	Bulkhead B - Rear	Right cyl. rod side block
H09		24C13	24FJX	24FJX	44"	5000 psi	Left cyl. bore side block	Right cyl. bore side block
H10	Waitzinger	8CPB	15FDLX	15FDLX	27 1/2"	5000 psi	Left cyl. rod side check	Left cylinder rod side
H11	Waitzinger	8CPB	15FDLX	15FDLX	27 1/2"	5000 psi	Right cyl. rod side check	Right cylinder rod side
H12	Waitzinger	8CPB	15FDLX	15FDLX	27 1/2"	5000 psi	Right cyl. rod side check	Right cylinder rod side
H13	Waitzinger	8CPB	15FDLX	15FDLX	27 1/2"	5000 psi	Left cyl. bore side check	Left cylinder bore side
H14		20G4H	20FJX90S	20FJX	40"	Suction	Front main pump (S)	Tank suction
H15		20G4H	20FJX90S	20FJX	58"	Suction	Rear main pump (S)	Tank suction
H16		16G4H	16FJX90S	16FJX	37"	Return	Front main pump (L1)	Return Filter Tee (Out)
H17		16G4H	16FJX	16FJX90S	19"	Return	Front main pump (L1)	Tank Return (25 psi Check)
H18		16G4H	16FJX	16FJX	35"	Return	Rear main pump (L1)	Return Filter Tee (Out)
H19		16G4H	16FJX	16FJX	26"	Return	Rear main pump (L1)	Tank Return (25 psi Check)
H20		6C1T	6FJX	6FJX	14"	Return	Front hot oil shuttle (T)	Rear Hot oil shuttle (T)

HOSE LIST

REED		TITLE: HOSE KIT - 98-172-ST36					PN 800688	REV
No.	Status	Hose	End #1	End #2	Length	Usage	End #1	End #2
H21		6C1T	6FJX90S	6FJX	30"	Return	Rear Hot oil shuttle (T)	Return manifold
H22		6CPB	6FJX	6FJX	14"	5000 psi	Front main pump (M4)	Rear main pump (M4)
H23		6CPB	6FJX	6FJX	189"	5000 psi	Rear main pump (M4)	Pressure Limiter "A" (2)
H24		6CPB	6FJX	6FJX	184"	5000 psi	Rear main pump (M1)	Pressure Limiter "A" (1)
H25		6CPB	6FJX	6FJX	14"	5000 psi	Front main pump (M5)	Rear main pump (M5)
H26		6CPB	6FJX	6FJX	189"	5000 psi	Rear main pump (M5)	Pressure Limiter "B" (2)
H27		6CPB	6FJX	6FJX90S	25"	5000 psi	Front hot oil shuttle (B)	Rear hot oil shuttle (B)
H28		6CPB	6FJX	6FJX	17"	5000 psi	Rear hot oil shuttle (B)	Rear main pump (M2)
H29		6CPB	6FJX	6FJX	179"	5000 psi	Rear main pump (M2)	Pressure Limiter "B" (1)
H30		10C1T	10FJX	10FJX	28"	300 psi	Front main pump (D)	Front pressure filter (IN)
H31		10C1T	10FJX	10FJX	31"	300 psi	Front main pump (E)	Front pressure filter (OUT)
H32		10C1T	10FJX	10FJX	26"	300 psi	Rear main pump (D)	Rear pressure filter (IN)
H33		10C1T	10FJX	10FJX	25"	300 psi	Rear main pump (E)	Rear pressure filter (OUT)
H34		20G4H	20FJX	20FJX	56"	Return	Return manifold	Return filter (IN)
H35		20G4H	20FJX90S	20FJX	53"	Return	Return Filter (OUT)	Oil Cooler (IN)
H36		20G4H	20FJX	20FJX	76"	Return	Oil Cooler (OUT)	Tank return
H37		16G4H	20FJX	16FJX	40"	Suction	Tank suction	Tandem Pump (S)
H38		10M2T	10FJX90S	10FJX	39"	3000 psi	Tandem Pump (12cc P)	5/8" Tube
H39		10M2T	10FJX	10FJX	16 1/2"	3000 psi	5/8" Tube	Unloader manifold (P)
H40		12C12	12FJX	12FJX	20"	3000 psi	Unloader manifold (ACC)	Accumulator #1

HOSE LIST

REED

TITLE: HOSE KIT - 98-172-ST36

PN 800688

REV

No.	Status	Hose	End #1	End #2	Length	Usage	End #1	End #2
H41	800436	Tube	12FJX	12FJX	7 1/2"	3000 psi	Accumulator #1	Accumulator #2
H42		12C12	12FJX	12FJX	30"	3000 psi	Unloader manifold (ACC)	Shift valve (P)
H43	Shop Chg	12C12	12FJX90S	12FJX	28"	3000 psi	Shift valve (A)	Bulkhead (A)
H44		12C12	12FJX90S	16FJX	23"	3000 psi	Bulkhead (A)	Left shift cylinder (P)
H45	Shop Chg	12C12	12FJX90S	12FJX	28"	3000 psi	Shift valve (B)	Bulkhead (B)
H46		12C12	12FJX90S	16FJX	45"	3000 psi	Bulkhead (B)	Right shift cylinder (P)
H47		12C12	12FJX90S	12FJX	18"	Return	Shift valve (T)	3/4" Tube
H48		12C12	12FJX	12FJX90S	71"	Return	3/4" Tube	Tank return
H49		12C12	12FJX	12FJX	29"	Return	Unloader manifold (T)	3/4" Tube
H50		12C12	12FJX	12FJX	23"	Return	3/4" Tube	Return manifold
H51		6C1T	6FJX	6FJX90S	24"	Return	Right Shift Cyl Drain	Case Drain Tee
H52		6C1T	6FJX90S	6FJX	24"	Return	Left Shift Cyl Drain	Case Drain Tee
H53		6C1T	6FJX90S	6FJX	44"	Return	Case Drain Tee	CD 5/8" Tube Tee
H54		8C1T	8FJX90S	8FJX	33"	Low Pres.	Tandem pump (10cc P)	Solenoid valve (1)
H55		8C1T	8FJX	8FJX	17"	Low Pres.	Solenoid valve (1)	Relief valve (P)
H56		8C1T	8FJX90S	8FJX	52"	Low Pres.	Relief valve (P)	Cooler fan motor (IN)
H57		8C1T	8FJX90S	8FJX	35"	Low Pres.	Cooler fan motor (OUT)	Relief valve (T)
H58		8C1T	8FJX	8FJX90S	17"	Low Pres.	Relief valve (T)	Solenoid valve (2)
H59		8C1T	8FJX	8FJX	20"	Low Pres.	Solenoid valve (2)	Return manifold
H60		6C1T	6FJX90S	6FJX	144"	Return	Cooler fan motor (CD)	CD Return Tank Tee

HOSE LIST

REED		TITLE: HOSE KIT - 98-172-ST36					PN 800688		REV
No.	Status	Hose	End #1	End #2	Length	Usage	End #1	End #2	
H61		12G4H	16FJX	12FJX	36"	Suction	Tank suction	Gear Pump (S)	
H62		8M2T	8FJX	8FJX	93"	3500 psi	Gear pump (7cc P)	1/2" Tube	
H63		8M2T	8FJX	8FJX90S	51"	3500 psi	1/2" Tube	Agitator Valve (P)	
H64		8M2T	8FJX90S	8FJX	45"	3500 psi	Agitator Valve (A)	Flow Divider (IN)	
H65		8M2T	8FJX90S	8FJX	68"	3500 psi	Flow Divider (OUT)	Left Agitator Motor (A)	
H66		8M2T	8FJX90S	8FJX	68"	3500 psi	Flow Divider (OUT)	Right Agitator Motor (A)	
H67		8M2T	8FJX90S	8FJX	45"	3500 psi	Agitator Valve (B)	Tee (IN)	
H68		8M2T	8FJX90S	8FJX	68"	3500 psi	Tee (OUT)	Left Agitator Motor (B)	
H69		8M2T	8FJX90S	8FJX	68"	3500 psi	Tee (OUT)	Right Agitator Motor (B)	
H70		8C1T	10FJX90S	10FJX	28"	Return	Agitator Valve (T)	5/8" Tube	
H71		8C1T	10FJX	10FJX	13"	Return	5/8" Tube	Return Manifold	
H72		6C1T	6FJX	6FJX	62"	Return	Left Agitator Motor (CD)	Case Drain Tee	
H73		6C1T	6FJX	6FJX	62"	Return	Right Agitator Motor (CD)	Case Drain Tee	
H74		6C1T	6FJX90S	6FJX	44"	Return	Case Drain Tee	CD 5/8" Tube Tee	
H75		10C1T	10FJX90S	10FJX	92"	Return	CD 5/8" Tube	Tank Return Manifold	
H76		16G4H	16FJX90S	12FJX	32"	Suction	Boom Tank Suction	Boom Pump Suction	
H77		8CPB	8FJX	10FJX90S	50"	5000 psi	Boom Pump Pressure	Pressure Filter	
H78		8CPB	10FJX	10FJX90S	34"	5000 psi	Pressure Filter	Boom control valve (P)	
H79		6C1T	6FJX90S	6FJX	110"	Return	Boom Pump Case Drain	Boom Tank Case Drain	
H80		8M2T	8FJX90S	8FJX	37"	3500 psi	Water Pump Valve (A)	1/2" Tube	

HOSE LIST

REED		TITLE: HOSE KIT - 98-172-ST36						PN 800688	REV
H81	8M2T	8FJX90S	8FJX	98"	3500 psi	1/2" Tube	Water Pump Motor (P)		
H82	8M2T	8FJX90S	8FJX	74"	Return	Water Pump Motor (T)	Return Manifold		
H83	4M2T	4FJX90S	6FJX	36"	Return	Water Pump CD	Tank		
H84	20G4H	20FJX	20FJX	54"	Water	Water Pump (Out)	Underdeck Pipe		
H85									
H86									
H87									
H88									
H89									
H90									
H91									
H92									
H93									
H94									
H95									
H96									
H97									
H98									
H99									
H100									