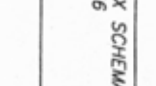
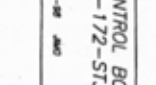
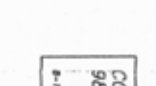
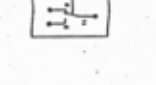
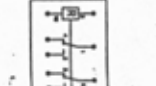
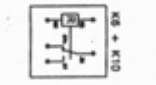
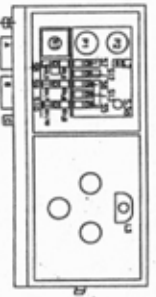
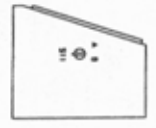
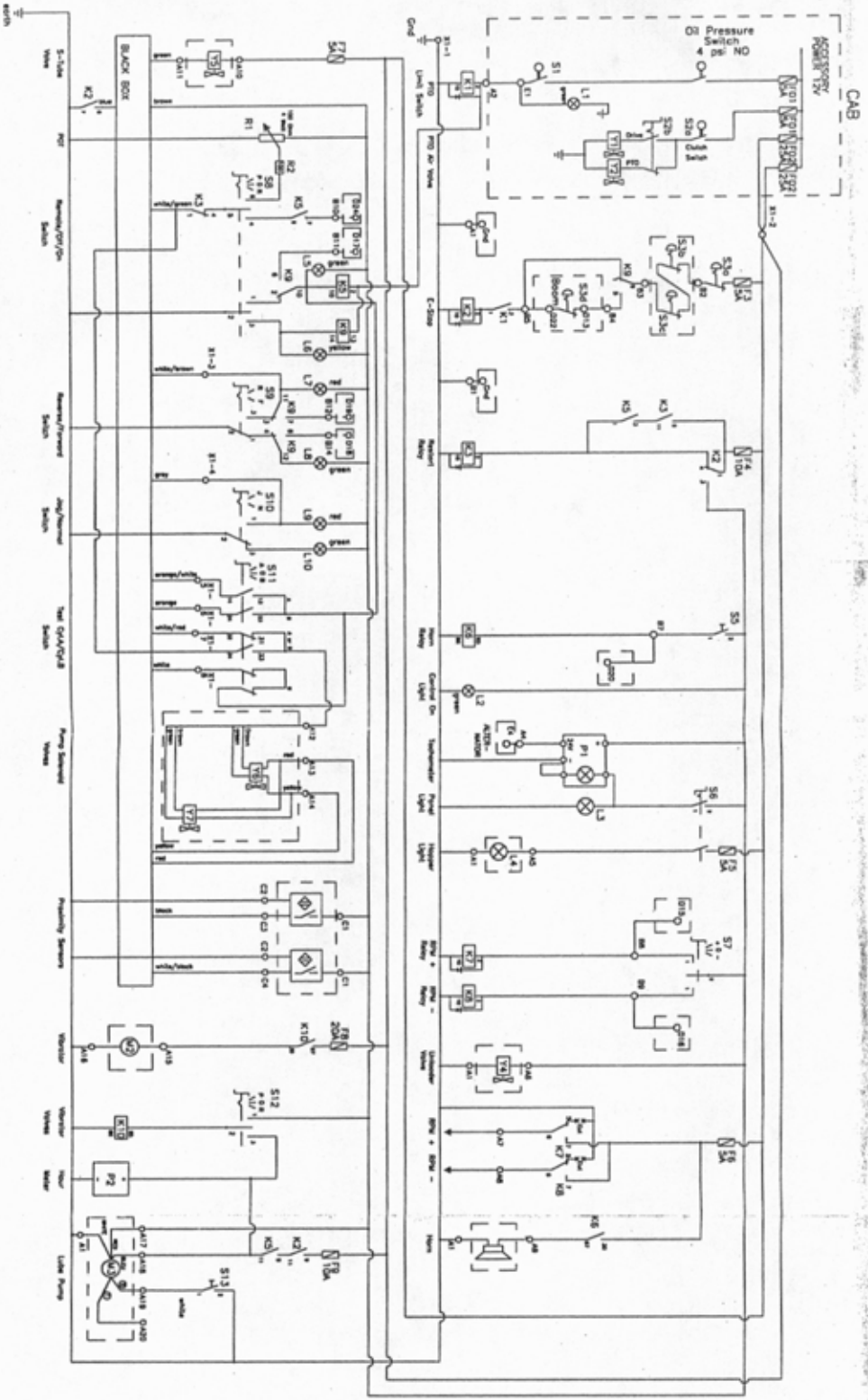
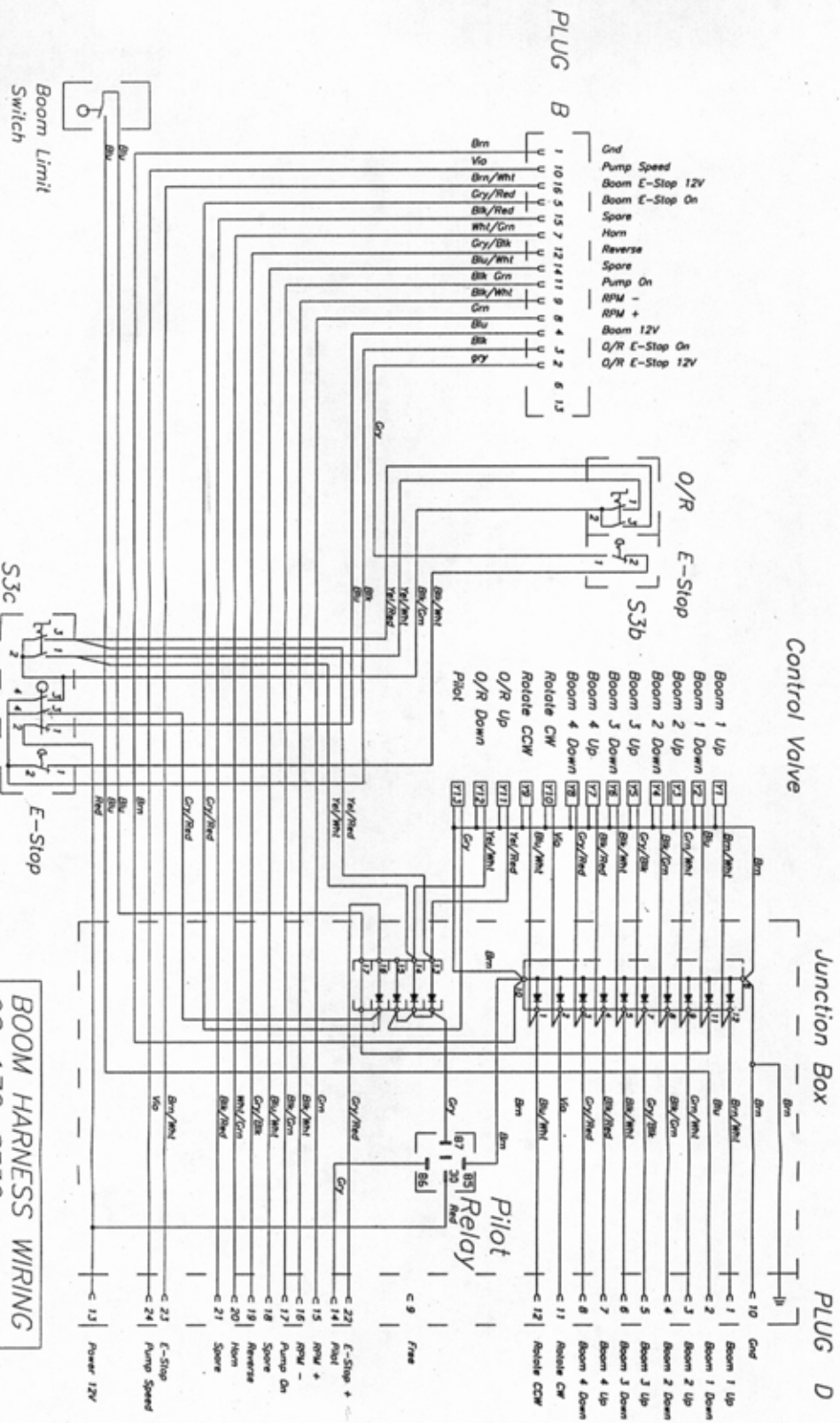


CAB WIRING
98-172-S136
 8/12/98 JIMD



CONTROL BOX SCHEMATIC
98-172-ST36
8-17-88 JMD



PLUG B

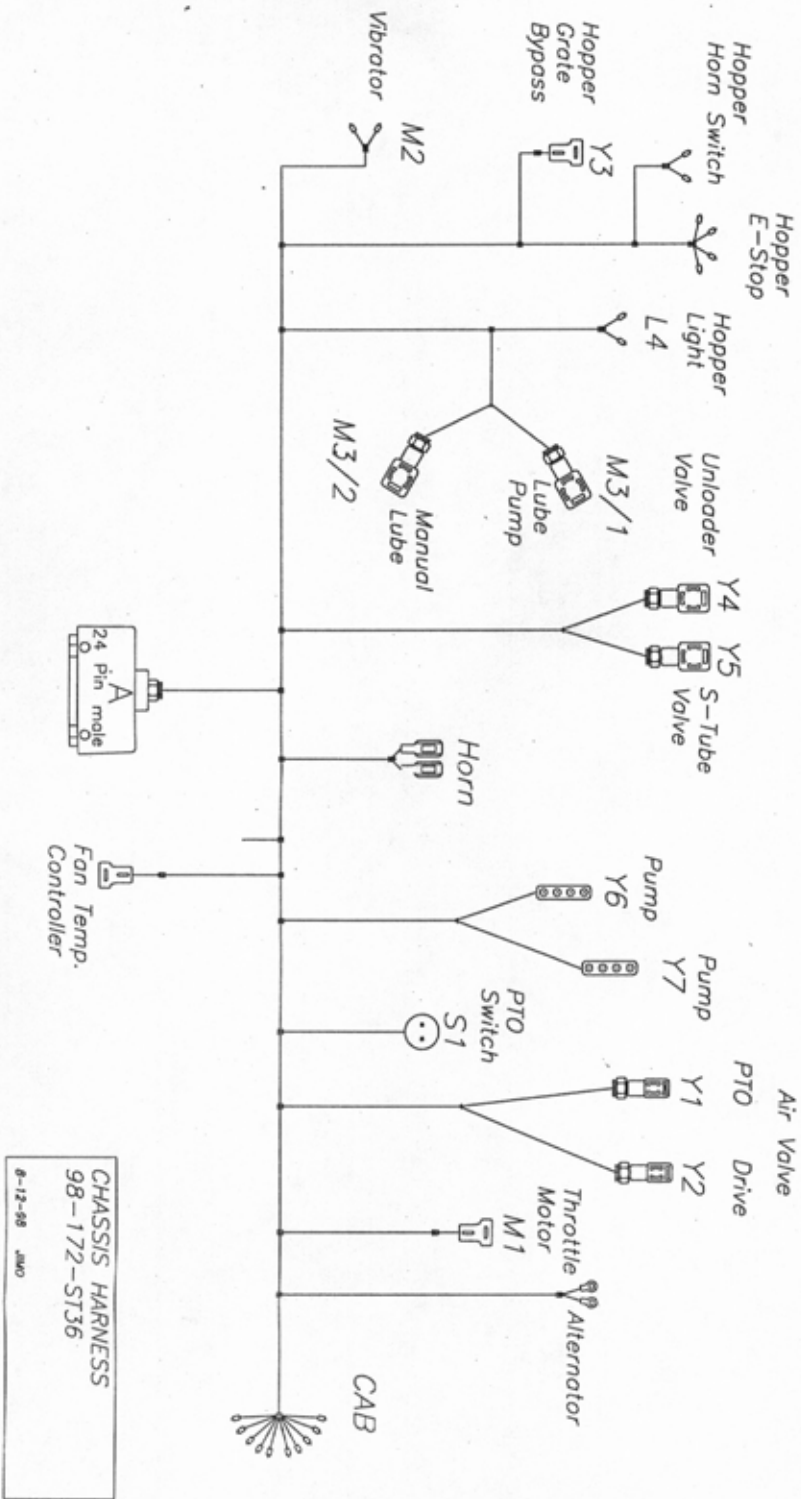
- 1 Gnd
- 10 Pump Speed
- 16 Boom E-Stop 12V
- 5 Boom E-Stop On
- 15 Spare
- 7 Horn
- 12 Reverse
- 14 Spare
- 11 Pump On
- 8 RPM -
- 4 RPM +
- 3 Boom 12V
- 2 O/R E-Stop On
- 1 O/R E-Stop 12V

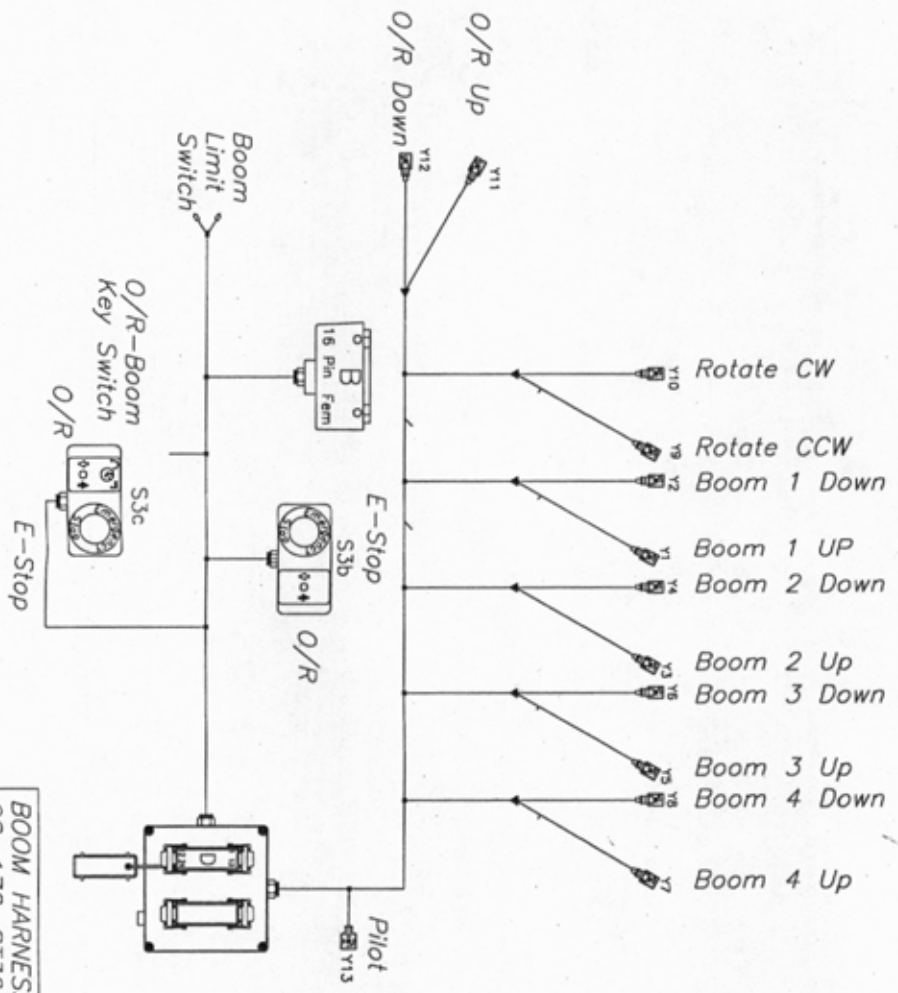
Control Valve

Junction Box

PLUG D

BOOM HARNESS WIRING
 98-172-ST36
 B-12-98 JIMO





BOOM HARNESS
98-172-ST36
 8/12-98 JMO

CHASSIS HARNESS WIRING
98-172-ST36
8-12-98 JMD

