



Mine 30

PARTS

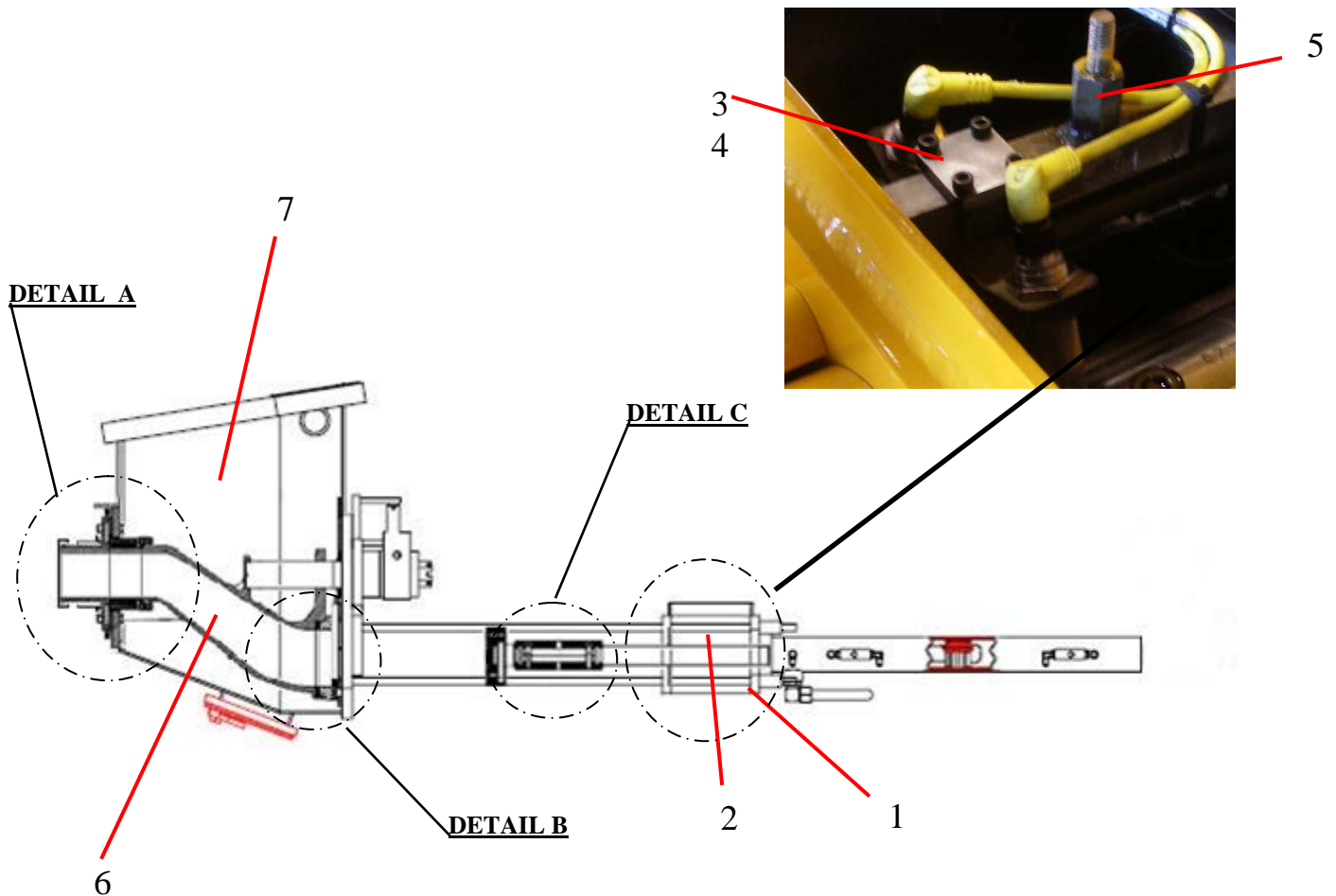
13822 Oaks Avenue
Chino, CA 91710
reedpumps.com
909-287-2100

PARTS	2
PUMPING TRAIN ASSEMBLY	2
S-TUBE ASSEMBLY	4
5" OUTLET ASSEMBLY	4
5" OUTLET SEAL KIT INSTALLATION	5
WEAR PLATE ASSEMBLY	6
6" PISTON CUP ASSEMBLY	7
DRIVE CYLINDER ASSEMBLY	8
SINGLE SHIFT BELL CRANK ASSEMBLY	9
SINGLE SHIFT SWING CYLINDER ASSEMBLY	9
POWER TRAIN	12
ELECTRIC MOTOR AND PUMP	12
ELECTRIC MOTOR COUPLING	13
HYDRAULIC PUMP, GEAR BOX	13
HYDRAULIC TANK ASSEMBLY	14
MANIFOLDS	16
DRIVE CYLINDER CIRCUIT MANIFOLD ASSEMBLY	17
S-TUBE CIRCUIT MANIFOLD ASSEMBLY	18
ELECTRICAL GROUP	21
PROXIMITY SWITCHES	21
CONTROLS	23
MAIN CONTROL BOX SWITCHES, LIGHTS	23
CONTROL PANEL	24
MOTOR CIRCUIT BREAKER	25
CONTACTOR / MOTOR OVERLOAD	27
CIRCUIT BREAKERS / FUSES / RELAYS	28
TERMINALS / OUTPUT TERMINALS	28
TRANSFORMERS	30
CONTROLLER	30
FUSES	31
CONNECTORS	33
50FT CABLE REMOTE	35
FRAME	37
HOOD AND COVERS	37
HOPPER SAFETY GRATE	38
GRATE ASSEMBLY	39
OPTION	40
HYDRAULIC AGITATOR	40
PERIFLO CHEMICAL PUMP	43

PARTS

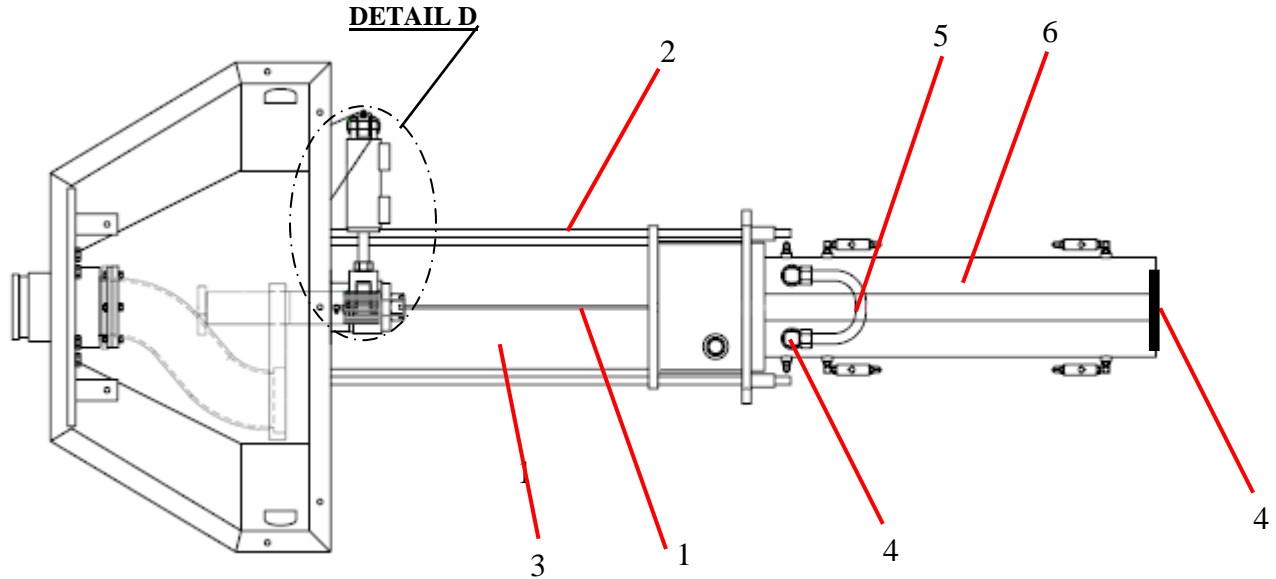
PUMPING TRAIN ASSEMBLY

**FLUSH BOX
TOP VIEW**



ID #	PART #	PART DESCRIPTION	QUANTITY	
	88636	PUMP CELL ASSEMBLY M30 JARP		REF
1	10282	PLUGS-PIPE GALV 1" FOR DRAIN	1	EA
2	BW10368	FLUSH BOX WELDMENT, A40	1	EA
3	BW10101	BRACKET, PROX SWITCH, A30	1	EA
4	BW10383	BRACKET, PROX SWITCH	1	EA
5	BW10193	STUD, 3/8-16 X 2" LONG	1	EA
6	BW10391	S TUBE WELDMENT, 6X5 A40	1	EA
7	BW10363A	HOPPER, WELDMENT A40 SAFETY SWITCH	1	EA

PUMPING TRAIN ASSEMBLY CONTINUED

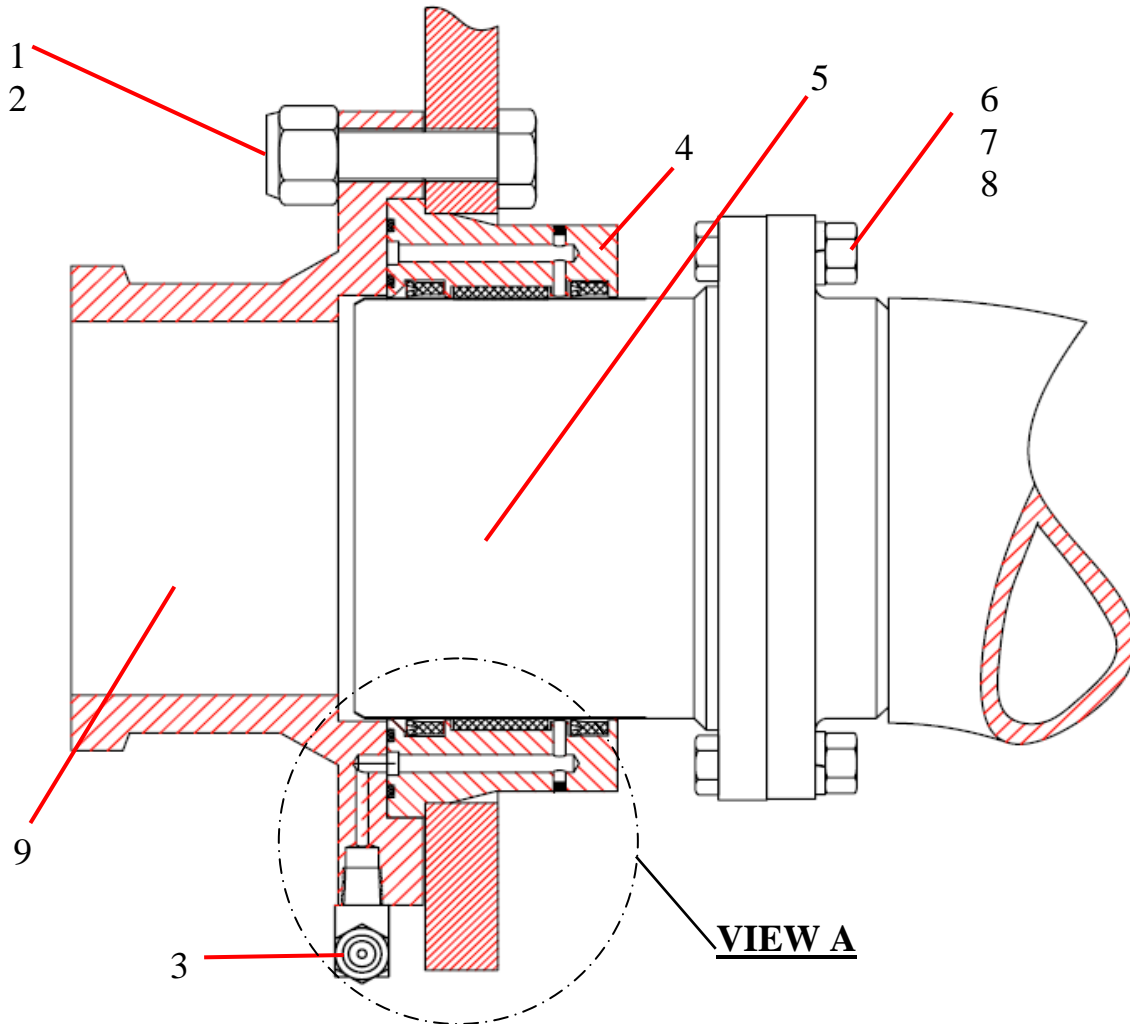


ID #	PART #	PART DESCRIPTION	QUANTITY	
1	88638	TIE ROD, SHORT, A40	4	EA
2	88639	TIE ROD, LONG, A40	2	EA
3	88637	CONCRETE CYLINDER, 6" X 20" A40	2	EA
4	86728-023	ELBOW, MB – MJ90-16-16	2	EA
5	BW10394	TUBE, HYD, LOOP LINE, A40	1	EA
6	88633	DRIVE CYLINDER 3.75 X 2.00 X19.50	2	EA
7	88654	END PLATE DRIVE CYLINDER M30	1	EA

S-TUBE ASSEMBLY

5" OUTLET ASSEMBLY

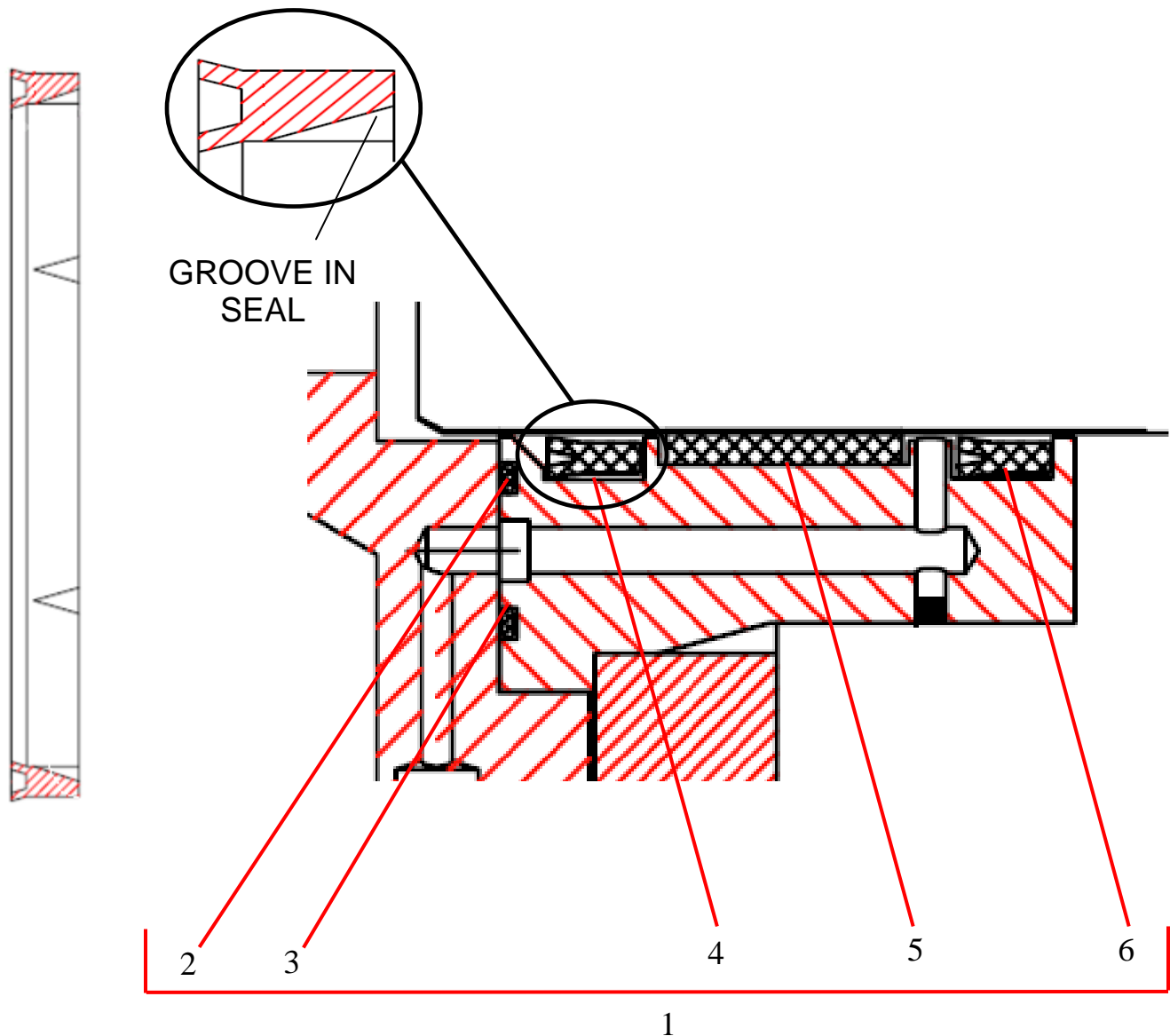
DETAIL A



ID #	PART #	PART DESCRIPTION	QUANTITY	
	86321	OUTLET ASSEMBLY	1	EA
1		HHCS, 9/16-12 X 2 1/2 GR/8	6	EA
2		LOCK NUT, 9/16 -12	6	EA
3		GREASE FITTING, 1/8" NPT 90°	2	EA
4	72309	OUTLET SEAL HOUSING	1	EA
5	70042	WELD.-CHROMED OUTLET	1	EA
6		HHCS, 3/8 - 16X1 1/2" GR 8	6	EA
7		HEX NUT, 3/8" - 16	6	EA
8		LOCK WASHER, 3/8"	6	EA
9	72482	OUTLET, 5" (1-PIECE)	1	EA

5" OUTLET SEAL KIT INSTALLATION

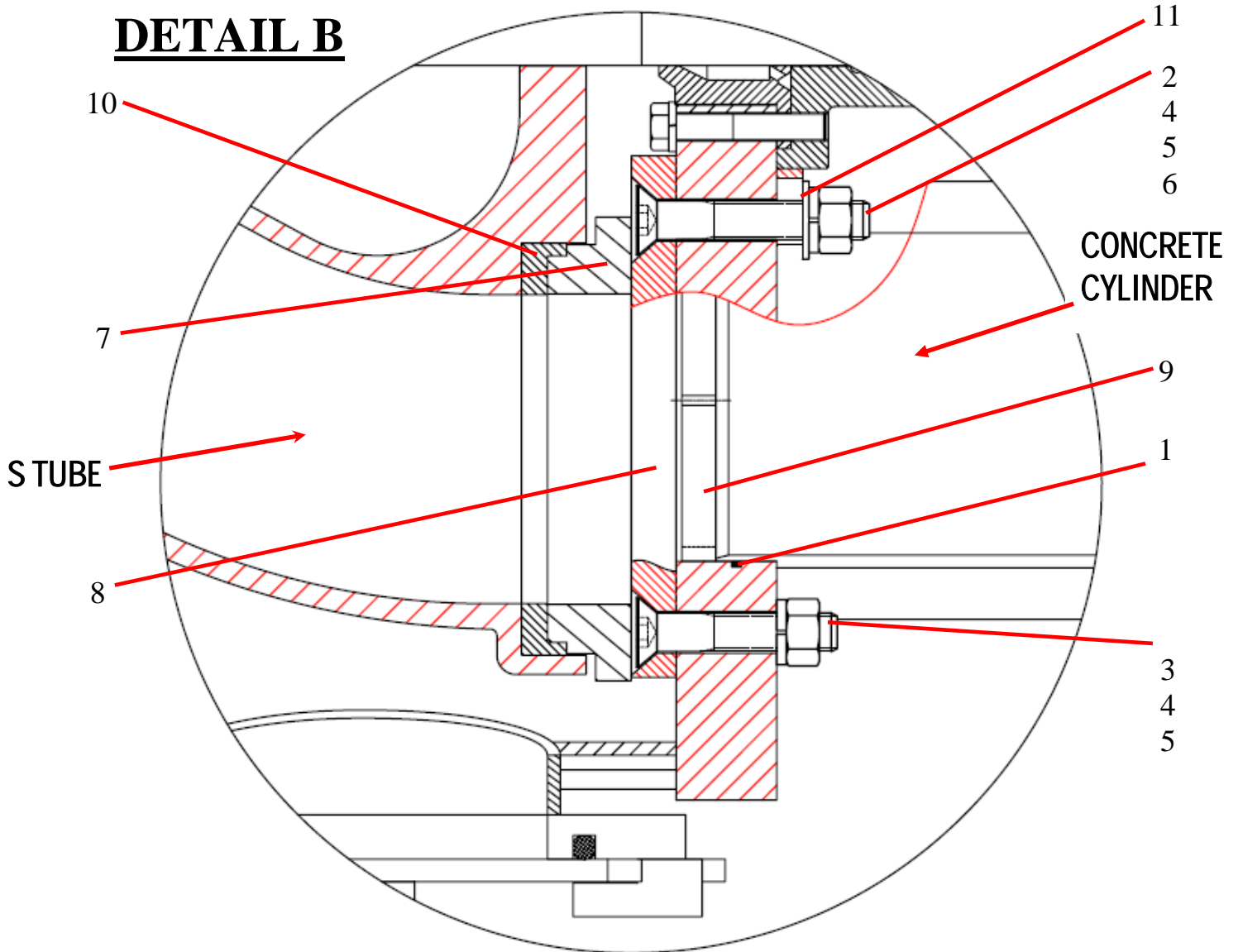
VIEW A



ID #	PART #	PART DESCRIPTION	QUANTITY	
1	79895	SEAL KIT	1	EA
2	77762	O-RING-#257 BUNA 90	1	EA
3	77761	O-RING-#264 BUNA 90	1	EA
4	86504	SEAL-MODIFIED- 5 IN OUTLET	1	EA
5	77763	GUIDE BAND – 5.375 OD X 1.00W	1	EA
6	77765	LIP SEAL -5.50 ID X 6.00 OD X.56	1	EA

WEAR PLATE ASSEMBLY

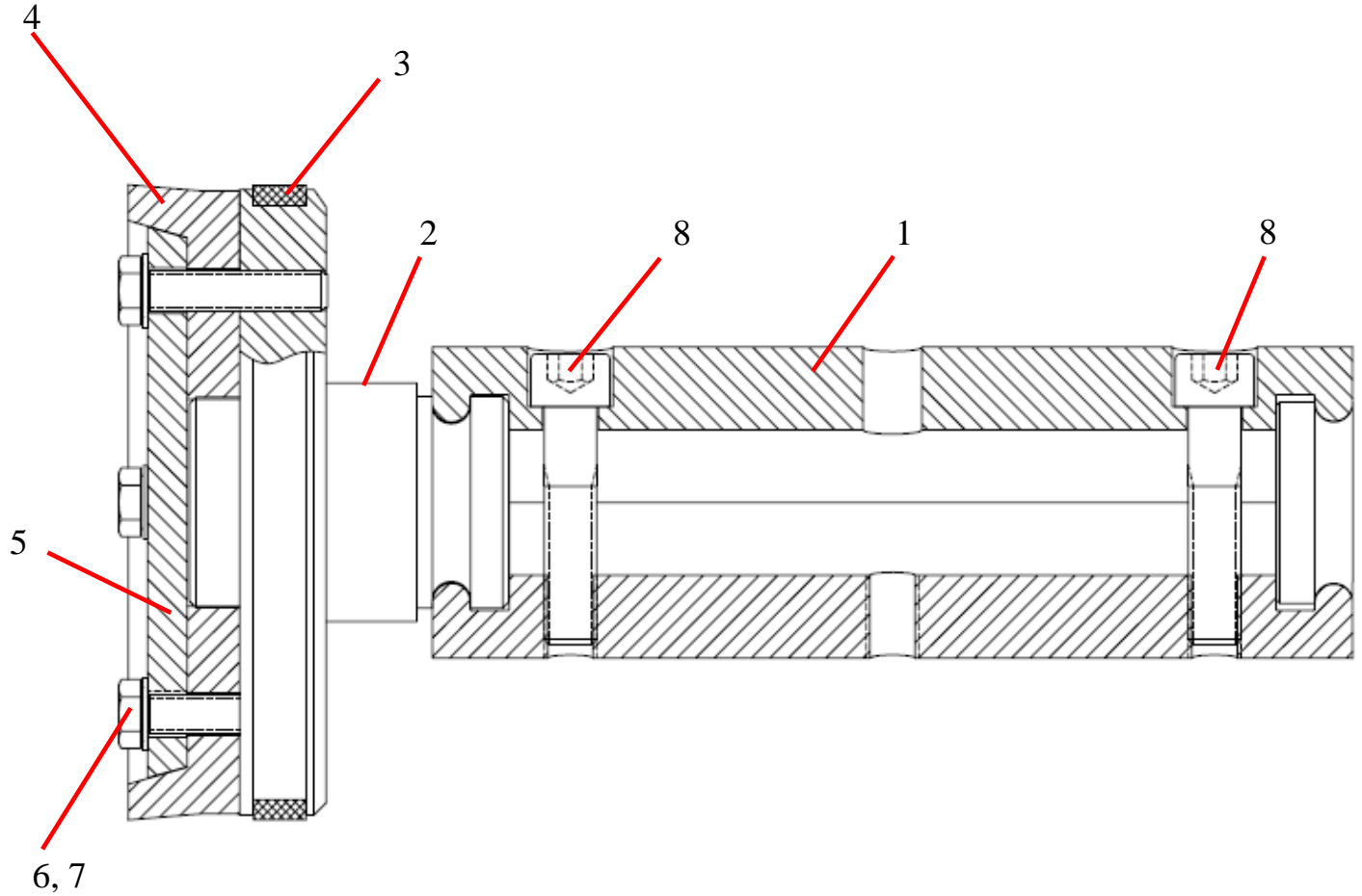
DETAIL B



ID #	PART #	PART DESCRIPTION	QUANTITY	
1	86149	O-RING, #259 BUENA 70	4	EA
2		FHCS, 3/4 - 10X 4 1/2" GR 8	1	EA
3		FHCS, 3/4 - 10X 3 1/2" GR 8	3	EA
4		HEX NUT, 3/4" - 10	4	EA
5		LOCK WASHER, 3/4"	4	EA
6		FLATWASHER, 3/4"	4	EA
7	72310	WEAR RING, 6"	1	EA
8	BW10382	WEAR PLATE 6" A40	1	EA
9	86086	CHIP RING, 6"	2	EA
10	86085	SEAL, SINGLE LIP, 6"	1	EA
11	86502	LOCATOR RING - FLANGE BEARING	1	EA

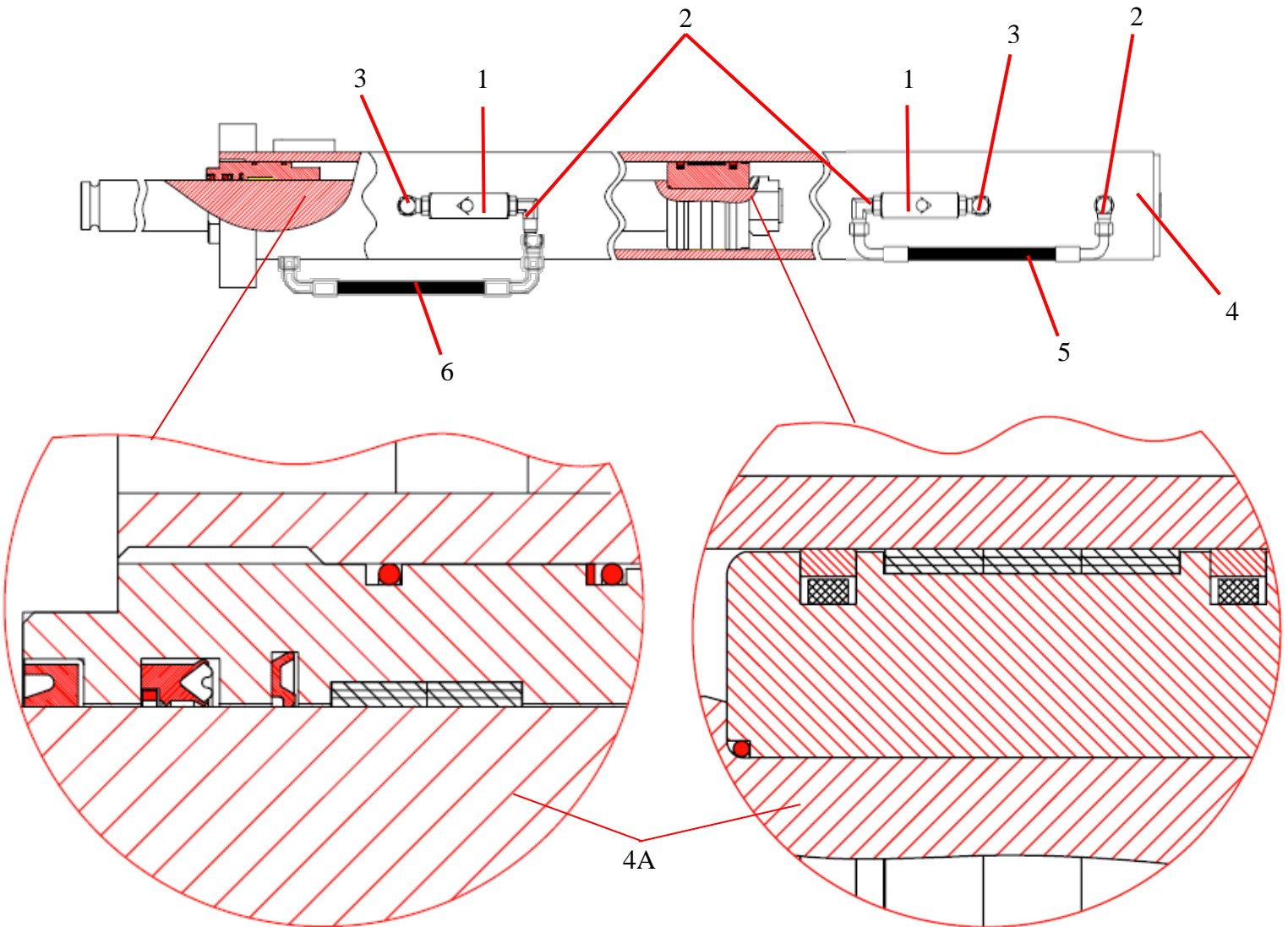
6" PISTON CUP ASSEMBLY

DETAIL C



ID #	PART #	PART DESCRIPTION	QUANTITY	
1	73425	PISTON COUPLING	1	E/SIDE
2	77194	PISTON ADAPTER 6"	1	E/SIDE
3	77120	WEAR RING (GUIDE BAND) 6"	1	E/SIDE
4	70048	PISTON CUP, 6 IN.	1	E/SIDE
5	70057	PISTON PLATE 6"	1	E/SIDE
6		HHCS, 3/8 - 16X1 3/4" GR 8	4	E/SIDE
7		LOCKWASHER 3/8	4	E/SIDE
8		SHCS 1/2 - 20 X 2 1/4"	2	E/SIDE

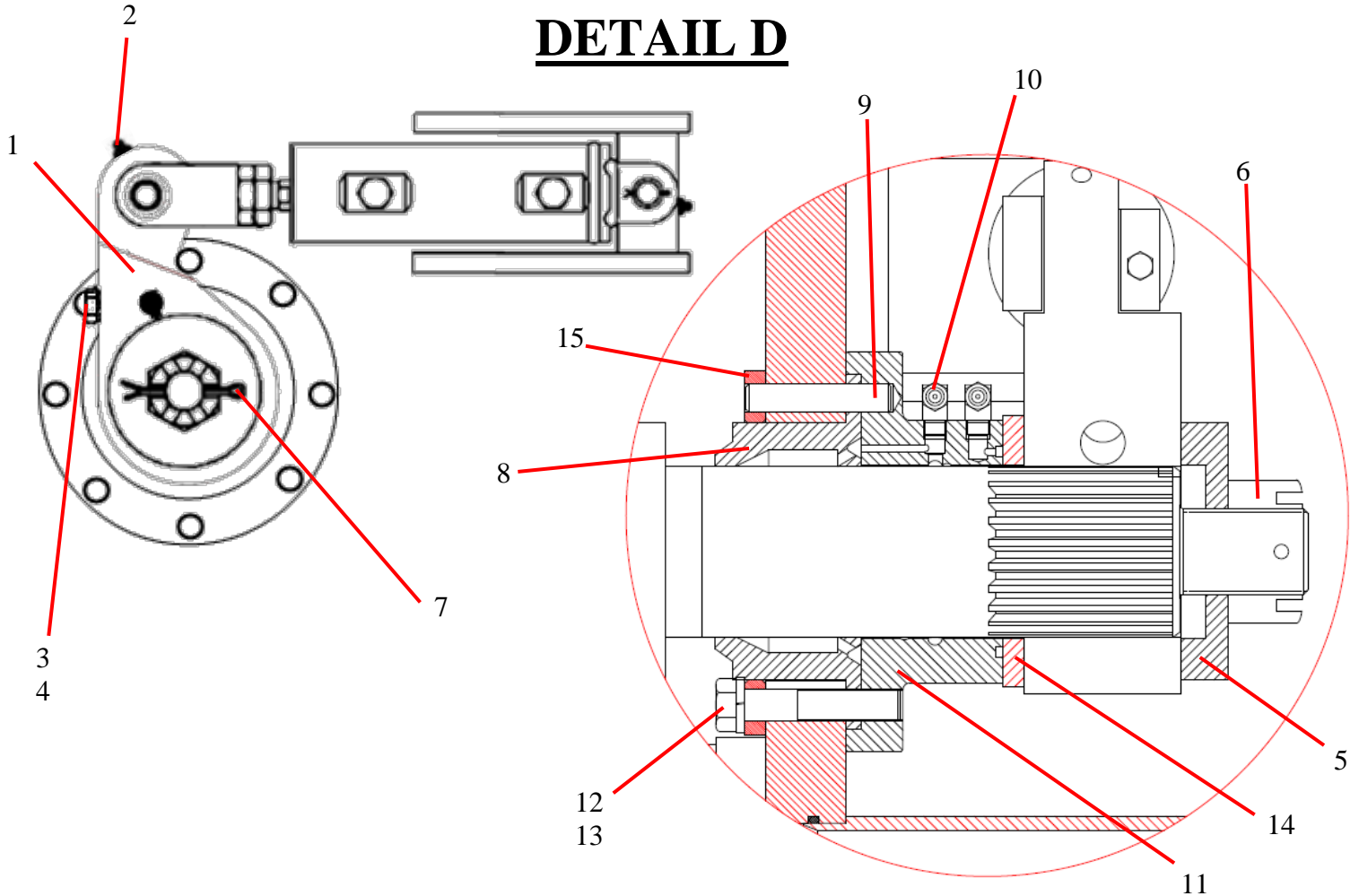
DRIVE CYLINDER ASSEMBLY



ID #	PART #	PART DESCRIPTION	QUANTITY	
1	78961	CHECK VALVE-5K PSI O-RING	2	EA/SIDE
2	86748	FITTING-MB-MJ90-6-6	3	EA/SIDE
3		ELBOW, MB-MB90-6-6	2	EA/SIDE
4	88633	DRIVE CYL-3.75 X 2.00 X 19.50 (JARP)	2	EA/SIDE
4A	BW10373A-SK	SEAL KIT FOR 88633	2	EA/SIDE
5	BW10051	HOSE-RT2-FJS90-FJS09-06-06-06-12"	1	EA/SIDE
6	BW10405	HOSE-RT2-FJS90-FJS09-06-06-06-14"	1	EA/SIDE

SINGLE SHIFT BELL CRANK ASSEMBLY

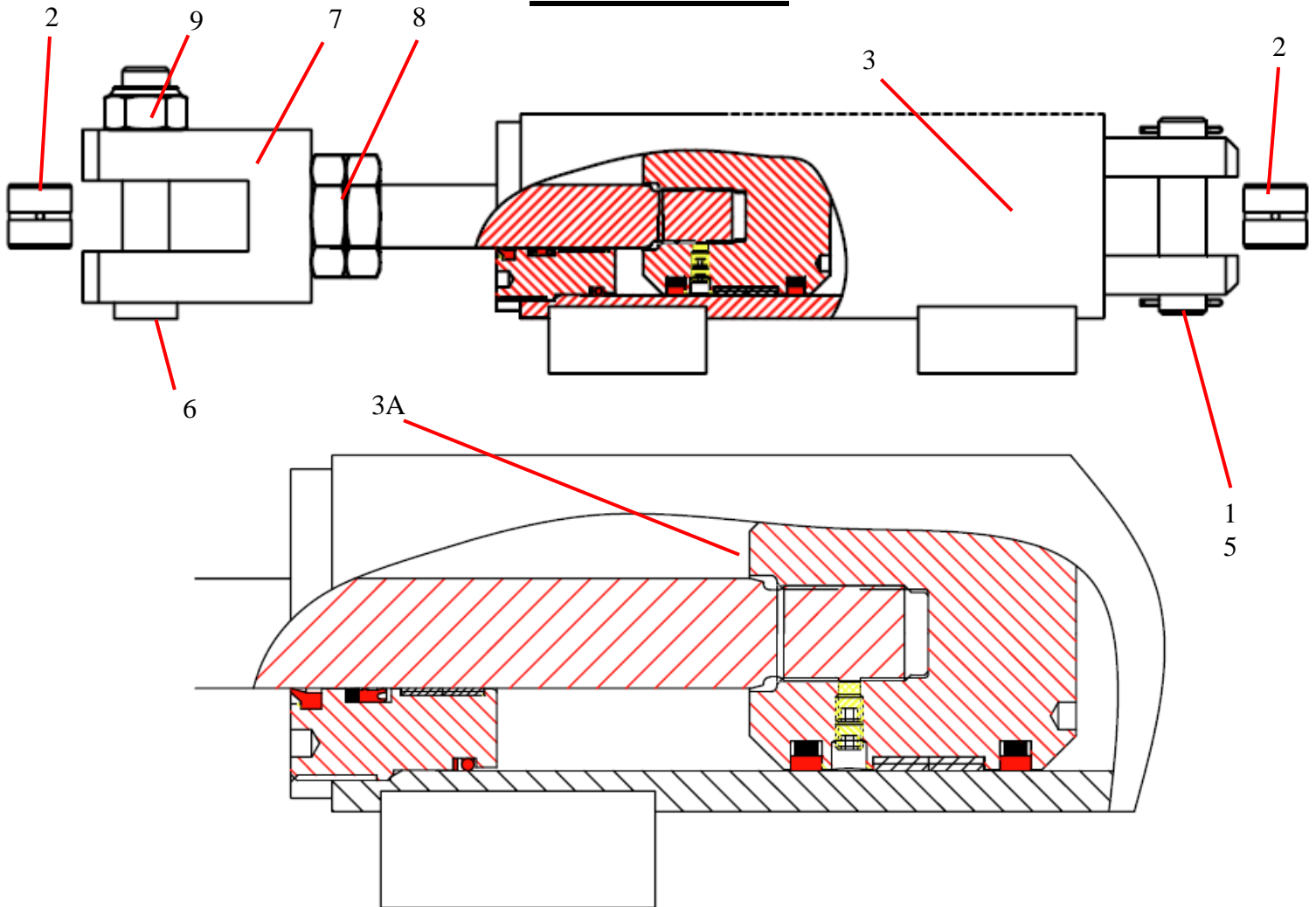
DETAIL D



ID #	PART #	PART DESCRIPTION	QUANTITY	
1	85131	BELL CRANK, 3 IN SPLINE, SINGLE	1	EA
2		GREASE FITTING, 1/8" NPT 45°	1	EA
3		HHCS, 5/8"-18X5 1/2" GR 8	1	EA
4		LOCK WASHER, 5/8"	1	EA
5	85134	SPACER, S-TUBE NUT	1	EA
6	70825	NUT 1 1/2" - 12 CASTLE	1	EA
7		COTTER PIN, 1/4 X4"	1	EA
8	85962	SEAL, FLANGE BEARING, 3" SHAFT	1	EA
9		DOWEL PIN, 1/2" DIA X 2"	2	EA
10		GREASE FITTING, 1/8" NPT	2	EA
11	85133	FLANGED BEARING, 3 IN SPLINE	1	EA
12		HHCS, 9/16 - 12X3" GR 8	4	EA
13		LOCK WASHER, 9/16"	4	EA
14	85294	THRUST WASHER, S -TUBE	1	EA
15	BW10384	SPACER RING A40	1	EA

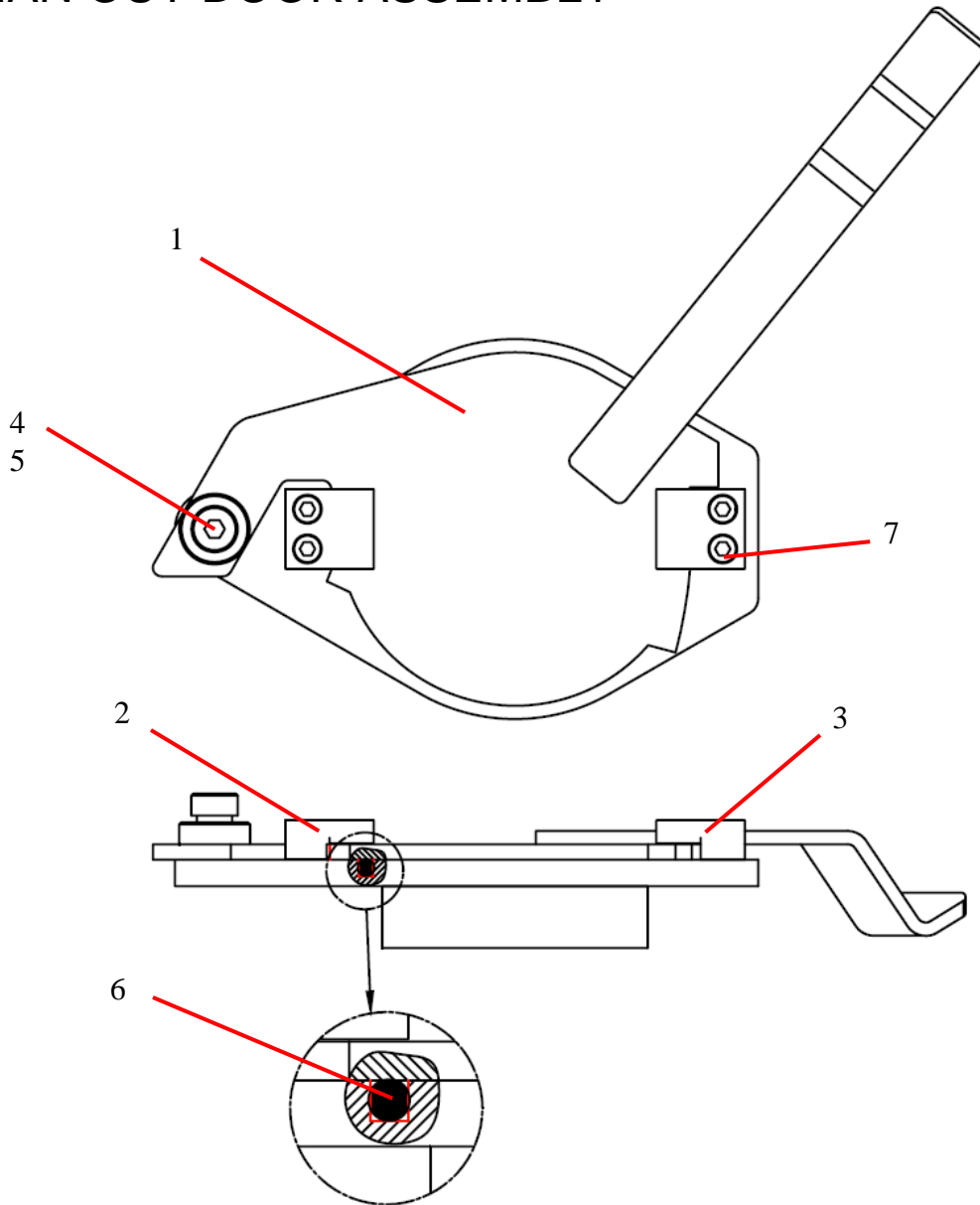
SINGLE SHIFT SWING CYLINDER ASSEMBLY

DETAIL D



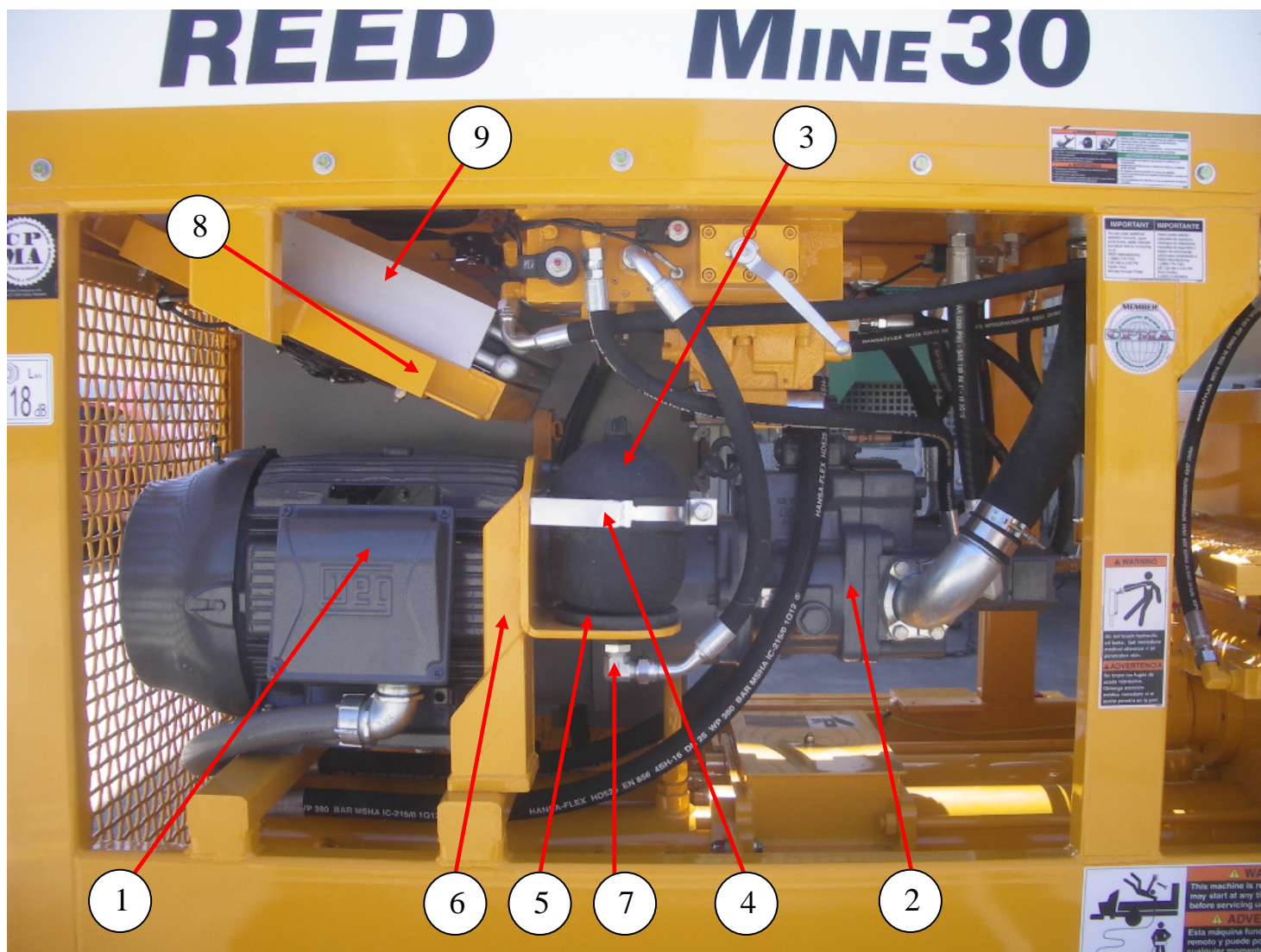
ID #	PART #	PART DESCRIPTION	QUANTITY	
1	74207	PIN - CLEVIS - .750 DIA	1	EA
2	71011	BUSHING - SHIFT CYLINDER	2	EA
3	BW10374A-1	SWING CYLINDER – 2.50 X 1.00 X 5.15 (JARP)	1	EA
3A	86221A-SK	SWING CYLINDER SEAL KIT (JARP)	1	REF
5		COTTER PIN, 3/32X1 3/4"	2	EA
6	86150	PIN, CLEVIS 1.00 DIA	1	EA
7	86135	CLEVIS, SHIFT CYLINDER	1	EA
8		1"X14 JAM NUT	2	EA
9		3/4 -10 LOCK NUT	1	EA

CLEAN OUT DOOR ASSEMBLY



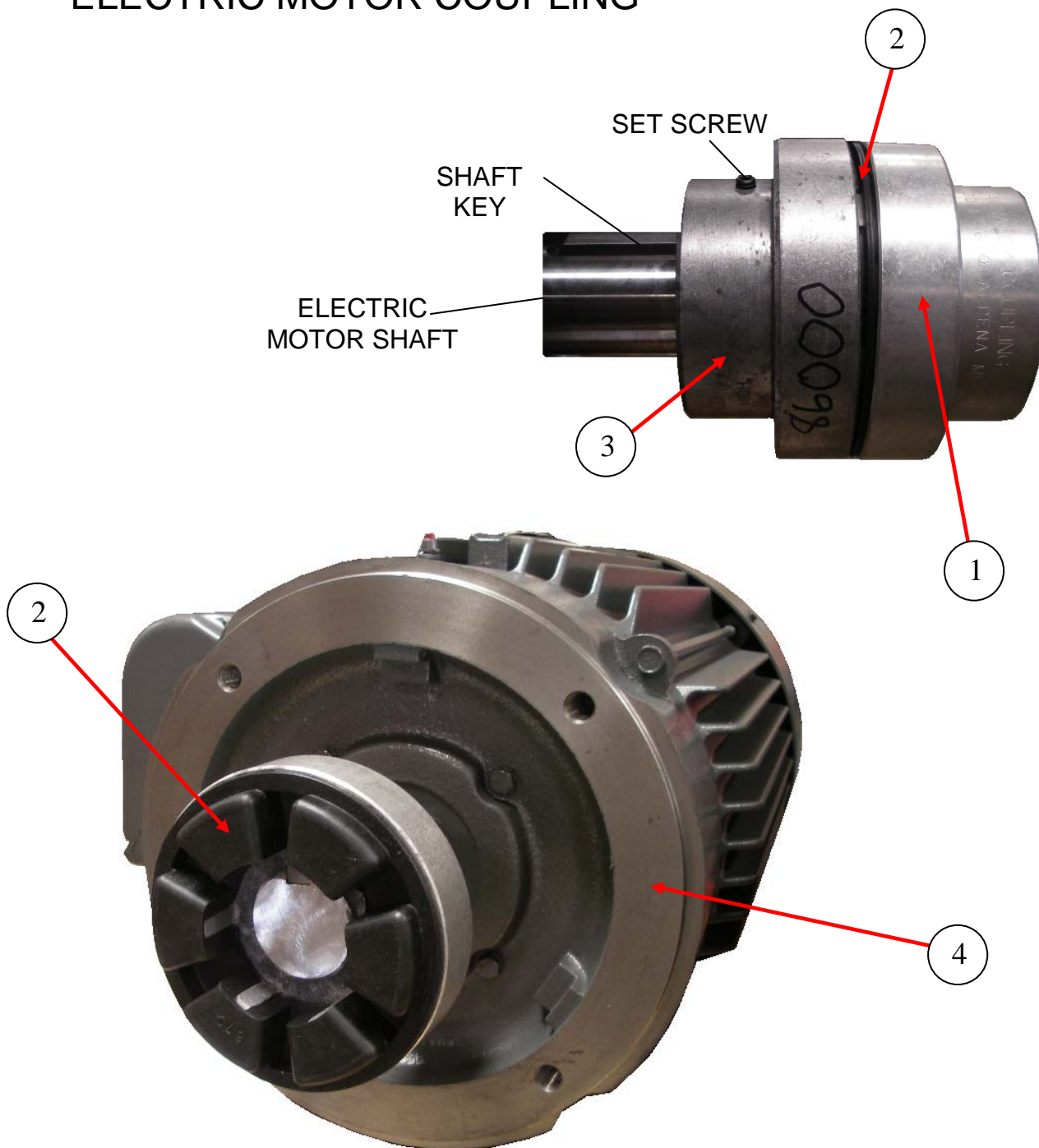
ID #	PART #	PART DESCRIPTION	QUANTITY	
	86542	CLEAN OUT DOOR WELDMENT PARTS KIT	REF	
1	86988	DOOR WELDMENT, CLEAN OUT	1	EA
2	86559	BLOCK, CLEAN OUT DOOR, LH	1	EA
3	86560	BLOCK, CLEAN OUT DOOR, RH	1	EA
4		SHOULDER SCREW 1" DIA-1 1/4"	1	EA
5	85367	BOSS, CLEAN OUT DOOR	1	EA
6	W-102908A	O-RING CORD, HOPPER DOOR	2.21	FT
7		SHCS 1/2"-13 X 1 1/4"	4	EA

POWER TRAIN ELECTRIC MOTOR AND PUMP



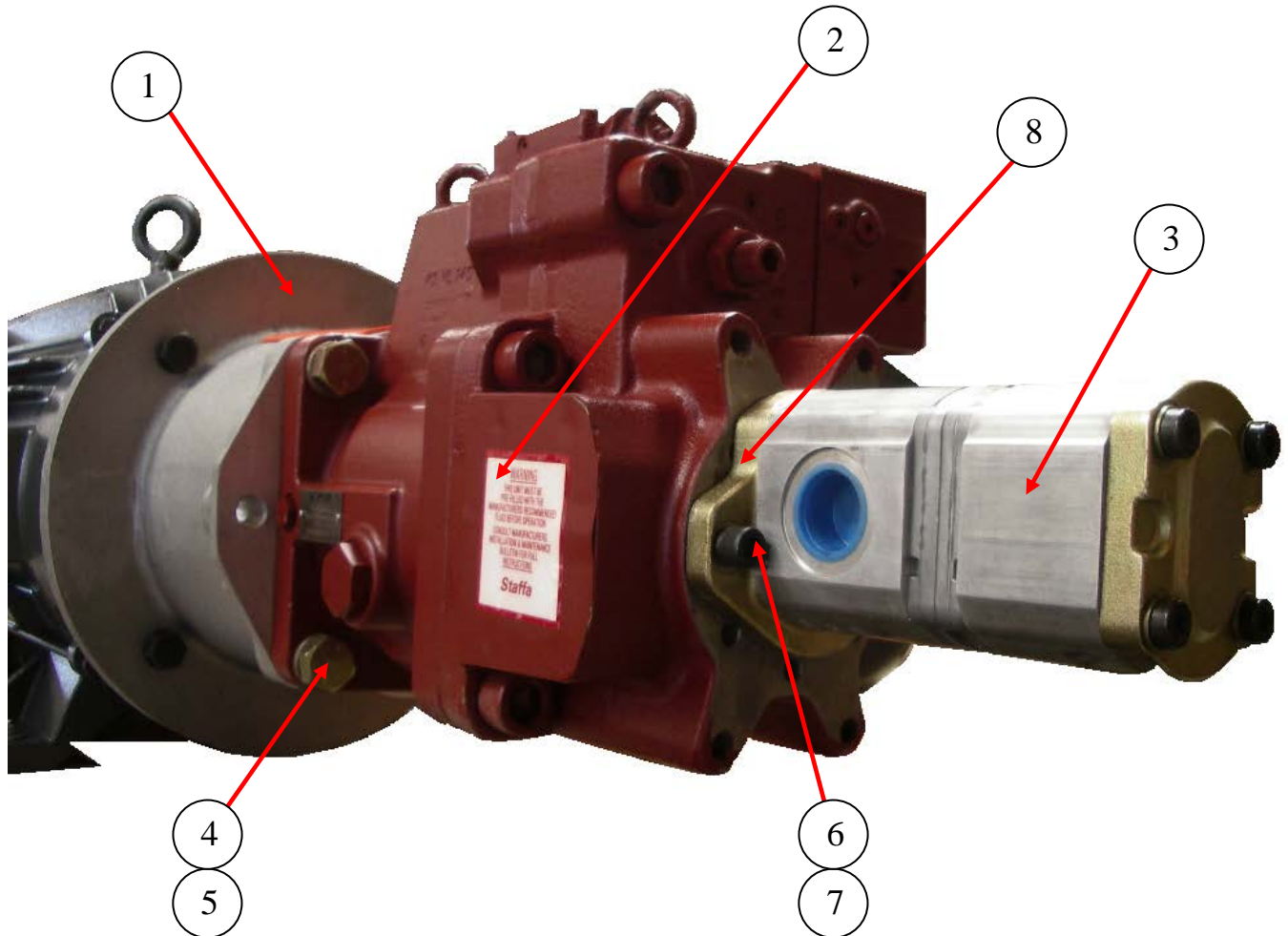
ID #	PART #	PART DESCRIPTION	QUANTITY	REF
	88635-1	POWER TRAIN ASSY M30 SKE		REF
1	85993	MOTOR, 50HP, 380V,60HZ,3PH BALDOR	1	EA
2	87724-004	PUMP, KV3L112 KAWASAK, 75HP	REF	EA
3	71360	ACCUMULATOR	1	EA
4	73171	ACCUMULATOR BRK.W/CLOSING HARDWARE	1	EA
5	801028	GROMMET, ACCUMULATOR	1	EA
6	88748	BRACKET ACCUMULATOR MOUNT	1	EA
7	86904-009	ELBOW, MB-MJ90LL-12-12	1	EA
8	88749	BRAKET OIL COOLER MOUNT	1	
9	79433	HYD. OIL COOLER-ELECTRIC 12VDC	1	EA

ELECTRIC MOTOR COUPLING



ID #	PART #	PART DESCRIPTION	QUANTITY	
1	88028	COUPLING HALF FOR 13 TEETH 8/16 SAE-D, M600	1	EA
2	86002	COUPLING SPIDER, L190-NBR (USE P/N 87041)	1	EA
3	86000	COUPLING HALF, L190-2 1/2X1/2 (USE P/N 87039)	1	EA
4	85993	MOTOR, 50HP, 380V, 60HZ, 3PH, BALDOR	REF	EA

HYDRAULIC PUMP, GEAR BOX



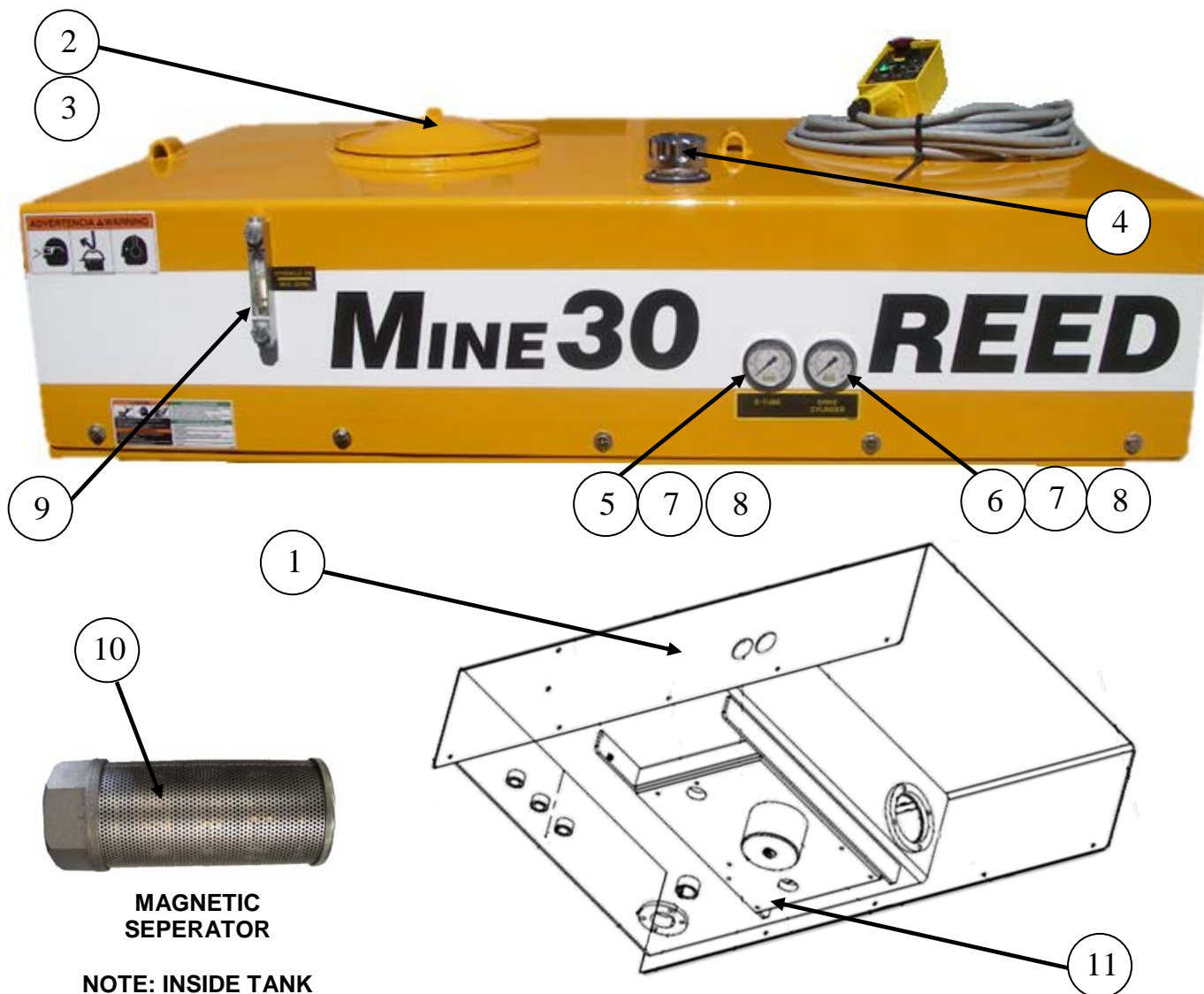
ID #	PART #	PART DESCRIPTION	QUANTITY	
1	88240	PUMP ADAPTER- FRAME 326TC X SAE	1	EA
2	87724-004	PUMP, KV3L112 KAWASAK, 75HP	1	EA
3	87153-001	PUMP-RH-DBLE GEAR, 11.3/8.2 CC BOSCH	1	EA
4		¾-2" BOLT	4	EA
5		¾ LOCK WASHER	4	EA
6		M10 X 30 SHCS	2	EA
7		10MM HI COLLAR LOCK WASHER	2	EA
8	88174	O-RING	1	EA



Mine 30 PARTS

13822 Oaks Avenue
Chino, CA 91710
reedpumps.com
909-287-2100

HYDRAULIC TANK ASSEMBLY

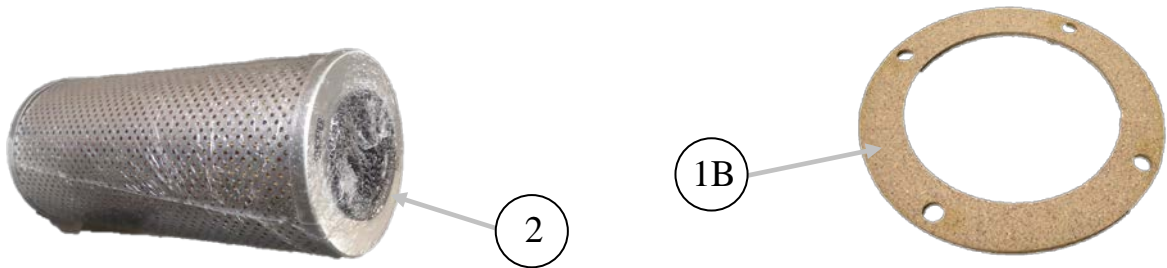


**MAGNETIC
SEPERATOR**

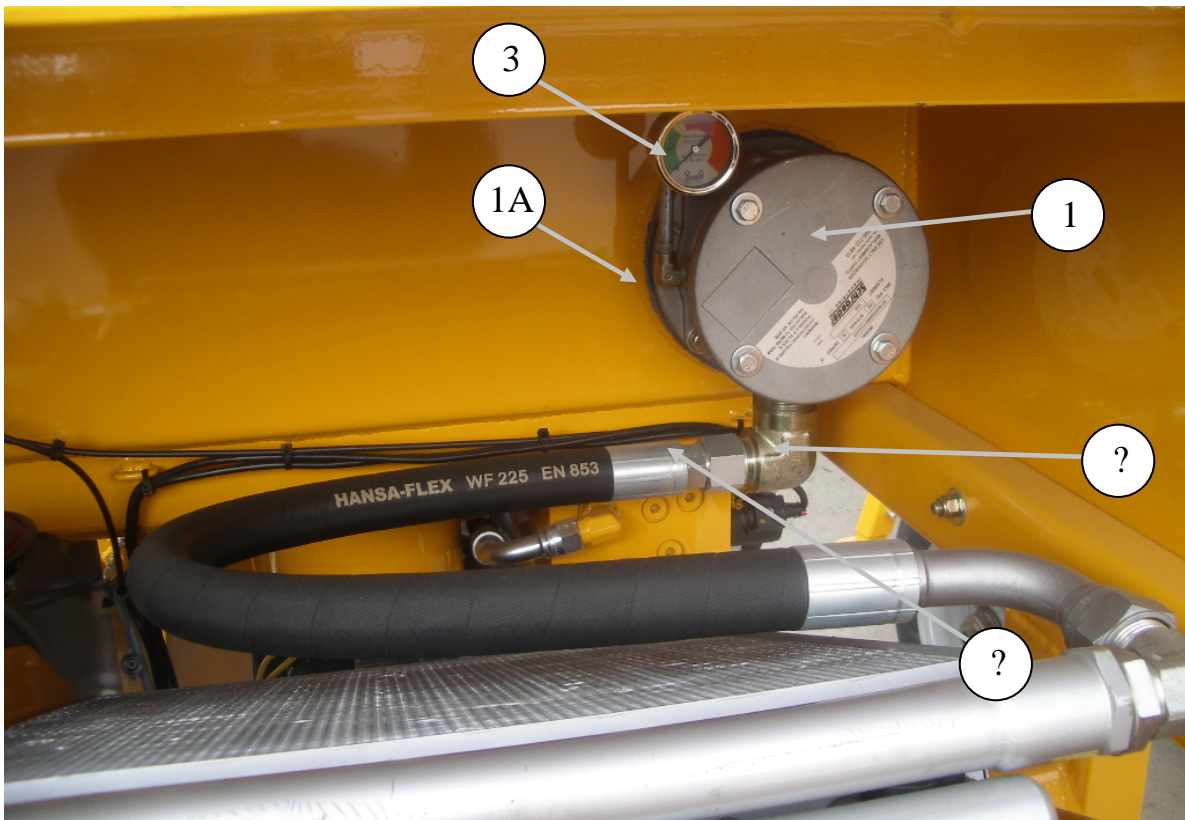
NOTE: INSIDE TANK

ID #	PART #	PART DESCRIPTION	QUANTITY	
	88640	HYDRAULIC GR M30		EA
1	88632	HYDRAULIC TANK WELDMENT	1	EA
2	85529	ENDCOVER KIT, 12 IN W/DRAIN	1	EA
3	85867	GASKET	1	EA
4	74508	FILLER BREATHER W/CAP	1	EA
5	70366	PRESSURE GAUGE, 3000 PSI/BAR	1	EA
6	74562	PRESSURE GAUGE, 6000 PSI/BAR	1	EA
7	78594	MINICHECK GAUGE ADAPTER, ¼" NPT	2	EA
8	78608	MINICHECK HOSE, 48"	2	EA
9	74509	GAUGE-SIGHT-TEMPERTURE	1	EA
10	79247	MAGNETIC SEPERATOR	1	EA
11	801025	DRAIN COCK, ¼ NPT	1	EA

HYDRAULIC ASSEMBLY CONTINUE



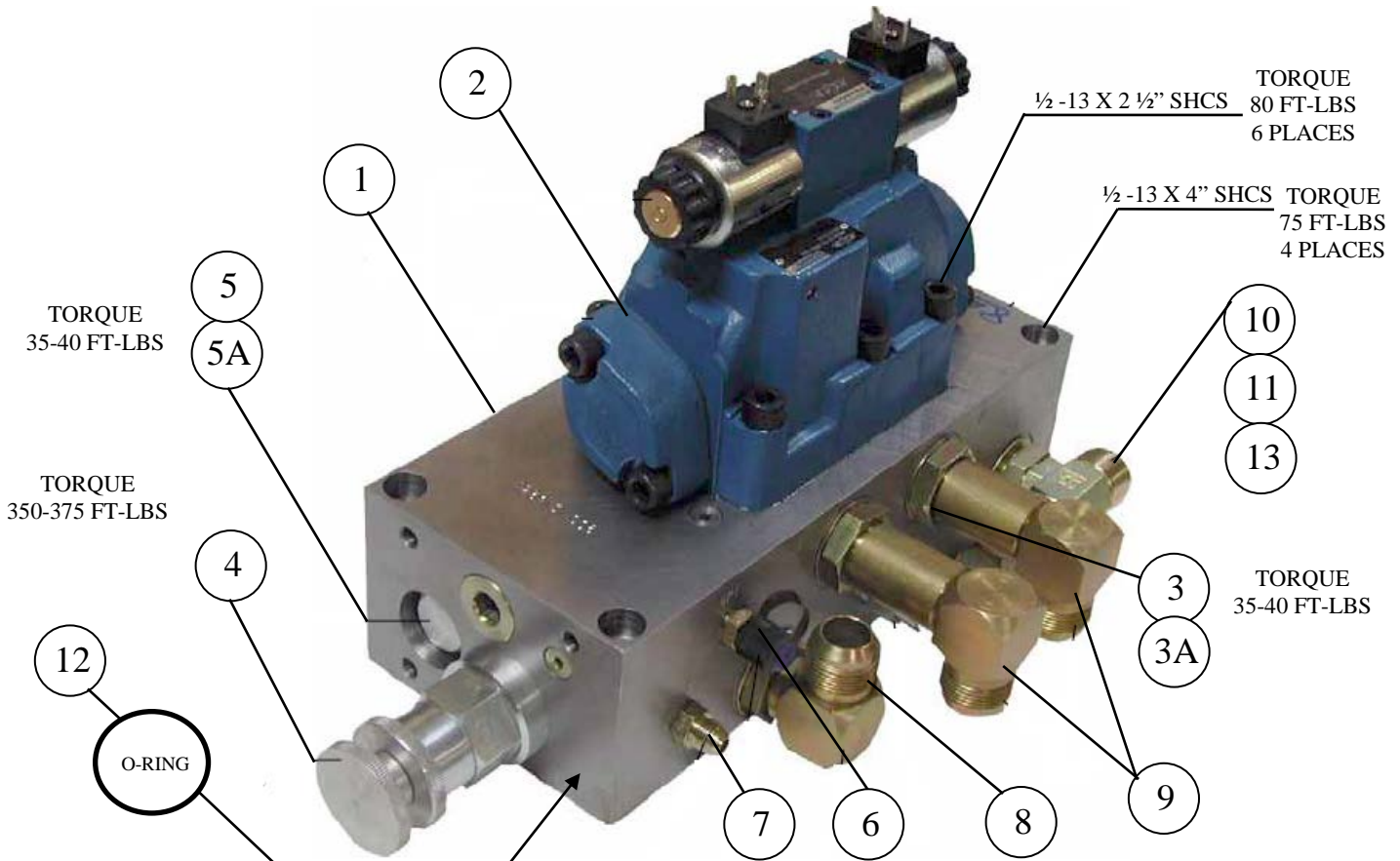
FILTER ELEMENT
NOTE: INSIDE TANK



ID #	PART #	PART DESCRIPTION	QUANTITY	
1	BW10027	RETURN FILTER	1	EA
1A	BW102241	SEAL KIT FOR RETURN FILTER BW10027	1	EA
1B	85282-G	GASKET-CORK	1	EA
2	BW10106-1	FILTER ELEMENT 25 MICRON	1	EA
3	85575	GAUGE, PN 85282 RETURN FILTER	1	EA
4	?	90 DEGREE FITTING	1	EA
5	?	HOSE	1	EA

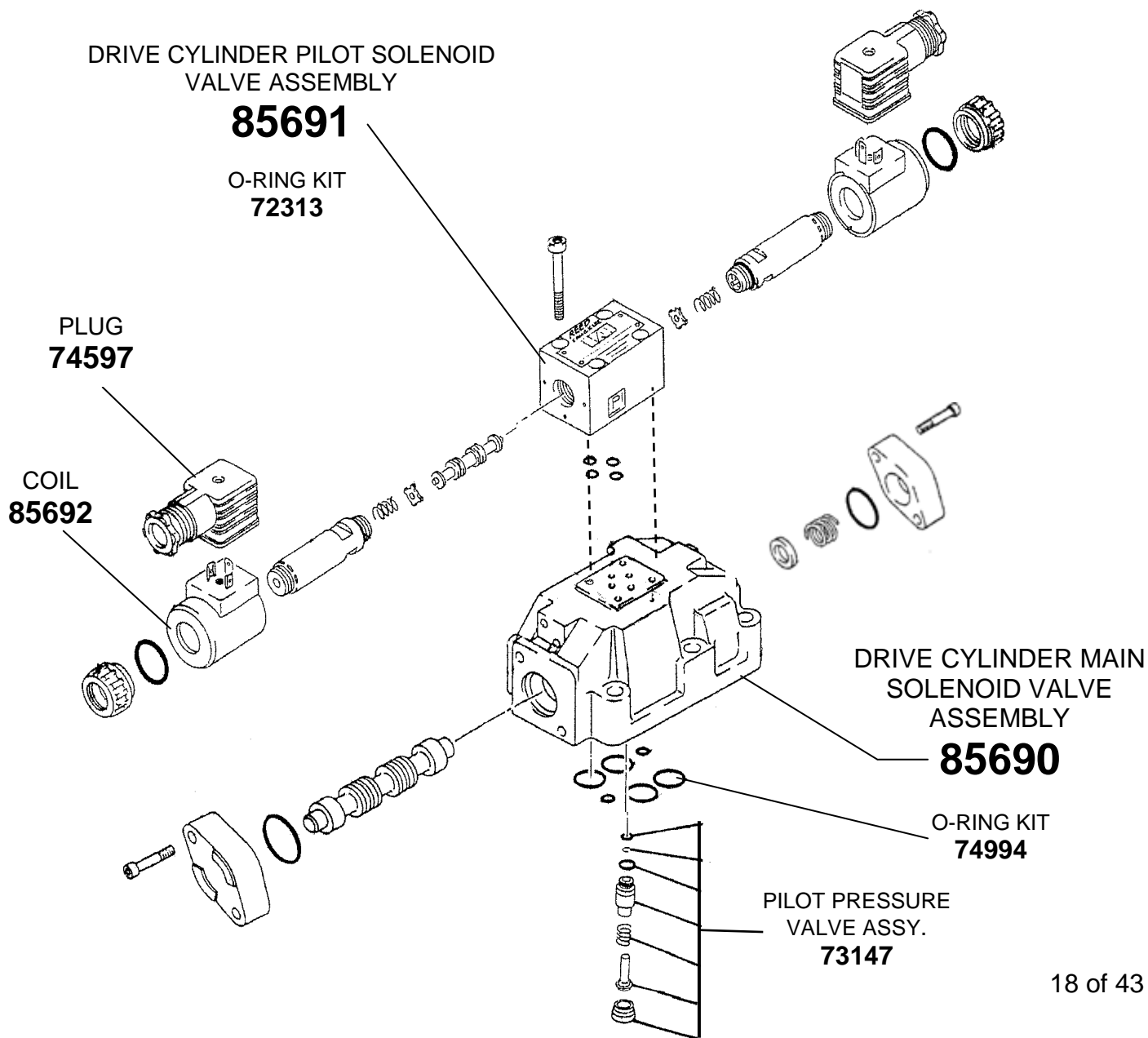
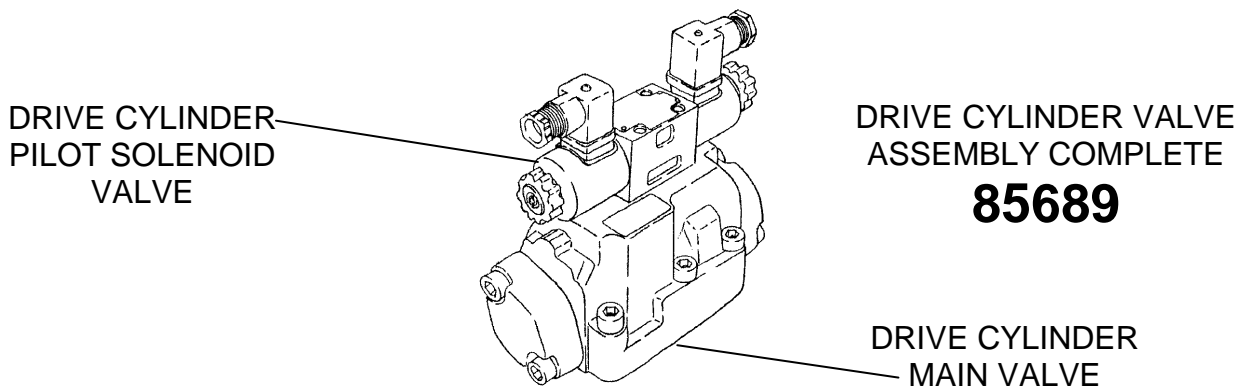
MANIFOLDS

DRIVE CYLINDER CIRCUIT MANIFOLD ASSEMBLY

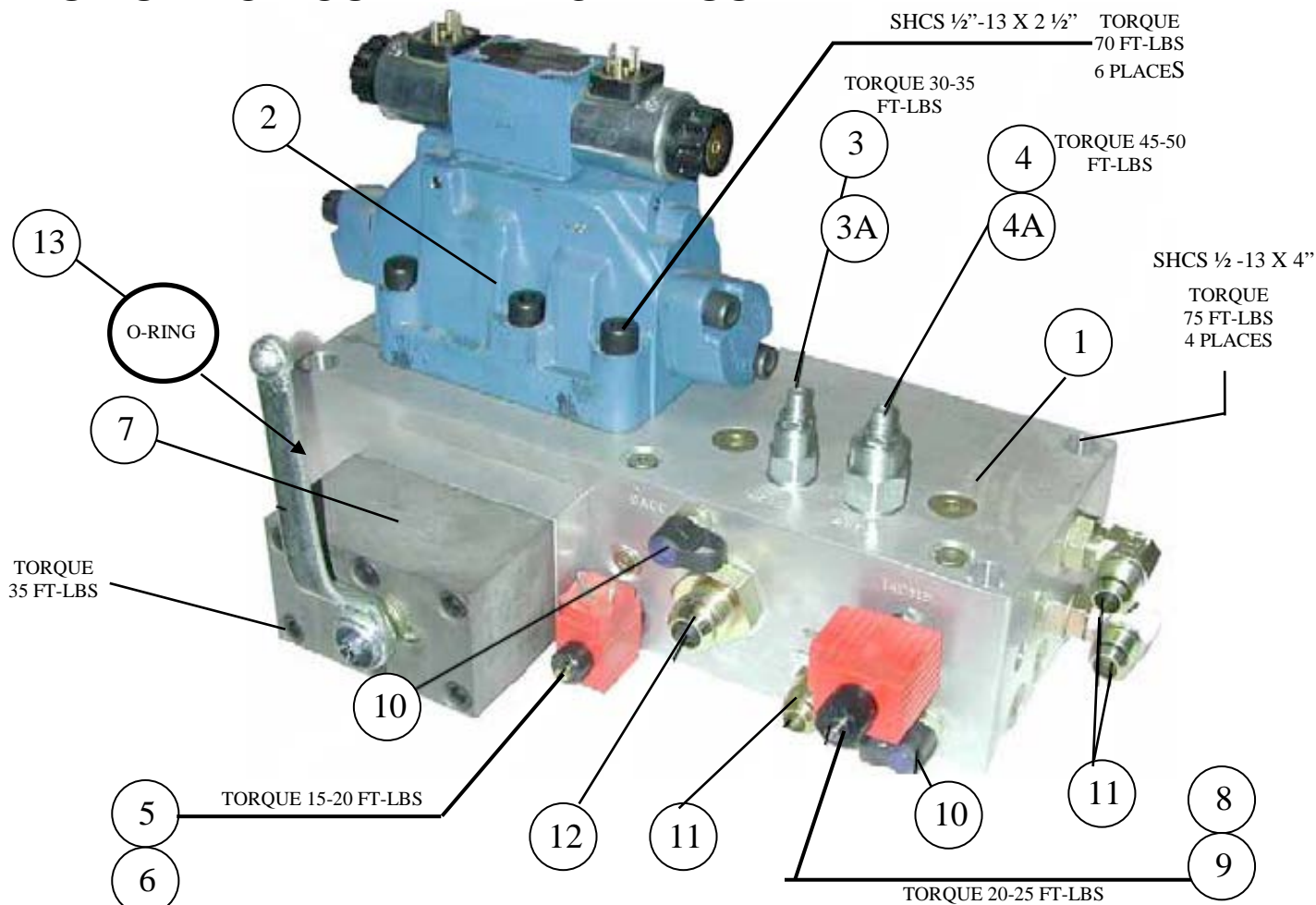


ID #	PART #	PART DESCRIPTION	QUANTITY	
	85248-M	MANIFOLD, CYLINDER CIRCUIT ASSEMBLY	1	EA
1	86820	MANIFOLD, MACHINED CYLINDER CIRCUIT	1	EA
2	85689	SOLENOID VALVE, DRIVE CYLINDER	1	EA
3	85696	RELIEF VALVE CARTRIDGE	1	EA
3A	85696-SK	SEAL KIT		
4	86952-003	MOTORIZED FLOW CONTROL FOR B SER	1	EA
5	85698	CHECK VALVE CARTRIDGE	1	EA
5A	85698-SK	SEAL KIT		
6	78593	MINICHECK ADAPTOR, SAE 4	1	EA
7	86900-002	ADAPTOR, MB-MJ-4-6	1	EA
8	86728-023	ELBOW, MB-MJ45-16-16	1	EA
9	86904-012	ELBOW, MB-MJ90LL-16-16	2	EA
10	86945-001	TEE, MJ-MB-MJT-16	1	EA
11	86905-016	ELBOW, MJ-FJX90-16-16	1	EA
12	86946	O-RING #230 BUNA 90DUR	1	EA
13	86948-001	REDUCER, JIC MJ-FJ-10-16	1	EA

DRIVE CYLINDER CIRCUIT MANIFOLD ASSEMBLY CONT.

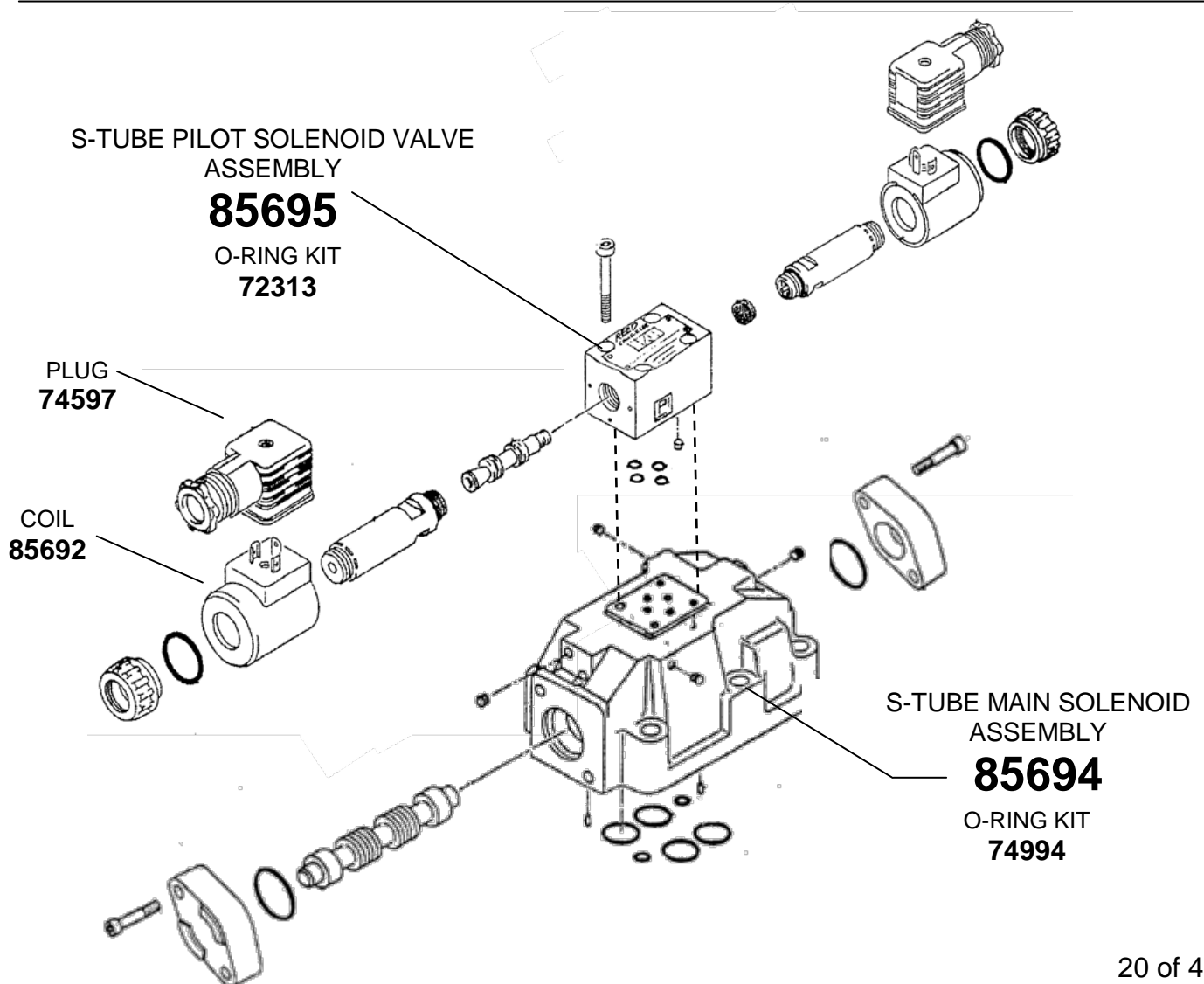
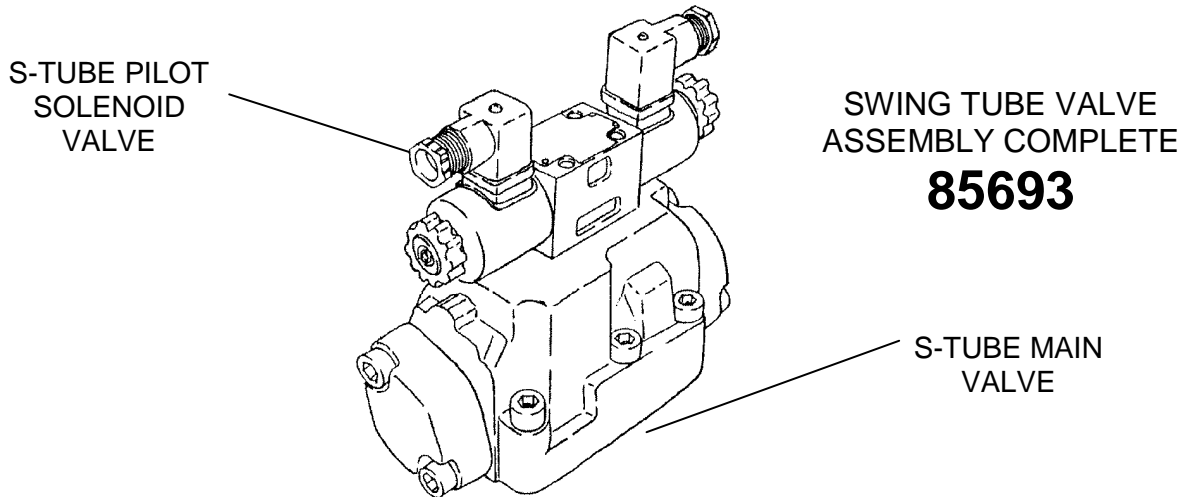


S-TUBE CIRCUIT MANIFOLD ASSEMBLY

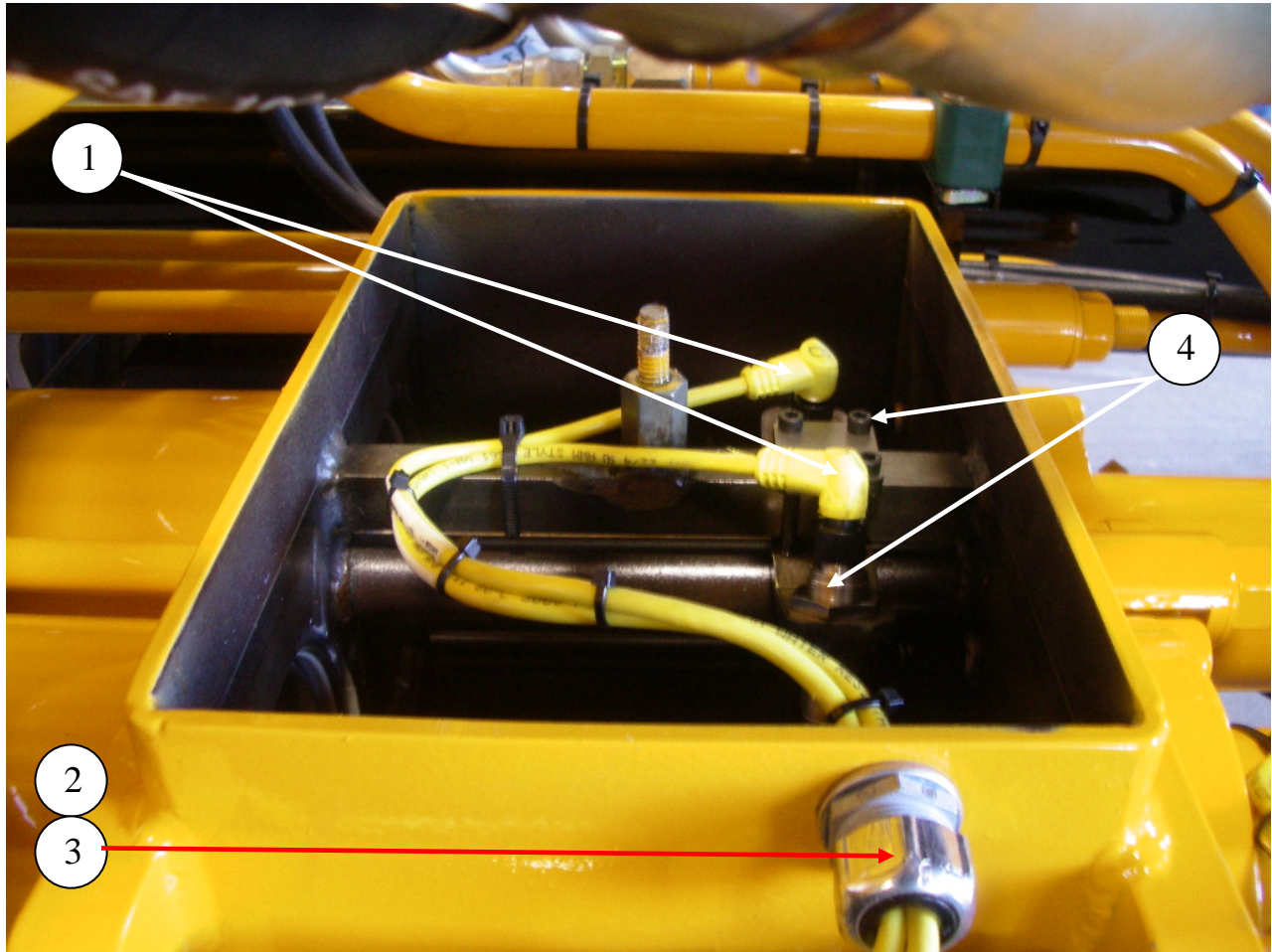


ID #	PART #	PART DESCRIPTION	QUANTITY	
	85249	MANIFOLD, S-TUBE CIRCUIT ASSEMBLY		
1	86821	MANIFOLD, MACHINED S-TUBE CIRCUIT	1	EA
2	85693	SOLENOID VALVE, S-TUBE SHIFT	1	EA
3	85704	UNLOADER VALVE CARTRIDGE, (QCDB)	1	EA
3A	85704-SK	SEAL KIT		
4	85703	RELIEF VALVE CARTRIDGE, (RVEA)	1	EA
4A	85703-SK	SEAL KIT		
5	87246	SOLENOID VALVE CARTRIDGE, (12CHS)	1	EA
6	87247	COIL, 12VDC,	1	EA
7	85705	BALL VALVE,	1	EA
8	87248	SOLENOID VALVE CARTRIDGE, (14CHS)	1	EA
9	87249	COIL, 12V DC FOR PN-87248	1	EA
10	78593	MINICHECK ADAPTOR, SAE	2	EA
11	86728-014	ELBOW, MB-MJ90-10-10	2	EA
12	86900-027	ADAPTOR, MB-MJ-16-12	1	EA
13	86946	O-RING #230 BUNA 90DUR	1	EA

S-TUBE CIRCUIT MANIFOLD ASSEMBLY CONT.



ELECTRICAL GROUP PROXIMITY SWITCHES

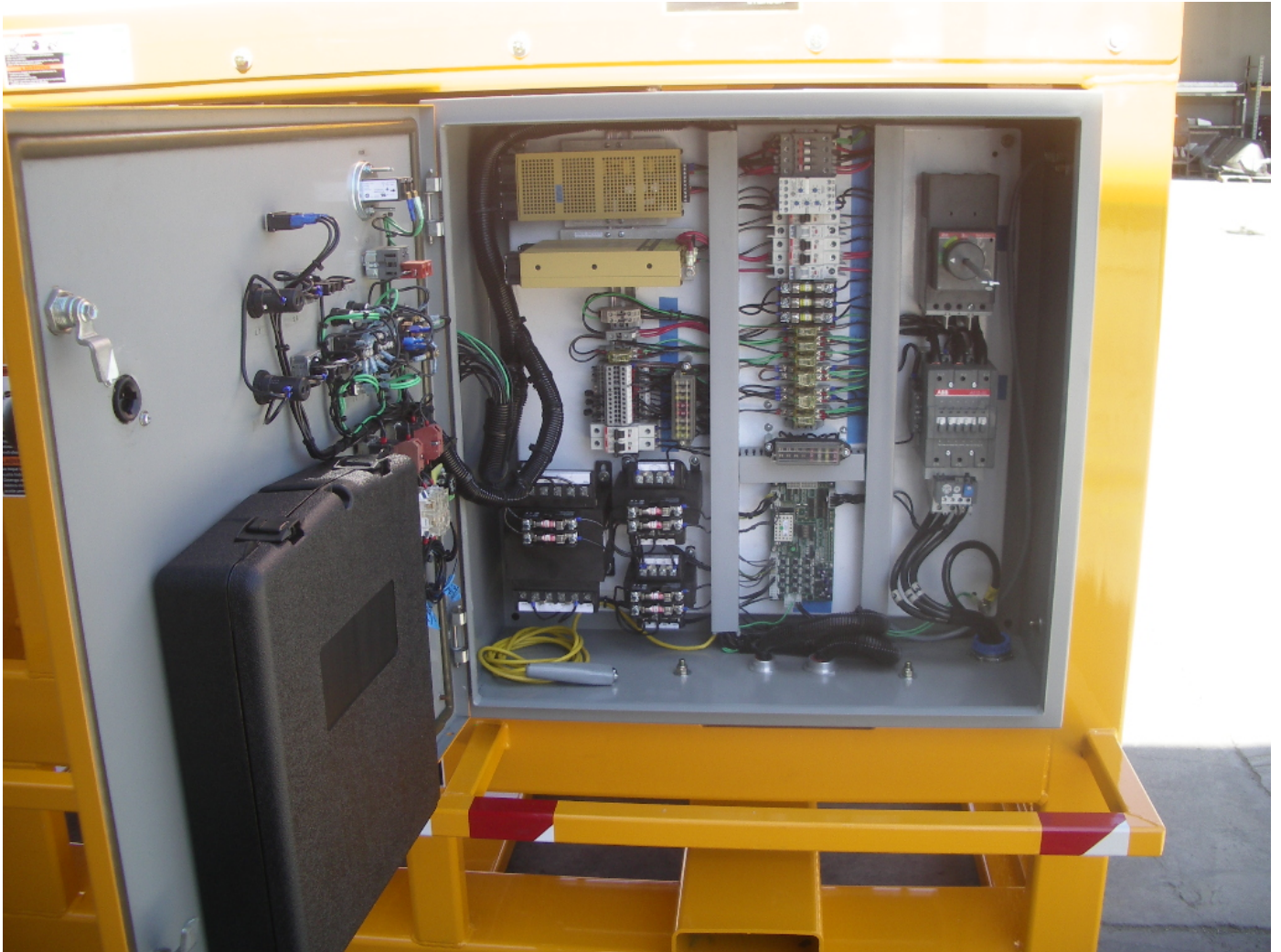


ID #	PART #	PART DESCRIPTION	QUANTITY	
1	77990	CABLE, PROXIMITY SWITCH	2	EA
2	10522	STRAIN RELIEF	1	EA
3	10528	NUT ½" BONDING TYPE LOCK	1	EA
4	77998	PROXIMITY SENSOR NPN	2	EA



Mine 30 PARTS

13822 Oaks Avenue
Chino, CA 91710
reedpumps.com
909-287-2100



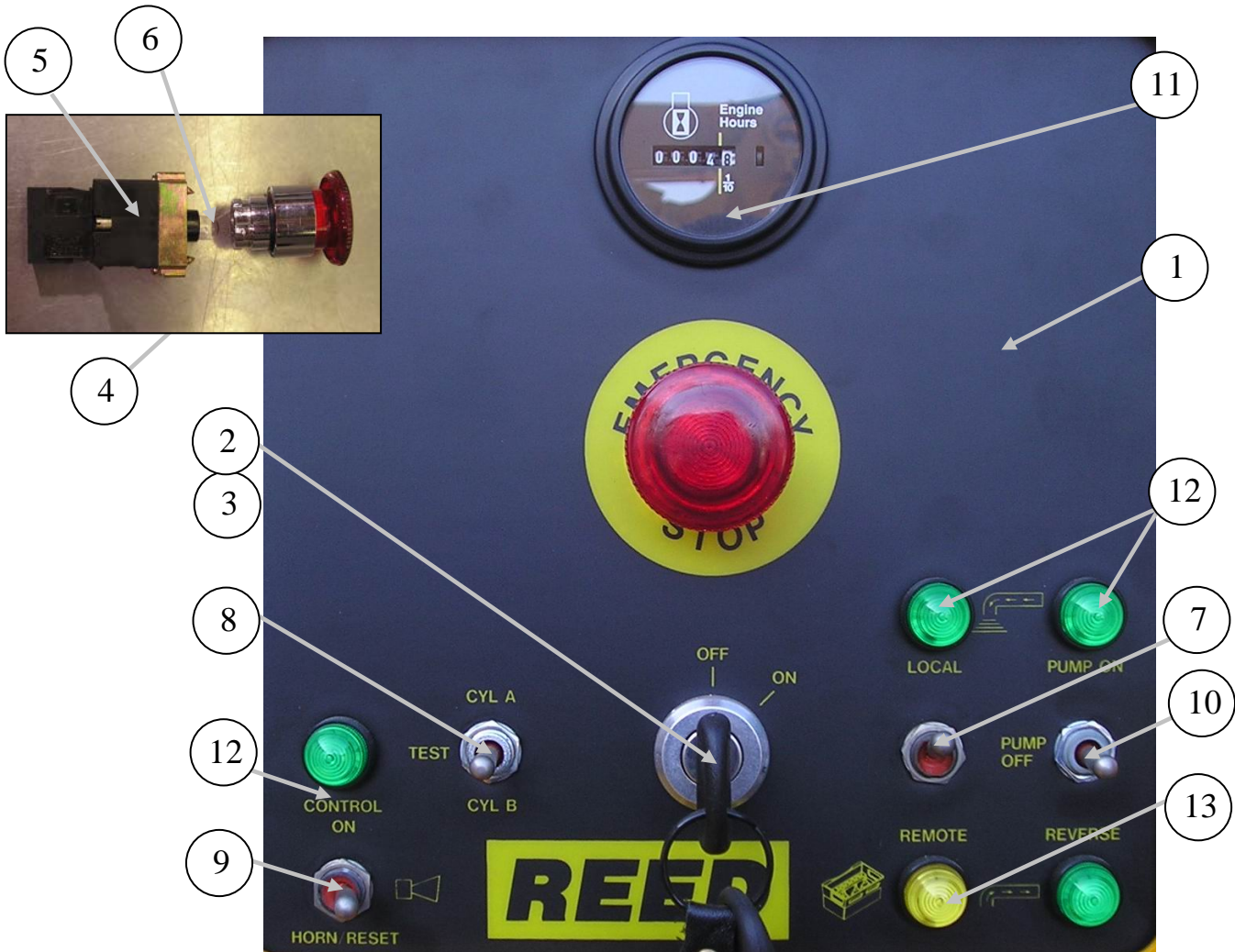
CONTROLS

MAIN CONTROL BOX SWITCHES, LIGHTS



ID #	PART #	PART DESCRIPTION	QUANTITY	
	85997-17	CONTROL PANEL M SER. 50 P 380V/60HZ/3PH		EA
1	88502	POTENTIOMETER 22M WITH 10 KOHM RESISTANCE	1	EA
2	88656	LEGEND PLATE, GAIN POTENTIOMETER	1	EA
3	88493	CONTACT BLOCK NO FOR HT8 SERIES	1	EA
4	88500	SELECTOR SWITCH 30MM MAINTAINED LEVER 3	1	EA
5	88500-1	DECAL MANUAL/OFF/AUTO	1	EA
6	88221-1	LIGHT LED YELLOW 12-24V 22M	1	EA
7	88221-2	LIGHT LED BLUE 12-24V 22M	1	EA
8	88044	ENCLOSURE 30-30-12" NEMA-4	1	EA
9	88047	HANDLE FOR 88046 CIRCUIT BREAKER	1	EA
10	88060	PUSHBUTTON GREEN	1	EA
11	88062	CONTACT BLOCK N.O. FOR 88060	1	EA
12	88065	LEGEND PLATE START	1	EA
13	88061	PUSHBUTTON RED	1	EA
14	88063	CONTACT BLOCK N.C. FOR 88062	1	EA
15	88064	LEGEND PLATE STOP	1	EA
16	88148	LIGHT GREEN 120VAC 22M	1	EA
17	88148-1	RUN LABLE	1	EA
18	88149	LIGHT RED 120VAC 22M	1	EA
19	88149-1	OUT OF PHAZE LABLE	1	EA
20	74306	DECAL, HIGH VOLTAGE	1	EA

CONTROL PANEL



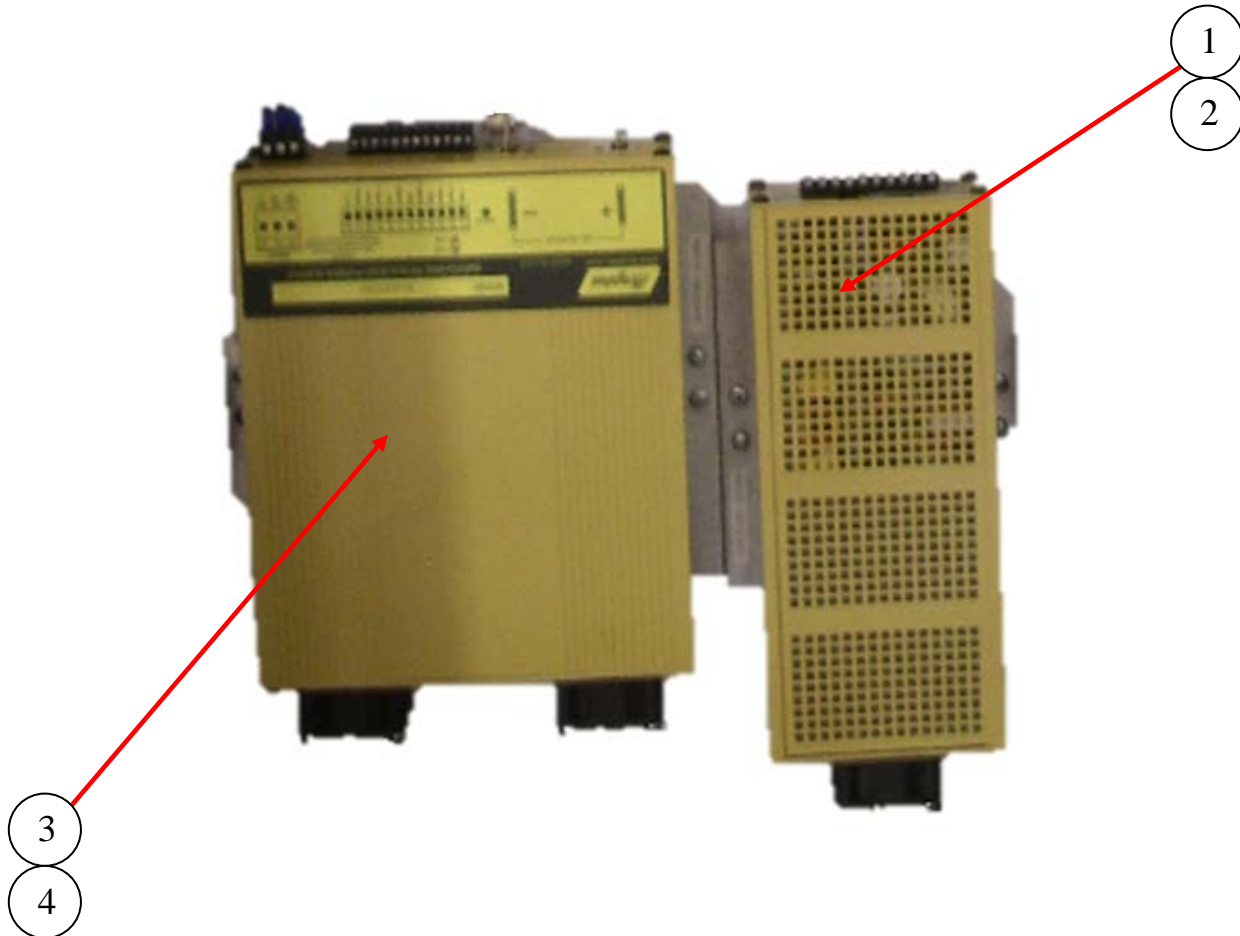
ID #	PART #	PART DESCRIPTION	QUANTITY	
1	86021	DECAL, CONTROL BOX B-10E-SHEA	1	EA
2	71155	IGNITION ,KEY (ONLY)	2	EA
3	71154	IGNITION SWITCH - DEUTZ	1	EA
4	85342	OPERATOR, E-STOP, LIGHTED	1	EA
5	85343	CONTACT BLOCK, LIGHTED,	1	EA
6	85344	BULB, E-STOP, 12VDC	1	EA
7	78563	SWITCH, TOGGLE, ON/OFF/ON, 12 TERM	1	EA
8	85346	SWITCH, TOGGLE, MOM/ON/MOM, 6 TERM	1	EA
9	85347	SWITCH, TOGGLE, OFF/MOM, 2 TERM	1	EA
10	72003	SWITCH, TOGGLE, ON/OFF/ON, 6 TERM	1	EA
11	74240	METER-ENGINE HOURS	1	EA
12	85355	LIGHT, PILOT, GREEN	4	EA
13	85356	LIGHT, PILOT, YELLOW	1	EA



Mine 30 PARTS

13822 Oaks Avenue
Chino, CA 91710
reedpumps.com
909-287-2100

POWER SUPPLY

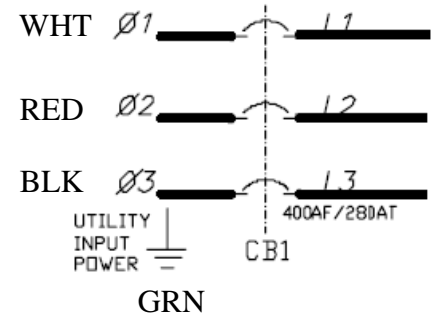


ID #	PART #	PART DESCRIPTION	QUANTITY	
1	88059-1A	POWER SUPPLY 12VDC 22AMP, ACOPIAN	1	EA
2	88059-1DR	DIN RAIL KIT FOR 88059-1	1	EA
3	88059-2	POWER SUPPLY 12VDC 32AMP, ACOPIAN	1	EA
4	88059-2DR	DIN RAIL KIT FOR 88059-2	1	EA

MOTOR CIRCUIT BREAKER

2

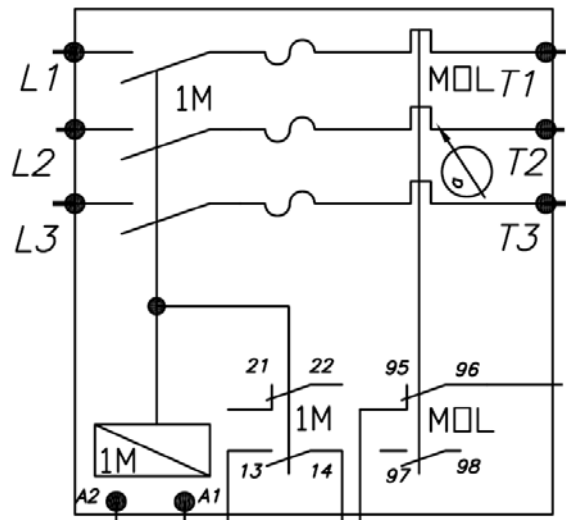
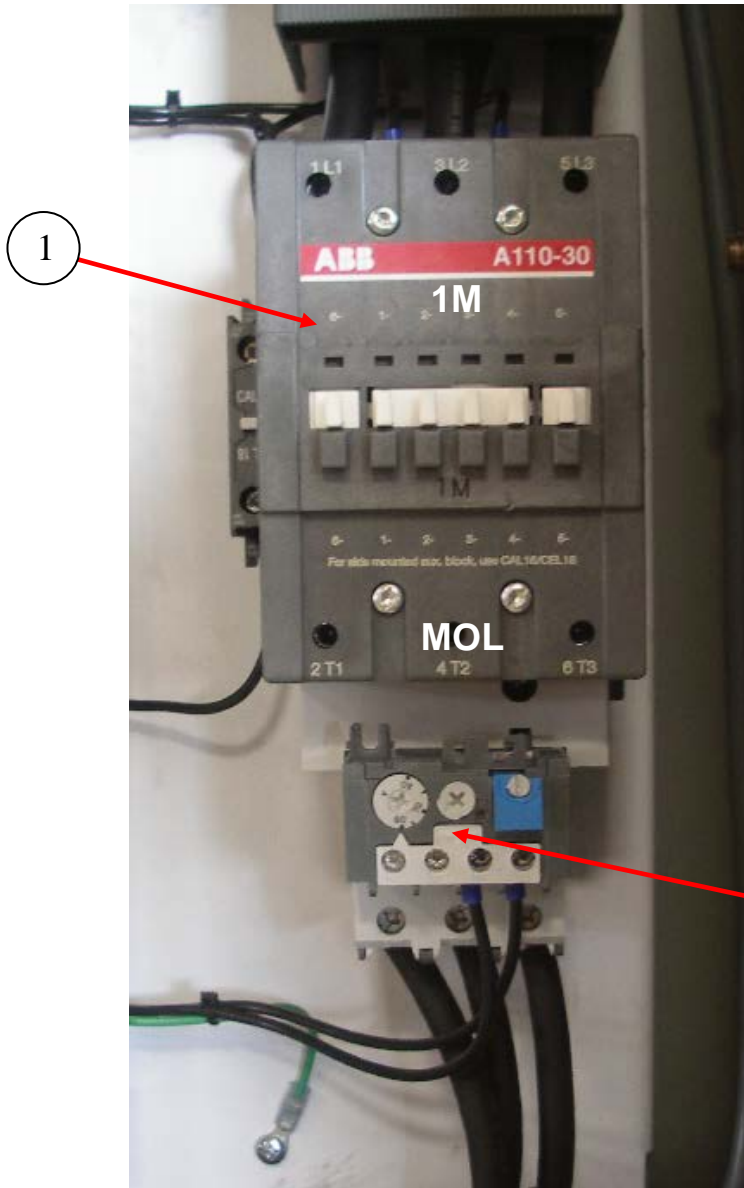
3



1

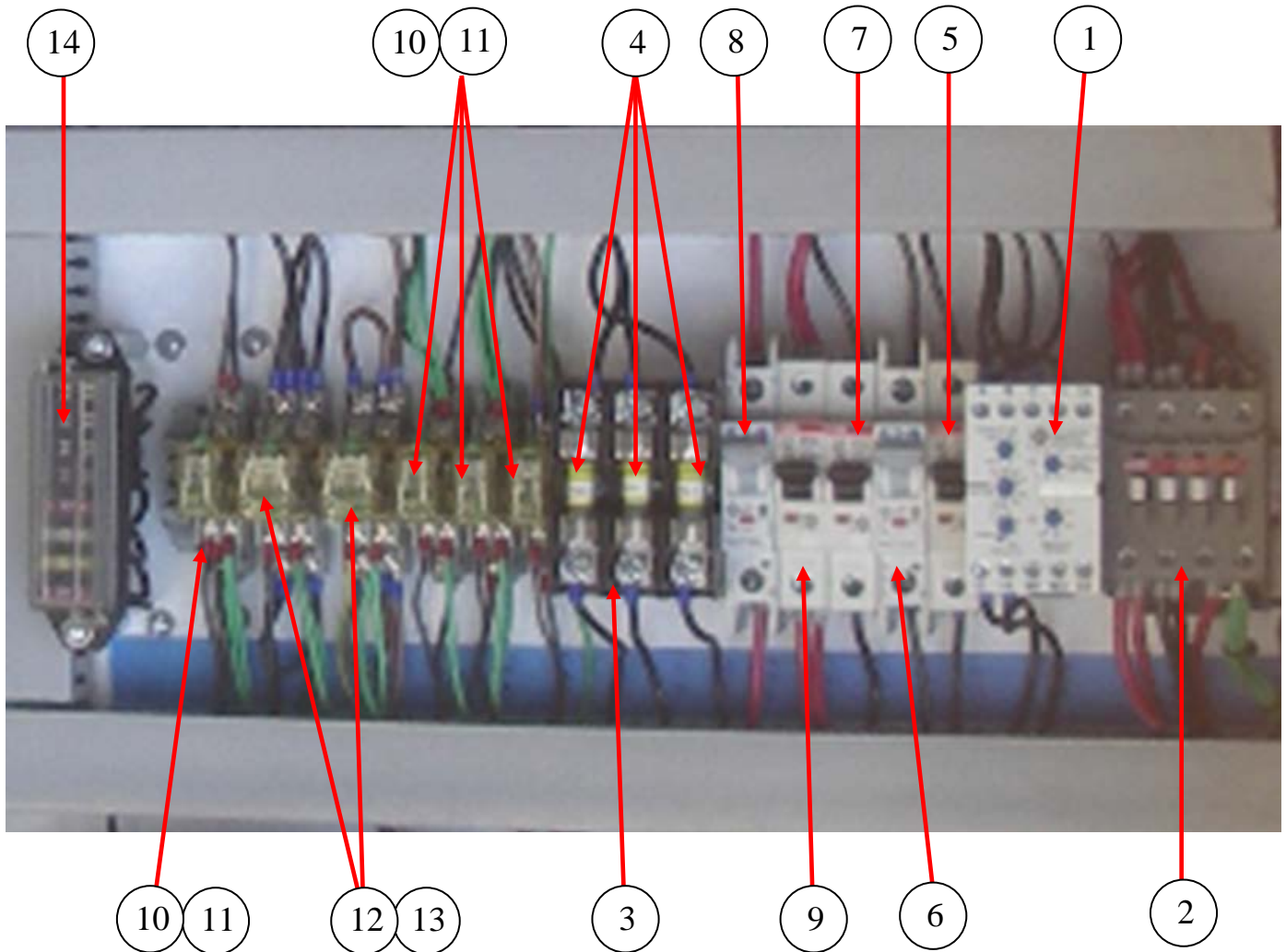
ID #	PART #	PART DESCRIPTION	QUANTITY	
1	88098	CIRCUIT BREAKER 100 AMP 3 POLE LS/IU (CB1)	1	EA
2	88048	MECHANISM FOR CIRCUIT BREAKER	1	EA
3	88049	SHAFT FOR 88047 HANDLE	1	EA

CONTACTOR / MOTOR OVERLOAD



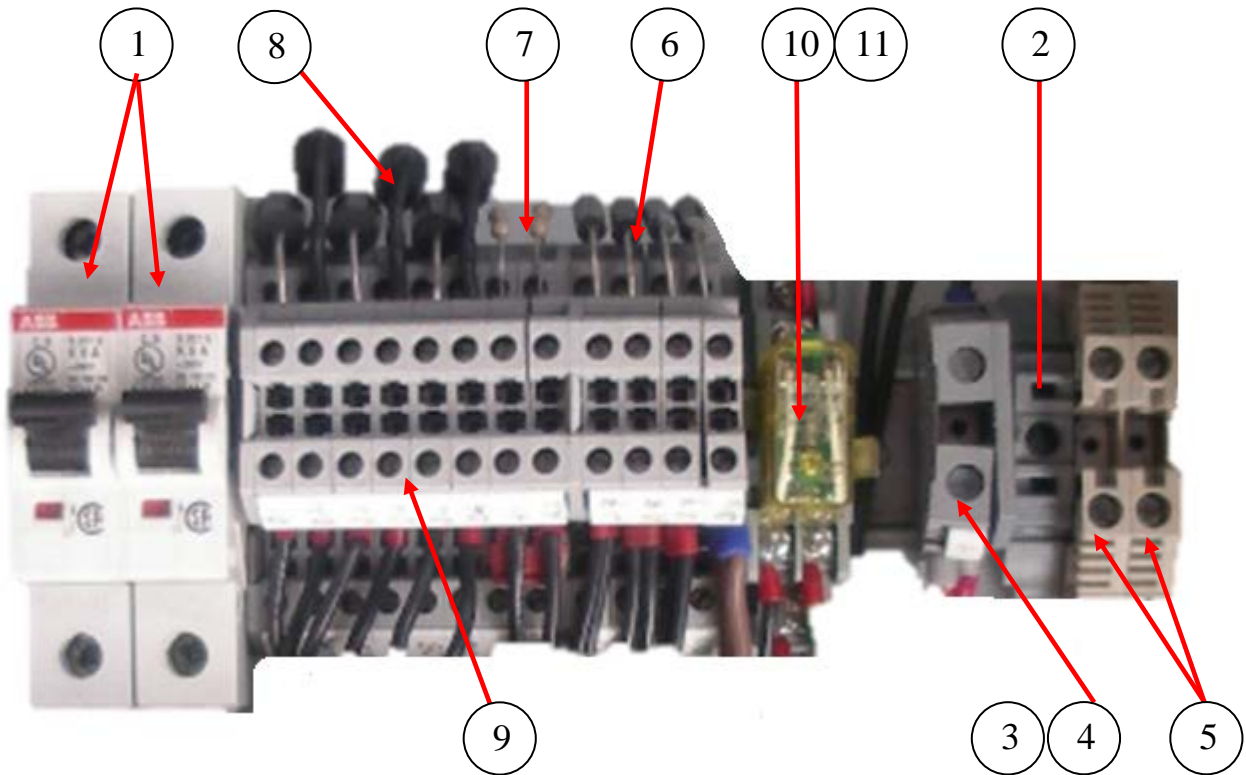
ID #	PART #	PART DESCRIPTION	QUANTITY	
1	88099	CONTACTOR (1M)	1	EA
2	88100	MOTOR OVERLOAD RELAY (MOL)	1	EA

CIRCUIT BREAKERS / FUSES / RELAYS



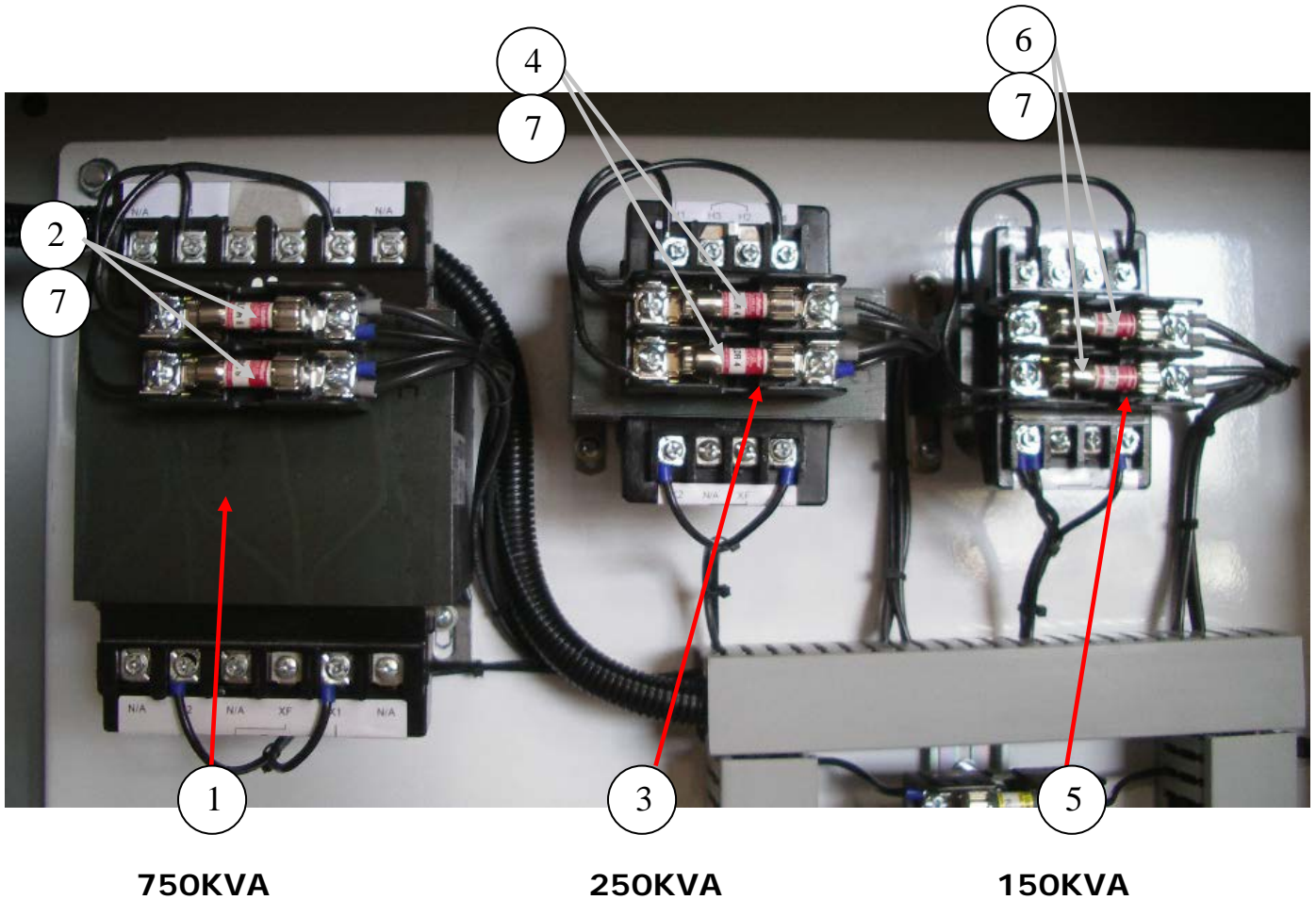
ID #	PART #	PART DESCRIPTION	QUANTITY	
1	88066	PHASE MONITOR	1	EA
2	88067	CONTACTOR-CONTROL, 3 POL N/O 120V 28AMP	1	EA
3	88068	FUSE BLOCK	1	EA
4	88069	FUSE 2 AMP	3	EA
5	88176	CIRCUIT BREAKER, 8 AMP	1	EA
6		CIRCUIT BREAKER, 5 AMP	1	EA
7	88055	CIRCUIT BREAKER, 2 AMP	1	EA
8	88058-2	CIRCUIT BREAKER, 25 AMP	1	EA
9	88058-1	CIRCUIT BREAKER, 40 AMP	1	EA
10	88346	RELAY, 1PDT, 12VDC	4	EA
11	88348	RELAY BASE FOR 88346	4	EA
12	88345	RELAY, 2PDT, 12VDC	2	EA
13	88347	RELAY BASE, FOR 88345	2	EA
14	88068	FUSE BLOCK	REF	

TERMINALS / OUTPUT TERMINALS



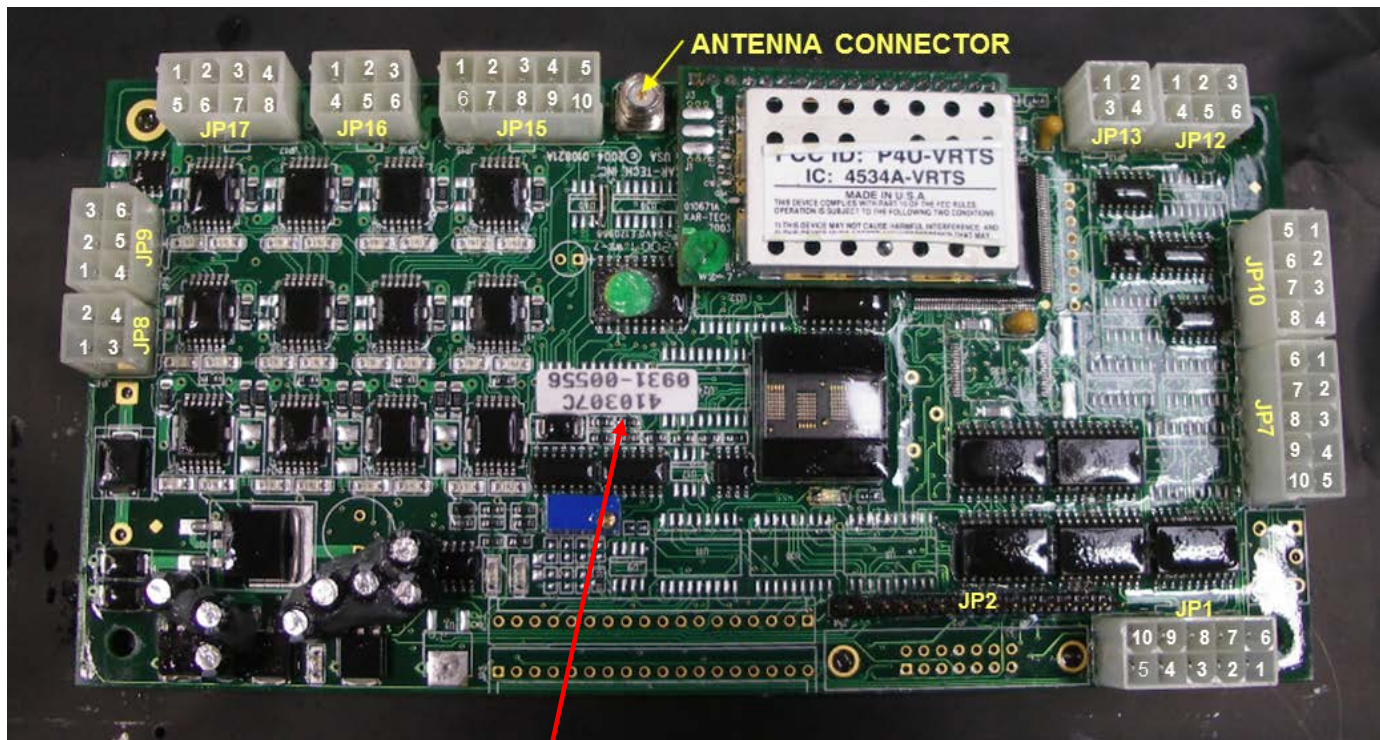
ID #	PART #	PART DESCRIPTION	QUANTITY	
1	88128	CIRCUIT BREAKER, 6 AMP	2	EA
2	88080	END STOP DIN RAIL	1	EA
3	88081	END CAP FOR 88082	1	EA
4	88082	GREY END SECTION	1	EA
5	88533	FEED THROUGH MODULE TERMINAL BLOCK	2	EA
6	74388	DIODE	4	EA
7		680 OHM RESISTERS	2	EA
8	88528	10 AMP DIODE	6	EA
9		DOUBLE DECK TERMINAL BLOCK	12	EA
10	88346	RELAY, 1PDT, 12VDC	1	EA
11	88348	RELAY BASE FOR 88346	1	EA

TRANSFORMERS



ID #	PART #	PART DESCRIPTION	QUANTITY	
1	88244	TRANSFORMER 750 KVA /380V-120V (T3)	1	EA
2	88175	FUSE 6 AMP	2	EA
3	88076	TRANSFORMER 250 KVA /380V-120V (T2)	1	EA
4	88057	FUSE 4 AMP	2	EA
5	88087	TRANSFORMER 150 KVA /380V-120V (T1)	1	EA
6	88054	FUSE 2 AMP	2	EA
7	88053	FUSE BLOCK	3	

CONTROLLER



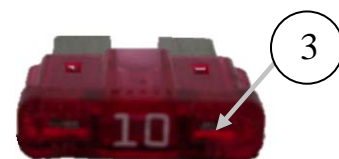
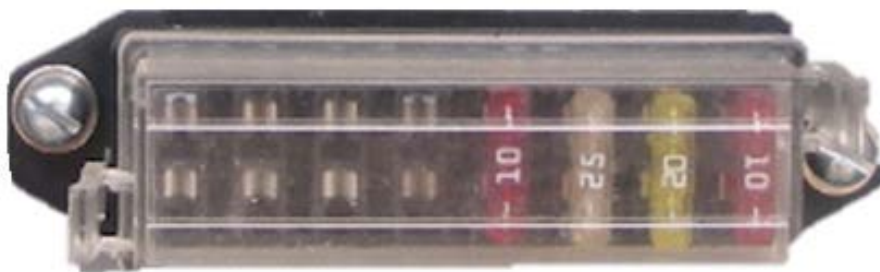
1

NOTE: ALL CIRCUIT CARDS NEED TO BE PROGRAMED TO SERIAL NUMBER OF CONCRETE PUMP

ID #	PART #	PART DESCRIPTION	QUANTITY	
1	87346-2-BOARD	LOGIC CIRCUIT BOARD 410302 REV, F,G&H (421022g-test.pdb SPECIAL PROGRAM)	1	EA

FUSES

FUSE BLOCK #1



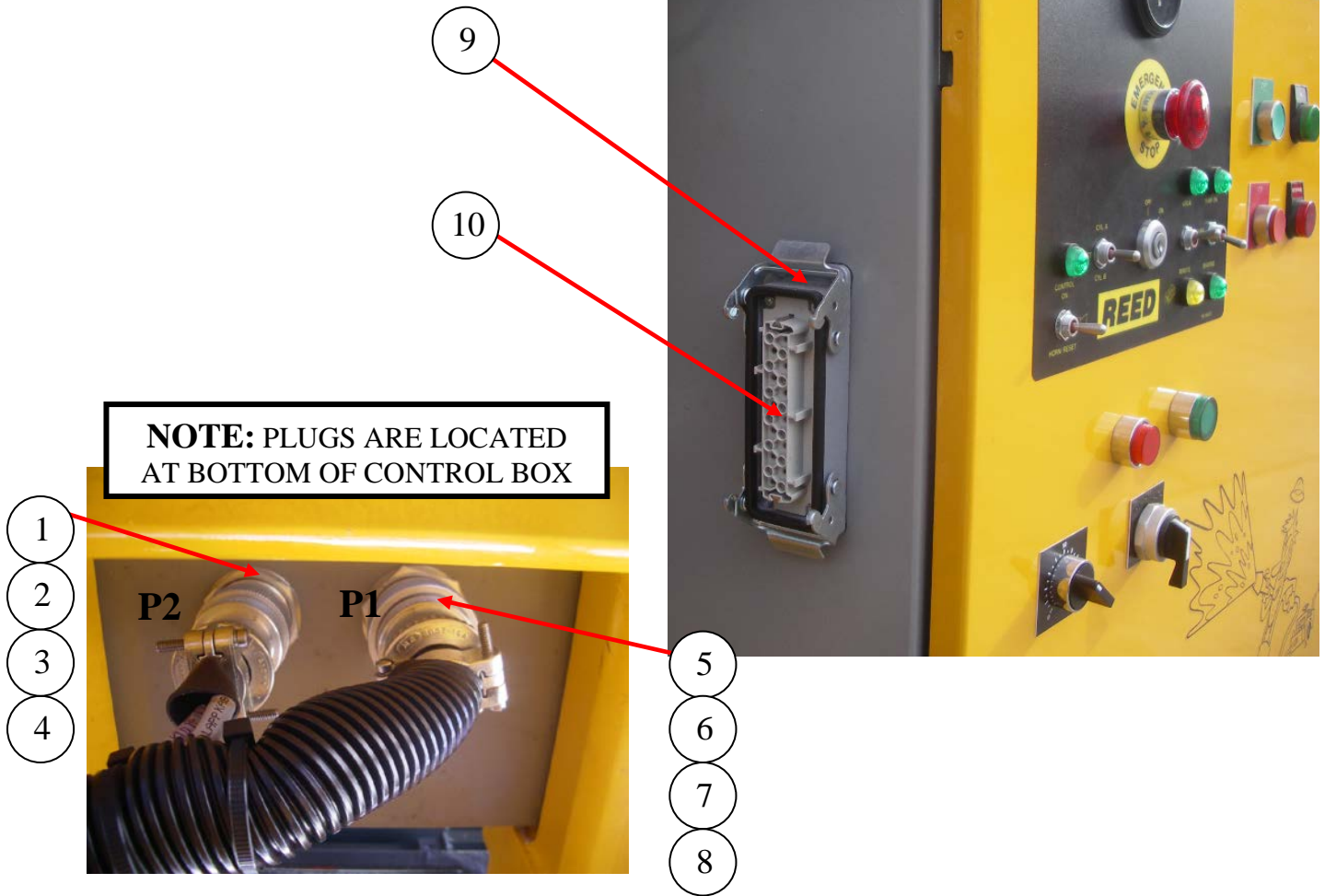
FUSE BLOCK #2



1

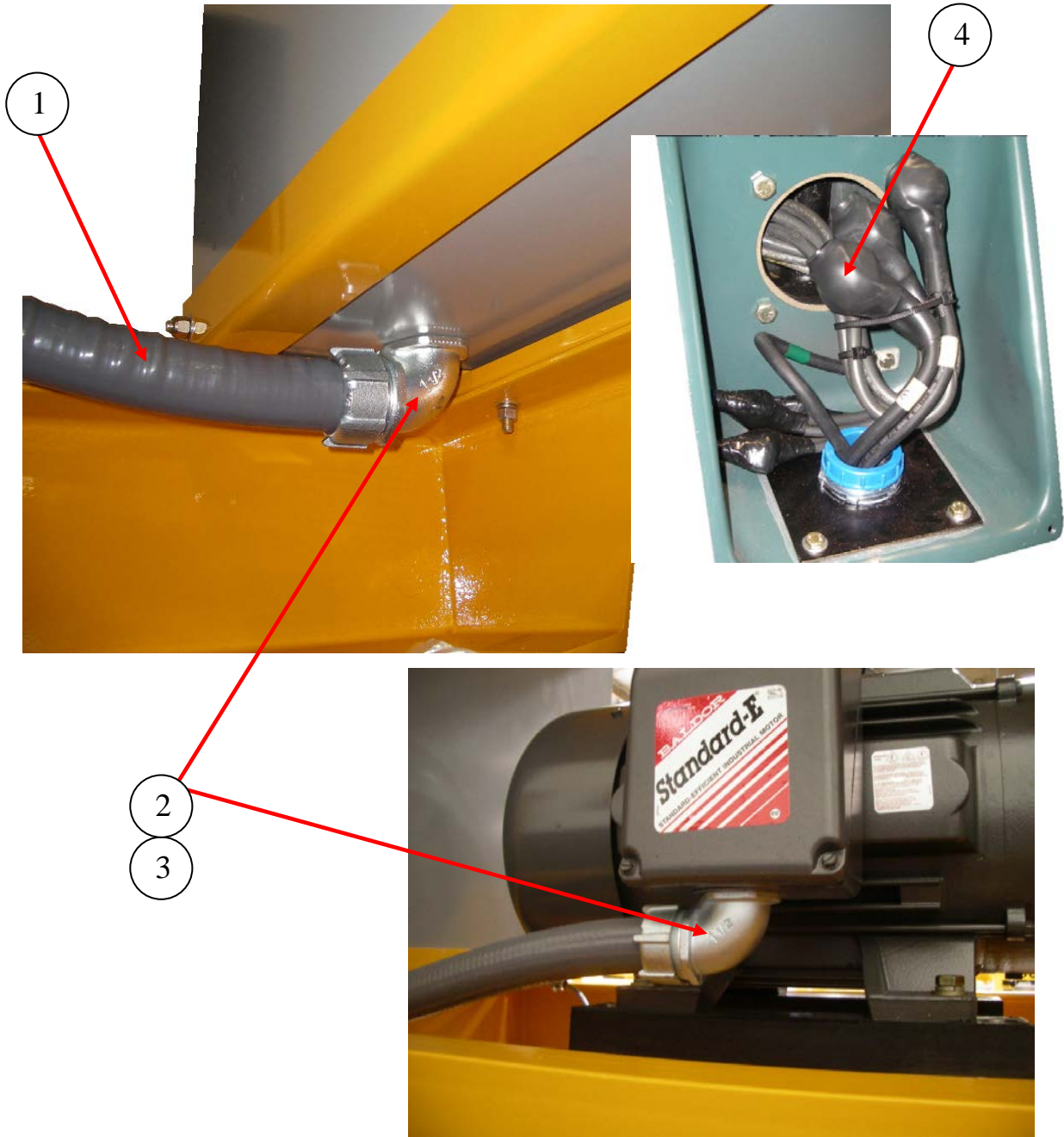
ID #	PART #	PART DESCRIPTION	QUANTITY	
1	88068	FUSE BLOCK	2	EA
2	80048	20AMP FUSE	4	EA
3	800449	10AMP FUSE	4	EA
4	800447	20AMP FUSE	4	EA

CONNECTORS



ID #	PART #	PART DESCRIPTION	QUANTITY	
1	88478-1	RECEPTACLE, BULK HEAD 8 PIN (P2)	1	EA
2	88479	NUT FOR 88478 RECEPTACLE	1	EA
3	88480	WASHER FOR 88478 RECEPTACLE	1	EA
4	87807	MALE PIN, FOR 87806 PLUG	8	EA
5	88478-2	RECEPTACLE, BULK HEAD 31 PIN (P1)	1	EA
6	88480-1	WASHER FOR 88478-2 RECEPTACLE	1	EA
7	BW10147	PIN, FOR BW10145 PLUG	31	EA
8	88479-1	NUT FOR 88478-2 RECEPTACLE	1	EA
9	78697	CONN BASE-LACTCH-24P	1	EA
10	78696	CONN INSERT-24P-FEM, 16A	1	EA

CONDUIT, FITTING



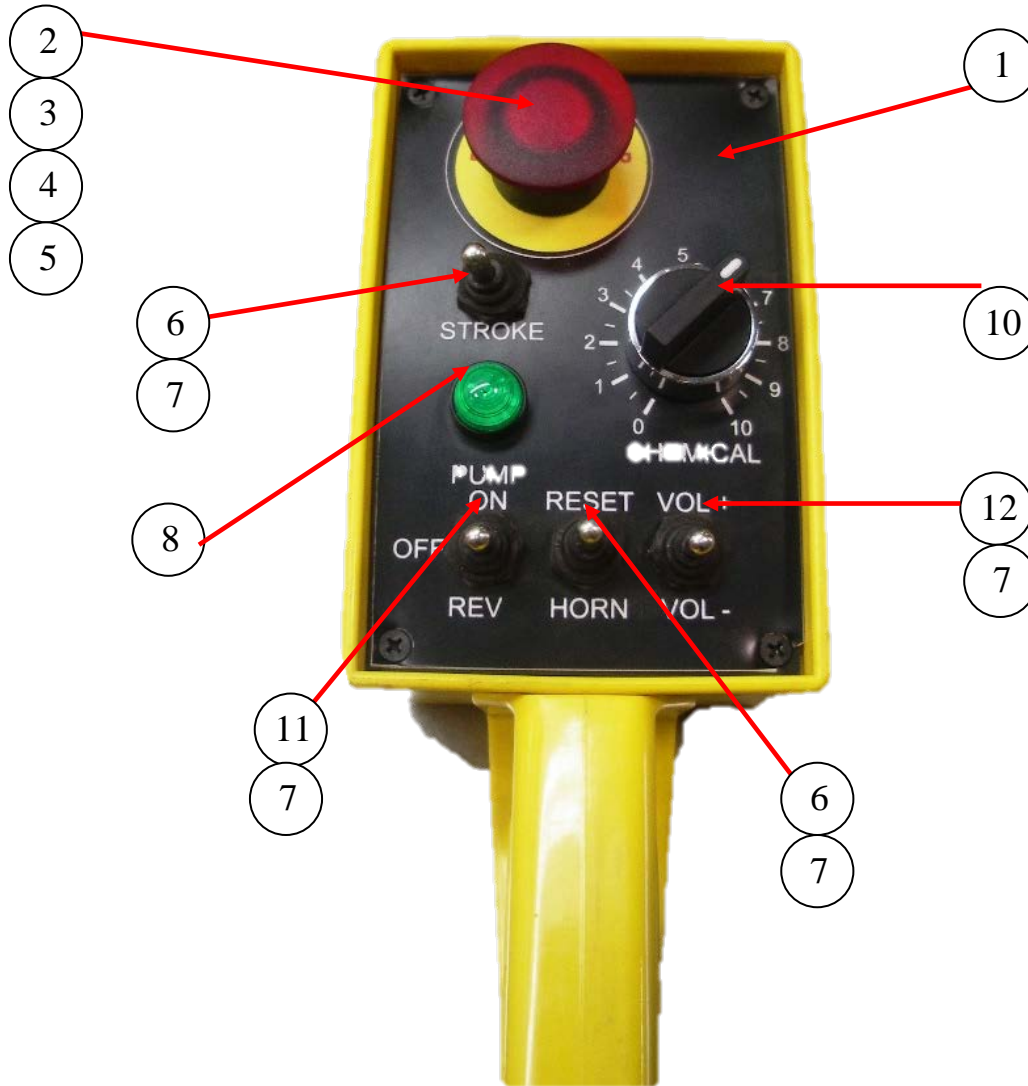
ID #	PART #	PART DESCRIPTION	QUANTITY	
1	86518	CONDUIT - 1 1/2 IN LIQUID TITE	3	FT
2	86519	CONNECTOR 1 1/2" ELBOW 90°	2	EA
3	86520	INSULATED BUSHING 1 1/2"	4	EA
4	86522	WIRE LUG - 2 AWG	6	EA

50FT CABLE REMOTE



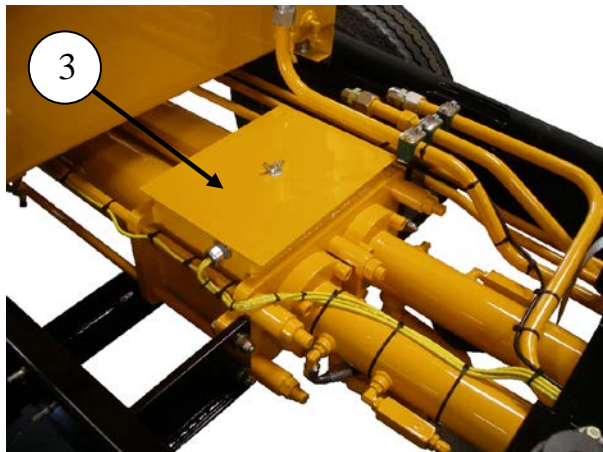
ID #	PART #	PART DESCRIPTION	QUANTITY	
	88685	CABLE REMOTE M30 W/CEMICAL PUMP		
1	85412	ENCLOSURE, REMOTE CONTROL	1	EA
2	78695	24-PIN CONNECTOR	1	EA
3	78698	CONN HOOD ,24P, PG29	1	EA
4	85619-1	CABLE, 16AWG-18C PVC GRY	50	FT
5	86133	STRAIL RELIEF SPIRAL PG-11	1	EA

50FT CABLE REMOTE

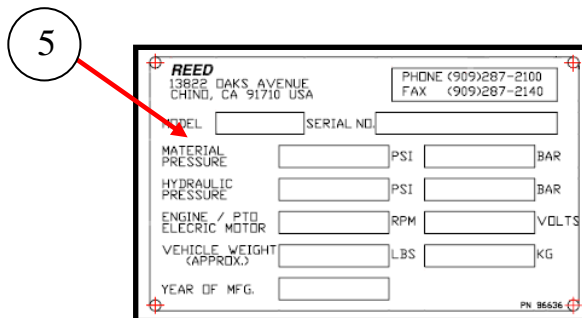


ID #	PART #	PART DESCRIPTION	QUANTITY	
1	88686	DECAL REMOTE W/CHEMICAL PUMP	1	EA
2	BW10208	BUTTON E-STOP	1	EA
3	BW10358	BULB SOCKET	1	EA
4	BW10357	CONTACT BLOCK-NC	1	EA
5	BW10211	LIGHT MINI BAYONET RED	1	EA
6	BW10206	SWITCH 2 POS MOM, (STROKE), (HORN)	2	EA
7	BW10361	BOOT TOGGLE SWITCH	4	EA
8	85355	LIGHT, PILOT, GREEN	1	EA
10	88502	POTENTIOMETER, 22M W/10K OHM RESISTANCE	1	EA
11	72003	SWITCH, TOGGLE, ON/OFF/ON, 6 TERM	1	EA
12	BW10205	SWITCH, 3 POS. MOM	1	EA

FRAME HOOD AND COVERS

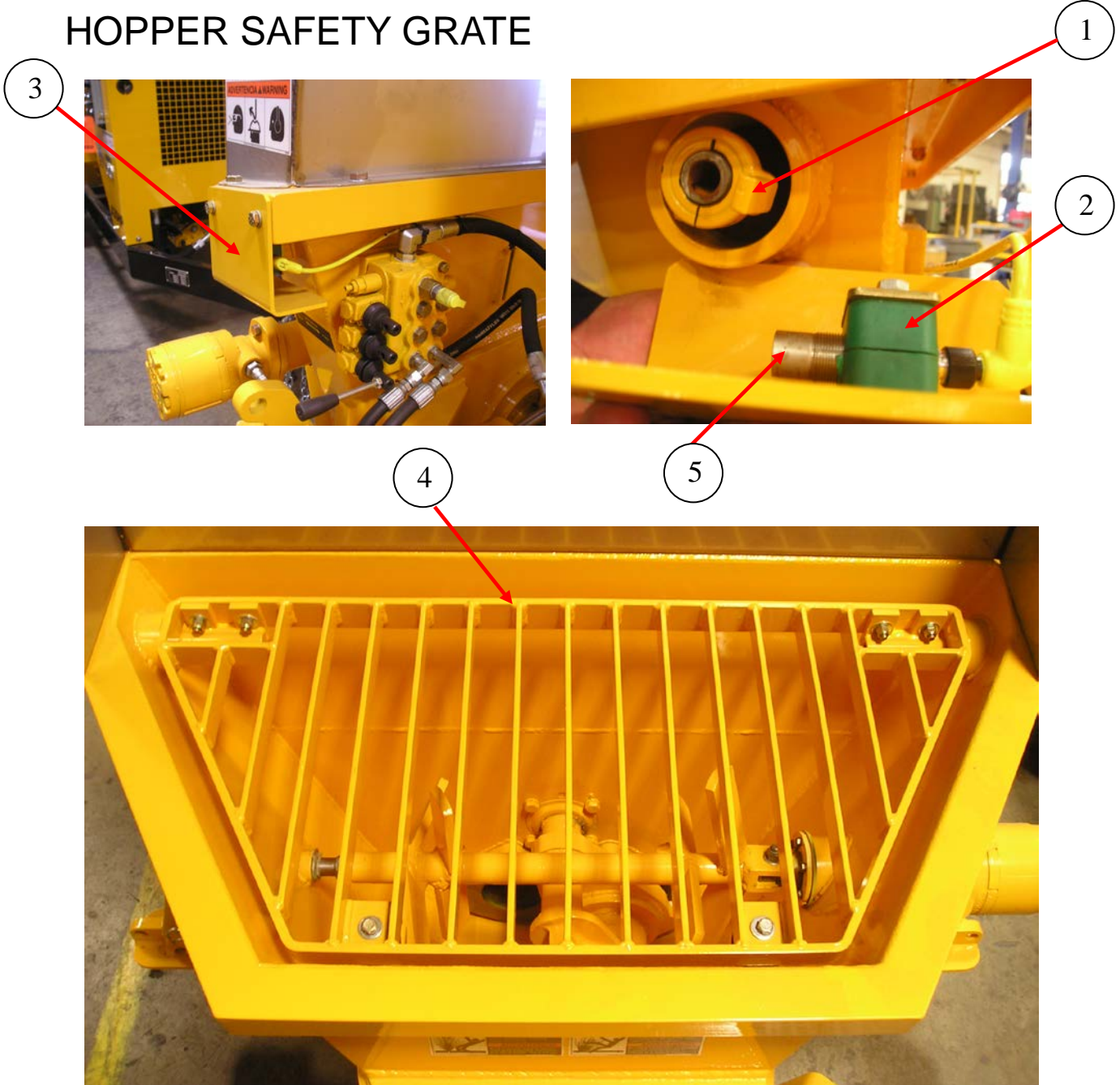


FLUSH BOX



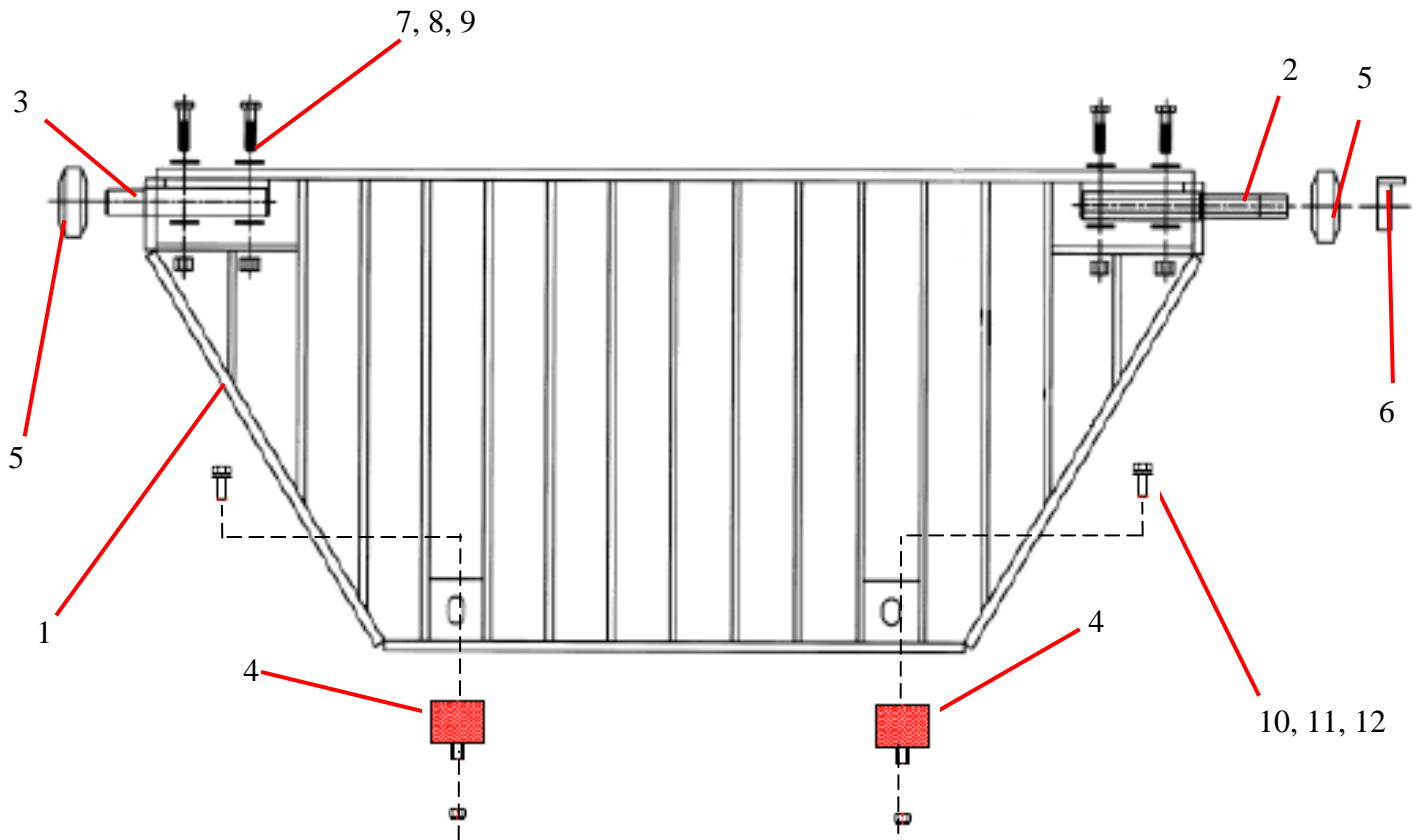
ID #	PART #	PART DESCRIPTION	QUANTITY	
1	88645	SKID FRAME WELDMNT, M SER ELECTRIC 50HP/60HZ	1	
2		FRONT SKID MESH SCREEN	1	EA
3	BW10388	LID, FLUSHBOX, A40	1	EA
4	85714-1	SPLASH GUARD, WITH HOPPER SAFTY GRATE	1	EA
5	86636	SERIAL NUMBER PLATE (BLANK)	1	EA

HOPPER SAFETY GRATE



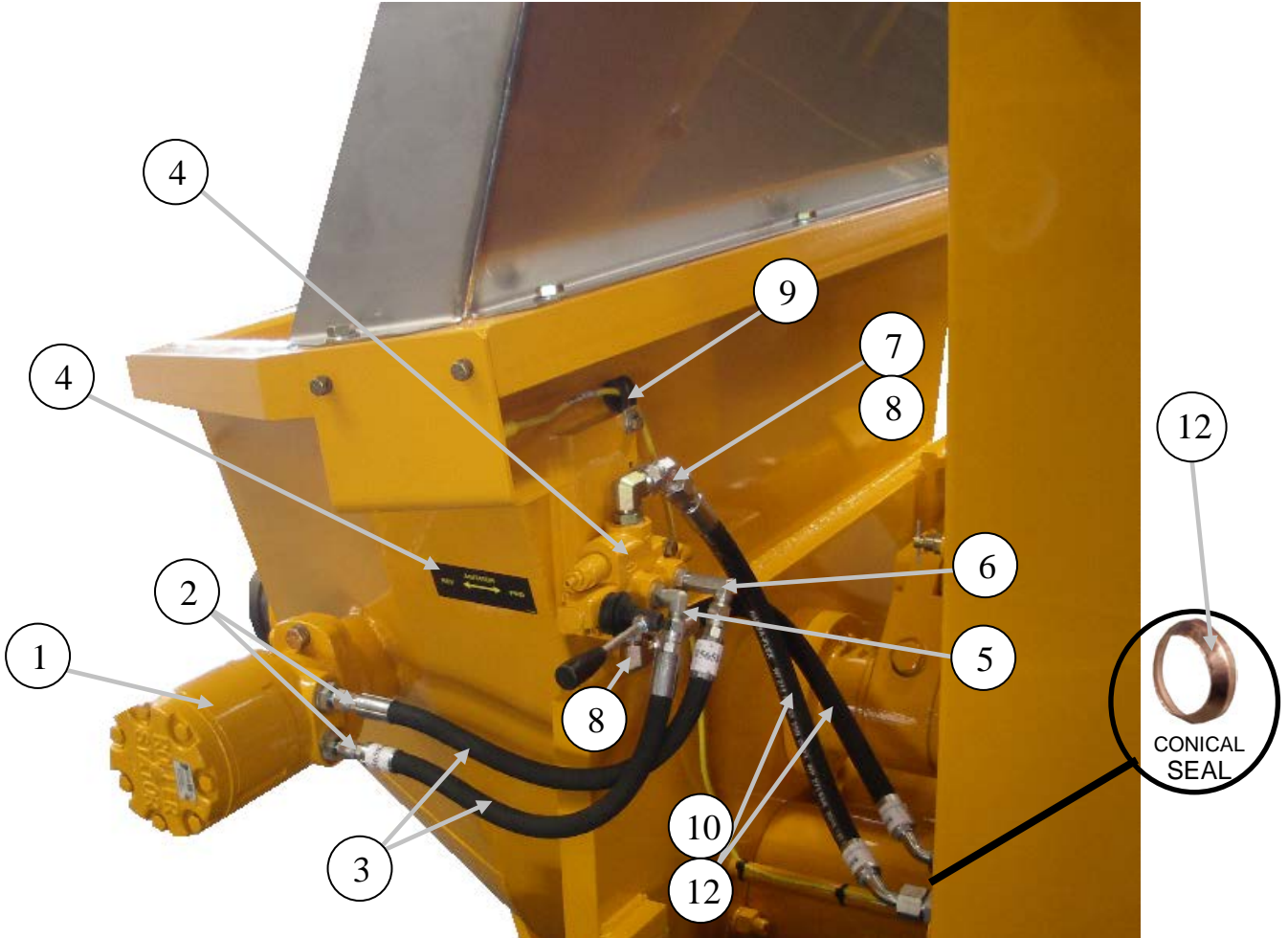
ID #	PART #	PART DESCRIPTION	QUANTITY	
1	87769	COLLAR SHAFT, 7/8" DIA	1	EA
2	801902-006	CLAMP, 18MM TUBE CLAMP SET	1	EA
3	87997	COVER WELD PROX SWITCH HOPPER	1	EA
4	BW10416	GRATE WELDMENT, A SER STD HOPPER	1	EA
5	87369	PROXIMITY SENSOR PMP	1	EA

GRATE ASSEMBLY



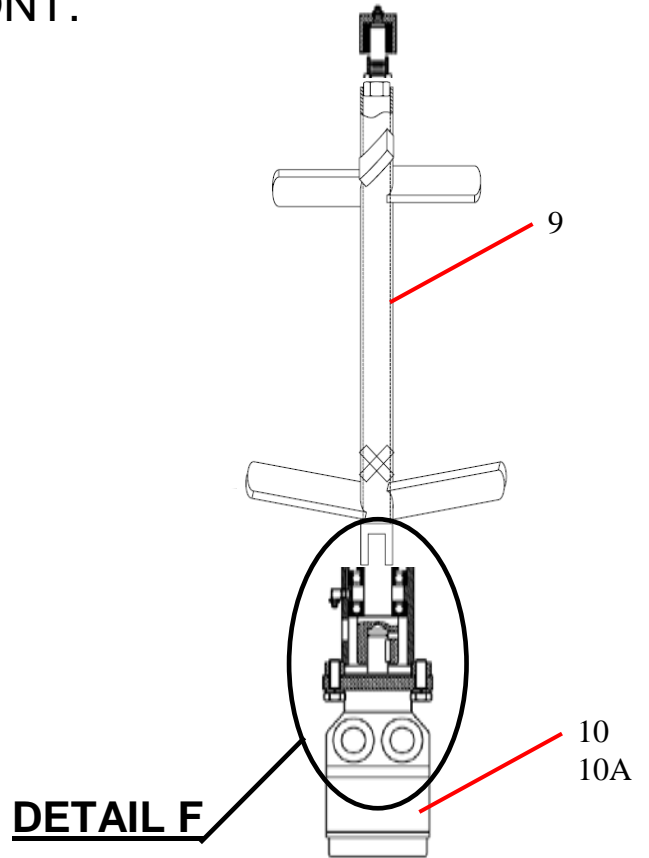
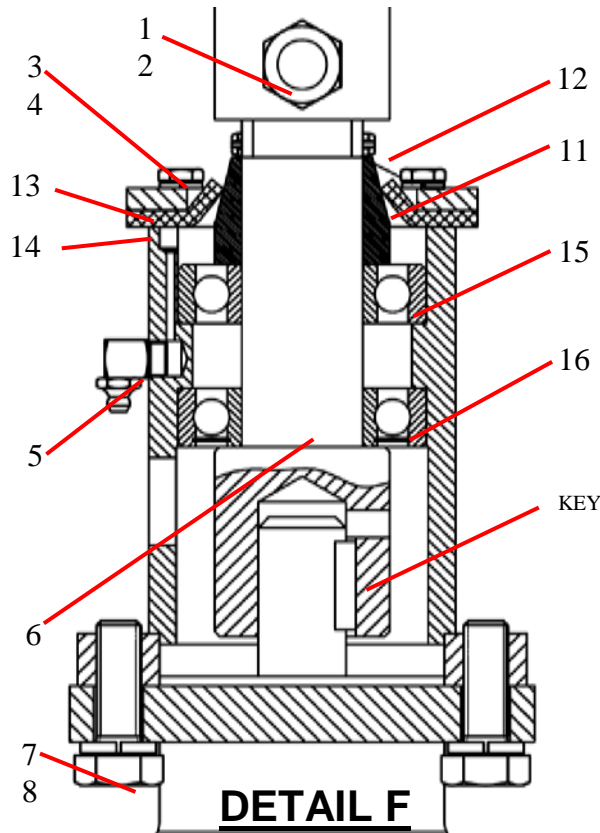
ID #	PART #	PART DESCRIPTION	QUANTITY	
1	BW10416	GRATE WELDMENT, A SER STD HOPPER		REF
2	87857	PIN WELDMENT LONG	1	EA
3	87858	PIN WELDMENT SHORT	1	EA
4	86083	BUMPER, HOPPER GRATE	2	EA
5	W-114850	RUBBER BUFFER 65X22.5X26	2	EA
6	87769	COLLAR SHAFT, 7/8" DIA	1	REF
7		3/8"-16 X 1 1/4" HEX BOLT	4	EA
8		3/8" FLAT WASHER	8	EA
9		3/8"-16 LOCK NUT	4	EA
10		3/8"-16 X 1" HEX BOLT	2	EA
11		3/8" FLAT WASHER	2	EA
12		3/8" LOCK WASHER	2	EA

OPTION HYDRAULIC AGITATOR



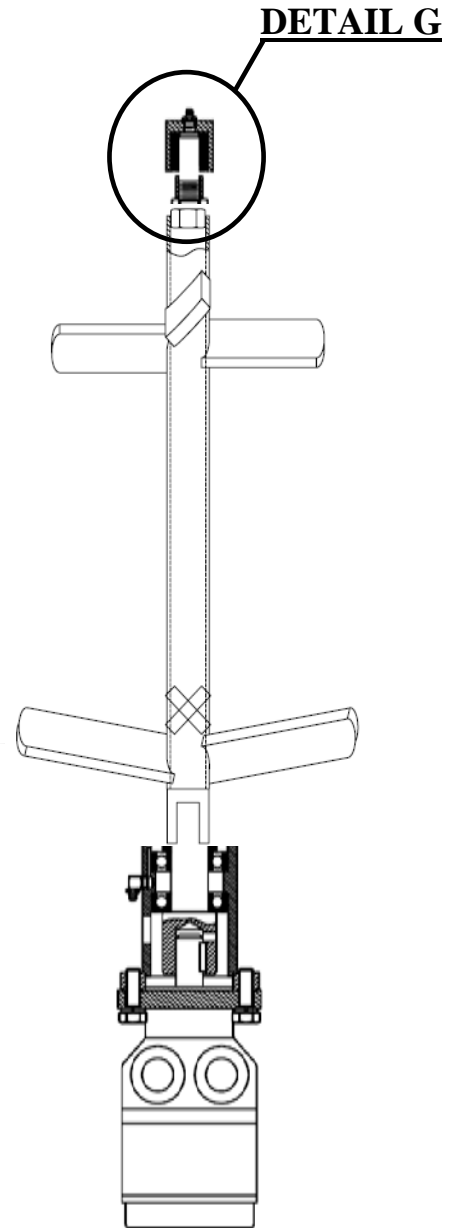
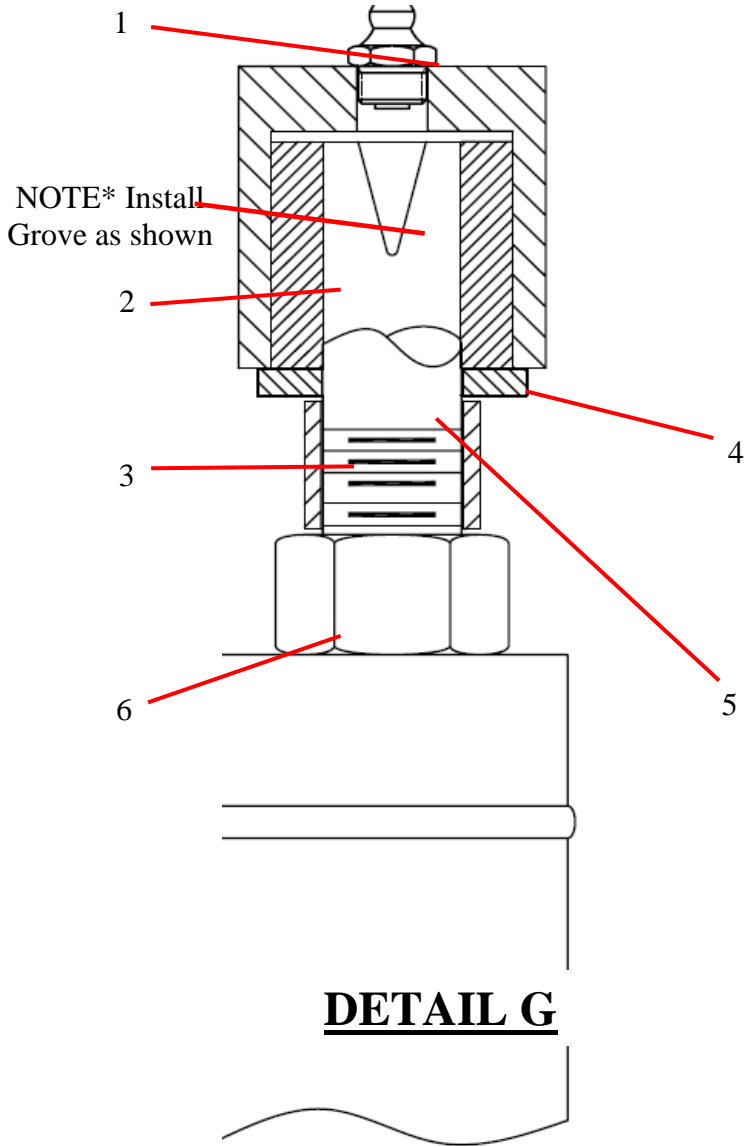
ID #	PART #	PART DESCRIPTION	QUANTITY	
	BW10396-1	AGITATOR ASSEMBLY, A40		EA
1	85811	HYD MOTOR, 45.6 CID, 1" SHAFT-PAINTED	1	EA
2	86866	FITTING-MB-MJ-10-6	2	EA
3	85658-002	HOSE, 6M2T-6FJX-6FJX-17.00	2	EA
4	74584	VALVE 1 SPOOL, MANUAL PAINTED	1	EA
5	86748	FITTING-MB-MJ90-6-6	1	EA
6	86747	FITTING-MB-MJ90LL-6-6	1	EA
7	86749	FITTING-MJ-FJX45-10-10	1	EA
8	86746	FITTING-MB-MJ90-8-10	2	EA
9	800897	CLAMP, 3/4" TUBE, SINGLE	1	EA
10	85657-016	HOSE, 8M2T-10FJX-10FJX45-20.00	2	EA
11	85846	DECAL, ADGITATOR	1	EA
12	BW10229	CONICAL SEAL, SIZE 12	4	EA
13	85657-024	HOSE, 8M2T-10FJX-10FJX90S-24.50 (UNDER TANK)	1	EA
14	BW10407	TUBE HYD. AGITATOR PRESSURE (UNDER TANK)	1	EA

OPTION HYDRAULIC AGITATOR CONT.



ID#	PART #	PART DESCRIPTION	QUANTITY	
	BW10396-1	AGITATOR ASSEMBLY		
1		HHCS, 1/2" -13X2 1/4" GR 8	1	EA
2		LOCK NUT, 1/2" -13	1	EA
3		1/4"-28X3/4"	6	EA
4		LOCK WASHER, 1/4"	6	EA
5		GREASE FITTING, 1/8" NPT 90°	1	EA
6	85923	SHAFT, AGITATOR	1	EA
7		HHCS, 1/2" -20X1 1/2" GR 8	2	EA
8		LOCK WASHER, 1/2"	2	EA
9	85717	AGITATOR, PADDLE-B20	1	EA
10	85811	HYD MOTOR, 45.6 CID, 1" SHAFT	1	EA
10A	85811SK	SEAL KIT	1	EA
11	85976	WEAR RING, AGITATOR	1	EA
12	86758	SPRING PIN, 1/4" DIA X 1 3/4"	1	EA
13	70211	FLANGE SEAL S/W	1	EA
14	70212	SEAL REMIXER	1	EA
15	87356	BEARING, BALL, PLAIN	1	EA
16	85979	BEARING, BALL 1 SEAL	1	EA

OPTION HYDRAULIC AGITATOR CONT.



ID #	PART #	PART DESCRIPTION	QUANTITY	
1		GREASE FITTING, 1/8" NPT STRAIGHT	1	EA
2	70219	REMIX SHAFT BUSHING	1	EA
3	77877	SPACER, REMIX	1	EA
4	86824	FLAT WASHER, 3/4" SAE	1	EA
5	70214	IDLER SHAFT, AGITATOR	1	EA
6	80030	HEX NUT-M20X2.5 PLATED	1	EA

OPTION
PERIFLO CHEMICAL PUMP



ID #	PART #	PART DESCRIPTION	QUANTITY	
	88421	PERISTALTIC PUMP 4380V, WITH VARIABLE FREQUENCY DRIVE	REF	EA
	88421-1	PERISTALTIC PUMP 460V, 115V INPUT TO X4, WITH VFD	REF	EA
	88421-1H	HOSE RUBBER	REF	EA
	88421-1-H-EPDM	HOSE, EPDM	REF	EA
	88421-1L	LUBRICATION GREASE FOR 88421/1 PUMPS		EA
				EA