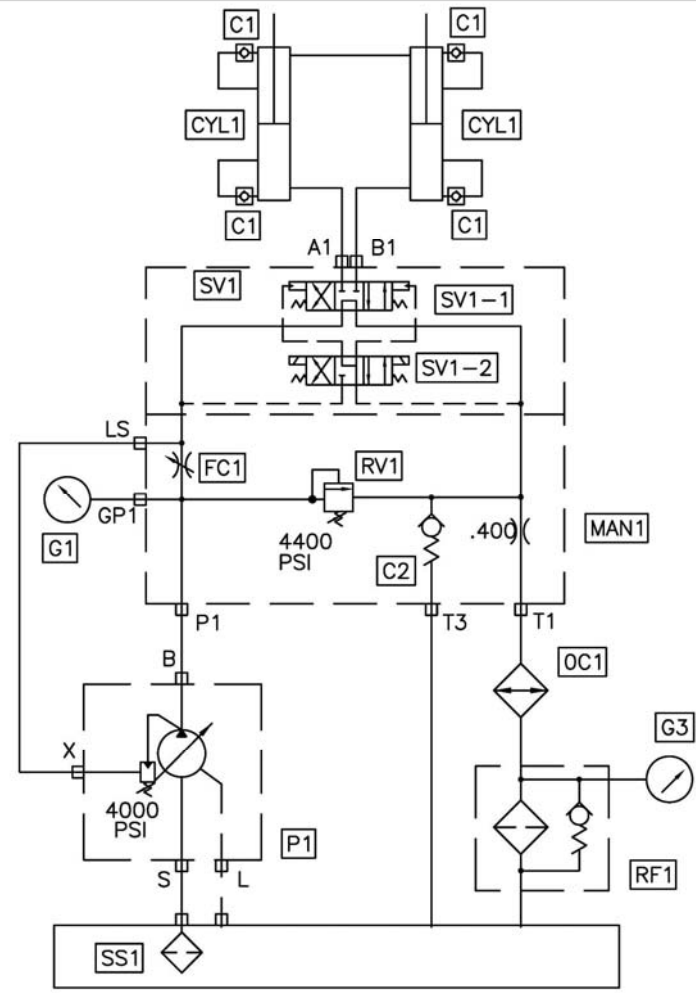


HYDRAULIC AND ELECTRICAL SCHEMATICS

B SERIES DRIVE CYLINDER CIRCUIT
HYDRAULIC SCHEMATIC



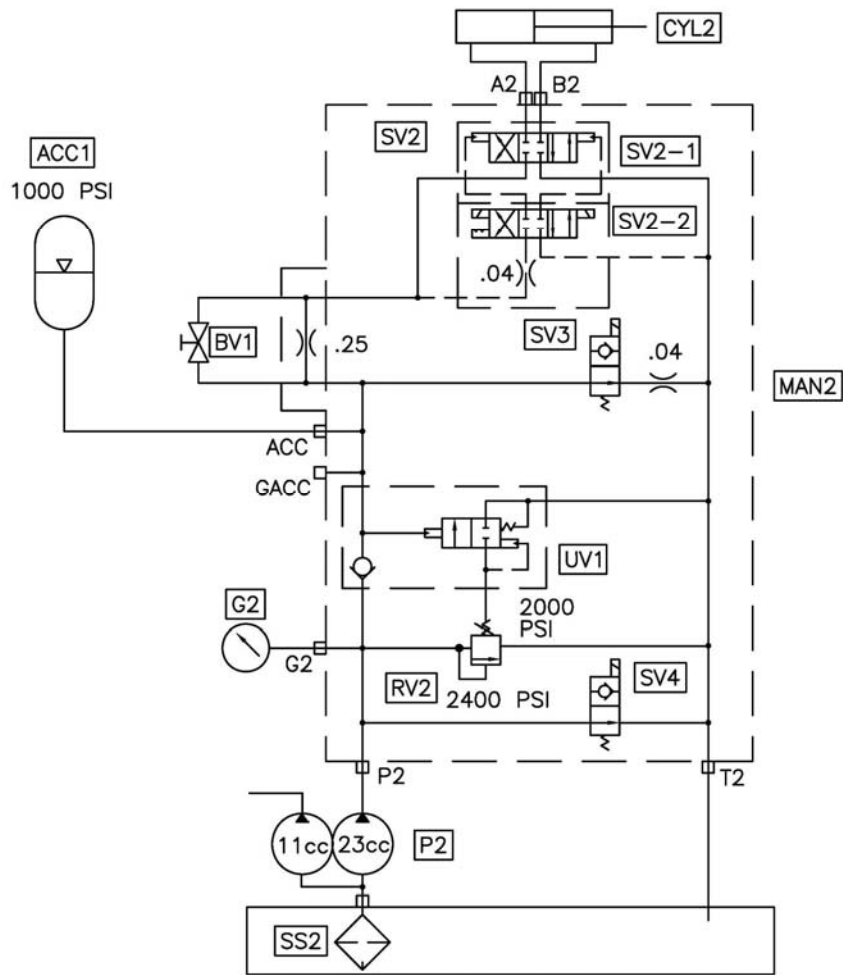
DATE
12/3/01

PART NO. REV.
86708 B

REED

CODE	DESCRIPTION	PART NO.	QTY.
P1	Main Pump		
CYL1	Hydraulic Drive Cylinder		
MAN1	Manifold Drive Cylinder Circuit	85248	1
SV1	Solenoid Valve, Drive Cylinder Circuit	85689	1
SV1-1	Valve Main	85690	1
	Seal Kit	74994	1
SV2-2	Solenoid Valve Pilot	85691	1
	Coil For SV2-2	85692	2
	Seal Kit	72313	1
RV1	Relief Valve Cartridge	85696	1
	Seal Kit	85696-SK	1
FC1	Flow Control Valve Cartridge	85697	1
	Seal Kit	85697-SK	1
C1	Check Valve	78961	4
	Check Valve Cartridge	85698	1
C2	Check Valve Cartridge	85698	1
	Seal Kit	85698-SK	1
G1	Pressure Gauge 6000 psi	74562	1
G3	Pressure Gauge Return	85575	1
OC1	Oil Cooler	85713	1
RF1	Return Filter	85282	1
	Return Filter Element	85283	1
	Seal Kit Return Filter	BW10241	1
SS1	Magnetic Suction Strainer 3"	800230	1

B50/60/70 SERIES SWING TUBE HYDRAULIC SCHEMATIC, SINGLE SHIFT CYLINDER



DATE
11/7/01

REV.
B

PART NO.
86705

REED

CODE	DESCRIPTION	PART NO.	QTY.
P2	Gear Pump	87571-1	1
CYL2	S Tube Single Shift Cylinder	86221	1
	Seal Kit, GRATE BEND or TEXAS	86221-SK??	1
MAN2	Manifold S Tube Circuit	85249	1
SV2	Solenoid Valve S Tube Circuit	85693	1
SV2-1	Valve Main	85694	1
	Seal Kit	74994	1
SV2-2	Solenoid Valve Pilot	85695	1
	Seal Kit	72313	1
	Coil For SV2-2	85692	2
SV3	Solenoid Valve Cartridge	87246	1
	Coil For SV3	87247	1
SV4	Solenoid Valve Cartridge	87248	1
	Coil For SV4	87249	1
RV2	Relife Valve Cartridge	85703	1
	Seal Kit For Relife Valve	85703SK	1
UN1	Unloading Valve Cartridge	85704	1
	Seal Kit For Unloader Valve	85704SK	1
BV1	Ball Valve	85705	1
AAC1	Accumulator	74515	1
	Accumulator, Bladder	74516	1
	Seal Kit Accumulator, Bladder	85812	1
G2	Pressure Gauge 3000 PSI	70366	1
SS2	Magnetic Suction Strainer 1 1/4"	79247	1

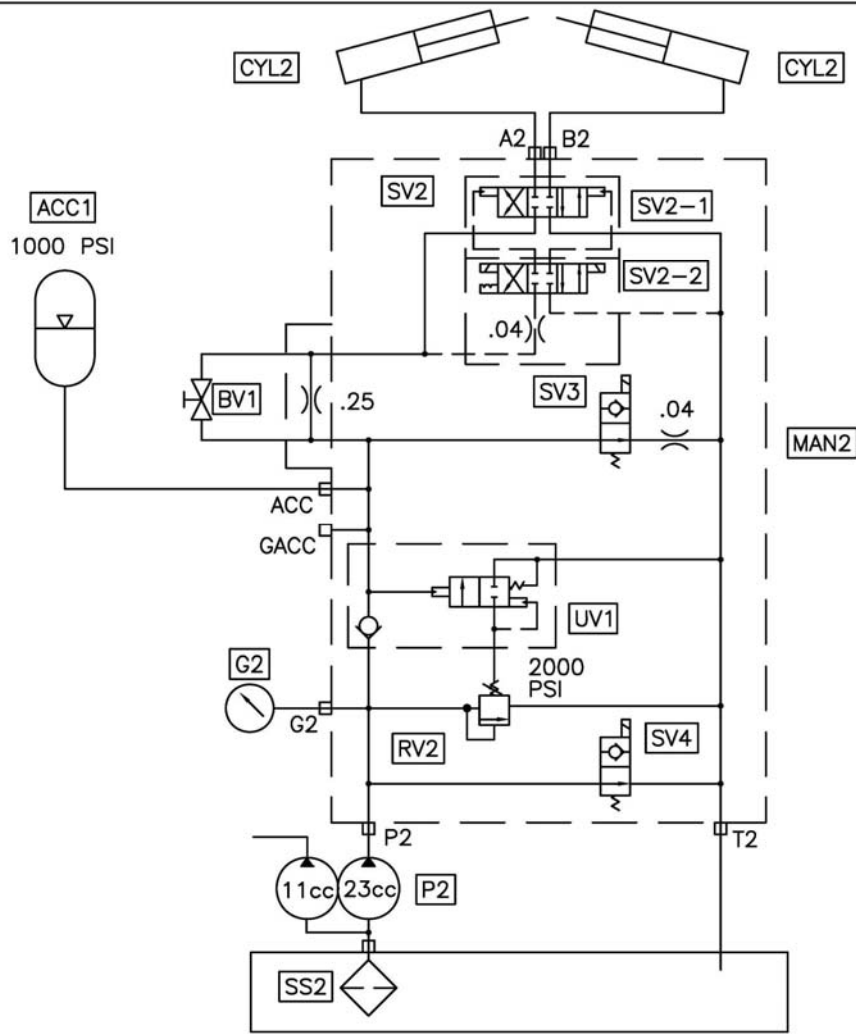
B SERIES SWING TUBE HYDRAULIC SCHEMATIC, DUAL SHIFT CYLINDER

DATE 11/7/01

REV. B

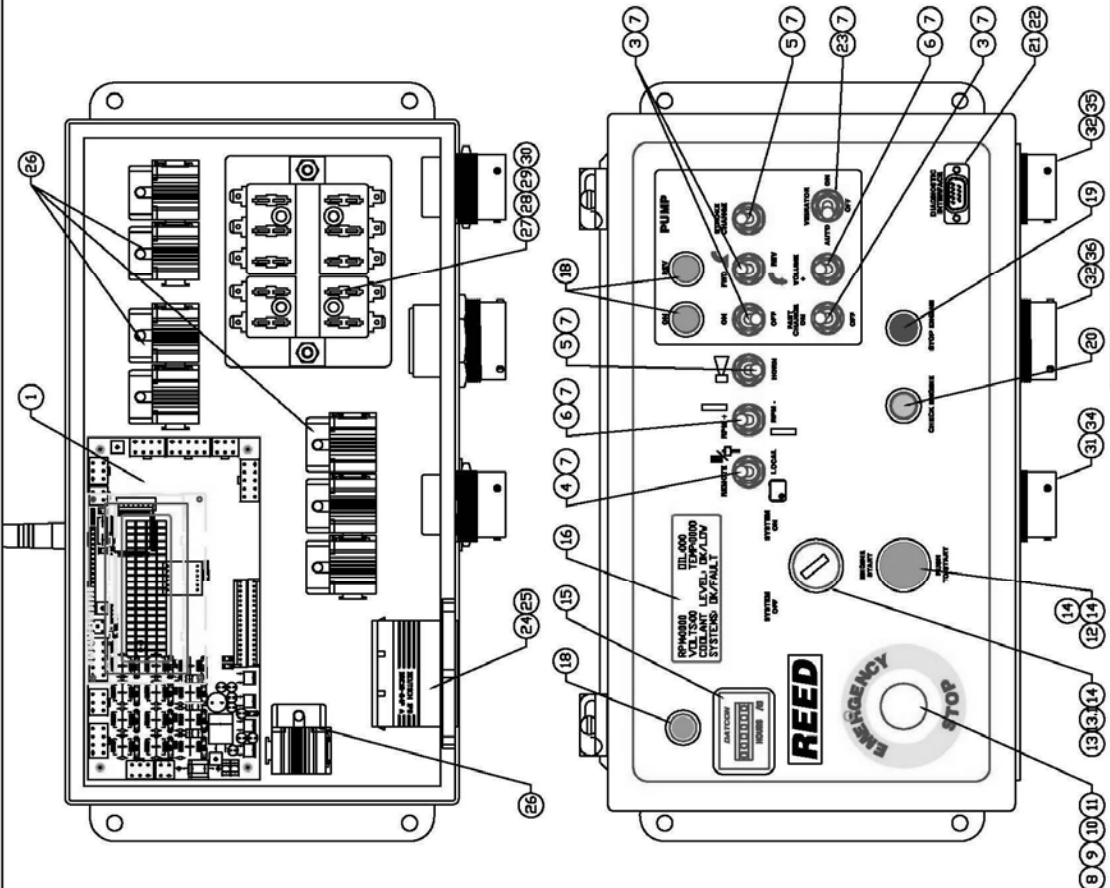
PART NO. 86706

REED



CODE	DESCRIPTION	PART NO.	QTY.
P2	Gear Pump		1
CYL2	S Tube Single Shift Cylinder	86220	2
	Seal Kit	86220-SKTX	1
MAN2	Manifold S Tube Circuit	85249	1
SV2	Solenoid Valve S Tube Circuit	85693	1
SV2-1	Valve Main	85694	1
	Seal Kit	74994	1
SV2-2	Solenoid Valve Pilot	85695	1
	Seal Kit	72313	1
	Coil For SV2-2	85692	2
SV3	Solenoid Valve Cartridge	87246	1
	Coil For SV3	87247	1
SV4	Solenoid Valve Cartridge	87248	1
	Coil For SV4	87249	1
RV2	Relife Valve Cartrige	85703	1
UN1	Unloading Valve Cartrige	85704	1
BV1	Ball Valve	85705	1
AAC1	Accumulator	74515	1
	Accumulator, Bladder	74516	1
	Seal Kit Accumulator, Bladder	85812	1
G2	Pressure Gauge 3000 PSI	70366	1
SS2	Magnetic Suction Strainer 1 1/4"	79247	1

REV B-5/7/2009



ITEM QTY	REED #	DESCRIPTION
1 1	87346-BOARD	LOWER CONTROLLER BOARD
3 3	BW10207	SW. TOGGLE, SPST, ON-OFF
4 1	BW10223	SW. TOGGLE, SPDT, ON-ON
5 2	BW10206	SW. TOGGLE, SPST, (ON)-OFF
6 2	BW10205	SW. TOGGLE, SPDT, (ON)-OFF-(ON)
7 9	BW10361	SW. SEALING BOOT
8 1	BW10208	MUSHROOM HEAD MAINTAINED BUTTON
9 1	BW10358	E-STOP LIGHT (POWER SUPPLY)
10 1	BW10357	NC CONTACT BLOCK
11 1	BW10359	LGT, WL-41047 MINI BYNT RED 15
12 1	BW10355	SW, PB GRN FLUSH
13 1	BW10354	SW 90 DEG KEYSWITCH BLK WITH KEY
13.1 1	BW10204-1	KEY, FOR BW10354
14 3	88017	SW, CONTACT BLK N.O.
15 1	BW10212	MINI HOURMETER
16 1		DISPLAY, LCD, 20C X 4L, W/BACKLIT
17 16	87808	CON, 12-14GA SOCKET
18 3	BW10369	LED, PILOT LIGHT, GREEN
19 1	BW10370	LED, PILOT LIGHT, RED
20 1	BW10371	LED, PILOT LIGHT, AMBER
21 1		CONN, DB9, MALE
22 1		CONN, DB9 COVER
23 1	87952	SW. TOGGLE, DPDT, ON-OFF
24 1	BW10217	CON, DRC12-24FA
25 1	BW10220	CON, DRC24-GKT GASKET
26 8	87970	RELAY, 40V 0.25 CONNECTOR
27 1	800448	FUSE, 257020 LIT, 20A ATO
28 3	800449	FUSE, 257010 LIT, 10A ATO
29 3	800447	FUSE, 257025 LIT, 25A ATO
30 1	90381	FUSE, 257015 LIT, 15A ATO
31 8	87807	CON, DEUTSCH PINS
32 41	BW10221	CON, DEUTSCH PINS
33 1		CON, 10-11-2163, 16 PIN
34 1		CON, HD34-18-08PN
35 1		CON, HD34-18-14PN
36 1		CON, HD34-24-16SN
37 1	BW10285	ANTENNA, 900MHZ
38 1		CBL, ANTENNA 6' CABLE
39 1		DECAL, CONTROL COVER

REED
 CONCRETE PLACING EQUIPMENT
 CHIND, CA 91710

TITLE
 PARTS LIST FOR 87346-2 BOX

MATERIAL 87346-2
 PART NUMBER 87346-2
 REV SHEET 1 OF 1

THIS DRAWING IS THE PROPERTY OF REED MANUFACTURING AND IS LOANED WITHOUT CONSIDERATION OTHER THAN THE BORROWER'S AGREEMENT THAT IT SHALL NOT BE REPRODUCED, COPIED, LOANED, OR DISPOSED OF, DIRECTLY OR INDIRECTLY, NOR USED FOR ANY PURPOSE OTHER THAN THAT FOR WHICH IT IS SPECIFICALLY FURNISHED.

DO NOT SCALE DRAWING
 UNLESS OTHERWISE SPECIFIED,
 DIMENSIONS ARE IN INCHES.

TOLERANCES:
 .XX .030
 .XXX .010
 FRACTION 1/32
 ANGLE 1/2°

DRAWN 4/2/09
 APPVD

REV	DATE	DESCRIPTION OF CHANGE	BY
REVISIONS			

REED

PART NO. REV. F 87346-2

DATE 5/22/07

B SERIES WIRING HARNESS ELECTRIC CYCLING

