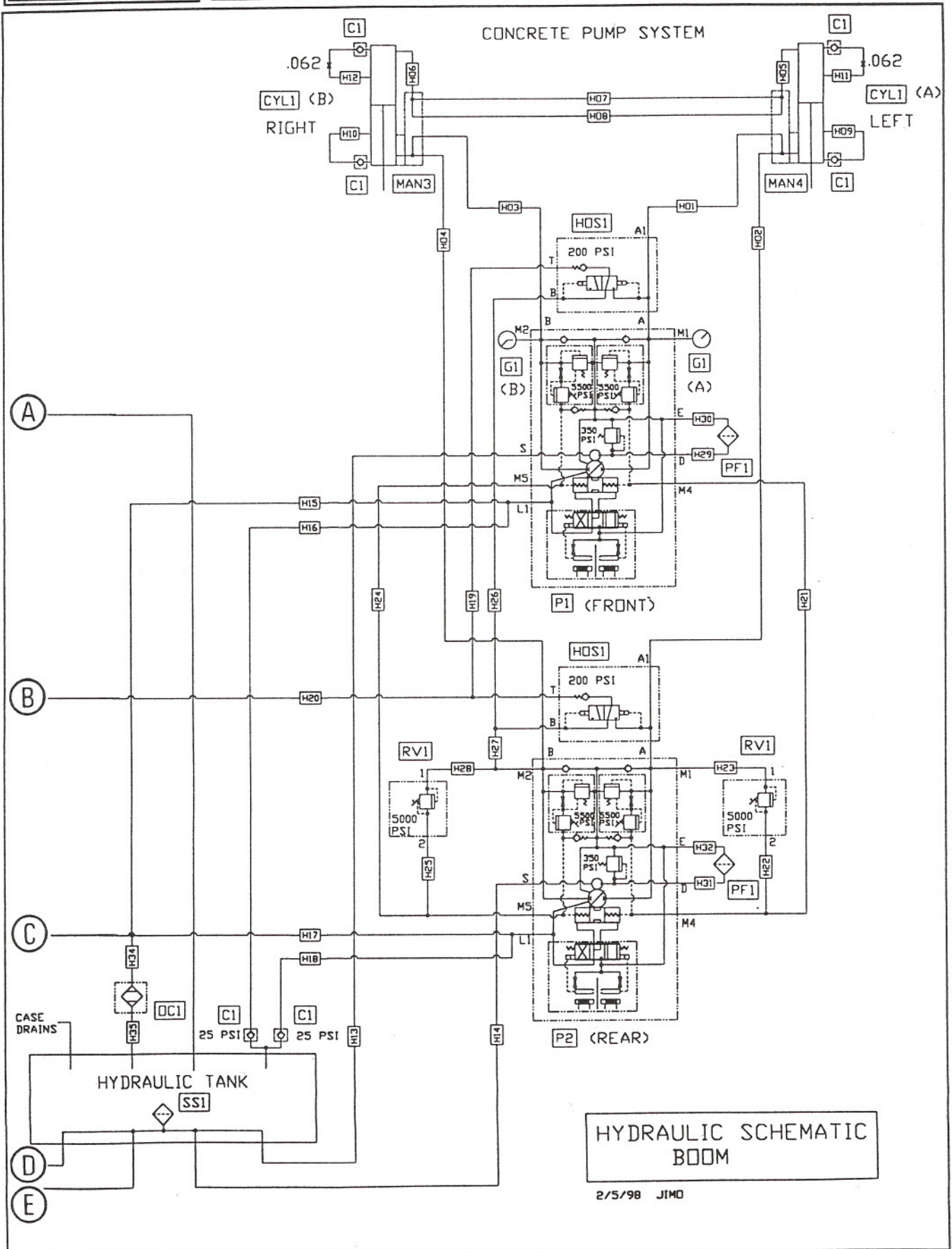


HYDRAULIC SCHEMATIC (PUMPING TRAIN AREA)



REVISION: