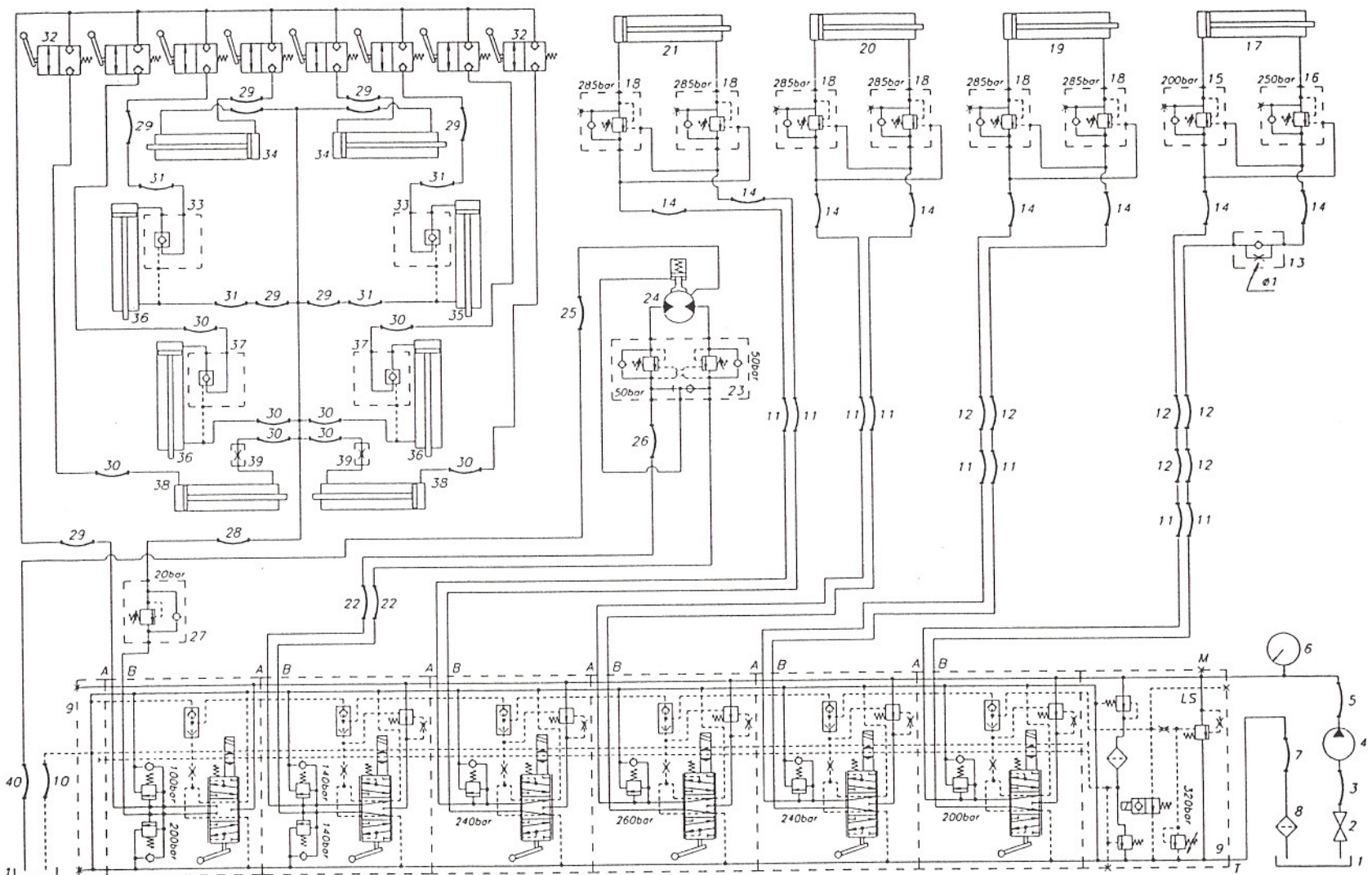


**HYDRAULIC SCHEMATIC
(BOOM AREA)**



REVISION: