



B70HPSD PLC

PARTS

13822 Oaks Avenue
Chino, CA 91710
reedpumps.com
(909) 287 - 2100

PARTS.....	3
PUMPING TRAIN ASSEMBLY	3
S-TUBE.....	5
5" OUTLET ASSEMBLY	5
5" OUTLET SEAL KIT INSTALLATION	5
WEAR PLATE ASSEMBLY	7
7" PISTON CUP ASSEMBLY	8
DRIVE CYLINDER ASSEMBLY	9
DUAL SHIFT BELL CRANK ASSEMBLY	10
DUAL SHIFT CYLINDER ASSEMBLY	11
DUAL SHIFT ASSEMBLY.....	12
HOPPER.....	13
AGITATOR ASSEMBLY.....	13
SAFETY GRATE	15
CLEAN OUT DOOR ASSEMBLY	17
POWER TRAIN GROUP	19
ENGINE, PUMPS, AND FILTER	19
MAIN HYDRAULIC PUMP	20
GEAR PUMP/PUMP DRIVE	20
FITTINGS.....	22
EXHAUST.....	23
TANKS	24
FUEL TANK ASSEMBLY.....	24
HYDRAULIC TANK ASSEMBLY	25
MANIFOLDS	27
DRIVE CYLINDER CIRCUIT MANIFOLD ASSEMBLY	27
S-TUBE CIRCUIT MANIFOLD ASSEMBLY	29
ACCUMULATOR ASSEMBLY	31
ELECTRICAL GROUP	32
PROXIMITY SWITCHES	32
STARTER AND ALTERNATOR.....	33
TRAILER HARNESS AND BREAKAWAY	34
TAIL LIGHTS.....	35
WIRING HARNESS.....	36
PLC CONTROLS	38
B-SERIES CONTROL PANEL	38
KEY PAD SWITCHES INSERT KIT	39
MVEC/FUSE/RELAY.....	41



B70HPSD PLC

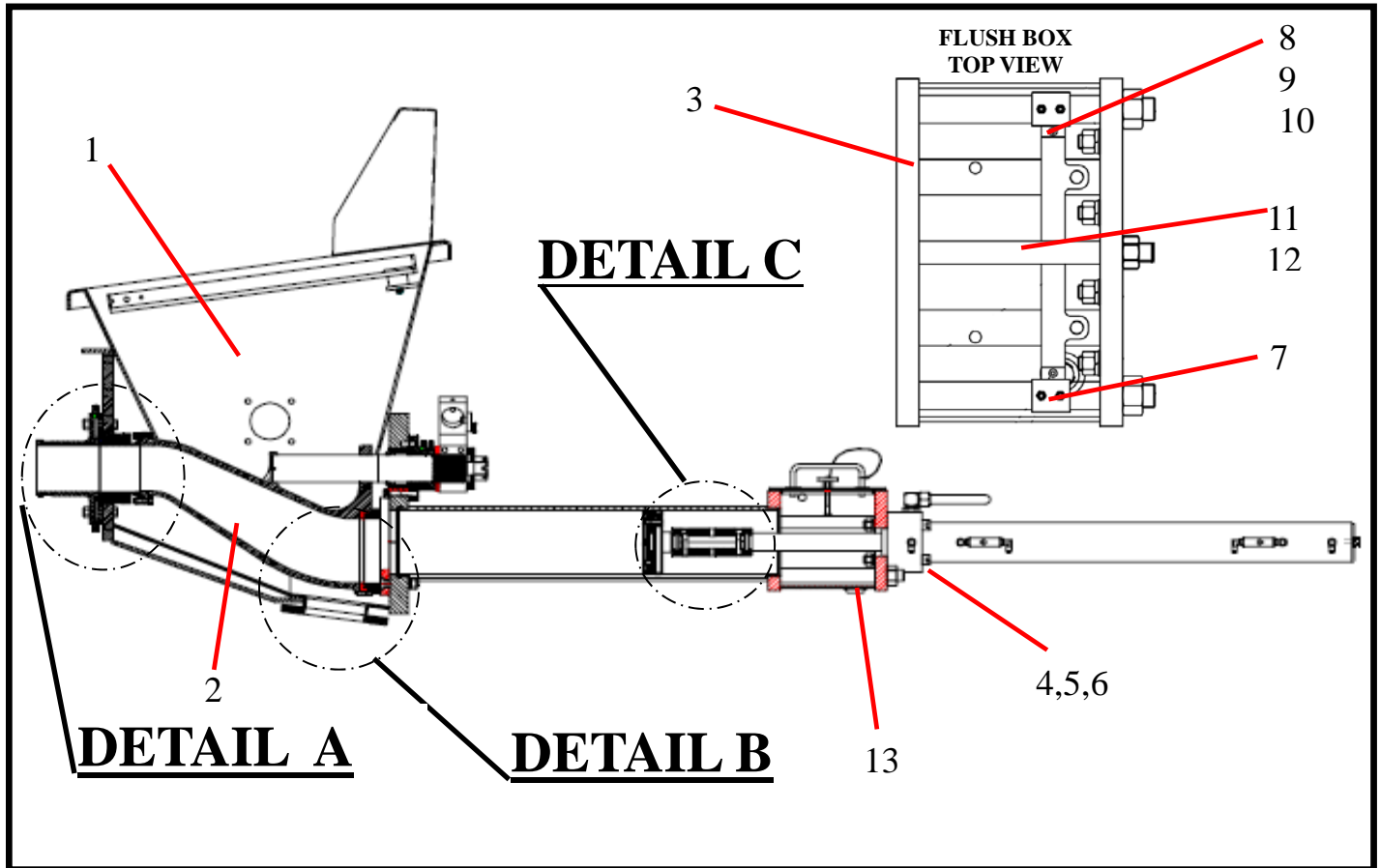
PARTS

13822 Oaks Avenue
Chino, CA 91710
reedpumps.com
(909) 287 - 2100

ESTOP, KEY ASSEMBLY, PLUGS	45
BUSSES, CONNECTORS, PINS	46
SERIAL PLATE IDENTIFICATION	47
BUSS BAR SET-UP	48
CAN PUSH BUTTON SWITCH PLUG	49
SWITCH A	49
CAN PUSH BUTTON SWITCH PLUG	50
SWITCH B	50
CAN PLUGS, CONNECTORS	51
DEUTSCH 128 PLUG ASSEMBLY	52
WIRE HARNESS MAIN LAYOUT	54
WIRE HARNESS DOOR LAYOUT	55
FRAME INSTALLATION	56
FRAME, TIRES, JACK, AND TOW EYE	56
9000LB AXLE MOUNTING ASSEMBLY	57
HOOD AND COVERS	58
FENDERS AND OUTRIGGERS	59
HYDRAULIC OUTRIGGER GROUP	60
3 SPOOL CONTROL VALVE	61
HYDRAULIC OUTRIGGER GROUP	62
ELECTRIC HYDRAULIC OUTRIGGER CONTROLS	64
AGITATOR GROUP	65
1 SPOOL AGITATOR VALVE	66
AVAILABLE OPTIONS	68

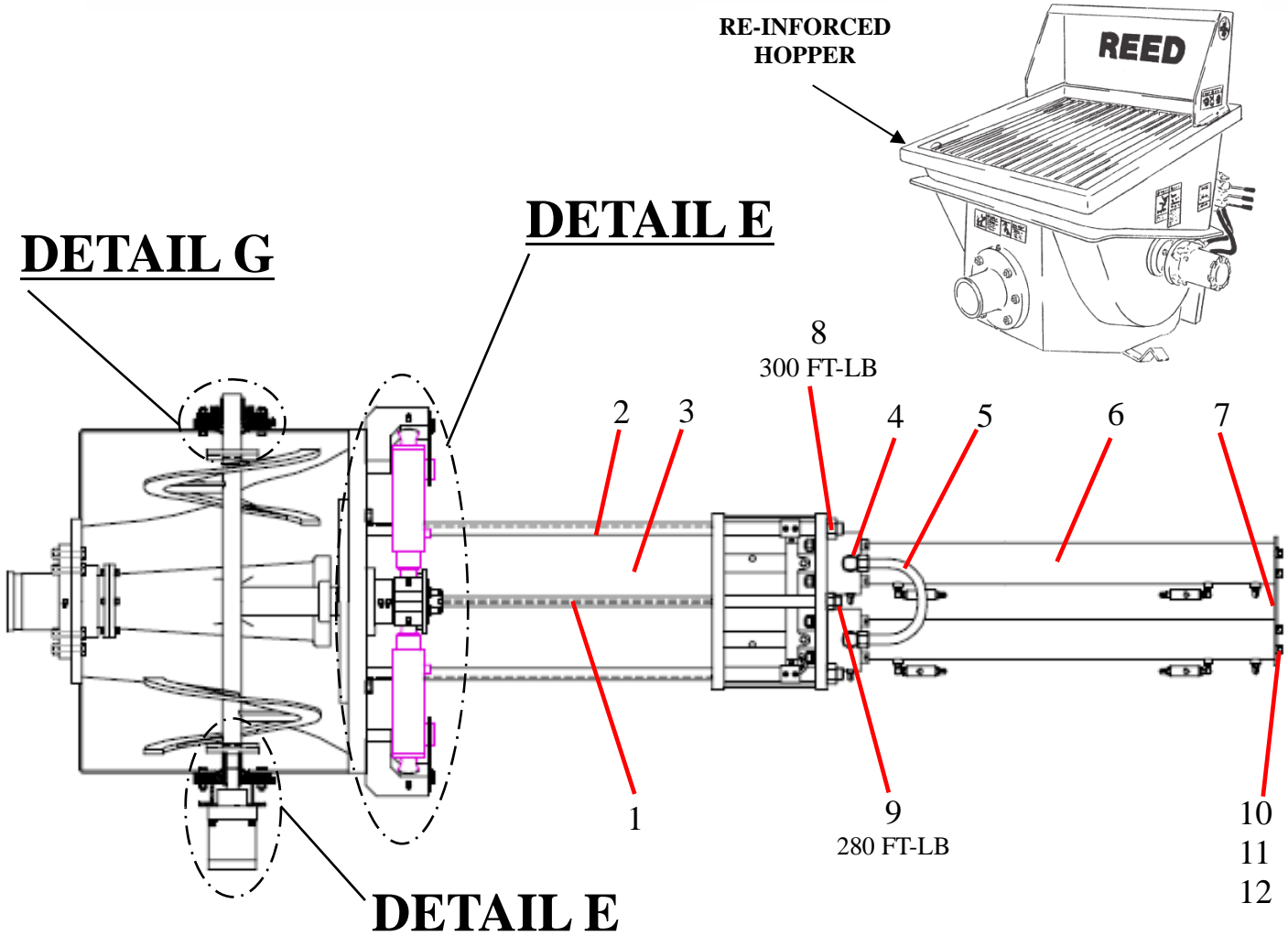
PARTS

PUMPING TRAIN ASSEMBLY



ID #	PART #	PART DESCRIPTION	QUANTITY	
	89236	PUMP CELL B70HPS 7X42 DUAL/NYLON	REF	
1	85840A	HOPPER WELDMENT, 7" STD SAFETY SWITCH	1	EA
2	86986	S TUBE WLD, 7X5	1	EA
3	86490	FLUSH BOX WELDMENT, 7 IN HPS	1	EA
4		SHCS 3/4 - 10X5" GR 8	8	EA
5		HEX NUT, 3/4 - 10	12	EA
6		LOCK WASHER 3/4"	13	EA
7	86006	BRACKET, PROX SWITCH	1	EA
8	86752	HHCS, 1/4 - 20X3/4" GR 8	6	EA
9		LOCK WASHER, 1/4"	2	EA
10		FLAT WASHER, 1/4"	2	EA
11	86665	STUD, 3/8-16X3" LONG	1	EA
12	80072	LOCKWASHER-3/8"	1	EA
13	10282	PLUGS-PIPE GALV 1"	1	EA

PUMPING TRAIN ASSEMBLY CONTINUED

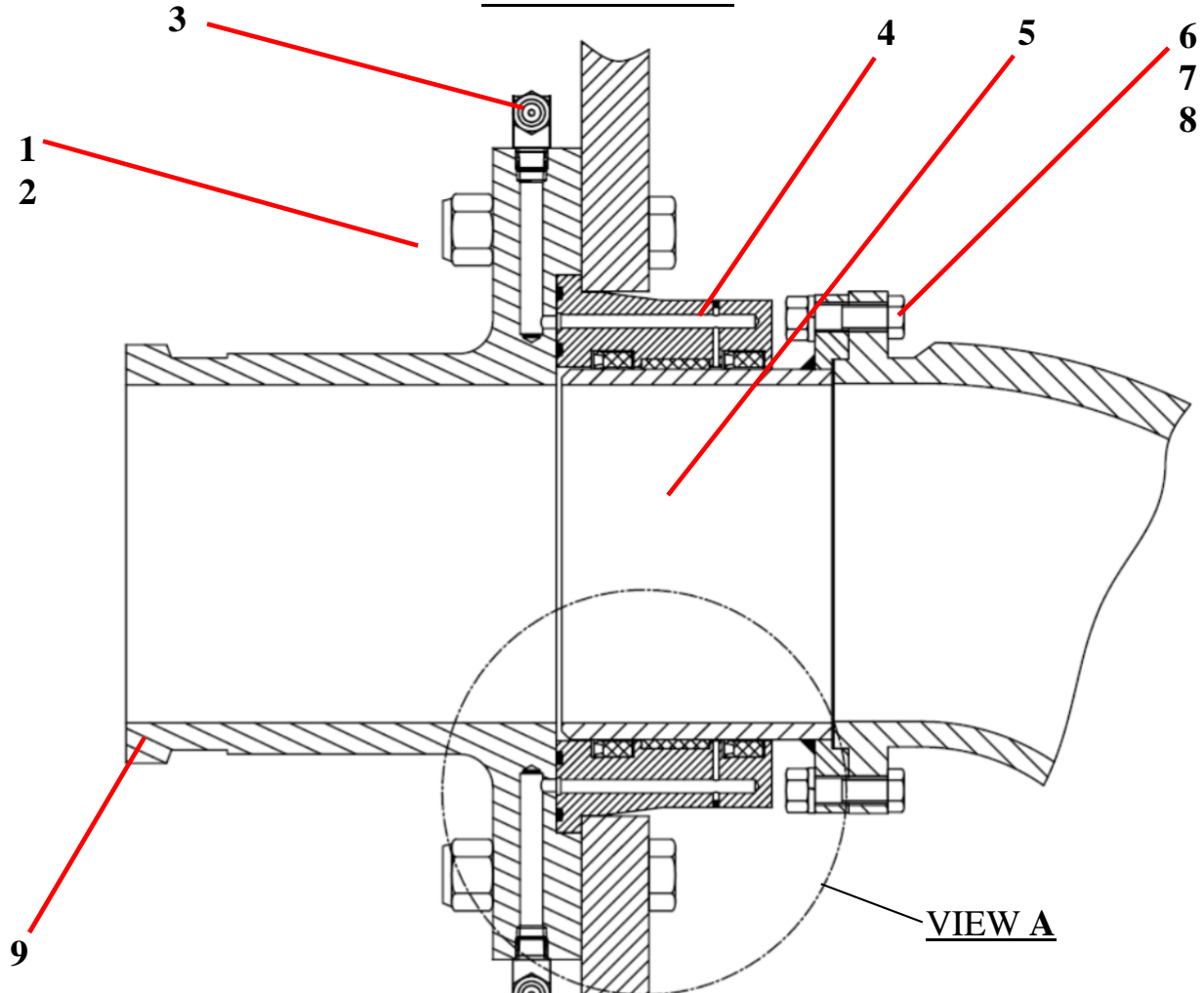


ID #	PART #	PART DESCRIPTION	QUANTITY	
1	86023	TIE ROD, 1" X 57½"	2	EA
2	86022	TIE ROD, 1¼" X 57½"	4	EA
3	86146	CONCRETE CYLINDER, 7 X 42	2	EA
4		ELBOW, MB-MJ90-16-16	2	EA
5	85427	TUBE, HYD, LOOP LINE	1	EA
6	86225HT	DRIVE CYLINDER 3.50 X 2 X 41.75	2	EA
7	87554	END PLATE - DRIVE CYLINDER- PAINTED	1	EA
8		HEX, NUT 1 ¼" -12	4	EA
9		HEX NUT, 1" -12	2	EA
10		HHCS, 1/2 -13X1 ¼" GR 8	4	EA
11	80054	WASHER, 1/2	4	EA
12	86754	LOCK WASHER, ½"	6	EA

S-TUBE

5" OUTLET ASSEMBLY

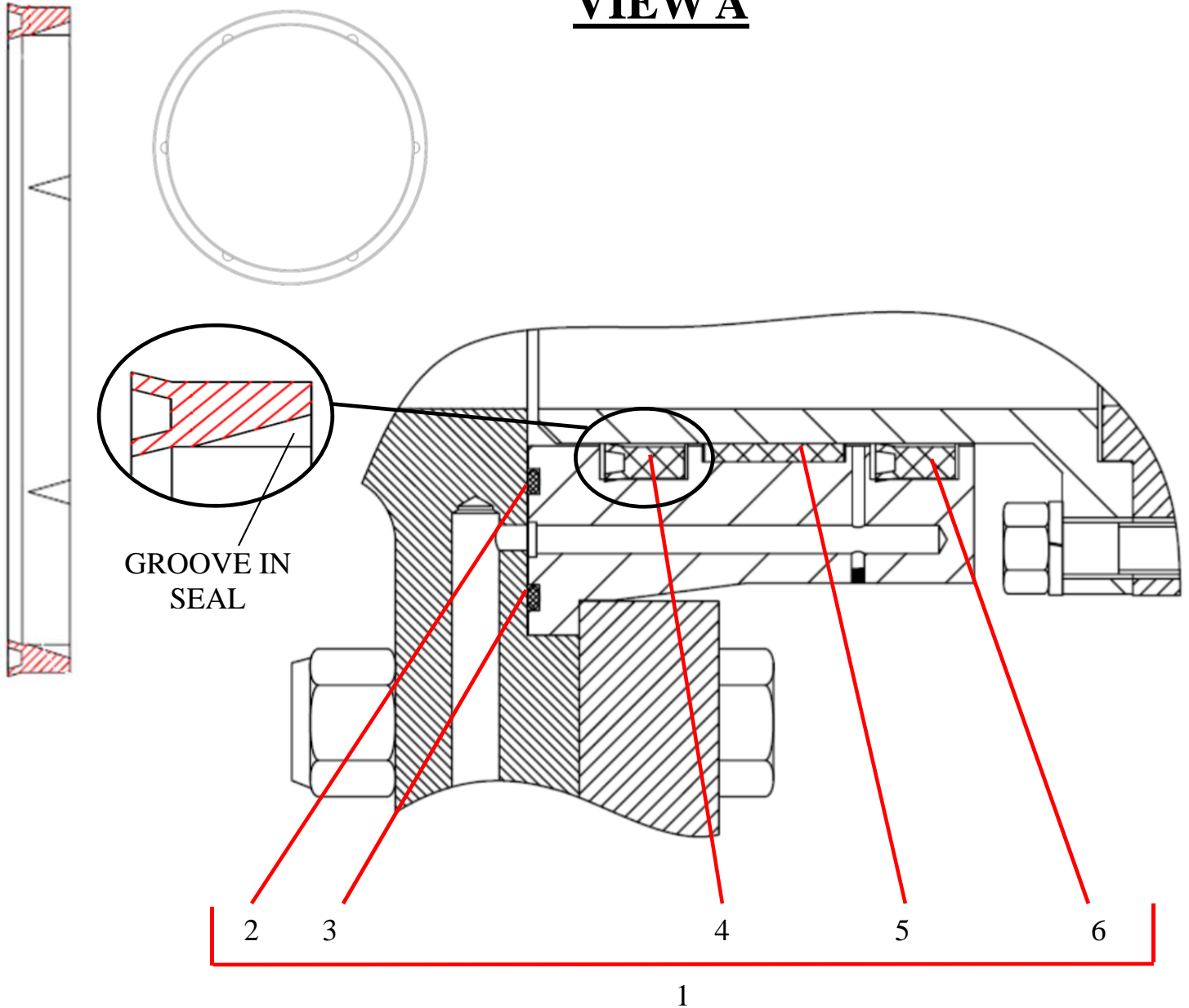
DETAIL A



ID #	PART #	PART DESCRIPTION	QUANTITY	
	86321	OUTLET ASSEMBLY	1	EA
1		HHCS, 5/8 - 18X3" 1/4 " GR 8	6	EA
2		LOCK NUT, 5/8 -18	6	EA
3		GREASE FITTING, 1/8" NPT 90°	2	EA
4	72309	OUTLET SEAL HOUSING	1	EA
5	70042	CHROMED OUTLET	1	EA
6		HHCS, 3/8 - 16X1 1/2" GR 8	6	EA
7		HEX NUT, 3/8" - 16	6	EA
8		LOCK WASHER, 3/8"	6	EA
9	72482	OUTLET, 5" (1-PIECE)	1	EA

5" OUTLET SEAL KIT INSTALLATION

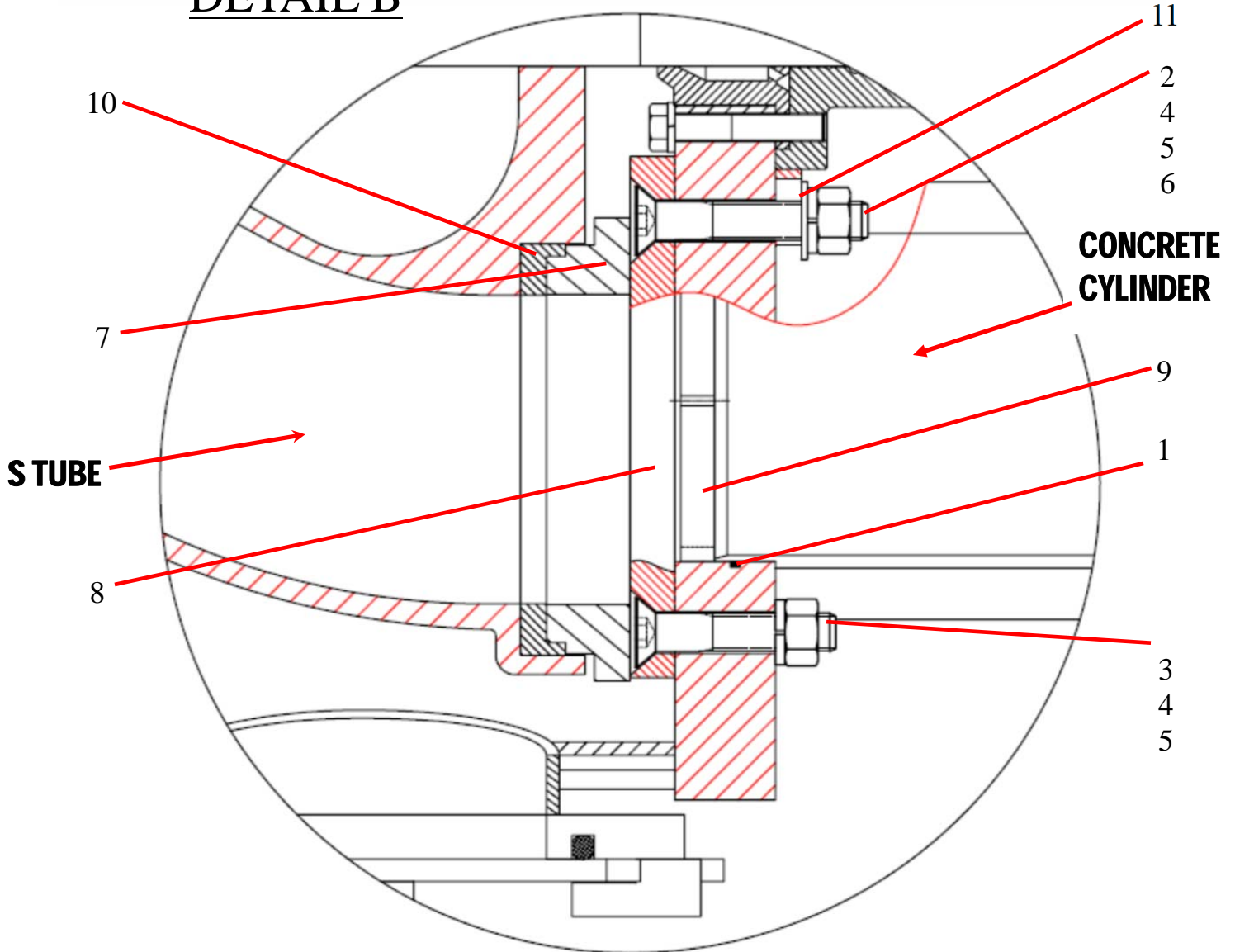
VIEW A



ID #	PART #	PART DESCRIPTION	QUANTITY	
1	79895	SEAL KIT	1	EA
2	77762	O-RING-#257 BUNA 90	1	EA
3	77761	O-RING-#264 BUNA 90	1	EA
4	86504	SEAL-MODIFIED- 5 IN OUTLET	1	EA
5	77763	GUIDE BAND - 5.75 OD X 1.00W	1	EA
6	77765	LIP SEAL-5.50 ID X 6.00 OD X .56 D	1	EA

WEAR PLATE ASSEMBLY

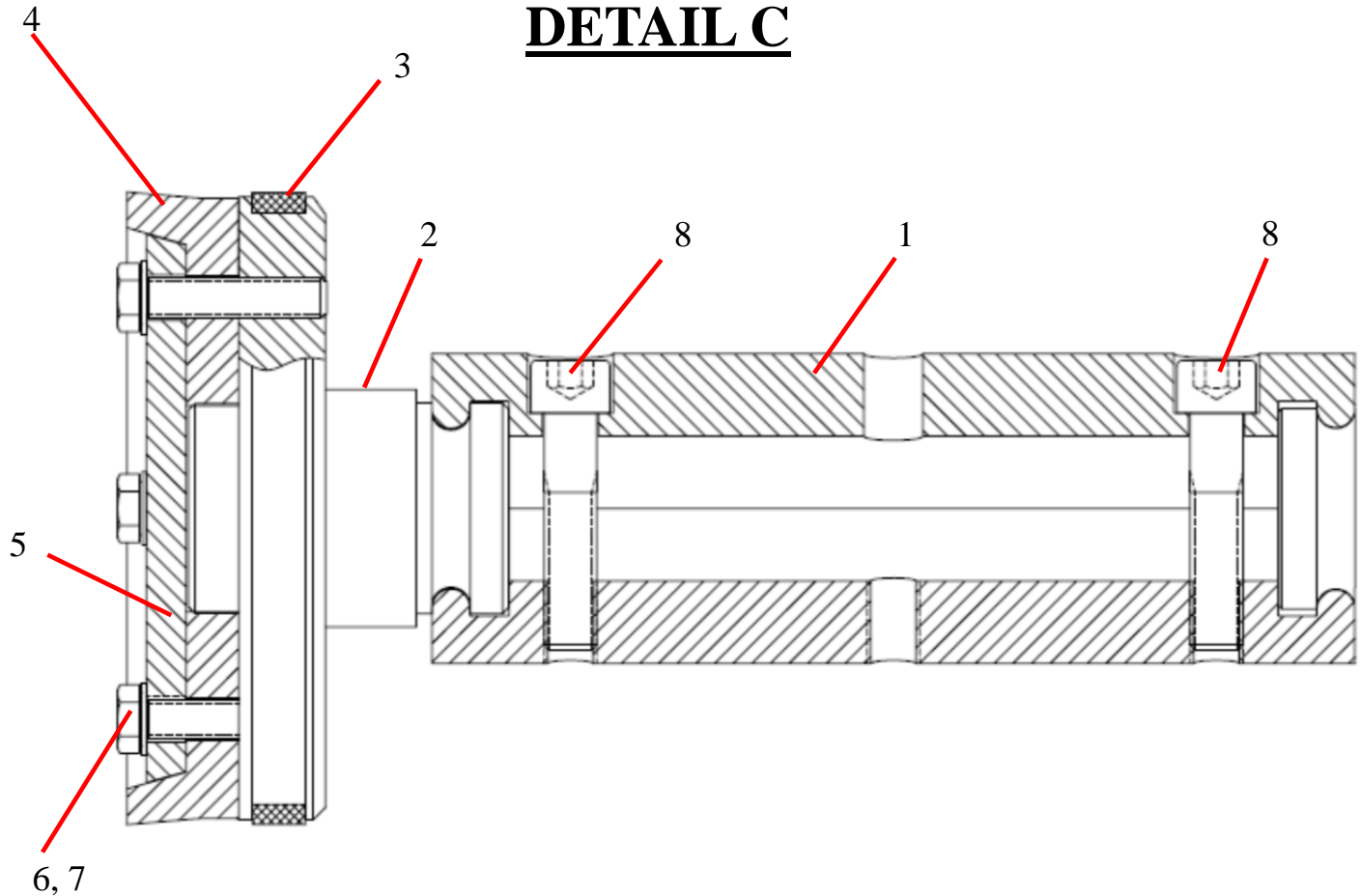
DETAIL B



ID #	PART #	PART DESCRIPTION	QUANTITY	
1	86037	O-RING, #264 BUENA 70	2	EA
2	74988	WEAR PLATE BOLT KIT	1	EA
3		FHCS, 3/4" - 10X 3 1/2" (3 EA), 4 1/2" (1 EA)	4	EA
4	80008	HEX NUT, 3/4" - 10	4	EA
5	80010	LOCK WASHER, 3/4"	4	EA
6	86824	FLATWASHER, 3/4"	4	EA
7	85975	WEAR RING, SINGLE LIP 7"	1	EA
8	85970	WEAR PLATE, 7"	1	EA
9	85977	CHIP RING, 7"	2	EA
10	85974	SEAL, SINGLE LIP, 7"	1	EA
11	86502	LOCATOR RING - FLANGE BEARING	1	EA

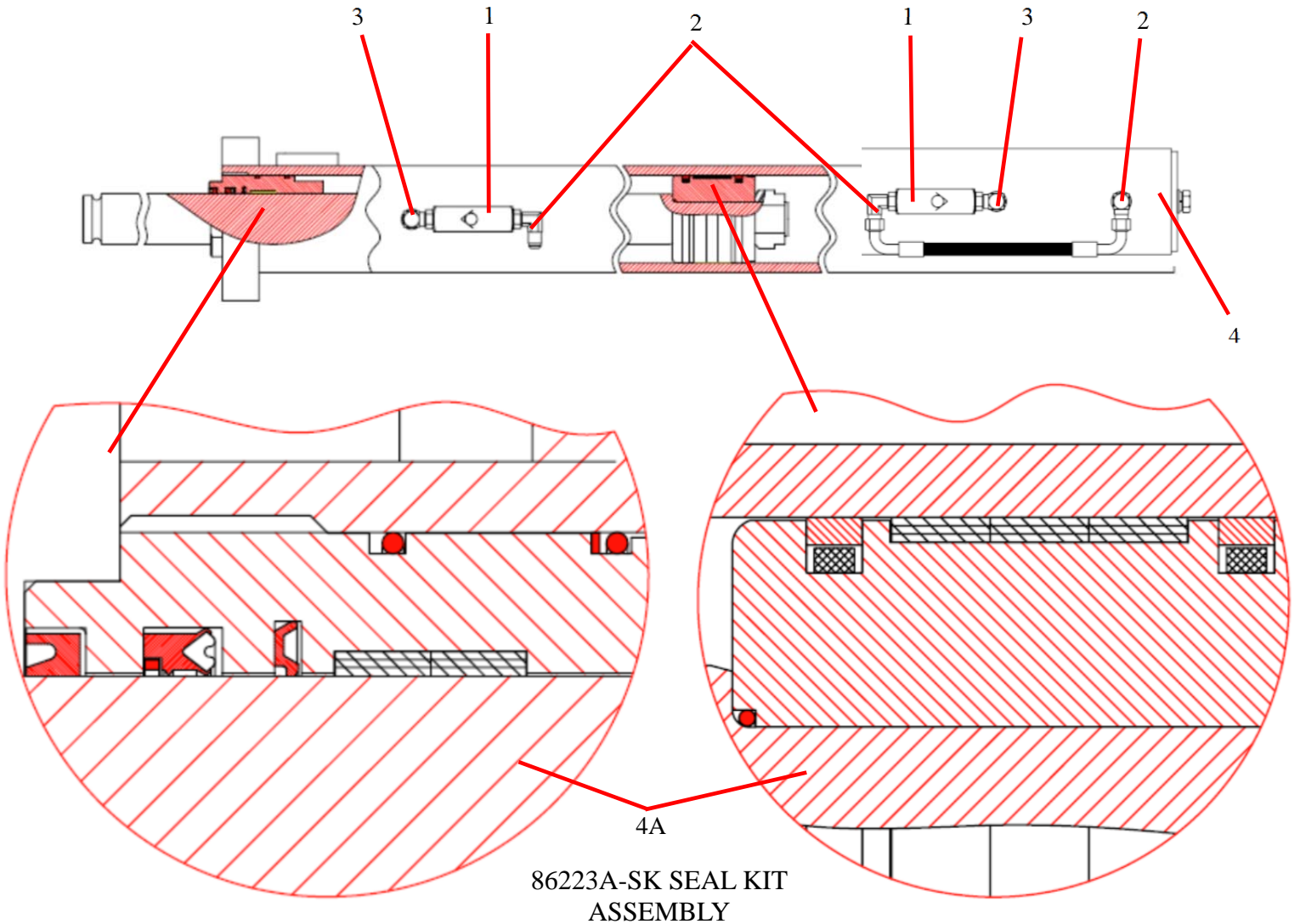
7" PISTON CUP ASSEMBLY

DETAIL C



ID #	PART #	PART DESCRIPTION	QUANTITY	
1	86024	PISTON COUPLING, 8.75 LONG	1	EA
2	77055	PISTON-CONC. ADAPTER 7"	1	EA
3	77056	WEAR RING(GUIDE BAND) 7"	1	EA
4	70504	PISTON CUP, 7 IN	1	EA
5	70505	PISTON PLATE 7 INCH	1	EA
6		HHCS, 3/8 - 16X1" GR 8	4	EA
7		LOCK WASHER 3/8	4	EA
8		SHCS 1/2 - 13 X 2 1/4"	2	EA

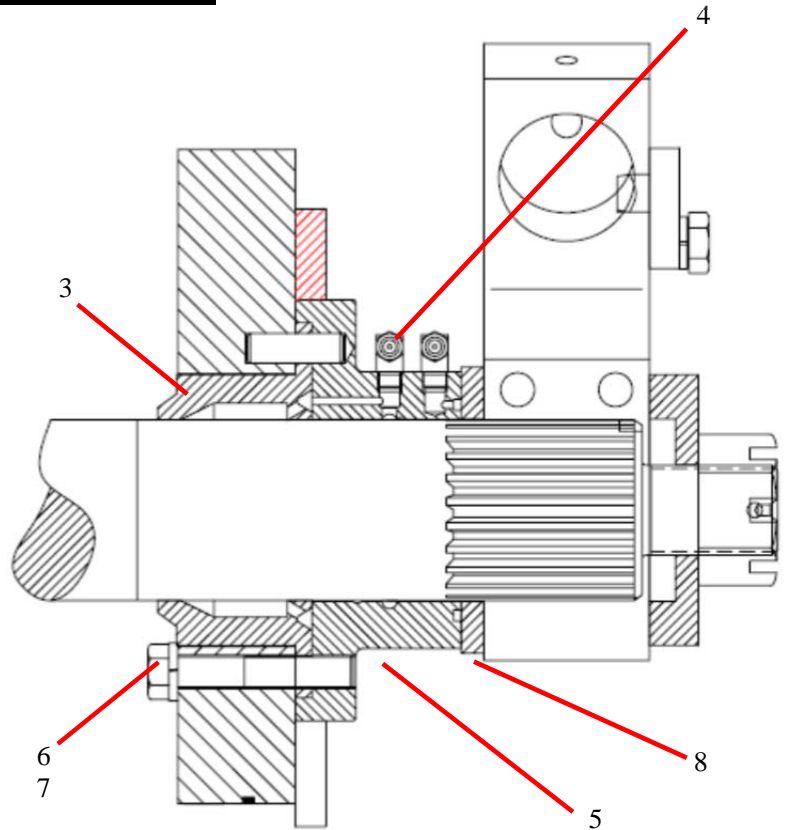
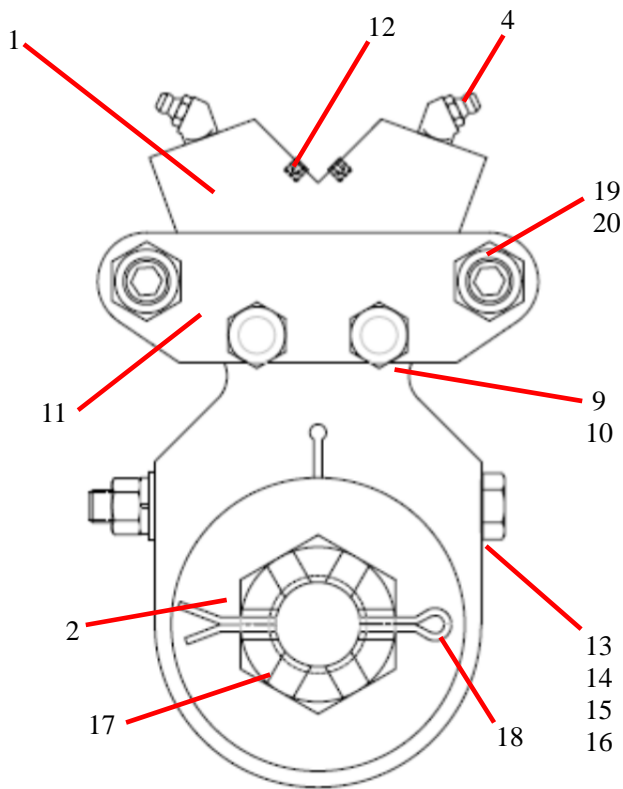
DRIVE CYLINDER ASSEMBLY



ID #	PART #	PART DESCRIPTION	QUANTITY	
	87546B	HYD CYLINDER GROUP 4.00X42	REF	
1	78961	CHECK VALVE-5K PSI O-RING	2	EA
2	86748	FITTING-MB-MJ90-6-6	4	EA
3		ELBOW, MB-MB90-6-6	2	EA
4	86225HT	HYDRAULIC CYLINDER 3.50 X 2.00 X 35.75	1	EA
4A	86223A-SK	SEAL KIT	1	EA

DUAL SHIFT BELL CRANK ASSEMBLY

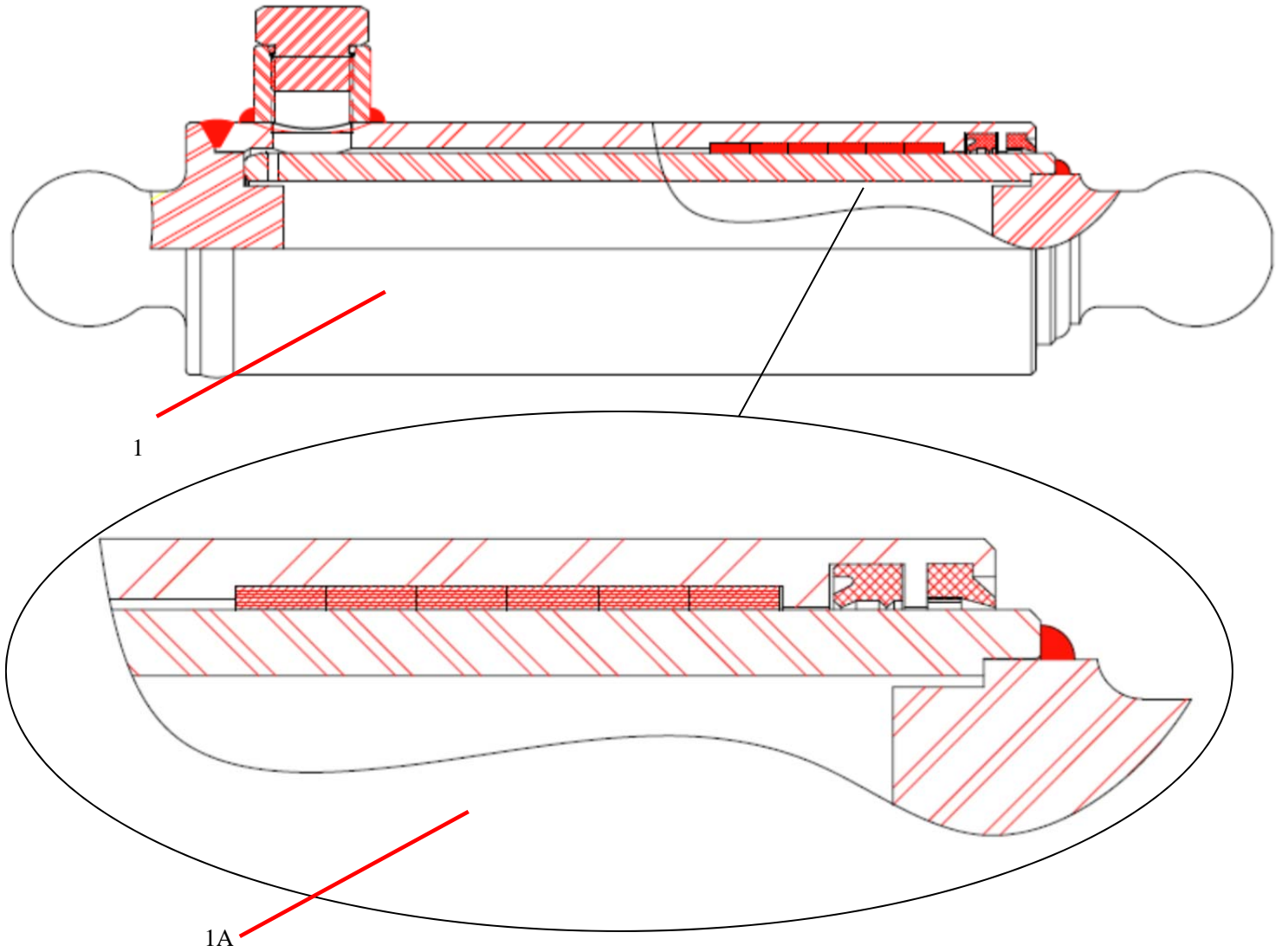
DETAIL E



ID #	PART #	PART DESCRIPTION	QUANTITY	
	86320-3	S-TUBE SHIFT GROUP, DUAL (HYDRA)	REF	
1	85956	BELL CRANK, 3" SPLINE, DUAL	1	EA
2	86985	SPACER, S-TUBE NUT	1	EA
3	85962	SEAL, FLANGE BEARING	1	EA
4		GREASE FITTING, 1/8" NPT	4	EA
5	85133	FLANGED BEARING	1	EA
6		HHCS, 9/16 - 12X3" GR 8	4	EA
7		LOCK WASHER, 9/16"	4	EA
8	85294	THRUST WASHER, S -TUBE	1	EA
9		HHCS, 1/2-13X1 1/4" GR 8	2	EA
10	86574	LOCKWASHER, 1/2"	2	EA
11	86282	RETAINER - SHIFT CYLINDER	1	EA
12	74679-1	PIPE PLUG 1/4" NPT-MODIFIED	2	EA
13		HHCS, 1/2-13X6 1/4" GR 8	2	EA
14		FLAT WASHER 1/2"	4	EA
15	86754	LOCK WASHER 1/2"	2	EA
16	80004	HEX NUT, 1/2"-13	2	EA
17	87012	NUT 2" -12 CASTLE GRADE 5	2	EA
18		COTTER PIN, 1/4X4"	1	EA
19	86283	SET SCREW-5/8-11X2.00" CUP POINT	1	EA
20	80005	NUT HEX-5/8-11 UNC USS RH THREAD	1	EA

DUAL SHIFT CYLINDER ASSEMBLY

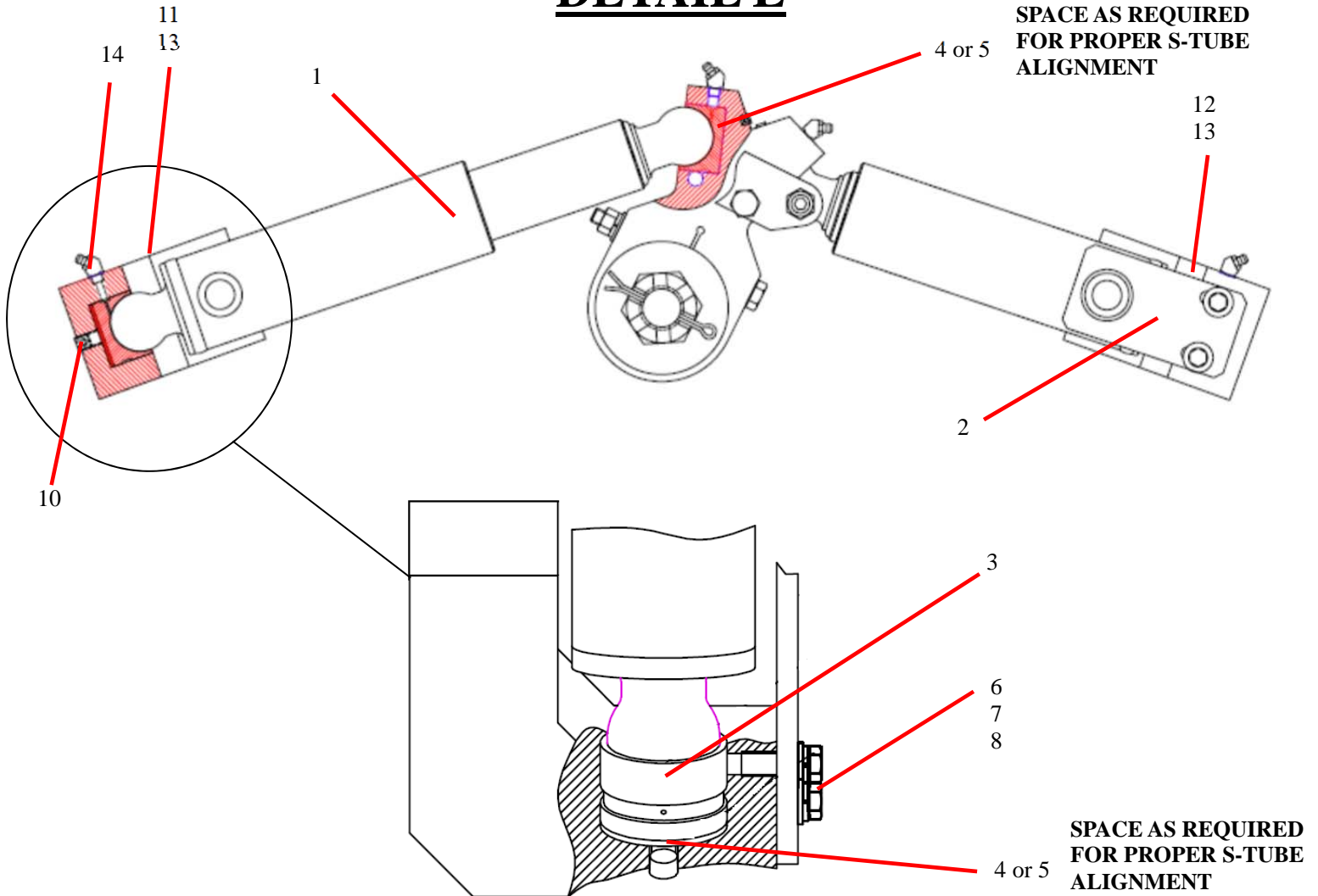
DETAIL E



ID #	PART #	PART DESCRIPTION	QUANTITY	
1	86220HT	SWING RAM-DUAL-2.50 X 5.75	2	EA
1A	86220A-SK	SEAL KIT	2	EA

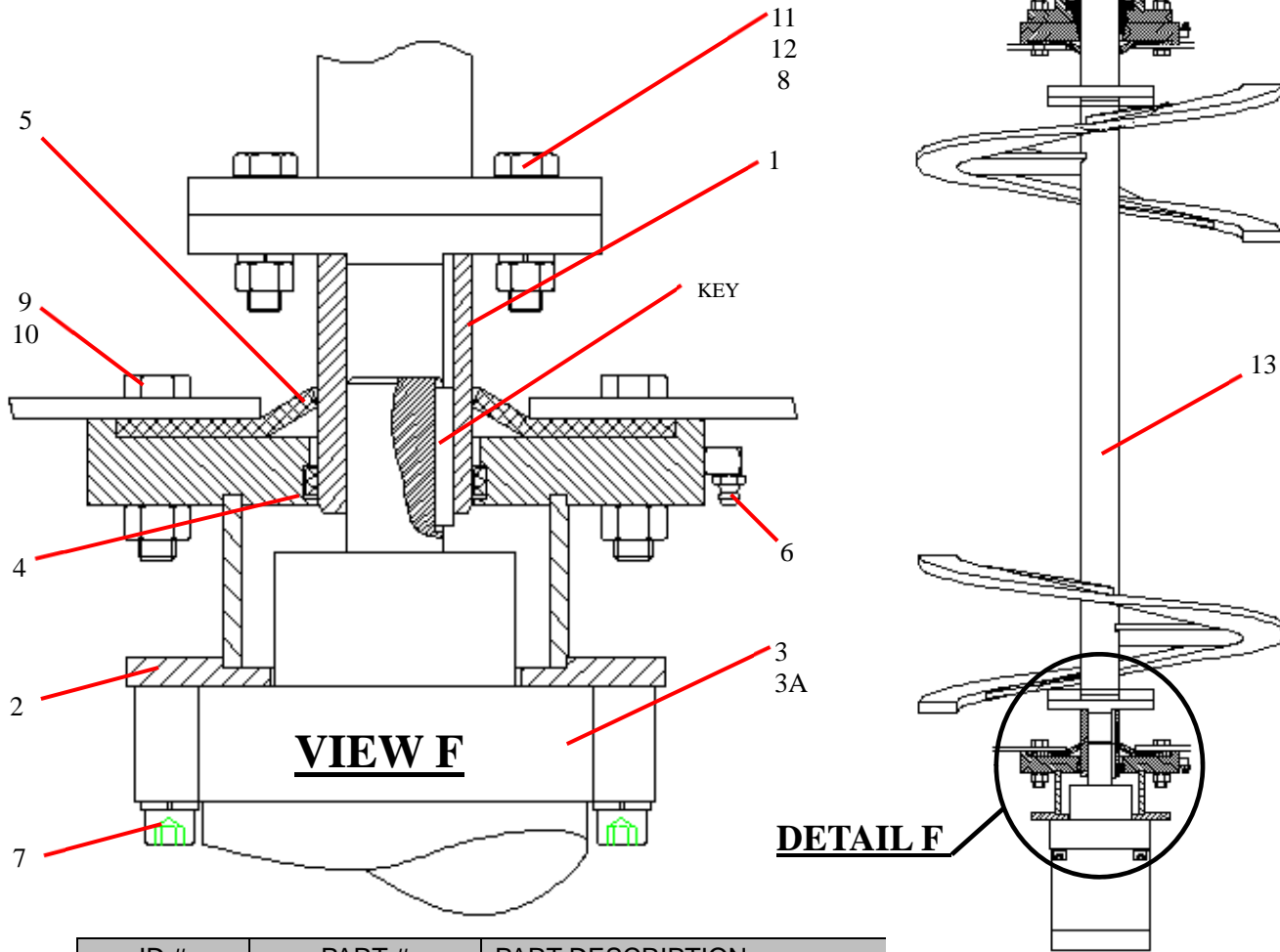
DUAL SHIFT ASSEMBLY

DETAIL E



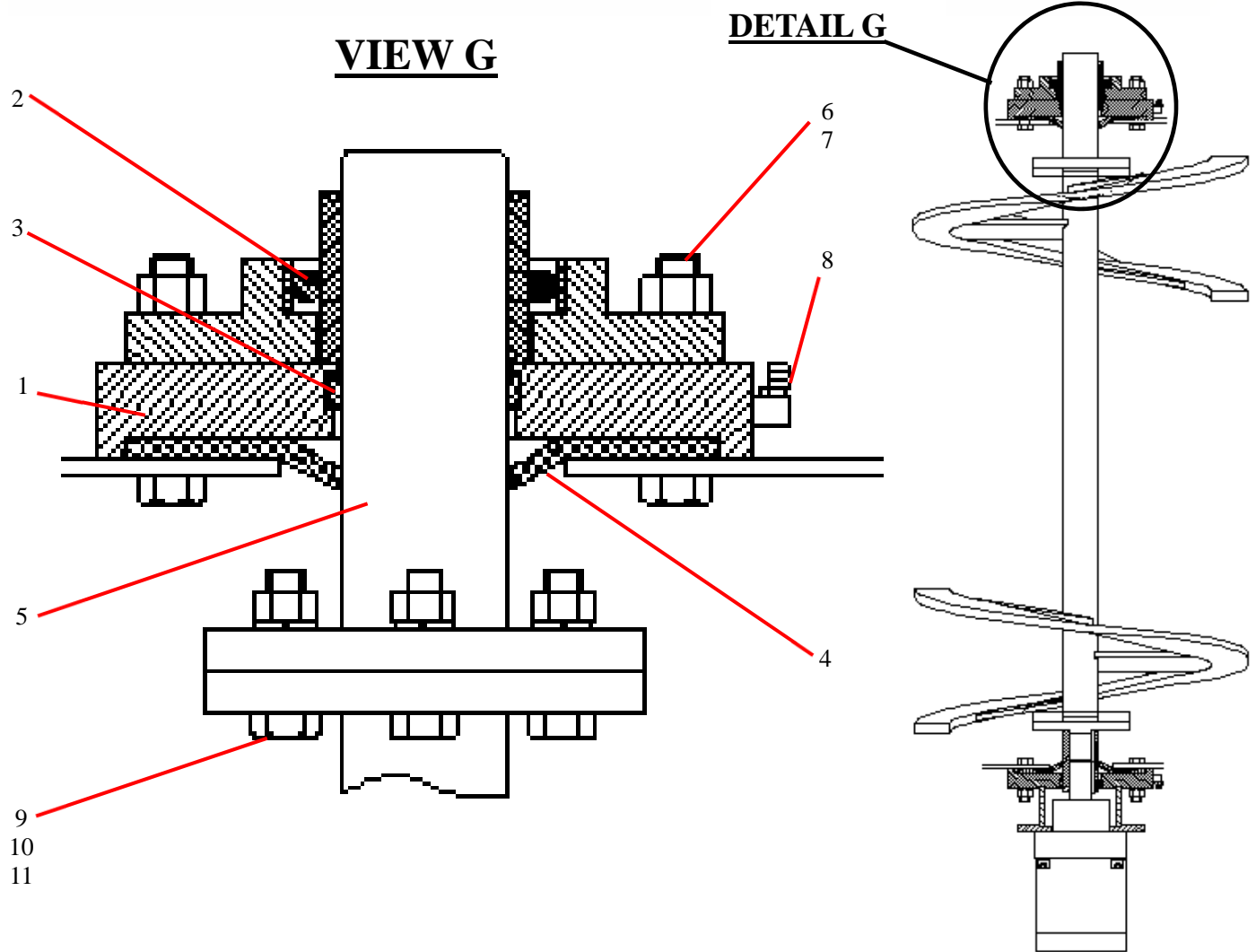
ID #	PART #	PART DESCRIPTION	QUANTITY	
1	86220HT	SWING RAM - 2.5 X 5.75	REF	
2	86441	RETAINER, SWING RAM	2	EA
3	76798-1	BALL SOCKET, NYLON	4	EA
4	75501	SPACER 1/8"	A/R	EA
5	75502	SPACER 1/16"	A/R	EA
6		HHCS, 3/8-24X1 1/4" GR8	4	EA
7		WASHER, 3/8"	4	EA
8	80072	LOCK WASHER, 3/8"	4	EA
10	74679	PLUG 1/4" NPT SOCKET HEAD	2	EA
11	85941	HOUSING, RH SWING RAM	1	EA
12	85942	HOUSING, LH SWING RAM	1	EA
13	86052	DOWEL PIN, 1/2" DIA X 2"	4	EA
14		GREASE FITTING, 1/8" NPT	2	EA

HOPPER AGITATOR ASSEMBLY



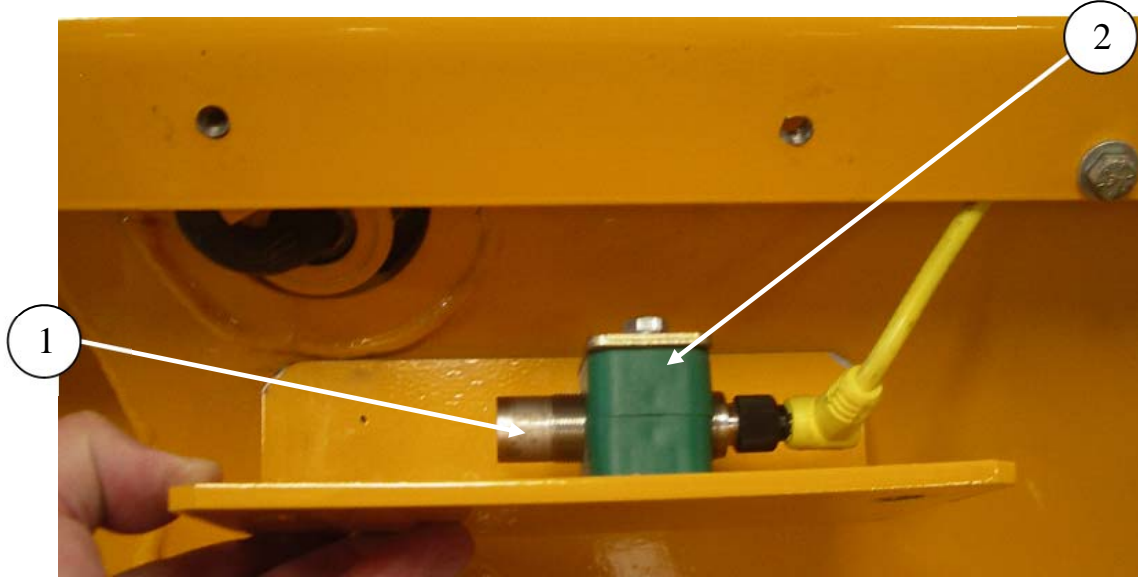
ID #	PART #	PART DESCRIPTION		
	86323	AGITATOR ASSEMBLY	1	EA
1	86062	DRIVE SHAFT, AGITATOR	1	EA
2	86070	FLANGE WELDMENT, AGITATOR MOTOR	1	EA
3	85809	HYD MOTOR, 45.6 CID, 1.25" SHAFT	1	EA
3A	85809SK	SEAL KIT	1	EA
4	86074	POLYSEAL, 2.00 ID X 2.50 OD X .375	1	EA
5	77512	SEAL-AUGER (BEARING SIDE)	2	EA
6		GREASE FITTING, 1/8" NPT 90°	1	EA
7		SHCS, 1/2"-13 X 2 1/4" GR8	4	EA
8		LOCKWASHER 1/2"	7	EA
9		HHCS, 1/2" - 13 X 2 1/4" GR8	4	EA
10		LOCKNUT, 1/2" -13	4	EA
11		HHCS, 1/2" - 13 X 1 3/4" GR8	3	EA
12		HEX NUT, 1/2" X 13	3	EA
13	86087	AGITATOR, WELMENT	1	EA

AGITATOR ASSEMBLY CONTINUED



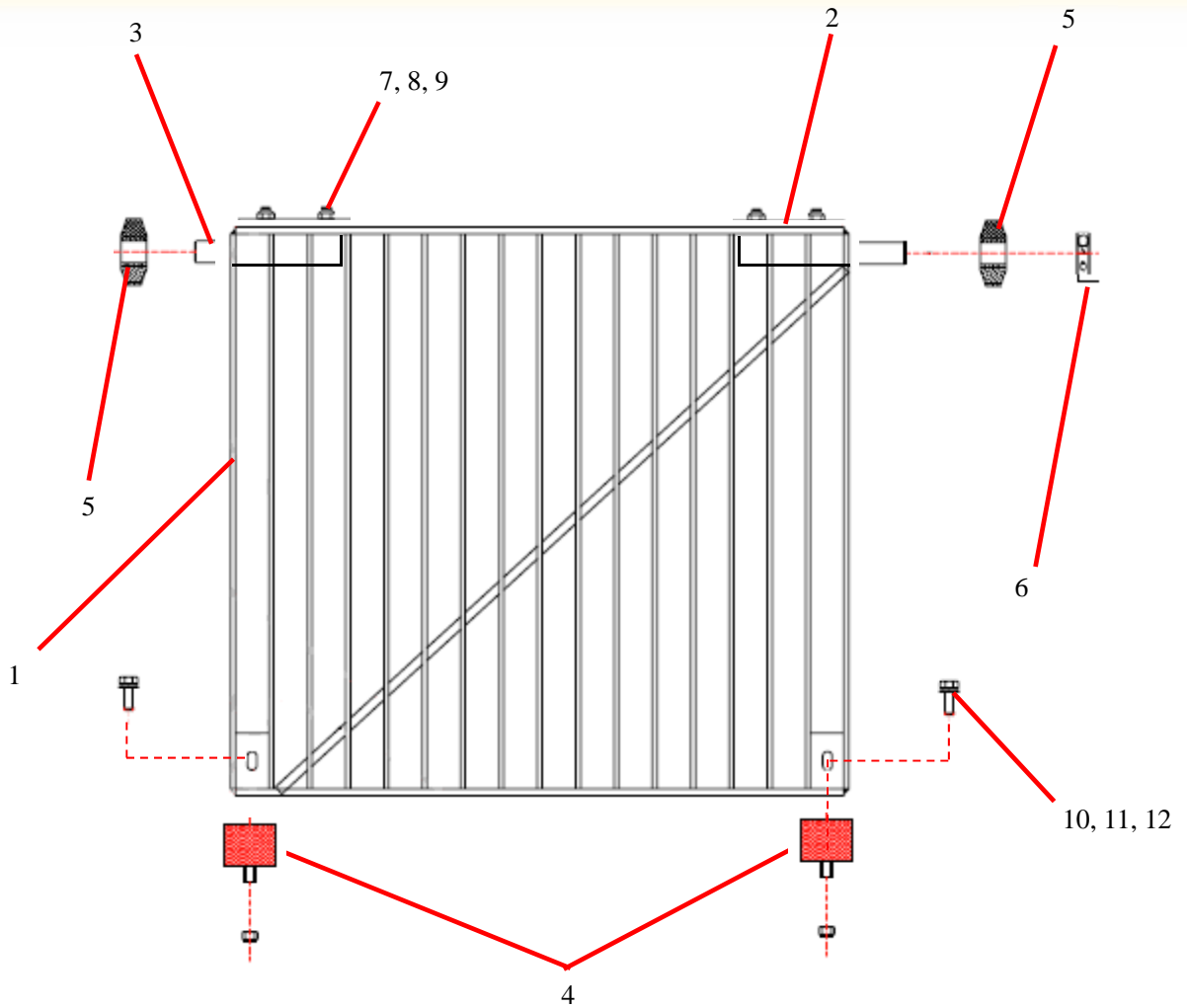
ID #	PART #	PART DESCRIPTION	QUANTITY	
1	86069	FLANGE, AGITATOR BEARING	1	EA
2	86067	FLANGE BEARING	1	EA
3	86074	POLYSEAL, 2.00 ID X 2.50 OD	1	EA
4	77512	SEAL-AUGER, AGITATOR	1	EA
5	86066	IDLER SHAFT, AGITATOR	1	EA
6		HHCS, 1/2"-13X3" GR8	4	EA
7		LOCKNUT, 1/2"-13	4	EA
8		GREASE FITTING, 1/8" NPT 90°	1	EA
9		HHCS, 1/2"-13X13/4" GR 8	3	EA
10		HEX NUT, 1/2"-13	3	EA
11		LOCK NUT 1/2"-13	3	EA

SAFETY GRATE



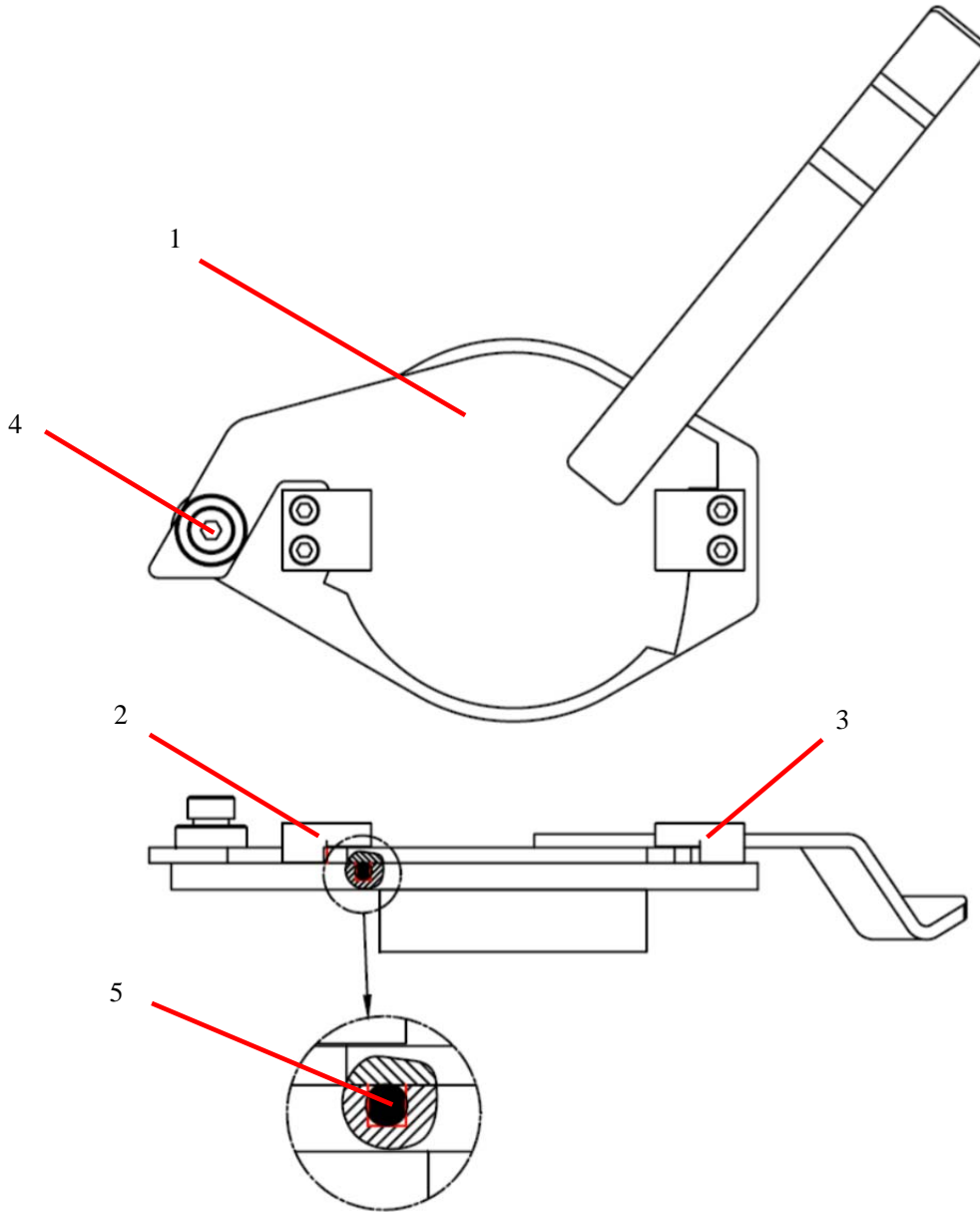
ID #	PART #	PART DESCRIPTION	QUANTITY	
1	87369	PROXIMITY SENSOR PNP HOPPER GRATE	1	EA
2	801902-006	CLAMP,18MM TUBE CLAMP SET	1	EA
3	87997	COVER WELD PROX SWITCH HOPPER	1	EA

GRATE ASSEMBLY



ID #	PART #	PART DESCRIPTION	QUANTITY	
1	87958	GRATE WELDMENT,	1	EA
2	87956	PIN WELDMENT LONG,	1	EA
3	87957	PIN WELDMENT SHORT,	1	EA
4	86083	BUMPER, HOPPER GRATE	2	EA
5	W102490	RUBBER BUFFER 65X22.5X26	2	EA
6	87769	COLLAR SHAFT, 7/8" DIA	1	EA
7		3/8"-16 X 1 1/4" HEX BOLT	4	EA
8		3/8 FLAT WASHER	8	EA
9		3/8-16 LOCK NUT	4	EA
10		3/8"-16 X 1" HEX BOLT	2	EA
11		3/8" FLAT WASHER	2	EA
12		3/8" LOCK WASHER	2	EA

CLEAN OUT DOOR ASSEMBLY



ID #	PART #	PART DESCRIPTION	QUANTITY	
1	86988	DOOR WELDMENT, CLEAN OUT	1	EA
2	86559	BLOCK, CLEAN OUT DOOR, LH	1	EA
3	86560	BLOCK, CLEAN OUT DOOR, RH	1	EA
4	86922	SHOULDER SCREW 1" DIA-1 1/4"	1	EA
5	W102908A	O-RING CORD, HOPPER DOOR	2.21	FT



B70HPSD PLC

PARTS

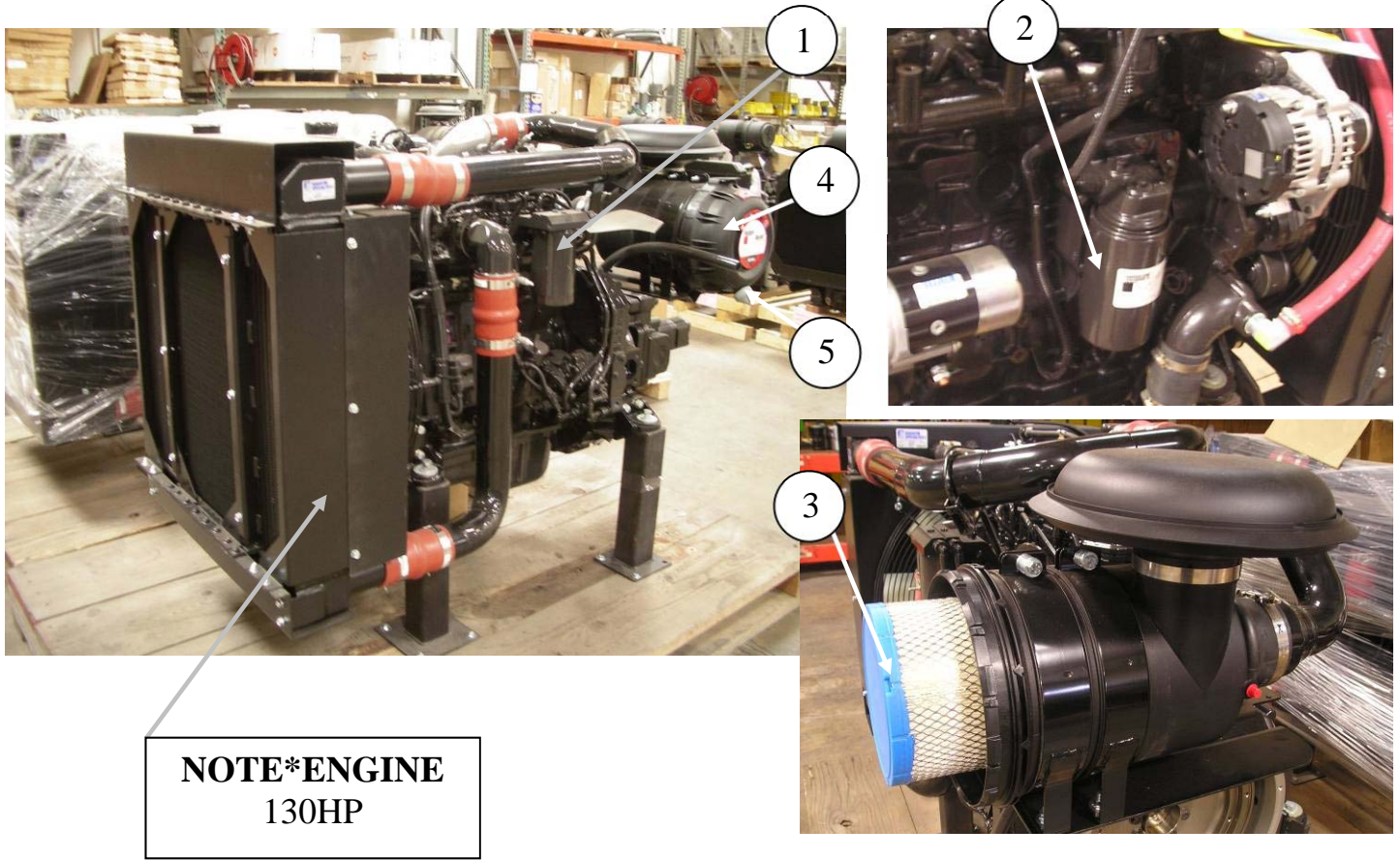
13822 Oaks Avenue
Chino, CA 91710
reedpumps.com
(909) 287 - 2100

LEFT BLANK



POWER TRAIN GROUP

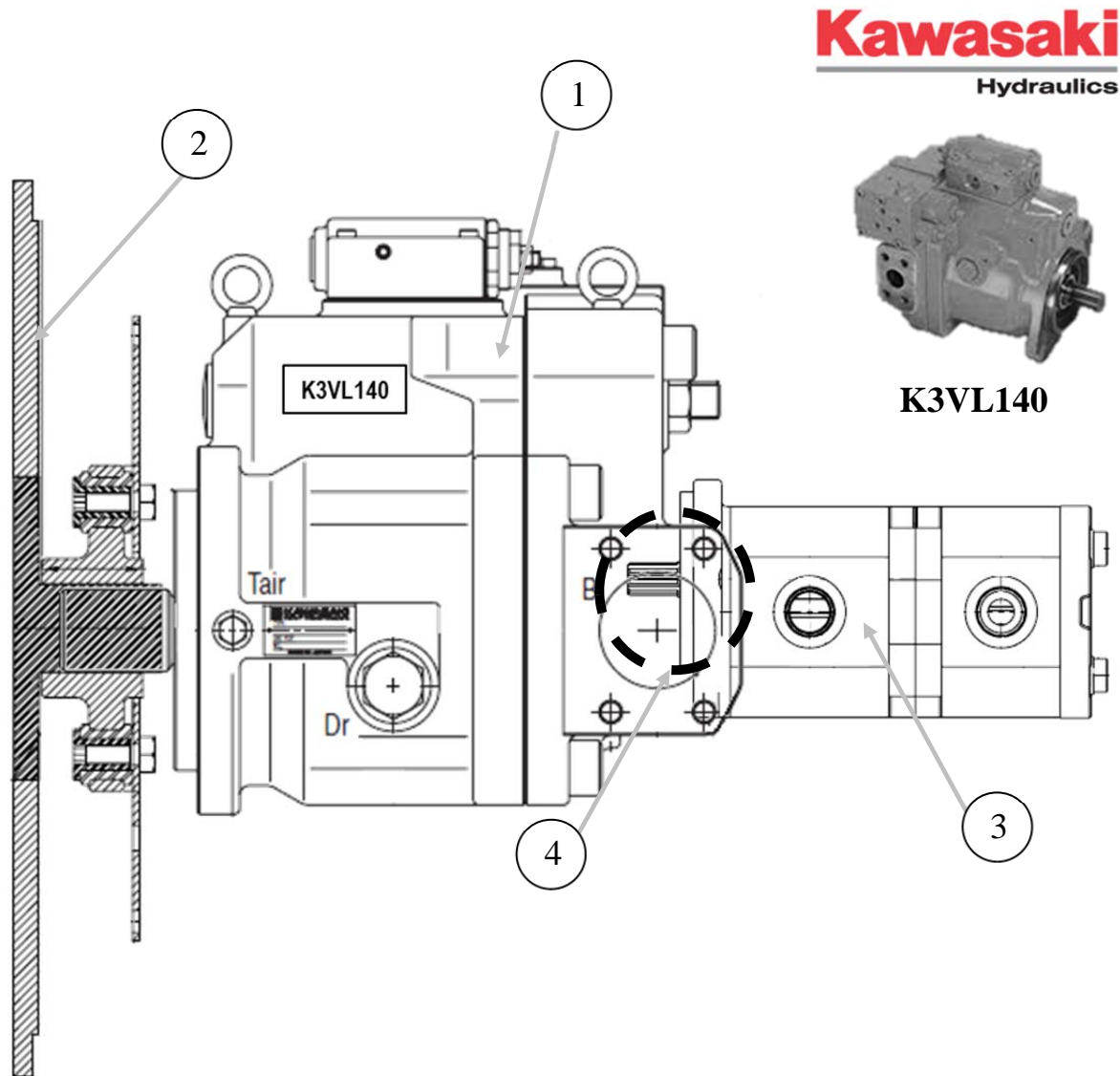
B70HPD-88015 TIER-3 ENGINE, PUMPS, AND FILTER



**NOTE*ENGINE
130HP**

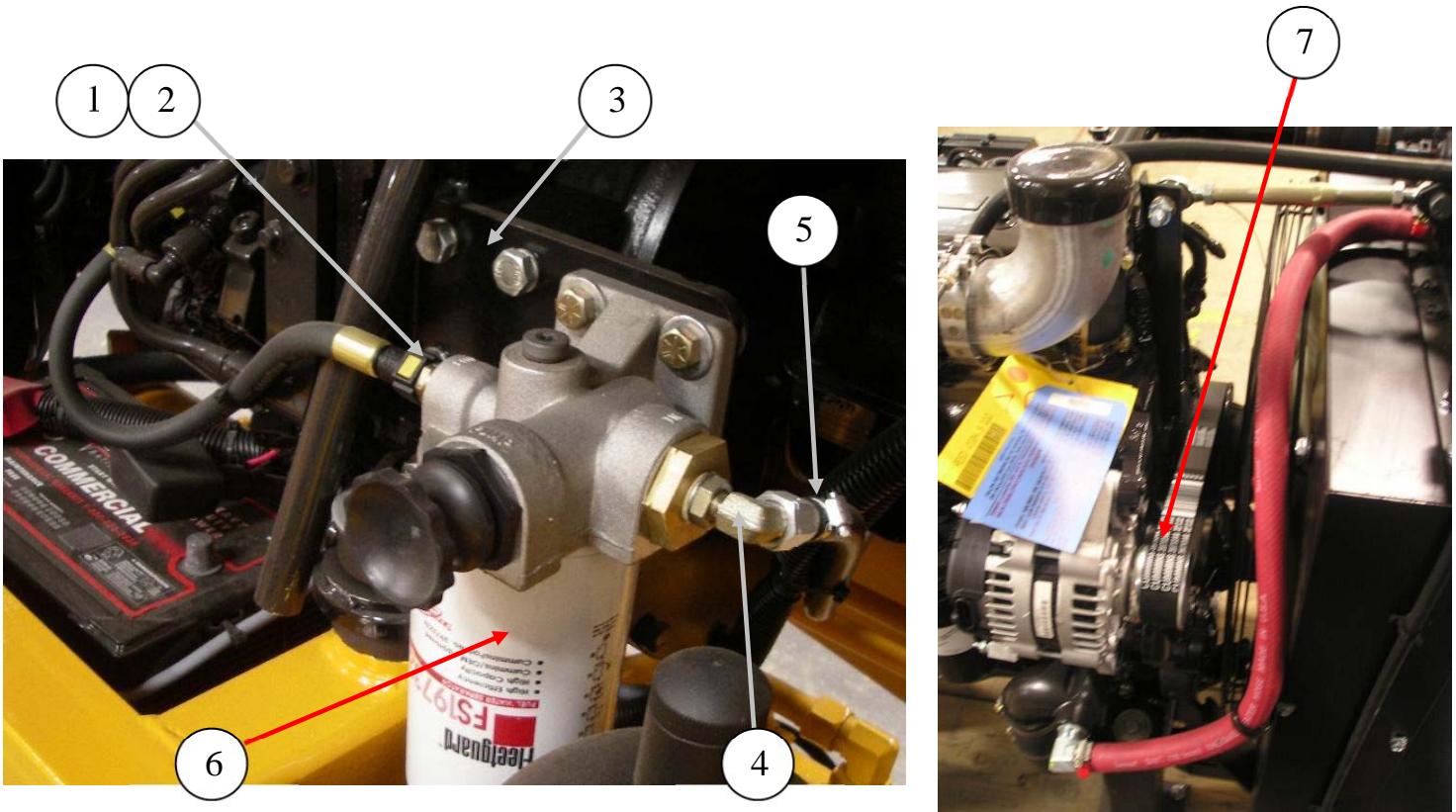
ID #	PART #	PART DESCRIPTION	QUANTITY	
	88015	POWER TRN GR B50HP/B70 KAW/CUM 130	REF	
	88014	POWER TRN ASSY B50HP/B70 KAW/CUM 130	REF	
130HP	87724	ENGINE QSB4.5 130HP. CUMMINS	1	EA
1	87725-002	FUEL FILTER	1	EA
2	87725-001	OIL FILTER	1	EA
3	87725-010	AIR FILTER ELEMENT	1	EA
4	87725-014	AIR FILTER HOUSING ASSEMBLY	1	EA
5	87725-015	AIR FILTER HOUSING COVER, DUST EJECTION	1	EA

MAIN HYDRAULIC PUMP GEAR PUMP/PUMP DRIVE



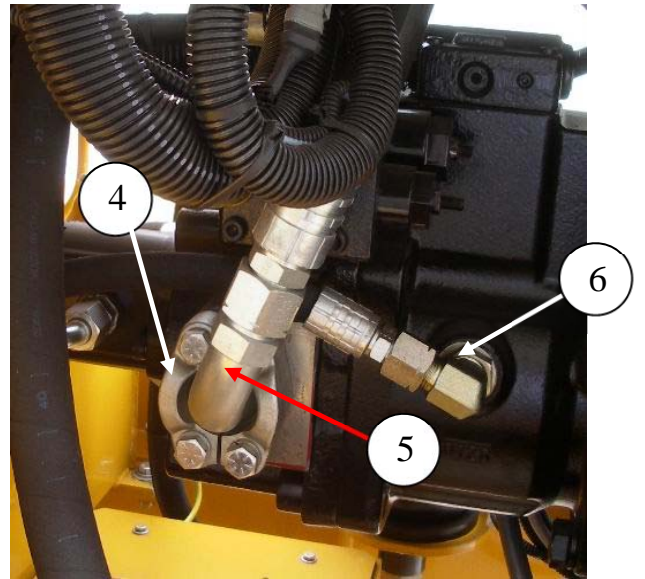
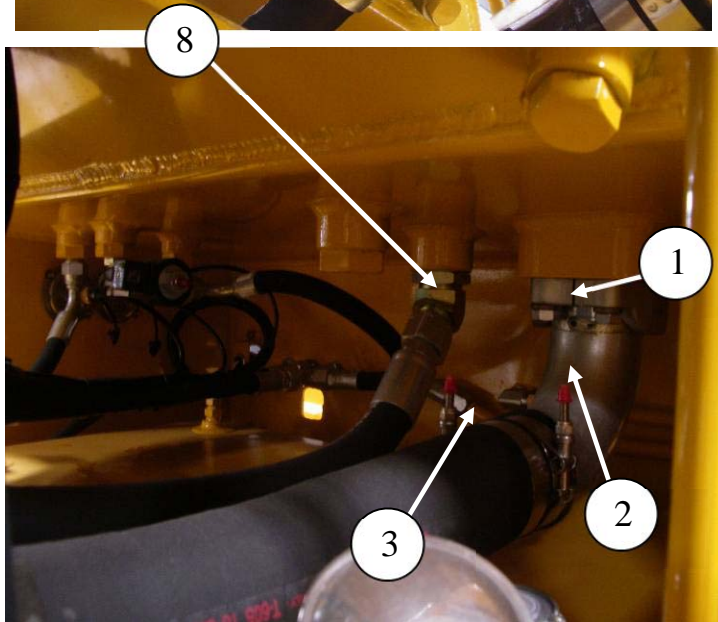
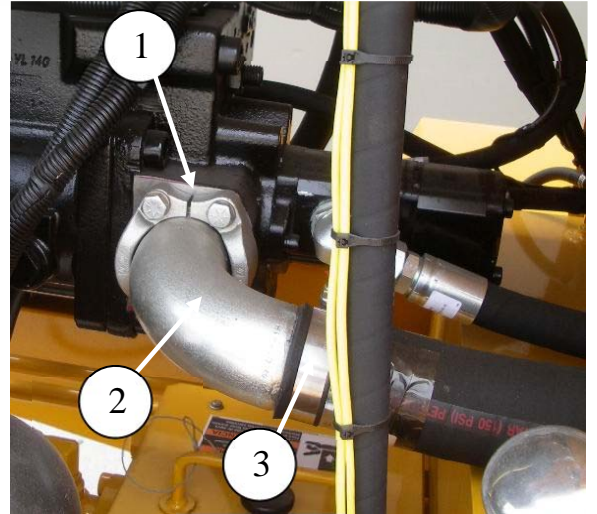
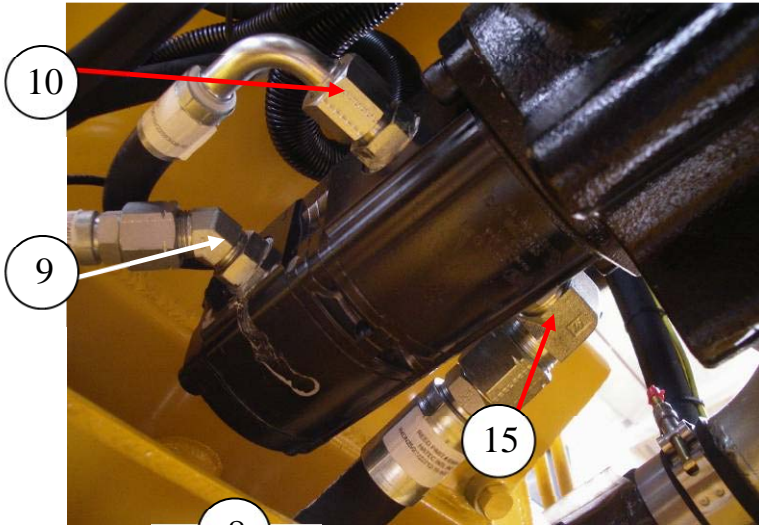
ID #	PART #	PART DESCRIPTION	QUANTITY	
1	87723	PUMP, 140CC, KAWASAKI,	1	EA
2	87360	PUMP DRIVE -SAE 3 - SAE D	1	EA
3	87571-1	GEAR PUMP BOSCH 23/11.3 CC RH, A-PAD SPL	1	EA
4	88174	O-RING	1	EA

ENGINE, PUMPS, AND FILTERS CONTINUED



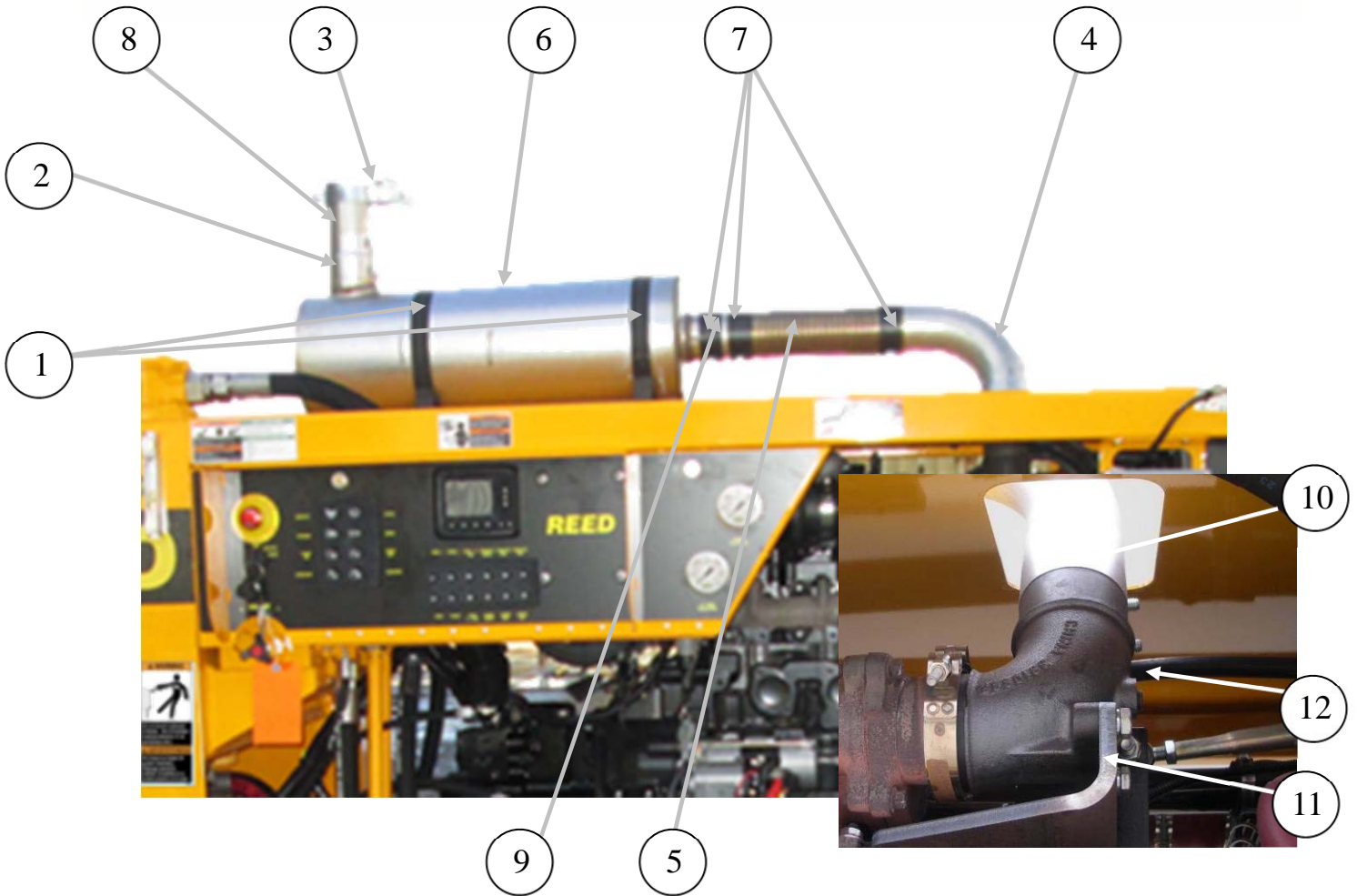
ID #	PART #	PART DESCRIPTION	QUANTITY	
1	88036	FITTING FUEL LINE, QUICK DISCONNECT	1	EA
2	88037	WASHER SEALING FOR 88036 FITTING	1	EA
3	87793	MOUNT FUEL FILTER, B SER CUMMINS	1	EA
4	87567	FITTING 90DEG METRIC TO JIC	2	EA
5	87566	FITTING BARBED JIC-STEM, 3/8-3/8	2	EA
6	87725-003	FUEL/WATER SEPARATOR REPLACEMENT (SPARE)	1	EA
7	87725-005	FAN BELT (SPARE)	1	EA

FITTINGS



ID #	PART #	PART DESCRIPTION	QUANTITY	
1	86264-007	SPLIT FLANGE-CODE 61- 40 SAE	2	EA
2	86911-009	STEM, 2 ½" 90 DEG, 40GL-40FL90	1	EA
3	79803	CLAMP - T-BOLT - 3.00 DIA	4	EA
4	86265-003	SPLIT FLANGE-CODE 62- 20 SAE	2	EA
5	86912-006	FLANGE, FLH6K-MJ90-20-16	1	EA
6		ADAPTOR, MB-MJ-90-12-10	1	EA
7	86728-023	ADAPTOR, MB-MJ-20-16	1	EA
8	87754-020	ELBOW, MB-MJ45-20-16	1	EA
9		MB-MJ-45-10	1	EA
10	86900-017	MB-MJ0-10-10	1	EA

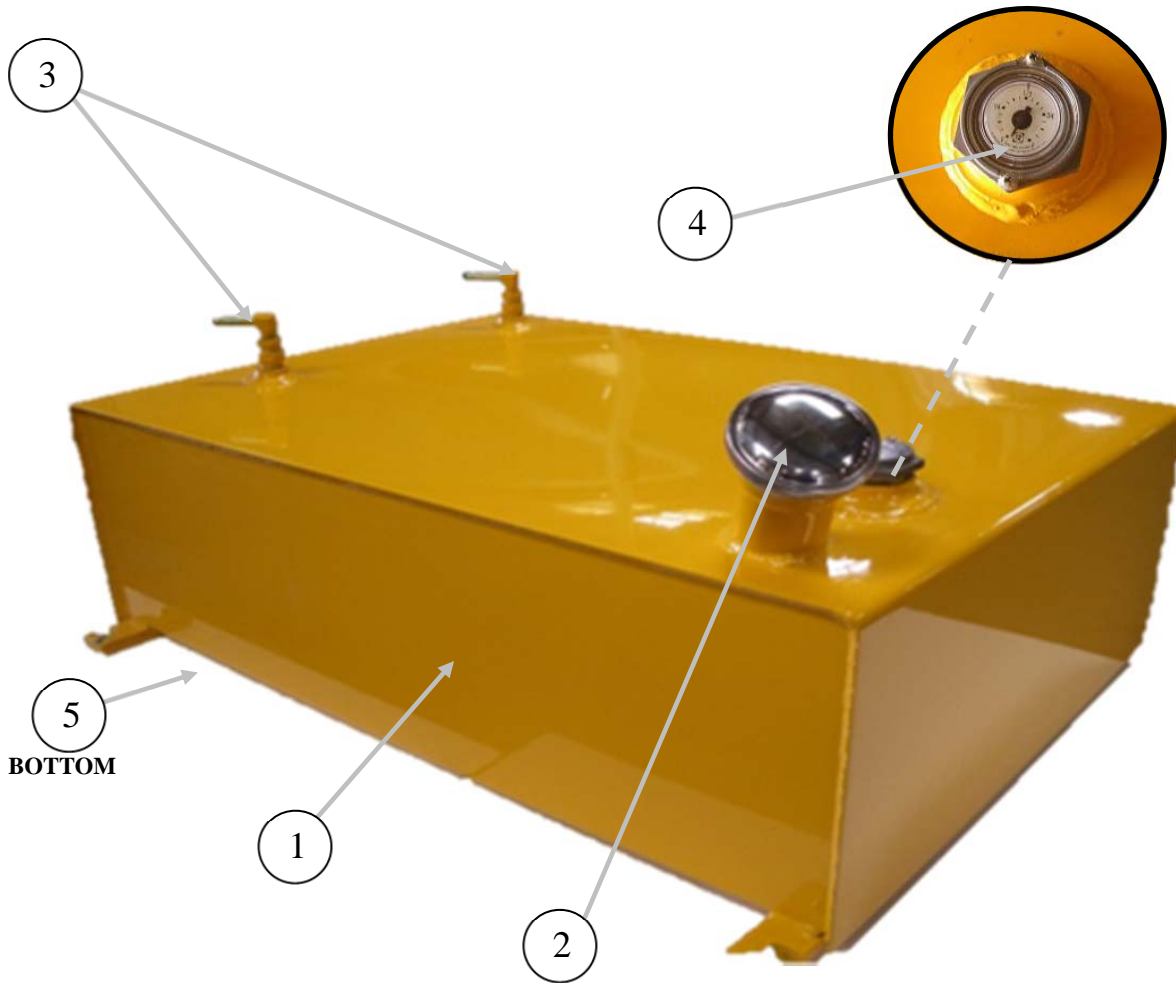
EXHAUST



ID #	PART #	PART DESCRIPTION	QUANTITY	
1	87199	MOUNTING BAND, 8.5" DIA	2	EA
2	87198	CLAMP, TORCTITE, 3"	1	EA
3	73475	RAIN CAP 3"	1	EA
4	86648	EXHAUST ELBOW 3"	1	EA
5	87579	EXHAUST FLEX TUBE, 3" 12" LONG	1	EA
6	87792	MUFFLER B SER CUMMINS	1	EA
7	87578	EXHAUST CLAMP, BENT BOLT 3"	3	EA
8	87465	TUBE EXHAUST, B SERIES, LONG	1	EA
9	87878	TUBE EXHAUST, B SERIES, SHORT	1	EA
10	88013	CLAMP EXHAUST 3" TORCTITE	1	EA
11	88016	BRACKET 4 CYL CUMMINS EXHAUST	1	EA
12	74679	PLUG 1/4" NPT SOCKET HEAD	1	EA

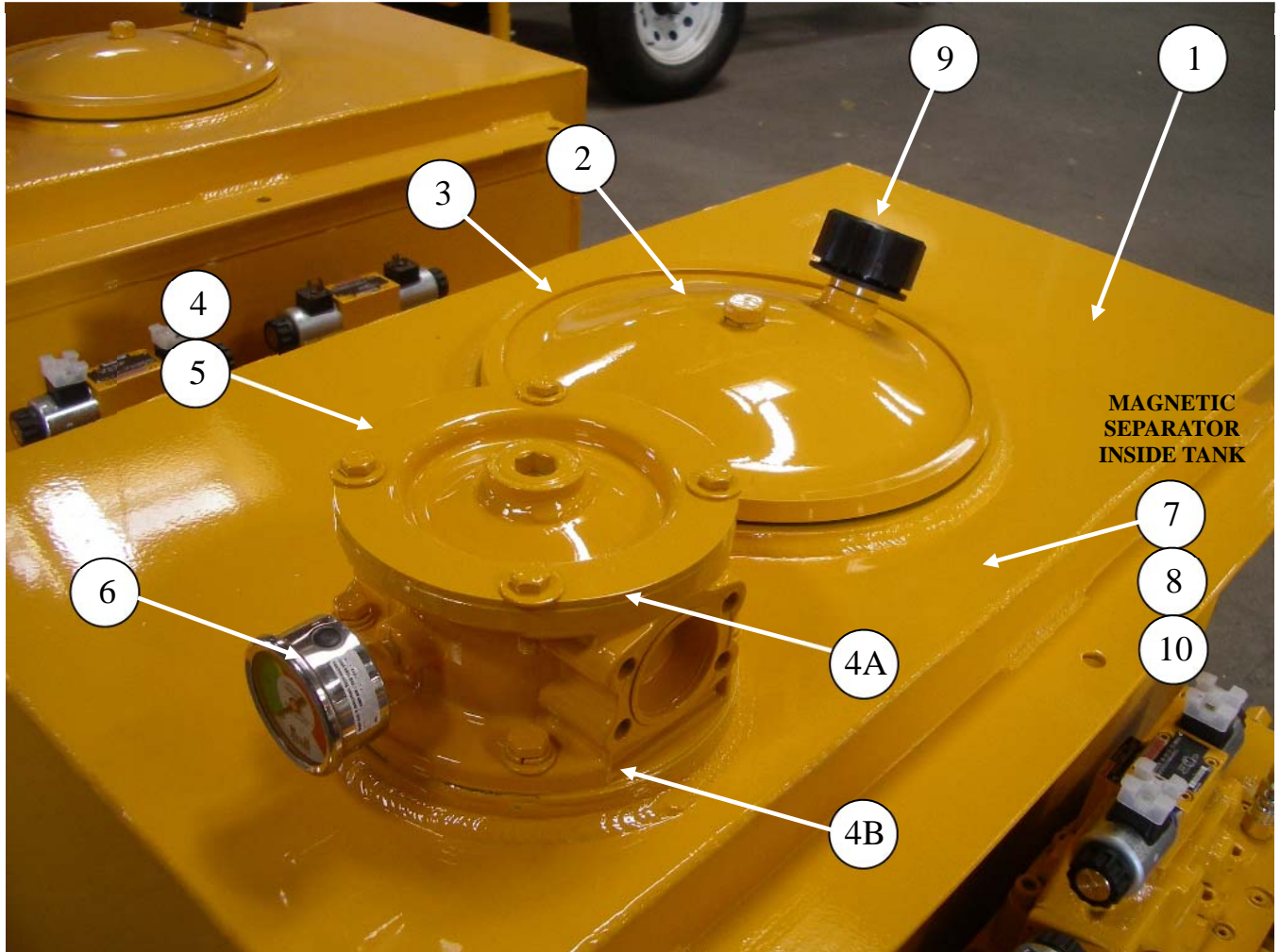
TANKS

FUEL TANK ASSEMBLY



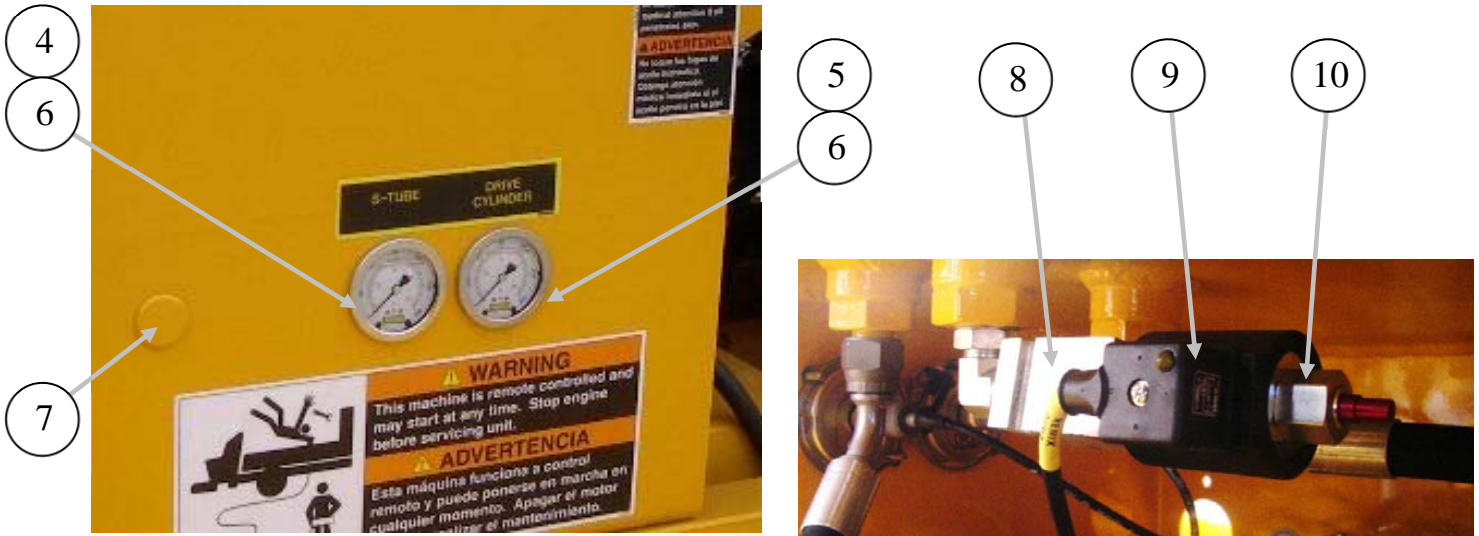
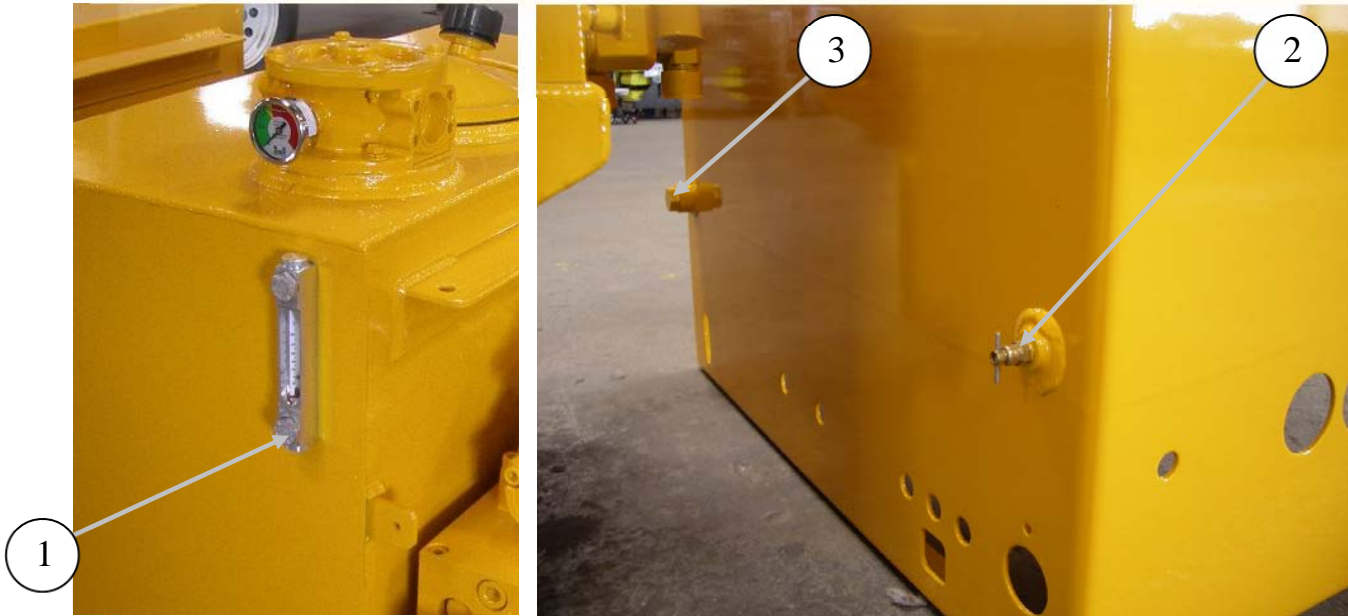
ID #	PART #	PART DESCRIPTION	QUANTITY	
	88550	FUEL TANK ASSY B-SERIES	1	EA
1	88268	FUEL TANK WELDMENT, B-SERIES	1	EA
2	85570	FUEL CAP, 1 1/2 IN VENTED	1	EA
3	85362	TUBE, FUEL PICKUP, B-SERIES	2	EA
4	85569	FUEL GAUGE, 9 IN	1	EA
5	10297	PLUG-GALV 1/2"	1	EA

HYDRAULIC TANK ASSEMBLY



ID #	PART #	PART DESCRIPTION	QUANTITY	
	85361	HYD TANK ASSY B-SERIES	1	EA
1	85102	HYDRAULIC TANK WELDMNT, B-SERIES	1	EA
2	85529	ENDCOVER KIT, 12 IN W/DRAIN	1	EA
3	85867	GASKET- END COVER 12"	1	EA
4	85282	FILTER, RETURN, TANK MOUNTED	1	EA
4A	BW10241	SEAL KIT FOR 85282 FILTER RETURN	1	EA
4B	85282-G	GASKET-CORK	1	EA
5	85283	FILTER ELEMENT, PN 85282 FILTER	1	EA
6	85575	GAUGE, PN 85282 RETURN FILTER	1	EA
7	79247	MAGNETIC SEPERATOR 1 ¼ " NPT	1	EA
8	800230	MAGNETIC SEPARATOR,3"NPT	1	EA
9	85537	FILLER BREATHER, 3/4 NPT	1	EA
10	10265	NIPPLE-CLOSE 1 ¼ NPT SCH 40 GALV	1	EA

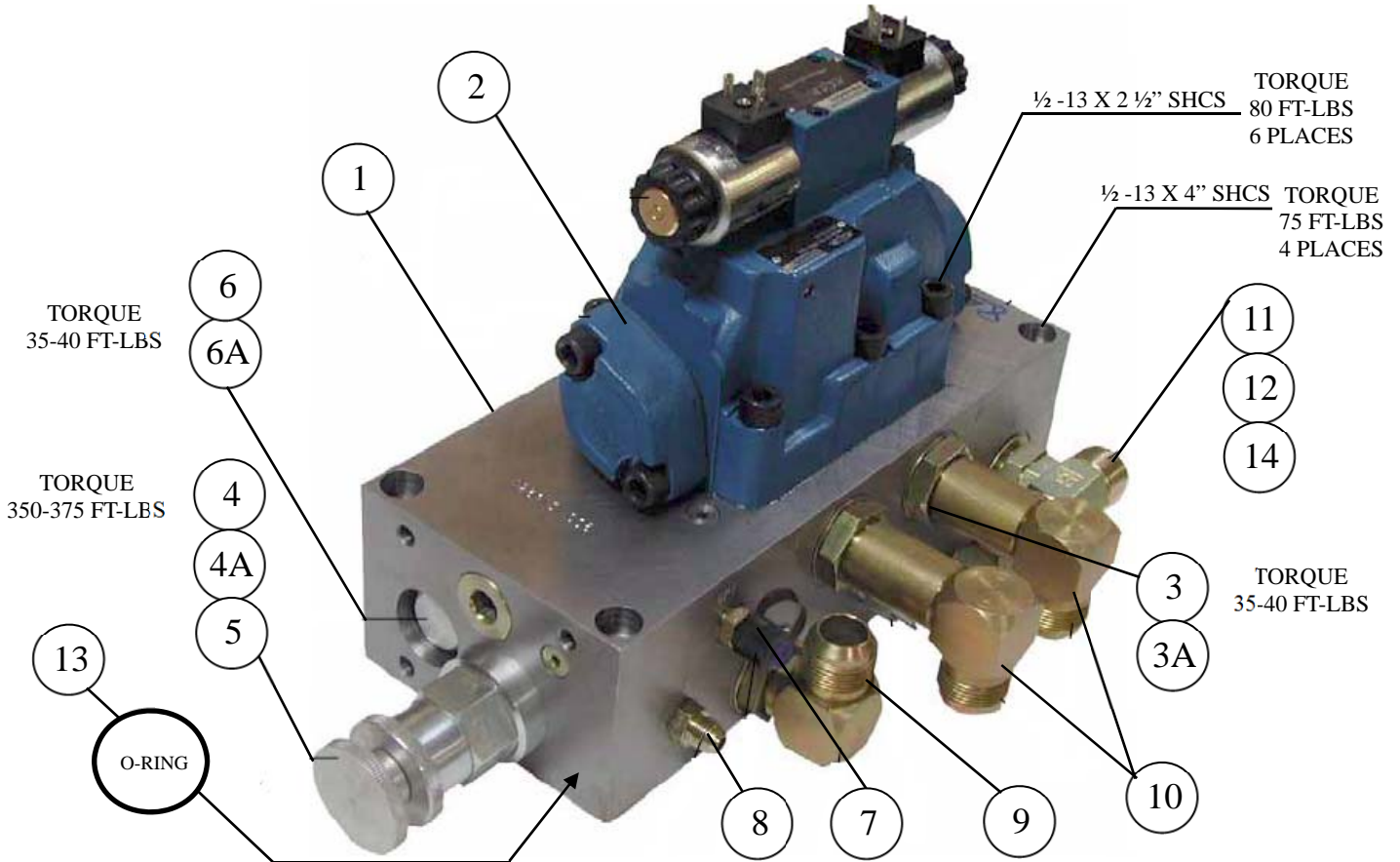
HYDRAULIC TANK ASSEMBLY CONTINUED



ID #	PART #	PART DESCRIPTION	QUANTITY	
1	74509	GAUGE-SIGHT/TEMPERATURE	1	EA
2	801025	DRAIN COCK, 1/4 NPT	1	EA
3	BG-12	3/4" SAE PLUG	1	EA
4	70366	PRESSURE GAUGE, 3000 PSI/BAR	1	EA
5	74562	PRESSURE GAUGE, 6000 PSI/BAR	1	EA
6	78594	MINICHECK GAUGE ADAPTOR, 1/4 NPT	2	EA
7		HOFFMAN PLUG	1	A/R
8	87154	SOLENOID VALVE ASSY (REMIX-DUMP)	1	EA
9	87155	COIL	1	A/R
10	87155-C	CARTRIDGE	1	A/R

MANIFOLDS

DRIVE CYLINDER CIRCUIT MANIFOLD ASSEMBLY



ID #	PART #	PART DESCRIPTION	QUANTITY	
	85248	MANIFOLD, CYLINDER CIRCUIT ASSEMBLY	1	EA
1	86820	MANIFOLD, MACHINED CYLINDER CIRCUIT	1	EA
2	85689	SOLENOID VALVE, DRIVE CYLINDER	1	EA
3	85696	RELIEF VALVE CARTRIDGE	1	EA
3A	85696-SK	SEAL KIT		
4	85697	FLOW CONTROL CARTRIDGE	1	EA
4A	85697-SK	SEAL KIT		
5	86947	KNOB KIT, ALUMINUM	1	EA
6	85698	CHECK VALVE CARTRIDGE	1	EA
6A	85698-SK	SEAL KIT		
7	78593	MINICHECK ADAPTOR, SAE 4	1	EA
8	86900-002	ADAPTOR, MB-MJ-4-6	1	EA
9	86728-023	ELBOW, MB-MJ45-16-16	1	EA
10	86904-012	ELBOW, MB-MJ90LL-16-16	2	EA
11	86945-001	TEE, MJ-MB-MJT-16	1	EA
12	86905-016	ELBOW, MJ-FJX90-16-16	1	EA
13	86946	O-RING #230 BUNA 90DUR	1	EA
14	86948-001	REDUCER, JIC MJ-FJ-10-16	1	EA



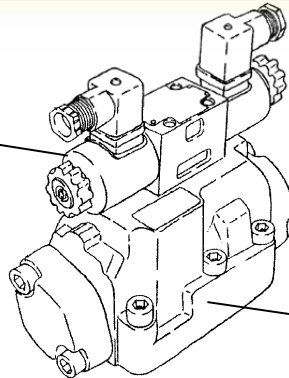
B70HPSD PLC

PARTS

13822 Oaks Avenue
Chino, CA 91710
reedpumps.com
(909) 287 - 2100

DRIVE CYLINDER CIRCUIT MANIFOLD ASSEMBLY CONT.

DRIVE CYLINDER
PILOT SOLENOID
VALVE



DRIVE CYLINDER VALVE
ASSEMBLY COMPLETE
85689

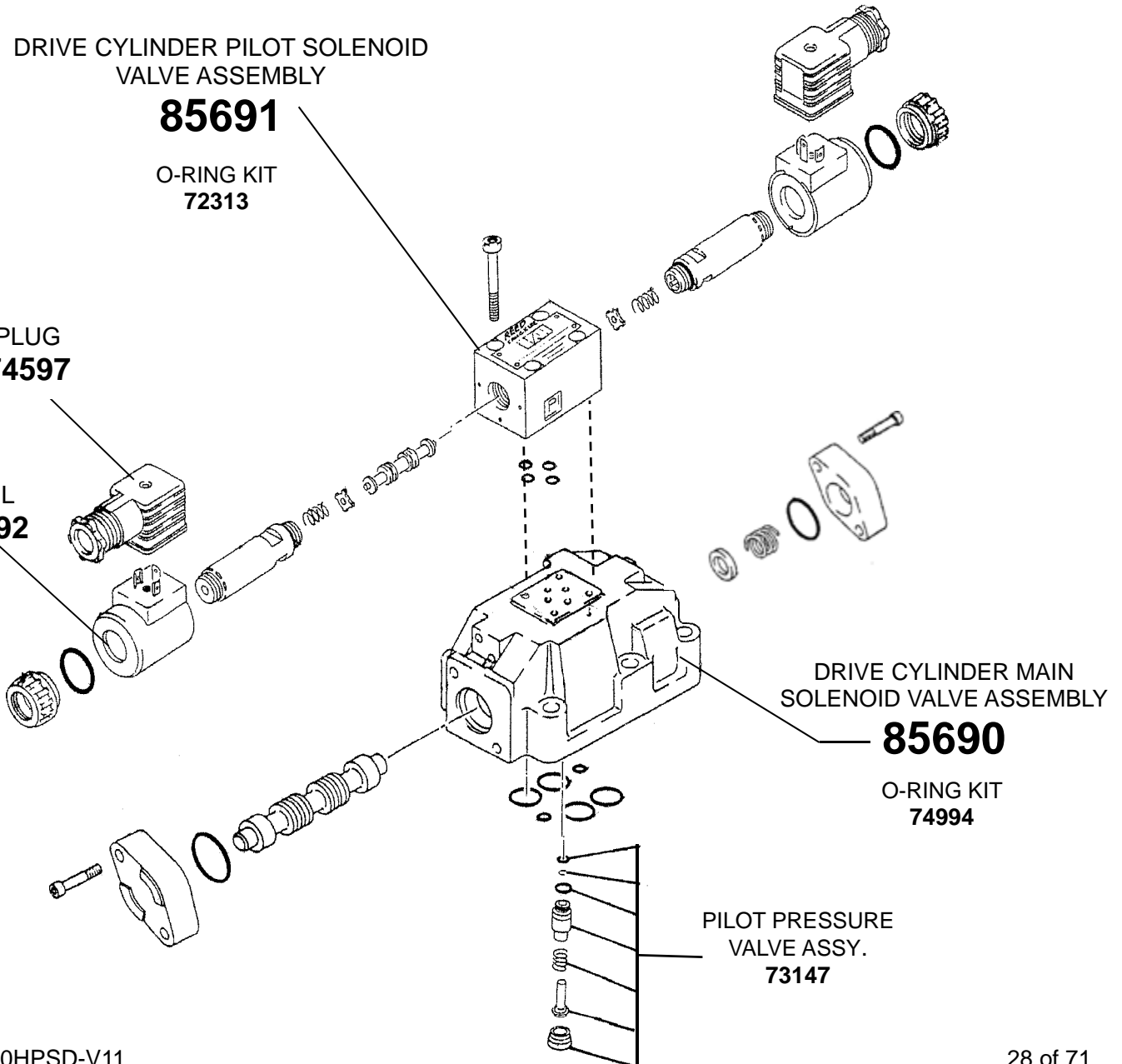
DRIVE CYLINDER
MAIN VALVE

DRIVE CYLINDER PILOT SOLENOID
VALVE ASSEMBLY
85691

O-RING KIT
72313

PLUG
74597

COIL
85692

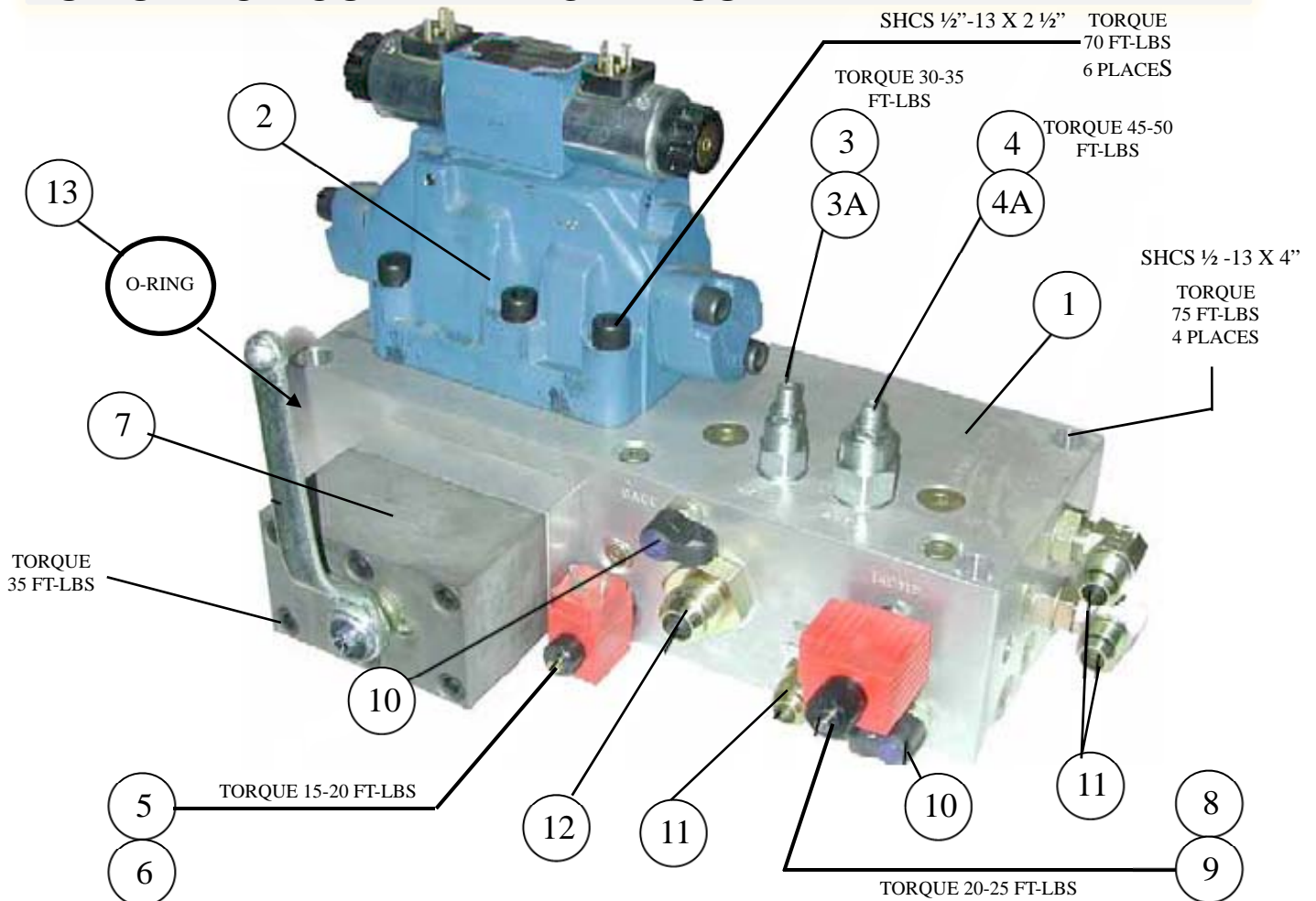


DRIVE CYLINDER MAIN
SOLENOID VALVE ASSEMBLY
85690

O-RING KIT
74994

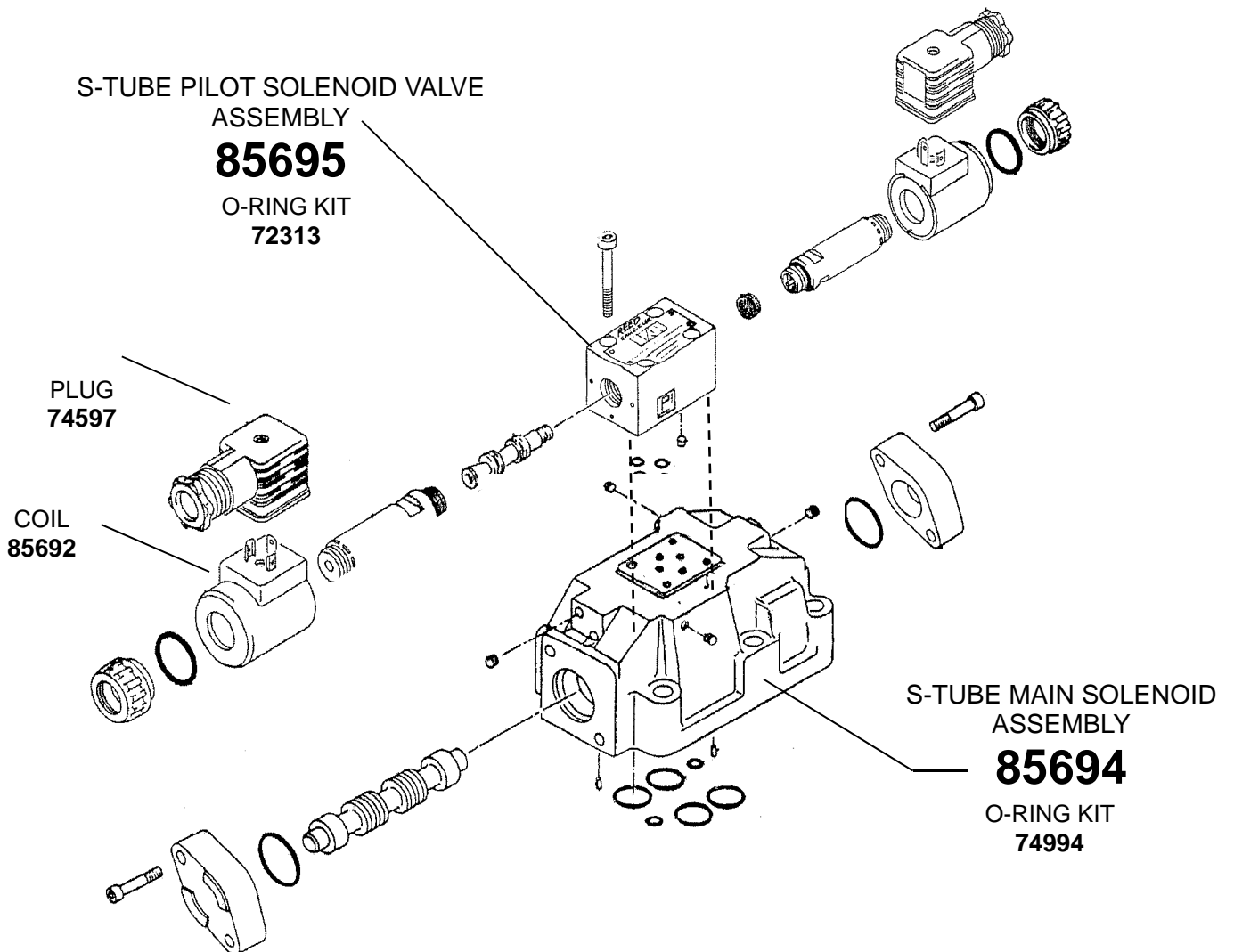
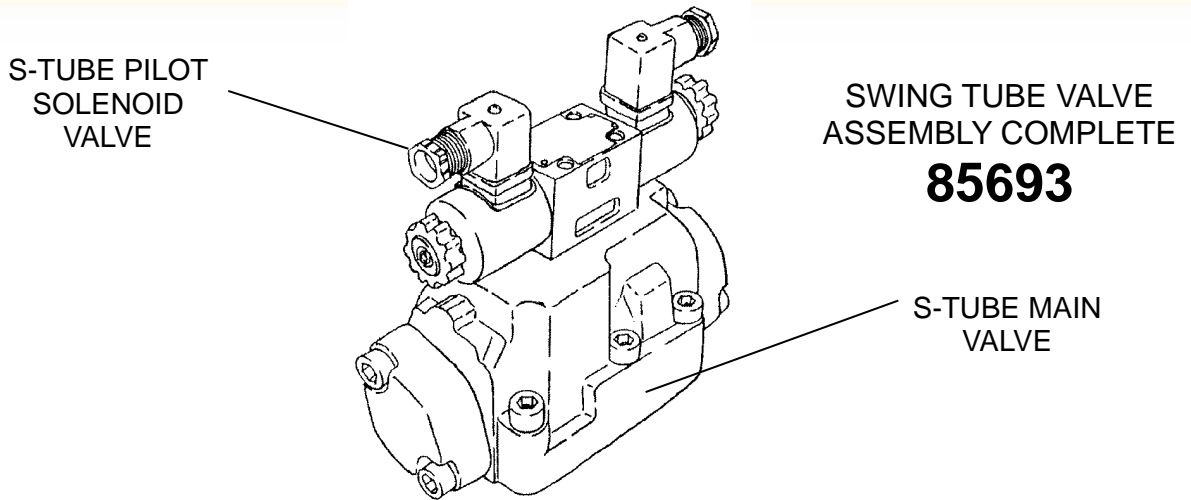
PILOT PRESSURE
VALVE ASSY.
73147

S-TUBE CIRCUIT MANIFOLD ASSEMBLY

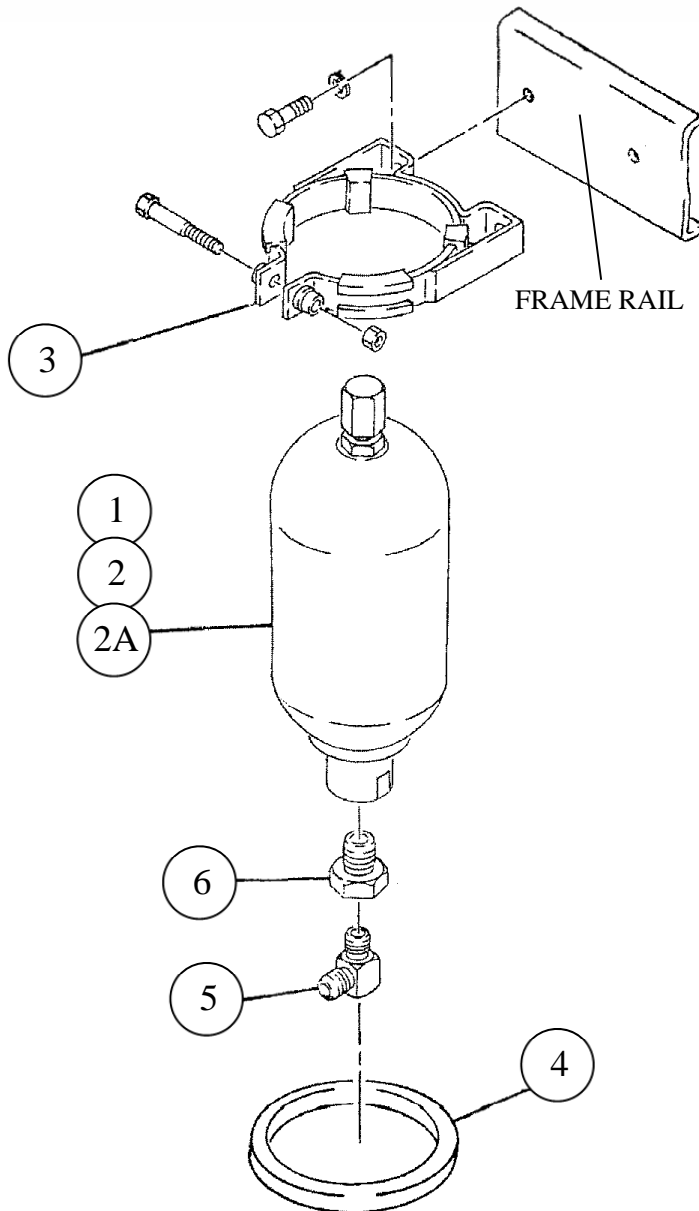


ID #	PART #	PART DESCRIPTION	QUANTITY	
	85249	MANIFOLD, S-TUBE CIRCUIT ASSEMBLY		
1	86821	MANIFOLD, MACHINED S-TUBE CIRCUIT	1	EA
2	85693	SOLENOID VALVE, S-TUBE SHIFT	1	EA
3	85704	UNLOADER VALVE CARTRIDGE, (QCDB)	1	EA
3A	85704-SK	SEAL KIT		
4	85703	RELIEF VALVE CARTRIDGE, (RVEA)	1	EA
4A	85703-SK	SEAL KIT		
5	87246	SOLENOID VALVE CARTRIDGE, (12CHS)	1	EA
6	87247	COIL, 12VDC,	1	EA
7	85705	BALL VALVE,	1	EA
8	87248	SOLENOID VALVE CARTRIDGE, (14CHS)	1	EA
9	87249	COIL, 12V DC FOR PN-87248	1	EA
10	78593	MINICHECK ADAPTOR, SAE	2	EA
11	86728-014	ELBOW, MB-MJ90-10-10	2	EA
12	86900-027	ADAPTOR, MB-MJ-16-12	1	EA
13	86946	O-RING #230 BUNA 90DUR	1	EA

S-TUBE CIRCUIT MANIFOLD ASSEMBLY CONT.

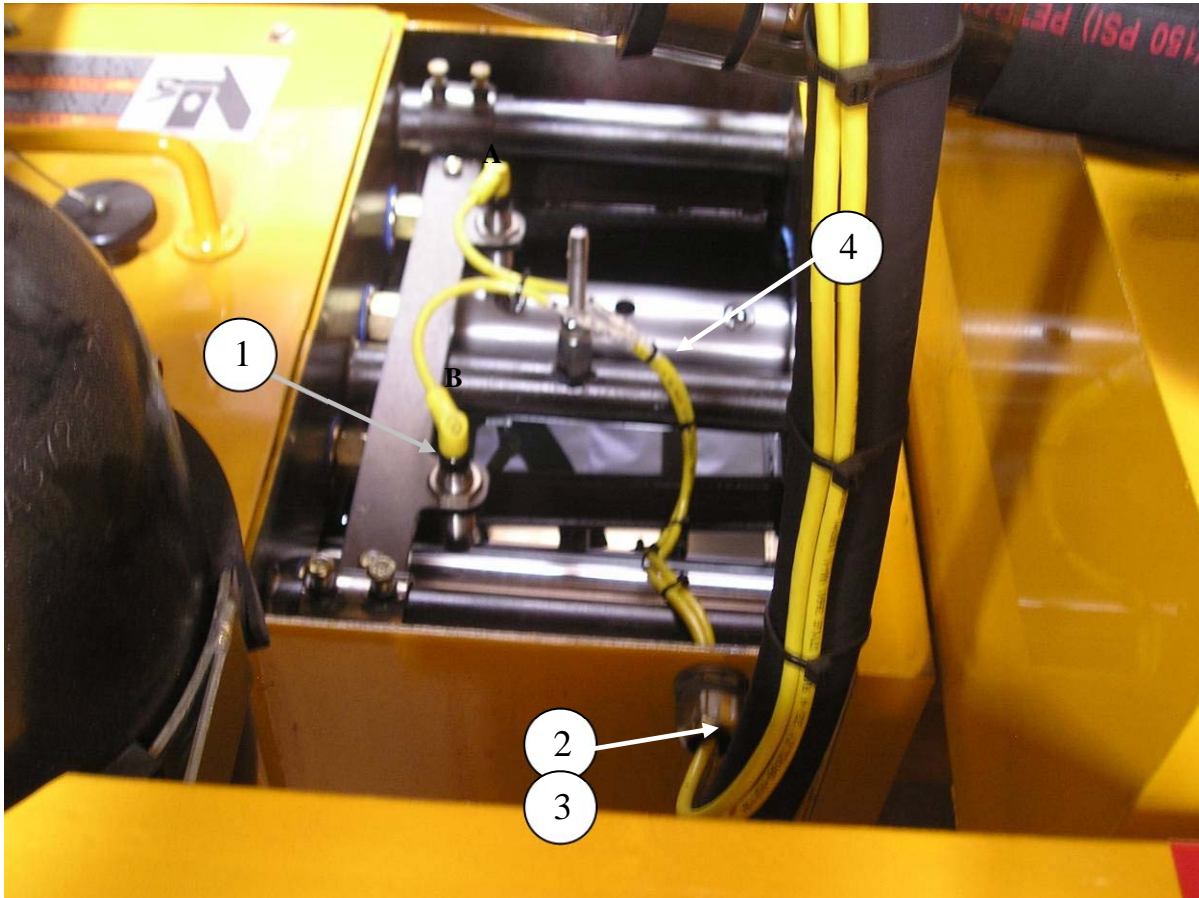


ACCUMULATOR ASSEMBLY



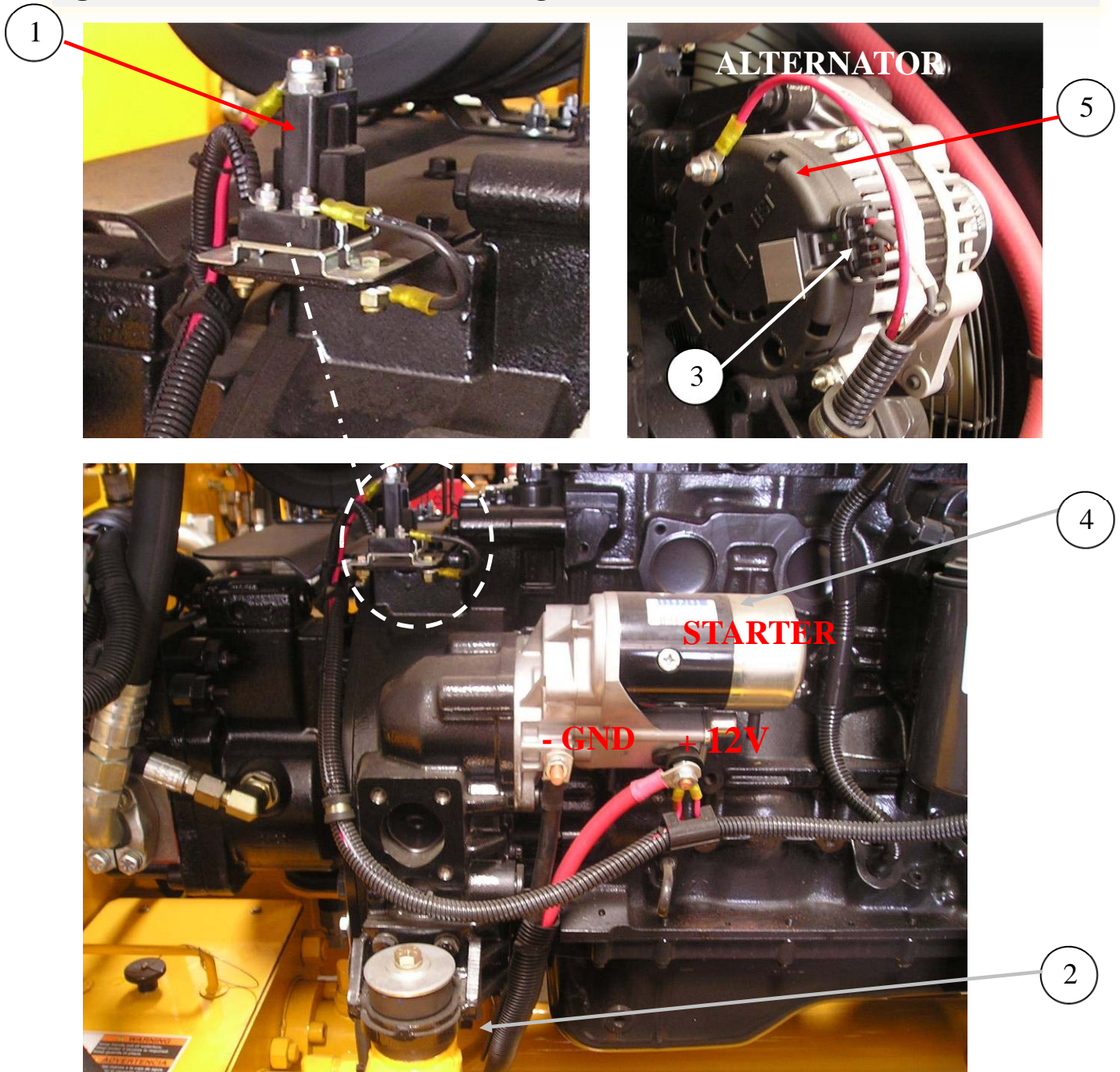
ID #	PART #	PART DESCRIPTION	QUANTITY	
1	74515	ACCUMULATOR-1 GAL 3000PSI	1	EA
2	74516	BLADDER, 1 GAL.	1	EA
2A	85812	BLADDER SEAL KIT	1	EA
3	73171	ACCUMULATOR BKT.W/CLOSING HARDWARE	1	EA
4	801028	GROMMET, ACCUMULATOR	1	EA
5	86728-019	ELBOW, MB-MJ90-12-12	1	EA
6	86920-20	REDUCER MB-FB-20-12	1	EA

ELECTRICAL GROUP PROXIMITY SWITCHES



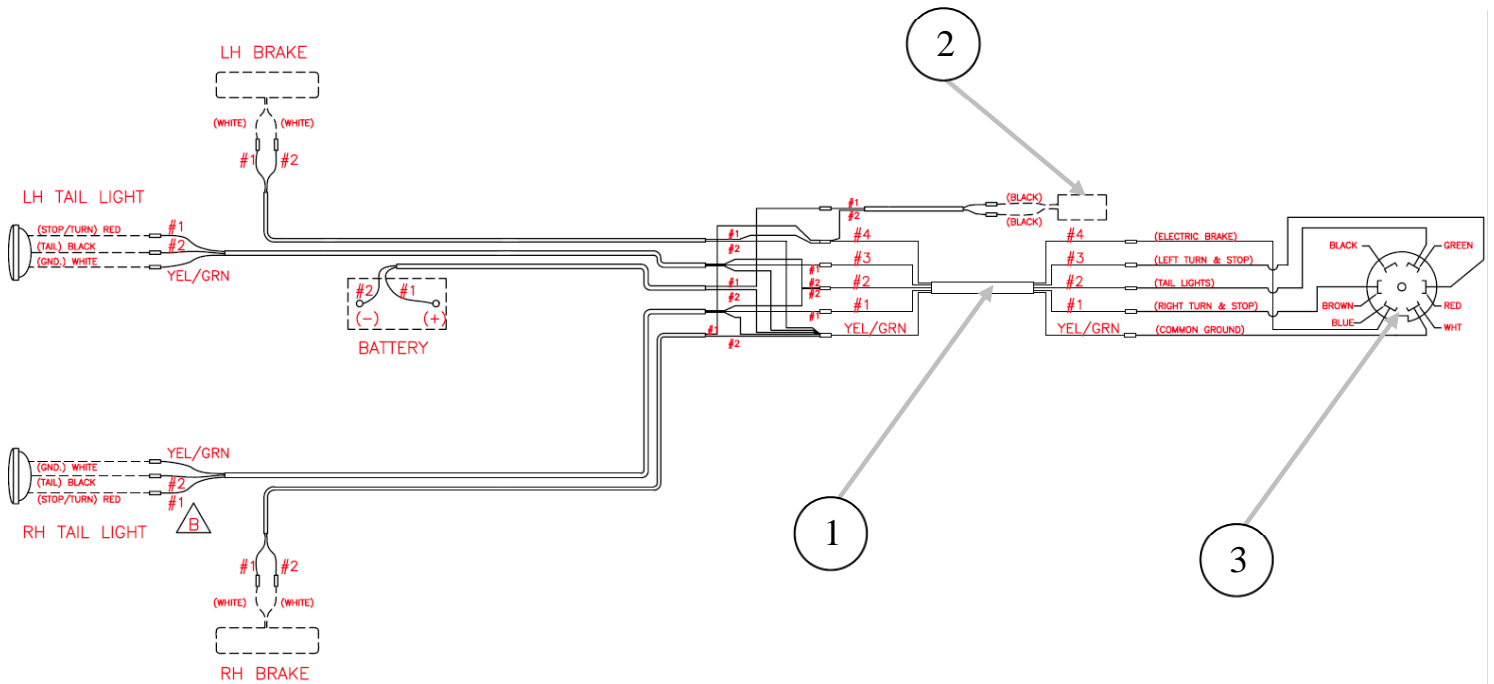
ID #	PART #	PART DESCRIPTION	QUANTITY	
	87930	ELECTRICAL GROUP B SER 2008 CUMMINS	REF	
1	77998	PROXIMITY SENSOR NPN FLUSH BOX MOUT	2	EA
2	10522	STRAIN RELIEF	1	EA
3	10528	NUT-1/2" BONDING TYPE LOCK	1	EA
4	77990	CABLE, PROXIMITY SWITCH, 5M	2	EA
5	77075	BATTERY-12V 1000 CCA31	REF	
6	87732	CABLE-43" BATTERY-RED 2/0	REF	
7	87733	CABLE-37" BATTERY-BLACK 2/0	REF	

STARTER AND ALTERNATOR



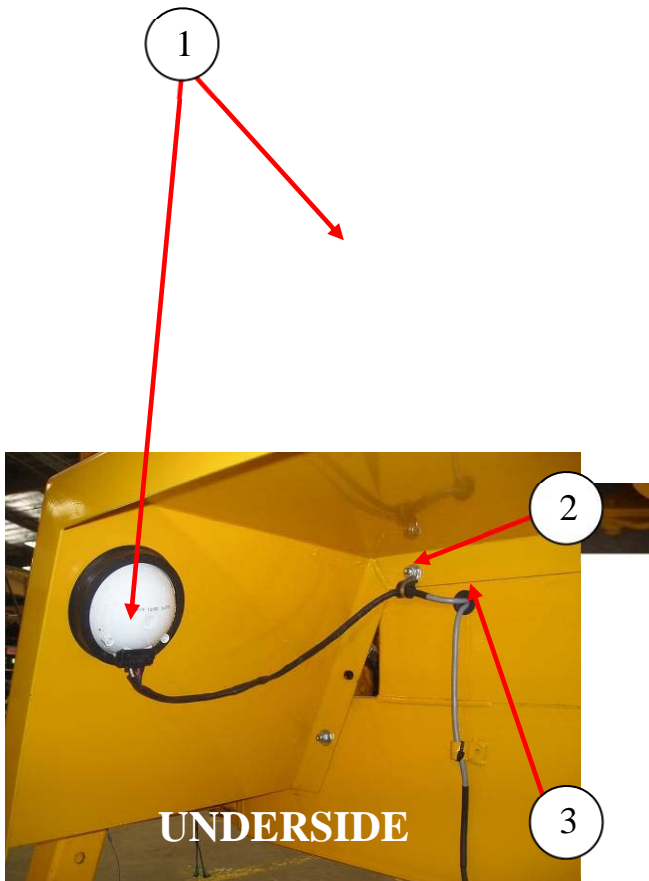
ID #	PART #	PART DESCRIPTION	QUANTITY	
1	87541	RELAY STARTER 12VDC-SELL W/87544	1	EA
2	73269	GROUND STRAP	1	EA
3	87669	PIGTAIL HARNESS, FOR CUMMINS ALTERN	1	EA
4	87725-006	STARTER MOTOR	1	EA
5	87725-007	ALTERNATOR	1	EA

TRAILER HARNESS AND BREAKAWAY



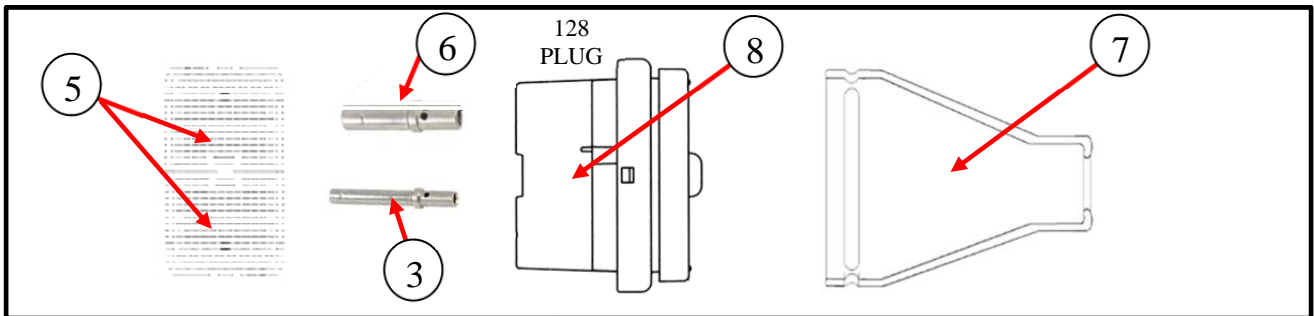
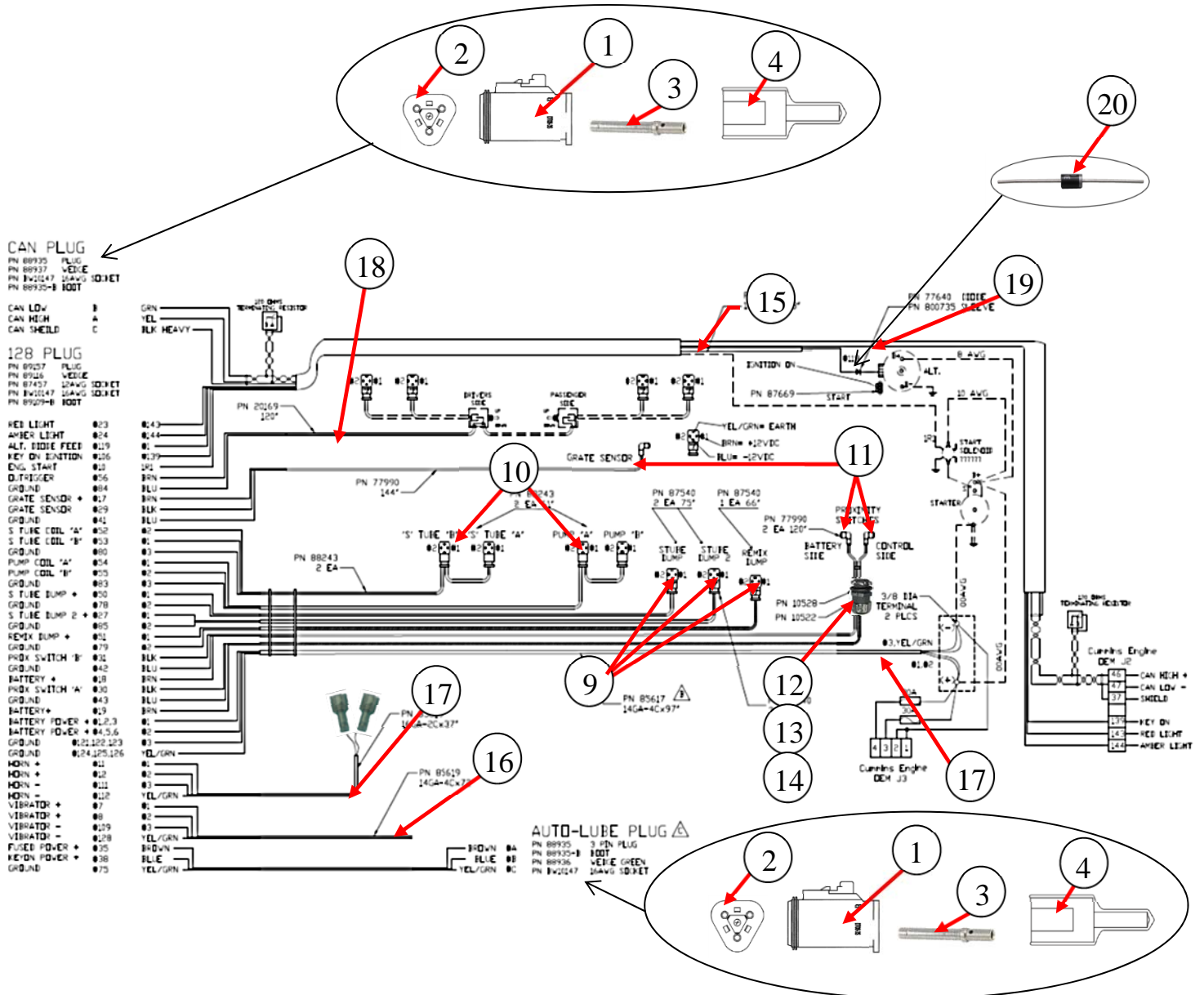
ID #	PART #	PART DESCRIPTION	QUANTITY	
1	86533	TRAILER HARNESS- B-SERIES	1	EA
2	77705	BREAK-AWAY KIT 5000 SERIES	1	EA
3	86579	TRAILER PLUG 7C FLAT PI	1	EA
4	72949	GROMMET	REF	EA
5	72813	GROMMET	REF	EA

TAIL LIGHTS



ID #	PART #	PART DESCRIPTION	QUANTITY	
1	72948	TAIL LIGHT	2	EA
2	87665	LOOM CLAMP 7/8"	2	EA
3	72949	GROMMET	2	EA

WIRING HARNESS





B70HPSD PLC PARTS

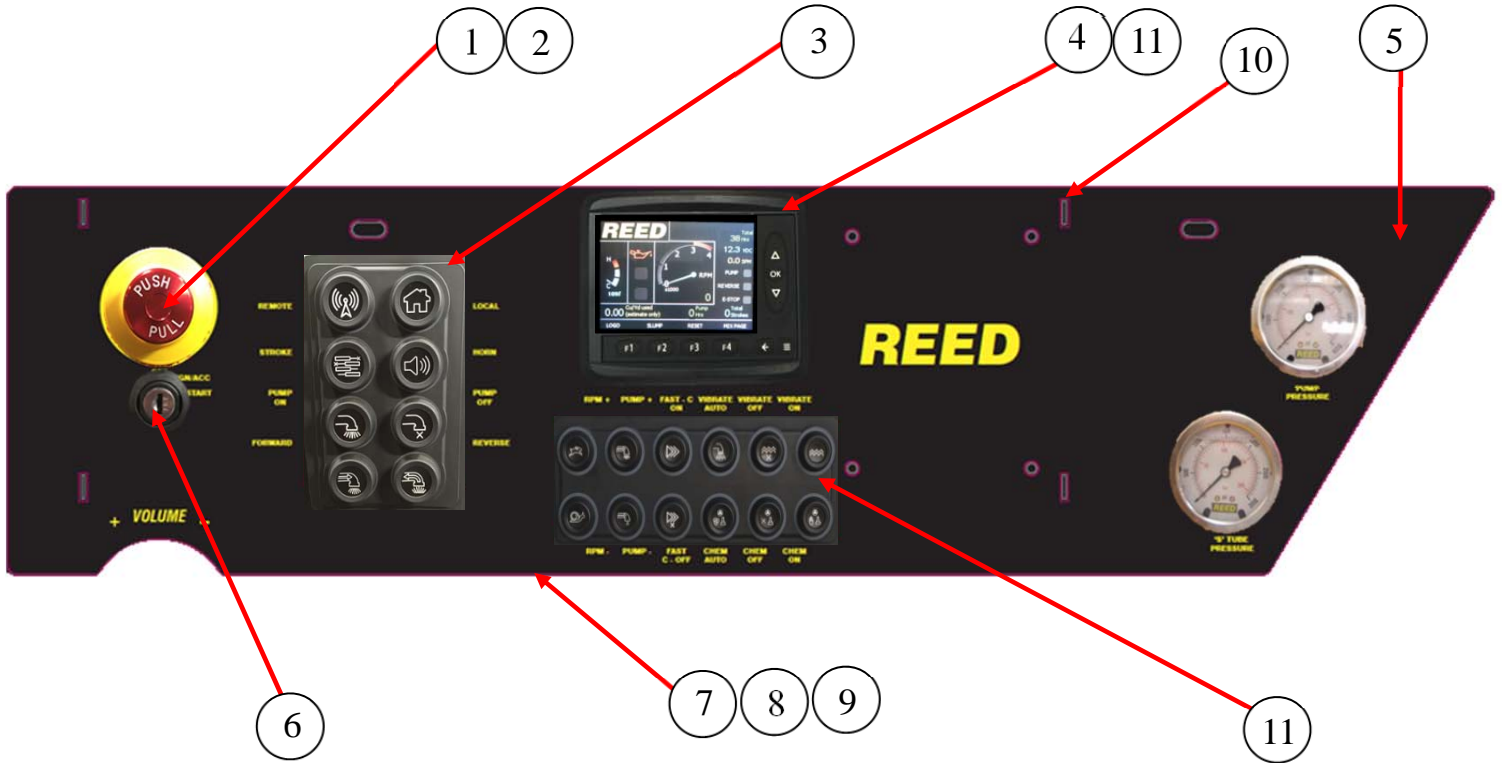
13822 Oaks Avenue
Chino, CA 91710
reedpumps.com
(909) 287 - 2100

WIRING HARNESS CONT.

ID #	PART #	PART DESCRIPTION	QUANTITY	
	89163	WIRING HARNESS B SER PLC, CUMMINGS TIER -3		EA
1	88935	3WAY PLUG DT SER.	2	EA
2	88937	WEDGELOCK 1939V FOR 3 PIN PLUG	2	EA
3	BW10147	CONTACT SOCKET SIZE 16	35	EA
4	88935-B	BOOT FOR 3 WAY DT SERIES PLUG	2	EA
5	89116	DEUTSCH WEDGE FOR 89109	2	EA
6	87457	PIN FOR 87456 PLUG	15	EA
7	89109-B	BOOT FOR 89109,89157	1	EA
8	89157	DEUTSCH RECEPTACLE 128 CONTACT	1	EA
9	87540	CABLE SOLENOID	3	EA
10	88243	CABLE WITH 2 DIN PLUGS 5M	2	FT
11	77990	CABLE,PROXIMITY SWITCH	3	FT
12	10522	STRAIN RELIEF	1	EA
13	10528	NUT 1/2" BONDING TYPE LOCK	1	FT
14	30240	GASKET-LIQUID 1/2"	1	EA
15	85615	CABLE, 14AWG-2C, PVC-GRY	6.5	FT
16	85617	CABLE, 14AWG-4C, PVC-GRY	8.1	FT
17	85619	CABLE,16AWG-4C, PVC-GRY	9	FT
18	20169	CABLE, 18AWG-3C PVC BLACK	10	FT
19	87669	PIGTAIL HARNESS, CUMMINS ALT.	1	EA
20	77640	DIODE, IN4003	1	EA

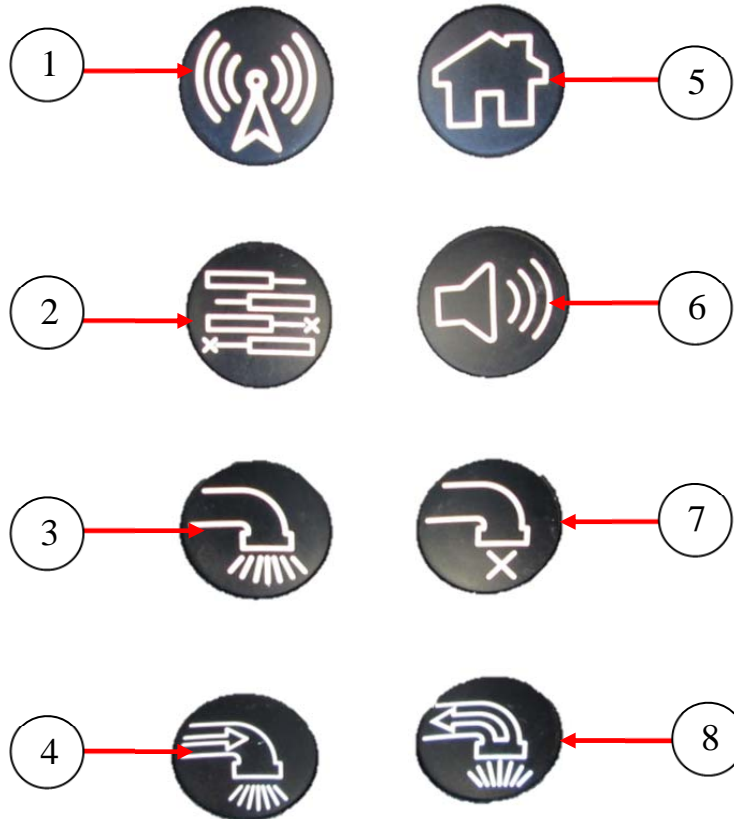
PLC CONTROLS

B-SERIES CONTROL PANEL



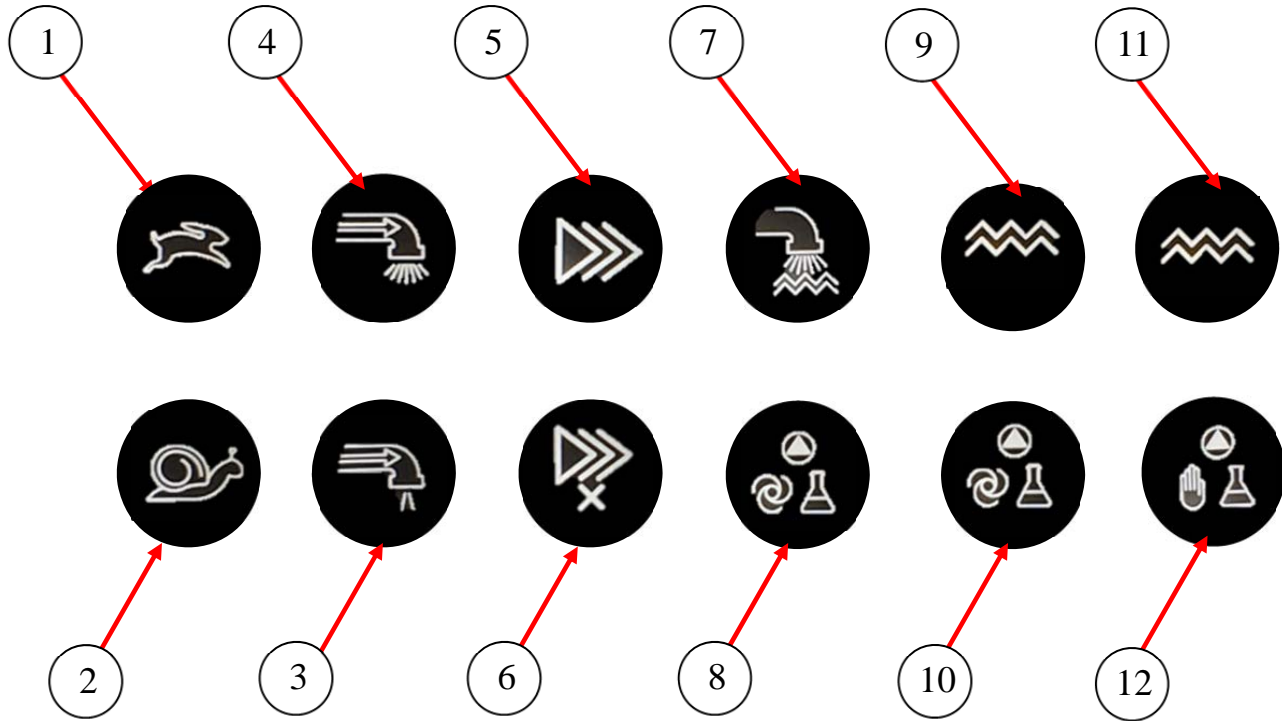
ID #	PART #	PART DESCRIPTION	QUANTITY	
	89333-T3	B-SERIES CONTROL PANEL ASSY.		
1	89090	EMERGENCY STOP PUSH BUTTON HEAVY DUTY	1	EA
2	89090-L	ILLUMINATED E-STOP RING	1	EA
3	88979	KEYPAD 2X4 SWITCH, PROGRAMMABLE	1	EA
4	88198	MD3, PARKER DISPLAY MODULE	1	EA
5	89092-D	DECAL CONTROL PANEL C-SER PLC	1	EA
6	89004	KEY SWITCH SEALED	1	EA
7	890952-P	PANEL FORMED FRONT, PLC C SERIES	1	EA
8	89092-PB	PANEL FORMED BACK, PLC B&C SERIES	1	EA
9	89124	HINGE PIANO 1"X12" LONG	2	EA
10	89092-C	PLC PROTECTIVE FRONT COVER	1	EA
11	88978	KEYPAD 2X6 SWITCH, PROGRAMMABLE	1	EA
11	89327	DISPLAY PROTECTIVE FILM	1	EA

KEY PAD SWITCHES INSERT KIT



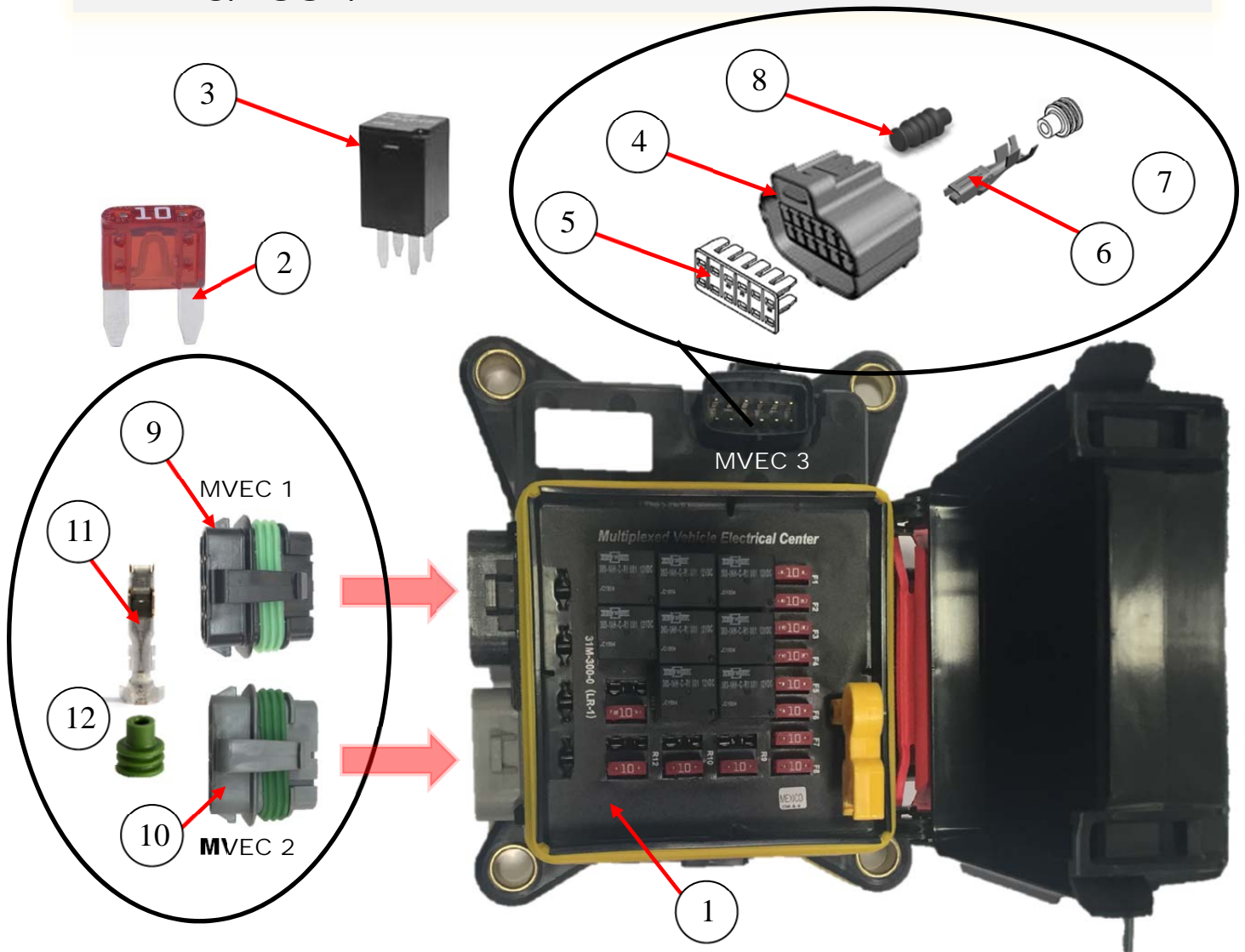
ID #	PART #	PART DESCRIPTION	QUANTITY	
	89412-BC	INSERT KIT FOR PLC SWITCH FUNCTIONS	REF	
1	89412-2L	INSERT,REMOTE ICON (CLEAR)	1	EA
2	89412-4L	INSERT,PRESSURE A/B ICON (CLEAR)	1	EA
3	89412-5L	INSERT, PUMP ON ICON (CLEAR)	1	EA
4	89412-7L	INSERT,PUMP FORWARD ICON (CLEAR)	1	EA
5	89412-1L	INSERT,PUMP LOCAL ICON (CLEAR)	1	EA
6	89412-3L	INSERT, HORN ICON (CLEAR)	1	EA
7	89412-6L	INSERT, PUMP OFF ICON (CLEAR)	1	EA
8	89412-8L	INSERT, PUMP REVERSE ICON (CLEAR)	1	EA

KEY PAD SWITCHES INSERT KIT CONT.



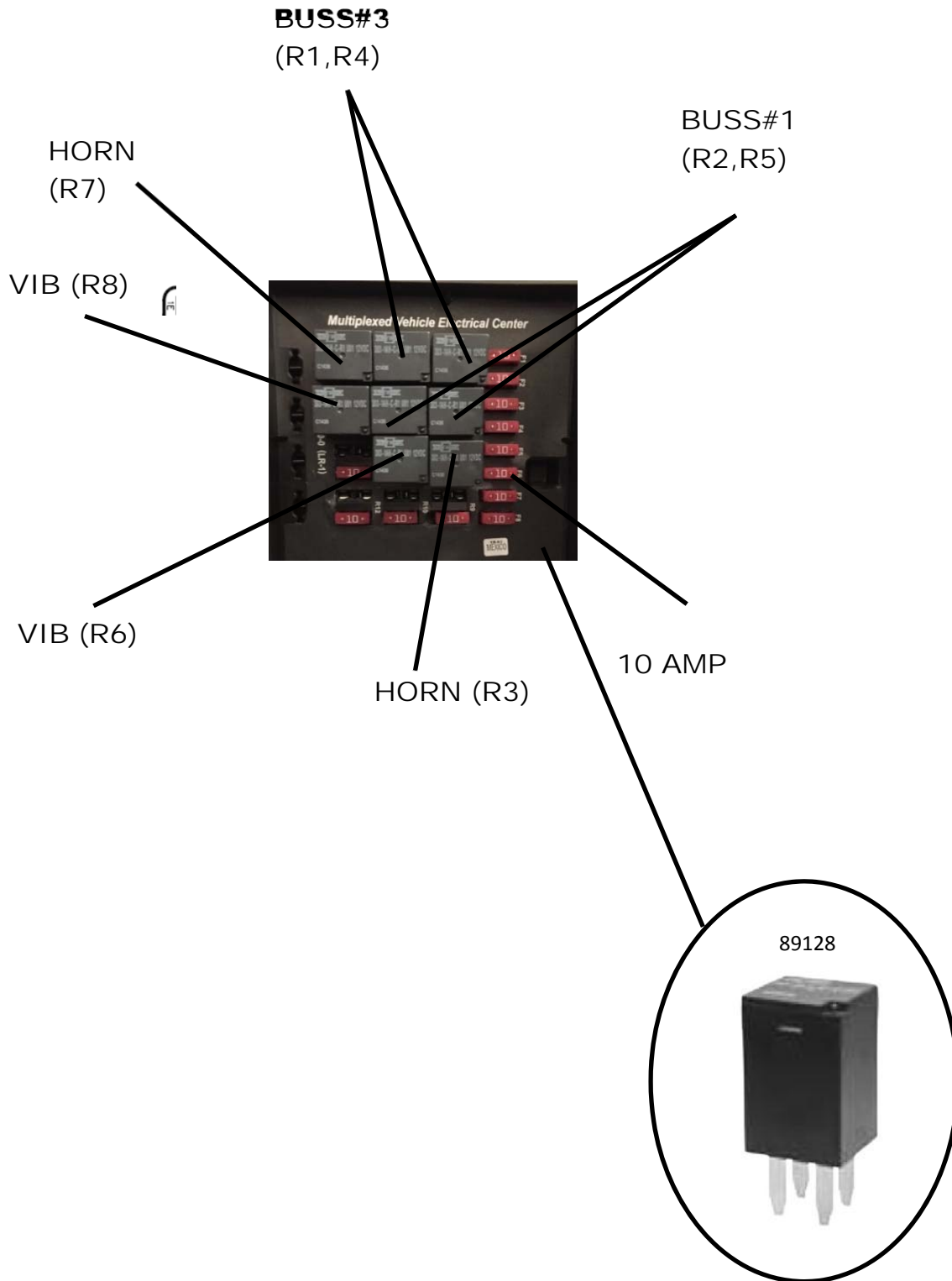
ID #	PART #	PART DESCRIPTION	QUANTITY	
1	89412-9S	INSERT, THROTTLE GAIN ICON (CLEAR)	1	EA
2	89412-10S	INSERT, TROTTLE DROP ICON (CLEAR)	1	EA
3	89412-12S	INSERT, PUMP VOLUME (-) (CLEAR)	1	EA
4	89412-11S	INSERT, PUMP VOLUME (+) (CLEAR)	1	EA
5	89412-13S	INSERT, FASCHANGE ON ICON (CLEAR)	1	EA
6	89412-14S	INSERT, FASCHANGE OFF ICON (CLEAR)	1	EA
7	89412-15S	INSERT, VIBRATOR AUTO ICON (CLEAR)	1	EA
8	89412-16S	INSERT, CEM AUTO ICON (CLEAR)	1	EA
9	89412-17S	INSERT, VIBRATOR OFF ICON (CLEAR)	1	EA
10	89412-18S	INSERT, CEM OFF ICON (CLEAR)	1	EA
11	89412-19S	INSERT, VIBRATOR ON ICOM (CLEAR)	1	EA
12	89412-20S	INSERT, CEM ON ICOM (CLEAR)	1	EA

MVEC/FUSE/RELAY

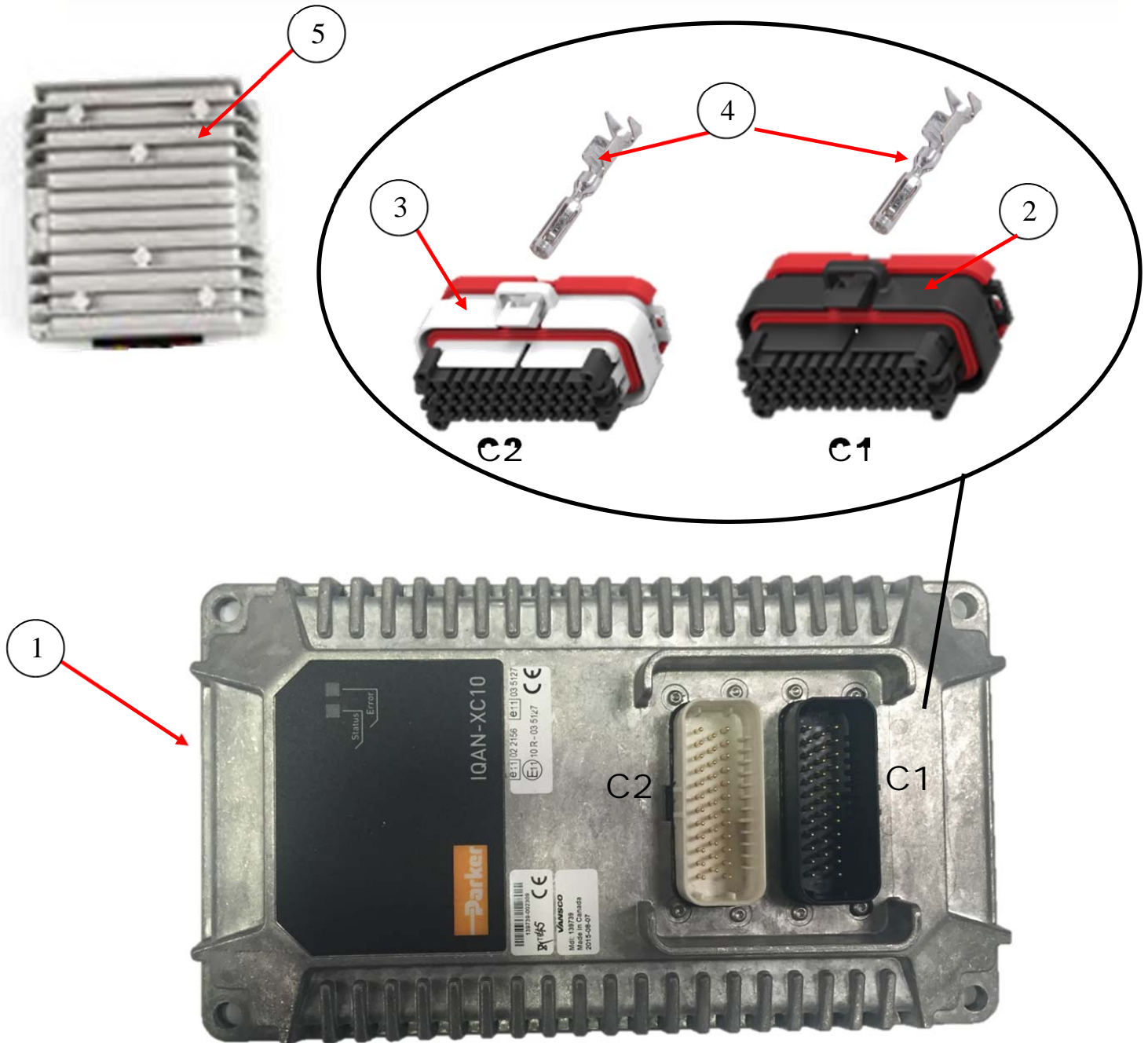


ID #	PART #	PART DESCRIPTION	QUANTITY	
1	88980	MVEC, 12 RELAY, BUSSMAN	1	EA
2	88953	AUTOMOTIVE MINITURE BLADE FUSE 10AMP	12	EA
3	89128	MVEC,RELAY,12V	8	EA
4	89112	AMP, PLUG 2X6, (MVEC 3)	1	EA
5	89112-1	AMP, WEDGE, 89112 (MVEC 3)	1	EA
6	89112-2	AMP, FEMALE, PIN, TERMINAL (MVEC 3)	5	EA
7	89112-3	AMP, WIRE SEAL, ORANGE (MVEC 3)	5	EA
8	89112-4	AMP, CAVITY PLUG (MVEC 3)	7	EA
9	89110	METRIPACK PLUG,2X4 (MVEC 1-BLK)	1	EA
10	89111	METRIPACK PLUG, 2X4 (MVEC 2-GRY)	1	EA
11	88960	TERMINAL PINS FEMALE AUTOMOTIVE	12	EA
12	89110-6	AMP, WIRE SEAL, (MVEC1-2, GREEN)	12	EA
13	89110-1	AMP, CAVITY PLUG, GREEN(MVEC 1)	4	EA

MVEC/FUSE/RELAY



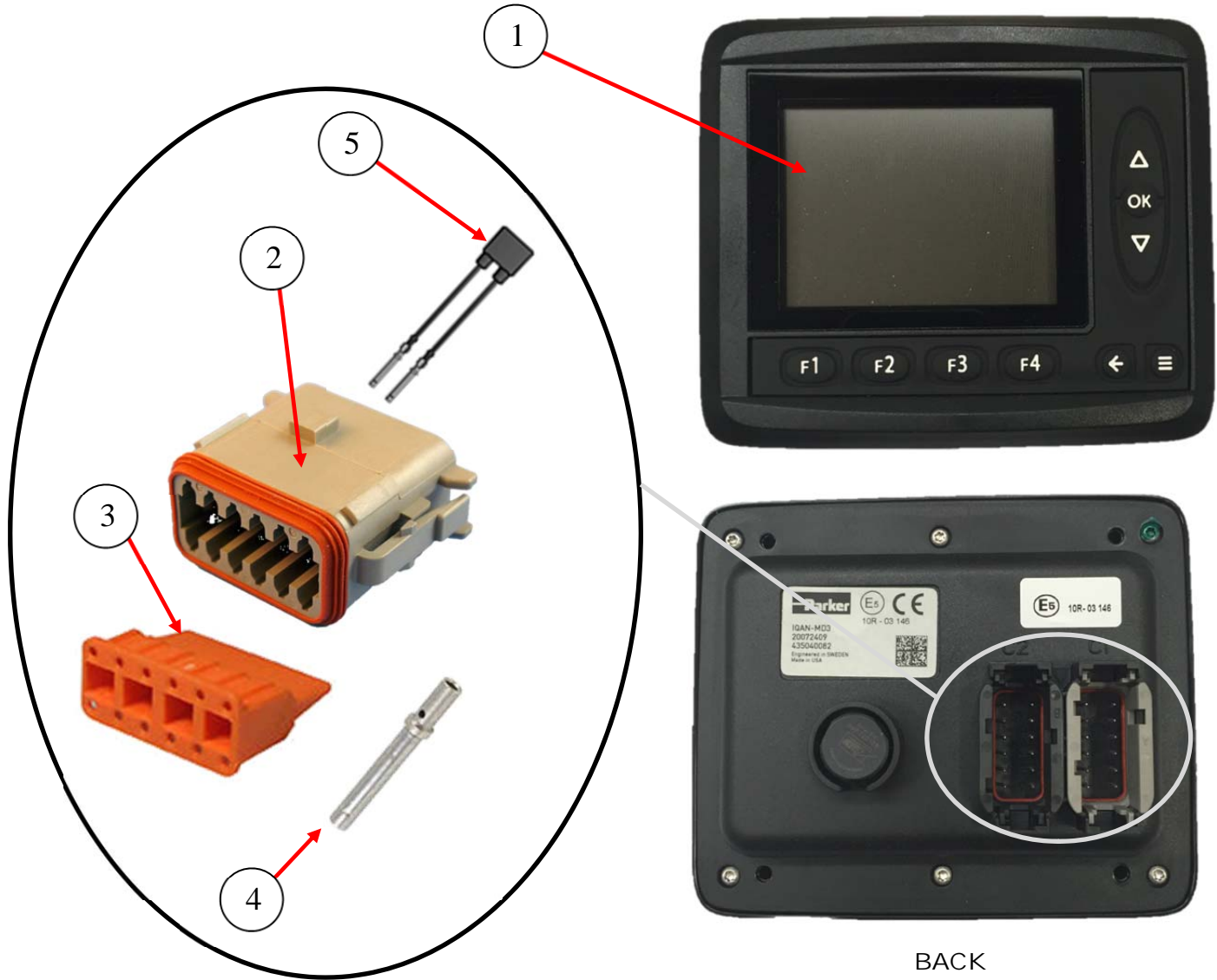
EXPANSION MODULE PARKER IQAN-XC10



ID #	PART #	PART DESCRIPTION	QUANTITY	
1	88919	XC10, PARKER EXPANTION MODULE	1	EA
2	88945	AMP, 35 POS SEAL PLUG, BLACK (C1)	1	EA
3	88946	AMP, 35 POS SEAL PLUG, WHITE (C2)	1	EA
4	88945-S	AMP, CONTACT PIN (C1,C2)	38	EA
5	89090-C	DC/DC CONVERTER 12VDC TO 24VDC	1	EA

MD3 DISPLAY MODULE

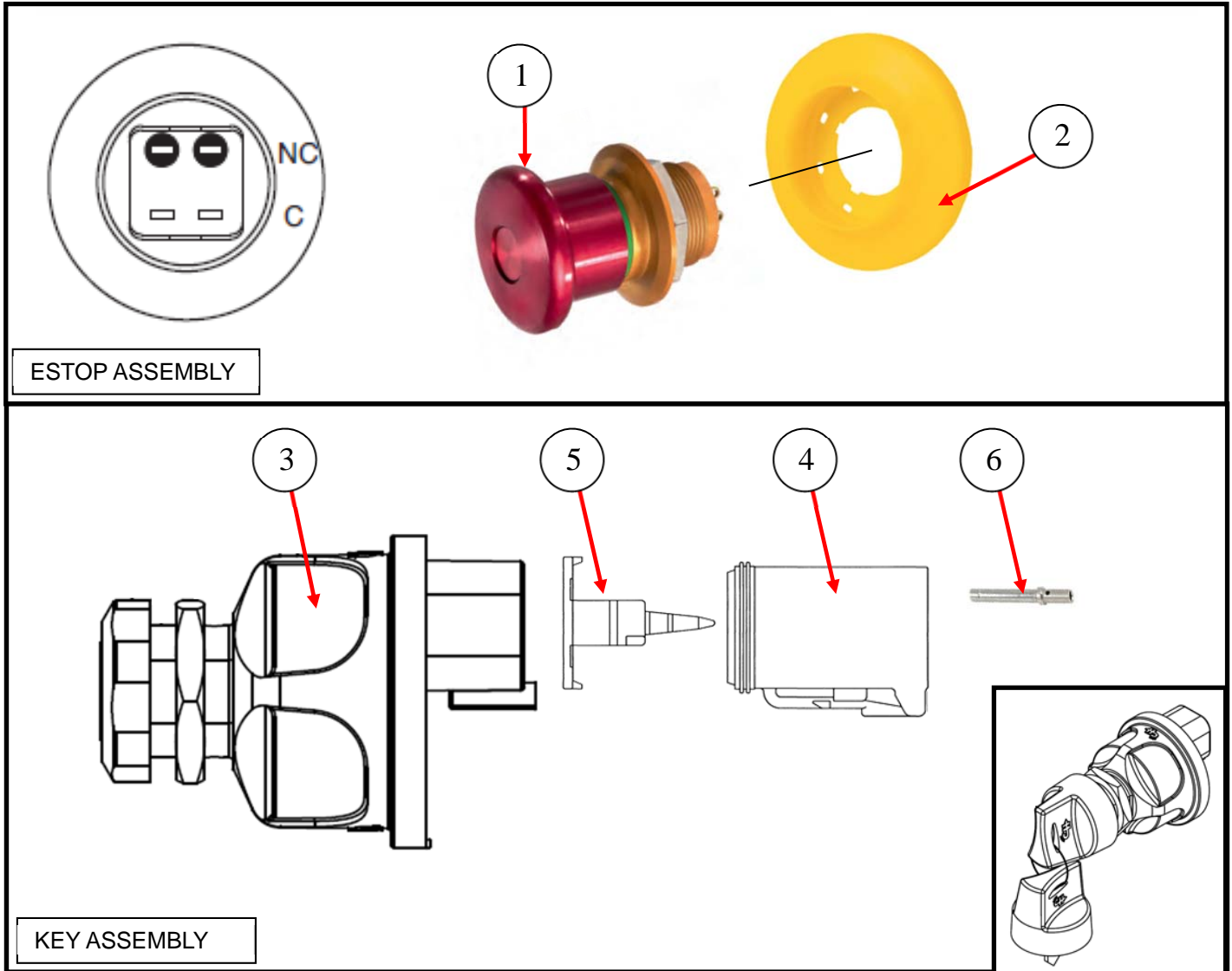
FRONT



BACK

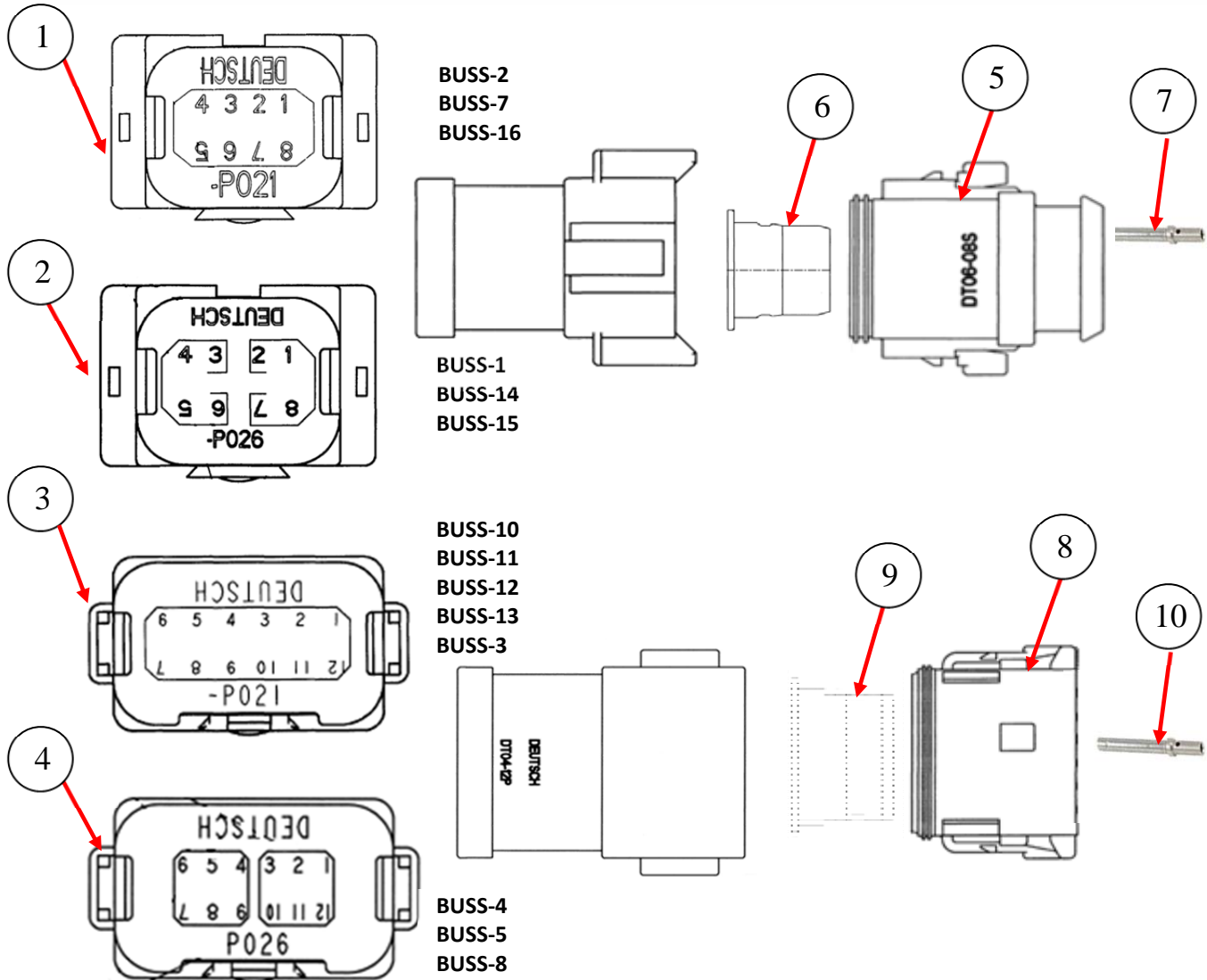
ID #	PART #	PART DESCRIPTION	QUANTITY	
1	88918	MD3,PARKER DISPLAY	1	EA
2	88653	PLUG DTM 12 WAY A KEY, GREY (C1)	1	EA
3	88653-2	WEDGELOCK DTM 12 WAY PLUG (C1)	1	EA
4	88959	CONTACT SOCKET SIZE 20 (7.5 AMP) (C1)	9	EA
5	89136	ADDRESS 3 IDTAG WITH DEUTSCH TERMINALS (1K OHM)	1	EA
6	89327	SCREEN PROTECTOR, MD3	1	EA

ESTOP, KEY ASSEMBLY, PLUGS



ID #	PART #	PART DESCRIPTION	QUANTITY	
1	89090	EMERGENCY STOP BUTTON HEAVY DUTY	1	REF
2	89090-L	ILLUMINATED E-STOP RING	1	REF
3	89004	KEY SWITCH SEALED	1	REF
4	89107	DEUSCH DT06, 1X6	1	QTY
5	89108	DEUTSCH WEDGE LOCK FOR 89107	1	QTY
6	BW10147	DEUTSCH CONTACT SOCKET, 16AWG	6	QTY

BUSSES, CONNECTORS, PINS



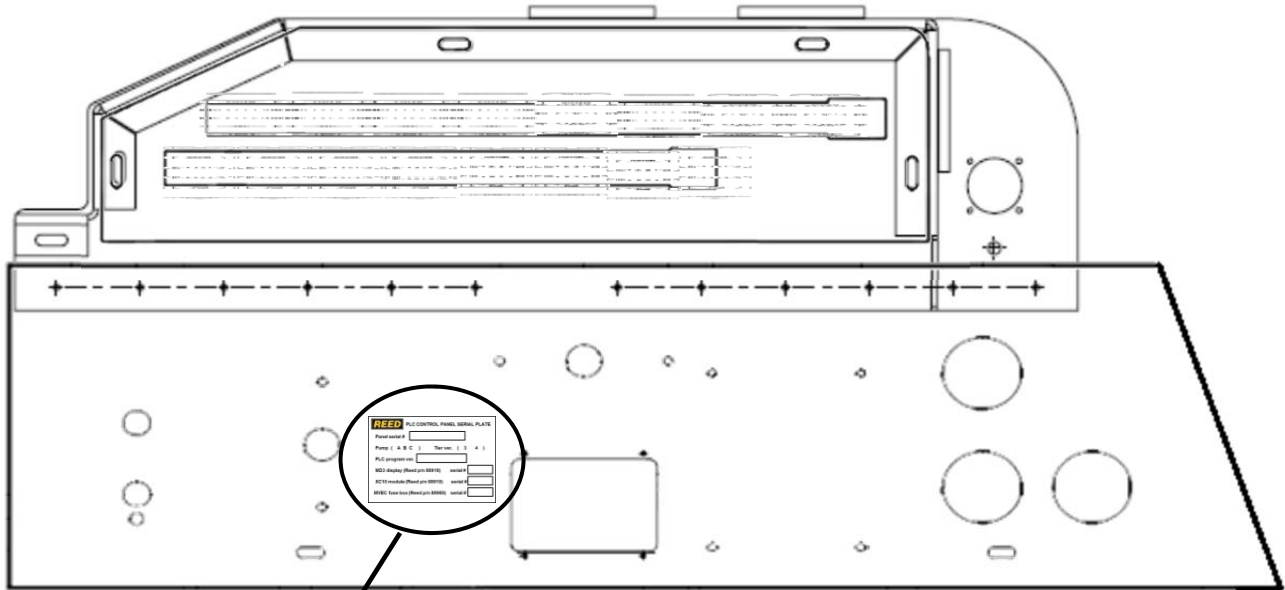
ID #	PART #	PART DESCRIPTION	QUANTITY	
1	89180	DEUTSCH DT04 BUS, 1X8 (SOLID)	3	EA
2	89181	DEUTSCH DT04 BUS, 2X4 (SPLIT)	3	EA
3	89106	DEUTSCH DT04 BUS, 1X12 (SOLID)	5	EA
4	89103	DEUTSCH DT04 BUS, 2X6 (SPLIT)	3	EA
5	89179	DEUTSCH DT06 PLUG, 2X4	5	EA
6	88542-1	WEDGE LOCK FOR 88542	5	EA
7	BW10147	CONTACT SOCKET PIN, SIZE16, 13 AMP		EA
8	89104	DEUTSCH DT06 PLUG, 2X6	3	EA
9	89105	WEDGE LOCK FOR 89104	8	EA
10	BW10147	CONTACT SOCKET PIN, SIZE16, 13 AMP		EA



B70HPSD PLC PARTS

13822 Oaks Avenue
Chino, CA 91710
reedpumps.com
(909) 287 - 2100

SERIAL PLATE IDENTIFICATION



Serial Plate
Identification

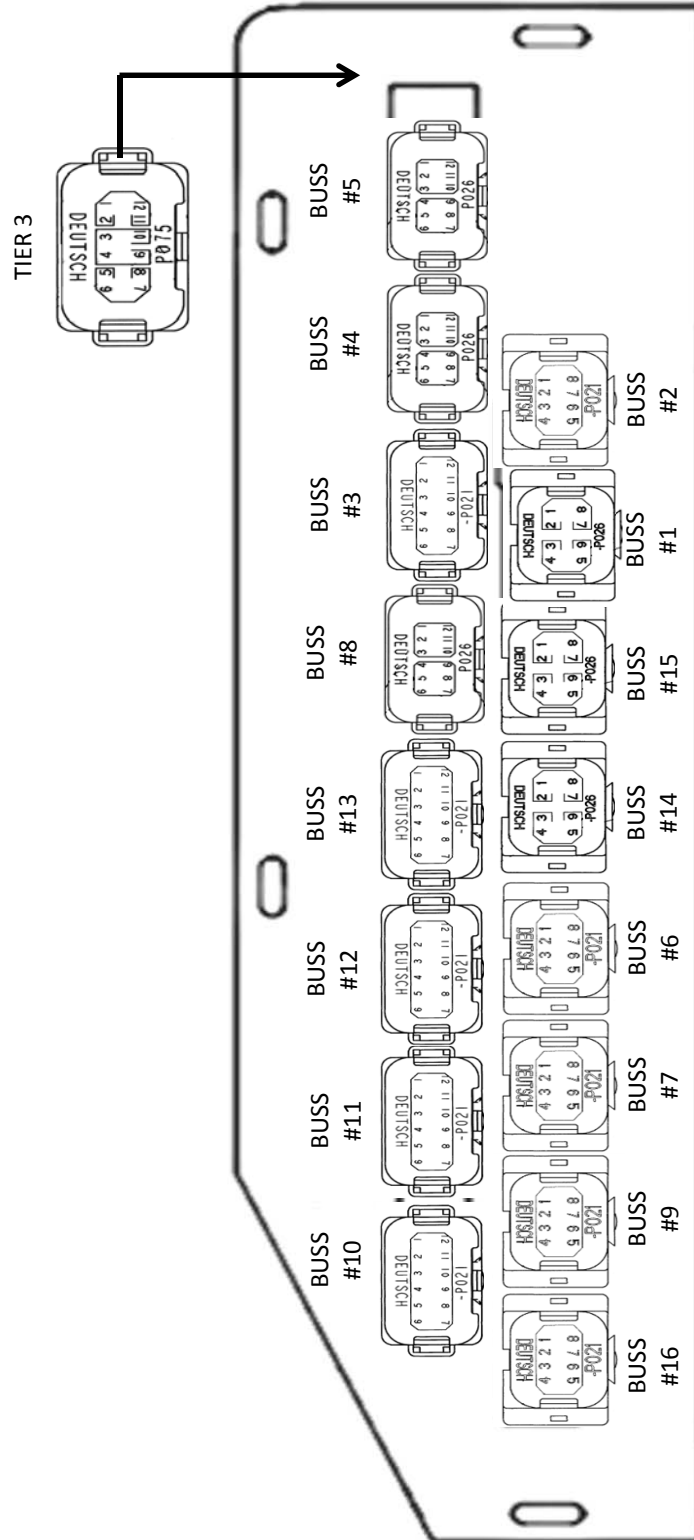
REED PLC CONTROL PANEL SERIAL PLATE	
Panel serial #	<input type="text"/>
Pump (A B C)	Tier ver. (3 4)
PLC program ver.	<input type="text"/>
MD3 display (Reed p/n 88918)	serial # <input type="text"/>
XC10 module (Reed p/n 88919)	serial # <input type="text"/>
MVEC fuse box (Reed p/n 88980)	serial # <input type="text"/>



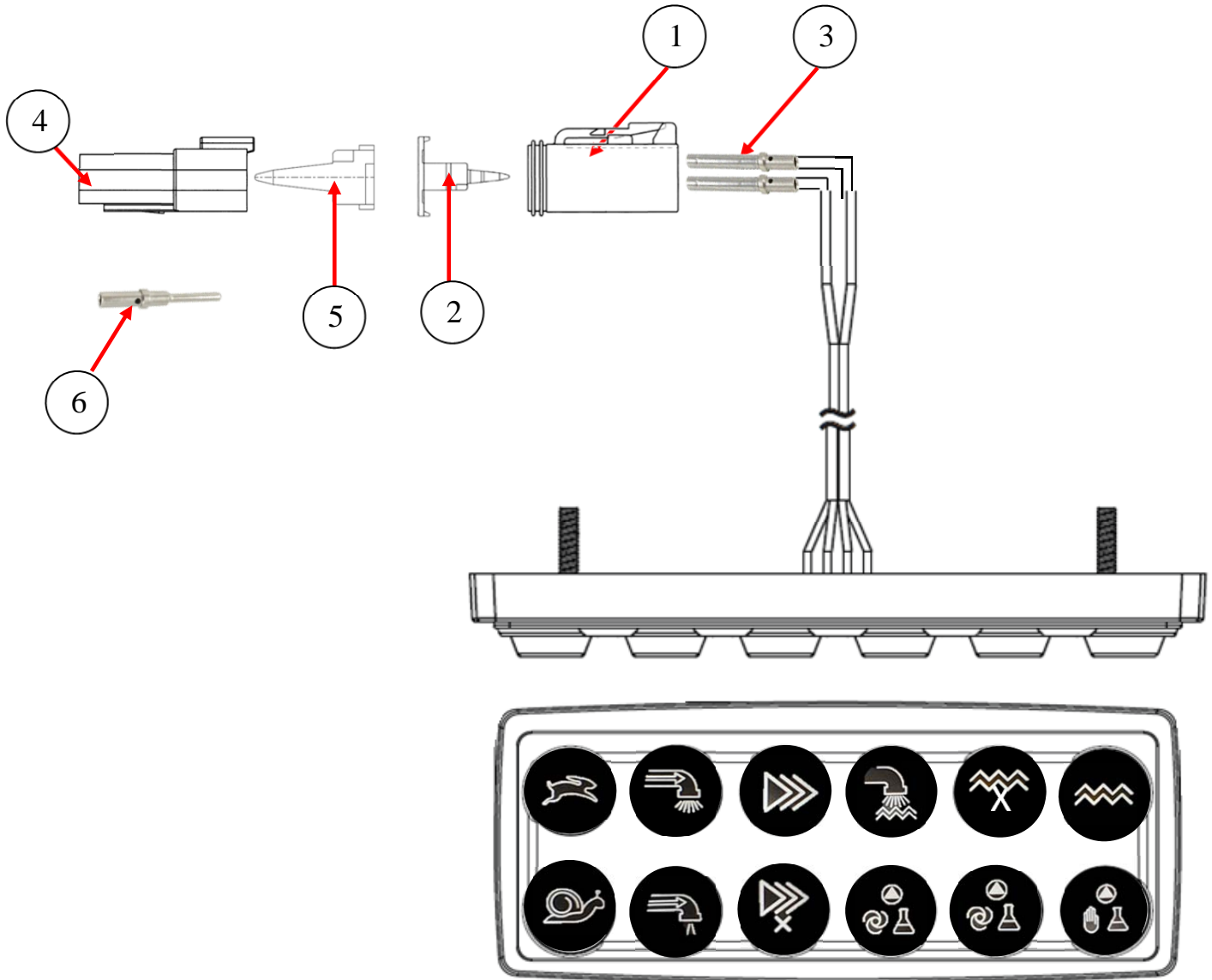
B70HPSD PLC PARTS

13822 Oaks Avenue
Chino, CA 91710
reedpumps.com
(909) 287 - 2100

BUSS BAR SET-UP



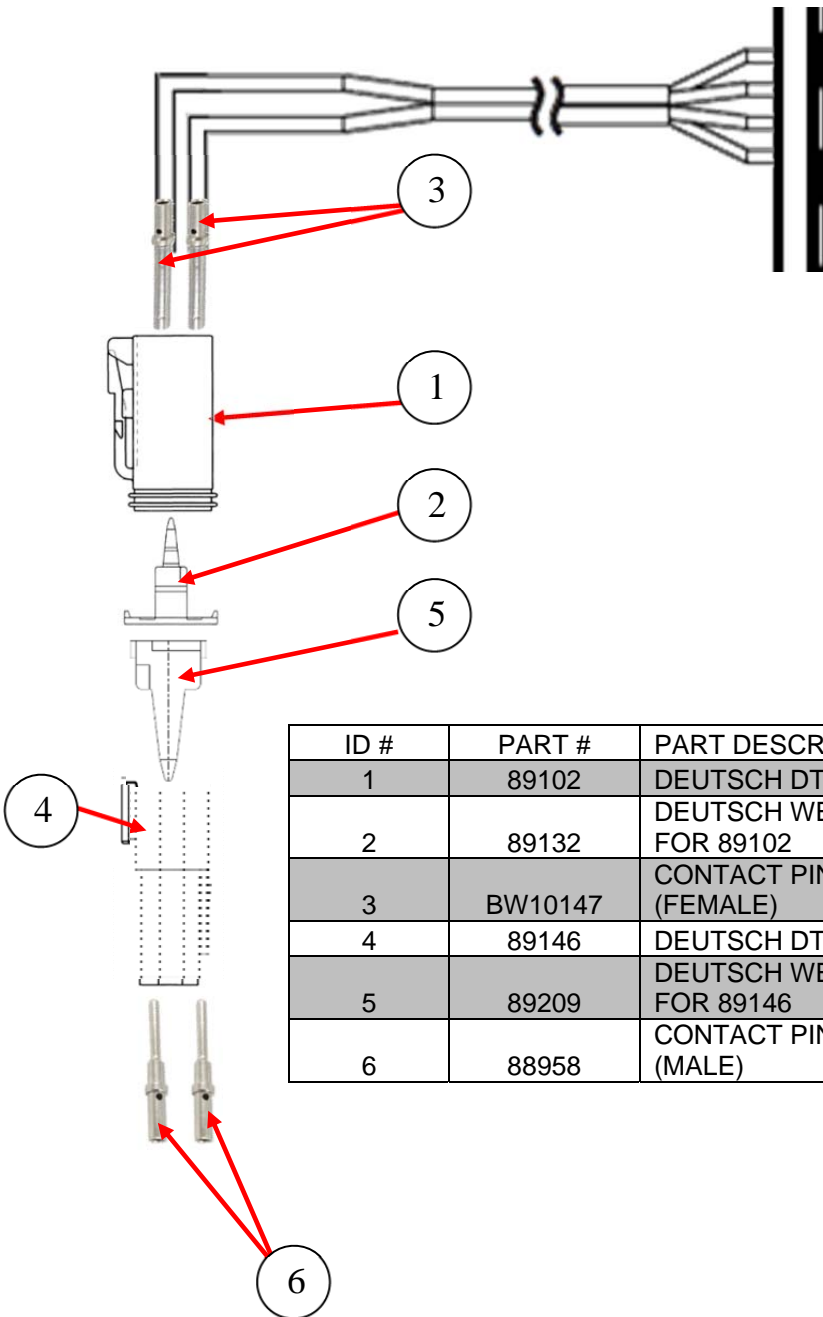
CAN PUSH BUTTON SWITCH PLUG SWITCH A



CAN SWITCH A

ID #	PART #	PART DESCRIPTION	QUANTITY	
1	89102	DEUTSCH DT04 PLUG, 2X2	1	EA
2	89132	DEUTSCH WEDGE LOCK FOR 89102	1	EA
3	BW10147	CONTACT PIN 16 AWG (FEMALE)	4	EA
4	89146	DEUTSCH DT04 PLUG, 2X4	1	EA
5	89209	DEUTSCH WEDGE LOCK FOR 89146	1	EA
6	88958	CONTACT PIN 16 AWG (MALE)	4	EA

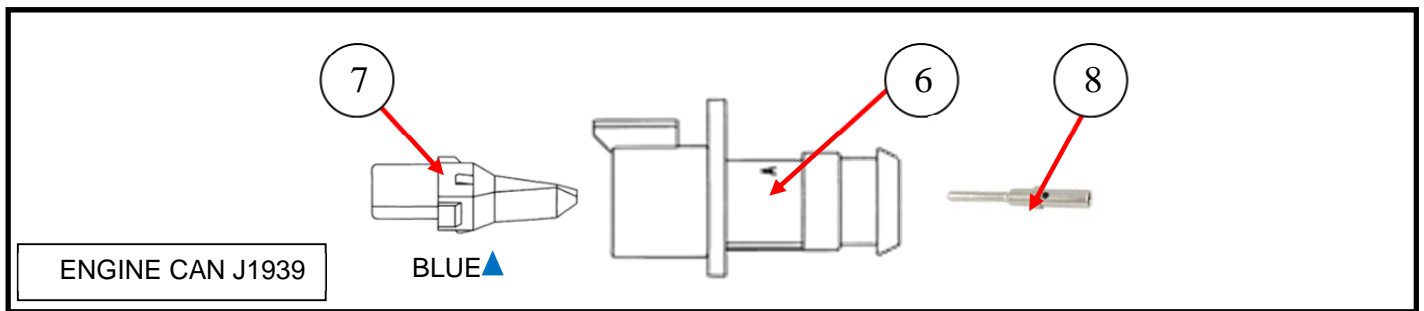
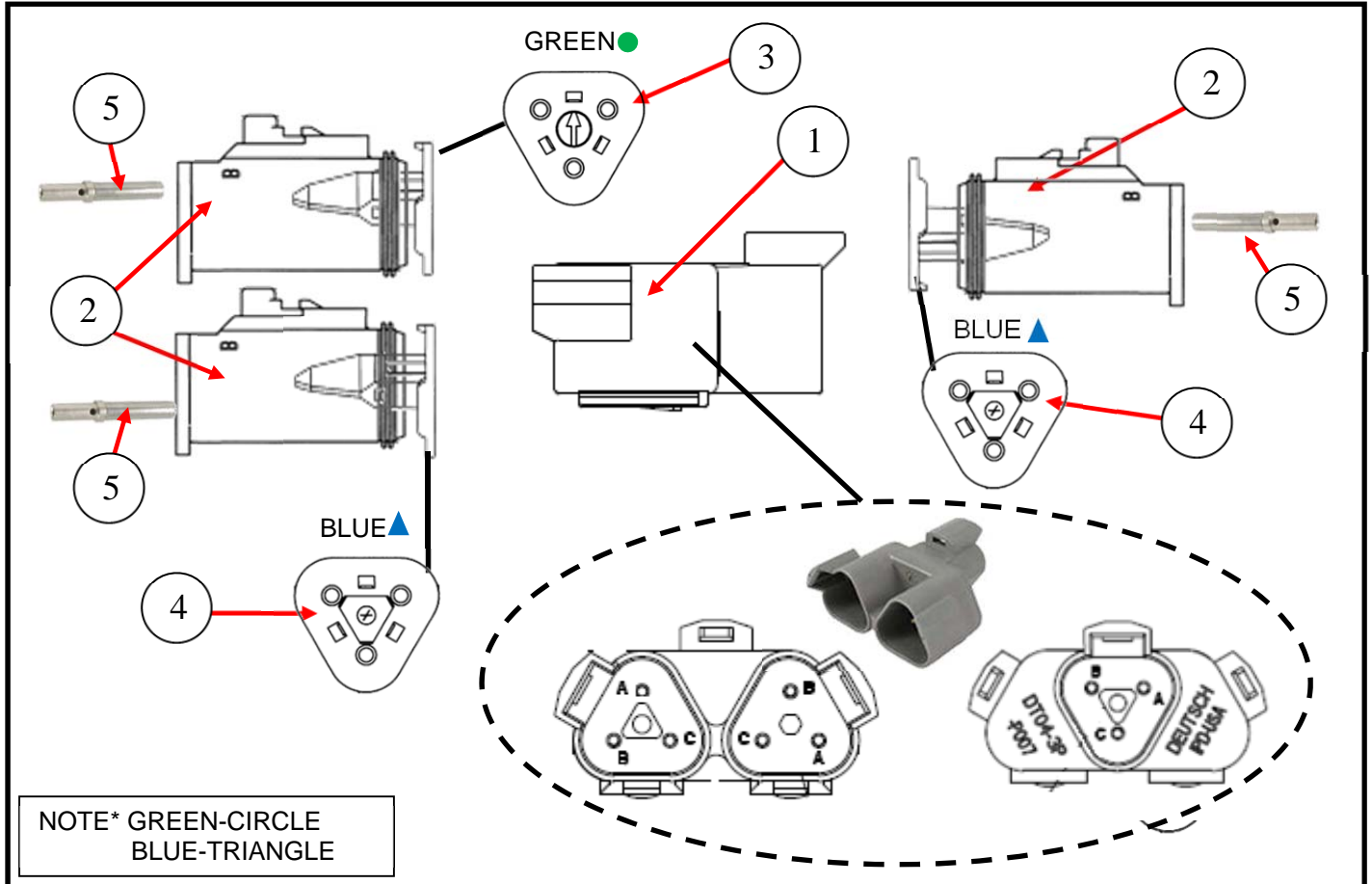
CAN PUSH BUTTON SWITCH PLUG SWITCH B



CAN SWITCH B

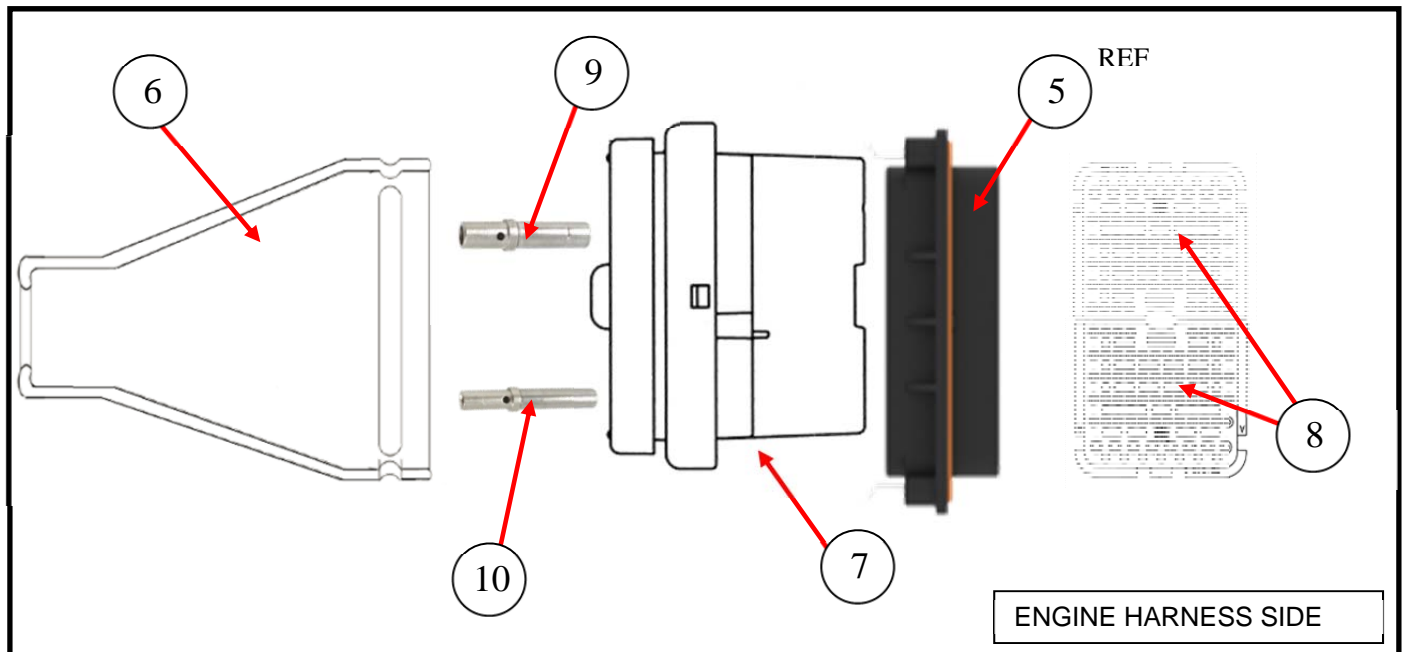
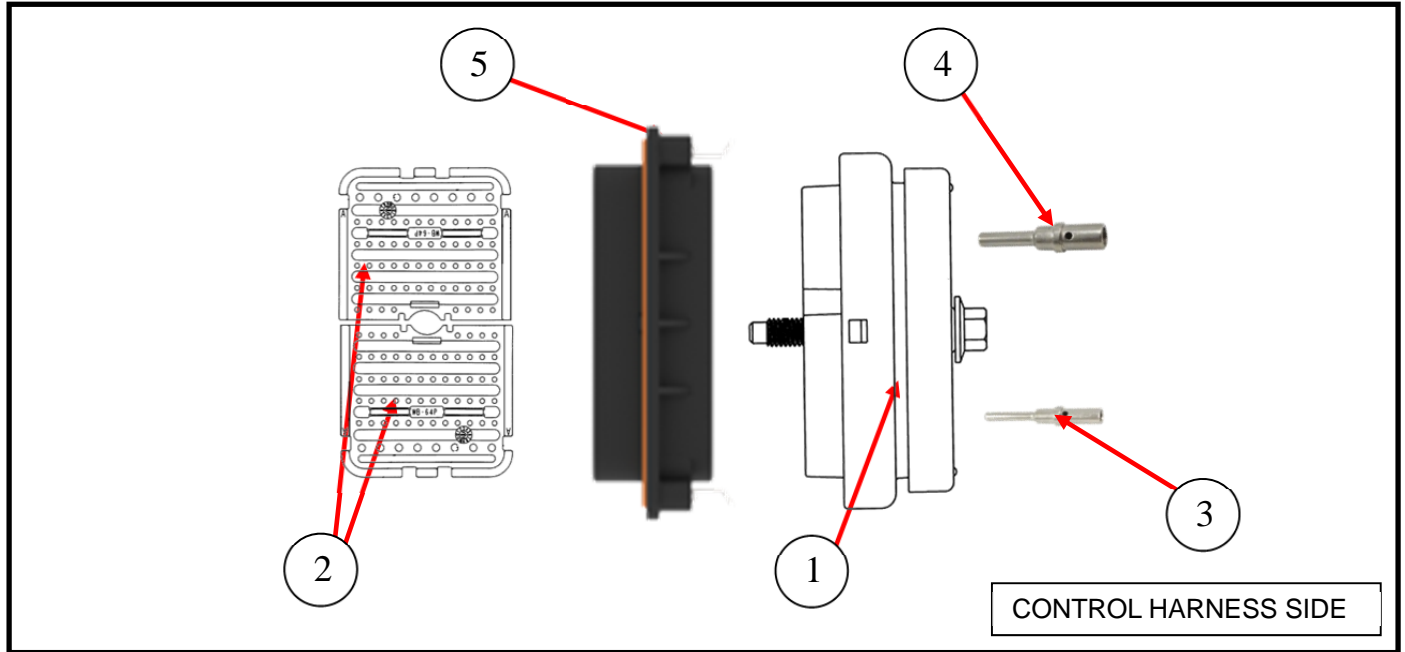
ID #	PART #	PART DESCRIPTION	QUANTITY	
1	89102	DEUTSCH DT04 PLUG, 2X2	1	EA
2	89132	DEUTSCH WEDGE LOCK FOR 89102	1	EA
3	BW10147	CONTACT PIN 16 AWG (FEMALE)	4	EA
4	89146	DEUTSCH DT04 PLUG, 2X4	1	EA
5	89209	DEUTSCH WEDGE LOCK FOR 89146	1	
6	88958	CONTACT PIN 16 AWG (MALE)	4	EA

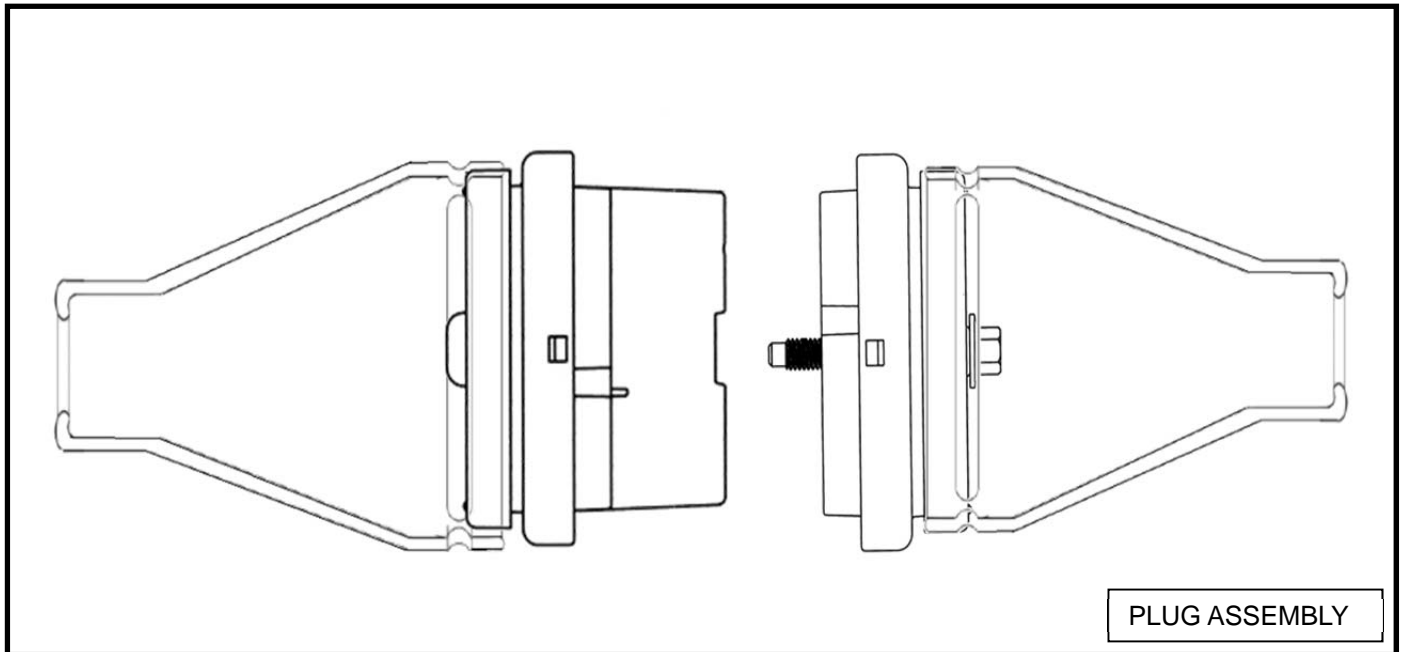
CAN PLUGS, CONNECTORS



ID #	PART #	PART DESCRIPTION	QUANTITY	
1	88934	3 WAY T RECEPTICAL, DT SER.	1	EA
2	88935	3 WAY PLUG DT SER.	3	EA
3	88936	WEDGE LOCK FOR 3 WAY PLUG (GREEN)	2	EA
4	88937	WEDGE LOCK FOR 3 WAY PLUG (BLUE)	1	EA
5	BW10147	CONTACT SOCKETS, 16 AWG (FEMALE)	9	EA
6	88932	3 WAY RECEPTACLES, FLANGE MOUNT-LE08 MOD.	1	EA
7	88938	KEYED WEDGE LOCK FOR 3 WAY RECPT. DT SERIES	1	EA
8	88958	CONTACT PIN, 16 AWG (MALE)	3	EA

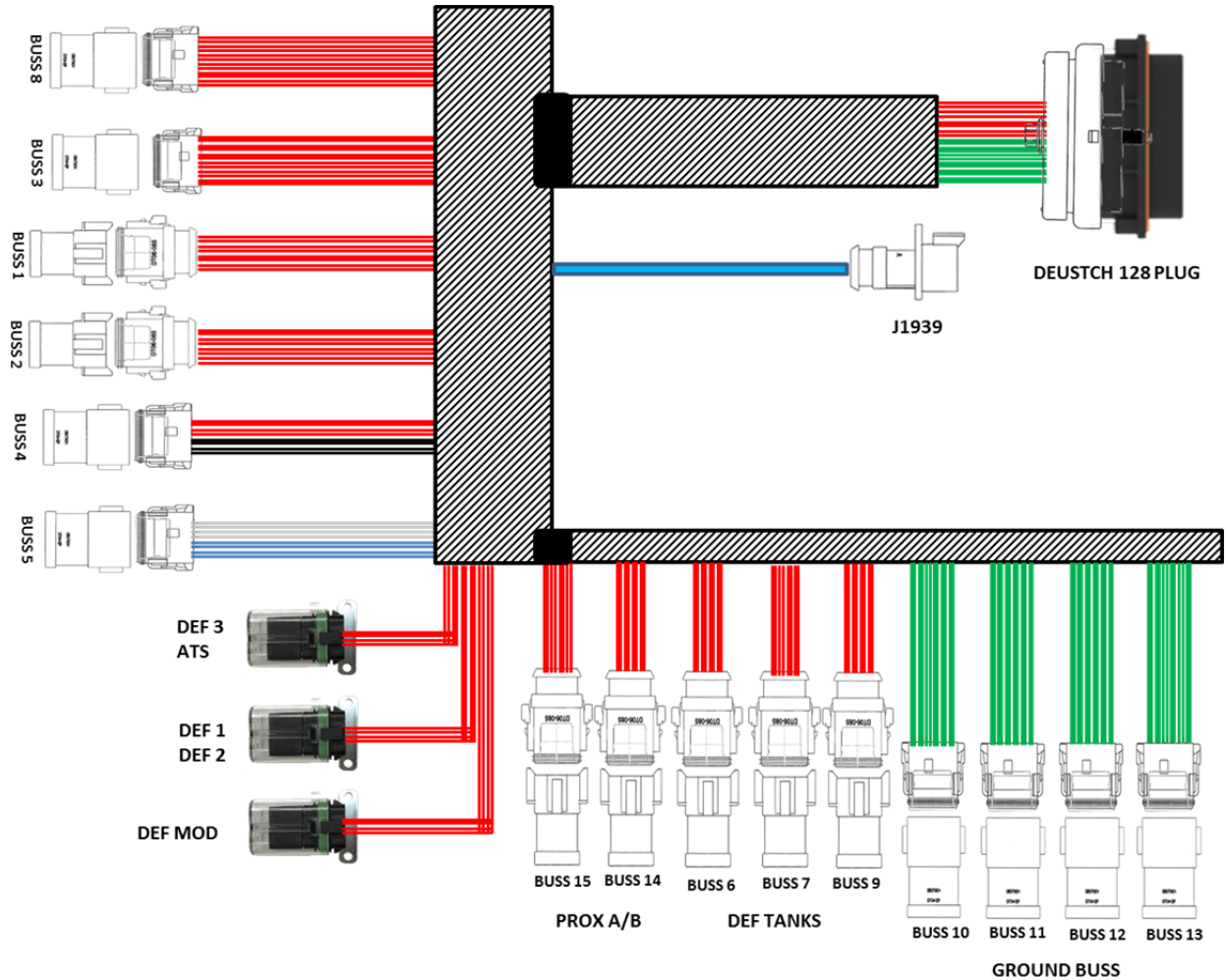
DEUTSCH 128 PLUG ASSEMBLY



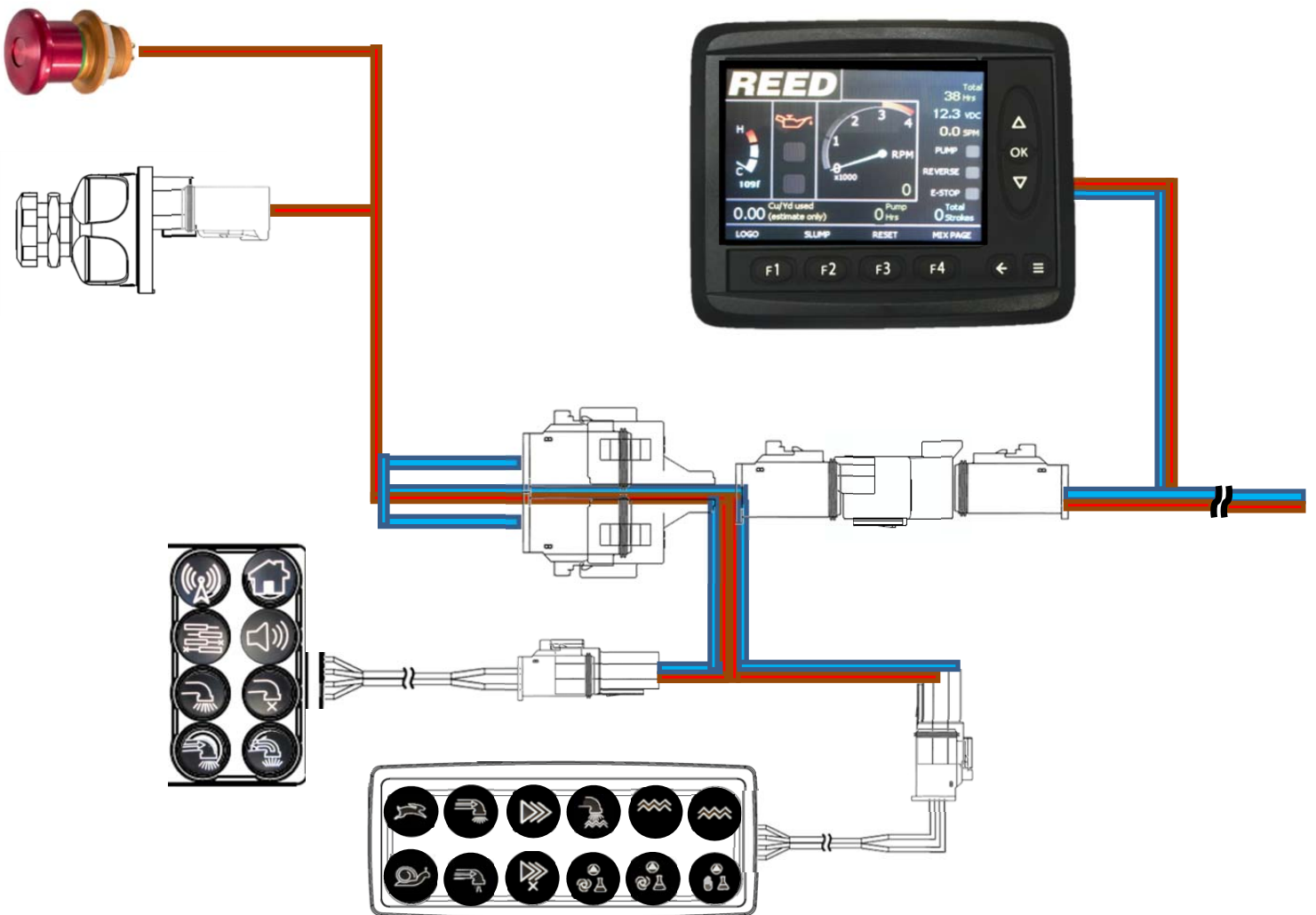
DEUTSCH 128 PLUG ASSEMBLY CONT.

ID #	PART #	PART DESCRIPTION	QUANTITY	
1	89109	DEUTSCH RECEPTACLE 128 CONTACT, PIN	1	EA
2	89159	DEUTSCH WEDGE LOCK FOR 89157	2	EA
3	88958	CONTACT PIN SIZE 16 AWG, (MALE)	72	EA
4	87807	CONTACT PIN SIZE 12 AWG, (MALE)	16	EA
5	89158	DEUTSCH RECEPTACLE, FLANGE	1	EA
6	89109-B	DEUTSCH, BOOT COVER	1	EA
7	89157	DEUTSCH RECEPTACLE 128 CONTACT, SOCKET	1	EA
8	89116	DEUTSCH WEDGE LOCK FOR 89157	2	EA
9	87457	CONTACT SOCKET, SIZE 12 AWG, (FEMALE)	1	EA
10	BW10147	CONTACT SOCKET, SIZE 16 AWG, (FEMALE)	1	EA

WIRE HARNESS MAIN LAYOUT

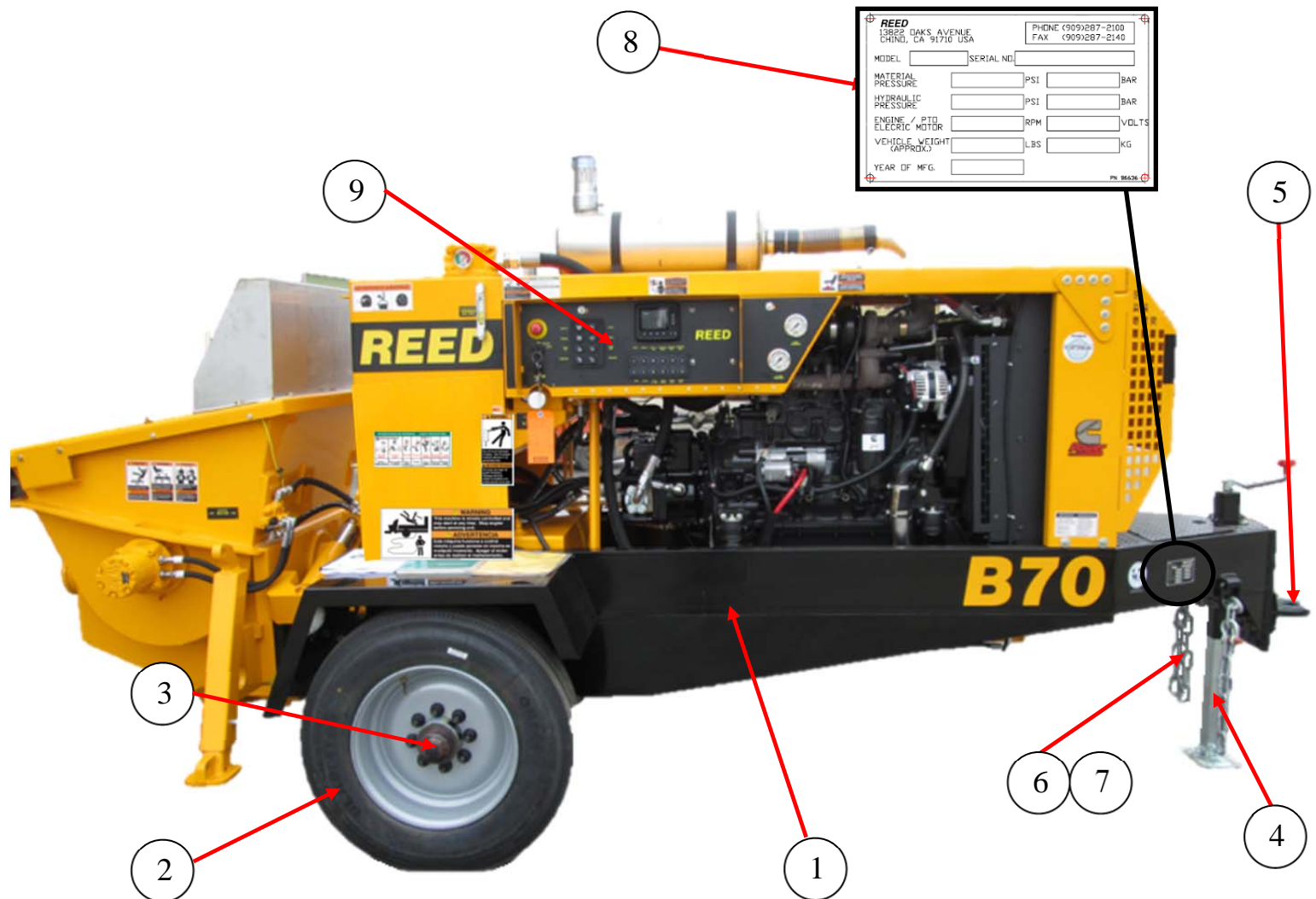


WIRE HARNESS DOOR LAYOUT



FRAME INSTALLATION

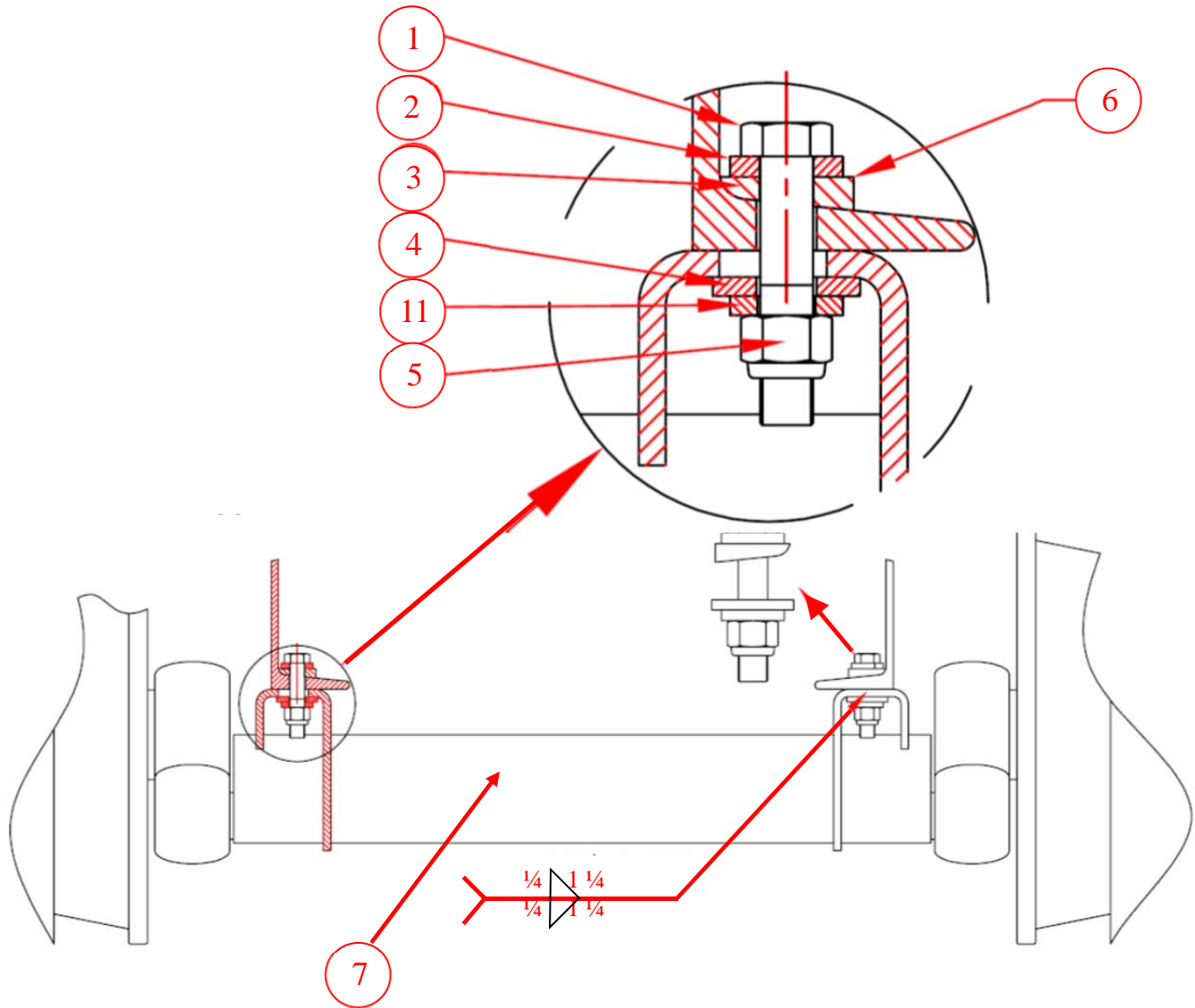
FRAME, TIRES, JACK, AND TOW EYE



REED 13822 OAKS AVENUE CHINO, CA 91710 USA		PHONE (909)287-2100 FAX (909)287-2140
MODEL	SERIAL NO	
MATERIAL PRESSURE	PSI	BAR
HYDRAULIC PRESSURE	PSI	BAR
ENGINE / PTO ELECTRIC MOTOR	RPM	VOLTS
VEHICLE WEIGHT (APPROX.)	LBS	KG
YEAR OF MFG.		

ID #	PART #	PART DESCRIPTION	QUANTITY	
	88814	FRAME ASSY B SER, 9000 LB 2016 W/CUMMINS	REF	
1	88807	FRAME WELDMENT B SER 2007 CUMMINS	1	EA
2	86923	TIRE & WHEEL ASSY -215/75R17.5 H	2	EA
3	88033	OIL CAP KIT(QUALITY)	2	EA
4	85527	JACK WELDMENT	1	EA
5	87037	DRAW BAR	1	EA
6	86730	CHAIN-3/8 PROOF COIL GR 70 PHOSPATE	5.5	FT
7	87085	SHACKLE ANCHOR, SCREW PIN, 1/2 6600	4	EA
8	86636	SERIAL NUMBER PLATE (BLANK)	1	EA
9	89333-T3	CONTROL PANEL ASSY PLC, TIER 3	1	EA

9000LB AXLE MOUNTING ASSEMBLY



ID #	PART #	PART DESCRIPTION	QUANTITY	
	87542	AXLE MOUNTING HARDWARE KIT	1	EA
1		1/2" -20 X 2.5 HHCS GR8	4	EA
2		1/2" SAE WASHER	8	EA
3		1/2" USE WASHER	4	EA
4		1/2" SAE WASHER	4	EA
5		1/2" - 20 LOCK NUT	4	EA
6		1/2" BEVELED WASHER	4	EA
7	86924	AXLE, TORSION, 9000 LB	1	EA

HOOD AND COVERS

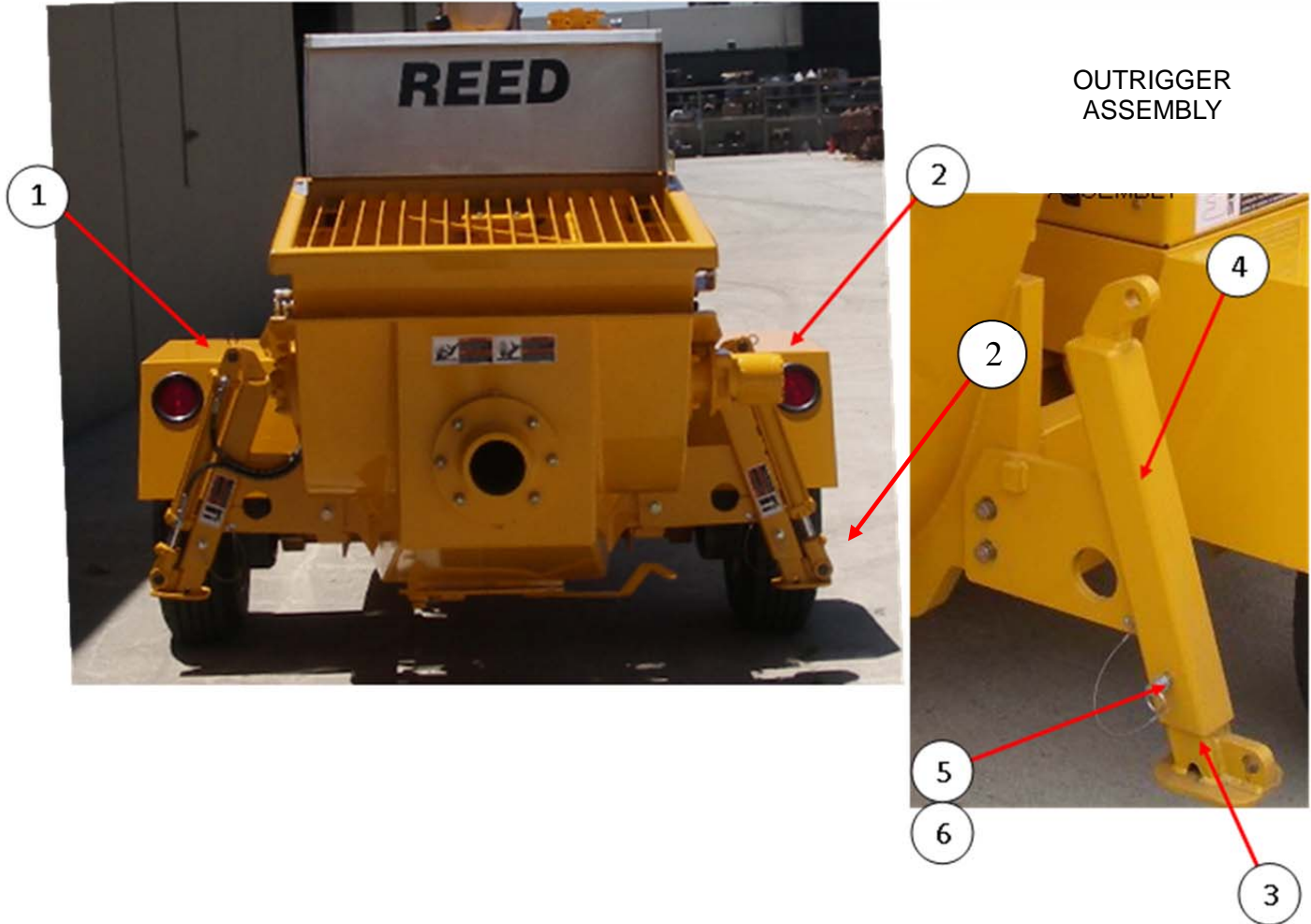


FLUSH BOX ASSEMBLY



ID #	PART #	PART DESCRIPTION	QUANTITY	
1	87737	COVER TOP, B SER CUMMINS PAINTED	1	EA
2	87681	COVER FRONT WELD, B SER CUM PAINTED	1	EA
3	87647	GUSSET ENGINE COVER PAINTED	2	EA
4	85390	SPLASH GUARD, B & C SERIES	1	EA
5	86106	COVER ASSY, FLUSH BOX	1	EA
6	86010	COVER WELDMENT, FLUSH BOX	1	EA
7	86105	KNOB	1	EA
8	79056	HANDLE	1	EA
9	800418	LANYARD, Q/R PIN	1	EA
10	87755	GASKET, FOR FLUSH BOX LID	1	EA

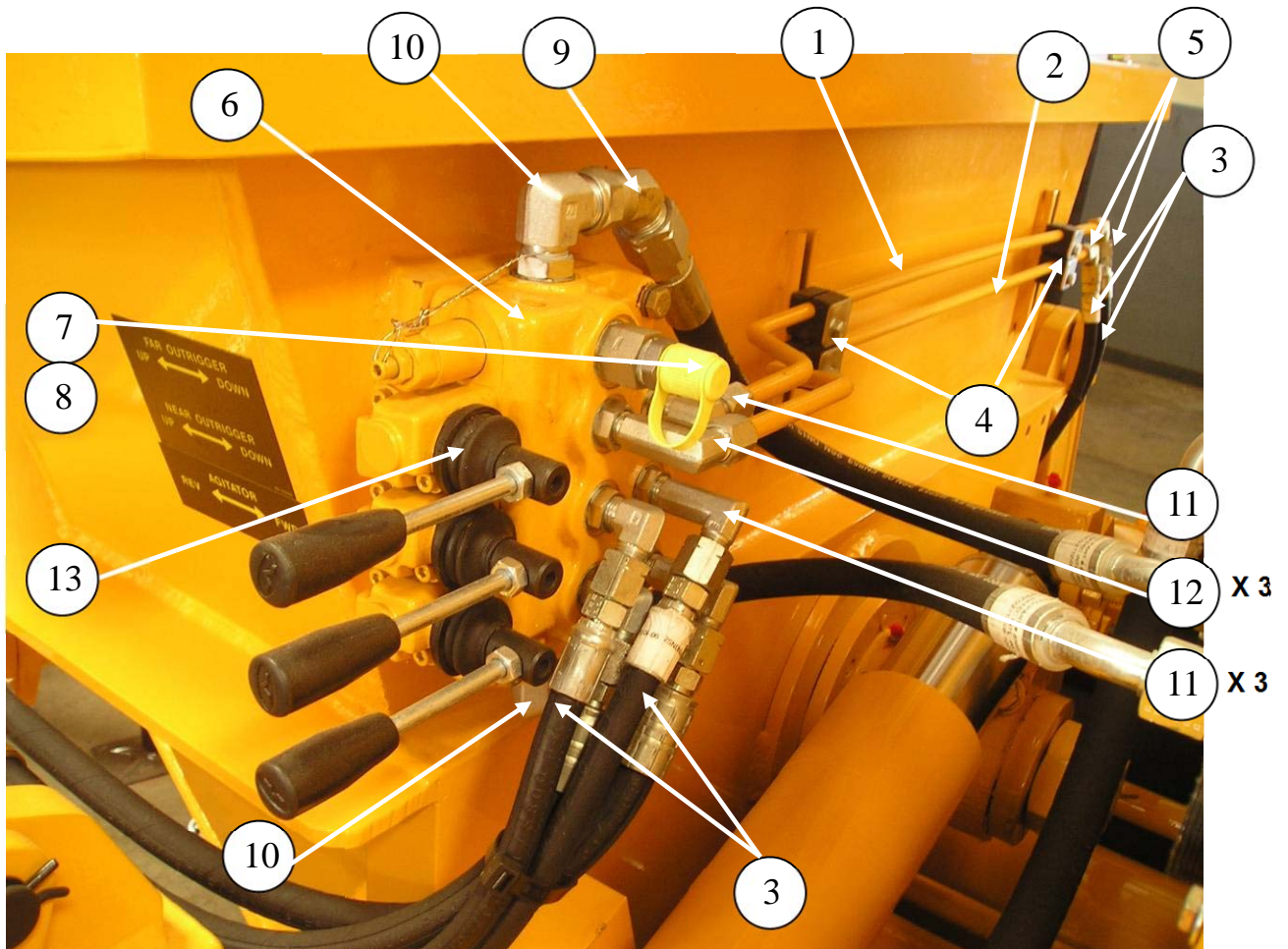
FENDERS AND OUTRIGGERS



ID #	PART #	PART DESCRIPTION	QUANTITY	
1	86959	FENDER, RH, B SERIES PAINTED	1	EA
2	86960	FENDER, LH, B SERIES PAINTED	1	EA
3	86553	OUTRIGGER WELDMNT, INNER-PAINTED	2	EA
4	86557	OUTERTUBE, O/R B & C - PAINTED	2	EA
5	85595	PIN, Q/R, 5/8 DIA X 3 1/2 L	2	EA
6	800418	LANYARD, Q/R PIN	2	EA

OPTIONS

HYDRAULIC OUTRIGGER GROUP

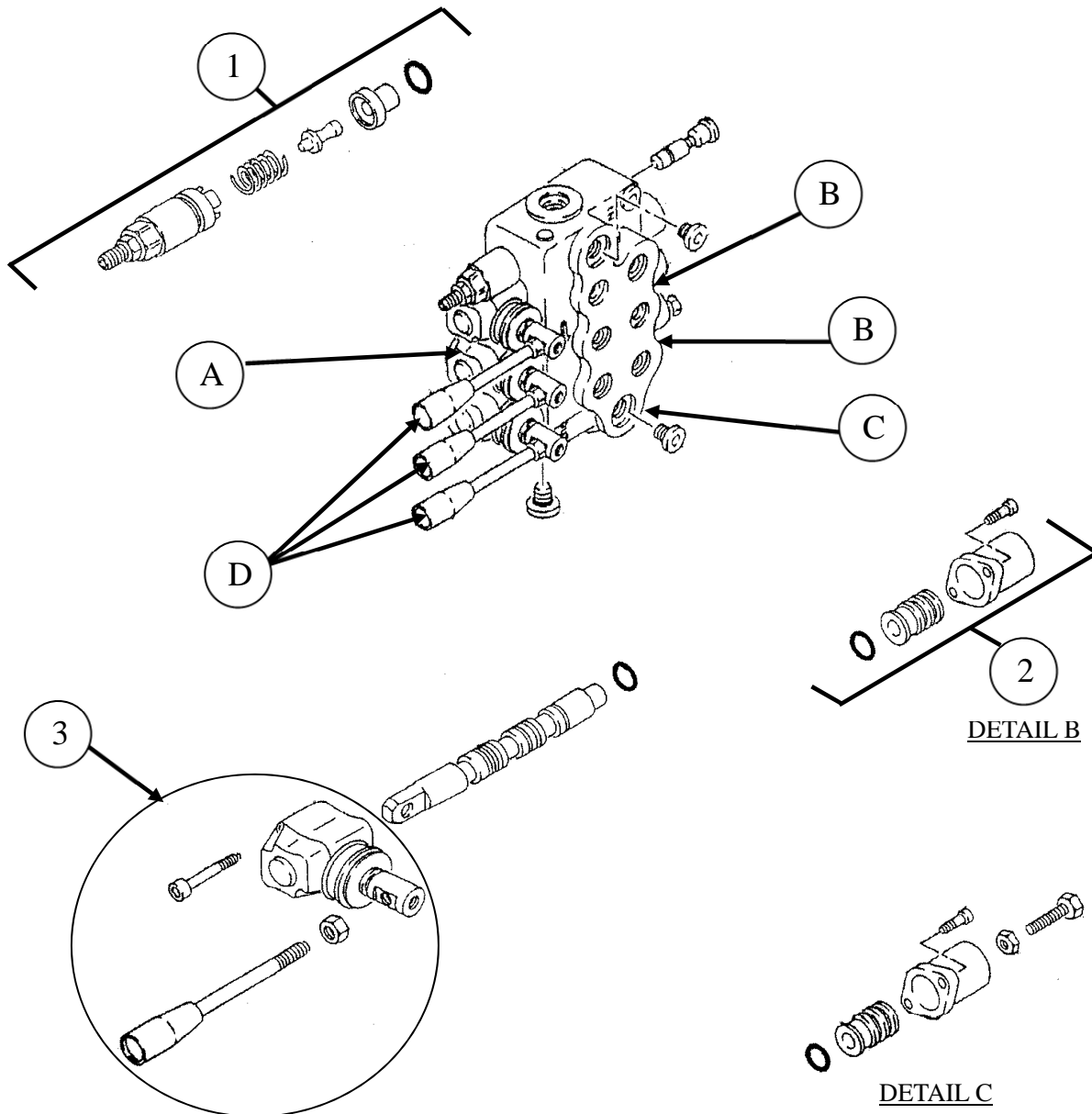


ID #	PART #	PART DESCRIPTION	QUANTITY	
	86334	HYD OUTRIGGER GROUP	REF	
1	85685	TUBE, HYD, OUTRIGGER - PAINTED	1	EA
2	85686	TUBE, HYD, OUTRIGGER - PAINTED	1	EA
3	85659-010	HOSE, 4M2T-6FJX-6FJX-33.00	4	EA
4	801902-020	TUBE CLAMP - 3/8 IN - HALF	4	EA
5		MJ-MJ90-6-6	2	EA
6	74471	VALVE, MAUNAL-3 SPOOL	1	EA
7	800083	FITTING, MINI CHECK (PORT)	1	EA
8	86750	ADAPTER, MB-FB-8-6	1	EA
9	86749	FITTING, MJ-FJX45-10-10	1	EA
10	86746	FITTING, 90° MB-MJ-90-8-10	2	EA
11	86748	FITTING, 90° MB-MJ90-6-6	3	EA
12	86747	FITTING, 90° MB-MJ90LL-6-6	3	EA
13	74471-B	BOOT, COVER	3	EA

OPTIONS

3 SPOOL CONTROL VALVE

DETAIL A



ID #	PART #	PART DESCRIPTION	QUANTITY	
1	85706	RELIEF, CARTRIDGE	1	EA
2	74469	DETENT KIT, #11 WALVOIL VALVE	A/R	EA
3	74471-020	VALVE ACTUATOR FOR 74471, 74585, 74584 VALVES	A/R	EA

OPTIONS

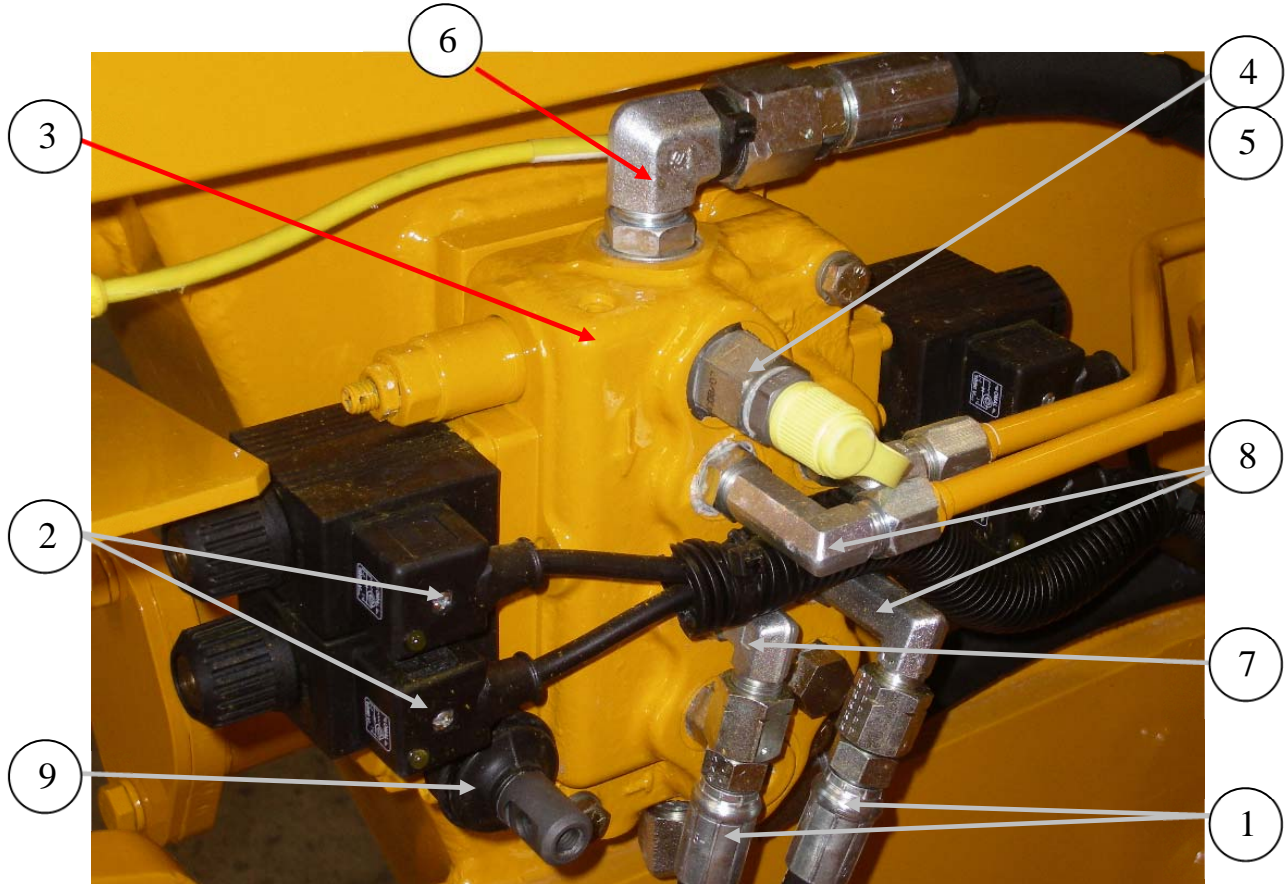
HYDRAULIC OUTRIGGER GROUP



ID #	PART #	PART DESCRIPTION	QUANTITY	
1	86574	HYD CYL – 2.00 BORE X 12.00 STR – PAINTED	2	EA
2	85659-010	HOSE, 4M2T-6FJX-6FJX-33.00	REF	EA
3	86728-008	FITTING, 90° MB-MJ90-8-6	4	EA

OPTIONS

ELECTRIC HYDRAULIC OUTRIGGER



ID #	PART #	PART DESCRIPTION	QUANTITY	
	88041-O	HYD OUTRIGGER ASSEMBLY, REMOTE	REF	EA
1	85659-010	HOSE, 4M2T-6FX-6JX-33.00	2	EA
2	87540	CABLE SOLENIOD VALVE, WITH DIN PLUG	4	EA
3	88026	VALVE, 3SPOOL, 2EA. VDC SPOOL	1	EA
4	800083	FITTING, MINI CHECK (PORT)	1	EA
5	86750	ADAPTER, MB-FB-8-6	1	EA
6	86749	FITTING, MJ-FJX45-10-10	1	EA
7	86748	FITTING, 90° MB-MJ90-6-6	3	EA
8	86747	FITTING.90° MB-MJ90LL-6-6	3	EA
9	74471-B	BOOT, COVER	3	EA

OPTIONS

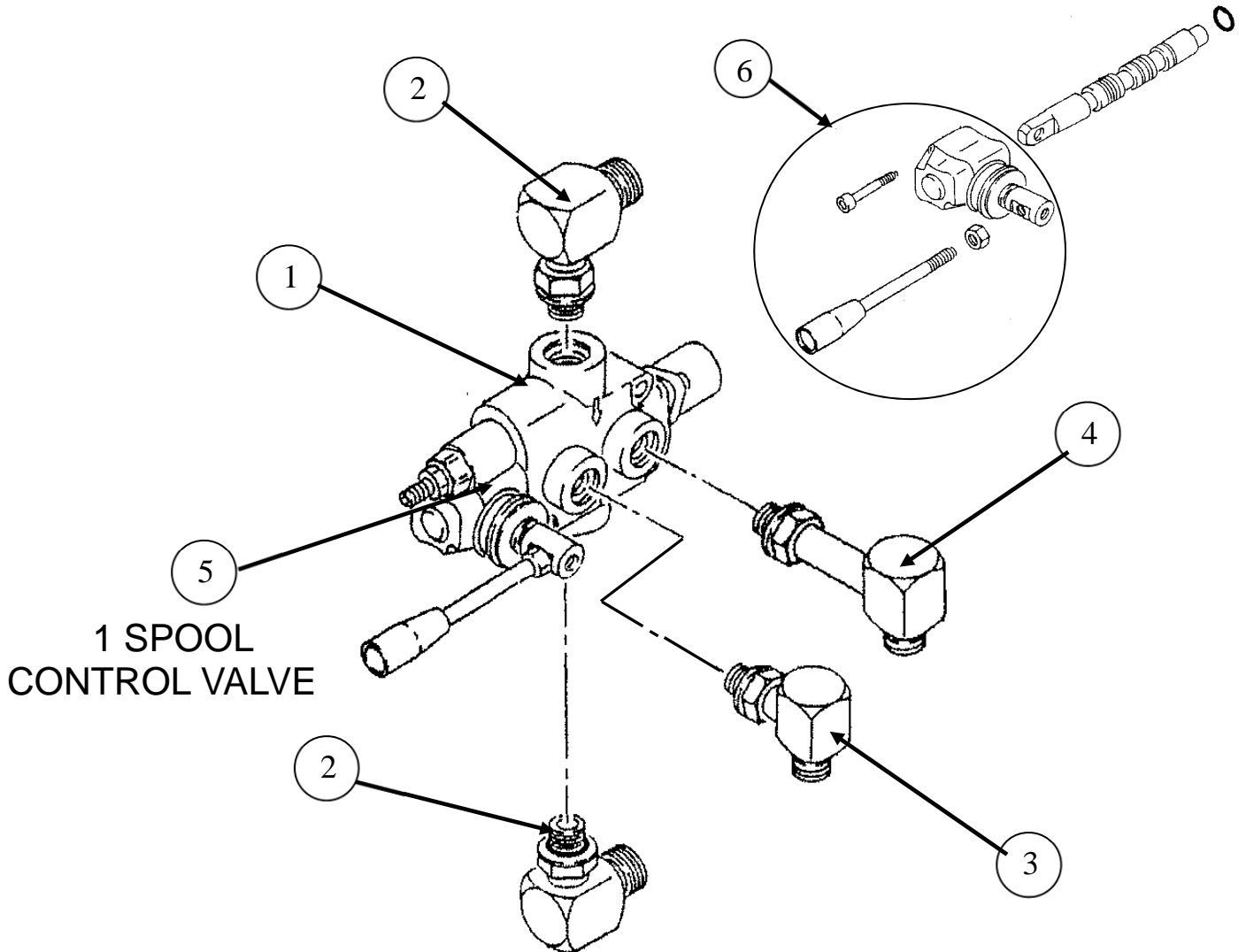
ELECTRIC HYDRAULIC OUTRIGGER CONTROLS



ID #	PART #	PART DESCRIPTION	QUANTITY	
1	801206	ENCLOSURE 6X3X3, FIBERGLASS	2	EA
2	88163	DECAL OUTRIGGER UP/DOWN	2	EA
3	BW10205	SWITCH, 3 POSITION MOM/SPDT	2	EA
4	BW10361	SW, SEALING BOOT	2	EA
5	88164-A	BRACKET OUTRIGGER CONTROL MOUNT	2	EA
6	73531	90° STRAIN RELIEF	4	EA
7	10528	NUT 1/2", BONDING TYPE LOCK	4	EA

OPTIONS

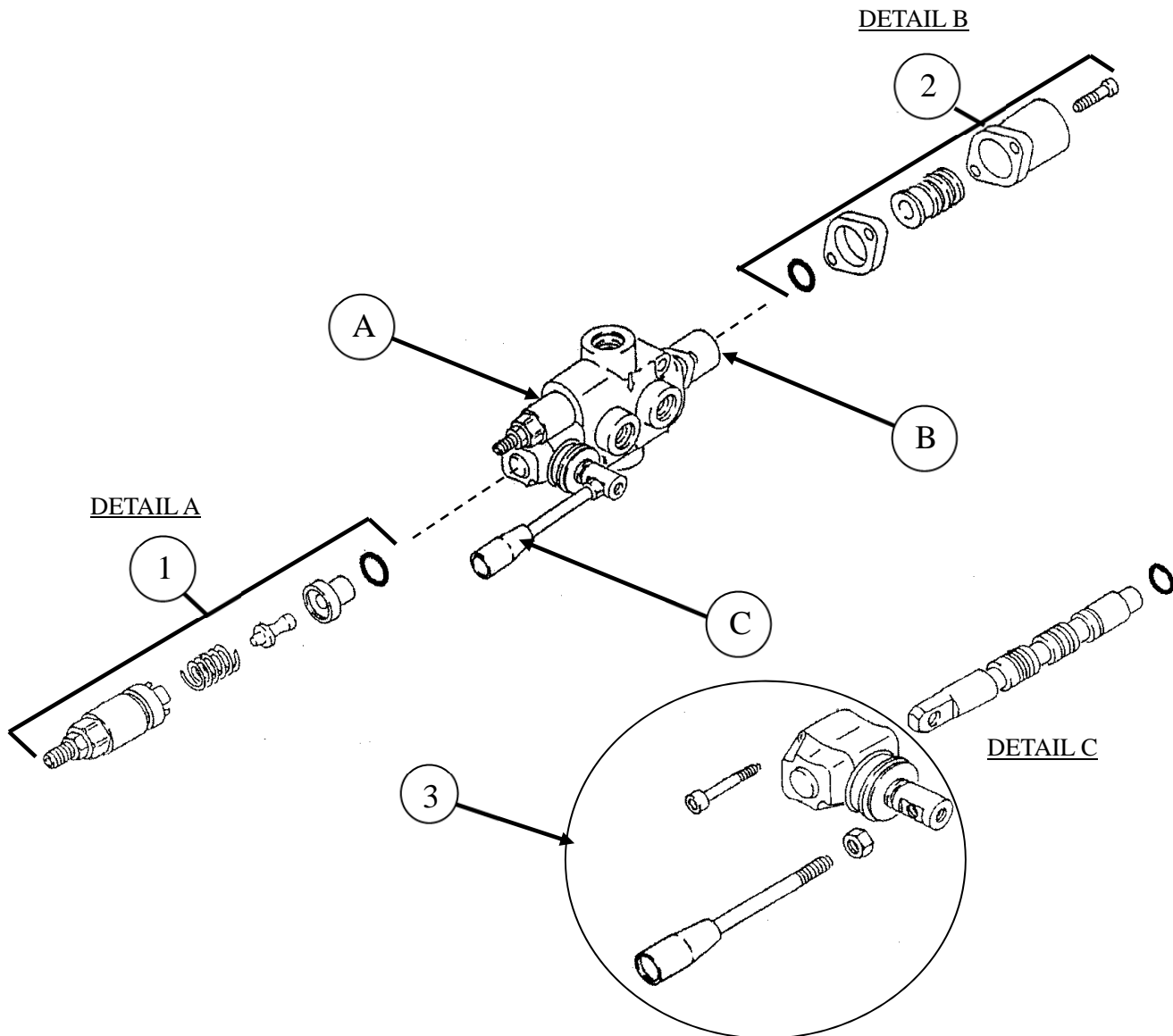
AGITATOR GROUP



ID #	PART #	PART DESCRIPTION	QUANTITY	
1	74584	VALVE, MAUNAL-1 SPOOL	1	EA
2	86746	FITTING, 90° MB-MJ-90-8-10	2	EA
3	86748	FITTING, 90° MB-MJ90-6-6	1	EA
4	86747	FITTING, 90° MB-MJ90LL-6-6	3	EA
5	74471-B	BOOT, COVER	1	EA
6	74471-020	VALVE ACTUATOR FOR 74471, 74585, 74584 VALVES	A/R	EA

OPTIONS

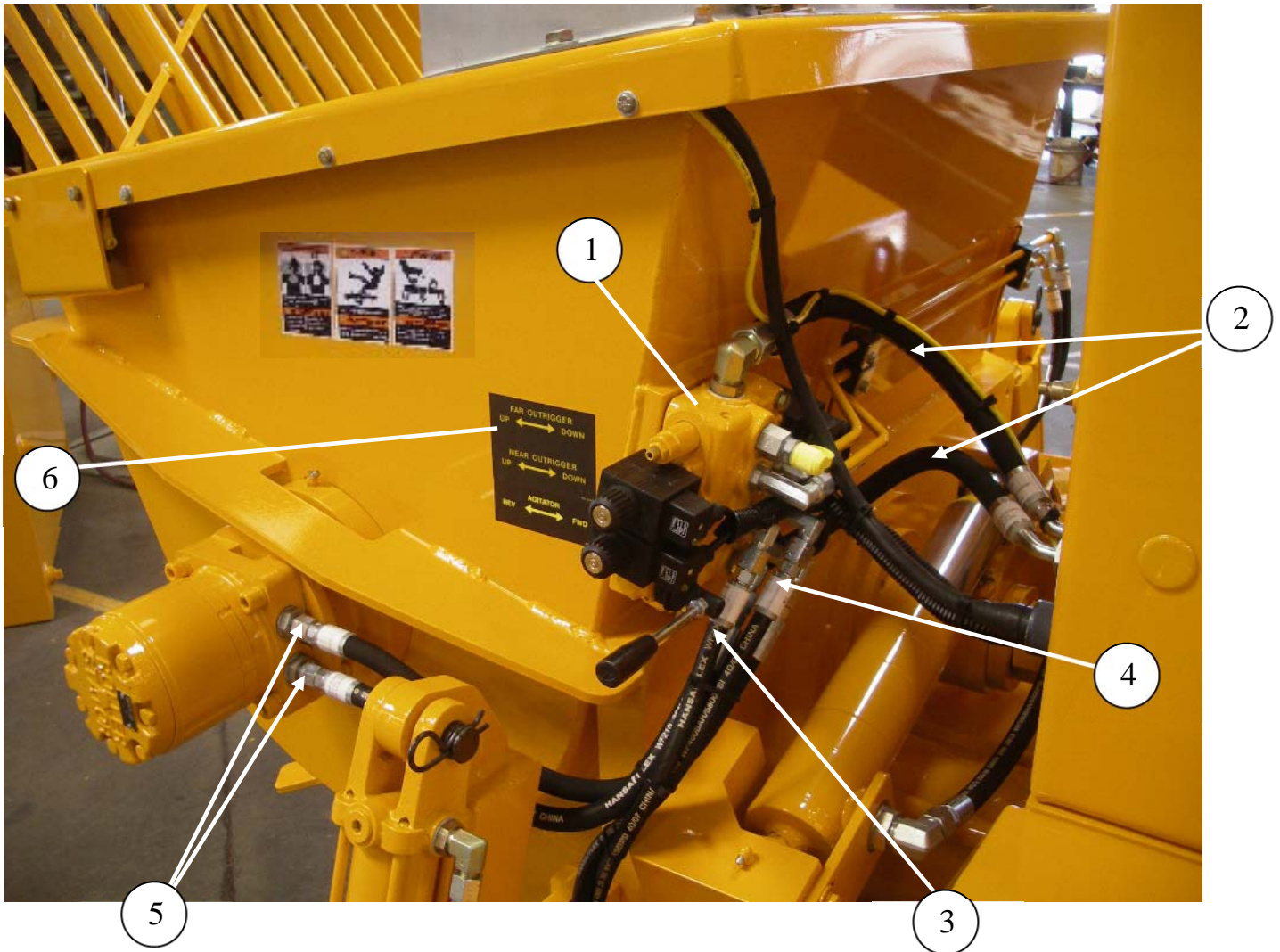
1 SPOOL AGITATOR VALVE



ID #	PART #	PART DESCRIPTION	QUANTITY	
1	85706	RELIEF, CARTRIDGE	1	EA
2	74469	DETENT KIT, #11 WALVOIL VALVE	A/R	EA
3	74471-020	VALVE ACTUATOR FOR 74471, 74585, 74584 VALVES	A/R	EA

OPTIONS

AGITATOR GROUP CONTINUED



ID #	PART #	PART DESCRIPTION	QUANTITY	
1	88026	VALVE, ELECTRIC-3 SPOOL VDC (OPTION SHOWN)	REF	EA
2	85657-016	HOSE, 8M2T-10FJX-10FJX45-20.00	2	EA
3	85658-011	HOSE, 6M2T-6FJX-6FJX-21.00	1	EA
4	85658-010	HOSE, 6M2T-6FJX-6FJX-20.00	1	EA
5		FITTING,MB-MJ-10-6	2	EA
6	85845	DECAL, OUTRIGGERS	2	EA

AVAILABLE OPTIONS

OUTRIGGER GROUP
HYD OUTRIGGER
OUTRIGGER/AGITATOR
ELECTRIC OUTRIGGER



AGITATOR GROUP
STD/PADDLE
OPTION/PADDLE
HYD/AGITATOR/SINGLE
HYD/AGITATOR/TRIPLE



RADIO REMOTE

50' CABLE REMOTE
W/STROKE
COUNTER



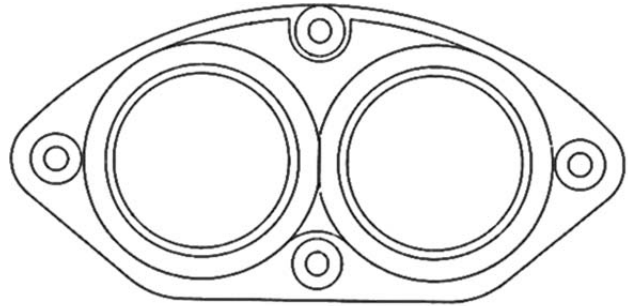
WIRLESS
REMOTE 900 MHZ
PNUT SYSTEM



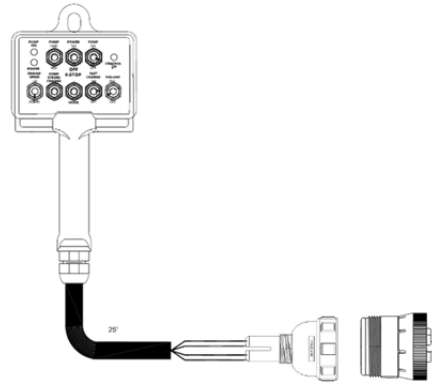
LIFTING KIT



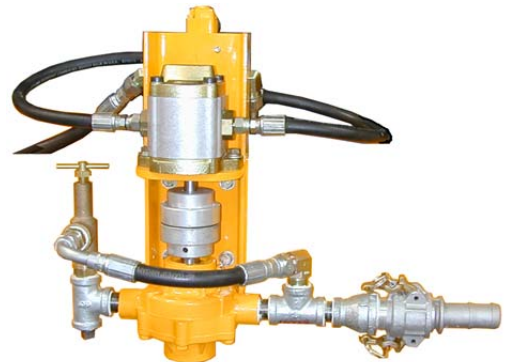
CARBIDE WEAR PARTS
WEAR RING/CARBIDE
WEAR PLATE/CARBIDE



REMOTE CONTROL, CABLE
KARTECH PLC 50FT



WATER PUMP WASH PUMP INSTALL
WASH PUMP ASSY



VIBRATOR
COUGAR
VIBCO



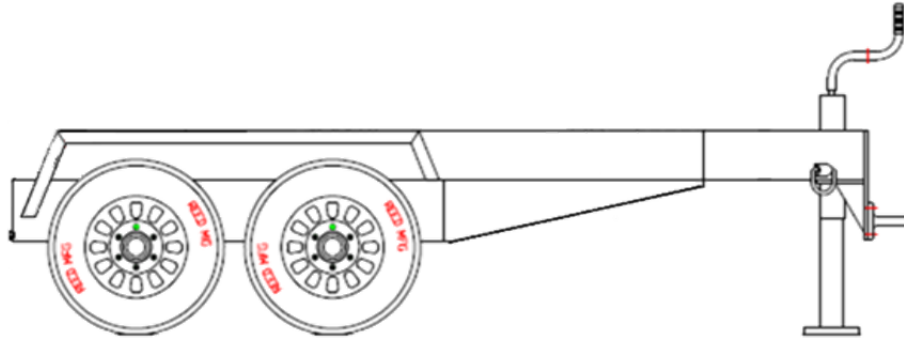


B70HPSD PLC

PARTS

13822 Oaks Avenue
Chino, CA 91710
reedpumps.com
(909) 287 - 2100

DUAL AXLE



TIRE & WHEEL ALUMINUM 9000 LB



AUTO LUBE
STEEL TUBING 12 PORT
PLASTIC TUBING 12 PORT

MANUAL LUBE BLOCK



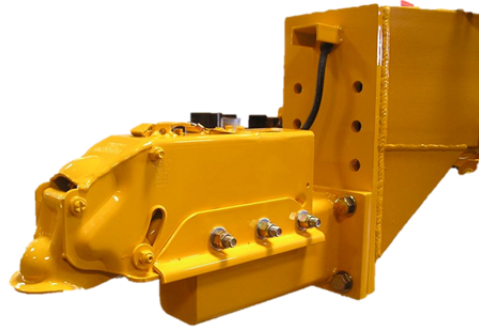


B70HPSD PLC

PARTS

13822 Oaks Avenue
Chino, CA 91710
reedpumps.com
(909) 287 - 2100

SURGE BRAKE ASSY 9000LB
2" BALL



3" PINTLE



HITCH BALL
2"
2 5/16"

